

**SONY**

---

VIDEOCASSETTE RECORDER

**UVW-1800**

VIDEOCASSETTE PLAYER

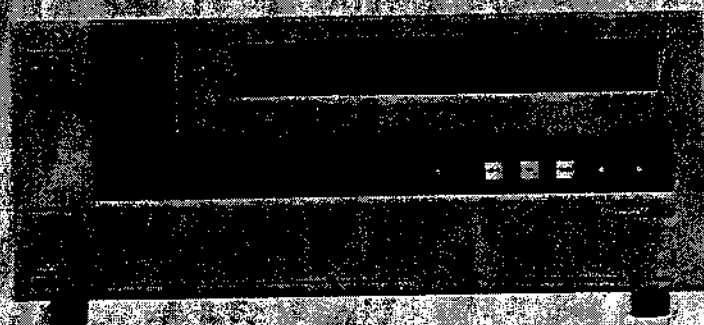
**UVW-1600**

---

**SERVICE MANUAL**

Vol.2 1st Edition

---



**BETACAM SP**

---

## For customers in the USA

### WARNING

This equipment has been tested and found to comply with the limits for a Class A digital device, pursuant to Part 15 of the FCC Rules. These limits are designed to provide reasonable protection against harmful interference when the equipment is operated in a commercial environment.

This equipment generates, uses, and can radiate radio frequency energy and, if not installed and used in accordance with the instruction manual, may cause harmful interference to radio communications. Operation of this equipment in a residential area is likely to cause harmful interference in which case the user will be required to correct the interference at his own expense.

You are cautioned that any changes or modifications not expressly approved in this manual could void your authority to operate this equipment.

The shielded interface cable recommended in this manual must be used with this equipment in order to comply with the limits for a digital device pursuant to Subpart B of Part 15 of FCC Rules.



This symbol is intended to alert the user to the presence of important operating and maintenance (servicing) instructions in the literature accompanying the appliance.

**WARNING:** Using this unit at a voltage other than 120 V may require the use of a different line cord or attachment plug, or both.  
To reduce the risk of fire or electric shock, refer servicing to qualified service personnel.

## For customers in Canada

This apparatus complies with the Class A limits for radio noise emissions set out in Radio Interference Regulations.

## Pour les utilisateurs au Canada

Cet appareil est conforme aux normes Classe A pour bruits radioélectriques, spécifiées dans le Règlement sur le brouillage radioélectrique.

このマニュアルに記載されている事柄の著作権は当社にあり、説明内容は機器購入者の使用を目的としています。従って、当社の許可なしに無断で複製したり、説明内容(操作、保守等)と異なる目的で本マニュアルを使用することを禁止します。

The material contained in this manual consists of information that is the property of Sony Corporation and is intended solely for use by the purchasers of the equipment described in this manual.

Sony Corporation expressly prohibits the duplication of any portion of this manual or the use thereof for any purpose other than the operation or maintenance of the equipment described in this manual without the express written permission of Sony Corporation.

Le matériel contenu dans ce manuel consiste en informations qui sont la propriété de Sony Corporation et sont destinées exclusivement à l'usage des acquéreurs de l'équipement décrit dans ce manuel.

Sony Corporation interdit formellement la copie de quelque partie que ce soit de ce manuel ou son emploi pour tout autre but que des opérations ou entretiens de l'équipement à moins d'une permission écrite de Sony Corporation.

Das in dieser Anleitung enthaltene Material besteht aus Informationen, die Eigentum der Sony Corporation sind, und ausschließlich zum Gebrauch durch den Käufer der in dieser Anleitung beschriebenen Ausrüstung bestimmt sind.

Die Sony Corporation untersagt ausdrücklich die Vervielfältigung jeglicher Teile dieser Anleitung oder den Gebrauch derselben für irgendeinen anderen Zweck als die Bedienung oder Wartung der in dieser Anleitung beschriebenen Ausrüstung ohne ausdrückliche schriftliche Erlaubnis der Sony Corporation.

## このマニュアルについて

本書は、カセットレコーダ UVW-1800 およびカセットプレーヤ UVW-1600 のサービスマニュアル VOL. 2 です。  
本書では、ブロックダイアグラム、マウント図、回路図、パーツリストを記載しています。

## 構成

本書の構成を把握していただくために、全章の概略を以下に説明します。

- 第14章 BLOCK DIAGRAMS
- 第15章 BOARD LAYOUTS
- 第16章 SCHEMATIC DIAGRAMS
- 第17章 SEMICONDUCTOR PIN ASSIGNMENTS
- 第18章 SPARE PARTS AND OPTIONAL FIXTURES

## Introducing this manual

This manual is the Service Manual Vol. 2 of the video cassette recorder model UVW-1800 and the video cassette player model UVW-1600.  
This manual contains block diagrams, board layouts, schematic diagrams, parts lists.

## Contains

The sections covered in the manual are summarized below to give you a general understanding of the manual.

- Section 14 BLOCK DIAGRAMS
- Section 15 BOARD LAYOUTS
- Section 16 SCHEMATIC DIAGRAMS
- Section 17 SEMICONDUCTOR PIN ASSIGNMENTS
- Section 18 SPARE PARTS AND OPTIONAL FIXTURES

## 関連マニュアル

本機には、この「サービスマニュアル VOL. 2」の他に、下記のマニュアルが用意されています。

- **オペレーションマニュアル (本機に付属しています)**

本機を実際に運用および操作するのに必要な情報を記載しています。

- **インストレーションマニュアル (本機に付属していません)**

本機の設置時に必要なラックマウント、周辺機器との接続の際のコネクター情報等を記載しています。

- **サービスマニュアル vol.1 (本機に付属していません)**

本機の保守に関する情報と、部品交換および調整などのサービスに関する情報を記載しています。

## Related manuals

In addition to this Service Manual Vol. 2, the following manuals are provided.

- **Operation Manual (Supplied with equipment)**

Explains how to operate this equipment.

- **Installation Manual (Not supplied with equipment)**

Contains rack mount information necessary for installation of the equipment, the connector information necessary for connecting the unit with peripherals and others.

- **Service Manual Vol. 1 (Not supplied with equipment)**

Contains the maintenance information and servicing information necessary for parts replacement and adjustment.



**目次**  
**TABLE OF CONTENTS**

**Volume 1**

- 1. OPERATING INSTRUCTION**
- 2. INSTALLATION**
- 3. SERVICE OVERVIEW**
- 4. MAINTENANCE MENU**
- 5. PERIODIC MAINTENANCE AND INSPECTION**
- 6. REPLACEMENT OF MECHANICAL PARTS**
- 7. TAPE PATH ALIGNMENT**
- 8. ELECTRICAL ALIGNMENT OVERVIEW**
- 9. POWER SUPPLY AND SYSTEM CONTROL  
ALIGNMENT**
- 10. SERVO ALIGNMENT**
- 11. AUDIO/TIMECODE ALIGNMENT**
- 12. VIDEO ALIGNMENT**
- 13. ELECTRICAL ALIGNMENT AFTER  
REPLACEMENT BOARDS**

## 14. BLOCK DIAGRAMS

Overall (1/2) .....	14-1
Overall (2/2) .....	14-2
Y/C Rec Process (Decode, Mod.), CTDM .....	14-4
RF REC/PB Amplifier, Rotary .....	14-6
Erase Oscillator .....	14-6
PB RF EQ, Demodulator .....	14-8
Encode, Output Driver .....	14-10
Time Base Corrector, CTDM (Expand) .....	14-12
Time Base Corrector .....	14-14
Audio PB, In/Out, LTC PB .....	14-17
Audio Erase/Bias Osc, Mode Control, LTC REC, Crosstalk Cancel .....	14-18
System Control .....	14-20
Servo (1) .....	14-22
Servo (2) .....	14-23

## 15. BOARD LAYOUTS

AP-31 .....	15-4
AP-31A .....	15-6
AR-14 .....	15-8
CP-225 .....	15-10
CP-225A .....	15-12
CP-226 .....	15-14
CP-226J .....	
CP-226A .....	
CP-226AJ .....	
CP-237 .....	15-16
CP-237A .....	
DR-214 .....	15-18
KY-249 .....	15-20
KY-249A .....	15-22
MS-39 .....	15-24
MS-39A .....	
RP-70 .....	15-26
RP-70A .....	15-28
SS-53 .....	15-30
TBC-25 .....	15-34
VP-43 .....	15-38
VP-43A .....	
VRA-5 .....	15-42
FRAME (1) .....	15-46
CL-25 .....	
HP-61 .....	
HP-61A .....	
PC-62 .....	
PD-35 .....	
FRAME (2) .....	15-48
PTC-66 .....	
PTC-67 .....	
PTC-68 .....	
RM-126 .....	
RM-127 .....	
SE-207 .....	
TR-84 .....	
VR-155 .....	

SOPS-1045AC .....	15-50
SOPS-1045M .....	
MB-470 .....	15-52
MB-470A .....	15-56
MB-471 .....	15-60
MB-471A .....	15-62

## 16. SCHEMATIC DIAGRAMS

AP-31 (1/3) .....	16-4
AP-31 (2/3) .....	16-8
AP-31 (3/3) .....	16-12
AP-31A (1/3) .....	16-16
AP-31A (2/3) .....	16-20
AP-31A (3/3) .....	16-24
AR-14 (1/4) .....	16-28
AR-14 (2/4) .....	16-32
AR-14 (3/4) .....	16-36
AR-14 (4/4) .....	16-40
CP-225/A .....	16-43
CP-226/A .....	16-45
DR-214 (1/2) .....	16-48
DR-214 (2/2) .....	16-52
KY-249 .....	16-56
KY-249A .....	16-60
MS-39/A .....	16-64
RP-70/A (1/2) .....	16-68
RP-70/A (2/2) .....	16-72
SS-53 (1/4) .....	16-76
SS-53 (2/4) .....	16-80
SS-53 (3/4) .....	16-84
SS-53 (4/4) .....	16-88
TBC-25 (1/4) .....	16-92
TBC-25 (2/4) .....	16-96
TBC-25 (3/4) .....	16-100
TBC-25 (4/4) .....	16-104
VP-43/A (1/7) .....	16-108
VP-43/A (2/7) .....	16-112
VP-43/A (3/7) .....	16-116
VP-43/A (4/7) .....	16-120
VP-43/A (5/7) .....	16-124
VP-43/A (6/7) .....	16-128
VP-43/A (7/7) .....	16-132
VRA-5 (1/4) .....	16-136
VRA-5 (2/4) .....	16-140
VRA-5 (3/4) .....	16-144
VRA-5 (4/4) .....	16-148
SOPS-1045AC .....	16-151
SOPS-1045M .....	
MB-470/A (1/4) .....	16-153
MB-470/A (2/4) .....	16-155
MB-470/A (3/4) .....	16-157
MB-470/A (4/4) .....	16-159
MB-471/A (1/2) .....	16-161
MB-471/A (2/2) .....	16-163

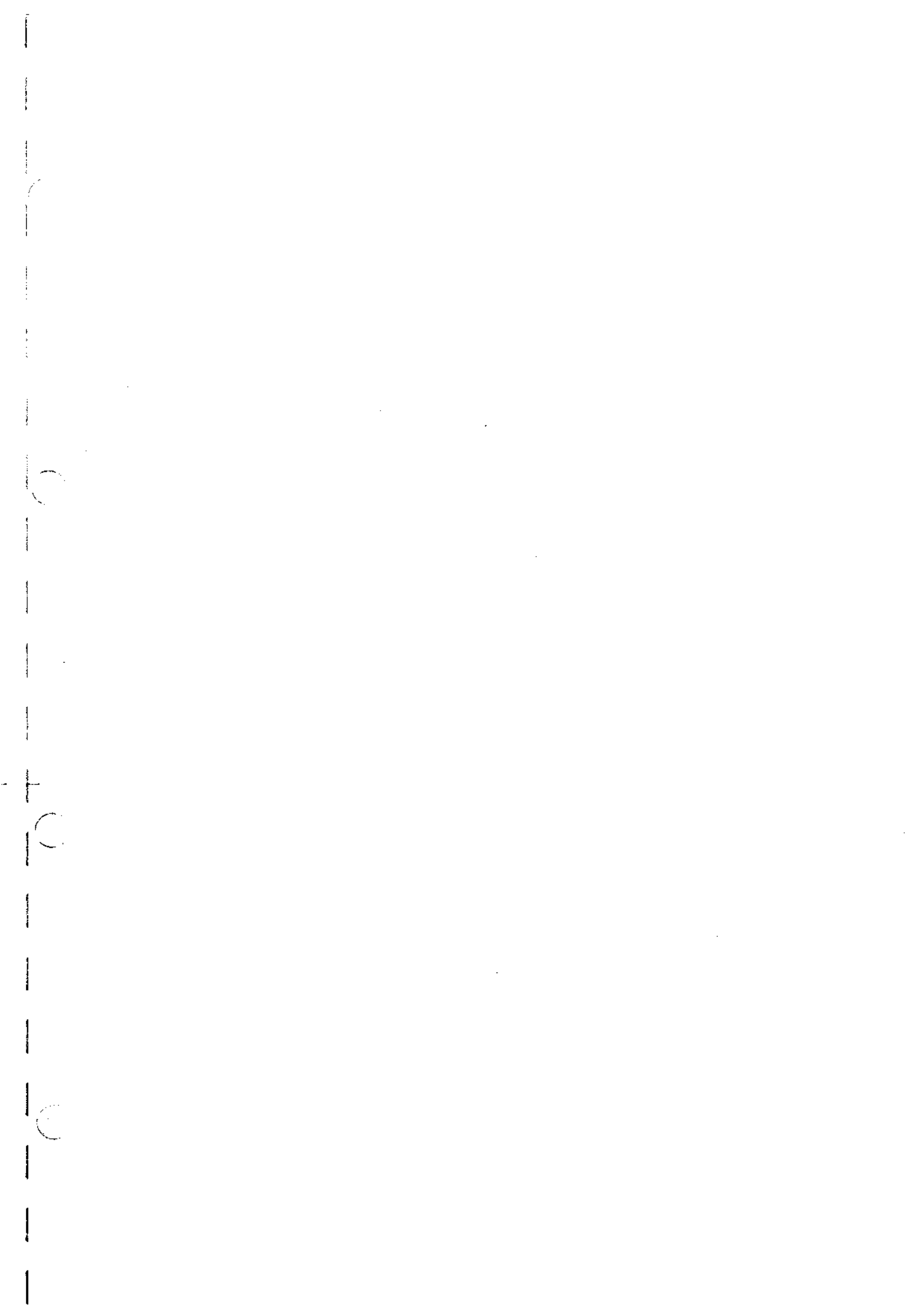
FRAME (1/2) .....	16-165
CL-25 .....	
DUS-355 .....	
PD-35 .....	
PTC-66 .....	
PTC-67 .....	
PTC-68 .....	
RM-126 .....	
RM-127 .....	
SE-207 .....	
TR-84 .....	
FRAME (2/2) .....	16-167
CP-237 .....	
CP-237A .....	
HP-61 .....	
HP-61A .....	
VR-155 .....	

**17. SEMICONDUCTOR PIN ASSIGNMENTS**

**18. SPARE PARTS AND OPTIONAL FIXTURES**

18-1. Notes on Spare Parts .....	18-1
18-2. Exploded Views .....	18-2
Reel Chassis (1) .....	18-4
Loading Ring .....	18-6
Reel Chassis (2) .....	18-8
Drum & Tension Regulator Assembly .....	18-10
DR-214 Board Assembly .....	18-12
Press Assy, Pinch .....	18-14
Cassette Compartment Assembly .....	18-16
Chassis & Ornamental Panel Block .....	18-18
Card Rack Block (1) .....	18-20
Card Rack Block (2) .....	18-22
Chassis Block .....	18-24
Connector Panel Block .....	18-26
18-3. Electrical Parts Lists .....	18-29
18-4. Packing Materials & Accessories .....	18-103
18-5. Optional Fixtures .....	18-103







C

D

E

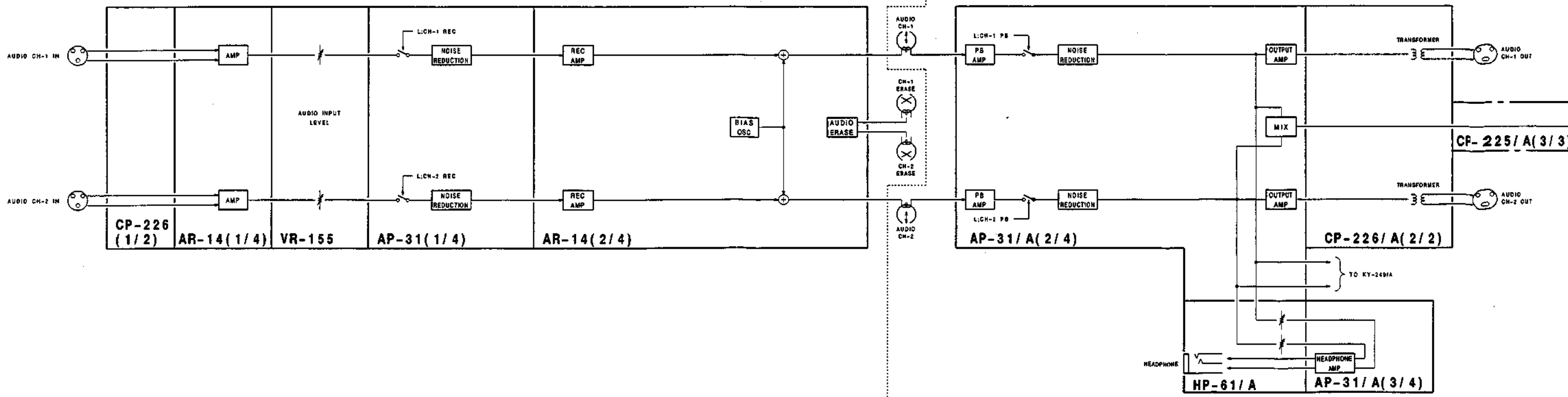
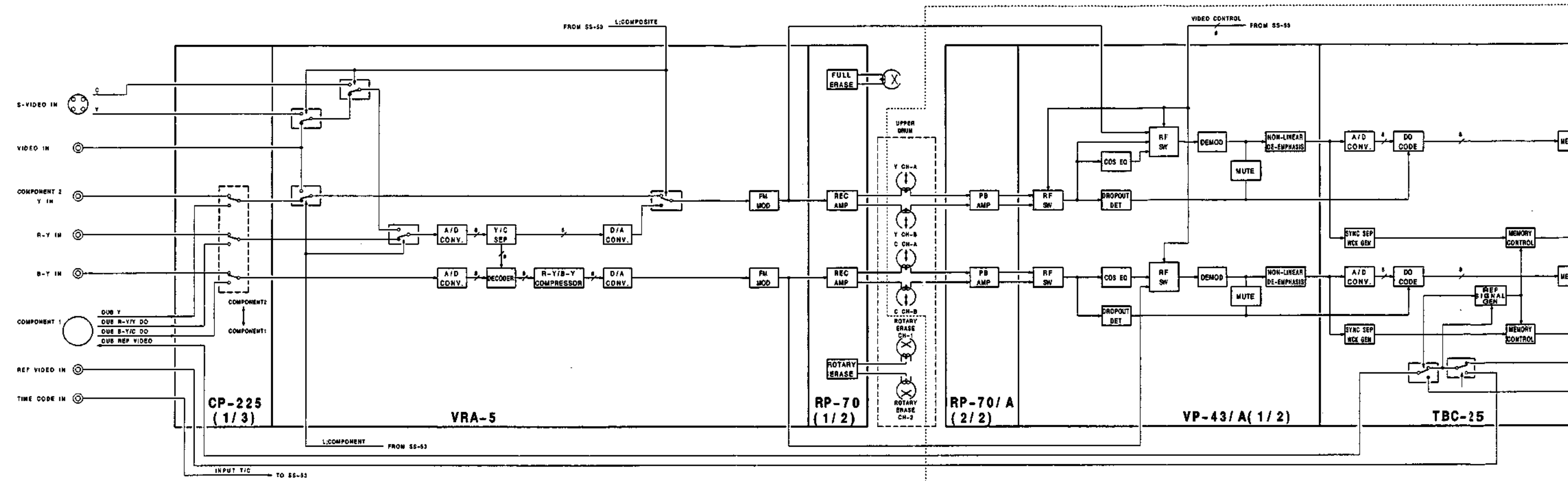
F

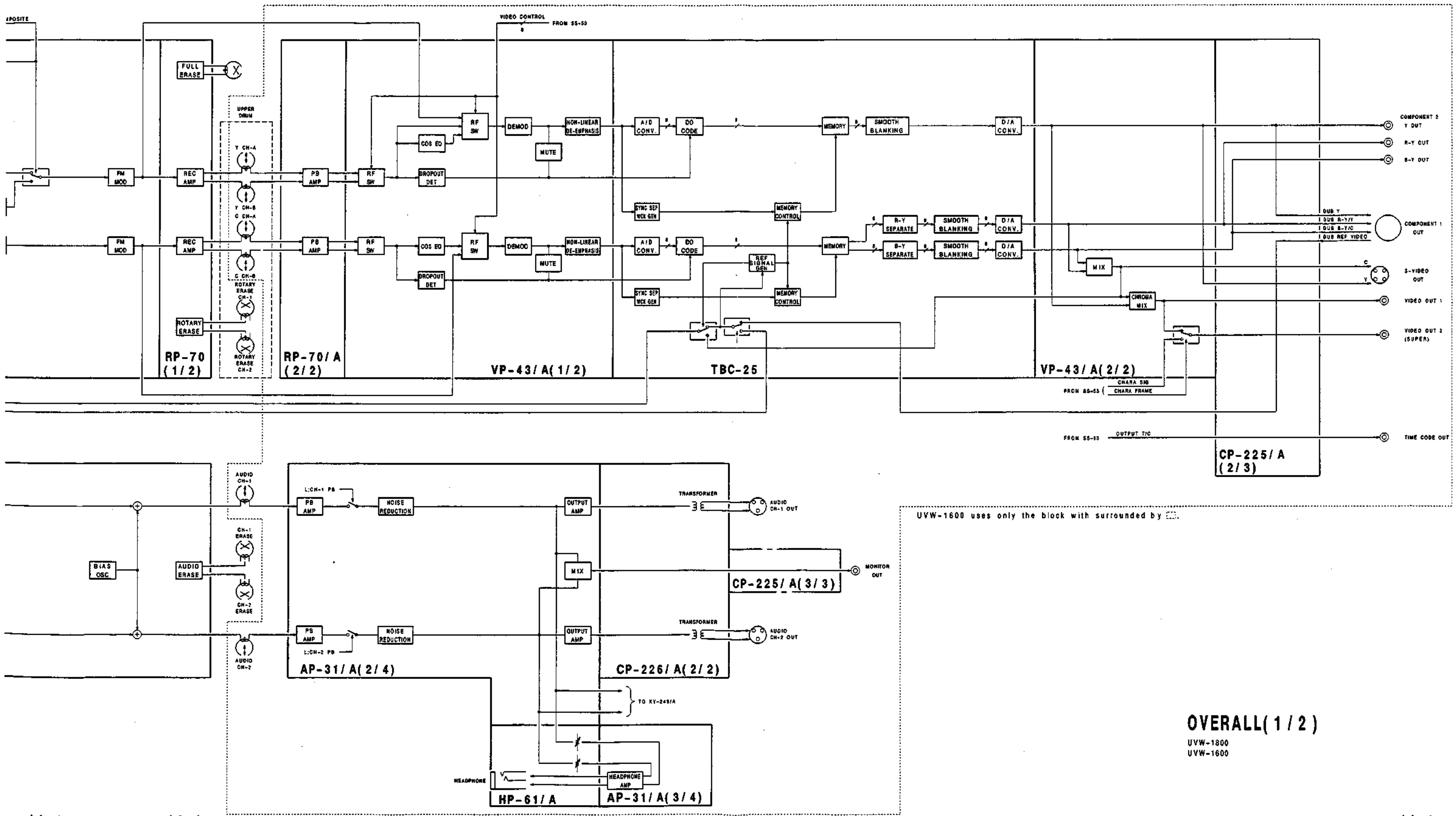
G

H

SECTION 14  
BLOCK DIAGRAMS

OVERALL (1/2)



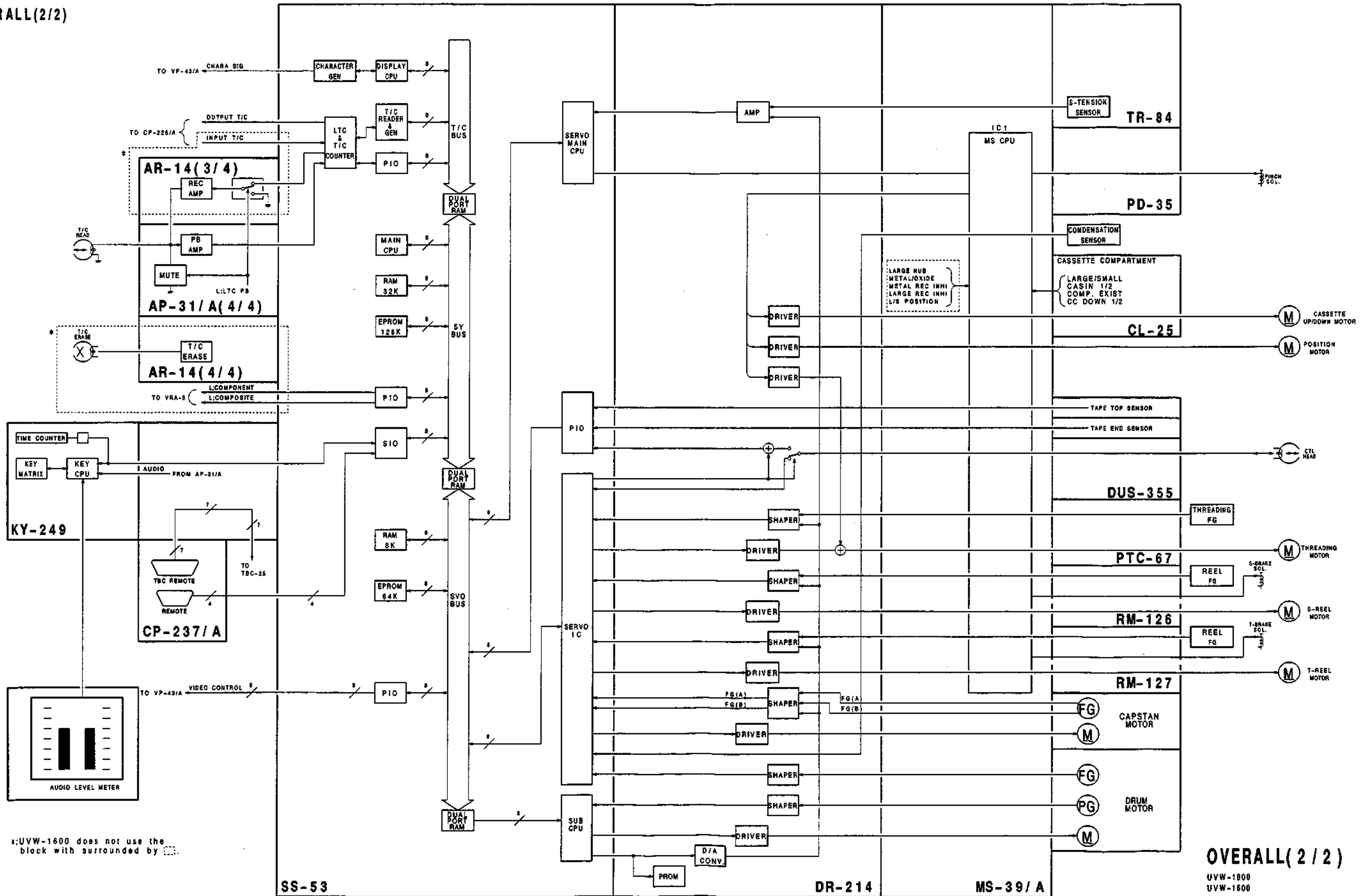


UVW-1600 uses only the block with surrounded by [ ]

OVERALL(1/2)

UVW-1800  
UVW-1600

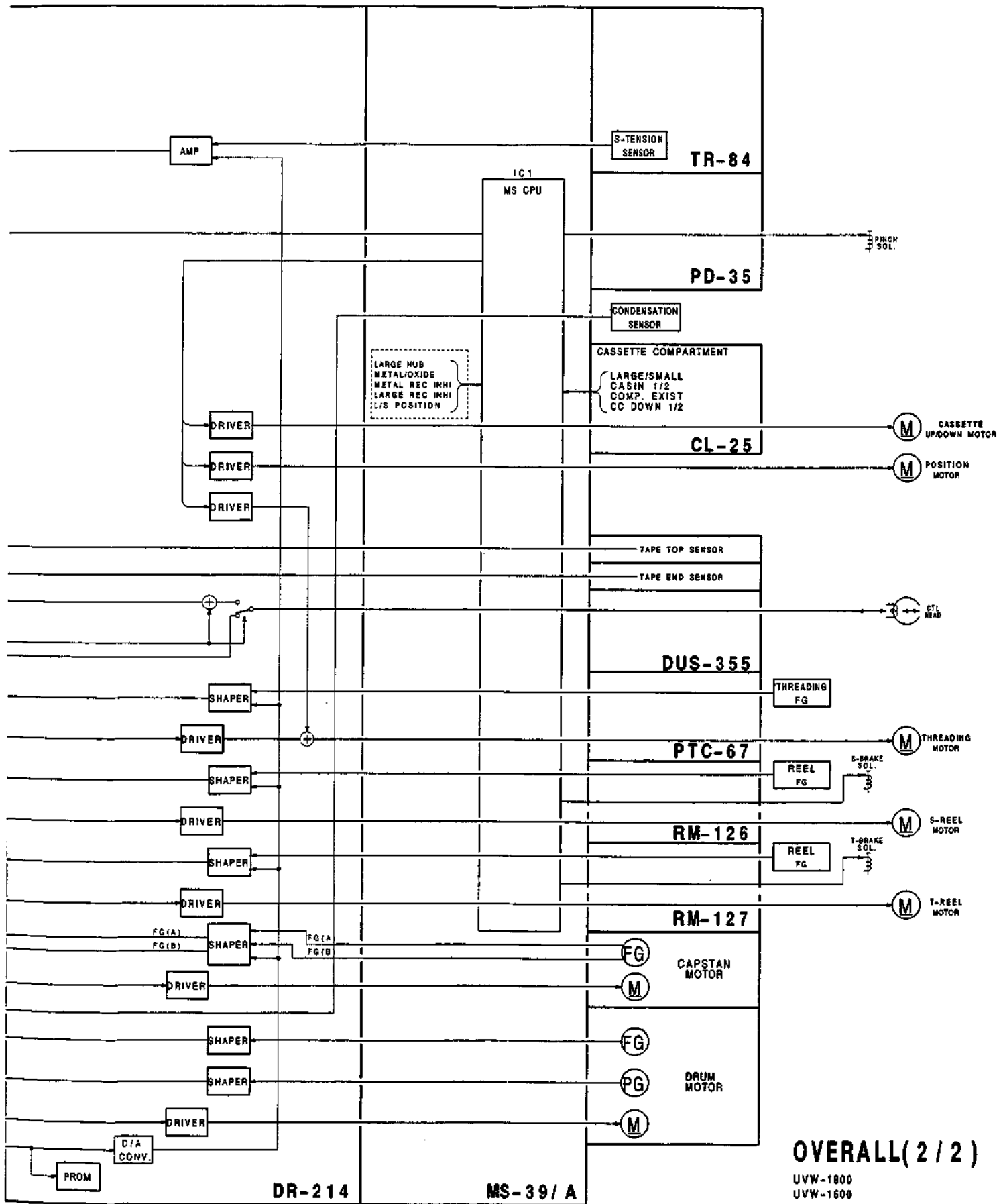
OVERALL(2/2)



\*:UVW-1600 does not use the block with surrounded by [ ]

OVERALL(2/2)

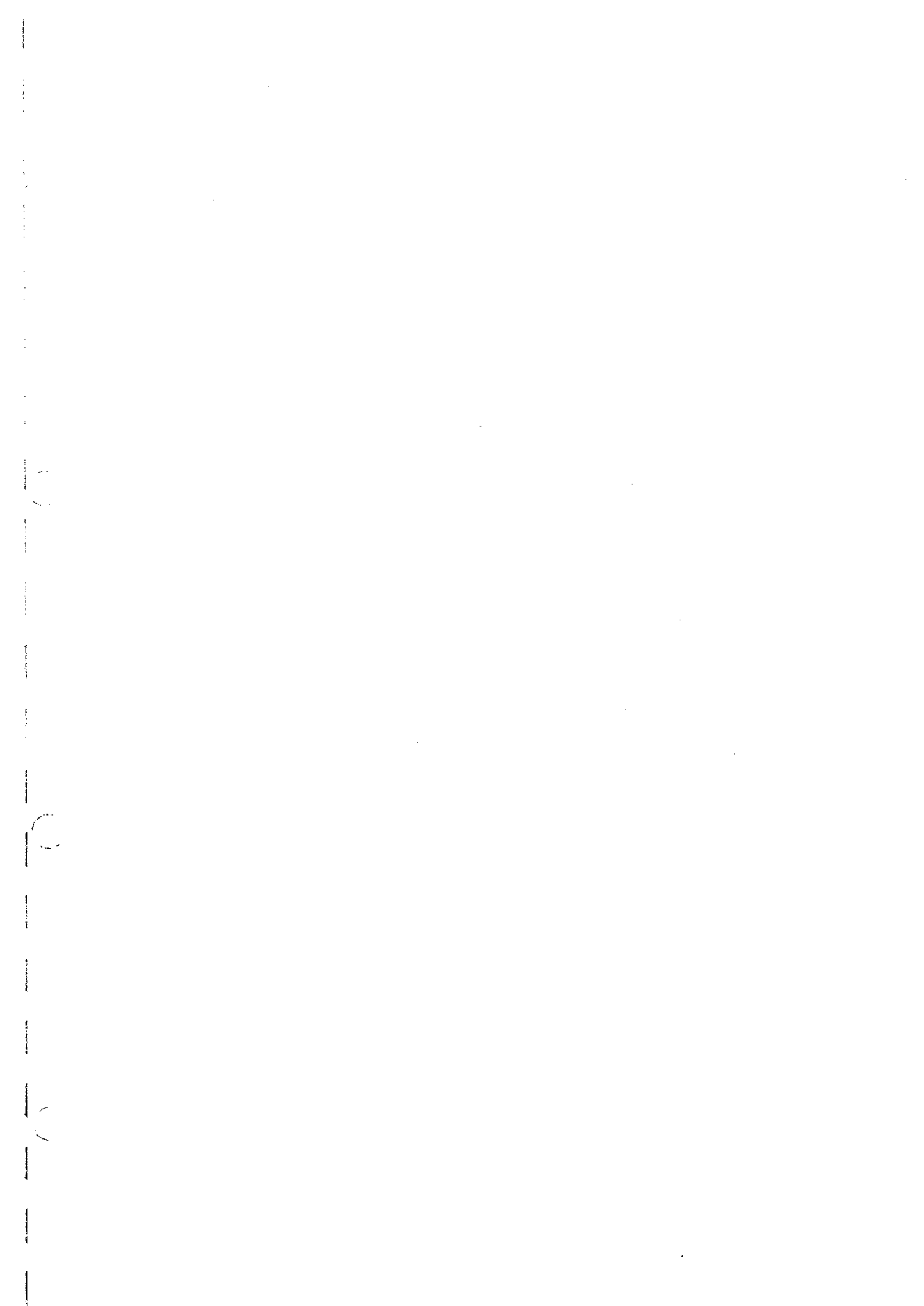
UVW-1800  
UVW-1600



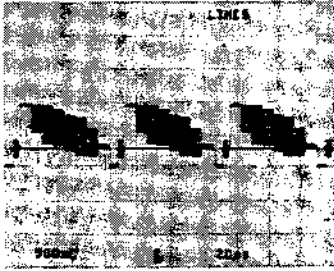
OVERALL(2/2)

UVW-1800  
UVW-1600

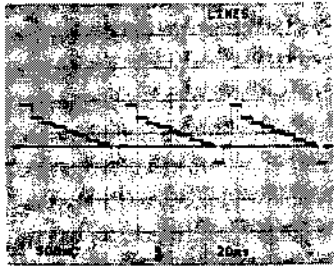




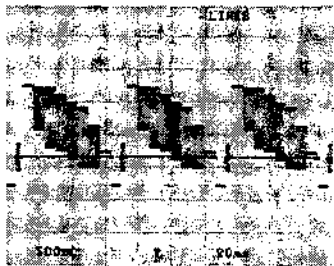
① TP101 REC/EE  
(COMPOSITE)



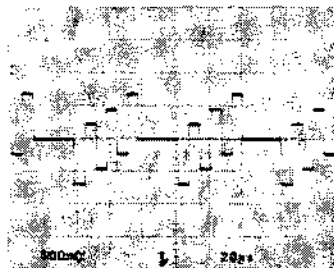
① TP101 REC/EE  
(COMPONENT)



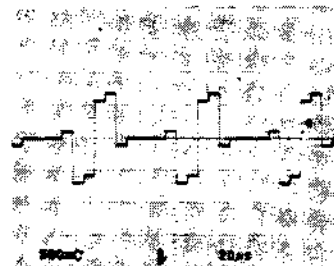
② TP201 REC/EE  
(COMPOSITE)



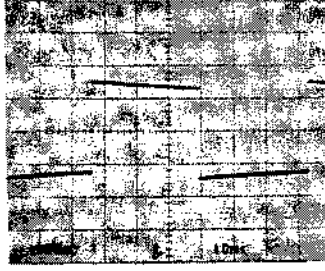
② TP201 REC/EE  
(COMPONENT)



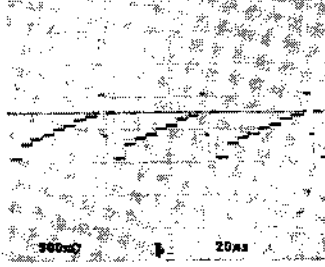
③ TP202 REC/EE  
(COMPONENT)



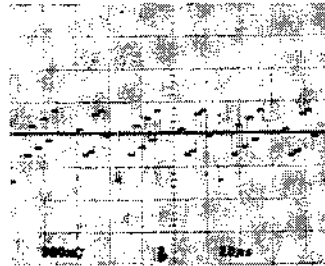
④ TP305 REC/EE



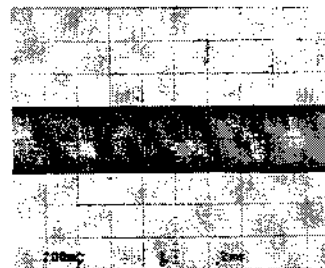
⑤ TP502 REC/EE



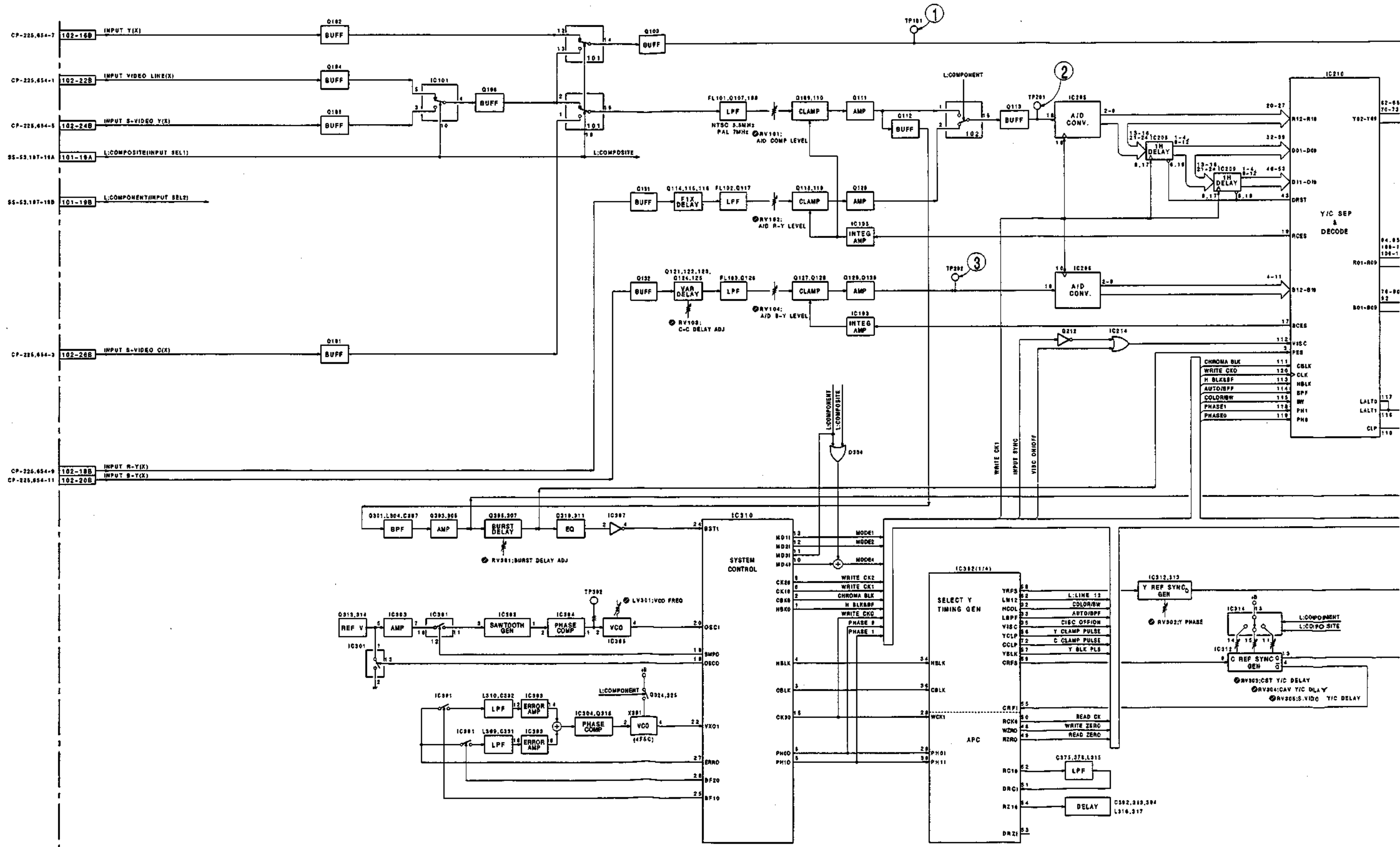
⑥ TP602 REC/EE



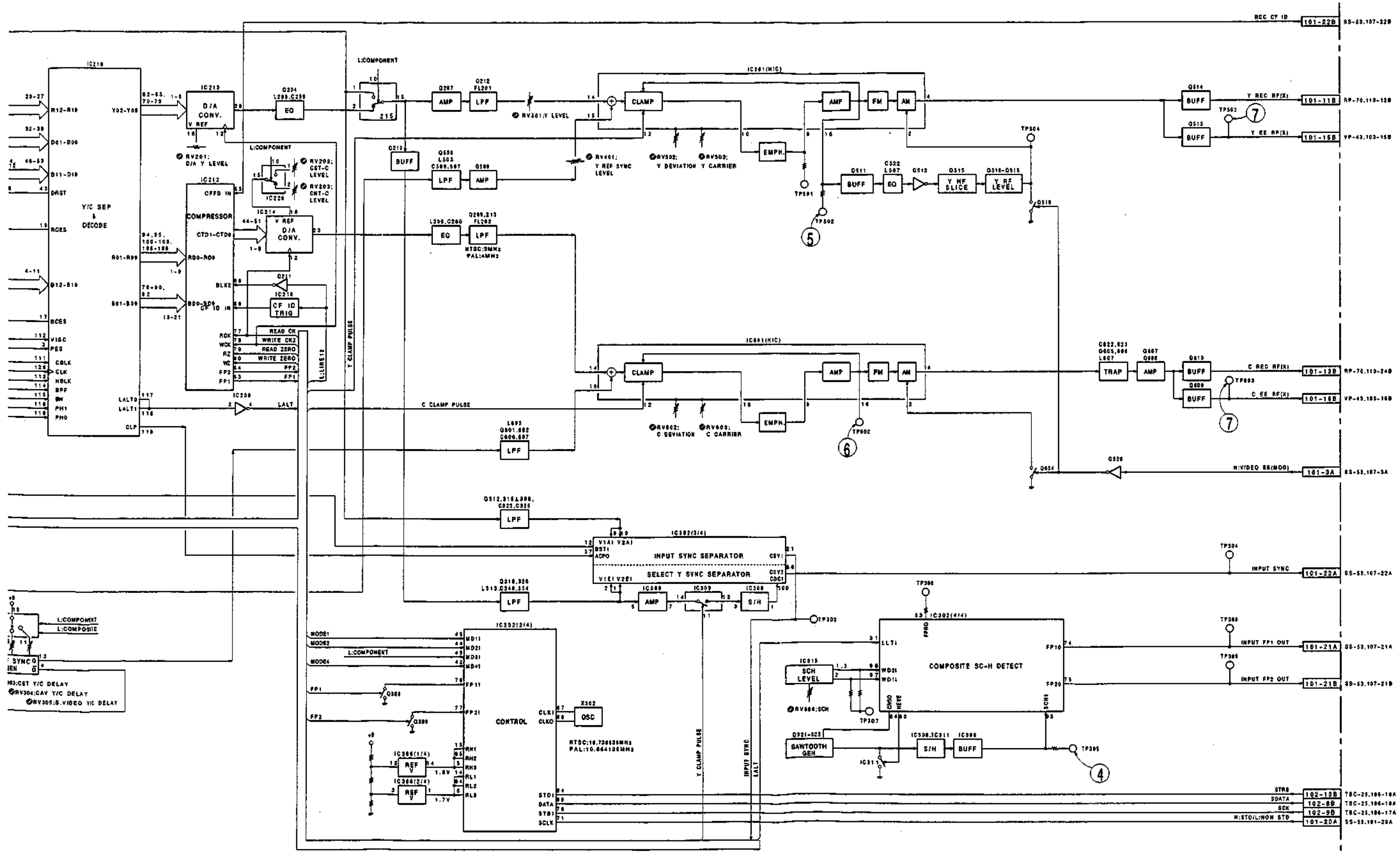
⑦ TP503 REC/EE  
TP603 REC/EE



Y/C REC PROCESS(Decode,MOD.),CTDM



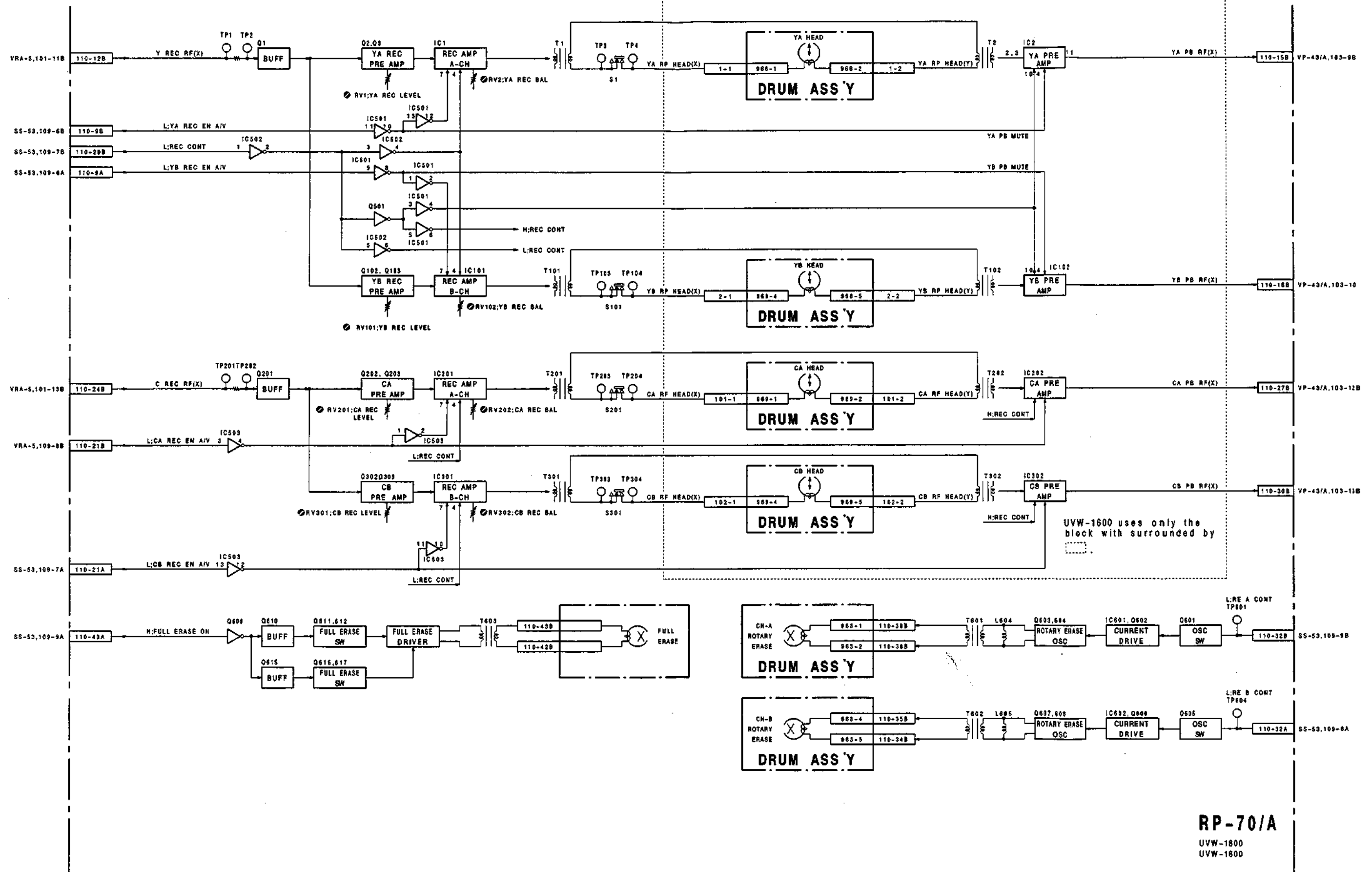
CTDM,DEC DEC,CTDM



M3:G1 YIC DELAY  
 RV304:GAV YIC DELAY  
 RV305:V-VIDEO YIC DELAY

RF RF

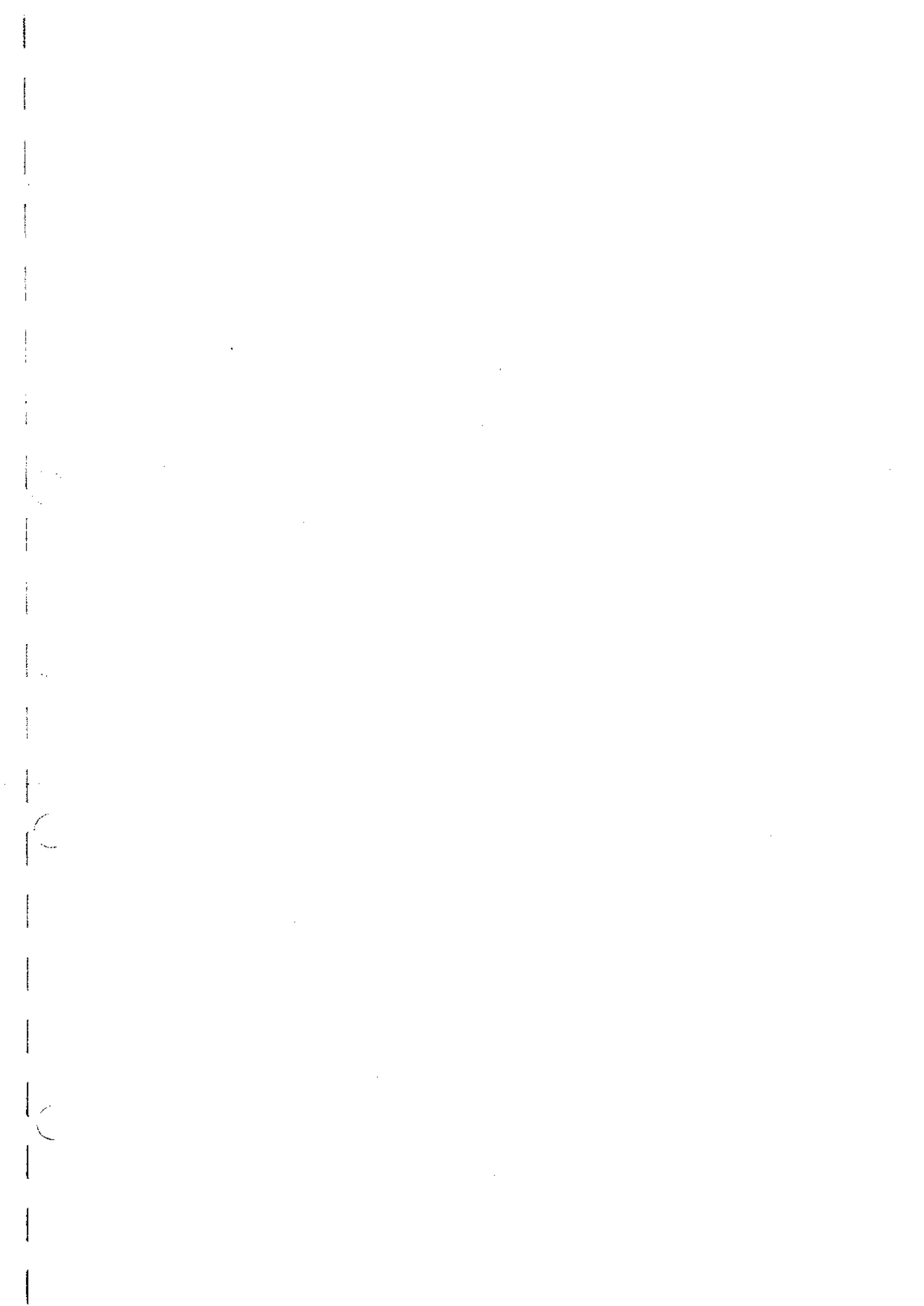
RF REC/PB AMPLIFIER, ROTARY ERASE OSCILLATOR



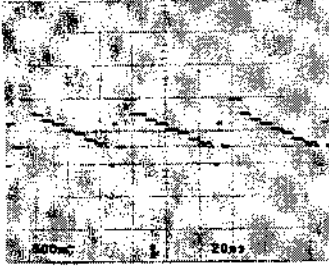
RP-70/A  
UVW-1800  
UVW-1600



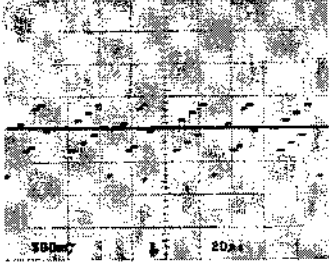
RF RF



① TP201 PB

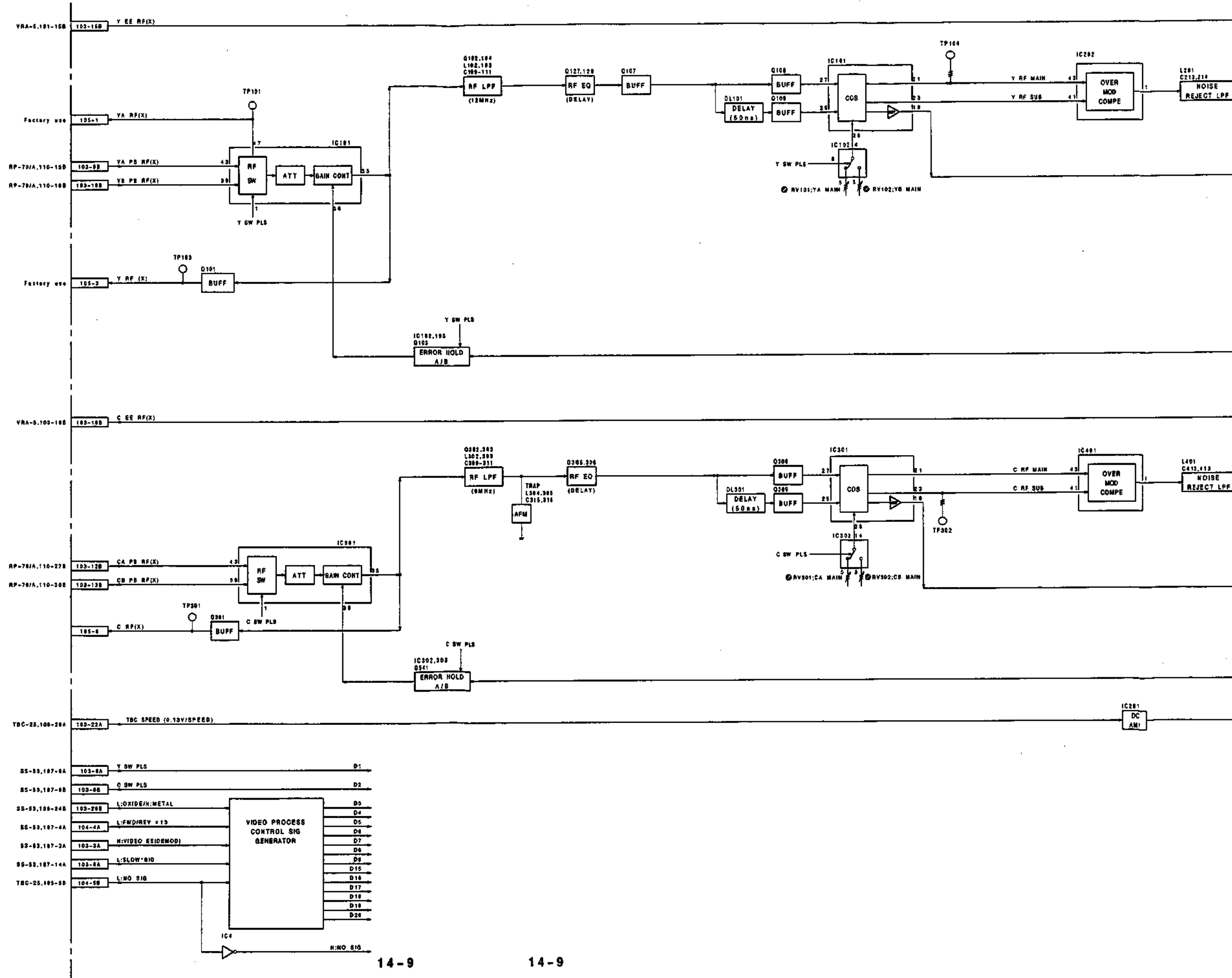


② TP401 PB



PB RF EQ, DEMODULATOR

PB RF EQ, DEMOD. DEMOD., PB RF EQ

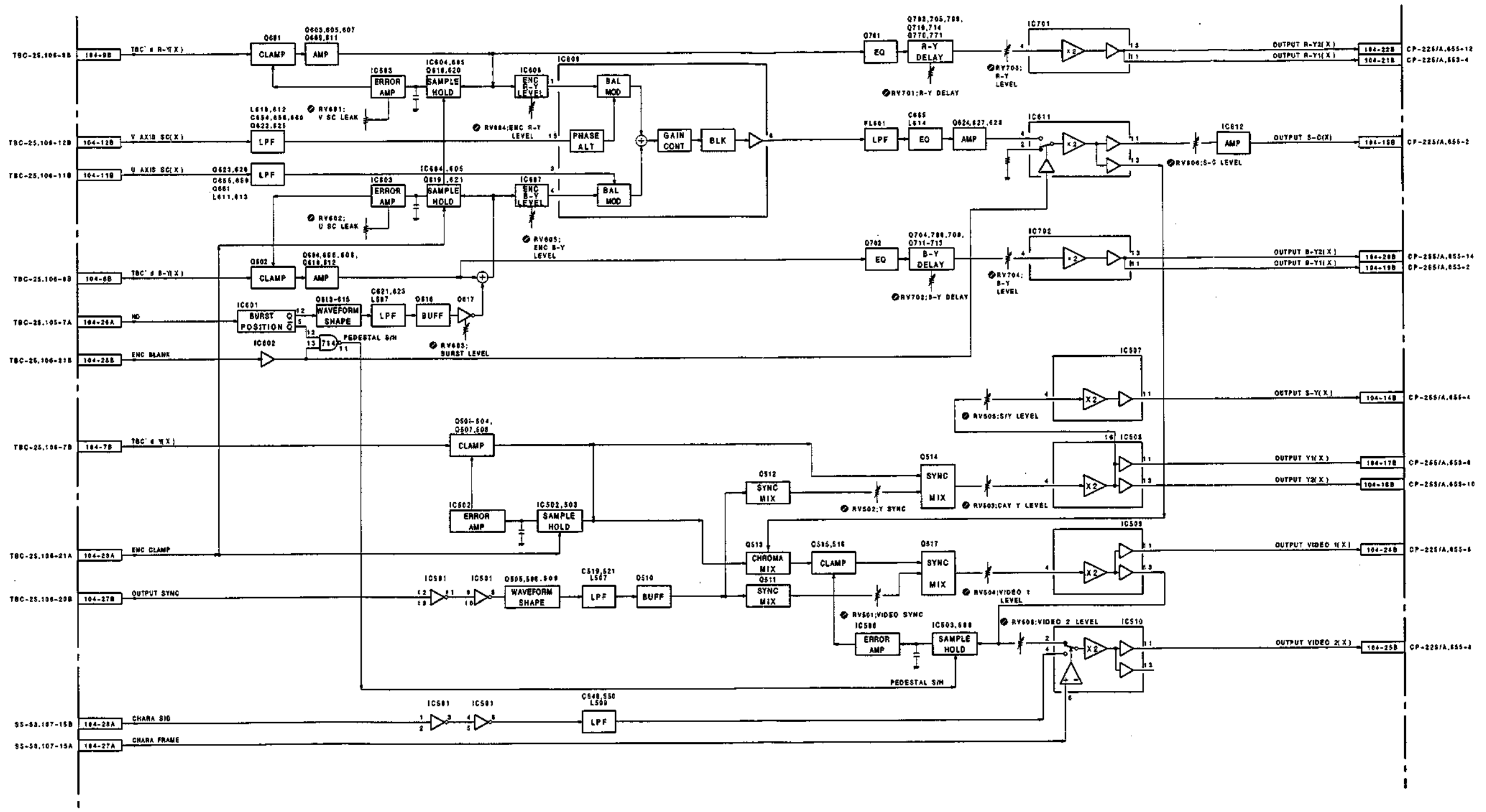






ENCODE,OUTPUT OUTPUT,ENCODE

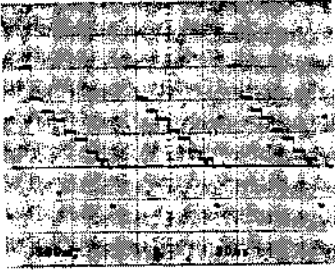
ENCODE,OUTPUT DRIVER



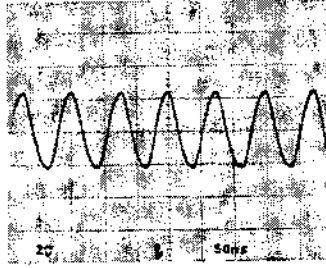
VP-43/A(2/2)  
UVW-1800  
UVW-1600

ENCODE,OUTPUT OUTPUT,ENCODE

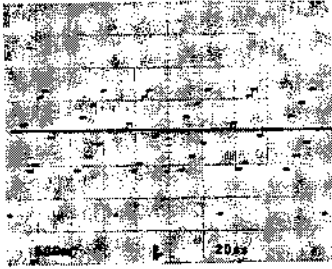
① TP101 PB



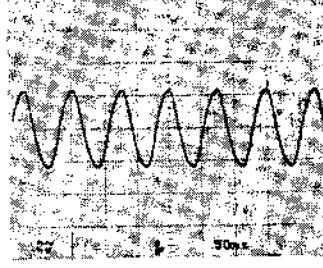
⑥ TP303 PB



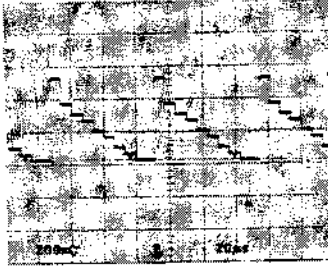
② TP201 PB



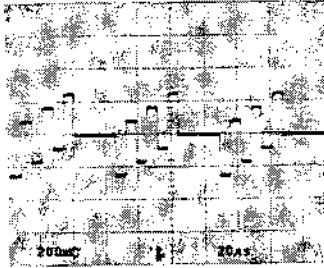
⑦ TP402 PB



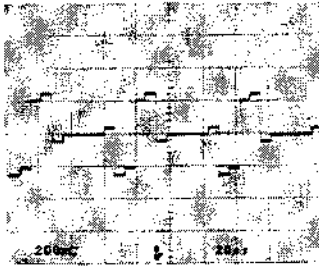
③ TP500 PB

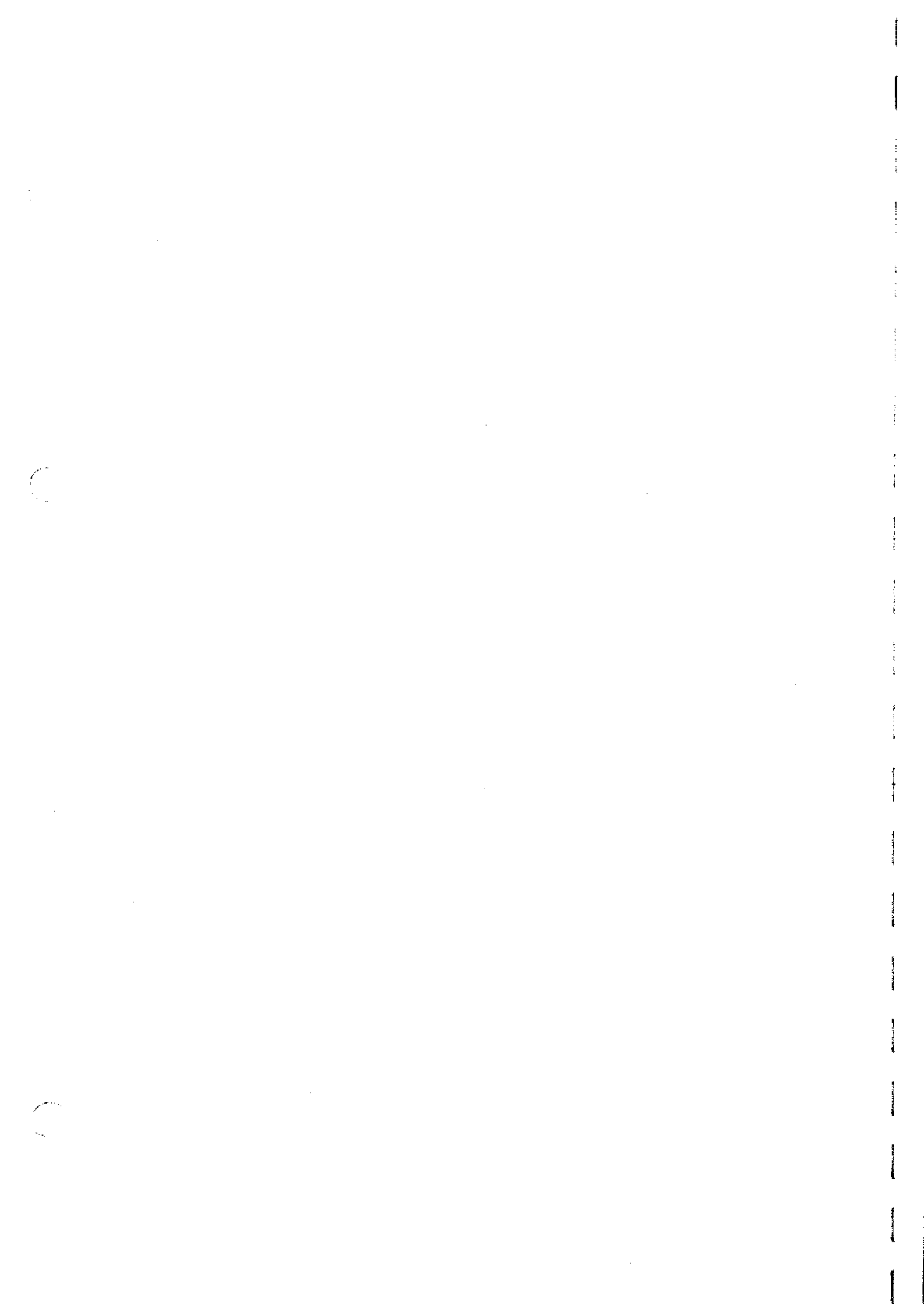


④ TP501 PB



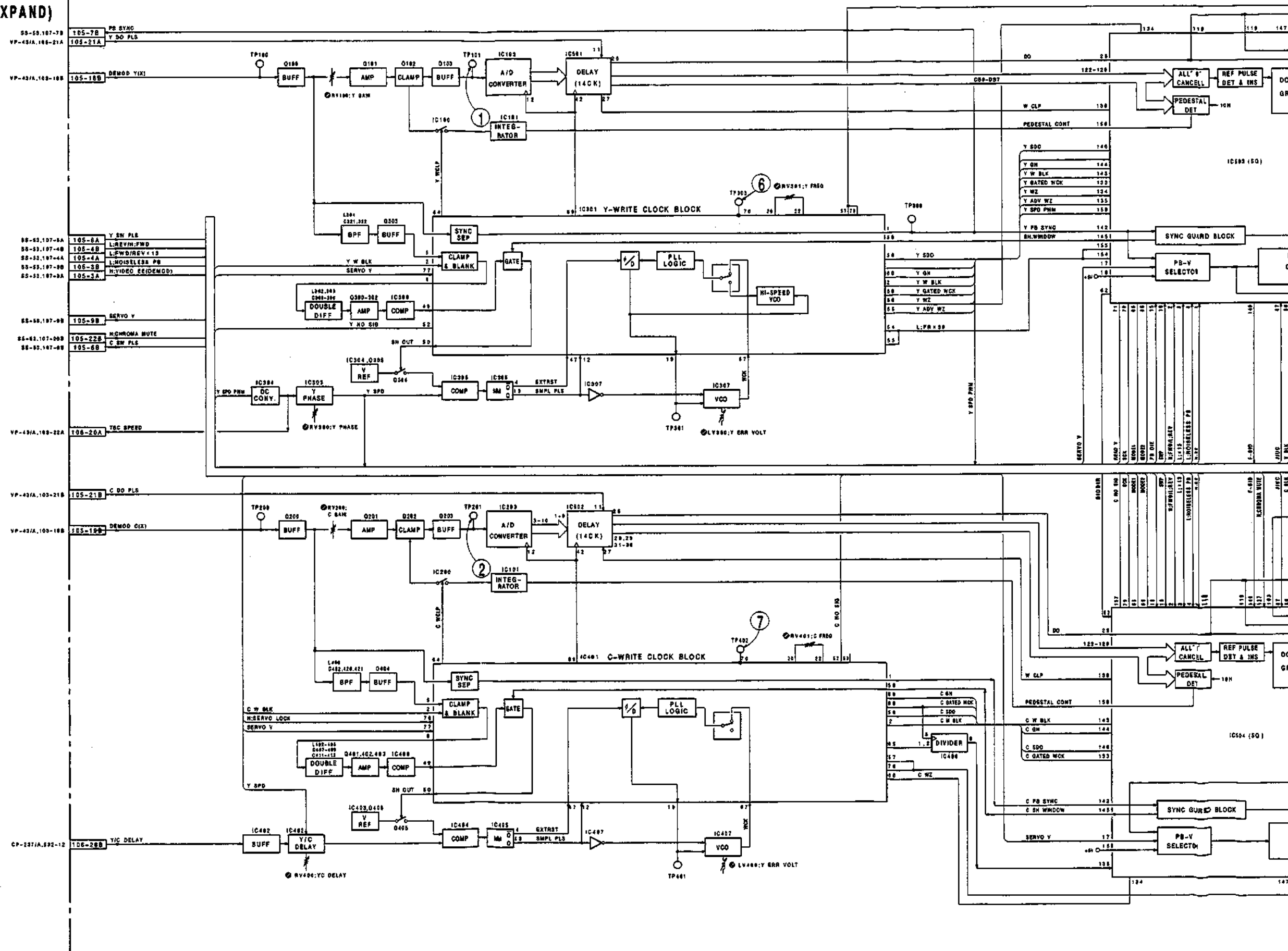
⑤ TP502 PB



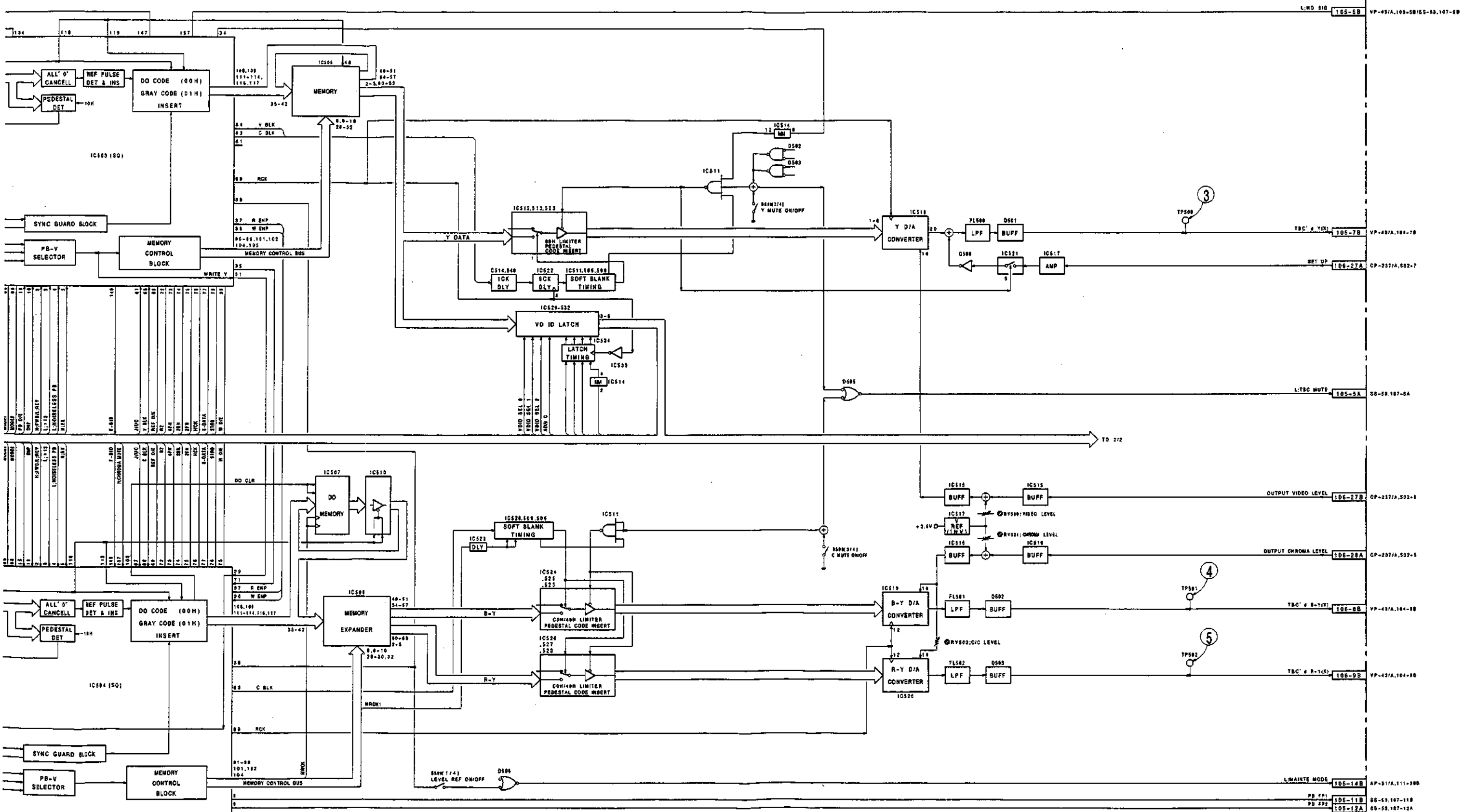


CTDM, TBC(1) TBC, CTDM(1)

TIME BASE CORRECTOR, CTDM(EXPAND)



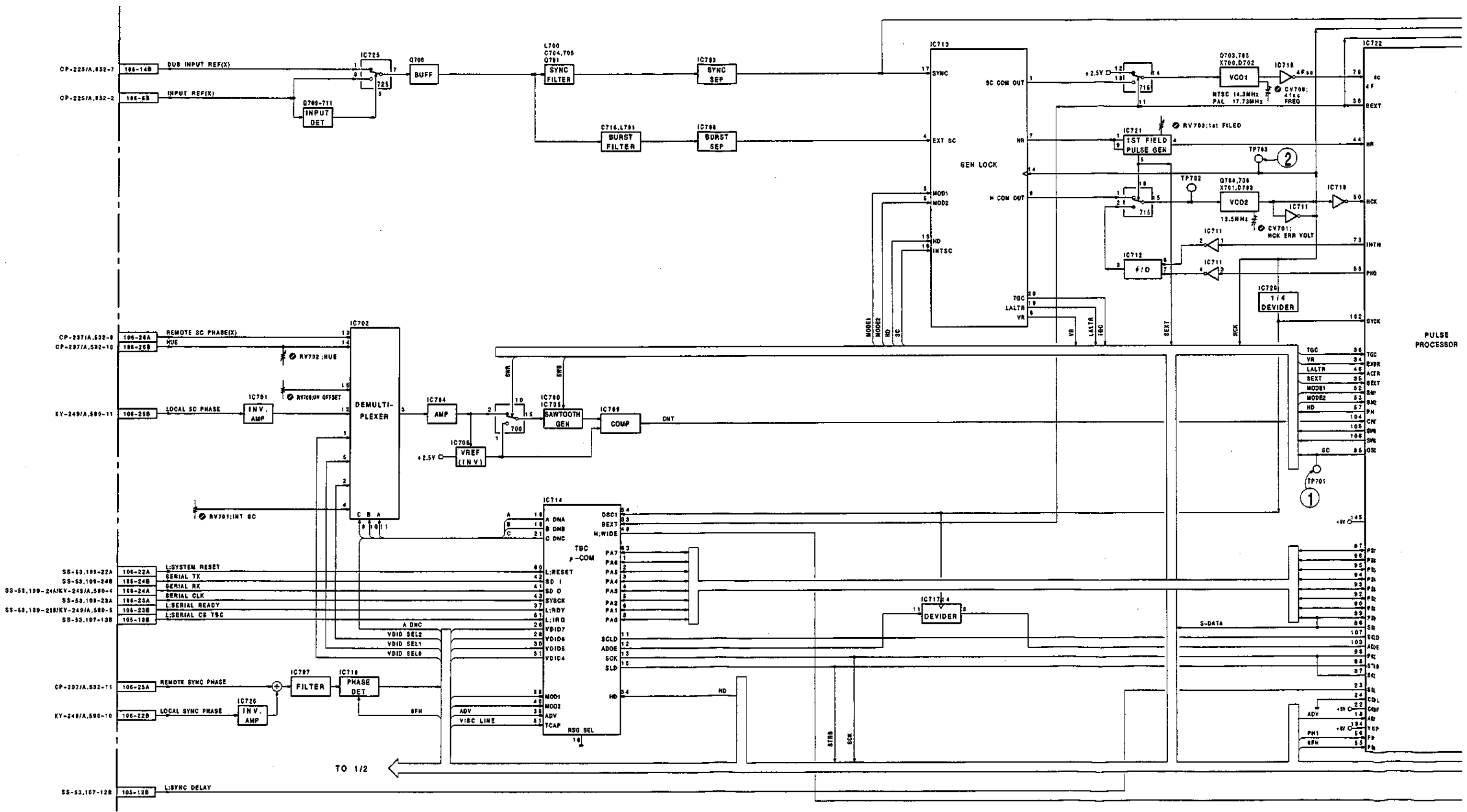
CTDM, TBC(1) TBC, CTDM(1)

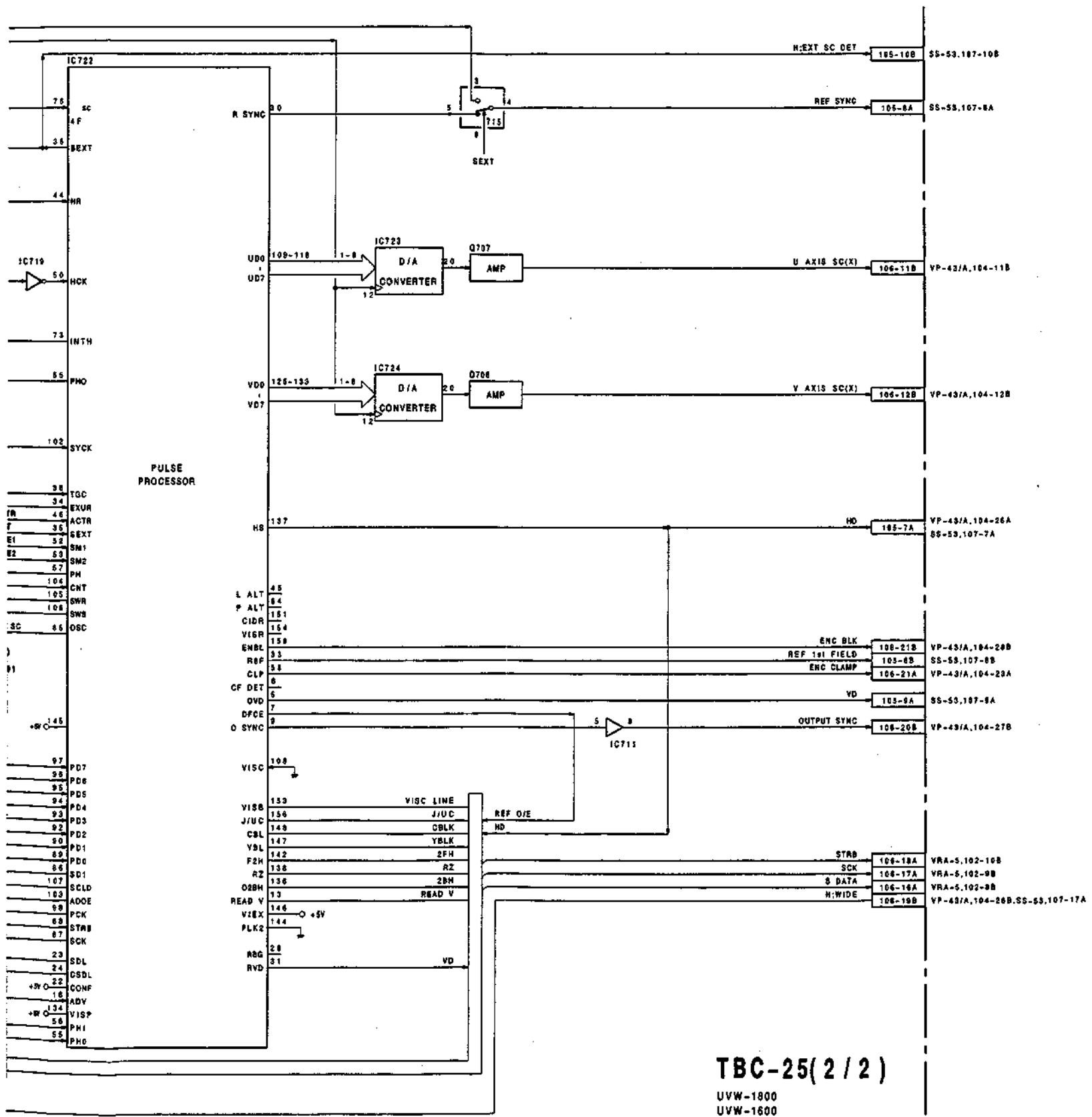


TBC-25(1/2)  
UVW-1600  
UVW-1600

CTDM,TBC(2) TBC,CTDM(2)

TIME BASE CORRECTOR



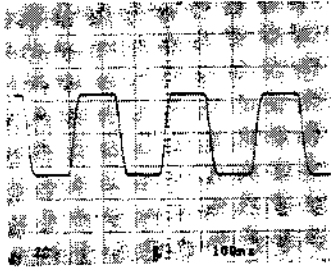


TBC-25(2/2)

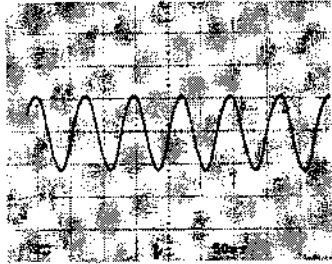
UVW-1800  
UVW-1600

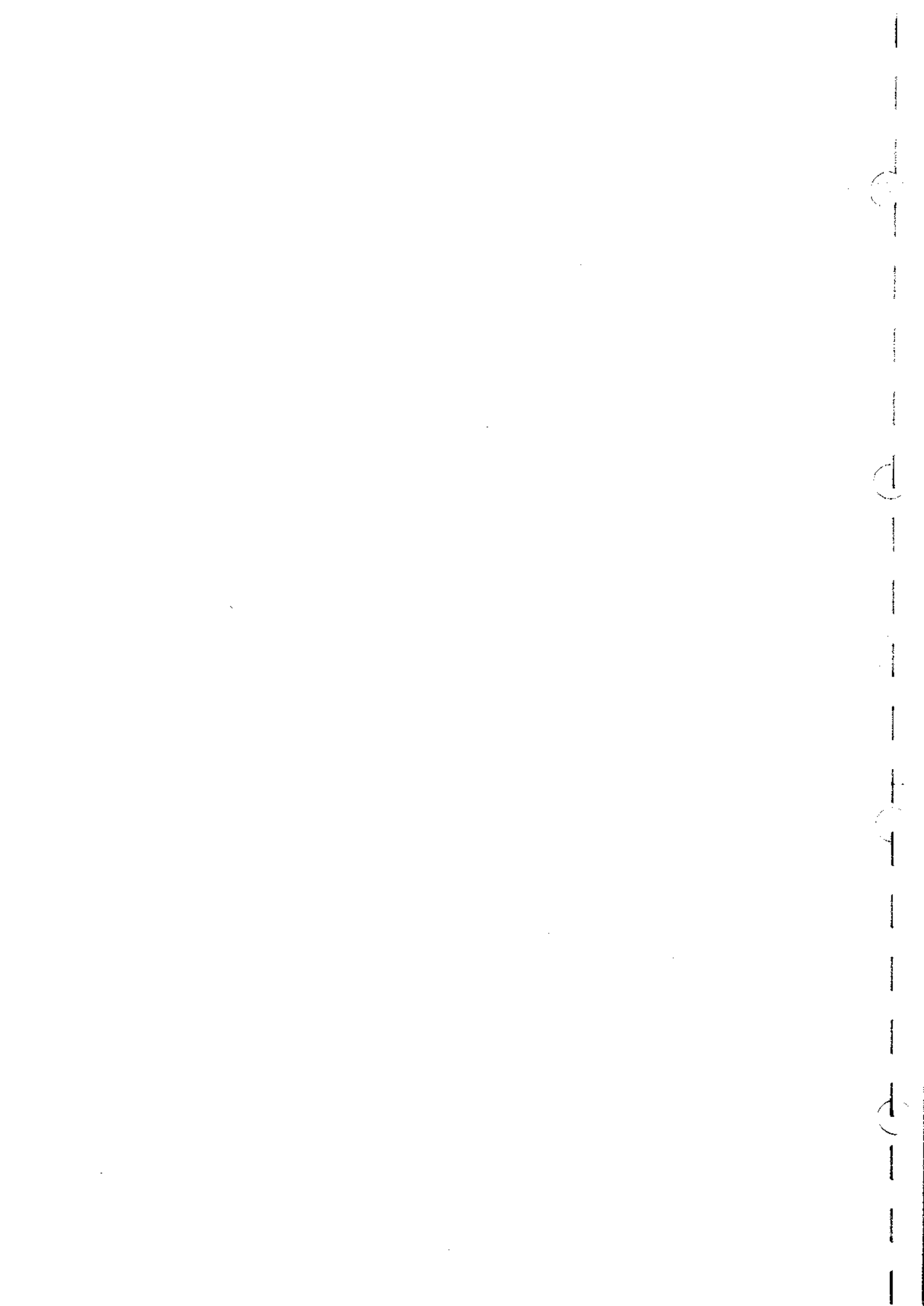


① TP701 PB



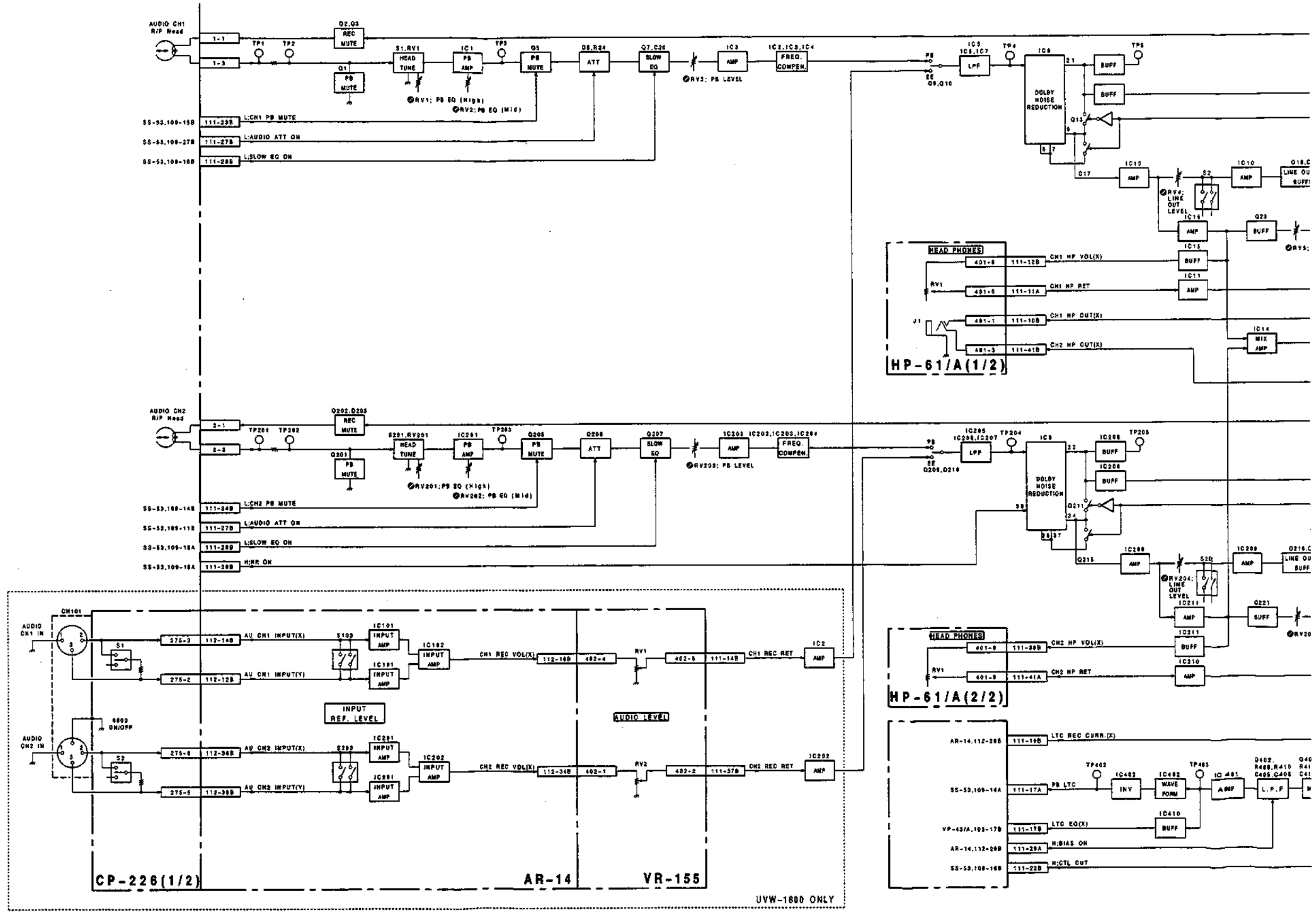
② TP703 PB

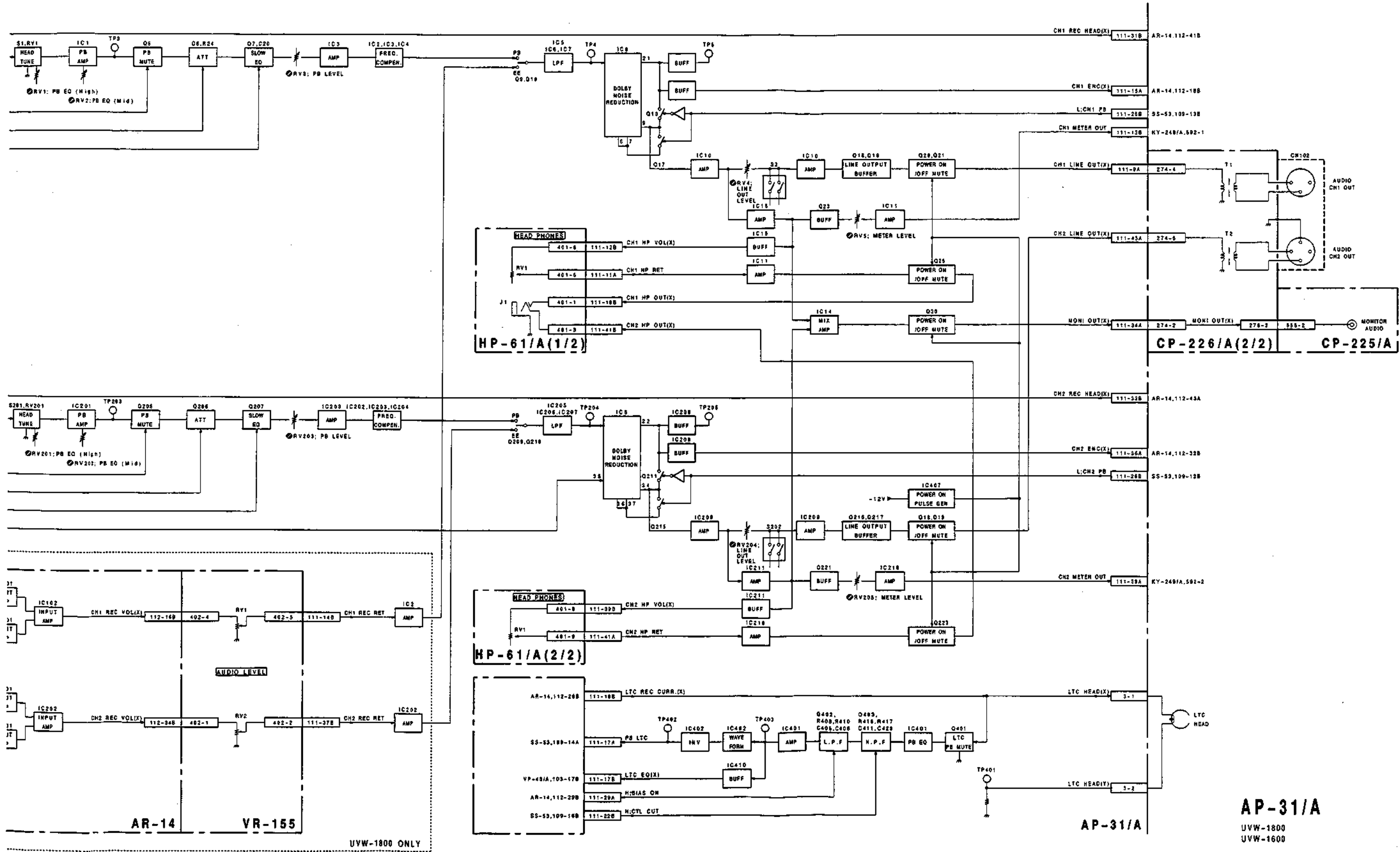




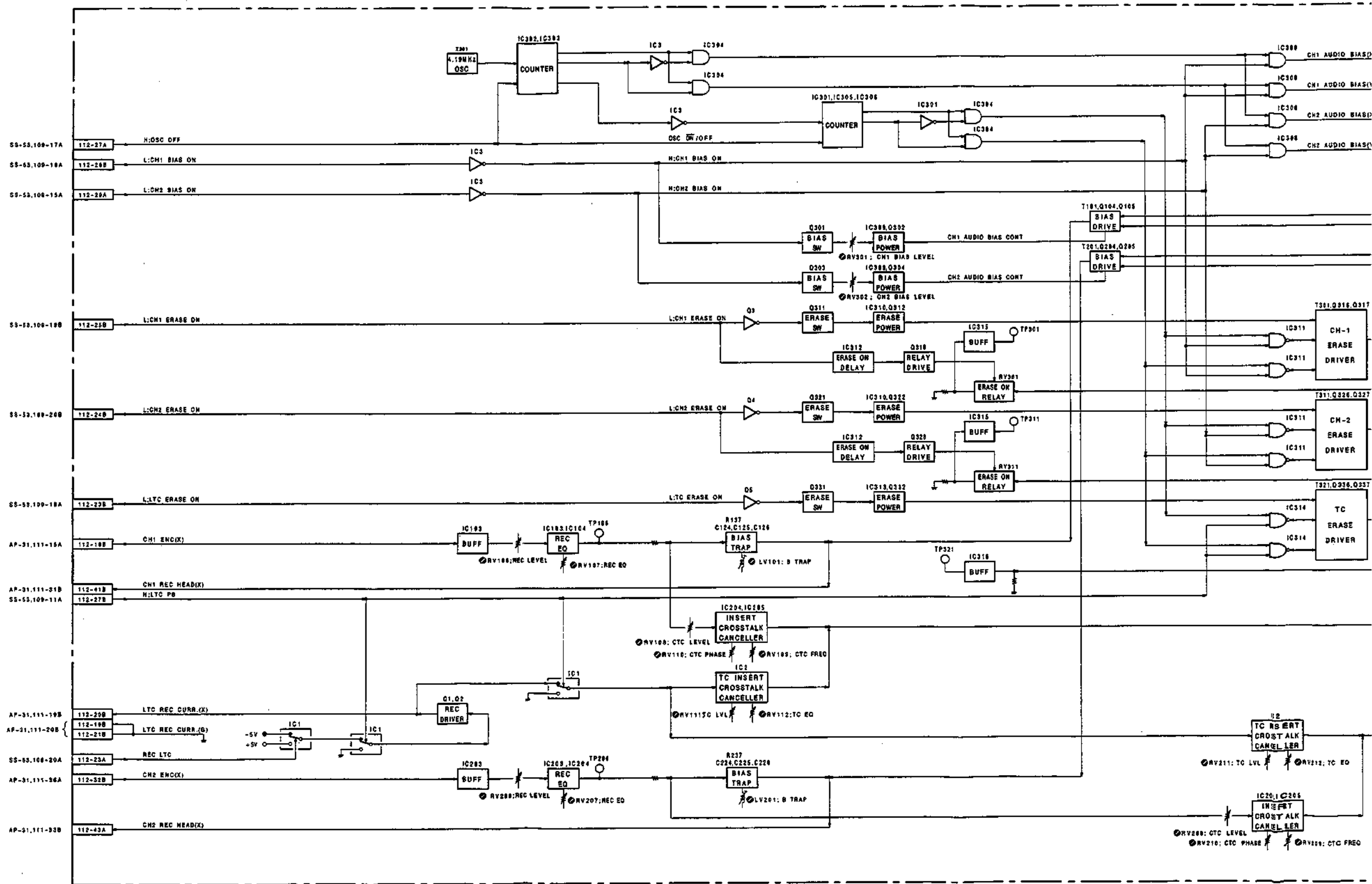
AUDIO(1) AUDIO(1)

AUDIO PB,IN/OUT,LTC PB

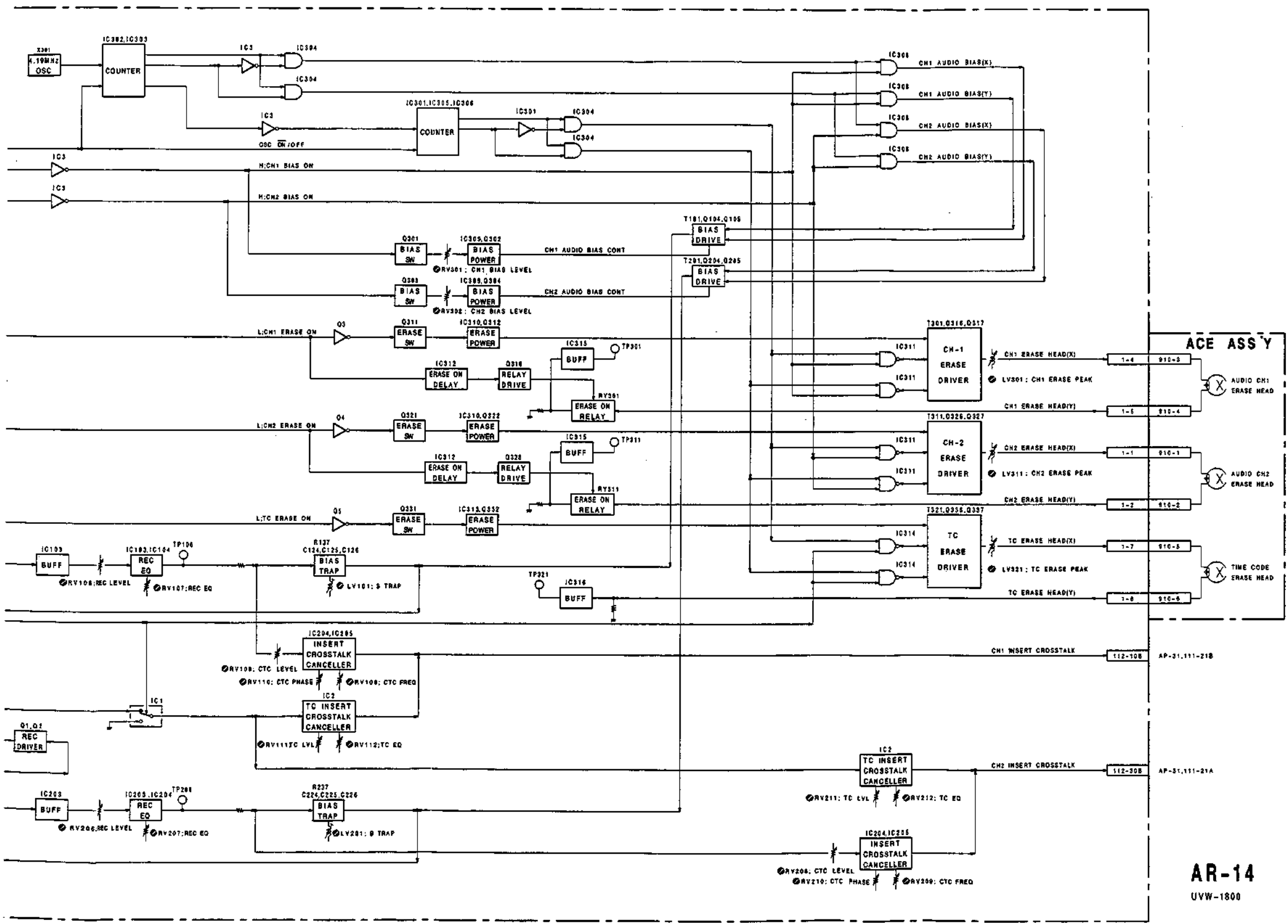


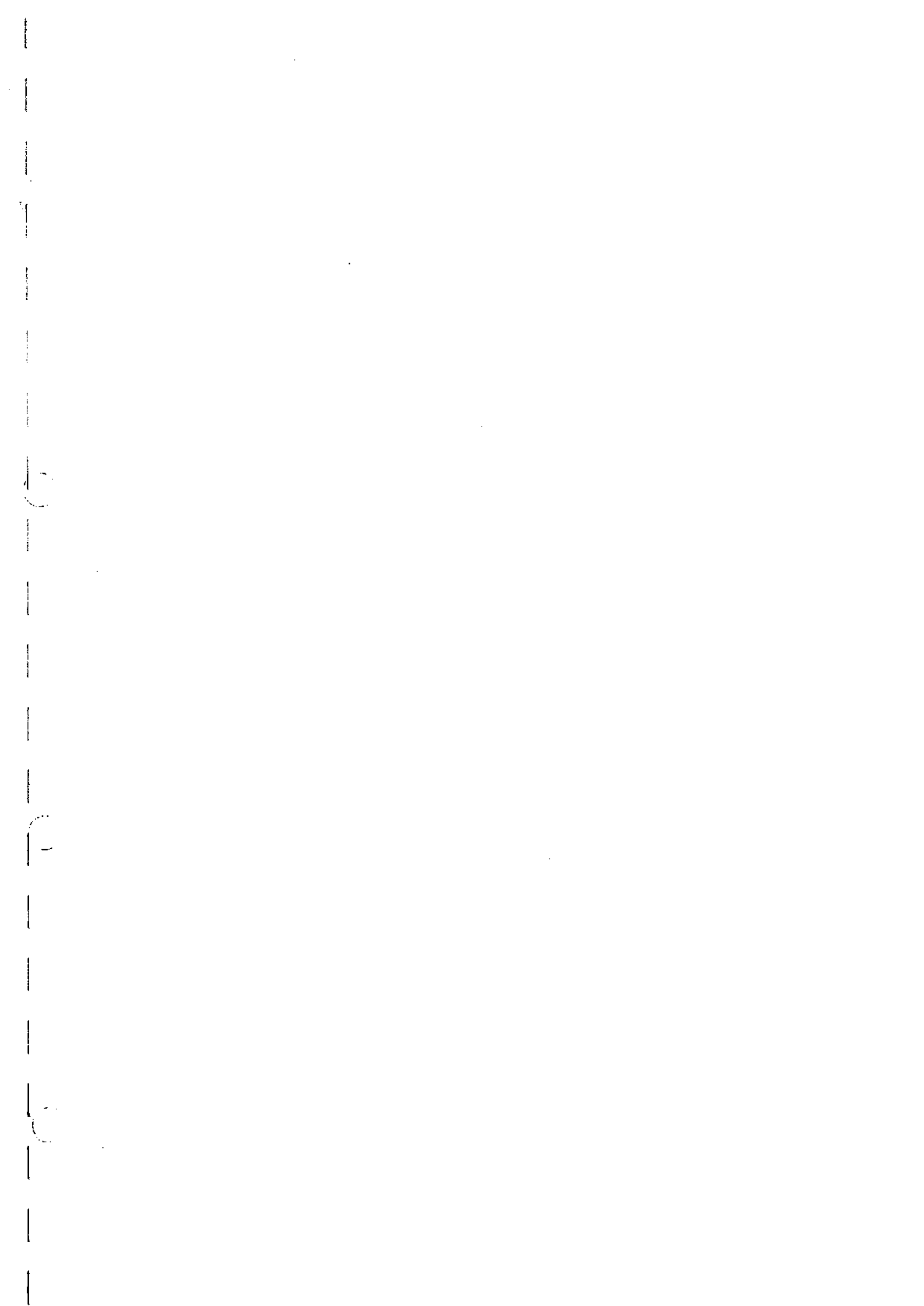


AUDIO ERASE/BIAS OSC,MODE CONTROL,LTC REC,CROSSTALK CANCEL



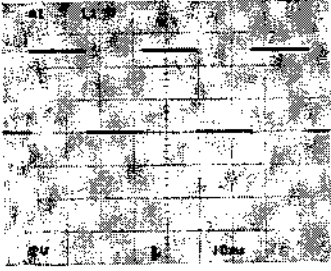
AUDIO(2) AUDIO(2)



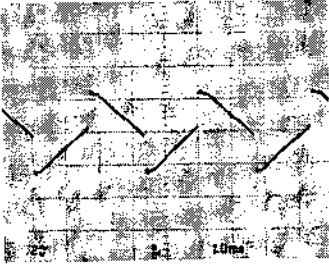


# SYSTEM CONTROL

① TP219 EE/REC/PB



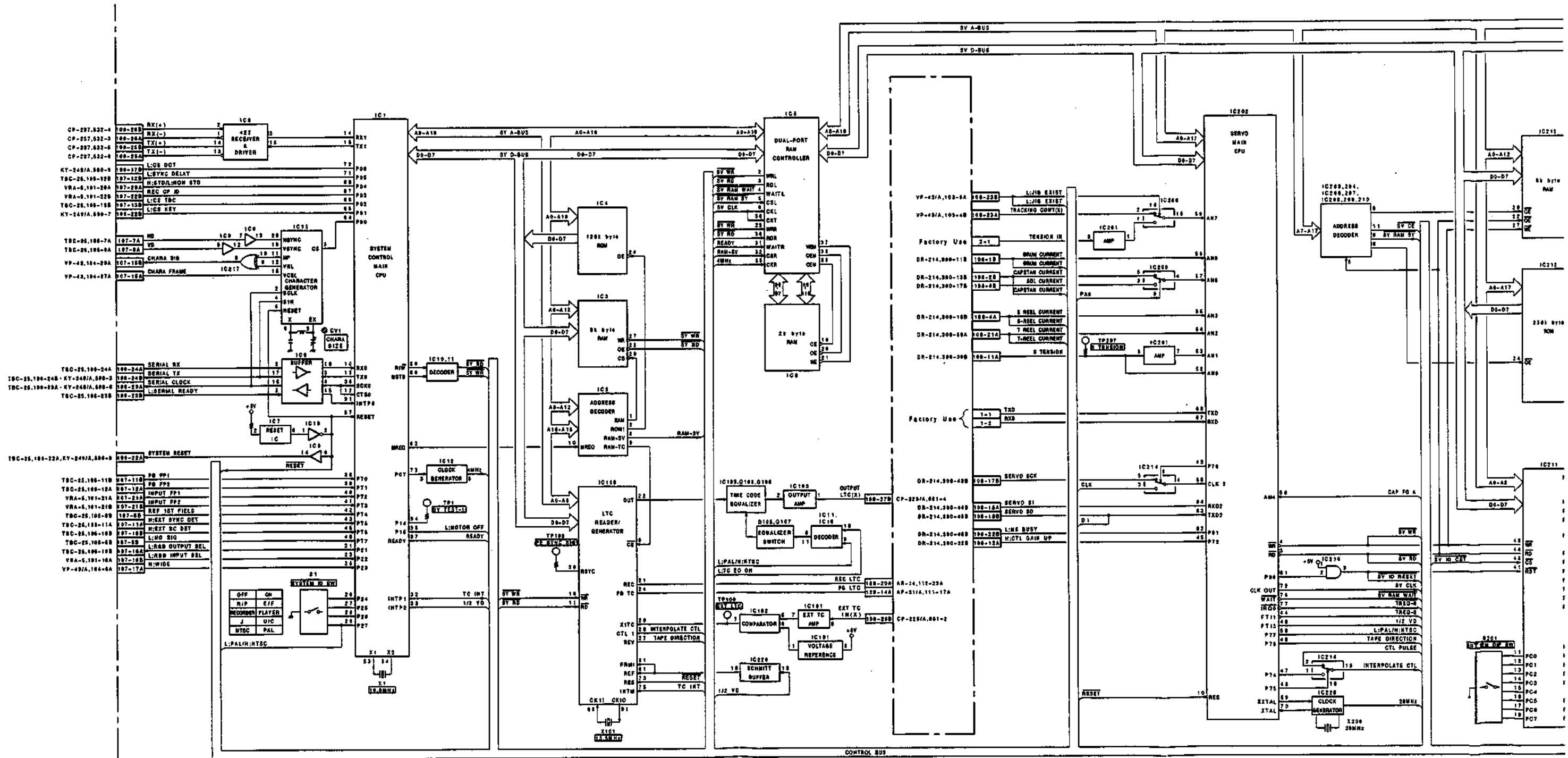
② TP225 PB



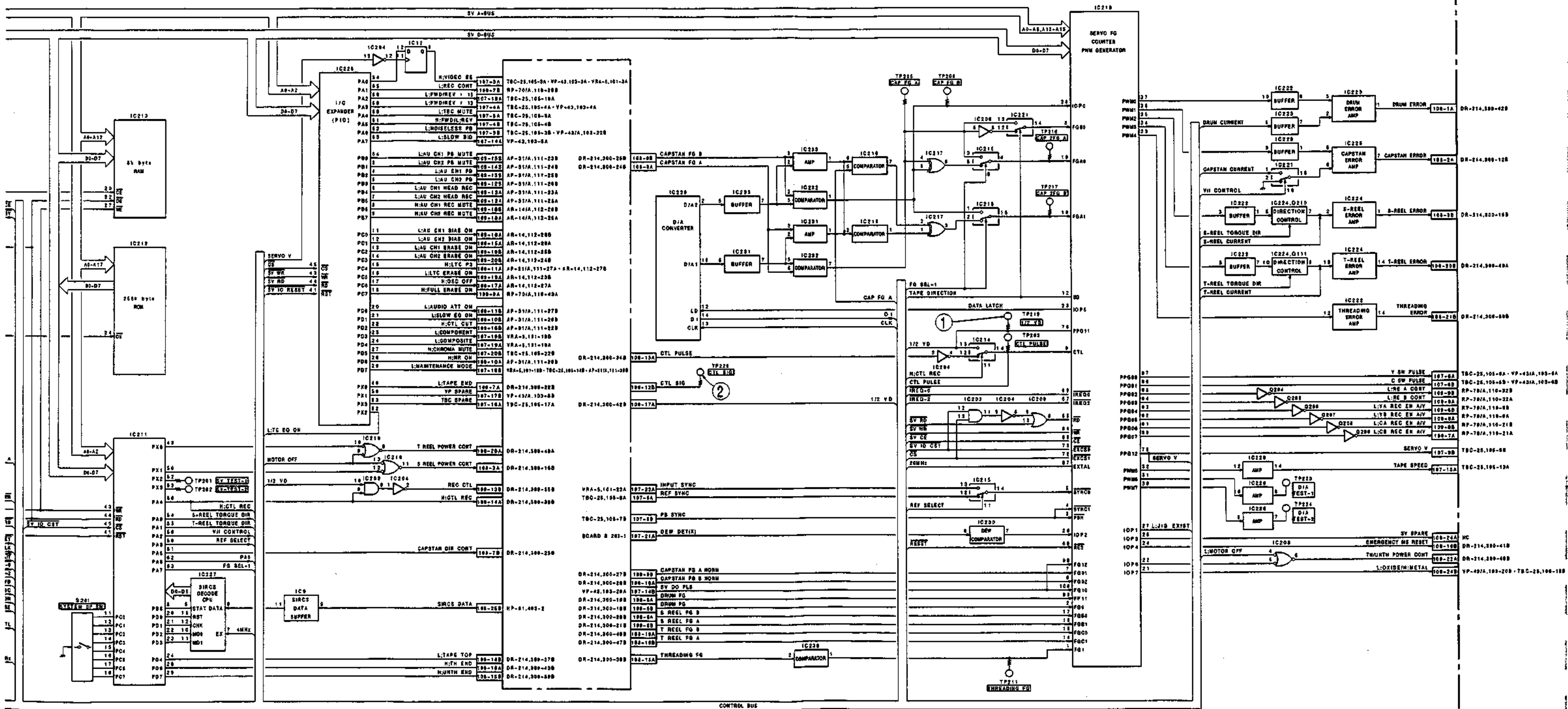


SYSTEM CONTROL SYSTEM CONTROL

SYSTEM CONTROL BLOCK



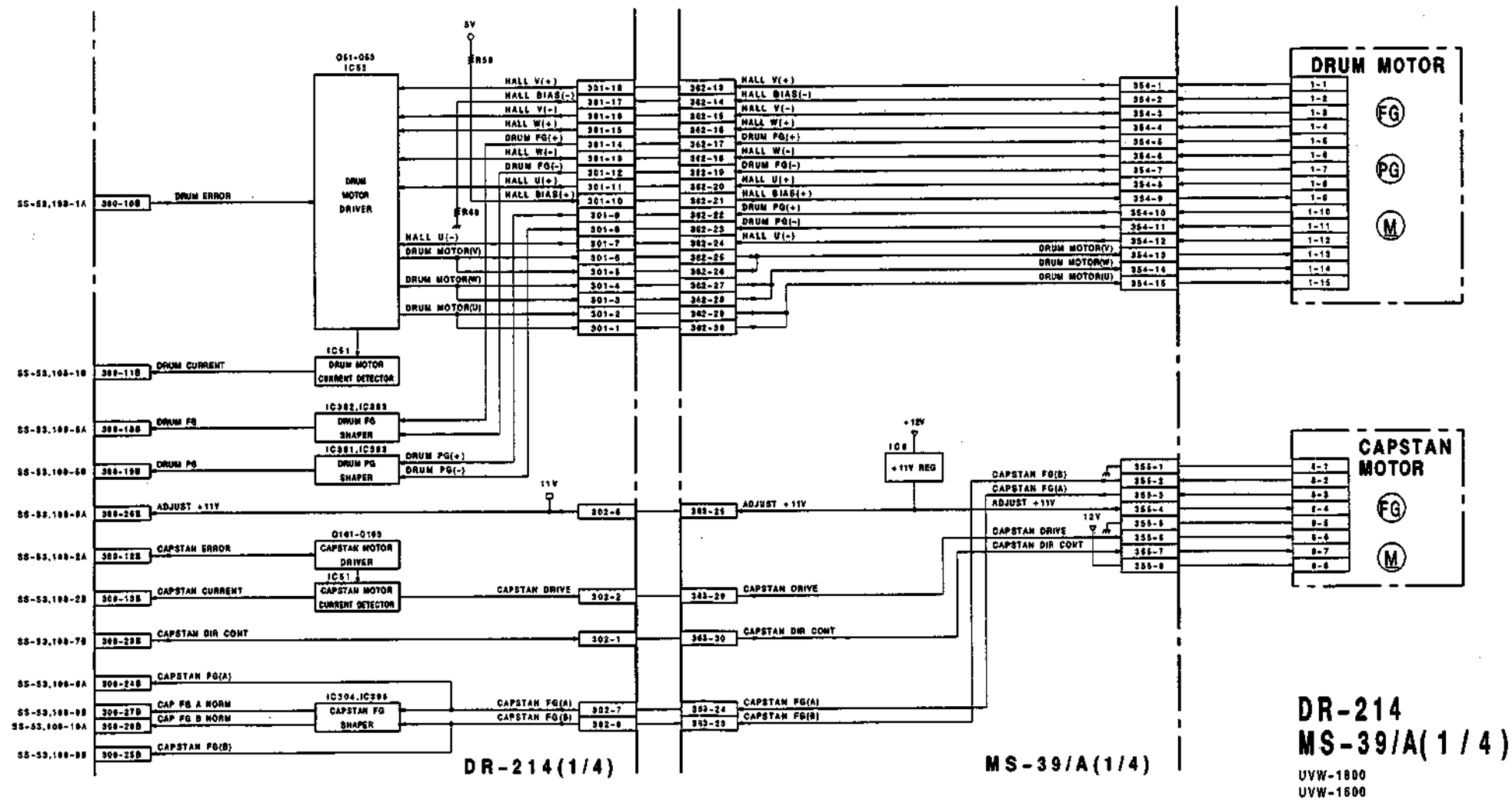
# SYSTEM CONTROL SYSTEM CONTROL



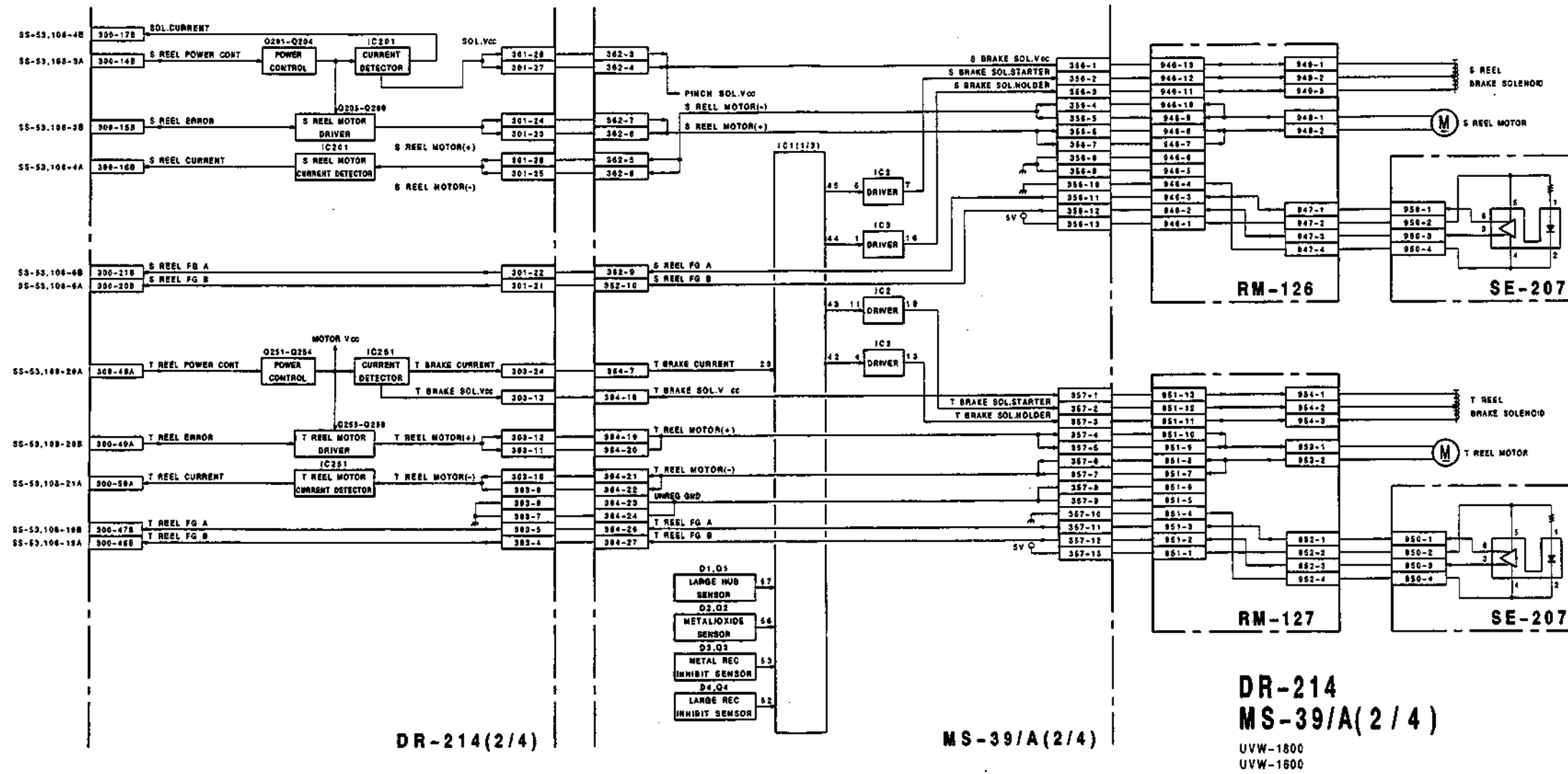
**SS-53/A**  
 UVW-1800  
 UVW-1600

SERVO(1) SERVO(1)

SERVO(1)

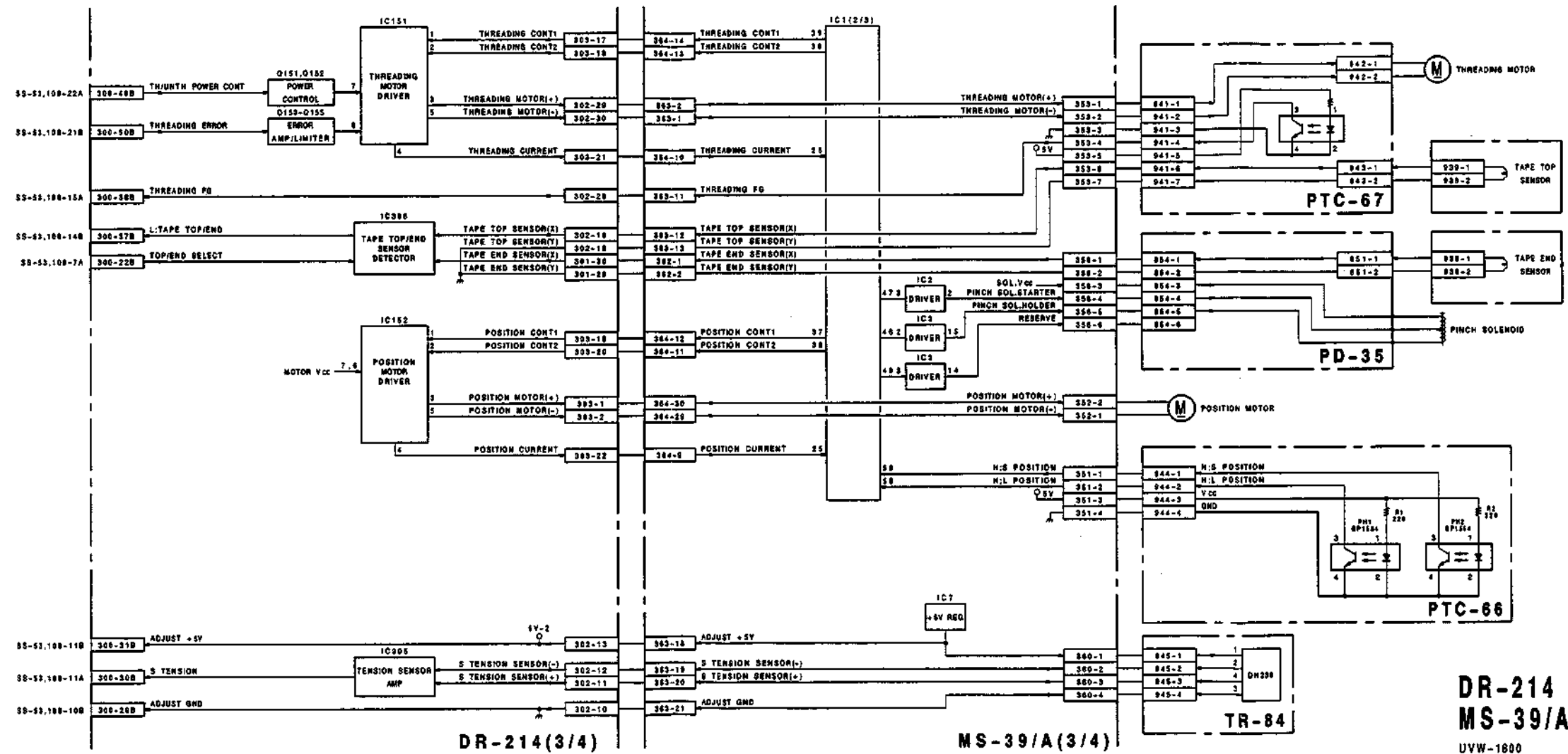


SERVO(1) SERVO(1)



SERVO(2) SERVO(2)

SERVO(2)



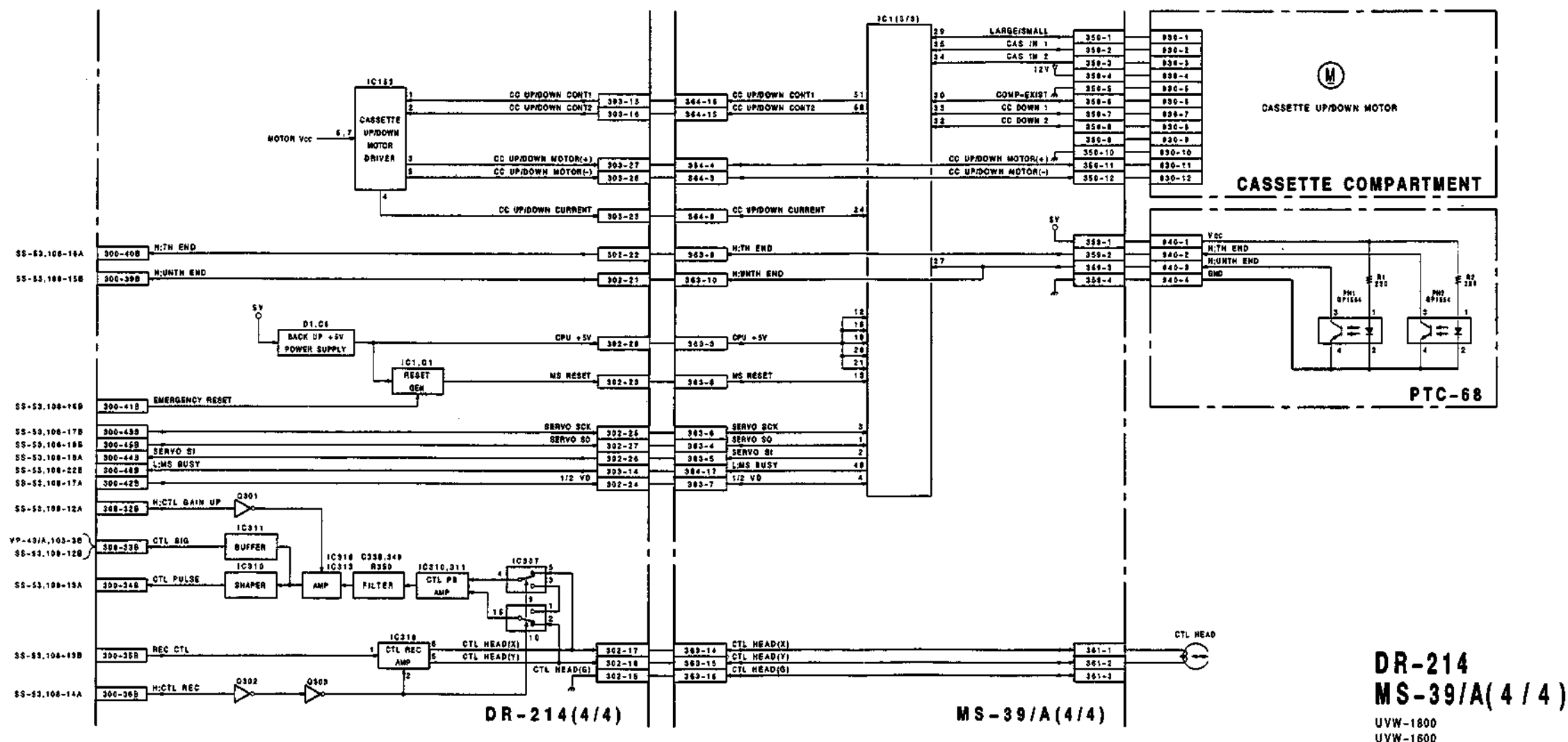
DR-214(3/4)

MS-39/A(3/4)

DR-214  
MS-39/A(3/4)

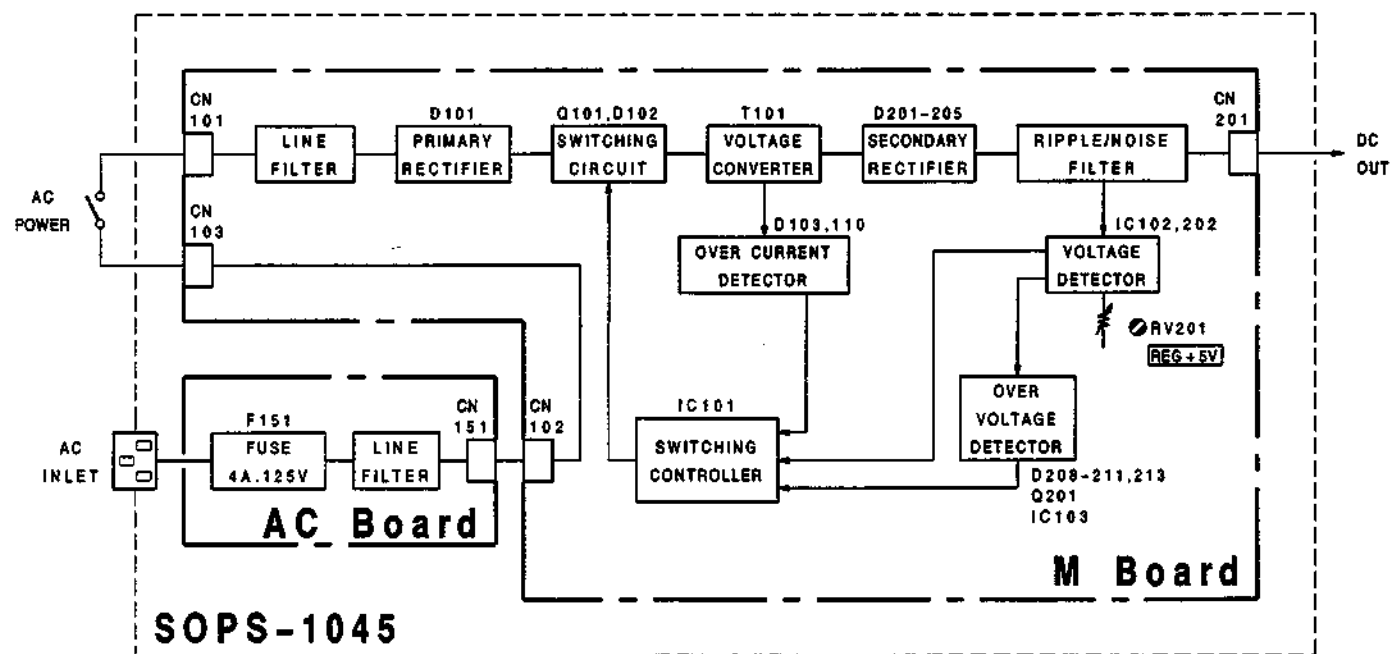
UVW-1600  
UVW-1600

SERVO( 2 )    SERVO( 2 )



**DR-214**  
**MS-39/A(4/4)**  
 UVW-1800  
 UVW-1600

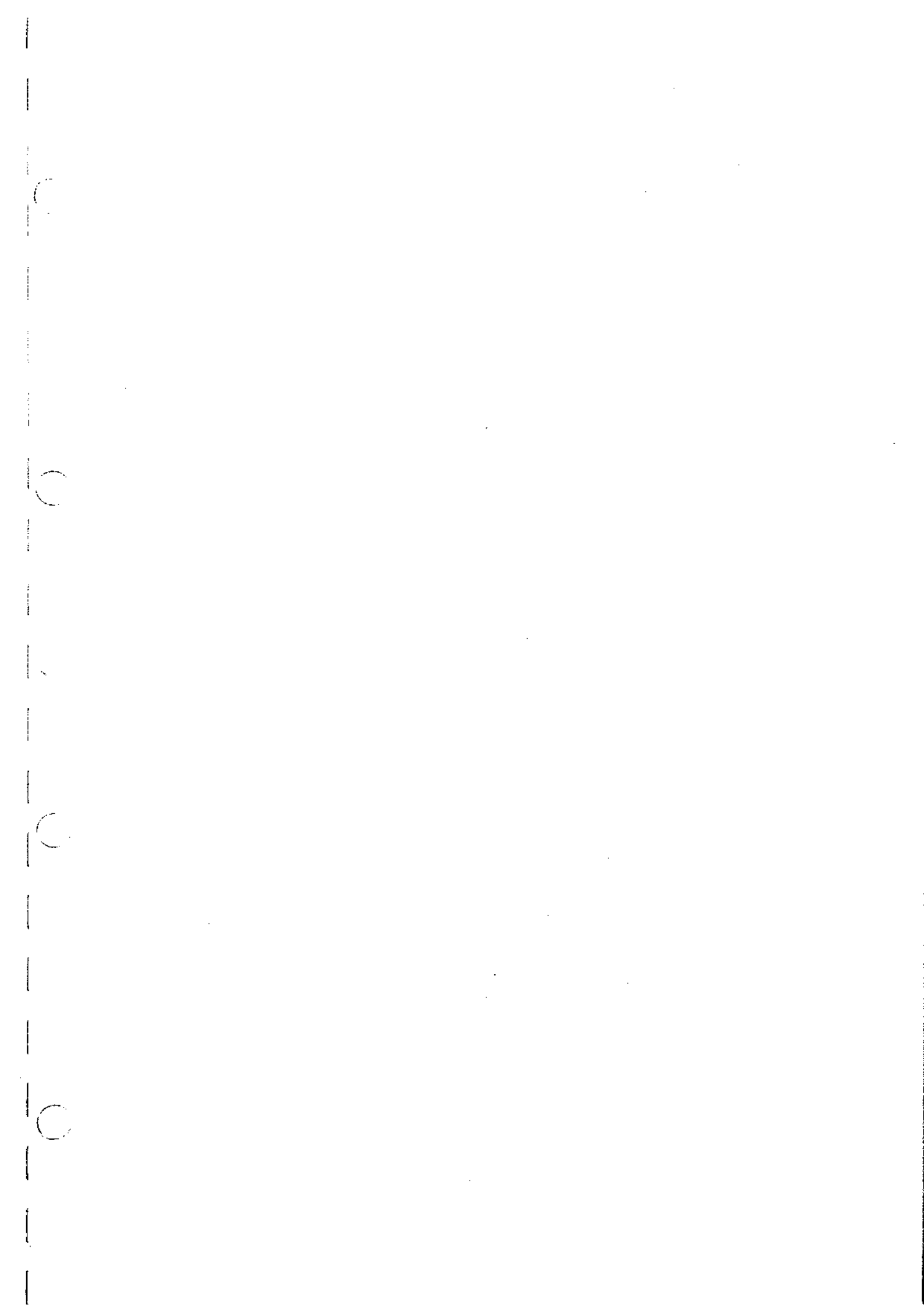
POWER SUPPLY



SOPS-1045AC  
 SOPS-1045M  
 UVW-1600  
 UVW-1600

POWER SUPPLY POWER SUPPLY





1

2

3

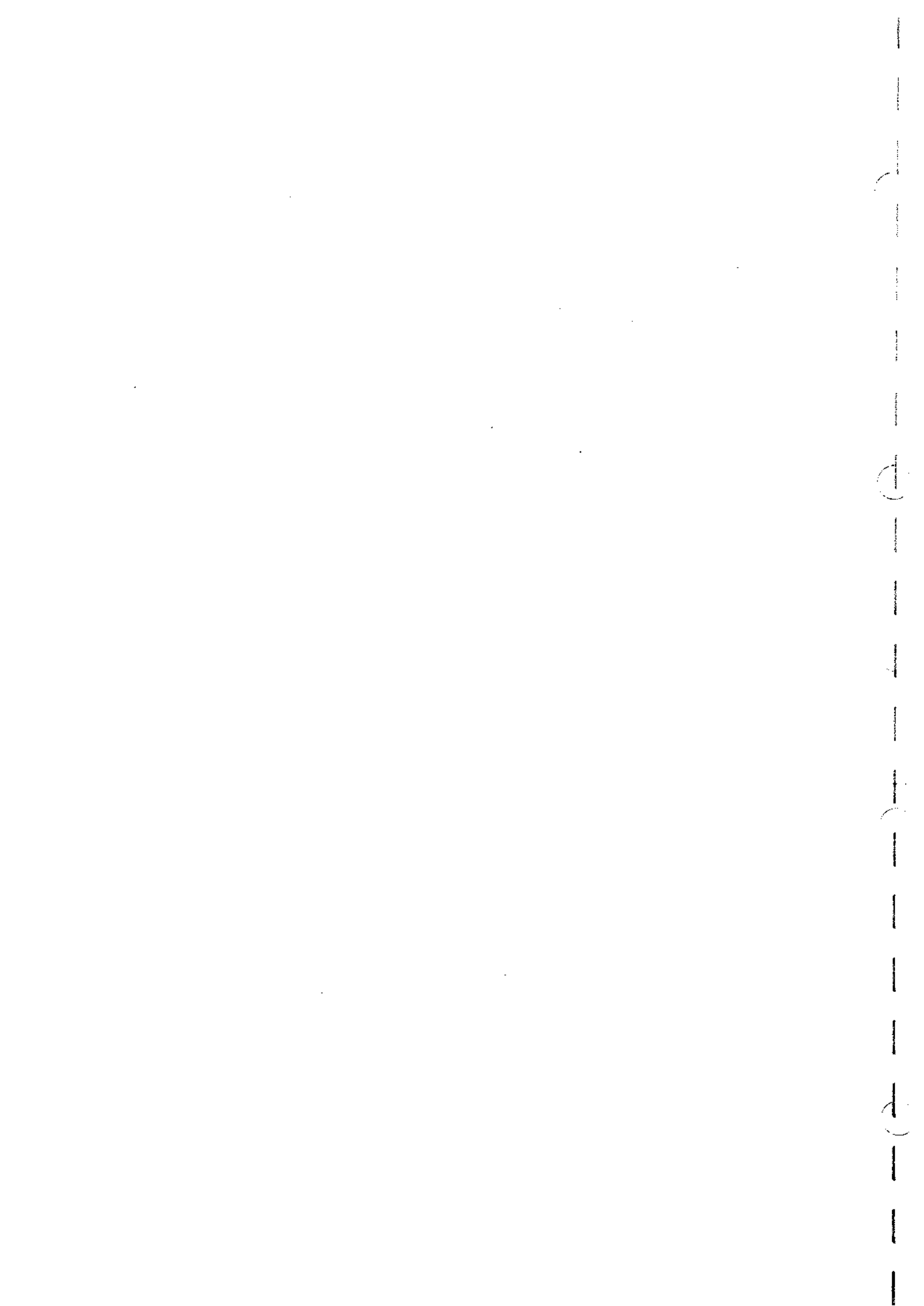
4

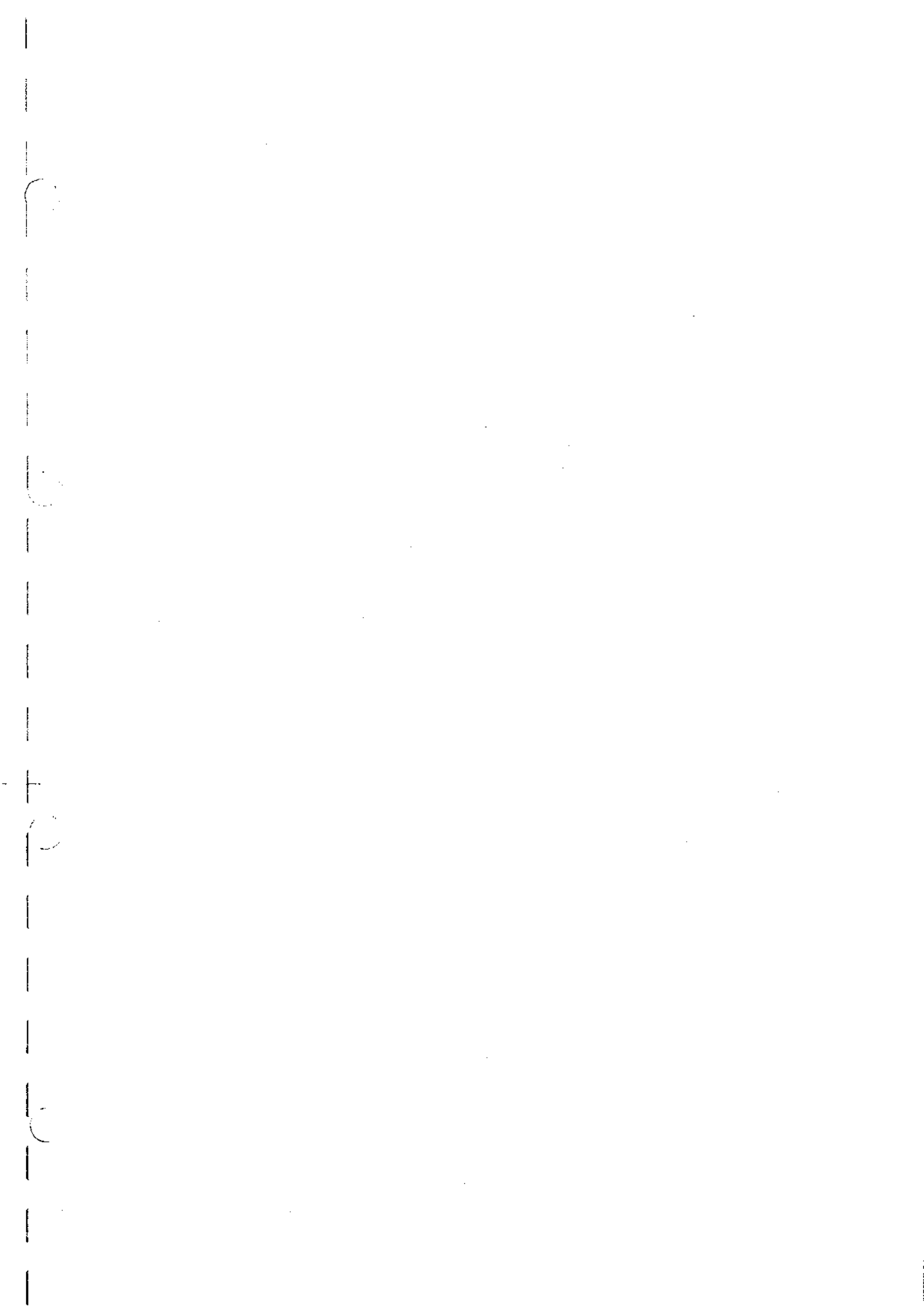
5

# SECTION 15 BOARD LAYOUTS

## BOARD LAYOUT INDEX

	Board	Page
A	AP-31 .....	15-4
	AP-31A .....	15-6
	AR-14 .....	15-8
C	CL-25 .....	15-46
	CP-225 .....	15-10
	CP-225A .....	15-12
	CP-226/226J .....	15-14
	CP-226A/226AJ .....	15-14
	CP-237 .....	15-16
	CP-237A .....	15-16
D	DR-214 .....	15-18
H	HP-61 .....	15-46
	HP-61A .....	15-46
K	KY-249 .....	15-20
	KY-249A .....	15-22
M	MB-470 .....	15-52
	MB-470A .....	15-56
	MB-471 .....	15-60
	MB-471A .....	15-62
	MS-39/39A .....	15-24
P	PC-62 .....	15-46
	PD-35 .....	15-46
	PTC-66 .....	15-48
	PTC-67 .....	15-48
	PTC-68 .....	15-48
R	RM-126 .....	15-48
	RM-127 .....	15-48
	RP-70 .....	15-26
	RP-70A .....	15-28
S	SE-207 .....	15-48
	SOPS-1045 AC .....	15-50
	SOPS-1045 M .....	15-50
	SS-53 .....	15-30
T	TBC-25 .....	15-34
	TR-84 .....	15-48
V	VP-43/43A .....	15-38
	VR-155 .....	15-48
	VRA-5 .....	15-42





1

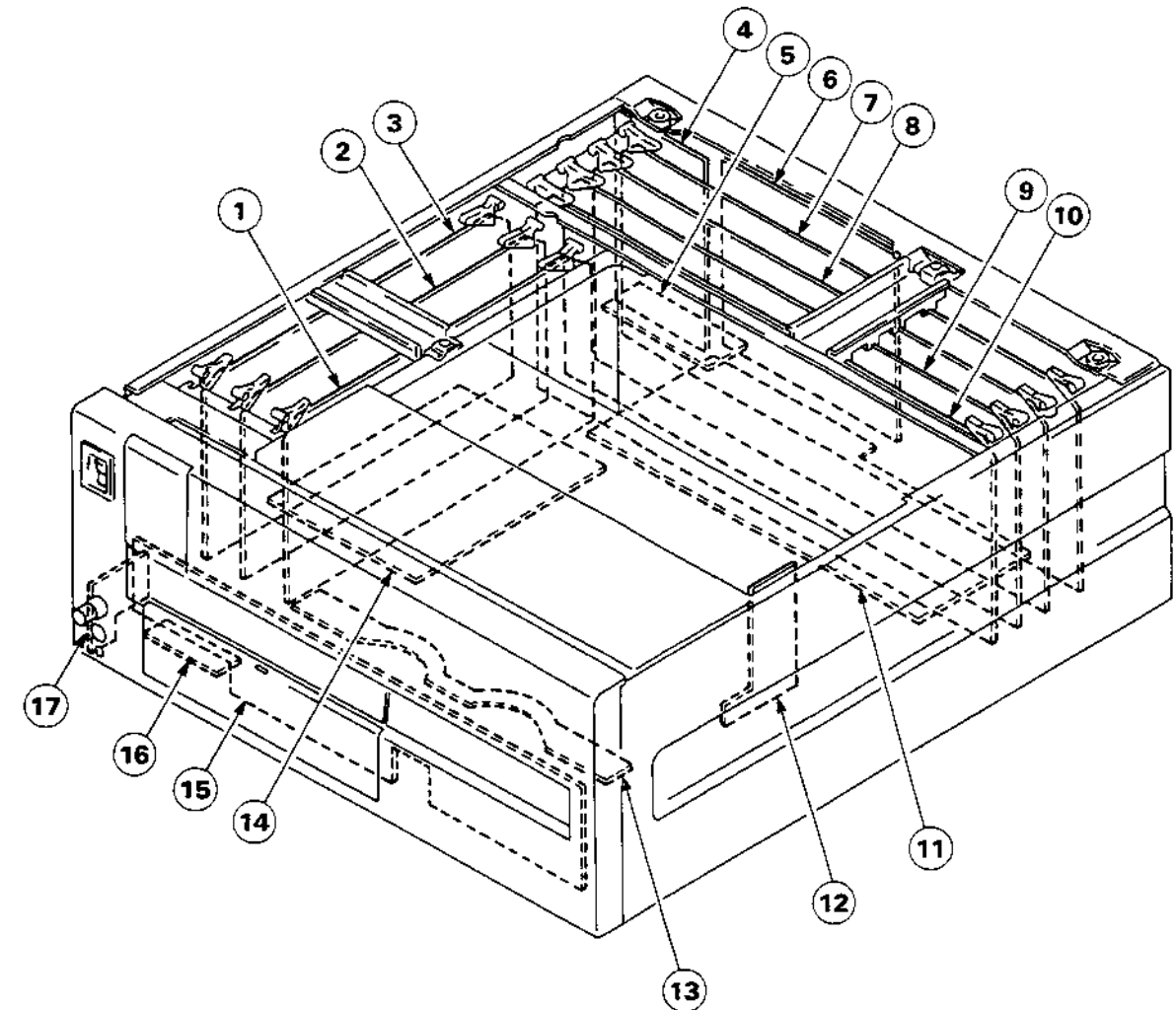
2

3

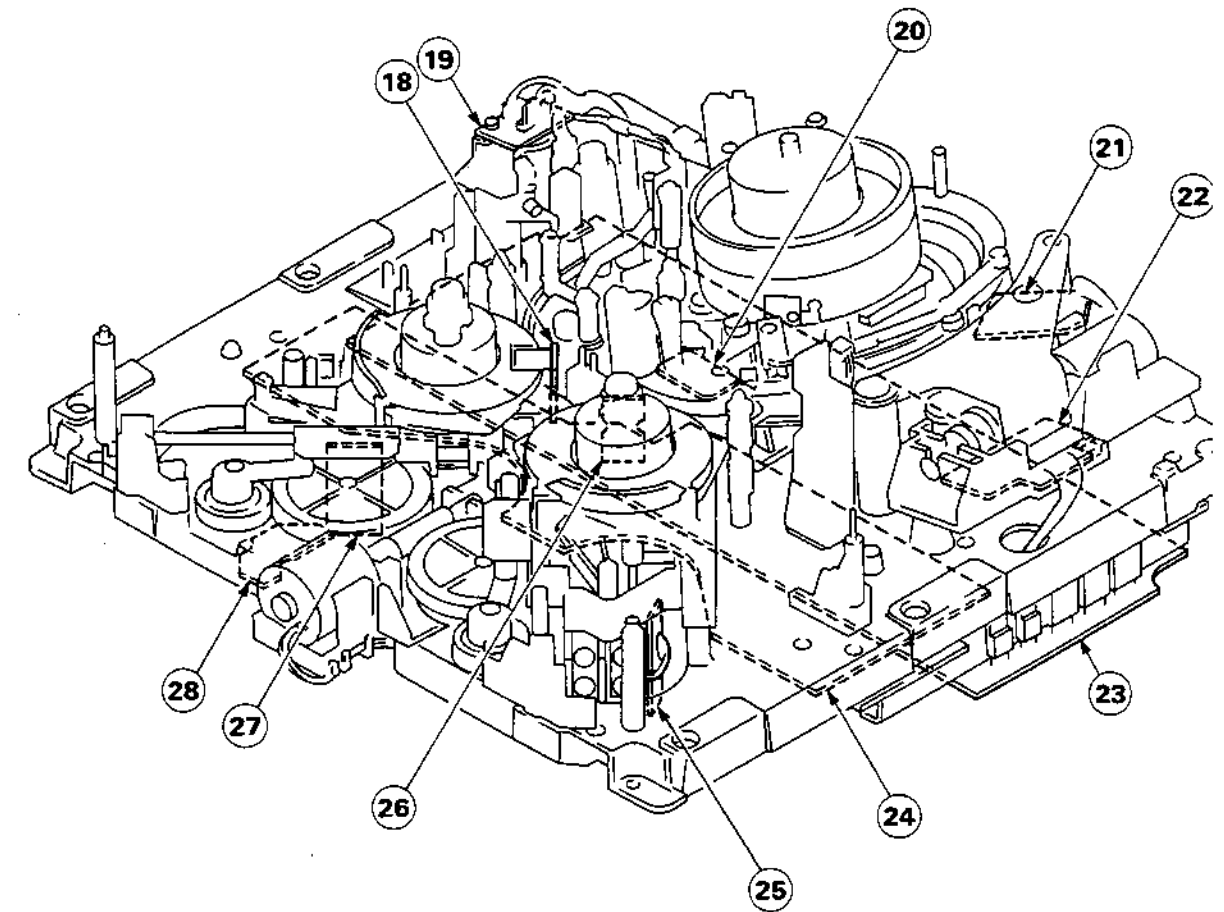
4

5

## CIRCUIT FUNCTION



- |  |  |
|--|--|
| ① RP-70 BOARD(UVW-1800)<br>RP-70A BOARD(UVW-1600)  | ; RF REC/PB AMP., ROTARY ERASE OSC., FULL ERASE OSC.<br>; RF PB AMP.   |
| ② AP-31 BOARD(UVW-1800)<br>AP-31A BOARD(UVW-1600)  | ; AUDIO/TC PB AMP., METER DRIVER<br>; AUDIO/TC PB AMP., METER DRIVER   |
| ③ AR-14 BOARD(UVW-1800)  | ; AUDIO/TC REC AMP., AUDIO/TC ERASE OSC., AUDIO BIAS DRIVER  |
| ④ CP-226 BOARD(UVW-1800 : FOR UC)<br>CP-226J BOARD(UVW-1800 : FOR J)<br>CP-226A BOARD(UVW-1600 : FOR UC)<br>CP-226AJ BOARD(UVW-1600 : FOR J) | ; AUDIO INPUT/OUTPUT CONNECTOR, OUTPUT TRANSFORMER<br>; AUDIO INPUT/OUTPUT CONNECTOR, OUTPUT TRANSFORMER<br>; AUDIO OUTPUT CONNECTOR, OUTPUT TRANSFORMER<br>; AUDIO OUTPUT CONNECTOR, OUTPUT TRANSFORMER |
| ⑤ CP-237 BOARD(UVW-1800)<br>CP-237A BOARD(UVW-1600)  | ; TBC/9P REMOTE CONNECTOR<br>; TBC/9P REMOTE CONNECTOR   |
| ⑥ CP-225 BOARD(UVW-1800)<br>CP-225A BOARD(UVW-1600)  | ; VIDEO INPUT/OUTPUT CONNECTOR<br>; VIDEO OUTPUT CONNECTOR   |
| ⑦ VRA-5 BOARD(UVW-1800)  | ; Y/C REC PROCESS(Decode, MOD), CTDM(COMPAND)  |

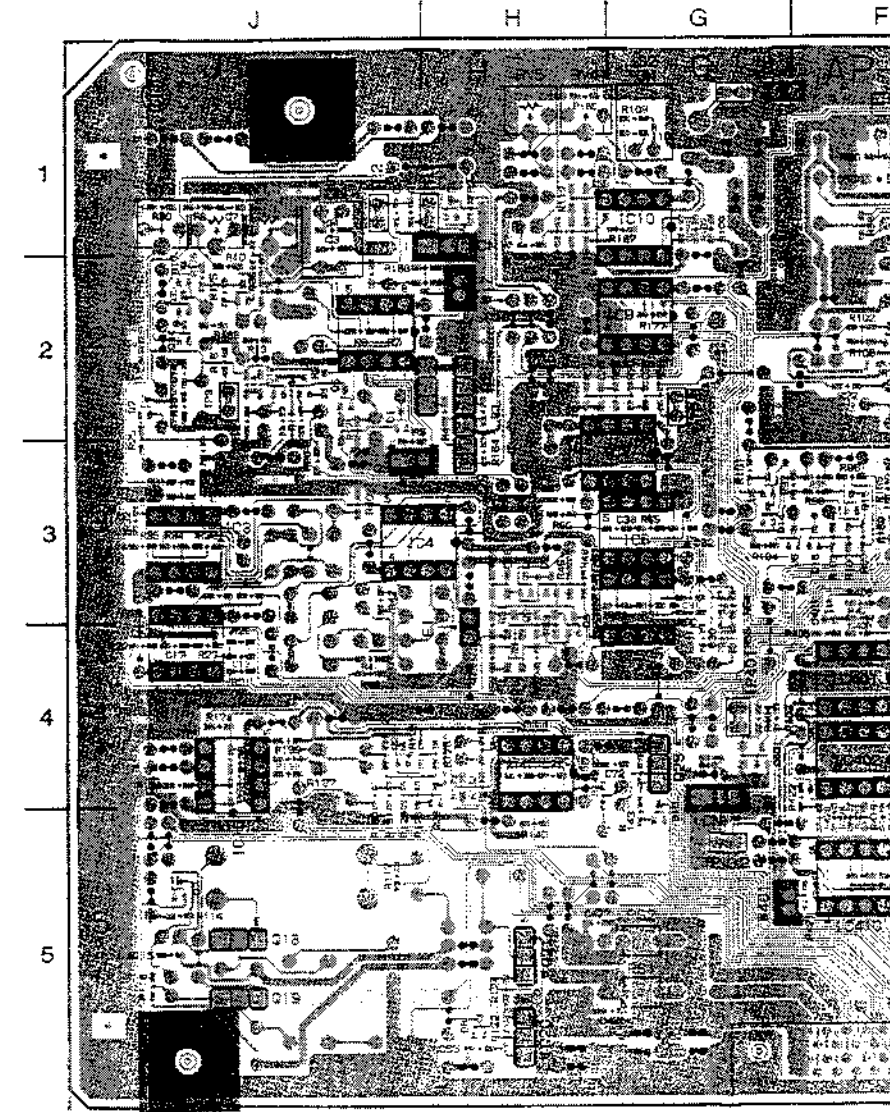
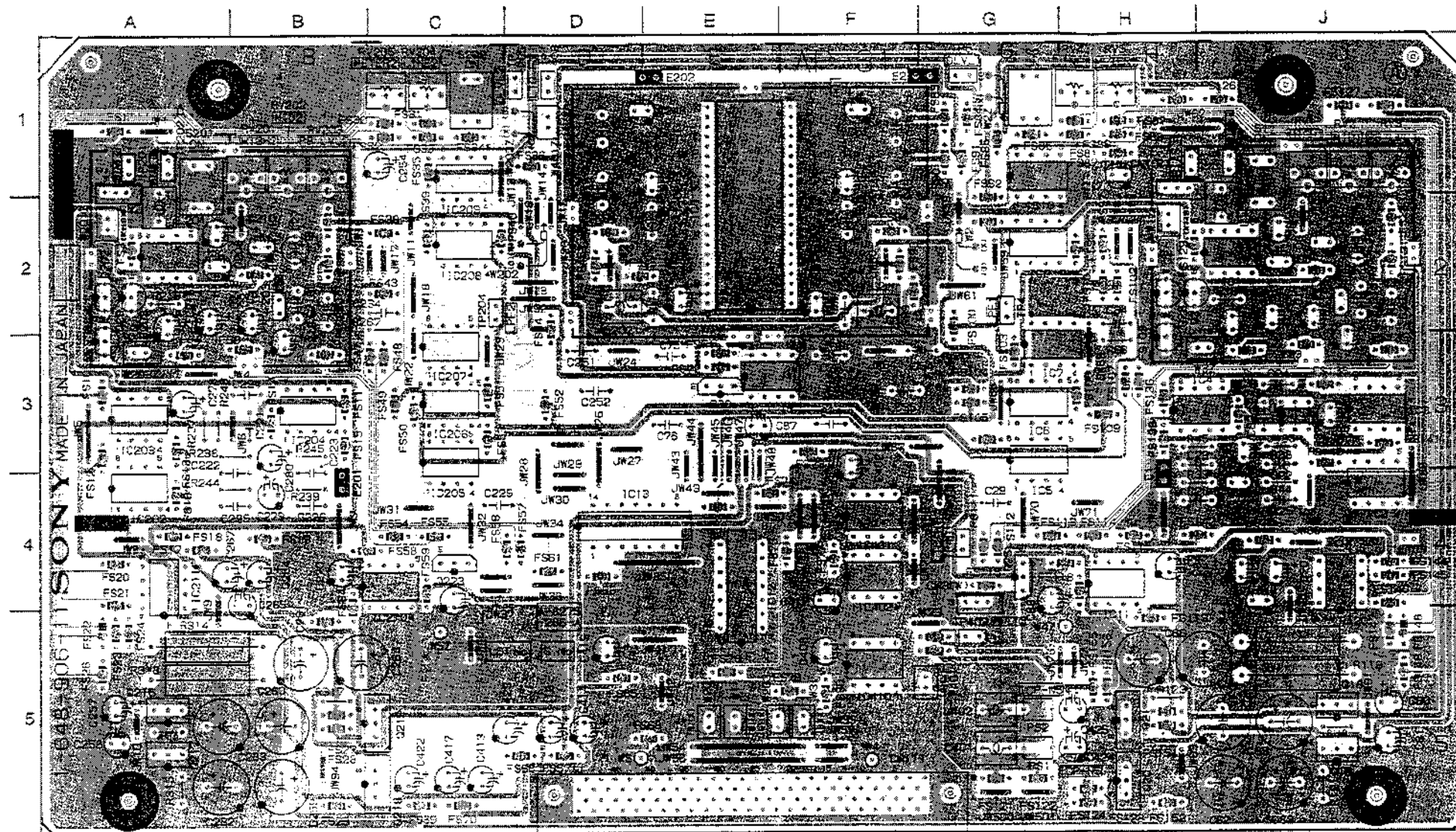


- ⑧ VP-43 BOARD(UVW-1800) ; Y/C PB PROCESS(PB RF EQ,DEMOD.,Y-RF ENVELOPE DET), VIDEO OUTPUT DRIVER, ENCODE, SYNC/CHARA MIX
- VP-43A BOARD(UVW-1600) ; Y/C PB PROCESS(PB RF EQ,DEMOD.,Y-RF ENVELOPE DET), VIDEO OUTPUT DRIVER, ENCODE, SYNC/CHARA MIX
- ⑨ TBC-25 BOARD ; TIME BASE CORRECTOR,CTDM(EXPAND)
- ⑩ SS-53 BOARD ; SYSTEM CONTROL,SERVO SYSTEM MAIN,TIME CODE GENERATOR/READER, CHARACTER GENERATOR
- ⑪ MB-470 BOARD(UVW-1800) ; MOTHER BOARD
- MB-470A BOARD(UVW-1600) ; MOTHER BOARD
- ⑫ CL-25 BOARD (CASSETTE COMPARTMENT) ; CASSETTE LOADING BEGIN/NEAR-END SENSOR
- ⑬ PC-62 BOARD(UVW-1800) ; CASSETTE IN/LARGE CASSETTE SENSOR
- ⑭ MB-471 BOARD(UVW-1800) ; MOTHER BOARD
- MB-471A BOARD(UVW-1600) ; MOTHER BOARD
- ⑮ KY-249 BOARD(UVW-1800) ; FUNCTION KEY
- KY-249A BOARD(UVW-1600) ; FUNCTION KEY
- ⑯ VR-155 BOARD (UVW-1800) ; AUDIO REC LEVEL
- ⑰ HP-61 BOARD(UVW-1800) ; HEADPHONES JACK/VOLUME CONTROL
- HP-61A BOARD(UVW-1600) ; HEADPHONES JACK/VOLUME CONTROL

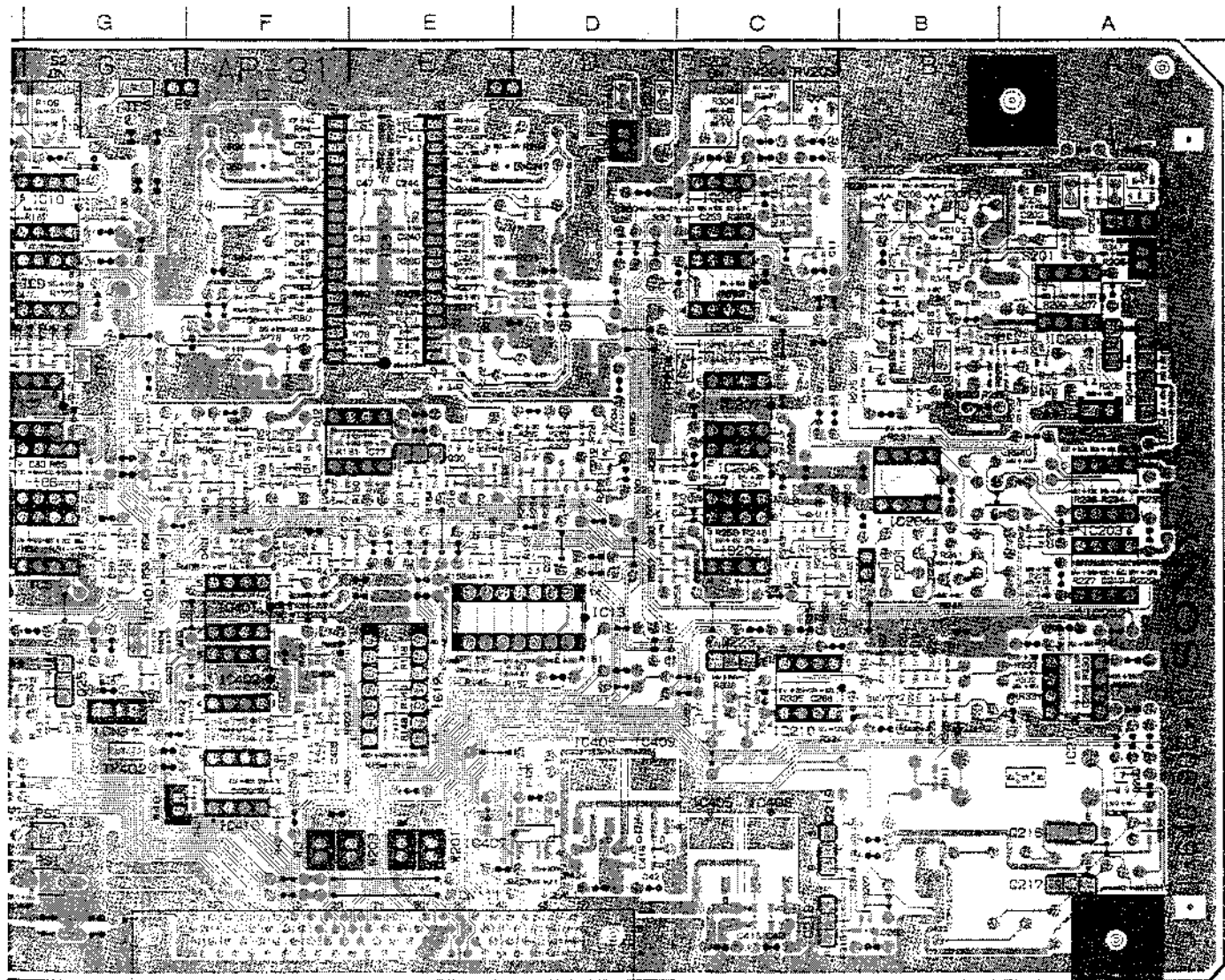
- ⑱ SE-207 BOARD(S SIDE) ; REEL FG
- ⑲ PD-35 BOARD ; PINCH SOLENOID
- ⑳ TR-84 BOARD ; S-TENSION SENSOR
- ㉑ PTC-68 BOARD ; THREAD END/UNTHREAD END SENSOR
- ㉒ PTC-67 BOARD ; THREADING FG/MOTOR
- ㉓ DR-214 BOARD ; MOTOR DRIVER,TENSION SENS. AMP., DRUM FG/PG AMP., CAPSTAN FG AMP., C REC/PB AMP.
- ㉔ MS-39 BOARD(UVW-1800) ; CASSETTE INFORMATION,SOLENOID DRIVER,MECHA. CONTROL MPU,DATA STORAGE
- MS-39A BOARD(UVW-1600) ; CASSETTE INFORMATION,SOLENOID DRIVER,MECHA. CONTROL MPU,DATA STORAGE
- ㉕ RM-127 BOARD ; T-REEL MOTOR
- ㉖ SE-207 BOARD(T SIDE) ; REEL FG
- ㉗ RM-126 BOARD ; S-REEL MOTOR
- ㉘ PTC-66 BOARD ; REEL POSITION SENSOR



AP-31 ; AUDIO/TC PB AMP., METER DRIVER



AP-31 1-648-906-11 A'SIDE



AP-31 1-648-906-11 B SIDE

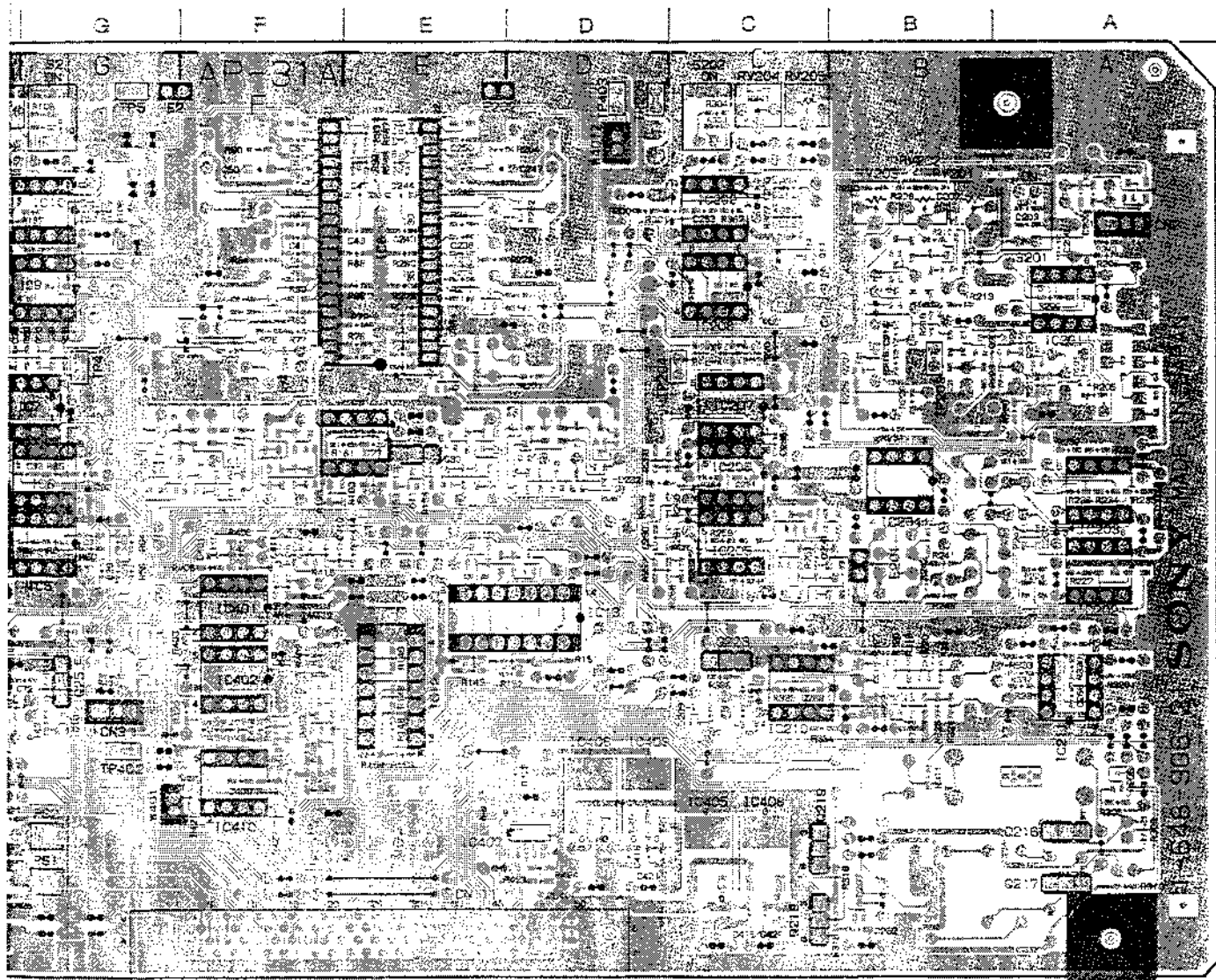
AP-31(1-648-906-11)

CN1	H-1	FS64	B-4	FS149	J-5	RV1	J-1
CN2	A-1	FS65	D-5	FS150	H-5	RV2	J-1
CN3	G-4	FS66	D-5	FS151	H-5	RV3	J-1
CN111	E-5	FS67	D-5	FS152	H-5	RV4	H-1
		FS68	E-5	FS153	G-5	RV5	H-1
*D1	J-2	FS69	C-5	FS154	G-5	RV201	B-1
*D7	J-5	FS70	C-5	FS155	H-5	RV202	B-1
*D8	H-5	FS71	E-3	FS156	H-5	RV203	B-1
*D10	G-5	FS72	E-3			RV204	C-1
*D11	E-3	FS73	F-3	IC1	J-2	RV205	C-1
*D201	A-2	FS74	E-4	IC2	J-4		
*D206	A-5	FS75	E-4	IC3	J-3	S1	J-1
*D207	B-5	FS77	F-4	IC4	H-3	S2	G-1
*D209	C-4	FS79	F-5	IC5	G-4	S201	A-1
*D401	F-3	FS80	F-5	IC6	G-3	S202	C-1
*D403	F-5	FS81	H-1	IC7	G-3		
		FS82	H-1	IC8	F-2	*TH1	J-2
E1	H-4	FS83	G-1	IC9	G-2	*TH2	B-2
E2	G-1	FS84	G-1	IC10	G-2		
E201	B-4	FS85	G-1	IC11	H-4	TP3	J-2
E202	E-1	FS86	G-1	IC12	E-5	TP4	G-2
		FS87	H-1	IC13	D-4	TP5	G-1
FS1	A-1	FS88	H-1	IC14	E-3	TP203	B-2
FS3	A-2	FS89	H-1	IC15	J-4	TP204	C-2
FS5	B-2	FS90	G-1	IC201	A-2	TP205	D-1
FS6	B-2	FS91	G-1	IC202	A-4	TP402	G-5
FS7	A-3	FS92	G-2	IC203	A-3	TP403	D-1
FS9	B-3	FS93	G-2	IC204	B-3		
FS10	A-3	FS94	F-2	IC205	C-4		
FS11	B-3	FS96	H-2	IC206	C-3		
FS12	A-3	FS97	H-2	IC207	C-3		
FS13	A-3	FS98	F-2	IC208	C-2		
FS14	B-3	FS99	F-2	IC209	C-2		
FS15	B-3	FS100	G-2	IC210	C-4		
FS16	A-4	FS101	H-2	IC211	A-4		
FS17	A-4	FS102	H-2	IC401	F-4		
FS18	A-4	FS103	G-3	IC402	F-4		
FS19	B-4	FS106	H-3	*IC405	C-5		
FS20	A-4	FS107	H-3	*IC406	D-5		
FS21	A-4	FS108	H-3	*IC407	D-5		
FS22	A-5	FS109	H-3	*IC408	C-5		
FS23	A-5	FS110	G-3	*IC409	D-5		
FS24	A-5	FS111	G-4	IC410	F-5		
FS25	B-5	FS112	G-4				
FS26	A-5	FS114	H-4	PS1	G-5		
FS27	B-5	FS115	H-4	PS2	G-5		
FS28	B-5	FS116	G-4				
FS29	B-5	FS117	H-4	*Q5	J-2		
FS30	C-1	FS118	H-4	*Q6	J-2		
FS31	C-1	FS119	H-5	*Q7	J-2		
FS32	C-1	FS121	G-5	*Q9	H-4		
FS33	C-1	FS122	G-5	*Q11	C-2		
FS34	C-1	FS123	H-5	*Q12	E-2		
FS35	C-1	FS124	H-5	*Q13	E-1		
FS36	D-1	FS125	H-1	Q18	J-5		
FS38	C-2	FS126	J-1	Q19	J-5		
FS39	C-2	FS127	J-1	Q20	H-5		
FS40	C-2	FS128	J-1	Q21	H-5		
FS41	D-2	FS129	H-2	*Q22	J-4		
FS43	C-2	FS131	J-2	*Q23	H-4		
FS44	D-2	FS132	J-2	Q25	G-4		
FS45	D-2	FS133	J-3	Q30	E-3		
FS46	D-2	FS135	J-3	*Q205	A-2		
FS47	C-3	FS136	H-3	*Q206	A-2		
FS48	C-3	FS137	J-3	*Q207	B-2		
FS49	C-3	FS138	J-3	*Q209	B-4		
FS50	C-3	FS139	H-3	*Q211	E-1		
FS51	C-3	FS140	J-3	Q216	A-5		
FS53	C-3	FS141	J-3	Q217	A-5		
FS54	C-4	FS142	J-4	Q218	C-5		
FS56	D-4	FS143	J-4	Q219	C-5		
FS57	D-4	FS144	J-4	*Q220	B-4		
FS58	C-4	FS145	J-4	*Q221	B-4		
FS59	C-4	FS146	J-4	Q223	C-4		
FS61	D-4	FS147	J-5	*Q403	F-3		
FS63	D-4	FS148	J-5				

\*: B SIDE







AP-31A 1-648-906-21 B SIDE

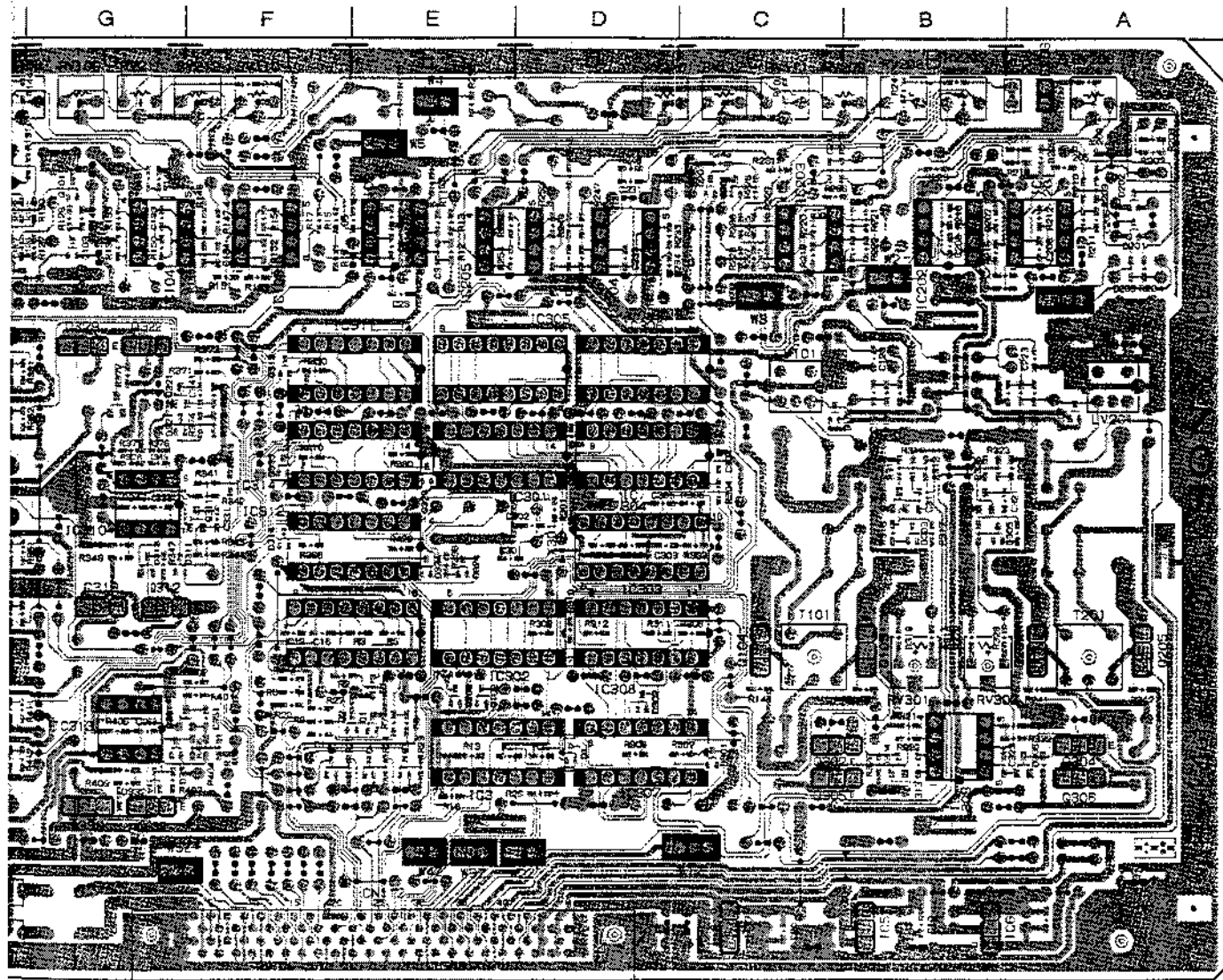
AP-31A(1-648-906-21)

CN1	H-1	FS64	B-4	FS149	J-5	RV2	J-1
CN2	A-1	FS65	D-5	FS150	H-5	RV3	J-1
CN3	G-4	FS66	D-5	FS151	H-5	RV4	H-1
CN111	E-5	FS67	D-5	FS152	H-5	RV5	H-1
		FS68	E-5	FS153	G-5	RV201	B-1
*D1	J-2	FS69	C-5	FS154	G-5	RV202	B-1
*D7	J-5	FS70	C-5	FS155	H-5	RV203	B-1
*D8	H-5	FS71	E-3	FS156	H-5	RV204	C-1
*D10	G-5	FS72	E-3			RV205	C-1
*D11	E-3	FS73	F-3	IC1	J-2		
*D201	A-2	FS74	E-4	IC2	J-4	S1	J-1
*D206	A-5	FS75	E-4	IC3	J-3	S2	G-1
*D207	B-5	FS77	F-4	IC4	H-3	S201	A-1
*D209	C-4	FS79	F-5	IC5	G-4	S202	C-1
*D401	F-3	FS80	F-5	IC6	G-3		
*D403	F-5	FS81	H-1	IC7	G-3	*TH1	J-2
		FS82	H-1	IC8	F-2	*TH2	B-2
E1	H-4	FS83	G-1	IC9	G-2		
E2	G-1	FS84	G-1	IC10	G-2	TP3	J-2
E201	B-4	FS85	G-1	IC11	H-4	TP4	G-2
E202	E-1	FS86	G-1	IC12	E-5	TP5	G-1
		FS87	H-1	IC13	D-4	TP203	B-2
FS1	A-1	FS88	H-1	IC14	E-3	TP204	C-2
FS3	A-2	FS89	H-1	IC15	J-4	TP205	D-1
FS5	B-2	FS90	G-1	IC201	A-2	TP402	G-5
FS6	B-2	FS91	G-1	IC202	A-4	TP403	D-1
FS7	A-3	FS92	G-2	IC203	A-3		
FS9	B-3	FS93	G-2	IC204	B-3		
FS10	A-3	FS94	F-2	IC205	C-4		
FS11	B-3	FS96	H-2	IC206	C-3		
FS12	A-3	FS97	H-2	IC207	C-3		
FS13	A-3	FS98	F-2	IC208	C-2		
FS14	B-3	FS99	F-2	IC209	C-2		
FS15	B-3	FS100	G-2	IC210	C-4		
FS16	A-4	FS101	H-2	IC211	A-4		
FS17	A-4	FS102	H-2	IC401	F-4		
FS18	A-4	FS103	G-3	IC402	F-4		
FS19	B-4	FS106	H-3	*IC405	C-5		
FS20	A-4	FS107	H-3	*IC406	D-5		
FS21	A-4	FS108	H-3	*IC407	D-5		
FS22	A-5	FS109	H-3	*IC408	C-5		
FS23	A-5	FS110	G-3	*IC409	D-5		
FS24	A-5	FS111	G-4	IC410	F-5		
FS25	B-5	FS112	G-4				
FS26	A-5	FS114	H-4	PS1	G-5		
FS27	B-5	FS115	H-4	PS2	G-5		
FS28	B-5	FS116	G-4				
FS29	B-5	FS117	H-4	*Q5	J-2		
FS30	C-1	FS118	H-4	*Q6	J-2		
FS31	C-1	FS119	H-5	*Q7	J-2		
FS32	C-1	FS121	G-5	*Q9	H-4		
FS33	C-1	FS122	G-5	*Q11	C-2		
FS34	C-1	FS123	H-5	*Q12	E-2		
FS35	C-1	FS124	H-5	*Q13	E-1		
FS36	D-1	FS125	H-1	Q18	J-5		
FS38	C-2	FS126	J-1	Q19	J-5		
FS39	C-2	FS127	J-1	Q20	H-5		
FS40	C-2	FS128	J-1	Q21	H-5		
FS41	D-2	FS129	H-2	*Q22	J-4		
FS43	C-2	FS131	J-2	*Q23	H-4		
FS44	D-2	FS132	J-2	Q25	G-4		
FS45	D-2	FS133	J-3	Q30	E-3		
FS46	D-2	FS135	J-3	*Q205	A-2		
FS47	C-3	FS136	H-3	*Q206	A-2		
FS48	C-3	FS137	J-3	*Q207	B-2		
FS49	C-3	FS138	J-3	*Q209	B-4		
FS50	C-3	FS139	H-3	*Q211	E-1		
FS51	C-3	FS140	J-3	Q216	A-5		
FS53	C-3	FS141	J-3	Q217	A-5		
FS54	C-4	FS142	J-4	Q218	C-5		
FS56	D-4	FS143	J-4	Q219	C-5		
FS57	D-4	FS144	J-4	*Q220	B-4		
FS58	C-4	FS145	J-4	*Q221	B-4		
FS59	C-4	FS146	J-4	*Q223	C-4		
FS61	D-4	FS147	J-5	*Q403	F-3		
FS63	D-4	FS148	J-5	RV1	J-1		

\*: B SIDE







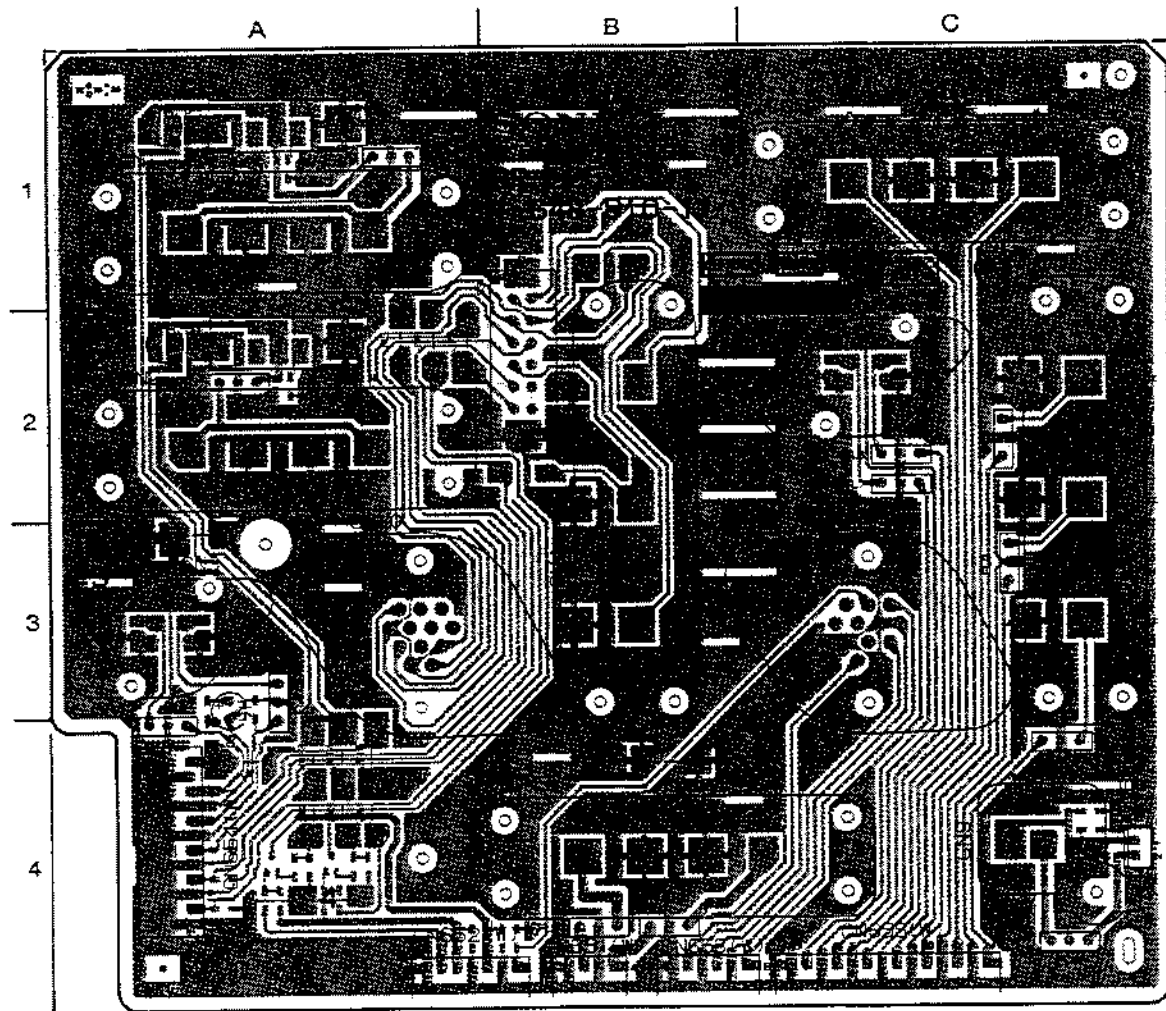
AR-14 1-648-907-11 B SIDE

AR-14(1-648-907-11)

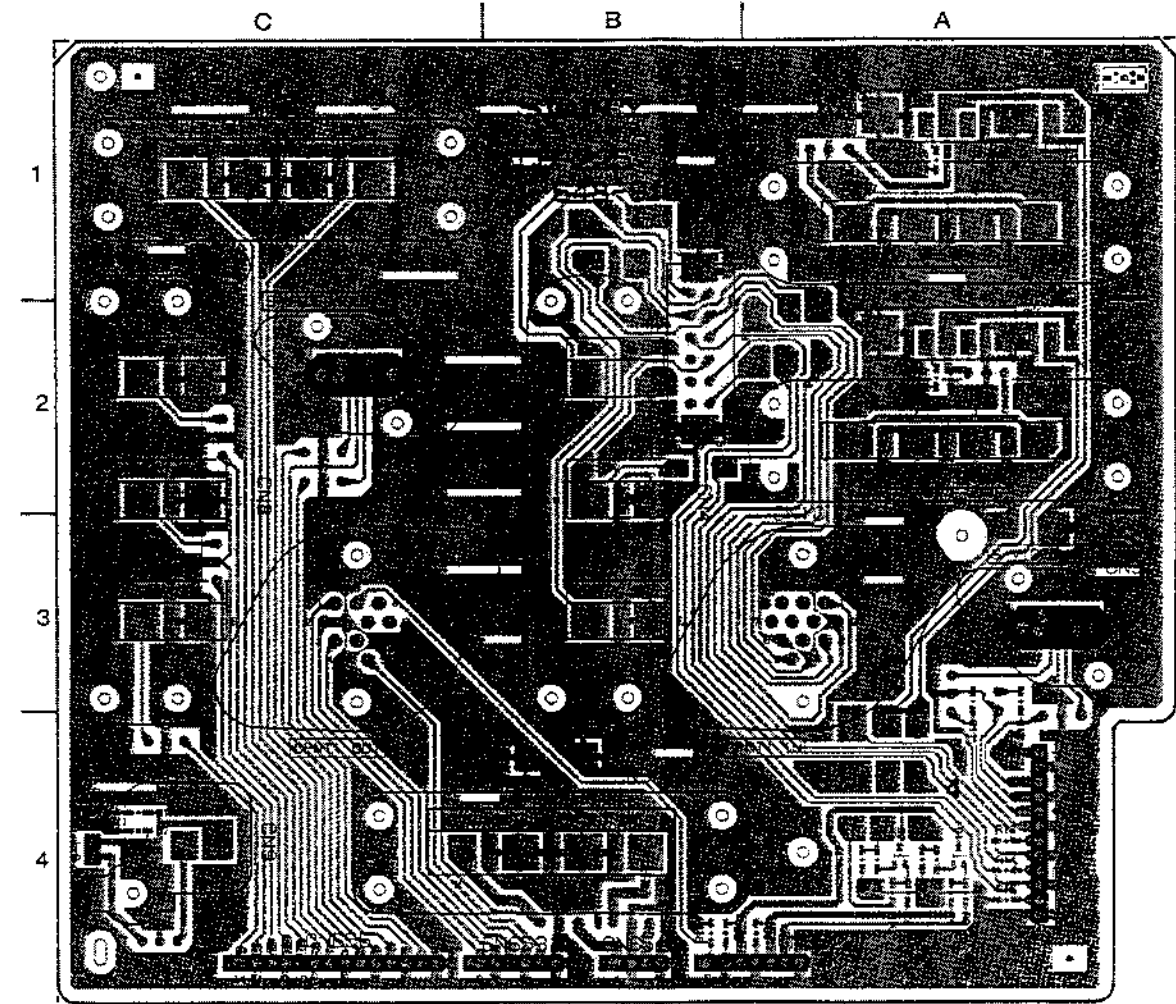
CN1	J-5	FS44	C-3	FS123	H-1	*Q1	E-5	TP301	J-1
CN112	E-5	FS45	C-3	FS124	J-1	*Q2	E-5	TP311	J-1
*D1	D-5	FS46	C-3	FS125	H-2	*Q3	E-5	TP321	J-1
*D101	J-2	FS47	C-3	FS126	H-2	*Q4	E-5	X301	D-3
*D102	J-1	FS48	C-3	FS127	H-2	*Q5	F-5		
*D103	C-3	FS49	C-4	FS128	H-4	*Q101	G-1		
*D201	A-2	FS50	C-4	FS129	J-1	*Q102	E-4		
*D202	A-1	FS51	C-5	FS130	J-1	*Q103	G-2		
*D203	A-3	FS52	D-1	FS131	J-1	Q104	C-4		
*D301	C-5	FS54	D-3	FS132	J-2	Q105	B-4		
*D302	D-4	FS55	D-3	FS133	J-2	*Q201	C-1		
*D303	B-3	FS56	D-3	FS134	J-2	*Q202	E-4		
*D304	B-5	FS57	D-4	FS135	H-2	*Q203	C-1		
*D305	B-3	FS58	D-4	FS136	J-2	Q204	A-4		
*D306	A-5	FS59	D-4	FS137	J-2	Q205	A-4		
*D311	G-4	FS60	D-5	FS138	J-3	*Q301	B-3		
*D312	G-4	FS61	D-1	FS139	J-3	Q302	C-5		
*D313	J-3	FS62	E-1	FS140	J-5	*Q303	B-3		
*D314	F-3	FS63	D-3	FS141	J-5	Q304	A-5		
*D321	G-3	FS64	E-3	FS142	J-1	Q305	C-5		
*D322	G-3	FS65	E-3	FS143	J-1	Q306	A-5		
*D323	J-2	FS66	D-4	FS144	J-1	*Q311	F-3		
*D324	E-4	FS68	E-4	FS145	J-2	Q312	G-4		
*D331	G-5	FS69	D-4	FS146	J-2	*Q313	F-2		
*D332	G-5	FS70	D-4	FS147	J-2	*Q314	H-4		
*D334	E-4	FS72	E-1	FS148	J-3	*Q315	H-4		
E106	H-1	FS73	E-2	FS149	J-3	Q316	H-3		
E206	A-1	FS74	E-3	FS150	J-4	Q317	H-4		
E301	J-1	FS75	F-3	FS152	H-2	*Q318	J-3		
E311	J-1	FS76	E-3	FS153	E-1	Q319	G-4		
FS1	A-1	FS77	F-3	FS154	F-1	*Q321	G-3		
FS2	A-1	FS78	E-4	FS155	J-5	Q322	G-2		
FS3	A-1	FS79	E-4	FS156	J-4	*Q323	E-3		
FS4	A-2	FS80	F-4	IC1	E-4	*Q324	H-2		
FS5	A-2	FS81	E-5	IC2	E-2	*Q325	H-3		
FS6	A-5	FS82	E-5	IC3	D-5	Q326	H-2		
FS7	A-2	FS83	F-1	IC5	B-5	*Q327	H-3		
FS8	A-2	FS84	F-1	IC6	B-5	Q328	J-2		
FS9	A-2	FS85	F-1	IC7	C-5	*Q329	G-2		
FS10	A-5	FS86	F-1	IC101	J-2	*Q331	F-5		
FS11	A-5	FS87	F-1	IC102	J-2	Q332	G-5		
FS12	A-5	FS88	F-2	IC103	J-2	*Q333	F-3		
FS13	B-1	FS89	F-2	IC104	H-2	*Q334	H-4		
FS14	B-2	FS90	F-2	IC105	G-2	*Q335	H-5		
FS15	B-5	FS91	F-3	IC201	A-2	Q336	H-4		
FS16	B-5	FS92	F-3	IC202	B-2	Q337	H-5		
FS17	A-5	FS93	F-3	IC203	C-2	Q399	G-5		
FS18	A-5	FS94	F-4	IC204	D-2	RV106	J-1		
FS19	A-5	FS95	F-4	IC205	E-2	RV107	H-1		
FS20	B-1	FS96	F-4	IC301	D-3	RV108	H-1		
FS21	B-2	FS97	F-4	IC302	D-4	RV109	G-1		
FS22	B-2	FS98	F-5	IC303	C-4	RV110	F-1		
FS23	B-3	FS99	F-5	IC304	C-3	RV111	C-1		
FS24	B-3	FS100	F-5	IC305	D-3	RV112	C-1		
FS25	B-4	FS101	F-5	IC306	C-3	RV206	A-1		
FS26	B-5	FS102	F-5	IC307	C-5	RV207	B-1		
FS27	B-1	FS103	F-5	IC308	C-4	RV208	B-1		
FS28	B-2	FS104	F-5	IC309	B-5	RV209	B-1		
FS29	C-2	FS105	F-5	IC310	G-3	RV210	D-1		
FS30	B-5	FS106	F-5	IC311	E-3	RV211	G-1		
FS31	B-5	FS107	G-1	IC312	E-4	RV212	F-1		
FS32	B-5	FS108	G-1	IC313	G-5	RV301	B-4		
FS33	B-5	FS109	G-2	IC314	E-3	RV302	B-4		
FS34	C-1	FS110	G-2	IC315	J-3				
FS35	C-2	FS111	G-2	IC316	J-5	RY301	J-3		
FS36	C-2	FS112	G-2	LV101	C-2	RY311	J-2		
FS37	C-5	FS113	G-3	LV201	A-2	S103	J-1		
FS38	C-5	FS114	G-3	LV301	J-4	S203	A-1		
FS39	C-5	FS115	G-3	LV311	J-3	*TH1	G-2		
FS40	C-1	FS116	G-4	LV321	J-5	*TH2	C-2		
FS41	C-1	FS117	G-4	PS1	H-5	TP106	H-1		
FS42	C-2	FS118	G-4	PS2	H-5	TP206	A-1		
FS43	C-2	FS119	G-5						
		FS120	G-5						
		FS121	G-5						
		FS122	H-1						

\*: B SIDE

CP-225; VIDEO INPUT/OUTPUT CONNECTOR



CP-225 1-648-910-11 A SIDE

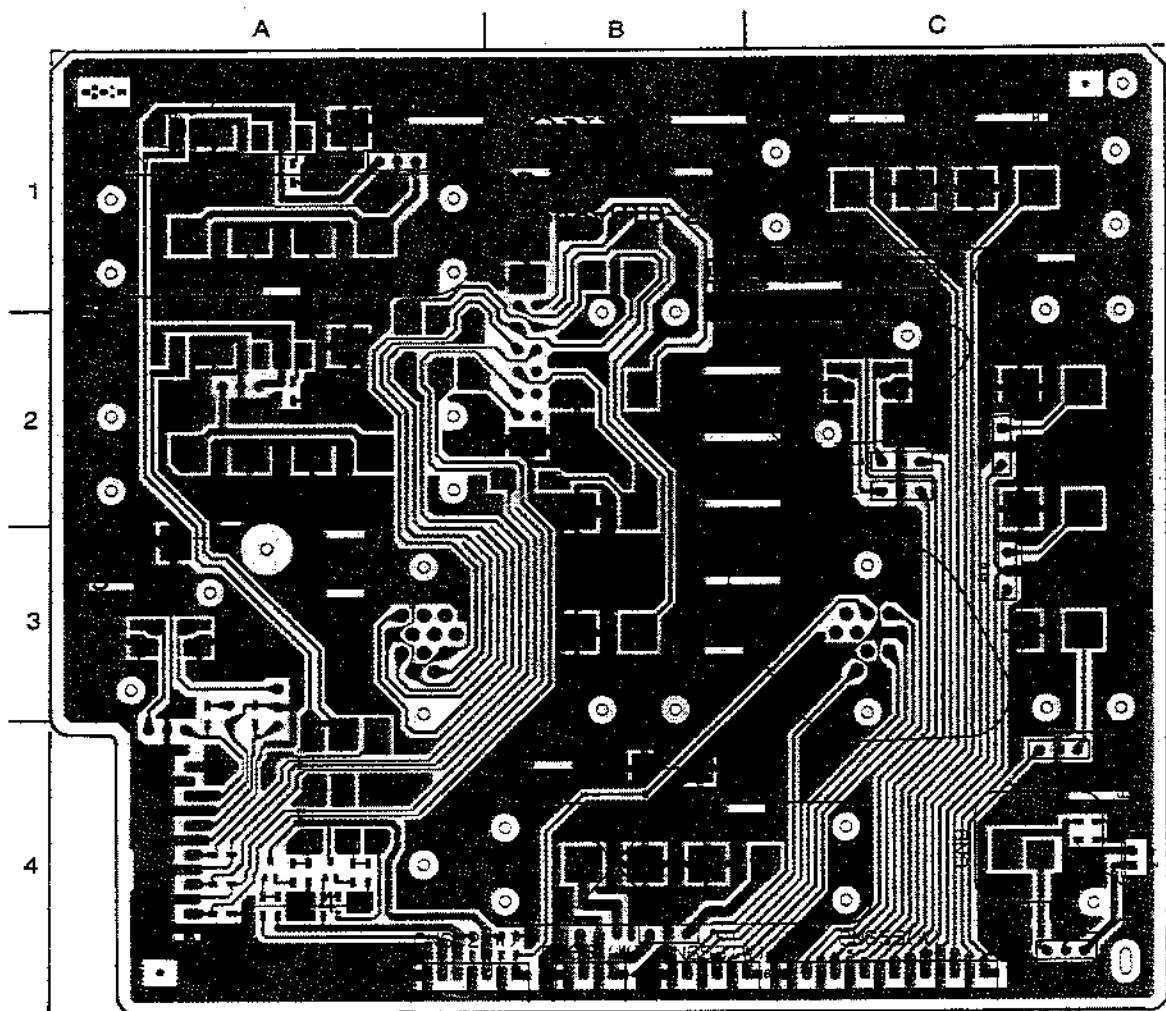


CP-225 1-648-910-11 B SIDE

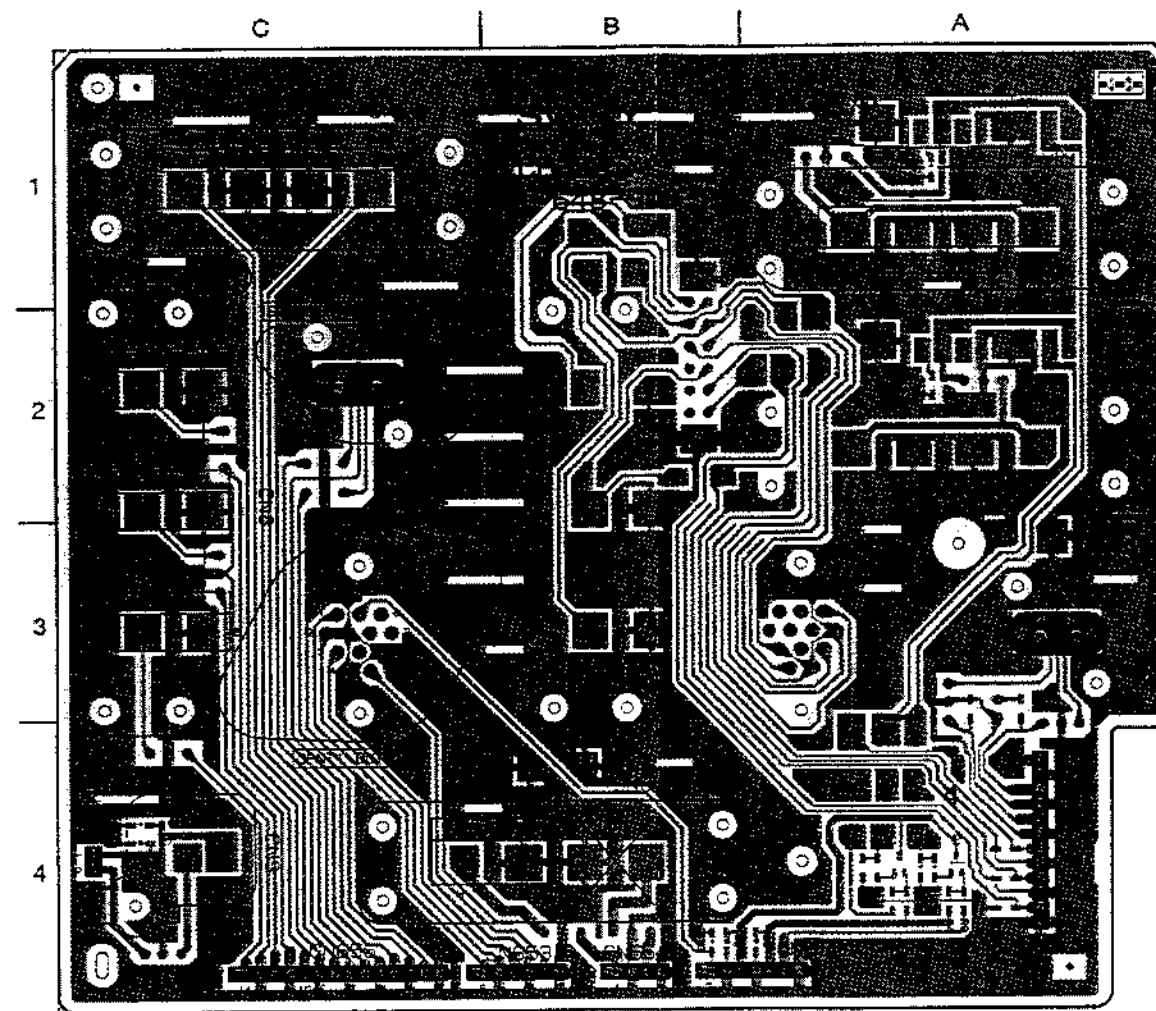
CP-225



CP-225A; VIDEO OUTPUT CONNECTOR



CP-225A 1-648-910-21 A SIDE



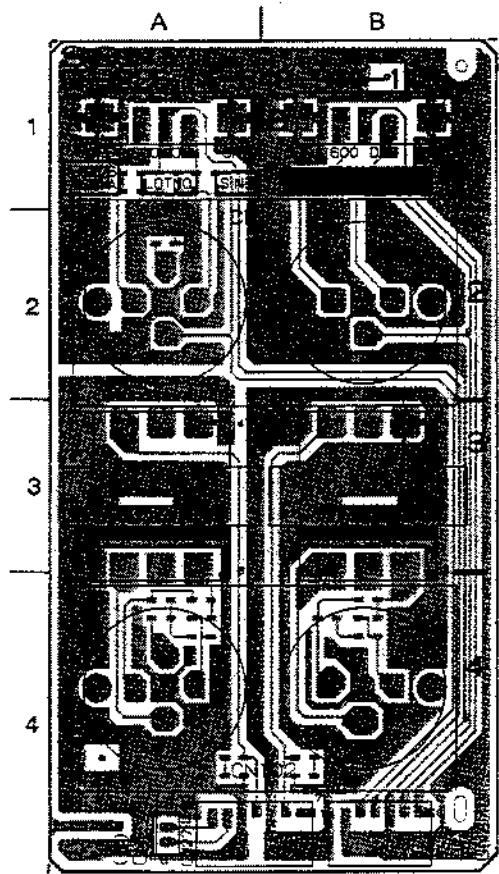
CP-225A 1-648-910-21 B SIDE

CP-225A

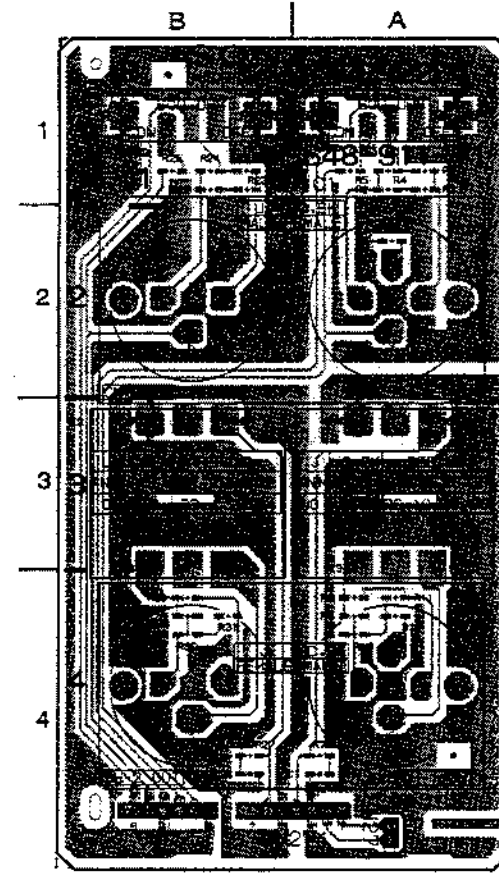
15-12

UW-1600

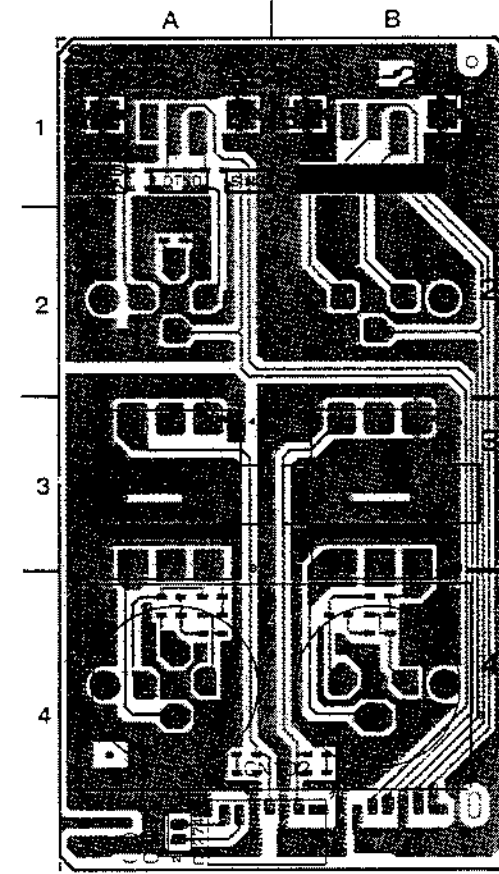
CP-226 ; AUDIO INPUT/OUTPUT CONNECTOR, OUTPUT TRANSFORMER(FOR UC)  
 CP-226J ; AUDIO INPUT/OUTPUT CONNECTOR, OUTPUT TRANSFORMER(FOR J)  
 CP-226A ; AUDIO OUTPUT CONNECTOR, OUTPUT TRANSFORMER(FOR UC)  
 CP-226AJ ; AUDIO OUTPUT CONNECTOR, OUTPUT TRANSFORMER(FOR J)



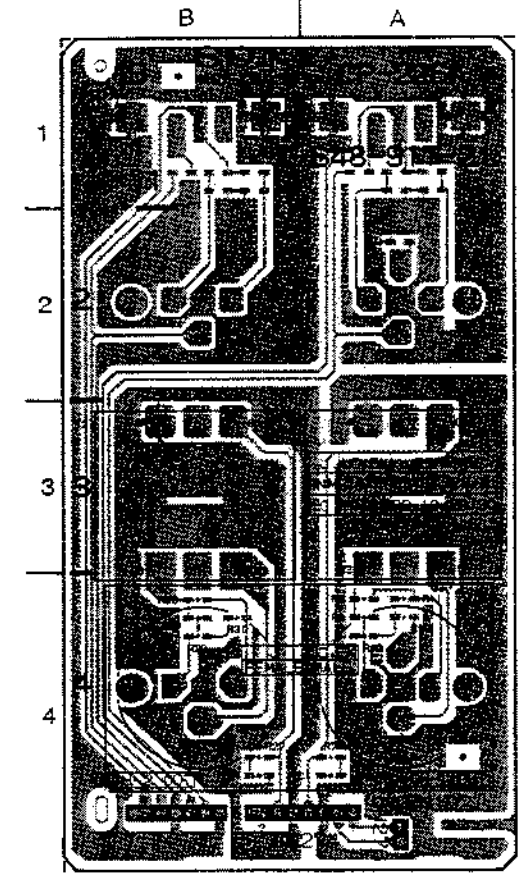
CP-226/226J 1-648-911-11 A SIDE



CP-226/226J 1-648-911-11 B SIDE



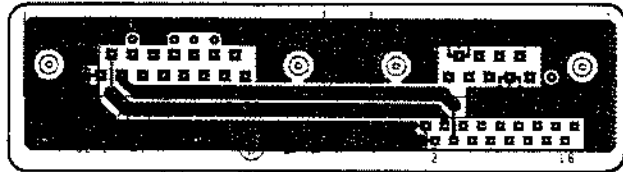
CP-226A/226AJ 1-648-911-21 A SIDE



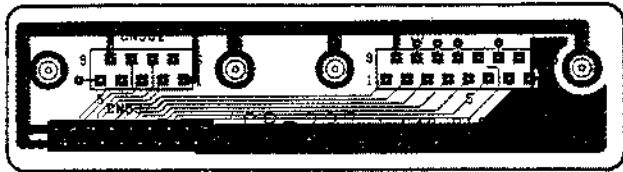
CP-226A/226AJ 1-648-911-21 B SIDE



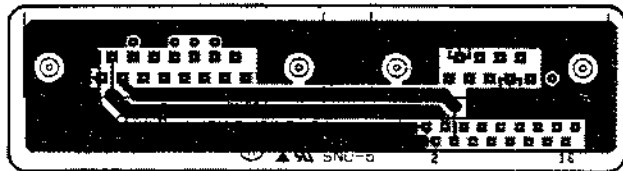
CP-237 ; TBC/9P REMOTE CONNECTOR  
CP-237A ; TBC/9P REMOTE CONNECTOR



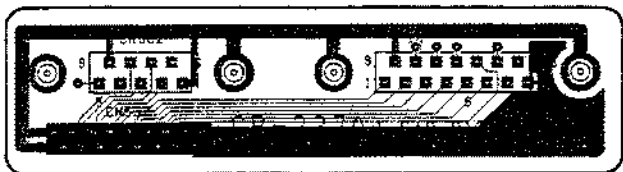
CP-237 1-648-912-11 A SIDE



CP-237 1-648-912-11 B SIDE



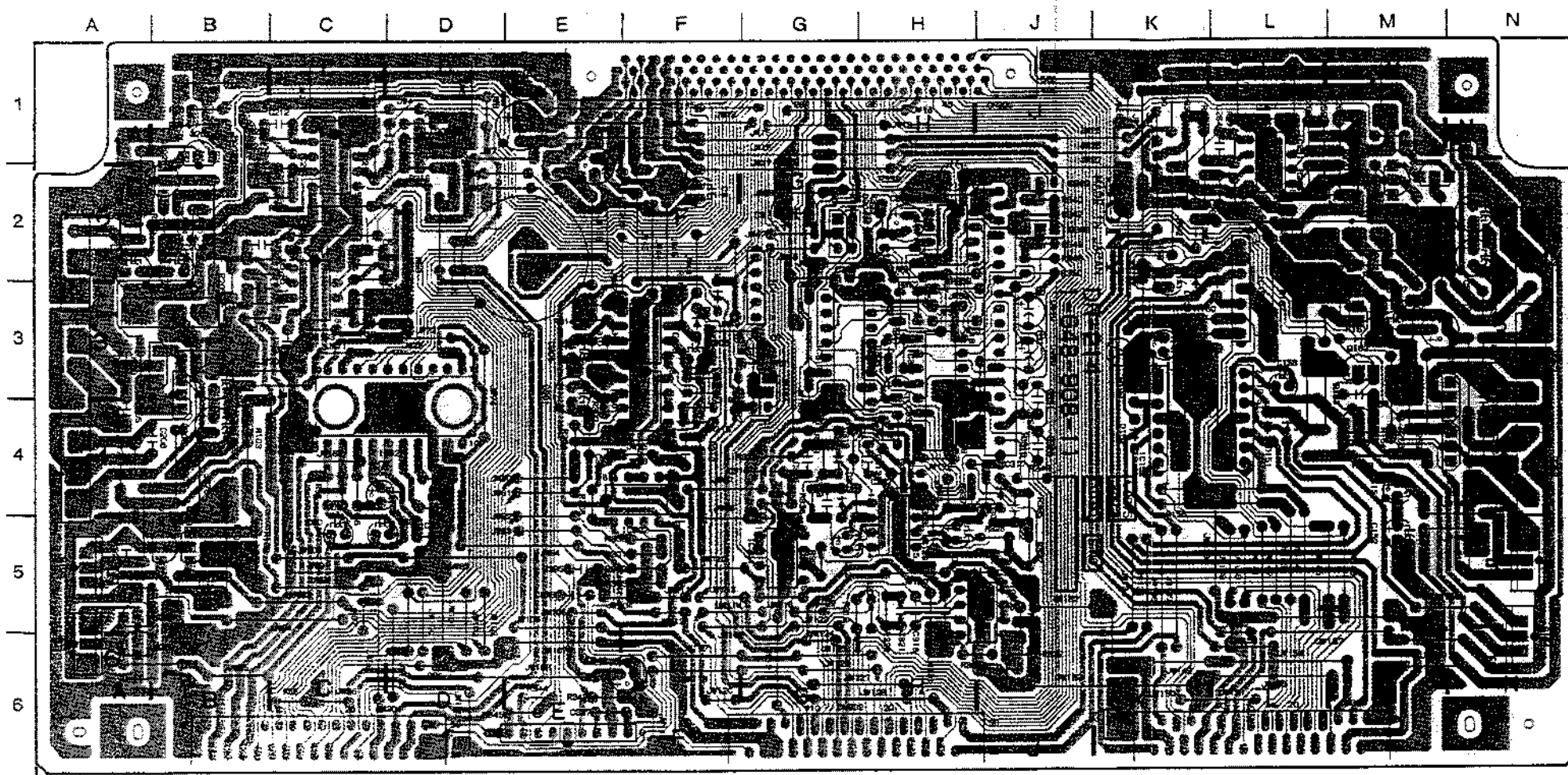
CP-237A 1-648-912-21 A SIDE



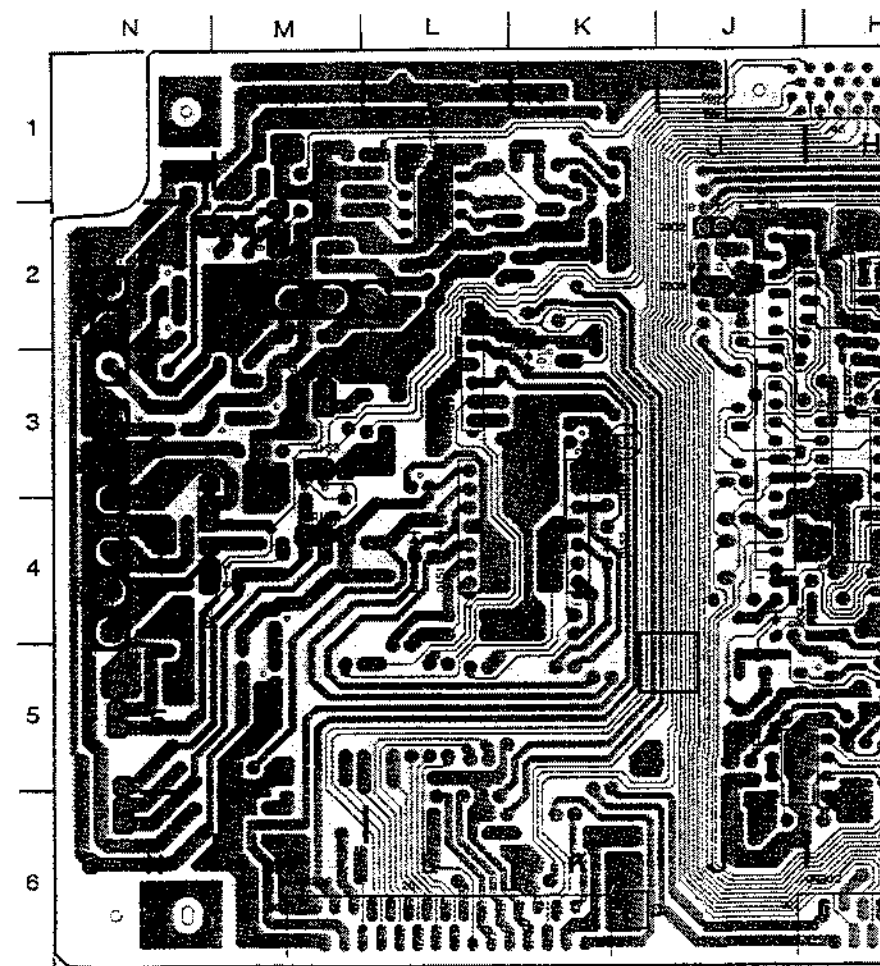
CP-237A 1-648-912-21 B SIDE

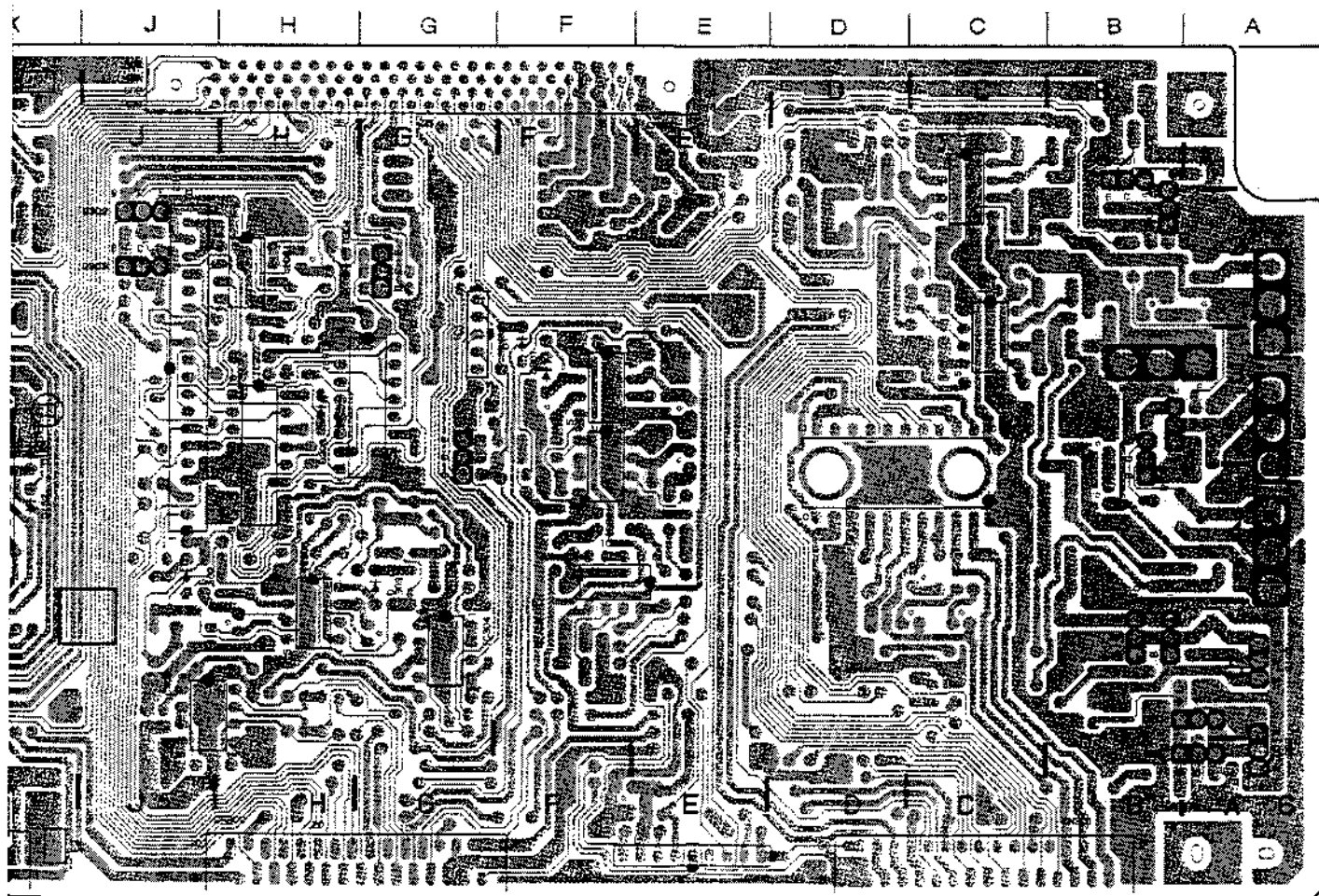


DR-214; MOTOR DRIVER, TENSION SENS. AMP., DRUM FG/PG AMP., CAPSTAN FG AMP., CTL REC/PB AMP.



DR-214 1-648-908-11 A SIDE





DR-214 1-648-908-11 B SIDE

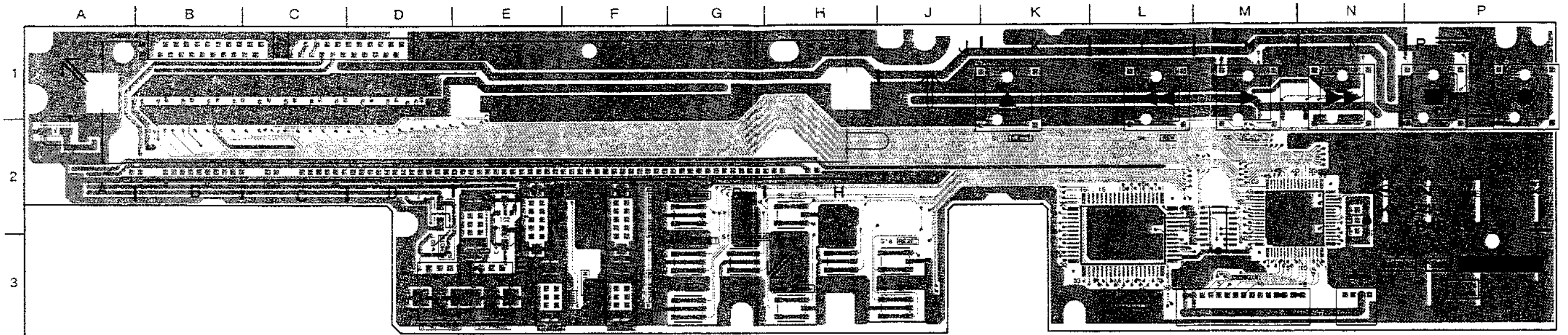
DR-214(1-648-908-11)

- |       |     |
|-------|-----|
| CN300 | H-1 |
| CN301 | C-5 |
| CN302 | H-5 |
| CN303 | L-5 |
|       |     |
| D1    | G-2 |
| D151  | L-3 |
| D152  | K-3 |
| D153  | L-2 |
| D154  | M-3 |
| D155  | K-3 |
| D156  | L-2 |
| D301  | G-2 |
| D302  | J-4 |
| D303  | H-4 |
| D304  | H-2 |
| D306  | H-3 |
|       |     |
| E1    | K-1 |
| E2    | K-5 |
|       |     |
| IC1   | G-2 |
| IC51  | C-2 |
| IC52  | D-3 |
| IC151 | L-4 |
| IC152 | L-4 |
| IC153 | L-2 |
| IC201 | C-1 |
| IC251 | L-1 |
| IC301 | F-3 |
| IC302 | F-4 |
| IC303 | F-2 |
| IC304 | G-4 |
| IC305 | J-5 |
| IC306 | H-4 |
| IC307 | J-2 |
| IC308 | E-5 |
| IC310 | J-3 |
| IC311 | J-1 |
| IC313 | H-2 |
|       |     |
| Q1    | G-3 |
| Q51   | B-5 |
| Q52   | B-6 |
| Q53   | B-5 |
| Q101  | B-4 |
| Q102  | B-4 |
| Q103  | B-4 |
| Q151  | M-2 |
| Q152  | N-4 |
| Q153  | M-3 |
| Q154  | N-5 |
| Q155  | M-3 |
| Q201  | B-1 |
| Q202  | B-1 |
| Q203  | B-2 |
| Q204  | B-2 |
| Q205  | B-3 |
| Q206  | B-3 |
| Q207  | B-3 |
| Q208  | B-4 |
| Q251  | N-1 |
| Q252  | N-1 |
| Q253  | N-2 |
| Q254  | M-2 |
| Q255  | N-3 |
| Q256  | N-3 |
| Q257  | N-3 |
| Q258  | N-4 |
| Q301  | H-2 |
| Q302  | K-1 |
| Q303  | K-2 |

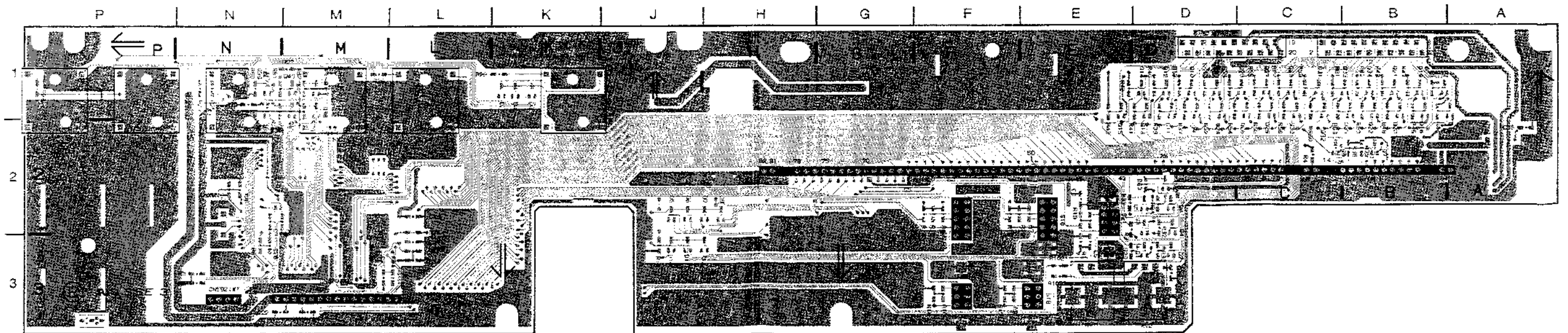
\*: B SIDE



KY-249; FUNCTION KEY



KY-249 1-648-914-11 A SIDE



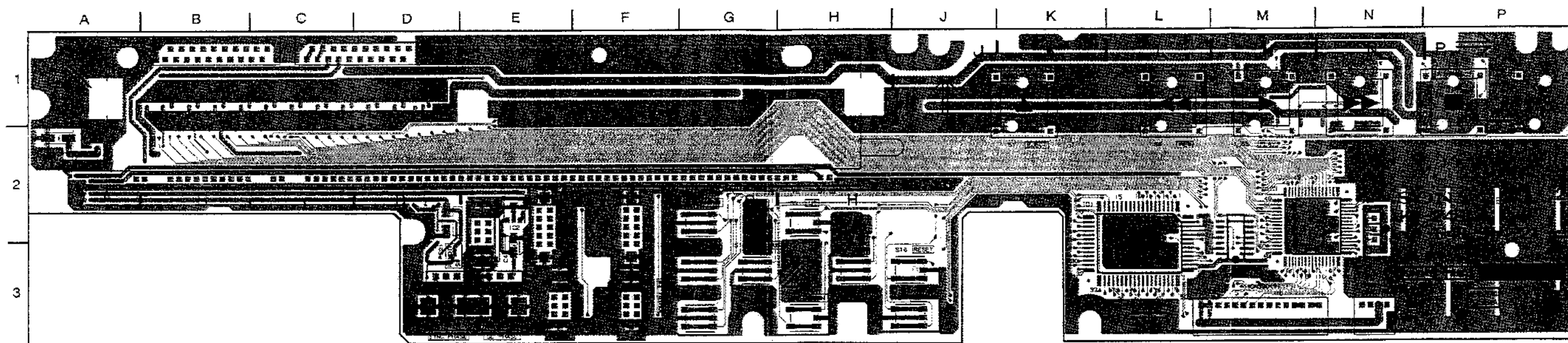
KY-249 1-648-914-11 B SIDE

KY-249(1-648-914-11)

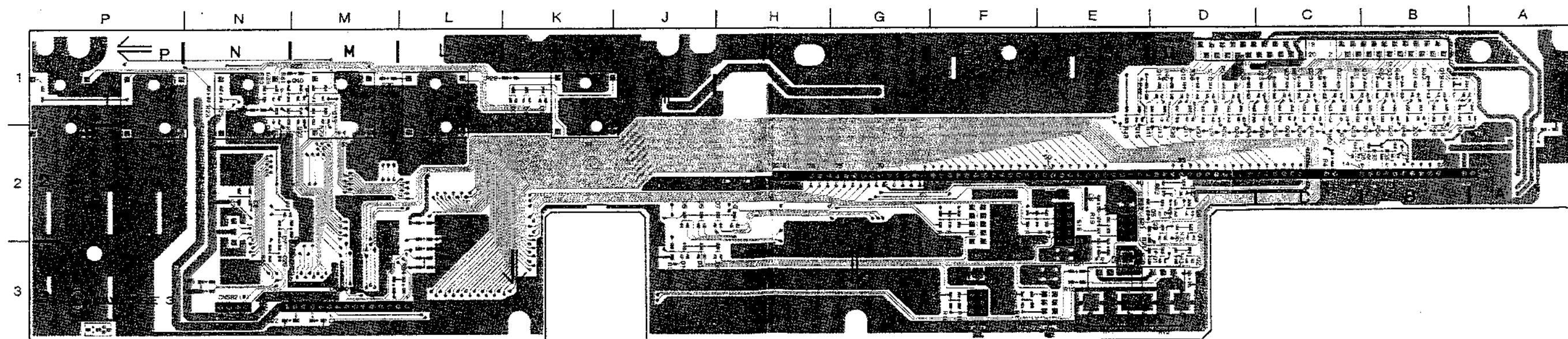
CN590	M-3	S8	H-2
CN591	D-1	S9	H-3
CN592	N-3	S10	H-3
CN593	B-1	S11	G-3
		S12	J-3
*D1	N-2	S13	G-3
*D2	K-1	S14	G-3
*D3	K-1	S15	G-2
*D4	K-1	S16	F-2
*D5	J-2	S17	F-2
*D6	J-2	S18	J-3
*D7	H-2	S19	E-3
*D8	H-2	S20	F-3
*D9	H-3	S21	E-2
*D10	J-3		
*D11	J-3	X1	N-2
IC1	L-3		
IC2	E-2		
IC3	M-2		
IC6	M-3		
ND1	E-2		
*Q1	D-3		
*Q2	D-3		
*Q3	D-2		
*Q4	D-2		
*Q5	D-2		
*Q6	D-2		
*Q7	B-2		
*Q8	C-2		
*Q9	D-1		
*Q10	D-1		
*Q11	D-1		
*Q12	D-1		
*Q13	D-1		
*Q14	D-1		
*Q15	E-1		
*Q16	A-1		
*Q17	B-1		
*Q18	B-1		
*Q19	B-1		
*Q20	B-1		
*Q21	B-1		
*Q22	B-1		
*Q23	D-1		
*Q24	D-1		
*Q25	C-1		
*Q26	C-1		
*Q27	C-1		
*Q28	C-1		
*Q29	C-1		
*Q30	C-1		
*Q31	C-1		
*Q32	C-1		
*Q33	B-1		
*Q34	B-1		
*Q35	B-1		
*Q36	N-1		
*Q37	M-1		
*Q38	M-1		
*Q39	N-1		
*Q40	M-1		
*Q41	M-1		
*Q42	D-2		
RV1	E-3		
RV2	D-3		
S1	K-1		
S2	P-1		
S3	N-1		
S4	L-1		
S5	M-1		
S7	P-1		

\*: B SIDE

KY-249A; FUNCTION KEY



KY-249A 1-648-914-21 A SIDE



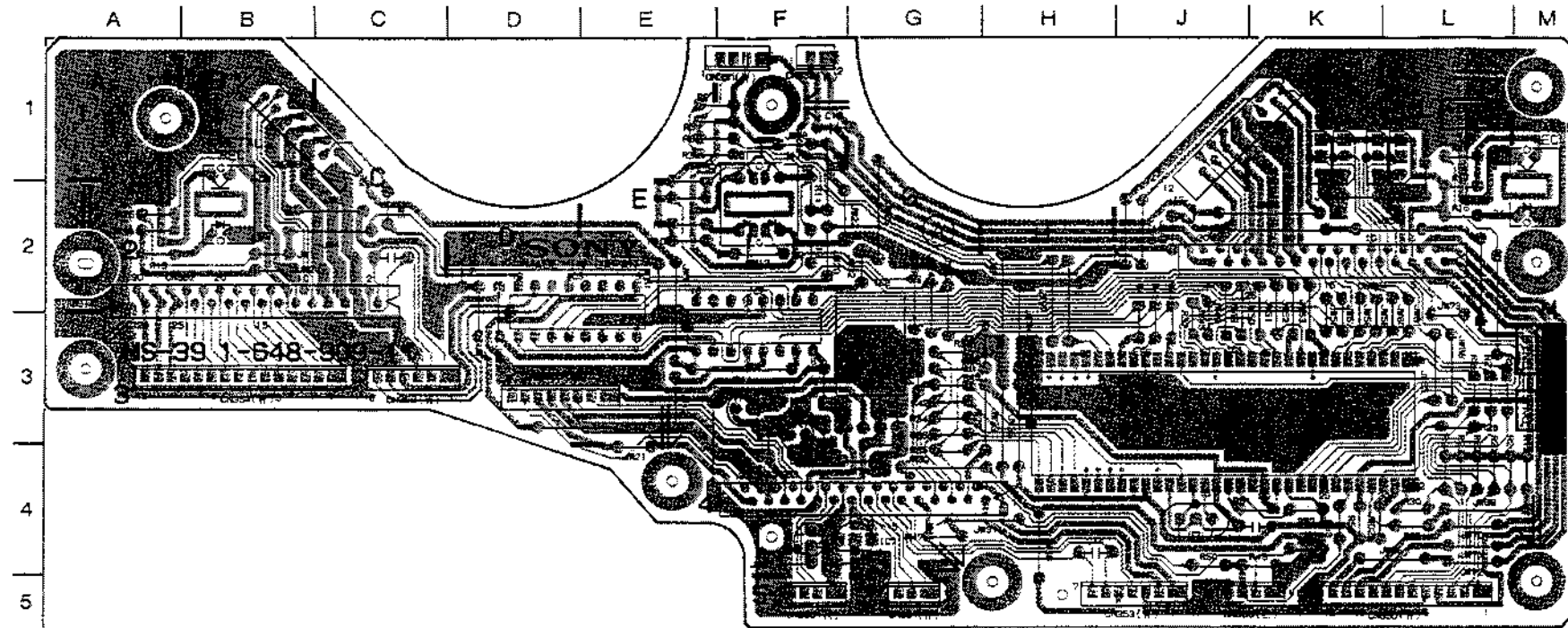
KY-249A 1-648-914-21 B SIDE

KY-249A(1-648-914-21)

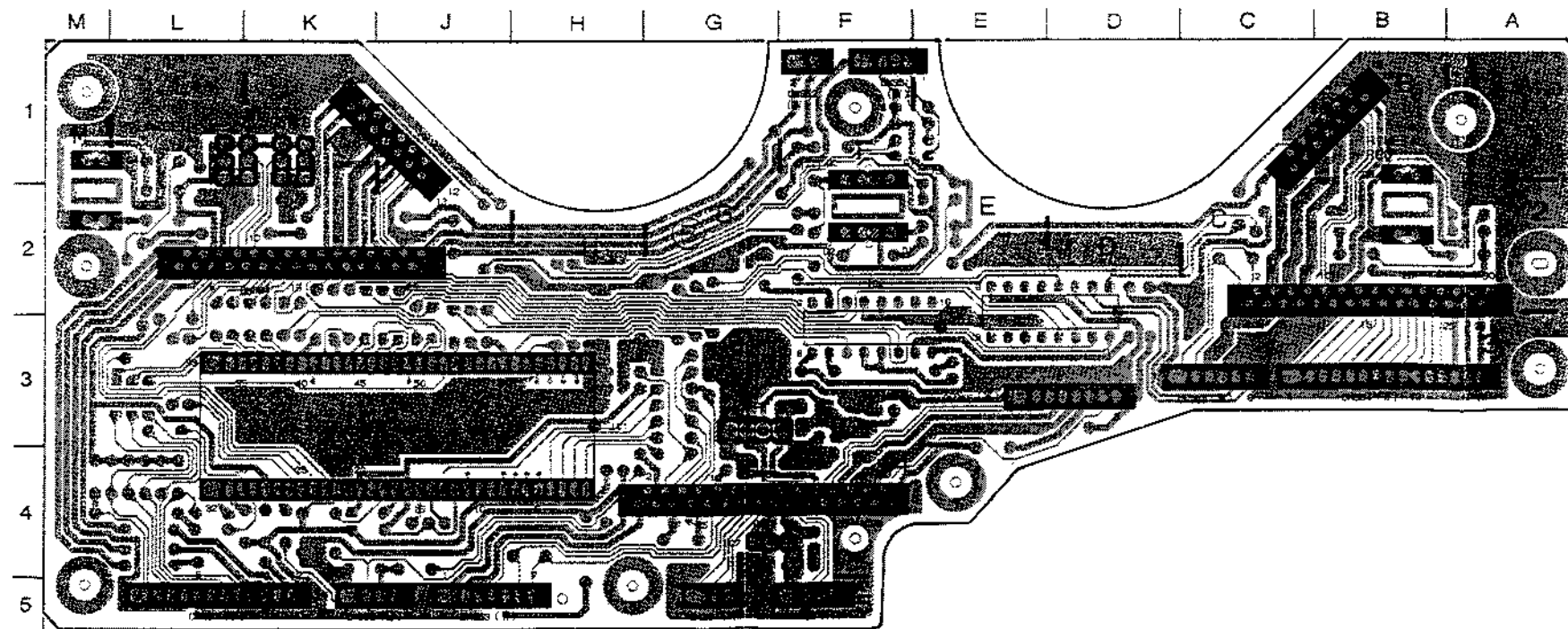
CN590	M-3	S10	H-3
CN591	D-1	S11	G-3
CN592	N-3	S12	J-3
CN593	B-1	S13	G-3
		S15	G-2
*D1	N-2	S16	E-2
*D2	K-1	S18	J-3
*D3	K-1	S20	F-3
*D4	K-1	S21	E-2
*D5	J-2		
*D6	J-2	X1	N-2
*D7	H-2		
*D8	H-2		
*D9	H-3		
*D10	J-3		
*D11	J-3		
IC1	L-3		
IC2	E-2		
IC3	M-2		
IC6	M-3		
ND1	E-2		
*Q1	D-3		
*Q2	D-3		
*Q3	D-2		
Q4	D-2		
*Q5	D-2		
*Q6	D-2		
*Q7	B-2		
*Q8	C-2		
*Q9	D-1		
*Q10	D-1		
*Q11	D-1		
*Q12	D-1		
*Q13	D-1		
*Q14	D-1		
*Q15	E-1		
*Q16	A-1		
*Q17	B-1		
*Q18	B-1		
*Q19	B-1		
*Q20	B-1		
*Q21	B-1		
*Q22	B-1		
*Q23	D-1		
*Q24	D-1		
*Q25	C-1		
*Q26	C-1		
*Q27	C-1		
*Q28	C-1		
*Q29	C-1		
*Q30	C-1		
*Q31	C-1		
*Q32	C-1		
*Q33	B-1		
*Q34	B-1		
*Q35	B-1		
*Q36	N-1		
*Q37	M-1		
*Q38	M-1		
*Q39	N-1		
*Q40	M-1		
*Q42	D-2		
RV1	E-3		
RV2	D-3		
S1	K-1		
S2	P-1		
S3	N-1		
S4	L-1		
S5	M-1		
S8	H-2		
S9	H-3		

\*: B SIDE

MS-39/39A ; CASSETTE INFORMATION, SOLENOID DRIVER, MECHA. CONTROL MPU, DATA STORAGE



MS-39/39A 1-648-909-11 A SIDE



MS-39/39A 1-648-909-11 B SIDE

MS-39/39A(1-648-909-11)

CN350 L-5  
CN351 F-1  
CN352 F-1  
CN353 J-5  
CN354 B-3  
CN355 D-3  
CN356 B-1  
CN357 J-1  
CN358 C-3  
CN359 K-5  
CN360 F-5  
CN361 G-5  
CN362 B-2  
CN363 G-4  
CN364 K-2

D1 F-2  
D2 F-2  
D3 B-2  
D4 M-2  
D7 K-1  
D8 K-1  
D9 K-1  
D10 L-1

IC1 H-4  
IC2 E-3  
IC3 D-3  
IC7 G-4  
IC8 G-3

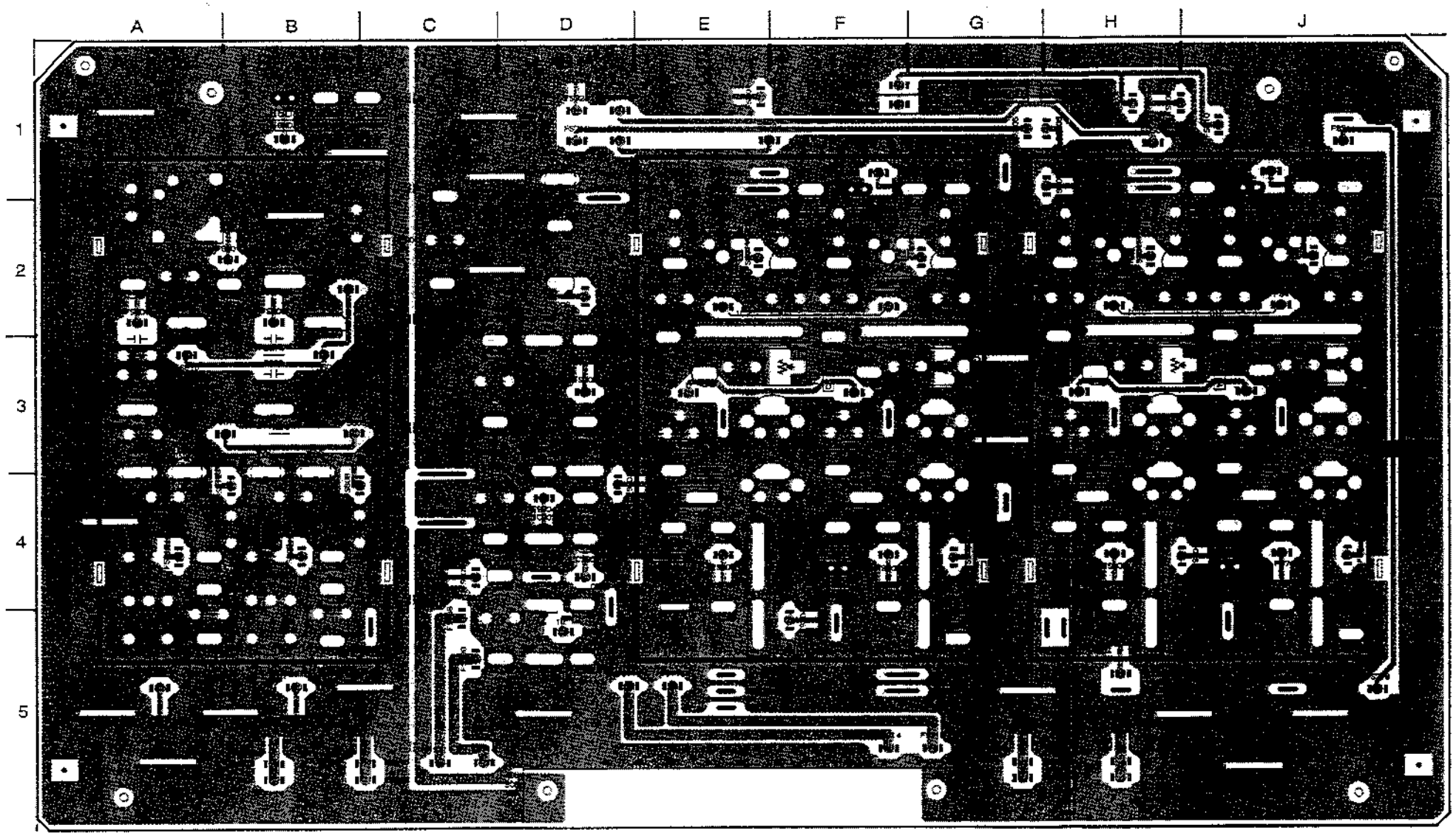
Q1 F-1  
Q2 F-1  
Q3 B-1  
Q4 M-1

X1 J-4

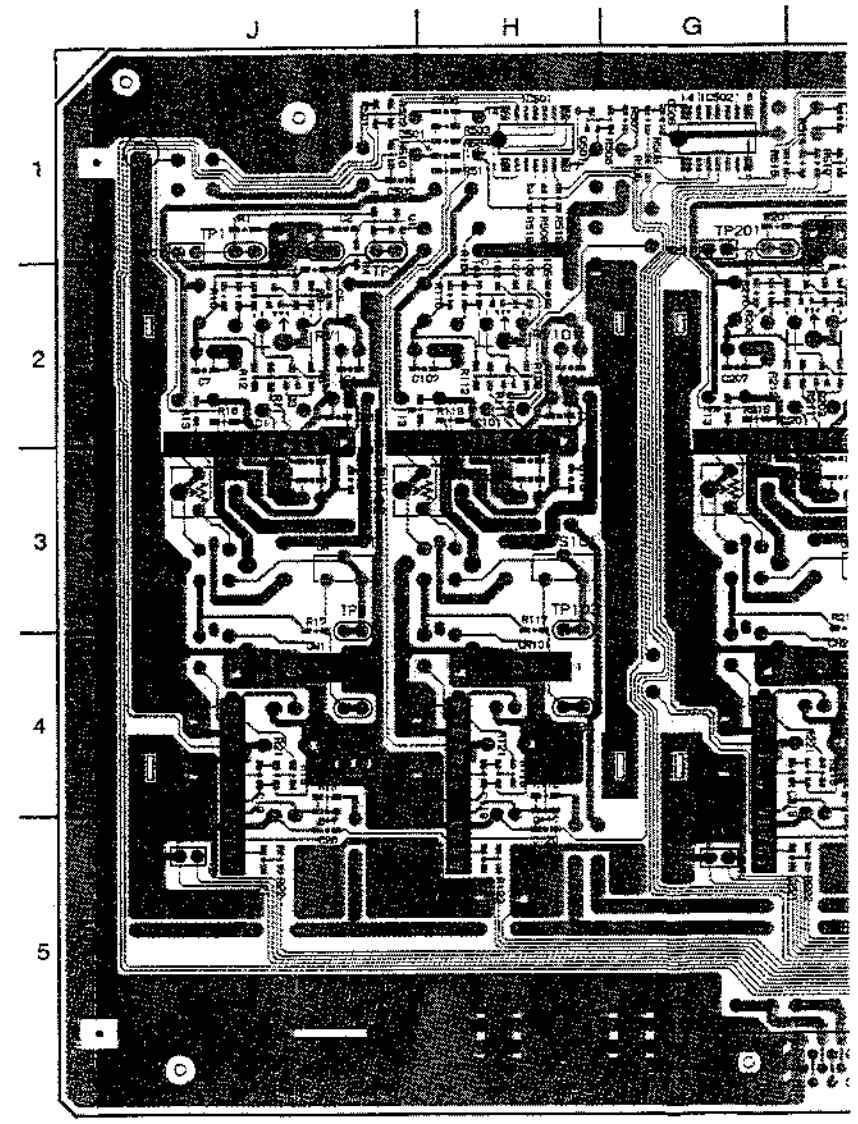
\*: B SIDE  
\_: UVW-1800 ONLY

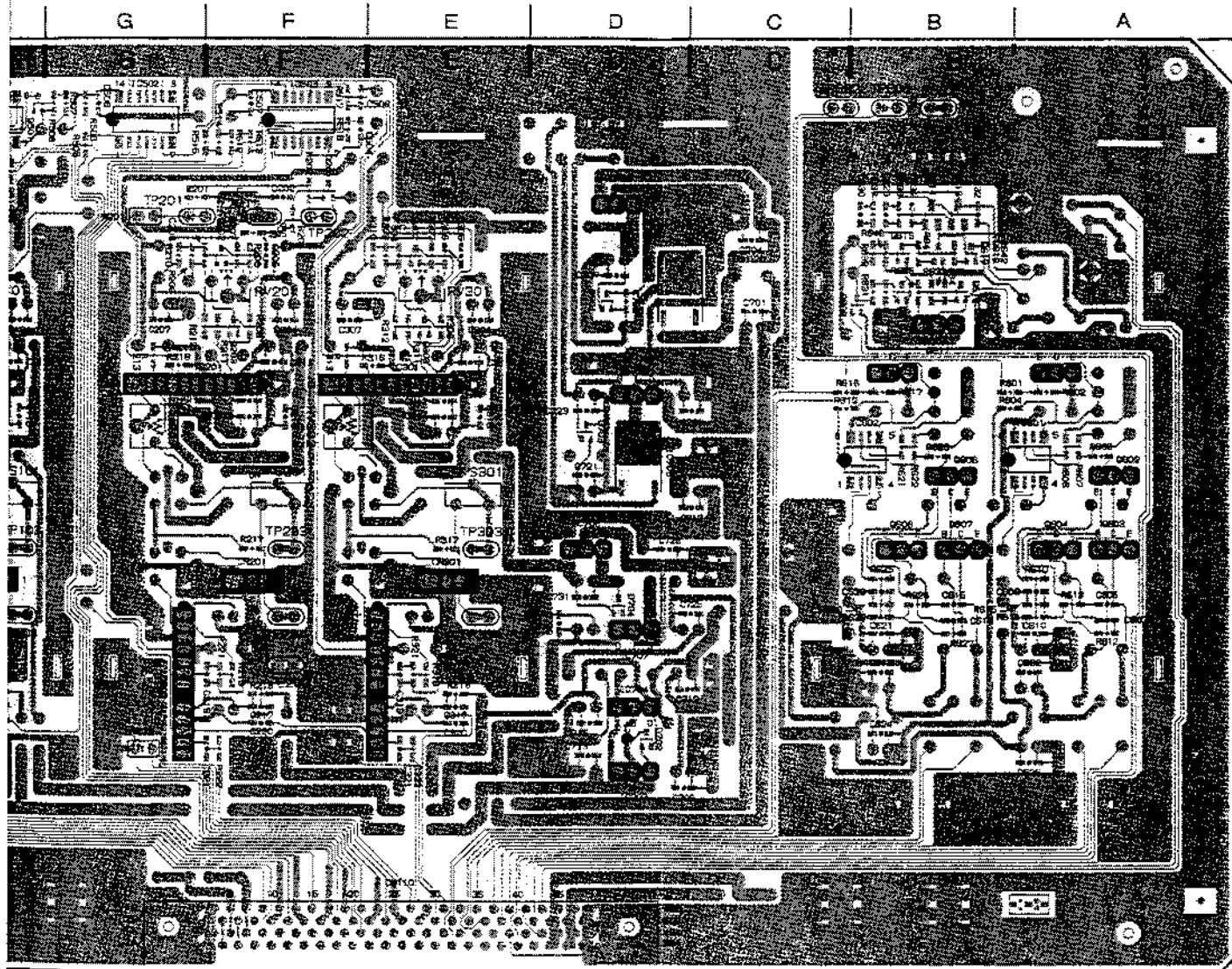


RP-70 ; RF REC/PB AMP., ROTARY ERASE OSC., FULL ERASE OSC.



RP-70 1-648-904-11 A SIDE





RP-70 1-648-904 11 B SIDE

RP-70(1-648-904-11)

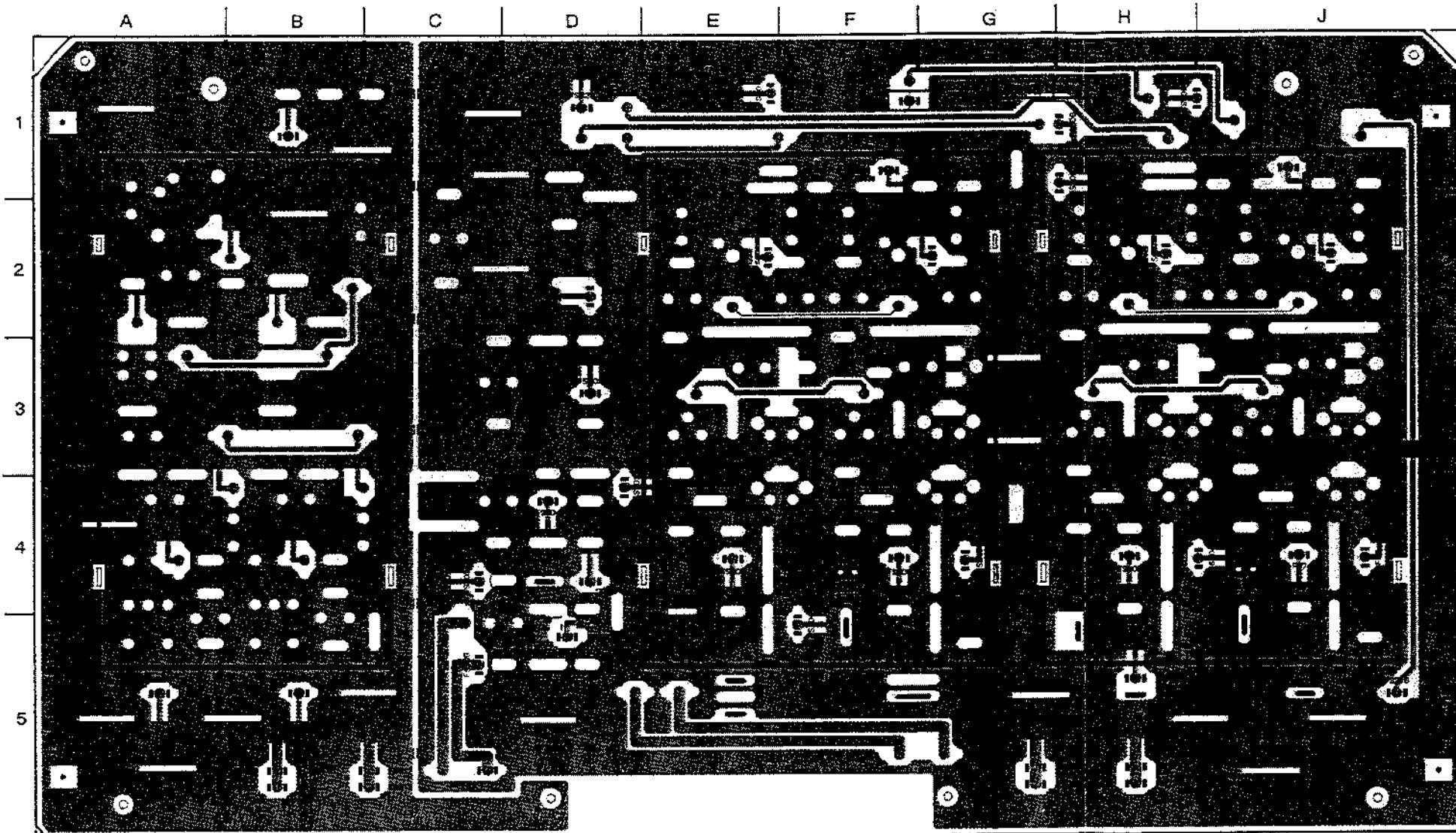
CN1	J-4	FS708	C-5	RV202	G-3
CN101	H-4	FS709	C-5	RV301	E-2
CN110	E-5	FS710	C-5	RV302	F-3
CN201	F-4	FS711	C-5		
CN301	E-4	FS712	D-5	S1	J-3
		FS713	E-5	S101	H-3
*D701	D-2	FS714	F-5	S201	F-3
*D702	D-5	FS715	G-5	S301	E-3
*D703	D-3	FS716	J-5		
*D704	D-4	FS717	D-1	TP1	J-1
		FS718	D-1	TP2	J-1
E1	J-1	FS719	D-1	TP3	J-3
E2	J-4	FS720	H-5	TP4	J-4
E201	F-1	FS721	G-5	TP103	H-3
E202	F-4	FS722	G-5	TP104	H-4
E601	B-1	FS723	D-1	TP201	G-1
		FS724	E-1	TP202	F-1
		FS725	H-5	TP203	F-3
		FS726	H-5	TP204	F-4
FS2	J-1			TP303	E-3
FS3	J-2	IC1	J-2	TP304	E-4
FS4	J-2	IC2	J-4	TP601	B-1
FS5	J-3	IC101	H-2	TP602	C-1
FS6	J-4	IC102	H-4		
FS7	J-4	IC201	F-2		
FS101	H-2	IC202	G-4		
FS102	H-2	IC301	E-2		
FS103	H-3	IC302	E-4		
FS104	H-4	*IC501	H-1		
FS105	H-4	*IC502	G-1		
FS106	H-1	*IC503	F-1		
FS201	F-1	*IC601	A-3		
FS202	G-2	*IC602	B-3		
FS203	F-2	*IC701	D-2		
FS204	F-3	IC702	D-1		
FS205	G-4	IC703	D-5		
FS206	F-4	IC704	D-4		
FS301	E-2	*IC705	D-3		
FS302	E-2	IC706	D-3		
FS303	E-3	IC707	D-4		
FS304	F-5	IC708	D-3		
FS305	E-4				
FS501	E-1	*Q1	J-1		
FS503	F-1	*Q2	J-2		
FS504	F-1	*Q3	J-2		
FS505	G-1	*Q102	H-2		
FS506	H-1	*Q103	H-2		
FS507	H-1	*Q201	F-1		
FS508	H-1	*Q202	F-2		
FS509	H-1	*Q203	F-2		
FS510	J-1	*Q302	E-2		
FS511	J-1	*Q303	E-2		
FS601	B-2	*Q501	H-1		
FS602	B-2	Q601	A-2		
FS603	B-2	Q602	A-3		
FS604	B-3	Q603	A-3		
FS605	B-3	Q604	A-3		
FS606	B-4	Q605	B-2		
FS607	B-4	Q606	B-3		
FS609	A-2	Q607	B-3		
FS610	A-3	Q608	B-3		
FS611	B-3	*Q609	B-2		
FS612	B-4	*Q610	B-2		
FS613	A-4	Q611	B-2		
FS614	B-1	*Q612	B-2		
FS615	A-5	*Q613	B-1		
FS616	B-5	*Q614	B-1		
FS617	C-5	*Q615	B-2		
FS618	C-5	*Q616	B-2		
FS619	B-5	*Q617	B-2		
FS620	B-5				
FS701	D-2	RV1	J-2		
FS702	D-3	RV2	J-3		
FS703	D-4	RV101	H-2		
FS704	D-4	RV102	H-3		
FS705	C-4	RV201	F-2		
FS706	D-4				
FS707	D-5				

\*: B SIDE

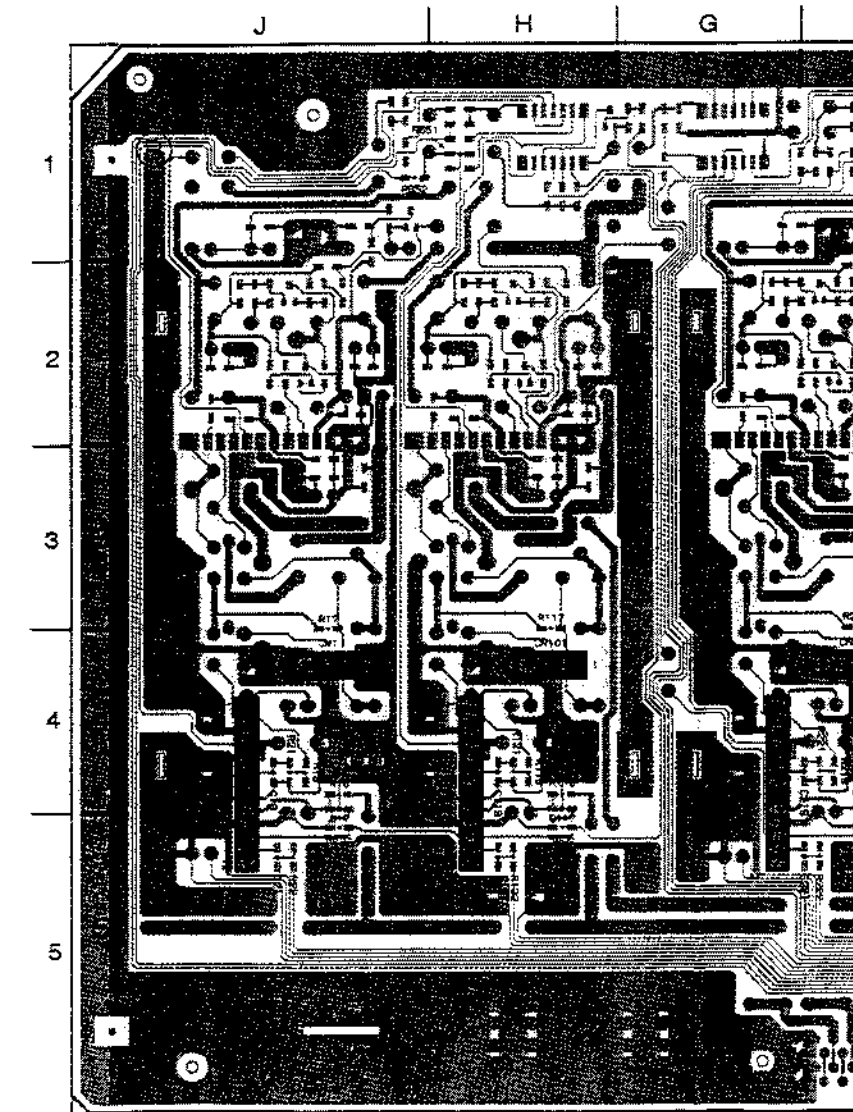


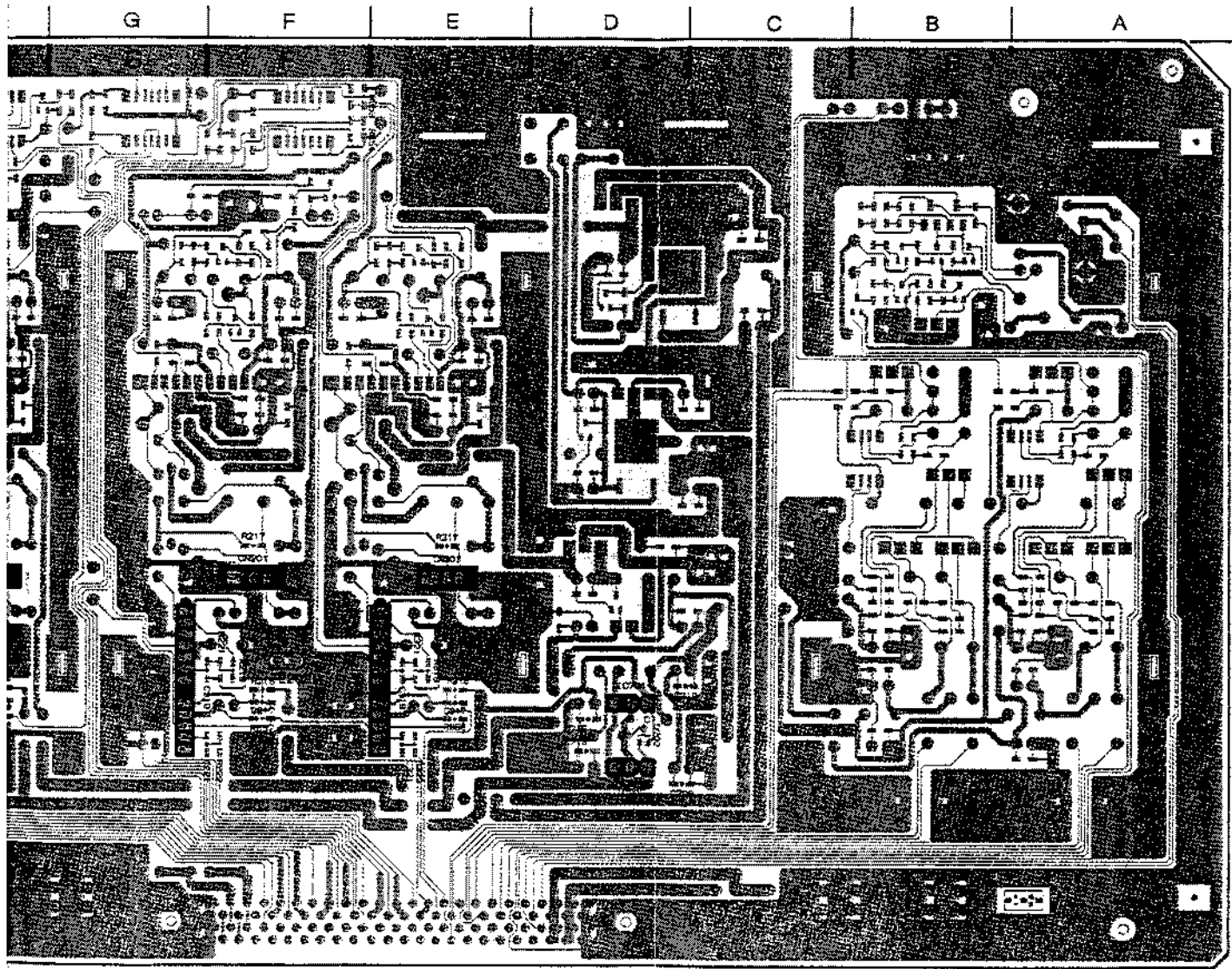
RP-70A RP-70A

RP-70A ; RF PB AMP.



RP-70A 1-648-904-21 A SIDE





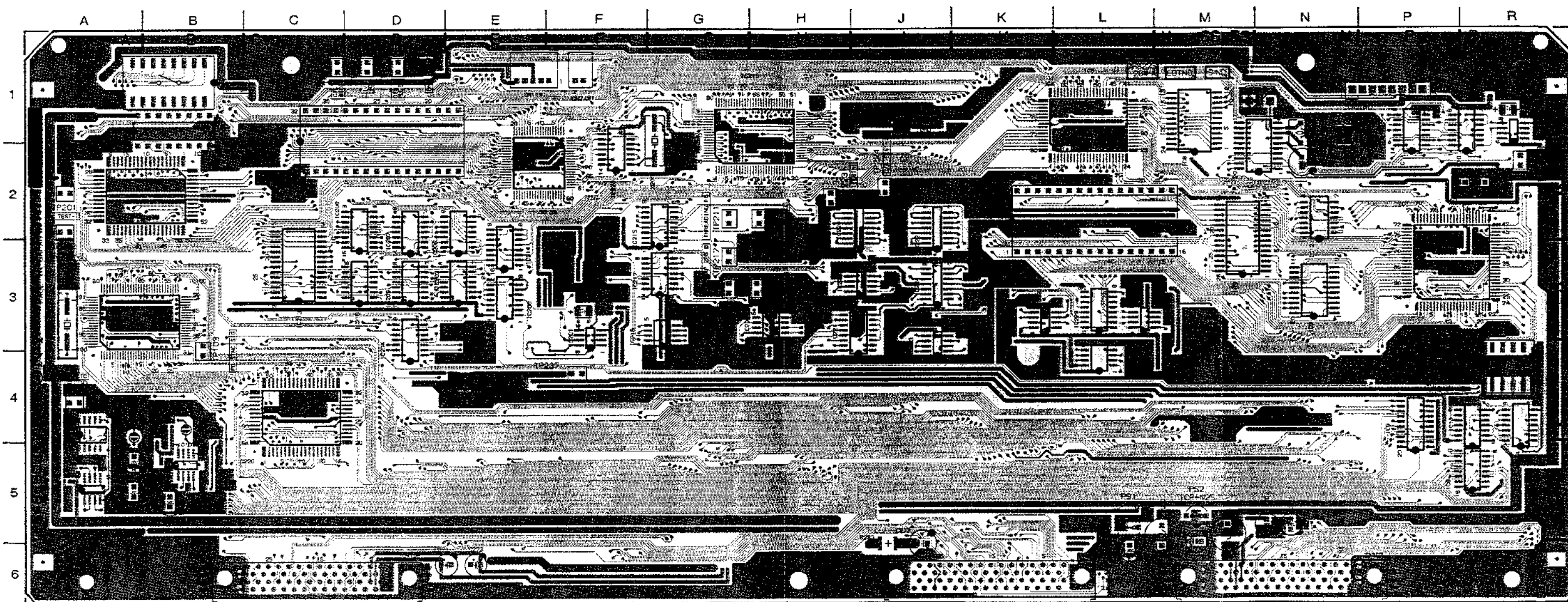
RP-70A 1-648-904-21 B SIDE

RP-70A(1-648-904-21)

- CN1 J-4
- CN101 H-4
- CN110 E-5
- CN201 F-4
- CN301 E-4
- \*D702 D-5
- E2 J-4
- E202 F-4
- FS2 J-1
- FS3 J-2
- FS6 J-4
- FS7 J-4
- FS101 H-2
- FS104 H-4
- FS105 H-4
- FS106 H-1
- FS201 F-1
- FS202 G-2
- FS205 G-4
- FS206 F-4
- FS301 E-2
- FS304 F-5
- FS305 E-4
- FS501 E-1
- FS504 F-1
- FS506 H-1
- FS509 H-1
- FS614 B-1
- FS615 A-5
- FS616 B-5
- FS617 C-5
- FS618 C-5
- FS619 B-5
- FS620 B-5
- FS701 D-2
- FS702 D-3
- FS703 D-4
- FS704 D-4
- FS705 C-4
- FS706 D-4
- FS707 D-5
- FS709 C-5
- FS710 C-5
- FS716 J-5
- FS720 H-5
- FS721 G-5
- FS722 G-5
- FS723 D-1
- FS725 H-5
- FS726 H-5
- IC2 J-4
- IC102 H-4
- IC202 G-4
- IC302 E-4
- IC703 D-5
- IC704 D-4
- T2 J-4
- T102 H-4
- T202 G-4
- T302 F-4

\*: B SIDE

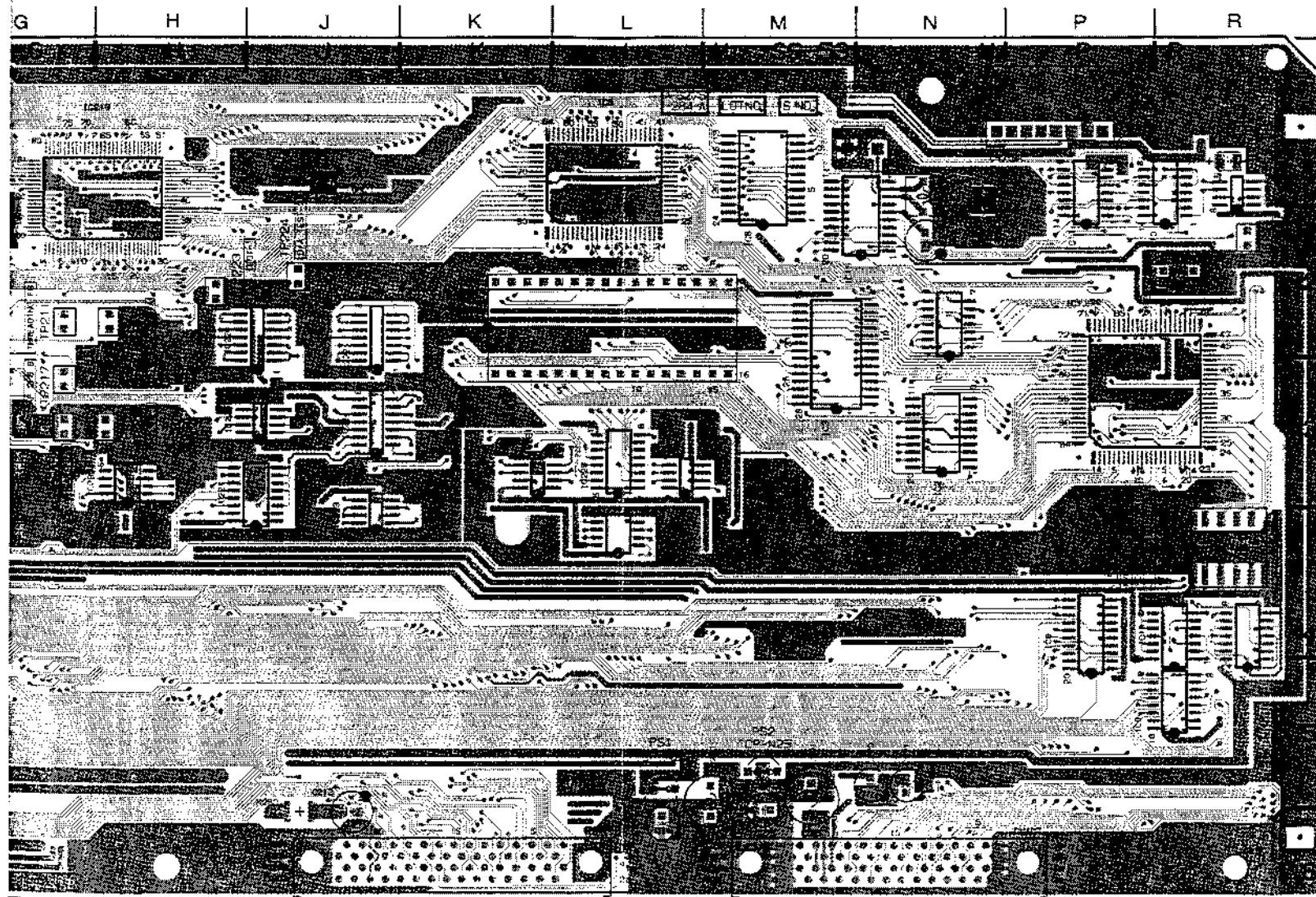
SS-53 ; SYSTEM CONTROL, SERVO SYSTEM MAIN, TIME CODE GENERATOR/READER, CHARACTER GENERATOR



SS-53 1-648 903-11 A SIDE



ACTER GENERATOR



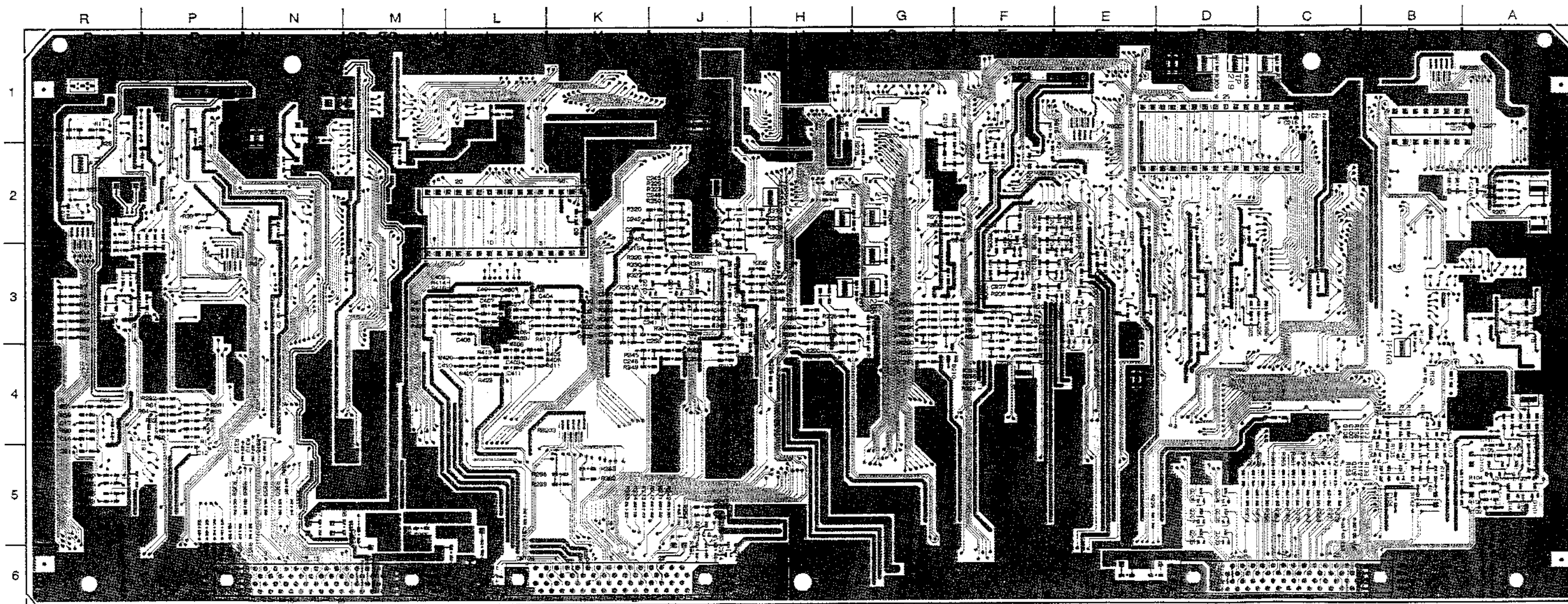
SS-53 1-648-903-11 A SIDE

SS-53(1-648-903-11)

CN14	K-3	IC223	J-4
CN1212	C-2	IC224	J-3
		IC225	J-3
CN1	E-1	IC226	C-4
CN2	F-1	IC227	A-2
CN3	P-1	IC228	F-2
CN107	N-6	IC229	L-3
CN108	K-6	IC230	H-3
CN109	C-6	IC231	L-3
		IC232	L-4
		IC233	M-3
CV1	N-1		
*D100	A-5	PS1	L-5
*D101	A-5	PS2	M-5
*D102	A-5		
*D103	A-5	*Q105	B-5
*D104	A-5	*Q106	B-5
*D105	B-4	*Q107	B-4
*D200	E-3	*Q108	B-5
*D201	E-3	*Q204	D-5
*D202	E-3	*Q205	D-5
*D203	E-3	*Q206	D-5
*D204	E-3	*Q207	D-5
*D205	E-2	*Q208	D-5
*D206	F-3	*Q209	D-5
*D207	F-3	*Q210	J-3
*D208	E-3	*Q211	J-3
*D210	G-4		
*D211	E-2	*RB1	P-3
*D213	E-3	*RB2	R-2
*D214	J-6	*RB201	E-1
*D215	J-5	*RB202	B-1
		*RB203	K-4
E1	N-1		
E200	E-4	S1	R-4
E201	D-1	S201	B-1
E202	J-1		
		TP1	R-2
IC1	P-3	TP100	A-4
IC2	N-3	TP103	B-4
IC3	N-3	TP201	A-2
IC4	K-3	TP202	A-2
IC5	L-1	TP203	D-1
IC6	M-2	TP205	H-3
IC7	R-1	TP206	G-3
IC8	R-5	TP207	F-4
IC9	P-5	TP211	G-2
IC10	R-2	TP216	H-2
IC11	P-2	TP217	G-3
IC12	N-2	TP219	D-1
IC15	N-2	TP223	H-2
IC100	A-3	TP224	J-2
IC101	A-5	TP225	C-1
IC102	A-5		
IC103	B-5	X1	R-2
IC200	E-3	X101	A-3
IC201	F-4	X200	G-1
IC202	E-2		
IC203	E-3		
IC204	D-4		
IC206	E-3		
IC207	D-3		
IC208	D-3		
IC209	D-3		
IC210	D-3		
IC211	B-2		
IC212	C-2		
IC213	C-3		
IC214	E-3		
IC215	G-3		
IC216	G-3		
IC217	G-3		
IC219	H-1		
IC220	J-3		
IC221	J-4		
IC222	J-3		

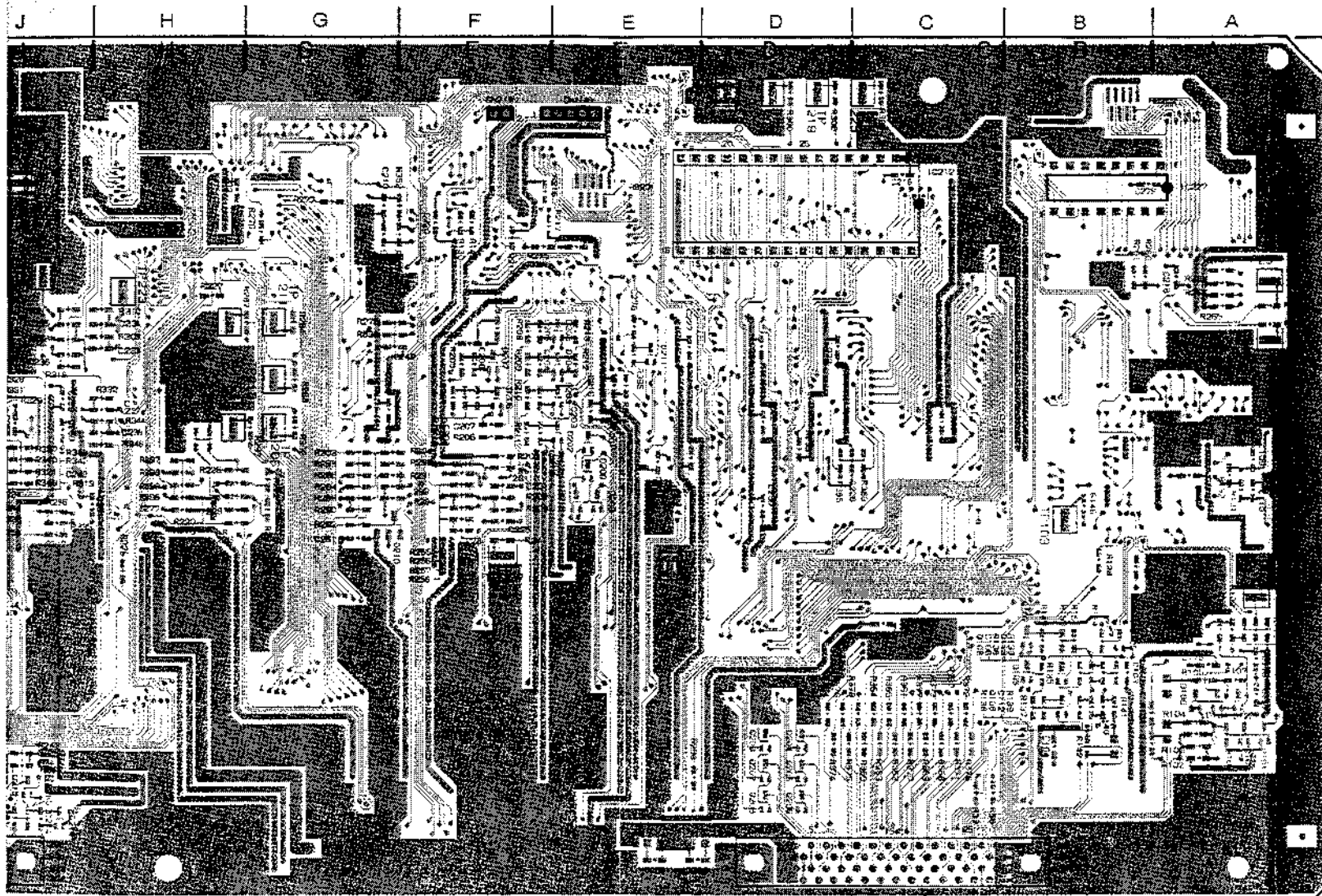
\*: B SIDE

SS-53 ; SYSTEM CONTROL, SERVO SYSTEM MAIN, TIME CODE GENERATOR/READER, CHARACTER GENERATOR



SS-53 1-648-903-11 B SIDE

ACTER GENERATOR



SS-53 1-648-903-11 B SIDE

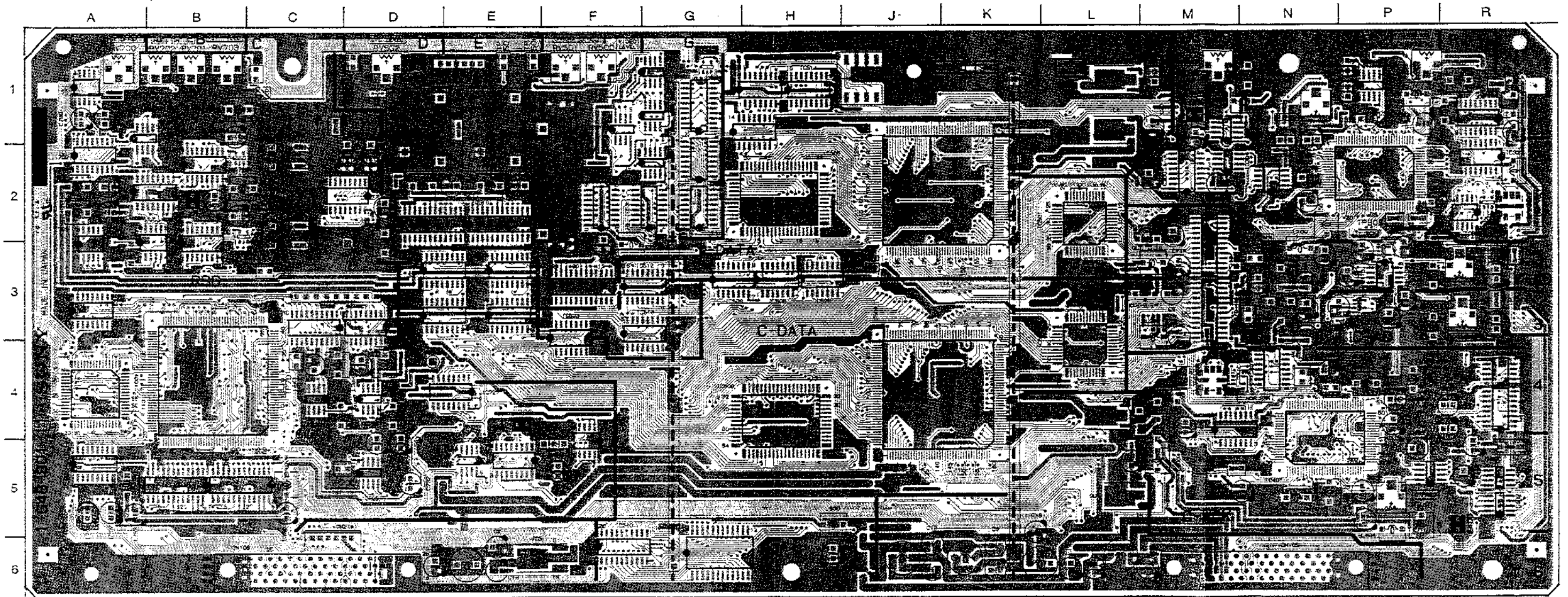
SS-53(1-648-903-11)

CN14	K-3	IC223	J-4
CN1212	C-2	IC224	J-3
		IC225	J-3
CN1	E-1	IC226	C-4
CN2	F-1	IC227	A-2
CN3	P-1	IC228	F-2
CN107	N-6	IC229	L-3
CN108	K-6	IC230	H-3
CN109	C-6	IC231	L-3
		IC232	L-4
		IC233	M-3
CV1	N-1		
*D100	A-5	PS1	L-5
*D101	A-5	PS2	M-5
*D102	A-5		
*D103	A-5	*Q105	B-5
*D104	A-5	*Q106	B-5
*D105	B-4	*Q107	B-4
*D200	E-3	*Q108	B-5
*D201	E-3	*Q204	D-5
*D202	E-3	*Q205	D-5
*D203	E-3	*Q206	D-5
*D204	E-3	*Q207	D-5
*D205	E-2	*Q208	D-5
*D206	F-3	*Q209	D-5
*D207	F-3	*Q210	J-3
*D208	E-3	*Q211	J-3
*D210	G-4		
*D211	E-2	*RB1	P-3
*D213	E-3	*RB2	R-2
*D214	J-6	*RB201	E-1
*D215	J-5	*RB202	B-1
		*RB203	K-4
E1	N-1		
E200	E-4	S1	R-4
E201	D-1	S201	B-1
E202	J-1		
IC1	P-3	TP1	R-2
IC2	N-3	TP100	A-4
IC3	N-3	TP103	B-4
IC4	K-3	TP201	A-2
IC5	L-1	TP202	A-2
IC6	M-2	TP203	D-1
IC7	R-1	TP205	H-3
IC8	R-5	TP206	G-3
IC9	P-5	TP207	F-4
IC10	R-2	TP211	G-2
IC11	P-2	TP216	H-2
IC12	N-2	TP217	G-3
IC15	N-2	TP219	D-1
IC100	A-3	TP223	H-2
IC101	A-5	TP224	J-2
IC102	A-5	TP225	C-1
IC103	B-5		
IC200	E-3	X1	R-2
IC201	F-4	X101	A-3
IC202	E-2	X200	G-1
IC203	E-3		
IC204	D-4		
IC206	E-3		
IC207	D-3		
IC208	D-3		
IC209	D-3		
IC210	D-3		
IC211	B-2		
IC212	C-2		
IC213	C-3		
IC214	E-3		
IC215	G-3		
IC216	G-3		
IC217	G-3		
IC219	H-1		
IC220	J-3		
IC221	J-4		
IC222	J-3		

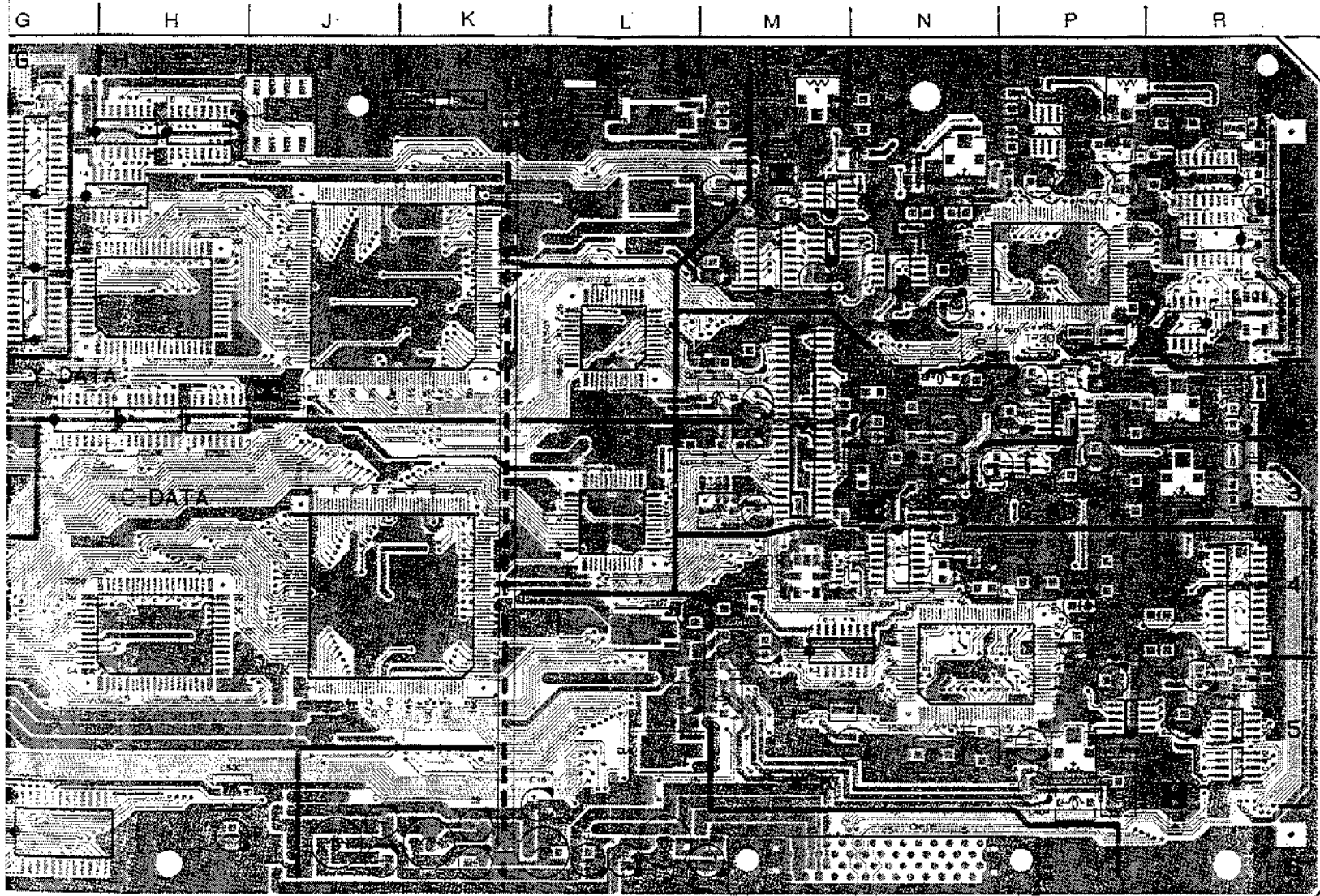
\*: B SIDE



TBC-25 ; TIME BASE CORRECTOR, CTDM(EXPAND)



TBC-25 1-648-901-11 A SIDE



TBC-25 1-648-901-11 A SIDE

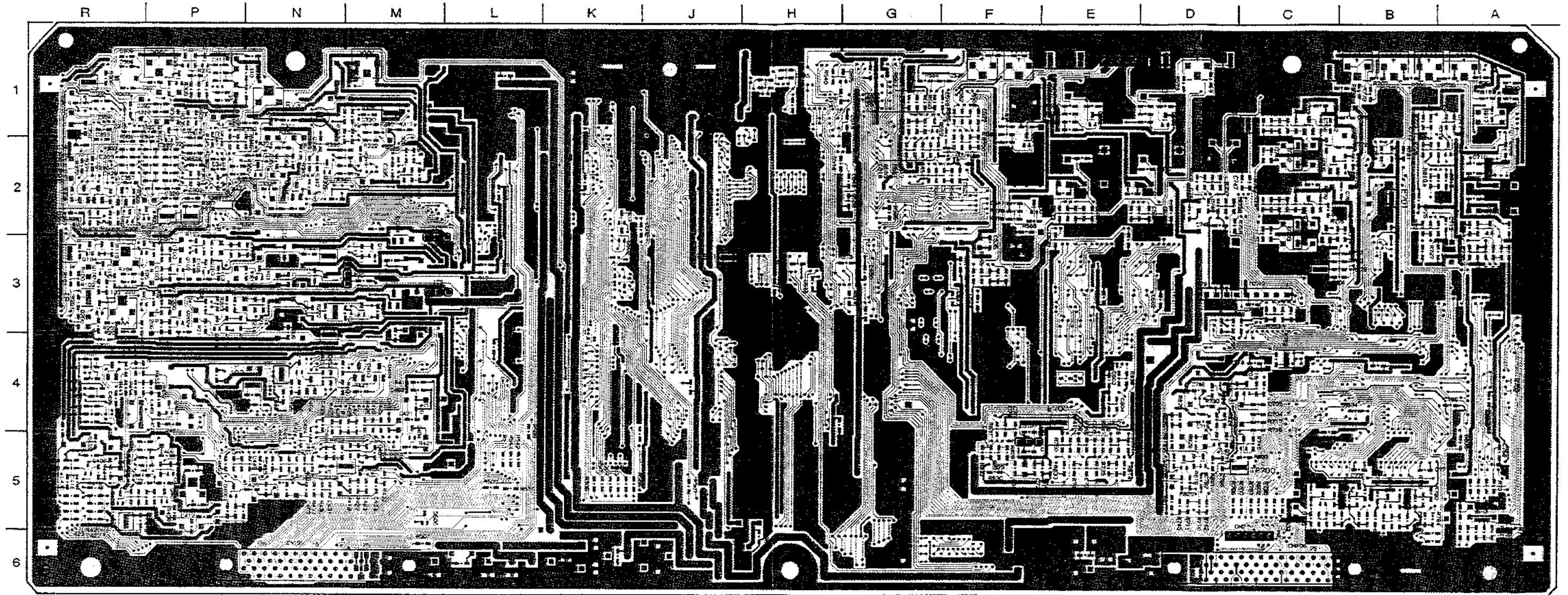
TBC-25(1-648-901-11)

CN1	E-1	IC503	J-2	*Q303	P-1
CN2	C-6	IC504	J-4	*Q304	N-2
CN105	N-6	IC505	H-2	*Q305	N-2
CN106	C-6	IC506	H-3	*Q306	R-2
		IC507	G-6	*Q400	P-5
CV700	C-2	IC508	H-4	*Q401	P-5
CV701	C-2	IC509	G-3	*Q402	P-5
		IC510	F-6	*Q403	P-5
*D1	M-2	IC511	H-1	*Q404	M-4
*D2	M-3	IC512	F-3	*Q405	R-4
*D100	M-3	IC513	F-4	*Q406	R-5
*D101	N-3	IC514	H-1	*Q407	N-4
*D102	R-3	IC515	G-2	*Q500	F-2
*D200	M-3	IC516	F-1	*Q501	F-1
*D301	N-2	IC517	G-1	*Q502	E-1
*D302	R-2	IC518	F-3	*Q503	D-1
*D303	R-2	IC519	E-2	*Q700	C-5
*D304	R-2	IC520	D-2	*Q701	C-4
*D401	P-4	IC521	G-1	*Q702	A-2
*D402	N-4	IC522	G-2	*Q703	C-1
*D403	M-4	IC523	F-4	*Q704	C-2
*D404	M-4	IC524	E-3	*Q705	C-2
*D502	K-2	IC525	E-3	*Q706	C-2
*D503	K-2	IC526	D-3	*Q707	C-5
*D504	G-1	IF527	D-3	*Q708	B-5
*D505	G-1	IC528	H-3	*Q709	D-5
*D506	M-5	IC529	F-2	*Q710	D-5
*D701	A-2	IC530	G-2	*Q711	D-5
*D702	C-2	IC531	G-2		
*D703	C-2	IC532	G-2	RV100	R-3
		IC533	G-1	RV200	R-3
E200	N-3	IC534	G-1	RV300	M-1
E300	M-1	IC700	A-2	RV301	N-1
E400	R-5	IC701	A-1	RV400	P-1
E500	D-1	IC702	A-2	RV401	P-5
E501	J-3	IC703	C-4	RV500	F-1
E700	E-4	IC704	A-2	RV501	F-1
E701	B-2	IC705	A-3	RV502	D-1
		IC706	D-4	RV700	A-1
FL500	F-2	IC707	E-5	RV701	B-1
FL501	E-1	IC708	F-5	RV702	B-1
FL502	D-1	IC709	A-3	RV703	B-1
		IC710	E-5		
IC1	M-2	IC711	D-3	S500	J-1
IC2	M-3	IC712	C-3	TH400	R-5
IC3	L-1	IC713	C-3		
IC4	L-4	IC714	A-4	TP100	R-3
IC5	E-6	IC715	D-2	TP101	N-3
IC6	L-1	IC716	A-3	TP200	R-3
IC7	L-5	IC717	A-5	TP201	N-3
IC100	P-3	IC718	B-2	TP300	R-1
IC101	P-3	IC719	B-2	TP301	P-2
IC102	M-3	IC720	B-3	TP303	P-2
IC103	M-2	IC721	B-2	TP400	M-5
IC200	P-3	IC722	B-4	TP401	N-4
IC203	M-3	IC723	C-5	TP402	N-4
IC300	P-1	IC724	B-5	TP500	E-1
IC301	P-2	IC725	D-5	TP501	E-1
IC302	R-1	IC726	F-4	TP502	D-1
IC303	M-1	IC727	E-4	TP700	C-5
IC304	M-2			TP701	C-4
IC305	N-2	LV300	R-2	TP702	C-1
IC306	M-2	LV400	M-4	TP703	C-3
IC307	R-2			TP704	C-1
IC308	R-2	*Q100	R-3		
IC400	R-5	*Q101	R-3		
IC401	N-5	*Q102	P-3	X700	C-2
IC402	R-5	*Q103	P-3	X701	C-2
IC403	R-5	*Q104	R-3		
IC404	R-4	*Q200	R-3		
IC405	R-4	*Q201	R-3		
IC406	M-5	*Q202	P-3		
IC407	N-4	*Q203	P-3		
IC408	M-4	*Q300	P-1		
IC501	L-2	*Q301	P-1		
IC502	L-4	*Q302	P-1		

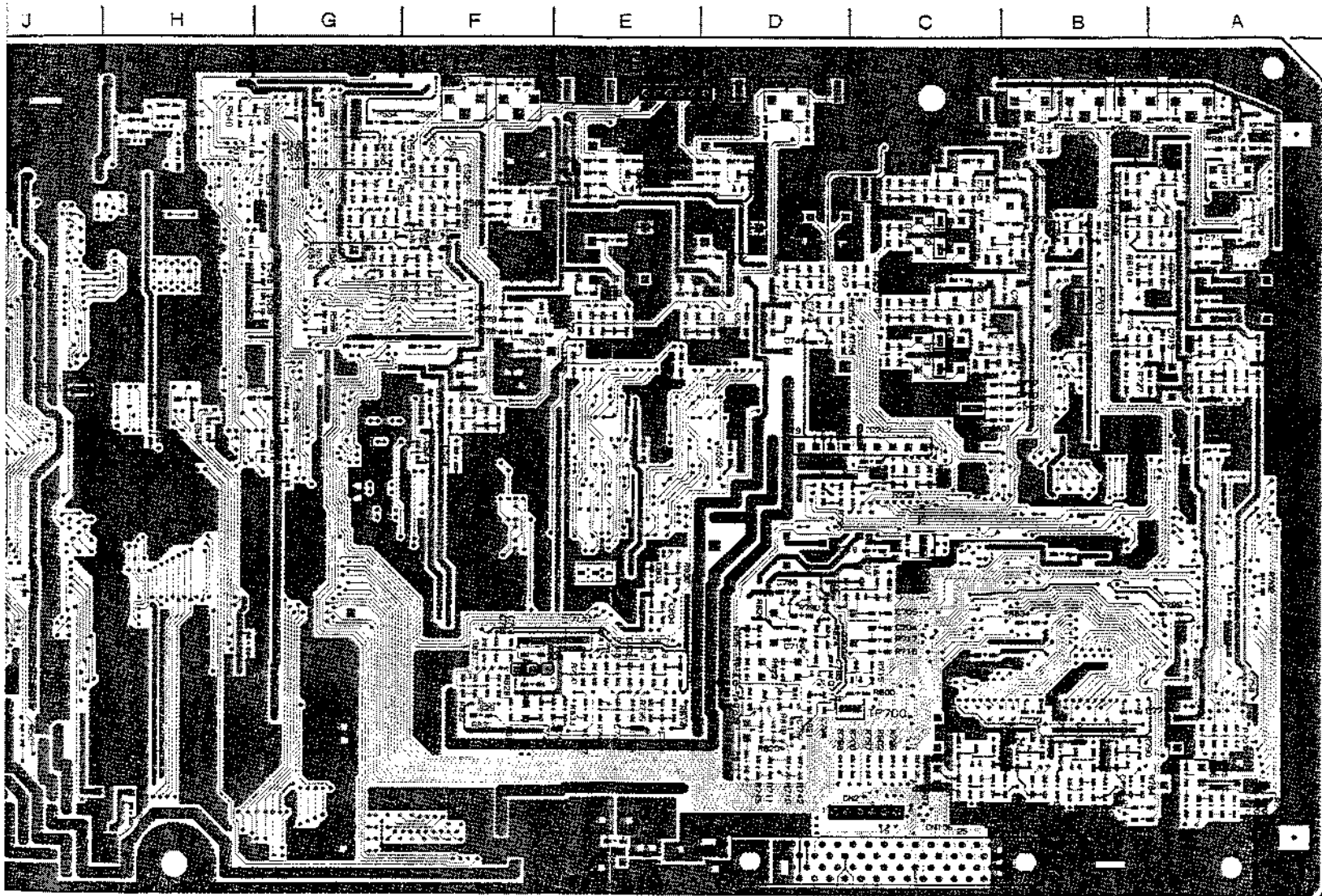
\*: B SIDE



TBC-25 ; TIME BASE CORRECTOR, CTDM(EXPAND)



TBC-25 1-648-901-11 B SIDE



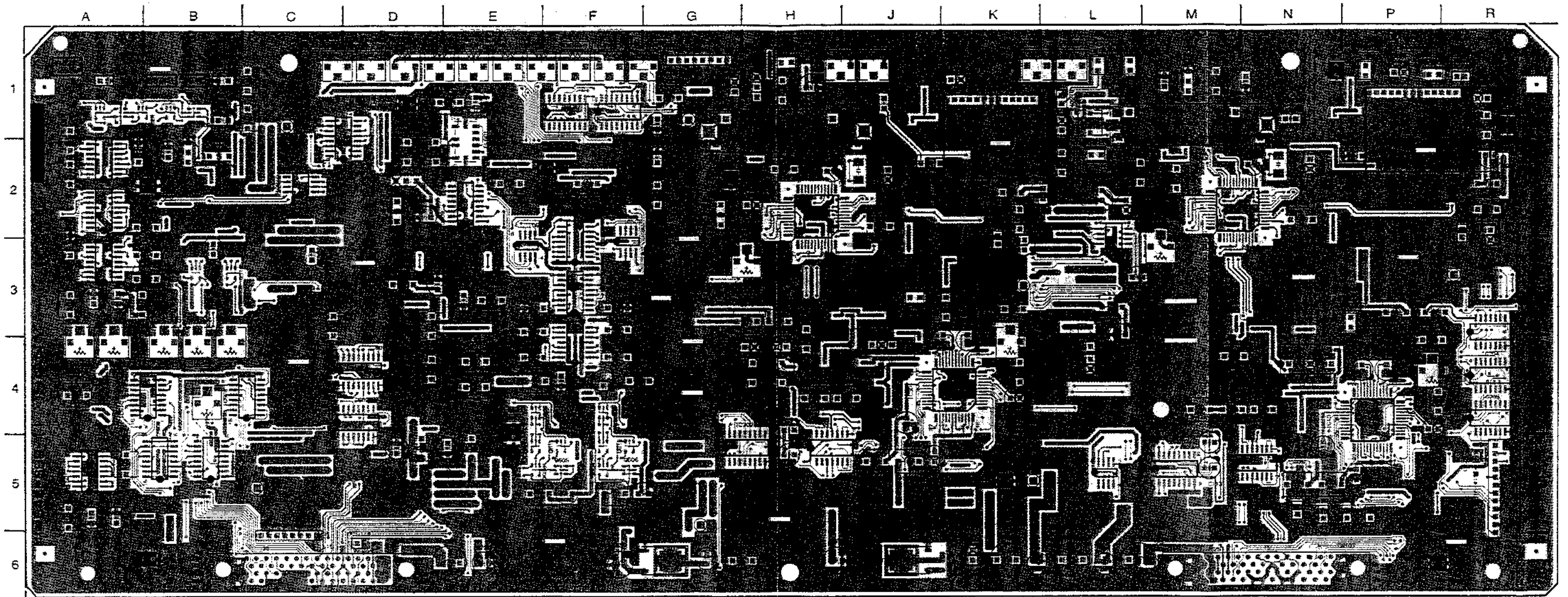
TBC-25 1-648-901-11 B SIDE

TBC-25(1-648-901-11)

CN1	E-1	IC503	J-2	*Q303	P-1
CN2	C-6	IC504	J-4	*Q304	N-2
CN105	N-6	IC505	H-2	*Q305	N-2
CN106	C-6	IC506	H-3	*Q306	R-2
		IC507	G-6	*Q400	P-5
CV700	C-2	IC508	H-4	*Q401	P-5
CV701	C-2	IC509	G-3	*Q402	R-5
		IC510	F-6	*Q403	P-5
*D1	M-2	IC511	H-1	*Q404	M-4
*D2	M-3	IC512	F-3	*Q405	R-4
*D100	M-3	IC513	F-4	*Q406	R-5
*D101	N-3	IC514	H-1	*Q407	N-4
*D102	R-3	IC515	G-2	*Q500	F-2
*D200	M-3	IC516	F-1	*Q501	F-1
*D301	N-2	IC517	G-1	*Q502	E-1
*D302	R-2	IC518	F-3	*Q503	D-1
*D303	R-2	IC519	E-2	*Q700	C-5
*D304	R-2	IC520	D-2	*Q701	C-4
*D401	P-4	IC521	G-1	*Q702	A-2
*D402	N-4	IC522	G-2	*Q703	C-1
*D403	M-4	IC523	F-4	*Q704	C-2
*D404	M-4	IC524	E-3	*Q705	C-2
*D502	K-2	IC525	E-3	*Q706	C-2
*D503	K-2	IC526	D-3	*Q707	C-5
*D504	G-1	IF527	D-3	*Q708	B-5
*D505	G-1	IC528	H-3	*Q709	D-5
*D506	M-5	IC529	F-2	*Q710	D-5
*D701	A-2	IC530	G-2	*Q711	D-5
*D702	C-2	IC531	G-2		
*D703	C-2	IC532	G-2	RV100	R-3
		IC533	G-1	RV200	R-3
E200	N-3	IC534	G-1	RV300	M-1
E300	M-1	IC700	A-2	RV301	N-1
E400	R-5	IC701	A-1	RV400	P-1
E500	D-1	IC702	A-2	RV401	P-5
E501	J-3	IC703	C-4	RV500	F-1
E700	E-4	IC704	A-2	RV501	F-1
E701	B-2	IC705	A-3	RV502	D-1
		IC706	D-4	RV700	A-1
FL500	F-2	IC707	E-6	RV701	B-1
FL501	E-1	IC708	F-5	RV702	B-1
FL502	D-1	IC709	A-3	RV703	B-1
		IC710	E-5		
IC1	M-2	IC711	D-3	S500	J-1
IC2	M-3	IC712	C-3		
IC3	L-1	IC713	C-3	TH400	R-5
IC4	L-4	IC714	A-4		
IC5	E-6	IC715	D-2	TP100	R-3
IC6	L-1	IC716	A-3	TP101	N-3
IC7	L-5	IC717	A-5	TP200	R-3
IC100	P-3	IC718	B-2	TP201	N-3
IC101	P-3	IC719	B-2	TP300	R-1
IC102	M-3	IC720	B-3	TP301	P-2
IC103	M-2	IC721	B-2	TP303	P-2
IC200	P-3	IC722	B-4	TP400	M-5
IC203	M-3	IC723	C-5	TP401	N-4
IC300	P-1	IC724	B-5	TP402	N-4
IC301	P-2	IC725	D-5	TP500	E-1
IC302	R-1	IC726	F-4	TP501	E-1
IC303	M-1	IC727	E-4	TP502	D-1
IC304	M-2			TP700	C-5
IC305	N-2	LV300	R-2	TP701	C-4
IC306	M-2	LV400	M-4	TP702	C-1
IC307	R-2			TP703	C-3
IC308	R-2	*Q100	R-3	TP704	C-1
IC400	R-5	*Q101	R-3		
IC401	N-5	*Q102	P-3	X700	C-2
IC402	R-5	*Q103	P-3	X701	C-2
IC403	R-5	*Q104	R-3		
IC404	R-4	*Q200	R-3		
IC405	R-4	*Q201	R-3		
IC406	M-5	*Q202	P-3		
IC407	N-4	*Q203	P-3		
IC408	M-4	*Q300	P-1		
IC501	L-2	*Q301	P-1		
IC502	L-4	*Q302	P-1		

\*: B SIDE

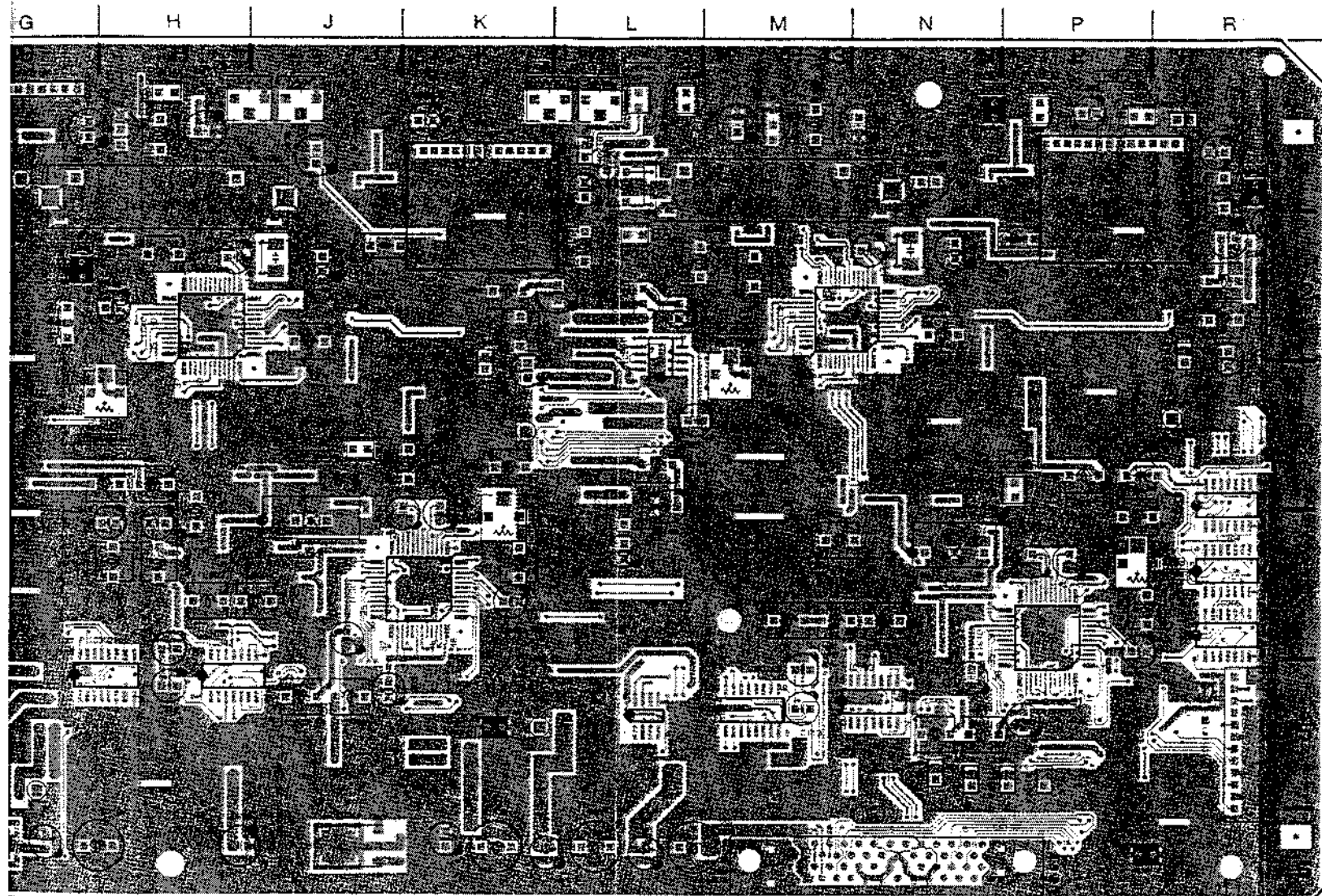
VP-43/43A ; Y/C PB PROCESS(PB RF EQ, DEMOD., Y-RF ENVELOPE DET), VIDEO OUTPUT DRIVER, ENCODE, SYNC/CHARA MIX



VP-43/43A 1-648-899-11 A SIDE



VER, ENCODE, SYNC/CHARA MIX



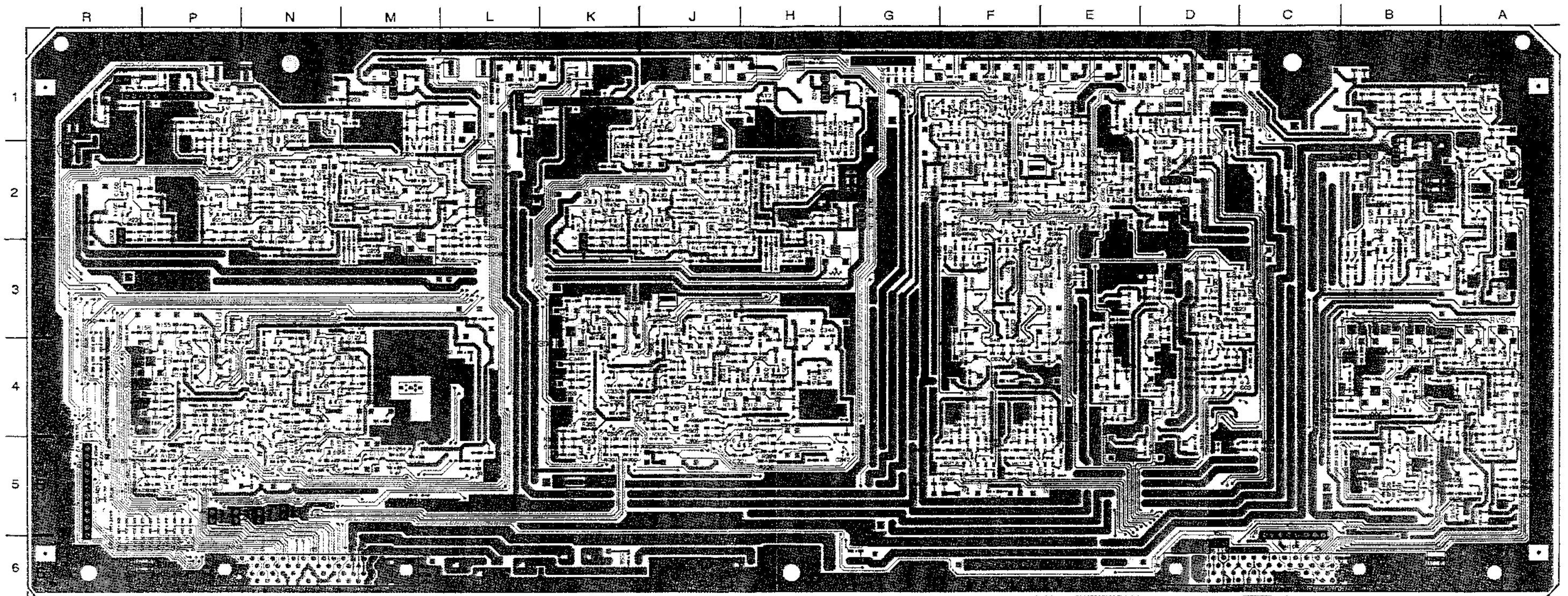
VP-43/43A 1-648-899-11 A SIDE

VP-43/43A(1-648-899-11)

CN103	N-6	IC705	R-4	Q614	B-3	TP102	P-1
CN104	C-6			*Q615	B-2	TP103	L-1
CN105	R-5	*Q101	N-5	*Q616	B-2	TP104	P-3
		*Q102	N-4	Q617	B-3	TP201	P-1
DL101	N-4	*Q103	N-5	*Q601	F-5	TP301	H-1
DL301	J-4	*Q104	N-4	*Q602	F-5	TP302	J-3
		*Q105	N-4	Q603	E-5	TP401	L-1
*D201	N-2	*Q106	N-3	Q604	F-5		
*D401	J-2	*Q107	N-3	Q605	F-5		
*D501	A-2	*Q108	N-4	Q606	F-5		
*D502	B-2	*Q109	N-4	Q607	E-5		
*D503	B-3	*Q110	P-4	Q608	F-5		
*D504	B-4	*Q111	P-5	Q609	E-4		
*D601	D-2	*Q112	P-5	Q610	F-4		
*D602	E-2	*Q201	M-2	Q611	F-5		
*D701	R-4	*Q202	N-1	Q612	F-5		
		*Q203	P-2	*Q613	D-4		
E101	P-6	*Q204	N-2	*Q614	D-3		
E102	N-1	*Q205	P-2	*Q615	D-3		
E201	R-1	*Q206	P-2	*Q616	C-3		
E301	K-5	*Q207	N-2	*Q617	C-3		
E401	G-2	*Q208	N-1	*Q618	F-2		
E501	B-2	*Q209	N-1	*Q619	F-2		
E502	B-6	*Q210	N-1	*Q620	F-3		
E601	E-4	*Q211	P-2	*Q621	F-3		
E602	D-1	*Q212	P-1	*Q622	E-3		
E701	F-2	*Q213	R-2	*Q623	D-3		
		*Q214	R-2	*Q624	D-1		
FL201	M-1	*Q215	P-1	*Q625	E-4		
FL401	H-1	*Q216	N-2	*Q626	D-4		
FL601	E-2	*Q217	M-2	*Q627	D-1		
		*Q218	M-2	*Q628	D-1		
IC101	P-4	*Q219	M-2	*Q701	E-2		
IC102	M-5	*Q220	M-2	*Q702	F-2		
IC103	N-5	*Q301	J-4	*Q703	E-2		
IC104	L-5	*Q302	J-4	*Q704	F-2		
IC201	L-3	*Q303	H-4	*Q705	E-2		
IC202	M-2	*Q304	H-5	*Q706	F-2		
IC203	M-1	*Q305	H-4	*Q707	E-1		
IC204	P-1	*Q306	H-3	*Q708	F-1		
IC205	L-2	*Q307	J-3	*Q709	F-2		
IC301	K-4	*Q308	J-4	*Q710	F-1		
IC302	G-5	*Q309	J-4	*Q711	F-2		
IC303	H-5	*Q310	K-3	*Q712	F-2		
IC401	H-2	*Q311	K-5	*Q713	F-1		
IC402	H-1	*Q401	H-2	*Q714	E-1		
IC403	K-1	*Q402	J-1				
IC404	G-2	*Q403	J-1	RV101	L-1		
IC501	A-5	*Q404	J-2	RV102	K-1		
IC502	A-2	*Q405	J-1	RV103	P-4		
IC503	A-2	*Q406	J-1	RV201	M-3		
IC504	B-2	*Q407	J-1	RV301	J-1		
IC505	B-2	*Q408	J-1	RV302	H-1		
IC506	A-3	*Q409	J-2	RV303	K-4		
IC507	B-5	*Q410	J-1	RV401	H-3		
IC508	C-4	*Q411	J-2	RV501	A-4		
IC509	B-5	*Q412	J-2	RV502	A-4		
IC510	B-4	*Q413	K-2	RV503	B-4		
IC511	J-6	*Q414	K-2	RV504	B-4		
IC512	G-6	*Q415	K-2	RV505	B-4		
IC601	D-4	*Q416	J-2	RV506	B-4		
IC602	D-4	*Q417	H-2	RV601	D-1		
IC603	F-4	*Q418	H-2	RV602	F-1		
IC604	F-3	*Q501	A-1	RV603	D-1		
IC605	F-3	Q502	A-1	RV604	D-1		
IC606	E-3	Q503	A-1	RV605	F-1		
IC607	F-3	Q504	A-1	RV606	C-1		
IC608	D-2	*Q505	A-5	RV701	E-1		
IC609	E-2	*Q506	A-4	RV702	E-1		
IC610	D-2	Q507	B-1	RV703	E-1		
IC611	D-2	Q508	B-1	RV704	G-1		
IC612	C-2	*Q509	A-4				
IC701	F-1	*Q510	A-4	TH201	P-2		
IC702	F-1	*Q511	A-4	TH401	J-2		
IC703	R-4	*Q512	A-4				
IC704	R-4	*Q513	B-2	TP101	L-2		

\*: B SIDE  
\_: UVW-1800 ONLY

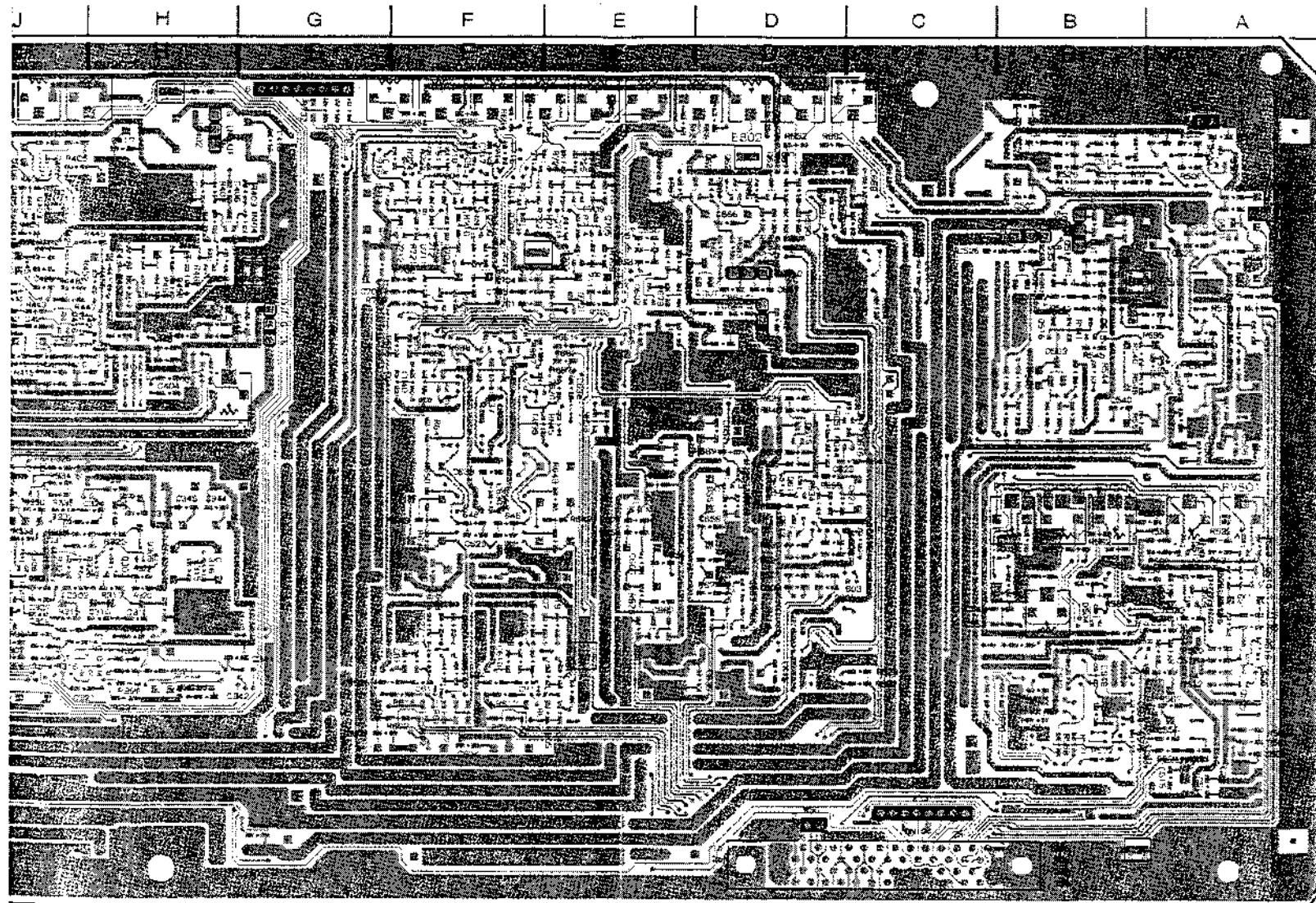
VP-43/43A ; Y/C PB PROCESS(PB RF EQ, DEMOD., Y-RF ENVELOPE DET), VIDEO OUTPUT DRIVER, ENCODE, SYNC/CHARA MIX



VP-43/43A 1-648-899-11 B SIDE



ER, ENCODE, SYNC/CHARA MIX



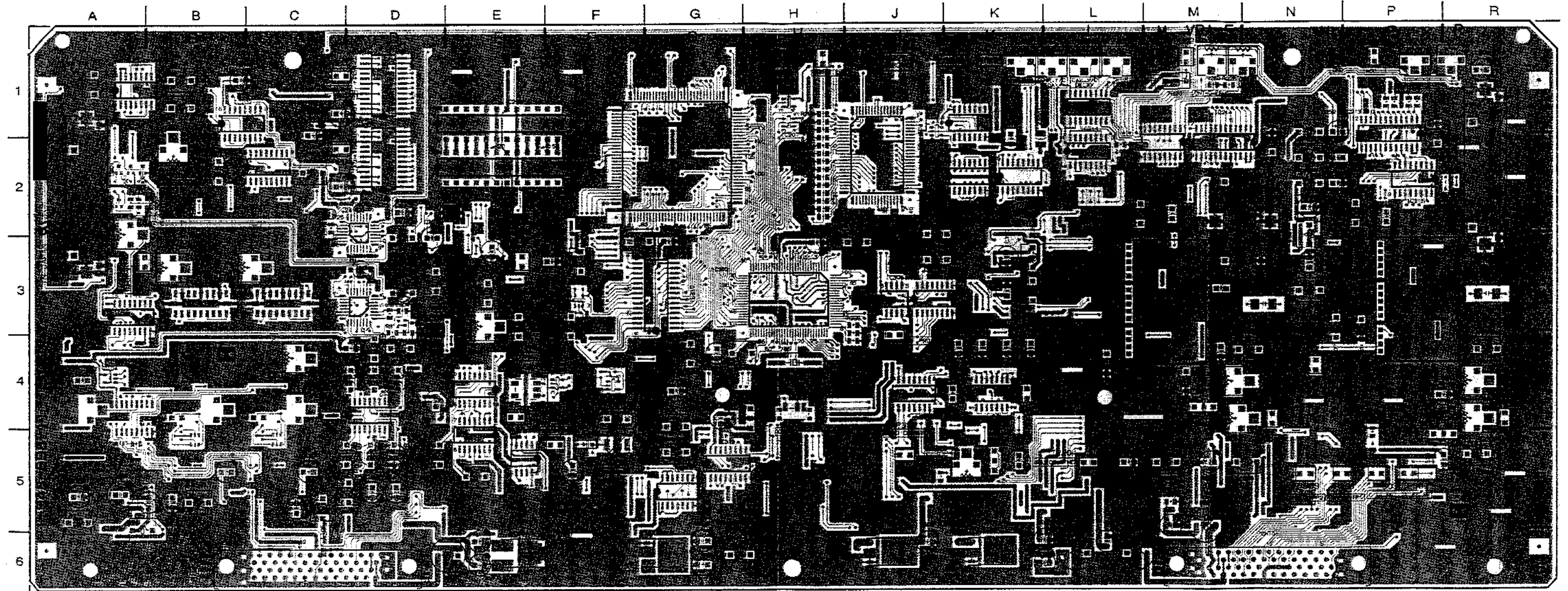
VP-43/43A 1-648-899-11 B SIDE

VP-43/43A(1-648-899-11)

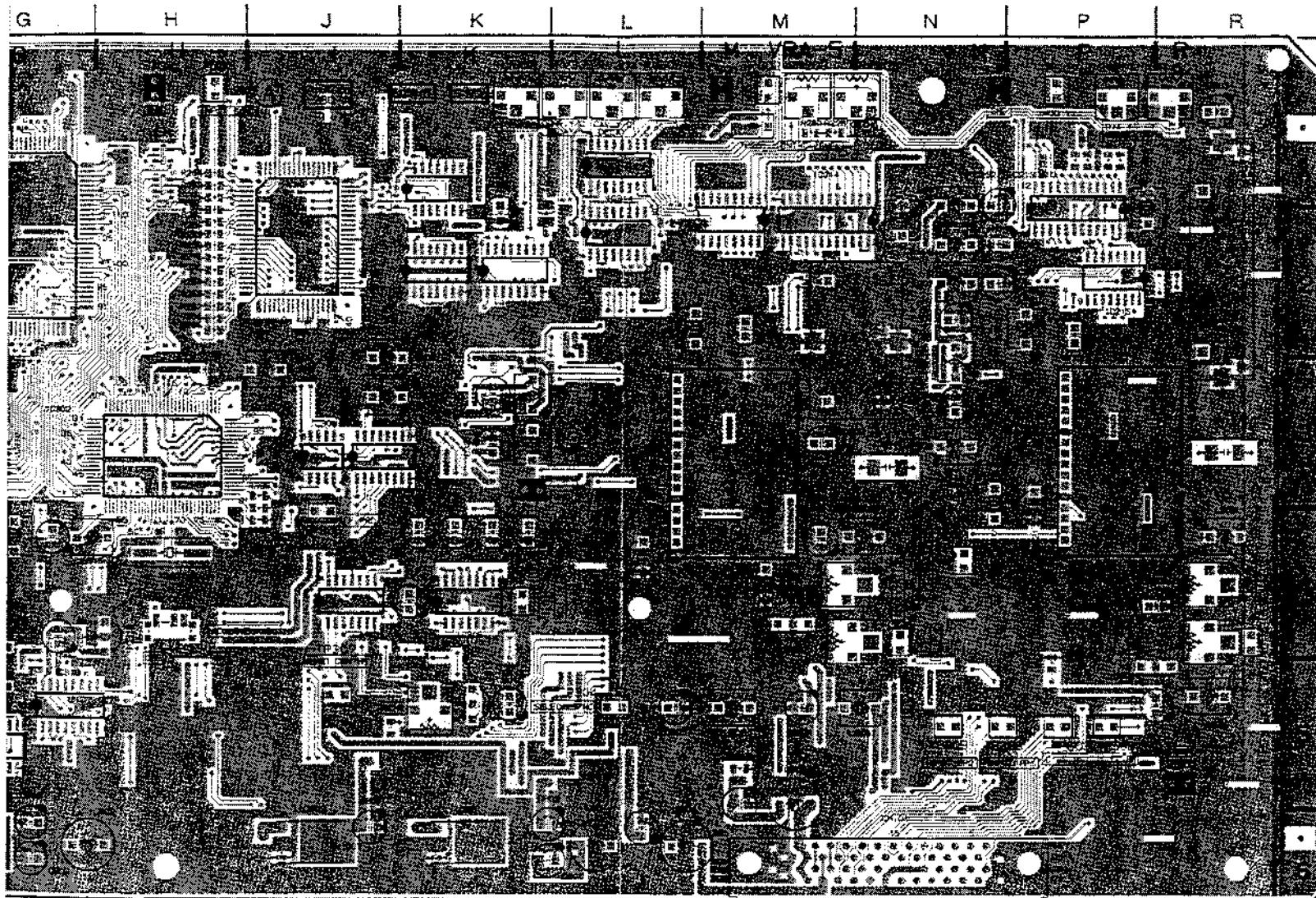
CN103	N-6	IC705	R-4	Q514	B-3	TP102	P-1
CN104	C-8			*Q515	B-2	TP103	L-1
CN105	R-5	*Q101	N-5	*Q516	B-2	TP104	P-3
		*Q102	N-4	Q517	B-3	TP201	P-1
DL101	N-4	*Q103	N-5	*Q601	F-5	TP301	H-1
DL301	J-4	*Q104	N-4	*Q602	F-5	TP302	J-3
		*Q105	N-4	Q603	E-5	TP401	L-1
*D201	N-2	*Q106	N-3	Q604	F-5		
*D401	J-2	*Q107	N-3	Q605	F-6		
*D501	A-2	*Q108	N-4	Q606	F-5		
*D502	B-2	*Q109	N-4	Q607	E-5		
*D503	B-3	*Q110	P-4	Q608	F-5		
*D504	B-4	*Q111	P-5	Q609	E-4		
*D601	D-2	*Q112	P-5	Q610	F-4		
*D602	E-2	*Q201	M-2	Q611	F-5		
*D701	R-4	*Q202	N-1	Q612	F-5		
		*Q203	P-2	*Q613	D-4		
E101	P-6	*Q204	N-2	*Q614	D-3		
E102	N-1	*Q205	P-2	*Q615	D-3		
E201	R-1	*Q206	P-2	*Q616	C-3		
E301	K-5	*Q207	N-2	*Q617	C-3		
E401	G-2	*Q208	N-1	*Q618	F-2		
E501	B-2	*Q209	N-1	*Q619	F-2		
E502	B-6	*Q210	N-1	*Q620	F-3		
E601	E-4	*Q211	P-2	*Q621	F-3		
E602	D-1	*Q212	P-1	*Q622	E-3		
E701	F-2	*Q213	R-2	*Q623	D-3		
		*Q214	R-2	*Q624	D-1		
FL201	M-1	*Q215	P-1	*Q625	E-4		
FL401	H-1	*Q216	N-2	*Q626	D-4		
FL601	E-2	*Q217	M-2	*Q627	D-1		
		*Q218	M-2	*Q628	D-1		
IC101	P-4	*Q219	M-2	*Q701	E-2		
IC102	M-5	*Q220	M-2	*Q702	F-2		
IC103	N-5	*Q301	J-4	*Q703	E-2		
IC104	L-5	*Q302	J-4	*Q704	F-2		
IC201	L-3	*Q303	H-4	*Q705	E-2		
IC202	M-2	*Q304	H-5	*Q706	F-2		
IC203	M-1	*Q305	H-4	*Q707	E-1		
IC204	P-1	*Q306	H-3	*Q708	F-1		
IC205	L-2	*Q307	J-3	*Q709	F-2		
IC301	K-4	*Q308	J-4	*Q710	F-1		
IC302	G-5	*Q309	J-4	*Q711	F-2		
IC303	H-5	*Q310	K-3	*Q712	F-2		
IC401	H-2	*Q311	K-5	*Q713	F-1		
IC402	H-1	*Q401	H-2	*Q714	E-1		
IC403	K-1	*Q402	J-1				
IC404	G-2	*Q403	J-1	RV101	L-1		
IC501	A-5	*Q404	J-2	RV102	K-1		
IC502	A-2	*Q405	J-1	RV103	P-4		
IC503	A-2	*Q406	J-1	RV201	M-3		
IC504	B-2	*Q407	J-1	RV301	J-1		
IC505	B-2	*Q408	J-1	RV302	H-1		
IC506	A-3	*Q409	J-2	RV303	K-4		
IC507	B-5	*Q410	J-1	RV401	H-3		
IC508	C-4	*Q411	J-2	RV501	A-4		
IC509	B-5	*Q412	J-2	RV502	A-4		
IC510	B-4	*Q413	K-2	RV503	B-4		
IC511	J-6	*Q414	K-2	RV504	B-4		
IC512	G-6	*Q415	K-2	RV505	B-4		
IC601	D-4	*Q416	J-2	RV506	B-4		
IC602	D-4	*Q417	H-2	RV601	D-1		
IC603	F-4	*Q418	H-2	RV602	F-1		
IC604	F-3	*Q501	A-1	RV603	D-1		
IC605	F-3	Q502	A-1	RV604	D-1		
IC606	E-3	Q503	A-1	RV605	F-1		
IC607	F-3	Q504	A-1	RV606	C-1		
IC608	D-2	*Q505	A-5	RV701	E-1		
IC609	E-2	*Q506	A-4	RV702	E-1		
IC610	D-2	Q507	B-1	RV703	E-1		
IC611	D-2	Q508	B-1	RV704	G-1		
IC612	C-2	*Q509	A-4				
IC701	F-1	*Q510	A-4	TH201	P-2		
IC702	F-1	*Q511	A-4	TH401	J-2		
IC703	R-4	*Q512	A-4				
IC704	R-4	*Q513	B-2	TP101	L-2		

\*: B SIDE  
\_: UVW-1800 ONLY

VRA-5; Y/C REC PROCESS(DECODE, MOD), CTDM(COMPAND)



VRA-5 1-648-898-11 A SIDE



VRA-5 1-648-898-11 A SIDE

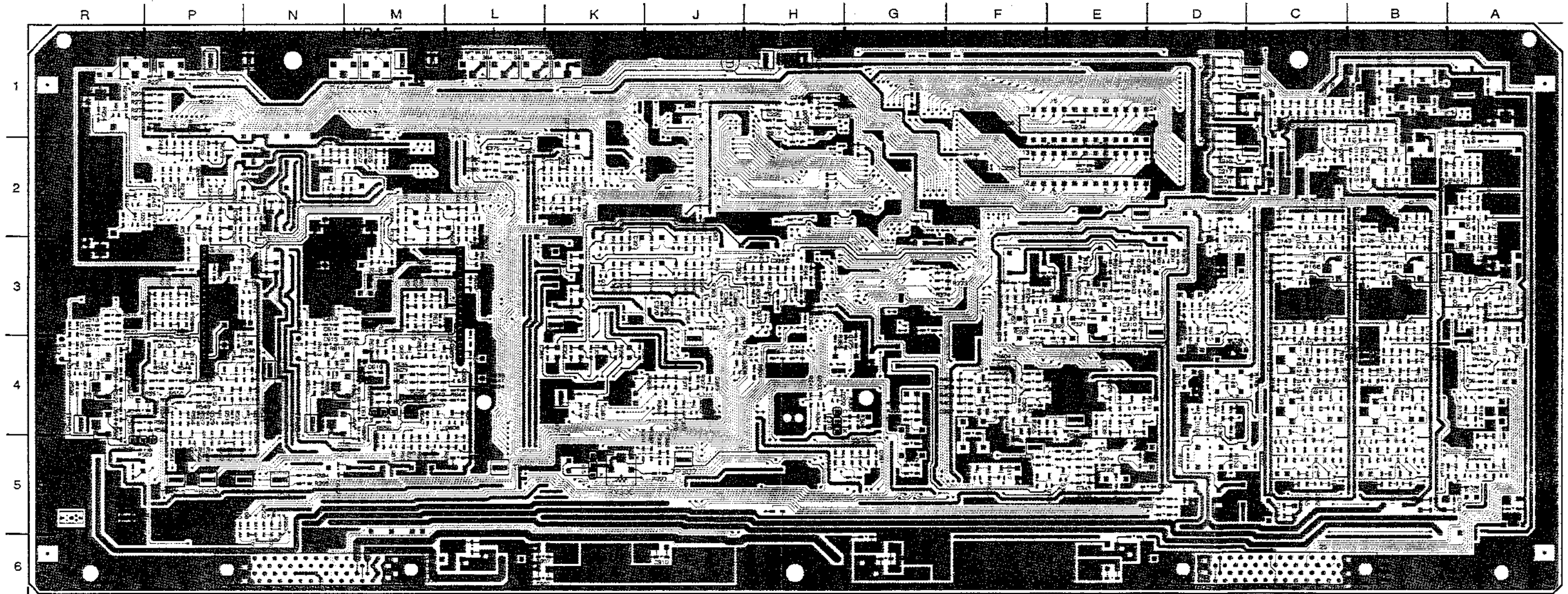
VRA-5(1-648-898-11)

CN101	N-6	IC901	K-6	*Q511	N-3
CN102	C-6	IC902	G-6	*Q512	P-4
		IC903	J-6	*Q513	P-4
CV301	F-5	IC904	E-6	*Q514	P-4
				*Q515	P-4
*D101	B-3	LV301	E-4	*Q516	N-4
*D102	C-3			*Q517	N-4
*D109	D-4	*Q101	A-3	*Q518	P-4
*D202	H-4	*Q102	A-5	*Q519	P-5
*D301	E-3	*Q103	A-3	*Q520	P-5
*D303	F-4	Q104	A-4	*Q601	L-2
D305	F-5	*Q105	A-4	*Q602	M-2
D801	A-2	*Q106	A-3	*Q603	N-4
		*Q107	A-3	*Q604	M-4
E101	B-4	*Q108	A-1	*Q605	M-4
E201	E-2	*Q109	B-2	*Q606	L-4
E301	K-3	*Q110	B-2	*Q607	M-4
E302	D-3	*Q111	B-1	*Q608	L-4
E303	H-1	*Q112	C-1	*Q609	M-5
E501	R-5	*Q113	C-2	*Q610	M-5
E502	N-1	*Q114	B-4	Q801	A-2
E601	M-1	*Q115	B-4	Q802	A-2
		*Q116	B-3	Q803	A-2
FB201	K-2	*Q117	B-3	Q804	D-3
		*Q118	B-3		
FL101	A-2	*Q119	B-3	RV101	B-2
FL102	B-3	*Q120	B-2	RV102	B-3
FL103	C-3	*Q121	C-4	RV103	C-4
FL201	R-2	*Q122	C-4	RV104	C-3
FL202	N-2	*Q123	C-4	RV105	A-2
		*Q124	C-3	RV201	P-1
IC101	A-3	*Q125	C-3	RV202	N-1
IC102	C-2	*Q126	C-3	RV203	M-1
IC103	D-4	*Q127	C-3	RV301	E-3
IC104	G-5	*Q128	C-3	RV302	K-1
IC201	A-1	*Q129	C-2	RV303	L-1
IC202	B-1	*Q130	C-2	RV304	L-1
IC205	D-2	*Q131	B-5	RV305	L-1
IC206	D-1	*Q132	C-5	RV306	K-5
IC207	H-1	*Q133	A-2	RV501	R-1
IC208	E-2	*Q201	C-1	RV502	R-4
IC209	E-2	*Q202	H-1	RV503	R-4
IC210	G-2	*Q203	H-4	RV602	M-4
IC211	H-1	*Q204	P-2	RV603	M-4
IC212	J-2	*Q207	R-2		
IC213	P-1	*Q209	N-2	S201	H-4
IC214	N-1	*Q210	R-2		
IC215	P-2	*Q211	K-2	TH201	M-1
IC216	K-2	*Q212	R-1		
IC217	K-2	*Q213	M-3	TP101	A-3
IC218	K-2	*Q301	D-3	TP201	C-2
IC219	J-1	*Q303	E-3	TP202	C-1
IC220	M-1	*Q305	E-3	TP301	E-3
IC301	E-4	*Q306	E-3	TP302	E-4
IC302	H-3	*Q307	E-3	TP303	H-1
IC303	E-4	*Q308	J-4	TP304	L-5
IC304	E-5	*Q309	J-4	TP305	K-4
IC305	F-4	*Q310	F-3	TP306	J-4
IC306	K-4	*Q311	F-3	TP307	J-5
IC307	F-3	*Q312	K-3	TP308	N-5
IC308	J-3	*Q313	E-4	TP309	N-5
IC309	J-3	*Q314	E-4	TP310	F-5
IC310	G-3	*Q315	J-3	TP501	R-4
IC311	J-4	*Q316	F-5	TP502	P-1
IC312	L-2	*Q317	F-5	TP503	P-5
IC313	G-5	*Q318	E-5	TP504	N-4
IC314	L-1	*Q319	K-3	TP601	N-4
IC315	K-5	*Q320	J-3	TP602	M-1
IC316	H-4	*Q321	J-4	TP603	P-5
IC317	F-4	*Q322	J-4		
IC501	P-4	*Q323	J-4	X301	F-4
IC502	R-5	*Q324	F-4	X302	H-4
IC601	L-4	*Q325	F-4		
IC602	M-4	*Q508	N-2		
IC801	D-3	*Q509	P-2		
IC802	D-2	*Q510	R-4		

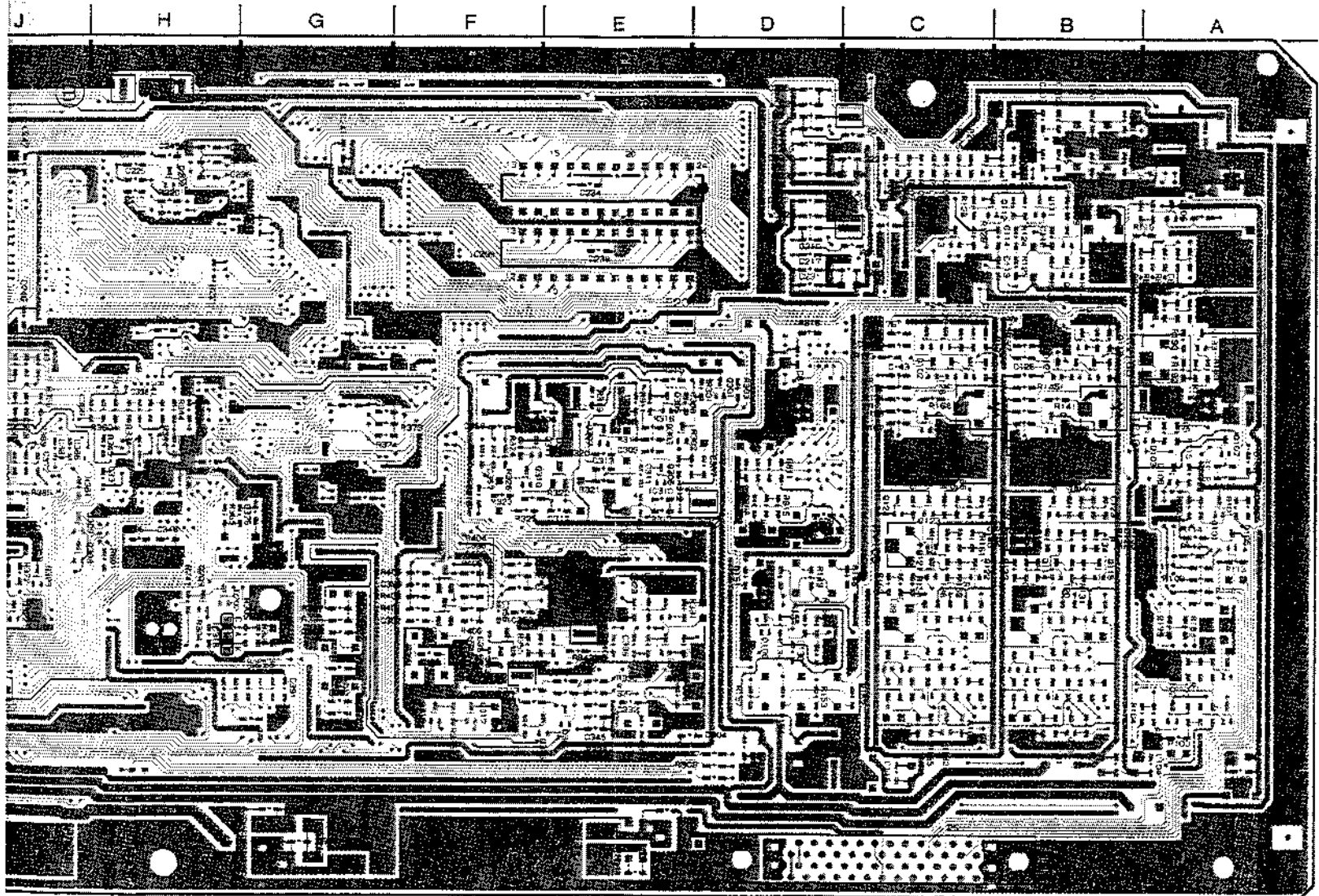
\*: B SIDE



VRA-5; Y/C REC PROCESS(DECODE, MOD), CTDM(COMPAND)



VRA-5 1-648-898-11 B SIDE



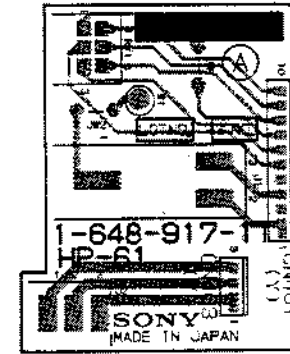
VRA-5 1-648-898-11 B SIDE

VRA-5(1-648-898-11)

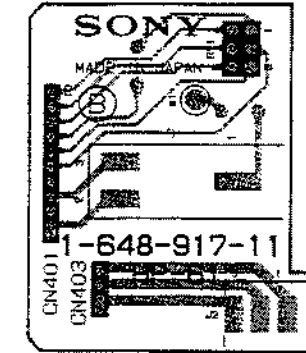
CN101	N-6	IC901	K-6	*Q511	N-3
CN102	C-6	IC902	G-6	*Q512	P-4
		IC903	J-6	*Q513	P-4
CV301	F-5	IC904	E-6	*Q514	P-4
				*Q515	P-4
*D101	B-3	LV301	E-4	*Q516	N-4
*D102	C-3			*Q517	N-4
*D109	D-4	*Q101	A-3	*Q518	P-4
*D202	H-4	*Q102	A-5	*Q519	P-5
*D301	E-3	*Q103	A-3	*Q520	P-5
*D303	F-4	Q104	A-4	*Q601	L-2
D305	F-5	*Q105	A-4	*Q602	M-2
D801	A-2	*Q106	A-3	*Q603	N-4
		*Q107	A-3	*Q604	M-4
		*Q108	A-1	*Q605	M-4
E101	B-4	*Q109	B-2	*Q606	L-4
E201	E-2	*Q110	B-2	*Q607	M-4
E301	K-3	*Q111	B-1	*Q608	L-4
E302	D-3	*Q112	C-1	*Q609	M-5
E303	H-1	*Q113	C-2	*Q610	M-5
E501	R-5	*Q114	B-4	Q801	A-2
E502	N-1	*Q115	B-4	Q802	A-2
E601	M-1	*Q116	B-3	Q803	A-2
		*Q117	B-3	Q804	D-3
		*Q118	B-3		
FB201	K-2	*Q119	B-3	RV101	B-2
		*Q120	B-2	RV102	B-3
FL101	A-2	*Q121	C-4	RV103	C-4
FL102	B-3	*Q122	C-4	RV104	C-3
FL103	C-3	*Q123	C-4	RV105	A-2
FL201	R-2	*Q124	C-3	RV201	P-1
FL202	N-2	*Q125	C-3	RV202	N-1
		*Q126	C-3	RV203	M-1
IC101	A-3	*Q127	C-3	RV301	E-3
IC102	C-2	*Q128	C-3	RV302	K-1
IC103	D-4	*Q129	C-2	RV303	L-1
IC104	G-5	*Q130	C-2	RV304	L-1
IC201	A-1	*Q131	B-5	RV305	L-1
IC202	B-1	*Q132	C-5	RV306	K-5
IC205	D-2	*Q133	A-2	RV501	R-1
IC206	D-1	*Q201	C-1	RV502	R-4
IC207	H-1	*Q202	H-1	RV503	R-4
IC208	E-2	*Q203	H-4	RV602	M-4
IC209	E-2	*Q204	P-2	RV603	M-4
IC210	G-2	*Q207	R-2		
IC211	H-1	*Q209	N-2	S201	H-4
IC212	J-2	*Q210	R-2		
IC213	P-1	*Q211	K-2	TH201	M-1
IC214	N-1	*Q212	R-1		
IC215	P-2	*Q213	M-3	TP101	A-3
IC216	K-2	*Q301	D-3	TP201	C-2
IC217	K-2	*Q303	E-3	TP202	C-1
IC218	K-2	*Q305	E-3	TP301	E-3
IC219	J-1	*Q306	E-3	TP302	E-4
IC220	M-1	*Q307	E-3	TP303	H-1
IC301	E-4	*Q308	J-4	TP304	L-5
IC302	H-3	*Q309	J-4	TP305	K-4
IC303	E-4	*Q310	F-3	TP306	J-4
IC304	E-5	*Q311	F-3	TP307	J-5
IC305	F-4	*Q312	K-3	TP308	N-5
IC306	K-4	*Q313	E-4	TP309	N-5
IC307	F-3	*Q314	E-4	TP310	F-5
IC308	J-3	*Q315	J-3	TP501	R-4
IC309	J-3	*Q316	F-5	TP502	P-1
IC310	G-3	*Q317	F-5	TP503	P-5
IC311	J-4	*Q318	E-5	TP504	N-4
IC312	L-2	*Q319	K-3	TP601	N-4
IC313	G-5	*Q320	J-3	TP602	M-1
IC314	L-1	*Q321	J-4	TP603	P-5
IC315	K-5	*Q322	J-4		
IC316	H-4	*Q323	J-4	X301	F-4
IC317	F-4	*Q324	F-4	X302	H-4
IC501	P-4	*Q325	F-4		
IC502	R-5	*Q508	N-2		
IC601	L-4	*Q509	P-2		
IC602	M-4	*Q510	R-4		
IC801	D-3				
IC802	D-2				

\*: B SIDE

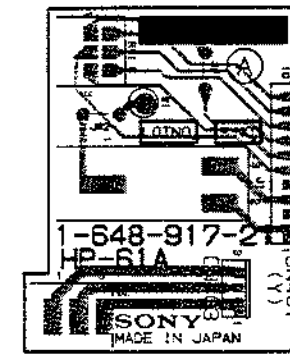
- CL-25 ; CASSETTE LOADING BEGIN/NEAR-END SENSOR
- HP-61 ; HEADPHONES JACK/VOLUME CONTROL
- HP-61A ; HEADPHONES JACK/VOLUME CONTROL
- PC-62 ; CASSETTE IN/LARGE CASSETTE SENSOR
- PD-35 ; PINCH SOLENOID



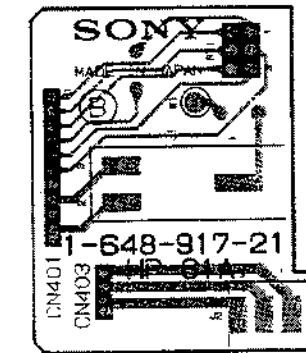
HP-61 1-648-917-11 A SIDE



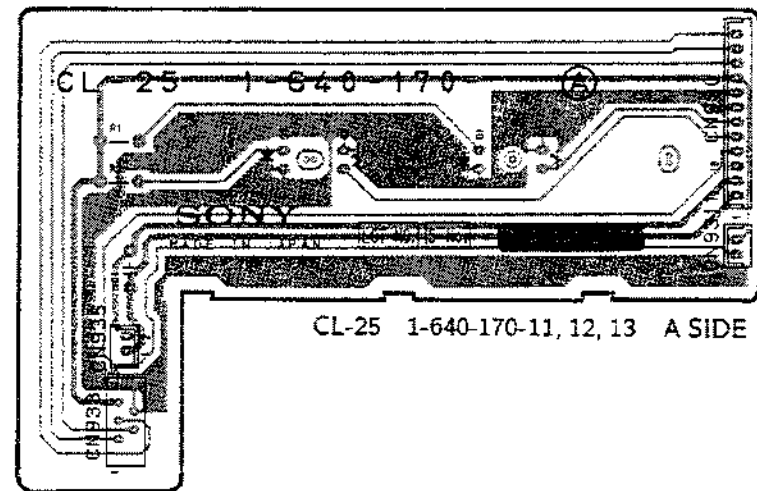
HP-61 1-648-917-11 B SIDE



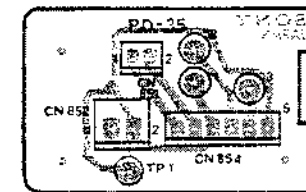
HP-61A 1-648-917-21 A SIDE



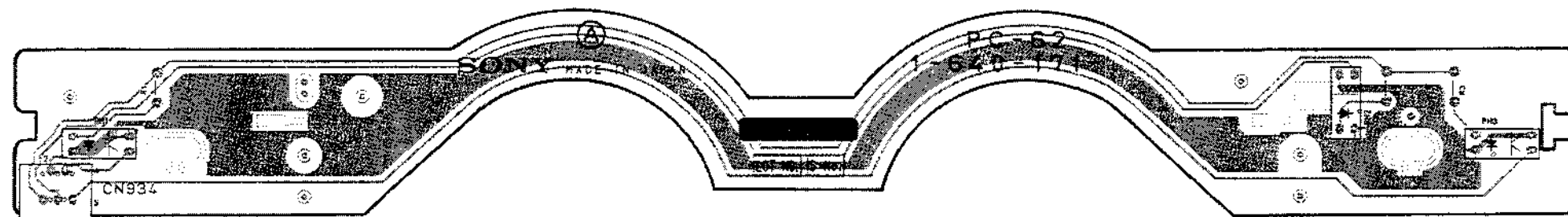
HP-61A 1-648-917-21 B SIDE



CL-25 1-640-170-11,12,13 A SIDE



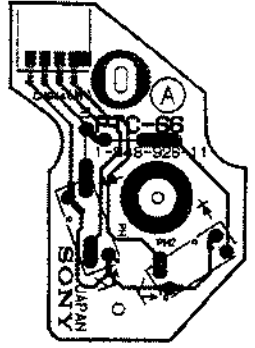
PD-35 1-622-596-11 A SIDE



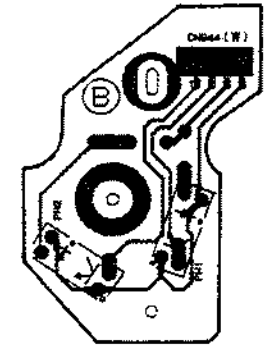
PC-62 1-640-171-11,12 A SIDE

FRAME(1) CL, HP, PC, PD

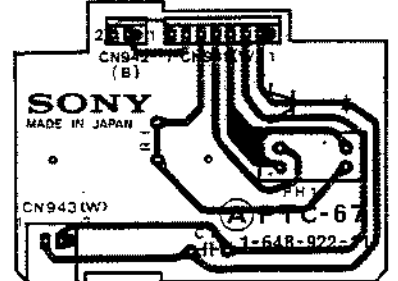
- PTC-66 ; REEL POSITION
- PTC-67 ; THREADING FG/MOTOR
- PTC-68 ; THREAD END/UNTHREAD END SENSOR
- RM-126 ; S-REEL MOTOR
- RM-127 ; T-REEL MOTOR
- SE-207 ; REEL FG
- TR-84 ; S-TENSION SENSOR
- VR-155 ; AUDIO REC LEVEL



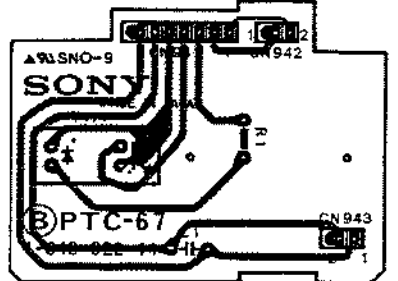
PTC-66 1-648-926-11 A SIDE



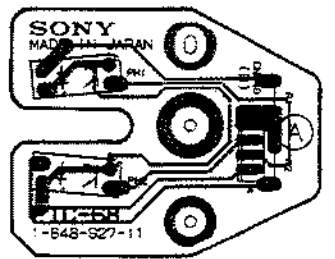
PTC-66 1-648-926-11 B SIDE



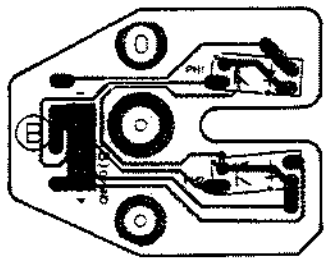
PTC-67 1-648-922-11 A SIDE



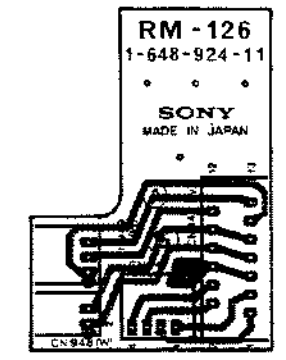
PTC-67 1-648-922-11 B SIDE



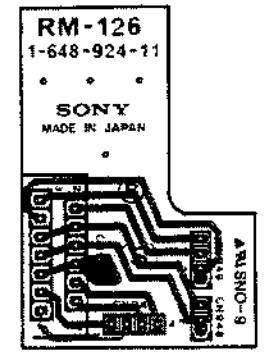
PTC-68 1-648-927-11 A SIDE



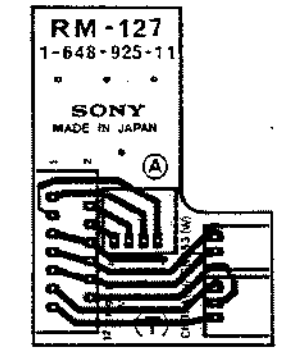
PTC-68 1-648-927-11 B SIDE



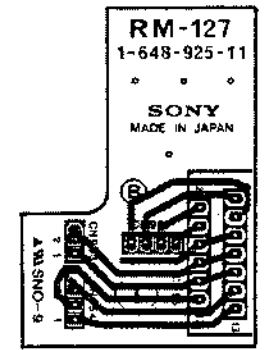
RM-126 1-648-924-11 A SIDE



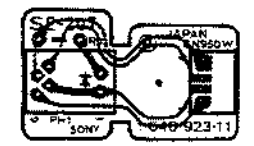
RM-126 1-648-924-11 B SIDE



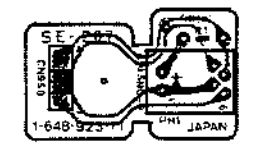
RM-127 1-648-925-11 A SIDE



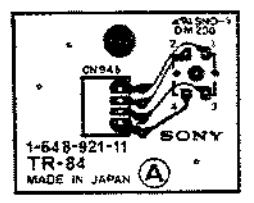
RM-127 1-648-925-11 B SIDE



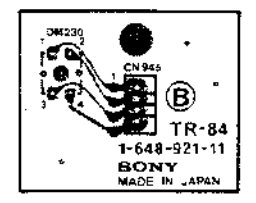
SE-207 1-648-923-11 A SIDE



SE-207 1-648-923-11 B SIDE



TR-84 1-648-921-11 A SIDE



TR-84 1-648-921-11 B SIDE



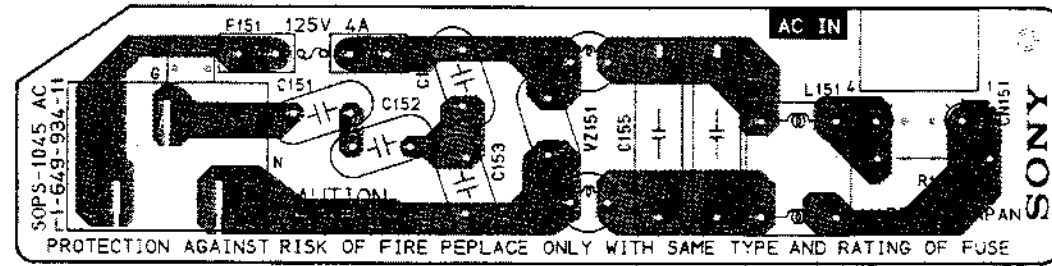
VR-155 1-648-916-11 A SIDE



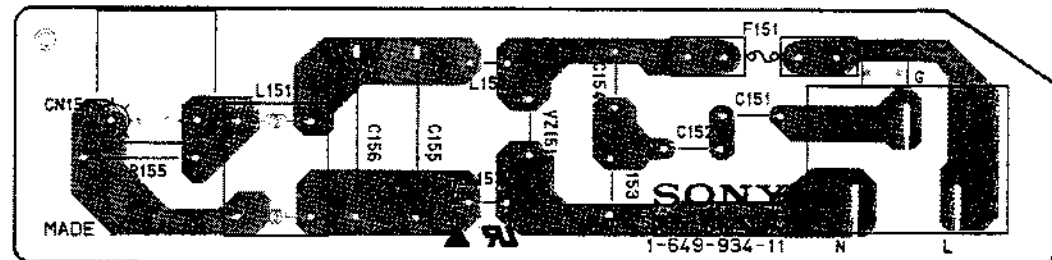
VR-155 1-648-916-11 B SIDE



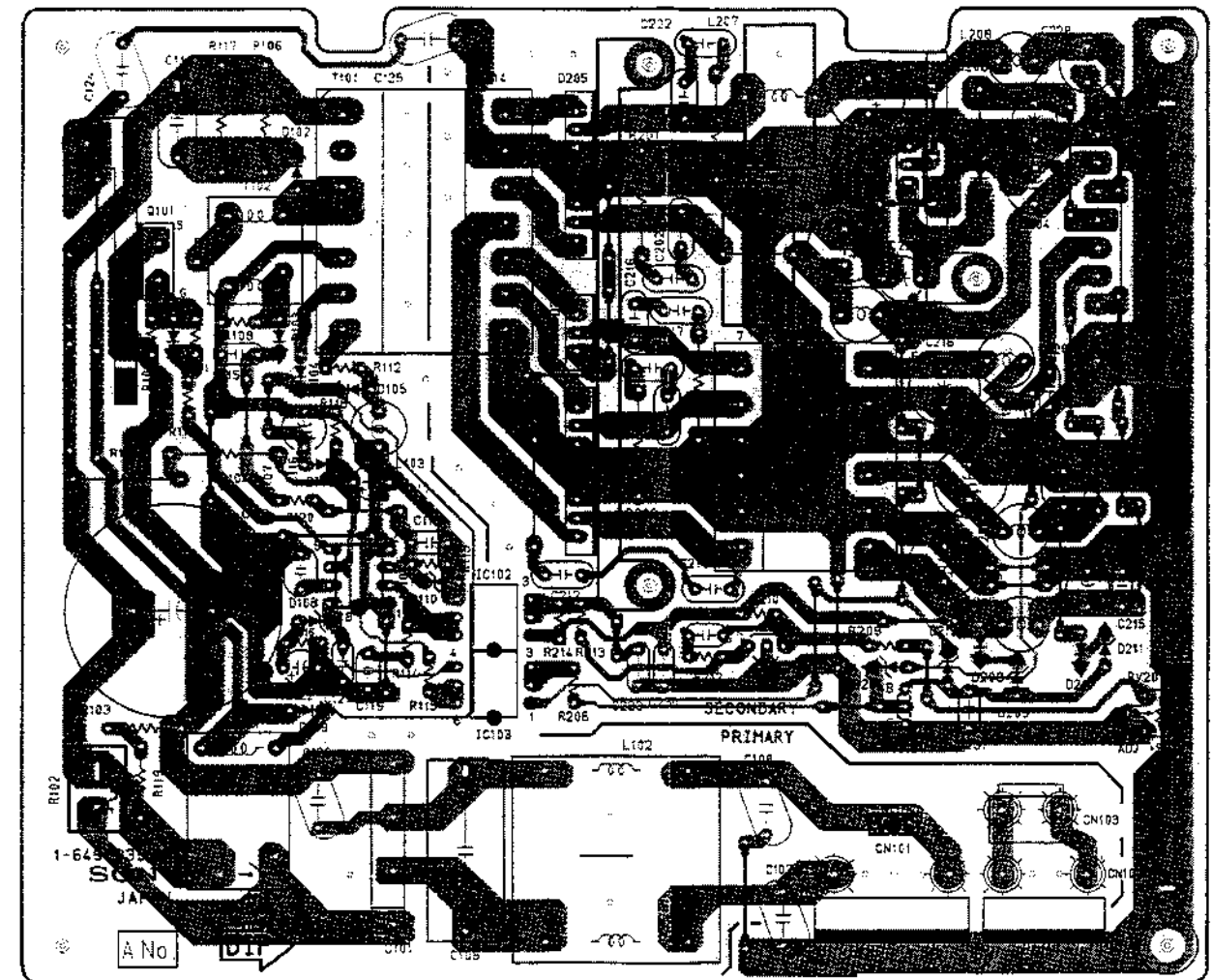
SOPS-1045AC ; POWER SUPPLY(SWITCHING REGULATOR)  
SOPS-1045M ; POWER SUPPLY(SWITCHING REGULATOR)



SOPS-1045 AC 1-649-934-11 A SIDE



SOPS-1045 AC 1-649-934-11 B SIDE

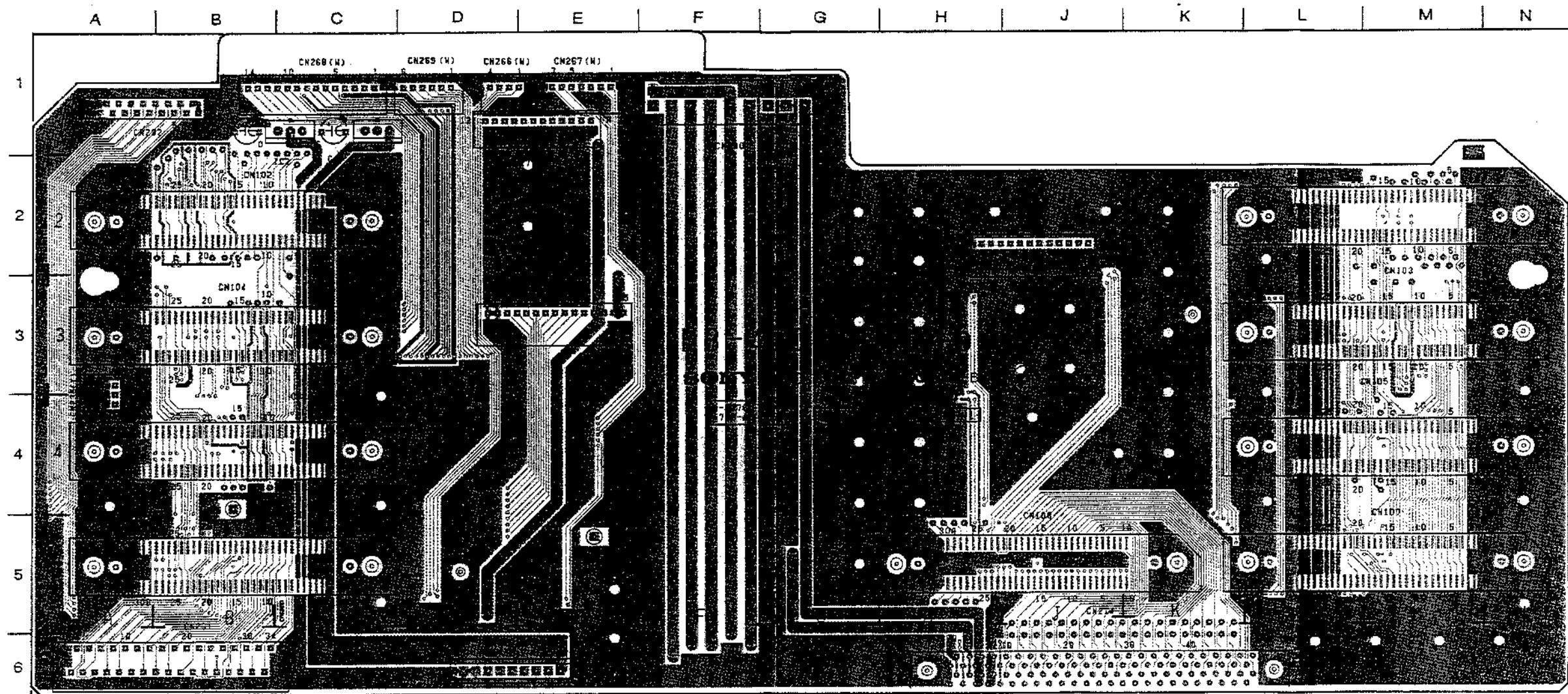


SOPS-1045 M 1-649-935-11 A SIDE





MB-470; MOTHER BOARD

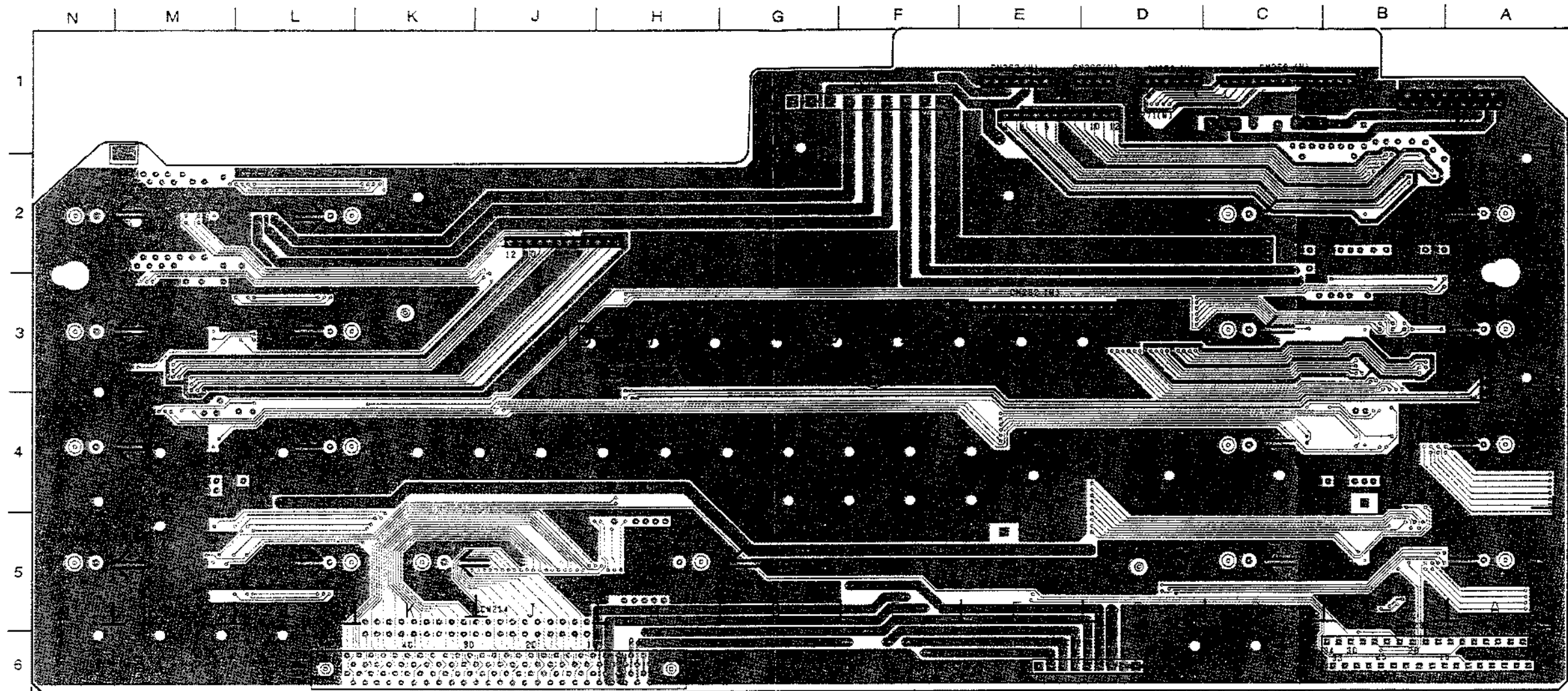


MB-470 1-648-918-11 A SIDE

MB-470(1-648-918-11)

CN101	M-2
CN102	B-2
CN103	M-3
CN104	B-3
CN105	M-4
CN106	B-4
CN107	M-5
CN108	J-5
CN109	B-5
CN200	F-1
CN201	D-6
CN211	J-2
CN214	J-6
CN231	B-6
CN232	A-1
CN235	A-3
CN262	E-3
CN266	D-1
CN267	E-1
CN268	C-1
CN269	D-1
CN271	E-1
IC1	C-1
IC2	C-1

MB-470; MOTHER BOARD

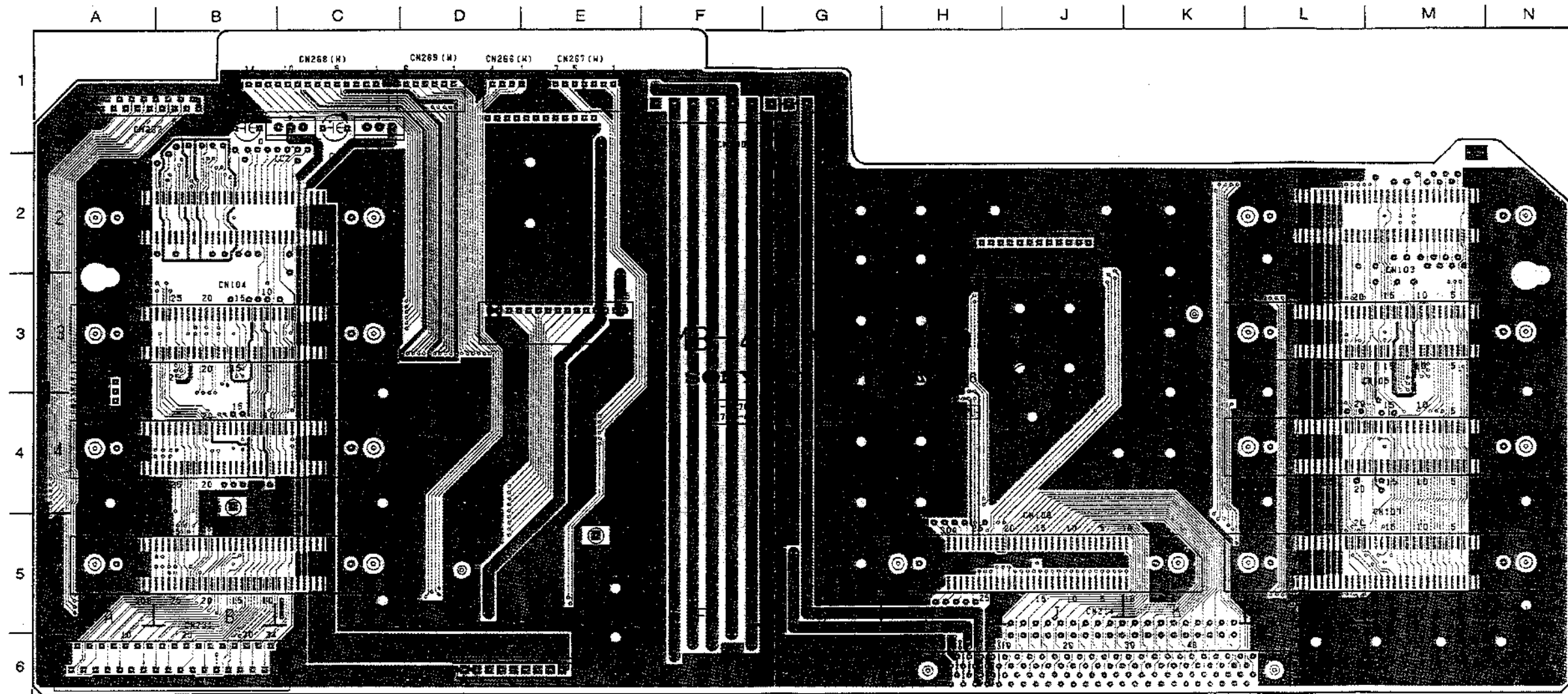


MB-470 1-648-918-11 B SIDE

MB-470(1-648-918-11)

CN101	M-2
CN102	B-2
CN103	M-3
CN104	B-3
CN105	M-4
CN106	B-4
CN107	M-5
CN108	J-5
CN109	B-5
CN200	F-1
CN201	D-6
CN211	J-2
CN214	J-6
CN231	B-6
CN232	A-1
CN235	A-3
CN262	E-3
CN266	D-1
CN267	E-1
CN268	C-1
CN269	D-1
CN271	E-1
IC1	C-1
IC2	C-1

MB-470A; MOTHER BOARD



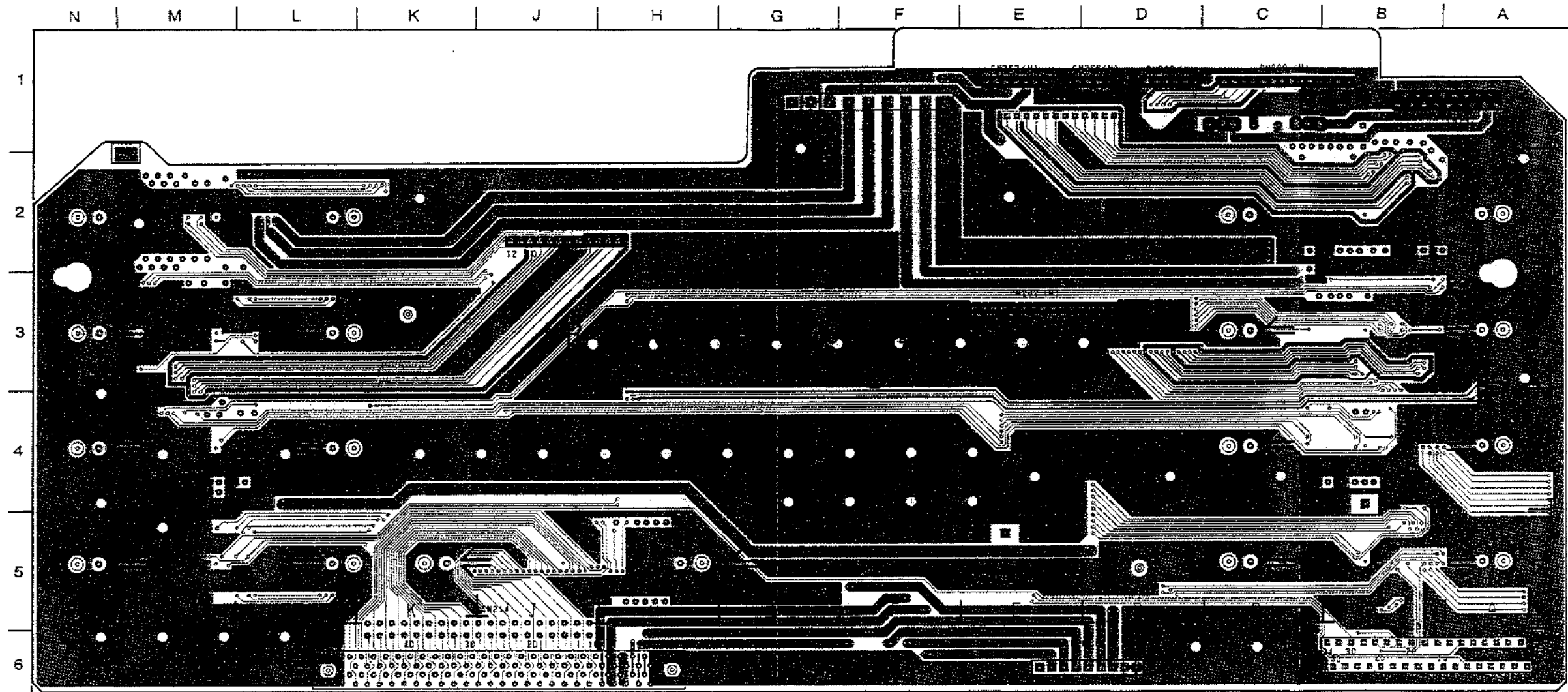
MB-470A 1-648-918-21 A SIDE

**MB-470A**

MB-470A(1-648-918-21)

CN103	M-3
CN104	B-3
CN105	M-4
CN106	B-4
CN107	M-5
CN108	J-5
CN109	B-5
CN200	F-1
CN201	D-6
CN211	J-2
CN214	J-6
CN231	B-6
CN232	A-1
CN235	A-3
CN262	E-3
CN266	D-1
CN267	E-1
CN268	C-1
CN269	D-1
IC1	C-1
IC2	C-1

MB-470A; MOTHER BOARD



MB-470A 1-648-918-21 B SIDE

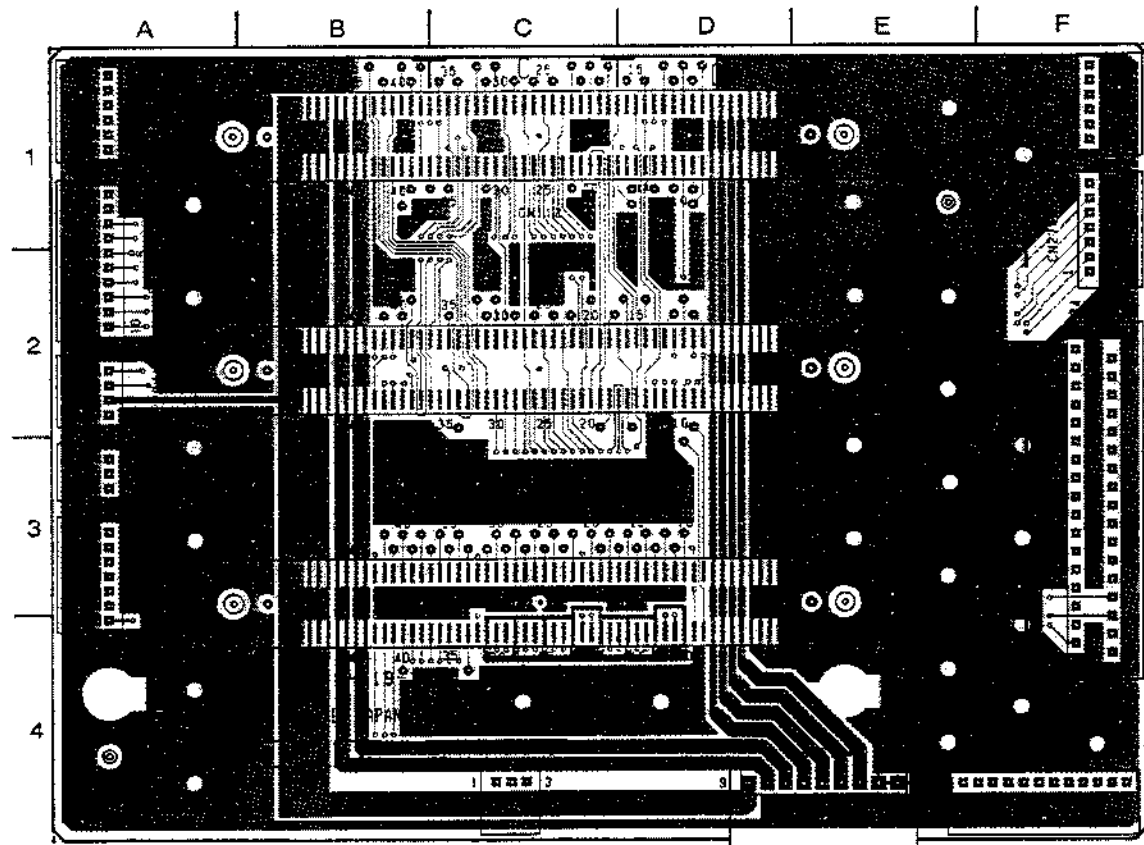
**MB-470A**

MB-470A(1-648-918-21)

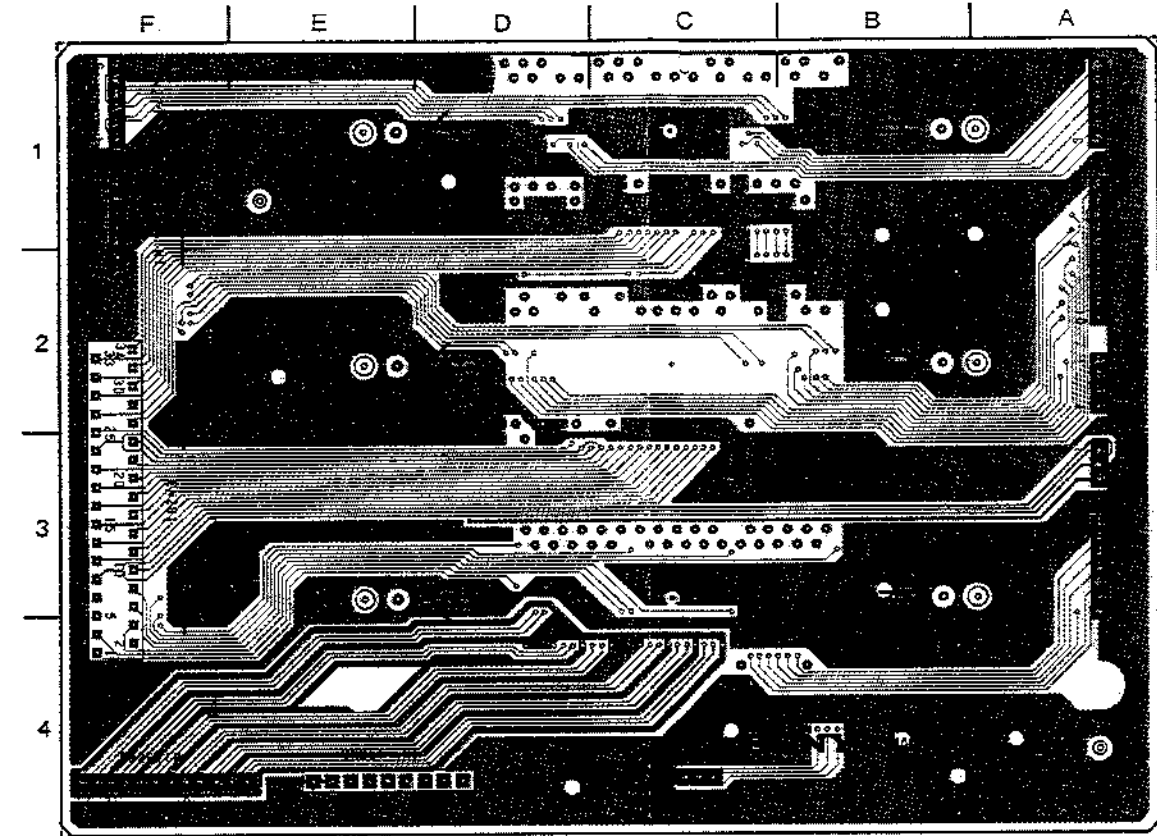
CN103	M-3
CN104	B-3
CN105	M-4
CN106	B-4
CN107	M-5
CN108	J-5
CN109	B-5
CN200	F-1
CN201	D-6
CN211	J-2
CN214	J-6
CN231	B-6
CN232	A-1
CN235	A-3
CN262	E-3
CN266	D-1
CN267	E-1
CN268	C-1
CN269	D-1
IC1	C-1
IC2	C-1



MB-471; MOTHER BOARD



MB-471 1-648-919-11 A SIDE

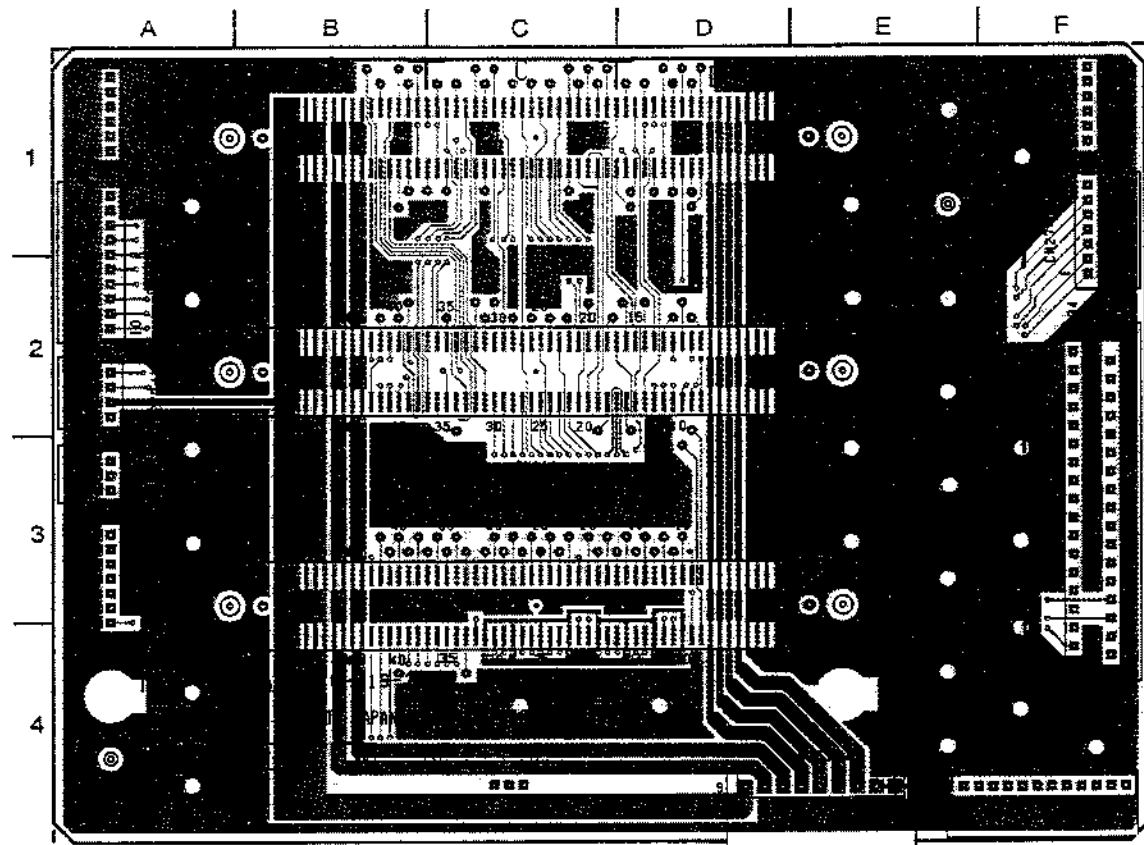


MB-471 1-648-919-11 B SIDE

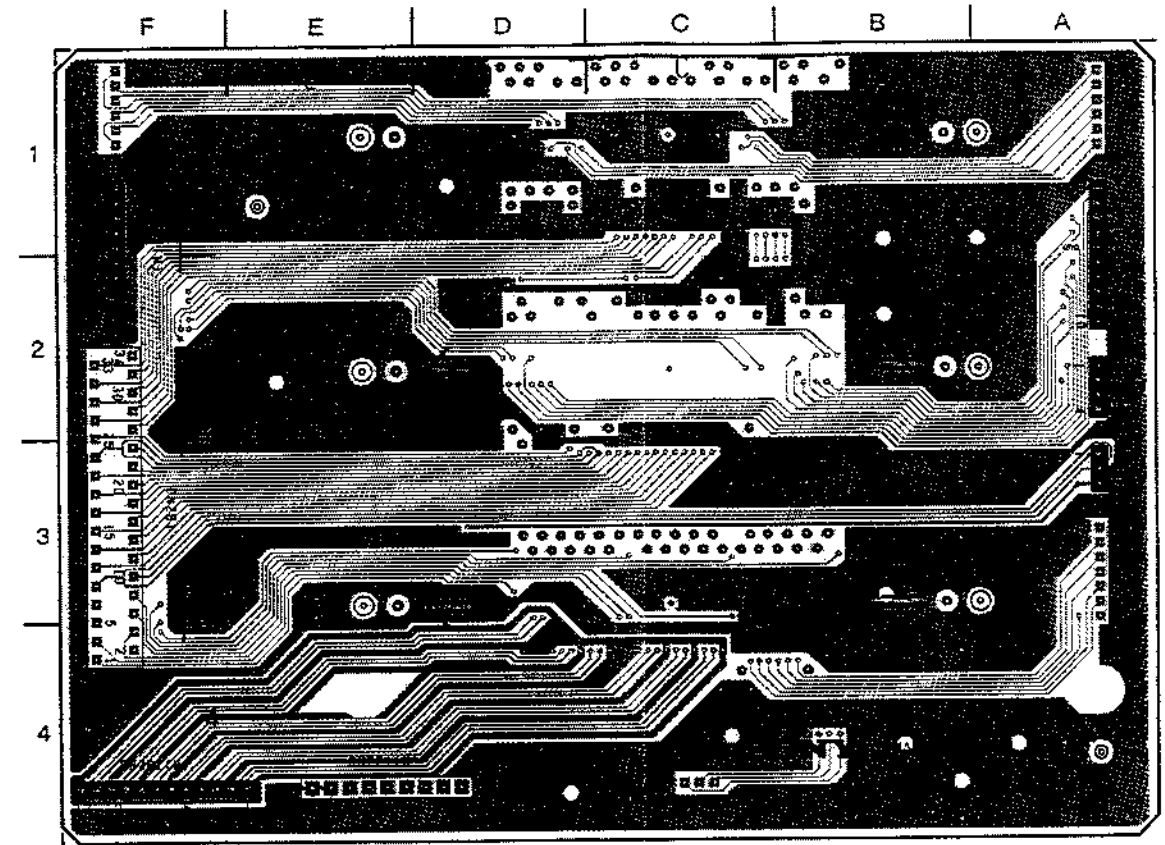
MB-471(1-648-919-11)

CN110	C-4
CN111	C-3
CN112	C-1
CN251	E-4
CN251	F-4
CN253	A-3
CN254	A-3
CN255	B-4
CN274	F-1
CN275	F-1
CN276	A-1
CN277	A-2
CN278	A-2
CN281	F-3

MB-471A; MOTHER BOARD



MB-471A 1-648-919-21 A SIDE



MB-471A 1-648-919-21 B SIDE

**MB-471A**

MB-471A(1-648-919-21)

CN110	C-4
CN111	C-3
CN251	E-4
CN261	F-4
CN263	A-3
CN274	F-1
CN277	A-2
CN278	A-2
CN281	F-3

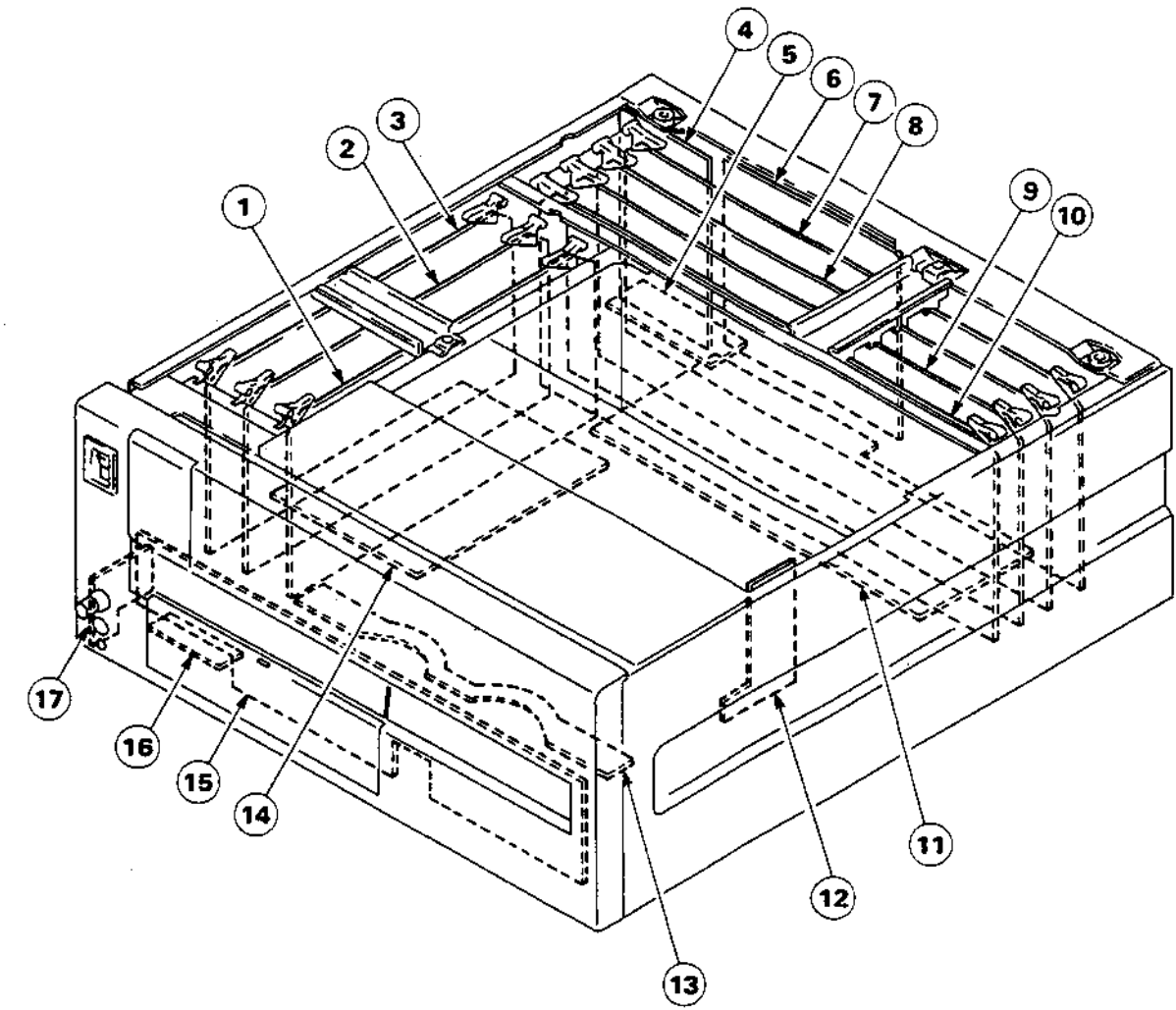
## SECTION 16 SCHEMATIC DIAGRAMS

### SCHEMATIC DIAGRAM INDEX

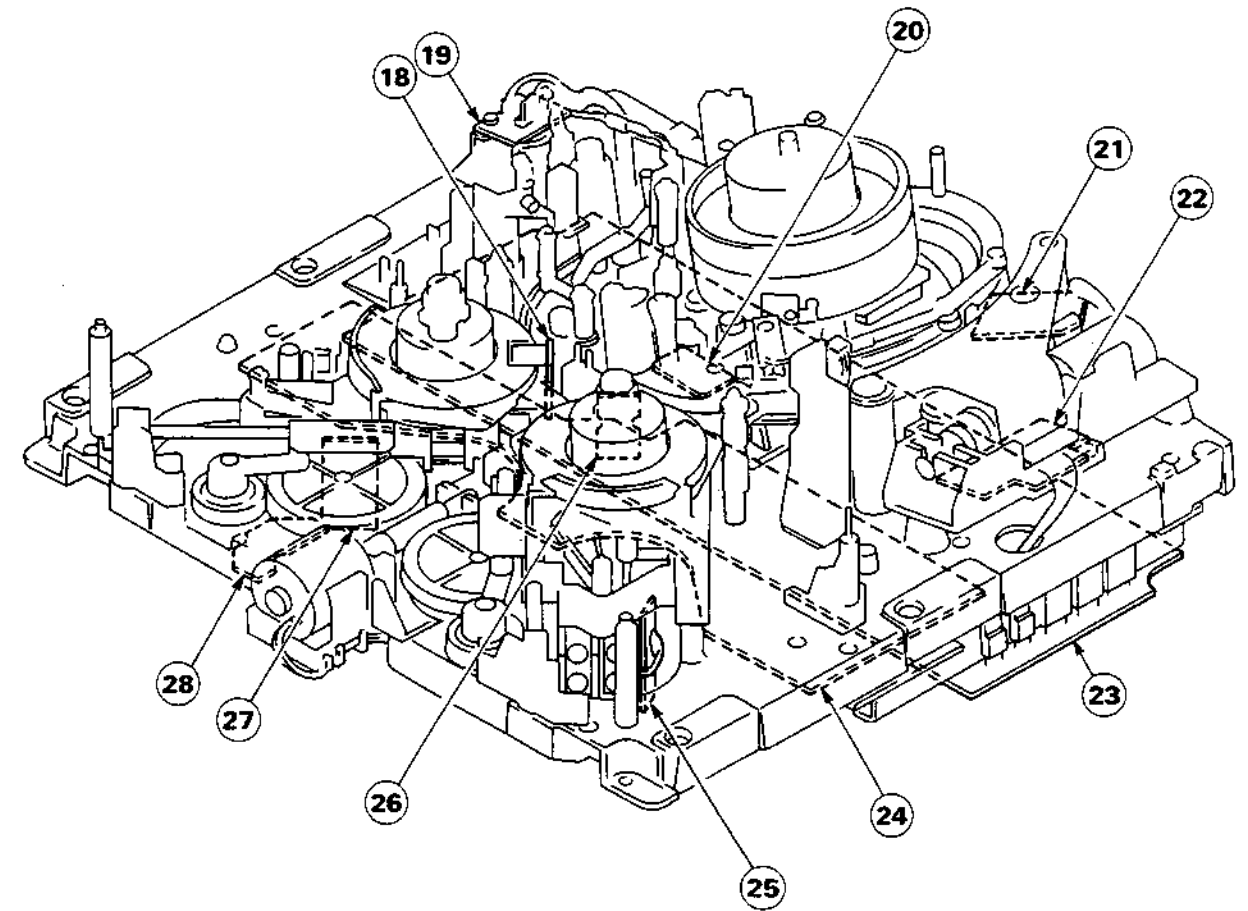
Board	Page
A AP-31 (UVW-1800)	16-4
AP-31A (UVW-1600)	16-16
AR-14 (UVW-1800)	16-28
C CP-225/A	16-43
CP-226/A	16-45
D DR-214	16-48
K KY-249 (UVW-1800)	16-56
KY-249A (UVW-1600)	16-60
M MS-39/A	16-64
MB-470/A	16-153
MB-471/A	16-161
R RP-70/A	16-68
S SS-53	16-76
SDPS-1045AC/1045M	
T TBC-25	16-92
V VP-43/A	16-108
VRA-5 (UVW-1800)	16-136
FRAME WIRING	16-165

NOTE: The  $\Delta$ -marked components are critical to safety.  
Replace only with same components as specified.

### CIRCUIT FUNCTION



- |                                    |   |
|------------------------------------|---|
| ① RP-70 BOARD (UVW-1800)           | ; RF REC/PB AMP., ROTARY ERASE OSC., FULL ERASE OSC.        |
| RP-70A BOARD (UVW-1600)            | ; RF PB AMP.  |
| ② AP-31 BOARD (UVW-1800)           | ; AUDIO/TC PB AMP., METER DRIVER                            |
| AP-31A BOARD (UVW-1600)            | ; AUDIO/TC PB AMP., METER DRIVER                            |
| ③ AR-14 BOARD (UVW-1800)           | ; AUDIO/TC REC AMP., AUDIO/TC ERASE OSC., AUDIO BIAS DRIVER |
| ④ CP-226 BOARD (UVW-1800 : FOR UC) | ; AUDIO INPUT/OUTPUT CONNECTOR, OUTPUT TRANSFORMER          |
| CP-226J BOARD (UVW-1800 : FOR J)   | ; AUDIO INPUT/OUTPUT CONNECTOR, OUTPUT TRANSFORMER          |
| CP-226A BOARD (UVW-1600 : FOR UC)  | ; AUDIO OUTPUT CONNECTOR, OUTPUT TRANSFORMER                |
| CP-226AJ BOARD (UVW-1600 : FOR J)  | ; AUDIO OUTPUT CONNECTOR, OUTPUT TRANSFORMER                |
| ⑤ CP-237 BOARD (UVW-1800)          | ; TBC/9P REMOTE CONNECTOR                                   |
| CP-237A BOARD (UVW-1600)           | ; TBC/9P REMOTE CONNECTOR                                   |
| ⑥ CP-225 BOARD (UVW-1800)          | ; VIDEO INPUT/OUTPUT CONNECTOR                              |
| CP-225A BOARD (UVW-1600)           | ; VIDEO OUTPUT CONNECTOR                                    |
| ⑦ VRA-5 BOARD (UVW-1800)           | ; Y/C REC PROCESS (DECODE, MOD), CTDM (COMPAND)             |



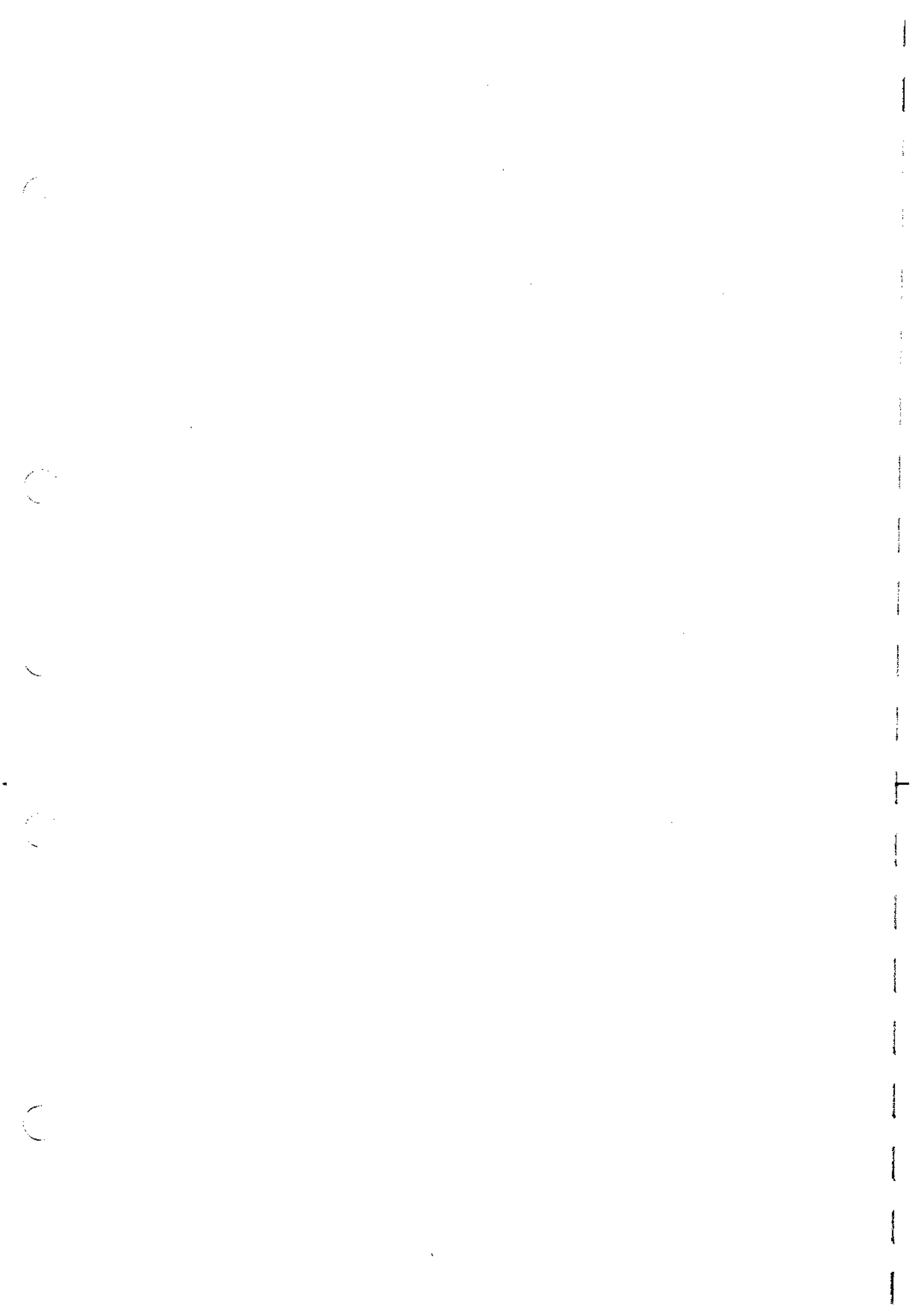
- ⑧ VP-43 BOARD(UVW-1800) ; Y/C PB PROCESS(PB RF EQ,DEMOD.,Y-RF ENVELOPE DET),VIDEO  
OUTPUT DRIVER, ENCODE, SYNC/CHARA MIX
- VP-43A BOARD(UVW-1600) ; Y/C PB PROCESS(PB RF EQ,DEMOD.,Y-RF ENVELOPE DET),VIDEO  
OUTPUT DRIVER, ENCODE, SYNC/CHARA MIX
- ⑨ TBC-25 BOARD ; TIME BASE CORRECTOR,CTDM(EXPAND)
- ⑩ SS-53 BOARD ; SYSTEM CONTROL,SERVO SYSTEM MAIN,TIME CODE  
GENERATOR/READER, CHARACTER GENERATOR
- ⑪ MB-470 BOARD(UVW-1800) ; MOTHER BOARD
- MB-470A BOARD(UVW-1600) ; MOTHER BOARD
- ⑫ CL-25 BOARD (CASSETTE COMPARTMENT) ; CASSETTE LOADING BEGIN/NEAR-END SENSOR
- ⑬ PC-62 BOARD(UVW-1800) ; CASSETTE IN/LARGE CASSETTE SENSOR
- ⑭ MB-471 BOARD(UVW-1800) ; MOTHER BOARD
- MB-471A BOARD(UVW-1600) ; MOTHER BOARD
- ⑮ KY-249 BOARD(UVW-1800) ; FUNCTION KEY
- KY-249A BOARD(UVW-1600) ; FUNCTION KEY
- ⑯ VR-155 BOARD (UVW-1800) ; AUDIO REC LEVEL
- ⑰ HP-61 BOARD(UVW-1800) ; HEADPHONES JACK/VOLUME CONTROL
- HP-61A BOARD(UVW-1600) ; HEADPHONES JACK/VOLUME CONTROL

- ⑱ SE-207 BOARD(S SIDE) ; REEL FG
- ⑲ PD-35 BOARD ; PINCH SOLENOID
- ⑳ TR-84 BOARD ; S-TENSION SENSOR
- ㉑ PTC-68 BOARD ; THREAD END/UNTHREAD END SENSOR
- ㉒ PTC-67 BOARD ; THREADING FG/MOTOR
- ㉓ DR-214 BOARD ; MOTOR DRIVER,TENSION SENS. AMP., DRUM FG/PG AMP., CAPSTAN FG AMP., CTL  
REC/PB AMP.
- ㉔ MS-39 BOARD(UVW-1800) ; CASSETTE INFORMATION,SOLENOID DRIVER,MECHA. CONTROL MPU,DATA  
STORAGE
- MS-39A BOARD(UVW-1600) ; CASSETTE INFORMATION,SOLENOID DRIVER,MECHA. CONTROL MPU,DATA  
STORAGE
- ㉕ RM-127 BOARD ; T-REEL MOTOR
- ㉖ SE-207 BOARD(T SIDE) ; REEL FG
- ㉗ RM-126 BOARD ; S-REEL MOTOR
- ㉘ PTC-66 BOARD ; REEL POSITION SENSOR

AP-31(1-648-906-11)

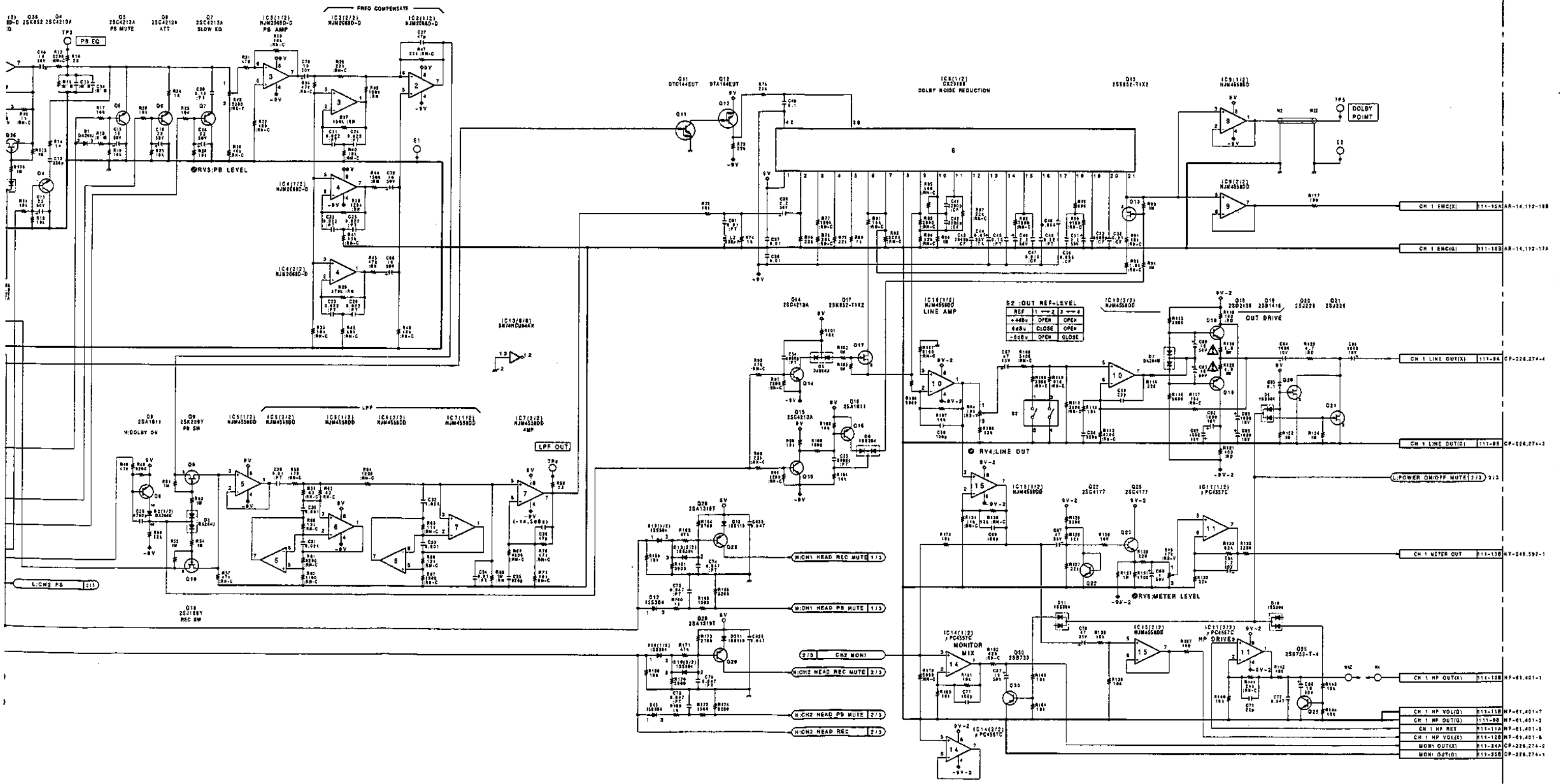
CN1	H-1	FS64	B-4	FS149	J-5	RV1	J-1
CN2	A-1	FS65	D-5	FS150	H-5	RV2	J-1
CN3	G-4	FS66	D-5	FS151	H-5	RV3	J-1
CN111	E-5	FS67	D-5	FS152	H-5	RV4	H-1
		FS68	E-5	FS153	G-5	RV5	H-1
*D1	J-2	FS69	C-5	FS154	G-5	RV201	B-1
*D7	J-5	FS70	C-5	FS155	H-5	RV202	B-1
*D8	H-5	FS71	E-3	FS156	H-5	RV203	B-1
*D10	G-5	FS72	E-3			RV204	C-1
*D11	E-3	FS73	F-3	IC1	J-2	RV205	C-1
*D201	A-2	FS74	E-4	IC2	J-4		
*D206	A-5	FS75	E-4	IC3	J-3	S1	J-1
*D207	B-5	FS77	F-4	IC4	H-3	S2	G-1
*D208	C-4	FS79	F-5	IC5	G-4	S201	A-1
*D401	F-3	FS80	F-5	IC6	G-3	S202	C-1
*D403	F-5	FS81	H-1	IC7	G-3		
		FS82	H-1	IC8	F-2	*TH1	J-2
E1	H-4	FS83	G-1	IC9	G-2	*TH2	B-2
E2	G-1	FS84	G-1	IC10	G-2		
E201	B-4	FS85	G-1	IC11	H-4	TP3	J-2
E202	E-1	FS86	G-1	IC12	E-5	TP4	G-2
		FS87	H-1	IC13	D-4	TP5	G-1
FS1	A-1	FS88	H-1	IC14	E-3	TP203	B-2
FS3	A-2	FS89	H-1	IC15	J-4	TP204	C-2
FS5	B-2	FS90	G-1	IC201	A-2	TP205	D-1
FS6	B-2	FS91	G-1	IC202	A-4	TP402	G-5
FS7	A-3	FS92	G-2	IC203	A-3	TP403	D-1
FS9	B-3	FS93	G-2	IC204	B-3		
FS10	A-3	FS94	F-2	IC205	C-4		
FS11	B-3	FS96	H-2	IC206	C-3		
FS12	A-3	FS97	H-2	IC207	C-3		
FS13	A-3	FS98	F-2	IC208	C-2		
FS14	B-3	FS99	F-2	IC209	C-2		
FS15	B-3	FS100	G-2	IC210	C-4		
FS16	A-4	FS101	H-2	IC211	A-4		
FS17	A-4	FS102	H-2	IC401	F-4		
FS18	A-4	FS103	G-3	IC402	F-4		
FS19	B-4	FS106	H-3	*IC405	C-5		
FS20	A-4	FS107	H-3	*IC406	D-5		
FS21	A-4	FS108	H-3	*IC407	D-5		
FS22	A-5	FS109	H-3	*IC408	C-5		
FS23	A-5	FS110	G-3	*IC409	D-5		
FS24	A-5	FS111	G-4	IC410	F-5		
FS25	B-5	FS112	G-4				
FS26	A-5	FS114	H-4	PS1	G-5		
FS27	B-5	FS115	H-4	PS2	G-5		
FS28	B-5	FS116	G-4				
FS29	B-5	FS117	H-4	*Q5	J-2		
FS30	C-1	FS118	H-4	*Q6	J-2		
FS31	C-1	FS119	H-5	*Q7	J-2		
FS32	C-1	FS121	G-5	*Q9	H-4		
FS33	C-1	FS122	G-5	*Q11	C-2		
FS34	C-1	FS123	H-5	*Q12	E-2		
FS35	C-1	FS124	H-5	*Q13	E-1		
FS36	D-1	FS125	H-1	Q18	J-5		
FS38	C-2	FS126	J-1	Q19	J-5		
FS39	C-2	FS127	J-1	Q20	H-5		
FS40	C-2	FS128	J-1	Q21	H-5		
FS41	D-2	FS129	H-2	*Q22	J-4		
FS43	C-2	FS131	J-2	*Q23	H-4		
FS44	D-2	FS132	J-2	Q25	G-4		
FS45	D-2	FS133	J-3	Q30	E-3		
FS46	D-2	FS135	J-3	*Q205	A-2		
FS47	C-3	FS136	H-3	*Q206	A-2		
FS48	C-3	FS137	J-3	*Q207	B-2		
FS49	C-3	FS138	J-3	*Q209	B-4		
FS50	C-3	FS139	H-3	*Q211	E-1		
FS51	C-3	FS140	J-3	Q216	A-5		
FS53	C-3	FS141	J-3	Q217	A-5		
FS54	C-4	FS142	J-4	Q218	C-5		
FS56	D-4	FS143	J-4	Q219	C-5		
FS57	D-4	FS144	J-4	*Q220	B-4		
FS58	C-4	FS145	J-4	*Q221	B-4		
FS59	C-4	FS146	J-4	Q223	C-4		
FS61	D-4	FS147	J-5	*Q403	F-3		
FS63	D-4	FS148	J-5				

\*: B SIDE



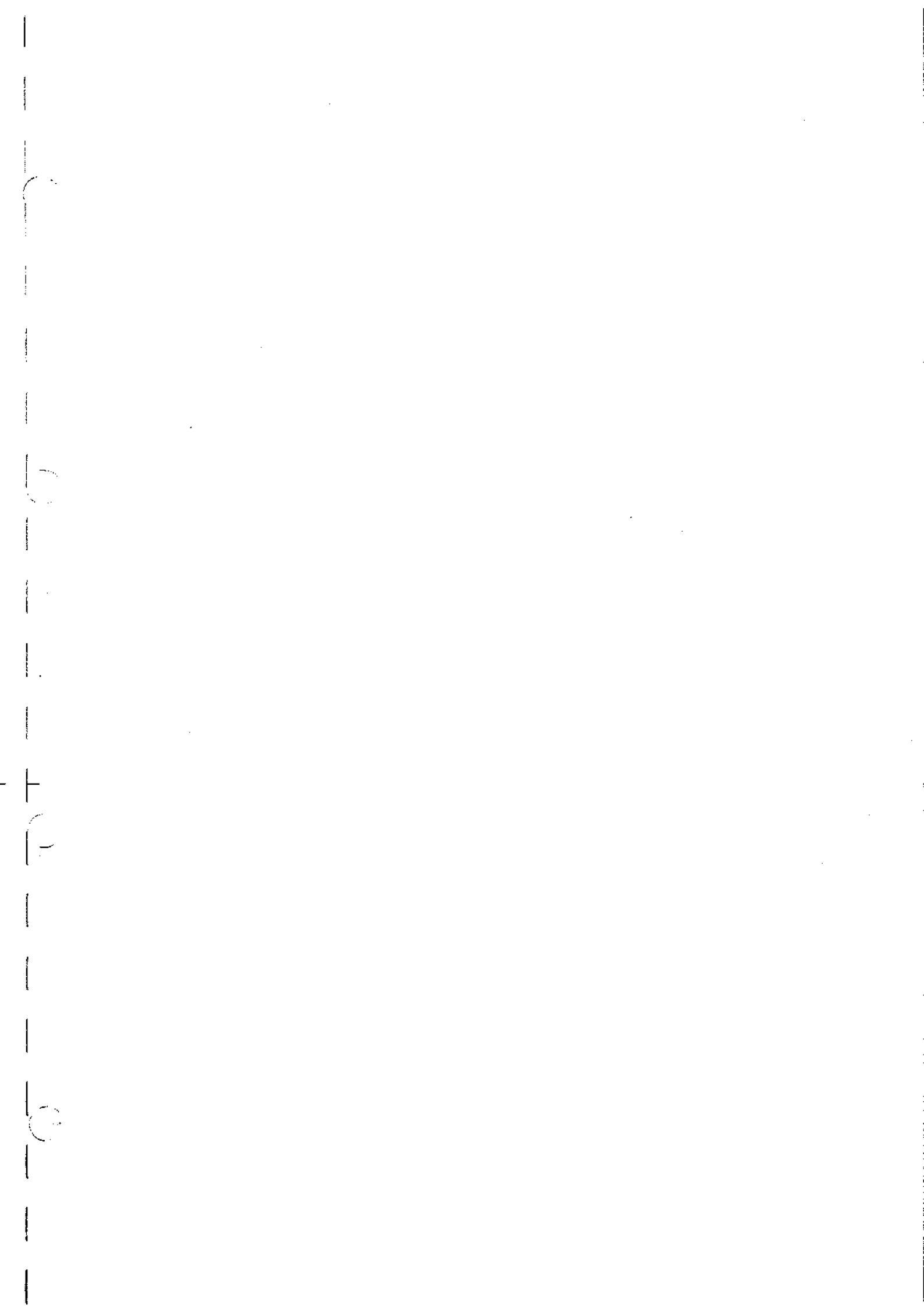






AP-31 BOARD (1/3)

BOARD NO.1-648-906-11  
UVW-1800(J); #10001-  
UVW-1800(UC); #10001-

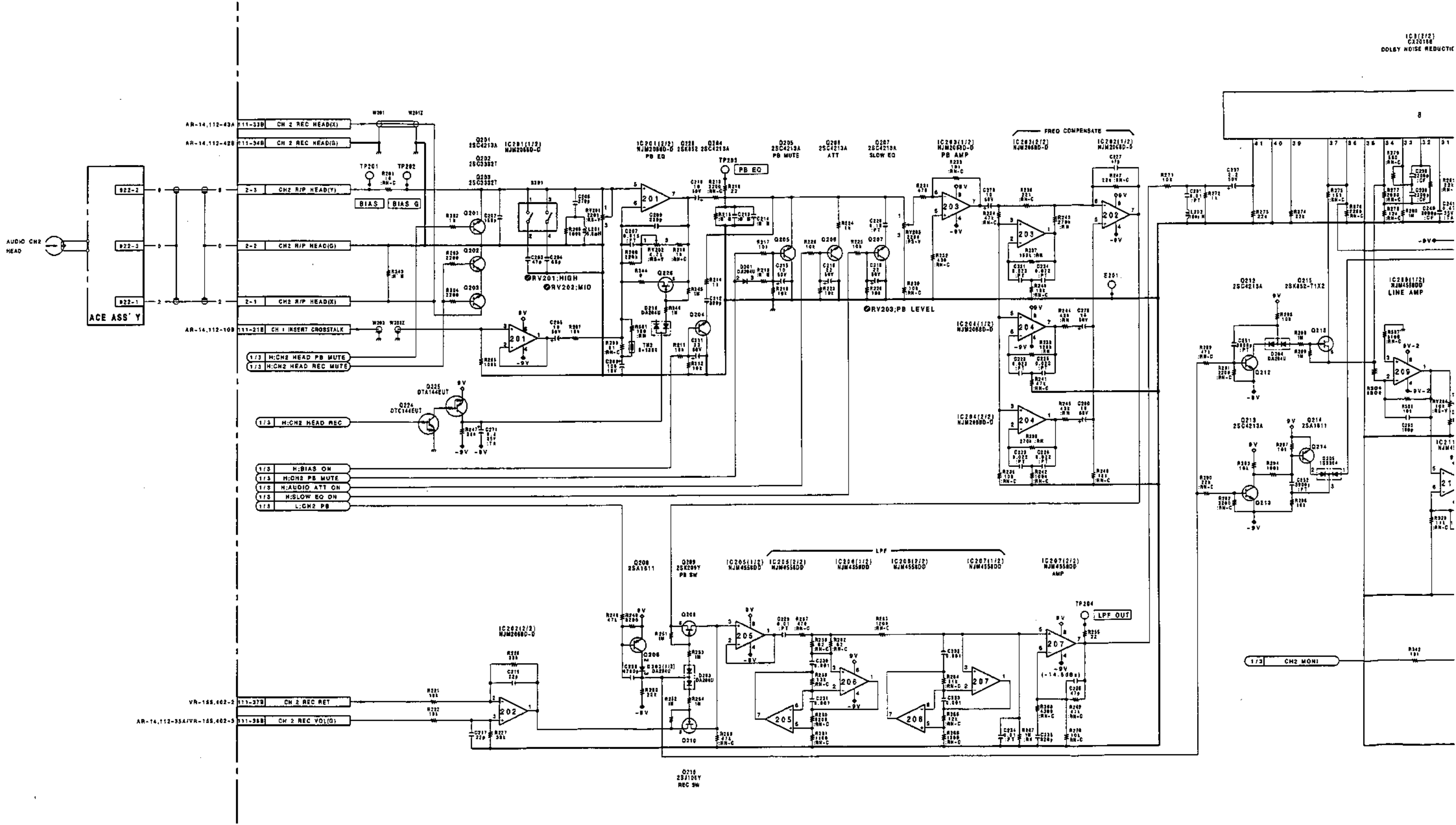


AP-31(1-648-906-11)

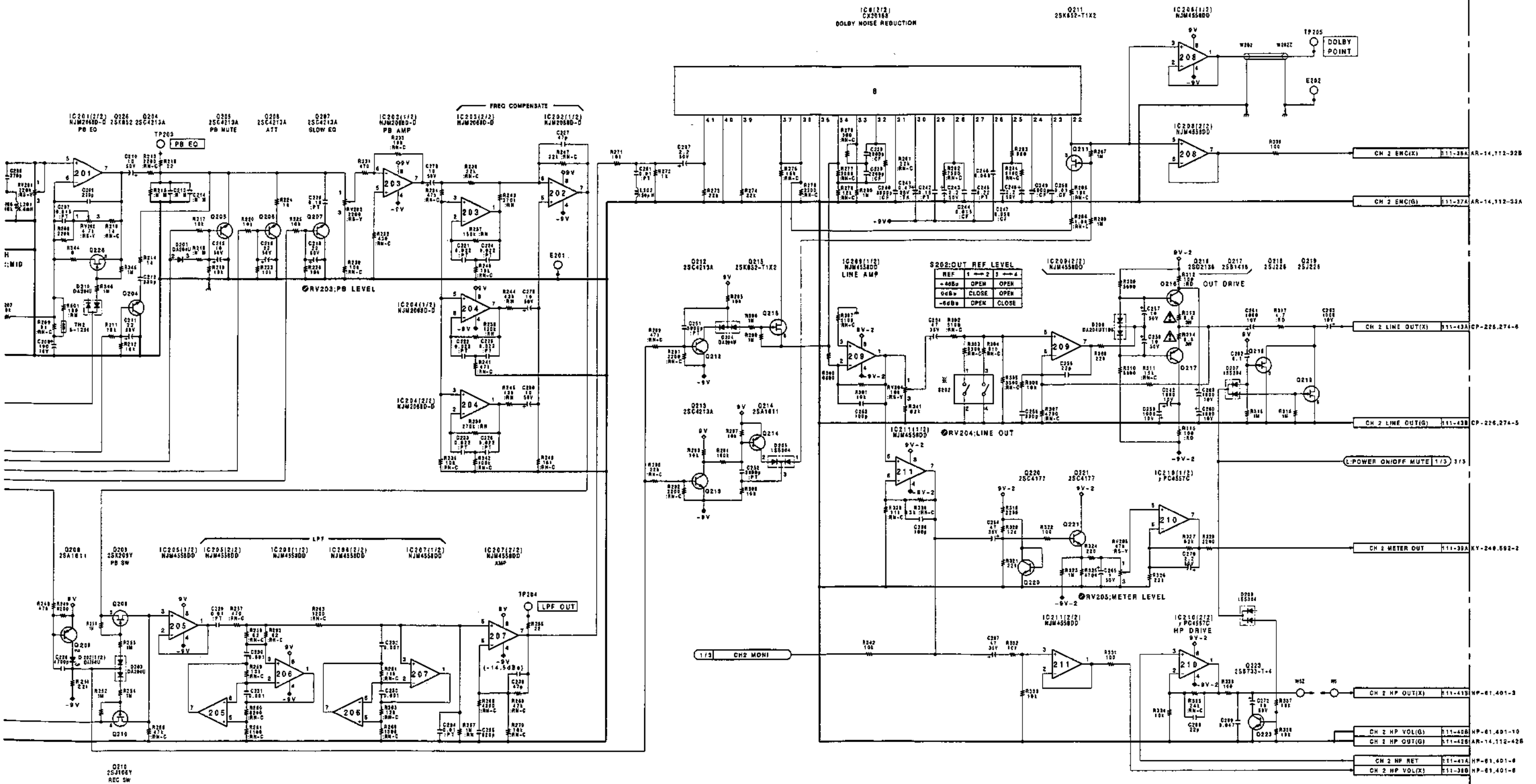
CN1	H-1	FS64	B-4	FS149	J-5	RV1	J-1
CN2	A-1	FS65	D-5	FS150	H-5	RV2	J-1
CN3	G-4	FS66	D-5	FS151	H-5	RV3	J-1
CN111	E-5	FS67	D-5	FS152	H-5	RV4	H-1
		FS68	E-5	FS153	G-5	RV5	H-1
*D1	J-2	FS69	C-5	FS154	G-5	RV201	B-1
*D7	J-5	FS70	C-5	FS155	H-5	RV202	B-1
*D8	H-5	FS71	F-3	FS156	H-5	RV203	B-1
*D10	G-5	FS72	F-3			RV204	C-1
*D11	E-3	FS73	F-3	IC1	J-2	RV205	C-1
*D201	A-2	FS74	F-4	IC2	J-4		
*D206	A-5	FS75	F-4	IC3	J-3	S1	J-1
*D207	B-5	FS77	F-4	IC4	H-3	S2	G-1
*D209	C-4	FS79	F-5	IC5	G-4	S201	A-1
*D401	F-3	FS80	F-5	IC6	G-3	S202	C-1
*D403	F-5	FS81	H-1	IC7	G-3		
		FS82	H-1	IC8	F-2	*TH1	J-2
E1	H-4	FS83	G-1	IC9	G-2	*TH2	B-2
E2	G-1	FS84	G-1	IC10	G-2		
E201	B-4	FS85	G-1	IC11	H-4	TP3	J-2
E202	E-1	FS86	G-1	IC12	E-5	TP4	G-2
		FS87	H-1	IC13	D-4	TP5	G-1
FS1	A-1	FS88	H-1	IC14	E-3	TP203	B-2
FS3	A-2	FS89	H-1	IC15	J-4	TP204	C-2
FS5	B-2	FS90	G-1	IC201	A-2	TP205	D-1
FS6	B-2	FS91	G-1	IC202	A-4	TP402	G-5
FS7	A-3	FS92	G-2	IC203	A-3	TP403	D-1
FS9	B-3	FS93	G-2	IC204	B-3		
FS10	A-3	FS94	F-2	IC205	C-4		
FS11	B-3	FS96	H-2	IC206	C-3		
FS12	A-3	FS97	H-2	IC207	C-3		
FS13	A-3	FS98	F-2	IC208	C-2		
FS14	B-3	FS99	F-2	IC209	C-2		
FS15	B-3	FS100	G-2	IC210	C-4		
FS16	A-4	FS101	H-2	IC211	A-4		
FS17	A-4	FS102	H-2	IC401	F-4		
FS18	A-4	FS103	G-3	IC402	F-4		
FS19	B-4	FS106	H-3	*IC405	C-5		
FS20	A-4	FS107	H-3	*IC406	D-5		
FS21	A-4	FS108	H-3	*IC407	D-5		
FS22	A-5	FS109	H-3	*IC408	C-5		
FS23	A-5	FS110	G-3	*IC409	D-5		
FS24	A-5	FS111	G-4	IC410	F-5		
FS25	B-5	FS112	G-4				
FS26	A-5	FS114	H-4	PS1	G-5		
FS27	B-5	FS115	H-4	PS2	G-5		
FS28	B-5	FS116	G-4				
FS29	B-5	FS117	H-4	*Q5	J-2		
FS30	C-1	FS118	H-4	*Q6	J-2		
FS31	C-1	FS119	H-5	*Q7	J-2		
FS32	C-1	FS121	G-5	*Q9	H-4		
FS33	C-1	FS122	G-5	*Q11	C-2		
FS34	C-1	FS123	H-5	*Q12	E-2		
FS35	C-1	FS124	H-5	*Q13	E-1		
FS36	D-1	FS125	H-1	Q18	J-5		
FS38	C-2	FS126	J-1	Q19	J-5		
FS39	C-2	FS127	J-1	Q20	H-5		
FS40	C-2	FS128	J-1	Q21	H-5		
FS41	D-2	FS129	H-2	*Q22	J-4		
FS43	C-2	FS131	J-2	*Q23	H-4		
FS44	D-2	FS132	J-2	Q25	G-4		
FS45	D-2	FS133	J-3	Q30	E-3		
FS46	D-2	FS135	J-3	*Q205	A-2		
FS47	C-3	FS136	H-3	*Q206	A-2		
FS48	C-3	FS137	J-3	*Q207	B-2		
FS49	C-3	FS138	J-3	*Q209	B-4		
FS50	C-3	FS139	H-3	*Q211	E-1		
FS51	C-3	FS140	J-3	Q216	A-5		
FS53	C-3	FS141	J-3	Q217	A-5		
FS54	C-4	FS142	J-4	Q218	C-5		
FS56	D-4	FS143	J-4	Q219	C-5		
FS57	D-4	FS144	J-4	*Q220	B-4		
FS58	C-4	FS145	J-4	*Q221	B-4		
FS59	C-4	FS146	J-4	Q223	C-4		
FS61	D-4	FS147	J-5	*Q403	F-3		
FS63	D-4	FS148	J-5				

\*: B SIDE

AP-31(2/3);CH-2 PB EQ/NR,LINE/METER/HP DRIVE

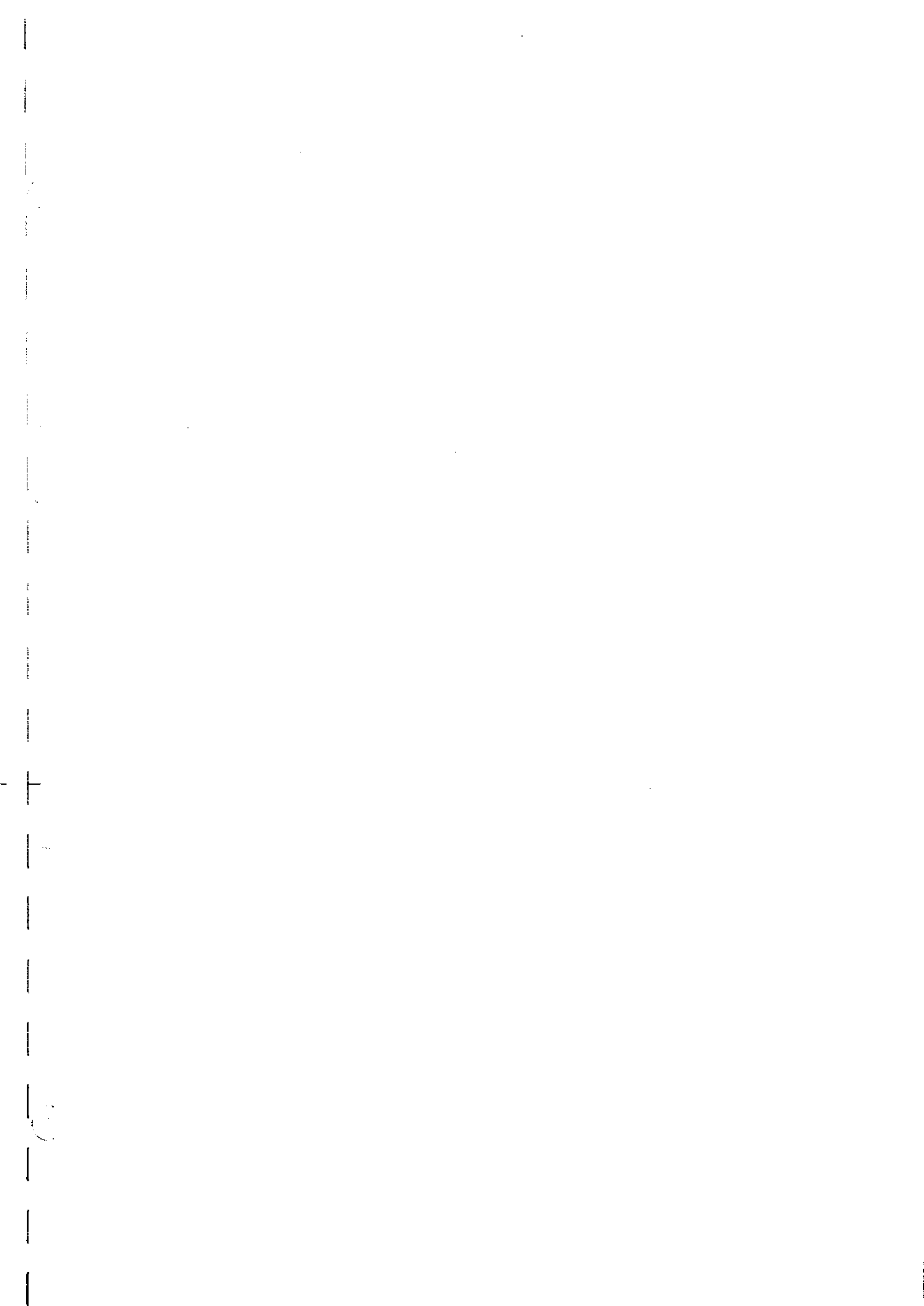


IC201(1/2)  
C201A  
DOLBY NOISE REDUCTIO



AP-31 BOARD (2/3)

BOARD NO.1-648-906-11  
UVW-1800(J);110001-  
UVW-1800(UC);110001-



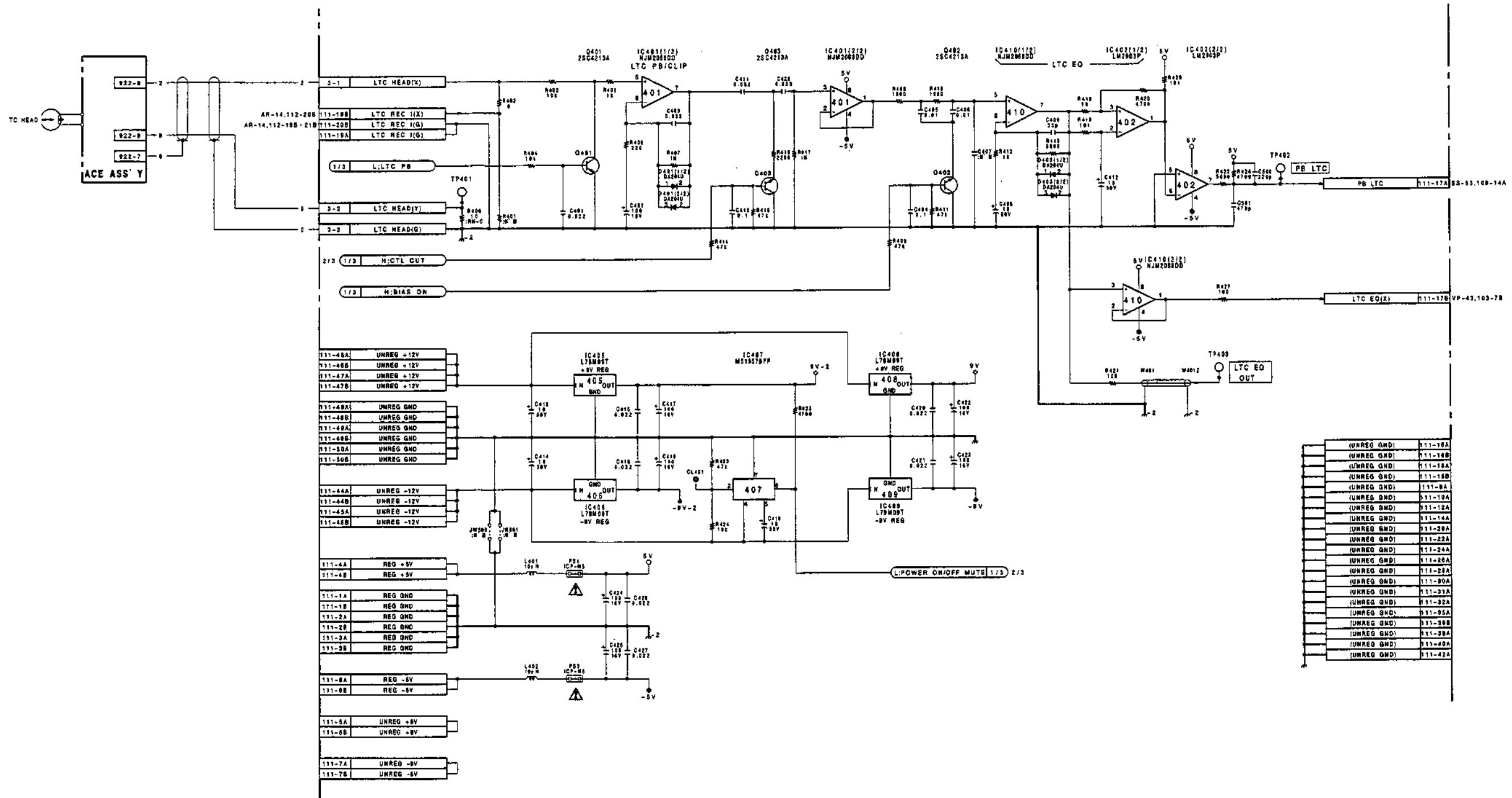
AP-31(1-648-906-11)

CN1	H-1	FS64	B-4	FS149	J-5	RV1	J-1
CN2	A-1	FS65	D-5	FS150	H-5	RV2	J-1
CN3	G-4	FS66	D-5	FS151	H-5	RV3	J-1
CN111	E-5	FS67	D-5	FS152	H-5	RV4	H-1
		FS68	E-5	FS153	G-5	RV5	H-1
*D1	J-2	FS69	C-5	FS154	G-5	RV201	B-1
*D7	J-5	FS70	C-5	FS155	H-5	RV202	B-1
*D8	H-5	FS71	E-3	FS156	H-5	RV203	B-1
*D10	G-5	FS72	E-3			RV204	C-1
*D11	E-3	FS73	F-3	IC1	J-2	RV205	C-1
*D201	A-2	FS74	E-4	IC2	J-4		
*D206	A-5	FS75	E-4	IC3	J-3	S1	J-1
*D207	B-5	FS77	F-4	IC4	H-3	S2	G-1
*D209	C-4	FS79	F-5	IC5	G-4	S201	A-1
*D401	F-3	FS80	F-5	IC6	G-3	S202	C-1
*D403	F-5	FS81	H-1	IC7	G-3		
		FS82	H-1	IC8	F-2	*TH1	J-2
E1	H-4	FS83	G-1	IC9	G-2	*TH2	B-2
E2	G-1	FS84	G-1	IC10	G-2		
E201	B-4	FS85	G-1	IC11	H-4	TP3	J-2
E202	E-1	FS86	G-1	IC12	E-5	TP4	G-2
		FS87	H-1	IC13	D-4	TP5	G-1
FS1	A-1	FS88	H-1	IC14	E-3	TP203	B-2
FS3	A-2	FS89	H-1	IC15	J-4	TP204	C-2
FS5	B-2	FS90	G-1	IC201	A-2	TP205	D-1
FS6	B-2	FS91	G-1	IC202	A-4	TP402	G-5
FS7	A-3	FS92	G-2	IC203	A-3	TP403	D-1
FS9	B-3	FS93	G-2	IC204	B-3		
FS10	A-3	FS94	F-2	IC205	C-4		
FS11	B-3	FS96	H-2	IC206	C-3		
FS12	A-3	FS97	H-2	IC207	C-3		
FS13	A-3	FS98	F-2	IC208	C-2		
FS14	B-3	FS99	F-2	IC209	C-2		
FS15	B-3	FS100	G-2	IC210	C-4		
FS16	A-4	FS101	H-2	IC211	A-4		
FS17	A-4	FS102	H-2	IC401	F-4		
FS18	A-4	FS103	G-3	IC402	F-4		
FS19	B-4	FS106	H-3	*IC405	C-5		
FS20	A-4	FS107	H-3	*IC406	D-5		
FS21	A-4	FS108	H-3	*IC407	D-5		
FS22	A-5	FS109	H-3	*IC408	C-5		
FS23	A-5	FS110	G-3	*IC409	D-5		
FS24	A-5	FS111	G-4	IC410	F-5		
FS25	B-5	FS112	G-4				
FS26	A-5	FS114	H-4	PS1	G-5		
FS27	B-5	FS115	H-4	PS2	G-5		
FS28	B-5	FS116	G-4				
FS29	B-5	FS117	H-4	*Q5	J-2		
FS30	C-1	FS118	H-4	*Q6	J-2		
FS31	C-1	FS119	H-5	*Q7	J-2		
FS32	C-1	FS121	G-5	*Q9	H-4		
FS33	C-1	FS122	G-5	*Q11	C-2		
FS34	C-1	FS123	H-5	*Q12	E-2		
FS35	C-1	FS124	H-5	*Q13	E-1		
FS36	D-1	FS125	H-1	Q18	J-5		
FS38	C-2	FS126	J-1	Q19	J-5		
FS39	C-2	FS127	J-1	Q20	H-5		
FS40	C-2	FS128	J-1	Q21	H-5		
FS41	D-2	FS129	H-2	*Q22	J-4		
FS43	C-2	FS131	J-2	*Q23	H-4		
FS44	D-2	FS132	J-2	Q25	G-4		
FS45	D-2	FS133	J-3	Q30	E-3		
FS46	D-2	FS135	J-3	*Q205	A-2		
FS47	C-3	FS136	H-3	*Q206	A-2		
FS48	C-3	FS137	J-3	*Q207	B-2		
FS49	C-3	FS138	J-3	*Q209	B-4		
FS50	C-3	FS139	H-3	*Q211	E-1		
FS51	C-3	FS140	J-3	Q216	A-5		
FS53	C-3	FS141	J-3	Q217	A-5		
FS54	C-4	FS142	J-4	Q218	C-5		
FS56	D-4	FS143	J-4	Q219	C-5		
FS57	D-4	FS144	J-4	*Q220	B-4		
FS58	C-4	FS145	J-4	*Q221	B-4		
FS59	C-4	FS146	J-4	Q223	C-4		
FS61	D-4	FS147	J-5	*Q403	F-3		
FS63	D-4	FS148	J-5				

\*: B SIDE



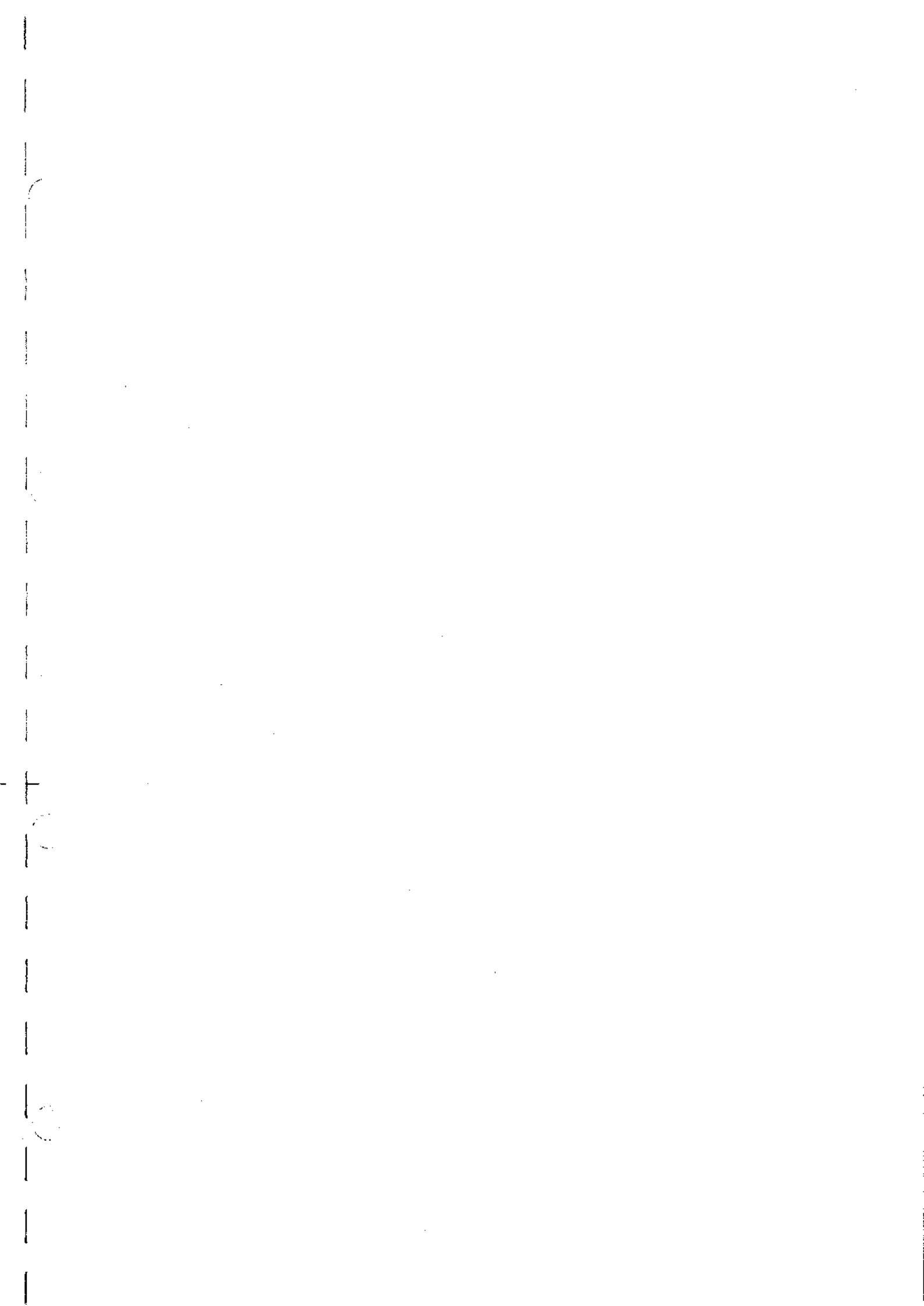
AP-31(3/3);LTC PB



AP-31 BOARD (3/3)

BOARD NO.1-648-906-11  
 UVW-1800(J);f10001-  
 UVW-1800(U);f10001-



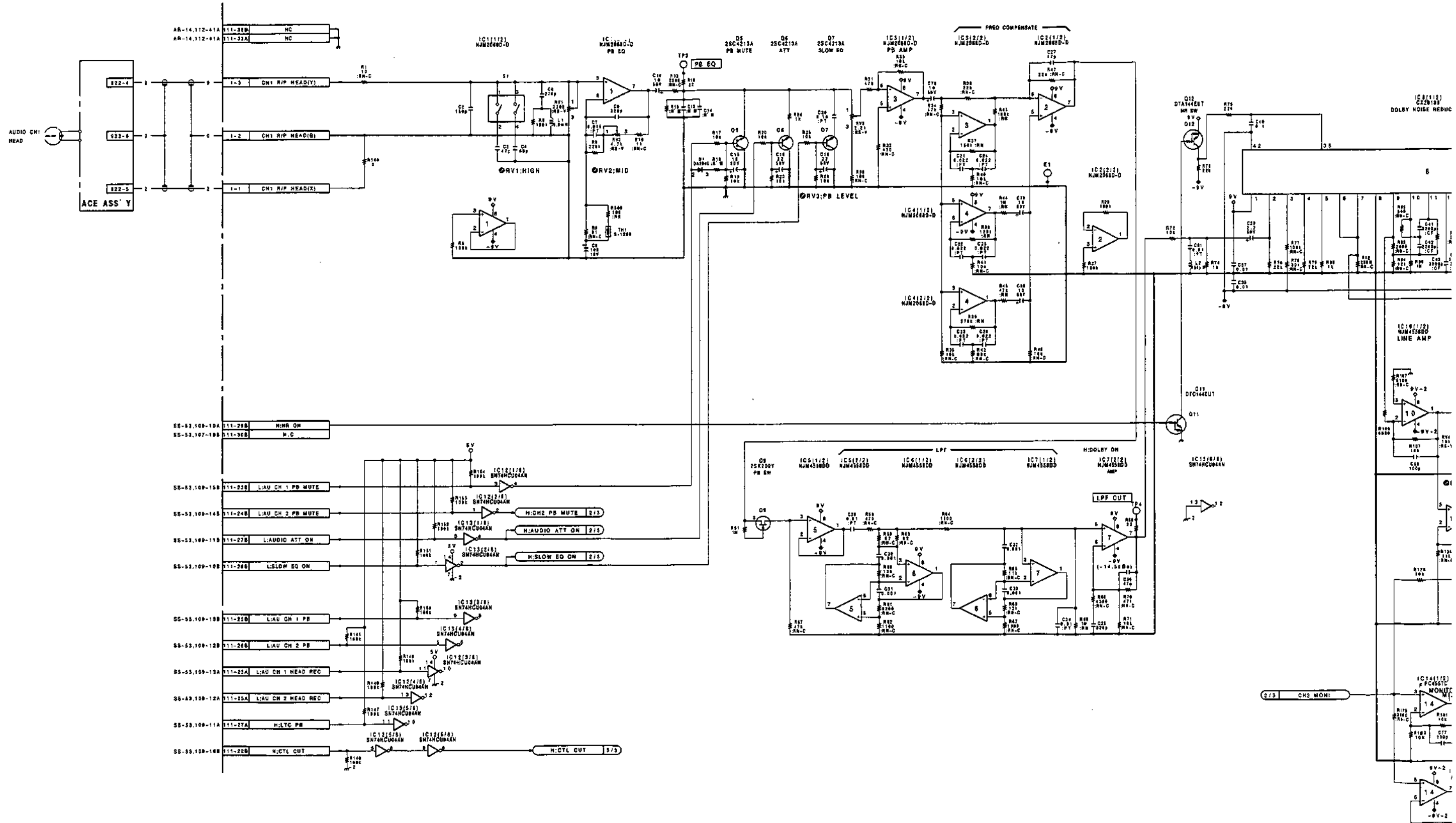


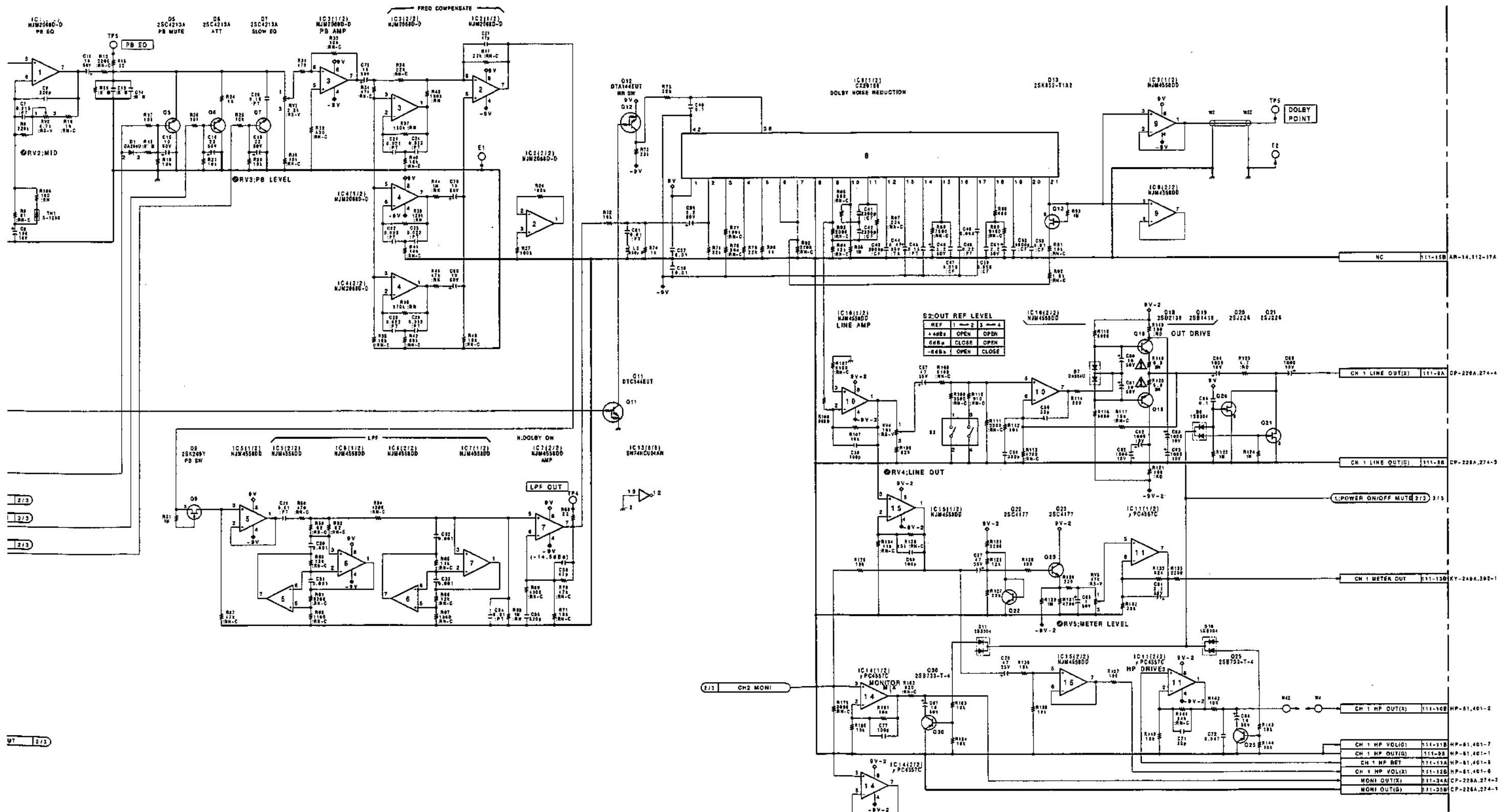
AP-31A(1-648-906-21)

CN1	H-1	FS64	B-4	FS149	J-5	RV2	J-1
CN2	A-1	FS65	D-5	FS150	H-5	RV3	J-1
CN3	G-4	FS66	D-5	FS151	H-5	RV4	H-1
CN111	E-5	FS67	D-5	FS152	H-5	RV5	H-1
#D1	J-2	FS68	E-5	FS153	G-5	RV201	B-1
#D7	J-5	FS69	C-5	FS154	G-5	RV202	B-1
#D8	H-5	FS70	C-5	FS155	H-5	RV203	B-1
#D10	G-5	FS71	E-3	FS156	H-5	RV204	C-1
#D11	E-3	FS72	E-3			RV205	C-1
#D201	A-2	FS73	F-3	IC1	J-2		
#D206	A-5	FS74	E-4	IC2	J-4	S1	J-1
#D207	B-5	FS75	E-4	IC3	J-3	S2	G-1
#D209	C-4	FS77	F-4	IC4	H-3	S201	A-1
#D401	F-3	FS79	F-5	IC5	G-4	S202	C-1
#D403	F-5	FS80	F-5	IC6	G-3		
		FS81	H-1	IC7	G-3	#TH1	J-2
		FS82	H-1	IC8	F-2	#TH2	B-2
E1	H-4	FS83	G-1	IC9	G-2		
E2	G-1	FS84	G-1	IC10	G-2	TP3	J-2
E201	B-4	FS85	G-1	IC11	H-4	TP4	G-2
E202	E-1	FS86	G-1	IC12	E-5	TP5	G-1
		FS87	H-1	IC13	D-4	TP203	B-2
FS1	A-1	FS88	H-1	IC14	E-3	TP204	C-2
FS3	A-2	FS89	H-1	IC15	J-4	TP205	D-1
FS5	B-2	FS90	G-1	IC201	A-2	TP402	G-5
FS6	B-2	FS91	G-1	IC202	A-4	TP403	D-1
FS7	A-3	FS92	G-2	IC203	A-3		
FS9	B-3	FS93	G-2	IC204	B-3		
FS10	A-3	FS94	F-2	IC205	C-4		
FS11	B-3	FS96	H-2	IC206	C-3		
FS12	A-3	FS97	H-2	IC207	C-3		
FS13	A-3	FS98	F-2	IC208	C-2		
FS14	B-3	FS99	F-2	IC209	C-2		
FS15	B-3	FS100	G-2	IC210	C-4		
FS16	A-4	FS101	H-2	IC211	A-4		
FS17	A-4	FS102	H-2	IC401	F-4		
FS18	A-4	FS103	G-3	IC402	F-4		
FS19	B-4	FS106	H-3	*IC405	C-5		
FS20	A-4	FS107	H-3	*IC406	D-5		
FS21	A-4	FS108	H-3	*IC407	D-5		
FS22	A-5	FS109	H-3	*IC408	C-5		
FS23	A-5	FS110	G-3	*IC409	D-5		
FS24	A-5	FS111	G-4	IC410	F-5		
FS25	B-5	FS112	G-4				
FS26	A-5	FS114	H-4	PS1	G-5		
FS27	B-5	FS115	H-4	PS2	G-5		
FS28	B-5	FS116	G-4				
FS29	B-5	FS117	H-4	#Q5	J-2		
FS30	C-1	FS118	H-4	#Q6	J-2		
FS31	C-1	FS119	H-5	#Q7	J-2		
FS32	C-1	FS121	G-5	#Q9	H-4		
FS33	C-1	FS122	G-5	#Q11	C-2		
FS34	C-1	FS123	H-5	#Q12	E-2		
FS35	C-1	FS124	H-5	#Q13	E-1		
FS36	D-1	FS125	H-1	Q18	J-5		
FS38	C-2	FS126	J-1	Q19	J-5		
FS39	C-2	FS127	J-1	Q20	H-5		
FS40	C-2	FS128	J-1	Q21	H-5		
FS41	D-2	FS129	H-2	*Q22	J-4		
FS43	C-2	FS131	J-2	*Q23	H-4		
FS44	D-2	FS132	J-2	Q25	G-4		
FS45	D-2	FS133	J-3	Q30	E-3		
FS46	D-2	FS135	J-3	*Q205	A-2		
FS47	C-3	FS136	H-3	*Q206	A-2		
FS48	C-3	FS137	J-3	*Q207	B-2		
FS49	C-3	FS138	J-3	*Q209	B-4		
FS50	C-3	FS139	H-3	*Q211	E-1		
FS51	C-3	FS140	J-3	Q216	A-5		
FS53	C-3	FS141	J-3	Q217	A-5		
FS54	C-4	FS142	J-4	Q218	C-5		
FS56	D-4	FS143	J-4	Q219	C-5		
FS57	D-4	FS144	J-4	*Q220	B-4		
FS58	C-4	FS145	J-4	*Q221	B-4		
FS59	C-4	FS146	J-4	Q223	C-4		
FS61	D-4	FS147	J-5	*Q403	F-3		
FS63	D-4	FS148	J-5	RV1	J-1		

\*: B SIDE

AP-31A(1/3);CH-1 PB EQ/NR,LINE/METER/HP DRIVE





AP-31A BOARD (1/3)

BOARD NO.1-648-906-21  
 UVW-1600(J);#10001-  
 UVW-1600(U);#10001-



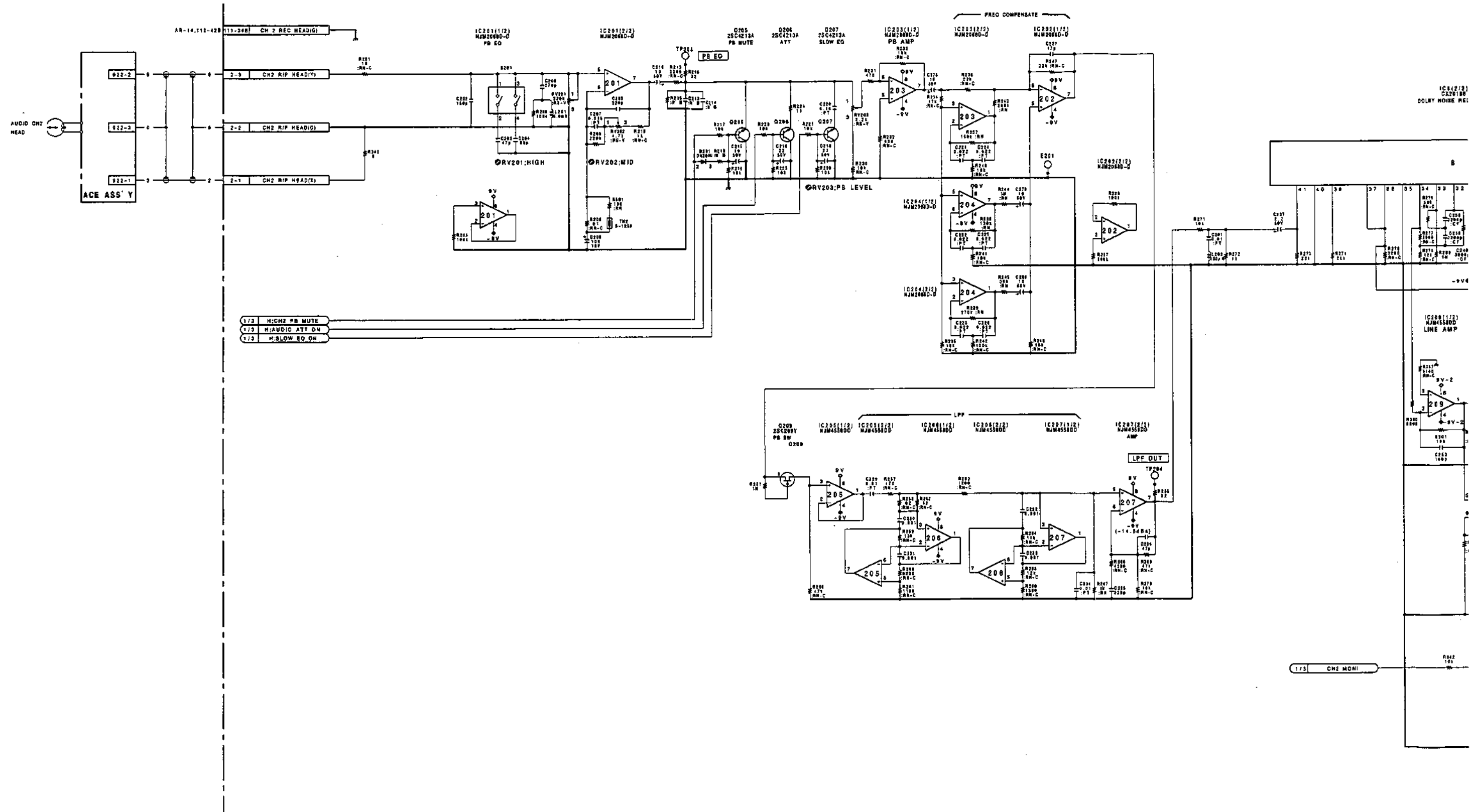
AP-31A(1-648-906-21)

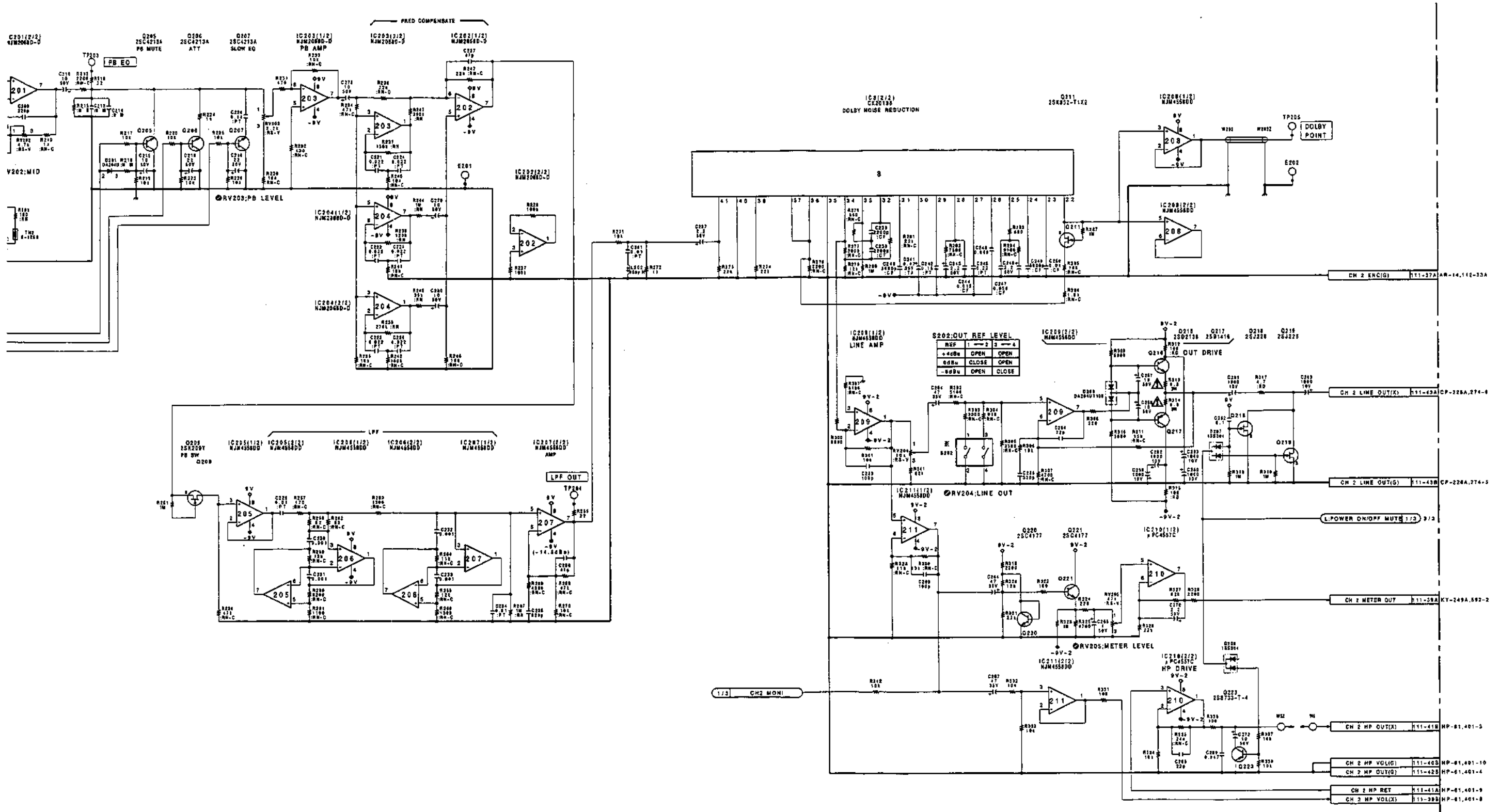
CN1	H-1	FS64	B-4	FS149	J-5	RV2	J-1
CN2	A-1	FS65	D-5	FS150	H-5	RV3	J-1
CN3	G-4	FS66	D-5	FS151	H-5	RV4	H-1
CN111	E-5	FS67	D-5	FS152	H-5	RV5	H-1
#D1	J-2	FS68	E-5	FS153	G-5	RV201	B-1
#D7	J-5	FS69	C-5	FS154	G-5	RV202	B-1
#D8	H-5	FS70	C-5	FS155	H-5	RV203	B-1
#D10	G-5	FS71	E-3	FS156	H-5	RV204	C-1
#D11	E-3	FS72	E-3			RV205	C-1
#D201	A-2	FS73	F-3	IC1	J-2		
#D206	A-5	FS74	E-4	IC2	J-4	S1	J-1
#D207	B-5	FS75	E-4	IC3	J-3	S2	G-1
#D209	C-4	FS77	F-4	IC4	H-3	S201	A-1
#D401	F-3	FS79	F-5	IC5	G-4	S202	C-1
#D403	F-5	FS90	F-5	IC6	G-3		
		FS81	H-1	IC7	G-3	*TH1	J-2
		FS82	H-1	IC8	F-2	*TH2	B-2
E1	H-4	FS83	G-1	IC9	G-2		
E2	G-1	FS84	G-1	IC10	G-2	TP3	J-2
E201	B-4	FS85	G-1	IC11	H-4	TP4	G-2
E202	E-1	FS86	G-1	IC12	E-5	TP5	G-1
		FS87	H-1	IC13	D-4	TP203	B-2
FS1	A-1	FS88	H-1	IC14	E-3	TP204	C-2
FS3	A-2	FS89	H-1	IC15	J-4	TP205	D-1
FS5	B-2	FS90	G-1	IC201	A-2	TP402	G-5
FS6	B-2	FS91	G-1	IC202	A-4	TP403	D-1
FS7	A-3	FS92	G-2	IC203	A-3		
FS9	B-3	FS93	G-2	IC204	B-3		
FS10	A-3	FS94	F-2	IC205	C-4		
FS11	B-3	FS96	H-2	IC206	C-3		
FS12	A-3	FS97	H-2	IC207	C-3		
FS13	A-3	FS98	F-2	IC208	C-2		
FS14	B-3	FS99	F-2	IC209	C-2		
FS15	B-3	FS100	G-2	IC210	C-4		
FS16	A-4	FS101	H-2	IC211	A-4		
FS17	A-4	FS102	H-2	IC401	F-4		
FS18	A-4	FS103	G-3	IC402	F-4		
FS19	B-4	FS106	H-3	*IC405	C-5		
FS20	A-4	FS107	H-3	*IC406	D-5		
FS21	A-4	FS108	H-3	*IC407	D-5		
FS22	A-5	FS109	H-3	*IC408	C-5		
FS23	A-5	FS110	G-3	*IC409	D-5		
FS24	A-5	FS111	G-4	IC410	F-5		
FS25	B-5	FS112	G-4				
FS26	A-5	FS114	H-4	PS1	G-5		
FS27	B-5	FS115	H-4	PS2	G-5		
FS28	B-5	FS116	G-4				
FS29	B-5	FS117	H-4	*O5	J-2		
FS30	C-1	FS118	H-4	*O6	J-2		
FS31	C-1	FS119	H-5	*O7	J-2		
FS32	C-1	FS121	G-5	*O9	H-4		
FS33	C-1	FS122	G-5	*Q11	C-2		
FS34	C-1	FS123	H-5	*Q12	E-2		
FS35	C-1	FS124	H-5	*Q13	E-1		
FS36	D-1	FS125	H-1	Q18	J-5		
FS38	C-2	FS126	J-1	Q19	J-5		
FS39	C-2	FS127	J-1	Q20	H-5		
FS40	C-2	FS128	J-1	Q21	H-5		
FS41	D-2	FS129	H-2	*Q22	J-4		
FS43	C-2	FS131	J-2	*Q23	H-4		
FS44	D-2	FS132	J-2	Q25	G-4		
FS45	D-2	FS133	J-3	Q30	E-3		
FS46	D-2	FS135	J-3	*Q205	A-2		
FS47	C-3	FS136	H-3	*Q206	A-2		
FS48	C-3	FS137	J-3	*Q207	B-2		
FS49	C-3	FS138	J-3	*Q209	B-4		
FS50	C-3	FS139	H-3	*Q211	E-1		
FS51	C-3	FS140	J-3	Q216	A-5		
FS53	C-3	FS141	J-3	Q217	A-5		
FS54	C-4	FS142	J-4	Q218	C-5		
FS56	D-4	FS143	J-4	Q219	C-5		
FS57	D-4	FS144	J-4	*Q220	B-4		
FS58	C-4	FS145	J-4	*Q221	B-4		
FS59	C-4	FS146	J-4	Q223	C-4		
FS61	D-4	FS147	J-5	*Q403	F-3		
FS63	D-4	FS148	J-5	RV1	J-1		

\*: B SIDE



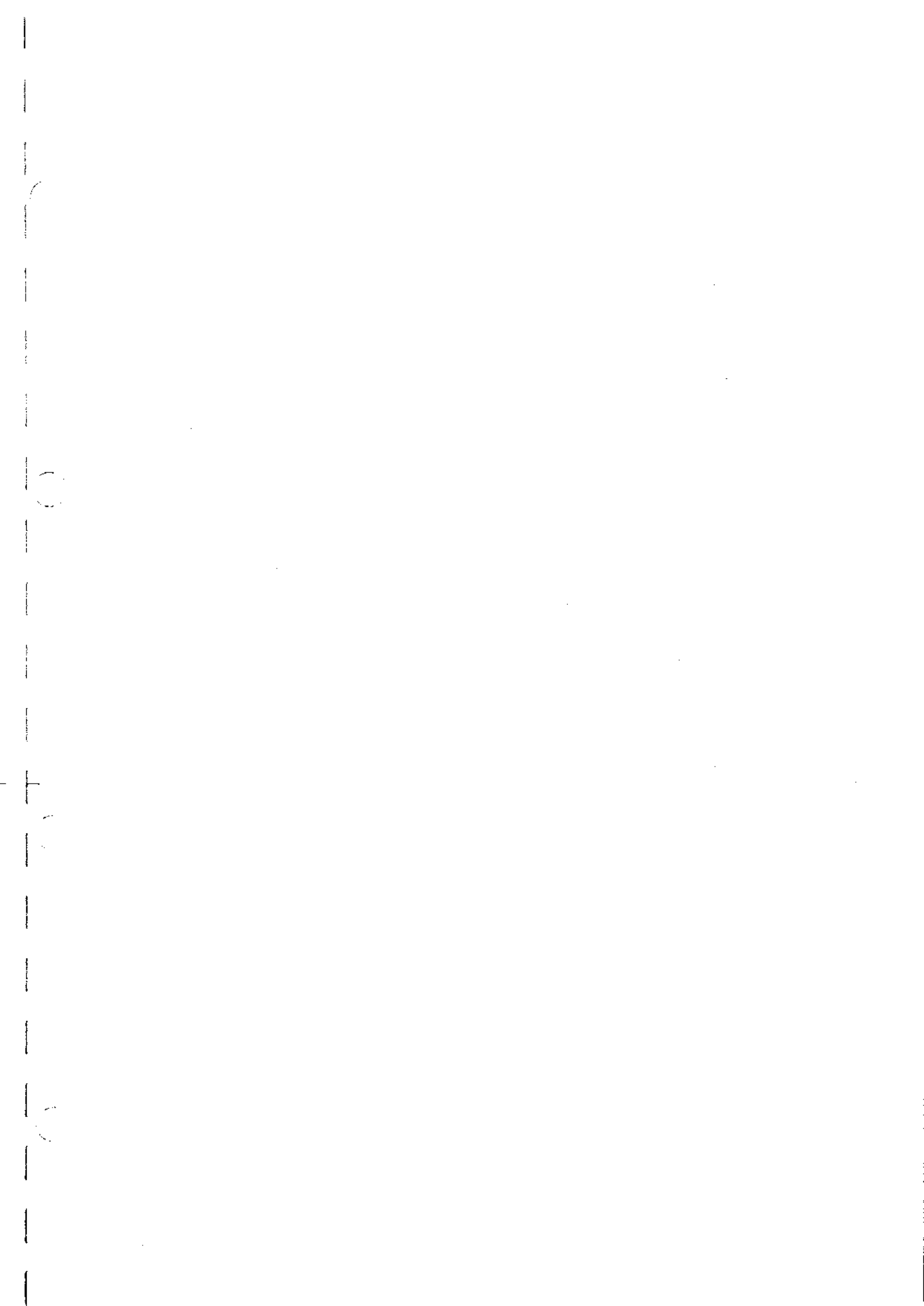
AP-31A(2/3);CH-2 PB EQ/NR,LINE/METER/HP DRIVE





AP-31A BOARD (2/3)

BOARD NO.1-648-906-21  
UVW-1600(J);#10001-  
UVW-1600(UC);#10001-

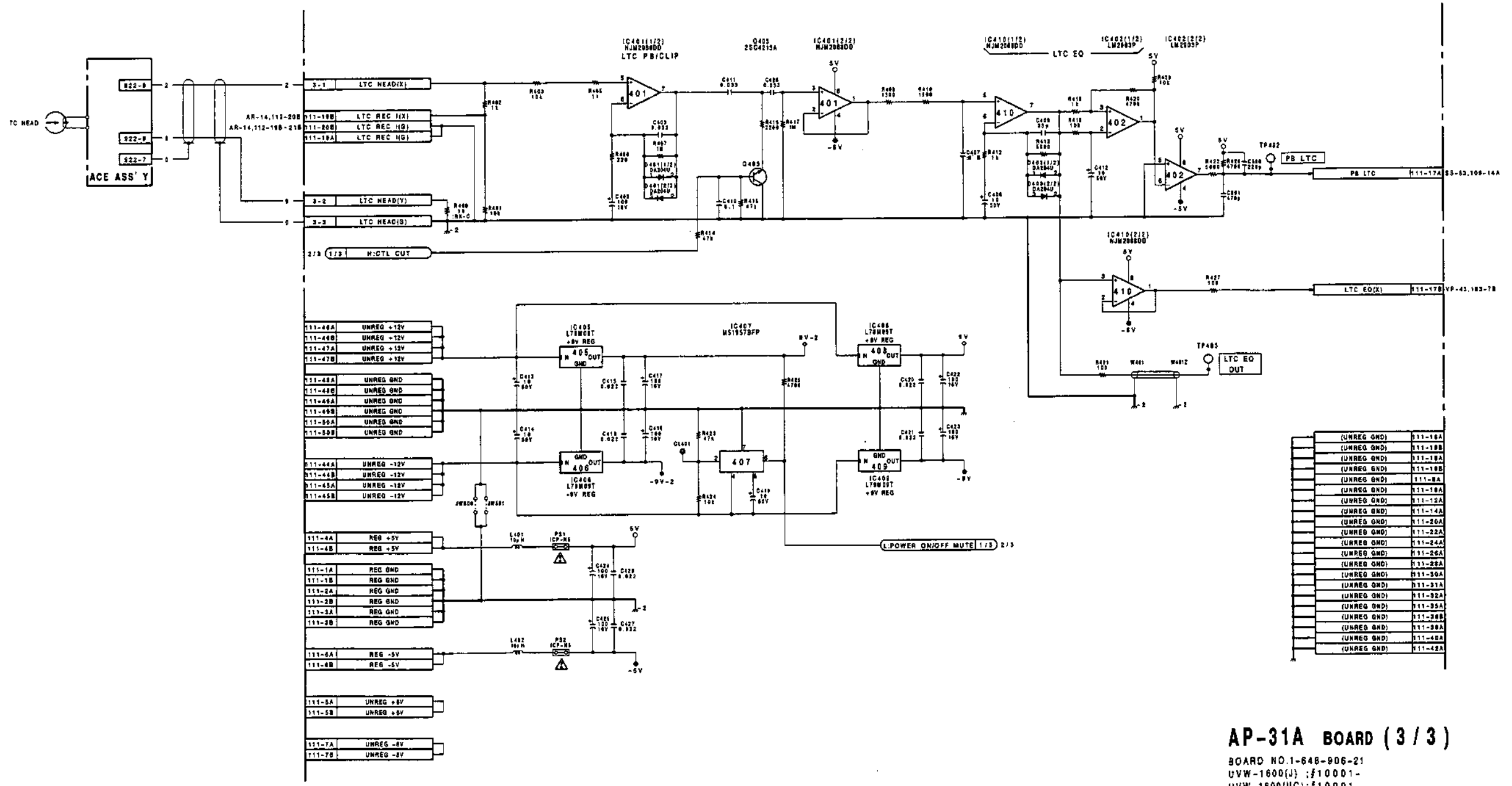


AP-31A(1-648-906-21)

CN1	H-1	FS64	B-4	FS149	J-5	RV2	J-1
CN2	A-1	FS65	D-5	FS150	H-5	RV3	J-1
CN3	G-4	FS66	D-5	FS151	H-5	RV4	H-1
CN111	E-5	FS67	D-5	FS152	H-5	RV5	H-1
*D1	J-2	FS68	E-5	FS153	G-5	RV201	B-1
*D7	J-5	FS69	C-5	FS154	G-5	RV202	B-1
*D8	H-5	FS70	C-5	FS155	H-5	RV203	B-1
*D10	G-5	FS71	E-3	FS156	H-5	RV204	C-1
*D11	E-3	FS72	E-3			RV205	C-1
*D201	A-2	FS73	F-3	IC1	J-2		
*D206	A-5	FS74	E-4	IC2	J-4	S1	J-1
*D207	B-5	FS75	E-4	IC3	J-3	S2	G-1
*D209	C-4	FS77	F-4	IC4	H-3	S201	A-1
*D401	F-3	FS79	F-5	IC5	G-4	S202	C-1
*D403	F-5	FS80	F-5	IC6	G-3		
		FS81	H-1	IC7	G-3	*TH1	J-2
		FS82	H-1	IC8	F-2	*TH2	B-2
E1	H-4	FS83	G-1	IC9	G-2		
E2	G-1	FS84	G-1	IC10	G-2	TP3	J-2
E201	B-4	FS85	G-1	IC11	H-4	TP4	G-2
E202	E-1	FS86	G-1	IC12	E-5	TP5	G-1
		FS87	H-1	IC13	D-4	TP203	B-2
FS1	A-1	FS88	H-1	IC14	E-3	TP204	C-2
FS3	A-2	FS89	H-1	IC15	J-4	TP205	D-1
FS5	B-2	FS90	G-1	IC201	A-2	TP402	G-5
FS6	B-2	FS91	G-1	IC202	A-4	TP403	D-1
FS7	A-3	FS92	G-2	IC203	A-3		
FS9	B-3	FS93	G-2	IC204	B-3		
FS10	A-3	FS94	F-2	IC205	C-4		
FS11	B-3	FS96	H-2	IC206	C-3		
FS12	A-3	FS97	H-2	IC207	C-3		
FS13	A-3	FS98	F-2	IC208	C-2		
FS14	B-3	FS99	F-2	IC209	C-2		
FS15	B-3	FS100	G-2	IC210	C-4		
FS16	A-4	FS101	H-2	IC211	A-4		
FS17	A-4	FS102	H-2	IC401	F-4		
FS18	A-4	FS103	G-3	IC402	F-4		
FS19	B-4	FS106	H-3	*IC405	C-5		
FS20	A-4	FS107	H-3	*IC406	D-5		
FS21	A-4	FS108	H-3	*IC407	D-5		
FS22	A-5	FS109	H-3	*IC408	C-5		
FS23	A-5	FS110	G-3	*IC409	D-5		
FS24	A-5	FS111	G-4	IC410	F-5		
FS25	B-5	FS112	G-4				
FS26	A-5	FS114	H-4	PS1	G-5		
FS27	B-5	FS115	H-4	PS2	G-5		
FS28	B-5	FS116	G-4				
FS29	B-5	FS117	H-4	*Q5	J-2		
FS30	C-1	FS118	H-4	*Q6	J-2		
FS31	C-1	FS119	H-5	*Q7	J-2		
FS32	C-1	FS121	G-5	*Q9	H-4		
FS33	C-1	FS122	G-5	*Q11	C-2		
FS34	C-1	FS123	H-5	*Q12	E-2		
FS35	C-1	FS124	H-5	*Q13	E-1		
FS36	D-1	FS125	H-1	Q18	J-5		
FS38	C-2	FS126	J-1	Q19	J-5		
FS39	C-2	FS127	J-1	Q20	H-5		
FS40	C-2	FS128	J-1	Q21	H-5		
FS41	D-2	FS129	H-2	*Q22	J-4		
FS43	C-2	FS131	J-2	*Q23	H-4		
FS44	D-2	FS132	J-2	Q25	G-4		
FS45	D-2	FS133	J-3	Q30	E-3		
FS46	D-2	FS135	J-3	*Q205	A-2		
FS47	C-3	FS136	H-3	*Q206	A-2		
FS48	C-3	FS137	J-3	*Q207	B-2		
FS49	C-3	FS138	J-3	*Q209	B-4		
FS50	C-3	FS139	H-3	*Q211	E-1		
FS51	C-3	FS140	J-3	Q216	A-5		
FS53	C-3	FS141	J-3	Q217	A-5		
FS54	C-4	FS142	J-4	Q218	C-5		
FS56	D-4	FS143	J-4	Q219	C-5		
FS57	D-4	FS144	J-4	*Q220	B-4		
FS58	C-4	FS145	J-4	*Q221	B-4		
FS59	C-4	FS146	J-4	Q223	C-4		
FS61	D-4	FS147	J-5	*Q403	F-3		
FS63	D-4	FS148	J-5	RV1	J-1		

\*: B SIDE

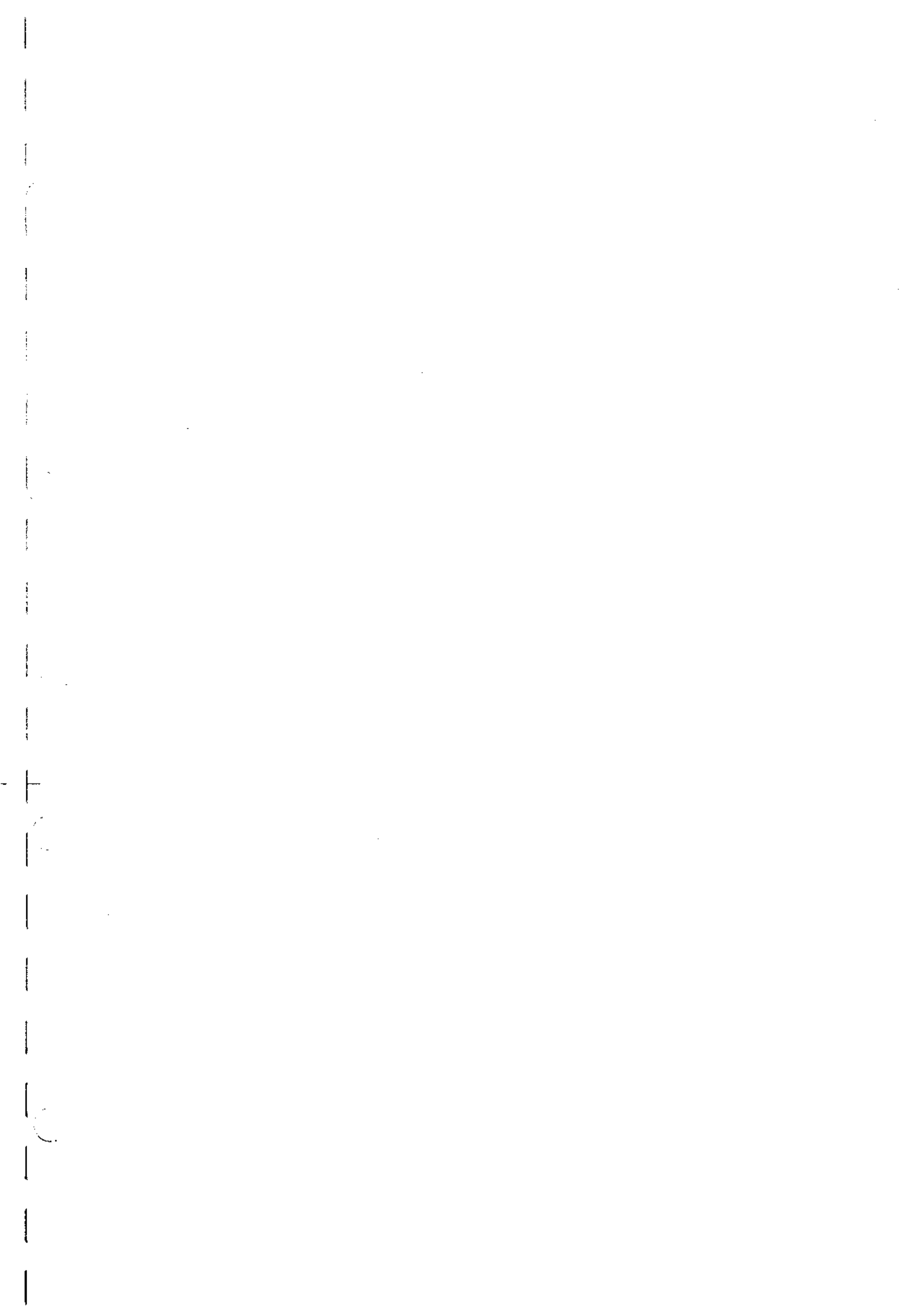
AP-31A(3/3);LTC PB



AP-31A BOARD (3/3)

BOARD NO.1-648-906-21  
 UVW-1600(J):#10001-  
 UVW-1600(UC):#10001-





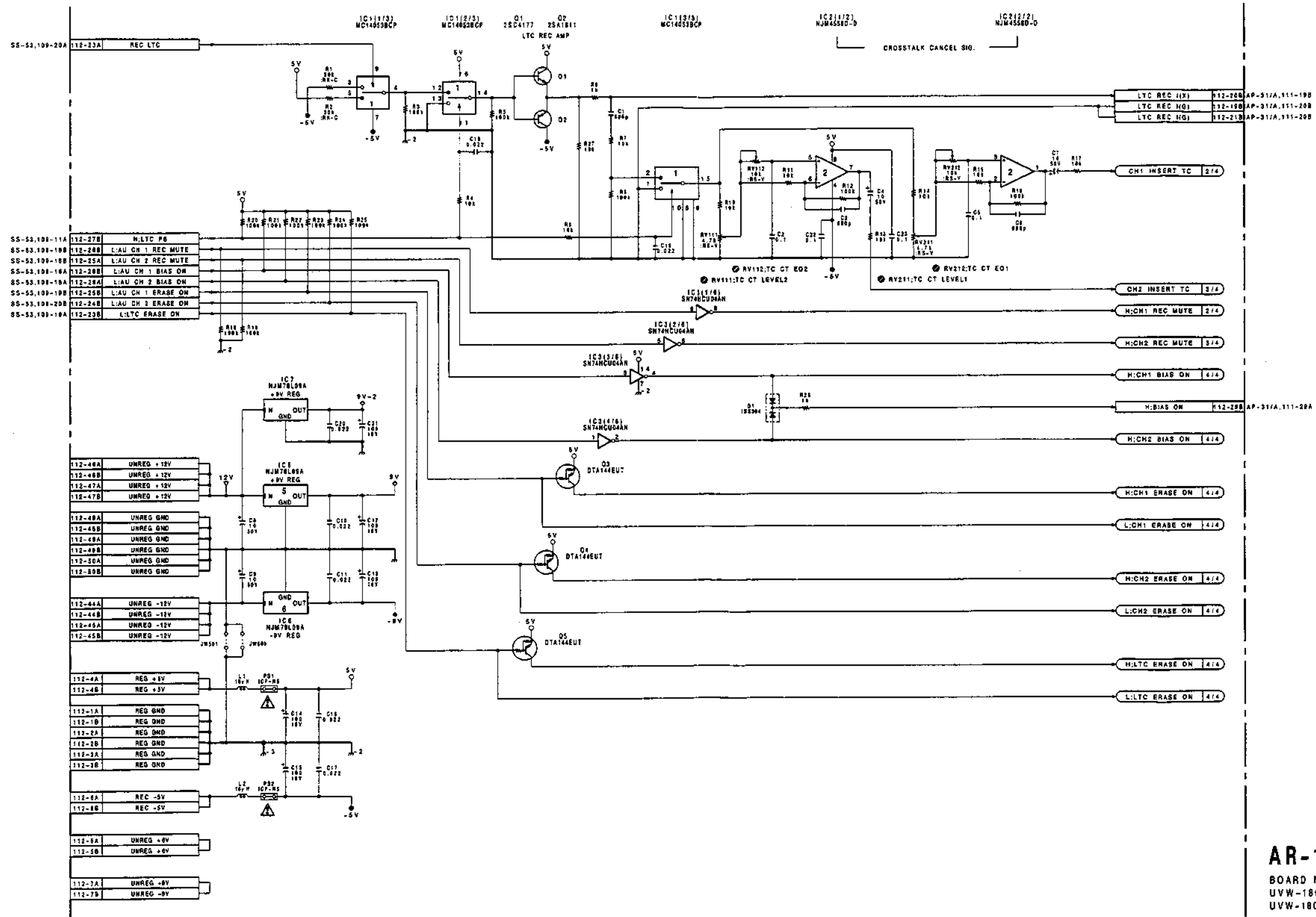
AR-14(1-648-907-11)

CN1	J-5	FS44	C-3	FS123	H-1	*Q1	E-5	TP301	J-1
CN112	E-5	FS45	C-3	FS124	J-1	*Q2	E-5	TP311	J-1
		FS46	C-3	FS125	H-2	*Q3	E-5	TP321	J-1
*D1	D-5	FS47	C-3	FS126	H-2	*Q4	E-5		
*D101	J-2	FS48	C-3	FS127	H-2	*Q5	F-5	X301	D-3
*D102	J-1	FS49	C-4	FS128	H-4	*Q101	G-1		
*D103	C-3	FS50	C-4	FS129	J-1	*Q102	E-4		
*D201	A-2	FS51	C-5	FS130	J-1	*Q103	G-2		
*D202	A-1	FS52	D-1	FS131	J-1	Q104	C-4		
*D203	A-3	FS54	D-3	FS132	J-2	Q105	B-4		
*D301	C-5	FS55	D-3	FS133	J-2	*Q201	C-1		
*D302	D-4	FS56	D-3	FS134	J-2	*Q202	E-4		
*D303	B-3	FS57	D-4	FS135	H-2	*Q203	C-1		
*D304	B-5	FS58	D-4	FS136	J-2	Q204	A-4		
*D305	B-3	FS59	D-4	FS137	J-2	Q205	A-4		
*D306	A-5	FS60	D-5	FS138	J-3	*Q301	B-3		
*D311	G-4	FS61	D-1	FS139	J-3	Q302	C-5		
*D312	G-4	FS62	E-1	FS140	J-5	*Q303	B-3		
*D313	J-3	FS63	D-3	FS141	J-5	Q304	A-5		
*D314	F-3	FS64	E-3	FS142	J-1	Q305	C-5		
*D321	G-3	FS65	E-3	FS143	J-1	Q306	A-5		
*D322	G-3	FS66	D-4	FS144	J-1	*Q311	F-3		
*D323	J-2	FS68	E-4	FS145	J-2	Q312	G-4		
*D324	E-4	FS69	D-4	FS146	J-2	*Q313	F-2		
*D331	G-5	FS70	D-4	FS147	J-2	*Q314	H-4		
*D332	G-5	FS72	E-1	FS148	J-3	*Q315	H-4		
*D334	E-4	FS73	E-2	FS149	J-3	Q316	H-3		
		FS74	E-3	FS150	J-4	Q317	H-4		
E106	H-1	FS75	F-3	FS152	H-2	*Q318	J-3		
E206	A-1	FS76	E-3	FS153	E-1	Q319	G-4		
E301	J-1	FS77	F-3	FS154	F-1	*Q321	G-3		
E311	J-1	FS78	E-4	FS155	J-5	Q322	G-2		
		FS79	E-4	FS156	J-4	*Q323	E-3		
FS1	A-1	FS90	F-4			*Q324	H-2		
FS2	A-1	FS81	E-5	IC1	E-4	*Q325	H-3		
FS3	A-1	FS82	E-5	IC2	E-2	Q326	H-2		
FS4	A-2	FS83	F-1	IC3	D-5	Q327	H-3		
FS5	A-2	FS84	F-1	IC5	B-5	*Q328	J-2		
FS6	A-5	FS85	F-1	IC6	B-5	Q329	G-2		
FS7	A-2	FS86	F-1	IC7	C-5	*Q331	F-5		
FS8	A-2	FS87	F-1	IC101	J-2	Q332	G-5		
FS9	A-2	FS88	F-2	IC102	J-2	*Q333	F-3		
FS10	A-5	FS89	F-2	IC103	H-2	*Q334	H-4		
FS11	A-5	FS90	F-2	IC104	G-2	*Q335	H-5		
FS12	A-5	FS91	F-3	IC105	F-2	Q336	H-4		
FS13	B-1	FS92	F-3	IC201	A-2	Q337	H-5		
FS14	B-2	FS93	F-3	IC202	B-2	Q339	G-5		
FS15	B-5	FS94	F-4	IC203	C-2				
FS16	B-5	FS95	F-4	IC204	D-2	RV106	J-1		
FS17	A-5	FS96	F-4	IC205	E-2	RV107	H-1		
FS18	A-5	FS97	F-4	IC301	D-3	RV108	H-1		
FS19	A-5	FS98	F-5	IC302	D-4	RV109	G-1		
FS20	B-1	FS99	F-5	IC303	C-4	RV110	F-1		
FS21	B-2	FS100	F-5	IC304	C-3	RV111	C-1		
FS22	B-2	FS101	F-5	IC305	D-3	RV112	C-1		
FS23	B-3	FS102	F-5	IC306	C-3	RV206	A-1		
FS24	B-3	FS103	F-5	IC307	C-5	RV207	B-1		
FS25	B-4	FS104	F-5	IC308	C-4	RV208	B-1		
FS26	B-5	FS105	F-5	IC309	B-5	RV209	B-1		
FS27	B-1	FS106	F-5	IC310	G-3	RV210	D-1		
FS28	B-2	FS107	G-1	IC311	E-3	RV211	G-1		
FS29	C-2	FS108	G-1	IC312	E-4	RV212	F-1		
FS30	B-5	FS109	G-2	IC313	G-5	RV301	B-4		
FS31	B-5	FS110	G-2	IC314	E-3	RV302	B-4		
FS32	B-5	FS111	G-2	IC315	J-3				
FS33	B-5	FS112	G-2	IC316	J-5	RY301	J-3		
FS34	C-1	FS113	G-3			RY311	J-2		
FS35	C-2	FS114	G-3	LV101	C-2				
FS36	C-2	FS115	G-3	LV201	A-2	S103	J-1		
FS37	C-5	FS116	G-4	LV301	J-4	S203	A-1		
FS38	C-5	FS117	G-4	LV311	J-3				
FS39	C-5	FS118	G-4	LV321	J-5	*TH1	G-2		
FS40	C-1	FS119	G-5			*TH2	C-2		
FS41	C-1	FS120	G-5	PS1	H-5				
FS42	C-2	FS121	G-5	PS2	H-5	TP106	H-1		
FS43	C-2	FS122	H-1			TP206	A-1		

\*: B SIDE



AR-14(1/4);LTC REC/CANCEL CROSSTALK SIG.



**AR-14 BOARD (1/4)**  
 BOARD NO.1-648-907-11  
 UVW-1800(J) ;#10001-  
 UVW-1800(UC);#10001-



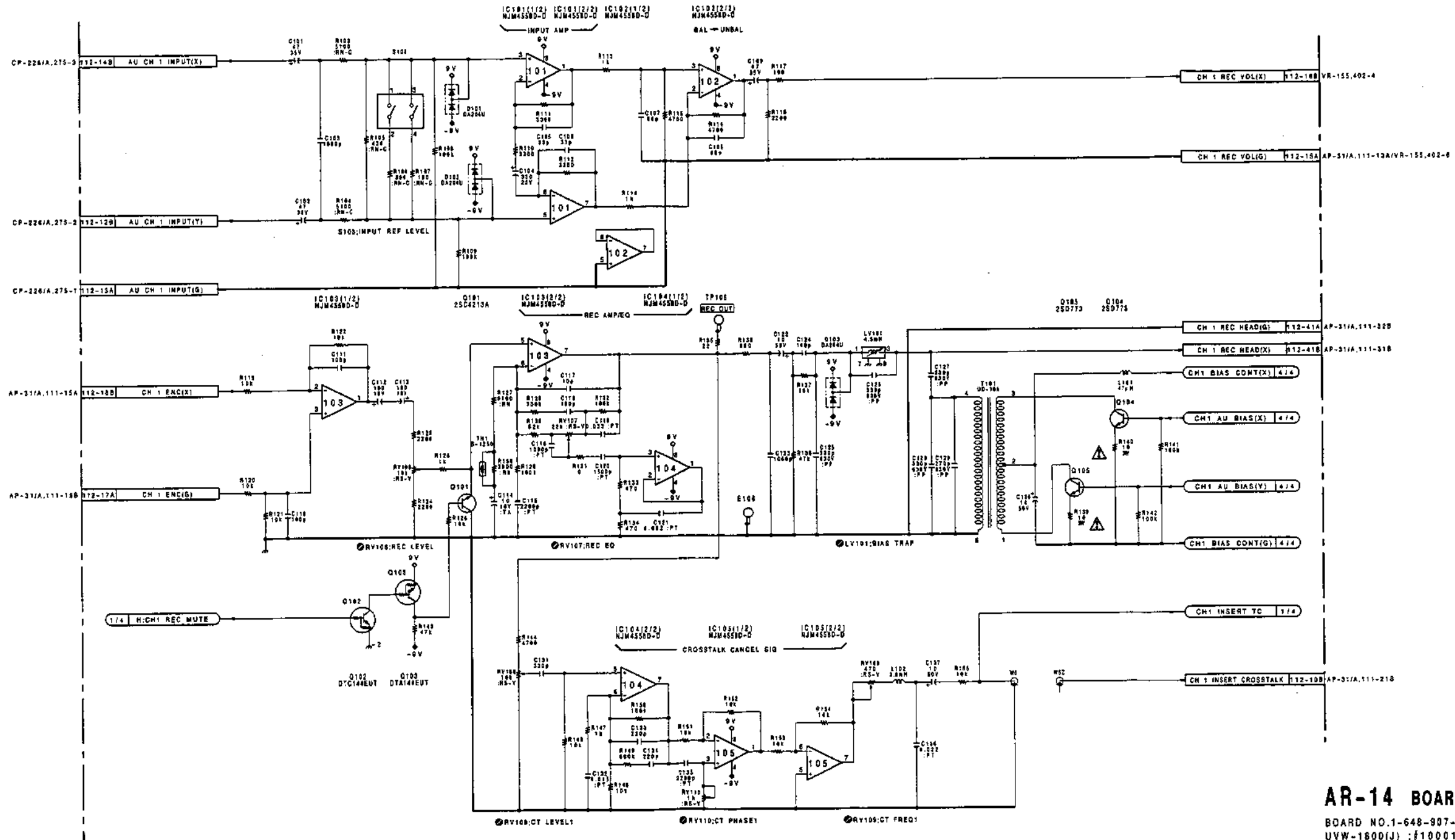


AR-14(1-648-907-11)

CN1	J-5	FS44	C-3	FS123	H-1	*Q1	E-5	TP301	J-1
CN112	E-5	FS45	C-3	FS124	J-1	*Q2	E-5	TP311	J-1
*D1	D-5	FS46	C-3	FS125	H-2	*Q3	E-5	TP321	J-1
*D101	J-2	FS47	C-3	FS126	H-2	*Q4	E-5	X301	D-3
*D102	J-1	FS48	C-3	FS127	H-2	*Q5	F-5		
*D103	C-3	FS49	C-4	FS128	H-4	*Q101	G-1		
*D201	A-2	FS50	C-4	FS129	J-1	*Q102	F-4		
*D202	A-1	FS51	C-5	FS130	J-1	*Q103	G-2		
*D203	A-3	FS52	D-1	FS131	J-1	Q104	C-4		
*D301	C-5	FS54	D-3	FS132	J-2	Q105	B-4		
*D302	D-4	FS55	D-3	FS133	J-2	*Q201	C-1		
*D303	B-3	FS56	D-3	FS134	J-2	*Q202	E-4		
*D304	B-5	FS57	D-4	FS135	H-2	*Q203	C-1		
*D305	B-3	FS58	D-4	FS136	J-2	Q204	A-4		
*D306	A-5	FS59	D-4	FS137	J-2	Q205	A-4		
*D311	G-4	FS60	D-5	FS138	J-3	*Q301	B-3		
*D312	G-4	FS61	D-1	FS139	J-3	Q302	C-5		
*D313	J-3	FS62	E-1	FS140	J-5	*Q303	B-3		
*D314	F-3	FS63	D-3	FS141	J-5	Q304	A-5		
*D321	G-3	FS64	E-3	FS142	J-1	Q305	C-5		
*D322	G-3	FS65	E-3	FS143	J-1	Q306	A-5		
*D323	J-2	FS66	D-4	FS144	J-1	*Q311	F-3		
*D324	E-4	FS68	E-4	FS145	J-2	Q312	G-4		
*D331	G-5	FS69	D-4	FS146	J-2	*Q313	F-2		
*D332	G-5	FS70	D-4	FS147	J-2	*Q314	H-4		
*D334	E-4	FS72	E-1	FS148	J-3	*Q315	H-4		
E106	H-1	FS73	E-2	FS149	J-3	Q316	H-3		
E206	A-1	FS74	E-3	FS150	J-4	Q317	H-4		
E301	J-1	FS75	F-3	FS152	H-2	*Q318	J-3		
E311	J-1	FS76	E-3	FS153	E-1	Q319	G-4		
FS1	A-1	FS77	F-3	FS154	F-1	*Q321	G-3		
FS2	A-1	FS78	E-4	FS155	J-5	Q322	G-2		
FS3	A-1	FS79	E-4	FS156	J-4	*Q323	E-3		
FS4	A-2	FS80	F-4	IC1	E-4	*Q324	H-2		
FS5	A-2	FS81	E-5	IC2	E-2	*Q325	H-3		
FS6	A-5	FS82	E-5	IC3	D-5	Q326	H-2		
FS7	A-2	FS83	F-1	IC5	B-5	Q327	H-3		
FS8	A-2	FS84	F-1	IC6	B-5	*Q328	J-2		
FS9	A-2	FS85	F-1	IC7	C-5	Q329	G-2		
FS10	A-5	FS86	F-1	IC101	J-2	*Q331	F-5		
FS11	A-5	FS87	F-1	IC102	J-2	Q332	G-5		
FS12	A-5	FS88	F-2	IC103	H-2	*Q333	F-3		
FS13	B-1	FS89	F-2	IC104	G-2	*Q334	H-4		
FS14	B-2	FS90	F-2	IC105	F-2	*Q335	H-5		
FS15	B-5	FS91	F-3	IC201	A-2	Q336	H-4		
FS16	B-5	FS92	F-3	IC202	B-2	Q337	H-5		
FS17	A-5	FS93	F-3	IC203	C-2	Q339	G-5		
FS18	A-5	FS94	F-4	IC204	D-2	RV106	J-1		
FS19	A-5	FS95	F-4	IC205	E-2	RV107	H-1		
FS20	B-1	FS96	F-4	IC301	D-3	RV108	H-1		
FS21	B-2	FS97	F-4	IC302	D-4	RV109	G-1		
FS22	B-2	FS98	F-5	IC303	C-4	RV110	F-1		
FS23	B-3	FS99	F-5	IC304	C-3	RV111	C-1		
FS24	B-3	FS100	F-5	IC305	D-3	RV112	C-1		
FS25	B-4	FS101	F-5	IC306	C-3	RV206	A-1		
FS26	B-5	FS102	F-5	IC307	C-5	RV207	B-1		
FS27	B-1	FS103	F-5	IC308	C-4	RV208	B-1		
FS28	B-2	FS104	F-5	IC309	B-5	RV209	B-1		
FS29	C-2	FS105	F-5	IC310	G-3	RV210	D-1		
FS30	B-5	FS106	F-5	IC311	E-3	RV211	G-1		
FS31	B-5	FS107	G-1	IC312	E-4	RV212	F-1		
FS32	B-5	FS108	G-1	IC313	G-5	RV301	B-4		
FS33	B-5	FS109	G-2	IC314	E-3	RV302	B-4		
FS34	C-1	FS110	G-2	IC315	J-3				
FS35	C-2	FS111	G-2	IC316	J-5	RY301	J-3		
FS36	C-2	FS112	G-2	LV101	C-2	RY311	J-2		
FS37	C-5	FS113	G-3	LV201	A-2	S103	J-1		
FS38	C-5	FS114	G-3	LV301	J-4	S203	A-1		
FS39	C-5	FS115	G-3	LV311	J-3				
FS40	C-1	FS116	G-4	LV321	J-5	*TH1	G-2		
FS41	C-1	FS117	G-4	PS1	H-5	*TH2	C-2		
FS42	C-2	FS118	G-4	PS2	H-5	TP106	H-1		
FS43	C-2	FS119	G-5			TP206	A-1		
		FS120	G-5						
		FS121	G-5						
		FS122	H-1						

\*: B SIDE

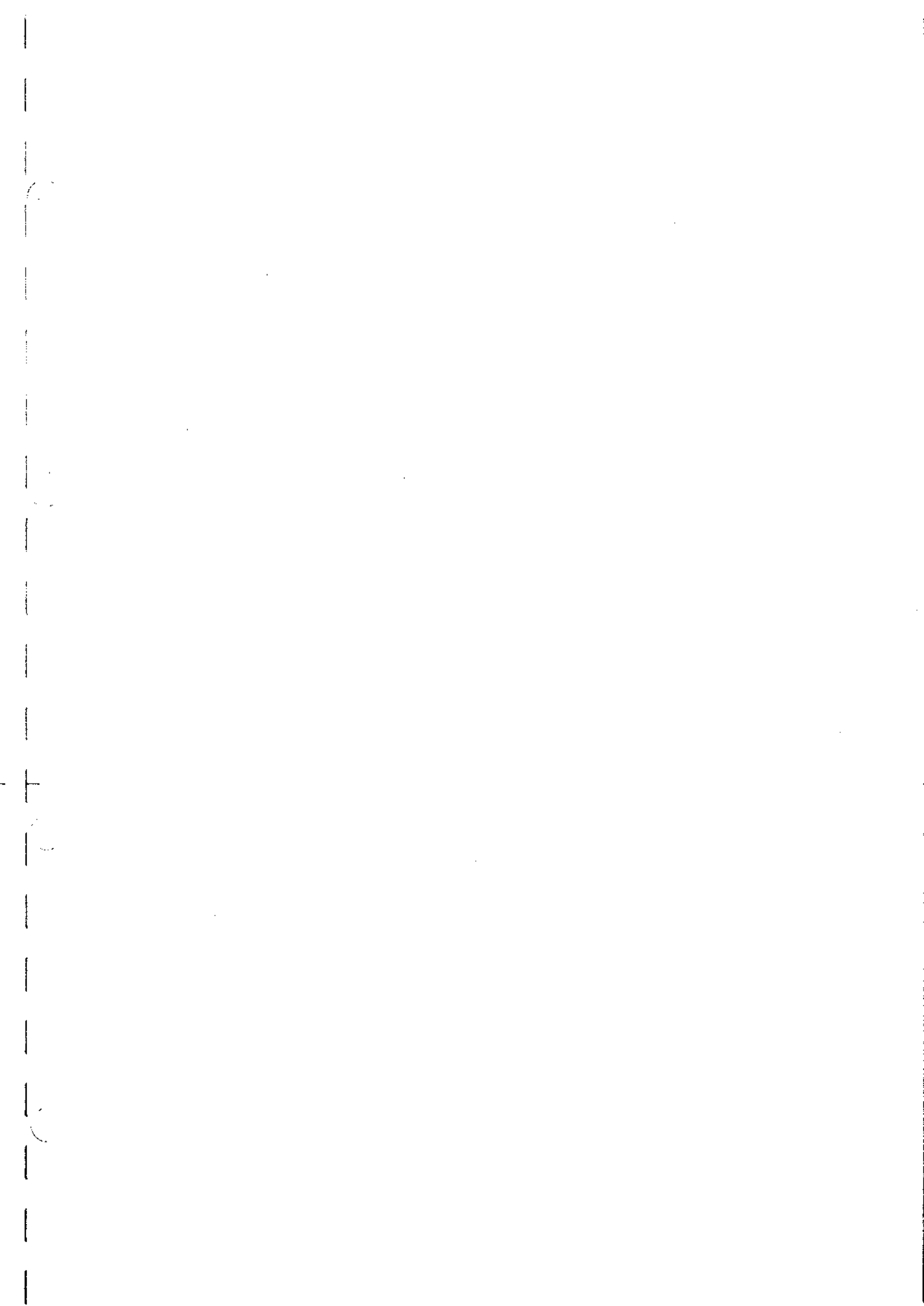
AR-14(2/4);CH-1 REC/BIAS DRIVE,CH-1 CANCEL CROSSTALK SIG.



AR-14 BOARD (2/4)

BOARD NO.1-648-907-11  
UVW-1800(J);f10001-  
UVW-1800(UC);f10001-





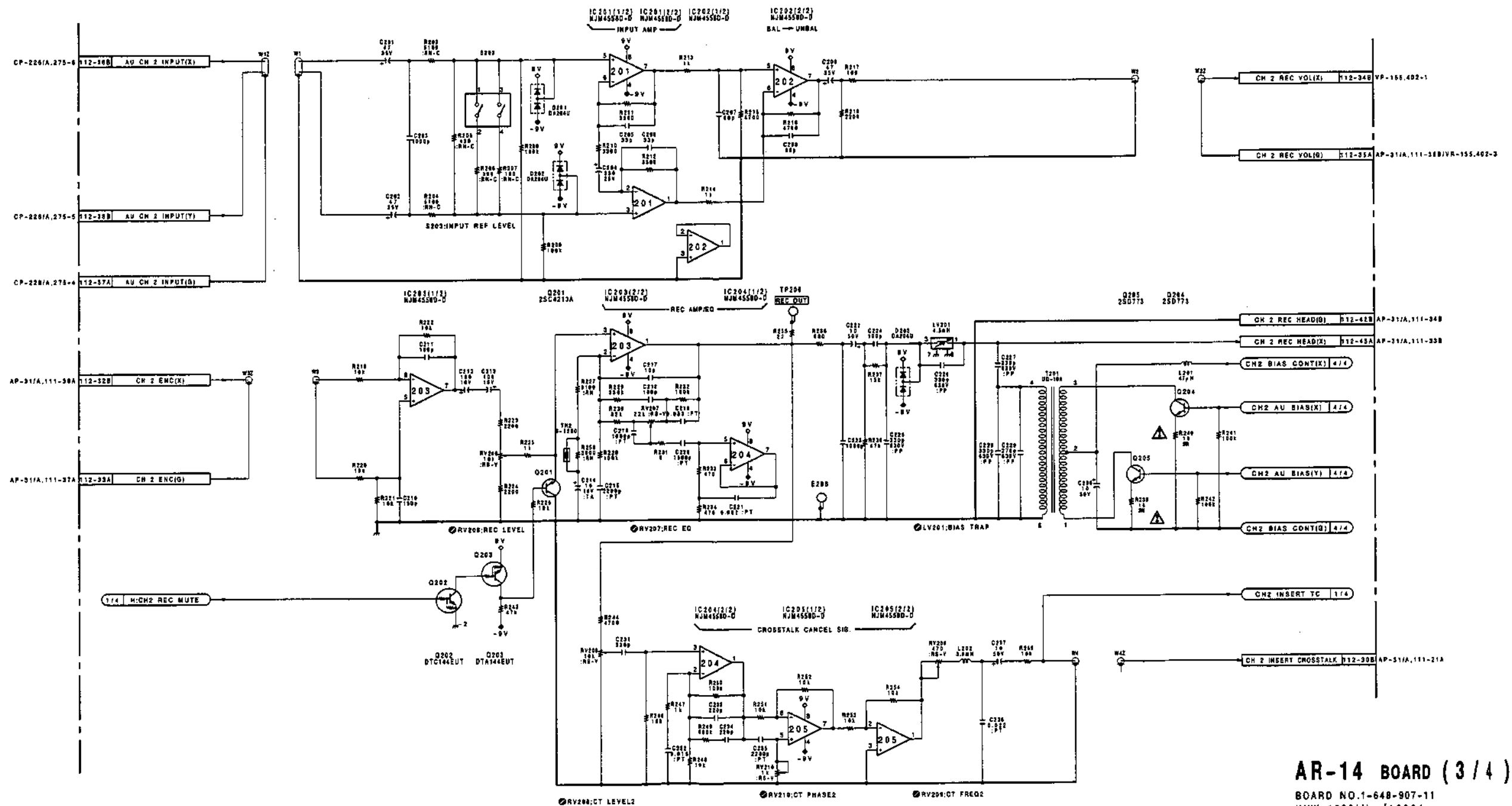
AR-14(1-648-907-11)

CN1	J-5	FS44	C-3	FS123	H-1	*Q1	E-5	TP301	J-1
CN112	E-5	FS45	C-3	FS124	J-1	*Q2	E-5	TP311	J-1
#D1	D-5	FS46	C-3	FS125	H-2	*Q3	E-5	TP321	J-1
#D101	J-2	FS47	C-3	FS126	H-2	*Q4	E-5		
#D102	J-1	FS48	C-3	FS127	H-2	*Q5	F-5	X301	D-3
#D103	C-3	FS49	C-4	FS128	H-4	*Q101	G-1		
#D201	A-2	FS50	C-4	FS129	J-1	*Q102	E-4		
#D202	A-1	FS51	C-5	FS130	J-1	*Q103	G-2		
#D203	A-3	FS52	D-1	FS131	J-1	Q104	C-4		
#D301	C-5	FS54	D-3	FS132	J-2	Q105	B-4		
#D302	D-4	FS55	D-3	FS133	J-2	*Q201	C-1		
#D303	B-3	FS56	D-3	FS134	J-2	*Q202	E-4		
#D304	B-5	FS57	D-4	FS135	H-2	*Q203	C-1		
#D305	B-3	FS58	D-4	FS136	J-2	Q204	A-4		
#D306	A-5	FS59	D-4	FS137	J-2	Q205	A-4		
#D311	G-4	FS60	D-5	FS138	J-3	*Q301	B-3		
#D312	G-4	FS61	D-1	FS139	J-3	Q302	C-5		
#D313	J-3	FS62	E-1	FS140	J-5	*Q303	B-3		
#D314	F-3	FS63	D-3	FS141	J-5	Q304	A-5		
#D321	G-3	FS64	E-3	FS142	J-1	Q305	C-5		
#D322	G-3	FS65	E-3	FS143	J-1	Q306	A-5		
#D323	J-2	FS66	D-4	FS144	J-1	*Q311	F-3		
#D324	E-4	FS68	E-4	FS145	J-2	Q312	G-4		
#D331	G-5	FS69	D-4	FS146	J-2	*Q313	F-2		
#D332	G-5	FS70	D-4	FS147	J-2	*Q314	H-4		
#D334	E-4	FS72	E-1	FS148	J-3	*Q315	H-4		
E106	H-1	FS73	E-2	FS149	J-3	Q316	H-3		
E206	A-1	FS74	E-3	FS150	J-4	Q317	H-4		
E301	J-1	FS75	F-3	FS152	H-2	*Q318	J-3		
E311	J-1	FS76	E-3	FS153	E-1	Q319	G-4		
FS1	A-1	FS77	F-3	FS154	F-1	*Q321	G-3		
FS2	A-1	FS78	E-4	FS155	J-5	Q322	G-2		
FS3	A-1	FS79	E-4	FS156	J-4	*Q323	E-3		
FS4	A-2	FS80	F-4	IC1	E-4	*Q324	H-2		
FS5	A-2	FS81	E-5	IC2	E-2	*Q325	H-3		
FS6	A-5	FS82	E-5	IC3	D-5	Q326	H-2		
FS7	A-2	FS83	F-1	IC5	B-5	Q327	H-3		
FS8	A-2	FS84	F-1	IC6	B-5	*Q328	J-2		
FS9	A-2	FS85	F-1	IC7	C-5	Q329	G-2		
FS10	A-5	FS86	F-1	IC101	J-2	*Q331	F-5		
FS11	A-5	FS87	F-1	IC102	J-2	Q332	G-5		
FS12	A-5	FS88	F-2	IC103	H-2	*Q333	F-3		
FS13	B-1	FS89	F-2	IC104	G-2	*Q334	H-4		
FS14	B-2	FS90	F-2	IC105	F-2	*Q335	H-5		
FS15	B-5	FS91	F-3	IC201	A-2	Q336	H-4		
FS16	B-5	FS92	F-3	IC202	B-2	Q337	H-5		
FS17	A-5	FS93	F-3	IC203	C-2	Q339	G-5		
FS18	A-5	FS94	F-4	IC204	D-2	RV106	J-1		
FS19	A-5	FS95	F-4	IC205	E-2	RV107	H-1		
FS20	B-1	FS96	F-4	IC301	D-3	RV108	H-1		
FS21	B-2	FS97	F-4	IC302	D-4	RV109	G-1		
FS22	B-2	FS98	F-5	IC303	C-4	RV110	F-1		
FS23	B-3	FS99	F-5	IC304	C-3	RV111	C-1		
FS24	B-3	FS100	F-5	IC305	D-3	RV112	C-1		
FS25	B-4	FS101	F-5	IC306	C-3	RV206	A-1		
FS26	B-5	FS102	F-5	IC307	C-5	RV207	B-1		
FS27	B-1	FS103	F-5	IC308	C-4	RV208	B-1		
FS28	B-2	FS104	F-5	IC309	B-5	RV209	B-1		
FS29	C-2	FS105	F-5	IC310	G-3	RV210	D-1		
FS30	B-5	FS106	F-5	IC311	E-3	RV211	G-1		
FS31	B-5	FS107	G-1	IC312	E-4	RV212	F-1		
FS32	B-5	FS108	G-1	IC313	G-5	RV301	B-4		
FS33	B-5	FS109	G-2	IC314	E-3	RV302	B-4		
FS34	C-1	FS110	G-2	IC315	J-3				
FS35	C-2	FS111	G-2	IC316	J-5	RY301	J-3		
FS36	C-2	FS112	G-2	LV101	C-2	RY311	J-2		
FS37	C-5	FS113	G-3	LV201	A-2	S103	J-1		
FS38	C-5	FS114	G-3	LV301	J-4	S203	A-1		
FS39	C-5	FS115	G-3	LV311	J-3				
FS40	C-1	FS116	G-4	LV321	J-5	*TH1	G-2		
FS41	C-1	FS117	G-4	PS1	H-5	*TH2	C-2		
FS42	C-2	FS118	G-4	PS2	H-5	TP106	H-1		
FS43	C-2	FS119	G-5			TP206	A-1		
		FS120	G-5						
		FS121	G-5						
		FS122	H-1						

\*: B SIDE

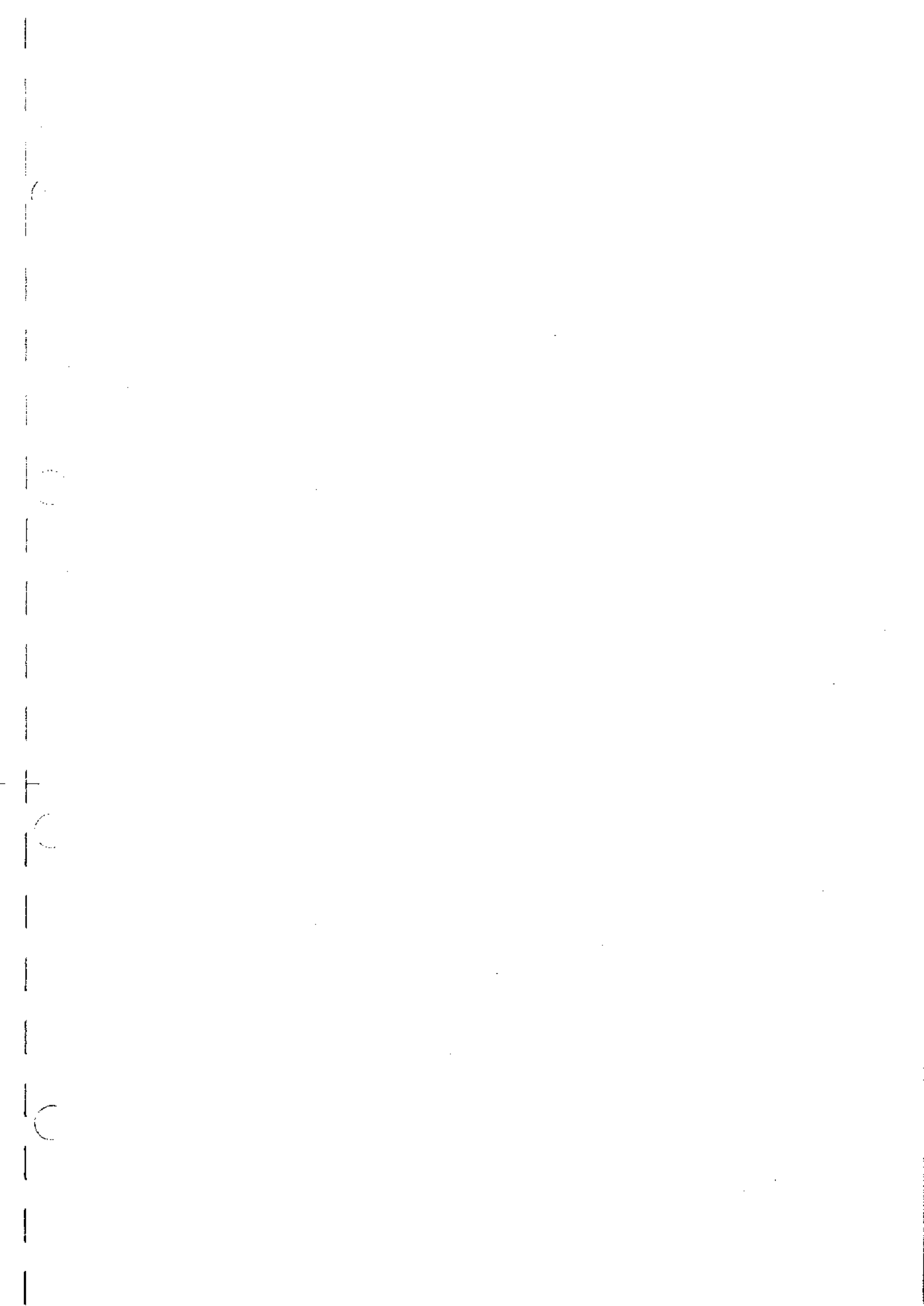


AR-14(3/4);CH-2 REC/BIAS DRIVE,CH-2 CANCEL CROSSTALK SIG.



**AR-14 BOARD (3/4)**  
 BOARD NO.1-648-907-11  
 UVW-1800(J):110001-  
 UVW-1800(UC):110001-



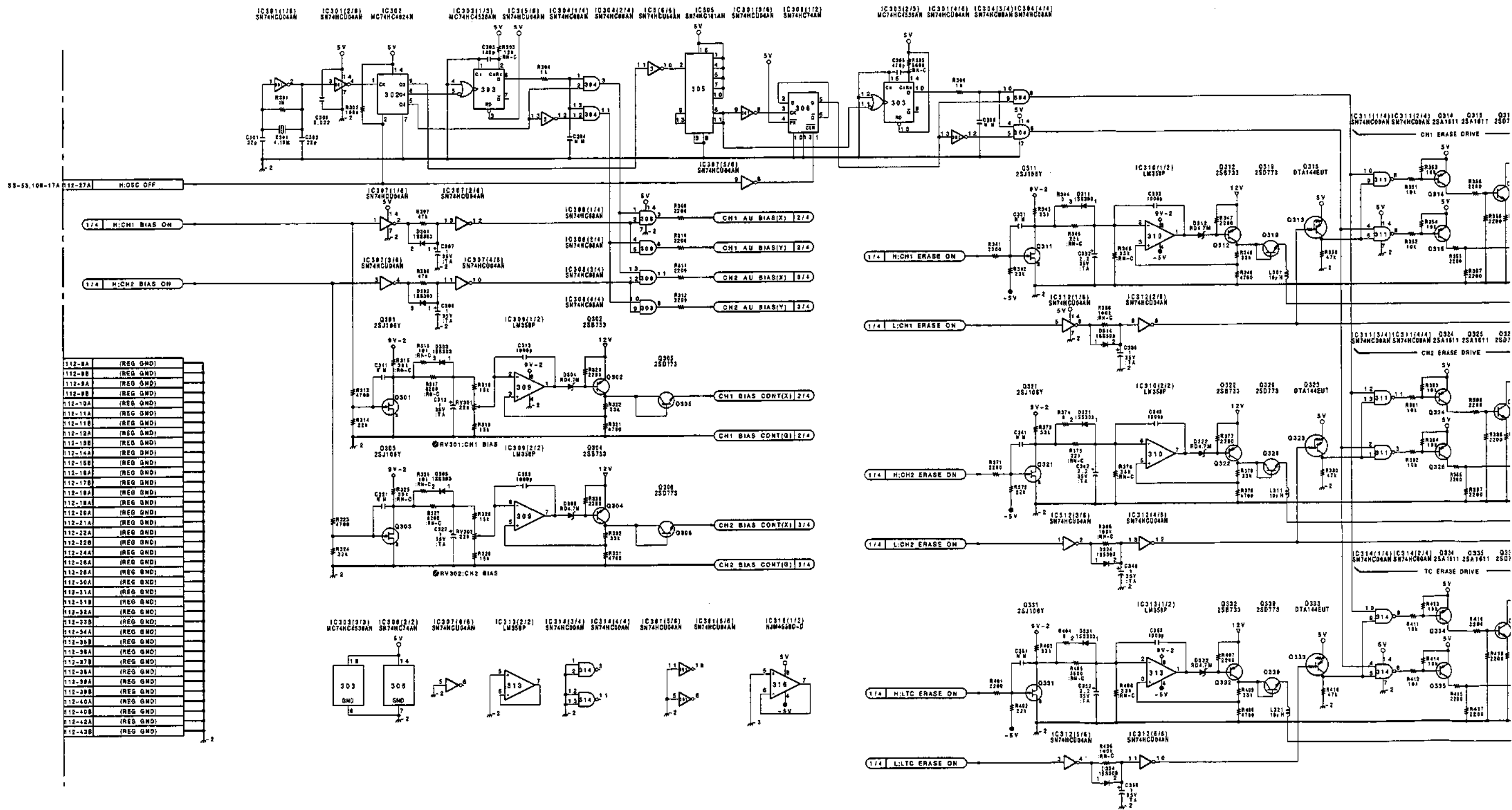


AR-14(1-648-907-11)

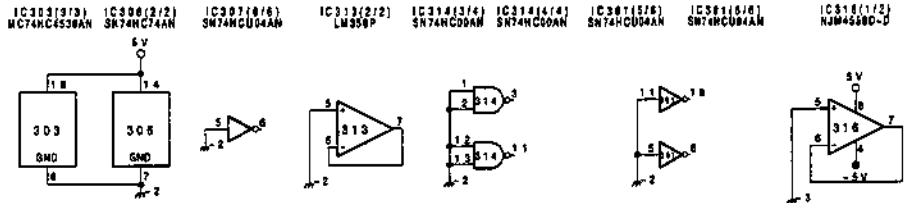
CN1	J-5	FS44	C-3	FS123	H-1	*Q1	E-5	TP301	J-1
CN112	E-5	FS45	C-3	FS124	J-1	*Q2	E-5	TP311	J-1
#D1	D-5	FS46	C-3	FS125	H-2	*Q3	E-5	TP321	J-1
#D101	J-2	FS47	C-3	FS126	H-2	*Q4	E-5	X301	D-3
#D102	J-1	FS48	C-3	FS127	H-2	*Q5	F-5		
#D103	C-3	FS49	C-4	FS128	H-4	*Q101	G-1		
#D201	A-2	FS50	C-4	FS129	J-1	*Q102	E-4		
#D202	A-1	FS51	C-5	FS130	J-1	*Q103	G-2		
#D203	A-3	FS52	D-1	FS131	J-1	Q104	C-4		
#D301	C-5	FS54	D-3	FS132	J-2	Q105	B-4		
#D302	D-4	FS55	D-3	FS133	J-2	*Q201	C-1		
#D303	B-3	FS56	D-3	FS134	J-2	*Q202	E-4		
#D304	B-5	FS57	D-4	FS135	H-2	*Q203	C-1		
#D305	B-3	FS58	D-4	FS136	J-2	Q204	A-4		
#D306	A-5	FS59	D-4	FS137	J-2	Q205	A-4		
#D311	G-4	FS60	D-5	FS138	J-3	*Q301	B-3		
#D312	G-4	FS61	D-1	FS139	J-3	Q302	C-5		
#D313	J-3	FS62	E-1	FS140	J-5	*Q303	B-3		
#D314	F-3	FS63	D-3	FS141	J-5	Q304	A-5		
#D321	G-3	FS64	E-3	FS142	J-1	Q305	C-5		
#D322	G-3	FS65	E-3	FS143	J-1	Q306	A-5		
#D323	J-2	FS66	D-4	FS144	J-1	*Q311	F-3		
#D324	E-4	FS68	E-4	FS145	J-2	Q312	G-4		
#D331	G-5	FS69	D-4	FS146	J-2	*Q313	F-2		
#D332	G-5	FS70	D-4	FS147	J-2	*Q314	H-4		
#D334	E-4	FS72	E-1	FS148	J-3	*Q315	H-4		
E106	H-1	FS73	E-2	FS149	J-3	Q316	H-3		
E206	A-1	FS74	E-3	FS150	J-4	Q317	H-4		
E301	J-1	FS75	F-3	FS152	H-2	*Q318	J-3		
E311	J-1	FS76	E-3	FS153	E-1	Q319	G-4		
FS1	A-1	FS77	F-3	FS154	F-1	*Q321	G-3		
FS2	A-1	FS78	E-4	FS155	J-5	Q322	G-2		
FS3	A-1	FS79	E-4	FS156	J-4	*Q323	E-3		
FS4	A-2	FS80	F-4	IC1	E-4	*Q324	H-2		
FS5	A-2	FS81	E-5	IC2	E-2	*Q325	H-3		
FS6	A-5	FS82	E-5	IC3	D-5	Q326	H-2		
FS7	A-2	FS83	F-1	IC5	B-5	Q327	H-3		
FS8	A-2	FS84	F-1	IC6	B-5	*Q328	J-2		
FS9	A-2	FS85	F-1	IC7	C-5	Q329	G-2		
FS10	A-5	FS86	F-1	IC101	J-2	*Q331	F-5		
FS11	A-5	FS87	F-1	IC102	J-2	Q332	G-5		
FS12	A-5	FS88	F-2	IC103	H-2	*Q333	F-3		
FS13	B-1	FS89	F-2	IC104	G-2	*Q334	H-4		
FS14	B-2	FS90	F-2	IC105	F-2	*Q335	H-5		
FS15	B-5	FS91	F-3	IC201	A-2	Q336	H-4		
FS16	B-5	FS92	F-3	IC202	B-2	Q337	H-5		
FS17	A-5	FS93	F-3	IC203	C-2	Q339	G-5		
FS18	A-5	FS94	F-4	IC204	D-2	RV106	J-1		
FS19	A-5	FS95	F-4	IC205	E-2	RV107	H-1		
FS20	B-1	FS96	F-4	IC301	D-3	RV108	H-1		
FS21	B-2	FS97	F-4	IC302	D-4	RV109	G-1		
FS22	B-2	FS98	F-5	IC303	C-4	RV110	F-1		
FS23	B-3	FS99	F-5	IC304	C-3	RV111	C-1		
FS24	B-3	FS100	F-5	IC305	D-3	RV112	C-1		
FS25	B-4	FS101	F-5	IC306	C-3	RV206	A-1		
FS26	B-5	FS102	F-5	IC307	C-5	RV207	B-1		
FS27	B-1	FS103	F-5	IC308	C-4	RV208	B-1		
FS28	B-2	FS104	F-5	IC309	B-5	RV209	B-1		
FS29	C-2	FS105	F-5	IC310	G-3	RV210	D-1		
FS30	B-5	FS106	F-5	IC311	E-3	RV211	G-1		
FS31	B-5	FS107	G-1	IC312	E-4	RV212	F-1		
FS32	B-5	FS108	G-1	IC313	G-5	RV301	B-4		
FS33	B-5	FS109	G-2	IC314	E-3	RV302	B-4		
FS34	C-1	FS110	G-2	IC315	J-3	RY301	J-3		
FS35	C-2	FS111	G-2	IC316	J-5	RY311	J-2		
FS36	C-2	FS112	G-2	LV101	C-2	S103	J-1		
FS37	C-5	FS113	G-3	LV201	A-2	S203	A-1		
FS38	C-5	FS114	G-3	LV301	J-4	*TH1	G-2		
FS39	C-5	FS115	G-3	LV311	J-3	*TH2	C-2		
FS40	C-1	FS116	G-4	LV321	J-5	TP106	H-1		
FS41	C-1	FS117	G-4	PS1	H-5	TP206	A-1		
FS42	C-2	FS118	G-4	PS2	H-5				
FS43	C-2	FS119	G-5						
		FS120	G-5						
		FS121	G-5						
		FS122	H-1						

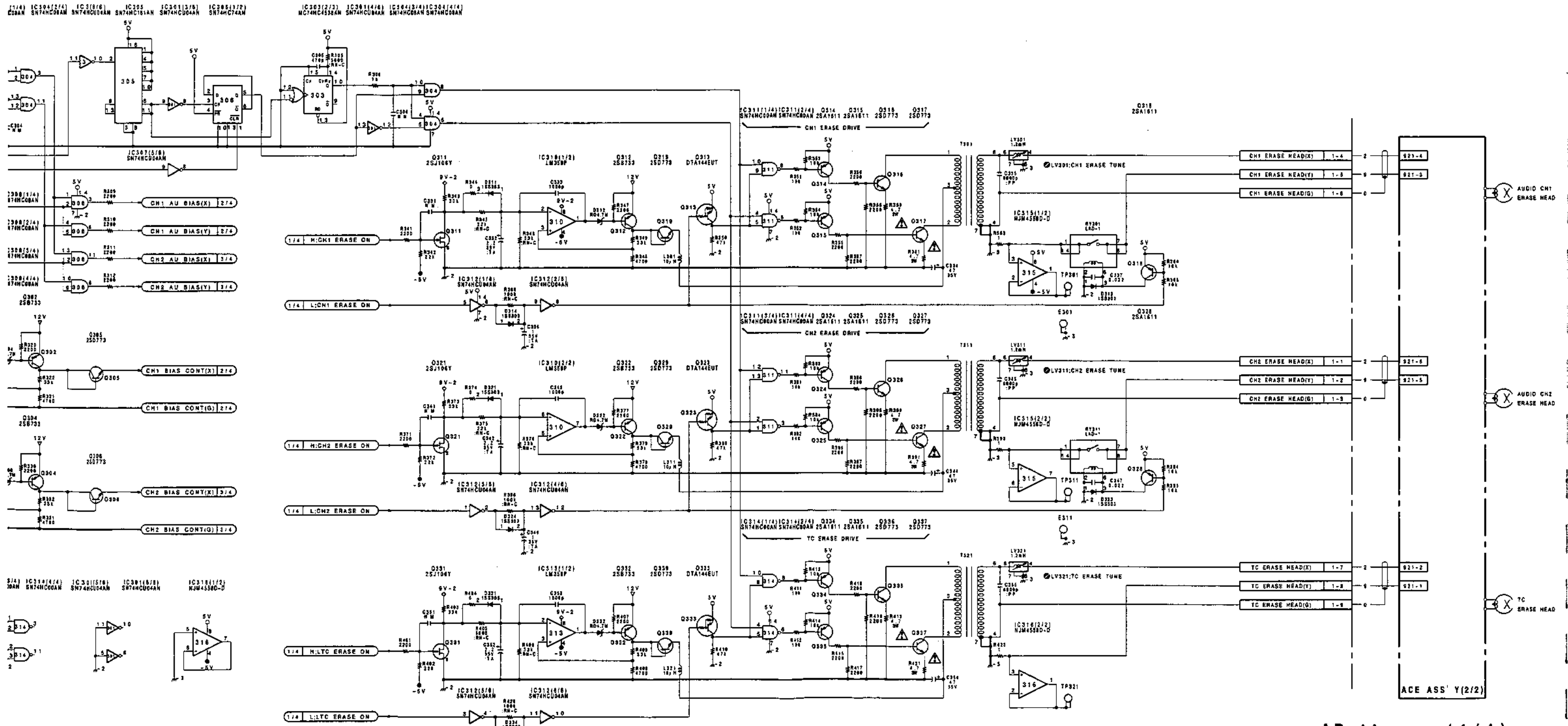
\*: B SIDE

AR-14(4/4);BIAS/ERASE OSC,AU/TC ERASE DRIVE



112-8A	(REG GND)
112-8B	(REG GND)
112-9A	(REG GND)
112-9B	(REG GND)
112-10A	(REG GND)
112-10B	(REG GND)
112-11A	(REG GND)
112-11B	(REG GND)
112-12A	(REG GND)
112-12B	(REG GND)
112-13A	(REG GND)
112-13B	(REG GND)
112-14A	(REG GND)
112-14B	(REG GND)
112-15A	(REG GND)
112-15B	(REG GND)
112-16A	(REG GND)
112-16B	(REG GND)
112-17A	(REG GND)
112-17B	(REG GND)
112-18A	(REG GND)
112-18B	(REG GND)
112-19A	(REG GND)
112-19B	(REG GND)
112-20A	(REG GND)
112-20B	(REG GND)
112-21A	(REG GND)
112-21B	(REG GND)
112-22A	(REG GND)
112-22B	(REG GND)
112-23A	(REG GND)
112-23B	(REG GND)
112-24A	(REG GND)
112-24B	(REG GND)
112-25A	(REG GND)
112-25B	(REG GND)
112-26A	(REG GND)
112-26B	(REG GND)
112-27A	(REG GND)
112-27B	(REG GND)
112-28A	(REG GND)
112-28B	(REG GND)
112-29A	(REG GND)
112-29B	(REG GND)
112-30A	(REG GND)
112-30B	(REG GND)
112-31A	(REG GND)
112-31B	(REG GND)
112-32A	(REG GND)
112-32B	(REG GND)
112-33A	(REG GND)
112-33B	(REG GND)
112-34A	(REG GND)
112-34B	(REG GND)
112-35A	(REG GND)
112-35B	(REG GND)
112-36A	(REG GND)
112-36B	(REG GND)
112-37A	(REG GND)
112-37B	(REG GND)
112-38A	(REG GND)
112-38B	(REG GND)
112-39A	(REG GND)
112-39B	(REG GND)
112-40A	(REG GND)
112-40B	(REG GND)
112-41A	(REG GND)
112-41B	(REG GND)
112-42A	(REG GND)
112-42B	(REG GND)

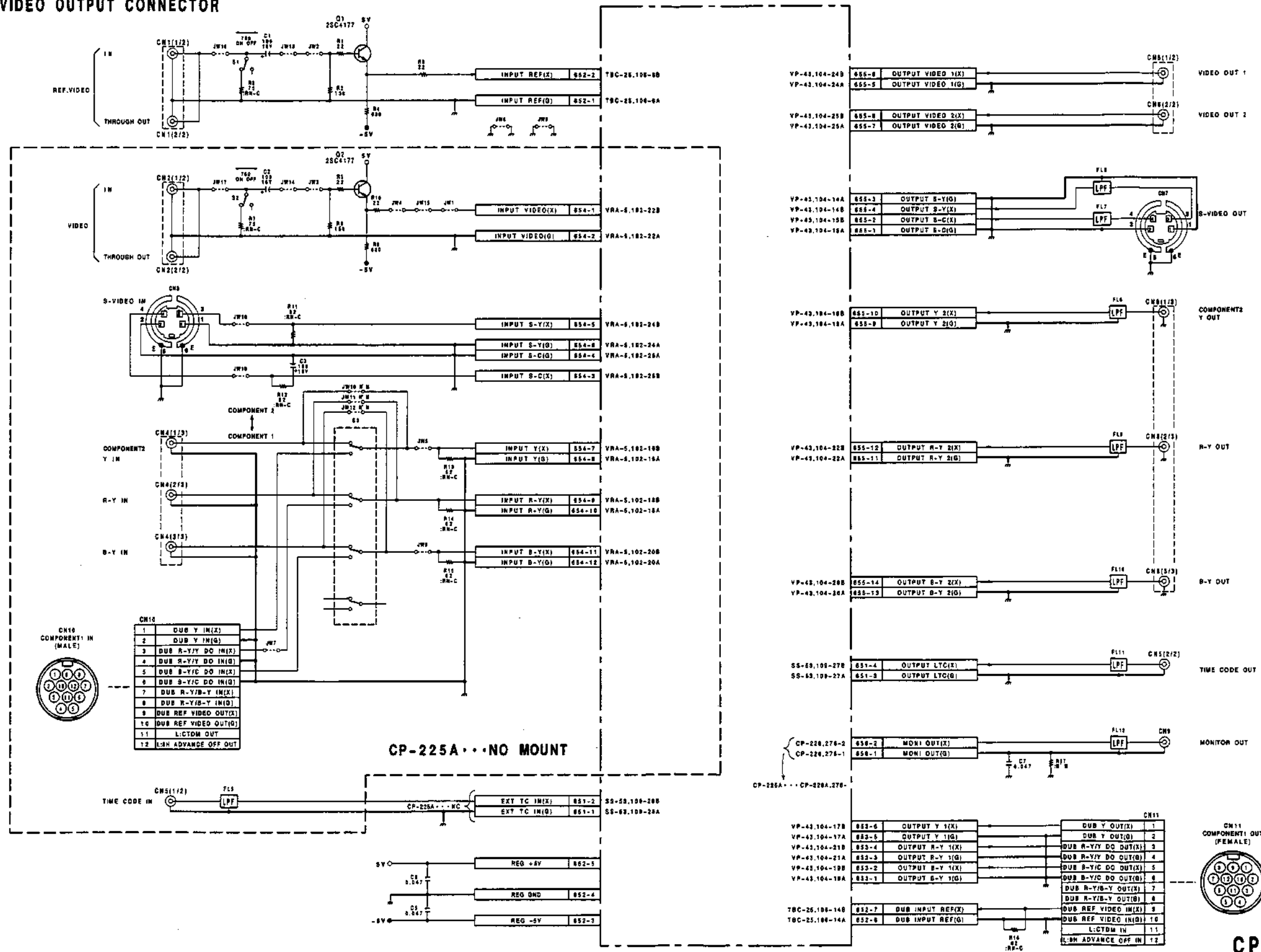




AR-14 BOARD (4/4)

BOARD NO. 1-648-907-11  
UYW-1800(J); #10001-  
UYW-1800(UC); #10001-

CP-225 ;VIDEO INPUT/OUTPUT CONNECTOR  
CP-225A;VIDEO OUTPUT CONNECTOR

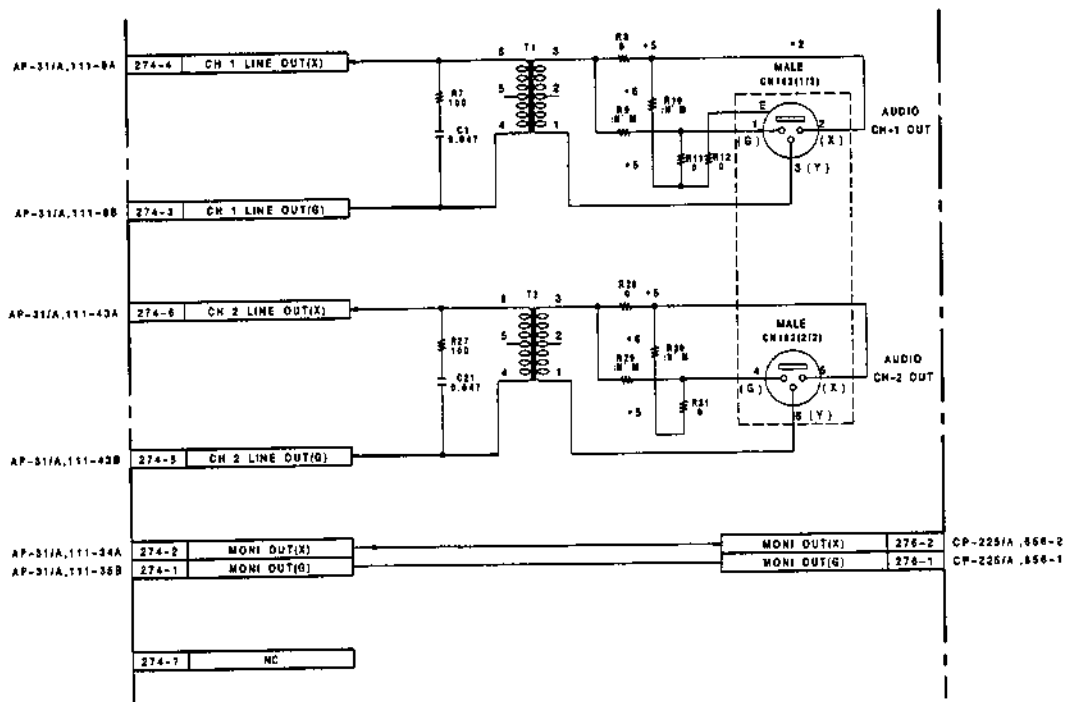
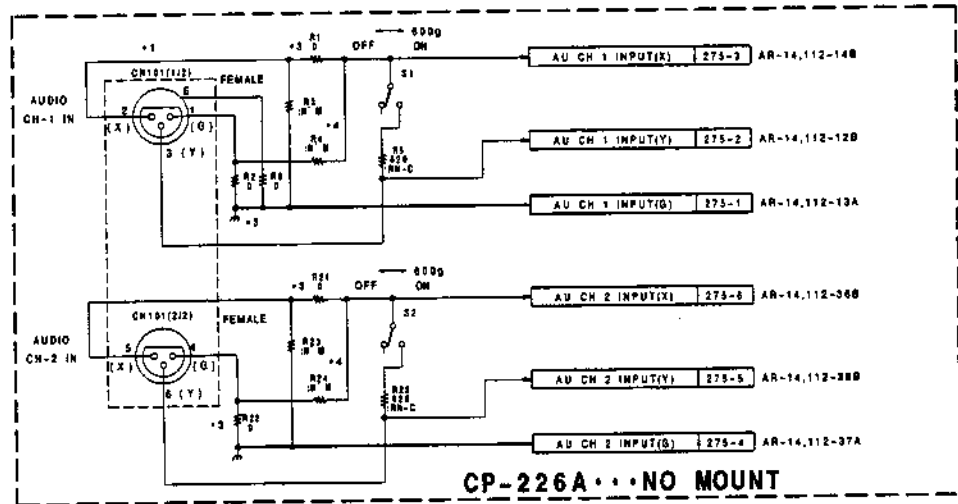


**CP-225/225A BOARD**  
BOARD NO.1-648-910-11,21  
UVW-1800/1600(J);#10001-  
UVW-1800/1600(UC);#10001-





CP-226 ;AUDIO INPUT/OUTPUT CONNECTOR,OUTPUT TRANSFORMER  
 CP-226A;AUDIO OUTPUT CONNECTOR,OUTPUT TRANSFORMER



CP-226

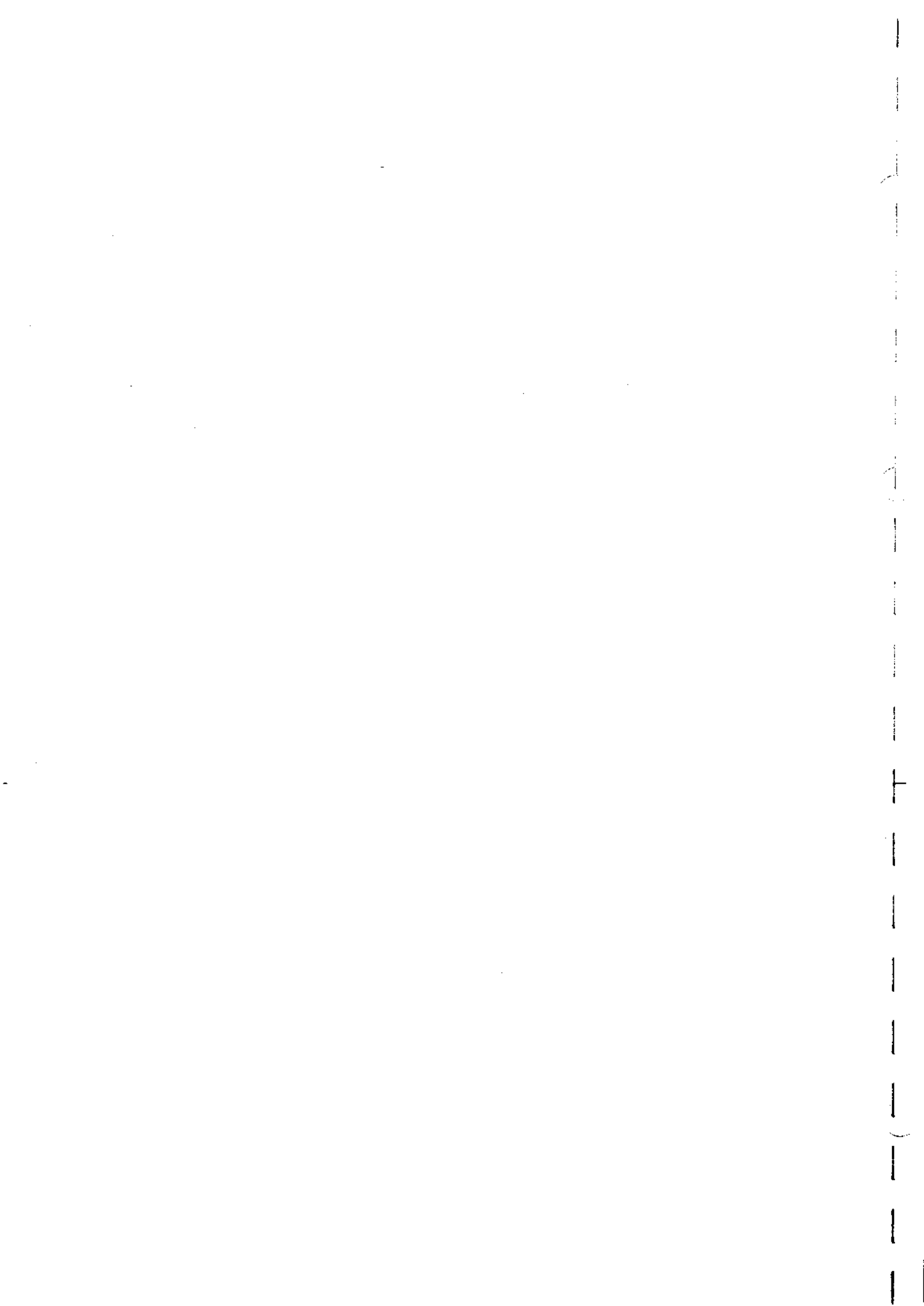
	REF.No	UC	J
+1	CH101	FEMALE	MALE
+2	CH102	MALE	FEMALE
+3	R1,2,21,22	0	:M:M
+4	R3,4,23,24	:M:M	0
+5	R5,11,28,31	0	:N:M
+6	R9,10,29,30	:N:M	0

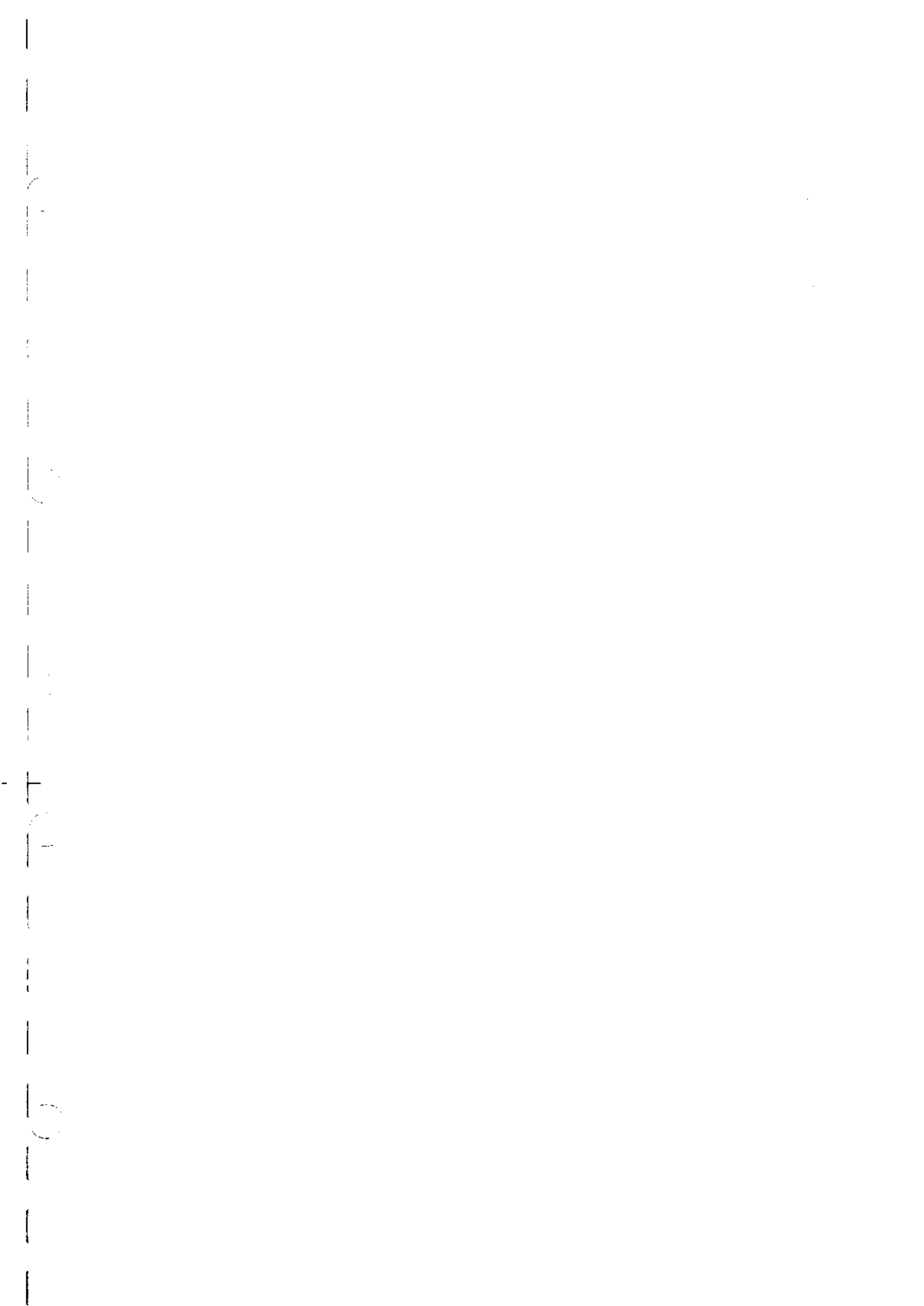
CP-226A

	REF.No	UC	J
+2	CH102	MALE	FEMALE
+5	R1,13,28,31	0	:M:M
+6	R9,10,29,30	:M:M	0

CP-226/226A BOARD

BOARD NO.1-648-911-11,21  
 UVW-1800/1600(J) :#10001-  
 UVW-1800/1600(UC):#10001-





DR-214(1-648-908-11)

CN300 H-1  
CN301 C-5  
CN302 H-5  
CN303 L-5

D1 G-2  
D151 L-3  
D152 K-3  
D153 L-2  
D154 M-3  
D155 K-3  
D156 L-2  
D301 G-2  
D302 J-4  
D303 H-4  
D304 H-2  
D306 H-3

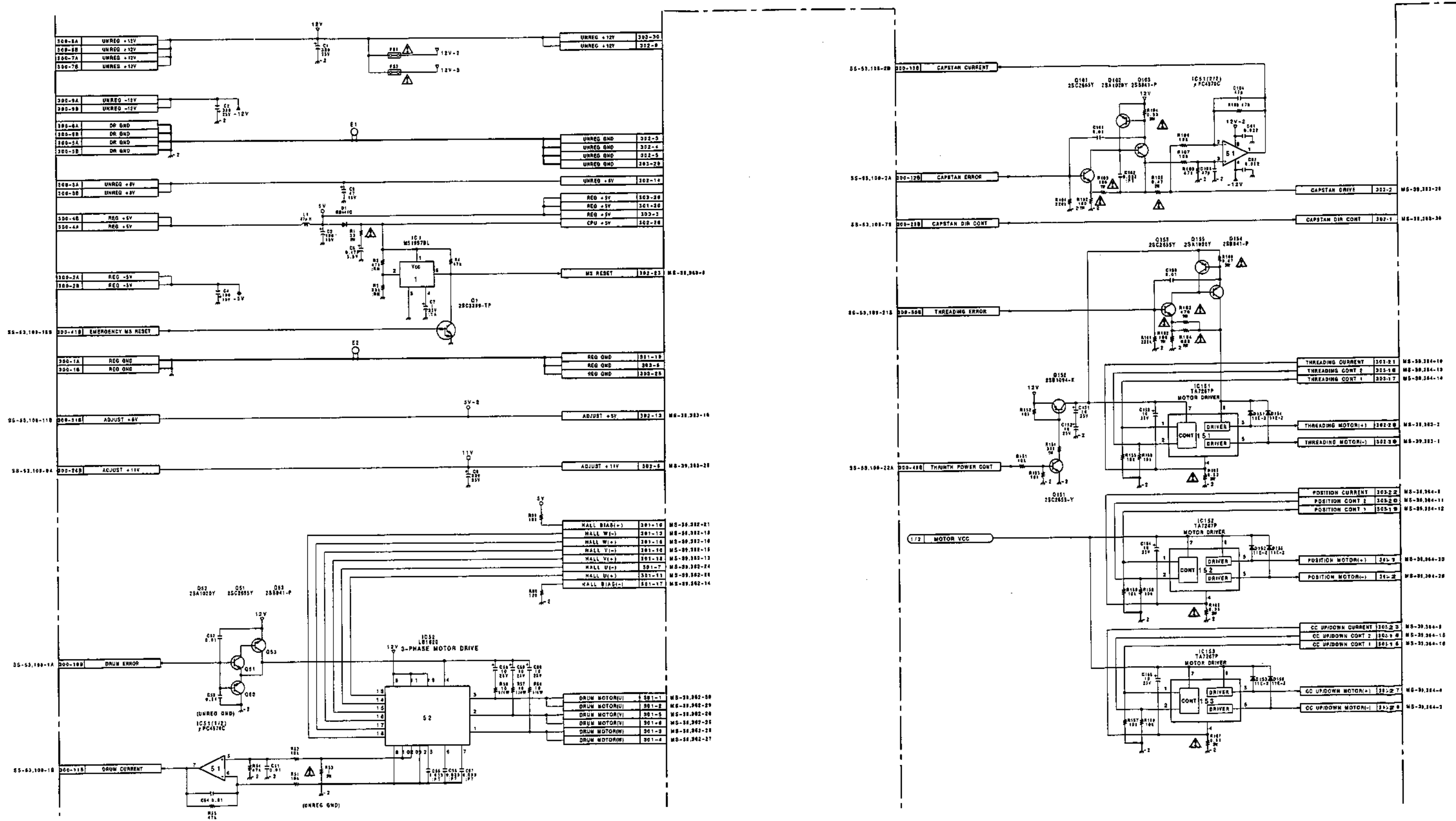
E1 K-1  
E2 K-5

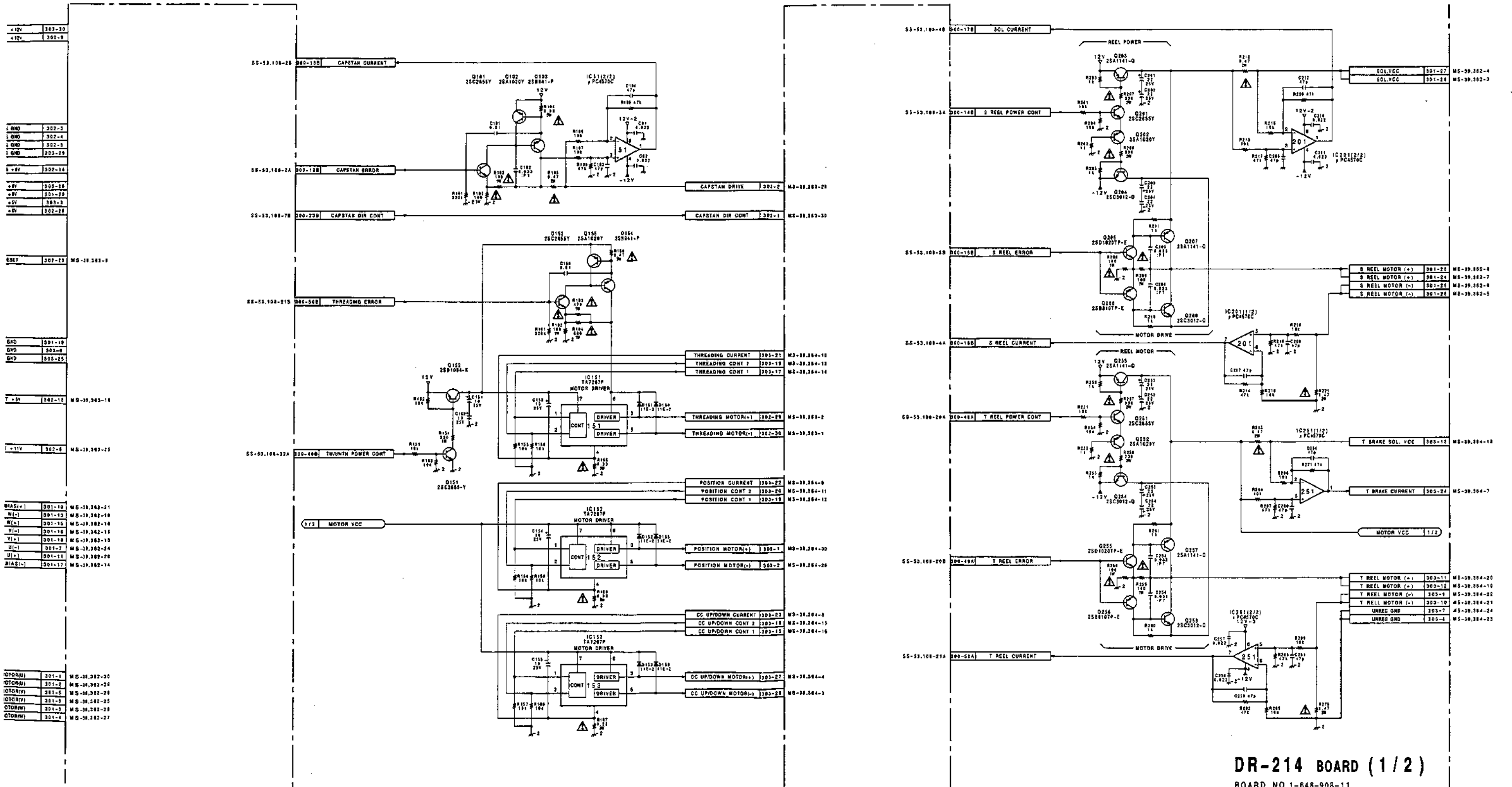
IC1 G-2  
IC51 C-2  
IC52 D-3  
IC151 L-4  
IC152 L-4  
IC153 L-2  
IC201 C-1  
IC251 L-1  
IC301 F-3  
IC302 F-4  
IC303 F-2  
IC304 G-4  
IC305 J-5  
IC306 H-4  
IC307 J-2  
IC308 E-5  
IC310 J-3  
IC311 J-1  
IC313 H-2

Q1 G-3  
Q51 B-5  
Q52 B-5  
Q53 B-5  
Q101 B-4  
Q102 B-4  
Q103 B-4  
Q151 M-2  
Q152 N-4  
Q153 M-3  
Q154 N-5  
Q155 M-3  
Q201 B-1  
Q202 B-1  
Q203 B-2  
Q204 B-2  
Q205 B-3  
Q206 B-3  
Q207 B-3  
Q208 B-4  
Q251 N-1  
Q252 N-1  
Q253 N-2  
Q254 M-2  
Q255 N-3  
Q256 N-3  
Q257 N-3  
Q258 N-4  
Q301 H-2  
Q302 K-1  
Q303 K-2

\*: B SIDE

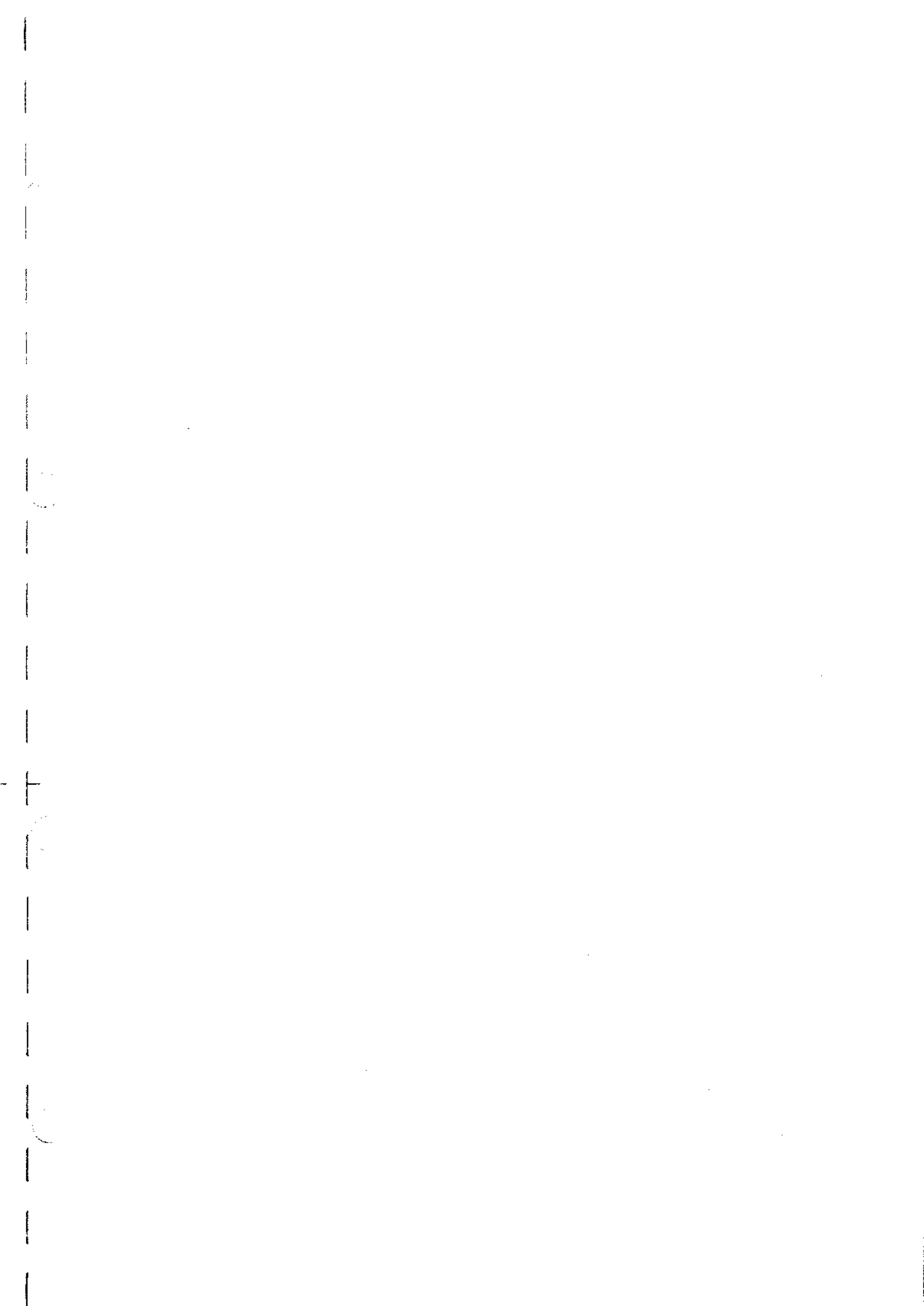
DR-214(1/2);DRUM/CAP/THREAD/REEL POS./CC/REEL MOTOR DRIVE





### DR-214 BOARD (1/2)

BOARD NO. 1-648-908-11  
UVW-1800/1600(J); #10001-  
UVW-1800/1600(UC); #10001-



DR-214(1-648-908-11)

CN300 H-1  
 CN301 C-5  
 CN302 H-5  
 CN303 L-5

D1 G-2  
 D151 L-3  
 D152 K-3  
 D153 L-2  
 D154 M-3  
 D155 K-3  
 D156 L-2  
 D301 G-2  
 D302 J-4  
 D303 H-4  
 D304 H-2  
 D306 H-3

E1 K-1  
 E2 K-5

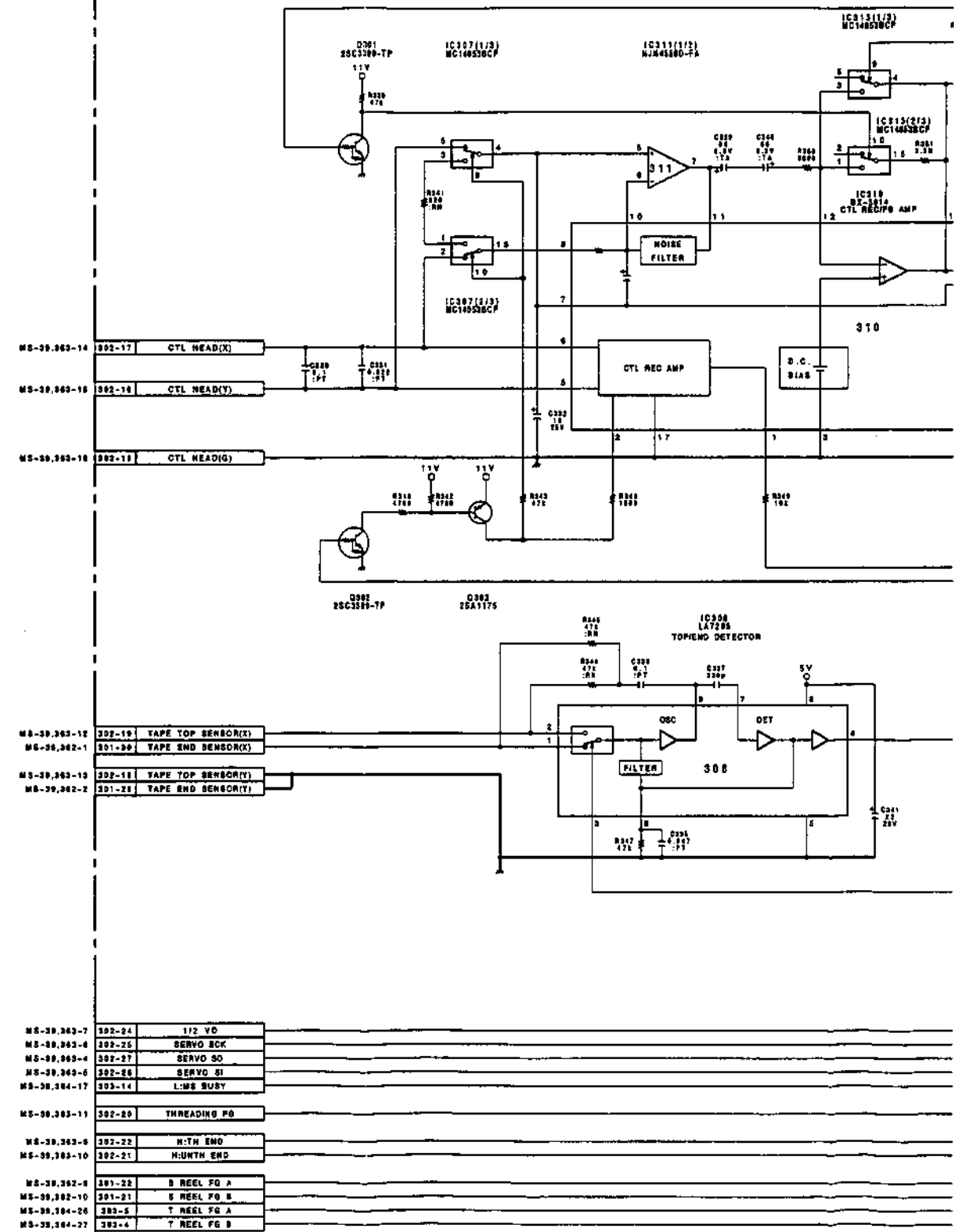
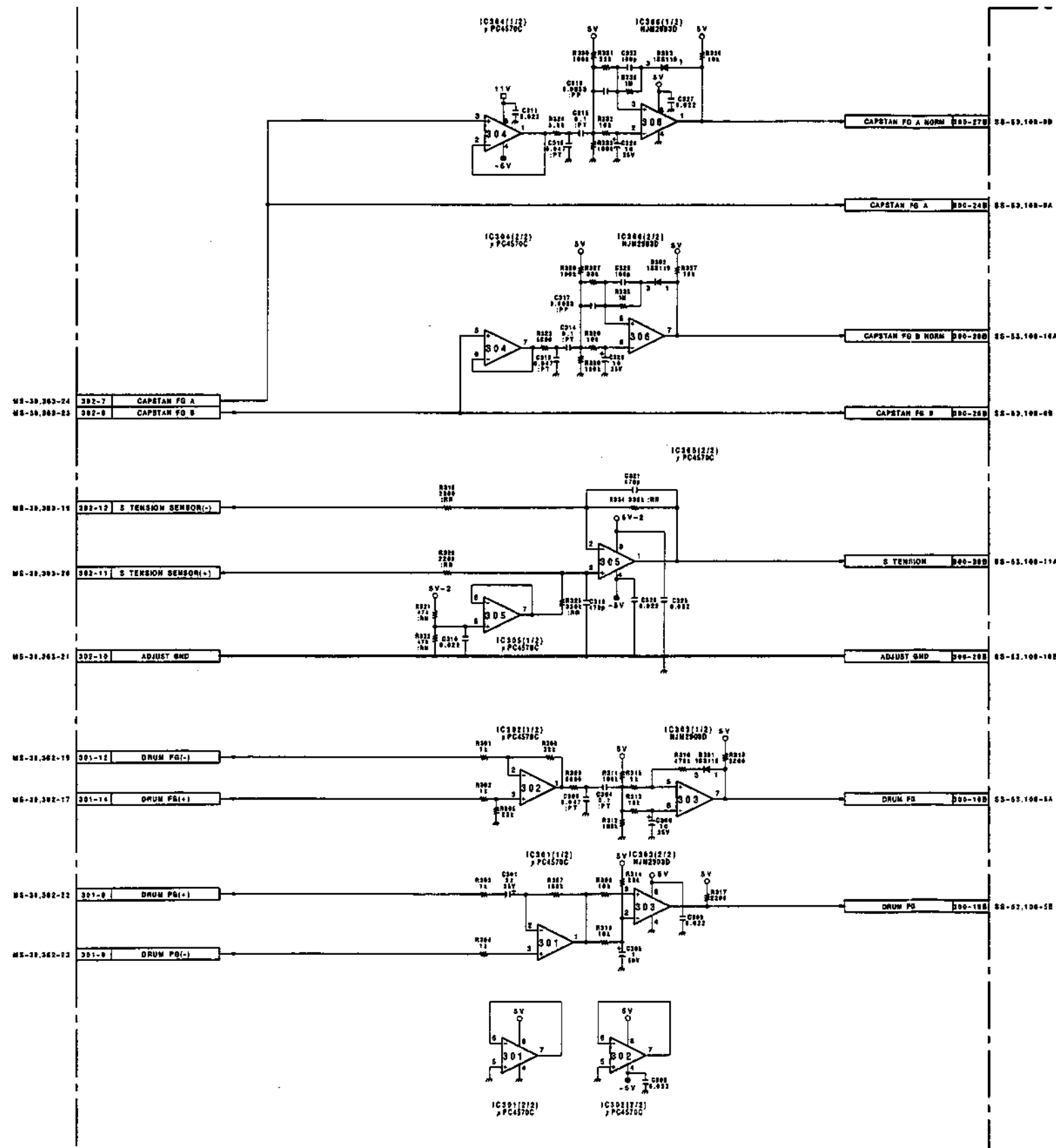
IC1 G-2  
 IC51 C-2  
 IC52 D-3  
 IC151 L-4  
 IC152 L-4  
 IC153 L-2  
 IC201 C-1  
 IC251 L-1  
 IC301 F-3  
 IC302 F-4  
 IC303 F-2  
 IC304 G-4  
 IC305 J-5  
 IC306 H-4  
 IC307 J-2  
 IC308 E-5  
 IC310 J-3  
 IC311 J-1  
 IC313 H-2

Q1 G-3  
 Q51 B-5  
 Q52 B-5  
 Q53 B-5  
 Q101 B-4  
 Q102 B-4  
 Q103 B-4  
 Q151 M-2  
 Q152 N-4  
 Q153 M-3  
 Q154 N-5  
 Q155 M-3  
 Q201 B-1  
 Q202 B-1  
 Q203 B-2  
 Q204 B-2  
 Q205 B-3  
 Q206 B-3  
 Q207 B-3  
 Q208 B-4  
 Q251 N-1  
 Q252 N-1  
 Q253 N-2  
 Q254 M-2  
 Q255 N-3  
 Q256 N-3  
 Q257 N-3  
 Q258 N-4  
 Q301 H-2  
 Q302 K-1  
 Q303 K-2

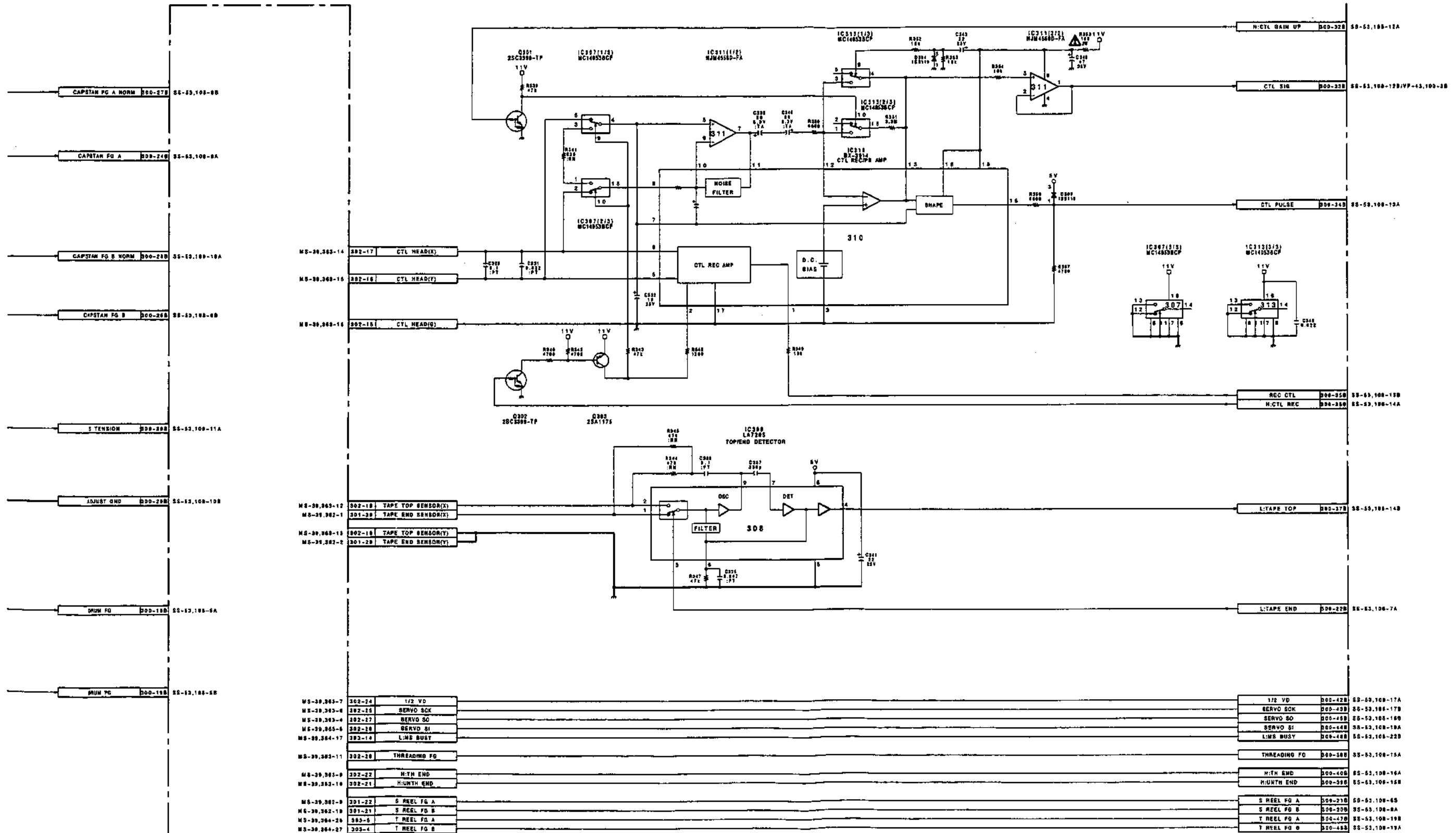
\*: B SIDE



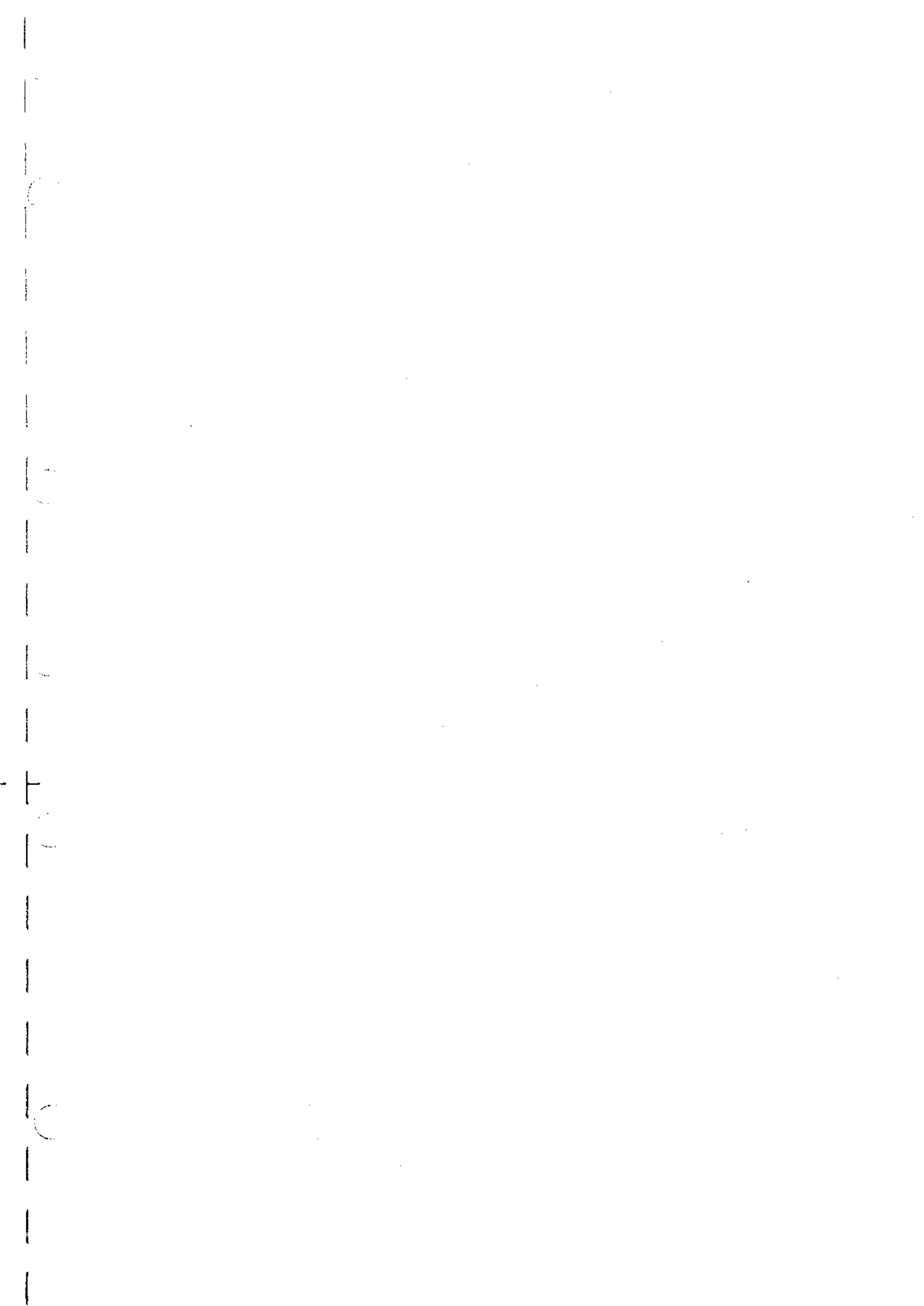
DR-214(2/2);CTL REC/PB,DRUM PG/FG AMP.,CAPSTAN FG AMP.,TENSION AMP.,TAPE TOP/END DETECT



TAPE TOP/END DETECT



DR-214 BOARD (2/2)  
 BOARD NO.1-848-908-11  
 UVW-1800/1600(J);#10001-  
 UVW-1800/1600(UC);#10001-

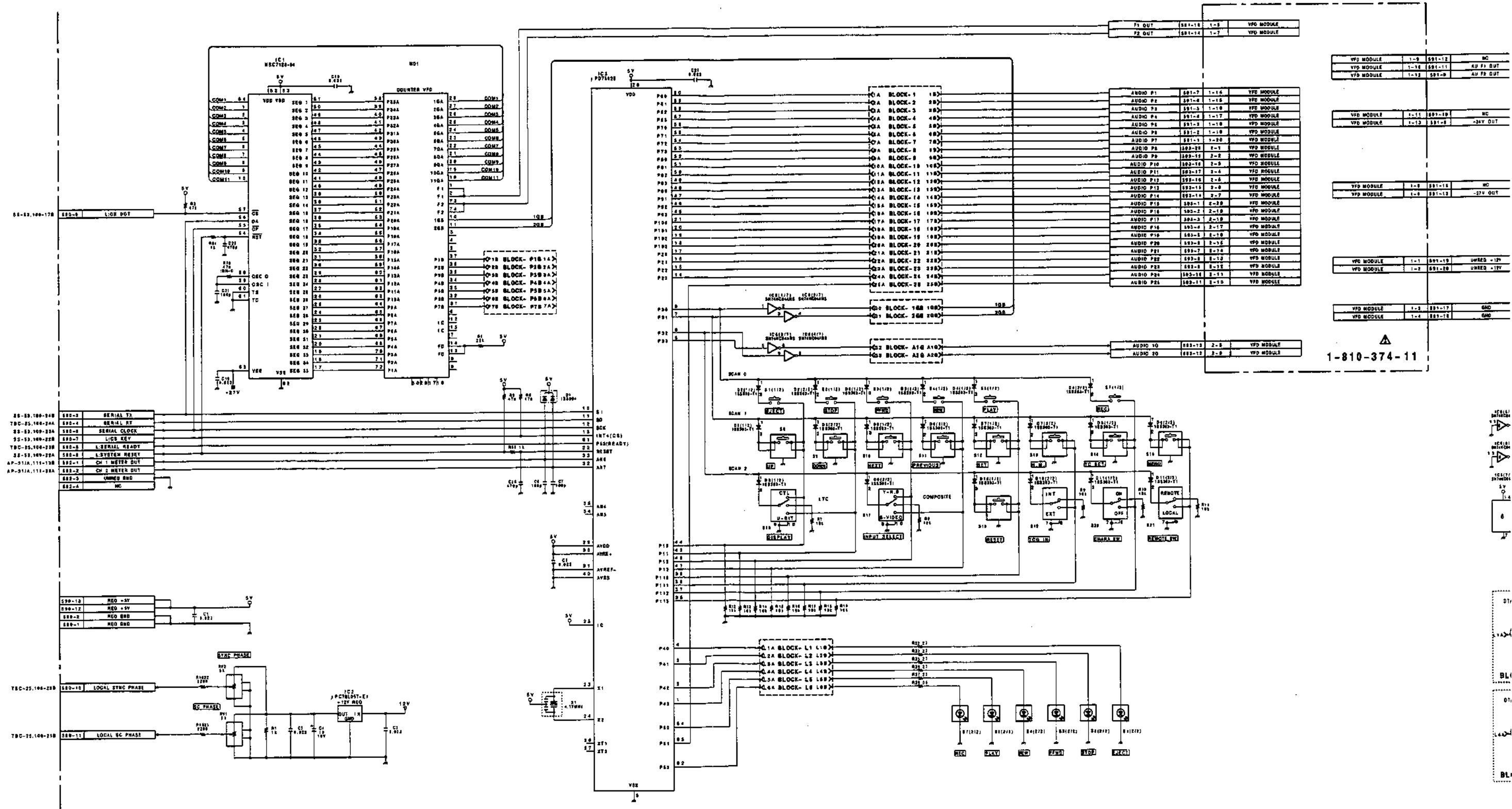


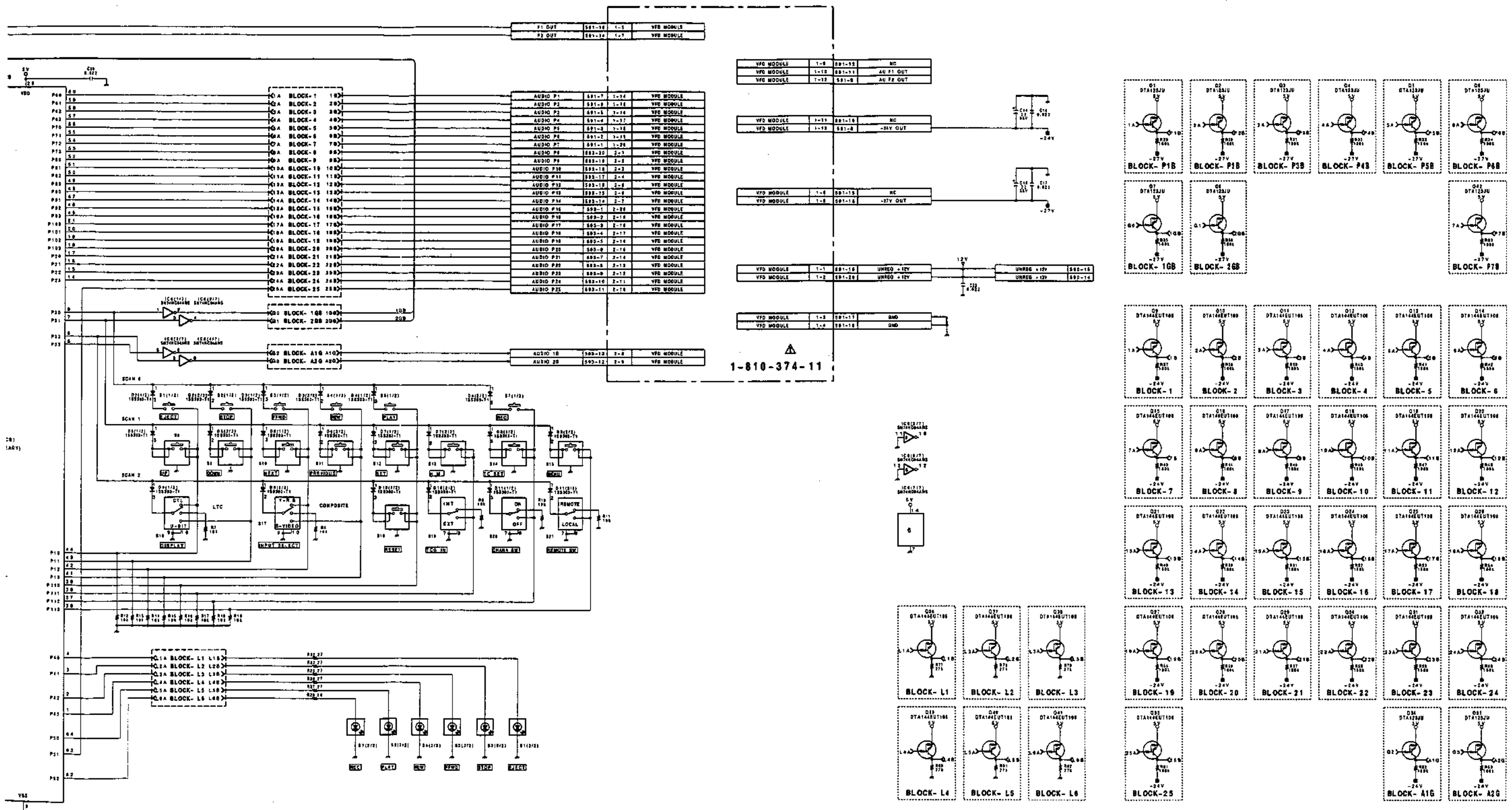
KY-249(1-648-914-11)

CN590	M-3	S8	H-2
CN591	D-1	S9	H-3
CN592	N-3	S10	H-3
CN593	B-1	S11	G-3
		S12	J-3
*D1	N-2	S13	G-3
*D2	K-1	S14	G-3
*D3	K-1	S15	G-2
*D4	K-1	S16	E-2
*D5	J-2	S17	F-2
*D6	J-2	S18	J-3
*D7	H-2	S19	E-3
*D8	H-2	S20	F-3
*D9	H-3	S21	E-2
*D10	J-3		
*D11	J-3	X1	N-2
IC1	L-3		
IC2	E-2		
IC3	M-2		
IC6	M-3		
ND1	E-2		
*Q1	D-3		
*Q2	D-3		
*Q3	D-2		
*Q4	D-2		
*Q5	D-2		
*Q6	D-2		
*Q7	B-2		
*Q8	C-2		
*Q9	D-1		
*Q10	D-1		
*Q11	D-1		
*Q12	D-1		
*Q13	D-1		
*Q14	D-1		
*Q15	E-1		
*Q16	A-1		
*Q17	B-1		
*Q18	B-1		
*Q19	B-1		
*Q20	B-1		
*Q21	B-1		
*Q22	B-1		
*Q23	D-1		
*Q24	D-1		
*Q25	C-1		
*Q26	C-1		
*Q27	C-1		
*Q28	C-1		
*Q29	C-1		
*Q30	C-1		
*Q31	C-1		
*Q32	C-1		
*Q33	B-1		
*Q34	B-1		
*Q35	B-1		
*Q36	N-1		
*Q37	M-1		
*Q38	M-1		
*Q39	N-1		
*Q40	M-1		
*Q41	M-1		
*Q42	D-2		
RV1	E-3		
RV2	D-3		
S1	K-1		
S2	P-1		
S3	N-1		
S4	L-1		
S5	M-1		
S7	P-1		

\*: B SIDE

KY-249;FUNCTION KEY





**KY-249 BOARD**

BOARD NO. 1-648-914-11  
UVW-1800(J); #10001-  
UVW-1800(UC); #10001-



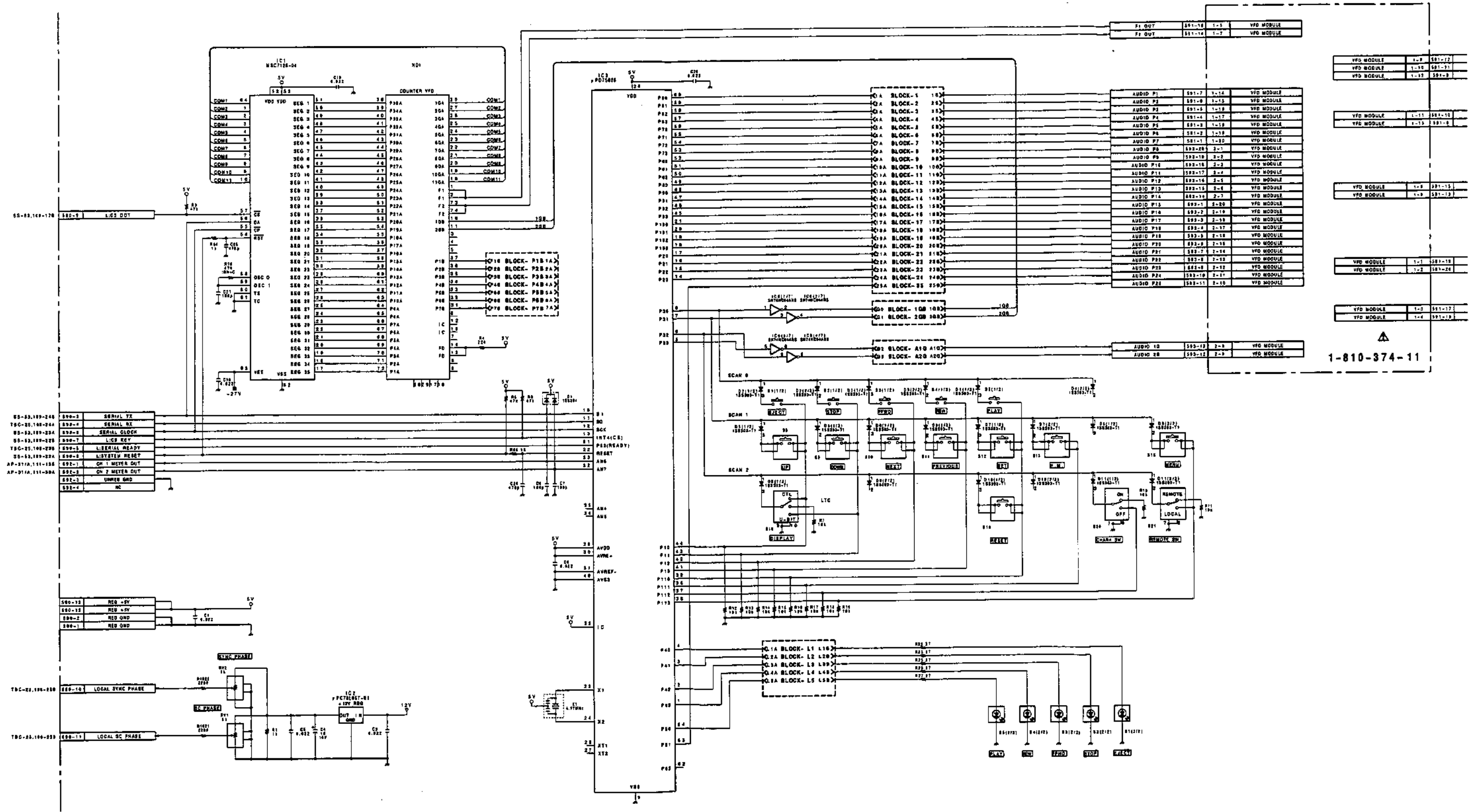
KY-249A(1-648-914-21)

CN590	M-3	S10	H-3
CN591	D-1	S11	G-3
CN592	N-3	S12	J-3
CN593	B-1	S13	Q-3
		S15	G-2
*D1	N-2	S16	E-2
*D2	K-1	S18	J-3
*D3	K-1	S20	F-3
*D4	K-1	S21	E-2
*D5	J-2		
*D6	J-2	X1	N-2
*D7	H-2		
*D8	H-2		
*D9	H-3		
*D10	J-3		
*D11	J-3		
IC1	L-3		
IC2	E-2		
IC3	M-2		
IC6	M-3		
ND1	E-2		
*Q1	D-3		
*Q2	D-3		
*Q3	D-2		
*Q4	D-2		
*Q5	D-2		
*Q6	D-2		
*Q7	B-2		
*Q8	C-2		
*Q9	D-1		
*Q10	D-1		
*Q11	D-1		
*Q12	D-1		
*Q13	D-1		
*Q14	D-1		
*Q15	E-1		
*Q16	A-1		
*Q17	B-1		
*Q18	B-1		
*Q19	B-1		
*Q20	B-1		
*Q21	B-1		
*Q22	B-1		
*Q23	D-1		
*Q24	D-1		
*Q25	C-1		
*Q26	C-1		
*Q27	C-1		
*Q28	C-1		
*Q29	C-1		
*Q30	C-1		
*Q31	C-1		
*Q32	C-1		
*Q33	B-1		
*Q34	B-1		
*Q35	B-1		
*Q36	N-1		
*Q37	M-1		
*Q38	M-1		
*Q39	N-1		
*Q40	M-1		
*Q42	D-2		
RV1	E-3		
RV2	D-3		
S1	K-1		
S2	P-1		
S3	N-1		
S4	L-1		
S5	M-1		
S8	H-2		
S9	H-3		

\*: B SIDE

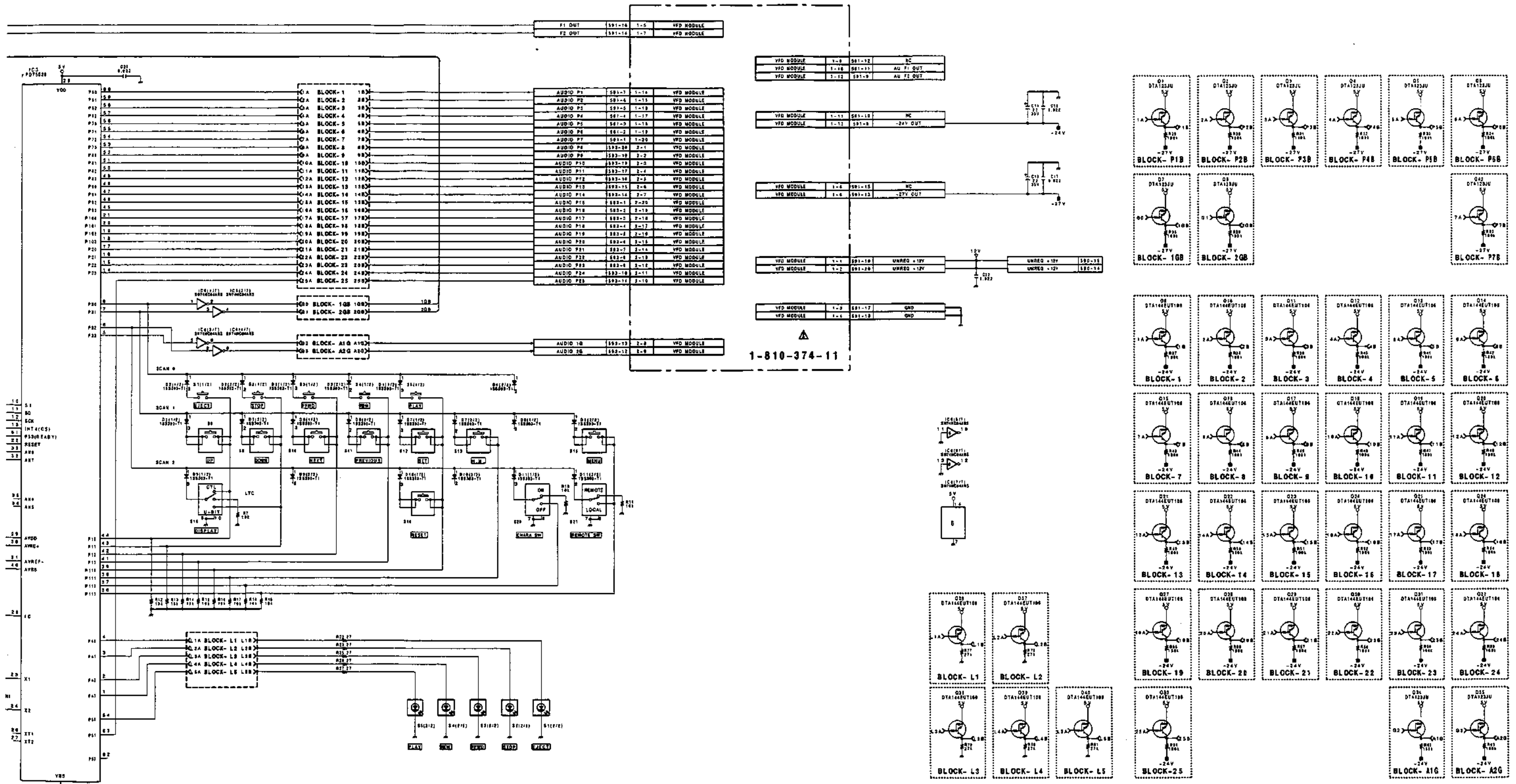


KY-249A;FUNCTION KEY



VFD MODULE	1-7	581-12
VFD MODULE	1-8	581-13
VFD MODULE	1-9	581-14
VFD MODULE	1-10	581-15
VFD MODULE	1-11	581-16
VFD MODULE	1-12	581-17
VFD MODULE	1-13	581-18
VFD MODULE	1-14	581-19
VFD MODULE	1-15	581-20
VFD MODULE	1-16	581-21
VFD MODULE	1-17	581-22
VFD MODULE	1-18	581-23
VFD MODULE	1-19	581-24
VFD MODULE	1-20	581-25
VFD MODULE	1-21	581-26
VFD MODULE	1-22	581-27
VFD MODULE	1-23	581-28
VFD MODULE	1-24	581-29
VFD MODULE	1-25	581-30
VFD MODULE	1-26	581-31
VFD MODULE	1-27	581-32

1-810-374-11



**KY-249A BOARD**

BOARD NO.1-648-914-21  
UVW-1600(J); f10001-  
UVW-1600(U); f10001-



MS-39/39A(1-648-909-11)

CN350 L-5  
CN351 F-1  
CN352 F-1  
CN353 J-5  
CN354 B-3  
CN355 D-3  
CN356 B-1  
CN357 J-1  
CN358 C-3  
CN359 K-5  
CN360 F-5  
CN361 G-5  
CN362 B-2  
CN363 G-4  
CN364 K-2

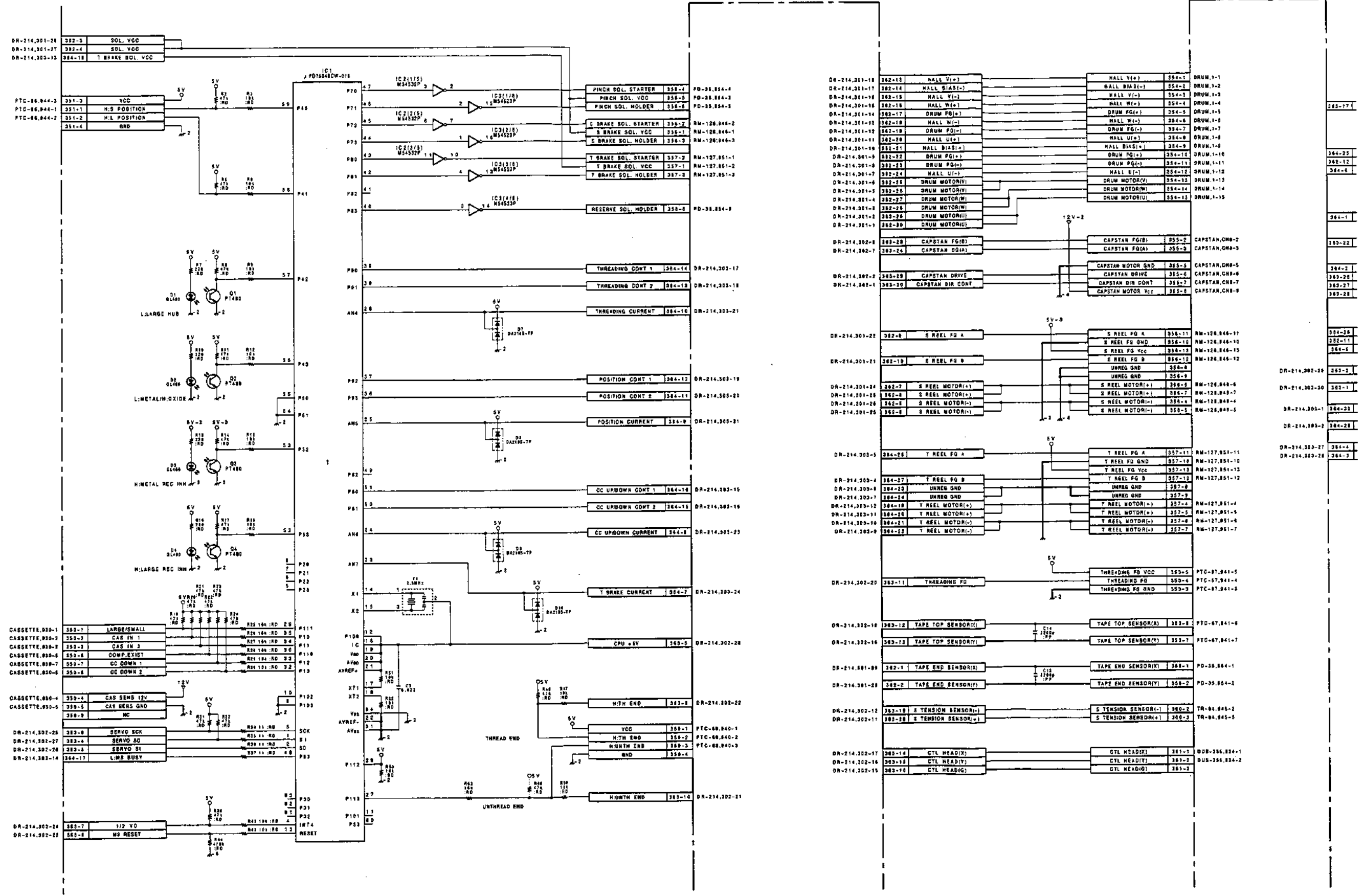
D1 F-2  
D2 F-2  
D3 B-2  
D4 M-2  
D7 K-1  
D8 K-1  
D9 K-1  
D10 L-1

IC1 H-4  
IC2 E-3  
IC3 D-3  
IC7 G-4  
IC8 G-3

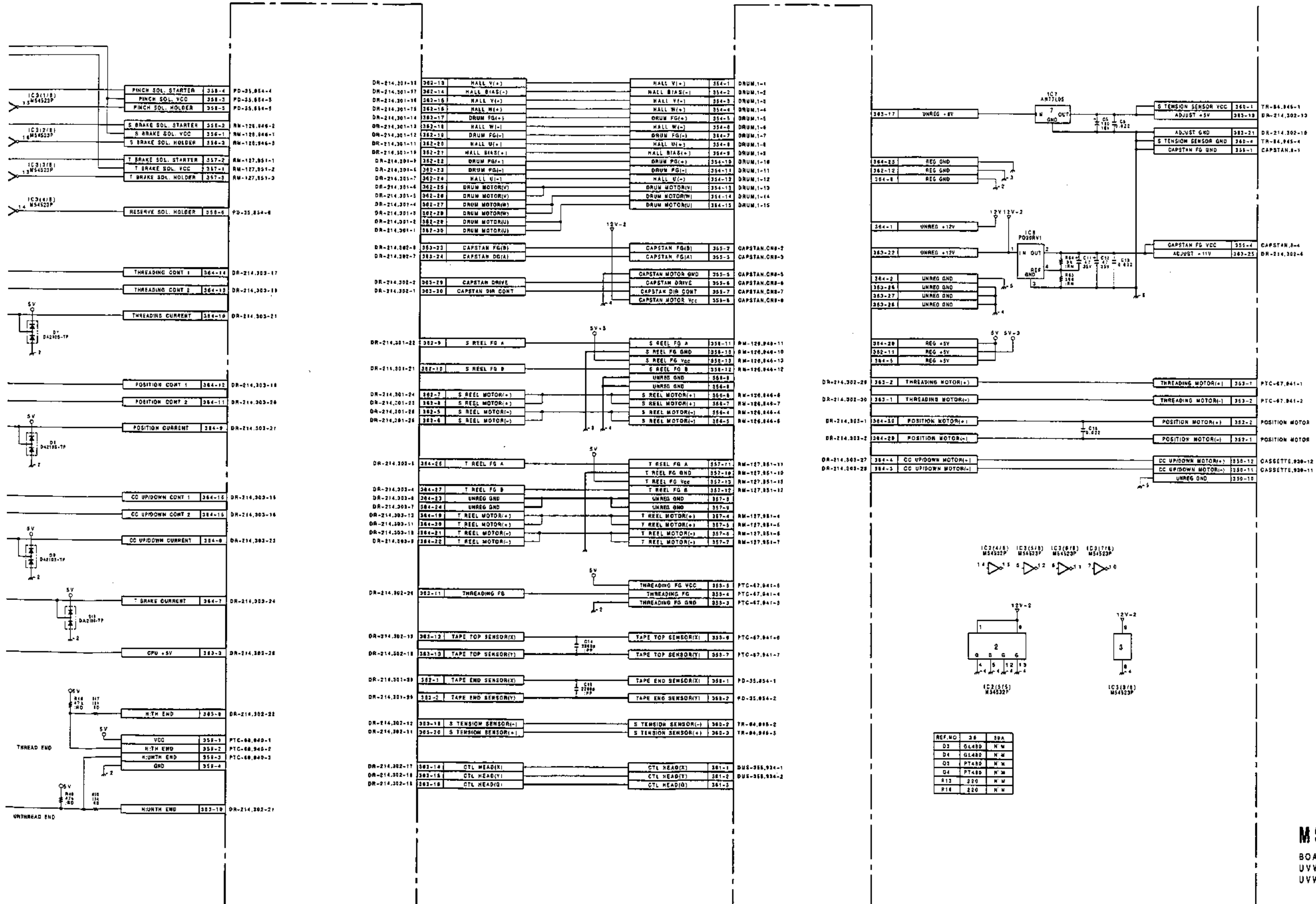
Q1 F-1  
Q2 F-1  
Q3 B-1  
Q4 M-1  
X1 J-4

\*: B SIDE  
\_: UVW-1800 ONLY

MS-39/39A;CASSETTE INFORMATION,SOLENOID DRIVER,MECHA.CONTROL MPU,DATA STRAGE

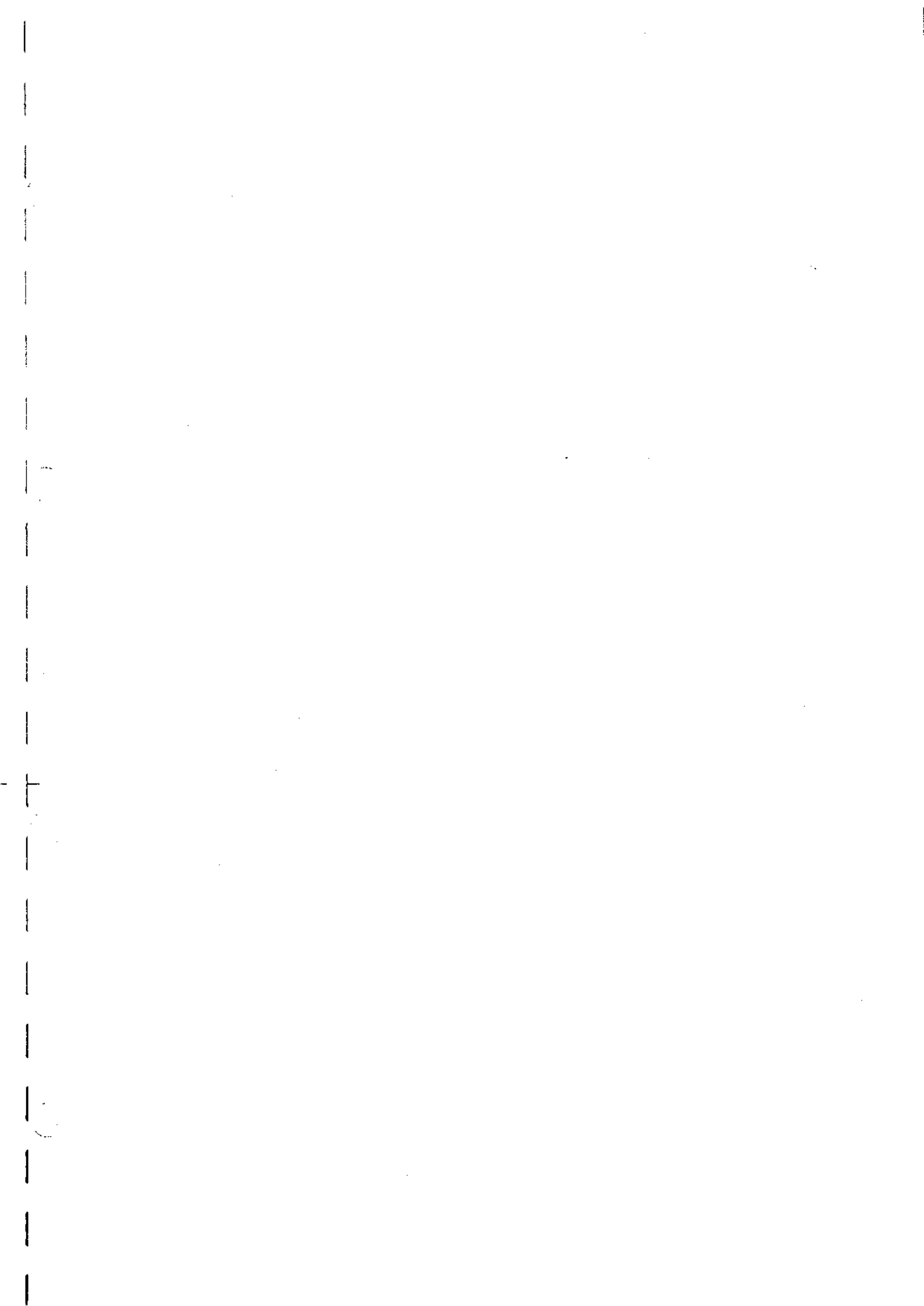


STRAGE



MS-39/39A BOARD

BOARD NO.1-648-908-11  
 UVW-1800/1600(J) :110001-  
 UVW-1800/1600(U):110001-



RP-70(1-648-904-11)

CN1	J-4	FS708	C-5
CN101	H-4	FS709	C-5
CN110	E-5	FS710	C-5
CN201	F-4	FS711	C-5
CN301	E-4	FS712	D-5
		FS713	E-5
*D701	D-2	FS714	F-5
*D702	D-5	FS715	G-5
*D703	D-3	FS716	J-5
*D704	D-4	FS717	D-1
		FS718	D-1
E1	J-1	FS719	D-1
E2	J-4	FS720	H-5
E201	F-1	FS721	G-5
E202	F-4	FS722	G-5
E601	B-1	FS723	D-1
		FS724	E-1
		FS725	H-5
		FS726	H-5
FS2	J-1	IC1	J-2
FS3	J-2	IC2	J-4
FS4	J-2	IC101	H-2
FS5	J-3	IC102	H-4
FS6	J-4	IC201	F-2
FS7	J-4	IC202	G-4
FS101	H-2	IC301	E-2
FS102	H-2	IC302	E-4
FS103	H-3	IC501	H-1
FS104	H-4	*IC502	G-1
FS105	H-4	*IC503	F-1
FS106	H-1	*IC601	A-3
FS201	F-1	*IC602	B-3
FS202	G-2	*IC701	D-2
FS203	F-2	IC702	D-1
FS204	F-3	IC703	D-5
FS205	G-4	IC704	D-4
FS206	F-4	*IC705	D-3
FS301	E-2	IC706	D-3
FS302	E-2	IC707	D-4
FS303	E-3	IC708	D-3
FS304	F-5		
FS305	E-4		
FS501	E-1		
FS503	F-1		
FS504	F-1	*Q1	J-1
FS505	G-1	*Q2	J-2
FS506	H-1	*Q3	J-2
FS507	H-1	*Q102	H-2
FS508	H-1	*Q103	H-2
FS509	H-1	*Q201	F-1
FS510	J-1	*Q202	F-2
FS511	J-1	*Q203	F-2
FS601	B-2	*Q302	E-2
FS602	B-2	*Q303	E-2
FS603	B-2	*Q501	H-1
FS604	B-3	Q601	A-2
FS605	B-3	Q602	A-3
FS606	B-4	Q603	A-3
FS607	B-4	Q604	A-3
FS609	A-2	Q605	B-2
FS610	A-3	Q606	B-3
FS611	B-3	Q607	B-3
FS612	B-4	Q608	B-3
FS613	A-4	*Q609	B-2
FS614	B-1	*Q610	B-2
FS615	A-5	Q611	B-2
FS616	B-5	*Q612	B-2
FS617	C-5	*Q613	B-1
FS618	C-5	*Q614	B-1
FS619	B-5	*Q615	B-2
FS620	B-5	*Q616	B-2
FS701	D-2	*Q617	B-2
FS702	D-3		
FS703	D-4	RV1	J-2
FS704	D-4	RV2	J-3
FS705	C-4	RV101	H-2
FS706	D-4	RV102	H-3
FS707	D-5	RV201	F-2

\*: B SIDE

RP-70A(1-648-904-21)

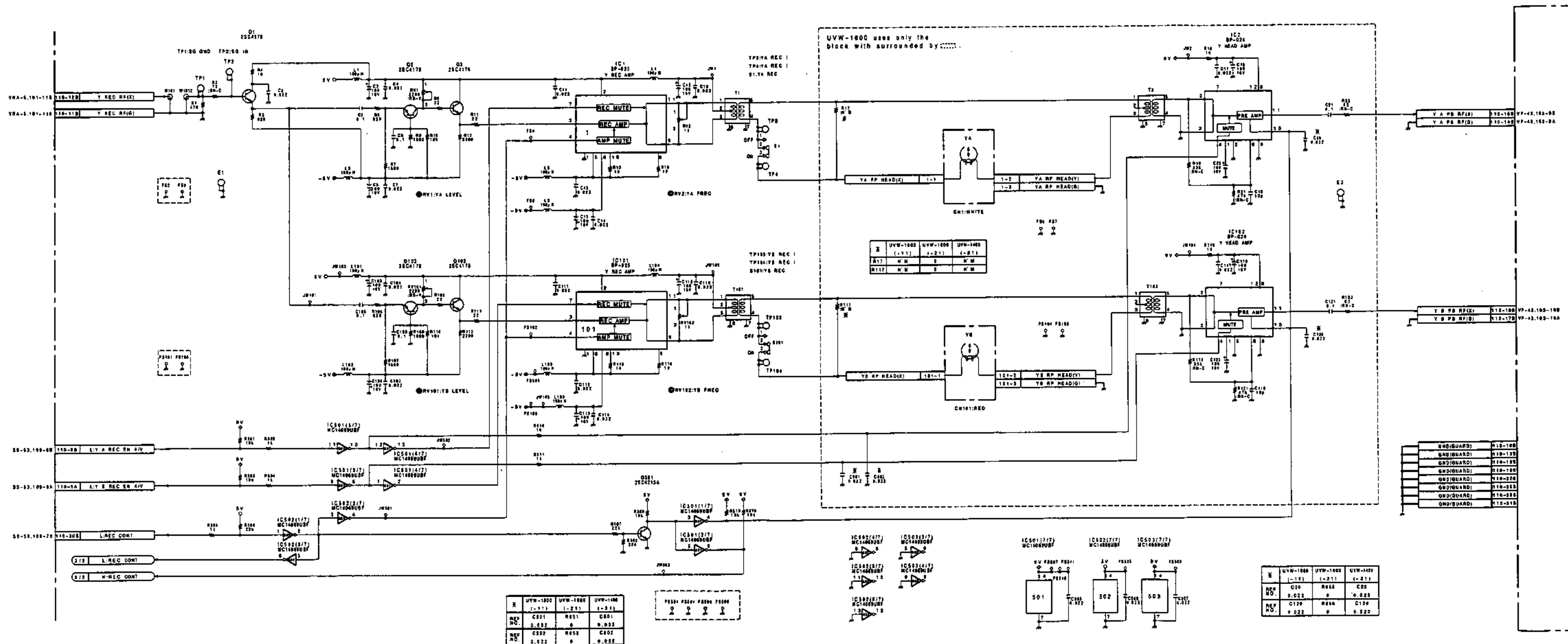
CN1	J-4
CN101	H-4
CN110	E-5
CN201	F-4
CN301	E-4
*D702	D-5
E2	J-4
E202	F-4
FS2	J-1
FS3	J-2
FS6	J-4
FS7	J-4
FS101	H-2
FS104	H-4
FS105	H-4
FS106	H-1
FS201	F-1
FS202	G-2
FS205	G-4
FS206	F-4
FS301	E-2
FS304	F-5
FS305	E-4
FS501	E-1
FS504	F-1
FS506	H-1
FS509	H-1
FS614	B-1
FS615	A-5
FS616	B-5
FS617	C-5
FS618	C-5
FS619	B-5
FS620	B-5
FS701	D-2
FS702	D-3
FS703	D-4
FS704	D-4
FS705	C-4
FS706	D-4
FS707	D-5
FS709	C-5
FS710	C-5
FS716	J-5
FS720	H-5
FS721	G-5
FS722	G-5
FS723	D-1
FS725	H-5
FS726	H-5
IC2	J-4
IC102	H-4
IC202	G-4
IC302	E-4
IC703	D-5
IC704	D-4
T2	J-4
T102	H-4
T202	G-4
T302	F-4

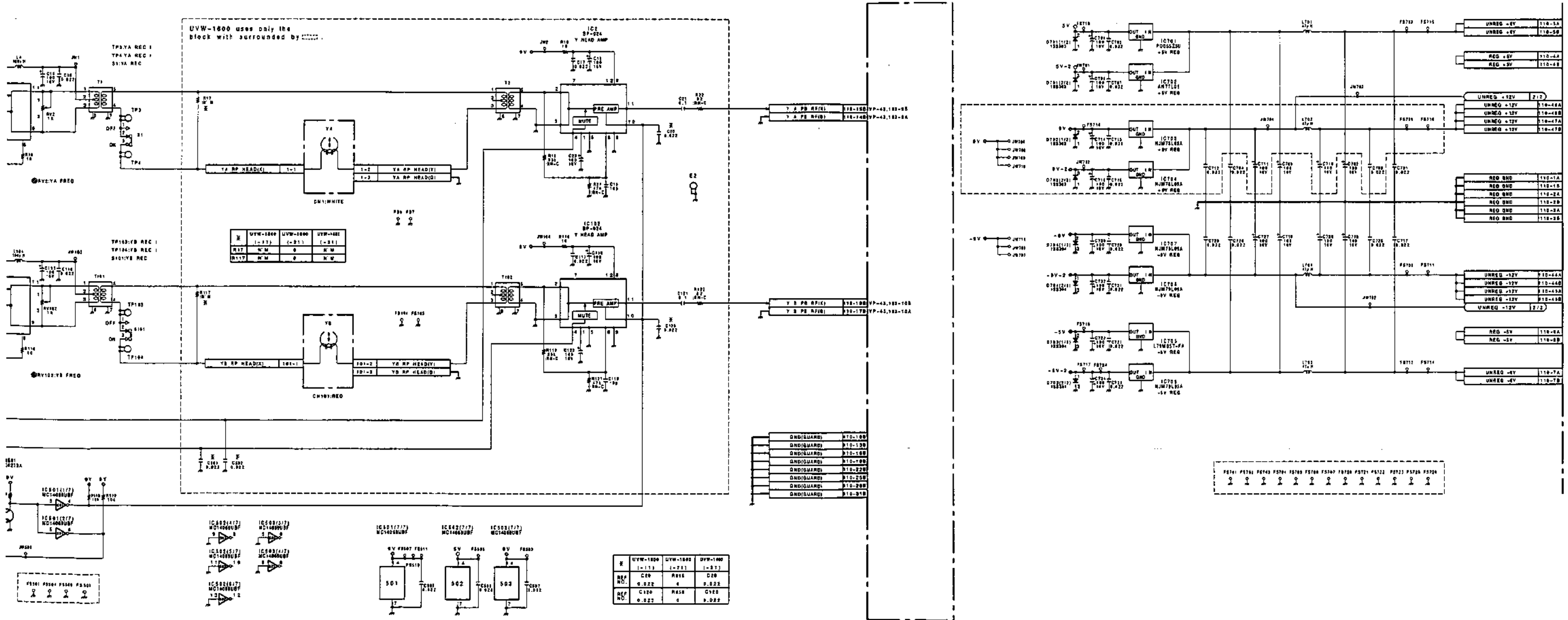
\*: B SIDE



RP-70/70A(1/2) RP-70/70A(1/2)

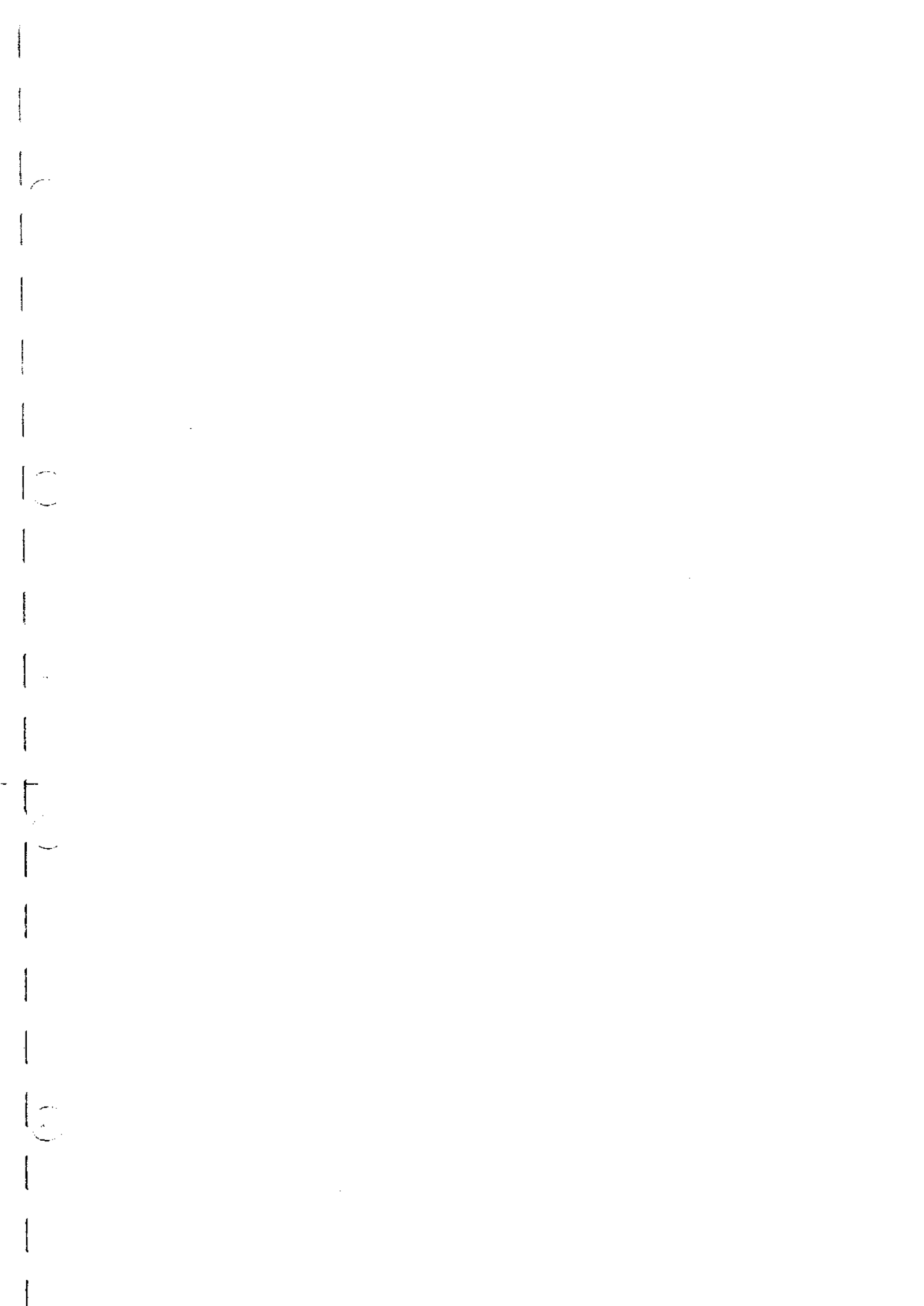
RP-70(1/2); Y RF REC/PB  
 RP-70A(1/2); Y RF PB





RP-70/70A BOARD (1/2)

BOARD NO.1-848-804-11,21  
 UW-1600/1600(J):#10001-  
 UW-1800/1600(UC):#10001-



RP-70(1-648-904-11)

CN1	J-4	FS708	C-5
CN101	H-4	FS709	C-5
CN110	E-5	FS710	C-5
CN201	F-4	FS711	C-5
CN301	E-4	FS712	D-5
		FS713	E-5
*D701	D-2	FS714	F-5
*D702	D-5	FS715	G-5
*D703	D-3	FS716	J-5
*D704	D-4	FS717	D-1
		FS718	D-1
E1	J-1	FS719	D-1
E2	J-4	FS720	H-5
E201	F-1	FS721	G-5
E202	F-4	FS722	G-5
E601	B-1	FS723	D-1
		FS724	E-1
FS2	J-1	FS725	H-5
FS3	J-2	FS726	H-5
FS4	J-2		
FS5	J-3	IC1	J-2
FS6	J-4	IC2	J-4
FS7	J-4	IC101	H-2
FS101	H-2	IC102	H-4
FS102	H-2	IC201	F-2
FS103	H-3	IC202	G-4
FS104	H-4	IC301	E-2
FS105	H-4	IC302	E-4
FS106	H-1	*IC501	H-1
FS201	F-1	*IC502	G-1
FS202	G-2	*IC503	F-1
FS203	F-2	*IC601	A-3
FS204	F-3	*IC602	B-3
FS205	G-4	*IC701	D-2
FS206	F-4	IC702	D-1
FS301	E-2	IC703	D-5
FS302	E-2	IC704	D-4
FS303	E-3	*IC705	D-3
FS304	F-5	IC706	D-3
FS305	E-4	IC707	D-4
FS501	E-1	IC708	D-3
FS503	F-1		
FS504	F-1	*Q1	J-1
FS505	G-1	*Q2	J-2
FS506	H-1	*Q3	J-2
FS507	H-1	*Q102	H-2
FS508	H-1	*Q103	H-2
FS509	H-1	*Q201	F-1
FS510	J-1	*Q202	F-2
FS511	J-1	*Q203	F-2
FS601	B-2	*Q302	E-2
FS602	B-2	*Q303	E-2
FS603	B-2	*Q501	H-1
FS604	B-3	Q601	A-2
FS605	B-3	Q602	A-3
FS606	B-4	Q603	A-3
FS607	B-4	Q604	A-3
FS609	A-2	Q605	B-2
FS610	A-3	Q606	B-3
FS611	B-3	Q607	B-3
FS612	B-4	Q608	B-3
FS613	A-4	*Q609	B-2
FS614	B-1	*Q610	B-2
FS615	A-5	Q611	B-2
FS616	B-5	*Q612	B-2
FS617	C-5	*Q613	B-1
FS618	C-5	*Q614	B-1
FS619	B-5	*Q615	B-2
FS620	B-5	*Q616	B-2
FS701	D-2	*Q617	B-2
FS702	D-3		
FS703	D-4	RV1	J-2
FS704	D-4	RV2	J-3
FS705	C-4	RV101	H-2
FS706	D-4	RV102	H-3
FS707	D-5	RV201	F-2

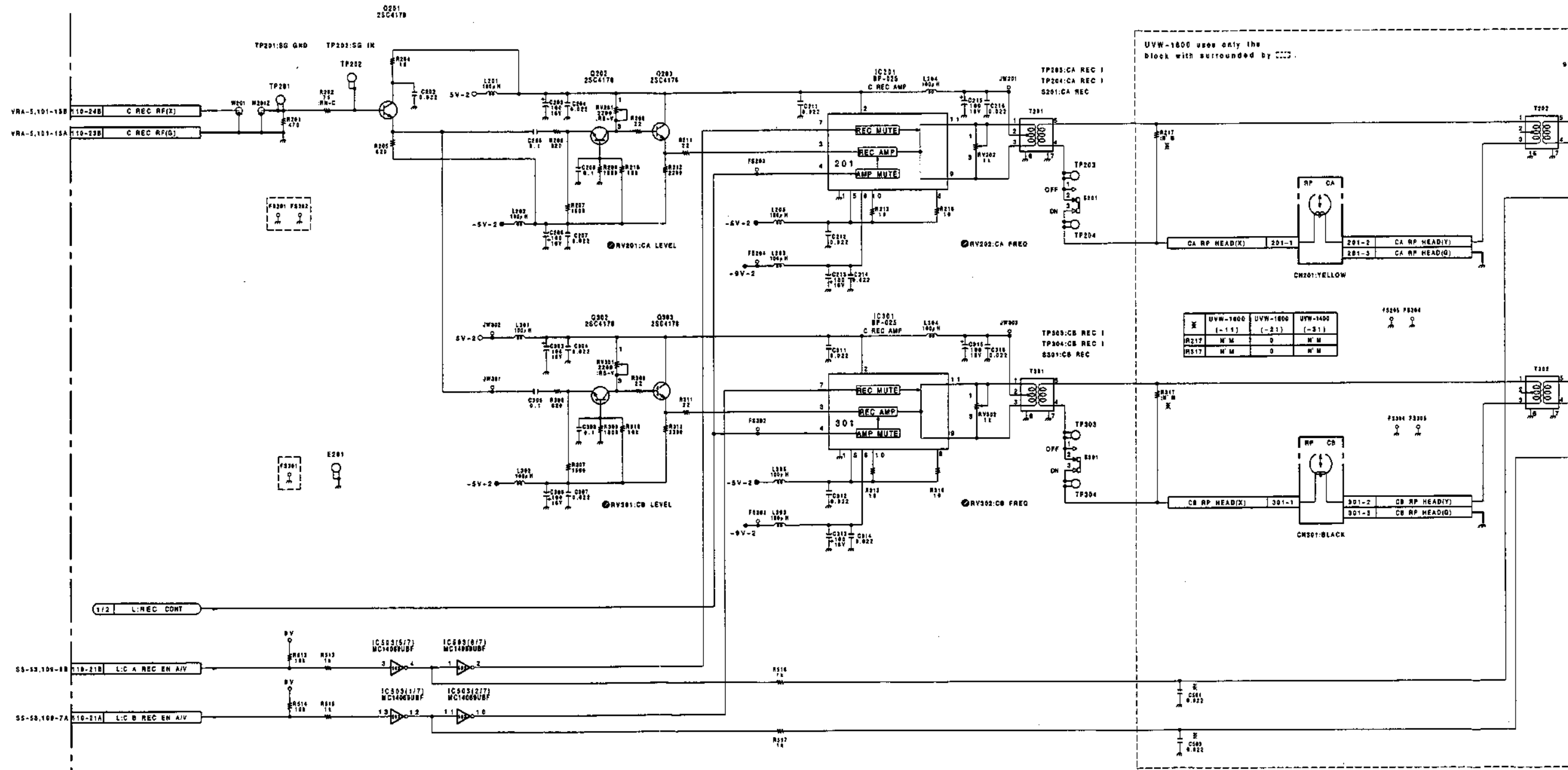
\*: B SIDE

RP-70A(1-648-904-21)

CN1	J-4
CN101	H-4
CN110	E-5
CN201	F-4
CN301	E-4
*D702	D-5
E2	J-4
E202	F-4
FS2	J-1
FS3	J-2
FS6	J-4
FS7	J-4
FS101	H-2
FS104	H-4
FS105	H-4
FS106	H-1
FS201	F-1
FS202	G-2
FS205	G-4
FS206	F-4
FS301	E-2
FS304	F-5
FS305	E-4
FS501	E-1
FS504	F-1
FS506	H-1
FS509	H-1
FS614	B-1
FS615	A-5
FS616	B-5
FS617	C-5
FS618	D-5
FS619	B-5
FS620	B-5
FS701	D-2
FS702	D-3
FS703	D-4
FS704	D-4
FS705	C-4
FS706	D-4
FS707	D-5
FS709	C-5
FS710	C-5
FS716	J-5
FS720	H-5
FS721	G-5
FS722	G-5
FS723	D-1
FS725	H-5
FS726	H-5
IC2	J-4
IC102	H-4
IC202	G-4
IC302	E-4
IC703	D-5
IC704	D-4
T2	J-4
T102	H-4
T202	G-4
T302	F-4

\*: B SIDE

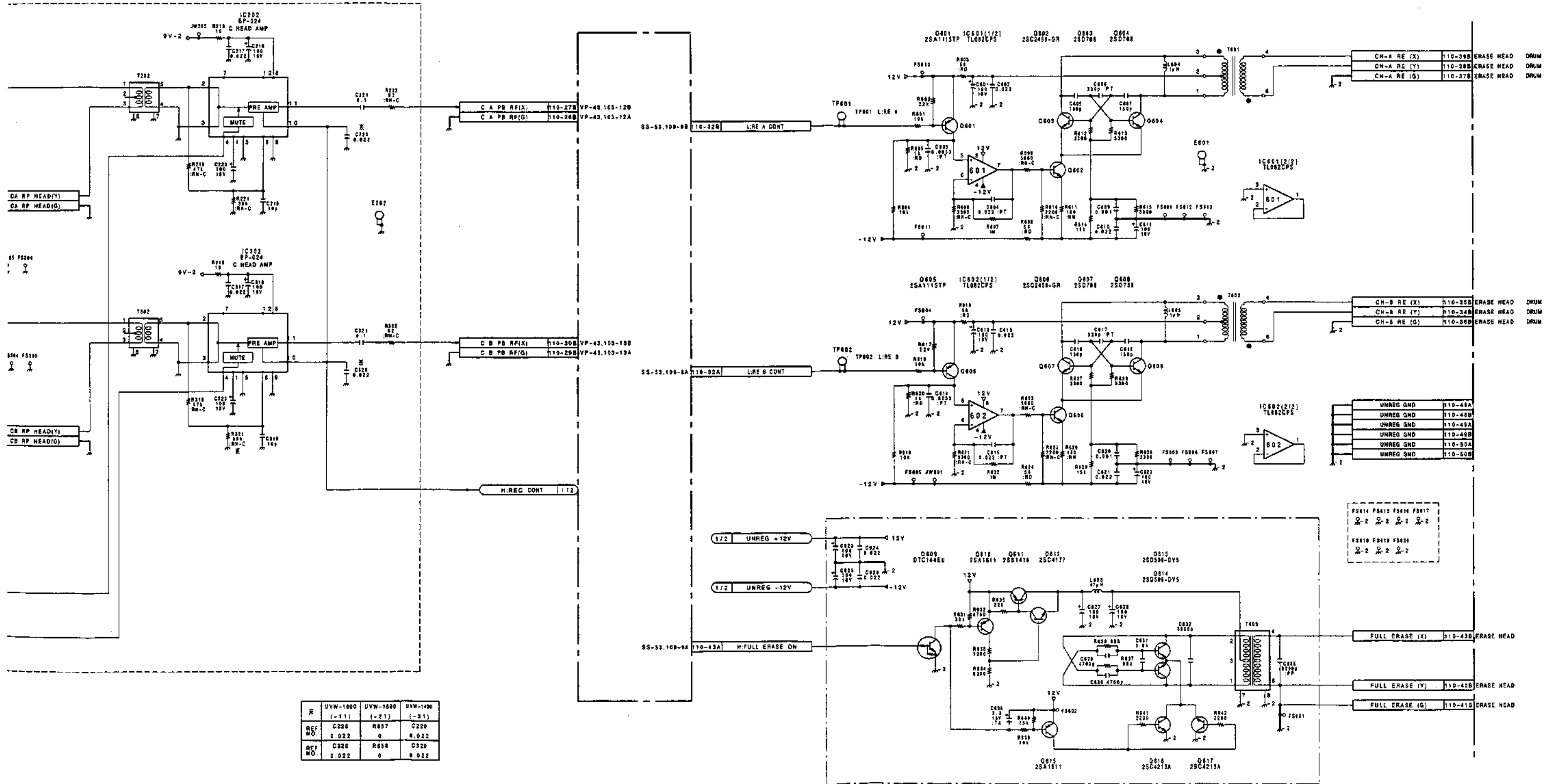
RP-70(2/2) ;C RF REC/PB,ROTARY/FULL ERASE OSC  
 RP-70A(2/2);C RF PB



UVW-1800 users only the block with surrounded by ----.

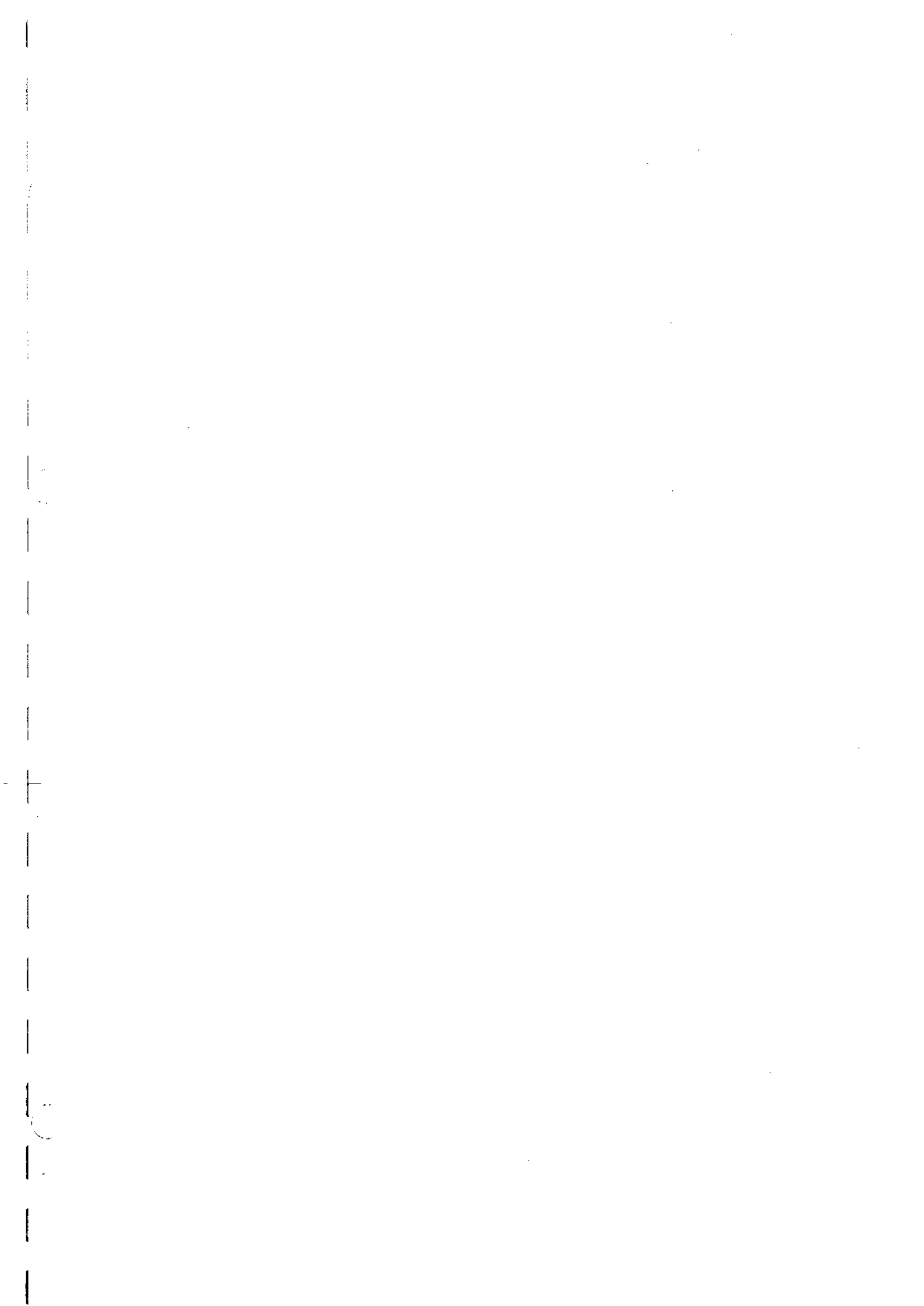
X	UVW-1800 (-11)	UVW-1800 (-21)	UVW-1400 (-31)
R217	N M	0	N M
R317	N M	0	N M

X	UVW-1800 (-11)	UVW-1800 (-21)	UVW-1400 (-31)
REF. NO.	C503	R333	C500
	0.022	0	0.022
REF. NO.	C504	R354	C504
	0.022	0	0.022



RP-70/70A BOARD (2/2)

BOARD NO. 1-648-904-11,21  
 UVW-1800/1600(J);#10001-  
 UVW-1800/1600(U);#10001-



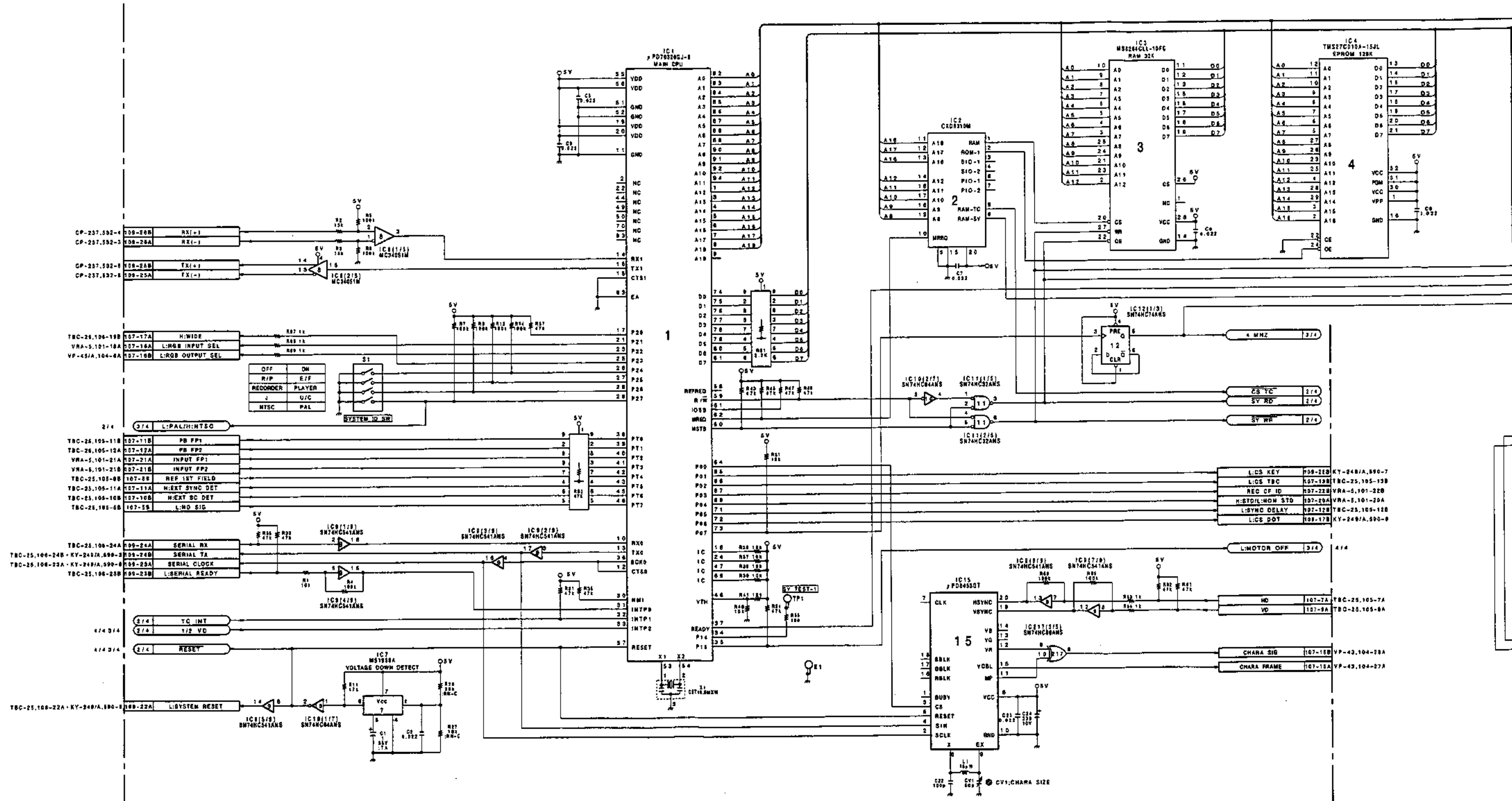
SS-53(1-648-903-11)

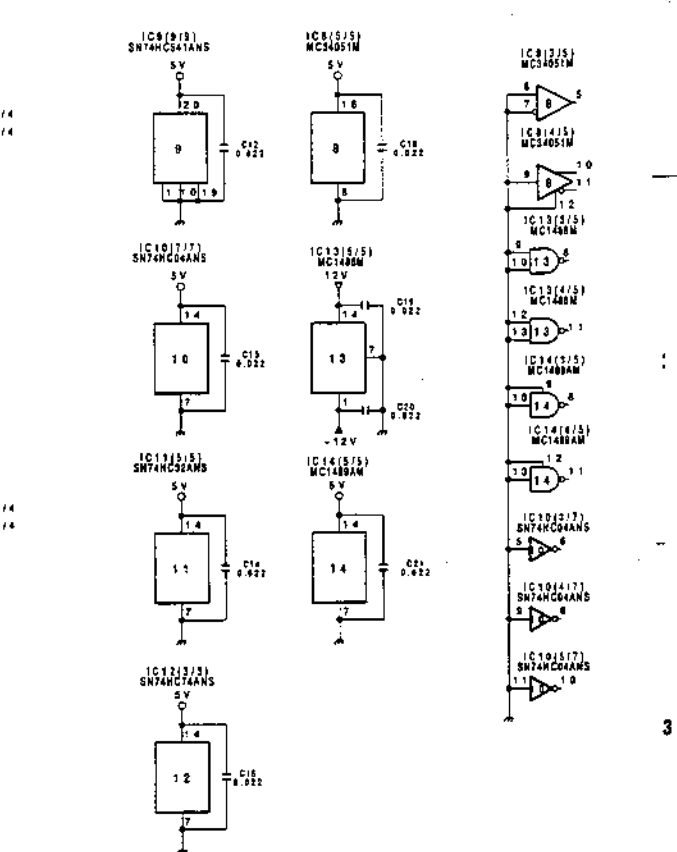
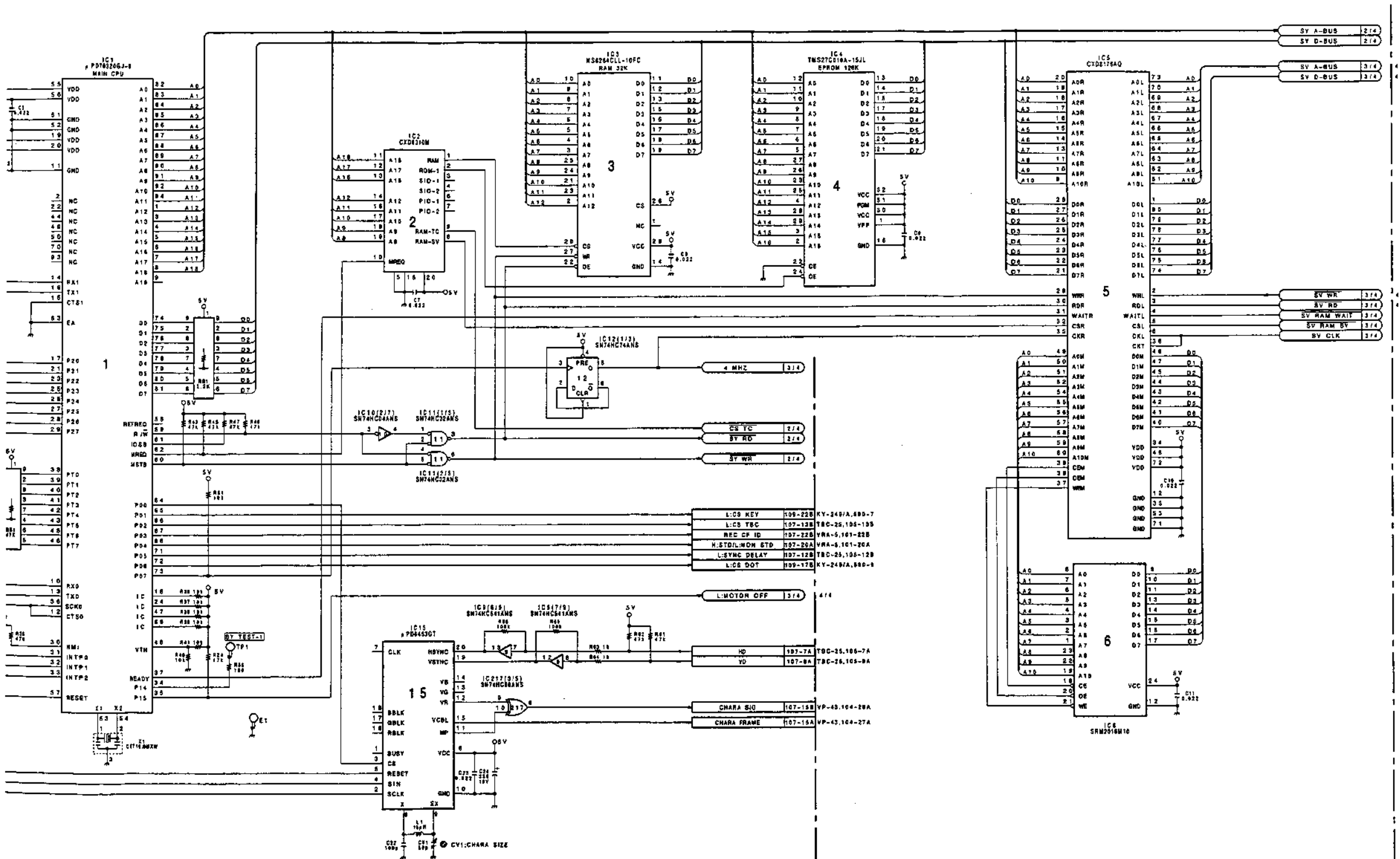
CNI4	K-3	IC223	J-4
CNI212	C-2	IC224	J-3
		IC225	J-3
CN1	E-1	IC226	C-4
CN2	F-1	IC227	A-2
CN3	P-1	IC228	F-2
CN107	N-6	IC229	L-3
CN108	K-6	IC230	H-3
CN109	C-6	IC231	L-3
		IC232	L-4
CV1	N-1	IC233	M-3
*D100	A-5	PS1	L-5
*D101	A-5	PS2	M-5
*D102	A-5		
*D103	A-5	*Q105	B-5
*D104	A-5	*Q106	B-5
*D105	B-4	*Q107	B-4
*D200	E-3	*Q108	B-5
*D201	E-3	*Q204	D-5
*D202	E-3	*Q205	D-5
*D203	E-3	*Q206	D-5
*D204	E-3	*Q207	D-5
*D205	E-2	*Q208	D-5
*D206	F-3	*Q209	D-5
*D207	F-3	*Q210	J-3
*D208	E-3	*Q211	J-3
*D210	G-4		
*D211	E-2	*RB1	P-3
*D213	E-3	*RB2	R-2
*D214	J-6	*RB201	E-1
*D215	J-5	*RB202	B-1
		*RB203	K-4
E1	N-1		
E200	E-4	S1	R-4
E201	D-1	S201	B-1
E202	J-1		
		TP1	R-2
IC1	P-3	TP100	A-4
IC2	N-3	TP103	B-4
IC3	N-3	TP201	A-2
IC4	K-3	TP202	A-2
IC5	L-1	TP203	D-1
IC6	M-2	TP205	H-3
IC7	R-1	TP206	G-3
IC8	R-5	TP207	F-4
IC9	P-5	TP211	G-2
IC10	R-2	TP216	H-2
IC11	P-2	TP217	G-3
IC12	N-2	TP219	D-1
IC15	N-2	TP223	H-2
IC100	A-3	TP224	J-2
IC101	A-5	TP225	C-1
IC102	A-5		
IC103	B-5	X1	R-2
IC200	E-3	X101	A-3
IC201	F-4	X200	G-1
IC202	E-2		
IC203	E-3		
IC204	D-4		
IC206	E-3		
IC207	D-3		
IC208	D-3		
IC209	D-3		
IC210	D-3		
IC211	B-2		
IC212	C-2		
IC213	C-3		
IC214	E-3		
IC215	G-3		
IC216	G-3		
IC217	G-3		
IC219	H-1		
IC220	J-3		
IC221	J-4		
IC222	J-3		

\*: B SIDE

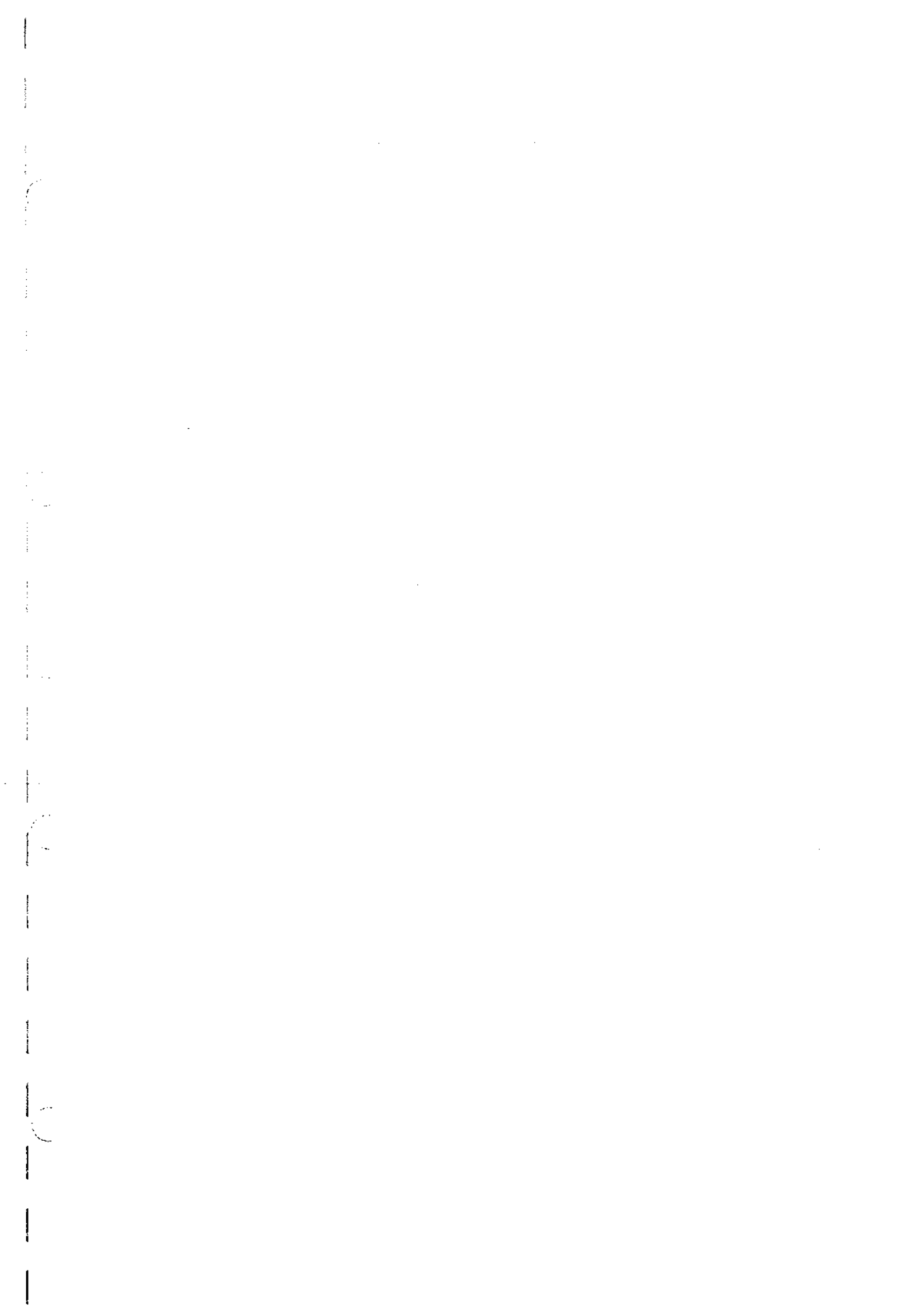


SS-53(1/4);SYSCON MAIN





**SS-53 BOARD (1/4)**  
 BOARD NO.1-648-903-11  
 UVW-1800/1600(J) :#10001-  
 UVW-1800/1600(UC):#10001-

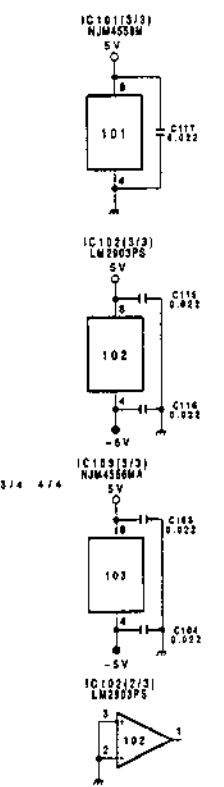
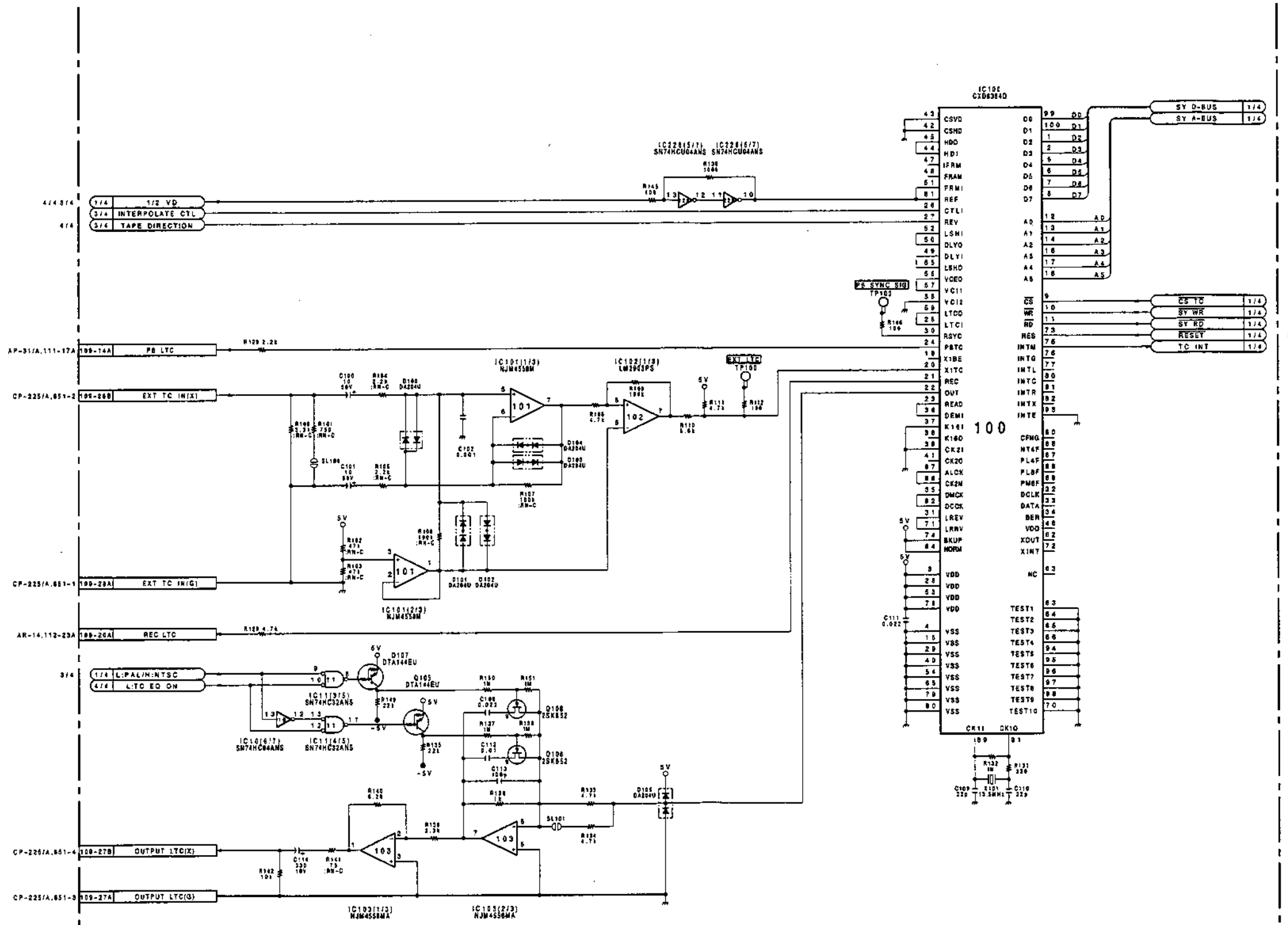


SS-53(1-648-903-11)

CNI4	K-3	IC223	J-4
CNI212	C-2	IC224	J-3
		IC225	J-3
CN1	E-1	IC226	C-4
CN2	F-1	IC227	A-2
CN3	P-1	IC228	F-2
CN107	N-6	IC229	L-3
CN108	K-6	IC230	H-3
CN109	C-6	IC231	L-3
		IC232	L-4
		IC233	M-3
CV1	N-1		
*D100	A-5	PS1	L-5
*D101	A-5	PS2	M-5
*D102	A-5		
*D103	A-5	*Q105	B-5
*D104	A-5	*Q106	B-5
*D105	B-4	*Q107	B-4
*D200	E-3	*Q108	B-5
*D201	E-3	*Q204	D-5
*D202	E-3	*Q205	D-5
*D203	E-3	*Q206	D-5
*D204	E-3	*Q207	D-5
*D205	E-2	*Q208	D-5
*D206	F-3	*Q209	D-5
*D207	F-3	*Q210	J-3
*D208	E-3	*Q211	J-3
*D210	G-4		
*D211	E-2	*RB1	P-3
*D213	E-3	*RB2	R-2
*D214	J-6	*RB201	E-1
*D215	J-5	*RB202	B-1
		*RB203	K-4
E1	N-1		
E200	E-4	S1	R-4
E201	D-1	S201	B-1
E202	J-1		
		TP1	R-2
IC1	P-3	TP100	A-4
IC2	N-3	TP103	B-4
IC3	N-3	TP201	A-2
IC4	K-3	TP202	A-2
IC5	L-1	TP203	D-1
IC6	M-2	TP205	H-3
IC7	R-1	TP206	G-3
IC8	R-5	TP207	F-4
IC9	P-5	TP211	G-2
IC10	R-2	TP216	H-2
IC11	P-2	TP217	G-3
IC12	N-2	TP219	D-1
IC15	N-2	TP223	H-2
IC100	A-3	TP224	J-2
IC101	A-5	TP225	C-1
IC102	A-5		
IC103	B-5	X1	R-2
IC200	E-3	X101	A-3
IC201	F-4	X200	G-1
IC202	E-2		
IC203	E-3		
IC204	D-4		
IC206	E-3		
IC207	D-3		
IC208	D-3		
IC209	D-3		
IC210	D-3		
IC211	B-2		
IC212	C-2		
IC213	C-3		
IC214	E-3		
IC215	G-3		
IC216	G-3		
IC217	G-3		
IC219	H-1		
IC220	J-3		
IC221	J-4		
IC222	J-3		

\*: B SIDE

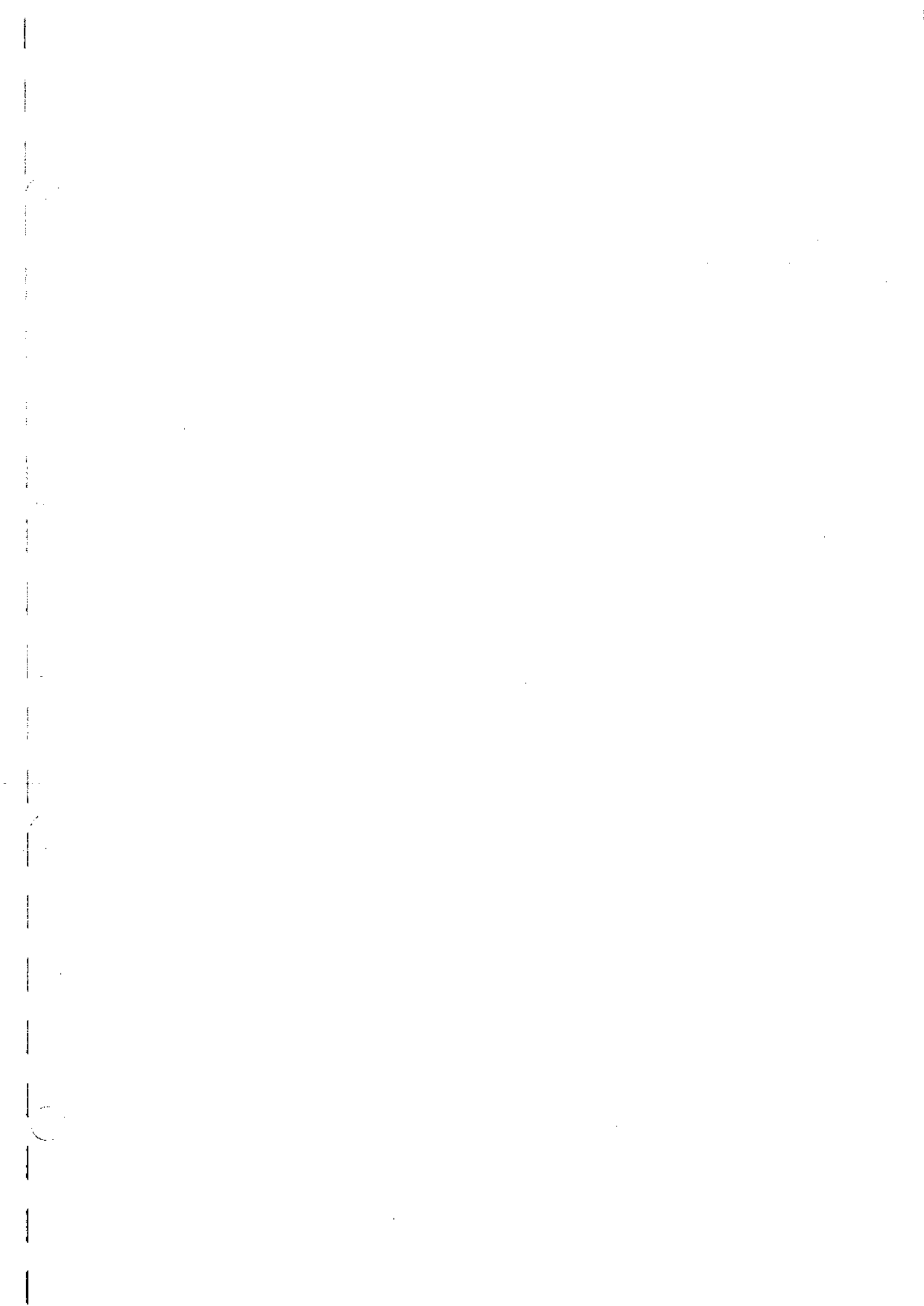
SS-53(2/4);TC GENERATOR/READER



SS-53 BOARD (2/4)

BOARD NO.1-648-903-11  
UVW-1800/1600(J);#10001-  
UVW-1800/1600(UC);#10001-





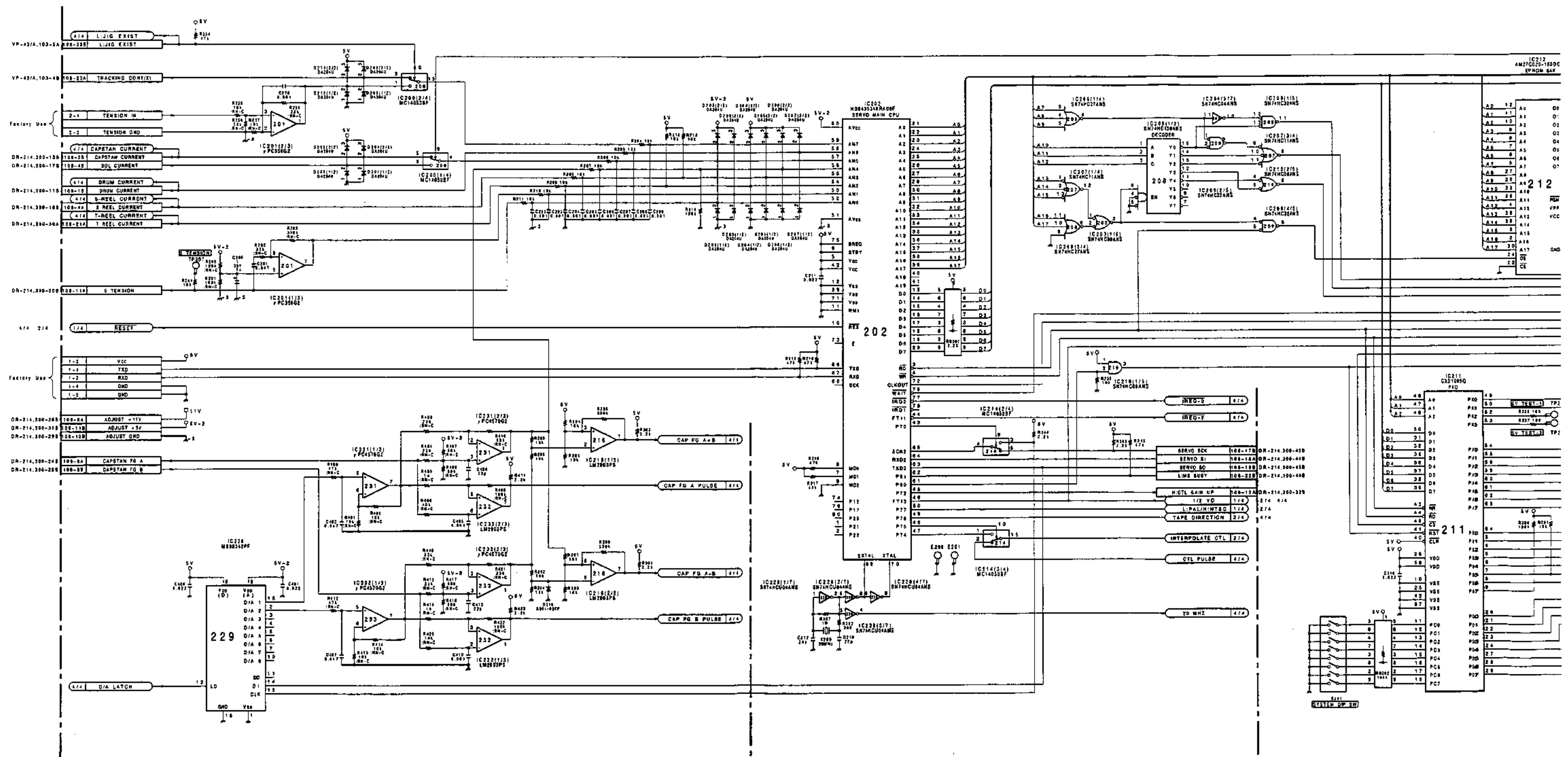
SS-53(1-648-903-11)

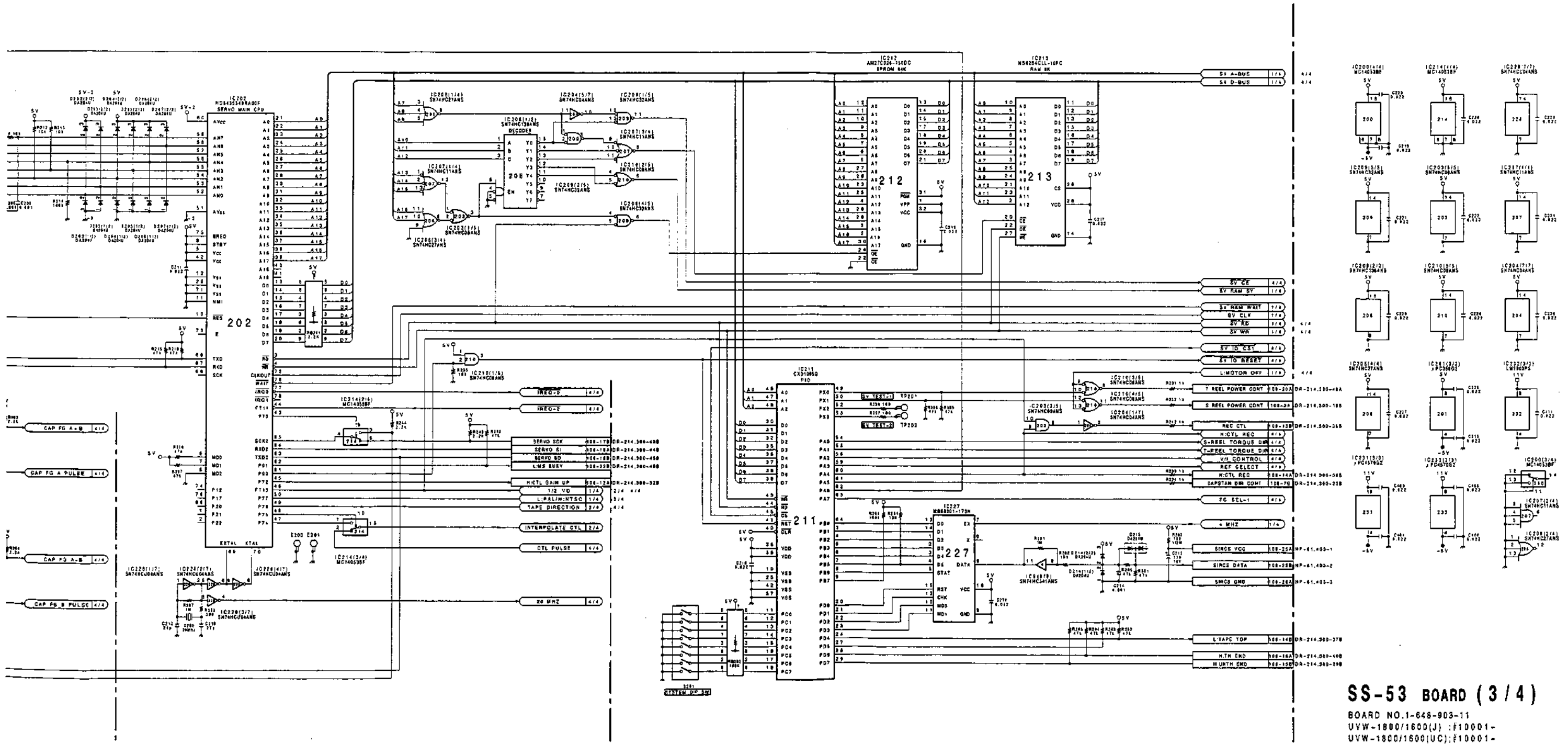
CN4	K-3	IC223	J-4
CN1212	C-2	IC224	J-3
		IC225	J-3
CN1	E-1	IC226	C-4
CN2	F-1	IC227	A-2
CN3	P-1	IC228	F-2
CN107	N-6	IC229	L-3
CN108	K-6	IC230	H-3
CN109	C-6	IC231	L-3
		IC232	L-4
CV1	N-1	IC233	M-3
*D100	A-5	PS1	L-5
*D101	A-5	PS2	M-5
*D102	A-5		
*D103	A-5	*Q105	B-5
*D104	A-5	*Q106	B-5
*D105	B-4	*Q107	B-4
*D200	E-3	*Q108	B-5
*D201	E-3	*Q204	D-5
*D202	E-3	*Q205	D-5
*D203	E-3	*Q206	D-5
*D204	E-3	*Q207	D-5
*D205	E-2	*Q208	D-5
*D206	F-3	*Q209	D-5
*D207	F-3	*Q210	J-3
*D208	E-3	*Q211	J-3
*D210	G-4		
*D211	E-2	*RB1	P-3
*D213	E-3	*RB2	R-2
*D214	J-6	*RB201	E-1
*D215	J-5	*RB202	B-1
		*RB203	K-4
E1	N-1		
E200	E-4	S1	R-4
E201	D-1	S201	B-1
E202	J-1		
IC1	P-3	TP1	R-2
IC2	N-3	TP100	A-4
IC3	N-3	TP103	B-4
IC4	K-3	TP201	A-2
IC5	L-1	TP202	A-2
IC6	M-2	TP203	D-1
IC7	R-1	TP205	H-3
IC8	R-5	TP206	G-3
IC9	P-5	TP207	F-4
IC10	R-2	TP211	G-2
IC11	P-2	TP216	H-2
IC12	N-2	TP217	G-3
IC15	N-2	TP219	D-1
IC100	A-3	TP223	H-2
IC101	A-5	TP224	J-2
IC102	A-5	TP225	C-1
IC103	B-5		
IC200	E-3	X1	R-2
IC201	F-4	X101	A-3
IC202	E-2	X200	G-1
IC203	E-3		
IC204	D-4		
IC206	E-3		
IC207	D-3		
IC208	D-3		
IC209	D-3		
IC210	D-3		
IC211	B-2		
IC212	C-2		
IC213	C-3		
IC214	E-3		
IC215	G-3		
IC216	G-3		
IC217	G-3		
IC219	H-1		
IC220	J-3		
IC221	J-4		
IC222	J-3		

\*: B SIDE

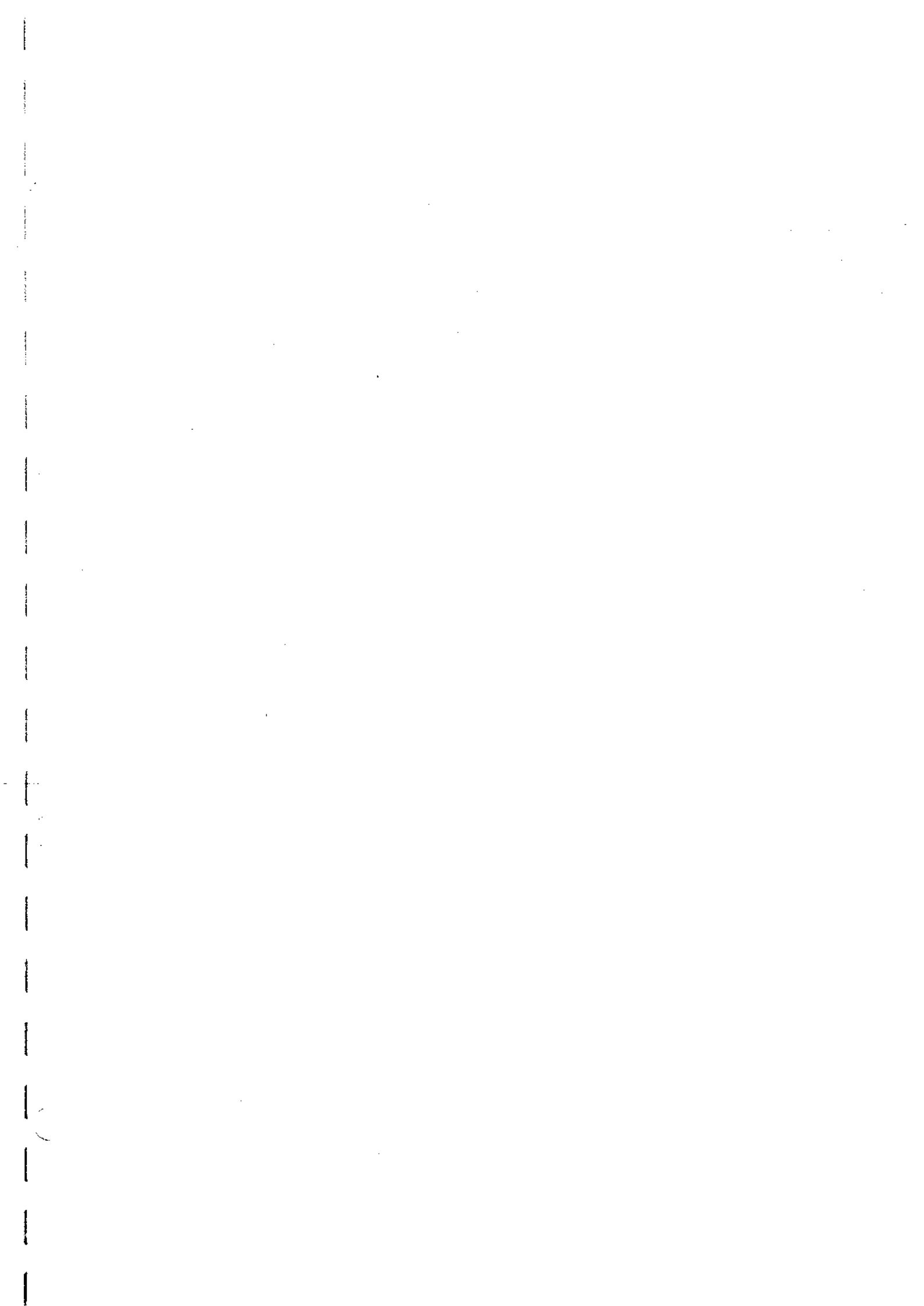


SS-53(3/4);SERVO MAIN





**SS-53 BOARD (3/4)**  
 BOARD NO.1-648-903-11  
 UUV-1800/1600(J) : F10001-  
 UUV-1800/1600(UC) : F10001-

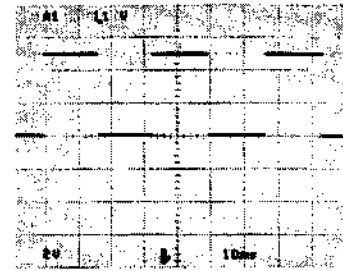


SS-53(1-648-903-11)

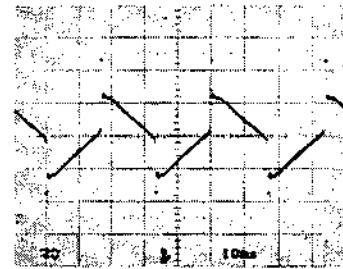
CN4	K-3	IC223	J-4
CN212	C-2	IC224	J-3
		IC225	J-3
CN1	E-1	IC226	C-4
CN2	F-1	IC227	A-2
CN3	P-1	IC228	F-2
CN107	N-6	IC229	L-3
CN108	K-6	IC230	H-3
CN109	C-6	IC231	L-3
		IC232	L-4
CV1	N-1	IC233	M-3
*D100	A-5	PS1	L-5
*D101	A-5	PS2	M-5
*D102	A-5		
*D103	A-5	*Q105	B-5
*D104	A-5	*Q106	B-5
*D105	B-4	*Q107	B-4
*D200	E-3	*Q108	B-5
*D201	E-3	*Q204	D-5
*D202	E-3	*Q205	D-5
*D203	E-3	*Q206	D-5
*D204	E-3	*Q207	D-5
*D205	E-2	*Q208	D-5
*D206	F-3	*Q209	D-5
*D207	F-3	*Q210	J-3
*D208	E-3	*Q211	J-3
*D210	G-4		
*D211	E-2	*RB1	P-3
*D213	E-3	*RB2	R-2
*D214	J-6	*RB201	E-1
*D215	J-5	*RB202	B-1
		*RB203	K-4
E1	N-1		
E200	E-4	S1	R-4
E201	D-1	S201	B-1
E202	J-1		
IC1	P-3	TP1	R-2
IC2	N-3	TP100	A-4
IC3	N-3	TP103	B-4
IC4	K-3	TP201	A-2
IC5	L-1	TP202	A-2
IC6	M-2	TP203	D-1
IC7	R-1	TP205	H-3
IC8	R-5	TP206	G-3
IC9	P-5	TP207	F-4
IC10	R-2	TP211	G-2
IC11	P-2	TP216	H-2
IC12	N-2	TP217	G-3
IC15	N-2	TP219	D-1
IC100	A-3	TP223	H-2
IC101	A-5	TP224	J-2
IC102	A-5	TP225	C-1
IC103	B-5		
IC200	E-3	X1	R-2
IC201	F-4	X101	A-3
IC202	E-2	X200	G-1
IC203	E-3		
IC204	D-4		
IC206	E-3		
IC207	D-3		
IC208	D-3		
IC209	D-3		
IC210	D-3		
IC211	B-2		
IC212	C-2		
IC213	C-3		
IC214	E-3		
IC215	G-3		
IC216	G-3		
IC217	G-3		
IC219	H-1		
IC220	J-3		
IC221	J-4		
IC222	J-3		

\*: B SIDE

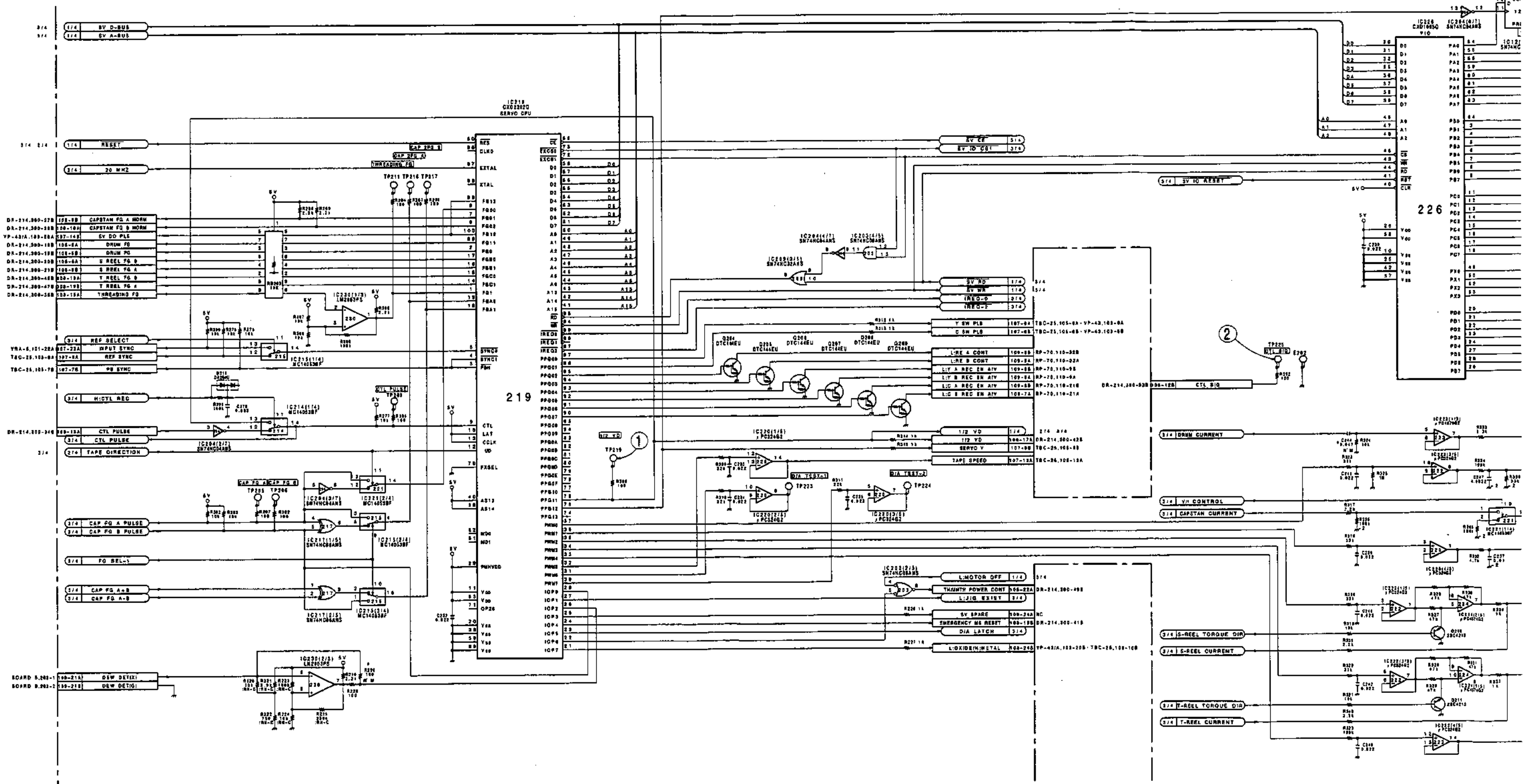
① TP219 EE/REC/PB

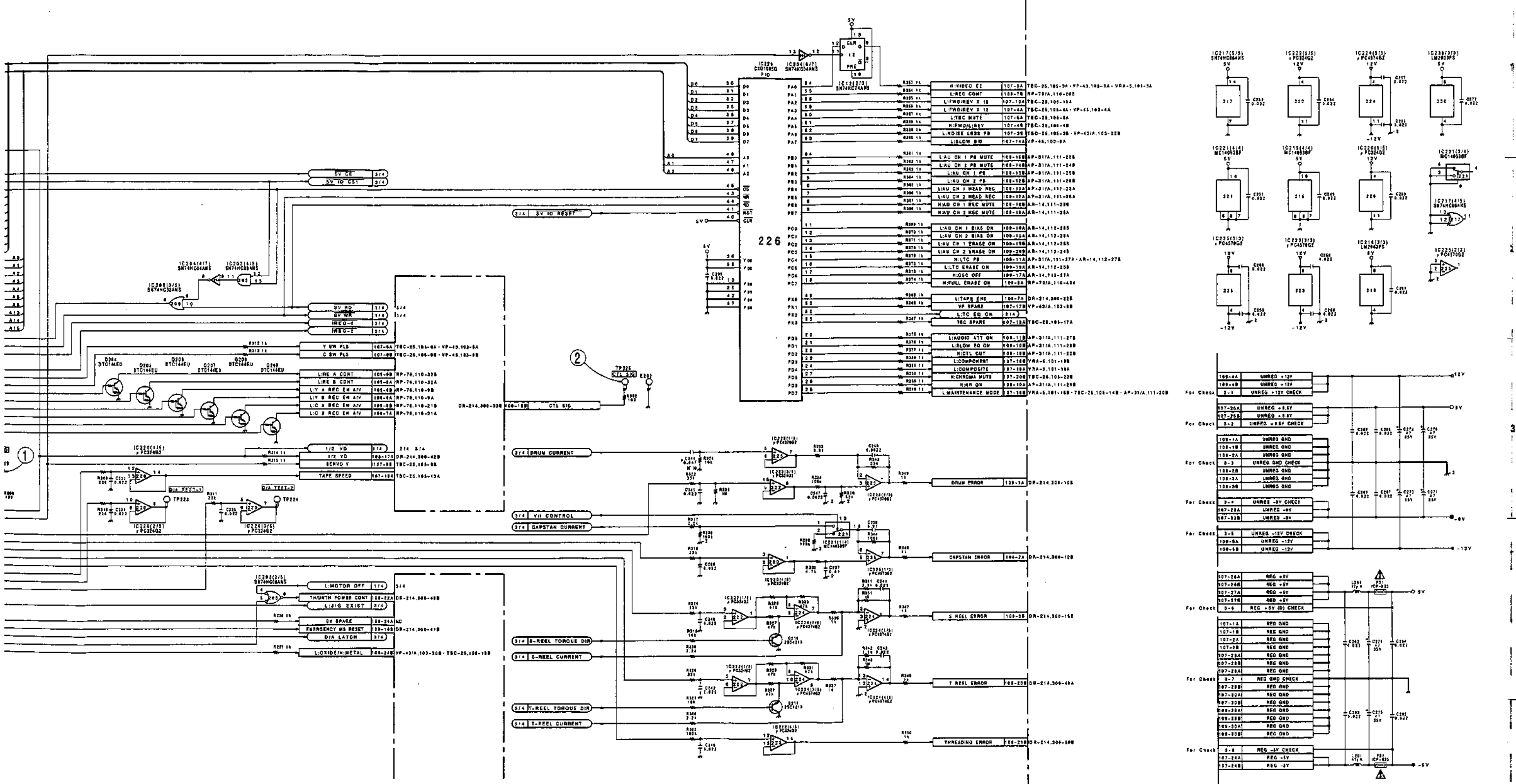


② TP225 PB



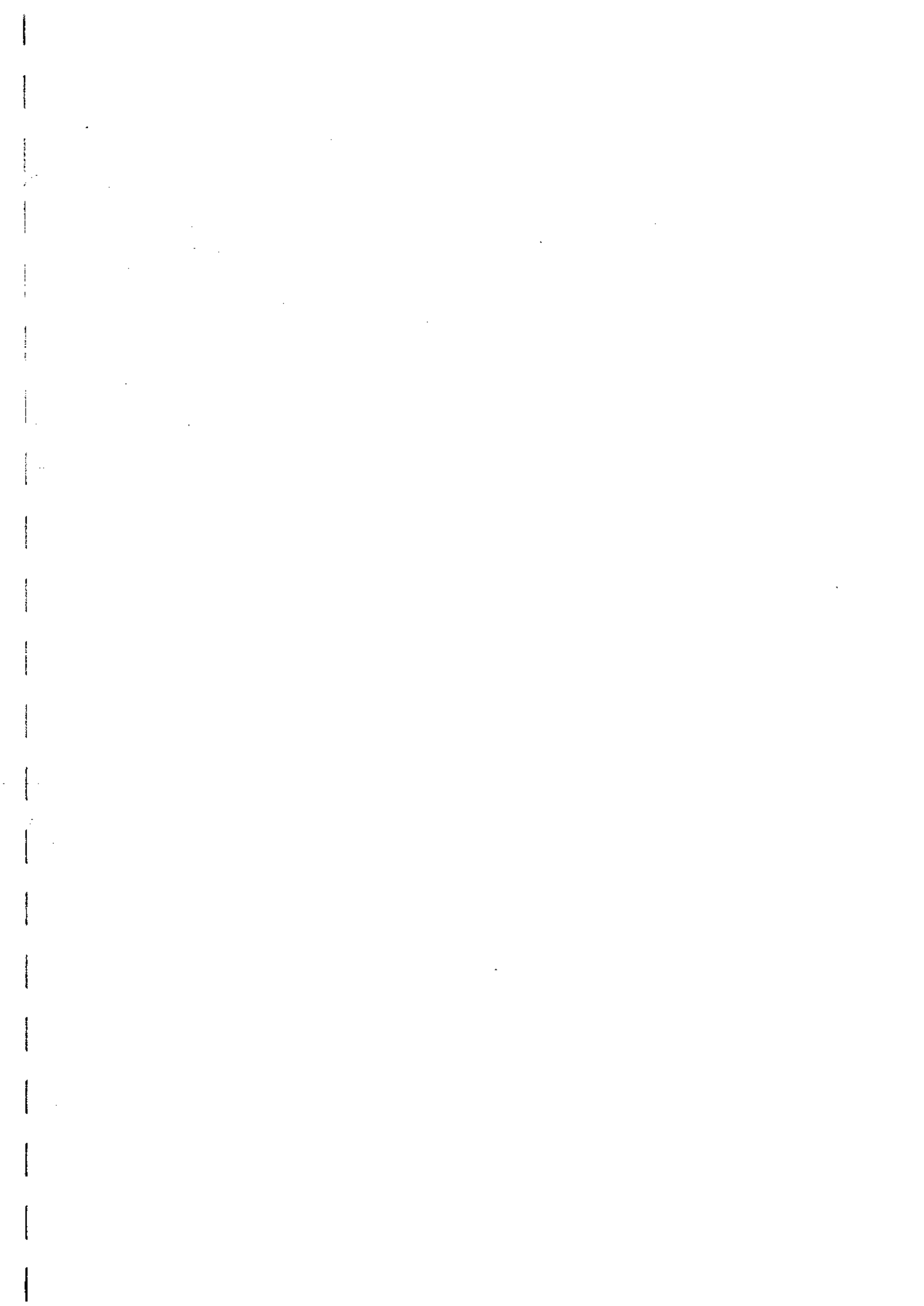
SS-53(4/4);SERVO





SS-53 BOARD (4/4)

BOARD NO.1-648-903-11  
UVW-1800/1600(J); F10001-  
UVW-1800/1600(U); F10001-

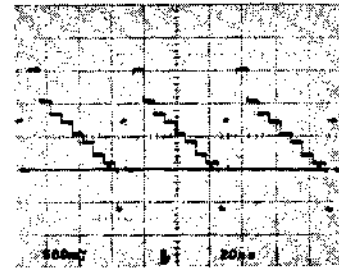


TBC-25(1-648-901-11)

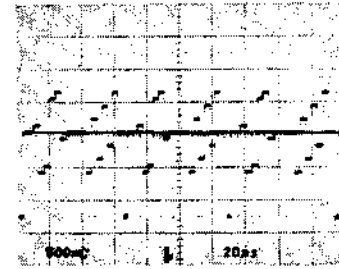
CN1	E-1	IC503	J-2	*Q303	P-1
CN2	C-6	IC504	J-4	*Q304	N-2
CN105	N-6	IC505	H-2	*Q305	N-2
CN106	C-6	IC506	H-3	*Q306	R-2
		IC507	G-6	*Q400	P-5
CV700	C-2	IC508	H-4	*Q401	P-5
CV701	C-2	IC509	G-3	*Q402	R-5
		IC510	F-6	*Q403	P-5
*D1	M-2	IC511	H-1	*Q404	M-4
*D2	M-3	IC512	F-3	*Q405	R-4
*D100	M-3	IC513	F-4	*Q406	R-5
*D101	N-3	IC514	H-1	*Q407	N-4
*D102	R-3	IC515	G-2	*Q500	F-2
*D200	M-3	IC516	F-1	*Q501	F-1
*D301	N-2	IC517	G-1	*Q502	E-1
*D302	R-2	IC518	F-3	*Q503	D-1
*D303	R-2	IC519	E-2	*Q700	C-5
*D304	R-2	IC520	D-2	*Q701	C-4
*D401	P-4	IC521	G-1	*Q702	A-2
*D402	N-4	IC522	G-2	*Q703	C-1
*D403	M-4	IC523	F-4	*Q704	C-2
*D404	M-4	IC524	E-3	*Q705	C-2
*D502	K-2	IC525	E-3	*Q706	C-2
*D503	K-2	IC526	D-3	*Q707	C-5
*D504	G-1	IF527	D-3	*Q708	B-5
*D505	G-1	IC528	H-3	*Q709	D-5
*D506	M-5	IC529	F-2	*Q710	D-5
*D701	A-2	IC530	G-2	*Q711	D-5
*D702	C-2	IC531	G-2		
*D703	C-2	IC532	G-2	RV100	R-3
		IC533	G-1	RV200	R-3
E200	N-3	IC534	G-1	RV300	M-1
E300	M-1	IC700	A-2	RV301	N-1
E400	R-5	IC701	A-1	RV400	P-1
E500	D-1	IC702	A-2	RV401	P-5
E501	J-3	IC703	C-4	RV500	F-1
E700	E-4	IC704	A-2	RV501	F-1
E701	B-2	IC705	A-3	RV502	D-1
		IC706	D-4	RV700	A-1
FL500	F-2	IC707	E-5	RV701	B-1
FL501	E-1	IC708	F-5	RV702	B-1
FL502	D-1	IC709	A-3	RV703	B-1
		IC710	E-5		
IC1	M-2	IC711	D-3	S500	J-1
IC2	M-3	IC712	C-3		
IC3	L-1	IC713	C-3	TH400	R-5
IC4	L-4	IC714	A-4		
IC5	E-6	IC715	D-2	TP100	R-3
IC6	L-1	IC716	A-3	TP101	N-3
IC7	L-5	IC717	A-5	TP200	R-3
IC100	P-3	IC718	B-2	TP201	N-3
IC101	P-3	IC719	B-2	TP300	R-1
IC102	M-3	IC720	B-3	TP301	P-2
IC103	M-2	IC721	B-2	TP303	P-2
IC200	P-3	IC722	B-4	TP400	M-5
IC203	M-3	IC723	C-5	TP401	N-4
IC300	P-1	IC724	B-5	TP402	N-4
IC301	P-2	IC725	D-5	TP500	E-1
IC302	R-1	IC726	F-4	TP501	E-1
IC303	M-1	IC727	E-4	TP502	D-1
IC304	M-2			TP700	C-5
IC305	N-2	LV300	R-2	TP701	C-4
IC306	M-2	LV400	M-4	TP702	C-1
IC307	R-2			TP703	C-3
IC308	R-2	*Q100	R-3	TP704	C-1
IC400	R-5	*Q101	R-3		
IC401	N-5	*Q102	P-3	X700	C-2
IC402	R-5	*Q103	P-3	X701	C-2
IC403	R-5	*Q104	R-3		
IC404	R-4	*Q200	R-3		
IC405	R-4	*Q201	R-3		
IC406	M-5	*Q202	P-3		
IC407	N-4	*Q203	P-3		
IC408	M-4	*Q300	P-1		
IC501	L-2	*Q301	P-1		
IC502	L-4	*Q302	P-1		

\*: B SIDE

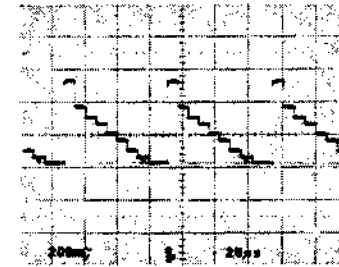
① TP101 PB



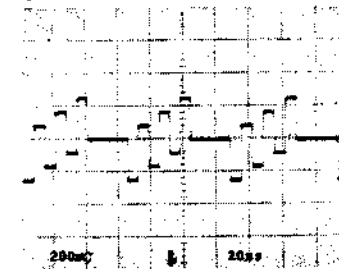
② TP201 PB



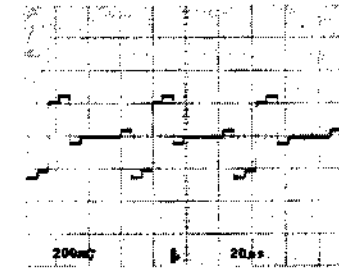
③ TP500 PB



④ TP501 PB

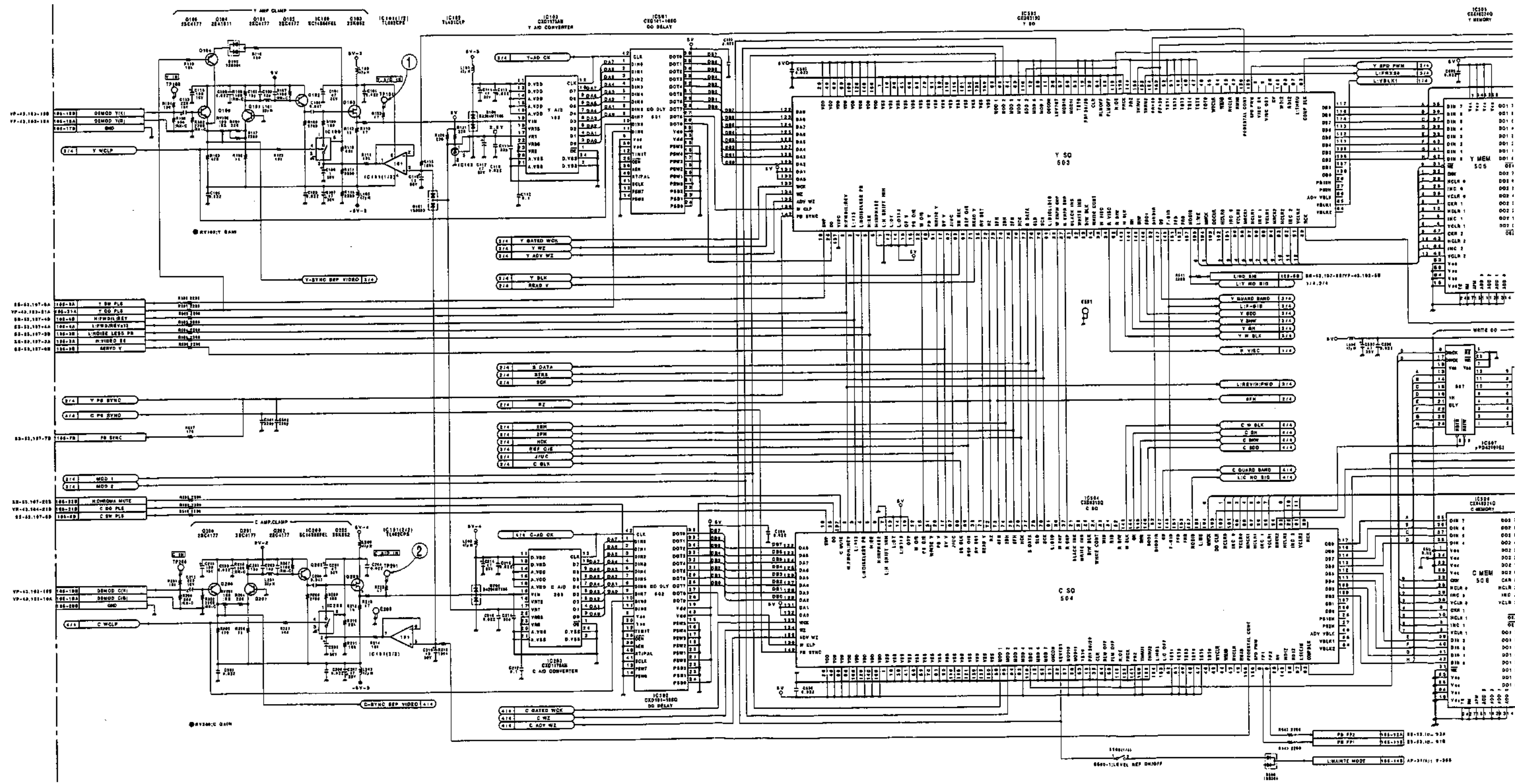


⑤ TP502 PB

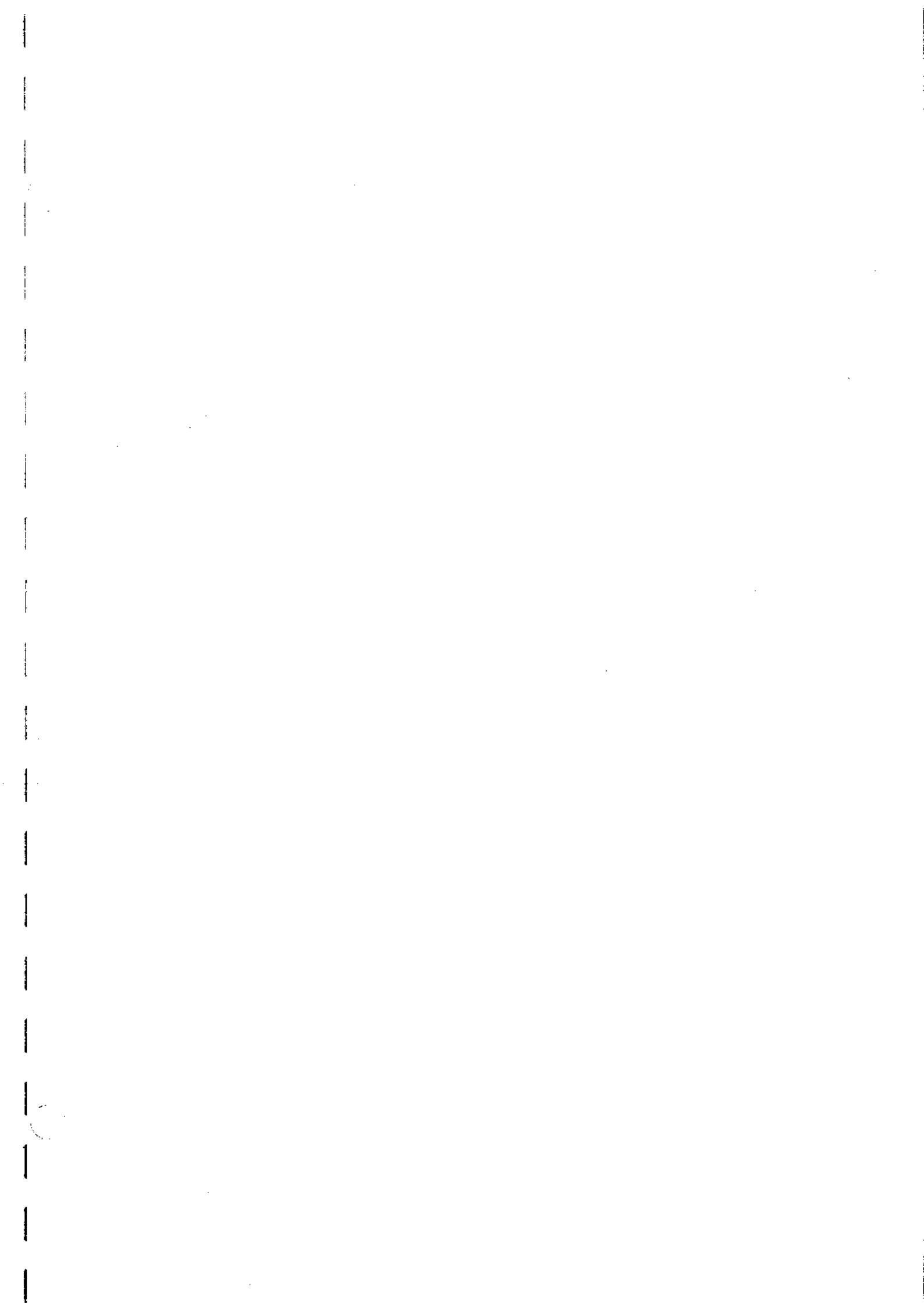




TBC-25(1/4); A/D, MEMORY, D/A, SEQUENCER





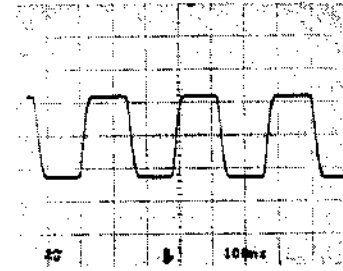


TBC-25(1-648-901-11)

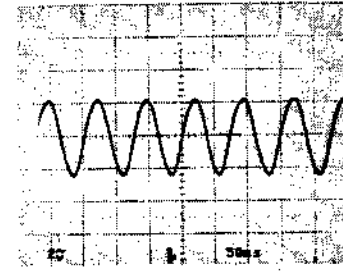
CN1	E-1	IC503	J-2	*Q303	P-1
CN2	C-6	IC504	J-4	*Q304	N-2
CN105	N-6	IC505	H-2	*Q305	N-2
CN106	C-6	IC506	H-3	*Q306	R-2
CV700	C-2	IC507	G-6	*Q400	P-5
CV701	C-2	IC508	H-4	*Q401	P-5
		IC509	G-3	*Q402	R-5
		IC510	F-6	*Q403	P-5
*D1	M-2	IC511	H-1	*Q404	M-4
*D2	M-3	IC512	F-3	*Q405	R-4
*D100	M-3	IC513	F-4	*Q406	R-5
*D101	N-3	IC514	H-1	*Q407	N-4
*D102	R-3	IC515	G-2	*Q500	F-2
*D200	M-3	IC516	F-1	*Q501	F-1
*D301	N-2	IC517	G-1	*Q502	E-1
*D302	R-2	IC518	F-3	*Q503	D-1
*D303	R-2	IC519	E-2	*Q700	C-5
*D304	R-2	IC520	D-2	*Q701	C-4
*D401	P-4	IC521	G-1	*Q702	A-2
*D402	N-4	IC522	G-2	*Q703	C-1
*D403	M-4	IC523	F-4	*Q704	C-2
*D404	M-4	IC524	E-3	*Q705	C-2
*D502	K-2	IC525	E-3	*Q706	C-2
*D503	K-2	IC526	D-3	*Q707	C-5
*D504	G-1	IF527	D-3	*Q708	B-5
*D505	G-1	IC528	H-3	*Q709	D-5
*D506	M-5	IC529	F-2	*Q710	D-5
*D701	A-2	IC530	G-2	*Q711	D-5
*D702	C-2	IC531	G-2		
*D703	C-2	IC532	G-2	RV100	R-3
		IC533	G-1	RV200	R-3
E200	N-3	IC534	G-1	RV300	M-1
E300	M-1	IC700	A-2	RV301	N-1
E400	R-5	IC701	A-1	RV400	P-1
E500	D-1	IC702	A-2	RV401	P-5
E501	J-3	IC703	C-4	RV500	F-1
E700	E-4	IC704	A-2	RV501	F-1
E701	B-2	IC705	A-3	RV502	D-1
		IC706	D-4	RV700	A-1
FL500	F-2	IC707	E-5	RV701	B-1
FL501	E-1	IC708	F-5	RV702	B-1
FL502	D-1	IC709	A-3	RV703	B-1
		IC710	E-5		
IC1	M-2	IC711	D-3	S500	J-1
IC2	M-3	IC712	C-3		
IC3	L-1	IC713	C-3	TH400	R-5
IC4	L-4	IC714	A-4		
IC5	E-6	IC715	D-2	TP100	R-3
IC6	L-1	IC716	A-3	TP101	N-3
IC7	L-5	IC717	A-5	TP200	R-3
IC100	P-3	IC718	B-2	TP201	N-3
IC101	P-3	IC719	B-2	TP300	R-1
IC102	M-3	IC720	B-3	TP301	P-2
IC103	M-2	IC721	B-2	TP303	P-2
IC200	P-3	IC722	B-4	TP400	M-5
IC203	M-3	IC723	C-5	TP401	N-4
IC300	P-1	IC724	B-5	TP402	N-4
IC301	P-2	IC725	D-5	TP500	E-1
IC302	R-1	IC726	F-4	TP501	E-1
IC303	M-1	IC727	E-4	TP502	D-1
IC304	M-2			TP700	C-5
IC305	N-2	LV300	R-2	TP701	C-4
IC306	M-2	LV400	M-4	TP702	C-1
IC307	R-2			TP703	C-3
IC308	R-2	*Q100	R-3	TP704	C-1
IC400	R-5	*Q101	R-3		
IC401	N-5	*Q102	P-3	X700	C-2
IC402	R-5	*Q103	P-3	X701	C-2
IC403	R-5	*Q104	R-3		
IC404	R-4	*Q200	R-3		
IC405	R-4	*Q201	R-3		
IC406	M-5	*Q202	P-3		
IC407	N-4	*Q203	P-3		
IC408	M-4	*Q300	P-1		
IC501	L-2	*Q301	P-1		
IC502	L-4	*Q302	P-1		

\*: B SIDE

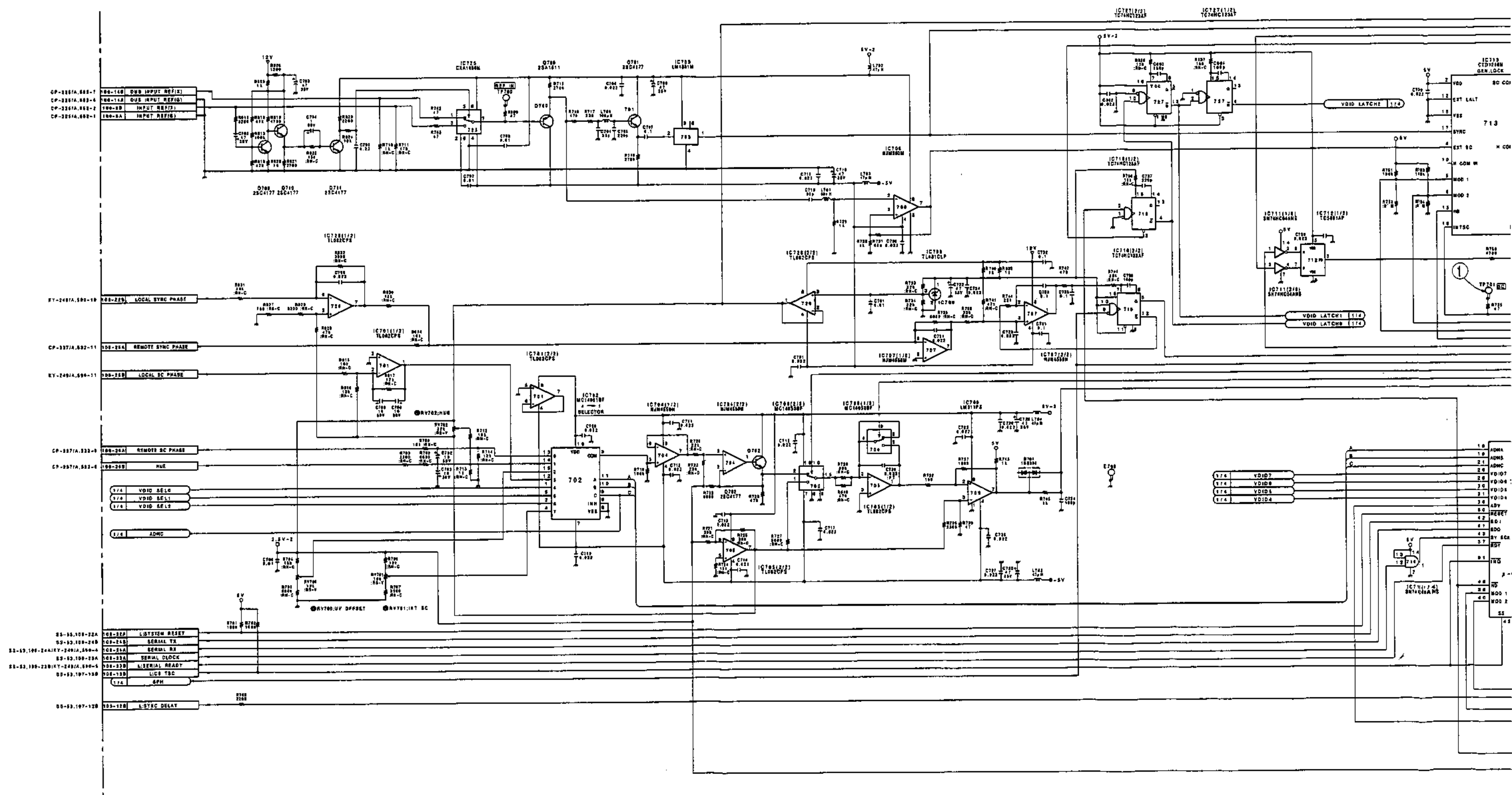
① TP701 PB

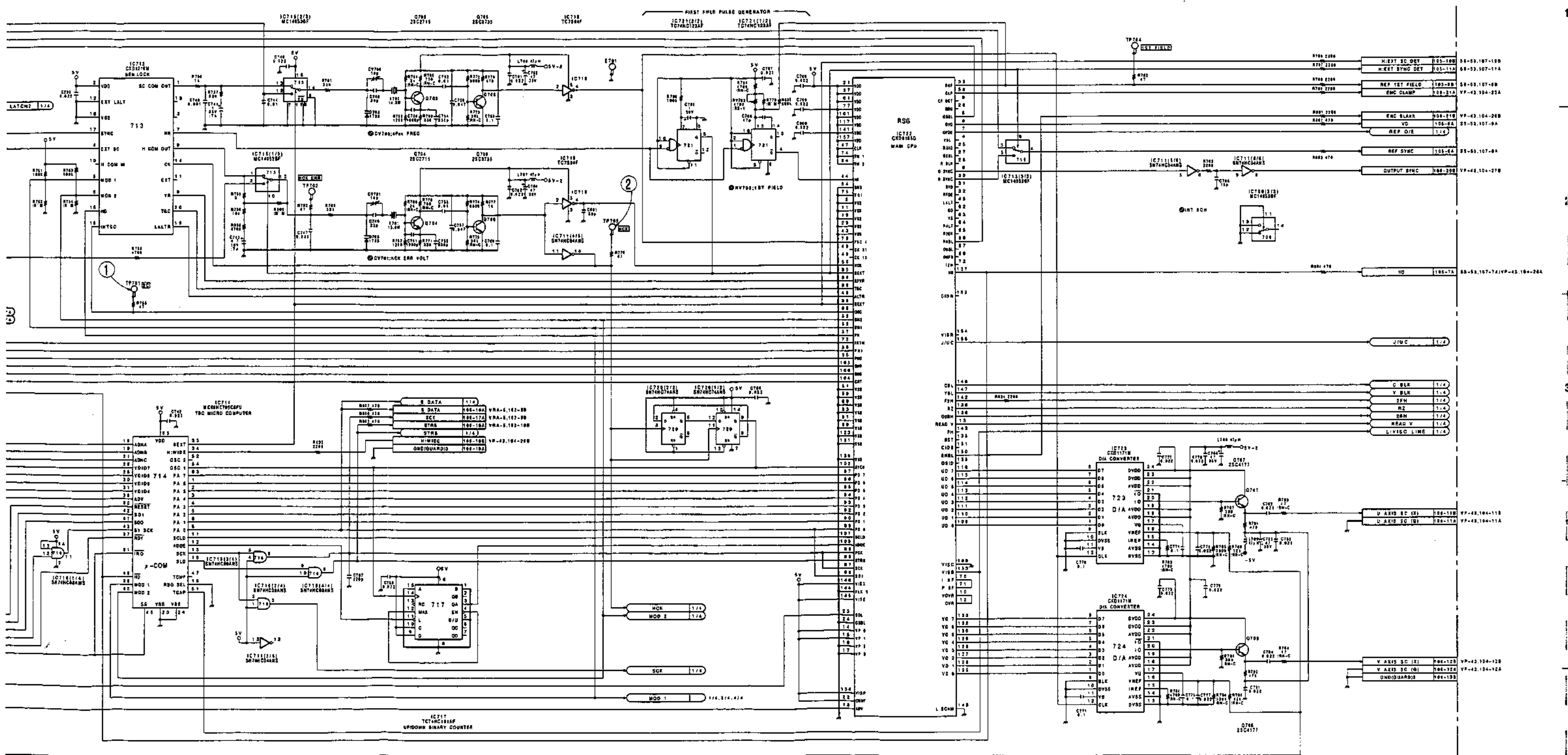


② TP703 PB

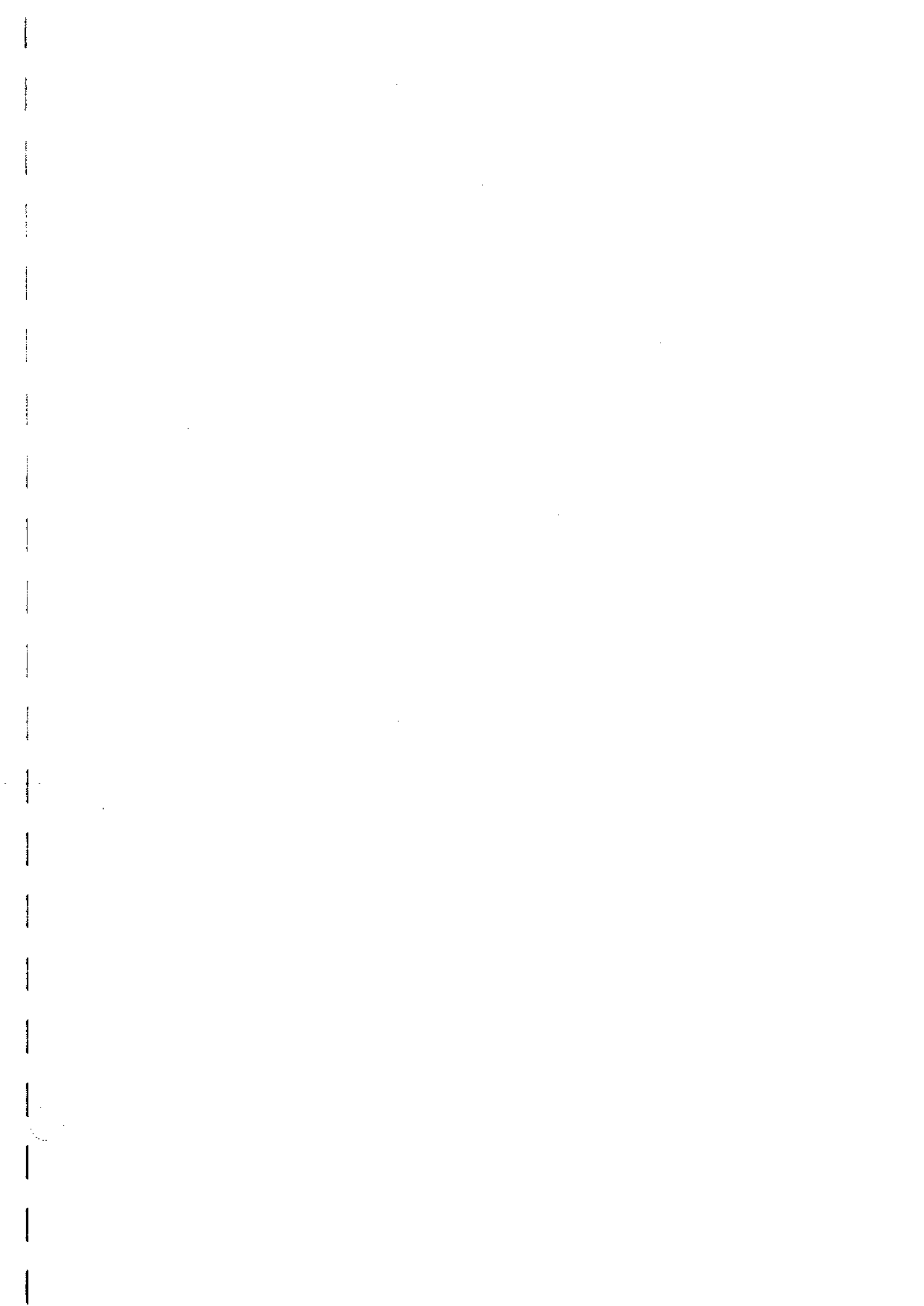


TBC-25(2/4);SYNC/SC PROCESS,TBC MPU





**TBC-25 BOARD (2/4)**  
 BOARD NO.1-648-901-11  
 UVW-1800/1600(J);#10001-  
 UVW-1800/1600(UC);#10001-

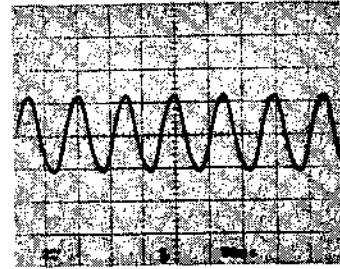


TBC-25(1-648-901-11)

CN1	E-1	IC503	J-2	*Q303	P-1
CN2	C-6	IC504	J-4	*Q304	N-2
CN105	N-6	IC505	H-2	*Q305	N-2
CN106	C-6	IC506	H-3	*Q306	R-2
CV700	C-2	IC507	G-6	*Q400	P-5
CV701	C-2	IC508	H-4	*Q401	P-5
		IC509	G-3	*Q402	R-5
		IC510	F-6	*Q403	P-5
*D1	M-2	IC511	H-1	*Q404	M-4
*D2	M-3	IC512	F-3	*Q405	R-4
*D100	M-3	IC513	F-4	*Q406	R-5
*D101	N-3	IC514	H-1	*Q407	N-4
*D102	R-3	IC515	G-2	*Q500	F-2
*D200	M-3	IC516	F-1	*Q501	F-1
*D301	N-2	IC517	G-1	*Q502	E-1
*D302	R-2	IC518	F-3	*Q503	D-1
*D303	R-2	IC519	E-2	*Q700	C-5
*D304	R-2	IC520	D-2	*Q701	C-4
*D401	P-4	IC521	G-1	*Q702	A-2
*D402	N-4	IC522	G-2	*Q703	C-1
*D403	M-4	IC523	F-4	*Q704	C-2
*D404	M-4	IC524	E-3	*Q705	C-2
*D502	K-2	IC525	E-3	*Q706	C-2
*D503	K-2	IC526	D-3	*Q707	C-5
*D504	G-1	IC527	D-3	*Q708	B-5
*D505	G-1	IC528	H-3	*Q709	D-5
*D506	M-5	IC529	F-2	*Q710	D-5
*D701	A-2	IC530	G-2	*Q711	D-5
*D702	C-2	IC531	G-2		
*D703	C-2	IC532	G-2	RV100	R-3
		IC533	G-1	RV200	R-3
E200	N-3	IC534	G-1	RV300	M-1
E300	M-1	IC700	A-2	RV301	N-1
E400	R-5	IC701	A-1	RV400	P-1
E500	D-1	IC702	A-2	RV401	P-5
ES01	J-3	IC703	C-4	RV500	F-1
E700	E-4	IC704	A-2	RV501	F-1
E701	B-2	IC705	A-3	RV502	D-1
		IC706	D-4	RV700	A-1
FL500	F-2	IC707	E-5	RV701	B-1
FL501	E-1	IC708	F-5	RV702	B-1
FL502	D-1	IC709	A-3	RV703	B-1
		IC710	E-5		
IC1	M-2	IC711	D-3	S500	J-1
IC2	M-3	IC712	C-3		
IC3	L-1	IC713	C-3	TH400	R-5
IC4	L-4	IC714	A-4		
IC5	E-6	IC715	D-2	TP100	R-3
IC6	L-1	IC716	A-3	TP101	N-3
IC7	L-5	IC717	A-5	TP200	R-3
IC100	P-3	IC718	B-2	TP201	N-3
IC101	P-3	IC719	B-2	TP300	R-1
IC102	M-3	IC720	B-3	TP301	P-2
IC103	M-2	IC721	B-2	TP303	P-2
IC200	P-3	IC722	B-4	TP400	M-5
IC203	M-3	IC723	C-5	TP401	N-4
IC300	P-1	IC724	B-5	TP402	N-4
IC301	P-2	IC725	D-5	TP500	E-1
IC302	R-1	IC726	F-4	TP501	E-1
IC303	M-1	IC727	E-4	TP502	D-1
IC304	M-2			TP700	C-5
IC305	N-2	LV300	R-2	TP701	C-4
IC306	M-2	LV400	M-4	TP702	C-1
IC307	R-2			TP703	C-3
IC308	R-2	*Q100	R-3	TP704	C-1
IC400	R-5	*Q101	R-3		
IC401	N-5	*Q102	P-3	X700	C-2
IC402	R-5	*Q103	P-3	X701	C-2
IC403	R-5	*Q104	R-3		
IC404	R-4	*Q200	R-3		
IC405	R-4	*Q201	R-3		
IC406	M-5	*Q202	P-3		
IC407	N-4	*Q203	P-3		
IC408	M-4	*Q300	P-1		
IC501	L-2	*Q301	P-1		
IC502	L-4	*Q302	P-1		

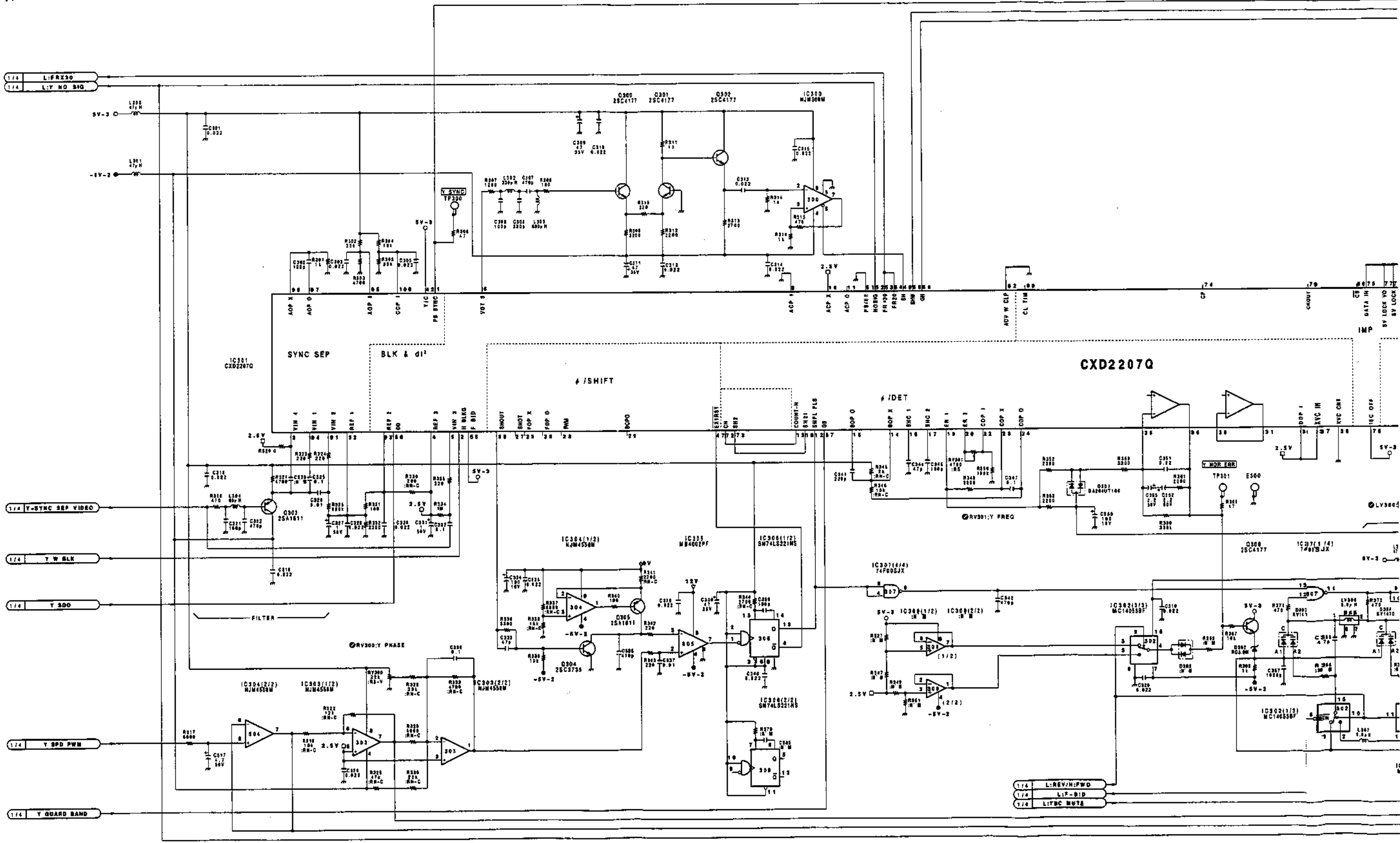
\*: B SIDE

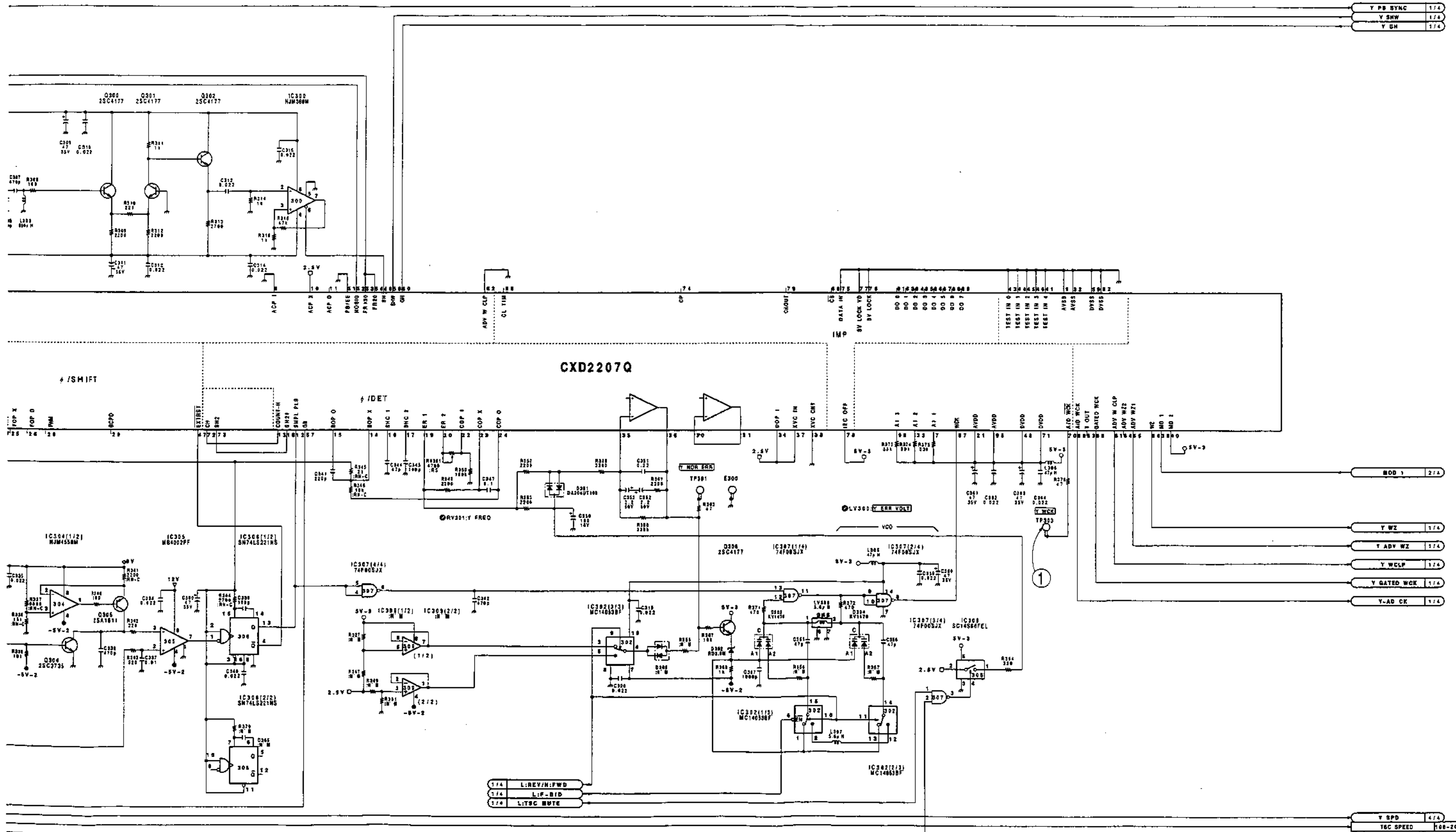
① TP303 PB





TBC-25(3/4);Y WRITE CLOCK



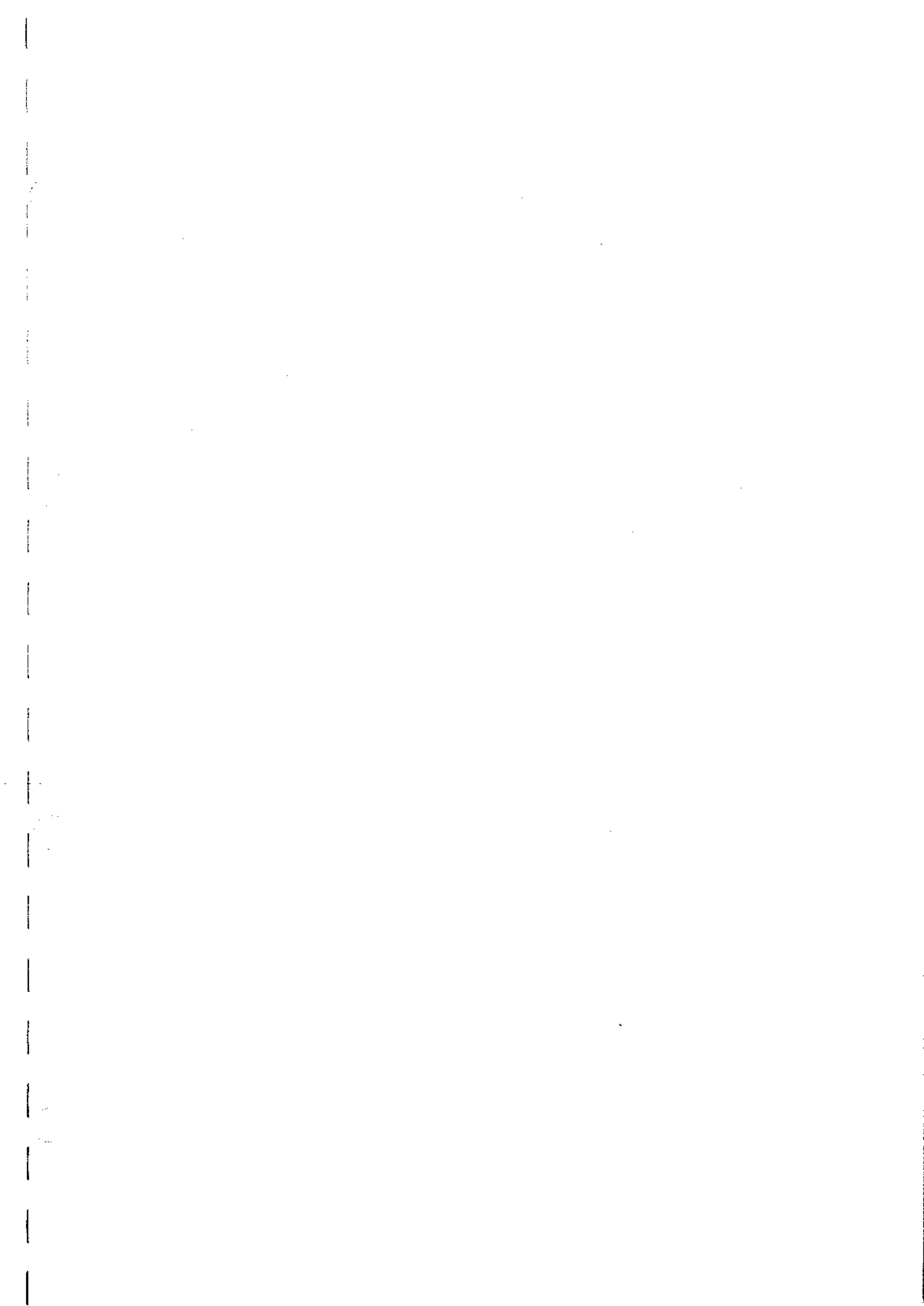


Y PB SYNC	1/4
Y SHW	1/4
Y GH	1/4

MOD 1	2/4
Y WZ	1/4
Y ADV WZ	1/4
Y WCLP	1/4
Y GATED WCK	1/4
Y-AD CK	1/4

Y SPD	4/4
TGC SPEED	100-200

**TBC-25 BOARD (3/4)**  
 BOARD NO.1-648-801-11  
 UVW-1800/1600(J) :/10001-  
 UVW-1800/1600(UC) :/10001-

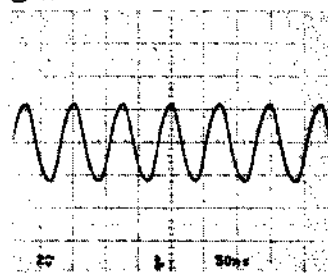


TBC-25(1-648-901-11)

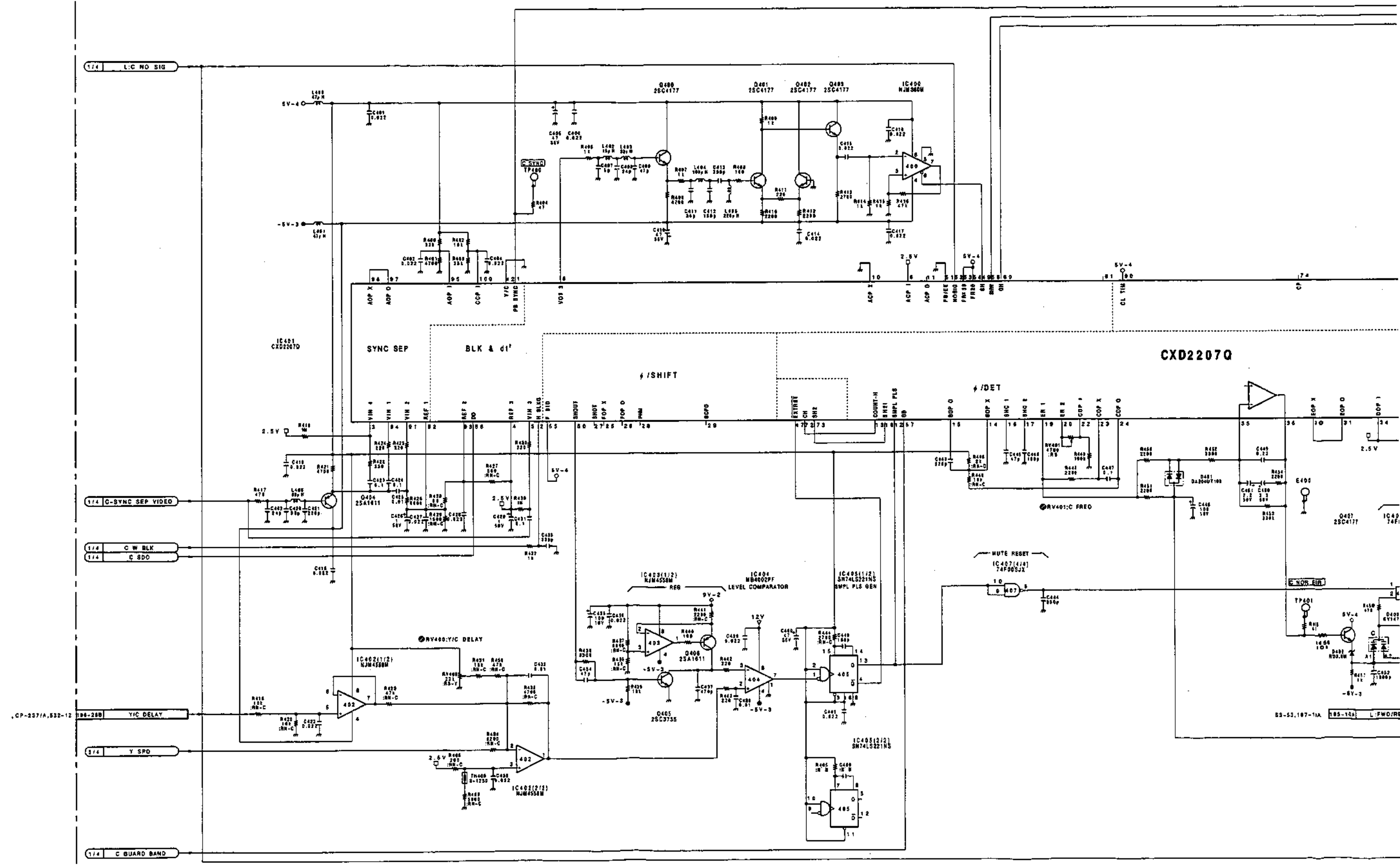
CN1	E-1	IC503	J-2	*Q303	P-1
CN2	C-6	IC504	J-4	*Q304	N-2
CN105	N-6	IC505	H-2	*Q305	N-2
CN106	C-6	IC506	H-3	*Q306	R-2
		IC507	G-6	*Q400	P-5
CV700	C-2	IC508	H-4	*Q401	P-5
CV701	C-2	IC509	G-3	*Q402	R-5
		IC510	F-6	*Q403	P-5
*D1	M-2	IC511	H-1	*Q404	M-4
*D2	M-3	IC512	F-3	*Q405	R-4
*D100	M-3	IC513	F-4	*Q406	R-5
*D101	N-3	IC514	H-1	*Q407	N-4
*D102	R-3	IC515	G-2	*Q500	F-2
*D200	M-3	IC516	F-1	*Q501	F-1
*D301	N-2	IC517	G-1	*Q502	E-1
*D302	R-2	IC518	F-3	*Q503	D-1
*D303	R-2	IC519	E-2	*Q700	C-5
*D304	R-2	IC520	D-2	*Q701	C-4
*D401	P-4	IC521	G-1	*Q702	A-2
*D402	N-4	IC522	G-2	*Q703	C-1
*D403	M-4	IC523	F-4	*Q704	C-2
*D404	M-4	IC524	E-3	*Q705	C-2
*D502	K-2	IC525	E-3	*Q706	C-2
*D503	K-2	IC526	D-3	*Q707	C-5
*D504	G-1	IF527	D-3	*Q708	B-5
*D505	G-1	IC528	H-3	*Q709	D-5
*D506	M-5	IC529	F-2	*Q710	D-5
*D701	A-2	IC530	G-2	*Q711	D-5
*D702	C-2	IC531	G-2		
*D703	C-2	IC532	G-2	RV100	R-3
		IC533	G-1	RV200	R-3
E200	N-3	IC534	G-1	RV300	M-1
E300	M-1	IC700	A-2	RV301	N-1
E400	R-5	IC701	A-1	RV400	P-1
E500	D-1	IC702	A-2	RV401	P-5
E501	J-3	IC703	C-4	RV500	F-1
E700	E-4	IC704	A-2	RV501	F-1
E701	B-2	IC705	A-3	RV502	D-1
		IC706	D-4	RV700	A-1
FL500	F-2	IC707	E-5	RV701	B-1
FL501	E-1	IC708	F-5	RV702	B-1
FL502	D-1	IC709	A-3	RV703	B-1
		IC710	E-5		
IC1	M-2	IC711	D-3	S500	J-1
IC2	M-3	IC712	C-3		
IC3	L-1	IC713	C-3	TH400	R-5
IC4	L-4	IC714	A-4		
IC5	E-6	IC715	D-2	TP100	R-3
IC6	L-1	IC716	A-3	TP101	N-3
IC7	L-5	IC717	A-5	TP200	R-3
IC100	P-3	IC718	B-2	TP201	N-3
IC101	P-3	IC719	B-2	TP300	R-1
IC102	M-3	IC720	B-3	TP301	P-2
IC103	M-2	IC721	B-2	TP303	P-2
IC200	P-3	IC722	B-4	TP400	M-5
IC203	M-3	IC723	C-5	TP401	N-4
IC300	P-1	IC724	B-5	TP402	N-4
IC301	P-2	IC725	D-5	TP500	E-1
IC302	R-1	IC726	F-4	TP501	E-1
IC303	M-1	IC727	E-4	TP502	D-1
IC304	M-2			TP700	C-5
IC305	N-2	LV300	R-2	TP701	C-4
IC306	M-2	LV400	M-4	TP702	C-1
IC307	R-2			TP703	C-3
IC308	R-2	*Q100	R-3	TP704	C-1
IC400	R-5	*Q101	R-3		
IC401	N-5	*Q102	P-3	X700	C-2
IC402	R-5	*Q103	P-3	X701	C-2
IC403	R-5	*Q104	R-3		
IC404	R-4	*Q200	R-3		
IC405	R-4	*Q201	R-3		
IC406	M-5	*Q202	P-3		
IC407	N-4	*Q203	P-3		
IC408	M-4	*Q300	P-1		
IC501	L-2	*Q301	P-1		
IC502	L-4	*Q302	P-1		

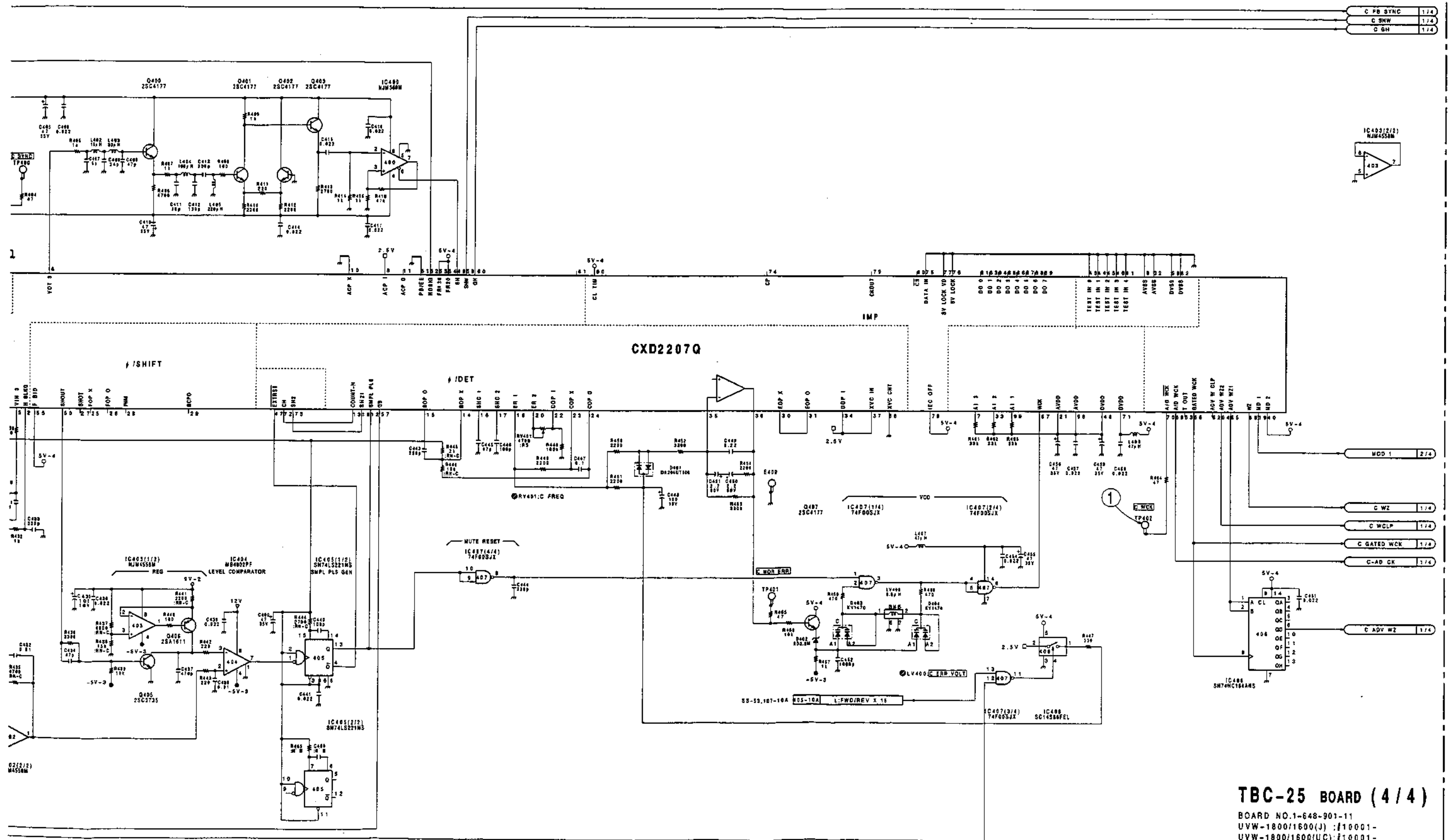
\*: B SIDE

① TP402 PB



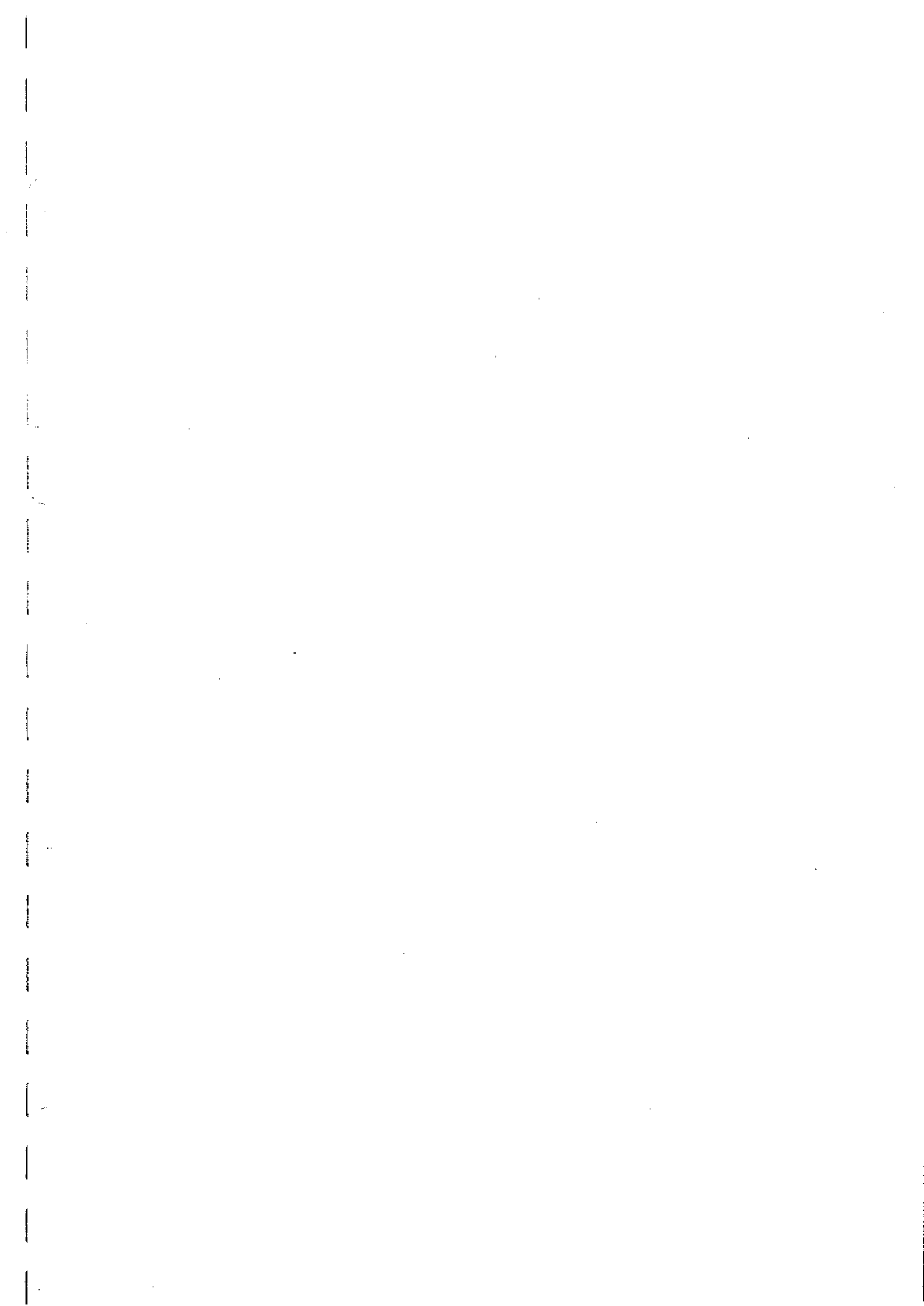
TBC-25(4/4);C WRITE CLOCK





**TBC-25 BOARD (4/4)**

BOARD NO.1-648-901-11  
 UVW-1800/1600(J) :#10001-  
 UVW-1800/1600(UC) :#10001-



VP-43/43A(1-648-899-11)

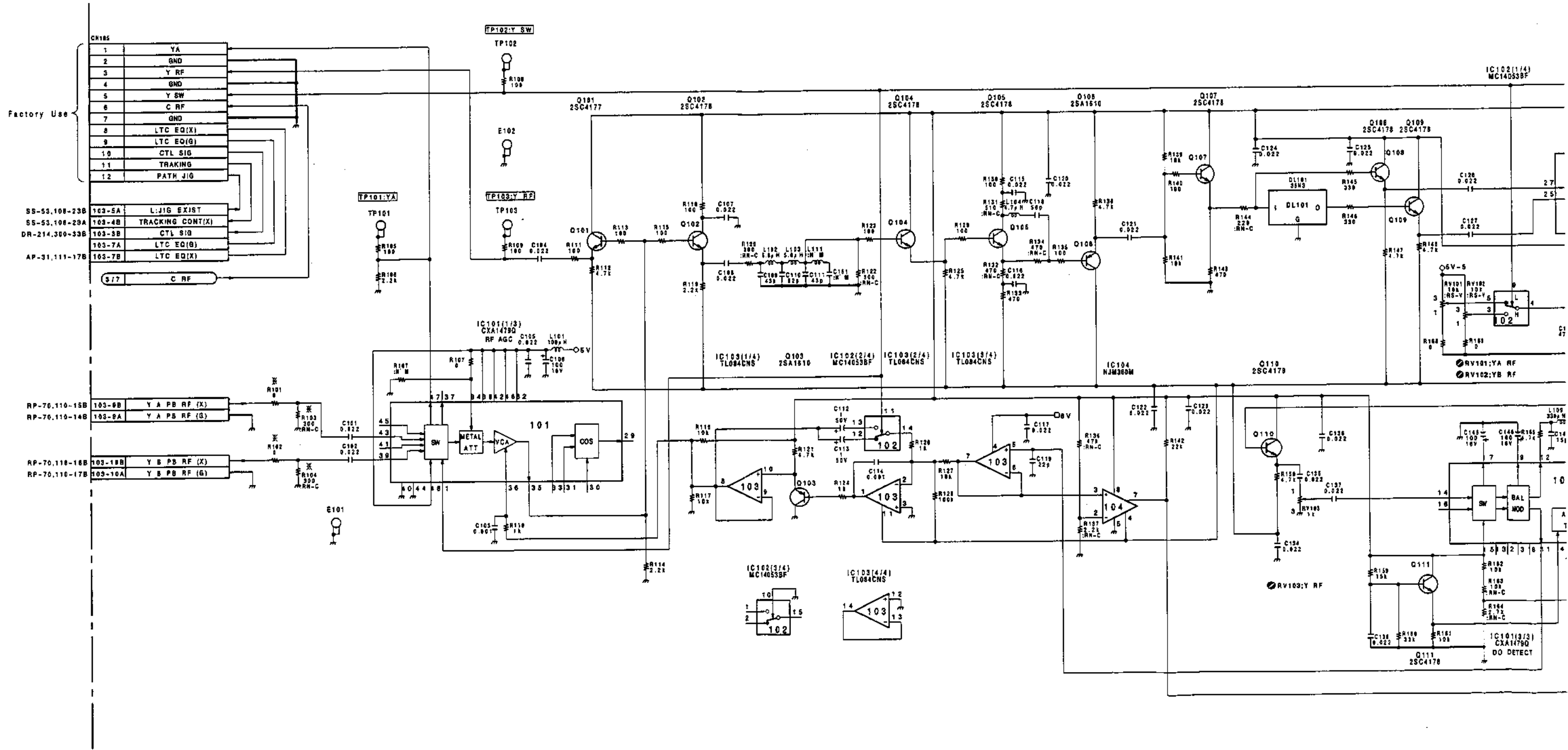
CN103	N-6	IC705	R-4	Q514	B-3	TP102	P-1
CN104	C-6			*Q515	B-2	TP103	L-1
CN105	R-5	*Q101	N-5	*Q516	B-2	TP104	P-3
		*Q102	N-4	Q517	B-3	TP201	P-1
DL101	N-4	*Q103	N-5	*Q601	F-5	TP301	H-1
DL301	J-4	*Q104	N-4	*Q602	F-5	TP302	J-3
		*Q105	N-4	Q603	E-5	TP401	L-1
*D201	N-2	*Q106	N-3	Q604	F-5		
*D401	J-2	*Q107	N-3	Q605	F-5		
*D501	A-2	*Q108	N-4	Q606	F-5		
*D502	B-2	*Q109	N-4	Q607	E-5		
*D503	B-3	*Q110	P-4	Q608	F-5		
*D504	B-4	*Q111	P-5	Q609	E-4		
*D801	D-2	*Q112	P-5	Q610	F-4		
*D602	E-2	*Q201	M-2	Q611	F-5		
*D701	R-4	*Q202	N-1	Q612	F-5		
		*Q203	P-2	*Q613	D-4		
E101	P-6	*Q204	N-2	*Q614	D-3		
E102	N-1	*Q205	P-2	*Q615	D-3		
E201	R-1	*Q206	P-2	*Q616	C-3		
E301	K-5	*Q207	N-2	*Q617	C-3		
E401	G-2	*Q208	N-1	*Q618	F-2		
E501	B-2	*Q209	N-1	*Q619	F-2		
E502	B-6	*Q210	N-1	*Q620	F-3		
E601	E-4	*Q211	P-2	*Q621	F-3		
E602	D-1	*Q212	P-1	*Q622	E-3		
E701	F-2	*Q213	R-2	*Q623	D-3		
		*Q214	R-2	*Q624	D-1		
FL201	M-1	*Q215	P-1	*Q625	E-4		
FL401	H-1	*Q216	N-2	*Q626	D-4		
FL601	E-2	*Q217	M-2	*Q627	D-1		
		*Q218	M-2	*Q628	D-1		
IC101	P-4	*Q219	M-2	*Q701	E-2		
IC102	M-5	*Q220	M-2	*Q702	F-2		
IC103	N-5	*Q301	J-4	*Q703	E-2		
IC104	L-5	*Q302	J-4	*Q704	F-2		
IC201	L-3	*Q303	H-4	*Q705	E-2		
IC202	M-2	*Q304	H-5	*Q706	F-2		
IC203	M-1	*Q305	H-4	*Q707	E-1		
IC204	P-1	*Q306	H-3	*Q708	F-1		
IC205	L-2	*Q307	J-3	*Q709	F-2		
IC301	K-4	*Q308	J-4	*Q710	F-1		
IC302	G-5	*Q309	J-4	*Q711	F-2		
IC303	H-5	*Q310	K-3	*Q712	F-2		
IC401	H-2	*Q311	K-5	*Q713	F-1		
IC402	H-1	*Q401	H-2	*Q714	E-1		
IC403	K-1	*Q402	J-1				
IC404	G-2	*Q403	J-1	RV101	L-1		
IC501	A-5	*Q404	J-2	RV102	K-1		
IC502	A-2	*Q405	J-1	RV103	P-4		
IC503	A-2	*Q406	J-1	RV201	M-3		
IC504	B-2	*Q407	J-1	RV301	J-1		
IC505	B-2	*Q408	J-1	RV302	H-1		
IC506	A-3	*Q409	J-2	RV303	K-4		
IC507	B-5	*Q410	J-1	RV401	H-3		
IC508	C-4	*Q411	J-2	RV501	A-4		
IC509	B-5	*Q412	J-2	RV502	A-4		
IC510	B-4	*Q413	K-2	RV503	B-4		
IC511	J-6	*Q414	K-2	RV504	B-4		
IC512	G-6	*Q415	K-2	RV505	B-4		
IC601	D-4	*Q416	J-2	RV506	B-4		
IC602	D-4	*Q417	H-2	RV601	D-1		
IC603	F-4	*Q418	H-2	RV602	F-1		
IC604	F-3	*Q501	A-1	RV603	D-1		
IC605	F-3	Q502	A-1	RV604	D-1		
IC606	E-3	Q503	A-1	RV605	F-1		
IC607	F-3	Q504	A-1	RV606	C-1		
IC608	D-2	*Q505	A-5	RV701	E-1		
IC609	E-2	*Q506	A-4	RV702	E-1		
IC610	D-2	Q507	B-1	RV703	E-1		
IC611	D-2	Q508	B-1	RV704	G-1		
IC612	C-2	*Q509	A-4				
IC701	F-1	*Q510	A-4	TH201	P-2		
IC702	F-1	*Q511	A-4	TH401	J-2		
IC703	R-4	*Q512	A-4				
IC704	R-4	*Q513	B-2	TP101	L-2		

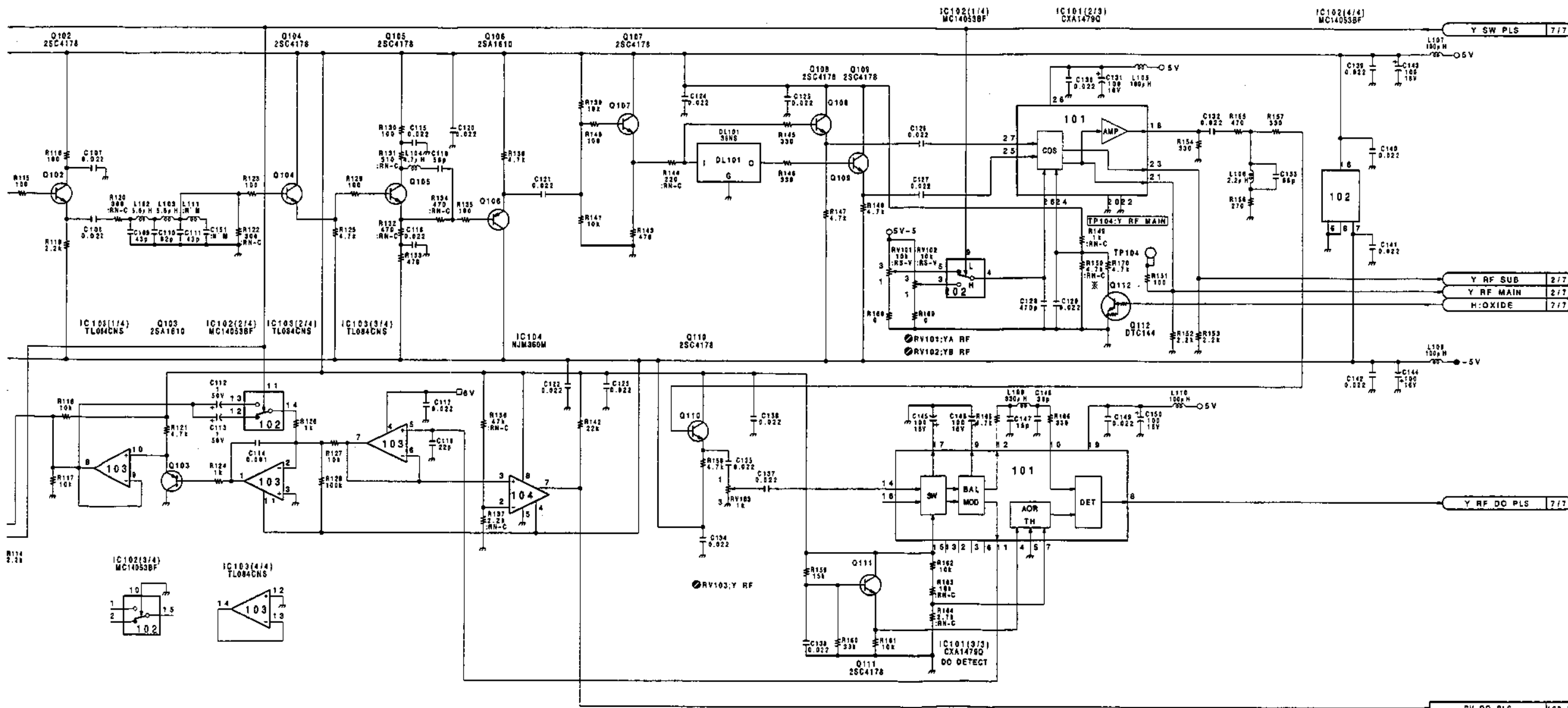
\*: B SIDE  
 -: UVW-1800 ONLY



VP-43/A(1/7) VP-43/A(1/7)

VP-43/A(1/7); Y RF AGC/EQ, Y DO DET.





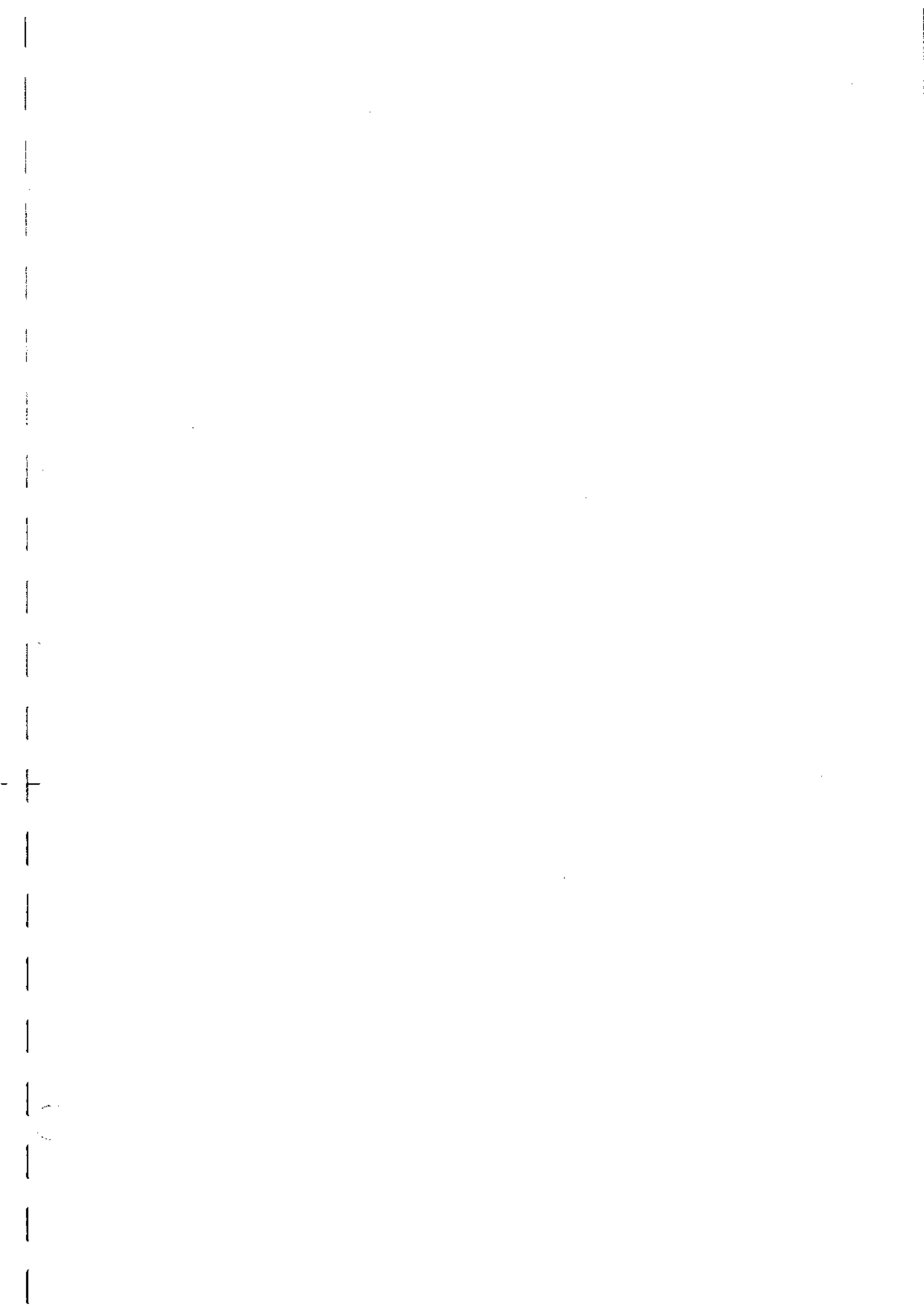
✕  
JUC

REF NO.	EDITOR	FEEDER
R101,R102	0	A100
R103,R104	A300	A200
R150	A10K	A10K

A = RN-C

VP-43/A BOARD (1/7)

BOARD NO.1-648-889-11  
 UVW-1800/1600(J);10001-  
 UVW-1800/1600(UC);10001-

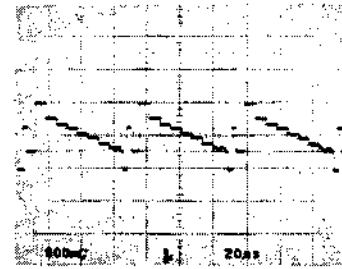


VP-43/43A(1-648-899-11)

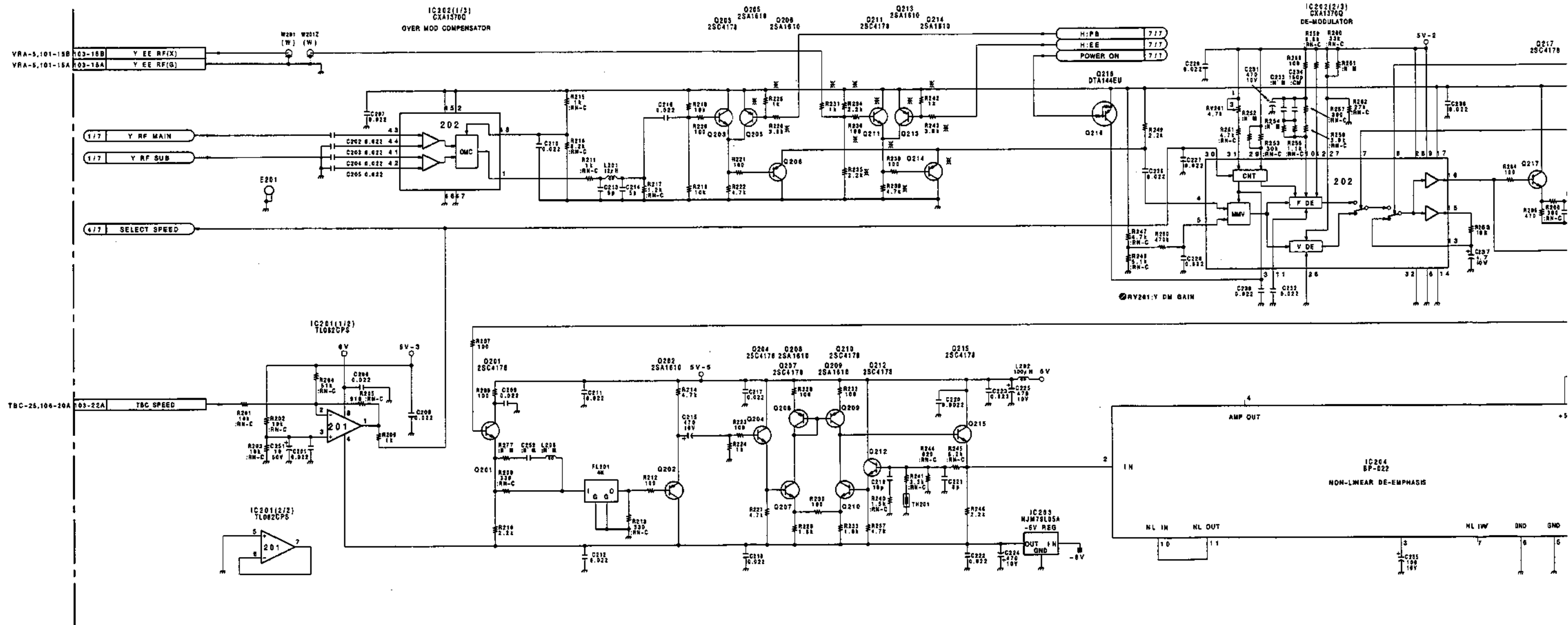
CN103	N-6	IC705	R-4	Q514	B-3	TP102	P-1
CN104	C-6			*Q515	B-2	TP103	L-1
CN105	R-5	*Q101	N-5	*Q516	B-2	TP104	P-3
		*Q102	N-4	Q517	B-3	TP201	P-1
DL101	N-4	*Q103	N-5	*Q601	F-5	TP301	H-1
DL301	J-4	*Q104	N-4	*Q602	F-5	TP302	J-3
		*Q105	N-4	Q603	E-5	TP401	L-1
*D201	N-2	*Q106	N-3	Q604	F-5		
*D401	J-2	*Q107	N-3	Q605	F-5		
*D501	A-2	*Q108	N-4	Q606	F-5		
*D502	B-2	*Q109	N-4	Q607	E-5		
*D503	B-3	*Q110	P-4	Q608	F-5		
*D504	B-4	*Q111	P-5	Q609	E-4		
*D601	D-2	*Q112	P-5	Q610	F-4		
*D602	E-2	*Q201	M-2	Q611	F-5		
*D701	R-4	*Q202	N-1	Q612	F-5		
		*Q203	P-2	*Q613	D-4		
E101	P-6	*Q204	N-2	*Q614	D-3		
E102	N-1	*Q205	P-2	*Q615	D-3		
E201	R-1	*Q206	P-2	*Q616	C-3		
E301	K-5	*Q207	N-2	*Q617	C-3		
E401	G-2	*Q208	N-1	*Q618	F-2		
E501	B-2	*Q209	N-1	*Q619	F-2		
E502	B-6	*Q210	N-1	*Q620	F-3		
E601	E-4	*Q211	P-2	*Q621	F-3		
E602	D-1	*Q212	P-1	*Q622	E-3		
E701	F-2	*Q213	R-2	*Q623	D-3		
		*Q214	R-2	*Q624	D-1		
FL201	M-1	*Q215	P-1	*Q625	E-4		
FL401	H-1	*Q216	N-2	*Q626	D-4		
FL601	E-2	*Q217	M-2	*Q627	D-1		
		*Q218	M-2	*Q628	D-1		
IC101	P-4	*Q219	M-2	*Q701	E-2		
IC102	M-5	*Q220	M-2	*Q702	F-2		
IC103	N-5	*Q301	J-4	*Q703	E-2		
IC104	L-5	*Q302	J-4	*Q704	F-2		
IC201	L-3	*Q303	H-4	*Q705	E-2		
IC202	M-2	*Q304	H-5	*Q706	F-2		
IC203	M-1	*Q305	H-4	*Q707	E-1		
IC204	P-1	*Q306	H-3	*Q708	F-1		
IC205	L-2	*Q307	J-3	*Q709	F-2		
IC301	K-4	*Q308	J-4	*Q710	F-1		
IC302	G-5	*Q309	J-4	*Q711	F-2		
IC303	H-5	*Q310	K-3	*Q712	F-2		
IC401	H-2	*Q311	K-5	*Q713	F-1		
IC402	H-1	*Q401	H-2	*Q714	E-1		
IC403	K-1	*Q402	J-1				
IC404	G-2	*Q403	J-1	RV101	L-1		
IC501	A-5	*Q404	J-2	RV102	K-1		
IC502	A-2	*Q405	J-1	RV103	P-4		
IC503	A-2	*Q406	J-1	RV201	M-3		
IC504	B-2	*Q407	J-1	RV301	J-1		
IC505	B-2	*Q408	J-1	RV302	H-1		
IC506	A-3	*Q409	J-2	RV303	K-4		
IC507	B-5	*Q410	J-1	RV401	H-3		
IC508	C-4	*Q411	J-2	RV501	A-4		
IC509	B-5	*Q412	J-2	RV502	A-4		
IC510	B-4	*Q413	K-2	RV503	B-4		
IC511	J-6	*Q414	K-2	RV504	B-4		
IC512	G-6	*Q415	K-2	RV505	B-4		
IC601	D-4	*Q416	J-2	RV506	B-4		
IC602	D-4	*Q417	H-2	RV601	D-1		
IC603	F-4	*Q418	H-2	RV602	F-1		
IC604	F-3	*Q501	A-1	RV603	D-1		
IC605	F-3	Q502	A-1	RV604	D-1		
IC606	E-3	Q503	A-1	RV605	F-1		
IC607	F-3	Q504	A-1	RV606	C-1		
IC608	D-2	*Q505	A-5	RV701	E-1		
IC609	E-2	*Q506	A-4	RV702	E-1		
IC610	D-2	Q507	B-1	RV703	E-1		
IC611	D-2	Q508	B-1	RV704	G-1		
IC612	C-2	*Q509	A-4				
IC701	F-1	*Q510	A-4	TH201	P-2		
IC702	F-1	*Q511	A-4	TH401	J-2		
IC703	R-4	*Q512	A-4				
IC704	R-4	*Q513	B-2	TP101	L-2		

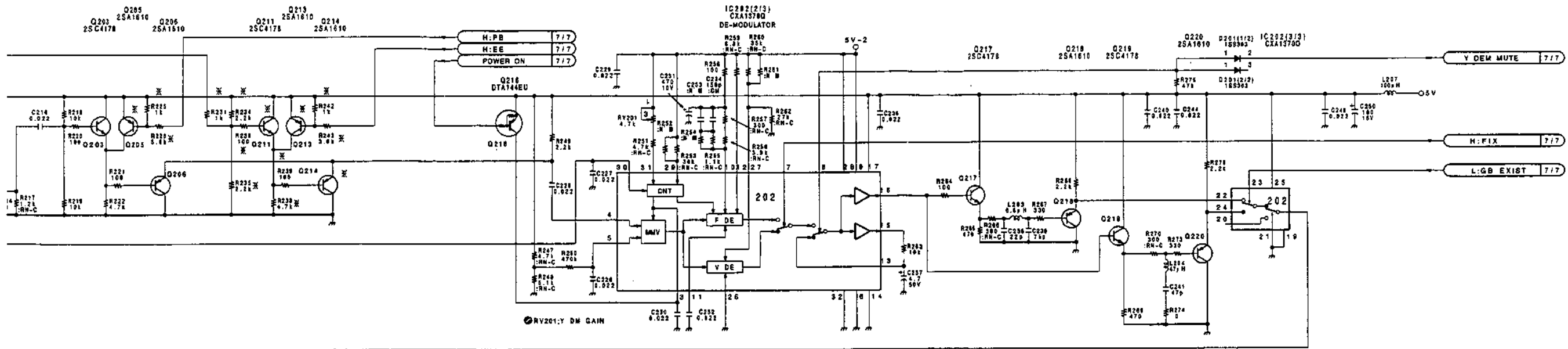
\*: B SIDE  
 -: UVW-1800 ONLY

① TP201 PB



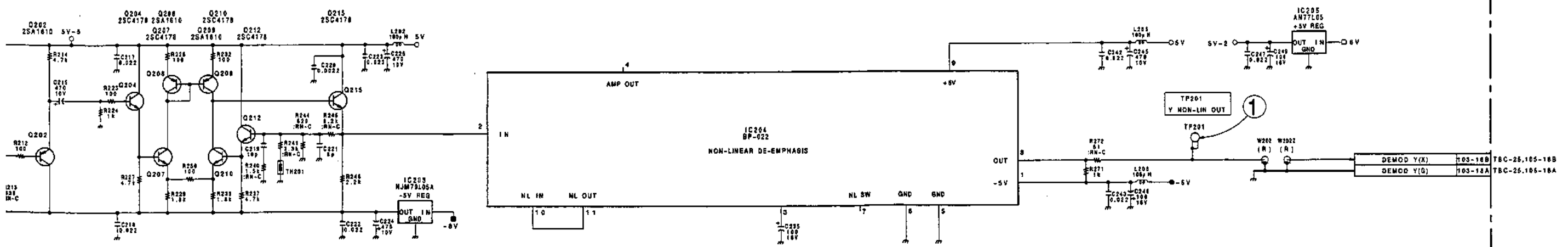
VP-43/A(2/7);Y OMC,Y DEM,Y NL DE-EMPH.





✱

REF NO.	EDITOR	FEEDER
Q205	25A1610	N'M
R225	1000	N'M
R226	3900	N'M
R231	1800	N'M
R234	2200	N'M
R235	2200	N'M
R236	100	N'M
Q211	25C4178	N'M
Q213	25A1610	N'M
Q214	25A1610	N'M
R239	4700	N'M
R239	100	N'M
R242	1000	N'M
R243	3900	N'M



VP-43/A BOARD (2/7)

BOARD NO.1-648-899-11  
 UVW-1800/1600(J);#10001-  
 UVW-1800/1600(UC);#10001-



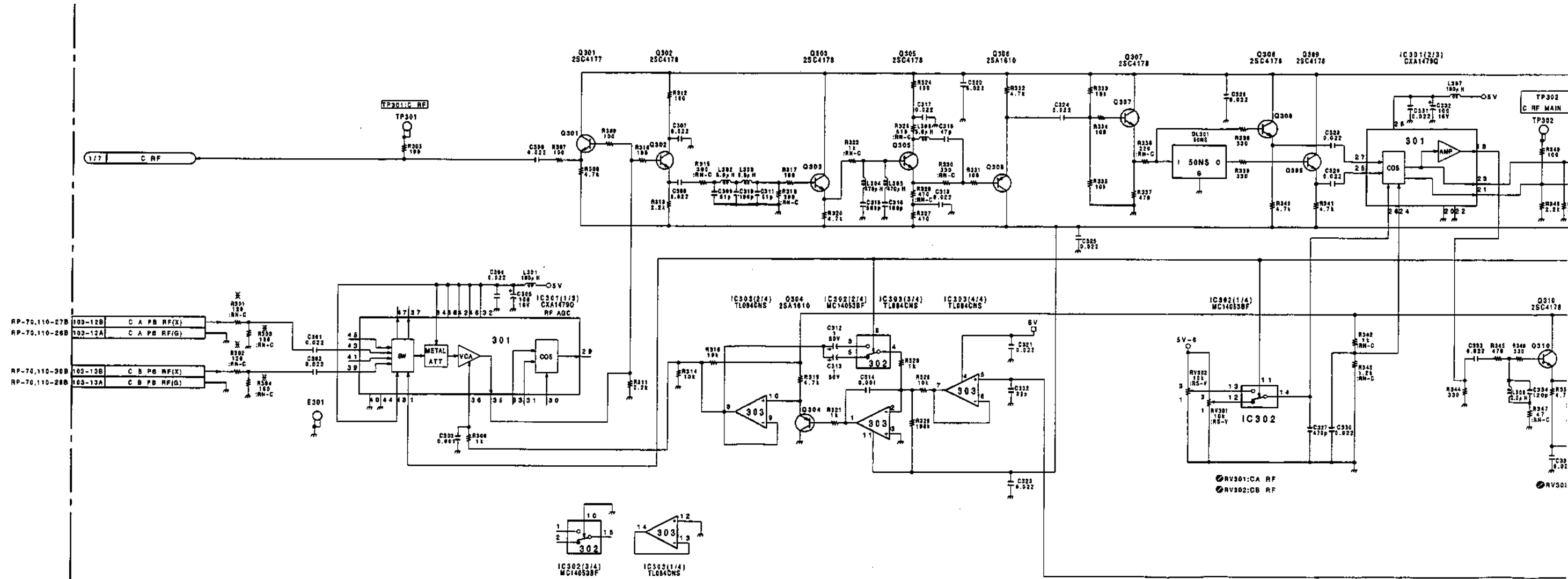
VP-43/43A(1-648-899-11)

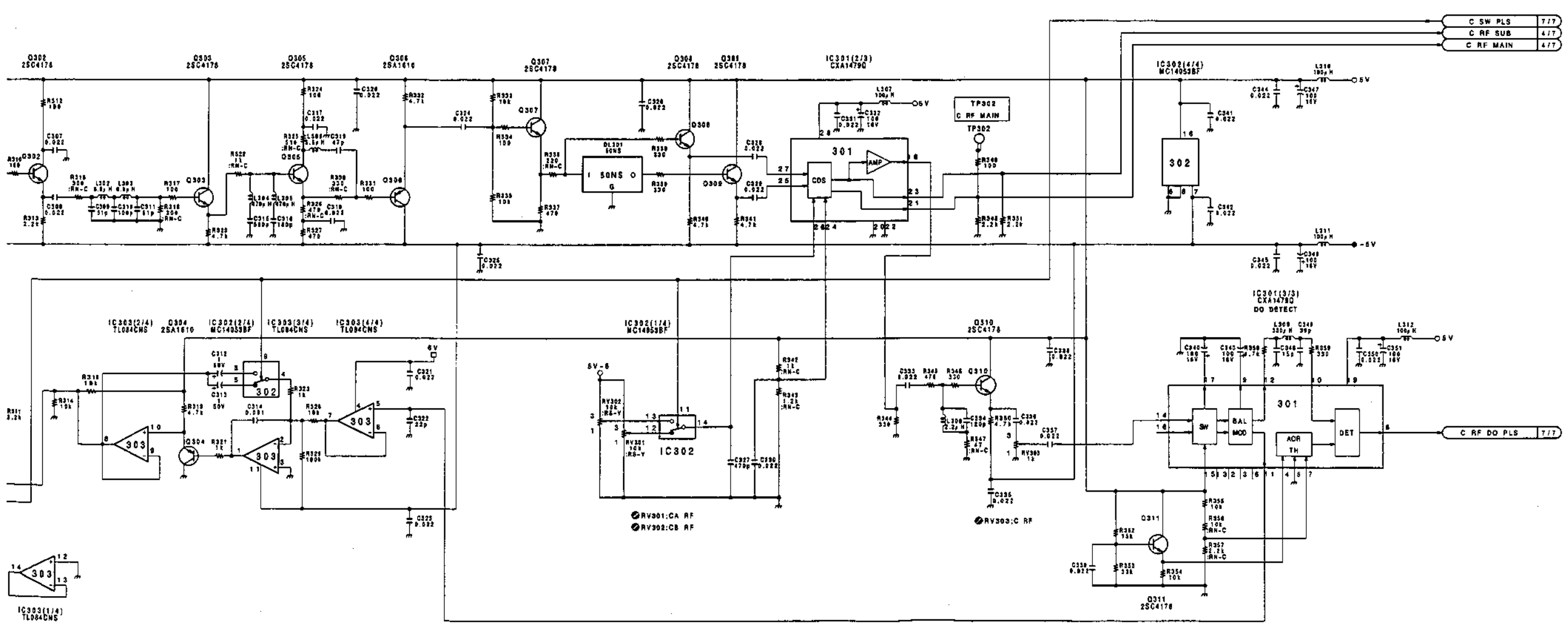
CN103	N-6	IC705	R-4	Q514	B-3	TP102	P-1
CN104	C-6			*Q515	B-2	TP103	L-1
CN105	R-5	*Q101	N-5	*Q516	B-2	TP104	P-3
		*Q102	N-4	Q517	B-3	TP201	P-1
DL101	N-4	*Q103	N-5	*Q601	F-5	TP301	H-1
DL301	J-4	*Q104	N-4	*Q602	F-5	TP302	J-3
		*Q105	N-4	Q603	E-5	TP401	L-1
*D201	N-2	*Q106	N-3	Q604	F-5		
*D401	J-2	*Q107	N-3	Q605	F-5		
*D501	A-2	*Q108	N-4	Q606	F-5		
*D502	B-2	*Q109	N-4	Q607	E-5		
*D503	B-3	*Q110	P-4	Q608	F-5		
*D504	B-4	*Q111	P-5	Q609	E-4		
*D601	D-2	*Q112	P-5	Q610	F-4		
*D602	E-2	*Q201	M-2	Q611	F-5		
*D701	R-4	*Q202	N-1	Q612	F-5		
		*Q203	P-2	*Q613	D-4		
E101	P-6	*Q204	N-2	*Q614	D-3		
E102	N-1	*Q205	P-2	*Q615	D-3		
E201	R-1	*Q206	P-2	*Q616	C-3		
E301	K-5	*Q207	N-2	*Q617	C-3		
E401	G-2	*Q208	N-1	*Q618	F-2		
E501	B-2	*Q209	N-1	*Q619	F-2		
E502	B-6	*Q210	N-1	*Q620	F-3		
E601	E-4	*Q211	P-2	*Q621	F-3		
E602	D-1	*Q212	P-1	*Q622	E-3		
E701	F-2	*Q213	R-2	*Q623	D-3		
		*Q214	R-2	*Q624	D-1		
FL201	M-1	*Q215	P-1	*Q625	E-4		
FL401	H-1	*Q216	N-2	*Q626	D-4		
FL601	E-2	*Q217	M-2	*Q627	D-1		
		*Q218	M-2	*Q628	D-1		
IC101	P-4	*Q219	M-2	*Q701	E-2		
IC102	M-5	*Q220	M-2	*Q702	F-2		
IC103	N-5	*Q301	J-4	*Q703	E-2		
IC104	L-5	*Q302	J-4	*Q704	F-2		
IC201	L-3	*Q303	H-4	*Q705	E-2		
IC202	M-2	*Q304	H-5	*Q706	F-2		
IC203	M-1	*Q305	H-4	*Q707	E-1		
IC204	P-1	*Q306	H-3	*Q708	F-1		
IC205	L-2	*Q307	J-3	*Q709	F-2		
IC301	K-4	*Q308	J-4	*Q710	F-1		
IC302	G-5	*Q309	J-4	*Q711	F-2		
IC303	H-5	*Q310	K-3	*Q712	F-2		
IC401	H-2	*Q311	K-5	*Q713	F-1		
IC402	H-1	*Q401	H-2	*Q714	E-1		
IC403	K-1	*Q402	J-1				
IC404	G-2	*Q403	J-1	RV101	L-1		
IC501	A-5	*Q404	J-2	RV102	K-1		
IC502	A-2	*Q405	J-1	RV103	P-4		
IC503	A-2	*Q406	J-1	RV201	M-3		
IC504	B-2	*Q407	J-1	RV301	J-1		
IC505	B-2	*Q408	J-1	RV302	H-1		
IC506	A-3	*Q409	J-2	RV303	K-4		
IC507	B-5	*Q410	J-1	RV401	H-3		
IC508	C-4	*Q411	J-2	RV501	A-4		
IC509	B-5	*Q412	J-2	RV502	A-4		
IC510	B-4	*Q413	K-2	RV503	B-4		
IC511	J-6	*Q414	K-2	RV504	B-4		
IC512	G-6	*Q415	K-2	RV505	B-4		
IC601	D-4	*Q416	J-2	RV506	B-4		
IC602	D-4	*Q417	H-2	RV601	D-1		
IC603	F-4	*Q418	H-2	RV602	F-1		
IC604	F-3	*Q501	A-1	RV603	D-1		
IC605	F-3	Q502	A-1	RV604	D-1		
IC606	E-3	Q503	A-1	RV605	F-1		
IC607	F-3	Q504	A-1	RV606	C-1		
IC608	D-2	*Q505	A-5	RV701	E-1		
IC609	E-2	*Q506	A-4	RV702	E-1		
IC610	D-2	Q507	B-1	RV703	E-1		
IC611	D-2	Q508	B-1	RV704	G-1		
IC612	C-2	*Q509	A-4				
IC701	F-1	*Q510	A-4	TH201	P-2		
IC702	F-1	*Q511	A-4	TH401	J-2		
IC703	R-4	*Q512	A-4				
IC704	R-4	*Q513	B-2	TP101	L-2		

\*: B SIDE  
 -: UVW-1800 ONLY



VP-43/A(3/7);C RF AGC/EQ,C DO DET.





✱ JUC

REF NO.	EDITOR	FEEDER
R301, R302	A120	A180
R303, R304	A180	A120

A - :RN-C

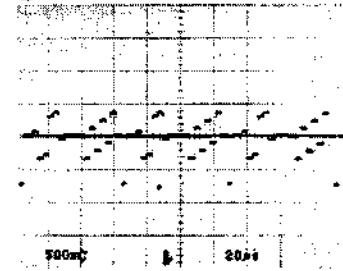
**VP-43/A BOARD (3/7)**  
 BOARD NO.1-648-899-11  
 UVW-1800/1600(J) :f10001-  
 UVW-1800/1600(UC):f10001-



VP-43/43A(1-648-899-11)

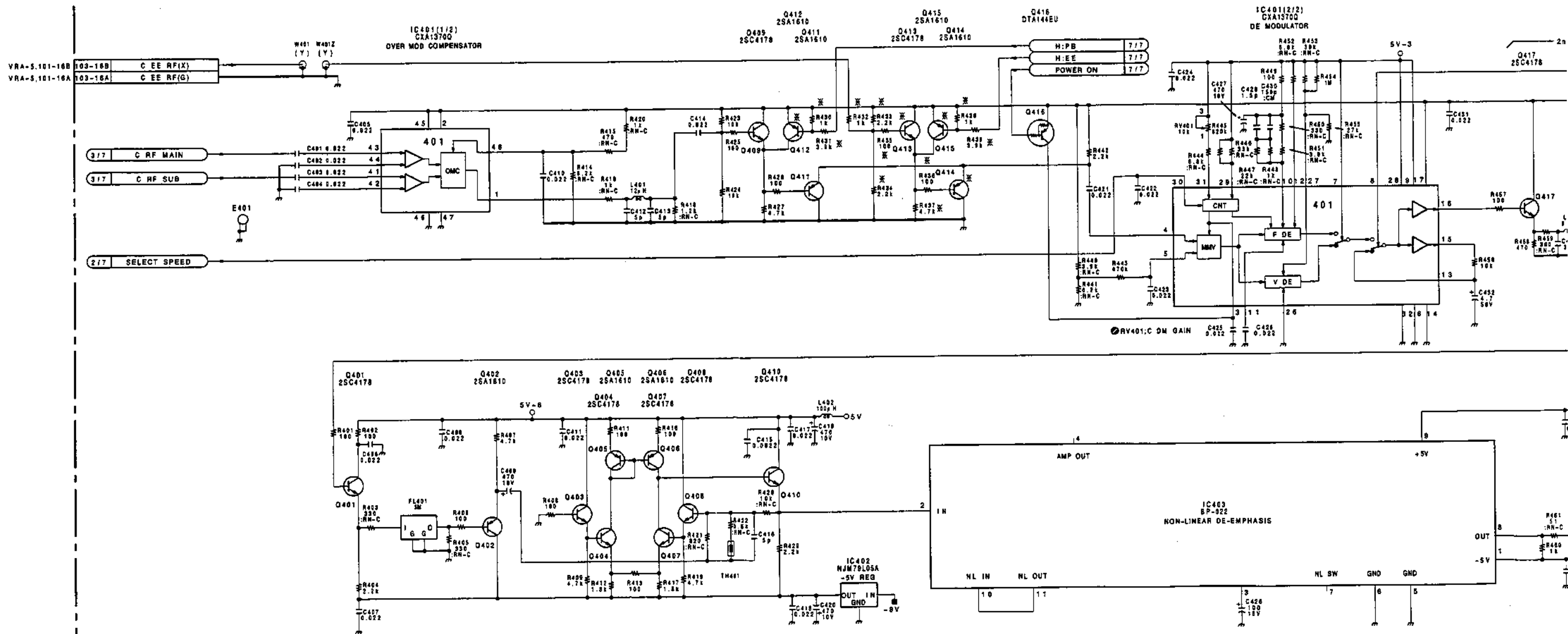
CN103	N-6	IC705	R-4	Q514	B-3	TP102	P-1
CN104	C-6			*Q515	B-2	TP103	L-1
CN105	R-5	*Q101	N-5	*Q516	B-2	TP104	P-3
		*Q102	N-4	Q517	B-3	TP201	P-1
DL101	N-4	*Q103	N-5	*Q601	F-5	TP301	H-1
DL301	J-4	*Q104	N-4	*Q602	F-5	TP302	J-3
		*Q105	N-4	Q603	E-5	TP401	L-1
*D201	N-2	*Q106	N-3	Q604	F-5		
*D401	J-2	*Q107	N-3	Q605	F-5		
*D501	A-2	*Q108	N-4	Q606	F-5		
*D502	B-2	*Q109	N-4	Q607	E-5		
*D503	B-3	*Q110	P-4	Q608	F-5		
*D504	B-4	*Q111	P-5	Q609	E-4		
*D601	D-2	*Q112	P-5	Q610	F-4		
*D602	E-2	*Q201	M-2	Q611	F-5		
*D701	R-4	*Q202	N-1	Q612	F-5		
		*Q203	P-2	*Q613	D-4		
E101	P-6	*Q204	N-2	*Q614	D-3		
E102	N-1	*Q205	P-2	*Q615	D-3		
E201	R-1	*Q206	P-2	*Q616	C-3		
E301	K-5	*Q207	N-2	*Q617	C-3		
E401	G-2	*Q208	N-1	*Q618	F-2		
E501	B-2	*Q209	N-1	*Q619	F-2		
E502	B-6	*Q210	N-1	*Q620	F-3		
E601	E-4	*Q211	P-2	*Q621	F-3		
E602	D-1	*Q212	P-1	*Q622	E-3		
E701	F-2	*Q213	R-2	*Q623	D-3		
		*Q214	R-2	*Q624	D-1		
FL201	M-1	*Q215	P-1	*Q625	E-4		
FL401	H-1	*Q216	N-2	*Q626	D-4		
FL601	E-2	*Q217	M-2	*Q627	D-1		
		*Q218	M-2	*Q628	D-1		
IC101	P-4	*Q219	M-2	*Q701	E-2		
IC102	M-5	*Q220	M-2	*Q702	F-2		
IC103	N-5	*Q301	J-4	*Q703	E-2		
IC104	L-5	*Q302	J-4	*Q704	F-2		
IC201	L-3	*Q303	H-4	*Q705	E-2		
IC202	M-2	*Q304	H-5	*Q706	F-2		
IC203	M-1	*Q305	H-4	*Q707	E-1		
IC204	P-1	*Q306	H-3	*Q708	F-1		
IC205	L-2	*Q307	J-3	*Q709	F-2		
IC301	K-4	*Q308	J-4	*Q710	F-1		
IC302	G-5	*Q309	J-4	*Q711	F-2		
IC303	H-5	*Q310	K-3	*Q712	F-2		
IC401	H-2	*Q311	K-5	*Q713	F-1		
IC402	H-1	*Q401	H-2	*Q714	E-1		
IC403	K-1	*Q402	J-1				
IC404	G-2	*Q403	J-1	RV101	L-1		
IC501	A-5	*Q404	J-2	RV102	K-1		
IC502	A-2	*Q405	J-1	RV103	P-4		
IC503	A-2	*Q406	J-1	RV201	M-3		
IC504	B-2	*Q407	J-1	RV301	J-1		
IC505	B-2	*Q408	J-1	RV302	H-1		
IC506	A-3	*Q409	J-2	RV303	K-4		
IC507	B-5	*Q410	J-1	RV401	H-3		
IC508	C-4	*Q411	J-2	RV501	A-4		
IC509	B-5	*Q412	J-2	RV502	A-4		
IC510	B-4	*Q413	K-2	RV503	B-4		
IC511	J-6	*Q414	K-2	RV504	B-4		
IC512	G-6	*Q415	K-2	RV505	B-4		
IC601	D-4	*Q416	J-2	RV506	B-4		
IC602	D-4	*Q417	H-2	RV601	D-1		
IC603	F-4	*Q418	H-2	RV602	F-1		
IC604	F-3	*Q501	A-1	RV603	D-1		
IC605	F-3	Q502	A-1	RV604	D-1		
IC606	E-3	Q503	A-1	RV605	F-1		
IC607	F-3	Q504	A-1	RV606	C-1		
IC608	D-2	*Q505	A-5	RV701	E-1		
IC609	E-2	*Q506	A-4	RV702	E-1		
IC610	D-2	Q507	B-1	RV703	E-1		
IC611	D-2	Q508	B-1	RV704	G-1		
IC612	C-2	*Q509	A-4				
IC701	F-1	*Q510	A-4	TH201	P-2		
IC702	F-1	*Q511	A-4	TH401	J-2		
IC703	R-4	*Q512	A-4				
IC704	R-4	*Q513	B-2	TP101	L-2		

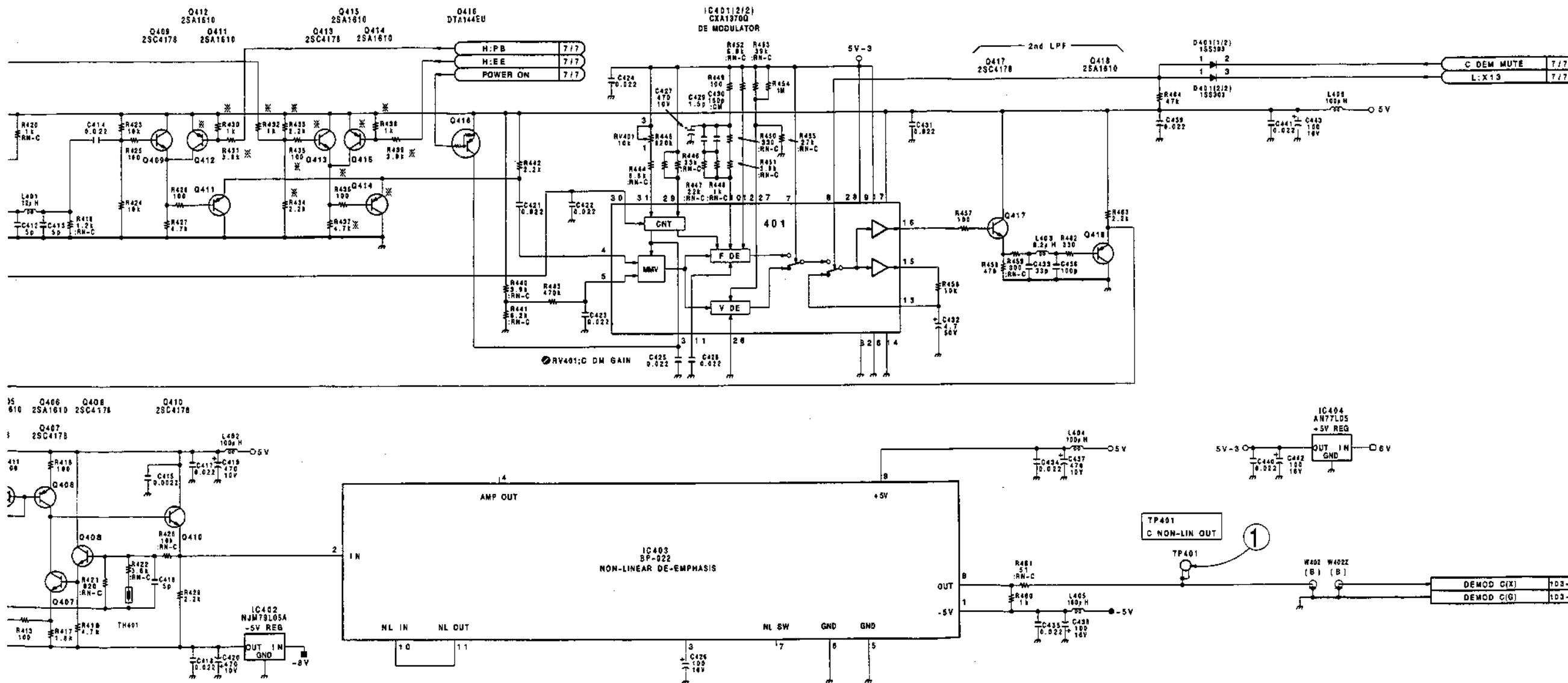
① TP401 PB



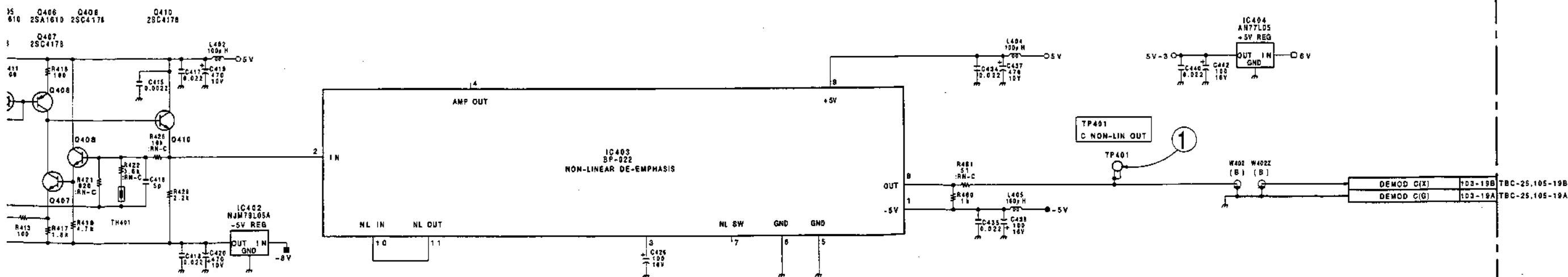
\*: B SIDE  
 \_ : UVW-1800 ONLY

VP-43/A(4/7);C OMC,C DEM,C NL DE-EMPH.



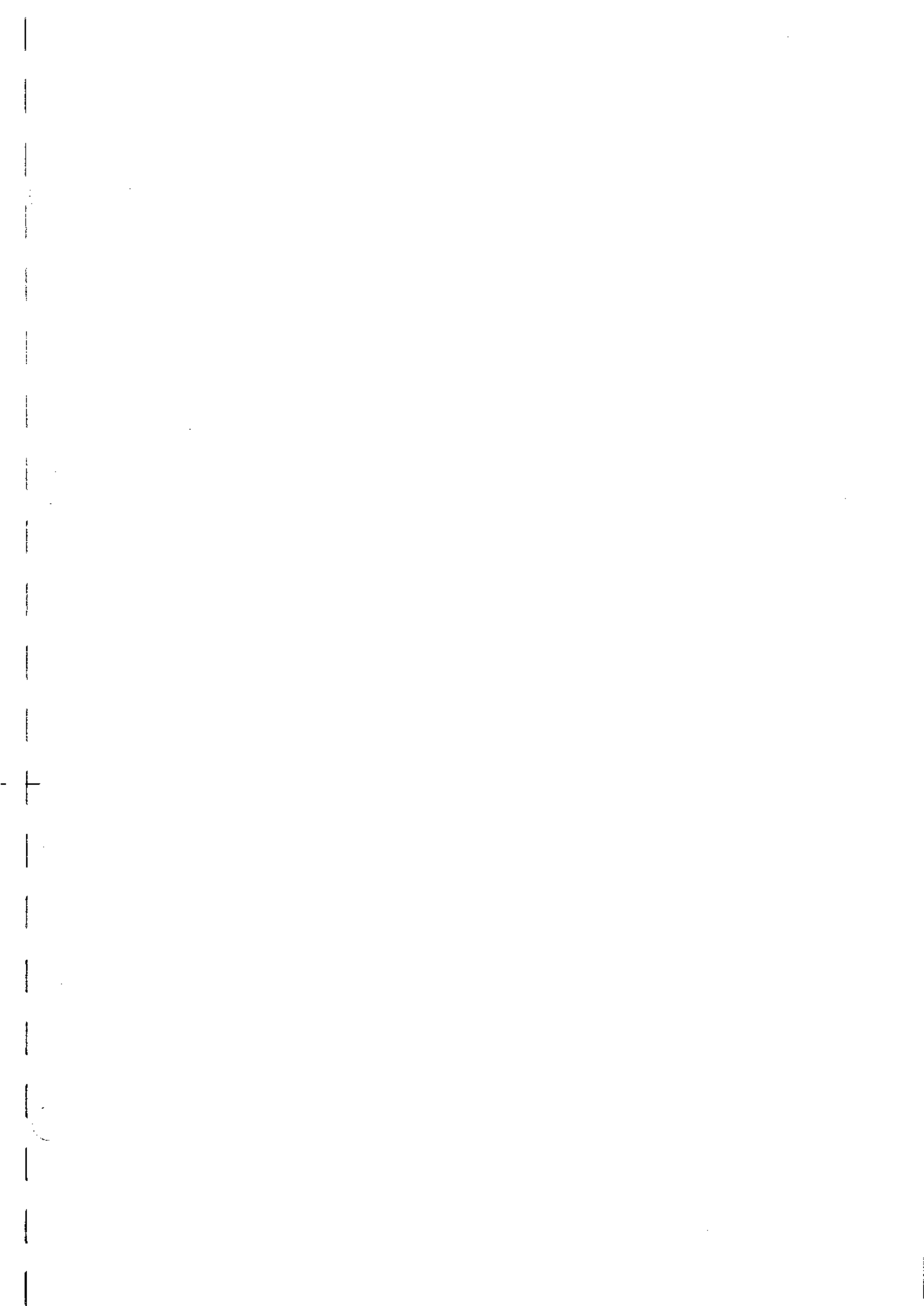


REF NO.	EDITOR	FEEDER
Q412	2SA1610	N'M
R430	1000	N'M
R431	3900	N'M
R432	1000	N'M
R433	2200	N'M
R434	2200	N'M
R435	100	N'M
Q413	2SC4178	N'M
Q414	2SA1610	N'M
Q415	2SA1610	N'M
R436	4700	N'M
R437	100	N'M
R438	1000	N'M
R439	3900	N'M



VP-43/A BOARD (4/7)

BOARD NO.1-648-899-11  
 UVW-1800/1600(J);#10001-  
 UVW-1800/1600(UC);#10001-



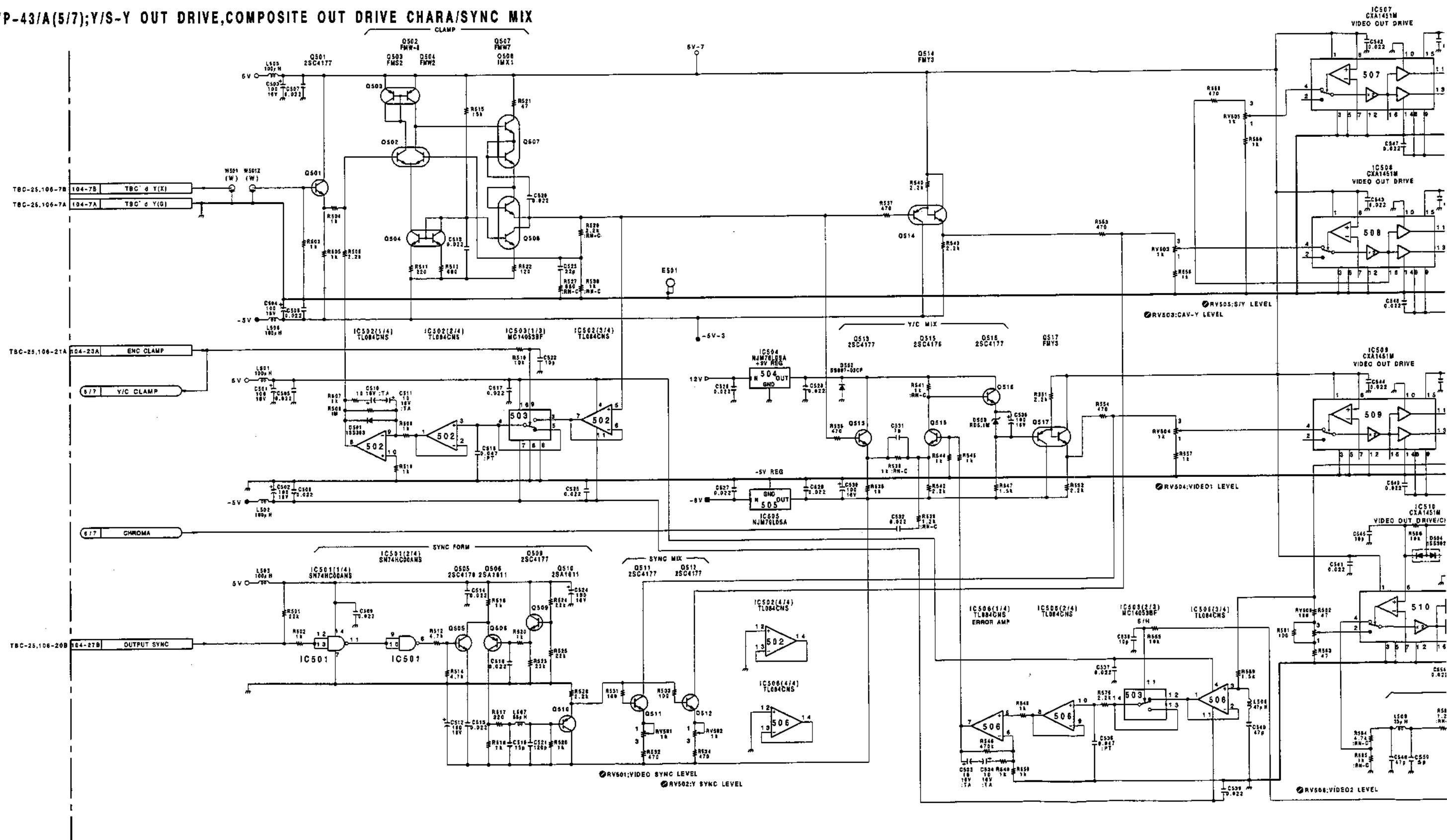
VP-43/43A(1-648-899-11)

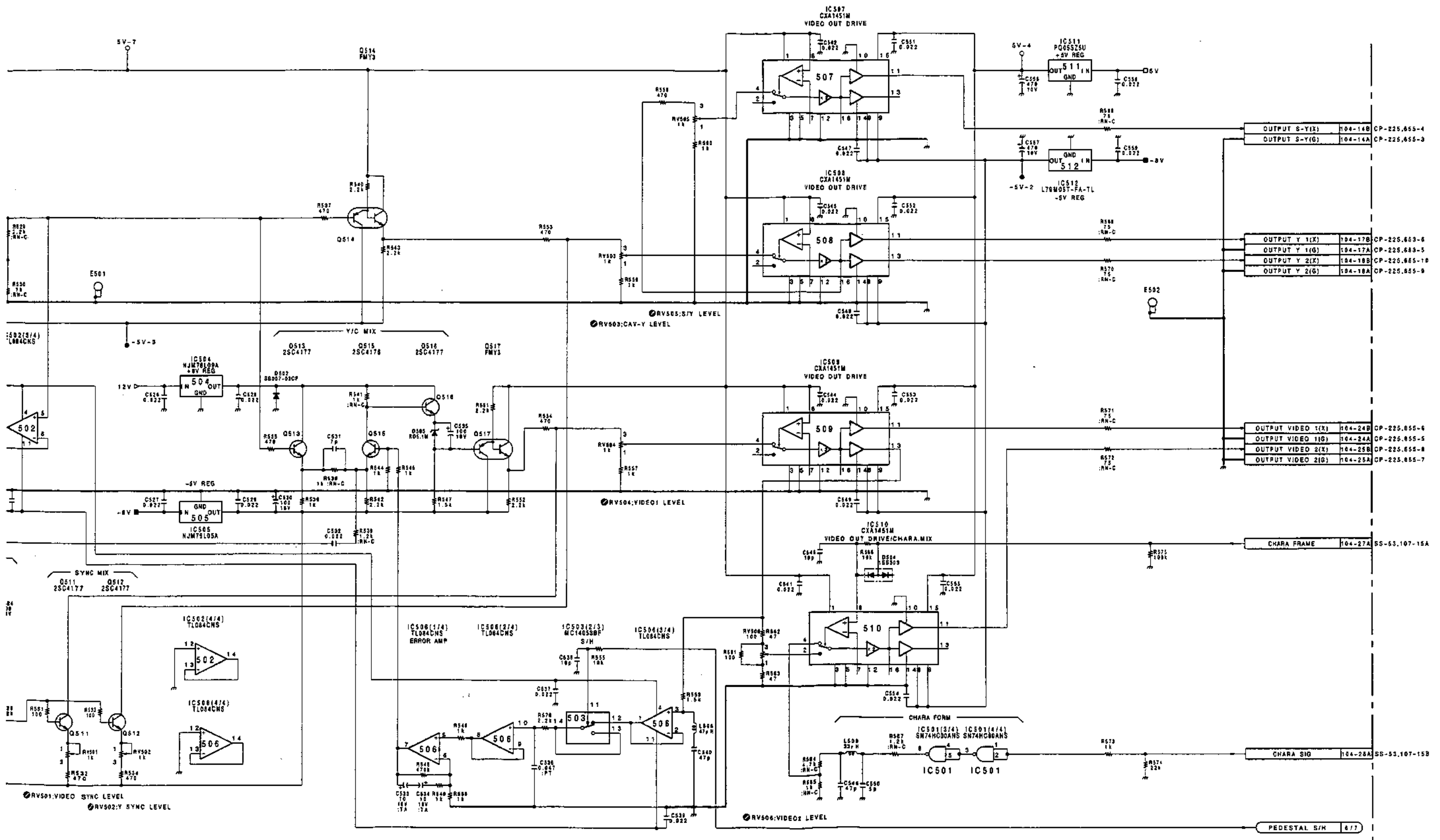
CN103	N-6	IC705	R-4	Q514	B-3	TP102	P-1
CN104	C-6			*Q515	B-2	TP103	L-1
CN105	R-5	*Q101	N-5	*Q516	B-2	TP104	P-3
		*Q102	N-4	Q517	B-3	TP201	P-1
DL101	N-4	*Q103	N-5	*Q601	F-5	TP301	H-1
DL301	J-4	*Q104	N-4	*Q602	F-5	TP302	J-3
		*Q105	N-4	Q603	E-5	TP401	L-1
*D201	N-2	*Q106	N-3	Q604	F-5		
*D401	J-2	*Q107	N-3	Q605	F-5		
*D501	A-2	*Q108	N-4	Q606	F-5		
*D502	B-2	*Q109	N-4	Q607	E-5		
*D503	B-3	*Q110	P-4	Q608	F-5		
*D504	B-4	*Q111	P-5	Q609	E-4		
*D601	D-2	*Q112	P-5	Q610	F-4		
*D602	E-2	*Q201	M-2	Q611	F-5		
*D701	R-4	*Q202	N-1	Q612	F-5		
		*Q203	P-2	*Q613	D-4		
E101	P-6	*Q204	N-2	*Q614	D-3		
E102	N-1	*Q205	P-2	*Q615	D-3		
E201	R-1	*Q206	P-2	*Q616	C-3		
E301	K-5	*Q207	N-2	*Q617	C-3		
E401	G-2	*Q208	N-1	*Q618	F-2		
E501	B-2	*Q209	N-1	*Q619	F-2		
E502	B-6	*Q210	N-1	*Q620	F-3		
E601	E-4	*Q211	P-2	*Q621	F-3		
E602	D-1	*Q212	P-1	*Q622	E-3		
E701	F-2	*Q213	R-2	*Q623	D-3		
		*Q214	R-2	*Q624	D-1		
FL201	M-1	*Q215	P-1	*Q625	E-4		
FL401	H-1	*Q216	N-2	*Q626	D-4		
FL601	E-2	*Q217	M-2	*Q627	D-1		
		*Q218	M-2	*Q628	D-1		
IC101	P-4	*Q219	M-2	*Q701	E-2		
IC102	M-5	*Q220	M-2	*Q702	F-2		
IC103	N-5	*Q301	J-4	*Q703	E-2		
IC104	L-5	*Q302	J-4	*Q704	F-2		
IC201	L-3	*Q303	H-4	*Q705	E-2		
IC202	M-2	*Q304	H-5	*Q706	F-2		
IC203	M-1	*Q305	H-4	*Q707	E-1		
IC204	P-1	*Q306	H-3	*Q708	F-1		
IC205	L-2	*Q307	J-3	*Q709	F-2		
IC301	K-4	*Q308	J-4	*Q710	F-1		
IC302	G-5	*Q309	J-4	*Q711	F-2		
IC303	H-5	*Q310	K-3	*Q712	F-2		
IC401	H-2	*Q311	K-5	*Q713	F-1		
IC402	H-1	*Q401	H-2	*Q714	E-1		
IC403	K-1	*Q402	J-1				
IC404	G-2	*Q403	J-1	RV101	L-1		
IC501	A-5	*Q404	J-2	RV102	K-1		
IC502	A-2	*Q405	J-1	RV103	P-4		
IC503	A-2	*Q406	J-1	RV201	M-3		
IC504	B-2	*Q407	J-1	RV301	J-1		
IC505	B-2	*Q408	J-1	RV302	H-1		
IC506	A-3	*Q409	J-2	RV303	K-4		
IC507	B-5	*Q410	J-1	RV401	H-3		
IC508	C-4	*Q411	J-2	RV501	A-4		
IC509	B-5	*Q412	J-2	RV502	A-4		
IC510	B-4	*Q413	K-2	RV503	B-4		
IC511	J-6	*Q414	K-2	RV504	B-4		
IC512	G-6	*Q415	K-2	RV505	B-4		
IC601	D-4	*Q416	J-2	RV506	B-4		
IC602	D-4	*Q417	H-2	RV601	D-1		
IC603	F-4	*Q418	H-2	RV602	F-1		
IC604	F-3	*Q501	A-1	RV603	D-1		
IC605	F-3	Q502	A-1	RV604	D-1		
IC606	E-3	Q503	A-1	RV605	F-1		
IC607	F-3	Q504	A-1	RV606	C-1		
IC608	D-2	*Q505	A-5	RV701	E-1		
IC609	E-2	*Q506	A-4	RV702	E-1		
IC610	D-2	Q507	B-1	RV703	E-1		
IC611	D-2	Q508	B-1	RV704	G-1		
IC612	C-2	*Q509	A-4				
IC701	F-1	*Q510	A-4	TH201	P-2		
IC702	F-1	*Q511	A-4	TH401	J-2		
IC703	R-4	*Q512	A-4				
IC704	R-4	*Q513	B-2	TP101	L-2		

\*: B SIDE  
 \_ : UVW-1800 ONLY



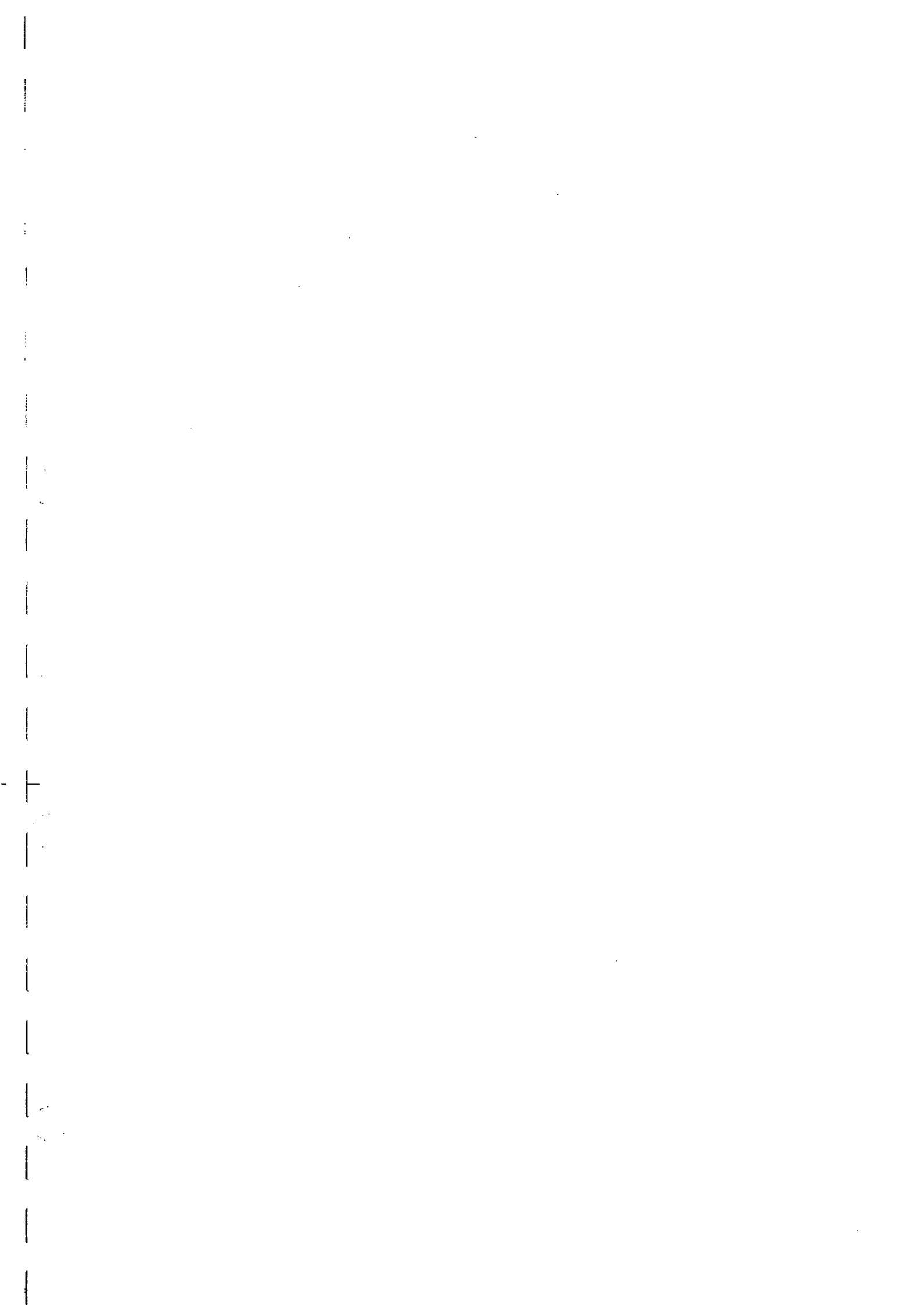
VP-43/A(5/7);Y/S-Y OUT DRIVE,COMPOSITE OUT DRIVE CHARA/SYNC MIX





VP-43/A BOARD (5/7)

BOARD NO.1-648-899-11  
UVW-1800/1600(J) ;#10001-  
UVW-1800/1600(UC);#10001-

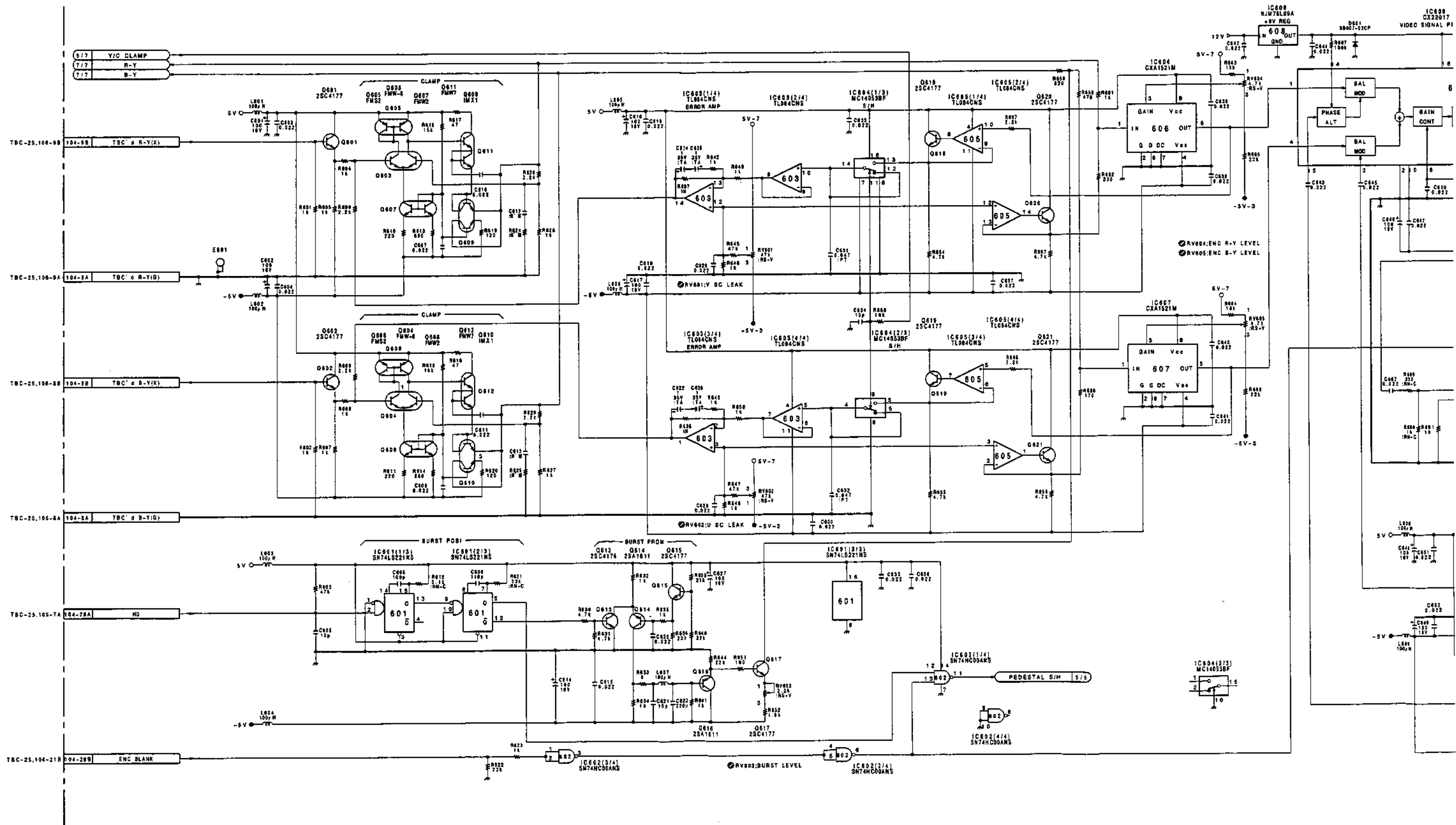


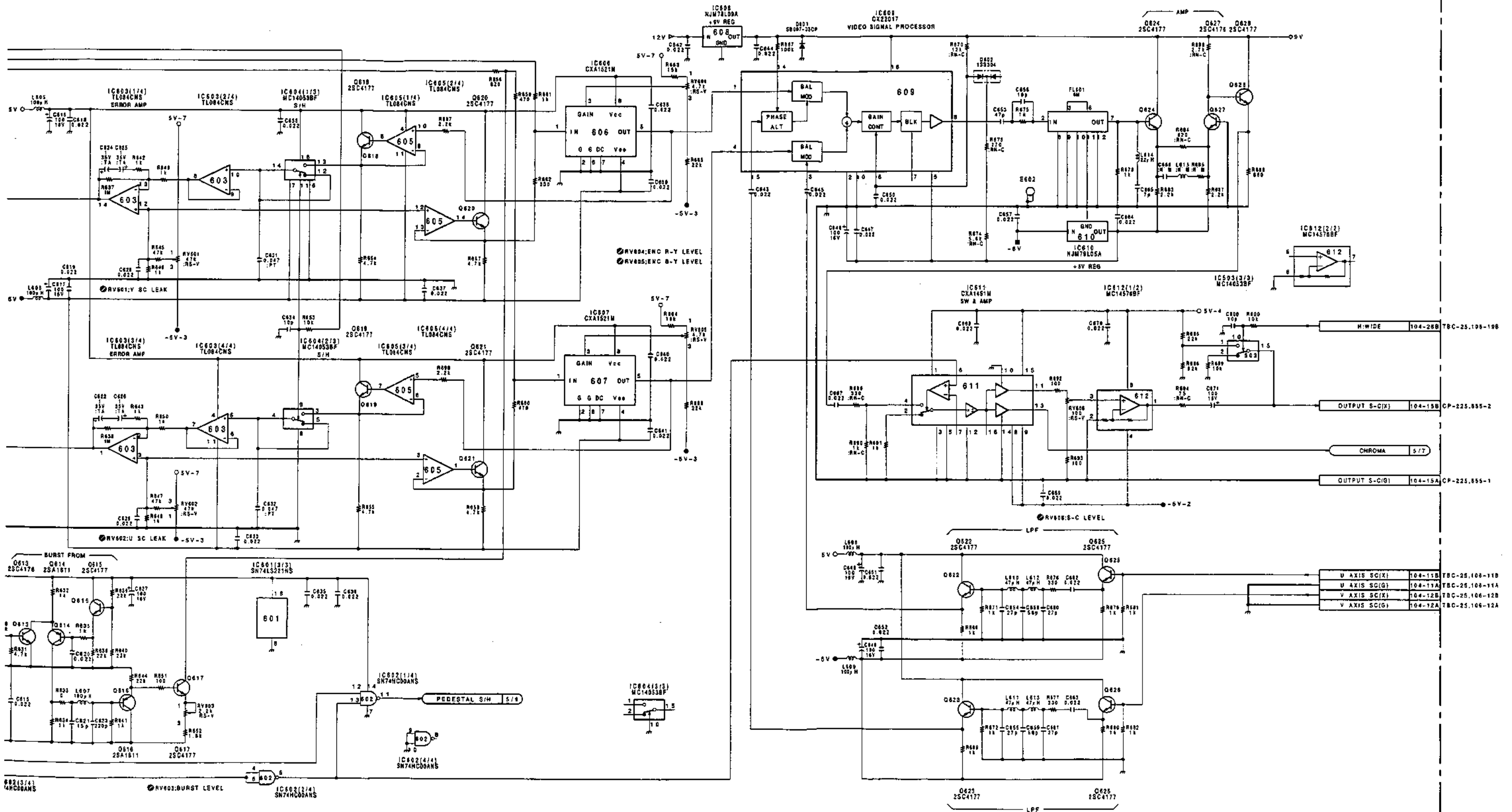
VP-43/43A(1-648-899-11)

CN103	N-6	IC705	R-4	Q514	B-3	TP102	P-1
CN104	C-6			*Q515	B-2	TP103	L-1
CN105	R-5	*Q101	N-5	*Q516	B-2	TP104	P-3
		*Q102	N-4	Q517	B-3	TP201	P-1
DL101	N-4	*Q103	N-5	*Q601	F-5	TP301	H-1
DL301	J-4	*Q104	N-4	*Q602	F-5	TP302	J-3
		*Q105	N-4	Q603	E-5	TP401	L-1
*D201	N-2	*Q106	N-3	Q604	F-5		
*D401	J-2	*Q107	N-3	Q605	F-5		
*D501	A-2	*Q108	N-4	Q606	F-5		
*D502	B-2	*Q109	N-4	Q607	E-5		
*D503	B-3	*Q110	P-4	Q608	F-5		
*D504	B-4	*Q111	P-5	Q609	E-4		
*D601	D-2	*Q112	P-5	Q610	F-4		
*D602	E-2	*Q201	M-2	Q611	F-5		
*D701	R-4	*Q202	N-1	Q612	F-5		
		*Q203	P-2	*Q613	D-4		
E101	P-6	*Q204	N-2	*Q614	D-3		
E102	N-1	*Q205	P-2	*Q615	D-3		
E201	R-1	*Q206	P-2	*Q616	C-3		
E301	K-5	*Q207	N-2	*Q617	C-3		
E401	G-2	*Q208	N-1	*Q618	F-2		
E501	B-2	*Q209	N-1	*Q619	F-2		
E502	B-6	*Q210	N-1	*Q620	F-3		
E601	E-4	*Q211	P-2	*Q621	F-3		
E602	D-1	*Q212	P-1	*Q622	E-3		
E701	F-2	*Q213	R-2	*Q623	D-3		
		*Q214	R-2	*Q624	D-1		
FL201	M-1	*Q215	P-1	*Q625	E-4		
FL401	H-1	*Q216	N-2	*Q626	D-4		
FL601	E-2	*Q217	M-2	*Q627	D-1		
		*Q218	M-2	*Q628	D-1		
IC101	P-4	*Q219	M-2	*Q701	E-2		
IC102	M-5	*Q220	M-2	*Q702	F-2		
IC103	N-5	*Q301	J-4	*Q703	E-2		
IC104	L-5	*Q302	J-4	*Q704	F-2		
IC201	L-3	*Q303	H-4	*Q705	E-2		
IC202	M-2	*Q304	H-5	*Q706	F-2		
IC203	M-1	*Q305	H-4	*Q707	E-1		
IC204	P-1	*Q306	H-3	*Q708	F-1		
IC205	L-2	*Q307	J-3	*Q709	F-2		
IC301	K-4	*Q308	J-4	*Q710	F-1		
IC302	G-5	*Q309	J-4	*Q711	F-2		
IC303	H-5	*Q310	K-3	*Q712	F-2		
IC401	H-2	*Q311	K-5	*Q713	F-1		
IC402	H-1	*Q401	H-2	*Q714	E-1		
IC403	K-1	*Q402	J-1				
IC404	G-2	*Q403	J-1	RV101	L-1		
IC501	A-5	*Q404	J-2	RV102	K-1		
IC502	A-2	*Q405	J-1	RV103	P-4		
IC503	A-2	*Q406	J-1	RV201	M-3		
IC504	B-2	*Q407	J-1	RV301	J-1		
IC505	B-2	*Q408	J-1	RV302	H-1		
IC506	A-3	*Q409	J-2	RV303	K-4		
IC507	B-5	*Q410	J-1	RV401	H-3		
IC508	C-4	*Q411	J-2	RV501	A-4		
IC509	B-5	*Q412	J-2	RV502	A-4		
IC510	B-4	*Q413	K-2	RV503	B-4		
IC511	J-6	*Q414	K-2	RV504	B-4		
IC512	G-6	*Q415	K-2	RV505	B-4		
IC601	D-4	*Q416	J-2	RV506	B-4		
IC602	D-4	*Q417	H-2	RV601	D-1		
IC603	F-4	*Q418	H-2	RV602	F-1		
IC604	F-3	*Q501	A-1	RV603	D-1		
IC605	F-3	Q502	A-1	RV604	D-1		
IC606	E-3	Q503	A-1	RV605	F-1		
IC607	F-3	Q504	A-1	RV606	C-1		
IC608	D-2	*Q505	A-5	RV701	E-1		
IC609	E-2	*Q506	A-4	RV702	E-1		
IC610	D-2	Q507	B-1	RV703	E-1		
IC611	D-2	Q508	B-1	RV704	G-1		
IC612	C-2	*Q509	A-4				
IC701	F-1	*Q510	A-4	TH201	P-2		
IC702	F-1	*Q511	A-4	TH401	J-2		
IC703	R-4	*Q512	A-4				
IC704	R-4	*Q513	B-2	TP101	L-2		

\*: B SIDE  
 \_ : UVW-1800 ONLY

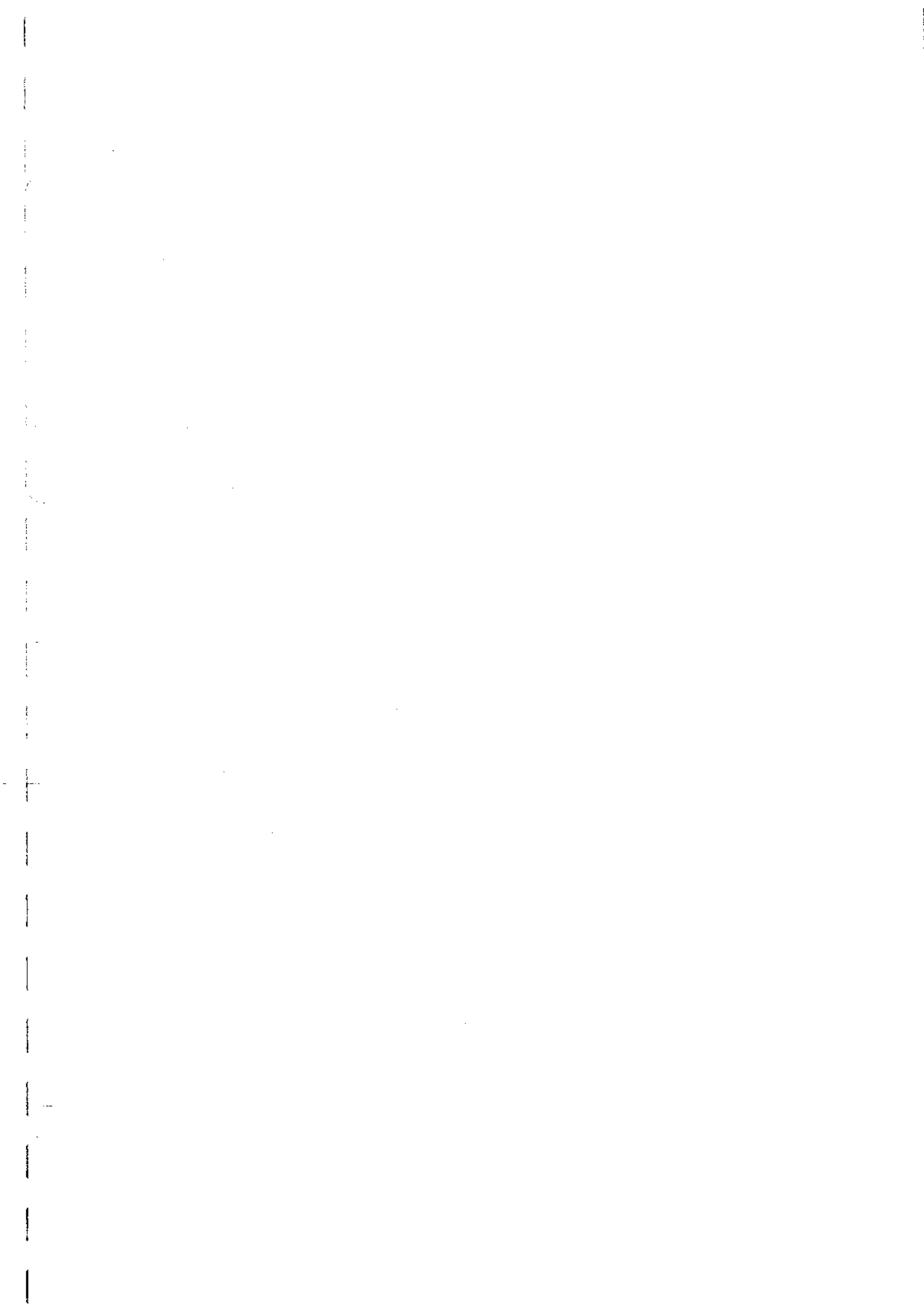
VP-43/A(6/7); ENCODE, S-C OUT DRIVE





VP-43/A BOARD (6/7)

BOARD NO.1-648-899-11  
UVW-1800/1600(J);#10001-  
UVW-1800/1600(UC);#10001-



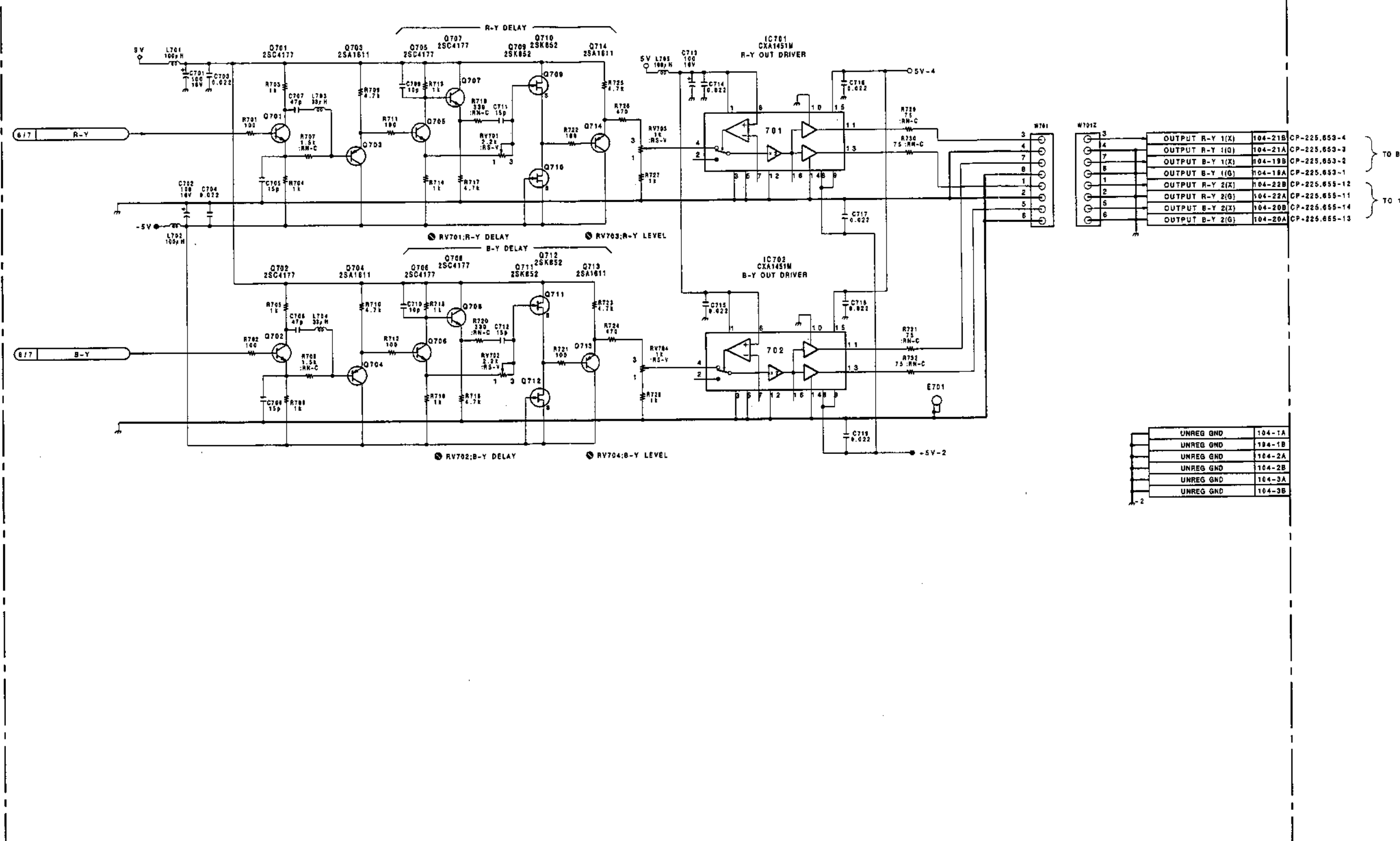
VP-43/43A(1-648-899-11)

CN103	N-6	IC705	R-4	Q514	B-3	TP102	P-1
CN104	C-6			*Q515	B-2	TP103	L-1
CN106	R-5	*Q101	N-5	*Q516	B-2	TP104	P-3
		*Q102	N-4	Q517	B-3	TP201	P-1
DL101	N-4	*Q103	N-5	*Q601	F-5	TP301	H-1
DL301	J-4	*Q104	N-4	*Q602	F-5	TP302	J-3
		*Q105	N-4	Q603	E-5	TP401	L-1
*D201	N-2	*Q106	N-3	Q604	F-5		
*D401	J-2	*Q107	N-3	Q605	F-5		
*D501	A-2	*Q108	N-4	Q606	F-5		
*D502	B-2	*Q109	N-4	Q607	E-5		
*D503	B-3	*Q110	P-4	Q608	F-5		
*D504	B-4	*Q111	P-5	Q609	E-4		
*D601	D-2	*Q112	P-5	Q610	F-4		
*D602	E-2	*Q201	M-2	Q611	F-5		
*D701	R-4	*Q202	N-1	Q612	F-5		
		*Q203	P-2	*Q613	D-4		
E101	P-6	*Q204	N-2	*Q614	D-3		
E102	N-1	*Q205	P-2	*Q615	D-3		
E201	R-1	*Q206	P-2	*Q616	C-3		
E301	K-5	*Q207	N-2	*Q617	C-3		
E401	G-2	*Q208	N-1	*Q618	F-2		
E501	B-2	*Q209	N-1	*Q619	F-2		
E502	B-6	*Q210	N-1	*Q620	F-3		
E601	E-4	*Q211	P-2	*Q621	F-3		
E602	D-1	*Q212	P-1	*Q622	E-3		
E701	F-2	*Q213	R-2	*Q623	D-3		
		*Q214	R-2	*Q624	D-1		
FL201	M-1	*Q215	P-1	*Q625	E-4		
FL401	H-1	*Q216	N-2	*Q626	D-4		
FL601	E-2	*Q217	M-2	*Q627	D-1		
		*Q218	M-2	*Q628	D-1		
IC101	P-4	*Q219	M-2	*Q701	E-2		
IC102	M-5	*Q220	M-2	*Q702	F-2		
IC103	N-5	*Q301	J-4	*Q703	E-2		
IC104	L-5	*Q302	J-4	*Q704	F-2		
IC201	L-3	*Q303	H-4	*Q705	E-2		
IC202	M-2	*Q304	H-5	*Q706	F-2		
IC203	M-1	*Q305	H-4	*Q707	E-1		
IC204	P-1	*Q306	H-3	*Q708	F-1		
IC205	L-2	*Q307	J-3	*Q709	F-2		
IC301	K-4	*Q308	J-4	*Q710	F-1		
IC302	G-5	*Q309	J-4	*Q711	F-2		
IC303	H-5	*Q310	K-3	*Q712	F-2		
IC401	H-2	*Q311	K-5	*Q713	F-1		
IC402	H-1	*Q401	H-2	*Q714	E-1		
IC403	K-1	*Q402	J-1				
IC404	G-2	*Q403	J-1	RV101	L-1		
IC501	A-5	*Q404	J-2	RV102	K-1		
IC502	A-2	*Q405	J-1	RV103	P-4		
IC503	A-2	*Q406	J-1	RV201	M-3		
IC504	B-2	*Q407	J-1	RV301	J-1		
IC505	B-2	*Q408	J-1	RV302	H-1		
IC506	A-3	*Q409	J-2	RV303	K-4		
IC507	B-5	*Q410	J-1	RV401	H-3		
IC508	C-4	*Q411	J-2	RV501	A-4		
IC509	B-5	*Q412	J-2	RV502	A-4		
IC510	B-4	*Q413	K-2	RV503	B-4		
IC511	J-6	*Q414	K-2	RV504	B-4		
IC512	G-6	*Q415	K-2	RV505	B-4		
IC601	D-4	*Q416	J-2	RV506	B-4		
IC602	D-4	*Q417	H-2	RV601	D-1		
IC603	F-4	*Q418	H-2	RV602	F-1		
IC604	F-3	*Q501	A-1	RV603	D-1		
IC605	F-3	Q502	A-1	RV604	D-1		
IC606	E-3	Q503	A-1	RV605	F-1		
IC607	F-3	Q504	A-1	RV606	C-1		
IC608	D-2	*Q505	A-5	RV701	E-1		
IC609	E-2	*Q506	A-4	RV702	E-1		
IC610	D-2	Q507	B-1	RV703	E-1		
IC611	D-2	Q508	B-1	RV704	G-1		
IC612	C-2	*Q509	A-4				
IC701	F-1	*Q510	A-4	TH201	P-2		
IC702	F-1	*Q511	A-4	TH401	J-2		
IC703	R-4	*Q512	A-4				
IC704	R-4	*Q513	B-2	TP101	L-2		

\*: B SIDE  
 -: UVW-1800 ONLY

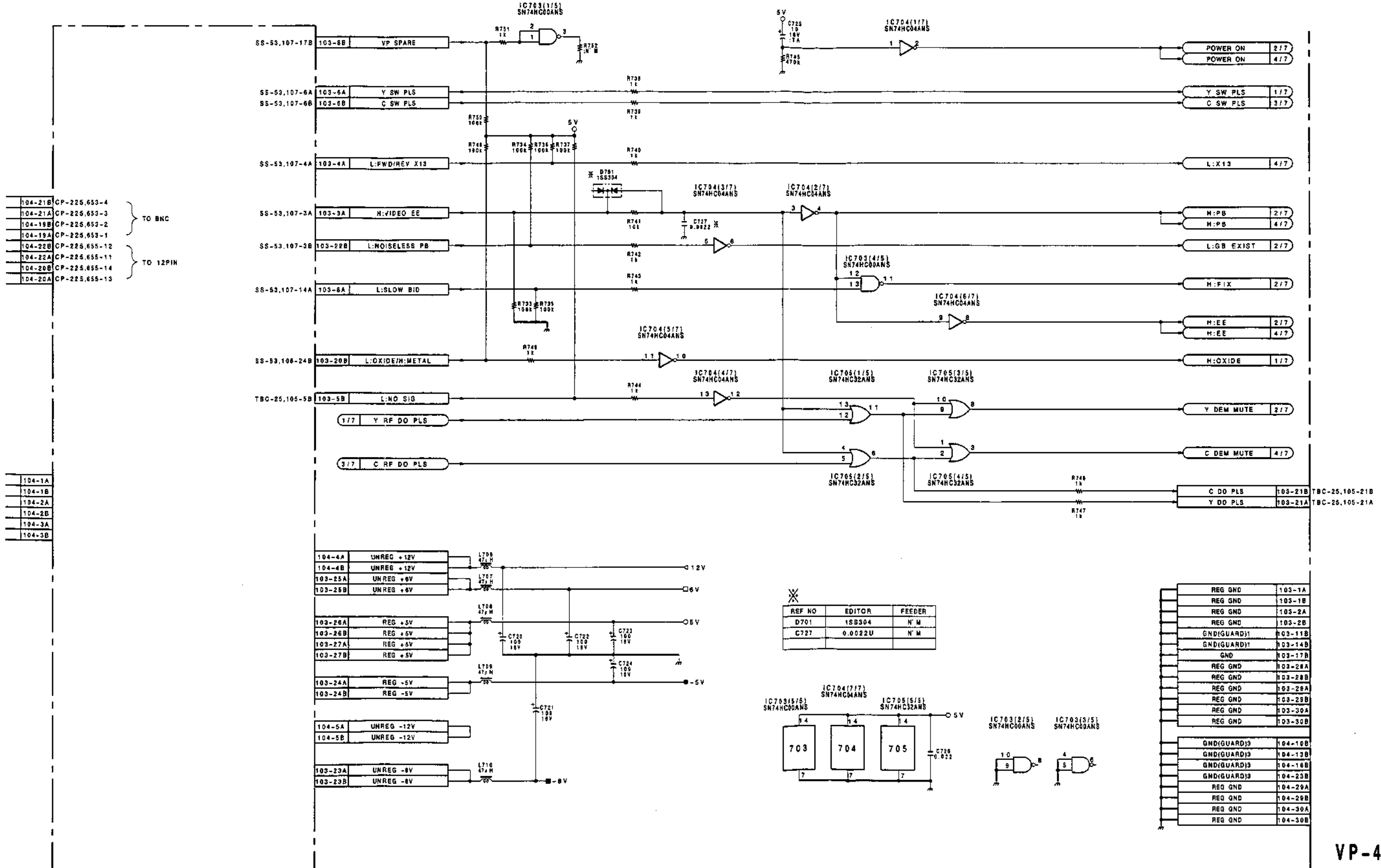


VP-43/A(717);R-Y/B-Y OUT DRIVE



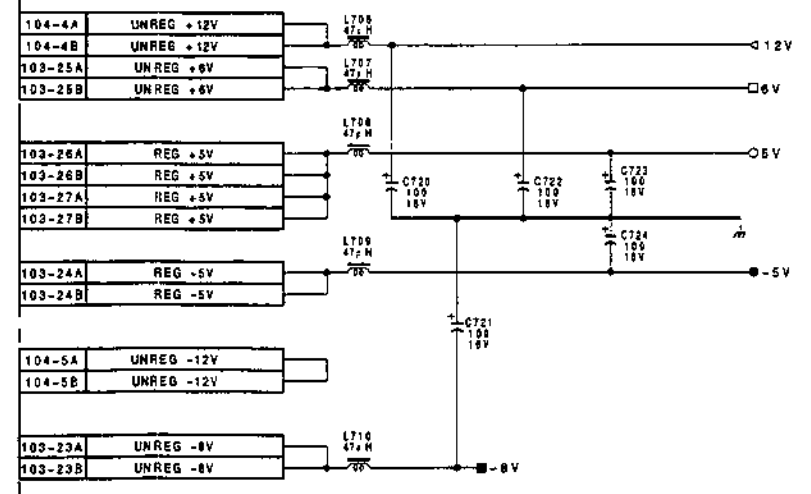
UNREG GND	104-1A
UNREG GND	104-1B
UNREG GND	104-2A
UNREG GND	104-2B
UNREG GND	104-3A
UNREG GND	104-3B

VP-43/A(7/7) VP-43/A(7/7)

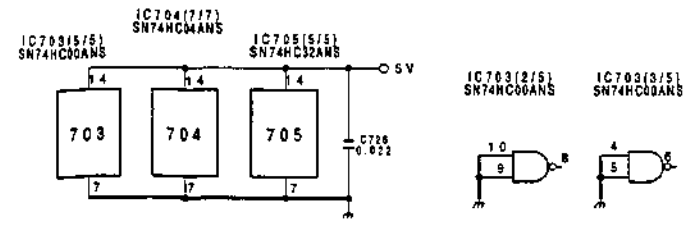


- 104-21B CP-225,653-4
  - 104-21A CP-225,653-3
  - 104-19B CP-225,653-2
  - 104-19A CP-225,653-1
  - 104-22B CP-225,655-12
  - 104-22A CP-225,655-11
  - 104-20B CP-225,655-14
  - 104-20A CP-225,655-13
- TO BNC
- TO 12PIN

- 104-1A
- 104-1B
- 104-2A
- 104-2B
- 104-3A
- 104-3B



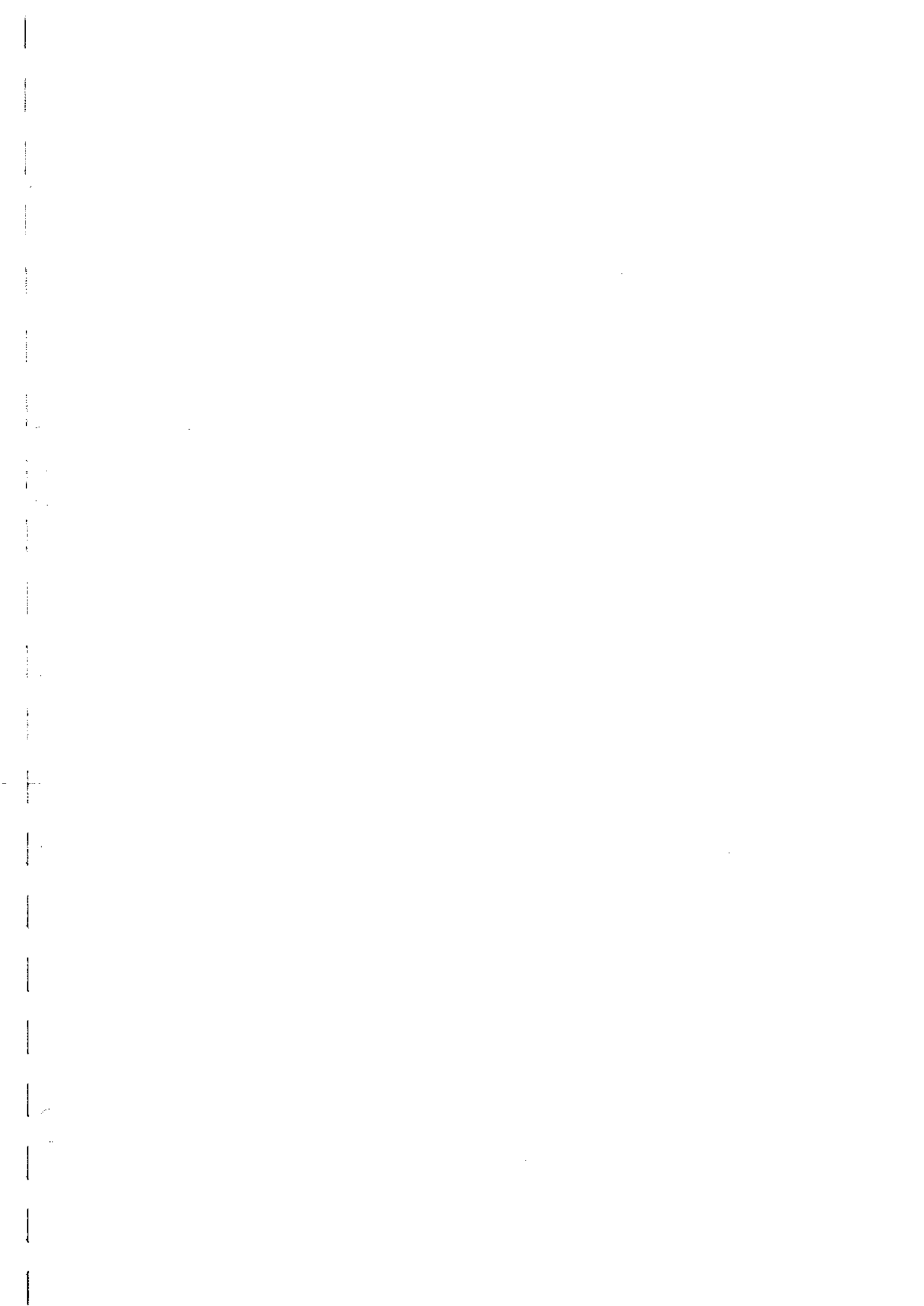
REF NO	EDITOR	FEEDER
D701	1SS304	N' M
C727	0.0022U	N' M



REG GND	103-1A
REG GND	103-1B
REG GND	103-2A
REG GND	103-2B
GND(GUARD)1	103-11B
GND(GUARD)1	103-14B
GND	103-17B
REG GND	103-28A
REG GND	103-28B
REG GND	103-29A
REG GND	103-29B
REG GND	103-30A
REG GND	103-30B
GND(GUARD)3	104-16B
GND(GUARD)3	104-13B
GND(GUARD)3	104-16B
GND(GUARD)3	104-23B
REG GND	104-29A
REG GND	104-29B
REG GND	104-30A
REG GND	104-30B

VP-43/A BOARD (7/7)

BOARD NO.1-648-899-11  
 UVW-1800/1600(J) :#10001-  
 UVW-1800/1600(UC) :#10001-

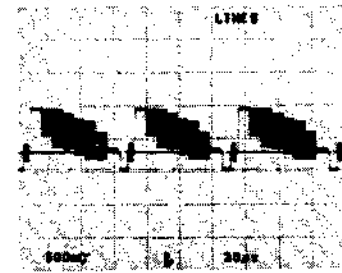


VRA-5(1-648-896-11)

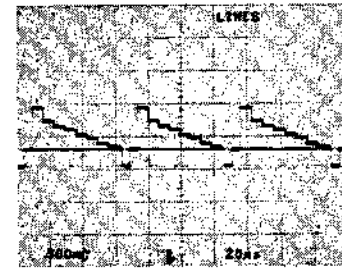
IC901	K-6	*Q511	N-3
IC902	G-6	*Q512	P-4
IC903	J-6	*Q513	P-4
IC904	E-6	*Q514	P-4
		*Q515	P-4
		*Q516	N-4
		*Q517	N-4
		*Q518	P-4
		*Q519	P-5
		*Q520	P-5
		*Q601	L-2
		*Q602	M-2
		*Q603	N-4
		*Q604	M-4
		*Q605	M-4
		*Q606	L-4
		*Q607	M-4
		*Q608	L-4
		*Q609	M-5
		*Q610	M-5
		Q801	A-2
		Q802	A-2
		Q803	A-2
		Q804	D-3
		RV101	B-2
		RV102	B-3
		RV103	C-4
		RV104	C-3
		RV105	A-2
		RV201	P-1
		RV202	N-1
		RV203	M-1
		RV301	E-3
		RV302	K-1
		RV303	L-1
		RV304	L-1
		RV305	L-1
		RV306	K-5
		RV501	R-1
		RV502	R-4
		RV503	R-4
		RV602	M-4
		RV603	M-4
		S201	H-4
		TH201	M-1
		TP101	A-3
		TP201	C-2
		TP202	C-1
		TP301	E-3
		TP302	E-4
		TP303	H-1
		TP304	L-5
		TP305	K-4
		TP306	J-4
		TP307	J-5
		TP308	N-5
		TP309	N-5
		TP310	F-5
		TP501	R-4
		TP502	P-1
		TP503	P-5
		TP504	N-4
		TP601	N-4
		TP602	M-1
		TP603	P-5
		X301	F-4
		X302	H-4
CV301	F-5	IC901	K-6
		IC902	G-6
		IC903	J-6
		IC904	E-6
*D101	B-3	LV301	E-4
*D102	C-3		
*D109	D-4	*Q101	A-3
*D202	H-4	*Q102	A-5
*D301	E-3	*Q103	A-3
*D303	F-4	Q104	A-4
D305	F-5	*Q105	A-4
D801	A-2	*Q106	A-3
		*Q107	A-3
		*Q108	A-1
		*Q109	B-2
		*Q110	B-2
		*Q111	B-1
		*Q112	C-1
		*Q113	C-2
		*Q114	B-4
		*Q115	B-4
		*Q116	B-3
		*Q117	B-3
		*Q118	B-3
		*Q119	B-3
		*Q120	B-2
		*Q121	C-4
		*Q122	C-4
		*Q123	C-4
		*Q124	C-3
		*Q125	C-3
		*Q126	C-3
		*Q127	C-3
		*Q128	C-3
		*Q129	C-2
		*Q130	C-2
		*Q131	B-5
		*Q132	C-5
		*Q133	A-2
		*Q201	C-1
		*Q202	H-1
		*Q203	H-4
		*Q204	P-2
		*Q207	R-2
		*Q209	N-2
		*Q210	R-2
		*Q211	K-2
		*Q212	R-1
		*Q213	M-3
		*Q301	D-3
		*Q303	E-3
		*Q305	E-3
		*Q306	E-3
		*Q307	E-3
		*Q308	J-4
		*Q309	J-4
		*Q310	F-3
		*Q311	F-3
		*Q312	K-3
		*Q313	E-4
		*Q314	E-4
		*Q315	J-3
		*Q316	F-5
		*Q317	F-5
		*Q318	E-5
		*Q319	K-3
		*Q320	J-3
		*Q321	J-4
		*Q322	J-4
		*Q323	J-4
		*Q324	F-4
		*Q325	F-4
		*Q508	N-2
		*Q509	P-2
		*Q510	R-4

\*: B SIDE

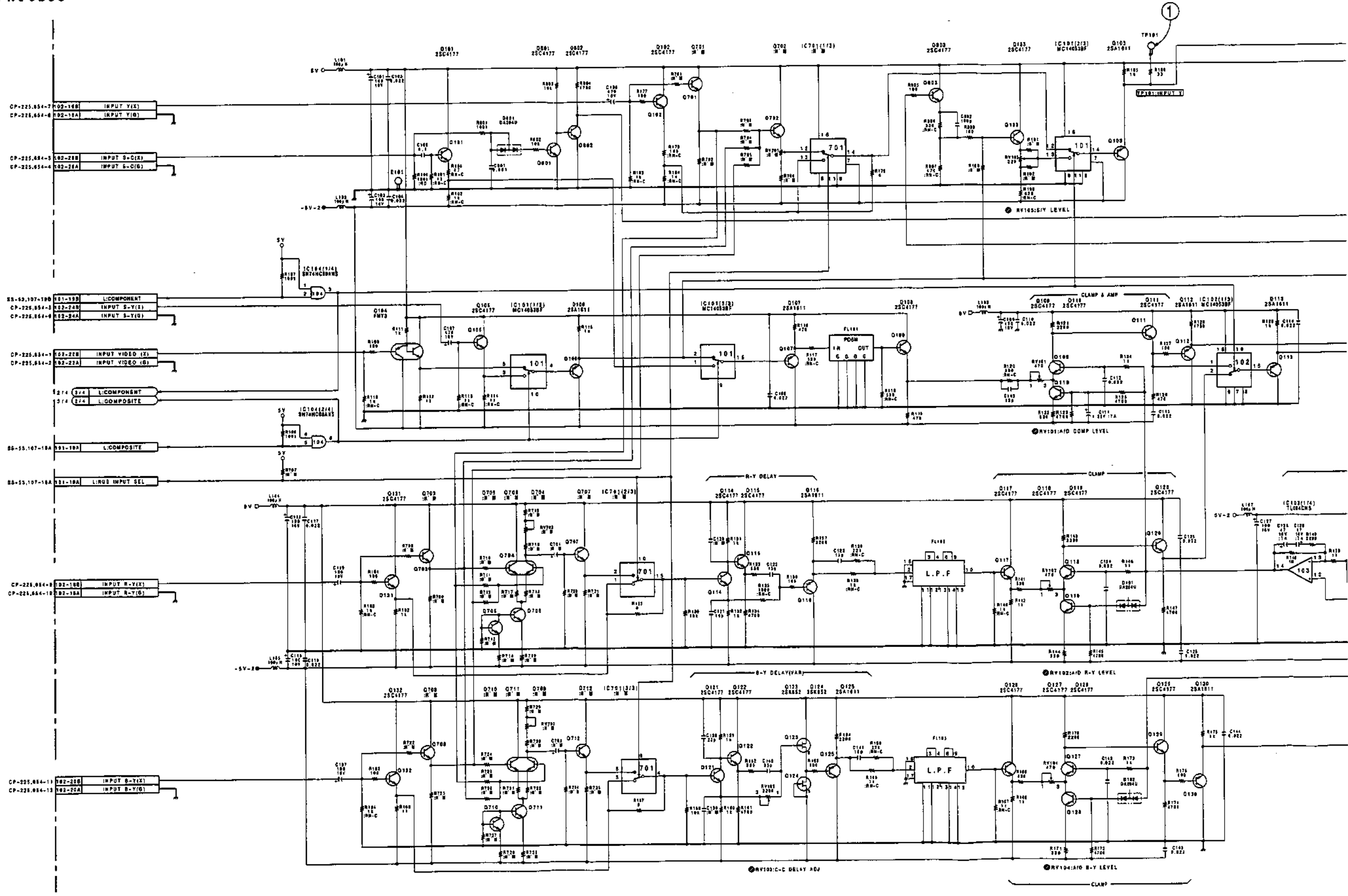
① TP101 REC/EE (COMPOSITE)



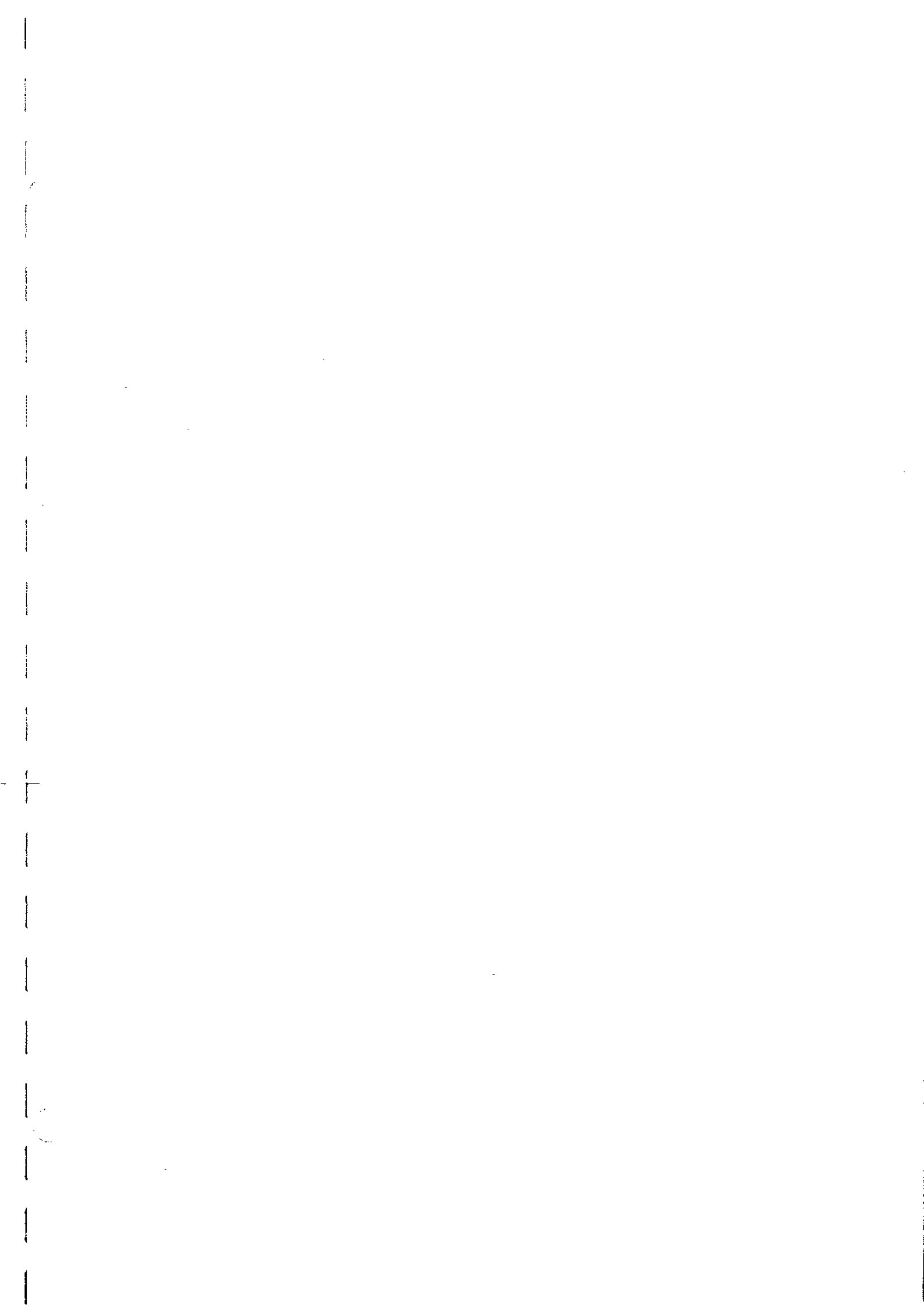
① TP101 REC/EE (COMPONENT)



VRA-5(1/4); INPUT PROCESS





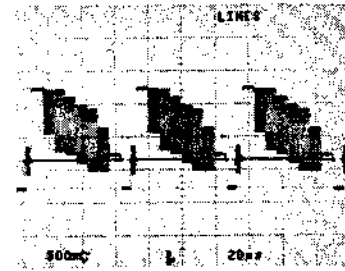


VRA-5(1-648-898-11)

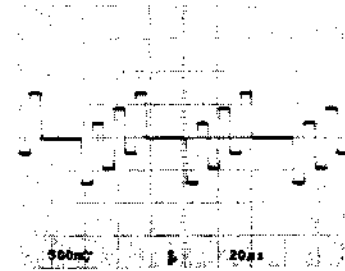
CN101	N-6	IC901	K-6	*Q511	N-3
CN102	C-6	IC902	G-6	*Q512	P-4
		IC903	J-6	*Q513	P-4
CV301	F-5	IC904	E-6	*Q514	P-4
				*Q515	P-4
*D101	B-3	LV301	E-4	*Q516	N-4
*D102	C-3			*Q517	N-4
*D109	D-4	*Q101	A-3	*Q518	P-4
*D202	H-4	*Q102	A-5	*Q519	P-5
*D301	E-3	*Q103	A-3	*Q520	P-5
*D303	F-4	Q104	A-4	*Q601	L-2
D305	F-5	*Q105	A-4	*Q602	M-2
D801	A-2	*Q106	A-3	*Q603	N-4
		*Q107	A-3	*Q604	M-4
E101	B-4	*Q108	A-1	*Q605	M-4
E201	E-2	*Q109	B-2	*Q606	L-4
E301	K-3	*Q110	B-2	*Q607	M-4
E302	D-3	*Q111	B-1	*Q608	L-4
E303	H-1	*Q112	C-1	*Q609	M-5
E501	R-5	*Q113	C-2	*Q610	M-5
E502	N-1	*Q114	B-4	Q801	A-2
E601	M-1	*Q115	B-4	Q802	A-2
		*Q116	B-3	Q803	A-2
FB201	K-2	*Q117	B-3	Q804	D-3
		*Q118	B-3		
FL101	A-2	*Q119	B-3	RV101	B-2
FL102	B-3	*Q120	B-2	RV102	B-3
FL103	C-3	*Q121	C-4	RV103	C-4
FL201	R-2	*Q122	C-4	RV104	C-3
FL202	N-2	*Q123	C-4	RV105	A-2
		*Q124	C-3	RV201	P-1
IC101	A-3	*Q125	C-3	RV202	N-1
IC102	C-2	*Q126	C-3	RV203	M-1
IC103	D-4	*Q127	C-3	RV301	E-3
IC104	G-5	*Q128	C-3	RV302	K-1
IC201	A-1	*Q129	C-2	RV303	L-1
IC202	B-1	*Q130	C-2	RV304	L-1
IC205	D-2	*Q131	B-5	RV305	L-1
IC206	D-1	*Q132	C-5	RV306	K-5
IC207	H-1	*Q133	A-2	RV501	R-1
IC208	E-2	*Q201	C-1	RV502	R-4
IC209	E-2	*Q202	H-1	RV503	R-4
IC210	G-2	*Q203	H-4	RV602	M-4
IC211	H-1	*Q204	P-2	RV603	M-4
IC212	J-2	*Q207	R-2		
IC213	P-1	*Q209	N-2	S201	H-4
IC214	N-1	*Q210	R-2		
IC215	P-2	*Q211	K-2	TH201	M-1
IC216	K-2	*Q212	R-1		
IC217	K-2	*Q213	M-3	TP101	A-3
IC218	K-2	*Q301	D-3	TP201	C-2
IC219	J-1	*Q303	E-3	TP202	C-1
IC220	M-1	*Q305	E-3	TP301	E-3
IC301	E-4	*Q306	E-3	TP302	E-4
IC302	H-3	*Q307	E-3	TP303	H-1
IC303	E-4	*Q308	J-4	TP304	L-5
IC304	E-5	*Q309	J-4	TP305	K-4
IC305	F-4	*Q310	F-3	TP306	J-4
IC306	K-4	*Q311	F-3	TP307	J-5
IC307	F-3	*Q312	K-3	TP308	N-5
IC308	J-3	*Q313	E-4	TP309	N-5
IC309	J-3	*Q314	E-4	TP310	F-5
IC310	G-3	*Q315	J-3	TP501	R-4
IC311	J-4	*Q316	F-5	TP502	P-1
IC312	L-2	*Q317	F-5	TP503	P-5
IC313	G-5	*Q318	E-5	TP504	N-4
IC314	L-1	*Q319	K-3	TP601	N-4
IC315	K-5	*Q320	J-3	TP602	M-1
IC316	H-4	*Q321	J-4	TP603	P-5
IC317	F-4	*Q322	J-4		
IC501	P-4	*Q323	J-4	X301	F-4
IC502	R-5	*Q324	F-4	X302	H-4
IC601	L-4	*Q325	F-4		
IC602	M-4	*Q508	N-2		
IC801	D-3	*Q509	P-2		
IC802	D-2	*Q510	R-4		

\*: B SIDE

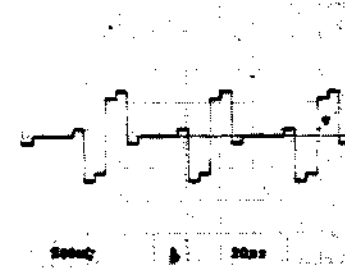
① TP201 REC/EE (COMPOSITE)



① TP201 REC/EE (COMPONENT)

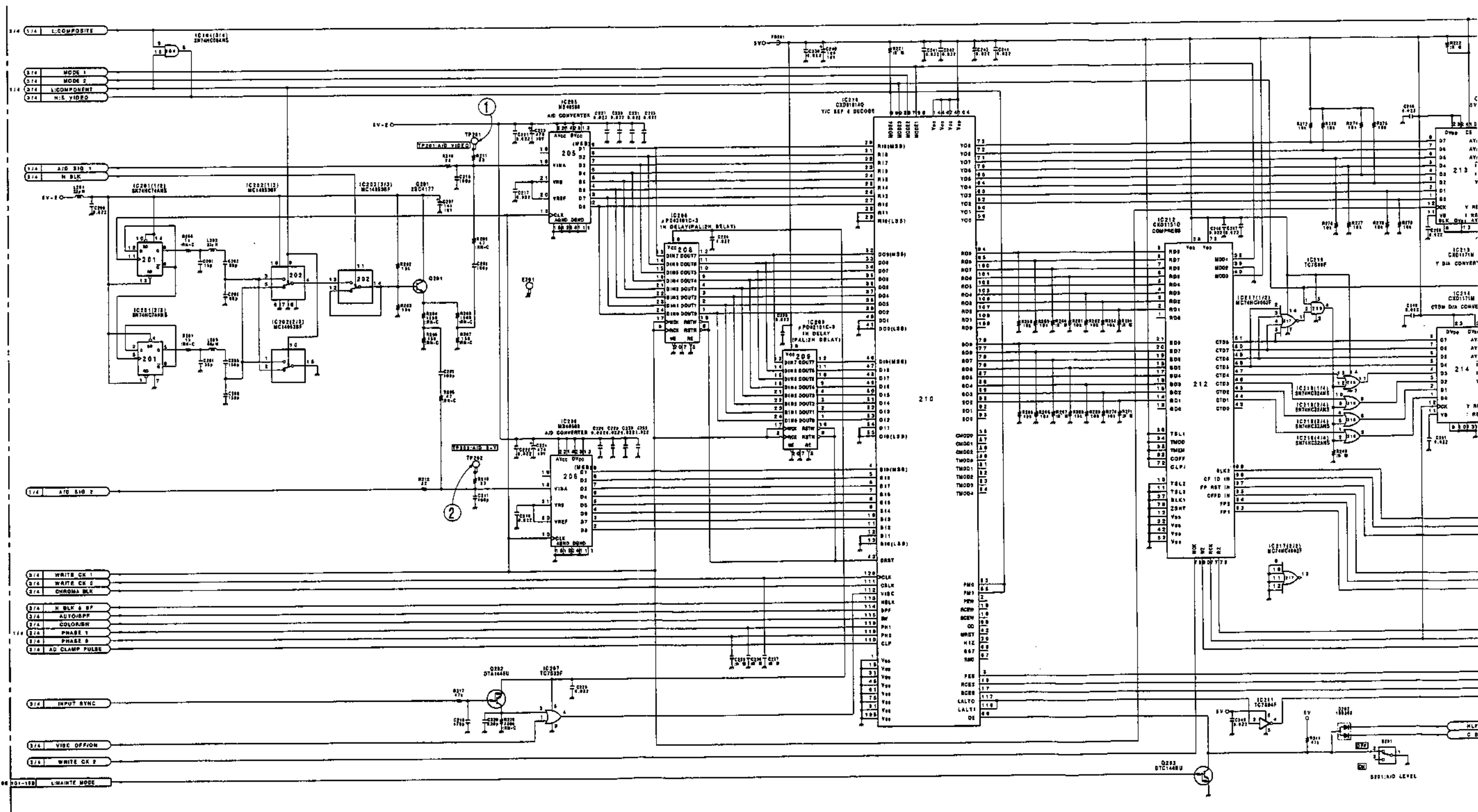


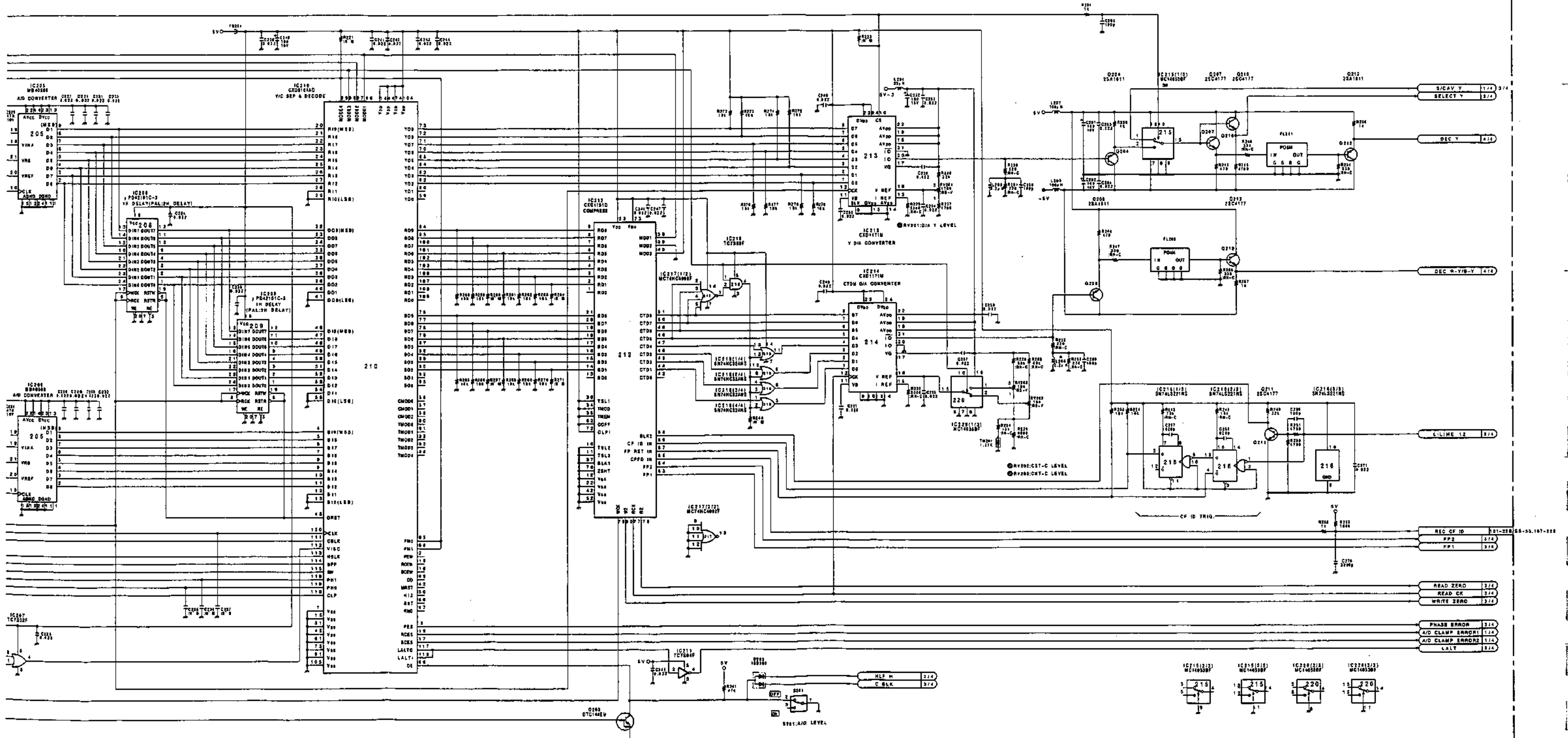
② TP202 REC/EE (COMPONENT)





VRA-5(2/4); A/D, Y/C, SEP., DECODE, CTD (COMP.), D/A





VRA-5 BOARD (2/4)  
 BOARD NO.1-648-898-11  
 UW-1800(J); #10001-  
 UW-1800(UC); #10001-

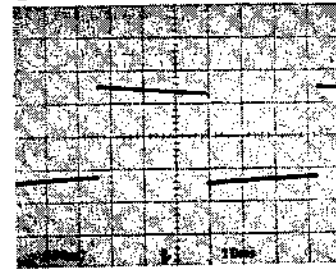


VRA-5(1-648-898-11)

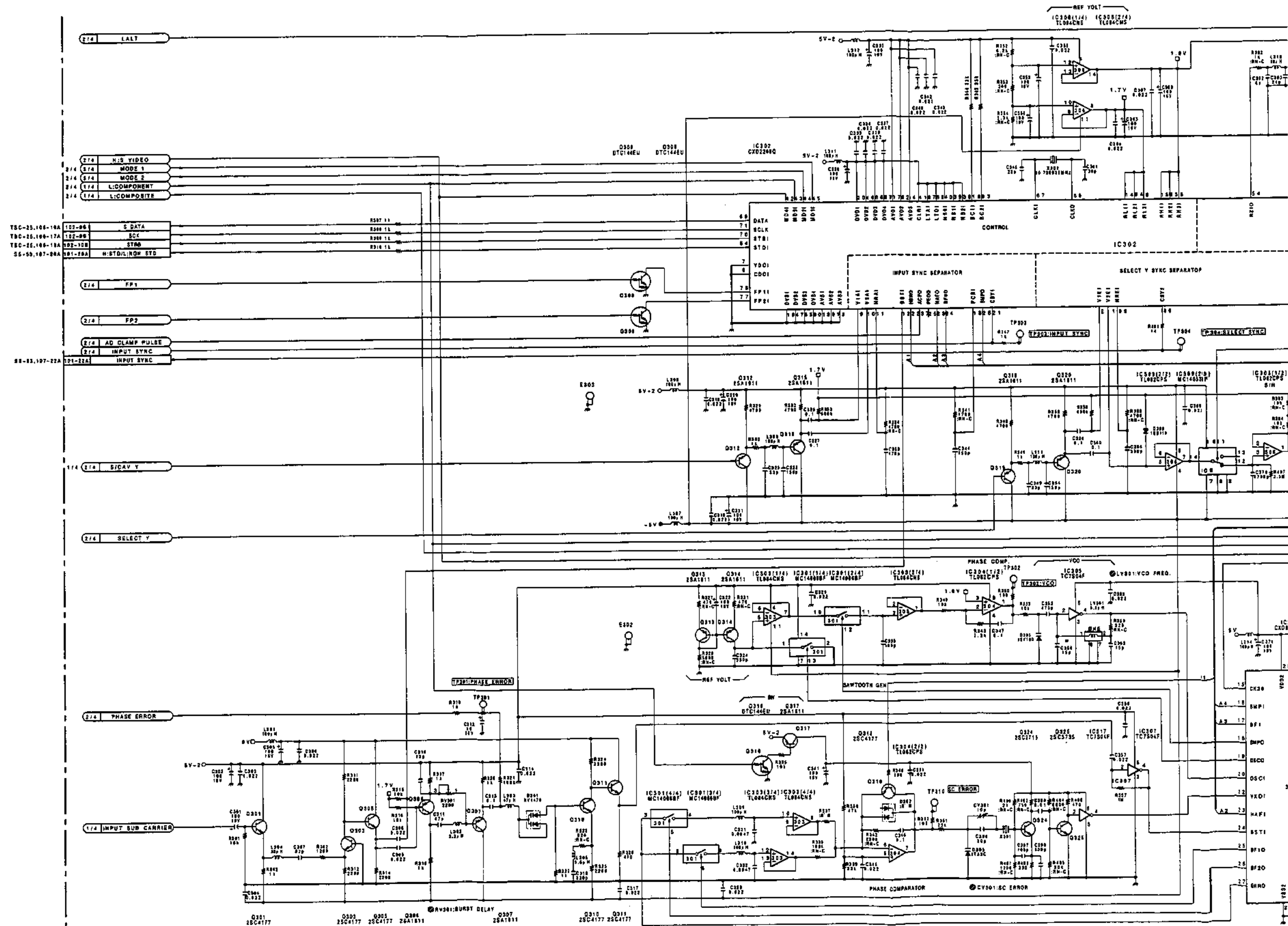
CN101	N-6	IC901	K-6	*Q511	N-3
CN102	C-6	IC902	G-6	*Q512	P-4
		IC903	J-6	*Q513	P-4
CV301	F-5	IC904	E-6	*Q514	P-4
				*Q515	P-4
*D101	B-3	LV301	E-4	*Q516	N-4
*D102	C-3			*Q517	N-4
*D109	D-4	*Q101	A-3	*Q518	P-4
*D202	H-4	*Q102	A-5	*Q519	P-5
*D301	E-3	*Q103	A-3	*Q520	P-5
*D303	F-4	Q104	A-4	*Q601	L-2
D305	F-5	*Q105	A-4	*Q602	M-2
D801	A-2	*Q106	A-3	*Q603	N-4
		*Q107	A-3	*Q604	M-4
E101	B-4	*Q108	A-1	*Q605	M-4
E201	E-2	*Q109	B-2	*Q606	L-4
E301	K-3	*Q110	B-2	*Q607	M-4
E302	D-3	*Q111	B-1	*Q608	L-4
E303	H-1	*Q112	C-1	*Q609	M-5
E501	R-5	*Q113	C-2	*Q610	M-5
E502	N-1	*Q114	B-4	Q801	A-2
E601	M-1	*Q115	B-4	Q802	A-2
		*Q116	B-3	Q803	A-2
FB201	K-2	*Q117	B-3	Q804	D-3
		*Q118	B-3		
FL101	A-2	*Q119	B-3	RV101	B-2
FL102	B-3	*Q120	B-2	RV102	B-3
FL103	C-3	*Q121	C-4	RV103	C-4
FL201	R-2	*Q122	C-4	RV104	C-3
FL202	N-2	*Q123	C-4	RV105	A-2
		*Q124	C-3	RV201	P-1
IC101	A-3	*Q125	C-3	RV202	N-1
IC102	C-2	*Q126	C-3	RV203	M-1
IC103	D-4	*Q127	C-3	RV301	E-3
IC104	G-5	*Q128	C-3	RV302	K-1
IC201	A-1	*Q129	C-2	RV303	L-1
IC202	B-1	*Q130	C-2	RV304	L-1
IC205	D-2	*Q131	B-5	RV305	L-1
IC206	D-1	*Q132	C-5	RV306	K-5
IC207	H-1	*Q133	A-2	RV501	R-1
IC208	E-2	*Q201	C-1	RV502	R-4
IC209	E-2	*Q202	H-1	RV503	R-4
IC210	G-2	*Q203	H-4	RV602	M-4
IC211	H-1	*Q204	P-2	RV603	M-4
IC212	J-2	*Q207	R-2		
IC213	P-1	*Q209	N-2	S201	H-4
IC214	N-1	*Q210	R-2		
IC215	P-2	*Q211	K-2	TH201	M-1
IC216	K-2	*Q212	R-1		
IC217	K-2	*Q213	M-3	TP101	A-3
IC218	K-2	*Q301	D-3	TP201	C-2
IC219	J-1	*Q303	E-3	TP202	C-1
IC220	M-1	*Q305	E-3	TP301	E-3
IC301	E-4	*Q306	E-3	TP302	E-4
IC302	H-3	*Q307	E-3	TP303	H-1
IC303	E-4	*Q308	J-4	TP304	L-5
IC304	E-5	*Q309	J-4	TP305	K-4
IC305	F-4	*Q310	F-3	TP306	J-4
IC306	K-4	*Q311	F-3	TP307	J-5
IC307	F-3	*Q312	K-3	TP308	N-5
IC308	J-3	*Q313	E-4	TP309	N-5
IC309	J-3	*Q314	E-4	TP310	F-5
IC310	G-3	*Q315	J-3	TP501	R-4
IC311	J-4	*Q316	F-5	TP502	P-1
IC312	L-2	*Q317	F-5	TP503	P-5
IC313	G-5	*Q318	E-5	TP504	N-4
IC314	L-1	*Q319	K-3	TP601	N-4
IC315	K-5	*Q320	J-3	TP602	M-1
IC316	H-4	*Q321	J-4	TP603	P-5
IC317	F-4	*Q322	J-4		
IC501	P-4	*Q323	J-4	X301	F-4
IC502	R-5	*Q324	F-4	X302	H-4
IC601	L-4	*Q325	F-4		
IC602	M-4	*Q508	N-2		
IC801	D-3	*Q509	P-2		
IC802	D-2	*Q510	R-4		

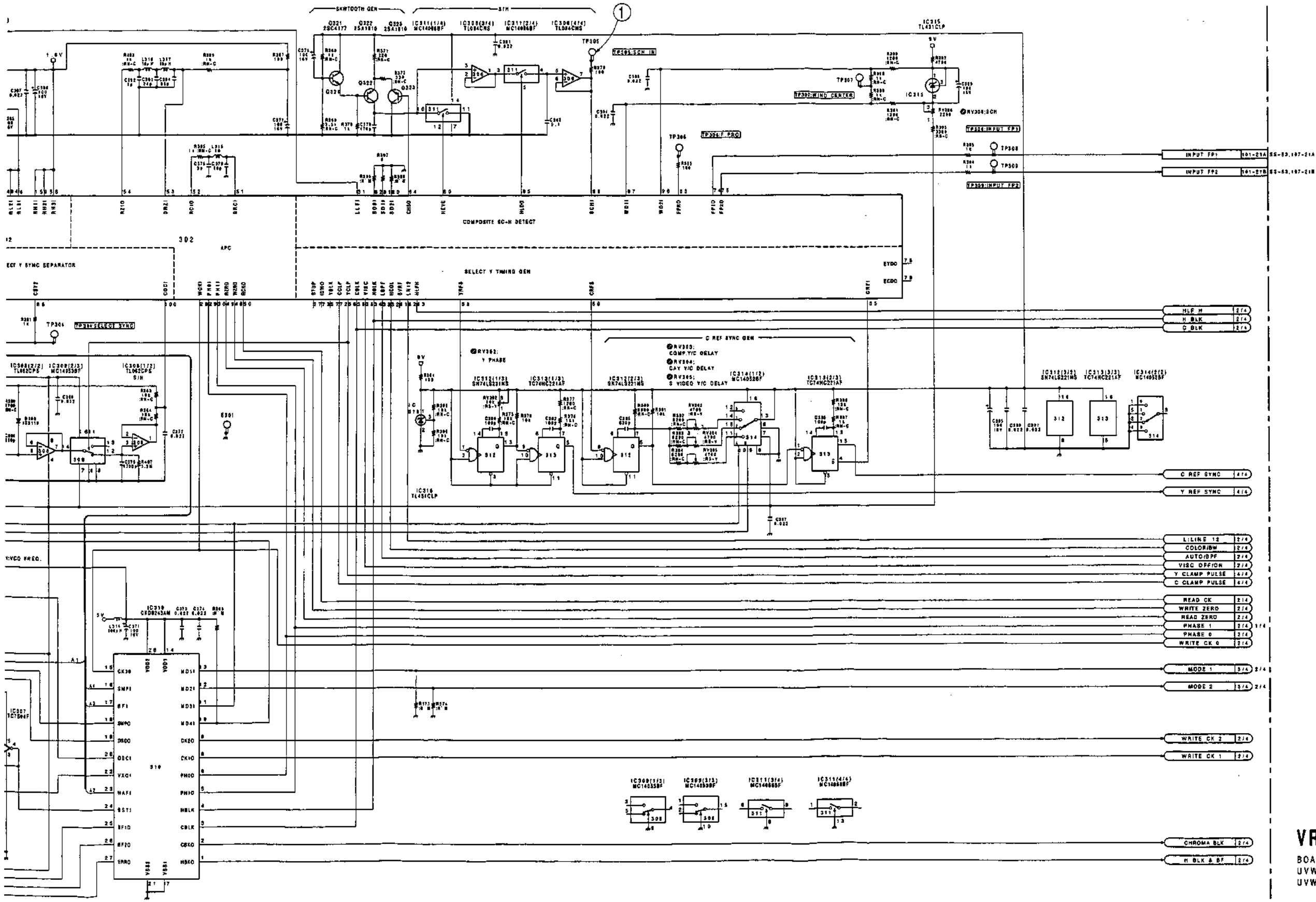
\*: B SIDE

① TP305 REC/EE



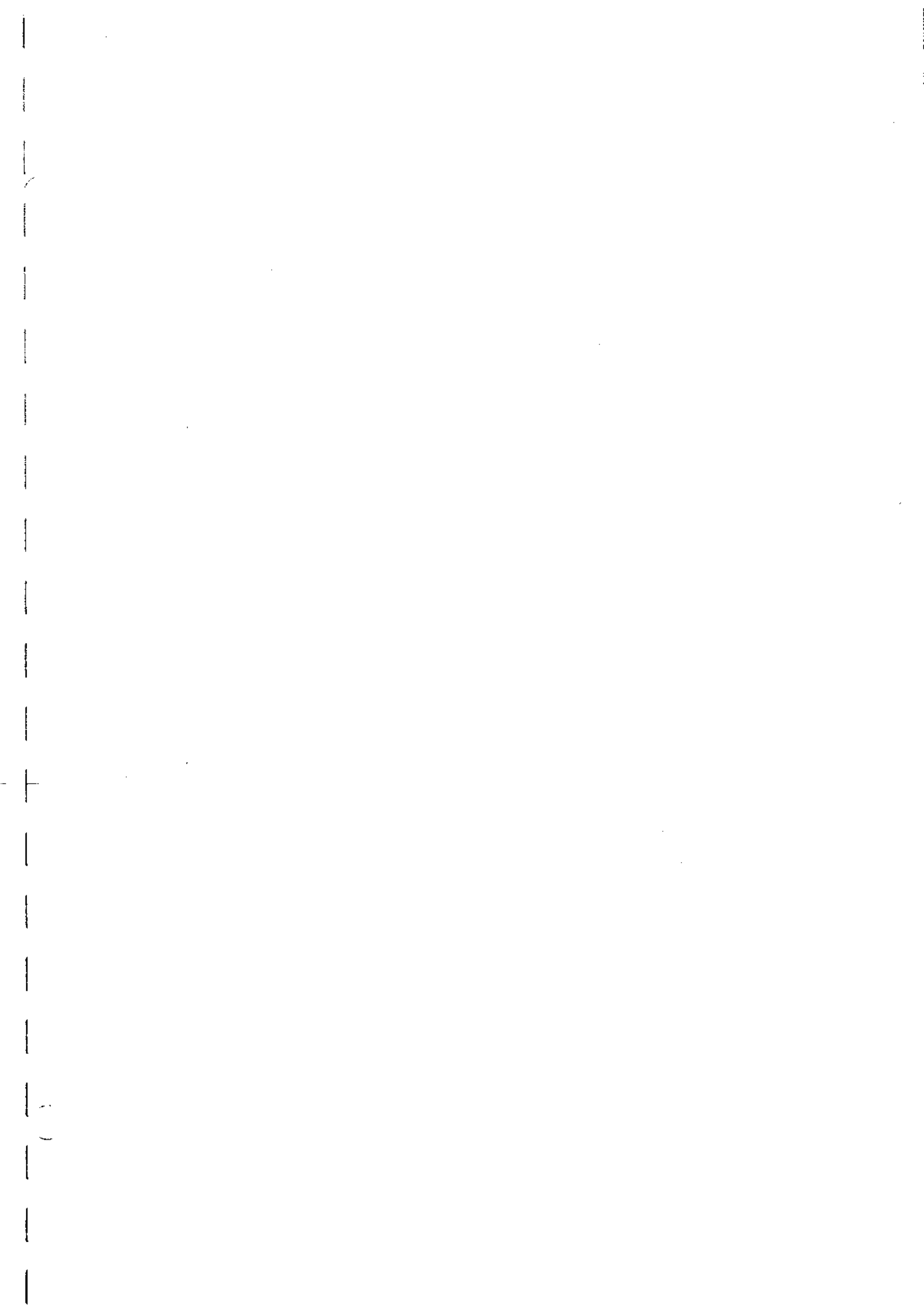
VRA-5(3/4);Y/C REF SYNC,TIMING PULSE





VRA-5 BOARD (3/4)

BOARD NO.1-648-898-11  
 UVW-1800(J) : F10001-  
 UVW-1800(UC) : F10001-

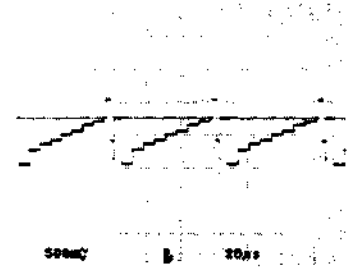


VRA-5(1-648-898-11)

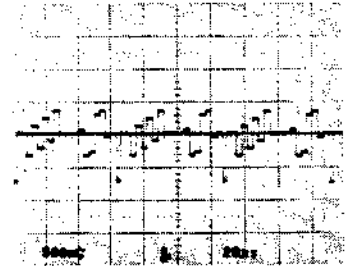
CN101	N-6	IC901	K-6	*Q511	N-3
CN102	C-6	IC902	G-6	*Q512	P-4
		IC903	J-6	*Q513	P-4
CV301	F-5	IC904	E-6	*Q514	P-4
				*Q515	P-4
*D101	B-3	LV301	E-4	*Q516	N-4
*D102	C-3			*Q517	N-4
*D109	D-4	*Q101	A-3	*Q518	P-4
*D202	H-4	*Q102	A-5	*Q519	P-5
*D301	E-3	*Q103	A-3	*Q520	P-5
*D303	F-4	Q104	A-4	*Q601	L-2
D305	F-5	*Q105	A-4	*Q602	M-2
D801	A-2	*Q106	A-3	*Q603	N-4
		*Q107	A-3	*Q604	M-4
		*Q108	A-1	*Q605	M-4
E101	B-4	*Q109	B-2	*Q606	L-4
E201	E-2	*Q110	B-2	*Q607	M-4
E301	K-3	*Q111	B-1	*Q608	L-4
E302	D-3	*Q112	C-1	*Q609	M-5
E303	H-1	*Q113	C-2	*Q610	M-5
E501	R-5	*Q114	B-4	Q801	A-2
E502	N-1	*Q115	B-4	Q802	A-2
E601	M-1	*Q116	B-3	Q803	A-2
		*Q117	B-3	Q804	D-3
		*Q118	B-3		
FB201	K-2	*Q119	B-3	RV101	B-2
		*Q120	B-2	RV102	B-3
FL101	A-2	*Q121	C-4	RV103	C-4
FL102	B-3	*Q122	C-4	RV104	C-3
FL103	C-3	*Q123	C-4	RV105	A-2
FL201	R-2	*Q124	C-3	RV201	P-1
FL202	N-2	*Q125	C-3	RV202	N-1
		*Q126	C-3	RV203	M-1
IC101	A-3	*Q127	C-3	RV301	E-3
IC102	C-2	*Q128	C-3	RV302	K-1
IC103	D-4	*Q129	C-2	RV303	L-1
IC104	G-5	*Q130	C-2	RV304	L-1
IC201	A-1	*Q131	B-5	RV305	L-1
IC202	B-1	*Q132	C-5	RV306	K-5
IC205	D-2	*Q133	A-2	RV501	R-1
IC206	D-1	*Q201	C-1	RV502	R-4
IC207	H-1	*Q202	H-1	RV503	R-4
IC208	E-2	*Q203	H-4	RV602	M-4
IC209	E-2	*Q204	P-2	RV603	M-4
IC210	G-2	*Q207	R-2		
IC211	H-1	*Q209	N-2	S201	H-4
IC212	J-2	*Q210	R-2		
IC213	P-1	*Q211	K-2	TH201	M-1
IC214	N-1	*Q212	R-1		
IC215	P-2	*Q213	M-3	TP101	A-3
IC216	K-2	*Q301	D-3	TP201	C-2
IC217	K-2	*Q303	E-3	TP202	C-1
IC218	K-2	*Q305	E-3	TP301	E-3
IC219	J-1	*Q306	E-3	TP302	E-4
IC220	M-1	*Q307	E-3	TP303	H-1
IC301	E-4	*Q308	J-4	TP304	L-5
IC302	H-3	*Q309	J-4	TP305	K-4
IC303	E-4	*Q310	F-3	TP306	J-4
IC304	E-5	*Q311	F-3	TP307	J-5
IC305	F-4	*Q312	K-3	TP308	N-5
IC306	K-4	*Q313	E-4	TP309	N-5
IC307	F-3	*Q314	E-4	TP310	F-5
IC308	J-3	*Q315	J-3	TP501	R-4
IC309	J-3	*Q316	F-5	TP502	P-1
IC310	G-3	*Q317	F-5	TP503	P-5
IC311	J-4	*Q318	E-5	TP504	N-4
IC312	L-2	*Q319	K-3	TP601	N-4
IC313	G-5	*Q320	J-3	TP602	M-1
IC314	L-1	*Q321	J-4	TP603	P-5
IC315	K-5	*Q322	J-4		
IC316	H-4	*Q323	J-4	X301	F-4
IC317	F-4	*Q324	F-4	X302	H-4
IC501	P-4	*Q325	F-4		
IC502	R-5	*Q508	N-2		
IC601	L-4	*Q509	P-2		
IC602	M-4	*Q510	R-4		
IC801	D-3				
IC802	D-2				

\*: B SIDE

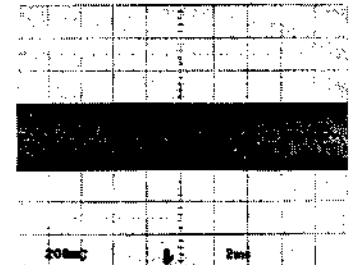
① TP502 REC/EE



② TP602 REC/EE

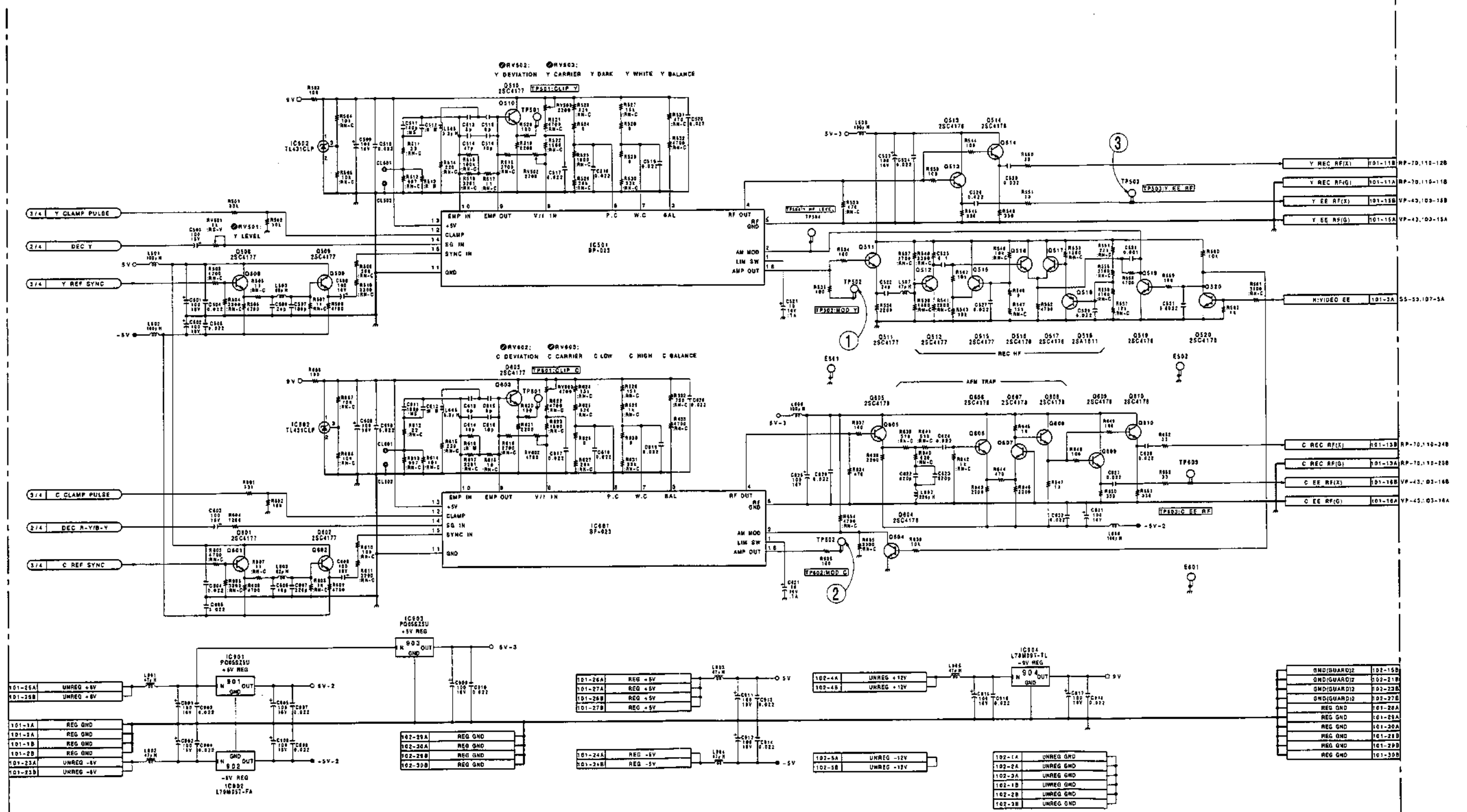


③ TP503 REC/EE  
TP603 REC/EE





VRA-5(4/4);Y/C MOD,Y REC HF

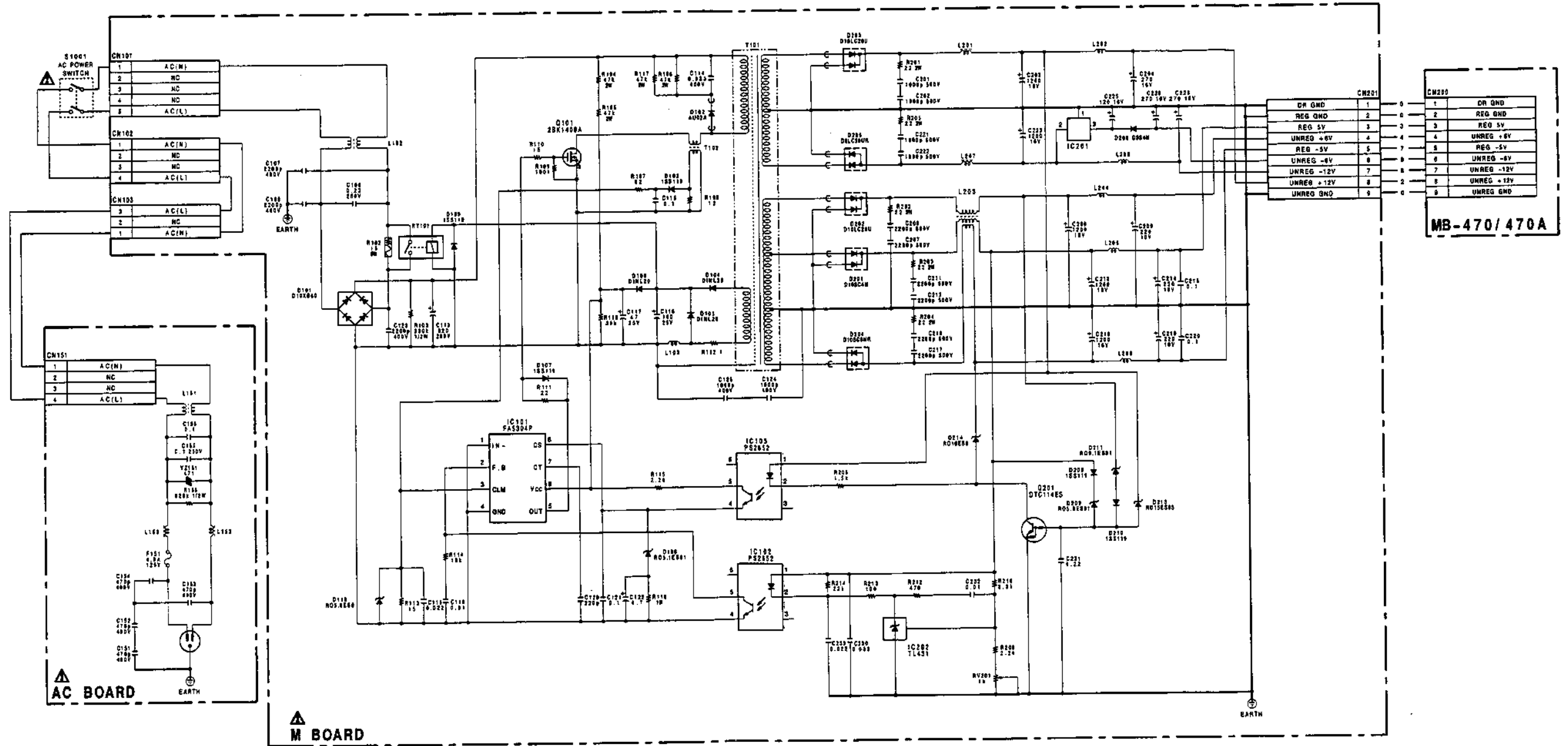


VRA-5 BOARD (4/4)

BOARD NO.1-648-898-11  
 UVW-1800(J) :#10001-  
 UVW-1800(UC):#10001-



SOPS-1045AC/1045M;POWER SUPPLY(SWITCHING REGULATOR)



**SOPS-1045AC BOARD**  
BOARD NO.1-649-934-11

**SOPS-1045M BOARD**  
BOARD NO.1-649-935-11  
UVW-1800/1600(J) : f10001-  
UVW-1800/1600(UC) : f10001-



MB-470/470A(1/4);MOTHER BOARD

VRA-5

VP-43/A

VRA-5		CR101		VRA-5	
A		B		A	
200-2	REG GND	1	REG GND	109-1-2	
200-1	REG GND	2	REG GND	109-1-2	
102-2A,105-2A	N:VIDEO EE	3	NC		
	NC	4	NC		
	NC	5	NC		
	NC	6	NC		
	NC	7	NC		
	NC	8	NC		
	NC	9	NC		
	NC	10	NC		
211-12	Y REC RF(I)	11	Y REC RF(X)	211-11	
	NC	12	NC		
211-8	C REC RF(I)	13	C REC RF(X)	211-8	
	NC	14	NC		
103-15A	Y EE RF(I)	15	Y EE RF(X)	103-15B	
103-18A	C EE RF(I)	16	C EE RF(X)	103-18B	
	NC	17	NC		
107-18A	L:RBS INPUT SEL	18	L:MAINTB MODE	106-14B,107-14B,201-24	
107-18A	L:COMPOSITE	19	L:COMPONENT	107-19B	
107-20A	N:STD/L:NDN BYD	20	NC		
107-21A	INPUT FP1	21	INPUT FP2	107-21B	
107-22A	INPUT SYNC	22	REC CV ID	107-22B	
200-5	UNREG -5V	23	UNREG -5V	103-23	
200-5	REG -5V	24	REG -5V	103-24	
200-4	UNREG +5V	25	UNREG +5V	103-25	
200-3	REG +5V	26	REG +5V	103-26+27	
200-3	REG +5V	27	REG +5V	103-26+27	
200-2	REG GND	28	REG GND	103-28+29+30	
200-2	REG GND	29	REG GND	103-28+29+30	
200-2	REG GND	30	REG GND	103-28+29+30	

VRA-5		CR102		VRA-5	
A		B		A	
200-8	UNREG GND	1	UNREG GND	104-1-2+3	
200-8	UNREG GND	2	UNREG GND	104-1-2+3	
200-8	UNREG GND	3	UNREG GND	104-1-2+3	
200-8	UNREG +12V	4	UNREG +12V	104-4	
200-7	UNREG -12V	5	UNREG -12V	104-5	
	NC	6	NC		
	NC	7	NC		
	NC	8	B DATA	106-18A	
	NC	9	SCK	106-17A	
	NC	10	STRG	106-18A	
	NC	11	NC		
	NC	12	NC		
	NC	13	NC		
	NC	14	NC		
	NC	15	GND(GUARD)2		
271-8	INPUT Y(I)	16	INPUT Y(X)	271-7	
	NC	17	NC		
271-10	INPUT R-Y(I)	18	INPUT R-Y(X)	271-8	
	NC	19	NC		
271-12	INPUT B-Y(I)	20	INPUT B-Y(X)	271-11	
	NC	21	GND(GUARD)2		
271-2	INPUT VIDEO(I)	22	INPUT VIDEO(X)	271-1	
	NC	23	GND(GUARD)2		
271-6	INPUT S-Y(I)	24	INPUT S-Y(X)	271-5	
	NC	25	NC		
271-4	INPUT S-C(I)	26	INPUT S-C(X)	271-3	
	NC	27	GND(GUARD)2		
	NC	28	NC		
	REG GND	29	REG GND	104-28+30	
	REG GND	30	REG GND	104-28+30	

VP-43/A		CR103		VP-43/A	
A		B		A	
101-1-2	REG GND	1	REG GND	105-1-2	
101-1-2	REG GND	2	REG GND	105-1-2	
105-2A,101-2A	N:VIDEO EE	3	CTL SIG	108-12B,214-23B	
105-4A,107-4A	L:FWS/REV X13	4	TRACKING CONT(X)	108-25A	
108-23B	L:JIG EXIST	5	L:HD SIG	105-2B,107-2B	
105-6A,107-6A	Y SW PLS	6	C SW PLS	103-2B,107-2B	
201-12	LTC EQ(I)	7	LTC EQ(X)	201-11	
107-14A	L:SLOW BID	8	VF SPARE	107-17B	
211-10	Y A PB RF(I)	9	Y A PB RF(X)	211-9	
211-8	Y B PB RF(I)	10	Y B PB RF(X)	211-7	
	NC	11	GND(GUARD)		
211-4	C A PB RF(I)	12	C A PB RF(X)	211-3	
211-2	C B PB RF(I)	13	C B PB RF(X)	211-1	
	NC	14	GND(GUARD)		
101-18A	Y EE RF(I)	15	Y EE RF(X)	101-18B	
101-18A	C EE RF(I)	16	C EE RF(X)	101-18B	
	NC	17	GND		
105-18A	DEMOD Y(I)	18	DEMOD Y(X)	105-18B	
105-18A	DEMOD C(I)	19	DEMOD C(X)	105-18B	
107-14B	SV DD PLS	20	L:OXIDE/H:METAL	108-24B,108-10B	
105-21A	Y DO PLS	21	C DO PLS	105-21B	
104-20A	TBC SPEED	22	L:NDISE LEGS PB	105-2B,107-2B	
101-23	UNREG -5V	23	UNREG -5V	103-23	
101-24	REG -5V	24	REG -5V	103-24	
101-25	UNREG +5V	25	UNREG +5V	103-25	
101-26+27	REG +5V	26	REG +5V	103-26+27	
101-26+27	REG +5V	27	REG +5V	103-26+27	
101-28+29+30	REG GND	28	REG GND	103-28+29+30	
101-28+29+30	REG GND	29	REG GND	103-28+29+30	
101-28+29+30	REG GND	30	REG GND	103-28+29+30	

CR200

1	DN GND	211-1-8
2	REG GND	201-1-7
3	REG +5V	201-3
4	UNREG +5V	201-4
5	REG -5V	201-5
6	UNREG -5V	201-6
7	UNREG +12V	201-7
8	UNREG GND	201-8

CR101

1	REG GND	200-2
2	REG GND	200-1
3	REG +5V	200-3
4	UNREG +5V	200-4
5	REG -5V	200-5
6	UNREG -5V	200-6
7	UNREG +12V	200-7
8	UNREG GND	200-8

CR111

1	C B PB RF(X)	103-10B
2	C B PB RF(I)	103-10A
3	C A PB RF(X)	103-11B
4	C A PB RF(I)	103-11A
5	C B REC RF(X)	103-12B
6	C B REC RF(I)	103-12A
7	Y B PB RF(X)	101-10B
8	Y B PB RF(I)	101-10A
9	Y A PB RF(X)	103-10B
10	Y A PB RF(I)	103-10A
11	Y REC RF(X)	101-11B
12	Y REC RF(I)	101-11A

CR211

1	L:UTO ERASE ON	109-18A
2	REC LTC	109-20A
3	L:AU CH 2 ERASE ON	109-20B
4	L:AU CH 1 ERASE ON	109-19B
5	L:AU CH 2 REC MUTE	109-19A
6	L:AU CH 1 REC MUTE	109-18B
7	HD/OC OFF	109-17A
8	L:AU CH 1 BIASE ON	109-16A
9	L:AU CH 2 BIASE ON	109-15A
10	PB LTC	109-14A
11	LTC EQ(X)	109-12B
12	W:CTL CUI	109-7A
13	L:AU CH 1 HEAD REC	109-16B
14	L:AU CH 1 PB MUTE	109-15B
15	L:AU CH 2 PB MUTE	109-14B
16	L:AU CH 2 HEAD REC	109-13A
17	L:AU CH 1 PB	109-13B
18	L:AU CH 2 PB	109-12B
19	W:LCY PB	109-11A
20	L:AUDIO ATT ON	109-11B
21	L:AUDIO EQ ON	109-10B
22	H:MR ON	109-10A
23	L:MAINTB MODE	107-18B,108-10B,109-18B
24	DEW DET(X)	109-21A
25	DEW DET(I)	109-21B
26	L:RE B CONT	109-20A
27	L:RE A CONT	109-20B
28	L:RE B CONT	109-20A
29	L:RE A CONT	109-20B
30	L:C B REC EN A/V	109-17A
31	L:C B REC EN A/V	109-17A
32	L:REC CONT	109-2B
33	L:Y B REC EN A/V	109-2A
34	L:Y A REC EN A/V	109-2B

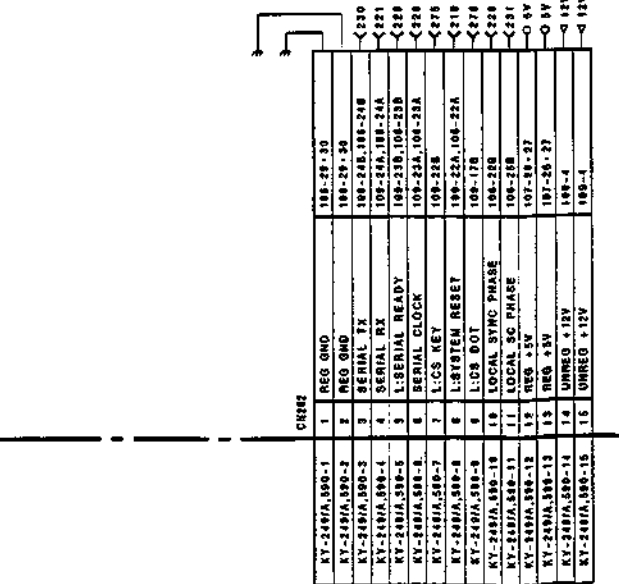
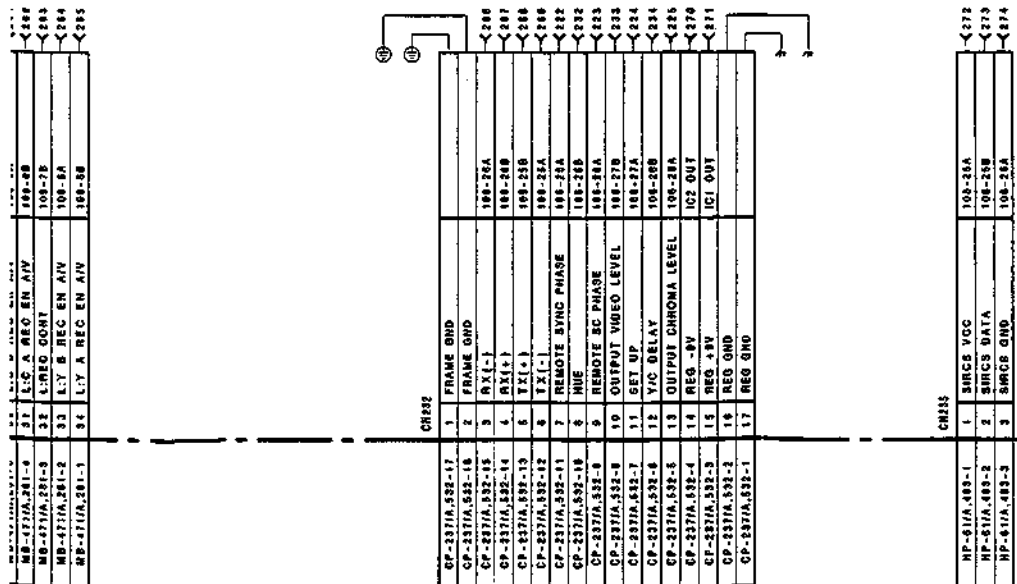
VP-43/A

VP-43/A		CN104		B	
85-1-2	102-1-2-3	UNREG GND	1	UNREG GND	100-1-2-3
85-1-2	102-1-2-3	UNREG GND	2	UNREG GND	100-1-2-3
85-12B,21A,33B	102-1-2-3	UNREG GND	3	UNREG GND	100-1-2-3
85-23A	102-4	UNREG +12V	4	UNREG +12V	100-4
85-23,107-2B	102-5	UNREG -12V	5	UNREG -12V	100-5
85-23,107-2B	107-10B	LINOB OUTPUT SEL	6	NC	
31-11	106-7A	TBC' d Y(G)	7	TBC' d Y(X)	100-7B
87-17B	106-8A	TBC' d B-Y(G)	8	TBC' d B-Y(X)	100-8B
11-9	106-9A	TBC' d R-Y(G)	9	TBC' d R-Y(X)	100-9B
11-7	NC	10	GNDSHIELD		
11-9	106-11A	U AXIS SC(G)	11	U AXIS SC(X)	100-11B
11-7	106-12A	V AXIS SC(G)	12	V AXIS SC(X)	100-12B
11-7	NC	13	GNDSHIELD		
81-15B	200-3	OUTPUT S-Y(G)	14	OUTPUT S-Y(X)	200-4
81-15B	200-1	OUTPUT S-C(G)	15	OUTPUT S-C(X)	200-2
81-15B	NC	16	GNDSHIELD		
85-18B	200-5	OUTPUT Y 1(G)	17	OUTPUT Y 1(X)	200-8
85-18B	200-9	OUTPUT Y 2(G)	18	OUTPUT Y 2(X)	200-10
85-18B	200-1	OUTPUT B-Y 1(G)	19	OUTPUT B-Y 1(X)	200-2
85-24B,100-10B	200-12	OUTPUT B-Y 2(G)	20	OUTPUT B-Y 2(X)	200-14
85-21B	200-3	OUTPUT R-Y 1(G)	21	OUTPUT R-Y 1(X)	200-4
85-23,107-2B	200-11	OUTPUT R-Y 2(G)	22	OUTPUT R-Y 2(X)	200-12
85-23	106-21A	ENC CLAMP	23	GNDSHIELD	
85-24	200-5	OUTPUT VIDEO 1(G)	24	OUTPUT VIDEO 1(X)	200-8
85-25	200-7	OUTPUT VIDEO 2(G)	25	OUTPUT VIDEO 2(X)	200-9
85-26,27	105-7A,107-7A	HD	26	H-WIDE	100-10B,107-17A
85-26,27	107-15A	CHARA FRAME	27	OUTPUT SYNC	100-20B
85-26,29,30	107-16B	CHARA SIG	28	ENC BLANK	100-21B
85-26,29,30	102-29-30	REG GND	29	REG GND	100-29-30
85-26,29,30	102-29-30	REG GND	30	REG GND	100-29-30

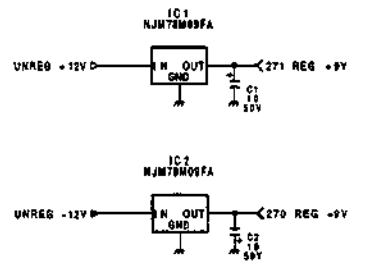
TBC-25

TBC-25		CN105		B		
103-1-2	REG GND	1	REG GND	107-1-2		
103-1-2	REG GND	2	REG GND	107-1-2		
107-3A,103-3A	H-VIDEO EE	3	L:WIDE LESS PB	107-2B,103-22B		
107-4A,103-4A	L:FWD/REV X10	4	H:FWD/L:REV	107-4B		
107-5A	L:TBC MUTE	5	L:NO SIG	103-6B,107-5B		
107-6A,103-6A	Y SW PLS	6	C SW PLS	103-6B,107-6B		
107-7A,104-26A	HD	7	PB SYNC	107-7B		
107-8A	REF SYNC	8	REF 1ST FIELD	107-8B		
107-9A	VB	9	SERVO Y	107-9B		
107-10A	L:FWD/REV X15	10	H:EXT SC DET	107-10B		
107-11A	H:EXT SYNC DET	11	PB FPI	107-11B		
107-12A	PB FP2	12	L:SYNC DELAY	107-12B		
107-13A	TAPE SPEED	13	L:CS TBC	107-13B		
NC	14	L:MAINT MODE	107-13B,107-13B,251-24			
NC	15	NC				
NC	16	NC				
107-18A	TBC SPARE	17	GNDSHIELD			
103-18A	DEMODO Y(G)	18	DEMODO Y(X)	103-18B		
103-19A	DEMODO C(G)	19	DEMODO C(X)	103-19B		
NC	20	GNDSHIELD				
103-21A	Y DO PLS	21	C DO PLS	103-21B		
NC	22	H:CHROMA MUTE	107-20B			
8V	103-23	UNREG -6V	23	UNREG +6V	107-23	
8V	103-24	REG -6V	24	REG -6V	107-24	
8V	103-25	UNREG +6V	25	UNREG +6V	107-25	
8V	103-26,27	REG +6V	26	REG +6V	107-26,27	
8V	103-28,27	REG +6V	27	REG +6V	107-26,27	
8V	103-28,29,30	REG GND	28	REG GND	107-29,29-30	
8V	103-28,29,30	REG GND	29	REG GND	107-29,29-30	
8V	103-28,29,30	REG GND	30	REG GND	107-29,29-30	

TBC-25		CN106		B	
104-1-2-3	UNREG GND	1	UNREG GND	104-1-2-3	
104-1-2-3	UNREG GND	2	UNREG GND	104-1-2-3	
104-1-2-3	UNREG GND	3	UNREG GND	104-1-2-3	
104-4	UNREG +12V	4	UNREG +12V	104-4	
104-5	UNREG -12V	5	UNREG -12V	104-5	
207-1	INPUT REF(G)	6	INPUT REF(X)	207-2	
104-7A	TBC' d Y(G)	7	TBC' d Y(X)	104-7B	
104-8A	TBC' d B-Y(G)	8	TBC' d B-Y(X)	104-8B	
104-9A	TBC' d R-Y(G)	9	TBC' d R-Y(X)	104-9B	
NC	10	GNDSHIELD			
104-11A	U AXIS SC(G)	11	U AXIS SC(X)	104-11B	
104-12A	V AXIS SC(G)	12	V AXIS SC(X)	104-12B	
NC	13	GNDSHIELD			
207-8	DUB INPUT REF(G)	14	DUB INPUT REF(X)	207-7	
NC	15	NC			
102-9B	S DATA	16	NC		
102-9B	SKK	17	NC		
102-10B	STRB	18	L:OXIDE/M:METAL	102-24B,103-20B	
103-22A	TBC SPEED	19	H:WIDE	104-24B,107-17A	
104-23A	ENC CLAMP	20	OUTPUT SYNC	104-27B	
100-22A,202-8	L:SYSTEM RESET	21	ENC BLANK	104-28B	
100-23A,202-8	SERIAL CLOCK	22	LOCAL SYNC PHASE	202-10	
100-24A,202-4	SERIAL RX	23	L:SERIAL READY	100-23B,202-6	
202-7	REMOTE SYNC PHASE	24	SERIAL TX	100-24B	
202-8	REMOTE SC PHASE	25	LOCAL SC PHASE	202-11	
202-11	SET UP	26	HUE	202-9	
202-13	OUTPUT CHROMA LEVEL	27	OUTPUT VIDEO LEVEL	202-10	
104-29-30	REG GND	28	Y/C DELAY	202-12	
104-29-30	REG GND	29	REG GND	100-29-30	
104-29-30	REG GND	30	REG GND	100-29-30	



CN101,CN102...UVW-1800 ONLY



**MB-470/470A BOARD (1/4)**  
 BOARD NO.1-648-918-11,21  
 UVW-1800/1600(J);#10001-  
 UVW-1800/1600(UC);#10001-

MB-470/470A(2/4);MOTHER BOARD

SS-53

SS-53		CN107			
	A		B		
105-1-2	REG GND	1	REG GND		
105-1-2	REG GND	2	REG GND		
105-3A,105-3A	H:VIDEO EE	3	L:NOISE LESS PB	105-2B	161
105-4A,105-4A	L:FWD/REV X13	4	H:FWD/L:REV	105-4B	208
105-5A	L:TBC MUTE	5	L:NO SIG	105-5B,105-5B	149
105-6A,105-6A	Y SW PLS	6	C SW PLS	105-6B,105-6B	160
105-7A,104-26A	HD	7	PB SYNC	105-7B	209
105-8A	REF SYNC	8	REF 1ST FIELD	105-8B	210
105-9A	VD	9	SERVO V	105-9B	211
105-10A	L:FWD/REV X15	10	H:EXT SO DET	105-10B	212
105-11A	H:EXT SYNC DET	11	PB FP1	105-11B	213
105-12A	PB FP2	12	L:SYNC DELAY	105-12B	214
105-13A	TAPE SPEED	13	L:CS TBC	105-13B	215
105-14A	L:SLOW SID	14	SV DO PLS	105-14B	144
104-27A	CHARA FRAME	15	CHARA SIG	104-28B	101
105-18A	L:RGB INPUT SEL	16	L:RGB OUTPUT SEL	104-6A	162
105-19B,104-26B	H:WIDE	17	VP SPARE	105-8B	162
105-17A	TBC SPARE	18	L:MAINTA MODE	231-24,105-14B,105-18B	114
105-19A	L:COMPOSITE	19	L:COMPONENT	105-19B	115
105-20A	H:STD/L:NON STD	20	H:CHROMA MUTE	105-22B	216
105-21A	INPUT FP1	21	INPUT FP2	105-21B	116
105-22A	INPUT SYNC	22	REG CF ID	105-22B	117
105-23	UNREG -5V	23	UNREG -5V	105-23	5V
105-24	REG -5V	24	REG -5V	214-2	5V
105-25	UNREG +5V	25	UNREG +5V	214-3	5V
105-26-27	REG +5V	26	REG +5V	214-4	5V
105-28-29-30	REG GND	27	REG +5V	214-4	5V
105-28-29-30	REG GND	28	REG GND	214-1	
105-28-29-30	REG GND	29	REG GND	214-1	
105-28-29-30	REG GND	30	REG GND	214-1	

SS-53		CN108				
	A		B			
277	214-10B	DRUM ERROR	1	DRUM CURRENT	214-11B	288
276	214-12B	CAPSTAN ERROR	2	CAPSTAN CURRENT	214-12B	300
279	214-14B	S REEL POWER CONT	3	S REEL ERROR	214-15B	301
280	214-16B	S REEL CURRENT	4	SOL CURRENT	214-17B	302
281	214-18B	DRUM PG	5	DRUM PG	214-19B	303
282	214-20B	S REEL FG B	6	S REEL FG A	214-21B	304
283	214-22B	L:TAPE END	7	CAPSTAN DIR CONT	214-23B	305
284	214-24B	CAPSTAN FG A	8	CAPSTAN FG B	214-25B	306
285	214-26B	ADJUST +11V	9	CAPSTAN FG A NORM	214-27B	307
286	214-28B	CAPSTAN FG B NORM	10	ADJUST GND	214-29B	308
287	214-30B	S TENSION	11	ADJUST +5V	214-31B	309
288	214-32B	H:CTL GAIN UP	12	CTL SIG	214-33B,103-3B	147
289	214-34B	CTL PULSE	13	REG CTL	214-35B	310
290	214-36B	H:CTL REC	14	L:TAPE TOP	214-37B	311
291	214-38B	THREADING PG	15	H:UNTH END	214-39B	312
292	214-40B	H:TN END	16	EMERGENCY MS RESET	214-41B	313
293	214-42B	1/2 VD	17	SERVO SCK	214-43B	314
294	214-44B	SERVO SI	18	SERVO SO	214-45B	315
295	214-46B	T REEL FG B	19	T REEL FG A	214-47B	316
296	214-48A	T REEL POWER CONT	20	T REEL ERROR	214-49A	317
297	214-50A	T REEL CURRENT	21	THREADING ERROR	214-50B	318
298	214-49B	THUNTH POWER CONT	22	L:MS BUSY	214-49B	319
148	105-4B	TRACKING CONT(X)	23	L:JIS EXIST	105-5A	134
	NC	SV SPARE	24	L:OXIDE/IN:METAL	105-29B,106-19B	159
272	235-1	SIRCS VCC	25	SIRCS DATA	235-2	273
274	235-3	SIRCS GND	26	NC		
	NC		27	NC		
	NC		28	NC		
	NC		29	NC		
	NC		30	NC		

SS-53		CN109			
	A		B		
106-1-2+3	UNREG GND	1	UNREG GND		
106-1-2+3	UNREG GND	2	UNREG GND		
106-1-2+3	UNREG GND	3	UNREG GND		
106-4	UNREG +12V	4	UNREG +12V		
106-5	UNREG -12V	5	UNREG -12V		
281-3B	L:Y B REC EN A/V	6	L:Y A REC EN A/V	231-3A	
281-3B	L:C B REC EN A/V	7	L:REC CONT	231-3B	
281-2B	L:RE B CONT	8	L:C A REC EN A/V	231-31	
281-27	H:FULL ERASE ON	9	L:RE A CONT	231-29	
281-2B	H:NR ON	10	L:SLOW EQ ON	231-22	
281-2B	H:LTC PB	11	L:AUDIO ATT ON	231-21	
281-17	L:AU CH 2 HEAD REC	12	L:AU CH 2 PB	231-19	
281-14	L:AU CH 1 HEAD REC	13	L:AU CH 1 PB	231-18	
281-10	PB LTC	14	L:AU CH 2 PB MUTE	231-18	
281-8	L:AU CH 2 BIAS ON	15	L:AU CH 1 PB MUTE	231-16	
281-8	L:AU CH 1 BIAS ON	16	H:CTL CUT	231-13	
281-7	H:OSC OFF	17	L:CS DOT	282-9	
281-5	L:AU CH 2 REC MUTE	18	L:AU CH 1 REC MUTE	281-8	
281-1	L:LTC ERASE ON	19	L:AU CH 1 ERASE ON	281-4	
281-2	REC LTC	20	L:AU CH 2 ERASE ON	281-3	
281-2B	DEW DET(X)	21	DEW DET(G)	281-2A	
282-6,106-22A	L:SYSTEM RESET	22	L:CS KEY	282-7	
282-6,106-23A	SERIAL CLOCK	23	L:SERIAL READY	106-23B	
282-4,106-24A	SERIAL RX	24	SERIAL TX	106-24B	
282-4	TX(-)	25	TX(+)	282-5	
282-3	RX(-)	26	RX(+)	282-4	
286-3	OUTPUT LTC(G)	27	OUTPUT LTC(X)	286-4	
286-1	EXT TC IN(G)	28	EXT TC IN(X)	286-2	
106-29-30	REG GND	29	REG GND	250-9-1	
106-29-30	REG GND	30	REG GND	250-9-1	

CN866

1	EXT TC IN(G)	109-28A	121
2	EXT TC IN(X)	109-28B	122
3	OUTPUT LTC(G)	109-27A	123
4	OUTPUT LTC(X)	109-27B	124

CN871

1	INPUT REF(G)	106-8A	117
2	INPUT REF(X)	106-8B	118
3	REG -5V	200-5	119
4	REG GND	200-2	120
5	REG +5V	200-3	121
6	DUB INPUT REF(G)	108-14A	122
7	DUB INPUT REF(X)	108-14B	123

CN888

1	OUTPUT S-C(G)	104-15A	169
2	OUTPUT S-C(X)	104-15B	170
3	OUTPUT S-Y(G)	104-16A	171
4	OUTPUT S-Y(X)	104-16B	172
5	OUTPUT VIDEO 1(G)	104-21A	173
6	OUTPUT VIDEO 1(X)	104-21B	174
7	OUTPUT VIDEO 2(G)	104-22A	175
8	OUTPUT VIDEO 2(X)	104-22B	176
9	OUTPUT Y 2(G)	104-19A	177
10	OUTPUT Y 2(X)	104-19B	178
11	OUTPUT R-Y 2(G)	104-22A	179
12	OUTPUT R-Y 2(X)	104-22B	180
13	OUTPUT B-Y 2(G)	104-20A	181
14	OUTPUT B-Y 2(X)	104-20B	182

CN268

1	OUTPUT B-Y 1(G)	104-19A	172
2	OUTPUT B-Y 1(X)	104-19B	173
3	OUTPUT R-Y 1(G)	104-21A	174
4	OUTPUT R-Y 1(X)	104-21B	175
5	OUTPUT Y 1(G)	104-17A	176
6	OUTPUT Y 1(X)	104-17B	177

CN271

1	INPUT VIDEO(X)	102-22B	150
2	INPUT VIDEO(G)	102-22A	151
3	INPUT S-C(X)	102-22B	152
4	INPUT S-C(G)	102-22A	153
5	INPUT B-Y(X)	102-24B	154
6	INPUT B-Y(G)	102-24A	155
7	INPUT Y(X)	102-16B	156
8	INPUT Y(G)	102-16A	157
9	INPUT R-Y(X)	102-18B	158
10	INPUT R-Y(G)	102-18A	159
11	INPUT B-Y(X)	102-20B	160
12	INPUT B-Y(G)	102-20A	161

CN271...UVW-1800 ONLY

SS-53

SS-53		CN108	
A	B	A	B
214-10B	DRUM ERROR	1	DRUM CURRENT
214-12B	CAPSTAN ERROR	2	CAPSTAN CURRENT
214-14B	S REEL POWER CONT	3	S REEL ERROR
214-16B	S REEL CURRENT	4	SOL CURRENT
214-18B	DRUM FG	5	DRUM PG
214-20B	S REEL FG B	6	S REEL FG A
214-22B	L:TAPE END	7	CAPSTAN DIR CONT
214-24B	CAPSTAN FG A	8	CAPSTAN FG B
214-26B	ADJUST +11V	9	CAPSTAN FG A NORM
214-28B	CAPSTAN FG B NORM	10	ADJUST GND
214-30B	S TENSION	11	ADJUST +5V
214-32B	H:CTL GAIN UP	12	CTL SIG
214-34B	CTL PULSE	13	REC CTL
214-36B	H:CTL REC	14	L:TAPE TOP
214-38B	THREADING FG	15	H:UNTH END
214-40B	H:TH END	16	EMERGENCY MS RESET
214-42B	1/2 VD	17	SERVO SCK
214-44B	SERVO SI	18	SERVO SO
214-46B	T REEL FG B	19	T REEL FG A
214-48A	T REEL POWER CONT	20	T REEL ERROR
214-50A	T REEL CURRENT	21	THREADING ERROR
214-49B	THUNTH POWER CONT	22	L:MS BUSY
103-4B	TRACKING CONT(X)	23	L:JIG EXIST
NC	SV SPARE	24	L:OXIDE/H:METAL
235-1	SIRCS VCC	25	SIRCS DATA
235-3	SIRCS GND	26	NC
	NC	27	NC
	NC	28	NC
	NC	29	NC
	NC	30	NC

SS-53		CN109	
A	B	A	B
100-1-2-3	UNREG GND	1	UNREG GND
100-1-2-3	UNREG GND	2	UNREG GND
100-1-2-3	UNREG GND	3	UNREG GND
100-4	UNREG +12V	4	UNREG +12V
100-5	UNREG -12V	5	UNREG -12V
231-23	L:Y B REC EN A/V	8	L:Y A REC EN A/V
231-23	L:G B REC ER A/V	7	L:REC CONT
231-23	L:RE B CONT	6	L:C A REC EN A/V
231-27	H:FULL ERASE ON	9	L:RE A CONT
231-23	H:NR ON	10	L:SLOW EQ ON
231-20	H:LTC PB	11	L:AUDIO ATT ON
231-17	L:AU CH 2 HEAD REC	12	L:AU CH 2 PB
231-14	L:AU CH 1 HEAD REC	13	L:AU CH 1 PB
231-10	PB LTC	14	L:AU CH 2 PB MUTE
231-9	L:AU CH 2 BIAS ON	15	L:AU CH 1 PB MUTE
231-9	L:AU CH 1 BIAS ON	16	H:CTL CUT
231-7	H:OSC OFF	17	L:CS DOT
231-5	L:AU CH 2 REC MUTE	18	L:AU CH 1 REC MUTE
231-1	L:LTC ERASE ON	19	L:AU CH 1 ERASE ON
231-2	REC LTC	20	L:AU CH 2 ERASE ON
231-25	DEW DET(X)	21	DEW DET(B)
202-0,106-22A	L:SYSTEM RESET	22	L:CS KEY
202-0,106-23A	SERIAL CLOCK	23	L:SERIAL READY
202-4,106-24A	SERIAL RX	24	SERIAL TX
232-6	TX(-)	25	TX(+)
232-3	RX(-)	26	RX(+)
200-3	OUTPUT LTC(B)	27	OUTPUT LTC(X)
200-1	EXT TC IN(B)	28	EXT TC IN(X)
100-29,30	REG GND	29	REG GND
100-29,30	REG GND	30	REG GND

DR-214

DR-214		CN214	
A	B	A	B
REG GND	1	REG GND	107-20,29,30
REG -5V	2	REG -5V	107-24
UNREG +5V	3	UNREG +5V	107-25
REG +5V	4	REG +5V	107-26,27
DR GND	5	DR GND	200-1
DR GND	6	DR GND	200-1
UNREG +12V	7	UNREG +12V	200-8
UNREG +12V	8	UNREG +12V	200-9
UNREG -12V	9	UNREG -12V	200-7
NC	10	DRUM ERROR	100-1A
NC	11	DRUM CURRENT	100-1B
NC	12	CAPSTAN ERROR	100-2A
NC	13	CAPSTAN CURRENT	100-2B
NC	14	S REEL POWER CONT	100-3A
NC	15	S REEL ERROR	100-3B
NC	16	S REEL CURRENT	100-4A
NC	17	SOL CURRENT	100-4B
NC	18	DRUM FG	100-5A
NC	19	DRUM PG	100-5B
NC	20	S REEL FG B	100-6A
NC	21	S REEL FG A	100-6B
NC	22	L:TAPE END	100-7A
NC	23	CAPSTAN DIR CONT	100-7B
NC	24	CAPSTAN FG A	100-8A
NC	25	CAPSTAN FG B	100-8B
NC	26	ADJUST +11V	100-9A
NC	27	CAPSTAN FG A NORM	100-9B
NC	28	CAPSTAN FG B NORM	100-10A
NC	29	ADJUST GND	100-10B
NC	30	S TENSION	100-11A
NC	31	ADJUST +5V	100-11B
NC	32	H:CTL GAIN UP	100-12A
NC	33	CTL SIG	100-12B,100-3B
NC	34	CTL PULSE	100-13A
NC	35	REC CTL	100-13B
NC	36	H:CTL REC	100-14A
NC	37	L:TAPE TOP	100-14B
NC	38	THREADING FG	100-15A
NC	39	H:UNTH END	100-15B
NC	40	H:TH END	100-16A
NC	41	EMERGENCY MS RESET	100-16B
NC	42	1/2 VD	100-17A
NC	43	SERVO SCK	100-17B
NC	44	SERVO SI	100-18A
NC	45	SERVO SO	100-18B
NC	46	T REEL FG B	100-19A
NC	47	T REEL FG A	100-19B
NC	48	T REEL POWER CONT	100-22B
NC	49	THUNTH POWER CONT	100-22A
NC	50	THREADING ERROR	100-21B

CP-225A,855-1	194-15A
1	OUTPUT S-G(O)
2	OUTPUT S-C(X)
3	OUTPUT S-Y(O)
4	OUTPUT S-Y(X)
5	OUTPUT VIDEO 1(O)
6	OUTPUT VIDEO 1(X)
7	OUTPUT VIDEO 2(O)
8	OUTPUT VIDEO 2(X)
9	OUTPUT Y 2(O)
10	OUTPUT Y 2(X)
11	OUTPUT R-Y 2(O)
12	OUTPUT R-Y 2(X)
13	OUTPUT B-Y 2(O)
14	OUTPUT B-Y 2(X)

CP-225A,853-1	104-18A
1	OUTPUT B-Y 1(O)
2	OUTPUT B-Y 1(X)
3	OUTPUT R-Y 1(O)
4	OUTPUT R-Y 1(X)
5	OUTPUT Y 1(O)
6	OUTPUT Y 1(X)
7	OUTPUT Y 1(O)
8	OUTPUT Y 1(X)

CP-225,854-1	192-22B
1	INPUT VIDEO(X)
2	INPUT VIDEO(O)
3	INPUT S-G(X)
4	INPUT S-C(O)
5	INPUT S-Y(X)
6	INPUT S-Y(O)
7	INPUT Y(X)
8	INPUT Y(O)
9	INPUT R-Y(X)
10	INPUT R-Y(O)
11	INPUT B-Y(X)
12	INPUT B-Y(O)

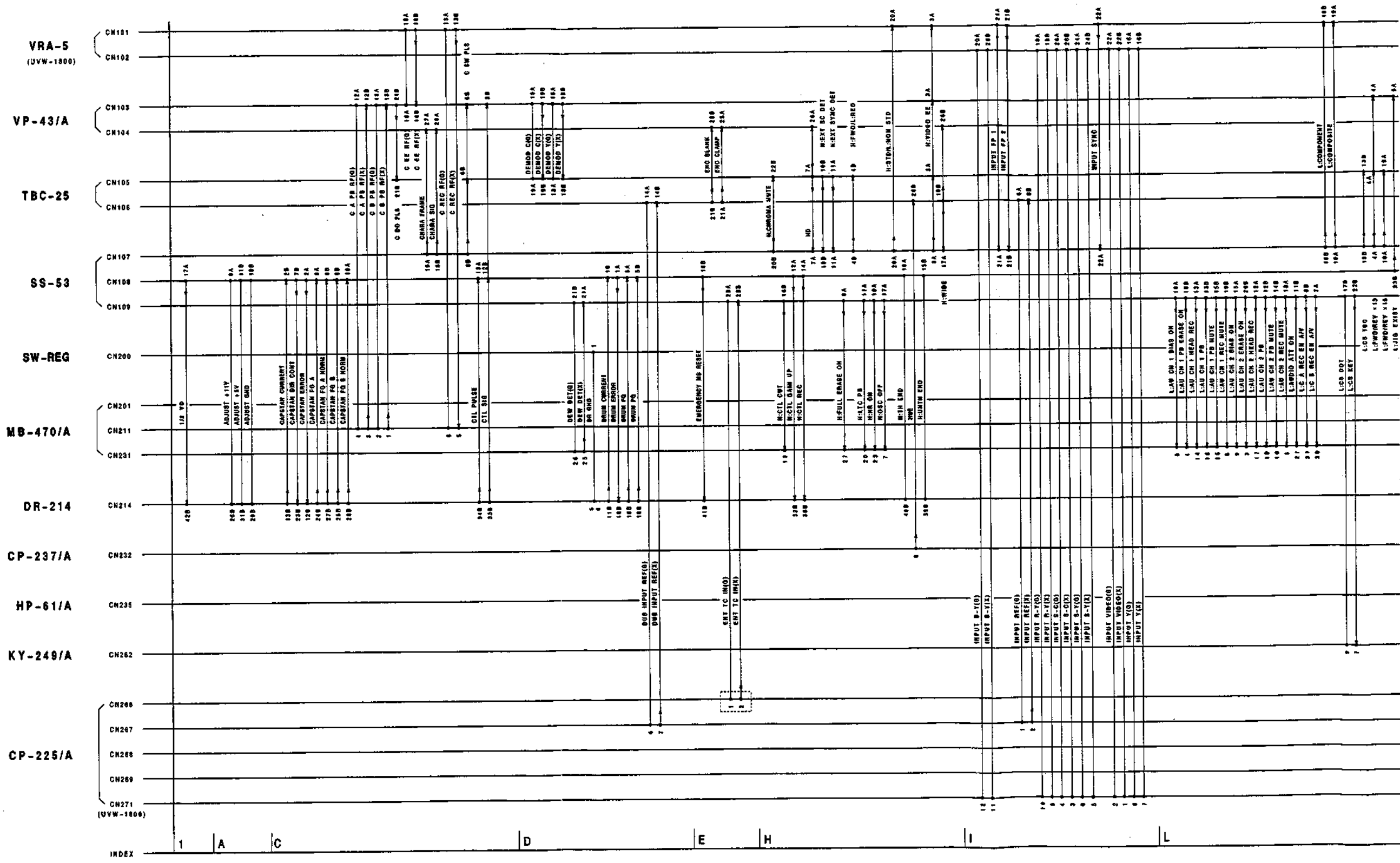
CN271...UVW-1800 ONLY

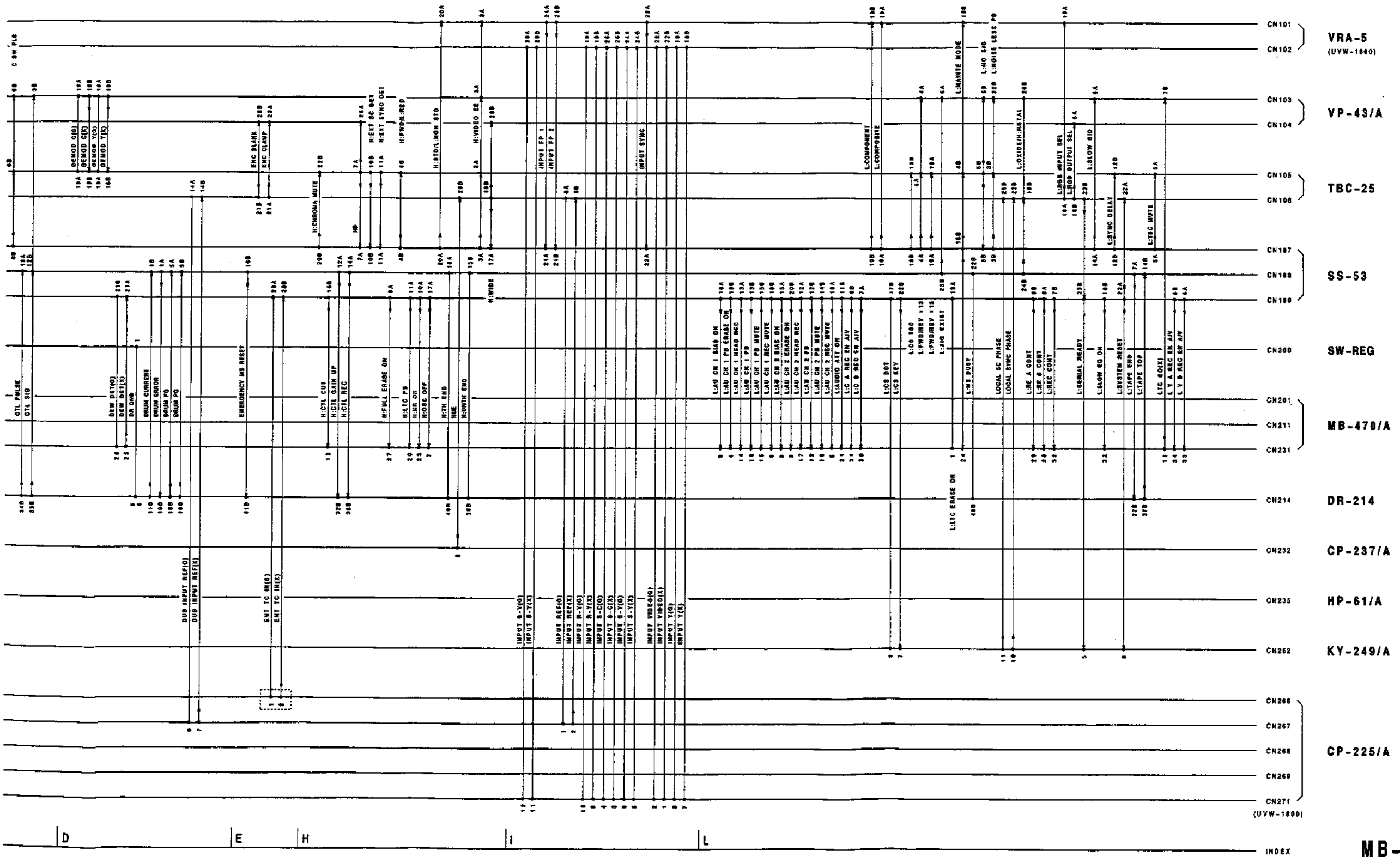
MB-470/470A BOARD (2/4)

BOARD NO.1-648-918-11,21  
UVW-1800/1600(J):/10001-  
UVW-1800/1600(UC):/10001-



MB-470/470A(3/4);MOTHER BOARD

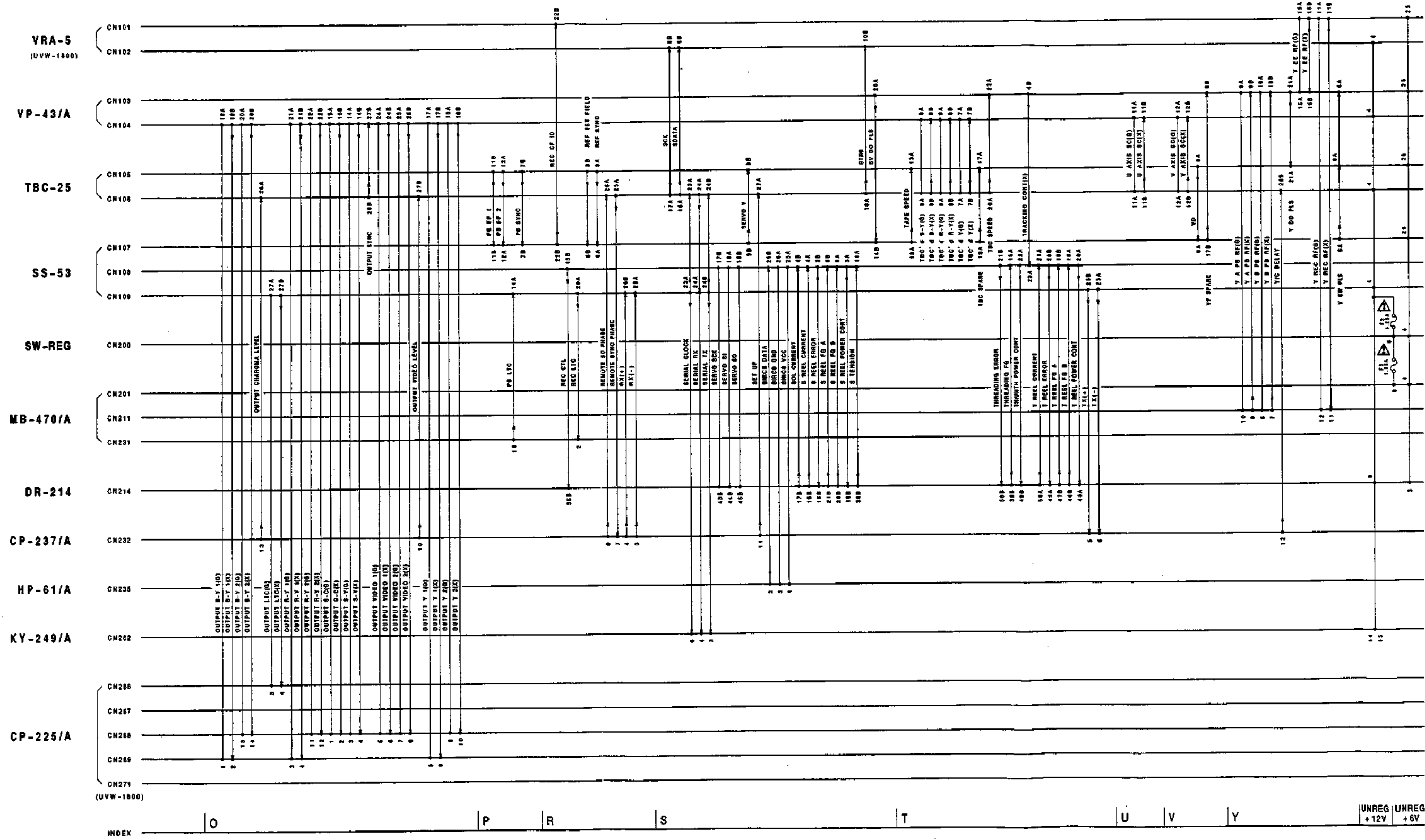




**MB-470/470A BOARD (3/4)**

BOARD NO. 1-648-918-11.21  
 UWV-1800/1600(J); #10001-  
 UWV-1800/1600(UC); #10001-

MB-470/470A(4/4);MOTHER BOARD





(UVW-1800)

**MB-470/470A BOARD (4/4)**

BOARD NO. 1-648-918-11,21  
 UVW-1800/1600(J); #10001-  
 UVW-1800/1600(UC); #10001-

MB-471/471A(1/2);MOTHER BOARD

RP-70/A AP-70A CR10. Pinout table for RP-70/A connector. Columns include pin numbers, component names (e.g., REG GND, UNREG +5V), and connector pin numbers (e.g., 100, 101, 102).

AP-31/A AP-31A CR11. Pinout table for AP-31/A connector. Columns include pin numbers, component names (e.g., REG GND, UNREG +5V), and connector pin numbers (e.g., 100, 101, 102).

AR-14 AR-14 CR12. Pinout table for AR-14 connector. Columns include pin numbers, component names (e.g., REG GND, UNREG +5V), and connector pin numbers (e.g., 100, 101, 102).

CR10. Component list for CR10 connector. Columns include component name, pin number, and connector pin number.

CR11. Component list for CR11 connector. Columns include component name, pin number, and connector pin number.

CR12. Component list for CR12 connector. Columns include component name, pin number, and connector pin number.

CR13. Component list for CR13 connector. Columns include component name, pin number, and connector pin number.

CR14. Component list for CR14 connector. Columns include component name, pin number, and connector pin number.

CR15. Component list for CR15 connector. Columns include component name, pin number, and connector pin number.

CR16. Component list for CR16 connector. Columns include component name, pin number, and connector pin number.

CR17. Component list for CR17 connector. Columns include component name, pin number, and connector pin number.

CR18. Component list for CR18 connector. Columns include component name, pin number, and connector pin number.

AP-31/A

AR-14

Table for AP-31/A showing component locations and values. Columns include component ID, description, and value. Rows include items like REG GND, UNREG +5V, CH 1 LINE OUT(X), etc.

Table for AR-14 showing component locations and values. Columns include component ID, description, and value. Rows include items like REG GND, UNREG +5V, CH 1 INSERT CROSSTALK, etc.

CN112,CN264,CN265,CN275,CN276...UVW-1800 ONLY

Table for CR54 showing component locations and values. Includes items like CH-A RE(X), CH-A RE(Y), CH-B RE(X), etc.

Table for CR55 showing component locations and values. Includes items like FULL ERASE(X), FULL ERASE(Y).

Table for CR56 showing component locations and values. Includes items like MONI OUT(X), MONI OUT(Y), CH 1 LINE OUT(X), etc.

Table for CR57 showing component locations and values. Includes items like AU CH 1 INPUT(X), AU CH 1 INPUT(Y), AU CH 2 INPUT(X), etc.

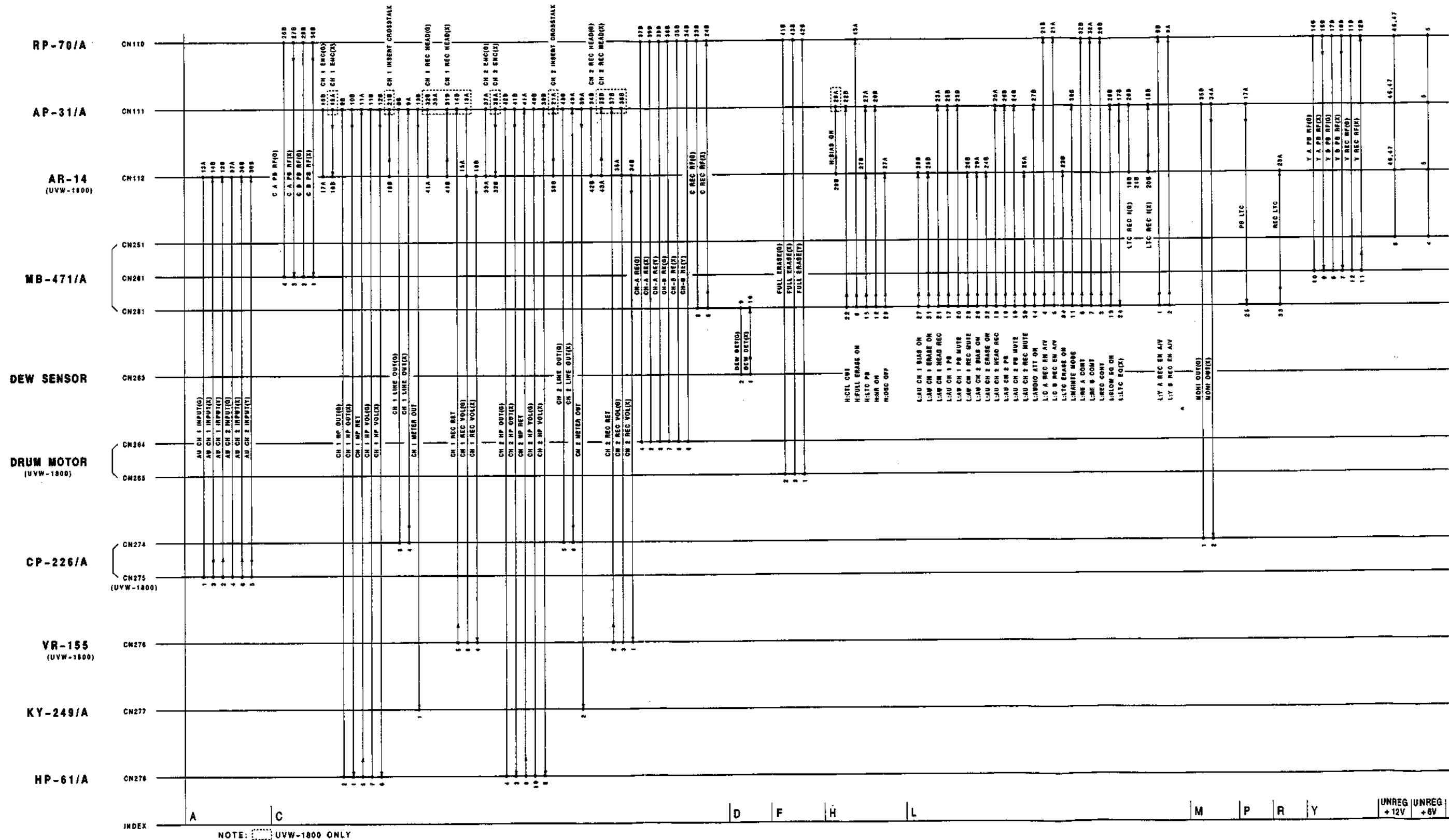
Table for CR58 showing component locations and values. Includes items like CH 2 REC VOL(X), CH 2 REC VOL(Y), CH 2 METER OUT, etc.

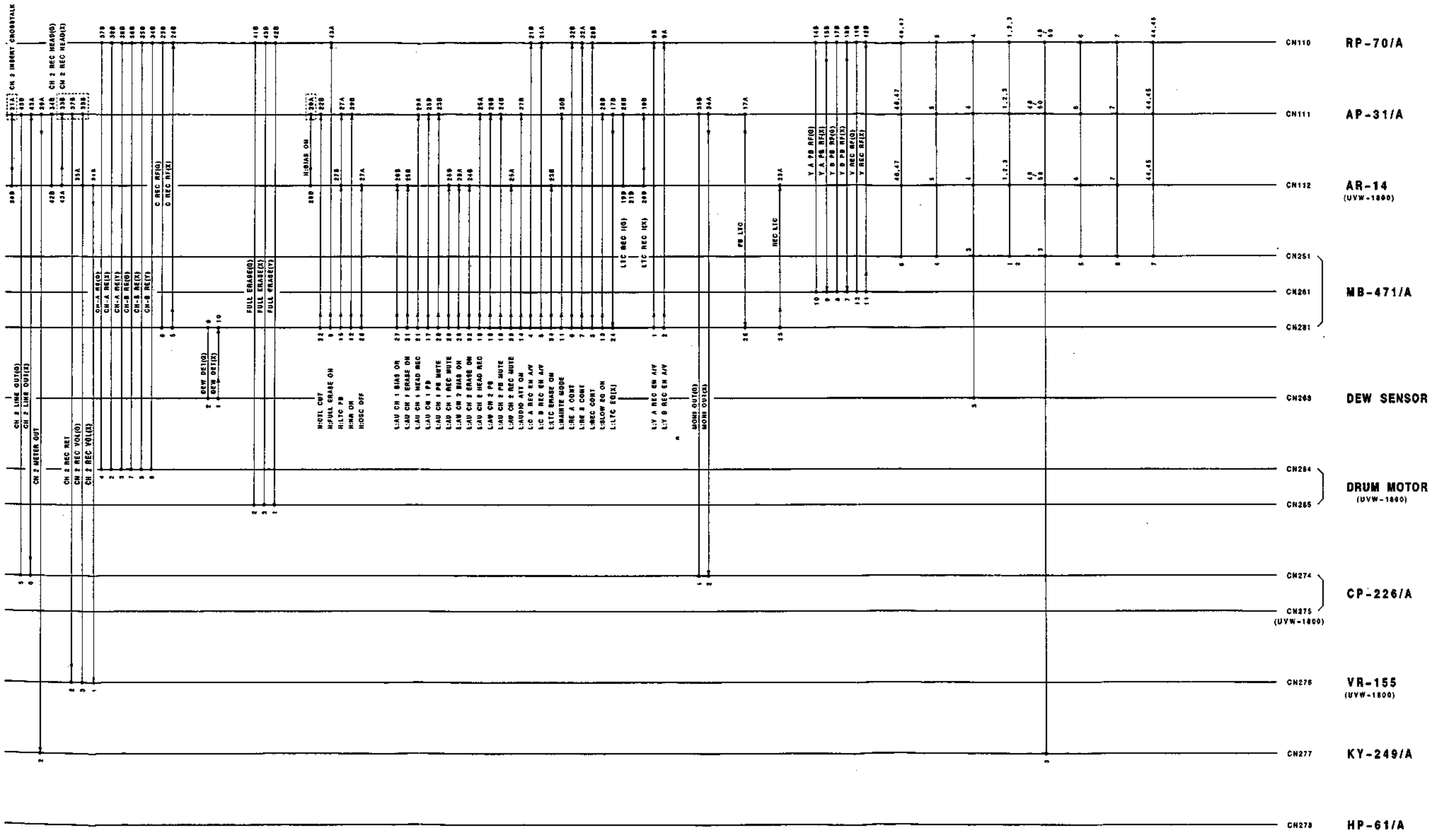
Table for CR59 showing component locations and values. Includes items like CH 3 METER OUT, UNREG GND, CH 2 REC VOL(X), etc.

Table for CR60 showing component locations and values. Includes items like CH 1 HP OUT(X), CH 1 HP OUT(Y), CH 2 HP OUT(X), etc.

Table for CR61 showing component locations and values. Includes items like CH 1 REC HEAD(X), CH 1 REC HEAD(Y), CH 2 REC HEAD(X), etc.

MB-471/471A(2/2);MOTHER BOARD





D	F	H	L	M	P	R	Y	UNREG +12V	UNREG +6V	REG +5V	REG GND	UNREG GND	REG -5V	UNREG -8V	UNREG -12V	INDEX
---	---	---	---	---	---	---	---	------------	-----------	---------	---------	-----------	---------	-----------	------------	-------

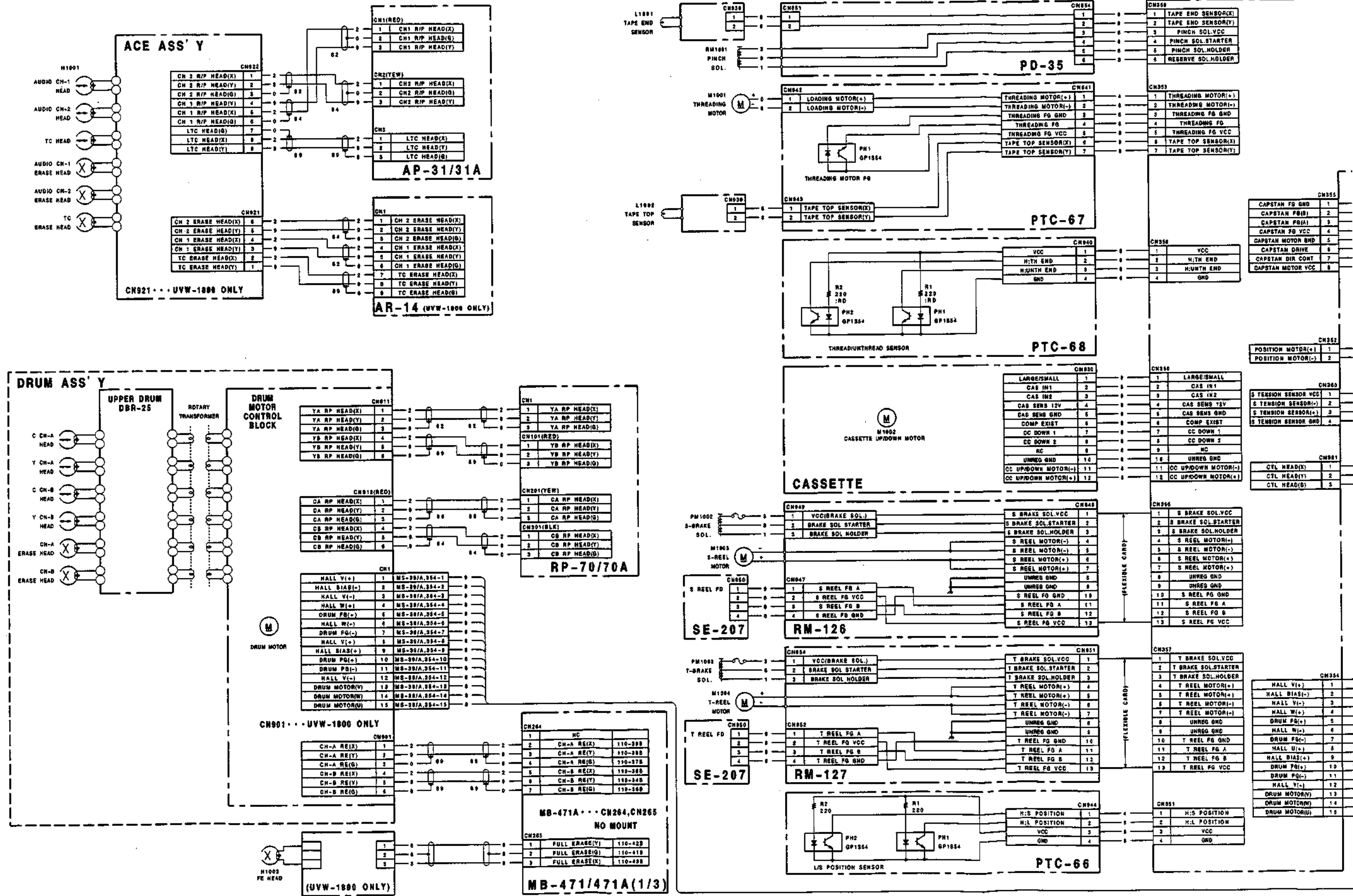
**MB-471/471A BOARD (2/2)**

BOARD NO.1-648-919-11,21  
 UVW-1800/1600(J); 10001-  
 UVW-1800/1600(UC); 10001-



FRAME(1/2)

FRAME(1/2) FRAME(1/2)



SENSOR(X)  
SENSOR(Y)  
OL VCC  
STARTER  
MOLDER  
MOLDER

MOTOR(+)  
MOTOR(-)  
FG GND  
FG PG  
FG VCC  
SENSOR(X)  
SENSOR(Y)

CND  
END  
END

SMALL  
M1  
M2  
MS 12V  
IS GND  
EXTST  
WN 1  
WN 2

GND  
MOTOR(-)  
MOTOR(+)  
SOL VCC  
M STARTER  
M HOLDER  
MOTOR(-)  
MOTOR(-)  
MOTOR(+)  
MOTOR(+)  
GND  
GND  
FG GND  
FG A  
FG B  
FG VCC

SOL VCC  
M STARTER  
M HOLDER  
MOTOR(+)  
MOTOR(+)  
MOTOR(-)  
MOTOR(-)  
MOTOR(+)  
MOTOR(+)  
GND  
GND  
FG GND  
FG A  
FG B  
FG VCC  
POSITION  
POSITION  
ID

MS-39/39A

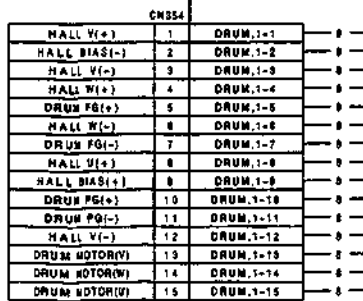
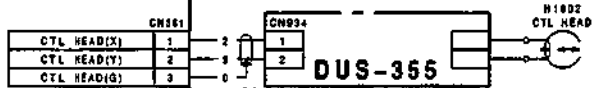
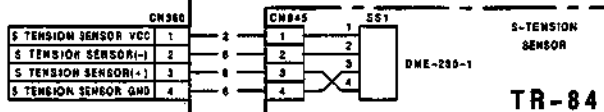
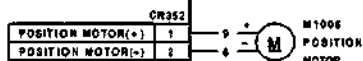
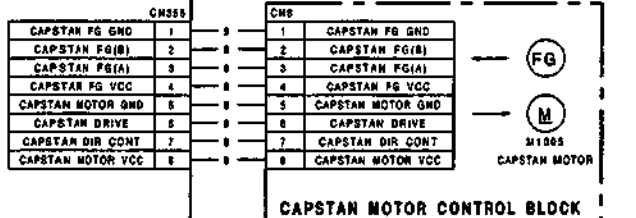


Table with 2 columns: Terminal, Description. Includes DRUM MOTOR(U), DRUM MOTOR(W), DRUM MOTOR(V), HALL U(-), HALL W(-), HALL W(+), HALL V(-), HALL BIASE(-), HALL V(+), REG GND, REG +5V, S REEL FG B, S REEL FG A, S REEL MOTOR(+), S REEL MOTOR(-), S REEL MOTOR, SOL VCC, TAPE END SENSOR(Y), TAPE END SENSOR(X).

Table with 2 columns: Terminal, Description. Includes CAPSTAN DIR CONT, CAPSTAN DRIVE, UNREG GND, ADJUST +11V, CAPSTAN FG(A), CAPSTAN FG(B), UNREG +12V, ADJUST GND, S TENSION SENSOR(+), S TENSION SENSOR(-), ADJUST +5V, UNREG +5V, CTL HEAD(G), CTL HEAD(Y), CTL HEAD(Z), TAPE TOP SENSOR(Y), TAPE TOP SENSOR(X), THREADING FG, HUNTH END, H:TH END, MS RESET, 1/2 V0, SERVO SCK, SERVO S1, SERVO S0, CPU +5V, THREADING MOTOR(+), THREADING MOTOR(-).

Table with 2 columns: Terminal, Description. Includes POSITION MOTOR(+), POSITION MOTOR(-), REG +5V, T REEL FG B, T REEL FG A, REG GND, UNREG GND, UNREG +12V, T REEL MOTOR(-), T REEL MOTOR(+), T BRAKE SOL VCC, L:MS BUSY, CC UP/DOWN CONT 1, CC UP/DOWN CONT 2, THREADING CONT 1, THREADING CONT 2, POSITION CONT 1, POSITION CONT 2, THREADING CURRENT, POSITION CURRENT, CC UP/DOWN CURRENT, T BRAKE CURRENT, REG GND, REG +5V, CC UP/DOWN MOTOR(+), CC UP/DOWN MOTOR(-), UNREG GND, UNREG +12V.

Table with 2 columns: Terminal, Description. Includes DRUM MOTOR(U), DRUM MOTOR(W), DRUM MOTOR(V), HALL U(-), HALL W(-), HALL W(+), HALL V(-), HALL BIASE(+), HALL V(+), REG GND, REG +5V, S REEL FG B, S REEL FG A, S REEL MOTOR(+), S REEL MOTOR(-), S REEL MOTOR, SOL VCC, TAPE END SENSOR(Y), TAPE END SENSOR(X).

Table with 2 columns: Terminal, Description. Includes CAPSTAN DIR CONT, CAPSTAN DRIVE, UNREG GND, ADJUST +11V, CAPSTAN FG(A), CAPSTAN FG(B), UNREG +12V, ADJUST GND, S TENSION SENSOR(+), S TENSION SENSOR(-), ADJUST +5V, UNREG +5V, CTL HEAD(G), CTL HEAD(Y), CTL HEAD(Z), TAPE TOP SENSOR(Y), TAPE TOP SENSOR(X), THREADING FG, HUNTH END, H:TH END, MS RESET, 1/2 V0, SERVO SCK, SERVO S1, SERVO S0, CPU +5V, THREADING MOTOR(+), THREADING MOTOR(-).

Table with 2 columns: Terminal, Description. Includes POSITION MOTOR(+), POSITION MOTOR(-), REG +5V, T REEL FG B, T REEL FG A, REG GND, UNREG GND, UNREG +12V, T REEL MOTOR(-), T REEL MOTOR(+), T BRAKE SOL VCC, L:MS BUSY, CC UP/DOWN CONT 1, CC UP/DOWN CONT 2, THREADING CONT 1, THREADING CONT 2, POSITION CONT 1, POSITION CONT 2, THREADING CURRENT, POSITION CURRENT, CC UP/DOWN CURRENT, T BRAKE CURRENT, REG GND, REG +5V, CC UP/DOWN MOTOR(+), CC UP/DOWN MOTOR(-), UNREG GND, UNREG +12V.

Table with 2 columns: Terminal, Description. Includes REG GND, REG -5V, UNREG +5V, REG +5V, OR GND, DR GND, UNREG +12V, UNREG +12V, UNREG -12V, NC, DRUM ERROR, DRUM CURRENT, CAPSTAN ERROR, CAPSTAN CURRENT, S REEL POWER CONT, S REEL ERROR, S REEL CURRENT, SOL CURRENT, DRUM PG, DRUM PG, S REEL FG B, S REEL FG A, L:TAPE END, CAPSTAN DIR CONT, CAPSTAN FG A, CAPSTAN FG B, ADJUST +11V, CAPSTAN FG A NORM, CAPSTAN FG B NORM, ADJUST GND, S TENSION, ADJUST +5V, H:CTL GAIN UP, CTL SIO, CTL PULSE, REC CTL, H:CTL REC, L:TAPE TOP, THREADING PG, HUNTH END, H:TH END, EMERGENCY MS RESET, 1/2 V0, SERVO SCK, SERVO S1, SERVO S0, T REEL FG B, T REEL FG A, T REEL POWER CONT, T REEL ERROR, T REEL CURRENT, T HUNTH POWER CONT, THREADING ERROR.

Table with 2 columns: Terminal, Description. Includes UNREG REG, UNREG +12V, UNREG -12V, UNREG -5V, REG -5V, UNREG +5V, REG +5V, REG GND, DR GND.

Table with 2 columns: Terminal, Description. Includes DR GND, REG GND, REG +5V, UNREG +5V, REG -5V, UNREG -5V, UNREG -12V, UNREG GND, AC(N), AC(L).

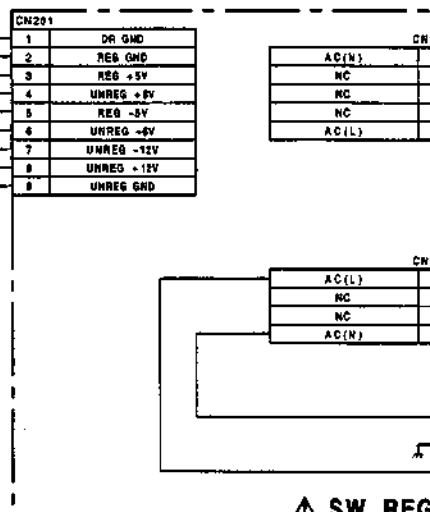
DR-214

Table with 2 columns: Terminal, Description. Includes REG GND, REG -5V, UNREG +5V, REG +5V, OR GND, DR GND, UNREG +12V, UNREG +12V, UNREG -12V, NC, DRUM ERROR, DRUM CURRENT, CAPSTAN ERROR, CAPSTAN CURRENT, S REEL POWER CONT, S REEL ERROR, S REEL CURRENT, SOL CURRENT, DRUM PG, DRUM PG, S REEL FG B, S REEL FG A, L:TAPE END, CAPSTAN DIR CONT, CAPSTAN FG A, CAPSTAN FG B, ADJUST +11V, CAPSTAN FG A NORM, CAPSTAN FG B NORM, ADJUST GND, S TENSION, ADJUST +5V, H:CTL GAIN UP, CTL SIO, CTL PULSE, REC CTL, H:CTL REC, L:TAPE TOP, THREADING PG, HUNTH END, H:TH END, EMERGENCY MS RESET, 1/2 V0, SERVO SCK, SERVO S1, SERVO S0, T REEL FG B, T REEL FG A, T REEL POWER CONT, T REEL ERROR, T REEL CURRENT, T HUNTH POWER CONT, THREADING ERROR.

Table with 2 columns: Terminal, Description. Includes UNREG REG, UNREG +12V, UNREG -12V, UNREG -5V, REG -5V, UNREG +5V, REG +5V, REG GND, DR GND.

Table with 2 columns: Terminal, Description. Includes DR GND, REG GND, REG +5V, UNREG +5V, REG -5V, UNREG -5V, UNREG -12V, UNREG GND, AC(N), AC(L).

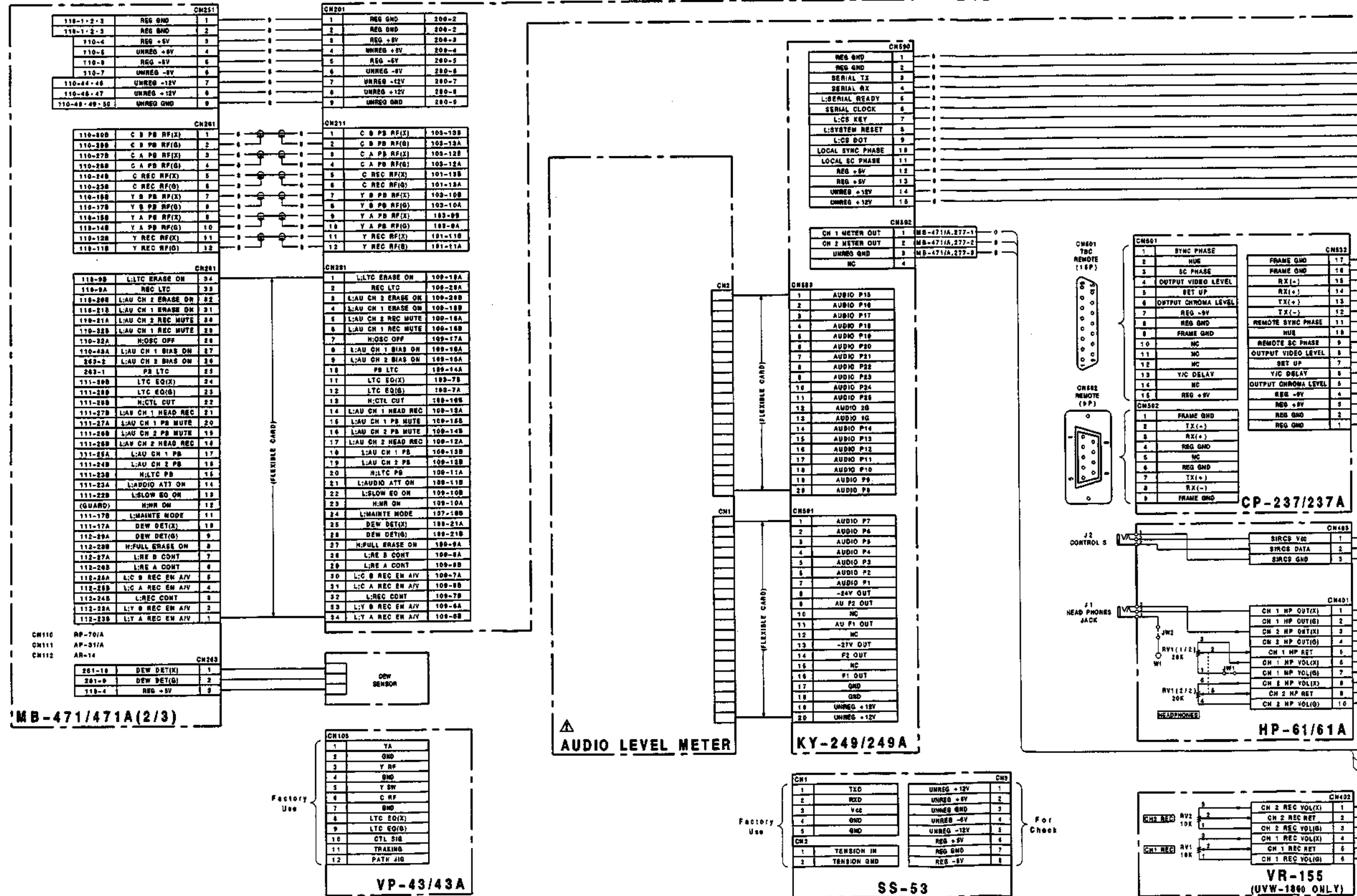
MB-470/470A(1/2)

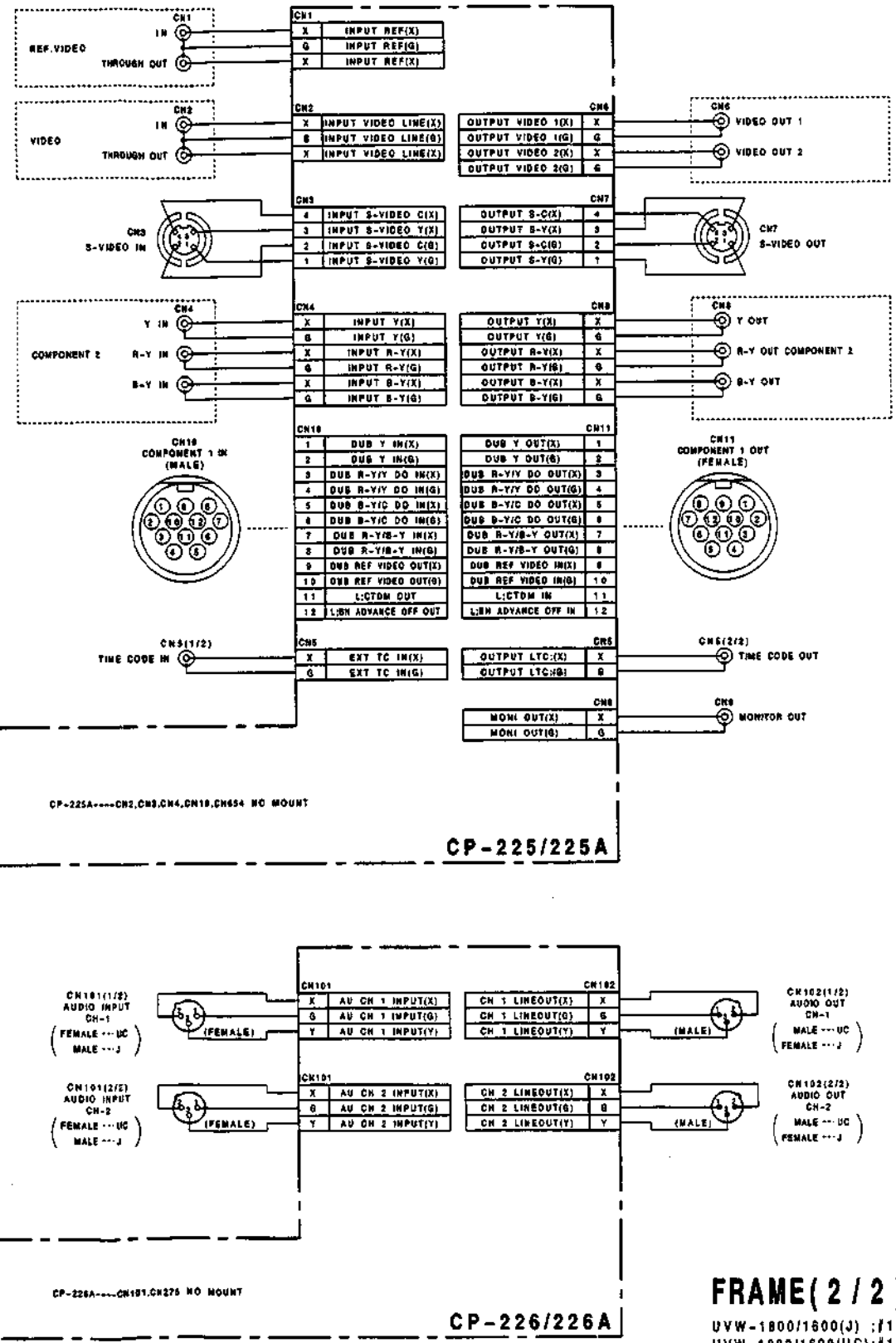
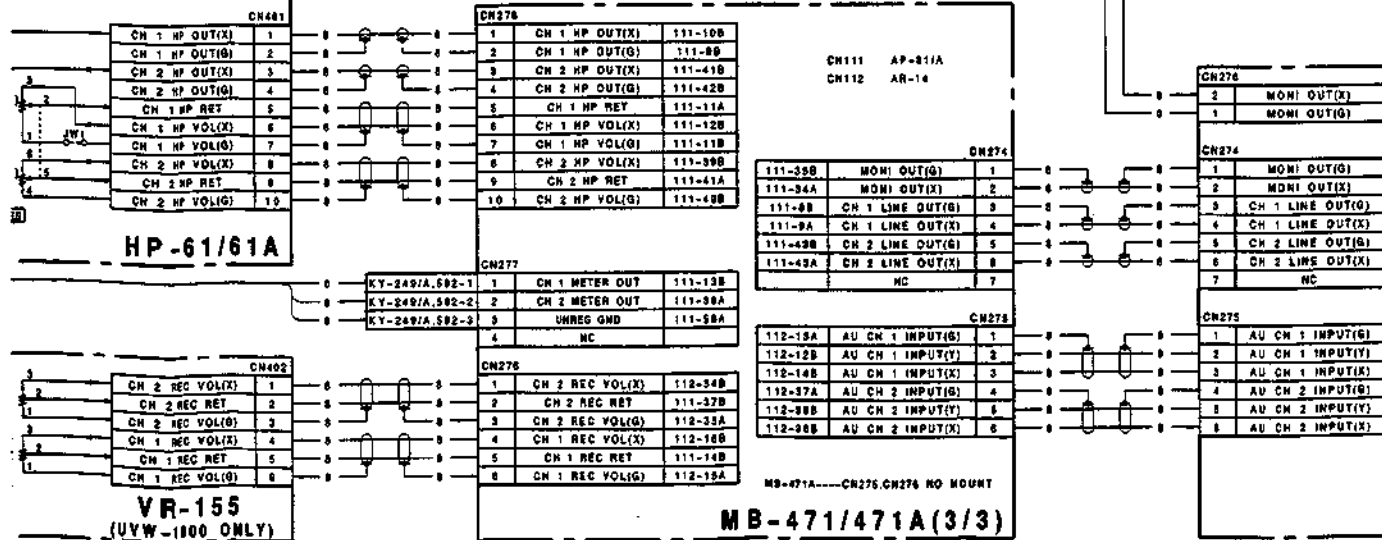
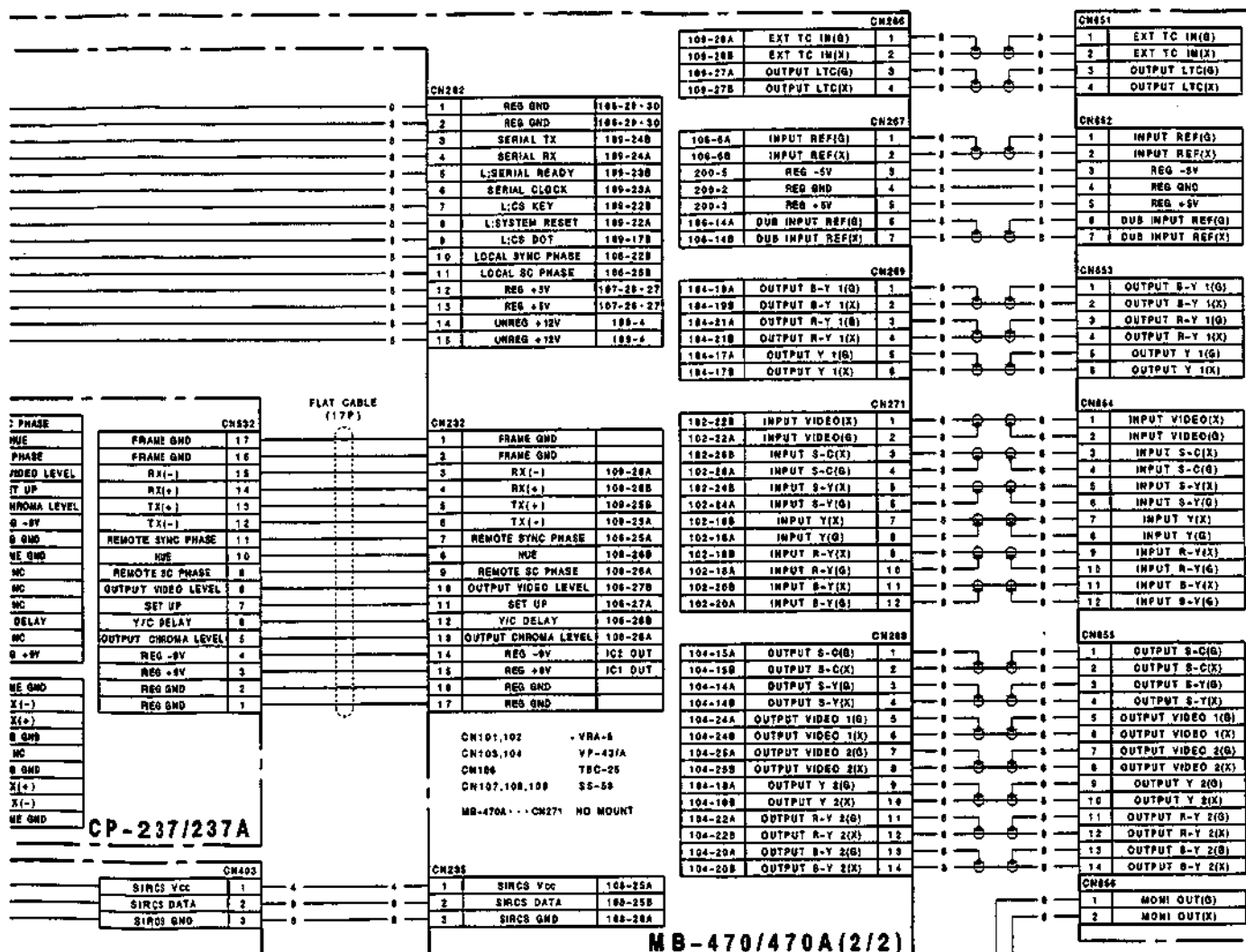


SW REG

FRAME(1/2)

UVW-1800/1600(J):#10001-  
UVW-1800/1600(UC):#10001-





## SECTION 17

### SEMICONDUCTOR PIN ASSIGNMENTS

この章の図の中には互換性のないダイオード、トランジスタ、ICが併記されていることがあります。部品を交換するときには必ず部品表を参照してください。

等価回路はICメーカーのData Bookに従いました。

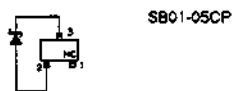
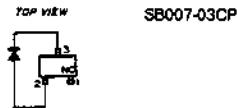
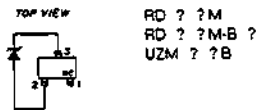
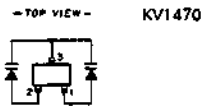
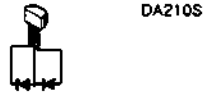
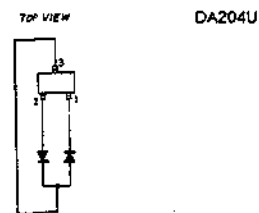
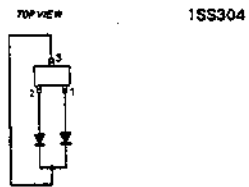
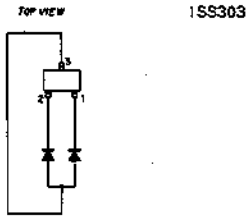
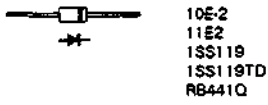
The chart in this section may sometimes show diodes, transistors, and ICs that are not interchangeable. When replacing a component, be sure to refer to the parts list. The circuit diagram of each IC is obtained from the IC data book published by the manufacturer.

DIODE	PAGE	TRANSISTOR	PAGE	IC	PAGE	IC	PAGE
10E-2	17-3	2SC2458	17-4	74F00SJ	17-6	M51958A	17-22
11E2	17-3	2SC2655	17-4			M54523P	17-22
		2SC2715	17-4	AM27C020-150DC	17-6	M54532P	17-22
1SS119	17-3	2SC2715Y	17-4	AN77L05	17-6		
1SS119TD	17-3	2SC2785	17-4			MB4002PF	17-22
1SS303	17-3	2SC3012	17-4	BX3914	17-6	MB40568	17-23
1SS304	17-3	2SC3332	17-4			MB88201	17-22
1SV160	17-3	2SC3399	17-4	CX20188	17-7	MB88342PF	17-23
1T33C	17-3	2SC3735	17-4	CX22017	17-6		
		2SC4176-B35	17-4			MC14051BF	17-23
DA204U	17-3	2SC4177-L6	17-4	CXA1370Q	17-8	MC14052BF	17-23
DA210S	17-3	2SC4178-F13	17-4	CXA1450M	17-7	MC14053BCP	17-23
		2SC4213A	17-4	CXA1451M	17-7	MC14053BF	17-23
				CXA1479Q	17-8	MC14066BF	17-24
KV1470	17-3			CXA1521M	17-7	MC14069UBF	17-24
		2SD1020	17-4			MC14576BF	17-24
RB441Q	17-3	2SD1021	17-4	CXD1095Q	17-9	MC34051M	17-24
RD??M	17-3	2SD2136	17-4	CXD1151Q	17-10	MC68HC05C8	17-24
RD??M-B?	17-3	2SD596-DV5	17-4	CXD1171M	17-9	MC74HC173F	17-25
		2SD773	17-4	CXD1175AM	17-11	MC74HC4002F	17-25
SB007-03CP	17-3	2SD788	17-4	CXD1216M	17-11	MC74HC4024N	17-25
SB01-05CP	17-3			CXD2202Q	17-12	MC74HC4538AN	17-26
		2SJ106	17-4	CXD2207Q	17-13		
UZM??B	17-3	2SJ226	17-5	CXD8161AQ	17-16	MS6264CLL-10FC	17-25
				CXD8165Q	17-15		
<b>LED</b>		2SK209	17-5	CXD8176AQ	17-14	NJM2068DD	17-26
		2SK852-X2	17-5	CXD8243AM	17-14	NJM2903D	17-19
GL480	17-3	2SK94-X4	17-5	CXD8310M	17-10	NJM360M	17-26
				CXD8313Q	17-18	NJM4556M-A	17-26
<b>MISCELLANEOUS</b>		DTA123JU	17-5			NJM4558D-D	17-26
		DTA144EU	17-5	CXK48324Q	17-16	NJM4558D-FA	17-26
DM-230	17-3					NJM4558M	17-26
GP1A30R	17-3	DTC144ES	17-4	HD6435348RA00F	17-20	NJM78L09A	17-26
		DTC144EU	17-5			NJM78M09FA	17-26
				L78M09T-FA	17-19	NJM79L05A	17-26
<b>TRANSISTOR</b>		FMS2	17-5			NJM79L09A	17-26
		FMW2	17-5	LA7205	17-19	NJM79M09FA	17-27
2SA1020	17-3	FMW7	17-5			PQ05SZ51	17-19
2SA1115	17-3	FMW8	17-5	LB1620	17-20	PQ30RV1	17-27
2SA1141	17-3	FMY3	17-5				
2SA1150	17-3			LM1881M	17-19	SC14S66FEL	17-27
2SA1175	17-3	IMX1	17-5	LM2903P	17-19	SC7S04F	17-27
2SA1232	17-3			LM2903PS	17-19	SC7S32F	17-27
2SA1319	17-3	PT480	17-5	LM311PS	17-19		
2SA1610	17-3			LM358P	17-19	SN74HC00AN	17-27
2SA1611	17-3					SN74HC00ANS	17-27
				M51957BFP	17-22	SN74HC04ANS	17-27
2SB1094	17-4			M51957BL	17-22	SN74HC08AN	17-27
2SB1416	17-4					SN74HC08ANS	17-27
2SB733	17-4					SN74HC10ANS	17-28
2SB733-34	17-4						
2SB810	17-4						
2SB941	17-4						

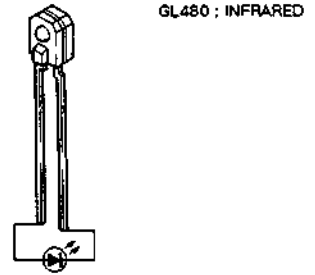
# SEMICONDUCTOR INDEX

IC	PAGE
SN74HC11ANS .....	17-28
SN74HC138ANS .....	17-28
SN74HC157ANS .....	17-28
SN74HC161AN .....	17-28
SN74HC164ANS .....	17-28
SN74HC192NS .....	17-29
SN74HC266ANS .....	17-29
SN74HC27ANS .....	17-29
SN74HC32ANS .....	17-29
SN74HC541ANS .....	17-29
SN74HC7266NS .....	17-29
SN74HC74AN .....	17-29
SN74HC74ANS .....	17-29
SN74HC86ANS .....	17-30
SN74HCU04AN .....	17-27
SN74HCU04ANS .....	17-27
SN74LS221NS .....	17-30
SRM2016M10 .....	17-30
TA7267P .....	17-30
TA78L09S .....	17-26
TC5081AP .....	17-31
TC74HC123AF .....	17-31
TC74HC191AF .....	17-31
TC74HC221AF .....	17-30
TC7S04F .....	17-27
TC7S08F .....	17-31
TC7S32F .....	17-27
TL062CPS .....	17-31
TL082CPS .....	17-31
TL084CNS .....	17-31
TL431CLP .....	17-32
UPC324G2 .....	17-32
UPC358C .....	17-19
UPC358G2 .....	17-19
UPC4557C .....	17-32
UPC4570C .....	17-32
UPC4570G2 .....	17-32
UPC4574G2 .....	17-32
UPC78L05T .....	17-32
UPD4053BC .....	17-23
UPD42101C-3 .....	17-32
UPD42101G-3 .....	17-32
UPD6453GT .....	17-33
UPD70320GJ-8	
-5BG .....	17-36
UPD75028GC .....	17-34
UPD75048CW .....	17-35

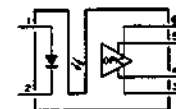
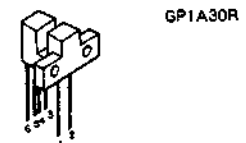
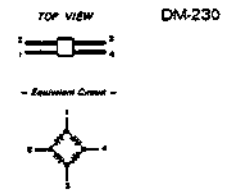
**DIODE**



**LED**



**MISCELLANEOUS**



# TRANSISTOR

## TRANSISTOR



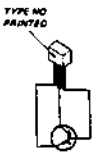
2SA1020



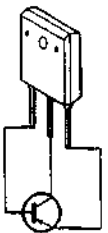
2SA1115  
2SA1150



2SA1141



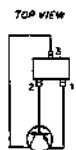
2SA1175  
2SB610



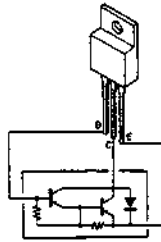
2SA1232



2SA1319



2SA1610  
2SA1611



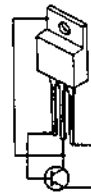
2SB1094



2SB1416



2SB733  
2SB733-34



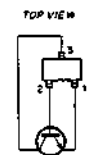
2SB941



2SC2458



2SC2655  
2SD78B



2SC2715  
2SC2715Y  
2SC3735  
2SC4176-B35  
2SC4177-L6  
2SC4178-F13  
2SC4213A  
2SD596-DV5



2SC2785  
2SD1020  
2SD1021



2SC3012



2SC3332



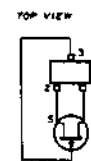
2SC3399 (R1 = 47K, R2 = 47K)  
DTC144ES (R1 = 47K, R2 = 47K)



2SD2136



2SD773



2SJ106





2SJ226

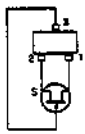
TOP VIEW



FMW7



TOP VIEW

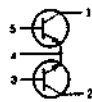


2SK209  
2SK852-X2  
2SK94-X4

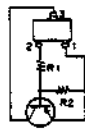
TOP VIEW



FMW8



TOP VIEW

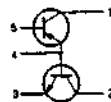


DTA123JU (R1 = 2.2K, R2 = 47K)  
DTA144EU (R1 = 47K, R2 = 47K)

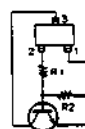
TOP VIEW



FMY3



TOP VIEW

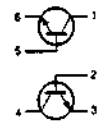


DTC144EU (R1 = 47K, R2 = 47K)

- TOP VIEW -



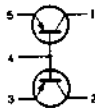
IMX1



TOP VIEW



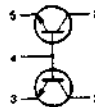
FMS2



TOP VIEW



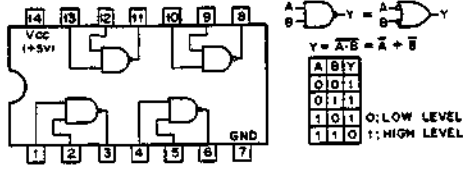
FMW2



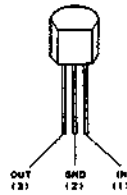
PT480



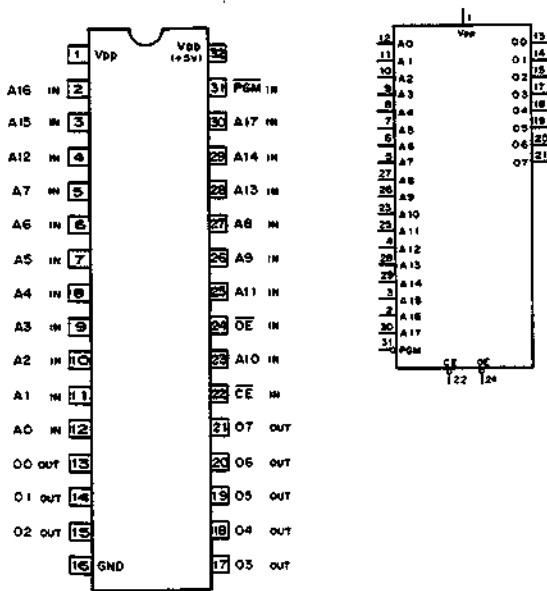
74F00SJ (NS) FLAT PACKAGE  
TTL 2-INPUT POSITIVE-NAND GATE  
- TOP VIEW -



AN77L05 (PANASONIC) + 5V  
POSITIVE VOLTAGE REGULATOR  
- FRONT VIEW -

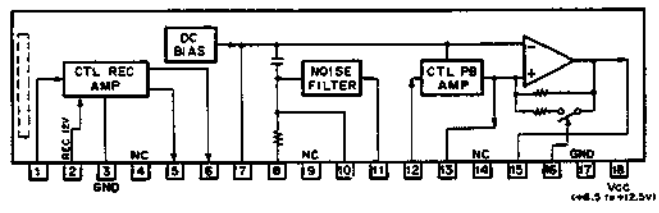


AM27C020-150DC (AMD)  
CMOS 2M (262,144x8)-BIT UV ERASABLE PROM  
- TOP VIEW -

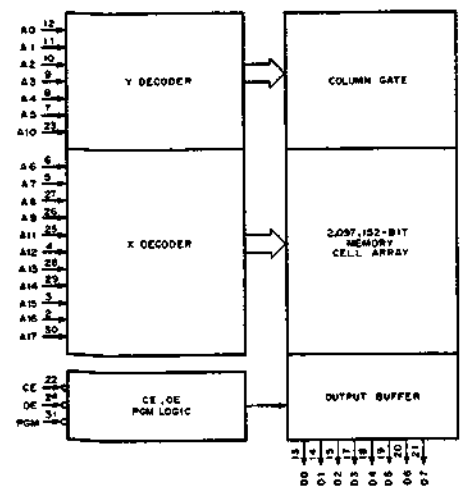
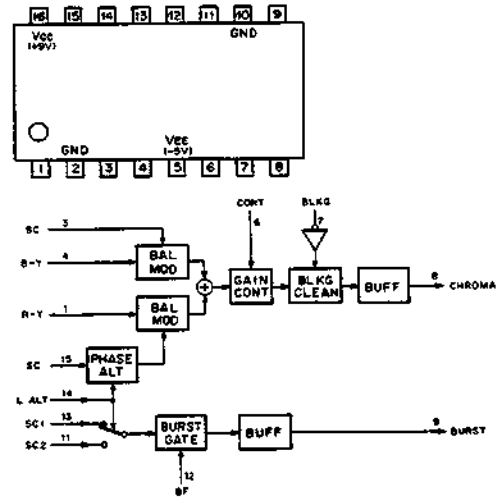


A0 - A17 : ADDRESS INPUT  
O0 - O7 : DATA OUTPUT  
CE : CHIP ENABLE  
OE : OUTPUT ENABLE  
PGM : PROGRAM INPUT

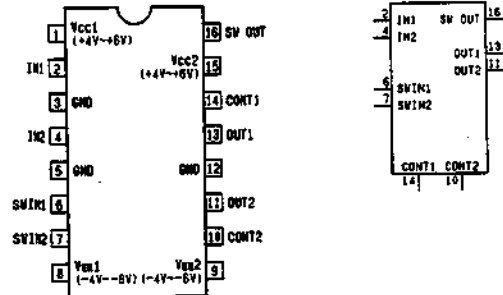
BX3914 (SONY)  
CTL REC/PB AMPLIFIER  
- PRINTED SIDE -



CX22017 (SONY)  
VIDEO SIGNAL PROCESSOR  
- TOP VIEW -

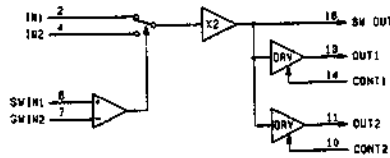


**CXA1451M (SONY)**  
**WIDEBAND VIDEO SWITCH**  
 - TOP VIEW -

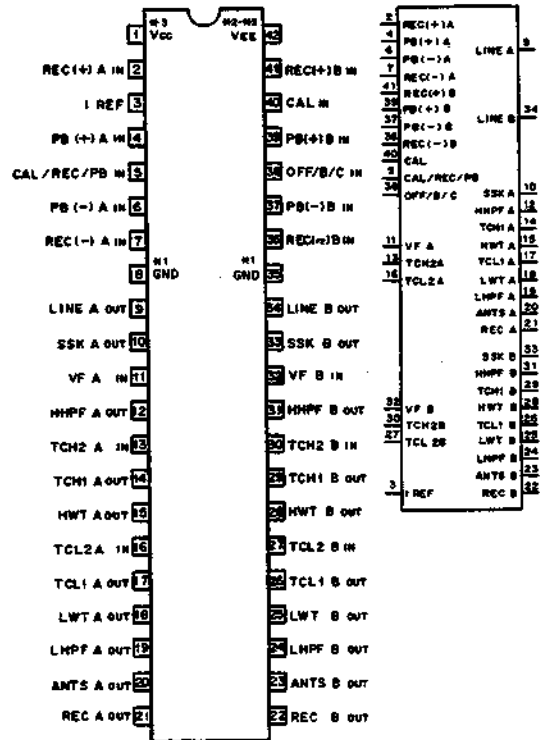


**INPUT**  
 CONT1, 2 : POWER SAVE CONTROL PIN OF DRV.1 AND DRV.2  
 IN1, 2 : 1/2 CHANNEL INPUT PIN  
 SWIN1, 2 : IN1/IN2 PINS SWITCH CONTROL PIN

**OUTPUT**  
 OUT1, 2 : OUTPUT PIN OF DRV.1/2  
 SWOUT : OUTPUTS IN1 PIN OR IN2 PIN WHICH HAS BEEN SELECTED BY SWITCH.

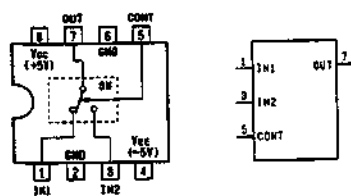


**CX20186 (SONY)**  
**DOLBY B TYPE AND C TYPE, NOISE REDUCTION SYSTEM**  
 - TOP VIEW -



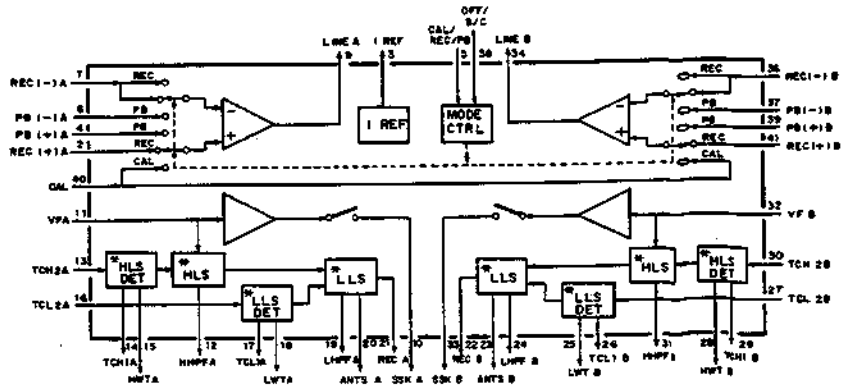
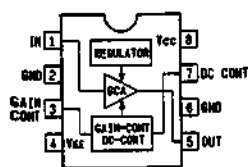
\*1 : ONE POWER → Vcc/2, TWO POWER → GND  
 \*2 : ONE POWER → GND, TWO POWER → VEE  
 \*3 : Vcc - VEE : +6 to +21V

**CXA1450M (SONY) FLAT PACKAGE**  
**VIDEO SIGNAL SWITCH**  
 - TOP VIEW -



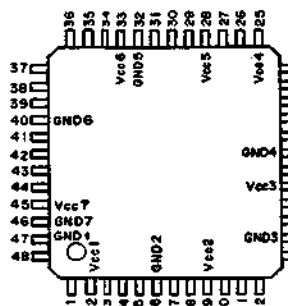
ANTS : ANTI SATURATION  
 CAL : CALIBRATION  
 CAL/REC/PB : CALIBRATION/REC/ PB SELECT  
 HHPF : HLS HIGH PASS FILTER  
 HWT : HLS WAITING  
 I REF : REFERENCE SOURCE CURRENT  
 LHPF : LLS HIGH PASS FILTER  
 LWT : LLS WAITING  
 OFF/B/C : DOLBY NR OFF/B-TYPE/C-TYPE SELECT  
 SSK : SPECTRAL SKEWING SWITCH  
 TCH : HLS DETECTOR TIME CONSTANT  
 TCL : LLS DETECTOR TIME CONSTANT  
 VF : ENCODE INPUT  
 \*HLS : HIGH LEVEL STAGE  
 \*LLS : LOW LEVEL STAGE

**CXA1521M (SONY)**  
**GAIN CONTROL AMP**  
 - TOP VIEW -



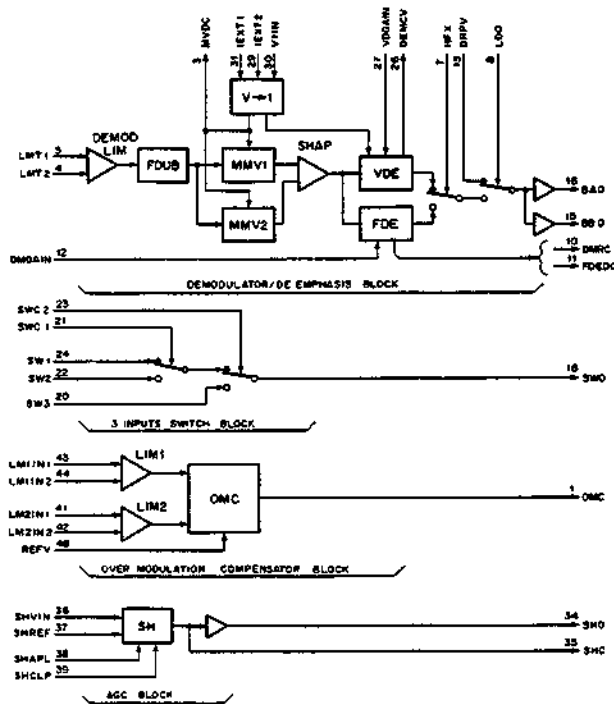
CXA1370Q (SONY)

DEMODULATOR/OVER MODULATION COMPENSATOR  
- TOP VIEW -



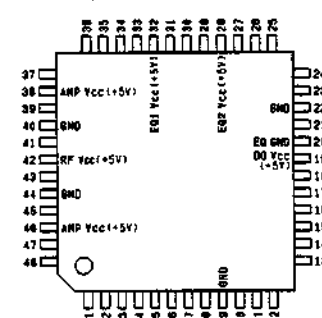
(Vcc = +5V)											
PIN No.	I/O	SIGNAL	PIN No.	I/O	SIGNAL	PIN No.	I/O	SIGNAL	PIN No.	I/O	SIGNAL
1	O	QMC	13	I	DRPV	25	-	Vcc4	37	I	SHREF
2	-	Vcc1	14	-	GND3	26	O	DEMCV	38	I	SHCLP
3	O	MVDC	15	O	BBO	27	I	VDBGAIN	39	I	SHCLP
4	I	LMT2	16	O	BAO	28	-	Vcc5	40	-	GND6
5	I	LMT1	17	-	Vcc3	29	I	IEXT2	41	I	LM2IN1
6	-	GND2	18	O	SWO	30	I	VIN	42	I	LM2IN2
7	I	HFX	19	-	GND4	31	I	IEXT1	43	I	LM1IN1
8	I	LDO	20	I	SW3	32	-	GND5	44	I	LM1IN2
9	-	Vcc2	21	I	SWC1	33	-	Vcc6	45	-	Vcc7
10	O	DMRC	22	I	SW2	34	O	SHO	46	-	GND7
11	O	FDRC	23	I	SWC2	35	O	SHC	47	-	GND1
12	I	DMGAIN	24	I	SW1	36	I	SHVIN	48	I	REFV

Vcc1, GND1: FOR OVER MODULATION COMPENSATOR  
Vcc2, GND2: FOR DEMODULATOR  
Vcc3, GND3: FOR BUFFER  
Vcc4, GND4: FOR 3 INPUT SWITCH  
Vcc5, GND5: FOR DEMODULATOR  
Vcc6, GND6: FOR SAMPLE HOLD  
Vcc7, GND7: FOR LIMITER



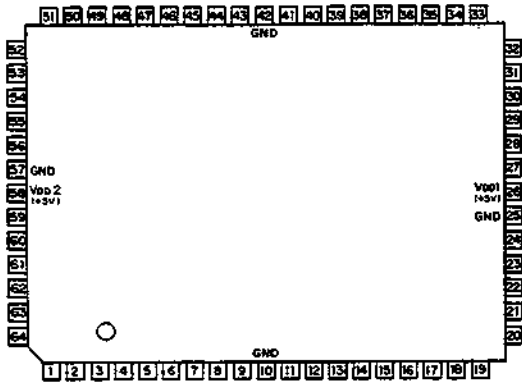
INPUT		OUTPUT	
DMGAIN	: FOR RESISTOR	BAO, BBO	: DEMODULATOR
DRPV	: VIDEO SIGNAL	DEMCV	: VARIABLE DEEMPHASIS CONSTANT
HFX	: SWITCH CONTROL	DMRC	: FIXED DEEMPHASIS CONSTANT
IEXT1, 2	: FOR RESISTOR	FDRC	: FIXED DEEMPHASIS DECOUPLING
LM1, 2	: OVER MODULATION COMPENSATE LIMITER	MVDC	: MONOMULTI DECOUPLING
LMT1, 2	: DEMODULATE LIMITER	QMC	: OVER MODULATION COMPENSATOR
LDO	: SWITCH CONTROL	SHC	: SAMPLE HOLD CAPACITY
REFV	: REFERENCE VOLTAGE	SHO	: SAMPLE HOLD
SHAPL	: FOR RESISTOR	SWO	: 3 INPUT SWITCH
SHCLP	: SAMPLE HOLD PULSE		
SHREF	: SAMPLE HOLD REFERENCE VOLTAGE		
SHVIN	: SAMPLE HOLD DEMODULATE VOLTAGE		
SW1 - 3	: 3 INPUT SWITCH		
SWC1, 2	: 3 INPUT SWITCH CONTROL		
VDBGAIN	: GAIN CONTROL VOLTAGE		
VIN	: V-1 CONTROL VOLTAGE		

CXA1479Q (SONY)  
PB RF SIGNAL PROCESSOR FOR VTR  
- TOP VIEW -

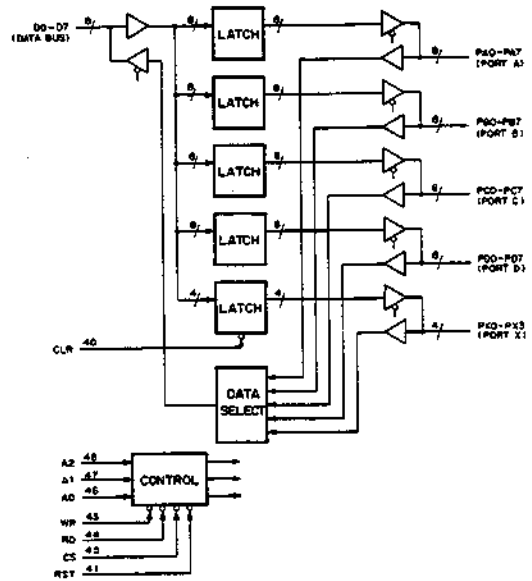


PIN NO.	I/O	SIGNAL	PIN NO.	I/O	SIGNAL	PIN NO.	I/O	SIGNAL	PIN NO.	I/O	SIGNAL
1	I	CHSW CONT	13	I	OFF SET1	25	I	EQ2(A)IN	37	O	AB RF OUT
2	I	OFF SET2	14	I	IN A	26	I	EQ2(MAIN)CNT	38	-	AMP Vcc
3	O	AOR OUT	15	I	EOSEL	27	I	EQ2(B)IN	39	I	RF(A)IN
4	I	ENV(B)	16	I	IN B	28	-	EQ2 Vcc	40	-	GND
5	I	ENV(A)	17	-	DCPL1	29	O	EQ1 OUT	41	I	RF(B)IN
6	O	TH OUT	18	O	DO EO	30	I	EQ1 CONT	42	-	RF Vcc
7	I	TH CONT	19	-	DO Vcc	31	I	EQ1(B)IN	43	I	RF(C)IN
8	O	DO OUT	20	-	EO GND	32	-	EQ1 Vcc	44	-	GND
9	O	REF	21	O	EQ2(MAIN)OUT	33	I	EQ1(A)IN	45	I	RF(D)IN
10	I	ENV IN	22	-	GND	34	I	GAIN CNT	46	-	AMP Vcc
11	O	DET OUT2	23	O	EQ2(SUB)OUT	35	O	SWD RF	47	O	CD RF OUT
12	O	DET OUT1	24	I	EQ2(SUB)CNT	36	I	RF LEVEL	48	I	MODE CONT

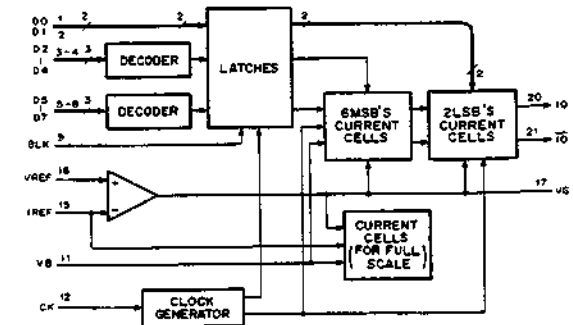
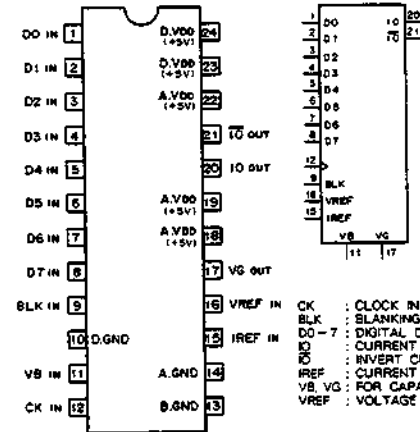
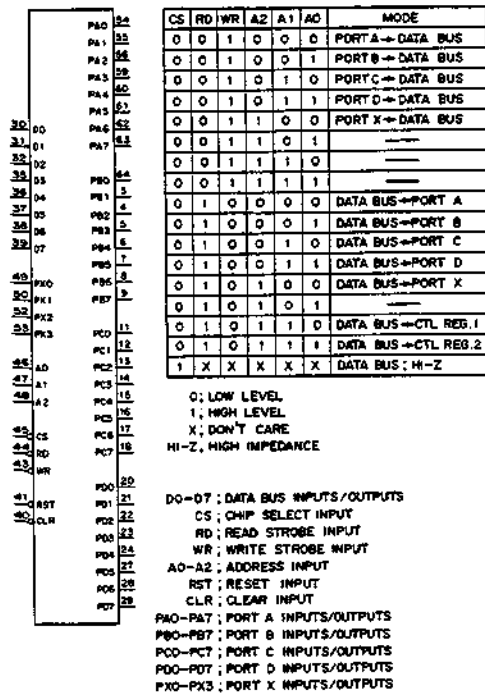
CXD1095Q (SONY) FLAT PACKAGE  
 CMOS 1/0 PORT EXPANDER  
 - TOP VIEW -



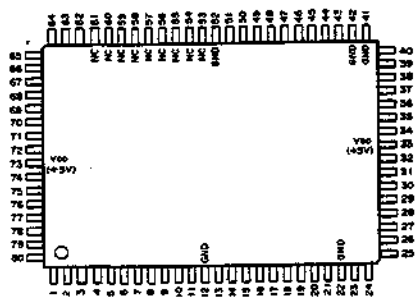
PIN NO.	IN	OUT	SYMBOL	PIN NO.	IN	OUT	SYMBOL	PIN NO.	IN	OUT	SYMBOL	PIN NO.	IN	OUT	SYMBOL
1			NC	17	O	O	PC6	33			NC	49	O	O	PX0
2			NC	18	O	O	PC7	34			NC	50	O	O	PX1
3	O	O	PB1	19			NC	35	O	O	D3	51			NC
4	O	O	PB2	20	O	O	PB0	36	O	O	D4	52	O	O	PX2
5	O	O	PB3	21	O	O	PD1	37	O	O	D5	53	O	O	PX3
6	O	O	PB4	22	O	O	PD2	38	O	O	D6	54	O	O	PA0
7	O	O	PB5	23	O	O	PD3	39	O	O	D7	55	O	O	PA1
8	O	O	PB6	24	O	O	PD4	40	O	O	CLR	56	O	O	PA2
9	O	O	PB7	25			GND	41			RST	57			GND
10			GND	26	O		VDD(+5V)	42			GND	58	O		VDD(+5V)
11	O	O	PC0	27	O	O	POS	43	O	O	WR	59	O	O	PA3
12	O	O	PC1	28	O	O	PO6	44	O	O	RD	60	O	O	PA4
13	O	O	PC2	29	O	O	PD7	45	O	O	CS	61	O	O	PA5
14	O	O	PC3	30	O	O	PO	46	O	O	AO	62	O	O	PA6
15	O	O	PC4	31	O	O	PO1	47	O	O	A1	63	O	O	PA7
16	O	O	PC5	32	O	O	PO2	48	O	O	A2	64	O	O	PB0



CXD1171M (SONY) FLAT PACKAGE  
 CMOS 8-BIT D/A CONVERTER  
 - TOP VIEW -

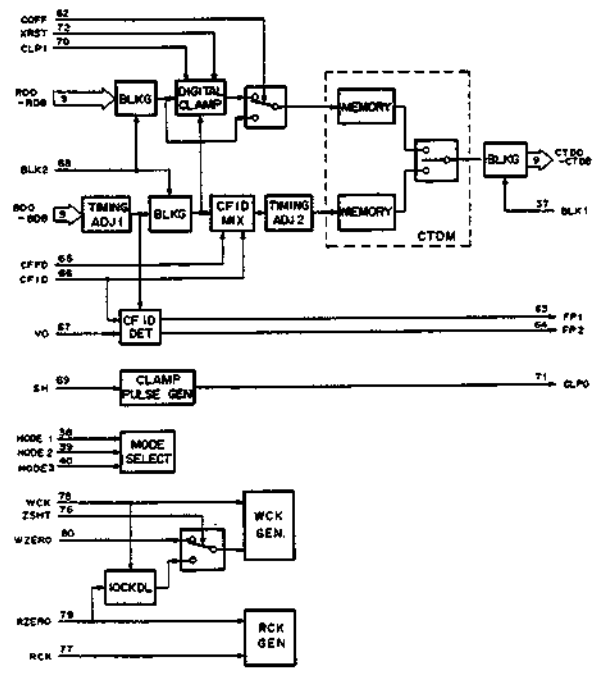


CXD1151Q (SONY)  
CMOS VIDEO SIGNAL PROCESSOR FOR BETACAM  
- TOP VIEW -



PIN ASSIGNMENT

Pin No.	I/O	SIGNAL	Pin No.	I/O	SIGNAL	Pin No.	I/O	SIGNAL	Pin No.	I/O	SIGNAL
1	I	RD0	21	I	BDB	41	-	NC	61	-	NC
2	I	RD1	22	-	Vss (GND)	42	-	Vss (GND)	62	I	COFF
3	I	RD2	23	O	TM0	43	O	CTD0	63	I	FP1
4	I	RD3	24	O	TM1	44	O	CTD1	64	I	FP2
5	I	RD4	25	O	TM2	45	O	CTD2	65	I	CFID
6	I	RD5	26	O	TM3	46	O	CTD3	66	I	CFID
7	I	RD6	27	O	TM4	47	O	CTD4	67	I	VO
8	I	RD7	28	O	TM5	48	O	CTD5	68	I	BLK2
9	I	RD8	29	O	TM6	49	O	CTD6	69	I	SH
10	I	TSL2	30	O	TM7	50	O	CTD7	70	I	CLP1
11	I	TSL3	31	O	TM8	51	O	CTD8	71	O	CLP0
12	-	Vss (GND)	32	O	TM9	52	-	Vss (GND)	72	I	XRST
13	I	BD0	33	I	VDD (+5V)	53	-	NC	73	I	TST1
14	I	BD1	34	I	TM00	54	-	NC	74	I	TST2
15	I	BD2	35	I	TMEN	55	-	NC	75	I	ZSH7
16	I	BD3	36	I	TSL1	56	-	NC	76	I	RCK
17	I	BD4	37	I	BLK1	57	-	NC	77	I	RCK
18	I	BD5	38	I	MODE1	58	-	NC	78	I	WCK
19	I	BD6	39	I	MODE2	59	-	NC	79	I	RZERO
20	I	BD7	40	I	MODE3	60	-	NC	80	I	WZERO

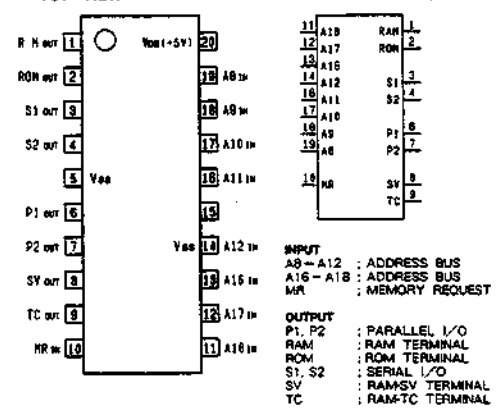


- 1 RD0 : R-Y DATA INPUTS
- 2 RD1 : B-DATA INPUTS
- 3 RD2 : COFF : DIGITAL CLAMP CIRCUIT CONTROL INPUT
- 4 RD3 : XRST : DIGITAL CLAMP CIRCUIT RESET PULSE INPUT
- 5 RD4 : CLP1 : CLAMP PULSE INPUT FOR DIGITAL CLAMP
- 6 RD5 : CFID : FIELD SIGNAL INPUT FOR COLOR FRAMING ID MIX
- 7 RD6 : CFID : PULSE INPUT FOR COLOR FRAMING ID MIX
- 8 RD7 : VO : COLOR FRAMING DETECT CIRCUIT RESET PULSE INPUT
- 9 RD8 : SH : TRIGGER INPUT FOR CLP0 OUTPUT
- 10 RD9 : BLK1, BLK2 : BLKG PULSE INPUTS
- 11 TSL1 : MEMORY SELECT INPUT IN TEST MODE
- 12 TSL2, TSL3 : TEST INPUTS
- 13 TM0 : TEST MODE CONTROL INPUT
- 14 TM1 : MEMORY ADD CONTROL INPUT IN TEST MODE
- 15 TM2 : DIGITAL CLAMP CIRCUIT TEST CONTROL INPUTS
- 16 TM3, TST1, TST2 : WCK : WRITE CLOCK INPUT
- 17 TM4 : RCK : READ CLOCK INPUT
- 18 TM5 : WZERO : WRITE ZERO INPUT
- 19 TM6 : RZERO : READ ZERO INPUT
- 20 TM7 : ZSH7 : INTERNAL/EXTERNAL WZERO SELECT INPUT
- 21 TM8 : CTD0-CTD8 : CTDm DATA OUTPUTS
- 22 TM9 : FP1, FP2 : COLOR FRAMING DETECT PULSE OUTPUTS
- 23 COFF : CLAMP PULSE OUTPUT
- 24 XRST : TM0-TM9 : DIGITAL CLAMP CIRCUIT TEST SIGNAL OUTPUTS
- 25 CLP1 : TM0
- 26 CFID : TM9
- 27 VO
- 28 SH
- 29 BLK1
- 30 BLK2
- 31 MODE1
- 32 MODE2
- 33 MODE3
- 34 TSL1
- 35 TSL2
- 36 TSL3
- 37 TM00
- 38 TMEN
- 39 TST1
- 40 TST2
- 41 WCK
- 42 RCK
- 43 WZERO
- 44 RZERO
- 45 ZSH7

MODE1	MODE2	MODE3
1	1	1
0	0	0
1	0	1
0	1	0
1	0	1
0	1	0

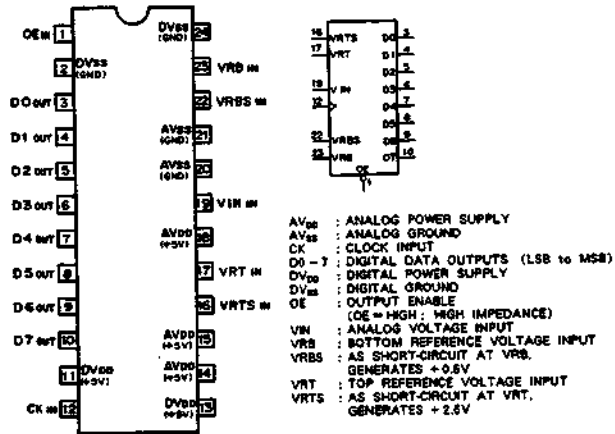
0: LOW LEVEL 1: HIGH LEVEL

CXD8310M (SONY)  
CMOS GATE ARRAY  
- TOP VIEW -



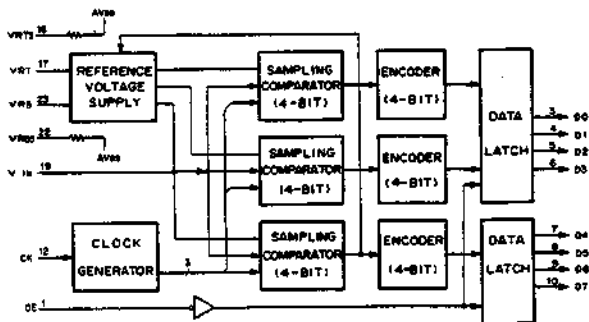
- INPUT
- A8 - A12 : ADDRESS BUS
- A16 - A18 : ADDRESS BUS
- MR : MEMORY REQUEST
- OUTPUT
- P1, P2 : PARALLEL I/O
- RAM : RAM TERMINAL
- ROM : ROM TERMINAL
- S1, S2 : SERIAL I/O
- SV : RAMSV TERMINAL
- TC : RAM-TC TERMINAL

**CXD1175AM (SONY) FLAT PACKAGE**  
**C-MOS 8-BIT 20MSPS VIDEO A/D CONVERTER**  
**- TOP VIEW -**

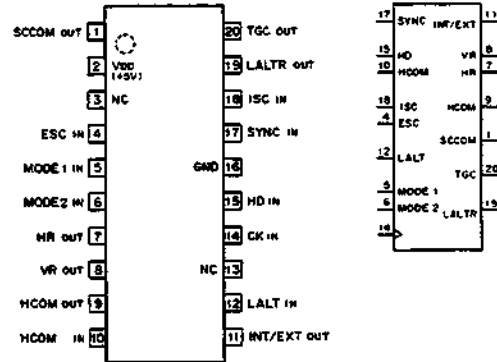


STEP	INPUT SIGNAL VOLTAGE	DATA OUTPUTS							
		D7	D6	D5	D4	D3	D2	D1	D0
0	0V (VRT)	1	1	1	1	1	1	1	1
1	0.01V	1	1	1	1	1	1	1	0
127	1.34V	1	0	0	0	0	0	0	0
128	1.35V	0	1	1	1	1	1	1	1
255	2.7V (VRB)	0	0	0	0	0	0	0	0

0 : LOW LEVEL  
 1 : HIGH LEVEL

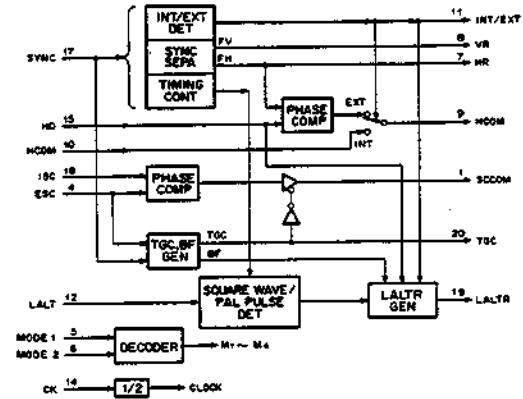


**CXD1216M (SONY) FLAT PACKAGE**  
**C-MOS GENLOCK DRIVER**  
**- TOP VIEW -**



INPUT MODE1	MODE2	MODE	SYSTEM
0	0	M1	PAL-VBS
1	0	M2	PALM-VBS
0	1	M3	PALSECAM-VS/SCLALT
1	1	M4	MTSC-VBS/NTSC-VS/SC PALM-VS/SCLALT

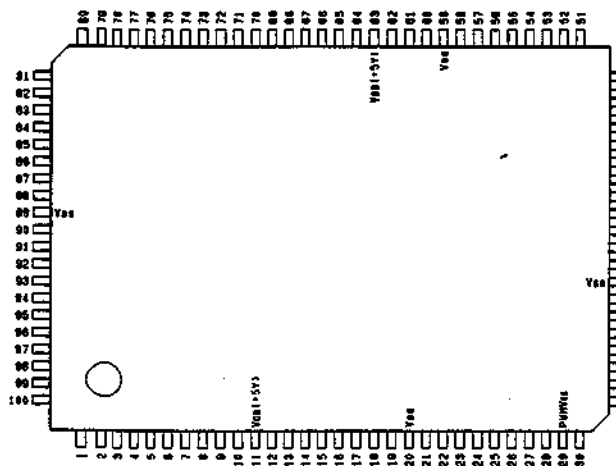
0 : LOW LEVEL  
 1 : HIGH LEVEL



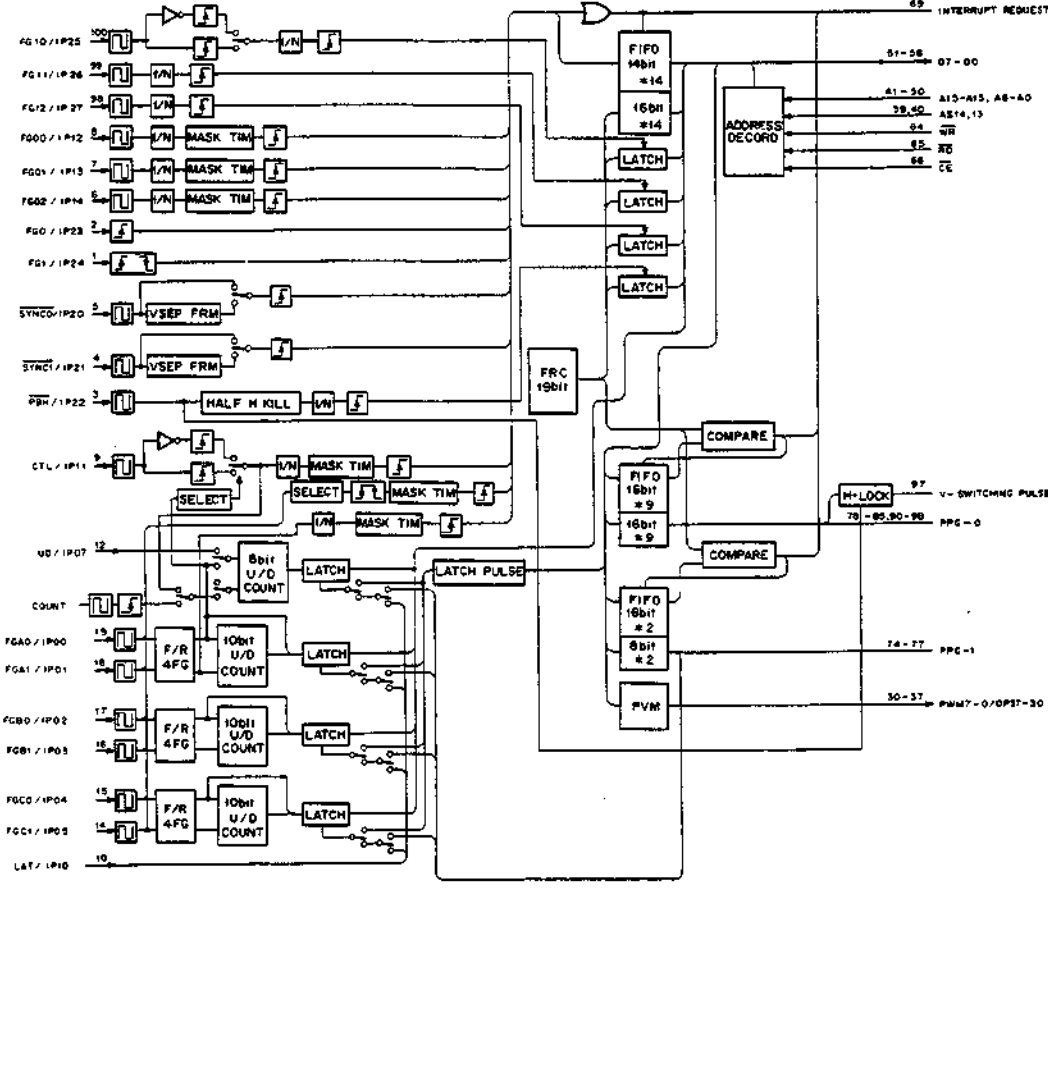
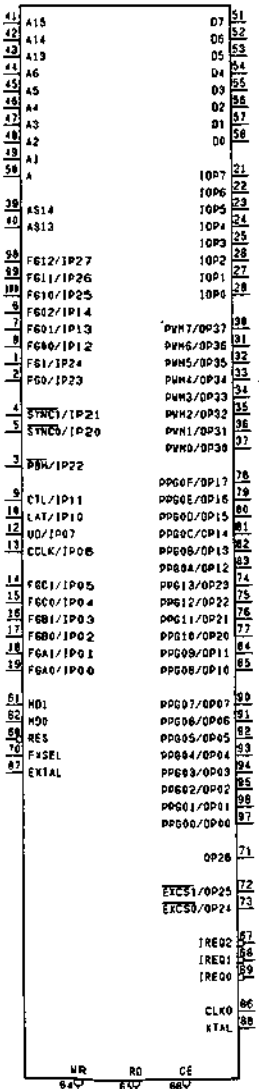
**INPUT**  
 CK : 455C CLOCK INPUT  
 ESC : SC/COLOR BURST  
 HCOM : PHASE COMPARE FROM CXD1217  
 HD : H DRIVE FROM CXD1217  
 ISC : SUBCARRIER FROM CXD1217  
 LALT : LALT FROM REFERENCE SIGNAL GENERATOR  
 MODE1,2 : SYSTEM SELECT  
 SYNC : SYNC FROM REFERENCE SIGNAL GENERATOR

**OUTPUT**  
 HCOM : PHASE COMPARE HR WITH HD  
 HR : FH OF SYNC SEPARATE  
 INT/EXT : INTERNAL/EXTERNAL SPECIFIED  
 LALTR : LINE CHANGE RESET  
 SCCOM : PHASE COMPARETOR ESC WITH ISC  
 TGC : TRISTATE CONTROL  
 VR : TV OF SYNC SEPARATE

CXD2202Q (SONY)  
SERVO IC  
- TOP VIEW -



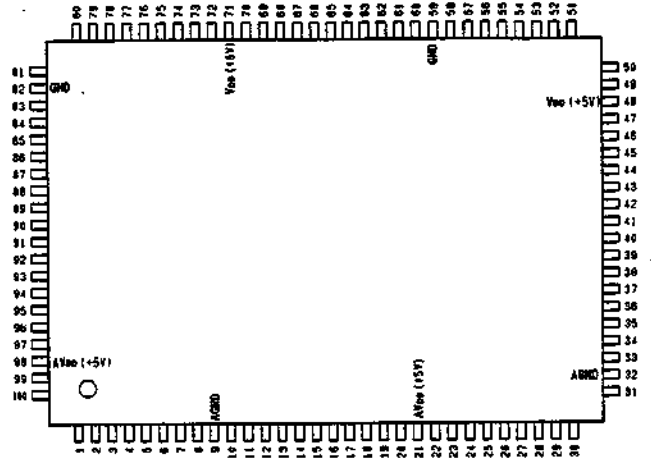
PIN No.	I/O	SIGNAL	PIN No.	I/O	SIGNAL	PIN No.	I/O	SIGNAL	PIN No.	I/O	SIGNAL
1	I	FG1/IP24	26	I/O	IOP2	51	I/O	O7	76	O	PPG11/OP21
2	I	FG0/IP23	27	I/O	IOP1	52	I/O	D6	77	O	PPG10/OP20
3	I	FBH/IP22	28	I/O	IOP0	53	I/O	D5	78	O	PPG0F/OP17
4	I	STNCT/IP21	29	-	PWM VDD	54	I/O	D4	79	O	PPG0E/OP16
5	I	STNCS/IP20	30	O	PWM7/OP37	55	I/O	D3	80	O	PPG0D/OP15
6	I	FG02/IP14	31	O	PWM6/OP36	56	I/O	D2	81	O	PPG0C/OP14
7	I	FG01/IP13	32	O	PWM5/OP35	57	I/O	D1	82	O	PPG0B/OP13
8	I	FG00/IP12	33	O	PWM4/OP34	58	I/O	D0	83	O	PPG0A/OP12
9	I	CTL/IP11	34	O	PWM3/OP33	59	-	VSS	84	O	PPG00/OP11
10	I	LAT/IP10	35	O	PWM2/OP32	60	I	RES	85	O	PPG00/OP10
11	-	VDD	36	O	PWM1/OP31	61	I	MD1	86	O	CLKO
12	I	UD/IP07	37	O	PWM0/OP30	62	I	MD0	87	I	EXTAL
13	I	CLK/OP06	38	-	VSS	63	-	VDD	88	O	XTAL
14	I	FGCT/OP05	39	I	AS14	64	I	WR	89	-	VSS
15	I	FGCO/OP04	40	I	AS13	65	I	RD	90	O	PPG07/OP07
16	I	FGI1/IP03	41	I	A15	66	I	CE	91	O	PPG06/OP06
17	I	FGI0/IP02	42	I	A14	67	O	IREQ2	92	O	PPG05/OP05
18	I	FGA1/IP01	43	I	A13	68	O	IREQ1	93	O	PPG04/OP04
19	I	FGA0/IP00	44	I	A8	69	O	IREQ0	94	O	PPG03/OP03
20	-	VSS	45	I	A5	70	I	FXSEL	95	O	PPG02/OP02
21	I/O	IOP7	46	I	A4	71	O	OP26	96	O	PPG01/OP01
22	I/O	IOP6	47	I	A3	72	O	EXCS1/OP25	97	O	PPG00/OP00
23	I/O	IOP5	48	I	A2	73	O	EXCS0/OP24	98	I	FG12/IP27
24	I/O	IOP4	49	I	A1	74	O	PPG13/OP23	99	I	FG11/IP26
25	I/O	IOP3	50	I	A0	75	O	PPG12/OP22	100	I	FG10/IP25





CXD2207Q (SONY)  
 C-MOS TBC WRITE CLOCK GENERATOR FOR BETACAM  
 - TOP VIEW -

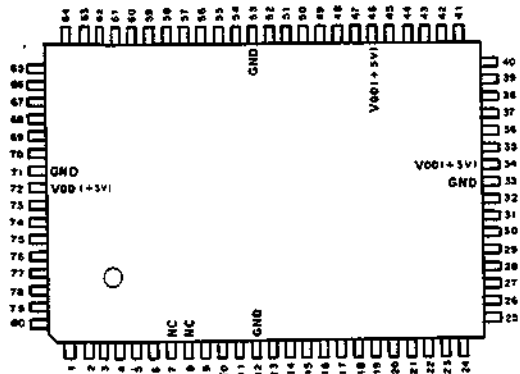
- INPUT**
- A0 - A15 : ADDRESS BUS
  - AS13, AS14 : SELECTING CONDITION OF ADDRESS DECODER AS13 AND AS14 BITS
  - CCLK : 8-BIT COUNTER CLOCK INPUT
  - CE : CHIP ENABLE
  - CTL : RESOLUTION 2.5MHz WITH EDGE SELECT FUNCTION WITH FREQUENCY DIVISION MASK TIMER
  - EXTAL : CRYSTAL OSCILLATION OR EXTERNAL CLOCK INPUT
  - FG0 : RESOLUTION 2.5MHz
  - FG00 - FG02 : FREQUENCY DIVISION ENABLE RESOLUTION 2.5MHz WITH FREQUENCY DIVISION MASK TIMER
  - FG1 : RESOLUTION 2.5MHz BOTH EDGES
  - FG10 : EDGE SELECTION ENABLE RESOLUTION 10MHz
  - FG11, 12 : FREQUENCY DIVISION ENABLE RESOLUTION 10MHz
  - FGA0 : PERFORMS FORWARD/REVERSE ROTATION DETECTION AND 4FG COUNT (UP/DOWN) BY #GA0 AND #GA1. 10 BITS. UP/DOWN IS MADE BY CONTROLLING THE UP/DOWN OF 9-BIT COUNTER.
  - FGA1 : 4FG PERFORMS FREQUENCY DIVISION AND FRC CAPTURE THROUGH MASK TIMER. \*1: SELECTS ONE OF FGA0 TO FGC1 INPUT AND DETECTS BOTH EDGES AND PERFORM THE FRC CAPTURE THROUGH THE MASK TIMER.
  - FGB0 : PERFORMS FORWARD/REVERSE ROTATION DETECTION AND 4FG COUNT BY FGB0 AND FGB1. \*1: SELECTS ONE OF FGA0 TO FGC1 INPUT AND DETECTS BOTH EDGES AND PERFORM THE FRC CAPTURE THROUGH THE MASK TIMER.
  - FGB1 : PERFORMS FORWARD/REVERSE ROTATION DETECTION AND 4FG COUNT BY FGB0 AND FGB1. \*1: SELECTS ONE OF FGA0 TO FGC1 INPUT AND DETECTS BOTH EDGES AND PERFORM THE FRC CAPTURE THROUGH THE MASK TIMER.
  - FGC0 : PERFORMS FORWARD/REVERSE ROTATION DETECTION AND 4FG COUNT BY FGC0 AND FGC1. \*1: SELECTS ONE OF FGA0 TO FGC1 INPUT AND DETECTS BOTH EDGES AND PERFORM THE FRC CAPTURE THROUGH THE MASK TIMER.
  - FGC1 : PERFORMS FORWARD/REVERSE ROTATION DETECTION AND 4FG COUNT BY FGC0 AND FGC1. \*1: SELECTS ONE OF FGA0 TO FGC1 INPUT AND DETECTS BOTH EDGES AND PERFORM THE FRC CAPTURE THROUGH THE MASK TIMER.
  - FXSEL : FREQUENCY DIVISION SELECTION OF CLOCK INPUT
  - LAT : EXTERNAL LATCH TIMING OF UP/DOWN COUNTER
  - MD0, 1 : TEST MODE DESIGNATION
  - PSH : INPUT OF COMPOSITE SYNC OR H SYNC. RESOLUTION 10MHz WITH HALF H KILLER.
  - RD : REDE
  - RES : RESET
  - SYNCD, 1 : INPUT OF COMPOSITE SYNC OR V SYNC. RESOLUTION 2.5MHz
  - UD : 8-BIT COUNTER UP/DOWN INPUT
  - WR : WRITE
- XOUTPUT**
- CLKO : CLOCK OUTPUT
  - EXCS0, 1 : DECODE AT ADDRESS A3 LEVEL
  - IREQ0 : INTERRUPTION SIGNAL OF FRC CAPTURE UNIT
  - IREQ1 : COINCIDENCE INTERRUPTION OF PPG0
  - IREQ2 : COINCIDENCE INTERRUPTION OF PPG1
  - OP2S : EXCLUSIVELY OUTPUT PORT
  - PPG00 - PPG0F : PROGRAMMABLE PULSE GENERATOR
  - PPG10 - PPG13 : PROGRAMMABLE PULSE GENERATOR RESOLUTION 1.25MHz PPG00: WITH HLOCK
  - PWM0 - PWM5 : PWM OUTPUT NORMALLY PWM1, OR PWM0 AND PWM1, PWM2 AND PWM3, OR PWM4 AND PWM5 OUTPUT SIGNAL CORRESPONDED TO PUSH-PULL.
  - PWM6, 7 : PWM OUTPUT
  - XTAL : CRYSTAL OSCILLATION
- INPUT/OUTPUT**
- DO - D7 : DATA BUS
  - IOPO - IOF7 : SELECTS AND USES INPUT AND OUTPUT BY EVERY 1 BIT.



(VDD = AVDD = +5V)

PIN No.	I/O	SIGNAL	PIN No.	I/O	SIGNAL	PIN No.	I/O	SIGNAL	PIN No.	I/O	SIGNAL
1	O	SYNC	26	I	FOPO	51	I	PBE	76	I	SVLK
2	I	BLK	27	I	SHOT	52	I	NOS	77	I	SVO
3	I	VIN4	28	I	BCPI	53	I	SPD	78	I	OFF
4	I	REF3	29	O	BCPO	54	I	R20	79	O	LOCK
5	I	VIN3	30	I	BCPX	55	I	FBID	80	O	CS
6	O	VOT3	31	O	BCPO	56	I	DO	81	I/O	MO0
7	I	AIS	32	-	AGND	57	I	GBD	82	-	GND
8	I	ACPI	33	I	AJ2	58	I	GAT	83	I/O	MO1
9	-	AGND	34	I	DOPI	59	-	GND	84	I/O	MO2
10	I	ACPX	35	I	DOPX	60	I	GH	85	I/O	MO3
11	O	ACPO	36	O	DOPO	61	O	WCP	86	I/O	MO4
12	I	SMPL	37	I	VCCI	62	O	ACP	87	I/O	MO5
13	I	CHIN	38	I	VCEN	63	O	TOUT	88	I/O	MO6
14	I	BCPX	39	I	MD1	64	O	AZ2	89	I/O	MO7
15	I	BCPO	40	I	MD2	65	O	AZ1	90	I	AMD
16	I	SHC1	41	I	INT	66	O	WZ	91	I	VIN2
17	I	SHC2	42	I	YC	67	I	GKN	92	I	REF1
18	I	SH2	43	I	TMOO	68	O	GCK	93	I	REF2
19	O	ER1	44	I	TCK	69	O	ACK	94	I	VIN1
20	O	ER2	45	I	TDAT	70	O	XCK	95	I	AQPI
21	-	AVDD	46	I	BTS	71	-	VDD	96	I	AOPX
22	I	COPI	47	I	REST	72	O	CH	97	O	AOP0
23	I	COFX	48	-	VDD	73	O	SSH	98	-	AVDD
24	O	COPO	49	I	DDF	74	O	DCP	99	I	AII
25	I	FOPX	50	O	SHO	75	I	ERR	100	I	CCPI

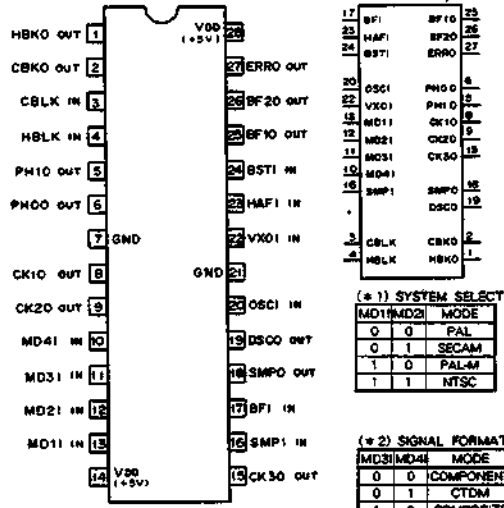
CXD8176A0 (NEC)  
CMOS DUAL PORT RAM CONTROLLER  
- TOP VIEW -



(V<sub>DD</sub> = +5 V)

PIN No.	I/O	SIGNAL	PIN No.	I/O	SIGNAL	PIN No.	I/O	SIGNAL	PIN No.	I/O	SIGNAL
1	I/O	D0L	21	I/O	D7R	41	I/O	D6M	61	I	A10L
2	I	WRL	22	I/O	D6R	42	I/O	D5M	62	I	ASL
3	I	RDL	23	I/O	D5R	43	I/O	D4M	63	I	ASL
4	O	WAITL	24	I/O	D4R	44	I/O	D3M	64	I	ATL
5	I	CSL	25	I/O	D3R	45	I/O	D2M	65	I	ASL
6	I	CKL	26	I/O	D2R	46	-	V <sub>DD</sub>	66	I	ASL
7	-	NC	27	I/O	D1R	47	I/O	D1M	67	I	A4L
8	-	NC	28	I/O	D0R	48	I/O	D0M	68	I	ASL
9	I	A10R	29	I	WRR	49	O	A0M	69	I	A2L
10	I	A9R	30	I	RDR	50	O	A1M	70	I	A1L
11	I	ASR	31	O	WAITR	51	O	A2M	71	-	GND
12	-	GND	32	I	CSR	52	O	A3M	72	-	V <sub>DD</sub>
13	I	A7R	33	-	GND	53	-	GND	73	I	A0L
14	I	A6R	34	-	V <sub>DD</sub>	54	O	A4M	74	I/O	DTL
15	I	ASR	35	I	CKR	55	O	A5M	75	I/O	D5L
16	I	A4R	36	I	CKT	56	O	A6M	76	I/O	D5L
17	I	A3R	37	O	WEM	57	O	A7M	77	I/O	D4L
18	I	A2R	38	O	DEM	58	O	A8M	78	I/O	D3L
19	I	A1R	39	O	CEM	59	O	A9M	79	I/O	D2L
20	I	A0R	40	I/O	D7M	60	O	A10M	80	I/O	D1L

CXD8243AM (SONY) FLAT PACKAGE  
CMOS DIGITAL YC SEPARATOR/DECODER/CTDM CLOCK GENERATOR  
- TOP VIEW -



(# 1) SYSTEM SELECT

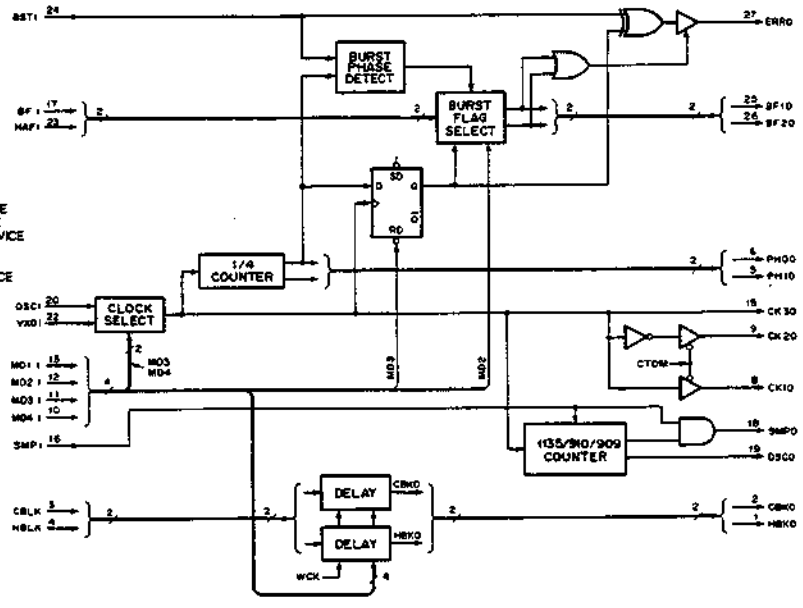
MD1/MD2	MODE
0 0	PAL
0 1	SECAM
1 0	PAL-M
1 1	NTSC

(# 2) SIGNAL FORMAT SELECT

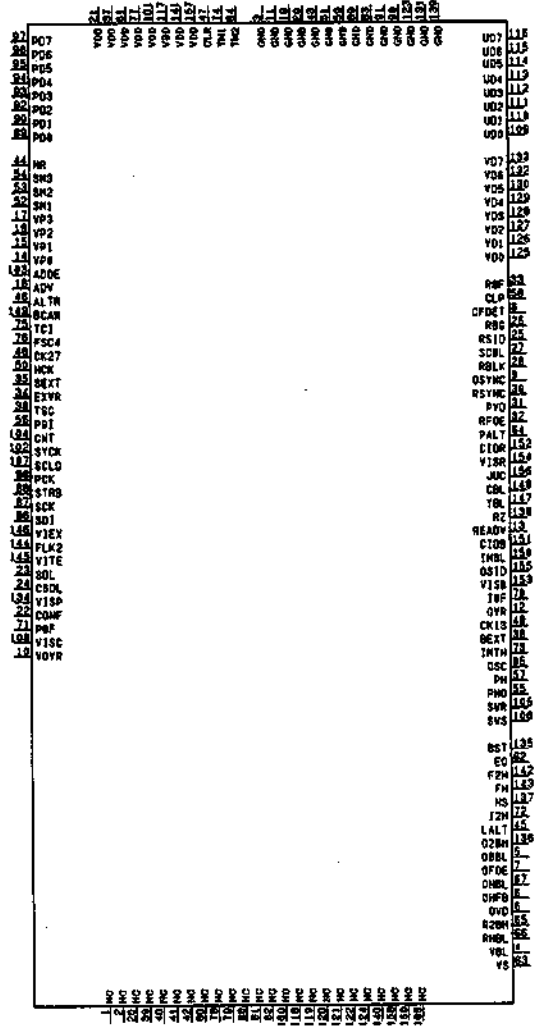
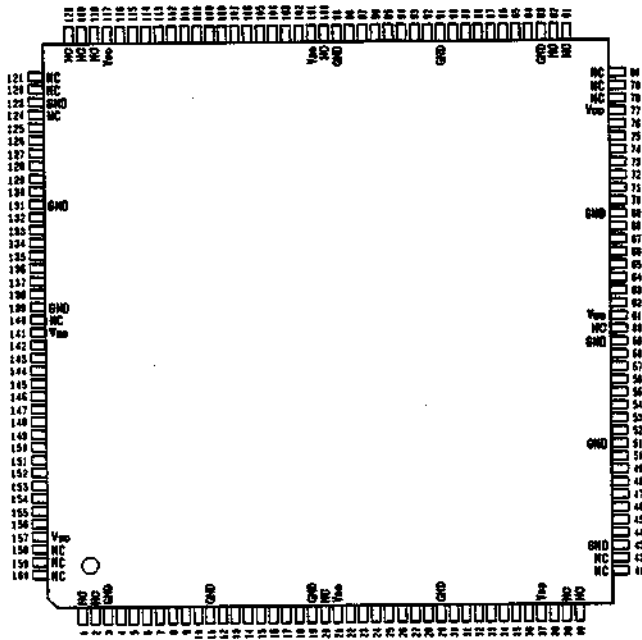
MD3/MD4	MODE
0 0	COMPONENT
0 1	CTDM
1 0	COMPOSITE
1 1	S-VIDEO

- INPUT**
- BFI : BURST FLAG
  - BSTI : BURST FOR PHASE COMPARISON
  - CSLK : CHROMA BLANKING PULSE
  - HAFI : TRIGGER PULSE FOR BURST SAMPLING
  - HLBK : H BLANKING PULSE
  - MD1, 21 : SYSTEM SELECT (# 1)
  - MD3, 41 : SIGNAL FORMAT SELECT (# 2)
  - OSCI : H LOCK LOOP VCO
  - SMP1 : TRAPEZOID SAMPLING PULSE OF THE H LOCK LOOP
  - VXOI : BURST LOCK LOOP VXO
- OUTPUT**
- BFI, 20 : BURST FLAG
  - CBKO : CHROMA BLANKING PULSE
  - CK1 - 30 : CLOCK SELECTED BY MODE
  - DSCO : TRAPEZOID GENERATOR DISCHARGE PULSE
  - ERRRO : BURST PHASE COMPARISON ERROR
  - HLBK : H BLANKING PULSE
  - PH00 : 2FS
  - PH10 : FSC
  - SMP0 : TRAPEZOID SAMPLING PULSE OF THE H LOCK LOOP

23	A0L	A0R	20	INPUT	BSTI	24
24	A1L	A1R	19	AOL - A10L		
25	A2L	A2R	18	AOR - A10R		
26	A3L	A3R	17	CKL		
27	A4L	A4R	16	CKR		
28	A5L	A5R	15	CKT		
29	A6L	A6R	14	CSL		
30	A7L	A7R	13	CSR		
31	A8L	A8R	12	CSL		
32	A9L	A9R	11	CSR		
33	A0L	A0R	10	CSL		
34	A1L	A1R	9	CSR		
35	A2L	A2R	8	CSL		
36	A3L	A3R	7	CSR		
37	A4L	A4R	6	CSL		
38	A5L	A5R	5	CSR		
39	A6L	A6R	4	CSL		
40	A7L	A7R	3	CSR		
41	A8L	A8R	2	CSL		
42	A9L	A9R	1	CSR		
43	A0L	A0R	0	CSL		
44	A1L	A1R	0	CSR		
45	A2L	A2R	0	CSL		
46	A3L	A3R	0	CSR		
47	A4L	A4R	0	CSL		
48	A5L	A5R	0	CSR		
49	A6L	A6R	0	CSL		
50	A7L	A7R	0	CSR		
51	A8L	A8R	0	CSL		
52	A9L	A9R	0	CSR		
53	A0L	A0R	0	CSL		
54	A1L	A1R	0	CSR		
55	A2L	A2R	0	CSL		
56	A3L	A3R	0	CSR		
57	A4L	A4R	0	CSL		
58	A5L	A5R	0	CSR		
59	A6L	A6R	0	CSL		
60	A7L	A7R	0	CSR		
61	A8L	A8R	0	CSL		
62	A9L	A9R	0	CSR		
63	A0L	A0R	0	CSL		
64	A1L	A1R	0	CSR		
65	A2L	A2R	0	CSL		
66	A3L	A3R	0	CSR		
67	A4L	A4R	0	CSL		
68	A5L	A5R	0	CSR		
69	A6L	A6R	0	CSL		
70	A7L	A7R	0	CSR		
71	A8L	A8R	0	CSL		
72	A9L	A9R	0	CSR		
73	A0L	A0R	0	CSL		
74	A1L	A1R	0	CSR		
75	A2L	A2R	0	CSL		
76	A3L	A3R	0	CSR		
77	A4L	A4R	0	CSL		
78	A5L	A5R	0	CSR		
79	A6L	A6R	0	CSL		
80	A7L	A7R	0	CSR		
81	A8L	A8R	0	CSL		
82	A9L	A9R	0	CSR		
83	A0L	A0R	0	CSL		
84	A1L	A1R	0	CSR		
85	A2L	A2R	0	CSL		
86	A3L	A3R	0	CSR		
87	A4L	A4R	0	CSL		
88	A5L	A5R	0	CSR		
89	A6L	A6R	0	CSL		
90	A7L	A7R	0	CSR		
91	A8L	A8R	0	CSL		
92	A9L	A9R	0	CSR		
93	A0L	A0R	0	CSL		
94	A1L	A1R	0	CSR		
95	A2L	A2R	0	CSL		
96	A3L	A3R	0	CSR		
97	A4L	A4R	0	CSL		
98	A5L	A5R	0	CSR		
99	A6L	A6R	0	CSL		
100	A7L	A7R	0	CSR		

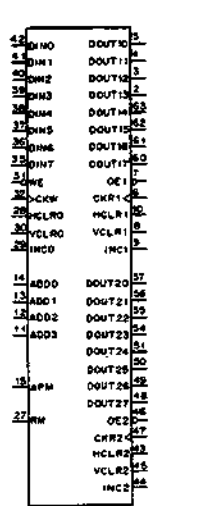
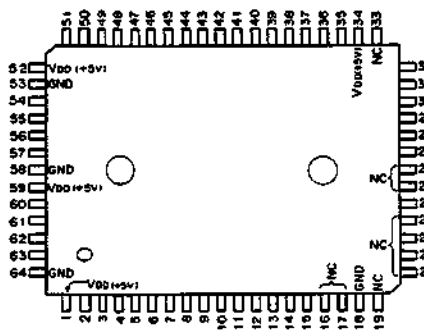


CXD81650 (SONY) FLAT PACKAGE  
 C-MOS REFERENCE SYNC GENERATOR  
 - TOP VIEW -



Pin No.	I/O	SIGNAL	Pin No.	I/O	SIGNAL	Pin No.	I/O	SIGNAL	Pin No.	I/O	SIGNAL
1	-	NC	41	-	NC	81	-	NC	121	-	NC
2	-	NC	42	-	NC	82	-	NC	122	-	NC
3	-	GND	43	-	GND	83	-	GND	123	-	GND
4	I/O	VBL	44	I	HR	84	I	TM2	124	-	NC
5	I/O	OBBL	45	I/O	LALT	85	O	OSC	125	O	VDD
6	I/O	OVD	46	I	ALTR	86	I	SD1	126	O	VD1
7	I/O	OFOE	47	I	CLR	87	I	SCK	127	O	VD2
8	O	CFDET	48	I	CK27	88	I	STRB	128	O	VD3
9	O	OSYNC	49	O	CK13	89	I/O	PD0	129	O	VD4
10	I	VOVR	50	I	HCK	90	I/O	PD1	130	O	VD5
11	-	GND	51	-	GND	91	-	GND	131	-	GND
12	O	OVR	52	I	SM1	92	I/O	PD2	132	O	VD6
13	O	READV	53	I	SM2	93	I/O	PD3	133	O	VD7
14	I	VPO	54	I	SM3	94	I/O	PD4	134	I	VISP
15	I	VP1	55	O	PH0	95	I/O	PD5	135	I/O	BST
16	I	VP2	56	I	PH1	96	I/O	PD6	136	I/O	O2BH
17	I	VP3	57	O	PH	97	I/O	PD7	137	I/O	HS
18	I	ADV	58	O	CLP	98	I	PCK	138	O	RZ
19	-	GND	59	-	GND	99	-	GND	139	-	GND
20	-	NC	60	-	NC	100	-	NC	140	-	NC
21	-	VDD	61	-	NC	101	-	VDD	141	-	VDD
22	I	CONF	62	I/O	EO	102	I	SYCK	142	I/O	F2H
23	I	SDL	63	I/O	VS	103	I	ADDC	143	I/O	FH
24	I	CSOL	64	O	PALT	104	I	CNT	144	I	FLK2
25	O	RSID	65	I/O	R2BH	105	O	SWR	145	I	VITE
26	O	RBG	66	I/O	RHBL	106	O	SWS	146	I	VLEX
27	O	SCBL	67	I/O	QHBL	107	I	SCLD	147	O	YBL
28	O	RBLK	68	I/O	OHFB	108	I	VISC	148	O	CBL
29	-	GND	69	-	GND	109	O	UD0	149	I	BCAN
30	O	RSYNC	70	O	BF	110	O	UD1	150	O	ENBL
31	O	RVD	71	I	PBF	111	O	UD2	151	O	CIDB
32	O	RECD	72	I/O	I2H	112	O	UD3	152	O	CIDR
33	O	RBF	73	I	INTH	113	O	UD4	153	O	VISB
34	I	EXVR	74	I	TM1	114	O	UD5	154	O	VISR
35	I	SEXT	75	I	TC1	115	O	UD6	155	O	OSID
36	O	BEXT	76	I	FSC4	116	O	UD7	156	O	JUC
37	-	VDD	77	-	VDD	117	-	VDD	157	-	VDD
38	I	TGC	78	-	NC	118	-	NC	158	-	NC
39	-	NC	79	-	NC	119	-	NC	159	-	NC
40	-	NC	80	-	NC	120	-	NC	160	-	NC

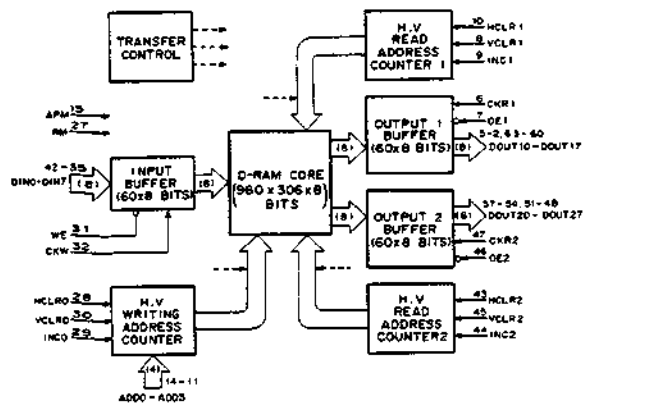
**CXK48324Q (SONY)**  
**CMOS 2.4M (960x306x8) BITS 3 PORTS VIDEO FIELD MEMORY**  
 - TOP VIEW -



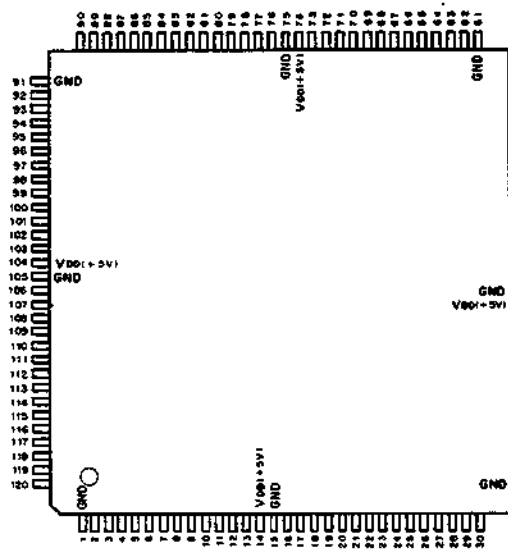
(V<sub>DD</sub> = +5 V)

PIN No.	I/O	SIGNAL	PIN No.	I/O	SIGNAL	PIN No.	I/O	SIGNAL
1	-	V <sub>DD</sub>	23	-	NC	45	I	V <sub>CLR3</sub>
2	O	DO13	24	I	TE	46	I	OE2
3	O	DO12	25	-	NC	47	I	CKR2
4	O	DO11	26	-	NC	48	O	DO27
5	O	DO10	27	I	RM	49	O	DO26
6	I	CKR1	28	I	HCLR0	50	O	DO25
7	I	OE1	29	I	INCO	51	O	DO24
8	I	VCLR1	30	I	VCLR0	52	-	V <sub>SS</sub>
9	I	INC1	31	I	WE	53	-	GND
10	I	HCLR1	32	I	CKW	54	O	DO23
11	I	ADD3	33	-	NC	55	O	DO22
12	I	ADD2	34	-	V <sub>DD</sub>	56	O	DO21
13	I	ADD1	35	I	DIN7	57	O	DO20
14	I	ADD0	36	I	DIN6	58	-	GND
15	I	APM	37	I	DIN5	59	-	V <sub>DD</sub>
16	-	NC	38	I	DIN4	60	O	DO17
17	-	NC	39	I	DIN3	61	O	DO16
18	-	GND	40	I	DIN2	62	O	DO15
19	-	NC	41	I	DIN1	63	O	DO14
20	-	NC	42	I	DIN0	64	-	GND
21	-	NC	43	I	HCLR2			
22	-	NC	44	I	INC2			

- INPUT**  
 ADD0 - ADD3 : ADDRESS INPUT  
 APM : ADDRESS PRESET MODE ENABLE  
 CKR1, CKR2 : PORT 1 OR 2 SHIFT SIGNAL INPUT  
 CKW : PORT 0 SHIFT SIGNAL INPUT  
 DIN0 - DIN7 : PORT 0 DATA INPUT  
 HCLR0 - HCLR2 : PORT 0 - 2 HORIZONTAL CLEAR  
 INCO - INC2 : PORT 0 - 2 LINE INCREMENT  
 RM : RECURSIVE MODE ENABLE  
 TE : TEST MODE ENABLE  
 VCLR0 - VCLR2 : PORT 0 - 2 VERTICAL CLEAR  
 OE1, OE2 : PORT 1 OR 2 OUTPUT ENABLE  
 WE : PORT 0 WRITE ENABLE
- OUTPUT**  
 DO10 - DO17 : PORT 1 DATA OUTPUT  
 DO20 - DO27 : PORT 2 DATA OUTPUT

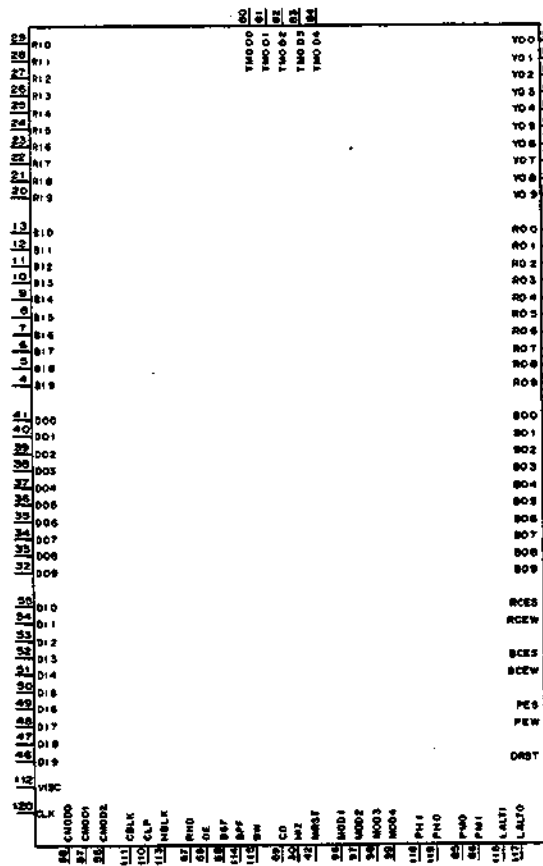


**CXD8161AQ (SONY) FLAT PACKAGE**  
**CMOS DIGITAL Y/C SEPARATOR & CHROMA DECODER**  
 - TOP VIEW -



(V<sub>DD</sub> = +5 V)

PIN No.	I/O	SIGNAL	PIN No.	I/O	SIGNAL	PIN No.	I/O	SIGNAL	PIN No.	I/O	SIGNAL
1	-	GND	31	-	GND	61	-	GND	91	-	GND
2	O	PEW	32	I	DO9	62	O	Y02	92	O	BO1
3	O	PES	33	I	DO8	63	O	Y03	93	O	BO0
4	I	B19	34	I	DO7	64	O	Y04	94	O	RO9
5	I	B18	35	I	DO6	65	O	Y05	95	O	RO8
6	I	B17	36	I	DO5	66	I	OE	96	I	HOD1
7	I	B16	37	I	DO4	67	I	RND	97	I	HOD2
8	I	B15	38	I	DO3	68	I	B67	98	I	HOD3
9	I	B14	39	I	DO2	69	I	CO	99	I	HOD4
10	I	B13	40	I	DO1	70	O	Y06	100	O	RO7
11	I	B12	41	I	DO0	71	O	Y07	101	O	RO6
12	I	B11	42	I	MRST	72	O	Y08	102	O	RO5
13	I	B10	43	O	DRST	73	O	Y09	103	O	RO4
14	-	V <sub>DD</sub>	44	-	V <sub>DD</sub>	74	-	V <sub>DD</sub>	104	-	V <sub>DD</sub>
15	-	GND	45	-	GND	75	-	GND	105	-	GND
16	O	BCEW	46	I	D19	76	O	BO9	106	O	RO3
17	O	BCE5	47	I	D18	77	O	BO8	107	O	RO2
18	O	BCEW	48	I	D17	78	O	BO7	108	O	RO1
19	O	RCE5	49	I	D16	79	O	BO6	109	O	RO0
20	I	R19	50	I	D15	80	I	TM00	110	I	CLP
21	I	R18	51	I	D14	81	I	TM01	111	I	CLK
22	I	R17	52	I	D13	82	I	TM02	112	I	YSC
23	I	R16	53	I	D12	83	I	TM03	113	I	HLK
24	I	R15	54	I	D11	84	I	TM04	114	I	BPF
25	I	R14	55	I	D10	85	I	PM0	115	I	BW
26	I	R13	56	I	CM02	86	I	PM1	116	I	LALT1
27	I	R12	57	I	CM01	87	O	BO5	117	O	LALT0
28	I	R11	58	I	CM00	88	O	BO4	118	I	PH1
29	I	R10	59	O	Y00	89	O	BO3	119	I	PH0
30	I	H1Z	60	O	Y01	90	O	BO2	120	I	CLK



**INPUT**

- 867 : CORRELATION DETECT SENSITIVITY SELECT (H: 6 BITS/L: 7 BITS)
- B0 - B9 : B-Y DATA (COMPONENT MODE)
- BPF : L: BAND PASS FILTER SELECT
- BW : COMPOSITE SIGNAL THROUGH OUT CONTROL
- CBLK : CHROMA BLANKING PULSE
- CLK : CLAMP PULSE
- CLP : CLAMP PULSE
- \* 1) CM000 - D2 : Y/C CORRECTION MODE SELECT
- CO : CHROMA DECODE CONTROL
- D0 - D9 : 2H DELAY DATA (COMPOSITE MODE) for NTSC
- 4H DELAY DATA (COMPOSITE MODE) for PAL/PAL-M
- 1H DELAY DATA (COMPOSITE MODE) for NTSC
- 2H DELAY DATA (COMPOSITE MODE) for PAL/PAL-M
- DO0 - DO9 : H BLANKING PULSE
- HBLK : PULSE CONTROL
- HIZ : LINE ALTERNATE
- LALT1 : MODE SELECT
- \* 2) MODE1 - MODE4 : RESET
- MRST : RESET
- OE : OUTPUT ENABLE
- PH0, PH1 : REFERENCE PHASE for CHROMA DECODE and VLSC GENERATION
- PH0, PH1 : PHASE SHIFT CONTROL
- R0 - R9 : COMPOSITE DATA (COMPOSITE MODE)
- R-Y DATA (COMPONENT MODE)
- CHROMA DATA (CHROMA MODE)
- RND : OUTPUT ROUND OFF SELECT
- TM000 - D4 : TEST MODE/ BPF STAGE SELECT
- VISC : VERTICAL INTERVAL SUB-CARRIER CONTROL

**OUTPUT**

- BCEW : B-Y CLAMP ERROR SENSE
- BCEW : B-Y CLAMP ERROR WIDTH
- B00 - B09 : B-Y DATA (B 09; MSB)
- DRST : EXTERNAL DELAY LINE RESET
- LALTO : LINE ALTERNATE
- PES : PHASE ERROR SENSE
- PEW : PHASE ERROR WIDTH
- RCS : R-Y CLAMP ERROR SENSE
- RCEW : R-Y CLAMP ERROR WIDTH
- RO0 - RO9 : R-Y DATA (RO9; MSB)
- YO0 - YO9 : Y DATA (YO9; MSB)

\* 1)

CM002	CM001	CM000	MODE
0	0	0	0-1 FIX
0	0	1	1-2 FIX
0	1	0	0-1-2 FIX
0	1	1	BPF FIX
1	0	0	0-1/1-2/0-1 ADAPTIVE
1	0	1	0-1/1-2/1-2 ADAPTIVE
1	1	0	0-1/1-2/0-1-2 ADAPTIVE
1	1	1	0-1/1-2/0-1-2/BPF ADAPTIVE

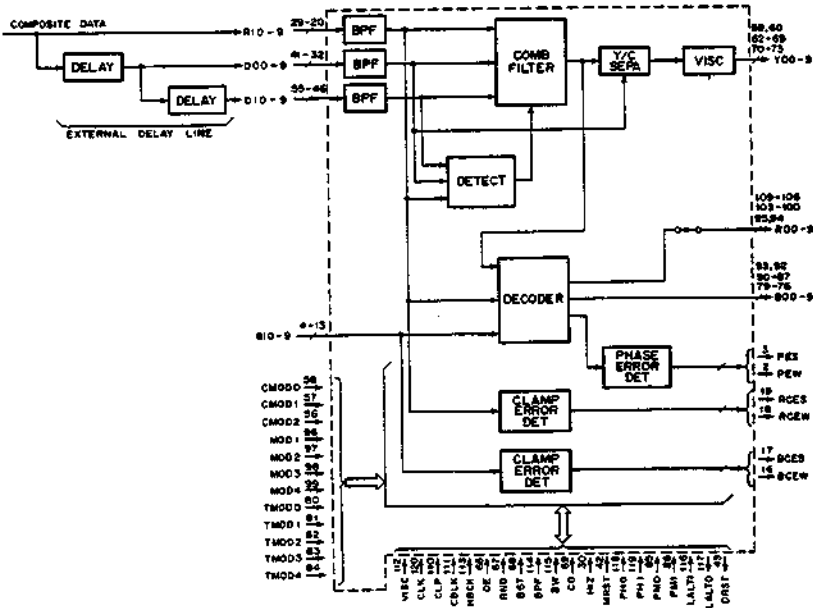
\* 2)

MODE2	MODE1	MODE
0	0	PAL
0	1	PAL-M
1	0	SECAM
1	1	NTSC

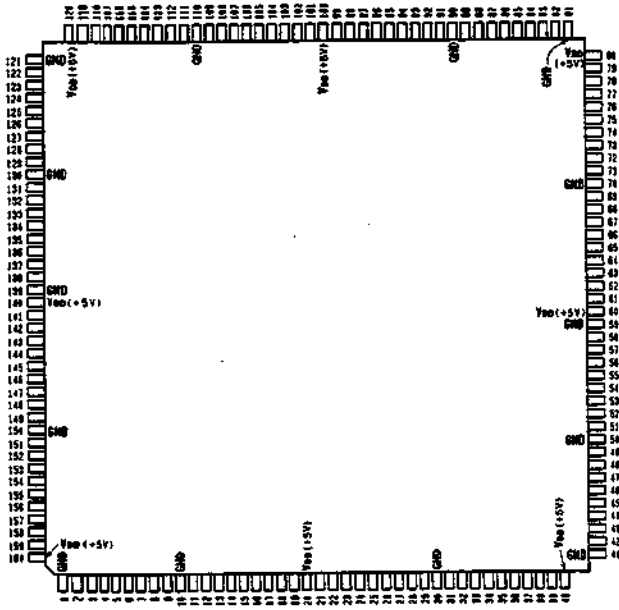
  

MODE4	MODE3	MODE
0	0	COMPOSITE
0	1	COMPOSITE
1	0	CTDM
1	1	CHROMA

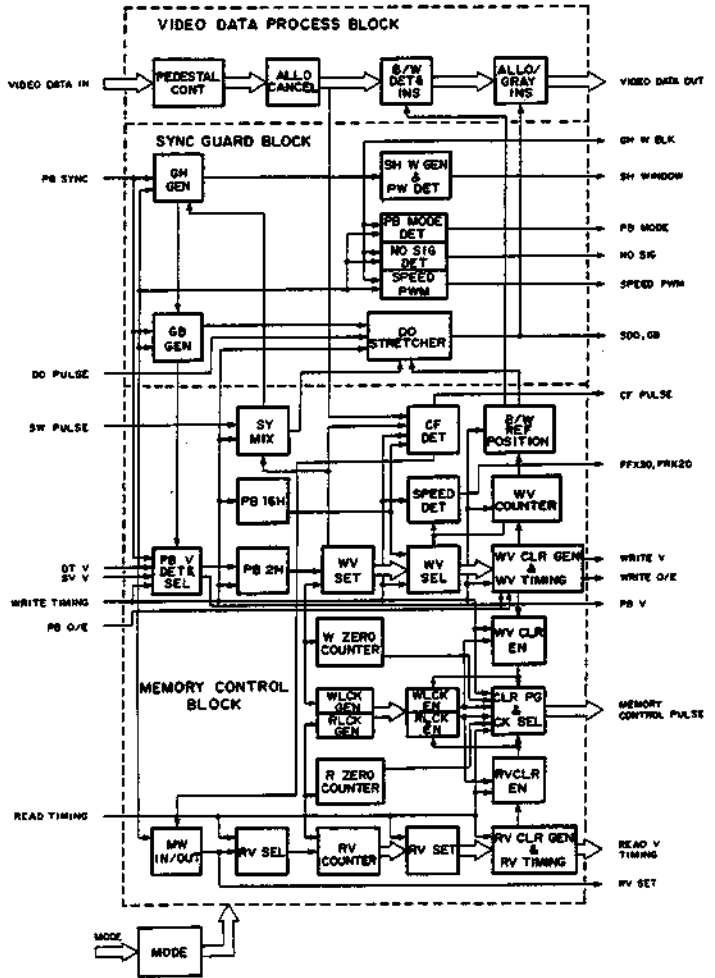
0 : LOW LEVEL  
1 : HIGH LEVEL  
0-1 : UPPER 2 LINE COMB FILTER  
1-2 : LOWER 2 LINE COMB FILTER  
0-1-2 : UPPER/LOWER 3 LINE COMB FILTER



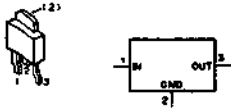
CXD8313Q (SONY)  
CMOS TBC  
- TOP VIEW -



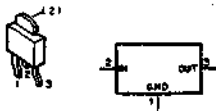
PIN No.	I/O	PIN NAME	PIN No.	I/O	PIN NAME	PIN No.	I/O	PIN NAME	PIN No.	I/O	PIN NAME
1	-	GND	41	-	GND	81	-	GND	121	-	GND
2	I	PWDREV	42	I/O	RMAB	82	O	RBWLN	122	I	DN9
3	I	X13	43	I/O	RVCLR	83	O	COMPBLK	123	I	DN8
4	I	NOFB	44	I/O	WMAB	84	O	VBLK2	124	I	DN7
5	I	HEE	45	I/O	WVCLR	85	O	VBLK1	125	I	DN6
6	I	MINPHASE	46	I/O	TD70	86	O	ADVBLK	126	I	DN5
7	I	SHFTINH	47	I	TST8	87	O	ADOTHRU	127	I	DN4
8	O	VSCXFP1	48	I	TST4	88	O	RDZ	128	I	DN3
9	O	VSCDFFP2	49	I	TST3	89	O	RCK	129	I	DN2
10	-	GND	50	-	GND	90	-	GND	130	-	GND
11	I	OSCON	51	I	TST2	91	O	VCLR2	131	I	DN1
12	I	MOD6	52	I	TST1	92	O	INC	132	I	DN0
13	I	DT	53	I	TST0	93	O	NCLR2	133	I	WCK
14	I	DTX3	54	I	RLMOFF	94	O	MRCK2	134	I	WZ
15	I	PBOE	55	I	FLMOFF	95	O	VCLR1	135	I	ADVWZ
16	I	DTV	56	I	MOD11	96	O	INC1	136	I	WCLP
17	I	SVV	57	I	MOD10	97	O	HCLR1	137	I	VISCCMUT
18	I	SWP	58	I	MOD7	98	O	MRCK1	138	I	PRCK
19	I	FR30Z0	59	-	GND	99	O	VCLR0	139	-	GND
20	-	VDD	60	-	VDD	100	-	VDD	140	-	VDD
21	O	SNS	61	I/O	BID	101	O	INC0	141	I	PRZ
22	O	WINS	62	I/O	BIDIR	102	O	NCLR0	142	I	PBSYNC
23	O	BWBLK	63	I	MOD4	103	O	DOCLR	143	O	WBLK
24	O	WHITECNT	64	I	MOD3	104	O	MWCK	144	I/O	GH
25	I	DO	65	I	MOD2	105	O	WE	145	O	SHW
26	I/O	PB1SH	66	I	MOD1	106	O	DOUT0	146	I/O	SD01
27	I/O	PB2H	67	I	JUC	107	O	DOUT1	147	I/O	GB
28	O	COUNTERV	68	I	SGBLK	108	O	DOUT2	148	O	WDZ
29	I/O	PBV	69	I	REFOE	109	O	DOUT3	149	I/O	FBID
30	-	GND	70	-	GND	110	-	GND	150	-	GND
31	O	WRITEV	71	I	READV	111	O	DOUT4	151	I/O	FFB
32	O	WOE	72	I	RZ	112	O	DOUT5	152	I/O	FRB
33	I/O	WVISCID	73	I	R456FH	113	O	DOUT6	153	O	FR30COFF
34	O	RVISCID	74	I	R2BH	114	O	DOUT7	154	O	FR30DL
35	I/O	RVSET	75	I	R2FH	115	-	-	155	I	THRU2
36	I/O	WENP	76	I	HCK	116	O	DOUT8	156	I	THRU1
37	I/O	RENTP	77	I	SDATA	117	O	DOUT9	157	I/O	NO5IG
38	I	LEVST	78	I	SLD	118	O	SDOZWD0	158	O	PDSCHNT
39	I	CLR	79	I	SKC	119	I	HCE	159	O	SPDPWM
40	-	VDD	80	-	VDD	120	-	VDD	160	-	VDD



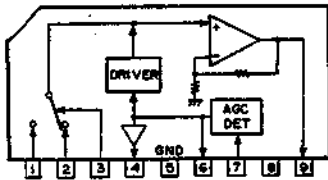
L78M09T-FA (SANYO) +9V 0.5A  
 PQ05S251 (SHARP) +5V 1A  
 POSITIVE VOLTAGE REGULATOR



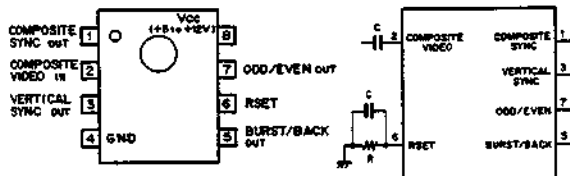
L79M05T-FA (SANYO) -5V  
 L79M09T-FA (SANYO) -9V  
 NEGATIVE VOLTAGE REGULATOR (500 mA)



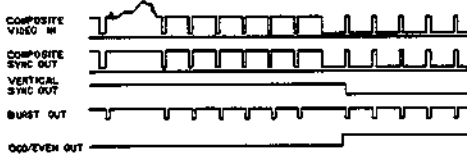
LA7205 (SANYO)  
 AGC AMP, INPUT SELECT, AGC DET, COMPARATOR  
 - SIDE VIEW -



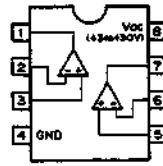
LM1881M (NS) FLAT PACKAGE  
 VIDEO SYNC SEPARATOR  
 - TOP VIEW -



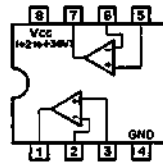
TIMING CHART



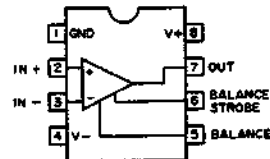
LM358P (TI)  
 UPC358C (NEC)  
 UPC358G2 (NEC) FLAT PACKAGE  
 DUAL OPERATIONAL AMPLIFIERS  
 - TOP VIEW -



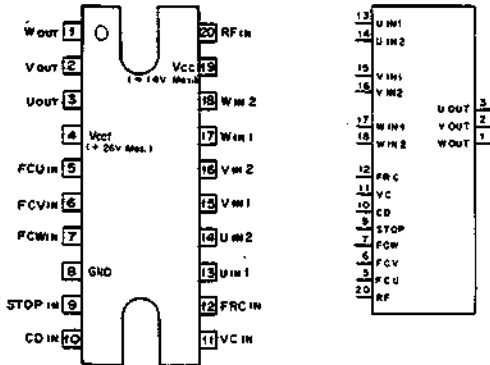
LM2903P (TI)  
 LM2903PS (TI) FLAT PACKAGE  
 NJM2903D (JRC)  
 DUAL VOLTAGE COMPARATORS  
 - TOP VIEW -



LM311PS (TI) FLAT PACKAGE  
 VOLTAGE COMPARATOR WITH STROBE  
 - TOP VIEW -



LB1620 (SANYO)  
3-PHASE MOTOR DRIVER  
- TOP VIEW -

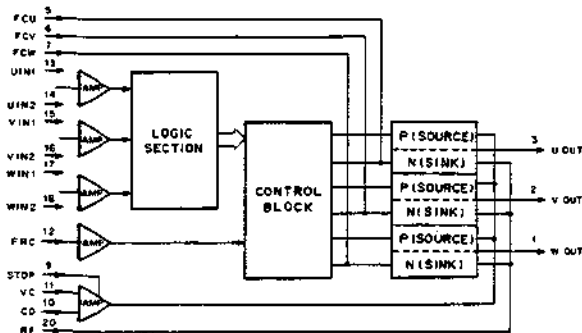


SOURCE / SINK	INPUT			FRC
	U	V	W	
1 W PHASE → V PHASE	1	1	0	0
2 V PHASE → W PHASE	1	0	1	1
3 U PHASE → W PHASE	1	0	0	0
4 V PHASE → U PHASE	1	1	0	1
5 W PHASE → U PHASE	0	0	1	0
6 U PHASE → V PHASE	0	1	0	0
7 V PHASE → U PHASE	1	0	1	1
8 U PHASE → W PHASE	0	1	1	0
9 W PHASE → U PHASE	0	1	1	1

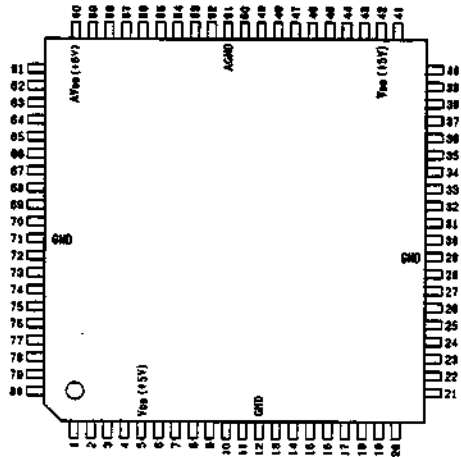
0: LOW LEVEL  
1: HIGH LEVEL

**INPUT**  
 CD : CURRENT DETECTION  
 FCU : PHASE COMPENSATION  
 FCV : PHASE COMPENSATION  
 FCW : PHASE COMPENSATION  
 FRC : DIRECTION CONTROL  
 RF : CURRENT DETECTION  
 STOP : OVERCURRENT PROTECTION  
 UIN1, UIN2 : U PHASE HALL ELEMENT  
 VIN1, VIN2 : V PHASE HALL ELEMENT  
 WIN1, WIN2 : W PHASE HALL ELEMENT

**OUTPUT**  
 U OUT : U PHASE OUTPUT  
 V OUT : V PHASE OUTPUT  
 W OUT : W PHASE OUTPUT



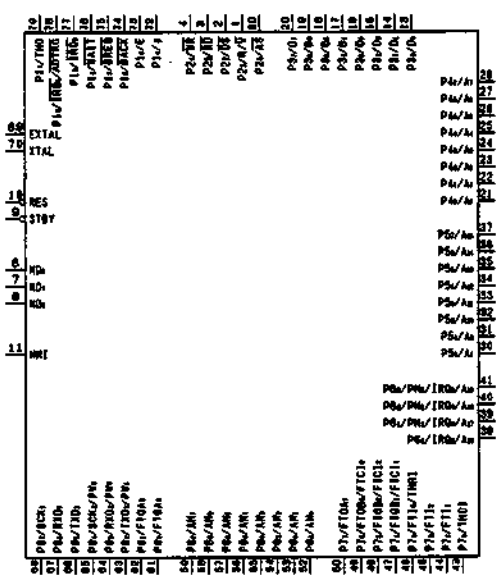
HD6435348RA00F (HITACHI)  
CMOS 8-BIT 1-CHIP MICROCOMPUTER  
- TOP VIEW -



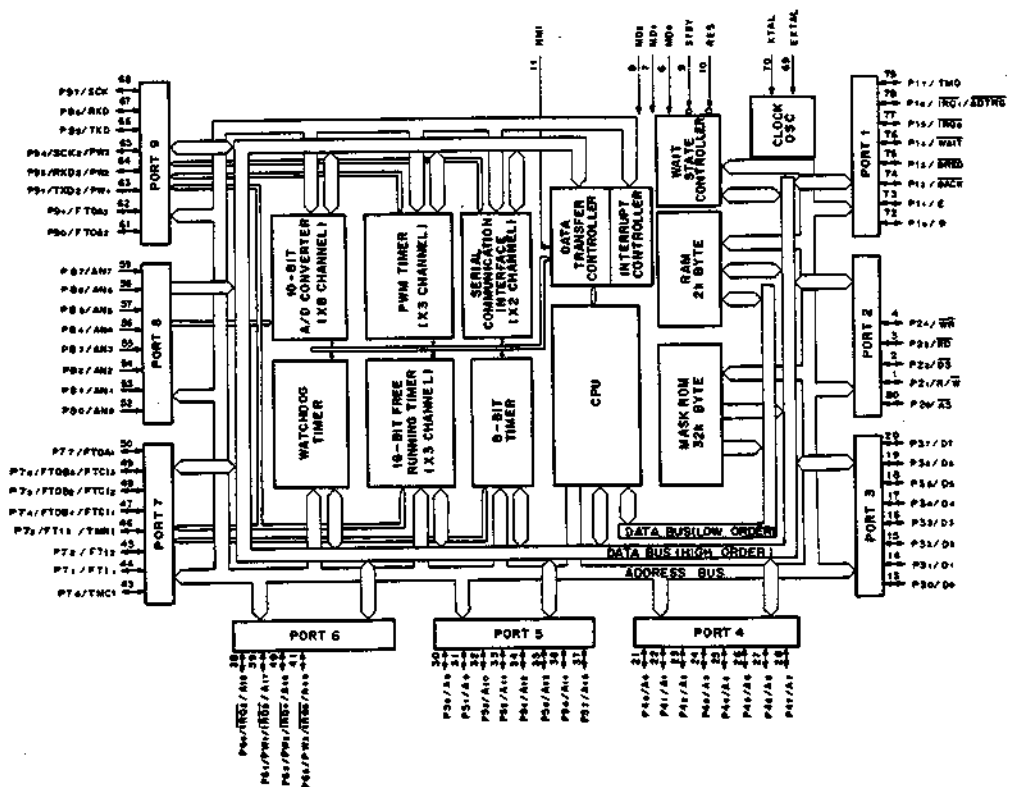
AVcc, Vpp = (+5V)

PIN No.	I/O	SIGNAL	PIN No.	I/O	SIGNAL
1	I/O	P21/R/W	41	I/O	P63/PM3/IRQ5/A19
2	I/O	P22/BS	42	-	Vcc
3	I/O	P23/RD	43	I/O	P70/TMC1
4	I/O	P24/WR	44	I/O	P71/FT11
5	-	Vcc	45	I/O	P72/FT12
6	I	MD0	46	I/O	P73/FT3/TMR1
7	I	MD1	47	I/O	P74/FT0B1/FTC1
8	I	MD2	48	I/O	P75/FT0B2/FTC2
9	I	STBY	49	I/O	P76/FT0B3/FTC3
10	I	RES	50	I/O	P77/FT0A1
11	I	NMI	51	-	AGND
12	-	GND	52	I	P80/AND
13	I/O	P30/D0	53	I	P81/ANI
14	I/O	P31/D1	54	I	P82/AN2
15	I/O	P32/D2	55	I	P83/AN3
16	I/O	P33/D3	56	I	P84/AN4
17	I/O	P34/D4	57	I	P85/AN5
18	I/O	P35/D5	58	I	P86/AN6
19	I/O	P36/D6	59	I	P87/AN7
20	I/O	P37/D7	60	-	Vcc
21	I/O	P40/A0	61	I/O	P90/PT0A2
22	I/O	P41/A1	62	I/O	P91/PT0A3
23	I/O	P42/A2	63	I/O	P92/TXD2/PW1
24	I/O	P43/A3	64	I/O	P93/RXD2/PW2
25	I/O	P44/A4	65	I/O	P94/SCK2/PW3
26	I/O	P45/A5	66	I/O	P95/TXD1
27	I/O	P46/A6	67	I/O	P96/RXD1
28	I/O	P47/A7	68	I/O	P97/SCK1
29	-	GND	69	I	EXTAL
30	I/O	P50/A1	70	I	XTAL
31	I/O	P51/A2	71	-	GND
32	I/O	P52/A10	72	I/O	P10/A
33	I/O	P53/A11	73	I/O	P11/E
34	I/O	P54/A12	74	I/O	P12/BACK
35	I/O	P55/A13	75	I/O	P13/BREQ
36	I/O	P56/A14	76	I/O	P14/WAIT
37	I/O	P57/A15	77	I/O	P15/IRQ0
38	I/O	P60/IRQ1/A16	78	I/O	P16/IRCT/ADTRG
39	I/O	P61/PM1/IRQ2/A17	79	I/O	P17/TMO
40	I/O	P62/PM2/IRQ3/A18	80	I/O	P20/AS

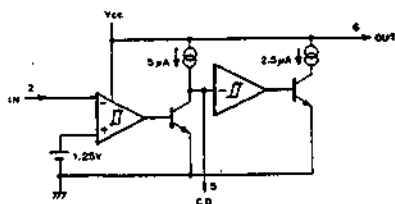
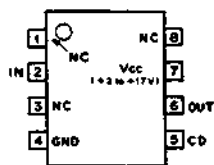




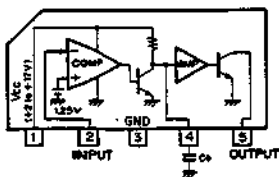
- INPUT**
- ADTRG : EXTERNAL TRIGGER
  - AN0 - AN7 : ANALOG DATA
  - BR0 : BUS REQUEST
  - EXTAL : CONNECTED TO CRYSTAL OSCILLATOR
  - FTCH1 - FTCH3 : FRT COUNTER CLOCK (CHANNEL 1 TO 3)
  - FTI1 - FTI3 : FRT INPUT CAPTURE (CHANNEL 1 TO 3)
  - IRQ0 - IRQ5 : INTERRUPTION REQUEST 0 AND 1
  - MDO - MD2 : MODE SETTING
  - NMI : NON MASKABLE INTERRUPTION
  - P80 - P87 : PORT 8
  - RES : RESET
  - RXD1, 2 : RECEIVE DATA
  - STBY : STANDBY
  - TMC1 : 8-BIT TIMER CLOCK
  - TMR1 : 8-BIT TIMER COUNTER RESET
  - WAIT : WAIT
  - XTAL : CONNECTED TO CRYSTAL OSCILLATOR
- OUTPUT**
- A0 - A19 : ADDRESS BUS
  - AS : ADDRESS STROBE
  - BACK : BUS REQUEST ACKNOWLEDGE
  - DS : DATA STROBE
  - E : ENABLE CLOCK
  - FTOA1 - FTOA3 : FRT OUTPUT COMPARE A (CHANNEL 1 TO 3)
  - FTOB1 - FTOB3 : FRT OUTPUT COMPARE B (CHANNEL 1 TO 3)
  - PW1 - PW3 : PWM TIMER (CHANNEL 1 TO 3)
  - R/W : READ/WRITE
  - RD : READ
  - TMO : 8-BIT TIMER
  - TXD1, 2 : SEND DATA
  - WR : WRITE
  - φ : SYSTEM CLOCK
- INPUT/OUTPUT**
- CO - DT : DATA BUS
  - P10 - P17 : PORT 1
  - P20 - P24 : PORT 2
  - P30 - P37 : PORT 3
  - P40 - P47 : PORT 4
  - P50 - P57 : PORT 5
  - P60 - P63 : PORT 6
  - P70 - P77 : PORT 7
  - P80 - P87 : PORT 8
  - SC1, 2 : SERIAL CLOCK



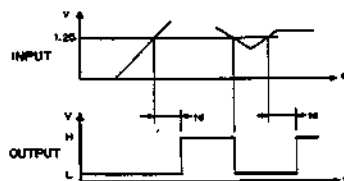
**M51957BFP (MITSUBISHI) FLAT PACKAGE**  
**VOLTAGE DETECTOR**  
 - TOP VIEW -



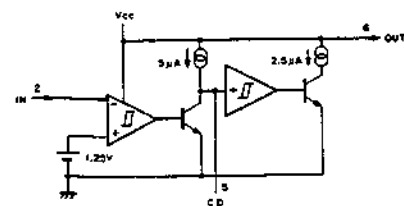
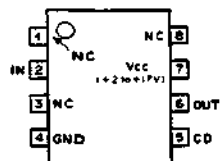
**M51957BL (MITSUBISHI)**  
**VOLTAGE DETECT DELAY**  
 - PRINTED SIDE VIEW -



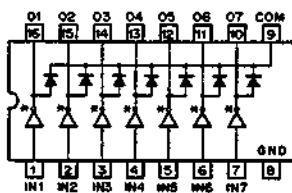
**TIMING CHART**



**M51958A (MITSUBISHI) FLAT PACKAGE**  
**VOLTAGE DETECT DELAY**  
 - TOP VIEW -

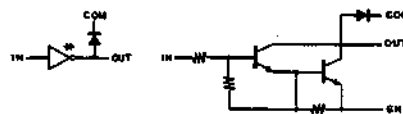
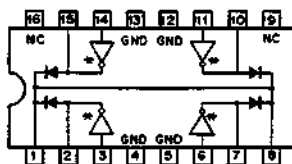


**M54523P (MITSUBISHI)**  
**BIPOLAR TRANSISTOR ARRAY WITH OPEN COLLECTOR**  
 - TOP VIEW -

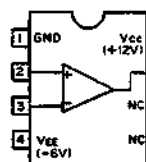


COM: COMMON

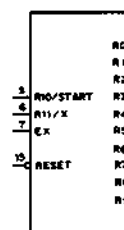
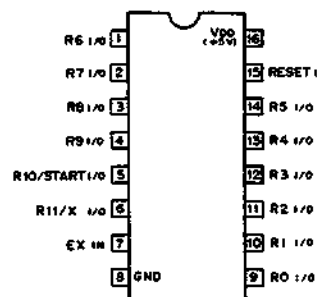
**M54532P (MITSUBISHI)**  
**DARLINGTON TRANSISTOR ARRAY WITH CLAMP DIODE**  
 - TOP VIEW -



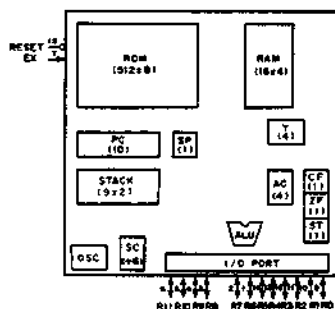
**MB4002PF (FUJITSU) FLAT PACKAGE**  
**HIGH SPEED VOLTAGE COMPARATOR**  
 - TOP VIEW -



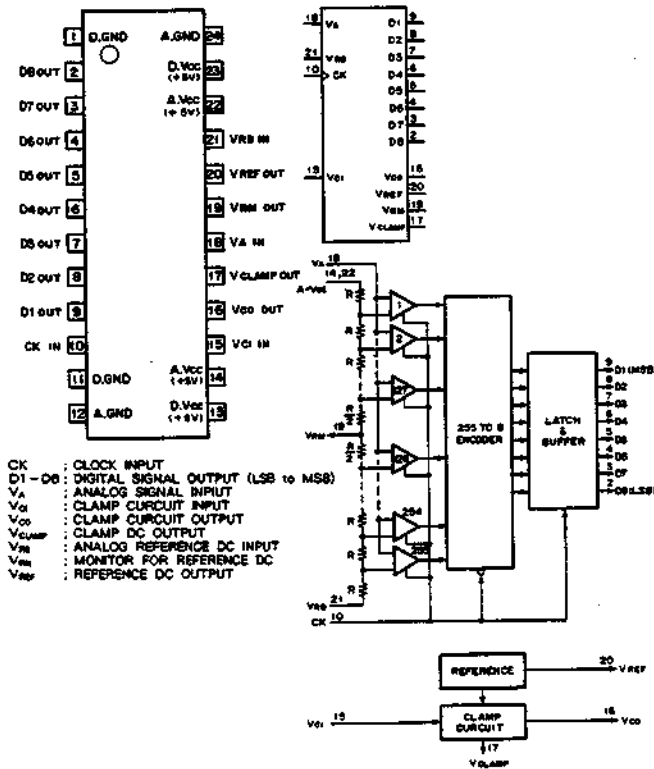
**MB88201 (FUJITSU)**  
**CMOS 4-BIT MICROCOMPUTER**  
 - TOP VIEW -



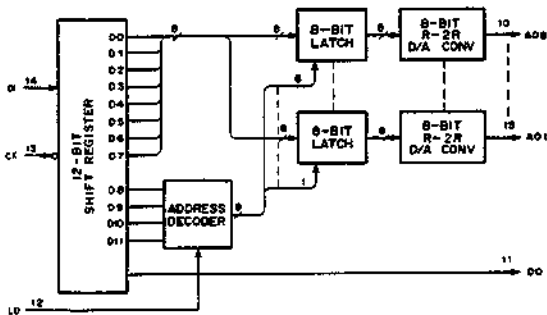
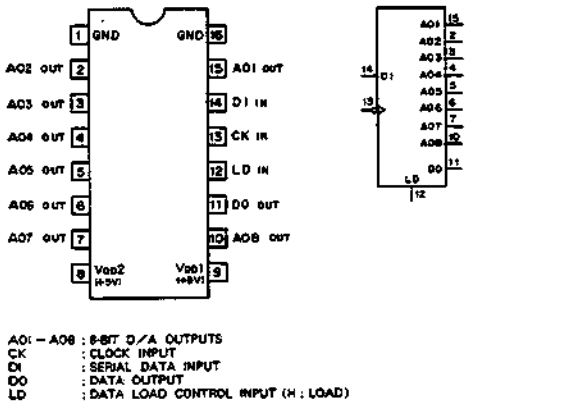
EX : EXTERNAL XTAL IN  
 RO-R11 : I/O PORT(IN) IN/OUT  
 RESET : RESET IN  
 START : STANDBY RELEASE IN  
 R11/X : EXT CLOCK IN/INT CLOCK OUT



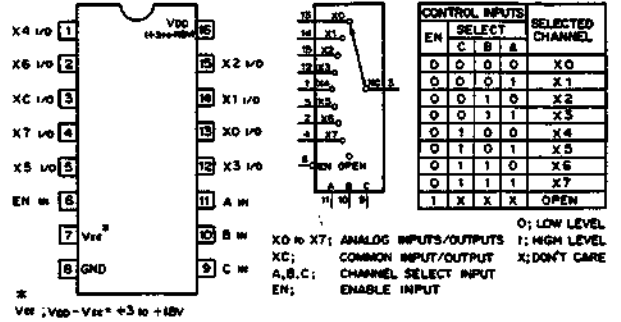
MB40568 (FUJITSU) FLAT PACKAGE  
8BIT VIDEO A/D CONVERTER  
- TOP VIEW -



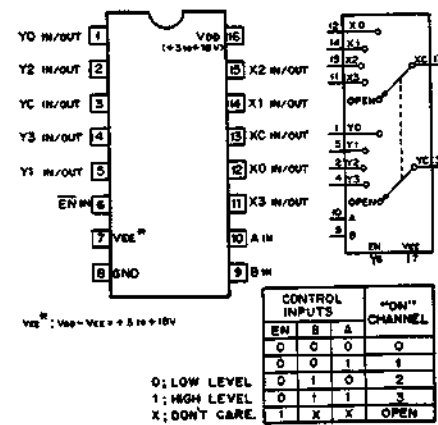
M888342PF (FUJITSU) FLAT PACKAGE  
C-MOS 8-BIT D/A CONVERTER  
- TOP VIEW -



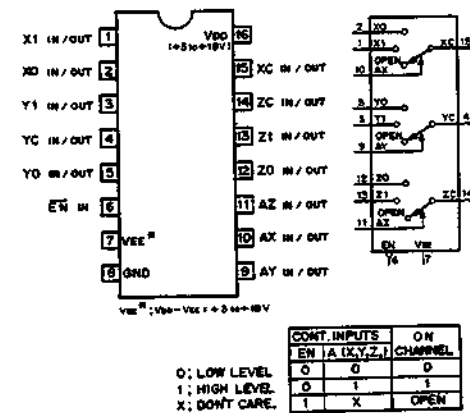
MC14051BF (MOTOROLA) FLAT PACKAGE  
CMOS 8-CHANNEL ANALOG MULTIPLEXER/DEMULTEPLEXER  
- TOP VIEW -



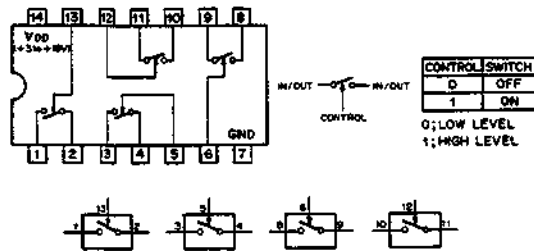
MC14052BF (MOTOROLA) FLAT PACKAGE  
CMOS DUAL 4-CHANNEL ANALOG MULTIPLEXERS/DEMULTEPLEXERS  
- TOP VIEW -



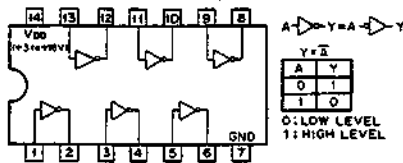
MC14053BCF (MOTOROLA)  
MC14053BF (MOTOROLA) FLAT PACKAGE  
UPD4053BC (NEC)  
CMOS TRIPLE 2-CHANNEL ANALOG MULTIPLEXERS/DEMULTEPLEXERS  
- TOP VIEW -



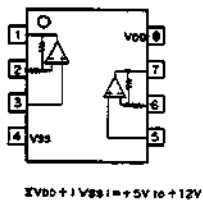
**MC14066BF (MOTOROLA) FLAT PACKAGE**  
**C-MOS QUAD BILATERAL ANALOG SWITCH**  
 - TOP VIEW -



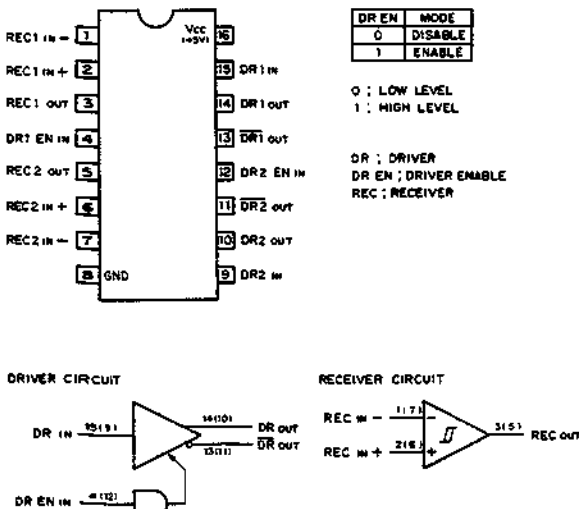
**MC14069SUBF (MOTOROLA)**  
**C-MOS INVERTER**  
 - TOP VIEW -



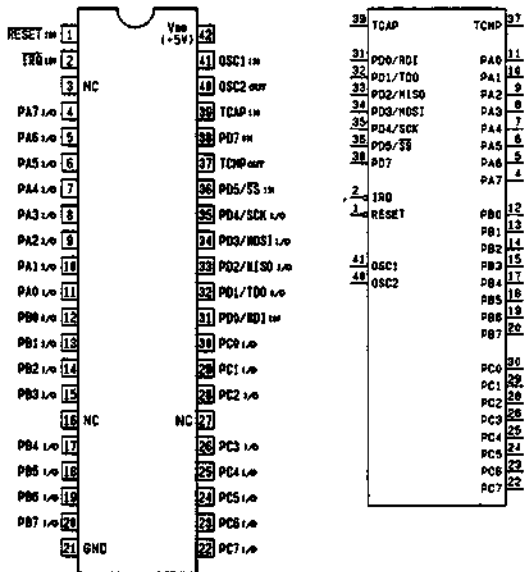
**MC14578BF (MOTOROLA) FLAT PACKAGE**  
**C-MOS DUAL VIDEO AMPLIFIERS**  
 - TOP VIEW -



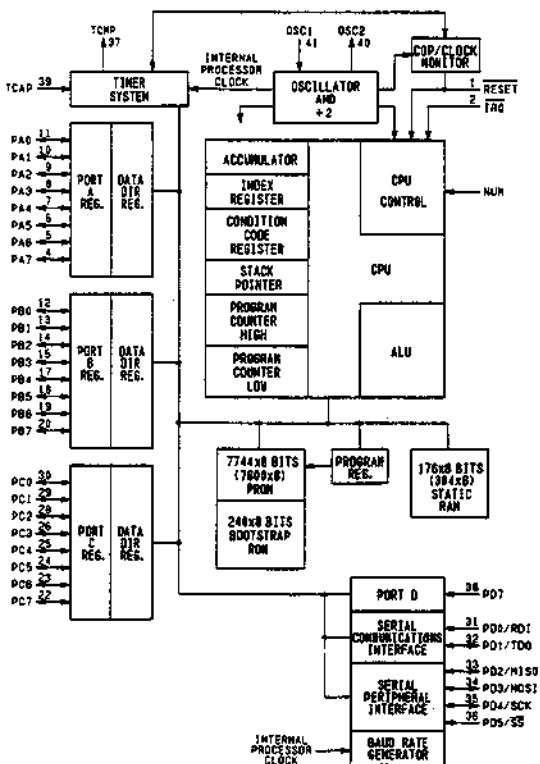
**MC34051M (MOTOROLA) FLAT PACKAGE**  
**RS-422 DRIVER/RECEIVER**  
 - TOP VIEW -



**MC68HC05C8 (MOTOROLA)**  
**C-MOS 8-BIT MICROCONTROLLER UNIT**  
 - TOP VIEW -

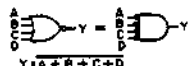
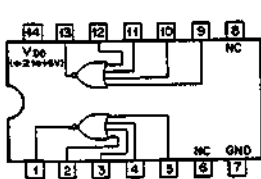


- INPUT**  
 IRQ : INTERRUPT REQUEST  
 OSC1 : OSCILLATOR FREQUENCY  
 PDI - PDS, POT : PROGRAMMABLE D PORT  
 RDI : RECEIVING DATA  
 RESET : RESET  
 SS : SUB SELECT  
 TCAP : CAPTURE FEATURE FOR THE ON-CHIP PROGRAMMABLE TIMER
- OUTPUT**  
 OSC2 : OSCILLATOR FREQUENCY  
 SCK : SERIAL CLOCK  
 TCOMP : COMPARE FEATURE OF THE ON-CHIP TIMER  
 TDO : TRANSMISSION DATA
- INPUT/OUTPUT**  
 MISO : MASTER INPUT, SUB OUTPUT  
 MOSI : MASTER OUTPUT, SUB INPUT  
 PA0 - PA7 : PROGRAMMABLE A PORT  
 PB0 - PB7 : PROGRAMMABLE B PORT  
 PC0 - PC7 : PROGRAMMABLE C PORT



MC74HC4002F (MOTOROLA) FLAT PACKAGE

C-MOS 4-INPUT NOR GATE  
- TOP VIEW -



$$Y = \overline{A + B + C + D}$$

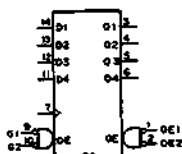
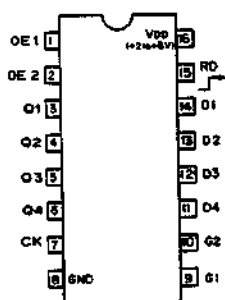
$$Y = \overline{A} \cdot \overline{B} \cdot \overline{C} \cdot \overline{D}$$

A	B	C	D	Y
0	0	0	0	1
X	X	X	1	0
X	X	1	X	0
X	1	X	X	0
1	X	X	X	0

0: LOW LEVEL  
1: HIGH LEVEL  
X: DON'T CARE

MC74HC173F (MOTOROLA) FLAT PACKAGE

C-MOS 4-BIT D-TYPE REGISTERS WITH 3-STATE OUTPUT  
- TOP VIEW -



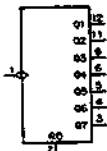
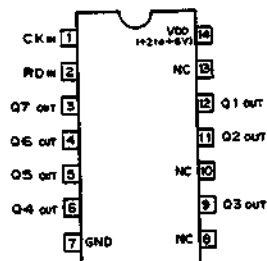
D1-D4 : DATA INPUT  
Q1-Q4 : OUTPUT (3-STATE)  
G1, G2 : DATA ENABLE INPUT  
OE1, OE2 : OUTPUT ENABLE INPUT

INPUT				OUTPUT	
RD	CK	DATA IN G1 G2	D	OUTPUT EN OE1 OE2	Q
1	X	X X	X	0 0	0
0	0	X X	X	0 0	00
0	1	X X	0	0 0	00
0	0	X 1	X	0 0	00
0	0	0 0	0	0 0	00
0	0	0 0	1	0 0	1
X	X	X X	X	1 X	HI-Z
X	X	X X	X	X 1	HI-Z

0 : LOW LEVEL  
1 : HIGH LEVEL  
X : DON'T CARE  
HI-Z : HIGH IMPEDANCE  
00 : LEVEL OF Q BEFORE THE INDICATED INPUT CONDITIONS WERE ESTABLISHED

MC74HC4024N (MOTOROLA)

C-MOS 7-BIT BINARY COUNTERS  
- TOP VIEW -

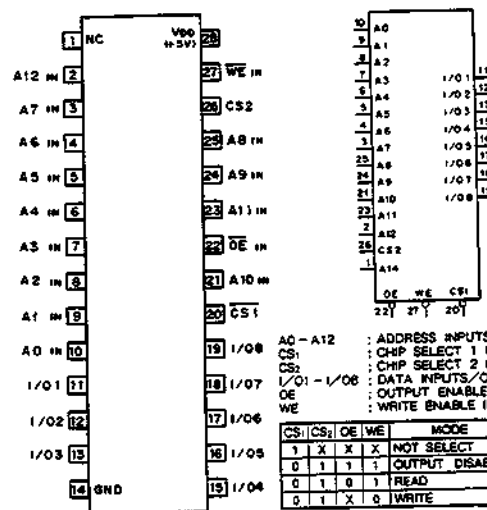


COUNT	CK	RD	Q7	Q6	Q5	Q4	Q3	Q2	Q1
0	X	1	0	0	0	0	0	0	0
1	1	0	0	0	0	0	0	0	1
2	1	0	0	0	0	0	0	1	0
3	1	0	0	0	0	0	1	1	1
125	1	0	1	1	1	1	1	1	1
126	1	0	1	1	1	1	1	1	0
127	1	0	1	1	1	1	1	1	1
-	1	0	0						
-	1	0							

0: LOW LEVEL  
1: HIGH LEVEL  
X: DON'T CARE

MS6264CLL-10FC (MOSEL) FLAT PACKAGE

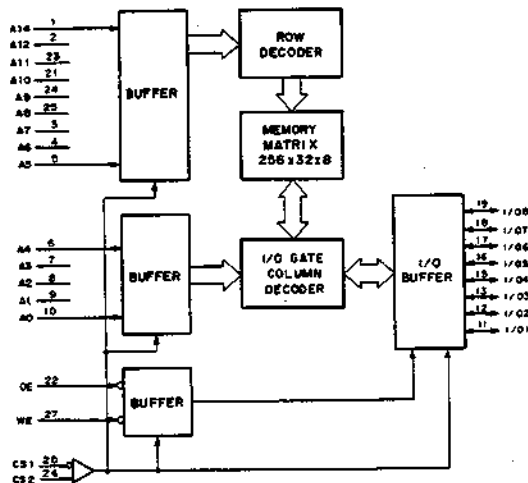
C-MOS 64K (8Kx8)-BIT STATIC RAM  
- TOP VIEW -



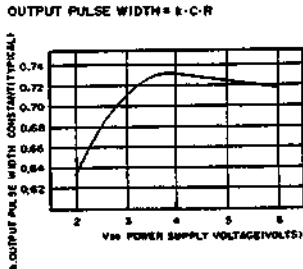
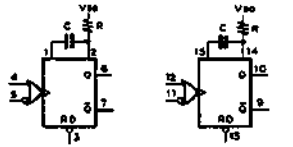
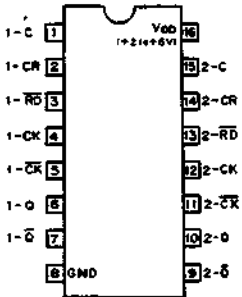
A0-A12 : ADDRESS INPUTS  
CS1 : CHIP SELECT 1 INPUT  
CS2 : CHIP SELECT 2 INPUT  
I/O : DATA INPUTS/OUTPUTS  
OE : OUTPUT ENABLE INPUT  
WE : WRITE ENABLE INPUT

CS1	CS2	OE	WE	MODE	I/O TERMINAL
1	X	X	X	NOT SELECT	HIGH IMPEDANCE
0	1	1	1	OUTPUT DISABLE	HIGH IMPEDANCE
0	1	0	1	READ	OUTPUT DATA
0	1	X	0	WRITE	INPUT DATA

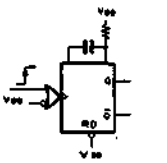
0: LOW LEVEL  
1: HIGH LEVEL  
X: DON'T CARE



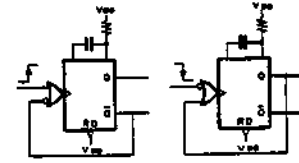
MC74HC4538AN (MOTOROLA)  
 C-MOS DUAL RETRIGGERABLE / NON-RETRIGGERABLE MONOSTABLE  
 MULTIVIBRATOR  
 - TOP VIEW -



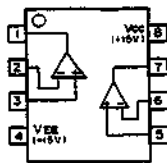
RETRIGGERABLE M.M.V



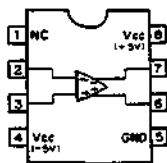
NON-RETRIGGERABLE M.M.V



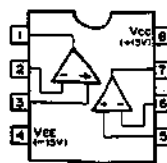
NJM2068DD (JRC)  
 LOW NOISE OPERATIONAL AMPLIFIER  
 - TOP VIEW -



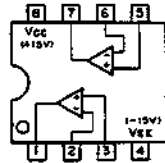
NJM360M (JRC) FLAT PACKAGE  
 HIGH SPEED VOLTAGE COMPARATOR  
 (TTL OUTPUT)  
 - TOP VIEW -



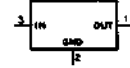
NJM4556M-A (JRC) FLAT PACKAGE  
 OPERATIONAL AMPLIFIER  
 (WIDE BAND, DECOMPENSATED)  
 - TOP VIEW -



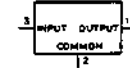
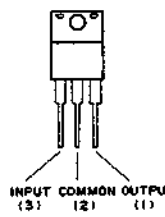
NJM4558D-D (JRC)  
 NJM4558D-FA (JRC)  
 NJM4558M (JRC) FLAT PACKAGE  
 DUAL OPERATIONAL AMPLIFIER  
 - TOP VIEW -



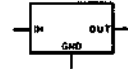
NJM78L09A (JRC) + 9V (100mA)  
 TA78L09S (TOSHIBA) + 9V (100mA)  
 POSITIVE VOLTAGE REGULATOR



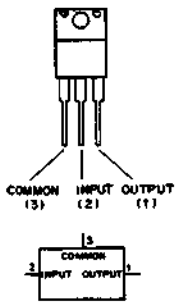
NJM78M09FA (JRC) + 9V  
 POSITIVE VOLTAGE REGULATOR (500mA)  
 - FRONT VIEW -



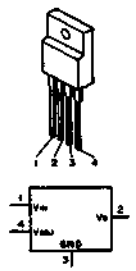
NJM79L05A (JRC) - 5V  
 NJM79L09A (JRC) - 9V  
 NEGATIVE VOLTAGE REGULATOR (100mA)



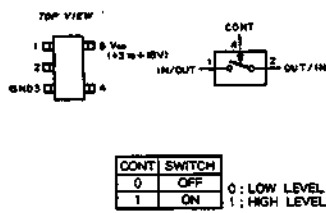
NJM79M09FA (JRC) -9V  
 NEGATIVE VOLTAGE REGULATOR (500mA)  
 - FRONT VIEW -



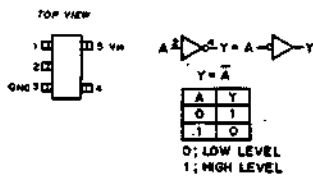
PQ30RV1 (SHARP) VARIABLE 1A  
 POSITIVE VOLTAGE REGULATOR



SC14S66FEL (MOTOROLA) CHIP PACKAGE  
 CMOS BILATERAL ANALOG SWITCH

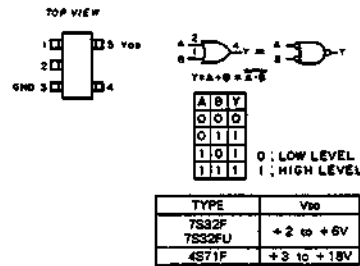


SC7S04F (MOTOROLA) CHIP PACKAGE  
 TC7S04F (TOSHIBA) CHIP PACKAGE  
 CMOS INVERTER

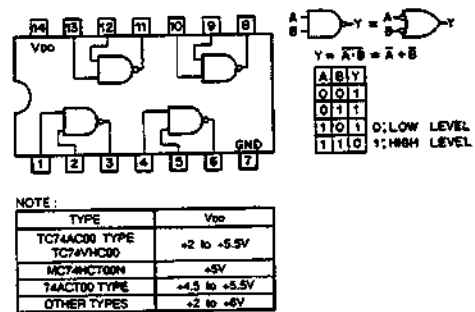


TYPE	V <sub>cc</sub>
7S04F 7S04F	+2 to +6V
4S04F 4S04F	+3 to +18V

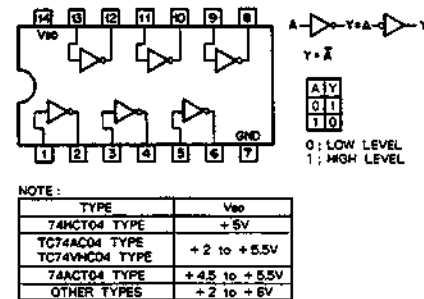
SC7S32F (MOTOROLA) CHIP PACKAGE  
 TC7S32F (TOSHIBA) CHIP PACKAGE  
 CMOS 2-INPUT OR GATE



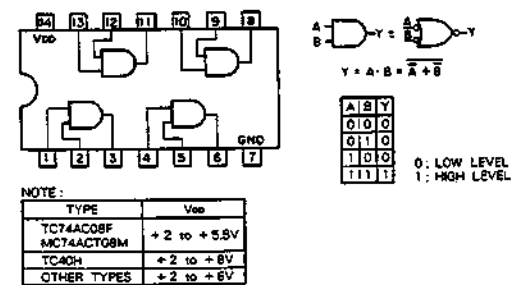
SN74HC00AN (TI)  
 SN74HC00ANS (TI) FLAT PACKAGE  
 CMOS QUAD 2-INPUT NAND GATES  
 - TOP VIEW -



SN74HC04ANS (TI) FLAT PACKAGE  
 SN74HC04AN (TI) FLAT PACKAGE  
 SN74HC04ANS (TI) FLAT PACKAGE  
 CMOS HEX INVERTERS  
 - TOP VIEW -

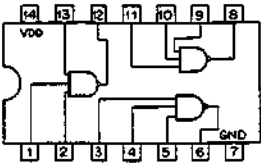


SN74HC08AN (TI)  
 SN74HC08ANS (TI) FLAT PACKAGE  
 CMOS QUAD 2-INPUT AND GATES  
 - TOP VIEW -



**SN74HC10ANS (TI) FLAT PACKAGE**

C-MOS 3-INPUT NAND GATE  
- TOP VIEW -



$Y = ABC \cdot \bar{A} + \bar{B} + C$

A	B	C	Y
0	0	0	1
0	0	1	1
0	1	0	1
0	1	1	1
1	0	0	1
1	0	1	1
1	1	0	0
1	1	1	0

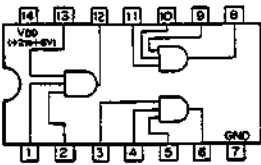
0: LOW LEVEL  
1: HIGH LEVEL

NOTE:

TYPE	V <sub>DD</sub>
TC40M	+2 to +8V
OTHERS	+2 to +6V

**SN74HC11ANS (TI) FLAT PACKAGE**

C-MOS 3-INPUT POSITIVE-AND GATE



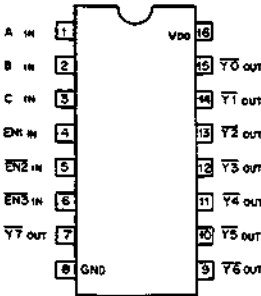
$Y = A \cdot B \cdot C = \overline{\overline{A} + \overline{B} + \overline{C}}$

A	B	C	Y
0	0	0	0
0	0	1	0
0	1	0	0
0	1	1	0
1	0	0	0
1	0	1	0
1	1	0	0
1	1	1	1

0: LOW LEVEL  
1: HIGH LEVEL

**SN74HC138ANS (TI) FLAT PACKAGE**

C-MOS 3-TO-8 LINE DECODER/DEMULTIPLEXER  
- TOP VIEW -



INPUTS			OUTPUTS							
EN	A	B	Y0	Y1	Y2	Y3	Y4	Y5	Y6	Y7
0	X	X	1	1	1	1	1	1	1	1
1	0	0	1	1	1	1	1	1	1	0
1	0	1	1	1	1	1	1	1	0	1
1	1	0	1	1	1	1	1	0	1	1
1	1	0	1	1	1	0	1	1	1	1
1	1	1	1	1	1	0	1	1	1	1
1	1	1	1	0	1	1	1	1	1	1
1	1	1	1	1	0	1	1	1	1	1

EN = EN1 · EN2 · EN3

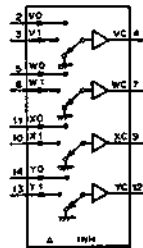
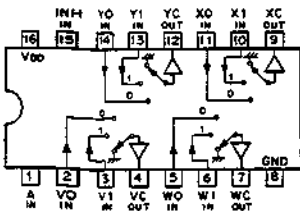
0: LOW LEVEL  
1: HIGH LEVEL  
X: DON'T CARE

NOTE:

TYPE	V <sub>DD</sub>
74HC138 TYPE	+5V
74ACT138 TYPE	+4.5 to +5.5V
TC74AC138 TYPE	+2 to +5.5V
TC74VHC138	+2 to +5.5V
OTHER TYPES	+2 to +6V

**SN74HC157ANS (TI) FLAT PACKAGE**

C-MOS QUAD 2-LINE-TO-1-LINE DATA SELECTOR/MULTIPLEXER  
- TOP VIEW -



CONT. IN	ON
INH: A	CHANNEL
0	0
0	1
1	X

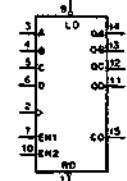
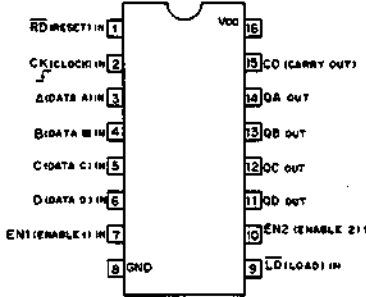
0: LOW LEVEL  
1: HIGH LEVEL  
X: DON'T CARE

NOTE:

TYPE	V <sub>DD</sub>
74ACT157	+5V
TC74AC157P	+2 to +5.5V
TC74AC157	+2 to +5.5V
TC40M	+2 to +8V
OTHER TYPES	+2 to +6V

**SN74HC161AN (TI)**

C-MOS SYNCHRONOUS PRESETTABLE 4-BIT BINARY COUNTER  
- TOP VIEW -



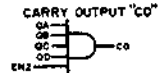
MODE SELECTION

CONTROL INPUTS				MODE
R <sub>0</sub>	LD	EN1	EN2	
0	X	X	X	RESET (ASYNCHRONOUS)
1	0	X	X	PRESET (SYNCHRONOUS)
1	1	0	X	NO COUNT
1	1	X	0	NO COUNT
1	1	1	1	COUNT

COUNT SEQUENCE

COUNT	OUTPUTS			
	QD	QC	QB	QA
0	0	0	0	0
1	0	0	0	1
2	0	0	1	0
3	0	0	1	1
4	0	1	0	0
5	0	1	0	1
6	0	1	1	0
7	0	1	1	1
8	1	0	0	0
9	1	0	0	1
10	1	0	1	0
11	1	0	1	1
12	1	1	0	0
13	1	1	0	1
14	1	1	1	0
15	1	1	1	1

0: LOW LEVEL  
1: HIGH LEVEL  
X: DON'T CARE



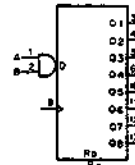
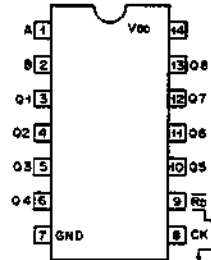
CO IS HIGH WHEN EN2 INPUT IS HIGH AND COUNT IS '15'.

NOTE:

TYPE	V <sub>DD</sub>
74ACT	+5V
TC40M	+2 to +8V
OTHERS	+2 to +6V

**SN74HC164ANS (TI) FLAT PACKAGE**

C-MOS 8-BIT SERIAL-IN/PARALLEL-OUT SHIFT REGISTER  
- TOP VIEW -

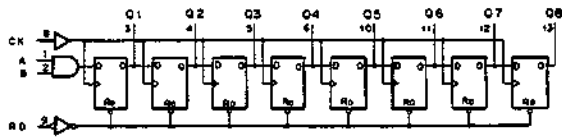


INPUTS		OUTPUTS								
R <sub>0</sub> /CK	A	B	Q1	Q2	Q3	Q4	Q5	Q6	Q7	Q8
0	X	X	0	0	0	0	0	0	0	0
1	0	X	Q1	Q2	Q3	Q4	Q5	Q6	Q7	Q8
1	1	1	1	1	1	1	1	1	1	1
1	1	0	X	0	Q1n	Q2n	Q3n	Q4n	Q5n	Q6n
1	1	X	0	0	Q1n	Q2n	Q3n	Q4n	Q5n	Q6n
1	1	X	0	0	Q1n	Q2n	Q3n	Q4n	Q5n	Q6n

0: LOW LEVEL  
1: HIGH LEVEL  
X: DON'T CARE

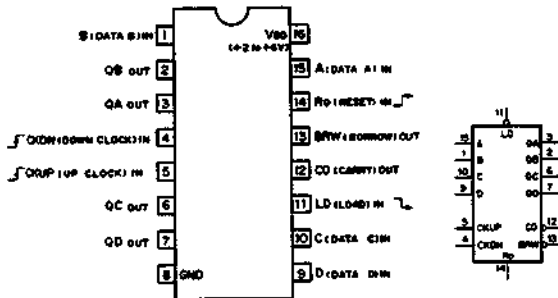
NOTE:

TYPE	V <sub>DD</sub>
TC74AC164 TYPE	+2 to +5.5V
OTHER TYPES	+2 to +6V



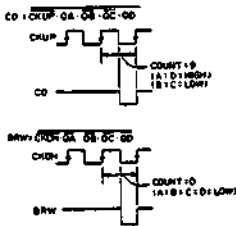


**SN74HC192NS (TI) FLAT PACKAGE**  
**C-MOS SYNCHRONOUS UP/DOWN DECADE COUNTER**  
 - TOP VIEW -



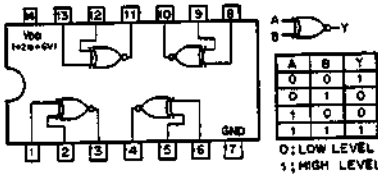
CONTROL INPUTS				MODE
Rd	Ld	CKUP/CKDN	CO/CKDN	
1	X	X	X	RESET TO ZERO
0	0	X	X	PRESET
0	1	X	1	UP COUNT
0	1	1	X	DOWN COUNT
0	1	1	1	NO COUNT

COUNT	OUTPUTS			
	QD	QC	QB	QA
0	0	0	0	0
1	0	0	0	1
2	0	0	1	0
3	0	0	1	1
4	0	1	0	0
5	0	1	0	1
6	0	1	1	0
7	0	1	1	1
8	1	0	0	0
9	1	0	0	1



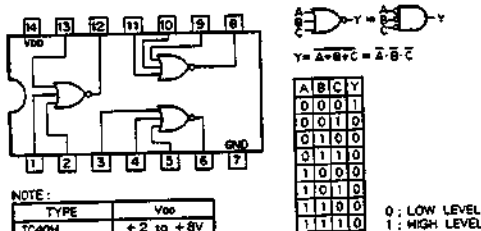
0: LOW LEVEL  
 1: HIGH LEVEL  
 X: DON'T CARE

**SN74HC266ANS (TI) FLAT PACKAGE**  
**C-MOS 2-INPUT EXCLUSIVE-NOR GATE**  
 - TOP VIEW -



A	B	Y
0	0	1
0	1	0
1	0	0
1	1	1

**SN74HC27ANS (TI) FLAT PACKAGE**  
**C-MOS 3-LINE POSITIVE-NOR GATE**  
 - TOP VIEW -

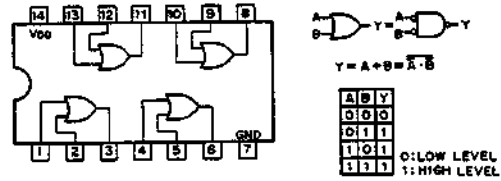


NOTE:

TYPE	V <sub>DD</sub>
TC40H	+2 to +8V
OTHERS	+2 to +5V

0: LOW LEVEL  
 1: HIGH LEVEL

**SN74HC32ANS (TI) FLAT PACKAGE**  
**C-MOS QUAD 2-INPUT OR GATES**  
 - TOP VIEW -

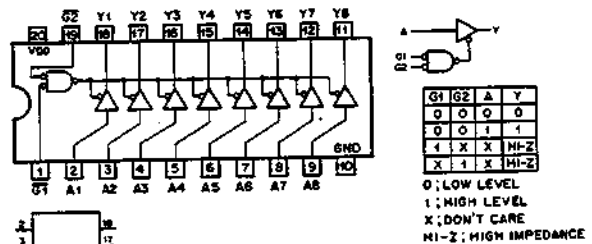


NOTE:

TYPE	V <sub>DD</sub>
TC74AC32 TYPE TC74VHC32	+2 to +5.5V
OTHER TYPES	+2 to +6V

A	B	Y
0	0	0
0	1	1
1	0	1
1	1	1

**SN74HC541ANS (TI) FLAT PACKAGE**  
**C-MOS BUFFERS AND LINE DRIVERS WITH 3-STATE OUTPUTS**  
 - TOP VIEW -

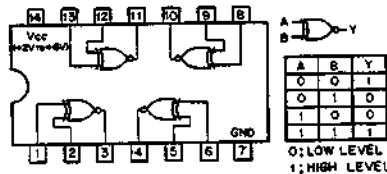


NOTE:

TYPE	V <sub>DD</sub>
ACTVHC	+2 to +5.5V
HC	+2 to +6V
ACT/BC/ACT	+5V

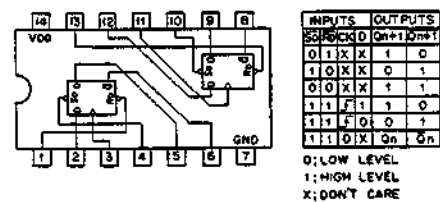
G1	G2	A	Y
0	0	0	0
0	0	1	1
1	X	X	HI-Z
X	1	X	HI-Z

**SN74HC266NS (TI) FLAT PACKAGE**  
**C-MOS 2-INPUT EXCLUSIVE-NOR GATES**  
 - TOP VIEW -



A	B	Y
0	0	1
0	1	0
1	0	0
1	1	1

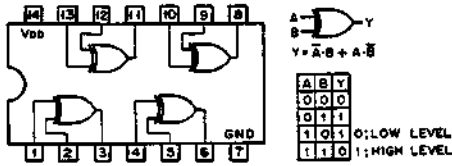
**SN74HC74AN (TI)**  
**SN74HC74ANS (TI) FLAT PACKAGE**  
**C-MOS DUAL D-TYPE FLIP-FLOPS WITH DIRECT SET/RESET**  
 - TOP VIEW -



NOTE:

TYPE	V <sub>DD</sub>
TC74HC74AF	+5V
TC74AC74 TYPE	+2 to +5.5V
74ACT74 TYPE	+4.5 to +5.5V
OTHER TYPES	+2 to +6V

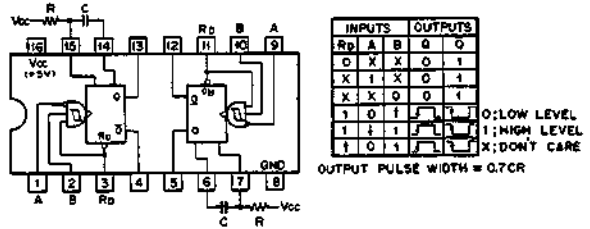
**SN74HC86ANS (TI) FLAT PACKAGE**  
**C-MOS QUAD EXCLUSIVE OR GATES**  
 - TOP VIEW -



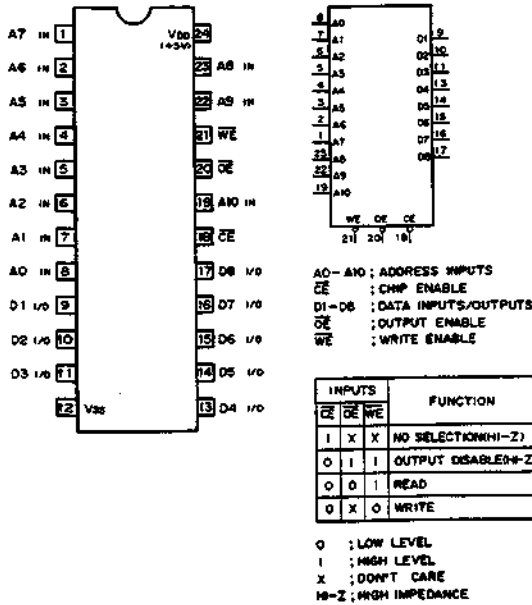
NOTE:

TYPE	V <sub>DD</sub>
TC74AC86 TYPE	+2 to +5.5V
OTHER TYPES	+2 to +6V

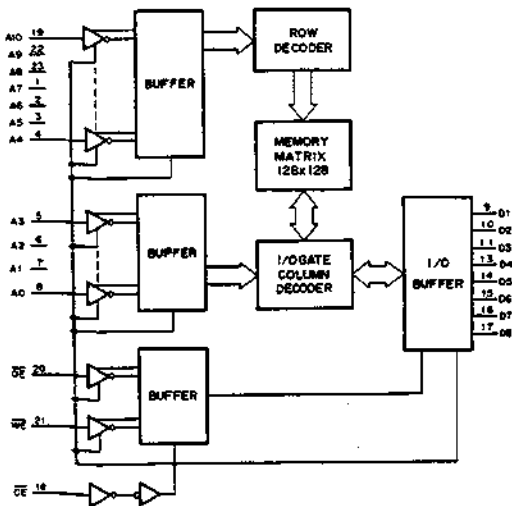
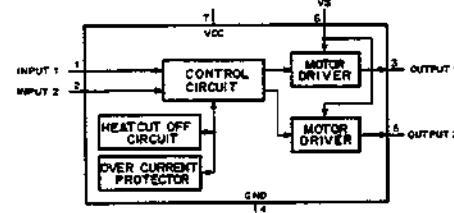
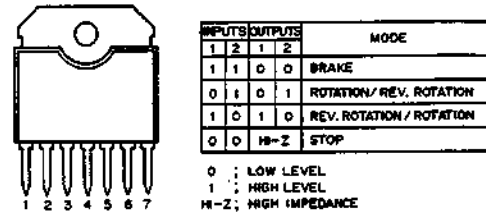
**SN74LS221NS (TI) FLAT PACKAGE**  
**TTL MONOSTABLE MULTIVIBRATOR WITH SCHMITT TRIGGER INPUT**  
 - TOP VIEW -



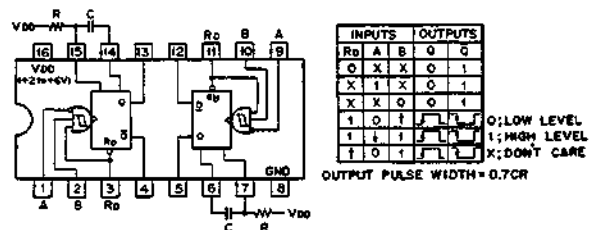
**SRM2018M10 (SEKO EPSON) FLAT PACKAGE**  
**C-MOS 16384-BIT (2048x8) STATIC RAM**  
 - TOP VIEW -



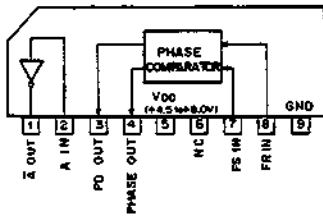
**TA7267P (TOSHIBA)**  
**DC MOTOR DRIVER**  
 - PRINTED SIDE VIEW -



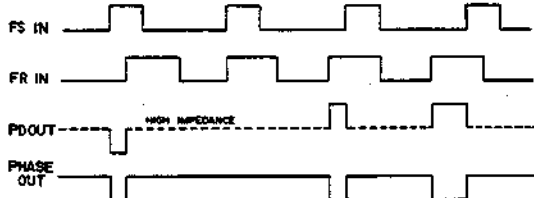
**TC74HC221AF (TOSHIBA) FLAT PACKAGE**  
**C-MOS MONOSTABLE MULTIVIBRATOR WITH SCHMITT TRIGGER INPUT**  
 - TOP VIEW -



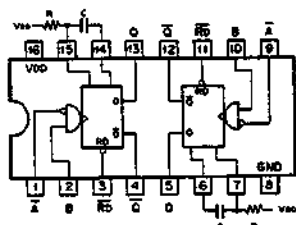
**TC5081AP (TOSHIBA)**  
**CMOS PHASE COMPARATOR**  
 - SIDE VIEW -



**PHASE COMPARATOR TIMING CHART**



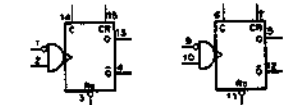
**TC74HC123AF (TOSHIBA) FLAT PACKAGE**  
**CMOS DUAL RETRIGGERABLE MONOSTABLE MULTIVIBRATORS**  
 - TOP VIEW -



INPUT		OUTPUT	
Rd	A	B	Q
0	X	X	0
1	1	X	0
1	X	0	1
1	0	0	1
1	1	1	1
1	0	1	1

0; LOW LEVEL  
 1; HIGH LEVEL  
 X; DON'T CARE

OUTPUT PULSE WIDTH = 0.45CR

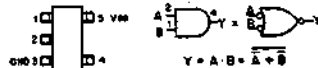


**NOTE:**

TYPE	V <sub>DD</sub>
TC74HCT123AF	+5V
OTHER TYPES	+2 to +6V

**TC7508F (TOSHIBA) CHIP PACKAGE**  
**CMOS 2-INPUT AND GATE**

(SCALE 6/1)  
 TOP VIEW

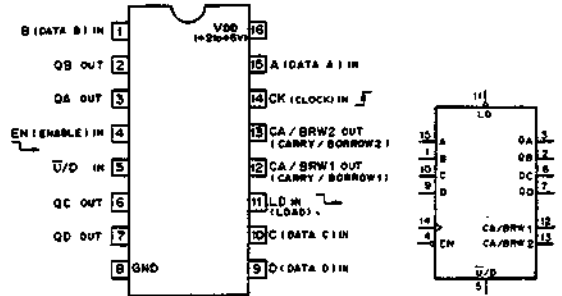


A	B	Y
0	0	0
0	1	0
1	0	0
1	1	1

0; LOW LEVEL  
 1; HIGH LEVEL

TYPE	V <sub>DD</sub>
7508F	+2 to +6V
7508FU	+5V
4581F	+3 to +18V
14581F	+5V

**TC74HC191AF (TOSHIBA) FLAT PACKAGE**  
**CMOS PRESETTABLE SYNCHRONOUS 4-BIT BINARY UP/DOWN COUNTER**  
 - TOP VIEW -



**MODE SELECTION**

CONTROL INPUTS			MODE
LD	EN	U/D	
0	X	X	PRESET (ASYNCHRONOUS)
1	1	X	NO COUNT
1	0	0	UP COUNT
1	0	1	DOWN COUNT

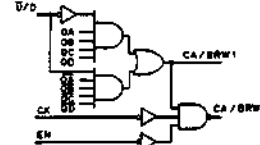
0; LOW LEVEL  
 1; HIGH LEVEL  
 X; DON'T CARE.

**COUNT SEQUENCE**

COUNT	OUTPUTS			
	QD	QC	QB	QA
0	0	0	0	0
1	0	0	0	1
2	0	0	1	0
3	0	0	1	1
4	0	1	0	0
5	0	1	0	1
6	0	1	1	0
7	0	1	1	1
8	1	0	0	0
9	1	0	0	1
10	1	0	1	0
11	1	0	1	1
12	1	1	0	0
13	1	1	0	1
14	1	1	1	0
15	1	1	1	1

↑ UP COUNT  
 ↓ DOWN COUNT

**CA/BRW OUTPUTS**

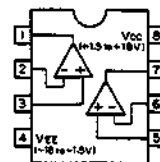


CA/BRW1 OUTPUT IS HIGH WHEN COUNT IS "15" AT UP-COUNT OR WHEN COUNT IS "0" AT DOWN COUNT.

CA/BRW2 OUTPUT IS LOW WHEN BOTH THE CLOCK AND EN INPUTS ARE LOW AND CA/BRW1 OUTPUT IS HIGH.

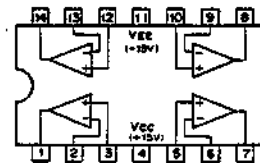
**TL062CPS (TI) FLAT PACKAGE**  
**TL082CPS (TI) FLAT PACKAGE**

**OPERATIONAL AMPLIFIER (JFET INPUT)**  
 - TOP VIEW -

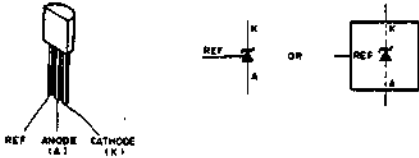


**TL084CNS (TI) FLAT PACKAGE**

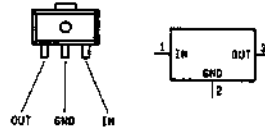
**OPERATIONAL AMPLIFIER (J FET-INPUT)**  
 - TOP VIEW -



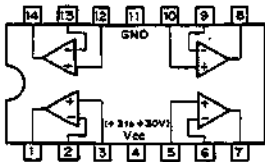
TL431CLP (TI)  
ADJUSTABLE PRECISION SHUNT REGULATOR



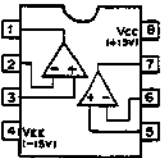
UPC78L05T (NEC) + 5V  
POSITIVE VOLTAGE REGULATOR (100mA)



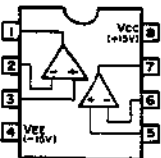
UPC324G2 (NEC) FLAT PACKAGE  
QUAD OPERATIONAL AMPLIFIERS  
- TOP VIEW -



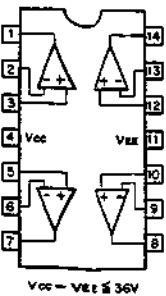
UPC4557C (NEC)  
OPERATIONAL AMPLIFIER (WIDE BAND, LOW NOISE)  
- TOP VIEW -



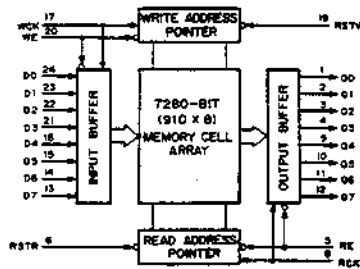
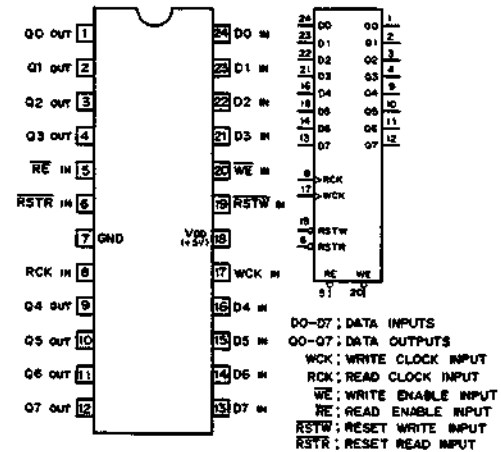
UPC4570C (NEC)  
UPC4570G2 (NEC) FLAT PACKAGE  
OPERATIONAL AMPLIFIER  
- TOP VIEW -



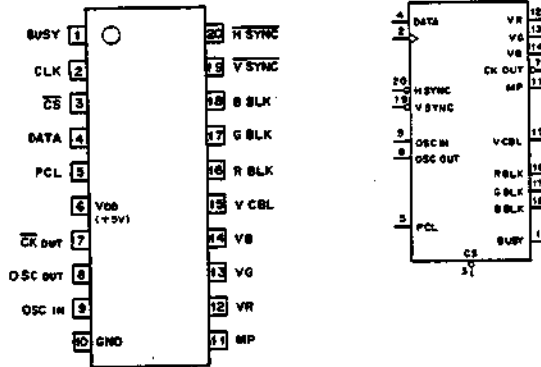
UPC4574G2 (NEC)  
QUAD OPERATIONAL AMPLIFIER  
- TOP VIEW -



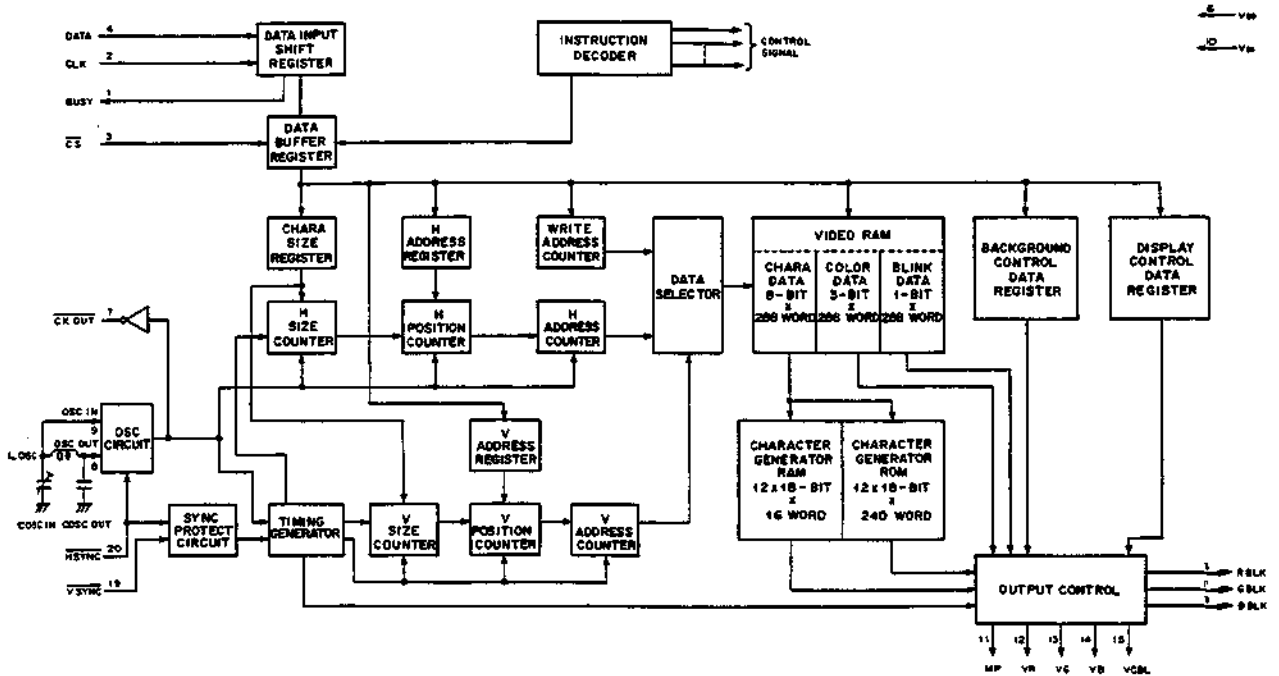
UPD42101C-3 (NEC)  
UPD42101G-3 (NEC) FLAT PACKAGE  
CMOS 7K (910x8)-BIT FIFO MEMORY  
- TOP VIEW -



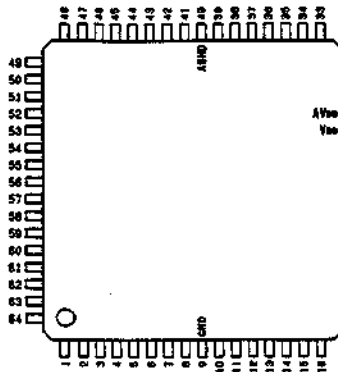
UPD6453GT (NEC) FLAT PACKAGE  
 CMOS ON-SCREEN CHARACTER DISPLAY  
 - TOP VIEW -



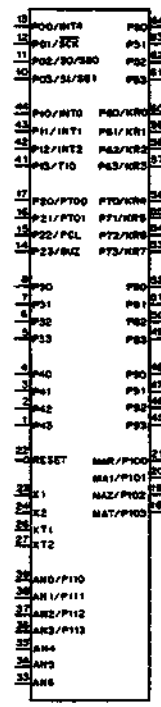
- INPUT**  
 CLK : CLOCK  
 CS : CHIP SELECT  
 DATA : SERIAL DATA  
 H SYNC : HORIZONTAL SYNC  
 OSC IN : OSCILLATOR IN  
 PCL : POWER ON CLEAR  
 V SYNC : VERTICAL SYNC
- OUTPUT**  
 B, R, G, CBL : B, R, G, BLANKING  
 BUSY : BUSY OUT  
 CK OUT : CLOCK  
 MP : MASK PULSE  
 OSC OUT : OSCILLATOR OUT  
 V, G, B : CHARACTER DATA  
 V CBL : VIDEO OUT BLANKING



UPD75028GC (NEC)  
 C-MOS 4-BIT 1-CHIP MICROCOMPUTER  
 - TOP VIEW -



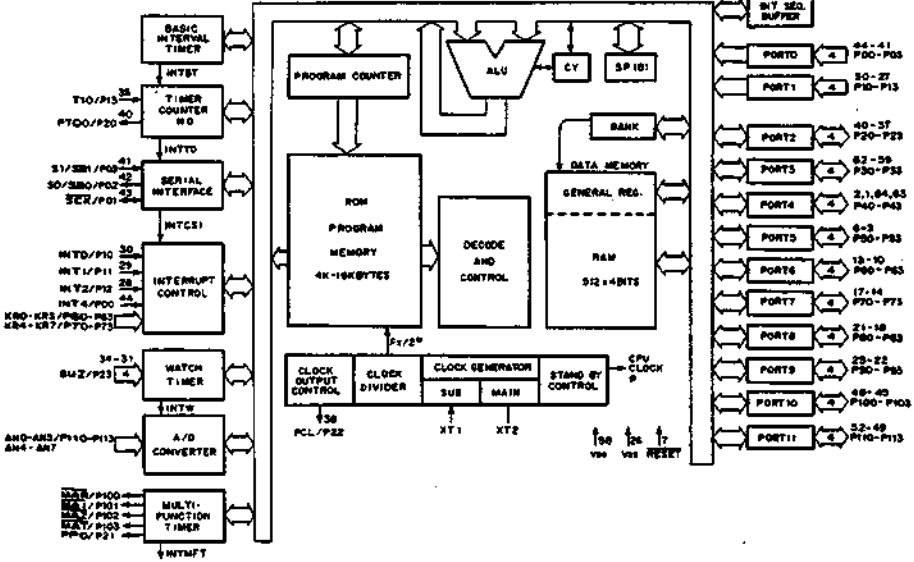
PIN NO.	I/O	SYMBOL	PIN NO.	I/O	SYMBOL	PIN NO.	I/O	SYMBOL	PIN NO.	I/O	SYMBOL
1	I/O	P43	17	I/O	PT00/P20	33	I	AN6	49	I/O	P83
2	I/O	P42	18	I/O	MAZ/P103	34	I	AN5	50	I/O	P82
3	I/O	P41	19	I/O	MAZ/P102	35	I	AN4	51	I/O	P81
4	I/O	P40	20	I/O	MAI/P101	36	I	AN3/P113	52	I/O	P80
5	I/O	P39	21	I/O	MAI/P100	37	I	AN2/P112	53	I/O	P79/KR7
6	I/O	P32	22	I	RESET	38	I	AN1/P111	54	I/O	P72/KR6
7	I/O	P31	23	I	X1	39	I	ANG/P110	55	I/O	P71/KR5
8	I/O	P30	24	-	X2	40	I	A GND	56	I/O	P70/KR4
9	-	GND	25	-	IC	41	I	T10/P13	57	I/O	P63/KR3
10	I/O	SB1/SI/P03	26	I	XT1	42	I	P12/INT2	58	I/O	P62/KR2
11	I/O	SB0/SO	27	I/O	XT2	43	I	P11/INT1	59	I/O	P61/KR1
12	I/O	SCK/P01	28	-	Vcc	44	I	P10/INT0	60	I/O	P60/KR0
13	I	INT4/P00	29	-	AVcc	45	I/O	P83	61	I/O	P53
14	I/O	BUZ/P23	30	-	AVcc -	46	I/O	P82	62	I/O	P52
15	I/O	PCL/P22	31	-	AVcc -	47	I/O	P81	63	I/O	P51
16	I/O	PPC/P21	32	I	AN7	48	I/O	P90	64	I/O	P50



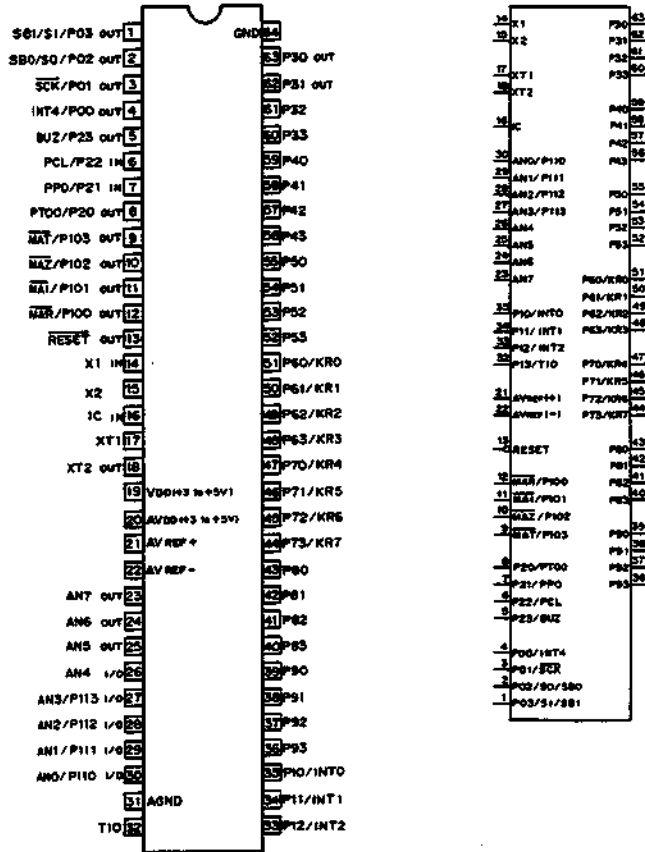
- INPUT
- AN0 - AN7 : ANALOG 0 - 7
- AVREF (+) : ANALOG REFERENCE (+)
- AVREF (-) : ANALOG REFERENCE (-)
- INT 0, 1, 4 : EXTERNAL VECTORED INTERRUPT 0, 1, 4
- INT2 : EXTERNAL TEST 2
- KR0 - KR7 : KEY RETURN 0 - 7
- MAT : EXTERNAL COMPARE TIMING (MFT A/D MODE)
- P00 - P03 : PORT 0
- P10 - P13 : PORT 1
- P20 - P23 : PORT 2
- P30 - P33 : PORT 3
- P40 - P43 : PORT 4
- P50 - P53 : PORT 5
- P60 - P63 : PORT 6
- P70 - P73 : PORT 7
- P80 - P83 : PORT 8
- P90 - P93 : PORT 9
- P100 - P103 : PORT 10
- P110 - P113 : PORT 11
- RESET : RESET
- SI : SERIAL
- Ti 0 : TIMER 0
- X1, 2 : MAIN SYSTEM CLOCK OSCILLATION 1, 2
- XT1, XT2 : SUB SYSTEM CLOCK OSCILLATION 1, 2

- OUTPUT
- BUZ : BUZZER CLOCK
- MAI : INTEGRATION CONTROL (MFT A/D MODE)
- MAR : REFERENCE INTEGRATION CONTROL (MFT A/D MODE)
- MAZ : AUTOZERO CONTROL (MFT A/D MODE)
- PCL : PROGRAMMABLE CLOCK
- PPC : PROGRAMMABLE PULSE (MFT TIMER MODE)
- PT00 : PROGRAMMABLE TIMER 0
- SB 0, 1 : SERIAL BUS 0, 1
- SO : SERIAL

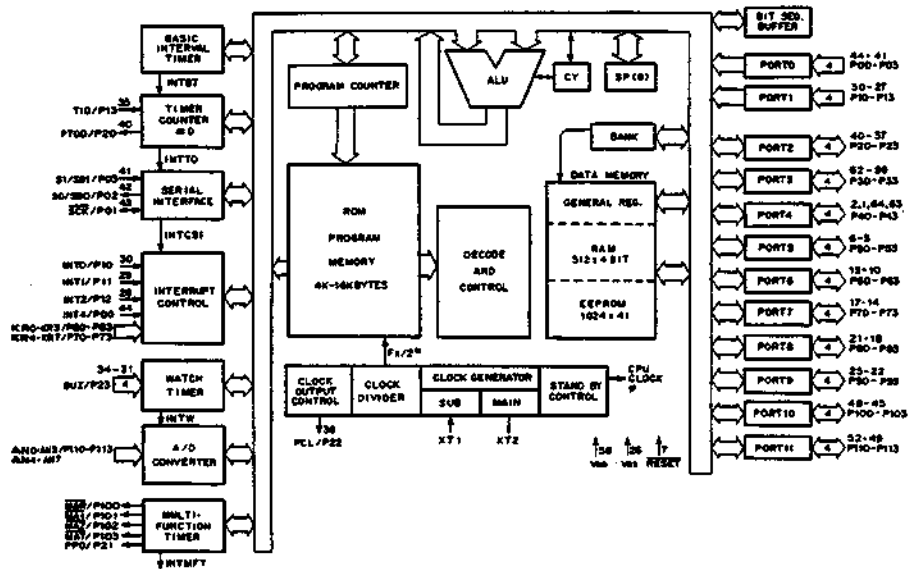
- INPUT/OUTPUT
- SCK : SERIAL CLOCK



UP075048CW (NEC)  
 C-MOS 4-BIT 1-CHIP MICROCOMPUTER  
 - TOP VIEW -

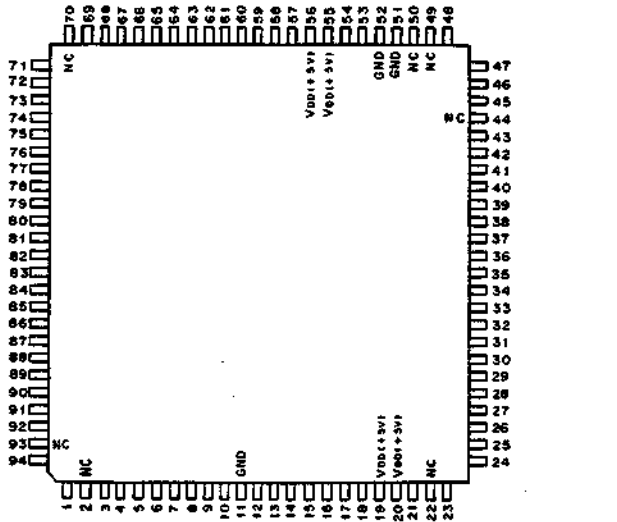


- INPUT**
- AN0 - AN7 : ANALOG 0-7
  - AVREF (+) : ANALOG REFERENCE (+)
  - AVREF (-) : ANALOG REFERENCE (-)
  - INT 0, 1, 4 : EXTERNAL VECTORED INTERRUPT 0, 1, 4
  - INT2 : EXTERNAL TEST 2
  - KR0 - KR7 : KEY RETURN 0 - 7
  - MAT : EXTERNAL COMPARE TIMING (MFT A/D MODE)
- PORT**
- P00 - P03 : PORT 0
  - P10 - P13 : PORT 1
  - P20 - P23 : PORT 2
  - P30 - P33 : PORT 3
  - P40 - P43 : PORT 4
  - P50 - P53 : PORT 5
  - P60 - P63 : PORT 6
  - P70 - P73 : PORT 7
  - P80 - P83 : PORT 8
  - P90 - P93 : PORT 9
  - P100 - P103 : PORT 10
  - P110 - P113 : PORT 11
- RESET**
- RESET : RESET
  - SI : SIREAL
  - TI 0 : TIMER 0
  - X1, 2 : MAIN SYSTEM CLOCK OSCILLATION 1, 2
  - XT1, XT2 : SUB SYSTEM CLOCK OSCILLATION 1, 2
- OUTPUT**
- BUZ : BUZZER CLOCK
  - MAI : INTEGRATION CONTROL (MFT A/D MODE)
  - MAR : REFERENCE INTEGRATION CONTROL (MFT A/D MODE)
  - MAZ : AUTOZERO CONTROL (MFT A/D MODE)
  - PCL : PROGRAMMABLE CLOCK
  - PPO : PROGRAMMABLE PULSE (MFT TIMER MODE)
  - PT00 : PROGRAMMABLE TIMER 0
  - S8 0, 1 : SERIAL BUS 0.1
  - S0 : SERIAL
- INPUT/OUTPUT**
- SCR : SERIAL CLOCK

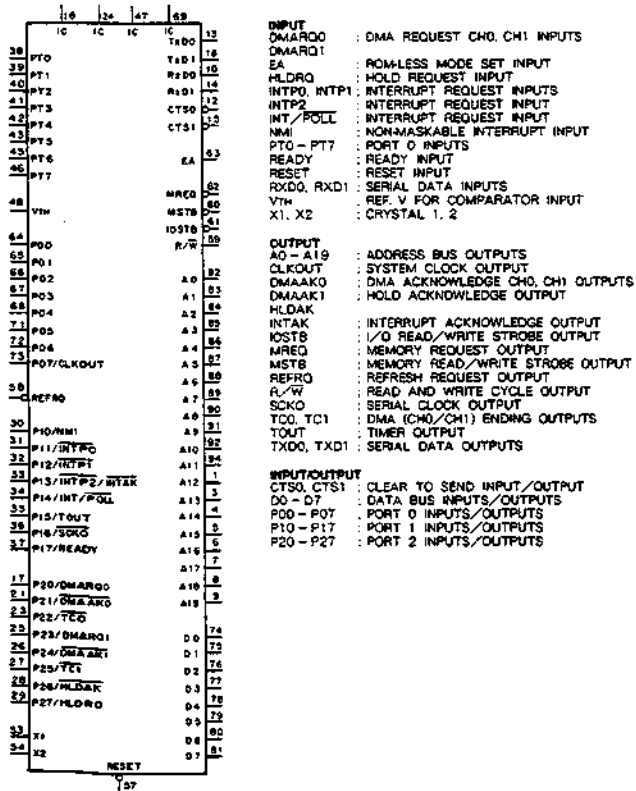


UPD70320GJ-8-5BG (NEC)  
 CMOS SINGLE CHIP 16/8-BIT MICROCOMPUTER  
 - TOP VIEW -

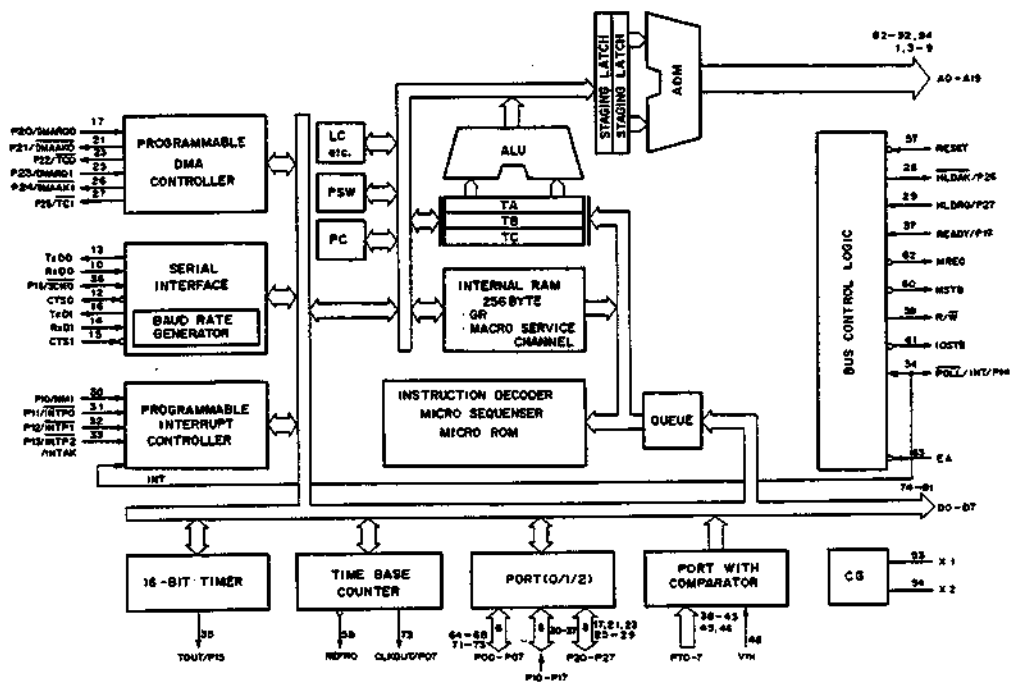
(VDD = + 5V)



PIN No.	I/O	SYMBOL	PIN No.	I/O	SYMBOL	PIN No.	I/O	SYMBOL
1	O	A12	33	I/O	P13/INTP2/INTAK	65	I/O	P01
2	-	NC	34	I/O	P14/INT/POLL	66	I/O	P02
3	O	A13	35	I/O	P15/TOUT	67	I/O	P03
4	O	A14	36	I/O	P16/SCK0	68	I/O	P04
5	O	A15	37	I/O	P17/READY	69	-	INT.CONNECT
6	O	A16	38	I	PT0	70	-	NC
7	O	A17	39	I	PT1	71	I/O	P05
8	O	A18	40	I	PT2	72	I/O	P06
9	O	A19	41	I	PT3	73	I/O	P07/CLKOUT
10	I	RxD0	42	I	PT4	74	I/O	D0
11	-	GND	43	I	PT5	75	I/O	D1
12	I/O	CTS0	44	-	NC	76	I/O	D2
13	O	TxD0	45	I	PT6	77	I/O	D3
14	I	RxD1	46	I	PT7	78	I/O	D4
15	I	CTS1	47	-	INT.CONNECT	79	I/O	D5
16	O	TxD1	48	-	VTH	80	I/O	D6
17	I/O	P20/DMAREQ0	49	-	NC	81	I/O	D7
18	-	INT.CONNECT	50	-	NC	82	O	A0
19	-	VDD	51	-	GND	83	O	A1
20	-	VDD	52	-	GND	84	O	A2
21	I/O	P21/DMAAK0	53	-	X1	85	O	A3
22	-	NC	54	-	X2	86	O	A4
23	I/O	P22/TCD	55	-	VDD	87	O	A5
24	-	INT.CONNECT	56	-	VDD	88	O	A6
25	I/O	P23/DMAREQ1	57	I	RESET	89	O	A7
26	I/O	P24/DMAAK1	58	O	REFREQ	90	O	A8
27	I/O	P25/TC1	59	O	R/W	91	O	A9
28	I/O	P26/HLDAR	60	O	MSTB	92	O	A10
29	I/O	P27/HLDRO	61	O	IOSTB	93	-	NC
30	I	P10/NMI	62	O	MREQ	94	O	A11
31	I	P11/INTP0	63	I	EA			
32	I	P12/INTP1	64	I/O	P00			













## SECTION 18 SPARE PARTS AND OPTIONAL FIXTURES

### 18-1. NOTES ON SPARE PARTS

#### (1) Safety Related Components Warning

Components marked with  $\Delta$  on the schematic diagrams, exploded views and electrical spare parts list are critical to safe operation. Replace these components with Sony parts whose part numbers appear in this manual or in service bulletin and service manual supplements published by Sony.

#### (2) Standardization of Parts

Repair parts supplied from Sony Parts Center may not be always identical with the parts which actually in use due to "accommodating the improved parts and/or engineering changes" or "standardization of genuine parts".

This manual's exploded views and electrical spare parts list are indicating the part numbers of "the standardized genuine parts at present".

#### (3) Stock of Parts

Parts marked with "o" SP (Supply Code) column of the spare parts list are not normally required for routine service work. Orders for parts marked with "o" will be processed, but allow for additional delivery time.

#### (4) Units for Capacitors, Inductors and Resistors

The following units are assumed in schematic diagrams, electrical parts list and exploded views unless otherwise specified.

Capacitors :  $\mu\text{F}$   
Inductors :  $\mu\text{H}$   
Resistors :  $\Omega$

#### (5) Tension Spring

( $\times\times\text{T}$ ) after a tension spring is shown on the parts list in order to indicate the number of spring turns required for the use.

(Example) TENSION, SPRING (20 T) :

This spring must be cut at its 20th turn for actual use.

### 18-1. 補修用部品注意事項

#### (1) 安全重要部品

回路図、分解図、電気部品表中、 $\Delta$ 印の部品は安全性を維持するために重要な部品です。従ってこれらの部品を交換するときには必ず指定の部品と交換して下さい。

#### (2) 部品の共通化

ソニーから供給される部品は、セットに実装されているものと異なることがあります。これは部品の共通化、改良等によるものです。

分解図や電気部品表には現時点での共通化された部品が記載されています。

#### (3) 部品の在庫

部品表のSP (Supply code) 欄に"o"で示される部品は交換頻度が低い部品ですので在庫していないことがあり、納期が長くなることがあります。

#### (4) コンデンサー、インダクター、抵抗の単位

回路図、分解図、電気部品表中、特に明記したものを除き、下記の単位は省略されています。

コンデンサー :  $\mu\text{F}$   
インダクター :  $\mu\text{H}$   
抵抗 :  $\Omega$

#### (5) 引張コイルバネ

部品表中の引張コイルバネの名称のあとの( $\times\times\text{T}$ )は、使用時の巻数を示しています。

(例) TENSION、SPRING (20 T)

巻数が20になるように切断し、使用する。

## 18-2. EXPLODED VIEWS

## Index of Main Mechanical Parts/Components

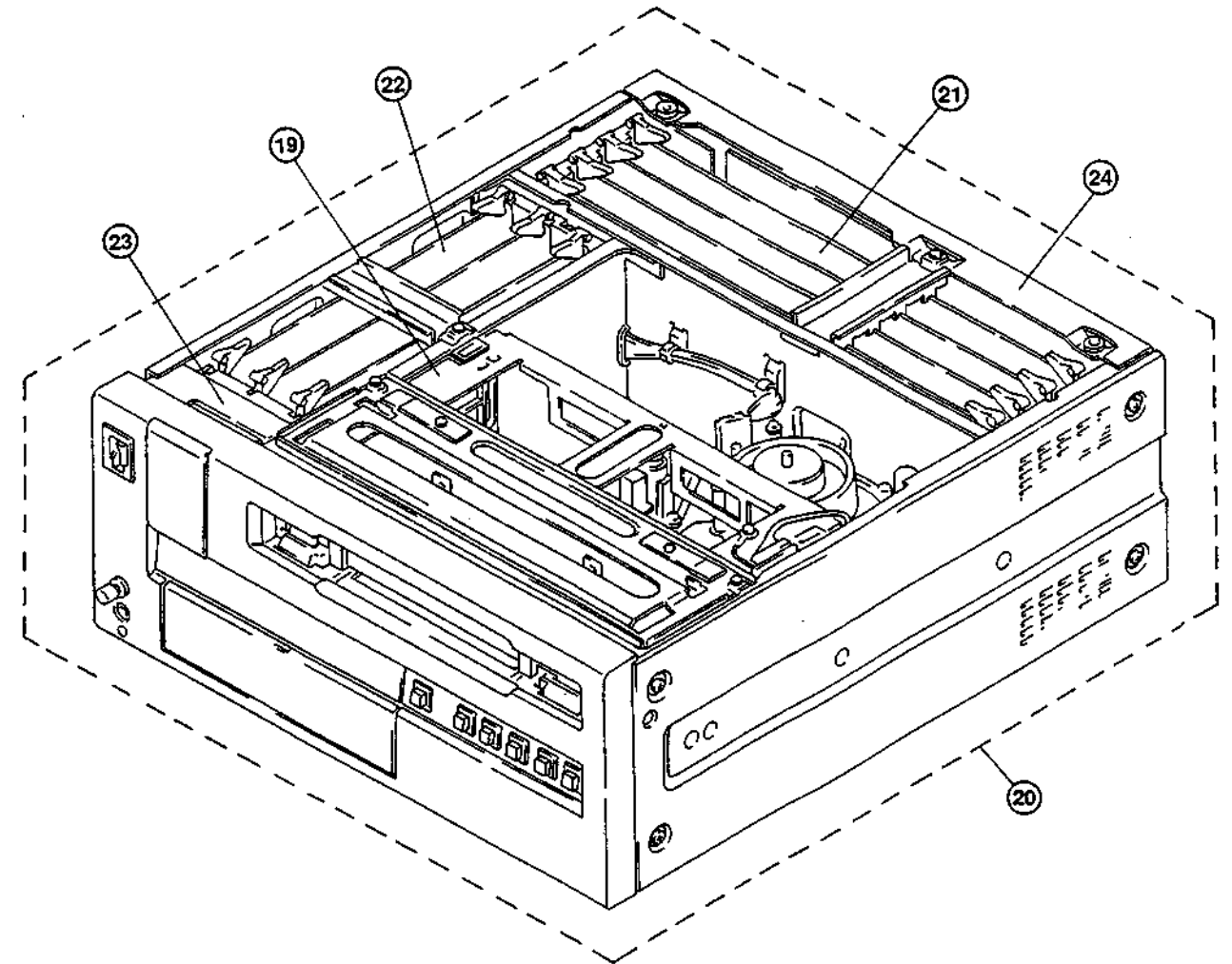
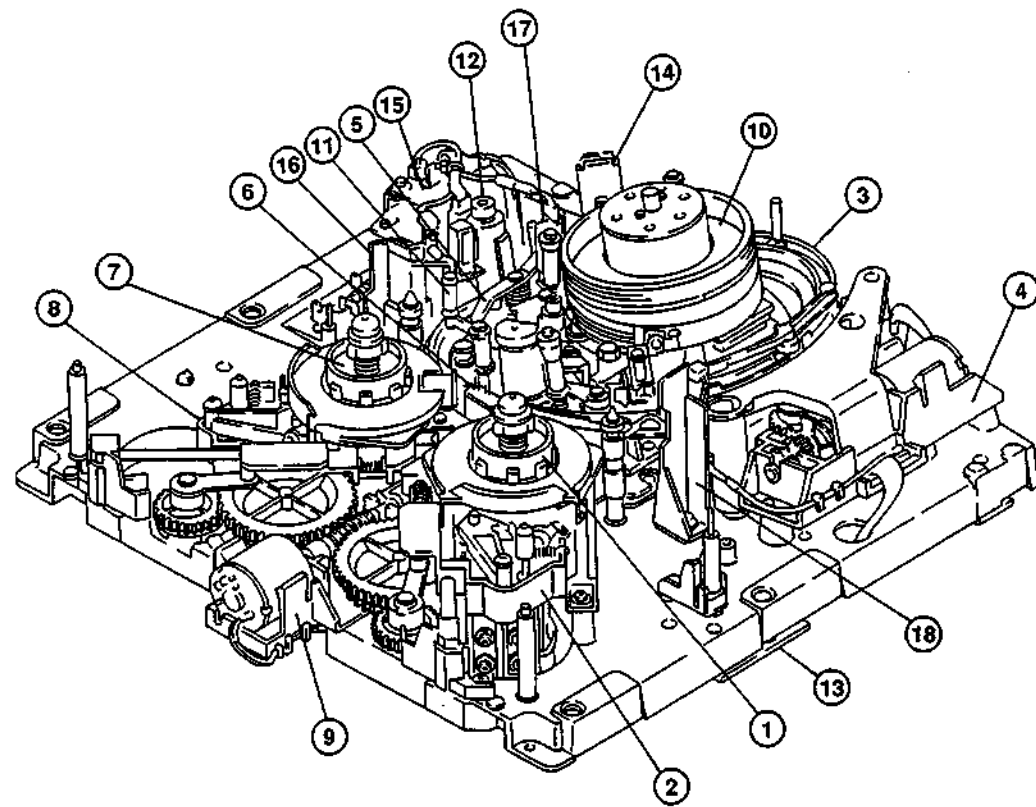
Mark	Item	Title	Page
① ②	Reel Table Block (T) RS Table (T) Block	REEL CHASSIS (1)	18-4
③ ④ ⑤	Loading Ring Block Gear Box Block Cleaning Roller Block	LOADING RING	18-6
⑥ ⑦ ⑧ ⑨	MC Block Reel Table Block (S) RS Table (S) Block LS Motor Block	REEL CHASSIS (2)	18-8
⑩ ⑪ ⑫	Head Drum Tension Regulator Block Capstan Motor	DRUM & TENSION REGULATOR ASSEMBLY	18-10
⑬	DR-214 Board	DR-214 BOARD ASSEMBLY	18-12
⑭ ⑮ ⑯ ⑰ ⑱	AT Head (R) Block Pinch Press Block FE Head Block CTL Head Block T Sensor Block	PRESS ASSY, PINCH	18-14
⑲	Cassette Compartment	CASSETTE COMPARTMENT ASSEMBLY	18-16
⑳	Upper Lid Bottom Plate Cabinet (right) Cabinet (left)	CHASSIS & ORNAMENTAL PANEL BLOCK	18-18
㉑	Printed Circuit Boards	CARD RACK BLOCK (1)	18-20
㉒	Printed Circuit Boards	CARD RACK BLOCK (2)	18-22
㉓	SC Guide Block Indicator Tube Module, Fluoresce	CHASSIS BLOCK	18-24
㉔	Connector Panel	CONNECTOR PANEL BLOCK	18-26

EXPLODED VIEW

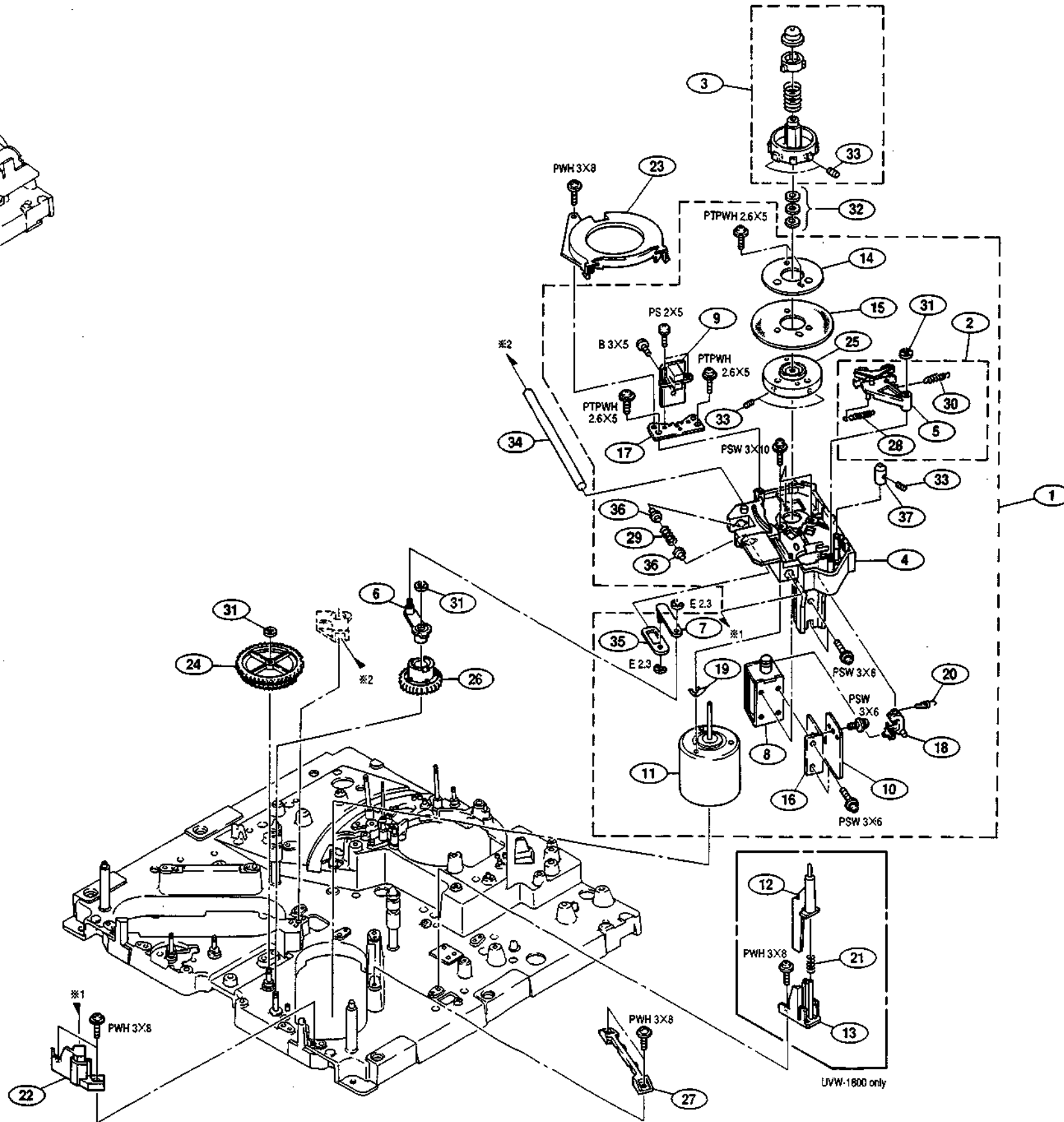
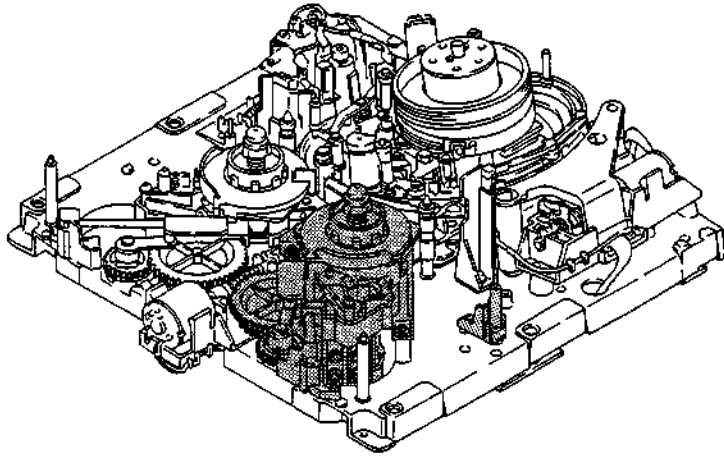
EXPLODED VIEW

MECHANICAL DECK

OVERALL BLOCK



REEL CHASSIS (1)





No.	Part No.	SP Description
1	A-8267-684-A	s TABLE (T) ASSY, RS
2	A-8267-685-A	s BRAKE ASSY
3	A-8267-690-B	s TABLE ASSY, REEL
4	X-3167-230-2	o PLATE (T) ASSY, REEL MOTOR
5	X-3167-231-1	s LINING ASSY
6	X-3717-202-3	o ARM ASSY, CRANK
7	X-3717-204-1	o ARM (B) ASSY, CRANK
8	1-454-417-41	s SOLENOID, PLUNGER
9	1-648-923-11	o SE-207 BOARD
10	1-648-925-11	o RM-127 BOARD
11	1-698-231-11	s MOTOR, DC (REEL)
12	3-180-745-01	o LEVER, MR (UVW-1800)
13	3-180-746-01	o HOLDER, MR (UVW-1800)
14	3-182-279-01	o RETAINER, DISK
15	3-182-280-01	o DISK, REEL
16	3-182-281-01	o SHEET METAL (T), RM FITTING
17	3-182-282-01	o SHEET METAL, SENSOR FITTING
18	3-182-284-01	o ARM, BRAKE RELEASE
19	3-182-285-01	s SPACER
19	3-182-285-11	s SPACER
20	3-182-286-01	s SPRING, TENSION
21	3-182-295-01	o SPRING, COMPRESSION (UVW-1800)
22	3-182-367-01	o RETAINER (T), SHAFT
23	3-182-368-01	o COVER, REEL
24	3-182-369-01	s WHEEL, WORM
25	3-182-375-01	o DISK HUB, REEL
26	3-182-382-01	s GEAR (T), CRANK
27	3-182-402-01	o GUIDE, PLATE
28	3-307-381-00	s SPRING, TENSION
29	3-491-247-00	s SPRING, COMPRESSION
30	3-648-217-00	o SPRING, TENSION
31	3-669-596-01	s WASHER (2.3), STOPPER
32	3-701-439-01	s WASHER, POLY 3MM DIA 0.13T
32	3-701-439-11	s WASHER, POLY 3MM DIA 0.25T
32	3-701-439-21	s WASHER, POLY 3MM DIA 0.5T
33	3-701-506-01	s SET SCREW, DOUBLE POINT 3X4
34	3-717-223-01	s SHAFT, SLIDE
35	3-717-230-01	o BRACKET, LIMITER
36	3-717-231-01	o HOLDER, LIMITER
37	3-717-266-01	o CAP (S), CG SHAFT

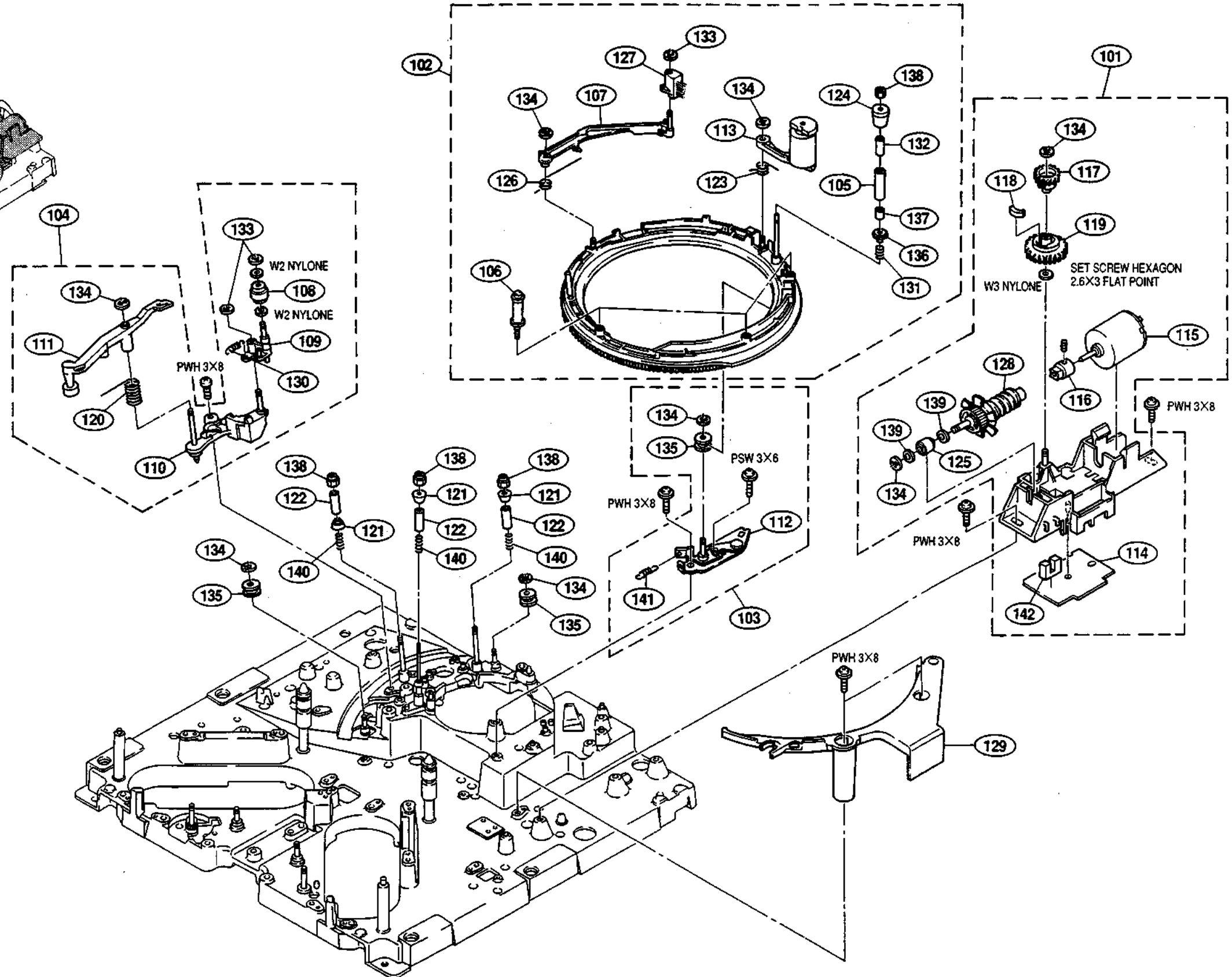
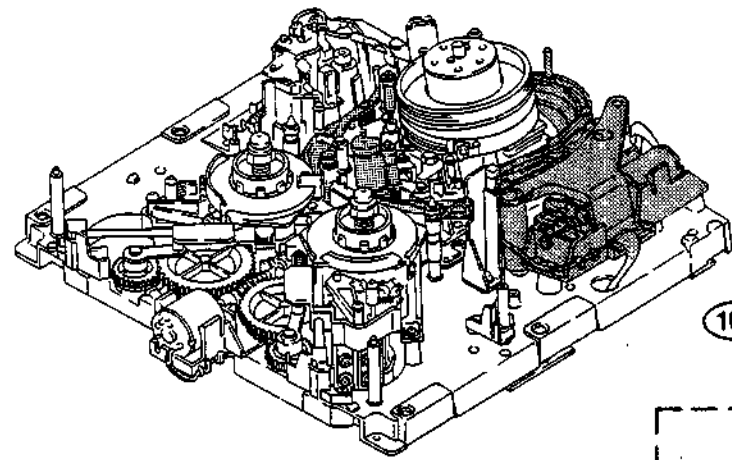
## LOADING RING

No.	Part No.	SP Description
101	A-8267-680-A	s BOX ASSY, GEAR
102	A-8267-681-A	o RING ASSY, LOADING
103	A-8267-683-A	o ROLLER ASSY, ADJUSTMENT RING
104	A-8267-699-A	o ROLLER ASSY, CLEANING
105	X-3167-224-1	s ROLLER ASSY, PRECEDING
106	X-3167-225-1	s ROLLER ASSY, GUIDE
107	X-3167-226-1	s ARM ASSY, AT CLEANER
108	X-3167-232-1	s ROLLER ASSY, C
109	X-3167-233-2	o ARM ASSY, C MAIN
110	X-3167-234-1	o DECK ASSY, C
111	X-3167-235-2	o ARM ASSY, DRIVING
112	X-3167-236-1	o ROLLER (B) ASSY, RING
113	X-3717-215-3	s ARM ASSY, PINCH ROLLER
114	1-648-922-11	o PTC-67 BOARD
115	1-698-152-11	s MOTOR, DC (SVD-1449)
116	3-171-423-02	o JOINT, MOTOR
117	3-180-036-01	s GEAR, LIMITER
118	3-183-653-01	s RUBBER, LIMITER
119	3-182-242-01	o WHEEL, WORM
120	3-182-276-01	o SPRING, DRIVING
121	3-182-293-01	s FLANGE, GUIDE
122	3-182-294-01	s GUIDE, TAPE
123	3-182-346-01	s SPRING, PINCH ARM
124	3-182-347-01	s FLANGE, PRECEDING UPPER
125	3-182-349-01	o RETAINER, SHAFT
126	3-182-350-02	s SPRING, CLEANER ARM
127	3-182-389-02	s CLEANER, AT
128	3-182-390-01	o GEAR, WORM
129	3-182-453-01	o GUIDE, P
130	3-533-373-00	s SPRING, TENSION
131	3-549-887-00	s SPRING, COIL, COMPRISION
132	3-657-841-71	s SPACER (2X6.5)
133	3-669-465-00	s WASHER (1.5), STOPPER
134	3-669-596-01	s WASHER (2.3), STOPPER
135	3-675-866-00	s ROLLER, RING
136	3-680-812-00	s FLANGE, LOWER
137	3-682-166-21	s SPACER DIA 2
138	3-698-829-01	s NUT (M2)
139	3-701-439-21	s WASHER POLY, 3MM DIA 0.5T
140	3-721-333-01	s SPRING, COMPRESSION
141	4-602-490-00	o SPRING, TENSION
142	8-719-939-05	s PHOTO INTERRUPTER GP1S54

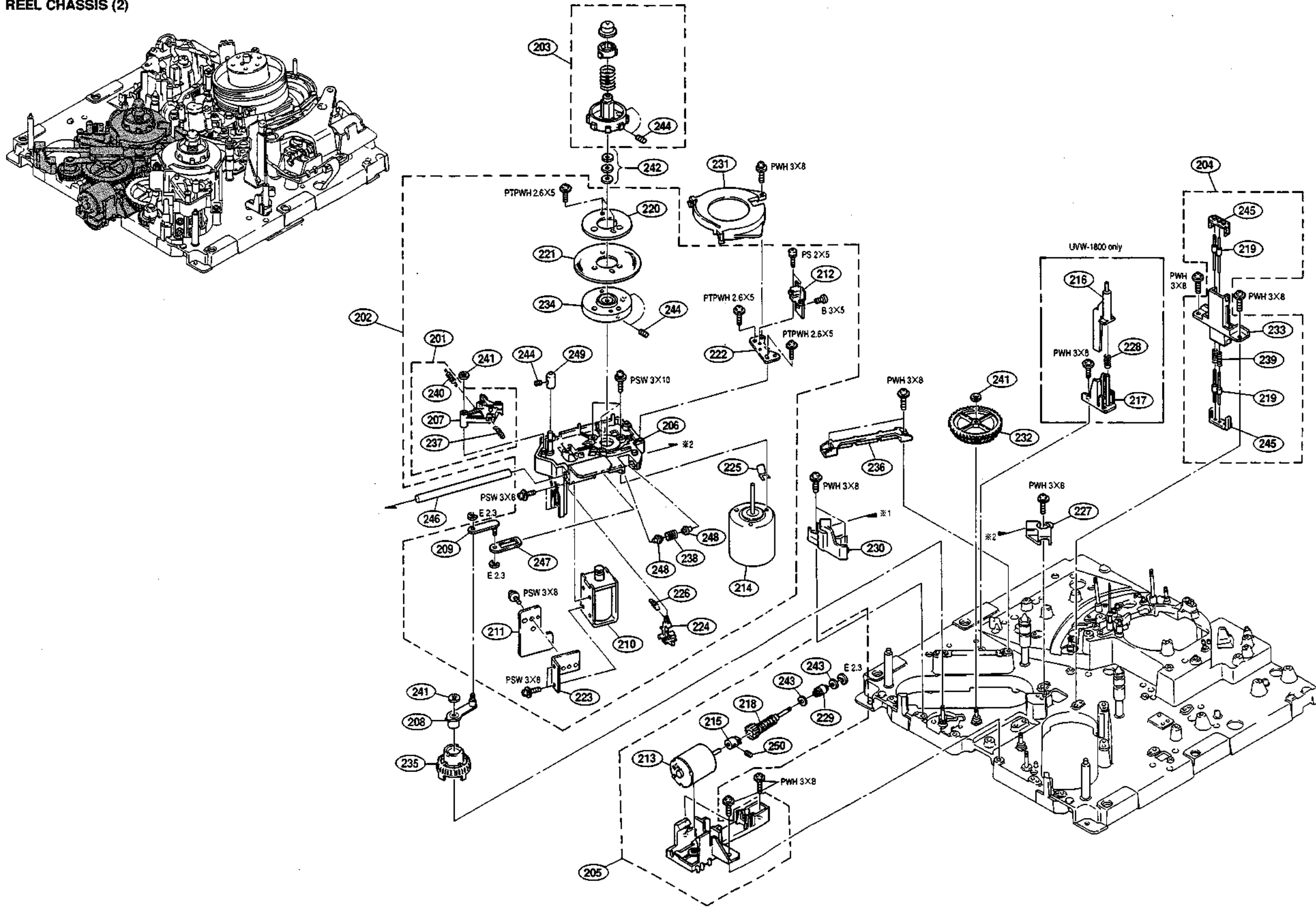
LOADING RING

LOADING RING

LOADING RING



REEL CHASSIS (2)



No.	Part No.	SP	Description
201	A-8267-685-A	s	BRAKE ASSY
202	A-8267-688-A	s	TABLE (S) ASSY, RS
203	A-8267-690-B	s	TABLE ASSY, REEL
204	A-8267-691-A	s	MC ASSY
205	A-8267-698-A	o	MOTOR ASSY, LS
206	X-3167-229-2	o	PLATE (S) ASSY, REEL MOTOR
207	X-3167-231-1	s	LINING ASSY
208	X-3717-202-3	o	ARM ASSY, CRANK
209	X-3717-204-1	o	ARM (B) ASSY, CRANK
210	1-454-417-41	s	SOLENOID, PLUNGER
211	1-648-924-11	o	RM-126 BOARD
212	1-648-923-11	o	SE-207 BOARD
213	1-698-152-11	s	MOTOR, DC (SVD-1449)
214	1-698-231-11	s	MOTOR, DC (REEL)
215	3-171-423-02	o	JOINT, MOTOR
216	3-180-745-01	o	LEVER, MR (UVW-1800)
217	3-180-746-01	o	HOLDER, MR (UVW-1800)
218	3-182-266-01	o	WORM
219	3-182-277-01	o	PIN, MC
220	3-182-279-01	o	RETAINER, DISK
221	3-182-280-01	o	DISK, REEL
222	3-182-282-01	o	SHEET METAL, SENSOR FITTING
223	3-182-283-01	o	SHEET METAL, (S) RM FITTING
224	3-182-284-01	o	ARM, BRAKE RELEASE
225	3-182-285-01	s	SPACER
225	3-182-285-11	s	SPACER
226	3-182-286-01	s	SPRING, TENSION
227	3-182-292-01	o	RETAINER (ST), SHAFT
228	3-182-295-01	o	SPRING, COMPRESSION (UVW-1800)
229	3-182-349-01	o	RETAINER, SHAFT
230	3-182-366-01	o	RETAINER (S), SHAFT
231	3-182-368-01	o	COVER, REEL
232	3-182-369-01	s	WHEEL, WORM
233	3-182-372-01	o	HOLDER, MC
234	3-182-375-01	o	DISK HUB, REEL
235	3-182-383-01	s	GEAR (S), CRANK
236	3-182-402-01	o	GUIDE, PLATE
237	3-307-381-00	s	SPRING, TENSION
238	3-491-247-00	s	SPRING, COMPRESSION
239	3-554-202-00	o	SPRING, COMPRESSION
240	3-648-217-00	o	SPRING, TENSION
241	3-669-596-01	s	WASHER (2.3), STOPPER
242	3-701-439-01	s	WASHER POLY 3MM DIA, 0.13T
242	3-701-439-11	s	WASHER POLY 3MM DIA, 0.25T
242	3-701-439-21	s	WASHER POLY 3MM DIA, 0.5T
243	3-701-439-21	s	WASHER POLY 3MM DIA, 0.5T
244	3-701-506-01	s	SET SCREW, DOUBLE POINT 3X4
245	3-717-207-01	s	COVER, M/C DETECTION HOLDER
246	3-717-223-01	s	SHAFT, SLIDE
247	3-717-230-01	o	BRACKET, LIMITER
248	3-717-231-01	o	HOLDER, LIMITER
249	3-717-266-01	o	CAP (S), CG SHAFT
250	7-621-734-09	s	SET SCREW, DOUBLE POINT 2.6X3

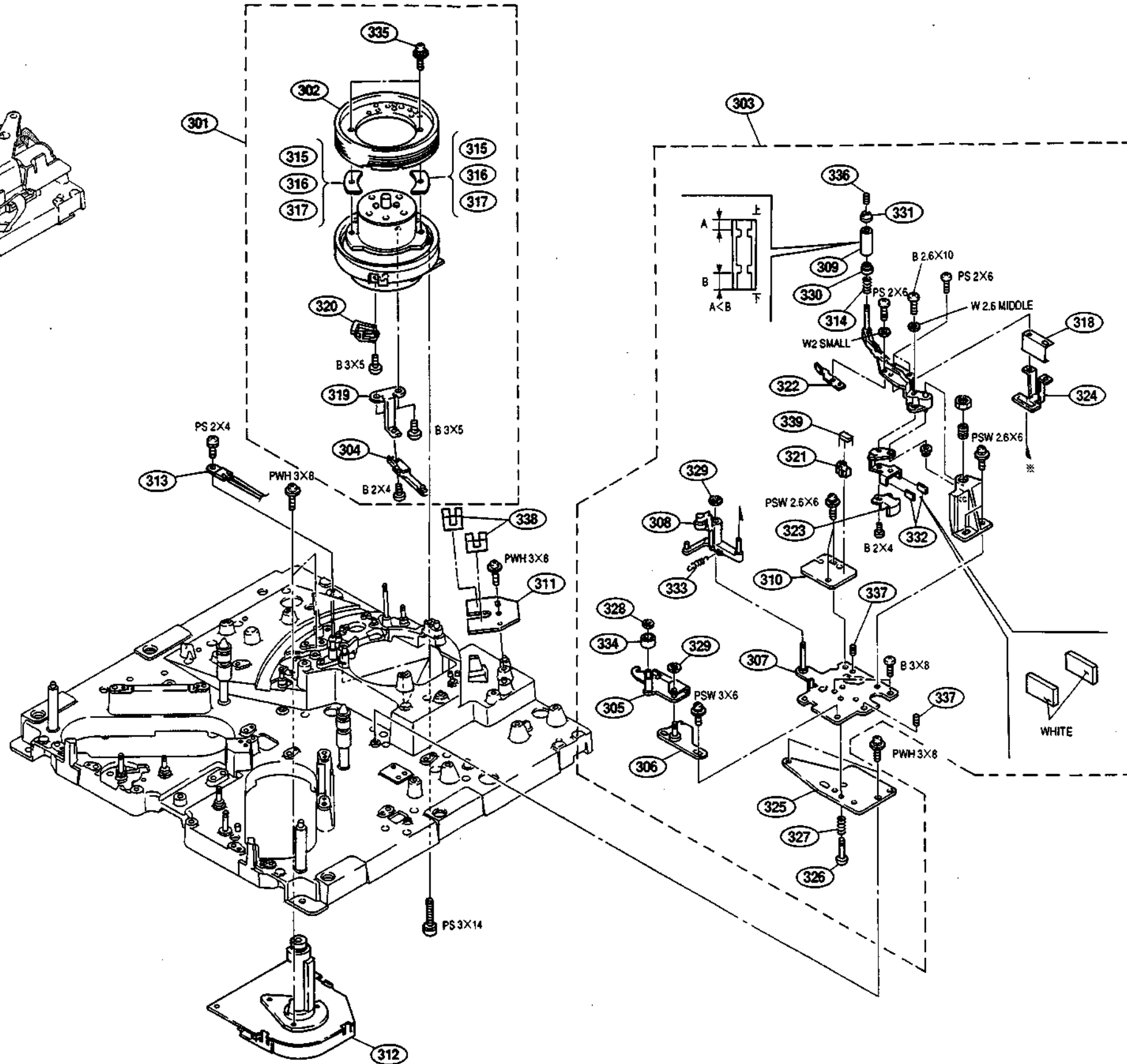
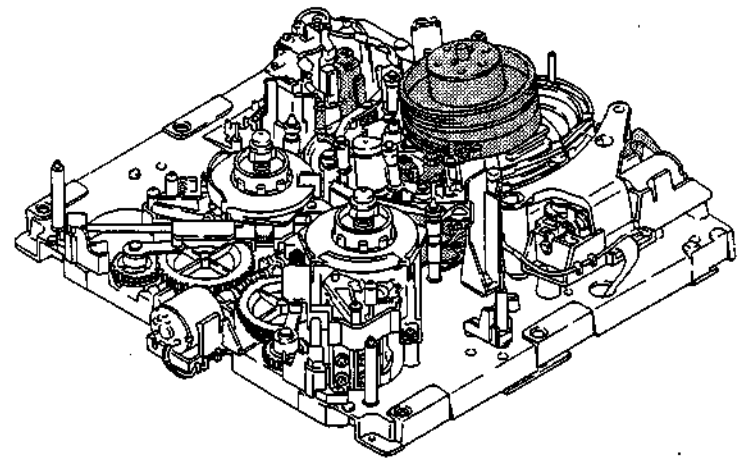
## DRUM & TENSION REGULATOR ASSEMBLY

No.	Part No.	SP	Description
301	A-8260-972-A	s	HEAD DRUM ASSY, DBH-39A-R (UVW-1800)
301	A-8260-976-A	s	HEAD DRUM ASSY, DBH-41A-R (UVW-1600)
302	A-8267-973-A	s	UPPER DRUM ASSY, DBR-39-R (UVW-1800)
302	A-8267-977-A	s	UPPER DRUM ASSY, DBR-41-R (UVW-1600)
303	A-8267-693-A	s	TENSION REGULATOR ASSY
304	X-3166-376-1	s	GROUND ASSY, SHAFT
305	X-3167-218-1	o	HOOK ASSY, TR
306	X-3167-219-1	o	BASE ASSY, TR HOOK
307	X-3167-220-1	o	PLATE, ADJUSTMENT ASSY, TR
308	X-3167-241-1	s	ARM ASSY, RETURN
309	X-3675-851-0	s	ROLLER ASSY, TR
310	1-648-921-11	o	TR-84 BOARD
311	1-648-927-11	o	PTC-68 BOARD
312	1-698-179-11	s	MOTOR, DC (CAPSTAN)
313	1-810-381-11	s	SENSOR, DEW CONDENSATION
314	2-618-901-00	s	SPRING
315	3-171-234-01	s	SPACER, FLANGE 0.01T
316	3-171-234-11	s	SPACER, FLANGE 0.03T
317	3-171-234-21	s	SPACER, FLANGE 0.05T
318	3-171-579-02	o	SPRING, LEAF, TENSION REGULATOR
319	3-182-216-01	o	BRACKET, GROUND
320	3-182-217-01	o	BRACKET, TAPE
321	3-182-257-01	s	HOLDER, DME
322	3-182-274-01	o	PLATE, ADJUSTMENT, RETURN
323	3-182-275-01	o	COVER, MAGNET
324	3-182-288-01	o	PROTECTOR
325	3-182-289-01	o	BASE, TR
326	3-437-173-02	o	SCREW, HEAD ADJUSTING
327	3-653-350-00	s	SPRING, COMPRESSION
328	3-669-465-00	s	WASHER (1.5), STOPPER
329	3-669-596-01	s	WASHER (2.3), STOPPER
330	3-677-749-03	s	RETAINER, B
331	3-677-752-00	s	NUT, ADJUSTMENT, T
332	3-680-828-00	o	MAGNET
333	3-680-860-01	s	SPRING, TENSION (POWER TENSION)
334	3-717-253-01	s	ROLLER
335	3-729-125-01	o	SCREW (M2.6X8)
336	7-621-731-08	s	SET SCREW, FLAT POINT 2X2.5
337	7-682-176-21	s	SET SCREW, SLOT CONE POINT 3X6
338	8-759-057-48	s	PHOTO REFLECTOR NJL5803K-F10
339	8-745-001-07	s	DM-230-1

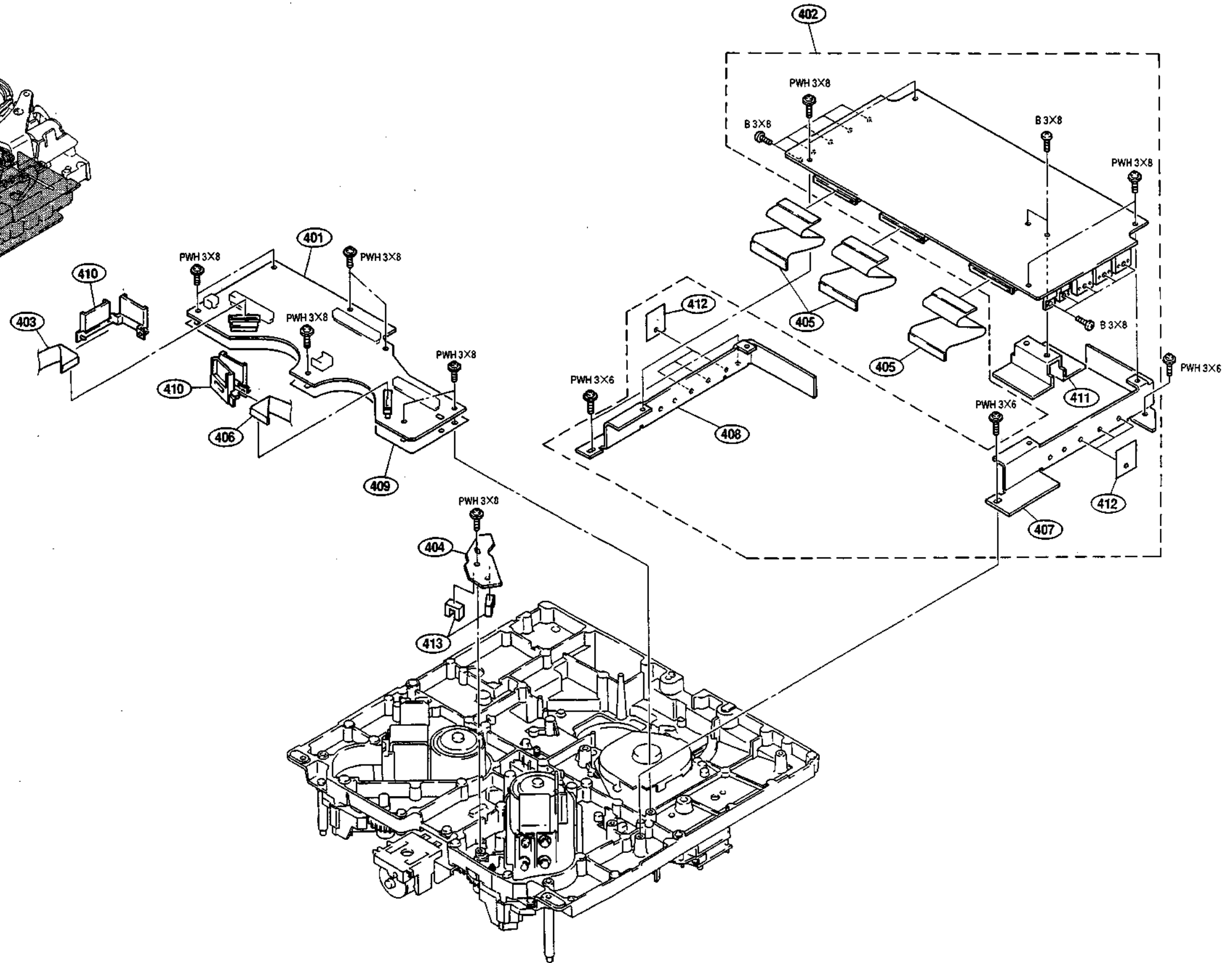
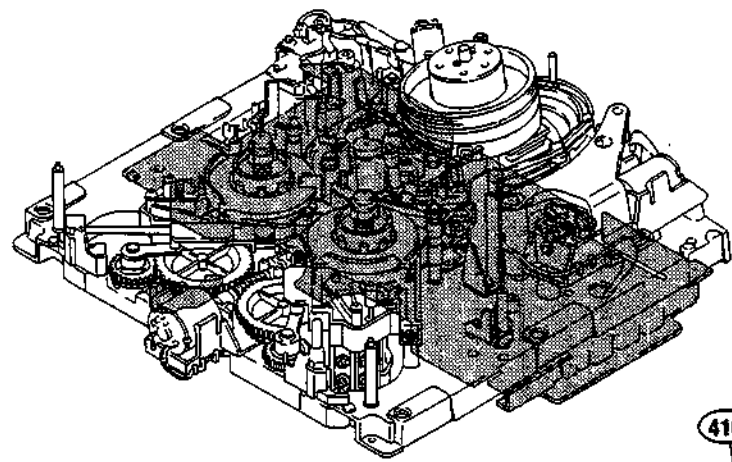
DRUM & TENSION REGULATOR ASSEMBLY

DRUM & TENSION REGULATOR ASSEMBLY

DRUM & TENSION REGULATOR ASSEMBLY



DR-214 BOARD ASSEMBLY





No.	Part No.	SP	Description
401	A-8275-288-A	o	COMPLETE PCB, MS-39A (UVW-1600)
401	A-8275-291-A	o	COMPLETE PCB, MS-39 (UVW-1600)
402	A-8275-290-A	o	COMPLETE PCB, DR-214
403	1-558-261-31	s	WIRE, FLEXIBLE CARD
404	1-648-926-11	o	PTC-66 BOARD
405	1-751-633-11	s	WIRE, FLEXIBLE CARD
406	1-751-634-11	s	WIRE, FLEXIBLE CARD
407	3-182-357-01	o	HEAT SINK (L), DR
408	3-182-358-01	o	HEAT SINK (R), DR
409	3-182-400-01	o	SHEET, MS
410	3-182-401-01	o	HOLDER, FLAT CABLE
411	3-183-144-01	o	HEAT SINK (D), DR
412	4-911-232-01	s	SHEET INSULATING
413	8-719-939-05	s	PHOTO INTERRUPTER GP1S54

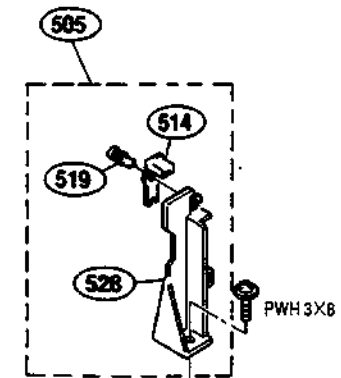
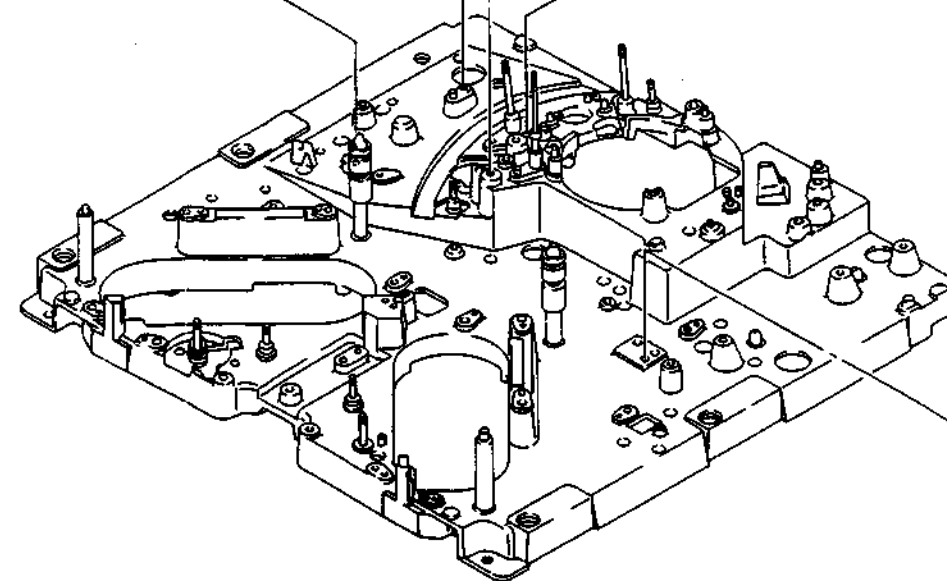
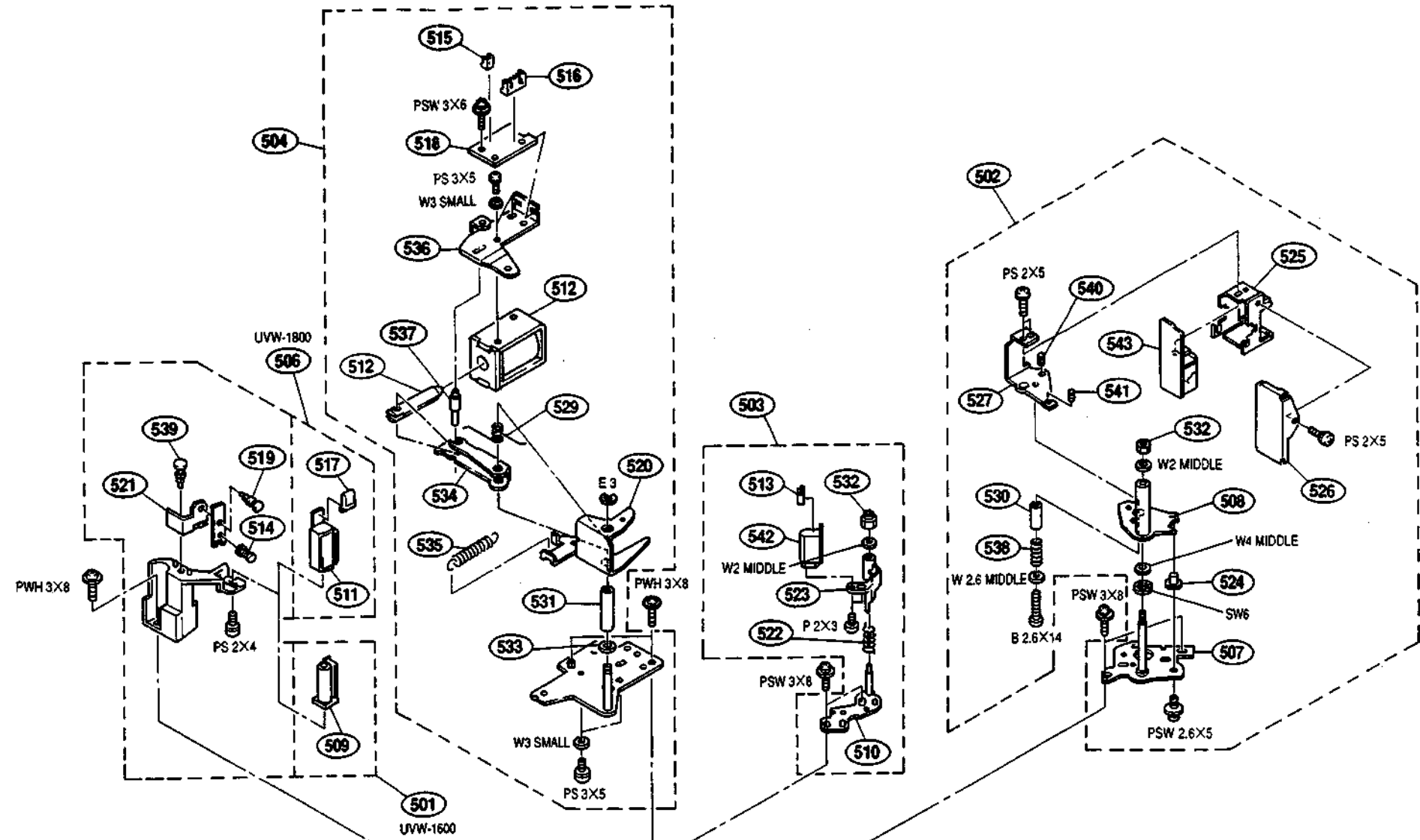
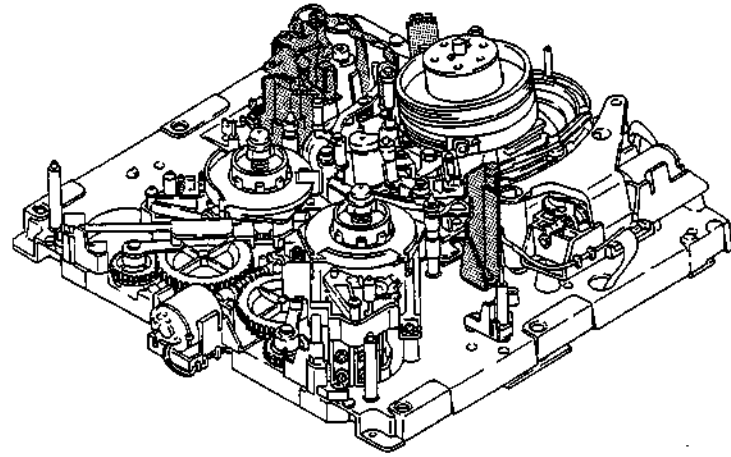
**PRESS ASSY, PINCH**

No.	Part No.	SP	Description
501	A-8267-676-A	o	BLADE ASSY (UVW-1600)
502	A-8267-677-A	s	HEAD (P) ASSY, AT (UVW-1600)
502	A-8267-682-A	s	HEAD (R) ASSY, AT (UVW-1800)
503	A-8267-694-A	s	HEAD ASSY, CTL
504	A-8267-695-A	s	PRESS ASSY, PINCH
505	A-8267-696-A	o	SENSOR ASSY, T
506	A-8267-697-A	o	HEAD ASSY, FE (UVW-1800)
507	X-3167-210-2	o	SUPPORT (P) ASSY, AT (UVW-1600)
507	X-3167-228-2	o	SUPPORT (R) ASSY, AT (UVW-1800)
508	X-3167-211-2	o	PLATE, ADJUSTMENT ASSY, P (UVW-1600)
508	X-3167-227-2	o	PLATE, ADJUSTMENT ASSY, RP (UVW-1800)
509	X-3167-212-1	2	CLEANING BLADE ASSY (UVW-1600)
510	X-3167-221-1	o	BRACKET ASSY, CTL HEAD
511	X-3167-316-1	s	HEAD (EF291-21) ASSY (UVW-1800)
512	1-454-338-00	s	SOLENOID, PLUNGER
513	1-506-481-11	o	PIN, CONNECTOR 2P
514	1-543-316-31	s	HEAD, SENSING (SMALL TYPE)
515	1-564-001-11	o	PIN, CONNECTOR 2P
516	1-564-005-11	o	PIN, CONNECTOR 6P
517	1-564-013-11	o	PIN, CONNECTOR 3P (UVW-1800)
518	1-622-596-11	o	PC BOARD, PD-35
519	2-279-715-01	s	RIVET, NYLON
520	3-182-244-01	o	LEVER, P PRESS
521	3-182-250-01	o	HOLDER, S SENSOR
522	3-182-255-01	s	SPRING, CTL
523	3-182-256-01	o	DECK, CTL HEAD
524	3-182-317-01	o	SHAFT, AT FIXED
525	3-182-376-01	o	CASE (1), AT SHIELD
526	3-182-377-01	o	CASE (2), AT SHIELD
527	3-182-388-02	o	BRACKET, RP
528	3-182-391-01	o	HOLDER, T SENSOR
529	3-537-674-03	s	SPRING, TENSION
530	3-642-719-01	o	SPACER (2.6X11)
531	3-653-382-01	o	SPACER (4X25)
532	3-698-829-01	s	NUT (M2)
533	3-701-441-21	s	WASHER, POLY 4MM DIA 0.5T
534	3-717-247-01	o	LIMITER, P
535	3-717-248-01	o	SPRING
536	3-717-249-01	o	STOPPER, P
537	3-717-250-02	o	SHAFT, JOINT, P
538	3-738-730-01	s	SPRING, COMPRESSION
539	4-812-134-21	s	RIVET NYLON, 3.5
540	7-621-712-46	s	SET SCREW, SLOT FLAT POINT 2.6X5
541	7-621-712-55	s	SET SCREW, SLOT CONE POINT 2.6X6
542	8-825-554-83	s	HEAD, CTL PS244-21B
543	8-825-778-81	s	HEAD EPS244-2103H (UVW-1800)
543	8-825-778-91	s	HEAD PS244-2103G (UVW-1600)

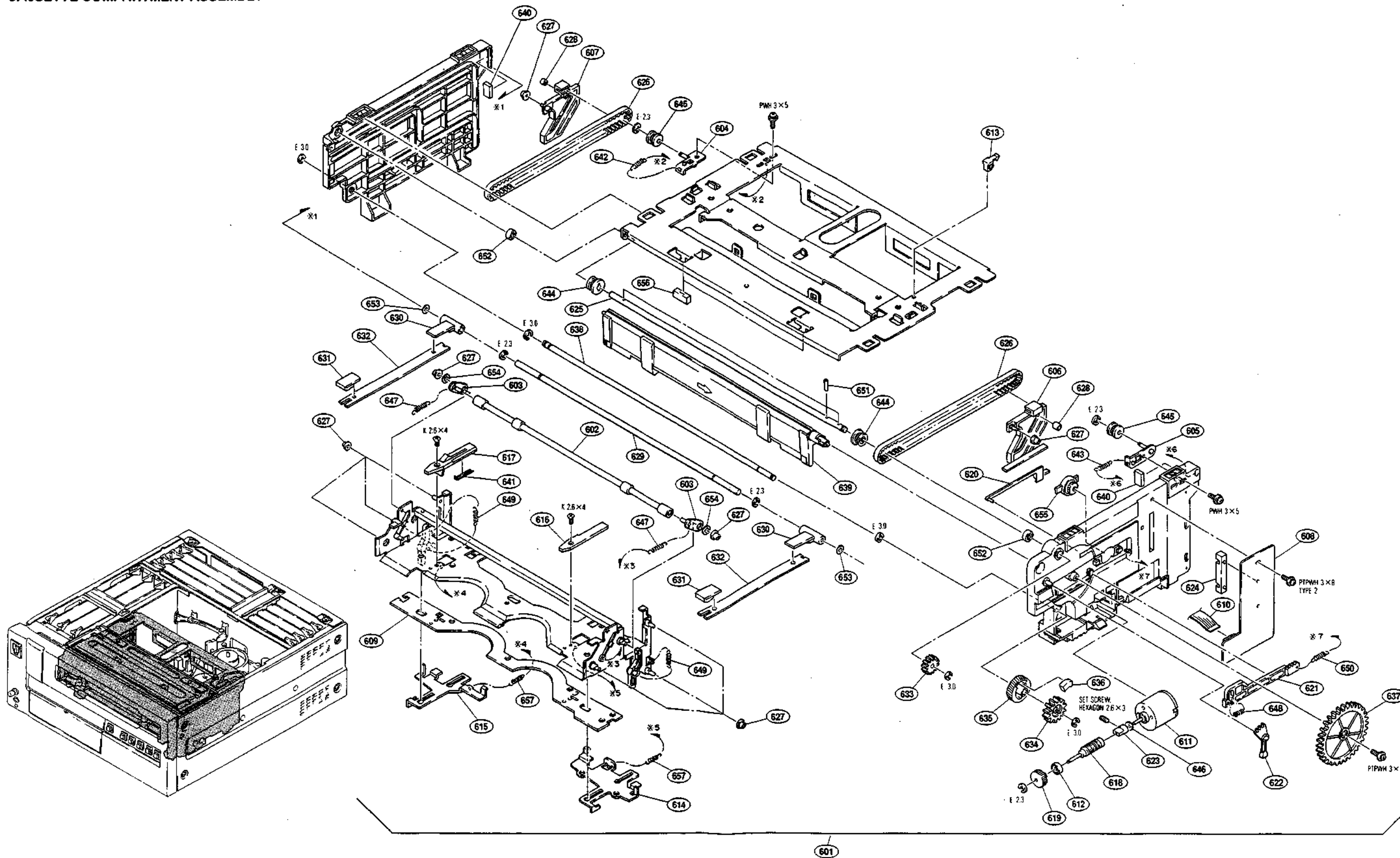
PRESS ASSY, PINCH

PRESS ASSY, PINCH

PRESS ASSY, PINCH



CASSETTE COMPARTMENT ASSEMBLY



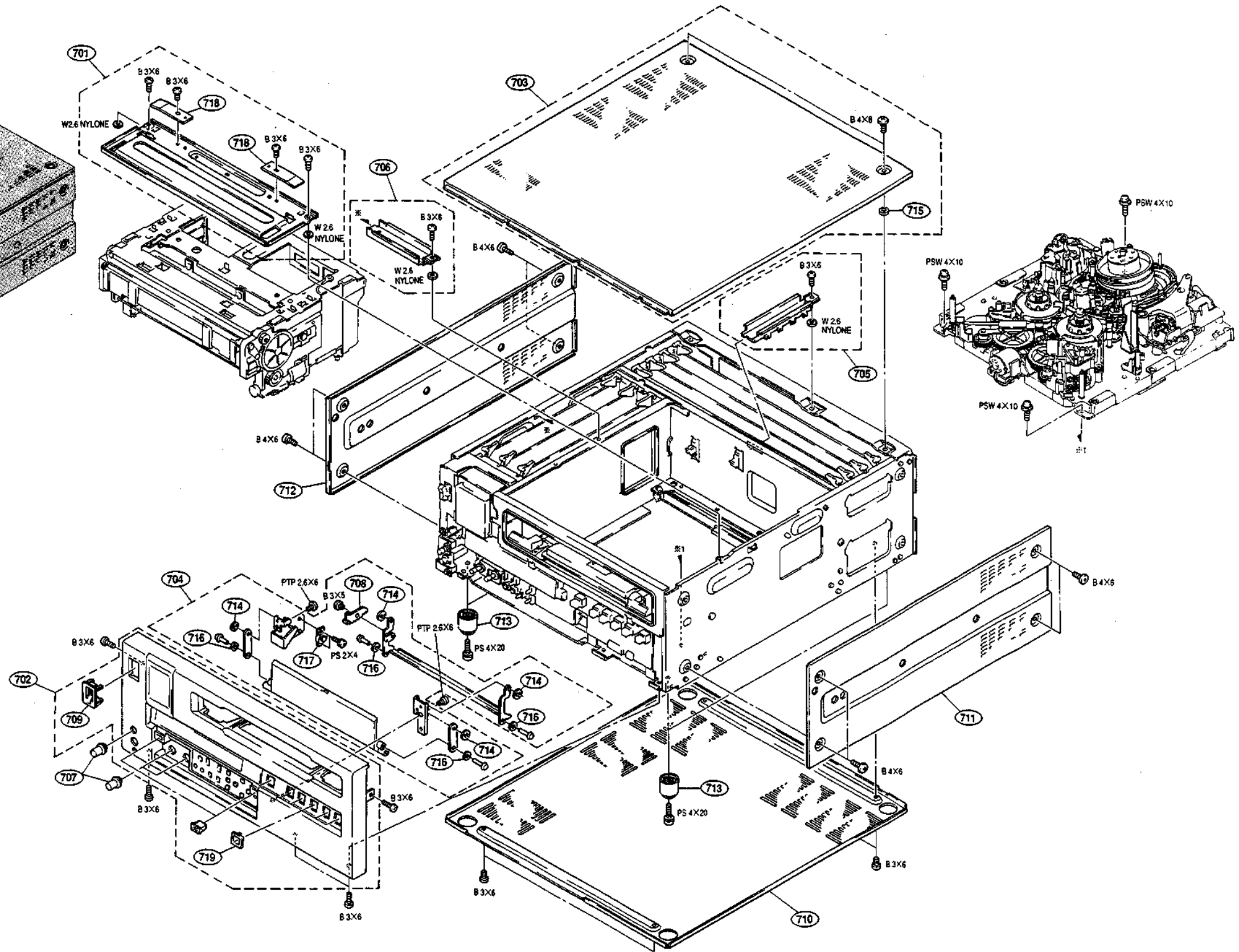
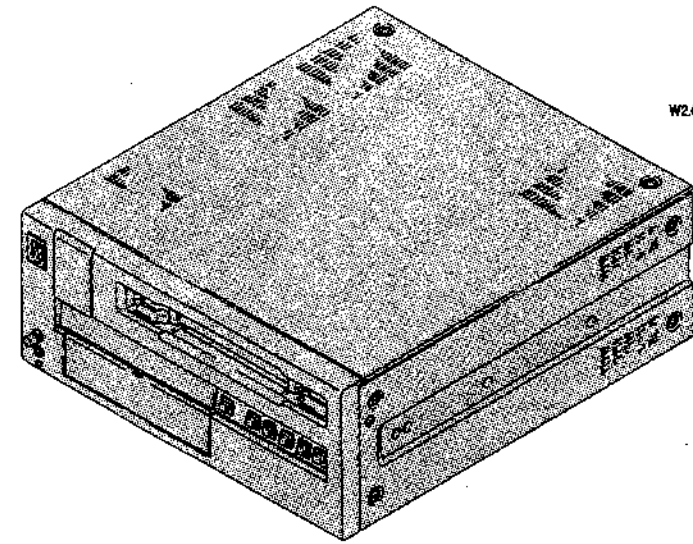
## CASSETTE COMPARTMENT ASSEMBLY

No.	Part No.	SP	Description
601	A-8267-863-A	s	CASSETTE COMPARTMENT ASSY
602	X-3166-062-1	o	SHAFT ASSY, PRESS ROLLER
603	X-3166-063-2	o	ARM ASSY, PRESS
604	X-3166-065-1	o	DECK (L) ASSY, PULLEY
605	X-3166-066-1	o	DECK (R) ASSY, PULLEY
606	X-3166-067-1	o	SLIDER (R) ASSY
607	X-3166-068-1	o	SLIDER (L) ASSY
608	1-640-170-13	o	CL-25 BOARD
609	1-640-171-12	o	PC-62 BOARD
610	1-690-106-12	s	WIRE, FLEXIBLE CARD (5P)
611	1-698-152-11	s	MOTOR, DC SVD-1499
612	2-621-007-01	ls	BEARING, BALL, (B) (NO FRANGE)
613	3-671-150-11	o	CLAMP
614	3-171-387-04	o	SWITCH (R), IN
615	3-171-398-03	o	SWITCH (L), IN
616	3-171-399-02	o	GUIDE (R), CASSETTE
617	3-171-400-03	o	GUIDE (L), CASSETTE
618	3-171-418-02	s	WORM
619	3-171-419-03	s	WHEEL
620	3-171-420-01	o	SHUTTER
621	3-171-421-01	o	SLIDER, DOOR SWITCHING
622	3-171-422-01	o	LEVER, DOOR SWITCHING
623	3-171-423-02	o	JOINT, MOTOR
624	3-171-424-01	o	HOLDER, SENSER
625	3-171-457-01	o	SHAFT, JOINT
626	3-171-458-01	s	BELT, TIMING
627	3-171-459-01	s	ROLLER, GUIDE
628	3-171-460-01	s	ROLLER, SLIDER
629	3-171-461-01	o	SHAFT, RETAINER, L CASSETTE
630	3-171-462-01	o	HOLDER, SHAFT
631	3-171-463-02	o	PLATE
632	3-171-464-01	o	SPRING, LEAF
633	3-171-465-01	o	GEAR, DRIVING
634	3-171-466-02	o	GEAR, LIMITER
635	3-171-477-02	o	WHEEL, WORM
636	3-181-431-01	o	RUBBER, LIMITER
637	3-171-479-01	o	GEAR, MIDWAY
638	3-171-480-01	o	SHAFT, WORM WHEEL
639	3-171-510-02	s	DOOR, CASSETTE
640	3-174-908-01	s	STOPPER
641	3-176-139-01	s	SPRING, C GUIDE
642	3-176-578-01	s	SPRING, TENSION
643	3-176-579-01	s	SPRING, TENSION
644	3-176-583-01	o	PULLEY (A)
645	3-176-584-01	o	PULLEY (B)
646	3-182-706-01	s	SPACER
647	3-548-757-00	s	SPRING, TENSION
648	3-579-759-00	s	SPRING, COMPRESSION
649	3-646-214-00	s	SPRING
650	3-672-461-00	s	SPRING, TENSION
651	3-677-193-00	o	PIN, STOPPER
652	3-698-217-01	s	BEARING (NO FLANGE), BALL
653	3-701-439-21	s	WASHER
654	3-701-443-21	s	WASHER, 5 DIA.
655	3-712-786-01	s	DAMPER, OIL
656	3-717-369-03	o	STOPPER, DOOR
657	4-858-799-00	s	SPRING, TENSION

## CHASSIS & ORNAMENTAL PANEL BLOCK

No.	Part No.	SP Description
701	A-6771-428-A	s STAY ASSY, CASSETTE COMPARTMENT
702	A-8267-664-B	o PANEL ASSY, FRONT (UVW-1600)
702	A-8267-666-B	o PANEL ASSY, FRONT (UVW-1800)
703	A-8267-665-A	o LID, UPPER ASSY
704	A-8267-667-A	o DOOR ASSY, FRONT
705	A-8267-670-A	o RETAINER (L) ASSY, PC BOARD
706	A-8267-673-A	o RETAINER (S) ASSY, PC BOARD
707	X-3166-071-1	s KNOB ASSY (B), VOL
708	3-182-395-01	o GEAR, DAMPER
709	3-182-406-01	o GUARD, POWER SW
710	3-182-441-01	o PLATE, BOTTOM
711	3-182-451-01	o CABINET (RIGHT)
712	3-182-452-01	o CABINET (LEFT)
713	3-642-656-01	s FOOT
714	3-669-595-00	s WASHER (2), STOPPER
715	3-688-102-01	o SPACER, M4
716	3-701-438-21	s WASHER
717	3-712-786-01	s DAMPER, OIL
718	3-717-306-01	o SPRING
719	3-717-377-01	o FRAME (SQUARE 17), ORNAMENTAL

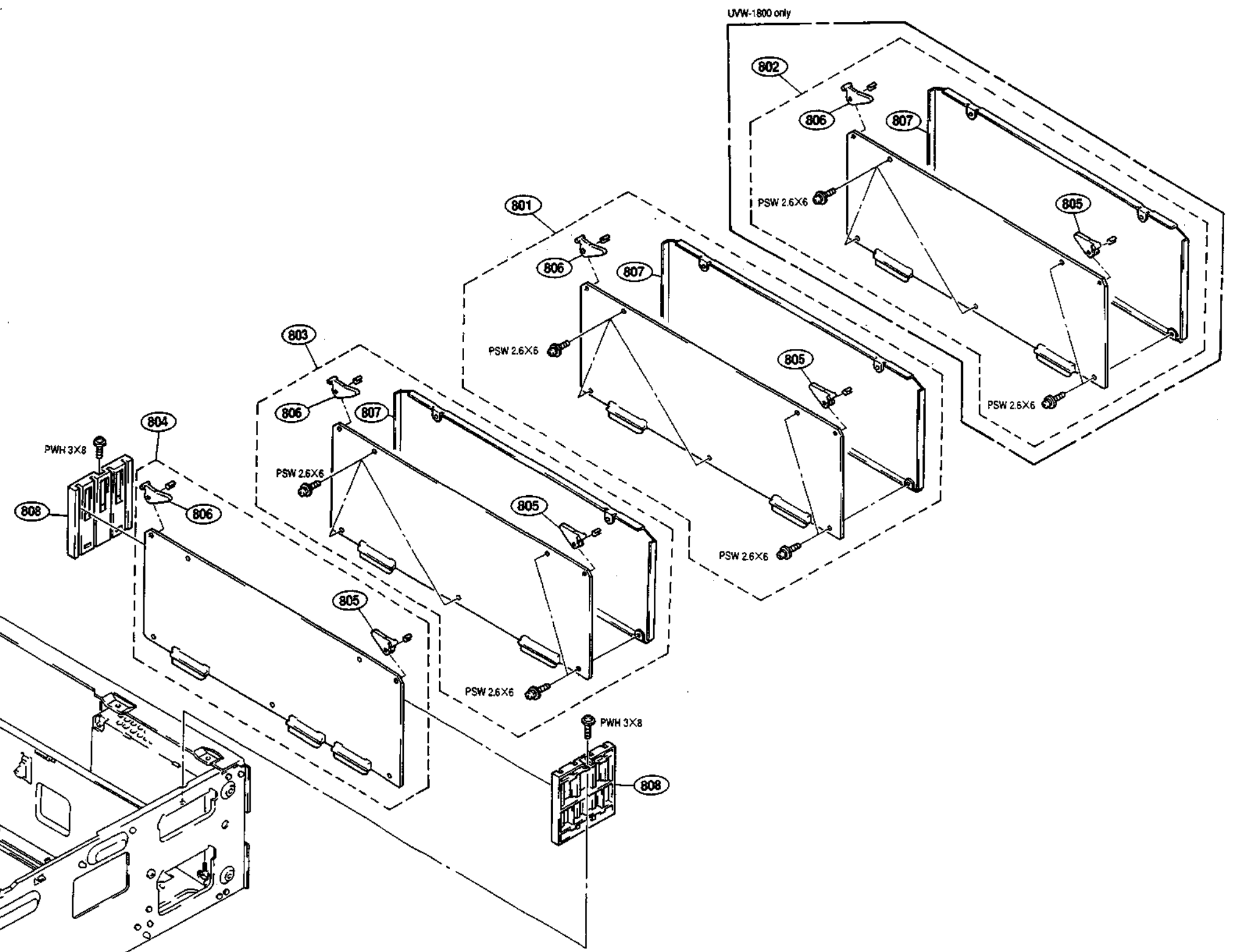
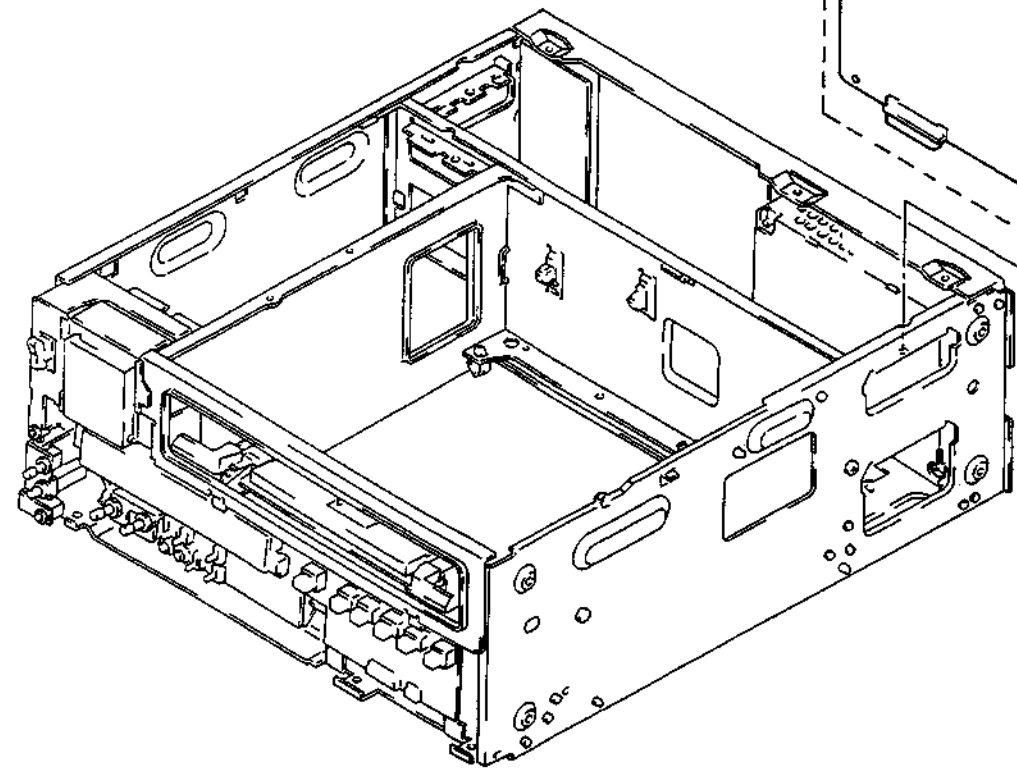
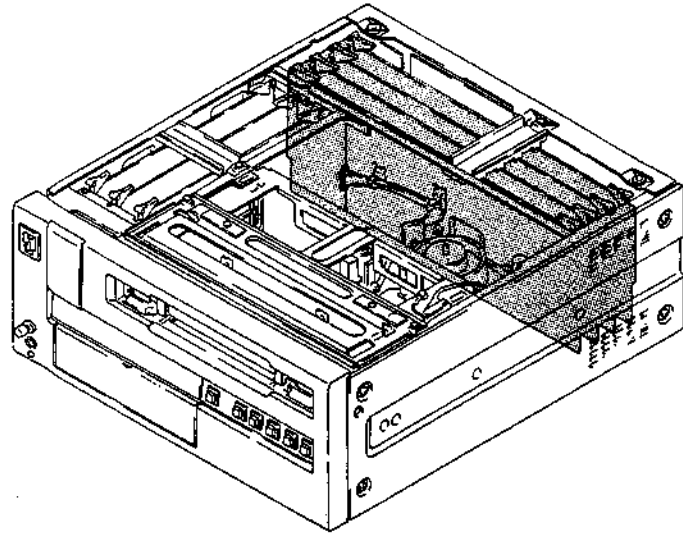
CHASSIS & ORNAMENTAL PANEL BLOCK



CARD RACK BLOCK (1)

CARD RACK BLOCK (1)

CARD RACK BLOCK (1)



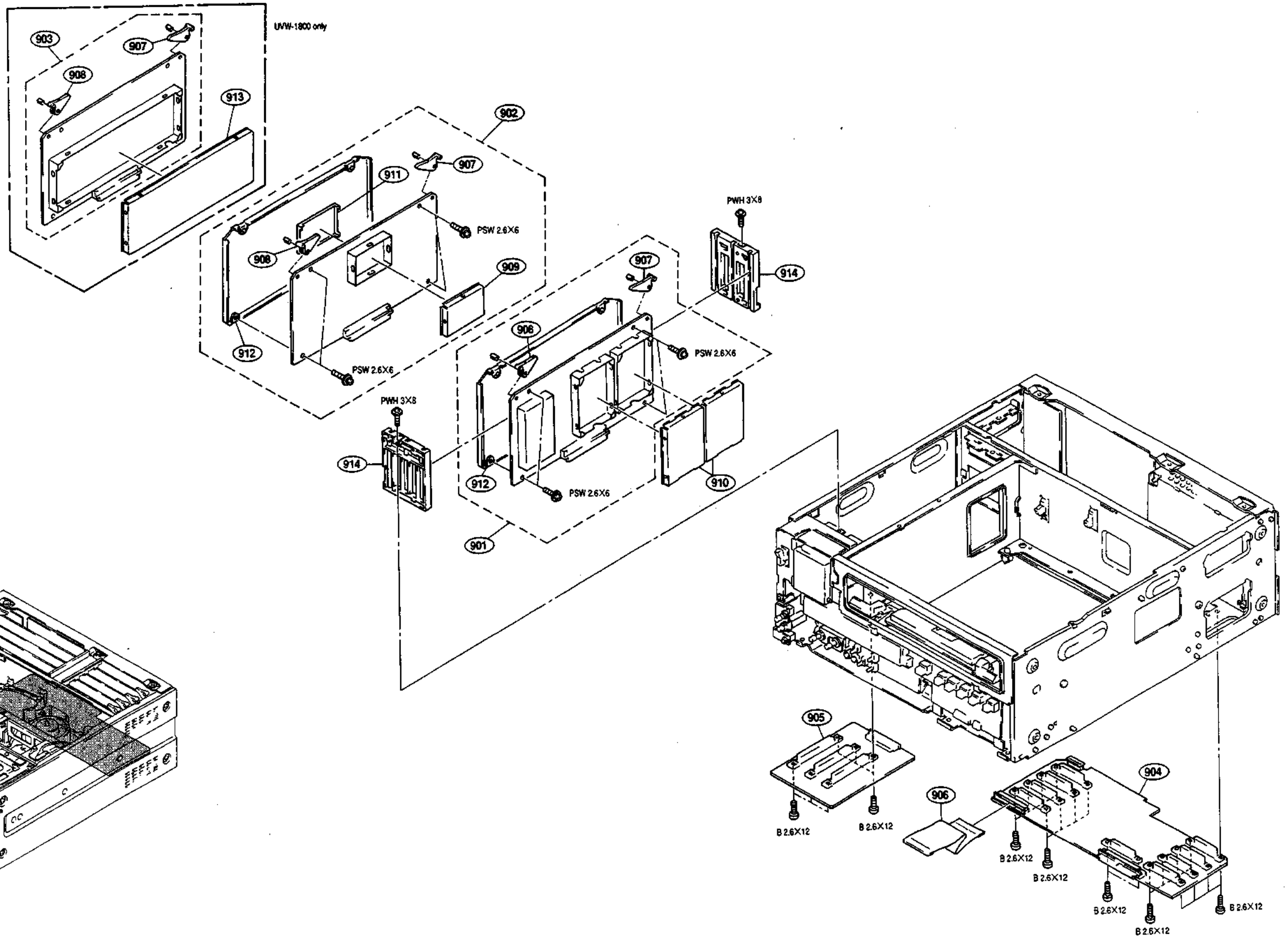


No.	Part No.	SP Description
801	A-8275-277-A	o COMPLETE PCB, VP-43A (UVW-1600)
801	A-8275-281-A	o COMPLETE PCB, VP-43 (UVW-1800)
802	A-8275-280-A	o COMPLETE PCB, VRA-5 (UVW-1800)
803	A-8275-282-A	o COMPLETE PCB, TBC-25
804	A-8275-284-A	o COMPLETE PCB, SS-53
805	3-179-084-01	s LEVER, PC BOARD (R)
806	3-179-085-01	s LEVER, PC BOARD (L)
807	3-182-386-01	o PLATE, SHIELD (L), CARD
808	3-182-438-01	o GUIDE (L), PCB

**CARD RACK BLOCK (2)**

No.	Part No.	SP	Description
901	A-8275-278-A	o	COMPLETE PCB, RP-70A (UVW-1600)
901	A-8275-285-A	o	COMPLETE PCB, RP-70 (UVW-1800)
902	A-8275-279-A	o	COMPLETE PCB, AP-31A (UVW-1600)
902	A-8275-286-A	o	COMPLETE PCB, AP-31 (UVW-1800)
903	A-8275-287-A	o	COMPLETE PCB, AR-14 (UVW-1800)
904	A-8276-730-A	o	MOUNTED PCB, MB-470A (UVW-1600)
904	A-8276-736-A	o	MOUNTED PCB, MB-470 (UVW-1800)
905	A-8276-731-A	o	MOUNTED PCB, MB-471A (UVW-1600)
905	A-8276-737-A	o	MOUNTED PCB, MB-471 (UVW-1800)
906	1-571-632-11	s	WIRE, FLEXIBLE CARD 34P
907	3-179-084-01	s	LEVER, PC BOARD (R)
908	3-179-085-01	s	LEVER, PC BOARD (L)
909	3-182-298-01	o	CASE, SHIELD (LID), AP2
910	3-182-316-01	o	CASE, SHIELD (LID), PR70V
911	3-182-351-01	o	CASE, SHIELD, AP (2B)
912	3-182-385-01	o	PLATE, SHIELD (S), CARD
913	3-182-407-01	o	LID, AR CASE, SHIELD (UVW-1800)
914	3-182-439-01	o	GUIDE (S), PCB

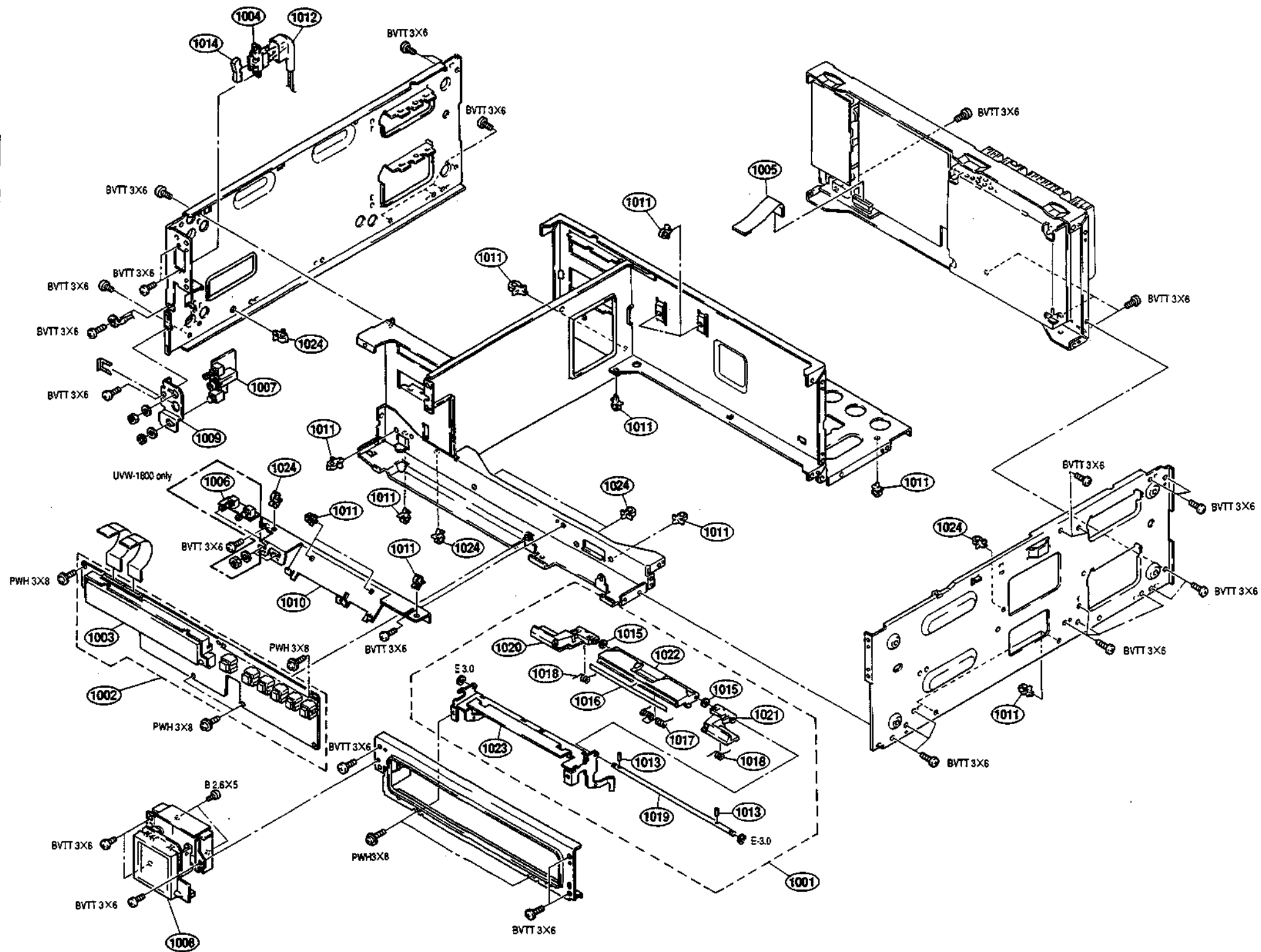
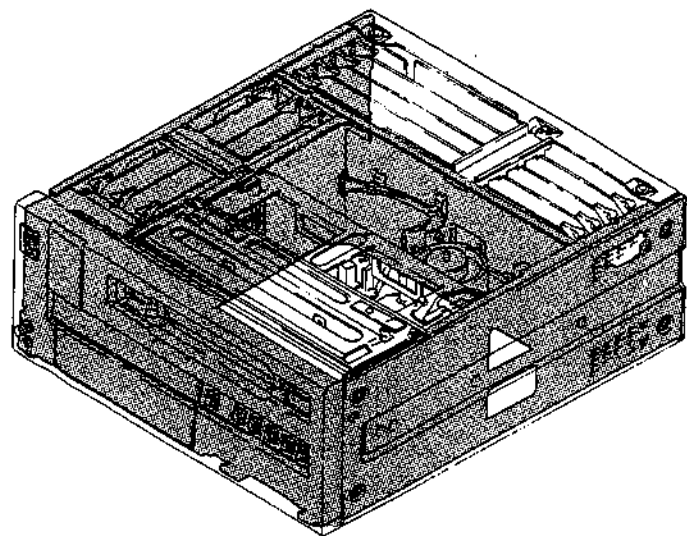
CARD RACK BLOCK (2)



CHASSIS BLOCK

CHASSIS BLOCK

CHASSIS BLOCK



No.	Part No.	SP	Description
1001	A-6751-377-A	o	GUIDE ASSY, SC
1002	A-8275-283-A	o	COMPLETE PCB, KY-249A (UVW-1600)
1002	A-8275-289-A	o	COMPLETE PCB, KY-249 (UVW-1800)
1003	1-517-246-11	s	INDICATION TUBE, FLUORESCENT
1004	△ 1-570-117-31	s	SWITCH, SEESAW (AC POWER)
1005	1-575-733-11	s	WIRE, FLAT TYPE (17 CORE)
1006	1-648-916-11	o	VR-155 BOARD (UVW-1800)
1007	1-648-917-11	o	HP-61 BOARD (UVW-1800)
1007	1-648-917-21	o	HP-61A BOARD (UVW-1600)
1008	△ 1-810-374-11	s	INDICATOR TUBE MODULE, FLUORES
1009	3-182-297-01	o	BRACKET, HP FIXED
1010	3-182-449-01	o	BRACKET, VR
1011	3-312-955-00	o	CLIP, CABLE
1012	3-659-969-11	o	COVER, SWITCH
1013	3-677-193-00	o	PIN, STOPPER
1014	3-688-814-01	s	CAP, SWITCH
1015	3-701-441-21	s	WASHER
1016	3-717-614-01	o	LABEL, C-LOCK OUT
1017	3-717-615-01	o	SPRING
1018	3-717-616-01	o	SPRING
1019	3-717-617-01	o	SHAFT, SC GUIDE
1020	3-717-618-01	o	GUIDE (LEFT), SC
1021	3-717-619-01	o	GUIDE (RIGHT), SC
1022	3-717-620-01	o	PLATE, OUT, C-LOCK
1023	3-717-621-03	o	PLATE, INDICATION, SC GUIDE
1024	4-312-237-00	o	CLIP, CABLE

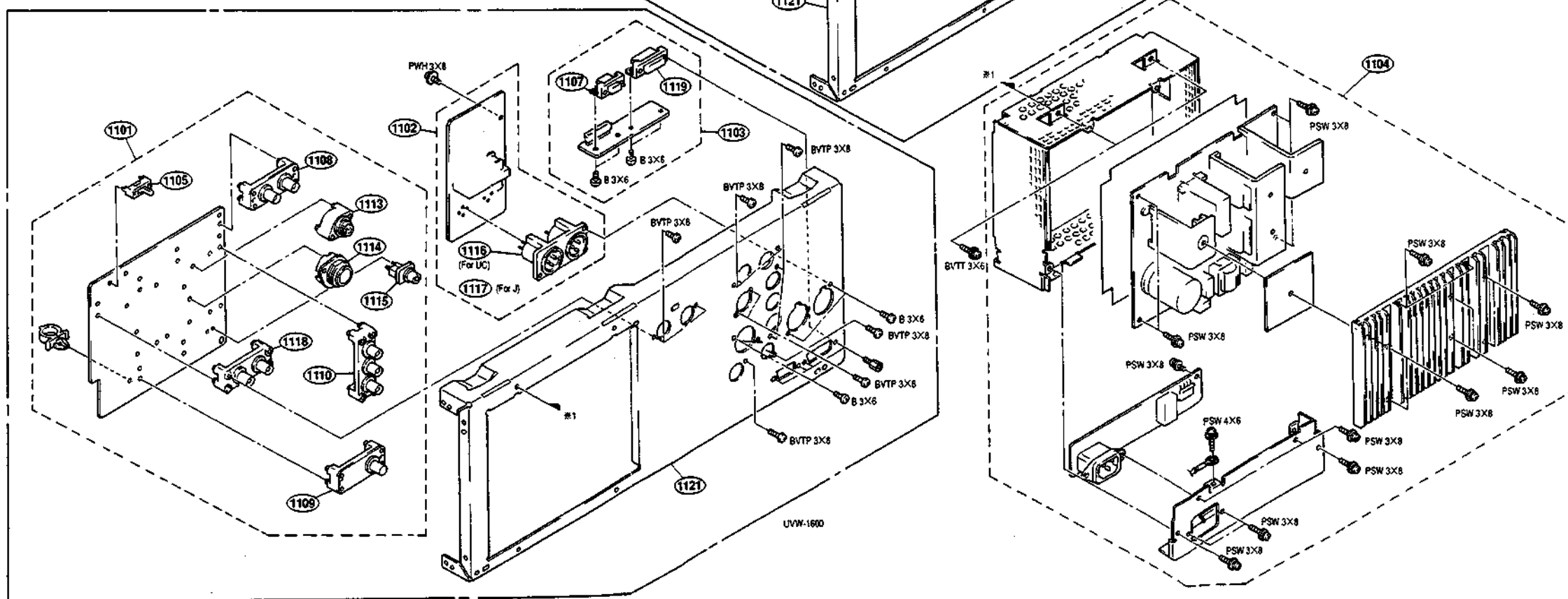
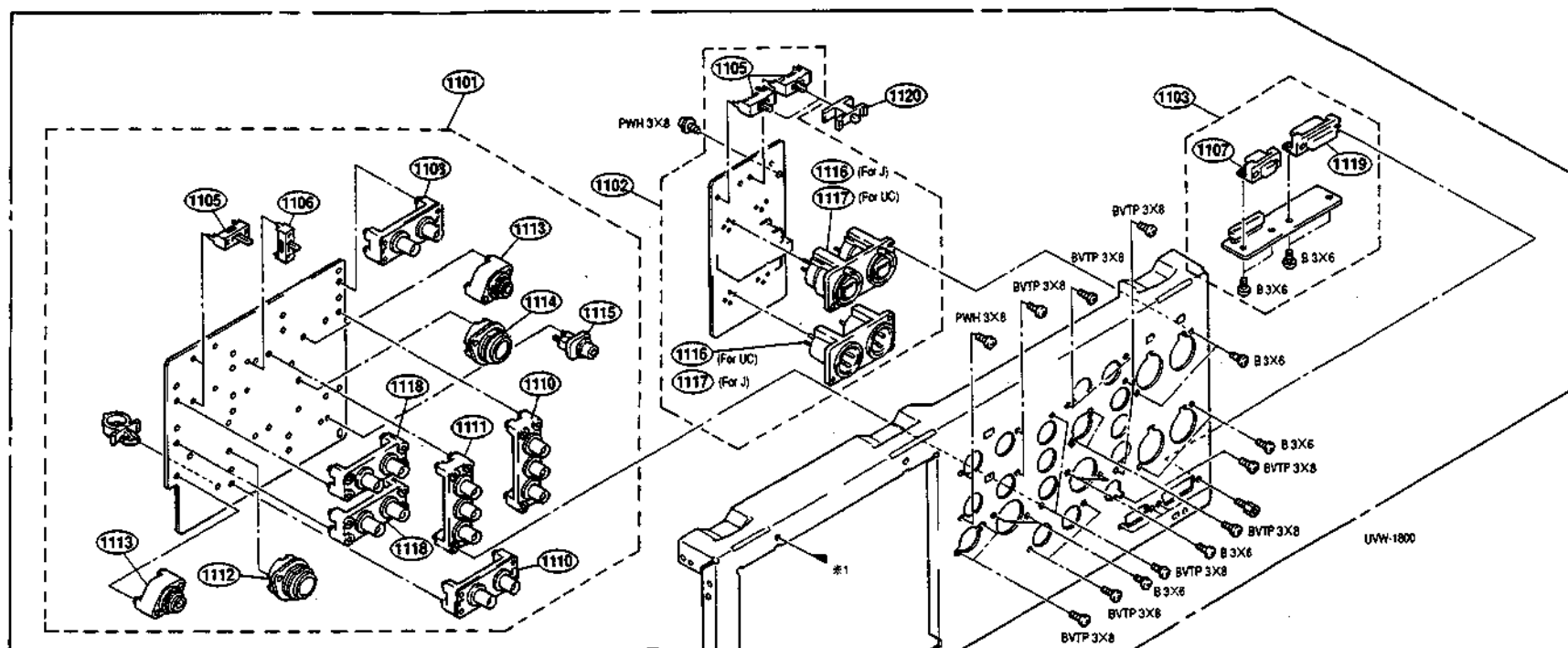
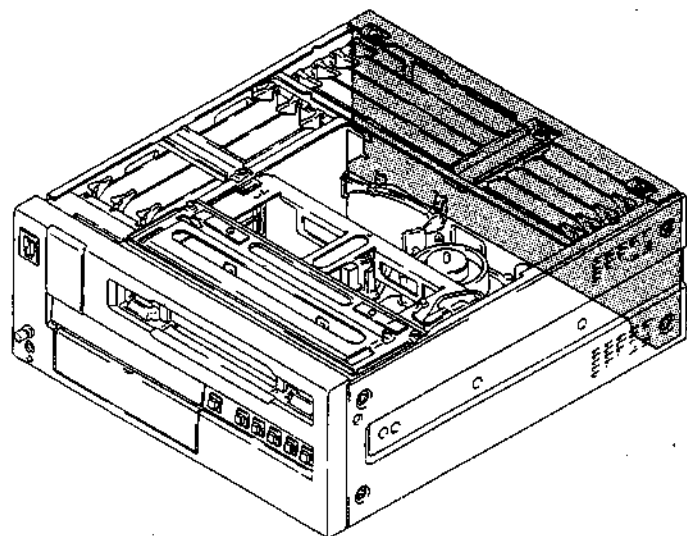
## CONNECTOR PANEL BLOCK

No.	Part No.	SP	Description
1101	A-8276-732-A	o	MOUNTED PCB, CP-225A (UVW-1600)
1101	A-8276-738-A	o	MOUNTED PCB, CP-225 (UVW-1800)
1102	A-8276-733-A	o	MOUNTED PCB, CP-226A (UVW-1600)
1102	A-8276-739-A	o	MOUNTED PCB, CP-226 (UVW-1800)
1102	A-8276-762-A	o	MOUNTED PCB, CP-226J (UVW-1800)
1102	A-8276-763-A	o	MOUNTED PCB, CP-226AJ (UVW-1600)
1103	A-8276-734-A	o	MOUNTED PCB, CP-237A (UVW-1600)
1103	A-8276-741-A	o	MOUNTED PCB, CP-237 (UVW-1800)
1104	△ 1-413-889-11	s	SWITCHING REGULATOR(SOPS-1045)
1105	1-570-157-51	s	SWITCH, SLIDE
1106	1-570-756-11	s	SWITCH, SLIDE (UVW-1800)
1107	1-573-566-11	s	CONNECTOR, D-SUB (ANGLE TYPE) 9P
1108	1-573-582-11	s	CONNECTOR, BNC (RECEPTACLE)
1109	1-573-583-11	s	CONNECTOR, BNC (RECEPTACLE)
1110	1-573-584-11	s	CONNECTOR, BNC (RECEPTACLE)
1111	1-573-585-11	s	CONNECTOR, BNC (RECEPTACLE) (UVW-1800)
1112	1-573-589-11	s	CONNECTOR (R-M) 12P (UVW-1800)
1113	1-573-590-12	s	CONNECTOR, (S) TERMINAL 4P
1114	1-573-592-11	s	CONNECTOR (R-F) 12P
1115	1-691-273-11	s	JACK, PIN 1P
1116	1-750-785-11	s	CONNECTOR (XLR TYPE) 3P
1117	1-750-786-11	s	CONNECTOR (XLR TYPE) 3P
1118	1-764-165-11	s	CONNECTOR, BNC (RECEPTACLE)
1119	1-764-259-11	s	CONNECTOR, D-SUB (ANGLE TYPE) 15P
1120	3-171-450-01	o	ADAPTOR, SW
1121	3-182-459-02	o	CONNECTOR, PANEL (UVW-1800)
1121	3-182-459-12	o	CONNECTOR, PANEL (UVW-1600)

CONNECTOR PANEL BLOCK

CONNECTOR PANEL BLOCK

CONNECTOR PANEL BLOCK







### 18-3. ELECTRICAL PARTS LISTS

#### AP-31 BOARD(UVH-1800)

Ref. No.  
or Q'ty Part No. SP Description

AP-31 board is used for UVH-1800.

1pc	A-8275-286-A	o MOUNTED CIRCUIT BOARD, AP-31
1pc	3-182-385-01	o PLATE, SHIELD (S), CARD
1pc	7-621-759-45	s SCREW, +PSW2.6x6
1pc	3-179-084-01	s LEVER (R), PC BOARD
1pc	3-179-085-01	s LEVER (L), PC BOARD
1pc	3-182-298-01	o CASE, SHIELD (LID), AP (2)
1pc	3-182-351-01	o CASE, SHIELD, AP (2B)
C2	1-163-121-00	s CERAMIC, CHIP 150pf 5% 50V
C3	1-163-243-11	s CERAMIC, CHIP 47pf 5% 50V
C4	1-163-113-00	s CERAMIC, CHIP 68pf 5% 50V
C5	1-126-964-11	s ELECT 10uF 20% 50V
C6	1-163-127-00	s CERAMIC, CHIP 270pf 5% 50V
C7	1-130-485-00	s MYLAR 0.015uF 5% 50V
C8	1-126-933-11	s ELECT 100uF 20% 16V
C9	1-163-125-00	s CERAMIC, CHIP 220pf 5% 50V
C10	1-126-964-11	s ELECT 10uF 20% 50V
C11	1-124-916-11	s ELECT 22uF 20% 63V
C12	1-163-263-11	s CERAMIC, CHIP 330pf 5% 50V
C15	1-126-964-11	s ELECT 10uF 20% 50V
C16	1-124-916-11	s ELECT 22uF 20% 63V
C18	1-124-916-11	s ELECT 22uF 20% 63V
C20	1-130-498-00	s MYLAR 0.18uF 5% 50V
C21-C26	1-130-487-00	s MYLAR 0.022uF 5% 50V
C27	1-163-243-11	s CERAMIC, CHIP 47pf 5% 50V
C28	1-163-017-00	s CERAMIC, CHIP 0.0047uF 5% 50V
C29	1-130-483-00	s MYLAR 0.01uF 5% 50V
C30	1-163-275-11	s CERAMIC, CHIP 0.001uF 5% 50V
C31	1-163-275-11	s CERAMIC, CHIP 0.001uF 5% 50V
C32	1-163-275-11	s CERAMIC, CHIP 0.001uF 5% 50V
C33	1-163-275-11	s CERAMIC, CHIP 0.001uF 5% 50V
C34	1-130-483-00	s MYLAR 0.01uF 5% 50V
C35	1-163-139-00	s CERAMIC, CHIP 820pf 5% 50V
C36	1-163-243-11	s CERAMIC, CHIP 47pf 5% 50V
C37	1-164-232-11	s CERAMIC, CHIP 0.01uF 10% 100V
C38	1-164-232-11	s CERAMIC, CHIP 0.01uF 10% 100V
C39	1-124-925-11	s ELECT 2.2uF 20% 100V
C40	1-164-004-11	s CERAMIC, CHIP 0.1uF 10% 25V
C41	1-107-498-91	s FILM, CHIP 0.0022uF 2% 50V
C42	1-107-498-91	s FILM, CHIP 0.0022uF 2% 50V
C43	1-107-499-91	s FILM, CHIP 0.0039uF 2% 16V
C44	1-131-345-00	s TANTALUM 0.47uF 10% 35V
C45	1-130-497-00	s MYLAR 0.15uF 5% 50V
C46	1-124-925-11	s ELECT 2.2uF 20% 100V
C47	1-104-553-11	s FILM, CHIP 0.015uF 5% 16V
C48	1-130-499-00	s MYLAR 0.22uF 5% 50V
C49	1-164-344-11	s CERAMIC, CHIP 0.068uF 10% 25V
C50	1-104-560-91	s FILM, CHIP 0.056uF 5% 16V
C51	1-124-925-11	s ELECT 2.2uF 20% 100V
C52	1-107-553-91	s FILM, CHIP 0.0056uF 2% 16V
C53	1-104-551-11	s FILM, CHIP 0.01uF 16V
C54	1-130-478-00	s MYLAR 0.0039uF 5% 50V
C55	1-130-478-00	s MYLAR 0.0039uF 5% 50V
C56	1-163-251-11	s CERAMIC, CHIP 100pf 5% 50V
C57	1-126-947-11	s ELECT 47uF 20% 35V
C58	1-163-263-11	s CERAMIC, CHIP 330pf 5% 50V
C59	1-163-235-11	s CERAMIC, CHIP 22pf 5% 50V
C60	1-126-964-11	s ELECT 10uF 20% 50V

#### (AP-31 BOARD(UVH-1800))

Ref. No.  
or Q'ty Part No. SP Description

C61	1-126-964-11	s ELECT 10uF 20% 50V
C62	1-126-926-11	s ELECT 1000uF 20% 10V
C63	1-126-926-11	s ELECT 1000uF 20% 10V
C64	1-126-926-11	s ELECT 1000uF 20% 10V
C65	1-164-004-11	s CERAMIC, CHIP 0.1uF 10% 25V
C66	1-126-926-11	s ELECT 1000uF 20% 10V
C67	1-126-947-11	s ELECT 47uF 20% 35V
C68	1-124-903-11	s ELECT 1uF 20% 50V
C69	1-163-251-11	s CERAMIC, CHIP 100pf 5% 50V
C70	1-126-947-11	s ELECT 47uF 20% 35V
C71	1-163-235-11	s CERAMIC, CHIP 22pf 5% 50V
C72	1-163-809-11	s CERAMIC, CHIP 0.047uF 10% 25V
C73	1-130-491-00	s MYLAR 0.047uF 5% 50V
C74	1-130-491-00	s MYLAR 0.047uF 5% 50V
C75	1-130-491-00	s MYLAR 0.047uF 5% 50V
C76	1-130-491-00	s MYLAR 0.047uF 5% 50V
C77	1-163-251-11	s CERAMIC, CHIP 100pf 5% 50V
C78	1-126-964-11	s ELECT 10uF 20% 50V
C79	1-126-964-11	s ELECT 10uF 20% 50V
C80	1-126-964-11	s ELECT 10uF 20% 50V
C81	1-130-483-00	s MYLAR 0.01uF 5% 50V
C82	1-126-926-11	s ELECT 1000uF 20% 10V
C83	1-126-926-11	s ELECT 1000uF 20% 10V
C84	1-124-925-11	s ELECT 2.2uF 20% 100V
C85	1-131-352-00	s TANTALUM 6.8uF 10% 35V
C87	1-126-964-11	s ELECT 10uF 20% 50V
C88	1-126-964-11	s ELECT 10uF 20% 50V
C202	1-163-121-00	s CERAMIC, CHIP 150pf 5% 50V
C203	1-163-243-11	s CERAMIC, CHIP 47pf 5% 50V
C204	1-163-113-00	s CERAMIC, CHIP 68pf 5% 50V
C205	1-126-964-11	s ELECT 10uF 20% 50V
C206	1-163-127-00	s CERAMIC, CHIP 270pf 5% 50V
C207	1-130-485-00	s MYLAR 0.015uF 5% 50V
C208	1-126-933-11	s ELECT 100uF 20% 16V
C209	1-163-125-00	s CERAMIC, CHIP 220pf 5% 50V
C210	1-126-964-11	s ELECT 10uF 20% 50V
C211	1-124-916-11	s ELECT 22uF 20% 63V
C212	1-163-263-11	s CERAMIC, CHIP 330pf 5% 50V
C215	1-126-964-11	s ELECT 10uF 20% 50V
C216	1-124-916-11	s ELECT 22uF 20% 63V
C218	1-124-916-11	s ELECT 22uF 20% 63V
C220	1-130-498-00	s MYLAR 0.18uF 5% 50V
C221-226	1-130-487-00	s MYLAR 0.022uF 5% 50V
C227	1-163-243-11	s CERAMIC, CHIP 47pf 5% 50V
C228	1-163-017-00	s CERAMIC, CHIP 0.0047uF 5% 50V
C229	1-130-483-00	s MYLAR 0.01uF 5% 50V
C230	1-163-275-11	s CERAMIC, CHIP 0.001uF 5% 50V
C231	1-163-275-11	s CERAMIC, CHIP 0.001uF 5% 50V
C232	1-163-275-11	s CERAMIC, CHIP 0.001uF 5% 50V
C233	1-163-275-11	s CERAMIC, CHIP 0.001uF 5% 50V
C234	1-130-483-00	s MYLAR 0.01uF 5% 50V
C235	1-163-139-00	s CERAMIC, CHIP 820pf 5% 50V
C236	1-163-243-11	s CERAMIC, CHIP 47pf 5% 50V
C237	1-124-925-11	s ELECT 2.2uF 20% 100V
C238	1-107-498-91	s FILM, CHIP 0.0022uF 2% 50V
C239	1-107-498-91	s FILM, CHIP 0.0022uF 2% 50V
C240	1-107-499-91	s FILM, CHIP 0.0039uF 2% 16V
C241	1-131-345-00	s TANTALUM 0.47uF 10% 35V
C242	1-130-497-00	s MYLAR 0.15uF 5% 50V

## (AP-31 BOARD(UVN-1800))

Ref. No. or Q'ty	Part No.	SP Description
C243	1-124-925-11	s ELECT 2.2uF 20% 100V
C244	1-104-553-11	s FILM, CHIP 0.015uF 5% 16V
C245	1-130-499-00	s MYLAR 0.22uF 5% 50V
C246	1-164-344-11	s CERAMIC, CHIP 0.068uF 10% 25V
C247	1-104-560-91	s FILM, CHIP 0.056uF 5% 16V
C248	1-124-925-11	s ELECT 2.2uF 20% 100V
C249	1-107-553-91	s FILM, CHIP 0.0056uF 2% 16V
C250	1-104-551-11	s FILM, CHIP 0.01uF 16V
C251	1-130-478-00	s MYLAR 0.0039uF 5% 50V
C252	1-130-478-00	s MYLAR 0.0039uF 5% 50V
C253	1-163-251-11	s CERAMIC, CHIP 100pF 5% 50V
C254	1-126-947-11	s ELECT 47uF 20% 35V
C255	1-163-263-11	s CERAMIC, CHIP 330pF 5% 50V
C256	1-163-235-11	s CERAMIC, CHIP 22pF 5% 50V
C257	1-126-964-11	s ELECT 10uF 20% 50V
C258	1-126-964-11	s ELECT 10uF 20% 50V
C259	1-126-926-11	s ELECT 1000uF 20% 10V
C260	1-126-926-11	s ELECT 1000uF 20% 10V
C261	1-126-926-11	s ELECT 1000uF 20% 10V
C262	1-164-004-11	s CERAMIC, CHIP 0.1uF 10% 25V
C263	1-126-926-11	s ELECT 1000uF 20% 10V
C264	1-126-947-11	s ELECT 47uF 20% 35V
C265	1-124-903-11	s ELECT 1uF 20% 50V
C266	1-163-251-11	s CERAMIC, CHIP 100pF 5% 50V
C267	1-126-947-11	s ELECT 47uF 20% 35V
C268	1-163-235-11	s CERAMIC, CHIP 22pF 5% 50V
C269	1-163-809-11	s CERAMIC, CHIP 0.047uF 10% 25V
C270	1-124-925-11	s ELECT 2.2uF 20% 100V
C271	1-131-352-00	s TANTALUM 6.8uF 10% 35V
C272	1-126-964-11	s ELECT 10uF 20% 50V
C278	1-126-964-11	s ELECT 10uF 20% 50V
C279	1-126-964-11	s ELECT 10uF 20% 50V
C280	1-126-964-11	s ELECT 10uF 20% 50V
C281	1-130-483-00	s MYLAR 0.01uF 5% 50V
C282	1-126-926-11	s ELECT 1000uF 20% 10V
C283	1-126-926-11	s ELECT 1000uF 20% 10V
C401	1-163-033-00	s CERAMIC, CHIP 0.022uF 50V
C402	1-126-933-11	s ELECT 100uF 20% 16V
C403	1-163-989-11	s CERAMIC, CHIP 0.033uF 10% 25V
C404	1-164-004-11	s CERAMIC, CHIP 0.1uF 10% 25V
C405	1-164-232-11	s CERAMIC, CHIP 0.01uF 10% 100V
C406	1-164-232-11	s CERAMIC, CHIP 0.01uF 10% 100V
C408	1-126-964-11	s ELECT 10uF 20% 50V
C409	1-163-239-11	s CERAMIC, CHIP 33pF 5% 50V
C410	1-164-004-11	s CERAMIC, CHIP 0.1uF 10% 25V
C411	1-163-989-11	s CERAMIC, CHIP 0.033uF 10% 25V
C412	1-126-964-11	s ELECT 10uF 20% 50V
C413	1-126-964-11	s ELECT 10uF 20% 50V
C414	1-126-964-11	s ELECT 10uF 20% 50V
C415	1-163-033-00	s CERAMIC, CHIP 0.022uF 50V
C416	1-163-033-00	s CERAMIC, CHIP 0.022uF 50V
C417	1-126-933-11	s ELECT 100uF 20% 16V
C418	1-126-933-11	s ELECT 100uF 20% 16V
C419	1-126-964-11	s ELECT 10uF 20% 50V
C420	1-163-033-00	s CERAMIC, CHIP 0.022uF 50V
C421	1-163-033-00	s CERAMIC, CHIP 0.022uF 50V
C422	1-126-933-11	s ELECT 100uF 20% 16V
C423	1-126-933-11	s ELECT 100uF 20% 16V
C424	1-126-933-11	s ELECT 100uF 20% 16V

## (AP-31 BOARD(UVN-1800))

Ref. No. or Q'ty	Part No.	SP Description
C425	1-126-933-11	s ELECT 100uF 20% 16V
C426	1-163-033-00	s CERAMIC, CHIP 0.022uF 50V
C427	1-163-033-00	s CERAMIC, CHIP 0.022uF 50V
C428	1-163-989-11	s CERAMIC, CHIP 0.033uF 10% 25V
C429	1-161-021-11	s CERAMIC 0.047uF 10% 25V
C430	1-161-021-11	s CERAMIC 0.047uF 10% 25V
C500	1-163-125-00	s CERAMIC, CHIP 220pF 5% 50V
C501	1-102-114-00	s CERAMIC 470pF 10% 50V
CN1	1-506-468-11	s CONNECTOR 3P, MALE
CN2	1-564-002-41	s CONNECTOR 3P, MALE
CN3	1-506-468-11	s CONNECTOR 3P, MALE
CN111	1-573-600-21	s CONNECTOR, PHEC 100P, MALE
D1	8-719-941-23	s DIODE DA204U
D2	8-719-941-23	s DIODE DA204U
D3	8-719-941-23	s DIODE DA204U
D5	8-719-941-23	s DIODE DA204U
D6	8-719-123-85	s DIODE 1SS304
D7	8-719-941-23	s DIODE DA204U
D8	8-719-123-85	s DIODE 1SS304
D10	8-719-123-85	s DIODE 1SS304
D11	8-719-123-85	s DIODE 1SS304
D12	8-719-123-85	s DIODE 1SS304
D13	8-719-123-85	s DIODE 1SS304
D15	8-719-123-85	s DIODE 1SS304
D16	8-719-123-85	s DIODE 1SS304
D17	8-719-941-23	s DIODE DA204U
D18	8-719-911-19	s DIODE 1SS119
D201	8-719-941-23	s DIODE DA204U
D202	8-719-941-23	s DIODE DA204U
D203	8-719-941-23	s DIODE DA204U
D204	8-719-941-23	s DIODE DA204U
D205	8-719-123-85	s DIODE 1SS304
D206	8-719-941-23	s DIODE DA204U
D207	8-719-123-85	s DIODE 1SS304
D209	8-719-123-85	s DIODE 1SS304
D210	8-719-941-23	s DIODE DA204U
D211	8-719-911-19	s DIODE 1SS119
D401	8-719-941-23	s DIODE DA204U
D403	8-719-941-23	s DIODE DA204U
IC1	8-759-701-25	s IC NJM2068D-D
IC2	8-759-701-25	s IC NJM2068D-D
IC3	8-759-701-25	s IC NJM2068D-D
IC4	8-759-701-25	s IC NJM2068D-D
IC5	8-759-705-58	s IC NJM4558D-D
IC6	8-759-705-58	s IC NJM4558D-D
IC7	8-759-705-58	s IC NJM4558D-D
IC8	8-752-018-80	s IC CX20188
IC9	8-759-705-58	s IC NJM4558D-D
IC10	8-759-705-58	s IC NJM4558D-D
IC11	8-759-145-57	s IC UPC4557C
IC12	8-759-917-18	s IC SN74HCUD4AM
IC13	8-759-917-18	s IC SN74HCUD4AM
IC14	8-759-145-57	s IC UPC4557C
IC15	8-759-705-58	s IC NJM4558D-D
IC201	8-759-701-25	s IC NJM2068D-D
IC202	8-759-701-25	s IC NJM2068D-D
IC203	8-759-701-25	s IC NJM2068D-D
IC204	8-759-701-25	s IC NJM2068D-D

## (AP-31 BOARD(UVW-1800))

Ref. No. or Q'ty	Part No.	SP Description
IC205	8-759-705-58	s IC NJM4558D-D
IC206	8-759-705-58	s IC NJM4558D-D
IC207	8-759-705-58	s IC NJM4558D-D
IC208	8-759-705-58	s IC NJM4558D-D
IC209	8-759-705-58	s IC NJM4558D-D
IC210	8-759-145-57	s IC UPCA4557C
IC211	8-759-705-58	s IC NJM4558D-D
IC401	8-759-701-25	s IC NJM2068D-D
IC402	8-759-981-64	s IC LM2903DQ
IC405	8-759-172-41	s IC L79M09T-TL
IC406	8-759-173-37	s IC L79M09T-TL
IC407	8-759-635-83	s IC M51957BFP
IC408	8-759-172-41	s IC L79M09T-TL
IC409	8-759-173-37	s IC L79M09T-TL
IC410	8-759-701-25	s IC NJM2068D-D
L1	1-410-068-11	s INDUCTOR 5.60mH
L2	1-408-423-00	s INDUCTOR 150uH
L201	1-410-068-11	s INDUCTOR 5.60mH
L202	1-408-423-00	s INDUCTOR 150uH
L401	1-410-470-11	s INDUCTOR 10uH
L402	1-410-470-11	s INDUCTOR 10uH
PS1	▲1-532-727-11	s LINK, IC 0.25A
PS2	▲1-532-727-11	s LINK, IC 0.25A
Q1	8-729-209-06	s TRANSISTOR 2SC4213-A
Q2	8-729-803-89	s TRANSISTOR 2SC3332-T
Q3	8-729-803-89	s TRANSISTOR 2SC3332-T
Q4	8-729-209-06	s TRANSISTOR 2SC4213-A
Q5	8-729-209-06	s TRANSISTOR 2SC4213-A
Q6	8-729-209-06	s TRANSISTOR 2SC4213-A
Q7	8-729-209-06	s TRANSISTOR 2SC4213-A
Q8	8-729-140-63	s TRANSISTOR 2SA1611-M5M6
Q9	8-729-109-44	s TRANSISTOR 2SK94
Q10	8-729-203-30	s TRANSISTOR 2SJ106Y
Q11	8-729-905-18	s TRANSISTOR DTC144EU
Q12	8-729-905-12	s TRANSISTOR DTA144EU
Q13	8-729-118-56	s TRANSISTOR 2SK852-X2
Q14	8-729-209-06	s TRANSISTOR 2SC4213-A
Q15	8-729-209-06	s TRANSISTOR 2SC4213-A
Q16	8-729-140-63	s TRANSISTOR 2SA1611-M5M6
Q17	8-729-118-56	s TRANSISTOR 2SK852-X2
Q18	8-729-423-93	s TRANSISTOR 2SD2136-R(TA)
Q19	8-729-022-00	s TRANSISTOR 2SB1416-R(TA)
Q20	8-729-021-98	s TRANSISTOR 2SJ226-AZ
Q21	8-729-021-98	s TRANSISTOR 2SJ226-AZ
Q22	8-729-117-32	s TRANSISTOR 2SC4177
Q23	8-729-117-32	s TRANSISTOR 2SC4177
Q25	8-729-140-93	s TRANSISTOR 2SB733-34
Q26	8-729-209-06	s TRANSISTOR 2SC4213-A
Q27	8-729-209-06	s TRANSISTOR 2SC4213-A
Q28	8-729-804-09	s TRANSISTOR 2SA1319-T
Q29	8-729-804-09	s TRANSISTOR 2SA1319-T
Q30	8-729-140-93	s TRANSISTOR 2SB733-34
Q34	8-729-905-18	s TRANSISTOR DTC144EU
Q35	8-729-905-12	s TRANSISTOR DTA144EU
Q36	8-729-118-56	s TRANSISTOR 2SK852-X2
Q201	8-729-209-06	s TRANSISTOR 2SC4213-A
Q202	8-729-803-89	s TRANSISTOR 2SC3332-T
Q203	8-729-803-89	s TRANSISTOR 2SC3332-T

## (AP-31 BOARD(UVW-1800))

Ref. No. or Q'ty	Part No.	SP Description
Q204	8-729-209-06	s TRANSISTOR 2SC4213-A
Q205	8-729-209-06	s TRANSISTOR 2SC4213-A
Q206	8-729-209-06	s TRANSISTOR 2SC4213-A
Q207	8-729-209-06	s TRANSISTOR 2SC4213-A
Q208	8-729-140-63	s TRANSISTOR 2SA1611-M5M6
Q209	8-729-109-44	s TRANSISTOR 2SK94
Q210	8-729-203-30	s TRANSISTOR 2SJ106Y
Q211	8-729-118-56	s TRANSISTOR 2SK852-X2
Q212	8-729-209-06	s TRANSISTOR 2SC4213-A
Q213	8-729-209-06	s TRANSISTOR 2SC4213-A
Q214	8-729-140-63	s TRANSISTOR 2SA1611-M5M6
Q215	8-729-118-56	s TRANSISTOR 2SK852-X2
Q216	8-729-423-93	s TRANSISTOR 2SD2136-R(TA)
Q217	8-729-022-00	s TRANSISTOR 2SB1416-R(TA)
Q218	8-729-021-98	s TRANSISTOR 2SJ226-AZ
Q219	8-729-021-98	s TRANSISTOR 2SJ226-AZ
Q220	8-729-117-32	s TRANSISTOR 2SC4177
Q221	8-729-117-32	s TRANSISTOR 2SC4177
Q223	8-729-140-93	s TRANSISTOR 2SB733-34
Q224	8-729-905-18	s TRANSISTOR DTC144EU
Q225	8-729-905-12	s TRANSISTOR DTA144EU
Q226	8-729-118-56	s TRANSISTOR 2SK852-X2
Q401	8-729-209-06	s TRANSISTOR 2SC4213-A
Q402	8-729-209-06	s TRANSISTOR 2SC4213-A
Q403	8-729-209-06	s TRANSISTOR 2SC4213-A
R1	1-216-603-11	s METAL, CHIP 10 0.5% 1/10W
R2	1-216-049-00	s METAL, CHIP 1k 5% 1/10W
R3	1-216-057-00	s METAL, CHIP 2.2k 5% 1/10W
R4	1-216-057-00	s METAL, CHIP 2.2k 5% 1/10W
R5	1-216-097-00	s METAL, CHIP 100k 5% 1/10W
R6	1-216-097-00	s METAL, CHIP 100k 5% 1/10W
R7	1-216-073-00	s METAL, CHIP 10k 5% 1/10W
R8	1-216-105-00	s METAL, CHIP 220k 5% 1/10W
R9	1-216-626-11	s METAL, CHIP 91 0.5% 1/10W
R10	1-216-651-11	s METAL, CHIP 1k 0.5% 1/10W
R11	1-216-073-00	s METAL, CHIP 10k 5% 1/10W
R12	1-216-073-00	s METAL, CHIP 10k 5% 1/10W
R13	1-216-659-11	s METAL, CHIP 2.2k 0.5% 1/10W
R14	1-216-049-00	s METAL, CHIP 1k 5% 1/10W
R16	1-216-009-00	s METAL, CHIP 22 5% 1/10W
R17	1-216-073-00	s METAL, CHIP 10k 5% 1/10W
R19-R23	1-216-073-00	s METAL, CHIP 10k 5% 1/10W
R24	1-216-049-00	s METAL, CHIP 1k 5% 1/10W
R25	1-216-073-00	s METAL, CHIP 10k 5% 1/10W
R26	1-216-073-00	s METAL, CHIP 10k 5% 1/10W
R27	1-216-085-00	s METAL, CHIP 33k 5% 1/10W
R28	1-216-085-00	s METAL, CHIP 33k 5% 1/10W
R30	1-216-675-11	s METAL, CHIP 10k 0.5% 1/10W
R31	1-216-041-00	s METAL, CHIP 470 5% 1/10W
R32	1-216-642-11	s METAL, CHIP 430 0.5% 1/10W
R33	1-216-675-11	s METAL, CHIP 10k 0.5% 1/10W
R34	1-216-691-11	s METAL, CHIP 47k 0.5% 1/10W
R35	1-216-675-11	s METAL, CHIP 10k 0.5% 1/10W
R36	1-216-683-11	s METAL, CHIP 22k 0.5% 1/10W
R37	1-215-473-00	s METAL 150k 1% 1/6W
R38	1-215-471-00	s METAL 120k 1% 1/6W
R39	1-215-479-00	s METAL 270k 1% 1/6W
R40	1-216-681-11	s METAL, CHIP 18k 0.5% 1/10W
R41	1-216-679-11	s METAL, CHIP 15k 0.5% 1/10W

## (AP-31 BOARD(UVW-1800))

## (AP-31 BOARD(UVW-1800))

Ref. No. or Q'ty	Part No.	SP Description
R42	1-216-695-11	s METAL, CHIP 68k 0.5% 1/10W
R43	1-215-469-00	s METAL 100k 1% 1/6W
R44	1-215-473-00	s METAL 150k 1% 1/6W
R45	1-215-461-00	s METAL 47k 1% 1/6W
R46	1-216-681-11	s METAL, CHIP 18k 0.5% 1/10W
R47	1-216-683-11	s METAL, CHIP 22k 0.5% 1/10W
R48	1-216-089-91	s METAL, CHIP 47k 5% 1/10W
R49	1-216-071-00	s METAL, CHIP 8.2k 5% 1/10W
R50	1-216-081-00	s METAL, CHIP 22k 5% 1/10W
R51	1-216-121-00	s METAL, CHIP 1M 5% 1/10W
R52	1-216-121-00	s METAL, CHIP 1M 5% 1/10W
R53	1-216-121-00	s METAL, CHIP 1M 5% 1/10W
R54	1-216-121-00	s METAL, CHIP 1M 5% 1/10W
R56	1-216-009-00	s METAL, CHIP 22 5% 1/10W
R57	1-216-691-11	s METAL, CHIP 47k 0.5% 1/10W
R58	1-216-643-11	s METAL, CHIP 470 0.5% 1/10W
R59	1-216-622-11	s METAL, CHIP 62 0.5% 1/10W
R60	1-216-678-11	s METAL, CHIP 13k 0.5% 1/10W
R61	1-216-673-11	s METAL, CHIP 8.2k 0.5% 1/10W
R62	1-216-652-11	s METAL, CHIP 1.1k 0.5% 1/10W
R63	1-216-622-11	s METAL, CHIP 62 0.5% 1/10W
R64	1-216-653-11	s METAL, CHIP 1.2k 0.5% 1/10W
R65	1-216-676-11	s METAL, CHIP 11k 0.5% 1/10W
R66	1-216-677-11	s METAL, CHIP 12k 0.5% 1/10W
R67	1-216-654-11	s METAL, CHIP 1.3k 0.5% 1/10W
R68	1-215-493-00	s METAL 1M 1% 1/6W
R69	1-216-666-11	s METAL, CHIP 4.3k 0.5% 1/10W
R70	1-216-691-11	s METAL, CHIP 47k 0.5% 1/10W
R71	1-216-675-11	s METAL, CHIP 10k 0.5% 1/10W
R72	1-216-073-00	s METAL, CHIP 10k 5% 1/10W
R73	1-216-081-00	s METAL, CHIP 22k 5% 1/10W
R74	1-216-049-00	s METAL, CHIP 1k 5% 1/10W
R75	1-216-081-00	s METAL, CHIP 22k 5% 1/10W
R76	1-216-081-00	s METAL, CHIP 22k 5% 1/10W
R77	1-216-699-11	s METAL, CHIP 100k 0.5% 1/10W
R78	1-216-686-11	s METAL, CHIP 30k 0.5% 1/10W
R79	1-216-081-00	s METAL, CHIP 22k 5% 1/10W
R80	1-216-049-00	s METAL, CHIP 1k 5% 1/10W
R81	1-216-679-11	s METAL, CHIP 15k 0.5% 1/10W
R82	1-216-659-11	s METAL, CHIP 2.2k 0.5% 1/10W
R83	1-216-658-11	s METAL, CHIP 2k 0.5% 1/10W
R84	1-216-677-11	s METAL, CHIP 12k 0.5% 1/10W
R85	1-216-645-11	s METAL, CHIP 560 0.5% 1/10W
R86	1-216-121-00	s METAL, CHIP 1M 5% 1/10W
R87	1-216-683-11	s METAL, CHIP 22k 0.5% 1/10W
R88	1-216-672-11	s METAL, CHIP 7.5k 0.5% 1/10W
R89	1-216-045-00	s METAL, CHIP 680 5% 1/10W
R90	1-216-674-11	s METAL, CHIP 9.1k 0.5% 1/10W
R91	1-216-681-11	s METAL, CHIP 18k 0.5% 1/10W
R92	1-216-657-11	s METAL, CHIP 1.8k 0.5% 1/10W
R93	1-216-121-00	s METAL, CHIP 1M 5% 1/10W
R94	1-216-121-00	s METAL, CHIP 1M 5% 1/10W
R95	1-216-691-11	s METAL, CHIP 47k 0.5% 1/10W
R96	1-216-683-11	s METAL, CHIP 22k 0.5% 1/10W
R97	1-216-659-11	s METAL, CHIP 2.2k 0.5% 1/10W
R98	1-216-659-11	s METAL, CHIP 2.2k 0.5% 1/10W
R99	1-216-073-00	s METAL, CHIP 10k 5% 1/10W
R100	1-216-097-00	s METAL, CHIP 100k 5% 1/10W
R101	1-216-073-00	s METAL, CHIP 10k 5% 1/10W

Ref. No. or Q'ty	Part No.	SP Description
R102	1-216-121-00	s METAL, CHIP 1M 5% 1/10W
R103	1-216-073-00	s METAL, CHIP 10k 5% 1/10W
R104	1-216-073-00	s METAL, CHIP 10k 5% 1/10W
R105	1-216-121-00	s METAL, CHIP 1M 5% 1/10W
R106	1-216-069-00	s METAL, CHIP 6.8k 5% 1/10W
R107	1-216-073-00	s METAL, CHIP 10k 5% 1/10W
R108	1-216-668-11	s METAL, CHIP 5.1k 0.5% 1/10W
R109	1-216-663-11	s METAL, CHIP 3.3k 0.5% 1/10W
R110	1-216-650-11	s METAL, CHIP 910 0.5% 1/10W
R111	1-216-663-11	s METAL, CHIP 3.3k 0.5% 1/10W
R112	1-216-073-00	s METAL, CHIP 10k 5% 1/10W
R113	1-216-667-11	s METAL, CHIP 4.7k 0.5% 1/10W
R114	1-216-033-00	s METAL, CHIP 220 5% 1/10W
R115	1-216-067-00	s METAL, CHIP 5.6k 5% 1/10W
R116	1-216-067-00	s METAL, CHIP 5.6k 5% 1/10W
R117	1-216-679-11	s METAL, CHIP 15k 0.5% 1/10W
R118	1-247-807-31	s CARBON 100 5% 1/4W
R119	△1-216-399-00	s WIREWOUND 6.8 10% 3W
R120	△1-216-399-00	s WIREWOUND 6.8 10% 3W
R121	1-247-807-31	s CARBON 100 5% 1/4W
R122	1-216-121-00	s METAL, CHIP 1M 5% 1/10W
R123	1-249-389-11	s CARBON 4.7 5% 1/4W
R124	1-216-121-00	s METAL, CHIP 1M 5% 1/10W
R125	1-216-057-00	s METAL, CHIP 2.2k 5% 1/10W
R126	1-216-075-00	s METAL, CHIP 12k 5% 1/10W
R127	1-216-081-00	s METAL, CHIP 22k 5% 1/10W
R128	1-216-025-00	s METAL, CHIP 100 5% 1/10W
R129	1-216-121-00	s METAL, CHIP 1M 5% 1/10W
R130	1-216-033-00	s METAL, CHIP 220 5% 1/10W
R131	1-216-065-00	s METAL, CHIP 4.7k 5% 1/10W
R132	1-216-081-00	s METAL, CHIP 22k 5% 1/10W
R133	1-216-095-00	s METAL, CHIP 82k 5% 1/10W
R134	1-216-676-11	s METAL, CHIP 11k 0.5% 1/10W
R135	1-216-057-00	s METAL, CHIP 2.2k 5% 1/10W
R136	1-216-678-11	s METAL, CHIP 13k 0.5% 1/10W
R137	1-216-025-00	s METAL, CHIP 100 5% 1/10W
R138	1-216-073-00	s METAL, CHIP 10k 5% 1/10W
R139	1-216-073-00	s METAL, CHIP 10k 5% 1/10W
R140	1-216-073-00	s METAL, CHIP 10k 5% 1/10W
R141	1-216-684-11	s METAL, CHIP 24k 0.5% 1/10W
R142	1-216-025-00	s METAL, CHIP 100 5% 1/10W
R143	1-216-073-00	s METAL, CHIP 10k 5% 1/10W
R144	1-216-073-00	s METAL, CHIP 10k 5% 1/10W
R145-154	1-216-097-00	s METAL, CHIP 100k 5% 1/10W
R155	1-216-081-00	s METAL, CHIP 22k 5% 1/10W
R156	1-216-081-00	s METAL, CHIP 22k 5% 1/10W
R157	1-216-081-00	s METAL, CHIP 22k 5% 1/10W
R158	1-216-081-00	s METAL, CHIP 22k 5% 1/10W
R159	1-216-073-00	s METAL, CHIP 10k 5% 1/10W
R160	1-216-049-00	s METAL, CHIP 1k 5% 1/10W
R161	1-216-063-00	s METAL, CHIP 3.9k 5% 1/10W
R162	1-216-089-91	s METAL, CHIP 47k 5% 1/10W
R163	1-216-053-00	s METAL, CHIP 1.5k 5% 1/10W
R164	1-216-059-00	s METAL, CHIP 2.7k 5% 1/10W
R165	1-216-071-00	s METAL, CHIP 8.2k 5% 1/10W
R167	1-216-295-91	s RES, CHIP 0
R168	1-216-073-00	s METAL, CHIP 10k 5% 1/10W
R169	1-216-049-00	s METAL, CHIP 1k 5% 1/10W
R170	1-216-063-00	s METAL, CHIP 3.9k 5% 1/10W

## (AP-31 BOARD(UVW-1800))

Ref. No. or Q'ty	Part No.	SP Description
R171	1-216-089-91	s METAL, CHIP 47k 5% 1/10W
R172	1-216-053-00	s METAL, CHIP 1.5k 5% 1/10W
R173	1-216-059-00	s METAL, CHIP 2.7k 5% 1/10W
R174	1-216-071-00	s METAL, CHIP 8.2k 5% 1/10W
R175	1-216-121-00	s METAL, CHIP 1M 5% 1/10W
R176	1-216-121-00	s METAL, CHIP 1M 5% 1/10W
R177	1-216-025-00	s METAL, CHIP 100 5% 1/10W
R178	1-216-073-00	s METAL, CHIP 10k 5% 1/10W
R179	1-216-664-11	s METAL, CHIP 3.6k 0.5% 1/10W
R180	1-216-073-00	s METAL, CHIP 10k 5% 1/10W
R181	1-216-073-00	s METAL, CHIP 10k 5% 1/10W
R182	1-216-646-11	s METAL, CHIP 620 0.5% 1/10W
R183	1-216-073-00	s METAL, CHIP 10k 5% 1/10W
R184	1-216-073-00	s METAL, CHIP 10k 5% 1/10W
R186	1-216-095-00	s METAL, CHIP 82k 5% 1/10W
R187	1-216-668-11	s METAL, CHIP 5.1k 0.5% 1/10W
R188	1-216-085-00	s METAL, CHIP 33k 5% 1/10W
R201	1-216-603-11	s METAL, CHIP 10 0.5% 1/10W
R202	1-216-049-00	s METAL, CHIP 1k 5% 1/10W
R203	1-216-057-00	s METAL, CHIP 2.2k 5% 1/10W
R204	1-216-057-00	s METAL, CHIP 2.2k 5% 1/10W
R205	1-216-097-00	s METAL, CHIP 100k 5% 1/10W
R206	1-216-097-00	s METAL, CHIP 100k 5% 1/10W
R207	1-216-073-00	s METAL, CHIP 10k 5% 1/10W
R208	1-216-105-00	s METAL, CHIP 220k 5% 1/10W
R209	1-216-626-11	s METAL, CHIP 91 0.50% 1/10W
R210	1-216-651-11	s METAL, CHIP 1k 0.5% 1/10W
R211	1-216-073-00	s METAL, CHIP 10k 5% 1/10W
R212	1-216-073-00	s METAL, CHIP 10k 5% 1/10W
R213	1-216-659-11	s METAL, CHIP 2.2k 0.5% 1/10W
R214	1-216-049-00	s METAL, CHIP 1k 5% 1/10W
R216	1-216-009-00	s METAL, CHIP 22 5% 1/10W
R217	1-216-073-00	s METAL, CHIP 10k 5% 1/10W
R219-223	1-216-073-00	s METAL, CHIP 10k 5% 1/10W
R224	1-216-049-00	s METAL, CHIP 1k 5% 1/10W
R225	1-216-073-00	s METAL, CHIP 10k 5% 1/10W
R226	1-216-073-00	s METAL, CHIP 10k 5% 1/10W
R227	1-216-085-00	s METAL, CHIP 33k 5% 1/10W
R228	1-216-085-00	s METAL, CHIP 33k 5% 1/10W
R230	1-216-675-11	s METAL, CHIP 10k 0.5% 1/10W
R231	1-216-041-00	s METAL, CHIP 470 5% 1/10W
R232	1-216-642-11	s METAL, CHIP 430 0.5% 1/10W
R233	1-216-675-11	s METAL, CHIP 10k 0.5% 1/10W
R234	1-216-691-11	s METAL, CHIP 47k 0.5% 1/10W
R235	1-216-675-11	s METAL, CHIP 10k 0.5% 1/10W
R236	1-216-683-11	s METAL, CHIP 22k 0.5% 1/10W
R237	1-215-473-00	s METAL, CHIP 150k 1% 1/6W
R238	1-215-471-00	s METAL, CHIP 120k 1% 1/6W
R239	1-215-479-00	s METAL, CHIP 270k 1% 1/6W
R240	1-216-681-11	s METAL, CHIP 18k 0.5% 1/10W
R241	1-216-691-11	s METAL, CHIP 47k 0.5% 1/10W
R242	1-216-699-11	s METAL, CHIP 100k 0.5% 1/10W
R243	1-215-479-00	s METAL, CHIP 270k 1% 1/6W
R244	1-215-460-00	s METAL, CHIP 43k 1% 1/6W
R245	1-215-460-00	s METAL, CHIP 43k 1% 1/6W
R246	1-216-681-11	s METAL, CHIP 18k 0.5% 1/10W
R247	1-216-683-11	s METAL, CHIP 22k 0.5% 1/10W
R248	1-216-089-91	s METAL, CHIP 47k 5% 1/10W
R249	1-216-071-00	s METAL, CHIP 8.2k 5% 1/10W

## (AP-31 BOARD(UVW-1800))

Ref. No. or Q'ty	Part No.	SP Description
R250	1-216-081-00	s METAL, CHIP 22k 5% 1/10W
R251	1-216-121-00	s METAL, CHIP 1M 5% 1/10W
R252	1-216-121-00	s METAL, CHIP 1M 5% 1/10W
R253	1-216-121-00	s METAL, CHIP 1M 5% 1/10W
R254	1-216-121-00	s METAL, CHIP 1M 5% 1/10W
R255	1-216-009-00	s METAL, CHIP 22 5% 1/10W
R256	1-216-691-11	s METAL, CHIP 47k 0.5% 1/10W
R257	1-216-643-11	s METAL, CHIP 470 0.5% 1/10W
R258	1-216-622-11	s METAL, CHIP 62 0.5% 1/10W
R259	1-216-678-11	s METAL, CHIP 13k 0.5% 1/10W
R260	1-216-673-11	s METAL, CHIP 8.2k 0.5% 1/10W
R261	1-216-652-11	s METAL, CHIP 1.1k 0.5% 1/10W
R262	1-216-622-11	s METAL, CHIP 62 0.5% 1/10W
R263	1-216-653-11	s METAL, CHIP 1.2k 0.5% 1/10W
R264	1-216-676-11	s METAL, CHIP 11k 0.5% 1/10W
R265	1-216-677-11	s METAL, CHIP 12k 0.5% 1/10W
R266	1-216-654-11	s METAL, CHIP 1.3k 0.5% 1/10W
R267	1-215-493-00	s METAL, CHIP 1M 1% 1/6W
R268	1-216-666-11	s METAL, CHIP 4.3k 0.5% 1/10W
R269	1-216-691-11	s METAL, CHIP 47k 0.5% 1/10W
R270	1-216-675-11	s METAL, CHIP 10k 0.5% 1/10W
R271	1-216-073-00	s METAL, CHIP 10k 5% 1/10W
R272	1-216-049-00	s METAL, CHIP 1k 5% 1/10W
R273	1-216-081-00	s METAL, CHIP 22k 5% 1/10W
R274	1-216-081-00	s METAL, CHIP 22k 5% 1/10W
R275	1-216-679-11	s METAL, CHIP 15k 0.5% 1/10W
R276	1-216-659-11	s METAL, CHIP 2.2k 0.5% 1/10W
R277	1-216-658-11	s METAL, CHIP 2k 0.5% 1/10W
R278	1-216-677-11	s METAL, CHIP 12k 0.5% 1/10W
R279	1-216-645-11	s METAL, CHIP 560 0.5% 1/10W
R280	1-216-121-00	s METAL, CHIP 1M 5% 1/10W
R281	1-216-683-11	s METAL, CHIP 22k 0.5% 1/10W
R282	1-216-672-11	s METAL, CHIP 7.5k 0.5% 1/10W
R283	1-216-045-00	s METAL, CHIP 680 5% 1/10W
R284	1-216-674-11	s METAL, CHIP 9.1k 0.5% 1/10W
R285	1-216-681-11	s METAL, CHIP 18k 0.5% 1/10W
R286	1-216-657-11	s METAL, CHIP 1.8k 0.5% 1/10W
R287	1-216-121-00	s METAL, CHIP 1M 5% 1/10W
R288	1-216-121-00	s METAL, CHIP 1M 5% 1/10W
R289	1-216-691-11	s METAL, CHIP 47k 0.5% 1/10W
R290	1-216-683-11	s METAL, CHIP 22k 0.5% 1/10W
R291	1-216-659-11	s METAL, CHIP 2.2k 0.5% 1/10W
R292	1-216-659-11	s METAL, CHIP 2.2k 0.5% 1/10W
R293	1-216-073-00	s METAL, CHIP 10k 5% 1/10W
R294	1-216-097-00	s METAL, CHIP 100k 5% 1/10W
R295	1-216-073-00	s METAL, CHIP 10k 5% 1/10W
R296	1-216-121-00	s METAL, CHIP 1M 5% 1/10W
R297	1-216-073-00	s METAL, CHIP 10k 5% 1/10W
R298	1-216-073-00	s METAL, CHIP 10k 5% 1/10W
R299	1-216-121-00	s METAL, CHIP 1M 5% 1/10W
R300	1-216-069-00	s METAL, CHIP 6.8k 5% 1/10W
R301	1-216-073-00	s METAL, CHIP 10k 5% 1/10W
R302	1-216-668-11	s METAL, CHIP 5.1k 0.5% 1/10W
R303	1-216-663-11	s METAL, CHIP 3.3k 0.5% 1/10W
R304	1-216-650-11	s METAL, CHIP 910 0.5% 1/10W
R305	1-216-663-11	s METAL, CHIP 3.3k 0.5% 1/10W
R306	1-216-073-00	s METAL, CHIP 10k 5% 1/10W
R307	1-216-667-11	s METAL, CHIP 4.7k 0.5% 1/10W
R308	1-216-033-00	s METAL, CHIP 220 5% 1/10W

## (AP-31 BOARD(UVW-1800))

## (AP-31 BOARD(UVW-1800))

Ref. No. or Q'ty	Part No.	SP Description
R309	1-216-067-00	s METAL, CHIP 5.6k 5% 1/10W
R310	1-216-067-00	s METAL, CHIP 5.6k 5% 1/10W
R311	1-216-679-11	s METAL, CHIP 15k 0.5% 1/10W
R312	1-247-807-31	s CARBON 100 5% 1/4W
R313	▲1-216-399-00	s WIREWOUND 6.8 10% 3W
R314	▲1-216-399-00	s WIREWOUND 6.8 10% 3W
R315	1-247-807-31	s CARBON 100 5% 1/4W
R316	1-216-121-00	s METAL, CHIP 1M 5% 1/10W
R317	1-249-389-11	s CARBON 4.7 5% 1/4W
R318	1-216-121-00	s METAL, CHIP 1M 5% 1/10W
R319	1-216-057-00	s METAL, CHIP 2.2k 5% 1/10W
R320	1-216-075-00	s METAL, CHIP 12k 5% 1/10W
R321	1-216-081-00	s METAL, CHIP 22k 5% 1/10W
R322	1-216-025-00	s METAL, CHIP 100 5% 1/10W
R323	1-216-121-00	s METAL, CHIP 1M 5% 1/10W
R324	1-216-033-00	s METAL, CHIP 220 5% 1/10W
R325	1-216-065-00	s METAL, CHIP 4.7k 5% 1/10W
R326	1-216-081-00	s METAL, CHIP 22k 5% 1/10W
R327	1-216-095-00	s METAL, CHIP 82k 5% 1/10W
R328	1-216-676-11	s METAL, CHIP 11k 0.5% 1/10W
R329	1-216-057-00	s METAL, CHIP 2.2k 5% 1/10W
R330	1-216-678-11	s METAL, CHIP 13k 0.5% 1/10W
R331	1-216-025-00	s METAL, CHIP 100 5% 1/10W
R332	1-216-073-00	s METAL, CHIP 10k 5% 1/10W
R333	1-216-073-00	s METAL, CHIP 10k 5% 1/10W
R334	1-216-073-00	s METAL, CHIP 10k 5% 1/10W
R335	1-216-684-11	s METAL, CHIP 24k 0.5% 1/10W
R336	1-216-025-00	s METAL, CHIP 100 5% 1/10W
R337	1-216-073-00	s METAL, CHIP 10k 5% 1/10W
R338	1-216-073-00	s METAL, CHIP 10k 5% 1/10W
R339	1-216-025-00	s METAL, CHIP 100 5% 1/10W
R341	1-216-095-00	s METAL, CHIP 82k 5% 1/10W
R342	1-216-073-00	s METAL, CHIP 10k 5% 1/10W
R344	1-216-295-91	s RES, CHIP 0
R345	1-216-121-00	s METAL, CHIP 1M 5% 1/10W
R346	1-216-121-00	s METAL, CHIP 1M 5% 1/10W
R347	1-216-085-00	s METAL, CHIP 33k 5% 1/10W
R387	1-216-668-11	s METAL, CHIP 5.1k 0.5% 1/10W
R400	1-216-603-11	s METAL, CHIP 10 0.5% 1/10W
R402	1-216-295-91	s RES, CHIP 0
R403	1-216-073-00	s METAL, CHIP 10k 5% 1/10W
R404	1-216-073-00	s METAL, CHIP 10k 5% 1/10W
R405	1-216-049-00	s METAL, CHIP 1k 5% 1/10W
R406	1-216-033-00	s METAL, CHIP 220 5% 1/10W
R407	1-216-121-00	s METAL, CHIP 1M 5% 1/10W
R408	1-216-053-00	s METAL, CHIP 1.5k 5% 1/10W
R409	1-216-089-91	s METAL, CHIP 47k 5% 1/10W
R410	1-216-053-00	s METAL, CHIP 1.5k 5% 1/10W
R411	1-216-089-91	s METAL, CHIP 47k 5% 1/10W
R412	1-216-049-00	s METAL, CHIP 1k 5% 1/10W
R413	1-216-067-00	s METAL, CHIP 5.6k 5% 1/10W
R414	1-216-089-91	s METAL, CHIP 47k 5% 1/10W
R415	1-216-089-91	s METAL, CHIP 47k 5% 1/10W
R416	1-216-057-00	s METAL, CHIP 2.2k 5% 1/10W
R417	1-216-121-00	s METAL, CHIP 1M 5% 1/10W
R418	1-216-049-00	s METAL, CHIP 1k 5% 1/10W
R419	1-216-073-00	s METAL, CHIP 10k 5% 1/10W
R420	1-216-113-00	s METAL, CHIP 470k 5% 1/10W
R421	1-216-025-00	s METAL, CHIP 100 5% 1/10W

Ref. No. or Q'ty	Part No.	SP Description
R422	1-216-067-00	s METAL, CHIP 5.6k 5% 1/10W
R423	1-216-089-91	s METAL, CHIP 47k 5% 1/10W
R424	1-216-073-00	s METAL, CHIP 10k 5% 1/10W
R425	1-216-065-00	s METAL, CHIP 4.7k 5% 1/10W
R426	1-216-065-00	s METAL, CHIP 4.7k 5% 1/10W
R427	1-216-025-00	s METAL, CHIP 100 5% 1/10W
R428	1-216-073-00	s METAL, CHIP 10k 5% 1/10W
R500	1-215-403-00	s METAL 180 1% 1/6W
R501	1-215-403-00	s METAL 180 1% 1/6W
RV1	1-241-789-21	s RES, ADJ METAL 220k
RV2	1-241-784-11	s RES, ADJ METAL 4.7k
RV3	1-241-783-11	s RES, ADJ METAL 2.2k
RV4	1-241-785-11	s RES, ADJ METAL 10k
RV5	1-241-123-11	s RES, ADJ CARBON 47k
RV201	1-241-789-21	s RES, ADJ METAL 220k
RV202	1-241-784-11	s RES, ADJ METAL 4.7k
RV203	1-241-783-11	s RES, ADJ METAL 2.2k
RV204	1-241-785-11	s RES, ADJ METAL 10k
RV205	1-241-123-11	s RES, ADJ CARBON 47k
S1	1-570-602-11	s SWITCH, DIP 2-CKT
S2	1-570-602-11	s SWITCH, DIP 2-CKT
S201	1-570-602-11	s SWITCH, DIP 2-CKT
S202	1-570-602-11	s SWITCH, DIP 2-CKT
TH1	1-800-199-11	s THERMISTOR S-1250
TH2	1-800-199-11	s THERMISTOR S-1250

AP-31A BOARD(UVW-1600)

Ref. No.  
or Q'ty Part No. SP Description

AP-31A board is used for UVW-1600.

1pc	A-8275-279-A	o MOUNTED CIRCUIT BOARD, AP-31A
1pc	3-182-385-01	o PLATE, SHIELD (S), CARD
1pc	7-621-759-45	s SCREW, +PSW2.6x6
1pc	3-179-084-01	s LEVER (R), PC BOARD
1pc	3-179-085-01	s LEVER (L), PC BOARD
1pc	3-182-298-01	o CASE, SHIELD (LID), AP (2)
1pc	3-182-351-01	o CASE, SHIELD, AP (2B)
C2	1-163-121-00	s CERAMIC, CHIP 150pf 5% 50V
C3	1-163-243-11	s CERAMIC, CHIP 47pf 5% 50V
C4	1-163-113-00	s CERAMIC, CHIP 68pf 5% 50V
C6	1-163-127-00	s CERAMIC, CHIP 270pf 5% 50V
C7	1-130-485-00	s MYLAR 0.015uF 5% 50V
C8	1-126-933-11	s ELECT 100uF 20% 16V
C9	1-163-125-00	s CERAMIC, CHIP 220pf 5% 50V
C10	1-126-964-11	s ELECT 10uF 20% 50V
C15	1-126-964-11	s ELECT 10uF 20% 50V
C16	1-124-916-11	s ELECT 22uF 20% 63V
C18	1-124-916-11	s ELECT 22uF 20% 63V
C20	1-130-498-00	s MYLAR 0.18uF 5% 50V
C21-C26	1-130-487-00	s MYLAR 0.022uF 5% 50V
C27	1-163-243-11	s CERAMIC, CHIP 47pf 5% 50V
C29	1-130-483-00	s MYLAR 0.01uF 5% 50V
C30	1-163-275-11	s CERAMIC, CHIP 0.001uF 5% 50V
C31	1-163-275-11	s CERAMIC, CHIP 0.001uF 5% 50V
C32	1-163-275-11	s CERAMIC, CHIP 0.001uF 5% 50V
C33	1-163-275-11	s CERAMIC, CHIP 0.001uF 5% 50V
C34	1-130-483-00	s MYLAR 0.01uF 5% 50V
C35	1-163-139-00	s CERAMIC, CHIP 820pf 5% 50V
C36	1-163-243-11	s CERAMIC, CHIP 47pf 5% 50V
C37	1-164-232-11	s CERAMIC, CHIP 0.01uF 10% 100V
C38	1-164-232-11	s CERAMIC, CHIP 0.01uF 10% 100V
C39	1-124-925-11	s ELECT 2.2uF 20% 100V
C40	1-164-004-11	s CERAMIC, CHIP 0.1uF 10% 25V
C41	1-107-498-91	s FILM, CHIP 0.0022uF 2% 50V
C42	1-107-498-91	s FILM, CHIP 0.0022uF 2% 50V
C43	1-107-499-91	s FILM, CHIP 0.0039uF 2% 16V
C44	1-131-345-00	s TANTALUM 0.47uF 10% 35V
C45	1-130-497-00	s MYLAR 0.15uF 5% 50V
C46	1-124-925-11	s ELECT 2.2uF 20% 100V
C47	1-104-553-11	s FILM, CHIP 0.015uF 5% 16V
C48	1-130-499-00	s MYLAR 0.22uF 5% 50V
C49	1-164-344-11	s CERAMIC, CHIP 0.068uF 10% 25V
C50	1-104-560-91	s FILM, CHIP 0.056uF 5% 16V
C51	1-124-925-11	s ELECT 2.2uF 20% 100V
C52	1-107-553-91	s FILM, CHIP 0.0056uF 2% 16V
C53	1-104-551-11	s FILM, CHIP 0.01uF 16V
C56	1-163-251-11	s CERAMIC, CHIP 100pf 5% 50V
C57	1-126-947-11	s ELECT 47uF 20% 35V
C58	1-163-263-11	s CERAMIC, CHIP 330pf 5% 50V
C59	1-163-235-11	s CERAMIC, CHIP 22pf 5% 50V
C60	1-126-964-11	s ELECT 10uF 20% 50V
C61	1-126-964-11	s ELECT 10uF 20% 50V
C62	1-126-926-11	s ELECT 1000uF 20% 10V
C63	1-126-926-11	s ELECT 1000uF 20% 10V
C64	1-126-926-11	s ELECT 1000uF 20% 10V
C65	1-164-004-11	s CERAMIC, CHIP 0.1uF 10% 25V
C66	1-126-926-11	s ELECT 1000uF 20% 10V

(AP-31A BOARD(UVW-1600))

Ref. No.  
or Q'ty Part No. SP Description

C67	1-126-947-11	s ELECT 47uF 20% 35V
C68	1-124-903-11	s ELECT 1uF 20% 50V
C69	1-163-251-11	s CERAMIC, CHIP 100pf 5% 50V
C70	1-126-947-11	s ELECT 47uF 20% 35V
C71	1-163-235-11	s CERAMIC, CHIP 22pf 5% 50V
C72	1-163-809-11	s CERAMIC, CHIP 0.047uF 10% 25V
C77	1-163-251-11	s CERAMIC, CHIP 100pf 5% 50V
C78	1-126-964-11	s ELECT 10uF 20% 50V
C79	1-126-964-11	s ELECT 10uF 20% 50V
C80	1-126-964-11	s ELECT 10uF 20% 50V
C81	1-130-483-00	s MYLAR 0.01uF 5% 50V
C82	1-126-926-11	s ELECT 1000uF 20% 10V
C83	1-126-926-11	s ELECT 1000uF 20% 10V
C84	1-124-925-11	s ELECT 2.2uF 20% 100V
C87	1-126-964-11	s ELECT 10uF 20% 50V
C88	1-126-964-11	s ELECT 10uF 20% 50V
C202	1-163-121-00	s CERAMIC, CHIP 150pf 5% 50V
C203	1-163-243-11	s CERAMIC, CHIP 47pf 5% 50V
C204	1-163-113-00	s CERAMIC, CHIP 68pf 5% 50V
C206	1-163-127-00	s CERAMIC, CHIP 270pf 5% 50V
C207	1-130-485-00	s MYLAR 0.015uF 5% 50V
C208	1-126-933-11	s ELECT 100uF 20% 16V
C209	1-163-125-00	s CERAMIC, CHIP 220pf 5% 50V
C210	1-126-964-11	s ELECT 10uF 20% 50V
C215	1-126-964-11	s ELECT 10uF 20% 50V
C216	1-124-916-11	s ELECT 22uF 20% 63V
C218	1-124-916-11	s ELECT 22uF 20% 63V
C220	1-130-498-00	s MYLAR 0.18uF 5% 50V
C221-226	1-130-487-00	s MYLAR 0.022uF 5% 50V
C227	1-163-243-11	s CERAMIC, CHIP 47pf 5% 50V
C229	1-130-483-00	s MYLAR 0.01uF 5% 50V
C230	1-163-275-11	s CERAMIC, CHIP 0.001uF 5% 50V
C231	1-163-275-11	s CERAMIC, CHIP 0.001uF 5% 50V
C232	1-163-275-11	s CERAMIC, CHIP 0.001uF 5% 50V
C233	1-163-275-11	s CERAMIC, CHIP 0.001uF 5% 50V
C234	1-130-483-00	s MYLAR 0.01uF 5% 50V
C235	1-163-139-00	s CERAMIC, CHIP 820pf 5% 50V
C236	1-163-243-11	s CERAMIC, CHIP 47pf 5% 50V
C237	1-124-925-11	s ELECT 2.2uF 20% 100V
C238	1-107-498-91	s FILM, CHIP 0.0022uF 2% 50V
C239	1-107-498-91	s FILM, CHIP 0.0022uF 2% 50V
C240	1-107-499-91	s FILM, CHIP 0.0039uF 2% 16V
C241	1-131-345-00	s TANTALUM 0.47uF 10% 35V
C242	1-130-497-00	s MYLAR 0.15uF 5% 50V
C243	1-124-925-11	s ELECT 2.2uF 20% 100V
C244	1-104-553-11	s FILM, CHIP 0.015uF 5% 16V
C245	1-130-499-00	s MYLAR 0.22uF 5% 50V
C246	1-164-344-11	s CERAMIC, CHIP 0.068uF 10% 25V
C247	1-104-560-91	s FILM, CHIP 0.056uF 5% 16V
C248	1-124-925-11	s ELECT 2.2uF 20% 100V
C249	1-107-553-91	s FILM, CHIP 0.0056uF 2% 16V
C250	1-104-551-11	s FILM, CHIP 0.01uF 16V
C253	1-163-251-11	s CERAMIC, CHIP 100pf 5% 50V
C254	1-126-947-11	s ELECT 47uF 20% 35V
C255	1-163-263-11	s CERAMIC, CHIP 330pf 5% 50V
C256	1-163-235-11	s CERAMIC, CHIP 22pf 5% 50V
C257	1-126-964-11	s ELECT 10uF 20% 50V
C258	1-126-964-11	s ELECT 10uF 20% 50V
C259	1-126-926-11	s ELECT 1000uF 20% 10V

## (AP-31A BOARD(UVW-1600))

Ref. No. or Q'ty	Part No.	SP Description
C260	1-126-926-11	s ELECT 1000uF 20% 10V
C261	1-126-926-11	s ELECT 1000uF 20% 10V
C262	1-164-004-11	s CERAMIC, CHIP 0.1uF 10% 25V
C263	1-126-926-11	s ELECT 1000uF 20% 10V
C264	1-126-947-11	s ELECT 47uF 20% 35V
C265	1-124-903-11	s ELECT 1uF 20% 50V
C266	1-163-251-11	s CERAMIC, CHIP 100pF 5% 50V
C267	1-126-947-11	s ELECT 47uF 20% 35V
C268	1-163-235-11	s CERAMIC, CHIP 22pF 5% 50V
C269	1-163-809-11	s CERAMIC, CHIP 0.047uF 10% 25V
C270	1-124-925-11	s ELECT 2.2uF 20% 100V
C272	1-131-352-00	s TANTALUM 6.8uF 10% 35V
C278	1-126-964-11	s ELECT 10uF 20% 50V
C279	1-126-964-11	s ELECT 10uF 20% 50V
C280	1-126-964-11	s ELECT 10uF 20% 50V
C281	1-130-483-00	s MYLAR 0.01uF 5% 50V
C282	1-126-926-11	s ELECT 1000uF 20% 10V
C283	1-126-926-11	s ELECT 1000uF 20% 10V
C402	1-126-933-11	s ELECT 100uF 20% 16V
C403	1-163-989-11	s CERAMIC, CHIP 0.033uF 10% 25V
C408	1-126-964-11	s ELECT 10uF 20% 50V
C409	1-163-239-11	s CERAMIC, CHIP 33pF 5% 50V
C410	1-164-004-11	s CERAMIC, CHIP 0.1uF 10% 25V
C411	1-163-989-11	s CERAMIC, CHIP 0.033uF 10% 25V
C412	1-126-964-11	s ELECT 10uF 20% 50V
C413	1-126-964-11	s ELECT 10uF 20% 50V
C414	1-126-964-11	s ELECT 10uF 20% 50V
C415	1-163-033-00	s CERAMIC, CHIP 0.022uF 50V
C416	1-163-033-00	s CERAMIC, CHIP 0.022uF 50V
C417	1-126-933-11	s ELECT 100uF 20% 16V
C418	1-126-933-11	s ELECT 100uF 20% 16V
C419	1-126-964-11	s ELECT 10uF 20% 50V
C420	1-163-033-00	s CERAMIC, CHIP 0.022uF 50V
C421	1-163-033-00	s CERAMIC, CHIP 0.022uF 50V
C422	1-126-933-11	s ELECT 100uF 20% 16V
C423	1-126-933-11	s ELECT 100uF 20% 16V
C424	1-126-933-11	s ELECT 100uF 20% 16V
C425	1-126-933-11	s ELECT 100uF 20% 16V
C426	1-163-033-00	s CERAMIC, CHIP 0.022uF 50V
C427	1-163-033-00	s CERAMIC, CHIP 0.022uF 50V
C428	1-163-989-11	s CERAMIC, CHIP 0.033uF 10% 25V
C500	1-163-125-00	s CERAMIC, CHIP 220pF 5% 50V
C501	1-102-114-00	s CERAMIC 470pF 10% 50V
CN1	1-506-468-11	s CONNECTOR 3P, MALE
CN2	1-564-002-41	s CONNECTOR 3P, MALE
CN3	1-506-468-11	s CONNECTOR 3P, MALE
CN111	1-573-600-21	s CONNECTOR, PHEC 100P, MALE
D1	8-719-941-23	s DIODE DA204U
D7	8-719-941-23	s DIODE DA204U
D8	8-719-123-85	s DIODE 1SS304
D10	8-719-123-85	s DIODE 1SS304
D11	8-719-123-85	s DIODE 1SS304
D201	8-719-941-23	s DIODE DA204U
D206	8-719-941-23	s DIODE DA204U
D207	8-719-123-85	s DIODE 1SS304
D209	8-719-123-85	s DIODE 1SS304
D401	8-719-941-23	s DIODE DA204U
D403	8-719-941-23	s DIODE DA204U

## (AP-31A BOARD(UVW-1600))

Ref. No. or Q'ty	Part No.	SP Description
IC1	8-759-701-25	s IC NJM2068D-D
IC2	8-759-701-25	s IC NJM2068D-D
IC3	8-759-701-25	s IC NJM2068D-D
IC4	8-759-701-25	s IC NJM2068D-D
IC5	8-759-705-58	s IC NJM4558D-D
IC6	8-759-705-58	s IC NJM4558D-D
IC7	8-759-705-58	s IC NJM4558D-D
IC8	8-752-018-80	s IC CX20188
IC9	8-759-705-58	s IC NJM4558D-D
IC10	8-759-705-58	s IC NJM4558D-D
IC11	8-759-145-57	s IC UPC4557C
IC12	8-759-917-18	s IC SN74HC04AM
IC13	8-759-917-18	s IC SN74HC04AM
IC14	8-759-145-57	s IC UPC4557C
IC15	8-759-705-58	s IC NJM4558D-D
IC201	8-759-701-25	s IC NJM2068D-D
IC202	8-759-701-25	s IC NJM2068D-D
IC203	8-759-701-25	s IC NJM2068D-D
IC204	8-759-701-25	s IC NJM2068D-D
IC205	8-759-705-58	s IC NJM4558D-D
IC206	8-759-705-58	s IC NJM4558D-D
IC207	8-759-705-58	s IC NJM4558D-D
IC208	8-759-705-58	s IC NJM4558D-D
IC209	8-759-705-58	s IC NJM4558D-D
IC210	8-759-145-57	s IC UPC4557C
IC211	8-759-705-58	s IC NJM4558D-D
IC401	8-759-701-25	s IC NJM2068D-D
IC402	8-759-981-64	s IC LM2903DQ
IC405	8-759-172-41	s IC L79M09T-TL
IC406	8-759-173-37	s IC L79M09T-TL
IC407	8-759-635-83	s IC M51957BFP
IC408	8-759-172-41	s IC L79M09T-TL
IC409	8-759-173-37	s IC L79M09T-TL
IC410	8-759-701-25	s IC NJM2068D-D
L1	1-410-068-11	s INDUCTOR 5.60mH
L2	1-408-423-00	s INDUCTOR 150uH
L201	1-410-068-11	s INDUCTOR 5.60mH
L202	1-408-423-00	s INDUCTOR 150uH
L401	1-410-470-11	s INDUCTOR 10uH
L402	1-410-470-11	s INDUCTOR 10uH
PS1	▲1-532-727-11	s LINK, IC 0.25A
PS2	▲1-532-727-11	s LINK, IC 0.25A
Q5	8-729-209-06	s TRANSISTOR 2SC4213-A
Q6	8-729-209-06	s TRANSISTOR 2SC4213-A
Q7	8-729-209-06	s TRANSISTOR 2SC4213-A
Q9	8-729-109-44	s TRANSISTOR 2SK94
Q11	8-729-905-18	s TRANSISTOR DTC144EU
Q12	8-729-905-12	s TRANSISTOR DTA144EU
Q13	8-729-118-56	s TRANSISTOR 2SK852-X2
Q18	8-729-423-93	s TRANSISTOR 2SD2136-R(TA)
Q19	8-729-022-00	s TRANSISTOR 2SB1416-R(TA)
Q20	8-729-021-98	s TRANSISTOR 2SJ226-AZ
Q21	8-729-021-98	s TRANSISTOR 2SJ226-AZ
Q22	8-729-117-32	s TRANSISTOR 2SC4177
Q23	8-729-117-32	s TRANSISTOR 2SC4177
Q25	8-729-140-93	s TRANSISTOR 2SB733-34
Q30	8-729-140-93	s TRANSISTOR 2SB733-34



## (AP-31A BOARD(UVW-1600))

Ref. No. or Q'ty	Part No.	SP Description
Q205	8-729-209-06	s TRANSISTOR 2SC4213-A
Q206	8-729-209-06	s TRANSISTOR 2SC4213-A
Q207	8-729-209-06	s TRANSISTOR 2SC4213-A
Q209	8-729-109-44	s TRANSISTOR 2SK94
Q211	8-729-118-56	s TRANSISTOR 2SK852-X2
Q216	8-729-423-93	s TRANSISTOR 2SD2136-R(TA)
Q217	8-729-022-00	s TRANSISTOR 2SB1416-R(TA)
Q218	8-729-021-98	s TRANSISTOR 2SJ226-AZ
Q219	8-729-021-98	s TRANSISTOR 2SJ226-AZ
Q220	8-729-117-32	s TRANSISTOR 2SC4177
Q221	8-729-117-32	s TRANSISTOR 2SC4177
Q223	8-729-140-93	s TRANSISTOR 2SB733-34
Q403	8-729-209-06	s TRANSISTOR 2SC4213-A
R1	1-216-603-11	s METAL, CHIP 10 0.5% 1/10W
R5	1-216-097-00	s METAL, CHIP 100k 5% 1/10W
R6	1-216-097-00	s METAL, CHIP 100k 5% 1/10W
R8	1-216-105-00	s METAL, CHIP 220k 5% 1/10W
R9	1-216-626-11	s METAL, CHIP 91 0.5% 1/10W
R10	1-216-651-11	s METAL, CHIP 1k 0.5% 1/10W
R13	1-216-659-11	s METAL, CHIP 2.2k 0.5% 1/10W
R16	1-216-009-00	s METAL, CHIP 22 5% 1/10W
R17	1-216-073-00	s METAL, CHIP 10k 5% 1/10W
R19	1-216-073-00	s METAL, CHIP 10k 5% 1/10W
R20	1-216-073-00	s METAL, CHIP 10k 5% 1/10W
R23	1-216-073-00	s METAL, CHIP 10k 5% 1/10W
R24	1-216-049-00	s METAL, CHIP 1k 5% 1/10W
R25	1-216-073-00	s METAL, CHIP 10k 5% 1/10W
R26	1-216-073-00	s METAL, CHIP 10k 5% 1/10W
R27	1-216-097-00	s METAL, CHIP 100k 5% 1/10W
R28	1-216-097-00	s METAL, CHIP 100k 5% 1/10W
R28	1-216-097-00	s METAL, CHIP 100k 5% 1/10W
R30	1-216-675-11	s METAL, CHIP 10k 0.5% 1/10W
R31	1-216-041-00	s METAL, CHIP 470 5% 1/10W
R32	1-216-642-11	s METAL, CHIP 430 0.5% 1/10W
R33	1-216-675-11	s METAL, CHIP 10k 0.5% 1/10W
R34	1-216-691-11	s METAL, CHIP 47k 0.5% 1/10W
R35	1-216-675-11	s METAL, CHIP 10k 0.5% 1/10W
R36	1-216-683-11	s METAL, CHIP 22k 0.5% 1/10W
R37	1-215-473-00	s METAL 150k 1% 1/6W
R38	1-215-471-00	s METAL 120k 1% 1/6W
R39	1-215-479-00	s METAL 270k 1% 1/6W
R40	1-216-681-11	s METAL, CHIP 18k 0.5% 1/10W
R41	1-216-675-11	s METAL, CHIP 10k 0.5% 1/10W
R42	1-216-695-11	s METAL, CHIP 68k 0.5% 1/10W
R43	1-215-475-00	s METAL 180k 1% 1/6W
R44	1-215-493-00	s METAL 1M 1% 1/6W
R45	1-215-461-00	s METAL 47k 1% 1/6W
R46	1-216-681-11	s METAL, CHIP 18k 0.5% 1/10W
R47	1-216-683-11	s METAL, CHIP 22k 0.5% 1/10W
R51	1-216-121-00	s METAL, CHIP 1M 5% 1/10W
R56	1-216-009-00	s METAL, CHIP 22 5% 1/10W
R57	1-216-691-11	s METAL, CHIP 47k 0.5% 1/10W
R58	1-216-643-11	s METAL, CHIP 470 0.5% 1/10W
R59	1-216-622-11	s METAL, CHIP 62 0.5% 1/10W
R60	1-216-678-11	s METAL, CHIP 13k 0.5% 1/10W
R61	1-216-673-11	s METAL, CHIP 8.2k 0.5% 1/10W
R62	1-216-652-11	s METAL, CHIP 1.1k 0.5% 1/10W
R63	1-216-622-11	s METAL, CHIP 62 0.5% 1/10W

## (AP-31A BOARD(UVW-1600))

Ref. No. or Q'ty	Part No.	SP Description
R64	1-216-653-11	s METAL, CHIP 1.2k 0.5% 1/10W
R65	1-216-676-11	s METAL, CHIP 11k 0.5% 1/10W
R66	1-216-677-11	s METAL, CHIP 12k 0.5% 1/10W
R67	1-216-654-11	s METAL, CHIP 1.3k 0.5% 1/10W
R68	1-215-493-00	s METAL 1M 1% 1/6W
R69	1-216-666-11	s METAL, CHIP 4.3k 0.5% 1/10W
R70	1-216-691-11	s METAL, CHIP 47k 0.5% 1/10W
R71	1-216-675-11	s METAL, CHIP 10k 0.5% 1/10W
R72	1-216-073-00	s METAL, CHIP 10k 5% 1/10W
R73	1-216-081-00	s METAL, CHIP 22k 5% 1/10W
R74	1-216-049-00	s METAL, CHIP 1k 5% 1/10W
R75	1-216-081-00	s METAL, CHIP 22k 5% 1/10W
R76	1-216-081-00	s METAL, CHIP 22k 5% 1/10W
R77	1-216-699-11	s METAL, CHIP 100k 0.5% 1/10W
R78	1-216-686-11	s METAL, CHIP 30k 0.5% 1/10W
R79	1-216-081-00	s METAL, CHIP 22k 5% 1/10W
R80	1-216-049-00	s METAL, CHIP 1k 5% 1/10W
R82	1-216-659-11	s METAL, CHIP 2.2k 0.5% 1/10W
R83	1-216-658-11	s METAL, CHIP 2k 0.5% 1/10W
R84	1-216-677-11	s METAL, CHIP 12k 0.5% 1/10W
R85	1-216-645-11	s METAL, CHIP 560 0.5% 1/10W
R86	1-216-121-00	s METAL, CHIP 1M 5% 1/10W
R87	1-216-683-11	s METAL, CHIP 22k 0.5% 1/10W
R88	1-216-672-11	s METAL, CHIP 7.5k 0.5% 1/10W
R89	1-216-045-00	s METAL, CHIP 680 5% 1/10W
R90	1-216-674-11	s METAL, CHIP 9.1k 0.5% 1/10W
R91	1-216-681-11	s METAL, CHIP 18k 0.5% 1/10W
R92	1-216-657-11	s METAL, CHIP 1.8k 0.5% 1/10W
R93	1-216-121-00	s METAL, CHIP 1M 5% 1/10W
R106	1-216-069-00	s METAL, CHIP 6.8k 5% 1/10W
R107	1-216-073-00	s METAL, CHIP 10k 5% 1/10W
R108	1-216-668-11	s METAL, CHIP 5.1k 0.5% 1/10W
R109	1-216-663-11	s METAL, CHIP 3.3k 0.5% 1/10W
R110	1-216-650-11	s METAL, CHIP 910 0.5% 1/10W
R111	1-216-663-11	s METAL, CHIP 3.3k 0.5% 1/10W
R112	1-216-073-00	s METAL, CHIP 10k 5% 1/10W
R113	1-216-667-11	s METAL, CHIP 4.7k 0.5% 1/10W
R114	1-216-033-00	s METAL, CHIP 220 5% 1/10W
R115	1-216-067-00	s METAL, CHIP 5.6k 5% 1/10W
R116	1-216-067-00	s METAL, CHIP 5.6k 5% 1/10W
R117	1-216-679-11	s METAL, CHIP 15k 0.5% 1/10W
R118	1-247-807-31	s CARBON 100 5% 1/4W
R119	▲1-216-399-00	s WIREWOUND 6.8 10% 3W
R120	▲1-216-399-00	s WIREWOUND 6.8 10% 3W
R121	1-247-807-31	s CARBON 100 5% 1/4W
R122	1-216-121-00	s METAL, CHIP 1M 5% 1/10W
R123	1-249-389-11	s CARBON 4.7 5% 1/4W
R124	1-216-121-00	s METAL, CHIP 1M 5% 1/10W
R125	1-216-057-00	s METAL, CHIP 2.2k 5% 1/10W
R126	1-216-075-00	s METAL, CHIP 12k 5% 1/10W
R127	1-216-081-00	s METAL, CHIP 22k 5% 1/10W
R128	1-216-025-00	s METAL, CHIP 100 5% 1/10W
R129	1-216-121-00	s METAL, CHIP 1M 5% 1/10W
R130	1-216-033-00	s METAL, CHIP 220 5% 1/10W
R131	1-216-065-00	s METAL, CHIP 4.7k 5% 1/10W
R132	1-216-081-00	s METAL, CHIP 22k 5% 1/10W
R133	1-216-095-00	s METAL, CHIP 82k 5% 1/10W
R134	1-216-676-11	s METAL, CHIP 11k 0.5% 1/10W
R135	1-216-057-00	s METAL, CHIP 2.2k 5% 1/10W

## (AP-31A BOARD(UVW-1600))

Ref. No. or Q'ty	Part No.	SP Description
R136	1-216-678-11	s METAL, CHIP 13k 0.5% 1/10W
R137	1-216-025-00	s METAL, CHIP 100 5% 1/10W
R138	1-216-073-00	s METAL, CHIP 10k 5% 1/10W
R139	1-216-073-00	s METAL, CHIP 10k 5% 1/10W
R140	1-216-073-00	s METAL, CHIP 10k 5% 1/10W
R141	1-216-684-11	s METAL, CHIP 24k 0.5% 1/10W
R142	1-216-025-00	s METAL, CHIP 100 5% 1/10W
R143	1-216-073-00	s METAL, CHIP 10k 5% 1/10W
R144	1-216-073-00	s METAL, CHIP 10k 5% 1/10W
R145-154	1-216-097-00	s METAL, CHIP 100k 5% 1/10W
R166	1-216-295-91	s RES, CHIP 0
R178	1-216-073-00	s METAL, CHIP 10k 5% 1/10W
R179	1-216-664-11	s METAL, CHIP 3.6k 0.5% 1/10W
R180	1-216-073-00	s METAL, CHIP 10k 5% 1/10W
R181	1-216-073-00	s METAL, CHIP 10k 5% 1/10W
R182	1-216-646-11	s METAL, CHIP 620 0.5% 1/10W
R183	1-216-073-00	s METAL, CHIP 10k 5% 1/10W
R184	1-216-073-00	s METAL, CHIP 10k 5% 1/10W
R186	1-216-095-00	s METAL, CHIP 82k 5% 1/10W
R187	1-216-668-11	s METAL, CHIP 5.1k 0.5% 1/10W
R201	1-216-603-11	s METAL, CHIP 10 0.5% 1/10W
R205	1-216-097-00	s METAL, CHIP 100k 5% 1/10W
R206	1-216-097-00	s METAL, CHIP 100k 5% 1/10W
R208	1-216-105-00	s METAL, CHIP 220k 5% 1/10W
R209	1-216-626-11	s METAL, CHIP 91 0.5% 1/10W
R210	1-216-651-11	s METAL, CHIP 1k 0.5% 1/10W
R213	1-216-659-11	s METAL, CHIP 2.2k 0.5% 1/10W
R216	1-216-009-00	s METAL, CHIP 22 5% 1/10W
R217	1-216-073-00	s METAL, CHIP 10k 5% 1/10W
R219	1-216-073-00	s METAL, CHIP 10k 5% 1/10W
R220	1-216-073-00	s METAL, CHIP 10k 5% 1/10W
R223	1-216-073-00	s METAL, CHIP 10k 5% 1/10W
R224	1-216-049-00	s METAL, CHIP 1k 5% 1/10W
R225	1-216-073-00	s METAL, CHIP 10k 5% 1/10W
R226	1-216-073-00	s METAL, CHIP 10k 5% 1/10W
R227	1-216-097-00	s METAL, CHIP 100k 5% 1/10W
R228	1-216-097-00	s METAL, CHIP 100k 5% 1/10W
R230	1-216-675-11	s METAL, CHIP 10k 0.5% 1/10W
R231	1-216-041-00	s METAL, CHIP 470 5% 1/10W
R232	1-216-642-11	s METAL, CHIP 430 0.5% 1/10W
R233	1-216-675-11	s METAL, CHIP 10k 0.5% 1/10W
R234	1-216-691-11	s METAL, CHIP 47k 0.5% 1/10W
R235	1-216-675-11	s METAL, CHIP 10k 0.5% 1/10W
R236	1-216-683-11	s METAL, CHIP 22k 0.5% 1/10W
R237	1-215-473-00	s METAL 150k 1% 1/6W
R238	1-215-471-00	s METAL 120k 1% 1/6W
R239	1-215-479-00	s METAL 270k 1% 1/6W
R240	1-216-681-11	s METAL, CHIP 18k 0.5% 1/10W
R241	1-216-675-11	s METAL, CHIP 10k 0.5% 1/10W
R242	1-216-699-11	s METAL, CHIP 100k 0.5% 1/10W
R243	1-215-483-00	s METAL 390k 1% 1/6W
R244	1-215-493-00	s METAL 1M 1% 1/6W
R245	1-215-459-00	s METAL 39k 1% 1/6W
R246	1-216-681-11	s METAL, CHIP 18k 0.5% 1/10W
R247	1-216-683-11	s METAL, CHIP 22k 0.5% 1/10W
R251	1-216-121-00	s METAL, CHIP 1M 5% 1/10W
R255	1-216-009-00	s METAL, CHIP 22 5% 1/10W
R256	1-216-691-11	s METAL, CHIP 47k 0.5% 1/10W
R257	1-216-643-11	s METAL, CHIP 470 0.5% 1/10W

## (AP-31A BOARD(UVW-1600))

Ref. No. or Q'ty	Part No.	SP Description
R258	1-216-622-11	s METAL, CHIP 62 0.5% 1/10W
R259	1-216-678-11	s METAL, CHIP 13k 0.5% 1/10W
R260	1-216-673-11	s METAL, CHIP 8.2k 0.5% 1/10W
R261	1-216-652-11	s METAL, CHIP 1.1k 0.5% 1/10W
R262	1-216-622-11	s METAL, CHIP 62 0.5% 1/10W
R263	1-216-653-11	s METAL, CHIP 1.2k 0.5% 1/10W
R264	1-216-676-11	s METAL, CHIP 11k 0.5% 1/10W
R265	1-216-677-11	s METAL, CHIP 12k 0.5% 1/10W
R266	1-216-654-11	s METAL, CHIP 1.3k 0.5% 1/10W
R267	1-215-493-00	s METAL 1M 1% 1/6W
R268	1-216-666-11	s METAL, CHIP 4.3k 0.5% 1/10W
R269	1-216-691-11	s METAL, CHIP 47k 0.5% 1/10W
R270	1-216-675-11	s METAL, CHIP 10k 0.5% 1/10W
R271	1-216-073-00	s METAL, CHIP 10k 5% 1/10W
R272	1-216-049-00	s METAL, CHIP 1k 5% 1/10W
R273	1-216-081-00	s METAL, CHIP 22k 5% 1/10W
R274	1-216-081-00	s METAL, CHIP 22k 5% 1/10W
R276	1-216-659-11	s METAL, CHIP 2.2k 0.5% 1/10W
R277	1-216-658-11	s METAL, CHIP 2k 0.5% 1/10W
R278	1-216-677-11	s METAL, CHIP 12k 0.5% 1/10W
R279	1-216-645-11	s METAL, CHIP 560 0.5% 1/10W
R280	1-216-121-00	s METAL, CHIP 1M 5% 1/10W
R281	1-216-683-11	s METAL, CHIP 22k 0.5% 1/10W
R282	1-216-672-11	s METAL, CHIP 7.5k 0.5% 1/10W
R283	1-216-045-00	s METAL, CHIP 680 5% 1/10W
R284	1-216-674-11	s METAL, CHIP 9.1k 0.5% 1/10W
R285	1-216-681-11	s METAL, CHIP 18k 0.5% 1/10W
R286	1-216-657-11	s METAL, CHIP 1.8k 0.5% 1/10W
R287	1-216-121-00	s METAL, CHIP 1M 5% 1/10W
R300	1-216-069-00	s METAL, CHIP 6.8k 5% 1/10W
R301	1-216-073-00	s METAL, CHIP 10k 5% 1/10W
R302	1-216-668-11	s METAL, CHIP 5.1k 0.5% 1/10W
R303	1-216-663-11	s METAL, CHIP 3.3k 0.5% 1/10W
R304	1-216-650-11	s METAL, CHIP 910 0.5% 1/10W
R305	1-216-663-11	s METAL, CHIP 3.3k 0.5% 1/10W
R306	1-216-073-00	s METAL, CHIP 10k 5% 1/10W
R307	1-216-667-11	s METAL, CHIP 4.7k 0.5% 1/10W
R308	1-216-033-00	s METAL, CHIP 220 5% 1/10W
R309	1-216-067-00	s METAL, CHIP 5.6k 5% 1/10W
R310	1-216-067-00	s METAL, CHIP 5.6k 5% 1/10W
R311	1-216-679-11	s METAL, CHIP 15k 0.5% 1/10W
R312	1-247-807-31	s CARBON 100 5% 1/4W
R313	△1-216-399-00	s WIREWOUND 6.8 10% 3W
R314	△1-216-399-00	s WIREWOUND 6.8 10% 3W
R315	1-247-807-31	s CARBON 100 5% 1/4W
R316	1-216-121-00	s METAL, CHIP 1M 5% 1/10W
R317	1-249-389-11	s CARBON 4.7 5% 1/4W
R318	1-216-121-00	s METAL, CHIP 1M 5% 1/10W
R319	1-216-057-00	s METAL, CHIP 2.2k 5% 1/10W
R320	1-216-075-00	s METAL, CHIP 12k 5% 1/10W
R321	1-216-081-00	s METAL, CHIP 22k 5% 1/10W
R322	1-216-025-00	s METAL, CHIP 100 5% 1/10W
R323	1-216-121-00	s METAL, CHIP 1M 5% 1/10W
R324	1-216-033-00	s METAL, CHIP 220 5% 1/10W
R325	1-216-065-00	s METAL, CHIP 4.7k 5% 1/10W
R326	1-216-081-00	s METAL, CHIP 22k 5% 1/10W
R327	1-216-095-00	s METAL, CHIP 82k 5% 1/10W
R328	1-216-676-11	s METAL, CHIP 11k 0.5% 1/10W
R329	1-216-057-00	s METAL, CHIP 2.2k 5% 1/10W

(AP-31A BOARD(UVW-1600))

Ref. No. or Q'ty	Part No.	SP Description
R330	1-216-678-11	s METAL, CHIP 13k 0.5% 1/10W
R331	1-216-025-00	s METAL, CHIP 100 5% 1/10W
R332	1-216-073-00	s METAL, CHIP 10k 5% 1/10W
R333	1-216-073-00	s METAL, CHIP 10k 5% 1/10W
R334	1-216-073-00	s METAL, CHIP 10k 5% 1/10W
R335	1-216-684-11	s METAL, CHIP 24k 0.5% 1/10W
R336	1-216-025-00	s METAL, CHIP 100 5% 1/10W
R337	1-216-073-00	s METAL, CHIP 10k 5% 1/10W
R338	1-216-073-00	s METAL, CHIP 10k 5% 1/10W
R341	1-216-095-00	s METAL, CHIP 82k 5% 1/10W
R342	1-216-073-00	s METAL, CHIP 10k 5% 1/10W
R343	1-216-295-91	s RES, CHIP 0
R387	1-216-668-11	s METAL, CHIP 5.1k 0.5% 1/10W
R400	1-216-603-11	s METAL, CHIP 10 0.5% 1/10W
R401	1-216-073-00	s METAL, CHIP 10k 5% 1/10W
R402	1-216-049-00	s METAL, CHIP 1k 5% 1/10W
R403	1-216-073-00	s METAL, CHIP 10k 5% 1/10W
R405	1-216-049-00	s METAL, CHIP 1k 5% 1/10W
R406	1-216-033-00	s METAL, CHIP 220 5% 1/10W
R407	1-216-121-00	s METAL, CHIP 1M 5% 1/10W
R408	1-216-053-00	s METAL, CHIP 1.5k 5% 1/10W
R410	1-216-053-00	s METAL, CHIP 1.5k 5% 1/10W
R412	1-216-049-00	s METAL, CHIP 1k 5% 1/10W
R413	1-216-067-00	s METAL, CHIP 5.6k 5% 1/10W
R414	1-216-089-91	s METAL, CHIP 47k 5% 1/10W
R415	1-216-089-91	s METAL, CHIP 47k 5% 1/10W
R416	1-216-057-00	s METAL, CHIP 2.2k 5% 1/10W
R417	1-216-121-00	s METAL, CHIP 1M 5% 1/10W
R418	1-216-049-00	s METAL, CHIP 1k 5% 1/10W
R419	1-216-073-00	s METAL, CHIP 10k 5% 1/10W
R420	1-216-113-00	s METAL, CHIP 470k 5% 1/10W
R421	1-216-025-00	s METAL, CHIP 100 5% 1/10W
R422	1-216-067-00	s METAL, CHIP 5.6k 5% 1/10W
R423	1-216-089-91	s METAL, CHIP 47k 5% 1/10W
R424	1-216-073-00	s METAL, CHIP 10k 5% 1/10W
R425	1-216-065-00	s METAL, CHIP 4.7k 5% 1/10W
R426	1-216-065-00	s METAL, CHIP 4.7k 5% 1/10W
R427	1-216-025-00	s METAL, CHIP 100 5% 1/10W
R428	1-216-073-00	s METAL, CHIP 10k 5% 1/10W
R500	1-215-403-00	s METAL 180 1% 1/6W
R501	1-215-403-00	s METAL 180 1% 1/6W
RV1	1-241-789-21	s RES, ADJ METAL 220k
RV2	1-241-784-11	s RES, ADJ METAL 4.7k
RV3	1-241-783-11	s RES, ADJ METAL 2.2k
RV4	1-241-785-11	s RES, ADJ METAL 10k
RV5	1-241-123-11	s RES, ADJ CARBON 47k
RV201	1-241-789-21	s RES, ADJ METAL 220k
RV202	1-241-784-11	s RES, ADJ METAL 4.7k
RV203	1-241-783-11	s RES, ADJ METAL 2.2k
RV204	1-241-785-11	s RES, ADJ METAL 10k
RV205	1-241-123-11	s RES, ADJ CARBON 47k
S1	1-570-602-11	s SWITCH, DIP 2-CKT
S2	1-570-602-11	s SWITCH, DIP 2-CKT
S201	1-570-602-11	s SWITCH, DIP 2-CKT
S202	1-570-602-11	s SWITCH, DIP 2-CKT
TH1	1-800-199-11	s THERMISTOR S-1250
TH2	1-800-199-11	s THERMISTOR S-1250

AR-14 BOARD(UVW-1800)

Ref. No.  
or Q'ty Part No. SP Description

AR-14 board is used for UVW-1800.

1pc	A-8275-287-A	o MOUNTED CIRCUIT BOARD, AR-14
1pc	3-179-084-01	s LEVER (R), PC BOARD
1pc	3-179-085-01	s LEVER (L), PC BOARD
C1	1-163-137-00	s CERAMIC, CHIP 680pF 5% 50V
C2	1-164-004-11	s CERAMIC, CHIP 0.1uF 10% 25V
C3	1-163-137-00	s CERAMIC, CHIP 680pF 5% 50V
C4	1-126-964-11	s ELECT 10uF 20% 50V
C5	1-164-004-11	s CERAMIC, CHIP 0.1uF 10% 25V
C6	1-163-137-00	s CERAMIC, CHIP 680pF 5% 50V
C7	1-126-964-11	s ELECT 10uF 20% 50V
C8	1-126-964-11	s ELECT 10uF 20% 50V
C9	1-126-964-11	s ELECT 10uF 20% 50V
C10	1-163-033-00	s CERAMIC, CHIP 0.022uF 50V
C11	1-163-033-00	s CERAMIC, CHIP 0.022uF 50V
C12	1-126-933-11	s ELECT 100uF 20% 16V
C13	1-126-933-11	s ELECT 100uF 20% 16V
C14	1-126-933-11	s ELECT 100uF 20% 16V
C15	1-126-933-11	s ELECT 100uF 20% 16V
C16-C20	1-163-033-00	s CERAMIC, CHIP 0.022uF 50V
C21	1-126-933-11	s ELECT 100uF 20% 16V
C22	1-164-004-11	s CERAMIC, CHIP 0.1uF 10% 25V
C23	1-164-004-11	s CERAMIC, CHIP 0.1uF 10% 25V
C101	1-126-947-11	s ELECT 47uF 20% 35V
C102	1-126-947-11	s ELECT 47uF 20% 35V
C103	1-163-275-11	s CERAMIC, CHIP 0.001uF 5% 50V
C104	1-126-940-11	s ELECT 330uF 20% 25V
C105	1-163-239-11	s CERAMIC, CHIP 33pF 5% 50V
C106	1-163-239-11	s CERAMIC, CHIP 33pF 5% 50V
C107	1-163-113-00	s CERAMIC, CHIP 68pF 5% 50V
C108	1-163-113-00	s CERAMIC, CHIP 68pF 5% 50V
C109	1-126-947-11	s ELECT 47uF 20% 35V
C110	1-163-251-11	s CERAMIC, CHIP 100pF 5% 50V
C111	1-163-251-11	s CERAMIC, CHIP 100pF 5% 50V
C112	1-126-933-11	s ELECT 100uF 20% 16V
C113	1-126-933-11	s ELECT 100uF 20% 16V
C114	1-131-365-00	s TANTALUM 10uF 10% 20V
C115	1-130-475-00	s MYLAR 0.0022uF 5% 50V
C116	1-130-471-00	s MYLAR 0.001uF 5% 50V
C117	1-163-227-11	s CERAMIC, CHIP 10pF 5% 50V
C118	1-163-251-11	s CERAMIC, CHIP 100pF 5% 50V
C119	1-130-489-00	s MYLAR 0.033uF 5% 50V
C120	1-130-473-00	s MYLAR 0.0015uF 5% 50V
C121	1-130-494-11	s MYLAR 0.082uF 5% 50V
C122	1-126-964-11	s ELECT 10uF 20% 50V
C123	1-163-275-11	s CERAMIC, CHIP 0.001uF 5% 50V
C124	1-163-251-11	s CERAMIC, CHIP 100pF 5% 50V
C125	1-136-439-11	s FILM 330pF 5% 630V
C126	1-136-439-11	s FILM 330pF 5% 630V
C127	1-136-439-11	s FILM 330pF 5% 630V
C128	1-136-439-11	s FILM 330pF 5% 630V
C129	1-136-438-11	s FILM 270pF 5% 630V
C130	1-126-964-11	s ELECT 10uF 20% 50V
C131	1-163-263-11	s CERAMIC, CHIP 330pF 5% 50V
C132	1-130-485-00	s MYLAR 0.015uF 5% 50V
C133	1-163-125-00	s CERAMIC, CHIP 220pF 5% 50V
C134	1-163-125-00	s CERAMIC, CHIP 220pF 5% 50V
C135	1-130-475-00	s MYLAR 0.0022uF 5% 50V

## (AR-14 BOARD(UVW-1800))

Ref. No. or Q'ty	Part No.	SP Description
C136	1-130-487-00	s MYLAR 0.022uF 5% 50V
C137	1-126-964-11	s ELECT 10uF 20% 50V
C201	1-126-947-11	s ELECT 47uF 20% 35V
C202	1-126-947-11	s ELECT 47uF 20% 35V
C203	1-163-275-11	s CERAMIC, CHIP 0.001uF 5% 50V
C204	1-126-940-11	s ELECT 330uF 20% 25V
C205	1-163-239-11	s CERAMIC, CHIP 33pF 5% 50V
C206	1-163-239-11	s CERAMIC, CHIP 33pF 5% 50V
C207	1-163-113-00	s CERAMIC, CHIP 68pF 5% 50V
C208	1-163-113-00	s CERAMIC, CHIP 68pF 5% 50V
C209	1-126-947-11	s ELECT 47uF 20% 35V
C210	1-163-251-11	s CERAMIC, CHIP 100pF 5% 50V
C211	1-163-251-11	s CERAMIC, CHIP 100pF 5% 50V
C212	1-126-933-11	s ELECT 100uF 20% 16V
C213	1-126-933-11	s ELECT 100uF 20% 16V
C214	1-131-365-00	s TANTALUM 10uF 10% 20V
C215	1-130-475-00	s MYLAR 0.0022uF 5% 50V
C216	1-130-471-00	s MYLAR 0.001uF 5% 50V
C217	1-163-227-11	s CERAMIC, CHIP 10pF 5% 50V
C218	1-163-251-11	s CERAMIC, CHIP 100pF 5% 50V
C219	1-130-489-00	s MYLAR 0.033uF 5% 50V
C220	1-130-473-00	s MYLAR 0.0015uF 5% 50V
C221	1-130-494-11	s MYLAR 0.082uF 5% 50V
C222	1-126-964-11	s ELECT 10uF 20% 50V
C223	1-163-275-11	s CERAMIC, CHIP 0.001uF 5% 50V
C224	1-163-251-11	s CERAMIC, CHIP 100pF 5% 50V
C225	1-136-439-11	s FILM 330pF 5% 630V
C226	1-136-439-11	s FILM 330pF 5% 630V
C227	1-136-439-11	s FILM 330pF 5% 630V
C228	1-136-439-11	s FILM 330pF 5% 630V
C229	1-136-438-11	s FILM 270pF 5% 630V
C230	1-126-964-11	s ELECT 10uF 20% 50V
C231	1-163-263-11	s CERAMIC, CHIP 330pF 5% 50V
C232	1-130-485-00	s MYLAR 0.015uF 5% 50V
C233	1-163-125-00	s CERAMIC, CHIP 220pF 5% 50V
C234	1-163-125-00	s CERAMIC, CHIP 220pF 5% 50V
C235	1-130-475-00	s MYLAR 0.0022uF 5% 50V
C236	1-130-487-00	s MYLAR 0.022uF 5% 50V
C237	1-126-964-11	s ELECT 10uF 20% 50V
C301	1-163-235-11	s CERAMIC, CHIP 22pF 5% 50V
C302	1-163-235-11	s CERAMIC, CHIP 22pF 5% 50V
C303	1-163-257-11	s CERAMIC, CHIP 180pF 5% 50V
C305	1-163-133-00	s CERAMIC, CHIP 470pF 5% 50V
C307	1-131-347-00	s TANTALUM 1uF 10% 35V
C308	1-131-347-00	s TANTALUM 1uF 10% 35V
C309	1-163-033-00	s CERAMIC, CHIP 0.022uF 50V
C312	1-131-347-00	s TANTALUM 1uF 10% 35V
C313	1-163-275-11	s CERAMIC, CHIP 0.001uF 5% 50V
C322	1-131-347-00	s TANTALUM 1uF 10% 35V
C323	1-163-275-11	s CERAMIC, CHIP 0.001uF 5% 50V
C332	1-131-349-00	s TANTALUM 2.2uF 10% 35V
C333	1-163-275-11	s CERAMIC, CHIP 0.001uF 5% 50V
C334	1-126-947-11	s ELECT 47uF 20% 35V
C335	1-136-561-11	s FILM 0.0068uF 5% 630V
C336	1-131-347-00	s TANTALUM 1uF 10% 35V
C337	1-163-033-00	s CERAMIC, CHIP 0.022uF 50V
C342	1-131-349-00	s TANTALUM 2.2uF 10% 35V
C343	1-163-275-11	s CERAMIC, CHIP 0.001uF 5% 50V
C344	1-126-947-11	s ELECT 47uF 20% 35V

## (AR-14 BOARD(UVW-1800))

Ref. No. or Q'ty	Part No.	SP Description
C345	1-136-561-11	s FILM 0.0068uF 5% 630V
C346	1-131-347-00	s TANTALUM 1uF 10% 35V
C347	1-163-033-00	s CERAMIC, CHIP 0.022uF 50V
C352	1-131-349-00	s TANTALUM 2.2uF 10% 35V
C353	1-163-275-11	s CERAMIC, CHIP 0.001uF 5% 50V
C354	1-126-947-11	s ELECT 47uF 20% 35V
C355	1-136-561-11	s FILM 0.0068uF 5% 630V
C356	1-131-347-00	s TANTALUM 1uF 10% 35V
CN1	1-506-474-11	s CONNECTOR 9P, MALE
CN112	1-573-600-21	s CONNECTOR, PHEC 100P, MALE
D1	8-719-123-85	s DIODE 1SS304
D101	8-719-941-23	s DIODE DA204U
D102	8-719-941-23	s DIODE DA204U
D103	8-719-941-23	s DIODE DA204U
D201	8-719-941-23	s DIODE DA204U
D202	8-719-941-23	s DIODE DA204U
D203	8-719-941-23	s DIODE DA204U
D301	8-719-123-82	s DIODE 1SS303-T1
D302	8-719-123-82	s DIODE 1SS303-T1
D303	8-719-123-82	s DIODE 1SS303-T1
D304	8-719-157-23	s DIODE RD4.7M-B
D305	8-719-123-82	s DIODE 1SS303-T1
D306	8-719-157-23	s DIODE RD4.7M-B
D311	8-719-123-82	s DIODE 1SS303-T1
D312	8-719-157-23	s DIODE RD4.7M-B
D313	8-719-123-82	s DIODE 1SS303-T1
D314	8-719-123-82	s DIODE 1SS303-T1
D321	8-719-123-82	s DIODE 1SS303-T1
D322	8-719-157-23	s DIODE RD4.7M-B
D323	8-719-123-82	s DIODE 1SS303-T1
D324	8-719-123-82	s DIODE 1SS303-T1
D331	8-719-123-82	s DIODE 1SS303-T1
D332	8-719-157-23	s DIODE RD4.7M-B
D334	8-719-123-82	s DIODE 1SS303-T1
IC1	8-759-140-53	s IC UPD4053BC
IC2	8-759-705-58	s IC NJM45580-D
IC3	8-759-917-18	s IC SN74HC04AN
IC5	8-759-168-20	s IC TA78L09S
IC6	8-759-700-68	s IC NJM79L09A
IC7	8-759-168-20	s IC TA78L09S
IC101	8-759-705-58	s IC NJM45580-D
IC102	8-759-705-58	s IC NJM45580-D
IC103	8-759-705-58	s IC NJM45580-D
IC104	8-759-705-58	s IC NJM45580-D
IC105	8-759-705-58	s IC NJM45580-D
IC201	8-759-705-58	s IC NJM45580-D
IC202	8-759-705-58	s IC NJM45580-D
IC203	8-759-705-58	s IC NJM45580-D
IC204	8-759-705-58	s IC NJM45580-D
IC205	8-759-705-58	s IC NJM45580-D
IC301	8-759-917-18	s IC SN74HC04AN
IC302	8-759-917-37	s IC MC74HC4024N
IC303	8-759-000-01	s IC MC74HC4538N
IC304	8-759-916-16	s IC MC74HC08AN
IC305	8-759-921-19	s IC SN74HC161N
IC306	8-759-916-29	s IC SN74HC74N
IC307	8-759-917-18	s IC SN74HC04AN
IC308	8-759-916-16	s IC MC74HC08AN

## (AR-14 BOARD(UVW-1800))

Ref. No. or Q'ty	Part No.	SP Description
IC309	8-759-135-80	s IC UPC358C
IC310	8-759-135-80	s IC UPC358C
IC311	8-759-916-12	s IC SN74HC00N
IC312	8-759-917-18	s IC SN74HC04AN
IC313	8-759-135-80	s IC UPC358C
IC314	8-759-916-12	s IC SN74HC00N
IC315	8-759-705-58	s IC NJM4558D-D
IC316	8-759-705-58	s IC NJM4558D-D
L1	1-410-470-11	s INDUCTOR 10uH
L2	1-410-470-11	s INDUCTOR 10uH
L101	1-410-478-11	s INDUCTOR 47uH
L102	1-407-499-00	s INDUCTOR 3.9mH
L201	1-410-478-11	s INDUCTOR 47uH
L202	1-407-499-00	s INDUCTOR 3.9mH
L301	1-410-470-11	s INDUCTOR 10uH
L311	1-410-470-11	s INDUCTOR 10uH
L321	1-410-470-11	s INDUCTOR 10uH
LV101	1-410-853-21	s COIL, VAR 4.5uH
LV201	1-410-853-21	s COIL, VAR 4.5uH
LV301	1-414-007-11	s COIL, VAR 1.5uH
LV311	1-414-007-11	s COIL, VAR 1.5uH
LV321	1-414-007-11	s COIL, VAR 1.5uH
PS1	▲1-532-727-11	s LINK, IC 0.25A
PS2	▲1-532-727-11	s LINK, IC 0.25A
Q1	8-729-117-32	s TRANSISTOR 2SC4177
Q2	8-729-140-63	s TRANSISTOR 2SA1611-M5M6
Q3	8-729-905-12	s TRANSISTOR DTA144EU
Q4	8-729-905-12	s TRANSISTOR DTA144EU
Q5	8-729-905-12	s TRANSISTOR DTA144EU
Q101	8-729-209-06	s TRANSISTOR 2SC4213-A
Q102	8-729-905-18	s TRANSISTOR DTC144EU
Q103	8-729-905-12	s TRANSISTOR DTA144EU
Q104	8-729-140-98	s TRANSISTOR 2SD773-3
Q105	8-729-140-98	s TRANSISTOR 2SD773-3
Q201	8-729-209-06	s TRANSISTOR 2SC4213-A
Q202	8-729-905-18	s TRANSISTOR DTC144EU
Q203	8-729-905-12	s TRANSISTOR DTA144EU
Q204	8-729-140-98	s TRANSISTOR 2SD773-3
Q205	8-729-140-98	s TRANSISTOR 2SD773-3
Q301	8-729-203-30	s TRANSISTOR 2SJ106Y
Q302	8-729-140-93	s TRANSISTOR 2SB733-34
Q303	8-729-203-30	s TRANSISTOR 2SJ106Y
Q304	8-729-140-93	s TRANSISTOR 2SB733-34
Q305	8-729-140-98	s TRANSISTOR 2SD773-3
Q306	8-729-140-98	s TRANSISTOR 2SD773-3
Q311	8-729-203-30	s TRANSISTOR 2SJ106Y
Q312	8-729-140-93	s TRANSISTOR 2SB733-34
Q313	8-729-905-12	s TRANSISTOR DTA144EU
Q314	8-729-140-63	s TRANSISTOR 2SA1611-M5M6
Q315	8-729-140-63	s TRANSISTOR 2SA1611-M5M6
Q316	8-729-140-98	s TRANSISTOR 2SD773-3
Q317	8-729-140-98	s TRANSISTOR 2SD773-3
Q318	8-729-140-63	s TRANSISTOR 2SA1611-M5M6
Q319	8-729-140-98	s TRANSISTOR 2SD773-3
Q321	8-729-203-30	s TRANSISTOR 2SJ106Y
Q322	8-729-140-93	s TRANSISTOR 2SB733-34
Q323	8-729-905-12	s TRANSISTOR DTA144EU
Q324	8-729-140-63	s TRANSISTOR 2SA1611-M5M6

## (AR-14 BOARD(UVW-1800))

Ref. No. or Q'ty	Part No.	SP Description
Q325	8-729-140-63	s TRANSISTOR 2SA1611-M5M6
Q326	8-729-140-98	s TRANSISTOR 2SD773-3
Q327	8-729-140-98	s TRANSISTOR 2SD773-3
Q328	8-729-140-63	s TRANSISTOR 2SA1611-M5M6
Q329	8-729-140-98	s TRANSISTOR 2SD773-3
Q331	8-729-203-30	s TRANSISTOR 2SJ106Y
Q332	8-729-140-93	s TRANSISTOR 2SB733-34
Q333	8-729-905-12	s TRANSISTOR DTA144EU
Q334	8-729-140-63	s TRANSISTOR 2SA1611-M5M6
Q335	8-729-140-63	s TRANSISTOR 2SA1611-M5M6
Q336	8-729-140-98	s TRANSISTOR 2SD773-3
Q337	8-729-140-98	s TRANSISTOR 2SD773-3
Q339	8-729-140-98	s TRANSISTOR 2SD773-3
R1	1-216-686-11	s METAL, CHIP 30k 0.5% 1/10W
R2	1-216-686-11	s METAL, CHIP 30k 0.5% 1/10W
R3	1-216-097-00	s METAL, CHIP 100k 5% 1/10W
R4	1-216-073-00	s METAL, CHIP 10k 5% 1/10W
R5	1-216-097-00	s METAL, CHIP 100k 5% 1/10W
R6	1-216-073-00	s METAL, CHIP 10k 5% 1/10W
R7	1-216-073-00	s METAL, CHIP 10k 5% 1/10W
R8	1-216-097-00	s METAL, CHIP 100k 5% 1/10W
R9	1-216-049-00	s METAL, CHIP 1k 5% 1/10W
R10	1-216-073-00	s METAL, CHIP 10k 5% 1/10W
R11	1-216-073-00	s METAL, CHIP 10k 5% 1/10W
R12	1-216-097-00	s METAL, CHIP 100k 5% 1/10W
R13	1-216-073-00	s METAL, CHIP 10k 5% 1/10W
R14	1-216-073-00	s METAL, CHIP 10k 5% 1/10W
R15	1-216-073-00	s METAL, CHIP 10k 5% 1/10W
R16	1-216-097-00	s METAL, CHIP 100k 5% 1/10W
R17	1-216-073-00	s METAL, CHIP 10k 5% 1/10W
R18-R25	1-216-097-00	s METAL, CHIP 100k 5% 1/10W
R26	1-216-049-00	s METAL, CHIP 1k 5% 1/10W
R27	1-216-073-00	s METAL, CHIP 10k 5% 1/10W
R103	1-216-668-11	s METAL, CHIP 5.1k 0.5% 1/10W
R104	1-216-668-11	s METAL, CHIP 5.1k 0.5% 1/10W
R105	1-216-642-11	s METAL, CHIP 430 0.5% 1/10W
R106	1-216-641-11	s METAL, CHIP 390 0.5% 1/10W
R107	1-216-633-11	s METAL, CHIP 180 0.5% 1/10W
R108	1-216-097-00	s METAL, CHIP 100k 5% 1/10W
R109	1-216-097-00	s METAL, CHIP 100k 5% 1/10W
R110	1-216-061-00	s METAL, CHIP 3.3k 5% 1/10W
R111	1-216-061-00	s METAL, CHIP 3.3k 5% 1/10W
R112	1-216-061-00	s METAL, CHIP 3.3k 5% 1/10W
R113	1-216-049-00	s METAL, CHIP 1k 5% 1/10W
R114	1-216-049-00	s METAL, CHIP 1k 5% 1/10W
R115	1-216-065-00	s METAL, CHIP 4.7k 5% 1/10W
R116	1-216-065-00	s METAL, CHIP 4.7k 5% 1/10W
R117	1-216-025-00	s METAL, CHIP 100 5% 1/10W
R118	1-216-057-00	s METAL, CHIP 2.2k 5% 1/10W
R119	1-216-073-00	s METAL, CHIP 10k 5% 1/10W
R120	1-216-073-00	s METAL, CHIP 10k 5% 1/10W
R121	1-216-073-00	s METAL, CHIP 10k 5% 1/10W
R122	1-216-073-00	s METAL, CHIP 10k 5% 1/10W
R123	1-216-057-00	s METAL, CHIP 2.2k 5% 1/10W
R124	1-216-057-00	s METAL, CHIP 2.2k 5% 1/10W
R125	1-216-049-00	s METAL, CHIP 1k 5% 1/10W
R126	1-216-073-00	s METAL, CHIP 10k 5% 1/10W
R127	1-215-444-00	s METAL 9.1k 1% 1/6W

## (AR-14 BOARD(UVW-1800))

## (AR-14 BOARD(UVW-1800))

Ref. No. or Q'ty	Part No.	SP Description
R128	1-216-097-00	s METAL, CHIP 100k 5% 1/10W
R129	1-216-109-00	s METAL, CHIP 330k 5% 1/10W
R130	1-216-095-00	s METAL, CHIP 82k 5% 1/10W
R131	1-216-295-91	s RES, CHIP 0
R132	1-216-097-00	s METAL, CHIP 100k 5% 1/10W
R133	1-216-041-00	s METAL, CHIP 470 5% 1/10W
R134	1-216-041-00	s METAL, CHIP 470 5% 1/10W
R135	1-216-009-00	s METAL, CHIP 22 5% 1/10W
R136	1-216-045-00	s METAL, CHIP 680 5% 1/10W
R137	1-216-077-00	s METAL, CHIP 15k 5% 1/10W
R138	1-216-089-91	s METAL, CHIP 47k 5% 1/10W
R139	▲1-215-905-11	s METAL 10 5% 3W
R140	▲1-215-905-11	s METAL 10 5% 3W
R141	1-216-097-00	s METAL, CHIP 100k 5% 1/10W
R142	1-216-097-00	s METAL, CHIP 100k 5% 1/10W
R143	1-216-089-91	s METAL, CHIP 47k 5% 1/10W
R144	1-216-065-00	s METAL, CHIP 4.7k 5% 1/10W
R146	1-216-073-00	s METAL, CHIP 10k 5% 1/10W
R147	1-216-049-00	s METAL, CHIP 1k 5% 1/10W
R148	1-216-073-00	s METAL, CHIP 10k 5% 1/10W
R149	1-216-117-00	s METAL, CHIP 680k 5% 1/10W
R150	1-216-097-00	s METAL, CHIP 100k 5% 1/10W
R151-155	1-216-073-00	s METAL, CHIP 10k 5% 1/10W
R156	1-215-435-00	s METAL 3.9k 1% 1/6W
R203	1-216-668-11	s METAL, CHIP 5.1k 0.5% 1/10W
R204	1-216-668-11	s METAL, CHIP 5.1k 0.5% 1/10W
R205	1-216-642-11	s METAL, CHIP 430 0.5% 1/10W
R206	1-216-641-11	s METAL, CHIP 390 0.5% 1/10W
R207	1-216-633-11	s METAL, CHIP 180 0.5% 1/10W
R208	1-216-097-00	s METAL, CHIP 100k 5% 1/10W
R209	1-216-097-00	s METAL, CHIP 100k 5% 1/10W
R210	1-216-061-00	s METAL, CHIP 3.3k 5% 1/10W
R211	1-216-061-00	s METAL, CHIP 3.3k 5% 1/10W
R212	1-216-061-00	s METAL, CHIP 3.3k 5% 1/10W
R213	1-216-049-00	s METAL, CHIP 1k 5% 1/10W
R214	1-216-049-00	s METAL, CHIP 1k 5% 1/10W
R215	1-216-065-00	s METAL, CHIP 4.7k 5% 1/10W
R216	1-216-065-00	s METAL, CHIP 4.7k 5% 1/10W
R217	1-216-025-00	s METAL, CHIP 100 5% 1/10W
R218	1-216-057-00	s METAL, CHIP 2.2k 5% 1/10W
R219	1-216-073-00	s METAL, CHIP 10k 5% 1/10W
R220	1-216-073-00	s METAL, CHIP 10k 5% 1/10W
R221	1-216-073-00	s METAL, CHIP 10k 5% 1/10W
R222	1-216-073-00	s METAL, CHIP 10k 5% 1/10W
R223	1-216-057-00	s METAL, CHIP 2.2k 5% 1/10W
R224	1-216-057-00	s METAL, CHIP 2.2k 5% 1/10W
R225	1-216-049-00	s METAL, CHIP 1k 5% 1/10W
R226	1-216-073-00	s METAL, CHIP 10k 5% 1/10W
R227	1-215-444-00	s METAL 9.1k 1% 1/6W
R228	1-216-097-00	s METAL, CHIP 100k 5% 1/10W
R229	1-216-109-00	s METAL, CHIP 330k 5% 1/10W
R230	1-216-095-00	s METAL, CHIP 82k 5% 1/10W
R231	1-216-295-91	s RES, CHIP 0
R232	1-216-097-00	s METAL, CHIP 100k 5% 1/10W
R233	1-216-041-00	s METAL, CHIP 470 5% 1/10W
R234	1-216-041-00	s METAL, CHIP 470 5% 1/10W
R235	1-216-009-00	s METAL, CHIP 22 5% 1/10W
R236	1-216-045-00	s METAL, CHIP 680 5% 1/10W
R237	1-216-077-00	s METAL, CHIP 15k 5% 1/10W

Ref. No. or Q'ty	Part No.	SP Description
R238	1-216-089-91	s METAL, CHIP 47k 5% 1/10W
R239	▲1-215-905-11	s METAL 10 5% 3W
R240	▲1-215-905-11	s METAL 10 5% 3W
R241	1-216-097-00	s METAL, CHIP 100k 5% 1/10W
R242	1-216-097-00	s METAL, CHIP 100k 5% 1/10W
R243	1-216-089-91	s METAL, CHIP 47k 5% 1/10W
R244	1-216-065-00	s METAL, CHIP 4.7k 5% 1/10W
R246	1-216-073-00	s METAL, CHIP 10k 5% 1/10W
R247	1-216-049-00	s METAL, CHIP 1k 5% 1/10W
R248	1-216-073-00	s METAL, CHIP 10k 5% 1/10W
R249	1-216-117-00	s METAL, CHIP 680k 5% 1/10W
R250	1-216-097-00	s METAL, CHIP 100k 5% 1/10W
R251-255	1-216-073-00	s METAL, CHIP 10k 5% 1/10W
R256	1-215-435-00	s METAL 3.9k 1% 1/6W
R301	1-216-121-00	s METAL, CHIP 1M 5% 1/10W
R302	1-216-097-00	s METAL, CHIP 100k 5% 1/10W
R303	1-216-677-11	s METAL, CHIP 12k 0.5% 1/10W
R304	1-216-049-00	s METAL, CHIP 1k 5% 1/10W
R305	1-216-672-11	s METAL, CHIP 7.5k 0.5% 1/10W
R306	1-216-049-00	s METAL, CHIP 1k 5% 1/10W
R307	1-216-089-91	s METAL, CHIP 47k 5% 1/10W
R308	1-216-089-91	s METAL, CHIP 47k 5% 1/10W
R309	1-216-057-00	s METAL, CHIP 2.2k 5% 1/10W
R310	1-216-057-00	s METAL, CHIP 2.2k 5% 1/10W
R311	1-216-057-00	s METAL, CHIP 2.2k 5% 1/10W
R312	1-216-057-00	s METAL, CHIP 2.2k 5% 1/10W
R313	1-216-065-00	s METAL, CHIP 4.7k 5% 1/10W
R314	1-216-081-00	s METAL, CHIP 22k 5% 1/10W
R315	1-216-689-11	s METAL, CHIP 39k 0.5% 1/10W
R316	1-216-675-11	s METAL, CHIP 10k 0.5% 1/10W
R317	1-216-673-11	s METAL, CHIP 8.2k 0.5% 1/10W
R318	1-216-077-00	s METAL, CHIP 15k 5% 1/10W
R319	1-216-077-00	s METAL, CHIP 15k 5% 1/10W
R320	1-216-057-00	s METAL, CHIP 2.2k 5% 1/10W
R321	1-216-065-00	s METAL, CHIP 4.7k 5% 1/10W
R322	1-216-085-00	s METAL, CHIP 33k 5% 1/10W
R323	1-216-065-00	s METAL, CHIP 4.7k 5% 1/10W
R324	1-216-081-00	s METAL, CHIP 22k 5% 1/10W
R325	1-216-689-11	s METAL, CHIP 39k 0.5% 1/10W
R326	1-216-675-11	s METAL, CHIP 10k 0.5% 1/10W
R327	1-216-673-11	s METAL, CHIP 8.2k 0.5% 1/10W
R328	1-216-077-00	s METAL, CHIP 15k 5% 1/10W
R329	1-216-077-00	s METAL, CHIP 15k 5% 1/10W
R330	1-216-057-00	s METAL, CHIP 2.2k 5% 1/10W
R331	1-216-065-00	s METAL, CHIP 4.7k 5% 1/10W
R332	1-216-085-00	s METAL, CHIP 33k 5% 1/10W
R341	1-216-057-00	s METAL, CHIP 2.2k 5% 1/10W
R342	1-216-081-00	s METAL, CHIP 22k 5% 1/10W
R343	1-216-085-00	s METAL, CHIP 33k 5% 1/10W
R344	1-216-295-91	s RES, CHIP 0
R345	1-216-683-11	s METAL, CHIP 22k 0.5% 1/10W
R346	1-216-687-11	s METAL, CHIP 33k 0.5% 1/10W
R347	1-216-057-00	s METAL, CHIP 2.2k 5% 1/10W
R348	1-216-065-00	s METAL, CHIP 4.7k 5% 1/10W
R349	1-216-085-00	s METAL, CHIP 33k 5% 1/10W
R350	1-216-089-91	s METAL, CHIP 47k 5% 1/10W
R351	1-216-073-00	s METAL, CHIP 10k 5% 1/10W
R352	1-216-073-00	s METAL, CHIP 10k 5% 1/10W
R353	1-216-073-00	s METAL, CHIP 10k 5% 1/10W

## (AR-14 BOARD(UVW-1800))

Ref. No. or Q'ty	Part No.	SP Description
R354	1-216-073-00	s METAL, CHIP 10k 5% 1/10W
R355	1-216-057-00	s METAL, CHIP 2.2k 5% 1/10W
R356	1-216-057-00	s METAL, CHIP 2.2k 5% 1/10W
R357	1-216-057-00	s METAL, CHIP 2.2k 5% 1/10W
R358	1-216-057-00	s METAL, CHIP 2.2k 5% 1/10W
R359	△1-216-397-11	s METAL 4.7 5% 3W
R361	△1-216-397-11	s METAL 4.7 5% 3W
R363	1-217-671-11	s METAL, CHIP 1 5% 1/10W
R364	1-216-073-00	s METAL, CHIP 10k 5% 1/10W
R365	1-216-073-00	s METAL, CHIP 10k 5% 1/10W
R366	1-216-699-11	s METAL, CHIP 100k 0.5% 1/10W
R371	1-216-057-00	s METAL, CHIP 2.2k 5% 1/10W
R372	1-216-081-00	s METAL, CHIP 22k 5% 1/10W
R373	1-216-085-00	s METAL, CHIP 33k 5% 1/10W
R374	1-216-295-91	s RES, CHIP 0
R375	1-216-683-11	s METAL, CHIP 22k 0.5% 1/10W
R376	1-216-687-11	s METAL, CHIP 33k 0.5% 1/10W
R377	1-216-057-00	s METAL, CHIP 2.2k 5% 1/10W
R378	1-216-065-00	s METAL, CHIP 4.7k 5% 1/10W
R379	1-216-085-00	s METAL, CHIP 33k 5% 1/10W
R380	1-216-089-91	s METAL, CHIP 47k 5% 1/10W
R381	1-216-073-00	s METAL, CHIP 10k 5% 1/10W
R382	1-216-073-00	s METAL, CHIP 10k 5% 1/10W
R383	1-216-073-00	s METAL, CHIP 10k 5% 1/10W
R384	1-216-073-00	s METAL, CHIP 10k 5% 1/10W
R385	1-216-057-00	s METAL, CHIP 2.2k 5% 1/10W
R386	1-216-057-00	s METAL, CHIP 2.2k 5% 1/10W
R387	1-216-057-00	s METAL, CHIP 2.2k 5% 1/10W
R388	1-216-057-00	s METAL, CHIP 2.2k 5% 1/10W
R389	△1-216-397-11	s METAL 4.7 5% 3W
R391	△1-216-397-11	s METAL 4.7 5% 3W
R393	1-217-671-11	s METAL, CHIP 1 5% 1/10W
R394	1-216-073-00	s METAL, CHIP 10k 5% 1/10W
R395	1-216-073-00	s METAL, CHIP 10k 5% 1/10W
R396	1-216-699-11	s METAL, CHIP 100k 0.5% 1/10W
R401	1-216-057-00	s METAL, CHIP 2.2k 5% 1/10W
R402	1-216-081-00	s METAL, CHIP 22k 5% 1/10W
R403	1-216-085-00	s METAL, CHIP 33k 5% 1/10W
R404	1-216-295-91	s RES, CHIP 0
R405	1-216-669-11	s METAL, CHIP 5.6k 0.5% 1/10W
R406	1-216-687-11	s METAL, CHIP 33k 0.5% 1/10W
R407	1-216-057-00	s METAL, CHIP 2.2k 5% 1/10W
R408	1-216-065-00	s METAL, CHIP 4.7k 5% 1/10W
R409	1-216-085-00	s METAL, CHIP 33k 5% 1/10W
R410	1-216-089-91	s METAL, CHIP 47k 5% 1/10W
R411	1-216-073-00	s METAL, CHIP 10k 5% 1/10W
R412	1-216-073-00	s METAL, CHIP 10k 5% 1/10W
R413	1-216-073-00	s METAL, CHIP 10k 5% 1/10W
R414	1-216-073-00	s METAL, CHIP 10k 5% 1/10W
R415	1-216-057-00	s METAL, CHIP 2.2k 5% 1/10W
R416	1-216-057-00	s METAL, CHIP 2.2k 5% 1/10W
R417	1-216-057-00	s METAL, CHIP 2.2k 5% 1/10W
R418	1-216-057-00	s METAL, CHIP 2.2k 5% 1/10W
R419	△1-216-397-11	s METAL 4.7 5% 3W
R421	△1-216-397-11	s METAL 4.7 5% 3W
R423	1-217-671-11	s METAL, CHIP 1 5% 1/10W
R426	1-216-699-11	s METAL, CHIP 100k 0.5% 1/10W
RV106	1-241-785-11	s RES, ADJ METAL 10k

## (AR-14 BOARD(UVW-1800))

Ref. No. or Q'ty	Part No.	SP Description
RV107	1-241-786-11	s RES, ADJ METAL 22k
RV108	1-241-785-11	s RES, ADJ METAL 10k
RV109	1-241-781-11	s RES, ADJ METAL 47k
RV110	1-241-761-11	s RES, ADJ METAL 1k
RV111	1-241-784-11	s RES, ADJ METAL 4.7k
RV112	1-241-785-11	s RES, ADJ METAL 10k
RV206	1-241-785-11	s RES, ADJ METAL 10k
RV207	1-241-786-11	s RES, ADJ METAL 22k
RV208	1-241-785-11	s RES, ADJ METAL 10k
RV209	1-241-781-11	s RES, ADJ METAL 47k
RV210	1-241-761-11	s RES, ADJ METAL 1k
RV211	1-241-784-11	s RES, ADJ METAL 4.7k
RV212	1-241-785-11	s RES, ADJ METAL 10k
RV301	1-241-765-11	s RES, ADJ METAL 22k
RV302	1-241-765-11	s RES, ADJ METAL 22k
RY301	1-515-434-00	s RELAY, REED
RY311	1-515-434-00	s RELAY, REED
S103	1-570-602-11	s SWITCH, DIP 2-CKT
S203	1-570-602-11	s SWITCH, DIP 2-CKT
T101	1-423-870-11	s TRANSFORMER, BIAS OSC
T201	1-423-870-11	s TRANSFORMER, BIAS OSC
T301	1-424-511-11	s TRANSFORMER, FE
T311	1-424-511-11	s TRANSFORMER, FE
T321	1-424-511-11	s TRANSFORMER, FE
TH1	1-800-199-11	s THERMISTOR S-1250
TH2	1-800-199-11	s THERMISTOR S-1250
X301	1-567-861-21	s CRYSTAL 4.194304MHZ

-----  
 CL-25 BOARD(UVW-1800/1600)  
 -----

Ref. No.  
 or Q'ty Part No. SP Description

Two CL-25 boards are used in UVW-1800/1600.  
 One board has the following parts.

1pc	1-640-170-13	o PRINTED CIRCUIT BOARD, CL-25
1pc	3-171-424-01	o HOLDER, SENSOR
C1	1-161-051-00	s CERAMIC 0.01uF 10% 50V
CN930	1-564-011-11	o CONNECTOR 12P, MALE
CN931	1-564-001-11	o CONNECTOR 2P, MALE
CN933	1-573-599-11	s CONNECTOR 5P, FEMALE
CN935	1-564-001-11	o CONNECTOR 2P, MALE
D1	8-719-938-07	s LED GL480, INFRARED
D2	8-719-938-07	s LED GL480, INFRARED
Q1	8-729-903-81	s PHOTOTRANSISTOR PT480
Q2	8-729-903-81	s PHOTOTRANSISTOR PT480
R1	1-249-414-11	s CARBON 560 5% 1/4W
R2	1-249-414-11	s CARBON 560 5% 1/4W

-----  
 CP-225 BOARD(UVW-1800)  
 -----

Ref. No.  
 or Q'ty Part No. SP Description

CP-225 board is used for UVW-1800.

1pc	A-8276-738-A	o MOUNTED CIRCUIT BOARD, CP-225
C1	1-126-933-11	s ELECT 100uF 20% 16V
C2	1-126-933-11	s ELECT 100uF 20% 16V
C3	1-126-933-11	s ELECT 100uF 20% 16V
C5	1-163-809-11	s CERAMIC, CHIP 0.047uF 10% 25V
C6	1-163-809-11	s CERAMIC, CHIP 0.047uF 10% 25V
C7	1-163-809-11	s CERAMIC, CHIP 0.047uF 10% 25V
CN1	1-573-582-11	s CONNECTOR, BNC, FEMALE
CN2	1-573-582-11	s CONNECTOR, BNC, FEMALE
CN3	1-573-590-12	s CONNECTOR, CIRCULAR 4P, FEMALE
CN4	1-573-584-11	s CONNECTOR, BNC, FEMALE
CN5	1-573-582-11	s CONNECTOR, BNC, FEMALE
CN6	1-573-582-11	s CONNECTOR, BNC, FEMALE
CN7	1-573-590-12	s CONNECTOR, CIRCULAR 4P, FEMALE
CN8	1-573-584-11	s CONNECTOR, BNC, FEMALE
CN9	1-691-273-11	s JACK, PIN 1P, FEMALE
CN10	1-573-589-11	s CONNECTOR, CIRCULAR 12P, MALE
CN11	1-573-592-11	s CONNECTOR, CIRCULAR 12P, FEMALE
CN651	1-564-014-11	s CONNECTOR 4P, MALE
CN652	1-506-486-11	s CONNECTOR 7P, MALE
CN653	1-506-485-11	s CONNECTOR 6P, MALE
CN654	1-506-491-11	s CONNECTOR 12P, MALE
CN655	1-506-493-11	s CONNECTOR 14P, MALE
CN656	1-564-001-11	o CONNECTOR 2P, MALE
FL5	1-236-129-11	s ENCAPSULATED COMPONENTS, LC
FL6	1-236-129-11	s ENCAPSULATED COMPONENTS, LC
FL7	1-236-129-11	s ENCAPSULATED COMPONENTS, LC
FL8	1-236-129-11	s ENCAPSULATED COMPONENTS, LC
FL9	1-236-129-11	s ENCAPSULATED COMPONENTS, LC
FL10	1-236-129-11	s ENCAPSULATED COMPONENTS, LC
FL11	1-236-129-11	s ENCAPSULATED COMPONENTS, LC
FL12	1-236-129-11	s ENCAPSULATED COMPONENTS, LC
Q1	8-729-117-32	s TRANSISTOR 2SC4177
Q2	8-729-117-32	s TRANSISTOR 2SC4177
R1	1-216-009-00	s METAL, CHIP 22 5% 1/10W
R2	1-216-077-00	s METAL, CHIP 15k 5% 1/10W
R3	1-216-624-11	s METAL, CHIP 75 0.5% 1/10W
R4	1-216-045-00	s METAL, CHIP 680 5% 1/10W
R5	1-216-009-00	s METAL, CHIP 22 5% 1/10W
R6	1-216-077-00	s METAL, CHIP 15k 5% 1/10W
R7	1-216-624-11	s METAL, CHIP 75 0.5% 1/10W
R8	1-216-045-00	s METAL, CHIP 680 5% 1/10W
R9	1-216-009-00	s METAL, CHIP 22 5% 1/10W
R10	1-216-009-00	s METAL, CHIP 22 5% 1/10W
R11-R16	1-216-625-11	s METAL, CHIP 82 0.5% 1/10W
S1	1-570-157-51	s SWITCH, SLIDE
S2	1-570-157-51	s SWITCH, SLIDE
S3	1-570-756-11	s SWITCH, SLIDE



-----  
 CP-225A BOARD(UVW-1600)  
 -----

Ref. No.  
 or Q'ty Part No. SP Description

CP-225A board is used for UVW-1600.

1pc	A-8276-732-A	o MOUNTED CIRCUIT BOARD, CP-225A
C1	1-126-933-11	s ELECT 100uF 20% 16V
C5	1-163-809-11	s CERAMIC, CHIP 0.047uF 10% 25V
C6	1-163-809-11	s CERAMIC, CHIP 0.047uF 10% 25V
C7	1-163-809-11	s CERAMIC, CHIP 0.047uF 10% 25V
CN1	1-764-165-11	s CONNECTOR, 2-BNC, FEMALE
CN5	1-573-583-11	s CONNECTOR, BNC, FEMALE
CN6	1-573-582-11	s CONNECTOR, BNC, FEMALE
CN7	1-573-590-12	s CONNECTOR, CIRCULAR 4P, FEMALE
CN8	1-573-584-11	s CONNECTOR, BNC, FEMALE
CN9	1-691-273-11	s JACK, PIN 1P, FEMALE
CN11	1-573-592-11	s CONNECTOR, CIRCULAR 12P, FEMALE
CN651	1-564-014-11	s CONNECTOR 4P, MALE
CN652	1-506-486-11	s CONNECTOR 7P, MALE
CN653	1-506-485-11	s CONNECTOR 6P, MALE
CN655	1-506-493-11	s CONNECTOR 14P, MALE
CN656	1-564-001-11	o CONNECTOR 2P, MALE
FL1	1-236-129-11	s ENCAPSULATED COMPONENTS, LC
FL6	1-236-129-11	s ENCAPSULATED COMPONENTS, LC
FL7	1-236-129-11	s ENCAPSULATED COMPONENTS, LC
FL8	1-236-129-11	s ENCAPSULATED COMPONENTS, LC
FL9	1-236-129-11	s ENCAPSULATED COMPONENTS, LC
FL10	1-236-129-11	s ENCAPSULATED COMPONENTS, LC
FL11	1-236-129-11	s ENCAPSULATED COMPONENTS, LC
FL12	1-236-129-11	s ENCAPSULATED COMPONENTS, LC
Q1	8-729-117-32	s TRANSISTOR 2SC4177
R1	1-216-009-00	s METAL, CHIP 22 5% 1/10W
R2	1-216-077-00	s METAL, CHIP 15k 5% 1/10W
R3	1-216-624-11	s METAL, CHIP 75 0.5% 1/10W
R4	1-216-045-00	s METAL, CHIP 680 5% 1/10W
R9	1-216-009-00	s METAL, CHIP 22 5% 1/10W
R16	1-216-625-11	s METAL, CHIP 82 0.5% 1/10W
S1	1-570-157-51	s SWITCH, SLIDE

-----  
 CP-226 BOARD(UVW-1800(UC))  
 -----

Ref. No.  
 or Q'ty Part No. SP Description

CP-226 board is used for UVW-1800(UC).

1pc	A-8276-739-A	o MOUNTED CIRCUIT BOARD, CP-226
C1	1-163-809-11	s CERAMIC, CHIP 0.047uF 10% 25V
C21	1-163-809-11	s CERAMIC, CHIP 0.047uF 10% 25V
CN101	1-750-786-11	s CONNECTOR, XLR 3P, FEMALE
CN102	1-750-785-11	s CONNECTOR, XLR 3P, MALE
CN274	1-506-486-11	s CONNECTOR 7P, MALE
CN275	1-506-485-11	s CONNECTOR 6P, MALE
CN276	1-564-001-11	o CONNECTOR 2P, MALE
R1	1-216-295-91	s RES, CHIP 0
R2	1-216-295-91	s RES, CHIP 0
R5	1-216-646-11	s METAL, CHIP 620 0.5% 1/10W
R6	1-216-295-91	s RES, CHIP 0
R7	1-216-025-00	s METAL, CHIP 100 5% 1/10W
R8	1-216-295-91	s RES, CHIP 0
R11	1-216-295-91	s RES, CHIP 0
R12	1-216-295-91	s RES, CHIP 0
R21	1-216-295-91	s RES, CHIP 0
R22	1-216-295-91	s RES, CHIP 0
R25	1-216-646-11	s METAL, CHIP 620 0.5% 1/10W
R27	1-216-025-00	s METAL, CHIP 100 5% 1/10W
R28	1-216-295-91	s RES, CHIP 0
R31	1-216-295-91	s RES, CHIP 0
S1	1-570-157-11	s SWITCH, SLIDE
S2	1-570-157-11	s SWITCH, SLIDE
T1	1-427-586-11	s TRANSFORMER, INPUT/OUTPUT
T2	1-427-586-11	s TRANSFORMER, INPUT/OUTPUT

-----  
 CP-226A BOARD(UVW-1600(UC))  
 -----

Ref. No.  
 or Q'ty Part No. SP Description

CP-226A board is used for UVW-1600(UC).

1pc	A-8276-733-A	o MOUNTED CIRCUIT BOARD, CP-226A
C1	1-163-809-11	s CERAMIC, CHIP 0.047uF 10% 25V
C21	1-163-809-11	s CERAMIC, CHIP 0.047uF 10% 25V
CN102	1-750-785-11	s CONNECTOR, XLR 3P, MALE
CN274	1-506-486-11	s CONNECTOR 7P, MALE
CN276	1-564-001-11	o CONNECTOR 2P, MALE
R7	1-216-025-00	s METAL, CHIP 100 5% 1/10W
R8	1-216-295-91	s RES, CHIP 0
R11	1-216-295-91	s RES, CHIP 0
R12	1-216-295-91	s RES, CHIP 0
R27	1-216-025-00	s METAL, CHIP 100 5% 1/10W
R28	1-216-295-91	s RES, CHIP 0
R31	1-216-295-91	s RES, CHIP 0
T1	1-427-586-11	s TRANSFORMER, INPUT/OUTPUT
T2	1-427-586-11	s TRANSFORMER, INPUT/OUTPUT

-----  
 CP-226J BOARD(UVW-1800(J))  
 -----

Ref. No.  
 or Q'ty Part No. SP Description

CP-226J board is used for UVW-1800(J).

1pc	A-8276-762-A	o MOUNTED CIRCUIT BOARD, CP-226J
C1	1-163-809-11	s CERAMIC, CHIP 0.047uF 10% 25V
C21	1-163-809-11	s CERAMIC, CHIP 0.047uF 10% 25V
CN101	1-750-785-11	s CONNECTOR, XLR 3P, MALE
CN102	1-750-786-11	s CONNECTOR, XLR 3P, FEMALE
CN274	1-506-486-11	s CONNECTOR 7P, MALE
CN275	1-506-485-11	s CONNECTOR 6P, MALE
CN276	1-564-001-11	o CONNECTOR 2P, MALE
R3	1-216-295-91	s RES, CHIP 0
R4	1-216-295-91	s RES, CHIP 0
R5	1-216-646-11	s METAL, CHIP 620 0.5% 1/10W
R6	1-216-295-91	s RES, CHIP 0
R7	1-216-025-00	s METAL, CHIP 100 5% 1/10W
R9	1-216-295-91	s RES, CHIP 0
R10	1-216-295-91	s RES, CHIP 0
R12	1-216-295-91	s RES, CHIP 0
R23	1-216-295-91	s RES, CHIP 0
R24	1-216-295-91	s RES, CHIP 0
R25	1-216-646-11	s METAL, CHIP 620 0.5% 1/10W
R27	1-216-025-00	s METAL, CHIP 100 5% 1/10W
R29	1-216-295-91	s RES, CHIP 0
R30	1-216-295-91	s RES, CHIP 0
S1	1-570-157-11	s SWITCH, SLIDE
S2	1-570-157-11	s SWITCH, SLIDE
T1	1-427-586-11	s TRANSFORMER, INPUT/OUTPUT
T2	1-427-586-11	s TRANSFORMER, INPUT/OUTPUT

-----  
 CP-226AJ BOARD(UVW-1600(J))  
 -----

Ref. No.  
 or Q'ty Part No. SP Description

CP-226AJ board is used for UVW-1600(J).

1pc A-8276-763-A o MOUNTED CIRCUIT BOARD, CP-226AJ  
 C1 1-163-809-11 s CERAMIC, CHIP 0.047uF 10% 25V  
 C21 1-163-809-11 s CERAMIC, CHIP 0.047uF 10% 25V  
 CN102 1-750-786-11 s CONNECTOR, XLR 3P, FEMALE  
 CN274 1-506-486-11 s CONNECTOR 7P, MALE  
 CN276 1-564-001-11 o CONNECTOR 2P, MALE  
 R7 1-216-025-00 s METAL, CHIP 100 5% 1/10W  
 R9 1-216-295-91 s RES, CHIP 0  
 R10 1-216-295-91 s RES, CHIP 0  
 R12 1-216-295-91 s RES, CHIP 0  
 R27 1-216-025-00 s METAL, CHIP 100 5% 1/10W  
 R29 1-216-295-91 s RES, CHIP 0  
 R30 1-216-295-91 s RES, CHIP 0  
 T1 1-427-586-11 s TRANSFORMER, INPUT/OUTPUT  
 T2 1-427-586-11 s TRANSFORMER, INPUT/OUTPUT

-----  
 CP-237 BOARD(UVW-1800)  
 -----

Ref. No.  
 or Q'ty Part No. SP Description

1pc A-8276-741-A o MOUNTED CIRCUIT BOARD, CP-237  
 CN501 1-764-259-11 s CONNECTOR, D-SUB 15P, MALE  
 CN502 1-573-566-11 s CONNECTOR, D-SUB 9P, FEMALE  
 CN532 1-563-462-11 o CONNECTOR, FPC 17P

-----  
 CP-237A BOARD(UVW-1600)  
 -----

Ref. No.  
 or Q'ty Part No. SP Description

CP-237A board is used for UVW-1600.

1pc A-8276-734-A o MOUNTED CIRCUIT BOARD, CP-237A  
 CN501 1-764-259-11 s CONNECTOR, D-SUB 15P, MALE  
 CN502 1-573-566-11 s CONNECTOR, D-SUB 9P, FEMALE  
 CN532 1-563-462-11 o CONNECTOR, FPC 17P

-----  
 DR-214 BOARD(UVW-1800/1600)  
 -----

Ref. No.  
 or Q'ty Part No. SP Description

1pc A-8275-290-A o MOUNTED CIRCUIT BOARD, DR-214  
 1pc 1-532-679-00 s LINK, IC 0.6A  
 6pcs 4-911-232-01 s SHEET, INSULATING  
 1pc 3-182-357-01 o HEAT SINK (L), DR  
 1pc 3-182-358-01 o HEAT SINK (R), DR  
 16pcs 7-682-548-04 s SCREW, +83x8  
 1pc 9-911-841-XX s CUSHION (B)  
 C1 1-126-940-11 s ELECT 330uF 20% 25V  
 C2 1-126-940-11 s ELECT 330uF 20% 25V  
 C3 1-126-933-11 s ELECT 100uF 20% 16V  
 C4 1-126-933-11 s ELECT 100uF 20% 16V  
 C5 1-124-589-11 s ELECT 47uF 20% 16V  
 C6 1-125-404-00 s DOUBLE LAYERS 0.47F 5.5V  
 C7 1-131-347-00 s TANTALUM 1uF 10% 35V  
 C8 1-126-940-11 s ELECT 330uF 20% 25V  
 C51 1-164-095-11 s CERAMIC 0.01uF 10% 16V  
 C52 1-164-095-11 s CERAMIC 0.01uF 10% 16V  
 C53 1-164-095-11 s CERAMIC 0.01uF 10% 16V  
 C54 1-164-095-11 s CERAMIC 0.01uF 10% 16V  
 C55 1-130-489-00 s NYLAR 0.033uF 5% 50V  
 C56 1-130-489-00 s NYLAR 0.033uF 5% 50V  
 C57 1-130-489-00 s NYLAR 0.033uF 5% 50V  
 C58 1-126-096-11 s ELECT 10uF 20% 35V  
 C59 1-126-096-11 s ELECT 10uF 20% 35V  
 C60 1-126-096-11 s ELECT 10uF 20% 35V  
 C61 1-164-097-11 s CERAMIC 0.022uF 50V  
 C62 1-164-097-11 s CERAMIC 0.022uF 50V  
 C101 1-164-095-11 s CERAMIC 0.01uF 10% 16V  
 C102 1-130-489-00 s NYLAR 0.033uF 5% 50V  
 C103 1-164-035-11 s CERAMIC 47pF 5% 50V  
 C104 1-164-035-11 s CERAMIC 47pF 5% 50V  
 C151-155 1-126-096-11 s ELECT 10uF 20% 35V  
 C156 1-164-095-11 s CERAMIC 0.01uF 10% 16V  
 C201 1-124-248-00 s ELECT 22uF 20% 35V  
 C202 1-124-248-00 s ELECT 22uF 20% 35V  
 C203 1-124-248-00 s ELECT 22uF 20% 35V  
 C204 1-124-248-00 s ELECT 22uF 20% 35V  
 C205 1-130-489-00 s NYLAR 0.033uF 5% 50V  
 C206 1-130-489-00 s NYLAR 0.033uF 5% 50V  
 C207 1-164-035-11 s CERAMIC 47pF 5% 50V  
 C208 1-164-035-11 s CERAMIC 47pF 5% 50V  
 C209 1-164-035-11 s CERAMIC 47pF 5% 50V  
 C210 1-164-097-11 s CERAMIC 0.022uF 50V  
 C211 1-164-097-11 s CERAMIC 0.022uF 50V  
 C212 1-164-035-11 s CERAMIC 47pF 5% 50V  
 C251 1-124-248-00 s ELECT 22uF 20% 35V  
 C252 1-124-248-00 s ELECT 22uF 20% 35V  
 C253 1-124-248-00 s ELECT 22uF 20% 35V  
 C254 1-124-248-00 s ELECT 22uF 20% 35V  
 C255 1-130-489-00 s NYLAR 0.033uF 5% 50V  
 C256 1-130-489-00 s NYLAR 0.033uF 5% 50V  
 C257 1-164-097-11 s CERAMIC 0.022uF 50V  
 C258 1-164-097-11 s CERAMIC 0.022uF 50V  
 C259 1-164-035-11 s CERAMIC 47pF 5% 50V  
 C260 1-164-035-11 s CERAMIC 47pF 5% 50V  
 C261 1-164-035-11 s CERAMIC 47pF 5% 50V  
 C264 1-164-035-11 s CERAMIC 47pF 5% 50V  
 C301 1-124-248-00 s ELECT 22uF 20% 35V

## (DR-214 BOARD(UVW-1800/1600))

Ref. No. or Q'ty	Part No.	SP Description
C303	1-130-491-00	s MYLAR 0.047uF 5% 50V
C304	1-130-495-00	s MYLAR 0.1uF 5% 50V
C305	1-126-160-11	s ELECT 1uF 20% 50V
C306	1-126-096-11	s ELECT 10uF 20% 35V
C308	1-164-097-11	s CERAMIC 0.022uF 50V
C309	1-164-097-11	s CERAMIC 0.022uF 50V
C310	1-161-494-00	s CERAMIC 0.022uF 25V
C311	1-161-494-00	s CERAMIC 0.022uF 25V
C313	1-130-491-00	s MYLAR 0.047uF 5% 50V
C314	1-130-495-00	s MYLAR 0.1uF 5% 50V
C315	1-130-495-00	s MYLAR 0.1uF 5% 50V
C316	1-130-491-00	s MYLAR 0.047uF 5% 50V
C317	1-130-477-00	s MYLAR 0.0033uF 5% 50V
C318	1-162-290-31	s CERAMIC 470pF 10% 50V
C319	1-130-477-00	s MYLAR 0.0033uF 5% 50V
C320	1-126-096-11	s ELECT 10uF 20% 35V
C321	1-162-290-31	s CERAMIC 470pF 10% 50V
C322	1-162-282-31	s CERAMIC 100pF 10% 50V
C323	1-162-282-31	s CERAMIC 100pF 10% 50V
C324	1-126-096-11	s ELECT 10uF 20% 35V
C325	1-161-494-00	s CERAMIC 0.022uF 25V
C326	1-161-494-00	s CERAMIC 0.022uF 25V
C327	1-161-494-00	s CERAMIC 0.022uF 25V
C328	1-130-495-00	s MYLAR 0.1uF 5% 50V
C331	1-130-487-00	s MYLAR 0.022uF 5% 50V
C332	1-126-096-11	s ELECT 10uF 20% 35V
C333	1-130-495-00	s MYLAR 0.1uF 5% 50V
C335	1-130-491-00	s MYLAR 0.047uF 5% 50V
C337	1-162-288-31	s CERAMIC 330pF 10% 50V
C339	1-131-388-00	s TANTALUM 68uF 10% 6.3V
C340	1-131-388-00	s TANTALUM 68uF 10% 6.3V
C341	1-124-248-00	s ELECT 22uF 20% 35V
C343	1-124-248-00	s ELECT 22uF 20% 35V
C345	1-126-947-11	s ELECT 47uF 20% 35V
C349	1-164-097-11	s CERAMIC 0.022uF 50V
CN300	1-573-600-21	s CONNECTOR, PHEC 100P, MALE
CN301	1-563-017-11	o CONNECTOR, FPC 30P
CN302	1-563-017-11	o CONNECTOR, FPC 30P
CN303	1-563-017-11	o CONNECTOR, FPC 30P
D1	8-719-986-73	s DIODE RB441Q
D151-156	8-719-200-02	s DIODE 10E2
D301	8-719-911-19	s DIODE 1SS119
D302	8-719-911-19	s DIODE 1SS119
D303	8-719-911-19	s DIODE 1SS119
D304	8-719-911-19	s DIODE 1SS119
D306	8-719-911-19	s DIODE 1SS119
IC1	8-759-603-69	s IC M51957BL
IC51	8-759-106-41	s IC UPC4570C
IC52	8-759-801-95	s IC LB1620
IC151	8-759-205-56	s IC TA7267P
IC152	8-759-205-56	s IC TA7267P
IC153	8-759-205-56	s IC TA7267P
IC201	8-759-106-41	s IC UPC4570C
IC251	8-759-106-41	s IC UPC4570C
IC301	8-759-106-41	s IC UPC4570C
IC302	8-759-106-41	s IC UPC4570C
IC303	8-759-729-03	s IC NJM2903D
IC304	8-759-106-41	s IC UPC4570C

## (DR-214 BOARD(UVW-1800/1600))

Ref. No. or Q'ty	Part No.	SP Description
IC305	8-759-106-41	s IC UPC4570C
IC306	8-759-729-03	s IC NJM2903D
IC307	8-759-140-53	s IC UPD4053BC
IC308	8-759-800-72	s IC LA7205
IC310	8-743-914-00	s IC BX3914
IC311	8-759-700-58	s IC NJM4558D-FA
IC313	8-759-140-53	s IC UPD4053BC
L1	1-412-533-21	s INDUCTOR 47uH
Q1	8-729-900-89	s TRANSISTOR DTC144ES
Q51	8-729-265-52	s TRANSISTOR 2SC2655-Y
Q52	8-729-021-83	s TRANSISTOR 2SA1020-Y-TPE6
Q53	8-729-400-12	s TRANSISTOR 2SB941-P
Q101	8-729-265-52	s TRANSISTOR 2SC2655-Y
Q102	8-729-021-83	s TRANSISTOR 2SA1020-Y-TPE6
Q103	8-729-400-12	s TRANSISTOR 2SB941-P
Q151	8-729-265-52	s TRANSISTOR 2SC2655-Y
Q152	8-729-141-83	s TRANSISTOR 2SA473-Y
Q153	8-729-265-52	s TRANSISTOR 2SC2655-Y
Q154	8-729-400-12	s TRANSISTOR 2SB941-P
Q155	8-729-021-83	s TRANSISTOR 2SA1020-Y-TPE6
Q201	8-729-265-52	s TRANSISTOR 2SC2655-Y
Q202	8-729-021-83	s TRANSISTOR 2SA1020-Y-TPE6
Q203	8-729-102-47	s TRANSISTOR 2SA1141-Q
Q204	8-729-102-57	s TRANSISTOR 2SC3012
Q205	8-729-102-14	s TRANSISTOR 2SD1021-F
Q206	8-729-205-02	s TRANSISTOR 2SA1150-Y
Q207	8-729-102-47	s TRANSISTOR 2SA1141-Q
Q208	8-729-102-57	s TRANSISTOR 2SC3012
Q251	8-729-265-52	s TRANSISTOR 2SC2655-Y
Q252	8-729-021-83	s TRANSISTOR 2SA1020-Y-TPE6
Q253	8-729-102-47	s TRANSISTOR 2SA1141-Q
Q254	8-729-102-57	s TRANSISTOR 2SC3012
Q255	8-729-102-14	s TRANSISTOR 2SD1021-F
Q256	8-729-205-02	s TRANSISTOR 2SA1150-Y
Q257	8-729-102-47	s TRANSISTOR 2SA1141-Q
Q258	8-729-102-57	s TRANSISTOR 2SC3012
Q301	8-729-900-89	s TRANSISTOR DTC144ES
Q302	8-729-900-89	s TRANSISTOR DTC144ES
Q303	8-729-119-76	s TRANSISTOR 2SA1115P
R1	△1-215-860-11	s METAL 33 5% 1W
R2	1-215-461-00	s METAL 47k 1% 1/6W
R3	1-215-457-00	s METAL 33k 1% 1/6W
R4	1-249-437-11	s CARBON 47k 5% 1/4W
R51	1-249-429-11	s CARBON 10k 5% 1/4W
R52	1-249-429-11	s CARBON 10k 5% 1/4W
R53	△1-216-389-11	s METAL 1 5% 3W
R54	1-249-437-11	s CARBON 47k 5% 1/4W
R55	1-249-437-11	s CARBON 47k 5% 1/4W
R56	1-249-393-11	s CARBON 10 5% 1/4W
R57	1-249-393-11	s CARBON 10 5% 1/4W
R58	1-249-393-11	s CARBON 10 5% 1/4W
R59	1-249-408-11	s CARBON 180 5% 1/4W
R60	1-249-406-11	s CARBON 120 5% 1/4W
R101	1-247-887-00	s CARBON 220k 5% 1/4W
R102	△1-215-863-11	s METAL 100 5% 1W
R103	△1-215-863-11	s METAL 100 5% 1W
R104	△1-216-383-11	s METAL 0.33 5% 3W

## (DR-214 BOARD(UVW-1800/1600))

Ref. No. or Q'ty	Part No.	SP Description
R105	△1-216-365-00	s METAL 0.47 5% 2W
R106	1-249-429-11	s CARBON 10k 5% 1/4W
R107	1-249-429-11	s CARBON 10k 5% 1/4W
R108	1-249-437-11	s CARBON 47k 5% 1/4W
R109	1-249-437-11	s CARBON 47k 5% 1/4W
R151	1-249-429-11	s CARBON 10k 5% 1/4W
R152	1-249-429-11	s CARBON 10k 5% 1/4W
R153	1-249-429-11	s CARBON 10k 5% 1/4W
R154	△1-215-866-11	s METAL 330 5% 1W
R155-160	1-249-429-11	s CARBON 10k 5% 1/4W
R161	1-247-887-00	s CARBON 220k 5% 1/4W
R162	△1-215-863-11	s METAL 100 5% 1W
R163	△1-215-867-00	s METAL 470 5% 1W
R164	△1-215-868-00	s METAL 680 5% 1W
R165	△1-216-383-11	s METAL 0.33 5% 3W
R166	△1-216-383-11	s METAL 0.33 5% 3W
R167	△1-216-383-11	s METAL 0.33 5% 3W
R168	△1-216-385-11	s METAL 0.47 5% 3W
R201	1-249-429-11	s CARBON 10k 5% 1/4W
R202	1-249-417-11	s CARBON 1k 5% 1/4W
R203	1-249-417-11	s CARBON 1k 5% 1/4W
R204	1-249-429-11	s CARBON 10k 5% 1/4W
R205	1-249-417-11	s CARBON 1k 5% 1/4W
R206	△1-215-863-11	s METAL 100 5% 1W
R207	△1-215-889-00	s METAL 330 5% 2W
R208	△1-215-889-00	s METAL 330 5% 2W
R209	△1-215-863-11	s METAL 100 5% 1W
R210	1-249-417-11	s CARBON 1k 5% 1/4W
R211	1-249-417-11	s CARBON 1k 5% 1/4W
R212	△1-216-365-00	s METAL 0.47 5% 2W
R213	1-249-429-11	s CARBON 10k 5% 1/4W
R214	1-249-437-11	s CARBON 47k 5% 1/4W
R215	1-249-429-11	s CARBON 10k 5% 1/4W
R216	1-249-429-11	s CARBON 10k 5% 1/4W
R217	1-249-437-11	s CARBON 47k 5% 1/4W
R218	1-249-437-11	s CARBON 47k 5% 1/4W
R219	1-249-429-11	s CARBON 10k 5% 1/4W
R220	1-249-437-11	s CARBON 47k 5% 1/4W
R221	△1-216-365-00	s METAL 0.47 5% 2W
R251	1-249-429-11	s CARBON 10k 5% 1/4W
R252	1-249-417-11	s CARBON 1k 5% 1/4W
R253	1-249-417-11	s CARBON 1k 5% 1/4W
R254	1-249-429-11	s CARBON 10k 5% 1/4W
R255	1-249-417-11	s CARBON 1k 5% 1/4W
R256	△1-215-863-11	s METAL 100 5% 1W
R257	△1-215-889-00	s METAL 330 5% 2W
R258	△1-215-889-00	s METAL 330 5% 2W
R259	△1-215-863-11	s METAL 100 5% 1W
R260	1-249-417-11	s CARBON 1k 5% 1/4W
R261	1-249-417-11	s CARBON 1k 5% 1/4W
R262	1-249-437-11	s CARBON 47k 5% 1/4W
R263	△1-216-365-00	s METAL 0.47 5% 2W
R264	1-249-429-11	s CARBON 10k 5% 1/4W
R265	1-249-429-11	s CARBON 10k 5% 1/4W
R266	1-249-429-11	s CARBON 10k 5% 1/4W
R267	1-249-437-11	s CARBON 47k 5% 1/4W
R268	1-249-437-11	s CARBON 47k 5% 1/4W
R269	1-249-429-11	s CARBON 10k 5% 1/4W
R270	△1-216-365-00	s METAL 0.47 5% 2W

## (DR-214 BOARD(UVW-1800/1600))

Ref. No. or Q'ty	Part No.	SP Description
R271	1-249-437-11	s CARBON 47k 5% 1/4W
R301	1-249-417-11	s CARBON 1k 5% 1/4W
R302	1-249-417-11	s CARBON 1k 5% 1/4W
R303	1-249-417-11	s CARBON 1k 5% 1/4W
R304	1-249-417-11	s CARBON 1k 5% 1/4W
R305	1-249-433-11	s CARBON 22k 5% 1/4W
R306	1-249-433-11	s CARBON 22k 5% 1/4W
R307	1-247-885-00	s CARBON 180k 5% 1/4W
R308	1-249-426-11	s CARBON 5.6k 5% 1/4W
R309	1-249-429-11	s CARBON 10k 5% 1/4W
R310	1-249-429-11	s CARBON 10k 5% 1/4W
R311	1-249-441-11	s CARBON 100k 5% 1/4W
R312	1-249-441-11	s CARBON 100k 5% 1/4W
R313	1-249-429-11	s CARBON 10k 5% 1/4W
R314	1-249-433-11	s CARBON 22k 5% 1/4W
R315	1-249-417-11	s CARBON 1k 5% 1/4W
R316	1-247-895-00	s CARBON 470k 5% 1/4W
R317	1-249-421-11	s CARBON 2.2k 5% 1/4W
R318	1-249-421-11	s CARBON 2.2k 5% 1/4W
R319	1-215-429-00	s METAL 2.2k 1% 1/6W
R320	1-215-429-00	s METAL 2.2k 1% 1/6W
R321	1-215-461-00	s METAL 47k 1% 1/6W
R322	1-215-461-00	s METAL 47k 1% 1/6W
R323	1-249-426-11	s CARBON 5.6k 5% 1/4W
R324	1-249-426-11	s CARBON 5.6k 5% 1/4W
R325	1-215-481-00	s METAL 330k 1% 1/6W
R326	1-249-441-11	s CARBON 100k 5% 1/4W
R327	1-249-435-11	s CARBON 33k 5% 1/4W
R328	1-249-441-11	s CARBON 100k 5% 1/4W
R329	1-249-429-11	s CARBON 10k 5% 1/4W
R330	1-249-441-11	s CARBON 100k 5% 1/4W
R331	1-249-435-11	s CARBON 33k 5% 1/4W
R332	1-249-429-11	s CARBON 10k 5% 1/4W
R333	1-249-441-11	s CARBON 100k 5% 1/4W
R334	1-215-481-00	s METAL 330k 1% 1/6W
R335	1-247-903-00	s CARBON 1M 5% 1/4W
R336	1-247-903-00	s CARBON 1M 5% 1/4W
R337	1-249-429-11	s CARBON 10k 5% 1/4W
R338	1-249-429-11	s CARBON 10k 5% 1/4W
R339	1-249-437-11	s CARBON 47k 5% 1/4W
R340	1-249-425-11	s CARBON 4.7k 5% 1/4W
R341	1-215-416-00	s METAL 620 1% 1/6W
R342	1-249-425-11	s CARBON 4.7k 5% 1/4W
R343	1-249-437-11	s CARBON 47k 5% 1/4W
R344	1-215-461-00	s METAL 47k 1% 1/6W
R345	1-215-461-00	s METAL 47k 1% 1/6W
R346	1-249-418-11	s CARBON 1.2k 5% 1/4W
R347	1-249-437-11	s CARBON 47k 5% 1/4W
R349	1-249-429-11	s CARBON 10k 5% 1/4W
R350	1-249-427-11	s CARBON 6.8k 5% 1/4W
R351	1-259-882-11	s CARBON 3.3M 5% 1/4W
R352	1-249-429-11	s CARBON 10k 5% 1/4W
R353	1-249-429-11	s CARBON 10k 5% 1/4W
R354	1-249-429-11	s CARBON 10k 5% 1/4W
R356	1-249-427-11	s CARBON 6.8k 5% 1/4W
R357	1-249-425-11	s CARBON 4.7k 5% 1/4W
R358	△1-215-886-11	s METAL 100 5% 2W

-----  
 HP-61 BOARD(UVW-1800)  
 -----

Ref. No. or Q'ty	Part No.	SP Description
1pc	1-648-917-11	o PRINTED CIRCUIT BOARD, HP-61
CN401	1-506-475-11	s CONNECTOR 10P, MALE
CN403	1-564-002-41	s CONNECTOR 3P, MALE
J1	1-507-863-51	s JACK, PHONE
J2	1-507-743-21	s JACK, MINI STEREO
RV1	1-241-577-11	s RES, VAR CARBON 20k/20k

-----  
 HP-61A BOARD(UVW-1600)  
 -----

Ref. No. or Q'ty	Part No.	SP Description
1pc	1-648-917-21	o PRINTED CIRCUIT BOARD, HP-61A
CN401	1-506-475-11	s CONNECTOR 10P, MALE
CN403	1-564-002-41	s CONNECTOR 3P, MALE
J1	1-507-863-51	s JACK, PHONE
J2	1-507-743-21	s JACK, MINI STEREO
RV1	1-241-577-11	s RES, VAR CARBON 20k/20k

-----  
 KY-249 BOARD(UVW-1800)  
 -----

Ref. No. or Q'ty	Part No.	SP Description
KY-249 board is used for UVW-1800.		
1pc	A-8275-289-A	o MOUNTED CIRCUIT BOARD, KY-249
1pc	3-182-359-02	o HOLDER, VFD
C1	1-163-033-00	s CERAMIC, CHIP 0.022uF 50V
C3	1-163-033-00	s CERAMIC, CHIP 0.022uF 50V
C4	1-126-394-11	s ELECT, CHIP 10uF 20% 16V
C5	1-163-033-00	s CERAMIC, CHIP 0.022uF 50V
C6	1-163-251-11	s CERAMIC, CHIP 100pF 5% 50V
C7	1-163-251-11	s CERAMIC, CHIP 100pF 5% 50V
C8	1-163-033-00	s CERAMIC, CHIP 0.022uF 50V
C14	1-126-400-11	s ELECT, CHIP 22uF 20% 35V
C15	1-126-400-11	s ELECT, CHIP 22uF 20% 35V
C16-C20	1-163-033-00	s CERAMIC, CHIP 0.022uF 50V
C21	1-163-251-11	s CERAMIC, CHIP 100pF 5% 50V
C22	1-163-033-00	s CERAMIC, CHIP 0.022uF 50V
C25	1-163-133-00	s CERAMIC, CHIP 470pF 5% 50V
C26	1-163-133-00	s CERAMIC, CHIP 470pF 5% 50V
CN590	1-506-494-11	s CONNECTOR 15P, MALE
CN591	1-563-003-21	o CONNECTOR, FPC 20P
CN592	1-564-014-11	s CONNECTOR 4P, MALE
CN593	1-563-003-21	o CONNECTOR, FPC 20P
D1	8-719-123-85	s DIODE 1SS304
D2-D11	8-719-123-82	s DIODE 1SS303-T1
IC1	8-759-505-99	s IC MSC7128-04GS-V1K
IC2	8-759-150-61	s IC UPC78L05T
IC3	8-759-194-79	s IC UPD750286C-542-ABB
IC6	8-759-925-74	s IC TC74HCD4NS
ND1	1-517-246-11	s UNIT, FLD
Q1-Q8	8-729-924-19	s TRANSISTOR DTA123JU
Q9-Q33	8-729-905-12	s TRANSISTOR DTA144EU
Q34	8-729-924-19	s TRANSISTOR DTA123JU
Q35	8-729-924-19	s TRANSISTOR DTA123JU
Q36-Q41	8-729-905-12	s TRANSISTOR DTA144EU
Q42	8-729-924-19	s TRANSISTOR DTA123JU
R1	1-216-049-00	s METAL, CHIP 1k 5% 1/10W
R3	1-216-089-91	s METAL, CHIP 47k 5% 1/10W
R4	1-216-081-00	s METAL, CHIP 22k 5% 1/10W
R5	1-216-089-91	s METAL, CHIP 47k 5% 1/10W
R6	1-216-089-91	s METAL, CHIP 47k 5% 1/10W
R7-R19	1-216-073-00	s METAL, CHIP 10k 5% 1/10W
R22	1-216-011-00	s METAL 27 5% 1/10W
R23	1-216-011-00	s METAL 27 5% 1/10W
R25	1-216-011-00	s METAL 27 5% 1/10W
R26	1-216-011-00	s METAL 27 5% 1/10W
R27	1-216-011-00	s METAL 27 5% 1/10W
R28	1-216-019-00	s METAL, CHIP 56 5% 1/10W
R29-R63	1-216-103-00	s METAL, CHIP 180k 5% 1/10W
R76	1-216-691-11	s METAL, CHIP 47k 0.5% 1/10W
R77-R82	1-216-083-00	s METAL, CHIP 27k 5% 1/10W
R83	1-216-103-00	s METAL, CHIP 180k 5% 1/10W
R84	1-216-049-00	s METAL, CHIP 1k 5% 1/10W
R85	1-216-049-00	s METAL, CHIP 1k 5% 1/10W
R1021	1-216-057-00	s METAL, CHIP 2.2k 5% 1/10W
R1022	1-216-057-00	s METAL, CHIP 2.2k 5% 1/10W
RV1	1-237-695-11	s RES, VAR CARBON 5k

(KY-249 BOARD(UVW-1800))

Ref. No. or Q'ty	Part No.	SP Description
RV2	1-237-695-11	s RES, VAR CARBON 5k
S1	1-692-609-11	s SWITCH, PUSH
S2	1-692-609-21	s SWITCH, PUSH
S3	1-692-612-41	s SWITCH, PUSH
S4	1-692-612-31	s SWITCH, PUSH
S5	1-692-612-21	s SWITCH, PUSH
S7	1-692-611-21	s SWITCH, PUSH
S8	1-571-787-11	s SWITCH, PUSH
S9	1-571-787-11	s SWITCH, PUSH
S10	1-571-787-11	s SWITCH, PUSH
S11	1-571-787-11	s SWITCH, PUSH
S12	1-571-787-11	s SWITCH, PUSH
S13	1-571-787-11	s SWITCH, PUSH
S14	1-571-787-11	s SWITCH, PUSH
S15	1-571-787-11	s SWITCH, PUSH
S16	1-572-992-11	s SWITCH, SLIDE
S17	1-572-992-11	s SWITCH, SLIDE
S18	1-571-787-11	s SWITCH, PUSH
S19	1-571-640-21	s SWITCH, SLIDE
S20	1-571-640-21	s SWITCH, SLIDE
S21	1-571-640-21	s SWITCH, SLIDE
X1	1-577-101-11	s RESONATOR CERAMIC 4.19MHz

KY-249A BOARD(UVW-1600)

Ref. No. or Q'ty	Part No.	SP Description
KY-249A board is used for UVW-1600.		
1pc	A-8275-283-A	o MOUNTED CIRCUIT BOARD, KY-249A
1pc	3-182-359-02	o HOLDER, WFD
C1	1-163-033-00	s CERAMIC, CHIP 0.022uF 50V
C3	1-163-033-00	s CERAMIC, CHIP 0.022uF 50V
C4	1-126-394-11	s ELECT, CHIP 10uF 20% 16V
C5	1-163-033-00	s CERAMIC, CHIP 0.022uF 50V
C6	1-163-251-11	s CERAMIC, CHIP 100pF 5% 50V
C7	1-163-251-11	s CERAMIC, CHIP 100pF 5% 50V
C8	1-163-033-00	s CERAMIC, CHIP 0.022uF 50V
C14	1-126-400-11	s ELECT, CHIP 22uF 20% 35V
C15	1-126-400-11	s ELECT, CHIP 22uF 20% 35V
C16-C20	1-163-033-00	s CERAMIC, CHIP 0.022uF 50V
C21	1-163-251-11	s CERAMIC, CHIP 100pF 5% 50V
C22	1-163-033-00	s CERAMIC, CHIP 0.022uF 50V
C25	1-163-133-00	s CERAMIC, CHIP 470pF 5% 50V
C26	1-163-133-00	s CERAMIC, CHIP 470pF 5% 50V
CN590	1-506-494-11	s CONNECTOR 15P, MALE
CN591	1-563-003-21	o CONNECTOR, FPC 20P
CN592	1-564-014-11	s CONNECTOR 4P, MALE
CN593	1-563-003-21	o CONNECTOR, FPC 20P
D1	8-719-123-85	s DIODE 1SS304
D2-D11	8-719-123-82	s DIODE 1SS303-T1
IC1	8-759-505-99	s IC MSC7128-04GS-V1K
IC2	8-759-150-61	s IC UPC78L05T
IC3	8-759-194-79	s IC UPD75028GC-542-AB8
IC6	8-759-925-74	s IC TC74HC04MS
ND1	1-517-246-11	s UNIT, FLD
Q1-Q8	8-729-924-19	s TRANSISTOR DTA123JU
Q9-Q33	8-729-905-12	s TRANSISTOR DTA144EU
Q34	8-729-924-19	s TRANSISTOR DTA123JU
Q35	8-729-924-19	s TRANSISTOR DTA123JU
Q36-Q40	8-729-905-12	s TRANSISTOR DTA144EU
Q42	8-729-924-19	s TRANSISTOR DTA123JU
R1	1-216-049-00	s METAL, CHIP 1k 5% 1/10W
R3	1-216-089-91	s METAL, CHIP 47k 5% 1/10W
R4	1-216-081-00	s METAL, CHIP 22k 5% 1/10W
R5	1-216-089-91	s METAL, CHIP 47k 5% 1/10W
R6	1-216-089-91	s METAL, CHIP 47k 5% 1/10W
R7	1-216-073-00	s METAL, CHIP 10k 5% 1/10W
R10-R19	1-216-073-00	s METAL, CHIP 10k 5% 1/10W
R22	1-216-011-00	s METAL 27 5% 1/10W
R23	1-216-011-00	s METAL 27 5% 1/10W
R25	1-216-011-00	s METAL 27 5% 1/10W
R26	1-216-011-00	s METAL 27 5% 1/10W
R27	1-216-011-00	s METAL 27 5% 1/10W
R29-R63	1-216-103-91	s METAL, CHIP 180k 5% 1/10W
R76	1-216-691-11	s METAL, CHIP 47k 0.5% 1/10W
R77-R81	1-216-083-00	s METAL, CHIP 27k 5% 1/10W
R83	1-216-103-91	s METAL, CHIP 180k 5% 1/10W
R84	1-216-049-00	s METAL, CHIP 1k 5% 1/10W
R85	1-216-049-00	s METAL, CHIP 1k 5% 1/10W
R1021	1-216-057-00	s METAL, CHIP 2.2k 5% 1/10W
R1022	1-216-057-00	s METAL, CHIP 2.2k 5% 1/10W
RV1	1-237-695-11	s RES, VAR CARBON 5k

(KY-249A BOARD(UVW-1600))

-----  
MB-470 BOARD(UVW-1800)  
-----

Ref. No. or Q'ty	Part No.	SP Description
RV2	1-237-695-11	s RES, VAR CARBON 5k
S1	1-692-609-11	s SWITCH, PUSH
S2	1-692-609-21	s SWITCH, PUSH
S3	1-692-612-41	s SWITCH, PUSH
S4	1-692-612-31	s SWITCH, PUSH
S5	1-692-612-21	s SWITCH, PUSH
S8	1-571-787-11	s SWITCH, PUSH
S9	1-571-787-11	s SWITCH, PUSH
S10	1-571-787-11	s SWITCH, PUSH
S11	1-571-787-11	s SWITCH, PUSH
S12	1-571-787-11	s SWITCH, PUSH
S13	1-571-787-11	s SWITCH, PUSH
S15	1-571-787-11	s SWITCH, PUSH
S16	1-572-992-11	s SWITCH, SLIDE
S18	1-571-787-11	s SWITCH, PUSH
S20	1-571-640-21	s SWITCH, SLIDE
S21	1-571-640-21	s SWITCH, SLIDE
X1	1-577-101-11	s RESONATOR CERAMIC 4.19MHz

Ref. No. or Q'ty	Part No.	SP Description
MB-470 board is used for UVW-1800.		
1pc	A-8276-736-A	o MOUNTED CIRCUIT BOARD, MB-470
1pc	3-683-631-01	o CLAMP
C1	1-126-964-11	s ELECT 10uF 20% 50V
C2	1-126-964-11	s ELECT 10uF 20% 50V
CN101	1-573-784-71	o CONNECTOR, DIN 60P, FEMALE
CN102	1-573-784-71	o CONNECTOR, DIN 60P, FEMALE
CN103	1-573-784-71	o CONNECTOR, DIN 60P, FEMALE
CN104	1-573-784-71	o CONNECTOR, DIN 60P, FEMALE
CN105	1-573-784-71	o CONNECTOR, DIN 60P, FEMALE
CN106	1-573-784-71	o CONNECTOR, DIN 60P, FEMALE
CN107	1-573-784-71	o CONNECTOR, DIN 60P, FEMALE
CN108	1-573-784-71	o CONNECTOR, DIN 60P, FEMALE
CN109	1-573-784-71	o CONNECTOR, DIN 60P, FEMALE
CN200	1-564-905-11	o CONNECTOR, VH 9P, MALE
CN201	1-564-512-11	o CONNECTOR 9P, MALE
CN211	1-506-491-11	s CONNECTOR 12P, MALE
CN214	1-580-195-21	s CONNECTOR, PHEC 100P, FEMALE
CN231	1-563-018-11	o CONNECTOR, FPC 34P
CN232	1-563-462-11	o CONNECTOR, FPC 17P
CN235	1-564-013-41	s CONNECTOR 3P, MALE
CN262	1-506-494-11	s CONNECTOR 15P, MALE
CN266	1-506-469-11	s CONNECTOR 4P, MALE
CN267	1-506-472-11	s CONNECTOR 7P, MALE
CN268	1-506-479-11	s CONNECTOR 14P MALE
CN269	1-564-005-11	o CONNECTOR 6P, MALE
CN271	1-564-011-11	o CONNECTOR 12P, MALE
F1	△1-532-777-21	s FUSE 1.25A 125V
F2	△1-532-777-21	s FUSE 1.25A 125V
F3	△1-532-777-21	s FUSE 1.25A 125V
IC1	8-759-701-59	s IC NJM78M09FA
IC2	8-759-982-54	s IC RC79M09FA



-----  
 MB-470A BOARD(UVW-1600)  
 -----

Ref. No.  
 or Q'ty Part No. SP Description

MB-470A board is used for UVW-1600.

1pc	A-8276-730-A	o MOUNTED CIRCUIT BOARD, MB-470A
1pc	3-683-631-01	o CLAMP
C1	1-126-964-11	s ELECT 10uF 20% 50V
C2	1-126-964-11	s ELECT 10uF 20% 50V
CN103	1-573-784-71	o CONNECTOR, DIN 60P, FEMALE
CN104	1-573-784-71	o CONNECTOR, DIN 60P, FEMALE
CN105	1-573-784-71	o CONNECTOR, DIN 60P, FEMALE
CN106	1-573-784-71	o CONNECTOR, DIN 60P, FEMALE
CN107	1-573-784-71	o CONNECTOR, DIN 60P, FEMALE
CN108	1-573-784-71	o CONNECTOR, DIN 60P, FEMALE
CN109	1-573-784-71	o CONNECTOR, DIN 60P, FEMALE
CN200	1-564-905-11	o CONNECTOR, VH 9P, MALE
CN201	1-564-512-11	o CONNECTOR 9P, MALE
CN211	1-506-491-11	s CONNECTOR 12P, MALE
CN214	1-580-195-21	s CONNECTOR, PHEC 100P, FEMALE
CN231	1-563-018-11	o CONNECTOR, FPC 34P
CN232	1-563-462-11	o CONNECTOR, FPC 17P
CN235	1-564-013-41	s CONNECTOR 3P, MALE
CN262	1-506-494-11	s CONNECTOR 15P, MALE
CN266	1-506-469-11	s CONNECTOR 4P, MALE
CN267	1-506-472-11	s CONNECTOR 7P, MALE
CN268	1-506-479-11	s CONNECTOR 14P MALE
CN269	1-564-005-11	o CONNECTOR 6P, MALE
F1	▲1-532-777-21	s FUSE 1.25A 125V
F2	▲1-532-777-21	s FUSE 1.25A 125V
F3	▲1-532-777-21	s FUSE 1.25A 125V
IC1	8-759-701-59	s IC NJM78M09FA
IC2	8-759-982-54	s IC RC79M09FA

-----  
 MB-471 BOARD(UVW-1800)  
 -----

Ref. No.  
 or Q'ty Part No. SP Description

MB-471 board is used for UVW-1800.

1pc	A-8276-737-A	o MOUNTED CIRCUIT BOARD, MB-471
CN110	1-573-598-11	s CONNECTOR, PHEC 100P, FEMALE
CN111	1-573-598-11	s CONNECTOR, PHEC 100P, FEMALE
CN112	1-573-598-11	s CONNECTOR, PHEC 100P, FEMALE
CN251	1-564-524-11	s CONNECTOR 9P, MALE
CN261	1-506-491-11	s CONNECTOR 12P, MALE
CN263	1-506-481-11	s CONNECTOR 2P, MALE
CN264	1-506-486-11	s CONNECTOR 7P, MALE
CN265	1-564-013-11	o CONNECTOR 3P, MALE
CN274	1-506-486-11	s CONNECTOR 7P, MALE
CN275	1-506-486-11	s CONNECTOR 6P, MALE
CN276	1-506-485-11	s CONNECTOR 6P, MALE
CN277	1-564-014-11	s CONNECTOR 4P, MALE
CN278	1-506-489-11	o CONNECTOR 10P, MALE
CN281	1-563-018-11	o CONNECTOR, FPC 34P

-----  
 MB-471A BOARD(UVW-1600)  
 -----

Ref. No.  
 or Q'ty Part No. SP Description

MB-471A board is used for UVW-1600.

1pc	A-8276-731-A	o MOUNTED CIRCUIT BOARD, MB-471A
CN110	1-573-598-11	s CONNECTOR, PHEC 100P, FEMALE
CN111	1-573-598-11	s CONNECTOR, PHEC 100P, FEMALE
CN251	1-564-524-11	s CONNECTOR 9P, MALE
CN261	1-506-491-11	s CONNECTOR 12P, MALE
CN263	1-506-481-11	s CONNECTOR 2P, MALE
CN274	1-506-486-11	s CONNECTOR 7P, MALE
CN277	1-564-014-11	s CONNECTOR 4P, MALE
CN278	1-506-489-11	o CONNECTOR 10P, MALE
CN281	1-563-018-11	o CONNECTOR, FPC 34P

-----  
 MS-39 BOARD(UVW-1800)  
 -----

Ref. No.  
 or Q'ty Part No. SP Description

MS-39 board is used for UVW-1800.

1pc A-8275-291-A o MOUNTED CIRCUIT BOARD, MS-39  
 1pc 3-182-355-01 o COVER, MC SENSOR  
 2pcs 3-180-854-02 o COVER, MR SENSOR

C3 1-164-097-11 s CERAMIC 0.022uF 50V  
 C5 1-126-933-11 s ELECT 100uF 20% 16V  
 C6 1-164-097-11 s CERAMIC 0.022uF 50V  
 C11 1-126-947-11 s ELECT 47uF 20% 35V  
 C12 1-126-947-11 s ELECT 47uF 20% 35V

C13 1-164-097-11 s CERAMIC 0.022uF 50V  
 C14 1-130-728-00 s FILM 0.0022uF 1% 100V  
 C15 1-130-728-00 s FILM 0.0022uF 1% 100V  
 C16 1-164-097-11 s CERAMIC 0.022uF 50V

CN350 1-564-011-11 o CONNECTOR 12P, MALE  
 CN351 1-506-469-11 s CONNECTOR 4P, MALE  
 CN352 1-564-001-11 o CONNECTOR 2P, MALE  
 CN353 1-506-472-11 s CONNECTOR 7P, MALE  
 CN354 1-506-480-11 s CONNECTOR 15P, MALE

CN355 1-564-007-11 o CONNECTOR 8P, MALE  
 CN356 1-562-708-11 o CONNECTOR, FPC 13P  
 CN357 1-562-708-11 o CONNECTOR, FPC 13P  
 CN358 1-564-005-11 o CONNECTOR 6P, MALE  
 CN359 1-506-469-11 s CONNECTOR 4P, MALE

CN360 1-506-469-11 s CONNECTOR 4P, MALE  
 CN361 1-506-468-11 s CONNECTOR 3P, MALE  
 CN362 1-562-993-11 o CONNECTOR, FPC 30P  
 CN363 1-562-993-11 o CONNECTOR, FPC 30P  
 CN364 1-562-993-11 o CONNECTOR, FPC 30P

D1 8-719-938-07 s LED GL480, INFRARED  
 D2 8-719-938-07 s LED GL480, INFRARED  
 D3 8-719-938-07 s LED GL480, INFRARED  
 D4 8-719-938-07 s LED GL480, INFRARED  
 D7 8-719-933-30 s DIODE DA210S

D8 8-719-933-30 s DIODE DA210S  
 D9 8-719-933-30 s DIODE DA210S  
 D10 8-719-933-30 s DIODE DA210S

IC1 8-759-196-00 s IC UPD75048CW-018  
 IC2 8-759-600-34 s IC M54532P  
 IC3 8-759-645-23 s IC M54523P  
 IC7 8-759-189-43 s IC AN77L05-TA  
 IC8 8-759-507-17 s IC PQ30RV1

Q1 8-729-903-81 s PHOTOTRANSISTOR PT480  
 Q2 8-729-903-81 s PHOTOTRANSISTOR PT480  
 Q3 8-729-903-81 s PHOTOTRANSISTOR PT480  
 Q4 8-729-903-81 s PHOTOTRANSISTOR PT480

R2 1-249-437-11 s CARBON 47k 5% 1/4W  
 R3 1-249-429-11 s CARBON 10k 5% 1/4W  
 R5 1-249-437-11 s CARBON 47k 5% 1/4W  
 R6 1-249-429-11 s CARBON 10k 5% 1/4W  
 R7 1-249-409-11 s CARBON 220 5% 1/4W

R8 1-249-437-11 s CARBON 47k 5% 1/4W  
 R9 1-249-429-11 s CARBON 10k 5% 1/4W  
 R10 1-249-409-11 s CARBON 220 5% 1/4W  
 R11 1-249-437-11 s CARBON 47k 5% 1/4W  
 R12 1-249-429-11 s CARBON 10k 5% 1/4W

R13 1-249-409-11 s CARBON 220 5% 1/4W  
 R14 1-249-437-11 s CARBON 47k 5% 1/4W

(MS-39 BOARD(UVW-1800))

Ref. No.  
 or Q'ty Part No. SP Description

R15 1-249-429-11 s CARBON 10k 5% 1/4W  
 R16 1-249-409-11 s CARBON 220 5% 1/4W  
 R17 1-249-437-11 s CARBON 47k 5% 1/4W  
 R18 1-249-429-11 s CARBON 10k 5% 1/4W  
 R19-R24 1-249-437-11 s CARBON 47k 5% 1/4W

R25-R30 1-249-429-11 s CARBON 10k 5% 1/4W  
 R31 1-249-437-11 s CARBON 47k 5% 1/4W  
 R32 1-249-437-11 s CARBON 47k 5% 1/4W  
 R34 1-249-417-11 s CARBON 1k 5% 1/4W  
 R35 1-249-417-11 s CARBON 1k 5% 1/4W

R36 1-249-417-11 s CARBON 1k 5% 1/4W  
 R37 1-249-417-11 s CARBON 1k 5% 1/4W  
 R38 1-249-437-11 s CARBON 47k 5% 1/4W  
 R42 1-249-429-11 s CARBON 10k 5% 1/4W  
 R43 1-249-429-11 s CARBON 10k 5% 1/4W

R44 1-247-895-00 s CARBON 470k 5% 1/4W  
 R46 1-249-437-11 s CARBON 47k 5% 1/4W  
 R47 1-249-429-11 s CARBON 10k 5% 1/4W  
 R49 1-249-437-11 s CARBON 47k 5% 1/4W  
 R50 1-249-429-11 s CARBON 10k 5% 1/4W

R51 1-249-429-11 s CARBON 10k 5% 1/4W  
 R52 1-249-429-11 s CARBON 10k 5% 1/4W  
 R53 1-249-429-11 s CARBON 10k 5% 1/4W  
 R63 1-249-429-11 s CARBON 10k 5% 1/4W  
 R64 1-215-432-00 s METAL 3k 1% 1/6W

R65 1-215-411-00 s METAL 390 1% 1/6W

X1 1-579-232-11 s RESONATOR CERAMIC 2.50MHZ

-----  
 MS-39A BOARD(UVW-1600)  
 -----

Ref. No.  
 or Q'ty Part No. SP Description

MS-39A board is used for UVW-1600.

1pc	A-8275-288-A	o MOUNTED CIRCUIT BOARD, MS-39A
1pc	3-182-355-01	o COVER, MC SENSOR
C3	1-164-097-11	s CERAMIC 0.022uF 50V
C5	1-126-933-11	s ELECT 100uF 20% 16V
C6	1-164-097-11	s CERAMIC 0.022uF 50V
C11	1-126-947-11	s ELECT 47uF 20% 35V
C12	1-126-947-11	s ELECT 47uF 20% 35V
C13	1-164-097-11	s CERAMIC 0.022uF 50V
C14	1-130-728-00	s FILM 0.0022uF 1% 100V
C15	1-130-728-00	s FILM 0.0022uF 1% 100V
C16	1-164-097-11	s CERAMIC 0.022uF 50V
CN350	1-564-011-11	o CONNECTOR 12P, MALE
CN351	1-506-469-11	s CONNECTOR 4P, MALE
CN352	1-564-001-11	o CONNECTOR 2P, MALE
CN353	1-506-472-11	s CONNECTOR 7P, MALE
CN354	1-506-480-11	s CONNECTOR 15P, MALE
CN355	1-564-007-11	o CONNECTOR 8P, MALE
CN356	1-562-708-11	o CONNECTOR, FPC 13P
CN357	1-562-708-11	o CONNECTOR, FPC 13P
CN358	1-564-005-11	o CONNECTOR 6P, MALE
CN359	1-506-469-11	s CONNECTOR 4P, MALE
CN360	1-506-469-11	s CONNECTOR 4P, MALE
CN361	1-506-468-11	s CONNECTOR 3P, MALE
CN362	1-562-993-11	o CONNECTOR, FPC 30P
CN363	1-562-993-11	o CONNECTOR, FPC 30P
CN364	1-562-993-11	o CONNECTOR, FPC 30P
D1	8-719-938-07	s LED GL480, INFRARED
D2	8-719-938-07	s LED GL480, INFRARED
D7	8-719-933-30	s DIODE DA210S
D8	8-719-933-30	s DIODE DA210S
D9	8-719-933-30	s DIODE DA210S
D10	8-719-933-30	s DIODE DA210S
IC1	8-759-196-00	s IC UPD75048CW-018
IC2	8-759-600-34	s IC M54532P
IC3	8-759-645-23	s IC M54523P
IC7	8-759-189-43	s IC AN77L05-TA
IC8	8-759-507-17	s IC PQ30RV1
Q1	8-729-903-81	s PHOTOTRANSISTOR PT480
Q2	8-729-903-81	s PHOTOTRANSISTOR PT480
R2	1-249-437-11	s CARBON 47k 5% 1/4W
R3	1-249-429-11	s CARBON 10k 5% 1/4W
R5	1-249-437-11	s CARBON 47k 5% 1/4W
R6	1-249-429-11	s CARBON 10k 5% 1/4W
R7	1-249-409-11	s CARBON 220 5% 1/4W
R8	1-249-437-11	s CARBON 47k 5% 1/4W
R9	1-249-429-11	s CARBON 10k 5% 1/4W
R10	1-249-409-11	s CARBON 220 5% 1/4W
R11	1-249-437-11	s CARBON 47k 5% 1/4W
R12	1-249-429-11	s CARBON 10k 5% 1/4W
R14	1-249-437-11	s CARBON 47k 5% 1/4W
R15	1-249-429-11	s CARBON 10k 5% 1/4W
R17	1-249-437-11	s CARBON 47k 5% 1/4W
R18	1-249-429-11	s CARBON 10k 5% 1/4W
R19-R24	1-249-437-11	s CARBON 47k 5% 1/4W
R25-R30	1-249-429-11	s CARBON 10k 5% 1/4W

(MS-39A BOARD(UVW-1600))

Ref. No.  
 or Q'ty Part No. SP Description

R31	1-249-437-11	s CARBON 47k 5% 1/4W
R32	1-249-437-11	s CARBON 47k 5% 1/4W
R34	1-249-417-11	s CARBON 1k 5% 1/4W
R35	1-249-417-11	s CARBON 1k 5% 1/4W
R36	1-249-417-11	s CARBON 1k 5% 1/4W
R37	1-249-417-11	s CARBON 1k 5% 1/4W
R38	1-249-437-11	s CARBON 47k 5% 1/4W
R42	1-249-429-11	s CARBON 10k 5% 1/4W
R43	1-249-429-11	s CARBON 10k 5% 1/4W
R44	1-247-895-00	s CARBON 470k 5% 1/4W
R46	1-249-437-11	s CARBON 47k 5% 1/4W
R47	1-249-429-11	s CARBON 10k 5% 1/4W
R49	1-249-437-11	s CARBON 47k 5% 1/4W
R50	1-249-429-11	s CARBON 10k 5% 1/4W
R51	1-249-429-11	s CARBON 10k 5% 1/4W
R52	1-249-429-11	s CARBON 10k 5% 1/4W
R53	1-249-429-11	s CARBON 10k 5% 1/4W
R63	1-249-429-11	s CARBON 10k 5% 1/4W
R64	1-215-432-00	s METAL 3k 1% 1/6W
R65	1-215-411-00	s METAL 390 1% 1/6W
X1	1-579-232-11	s RESONATOR CERAMIC 2.50MHZ

-----  
 PC-62 BOARD(UVW-1800/1600)  
 -----

Ref. No.  
 or Q'ty Part No. SP Description

Two PC-62 boards are used in UVW-1800/1600.  
 One board has the following parts.

1pc	1-640-171-12	o PRINTED CIRCUIT BOARD, PC-62
1pc	3-176-598-02	o SPRING, GROUND
CN934	1-565-038-11	s CONNECTOR, FPC 5P
PH1	8-719-939-05	s PHOTOINTERRUPTER GP-1554
PH2	8-719-939-05	s PHOTOINTERRUPTER GP-1554
PH3	8-719-939-05	s PHOTOINTERRUPTER GP-1554
R1	1-249-414-11	s CARBON 560 5% 1/4W
R2	1-249-414-11	s CARBON 560 5% 1/4W
R3	1-249-414-11	s CARBON 560 5% 1/4W

-----  
 PD-35 BOARD(UVW-1800/1600)  
 -----

Ref. No.  
 or Q'ty Part No. SP Description

1pc	1-622-596-11	o PRINTED CIRCUIT BOARD, PD-35
CN85	1-564-001-11	o CONNECTOR 2P, MALE
CN854	1-564-005-11	o CONNECTOR 6P, MALE

-----  
 PTC-66 BOARD(UVW-1800/1600)  
 -----

Ref. No. or Q'ty	Part No.	SP Description
1pc	1-648-926-11	o PRINTED CIRCUIT BOARD, PTC-66
CN944	1-564-014-11	s CONNECTOR 4P, MALE
PH1	8-719-939-05	s PHOTOINTERRUPTER GP-1S54
PH2	8-719-939-05	s PHOTOINTERRUPTER GP-1S54
R1	1-249-409-11	s CARBON 220 5% 1/4W
R2	1-249-409-11	s CARBON 220 5% 1/4W

-----  
 PTC-67 BOARD(UVW-1800/1600)  
 -----

Ref. No. or Q'ty	Part No.	SP Description
1pc	1-648-922-11	o PRINTED CIRCUIT BOARD, PTC-67
C1	1-164-096-11	s CERAMIC 0.01uF 50V
CN941	1-506-472-11	s CONNECTOR 7P, MALE
CN942	1-564-001-11	o CONNECTOR 2P, MALE
CN943	1-506-481-11	s CONNECTOR 2P, MALE
PH1	8-719-939-05	s PHOTOINTERRUPTER GP-1S54
RI	1-249-408-11	s CARBON 180 5% 1/4W

-----  
 PTC-68 BOARD(UVW-1800/1600)  
 -----

Ref. No. or Q'ty	Part No.	SP Description
1pc	1-648-927-11	o PRINTED CIRCUIT BOARD, PTC-68
CN940	1-506-469-11	s CONNECTOR 4P, MALE
PH1	8-719-939-05	s PHOTOINTERRUPTER GP-1S54
PH2	8-719-939-05	s PHOTOINTERRUPTER GP-1S54
R1	1-249-409-11	s CARBON 220 5% 1/4W
R2	1-249-409-11	s CARBON 220 5% 1/4W

-----  
 RM-126 BOARD(UVW-1800/1600)  
 -----

Ref. No. or Q'ty	Part No.	SP Description
1pc	1-648-924-11	o PRINTED CIRCUIT BOARD, RM-126
CN946	1-563-233-11	o CONNECTOR, FPC 13P
CN947	1-564-014-11	s CONNECTOR 4P, MALE
CN948	1-564-718-11	o CONNECTOR 2P, MALE
CN949	1-564-013-11	o CONNECTOR 3P, MALE

-----  
 RM-127 BOARD(UVW-1800/1600)  
 -----

Ref. No. or Q'ty	Part No.	SP Description
1pc	1-648-925-11	o PRINTED CIRCUIT BOARD, RM-127
CN951	1-563-233-11	o CONNECTOR, FPC 13P
CN952	1-564-014-11	s CONNECTOR 4P, MALE
CN953	1-564-718-11	o CONNECTOR 2P, MALE
CN954	1-564-013-11	o CONNECTOR 3P, MALE

RP-70 BOARD(UVW-1800)

Ref. No.  
or Q'ty Part No. SP Description

RP-70 board is used for UVW-1800.

1pc	A-8275-285-A	o MOUNTED CIRCUIT BOARD, RP-70
1pc	3-182-385-01	o PLATE, SHIELD (S), CARD
1pc	7-621-759-45	s SCREW, +PSW2.6x6
1pc	8-769-401-59	s TRANSISTOR 2SK613-3
1pc	3-179-084-01	s LEVER (R), PC BOARD
1pc	3-179-085-01	s LEVER (L), PC BOARD
C2	1-163-033-00	s CERAMIC, CHIP 0.022uF 50V
C3	1-126-933-11	s ELECT 100uF 20% 16V
C4	1-163-033-00	s CERAMIC, CHIP 0.022uF 50V
C5	1-164-004-11	s CERAMIC, CHIP 0.1uF 10% 25V
C6	1-126-933-11	s ELECT 100uF 20% 16V
C7	1-163-033-00	s CERAMIC, CHIP 0.022uF 50V
C8	1-164-004-11	s CERAMIC, CHIP 0.1uF 10% 25V
C11	1-163-033-00	s CERAMIC, CHIP 0.022uF 50V
C12	1-163-033-00	s CERAMIC, CHIP 0.022uF 50V
C13	1-126-933-11	s ELECT 100uF 20% 16V
C14	1-163-033-00	s CERAMIC, CHIP 0.022uF 50V
C15	1-126-933-11	s ELECT 100uF 20% 16V
C16	1-163-033-00	s CERAMIC, CHIP 0.022uF 50V
C17	1-163-033-00	s CERAMIC, CHIP 0.022uF 50V
C18	1-126-933-11	s ELECT 100uF 20% 16V
C19	1-163-227-11	s CERAMIC, CHIP 10pF 5% 50V
C20	1-163-033-00	s CERAMIC, CHIP 0.022uF 50V
C21	1-164-004-11	s CERAMIC, CHIP 0.1uF 10% 25V
C23	1-126-933-11	s ELECT 100uF 20% 16V
C103	1-126-933-11	s ELECT 100uF 20% 16V
C104	1-163-033-00	s CERAMIC, CHIP 0.022uF 50V
C105	1-164-004-11	s CERAMIC, CHIP 0.1uF 10% 25V
C106	1-126-933-11	s ELECT 100uF 20% 16V
C107	1-163-033-00	s CERAMIC, CHIP 0.022uF 50V
C108	1-164-004-11	s CERAMIC, CHIP 0.1uF 10% 25V
C111	1-163-033-00	s CERAMIC, CHIP 0.022uF 50V
C112	1-163-033-00	s CERAMIC, CHIP 0.022uF 50V
C113	1-126-933-11	s ELECT 100uF 20% 16V
C114	1-163-033-00	s CERAMIC, CHIP 0.022uF 50V
C115	1-126-933-11	s ELECT 100uF 20% 16V
C116	1-163-033-00	s CERAMIC, CHIP 0.022uF 50V
C117	1-163-033-00	s CERAMIC, CHIP 0.022uF 50V
C118	1-126-933-11	s ELECT 100uF 20% 16V
C119	1-163-227-11	s CERAMIC, CHIP 10pF 5% 50V
C120	1-163-033-00	s CERAMIC, CHIP 0.022uF 50V
C121	1-164-004-11	s CERAMIC, CHIP 0.1uF 10% 25V
C123	1-126-933-11	s ELECT 100uF 20% 16V
C202	1-163-033-00	s CERAMIC, CHIP 0.022uF 50V
C203	1-126-933-11	s ELECT 100uF 20% 16V
C204	1-163-033-00	s CERAMIC, CHIP 0.022uF 50V
C205	1-164-004-11	s CERAMIC, CHIP 0.1uF 10% 25V
C206	1-126-933-11	s ELECT 100uF 20% 16V
C207	1-163-033-00	s CERAMIC, CHIP 0.022uF 50V
C208	1-164-004-11	s CERAMIC, CHIP 0.1uF 10% 25V
C211	1-163-033-00	s CERAMIC, CHIP 0.022uF 50V
C212	1-163-033-00	s CERAMIC, CHIP 0.022uF 50V
C213	1-126-933-11	s ELECT 100uF 20% 16V
C214	1-163-033-00	s CERAMIC, CHIP 0.022uF 50V
C215	1-126-933-11	s ELECT 100uF 20% 16V
C216	1-163-033-00	s CERAMIC, CHIP 0.022uF 50V

(RP-70 BOARD(UVW-1800))

Ref. No.  
or Q'ty Part No. SP Description

C217	1-163-033-00	s CERAMIC, CHIP 0.022uF 50V
C218	1-126-933-11	s ELECT 100uF 20% 16V
C219	1-163-227-11	s CERAMIC, CHIP 10pF 5% 50V
C220	1-163-033-00	s CERAMIC, CHIP 0.022uF 50V
C221	1-164-004-11	s CERAMIC, CHIP 0.1uF 10% 25V
C223	1-126-933-11	s ELECT 100uF 20% 16V
C303	1-126-933-11	s ELECT 100uF 20% 16V
C304	1-163-033-00	s CERAMIC, CHIP 0.022uF 50V
C305	1-164-004-11	s CERAMIC, CHIP 0.1uF 10% 25V
C306	1-126-933-11	s ELECT 100uF 20% 16V
C307	1-163-033-00	s CERAMIC, CHIP 0.022uF 50V
C308	1-164-004-11	s CERAMIC, CHIP 0.1uF 10% 25V
C311	1-163-033-00	s CERAMIC, CHIP 0.022uF 50V
C312	1-163-033-00	s CERAMIC, CHIP 0.022uF 50V
C313	1-126-933-11	s ELECT 100uF 20% 16V
C314	1-163-033-00	s CERAMIC, CHIP 0.022uF 50V
C315	1-126-933-11	s ELECT 100uF 20% 16V
C316	1-163-033-00	s CERAMIC, CHIP 0.022uF 50V
C317	1-163-033-00	s CERAMIC, CHIP 0.022uF 50V
C318	1-126-933-11	s ELECT 100uF 20% 16V
C319	1-163-227-11	s CERAMIC, CHIP 10pF 5% 50V
C320	1-163-033-00	s CERAMIC, CHIP 0.022uF 50V
C321	1-164-004-11	s CERAMIC, CHIP 0.1uF 10% 25V
C323	1-126-933-11	s ELECT 100uF 20% 16V
C501-507	1-163-033-00	s CERAMIC, CHIP 0.022uF 50V
C601	1-126-933-11	s ELECT 100uF 20% 16V
C602	1-163-033-00	s CERAMIC, CHIP 0.022uF 50V
C603	1-130-477-00	s MYLAR 0.0033uF 5% 50V
C604	1-130-487-00	s MYLAR 0.022uF 5% 50V
C605	1-163-121-00	s CERAMIC, CHIP 150pF 5% 50V
C606	1-137-361-91	s FILM 330pF 5% 50V
C607	1-163-121-00	s CERAMIC, CHIP 150pF 5% 50V
C609	1-163-275-11	s CERAMIC, CHIP 0.001uF 5% 50V
C610	1-163-033-00	s CERAMIC, CHIP 0.022uF 50V
C611	1-126-933-11	s ELECT 100uF 20% 16V
C612	1-126-933-11	s ELECT 100uF 20% 16V
C613	1-163-033-00	s CERAMIC, CHIP 0.022uF 50V
C614	1-130-477-00	s MYLAR 0.0033uF 5% 50V
C615	1-130-487-00	s MYLAR 0.022uF 5% 50V
C616	1-163-121-00	s CERAMIC, CHIP 150pF 5% 50V
C617	1-137-361-91	s FILM 330pF 5% 50V
C618	1-163-121-00	s CERAMIC, CHIP 150pF 5% 50V
C620	1-163-275-11	s CERAMIC, CHIP 0.001uF 5% 50V
C621	1-163-033-00	s CERAMIC, CHIP 0.022uF 50V
C622	1-126-933-11	s ELECT 100uF 20% 16V
C623	1-126-933-11	s ELECT 100uF 20% 16V
C624	1-163-033-00	s CERAMIC, CHIP 0.022uF 50V
C625	1-126-933-11	s ELECT 100uF 20% 16V
C626	1-163-033-00	s CERAMIC, CHIP 0.022uF 50V
C627	1-126-933-11	s ELECT 100uF 20% 16V
C628	1-126-933-11	s ELECT 100uF 20% 16V
C629	1-163-017-00	s CERAMIC, CHIP 0.0047uF 5% 50V
C630	1-163-017-00	s CERAMIC, CHIP 0.0047uF 5% 50V
C631	1-164-232-11	s CERAMIC 0.01uF 10% 100V
C632	1-164-182-11	s CERAMIC CHIP 3300pF 10% 100V
C635	1-136-562-11	s FILM 0.0082uF 5% 630V
C636	1-131-368-00	s TANTALUM 3.3uF 10% 16V
C701	1-163-033-00	s CERAMIC, CHIP 0.022uF 50V
C702	1-126-933-11	s ELECT 100uF 20% 16V

## (RP-70 BOARD(UVW-1800))

## (RP-70 BOARD(UVW-1800))

Ref. No. or Q'ty	Part No.	SP Description
C703	1-126-933-11	s ELECT 100uF 20% 16V
C704	1-163-033-00	s CERAMIC, CHIP 0.022uF 50V
C705	1-163-033-00	s CERAMIC, CHIP 0.022uF 50V
C706	1-126-933-11	s ELECT 100uF 20% 16V
C707	1-163-033-00	s CERAMIC, CHIP 0.022uF 50V
C708	1-126-933-11	s ELECT 100uF 20% 16V
C709	1-163-033-00	s CERAMIC, CHIP 0.022uF 50V
C710	1-126-933-11	s ELECT 100uF 20% 16V
C711	1-126-933-11	s ELECT 100uF 20% 16V
C712	1-163-033-00	s CERAMIC, CHIP 0.022uF 50V
C713	1-163-033-00	s CERAMIC, CHIP 0.022uF 50V
C714	1-126-933-11	s ELECT 100uF 20% 16V
C715	1-163-033-00	s CERAMIC, CHIP 0.022uF 50V
C716	1-126-933-11	s ELECT 100uF 20% 16V
C717	1-163-033-00	s CERAMIC, CHIP 0.022uF 50V
C718	1-126-933-11	s ELECT 100uF 20% 16V
C719	1-126-933-11	s ELECT 100uF 20% 16V
C720	1-163-033-00	s CERAMIC, CHIP 0.022uF 50V
C721	1-163-033-00	s CERAMIC, CHIP 0.022uF 50V
C722	1-126-933-11	s ELECT 100uF 20% 16V
C723	1-163-033-00	s CERAMIC, CHIP 0.022uF 50V
C724	1-126-933-11	s ELECT 100uF 20% 16V
C725	1-163-033-00	s CERAMIC, CHIP 0.022uF 50V
C726	1-126-933-11	s ELECT 100uF 20% 16V
C727	1-126-933-11	s ELECT 100uF 20% 16V
C728	1-163-033-00	s CERAMIC, CHIP 0.022uF 50V
C729	1-163-033-00	s CERAMIC, CHIP 0.022uF 50V
C730	1-126-933-11	s ELECT 100uF 20% 16V
C731	1-163-033-00	s CERAMIC, CHIP 0.022uF 50V
C732	1-126-933-11	s ELECT 100uF 20% 16V
CN1	1-506-468-11	o CONNECTOR 3P, MALE
CN101	1-506-468-11	o CONNECTOR 3P, MALE
CN110	1-573-600-21	s CONNECTOR, PHEC 100P, MALE
CN201	1-506-468-11	o CONNECTOR 3P, MALE
CN301	1-506-468-11	o CONNECTOR 3P, MALE
D701	8-719-123-82	s DIODE 1SS303-T1
D702	8-719-123-82	s DIODE 1SS303-T1
D703	8-719-123-85	s DIODE 1SS304
D704	8-719-123-85	s DIODE 1SS304
IC1	1-810-336-11	s HIC BP-025
IC2	1-810-335-11	s HIC BP-024
IC101	1-810-336-11	s HIC BP-025
IC102	1-810-335-11	s HIC BP-024
IC201	1-810-336-11	s HIC BP-025
IC202	1-810-335-11	s HIC BP-024
IC301	1-810-336-11	s HIC BP-025
IC302	1-810-335-11	s HIC BP-024
IC501	8-759-010-44	s IC MC14069UBF-T2
IC502	8-759-010-44	s IC MC14069UBF-T2
IC503	8-759-010-44	s IC MC14069UBF-T2
IC601	8-759-908-17	s IC TL082CPS
IC602	8-759-908-17	s IC TL082CPS
IC701	8-759-182-84	s IC PQ05SZ5U
IC702	8-759-189-43	s IC AN77L05-TA
IC703	8-759-168-20	s IC TA78L09S
IC704	8-759-168-20	s IC TA78L09S
IC705	8-759-822-95	s IC L79M05T-FA
IC706	8-759-700-65	s IC NJM79L05A
IC707	8-759-700-68	s IC NJM79L09A

Ref. No. or Q'ty	Part No.	SP Description
IC708	8-759-700-68	s IC NJM79L09A
L1-L5	1-410-482-31	s INDUCTOR 100uH
L101-105	1-410-482-31	s INDUCTOR 100uH
L201-205	1-410-482-31	s INDUCTOR 100uH
L301-305	1-410-482-31	s INDUCTOR 100uH
L603	1-412-533-21	s INDUCTOR 47uH
L604	1-408-397-00	s INDUCTOR 1uH
L605	1-408-397-00	s INDUCTOR 1uH
L701	1-412-533-21	s INDUCTOR 47uH
L702	1-412-533-21	s INDUCTOR 47uH
L703	1-412-533-21	s INDUCTOR 47uH
L704	1-412-533-21	s INDUCTOR 47uH
Q1	8-729-117-72	s TRANSISTOR 2SC4178
Q2	8-729-117-72	s TRANSISTOR 2SC4178
Q3	8-729-117-72	s TRANSISTOR 2SC4178
Q102	8-729-117-72	s TRANSISTOR 2SC4178
Q103	8-729-117-72	s TRANSISTOR 2SC4178
Q201	8-729-117-72	s TRANSISTOR 2SC4178
Q202	8-729-117-72	s TRANSISTOR 2SC4178
Q203	8-729-117-72	s TRANSISTOR 2SC4178
Q302	8-729-117-72	s TRANSISTOR 2SC4178
Q303	8-729-117-72	s TRANSISTOR 2SC4178
Q501	8-729-209-06	s TRANSISTOR 2SC4213-A
Q601	8-729-119-76	s TRANSISTOR 2SA1115P
Q602	8-729-119-78	s TRANSISTOR 2SC2785-HFE
Q603	8-729-320-60	s TRANSISTOR 2SD788-34
Q604	8-729-320-60	s TRANSISTOR 2SD788-34
Q605	8-729-119-76	s TRANSISTOR 2SA1115P
Q606	8-729-119-78	s TRANSISTOR 2SC2785-HFE
Q607	8-729-320-60	s TRANSISTOR 2SD788-34
Q608	8-729-320-60	s TRANSISTOR 2SD788-34
Q609	8-729-905-18	s TRANSISTOR DTC144EU
Q610	8-729-140-63	s TRANSISTOR 2SA1611-M5M6
Q611	8-729-022-00	s TRANSISTOR 2SB1416-R(TA)
Q612	8-729-117-32	s TRANSISTOR 2SC4177
Q613	8-729-159-65	s TRANSISTOR 2SD596-DV5
Q614	8-729-159-65	s TRANSISTOR 2SD596-DV5
Q615	8-729-140-63	s TRANSISTOR 2SA1611-M5M6
Q616	8-729-209-06	s TRANSISTOR 2SC4213-A
Q617	8-729-209-06	s TRANSISTOR 2SC4213-A
R1	1-216-041-00	s METAL, CHIP 470 5% 1/10W
R2	1-216-624-11	s METAL, CHIP 75 0.5% 1/10W
R4	1-216-001-00	s METAL, CHIP 10 5% 1/10W
R5	1-216-047-00	s METAL, CHIP 820 5% 1/10W
R6	1-216-047-00	s METAL, CHIP 820 5% 1/10W
R7	1-216-053-00	s METAL, CHIP 1.5k 5% 1/10W
R8	1-216-009-00	s METAL, CHIP 22 5% 1/10W
R9	1-216-055-00	s METAL, CHIP 1.8k 5% 1/10W
R10	1-216-073-00	s METAL, CHIP 10k 5% 1/10W
R11	1-216-009-00	s METAL, CHIP 22 5% 1/10W
R12	1-216-057-00	s METAL, CHIP 2.2k 5% 1/10W
R13	1-216-001-00	s METAL, CHIP 10 5% 1/10W
R16	1-216-001-00	s METAL, CHIP 10 5% 1/10W
R18	1-216-001-00	s METAL, CHIP 10 5% 1/10W
R19	1-216-687-11	s METAL, CHIP 33k 0.5% 1/10W
R21	1-216-691-11	s METAL, CHIP 47k 0.5% 1/10W
R22	1-216-625-11	s METAL, CHIP 82 0.5% 1/10W

## (RP-70 BOARD(UVW-1800))

Ref. No. or Q'ty	Part No.	SP Description
R106	1-216-047-00	s METAL, CHIP 820 5% 1/10W
R107	1-216-053-00	s METAL, CHIP 1.5k 5% 1/10W
R108	1-216-009-00	s METAL, CHIP 22 5% 1/10W
R109	1-216-055-00	s METAL, CHIP 1.8k 5% 1/10W
R110	1-216-073-00	s METAL, CHIP 10k 5% 1/10W
R111	1-216-009-00	s METAL, CHIP 22 5% 1/10W
R112	1-216-057-00	s METAL, CHIP 2.2k 5% 1/10W
R113	1-216-001-00	s METAL, CHIP 10 5% 1/10W
R116	1-216-001-00	s METAL, CHIP 10 5% 1/10W
R118	1-216-001-00	s METAL, CHIP 10 5% 1/10W
R119	1-216-687-11	s METAL, CHIP 33k 0.5% 1/10W
R121	1-216-691-11	s METAL, CHIP 47k 0.5% 1/10W
R122	1-216-625-11	s METAL, CHIP 82 0.5% 1/10W
R201	1-216-041-00	s METAL, CHIP 470 5% 1/10W
R202	1-216-624-11	s METAL, CHIP 75 0.5% 1/10W
R204	1-216-001-00	s METAL, CHIP 10 5% 1/10W
R205	1-216-047-00	s METAL, CHIP 820 5% 1/10W
R206	1-216-047-00	s METAL, CHIP 820 5% 1/10W
R207	1-216-053-00	s METAL, CHIP 1.5k 5% 1/10W
R208	1-216-009-00	s METAL, CHIP 22 5% 1/10W
R209	1-216-055-00	s METAL, CHIP 1.8k 5% 1/10W
R210	1-216-073-00	s METAL, CHIP 10k 5% 1/10W
R211	1-216-009-00	s METAL, CHIP 22 5% 1/10W
R212	1-216-057-00	s METAL, CHIP 2.2k 5% 1/10W
R213	1-216-001-00	s METAL, CHIP 10 5% 1/10W
R216	1-216-001-00	s METAL, CHIP 10 5% 1/10W
R218	1-216-001-00	s METAL, CHIP 10 5% 1/10W
R219	1-216-691-11	s METAL, CHIP 47k 0.5% 1/10W
R221	1-216-689-11	s METAL, CHIP 39k 0.5% 1/10W
R222	1-216-625-11	s METAL, CHIP 82 0.5% 1/10W
R306	1-216-047-00	s METAL, CHIP 820 5% 1/10W
R307	1-216-053-00	s METAL, CHIP 1.5k 5% 1/10W
R308	1-216-009-00	s METAL, CHIP 22 5% 1/10W
R309	1-216-055-00	s METAL, CHIP 1.8k 5% 1/10W
R310	1-216-073-00	s METAL, CHIP 10k 5% 1/10W
R311	1-216-009-00	s METAL, CHIP 22 5% 1/10W
R312	1-216-057-00	s METAL, CHIP 2.2k 5% 1/10W
R313	1-216-001-00	s METAL, CHIP 10 5% 1/10W
R316	1-216-001-00	s METAL, CHIP 10 5% 1/10W
R318	1-216-001-00	s METAL, CHIP 10 5% 1/10W
R319	1-216-691-11	s METAL, CHIP 47k 0.5% 1/10W
R321	1-216-689-11	s METAL, CHIP 39k 0.5% 1/10W
R322	1-216-625-11	s METAL, CHIP 82 0.5% 1/10W
R501	1-216-073-00	s METAL, CHIP 10k 5% 1/10W
R502	1-216-049-00	s METAL, CHIP 1k 5% 1/10W
R503	1-216-073-00	s METAL, CHIP 10k 5% 1/10W
R504	1-216-049-00	s METAL, CHIP 1k 5% 1/10W
R505	1-216-049-00	s METAL, CHIP 1k 5% 1/10W
R506	1-216-081-00	s METAL, CHIP 22k 5% 1/10W
R507	1-216-081-00	s METAL, CHIP 22k 5% 1/10W
R508	1-216-081-00	s METAL, CHIP 22k 5% 1/10W
R509	1-216-073-00	s METAL, CHIP 10k 5% 1/10W
R510	1-216-049-00	s METAL, CHIP 1k 5% 1/10W
R511	1-216-049-00	s METAL, CHIP 1k 5% 1/10W
R512	1-216-073-00	s METAL, CHIP 10k 5% 1/10W
R513	1-216-049-00	s METAL, CHIP 1k 5% 1/10W
R514	1-216-073-00	s METAL, CHIP 10k 5% 1/10W
R515	1-216-049-00	s METAL, CHIP 1k 5% 1/10W
R516	1-216-049-00	s METAL, CHIP 1k 5% 1/10W

## (RP-70 BOARD(UVW-1800))

Ref. No. or Q'ty	Part No.	SP Description
R517	1-216-049-00	s METAL, CHIP 1k 5% 1/10W
R518	1-216-073-00	s METAL, CHIP 10k 5% 1/10W
R519	1-216-073-00	s METAL, CHIP 10k 5% 1/10W
R601	1-216-073-00	s METAL, CHIP 10k 5% 1/10W
R602	1-216-081-00	s METAL, CHIP 22k 5% 1/10W
R603	1-249-402-11	s CARBON 56 5% 1/4W
R604	1-216-073-00	s METAL, CHIP 10k 5% 1/10W
R605	1-249-417-11	s CARBON 1k 5% 1/4W
R606	1-216-663-11	s METAL, CHIP 3.3k 0.5% 1/10W
R607	1-216-121-00	s METAL, CHIP 1M 5% 1/10W
R608	1-216-669-11	s METAL, CHIP 5.6k 0.5% 1/10W
R609	1-249-402-11	s CARBON 56 5% 1/4W
R610	1-216-659-11	s METAL, CHIP 2.2k 0.5% 1/10W
R611	1-215-403-00	s METAL 180 1% 1/6W
R612	1-216-061-00	s METAL, CHIP 3.3k 5% 1/10W
R613	1-216-061-00	s METAL, CHIP 3.3k 5% 1/10W
R614	1-216-077-00	s METAL, CHIP 15k 5% 1/10W
R615	1-216-061-00	s METAL, CHIP 3.3k 5% 1/10W
R616	1-216-073-00	s METAL, CHIP 10k 5% 1/10W
R617	1-216-081-00	s METAL, CHIP 22k 5% 1/10W
R618	1-249-402-11	s CARBON 56 5% 1/4W
R619	1-216-073-00	s METAL, CHIP 10k 5% 1/10W
R620	1-249-417-11	s CARBON 1k 5% 1/4W
R621	1-216-663-11	s METAL, CHIP 3.3k 0.5% 1/10W
R622	1-216-121-00	s METAL, CHIP 1M 5% 1/10W
R623	1-216-669-11	s METAL, CHIP 5.6k 0.5% 1/10W
R624	1-249-402-11	s CARBON 56 5% 1/4W
R625	1-216-659-11	s METAL, CHIP 2.2k 0.5% 1/10W
R626	1-215-403-00	s METAL 180 1% 1/6W
R627	1-216-061-00	s METAL, CHIP 3.3k 5% 1/10W
R628	1-216-061-00	s METAL, CHIP 3.3k 5% 1/10W
R629	1-216-077-00	s METAL, CHIP 15k 5% 1/10W
R630	1-216-061-00	s METAL, CHIP 3.3k 5% 1/10W
R631	1-216-085-00	s METAL, CHIP 33k 5% 1/10W
R632	1-216-065-00	s METAL, CHIP 4.7k 5% 1/10W
R633	1-216-051-00	s METAL, CHIP 1.2k 5% 1/10W
R634	1-216-071-00	s METAL, CHIP 8.2k 5% 1/10W
R635	1-216-081-00	s METAL, CHIP 22k 5% 1/10W
R636	1-216-093-00	s METAL, CHIP 68k 5% 1/10W
R637	1-216-093-00	s METAL, CHIP 68k 5% 1/10W
R639	1-216-073-00	s METAL, CHIP 10k 5% 1/10W
R640	1-216-077-00	s METAL, CHIP 15k 5% 1/10W
R641	1-216-057-00	s METAL, CHIP 2.2k 5% 1/10W
R642	1-216-057-00	s METAL, CHIP 2.2k 5% 1/10W
RV1	1-241-783-11	s RES, ADJ METAL 2.2k
RV2	1-241-761-11	s RES, ADJ METAL 1k
RV101	1-241-783-11	s RES, ADJ METAL 2.2k
RV102	1-241-761-11	s RES, ADJ METAL 1k
RV201	1-241-783-11	s RES, ADJ METAL 2.2k
RV202	1-241-761-11	s RES, ADJ METAL 1k
RV301	1-241-783-11	s RES, ADJ METAL 2.2k
RV302	1-241-761-11	s RES, ADJ METAL 1k
S1	1-553-977-00	s SWITCH, SLIDE
S101	1-553-977-00	s SWITCH, SLIDE
S201	1-553-977-00	s SWITCH, SLIDE
S301	1-553-977-00	s SWITCH, SLIDE
T1	1-423-659-11	s TRANSFORMER, RF OUTPUT
T2	1-423-658-11	s TRANSFORMER, RF INPUT

(RP-70 BOARD(UVM-1800))

Ref. No. or Q'ty	Part No.	SP Description
T101	1-423-659-11	s TRANSFORMER, RF OUTPUT
T102	1-423-658-11	s TRANSFORMER, RF INPUT
T201	1-423-659-11	s TRANSFORMER, RF OUTPUT
T202	1-423-657-11	s TRANSFORMER, RF INPUT
T301	1-423-659-11	s TRANSFORMER, RF OUTPUT
T302	1-423-657-11	s TRANSFORMER, RF INPUT
T601	1-423-656-11	s TRANSFORMER, ROTARY ERASE
T602	1-423-656-11	s TRANSFORMER, ROTARY ERASE
T603	1-424-511-11	s TRANSFORMER, FE

RP-70A BOARD(UVM-1600)

Ref. No.  
or Q'ty Part No. SP Description

RP-70A board is used for UVM-1600.

1pc	A-8275-278-A	o MOUNTED CIRCUIT BOARD, RP-70A
1pc	3-182-385-01	o PLATE, SHIELD (S), CARD
1pc	7-621-759-45	s SCREW, +PSW2.6x6
1pc	8-769-401-59	s TRANSISTOR 2SK613-3
1pc	3-179-084-01	s LEVER (R), PC BOARD
1pc	3-179-085-01	s LEVER (L), PC BOARD
C17	1-163-033-00	s CERAMIC, CHIP 0.022uF 50V
C18	1-126-933-11	s ELECT 100uF 20% 16V
C19	1-163-227-11	s CERAMIC, CHIP 10pF 5% 50V
C21	1-164-004-11	s CERAMIC, CHIP 0.1uF 10% 25V
C23	1-126-933-11	s ELECT 100uF 20% 16V
C117	1-163-033-00	s CERAMIC, CHIP 0.022uF 50V
C118	1-126-933-11	s ELECT 100uF 20% 16V
C119	1-163-227-11	s CERAMIC, CHIP 10pF 5% 50V
C121	1-164-004-11	s CERAMIC, CHIP 0.1uF 10% 25V
C123	1-126-933-11	s ELECT 100uF 20% 16V
C217	1-163-033-00	s CERAMIC, CHIP 0.022uF 50V
C218	1-126-933-11	s ELECT 100uF 20% 16V
C219	1-163-227-11	s CERAMIC, CHIP 10pF 5% 50V
C221	1-164-004-11	s CERAMIC, CHIP 0.1uF 10% 25V
C223	1-126-933-11	s ELECT 100uF 20% 16V
C317	1-163-033-00	s CERAMIC, CHIP 0.022uF 50V
C318	1-126-933-11	s ELECT 100uF 20% 16V
C319	1-163-227-11	s CERAMIC, CHIP 10pF 5% 50V
C321	1-164-004-11	s CERAMIC, CHIP 0.1uF 10% 25V
C323	1-126-933-11	s ELECT 100uF 20% 16V
C709	1-163-033-00	s CERAMIC, CHIP 0.022uF 50V
C710	1-126-933-11	s ELECT 100uF 20% 16V
C711	1-126-933-11	s ELECT 100uF 20% 16V
C712	1-163-033-00	s CERAMIC, CHIP 0.022uF 50V
C713	1-163-033-00	s CERAMIC, CHIP 0.022uF 50V
C714	1-126-933-11	s ELECT 100uF 20% 16V
C715	1-163-033-00	s CERAMIC, CHIP 0.022uF 50V
C716	1-126-933-11	s ELECT 100uF 20% 16V
CN1	1-506-468-11	o CONNECTOR 3P, MALE
CN101	1-506-468-11	o CONNECTOR 3P, MALE
CN110	1-573-600-21	s CONNECTOR, PHEC 100P, MALE
CN201	1-506-468-11	o CONNECTOR 3P, MALE
CN301	1-506-468-11	o CONNECTOR 3P, MALE
D702	8-719-123-82	s DIODE 1SS303-T1
IC2	1-810-335-11	s HIC BP-024
IC102	1-810-335-11	s HIC BP-024
IC202	1-810-335-11	s HIC BP-024
IC302	1-810-335-11	s HIC BP-024
IC703	8-759-168-20	s IC TA78L09S
IC704	8-759-168-20	s IC TA78L09S
L702	1-412-533-21	s INDUCTOR 47uH
R17	1-216-295-91	s RES, CHIP 0
R18	1-216-001-00	s METAL, CHIP 10 5% 1/10W
R19	1-216-687-11	s METAL, CHIP 33k 0.5% 1/10W
R21	1-216-691-11	s METAL, CHIP 47k 0.5% 1/10W
R22	1-216-625-11	s METAL, CHIP 82 0.5% 1/10W
R117	1-216-295-91	s RES, CHIP 0
R118	1-216-001-00	s METAL, CHIP 10 5% 1/10W



(RP-70A BOARD(UVW-1600))

Ref. No. or Q'ty	Part No.	SP Description
R119	1-216-687-11	s METAL, CHIP 33k 0.5% 1/10W
R121	1-216-691-11	s METAL, CHIP 47k 0.5% 1/10W
R122	1-216-625-11	s METAL, CHIP 82 0.5% 1/10W
R217	1-216-295-91	s RES, CHIP 0
R218	1-216-001-00	s METAL, CHIP 10 5% 1/10W
R219	1-216-691-11	s METAL, CHIP 47k 0.5% 1/10W
R221	1-216-689-11	s METAL, CHIP 39k 0.5% 1/10W
R222	1-216-625-11	s METAL, CHIP 82 0.5% 1/10W
R317	1-216-295-91	s RES, CHIP 0
R318	1-216-001-00	s METAL, CHIP 10 5% 1/10W
R319	1-216-691-11	s METAL, CHIP 47k 0.5% 1/10W
R321	1-216-689-11	s METAL, CHIP 39k 0.5% 1/10W
R322	1-216-625-11	s METAL, CHIP 82 0.5% 1/10W
R651-658	1-216-295-91	s RES, CHIP 0
T2	1-423-658-11	s TRANSFORMER, RF INPUT
T102	1-423-658-11	s TRANSFORMER, RF INPUT
T202	1-423-657-11	s TRANSFORMER, RF INPUT
T302	1-423-657-11	s TRANSFORMER, RF INPUT

SE-207 BOARD(UVW-1800/1600)

Ref. No.  
or Q'ty Part No. SP Description

Two SE-207 boards are used in UVW-1800/1600.  
One board has the following parts.

1pc	1-648-923-11	o PRINTED CIRCUIT BOARD, SE-207
CN950	1-565-876-11	o CONNECTOR 4P, MALE
PH1	8-749-924-54	s PHOTO-INTERRUPTER GP1A30R
R1	1-249-408-11	s CARBON 180 5% 1/4W

SS-53 BOARD(UVW-1800/1600)

Ref. No. or Q'ty	Part No.	SP Description
1pc	A-8275-284-A	o MOUNTED CIRCUIT BOARD, SS-53
1pc	3-179-084-01	s LEVER (R), PC BOARD
1pc	3-179-085-01	s LEVER (L), PC BOARD
C1	1-135-076-21	s TANTALUM, CHIP 1uF 10% 35V
C2	1-163-033-00	s CERAMIC, CHIP 0.022uF 50V
C5-C16	1-163-033-00	s CERAMIC, CHIP 0.022uF 50V
C19	1-163-033-00	s CERAMIC, CHIP 0.022uF 50V
C20	1-163-033-00	s CERAMIC, CHIP 0.022uF 50V
C21	1-163-033-00	s CERAMIC, CHIP 0.022uF 50V
C22	1-163-251-11	s CERAMIC, CHIP 100pF 5% 50V
C23	1-163-033-00	s CERAMIC, CHIP 0.022uF 50V
C24	1-126-924-11	s ELECT 330uF 20% 10V
C100	1-126-964-11	s ELECT 10uF 20% 50V
C101	1-126-964-11	s ELECT 10uF 20% 50V
C102	1-163-275-11	s CERAMIC, CHIP 0.001uF 5% 50V
C103	1-163-033-00	s CERAMIC, CHIP 0.022uF 50V
C104	1-163-033-00	s CERAMIC, CHIP 0.022uF 50V
C106	1-163-037-11	s CERAMIC, CHIP 0.022uF 10% 25V
C109	1-163-235-11	s CERAMIC, CHIP 22pF 5% 50V
C110	1-163-235-11	s CERAMIC, CHIP 22pF 5% 50V
C111	1-163-033-00	s CERAMIC, CHIP 0.022uF 50V
C112	1-164-232-11	s CERAMIC 0.01uF 10% 100V
C113	1-163-251-11	s CERAMIC, CHIP 100pF 5% 50V
C114	1-126-924-11	s ELECT 330uF 20% 10V
C115	1-163-033-00	s CERAMIC, CHIP 0.022uF 50V
C116	1-163-033-00	s CERAMIC, CHIP 0.022uF 50V
C117	1-163-033-00	s CERAMIC, CHIP 0.022uF 50V
C200	1-135-076-21	s TANTALUM, CHIP 1uF 10% 35V
C201	1-163-809-11	s CERAMIC, CHIP 0.047uF 10% 25V
C202-209	1-163-275-11	s CERAMIC, CHIP 0.001uF 5% 50V
C210	1-163-237-11	s CERAMIC, CHIP 27pF 5% 50V
C211	1-163-033-00	s CERAMIC, CHIP 0.022uF 50V
C212	1-163-102-00	s CERAMIC, CHIP 24pF 5% 50V
C213	1-126-924-11	s ELECT 330uF 20% 10V
C214	1-163-275-11	s CERAMIC, CHIP 0.001uF 5% 50V
C215-230	1-163-033-00	s CERAMIC, CHIP 0.022uF 50V
C232	1-163-033-00	s CERAMIC, CHIP 0.022uF 50V
C233	1-163-037-11	s CERAMIC, CHIP 0.022uF 10% 25V
C234	1-163-037-11	s CERAMIC, CHIP 0.022uF 10% 25V
C235	1-163-037-11	s CERAMIC, CHIP 0.022uF 10% 25V
C236	1-163-037-11	s CERAMIC, CHIP 0.022uF 10% 25V
C237	1-164-232-11	s CERAMIC 0.01uF 10% 100V
C238	1-164-232-11	s CERAMIC 0.01uF 10% 100V
C239	1-163-033-00	s CERAMIC, CHIP 0.022uF 50V
C240	1-163-037-11	s CERAMIC, CHIP 0.022uF 10% 25V
C241	1-163-037-11	s CERAMIC, CHIP 0.022uF 10% 25V
C242	1-163-037-11	s CERAMIC, CHIP 0.022uF 10% 25V
C243	1-163-037-11	s CERAMIC, CHIP 0.022uF 10% 25V
C245	1-163-037-11	s CERAMIC, CHIP 0.022uF 10% 25V
C246	1-163-037-11	s CERAMIC, CHIP 0.022uF 10% 25V
C247	1-164-161-11	s CERAMIC, CHIP 0.0022uF 10% 100V
C248	1-164-161-11	s CERAMIC, CHIP 0.0022uF 10% 100V
C249	1-163-033-00	s CERAMIC, CHIP 0.022uF 50V
C251-269	1-163-033-00	s CERAMIC, CHIP 0.022uF 50V
C270-275	1-126-947-11	s ELECT 47uF 20% 35V
C276	1-163-989-11	s CERAMIC, CHIP 0.033uF 10% 25V
C277	1-163-033-00	s CERAMIC, CHIP 0.022uF 50V
C278	1-163-275-11	s CERAMIC, CHIP 0.001uF 5% 50V

## (SS-53 BOARD(UVM-1800/1600))

## (SS-53 BOARD(UVM-1800/1600))

Ref. No. or Q'ty	Part No.	SP Description
C279	1-163-033-00	s CERAMIC, CHIP 0.022uF 50V
C400	1-163-033-00	s CERAMIC, CHIP 0.022uF 50V
C401	1-163-033-00	s CERAMIC, CHIP 0.022uF 50V
C402	1-163-809-11	s CERAMIC, CHIP 0.047uF 10% 25V
C403	1-163-033-00	s CERAMIC, CHIP 0.022uF 50V
C404	1-163-033-00	s CERAMIC, CHIP 0.022uF 50V
C405	1-163-275-11	s CERAMIC, CHIP 0.001uF 5% 50V
C406	1-163-235-11	s CERAMIC, CHIP 22pF 5% 50V
C407	1-163-809-11	s CERAMIC, CHIP 0.047uF 10% 25V
C408	1-163-033-00	s CERAMIC, CHIP 0.022uF 50V
C409	1-163-033-00	s CERAMIC, CHIP 0.022uF 50V
C410	1-163-275-11	s CERAMIC, CHIP 0.001uF 5% 50V
C411	1-163-033-00	s CERAMIC, CHIP 0.022uF 50V
C412	1-163-235-11	s CERAMIC, CHIP 22pF 5% 50V
CN1	1-506-484-11	s CONNECTOR 5P, MALE
CN2	1-506-481-11	s CONNECTOR 2P, MALE
CN3	1-560-369-00	o CONNECTOR, 1LG 8P, MALE
CN107	1-573-782-21	o CONNECTOR, PHEC 60P, MALE
CN108	1-573-782-21	o CONNECTOR, PHEC 60P, MALE
CN109	1-573-782-21	o CONNECTOR, PHEC 60P, MALE
CN14	1-251-102-11	o SOCKET, IC 32P
CN1212	1-251-102-11	o SOCKET, IC 32P
CV1	1-141-389-11	s CAP, TRIMMER 50pF
D100-105	8-719-941-23	s DIODE DA204U
D200-208	8-719-941-23	s DIODE DA204U
D210	8-719-938-72	s DIODE SB01-05CP
D211	8-719-941-23	s DIODE DA204U
D213	8-719-941-23	s DIODE DA204U
D214	8-719-941-23	s DIODE DA204U
D215	8-719-941-23	s DIODE DA204U
IC1	8-759-151-97	s IC UPD70320GJ-8-5BG
IC2	8-759-043-34	s IC CXD8310M
IC3	8-759-507-51	s IC MS6264CLL-10FC-EF
IC4	8-759-252-00	o IC C010-UVM1000SY-V100, EPROM
IC5	8-759-095-41	s IC CXD8176AQ
IC6	8-759-054-54	s IC SRM2016M10
IC7	8-759-632-39	s IC M51958A
IC8	8-759-061-67	s IC MC34051M
IC9	8-759-926-77	s IC SN74HC541NS
IC10	8-759-925-74	s IC TC74HC04NS
IC11	8-759-925-85	s IC SN74HC32NS
IC12	8-759-925-90	s IC SN74HC74NS
IC15	8-759-192-25	s IC UPD6453GT-635-E2
IC100	8-759-175-77	s IC CXD8384Q
IC101	8-759-100-96	s IC UPC4558G2
IC102	8-759-925-05	s IC LM2903PS
IC103	8-759-700-45	s IC NJM4556M-A
IC200	8-759-300-71	s IC HD14053BFP
IC201	8-759-100-94	s IC UPC358G2
IC202	8-759-192-26	s IC HD6435348RA00F
IC203	8-759-925-76	s IC SN74HC08NS
IC204	8-759-925-74	s IC TC74HC04NS
IC206	8-759-925-83	s IC SN74HC27ANS
IC207	8-759-925-79	s IC SN74HC11ANS
IC208	8-759-926-11	s IC SN74HC138NS
IC209	8-759-925-85	s IC SN74HC32NS

Ref. No. or Q'ty	Part No.	SP Description
IC210	8-759-925-76	s IC SN74HC08NS
IC211	8-759-938-68	s IC CXD1095Q
IC212	8-759-252-01	o IC C020-UVM1000SV-V100, EPROM
IC213	8-759-507-51	s IC MS6264CLL-10FC-EF
IC214	8-759-300-71	s IC HD14053BFP
IC215	8-759-300-71	s IC HD14053BFP
IC216	8-759-925-05	s IC LM2903PS
IC217	8-759-925-97	s IC SN74HC86ANS
IC219	8-752-343-05	s IC CXD2202Q
IC220	8-759-100-95	s IC UPC324G2
IC221	8-759-300-71	s IC HD14053BFP
IC222	8-759-100-95	s IC UPC324G2
IC223	8-759-106-02	s IC UPC4570G2
IC224	8-759-141-05	s IC UPC4574G2
IC225	8-759-106-02	s IC UPC4570G2
IC226	8-759-938-68	s IC CXD1095Q
IC227	8-759-913-99	s IC MB88201-173M
IC228	8-759-927-29	s IC SN74HC04NS
IC229	8-759-977-80	s IC MB88342PF
IC230	8-759-925-05	s IC LM2903PS
IC231	8-759-106-02	s IC UPC4570G2
IC232	8-759-925-05	s IC LM2903PS
IC233	8-759-106-02	s IC UPC4570G2
L1	1-408-411-00	s INDUCTOR 15uH
L200	1-412-533-21	s INDUCTOR 47uH
L201	1-412-533-21	s INDUCTOR 47uH
PS1	▲1-532-637-00	s LINK, IC 1.0A
PS2	▲1-532-637-00	s LINK, IC 1.0A
Q105	8-729-905-12	s TRANSISTOR DTA144EU
Q106	8-729-118-56	s TRANSISTOR 2SK852-X2
Q107	8-729-905-12	s TRANSISTOR DTA144EU
Q108	8-729-118-56	s TRANSISTOR 2SK852-X2
Q204-209	8-729-905-18	s TRANSISTOR DTC144EU
Q210	8-729-209-06	s TRANSISTOR 2SC4213-A
Q211	8-729-209-06	s TRANSISTOR 2SC4213-A
R1	1-216-073-00	s METAL, CHIP 10k 5% 1/10W
R2	1-216-077-00	s METAL, CHIP 15k 5% 1/10W
R3	1-216-077-00	s METAL, CHIP 15k 5% 1/10W
R4	1-216-097-00	s METAL, CHIP 100k 5% 1/10W
R5	1-216-097-00	s METAL, CHIP 100k 5% 1/10W
R6	1-216-097-00	s METAL, CHIP 100k 5% 1/10W
R7	1-216-097-00	s METAL, CHIP 100k 5% 1/10W
R9	1-216-097-00	s METAL, CHIP 100k 5% 1/10W
R11	1-216-089-91	s METAL, CHIP 47k 5% 1/10W
R12	1-216-097-00	s METAL, CHIP 100k 5% 1/10W
R14	1-216-097-00	s METAL, CHIP 100k 5% 1/10W
R24	1-216-089-91	s METAL, CHIP 47k 5% 1/10W
R26	1-216-686-11	s METAL, CHIP 30k 0.5% 1/10W
R27	1-216-680-11	s METAL, CHIP 16k 0.5% 1/10W
R31	1-216-089-91	s METAL, CHIP 47k 5% 1/10W
R33	1-216-089-91	s METAL, CHIP 47k 5% 1/10W
R35	1-216-089-91	s METAL, CHIP 47k 5% 1/10W
R36-R41	1-216-073-00	s METAL, CHIP 10k 5% 1/10W
R43	1-216-089-91	s METAL, CHIP 47k 5% 1/10W
R45	1-216-089-91	s METAL, CHIP 47k 5% 1/10W
R47	1-216-089-91	s METAL, CHIP 47k 5% 1/10W
R49	1-216-089-91	s METAL, CHIP 47k 5% 1/10W

## (SS-53 BOARD(UVW-1800/1600))

Ref. No. or Q'ty	Part No.	SP Description
R51	1-216-073-00	s METAL, CHIP 10k 5% 1/10W
R55	1-216-025-00	s METAL, CHIP 100 5% 1/10W
R56	1-216-089-91	s METAL, CHIP 47k 5% 1/10W
R57	1-216-089-91	s METAL, CHIP 47k 5% 1/10W
R61	1-216-089-91	s METAL, CHIP 47k 5% 1/10W
R62	1-216-089-91	s METAL, CHIP 47k 5% 1/10W
R63	1-216-049-00	s METAL, CHIP 1k 5% 1/10W
R64	1-216-049-00	s METAL, CHIP 1k 5% 1/10W
R65	1-216-097-00	s METAL, CHIP 100k 5% 1/10W
R66	1-216-097-00	s METAL, CHIP 100k 5% 1/10W
R67	1-216-049-00	s METAL, CHIP 1k 5% 1/10W
R68	1-216-049-00	s METAL, CHIP 1k 5% 1/10W
R69	1-216-049-00	s METAL, CHIP 1k 5% 1/10W
R100	1-216-663-11	s METAL, CHIP 3.3k 0.5% 1/10W
R101	1-216-648-11	s METAL, CHIP 750 0.5% 1/10W
R102	1-216-691-11	s METAL, CHIP 47k 0.5% 1/10W
R103	1-216-691-11	s METAL, CHIP 47k 0.5% 1/10W
R104	1-216-659-11	s METAL, CHIP 2.2k 0.5% 1/10W
R105	1-216-659-11	s METAL, CHIP 2.2k 0.5% 1/10W
R106	1-216-699-11	s METAL, CHIP 100k 0.5% 1/10W
R107	1-216-699-11	s METAL, CHIP 100k 0.5% 1/10W
R108	1-216-065-00	s METAL, CHIP 4.7k 5% 1/10W
R109	1-216-097-00	s METAL, CHIP 100k 5% 1/10W
R110	1-216-067-00	s METAL, CHIP 5.6k 5% 1/10W
R111	1-216-065-00	s METAL, CHIP 4.7k 5% 1/10W
R112	1-216-025-00	s METAL, CHIP 100 5% 1/10W
R128	1-216-057-00	s METAL, CHIP 2.2k 5% 1/10W
R129	1-216-065-00	s METAL, CHIP 4.7k 5% 1/10W
R130	1-216-097-00	s METAL, CHIP 100k 5% 1/10W
R131	1-216-037-00	s METAL, CHIP 330 5% 1/10W
R132	1-216-121-00	s METAL, CHIP 1M 5% 1/10W
R133	1-216-065-00	s METAL, CHIP 4.7k 5% 1/10W
R134	1-216-065-00	s METAL, CHIP 4.7k 5% 1/10W
R135	1-216-081-00	s METAL, CHIP 22k 5% 1/10W
R136	1-216-049-00	s METAL, CHIP 1k 5% 1/10W
R137	1-216-121-00	s METAL, CHIP 1M 5% 1/10W
R138	1-216-121-00	s METAL, CHIP 1M 5% 1/10W
R139	1-216-061-00	s METAL, CHIP 3.3k 5% 1/10W
R140	1-216-071-00	s METAL, CHIP 8.2k 5% 1/10W
R141	1-216-624-11	s METAL, CHIP 75 0.5% 1/10W
R142	1-216-073-00	s METAL, CHIP 10k 5% 1/10W
R145	1-216-073-00	s METAL, CHIP 10k 5% 1/10W
R146	1-216-025-00	s METAL, CHIP 100 5% 1/10W
R149	1-216-081-00	s METAL, CHIP 22k 5% 1/10W
R150	1-216-121-00	s METAL, CHIP 1M 5% 1/10W
R151	1-216-121-00	s METAL, CHIP 1M 5% 1/10W
R200	1-216-699-11	s METAL, CHIP 100k 0.5% 1/10W
R201	1-216-699-11	s METAL, CHIP 100k 0.5% 1/10W
R202	1-216-687-11	s METAL, CHIP 33k 0.5% 1/10W
R203	1-218-764-11	s METAL 330k 0.5% 1/10W
R204-213	1-216-073-00	s METAL, CHIP 10k 5% 1/10W
R214	1-216-097-00	s METAL, CHIP 100k 5% 1/10W
R215	1-216-089-91	s METAL, CHIP 47k 5% 1/10W
R216	1-216-089-91	s METAL, CHIP 47k 5% 1/10W
R217	1-216-089-91	s METAL, CHIP 47k 5% 1/10W
R218	1-216-089-91	s METAL, CHIP 47k 5% 1/10W
R219	1-216-057-00	s METAL, CHIP 2.2k 5% 1/10W
R220	1-216-686-11	s METAL, CHIP 30k 0.5% 1/10W
R221	1-216-665-11	s METAL, CHIP 3.9k 0.5% 1/10W

## (SS-53 BOARD(UVW-1800/1600))

Ref. No. or Q'ty	Part No.	SP Description
R222	1-216-648-11	s METAL, CHIP 750 0.5% 1/10W
R223	1-216-699-11	s METAL, CHIP 100k 0.5% 1/10W
R224	1-216-675-11	s METAL, CHIP 10k 0.5% 1/10W
R225	1-218-764-11	s METAL, CHIP 330k 0.5% 1/10W
R227	1-216-049-00	s METAL, CHIP 1k 5% 1/10W
R228	1-216-049-00	s METAL, CHIP 1k 5% 1/10W
R229	1-216-025-00	s METAL, CHIP 100 5% 1/10W
R231	1-216-049-00	s METAL, CHIP 1k 5% 1/10W
R232	1-216-049-00	s METAL, CHIP 1k 5% 1/10W
R233	1-216-049-00	s METAL, CHIP 1k 5% 1/10W
R234	1-216-049-00	s METAL, CHIP 1k 5% 1/10W
R235	1-216-073-00	s METAL, CHIP 10k 5% 1/10W
R236	1-216-025-00	s METAL, CHIP 100 5% 1/10W
R237	1-216-025-00	s METAL, CHIP 100 5% 1/10W
R238	1-216-049-00	s METAL, CHIP 1k 5% 1/10W
R239	1-216-049-00	s METAL, CHIP 1k 5% 1/10W
R240	1-216-049-00	s METAL, CHIP 1k 5% 1/10W
R241	1-216-025-00	s METAL, CHIP 100 5% 1/10W
R242	1-216-049-00	s METAL, CHIP 1k 5% 1/10W
R243	1-216-057-00	s METAL, CHIP 2.2k 5% 1/10W
R244	1-216-057-00	s METAL, CHIP 2.2k 5% 1/10W
R245	1-216-089-91	s METAL, CHIP 47k 5% 1/10W
R254	1-216-089-91	s METAL, CHIP 47k 5% 1/10W
R255	1-216-675-11	s METAL, CHIP 10k 0.5% 1/10W
R256	1-216-683-11	s METAL, CHIP 22k 0.5% 1/10W
R257	1-216-675-11	s METAL, CHIP 10k 0.5% 1/10W
R258	1-216-683-11	s METAL, CHIP 22k 0.5% 1/10W
R260	1-216-097-00	s METAL, CHIP 100k 5% 1/10W
R261	1-216-073-00	s METAL, CHIP 10k 5% 1/10W
R262	1-216-089-91	s METAL, CHIP 47k 5% 1/10W
R263	1-216-089-91	s METAL, CHIP 47k 5% 1/10W
R264	1-216-089-91	s METAL, CHIP 47k 5% 1/10W
R265	1-216-089-91	s METAL, CHIP 47k 5% 1/10W
R268	1-216-057-00	s METAL, CHIP 2.2k 5% 1/10W
R269	1-216-057-00	s METAL, CHIP 2.2k 5% 1/10W
R275	1-216-073-00	s METAL, CHIP 10k 5% 1/10W
R276	1-216-073-00	s METAL, CHIP 10k 5% 1/10W
R277	1-216-073-00	s METAL, CHIP 10k 5% 1/10W
R281	1-216-121-00	s METAL, CHIP 1M 5% 1/10W
R282	1-216-073-00	s METAL, CHIP 10k 5% 1/10W
R283	1-220-221-11	s METAL, CHIP 100 5% 1/2W
R284	1-216-025-00	s METAL, CHIP 100 5% 1/10W
R285	1-216-089-91	s METAL, CHIP 47k 5% 1/10W
R286	1-216-097-00	s METAL, CHIP 100k 5% 1/10W
R287	1-216-025-00	s METAL, CHIP 100 5% 1/10W
R288	1-216-025-00	s METAL, CHIP 100 5% 1/10W
R289	1-216-073-00	s METAL, CHIP 10k 5% 1/10W
R290	1-216-073-00	s METAL, CHIP 10k 5% 1/10W
R291	1-216-073-00	s METAL, CHIP 10k 5% 1/10W
R292	1-216-073-00	s METAL, CHIP 10k 5% 1/10W
R294	1-216-073-00	s METAL, CHIP 10k 5% 1/10W
R295	1-216-073-00	s METAL, CHIP 10k 5% 1/10W
R297	1-216-025-00	s METAL, CHIP 100 5% 1/10W
R298	1-216-109-00	s METAL, CHIP 330k 5% 1/10W
R299	1-216-109-00	s METAL, CHIP 330k 5% 1/10W
R300	1-216-025-00	s METAL, CHIP 100 5% 1/10W
R302	1-216-025-00	s METAL, CHIP 100 5% 1/10W
R303	1-216-057-00	s METAL, CHIP 2.2k 5% 1/10W
R304	1-216-057-00	s METAL, CHIP 2.2k 5% 1/10W

(SS-53 BOARD(UVW-1800/1600))

Ref. No. or Q'ty	Part No.	SP Description
R306	1-216-025-00	s METAL, CHIP 100 5% 1/10W
R307	1-216-121-00	s METAL, CHIP 1M 5% 1/10W
R309	1-216-081-00	s METAL, CHIP 22k 5% 1/10W
R310	1-216-081-00	s METAL, CHIP 22k 5% 1/10W
R311	1-216-081-00	s METAL, CHIP 22k 5% 1/10W
R312	1-216-049-00	s METAL, CHIP 1k 5% 1/10W
R313	1-216-049-00	s METAL, CHIP 1k 5% 1/10W
R314	1-216-049-00	s METAL, CHIP 1k 5% 1/10W
R315	1-216-049-00	s METAL, CHIP 1k 5% 1/10W
R316	1-216-085-00	s METAL, CHIP 33k 5% 1/10W
R317	1-216-057-00	s METAL, CHIP 2.2k 5% 1/10W
R318	1-216-085-00	s METAL, CHIP 33k 5% 1/10W
R319	1-216-073-00	s METAL, CHIP 10k 5% 1/10W
R320	1-216-085-00	s METAL, CHIP 33k 5% 1/10W
R321	1-216-073-00	s METAL, CHIP 10k 5% 1/10W
R322	1-216-085-00	s METAL, CHIP 33k 5% 1/10W
R323	1-216-097-00	s METAL, CHIP 100k 5% 1/10W
R324	1-216-073-00	s METAL, CHIP 10k 5% 1/10W
R325	1-216-121-00	s METAL, CHIP 1M 5% 1/10W
R326-331	1-216-089-91	s METAL, CHIP 47k 5% 1/10W
R332	1-216-065-00	s METAL, CHIP 4.7k 5% 1/10W
R333	1-216-061-00	s METAL, CHIP 3.3k 5% 1/10W
R334	1-216-097-00	s METAL, CHIP 100k 5% 1/10W
R335	1-216-097-00	s METAL, CHIP 100k 5% 1/10W
R336	1-216-049-00	s METAL, CHIP 1k 5% 1/10W
R337	1-216-049-00	s METAL, CHIP 1k 5% 1/10W
R338	1-216-085-00	s METAL, CHIP 33k 5% 1/10W
R339	1-216-057-00	s METAL, CHIP 2.2k 5% 1/10W
R340	1-216-057-00	s METAL, CHIP 2.2k 5% 1/10W
R341	1-216-061-00	s METAL, CHIP 3.3k 5% 1/10W
R342	1-216-061-00	s METAL, CHIP 3.3k 5% 1/10W
R343	1-216-121-00	s METAL, CHIP 1M 5% 1/10W
R344	1-216-097-00	s METAL, CHIP 100k 5% 1/10W
R345	1-216-085-00	s METAL, CHIP 33k 5% 1/10W
R346-350	1-216-049-00	s METAL, CHIP 1k 5% 1/10W
R351	1-216-121-00	s METAL, CHIP 1M 5% 1/10W
R352	1-216-039-00	s METAL, CHIP 390 5% 1/10W
R353-381	1-216-049-00	s METAL, CHIP 1k 5% 1/10W
R382	1-216-073-00	s METAL, CHIP 10k 5% 1/10W
R383	1-216-073-00	s METAL, CHIP 10k 5% 1/10W
R385	1-216-089-91	s METAL, CHIP 47k 5% 1/10W
R386	1-216-089-91	s METAL, CHIP 47k 5% 1/10W
R387	1-216-049-00	s METAL, CHIP 1k 5% 1/10W
R388	1-216-049-00	s METAL, CHIP 1k 5% 1/10W
R389	1-216-049-00	s METAL, CHIP 1k 5% 1/10W
R390	1-216-073-00	s METAL, CHIP 10k 5% 1/10W
R391	1-216-089-91	s METAL, CHIP 47k 5% 1/10W
R392	1-216-025-00	s METAL, CHIP 100 5% 1/10W
R393	1-216-073-00	s METAL, CHIP 10k 5% 1/10W
R394	1-216-073-00	s METAL, CHIP 10k 5% 1/10W
R395	1-216-097-00	s METAL, CHIP 100k 5% 1/10W
R396	1-216-057-00	s METAL, CHIP 2.2k 5% 1/10W
R397	1-216-073-00	s METAL, CHIP 10k 5% 1/10W
R398	1-216-073-00	s METAL, CHIP 10k 5% 1/10W
R399	1-216-097-00	s METAL, CHIP 100k 5% 1/10W
R400	1-216-691-11	s METAL, CHIP 47k 0.5% 1/10W
R401	1-216-675-11	s METAL, CHIP 10k 0.5% 1/10W
R402	1-216-675-11	s METAL, CHIP 10k 0.5% 1/10W
R403	1-216-683-11	s METAL, CHIP 22k 0.5% 1/10W

(SS-53 BOARD(UVW-1800/1600))

Ref. No. or Q'ty	Part No.	SP Description
R404	1-216-683-11	s METAL, CHIP 22k 0.5% 1/10W
R405	1-216-651-11	s METAL, CHIP 1k 0.5% 1/10W
R406	1-216-675-11	s METAL, CHIP 10k 0.5% 1/10W
R407	1-216-695-11	s METAL, CHIP 68k 0.5% 1/10W
R408	1-216-695-11	s METAL, CHIP 68k 0.5% 1/10W
R409	1-216-699-11	s METAL, CHIP 100k 0.5% 1/10W
R410	1-216-687-11	s METAL, CHIP 33k 0.5% 1/10W
R411	1-216-057-00	s METAL, CHIP 2.2k 5% 1/10W
R412	1-216-691-11	s METAL, CHIP 47k 0.5% 1/10W
R413	1-216-675-11	s METAL, CHIP 10k 0.5% 1/10W
R414	1-216-675-11	s METAL, CHIP 10k 0.5% 1/10W
R415	1-216-683-11	s METAL, CHIP 22k 0.5% 1/10W
R416	1-216-683-11	s METAL, CHIP 22k 0.5% 1/10W
R417	1-216-695-11	s METAL, CHIP 68k 0.5% 1/10W
R418	1-216-695-11	s METAL, CHIP 68k 0.5% 1/10W
R419	1-216-651-11	s METAL, CHIP 1k 0.5% 1/10W
R420	1-216-675-11	s METAL, CHIP 10k 0.5% 1/10W
R421	1-216-687-11	s METAL, CHIP 33k 0.5% 1/10W
R422	1-216-699-11	s METAL, CHIP 100k 0.5% 1/10W
R423	1-216-057-00	s METAL, CHIP 2.2k 5% 1/10W
RB1	1-239-464-11	s RESISTOR BLOCK, CHIP 2.2kx8
RB2	1-239-308-11	s RESISTOR BLOCK, CHIP 47kx8
RB201	1-239-464-11	s RESISTOR BLOCK, CHIP 2.2kx8
RB202	1-239-309-11	s RESISTOR BLOCK, CHIP 100kx8
RB203	1-239-306-11	s RESISTOR BLOCK, CHIP 10kx8
S1	1-692-535-11	s SWITCH, DIP 4-CKT
S201	1-692-536-11	s SWITCH, DIP 8-CKT
X1	1-579-930-12	s RESONATOR CERAMIC 16.00MHz
X101	1-579-993-21	s CRYSTAL 13.50MHz
X200	1-579-996-11	s RESONATOR CERAMIC 20.00MHz

## TBC-25 BOARD(UVW-1800/1600)

Ref. No. or Q'ty	Part No.	SP Description
1pc	A-8275-282-A	o MOUNTED CIRCUIT BOARD, TBC-25
1pc	3-182-386-01	o PLATE, SHIELD (L), CARD
1pc	7-621-759-45	s SCREW, +PSW2.6x6
1pc	3-179-084-01	s LEVER (R), PC BOARD
1pc	3-179-085-01	s LEVER (L), PC BOARD
2pcs	1-750-484-11	s BUS-BAR
C1	1-126-933-11	s ELECT 100uF 20% 16V
C2	1-126-933-11	s ELECT 100uF 20% 16V
C3	1-163-033-00	s CERAMIC, CHIP 0.022uF 50V
C4	1-126-933-11	s ELECT 100uF 20% 16V
C5	1-126-933-11	s ELECT 100uF 20% 16V
C6	1-126-933-11	s ELECT 100uF 20% 16V
C7	1-126-933-11	s ELECT 100uF 20% 16V
C8	1-163-033-00	s CERAMIC, CHIP 0.022uF 50V
C9	1-126-933-11	s ELECT 100uF 20% 16V
C10	1-126-933-11	s ELECT 100uF 20% 16V
C11	1-163-033-00	s CERAMIC, CHIP 0.022uF 50V
C12	1-126-933-11	s ELECT 100uF 20% 16V
C13	1-126-933-11	s ELECT 100uF 20% 16V
C14	1-126-933-11	s ELECT 100uF 20% 16V
C15	1-163-033-00	s CERAMIC, CHIP 0.022uF 50V
C16-C21	1-126-933-11	s ELECT 100uF 20% 16V
C22	1-163-033-00	s CERAMIC, CHIP 0.022uF 50V
C100	1-163-033-00	s CERAMIC, CHIP 0.022uF 50V
C101	1-126-947-11	s ELECT 47uF 20% 35V
C102	1-163-097-00	s CERAMIC, CHIP 15pF 5% 50V
C103	1-163-097-00	s CERAMIC, CHIP 15pF 5% 50V
C104	1-163-033-00	s CERAMIC, CHIP 0.022uF 50V
C105	1-163-033-00	s CERAMIC, CHIP 0.022uF 50V
C106	1-163-033-00	s CERAMIC, CHIP 0.022uF 50V
C107	1-126-947-11	s ELECT 47uF 20% 35V
C108	1-163-809-11	s CERAMIC, CHIP 0.047uF 10% 25V
C109	1-124-903-11	s ELECT 1uF 20% 50V
C110	1-126-964-11	s ELECT 10uF 20% 50V
C111	1-163-239-11	s CERAMIC, CHIP 33pF 5% 50V
C112	1-164-004-11	s CERAMIC, CHIP 0.1uF 10% 25V
C113	1-126-934-11	s ELECT 220uF 20% 16V
C114	1-126-947-11	s ELECT 47uF 20% 35V
C115	1-163-033-00	s CERAMIC, CHIP 0.022uF 50V
C116	1-163-033-00	s CERAMIC, CHIP 0.022uF 50V
C117	1-126-947-11	s ELECT 47uF 20% 35V
C118	1-126-933-11	s ELECT 100uF 20% 16V
C200	1-163-033-00	s CERAMIC, CHIP 0.022uF 50V
C201	1-126-947-11	s ELECT 47uF 20% 35V
C202	1-163-097-00	s CERAMIC, CHIP 15pF 5% 50V
C203	1-163-097-00	s CERAMIC, CHIP 15pF 5% 50V
C204	1-163-033-00	s CERAMIC, CHIP 0.022uF 50V
C205	1-163-033-00	s CERAMIC, CHIP 0.022uF 50V
C206	1-163-033-00	s CERAMIC, CHIP 0.022uF 50V
C207	1-126-947-11	s ELECT 47uF 20% 35V
C208	1-163-809-11	s CERAMIC, CHIP 0.047uF 10% 25V
C209	1-124-903-11	s ELECT 1uF 20% 50V
C210	1-126-964-11	s ELECT 10uF 20% 50V
C211	1-163-239-11	s CERAMIC, CHIP 33pF 5% 50V
C212	1-164-004-11	s CERAMIC, CHIP 0.1uF 10% 25V
C213	1-126-934-11	s ELECT 220uF 20% 16V
C214	1-126-947-11	s ELECT 47uF 20% 35V
C215	1-163-033-00	s CERAMIC, CHIP 0.022uF 50V

## (TBC-25 BOARD(UVW-1800/1600))

Ref. No. or Q'ty	Part No.	SP Description
C216	1-163-033-00	s CERAMIC, CHIP 0.022uF 50V
C218	1-126-933-11	s ELECT 100uF 20% 16V
C300	1-126-947-11	s ELECT 47uF 20% 35V
C301	1-163-033-00	s CERAMIC, CHIP 0.022uF 50V
C302	1-163-251-11	s CERAMIC, CHIP 100pF 5% 50V
C303	1-163-033-00	s CERAMIC, CHIP 0.022uF 50V
C305	1-163-033-00	s CERAMIC, CHIP 0.022uF 50V
C306	1-163-251-11	s CERAMIC, CHIP 100pF 5% 50V
C307	1-163-133-00	s CERAMIC, CHIP 470pF 5% 50V
C308	1-163-263-11	s CERAMIC, CHIP 330pF 5% 50V
C309	1-126-947-11	s ELECT 47uF 20% 35V
C310	1-163-033-00	s CERAMIC, CHIP 0.022uF 50V
C311	1-126-947-11	s ELECT 47uF 20% 35V
C312-316	1-163-033-00	s CERAMIC, CHIP 0.022uF 50V
C317	1-126-963-11	s ELECT 4.7uF 20% 50V
C318	1-163-033-00	s CERAMIC, CHIP 0.022uF 50V
C319	1-163-033-00	s CERAMIC, CHIP 0.022uF 50V
C320	1-163-033-00	s CERAMIC, CHIP 0.022uF 50V
C321	1-163-251-11	s CERAMIC, CHIP 100pF 5% 50V
C322	1-163-133-00	s CERAMIC, CHIP 470pF 5% 50V
C324	1-163-033-00	s CERAMIC, CHIP 0.022uF 50V
C325	1-164-004-11	s CERAMIC, CHIP 0.1uF 10% 25V
C326	1-164-232-11	s CERAMIC 0.01uF 10% 100V
C327	1-124-903-11	s ELECT 1uF 20% 50V
C328	1-163-033-00	s CERAMIC, CHIP 0.022uF 50V
C329	1-163-033-00	s CERAMIC, CHIP 0.022uF 50V
C330	1-164-004-11	s CERAMIC, CHIP 0.1uF 10% 25V
C331	1-124-903-11	s ELECT 1uF 20% 50V
C332	1-164-004-11	s CERAMIC, CHIP 0.1uF 10% 25V
C333	1-163-243-11	s CERAMIC, CHIP 47pF 5% 50V
C334	1-126-933-11	s ELECT 100uF 20% 16V
C335	1-163-033-00	s CERAMIC, CHIP 0.022uF 50V
C336	1-163-133-00	s CERAMIC, CHIP 470pF 5% 50V
C337	1-164-232-11	s CERAMIC 0.01uF 10% 100V
C338	1-163-033-00	s CERAMIC, CHIP 0.022uF 50V
C339	1-163-251-11	s CERAMIC, CHIP 100pF 5% 50V
C340	1-163-033-00	s CERAMIC, CHIP 0.022uF 50V
C341	1-163-125-00	s CERAMIC, CHIP 220pF 5% 50V
C342	1-163-133-00	s CERAMIC, CHIP 470pF 5% 50V
C344	1-163-243-11	s CERAMIC, CHIP 47pF 5% 50V
C345	1-163-251-11	s CERAMIC, CHIP 100pF 5% 50V
C347	1-164-004-11	s CERAMIC, CHIP 0.1uF 10% 25V
C350	1-126-933-11	s ELECT 100uF 20% 16V
C351	1-164-222-11	s CERAMIC 0.22uF 25V
C352	1-124-925-11	s ELECT 2.2uF 20% 100V
C353	1-124-925-11	s ELECT 2.2uF 20% 100V
C355	1-163-243-11	s CERAMIC, CHIP 47pF 5% 50V
C356	1-163-243-11	s CERAMIC, CHIP 47pF 5% 50V
C357	1-163-275-11	s CERAMIC, CHIP 0.001uF 5% 50V
C359	1-163-033-00	s CERAMIC, CHIP 0.022uF 50V
C360	1-126-947-11	s ELECT 47uF 20% 35V
C361	1-126-947-11	s ELECT 47uF 20% 35V
C362	1-163-033-00	s CERAMIC, CHIP 0.022uF 50V
C363	1-126-947-11	s ELECT 47uF 20% 35V
C364	1-163-033-00	s CERAMIC, CHIP 0.022uF 50V
C400	1-126-947-11	s ELECT 47uF 20% 35V
C401	1-163-033-00	s CERAMIC, CHIP 0.022uF 50V
C402	1-163-033-00	s CERAMIC, CHIP 0.022uF 50V
C404	1-163-033-00	s CERAMIC, CHIP 0.022uF 50V

## (TBC-25 BOARD(UVW-1800/1600))

## (TBC-25 BOARD(UVW-1800/1600))

Ref. No. or Q'ty	Part No.	SP Description
C405	1-126-947-11	s ELECT 47uF 20% 35V
C406	1-163-033-00	s CERAMIC, CHIP 0.022uF 50V
C407	1-163-222-11	s CERAMIC, CHIP 5pF 50V
C408	1-163-102-00	s CERAMIC, CHIP 24pF 5% 50V
C409	1-163-243-11	s CERAMIC, CHIP 47pF 5% 50V
C410	1-126-947-11	s ELECT 47uF 20% 35V
C411	1-163-106-00	s CERAMIC 36pF 5% 50V
C412	1-163-120-00	s CERAMIC 130pF 5% 50V
C413	1-163-263-11	s CERAMIC, CHIP 330pF 5% 50V
C414-419	1-163-033-00	s CERAMIC, CHIP 0.022uF 50V
C420	1-163-239-11	s CERAMIC, CHIP 33pF 5% 50V
C421	1-163-125-00	s CERAMIC, CHIP 220pF 5% 50V
C422	1-163-033-00	s CERAMIC, CHIP 0.022uF 50V
C423	1-164-004-11	s CERAMIC, CHIP 0.1uF 10% 25V
C424	1-164-004-11	s CERAMIC, CHIP 0.1uF 10% 25V
C425	1-164-232-11	s CERAMIC 0.01uF 10% 100V
C426	1-124-903-11	s ELECT 1uF 20% 50V
C427	1-163-033-00	s CERAMIC, CHIP 0.022uF 50V
C428	1-163-033-00	s CERAMIC, CHIP 0.022uF 50V
C429	1-124-903-11	s ELECT 1uF 20% 50V
C430	1-163-033-00	s CERAMIC, CHIP 0.022uF 50V
C431	1-164-004-11	s CERAMIC, CHIP 0.1uF 10% 25V
C432	1-164-232-11	s CERAMIC 0.01uF 10% 100V
C433	1-163-263-11	s CERAMIC, CHIP 330pF 5% 50V
C434	1-163-243-11	s CERAMIC, CHIP 47pF 5% 50V
C435	1-126-933-11	s ELECT 100uF 20% 16V
C436	1-163-033-00	s CERAMIC, CHIP 0.022uF 50V
C437	1-163-133-00	s CERAMIC, CHIP 470pF 5% 50V
C438	1-164-232-11	s CERAMIC 0.01uF 10% 100V
C439	1-163-033-00	s CERAMIC, CHIP 0.022uF 50V
C440	1-163-251-11	s CERAMIC, CHIP 100pF 5% 50V
C441	1-163-033-00	s CERAMIC, CHIP 0.022uF 50V
C443	1-163-125-00	s CERAMIC, CHIP 220pF 5% 50V
C444	1-163-263-11	s CERAMIC, CHIP 330pF 5% 50V
C445	1-163-243-11	s CERAMIC, CHIP 47pF 5% 50V
C446	1-163-251-11	s CERAMIC, CHIP 100pF 5% 50V
C447	1-164-004-11	s CERAMIC, CHIP 0.1uF 10% 25V
C448	1-126-933-11	s ELECT 100uF 20% 16V
C449	1-164-222-11	s CERAMIC 0.22uF 25V
C450	1-124-925-11	s ELECT 2.2uF 20% 100V
C451	1-124-925-11	s ELECT 2.2uF 20% 100V
C452	1-163-275-11	s CERAMIC, CHIP 0.001uF 5% 50V
C454	1-163-033-00	s CERAMIC, CHIP 0.022uF 50V
C455	1-126-947-11	s ELECT 47uF 20% 35V
C456	1-126-947-11	s ELECT 47uF 20% 35V
C457	1-163-033-00	s CERAMIC, CHIP 0.022uF 50V
C458	1-126-947-11	s ELECT 47uF 20% 35V
C459	1-163-033-00	s CERAMIC, CHIP 0.022uF 50V
C461	1-163-033-00	s CERAMIC, CHIP 0.022uF 50V
C462	1-163-102-00	s CERAMIC, CHIP 24pF 5% 50V
C501	1-163-125-00	s CERAMIC, CHIP 220pF 5% 50V
C502	1-163-125-00	s CERAMIC, CHIP 220pF 5% 50V
C503	1-163-033-00	s CERAMIC, CHIP 0.022uF 50V
C504	1-163-033-00	s CERAMIC, CHIP 0.022uF 50V
C505	1-163-033-00	s CERAMIC, CHIP 0.022uF 50V
C506	1-163-033-00	s CERAMIC, CHIP 0.022uF 50V
C507	1-126-947-11	s ELECT 47uF 20% 35V
C508	1-163-033-00	s CERAMIC, CHIP 0.022uF 50V
C509	1-163-033-00	s CERAMIC, CHIP 0.022uF 50V

Ref. No. or Q'ty	Part No.	SP Description
C510	1-163-033-00	s CERAMIC, CHIP 0.022uF 50V
C511	1-163-033-00	s CERAMIC, CHIP 0.022uF 50V
C512	1-163-125-00	s CERAMIC, CHIP 220pF 5% 50V
C513	1-163-033-00	s CERAMIC, CHIP 0.022uF 50V
C514	1-163-251-11	s CERAMIC, CHIP 100pF 5% 50V
C515-523	1-163-033-00	s CERAMIC, CHIP 0.022uF 50V
C524	1-164-004-11	s CERAMIC, CHIP 0.1uF 10% 25V
C525	1-164-004-11	s CERAMIC, CHIP 0.1uF 10% 25V
C526	1-164-004-11	s CERAMIC, CHIP 0.1uF 10% 25V
C527	1-163-033-00	s CERAMIC, CHIP 0.022uF 50V
C528	1-164-004-11	s CERAMIC, CHIP 0.1uF 10% 25V
C529	1-163-033-00	s CERAMIC, CHIP 0.022uF 50V
C530	1-164-004-11	s CERAMIC, CHIP 0.1uF 10% 25V
C531	1-163-033-00	s CERAMIC, CHIP 0.022uF 50V
C532	1-164-004-11	s CERAMIC, CHIP 0.1uF 10% 25V
C533	1-163-033-00	s CERAMIC, CHIP 0.022uF 50V
C534	1-163-033-00	s CERAMIC, CHIP 0.022uF 50V
C535	1-163-033-00	s CERAMIC, CHIP 0.022uF 50V
C536	1-163-033-00	s CERAMIC, CHIP 0.022uF 50V
C537	1-126-947-11	s ELECT 47uF 20% 35V
C538	1-126-947-11	s ELECT 47uF 20% 35V
C539	1-163-033-00	s CERAMIC, CHIP 0.022uF 50V
C540	1-163-033-00	s CERAMIC, CHIP 0.022uF 50V
C541	1-163-097-00	s CERAMIC, CHIP 15pF 5% 50V
C542	1-126-947-11	s ELECT 47uF 20% 35V
C543	1-126-947-11	s ELECT 47uF 20% 35V
C544	1-163-033-00	s CERAMIC, CHIP 0.022uF 50V
C545	1-163-251-11	s CERAMIC, CHIP 100pF 5% 50V
C546	1-163-243-11	s CERAMIC, CHIP 47pF 5% 50V
C547-553	1-163-033-00	s CERAMIC, CHIP 0.022uF 50V
C700	1-164-232-11	s CERAMIC 0.01uF 10% 100V
C701	1-164-232-11	s CERAMIC 0.01uF 10% 100V
C702	1-126-964-11	s ELECT 10uF 20% 50V
C703	1-126-964-11	s ELECT 10uF 20% 50V
C704	1-163-239-11	s CERAMIC, CHIP 33pF 5% 50V
C705	1-163-125-00	s CERAMIC, CHIP 220pF 5% 50V
C706	1-163-033-00	s CERAMIC, CHIP 0.022uF 50V
C707	1-164-004-11	s CERAMIC, CHIP 0.1uF 10% 25V
C708	1-126-947-11	s ELECT 47uF 20% 35V
C709-715	1-163-033-00	s CERAMIC, CHIP 0.022uF 50V
C716	1-163-239-11	s CERAMIC, CHIP 33pF 5% 50V
C717	1-163-033-00	s CERAMIC, CHIP 0.022uF 50V
C718	1-163-033-00	s CERAMIC, CHIP 0.022uF 50V
C719	1-126-947-11	s ELECT 47uF 20% 35V
C720	1-130-489-00	s MYLAR 0.033uF 5% 50V
C721	1-163-033-00	s CERAMIC, CHIP 0.022uF 50V
C722	1-126-947-11	s ELECT 47uF 20% 35V
C723-728	1-163-033-00	s CERAMIC, CHIP 0.022uF 50V
C729	1-126-947-11	s ELECT 47uF 20% 35V
C730	1-126-947-11	s ELECT 47uF 20% 35V
C731	1-164-004-11	s CERAMIC, CHIP 0.1uF 10% 25V
C732	1-164-004-11	s CERAMIC, CHIP 0.1uF 10% 25V
C733	1-164-004-11	s CERAMIC, CHIP 0.1uF 10% 25V
C734	1-163-251-11	s CERAMIC, CHIP 100pF 5% 50V
C735	1-164-004-11	s CERAMIC, CHIP 0.1uF 10% 25V
C736	1-163-121-00	s CERAMIC, CHIP 150pF 5% 50V
C737	1-163-125-00	s CERAMIC, CHIP 220pF 5% 50V
C738	1-163-033-00	s CERAMIC, CHIP 0.022uF 50V
C739	1-163-033-00	s CERAMIC, CHIP 0.022uF 50V

## (TBC-25 BOARD(UVM-1800/1600))

Ref. No. or Q'ty	Part No.	SP Description
C740	1-163-275-11	s CERAMIC, CHIP 0.001uF 5% 50V
C741	1-131-347-00	s TANTALUM 1uF 10% 35V
C742	1-163-033-00	s CERAMIC, CHIP 0.022uF 50V
C743	1-131-363-00	s TANTALUM 4.7uF 10% 20V
C744	1-164-232-11	s CERAMIC 0.01uF 10% 100V
C746	1-163-033-00	s CERAMIC, CHIP 0.022uF 50V
C747	1-163-033-00	s CERAMIC, CHIP 0.022uF 50V
C748	1-163-106-00	s CERAMIC, CHIP 36pF 5% 50V
C749	1-163-239-11	s CERAMIC, CHIP 33pF 5% 50V
C750	1-163-251-11	s CERAMIC, CHIP 100pF 5% 50V
C751	1-163-251-11	s CERAMIC, CHIP 100pF 5% 50V
C752	1-164-232-11	s CERAMIC 0.01uF 10% 100V
C753	1-164-232-11	s CERAMIC 0.01uF 10% 100V
C754	1-163-263-11	s CERAMIC, CHIP 330pF 5% 50V
C755	1-163-263-11	s CERAMIC, CHIP 330pF 5% 50V
C756	1-163-809-11	s CERAMIC, CHIP 0.047uF 10% 25V
C757	1-163-809-11	s CERAMIC, CHIP 0.047uF 10% 25V
C758	1-163-033-00	s CERAMIC, CHIP 0.022uF 50V
C759	1-164-004-11	s CERAMIC, CHIP 0.1uF 10% 25V
C760	1-164-004-11	s CERAMIC, CHIP 0.1uF 10% 25V
C761	1-163-033-00	s CERAMIC, CHIP 0.022uF 50V
C762	1-163-033-00	s CERAMIC, CHIP 0.022uF 50V
C763	1-126-947-11	s ELECT 47uF 20% 35V
C764	1-126-947-11	s ELECT 47uF 20% 35V
C765	1-124-903-11	s ELECT 1uF 20% 50V
C766	1-163-033-00	s CERAMIC, CHIP 0.022uF 50V
C767	1-163-033-00	s CERAMIC, CHIP 0.022uF 50V
C768	1-163-243-11	s CERAMIC, CHIP 47pF 5% 50V
C769	1-163-033-00	s CERAMIC, CHIP 0.022uF 50V
C770	1-164-004-11	s CERAMIC, CHIP 0.1uF 10% 25V
C771	1-164-004-11	s CERAMIC, CHIP 0.1uF 10% 25V
C772	1-163-033-00	s CERAMIC, CHIP 0.022uF 50V
C773	1-163-033-00	s CERAMIC, CHIP 0.022uF 50V
C774	1-164-004-11	s CERAMIC, CHIP 0.1uF 10% 25V
C775	1-164-004-11	s CERAMIC, CHIP 0.1uF 10% 25V
C776	1-163-033-00	s CERAMIC, CHIP 0.022uF 50V
C777	1-163-033-00	s CERAMIC, CHIP 0.022uF 50V
C778	1-163-033-00	s CERAMIC, CHIP 0.022uF 50V
C779	1-163-033-00	s CERAMIC, CHIP 0.022uF 50V
C780	1-126-947-11	s ELECT 47uF 20% 35V
C781	1-163-033-00	s CERAMIC, CHIP 0.022uF 50V
C782	1-163-033-00	s CERAMIC, CHIP 0.022uF 50V
C783	1-126-947-11	s ELECT 47uF 20% 35V
C784	1-163-033-00	s CERAMIC, CHIP 0.022uF 50V
C785	1-163-033-00	s CERAMIC, CHIP 0.022uF 50V
C786	1-163-097-00	s CERAMIC, CHIP 15pF 5% 50V
C787	1-163-125-00	s CERAMIC, CHIP 220pF 5% 50V
C788	1-163-033-00	s CERAMIC, CHIP 0.022uF 50V
C789	1-126-964-11	s ELECT 10uF 20% 50V
C790	1-126-964-11	s ELECT 10uF 20% 50V
C791	1-163-033-00	s CERAMIC, CHIP 0.022uF 50V
C792	1-126-947-11	s ELECT 47uF 20% 35V
C793	1-126-947-11	s ELECT 47uF 20% 35V
C794	1-124-903-11	s ELECT 1uF 20% 50V
C795	1-164-222-11	s CERAMIC, CHIP 0.22uF 25V
C796	1-163-033-00	s CERAMIC, CHIP 0.022uF 50V
C797	1-164-232-11	s CERAMIC, CHIP 0.01uF 10% 100V
C798	1-164-232-11	s CERAMIC, CHIP 0.01uF 10% 100V
C799	1-163-033-00	s CERAMIC, CHIP 0.022uF 50V

## (TBC-25 BOARD(UVM-1800/1600))

Ref. No. or Q'ty	Part No.	SP Description
C800	1-163-033-00	s CERAMIC, CHIP 0.022uF 50V
C801	1-163-239-11	s CERAMIC, CHIP 33pF 5% 50V
C802	1-163-033-00	s CERAMIC, CHIP 0.022uF 50V
C803	1-163-121-00	s CERAMIC, CHIP 150pF 5% 50V
C804	1-163-251-11	s CERAMIC, CHIP 100pF 5% 50V
CN1	1-564-005-11	o CONNECTOR 6P, MALE
CN2	1-564-005-11	o CONNECTOR 6P, MALE
CN105	1-573-782-21	o CONNECTOR, PHEC 60P, MALE
CN106	1-573-782-21	o CONNECTOR, PHEC 60P, MALE
CV700	1-141-304-21	s CAP, TRIMMER 10pF
CV701	1-141-304-21	s CAP, TRIMMER 10pF
D1	8-719-941-04	s DIODE SB007-03CP
D2	8-719-941-04	s DIODE SB007-03CP
D100	8-719-941-23	s DIODE DA204U
D101	8-719-123-82	s DIODE 1SS303-T1
D102	8-719-123-85	s DIODE 1SS304
D200	8-719-941-23	s DIODE DA204U
D301	8-719-941-23	s DIODE DA204U
D302	8-719-105-38	s DIODE RD3.0M-B1
D303	8-719-041-39	s DIODE KV1470
D304	8-719-041-39	s DIODE KV1470
D401	8-719-941-23	s DIODE DA204U
D402	8-719-105-38	s DIODE RD3.0M-B1
D403	8-719-041-39	s DIODE KV1470
D404	8-719-041-39	s DIODE KV1470
D502	8-719-123-82	s DIODE 1SS303-T1
D503	8-719-123-82	s DIODE 1SS303-T1
D504	8-719-941-23	s DIODE DA204U
D505	8-719-123-85	s DIODE 1SS304
D506	8-719-123-85	s DIODE 1SS304
D701	8-719-123-82	s DIODE 1SS303-T1
D702	8-713-300-88	s DIODE 1T33C-01
D703	8-713-300-88	s DIODE 1T33C-01
FL500	1-239-769-11	s FILTER, LOW-PASS 5MHz
FL501	1-239-767-11	s FILTER, LOW-PASS 2MHz
FL502	1-239-767-11	s FILTER, LOW-PASS 2MHz
IC1	8-759-168-20	s IC TA78L09S
IC2	8-759-168-20	s IC TA78L09S
IC3	8-759-822-95	s IC L79M05T-FA
IC4	8-759-822-95	s IC L79M05T-FA
IC5	8-759-182-84	s IC P005SZ5U
IC6	8-759-182-84	s IC P005SZ5U
IC7	8-759-182-84	s IC P005SZ5U
IC100	8-759-030-74	s IC SC14S66FEL
IC101	8-759-908-17	s IC TL082CPS
IC102	8-759-908-15	s IC TL431CLP
IC103	8-752-334-55	s IC CXD1175M
IC200	8-759-030-74	s IC SC14S66FEL
IC203	8-752-334-55	s IC CXD1175M
IC300	8-759-702-08	s IC NJM360M
IC301	8-752-339-03	s IC CXD2207Q
IC302	8-759-300-71	s IC HD14053BFP
IC303	8-759-100-96	s IC UPC4558G2
IC304	8-759-100-96	s IC UPC4558G2
IC305	8-759-194-31	s IC MB4002PF-ER
IC306	8-759-907-81	s IC SN74LS221MS
IC307	8-759-991-85	s IC 74F00SJ

## (TBC-25 BOARD(UVW-1800/1600))

Ref. No. or Q'ty	Part No.	SP Description
IC308	8-759-030-74	s IC SC14S66FEL
IC400	8-759-702-08	s IC NJM360M
IC401	8-752-339-03	s IC CXD2207Q
IC402	8-759-100-96	s IC UPC4558G2
IC403	8-759-100-96	s IC UPC4558G2
IC404	8-759-194-31	s IC MB4002PF-ER
IC405	8-759-907-81	s IC SN74LS221NS
IC406	8-759-926-24	s IC SN74HC164NS
IC407	8-759-991-85	s IC 74FOOSJ
IC408	8-759-030-74	s IC SC14S66FEL
IC501	8-752-362-70	s IC CXD101-106Q
IC502	8-752-362-70	s IC CXD101-106Q
IC503	8-759-055-71	s IC CXD8313Q
IC504	8-759-055-71	s IC CXD8313Q
IC505	8-752-340-52	s IC CXK48324Q
IC506	8-759-927-02	s IC SN74HC7266MS
IC507	8-759-147-05	s IC UPD42101G-3
IC508	8-752-340-52	s IC CXK48324Q
IC509	8-759-927-46	s IC SN74HC00NS
IC510	8-759-926-77	s IC SN74HC541NS
IC511	8-759-925-78	s IC SN74HC10NS
IC512	8-759-926-18	s IC SN74HC157ANS
IC513	8-759-926-18	s IC SN74HC157ANS
IC514	8-759-239-55	s IC TC74HC123AF
IC515	8-759-100-96	s IC UPC4558G2
IC516	8-759-100-96	s IC UPC4558G2
IC517	8-759-100-96	s IC UPC4558G2
IC518	8-752-352-34	s IC CXD1171M-1
IC519	8-752-352-34	s IC CXD1171M-1
IC520	8-752-352-34	s IC CXD1171M-1
IC521	8-752-052-77	s IC CXA1450M
IC522	8-759-926-24	s IC SN74HC164NS
IC523	8-759-925-85	s IC SN74HC32NS
IC524	8-759-926-18	s IC SN74HC157ANS
IC525	8-759-926-18	s IC SN74HC157ANS
IC526	8-759-926-18	s IC SN74HC157ANS
IC527	8-759-926-18	s IC SN74HC157ANS
IC528	8-759-925-90	s IC SN74HC74NS
IC529	8-759-926-27	s IC SN74HC173NS
IC530	8-759-926-27	s IC SN74HC173NS
IC531	8-759-926-27	s IC SN74HC173NS
IC532	8-759-926-27	s IC SN74HC173NS
IC533	8-759-031-84	s IC TC7S04F
IC534	8-759-926-56	s IC SN74HC273NS
IC700	8-759-300-71	s IC HD14053BFP
IC701	8-759-908-17	s IC TL082CPS
IC702	8-759-009-05	s IC MC14051BF
IC703	8-759-987-27	s IC LM1881M
IC704	8-759-100-96	s IC UPC4558G2
IC705	8-759-908-17	s IC TL082CPS
IC706	8-759-702-08	s IC NJM360M
IC707	8-759-100-96	s IC UPC4558G2
IC708	8-759-908-15	s IC TL431CLP
IC709	8-759-980-04	s IC LM311PS
IC710	8-759-239-55	s IC TC74HC123AF
IC711	8-759-925-74	s IC TC74HC04NS
IC712	8-759-250-81	s IC TC5081AP
IC713	8-752-335-47	s IC CXD1216M
IC714	8-759-196-23	s IC MC68HC705C8FU

## (TBC-25 BOARD(UVW-1800/1600))

Ref. No. or Q'ty	Part No.	SP Description
IC715	8-759-300-71	s IC HD14053BFP
IC716	8-759-925-76	s IC SN74HC08NS
IC717	8-759-241-03	s IC TC74HC191AF
IC718	8-759-031-84	s IC TC7S04F
IC719	8-759-031-84	s IC TC7S04F
IC720	8-759-925-90	s IC SN74HC74NS
IC721	8-759-239-55	s IC TC74HC123AF
IC722	8-759-519-49	s IC CXD8165Q
IC723	8-752-334-64	s IC CXD1171M
IC724	8-752-334-64	s IC CXD1171M
IC725	8-752-052-77	s IC CXA1450M
IC726	8-759-908-17	s IC TL082CPS
IC727	8-759-239-55	s IC TC74HC123AF
L1-L5	1-412-533-21	s INDUCTOR 47uH
L100	1-410-478-11	s INDUCTOR 47uH
L101	1-410-476-11	s INDUCTOR 33uH
L102	1-410-478-11	s INDUCTOR 47uH
L103	1-410-478-11	s INDUCTOR 47uH
L200	1-410-478-11	s INDUCTOR 47uH
L201	1-410-476-11	s INDUCTOR 33uH
L202	1-410-478-11	s INDUCTOR 47uH
L203	1-410-478-11	s INDUCTOR 47uH
L300	1-410-478-11	s INDUCTOR 47uH
L301	1-410-478-11	s INDUCTOR 47uH
L302	1-408-427-00	s INDUCTOR 330uH
L303	1-410-492-11	s INDUCTOR 680uH
L304	1-408-419-00	s INDUCTOR 68uH
L305	1-410-478-11	s INDUCTOR 47uH
L306	1-410-478-11	s INDUCTOR 47uH
L307	1-408-406-00	s INDUCTOR 5.6uH
L400	1-410-478-11	s INDUCTOR 47uH
L401	1-410-478-11	s INDUCTOR 47uH
L402	1-408-411-00	s INDUCTOR 15uH
L403	1-410-476-11	s INDUCTOR 33uH
L404	1-410-482-31	s INDUCTOR 100uH
L405	1-408-425-00	s INDUCTOR 220uH
L406	1-408-416-00	s INDUCTOR 39uH
L407	1-410-478-11	s INDUCTOR 47uH
L408	1-410-478-11	s INDUCTOR 47uH
L500-504	1-410-478-11	s INDUCTOR 47uH
L700	1-410-482-31	s INDUCTOR 100uH
L701	1-408-419-00	s INDUCTOR 68uH
L702-709	1-410-478-11	s INDUCTOR 47uH
LV300	1-406-746-11	s INDUCTOR, VAR 22uH
LV400	1-406-745-11	s INDUCTOR, VAR 6.8uH
Q100	8-729-117-32	s TRANSISTOR 2SC4177
Q101	8-729-117-32	s TRANSISTOR 2SC4177
Q102	8-729-117-32	s TRANSISTOR 2SC4177
Q103	8-729-118-56	s TRANSISTOR 2SK852-X2
Q104	8-729-140-63	s TRANSISTOR 2SA1611-M5M6
Q200	8-729-117-32	s TRANSISTOR 2SC4177
Q201	8-729-117-32	s TRANSISTOR 2SC4177
Q202	8-729-117-32	s TRANSISTOR 2SC4177
Q203	8-729-118-56	s TRANSISTOR 2SK852-X2
Q300	8-729-117-32	s TRANSISTOR 2SC4177
Q301	8-729-117-32	s TRANSISTOR 2SC4177
Q302	8-729-117-32	s TRANSISTOR 2SC4177
Q303	8-729-140-63	s TRANSISTOR 2SA1611-M5M6



## (TBC-25 BOARD(UVN-1800/1600))

Ref. No. or Q'ty	Part No.	SP Description
Q304	8-729-140-47	s TRANSISTOR 2SC3735-B34
Q305	8-729-140-63	s TRANSISTOR 2SA1611-M5M6
Q306	8-729-117-32	s TRANSISTOR 2SC4177
Q400	8-729-117-32	s TRANSISTOR 2SC4177
Q401	8-729-117-32	s TRANSISTOR 2SC4177
Q402	8-729-117-32	s TRANSISTOR 2SC4177
Q403	8-729-117-32	s TRANSISTOR 2SC4177
Q404	8-729-140-63	s TRANSISTOR 2SA1611-M5M6
Q405	8-729-140-47	s TRANSISTOR 2SC3735-B34
Q406	8-729-140-63	s TRANSISTOR 2SA1611-M5M6
Q407	8-729-117-32	s TRANSISTOR 2SC4177
Q500	8-729-117-32	s TRANSISTOR 2SC4177
Q501	8-729-140-63	s TRANSISTOR 2SA1611-M5M6
Q502	8-729-117-32	s TRANSISTOR 2SC4177
Q503	8-729-117-32	s TRANSISTOR 2SC4177
Q700	8-729-140-63	s TRANSISTOR 2SA1611-M5M6
Q701	8-729-117-32	s TRANSISTOR 2SC4177
Q702	8-729-117-32	s TRANSISTOR 2SC4177
Q703	8-729-201-27	s TRANSISTOR 2SC2715-Y
Q704	8-729-201-27	s TRANSISTOR 2SC2715-Y
Q705	8-729-140-47	s TRANSISTOR 2SC3735-B34
Q706	8-729-140-47	s TRANSISTOR 2SC3735-B34
Q707-711	8-729-117-32	s TRANSISTOR 2SC4177
R100	1-216-638-11	s METAL, CHIP 300 0.5% 1/10W
R101	1-216-025-00	s METAL, CHIP 100 5% 1/10W
R102	1-216-659-11	s METAL, CHIP 2.2k 0.5% 1/10W
R103	1-216-041-00	s METAL, CHIP 470 5% 1/10W
R104	1-216-033-00	s METAL, CHIP 220 5% 1/10W
R105	1-216-049-00	s METAL, CHIP 1k 5% 1/10W
R106	1-216-652-11	s METAL, CHIP 1.1k 0.5% 1/10W
R107	1-216-652-11	s METAL, CHIP 1.1k 0.5% 1/10W
R108	1-216-059-00	s METAL, CHIP 2.7k 5% 1/10W
R109	1-216-025-00	s METAL, CHIP 100 5% 1/10W
R110	1-216-093-00	s METAL, CHIP 68k 5% 1/10W
R111	1-216-061-00	s METAL, CHIP 3.3k 5% 1/10W
R112	1-216-049-00	s METAL, CHIP 1k 5% 1/10W
R113	1-216-017-00	s METAL, CHIP 47 5% 1/10W
R114	1-216-073-00	s METAL, CHIP 10k 5% 1/10W
R115	1-216-097-00	s METAL, CHIP 100k 5% 1/10W
R116	1-216-057-00	s METAL, CHIP 2.2k 5% 1/10W
R117	1-216-057-00	s METAL, CHIP 2.2k 5% 1/10W
R118	1-216-073-00	s METAL, CHIP 10k 5% 1/10W
R119	1-216-037-00	s METAL, CHIP 330 5% 1/10W
R120	1-216-033-00	s METAL, CHIP 220 5% 1/10W
R121	1-216-033-00	s METAL, CHIP 220 5% 1/10W
R122	1-216-017-00	s METAL, CHIP 47 5% 1/10W
R123	1-216-073-00	s METAL, CHIP 10k 5% 1/10W
R200	1-216-638-11	s METAL, CHIP 300 0.5% 1/10W
R201	1-216-025-00	s METAL, CHIP 100 5% 1/10W
R202	1-216-659-11	s METAL, CHIP 2.2k 0.5% 1/10W
R203	1-216-041-00	s METAL, CHIP 470 5% 1/10W
R204	1-216-033-00	s METAL, CHIP 220 5% 1/10W
R205	1-216-049-00	s METAL, CHIP 1k 5% 1/10W
R206	1-216-652-11	s METAL, CHIP 1.1k 0.5% 1/10W
R207	1-216-652-11	s METAL, CHIP 1.1k 0.5% 1/10W
R208	1-216-059-00	s METAL, CHIP 2.7k 5% 1/10W
R209	1-216-025-00	s METAL, CHIP 100 5% 1/10W
R210	1-216-081-00	s METAL, CHIP 22k 5% 1/10W

## (TBC-25 BOARD(UVN-1800/1600))

Ref. No. or Q'ty	Part No.	SP Description
R211	1-216-073-00	s METAL, CHIP 10k 5% 1/10W
R212	1-216-049-00	s METAL, CHIP 1k 5% 1/10W
R213	1-216-017-00	s METAL, CHIP 47 5% 1/10W
R214	1-216-073-00	s METAL, CHIP 10k 5% 1/10W
R215	1-216-097-00	s METAL, CHIP 100k 5% 1/10W
R222	1-216-017-00	s METAL, CHIP 47 5% 1/10W
R223	1-216-073-00	s METAL, CHIP 10k 5% 1/10W
R301	1-216-049-00	s METAL, CHIP 1k 5% 1/10W
R302	1-216-085-00	s METAL, CHIP 33k 5% 1/10W
R303	1-216-065-00	s METAL, CHIP 4.7k 5% 1/10W
R304	1-216-073-00	s METAL, CHIP 10k 5% 1/10W
R305	1-216-085-00	s METAL, CHIP 33k 5% 1/10W
R306	1-216-017-00	s METAL, CHIP 47 5% 1/10W
R307	1-216-051-00	s METAL, CHIP 1.2k 5% 1/10W
R308	1-216-025-00	s METAL, CHIP 100 5% 1/10W
R309	1-216-057-00	s METAL, CHIP 2.2k 5% 1/10W
R310	1-216-033-00	s METAL, CHIP 220 5% 1/10W
R311	1-216-049-00	s METAL, CHIP 1k 5% 1/10W
R312	1-216-057-00	s METAL, CHIP 2.2k 5% 1/10W
R313	1-216-059-00	s METAL, CHIP 2.7k 5% 1/10W
R314	1-216-049-00	s METAL, CHIP 1k 5% 1/10W
R315	1-216-089-91	s METAL, CHIP 47k 5% 1/10W
R316	1-216-049-00	s METAL, CHIP 1k 5% 1/10W
R317	1-216-069-00	s METAL, CHIP 6.8k 5% 1/10W
R318	1-216-041-00	s METAL, CHIP 470 5% 1/10W
R319	1-216-675-11	s METAL, CHIP 10k 0.5% 1/10W
R320	1-216-295-91	s RES, CHIP 0
R321	1-216-065-00	s METAL, CHIP 4.7k 5% 1/10W
R322	1-216-677-11	s METAL, CHIP 12k 0.5% 1/10W
R323	1-216-033-00	s METAL, CHIP 220 5% 1/10W
R324	1-216-033-00	s METAL, CHIP 220 5% 1/10W
R325	1-216-117-00	s METAL, CHIP 680k 5% 1/10W
R326	1-216-691-11	s METAL, CHIP 47k 0.5% 1/10W
R328	1-216-687-11	s METAL, CHIP 33k 0.5% 1/10W
R329	1-216-669-11	s METAL, CHIP 5.6k 0.5% 1/10W
R330	1-216-634-11	s METAL, CHIP 200 0.5% 1/10W
R331	1-216-025-00	s METAL, CHIP 100 5% 1/10W
R332	1-216-057-00	s METAL, CHIP 2.2k 5% 1/10W
R333	1-216-667-11	s METAL, CHIP 4.7k 0.5% 1/10W
R334	1-216-121-00	s METAL, CHIP 1M 5% 1/10W
R335	1-216-033-00	s METAL, CHIP 220 5% 1/10W
R336	1-216-061-00	s METAL, CHIP 3.3k 5% 1/10W
R337	1-216-671-11	s METAL, CHIP 6.8k 0.5% 1/10W
R338	1-216-679-11	s METAL, CHIP 15k 0.5% 1/10W
R339	1-216-073-00	s METAL, CHIP 10k 5% 1/10W
R340	1-216-025-00	s METAL, CHIP 100 5% 1/10W
R341	1-216-659-11	s METAL, CHIP 2.2k 0.5% 1/10W
R342	1-216-033-00	s METAL, CHIP 220 5% 1/10W
R343	1-216-033-00	s METAL, CHIP 220 5% 1/10W
R344	1-216-661-11	s METAL, CHIP 2.7k 0.5% 1/10W
R345	1-216-658-11	s METAL, CHIP 2k 0.5% 1/10W
R346	1-216-675-11	s METAL, CHIP 10k 0.5% 1/10W
R348	1-216-057-00	s METAL, CHIP 2.2k 5% 1/10W
R350	1-216-097-00	s METAL, CHIP 100k 5% 1/10W
R352	1-216-057-00	s METAL, CHIP 2.2k 5% 1/10W
R353	1-216-057-00	s METAL, CHIP 2.2k 5% 1/10W
R354	1-216-037-00	s METAL, CHIP 330 5% 1/10W
R358	1-216-061-00	s METAL, CHIP 3.3k 5% 1/10W
R360	1-216-109-00	s METAL, CHIP 330k 5% 1/10W

## (TBC-25 BOARD(UVW-1800/1600))

## (TBC-25 BOARD(UVW-1800/1600))

Ref. No. or Q'ty	Part No.	SP Description
R361	1-216-057-00	s METAL, CHIP 2.2k 5% 1/10W
R363	1-216-017-00	s METAL, CHIP 47 5% 1/10W
R367	1-216-073-00	s METAL, CHIP 10k 5% 1/10W
R369	1-216-049-00	s METAL, CHIP 1k 5% 1/10W
R371	1-216-041-00	s METAL, CHIP 470 5% 1/10W
R372	1-216-041-00	s METAL, CHIP 470 5% 1/10W
R373	1-216-085-00	s METAL, CHIP 33k 5% 1/10W
R374	1-216-085-00	s METAL, CHIP 33k 5% 1/10W
R375	1-216-085-00	s METAL, CHIP 33k 5% 1/10W
R376	1-216-017-00	s METAL, CHIP 47 5% 1/10W
R380	1-216-683-11	s METAL, CHIP 22k 0.5% 1/10W
R400	1-216-085-00	s METAL, CHIP 33k 5% 1/10W
R401	1-216-065-00	s METAL, CHIP 4.7k 5% 1/10W
R402	1-216-073-00	s METAL, CHIP 10k 5% 1/10W
R403	1-216-085-00	s METAL, CHIP 33k 5% 1/10W
R404	1-216-017-00	s METAL, CHIP 47 5% 1/10W
R405	1-216-049-00	s METAL, CHIP 1k 5% 1/10W
R406	1-216-065-00	s METAL, CHIP 4.7k 5% 1/10W
R407	1-216-049-00	s METAL, CHIP 1k 5% 1/10W
R408	1-216-025-00	s METAL, CHIP 100 5% 1/10W
R409	1-216-049-00	s METAL, CHIP 1k 5% 1/10W
R410	1-216-057-00	s METAL, CHIP 2.2k 5% 1/10W
R411	1-216-033-00	s METAL, CHIP 220 5% 1/10W
R412	1-216-057-00	s METAL, CHIP 2.2k 5% 1/10W
R413	1-216-059-00	s METAL, CHIP 2.7k 5% 1/10W
R414	1-216-049-00	s METAL, CHIP 1k 5% 1/10W
R415	1-216-049-00	s METAL, CHIP 1k 5% 1/10W
R416	1-216-089-91	s METAL, CHIP 47k 5% 1/10W
R417	1-216-041-00	s METAL, CHIP 470 5% 1/10W
R418	1-216-675-11	s METAL, CHIP 10k 0.5% 1/10W
R419	1-216-121-00	s METAL, CHIP 1M 5% 1/10W
R420	1-216-675-11	s METAL, CHIP 10k 0.5% 1/10W
R421	1-216-065-00	s METAL, CHIP 4.7k 5% 1/10W
R422	1-216-037-00	s METAL, CHIP 330 5% 1/10W
R423	1-216-691-11	s METAL, CHIP 47k 0.5% 1/10W
R424	1-216-033-00	s METAL, CHIP 220 5% 1/10W
R425	1-216-033-00	s METAL, CHIP 220 5% 1/10W
R426	1-216-117-00	s METAL, CHIP 680k 5% 1/10W
R427	1-216-645-11	s METAL, CHIP 560 0.5% 1/10W
R428	1-216-623-11	s METAL, CHIP 68 0.5% 1/10W
R429	1-216-655-11	s METAL, CHIP 1.5k 0.5% 1/10W
R430	1-216-121-00	s METAL, CHIP 1M 5% 1/10W
R431	1-216-679-11	s METAL, CHIP 15k 0.5% 1/10W
R432	1-216-049-00	s METAL, CHIP 1k 5% 1/10W
R433	1-216-033-00	s METAL, CHIP 220 5% 1/10W
R434	1-216-673-11	s METAL, CHIP 8.2k 0.5% 1/10W
R435	1-216-667-11	s METAL, CHIP 4.7k 0.5% 1/10W
R436	1-216-061-00	s METAL, CHIP 3.3k 5% 1/10W
R437	1-216-671-11	s METAL, CHIP 6.8k 0.5% 1/10W
R438	1-216-679-11	s METAL, CHIP 15k 0.5% 1/10W
R439	1-216-073-00	s METAL, CHIP 10k 5% 1/10W
R440	1-216-025-00	s METAL, CHIP 100 5% 1/10W
R441	1-216-659-11	s METAL, CHIP 2.2k 0.5% 1/10W
R442	1-216-033-00	s METAL, CHIP 220 5% 1/10W
R443	1-216-033-00	s METAL, CHIP 220 5% 1/10W
R444	1-216-661-11	s METAL, CHIP 2.7k 0.5% 1/10W
R445	1-216-658-11	s METAL, CHIP 2k 0.5% 1/10W
R446	1-216-675-11	s METAL, CHIP 10k 0.5% 1/10W
R447	1-216-037-00	s METAL, CHIP 330 5% 1/10W

Ref. No. or Q'ty	Part No.	SP Description
R448	1-216-057-00	s METAL, CHIP 2.2k 5% 1/10W
R449	1-216-097-00	s METAL, CHIP 100k 5% 1/10W
R450	1-216-057-00	s METAL, CHIP 2.2k 5% 1/10W
R451	1-216-057-00	s METAL, CHIP 2.2k 5% 1/10W
R452	1-216-061-00	s METAL, CHIP 3.3k 5% 1/10W
R453	1-216-109-00	s METAL, CHIP 330k 5% 1/10W
R454	1-216-057-00	s METAL, CHIP 2.2k 5% 1/10W
R455	1-216-017-00	s METAL, CHIP 47 5% 1/10W
R456	1-216-073-00	s METAL, CHIP 10k 5% 1/10W
R457	1-216-049-00	s METAL, CHIP 1k 5% 1/10W
R458	1-216-691-11	s METAL, CHIP 47k 0.5% 1/10W
R459	1-216-041-00	s METAL, CHIP 470 5% 1/10W
R460	1-216-041-00	s METAL, CHIP 470 5% 1/10W
R461	1-216-085-00	s METAL, CHIP 33k 5% 1/10W
R462	1-216-085-00	s METAL, CHIP 33k 5% 1/10W
R463	1-216-085-00	s METAL, CHIP 33k 5% 1/10W
R464	1-216-017-00	s METAL, CHIP 47 5% 1/10W
R468	1-216-634-11	s METAL, CHIP 200 0.5% 1/10W
R469	1-216-669-11	s METAL, CHIP 5.6k 0.5% 1/10W
R500-506	1-216-057-00	s METAL, CHIP 2.2k 5% 1/10W
R507	1-216-041-00	s METAL, CHIP 470 5% 1/10W
R508-512	1-216-057-00	s METAL, CHIP 2.2k 5% 1/10W
R513	1-216-097-00	s METAL, CHIP 100k 5% 1/10W
R514	1-216-057-00	s METAL, CHIP 2.2k 5% 1/10W
R515	1-216-057-00	s METAL, CHIP 2.2k 5% 1/10W
R516	1-216-057-00	s METAL, CHIP 2.2k 5% 1/10W
R540	1-216-097-00	s METAL, CHIP 100k 5% 1/10W
R541	1-216-089-91	s METAL, CHIP 47k 5% 1/10W
R542	1-216-057-00	s METAL, CHIP 2.2k 5% 1/10W
R543	1-216-057-00	s METAL, CHIP 2.2k 5% 1/10W
R545	1-216-678-11	s METAL, CHIP 13k 0.5% 1/10W
R546	1-216-678-11	s METAL, CHIP 13k 0.5% 1/10W
R547	1-216-659-11	s METAL, CHIP 2.2k 0.5% 1/10W
R548	1-216-659-11	s METAL, CHIP 2.2k 0.5% 1/10W
R549	1-216-661-11	s METAL, CHIP 2.7k 0.5% 1/10W
R550	1-216-661-11	s METAL, CHIP 2.7k 0.5% 1/10W
R551	1-216-675-11	s METAL, CHIP 10k 0.5% 1/10W
R552	1-216-675-11	s METAL, CHIP 10k 0.5% 1/10W
R553	1-216-679-11	s METAL, CHIP 15k 0.5% 1/10W
R554	1-216-678-11	s METAL, CHIP 13k 0.5% 1/10W
R555	1-216-679-11	s METAL, CHIP 15k 0.5% 1/10W
R556	1-216-671-11	s METAL, CHIP 6.8k 0.5% 1/10W
R557	1-216-665-11	s METAL, CHIP 3.9k 0.5% 1/10W
R558	1-216-679-11	s METAL, CHIP 15k 0.5% 1/10W
R559	1-216-671-11	s METAL, CHIP 6.8k 0.5% 1/10W
R560	1-216-673-11	s METAL, CHIP 8.2k 0.5% 1/10W
R561	1-216-679-11	s METAL, CHIP 15k 0.5% 1/10W
R562	1-216-679-11	s METAL, CHIP 15k 0.5% 1/10W
R563	1-216-677-11	s METAL, CHIP 12k 0.5% 1/10W
R564	1-216-659-11	s METAL, CHIP 2.2k 0.5% 1/10W
R565	1-216-683-11	s METAL, CHIP 22k 0.5% 1/10W
R566	1-216-661-11	s METAL, CHIP 2.7k 0.5% 1/10W
R567	1-216-683-11	s METAL, CHIP 22k 0.5% 1/10W
R568	1-216-681-11	s METAL, CHIP 18k 0.5% 1/10W
R569	1-216-691-11	s METAL, CHIP 47k 0.5% 1/10W
R570	1-216-667-11	s METAL, CHIP 4.7k 0.5% 1/10W
R571	1-216-691-11	s METAL, CHIP 47k 0.5% 1/10W
R572	1-216-665-11	s METAL, CHIP 3.9k 0.5% 1/10W
R573	1-216-691-11	s METAL, CHIP 47k 0.5% 1/10W

## (TBC-25 BOARD(UVW-1800/1600))

Ref. No. or Q'ty	Part No.	SP Description
R574	1-216-665-11	s METAL, CHIP 3.9k 0.5% 1/10W
R575	1-216-639-11	s METAL, CHIP 330 0.5% 1/10W
R576	1-216-639-11	s METAL, CHIP 330 0.5% 1/10W
R577	1-216-639-11	s METAL, CHIP 330 0.5% 1/10W
R578	1-216-663-11	s METAL, CHIP 3.3k 0.5% 1/10W
R579	1-216-659-11	s METAL, CHIP 2.2k 0.5% 1/10W
R580	1-216-639-11	s METAL, CHIP 330 0.5% 1/10W
R581	1-216-639-11	s METAL, CHIP 330 0.5% 1/10W
R582	1-216-639-11	s METAL, CHIP 330 0.5% 1/10W
R583	1-216-645-11	s METAL, CHIP 560 0.5% 1/10W
R584	1-216-041-00	s METAL, CHIP 470 5% 1/10W
R585	1-216-619-11	s METAL, CHIP 47 0.5% 1/10W
R586	1-216-619-11	s METAL, CHIP 47 0.5% 1/10W
R587	1-216-041-00	s METAL, CHIP 470 5% 1/10W
R588	1-216-619-11	s METAL, CHIP 47 0.5% 1/10W
R589	1-216-041-00	s METAL, CHIP 470 5% 1/10W
R590	1-216-017-00	s METAL, CHIP 47 5% 1/10W
R591	1-216-017-00	s METAL, CHIP 47 5% 1/10W
R592	1-216-017-00	s METAL, CHIP 47 5% 1/10W
R593	1-216-679-11	s METAL, CHIP 15k 0.5% 1/10W
R595	1-216-113-00	s METAL, CHIP 470k 5% 1/10W
R596	1-216-113-00	s METAL, CHIP 470k 5% 1/10W
R598	1-216-113-00	s METAL, CHIP 470k 5% 1/10W
R700	1-216-057-00	s METAL, CHIP 2.2k 5% 1/10W
R701	1-216-097-00	s METAL, CHIP 100k 5% 1/10W
R702	1-216-097-00	s METAL, CHIP 100k 5% 1/10W
R703	1-216-659-11	s METAL, CHIP 2.2k 0.5% 1/10W
R704	1-216-679-11	s METAL, CHIP 15k 0.5% 1/10W
R705	1-216-671-11	s METAL, CHIP 6.8k 0.5% 1/10W
R706	1-216-675-11	s METAL, CHIP 10k 0.5% 1/10W
R707	1-216-665-11	s METAL, CHIP 3.9k 0.5% 1/10W
R708	1-216-675-11	s METAL, CHIP 10k 0.5% 1/10W
R709	1-216-671-11	s METAL, CHIP 6.8k 0.5% 1/10W
R710	1-216-651-11	s METAL, CHIP 1k 0.5% 1/10W
R711	1-216-691-11	s METAL, CHIP 47k 0.5% 1/10W
R712	1-216-675-11	s METAL, CHIP 10k 0.5% 1/10W
R713	1-216-651-11	s METAL, CHIP 1k 0.5% 1/10W
R714	1-216-677-11	s METAL, CHIP 12k 0.5% 1/10W
R715	1-216-059-00	s METAL, CHIP 2.7k 5% 1/10W
R716	1-216-041-00	s METAL, CHIP 470 5% 1/10W
R717	1-216-037-00	s METAL, CHIP 330 5% 1/10W
R718	1-216-059-00	s METAL, CHIP 2.7k 5% 1/10W
R719	1-216-097-00	s METAL, CHIP 100k 5% 1/10W
R720	1-216-683-11	s METAL, CHIP 22k 0.5% 1/10W
R721	1-216-686-11	s METAL, CHIP 30k 0.5% 1/10W
R722	1-216-069-00	s METAL, CHIP 6.8k 5% 1/10W
R723	1-216-683-11	s METAL, CHIP 22k 0.5% 1/10W
R724	1-216-679-11	s METAL, CHIP 15k 0.5% 1/10W
R725	1-216-686-11	s METAL, CHIP 30k 0.5% 1/10W
R726	1-216-041-00	s METAL, CHIP 470 5% 1/10W
R727	1-216-669-11	s METAL, CHIP 5.6k 0.5% 1/10W
R728	1-216-686-11	s METAL, CHIP 30k 0.5% 1/10W
R729	1-216-049-00	s METAL, CHIP 1k 5% 1/10W
R730	1-216-049-00	s METAL, CHIP 1k 5% 1/10W
R731	1-216-093-00	s METAL, CHIP 68k 5% 1/10W
R732	1-216-025-00	s METAL, CHIP 100 5% 1/10W
R733	1-216-683-11	s METAL, CHIP 22k 0.5% 1/10W
R734	1-216-683-11	s METAL, CHIP 22k 0.5% 1/10W
R735	1-216-671-11	s METAL, CHIP 6.8k 0.5% 1/10W

## (TBC-25 BOARD(UVW-1800/1600))

Ref. No. or Q'ty	Part No.	SP Description
R736	1-216-061-00	s METAL, CHIP 3.3k 5% 1/10W
R737	1-216-097-00	s METAL, CHIP 100k 5% 1/10W
R738	1-216-687-11	s METAL, CHIP 33k 0.5% 1/10W
R739	1-216-017-00	s METAL, CHIP 47 5% 1/10W
R740	1-216-049-00	s METAL, CHIP 1k 5% 1/10W
R741	1-216-691-11	s METAL, CHIP 47k 0.5% 1/10W
R742	1-216-017-00	s METAL, CHIP 47 5% 1/10W
R743	1-216-049-00	s METAL, CHIP 1k 5% 1/10W
R744	1-216-081-00	s METAL, CHIP 22k 5% 1/10W
R745	1-216-017-00	s METAL, CHIP 47 5% 1/10W
R746	1-216-049-00	s METAL, CHIP 1k 5% 1/10W
R747	1-216-041-00	s METAL, CHIP 470 5% 1/10W
R748	1-216-687-11	s METAL, CHIP 33k 0.5% 1/10W
R750	1-216-679-11	s METAL, CHIP 15k 0.5% 1/10W
R751	1-216-097-00	s METAL, CHIP 100k 5% 1/10W
R753	1-216-097-00	s METAL, CHIP 100k 5% 1/10W
R755	1-216-017-00	s METAL, CHIP 47 5% 1/10W
R756	1-216-049-00	s METAL, CHIP 1k 5% 1/10W
R757	1-216-085-00	s METAL, CHIP 33k 5% 1/10W
R758	1-216-065-00	s METAL, CHIP 4.7k 5% 1/10W
R759	1-216-295-91	s RES, CHIP 0
R760	1-216-073-00	s METAL, CHIP 10k 5% 1/10W
R761	1-216-085-00	s METAL, CHIP 33k 5% 1/10W
R762	1-216-017-00	s METAL, CHIP 47 5% 1/10W
R763	1-216-085-00	s METAL, CHIP 33k 5% 1/10W
R764	1-216-658-11	s METAL, CHIP 2k 0.5% 1/10W
R765	1-216-051-00	s METAL, CHIP 1.2k 5% 1/10W
R766	1-216-658-11	s METAL, CHIP 2k 0.5% 1/10W
R767	1-216-051-00	s METAL, CHIP 1.2k 5% 1/10W
R768	1-216-648-11	s METAL, CHIP 750 0.5% 1/10W
R769	1-216-037-00	s METAL, CHIP 330 5% 1/10W
R770	1-216-648-11	s METAL, CHIP 750 0.5% 1/10W
R771	1-216-037-00	s METAL, CHIP 330 5% 1/10W
R772	1-216-069-00	s METAL, CHIP 6.8k 5% 1/10W
R773	1-216-686-11	s METAL, CHIP 30k 0.5% 1/10W
R774	1-216-069-00	s METAL, CHIP 6.8k 5% 1/10W
R775	1-216-686-11	s METAL, CHIP 30k 0.5% 1/10W
R776	1-216-041-00	s METAL, CHIP 470 5% 1/10W
R777	1-216-049-00	s METAL, CHIP 1k 5% 1/10W
R778	1-216-017-00	s METAL, CHIP 47 5% 1/10W
R780	1-216-097-00	s METAL, CHIP 100k 5% 1/10W
R781	1-216-667-11	s METAL, CHIP 4.7k 0.5% 1/10W
R782	1-216-017-00	s METAL, CHIP 47 5% 1/10W
R783	1-216-667-11	s METAL, CHIP 4.7k 0.5% 1/10W
R784	1-216-667-11	s METAL, CHIP 4.7k 0.5% 1/10W
R785	1-216-665-11	s METAL, CHIP 3.9k 0.5% 1/10W
R786	1-216-663-11	s METAL, CHIP 3.3k 0.5% 1/10W
R787	1-216-638-11	s METAL, CHIP 300 0.5% 1/10W
R788	1-216-638-11	s METAL, CHIP 300 0.5% 1/10W
R789	1-216-677-11	s METAL, CHIP 12k 0.5% 1/10W
R790	1-216-677-11	s METAL, CHIP 12k 0.5% 1/10W
R791	1-216-041-00	s METAL, CHIP 470 5% 1/10W
R792	1-216-041-00	s METAL, CHIP 470 5% 1/10W
R793	1-216-619-11	s METAL, CHIP 47 0.5% 1/10W
R794	1-216-619-11	s METAL, CHIP 47 0.5% 1/10W
R795-799	1-216-057-00	s METAL, CHIP 2.2k 5% 1/10W
R800	1-216-017-00	s METAL, CHIP 47 5% 1/10W
R801	1-216-057-00	s METAL, CHIP 2.2k 5% 1/10W
R802-807	1-216-041-00	s METAL, CHIP 470 5% 1/10W

(TBC-25 BOARD(UVW-1800/1600))

-----  
TR-84 BOARD(UVW-1800/1600)  
-----

Ref. No. or Q'ty	Part No.	SP Description
R808	1-216-065-00	s METAL, CHIP 4.7k 5% 1/10W
R810	1-216-691-11	s METAL, CHIP 47k 0.5% 1/10W
R811	1-216-057-00	s METAL, CHIP 2.2k 5% 1/10W
R812	1-216-089-91	s METAL, CHIP 47k 5% 1/10W
R813	1-216-097-00	s METAL, CHIP 100k 5% 1/10W
R814	1-216-675-11	s METAL, CHIP 10k 0.5% 1/10W
R815	1-216-675-11	s METAL, CHIP 10k 0.5% 1/10W
R816	1-216-677-11	s METAL, CHIP 12k 0.5% 1/10W
R817	1-216-677-11	s METAL, CHIP 12k 0.5% 1/10W
R818	1-216-089-91	s METAL, CHIP 47k 5% 1/10W
R819	1-216-065-00	s METAL, CHIP 4.7k 5% 1/10W
R820	1-216-049-00	s METAL, CHIP 1k 5% 1/10W
R821	1-216-059-00	s METAL, CHIP 2.7k 5% 1/10W
R822	1-216-679-11	s METAL, CHIP 15k 0.5% 1/10W
R823	1-216-057-00	s METAL, CHIP 2.2k 5% 1/10W
R824	1-216-073-00	s METAL, CHIP 10k 5% 1/10W
R825	1-216-049-00	s METAL, CHIP 1k 5% 1/10W
R826	1-216-051-00	s METAL, CHIP 1.2k 5% 1/10W
R827	1-216-648-11	s METAL, CHIP 750 0.5% 1/10W
R828	1-216-673-11	s METAL, CHIP 8.2k 0.5% 1/10W
R829	1-216-691-11	s METAL, CHIP 47k 0.5% 1/10W
R830	1-216-677-11	s METAL, CHIP 12k 0.5% 1/10W
R831	1-216-686-11	s METAL, CHIP 30k 0.5% 1/10W
R832	1-216-665-11	s METAL, CHIP 3.9k 0.5% 1/10W
R833	1-216-049-00	s METAL, CHIP 1k 5% 1/10W
R834	1-216-057-00	s METAL, CHIP 2.2k 5% 1/10W
R835	1-216-057-00	s METAL, CHIP 2.2k 5% 1/10W
R836	1-216-677-11	s METAL, CHIP 12k 0.5% 1/10W
R837	1-216-679-11	s METAL, CHIP 15k 0.5% 1/10W
R838	1-216-121-00	s METAL, CHIP 1M 5% 1/10W
RV100	1-241-758-21	s RES, ADJ METAL 100
RV200	1-241-758-21	s RES, ADJ METAL 100
RV300	1-241-786-11	s RES, ADJ METAL 22k
RV301	1-241-763-11	s RES, ADJ METAL 4.7k
RV400	1-241-786-11	s RES, ADJ METAL 22k
RV401	1-241-763-11	s RES, ADJ METAL 4.7k
RV500	1-241-784-11	s RES, ADJ METAL 4.7k
RV501	1-241-784-11	s RES, ADJ METAL 4.7k
RV502	1-241-785-11	s RES, ADJ METAL 10k
RV700	1-241-785-11	s RES, ADJ METAL 10k
RV701	1-241-785-11	s RES, ADJ METAL 10k
RV702	1-241-786-11	s RES, ADJ METAL 22k
RV703	1-241-784-11	s RES, ADJ METAL 4.7k
S500	1-692-535-11	s SWITCH, DIP 4-CKT
TH400	1-807-972-11	s THERMISTOR SV-1715 1.25k
X700	1-527-722-00	s CRYSTAL 14.31818MHz
X701	1-579-459-11	s CRYSTAL 13.5MHz

Ref. No. or Q'ty	Part No.	SP Description
1pc	1-648-921-11	o PRINTED CIRCUIT BOARD, TR-84
1pc	3-182-257-01	s HOLDER, DME
CN945	1-565-876-11	o CONNECTOR 4P, MALE
IC1	8-745-001-07	s DME DM-230-1

VP-43 BOARD(UVW-1800)

Ref. No.  
or Q'ty Part No. SP Description

VP-43 board is used for UVW-1800.

1pc	A-8275-281-A	o	MOUNTED CIRCUIT BOARD, VP-43
1pc	3-182-386-01	o	PLATE, SHIELD (L), CARD
1pc	7-621-759-45	s	SCREW, +PSW2.6x6
1pc	3-179-084-01	s	LEVER (R), PC BOARD
1pc	3-179-085-01	s	LEVER (L), PC BOARD
C101	1-163-033-00	s	CERAMIC, CHIP 0.022uF 50V
C102	1-163-033-00	s	CERAMIC, CHIP 0.022uF 50V
C103	1-163-275-11	s	CERAMIC, CHIP 0.001uF 5% 50V
C104	1-163-033-00	s	CERAMIC, CHIP 0.022uF 50V
C105	1-163-033-00	s	CERAMIC, CHIP 0.022uF 50V
C106	1-126-933-11	s	ELECT 100uF 20% 16V
C107	1-163-033-00	s	CERAMIC, CHIP 0.022uF 50V
C108	1-163-033-00	s	CERAMIC, CHIP 0.022uF 50V
C109	1-163-108-00	s	CERAMIC, CHIP 43pF 5% 50V
C110	1-163-115-00	s	CERAMIC, CHIP 82pF 5% 50V
C111	1-163-108-00	s	CERAMIC, CHIP 43pF 5% 50V
C112	1-124-903-11	s	ELECT 1uF 20% 50V
C113	1-124-903-11	s	ELECT 1uF 20% 50V
C114	1-163-275-11	s	CERAMIC, CHIP 0.001uF 5% 50V
C115	1-163-033-00	s	CERAMIC, CHIP 0.022uF 50V
C116	1-163-033-00	s	CERAMIC, CHIP 0.022uF 50V
C117	1-163-033-00	s	CERAMIC, CHIP 0.022uF 50V
C118	1-163-245-11	s	CERAMIC 56pF 5% 50V
C119	1-163-235-11	s	CERAMIC, CHIP 22pF 5% 50V
C120-127	1-163-033-00	s	CERAMIC, CHIP 0.022uF 50V
C128	1-163-133-00	s	CERAMIC, CHIP 470pF 5% 50V
C129	1-163-033-00	s	CERAMIC, CHIP 0.022uF 50V
C130	1-163-033-00	s	CERAMIC, CHIP 0.022uF 50V
C131	1-126-933-11	s	ELECT 100uF 20% 16V
C132	1-163-033-00	s	CERAMIC, CHIP 0.022uF 50V
C133	1-163-113-00	s	CERAMIC, CHIP 68pF 5% 50V
C134-142	1-163-033-00	s	CERAMIC, CHIP 0.022uF 50V
C143	1-126-933-11	s	ELECT 100uF 20% 16V
C144	1-126-933-11	s	ELECT 100uF 20% 16V
C145	1-126-933-11	s	ELECT 100uF 20% 16V
C146	1-126-933-11	s	ELECT 100uF 20% 16V
C147	1-163-097-00	s	CERAMIC, CHIP 15pF 5% 50V
C148	1-163-241-11	s	CERAMIC, CHIP 39pF 5% 50V
C149	1-163-033-00	s	CERAMIC, CHIP 0.022uF 50V
C150	1-126-933-11	s	ELECT 100uF 20% 16V
C201-212	1-163-033-00	s	CERAMIC, CHIP 0.022uF 50V
C213	1-163-222-11	s	CERAMIC, CHIP 5pF 50V
C214	1-163-222-11	s	CERAMIC, CHIP 5pF 50V
C215	1-126-925-11	s	ELECT 470uF 20% 10V
C216	1-163-033-00	s	CERAMIC, CHIP 0.022uF 50V
C217	1-163-033-00	s	CERAMIC, CHIP 0.022uF 50V
C218	1-163-033-00	s	CERAMIC, CHIP 0.022uF 50V
C219	1-163-227-11	s	CERAMIC, CHIP 10pF 5% 50V
C220	1-164-161-11	s	CERAMIC, CHIP 0.0022uF 10% 100V
C221	1-163-091-00	s	CERAMIC, CHIP 8pF 50V
C222	1-163-033-00	s	CERAMIC, CHIP 0.022uF 50V
C223	1-163-033-00	s	CERAMIC, CHIP 0.022uF 50V
C224	1-126-925-11	s	ELECT 470uF 20% 10V
C225	1-126-925-11	s	ELECT 470uF 20% 10V
C226-230	1-163-033-00	s	CERAMIC, CHIP 0.022uF 50V
C231	1-126-925-11	s	ELECT 470uF 20% 10V
C232	1-163-033-00	s	CERAMIC, CHIP 0.022uF 50V

(VP-43 BOARD(UVW-1800))

Ref. No.  
or Q'ty Part No. SP Description

C234	1-107-552-21	s	NICA, CHIP 150pF 1% 50V
C235	1-126-933-11	s	ELECT 100uF 20% 16V
C236	1-163-033-00	s	CERAMIC, CHIP 0.022uF 50V
C237	1-126-963-11	s	ELECT 4.7uF 20% 50V
C238	1-163-235-11	s	CERAMIC, CHIP 22pF 5% 50V
C239	1-163-114-00	s	CERAMIC, CHIP 75pF 5% 50V
C240	1-163-033-00	s	CERAMIC, CHIP 0.022uF 50V
C241	1-163-243-11	s	CERAMIC, CHIP 47pF 5% 50V
C242	1-163-033-00	s	CERAMIC, CHIP 0.022uF 50V
C243	1-163-033-00	s	CERAMIC, CHIP 0.022uF 50V
C244	1-163-033-00	s	CERAMIC, CHIP 0.022uF 50V
C245	1-126-925-11	s	ELECT 470uF 20% 10V
C246	1-126-933-11	s	ELECT 100uF 20% 16V
C247	1-163-033-00	s	CERAMIC, CHIP 0.022uF 50V
C248	1-163-033-00	s	CERAMIC, CHIP 0.022uF 50V
C249	1-126-933-11	s	ELECT 100uF 20% 16V
C250	1-126-933-11	s	ELECT 100uF 20% 16V
C251	1-126-964-11	s	ELECT 10uF 20% 50V
C301	1-163-033-00	s	CERAMIC, CHIP 0.022uF 50V
C302	1-163-033-00	s	CERAMIC, CHIP 0.022uF 50V
C303	1-163-275-11	s	CERAMIC, CHIP 0.001uF 5% 50V
C304	1-163-033-00	s	CERAMIC, CHIP 0.022uF 50V
C305	1-126-933-11	s	ELECT 100uF 20% 16V
C306	1-163-033-00	s	CERAMIC, CHIP 0.022uF 50V
C307	1-163-033-00	s	CERAMIC, CHIP 0.022uF 50V
C308	1-163-033-00	s	CERAMIC, CHIP 0.022uF 50V
C309	1-163-110-00	s	CERAMIC, CHIP 51pF 5% 50V
C310	1-163-251-11	s	CERAMIC, CHIP 100pF 5% 50V
C311	1-163-110-00	s	CERAMIC, CHIP 51pF 5% 50V
C312	1-124-903-11	s	ELECT 1uF 20% 50V
C313	1-124-903-11	s	ELECT 1uF 20% 50V
C314	1-163-275-11	s	CERAMIC, CHIP 0.001uF 5% 50V
C315	1-163-135-00	s	CERAMIC, CHIP 560pF 5% 50V
C316	1-163-257-11	s	CERAMIC, CHIP 180pF 5% 50V
C317	1-163-033-00	s	CERAMIC, CHIP 0.022uF 50V
C318	1-163-033-00	s	CERAMIC, CHIP 0.022uF 50V
C319	1-163-243-11	s	CERAMIC, CHIP 47pF 5% 50V
C320	1-163-033-00	s	CERAMIC, CHIP 0.022uF 50V
C321	1-163-033-00	s	CERAMIC, CHIP 0.022uF 50V
C322	1-163-235-11	s	CERAMIC, CHIP 22pF 5% 50V
C323	1-163-033-00	s	CERAMIC, CHIP 0.022uF 50V
C324	1-163-033-00	s	CERAMIC, CHIP 0.022uF 50V
C325	1-163-033-00	s	CERAMIC, CHIP 0.022uF 50V
C326	1-163-033-00	s	CERAMIC, CHIP 0.022uF 50V
C327	1-163-133-00	s	CERAMIC, CHIP 470pF 5% 50V
C328	1-163-033-00	s	CERAMIC, CHIP 0.022uF 50V
C329	1-163-033-00	s	CERAMIC, CHIP 0.022uF 50V
C330	1-163-033-00	s	CERAMIC, CHIP 0.022uF 50V
C331	1-163-033-00	s	CERAMIC, CHIP 0.022uF 50V
C332	1-126-933-11	s	ELECT 100uF 20% 16V
C333	1-163-033-00	s	CERAMIC, CHIP 0.022uF 50V
C334	1-163-253-11	s	CERAMIC, CHIP 120pF 5% 50V
C335-339	1-163-033-00	s	CERAMIC, CHIP 0.022uF 50V
C340	1-126-933-11	s	ELECT 100uF 20% 16V
C341	1-163-033-00	s	CERAMIC, CHIP 0.022uF 50V
C342	1-163-033-00	s	CERAMIC, CHIP 0.022uF 50V
C343	1-126-933-11	s	ELECT 100uF 20% 16V
C344	1-163-033-00	s	CERAMIC, CHIP 0.022uF 50V
C345	1-163-033-00	s	CERAMIC, CHIP 0.022uF 50V

## (VP-43 BOARD(UVW-1800))

## (VP-43 BOARD(UVW-1800))

Ref. No. or Q'ty	Part No.	SP Description
C346	1-163-097-00	s CERAMIC, CHIP 15pF 5% 50V
C347	1-126-933-11	s ELECT 100uF 20% 16V
C348	1-126-933-11	s ELECT 100uF 20% 16V
C349	1-163-241-11	s CERAMIC, CHIP 39pF 5% 50V
C350	1-163-033-00	s CERAMIC, CHIP 0.022uF 50V
C351	1-126-933-11	s ELECT 100uF 20% 16V
C401-408	1-163-033-00	s CERAMIC, CHIP 0.022uF 50V
C409	1-126-925-11	s ELECT 470uF 20% 10V
C410	1-163-033-00	s CERAMIC, CHIP 0.022uF 50V
C411	1-163-033-00	s CERAMIC, CHIP 0.022uF 50V
C412	1-163-222-11	s CERAMIC, CHIP 5pF 50V
C413	1-163-222-11	s CERAMIC, CHIP 5pF 50V
C414	1-163-033-00	s CERAMIC, CHIP 0.022uF 50V
C415	1-164-161-11	s CERAMIC, CHIP 0.0022uF 10% 100V
C416	1-163-222-11	s CERAMIC, CHIP 5pF 50V
C417	1-163-033-00	s CERAMIC, CHIP 0.022uF 50V
C418	1-163-033-00	s CERAMIC, CHIP 0.022uF 50V
C419	1-126-925-11	s ELECT 470uF 20% 10V
C420	1-126-925-11	s ELECT 470uF 20% 10V
C421-425	1-163-033-00	s CERAMIC, CHIP 0.022uF 50V
C426	1-126-933-11	s ELECT 100uF 20% 16V
C427	1-126-925-11	s ELECT 470uF 20% 10V
C428	1-163-033-00	s CERAMIC, CHIP 0.022uF 50V
C429	1-163-084-00	s CERAMIC, CHIP 1.5pF 50V
C430	1-107-552-21	s MICA, CHIP 150pF 1% 50V
C431	1-163-033-00	s CERAMIC, CHIP 0.022uF 50V
C432	1-126-963-11	s ELECT 4.7uF 20% 50V
C433	1-163-239-11	s CERAMIC, CHIP 33pF 5% 50V
C434	1-163-033-00	s CERAMIC, CHIP 0.022uF 50V
C435	1-163-033-00	s CERAMIC, CHIP 0.022uF 50V
C436	1-163-251-11	s CERAMIC, CHIP 100pF 5% 50V
C437	1-126-925-11	s ELECT 470uF 20% 10V
C438	1-126-933-11	s ELECT 100uF 20% 16V
C439	1-163-033-00	s CERAMIC, CHIP 0.022uF 50V
C440	1-163-033-00	s CERAMIC, CHIP 0.022uF 50V
C441	1-163-033-00	s CERAMIC, CHIP 0.022uF 50V
C442	1-126-933-11	s ELECT 100uF 20% 16V
C443	1-126-933-11	s ELECT 100uF 20% 16V
C501	1-126-933-11	s ELECT 100uF 20% 16V
C502	1-126-933-11	s ELECT 100uF 20% 16V
C503	1-126-933-11	s ELECT 100uF 20% 16V
C504	1-126-933-11	s ELECT 100uF 20% 16V
C505-509	1-163-033-00	s CERAMIC, CHIP 0.022uF 50V
C510	1-131-365-00	s TANTALUM 10uF 10% 20V
C511	1-131-365-00	s TANTALUM 10uF 10% 20V
C512	1-126-933-11	s ELECT 100uF 20% 16V
C513	1-163-033-00	s CERAMIC, CHIP 0.022uF 50V
C514	1-163-033-00	s CERAMIC, CHIP 0.022uF 50V
C515	1-163-033-00	s CERAMIC, CHIP 0.022uF 50V
C516	1-130-491-00	s MYLAR 0.047uF 5% 50V
C517	1-163-033-00	s CERAMIC, CHIP 0.022uF 50V
C518	1-163-033-00	s CERAMIC, CHIP 0.022uF 50V
C519	1-163-097-00	s CERAMIC, CHIP 15pF 5% 50V
C520	1-163-033-00	s CERAMIC, CHIP 0.022uF 50V
C521	1-163-253-11	s CERAMIC, CHIP 120pF 5% 50V
C522	1-163-227-11	s CERAMIC, CHIP 10pF 5% 50V
C523	1-163-235-11	s CERAMIC, CHIP 22pF 5% 50V
C524	1-126-933-11	s ELECT 100uF 20% 16V
C525-529	1-163-033-00	s CERAMIC, CHIP 0.022uF 50V

Ref. No. or Q'ty	Part No.	SP Description
C530	1-126-933-11	s ELECT 100uF 20% 16V
C531	1-163-224-11	s CERAMIC, CHIP 7pF 50V
C532	1-163-033-00	s CERAMIC, CHIP 0.022uF 50V
C533	1-131-365-00	s TANTALUM 10uF 10% 20V
C534	1-131-365-00	s TANTALUM 10uF 10% 20V
C535	1-126-933-11	s ELECT 100uF 20% 16V
C536	1-130-491-00	s MYLAR 0.047uF 5% 50V
C537	1-163-033-00	s CERAMIC, CHIP 0.022uF 50V
C538	1-163-227-11	s CERAMIC, CHIP 10pF 5% 50V
C539	1-163-033-00	s CERAMIC, CHIP 0.022uF 50V
C540	1-163-243-11	s CERAMIC, CHIP 47pF 5% 50V
C541	1-163-033-00	s CERAMIC, CHIP 0.022uF 50V
C542	1-163-033-00	s CERAMIC, CHIP 0.022uF 50V
C543	1-163-033-00	s CERAMIC, CHIP 0.022uF 50V
C544	1-163-033-00	s CERAMIC, CHIP 0.022uF 50V
C545	1-163-227-11	s CERAMIC, CHIP 10pF 5% 50V
C546	1-163-243-11	s CERAMIC, CHIP 47pF 5% 50V
C547	1-163-033-00	s CERAMIC, CHIP 0.022uF 50V
C548	1-163-033-00	s CERAMIC, CHIP 0.022uF 50V
C549	1-163-033-00	s CERAMIC, CHIP 0.022uF 50V
C550	1-163-222-11	s CERAMIC, CHIP 5pF 50V
C551-555	1-163-033-00	s CERAMIC, CHIP 0.022uF 50V
C556	1-126-925-11	s ELECT 470uF 20% 10V
C557	1-126-925-11	s ELECT 470uF 20% 10V
C558	1-163-033-00	s CERAMIC, CHIP 0.022uF 50V
C559	1-163-033-00	s CERAMIC, CHIP 0.022uF 50V
C601	1-126-933-11	s ELECT 100uF 20% 16V
C602	1-126-933-11	s ELECT 100uF 20% 16V
C603	1-163-033-00	s CERAMIC, CHIP 0.022uF 50V
C604	1-163-033-00	s CERAMIC, CHIP 0.022uF 50V
C605	1-163-227-11	s CERAMIC, CHIP 10pF 5% 50V
C606	1-163-251-11	s CERAMIC, CHIP 100pF 5% 50V
C607	1-163-033-00	s CERAMIC, CHIP 0.022uF 50V
C608	1-163-033-00	s CERAMIC, CHIP 0.022uF 50V
C609	1-163-118-00	s CERAMIC, CHIP 110pF 5% 50V
C610	1-163-033-00	s CERAMIC, CHIP 0.022uF 50V
C611	1-163-033-00	s CERAMIC, CHIP 0.022uF 50V
C614	1-126-933-11	s ELECT 100uF 20% 16V
C615	1-163-033-00	s CERAMIC, CHIP 0.022uF 50V
C616	1-126-933-11	s ELECT 100uF 20% 16V
C617	1-126-933-11	s ELECT 100uF 20% 16V
C618	1-163-033-00	s CERAMIC, CHIP 0.022uF 50V
C619	1-163-033-00	s CERAMIC, CHIP 0.022uF 50V
C620	1-163-033-00	s CERAMIC, CHIP 0.022uF 50V
C621	1-163-097-00	s CERAMIC, CHIP 15pF 5% 50V
C622	1-131-347-00	s TANTALUM 1uF 10% 35V
C623	1-163-125-00	s CERAMIC, CHIP 220pF 5% 50V
C624	1-131-347-00	s TANTALUM 1uF 10% 35V
C625	1-131-347-00	s TANTALUM 1uF 10% 35V
C626	1-131-347-00	s TANTALUM 1uF 10% 35V
C627	1-126-933-11	s ELECT 100uF 20% 16V
C628	1-163-033-00	s CERAMIC, CHIP 0.022uF 50V
C629	1-163-033-00	s CERAMIC, CHIP 0.022uF 50V
C630	1-163-033-00	s CERAMIC, CHIP 0.022uF 50V
C631	1-130-491-00	s MYLAR 0.047uF 5% 50V
C632	1-130-491-00	s MYLAR 0.047uF 5% 50V
C633	1-163-033-00	s CERAMIC, CHIP 0.022uF 50V
C634	1-163-227-11	s CERAMIC, CHIP 10pF 5% 50V
C635-645	1-163-033-00	s CERAMIC, CHIP 0.022uF 50V

## (VP-43 BOARD(UVW-1800))

Ref. No. or Q'ty	Part No.	SP Description
C646	1-126-933-11	s ELECT 100uF 20% 16V
C647	1-163-033-00	s CERAMIC, CHIP 0.022uF 50V
C648	1-126-933-11	s ELECT 100uF 20% 16V
C649	1-126-933-11	s ELECT 100uF 20% 16V
C650	1-163-033-00	s CERAMIC, CHIP 0.022uF 50V
C651	1-163-033-00	s CERAMIC, CHIP 0.022uF 50V
C652	1-163-033-00	s CERAMIC, CHIP 0.022uF 50V
C653	1-163-243-11	s CERAMIC, CHIP 47pF 5% 50V
C654	1-163-237-11	s CERAMIC, CHIP 27pF 5% 50V
C655	1-163-237-11	s CERAMIC, CHIP 27pF 5% 50V
C656	1-163-227-11	s CERAMIC, CHIP 10pF 5% 50V
C657	1-163-033-00	s CERAMIC, CHIP 0.022uF 50V
C658	1-163-245-11	s CERAMIC, CHIP 56pF 5% 50V
C659	1-163-245-11	s CERAMIC, CHIP 56pF 5% 50V
C660	1-163-237-11	s CERAMIC, CHIP 27pF 5% 50V
C661	1-163-237-11	s CERAMIC, CHIP 27pF 5% 50V
C662	1-163-033-00	s CERAMIC, CHIP 0.022uF 50V
C663	1-163-033-00	s CERAMIC, CHIP 0.022uF 50V
C664	1-163-033-00	s CERAMIC, CHIP 0.022uF 50V
C665	1-163-224-11	s CERAMIC, CHIP 7pF 50V
C667	1-163-033-00	s CERAMIC, CHIP 0.022uF 50V
C668	1-163-033-00	s CERAMIC, CHIP 0.022uF 50V
C669	1-163-033-00	s CERAMIC, CHIP 0.022uF 50V
C670	1-163-033-00	s CERAMIC, CHIP 0.022uF 50V
C671	1-126-933-11	s ELECT 100uF 20% 16V
C701	1-126-933-11	s ELECT 100uF 20% 16V
C702	1-126-933-11	s ELECT 100uF 20% 16V
C703	1-163-033-00	s CERAMIC, CHIP 0.022uF 50V
C704	1-163-033-00	s CERAMIC, CHIP 0.022uF 50V
C705	1-163-097-00	s CERAMIC, CHIP 15pF 5% 50V
C706	1-163-097-00	s CERAMIC, CHIP 15pF 5% 50V
C707	1-163-243-11	s CERAMIC, CHIP 47pF 5% 50V
C708	1-163-243-11	s CERAMIC, CHIP 47pF 5% 50V
C709	1-163-227-11	s CERAMIC, CHIP 10pF 5% 50V
C710	1-163-227-11	s CERAMIC, CHIP 10pF 5% 50V
C711	1-163-097-00	s CERAMIC, CHIP 15pF 5% 50V
C712	1-163-097-00	s CERAMIC, CHIP 15pF 5% 50V
C713	1-126-933-11	s ELECT 100uF 20% 16V
C714-719	1-163-033-00	s CERAMIC, CHIP 0.022uF 50V
C720-724	1-126-933-11	s ELECT 100uF 20% 16V
C725	1-131-365-00	s TANTALUM 10uF 10% 20V
C726	1-163-033-00	s CERAMIC, CHIP 0.022uF 50V
C727	1-130-475-00	s NYLAR 0.0022uF 5% 50V
CN103	1-573-782-21	o CONNECTOR, PHEC 60P, MALE
CN104	1-573-782-21	o CONNECTOR, PHEC 60P, MALE
CN105	1-506-491-11	s CONNECTOR 12P, MALE
D201	8-719-123-82	s DIODE 1SS303-T1
D401	8-719-123-82	s DIODE 1SS303-T1
D501	8-719-123-82	s DIODE 1SS303-T1
D502	8-719-941-04	s DIODE SB007-03CP
D503	8-719-021-31	s DIODE UZM5.1B
D504	8-719-123-82	s DIODE 1SS303-T1
D601	8-719-941-04	s DIODE SB007-03CP
D602	8-719-123-85	s DIODE 1SS304
D701	8-719-123-85	s DIODE 1SS304
DL101	1-415-154-00	s DELAY LINE 35nS
DL301	1-415-546-11	s DELAY LINE 50nS

## (VP-43 BOARD(UVW-1800))

Ref. No. or Q'ty	Part No.	SP Description
FL201	1-239-770-11	s FILTER, LOW-PASS 4MHz
FL401	1-239-772-11	s FILTER, LOW-PASS 3MHz
FL601	1-239-771-21	s FILTER, LOW-PASS 6MHz
IC101	8-752-052-75	s IC CXA1479Q
IC102	8-759-300-71	s IC HD14053BFP
IC103	8-759-908-92	s IC TL084CNS
IC104	8-759-702-08	s IC NJM360M
IC201	8-759-908-17	s IC TL082CPS
IC202	8-752-052-48	s IC CXA1370Q
IC203	8-759-700-65	s IC NJM79L05A
IC204	1-810-333-11	s HIC BP-022
IC205	8-759-189-43	s IC AN77L05-TA
IC301	8-752-052-75	s IC CXA1479Q
IC302	8-759-300-71	s IC HD14053BFP
IC303	8-759-908-92	s IC TL084CNS
IC401	8-752-052-48	s IC CXA1370Q
IC402	8-759-700-65	s IC NJM79L05A
IC403	1-810-333-11	s HIC BP-022
IC404	8-759-189-43	s IC AN77L05-TA
IC501	8-759-927-46	s IC SN74HC00NS
IC502	8-759-908-92	s IC TL084CNS
IC503	8-759-300-71	s IC HD14053BFP
IC504	8-759-168-20	s IC TA78L09S
IC505	8-759-700-65	s IC NJM79L05A
IC506	8-759-908-92	s IC TL084CNS
IC507	8-752-052-73	s IC CXA1451M
IC508	8-752-052-73	s IC CXA1451M
IC509	8-752-052-73	s IC CXA1451M
IC510	8-752-052-73	s IC CXA1451M
IC511	8-759-182-84	s IC PQ05S25U
IC512	8-759-822-95	s IC L79M05T-FA
IC601	8-759-907-81	s IC SN74LS221NS
IC602	8-759-927-46	s IC SN74HC00NS
IC603	8-759-908-92	s IC TL084CNS
IC604	8-759-300-71	s IC HD14053BFP
IC605	8-759-908-92	s IC TL084CNS
IC606	8-752-068-20	s IC CXA1521M-TH
IC607	8-752-068-20	s IC CXA1521M-TH
IC608	8-759-168-20	s IC TA78L09S
IC609	8-759-906-59	s IC CX22017
IC610	8-759-700-65	s IC NJM79L05A
IC611	8-752-052-73	s IC CXA1451M
IC612	8-759-057-43	s IC MC145768F
IC701	8-752-052-73	s IC CXA1451M
IC702	8-752-052-73	s IC CXA1451M
IC703	8-759-927-46	s IC SN74HC00NS
IC704	8-759-925-74	s IC TC74HC04NS
IC705	8-759-925-85	s IC SN74HC32NS
L101	1-410-482-31	s INDUCTOR 100uH
L102	1-408-406-00	s INDUCTOR 5.6uH
L103	1-408-406-00	s INDUCTOR 5.6uH
L104	1-410-466-41	s INDUCTOR 4.7uH
L105	1-410-482-31	s INDUCTOR 100uH
L106	1-410-462-11	s INDUCTOR 2.2uH
L107	1-410-482-31	s INDUCTOR 100uH
L108	1-410-482-31	s INDUCTOR 100uH
L109	1-408-427-00	s INDUCTOR 330uH
L110	1-410-482-31	s INDUCTOR 100uH

## (VP-43 BOARD(UVW-1800))

Ref. No. or Q'ty	Part No.	SP Description
L201	1-410-471-11	s INDUCTOR 12uH
L202	1-410-482-31	s INDUCTOR 100uH
L203	1-410-468-11	s INDUCTOR 6.8uH
L204	1-410-478-11	s INDUCTOR 47uH
L205	1-410-482-31	s INDUCTOR 100uH
L206	1-410-482-31	s INDUCTOR 100uH
L207	1-410-482-31	s INDUCTOR 100uH
L301	1-410-482-31	s INDUCTOR 100uH
L302	1-410-468-11	s INDUCTOR 6.8uH
L303	1-410-468-11	s INDUCTOR 6.8uH
L304	1-408-429-00	s INDUCTOR 470uH
L305	1-408-429-00	s INDUCTOR 470uH
L306	1-408-406-00	s INDUCTOR 5.6uH
L307	1-410-482-31	s INDUCTOR 100uH
L308	1-410-462-11	s INDUCTOR 2.2uH
L309	1-408-427-00	s INDUCTOR 330uH
L310	1-410-482-31	s INDUCTOR 100uH
L311	1-410-482-31	s INDUCTOR 100uH
L312	1-410-482-31	s INDUCTOR 100uH
L401	1-410-471-11	s INDUCTOR 12uH
L402	1-410-482-31	s INDUCTOR 100uH
L403	1-408-408-00	s INDUCTOR 8.2uH
L404	1-410-482-31	s INDUCTOR 100uH
L405	1-410-482-31	s INDUCTOR 100uH
L406	1-410-482-31	s INDUCTOR 100uH
L501	1-410-482-31	s INDUCTOR 100uH
L502	1-410-482-31	s INDUCTOR 100uH
L503	1-410-482-31	s INDUCTOR 100uH
L505	1-410-482-31	s INDUCTOR 100uH
L506	1-410-482-31	s INDUCTOR 100uH
L507	1-408-419-00	s INDUCTOR 68uH
L508	1-410-478-11	s INDUCTOR 47uH
L509	1-410-476-11	s INDUCTOR 33uH
L601-609	1-410-482-31	s INDUCTOR 100uH
L610	1-410-478-11	s INDUCTOR 47uH
L611	1-410-478-11	s INDUCTOR 47uH
L612	1-410-478-11	s INDUCTOR 47uH
L613	1-410-478-11	s INDUCTOR 47uH
L614	1-408-413-00	s INDUCTOR 22uH
L701	1-410-482-31	s INDUCTOR 100uH
L702	1-410-482-31	s INDUCTOR 100uH
L703	1-410-476-11	s INDUCTOR 33uH
L704	1-410-476-11	s INDUCTOR 33uH
L705	1-410-482-31	s INDUCTOR 100uH
L706	1-412-533-21	s INDUCTOR 47uH
L707	1-412-533-21	s INDUCTOR 47uH
L708	1-412-533-21	s INDUCTOR 47uH
L709	1-412-533-21	s INDUCTOR 47uH
L710	1-412-533-21	s INDUCTOR 47uH
Q101	8-729-117-32	s TRANSISTOR 2SC4177
Q102	8-729-117-72	s TRANSISTOR 2SC4178
Q103	8-729-143-07	s TRANSISTOR 2SA1610-YY33
Q104	8-729-117-72	s TRANSISTOR 2SC4178
Q105	8-729-117-72	s TRANSISTOR 2SC4178
Q106	8-729-143-07	s TRANSISTOR 2SA1610-YY33
Q107-111	8-729-117-72	s TRANSISTOR 2SC4178
Q112	8-729-905-18	s TRANSISTOR DTC144EU
Q201	8-729-117-72	s TRANSISTOR 2SC4178
Q202	8-729-143-07	s TRANSISTOR 2SA1610-YY33

## (VP-43 BOARD(UVW-1800))

Ref. No. or Q'ty	Part No.	SP Description
Q203	8-729-117-72	s TRANSISTOR 2SC4178
Q204	8-729-117-72	s TRANSISTOR 2SC4178
Q205	8-729-143-07	s TRANSISTOR 2SA1610-YY33
Q206	8-729-143-07	s TRANSISTOR 2SA1610-YY33
Q207	8-729-117-72	s TRANSISTOR 2SC4178
Q208	8-729-143-07	s TRANSISTOR 2SA1610-YY33
Q209	8-729-143-07	s TRANSISTOR 2SA1610-YY33
Q210	8-729-117-72	s TRANSISTOR 2SC4178
Q211	8-729-117-72	s TRANSISTOR 2SC4178
Q212	8-729-117-72	s TRANSISTOR 2SC4178
Q213	8-729-143-07	s TRANSISTOR 2SA1610-YY33
Q214	8-729-143-07	s TRANSISTOR 2SA1610-YY33
Q215	8-729-117-72	s TRANSISTOR 2SC4178
Q216	8-729-905-12	s TRANSISTOR DTA144EU
Q217	8-729-117-72	s TRANSISTOR 2SC4178
Q218	8-729-143-07	s TRANSISTOR 2SA1610-YY33
Q219	8-729-117-72	s TRANSISTOR 2SC4178
Q220	8-729-143-07	s TRANSISTOR 2SA1610-YY33
Q301	8-729-117-32	s TRANSISTOR 2SC4177
Q302	8-729-117-72	s TRANSISTOR 2SC4178
Q303	8-729-117-72	s TRANSISTOR 2SC4178
Q304	8-729-143-07	s TRANSISTOR 2SA1610-YY33
Q305	8-729-117-72	s TRANSISTOR 2SC4178
Q306	8-729-143-07	s TRANSISTOR 2SA1610-YY33
Q307-311	8-729-117-72	s TRANSISTOR 2SC4178
Q401	8-729-117-72	s TRANSISTOR 2SC4178
Q402	8-729-143-07	s TRANSISTOR 2SA1610-YY33
Q403	8-729-117-72	s TRANSISTOR 2SC4178
Q404	8-729-117-72	s TRANSISTOR 2SC4178
Q405	8-729-143-07	s TRANSISTOR 2SA1610-YY33
Q406	8-729-143-07	s TRANSISTOR 2SA1610-YY33
Q407	8-729-117-72	s TRANSISTOR 2SC4178
Q408	8-729-117-72	s TRANSISTOR 2SC4178
Q409	8-729-117-72	s TRANSISTOR 2SC4178
Q410	8-729-117-72	s TRANSISTOR 2SC4178
Q411	8-729-143-07	s TRANSISTOR 2SA1610-YY33
Q412	8-729-143-07	s TRANSISTOR 2SA1610-YY33
Q413	8-729-117-72	s TRANSISTOR 2SC4178
Q414	8-729-143-07	s TRANSISTOR 2SA1610-YY33
Q415	8-729-143-07	s TRANSISTOR 2SA1610-YY33
Q416	8-729-905-12	s TRANSISTOR DTA144EU
Q417	8-729-117-72	s TRANSISTOR 2SC4178
Q418	8-729-143-07	s TRANSISTOR 2SA1610-YY33
Q501	8-729-117-32	s TRANSISTOR 2SC4177
Q502	8-729-923-06	s TRANSISTOR FMW8
Q503	8-729-904-04	s TRANSISTOR FMS2
Q504	8-729-903-82	s TRANSISTOR FMW2
Q505	8-729-143-14	s TRANSISTOR 2SC4176-B35
Q506	8-729-140-63	s TRANSISTOR 2SA1611-M5M6
Q507	8-729-931-46	s TRANSISTOR FMW7
Q508	8-729-907-26	s TRANSISTOR INX1
Q509	8-729-117-32	s TRANSISTOR 2SC4177
Q510	8-729-140-63	s TRANSISTOR 2SA1611-M5M6
Q511	8-729-117-32	s TRANSISTOR 2SC4177
Q512	8-729-117-32	s TRANSISTOR 2SC4177
Q513	8-729-117-32	s TRANSISTOR 2SC4177
Q514	8-729-904-41	s TRANSISTOR FMY3
Q515	8-729-143-14	s TRANSISTOR 2SC4176-B35
Q516	8-729-117-32	s TRANSISTOR 2SC4177



## (VP-43 BOARD(UVW-1800))

Ref. No. or Q'ty	Part No.	SP Description
Q517	8-729-904-41	s TRANSISTOR FMY3
Q601	8-729-117-32	s TRANSISTOR 2SC4177
Q602	8-729-117-32	s TRANSISTOR 2SC4177
Q603	8-729-923-06	s TRANSISTOR FMM8
Q604	8-729-923-06	s TRANSISTOR FMM8
Q605	8-729-904-04	s TRANSISTOR FMS2
Q606	8-729-904-04	s TRANSISTOR FMS2
Q607	8-729-903-82	s TRANSISTOR FMM2
Q608	8-729-903-82	s TRANSISTOR FMM2
Q609	8-729-907-26	s TRANSISTOR IMX1
Q610	8-729-907-26	s TRANSISTOR IMX1
Q611	8-729-931-46	s TRANSISTOR FMM7
Q612	8-729-931-46	s TRANSISTOR FMM7
Q613	8-729-143-14	s TRANSISTOR 2SC4176-B35
Q614	8-729-140-63	s TRANSISTOR 2SA1611-M5M6
Q615	8-729-117-32	s TRANSISTOR 2SC4177
Q616	8-729-140-63	s TRANSISTOR 2SA1611-M5M6
Q617-626	8-729-117-32	s TRANSISTOR 2SC4177
Q627	8-729-143-14	s TRANSISTOR 2SC4176-B35
Q628	8-729-117-32	s TRANSISTOR 2SC4177
Q701	8-729-117-32	s TRANSISTOR 2SC4177
Q702	8-729-117-32	s TRANSISTOR 2SC4177
Q703	8-729-140-63	s TRANSISTOR 2SA1611-M5M6
Q704	8-729-140-63	s TRANSISTOR 2SA1611-M5M6
Q705	8-729-117-32	s TRANSISTOR 2SC4177
Q706	8-729-117-32	s TRANSISTOR 2SC4177
Q707	8-729-117-32	s TRANSISTOR 2SC4177
Q708	8-729-117-32	s TRANSISTOR 2SC4177
Q709	8-729-118-56	s TRANSISTOR 2SK852-X2
Q710	8-729-118-56	s TRANSISTOR 2SK852-X2
Q711	8-729-118-56	s TRANSISTOR 2SK852-X2
Q712	8-729-118-56	s TRANSISTOR 2SK852-X2
Q713	8-729-140-63	s TRANSISTOR 2SA1611-M5M6
Q714	8-729-140-63	s TRANSISTOR 2SA1611-M5M6
R101	1-216-295-91	s RES, CHIP 0
R102	1-216-295-91	s RES, CHIP 0
R103	1-216-638-11	s METAL, CHIP 300 0.5% 1/10W
R104	1-216-638-11	s METAL, CHIP 300 0.5% 1/10W
R105	1-216-025-00	s METAL, CHIP 100 5% 1/10W
R106	1-216-057-00	s METAL, CHIP 2.2k 5% 1/10W
R107	1-216-295-91	s RES, CHIP 0
R108	1-216-025-00	s METAL, CHIP 100 5% 1/10W
R109	1-216-025-00	s METAL, CHIP 100 5% 1/10W
R110	1-216-049-00	s METAL, CHIP 1k 5% 1/10W
R111	1-216-025-00	s METAL, CHIP 100 5% 1/10W
R112	1-216-065-00	s METAL, CHIP 4.7k 5% 1/10W
R113	1-216-025-00	s METAL, CHIP 100 5% 1/10W
R114	1-216-057-00	s METAL, CHIP 2.2k 5% 1/10W
R115	1-216-025-00	s METAL, CHIP 100 5% 1/10W
R116	1-216-073-00	s METAL, CHIP 10k 5% 1/10W
R117	1-216-073-00	s METAL, CHIP 10k 5% 1/10W
R118	1-216-025-00	s METAL, CHIP 100 5% 1/10W
R119	1-216-057-00	s METAL, CHIP 2.2k 5% 1/10W
R120	1-216-638-11	s METAL, CHIP 300 0.5% 1/10W
R121	1-216-065-00	s METAL, CHIP 4.7k 5% 1/10W
R122	1-216-638-11	s METAL, CHIP 300 0.5% 1/10W
R123	1-216-025-00	s METAL, CHIP 100 5% 1/10W
R124	1-216-049-00	s METAL, CHIP 1k 5% 1/10W
R125	1-216-065-00	s METAL, CHIP 4.7k 5% 1/10W

## (VP-43 BOARD(UVW-1800))

Ref. No. or Q'ty	Part No.	SP Description
R126	1-216-049-00	s METAL, CHIP 1k 5% 1/10W
R127	1-216-073-00	s METAL, CHIP 10k 5% 1/10W
R128	1-216-097-00	s METAL, CHIP 100k 5% 1/10W
R129	1-216-025-00	s METAL, CHIP 100 5% 1/10W
R130	1-216-025-00	s METAL, CHIP 100 5% 1/10W
R131	1-216-644-11	s METAL, CHIP 510 0.5% 1/10W
R132	1-216-643-11	s METAL, CHIP 470 0.5% 1/10W
R133	1-216-041-00	s METAL, CHIP 470 5% 1/10W
R134	1-216-643-11	s METAL, CHIP 470 0.5% 1/10W
R135	1-216-025-00	s METAL, CHIP 100 5% 1/10W
R136	1-216-691-11	s METAL, CHIP 47k 0.5% 1/10W
R137	1-216-659-11	s METAL, CHIP 2.2k 0.5% 1/10W
R138	1-216-065-00	s METAL, CHIP 4.7k 5% 1/10W
R139	1-216-073-00	s METAL, CHIP 10k 5% 1/10W
R140	1-216-025-00	s METAL, CHIP 100 5% 1/10W
R141	1-216-073-00	s METAL, CHIP 10k 5% 1/10W
R142	1-216-081-00	s METAL, CHIP 22k 5% 1/10W
R143	1-216-041-00	s METAL, CHIP 470 5% 1/10W
R144	1-216-635-11	s METAL, CHIP 220 0.5% 1/10W
R145	1-216-037-00	s METAL, CHIP 330 5% 1/10W
R146	1-216-037-00	s METAL, CHIP 330 5% 1/10W
R147	1-216-065-00	s METAL, CHIP 4.7k 5% 1/10W
R148	1-216-065-00	s METAL, CHIP 4.7k 5% 1/10W
R149	1-216-651-11	s METAL, CHIP 1k 0.5% 1/10W
R150	1-216-667-11	s METAL, CHIP 4.7k 0.5% 1/10W
R151	1-216-025-00	s METAL, CHIP 100 5% 1/10W
R152	1-216-057-00	s METAL, CHIP 2.2k 5% 1/10W
R153	1-216-057-00	s METAL, CHIP 2.2k 5% 1/10W
R154	1-216-037-00	s METAL, CHIP 330 5% 1/10W
R155	1-216-041-00	s METAL, CHIP 470 5% 1/10W
R156	1-216-035-00	s METAL, CHIP 270 5% 1/10W
R157	1-216-037-00	s METAL, CHIP 330 5% 1/10W
R158	1-216-065-00	s METAL, CHIP 4.7k 5% 1/10W
R159	1-216-077-00	s METAL, CHIP 15k 5% 1/10W
R160	1-216-085-00	s METAL, CHIP 33k 5% 1/10W
R161	1-216-073-00	s METAL, CHIP 10k 5% 1/10W
R162	1-216-073-00	s METAL, CHIP 10k 5% 1/10W
R163	1-216-675-11	s METAL, CHIP 10k 0.5% 1/10W
R164	1-216-661-11	s METAL, CHIP 2.7k 0.5% 1/10W
R165	1-216-065-00	s METAL, CHIP 4.7k 5% 1/10W
R166	1-216-037-00	s METAL, CHIP 330 5% 1/10W
R168	1-216-295-91	s RES, CHIP 0
R169	1-216-295-91	s RES, CHIP 0
R170	1-216-667-11	s METAL, CHIP 4.7k 0.5% 1/10W
R201	1-216-675-11	s METAL, CHIP 10k 0.5% 1/10W
R202	1-216-675-11	s METAL, CHIP 10k 0.5% 1/10W
R203	1-216-675-11	s METAL, CHIP 10k 0.5% 1/10W
R204	1-216-692-11	s METAL, CHIP 51k 0.5% 1/10W
R205	1-216-650-11	s METAL, CHIP 910 0.5% 1/10W
R206	1-216-049-00	s METAL, CHIP 1k 5% 1/10W
R207	1-216-025-00	s METAL, CHIP 100 5% 1/10W
R208	1-216-025-00	s METAL, CHIP 100 5% 1/10W
R209	1-216-639-11	s METAL, CHIP 330 0.5% 1/10W
R210	1-216-057-00	s METAL, CHIP 2.2k 5% 1/10W
R211	1-216-651-11	s METAL, CHIP 1k 0.5% 1/10W
R212	1-216-025-00	s METAL, CHIP 100 5% 1/10W
R213	1-216-639-11	s METAL, CHIP 330 0.5% 1/10W
R214	1-216-065-00	s METAL, CHIP 4.7k 5% 1/10W
R215	1-216-651-11	s METAL, CHIP 1k 0.5% 1/10W

## (VP-43 BOARD(UVV-1800))

## (VP-43 BOARD(UVV-1800))

Ref. No. or Q'ty	Part No.	SP Description
R216	1-216-673-11	s METAL, CHIP 8.2k 0.5% 1/10W
R217	1-216-653-11	s METAL, CHIP 1.2k 0.5% 1/10W
R218	1-216-073-00	s METAL, CHIP 10k 5% 1/10W
R219	1-216-073-00	s METAL, CHIP 10k 5% 1/10W
R220	1-216-025-00	s METAL, CHIP 100 5% 1/10W
R221	1-216-025-00	s METAL, CHIP 100 5% 1/10W
R222	1-216-065-00	s METAL, CHIP 4.7k 5% 1/10W
R223	1-216-025-00	s METAL, CHIP 100 5% 1/10W
R224	1-216-049-00	s METAL, CHIP 1k 5% 1/10W
R225	1-216-049-00	s METAL, CHIP 1k 5% 1/10W
R226	1-216-063-00	s METAL, CHIP 3.9k 5% 1/10W
R227	1-216-065-00	s METAL, CHIP 4.7k 5% 1/10W
R228	1-216-025-00	s METAL, CHIP 100 5% 1/10W
R229	1-216-055-00	s METAL, CHIP 1.8k 5% 1/10W
R230	1-216-025-00	s METAL, CHIP 100 5% 1/10W
R231	1-216-049-00	s METAL, CHIP 1k 5% 1/10W
R232	1-216-025-00	s METAL, CHIP 100 5% 1/10W
R233	1-216-055-00	s METAL, CHIP 1.8k 5% 1/10W
R234	1-216-057-00	s METAL, CHIP 2.2k 5% 1/10W
R235	1-216-057-00	s METAL, CHIP 2.2k 5% 1/10W
R236	1-216-025-00	s METAL, CHIP 100 5% 1/10W
R237	1-216-065-00	s METAL, CHIP 4.7k 5% 1/10W
R238	1-216-065-00	s METAL, CHIP 4.7k 5% 1/10W
R239	1-216-025-00	s METAL, CHIP 100 5% 1/10W
R240	1-216-655-11	s METAL, CHIP 1.5k 0.5% 1/10W
R241	1-216-663-11	s METAL, CHIP 3.3k 0.5% 1/10W
R242	1-216-049-00	s METAL, CHIP 1k 5% 1/10W
R243	1-216-063-00	s METAL, CHIP 3.9k 5% 1/10W
R244	1-216-646-11	s METAL, CHIP 620 0.5% 1/10W
R245	1-216-673-11	s METAL, CHIP 8.2k 0.5% 1/10W
R246	1-216-057-00	s METAL, CHIP 2.2k 5% 1/10W
R247	1-216-667-11	s METAL, CHIP 4.7k 0.5% 1/10W
R248	1-216-668-11	s METAL, CHIP 5.1k 0.5% 1/10W
R249	1-216-057-00	s METAL, CHIP 2.2k 5% 1/10W
R250	1-216-113-00	s METAL, CHIP 470k 5% 1/10W
R251	1-216-667-11	s METAL, CHIP 4.7k 0.5% 1/10W
R253	1-216-686-11	s METAL, CHIP 30k 0.5% 1/10W
R255	1-216-652-11	s METAL, CHIP 1.1k 0.5% 1/10W
R256	1-216-025-00	s METAL, CHIP 100 5% 1/10W
R257	1-216-638-11	s METAL, CHIP 300 0.5% 1/10W
R258	1-216-665-11	s METAL, CHIP 3.9k 0.5% 1/10W
R259	1-216-671-11	s METAL, CHIP 6.8k 0.5% 1/10W
R260	1-216-687-11	s METAL, CHIP 33k 0.5% 1/10W
R262	1-216-685-11	s METAL, CHIP 27k 0.5% 1/10W
R263	1-216-073-00	s METAL, CHIP 10k 5% 1/10W
R264	1-216-025-00	s METAL, CHIP 100 5% 1/10W
R265	1-216-041-00	s METAL, CHIP 470 5% 1/10W
R266	1-216-638-11	s METAL, CHIP 300 0.5% 1/10W
R267	1-216-037-00	s METAL, CHIP 330 5% 1/10W
R268	1-216-057-00	s METAL, CHIP 2.2k 5% 1/10W
R269	1-216-041-00	s METAL, CHIP 470 5% 1/10W
R270	1-216-638-11	s METAL, CHIP 300 0.5% 1/10W
R271	1-216-049-00	s METAL, CHIP 1k 5% 1/10W
R272	1-216-620-11	s METAL, CHIP 51 0.5% 1/10W
R273	1-216-037-00	s METAL, CHIP 330 5% 1/10W
R274	1-216-295-91	s RES, CHIP 0
R275	1-216-089-91	s METAL, CHIP 47k 5% 1/10W
R276	1-216-057-00	s METAL, CHIP 2.2k 5% 1/10W
R301	1-216-629-11	s METAL, CHIP 120 0.5% 1/10W

Ref. No. or Q'ty	Part No.	SP Description
R302	1-216-629-11	s METAL, CHIP 120 0.5% 1/10W
R303	1-216-633-11	s METAL, CHIP 180 0.5% 1/10W
R304	1-216-633-11	s METAL, CHIP 180 0.5% 1/10W
R305	1-216-025-00	s METAL, CHIP 100 5% 1/10W
R306	1-216-049-00	s METAL, CHIP 1k 5% 1/10W
R307	1-216-025-00	s METAL, CHIP 100 5% 1/10W
R308	1-216-065-00	s METAL, CHIP 4.7k 5% 1/10W
R309	1-216-025-00	s METAL, CHIP 100 5% 1/10W
R310	1-216-025-00	s METAL, CHIP 100 5% 1/10W
R311	1-216-057-00	s METAL, CHIP 2.2k 5% 1/10W
R312	1-216-025-00	s METAL, CHIP 100 5% 1/10W
R313	1-216-057-00	s METAL, CHIP 2.2k 5% 1/10W
R314	1-216-073-00	s METAL, CHIP 10k 5% 1/10W
R315	1-216-638-11	s METAL, CHIP 300 0.5% 1/10W
R316	1-216-073-00	s METAL, CHIP 10k 5% 1/10W
R317	1-216-025-00	s METAL, CHIP 100 5% 1/10W
R318	1-216-638-11	s METAL, CHIP 300 0.5% 1/10W
R319	1-216-065-00	s METAL, CHIP 4.7k 5% 1/10W
R320	1-216-065-00	s METAL, CHIP 4.7k 5% 1/10W
R321	1-216-049-00	s METAL, CHIP 1k 5% 1/10W
R322	1-216-651-11	s METAL, CHIP 1k 0.5% 1/10W
R323	1-216-049-00	s METAL, CHIP 1k 5% 1/10W
R324	1-216-025-00	s METAL, CHIP 100 5% 1/10W
R325	1-216-644-11	s METAL, CHIP 510 0.5% 1/10W
R326	1-216-643-11	s METAL, CHIP 470 0.5% 1/10W
R327	1-216-041-00	s METAL, CHIP 470 5% 1/10W
R328	1-216-073-00	s METAL, CHIP 10k 5% 1/10W
R329	1-216-097-00	s METAL, CHIP 100k 5% 1/10W
R330	1-216-639-11	s METAL, CHIP 330 0.5% 1/10W
R331	1-216-025-00	s METAL, CHIP 100 5% 1/10W
R332	1-216-065-00	s METAL, CHIP 4.7k 5% 1/10W
R333	1-216-073-00	s METAL, CHIP 10k 5% 1/10W
R334	1-216-025-00	s METAL, CHIP 100 5% 1/10W
R335	1-216-073-00	s METAL, CHIP 10k 5% 1/10W
R336	1-216-635-11	s METAL, CHIP 220 0.5% 1/10W
R337	1-216-041-00	s METAL, CHIP 470 5% 1/10W
R338	1-216-037-00	s METAL, CHIP 330 5% 1/10W
R339	1-216-037-00	s METAL, CHIP 330 5% 1/10W
R340	1-216-065-00	s METAL, CHIP 4.7k 5% 1/10W
R341	1-216-065-00	s METAL, CHIP 4.7k 5% 1/10W
R342	1-216-651-11	s METAL, CHIP 1k 0.5% 1/10W
R343	1-216-653-11	s METAL, CHIP 1.2k 0.5% 1/10W
R344	1-216-037-00	s METAL, CHIP 330 5% 1/10W
R345	1-216-041-00	s METAL, CHIP 470 5% 1/10W
R346	1-216-037-00	s METAL, CHIP 330 5% 1/10W
R347	1-216-619-11	s METAL, CHIP 47 0.5% 1/10W
R348	1-216-057-00	s METAL, CHIP 2.2k 5% 1/10W
R349	1-216-025-00	s METAL, CHIP 100 5% 1/10W
R350	1-216-065-00	s METAL, CHIP 4.7k 5% 1/10W
R351	1-216-057-00	s METAL, CHIP 2.2k 5% 1/10W
R352	1-216-077-00	s METAL, CHIP 15k 5% 1/10W
R353	1-216-085-00	s METAL, CHIP 33k 5% 1/10W
R354	1-216-073-00	s METAL, CHIP 10k 5% 1/10W
R355	1-216-073-00	s METAL, CHIP 10k 5% 1/10W
R356	1-216-675-11	s METAL, CHIP 10k 0.5% 1/10W
R357	1-216-661-11	s METAL, CHIP 2.7k 0.5% 1/10W
R358	1-216-065-00	s METAL, CHIP 4.7k 5% 1/10W
R359	1-216-037-00	s METAL, CHIP 330 5% 1/10W
R401	1-216-025-00	s METAL, CHIP 100 5% 1/10W

## (VP-43 BOARD(UVW-1800))

Ref. No. or Q'ty	Part No.	SP Description
R402	1-216-025-00	s METAL, CHIP 100 5% 1/10W
R403	1-216-639-11	s METAL, CHIP 330 0.5% 1/10W
R404	1-216-057-00	s METAL, CHIP 2.2k 5% 1/10W
R405	1-216-639-11	s METAL, CHIP 330 0.5% 1/10W
R406	1-216-025-00	s METAL, CHIP 100 5% 1/10W
R407	1-216-065-00	s METAL, CHIP 4.7k 5% 1/10W
R408	1-216-025-00	s METAL, CHIP 100 5% 1/10W
R409	1-216-065-00	s METAL, CHIP 4.7k 5% 1/10W
R410	1-216-651-11	s METAL, CHIP 1k 0.5% 1/10W
R411	1-216-025-00	s METAL, CHIP 100 5% 1/10W
R412	1-216-055-00	s METAL, CHIP 1.8k 5% 1/10W
R413	1-216-025-00	s METAL, CHIP 100 5% 1/10W
R414	1-216-673-11	s METAL, CHIP 8.2k 0.5% 1/10W
R415	1-216-643-11	s METAL, CHIP 470 0.5% 1/10W
R416	1-216-025-00	s METAL, CHIP 100 5% 1/10W
R417	1-216-055-00	s METAL, CHIP 1.8k 5% 1/10W
R418	1-216-653-11	s METAL, CHIP 1.2k 0.5% 1/10W
R419	1-216-065-00	s METAL, CHIP 4.7k 5% 1/10W
R420	1-216-651-11	s METAL, CHIP 1k 0.5% 1/10W
R421	1-216-649-11	s METAL, CHIP 820 0.5% 1/10W
R422	1-216-664-11	s METAL, CHIP 3.6k 0.5% 1/10W
R423	1-216-073-00	s METAL, CHIP 10k 5% 1/10W
R424	1-216-073-00	s METAL, CHIP 10k 5% 1/10W
R425	1-216-025-00	s METAL, CHIP 100 5% 1/10W
R426	1-216-675-11	s METAL, CHIP 10k 0.5% 1/10W
R427	1-216-065-00	s METAL, CHIP 4.7k 5% 1/10W
R428	1-216-025-00	s METAL, CHIP 100 5% 1/10W
R429	1-216-057-00	s METAL, CHIP 2.2k 5% 1/10W
R430	1-216-049-00	s METAL, CHIP 1k 5% 1/10W
R431	1-216-063-00	s METAL, CHIP 3.9k 5% 1/10W
R432	1-216-049-00	s METAL, CHIP 1k 5% 1/10W
R433	1-216-057-00	s METAL, CHIP 2.2k 5% 1/10W
R434	1-216-057-00	s METAL, CHIP 2.2k 5% 1/10W
R435	1-216-025-00	s METAL, CHIP 100 5% 1/10W
R436	1-216-025-00	s METAL, CHIP 100 5% 1/10W
R437	1-216-065-00	s METAL, CHIP 4.7k 5% 1/10W
R438	1-216-049-00	s METAL, CHIP 1k 5% 1/10W
R439	1-216-063-00	s METAL, CHIP 3.9k 5% 1/10W
R440	1-216-665-11	s METAL, CHIP 3.9k 0.5% 1/10W
R441	1-216-670-11	s METAL, CHIP 6.2k 0.5% 1/10W
R442	1-216-057-00	s METAL, CHIP 2.2k 5% 1/10W
R443	1-216-113-00	s METAL, CHIP 470k 5% 1/10W
R444	1-216-671-11	s METAL, CHIP 6.8k 0.5% 1/10W
R445	1-216-119-00	s METAL, CHIP 820k 5% 1/10W
R446	1-216-687-11	s METAL, CHIP 33k 0.5% 1/10W
R447	1-216-683-11	s METAL, CHIP 22k 0.5% 1/10W
R448	1-216-651-11	s METAL, CHIP 1k 0.5% 1/10W
R449	1-216-025-00	s METAL, CHIP 100 5% 1/10W
R450	1-216-639-11	s METAL, CHIP 330 0.5% 1/10W
R451	1-216-665-11	s METAL, CHIP 3.9k 0.5% 1/10W
R452	1-216-671-11	s METAL, CHIP 6.8k 0.5% 1/10W
R453	1-216-689-11	s METAL, CHIP 39k 0.5% 1/10W
R454	1-216-121-00	s METAL, CHIP 1M 5% 1/10W
R455	1-216-685-11	s METAL, CHIP 27k 0.5% 1/10W
R456	1-216-073-00	s METAL, CHIP 10k 5% 1/10W
R457	1-216-025-00	s METAL, CHIP 100 5% 1/10W
R458	1-216-041-00	s METAL, CHIP 470 5% 1/10W
R459	1-216-638-11	s METAL, CHIP 300 0.5% 1/10W
R460	1-216-049-00	s METAL, CHIP 1k 5% 1/10W

## (VP-43 BOARD(UVW-1800))

Ref. No. or Q'ty	Part No.	SP Description
R461	1-216-620-11	s METAL, CHIP 51 0.5% 1/10W
R462	1-216-037-00	s METAL, CHIP 330 5% 1/10W
R463	1-216-057-00	s METAL, CHIP 2.2k 5% 1/10W
R464	1-216-089-91	s METAL, CHIP 47k 5% 1/10W
R501	1-216-081-00	s METAL, CHIP 22k 5% 1/10W
R502	1-216-049-00	s METAL, CHIP 1k 5% 1/10W
R503	1-216-049-00	s METAL, CHIP 1k 5% 1/10W
R504	1-216-049-00	s METAL, CHIP 1k 5% 1/10W
R505	1-216-049-00	s METAL, CHIP 1k 5% 1/10W
R506	1-216-057-00	s METAL, CHIP 2.2k 5% 1/10W
R507	1-216-049-00	s METAL, CHIP 1k 5% 1/10W
R508	1-216-121-00	s METAL, CHIP 1M 5% 1/10W
R509	1-216-049-00	s METAL, CHIP 1k 5% 1/10W
R510	1-216-049-00	s METAL, CHIP 1k 5% 1/10W
R511	1-216-033-00	s METAL, CHIP 220 5% 1/10W
R512	1-216-065-00	s METAL, CHIP 4.7k 5% 1/10W
R513	1-216-045-00	s METAL, CHIP 680 5% 1/10W
R514	1-216-065-00	s METAL, CHIP 4.7k 5% 1/10W
R515	1-216-077-00	s METAL, CHIP 15k 5% 1/10W
R516	1-216-049-00	s METAL, CHIP 1k 5% 1/10W
R517	1-216-033-00	s METAL, CHIP 220 5% 1/10W
R518	1-216-049-00	s METAL, CHIP 1k 5% 1/10W
R519	1-216-073-00	s METAL, CHIP 10k 5% 1/10W
R520	1-216-049-00	s METAL, CHIP 1k 5% 1/10W
R521	1-216-017-00	s METAL, CHIP 47 5% 1/10W
R522	1-216-027-00	s METAL, CHIP 120 5% 1/10W
R523	1-216-081-00	s METAL, CHIP 22k 5% 1/10W
R524	1-216-081-00	s METAL, CHIP 22k 5% 1/10W
R525	1-216-081-00	s METAL, CHIP 22k 5% 1/10W
R526	1-216-049-00	s METAL, CHIP 1k 5% 1/10W
R527	1-216-647-11	s METAL, CHIP 680 0.5% 1/10W
R528	1-216-057-00	s METAL, CHIP 2.2k 5% 1/10W
R529	1-216-659-11	s METAL, CHIP 2.2k 0.5% 1/10W
R530	1-216-651-11	s METAL, CHIP 1k 0.5% 1/10W
R531	1-216-025-00	s METAL, CHIP 100 5% 1/10W
R532	1-216-041-00	s METAL, CHIP 470 5% 1/10W
R533	1-216-025-00	s METAL, CHIP 100 5% 1/10W
R534	1-216-041-00	s METAL, CHIP 470 5% 1/10W
R535	1-216-041-00	s METAL, CHIP 470 5% 1/10W
R536	1-216-049-00	s METAL, CHIP 1k 5% 1/10W
R537	1-216-041-00	s METAL, CHIP 470 5% 1/10W
R538	1-216-651-11	s METAL, CHIP 1k 0.5% 1/10W
R539	1-216-653-11	s METAL, CHIP 1.2k 0.5% 1/10W
R540	1-216-057-00	s METAL, CHIP 2.2k 5% 1/10W
R541	1-216-651-11	s METAL, CHIP 1k 0.5% 1/10W
R542	1-216-057-00	s METAL, CHIP 2.2k 5% 1/10W
R543	1-216-057-00	s METAL, CHIP 2.2k 5% 1/10W
R544	1-216-049-00	s METAL, CHIP 1k 5% 1/10W
R545	1-216-049-00	s METAL, CHIP 1k 5% 1/10W
R546	1-216-113-00	s METAL, CHIP 470k 5% 1/10W
R547	1-216-053-00	s METAL, CHIP 1.5k 5% 1/10W
R548	1-216-049-00	s METAL, CHIP 1k 5% 1/10W
R549	1-216-049-00	s METAL, CHIP 1k 5% 1/10W
R550	1-216-049-00	s METAL, CHIP 1k 5% 1/10W
R551	1-216-057-00	s METAL, CHIP 2.2k 5% 1/10W
R552	1-216-057-00	s METAL, CHIP 2.2k 5% 1/10W
R553	1-216-041-00	s METAL, CHIP 470 5% 1/10W
R554	1-216-041-00	s METAL, CHIP 470 5% 1/10W
R555	1-216-073-00	s METAL, CHIP 10k 5% 1/10W

## (VP-43 BOARD(UVW-1800))

## (VP-43 BOARD(UVW-1800))

Ref. No. or Q'ty	Part No.	SP Description
R556	1-216-049-00	s METAL, CHIP 1k 5% 1/10W
R557	1-216-049-00	s METAL, CHIP 1k 5% 1/10W
R558	1-216-041-00	s METAL, CHIP 470 5% 1/10W
R559	1-216-053-00	s METAL, CHIP 1.5k 5% 1/10W
R560	1-216-049-00	s METAL, CHIP 1k 5% 1/10W
R561	1-216-025-00	s METAL, CHIP 100 5% 1/10W
R562	1-216-017-00	s METAL, CHIP 47 5% 1/10W
R563	1-216-017-00	s METAL, CHIP 47 5% 1/10W
R564	1-216-657-11	s METAL, CHIP 4.7k 0.5% 1/10W
R565	1-216-651-11	s METAL, CHIP 1k 0.5% 1/10W
R566	1-216-073-00	s METAL, CHIP 10k 5% 1/10W
R567	1-216-653-11	s METAL, CHIP 1.2k 0.5% 1/10W
R568-572	1-216-624-11	s METAL, CHIP 75 0.5% 1/10W
R573	1-216-049-00	s METAL, CHIP 1k 5% 1/10W
R574	1-216-081-00	s METAL, CHIP 22k 5% 1/10W
R575	1-216-097-00	s METAL, CHIP 100k 5% 1/10W
R576	1-216-057-00	s METAL, CHIP 2.2k 5% 1/10W
R600	1-249-429-11	s CARBON 10k 5% 1/4W
R601	1-216-049-00	s METAL, CHIP 1k 5% 1/10W
R602	1-216-049-00	s METAL, CHIP 1k 5% 1/10W
R603	1-216-089-91	s METAL, CHIP 47k 5% 1/10W
R604	1-216-049-00	s METAL, CHIP 1k 5% 1/10W
R605	1-216-049-00	s METAL, CHIP 1k 5% 1/10W
R606	1-216-049-00	s METAL, CHIP 1k 5% 1/10W
R607	1-216-049-00	s METAL, CHIP 1k 5% 1/10W
R608	1-216-057-00	s METAL, CHIP 2.2k 5% 1/10W
R609	1-216-057-00	s METAL, CHIP 2.2k 5% 1/10W
R610	1-216-033-00	s METAL, CHIP 220 5% 1/10W
R611	1-216-033-00	s METAL, CHIP 220 5% 1/10W
R612	1-216-668-11	s METAL, CHIP 5.1k 0.5% 1/10W
R613	1-216-045-00	s METAL, CHIP 680 5% 1/10W
R614	1-216-045-00	s METAL, CHIP 680 5% 1/10W
R615	1-216-077-00	s METAL, CHIP 15k 5% 1/10W
R616	1-216-077-00	s METAL, CHIP 15k 5% 1/10W
R617	1-216-017-00	s METAL, CHIP 47 5% 1/10W
R618	1-216-017-00	s METAL, CHIP 47 5% 1/10W
R619	1-216-027-00	s METAL, CHIP 120 5% 1/10W
R620	1-216-027-00	s METAL, CHIP 120 5% 1/10W
R621	1-216-687-11	s METAL, CHIP 33k 0.5% 1/10W
R622	1-216-081-00	s METAL, CHIP 22k 5% 1/10W
R623	1-216-049-00	s METAL, CHIP 1k 5% 1/10W
R626	1-216-049-00	s METAL, CHIP 1k 5% 1/10W
R627	1-216-049-00	s METAL, CHIP 1k 5% 1/10W
R628	1-216-057-00	s METAL, CHIP 2.2k 5% 1/10W
R629	1-216-057-00	s METAL, CHIP 2.2k 5% 1/10W
R630	1-216-065-00	s METAL, CHIP 4.7k 5% 1/10W
R631	1-216-065-00	s METAL, CHIP 4.7k 5% 1/10W
R632	1-216-049-00	s METAL, CHIP 1k 5% 1/10W
R633	1-216-295-91	s RES, CHIP 0
R634	1-216-049-00	s METAL, CHIP 1k 5% 1/10W
R635	1-216-049-00	s METAL, CHIP 1k 5% 1/10W
R636	1-216-081-00	s METAL, CHIP 22k 5% 1/10W
R637	1-216-121-00	s METAL, CHIP 1M 5% 1/10W
R638	1-216-121-00	s METAL, CHIP 1M 5% 1/10W
R639	1-216-081-00	s METAL, CHIP 22k 5% 1/10W
R640	1-216-081-00	s METAL, CHIP 22k 5% 1/10W
R641	1-216-049-00	s METAL, CHIP 1k 5% 1/10W
R642	1-216-049-00	s METAL, CHIP 1k 5% 1/10W
R643	1-216-049-00	s METAL, CHIP 1k 5% 1/10W
R644	1-216-081-00	s METAL, CHIP 22k 5% 1/10W

Ref. No. or Q'ty	Part No.	SP Description
R645	1-216-089-91	s METAL, CHIP 47k 5% 1/10W
R646	1-216-049-00	s METAL, CHIP 1k 5% 1/10W
R647	1-216-089-91	s METAL, CHIP 47k 5% 1/10W
R648	1-216-049-00	s METAL, CHIP 1k 5% 1/10W
R649	1-216-049-00	s METAL, CHIP 1k 5% 1/10W
R650	1-216-049-00	s METAL, CHIP 1k 5% 1/10W
R651	1-216-025-00	s METAL, CHIP 100 5% 1/10W
R652	1-216-657-11	s METAL, CHIP 1.8k 0.5% 1/10W
R653	1-216-073-00	s METAL, CHIP 10k 5% 1/10W
R654	1-216-065-00	s METAL, CHIP 4.7k 5% 1/10W
R655	1-216-065-00	s METAL, CHIP 4.7k 5% 1/10W
R656	1-216-047-00	s METAL, CHIP 820 5% 1/10W
R657	1-216-065-00	s METAL, CHIP 4.7k 5% 1/10W
R658	1-216-065-00	s METAL, CHIP 4.7k 5% 1/10W
R659	1-216-041-00	s METAL, CHIP 470 5% 1/10W
R660	1-216-041-00	s METAL, CHIP 470 5% 1/10W
R661	1-216-049-00	s METAL, CHIP 1k 5% 1/10W
R662	1-216-037-00	s METAL, CHIP 330 5% 1/10W
R663	1-216-077-00	s METAL, CHIP 15k 5% 1/10W
R664	1-216-079-00	s METAL, CHIP 18k 5% 1/10W
R665	1-216-081-00	s METAL, CHIP 22k 5% 1/10W
R666	1-216-081-00	s METAL, CHIP 22k 5% 1/10W
R667	1-216-097-00	s METAL, CHIP 100k 5% 1/10W
R668	1-216-049-00	s METAL, CHIP 1k 5% 1/10W
R669	1-216-049-00	s METAL, CHIP 1k 5% 1/10W
R670	1-216-677-11	s METAL, CHIP 12k 0.5% 1/10W
R671	1-216-049-00	s METAL, CHIP 1k 5% 1/10W
R672	1-216-049-00	s METAL, CHIP 1k 5% 1/10W
R673	1-216-637-11	s METAL, CHIP 270 0.5% 1/10W
R674	1-216-669-11	s METAL, CHIP 5.6k 0.5% 1/10W
R675	1-216-049-00	s METAL, CHIP 1k 5% 1/10W
R676	1-216-037-00	s METAL, CHIP 330 5% 1/10W
R677	1-216-037-00	s METAL, CHIP 330 5% 1/10W
R678-682	1-216-049-00	s METAL, CHIP 1k 5% 1/10W
R683	1-216-057-00	s METAL, CHIP 2.2k 5% 1/10W
R684	1-216-646-11	s METAL, CHIP 620 0.5% 1/10W
R686	1-216-661-11	s METAL, CHIP 2.7k 0.5% 1/10W
R687	1-216-057-00	s METAL, CHIP 2.2k 5% 1/10W
R688	1-216-045-00	s METAL, CHIP 680 5% 1/10W
R689	1-216-639-11	s METAL, CHIP 330 0.5% 1/10W
R690	1-216-651-11	s METAL, CHIP 1k 0.5% 1/10W
R691	1-216-049-00	s METAL, CHIP 1k 5% 1/10W
R692	1-216-025-00	s METAL, CHIP 100 5% 1/10W
R693	1-216-025-00	s METAL, CHIP 100 5% 1/10W
R694	1-216-624-11	s METAL, CHIP 75 0.5% 1/10W
R695	1-216-081-00	s METAL, CHIP 22k 5% 1/10W
R696	1-216-095-00	s METAL, CHIP 82k 5% 1/10W
R697	1-216-057-00	s METAL, CHIP 2.2k 5% 1/10W
R698	1-216-057-00	s METAL, CHIP 2.2k 5% 1/10W
R699	1-249-429-11	s CARBON 10k 5% 1/4W
R701	1-216-025-00	s METAL, CHIP 100 5% 1/10W
R702	1-216-025-00	s METAL, CHIP 100 5% 1/10W
R703	1-216-049-00	s METAL, CHIP 1k 5% 1/10W
R704	1-216-049-00	s METAL, CHIP 1k 5% 1/10W
R705	1-216-049-00	s METAL, CHIP 1k 5% 1/10W
R706	1-216-049-00	s METAL, CHIP 1k 5% 1/10W
R707	1-216-655-11	s METAL, CHIP 1.5k 0.5% 1/10W
R708	1-216-655-11	s METAL, CHIP 1.5k 0.5% 1/10W
R709	1-216-065-00	s METAL, CHIP 4.7k 5% 1/10W

## (VP-43 BOARD(UVW-1800))

Ref. No. or Q'ty	Part No.	SP Description
R710	1-216-065-00	s METAL, CHIP 4.7k 5% 1/10W
R711	1-216-025-00	s METAL, CHIP 100 5% 1/10W
R712	1-216-025-00	s METAL, CHIP 100 5% 1/10W
R713	1-216-049-00	s METAL, CHIP 1k 5% 1/10W
R714	1-216-049-00	s METAL, CHIP 1k 5% 1/10W
R715	1-216-049-00	s METAL, CHIP 1k 5% 1/10W
R716	1-216-049-00	s METAL, CHIP 1k 5% 1/10W
R717	1-216-065-00	s METAL, CHIP 4.7k 5% 1/10W
R718	1-216-065-00	s METAL, CHIP 4.7k 5% 1/10W
R719	1-216-639-11	s METAL, CHIP 330 0.5% 1/10W
R720	1-216-639-11	s METAL, CHIP 330 0.5% 1/10W
R721	1-216-025-00	s METAL, CHIP 100 5% 1/10W
R722	1-216-025-00	s METAL, CHIP 100 5% 1/10W
R723	1-216-065-00	s METAL, CHIP 4.7k 5% 1/10W
R724	1-216-041-00	s METAL, CHIP 470 5% 1/10W
R725	1-216-065-00	s METAL, CHIP 4.7k 5% 1/10W
R726	1-216-041-00	s METAL, CHIP 470 5% 1/10W
R727	1-216-049-00	s METAL, CHIP 1k 5% 1/10W
R728	1-216-049-00	s METAL, CHIP 1k 5% 1/10W
R729	1-216-624-11	s METAL, CHIP 75 0.5% 1/10W
R730	1-216-624-11	s METAL, CHIP 75 0.5% 1/10W
R731	1-216-624-11	s METAL, CHIP 75 0.5% 1/10W
R732	1-216-624-11	s METAL, CHIP 75 0.5% 1/10W
R733-737	1-216-097-00	s METAL, CHIP 100k 5% 1/10W
R738	1-216-049-00	s METAL, CHIP 1k 5% 1/10W
R739	1-216-049-00	s METAL, CHIP 1k 5% 1/10W
R740	1-216-049-00	s METAL, CHIP 1k 5% 1/10W
R741	1-216-073-00	s METAL, CHIP 10k 5% 1/10W
R742	1-216-049-00	s METAL, CHIP 1k 5% 1/10W
R743	1-216-049-00	s METAL, CHIP 1k 5% 1/10W
R744	1-216-049-00	s METAL, CHIP 1k 5% 1/10W
R745	1-216-113-00	s METAL, CHIP 470k 5% 1/10W
R746	1-216-049-00	s METAL, CHIP 1k 5% 1/10W
R747	1-216-049-00	s METAL, CHIP 1k 5% 1/10W
R748	1-216-097-00	s METAL, CHIP 100k 5% 1/10W
R749	1-216-049-00	s METAL, CHIP 1k 5% 1/10W
R750	1-216-097-00	s METAL, CHIP 100k 5% 1/10W
R751	1-216-049-00	s METAL, CHIP 1k 5% 1/10W
RV101	1-241-785-11	s RES, ADJ METAL 10k
RV102	1-241-785-11	s RES, ADJ METAL 10k
RV103	1-241-761-11	s RES, ADJ METAL 1k
RV201	1-241-763-11	s RES, ADJ METAL 4.7k
RV301	1-241-785-11	s RES, ADJ METAL 10k
RV302	1-241-785-11	s RES, ADJ METAL 10k
RV303	1-241-761-11	s RES, ADJ METAL 1k
RV401	1-241-764-11	s RES, ADJ METAL 10k
RV501	1-241-761-11	s RES, ADJ METAL 1k
RV502	1-241-761-11	s RES, ADJ METAL 1k
RV503	1-241-761-11	s RES, ADJ METAL 1k
RV504	1-241-761-11	s RES, ADJ METAL 1k
RV505	1-241-761-11	s RES, ADJ METAL 1k
RV506	1-241-758-21	s RES, ADJ METAL 100
RV601	1-241-123-11	s RES, ADJ CARBON 47k
RV602	1-241-123-11	s RES, ADJ CARBON 47k
RV603	1-241-783-11	s RES, ADJ METAL 2.2k
RV604	1-241-784-11	s RES, ADJ METAL 4.7k
RV605	1-241-784-11	s RES, ADJ METAL 4.7k
RV606	1-241-779-21	s RES, ADJ METAL 100

## (VP-43 BOARD(UVW-1800))

Ref. No. or Q'ty	Part No.	SP Description
RV701	1-241-783-11	s RES, ADJ METAL 2.2k
RV702	1-241-783-11	s RES, ADJ METAL 2.2k
RV703	1-241-761-11	s RES, ADJ METAL 1k
RV704	1-241-761-11	s RES, ADJ METAL 1k
TH201	1-807-972-11	s THERMISTOR SV-1715 1.25k
TH401	1-807-972-11	s THERMISTOR SV-1715 1.25k

VP-43A BOARD(UVW-1600)

Ref. No.  
or Q'ty Part No. SP Description

VP-43A board is used for UVW-1600.

1pc	A-8275-277-A	o MOUNTED CIRCUIT BOARD, VP-43A
1pc	3-182-386-01	o PLATE, SHIELD (L), CARD
1pc	7-621-759-45	s SCREW, +PSW2.6x6
1pc	3-179-084-01	s LEVER (R), PC BOARD
1pc	3-179-085-01	s LEVER (L), PC BOARD
C101	1-163-033-00	s CERAMIC, CHIP 0.022uF 50V
C102	1-163-033-00	s CERAMIC, CHIP 0.022uF 50V
C103	1-163-275-11	s CERAMIC, CHIP 0.001uF 5% 50V
C104	1-163-033-00	s CERAMIC, CHIP 0.022uF 50V
C105	1-163-033-00	s CERAMIC, CHIP 0.022uF 50V
C106	1-126-933-11	s ELECT 100uF 20% 16V
C107	1-163-033-00	s CERAMIC, CHIP 0.022uF 50V
C108	1-163-033-00	s CERAMIC, CHIP 0.022uF 50V
C109	1-163-108-00	s CERAMIC, CHIP 43pF 5% 50V
C110	1-163-115-00	s CERAMIC, CHIP 82pF 5% 50V
C111	1-163-108-00	s CERAMIC, CHIP 43pF 5% 50V
C112	1-124-903-11	s ELECT 1uF 20% 50V
C113	1-124-903-11	s ELECT 1uF 20% 50V
C114	1-163-275-11	s CERAMIC, CHIP 0.001uF 5% 50V
C115	1-163-033-00	s CERAMIC, CHIP 0.022uF 50V
C116	1-163-033-00	s CERAMIC, CHIP 0.022uF 50V
C117	1-163-033-00	s CERAMIC, CHIP 0.022uF 50V
C118	1-163-245-11	s CERAMIC 56pF 5% 50V
C119	1-163-235-11	s CERAMIC, CHIP 22pF 5% 50V
C120-127	1-163-033-00	s CERAMIC, CHIP 0.022uF 50V
C128	1-163-133-00	s CERAMIC, CHIP 470pF 5% 50V
C129	1-163-033-00	s CERAMIC, CHIP 0.022uF 50V
C130	1-163-033-00	s CERAMIC, CHIP 0.022uF 50V
C131	1-126-933-11	s ELECT 100uF 20% 16V
C132	1-163-033-00	s CERAMIC, CHIP 0.022uF 50V
C133	1-163-113-00	s CERAMIC, CHIP 68pF 5% 50V
C134	1-163-033-00	s CERAMIC, CHIP 0.022uF 50V
C135-142	1-163-033-00	s CERAMIC, CHIP 0.022uF 50V
C143	1-126-933-11	s ELECT 100uF 20% 16V
C144	1-126-933-11	s ELECT 100uF 20% 16V
C145	1-126-933-11	s ELECT 100uF 20% 16V
C146	1-126-933-11	s ELECT 100uF 20% 16V
C147	1-163-097-00	s CERAMIC, CHIP 15pF 5% 50V
C148	1-163-241-11	s CERAMIC, CHIP 39pF 5% 50V
C149	1-163-033-00	s CERAMIC, CHIP 0.022uF 50V
C150	1-126-933-11	s ELECT 100uF 20% 16V
C151	1-163-235-11	s CERAMIC, CHIP 22pF 5% 50V
C201-212	1-163-033-00	s CERAMIC, CHIP 0.022uF 50V
C213	1-163-222-11	s CERAMIC, CHIP 5pF 50V
C214	1-163-222-11	s CERAMIC, CHIP 5pF 50V
C215	1-126-925-11	s ELECT 470uF 20% 10V
C216	1-163-033-00	s CERAMIC, CHIP 0.022uF 50V
C217	1-163-033-00	s CERAMIC, CHIP 0.022uF 50V
C218	1-163-033-00	s CERAMIC, CHIP 0.022uF 50V
C219	1-163-227-11	s CERAMIC, CHIP 10pF 5% 50V
C220	1-164-161-11	s CERAMIC, CHIP 0.0022uF 10% 100V
C221	1-163-091-00	s CERAMIC, CHIP 8pF 50V
C222	1-163-033-00	s CERAMIC, CHIP 0.022uF 50V
C223	1-163-033-00	s CERAMIC, CHIP 0.022uF 50V
C224	1-126-925-11	s ELECT 470uF 20% 10V
C225	1-126-925-11	s ELECT 470uF 20% 10V
C226-230	1-163-033-00	s CERAMIC, CHIP 0.022uF 50V
C231	1-126-925-11	s ELECT 470uF 20% 10V

(VP-43A BOARD(UVW-1600))

Ref. No.  
or Q'ty Part No. SP Description

C232	1-163-033-00	s CERAMIC, CHIP 0.022uF 50V
C234	1-107-552-21	s MICA, CHIP 150pF 1% 50V
C235	1-126-933-11	s ELECT 100uF 20% 16V
C236	1-163-033-00	s CERAMIC, CHIP 0.022uF 50V
C237	1-126-963-11	s ELECT 4.7uF 20% 50V
C238	1-163-235-11	s CERAMIC, CHIP 22pF 5% 50V
C239	1-163-114-00	s CERAMIC, CHIP 75pF 5% 50V
C240	1-163-033-00	s CERAMIC, CHIP 0.022uF 50V
C241	1-163-243-11	s CERAMIC, CHIP 47pF 5% 50V
C242	1-163-033-00	s CERAMIC, CHIP 0.022uF 50V
C243	1-163-033-00	s CERAMIC, CHIP 0.022uF 50V
C244	1-163-033-00	s CERAMIC, CHIP 0.022uF 50V
C245	1-126-925-11	s ELECT 470uF 20% 10V
C246	1-126-933-11	s ELECT 100uF 20% 16V
C247	1-163-033-00	s CERAMIC, CHIP 0.022uF 50V
C248	1-163-033-00	s CERAMIC, CHIP 0.022uF 50V
C249	1-126-933-11	s ELECT 100uF 20% 16V
C250	1-126-933-11	s ELECT 100uF 20% 16V
C251	1-126-964-11	s ELECT 10uF 20% 50V
C301	1-163-033-00	s CERAMIC, CHIP 0.022uF 50V
C302	1-163-033-00	s CERAMIC, CHIP 0.022uF 50V
C303	1-163-275-11	s CERAMIC, CHIP 0.001uF 5% 50V
C304	1-163-033-00	s CERAMIC, CHIP 0.022uF 50V
C305	1-126-933-11	s ELECT 100uF 20% 16V
C306	1-163-033-00	s CERAMIC, CHIP 0.022uF 50V
C307	1-163-033-00	s CERAMIC, CHIP 0.022uF 50V
C308	1-163-033-00	s CERAMIC, CHIP 0.022uF 50V
C309	1-163-110-00	s CERAMIC, CHIP 51pF 5% 50V
C310	1-163-251-11	s CERAMIC, CHIP 100pF 5% 50V
C311	1-163-110-00	s CERAMIC, CHIP 51pF 5% 50V
C312	1-124-903-11	s ELECT 1uF 20% 50V
C313	1-124-903-11	s ELECT 1uF 20% 50V
C314	1-163-275-11	s CERAMIC, CHIP 0.001uF 5% 50V
C315	1-163-135-00	s CERAMIC, CHIP 560pF 5% 50V
C316	1-163-257-11	s CERAMIC, CHIP 180pF 5% 50V
C317	1-163-033-00	s CERAMIC, CHIP 0.022uF 50V
C318	1-163-033-00	s CERAMIC, CHIP 0.022uF 50V
C319	1-163-243-11	s CERAMIC, CHIP 47pF 5% 50V
C320	1-163-033-00	s CERAMIC, CHIP 0.022uF 50V
C321	1-163-033-00	s CERAMIC, CHIP 0.022uF 50V
C322	1-163-235-11	s CERAMIC, CHIP 22pF 5% 50V
C323	1-163-033-00	s CERAMIC, CHIP 0.022uF 50V
C324	1-163-033-00	s CERAMIC, CHIP 0.022uF 50V
C325	1-163-033-00	s CERAMIC, CHIP 0.022uF 50V
C326	1-163-033-00	s CERAMIC, CHIP 0.022uF 50V
C327	1-163-133-00	s CERAMIC, CHIP 470pF 5% 50V
C328	1-163-033-00	s CERAMIC, CHIP 0.022uF 50V
C329	1-163-033-00	s CERAMIC, CHIP 0.022uF 50V
C330	1-163-033-00	s CERAMIC, CHIP 0.022uF 50V
C331	1-163-033-00	s CERAMIC, CHIP 0.022uF 50V
C332	1-126-933-11	s ELECT 100uF 20% 16V
C333	1-163-033-00	s CERAMIC, CHIP 0.022uF 50V
C334	1-163-253-11	s CERAMIC, CHIP 120pF 5% 50V
C335-339	1-163-033-00	s CERAMIC, CHIP 0.022uF 50V
C340	1-126-933-11	s ELECT 100uF 20% 16V
C341	1-163-033-00	s CERAMIC, CHIP 0.022uF 50V
C342	1-163-033-00	s CERAMIC, CHIP 0.022uF 50V
C343	1-126-933-11	s ELECT 100uF 20% 16V
C344	1-163-033-00	s CERAMIC, CHIP 0.022uF 50V

## (VP-43A BOARD(UVW-1600))

Ref. No. or Q'ty	Part No.	SP Description
C345	1-163-033-00	s CERAMIC, CHIP 0.022uF 50V
C346	1-163-097-00	s CERAMIC, CHIP 15pF 5% 50V
C347	1-126-933-11	s ELECT 100uF 20% 16V
C348	1-126-933-11	s ELECT 100uF 20% 16V
C349	1-163-241-11	s CERAMIC, CHIP 39pF 5% 50V
C350	1-163-033-00	s CERAMIC, CHIP 0.022uF 50V
C351	1-126-933-11	s ELECT 100uF 20% 16V
C401-408	1-163-033-00	s CERAMIC, CHIP 0.022uF 50V
C409	1-126-925-11	s ELECT 470uF 20% 10V
C410	1-163-033-00	s CERAMIC, CHIP 0.022uF 50V
C411	1-163-033-00	s CERAMIC, CHIP 0.022uF 50V
C412	1-163-222-11	s CERAMIC, CHIP 5pF 50V
C413	1-163-222-11	s CERAMIC, CHIP 5pF 50V
C414	1-163-033-00	s CERAMIC, CHIP 0.022uF 50V
C415	1-164-161-11	s CERAMIC, CHIP 0.0022uF 10% 100V
C416	1-163-222-11	s CERAMIC, CHIP 5pF 50V
C417	1-163-033-00	s CERAMIC, CHIP 0.022uF 50V
C418	1-163-033-00	s CERAMIC, CHIP 0.022uF 50V
C419	1-126-925-11	s ELECT 470uF 20% 10V
C420	1-126-925-11	s ELECT 470uF 20% 10V
C421-425	1-163-033-00	s CERAMIC, CHIP 0.022uF 50V
C426	1-126-933-11	s ELECT 100uF 20% 16V
C427	1-126-925-11	s ELECT 470uF 20% 10V
C428	1-163-033-00	s CERAMIC, CHIP 0.022uF 50V
C429	1-163-084-00	s CERAMIC, CHIP 1.5pF 50V
C430	1-107-552-21	s MICA, CHIP 150pF 1% 50V
C431	1-163-033-00	s CERAMIC, CHIP 0.022uF 50V
C432	1-126-963-11	s ELECT 4.7uF 20% 50V
C433	1-163-239-11	s CERAMIC, CHIP 33pF 5% 50V
C434	1-163-033-00	s CERAMIC, CHIP 0.022uF 50V
C435	1-163-033-00	s CERAMIC, CHIP 0.022uF 50V
C436	1-163-251-11	s CERAMIC, CHIP 100pF 5% 50V
C437	1-126-925-11	s ELECT 470uF 20% 10V
C438	1-126-933-11	s ELECT 100uF 20% 16V
C439	1-163-033-00	s CERAMIC, CHIP 0.022uF 50V
C440	1-163-033-00	s CERAMIC, CHIP 0.022uF 50V
C441	1-163-033-00	s CERAMIC, CHIP 0.022uF 50V
C442	1-126-933-11	s ELECT 100uF 20% 16V
C443	1-126-933-11	s ELECT 100uF 20% 16V
C501	1-126-933-11	s ELECT 100uF 20% 16V
C502	1-126-933-11	s ELECT 100uF 20% 16V
C503	1-126-933-11	s ELECT 100uF 20% 16V
C504	1-126-933-11	s ELECT 100uF 20% 16V
C505-509	1-163-033-00	s CERAMIC, CHIP 0.022uF 50V
C510	1-131-365-00	s TANTALUM 10uF 10% 20V
C511	1-131-365-00	s TANTALUM 10uF 10% 20V
C512	1-126-933-11	s ELECT 100uF 20% 16V
C513	1-163-033-00	s CERAMIC, CHIP 0.022uF 50V
C514	1-163-033-00	s CERAMIC, CHIP 0.022uF 50V
C515	1-163-033-00	s CERAMIC, CHIP 0.022uF 50V
C516	1-130-491-00	s MYLAR 0.047uF 5% 50V
C517	1-163-033-00	s CERAMIC, CHIP 0.022uF 50V
C518	1-163-033-00	s CERAMIC, CHIP 0.022uF 50V
C519	1-163-097-00	s CERAMIC, CHIP 15pF 5% 50V
C520	1-163-033-00	s CERAMIC, CHIP 0.022uF 50V
C521	1-163-253-11	s CERAMIC, CHIP 120pF 5% 50V
C522	1-163-227-11	s CERAMIC, CHIP 10pF 5% 50V
C523	1-163-235-11	s CERAMIC, CHIP 22pF 5% 50V
C524	1-126-933-11	s ELECT 100uF 20% 16V

## (VP-43A BOARD(UVW-1600))

Ref. No. or Q'ty	Part No.	SP Description
C525-529	1-163-033-00	s CERAMIC, CHIP 0.022uF 50V
C530	1-126-933-11	s ELECT 100uF 20% 16V
C531	1-163-224-11	s CERAMIC, CHIP 7pF 50V
C532	1-163-033-00	s CERAMIC, CHIP 0.022uF 50V
C533	1-131-365-00	s TANTALUM 10uF 10% 20V
C534	1-131-365-00	s TANTALUM 10uF 10% 20V
C535	1-126-933-11	s ELECT 100uF 20% 16V
C536	1-130-491-00	s MYLAR 0.047uF 5% 50V
C537	1-163-033-00	s CERAMIC, CHIP 0.022uF 50V
C538	1-163-227-11	s CERAMIC, CHIP 10pF 5% 50V
C539	1-163-033-00	s CERAMIC, CHIP 0.022uF 50V
C540	1-163-243-11	s CERAMIC, CHIP 47pF 5% 50V
C541	1-163-033-00	s CERAMIC, CHIP 0.022uF 50V
C542	1-163-033-00	s CERAMIC, CHIP 0.022uF 50V
C543	1-163-033-00	s CERAMIC, CHIP 0.022uF 50V
C544	1-163-033-00	s CERAMIC, CHIP 0.022uF 50V
C545	1-163-227-11	s CERAMIC, CHIP 10pF 5% 50V
C546	1-163-243-11	s CERAMIC, CHIP 47pF 5% 50V
C547	1-163-033-00	s CERAMIC, CHIP 0.022uF 50V
C548	1-163-033-00	s CERAMIC, CHIP 0.022uF 50V
C549	1-163-033-00	s CERAMIC, CHIP 0.022uF 50V
C550	1-163-222-11	s CERAMIC, CHIP 5pF 50V
C551-555	1-163-033-00	s CERAMIC, CHIP 0.022uF 50V
C556	1-126-925-11	s ELECT 470uF 20% 10V
C557	1-126-925-11	s ELECT 470uF 20% 10V
C558	1-163-033-00	s CERAMIC, CHIP 0.022uF 50V
C559	1-163-033-00	s CERAMIC, CHIP 0.022uF 50V
C601	1-126-933-11	s ELECT 100uF 20% 16V
C602	1-126-933-11	s ELECT 100uF 20% 16V
C603	1-163-033-00	s CERAMIC, CHIP 0.022uF 50V
C604	1-163-033-00	s CERAMIC, CHIP 0.022uF 50V
C605	1-163-227-11	s CERAMIC, CHIP 10pF 5% 50V
C606	1-163-251-11	s CERAMIC, CHIP 100pF 5% 50V
C607	1-163-033-00	s CERAMIC, CHIP 0.022uF 50V
C608	1-163-033-00	s CERAMIC, CHIP 0.022uF 50V
C609	1-163-118-00	s CERAMIC, CHIP 110pF 5% 50V
C610	1-163-033-00	s CERAMIC, CHIP 0.022uF 50V
C611	1-163-033-00	s CERAMIC, CHIP 0.022uF 50V
C614	1-126-933-11	s ELECT 100uF 20% 16V
C615	1-163-033-00	s CERAMIC, CHIP 0.022uF 50V
C616	1-126-933-11	s ELECT 100uF 20% 16V
C617	1-126-933-11	s ELECT 100uF 20% 16V
C618	1-163-033-00	s CERAMIC, CHIP 0.022uF 50V
C619	1-163-033-00	s CERAMIC, CHIP 0.022uF 50V
C620	1-163-033-00	s CERAMIC, CHIP 0.022uF 50V
C621	1-163-097-00	s CERAMIC, CHIP 15pF 5% 50V
C622	1-131-347-00	s TANTALUM 1uF 10% 35V
C623	1-163-125-00	s CERAMIC, CHIP 220pF 5% 50V
C624	1-131-347-00	s TANTALUM 1uF 10% 35V
C625	1-131-347-00	s TANTALUM 1uF 10% 35V
C626	1-131-347-00	s TANTALUM 1uF 10% 35V
C627	1-126-933-11	s ELECT 100uF 20% 16V
C628	1-163-033-00	s CERAMIC, CHIP 0.022uF 50V
C629	1-163-033-00	s CERAMIC, CHIP 0.022uF 50V
C630	1-163-033-00	s CERAMIC, CHIP 0.022uF 50V
C631	1-130-491-00	s MYLAR 0.047uF 5% 50V
C632	1-130-491-00	s MYLAR 0.047uF 5% 50V
C633	1-163-033-00	s CERAMIC, CHIP 0.022uF 50V
C634	1-163-227-11	s CERAMIC, CHIP 10pF 5% 50V

## (VP-43A BOARD(UVW-1600))

Ref. No. or Q'ty	Part No.	SP Description
C635-645	1-163-033-00	s CERAMIC, CHIP 0.022uF 50V
C646	1-126-933-11	s ELECT 100uF 20% 16V
C647	1-163-033-00	s CERAMIC, CHIP 0.022uF 50V
C648	1-126-933-11	s ELECT 100uF 20% 16V
C649	1-126-933-11	s ELECT 100uF 20% 16V
C650	1-163-033-00	s CERAMIC, CHIP 0.022uF 50V
C651	1-163-033-00	s CERAMIC, CHIP 0.022uF 50V
C652	1-163-033-00	s CERAMIC, CHIP 0.022uF 50V
C653	1-163-243-11	s CERAMIC, CHIP 47pF 5% 50V
C654	1-163-237-11	s CERAMIC, CHIP 27pF 5% 50V
C655	1-163-237-11	s CERAMIC, CHIP 27pF 5% 50V
C656	1-163-227-11	s CERAMIC, CHIP 10pF 5% 50V
C657	1-163-033-00	s CERAMIC, CHIP 0.022uF 50V
C658	1-163-245-11	s CERAMIC 56pF 5% 50V
C659	1-163-245-11	s CERAMIC 56pF 5% 50V
C660	1-163-237-11	s CERAMIC, CHIP 27pF 5% 50V
C661	1-163-237-11	s CERAMIC, CHIP 27pF 5% 50V
C662	1-163-033-00	s CERAMIC, CHIP 0.022uF 50V
C663	1-163-033-00	s CERAMIC, CHIP 0.022uF 50V
C664	1-163-033-00	s CERAMIC, CHIP 0.022uF 50V
C665	1-163-224-11	s CERAMIC, CHIP 7pF 50V
C667	1-163-033-00	s CERAMIC, CHIP 0.022uF 50V
C668	1-163-033-00	s CERAMIC, CHIP 0.022uF 50V
C669	1-163-033-00	s CERAMIC, CHIP 0.022uF 50V
C670	1-163-033-00	s CERAMIC, CHIP 0.022uF 50V
C671	1-126-933-11	s ELECT 100uF 20% 16V
C701	1-126-933-11	s ELECT 100uF 20% 16V
C702	1-126-933-11	s ELECT 100uF 20% 16V
C703	1-163-033-00	s CERAMIC, CHIP 0.022uF 50V
C704	1-163-033-00	s CERAMIC, CHIP 0.022uF 50V
C705	1-163-097-00	s CERAMIC, CHIP 15pF 5% 50V
C706	1-163-097-00	s CERAMIC, CHIP 15pF 5% 50V
C707	1-163-243-11	s CERAMIC, CHIP 47pF 5% 50V
C708	1-163-243-11	s CERAMIC, CHIP 47pF 5% 50V
C709	1-163-227-11	s CERAMIC, CHIP 10pF 5% 50V
C710	1-163-227-11	s CERAMIC, CHIP 10pF 5% 50V
C711	1-163-097-00	s CERAMIC, CHIP 15pF 5% 50V
C712	1-163-097-00	s CERAMIC, CHIP 15pF 5% 50V
C713	1-126-933-11	s ELECT 100uF 20% 16V
C714-719	1-163-033-00	s CERAMIC, CHIP 0.022uF 50V
C720-724	1-126-933-11	s ELECT 100uF 20% 16V
C725	1-131-365-00	s TANTALUM 10uF 10% 20V
C726	1-163-033-00	s CERAMIC, CHIP 0.022uF 50V
CN103	1-573-782-21	o CONNECTOR, PHEC 60P, MALE
CN104	1-573-782-21	o CONNECTOR, PHEC 60P, MALE
CN105	1-506-491-11	s CONNECTOR 12P, MALE
D201	8-719-123-82	s DIODE 1SS303-T1
D401	8-719-123-82	s DIODE 1SS303-T1
D501	8-719-123-82	s DIODE 1SS303-T1
D502	8-719-941-04	s DIODE SB007-03CP
D503	8-719-021-31	s DIODE UZM5.1B
D504	8-719-123-82	s DIODE 1SS303-T1
D601	8-719-941-04	s DIODE SB007-03CP
D602	8-719-123-85	s DIODE 1SS304
DL101	1-415-154-00	s DELAY LINE 35nS
DL301	1-415-546-11	s DELAY LINE 50nS
FL201	1-239-770-11	s FILTER, LOW-PASS 4MHZ

## (VP-43A BOARD(UVW-1600))

Ref. No. or Q'ty	Part No.	SP Description
FL401	1-239-772-11	s FILTER, LOW-PASS 3MHZ
FL601	1-239-771-21	s FILTER, LOW-PASS 6MHZ
IC101	8-752-052-75	s IC CXA1479Q
IC102	8-759-300-71	s IC HD14053BFP
IC103	8-759-908-92	s IC TL084CNS
IC104	8-759-702-08	s IC NJM360M
IC201	8-759-908-17	s IC TL082CPS
IC202	8-752-052-48	s IC CXA1370Q
IC203	8-759-700-65	s IC NJM79L05A
IC204	1-810-333-11	s HIC BP-022
IC205	8-759-189-43	s IC AN77L05-TA
IC301	8-752-052-75	s IC CXA1479Q
IC302	8-759-300-71	s IC HD14053BFP
IC303	8-759-908-92	s IC TL084CNS
IC401	8-752-052-48	s IC CXA1370Q
IC402	8-759-700-65	s IC NJM79L05A
IC403	1-810-333-11	s HIC BP-022
IC404	8-759-189-43	s IC AN77L05-TA
IC501	8-759-927-46	s IC SN74HC00NS
IC502	8-759-908-92	s IC TL084CNS
IC503	8-759-300-71	s IC HD14053BFP
IC504	8-759-168-20	s IC TA78L09S
IC505	8-759-700-65	s IC NJM79L05A
IC506	8-759-908-92	s IC TL084CNS
IC507	8-752-052-73	s IC CXA1451M
IC508	8-752-052-73	s IC CXA1451M
IC509	8-752-052-73	s IC CXA1451M
IC510	8-752-052-73	s IC CXA1451M
IC511	8-759-182-84	s IC P005S25U
IC512	8-759-822-95	s IC L79H05T-FA
IC601	8-759-907-81	s IC SN74LS221NS
IC602	8-759-927-46	s IC SN74HC00NS
IC603	8-759-908-92	s IC TL084CNS
IC604	8-759-300-71	s IC HD14053BFP
IC605	8-759-908-92	s IC TL084CNS
IC606	8-752-068-20	s IC CXA1521M-TH
IC607	8-752-068-20	s IC CXA1521M-TH
IC608	8-759-168-20	s IC TA78L09S
IC609	8-759-906-59	s IC CX22017
IC610	8-759-700-65	s IC NJM79L05A
IC611	8-752-052-73	s IC CXA1451M
IC612	8-759-057-43	s IC MC14576BF
IC701	8-752-052-73	s IC CXA1451M
IC702	8-752-052-73	s IC CXA1451M
IC703	8-759-927-46	s IC SN74HC00NS
IC704	8-759-925-74	s IC TC74HC04NS
IC705	8-759-925-85	s IC SN74HC32NS
L101	1-410-482-31	s INDUCTOR 100uH
L102	1-408-406-00	s INDUCTOR 5.6uH
L103	1-408-406-00	s INDUCTOR 5.6uH
L104	1-410-466-41	s INDUCTOR 4.7uH
L105	1-410-482-31	s INDUCTOR 100uH
L106	1-410-462-11	s INDUCTOR 2.2uH
L107	1-410-482-31	s INDUCTOR 100uH
L108	1-410-482-31	s INDUCTOR 100uH
L109	1-408-427-00	s INDUCTOR 330uH
L110	1-410-482-31	s INDUCTOR 100uH
L111	1-408-406-00	s INDUCTOR 5.6uH
L201	1-410-471-11	s INDUCTOR 12uH



## (VP-43A BOARD(UVW-1600))

Ref. No. or Q'ty	Part No.	SP Description
L202	1-410-482-31	s INDUCTOR 100uH
L203	1-410-468-11	s INDUCTOR 6.8uH
L204	1-410-478-11	s INDUCTOR 47uH
L205	1-410-482-31	s INDUCTOR 100uH
L206	1-410-482-31	s INDUCTOR 100uH
L207	1-410-482-31	s INDUCTOR 100uH
L301	1-410-482-31	s INDUCTOR 100uH
L302	1-410-468-11	s INDUCTOR 6.8uH
L303	1-410-468-11	s INDUCTOR 6.8uH
L304	1-408-429-00	s INDUCTOR 470uH
L305	1-408-429-00	s INDUCTOR 470uH
L306	1-408-406-00	s INDUCTOR 5.6uH
L307	1-410-482-31	s INDUCTOR 100uH
L308	1-410-462-11	s INDUCTOR 2.2uH
L309	1-408-427-00	s INDUCTOR 330uH
L310	1-410-482-31	s INDUCTOR 100uH
L311	1-410-482-31	s INDUCTOR 100uH
L312	1-410-482-31	s INDUCTOR 100uH
L401	1-410-471-11	s INDUCTOR 12uH
L402	1-410-482-31	s INDUCTOR 100uH
L403	1-408-408-00	s INDUCTOR 8.2uH
L404	1-410-482-31	s INDUCTOR 100uH
L405	1-410-482-31	s INDUCTOR 100uH
L406	1-410-482-31	s INDUCTOR 100uH
L501	1-410-482-31	s INDUCTOR 100uH
L502	1-410-482-31	s INDUCTOR 100uH
L503	1-410-482-31	s INDUCTOR 100uH
L505	1-410-482-31	s INDUCTOR 100uH
L506	1-410-482-31	s INDUCTOR 100uH
L507	1-408-419-00	s INDUCTOR 68uH
L508	1-410-478-11	s INDUCTOR 47uH
L509	1-410-476-11	s INDUCTOR 33uH
L601-609	1-410-482-31	s INDUCTOR 100uH
L610	1-410-478-11	s INDUCTOR 47uH
L611	1-410-478-11	s INDUCTOR 47uH
L612	1-410-478-11	s INDUCTOR 47uH
L613	1-410-478-11	s INDUCTOR 47uH
L614	1-408-413-00	s INDUCTOR 22uH
L701	1-410-482-31	s INDUCTOR 100uH
L702	1-410-482-31	s INDUCTOR 100uH
L703	1-410-476-11	s INDUCTOR 33uH
L704	1-410-476-11	s INDUCTOR 33uH
L705	1-410-482-31	s INDUCTOR 100uH
L706-710	1-412-533-21	s INDUCTOR 47uH
Q101	8-729-117-32	s TRANSISTOR 2SC4177
Q102	8-729-117-72	s TRANSISTOR 2SC4178
Q103	8-729-143-07	s TRANSISTOR 2SA1610-YY33
Q104	8-729-117-72	s TRANSISTOR 2SC4178
Q105	8-729-117-72	s TRANSISTOR 2SC4178
Q106	8-729-143-07	s TRANSISTOR 2SA1610-YY33
Q107-111	8-729-117-72	s TRANSISTOR 2SC4178
Q112	8-729-905-18	s TRANSISTOR DTC144EU
Q201	8-729-117-72	s TRANSISTOR 2SC4178
Q202	8-729-143-07	s TRANSISTOR 2SA1610-YY33
Q203	8-729-117-72	s TRANSISTOR 2SC4178
Q204	8-729-117-72	s TRANSISTOR 2SC4178
Q206	8-729-143-07	s TRANSISTOR 2SA1610-YY33
Q207	8-729-117-72	s TRANSISTOR 2SC4178
Q208	8-729-143-07	s TRANSISTOR 2SA1610-YY33

## (VP-43A BOARD(UVW-1600))

Ref. No. or Q'ty	Part No.	SP Description
Q209	8-729-143-07	s TRANSISTOR 2SA1610-YY33
Q210	8-729-117-72	s TRANSISTOR 2SC4178
Q212	8-729-117-72	s TRANSISTOR 2SC4178
Q215	8-729-117-72	s TRANSISTOR 2SC4178
Q216	8-729-905-12	s TRANSISTOR DTA144EU
Q217	8-729-117-72	s TRANSISTOR 2SC4178
Q218	8-729-143-07	s TRANSISTOR 2SA1610-YY33
Q219	8-729-117-72	s TRANSISTOR 2SC4178
Q220	8-729-143-07	s TRANSISTOR 2SA1610-YY33
Q301	8-729-117-32	s TRANSISTOR 2SC4177
Q302	8-729-117-72	s TRANSISTOR 2SC4178
Q303	8-729-117-72	s TRANSISTOR 2SC4178
Q304	8-729-143-07	s TRANSISTOR 2SA1610-YY33
Q305	8-729-117-72	s TRANSISTOR 2SC4178
Q306	8-729-143-07	s TRANSISTOR 2SA1610-YY33
Q307-311	8-729-117-72	s TRANSISTOR 2SC4178
Q401	8-729-117-72	s TRANSISTOR 2SC4178
Q402	8-729-143-07	s TRANSISTOR 2SA1610-YY33
Q403	8-729-117-72	s TRANSISTOR 2SC4178
Q404	8-729-117-72	s TRANSISTOR 2SC4178
Q405	8-729-143-07	s TRANSISTOR 2SA1610-YY33
Q406	8-729-143-07	s TRANSISTOR 2SA1610-YY33
Q407	8-729-117-72	s TRANSISTOR 2SC4178
Q408	8-729-117-72	s TRANSISTOR 2SC4178
Q409	8-729-117-72	s TRANSISTOR 2SC4178
Q410	8-729-117-72	s TRANSISTOR 2SC4178
Q411	8-729-143-07	s TRANSISTOR 2SA1610-YY33
Q416	8-729-905-12	s TRANSISTOR DTA144EU
Q417	8-729-117-72	s TRANSISTOR 2SC4178
Q418	8-729-143-07	s TRANSISTOR 2SA1610-YY33
Q501	8-729-117-32	s TRANSISTOR 2SC4177
Q502	8-729-923-06	s TRANSISTOR FMW8
Q503	8-729-904-04	s TRANSISTOR FMS2
Q504	8-729-903-82	s TRANSISTOR FMW2
Q505	8-729-143-14	s TRANSISTOR 2SC4176-B35
Q506	8-729-140-63	s TRANSISTOR 2SA1611-M5M6
Q507	8-729-931-46	s TRANSISTOR FMW7
Q508	8-729-907-26	s TRANSISTOR IMX1
Q509	8-729-117-32	s TRANSISTOR 2SC4177
Q510	8-729-140-63	s TRANSISTOR 2SA1611-M5M6
Q511	8-729-117-32	s TRANSISTOR 2SC4177
Q512	8-729-117-32	s TRANSISTOR 2SC4177
Q513	8-729-117-32	s TRANSISTOR 2SC4177
Q514	8-729-904-41	s TRANSISTOR FMY3
Q515	8-729-143-14	s TRANSISTOR 2SC4176-B35
Q516	8-729-117-32	s TRANSISTOR 2SC4177
Q517	8-729-904-41	s TRANSISTOR FMY3
Q601	8-729-117-32	s TRANSISTOR 2SC4177
Q602	8-729-117-32	s TRANSISTOR 2SC4177
Q603	8-729-923-06	s TRANSISTOR FMW8
Q604	8-729-923-06	s TRANSISTOR FMW8
Q605	8-729-904-04	s TRANSISTOR FMS2
Q606	8-729-904-04	s TRANSISTOR FMS2
Q607	8-729-903-82	s TRANSISTOR FMW2
Q608	8-729-903-82	s TRANSISTOR FMW2
Q609	8-729-907-26	s TRANSISTOR IMX1
Q610	8-729-907-26	s TRANSISTOR IMX1
Q611	8-729-931-46	s TRANSISTOR FMW7
Q612	8-729-931-46	s TRANSISTOR FMW7

## (VP-43A BOARD(UVW-1600))

## (VP-43A BOARD(UVW-1600))

Ref. No. or Q'ty	Part No.	SP Description
Q613	8-729-143-14	s TRANSISTOR 2SC4176-B35
Q614	8-729-140-63	s TRANSISTOR 2SA1611-M5M6
Q615	8-729-117-32	s TRANSISTOR 2SC4177
Q616	8-729-140-63	s TRANSISTOR 2SA1611-M5M6
Q617-626	8-729-117-32	s TRANSISTOR 2SC4177
Q627	8-729-143-14	s TRANSISTOR 2SC4176-B35
Q628	8-729-117-32	s TRANSISTOR 2SC4177
Q701	8-729-117-32	s TRANSISTOR 2SC4177
Q702	8-729-117-32	s TRANSISTOR 2SC4177
Q703	8-729-140-63	s TRANSISTOR 2SA1611-M5M6
Q704	8-729-140-63	s TRANSISTOR 2SA1611-M5M6
Q705	8-729-117-32	s TRANSISTOR 2SC4177
Q706	8-729-117-32	s TRANSISTOR 2SC4177
Q707	8-729-117-32	s TRANSISTOR 2SC4177
Q708	8-729-117-32	s TRANSISTOR 2SC4177
Q709	8-729-118-56	s TRANSISTOR 2SK852-X2
Q710	8-729-118-56	s TRANSISTOR 2SK852-X2
Q711	8-729-118-56	s TRANSISTOR 2SK852-X2
Q712	8-729-118-56	s TRANSISTOR 2SK852-X2
Q713	8-729-140-63	s TRANSISTOR 2SA1611-M5M6
Q714	8-729-140-63	s TRANSISTOR 2SA1611-M5M6
R101	1-216-627-11	s METAL, CHIP 100 0.5% 1/10W
R102	1-216-627-11	s METAL, CHIP 100 0.5% 1/10W
R103	1-216-634-11	s METAL, CHIP 200 0.5% 1/10W
R104	1-216-634-11	s METAL, CHIP 200 0.5% 1/10W
R105	1-216-025-00	s METAL, CHIP 100 5% 1/10W
R106	1-216-057-00	s METAL, CHIP 2.2k 5% 1/10W
R107	1-216-295-91	s RES, CHIP 0
R108	1-216-025-00	s METAL, CHIP 100 5% 1/10W
R109	1-216-025-00	s METAL, CHIP 100 5% 1/10W
R110	1-216-049-00	s METAL, CHIP 1k 5% 1/10W
R111	1-216-025-00	s METAL, CHIP 100 5% 1/10W
R112	1-216-065-00	s METAL, CHIP 4.7k 5% 1/10W
R113	1-216-025-00	s METAL, CHIP 100 5% 1/10W
R114	1-216-057-00	s METAL, CHIP 2.2k 5% 1/10W
R115	1-216-025-00	s METAL, CHIP 100 5% 1/10W
R116	1-216-073-00	s METAL, CHIP 10k 5% 1/10W
R117	1-216-073-00	s METAL, CHIP 10k 5% 1/10W
R118	1-216-025-00	s METAL, CHIP 100 5% 1/10W
R119	1-216-057-00	s METAL, CHIP 2.2k 5% 1/10W
R120	1-216-638-11	s METAL, CHIP 300 0.5% 1/10W
R121	1-216-065-00	s METAL, CHIP 4.7k 5% 1/10W
R122	1-216-638-11	s METAL, CHIP 300 0.5% 1/10W
R123	1-216-025-00	s METAL, CHIP 100 5% 1/10W
R124	1-216-049-00	s METAL, CHIP 1k 5% 1/10W
R125	1-216-065-00	s METAL, CHIP 4.7k 5% 1/10W
R126	1-216-049-00	s METAL, CHIP 1k 5% 1/10W
R127	1-216-073-00	s METAL, CHIP 10k 5% 1/10W
R128	1-216-097-00	s METAL, CHIP 100k 5% 1/10W
R129	1-216-025-00	s METAL, CHIP 100 5% 1/10W
R130	1-216-025-00	s METAL, CHIP 100 5% 1/10W
R131	1-216-644-11	s METAL, CHIP 510 0.5% 1/10W
R132	1-216-643-11	s METAL, CHIP 470 0.5% 1/10W
R133	1-216-041-00	s METAL, CHIP 470 5% 1/10W
R134	1-216-643-11	s METAL, CHIP 470 0.5% 1/10W
R135	1-216-025-00	s METAL, CHIP 100 5% 1/10W
R136	1-216-691-11	s METAL, CHIP 47k 0.5% 1/10W
R137	1-216-659-11	s METAL, CHIP 2.2k 0.5% 1/10W

Ref. No. or Q'ty	Part No.	SP Description
R138	1-216-065-00	s METAL, CHIP 4.7k 5% 1/10W
R139	1-216-073-00	s METAL, CHIP 10k 5% 1/10W
R140	1-216-025-00	s METAL, CHIP 100 5% 1/10W
R141	1-216-073-00	s METAL, CHIP 10k 5% 1/10W
R142	1-216-081-00	s METAL, CHIP 22k 5% 1/10W
R143	1-216-041-00	s METAL, CHIP 470 5% 1/10W
R144	1-216-635-11	s METAL, CHIP 220 0.5% 1/10W
R145	1-216-037-00	s METAL, CHIP 330 5% 1/10W
R146	1-216-037-00	s METAL, CHIP 330 5% 1/10W
R147	1-216-065-00	s METAL, CHIP 4.7k 5% 1/10W
R148	1-216-065-00	s METAL, CHIP 4.7k 5% 1/10W
R149	1-216-651-11	s METAL, CHIP 1k 0.5% 1/10W
R150	1-216-663-11	s METAL, CHIP 3.3k 0.5% 1/10W
R151	1-216-025-00	s METAL, CHIP 100 5% 1/10W
R152	1-216-057-00	s METAL, CHIP 2.2k 5% 1/10W
R153	1-216-057-00	s METAL, CHIP 2.2k 5% 1/10W
R154	1-216-037-00	s METAL, CHIP 330 5% 1/10W
R155	1-216-041-00	s METAL, CHIP 470 5% 1/10W
R156	1-216-035-00	s METAL, CHIP 270 5% 1/10W
R157	1-216-037-00	s METAL, CHIP 330 5% 1/10W
R158	1-216-065-00	s METAL, CHIP 4.7k 5% 1/10W
R159	1-216-077-00	s METAL, CHIP 15k 5% 1/10W
R160	1-216-085-00	s METAL, CHIP 33k 5% 1/10W
R161	1-216-073-00	s METAL, CHIP 10k 5% 1/10W
R162	1-216-073-00	s METAL, CHIP 10k 5% 1/10W
R163	1-216-675-11	s METAL, CHIP 10k 0.5% 1/10W
R164	1-216-661-11	s METAL, CHIP 2.7k 0.5% 1/10W
R165	1-216-065-00	s METAL, CHIP 4.7k 5% 1/10W
R166	1-216-037-00	s METAL, CHIP 330 5% 1/10W
R168	1-216-295-91	s RES, CHIP 0
R169	1-216-295-91	s RES, CHIP 0
R170	1-216-670-11	s METAL, CHIP 6.2k 0.5% 1/10W
R201	1-216-675-11	s METAL, CHIP 10k 0.5% 1/10W
R202	1-216-675-11	s METAL, CHIP 10k 0.5% 1/10W
R203	1-216-675-11	s METAL, CHIP 10k 0.5% 1/10W
R204	1-216-692-11	s METAL, CHIP 51k 0.5% 1/10W
R205	1-216-650-11	s METAL, CHIP 910 0.5% 1/10W
R206	1-216-049-00	s METAL, CHIP 1k 5% 1/10W
R207	1-216-025-00	s METAL, CHIP 100 5% 1/10W
R208	1-216-025-00	s METAL, CHIP 100 5% 1/10W
R209	1-216-639-11	s METAL, CHIP 330 0.5% 1/10W
R210	1-216-057-00	s METAL, CHIP 2.2k 5% 1/10W
R211	1-216-651-11	s METAL, CHIP 1k 0.5% 1/10W
R212	1-216-025-00	s METAL, CHIP 100 5% 1/10W
R213	1-216-639-11	s METAL, CHIP 330 0.5% 1/10W
R214	1-216-065-00	s METAL, CHIP 4.7k 5% 1/10W
R215	1-216-651-11	s METAL, CHIP 1k 0.5% 1/10W
R216	1-216-673-11	s METAL, CHIP 8.2k 0.5% 1/10W
R217	1-216-653-11	s METAL, CHIP 1.2k 0.5% 1/10W
R218	1-216-073-00	s METAL, CHIP 10k 5% 1/10W
R219	1-216-073-00	s METAL, CHIP 10k 5% 1/10W
R220	1-216-025-00	s METAL, CHIP 100 5% 1/10W
R221	1-216-025-00	s METAL, CHIP 100 5% 1/10W
R222	1-216-065-00	s METAL, CHIP 4.7k 5% 1/10W
R223	1-216-025-00	s METAL, CHIP 100 5% 1/10W
R224	1-216-049-00	s METAL, CHIP 1k 5% 1/10W
R227	1-216-065-00	s METAL, CHIP 4.7k 5% 1/10W
R228	1-216-025-00	s METAL, CHIP 100 5% 1/10W
R229	1-216-055-00	s METAL, CHIP 1.8k 5% 1/10W

## (VP-43A BOARD(UVW-1600))

Ref. No. or Q'ty	Part No.	SP Description
R230	1-216-025-00	s METAL, CHIP 100 5% 1/10W
R232	1-216-025-00	s METAL, CHIP 100 5% 1/10W
R233	1-216-055-00	s METAL, CHIP 1.8k 5% 1/10W
R237	1-216-065-00	s METAL, CHIP 4.7k 5% 1/10W
R240	1-216-655-11	s METAL, CHIP 1.5k 0.5% 1/10W
R241	1-216-663-11	s METAL, CHIP 3.3k 0.5% 1/10W
R244	1-216-646-11	s METAL, CHIP 620 0.5% 1/10W
R245	1-216-673-11	s METAL, CHIP 8.2k 0.5% 1/10W
R246	1-216-057-00	s METAL, CHIP 2.2k 5% 1/10W
R247	1-216-667-11	s METAL, CHIP 4.7k 0.5% 1/10W
R248	1-216-668-11	s METAL, CHIP 5.1k 0.5% 1/10W
R249	1-216-057-00	s METAL, CHIP 2.2k 5% 1/10W
R250	1-216-113-00	s METAL, CHIP 470k 5% 1/10W
R251	1-216-667-11	s METAL, CHIP 4.7k 0.5% 1/10W
R253	1-216-686-11	s METAL, CHIP 30k 0.5% 1/10W
R255	1-216-652-11	s METAL, CHIP 1.1k 0.5% 1/10W
R256	1-216-025-00	s METAL, CHIP 100 5% 1/10W
R257	1-216-638-11	s METAL, CHIP 300 0.5% 1/10W
R258	1-216-665-11	s METAL, CHIP 3.9k 0.5% 1/10W
R259	1-216-671-11	s METAL, CHIP 6.8k 0.5% 1/10W
R260	1-216-687-11	s METAL, CHIP 33k 0.5% 1/10W
R262	1-216-685-11	s METAL, CHIP 27k 0.5% 1/10W
R263	1-216-073-00	s METAL, CHIP 10k 5% 1/10W
R264	1-216-025-00	s METAL, CHIP 100 5% 1/10W
R265	1-216-041-00	s METAL, CHIP 470 5% 1/10W
R266	1-216-638-11	s METAL, CHIP 300 0.5% 1/10W
R267	1-216-037-00	s METAL, CHIP 330 5% 1/10W
R268	1-216-057-00	s METAL, CHIP 2.2k 5% 1/10W
R269	1-216-041-00	s METAL, CHIP 470 5% 1/10W
R270	1-216-638-11	s METAL, CHIP 300 0.5% 1/10W
R271	1-216-049-00	s METAL, CHIP 1k 5% 1/10W
R272	1-216-620-11	s METAL, CHIP 51 0.5% 1/10W
R273	1-216-037-00	s METAL, CHIP 330 5% 1/10W
R274	1-216-295-91	s RES, CHIP 0
R275	1-216-089-91	s METAL, CHIP 47k 5% 1/10W
R276	1-216-057-00	s METAL, CHIP 2.2k 5% 1/10W
R301	1-216-633-11	s METAL, CHIP 180 0.5% 1/10W
R302	1-216-633-11	s METAL, CHIP 180 0.5% 1/10W
R303	1-216-629-11	s METAL, CHIP 120 0.5% 1/10W
R304	1-216-629-11	s METAL, CHIP 120 0.5% 1/10W
R305	1-216-025-00	s METAL, CHIP 100 5% 1/10W
R306	1-216-049-00	s METAL, CHIP 1k 5% 1/10W
R307	1-216-025-00	s METAL, CHIP 100 5% 1/10W
R308	1-216-065-00	s METAL, CHIP 4.7k 5% 1/10W
R309	1-216-025-00	s METAL, CHIP 100 5% 1/10W
R310	1-216-025-00	s METAL, CHIP 100 5% 1/10W
R311	1-216-057-00	s METAL, CHIP 2.2k 5% 1/10W
R312	1-216-025-00	s METAL, CHIP 100 5% 1/10W
R313	1-216-057-00	s METAL, CHIP 2.2k 5% 1/10W
R314	1-216-073-00	s METAL, CHIP 10k 5% 1/10W
R315	1-216-638-11	s METAL, CHIP 300 0.5% 1/10W
R316	1-216-073-00	s METAL, CHIP 10k 5% 1/10W
R317	1-216-025-00	s METAL, CHIP 100 5% 1/10W
R318	1-216-638-11	s METAL, CHIP 300 0.5% 1/10W
R319	1-216-065-00	s METAL, CHIP 4.7k 5% 1/10W
R320	1-216-065-00	s METAL, CHIP 4.7k 5% 1/10W
R321	1-216-049-00	s METAL, CHIP 1k 5% 1/10W
R322	1-216-651-11	s METAL, CHIP 1k 0.5% 1/10W
R323	1-216-049-00	s METAL, CHIP 1k 5% 1/10W

## (VP-43A BOARD(UVW-1600))

Ref. No. or Q'ty	Part No.	SP Description
R324	1-216-025-00	s METAL, CHIP 100 5% 1/10W
R325	1-216-644-11	s METAL, CHIP 510 0.5% 1/10W
R326	1-216-643-11	s METAL, CHIP 470 0.5% 1/10W
R327	1-216-041-00	s METAL, CHIP 470 5% 1/10W
R328	1-216-073-00	s METAL, CHIP 10k 5% 1/10W
R329	1-216-097-00	s METAL, CHIP 100k 5% 1/10W
R330	1-216-639-11	s METAL, CHIP 330 0.5% 1/10W
R331	1-216-025-00	s METAL, CHIP 100 5% 1/10W
R332	1-216-065-00	s METAL, CHIP 4.7k 5% 1/10W
R333	1-216-073-00	s METAL, CHIP 10k 5% 1/10W
R334	1-216-025-00	s METAL, CHIP 100 5% 1/10W
R335	1-216-073-00	s METAL, CHIP 10k 5% 1/10W
R336	1-216-635-11	s METAL, CHIP 220 0.5% 1/10W
R337	1-216-041-00	s METAL, CHIP 470 5% 1/10W
R338	1-216-037-00	s METAL, CHIP 330 5% 1/10W
R339	1-216-037-00	s METAL, CHIP 330 5% 1/10W
R340	1-216-065-00	s METAL, CHIP 4.7k 5% 1/10W
R341	1-216-065-00	s METAL, CHIP 4.7k 5% 1/10W
R342	1-216-651-11	s METAL, CHIP 1k 0.5% 1/10W
R343	1-216-653-11	s METAL, CHIP 1.2k 0.5% 1/10W
R344	1-216-037-00	s METAL, CHIP 330 5% 1/10W
R345	1-216-041-00	s METAL, CHIP 470 5% 1/10W
R346	1-216-037-00	s METAL, CHIP 330 5% 1/10W
R347	1-216-619-11	s METAL, CHIP 47 0.5% 1/10W
R348	1-216-057-00	s METAL, CHIP 2.2k 5% 1/10W
R349	1-216-025-00	s METAL, CHIP 100 5% 1/10W
R350	1-216-065-00	s METAL, CHIP 4.7k 5% 1/10W
R351	1-216-057-00	s METAL, CHIP 2.2k 5% 1/10W
R352	1-216-077-00	s METAL, CHIP 15k 5% 1/10W
R353	1-216-085-00	s METAL, CHIP 33k 5% 1/10W
R354	1-216-073-00	s METAL, CHIP 10k 5% 1/10W
R355	1-216-073-00	s METAL, CHIP 10k 5% 1/10W
R356	1-216-675-11	s METAL, CHIP 10k 0.5% 1/10W
R357	1-216-661-11	s METAL, CHIP 2.7k 0.5% 1/10W
R358	1-216-065-00	s METAL, CHIP 4.7k 5% 1/10W
R359	1-216-037-00	s METAL, CHIP 330 5% 1/10W
R401	1-216-025-00	s METAL, CHIP 100 5% 1/10W
R402	1-216-025-00	s METAL, CHIP 100 5% 1/10W
R403	1-216-639-11	s METAL, CHIP 330 0.5% 1/10W
R404	1-216-057-00	s METAL, CHIP 2.2k 5% 1/10W
R405	1-216-639-11	s METAL, CHIP 330 0.5% 1/10W
R406	1-216-025-00	s METAL, CHIP 100 5% 1/10W
R407	1-216-065-00	s METAL, CHIP 4.7k 5% 1/10W
R408	1-216-025-00	s METAL, CHIP 100 5% 1/10W
R409	1-216-065-00	s METAL, CHIP 4.7k 5% 1/10W
R410	1-216-651-11	s METAL, CHIP 1k 0.5% 1/10W
R411	1-216-025-00	s METAL, CHIP 100 5% 1/10W
R412	1-216-055-00	s METAL, CHIP 1.8k 5% 1/10W
R413	1-216-025-00	s METAL, CHIP 100 5% 1/10W
R414	1-216-673-11	s METAL, CHIP 8.2k 0.5% 1/10W
R415	1-216-643-11	s METAL, CHIP 470 0.5% 1/10W
R416	1-216-025-00	s METAL, CHIP 100 5% 1/10W
R417	1-216-055-00	s METAL, CHIP 1.8k 5% 1/10W
R418	1-216-653-11	s METAL, CHIP 1.2k 0.5% 1/10W
R419	1-216-065-00	s METAL, CHIP 4.7k 5% 1/10W
R420	1-216-651-11	s METAL, CHIP 1k 0.5% 1/10W
R421	1-216-649-11	s METAL, CHIP 820 0.5% 1/10W
R422	1-216-664-11	s METAL, CHIP 3.6k 0.5% 1/10W
R423	1-216-073-00	s METAL, CHIP 10k 5% 1/10W

## (VP-43A BOARD(UVW-1600))

## (VP-43A BOARD(UVW-1600))

Ref. No. or Q'ty	Part No.	SP	Description
R424	1-216-073-00	s	METAL, CHIP 10k 5% 1/10W
R425	1-216-025-00	s	METAL, CHIP 100 5% 1/10W
R426	1-216-675-11	s	METAL, CHIP 10k 0.5% 1/10W
R427	1-216-065-00	s	METAL, CHIP 4.7k 5% 1/10W
R428	1-216-025-00	s	METAL, CHIP 100 5% 1/10W
R429	1-216-057-00	s	METAL, CHIP 2.2k 5% 1/10W
R440	1-216-665-11	s	METAL, CHIP 3.9k 0.5% 1/10W
R441	1-216-670-11	s	METAL, CHIP 6.2k 0.5% 1/10W
R442	1-216-057-00	s	METAL, CHIP 2.2k 5% 1/10W
R443	1-216-113-00	s	METAL, CHIP 470k 5% 1/10W
R444	1-216-671-11	s	METAL, CHIP 6.8k 0.5% 1/10W
R445	1-216-119-00	s	METAL, CHIP 820k 5% 1/10W
R446	1-216-687-11	s	METAL, CHIP 33k 0.5% 1/10W
R447	1-216-683-11	s	METAL, CHIP 22k 0.5% 1/10W
R448	1-216-651-11	s	METAL, CHIP 1k 0.5% 1/10W
R449	1-216-025-00	s	METAL, CHIP 100 5% 1/10W
R450	1-216-639-11	s	METAL, CHIP 330 0.5% 1/10W
R451	1-216-665-11	s	METAL, CHIP 3.9k 0.5% 1/10W
R452	1-216-671-11	s	METAL, CHIP 6.8k 0.5% 1/10W
R453	1-216-689-11	s	METAL, CHIP 39k 0.5% 1/10W
R454	1-216-121-00	s	METAL, CHIP 1M 5% 1/10W
R455	1-216-685-11	s	METAL, CHIP 27k 0.5% 1/10W
R456	1-216-073-00	s	METAL, CHIP 10k 5% 1/10W
R457	1-216-025-00	s	METAL, CHIP 100 5% 1/10W
R458	1-216-041-00	s	METAL, CHIP 470 5% 1/10W
R459	1-216-638-11	s	METAL, CHIP 300 0.5% 1/10W
R460	1-216-049-00	s	METAL, CHIP 1k 5% 1/10W
R461	1-216-620-11	s	METAL, CHIP 51 0.5% 1/10W
R462	1-216-037-00	s	METAL, CHIP 330 5% 1/10W
R463	1-216-057-00	s	METAL, CHIP 2.2k 5% 1/10W
R464	1-216-089-91	s	METAL, CHIP 47k 5% 1/10W
R501	1-216-081-00	s	METAL, CHIP 22k 5% 1/10W
R502	1-216-049-00	s	METAL, CHIP 1k 5% 1/10W
R503	1-216-049-00	s	METAL, CHIP 1k 5% 1/10W
R504	1-216-049-00	s	METAL, CHIP 1k 5% 1/10W
R505	1-216-049-00	s	METAL, CHIP 1k 5% 1/10W
R506	1-216-057-00	s	METAL, CHIP 2.2k 5% 1/10W
R507	1-216-049-00	s	METAL, CHIP 1k 5% 1/10W
R508	1-216-121-00	s	METAL, CHIP 1M 5% 1/10W
R509	1-216-049-00	s	METAL, CHIP 1k 5% 1/10W
R510	1-216-049-00	s	METAL, CHIP 1k 5% 1/10W
R511	1-216-033-00	s	METAL, CHIP 220 5% 1/10W
R512	1-216-065-00	s	METAL, CHIP 4.7k 5% 1/10W
R513	1-216-045-00	s	METAL, CHIP 680 5% 1/10W
R514	1-216-065-00	s	METAL, CHIP 4.7k 5% 1/10W
R515	1-216-077-00	s	METAL, CHIP 15k 5% 1/10W
R516	1-216-049-00	s	METAL, CHIP 1k 5% 1/10W
R517	1-216-033-00	s	METAL, CHIP 220 5% 1/10W
R518	1-216-049-00	s	METAL, CHIP 1k 5% 1/10W
R519	1-216-073-00	s	METAL, CHIP 10k 5% 1/10W
R520	1-216-049-00	s	METAL, CHIP 1k 5% 1/10W
R521	1-216-017-00	s	METAL, CHIP 47 5% 1/10W
R522	1-216-027-00	s	METAL, CHIP 120 5% 1/10W
R523	1-216-081-00	s	METAL, CHIP 22k 5% 1/10W
R524	1-216-081-00	s	METAL, CHIP 22k 5% 1/10W
R525	1-216-081-00	s	METAL, CHIP 22k 5% 1/10W
R526	1-216-049-00	s	METAL, CHIP 1k 5% 1/10W
R527	1-216-647-11	s	METAL, CHIP 680 0.5% 1/10W
R528	1-216-057-00	s	METAL, CHIP 2.2k 5% 1/10W

Ref. No. or Q'ty	Part No.	SP	Description
R529	1-216-659-11	s	METAL, CHIP 2.2k 0.5% 1/10W
R530	1-216-651-11	s	METAL, CHIP 1k 0.5% 1/10W
R531	1-216-025-00	s	METAL, CHIP 100 5% 1/10W
R532	1-216-041-00	s	METAL, CHIP 470 5% 1/10W
R533	1-216-025-00	s	METAL, CHIP 100 5% 1/10W
R534	1-216-041-00	s	METAL, CHIP 470 5% 1/10W
R535	1-216-041-00	s	METAL, CHIP 470 5% 1/10W
R536	1-216-049-00	s	METAL, CHIP 1k 5% 1/10W
R537	1-216-041-00	s	METAL, CHIP 470 5% 1/10W
R538	1-216-651-11	s	METAL, CHIP 1k 0.5% 1/10W
R539	1-216-653-11	s	METAL, CHIP 1.2k 0.5% 1/10W
R540	1-216-057-00	s	METAL, CHIP 2.2k 5% 1/10W
R541	1-216-651-11	s	METAL, CHIP 1k 0.5% 1/10W
R542	1-216-057-00	s	METAL, CHIP 2.2k 5% 1/10W
R543	1-216-057-00	s	METAL, CHIP 2.2k 5% 1/10W
R544	1-216-049-00	s	METAL, CHIP 1k 5% 1/10W
R545	1-216-049-00	s	METAL, CHIP 1k 5% 1/10W
R546	1-216-113-00	s	METAL, CHIP 470k 5% 1/10W
R547	1-216-053-00	s	METAL, CHIP 1.5k 5% 1/10W
R548	1-216-049-00	s	METAL, CHIP 1k 5% 1/10W
R549	1-216-049-00	s	METAL, CHIP 1k 5% 1/10W
R550	1-216-049-00	s	METAL, CHIP 1k 5% 1/10W
R551	1-216-057-00	s	METAL, CHIP 2.2k 5% 1/10W
R552	1-216-057-00	s	METAL, CHIP 2.2k 5% 1/10W
R553	1-216-041-00	s	METAL, CHIP 470 5% 1/10W
R554	1-216-041-00	s	METAL, CHIP 470 5% 1/10W
R555	1-216-073-00	s	METAL, CHIP 10k 5% 1/10W
R556	1-216-049-00	s	METAL, CHIP 1k 5% 1/10W
R557	1-216-049-00	s	METAL, CHIP 1k 5% 1/10W
R558	1-216-041-00	s	METAL, CHIP 470 5% 1/10W
R559	1-216-053-00	s	METAL, CHIP 1.5k 5% 1/10W
R560	1-216-049-00	s	METAL, CHIP 1k 5% 1/10W
R561	1-216-025-00	s	METAL, CHIP 100 5% 1/10W
R562	1-216-017-00	s	METAL, CHIP 47 5% 1/10W
R563	1-216-017-00	s	METAL, CHIP 47 5% 1/10W
R564	1-216-667-11	s	METAL, CHIP 4.7k 0.5% 1/10W
R565	1-216-651-11	s	METAL, CHIP 1k 0.5% 1/10W
R566	1-216-073-00	s	METAL, CHIP 10k 5% 1/10W
R567	1-216-653-11	s	METAL, CHIP 1.2k 0.5% 1/10W
R568-572	1-216-624-11	s	METAL, CHIP 75 0.5% 1/10W
R573	1-216-049-00	s	METAL, CHIP 1k 5% 1/10W
R574	1-216-081-00	s	METAL, CHIP 22k 5% 1/10W
R575	1-216-097-00	s	METAL, CHIP 100k 5% 1/10W
R576	1-216-057-00	s	METAL, CHIP 2.2k 5% 1/10W
R600	1-249-429-11	s	CARBON 10k 5% 1/4W
R601	1-216-049-00	s	METAL, CHIP 1k 5% 1/10W
R602	1-216-049-00	s	METAL, CHIP 1k 5% 1/10W
R603	1-216-089-91	s	METAL, CHIP 47k 5% 1/10W
R604	1-216-049-00	s	METAL, CHIP 1k 5% 1/10W
R605	1-216-049-00	s	METAL, CHIP 1k 5% 1/10W
R606	1-216-049-00	s	METAL, CHIP 1k 5% 1/10W
R607	1-216-049-00	s	METAL, CHIP 1k 5% 1/10W
R608	1-216-057-00	s	METAL, CHIP 2.2k 5% 1/10W
R609	1-216-057-00	s	METAL, CHIP 2.2k 5% 1/10W
R610	1-216-033-00	s	METAL, CHIP 220 5% 1/10W
R611	1-216-033-00	s	METAL, CHIP 220 5% 1/10W
R612	1-216-668-11	s	METAL, CHIP 5.1k 0.5% 1/10W
R613	1-216-045-00	s	METAL, CHIP 680 5% 1/10W
R614	1-216-045-00	s	METAL, CHIP 680 5% 1/10W
R615	1-216-077-00	s	METAL, CHIP 15k 5% 1/10W

## (VP-43A BOARD(UVW-1600))

Ref. No. or Q'ty	Part No.	SP Description
R616	1-216-077-00	s METAL, CHIP 15k 5% 1/10W
R617	1-216-017-00	s METAL, CHIP 47 5% 1/10W
R618	1-216-017-00	s METAL, CHIP 47 5% 1/10W
R619	1-216-027-00	s METAL, CHIP 120 5% 1/10W
R620	1-216-027-00	s METAL, CHIP 120 5% 1/10W
R621	1-216-687-11	s METAL, CHIP 33k 0.5% 1/10W
R622	1-216-081-00	s METAL, CHIP 22k 5% 1/10W
R623	1-216-049-00	s METAL, CHIP 1k 5% 1/10W
R626	1-216-049-00	s METAL, CHIP 1k 5% 1/10W
R627	1-216-049-00	s METAL, CHIP 1k 5% 1/10W
R628	1-216-057-00	s METAL, CHIP 2.2k 5% 1/10W
R629	1-216-057-00	s METAL, CHIP 2.2k 5% 1/10W
R630	1-216-065-00	s METAL, CHIP 4.7k 5% 1/10W
R631	1-216-065-00	s METAL, CHIP 4.7k 5% 1/10W
R632	1-216-049-00	s METAL, CHIP 1k 5% 1/10W
R633	1-216-295-91	s RES, CHIP 0
R634	1-216-049-00	s METAL, CHIP 1k 5% 1/10W
R635	1-216-049-00	s METAL, CHIP 1k 5% 1/10W
R636	1-216-081-00	s METAL, CHIP 22k 5% 1/10W
R637	1-216-121-00	s METAL, CHIP 1M 5% 1/10W
R638	1-216-121-00	s METAL, CHIP 1M 5% 1/10W
R639	1-216-081-00	s METAL, CHIP 22k 5% 1/10W
R640	1-216-081-00	s METAL, CHIP 22k 5% 1/10W
R641	1-216-049-00	s METAL, CHIP 1k 5% 1/10W
R642	1-216-049-00	s METAL, CHIP 1k 5% 1/10W
R643	1-216-049-00	s METAL, CHIP 1k 5% 1/10W
R644	1-216-081-00	s METAL, CHIP 22k 5% 1/10W
R645	1-216-089-91	s METAL, CHIP 47k 5% 1/10W
R646	1-216-049-00	s METAL, CHIP 1k 5% 1/10W
R647	1-216-089-91	s METAL, CHIP 47k 5% 1/10W
R648	1-216-049-00	s METAL, CHIP 1k 5% 1/10W
R649	1-216-049-00	s METAL, CHIP 1k 5% 1/10W
R650	1-216-049-00	s METAL, CHIP 1k 5% 1/10W
R651	1-216-025-00	s METAL, CHIP 100 5% 1/10W
R652	1-216-657-11	s METAL, CHIP 1.8k 0.5% 1/10W
R653	1-216-073-00	s METAL, CHIP 10k 5% 1/10W
R654	1-216-065-00	s METAL, CHIP 4.7k 5% 1/10W
R655	1-216-065-00	s METAL, CHIP 4.7k 5% 1/10W
R656	1-216-047-00	s METAL, CHIP 820 5% 1/10W
R657	1-216-065-00	s METAL, CHIP 4.7k 5% 1/10W
R658	1-216-065-00	s METAL, CHIP 4.7k 5% 1/10W
R659	1-216-041-00	s METAL, CHIP 470 5% 1/10W
R660	1-216-041-00	s METAL, CHIP 470 5% 1/10W
R661	1-216-049-00	s METAL, CHIP 1k 5% 1/10W
R662	1-216-037-00	s METAL, CHIP 330 5% 1/10W
R663	1-216-077-00	s METAL, CHIP 15k 5% 1/10W
R664	1-216-079-00	s METAL, CHIP 18k 5% 1/10W
R665	1-216-081-00	s METAL, CHIP 22k 5% 1/10W
R666	1-216-081-00	s METAL, CHIP 22k 5% 1/10W
R667	1-216-097-00	s METAL, CHIP 100k 5% 1/10W
R668	1-216-049-00	s METAL, CHIP 1k 5% 1/10W
R669	1-216-049-00	s METAL, CHIP 1k 5% 1/10W
R670	1-216-677-11	s METAL, CHIP 12k 0.5% 1/10W
R671	1-216-049-00	s METAL, CHIP 1k 5% 1/10W
R672	1-216-049-00	s METAL, CHIP 1k 5% 1/10W
R673	1-216-637-11	s METAL, CHIP 270 0.5% 1/10W
R674	1-216-669-11	s METAL, CHIP 5.6k 0.5% 1/10W
R675	1-216-049-00	s METAL, CHIP 1k 5% 1/10W
R676	1-216-037-00	s METAL, CHIP 330 5% 1/10W

## (VP-43A BOARD(UVW-1600))

Ref. No. or Q'ty	Part No.	SP Description
R677	1-216-037-00	s METAL, CHIP 330 5% 1/10W
R678-682	1-216-049-00	s METAL, CHIP 1k 5% 1/10W
R683	1-216-057-00	s METAL, CHIP 2.2k 5% 1/10W
R684	1-216-646-11	s METAL, CHIP 620 0.5% 1/10W
R686	1-216-661-11	s METAL, CHIP 2.7k 0.5% 1/10W
R687	1-216-057-00	s METAL, CHIP 2.2k 5% 1/10W
R688	1-216-045-00	s METAL, CHIP 680 5% 1/10W
R689	1-216-639-11	s METAL, CHIP 330 0.5% 1/10W
R690	1-216-651-11	s METAL, CHIP 1k 0.5% 1/10W
R691	1-216-049-00	s METAL, CHIP 1k 5% 1/10W
R692	1-216-025-00	s METAL, CHIP 100 5% 1/10W
R693	1-216-025-00	s METAL, CHIP 100 5% 1/10W
R694	1-216-624-11	s METAL, CHIP 75 0.5% 1/10W
R695	1-216-081-00	s METAL, CHIP 22k 5% 1/10W
R696	1-216-095-00	s METAL, CHIP 82k 5% 1/10W
R697	1-216-057-00	s METAL, CHIP 2.2k 5% 1/10W
R698	1-216-057-00	s METAL, CHIP 2.2k 5% 1/10W
R699	1-249-429-11	s CARBON 10k 5% 1/4W
R701	1-216-025-00	s METAL, CHIP 100 5% 1/10W
R702	1-216-025-00	s METAL, CHIP 100 5% 1/10W
R703	1-216-049-00	s METAL, CHIP 1k 5% 1/10W
R704	1-216-049-00	s METAL, CHIP 1k 5% 1/10W
R705	1-216-049-00	s METAL, CHIP 1k 5% 1/10W
R706	1-216-049-00	s METAL, CHIP 1k 5% 1/10W
R707	1-216-655-11	s METAL, CHIP 1.5k 0.5% 1/10W
R708	1-216-655-11	s METAL, CHIP 1.5k 0.5% 1/10W
R709	1-216-065-00	s METAL, CHIP 4.7k 5% 1/10W
R710	1-216-065-00	s METAL, CHIP 4.7k 5% 1/10W
R711	1-216-025-00	s METAL, CHIP 100 5% 1/10W
R712	1-216-025-00	s METAL, CHIP 100 5% 1/10W
R713	1-216-049-00	s METAL, CHIP 1k 5% 1/10W
R714	1-216-049-00	s METAL, CHIP 1k 5% 1/10W
R715	1-216-049-00	s METAL, CHIP 1k 5% 1/10W
R716	1-216-049-00	s METAL, CHIP 1k 5% 1/10W
R717	1-216-065-00	s METAL, CHIP 4.7k 5% 1/10W
R718	1-216-065-00	s METAL, CHIP 4.7k 5% 1/10W
R719	1-216-639-11	s METAL, CHIP 330 0.5% 1/10W
R720	1-216-639-11	s METAL, CHIP 330 0.5% 1/10W
R721	1-216-025-00	s METAL, CHIP 100 5% 1/10W
R722	1-216-025-00	s METAL, CHIP 100 5% 1/10W
R723	1-216-065-00	s METAL, CHIP 4.7k 5% 1/10W
R724	1-216-041-00	s METAL, CHIP 470 5% 1/10W
R725	1-216-065-00	s METAL, CHIP 4.7k 5% 1/10W
R726	1-216-041-00	s METAL, CHIP 470 5% 1/10W
R727	1-216-049-00	s METAL, CHIP 1k 5% 1/10W
R728	1-216-049-00	s METAL, CHIP 1k 5% 1/10W
R729	1-216-624-11	s METAL, CHIP 75 0.5% 1/10W
R730	1-216-624-11	s METAL, CHIP 75 0.5% 1/10W
R731	1-216-624-11	s METAL, CHIP 75 0.5% 1/10W
R732	1-216-624-11	s METAL, CHIP 75 0.5% 1/10W
R733-737	1-216-097-00	s METAL, CHIP 100k 5% 1/10W
R738	1-216-049-00	s METAL, CHIP 1k 5% 1/10W
R739	1-216-049-00	s METAL, CHIP 1k 5% 1/10W
R740	1-216-049-00	s METAL, CHIP 1k 5% 1/10W
R741	1-216-073-00	s METAL, CHIP 10k 5% 1/10W
R742	1-216-049-00	s METAL, CHIP 1k 5% 1/10W
R743	1-216-049-00	s METAL, CHIP 1k 5% 1/10W
R744	1-216-049-00	s METAL, CHIP 1k 5% 1/10W
R745	1-216-113-00	s METAL, CHIP 470k 5% 1/10W

(VP-43A BOARD(UVW-1600))

Ref. No. or Q'ty	Part No.	SP Description
R746	1-216-049-00	s METAL, CHIP 1k 5% 1/10W
R747	1-216-049-00	s METAL, CHIP 1k 5% 1/10W
R748	1-216-097-00	s METAL, CHIP 100k 5% 1/10W
R749	1-216-049-00	s METAL, CHIP 1k 5% 1/10W
R750	1-216-097-00	s METAL, CHIP 100k 5% 1/10W
R751	1-216-049-00	s METAL, CHIP 1k 5% 1/10W
RV101	1-241-785-11	s RES, ADJ METAL 10k
RV102	1-241-785-11	s RES, ADJ METAL 10k
RV103	1-241-761-11	s RES, ADJ METAL 1k
RV201	1-241-763-11	s RES, ADJ METAL 4.7k
RV301	1-241-785-11	s RES, ADJ METAL 10k
RV302	1-241-785-11	s RES, ADJ METAL 10k
RV303	1-241-761-11	s RES, ADJ METAL 1k
RV401	1-241-764-11	s RES, ADJ METAL 10k
RV501	1-241-761-11	s RES, ADJ METAL 1k
RV502	1-241-761-11	s RES, ADJ METAL 1k
RV503	1-241-761-11	s RES, ADJ METAL 1k
RV504	1-241-761-11	s RES, ADJ METAL 1k
RV505	1-241-761-11	s RES, ADJ METAL 1k
RV506	1-241-758-21	s RES, ADJ METAL 100
RV601	1-241-123-11	s RES, ADJ CARBON 47k
RV602	1-241-123-11	s RES, ADJ CARBON 47k
RV603	1-241-783-11	s RES, ADJ METAL 2.2k
RV604	1-241-784-11	s RES, ADJ METAL 4.7k
RV605	1-241-784-11	s RES, ADJ METAL 4.7k
RV606	1-241-779-21	s RES, ADJ METAL 100
RV701	1-241-783-11	s RES, ADJ METAL 2.2k
RV702	1-241-783-11	s RES, ADJ METAL 2.2k
RV703	1-241-761-11	s RES, ADJ METAL 1k
RV704	1-241-761-11	s RES, ADJ METAL 1k
TH201	1-807-972-11	s THERMISTOR SV-1715 1.25k
TH401	1-807-972-11	s THERMISTOR SV-1715 1.25k

VR-155 BOARD(UVW-1800/1600)

Ref. No. or Q'ty	Part No.	SP Description
1pc	1-648-916-11	o PRINTED CIRCUIT BOARD, VR-155
CN402	1-564-005-11	o CONNECTOR 6P, MALE
RV1	1-237-790-21	s RES, VAR CARBON 10k
RV2	1-237-790-21	s RES, VAR CARBON 10k

VRA-5 BOARD(UVW-1800)

Ref. No. or Q'ty	Part No.	SP Description
VRA-5 board is used for UVW-1800.		
1pc	A-8275-280-A	o MOUNTED CIRCUIT BOARD, VRA-5
1pc	3-182-386-01	o PLATE, SHIELD (L), CARD
1pc	7-621-759-45	s SCREW, +PSW2.6x6
1pc	8-752-036-77	s IC CXA1179N
1pc	3-179-084-01	s LEVER (R), PC BOARD
1pc	3-179-085-01	s LEVER (L), PC BOARD
C101	1-126-933-11	s ELECT 100uF 20% 16V
C102	1-126-933-11	s ELECT 100uF 20% 16V
C103	1-163-033-00	s CERAMIC, CHIP 0.022uF 50V
C104	1-163-033-00	s CERAMIC, CHIP 0.022uF 50V
C105	1-164-004-11	s CERAMIC, CHIP 0.1uF 10% 25V
C106	1-126-925-11	s ELECT 470uF 20% 10V
C107	1-126-925-11	s ELECT 470uF 20% 10V
C108	1-163-033-00	s CERAMIC, CHIP 0.022uF 50V
C109	1-126-925-11	s ELECT 470uF 20% 10V
C110	1-163-033-00	s CERAMIC, CHIP 0.022uF 50V
C111	1-131-347-00	s TANTALUM 1uF 10% 35V
C112	1-163-033-00	s CERAMIC, CHIP 0.022uF 50V
C113	1-163-033-00	s CERAMIC, CHIP 0.022uF 50V
C114	1-163-033-00	s CERAMIC, CHIP 0.022uF 50V
C115	1-126-933-11	s ELECT 100uF 20% 16V
C116	1-126-933-11	s ELECT 100uF 20% 16V
C117	1-163-033-00	s CERAMIC, CHIP 0.022uF 50V
C118	1-163-033-00	s CERAMIC, CHIP 0.022uF 50V
C119	1-126-933-11	s ELECT 100uF 20% 16V
C121	1-163-227-11	s CERAMIC, CHIP 10pF 5% 50V
C122	1-163-097-00	s CERAMIC, CHIP 15pF 5% 50V
C123	1-163-097-00	s CERAMIC, CHIP 15pF 5% 50V
C124	1-163-033-00	s CERAMIC, CHIP 0.022uF 50V
C125	1-163-033-00	s CERAMIC, CHIP 0.022uF 50V
C126	1-163-033-00	s CERAMIC, CHIP 0.022uF 50V
C127	1-126-933-11	s ELECT 100uF 20% 16V
C128	1-131-381-00	s TANTALUM 47uF 10% 10V
C129	1-131-381-00	s TANTALUM 47uF 10% 10V
C130	1-131-365-00	s TANTALUM 10uF 10% 20V
C131	1-131-381-00	s TANTALUM 47uF 10% 10V
C132	1-131-381-00	s TANTALUM 47uF 10% 10V
C133	1-163-033-00	s CERAMIC, CHIP 0.022uF 50V
C134	1-163-033-00	s CERAMIC, CHIP 0.022uF 50V
C135	1-131-365-00	s TANTALUM 10uF 10% 20V
C136	1-163-033-00	s CERAMIC, CHIP 0.022uF 50V
C137	1-126-933-11	s ELECT 100uF 20% 16V
C138	1-163-235-11	s CERAMIC, CHIP 22pF 5% 50V
C140	1-163-239-11	s CERAMIC, CHIP 33pF 5% 50V
C141	1-163-097-00	s CERAMIC, CHIP 15pF 5% 50V
C142	1-163-033-00	s CERAMIC, CHIP 0.022uF 50V
C143	1-163-033-00	s CERAMIC, CHIP 0.022uF 50V
C144	1-163-033-00	s CERAMIC, CHIP 0.022uF 50V
C145	1-163-235-11	s CERAMIC, CHIP 22pF 5% 50V
C200	1-163-033-00	s CERAMIC, CHIP 0.022uF 50V
C201	1-163-097-00	s CERAMIC, CHIP 15pF 5% 50V
C202	1-163-113-00	s CERAMIC, CHIP 68pF 5% 50V
C203	1-163-113-00	s CERAMIC, CHIP 68pF 5% 50V
C204	1-163-239-11	s CERAMIC, CHIP 33pF 5% 50V
C205	1-163-121-00	s CERAMIC, CHIP 150pF 5% 50V
C206	1-163-121-00	s CERAMIC, CHIP 150pF 5% 50V

## (VRA-5 BOARD(UVW-1800))

Ref. No. or Q'ty	Part No.	SP Description
C207	1-126-933-11	s ELECT 100uF 20% 16V
C208	1-163-251-11	s CERAMIC, CHIP 100pF 5% 50V
C209	1-163-251-11	s CERAMIC, CHIP 100pF 5% 50V
C210	1-163-251-11	s CERAMIC, CHIP 100pF 5% 50V
C211	1-163-251-11	s CERAMIC, CHIP 100pF 5% 50V
C217	1-163-033-00	s CERAMIC, CHIP 0.022uF 50V
C218	1-163-133-00	s CERAMIC, CHIP 470pF 5% 50V
C219	1-163-033-00	s CERAMIC, CHIP 0.022uF 50V
C220	1-163-139-00	s CERAMIC, CHIP 820pF 5% 50V
C221	1-163-033-00	s CERAMIC, CHIP 0.022uF 50V
C222	1-163-033-00	s CERAMIC, CHIP 0.022uF 50V
C223	1-126-925-11	s ELECT 470uF 20% 10V
C224	1-126-925-11	s ELECT 470uF 20% 10V
C225-234	1-163-033-00	s CERAMIC, CHIP 0.022uF 50V
C238	1-163-033-00	s CERAMIC, CHIP 0.022uF 50V
C239	1-163-033-00	s CERAMIC, CHIP 0.022uF 50V
C240	1-126-933-11	s ELECT 100uF 20% 16V
C241-251	1-163-033-00	s CERAMIC, CHIP 0.022uF 50V
C252	1-126-933-11	s ELECT 100uF 20% 16V
C253-258	1-163-033-00	s CERAMIC, CHIP 0.022uF 50V
C259	1-163-251-11	s CERAMIC, CHIP 100pF 5% 50V
C260	1-163-251-11	s CERAMIC, CHIP 100pF 5% 50V
C261	1-126-933-11	s ELECT 100uF 20% 16V
C262	1-126-933-11	s ELECT 100uF 20% 16V
C263	1-163-033-00	s CERAMIC, CHIP 0.022uF 50V
C264	1-163-033-00	s CERAMIC, CHIP 0.022uF 50V
C265	1-163-251-11	s CERAMIC, CHIP 100pF 5% 50V
C267	1-163-139-00	s CERAMIC, CHIP 820pF 5% 50V
C268	1-163-139-00	s CERAMIC, CHIP 820pF 5% 50V
C269	1-163-251-11	s CERAMIC, CHIP 100pF 5% 50V
C270	1-164-161-11	s CERAMIC, CHIP 0.0022uF 10% 100V
C271	1-163-033-00	s CERAMIC, CHIP 0.022uF 50V
C301	1-126-933-11	s ELECT 100uF 20% 16V
C302	1-126-933-11	s ELECT 100uF 20% 16V
C303	1-163-033-00	s CERAMIC, CHIP 0.022uF 50V
C304	1-163-033-00	s CERAMIC, CHIP 0.022uF 50V
C305	1-126-933-11	s ELECT 100uF 20% 16V
C306	1-163-033-00	s CERAMIC, CHIP 0.022uF 50V
C307	1-163-115-00	s CERAMIC, CHIP 82pF 5% 50V
C308	1-163-033-00	s CERAMIC, CHIP 0.022uF 50V
C309	1-163-033-00	s CERAMIC, CHIP 0.022uF 50V
C310	1-163-235-11	s CERAMIC, CHIP 22pF 5% 50V
C311	1-163-243-11	s CERAMIC, CHIP 47pF 5% 50V
C312	1-126-964-11	s ELECT 10uF 20% 50V
C313	1-164-004-11	s CERAMIC, CHIP 0.1uF 10% 25V
C314	1-163-033-00	s CERAMIC, CHIP 0.022uF 50V
C316	1-163-263-11	s CERAMIC, CHIP 330pF 5% 50V
C317	1-163-033-00	s CERAMIC, CHIP 0.022uF 50V
C318	1-163-033-00	s CERAMIC, CHIP 0.022uF 50V
C319	1-163-033-00	s CERAMIC, CHIP 0.022uF 50V
C320	1-126-933-11	s ELECT 100uF 20% 16V
C321	1-126-933-11	s ELECT 100uF 20% 16V
C322	1-126-933-11	s ELECT 100uF 20% 16V
C323	1-163-239-11	s CERAMIC, CHIP 33pF 5% 50V
C324	1-163-263-11	s CERAMIC, CHIP 330pF 5% 50V
C325	1-163-121-00	s CERAMIC, CHIP 150pF 5% 50V
C326	1-164-004-11	s CERAMIC, CHIP 0.1uF 10% 25V
C327	1-164-004-11	s CERAMIC, CHIP 0.1uF 10% 25V
C328	1-163-033-00	s CERAMIC, CHIP 0.022uF 50V

## (VRA-5 BOARD(UVW-1800))

Ref. No. or Q'ty	Part No.	SP Description
C329	1-163-033-00	s CERAMIC, CHIP 0.022uF 50V
C330	1-126-933-11	s ELECT 100uF 20% 16V
C331	1-163-017-00	s CERAMIC, CHIP 0.0047uF 5% 50V
C332	1-163-017-00	s CERAMIC, CHIP 0.0047uF 5% 50V
C333	1-163-033-00	s CERAMIC, CHIP 0.022uF 50V
C334	1-163-033-00	s CERAMIC, CHIP 0.022uF 50V
C335	1-126-933-11	s ELECT 100uF 20% 16V
C336	1-163-033-00	s CERAMIC, CHIP 0.022uF 50V
C337	1-163-033-00	s CERAMIC, CHIP 0.022uF 50V
C338	1-163-133-00	s CERAMIC, CHIP 470pF 5% 50V
C339	1-163-251-11	s CERAMIC, CHIP 100pF 5% 50V
C340	1-163-033-00	s CERAMIC, CHIP 0.022uF 50V
C341	1-126-933-11	s ELECT 100uF 20% 16V
C342	1-163-033-00	s CERAMIC, CHIP 0.022uF 50V
C343	1-163-033-00	s CERAMIC, CHIP 0.022uF 50V
C344	1-163-121-00	s CERAMIC, CHIP 150pF 5% 50V
C345	1-163-033-00	s CERAMIC, CHIP 0.022uF 50V
C346	1-164-004-11	s CERAMIC, CHIP 0.1uF 10% 25V
C347	1-164-004-11	s CERAMIC, CHIP 0.1uF 10% 25V
C348	1-163-235-11	s CERAMIC, CHIP 22pF 5% 50V
C349	1-163-239-11	s CERAMIC, CHIP 33pF 5% 50V
C350	1-126-933-11	s ELECT 100uF 20% 16V
C351	1-163-033-00	s CERAMIC, CHIP 0.022uF 50V
C352	1-163-133-00	s CERAMIC, CHIP 470pF 5% 50V
C353	1-126-933-11	s ELECT 100uF 20% 16V
C354	1-163-121-00	s CERAMIC, CHIP 150pF 5% 50V
C355	1-163-033-00	s CERAMIC, CHIP 0.022uF 50V
C356	1-163-097-00	s CERAMIC, CHIP 15pF 5% 50V
C357	1-163-033-00	s CERAMIC, CHIP 0.022uF 50V
C358	1-164-004-11	s CERAMIC, CHIP 0.1uF 10% 25V
C359	1-163-033-00	s CERAMIC, CHIP 0.022uF 50V
C360	1-164-004-11	s CERAMIC, CHIP 0.1uF 10% 25V
C361	1-163-241-11	s CERAMIC, CHIP 39pF 5% 50V
C362	1-163-033-00	s CERAMIC, CHIP 0.022uF 50V
C363	1-163-097-00	s CERAMIC, CHIP 15pF 5% 50V
C364	1-163-033-00	s CERAMIC, CHIP 0.022uF 50V
C365	1-126-933-11	s ELECT 100uF 20% 16V
C366	1-163-263-11	s CERAMIC, CHIP 330pF 5% 50V
C367	1-163-033-00	s CERAMIC, CHIP 0.022uF 50V
C368	1-126-933-11	s ELECT 100uF 20% 16V
C369	1-163-033-00	s CERAMIC, CHIP 0.022uF 50V
C370	1-163-017-00	s CERAMIC, CHIP 0.0047uF 5% 50V
C371	1-126-933-11	s ELECT 100uF 20% 16V
C372	1-163-033-00	s CERAMIC, CHIP 0.022uF 50V
C373	1-163-033-00	s CERAMIC, CHIP 0.022uF 50V
C374	1-163-033-00	s CERAMIC, CHIP 0.022uF 50V
C375	1-163-220-11	s CERAMIC, CHIP 3pF 50V
C376	1-163-227-11	s CERAMIC, CHIP 10pF 5% 50V
C377	1-126-933-11	s ELECT 100uF 20% 16V
C378	1-126-933-11	s ELECT 100uF 20% 16V
C379	1-163-133-00	s CERAMIC, CHIP 470pF 5% 50V
C380	1-163-251-11	s CERAMIC, CHIP 100pF 5% 50V
C381	1-163-033-00	s CERAMIC, CHIP 0.022uF 50V
C382	1-163-251-11	s CERAMIC, CHIP 100pF 5% 50V
C383	1-164-004-11	s CERAMIC, CHIP 0.1uF 10% 25V
C384	1-163-033-00	s CERAMIC, CHIP 0.022uF 50V
C385	1-163-139-00	s CERAMIC, CHIP 820pF 5% 50V
C386	1-163-033-00	s CERAMIC, CHIP 0.022uF 50V
C387	1-163-033-00	s CERAMIC, CHIP 0.022uF 50V

## (VRA-5 BOARD(UVM-1800))

## (VRA-5 BOARD(UVM-1800))

Ref. No. or Q'ty	Part No.	SP Description
C388	1-163-251-11	s CERAMIC, CHIP 100pF 5% 50V
C389	1-126-933-11	s ELECT 100uF 20% 16V
C390	1-163-033-00	s CERAMIC, CHIP 0.022uF 50V
C391	1-163-033-00	s CERAMIC, CHIP 0.022uF 50V
C392	1-163-089-00	s CERAMIC, CHIP 6pF 50V
C393	1-163-102-00	s CERAMIC, CHIP 24pF 5% 50V
C394	1-163-113-00	s CERAMIC, CHIP 68pF 5% 50V
C395	1-126-933-11	s ELECT 100uF 20% 16V
C396	1-163-104-00	s CERAMIC, CHIP 30pF 5% 50V
C397	1-163-251-11	s CERAMIC, CHIP 100pF 5% 50V
C398	1-164-232-11	s CERAMIC 0.01uF 10% 100V
C399	1-163-263-11	s CERAMIC, CHIP 330pF 5% 50V
C501	1-126-933-11	s ELECT 100uF 20% 16V
C502	1-126-933-11	s ELECT 100uF 20% 16V
C503	1-126-933-11	s ELECT 100uF 20% 16V
C504	1-163-033-00	s CERAMIC, CHIP 0.022uF 50V
C505	1-163-033-00	s CERAMIC, CHIP 0.022uF 50V
C506	1-163-102-00	s CERAMIC, CHIP 24pF 5% 50V
C507	1-163-257-11	s CERAMIC, CHIP 180pF 5% 50V
C508	1-126-933-11	s ELECT 100uF 20% 16V
C509	1-126-933-11	s ELECT 100uF 20% 16V
C510	1-163-033-00	s CERAMIC, CHIP 0.022uF 50V
C511	1-104-923-21	s MICA, CHIP 180pF 0.25% 50V
C513	1-163-091-00	s CERAMIC, CHIP 8pF 50V
C514	1-163-243-11	s CERAMIC, CHIP 47pF 5% 50V
C515	1-163-091-00	s CERAMIC, CHIP 8pF 50V
C516	1-163-227-11	s CERAMIC, CHIP 10pF 5% 50V
C517	1-163-033-00	s CERAMIC, CHIP 0.022uF 50V
C518	1-163-033-00	s CERAMIC, CHIP 0.022uF 50V
C519	1-163-033-00	s CERAMIC, CHIP 0.022uF 50V
C520	1-163-033-00	s CERAMIC, CHIP 0.022uF 50V
C521	1-131-365-00	s TANTALUM 10uF 10% 20V
C522	1-163-102-00	s CERAMIC, CHIP 24pF 5% 50V
C523	1-126-933-11	s ELECT 100uF 20% 16V
C524	1-163-033-00	s CERAMIC, CHIP 0.022uF 50V
C525	1-164-004-11	s CERAMIC, CHIP 0.1uF 10% 25V
C526	1-163-033-00	s CERAMIC, CHIP 0.022uF 50V
C527	1-163-033-00	s CERAMIC, CHIP 0.022uF 50V
C528	1-163-033-00	s CERAMIC, CHIP 0.022uF 50V
C529	1-163-033-00	s CERAMIC, CHIP 0.022uF 50V
C530	1-163-275-11	s CERAMIC, CHIP 0.001uF 5% 50V
C531	1-164-161-11	s CERAMIC, CHIP 0.0022uF 10% 100V
C603	1-126-933-11	s ELECT 100uF 20% 16V
C604	1-163-033-00	s CERAMIC, CHIP 0.022uF 50V
C605	1-163-033-00	s CERAMIC, CHIP 0.022uF 50V
C606	1-163-099-00	s CERAMIC, CHIP 18pF 5% 50V
C607	1-163-125-00	s CERAMIC, CHIP 220pF 5% 50V
C608	1-126-933-11	s ELECT 100uF 20% 16V
C609	1-126-933-11	s ELECT 100uF 20% 16V
C610	1-163-033-00	s CERAMIC, CHIP 0.022uF 50V
C611	1-104-923-21	s MICA, CHIP 180pF 0.25% 50V
C613	1-163-091-00	s CERAMIC, CHIP 8pF 50V
C614	1-163-227-11	s CERAMIC, CHIP 10pF 5% 50V
C615	1-163-091-00	s CERAMIC, CHIP 8pF 50V
C616	1-163-227-11	s CERAMIC, CHIP 10pF 5% 50V
C617	1-163-033-00	s CERAMIC, CHIP 0.022uF 50V
C618	1-163-033-00	s CERAMIC, CHIP 0.022uF 50V
C619	1-163-033-00	s CERAMIC, CHIP 0.022uF 50V
C620	1-163-033-00	s CERAMIC, CHIP 0.022uF 50V

Ref. No. or Q'ty	Part No.	SP Description
C621	1-131-365-00	s TANTALUM 10uF 10% 20V
C622	1-163-139-00	s CERAMIC, CHIP 820pF 5% 50V
C623	1-163-139-00	s CERAMIC, CHIP 820pF 5% 50V
C624	1-163-033-00	s CERAMIC, CHIP 0.022uF 50V
C625	1-126-933-11	s ELECT 100uF 20% 16V
C626	1-163-033-00	s CERAMIC, CHIP 0.022uF 50V
C627	1-163-033-00	s CERAMIC, CHIP 0.022uF 50V
C628	1-163-033-00	s CERAMIC, CHIP 0.022uF 50V
C631	1-126-933-11	s ELECT 100uF 20% 16V
C632	1-163-033-00	s CERAMIC, CHIP 0.022uF 50V
C801	1-163-275-11	s CERAMIC, CHIP 0.001uF 5% 50V
C802	1-163-251-11	s CERAMIC, CHIP 100pF 5% 50V
C803	1-126-933-11	s ELECT 100uF 20% 16V
C804	1-163-275-11	s CERAMIC, CHIP 0.001uF 5% 50V
C805	1-163-125-00	s CERAMIC, CHIP 220pF 5% 50V
C806	1-131-347-00	s TANTALUM 1uF 10% 35V
C807	1-131-347-00	s TANTALUM 1uF 10% 35V
C808	1-163-275-11	s CERAMIC, CHIP 0.001uF 5% 50V
C809	1-163-033-00	s CERAMIC, CHIP 0.022uF 50V
C810	1-163-251-11	s CERAMIC, CHIP 100pF 5% 50V
C811	1-131-347-00	s TANTALUM 1uF 10% 35V
C812	1-131-365-00	s TANTALUM 10uF 10% 20V
C813	1-126-933-11	s ELECT 100uF 20% 16V
C814	1-163-033-00	s CERAMIC, CHIP 0.022uF 50V
C815	1-163-033-00	s CERAMIC, CHIP 0.022uF 50V
C816	1-126-160-11	s ELECT 1uF 20% 50V
C901	1-126-933-11	s ELECT 100uF 20% 16V
C902	1-126-933-11	s ELECT 100uF 20% 16V
C903	1-163-033-00	s CERAMIC, CHIP 0.022uF 50V
C904	1-163-033-00	s CERAMIC, CHIP 0.022uF 50V
C905	1-126-933-11	s ELECT 100uF 20% 16V
C906	1-126-933-11	s ELECT 100uF 20% 16V
C907	1-163-033-00	s CERAMIC, CHIP 0.022uF 50V
C908	1-163-033-00	s CERAMIC, CHIP 0.022uF 50V
C909	1-126-933-11	s ELECT 100uF 20% 16V
C910	1-163-033-00	s CERAMIC, CHIP 0.022uF 50V
C911	1-126-933-11	s ELECT 100uF 20% 16V
C912	1-126-933-11	s ELECT 100uF 20% 16V
C913	1-163-033-00	s CERAMIC, CHIP 0.022uF 50V
C914	1-163-033-00	s CERAMIC, CHIP 0.022uF 50V
C915	1-126-933-11	s ELECT 100uF 20% 16V
C916	1-163-033-00	s CERAMIC, CHIP 0.022uF 50V
C917	1-126-933-11	s ELECT 100uF 20% 16V
C918	1-163-033-00	s CERAMIC, CHIP 0.022uF 50V
CN101	1-573-782-21	o CONNECTOR, PHEC 60P, MALE
CN102	1-573-782-21	o CONNECTOR, PHEC 60P, MALE
CV301	1-141-304-21	s CAP, TRIMMER 10pF
D101	8-719-941-23	s DIODE DA204U
D102	8-719-941-23	s DIODE DA204U
D109	8-719-123-82	s DIODE 1SS303-T1
D202	8-719-123-82	s DIODE 1SS303-T1
D301	8-719-041-39	s DIODE KV1470
D303	8-719-821-39	s DIODE 1SV160
D305	8-713-300-88	s DIODE 1T33C-01
D306	8-719-911-19	s DIODE 1SS119
D801	8-719-941-23	s DIODE DA204U
FB201	1-543-309-21	s BEAD, FERRITE



## (VRA-5 BOARD(UVW-1800))

Ref. No. or Q'ty	Part No.	SP Description
FL101	1-239-769-11	s FILTER, LOW-PASS 5MHz
FL102	1-239-313-11	s FILTER, LOW-PASS 2MHz
FL103	1-239-313-11	s FILTER, LOW-PASS 2MHz
FL201	1-239-769-11	s FILTER, LOW-PASS 5MHz
FL202	1-239-801-11	s FILTER, LOW-PASS 4MHz
IC101	8-759-300-71	s IC HD14053BFP
IC102	8-759-300-71	s IC HD14053BFP
IC103	8-759-908-92	s IC TL084CNS
IC104	8-759-925-76	s IC SN74HC08NS
IC201	8-759-925-90	s IC SN74HC74NS
IC202	8-759-300-71	s IC HD14053BFP
IC205	8-759-996-29	s IC MB40568
IC206	8-759-996-29	s IC MB40568
IC207	8-759-035-93	s IC TC7532F-TE85L
IC208	8-759-147-02	s IC UPD42101C-3
IC209	8-759-147-02	s IC UPD42101C-3
IC210	8-759-513-76	s IC CXD8161AQ
IC211	8-759-031-84	s IC TC7S04F
IC212	8-752-329-28	s IC CXD1151Q
IC213	8-752-352-34	s IC CXD1171M-1
IC214	8-752-352-34	s IC CXD1171M-1
IC215	8-759-300-71	s IC HD14053BFP
IC216	8-759-907-81	s IC SN74LS221MS
IC217	8-759-008-31	s IC MC74HC4002F
IC218	8-759-925-85	s IC SN74HC32NS
IC219	8-759-234-20	s IC TC7S08F
IC220	8-759-300-71	s IC HD14053BFP
IC301	8-759-008-67	s IC MC14066BF
IC302	8-752-339-04	s IC CXD2208Q
IC303	8-759-908-92	s IC TL084CNS
IC304	8-759-906-53	s IC TL062CPS
IC305	8-759-031-84	s IC TC7S04F
IC306	8-759-908-92	s IC TL084CNS
IC307	8-759-031-84	s IC TC7S04F
IC308	8-759-906-53	s IC TL062CPS
IC309	8-759-300-71	s IC HD14053BFP
IC310	8-759-520-55	s IC CXD8243AM
IC311	8-759-008-67	s IC MC14066BF
IC312	8-759-907-81	s IC SN74LS221NS
IC313	8-759-239-58	s IC TC74NC221AF
IC314	8-759-009-06	s IC MC14052BF
IC315	8-759-908-15	s IC TL431CLP
IC316	8-759-908-15	s IC TL431CLP
IC317	8-759-031-84	s IC TC7S04F
IC501	1-810-334-11	s HIC BP-023
IC502	8-759-908-15	s IC TL431CLP
IC601	1-810-334-11	s HIC BP-023
IC602	8-759-908-15	s IC TL431CLP
IC801	8-752-064-20	s IC CXA1727Q
IC802	8-752-356-06	s IC CXD2122AQ
IC901	8-759-182-84	s IC PQ05SZ5U
IC902	8-759-822-95	s IC L79W05T-FA
IC903	8-759-182-84	s IC PQ05SZ5U
IC904	8-759-172-41	s IC L78W09T-TL
L101-105	1-410-482-31	s INDUCTOR 100uH
L107	1-410-482-31	s INDUCTOR 100uH
L201	1-408-413-00	s INDUCTOR 22uH
L202	1-410-476-11	s INDUCTOR 33uH

## (VRA-5 BOARD(UVW-1800))

Ref. No. or Q'ty	Part No.	SP Description
L203	1-408-419-00	s INDUCTOR 68uH
L204	1-408-413-00	s INDUCTOR 22uH
L205	1-410-462-11	s INDUCTOR 2.2uH
L206	1-410-462-11	s INDUCTOR 2.2uH
L207	1-410-482-31	s INDUCTOR 100uH
L208	1-410-482-31	s INDUCTOR 100uH
L301	1-410-482-31	s INDUCTOR 100uH
L302	1-410-464-11	s INDUCTOR 3.3uH
L303	1-410-478-11	s INDUCTOR 47uH
L304	1-410-476-11	s INDUCTOR 33uH
L305	1-408-406-00	s INDUCTOR 5.6uH
L306-314	1-410-482-31	s INDUCTOR 100uH
L315	1-410-470-11	s INDUCTOR 10uH
L316	1-410-473-11	s INDUCTOR 18uH
L317	1-408-416-00	s INDUCTOR 39uH
L501	1-410-482-31	s INDUCTOR 100uH
L502	1-410-482-31	s INDUCTOR 100uH
L503	1-408-419-00	s INDUCTOR 68uH
L505	1-410-464-11	s INDUCTOR 3.3uH
L506	1-410-482-31	s INDUCTOR 100uH
L507	1-410-478-11	s INDUCTOR 47uH
L603	1-408-420-00	s INDUCTOR 82uH
L605	1-410-464-11	s INDUCTOR 3.3uH
L606	1-410-482-31	s INDUCTOR 100uH
L607	1-408-425-00	s INDUCTOR 220uH
L608	1-410-482-31	s INDUCTOR 100uH
L801	1-410-482-31	s INDUCTOR 100uH
L901-905	1-412-533-21	s INDUCTOR 47uH
LV301	1-406-745-11	s INDUCTOR, VAR 6.8uH
Q101	8-729-117-32	s TRANSISTOR 2SC4177
Q102	8-729-117-32	s TRANSISTOR 2SC4177
Q103	8-729-140-63	s TRANSISTOR 2SA1611-M5M6
Q104	8-729-904-41	s TRANSISTOR FMY3
Q105	8-729-117-32	s TRANSISTOR 2SC4177
Q106	8-729-140-63	s TRANSISTOR 2SA1611-M5M6
Q107	8-729-140-63	s TRANSISTOR 2SA1611-M5M6
Q108	8-729-117-32	s TRANSISTOR 2SC4177
Q109	8-729-117-32	s TRANSISTOR 2SC4177
Q110	8-729-117-32	s TRANSISTOR 2SC4177
Q111	8-729-117-32	s TRANSISTOR 2SC4177
Q112	8-729-140-63	s TRANSISTOR 2SA1611-M5M6
Q113	8-729-140-63	s TRANSISTOR 2SA1611-M5M6
Q114	8-729-117-32	s TRANSISTOR 2SC4177
Q115	8-729-117-32	s TRANSISTOR 2SC4177
Q116	8-729-140-63	s TRANSISTOR 2SA1611-M5M6
Q117-122	8-729-117-32	s TRANSISTOR 2SC4177
Q123	8-729-118-56	s TRANSISTOR 2SK852-X2
Q124	8-729-118-56	s TRANSISTOR 2SK852-X2
Q125	8-729-140-63	s TRANSISTOR 2SA1611-M5M6
Q126	8-729-117-32	s TRANSISTOR 2SC4177
Q127	8-729-117-32	s TRANSISTOR 2SC4177
Q128	8-729-117-32	s TRANSISTOR 2SC4177
Q129	8-729-117-32	s TRANSISTOR 2SC4177
Q130	8-729-140-63	s TRANSISTOR 2SA1611-M5M6
Q131	8-729-117-32	s TRANSISTOR 2SC4177
Q132	8-729-117-32	s TRANSISTOR 2SC4177
Q133	8-729-117-32	s TRANSISTOR 2SC4177
Q201	8-729-117-32	s TRANSISTOR 2SC4177

## (VRA-5 BOARD(UVW-1800))

Ref. No. or Q'ty	Part No.	SP	Description
Q202	8-729-905-12	s	TRANSISTOR DTA144EU
Q203	8-729-905-18	s	TRANSISTOR DTC144EU
Q204	8-729-140-63	s	TRANSISTOR 2SA1611-M5M6
Q207	8-729-117-32	s	TRANSISTOR 2SC4177
Q209	8-729-140-63	s	TRANSISTOR 2SA1611-M5M6
Q210	8-729-117-32	s	TRANSISTOR 2SC4177
Q211	8-729-117-32	s	TRANSISTOR 2SC4177
Q212	8-729-140-63	s	TRANSISTOR 2SA1611-M5M6
Q213	8-729-117-32	s	TRANSISTOR 2SC4177
Q301	8-729-117-32	s	TRANSISTOR 2SC4177
Q303	8-729-117-32	s	TRANSISTOR 2SC4177
Q305	8-729-117-32	s	TRANSISTOR 2SC4177
Q306	8-729-140-63	s	TRANSISTOR 2SA1611-M5M6
Q307	8-729-140-63	s	TRANSISTOR 2SA1611-M5M6
Q308	8-729-905-18	s	TRANSISTOR DTC144EU
Q309	8-729-905-18	s	TRANSISTOR DTC144EU
Q310	8-729-117-32	s	TRANSISTOR 2SC4177
Q311	8-729-117-32	s	TRANSISTOR 2SC4177
Q312	8-729-140-63	s	TRANSISTOR 2SA1611-M5M6
Q313	8-729-140-63	s	TRANSISTOR 2SA1611-M5M6
Q314	8-729-140-63	s	TRANSISTOR 2SA1611-M5M6
Q315	8-729-140-63	s	TRANSISTOR 2SA1611-M5M6
Q316	8-729-905-18	s	TRANSISTOR DTC144EU
Q317	8-729-140-63	s	TRANSISTOR 2SA1611-M5M6
Q318	8-729-117-32	s	TRANSISTOR 2SC4177
Q319	8-729-140-63	s	TRANSISTOR 2SA1611-M5M6
Q320	8-729-140-63	s	TRANSISTOR 2SA1611-M5M6
Q321	8-729-117-32	s	TRANSISTOR 2SC4177
Q322	8-729-143-07	s	TRANSISTOR 2SA1610-YY33
Q323	8-729-143-07	s	TRANSISTOR 2SA1610-YY33
Q324	8-729-201-27	s	TRANSISTOR 2SC2715-Y
Q325	8-729-140-47	s	TRANSISTOR 2SC3735-B34
Q508-512	8-729-117-32	s	TRANSISTOR 2SC4177
Q513	8-729-117-72	s	TRANSISTOR 2SC4178
Q514	8-729-117-72	s	TRANSISTOR 2SC4178
Q515	8-729-117-32	s	TRANSISTOR 2SC4177
Q516	8-729-117-72	s	TRANSISTOR 2SC4178
Q517	8-729-117-72	s	TRANSISTOR 2SC4178
Q518	8-729-140-63	s	TRANSISTOR 2SA1611-M5M6
Q519	8-729-117-72	s	TRANSISTOR 2SC4178
Q520	8-729-117-72	s	TRANSISTOR 2SC4178
Q601	8-729-117-32	s	TRANSISTOR 2SC4177
Q602	8-729-117-32	s	TRANSISTOR 2SC4177
Q603	8-729-117-32	s	TRANSISTOR 2SC4177
Q604-610	8-729-117-72	s	TRANSISTOR 2SC4178
Q801	8-729-117-32	s	TRANSISTOR 2SC4177
Q802	8-729-117-32	s	TRANSISTOR 2SC4177
Q803	8-729-117-32	s	TRANSISTOR 2SC4177
Q804	8-729-140-63	s	TRANSISTOR 2SA1611-M5M6
R100	1-249-441-11	s	CARBON 100K 5% 1/4W
R101	1-216-651-11	s	METAL, CHIP 1k 0.5% 1/10W
R102	1-216-651-11	s	METAL, CHIP 1k 0.5% 1/10W
R103	1-216-651-11	s	METAL, CHIP 1k 0.5% 1/10W
R104	1-216-651-11	s	METAL, CHIP 1k 0.5% 1/10W
R105	1-216-049-00	s	METAL, CHIP 1k 5% 1/10W
R106	1-216-013-00	s	METAL, CHIP 33 5% 1/10W
R107	1-216-097-00	s	METAL, CHIP 100k 5% 1/10W
R108	1-216-097-00	s	METAL, CHIP 100k 5% 1/10W
R109	1-216-025-00	s	METAL, CHIP 100 5% 1/10W

## (VRA-5 BOARD(UVW-1800))

Ref. No. or Q'ty	Part No.	SP	Description
R110	1-216-651-11	s	METAL, CHIP 1k 0.5% 1/10W
R111	1-216-049-00	s	METAL, CHIP 1k 5% 1/10W
R112	1-216-049-00	s	METAL, CHIP 1k 5% 1/10W
R113	1-216-651-11	s	METAL, CHIP 1k 0.5% 1/10W
R114	1-216-651-11	s	METAL, CHIP 1k 0.5% 1/10W
R115	1-216-049-00	s	METAL, CHIP 1k 5% 1/10W
R116	1-216-041-00	s	METAL, CHIP 470 5% 1/10W
R117	1-216-639-11	s	METAL, CHIP 330 0.5% 1/10W
R118	1-216-639-11	s	METAL, CHIP 330 0.5% 1/10W
R119	1-216-041-00	s	METAL, CHIP 470 5% 1/10W
R120	1-216-641-11	s	METAL, CHIP 390 0.5% 1/10W
R121	1-216-057-00	s	METAL, CHIP 2.2k 5% 1/10W
R122	1-216-037-00	s	METAL, CHIP 330 5% 1/10W
R123	1-216-065-00	s	METAL, CHIP 4.7k 5% 1/10W
R124	1-216-049-00	s	METAL, CHIP 1k 5% 1/10W
R125	1-216-065-00	s	METAL, CHIP 4.7k 5% 1/10W
R126	1-216-041-00	s	METAL, CHIP 470 5% 1/10W
R127	1-216-025-00	s	METAL, CHIP 100 5% 1/10W
R128	1-216-065-00	s	METAL, CHIP 4.7k 5% 1/10W
R129	1-216-049-00	s	METAL, CHIP 1k 5% 1/10W
R130	1-216-073-00	s	METAL, CHIP 10k 5% 1/10W
R131	1-216-049-00	s	METAL, CHIP 1k 5% 1/10W
R132	1-216-049-00	s	METAL, CHIP 1k 5% 1/10W
R133	1-216-037-00	s	METAL, CHIP 330 5% 1/10W
R134	1-216-065-00	s	METAL, CHIP 4.7k 5% 1/10W
R135	1-216-657-11	s	METAL, CHIP 1.8k 0.5% 1/10W
R136	1-216-025-00	s	METAL, CHIP 100 5% 1/10W
R137	1-216-057-00	s	METAL, CHIP 2.2k 5% 1/10W
R138	1-216-651-11	s	METAL, CHIP 1k 0.5% 1/10W
R139	1-216-683-11	s	METAL, CHIP 22k 0.5% 1/10W
R140	1-216-651-11	s	METAL, CHIP 1k 0.5% 1/10W
R141	1-216-037-00	s	METAL, CHIP 330 5% 1/10W
R142	1-216-049-00	s	METAL, CHIP 1k 5% 1/10W
R143	1-216-057-00	s	METAL, CHIP 2.2k 5% 1/10W
R144	1-216-037-00	s	METAL, CHIP 330 5% 1/10W
R145	1-216-065-00	s	METAL, CHIP 4.7k 5% 1/10W
R146	1-216-049-00	s	METAL, CHIP 1k 5% 1/10W
R147	1-216-065-00	s	METAL, CHIP 4.7k 5% 1/10W
R148	1-216-121-00	s	METAL, CHIP 1M 5% 1/10W
R149	1-216-057-00	s	METAL, CHIP 2.2k 5% 1/10W
R150	1-216-049-00	s	METAL, CHIP 1k 5% 1/10W
R151	1-216-081-00	s	METAL, CHIP 22k 5% 1/10W
R152	1-216-121-00	s	METAL, CHIP 1M 5% 1/10W
R153	1-216-057-00	s	METAL, CHIP 2.2k 5% 1/10W
R154	1-216-049-00	s	METAL, CHIP 1k 5% 1/10W
R155	1-216-073-00	s	METAL, CHIP 10k 5% 1/10W
R156	1-216-073-00	s	METAL, CHIP 10k 5% 1/10W
R157	1-216-081-00	s	METAL, CHIP 22k 5% 1/10W
R158	1-216-073-00	s	METAL, CHIP 10k 5% 1/10W
R159	1-216-049-00	s	METAL, CHIP 1k 5% 1/10W
R160	1-216-049-00	s	METAL, CHIP 1k 5% 1/10W
R161	1-216-065-00	s	METAL, CHIP 4.7k 5% 1/10W
R162	1-216-037-00	s	METAL, CHIP 330 5% 1/10W
R163	1-216-025-00	s	METAL, CHIP 100 5% 1/10W
R164	1-216-057-00	s	METAL, CHIP 2.2k 5% 1/10W
R165	1-216-651-11	s	METAL, CHIP 1k 0.5% 1/10W
R166	1-216-683-11	s	METAL, CHIP 22k 0.5% 1/10W
R167	1-216-651-11	s	METAL, CHIP 1k 0.5% 1/10W
R168	1-216-037-00	s	METAL, CHIP 330 5% 1/10W

## (VRA-5 BOARD(UVW-1800))

Ref. No. or Q'ty	Part No.	SP Description
R169	1-216-049-00	s METAL, CHIP 1k 5% 1/10W
R170	1-216-057-00	s METAL, CHIP 2.2k 5% 1/10W
R171	1-216-037-00	s METAL, CHIP 330 5% 1/10W
R172	1-216-065-00	s METAL, CHIP 4.7k 5% 1/10W
R173	1-216-049-00	s METAL, CHIP 1k 5% 1/10W
R174	1-216-065-00	s METAL, CHIP 4.7k 5% 1/10W
R175	1-216-025-00	s METAL, CHIP 100 5% 1/10W
R176	1-216-049-00	s METAL, CHIP 1k 5% 1/10W
R177	1-216-025-00	s METAL, CHIP 100 5% 1/10W
R178	1-216-627-11	s METAL, CHIP 100 0.5% 1/10W
R179	1-216-295-91	s RES, CHIP 0
R180	1-216-651-11	s METAL, CHIP 1k 0.5% 1/10W
R181	1-216-025-00	s METAL, CHIP 100 5% 1/10W
R182	1-216-049-00	s METAL, CHIP 1k 5% 1/10W
R183	1-216-295-91	s RES, CHIP 0
R184	1-216-651-11	s METAL, CHIP 1k 0.5% 1/10W
R185	1-216-025-00	s METAL, CHIP 100 5% 1/10W
R186	1-216-049-00	s METAL, CHIP 1k 5% 1/10W
R187	1-216-295-91	s RES, CHIP 0
R188	1-216-619-11	s METAL, CHIP 47 0.5% 1/10W
R190	1-216-646-11	s METAL, CHIP 620 0.5% 1/10W
R200	1-216-651-11	s METAL, CHIP 1k 0.5% 1/10W
R201	1-216-651-11	s METAL, CHIP 1k 0.5% 1/10W
R202	1-216-073-00	s METAL, CHIP 10k 5% 1/10W
R203	1-216-073-00	s METAL, CHIP 10k 5% 1/10W
R204	1-216-655-11	s METAL, CHIP 1.5k 0.5% 1/10W
R205	1-216-631-11	s METAL, CHIP 150 0.5% 1/10W
R206	1-216-655-11	s METAL, CHIP 1.5k 0.5% 1/10W
R207	1-216-631-11	s METAL, CHIP 150 0.5% 1/10W
R208	1-216-619-11	s METAL, CHIP 47 0.5% 1/10W
R209	1-216-619-11	s METAL, CHIP 47 0.5% 1/10W
R210	1-216-009-00	s METAL, CHIP 22 5% 1/10W
R211	1-216-013-00	s METAL, CHIP 33 5% 1/10W
R212	1-216-009-00	s METAL, CHIP 22 5% 1/10W
R216	1-216-013-00	s METAL, CHIP 33 5% 1/10W
R217	1-216-089-91	s METAL, CHIP 47k 5% 1/10W
R220	1-218-764-11	s METAL, CHIP 330k 0.5% 1/10W
R223	1-216-663-11	s METAL, CHIP 3.3k 0.5% 1/10W
R224	1-216-679-11	s METAL, CHIP 15k 0.5% 1/10W
R225	1-216-663-11	s METAL, CHIP 3.3k 0.5% 1/10W
R226	1-216-081-00	s METAL, CHIP 22k 5% 1/10W
R227	1-216-065-00	s METAL, CHIP 4.7k 5% 1/10W
R228	1-216-687-11	s METAL, CHIP 33k 0.5% 1/10W
R229	1-216-671-11	s METAL, CHIP 6.8k 0.5% 1/10W
R230	1-216-635-11	s METAL, CHIP 220 0.5% 1/10W
R231	1-216-635-11	s METAL, CHIP 220 0.5% 1/10W
R232	1-216-635-11	s METAL, CHIP 220 0.5% 1/10W
R233	1-216-635-11	s METAL, CHIP 220 0.5% 1/10W
R234	1-216-049-00	s METAL, CHIP 1k 5% 1/10W
R236	1-216-049-00	s METAL, CHIP 1k 5% 1/10W
R238	1-216-073-00	s METAL, CHIP 10k 5% 1/10W
R239	1-216-073-00	s METAL, CHIP 10k 5% 1/10W
R241	1-216-089-91	s METAL, CHIP 47k 5% 1/10W
R242	1-216-696-11	s METAL, CHIP 75k 0.5% 1/10W
R243	1-216-041-00	s METAL, CHIP 470 5% 1/10W
R244	1-216-041-00	s METAL, CHIP 470 5% 1/10W
R245	1-216-065-00	s METAL, CHIP 4.7k 5% 1/10W
R246	1-216-639-11	s METAL, CHIP 330 0.5% 1/10W
R247	1-216-639-11	s METAL, CHIP 330 0.5% 1/10W

## (VRA-5 BOARD(UVW-1800))

Ref. No. or Q'ty	Part No.	SP Description
R248	1-216-681-11	s METAL, CHIP 18k 0.5% 1/10W
R249	1-216-081-00	s METAL, CHIP 22k 5% 1/10W
R250	1-216-065-00	s METAL, CHIP 4.7k 5% 1/10W
R251	1-216-065-00	s METAL, CHIP 4.7k 5% 1/10W
R252	1-216-049-00	s METAL, CHIP 1k 5% 1/10W
R253	1-216-097-00	s METAL, CHIP 100k 5% 1/10W
R254	1-216-639-11	s METAL, CHIP 330 0.5% 1/10W
R255	1-216-639-11	s METAL, CHIP 330 0.5% 1/10W
R256	1-216-049-00	s METAL, CHIP 1k 5% 1/10W
R257	1-216-049-00	s METAL, CHIP 1k 5% 1/10W
R258	1-216-073-00	s METAL, CHIP 10k 5% 1/10W
R259	1-216-073-00	s METAL, CHIP 10k 5% 1/10W
R261	1-216-073-00	s METAL, CHIP 10k 5% 1/10W
R262	1-216-073-00	s METAL, CHIP 10k 5% 1/10W
R263	1-216-073-00	s METAL, CHIP 10k 5% 1/10W
R265	1-216-073-00	s METAL, CHIP 10k 5% 1/10W
R266	1-216-073-00	s METAL, CHIP 10k 5% 1/10W
R268	1-216-073-00	s METAL, CHIP 10k 5% 1/10W
R269	1-216-073-00	s METAL, CHIP 10k 5% 1/10W
R270	1-216-073-00	s METAL, CHIP 10k 5% 1/10W
R272-279	1-216-073-00	s METAL, CHIP 10k 5% 1/10W
R280	1-216-695-11	s METAL, CHIP 68 5% 1/10W
R301	1-216-073-00	s METAL, CHIP 10k 5% 1/10W
R302	1-216-051-00	s METAL, CHIP 1.2k 5% 1/10W
R303	1-216-049-00	s METAL, CHIP 1k 5% 1/10W
R304	1-216-025-00	s METAL, CHIP 100 5% 1/10W
R305	1-216-675-11	s METAL, CHIP 10k 0.5% 1/10W
R306	1-216-675-11	s METAL, CHIP 10k 0.5% 1/10W
R307	1-216-049-00	s METAL, CHIP 1k 5% 1/10W
R308	1-216-049-00	s METAL, CHIP 1k 5% 1/10W
R309	1-216-049-00	s METAL, CHIP 1k 5% 1/10W
R310	1-216-049-00	s METAL, CHIP 1k 5% 1/10W
R311	1-216-057-00	s METAL, CHIP 2.2k 5% 1/10W
R312	1-216-057-00	s METAL, CHIP 2.2k 5% 1/10W
R313	1-216-025-00	s METAL, CHIP 100 5% 1/10W
R314	1-216-057-00	s METAL, CHIP 2.2k 5% 1/10W
R315	1-216-073-00	s METAL, CHIP 10k 5% 1/10W
R316	1-216-073-00	s METAL, CHIP 10k 5% 1/10W
R317	1-216-049-00	s METAL, CHIP 1k 5% 1/10W
R318	1-216-049-00	s METAL, CHIP 1k 5% 1/10W
R319	1-216-049-00	s METAL, CHIP 1k 5% 1/10W
R320	1-216-049-00	s METAL, CHIP 1k 5% 1/10W
R321	1-216-097-00	s METAL, CHIP 100k 5% 1/10W
R322	1-216-049-00	s METAL, CHIP 1k 5% 1/10W
R323	1-216-646-11	s METAL, CHIP 620 0.5% 1/10W
R324	1-216-057-00	s METAL, CHIP 2.2k 5% 1/10W
R325	1-216-057-00	s METAL, CHIP 2.2k 5% 1/10W
R326	1-216-041-00	s METAL, CHIP 470 5% 1/10W
R327	1-216-643-11	s METAL, CHIP 470 0.5% 1/10W
R328	1-216-669-11	s METAL, CHIP 5.6k 0.5% 1/10W
R329	1-216-065-00	s METAL, CHIP 4.7k 5% 1/10W
R330	1-216-049-00	s METAL, CHIP 1k 5% 1/10W
R331	1-216-643-11	s METAL, CHIP 470 0.5% 1/10W
R332	1-216-065-00	s METAL, CHIP 4.7k 5% 1/10W
R333	1-216-117-00	s METAL, CHIP 680k 5% 1/10W
R334	1-216-667-11	s METAL, CHIP 4.7k 0.5% 1/10W
R335	1-216-073-00	s METAL, CHIP 10k 5% 1/10W
R336	1-216-699-11	s METAL, CHIP 100k 0.5% 1/10W
R338	1-216-089-91	s METAL, CHIP 47k 5% 1/10W

## (VRA-5 BOARD(UVW-1800))

Ref. No. or Q'ty	Part No.	SP Description
R339	1-216-085-00	s METAL, CHIP 33k 5% 1/10W
R340	1-216-073-00	s METAL, CHIP 10k 5% 1/10W
R341	1-216-667-11	s METAL, CHIP 4.7k 0.5% 1/10W
R342	1-218-760-11	s METAL, CHIP 220k 0.5% 1/10W
R343	1-216-057-00	s METAL, CHIP 2.2k 5% 1/10W
R344	1-216-085-00	s METAL, CHIP 33k 5% 1/10W
R345	1-216-085-00	s METAL, CHIP 33k 5% 1/10W
R346	1-216-073-00	s METAL, CHIP 10k 5% 1/10W
R347	1-216-049-00	s METAL, CHIP 1k 5% 1/10W
R348	1-216-065-00	s METAL, CHIP 4.7k 5% 1/10W
R349	1-216-049-00	s METAL, CHIP 1k 5% 1/10W
R350	1-216-025-00	s METAL, CHIP 100 5% 1/10W
R351	1-216-085-00	s METAL, CHIP 33k 5% 1/10W
R352	1-216-670-11	s METAL, CHIP 6.2k 0.5% 1/10W
R353	1-216-634-11	s METAL, CHIP 200 0.5% 1/10W
R354	1-216-663-11	s METAL, CHIP 3.3k 0.5% 1/10W
R355	1-216-073-00	s METAL, CHIP 10k 5% 1/10W
R356	1-216-065-00	s METAL, CHIP 4.7k 5% 1/10W
R357	1-216-121-00	s METAL, CHIP 1M 5% 1/10W
R358	1-216-117-00	s METAL, CHIP 680k 5% 1/10W
R359	1-216-635-11	s METAL, CHIP 220 0.5% 1/10W
R360	1-216-667-11	s METAL, CHIP 4.7k 0.5% 1/10W
R361	1-216-049-00	s METAL, CHIP 1k 5% 1/10W
R362	1-216-651-11	s METAL, CHIP 1k 0.5% 1/10W
R363	1-216-675-11	s METAL, CHIP 10k 0.5% 1/10W
R364	1-216-675-11	s METAL, CHIP 10k 0.5% 1/10W
R365	1-216-651-11	s METAL, CHIP 1k 0.5% 1/10W
R367	1-216-025-00	s METAL, CHIP 100 5% 1/10W
R368	1-216-651-11	s METAL, CHIP 1k 0.5% 1/10W
R369	1-216-663-11	s METAL, CHIP 3.3k 0.5% 1/10W
R370	1-216-049-00	s METAL, CHIP 1k 5% 1/10W
R371	1-216-635-11	s METAL, CHIP 220 0.5% 1/10W
R372	1-216-639-11	s METAL, CHIP 330 0.5% 1/10W
R375	1-216-681-11	s METAL, CHIP 18k 0.5% 1/10W
R376	1-216-073-00	s METAL, CHIP 10k 5% 1/10W
R377	1-216-653-11	s METAL, CHIP 1.2k 0.5% 1/10W
R378	1-216-679-11	s METAL, CHIP 15k 0.5% 1/10W
R379	1-216-025-00	s METAL, CHIP 100 5% 1/10W
R380	1-216-671-11	s METAL, CHIP 6.8k 0.5% 1/10W
R381	1-216-073-00	s METAL, CHIP 10k 5% 1/10W
R382	1-216-673-11	s METAL, CHIP 8.2k 0.5% 1/10W
R383	1-216-673-11	s METAL, CHIP 8.2k 0.5% 1/10W
R384	1-216-673-11	s METAL, CHIP 8.2k 0.5% 1/10W
R385	1-216-025-00	s METAL, CHIP 100 5% 1/10W
R386	1-216-677-11	s METAL, CHIP 12k 0.5% 1/10W
R387	1-216-651-11	s METAL, CHIP 1k 0.5% 1/10W
R388	1-216-651-11	s METAL, CHIP 1k 0.5% 1/10W
R389	1-216-651-11	s METAL, CHIP 1k 0.5% 1/10W
R390	1-216-653-11	s METAL, CHIP 1.2k 0.5% 1/10W
R391	1-216-653-11	s METAL, CHIP 1.2k 0.5% 1/10W
R392	1-216-065-00	s METAL, CHIP 4.7k 5% 1/10W
R393	1-216-663-11	s METAL, CHIP 3.3k 0.5% 1/10W
R394	1-216-049-00	s METAL, CHIP 1k 5% 1/10W
R395	1-216-049-00	s METAL, CHIP 1k 5% 1/10W
R397	1-216-295-91	s RES, CHIP 0
R399	1-216-651-11	s METAL, CHIP 1k 0.5% 1/10W
R400	1-216-658-11	s METAL, CHIP 2k 0.5% 1/10W
R401	1-216-653-11	s METAL, CHIP 1.2k 0.5% 1/10W
R402	1-216-648-11	s METAL, CHIP 750 0.5% 1/10W

## (VRA-5 BOARD(UVW-1800))

Ref. No. or Q'ty	Part No.	SP Description
R403	1-216-037-00	s METAL, CHIP 330 5% 1/10W
R404	1-216-671-11	s METAL, CHIP 6.8k 0.5% 1/10W
R405	1-216-686-11	s METAL, CHIP 30k 0.5% 1/10W
R406	1-216-041-00	s METAL, CHIP 470 5% 1/10W
R407	1-216-133-00	s METAL, CHIP 3.3M 5% 1/10W
R501	1-216-085-00	s METAL, CHIP 33k 5% 1/10W
R502	1-216-073-00	s METAL, CHIP 10k 5% 1/10W
R503	1-216-667-11	s METAL, CHIP 4.7k 0.5% 1/10W
R504	1-216-663-11	s METAL, CHIP 3.3k 0.5% 1/10W
R505	1-216-065-00	s METAL, CHIP 4.7k 5% 1/10W
R506	1-216-651-11	s METAL, CHIP 1k 0.5% 1/10W
R507	1-216-651-11	s METAL, CHIP 1k 0.5% 1/10W
R508	1-216-065-00	s METAL, CHIP 4.7k 5% 1/10W
R509	1-216-641-11	s METAL, CHIP 390 0.5% 1/10W
R510	1-216-663-11	s METAL, CHIP 3.3k 0.5% 1/10W
R511	1-216-615-11	s METAL, CHIP 33 0.5% 1/10W
R512	1-218-184-11	s METAL, CHIP 997 0.1% 1/16W
R514	1-216-635-11	s METAL, CHIP 220 0.5% 1/10W
R515	1-216-699-11	s METAL, CHIP 100k 0.5% 1/10W
R516	1-218-922-11	s METAL, CHIP 3.26k 0.10% 1/16W
R517	1-216-604-11	s METAL, CHIP 11 0.5% 1/10W
R518	1-216-661-11	s METAL, CHIP 2.7k 0.5% 1/10W
R519	1-216-057-00	s METAL, CHIP 2.2k 5% 1/10W
R520	1-216-025-00	s METAL, CHIP 100 5% 1/10W
R521	1-216-667-11	s METAL, CHIP 4.7k 0.5% 1/10W
R522	1-216-655-11	s METAL, CHIP 1.5k 0.5% 1/10W
R523	1-216-687-11	s METAL, CHIP 33k 0.5% 1/10W
R524	1-216-295-91	s RES, CHIP 0
R525	1-216-657-11	s METAL, CHIP 1.8k 0.5% 1/10W
R526	1-216-682-11	s METAL, CHIP 20k 0.5% 1/10W
R527	1-216-679-11	s METAL, CHIP 15k 0.5% 1/10W
R528	1-216-295-91	s RES, CHIP 0
R529	1-216-295-91	s RES, CHIP 0
R530	1-216-687-11	s METAL, CHIP 33k 0.5% 1/10W
R531	1-216-643-11	s METAL, CHIP 470 0.5% 1/10W
R532	1-216-667-11	s METAL, CHIP 4.7k 0.5% 1/10W
R533	1-216-643-11	s METAL, CHIP 470 0.5% 1/10W
R534	1-216-025-00	s METAL, CHIP 100 5% 1/10W
R535	1-216-025-00	s METAL, CHIP 100 5% 1/10W
R536	1-216-057-00	s METAL, CHIP 2.2k 5% 1/10W
R537	1-216-661-11	s METAL, CHIP 2.7k 0.5% 1/10W
R538	1-216-657-11	s METAL, CHIP 1.8k 0.5% 1/10W
R539	1-216-025-00	s METAL, CHIP 100 5% 1/10W
R540	1-216-663-11	s METAL, CHIP 3.3k 0.5% 1/10W
R541	1-216-659-11	s METAL, CHIP 2.2k 0.5% 1/10W
R542	1-216-073-00	s METAL, CHIP 10k 5% 1/10W
R543	1-216-073-00	s METAL, CHIP 10k 5% 1/10W
R544	1-216-025-00	s METAL, CHIP 100 5% 1/10W
R545	1-216-037-00	s METAL, CHIP 330 5% 1/10W
R546	1-216-037-00	s METAL, CHIP 330 5% 1/10W
R547	1-216-679-11	s METAL, CHIP 15k 0.5% 1/10W
R548	1-216-675-11	s METAL, CHIP 10k 0.5% 1/10W
R549	1-216-295-91	s RES, CHIP 0
R550	1-216-013-00	s METAL, CHIP 33 5% 1/10W
R551	1-216-013-00	s METAL, CHIP 33 5% 1/10W
R552	1-216-065-00	s METAL, CHIP 4.7k 5% 1/10W
R553	1-216-655-11	s METAL, CHIP 1.5k 0.5% 1/10W
R554	1-216-683-11	s METAL, CHIP 22k 0.5% 1/10W
R555	1-216-663-11	s METAL, CHIP 3.3k 0.5% 1/10W

## (VRA-5 BOARD(UVM-1800))

Ref. No. or Q'ty	Part No.	SP Description
R556	1-216-667-11	s METAL, CHIP 4.7k 0.5% 1/10W
R557	1-216-677-11	s METAL, CHIP 12k 0.5% 1/10W
R558	1-216-065-00	s METAL, CHIP 4.7k 5% 1/10W
R559	1-216-073-00	s METAL, CHIP 10k 5% 1/10W
R560	1-216-073-00	s METAL, CHIP 10k 5% 1/10W
R561	1-216-665-11	s METAL, CHIP 3.9k 0.5% 1/10W
R562	1-216-049-00	s METAL, CHIP 1k 5% 1/10W
R563	1-216-025-00	s METAL, CHIP 100 5% 1/10W
R564	1-216-675-11	s METAL, CHIP 10k 0.5% 1/10W
R565	1-216-675-11	s METAL, CHIP 10k 0.5% 1/10W
R601	1-216-085-00	s METAL, CHIP 33k 5% 1/10W
R602	1-216-073-00	s METAL, CHIP 10k 5% 1/10W
R603	1-216-667-11	s METAL, CHIP 4.7k 0.5% 1/10W
R604	1-216-051-00	s METAL, CHIP 1.2k 5% 1/10W
R605	1-216-663-11	s METAL, CHIP 3.3k 0.5% 1/10W
R606	1-216-065-00	s METAL, CHIP 4.7k 5% 1/10W
R607	1-216-651-11	s METAL, CHIP 1k 0.5% 1/10W
R608	1-216-651-11	s METAL, CHIP 1k 0.5% 1/10W
R609	1-216-065-00	s METAL, CHIP 4.7k 5% 1/10W
R610	1-216-627-11	s METAL, CHIP 100 0.5% 1/10W
R611	1-216-659-11	s METAL, CHIP 2.2k 0.5% 1/10W
R612	1-216-611-11	s METAL, CHIP 22 0.5% 1/10W
R613	1-218-184-11	s METAL, CHIP 997 0.1% 1/16W
R614	1-216-675-11	s METAL, CHIP 10k 0.5% 1/10W
R615	1-216-635-11	s METAL, CHIP 220 0.5% 1/10W
R617	1-218-922-11	s METAL, CHIP 3.26k 0.10% 1/16W
R618	1-216-603-11	s METAL, CHIP 10 0.5% 1/10W
R619	1-216-661-11	s METAL, CHIP 2.7k 0.5% 1/10W
R620	1-216-025-00	s METAL, CHIP 100 5% 1/10W
R621	1-216-057-00	s METAL, CHIP 2.2k 5% 1/10W
R622	1-216-667-11	s METAL, CHIP 4.7k 0.5% 1/10W
R623	1-216-655-11	s METAL, CHIP 1.5k 0.5% 1/10W
R624	1-216-687-11	s METAL, CHIP 33k 0.5% 1/10W
R625	1-216-646-11	s METAL, CHIP 620 0.5% 1/10W
R626	1-216-295-91	s RES, CHIP 0
R627	1-216-682-11	s METAL, CHIP 20k 0.5% 1/10W
R628	1-216-679-11	s METAL, CHIP 15k 0.5% 1/10W
R629	1-216-651-11	s METAL, CHIP 1k 0.5% 1/10W
R630	1-216-295-91	s RES, CHIP 0
R631	1-216-687-11	s METAL, CHIP 33k 0.5% 1/10W
R632	1-216-648-11	s METAL, CHIP 750 0.5% 1/10W
R633	1-216-667-11	s METAL, CHIP 4.7k 0.5% 1/10W
R634	1-216-041-00	s METAL, CHIP 470 5% 1/10W
R635	1-216-025-00	s METAL, CHIP 100 5% 1/10W
R636	1-216-073-00	s METAL, CHIP 10k 5% 1/10W
R637	1-216-025-00	s METAL, CHIP 100 5% 1/10W
R638	1-216-057-00	s METAL, CHIP 2.2k 5% 1/10W
R639	1-216-644-11	s METAL, CHIP 510 0.5% 1/10W
R640	1-216-646-11	s METAL, CHIP 620 0.5% 1/10W
R641	1-216-644-11	s METAL, CHIP 510 0.5% 1/10W
R642	1-216-651-11	s METAL, CHIP 1k 0.5% 1/10W
R643	1-216-057-00	s METAL, CHIP 2.2k 5% 1/10W
R644	1-216-041-00	s METAL, CHIP 470 5% 1/10W
R645	1-216-049-00	s METAL, CHIP 1k 5% 1/10W
R646	1-216-057-00	s METAL, CHIP 2.2k 5% 1/10W
R647	1-216-049-00	s METAL, CHIP 1k 5% 1/10W
R648	1-216-025-00	s METAL, CHIP 100 5% 1/10W
R649	1-216-025-00	s METAL, CHIP 100 5% 1/10W
R650	1-216-037-00	s METAL, CHIP 330 5% 1/10W

## (VRA-5 BOARD(UVM-1800))

Ref. No. or Q'ty	Part No.	SP Description
R651	1-216-037-00	s METAL, CHIP 330 5% 1/10W
R652	1-216-013-00	s METAL, CHIP 33 5% 1/10W
R653	1-216-013-00	s METAL, CHIP 33 5% 1/10W
R654	1-216-667-11	s METAL, CHIP 4.7k 0.5% 1/10W
R655	1-216-663-11	s METAL, CHIP 3.3k 0.5% 1/10W
R656	1-216-025-00	s METAL, CHIP 100 5% 1/10W
R657	1-216-675-11	s METAL, CHIP 10k 0.5% 1/10W
R658	1-216-675-11	s METAL, CHIP 10k 0.5% 1/10W
R801	1-216-097-00	s METAL, CHIP 100k 5% 1/10W
R802	1-216-073-00	s METAL, CHIP 10k 5% 1/10W
R803	1-216-073-00	s METAL, CHIP 10k 5% 1/10W
R804	1-216-065-00	s METAL, CHIP 4.7k 5% 1/10W
R805	1-216-025-00	s METAL, CHIP 100 5% 1/10W
R806	1-216-639-11	s METAL, CHIP 330 0.5% 1/10W
R807	1-216-643-11	s METAL, CHIP 470 0.5% 1/10W
R808	1-216-025-00	s METAL, CHIP 100 5% 1/10W
R809	1-216-679-11	s METAL, CHIP 15k 0.5% 1/10W
R810	1-216-679-11	s METAL, CHIP 15k 0.5% 1/10W
R811	1-216-073-00	s METAL, CHIP 10k 5% 1/10W
R812	1-216-646-11	s METAL, CHIP 620 0.5% 1/10W
R813	1-216-025-00	s METAL, CHIP 100 5% 1/10W
R814	1-216-065-00	s METAL, CHIP 4.7k 5% 1/10W
R815	1-216-065-00	s METAL, CHIP 4.7k 5% 1/10W
R816	1-216-089-91	s METAL, CHIP 47k 5% 1/10W
R817	1-249-429-11	s CARBON 10k 5% 1/4W
R818	1-249-429-11	s CARBON 10k 5% 1/4W
RV101	1-241-760-21	s RES, ADJ METAL 470
RV102	1-241-760-21	s RES, ADJ METAL 470
RV103	1-241-762-11	s RES, ADJ METAL 2.2k
RV104	1-241-760-21	s RES, ADJ METAL 470
RV105	1-241-759-21	s RES, ADJ METAL 220
RV201	1-241-784-11	s RES, ADJ METAL 4.7k
RV202	1-241-785-11	s RES, ADJ METAL 10k
RV203	1-241-785-11	s RES, ADJ METAL 10k
RV301	1-241-762-11	s RES, ADJ METAL 2.2k
RV302	1-241-785-11	s RES, ADJ METAL 10k
RV303	1-241-784-11	s RES, ADJ METAL 4.7k
RV304	1-241-784-11	s RES, ADJ METAL 4.7k
RV305	1-241-784-11	s RES, ADJ METAL 4.7k
RV306	1-241-762-11	s RES, ADJ METAL 2.2k
RV501	1-241-761-11	s RES, ADJ METAL 1k
RV502	1-241-762-11	s RES, ADJ METAL 2.2k
RV503	1-241-762-11	s RES, ADJ METAL 2.2k
RV602	1-241-763-11	s RES, ADJ METAL 4.7k
RV603	1-241-763-11	s RES, ADJ METAL 4.7k
S201	1-571-275-31	s SWITCH, SLIDE
TH201	1-807-972-11	s THERMISTOR SV-1715 1.25k
X301	1-527-722-00	s CRYSTAL 14.31818MHz
X302	1-760-109-21	s CRYSTAL 10.738635MHz

-----  
 AC BOARD/SOPS-1045(UVW-1800/1600)  
 -----

Ref. No.  
 or Q'ty Part No. SP Description

1pc  $\Delta$ 1-413-889-11 s REGULATOR, SWITCHING (SOPS-1045)

All of component parts on the AC board are supplied together when you order switching regulator, SOPS-1045. Therefore, all of components parts on the board should be critical to safe operation.

1pc 1-533-217-31 s HOLDER, FUSE  
 1pc 1-580-375-11 s INLET 3P  
 3pcs 3-899-248-11 s SCREW, +PSW M3x8  
 1pc 7-582-961-01 s SCREW, +PSW4x8  
 C151 1-161-740-00 s CERAMIC 470pF 10% 400V  
 C152 1-161-740-00 s CERAMIC 470pF 10% 400V  
 C153 1-161-740-00 s CERAMIC 470pF 10% 400V  
 C154 1-161-740-00 s CERAMIC 470pF 10% 400V  
 C155 1-136-472-11 s FILM 0.1uF 20% 250V  
 C155 1-136-212-12 s FILM 0.1uF 20% 250V  
 C156 1-136-472-11 s FILM 0.1uF 20% 250V  
 C156 1-136-212-12 s FILM 0.1uF 20% 250V  
 CN151 1-564-215-11 o PIN, CONNECTOR 4P  
 F151 1-532-746-11 s FUSE 4A 125V  
 L151 1-424-353-11 s FILTER, LINE  
 L152 1-424-255-11 s COIL, CHOKE 10uH  
 L153 1-424-255-11 s COIL, CHOKE 10uH  
 L203 1-406-953-11 s COIL, CHOKE 30uH  
 R155 1-202-849-00 s COMP 820k 1/2W 10%  
 VZ151 1-809-337-41 s VARISTOR ENC471D-07AW

-----  
 M BOARD/SOPS-1045(UVW-1800/1600)  
 -----

Ref. No.  
 or Q'ty Part No. SP Description

1pc  $\Delta$ 1-413-889-11 s REGULATOR, SWITCHING (SOPS-1045)

All of component parts on the M board are supplied together when you order switching regulator, SOPS-1045. Therefore, all of components parts on the board should be critical to safe operation.

1pc 1-543-060-00 s BEAD, FERRITE  
 1pc 1-543-923-11 s BEADS, FERRITE  
 C106 1-136-185-00 s FILM 0.22uF 20% 250V  
 C107 1-161-742-00 s CERAMIC 0.0022uF 20% 400V  
 C108 1-161-742-00 s CERAMIC 0.0022uF 20% 400V  
 C113 1-125-715-11 s ELECT 820uF 20% 200V  
 C114 1-136-206-11 s FILM 0.033uF 10% 630V  
 C115 1-136-165-00 s FILM 0.1uF 5% 50V  
 C116 1-124-478-11 s ELECT 100uF 20% 25V  
 C117 1-124-477-11 s ELECT 47uF 20% 25V  
 C118 1-130-487-00 s MYLAR 0.022uF 5% 50V  
 C119 1-136-153-00 s FILM 0.01uF 5% 50V  
 C120 1-130-048-00 s FILM 220pF 5% 50V  
 C121 1-136-165-00 s FILM 0.1uF 5% 50V  
 C122 1-124-927-11 s ELECT 4.7uF 20% 100V  
 C123 1-161-742-00 s CERAMIC 0.0022uF 20% 400V  
 C124 1-161-741-00 s CERAMIC 1000pF 20% AC400V  
 C125 1-161-741-00 s CERAMIC 1000pF 20% AC400V  
 C126 1-162-117-11 s CERAMIC 100pF 10% 500V  
 C201 1-164-645-11 s CERAMIC 1000pF 10% 500V  
 C202 1-164-645-11 s CERAMIC 1000pF 10% 500V  
 C203 1-128-102-11 s ELECT 1200uF 20% 16V  
 C204 1-128-585-11 s ELECT 270uF 20% 16V  
 C206 1-164-646-11 s CERAMIC 2200pF 10% 500V  
 C207 1-164-646-11 s CERAMIC 2200pF 10% 500V  
 C208 1-128-102-11 s ELECT 1200uF 20% 16V  
 C209 1-126-987-11 s ELECT 220uF 20% 10V  
 C211 1-164-646-11 s CERAMIC 2200pF 10% 500V  
 C212 1-164-646-11 s CERAMIC 2200pF 10% 500V  
 C213 1-128-102-11 s ELECT 1200uF 20% 16V  
 C214 1-126-987-11 s ELECT 220uF 20% 10V  
 C215 1-136-165-00 s FILM 0.1uF 5% 50V  
 C216 1-164-646-11 s CERAMIC 2200pF 10% 500V  
 C217 1-164-646-11 s CERAMIC 2200pF 10% 500V  
 C218 1-128-102-11 s ELECT 1200uF 20% 16V  
 C219 1-126-987-11 s ELECT 220uF 20% 10V  
 C220 1-136-165-00 s FILM 0.1uF 5% 50V  
 C221 1-164-645-11 s CERAMIC 1000pF 10% 500V  
 C222 1-164-645-11 s CERAMIC 1000pF 10% 500V  
 C223 1-128-102-11 s ELECT 1200uF 20% 16V  
 C225 1-128-584-11 s ELECT 120uF 20% 16V  
 C226 1-128-585-11 s ELECT 270uF 20% 16V  
 C228 1-128-585-11 s ELECT 270uF 20% 16V  
 C230 1-130-489-00 s MYLAR 0.033uF 5% 50V  
 C231 1-136-169-00 s MYLAR 0.22uF 5% 50V  
 C232 1-130-483-00 s MYLAR 0.01uF 5% 50V  
 C233 1-136-157-00 s FILM, CHIP 0.022uF 5% 50V  
 CN101 1-564-216-00 o CONNECTOR, VH 5P, MALE  
 CN102 1-564-215-11 o PIN, CONNECTOR 4P  
 CN103 1-564-321-00 o CONNECTOR, VH 2P, MALE  
 CN201 1-564-932-11 o CONNECTOR, 9P

## (M BOARD/SOPS-1045(UVW-1800/1600))

Ref. No. or Q'ty	Part No.	SP Description
D101	8-719-510-71	s DIODE D10XB60
D102	8-719-313-16	s DIODE AU02A
D103	8-719-911-19	s DIODE 1SS119
D104	8-719-510-26	s DIODE D1NL20
D105	8-719-510-26	s DIODE D1NL20
D106	8-719-510-26	s DIODE D1NL20
D107	8-719-911-19	s DIODE 1SS119
D108	8-719-109-84	s DIODE RD5.1ES-B1
D109	8-719-911-19	s DIODE 1SS119
D110	8-719-109-89	s DIODE RD5.6ES-82
D201	8-719-510-12	s DIODE D10SC4M
D202	8-719-510-39	s DIODE D10LC20U
D203	8-719-510-39	s DIODE D10LC20U
D204	8-719-988-31	s DIODE D10SC6MR
D205	8-719-025-11	s DIODE D8LC20UR
D206	8-719-027-20	s DIODE D3S4M-F
D208	8-719-911-19	s DIODE 1SS119
D209	8-719-109-88	s DIODE RD5.6ES-81
D210	8-719-911-19	s DIODE 1SS119
D211	8-719-110-12	s DIODE RD9.1ES-81
D213	8-719-110-42	s DIODE RD15ES-B3
D214	8-719-110-49	s DIODE RD18ES-82
IC101	8-759-520-23	s IC FA5304P
IC102	8-719-028-92	s PHOTO-COUPLER PS2652-P-V
IC103	8-719-028-92	s PHOTO-COUPLER PS2652-P-V
IC103	8-719-820-67	s PHOTO-COUPLER TLP6346B-LF2
IC201	8-759-604-69	s IC M50460-052P
IC202	8-759-908-15	s IC TL431CLP
L101	1-424-389-11	s FILTER, LINE
L103	1-412-552-11	s INDUCTOR 2.2mH
L201	1-406-929-11	s COIL, CHOKE
L202	1-424-254-31	s COIL, CHOKE 4.7UH
L204	1-424-255-11	s COIL, CHOKE 10UH
L205	1-424-254-31	s COIL, CHOKE 4.7UH
L206	1-424-255-11	s COIL, CHOKE 10UH
L207	1-406-929-11	s COIL, CHOKE
L208	1-424-255-11	s COIL, CHOKE 10UH
Q101	8-729-321-75	s TRANSISTOR 2SK1400A
Q201	8-729-900-80	s TRANSISTOR DTC114ES
R102	1-217-785-11	s WIREWOUND 15 5% 5W
R103	1-260-129-91	s CARBON 330k 1/2W 5%
R104	1-215-902-11	s METAL 47k 5% 2W
R105	1-215-902-11	s METAL 47k 5% 2W
R106	1-215-902-11	s METAL 47k 5% 2W
R107	1-249-404-00	s CARBON 82 5% 1/4W
R108	1-249-394-11	s CARBON 12 5% 1/4W
R109	1-249-441-11	s CARBON 100k 5% 1/4W
R110	1-249-395-11	s CARBON 15 5% 1/4W
R111	1-249-397-11	s CARBON 22 5% 1/4W
R112	1-249-381-11	s CARBON 1 5% 1/4W
R113	1-249-395-11	s CARBON 15 5% 1/4W
R114	1-249-429-11	s CARBON 10k 5% 1/4W
R115	1-249-421-11	s CARBON 2.2k 5% 1/4W
R116	1-247-903-00	s CARBON 1M 5% 1/4W
R117	1-215-902-11	s METAL 47k 5% 2W
R118	1-249-436-11	s CARBON 39k 5% 1/4W
R201-205	1-215-882-00	s METAL 22 5% 2W

## (M BOARD/SOPS-1045(UVW-1800/1600))

Ref. No. or Q'ty	Part No.	SP Description
R206	1-249-419-11	s CARBON 1.5k 5% 1/4W
R209	1-215-429-00	s METAL 2.2k 1% 1/6W
R210	1-215-433-00	s METAL 3.3k 1% 1/6W
R212	1-249-413-11	s CARBON 470 5% 1/4W
R213	1-249-405-11	s CARBON 100 5% 1/4W
R214	1-249-433-11	s CARBON 22k 5% 1/4W
RV201	1-237-500-21	s RES, ADJ METAL 1k
RY101	1-515-864-11	s RELAY
T101	1-423-874-11	s TRANSFORMER, CONVERTER
T102	1-424-573-11	s TRANSFORMER, CURRENT

-----  
 FRAME LIST  
 -----

Ref. No. or Q'ty	Part No.	SP Description
1pc	A-8260-972-A	s DRUM ASSY, DBH-39A-R (for UVW-1800)
1pc	A-8260-973-A	s UPPER DRUM ASSY, DBR-39-R (for UVW-1800)
1pc	A-8260-976-A	s DRUM ASSY, DBH-41A-R (for UVW-1600)
1pc	A-8260-977-A	s UPPER DRUM ASSY, DBR-41-R (for UVW-1600)
1pc	▲1-413-889-11	s REGULATOR, SWITCHING (SOPS-1045)
1pc	1-690-106-12	s WIRE, FLEXIBLE CARD 5P
1pc	▲1-810-374-11	s UNIT, FLD
1pc	1-810-381-11	s SENSOR, CONDENSATION
H1001	8-825-778-81	s HEAD, EPS244-2103H
H1002	8-825-554-83	s HEAD, CTL PS244-21B
H1003	8-825-770-72	s HEAD, FE EF291-21
L1001	1-543-316-31	s HEAD, SENSING "TAPE END SENSOR"
L1002	1-543-316-31	s HEAD, SENSING "TAPE TOP SENSOR"
M1001	1-698-152-11	s MOTOR, DC (SVD-1449) "THREADING"
M1002	1-698-152-11	s MOTOR, DC (SVD-1449) "CASSETTE"
M1003	1-698-231-11	s MOTOR, DC "S-REEL"
M1004	1-698-231-11	s MOTOR, DC "S-REEL"
M1005	1-698-179-11	s MOTOR, DC "CAPSTAN"
M1006	1-698-152-11	s MOTOR, DC (SVD-1449) "POSITION"
PM1001	1-454-338-00	s SOLENOID "PINCH"
PM1002	1-454-417-41	s SOLENOID "S-BRAKE"
PM1003	1-454-417-41	s SOLENOID "T-BRAKE"
S1001	▲1-570-117-31	s SWITCH, ROCKER "AC POWER"

-----  
 FRAME, HARNESS, CONNECTOR & CONTACT LIST  
 -----

Ref. No. or Q'ty	Part No.	SP Description
		to ACE ASSY
	CN921F	(for UVW-1800 only)
	1-565-978-11	o HOUSING 6P
6pcs	1-565-977-11	s CONTACT, FEMALE AWG28-32
	CN922F	1-568-819-11 o HOUSING 9P
9pcs	1-565-977-11	s CONTACT, FEMALE AWG28-32
		to AP-31/31A board
	AP-31:	UVW-1800
	AP-31A:	UVW-1600
	CN1F	1-569-196-41 o HOUSING 3P
1pc	1-569-191-11	o CONTACT, FEMALE AWG22-26
2pcs	1-569-193-11	o CONTACT, FEMALE
	CN2F	1-569-196-31 o HOUSING 3P
1pc	1-569-191-11	o CONTACT, FEMALE AWG22-26
2pcs	1-569-193-11	o CONTACT, FEMALE
	CN3F	1-569-196-11 o HOUSING 3P
1pc	1-569-191-11	o CONTACT, FEMALE AWG22-26
2pcs	1-569-193-11	o CONTACT, FEMALE
		to AR-14 board (for UVW-1800 only)
	CN1F	1-569-202-11 o HOUSING 9P
3pcs	1-569-191-11	o CONTACT, FEMALE AWG22-26
6pcs	1-569-193-11	o CONTACT, FEMALE
		to AUDIO LEVEL METER
	CN1F	1-559-586-11 o WIRE, FLEXIBLE CARD 20P
	CN2F	1-559-586-11 o WIRE, FLEXIBLE CARD 20P
		to CAPSTAN MOTOR CONTROL BLOCK
	CN8F	1-562-153-11 o HOUSING 8P
8pcs	1-564-026-00	o CONTACT, FEMALE AWG26-30
		to CASSETTE
	CN930F	1-562-157-11 o HOUSING 12P
12pcs	1-564-026-00	o CONTACT, FEMALE AWG26-30
		to CP-225/225A board
	CP-225:	UVW-1800
	CP-225A:	UVW-1600
	CN651F	1-562-149-11 o HOUSING 4P
4pcs	1-564-026-00	o CONTACT, FEMALE AWG26-30
	CN652F	1-562-152-11 o HOUSING 7P
7pcs	1-564-026-00	o CONTACT, FEMALE AWG26-30
	CN653F	1-562-151-11 o HOUSING 6P
6pcs	1-564-026-00	o CONTACT, FEMALE AWG26-30
	CN654F	1-562-157-11 o HOUSING 12P
12pcs	1-564-026-00	o CONTACT, FEMALE AWG26-30
	CN655F	1-562-185-11 o HOUSING 14P
14pcs	1-564-026-00	o CONTACT, FEMALE AWG26-30
	CN656F	1-562-147-11 o HOUSING 2P
2pcs	1-564-026-00	o CONTACT, FEMALE AWG26-30



(FRAME, HARNESS, CONNECTOR & CONTACT LIST)

Ref. No.  
or Q'ty Part No. SP Description

to CP-226/226A board  
CP-226: UVW-1800  
CP-226A: UVW-1600

CN274F 1-562-152-11 o HOUSING 7P  
7pcs 1-564-026-00 o CONTACT, FEMALE AWG26-30

CN275F 1-562-151-11 o HOUSING 6P  
6pcs 1-564-026-00 o CONTACT, FEMALE AWG26-30

CN276F 1-562-147-11 o HOUSING 2P  
2pcs 1-564-026-00 o CONTACT, FEMALE AWG26-30

to CP-237/237A board  
CP-237: UVW-1800  
CP-237A: UVW-1600

CN532F 1-575-733-11 s CABLE, FLAT 17P

to DR-214 board

CN301F 1-558-261-31 s WIRE, FLEXIBLE CARD 30P  
CN302F 1-558-261-31 s WIRE, FLEXIBLE CARD 30P  
CN303F 1-558-261-31 s WIRE, FLEXIBLE CARD 30P

to DRUM ASSY

CN1F 1-580-938-11 o HOUSING 15P  
15pcs 1-565-740-11 o CONTACT, FEMALE AWG24-30

CN901F(for UVW-1800 only)  
1-565-978-11 o HOUSING 6P  
6pcs 1-565-977-11 s CONTACT, FEMALE AWG28-32

CN911F 1-569-199-11 o HOUSING CONNECTOR 6P  
2pcs 1-569-192-11 o CONTACT, FEMALE AWG22-26  
4pcs 1-569-194-11 o CONTACT, FEMALE AWG24-30

CN912F 1-569-199-31 o HOUSING 6P  
2pcs 1-569-192-11 o CONTACT, FEMALE AWG22-26  
4pcs 1-569-194-11 o CONTACT, FEMALE AWG24-30

to DUS-355 board

CN934F 1-569-195-11 s HOUSING 2P  
2pcs 1-569-193-11 o CONTACT, FEMALE

to HP-61/61A board  
HP-61: UVW-1800  
HP-61A: UVW-1600

CN401F 1-562-155-11 o HOUSING 10P  
10pcs 1-564-026-00 o CONTACT, FEMALE AWG26-30

CN403F 1-562-148-11 o HOUSING 3P  
3pcs 1-564-026-00 o CONTACT, FEMALE AWG26-30

to KY-249/249A board  
KY-249: UVW-1800  
KY-249A: UVW-1600

CN590F 1-562-958-11 o HOUSING 15P  
15pcs 1-564-026-00 o CONTACT, FEMALE AWG26-30

CN591F 1-559-586-11 o WIRE, FLEXIBLE CARD 20P

CN592F 1-562-149-11 o HOUSING 4P  
4pcs 1-564-026-00 o CONTACT, FEMALE AWG26-30

CN593F 1-559-586-11 o WIRE, FLEXIBLE CARD 20P

(FRAME, HARNESS, CONNECTOR & CONTACT LIST)

Ref. No.  
or Q'ty Part No. SP Description

to MB-470/470A board  
MB-470: UVW-1800  
MB-470A: UVW-1600

CN200F 1-562-800-11 o HOUSING 9P  
9pcs 1-562-210-11 o CONTACT, FEMALE AWG18-22

CN201F 1-562-511-11 o HOUSING 9P  
9pcs 1-562-490-11 o CONTACT, FEMALE AWG22-28

CN211F 1-562-157-11 o HOUSING 12P  
12pcs 1-564-026-00 o CONTACT, FEMALE AWG26-30

CN231F 1-751-632-11 s WIRE, FLEXIBLE CARD 34P  
CN232F 1-575-733-11 s CABLE, FLAT 17P

CN235F 1-562-148-11 o HOUSING 3P  
3pcs 1-564-026-00 o CONTACT, FEMALE AWG26-30

CN262F 1-562-958-11 o HOUSING 15P  
15pcs 1-564-026-00 o CONTACT, FEMALE AWG26-30

CN266F 1-562-149-11 o HOUSING 4P  
4pcs 1-564-026-00 o CONTACT, FEMALE AWG26-30

CN267F 1-562-152-11 o HOUSING 7P  
7pcs 1-564-026-00 o CONTACT, FEMALE AWG26-30

CN268F 1-562-185-11 o HOUSING 14P  
14pcs 1-564-026-00 o CONTACT, FEMALE AWG26-30

CN269F 1-562-151-11 o HOUSING 6P  
6pcs 1-564-026-00 o CONTACT, FEMALE AWG26-30

CN271F 1-562-157-11 o HOUSING 12P  
12pcs 1-564-026-00 o CONTACT, FEMALE AWG26-30

to MB-471/471A board  
MB-471: UVW-1800  
MB-471A: UVW-1600

CN251F 1-562-508-11 o HOUSING 6P  
9pcs 1-562-490-11 o CONTACT, FEMALE AWG22-28

CN261F 1-562-157-11 o HOUSING 12P  
12pcs 1-564-026-00 o CONTACT, FEMALE AWG26-30

CN264F(for UVW-1800 only)  
1-569-200-31 o HOUSING 7P  
2pcs 1-569-191-11 o CONTACT, FEMALE AWG22-26  
4pcs 1-569-193-11 o CONTACT, FEMALE

CN265F(for UVW-1800 only)  
1-562-148-11 o HOUSING 3P  
3pcs 1-564-026-00 o CONTACT, FEMALE AWG26-30

CN274F 1-562-152-11 o HOUSING 7P  
7pcs 1-564-026-00 o CONTACT, FEMALE AWG26-30

CN275F 1-562-151-11 o HOUSING 6P  
6pcs 1-564-026-00 o CONTACT, FEMALE AWG26-30

CN276F(for UVW-1800 only)  
1-562-151-11 o HOUSING 6P  
6pcs 1-564-026-00 o CONTACT, FEMALE AWG26-30

CN277F 1-562-149-11 o HOUSING 4P  
4pcs 1-564-026-00 o CONTACT, FEMALE AWG26-30

CN278F 1-562-155-11 o HOUSING 10P  
10pcs 1-564-026-00 o CONTACT, FEMALE AWG26-30

CN281F(for UVW-1800 only)  
1-751-632-11 s WIRE, FLEXIBLE CARD 34P

(FRAME, HARNESS, CONNECTOR & CONTACT LIST)

Ref. No.  
or Q'ty Part No. SP Description

to MS-39/39A board  
MS-39: UVW-1800  
MS-39A: UVW-1600

CN350F 1-562-157-11 o HOUSING 12P  
12pcs 1-564-026-00 o CONTACT, FEMALE AWG26-30

CN351F 1-562-149-11 o HOUSING 4P  
4pcs 1-564-026-00 o CONTACT, FEMALE AWG26-30

CN352F 1-569-195-11 s HOUSING 2P  
2pcs 1-569-193-11 o CONTACT, FEMALE

CN353F 1-562-152-11 o HOUSING 7P  
7pcs 1-564-026-00 o CONTACT, FEMALE AWG26-30

CN354F 1-569-208-11 o HOUSING 15P  
15pcs 1-569-193-11 o CONTACT, FEMALE

CN355F 1-562-153-11 o HOUSING 8P  
8pcs 1-564-026-00 o CONTACT, FEMALE AWG26-30

CN356F 1-751-633-11 s WIRE, FLEXIBLE CARD 13P  
CN357F 1-751-634-11 s WIRE, FLEXIBLE CARD 13P

CN358F 1-562-151-11 o HOUSING 6P  
6pcs 1-564-026-00 o CONTACT, FEMALE AWG26-30

CN359F 1-562-149-11 o HOUSING 4P  
4pcs 1-564-026-00 o CONTACT, FEMALE AWG26-30

CN360F 1-569-197-11 o HOUSING 4P  
4pcs 1-569-193-11 o CONTACT, FEMALE

CN361F 1-569-196-11 o HOUSING 3P  
1pc 1-569-191-11 o CONTACT, FEMALE AWG22-26  
2pcs 1-569-193-11 o CONTACT, FEMALE

CN362F 1-558-261-31 s WIRE, FLEXIBLE CARD 30P  
CN363F 1-558-261-31 s WIRE, FLEXIBLE CARD 30P  
CN364F 1-558-261-31 s WIRE, FLEXIBLE CARD 30P

to PD-35 board

CN851F 1-562-147-11 o HOUSING 2P  
2pcs 1-564-026-00 o CONTACT, FEMALE AWG26-30

CN854F 1-562-151-11 o HOUSING 6P  
6pcs 1-564-026-00 o CONTACT, FEMALE AWG26-30

to PTC-66 board

CN944F 1-562-149-11 o HOUSING 4P  
4pcs 1-564-026-00 o CONTACT, FEMALE AWG26-30

to PTC-67 board

CN941F 1-562-152-11 o HOUSING 7P  
7pcs 1-564-026-00 o CONTACT, FEMALE AWG26-30

CN942F 1-569-195-21 o HOUSING 2P  
2pcs 1-569-193-11 o CONTACT, FEMALE

CN943F 1-562-147-11 o HOUSING 2P  
2pcs 1-564-026-00 o CONTACT, FEMALE AWG26-30

to PTC-68 board

CN940F 1-562-149-11 o HOUSING 4P  
4pcs 1-564-026-00 o CONTACT, FEMALE AWG26-30

(FRAME, HARNESS, CONNECTOR & CONTACT LIST)

Ref. No.  
or Q'ty Part No. SP Description

to RM-126 board

CN946F 1-751-633-12 s WIRE, FLEXIBLE CARD 13P

CN947F 1-569-197-11 o HOUSING 4P  
4pcs 1-569-193-11 o CONTACT, FEMALE

to RM-127 board

CN951F 1-751-634-12 s WIRE, FLEXIBLE CARD 13P

CN952F 1-569-197-11 o HOUSING 4P  
4pcs 1-569-193-11 o CONTACT, FEMALE

to RP-70/70A board  
RP-70: UVW-1800  
RP-70A: UVW-1600

CN1F 1-569-196-11 o HOUSING 3P  
1pc 1-569-192-11 o CONTACT, FEMALE AWG22-26  
2pcs 1-569-194-11 o CONTACT, FEMALE AWG24-30

CN101F 1-569-196-31 o HOUSING 3P  
1pc 1-569-192-11 o CONTACT, FEMALE AWG22-26  
2pcs 1-569-194-11 o CONTACT, FEMALE AWG24-30

CN201F 1-569-196-41 o HOUSING 3P  
1pc 1-569-192-11 o CONTACT, FEMALE AWG22-26  
2pcs 1-569-194-11 o CONTACT, FEMALE AWG24-30

CN301F 1-569-196-21 o HOUSING 3P  
1pc 1-569-192-11 o CONTACT, FEMALE AWG22-26  
2pcs 1-569-194-11 o CONTACT, FEMALE AWG24-30

to SE-207 board

CN950F 1-569-619-11 o HOUSING 4P  
4pcs 1-565-977-11 s CONTACT, FEMALE AWG28-32

to SWITCHING REGULATOR

CN1F  $\Delta$ 1-562-800-11 o HOUSING 9P  
9pcs  $\Delta$ 1-562-210-11 o CONTACT, FEMALE AWG18-22

CN101F 1-562-286-11 o HOUSING 5P  
2pcs 1-562-210-11 o CONTACT, FEMALE AWG18-22

CN151F 1-562-285-11 o HOUSING 4P  
2pcs 1-562-210-11 o CONTACT, FEMALE AWG18-22

to TAPE END SENSOR

CN938F 1-562-147-11 o HOUSING 2P  
2pcs 1-564-026-00 o CONTACT, FEMALE AWG26-30

to TAPE TOP SENSOR

CN939F 1-562-147-11 o HOUSING 2P  
2pcs 1-564-026-00 o CONTACT, FEMALE AWG26-30

to TR-84 board

CN945F 1-569-619-11 o HOUSING 4P  
4pcs 1-565-977-11 s CONTACT, FEMALE AWG28-32

to VR-155 board (for UVW-1800 only)

CN402F 1-562-151-11 o HOUSING 6P  
6pcs 1-564-026-00 o CONTACT, FEMALE AWG26-30

## 18-4. PACKING MATERIALS & ACCESSORIES

Ref. No. or Q'ty	Part No.	SP Description
1pc	▲1-551-812-11	s CORD, POWER 3P (for UC)
1pc	▲1-557-161-11	s CORD, POWER 2P (for J)
1pc	1-751-019-81	o CABLE, D-SUB 9P(RCC5G) 5m
1pc	3-182-362-01	o SPACER
1pc	3-182-442-01	o CUSHION (BOTTOM)
1pc	3-182-443-01	o CUSHION (TOP)
1pc	3-182-233-01	o INDIVIDUAL CARTON(for UVW-1600)
1pc	3-182-444-01	o INDIVIDUAL CARTON(for UVW-1800)
1pc	3-701-648-00	s BAG, POLYETHYLENE
1pc	3-757-560-01	s MANUAL, INSTRUCTION(for UVW-1600(J))
1pc	▲3-757-560-21	s MANUAL, INSTRUCTION(for UVW-1600(UC))
1pc	3-757-561-01	s MANUAL, INSTRUCTION(for UVW-1800(J))
1pc	▲3-757-561-21	s MANUAL, INSTRUCTION(for UVW-1800(UC))
1pc	3-795-581-21	o SAFEGUARD (SONY), IMPORTANT(for UC)

## 18-5. OPTIONAL FIXTURES

Part No.	SP Description
J-6001-820-A	o DRUM ECCENTRICITY GAUGE (3)
J-6001-830-A	o DRUM ECCENTRICITY GAUGE (2)
J-6001-840-A	o DRUM ECCENTRICITY GAUGE (1)
or	
J-6325-530-A	o DRUM ECCENTRICITY GAUGE (6)
J-6031-820-A	o MULTI CONNECTOR CABLE (DIBNC)
J-6031-830-A	o MULTI CONNECTOR CABLE (DOBNC)
J-6080-029-A	o ADJUSTMENT MIRROR
J-6087-000-A	o DRUM ECCENTRICITY GAUGE (5)
J-6150-960-A	o REEL MOTOR SHAFT SLANTNESS CHECK FIXTURE
J-6152-450-A	o WIRE CLEARANCE GAUGE
J-6320-680-A	o REEL TABLE HEIGHT GAUGE
J-6320-880-A	o CASSETTE BASE PLATE (L)
J-6321-500-A	o TAPE GUIDE ADJUSTMENT DRIVER
J-6332-780-A	o EXTENSION BOARD, EX-278
J-6332-790-A	o EXTENSION BOARD, EX-279
J-6381-380-A	o S CONNECTOR CABLE, EM703
2-034-697-00	o CLEANING PIECE
3-703-360-09	o PARALLEL PIN (3x32)
7-661-018-18	o OIL
7-662-010-04	o GREASE, SGL-505 (20 g)
7-700-736-01	o L-SHAPED HEXAGONAL WRENCH (d:1.27 mm)
7-700-736-05	o L-SHAPED HEXAGONAL WRENCH (d:1.5 mm)
7-700-736-06	o L-SHAPED HEXAGONAL WRENCH (d:0.89 mm)
8-960-096-01	o ALIGNMENT TAPE, CR2-1B
8-960-096-41	o ALIGNMENT TAPE, CR5-1B
8-960-097-45	o ALIGNMENT TAPE, CR8-1A
9-911-053-00	o THICKNESS GAUGE
9-919-573-01	o CLEANING FLUID
STANDARD PRODUCTS	TENDEL METER (T2-H7-SLC)

