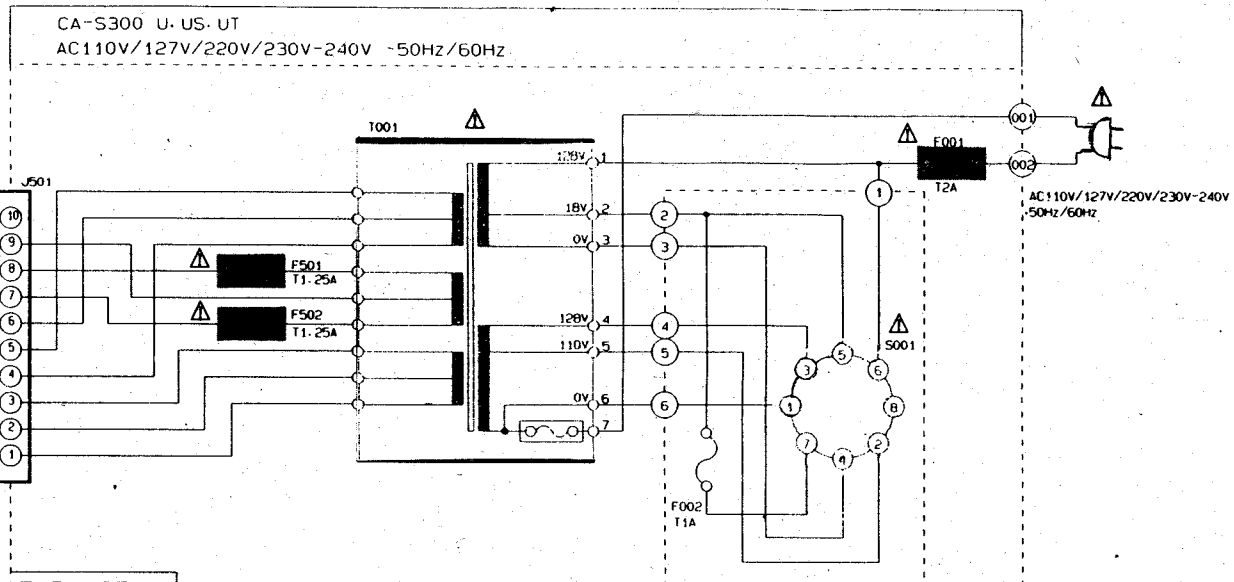
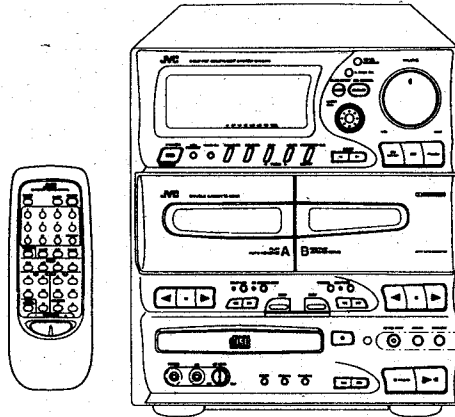
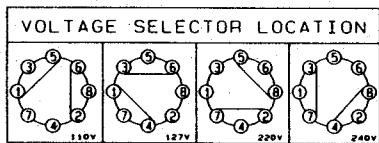


JVC CA-S300

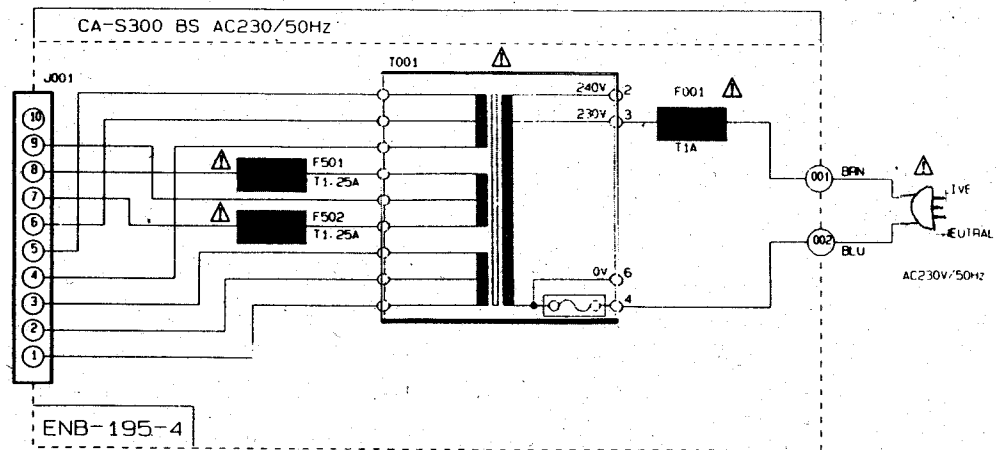
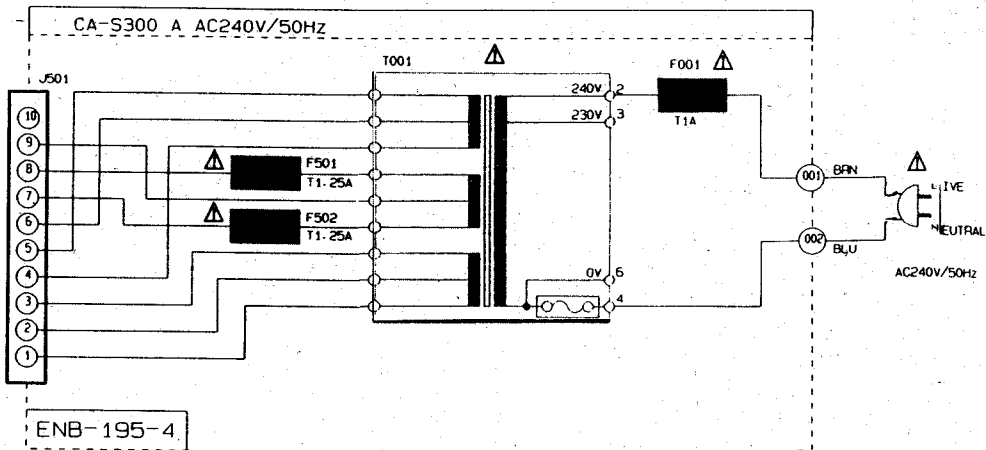
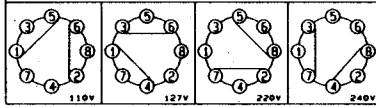


ENB-195-4

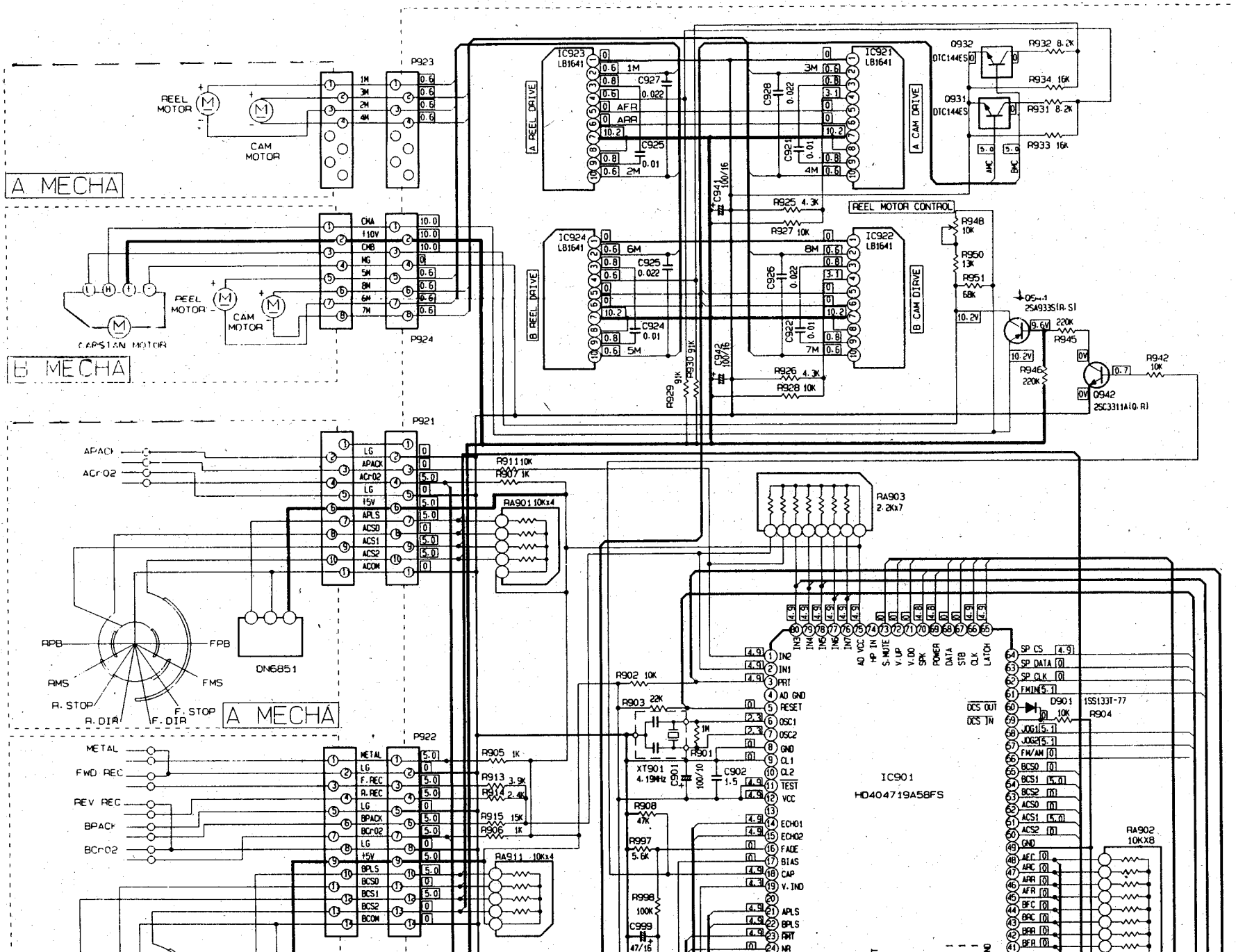


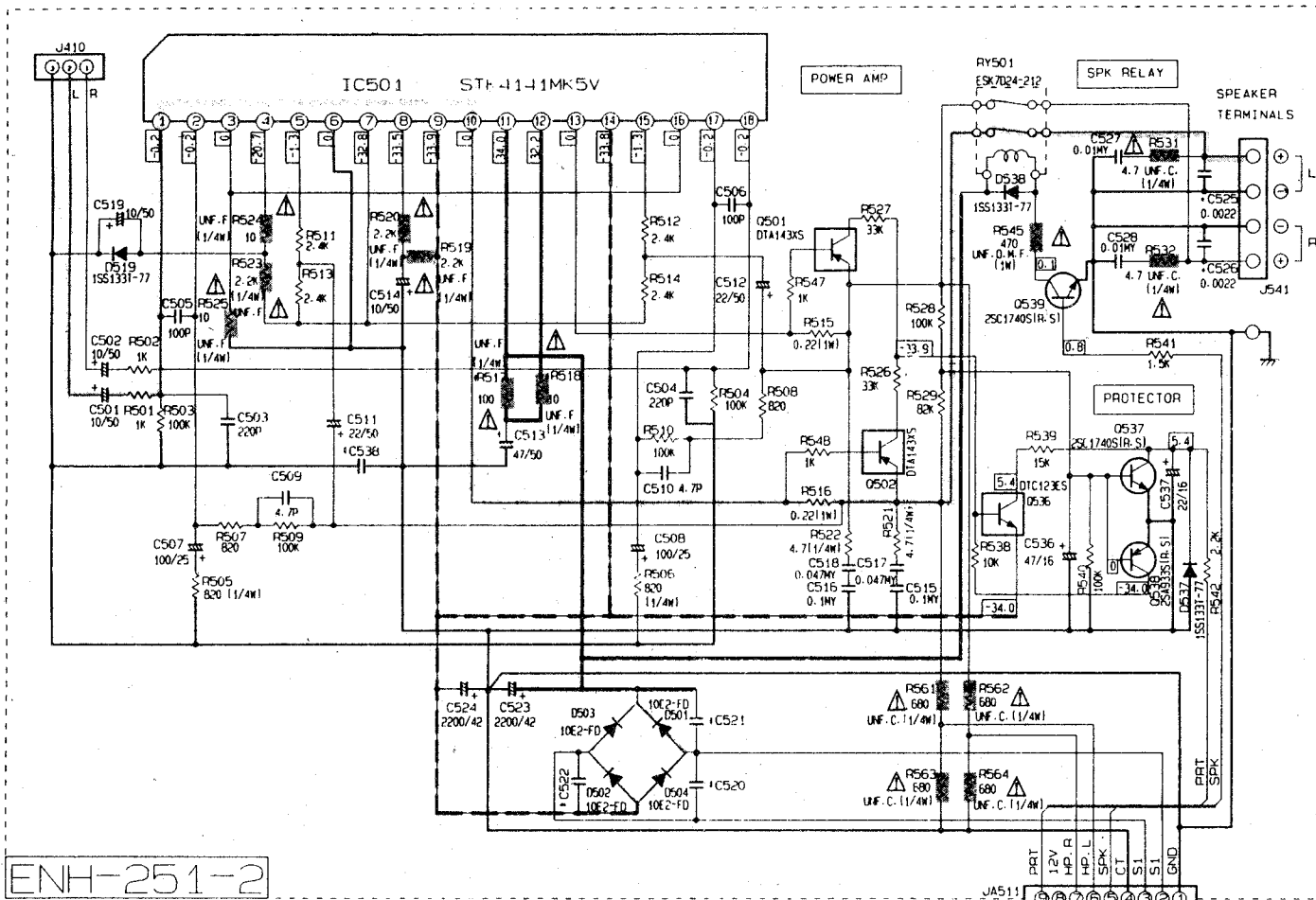
ENB-195-4

VOLTAGE SELECTOR LOCATION



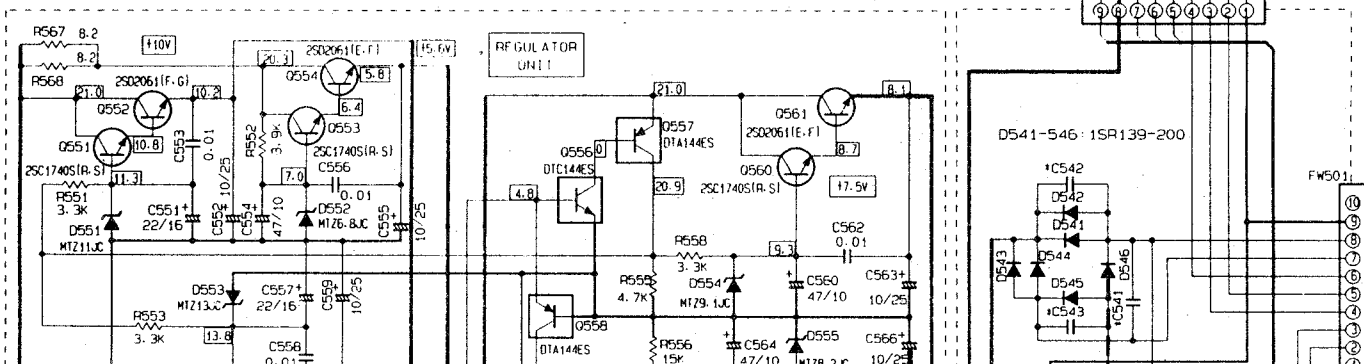
Control Amp. Section



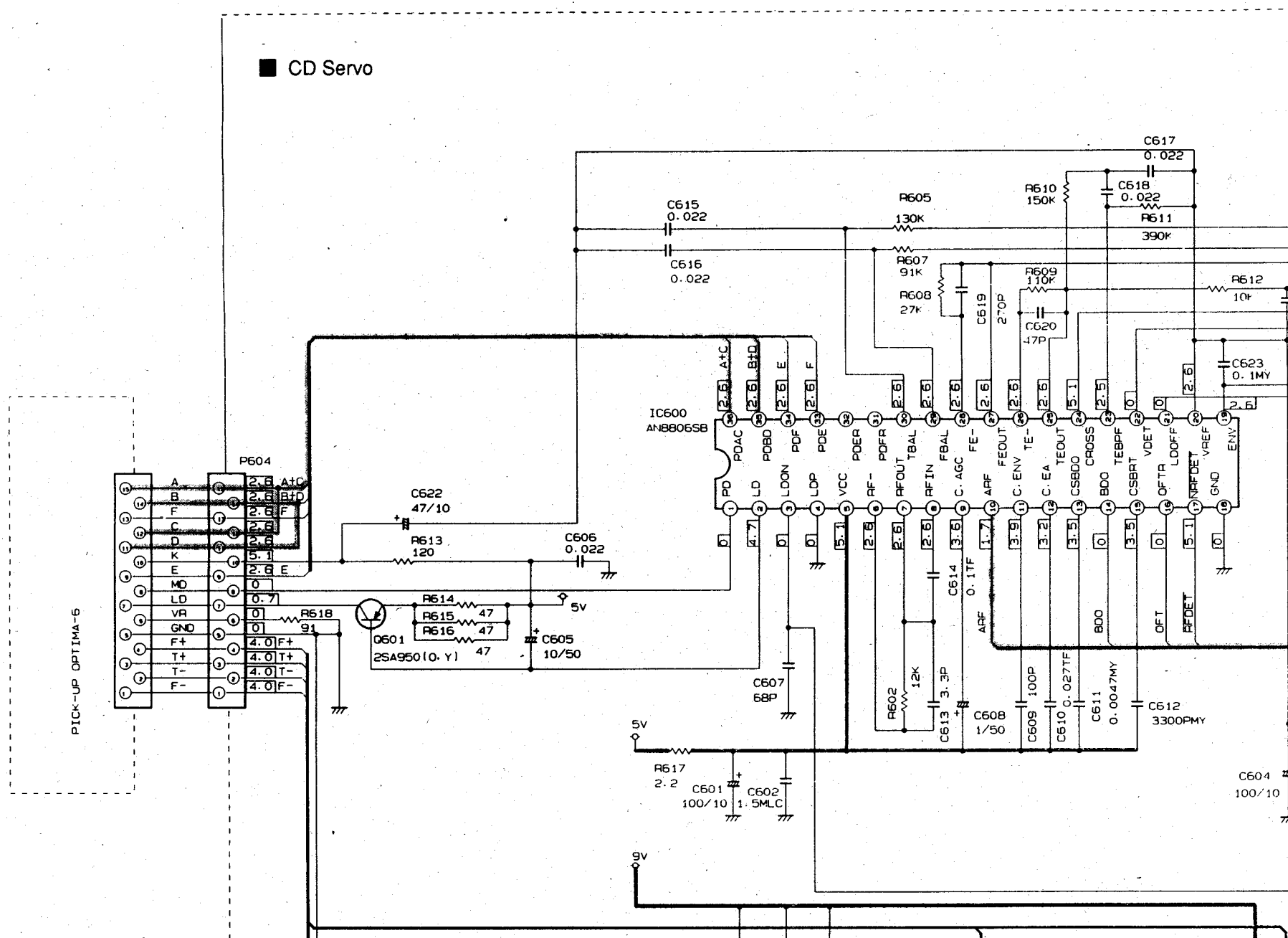


ENH-251-2

	BS-EF-EN-G-GI-VX	A	U US-UI
C541 - C543	0.1u	0.01u	0.01u
C520 - C522	0.1u	0.01u	0.01u
C525 - C526	USED	NONE	NONE
S501	USED	NONE	NONE
C527 - C528	0.1u	0.22u	0.22u



CD Servo



PICK-UP OPTIMA-6

P604

IC600
AN8806SB

C622
47/10

R613
120

Q601
2SA950 (O. Y.)

R614
47

R615
47

R616
47

C605
10/50

5V

R617
2.2

C601
100/10

C602
1.5MLC

9V

C701
100/10

C702

C703
0.027MY

CH1-OA

GND

C604
100/10

C617
0.022

C615
0.022

C616
0.022

R605
130K

R607
91K

R608
27K

R610
150K

C618
0.022

R611
390K

R612
10K

C621
820P

C623
0.1MY

R609
110K

C619
270P

C620
17P

C614
0.1TF

C608
1/50

C609
100P

C610
0.027TF

C611
0.0047MY

C612
3300PMY

C607
68P

R602
12K

C613
3.3P

C606
0.022

R618
91

R618
91

R618
91

R618
91

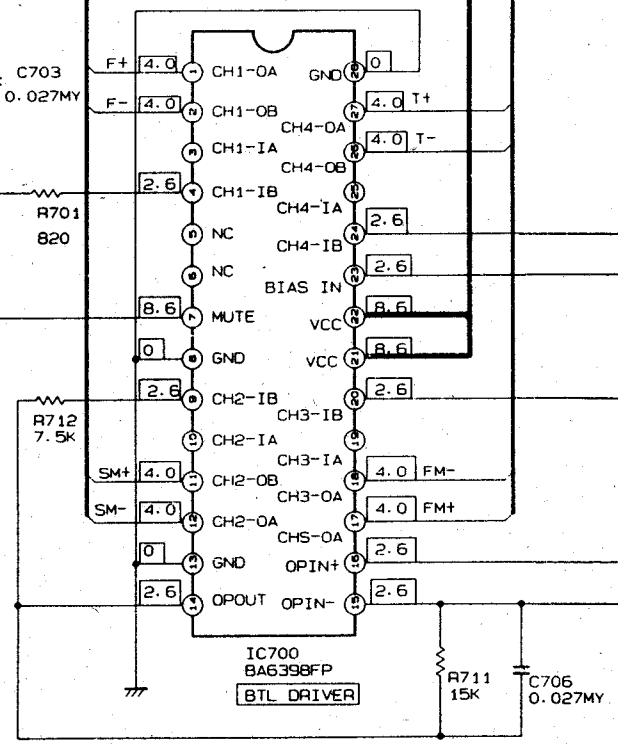
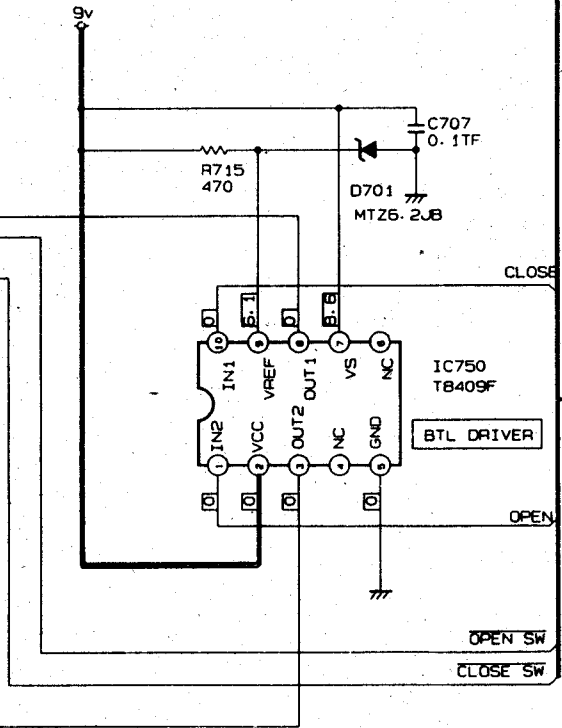
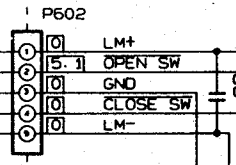
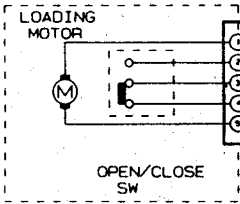
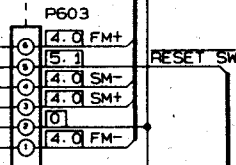
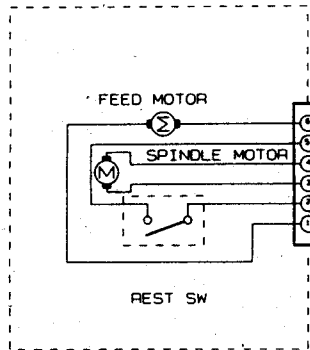
R618
91

R618
91

R618
91

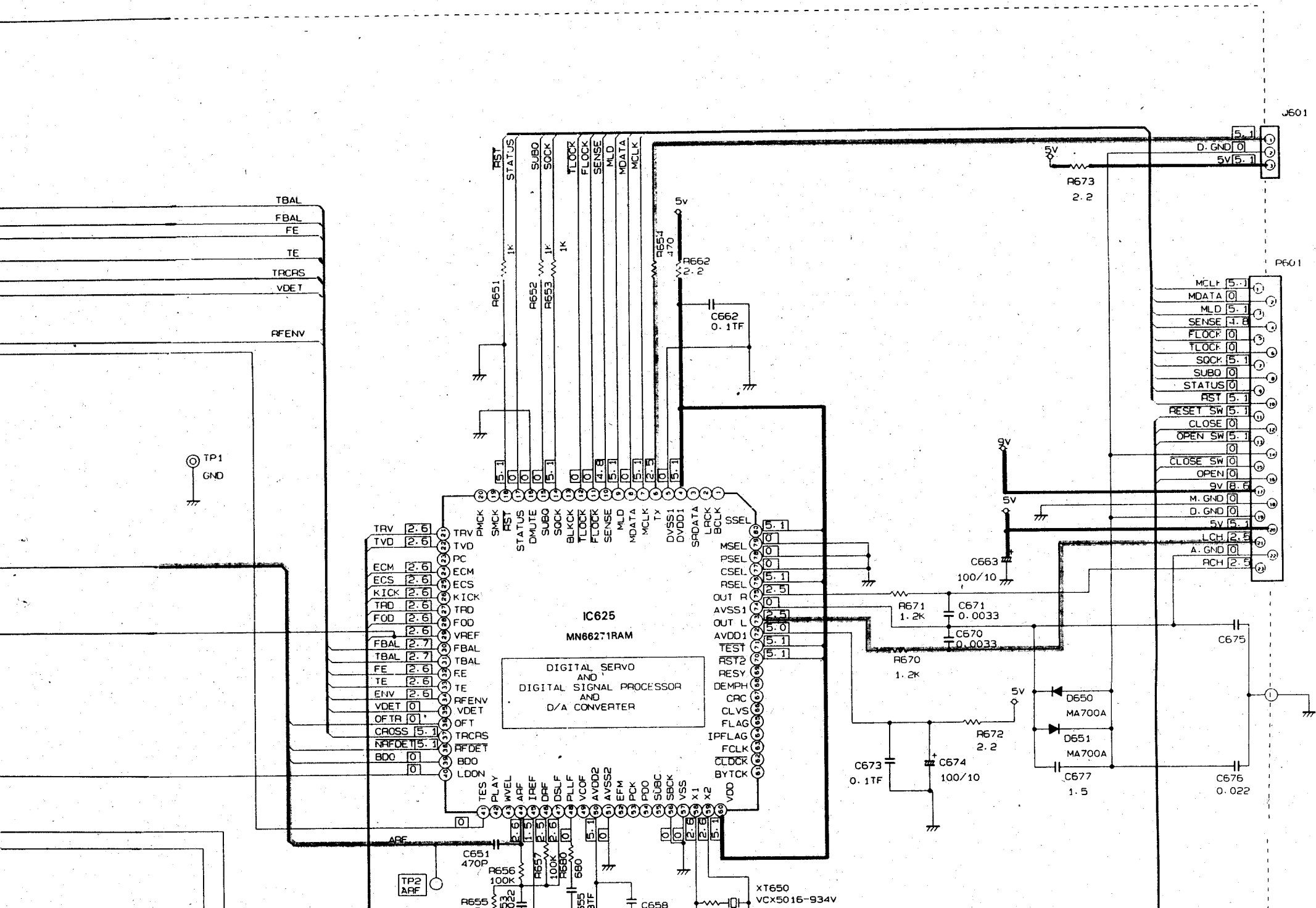
R618
91

R618
91



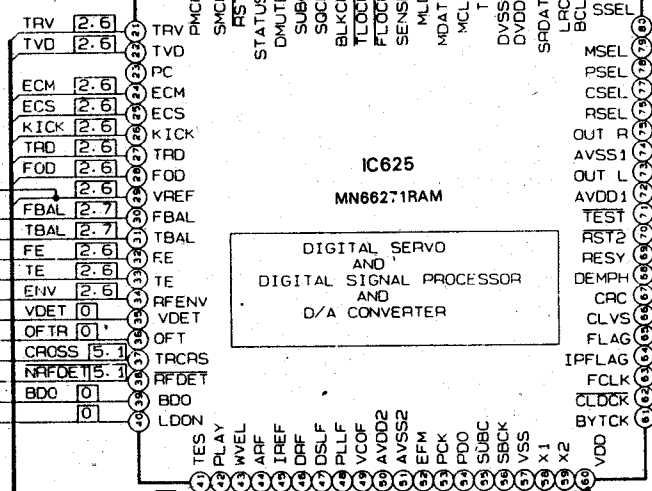
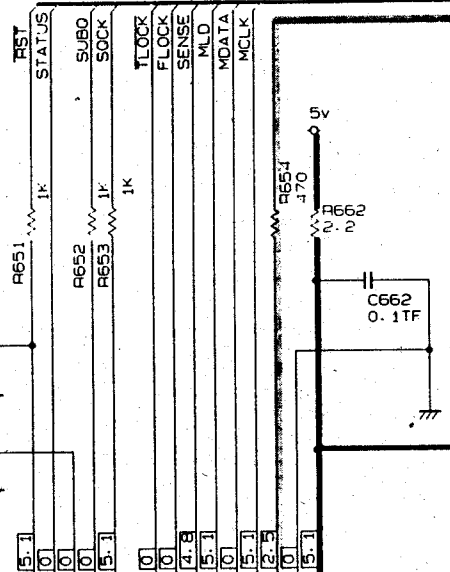
ALL DC VOLTAGES
THE CONDITIONS OF
1) POWER ON
2) CD OFF

ENN422

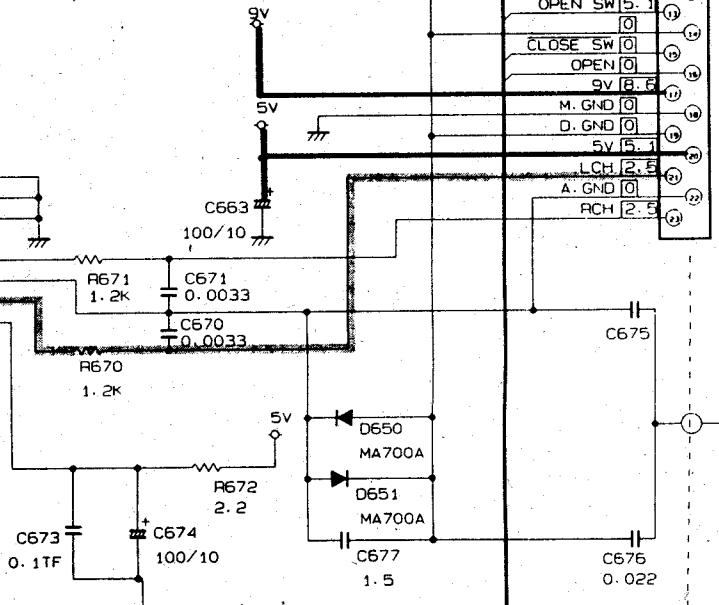
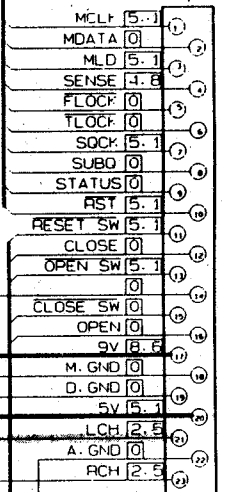


J601

P601

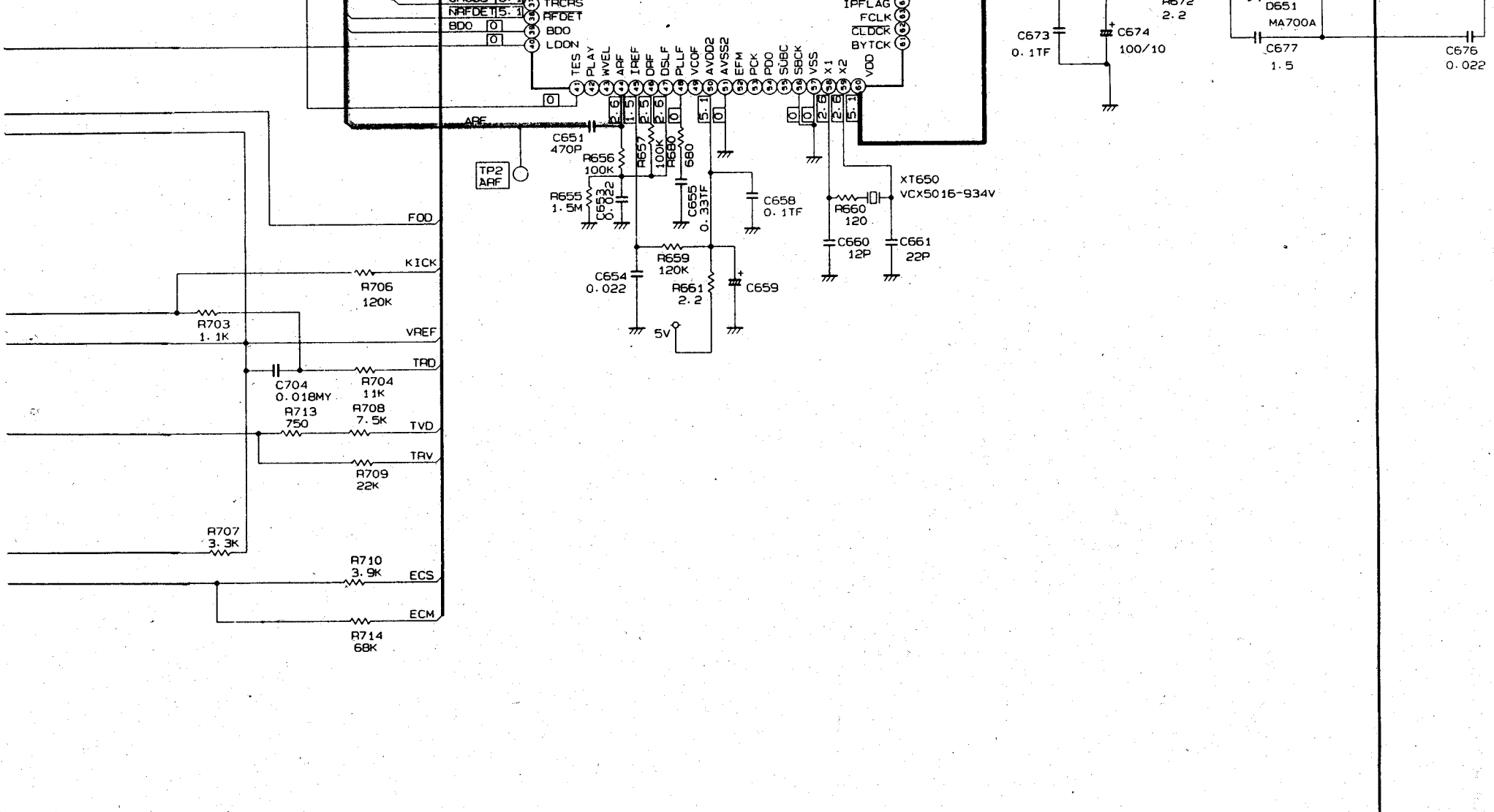


IC625
 MN66271RAM
 DIGITAL SERVO
 AND
 DIGITAL SIGNAL PROCESSOR
 AND
 D/A CONVERTER

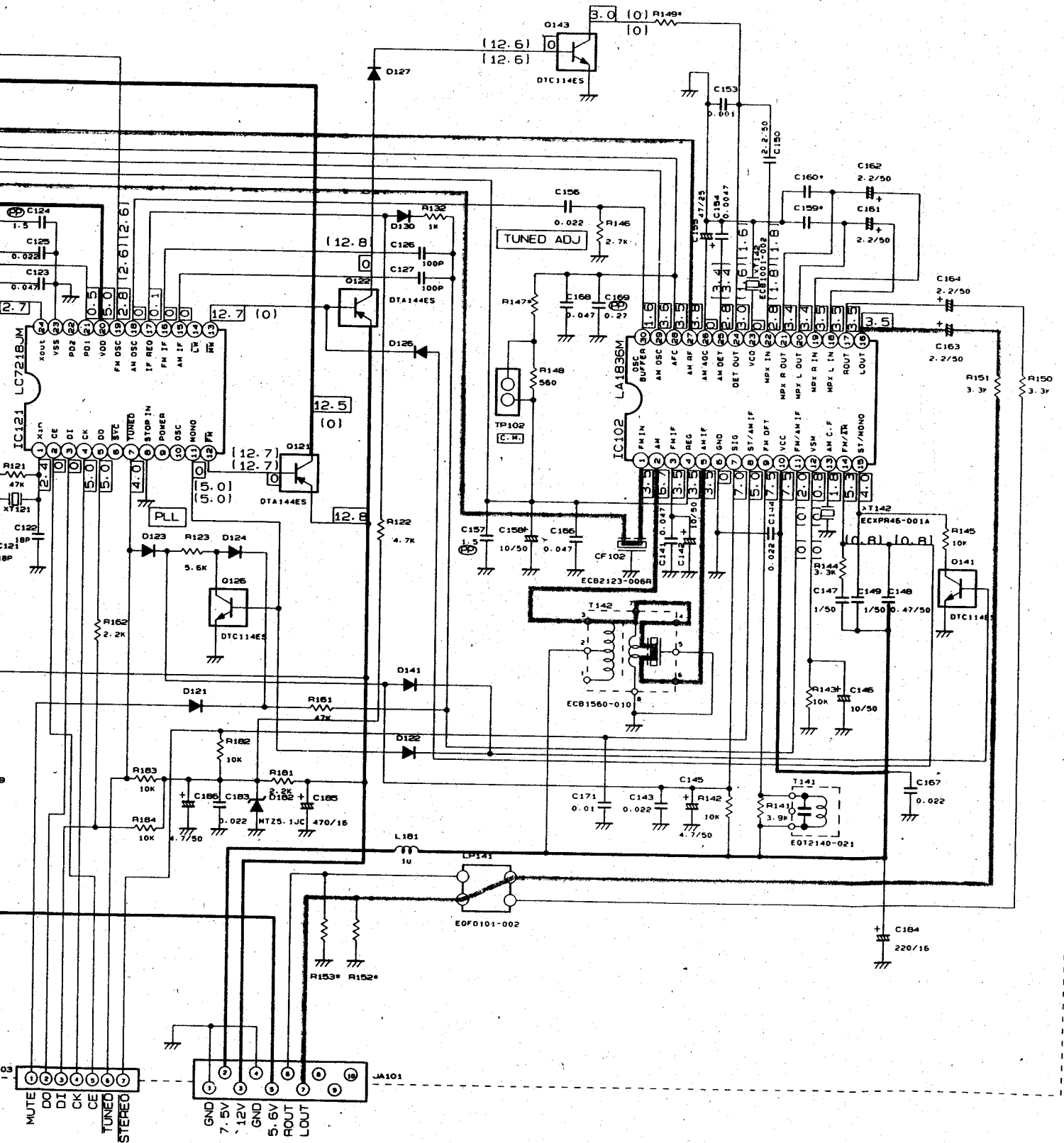


TP2 ARF

XT650 VCX5016-934V



MEASURED WITH OSCILLOSCOPE
THE SET ARE

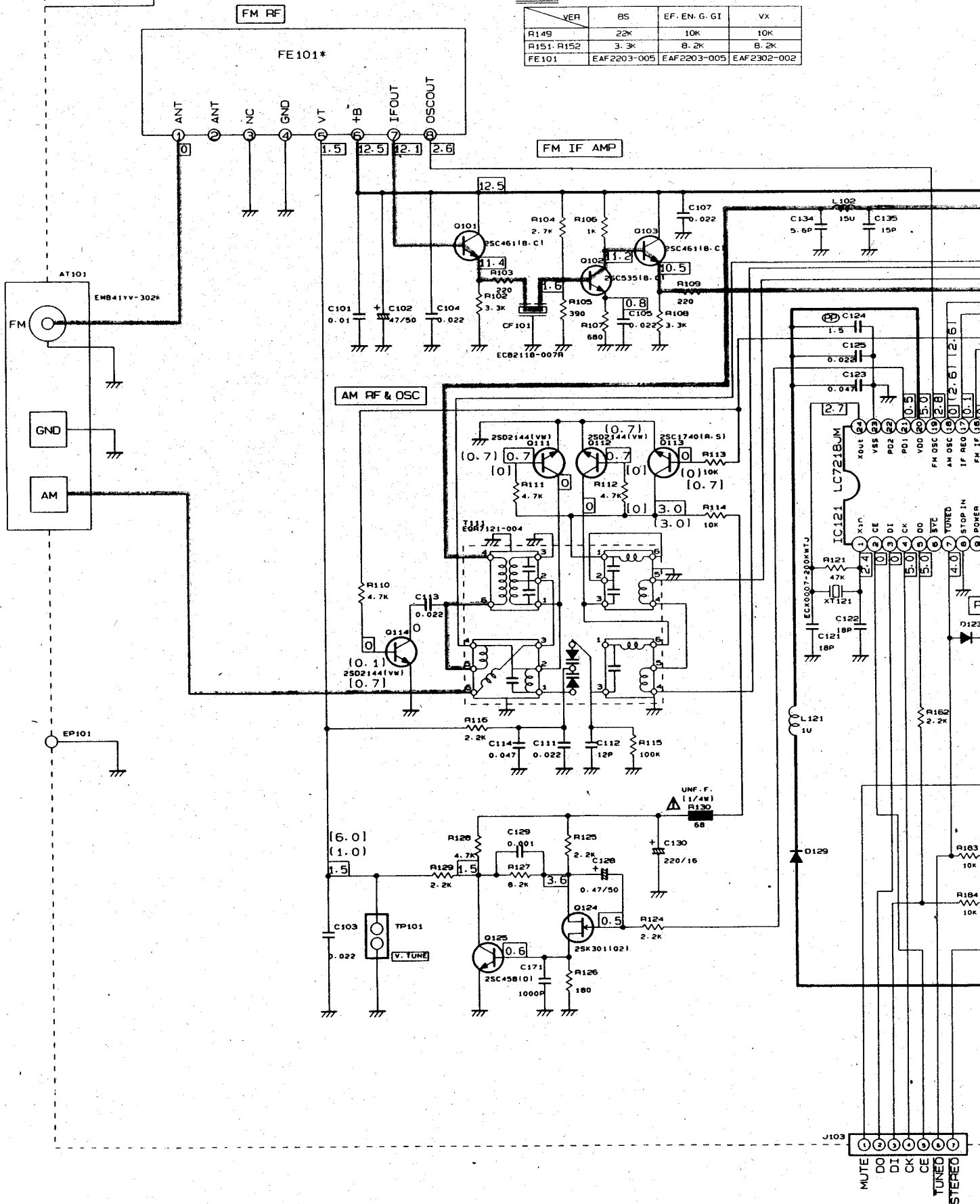


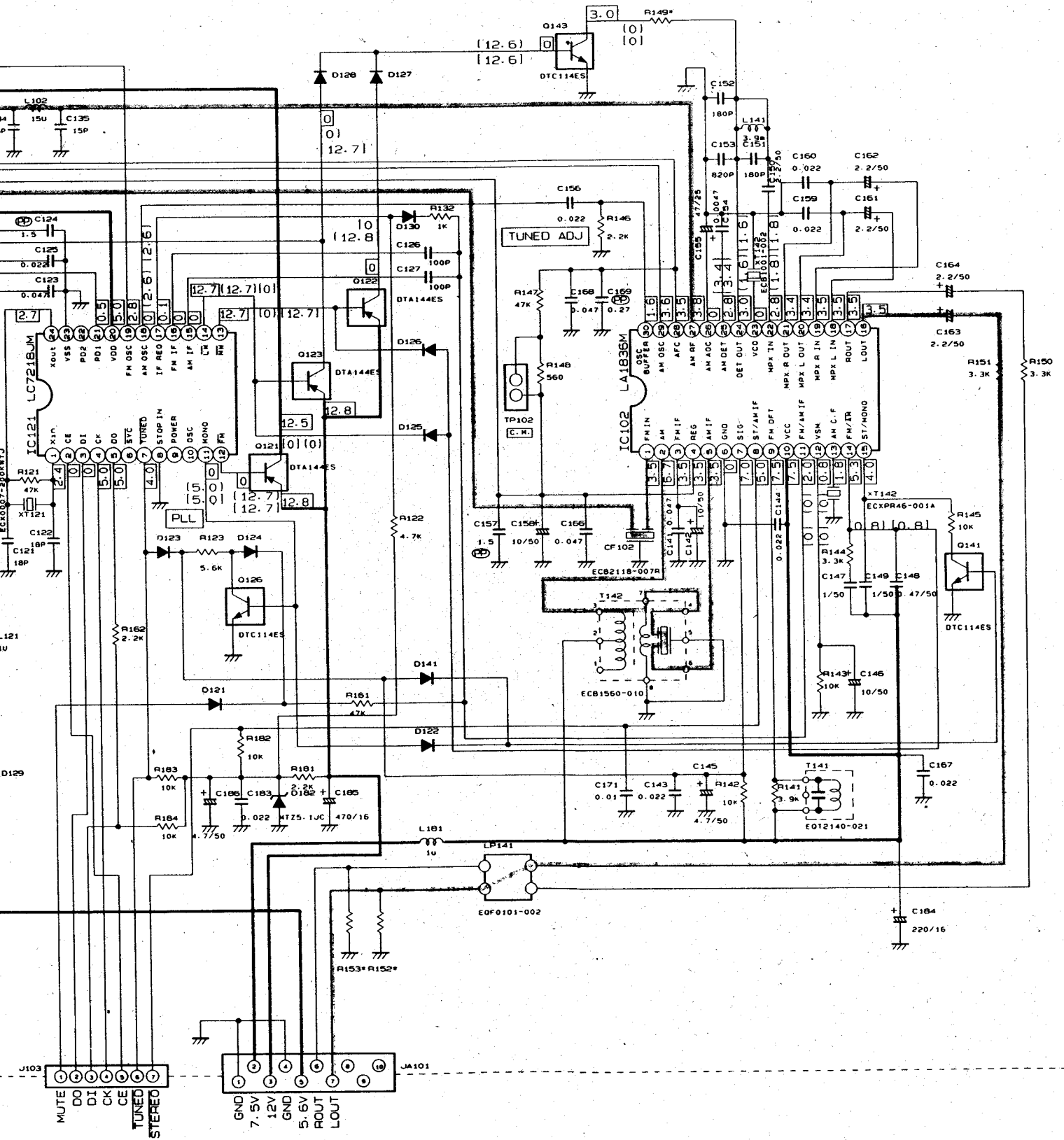
■ Tuner Section (BS, EF, EN, G, GI, VX)

ENA-159-1

*REMARKS

VER	BS	EF, EN, G, GI	VX
R149	22K	10K	10K
R151, R152	3.3K	8.2K	8.2K
FE101	EAF2203-005	EAF2203-005	EAF2302-002





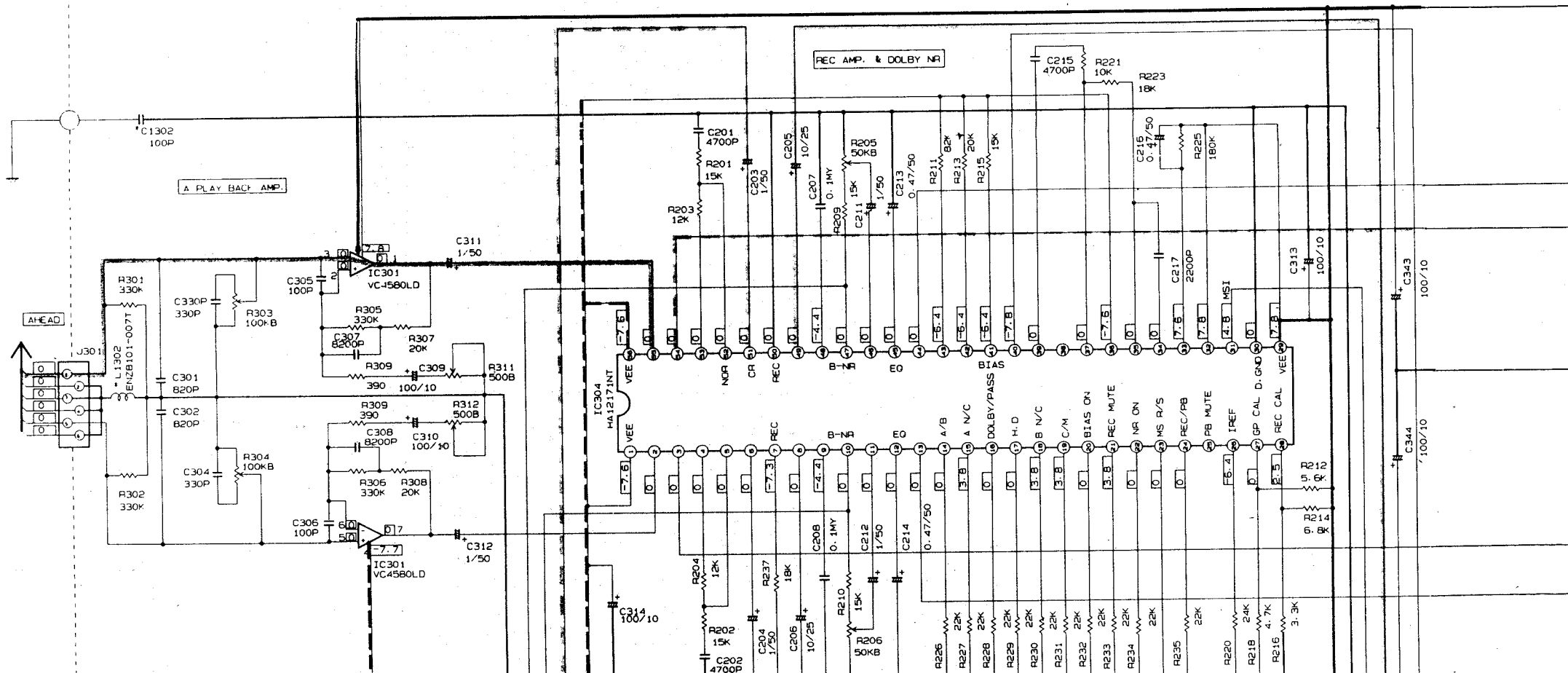
MUTE DO DI CK CE TUNED STEREO

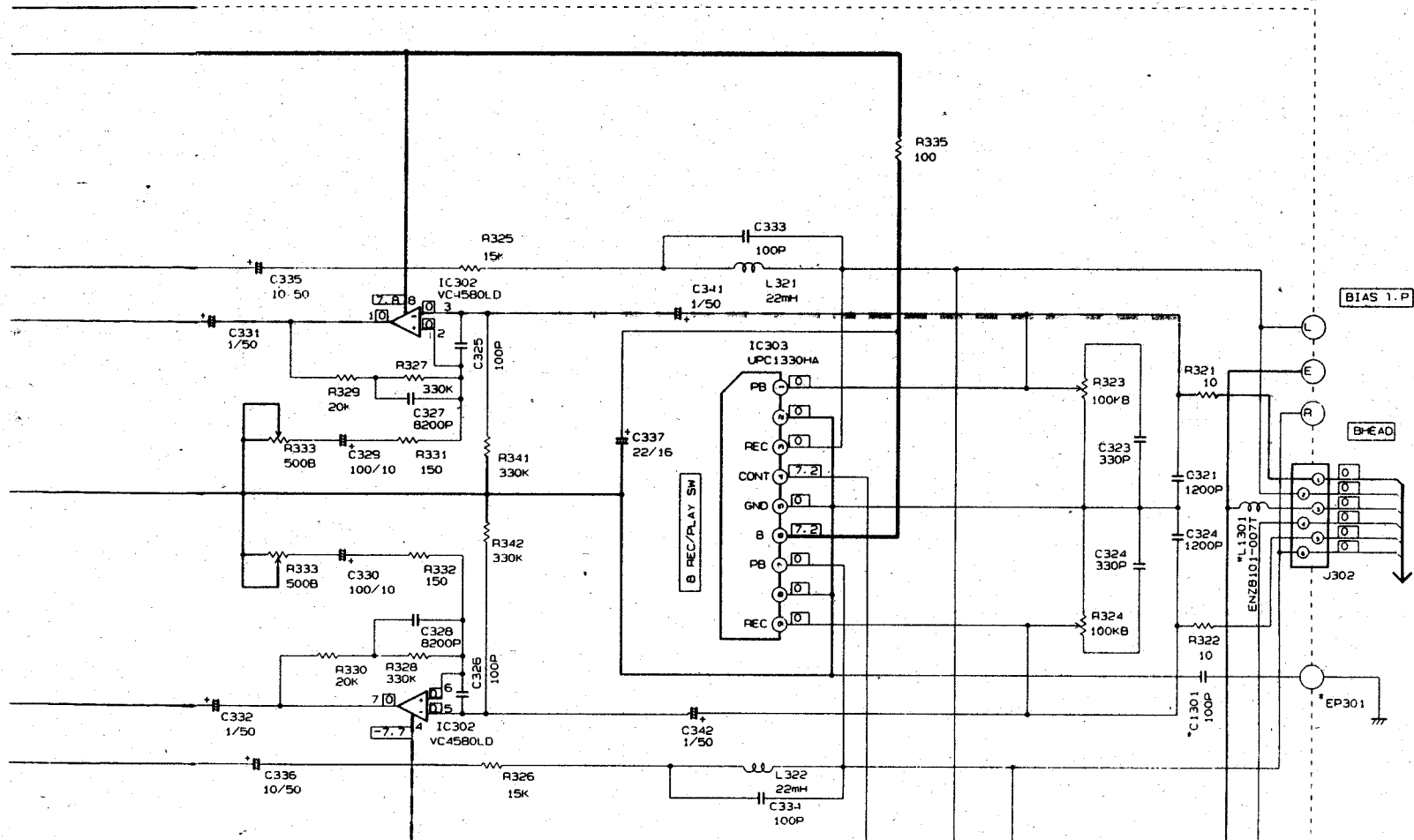
GND 7.5V 12V GND 5.6V ROUT LOUT

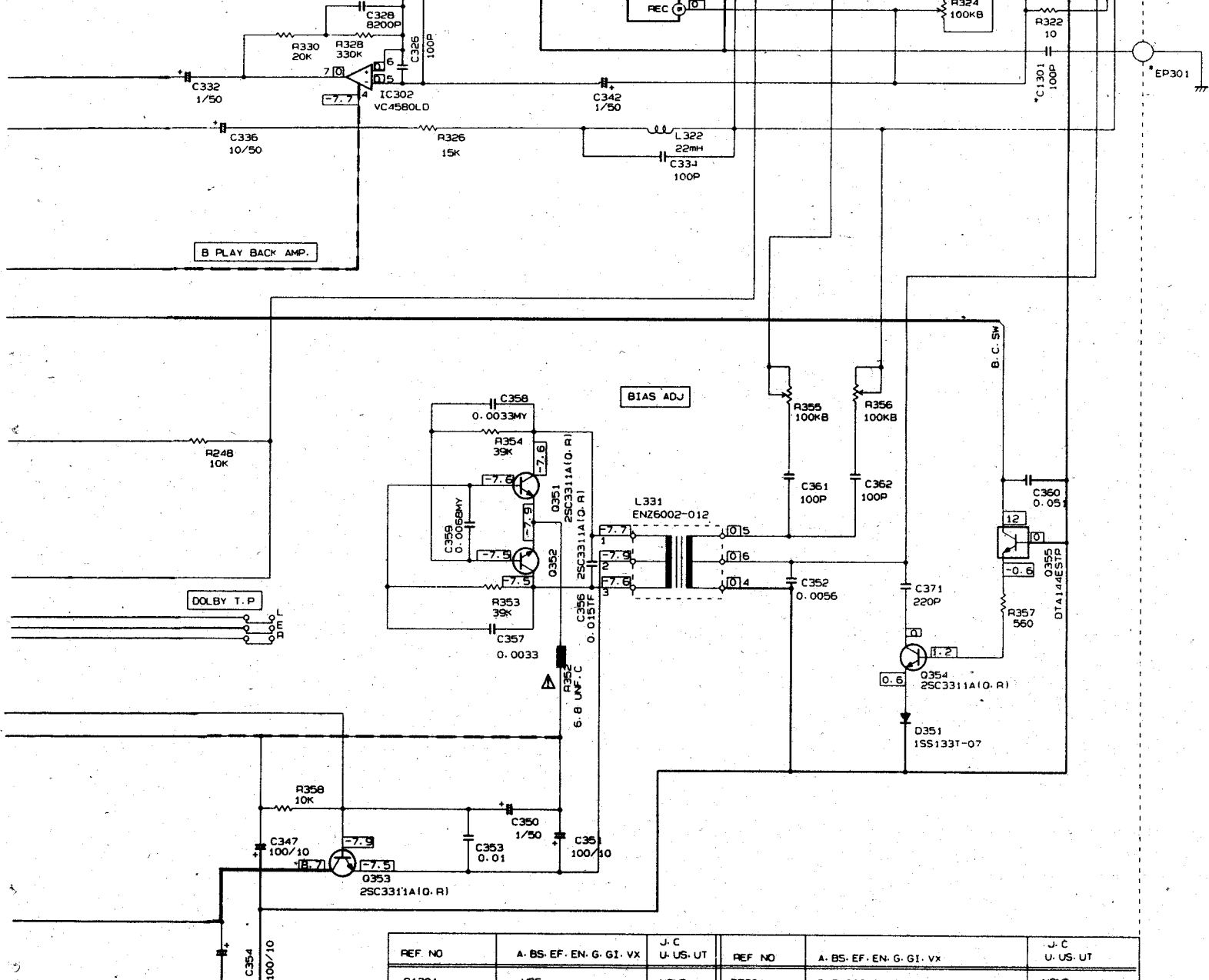
JA101

Deck Control Section

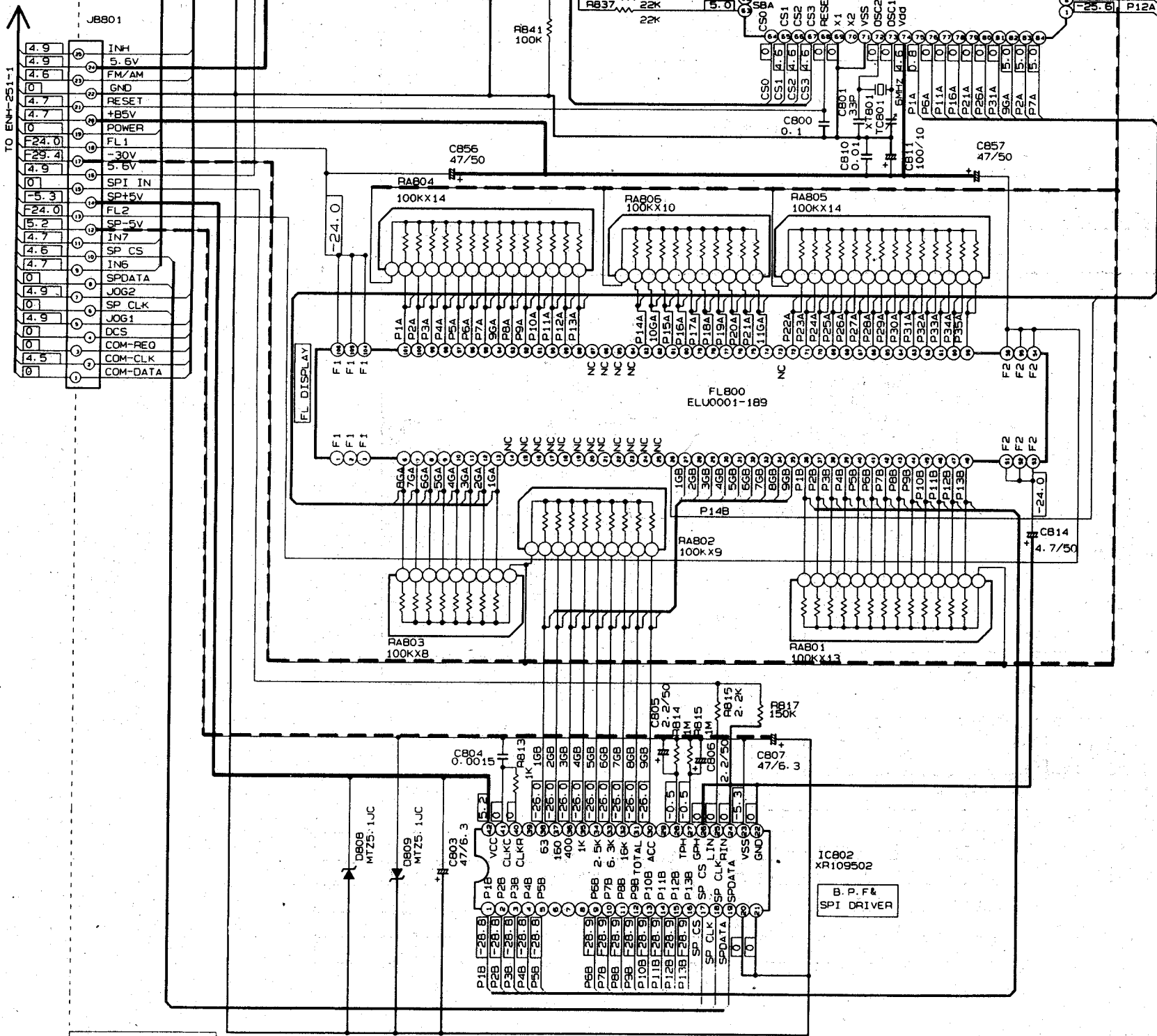
ALL DC VOLTAGES MEASURED WITH OSCILLOSCOPE
 THE CONDITIONS OF THE SET ARE
 1) POWER ON
 2) DECK & CD OFF



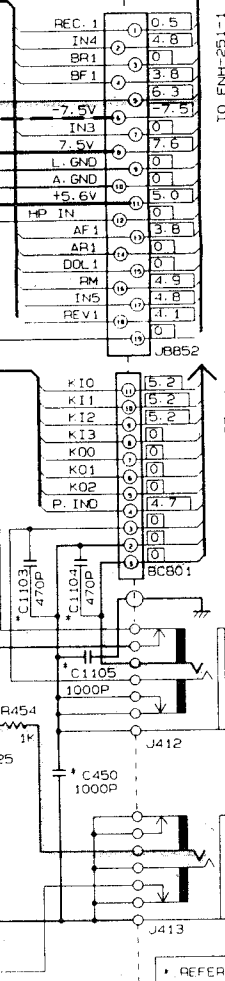
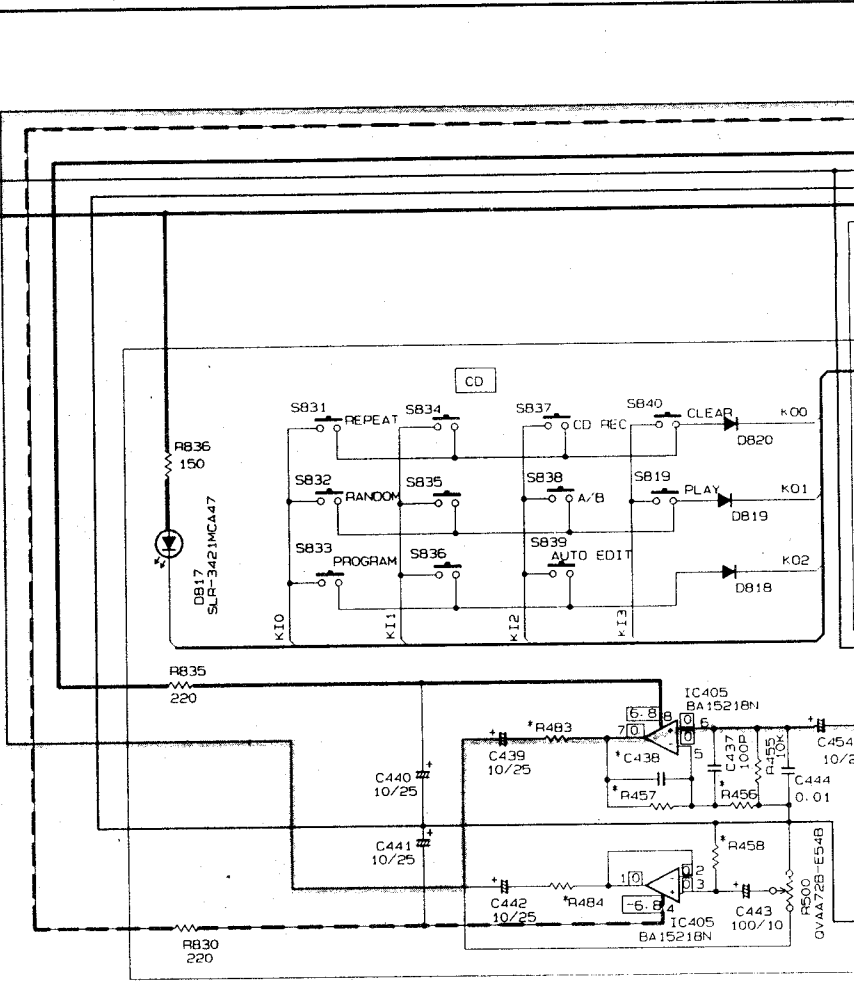
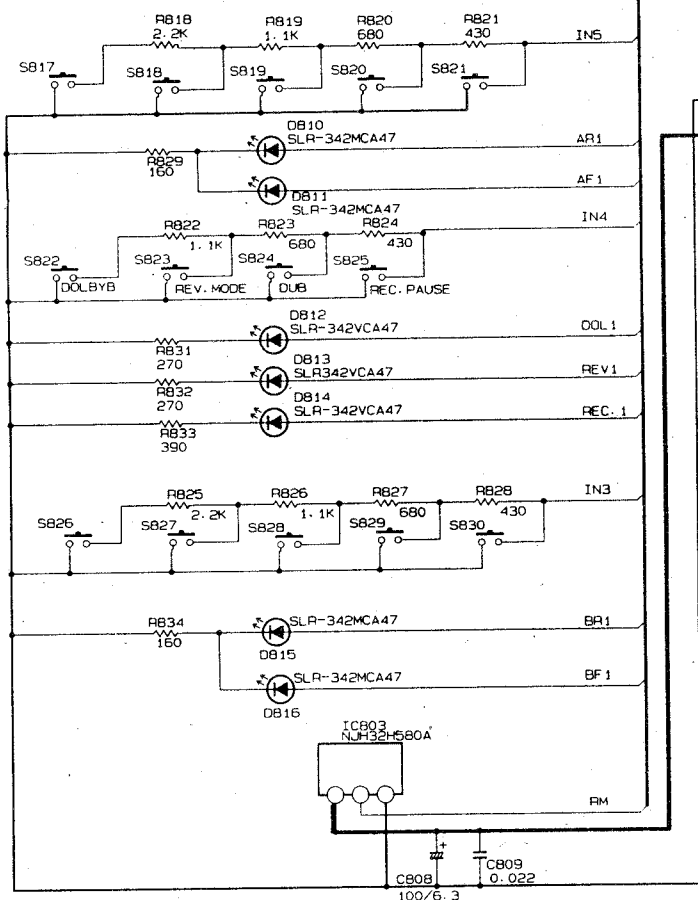




REF. NO	A. BS. EF. EN. G. GI. VX	J. C U. US. UT	REF. NO	A. BS. EF. EN. G. GI. VX	J. C U. US. UT
C1301	USE	NONE	EP301	EMZ4002-0012	NONE
C1302	USE	NONE			
L1301	USE	SHORT			
L1302	USE	SHORT			



TO ENV-251-1

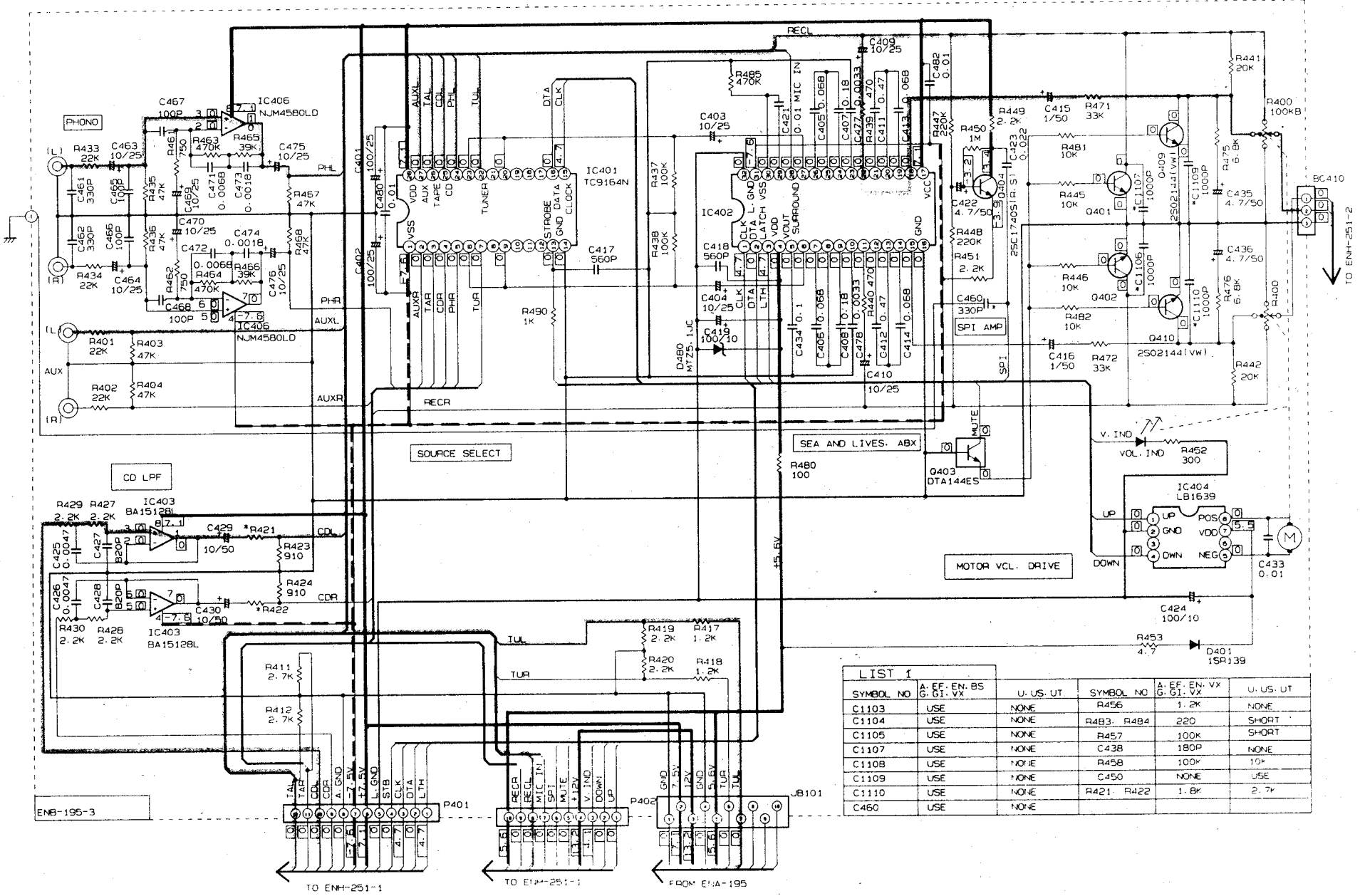


ENB-195-2

REFER LIST 1

ENB-195-2

REFER LIST 1



ENB-195-3

LIST 1

SYMBOL	NO	A. EF. EN. BS G. GI. VX	U. US. UT	SYMBOL	NO	A. EF. EN. VX G. GI. VX	U. US. UT
C1103	USE	NONE	NONE	R456		1.2K	NONE
C1104	USE	NONE	NONE	R483, R484		220	SHORT
C1105	USE	NONE	NONE	R457		100K	SHORT
C1107	USE	NONE	NONE	C438		180P	NONE
C1108	USE	NOIE	NONE	R458		100K	10K
C1109	USE	NONE	NONE	C450		NONE	USE
C1110	USE	NONE	NONE	R421, R422		1.8K	2.7K
C460	USE	NONE	NONE				