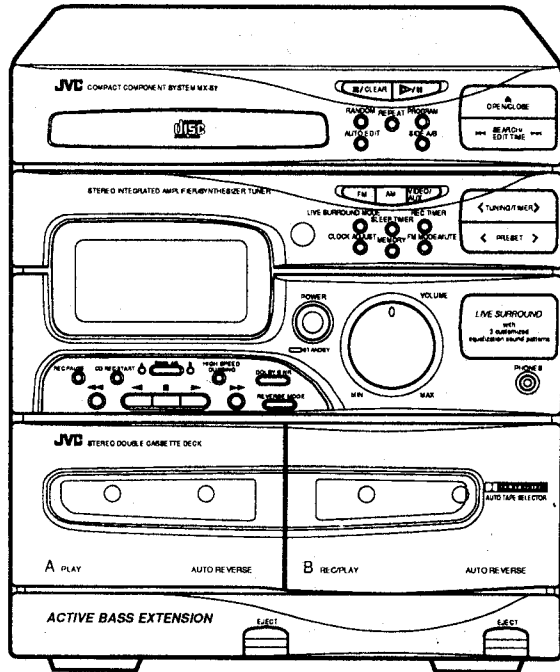
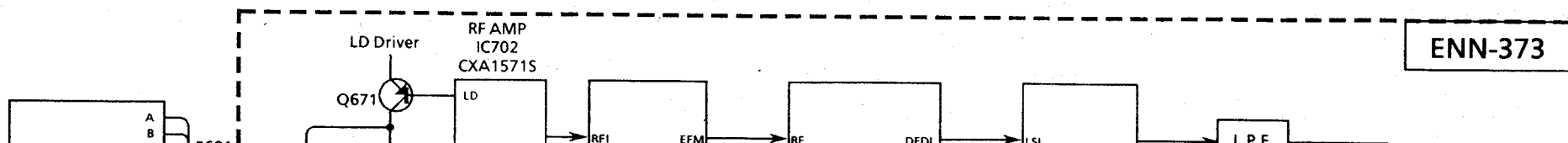
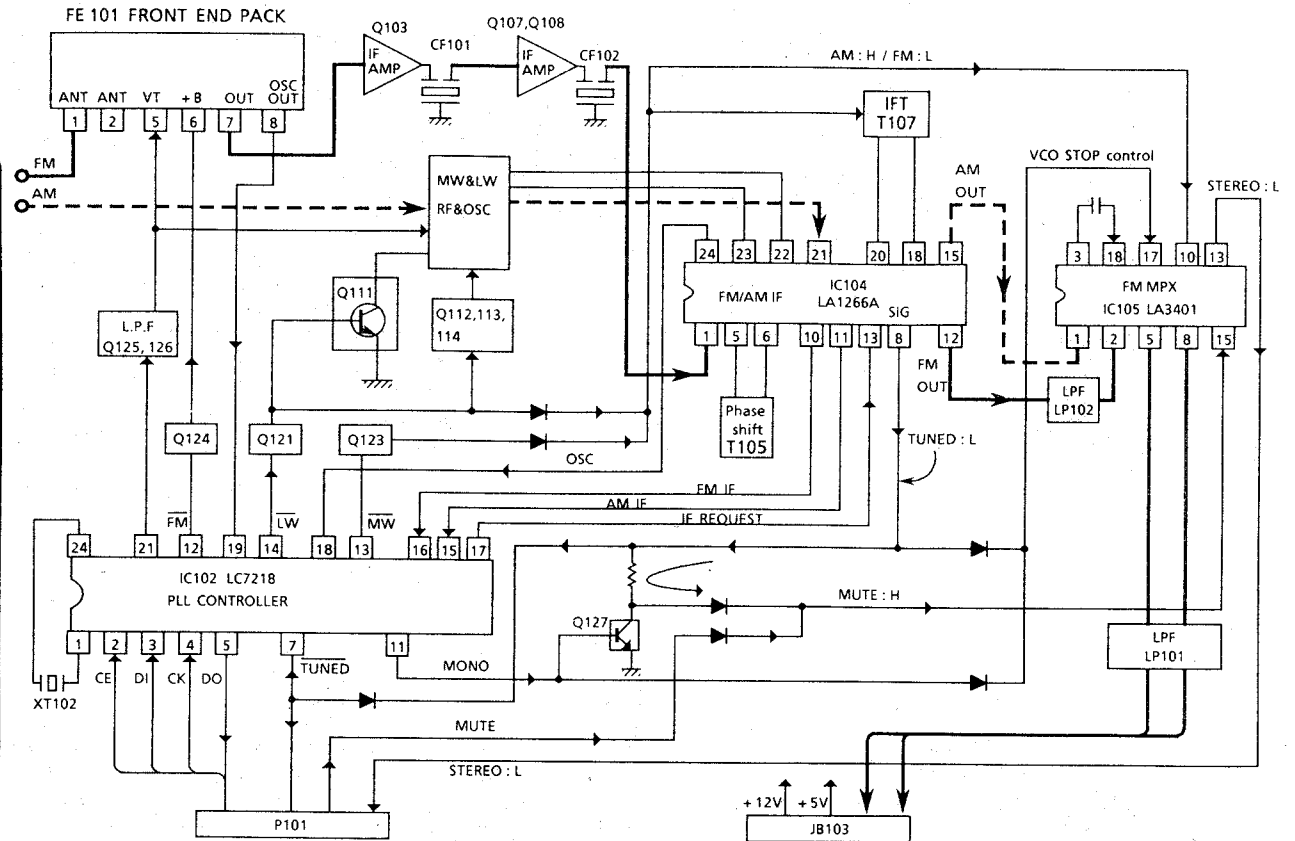


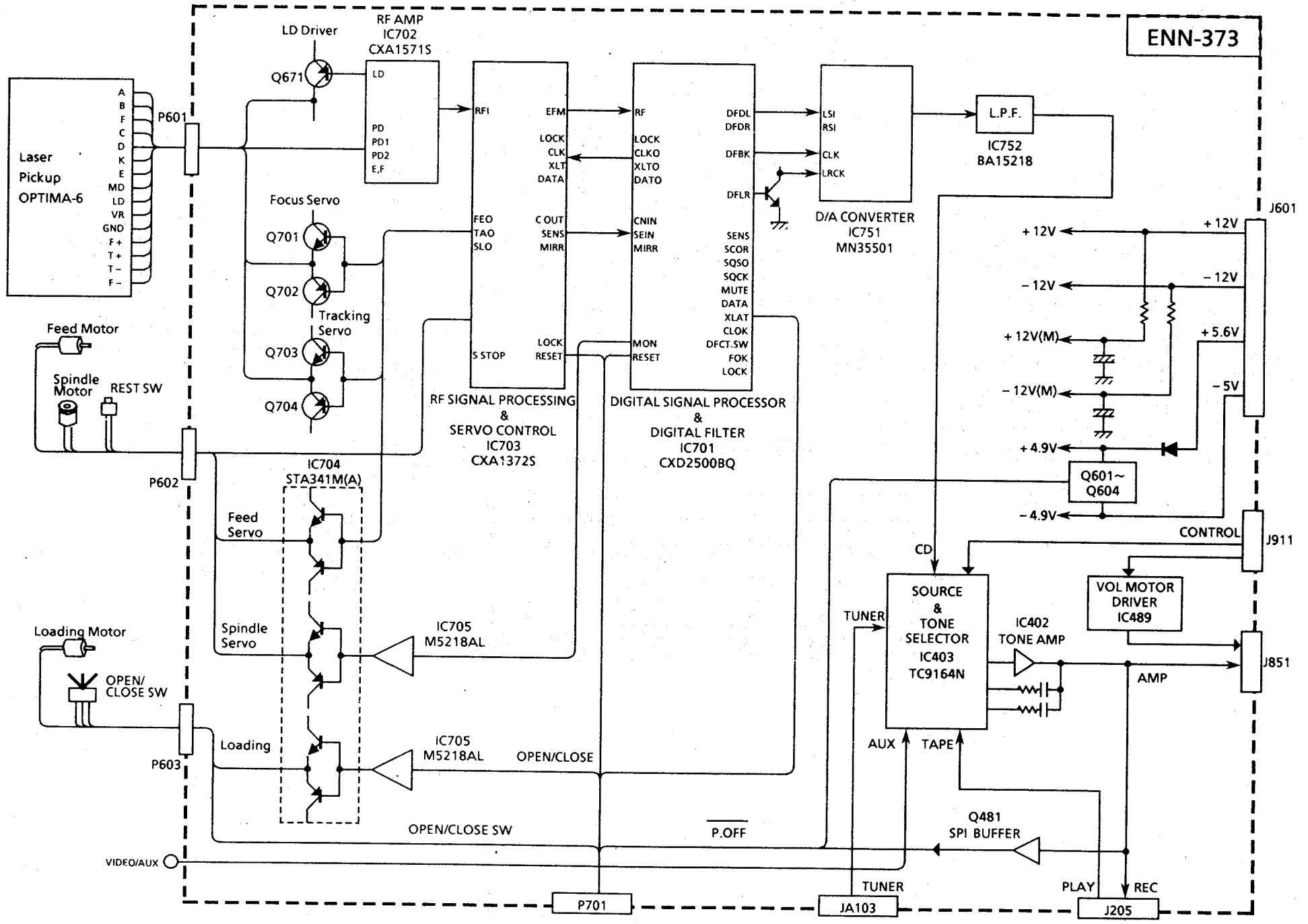
JVC

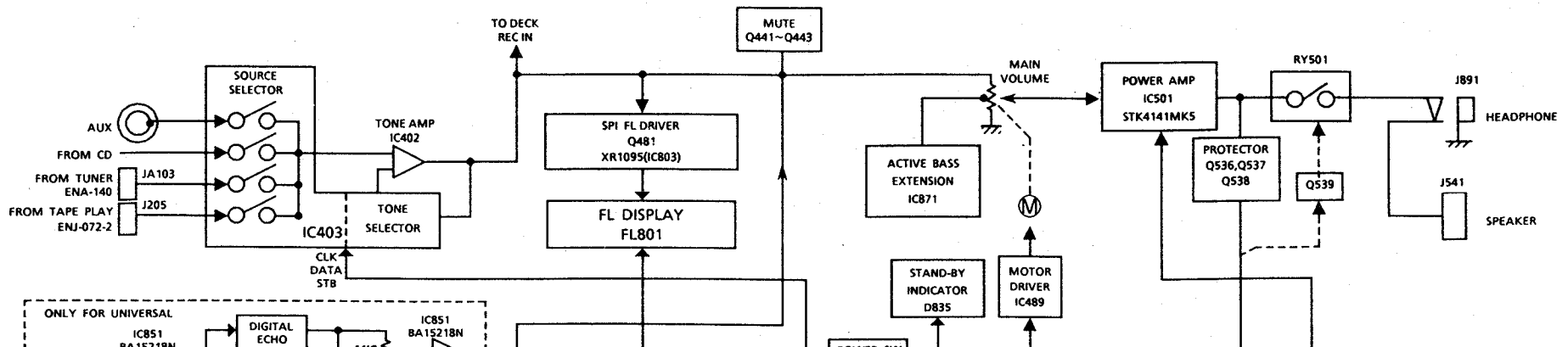
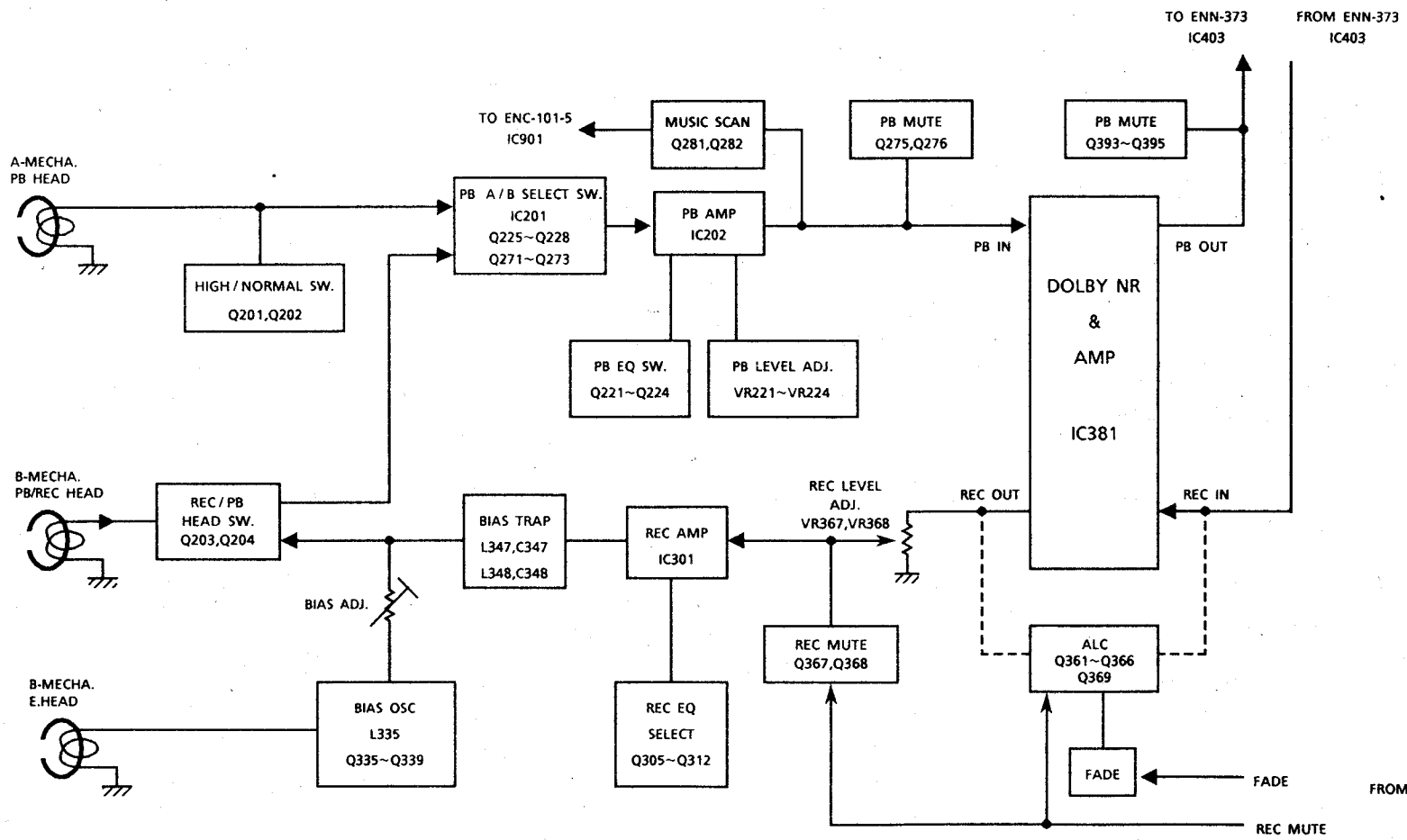
CA-MXS2BK

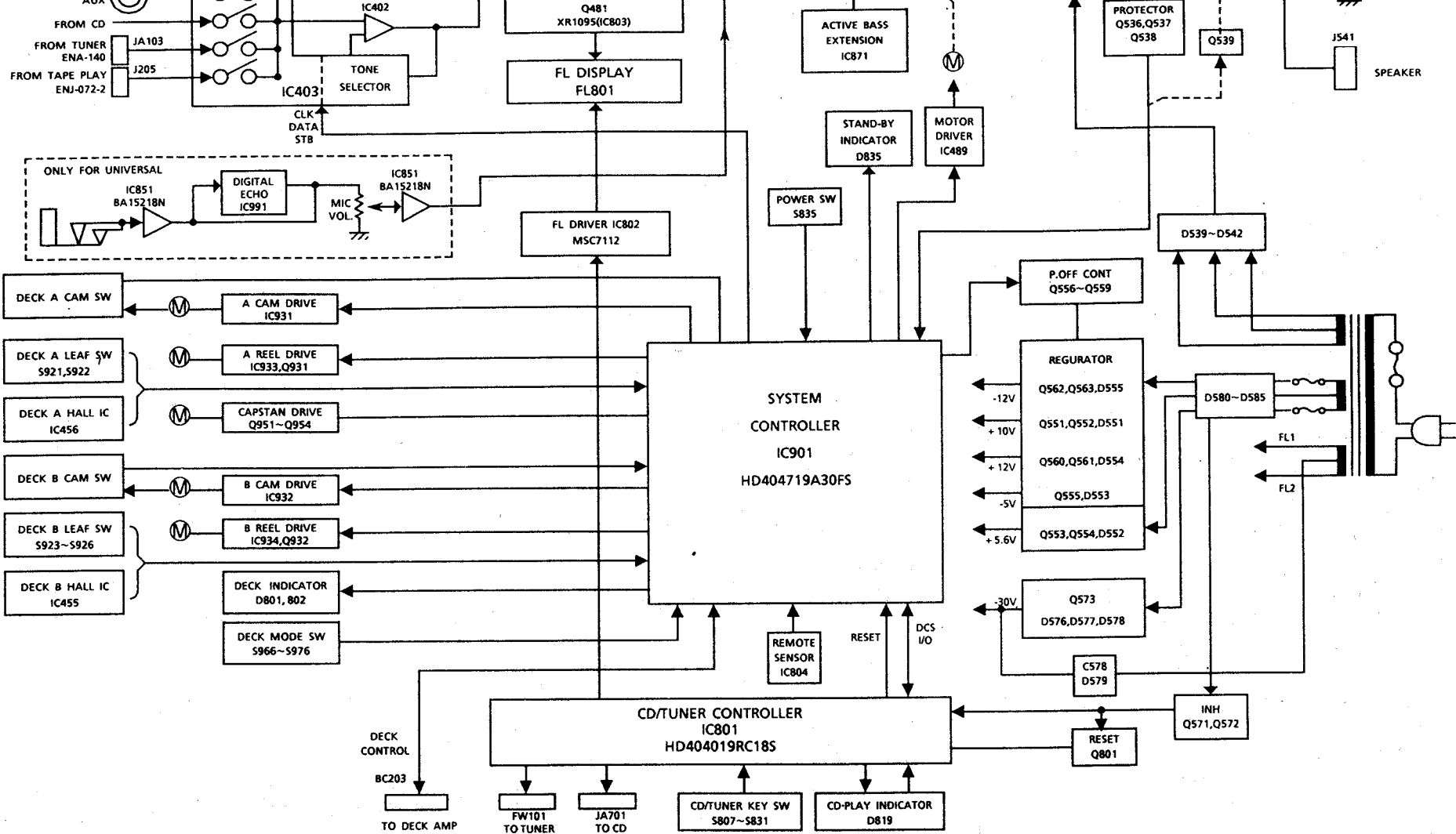


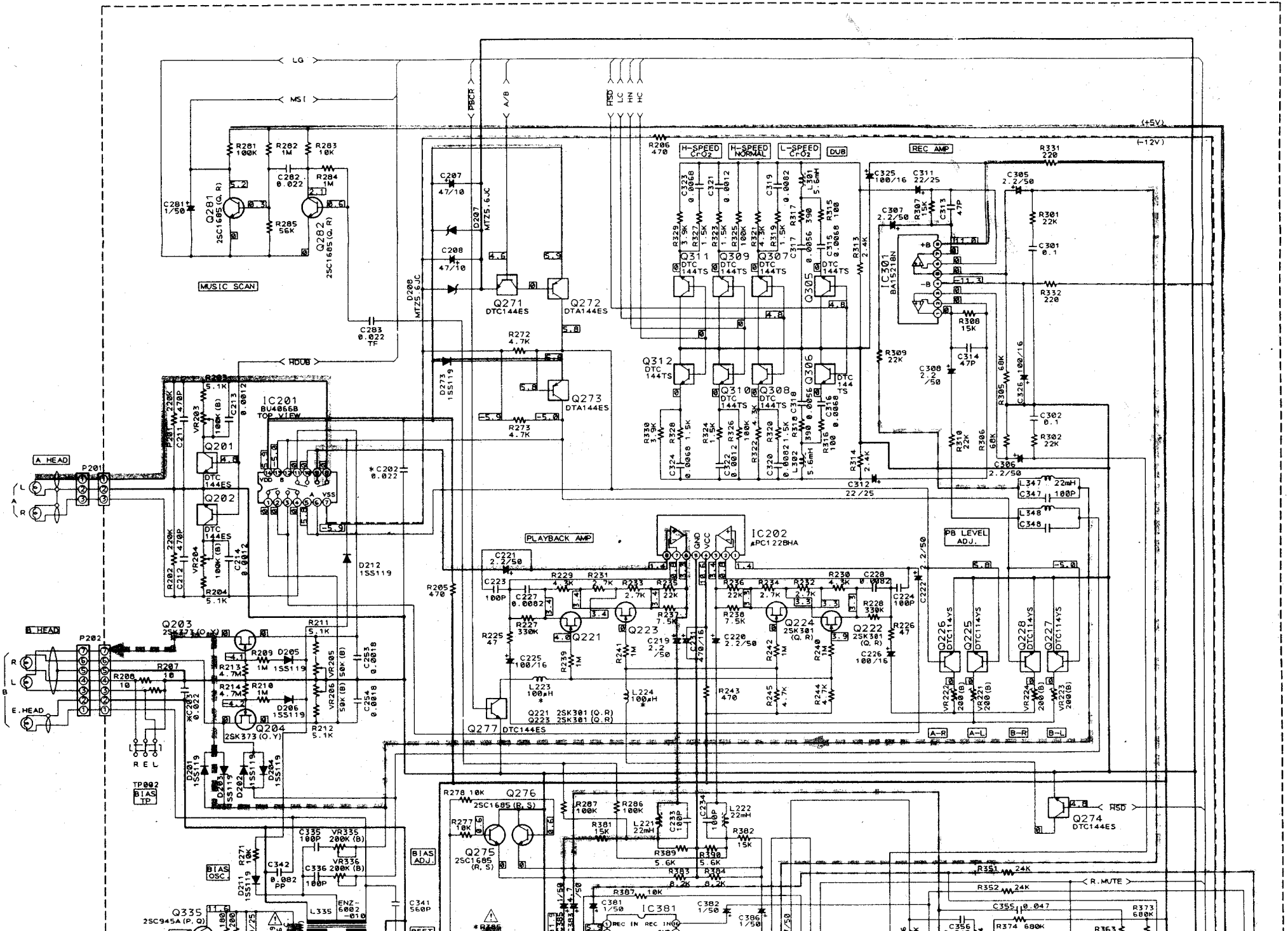
Block Diagram

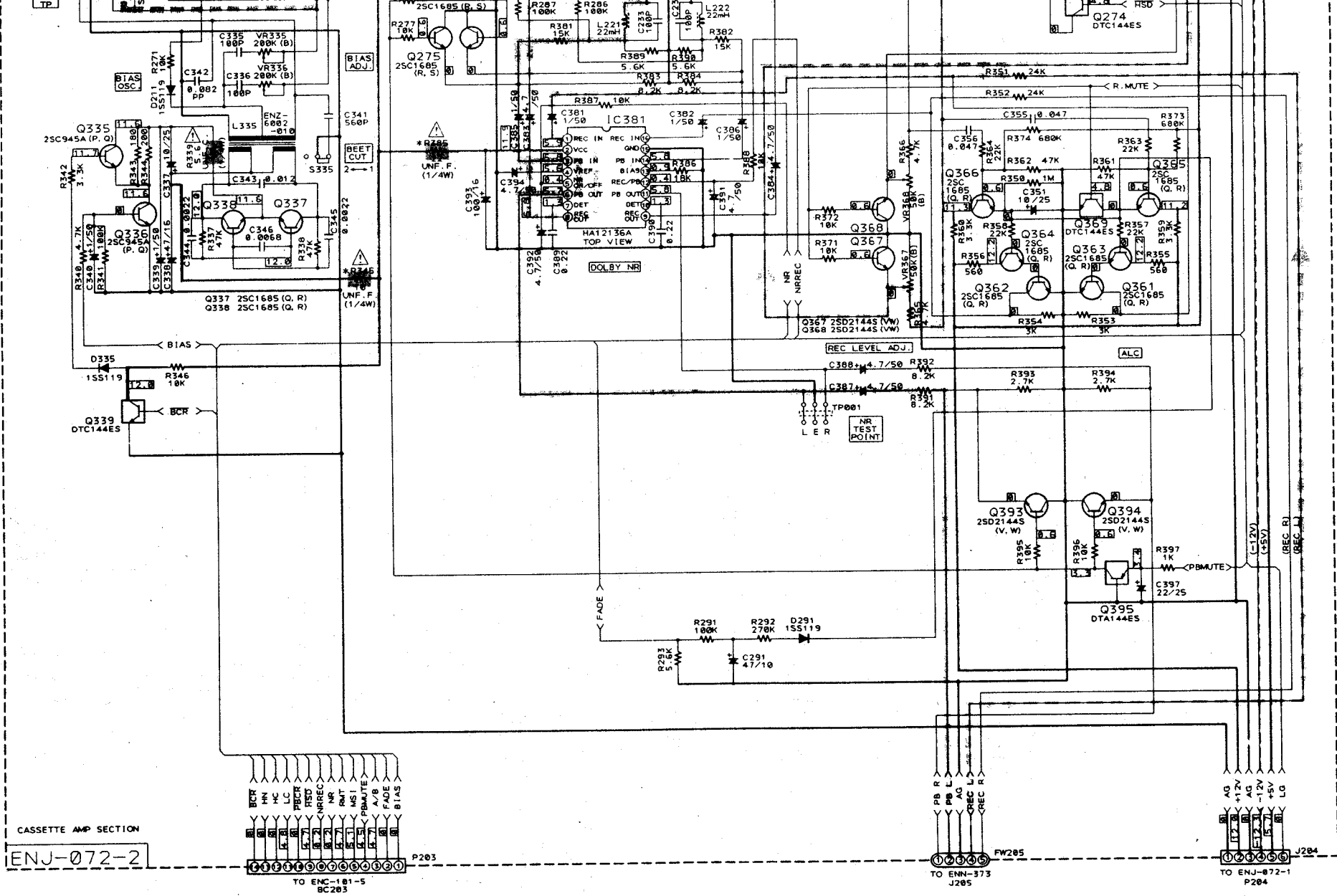












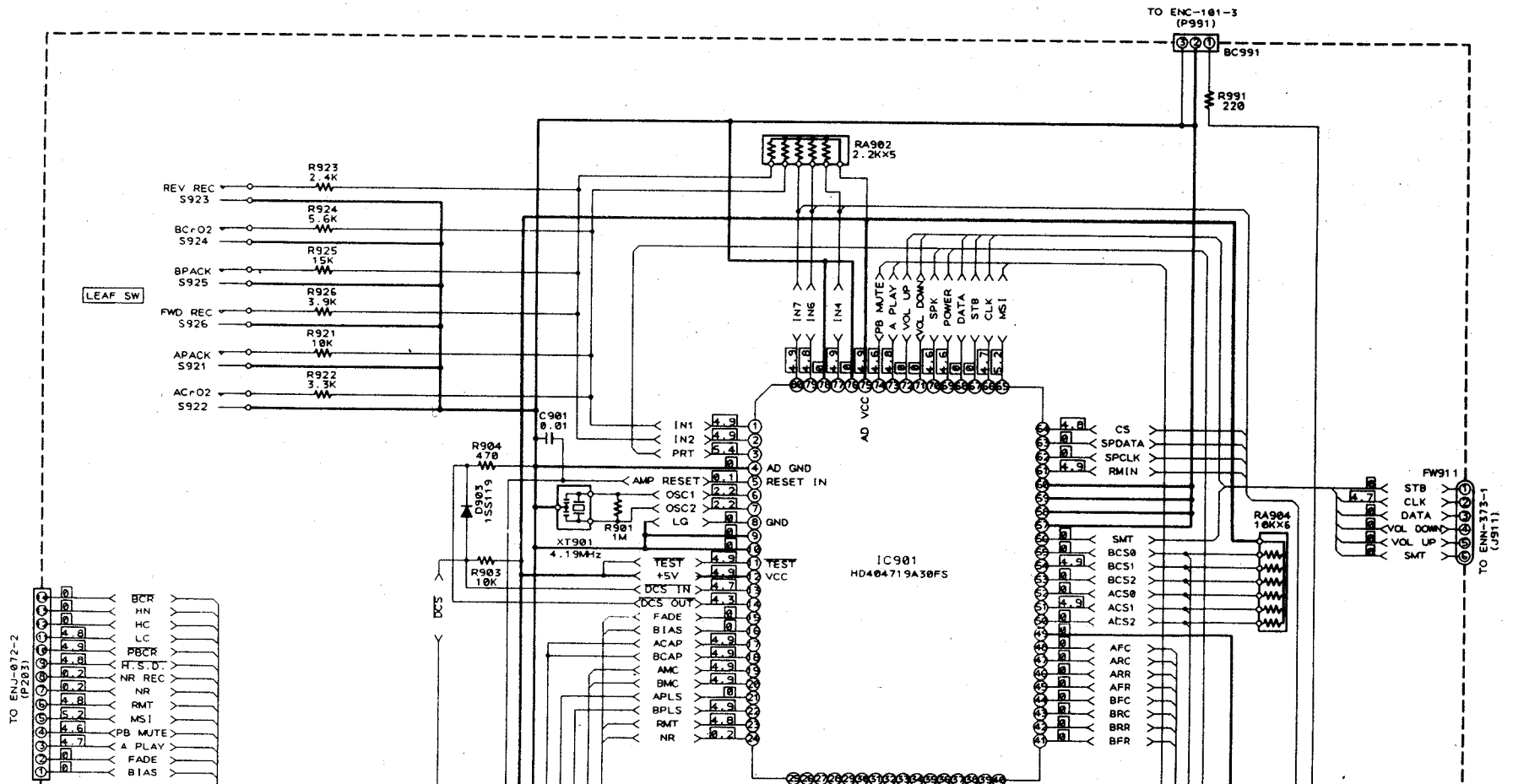


Schematic Diagrams

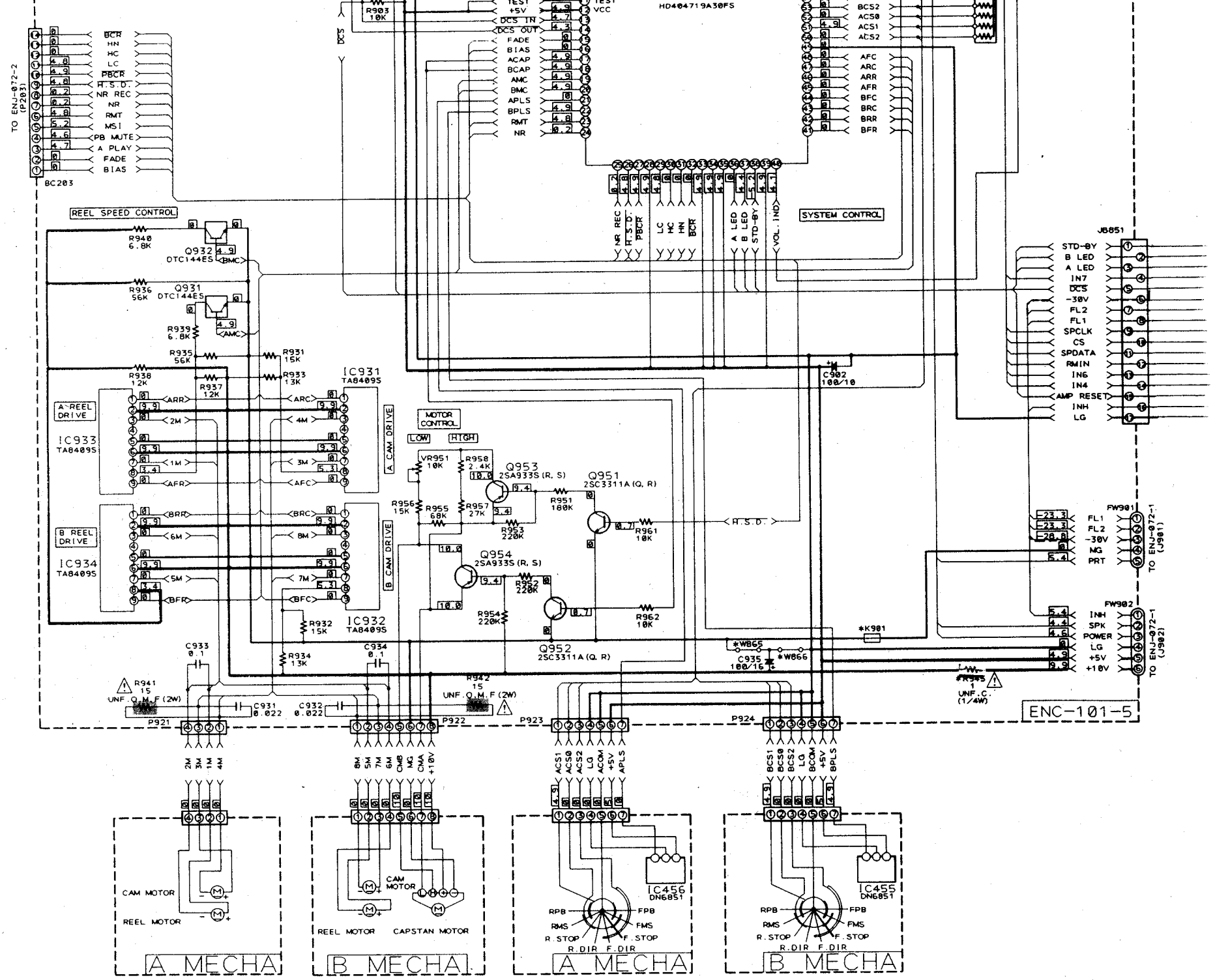
(1) System Control Section

Notes:

1. ——— indicates +B power supply.
2. - - - - - indicates -B power supply.
3.  indicates main signal path.
4.  indicates recording signal path.



7
8
9
10
11
12
13

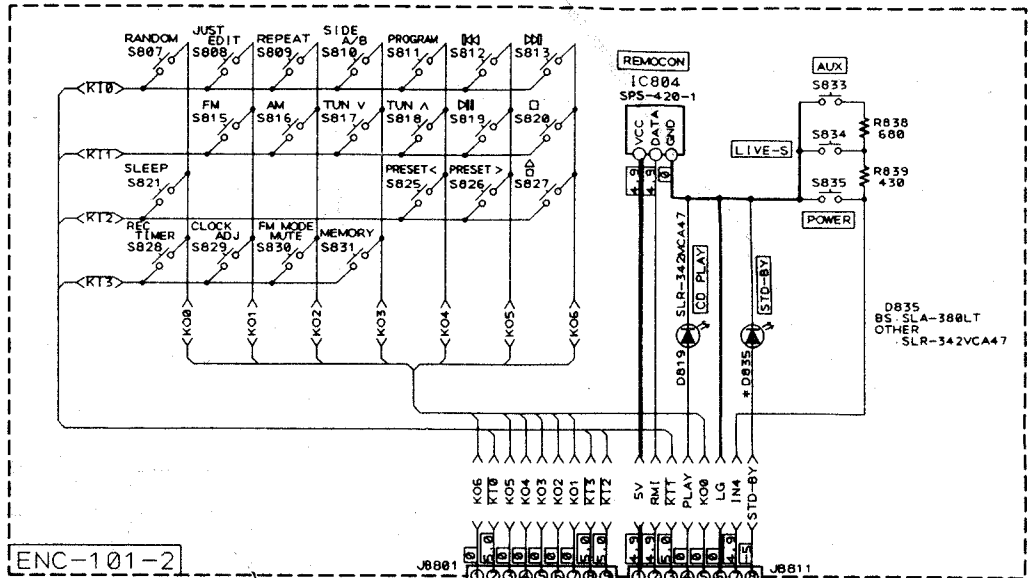


* MARK

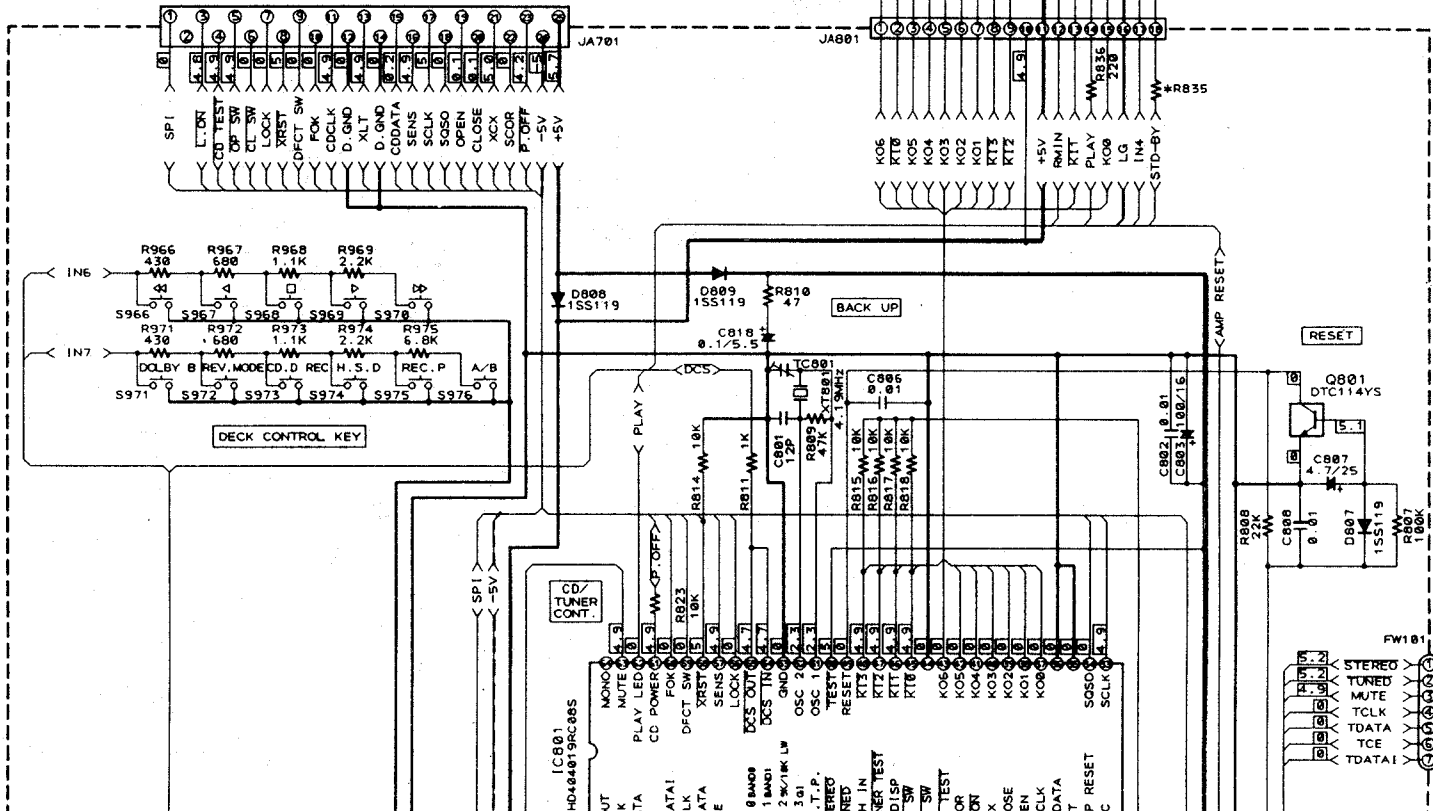
	BS	J. C	G. G1	OTHERS
DB35	SLA-380LT	SLR-342VCA47	SLR-342VCA47	SLR-342VCA47
R835	470	150	150	150
WB65	NONE	NONE	USED	NONE
WB66	USED	USED	NONE	USED
K901	SHORT	SHORT	USED	SHORT
R945	SHORT	USED	SHORT	SHORT

TUNER CHIP SELECT

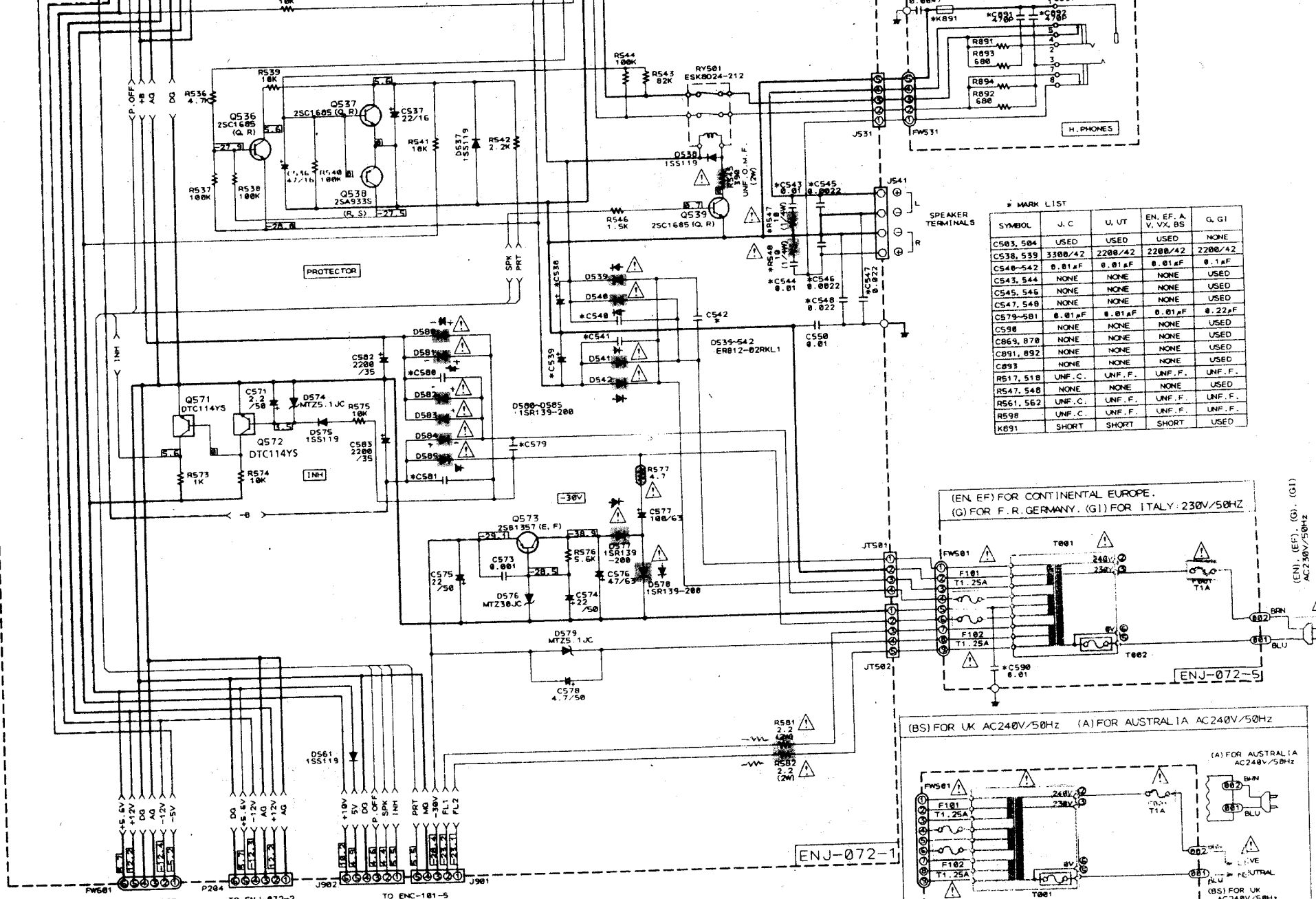
BAND CS	EN. EF. G. BS	A	G1	VX	U. UT	J. C
CS0 WB33	NONE	NONE	NONE	USED	NONE	USED
CS1 WB34	NONE	NONE	NONE	USED	USED	NONE
CS2 WB35	NONE	USED	NONE	NONE	NONE	NONE
CS3 WB36	NONE	NONE	USED	NONE	NONE	USED



TO CD/INPUT C.B ENN-373



TO TUNER C.B ENA-114

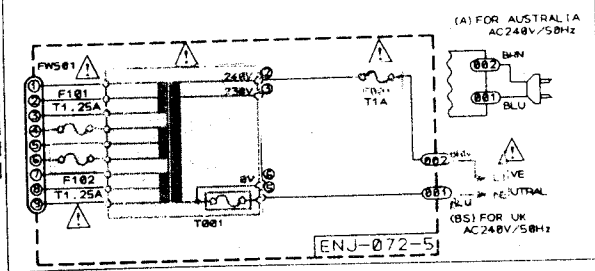


MARK LIST

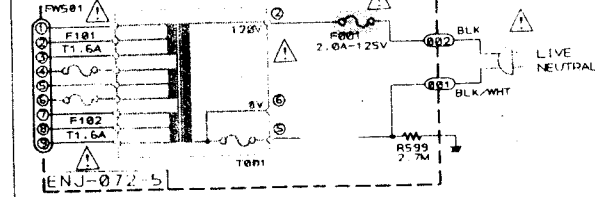
SYMBOL	J. C	U. UT	EN, EF, A V, VX, BS	G. G1
C503, 504	USED	USED	USED	NONE
C538, 539	3300/42	2200/42	2200/42	2200/42
C540-542	0.01µF	0.01µF	0.01µF	0.1µF
C543, 544	NONE	NONE	NONE	USED
C545, 546	NONE	NONE	NONE	USED
C547, 548	NONE	NONE	NONE	USED
C579-581	0.01µF	0.01µF	0.01µF	0.22µF
C598	NONE	NONE	NONE	USED
C869, 878	NONE	NONE	NONE	USED
C891, 892	NONE	NONE	NONE	USED
C893	NONE	NONE	NONE	USED
R517, 518	UNF. C.	UNF. F.	UNF. F.	UNF. F.
R547, 548	NONE	NONE	NONE	USED
R561, 562	UNF. C.	UNF. F.	UNF. F.	UNF. F.
R598	UNF. C.	UNF. F.	UNF. F.	UNF. F.
K891	SHORT	SHORT	SHORT	USED

(EN, EF) FOR CONTINENTAL EUROPE.
 (G) FOR F. R. GERMANY. (G1) FOR ITALY: 230V/50HZ

(BS) FOR UK AC240V/50HZ (A) FOR AUSTRALIA AC240V/50HZ



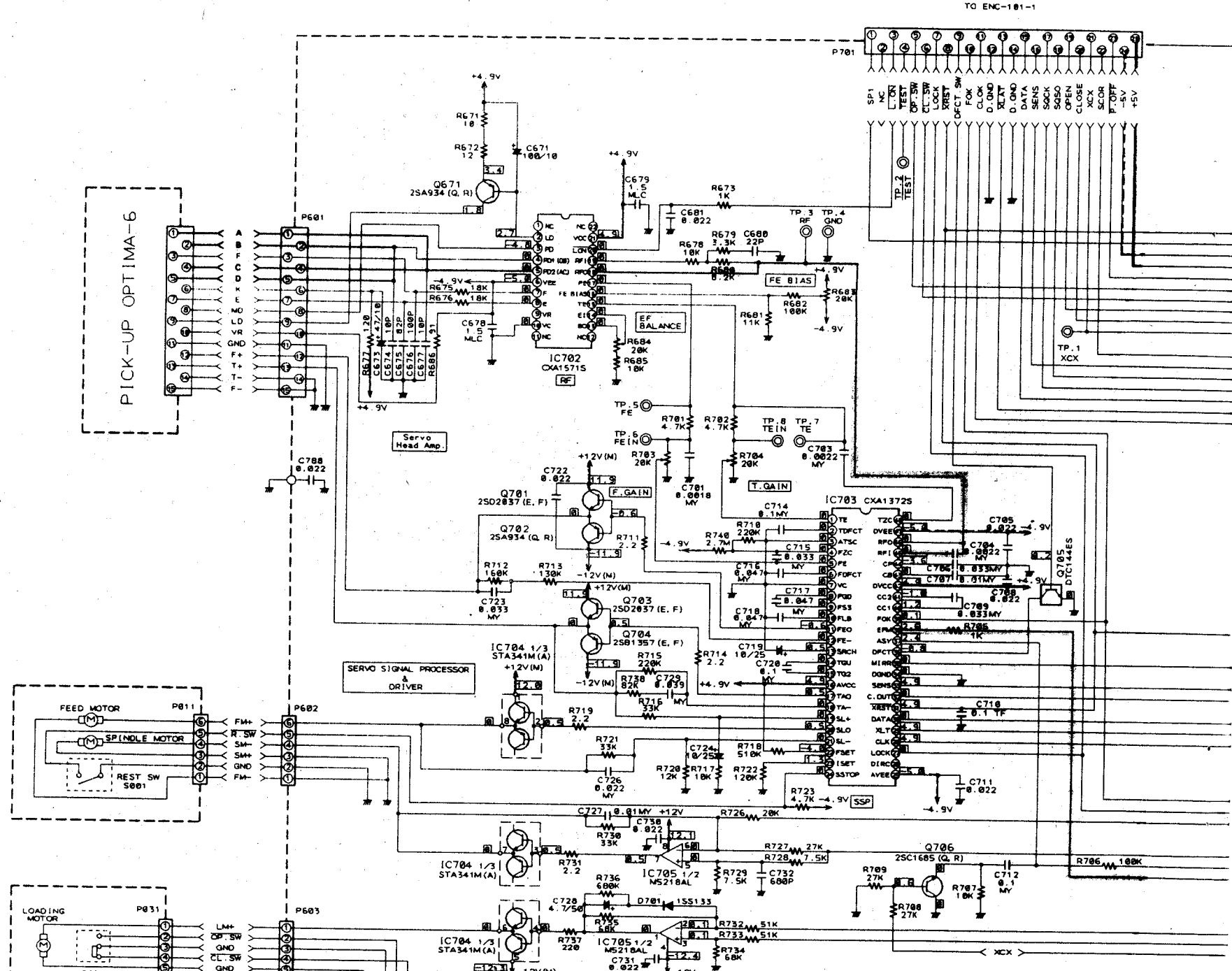
(J), (C) FOR U. S. A. / CANADA AC 120V/60HZ



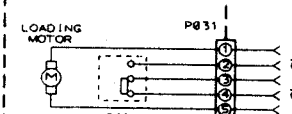
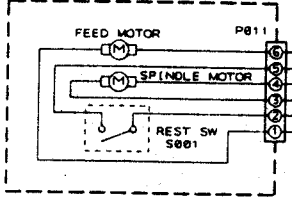
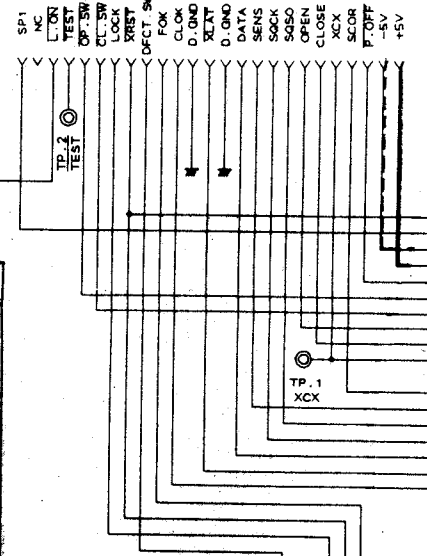
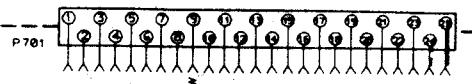
(3) CD & Source Selector Section

A B C D E F G H I

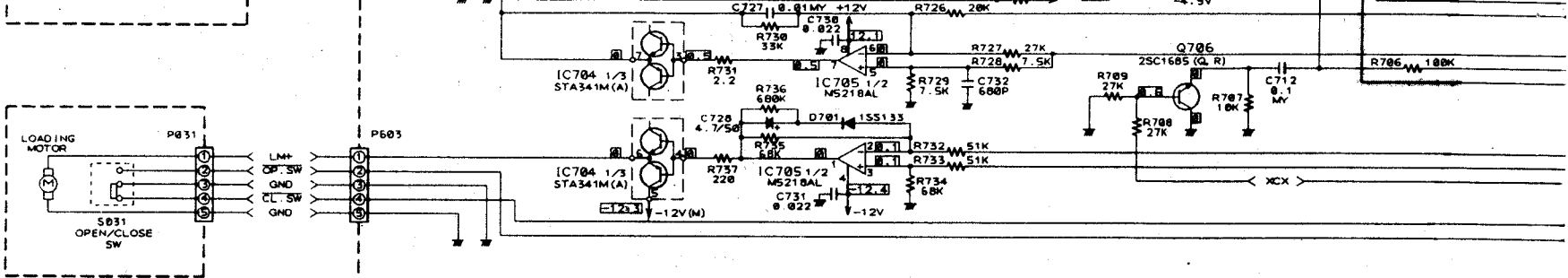
1
2
3
4
5
6
7



TO ENC-101-1

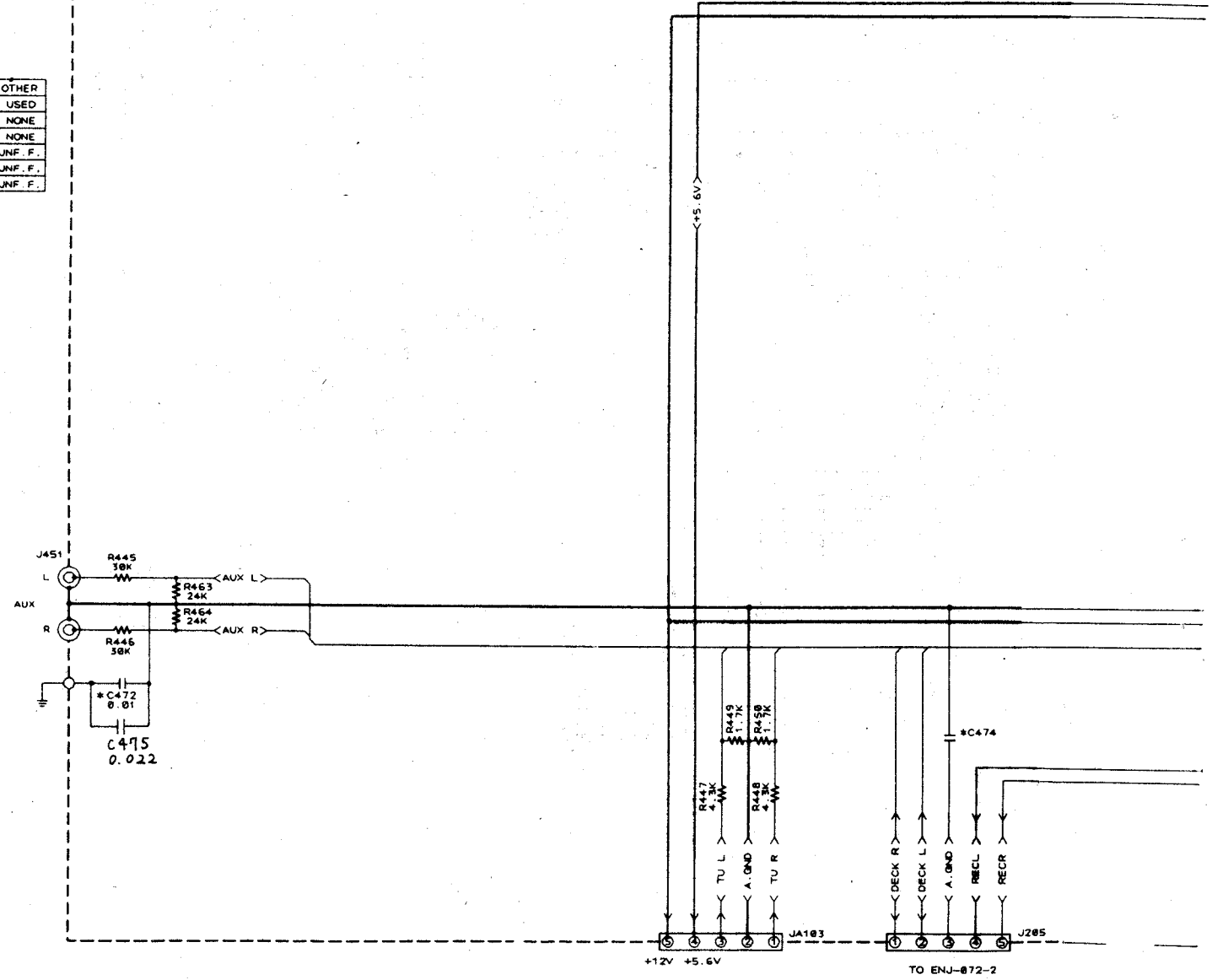


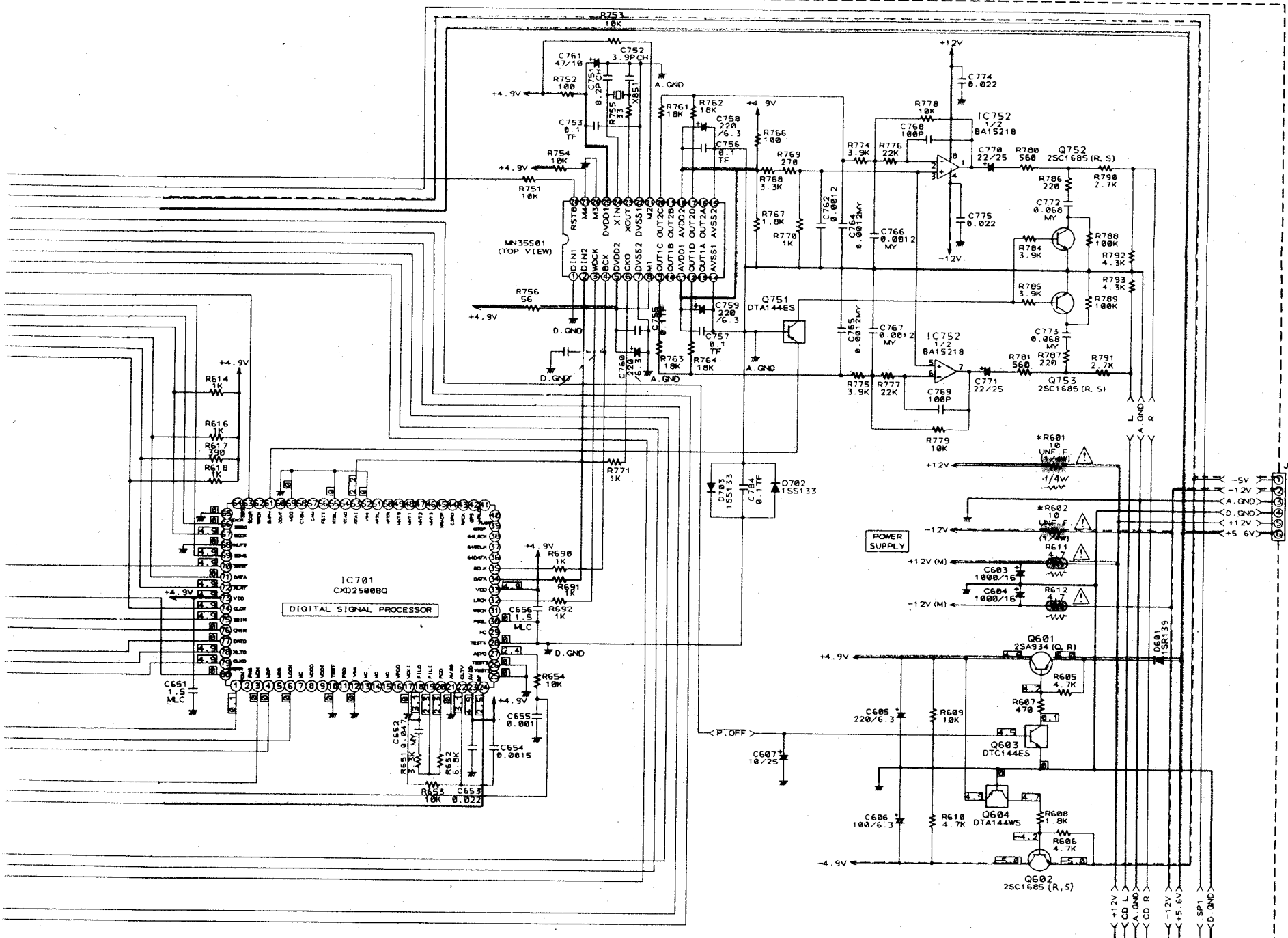
7
8
9
10
11
12
13



* MARK

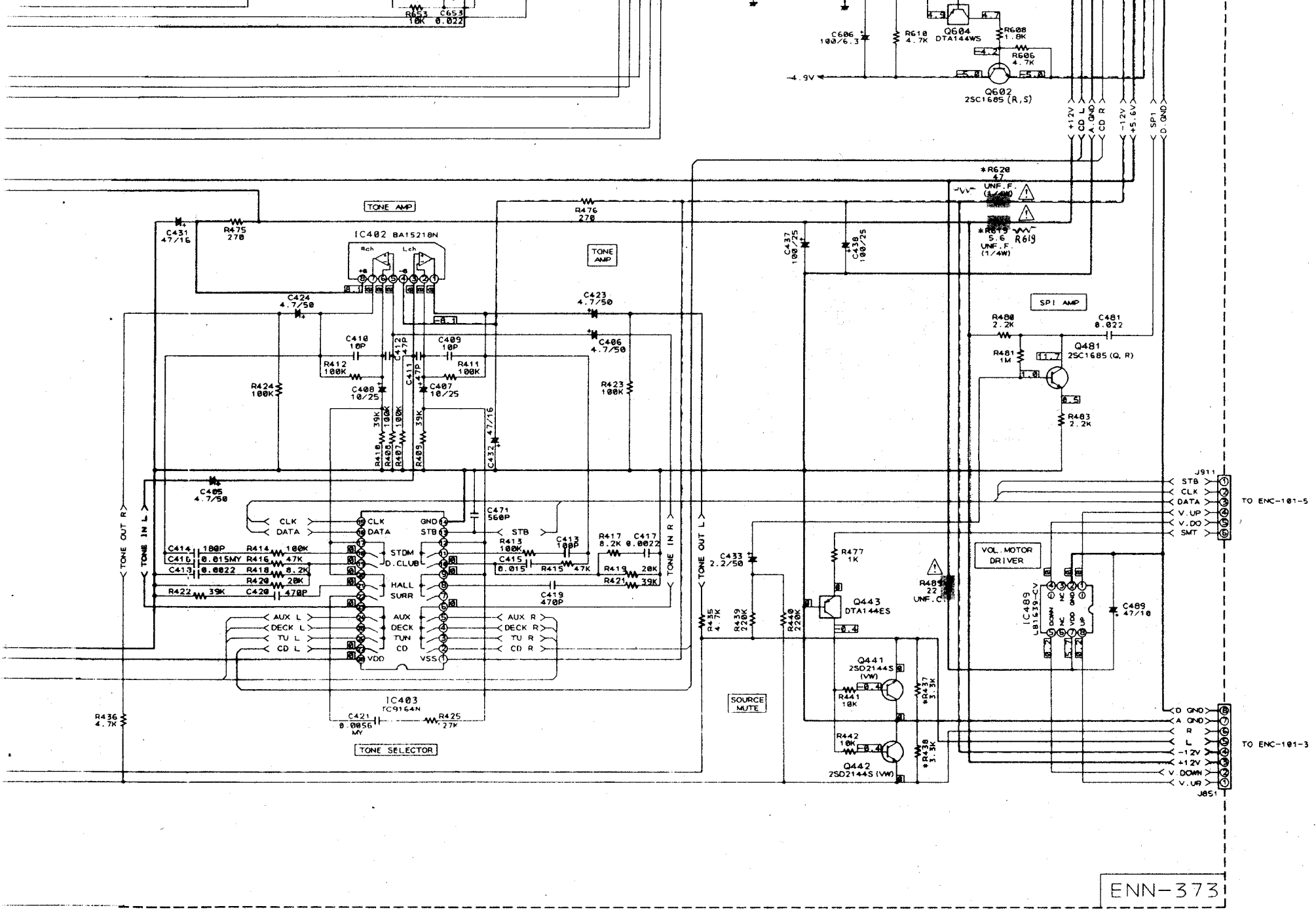
	U, UT	G, GI	J, C	OTHER
R437, 438	NONE	USED	USED	USED
C472	NONE	0.022	NONE	NONE
C474	NONE	0.022	NONE	NONE
R601, 602	UNF. F.	UNF. F.	UNF. C.	UNF. F.
R619	UNF. F.	UNF. F.	UNF. C.	UNF. F.
R620	UNF. F.	UNF. F.	UNF. C.	UNF. F.



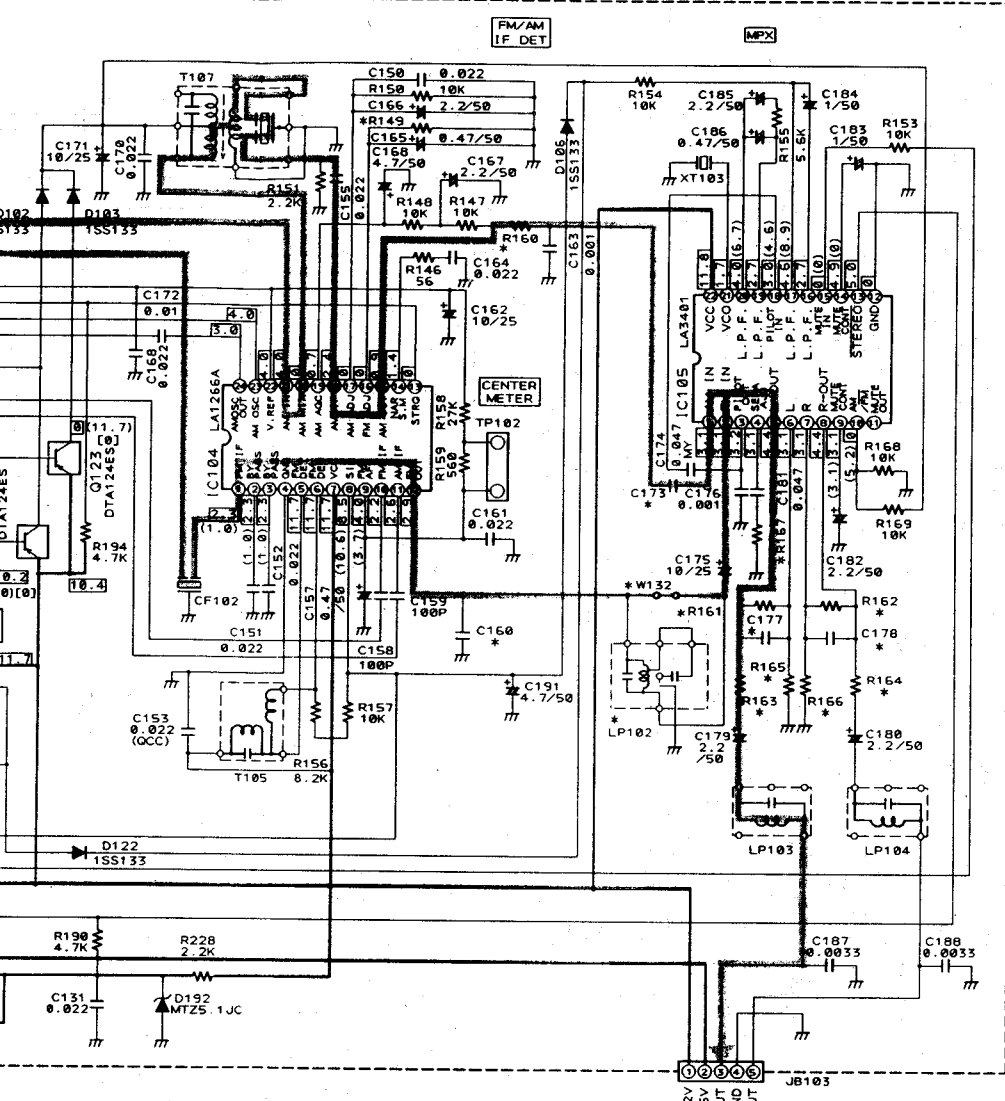


** G. G1 ONLY

TO ENJ-072-1



ENN-373

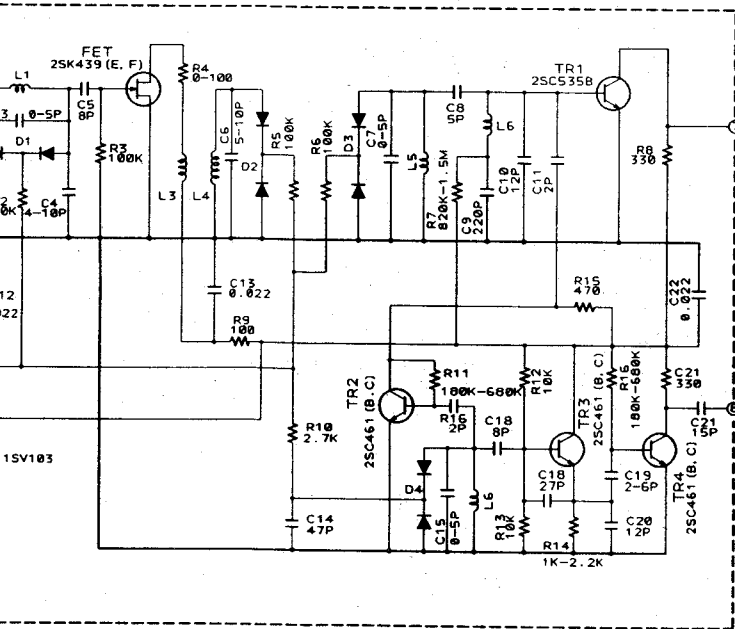


* MARK

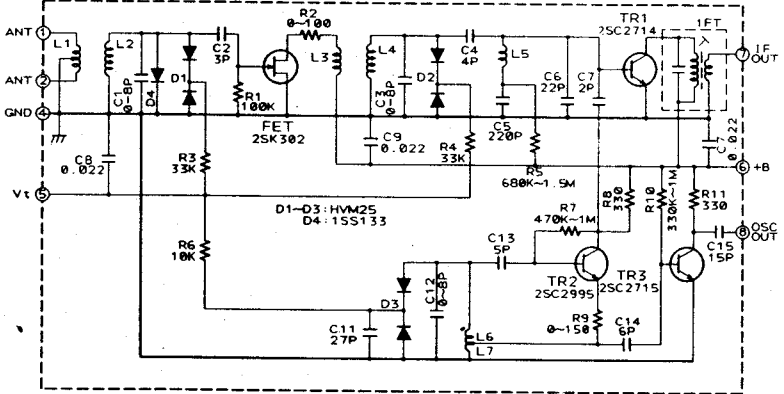
	EN, EF	G, G1	BS	VX
R160	10K	10K	1K	10K
R161, 162	100K	100K	68K	100K
R163, 164	3.9K	3.9K	3.9K	3.9K
R165, 166	270K	270K	270K	270K
R167	47K	47K	47K	47K
R196	2.2K	2.2K	2.2K	2.2K
R198	8.2K	8.2K	8.2K	8.2K
C160	100P	220P	100P	100P
C173	0.022	0.022	0.022	0.022
C177, 178	560P	560P	820P	560P
FE101	EAF2203-001	EAF2203-003	EAF2203-001	EAF2302-001
LP102	NONE	USED	NONE	NONE
W132	USED	NONE	USED	USED
R149	27K	27K	27K	15K
R110	NONE	NONE	NONE	47K
C103	NONE	NONE	NONE	0.01
W146	USED	NONE	USED	NONE
C107	NONE	22/16	NONE	NONE
R151	NONE	100	NONE	NONE

□ FM AUTO NO SIGNAL
 () MW NO SIGNAL
 [] LW NO SIGNAL

3-003 (FOR G, G1)



FE101 EAF2302-001 (FOR VX)

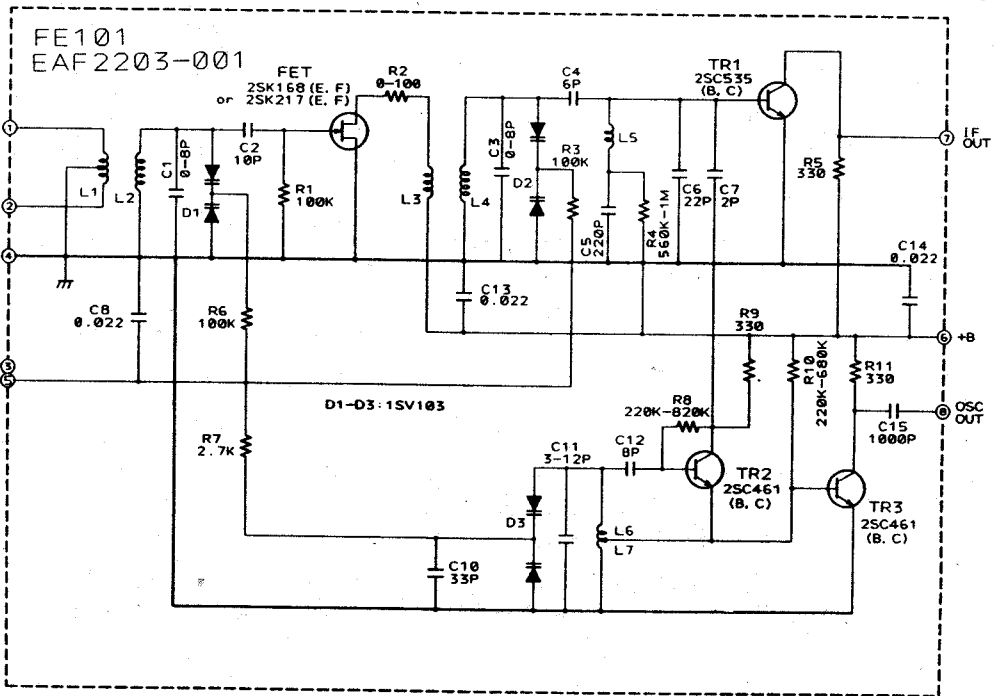
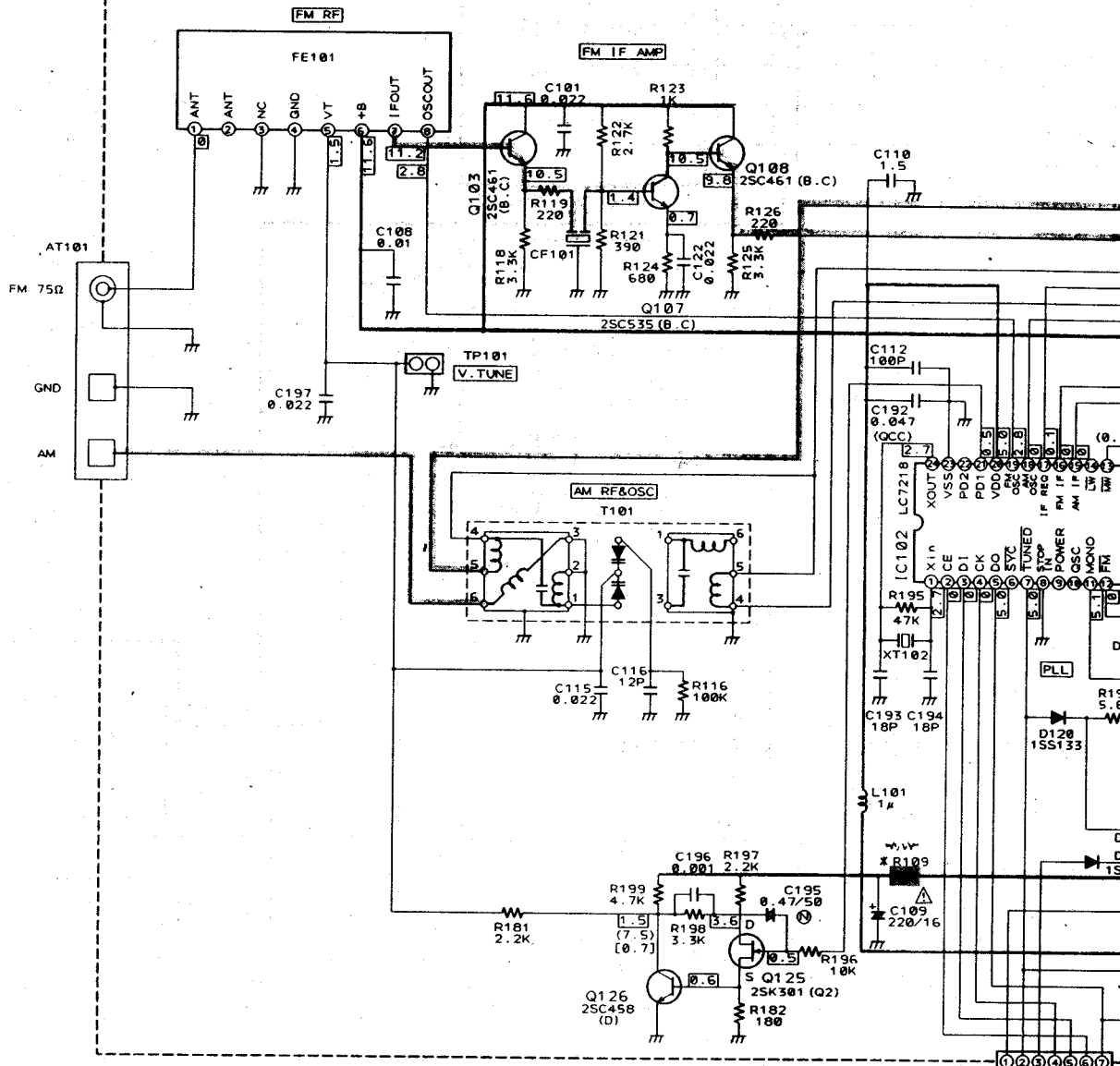


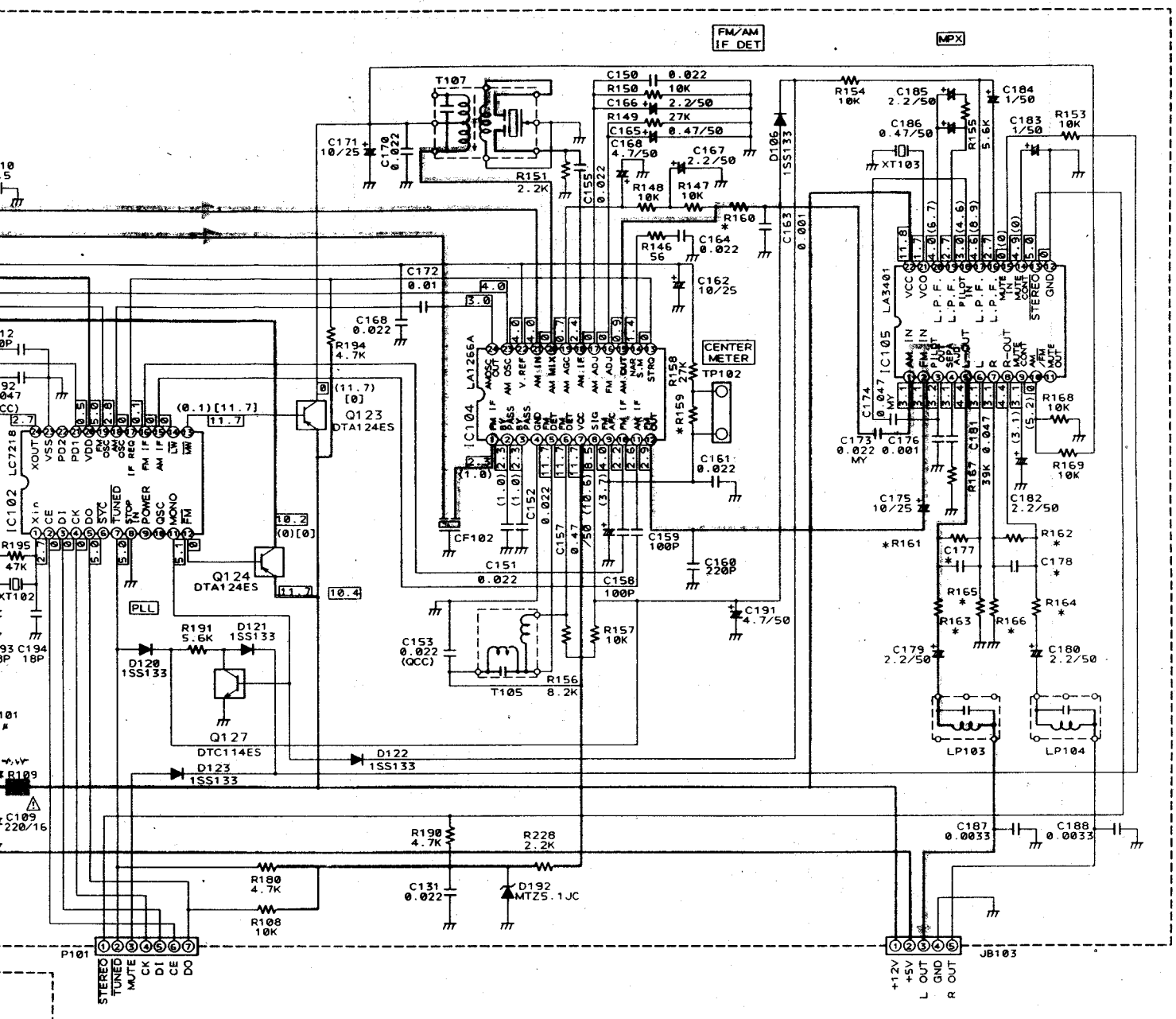
A B C D E F G H I

FOR U. A. J. C (6) Tuner Section (without LW)

ENA-140-1

1
2
3
4
5
6
7
8
9
10
11
12
13





* MARK

	U	A	J.C
R109	68 UNF. F. (1/4W)	68 UNF. F. (1/4W)	68 UNF. C. (1/4W)
R159	27K	27K	15K
R160	5.6K	10K	5.6K
R161, 162	82K	100K	82K
R163, 164	4.7K	3.3K	4.7K
R165, 166	180K	270K	180K
C177, 178	820P	560P	820P

□ FM AUTO NO SIGNAL
() MM NO SIGNAL