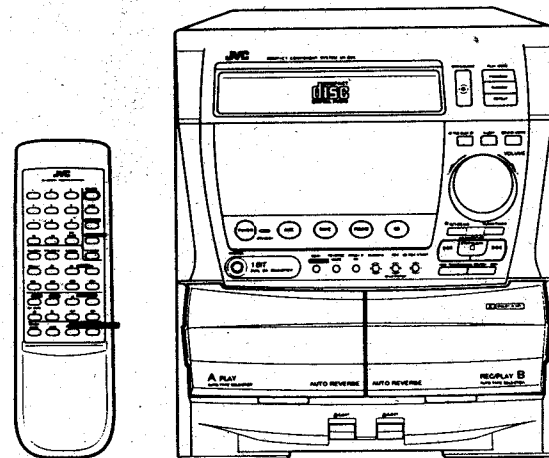
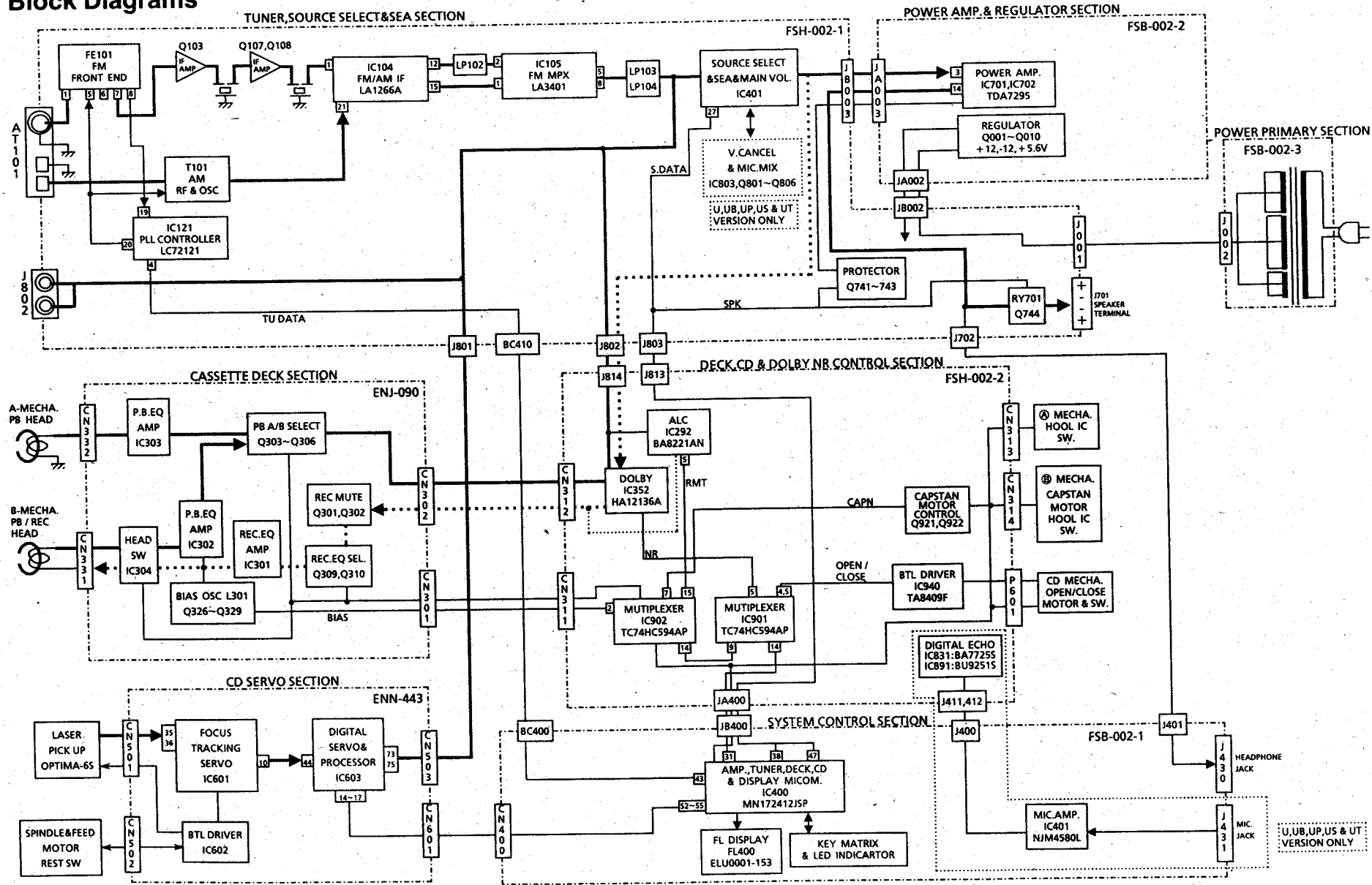


JVC

CA-D3S

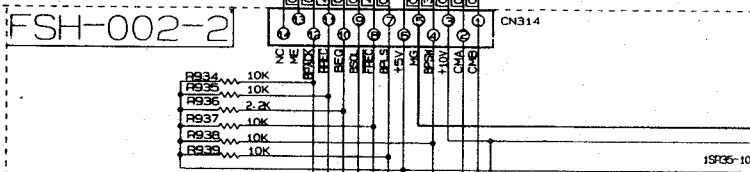
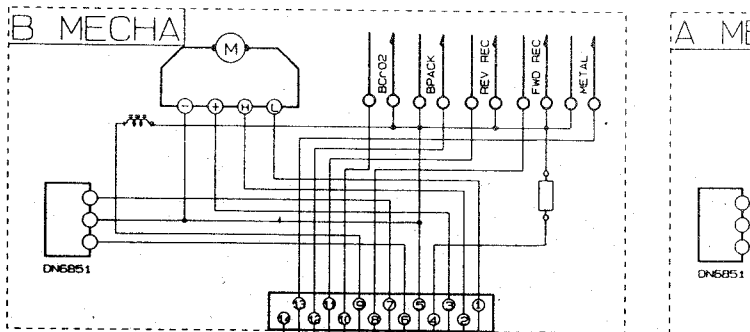


Block Diagrams



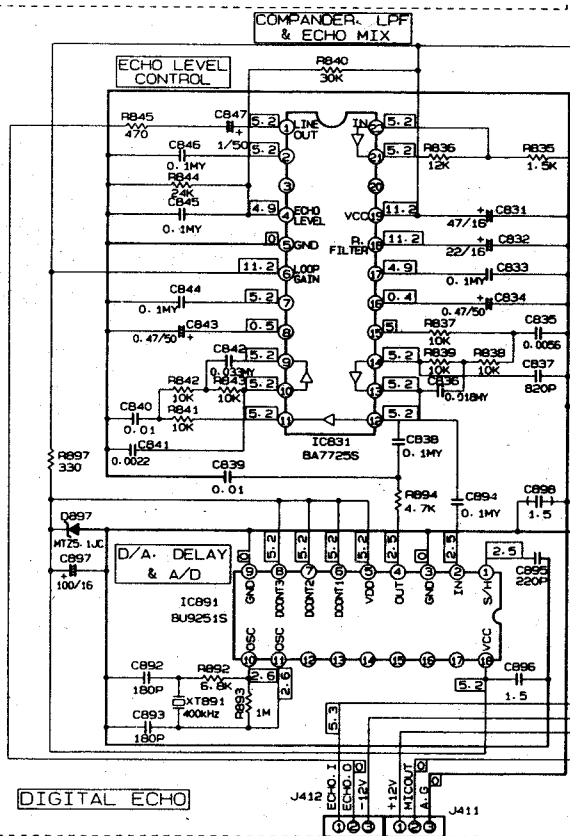
*Remarks

Version	Reference	Values
BS, EF, EN	C366, C367	100P
G, G1	C367, C368	

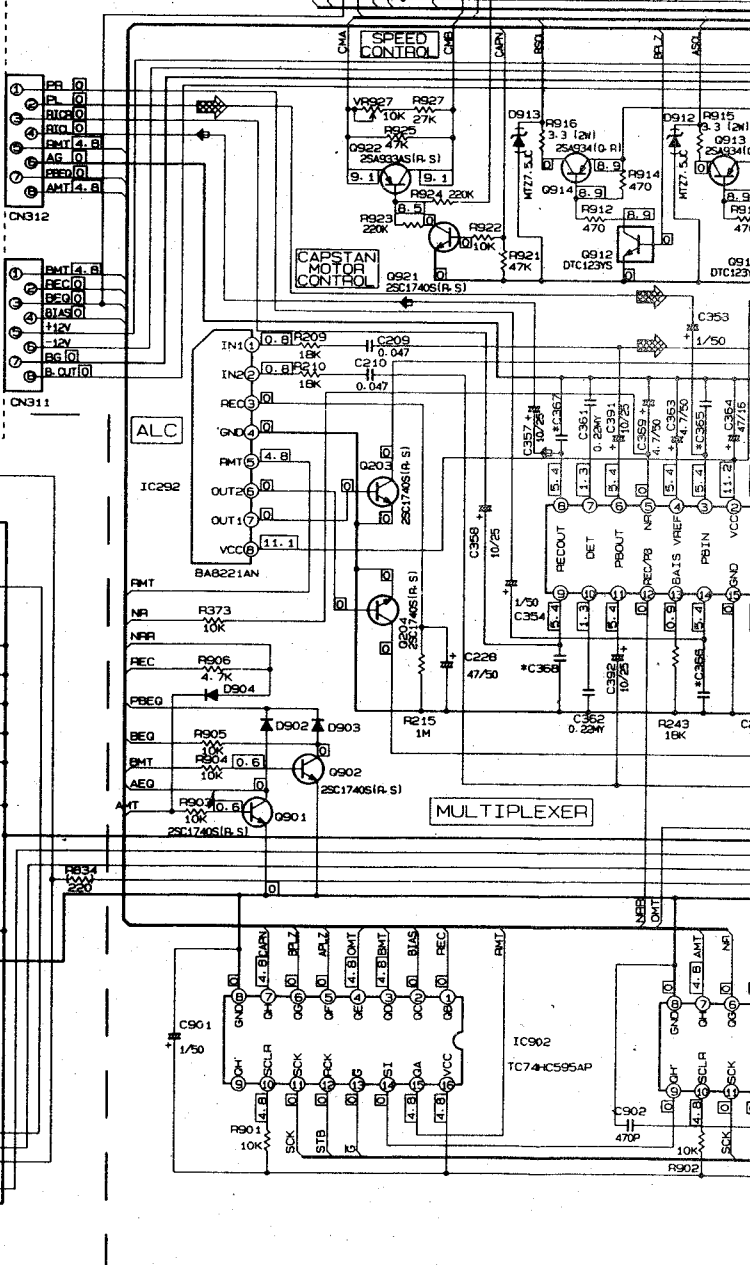


TO CN302 OF ENJ-090 (SHEET 7/9)

TO CN301 OF ENJ-090 (SHEET 7/9)



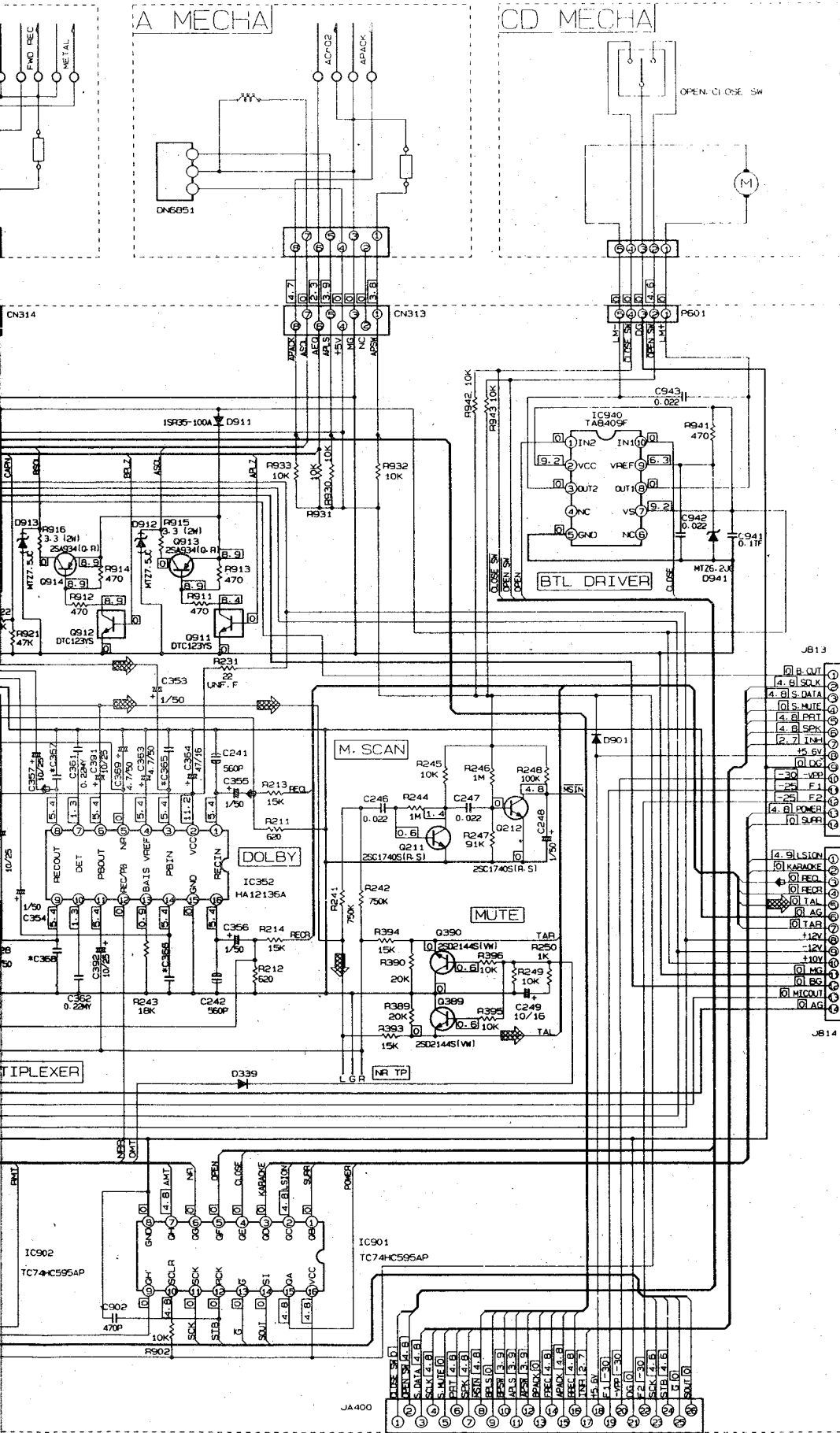
TO J400 OF FSB-002-1 (SHEET 2/9)



VERSION U, UB, UP, US, UT ONLY

7

Deck Mechanism Control & CD Open/Close Section



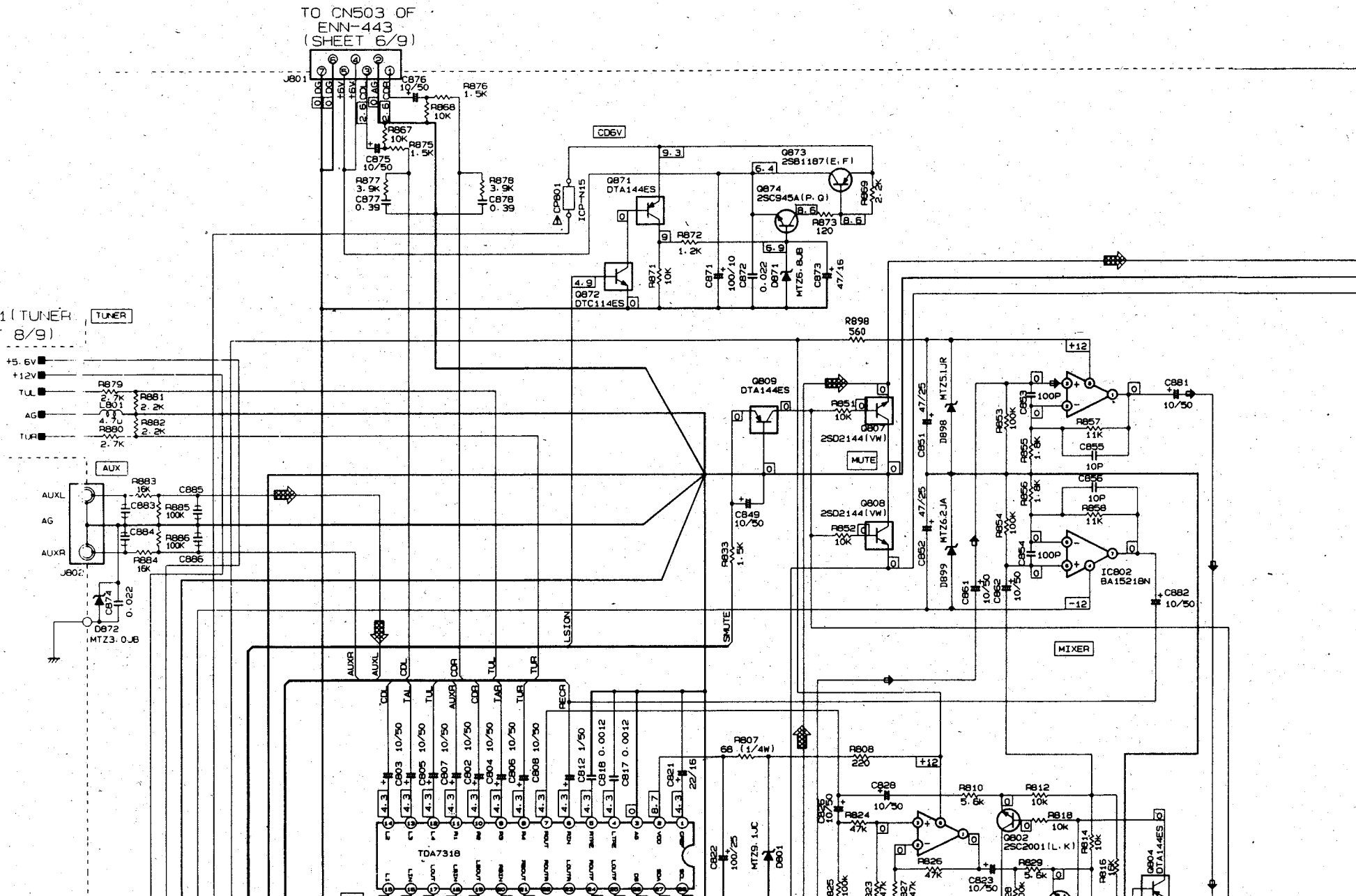
- NOTES
1. VOLTAGES ARE DC-LEVELS USING AN OSCILLOSCOPE WITH NO INPUT SIGNAL CONDITION IN TAPE MODE
 2. UNLESS OTHERWISE SPECIFIED CARBON RESISTOR
 3. ALL RESISTANCE VALUES ARE IN OHMS UNLESS INDICATED OTHERWISE
 4. ALL CAPACITANCE VALUES ARE IN PFD-FF
 5. ALL ELECTROLYTIC CAPACITORS ARE 50V UNLESS OTHERWISE SPECIFIED
 6. POLYPROPYLENE CAPACITOR ON 50V 45% THIN FILM CAPACITOR
 7. THOSE PART WITH BRACKET IS NOT USED
 8. FOR RESISTOR, IT WOULD BE AN OPEN

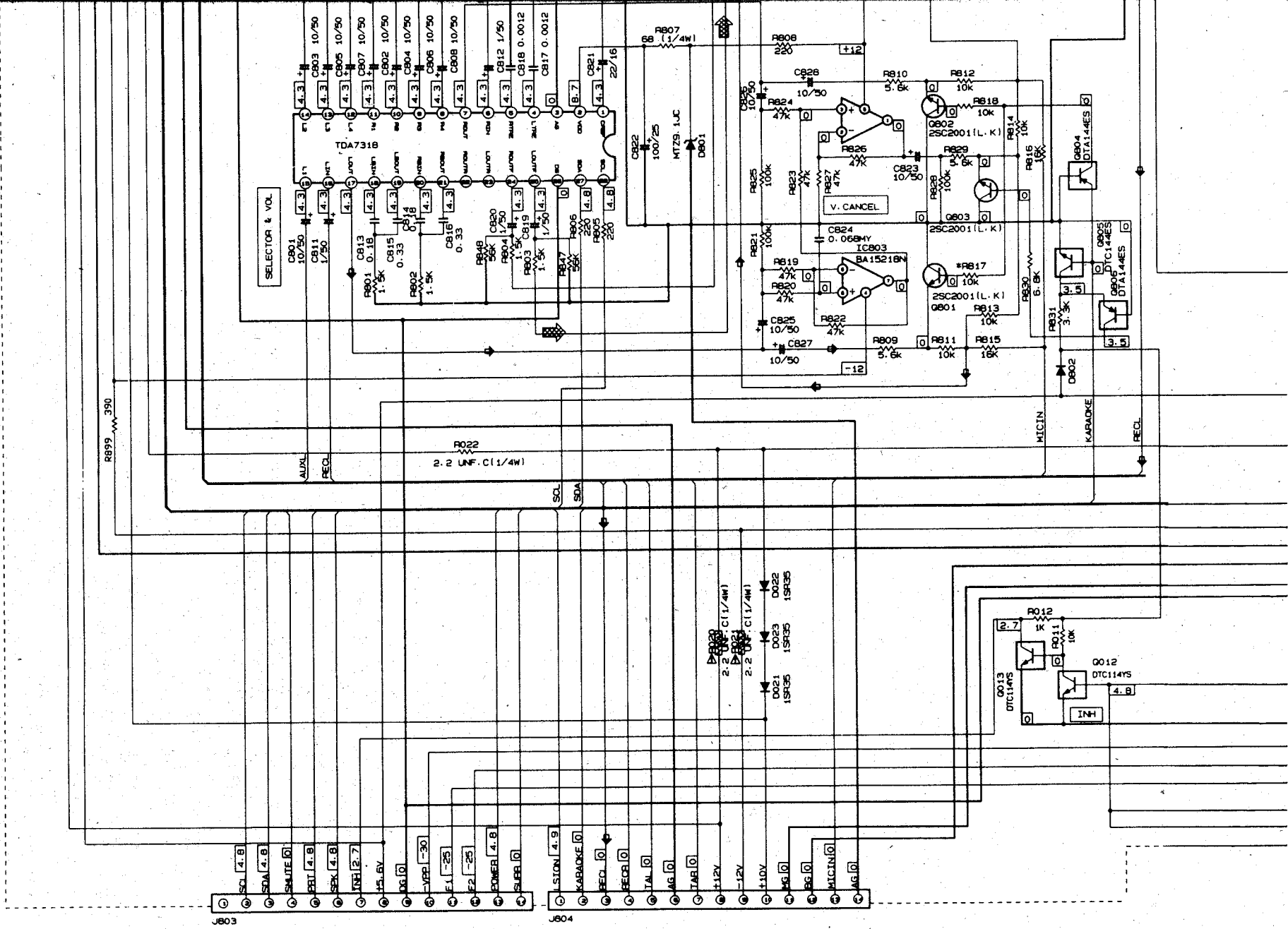
TO JB400 OF
FSB-002-1
(SHEET 2/9)

DC Regulator & Audio Input Section (U,UB,UP,US,UT)

TO CN503 OF
ENN-443
(SHEET 6/9)

TO
FSH-002-1 (TUNER)
(SHEET 8/9)

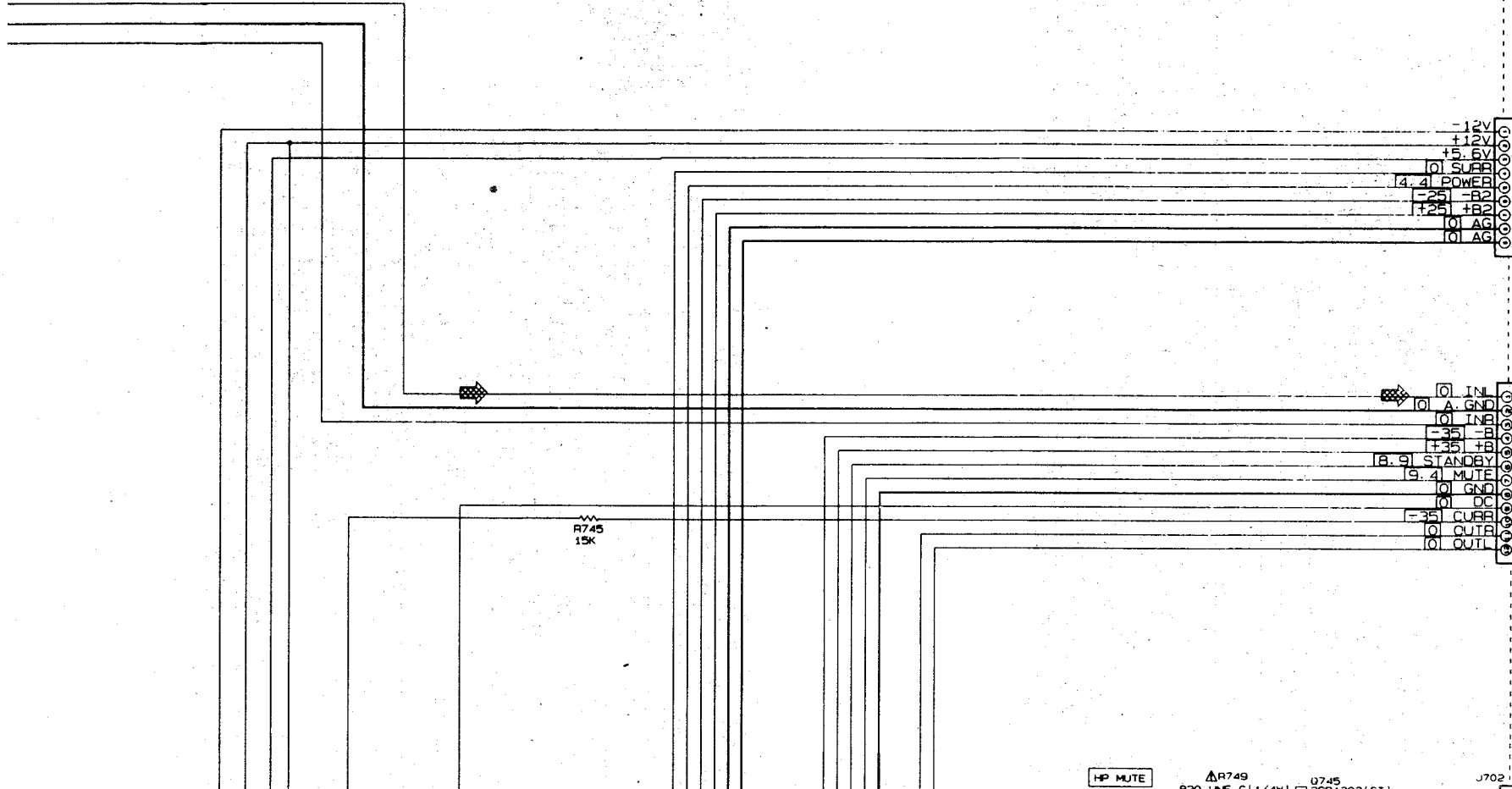




TO JB13 OF
FSH-002-2
(SHEET 3/9)

TO JB14 OF
FSH-002-2
(SHEET 3/9)

FSH-002-1



J8002

01	-12V
02	+12V
03	15.0V
04	01 SUPP
05	4.4 POWER
06	-25
07	-B
08	+25
09	+B
10	01 AG
11	01 AG

TO JA002 OF
FSB-002-2
(SHEET 9/9)

01	IN
02	A_GND
03	IND
04	-35
05	-B
06	+35
07	+B
08	8.9 STANDBY
09	4 MUTE
10	GND
11	01
12	01
13	-35 CURR
14	01 CURR
15	01 CURR
16	01 CURR

TO JA003 OF
FSB-002-2
(SHEET 9/9)

J8003

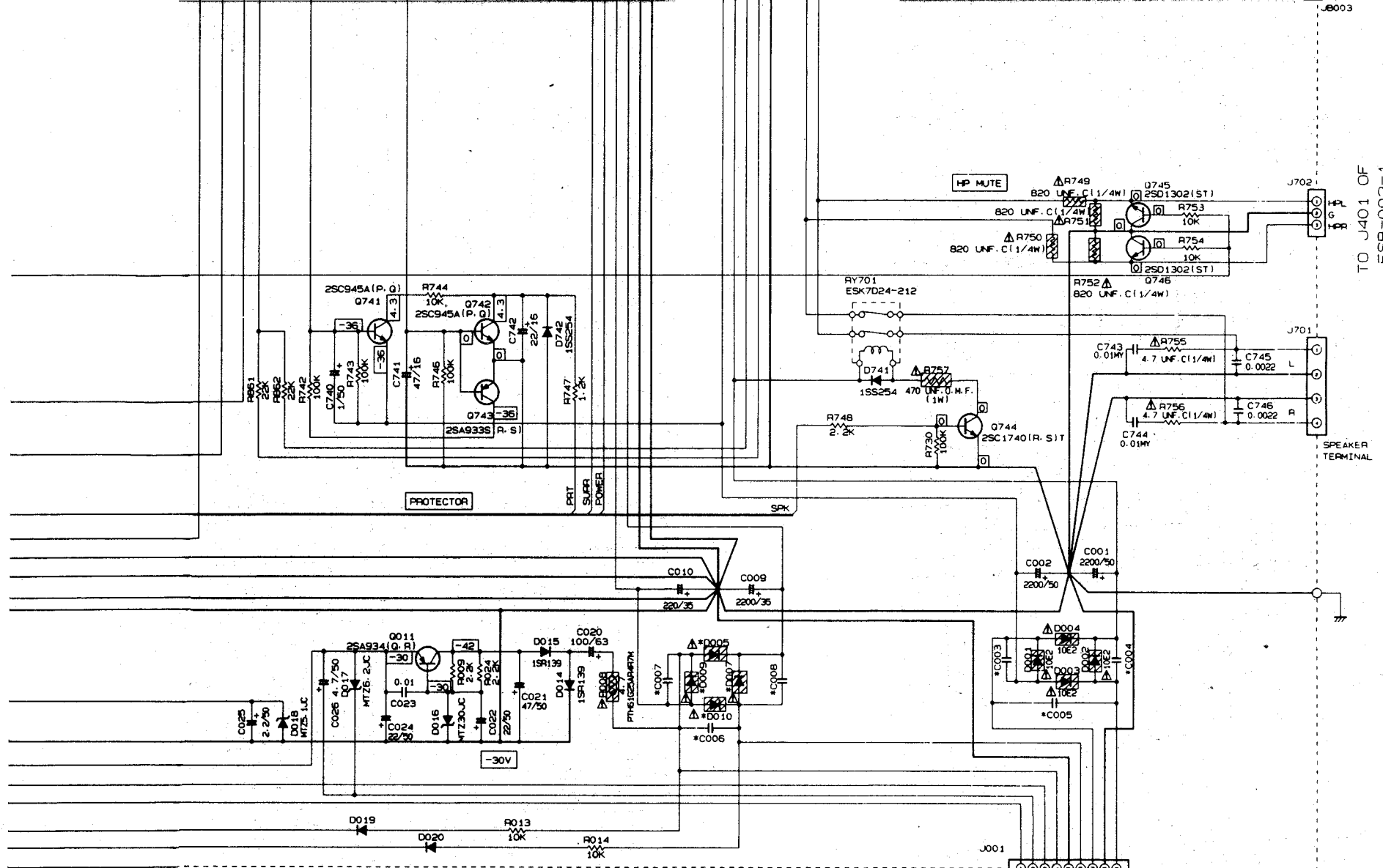
R745
15K

HP MUTE

AR749
820 HP 611 (4N) 0745

J702

OF
2-1
(SHEET 2/9)



TO J401 OF
FSB-002-1
(SHEET 2/9)

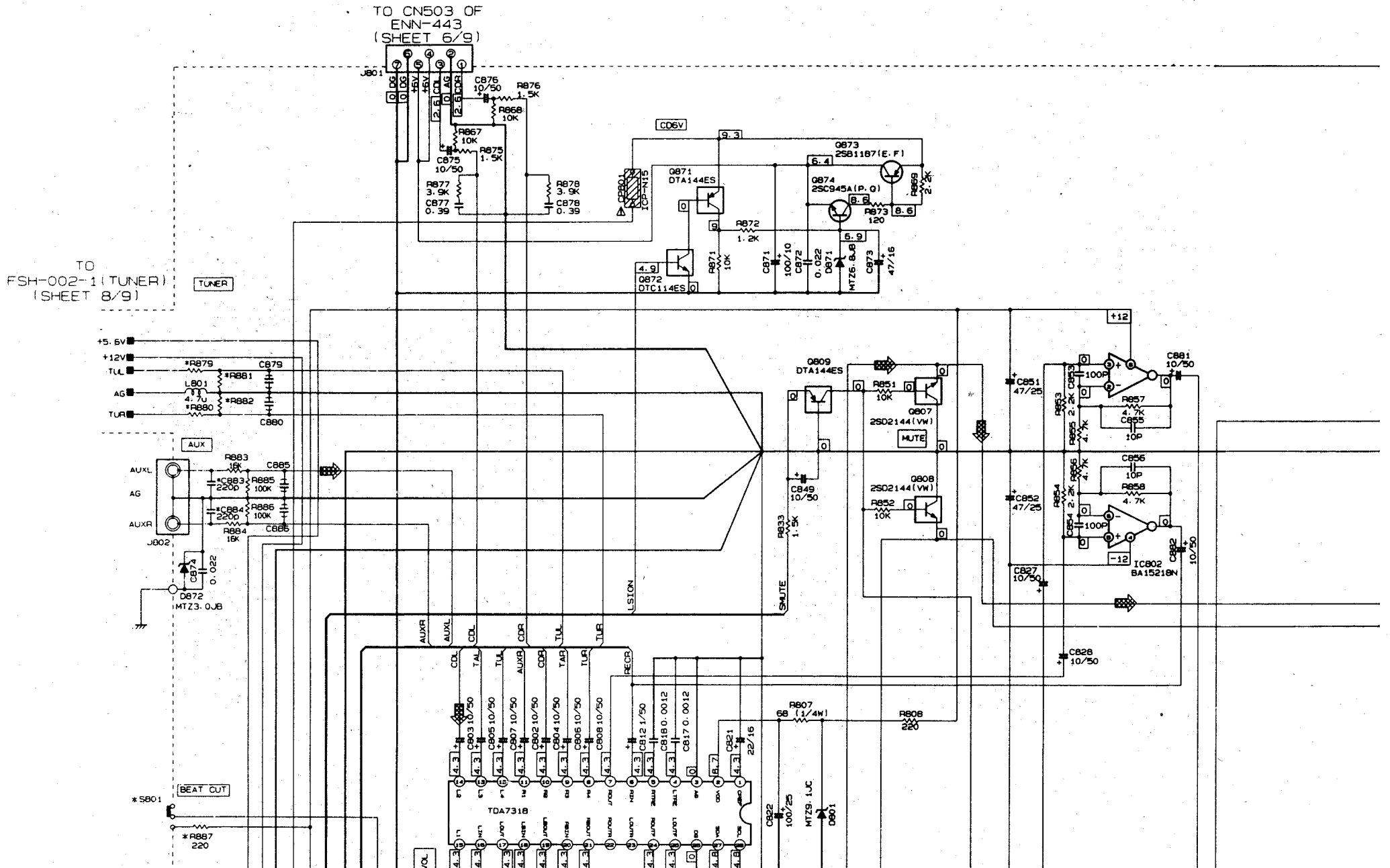
SPEAKER
TERMINAL

TO FSB-002-3
SEE POWER
SUPPLY SECTION
(SHEET 1/9)

*REMARKS

	U.	UB.	UP.	US.	UT
D005, D007					1SR35-100AT-93
D009, D010					0.01
C003-C008					0.01

■ DC Regulator & Audio Input Section (A,BS,EF,EN,G,GI,VX)



*5801 BEAT CUT

*R887 220

SELECTOR & VOL

TDA7318

C801 10/50
C811 1/50
C805 10/50
C807 10/50
C802 10/50
C804 10/50
C806 10/50
C808 10/50

R901 0.1B
R902 0.1B
R903 0.1B
R904 0.33
R905 1/50
R906 1/50
R907 56K
R908 56K
R909 56K
R910 56K
R911 56K
R912 56K
R913 56K
R914 56K
R915 56K
R916 56K
R917 56K
R918 56K
R919 56K
R920 56K
R921 56K
R922 56K
R923 56K
R924 56K
R925 56K
R926 56K
R927 56K
R928 56K
R929 56K
R930 56K
R931 56K
R932 56K
R933 56K
R934 56K
R935 56K
R936 56K
R937 56K
R938 56K
R939 56K
R940 56K
R941 56K
R942 56K
R943 56K
R944 56K
R945 56K
R946 56K
R947 56K
R948 56K
R949 56K
R950 56K
R951 56K
R952 56K
R953 56K
R954 56K
R955 56K
R956 56K
R957 56K
R958 56K
R959 56K
R960 56K
R961 56K
R962 56K
R963 56K
R964 56K
R965 56K
R966 56K
R967 56K
R968 56K
R969 56K
R970 56K
R971 56K
R972 56K
R973 56K
R974 56K
R975 56K
R976 56K
R977 56K
R978 56K
R979 56K
R980 56K
R981 56K
R982 56K
R983 56K
R984 56K
R985 56K
R986 56K
R987 56K
R988 56K
R989 56K
R990 56K
R991 56K
R992 56K
R993 56K
R994 56K
R995 56K
R996 56K
R997 56K
R998 56K
R999 56K
R1000 56K

AUXL
REC
2.2 UNF C11/4W

SCL
SDA

2.2 UNF C11/4W
2.2 UNF C11/4W
2.2 UNF C11/4W

D001
D002
D003
D004
D005
D006
D007
D008
D009
D010
D011
D012
D013
D014
D015
D016
D017
D018
D019
D020
D021
D022
D023
D024
D025
D026
D027
D028
D029
D030
D031
D032
D033
D034
D035
D036
D037
D038
D039
D040
D041
D042
D043
D044
D045
D046
D047
D048
D049
D050
D051
D052
D053
D054
D055
D056
D057
D058
D059
D060
D061
D062
D063
D064
D065
D066
D067
D068
D069
D070
D071
D072
D073
D074
D075
D076
D077
D078
D079
D080
D081
D082
D083
D084
D085
D086
D087
D088
D089
D090
D091
D092
D093
D094
D095
D096
D097
D098
D099
D1000

0013 DTC114YS
0012 DTC114YS
0011 10K
0010 4.8
0009 INH
0008
0007
0006
0005
0004
0003
0002
0001

- RECUT 0
- SCL 4.8
- SDA 4.8
- SHUTE 0
- BB1 4.8
- SPK 4.8
- INFR 2.7
- 15.6V
- DG 0
- VPP -30
- F1 -25
- F2 -35
- POWER 4.8
- SUPPL 0
- VISION 4.9
- KARAOKE 0
- REC 0
- REGR 0
- TAL 0
- AG 0
- TAB 0
- +12V
- 12V
- +10V
- MG 0
- RS 0
- AG 0

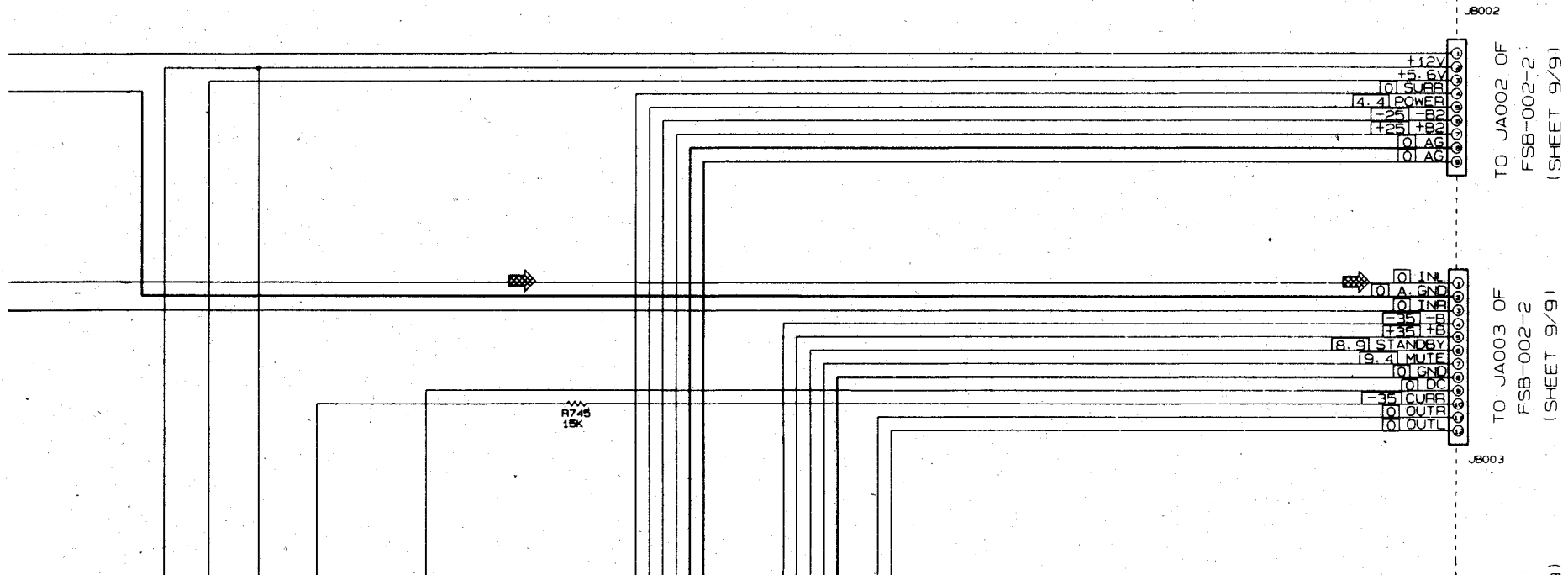
TO J813 OF
FSH-002-2
(SHEET 3/9)

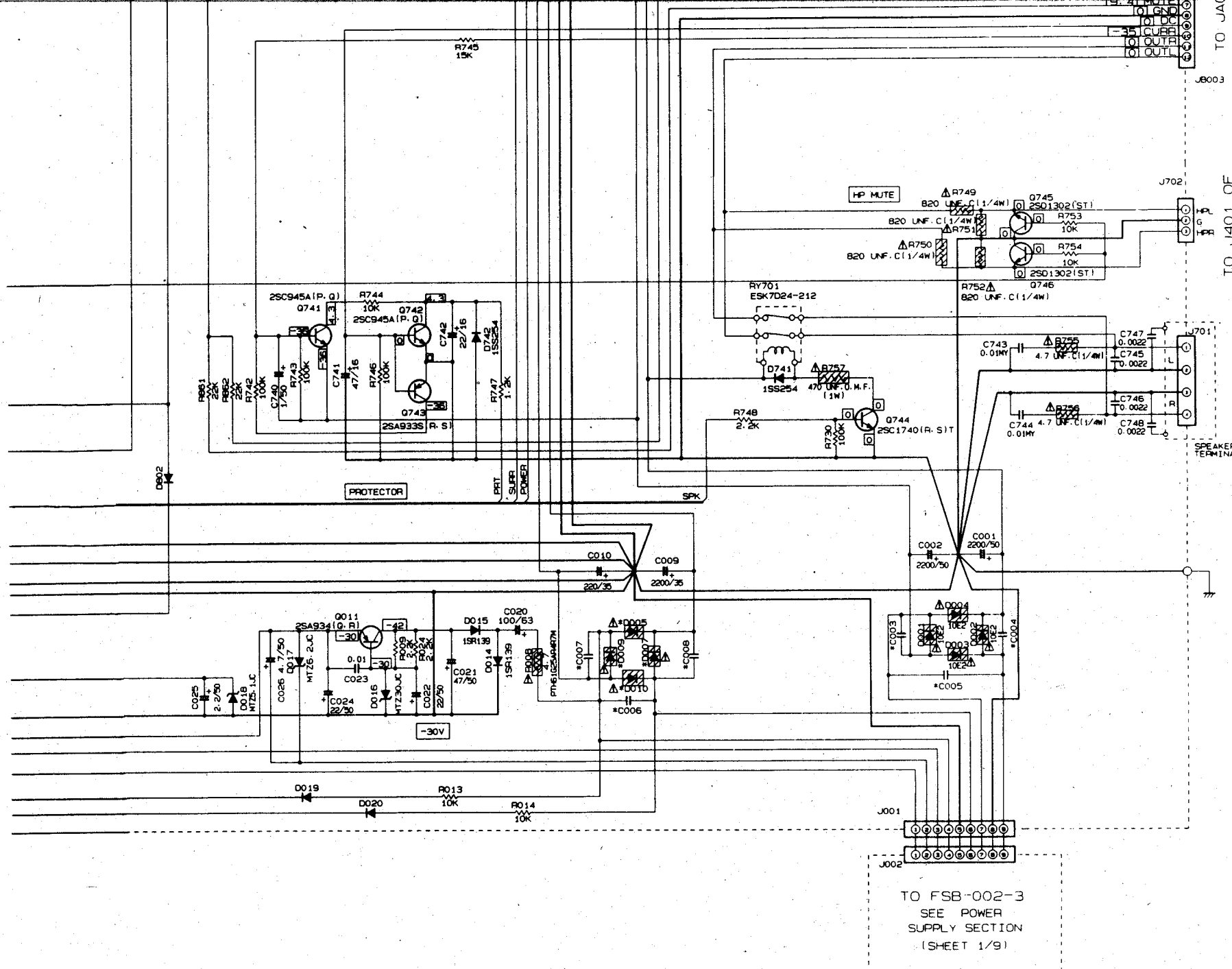
TO J814 OF
FSH-002-2
(SHEET 3/9)

*REMARKS

	BS	EF. EN. G. GI. VX.	A
S801&R887	USED	USED	NOT USED
D005, D007 D009, D010	1SR35-100AT-93	1SR35-100AT-93	1SR35-100AT-93
C003-C008	0.1	0.1	0.01
R879, R880	3.3K	2.2K	2.7K
R881, R882	2.0K	2.7K	2.2K
C883, C884	USED	USED	NOT USED

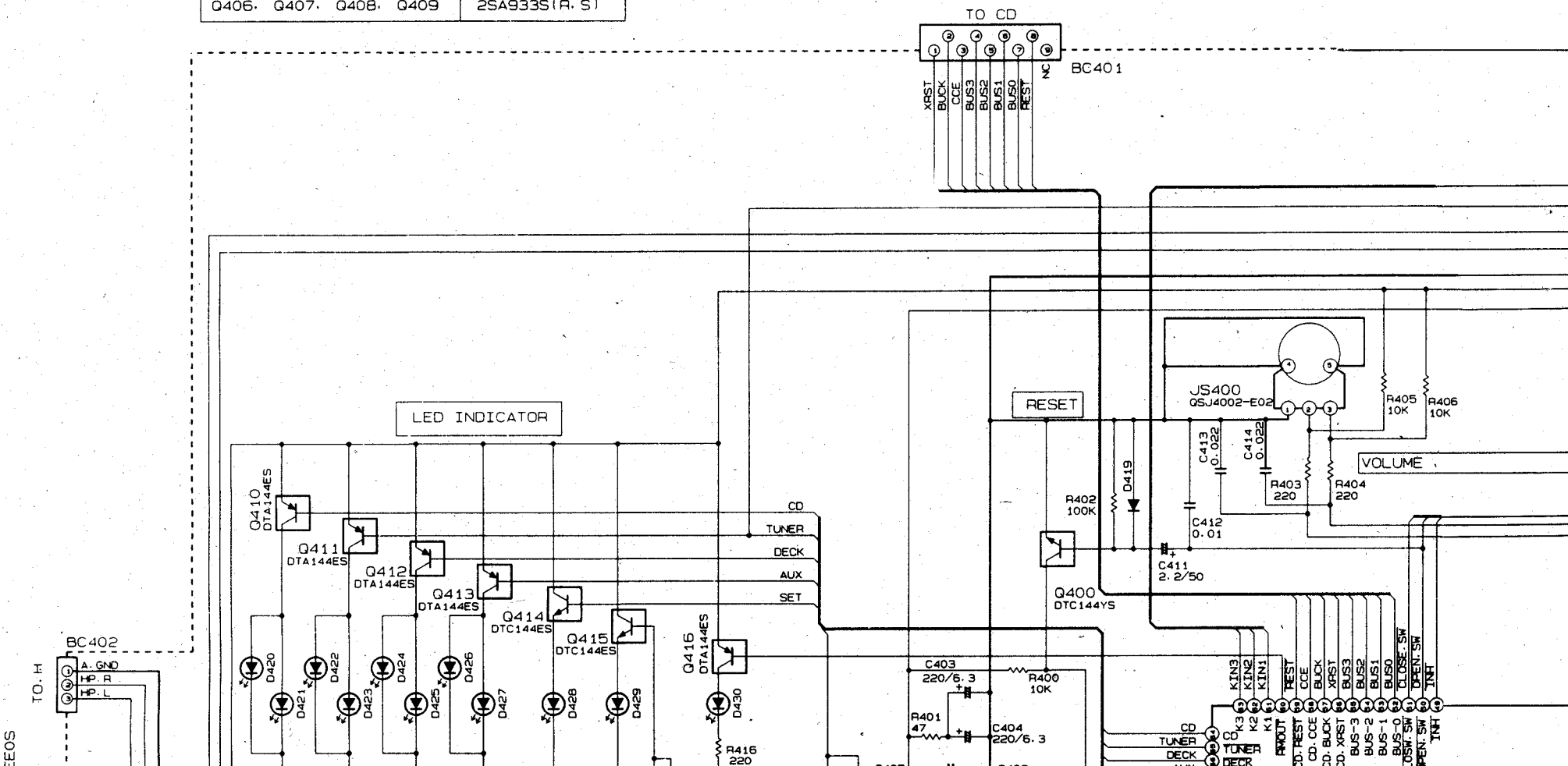
FSH-002-1

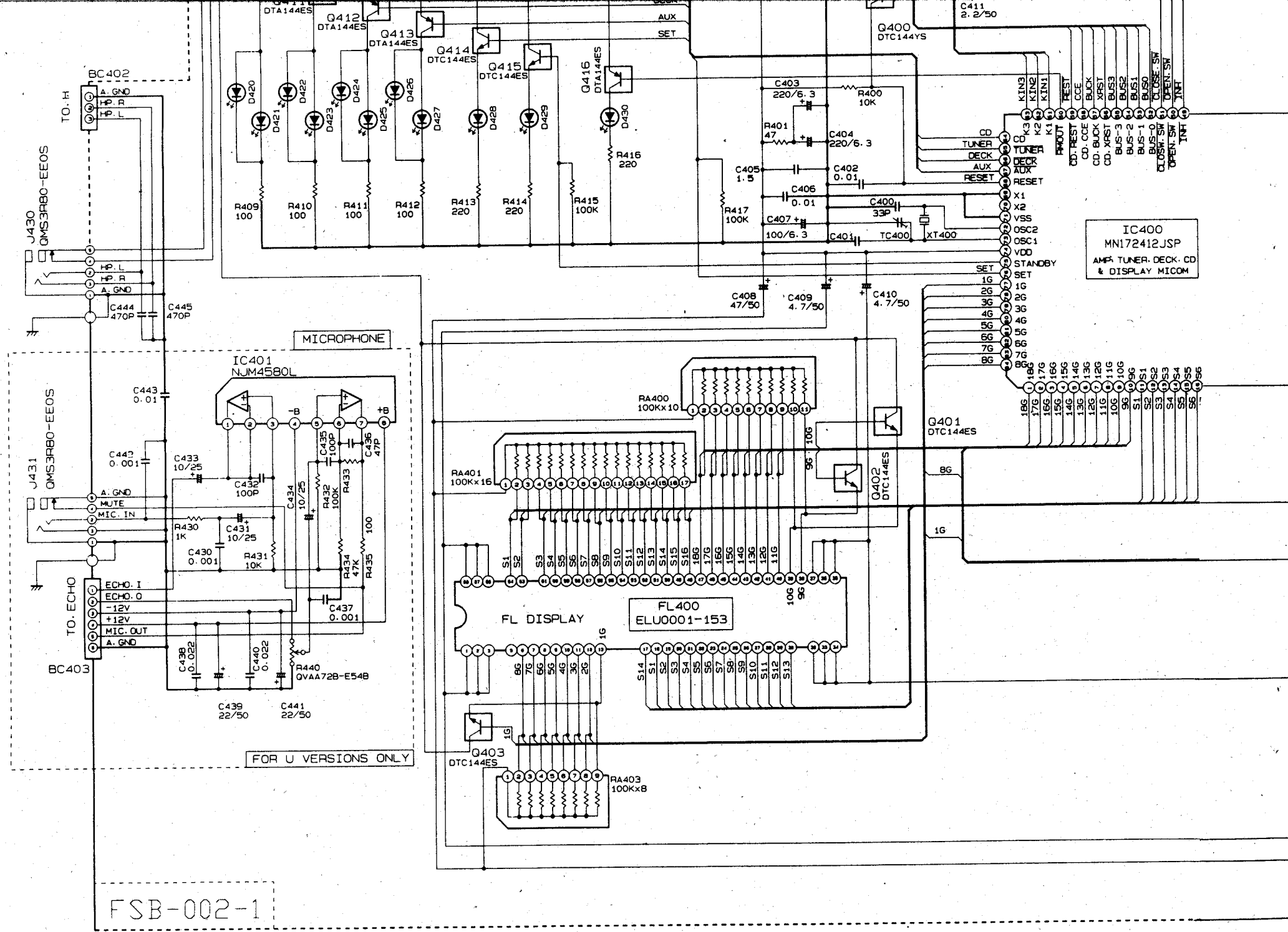




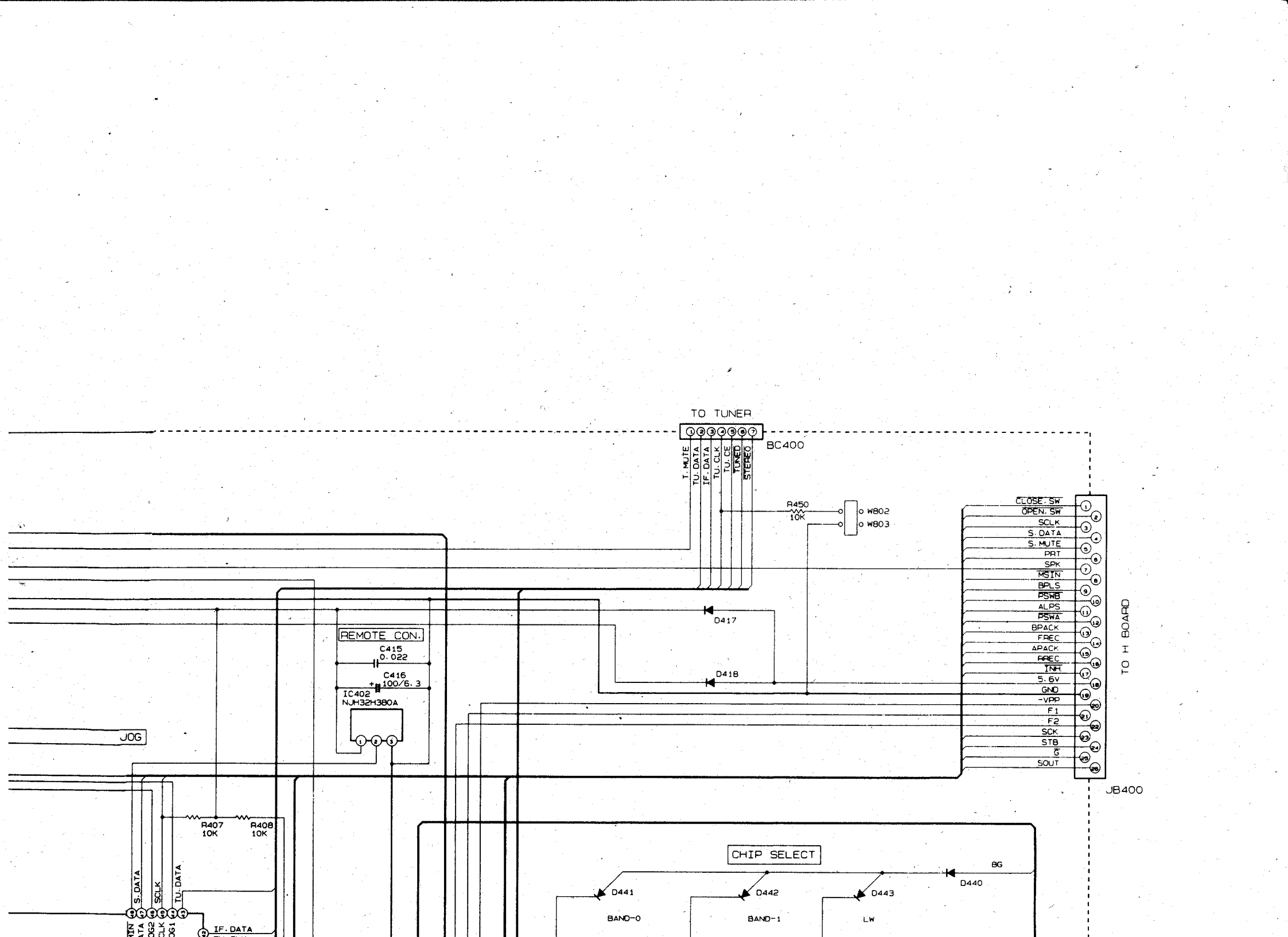
■ FL Display & System Control Section

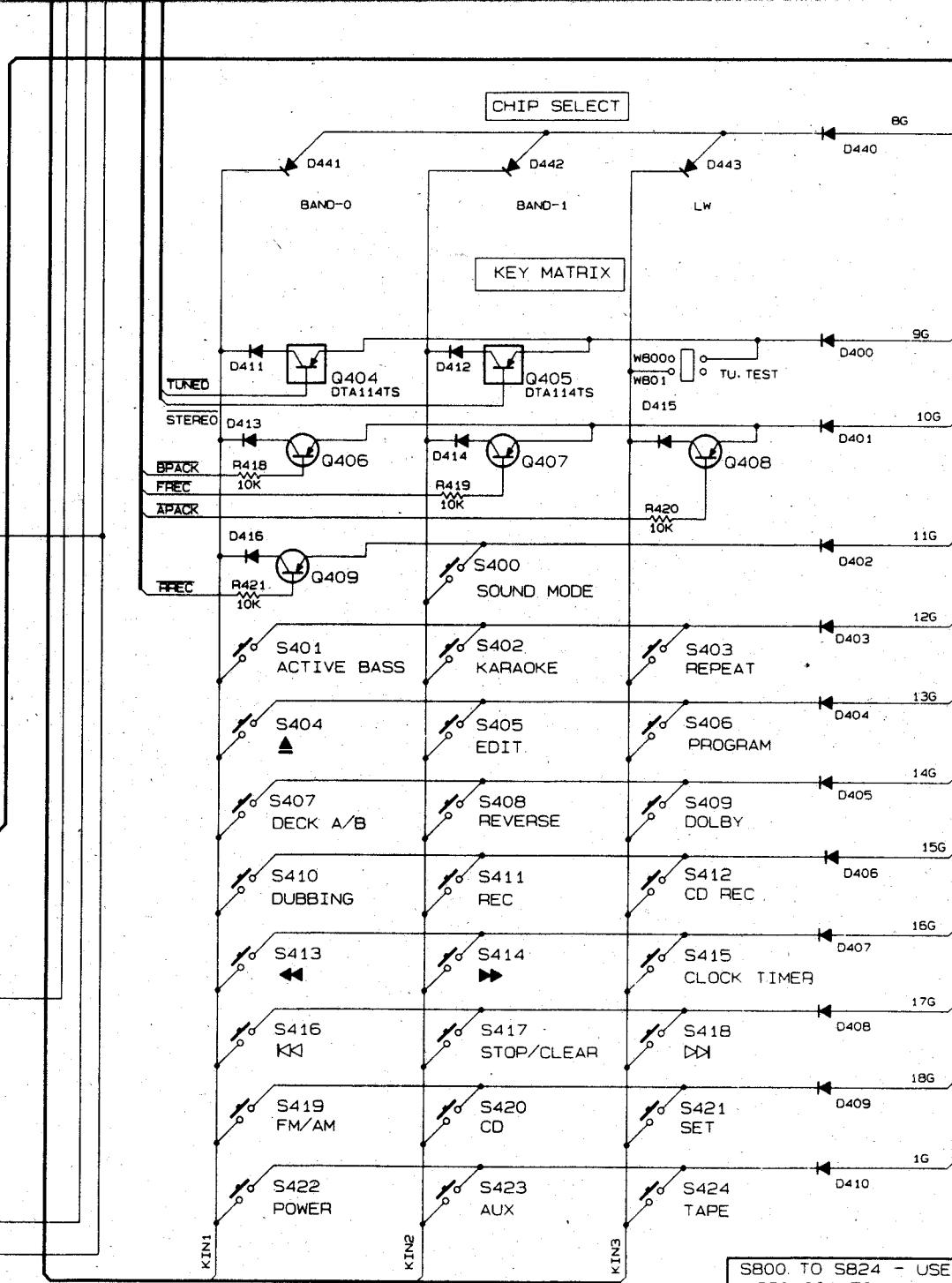
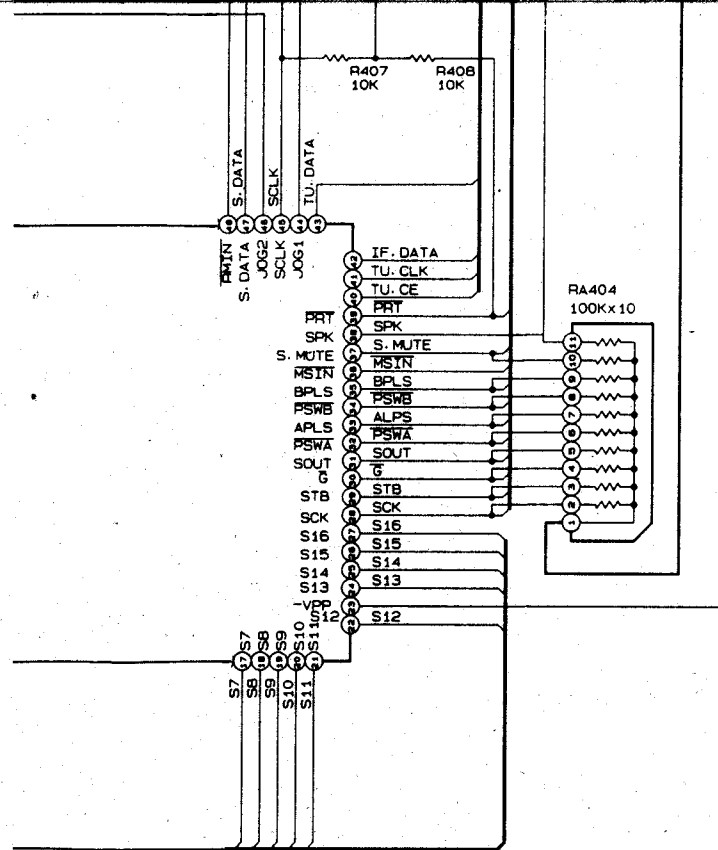
D420, D421, D422, D423	SLR-342MCA47
D424, D425, D426, D427	SLR-342VCA47
*D428, D429	SLR-342VCA47
Q406, Q407, Q408, Q409	2SA933S(R. S)





FSB-002-1

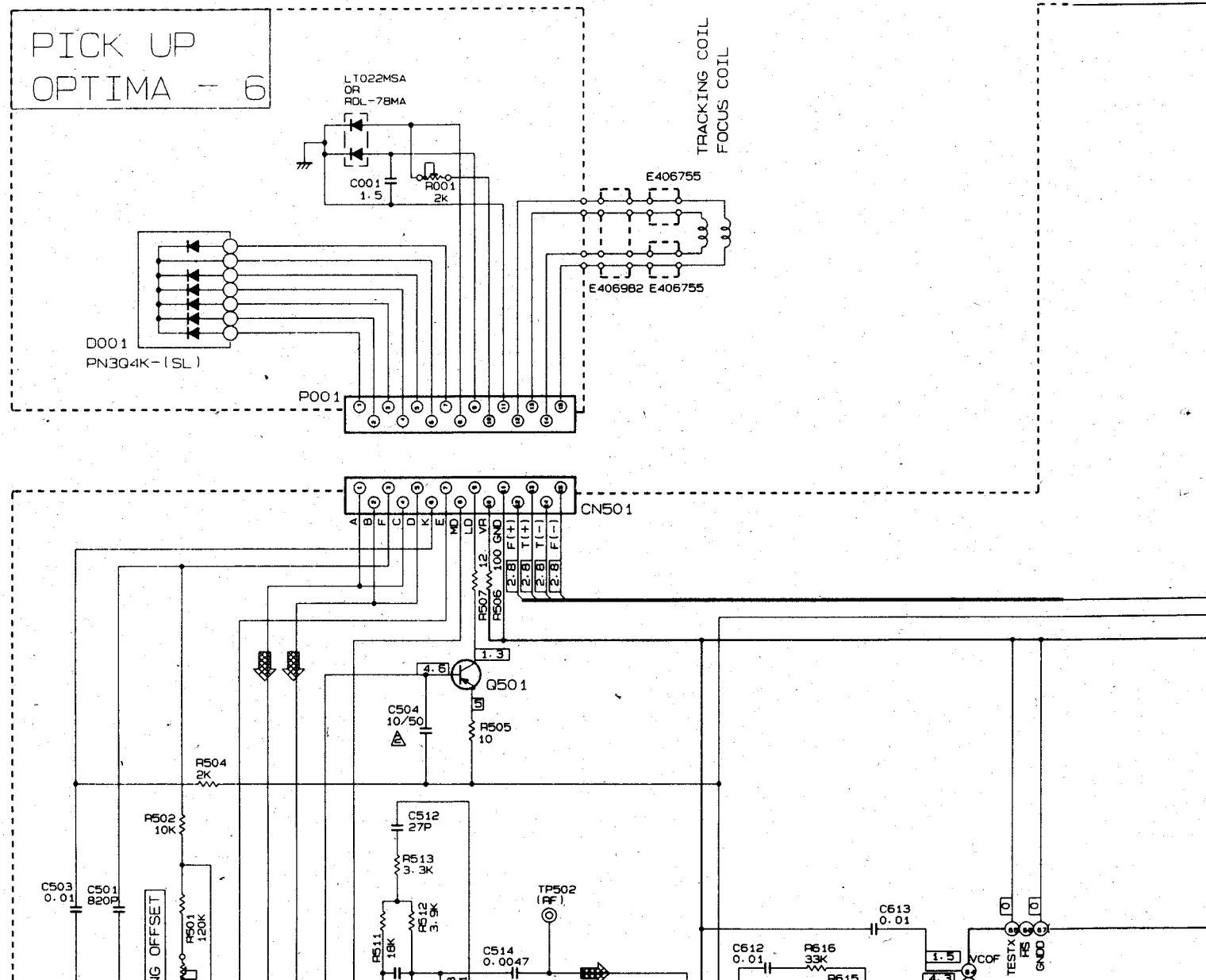


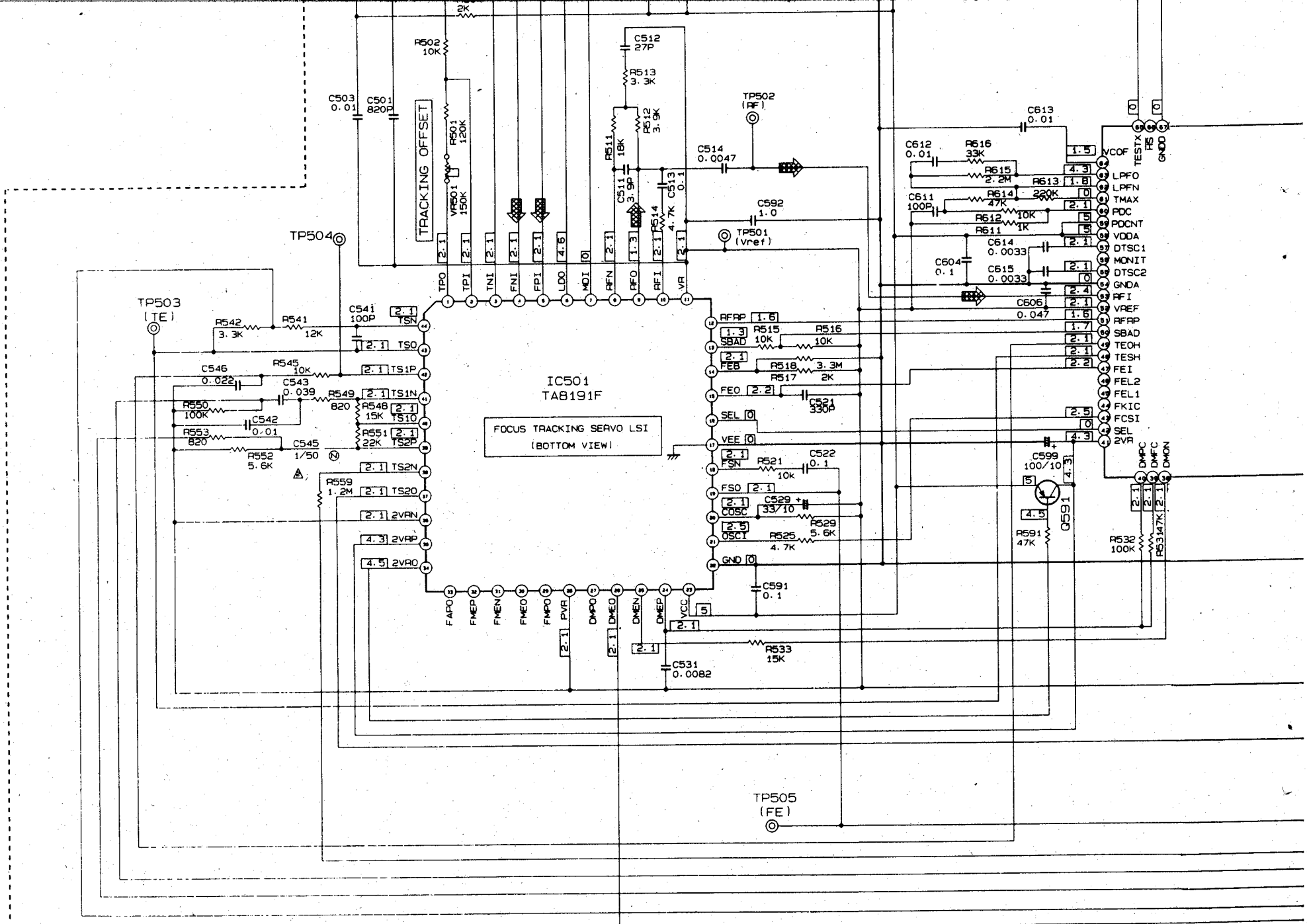


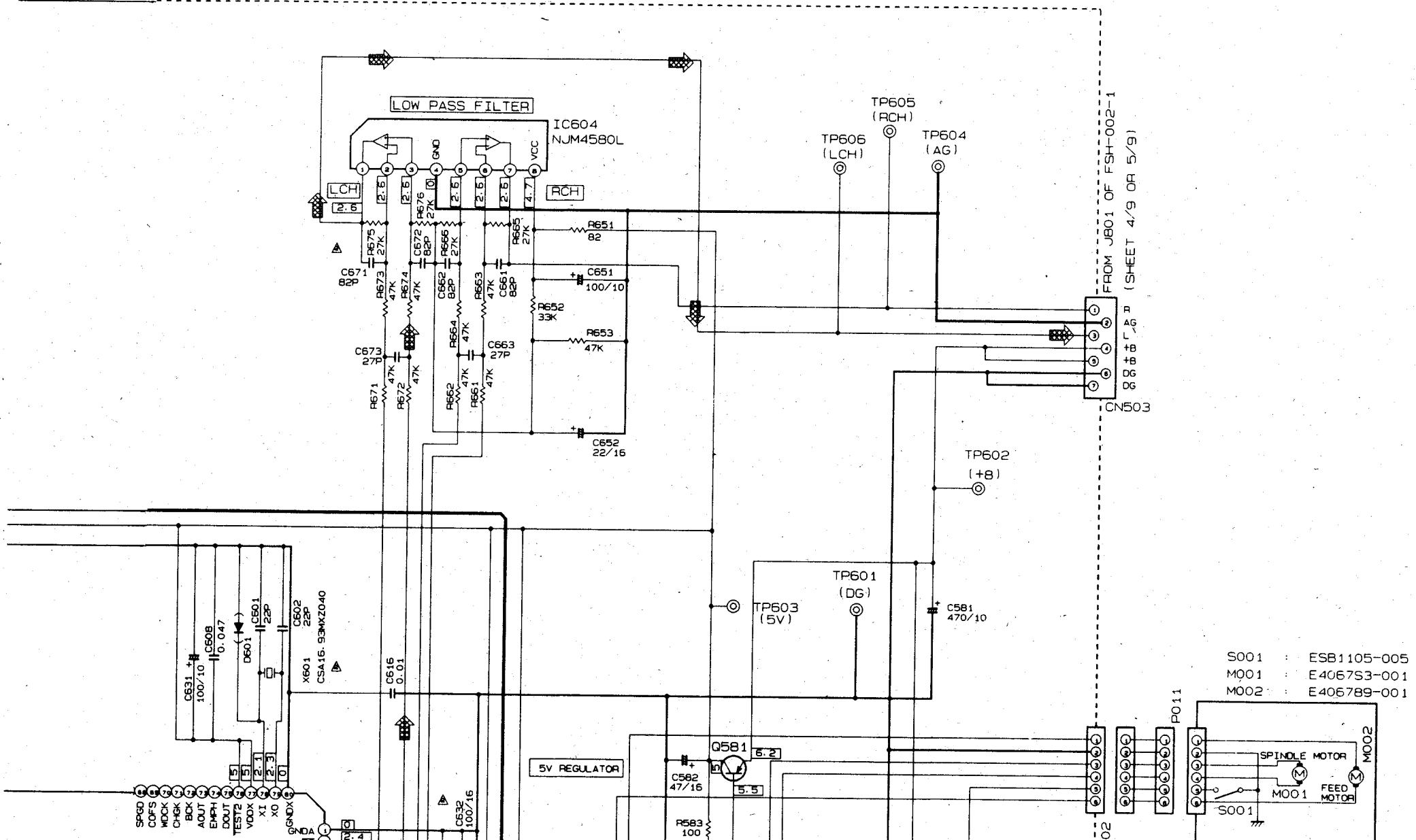
SB00. TO SB24 - USE
QSG1001-E01AJ4

■ CD Servo Section

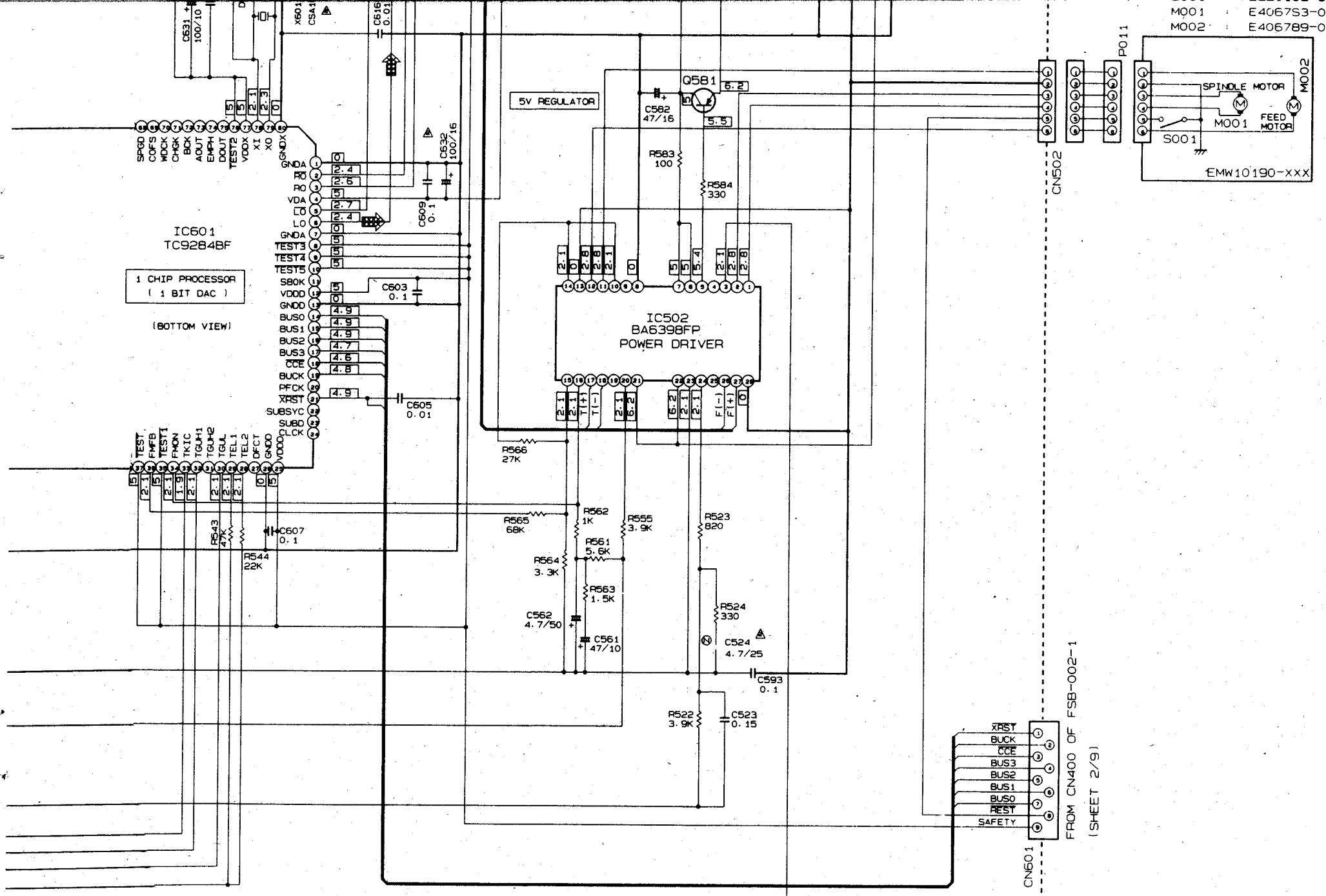
Q501	2SA952(L.K)
Q581	
Q591	2SA1309(R.S) OR 2SA1175(HFE) OR 2SA933S(RS)
D601	MA700A (OR RB7210)
D691	1SS254T-77 (OR MA165)







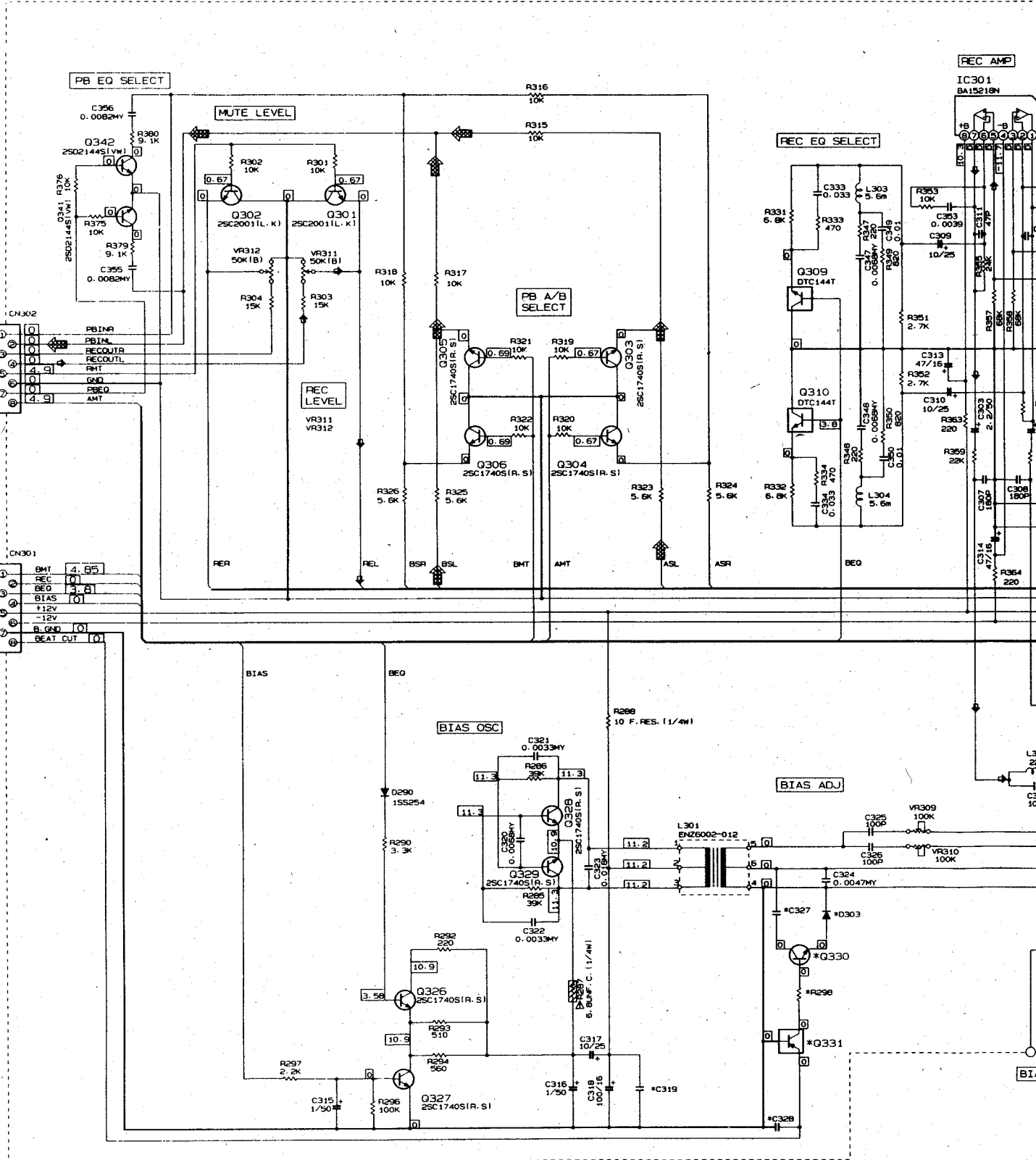
- S001 : ESB1105-005
- MOO1 : E4067S3-001
- MOO2 : E4067B9-001



FROM CN400 OF FSB-002-1
 (SHEET 2/9)

Deck Amplifier Section

TO CN311 OF FSH-002-2 (SHEET 3/9)
TO CN312 OF FSH-002-2 (SHEET 3/9)



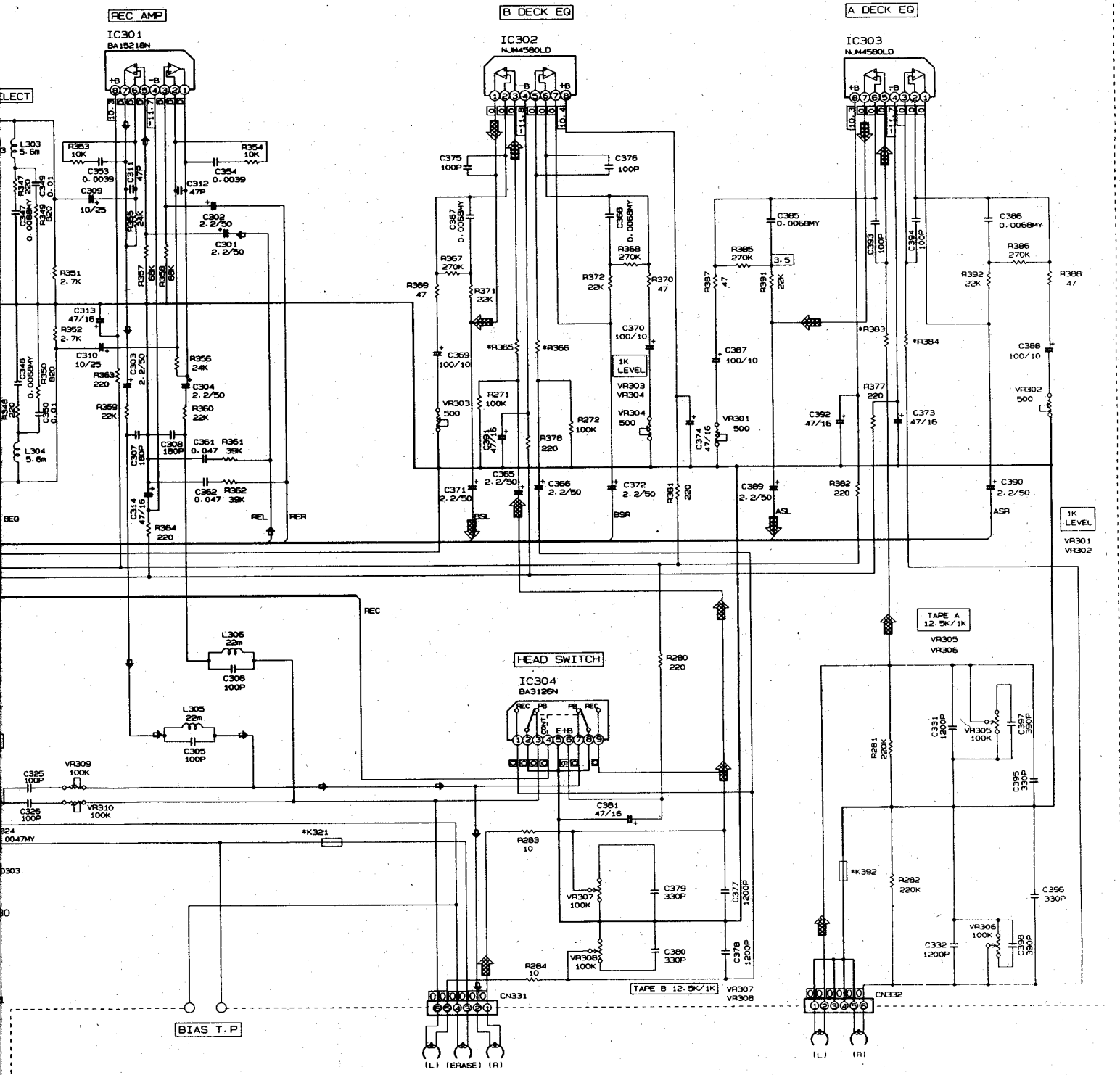
NOTES

- VOLTAGES ARE DC-MEASURED USING AN OSCILLOSCOPE WITH NO INPUT SIGNAL CONDITION IN THE DECK MODE.
- UNLESS OTHERWISE SPECIFIED ALL RESISTORS ARE 1/8W ± 5% CARBON RESISTOR. ALL CAPACITORS ARE 50V CERAMIC CAPACITOR OR 50V MYLAR CAPACITOR. ALL RESISTANCE VALUES ARE IN OHM(Ω). ALL CAPACITANCE VALUES ARE IN PICO(F). ALL CAPACITORS ARE SHOWN IN THE FORM OF CAPACITANCE (P)/RATED VOLTAGE (V). ALL DIODES ARE 1SS254T-77 TYPE. (P) POLYPROPYLENE CAPACITOR (M) 50V ± 5% MYLAR CAPACITOR OR 50V ± 5% THIN FILM CAPACITOR.
- THOSE PART WITH BRACKET IS NOT USED. FOR RESISTOR, IT WOULD BE A SHORT. FOR CAPACITOR, IT WOULD BE AN OPEN.

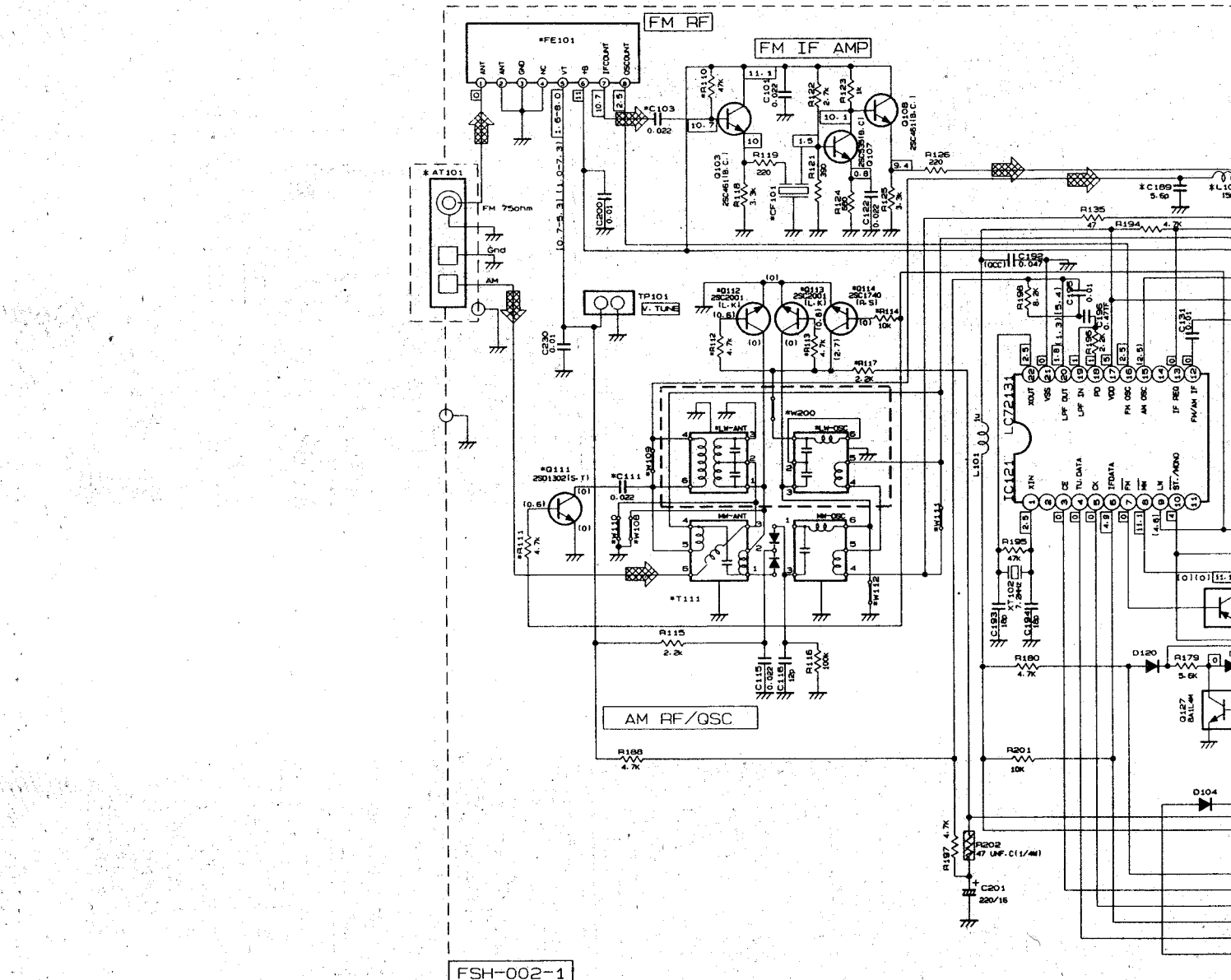
***REMARK**

	BS EF EN G GI VX	A-U UB UP US UT
R365, R366	47	SHORT
R383, R384	47	SHORT
C319	0.01	NONE
R298	560	NONE
C327	330P	NONE
C328	0.022	NONE
Q330	2SC1740(R, S)	NONE
Q331	DTA144ES	NONE
D303	1SS254	NONE
K321&K392	ENZB101-011T	SHORT

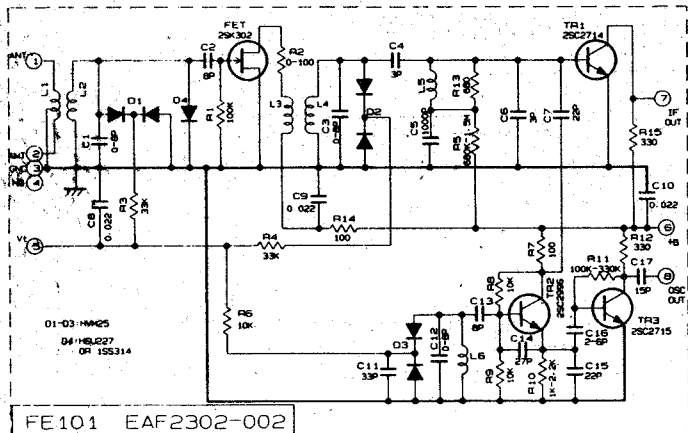
ENU-090-1



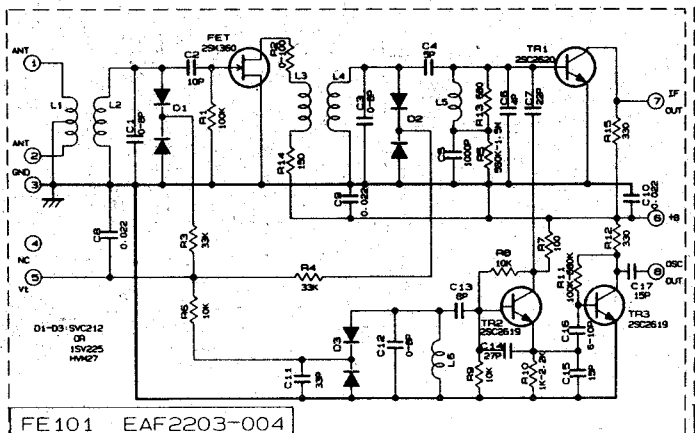
■ Tuner Section



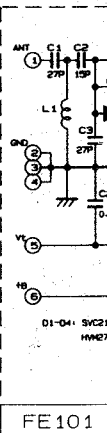
FSH-002-1



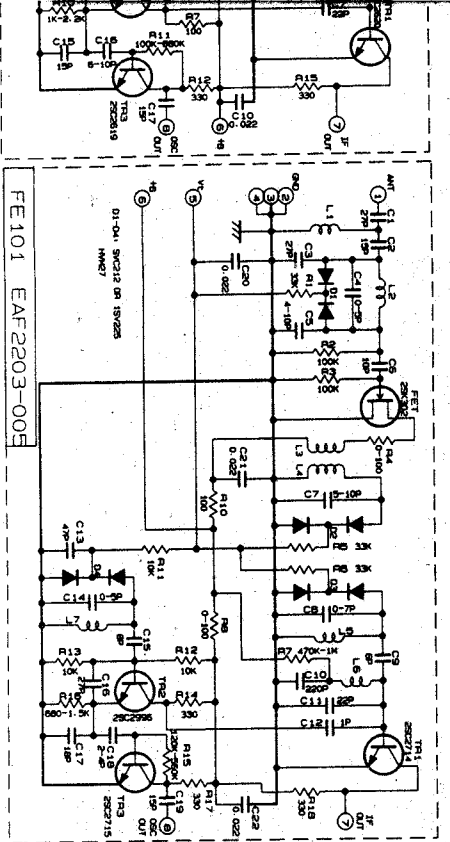
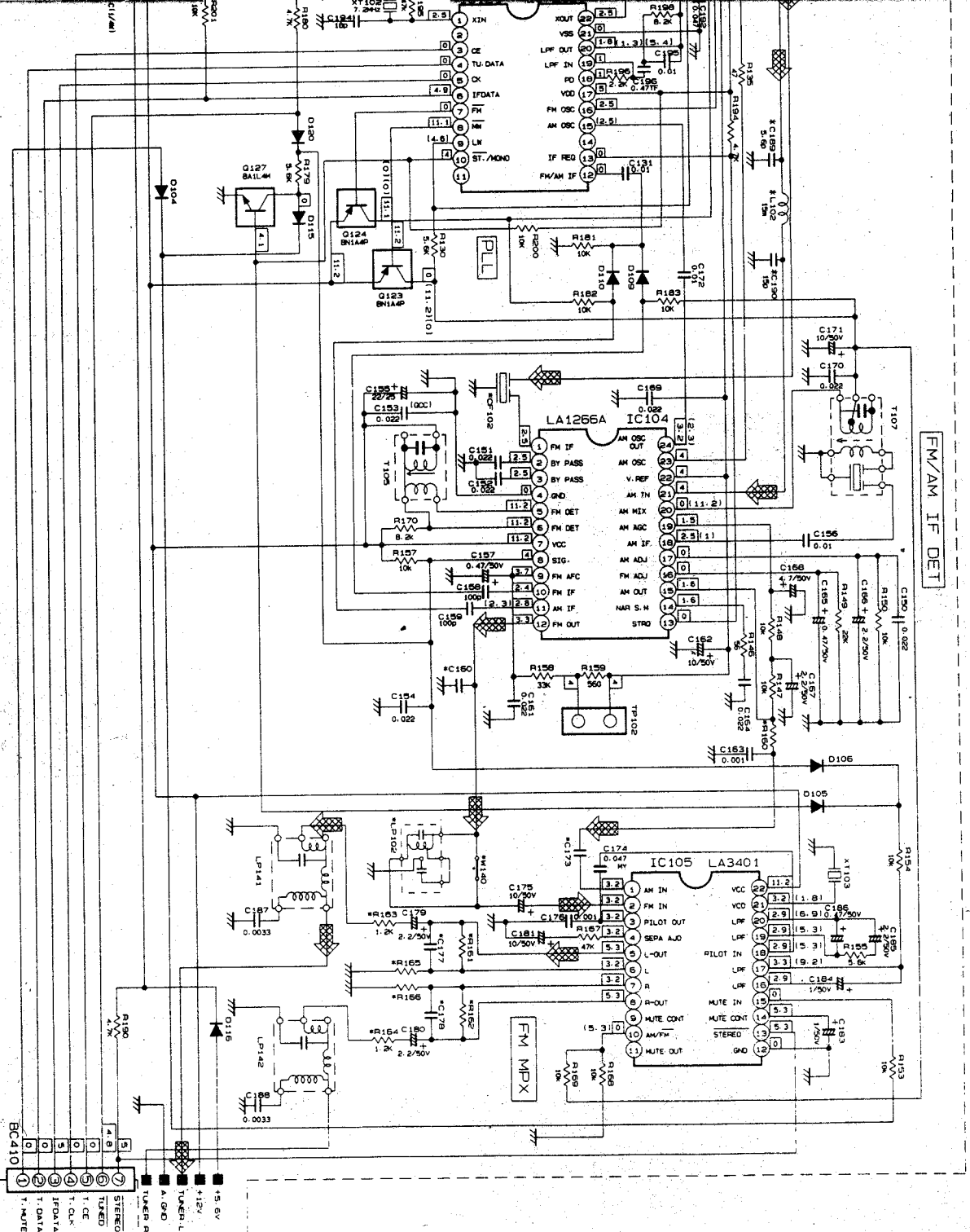
FE101 EAF2302-002



FE101 EAF2203-004



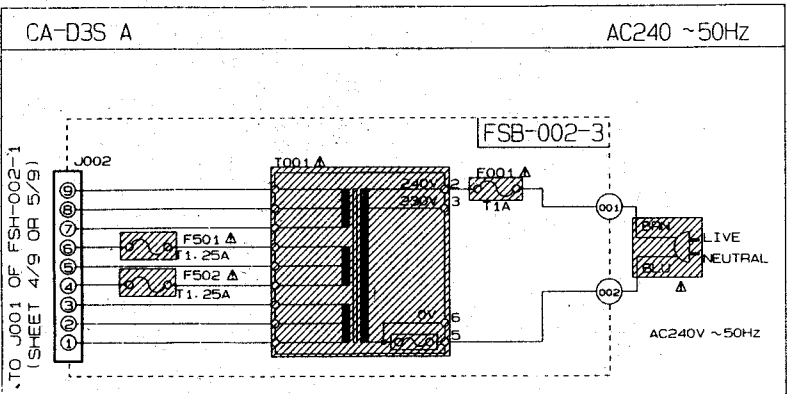
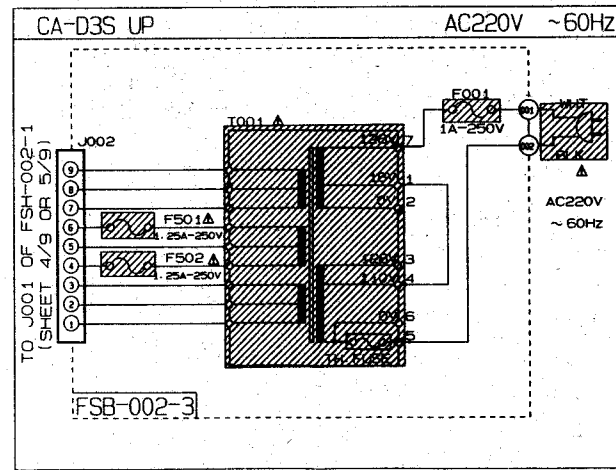
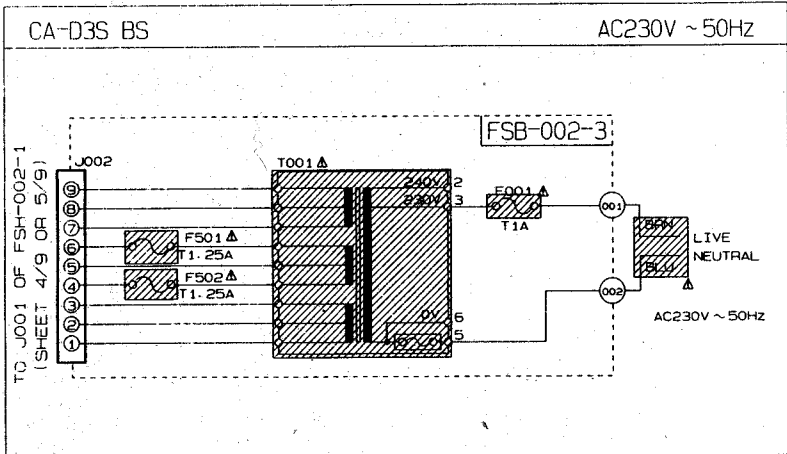
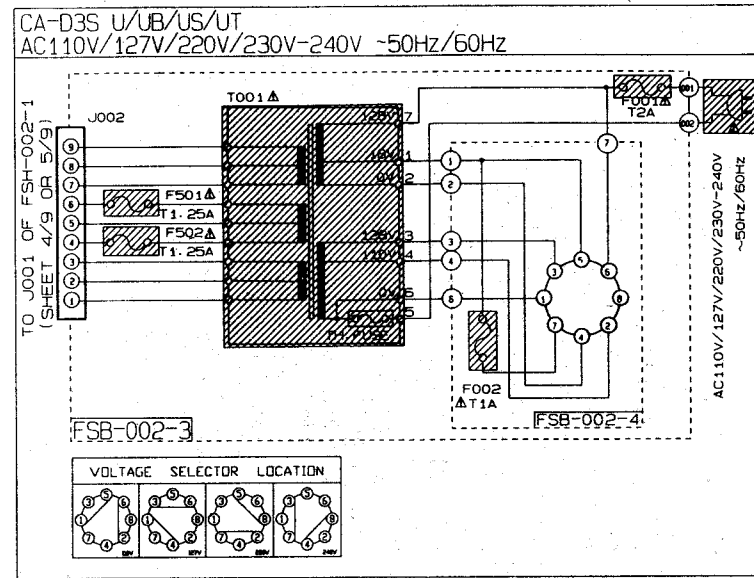
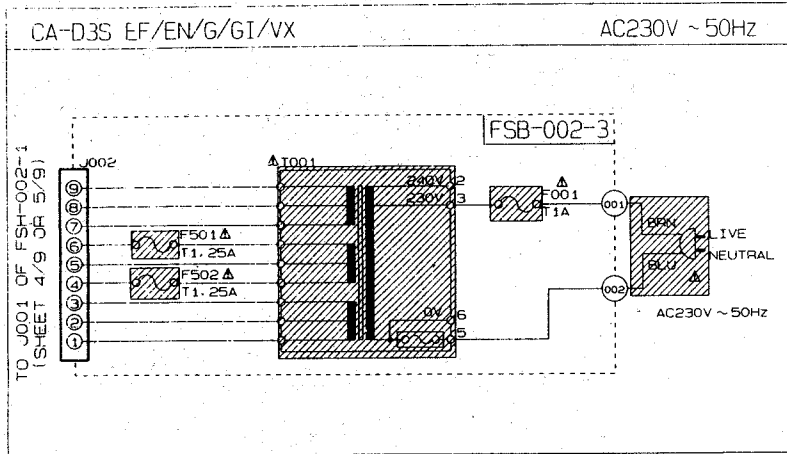
FE101



REMARKS

FE101	EF-EN-G-61	VA	A	U, LB, UB, US, UT	BS
FE101	EAF2203-005	EAF2203-002	EAF2203-004	EAF2203-004	EAF2203-005
T111	E087121-002	E087121-002	E087121-004	E087121-004	E087121-002
CF 01-CF-102	E082118-007R	E082118-007R	E082123-009R	E082118-007R	E082118-007R
LP102	USED	USED	NONE	NONE	USED
0111-0114	USED	USED	NONE	NONE	USED
R110	USED	USED	NONE	NONE	USED
R111-R114	USED	USED	NONE	NONE	USED
R117	USED	USED	NONE	NONE	USED
W200	USED	USED	NONE	NONE	USED
R160	15K	15K	2.0K	2.0K	2.0K
R161-R162	22K	22K	22K	120K	220K
R163-R166	270K	270K	270K	270K	270K
C103	SHORTED	USED	SHORTED	SHORTED	SHORTED
C111	USED	USED	NONE	NONE	USED
C160	220K	220K	100P	100P	220K
C177-C178	330P	330P	550P	550P	330P
K108-K112	NONE	NONE	USED	USED	NONE
M140	USED	USED	NONE	NONE	USED
A1101	EM-11V-302K	EM-11V-302K	EM-11V-401K	EM-11V-401K	EM-11V-302K
C173	0.018	0.018	0.082	0.082	0.082
C188-C191	USED	USED	NONE	NONE	USED
L102	USED	USED	SHORTED	SHORTED	USED
C163-C164	1.5K	1.5K	1.2K	1.2K	1.5K

TO BC400 OF TO FSH-002-1(AUDIO)
 FSB-002-1 (SHEET 4/9 OR 5/9)
 (SHEET 2/9)

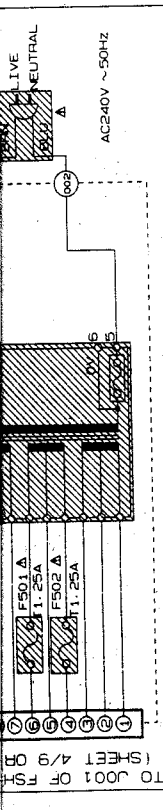


- NOTES
1. VOLTAGES ARE DC-MEASURED USING AN OSCILLOSCOPE WITH NO INPUT SIGNAL CONDITION.
 2. UNLESS OTHERWISE SPECIFIED ALL RESISTORS ARE 1/8W ± 5% CARBON RESISTOR. ALL CAPACITORS ARE 50V CERAMIC CAPACITOR OR 50V NYLAR CAPACITOR. ALL RESISTANCE VALUES ARE IN Ω-M-K. ALL CAPACITANCE VALUES ARE IN μF-PF. ALL C. CAPACITORS ARE SHOWN IN THE FORM OF CAPACITANCE(μF)/RATED VOLTAGE (V). ALL DIODES ARE 1SS254T-77 TYPE.
 3. POLYPROPYLENE CAPACITOR. 50V ± 5% NYLAR CAPACITOR OR 50V ± 5% THIN FILM CAPACITOR.
- ⊕ FOR RESISTOR, IT WOULD BE A SHORT. FOR CAPACITOR, IT WOULD BE AN OPEN.

Power Amplifier & DC Regulator section

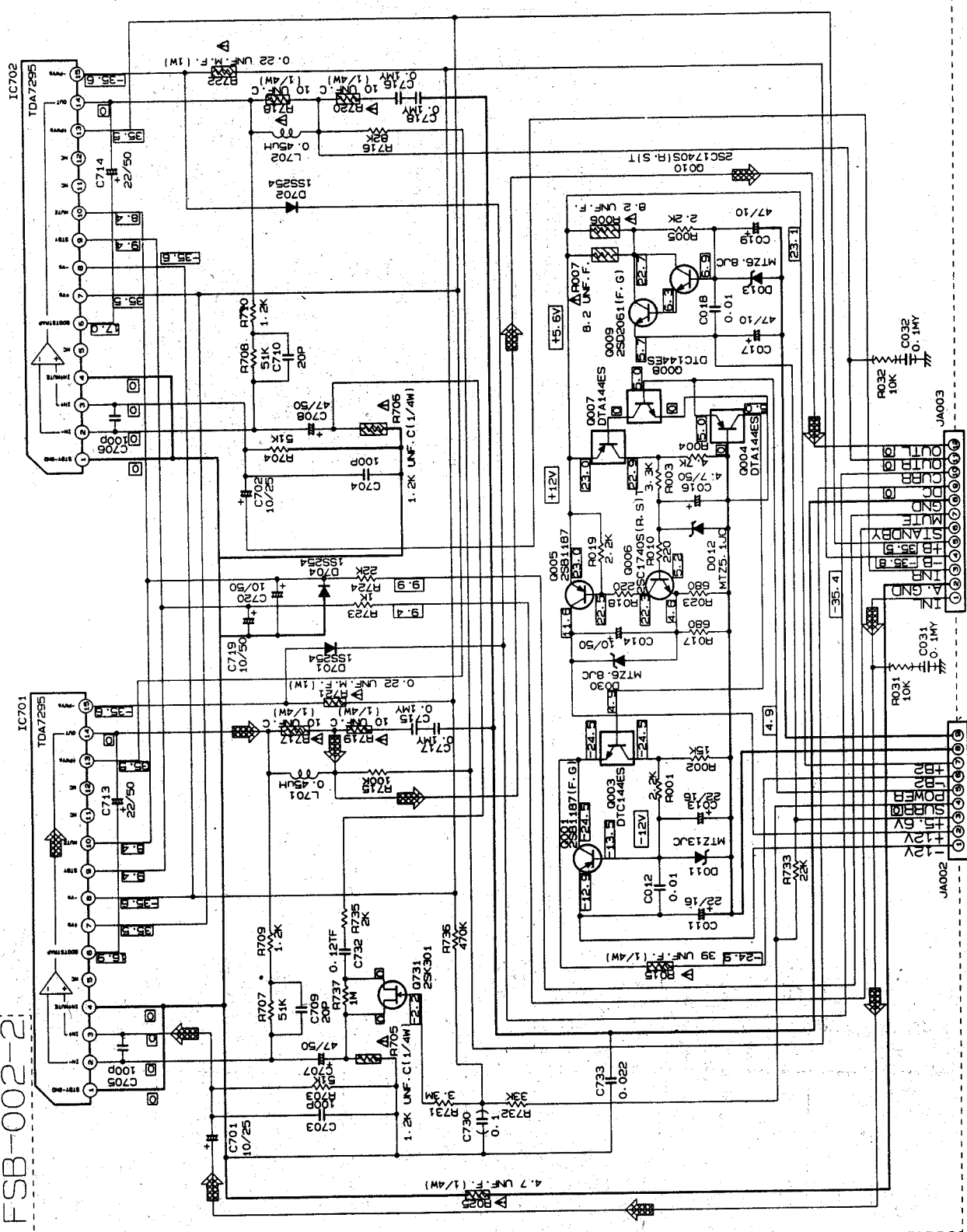
FSB-002-2

NOTES:
 1. VOLTAGES ARE DC-MEASURED USING AN OSCILLOSCOPE WITH NO INPUT SIGNAL.
 2. UNLESS OTHERWISE SPECIFIED, CARBON RESISTOR, ALL CAPACITORS ARE 50V CERAMIC CAPACITOR OR 50V MYLAR CAPACITOR.
 ALL RESISTANCE VALUES ARE IN OHMS, ALL CAPACITANCE VALUES ARE IN PICOFARADS, ALL CAPACITORS ARE 50MM IN THE FORM OF CAPACITANCE (μF)/RATED VOLTAGE (V).
 3. THOSE PARTS WITH BRACKETED PART NUMBERS ARE TO BE USED FOR CONSTRUCTION, IT WOULD BE AN OPEN.



Power Amplifier & DC Regulator section

FSB-002-2



TO JB002 OF FSH-002-1 (SHEET 4/9 OR 5/9)

TO JB003 OF FSH-002-1 (SHEET 4/9 OR 5/9)