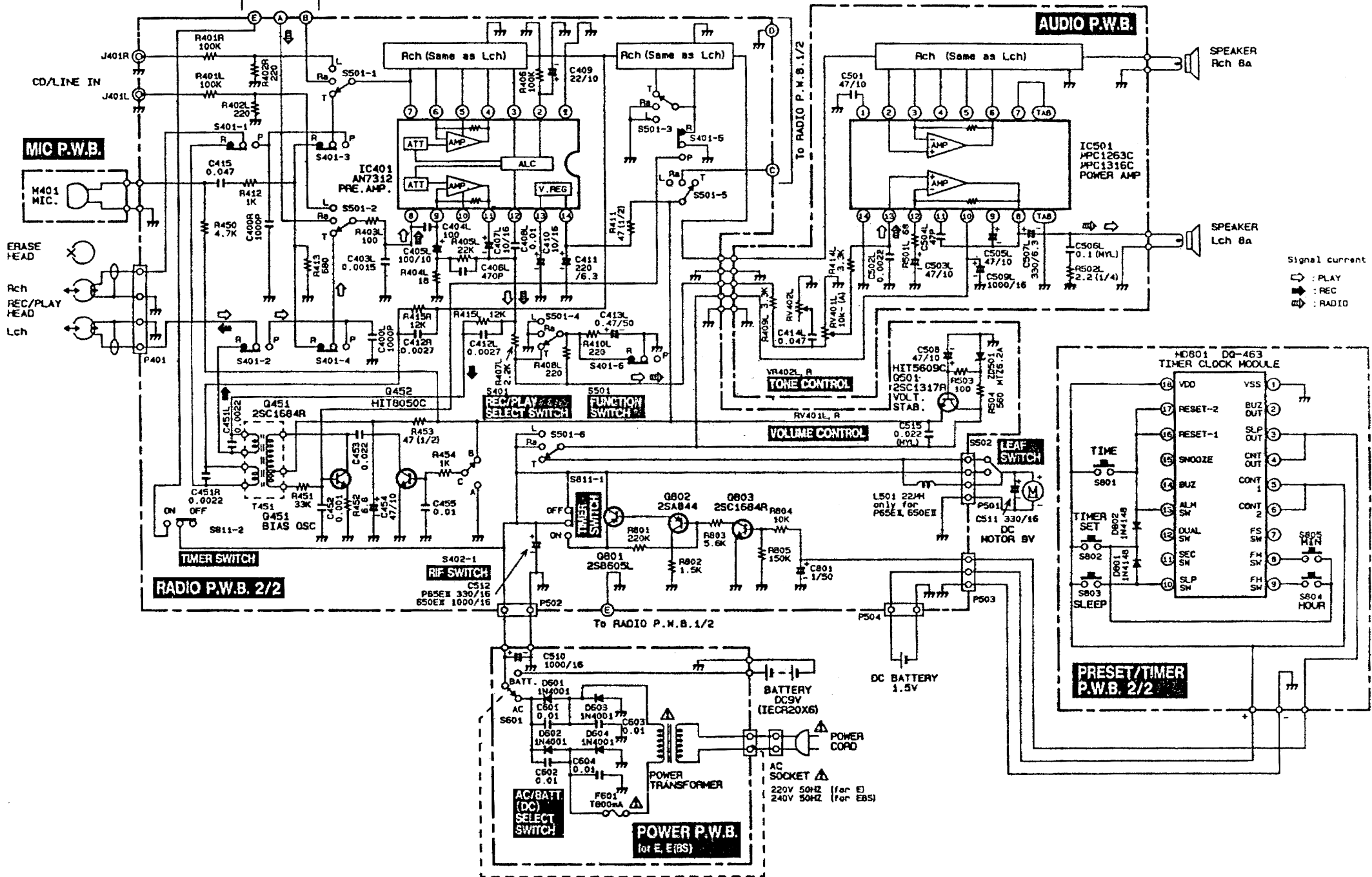


HITACHI

TRK-650E II, TRK-P65E II, TRK-P65E II GR



Signal current
 ⇨ : PLAY
 ⇨ : REC
 ⇨ : RADIO

AUDIO P.W.B.

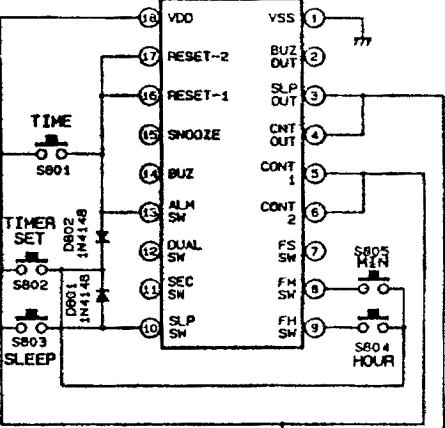
PRESET/TIMER P.W.B. 2/2

POWER P.W.B.
for E, E (BS)

RADIO P.W.B. 2/2

MIC P.W.B.

**IC801 DQ-463
TIMER CLOCK MODULE**



TONE CONTROL

VOLUME CONTROL

REAF SWITCH

REC/PLAY SELECT SWITCH

FUNCTION SWITCH

TIMER SWITCH

RIF SWITCH

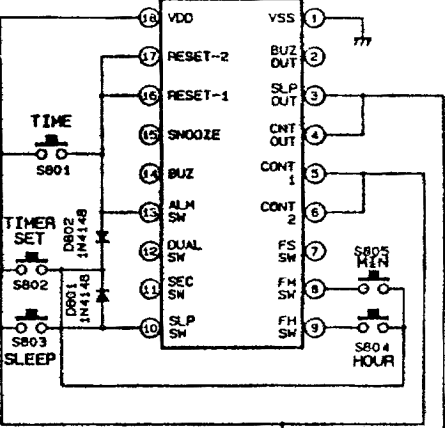
AC/BATT. (DC) SELECT SWITCH

POWER P.W.B.
for E, E (BS)

RADIO P.W.B. 2/2

MIC P.W.B.

**IC801 DQ-463
TIMER CLOCK MODULE**



TONE CONTROL

VOLUME CONTROL

REAF SWITCH

REC/PLAY SELECT SWITCH

FUNCTION SWITCH

TIMER SWITCH

RIF SWITCH

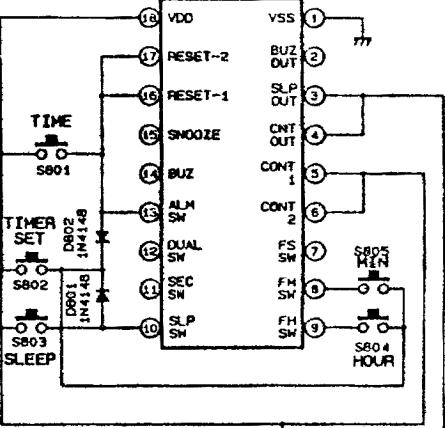
AC/BATT. (DC) SELECT SWITCH

POWER P.W.B.
for E, E (BS)

RADIO P.W.B. 2/2

MIC P.W.B.

**IC801 DQ-463
TIMER CLOCK MODULE**



TONE CONTROL

VOLUME CONTROL

REAF SWITCH

REC/PLAY SELECT SWITCH

FUNCTION SWITCH

TIMER SWITCH

RIF SWITCH

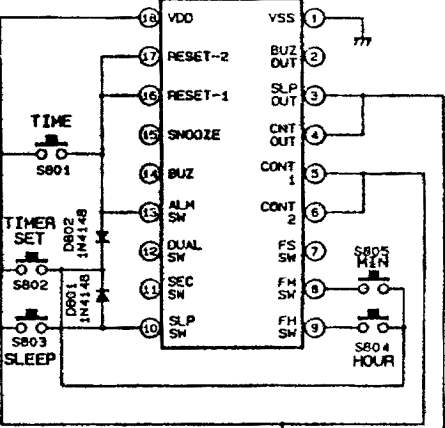
AC/BATT. (DC) SELECT SWITCH

POWER P.W.B.
for E, E (BS)

RADIO P.W.B. 2/2

MIC P.W.B.

**IC801 DQ-463
TIMER CLOCK MODULE**



TONE CONTROL

VOLUME CONTROL

REAF SWITCH

REC/PLAY SELECT SWITCH

FUNCTION SWITCH

TIMER SWITCH

RIF SWITCH

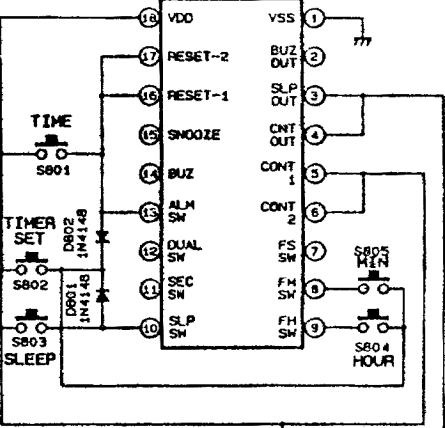
AC/BATT. (DC) SELECT SWITCH

POWER P.W.B.
for E, E (BS)

RADIO P.W.B. 2/2

MIC P.W.B.

**IC801 DQ-463
TIMER CLOCK MODULE**



TONE CONTROL

VOLUME CONTROL

REAF SWITCH

REC/PLAY SELECT SWITCH

FUNCTION SWITCH

TIMER SWITCH

RIF SWITCH

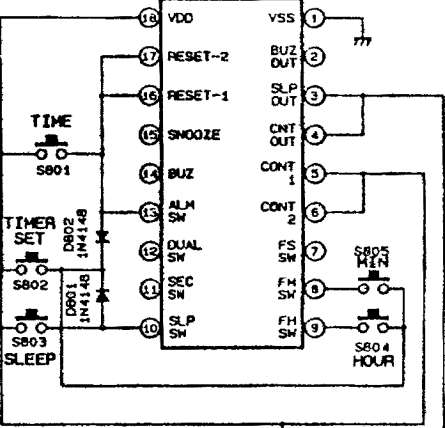
AC/BATT. (DC) SELECT SWITCH

POWER P.W.B.
for E, E (BS)

RADIO P.W.B. 2/2

MIC P.W.B.

**IC801 DQ-463
TIMER CLOCK MODULE**



TONE CONTROL

VOLUME CONTROL

REAF SWITCH

REC/PLAY SELECT SWITCH

FUNCTION SWITCH

TIMER SWITCH

RIF SWITCH

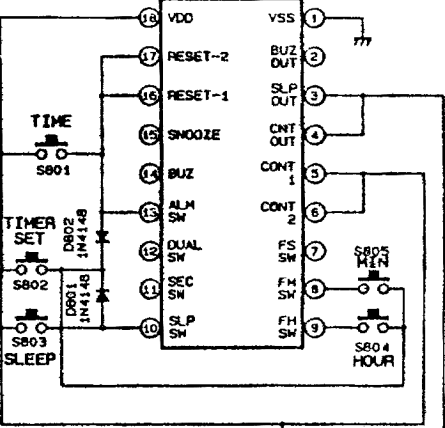
AC/BATT. (DC) SELECT SWITCH

POWER P.W.B.
for E, E (BS)

RADIO P.W.B. 2/2

MIC P.W.B.

**IC801 DQ-463
TIMER CLOCK MODULE**



TONE CONTROL

VOLUME CONTROL

REAF SWITCH

REC/PLAY SELECT SWITCH

FUNCTION SWITCH

TIMER SWITCH

RIF SWITCH

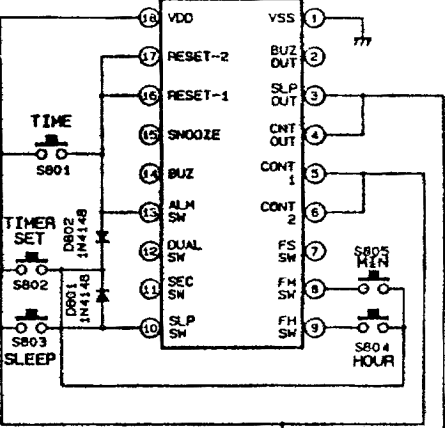
AC/BATT. (DC) SELECT SWITCH

POWER P.W.B.
for E, E (BS)

RADIO P.W.B. 2/2

MIC P.W.B.

**IC801 DQ-463
TIMER CLOCK MODULE**



TONE CONTROL

VOLUME CONTROL

REAF SWITCH

REC/PLAY SELECT SWITCH

FUNCTION SWITCH

TIMER SWITCH

RIF SWITCH

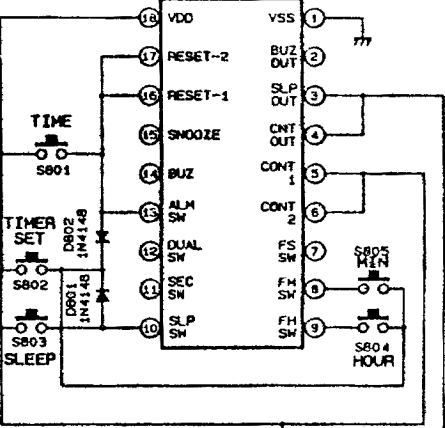
AC/BATT. (DC) SELECT SWITCH

POWER P.W.B.
for E, E (BS)

RADIO P.W.B. 2/2

MIC P.W.B.

**IC801 DQ-463
TIMER CLOCK MODULE**



TONE CONTROL

VOLUME CONTROL

REAF SWITCH

REC/PLAY SELECT SWITCH

FUNCTION SWITCH

TIMER SWITCH

RIF SWITCH

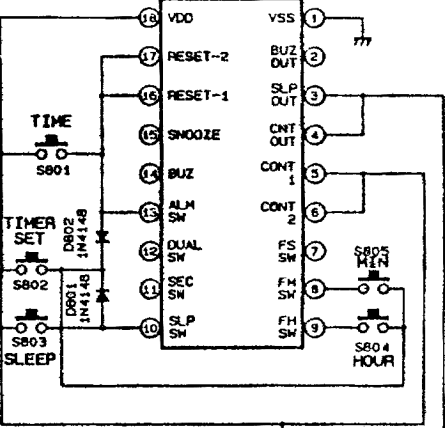
AC/BATT. (DC) SELECT SWITCH

POWER P.W.B.
for E, E (BS)

RADIO P.W.B. 2/2

MIC P.W.B.

**IC801 DQ-463
TIMER CLOCK MODULE**



TONE CONTROL

VOLUME CONTROL

REAF SWITCH

REC/PLAY SELECT SWITCH

FUNCTION SWITCH

TIMER SWITCH

RIF SWITCH

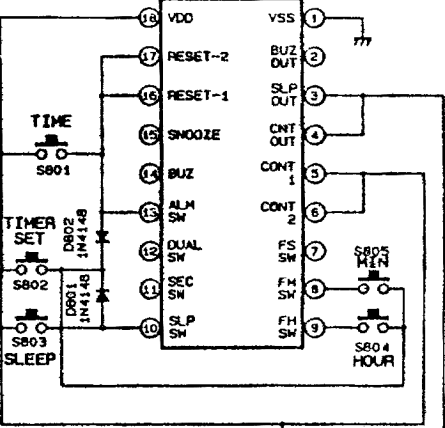
AC/BATT. (DC) SELECT SWITCH

POWER P.W.B.
for E, E (BS)

RADIO P.W.B. 2/2

MIC P.W.B.

**IC801 DQ-463
TIMER CLOCK MODULE**



TONE CONTROL

VOLUME CONTROL

REAF SWITCH

REC/PLAY SELECT SWITCH

FUNCTION SWITCH

TIMER SWITCH

RIF SWITCH

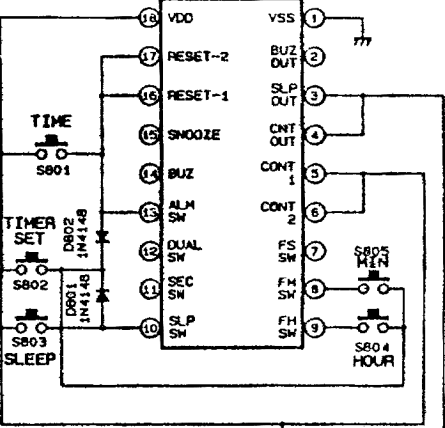
AC/BATT. (DC) SELECT SWITCH

POWER P.W.B.
for E, E (BS)

RADIO P.W.B. 2/2

MIC P.W.B.

**IC801 DQ-463
TIMER CLOCK MODULE**



TONE CONTROL

VOLUME CONTROL

REAF SWITCH

REC/PLAY SELECT SWITCH

FUNCTION SWITCH

TIMER SWITCH

RIF SWITCH

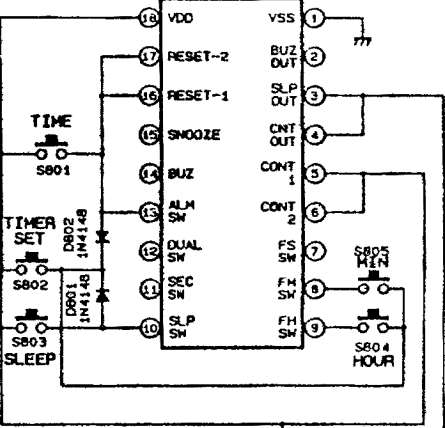
AC/BATT. (DC) SELECT SWITCH

POWER P.W.B.
for E, E (BS)

RADIO P.W.B. 2/2

MIC P.W.B.

**IC801 DQ-463
TIMER CLOCK MODULE**



TONE CONTROL

VOLUME CONTROL

REAF SWITCH

REC/PLAY SELECT SWITCH

FUNCTION SWITCH

TIMER SWITCH

RIF SWITCH

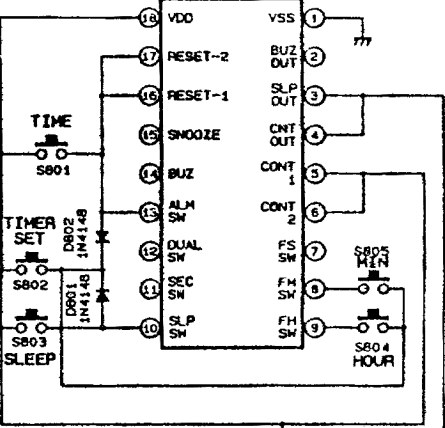
AC/BATT. (DC) SELECT SWITCH

POWER P.W.B.
for E, E (BS)

RADIO P.W.B. 2/2

MIC P.W.B.

**IC801 DQ-463
TIMER CLOCK MODULE**



TONE CONTROL

VOLUME CONTROL

REAF SWITCH

REC/PLAY SELECT SWITCH

FUNCTION SWITCH

TIMER SWITCH

RIF SWITCH

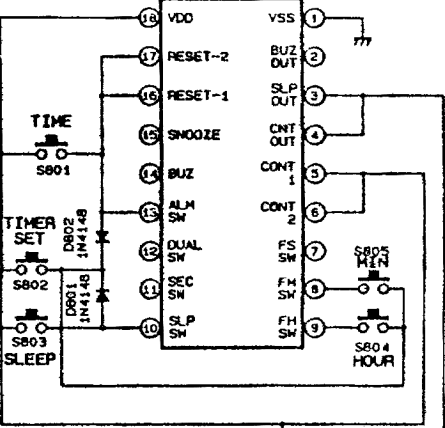
AC/BATT. (DC) SELECT SWITCH

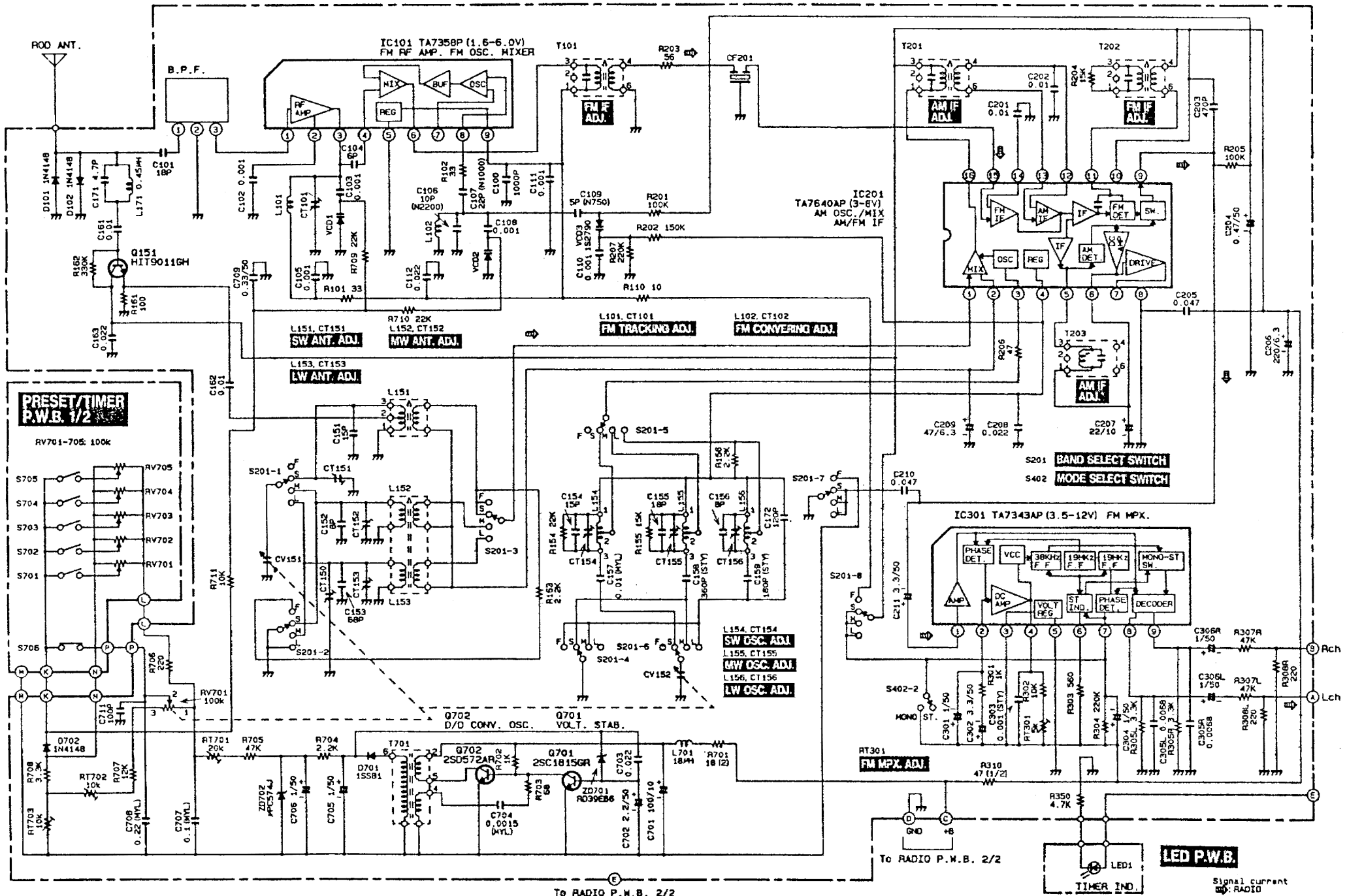
POWER P.W.B.
for E, E (BS)

RADIO P.W.B. 2/2

MIC P.W.B.

**IC801 DQ-463
TIMER CLOCK MODULE**





To RADIO P.W.B. 2/2

To RADIO P.W.B. 2/2

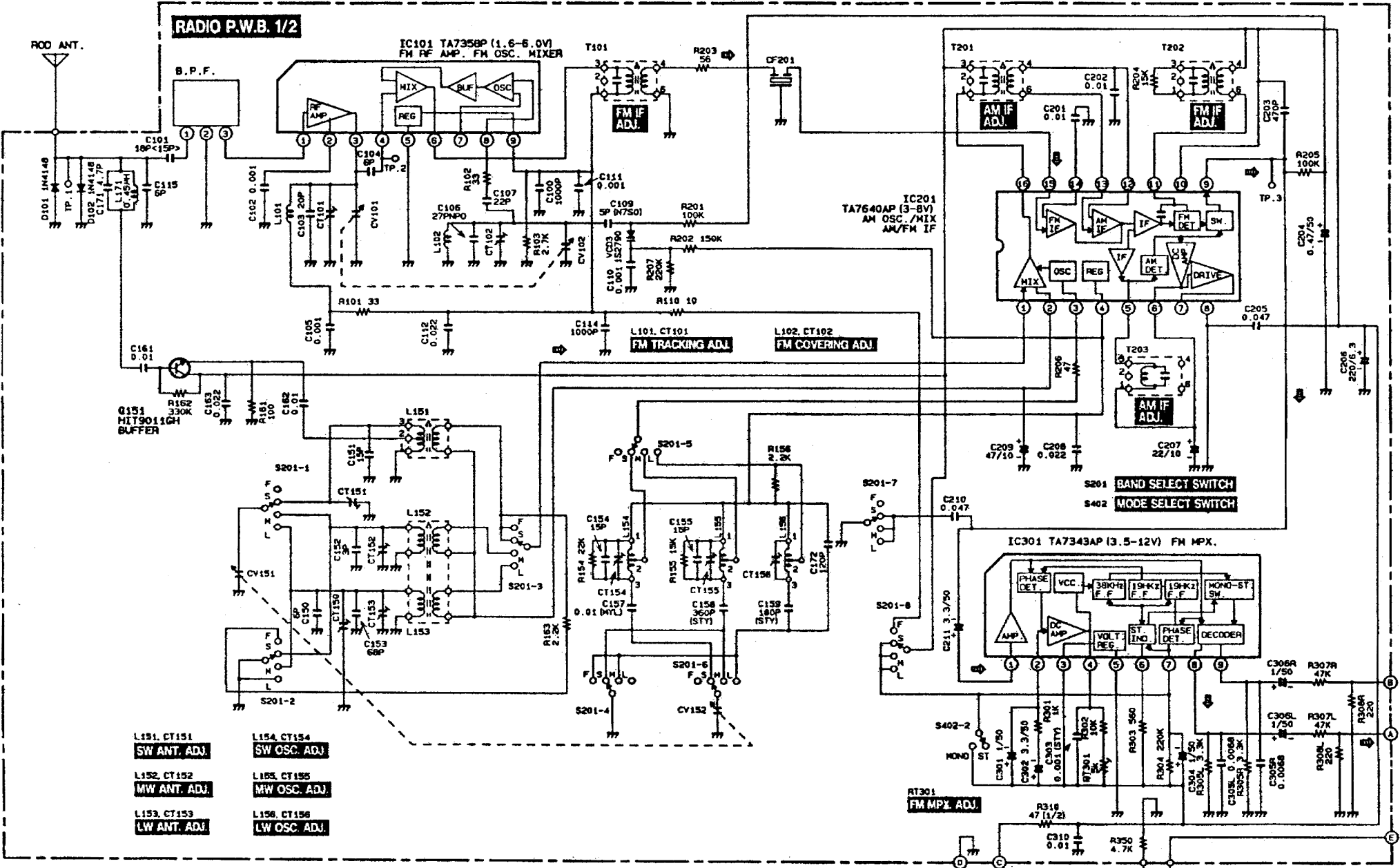
To RADIO P.W.B. 2/2

LED P.W.B.

Signal current
: RADIO

TIMER IND.

RADIO P.W.B. 1/2



- L151, CT151 SW ANT. ADJ.
- L152, CT152 MW ANT. ADJ.
- L153, CT153 LW ANT. ADJ.
- L154, CT154 SW OSC. ADJ.
- L155, CT155 MW OSC. ADJ.
- L156, CT156 LW OSC. ADJ.

RT301 FM MPX. ADJ.



LED P.W.B.

Signal current
RADIO

To RADIO P.W.B. 2/2