

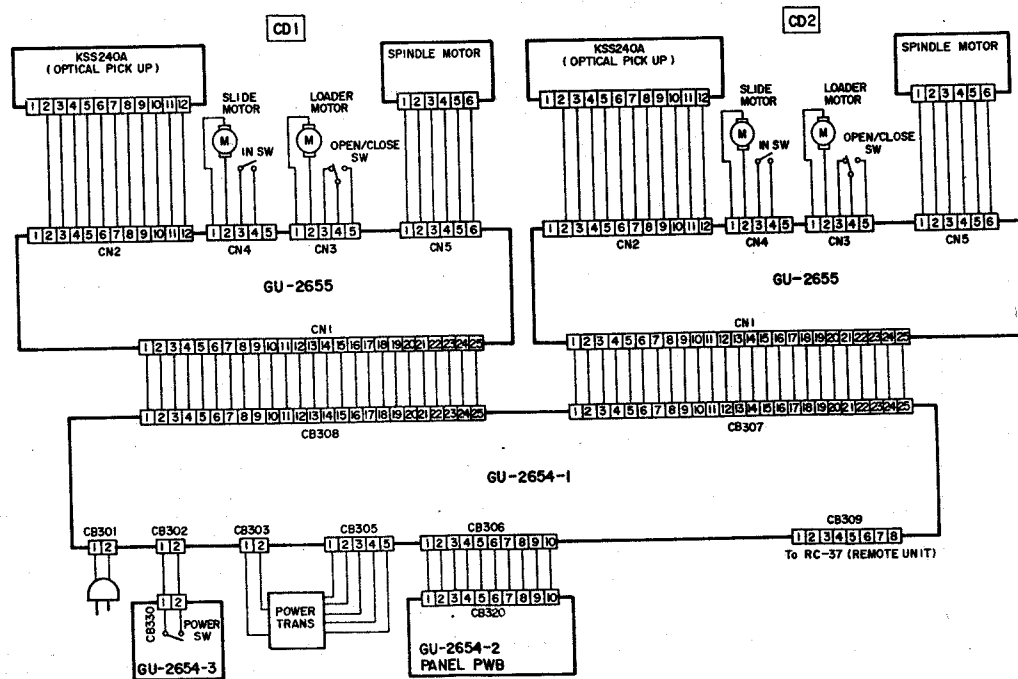
DENON

MODEL DN-2700F

DOUBLE CD PLAYER

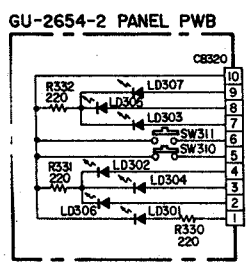
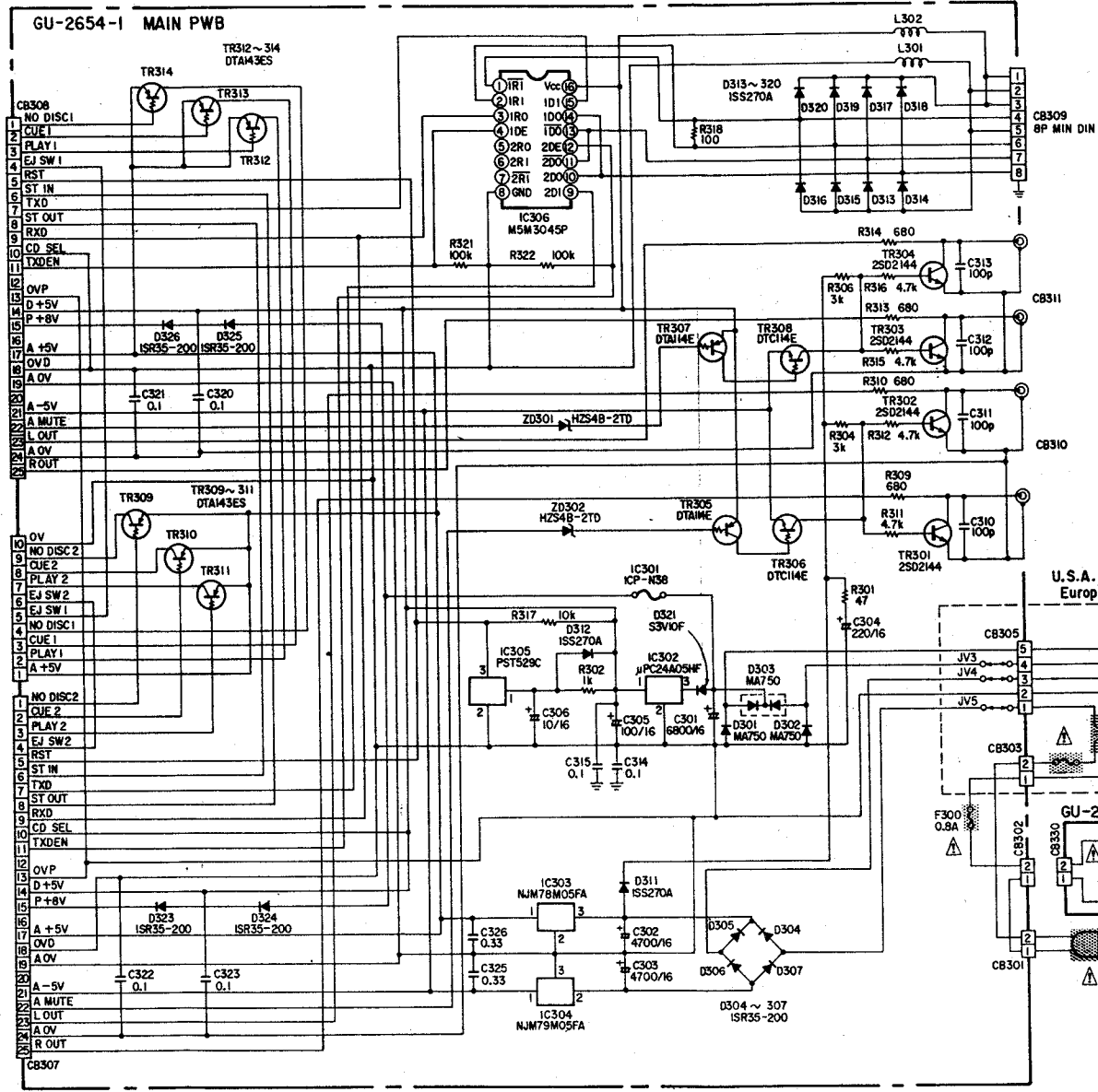
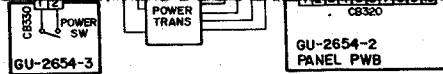
WIRING DIAGRAM

1 2 3 4 5 6 7 8



SCHEMATIC DIAGRAM GU-2654 MAIN UNIT

1 2 3 4 5 6 7 8



NOTES
 ALL RESISTANCE VALUES IN OHM. k=1,000 OHM.
 M=1,000,000 OHM
 ALL CAPACITANCE VALUES IN MICRO FARAD.
 P=MICRO-MICRO FARAD
 EACH VOLTAGE AND CURRENT ARE MEASURED AT
 NO SIGNAL INPUT CONDITION.
 CIRCUIT AND PARTS ARE SUBJECT TO CHANGE
 WITHOUT PRIOR NOTICE.

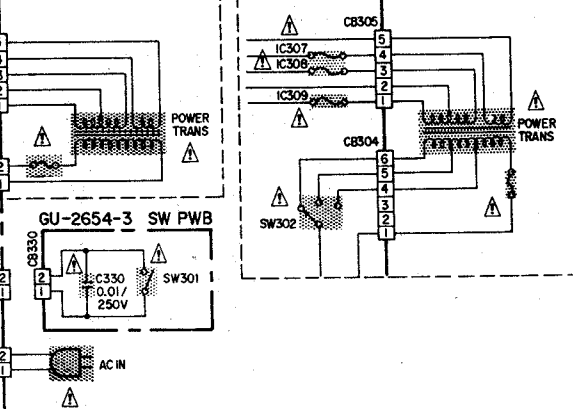
WARNING:
 Parts marked with this symbol have critical characteristics.
 Use ONLY replacement parts recommended by the manufacturer.

CAUTION:
 Before returning the unit to the customer, make sure you make either (1) a leakage current check or (2) a line to chassis resistance check. If the leakage current exceeds 0.5 milliamperes, or if the resistance from chassis to either side of the power cord is less than 240 kohms, the unit is defective.

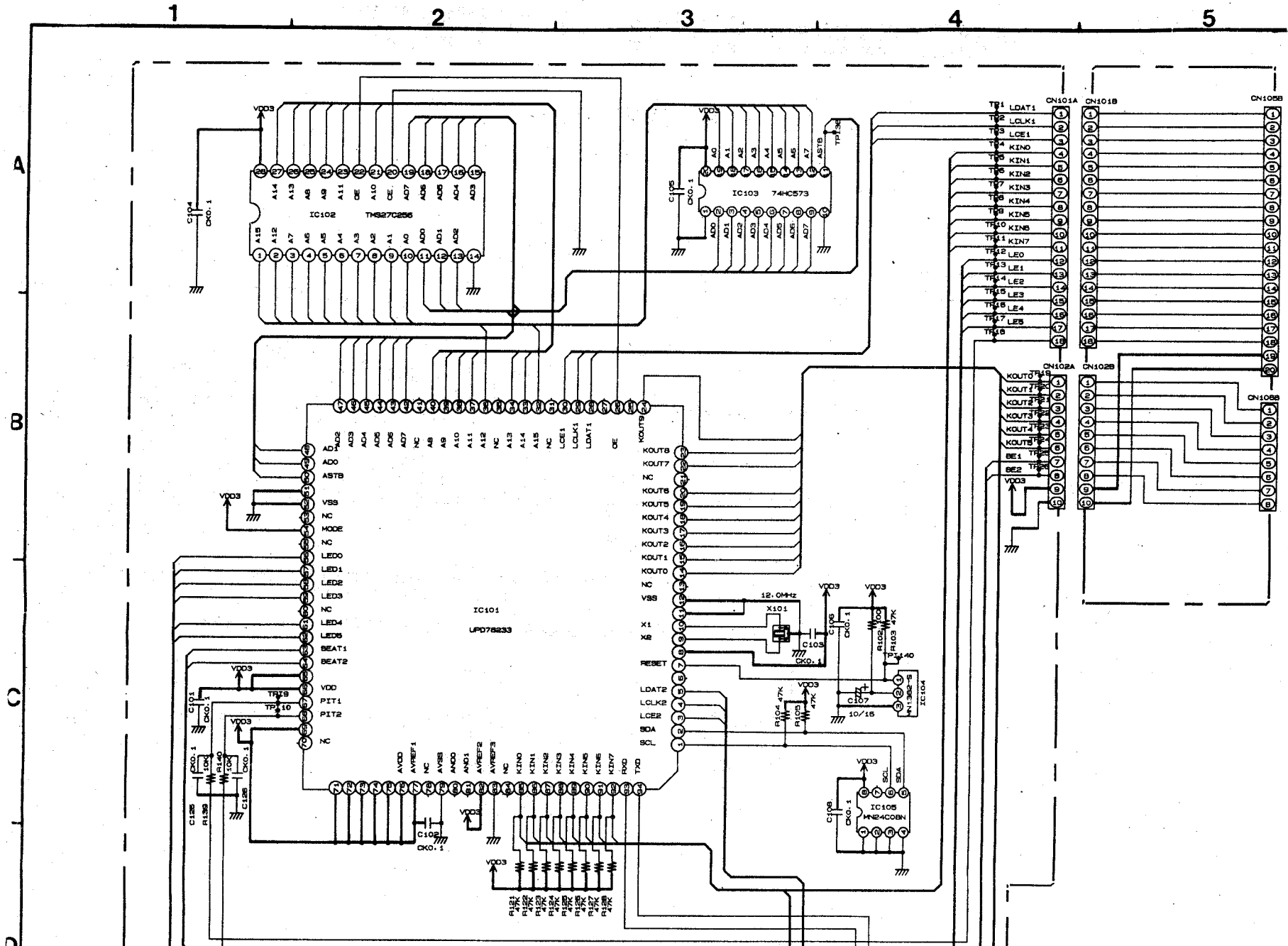
WARNING:
 DO NOT return the unit to the customer until the problem is located and corrected.

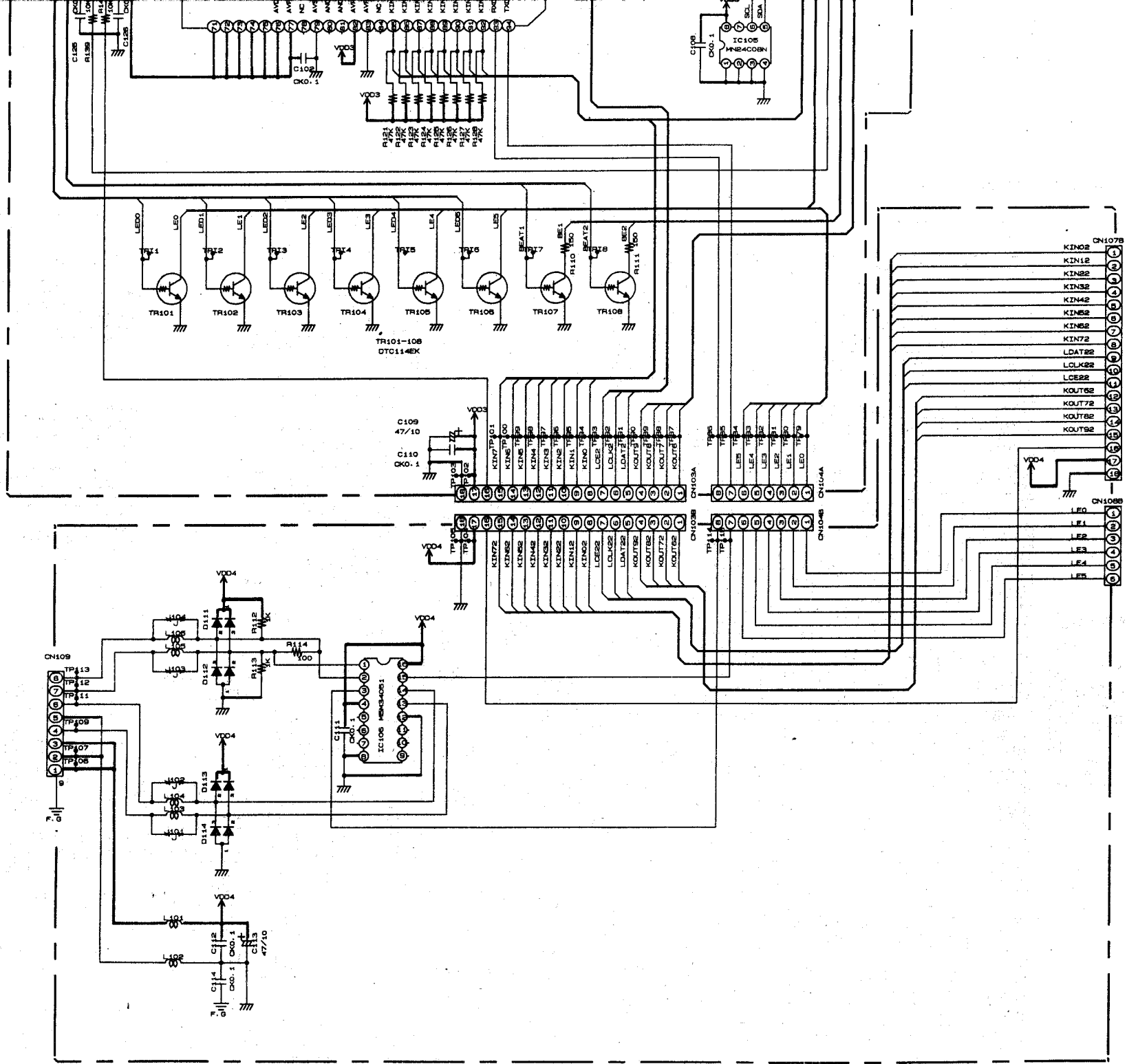
U.S.A., Canada and Europe Model

Multi-Voltage Model



SCHEMATIC DIAGRAM GU-2656 REMOTE CONTROL





D

M

T

M

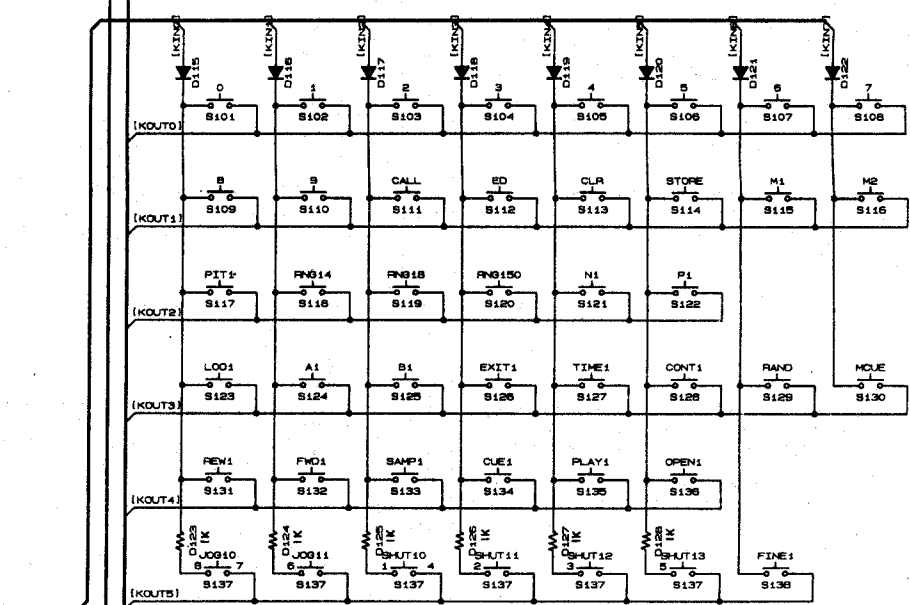
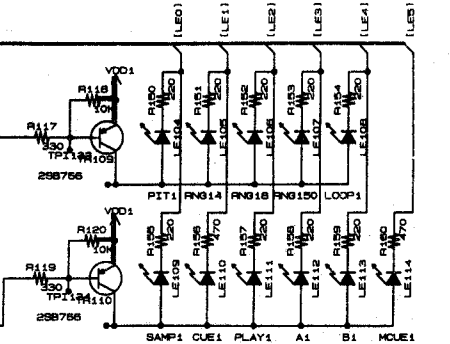
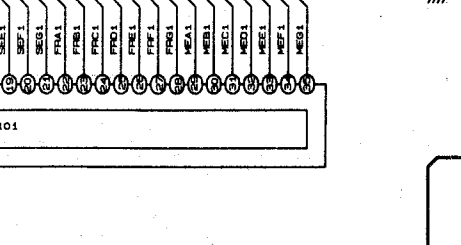
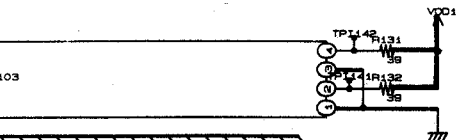
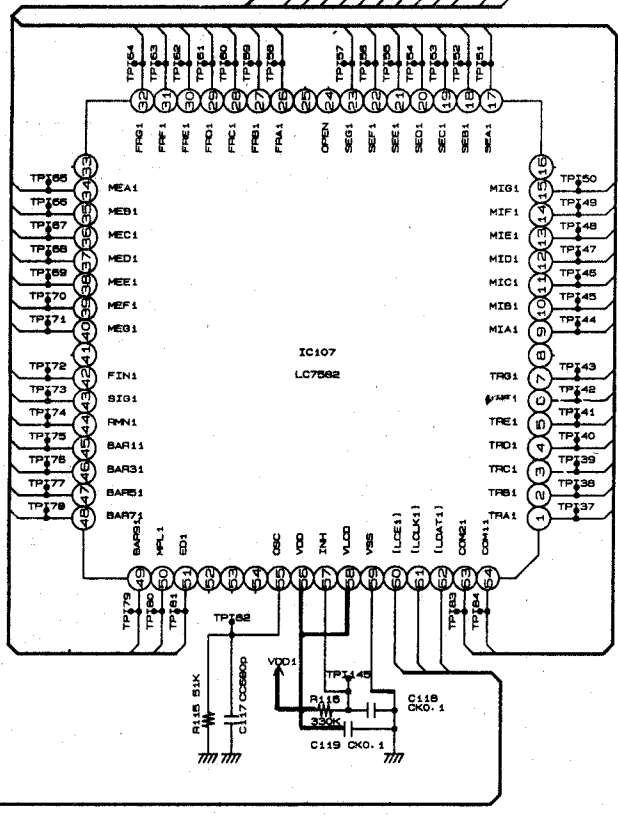
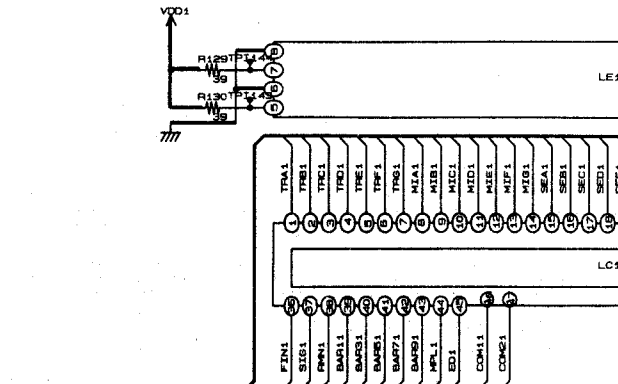
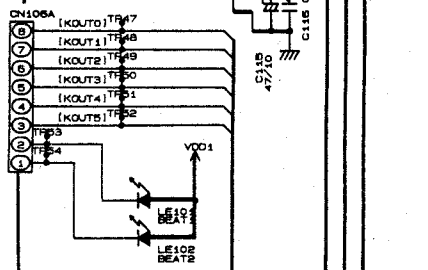
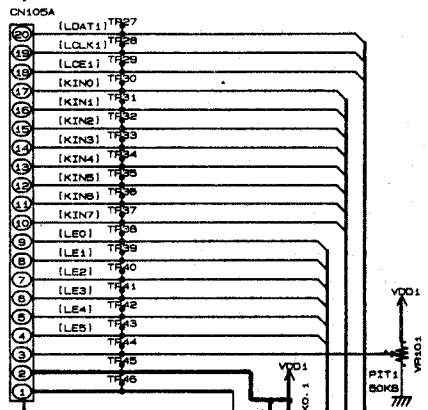
6

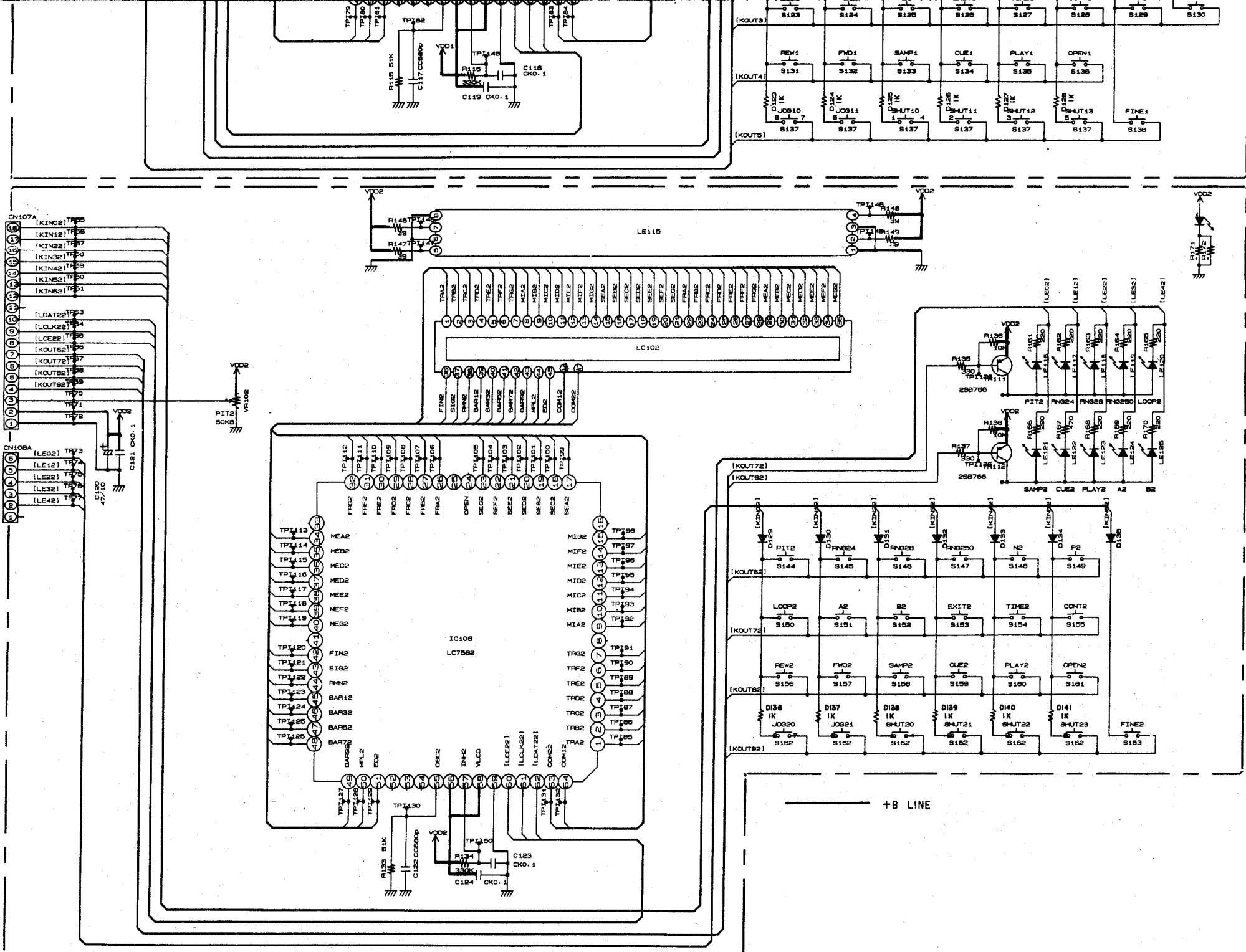
7

8

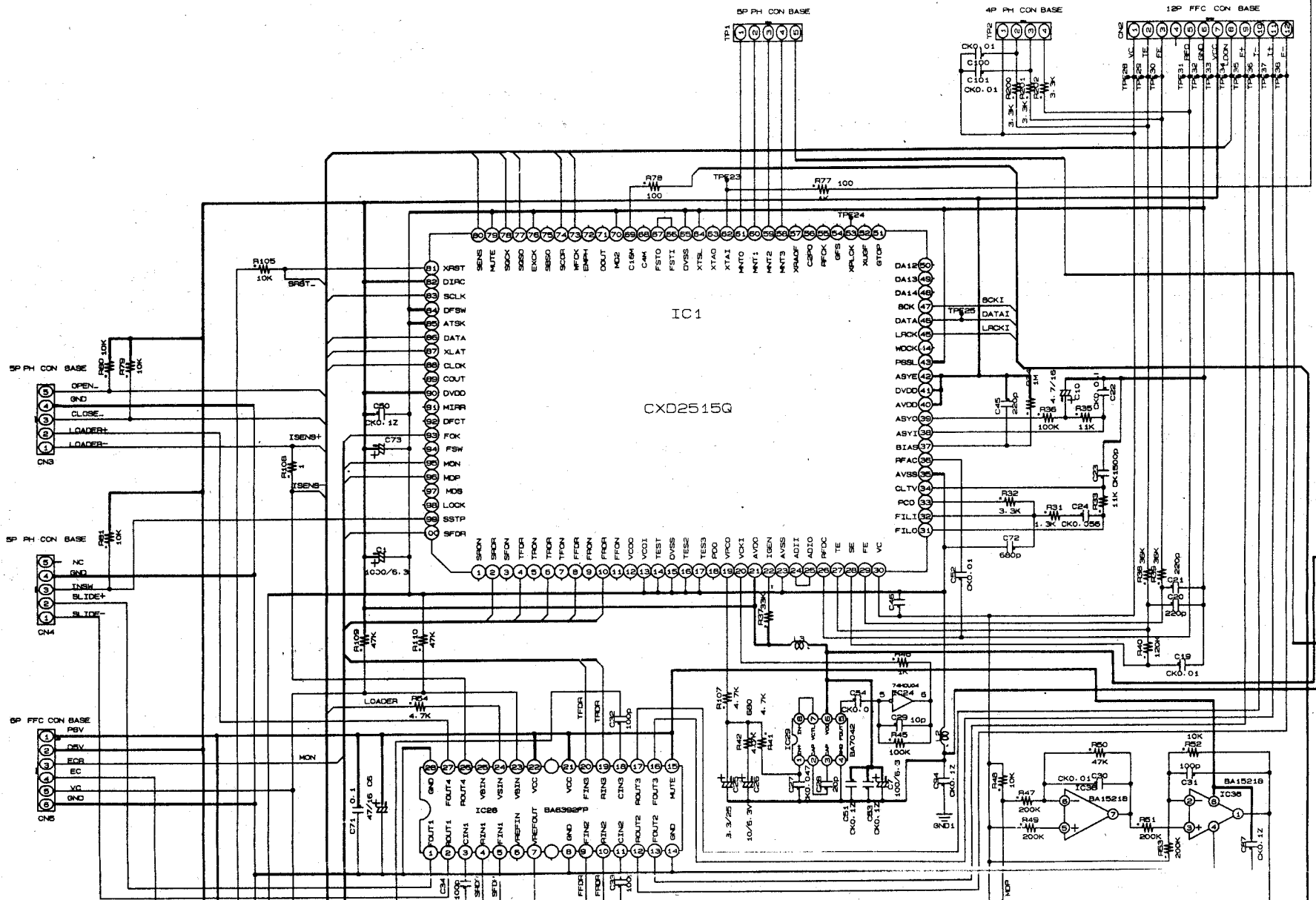
9

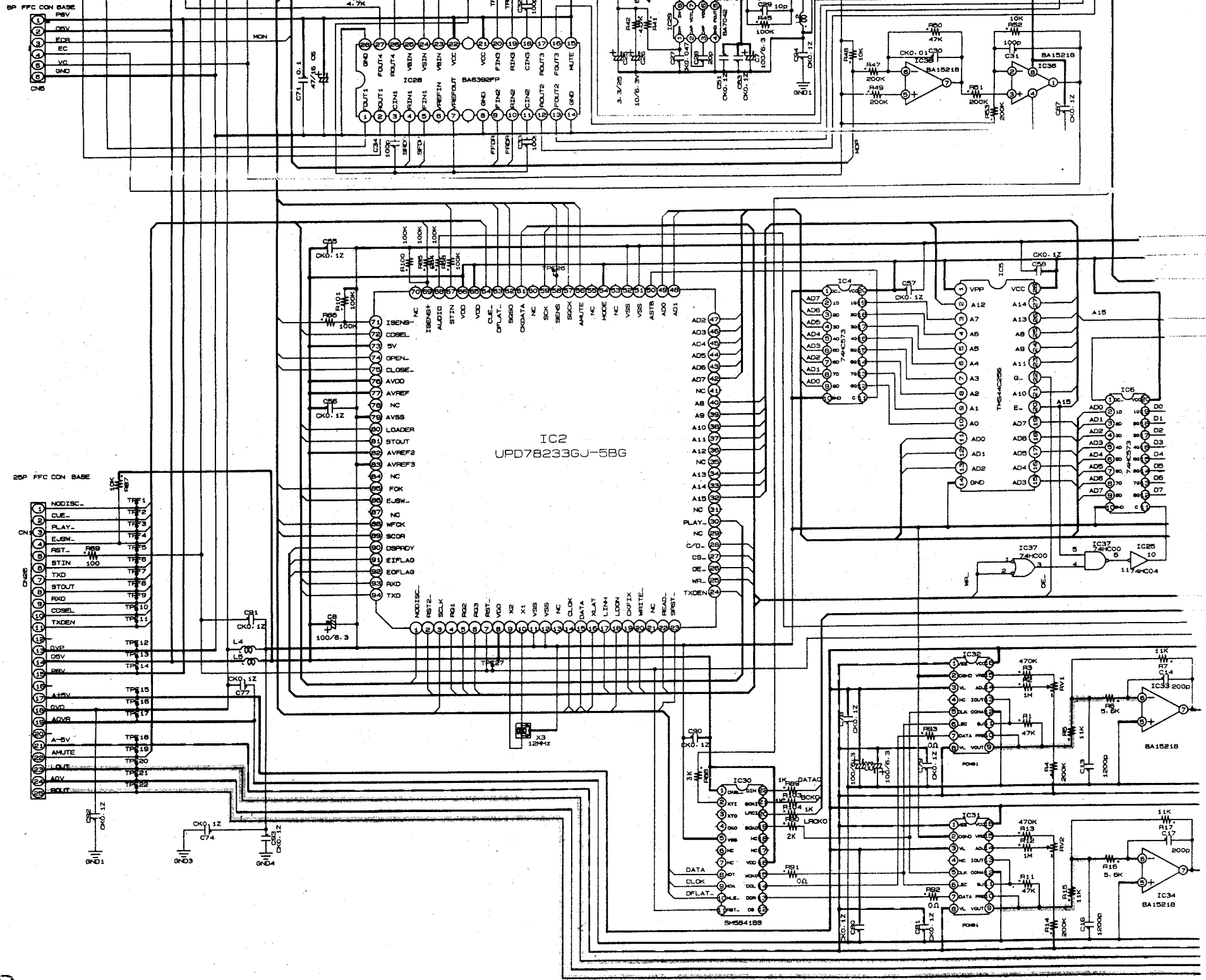
10





SCHEMATIC DIAGRAM GU-2655 MECHA P.W.B. UNIT





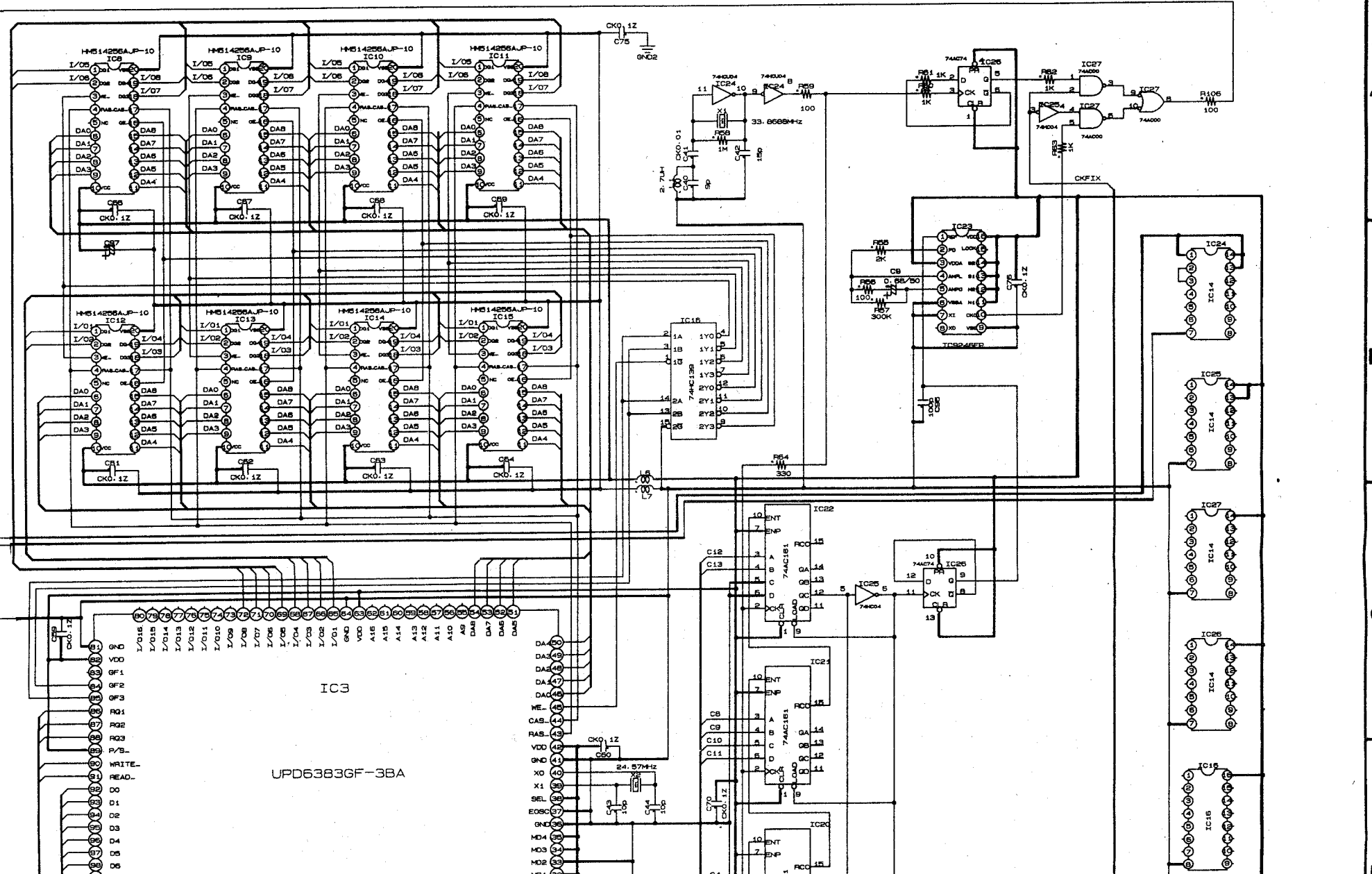
7

8

9

10

11



A

B

C

D

UPD6383GF-38A

