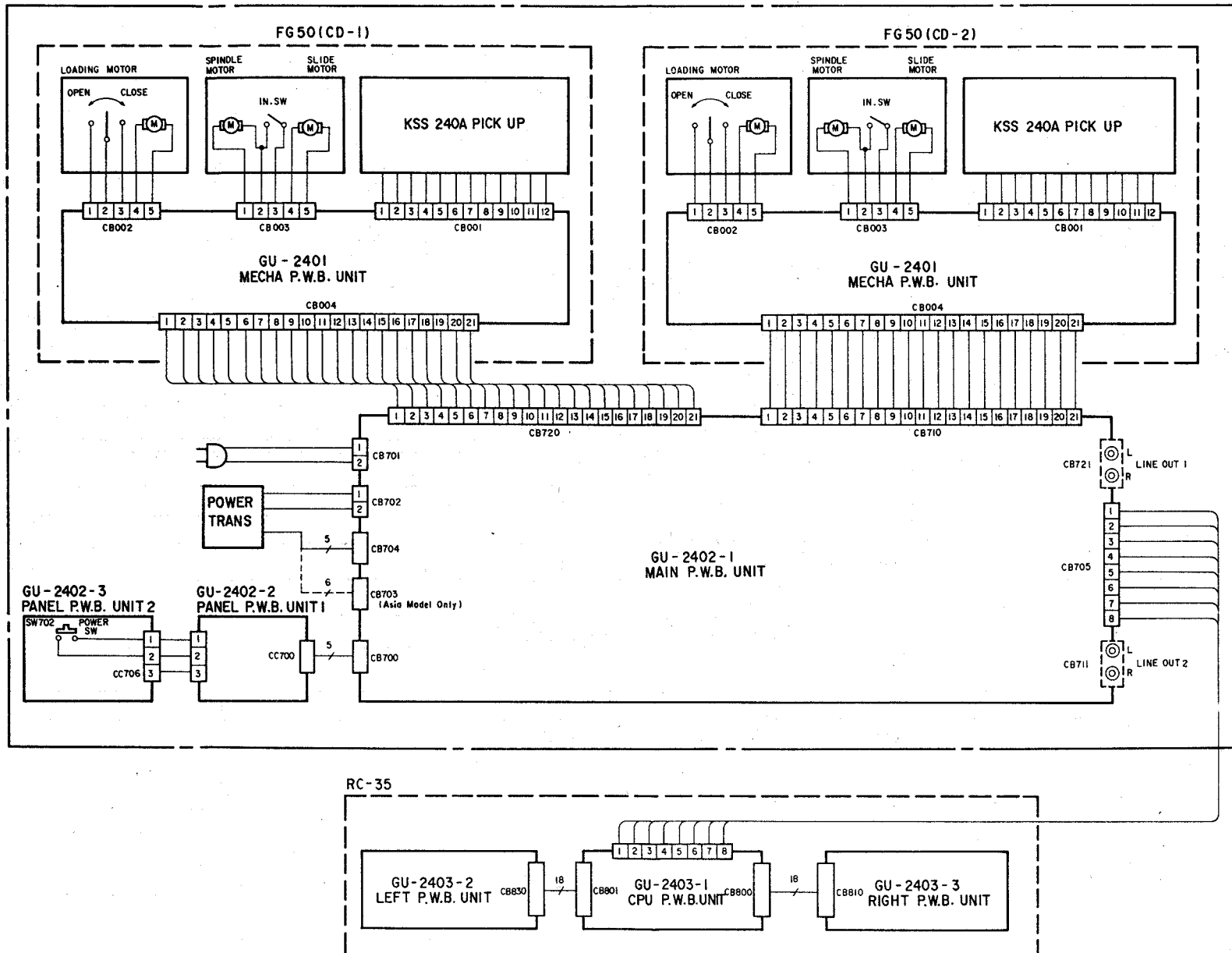


DENON

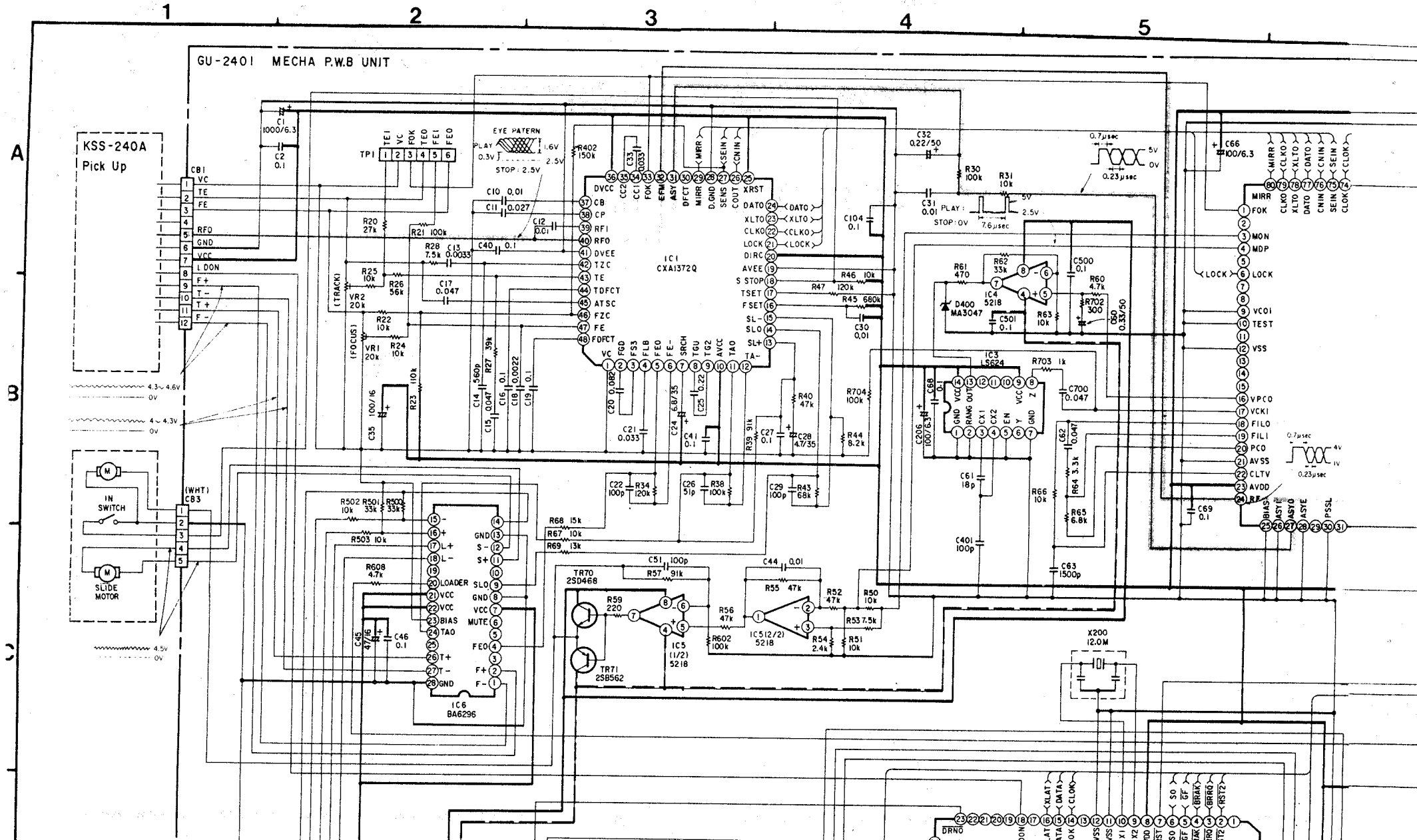
TYP DN-2000F

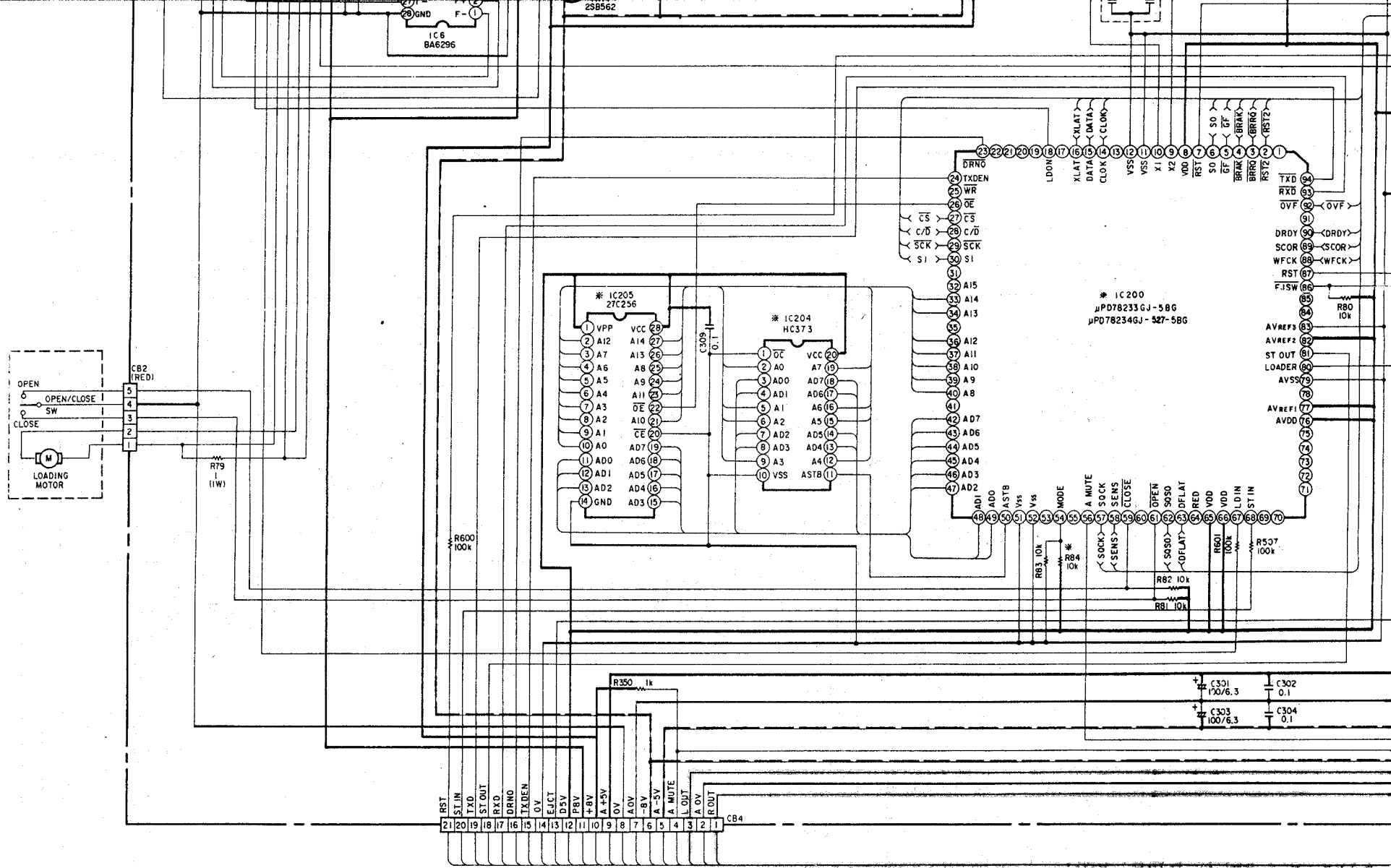
DOPPEL-CD ABSPIELER

ANSCHLUSSPLAN



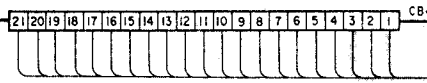
SCHALTPLAN GU2401 MECHA-PLATINENBAUGRUPPE/GU-2402 HAUPT-PLATINENBAUGRUPPE

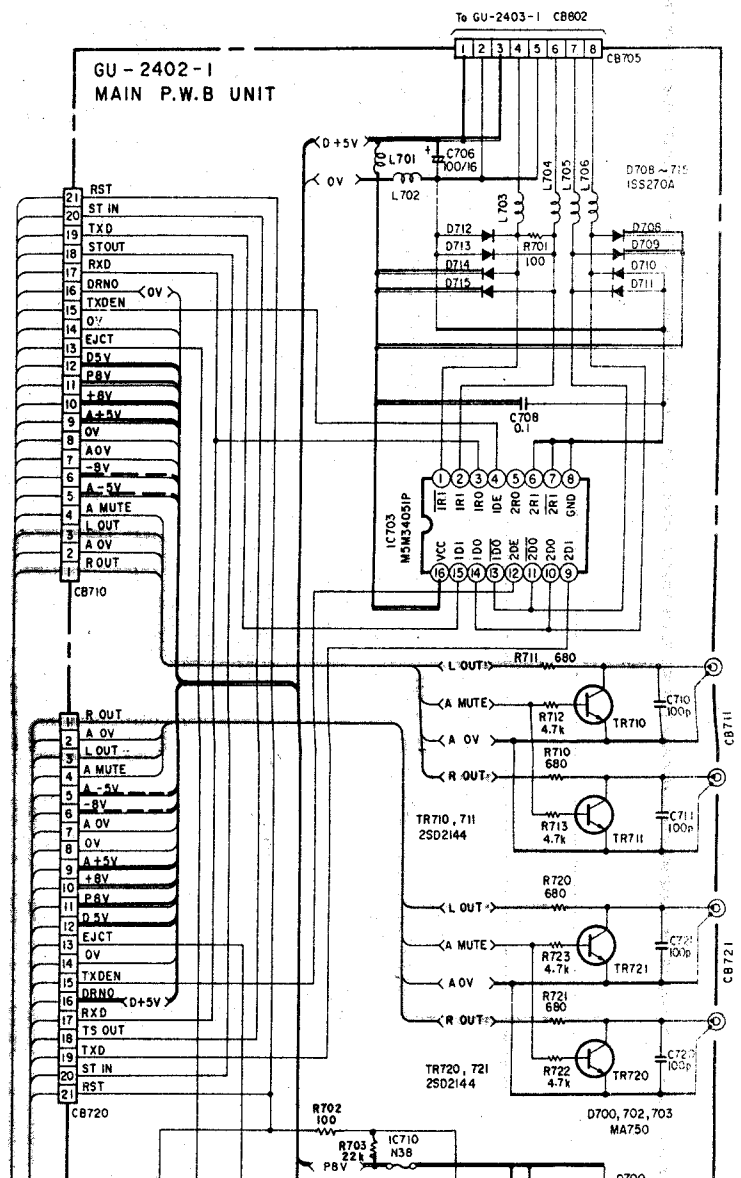
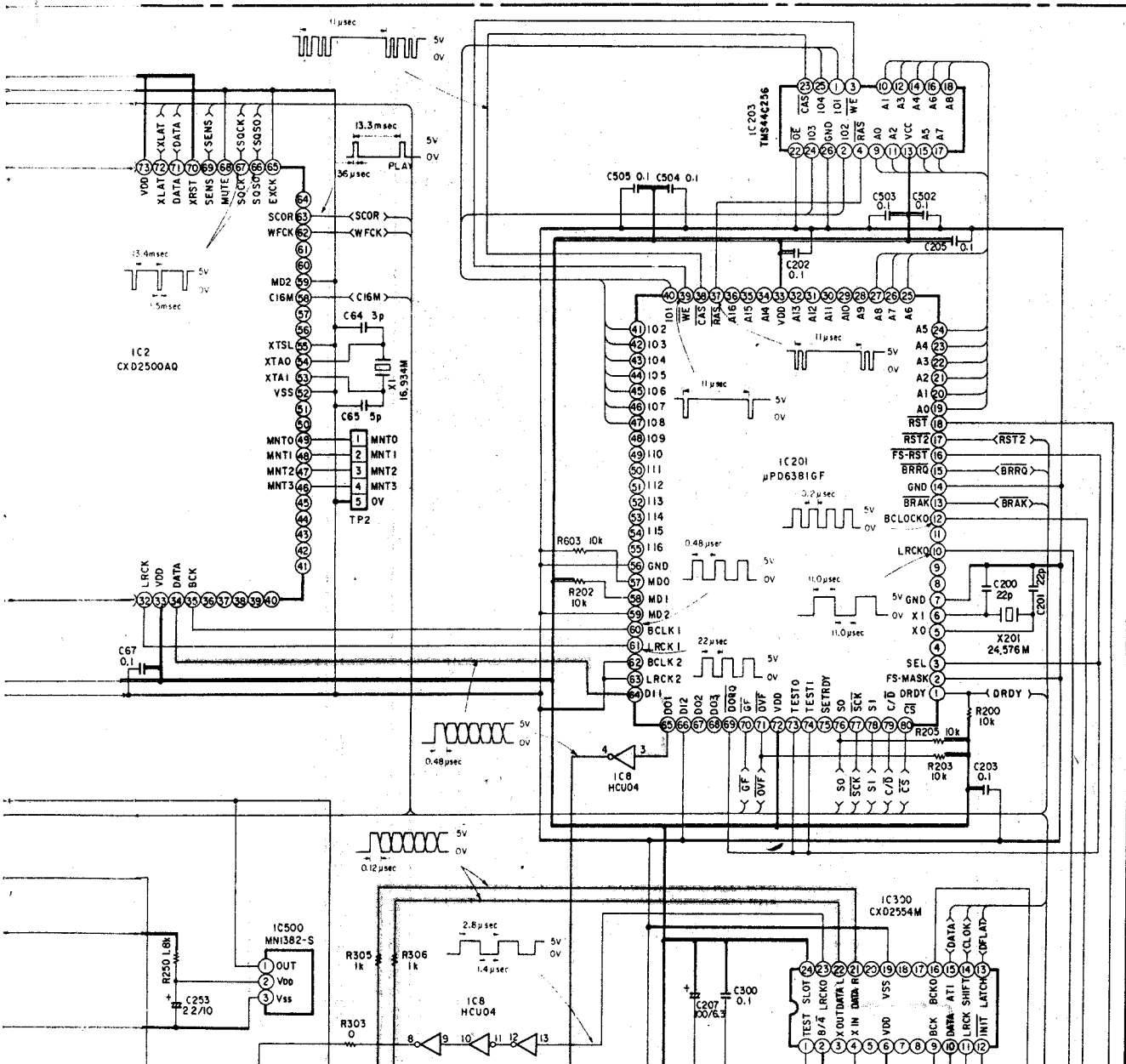


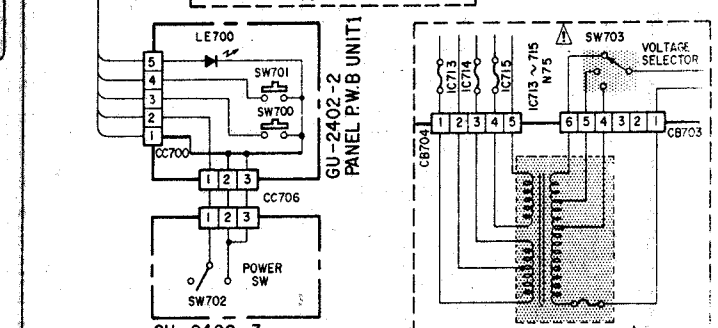
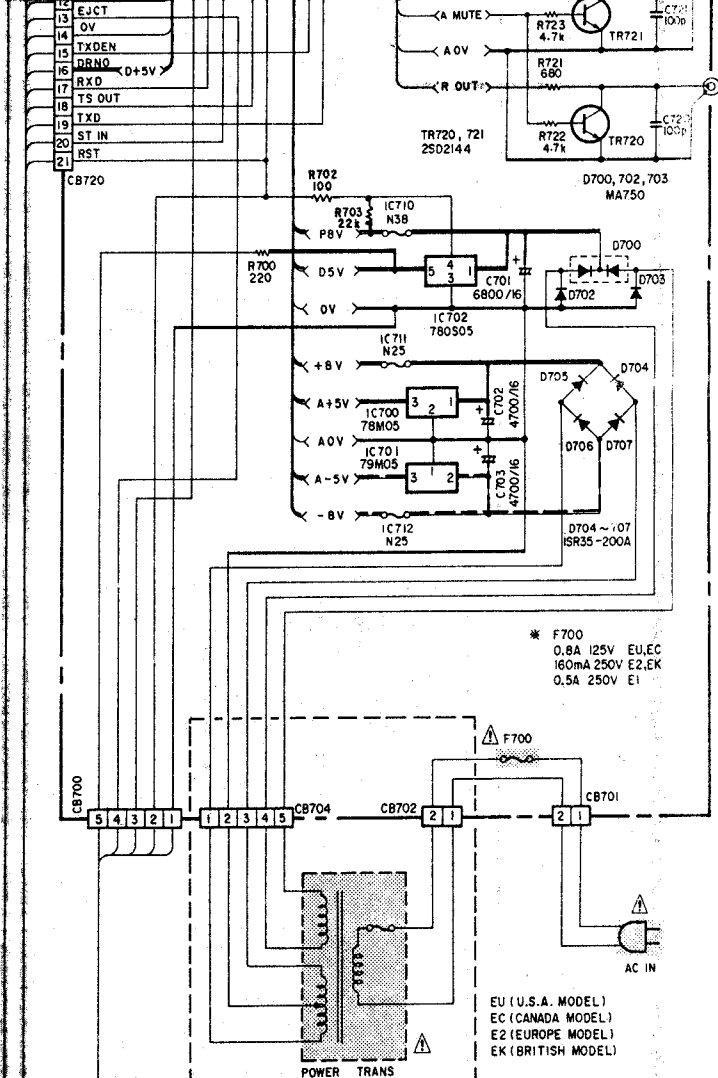
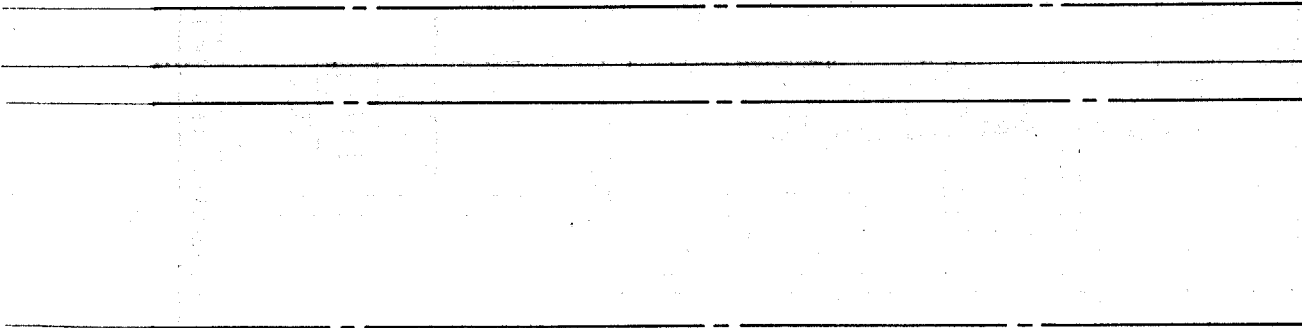
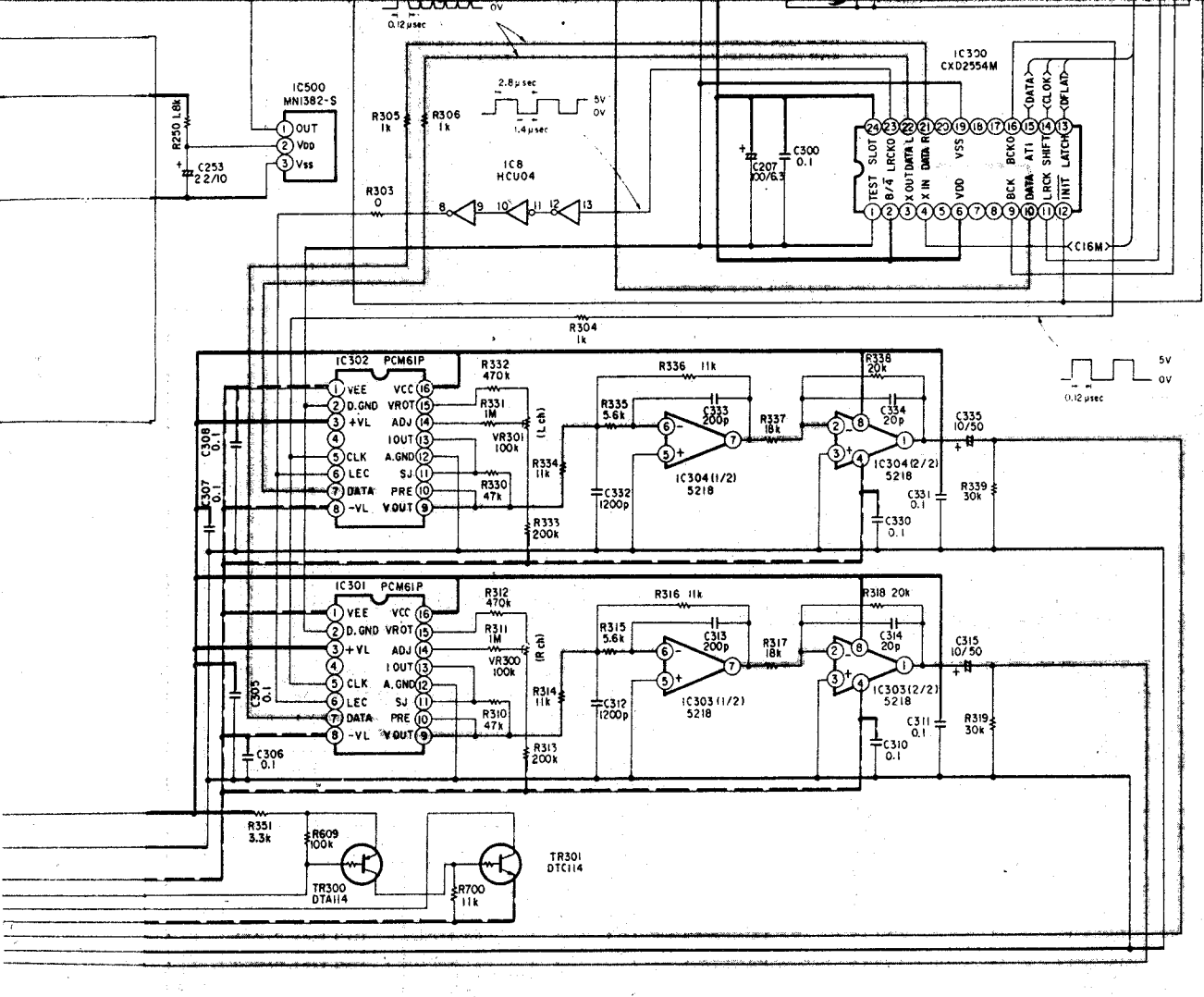


GU-2401 MECHA P.W.B UNIT

{ SAME AS ABOVE }







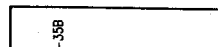
+B LEITUNG
 -B LEITUNG
 SIGNALLEITUNG

DENON

MODEL DN-2000FMKII

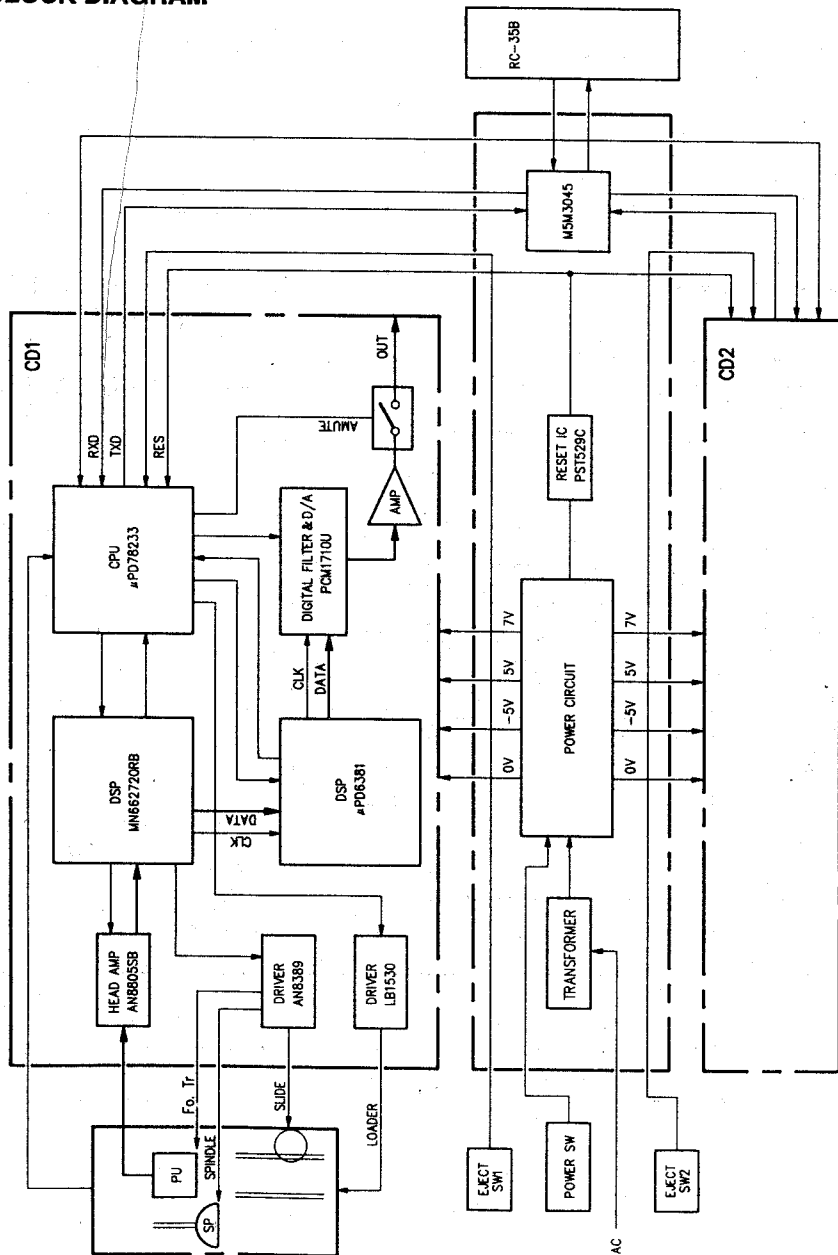
DOUBLE CD PLAYER

BLOCK DIAGRAM

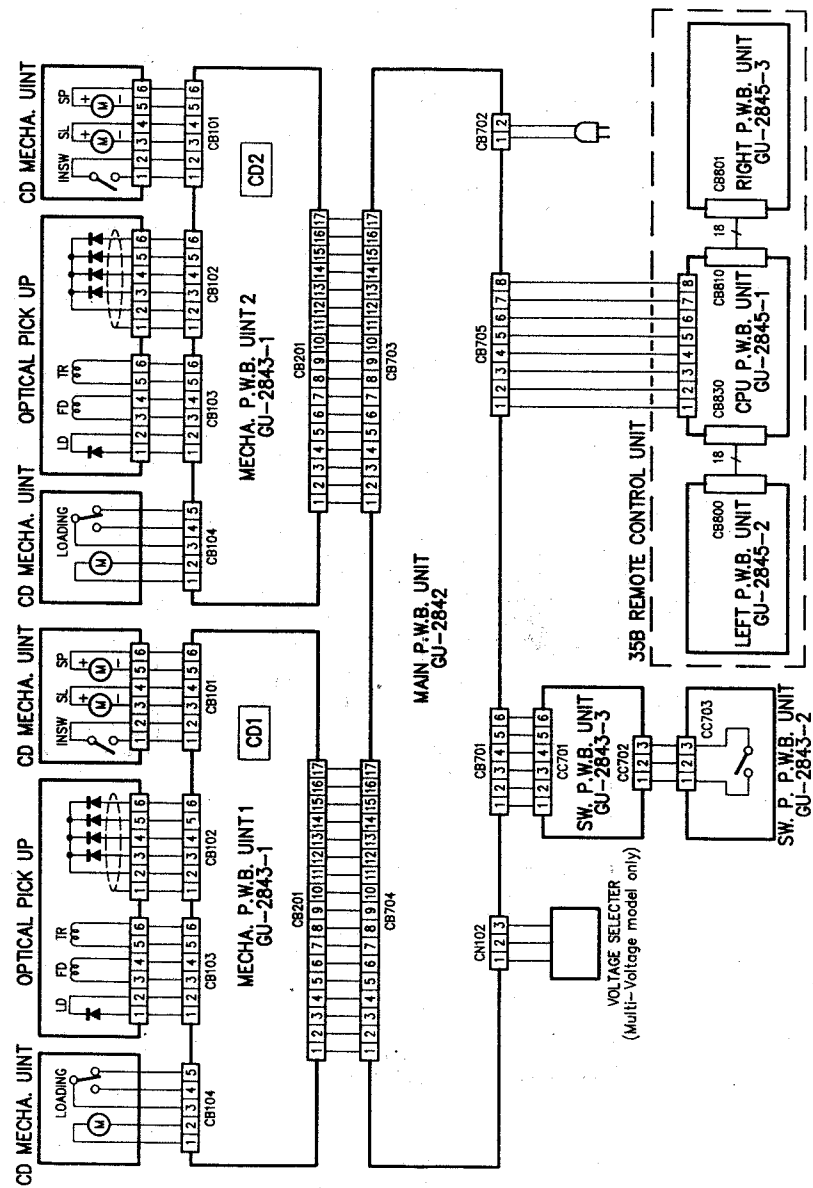


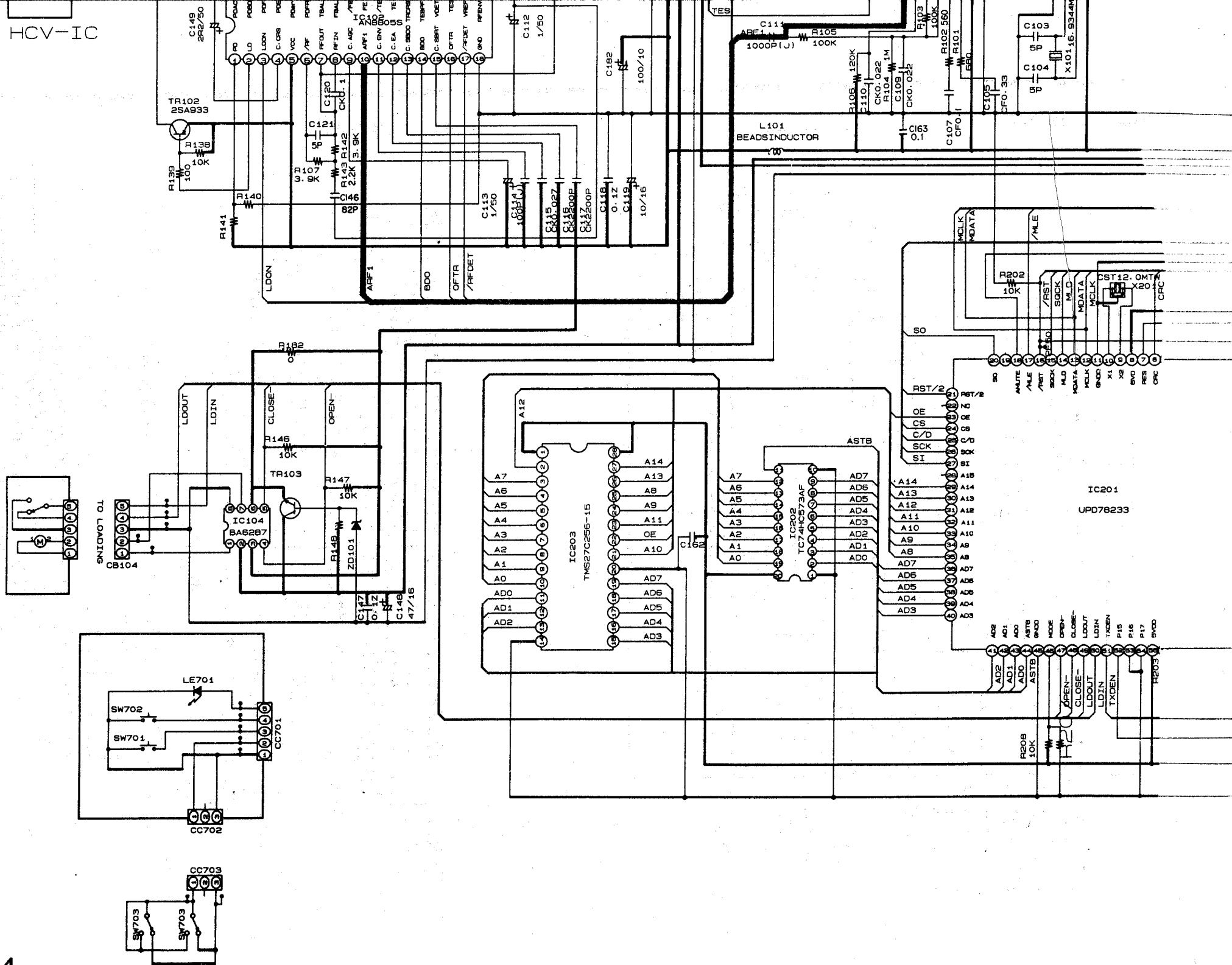
WIRING DIAGRAM

BLOCK DIAGRAM

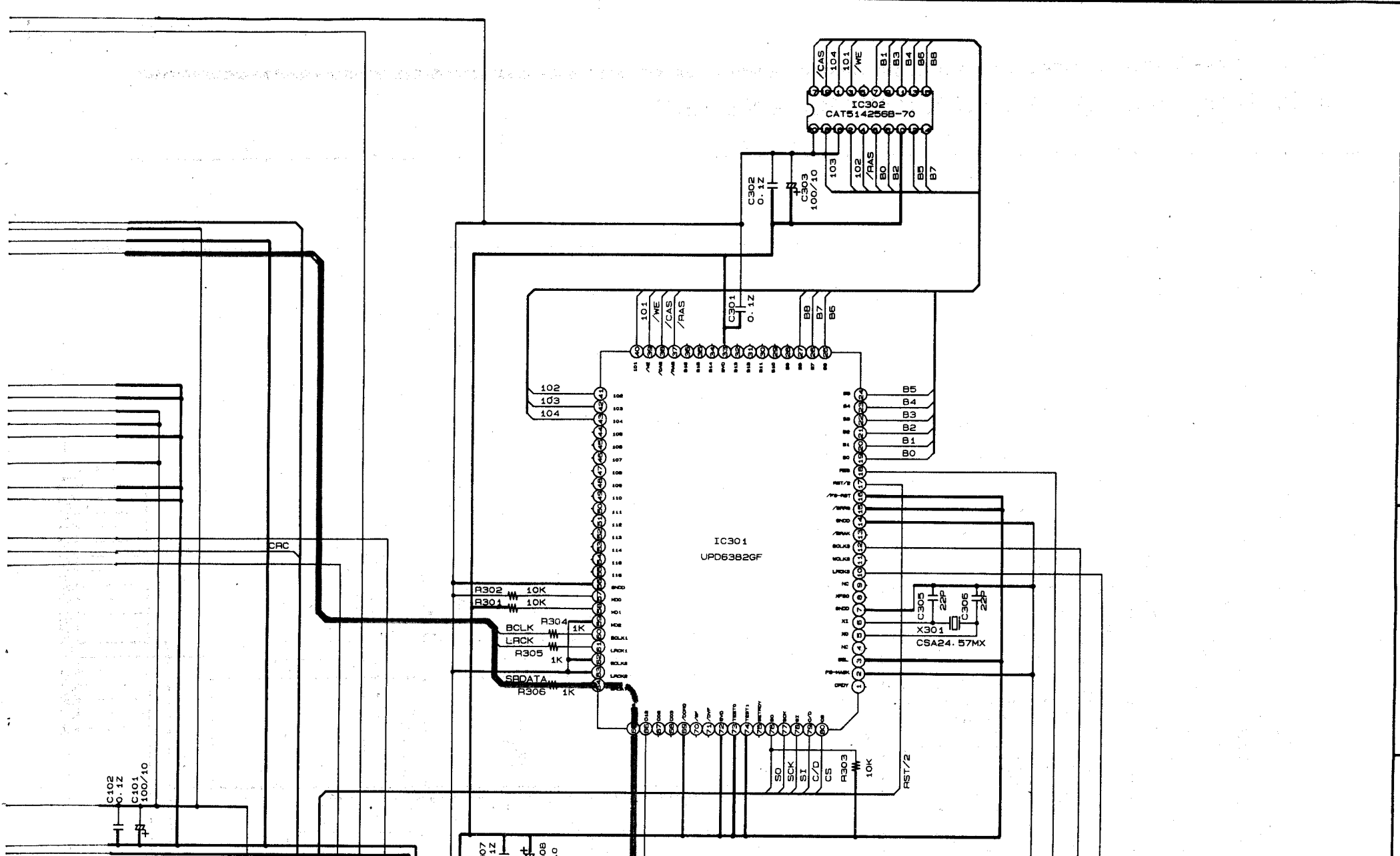


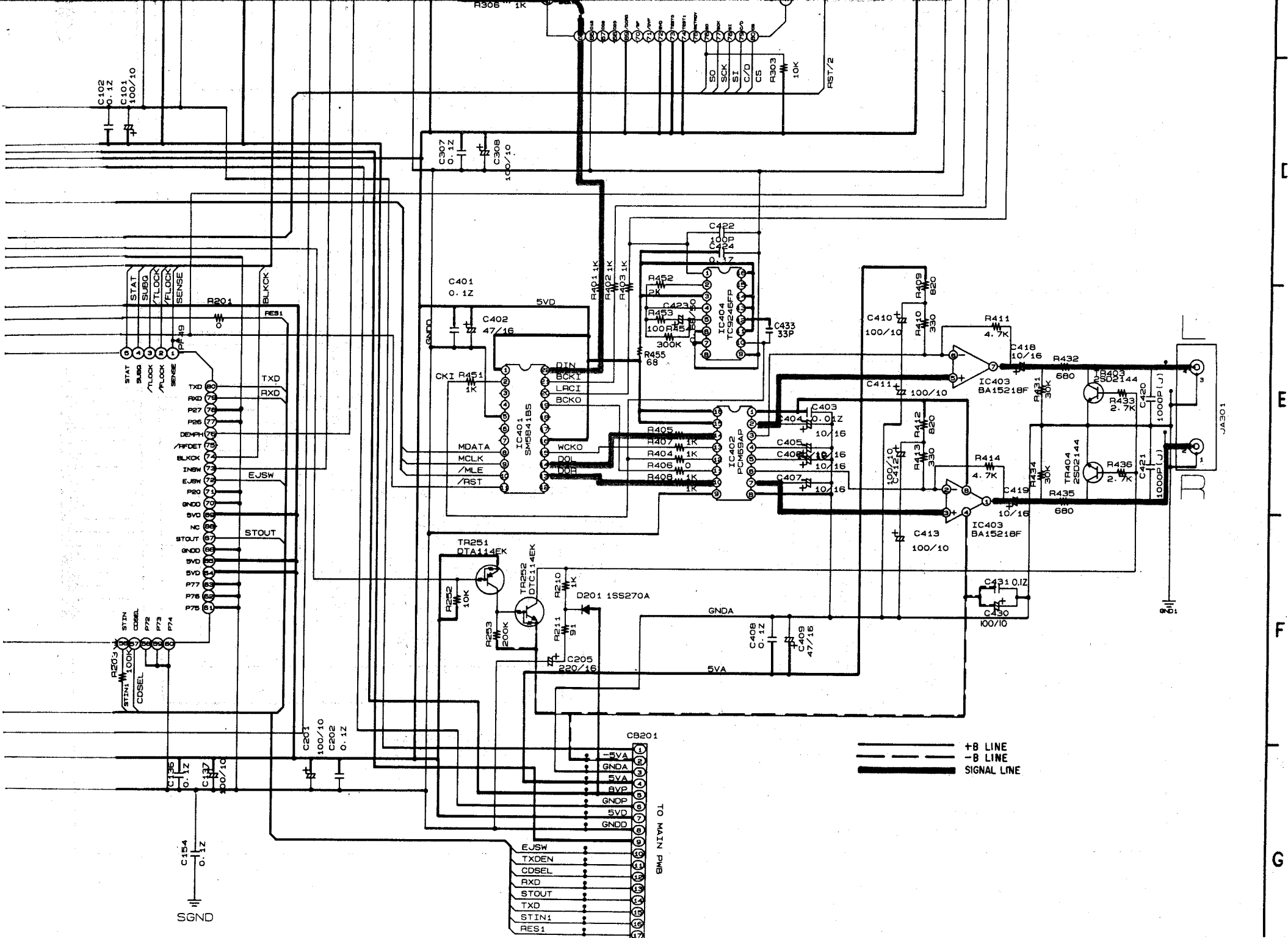
WIRING DIAGRAM





7 8 9 10 11





——— +B LINE
 - - - -B LINE
 ——— SIGNAL LINE

G

F

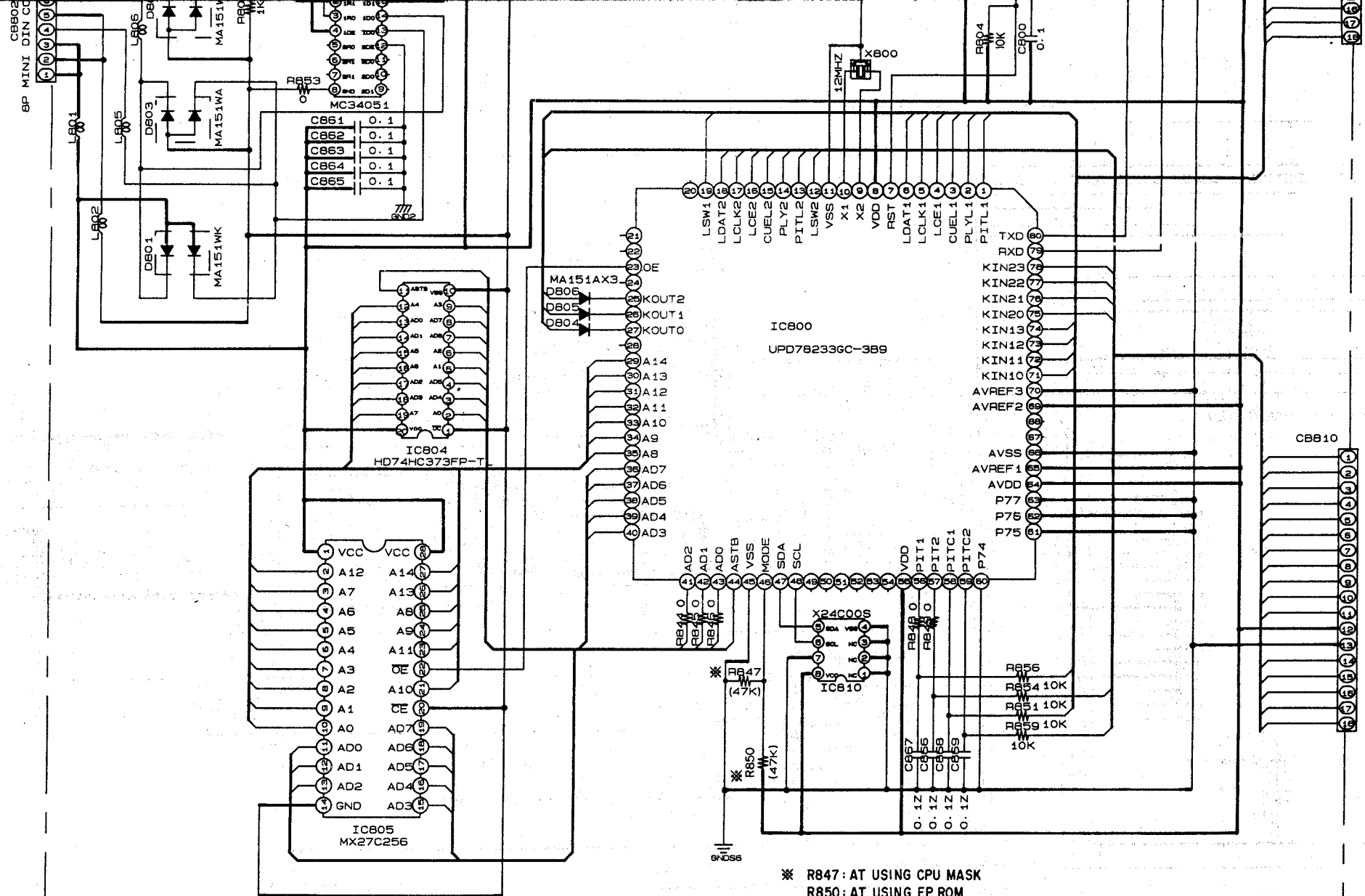
F

C

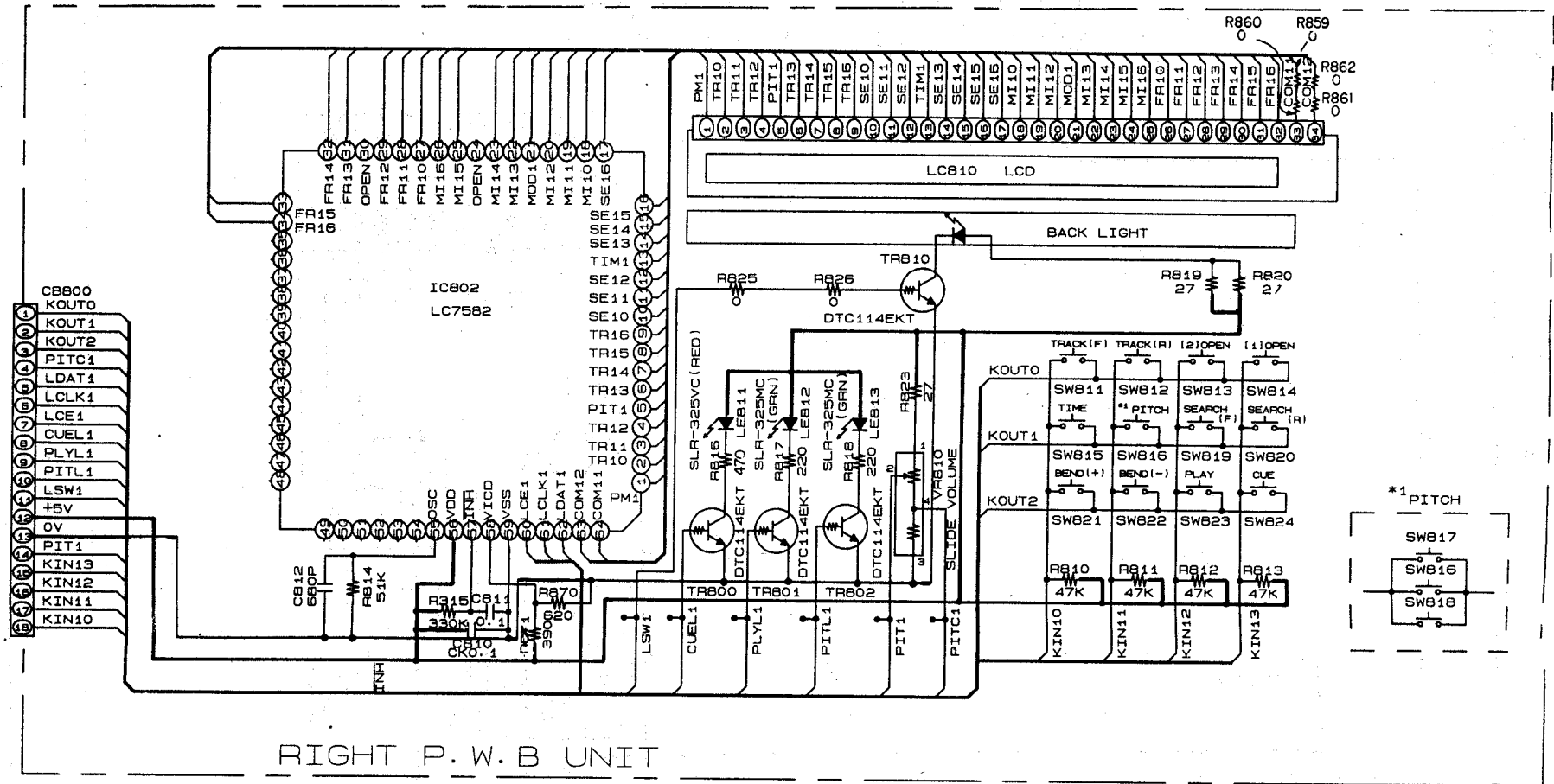
D

F

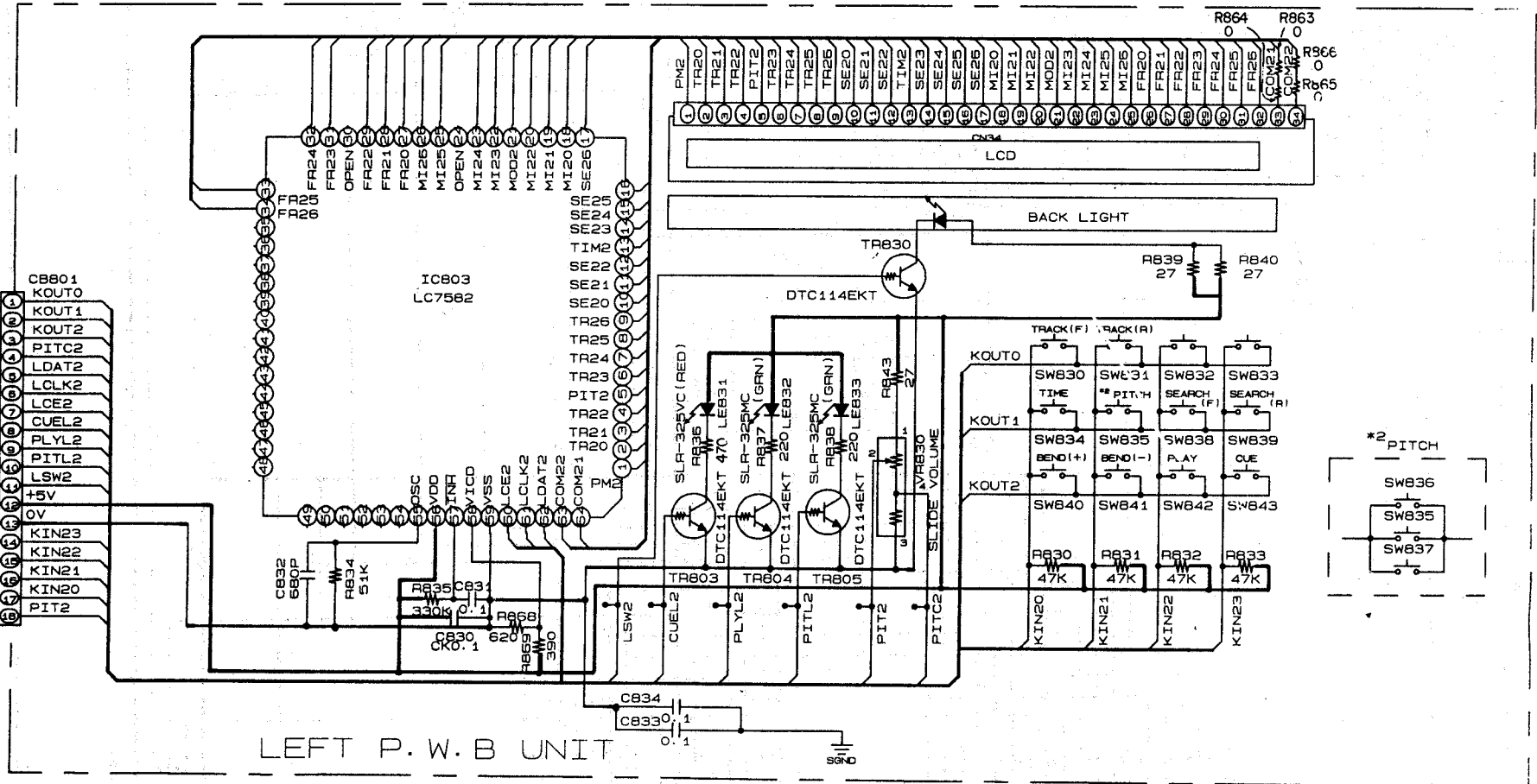
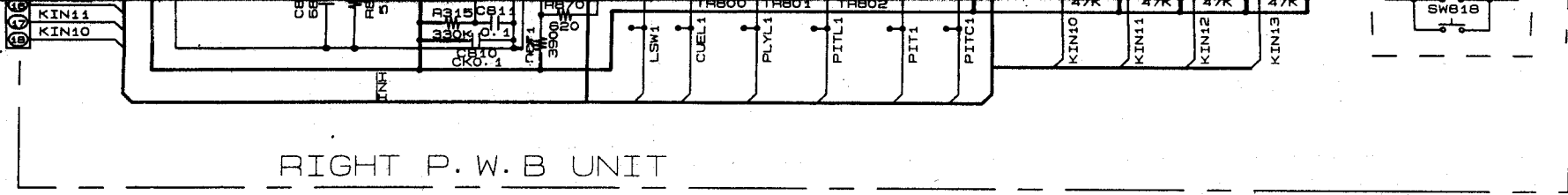
F



CONTROL P.W.B UNIT



RIGHT P.W.B UNIT



— +B LINE

SCHEMATIC DIAGRAM GU-2842 MAIN P.W.B. UNIT

1 2 3 4

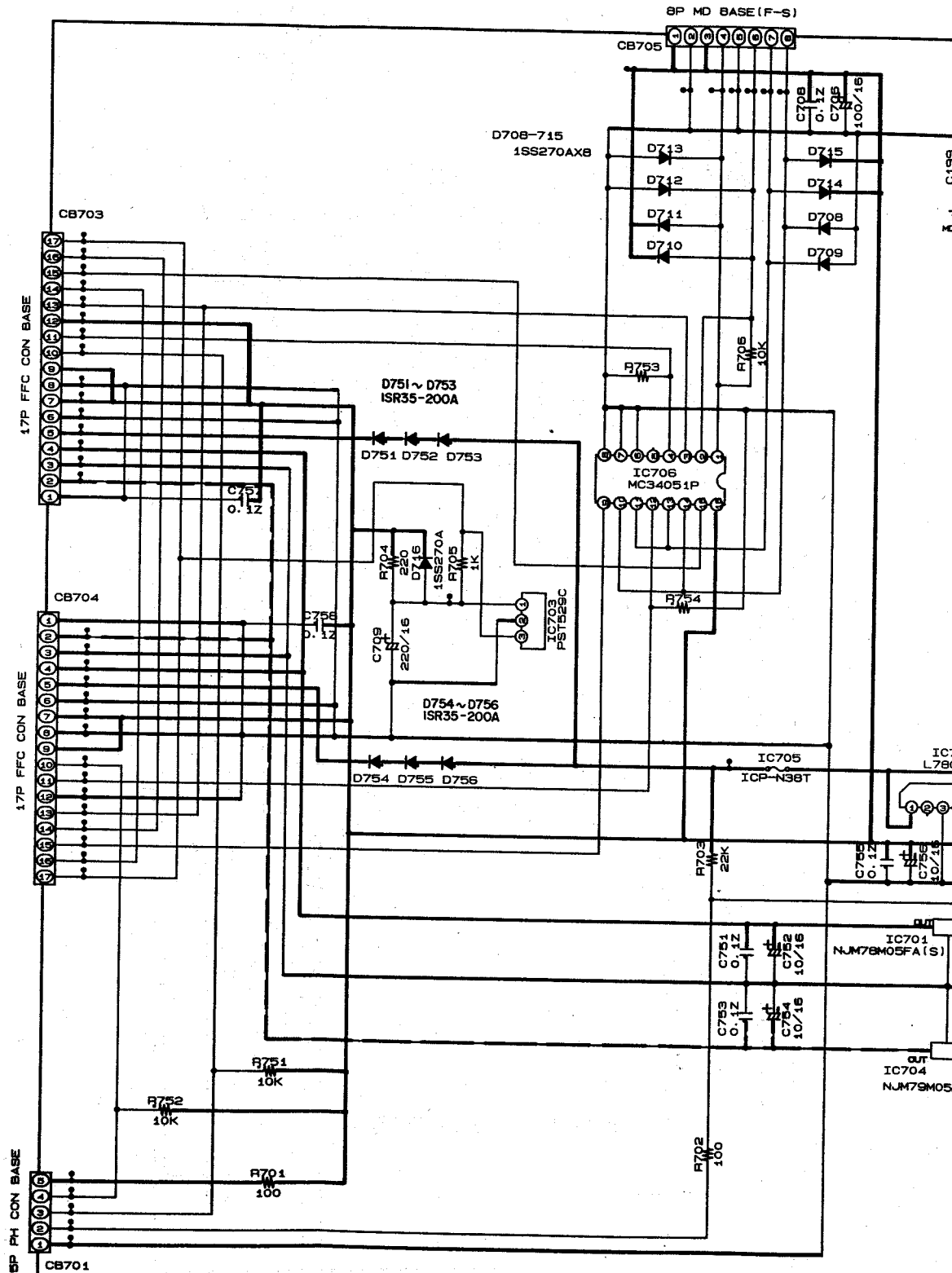
A

B

C

D

E



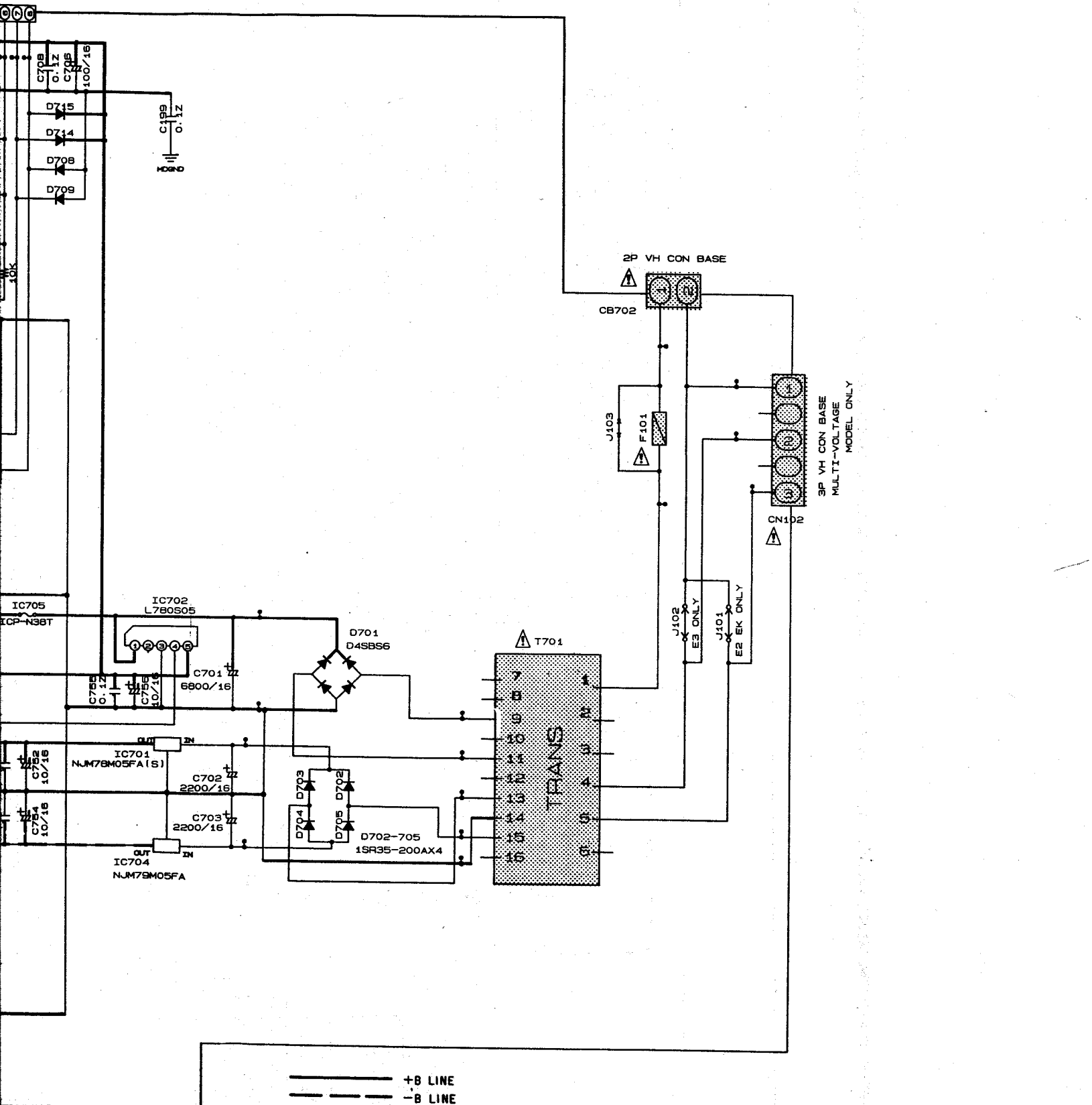
4

5

6

7

E(F-S)



NOTES
 ALL RESISTANCE VALUES IN OHM. k=1,000 OHM, M=1,000,000 OHM
 ALL CAPACITANCE VALUES IN MICRO FARAD. P=MICRO-MICRO FARAD
 EACH VOLTAGE AND CURRENT ARE MEASURED AT NO SIGNAL INPUT CONDITION.
 CIRCUIT AND PARTS ARE SUBJECT TO CHANGE WITHOUT PRIOR NOTICE.