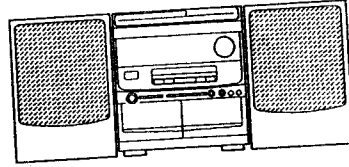


aiwa

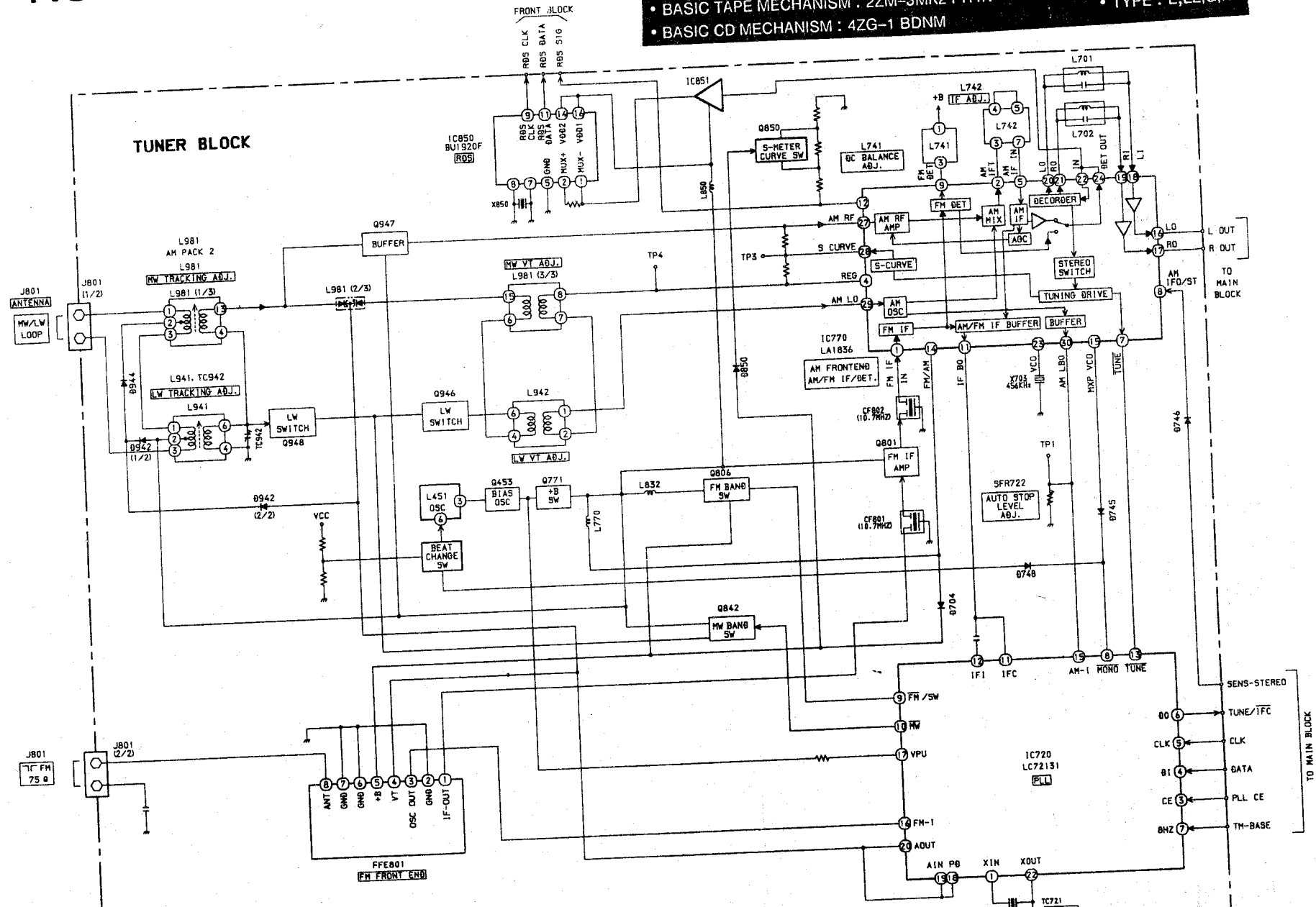
NSX-V900

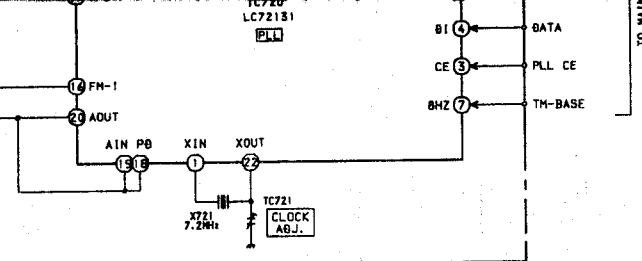
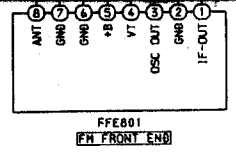
NSX-V929



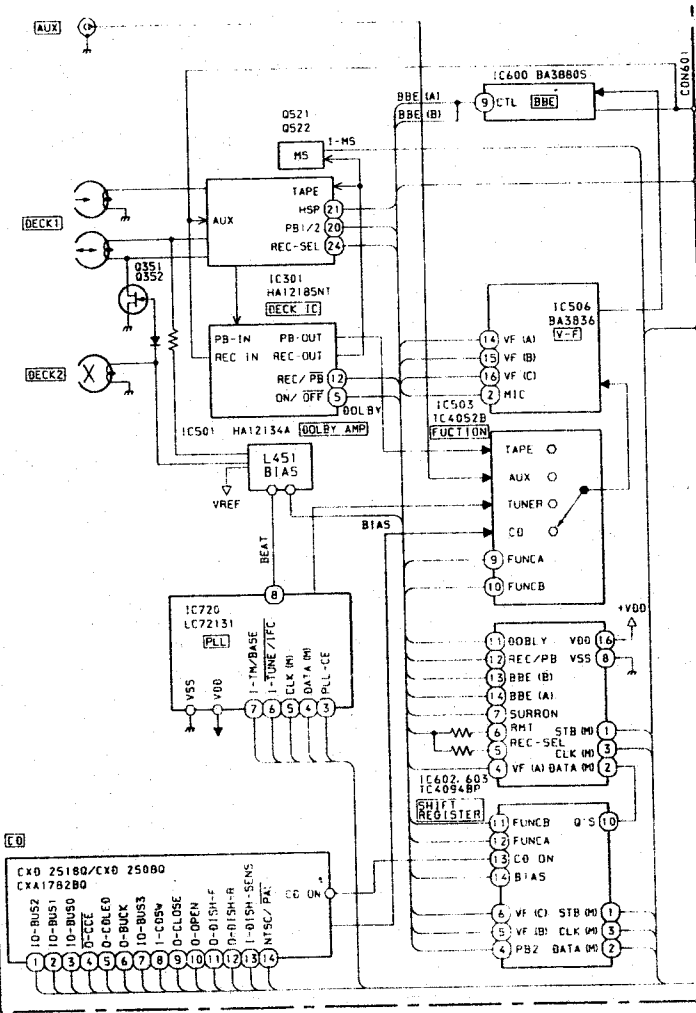
SYSTEM	CD - CASSEIVER	SPEAKER
NSX-V900 (TYPE : E2,EZ,EEZ, G,K)	CX-NV900	SX - ANV900
NSX-V929 (TYPE : EEZ)	CX-NV929	

- BASIC TAPE MECHANISM : 2ZM-3MK2 PR4N
- BASIC CD MECHANISM : 4ZG-1 BDNM
- TYPE : E,EZ,G,K

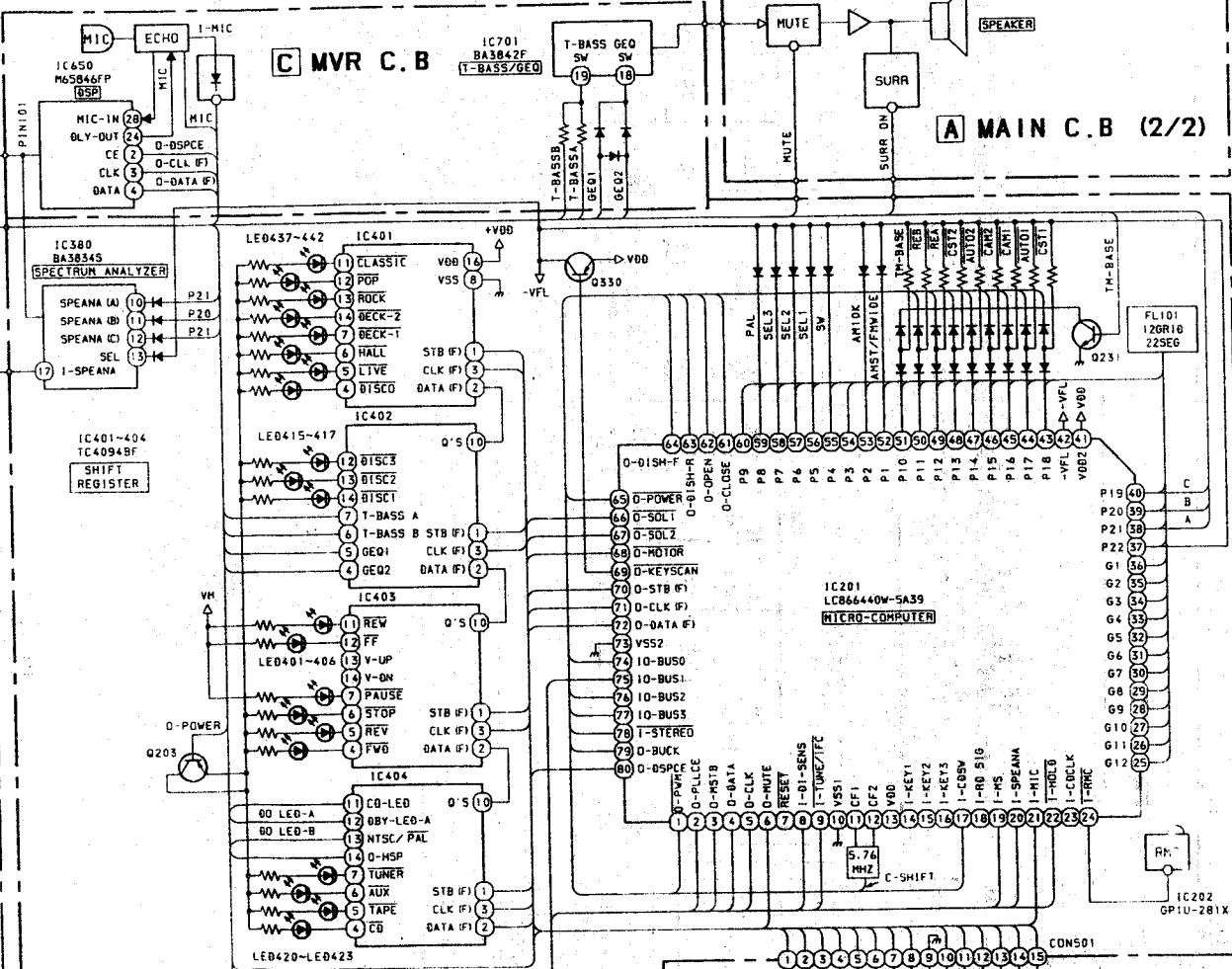




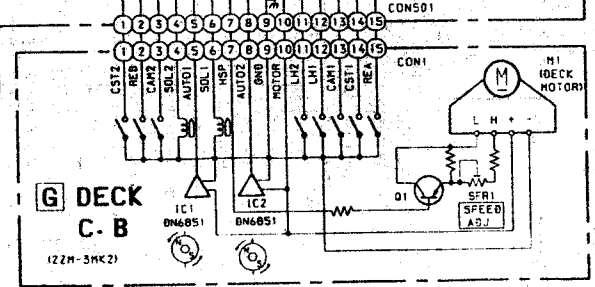
A MAIN C.B (1/2)



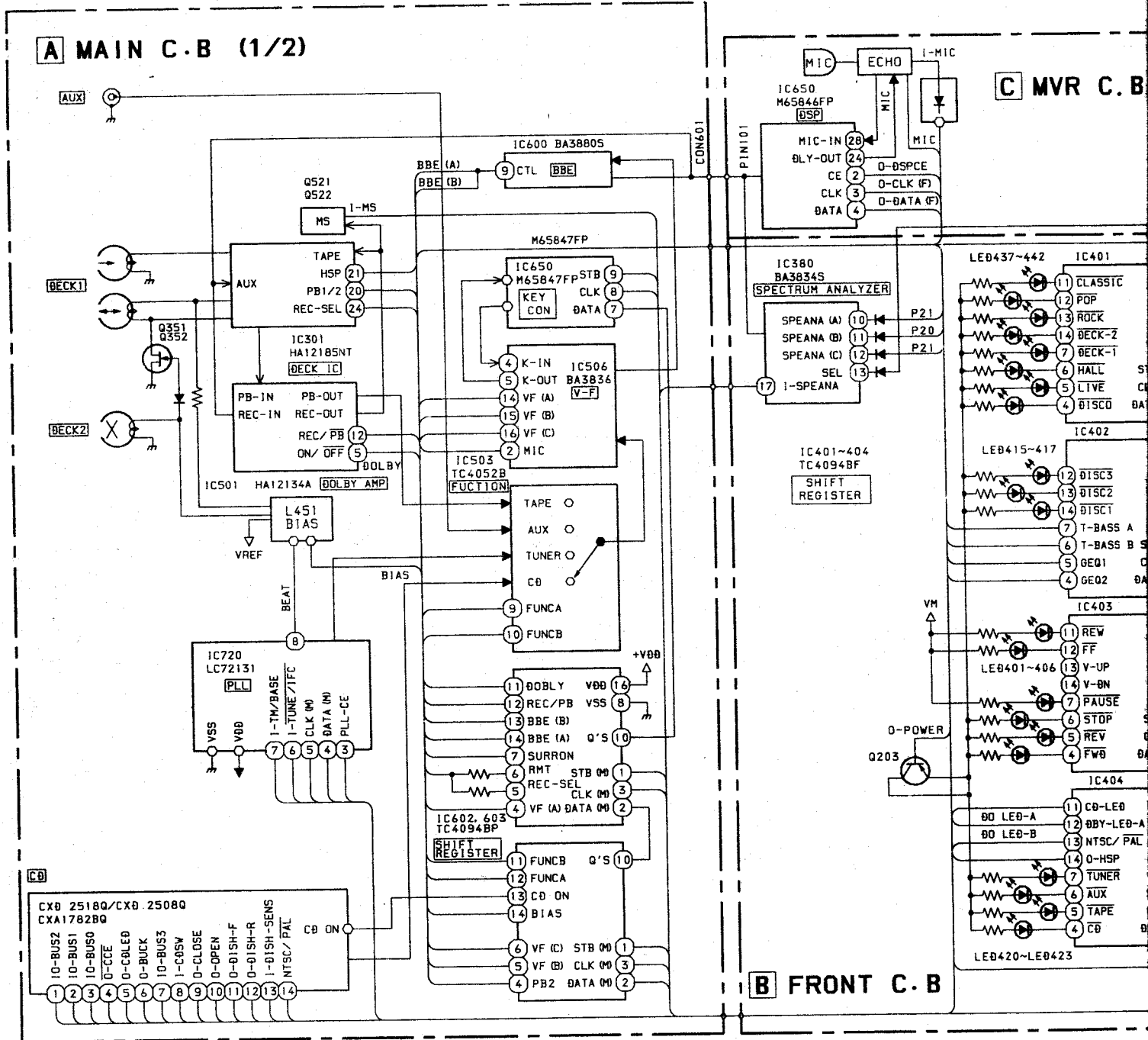
C MVR C.B



A MAIN C.B (2/2)

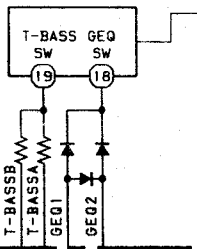


BLOCK DIAGRAM - 2 (MAIN)

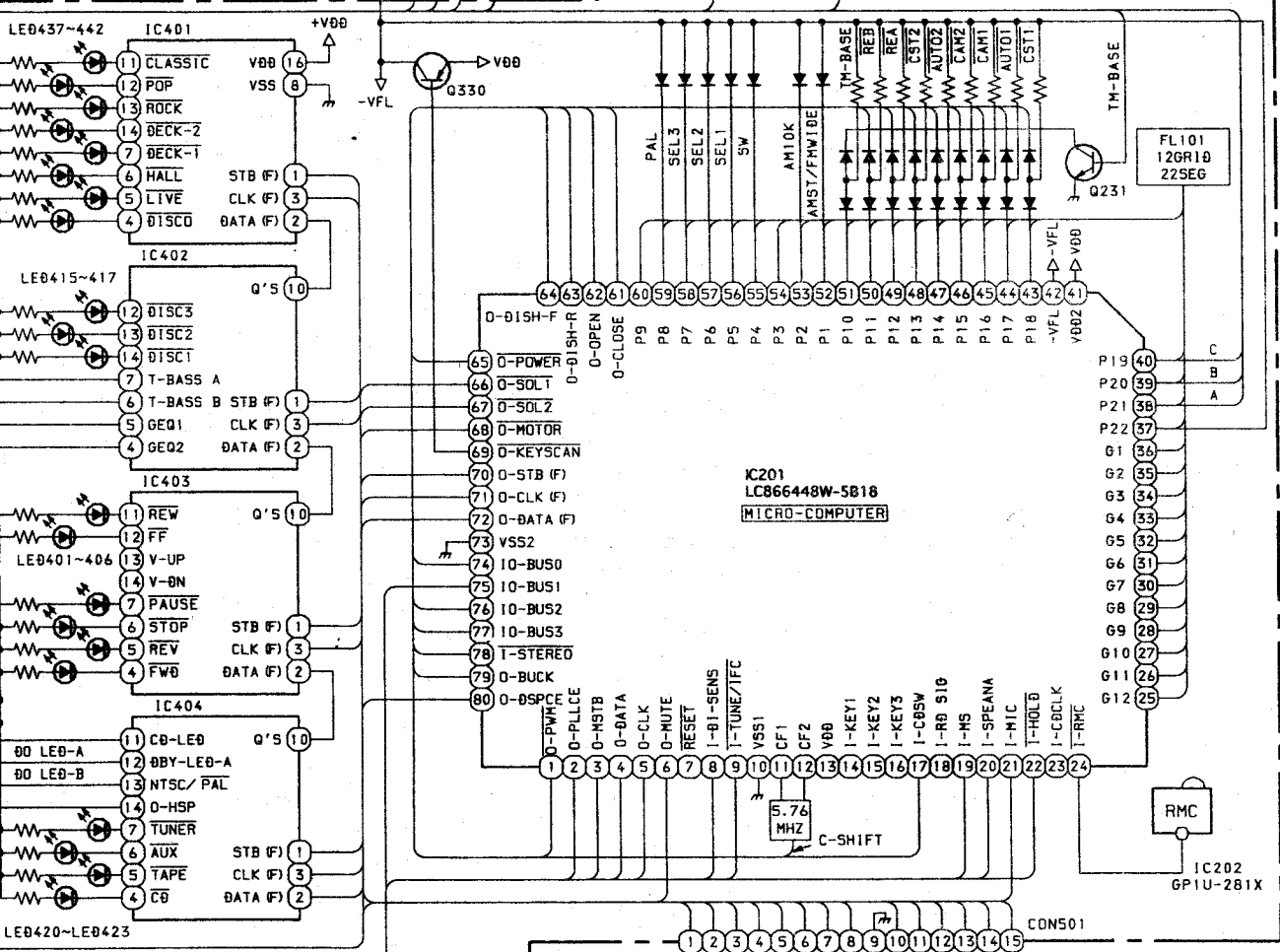
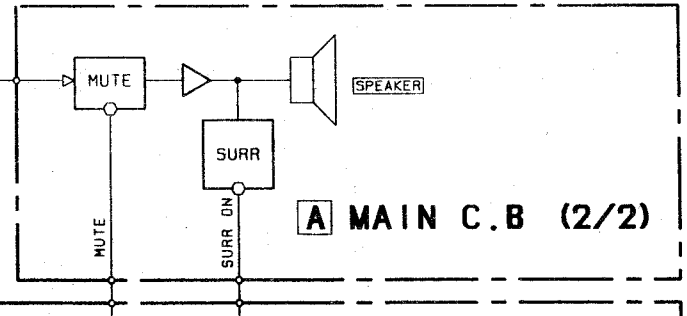


C MVR C. B

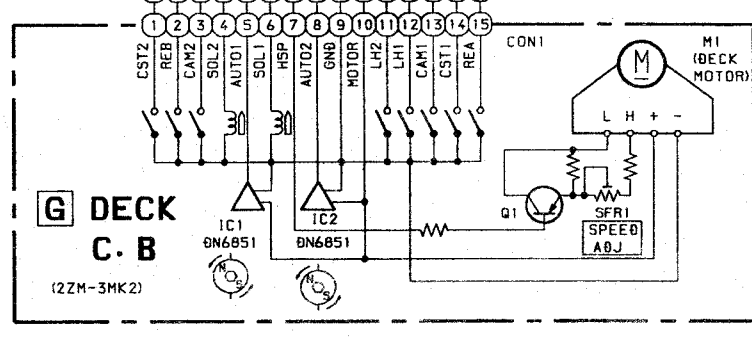
IC701
BA3842F
T-BASS/GEQ



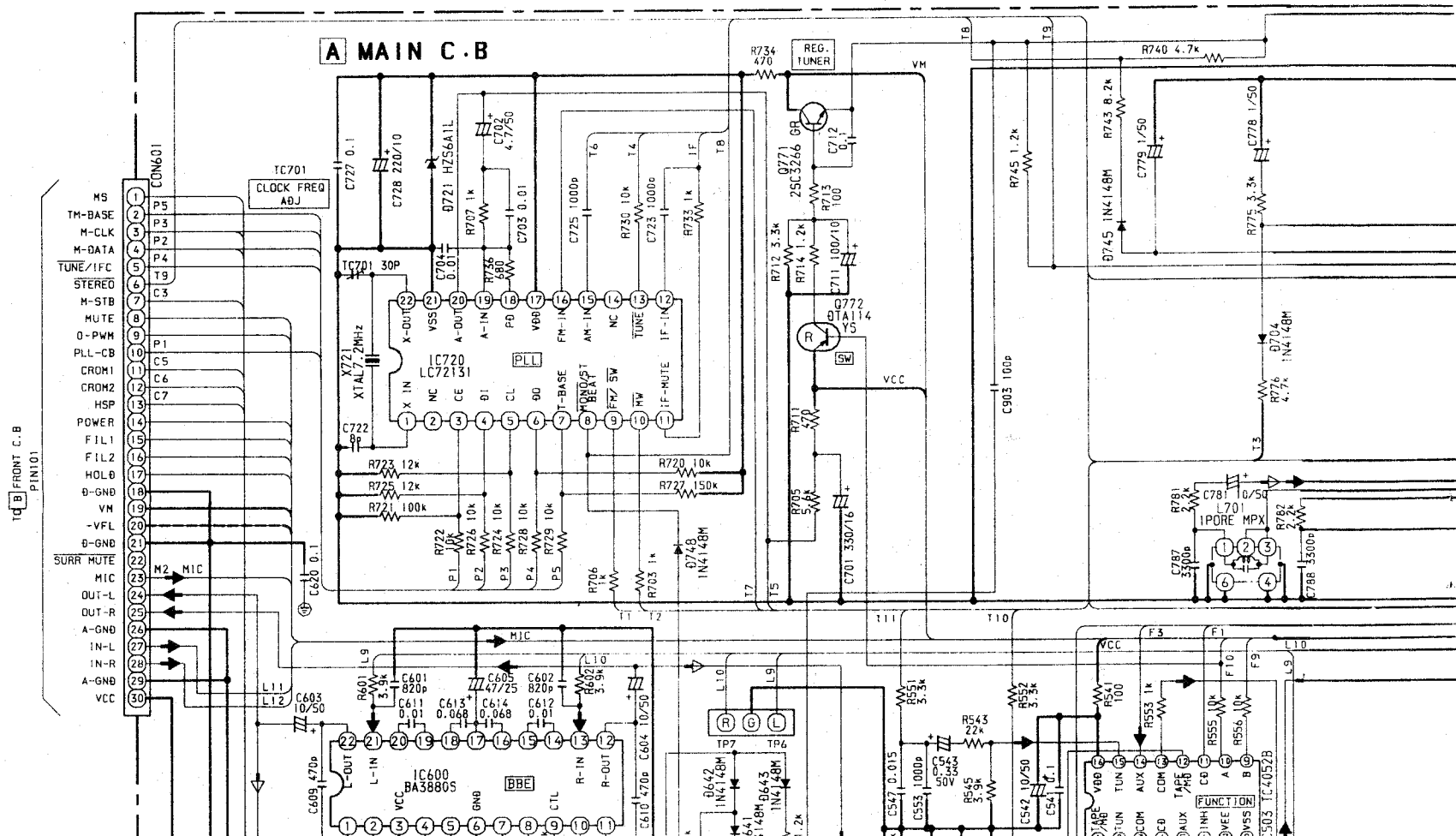
A MAIN C. B (2/2)

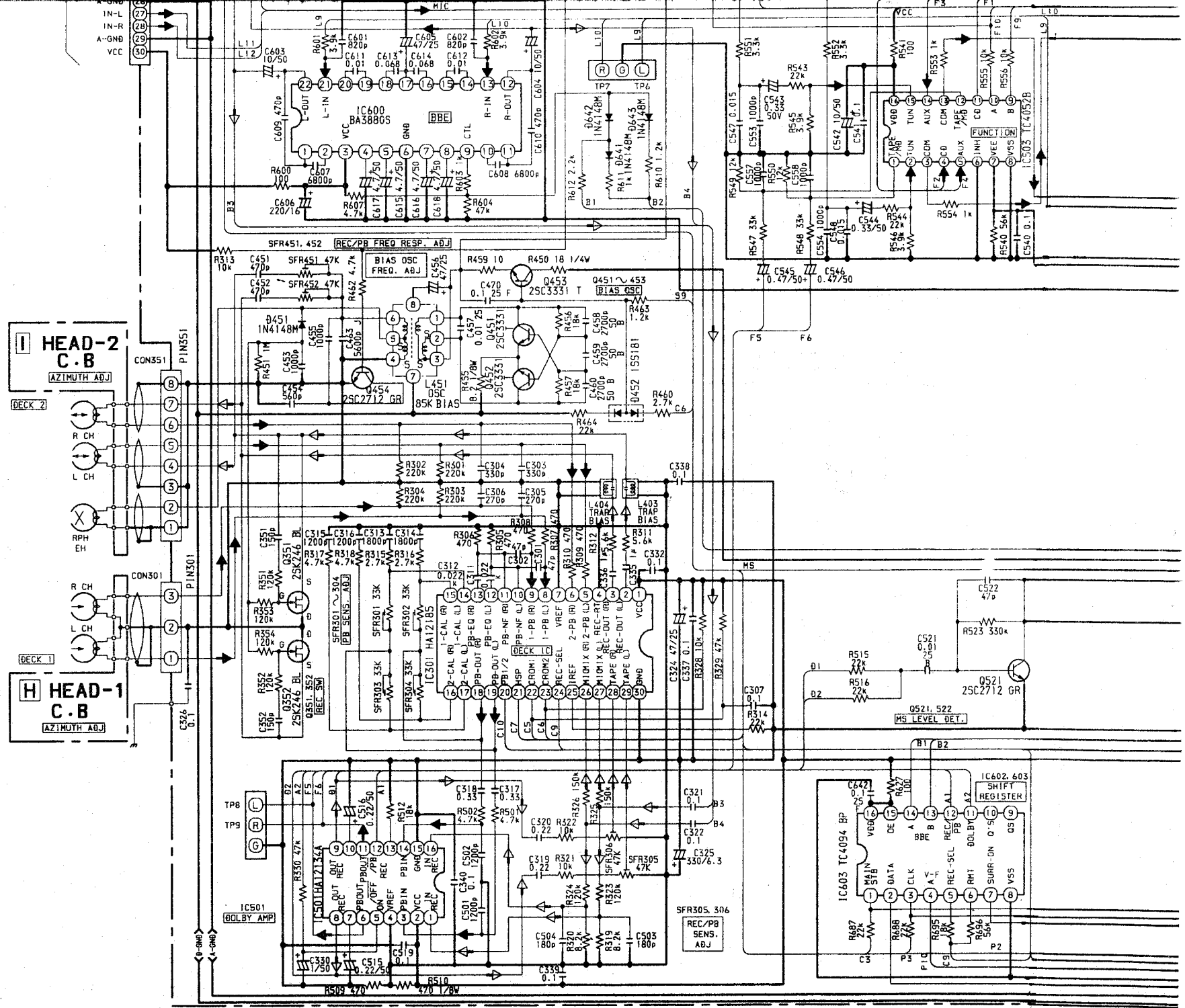


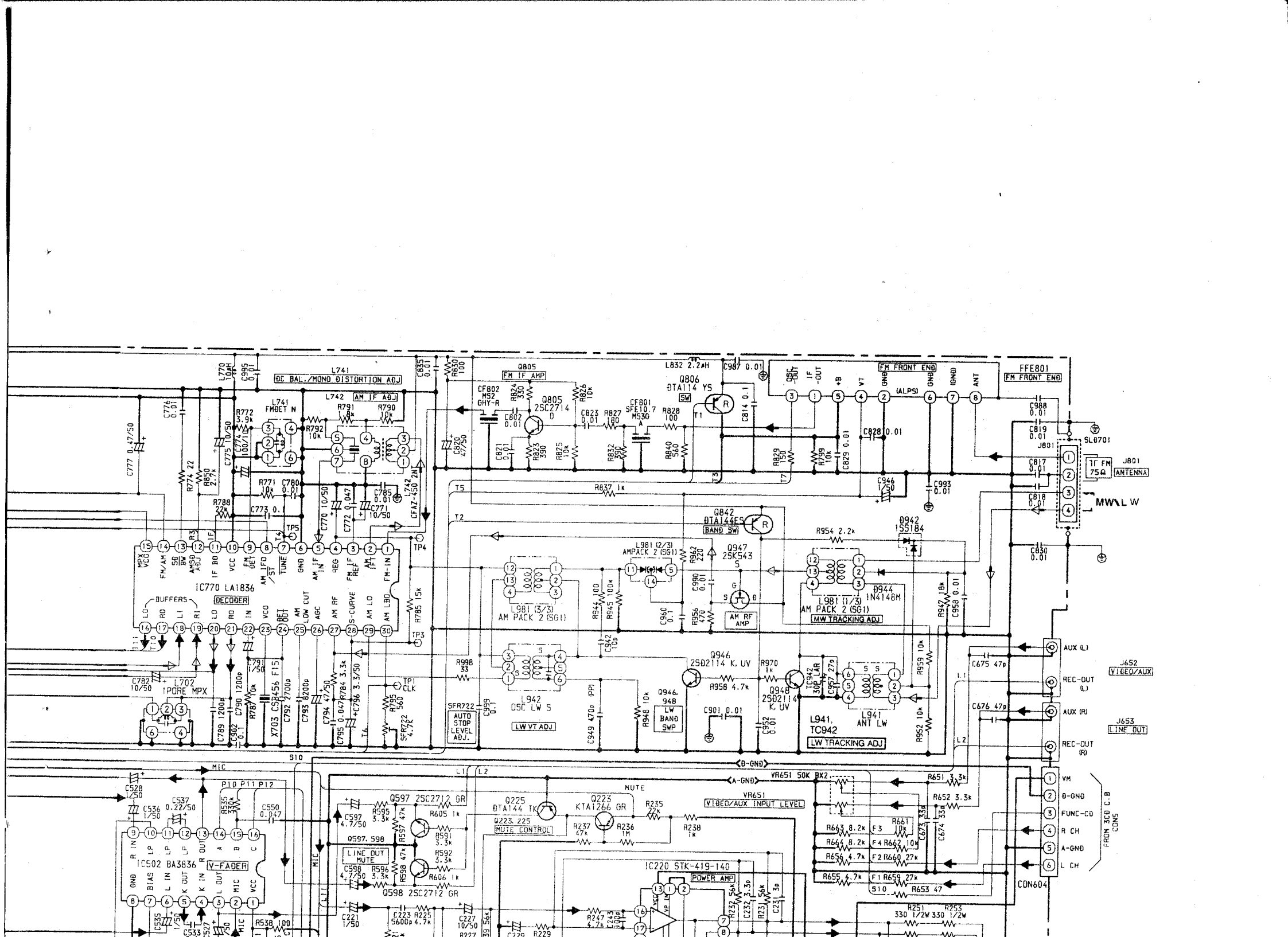
G DECK C. B
(2ZM-3MK2)

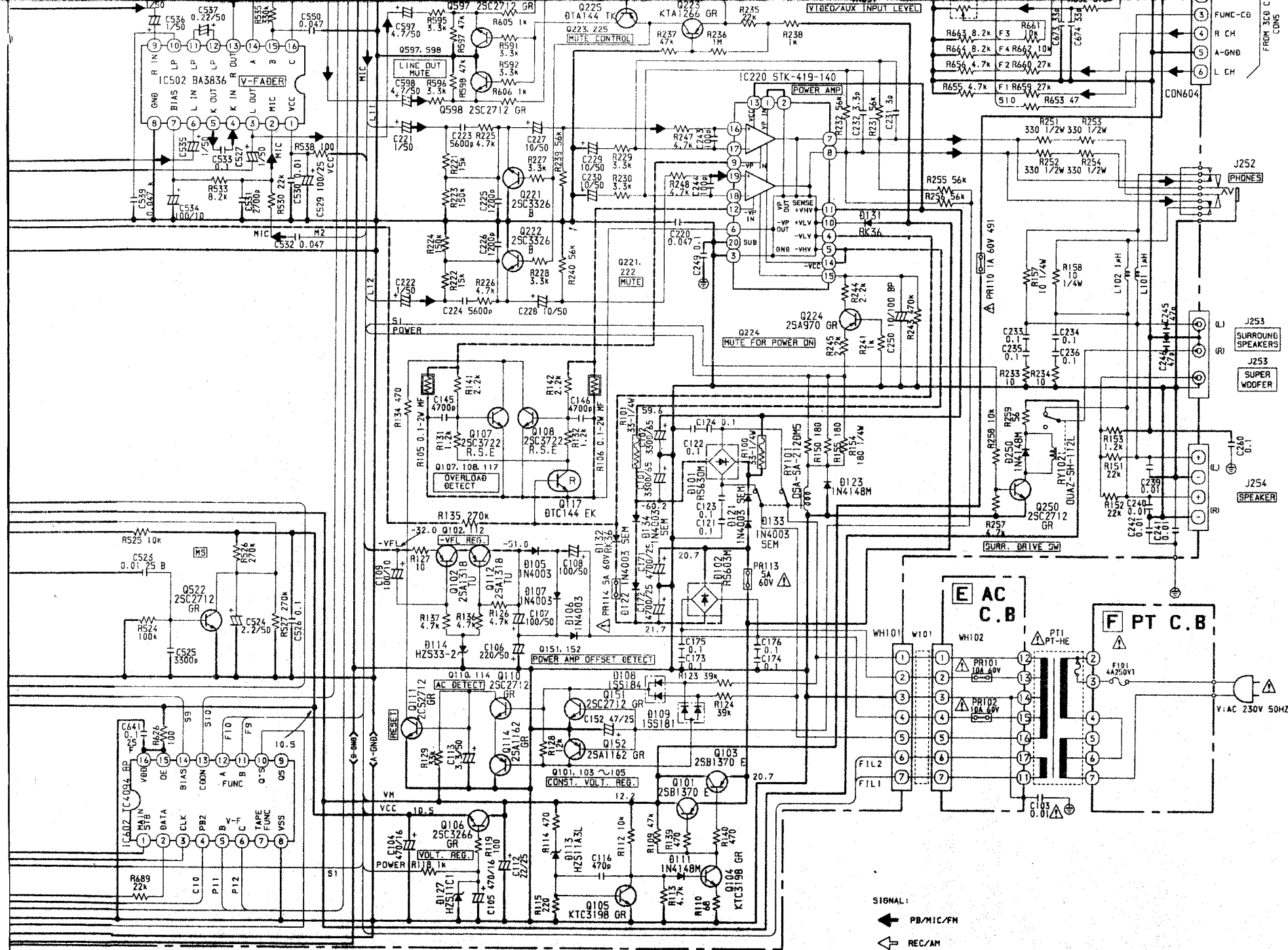


SCHEMATIC DIAGRAM - 1 (MAIN)

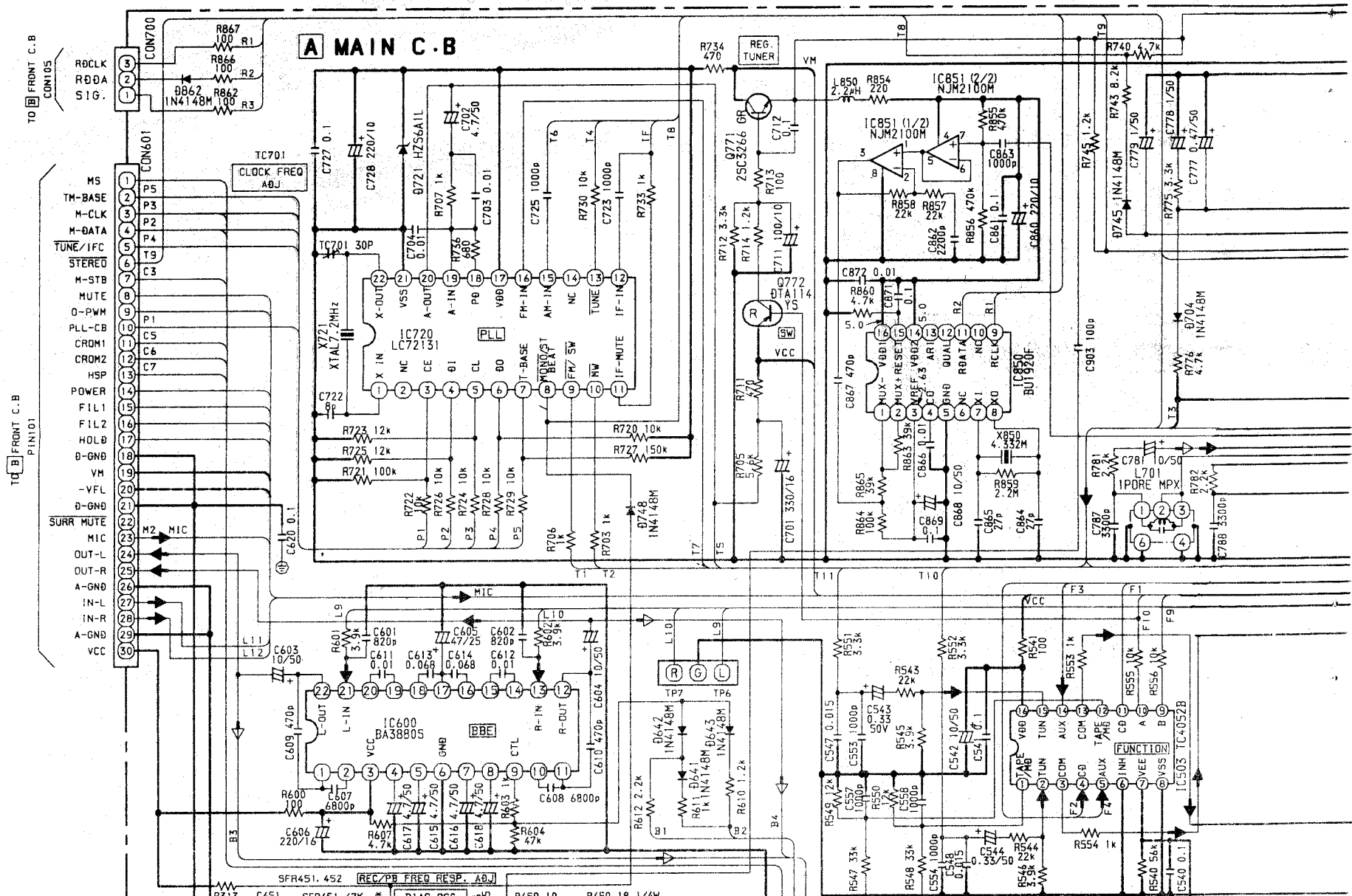


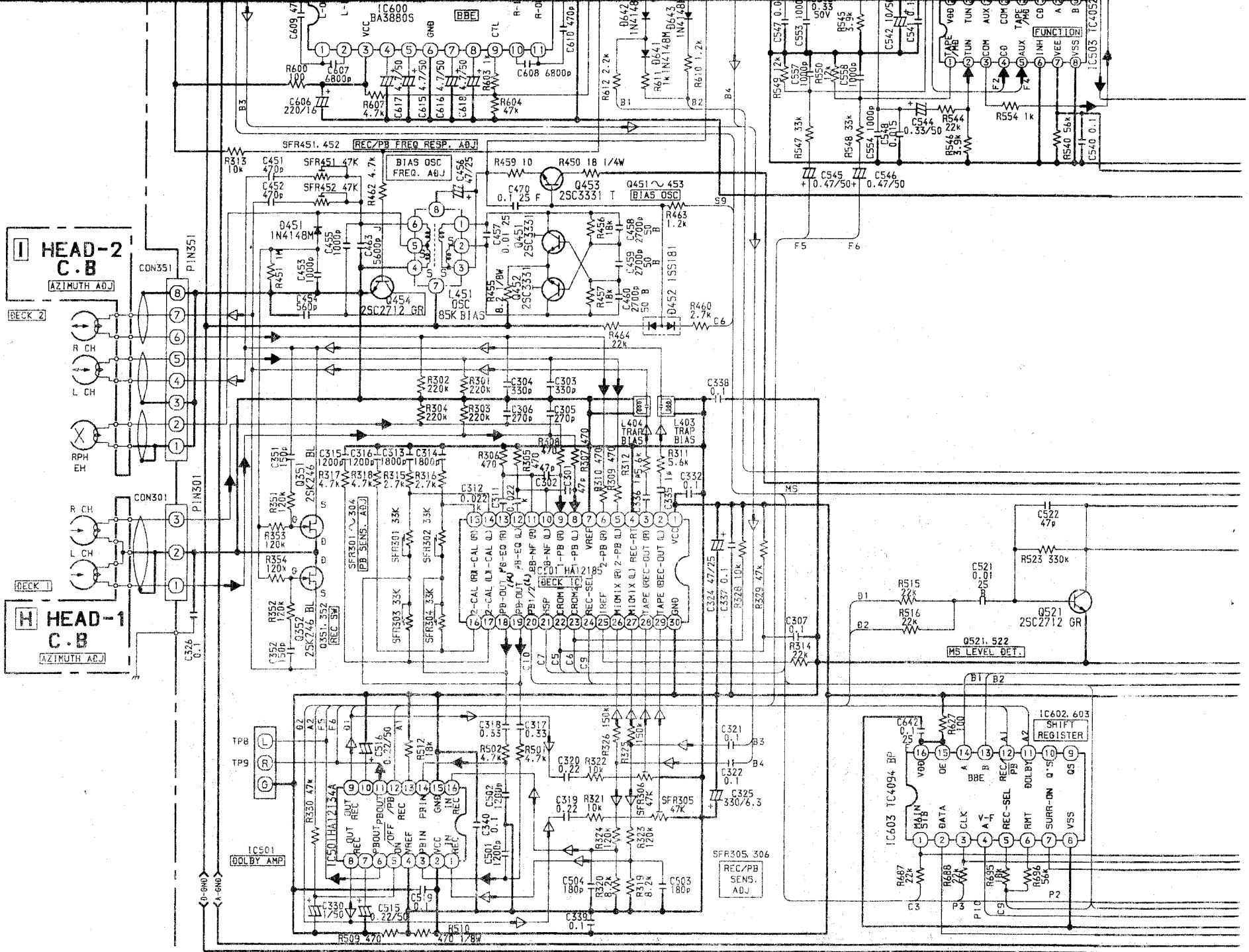


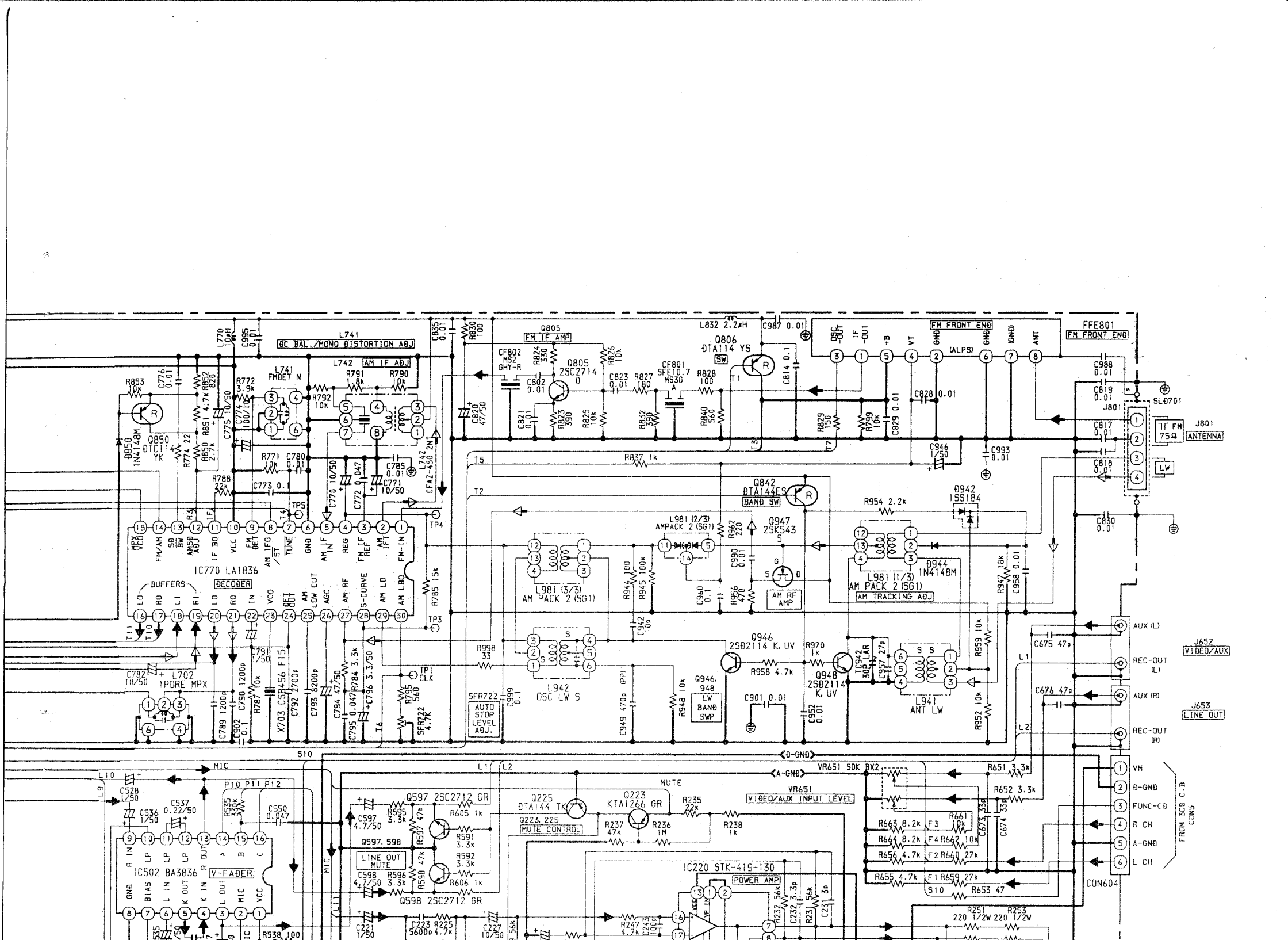


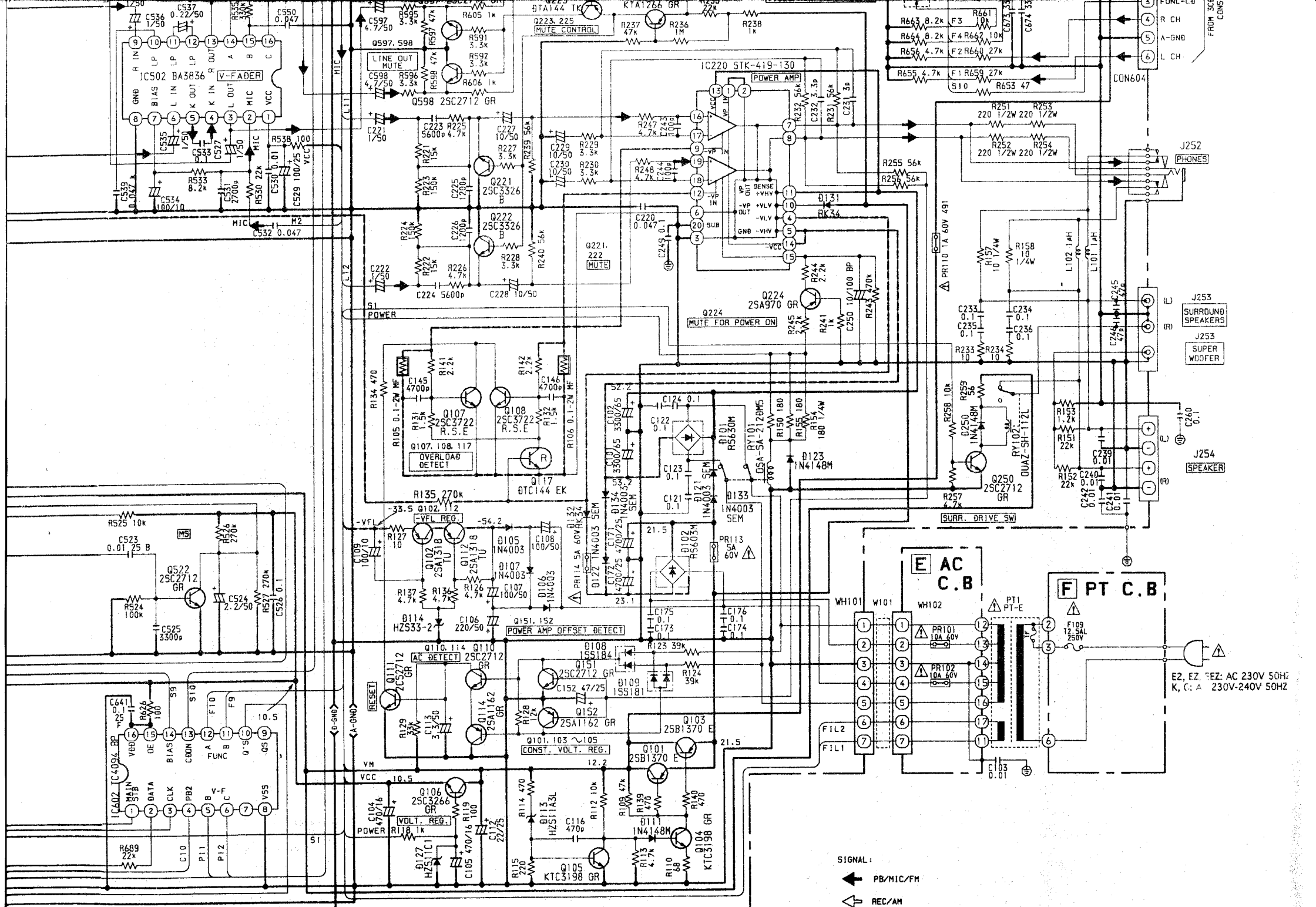


SCHEMATIC DIAGRAM - 1 (MAIN)

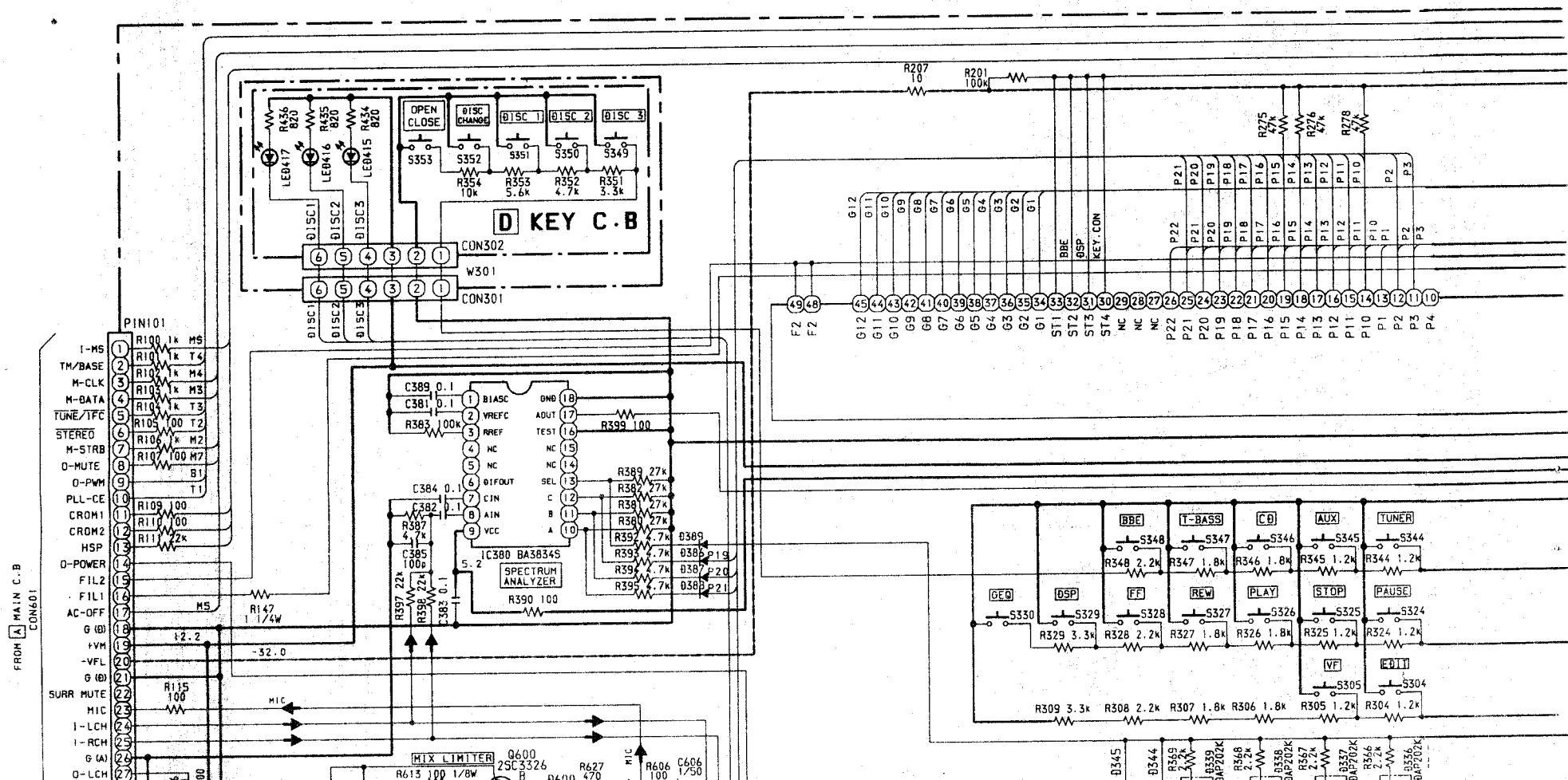


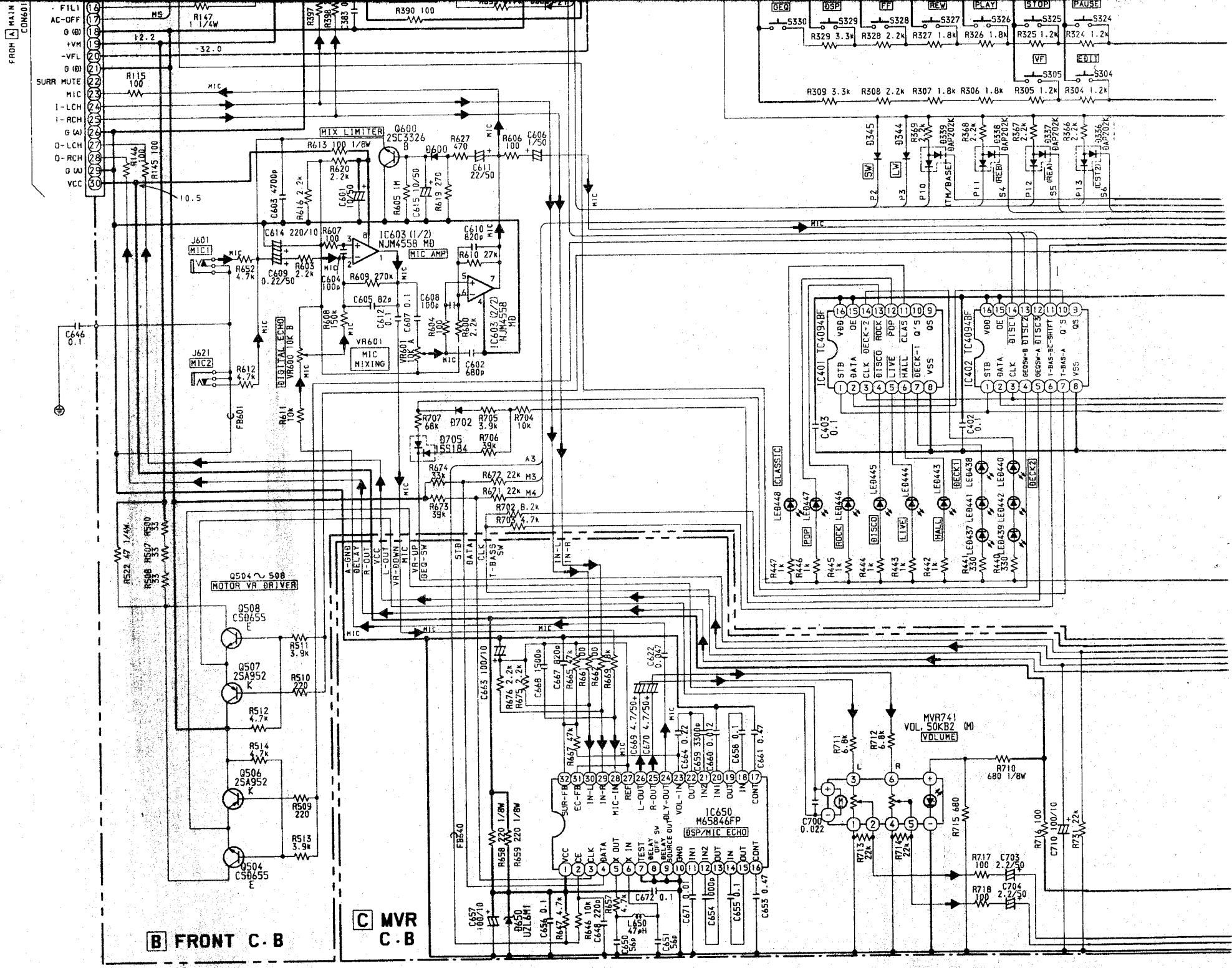






SCHEMATIC DIAGRAM - 2 (FRONT)





FROM MAIN CON601

- 1 FIL1
- 2 AC-OFF
- 3 GND
- 4 +VM
- 5 -VFL
- 6 GND
- 7 SURR MUTE
- 8 MIC
- 9 I-LCH
- 10 I-RCH
- 11 GND
- 12 O-LCH
- 13 O-RCH
- 14 GND
- 15 VCC

B FRONT C.B

C MVR C.B

Q504 ~ 50B
MOTOR VR DRIVER

MVR741
VOL50KB2 (M)
VOLUME

CLASSIC

CLASSIC

MIX LIMITER

MIC AMP

MIXING

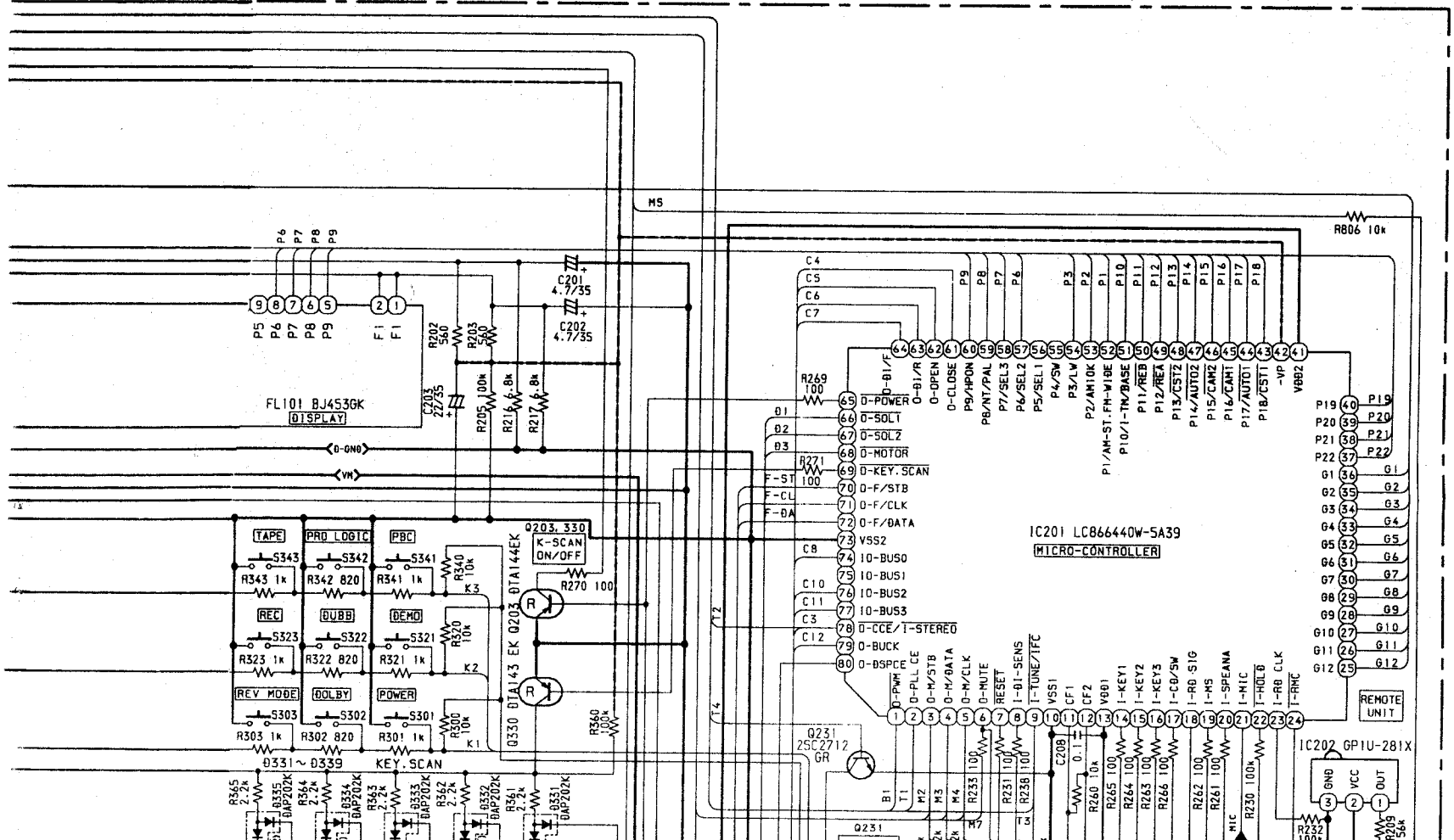
IC650
M65846FP
BSP/MIC ECHO

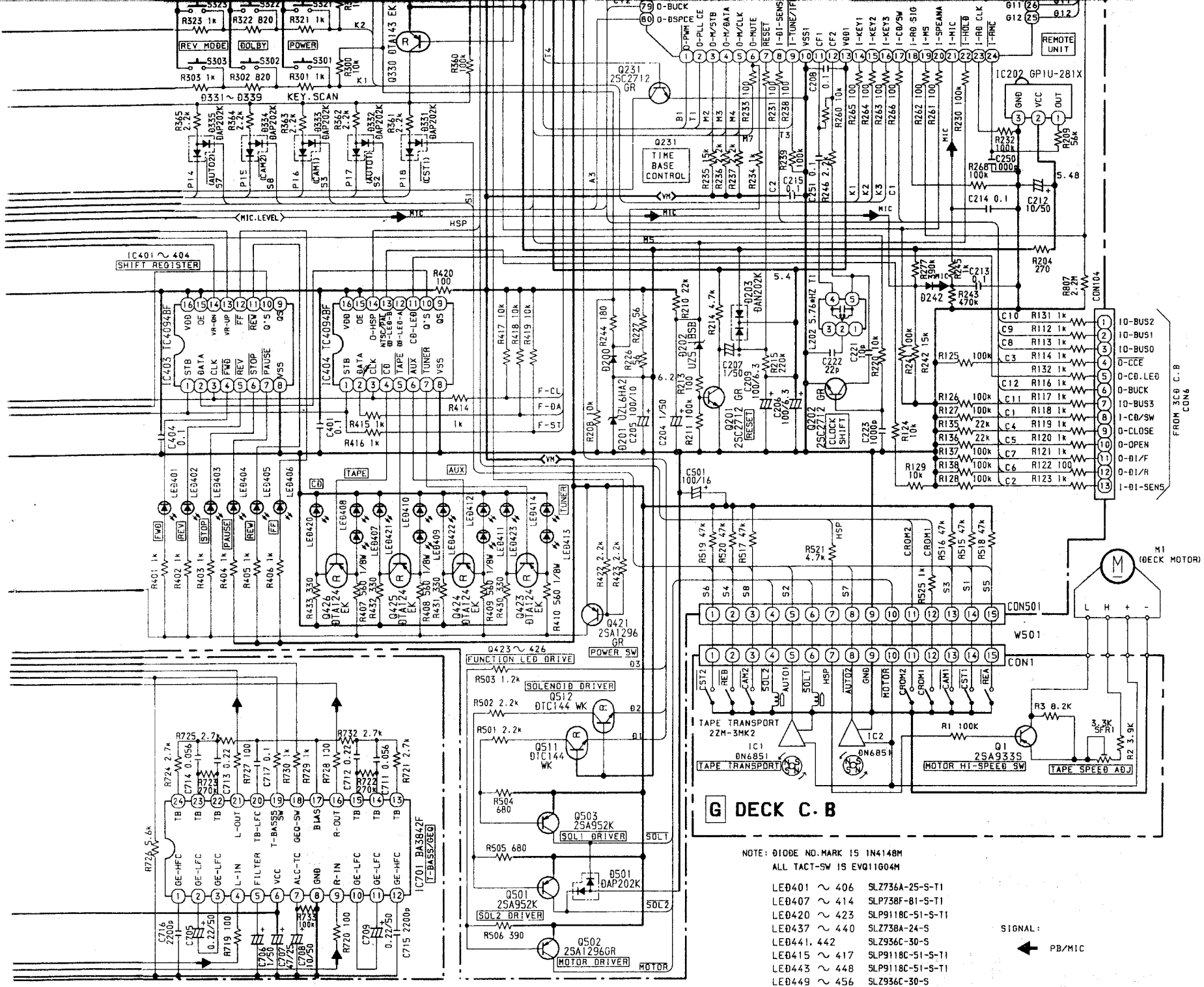
IC401
TC4094BF

IC402
TC4094BF

IC603 (1/2)
NJM4558 MD

IC603 (1/2)
NJM4558 MD





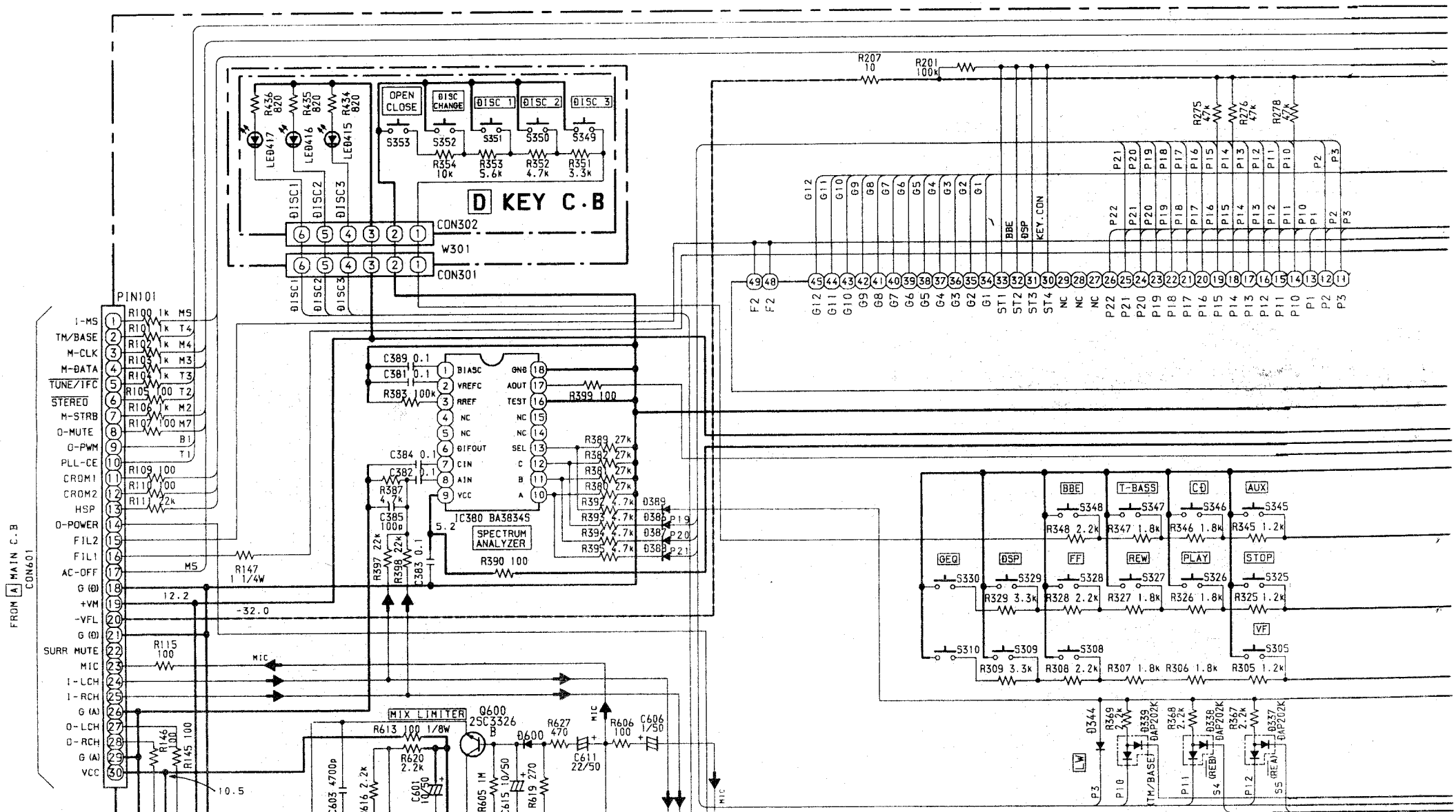
G DECK C. B

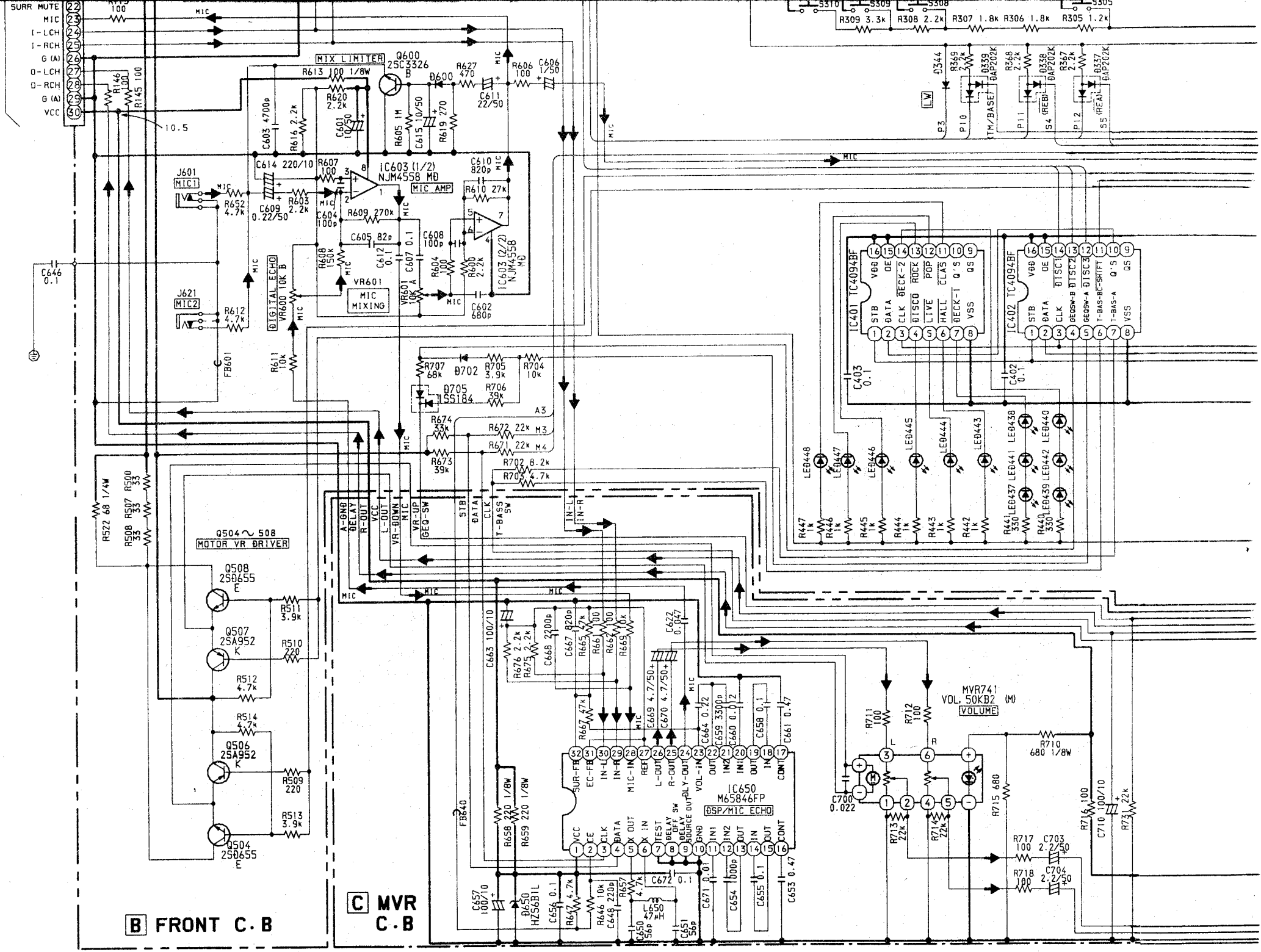
NOTE: DIODE NO. MARK IS 1N4148M
ALL TACT-SW IS EVQ11604M

- LED401 ~ 406 SL2736A-25-S-T1
- LED407 ~ 414 SLP738F-81-S-T1
- LED420 ~ 423 SLP9118C-51-S-T1
- LED437 ~ 440 SL2738A-24-S
- LED441, 442 SL2936C-30-S
- LED415 ~ 417 SLP9118C-51-S-T1
- LED443 ~ 448 SLP9118C-51-S-T1
- LED449 ~ 456 SL2936C-30-S

SIGNAL: ← PB/MIC

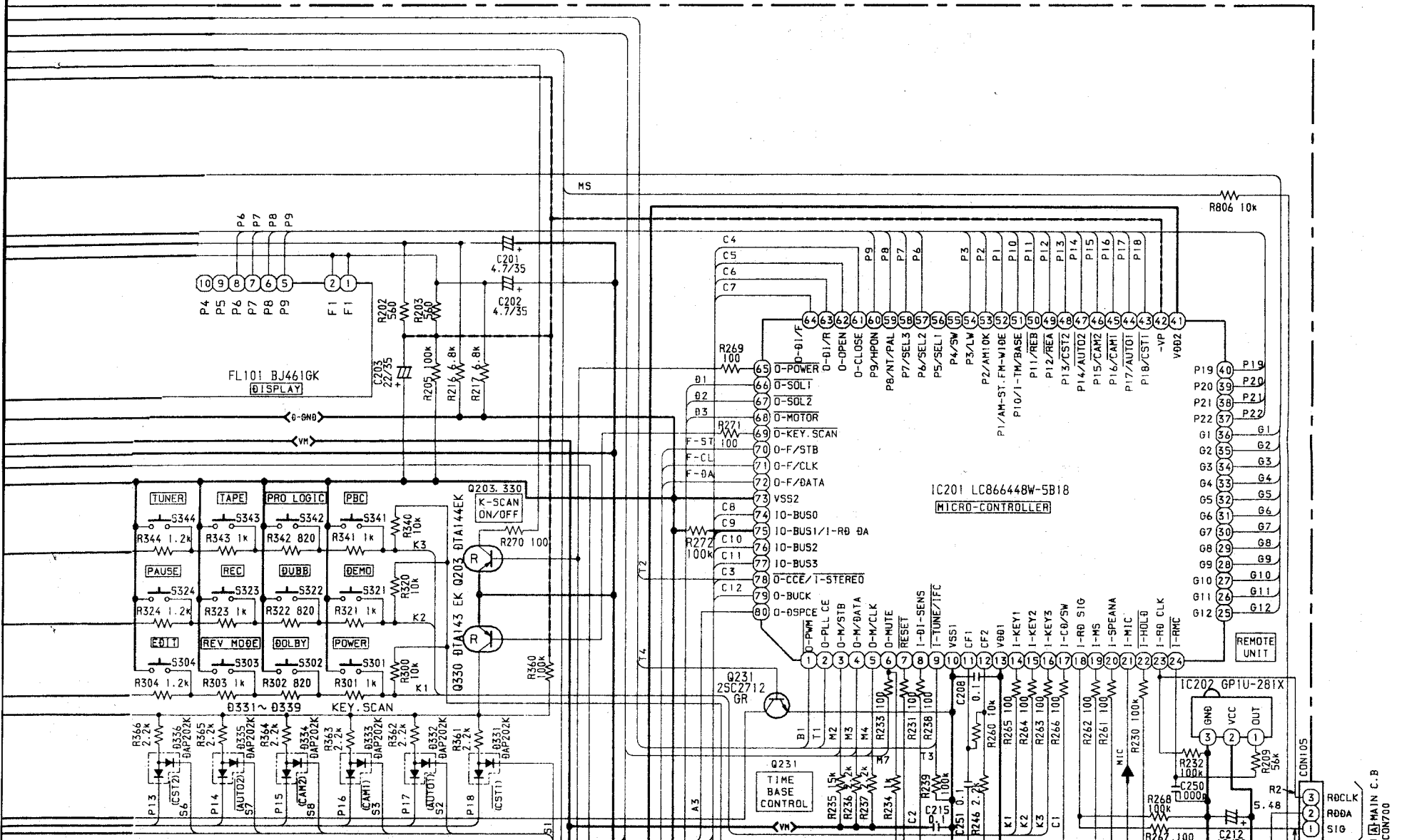
SCHEMATIC DIAGRAM - 2 (FRONT)

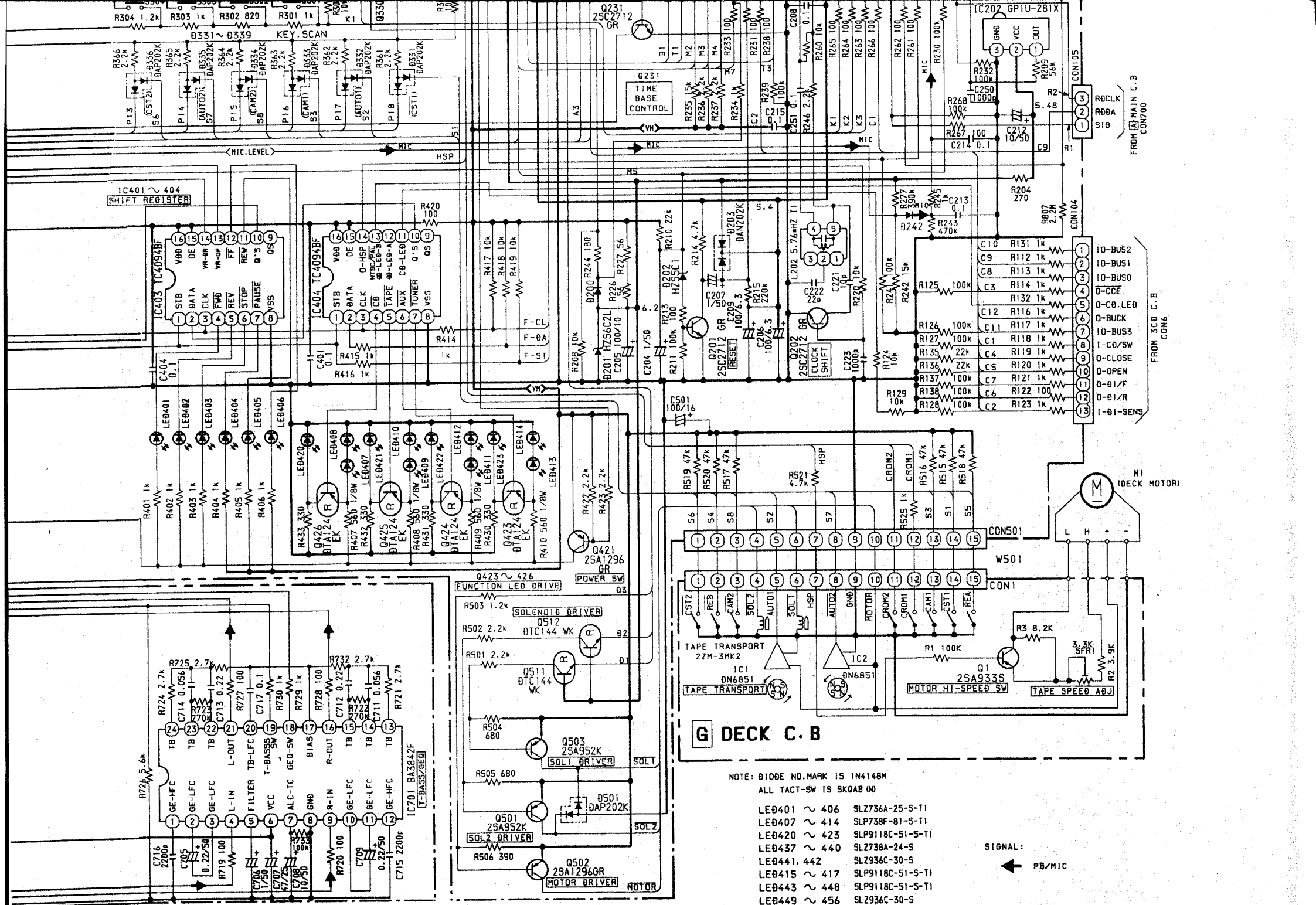




B FRONT C.B

C MVR C.B





G DECK C. B.

- NOTE: 810DE NO. MARK IS 1N4148M
ALL TACT-SW IS SKQAB (N)
- LEB401 ~ 406 SL2736A-25-S-T1
 - LEB407 ~ 414 SLP738F-81-S-T1
 - LEB420 ~ 423 SLP9118C-51-S-T1
 - LEB437 ~ 440 SL2738A-24-S
 - LEB441, 442 SL2936C-30-S
 - LEB415 ~ 417 SLP9118C-51-S-T1
 - LEB443 ~ 448 SLP9118C-51-S-T1
 - LEB449 ~ 456 SL2936C-30-S

SIGNAL:
← PB/MIC