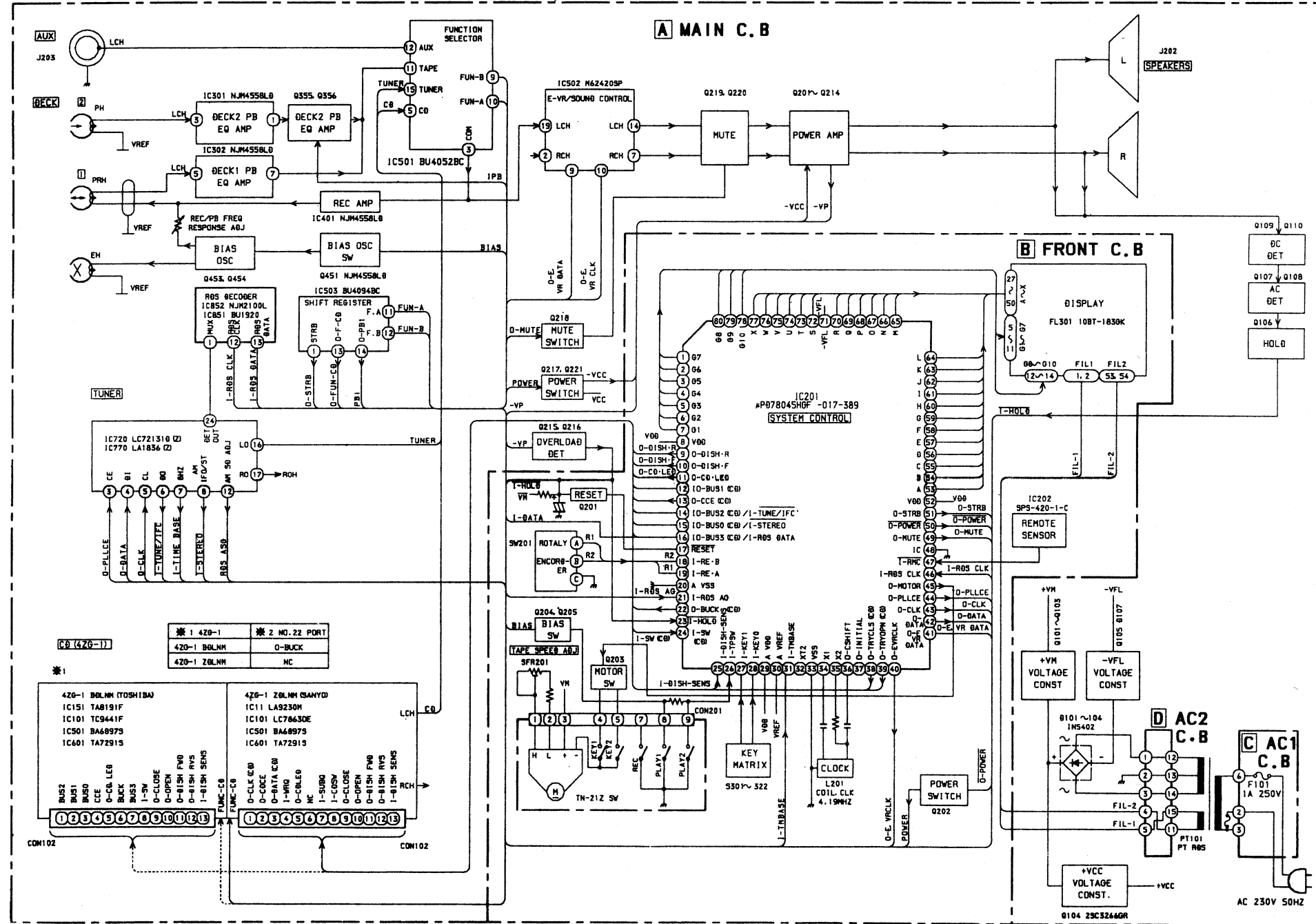


- BASIC TAPE MECHANISM : TN-21ZSW-1716
- BASIC CD MECHANISM : 4ZG-1 BDLNM <HR>
4ZP-1 BDLNM <210EZ,K,220EZ>
- TYPE : EZ,K,HR <210>
EZ <220>



A MAIN C.B

B FRONT C.B

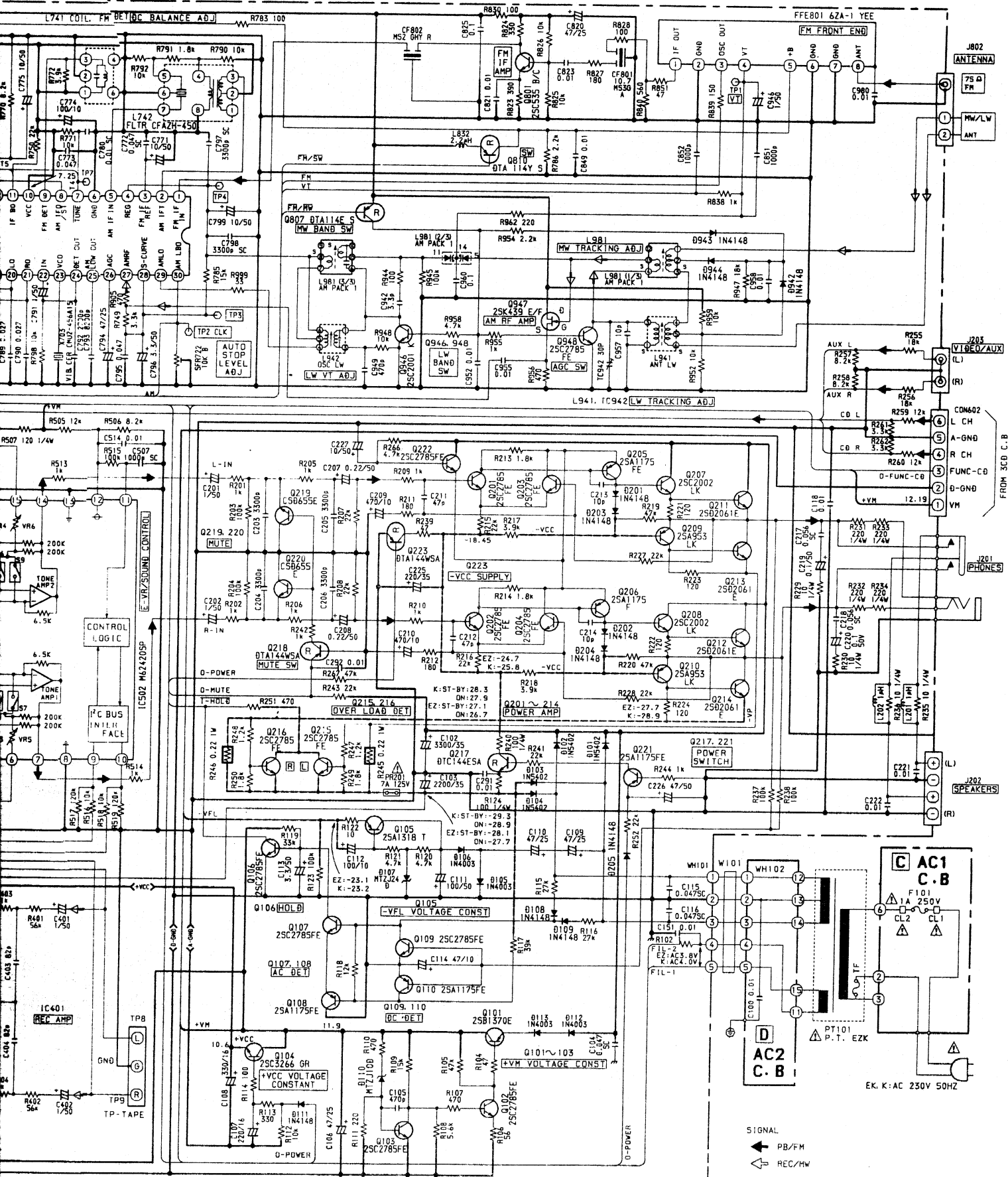
D AC2 C.B

C AC1 C.B

IC9 (4ZG-1)	IC1 (4ZG-1)	IC2 (4ZG-1)
4ZG-1 BDLNM (TOSHIBA)	4ZG-1 BDLNM (SANYO)	4ZG-1 BDLNM (SANYO)
IC151 TA8191F	IC11 LA9230M	IC11 LA9230M
IC101 TC9441F	IC101 LC78630E	IC101 LC78630E
IC501 BA4897S	IC501 BA4897S	IC501 BA4897S
IC601 TA7291S	IC601 TA7291S	IC601 TA7291S

IC1 (4ZG-1)	IC2 (4ZG-1)
4ZG-1 BDLNM (TOSHIBA)	4ZG-1 BDLNM (SANYO)
IC151 TA8191F	IC11 LA9230M
IC101 TC9441F	IC101 LC78630E
IC501 BA4897S	IC501 BA4897S
IC601 TA7291S	IC601 TA7291S

BLOCK DIAGRAM - 2 (MAIN/FRONT: 220 EZ)



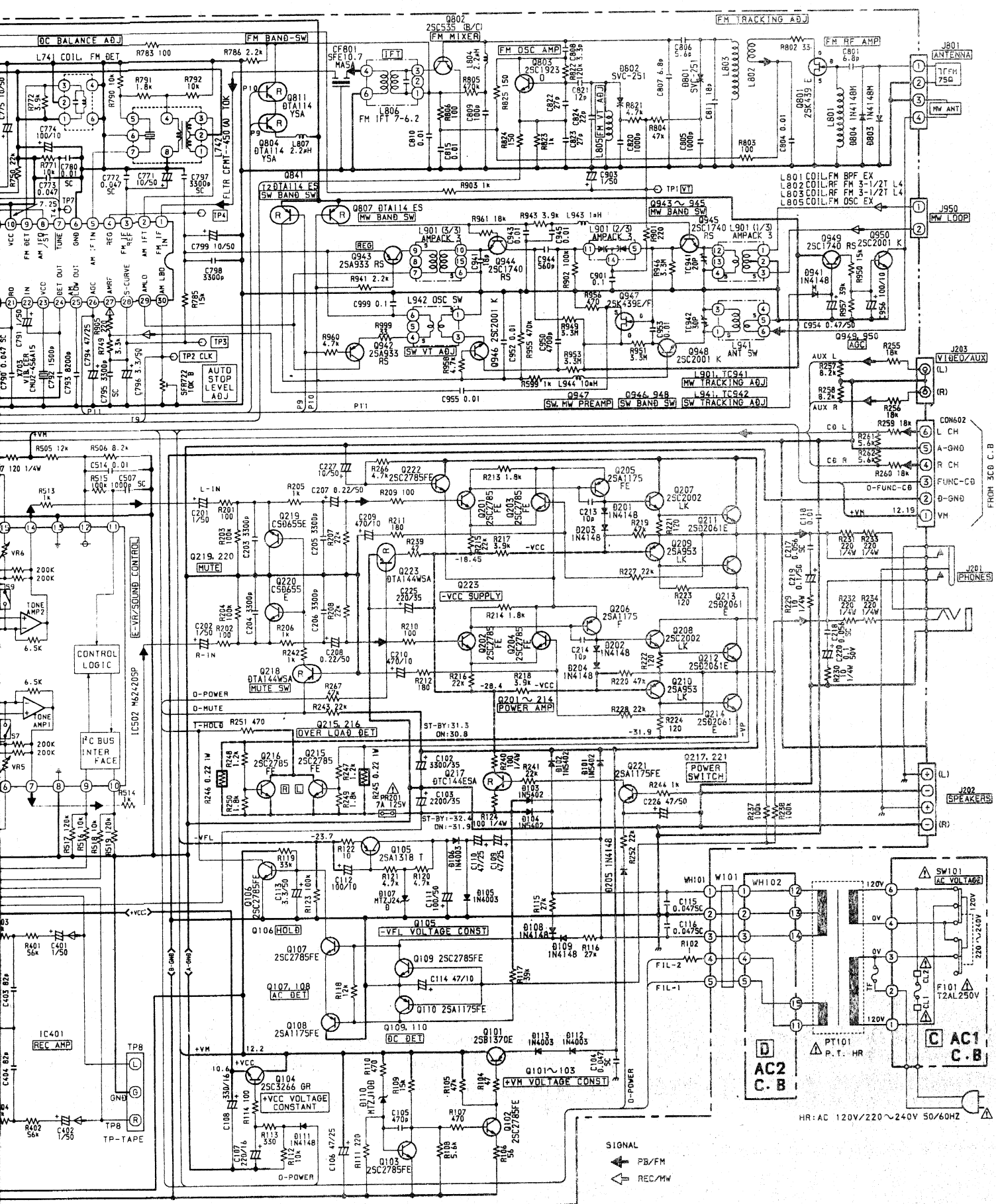
SIGNAL
 ← PB/FM
 ↗ REC/HW

AC1 C.B
 F101 1A 250V
 CL2
 CL1

AC2 C.B
 D

PT101 P.T. EZK

EK. K:AC 230V 50HZ

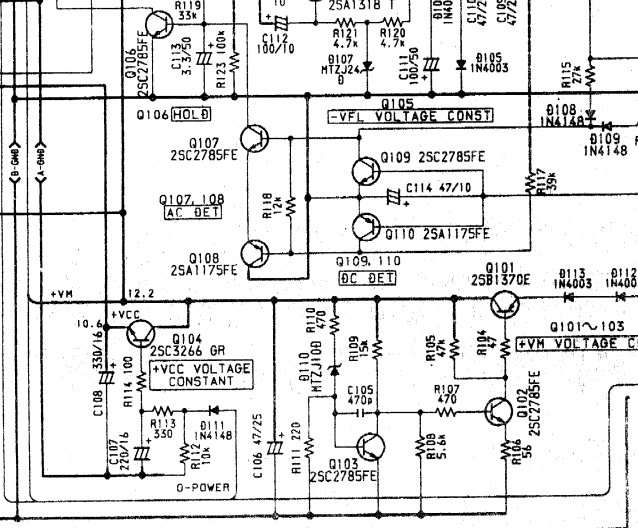
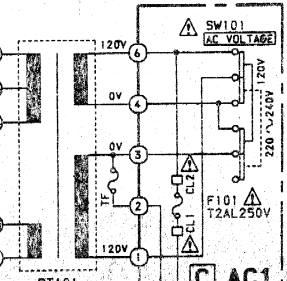


HR: AC 120V/220 ~ 240V 50/60HZ

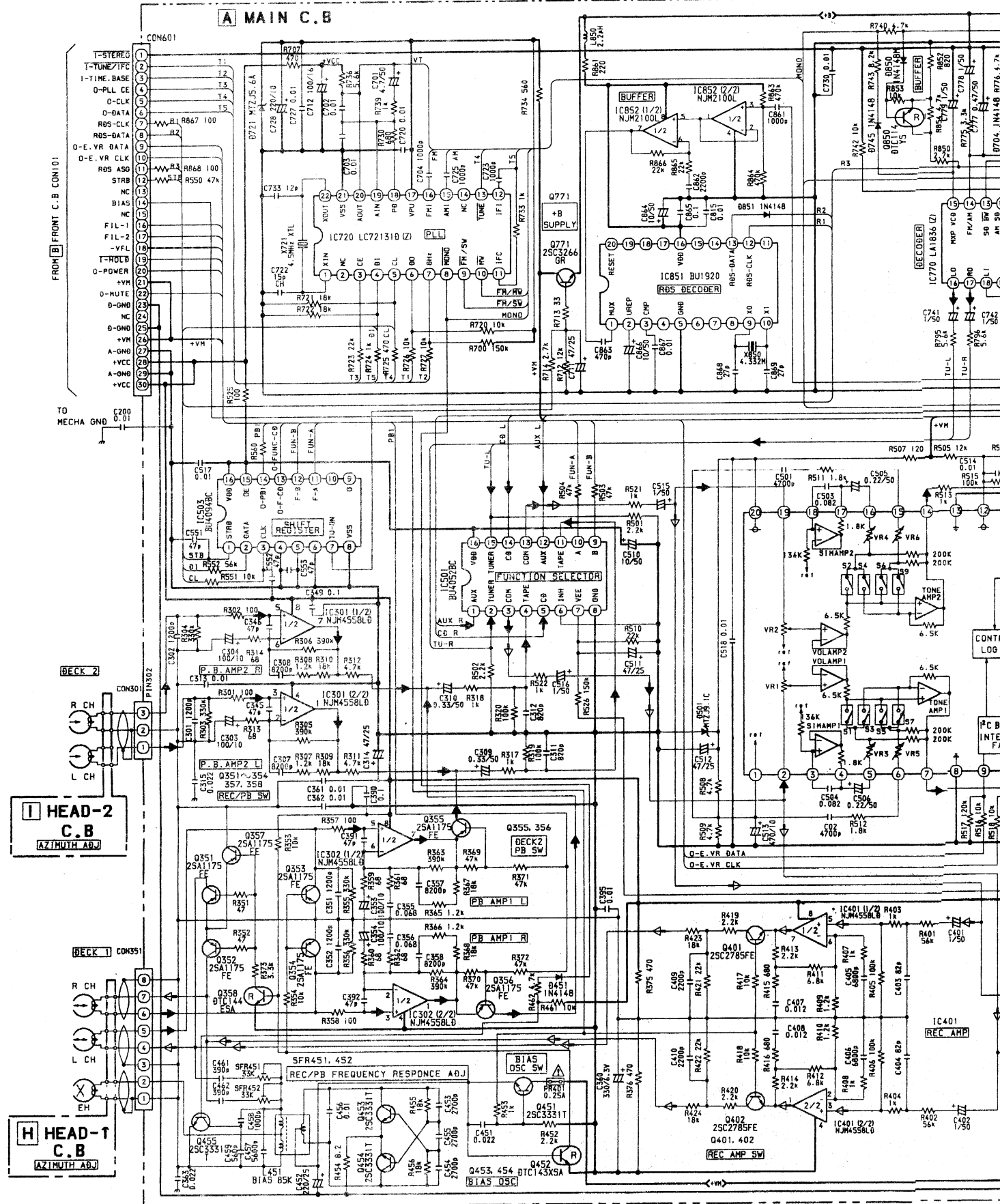
SIGNAL
 ← PB/FM
 ↗ REC/MW

AC1
 C.B.

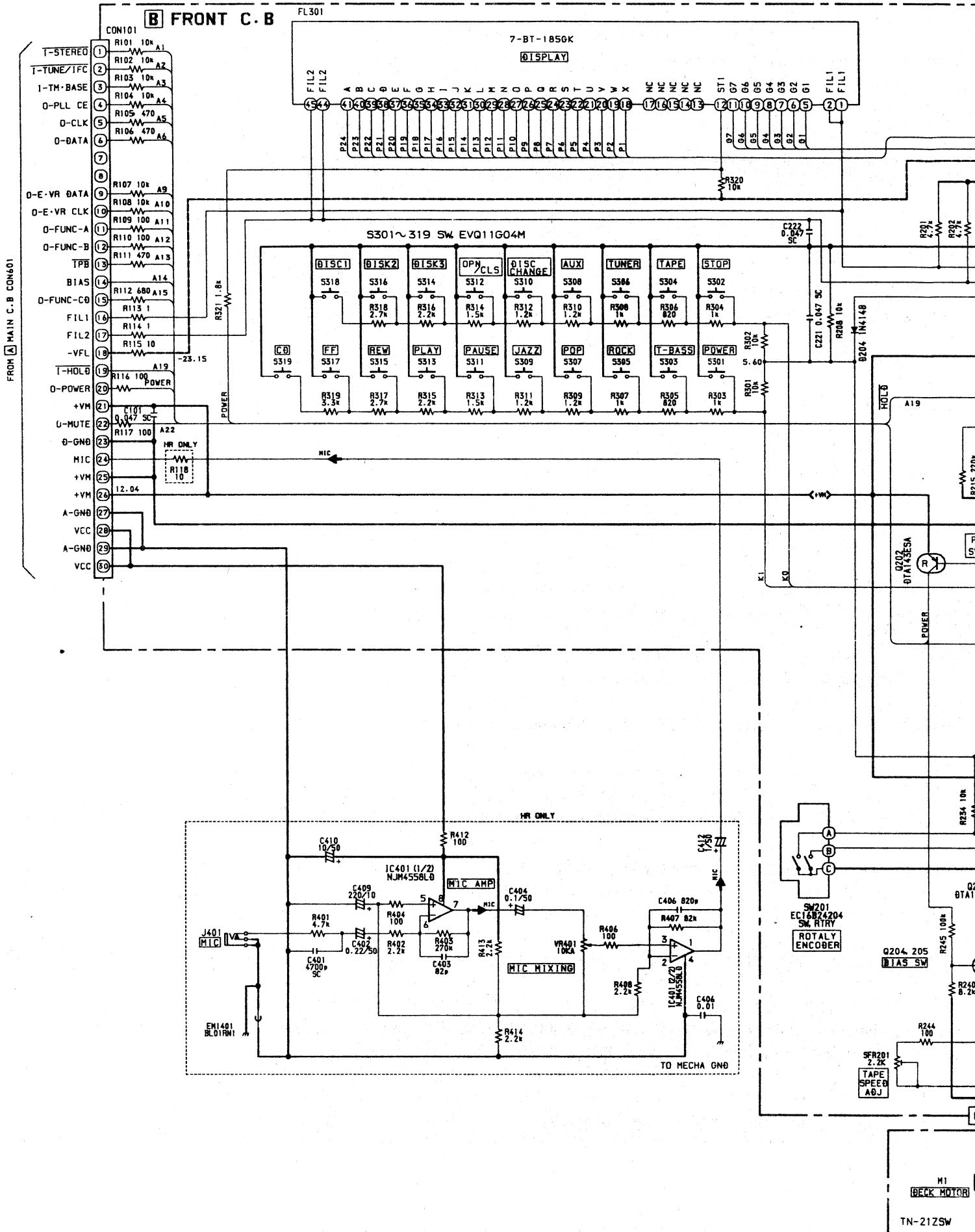
AC2
 C.B.

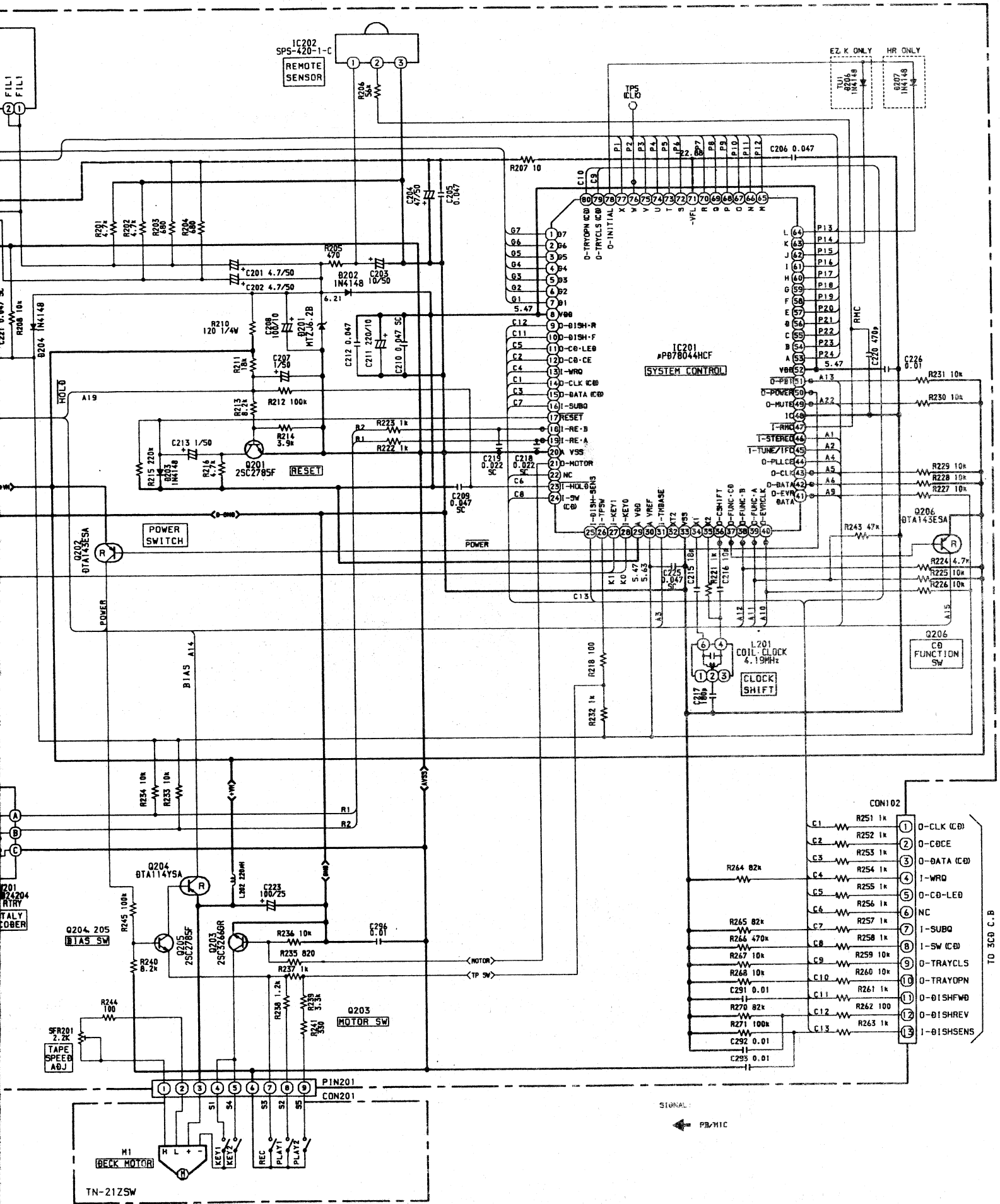


SCHEMATIC DIAGRAM - 3 (MAIN: 220 EZ)



SCHEMATIC DIAGRAM - 4 : (FRONT : 210 EZ,K,HR)





EZ, K ONLY
 0206
 1N4148

HR ONLY
 0207
 1N4148

IC201
 #PB78044HCF
 SYSTEM CONTROL

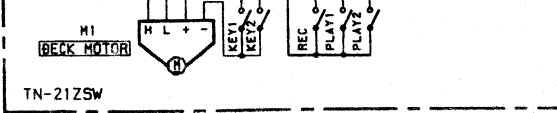
IC202
 SPS-420-1-C
 REMOTE
 SENSOR

- CON102
- C1 R251 1k ① 0-CLK (CB)
 - C2 R252 1k ② 0-CBCE
 - C3 R253 1k ③ 0-DATA (CB)
 - C4 R254 1k ④ 1-WRD
 - C5 R255 1k ⑤ 0-CB-LED
 - C6 R256 1k ⑥ NC
 - C7 R257 1k ⑦ 1-SUBQ
 - C8 R258 1k ⑧ 1-SW (CB)
 - C9 R259 10k ⑨ 0-TRAYCLS
 - C10 R260 10k ⑩ 0-TRAYOPN
 - C11 R261 1k ⑪ 0-D1SHFWD
 - C12 R262 100 ⑫ 0-D1SHREV
 - C13 R263 1k ⑬ 1-D1SHSENS

TO SCD C.B

SIGNAL
 ← PB/MIC

PIN201
 CON201



TN-21ZSW

KEY1
 KEY2
 REC
 PLAY1
 PLAY2

TAPE
 SPEED
 ADJ

SR201
 2.2k

Q204
 205

BIAS SW

Q203
 MOTOR SW

Q204
 8TA114Y5A

Q205
 25C2785F

Q206
 8TA143ESA

Q207
 8TA143ES

Q208
 8TA143ES

Q209
 8TA143ES

Q210
 8TA143ES

Q211
 8TA143ES

Q212
 8TA143ES

Q213
 8TA143ES

Q214
 8TA143ES

Q215
 8TA143ES

Q216
 8TA143ES

Q217
 8TA143ES

Q218
 8TA143ES

Q219
 8TA143ES

Q220
 8TA143ES

Q221
 8TA143ES

Q222
 8TA143ES

Q223
 8TA143ES

Q224
 8TA143ES

Q225
 8TA143ES

Q226
 8TA143ES

Q227
 8TA143ES

Q228
 8TA143ES

Q229
 8TA143ES

Q230
 8TA143ES

Q231
 8TA143ES

Q232
 8TA143ES

Q233
 8TA143ES

Q234
 8TA143ES

Q235
 8TA143ES

Q236
 8TA143ES

Q237
 8TA143ES

Q238
 8TA143ES

Q239
 8TA143ES

Q240
 8TA143ES

Q241
 8TA143ES

Q242
 8TA143ES

Q243
 8TA143ES

Q244
 8TA143ES

Q245
 8TA143ES

Q246
 8TA143ES

Q247
 8TA143ES

Q248
 8TA143ES

Q249
 8TA143ES

Q250
 8TA143ES

Q251
 8TA143ES

Q252
 8TA143ES

Q253
 8TA143ES

Q254
 8TA143ES

Q255
 8TA143ES

Q256
 8TA143ES

Q257
 8TA143ES

Q258
 8TA143ES

Q259
 8TA143ES

Q260
 8TA143ES

Q261
 8TA143ES

Q262
 8TA143ES

Q263
 8TA143ES

Q264
 8TA143ES

Q265
 8TA143ES

Q266
 8TA143ES

Q267
 8TA143ES

Q268
 8TA143ES

Q269
 8TA143ES

Q270
 8TA143ES

Q271
 8TA143ES

Q272
 8TA143ES

Q273
 8TA143ES

Q274
 8TA143ES

Q275
 8TA143ES

Q276
 8TA143ES

Q277
 8TA143ES

Q278
 8TA143ES

Q279
 8TA143ES

Q280
 8TA143ES

Q281
 8TA143ES

Q282
 8TA143ES

Q283
 8TA143ES

Q284
 8TA143ES

Q285
 8TA143ES

Q286
 8TA143ES

Q287
 8TA143ES

Q288
 8TA143ES

Q289
 8TA143ES

Q290
 8TA143ES

Q291
 8TA143ES

Q292
 8TA143ES

Q293
 8TA143ES

Q294
 8TA143ES

Q295
 8TA143ES

Q296
 8TA143ES

Q297
 8TA143ES

Q298
 8TA143ES

Q299
 8TA143ES

Q300
 8TA143ES

Q301
 8TA143ES

Q302
 8TA143ES

Q303
 8TA143ES

Q304
 8TA143ES

Q305
 8TA143ES

Q306
 8TA143ES

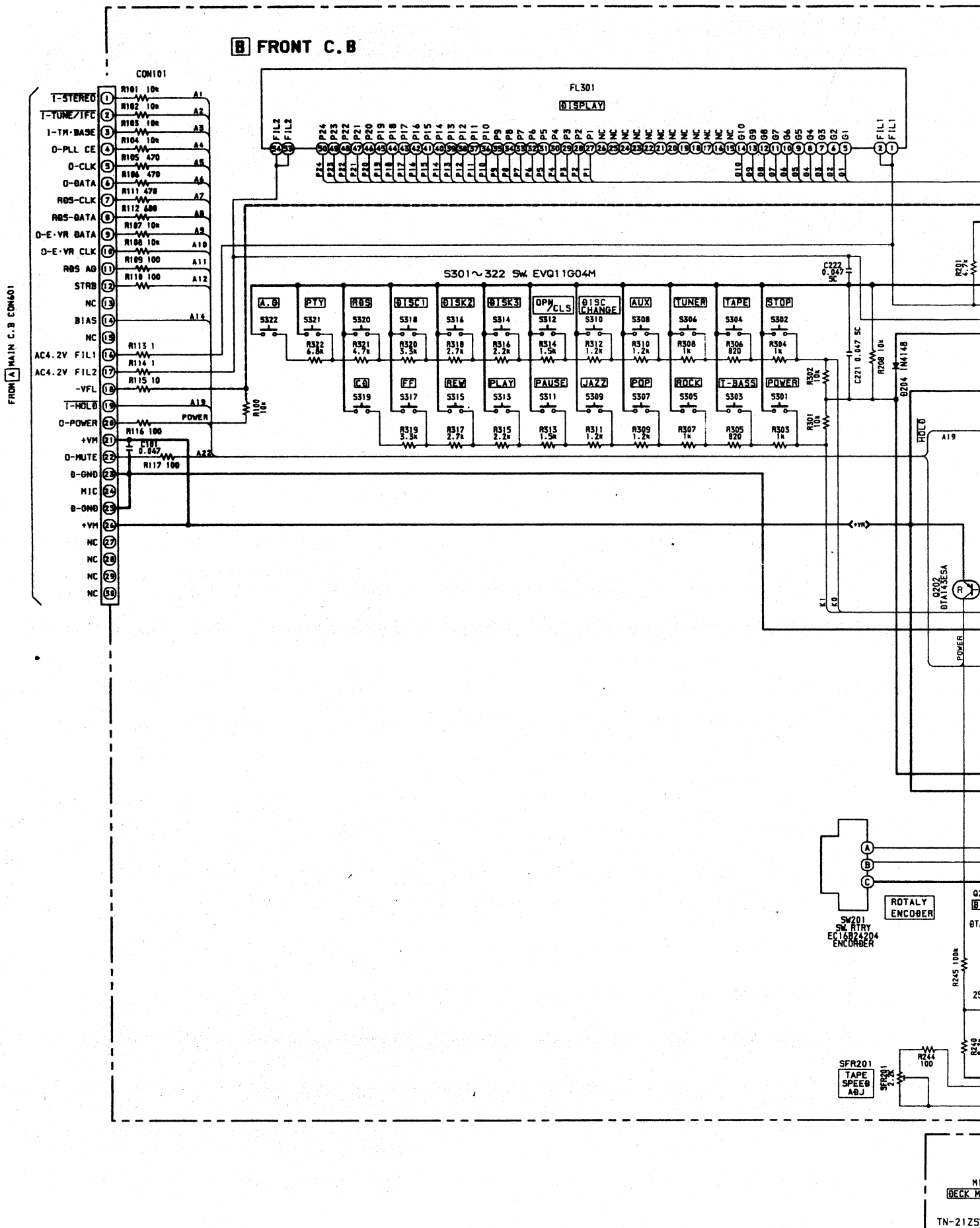
Q307
 8TA143ES

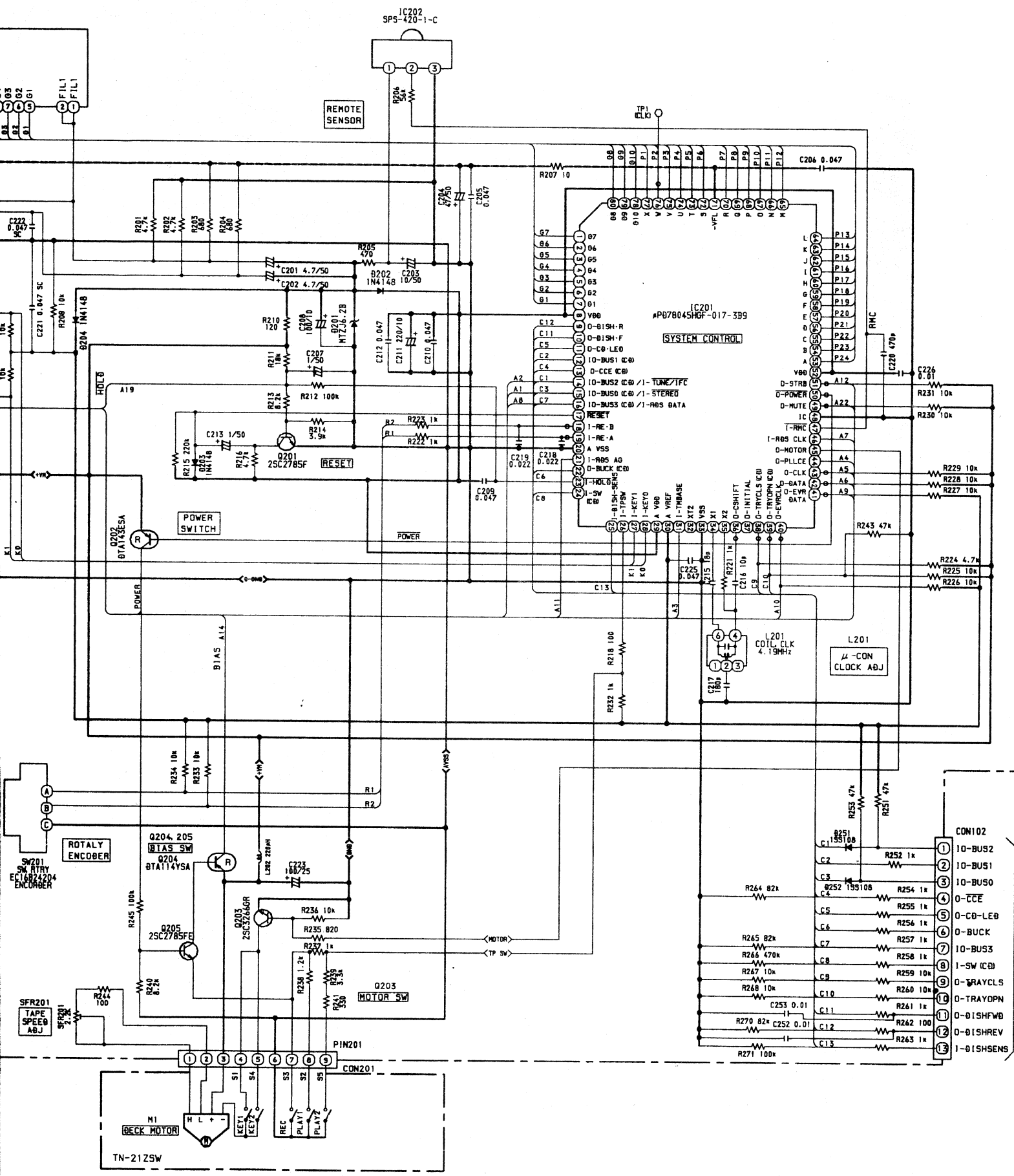
Q308
 8TA143ES

Q309
 8TA143ES

Q310
 8TA143ES

SCHEMATIC DIAGRAM -5 (FRONT : 220 EZ,)





TO 309 C. B

CON102	Component	Value
1	10-BUS2	
2	10-BUS1	
3	10-BUS0	
4	0-CCE	
5	0-CO-LEB	
6	0-BUCK	
7	10-BUS3	
8	1-SW (CB)	
9	0-TRAYCLS	
10	0-TRAYDPN	
11	0-B1SHFWB	
12	0-B1SHREV	
13	1-B1SHSENS	