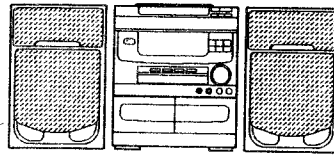


aiwa

NSX-V50
NSX-V52
NSX-V54
NSX-V51G

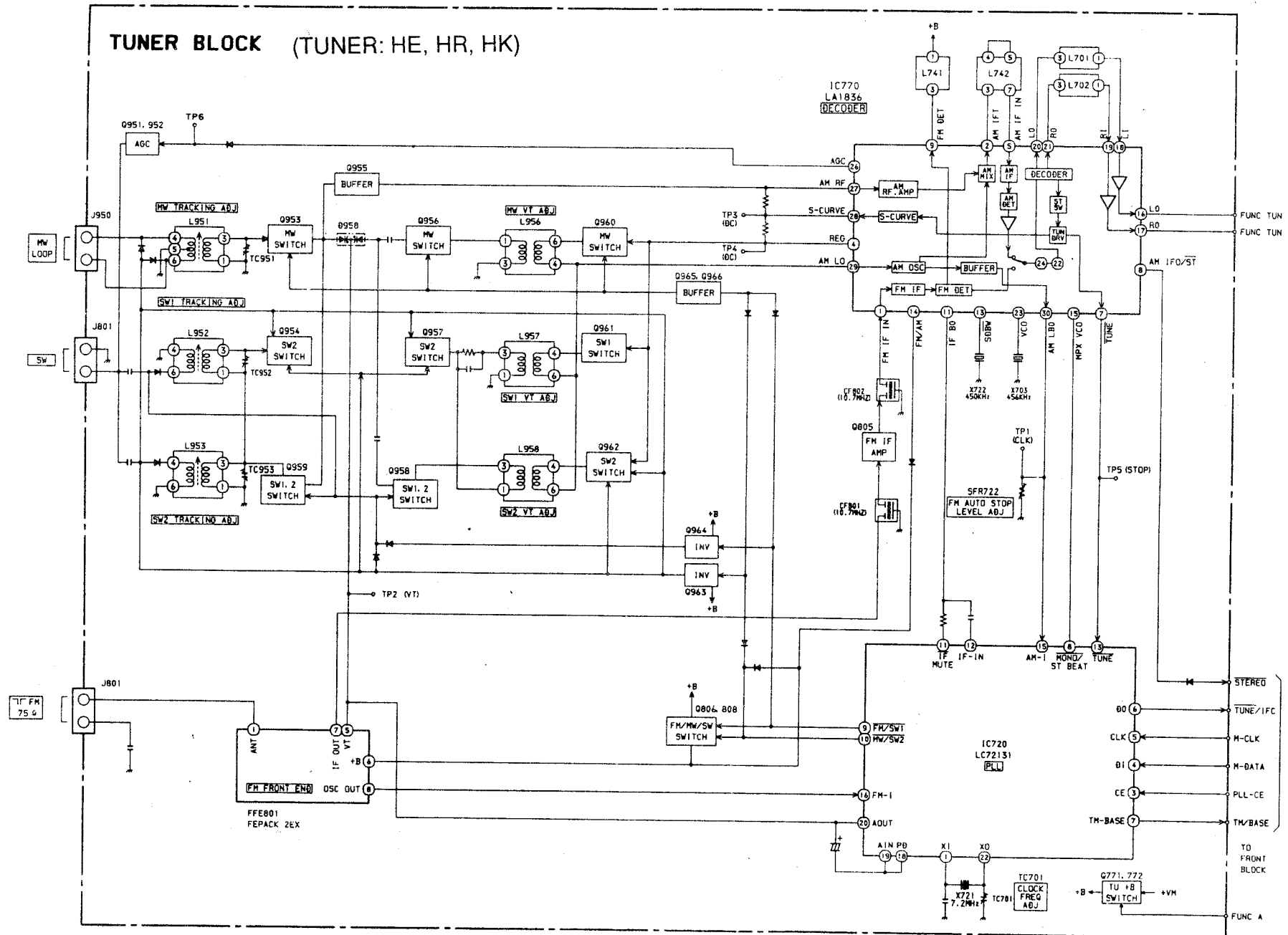


COMPACT DISC STEREO
CASSETTE SYSTEM

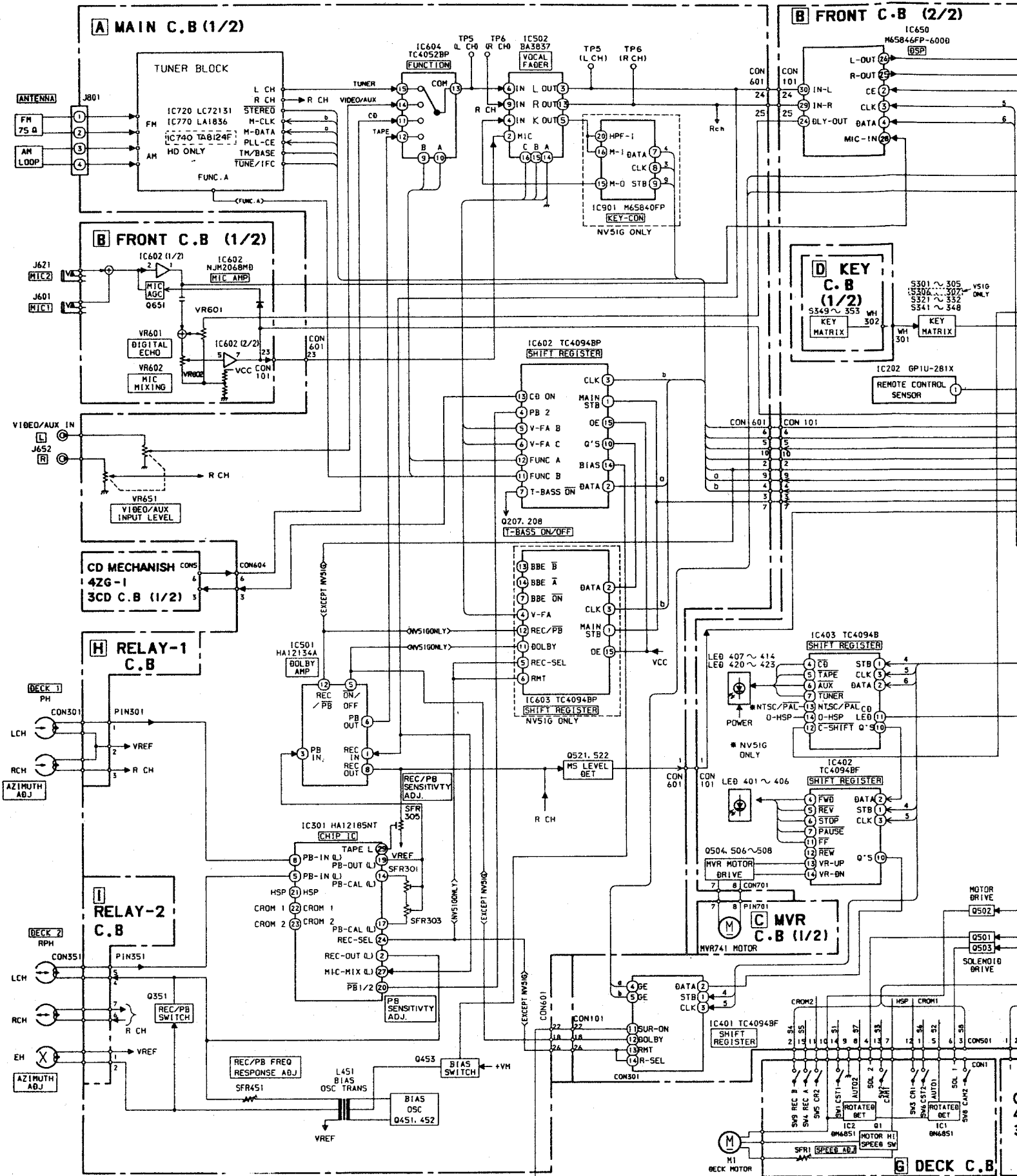
- BASIC TAPE MECHANISM: 2ZM-3 PR6N
- BASIC CD MECHANISM: 4ZG-1TGER
- TYPE (50) HE,HR,HK,LH,U,C,G (52) U (54) U (51G) HD,HE,HR,HK,U

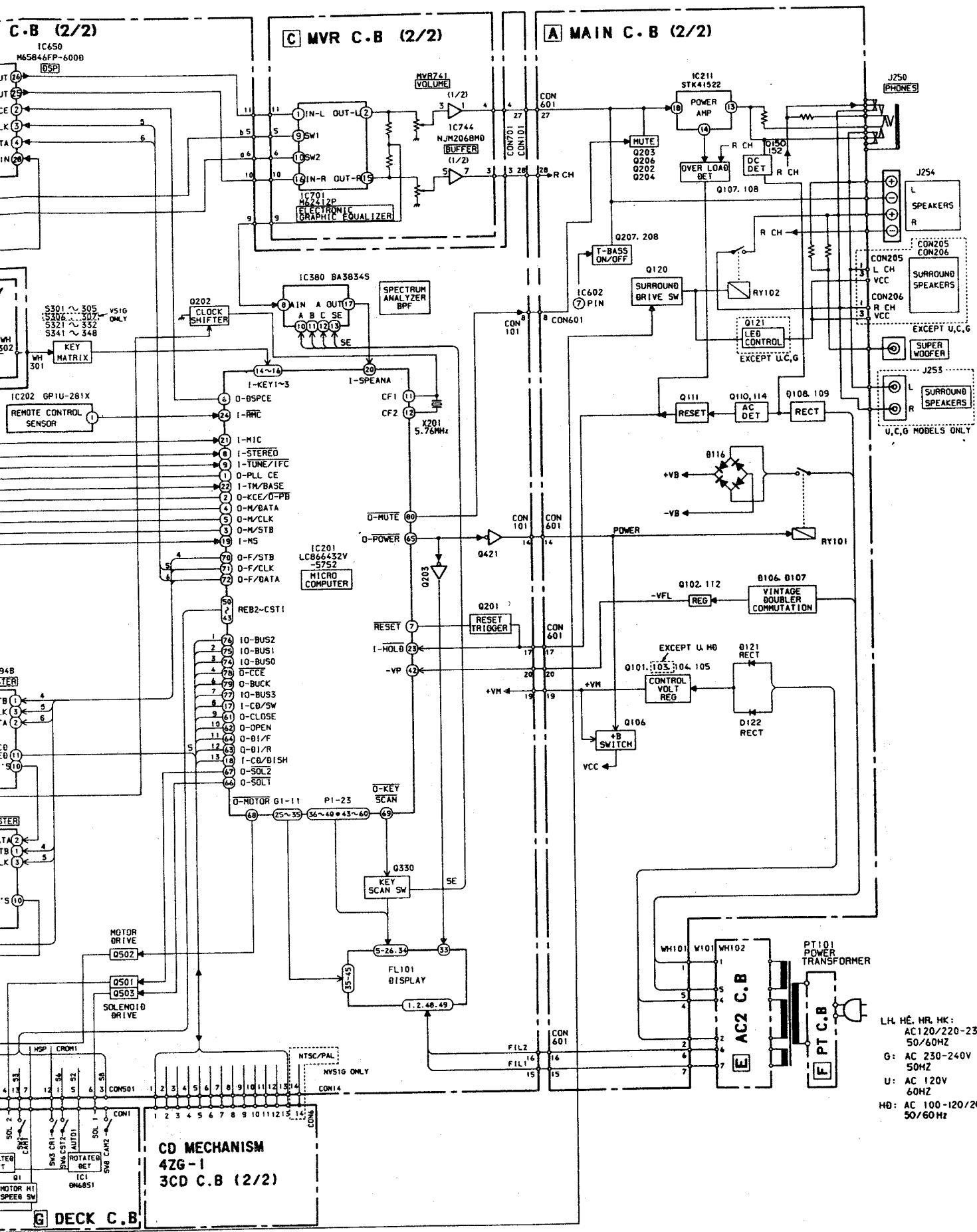
SYSTEM	CENTER UNIT	SPEAKER
NSX-V50 (HE,HR,HK,LH,U,C,G)	CX-NV50	SX-FNV50L (HE,HR,HK,LH) SX-FNV50 (U,C,G)
NSX-V52 (U)	CX-NV52	SX-FNV50 (U)
NSX-V54 (U)	CX-NV54	SX-FNV50 (U)
NSX-V51G (HD,HE,HR,HK,U)	CX-NV51G	SX-FNV50L (HD,HE,HR,HK) SX-FNV50 (U)

NSX-V54 (U)	CX-NV54	SX-FNV50 (U)
NSX-V51G (HD,HE,HR,HK,U)	CX-NV51G	SX-FNV50L (HD,HE,HR,HK) SX-FNV50 (U)

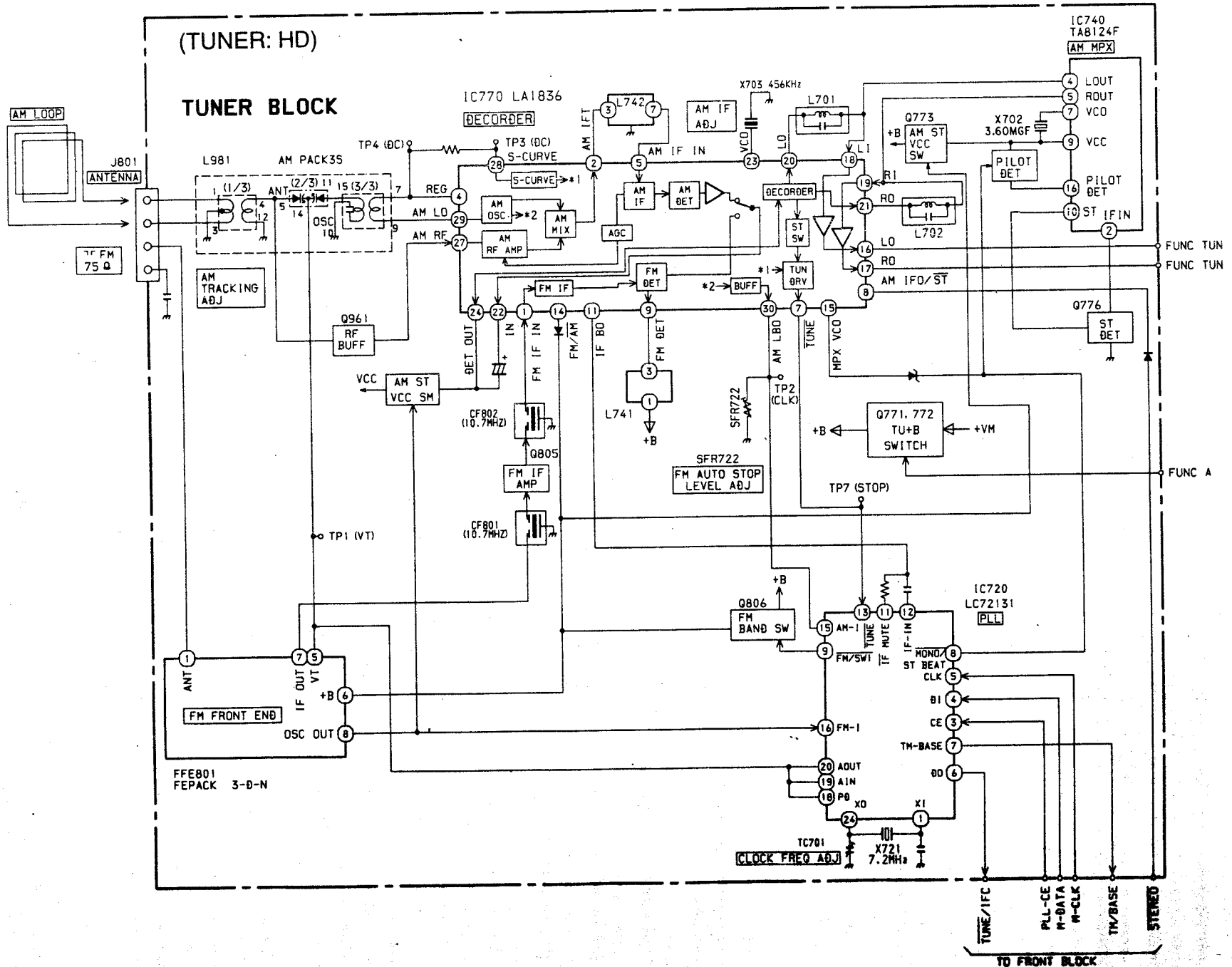


(MAIN/FRONT)





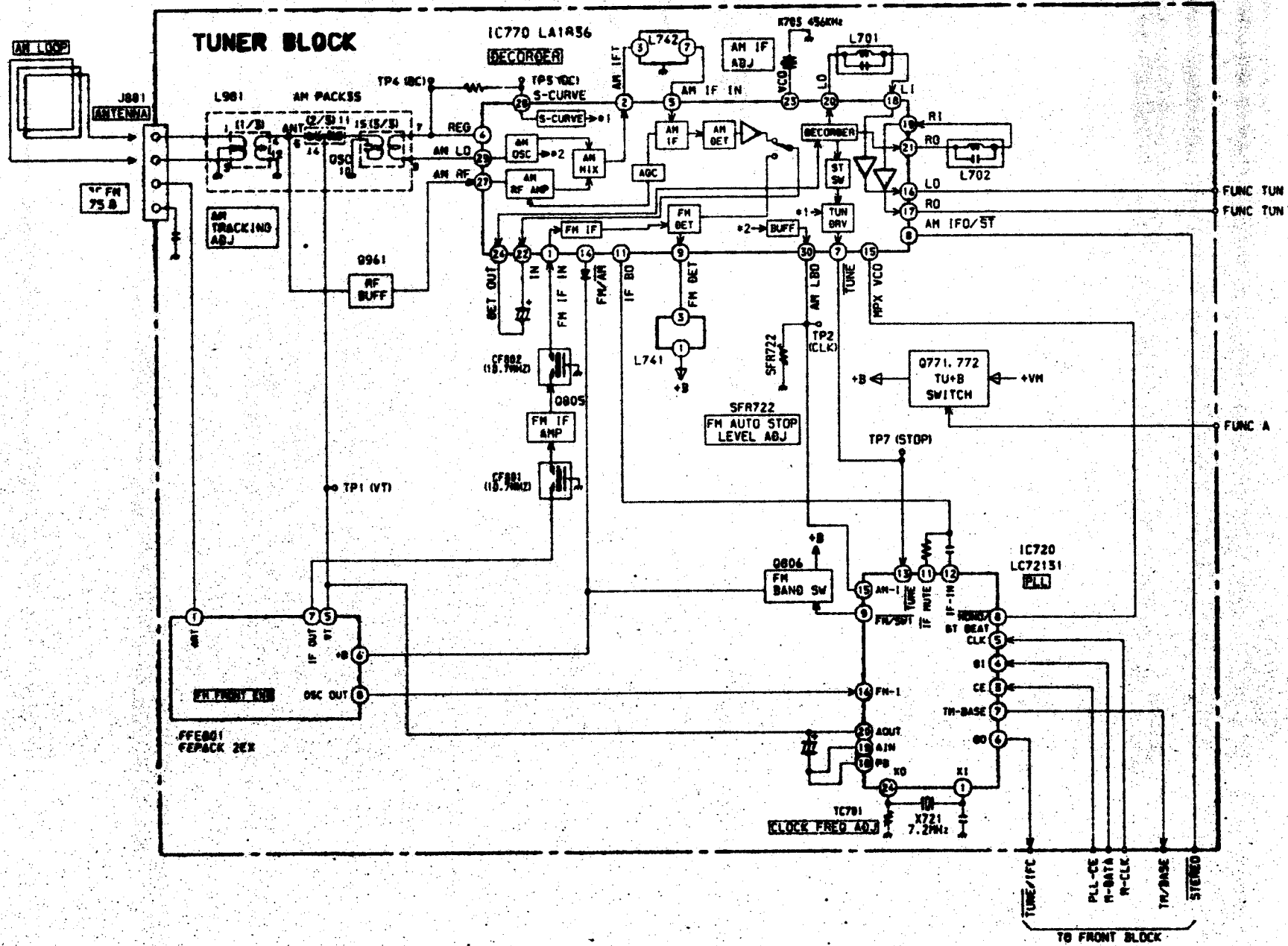
LH, HE, HR, HK:
 AC 120/220-230/240V
 50/60HZ
 G: AC 230-240V
 50HZ
 U: AC 120V
 60HZ
 H0: AC 100-120/200-240V
 50/60Hz

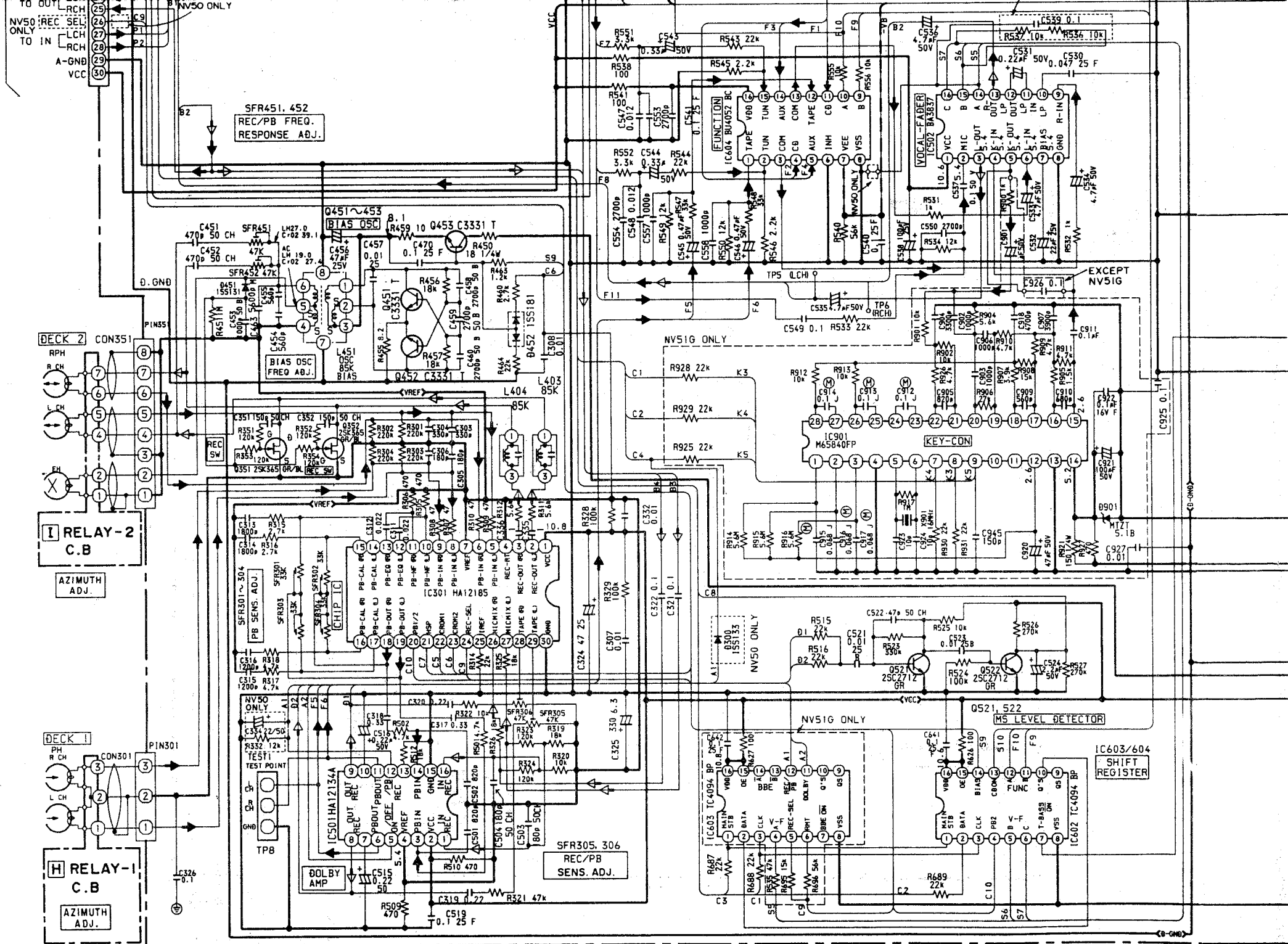


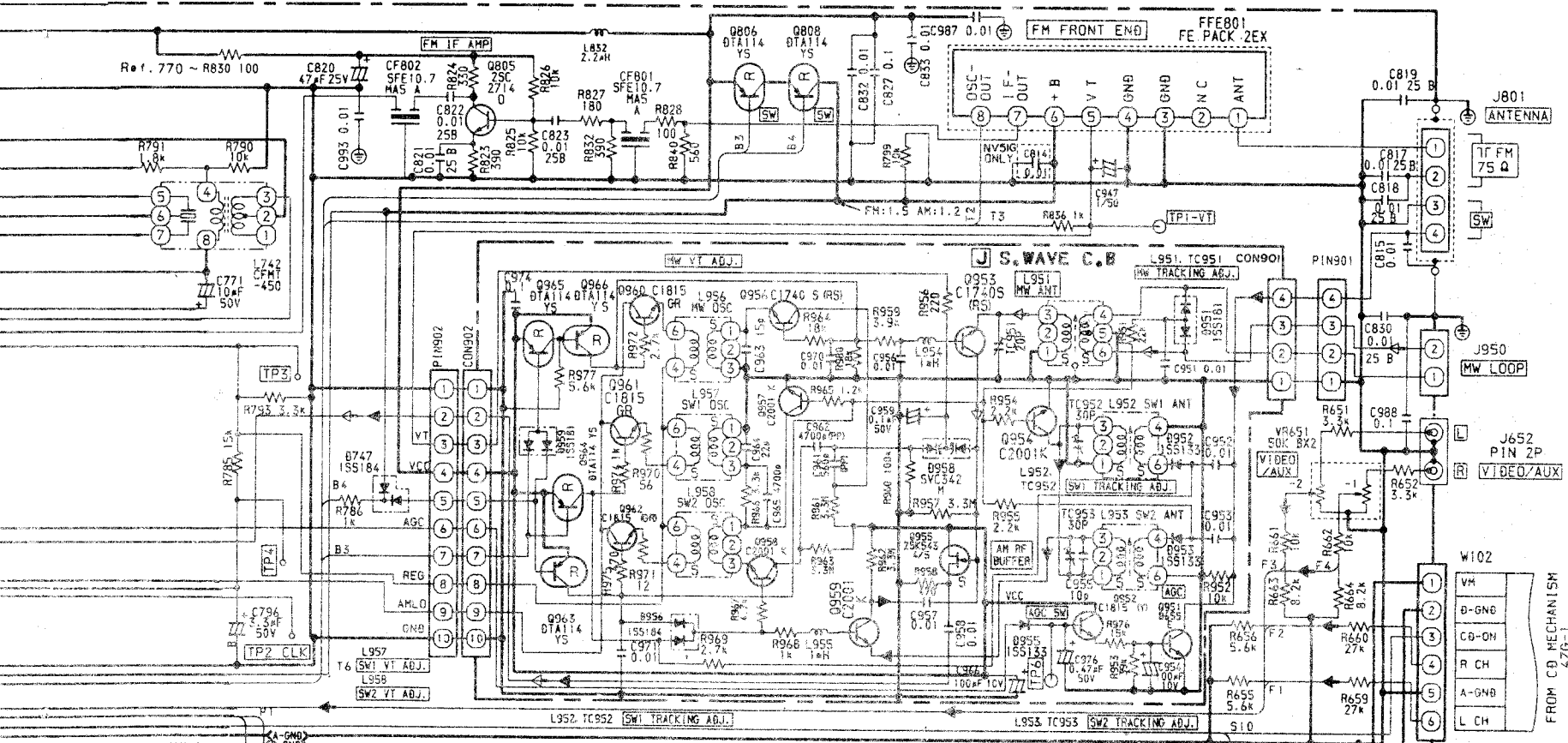
(CLOCK FREQ ADJ) X721 7.2MHz

TUNE/IFC
PLL-CE
M-DATA
M-CLK
TV/BASE
STEREO
TO FRONT BLOCK

(TUNER: LH, U, C, G)

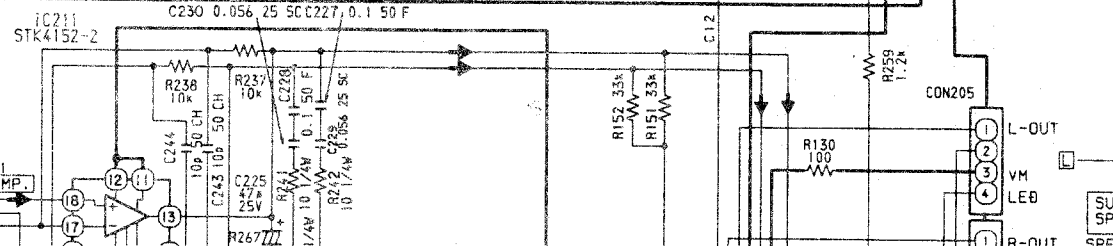






TRANSISTOR OPERATION NAM FOR S. WAVE C.B.

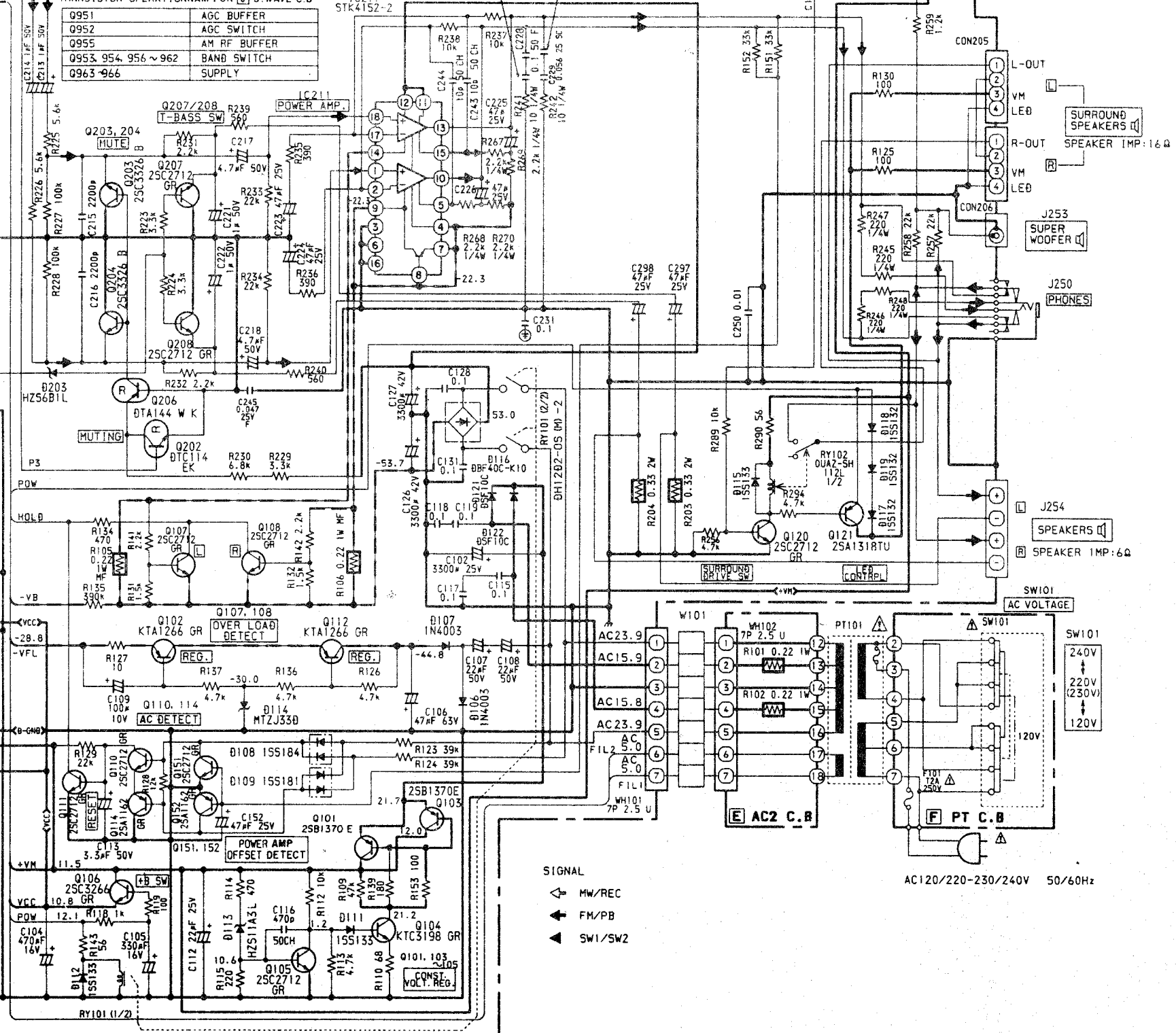
Q951	AGC BUFFER
Q952	AGC SWITCH
Q955	AM RF BUFFER
Q953, 954, 956 ~ 962	BAND SWITCH
Q963-966	SUPPLY



J801 ANTENNA
 J950 MW LOOP
 J652 PIN 2P VIDEO/AUX
 W102
 VM
 B-GND
 C6-ON
 R CH
 A-GND
 L CH
 FROM CD MECHANISM 420-1

TRANSISTOR OPERATIONS FOR S.WAVE C.B.

Q951	AGC BUFFER
Q952	AGC SWITCH
Q955	AM RF BUFFER
Q953, 954, 956 ~ 962	BAND SWITCH
Q963-966	SUPPLY

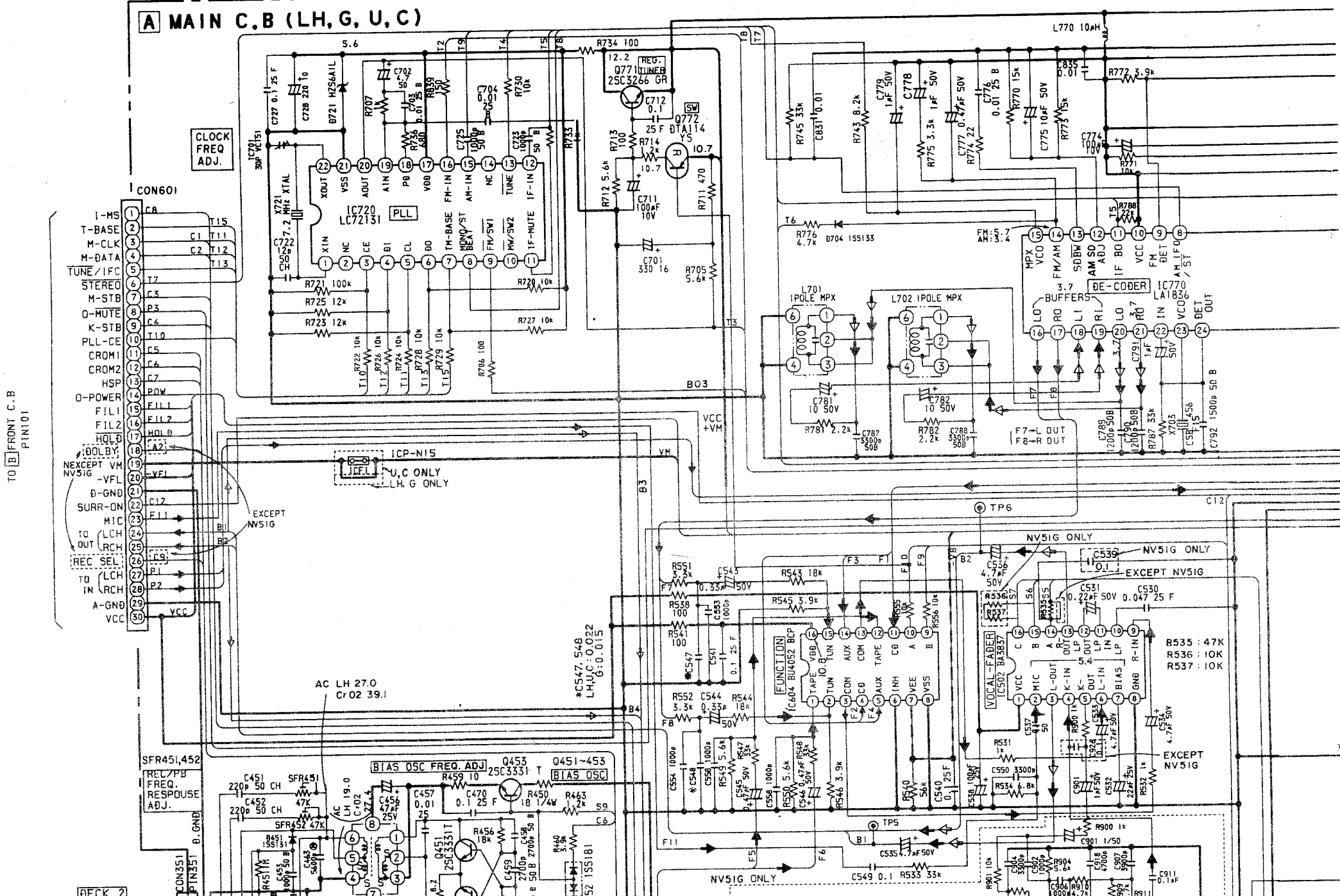


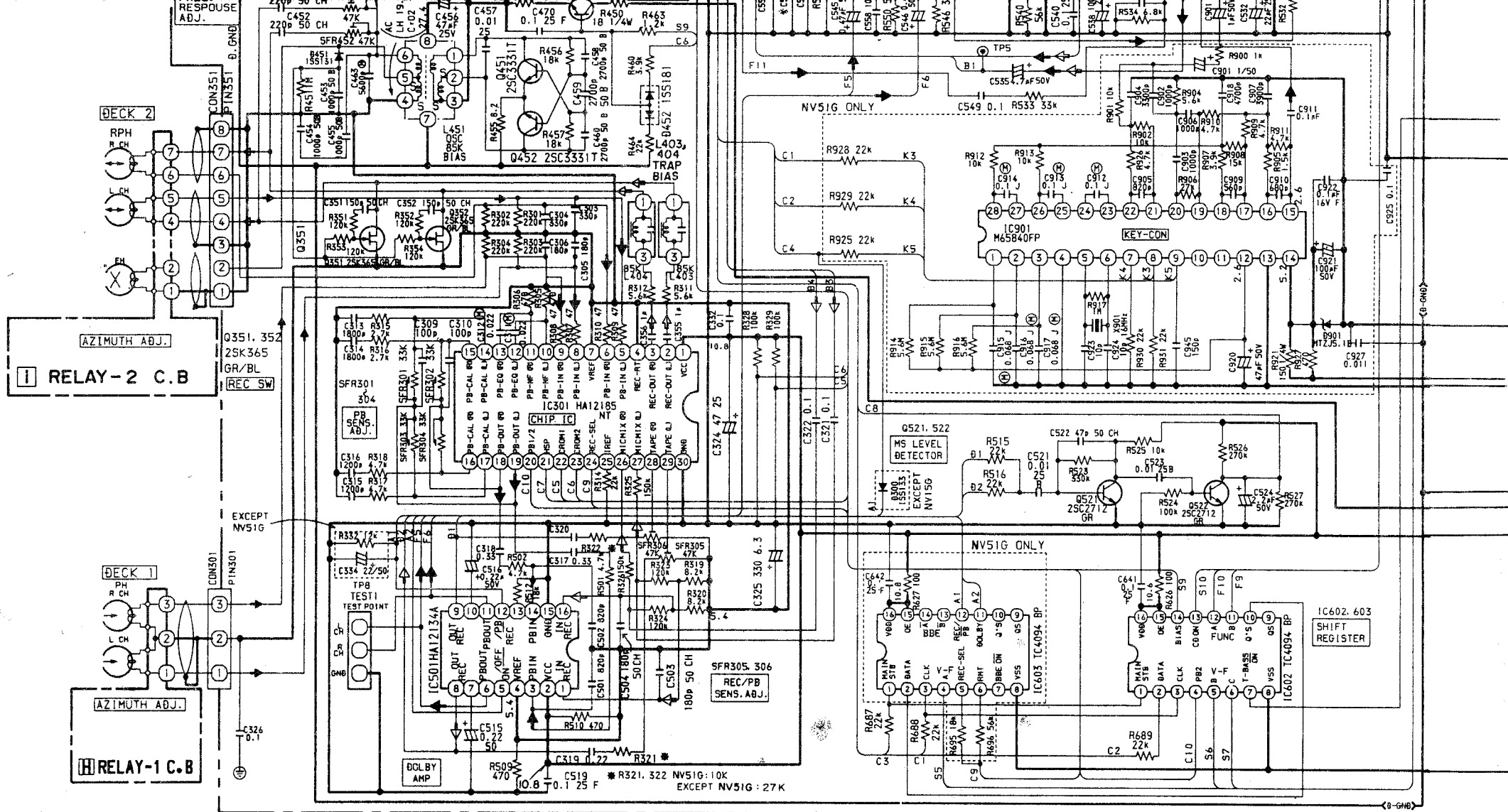
- SIGNAL
- ↗ MW/REC
 - ↖ FM/PB
 - ▲ SW1/SW2

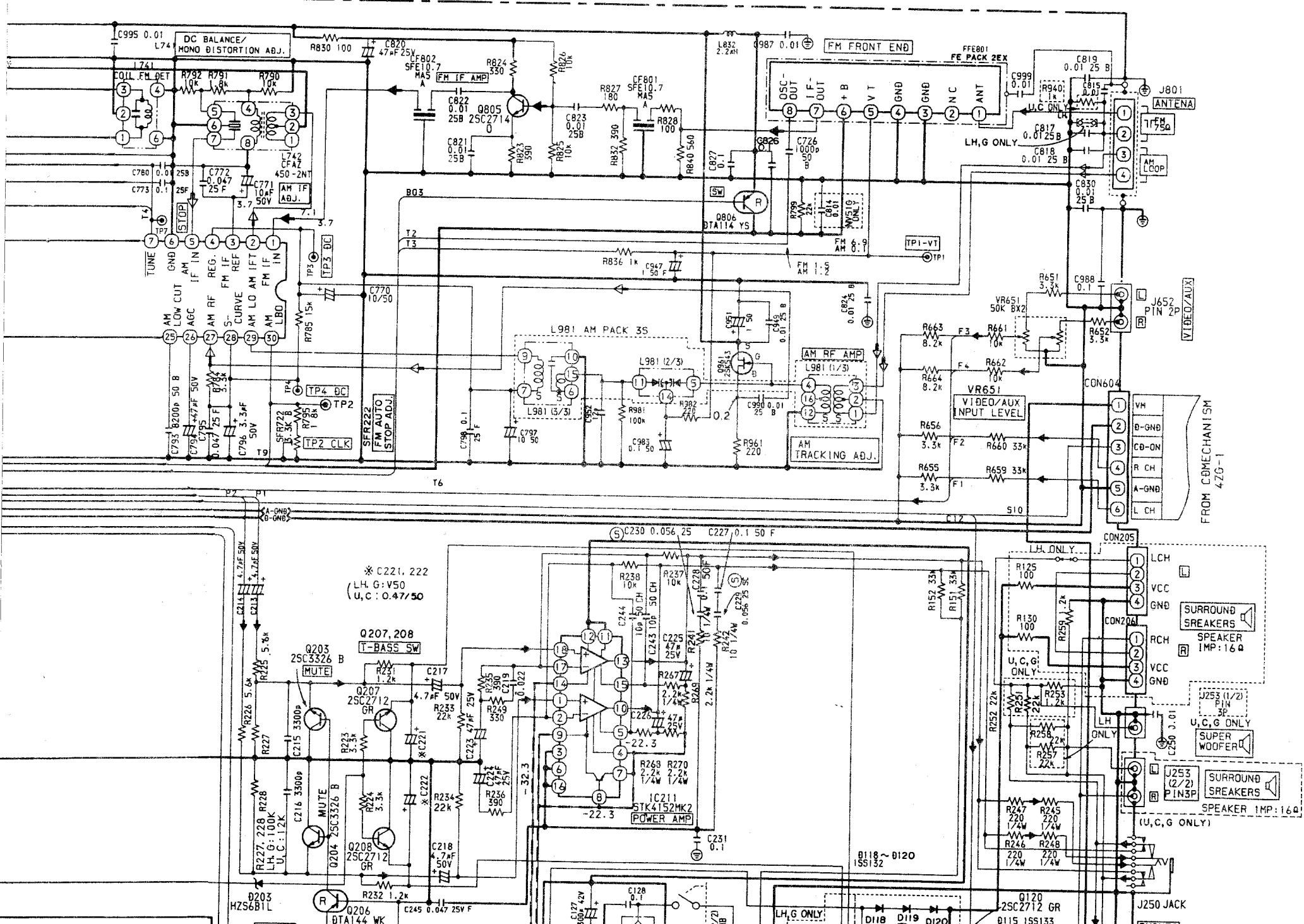
AC120/220-230/240V 50/60Hz

SCHEMATIC DIAGRAM-2 (MAIN: LH, U, C, G)

A MAIN C.B (LH, G, U, C)





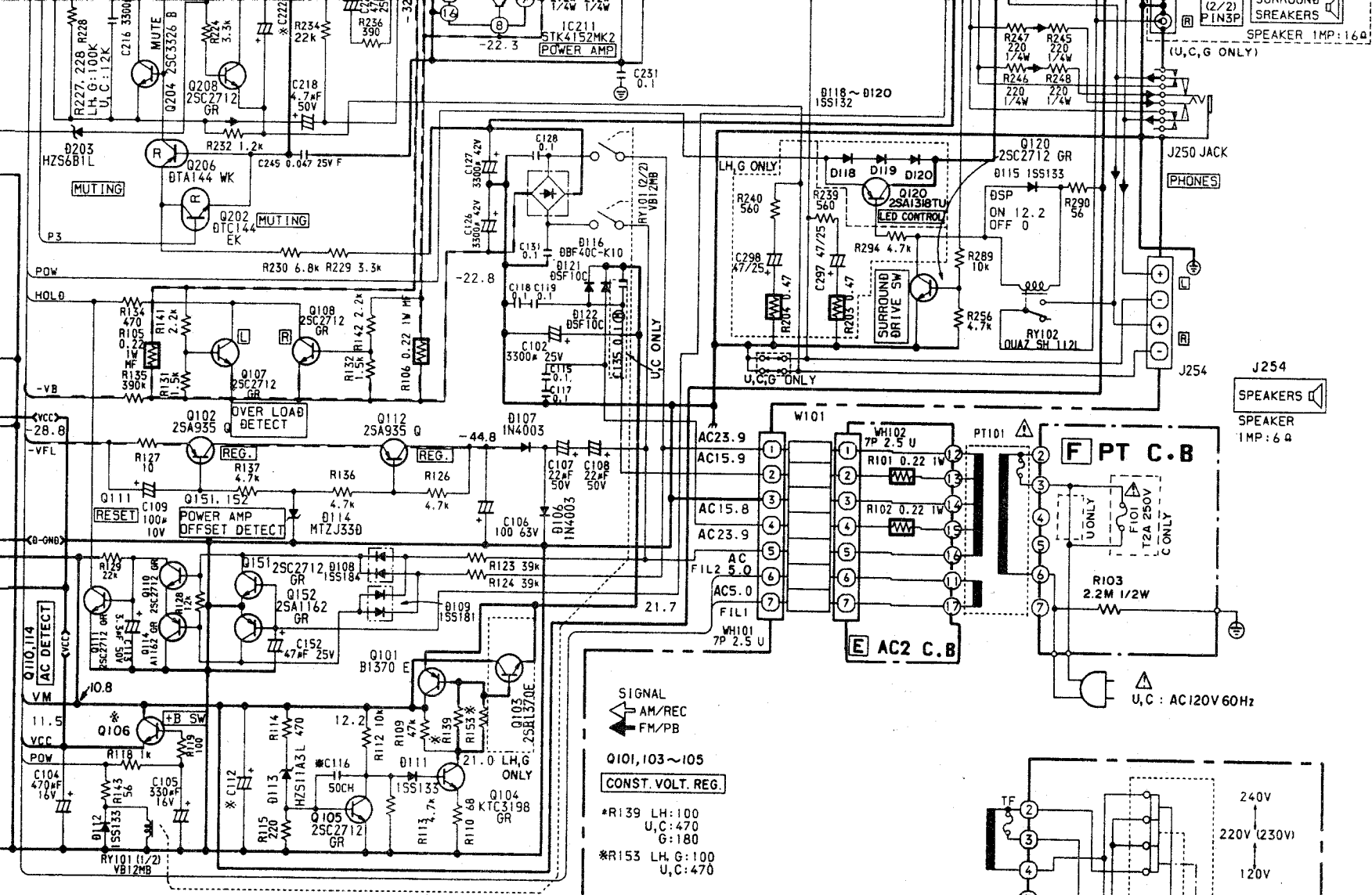


FROM CBMECHANISM 470-1

SURROUND SPEAKERS
SPEAKER IMP: 16Ω

SURROUND SPEAKERS
SPEAKER IMP: 16Ω
(U,C,G ONLY)

PHONES

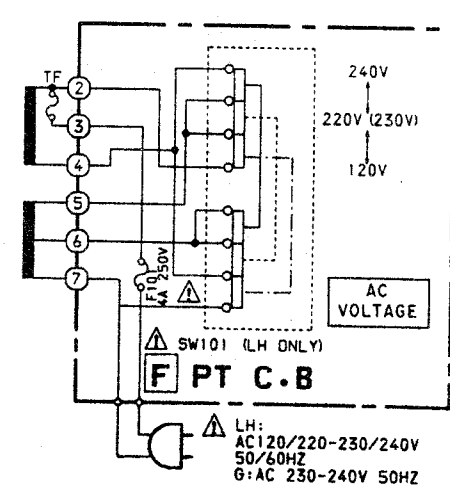
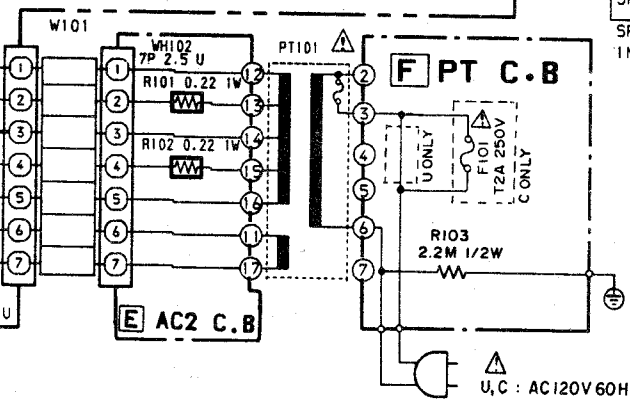


* Q106 L.H.G: 2SC3266GR U.C: 2SD2005R
* C112 NV51G: 22/25V EXCEPT NV51G: 22/50V
* C116 NV51G: 470P EXCEPT NV51G: 1200P

SIGNAL
→ AM/REC
← FM/PB

Q101, 103~105
CONST. VOLT. REG.

*R139 L.H.: 100 U.C.: 470 G: 180
*R153 L.H.G: 100 U.C.: 470

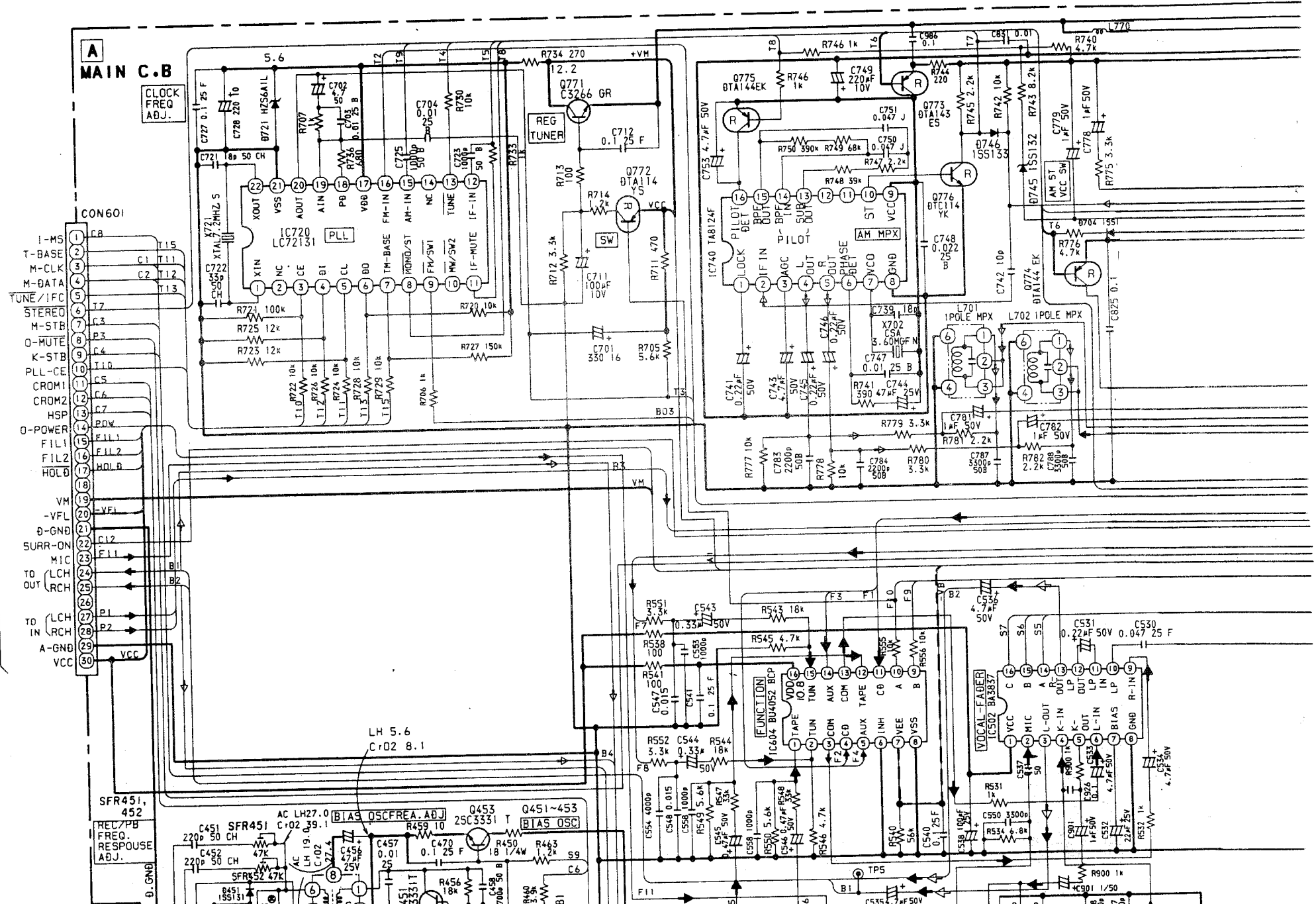


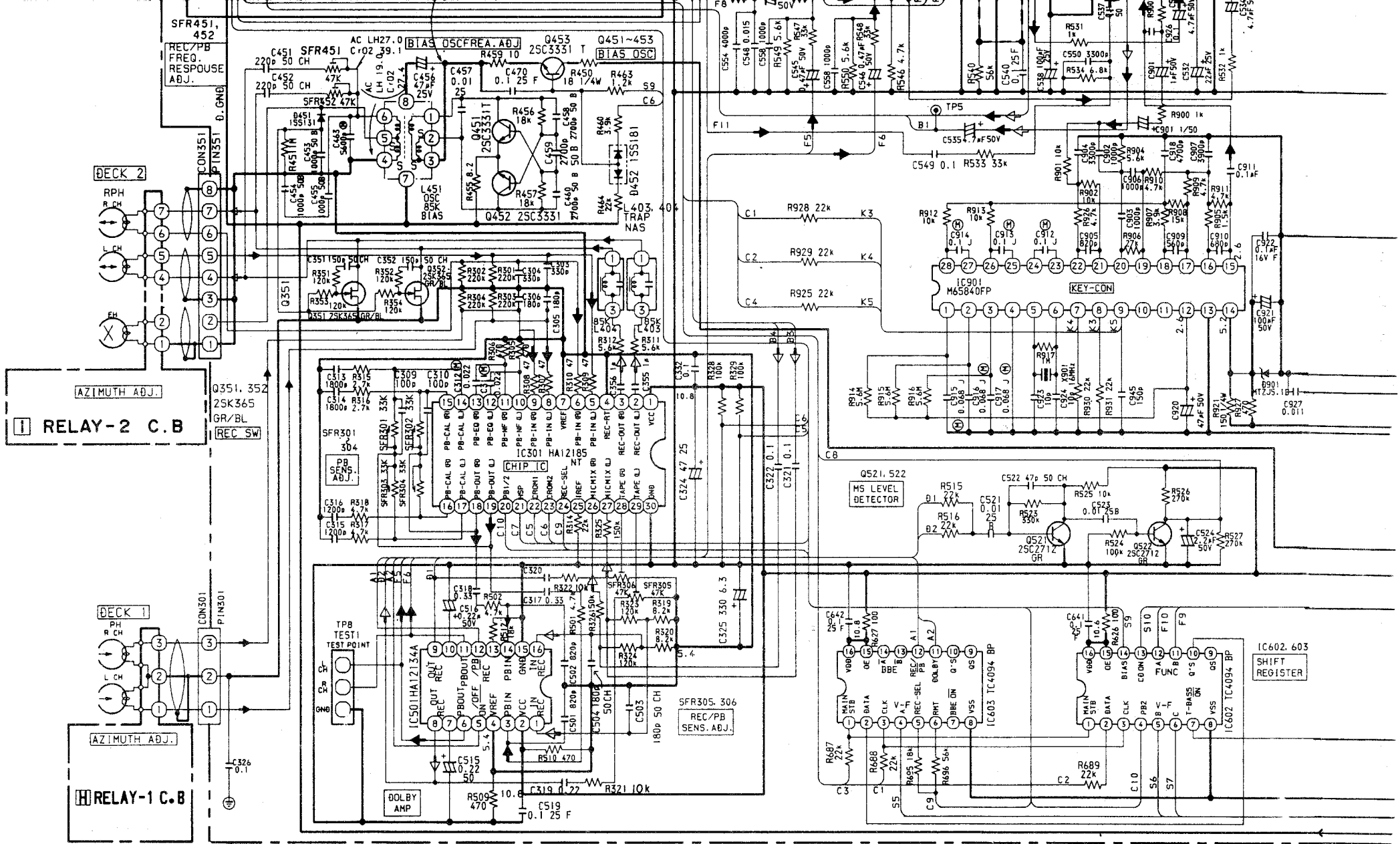
LH:
AC 120/220-230/240V
50/60HZ
G: AC 230-240V 50HZ

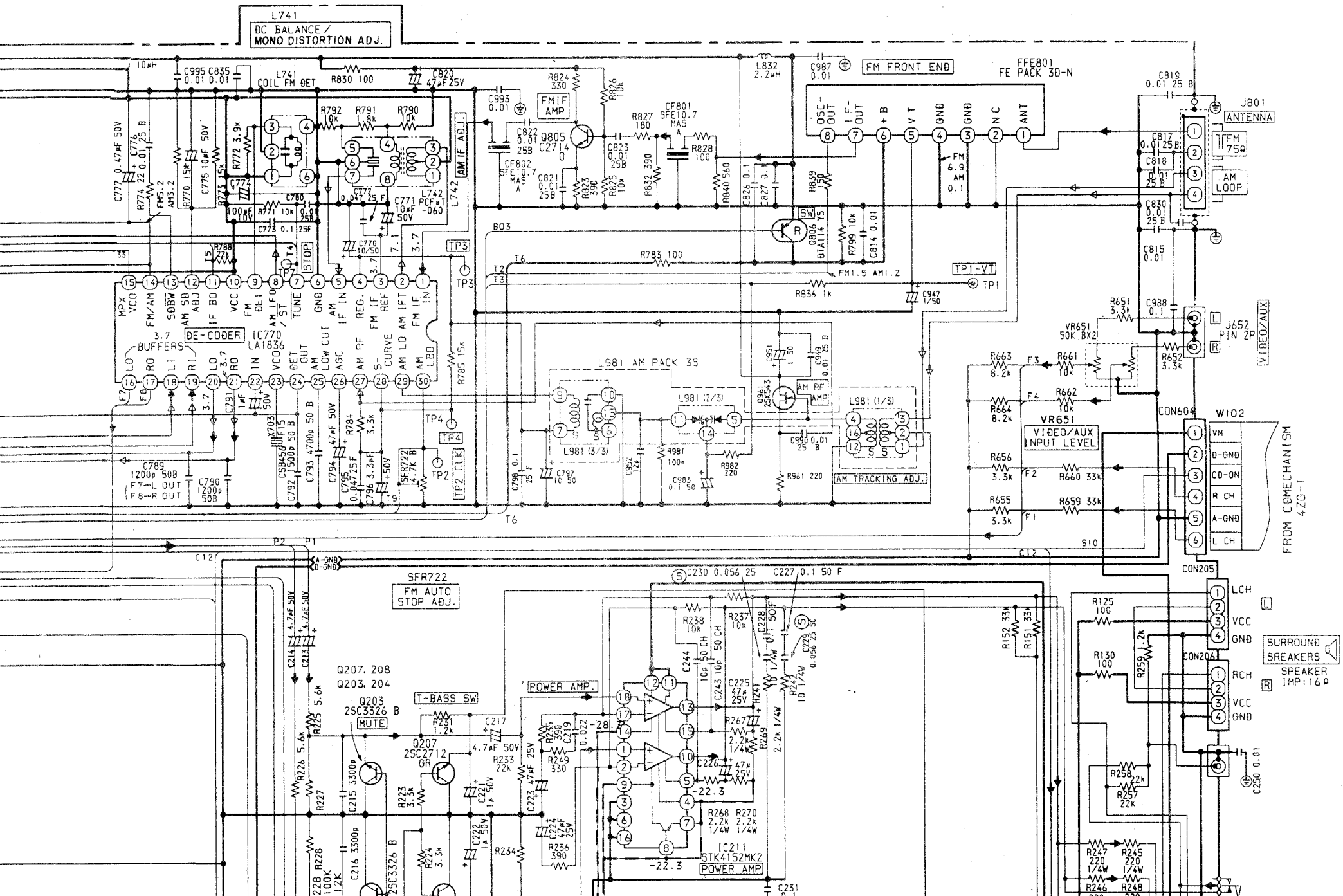
SCHEMATIC DIAGRAM-3 (MAIN: HD)

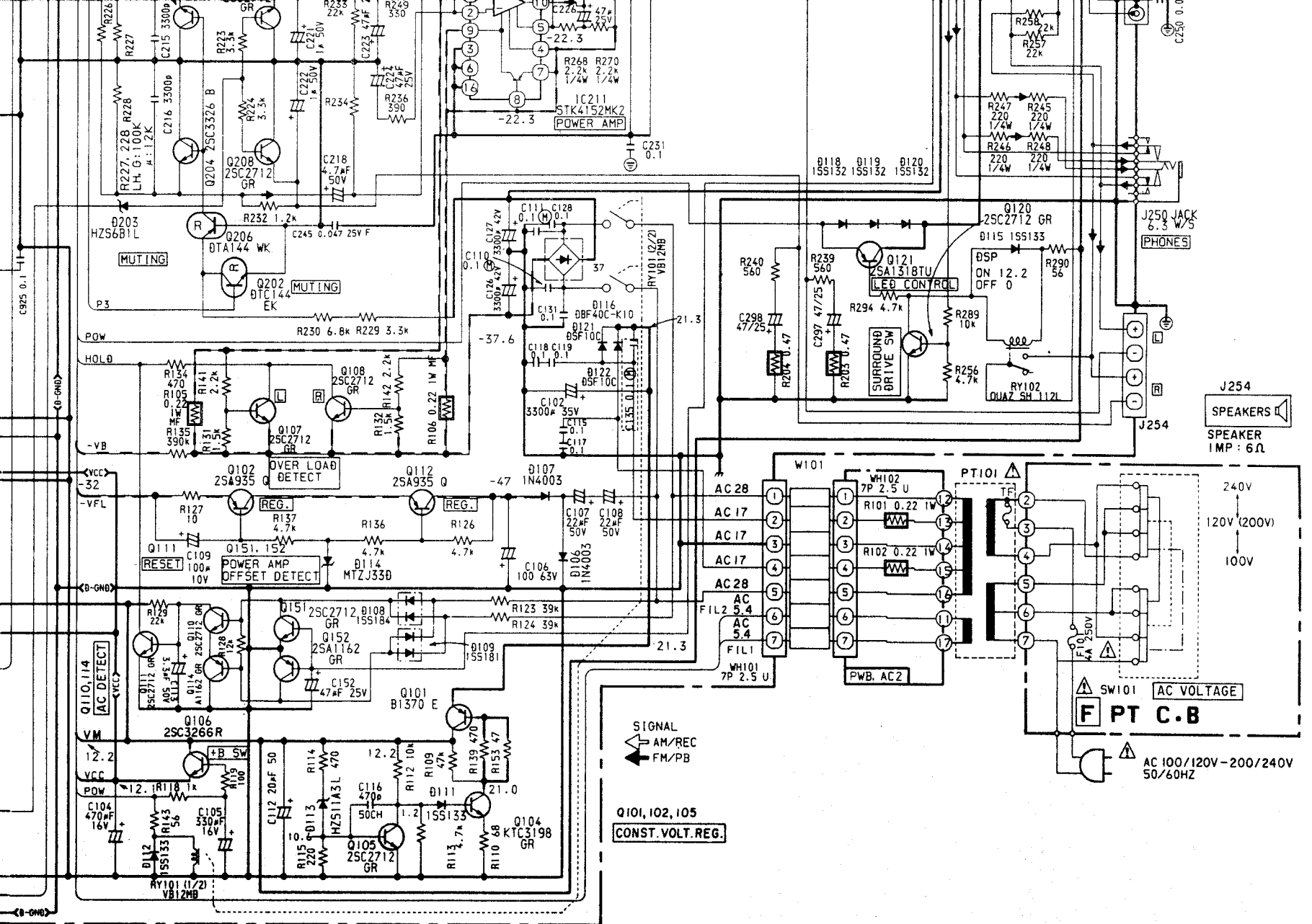
TO FRONT C.B. PIN101

A MAIN C.B









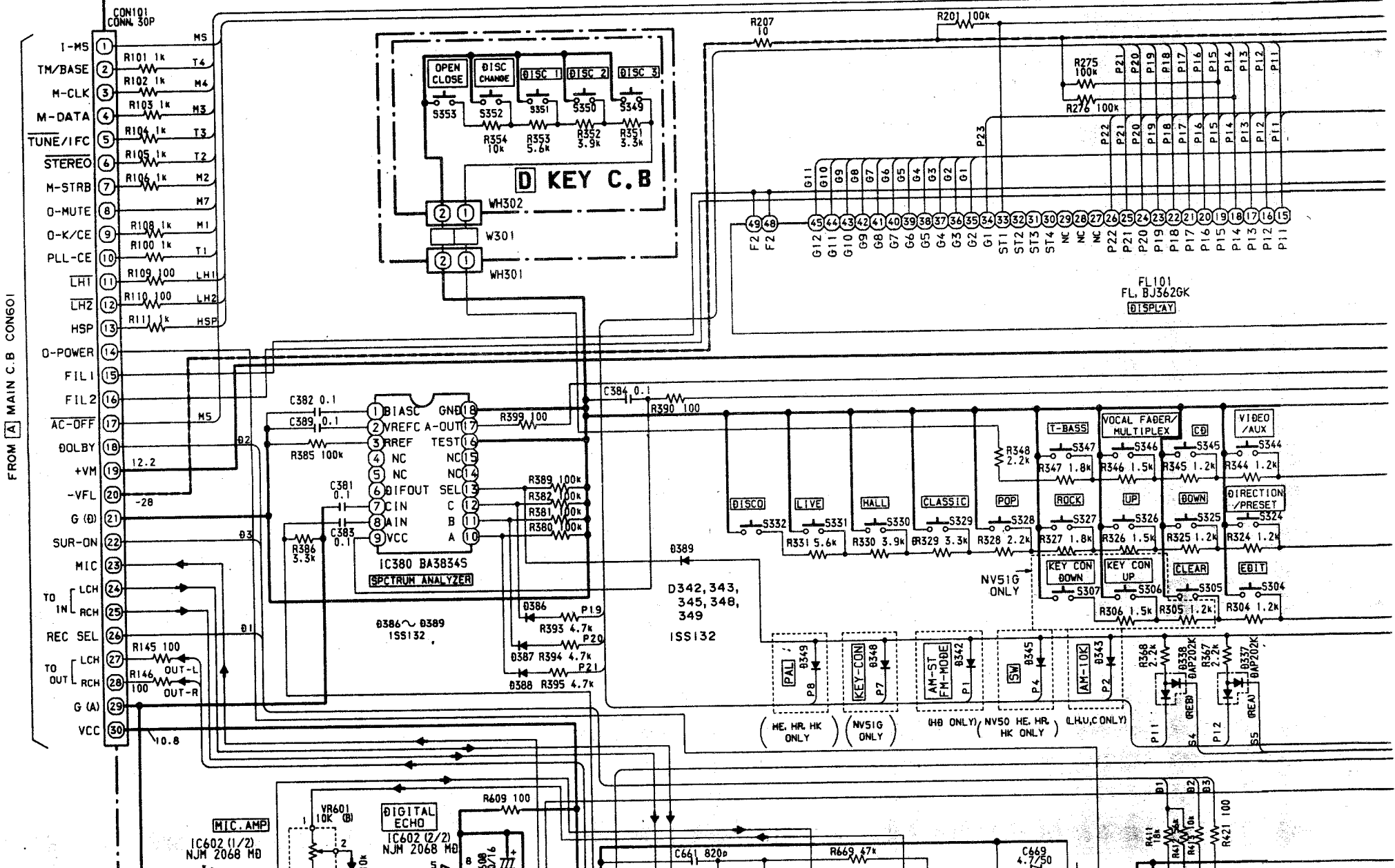
Q101, 102, 105
CONST. VOLT. REG.

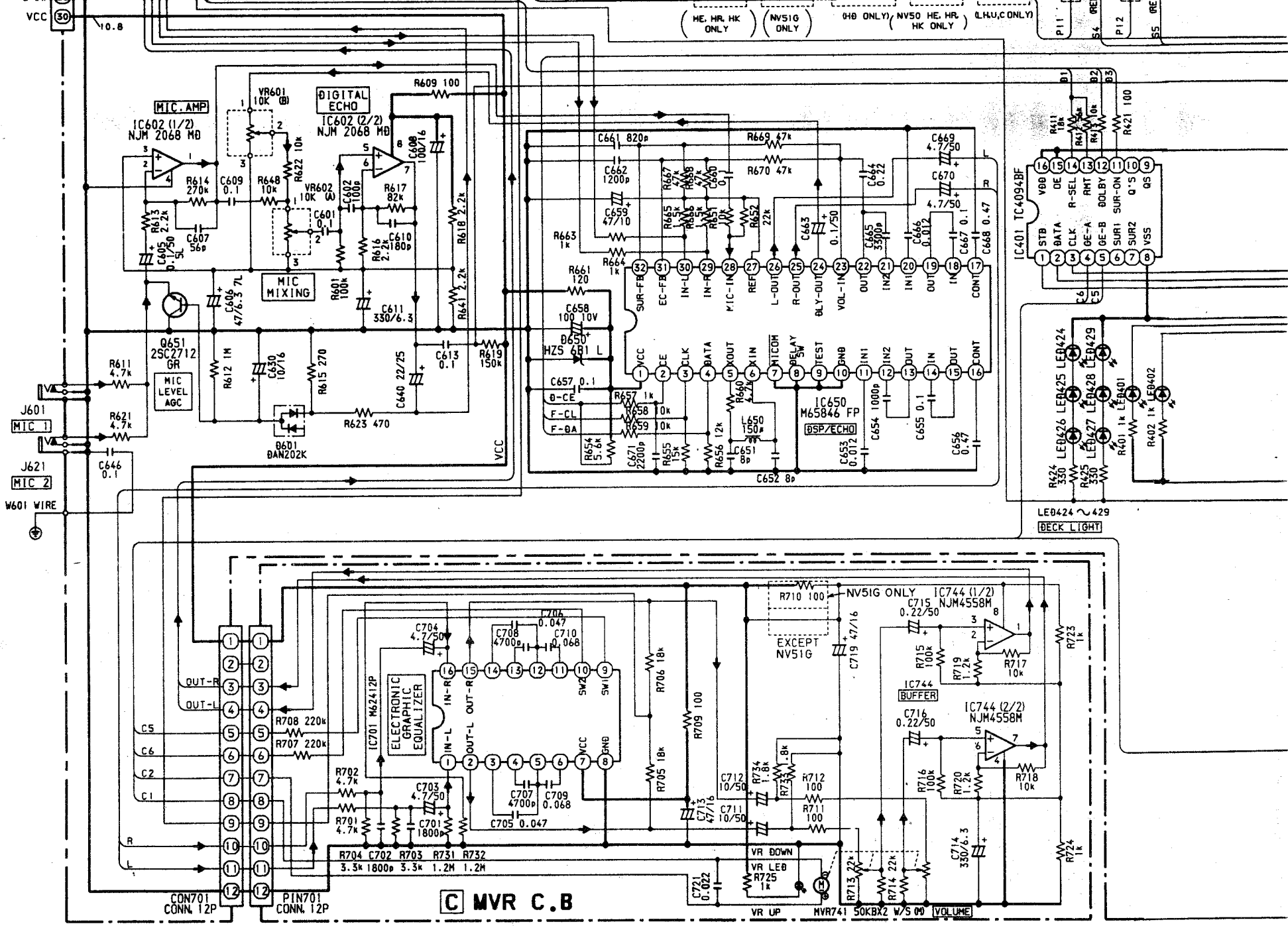
SW101 AC VOLTAGE
F P T C.B

AC 100/120V - 200/240V
50/60HZ

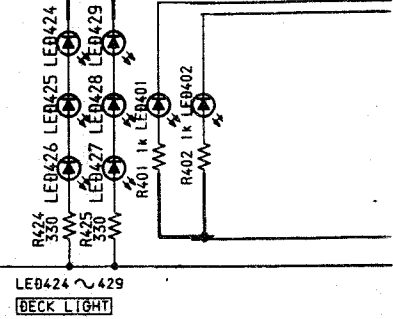
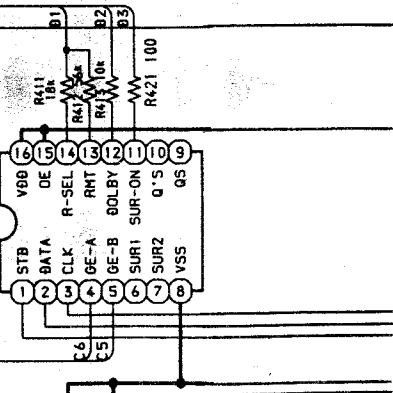
SCHEMATIC DIAGRAM-4 (FRONT)

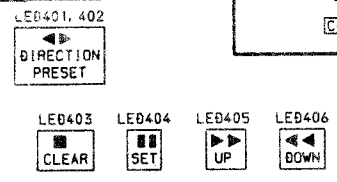
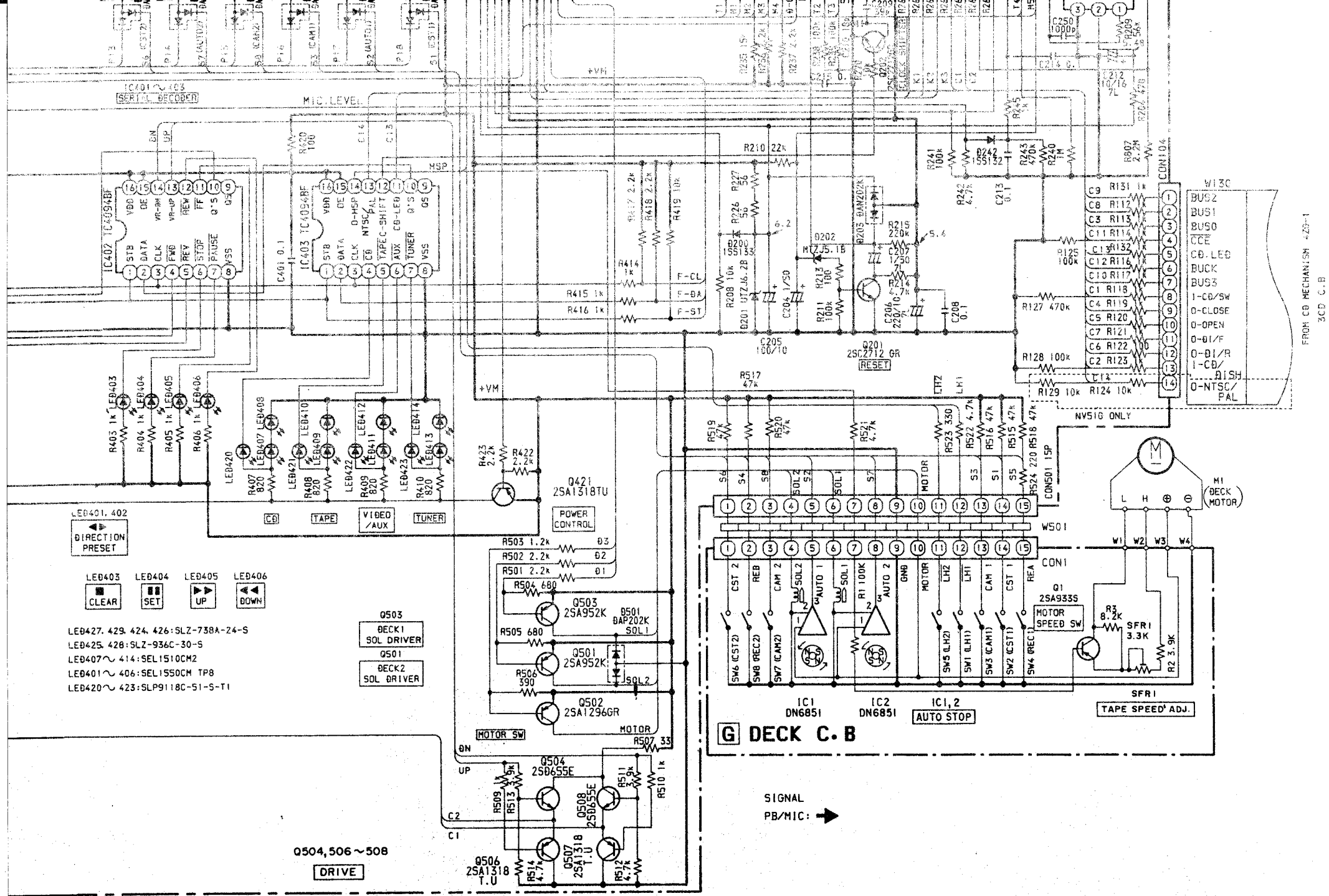
B FRONT C.B



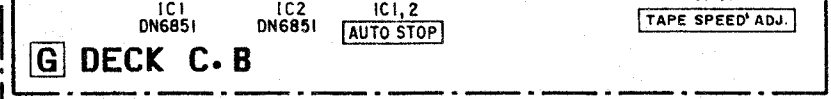
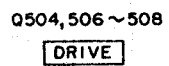
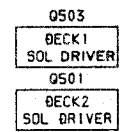


(HE, HR, HK ONLY) (NV51G ONLY) (H8 ONLY) (HE, HR, HK ONLY) (LHU, CONLY)





LEB427. 429. 424. 426: SLZ-738A-24-S
 LEB425. 428: SLZ-936C-30-S
 LEB407 ~ 414: SEL1510CM2
 LEB401 ~ 406: SEL1550CM TP8
 LEB420 ~ 423: SLP9118C-51-S-11



SIGNAL
 PB/MIC: →

FROM CD MECHANISM 420-1
 3CD C.B.