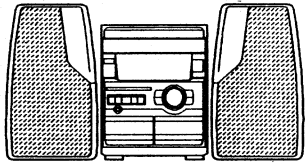


aiwa

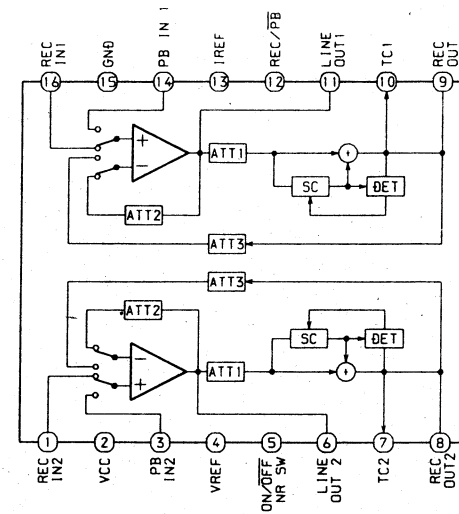
NSX-S90



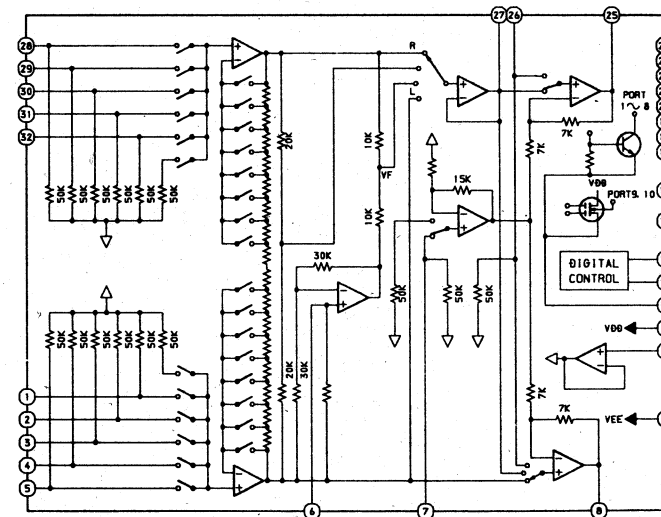
COMPACT DISC STEREO
CASSETTE RECEIVER

- BASIC TAPE MECHANISM: 2ZM-3MK2 PR4NM
- BASIC CD MECHANISM: 4ZG-1 Z2DNM
- TYPE: EZ, K, V

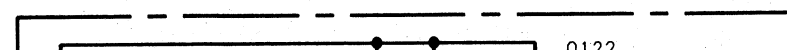
SYSTEM	CD CASSEIVER	SPEAKER	REMOTE CONTROLLER
NSX-S90	CX-NS90	SX-ANS90	RC-7AS08



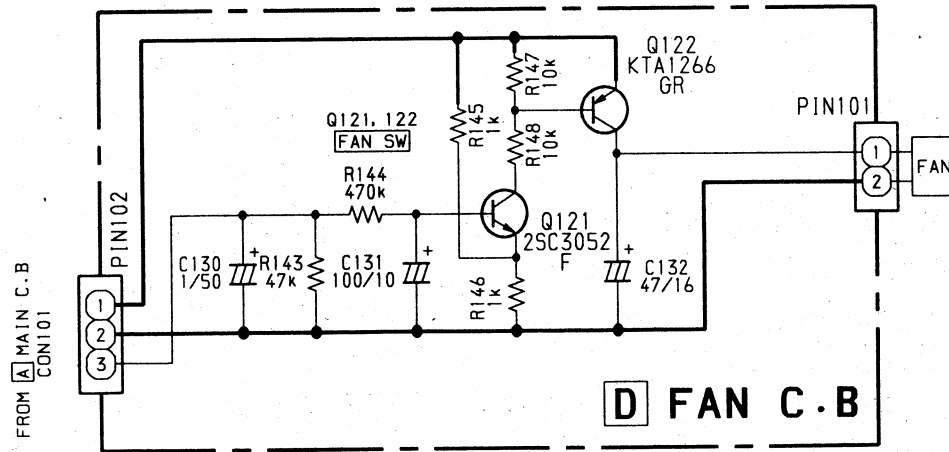
IC, BH3810FS



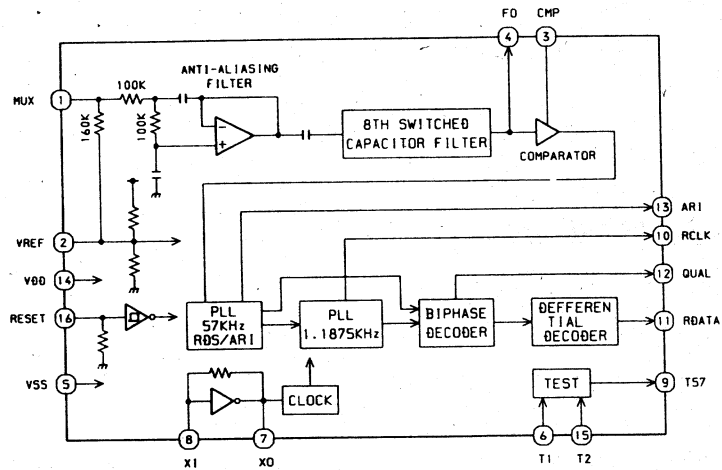
SCHEMATIC DIAGRAM - 2 (FAN)



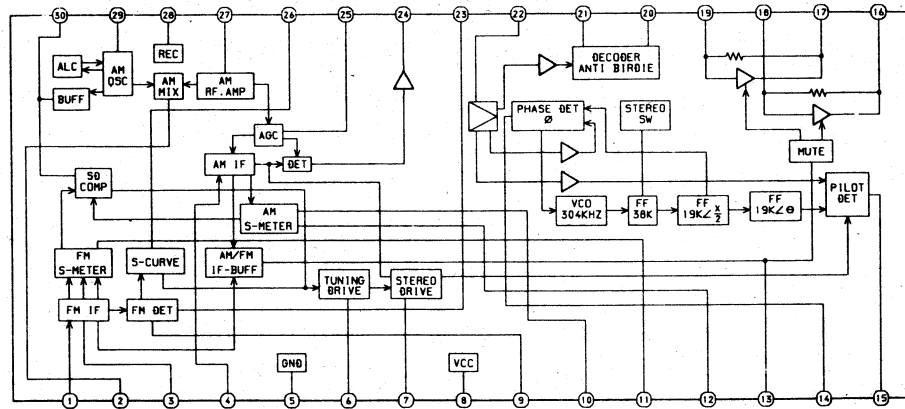
SCHMATIC DIAGRAM - 2 (FAN)



IC, BU1920FS <EZ ONLY>

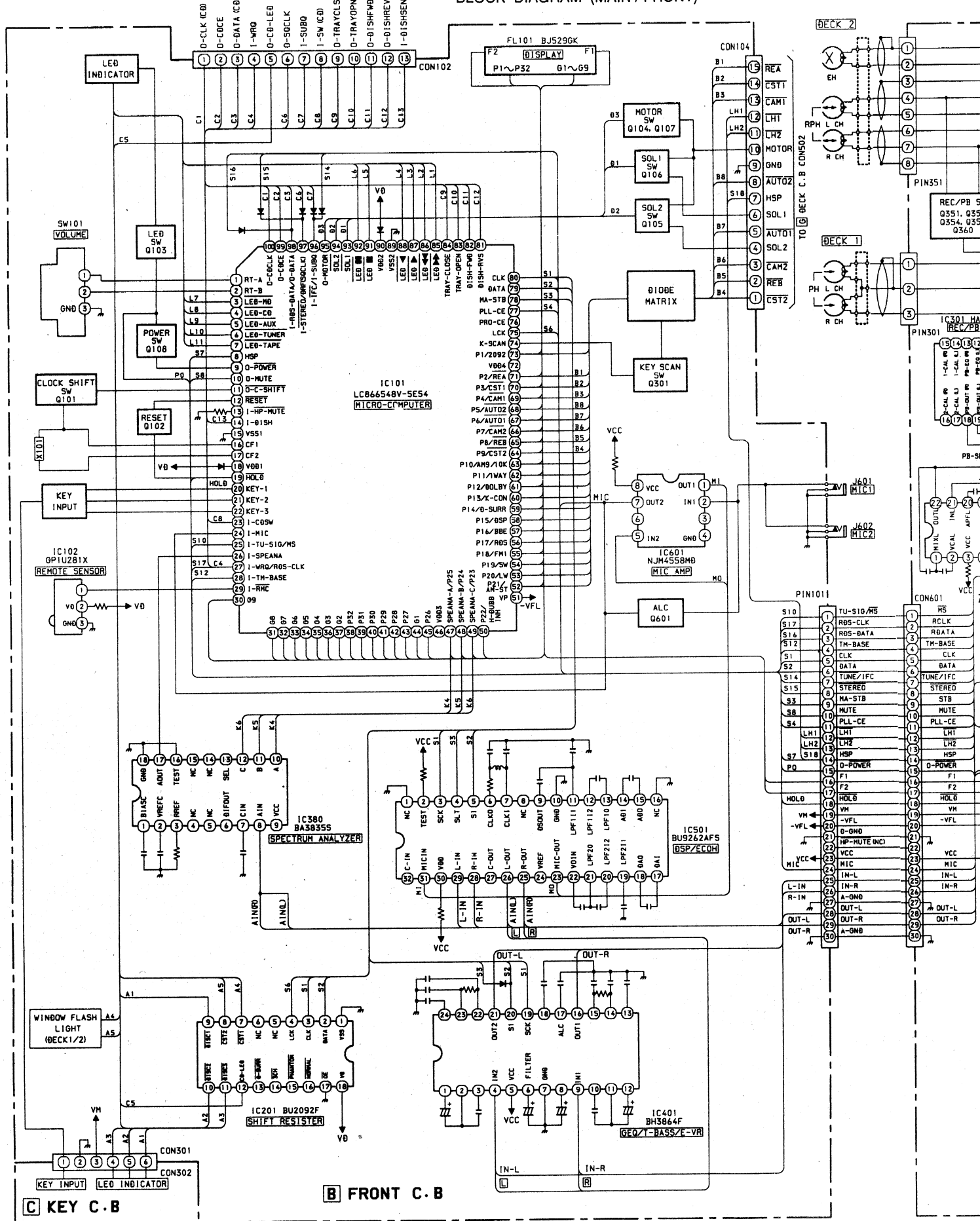


IC, LA1837



TO CD MECHANISM
420-1220NM

BLOCK DIAGRAM (MAIN / FRONT)



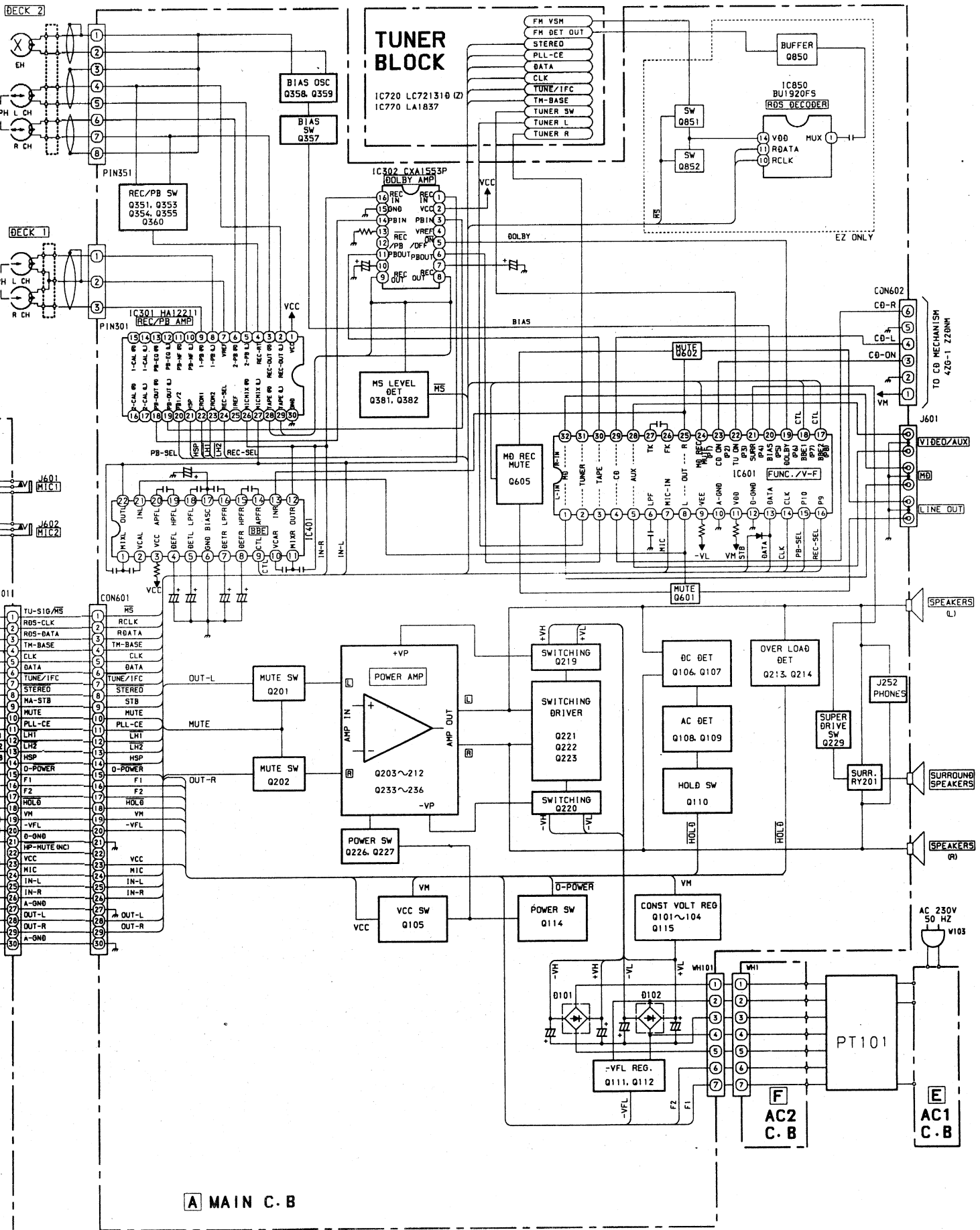
B FRONT C.B

C KEY C.B

DECK 2

DECK 1

011



TUNER BLOCK

IC720 LC721318 (Z)
IC770 LA1837

REC/PB SW

IC301 HA12211
REC/PB AMP

MS LEVEL DET

Q381, Q382

MD REC MUTE

Q605

POWER AMP

Q203~212
Q233~236

SWITCHING DRIVER

Q221
Q222
Q223

DC DET

Q106, Q107

AC DET

Q108, Q109

HOLD SW

Q110

VCC SW

Q105

CONST VOLT REG

Q101~104
Q115

-VFL REG.

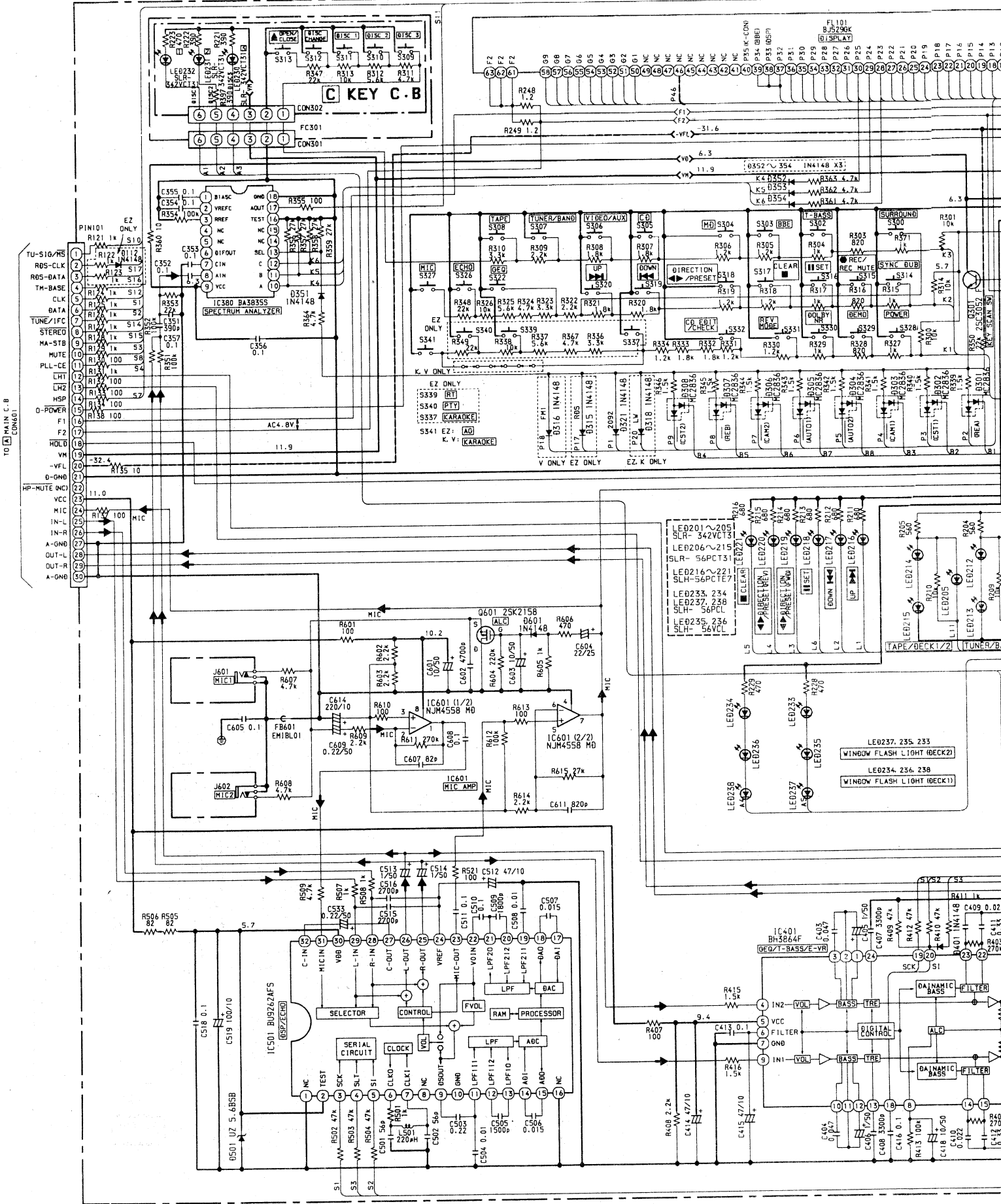
Q111, Q112

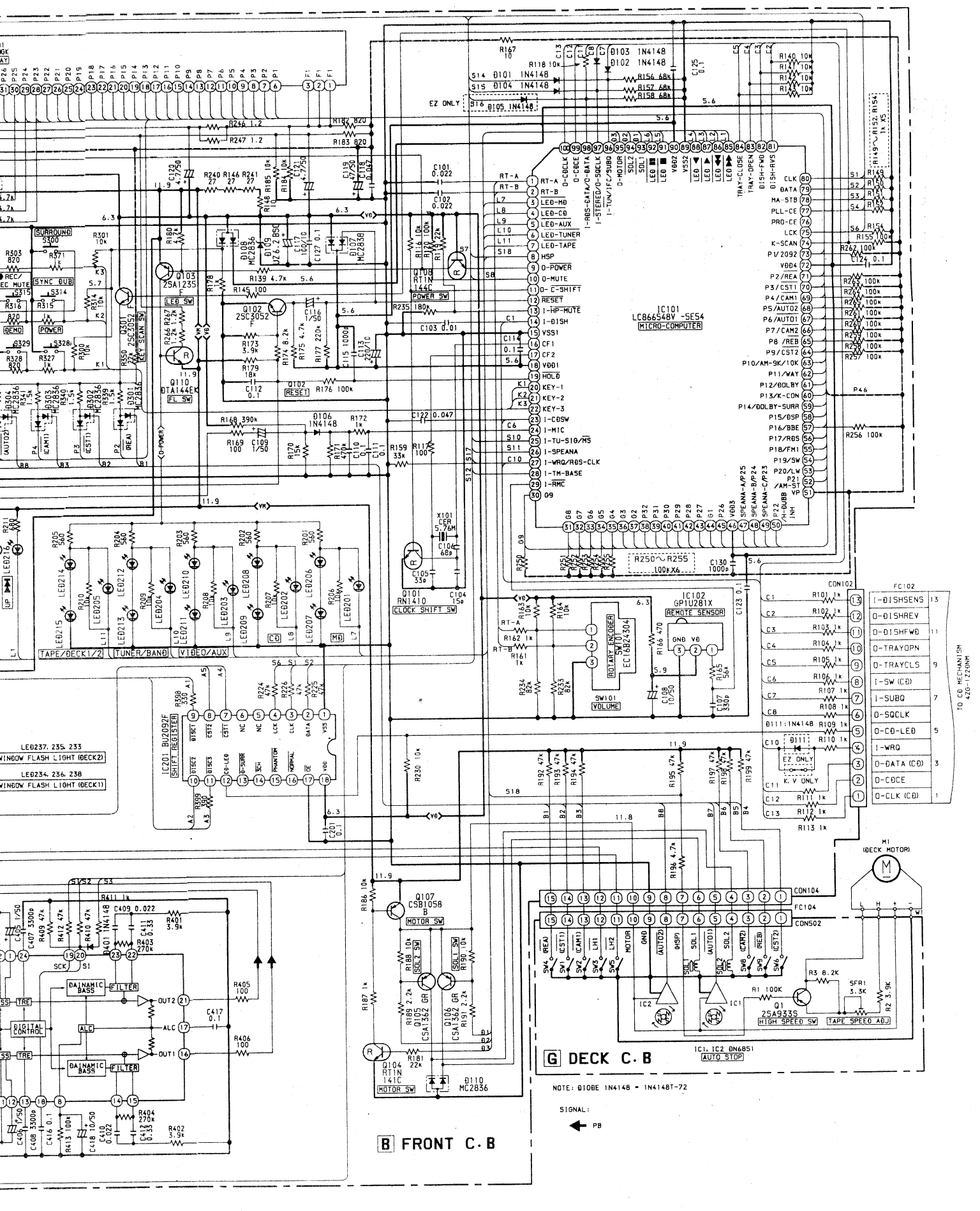
PT101

F AC2 C.B
E AC1 C.B

A MAIN C.B

(FRONT)



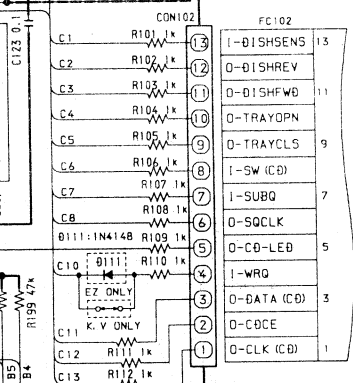


G DECK C. B

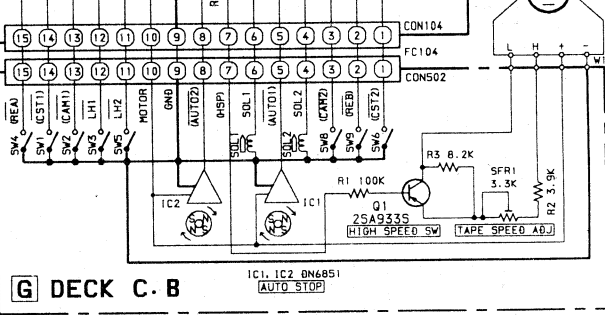
NOTE: 0100E IN4148 = IN4148T-72



B FRONT C. B



TO CD MECHANISM
420-1720NM

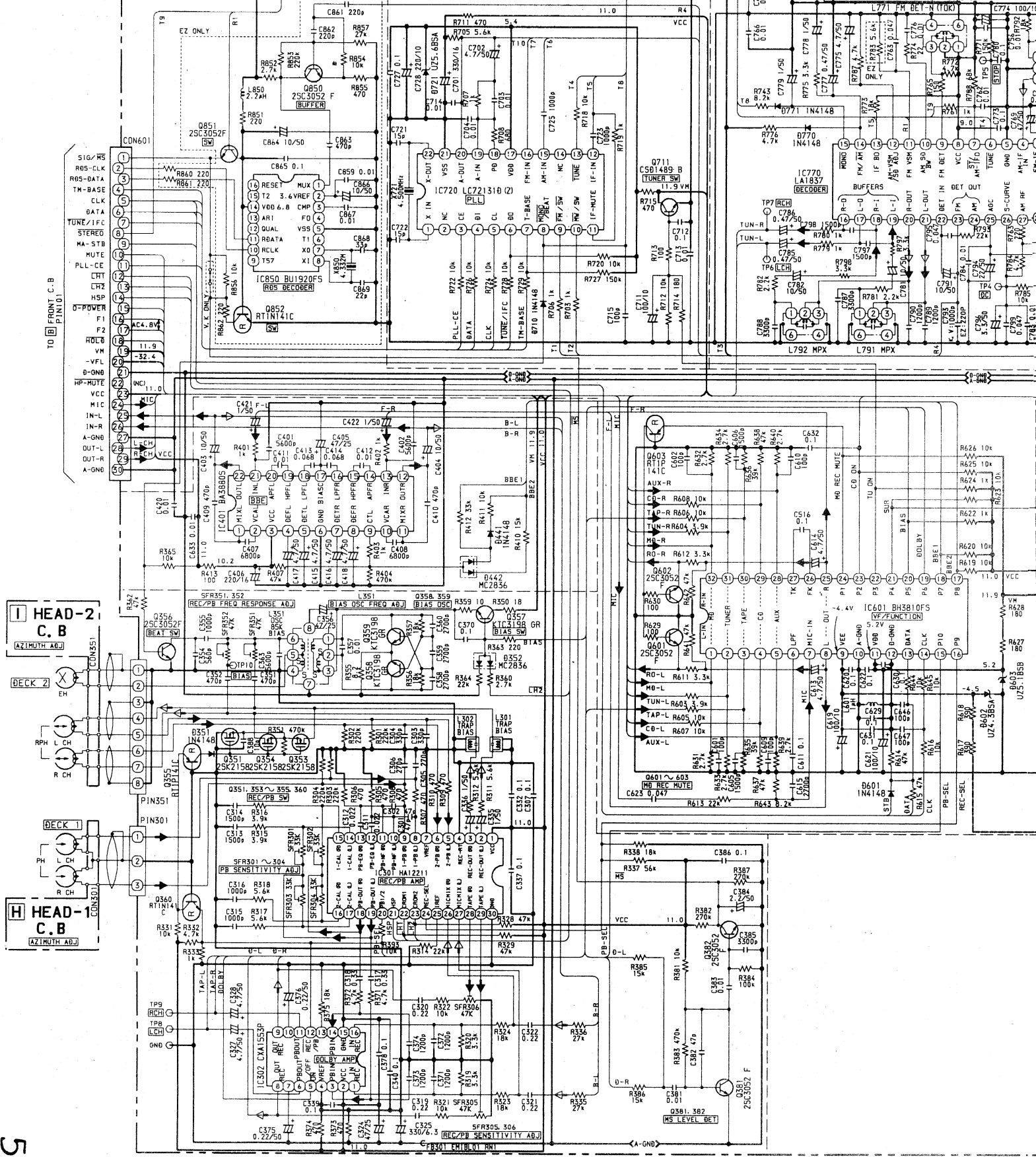


G DECK C. B

IC1, IC2 0N6851
AUTO STOP

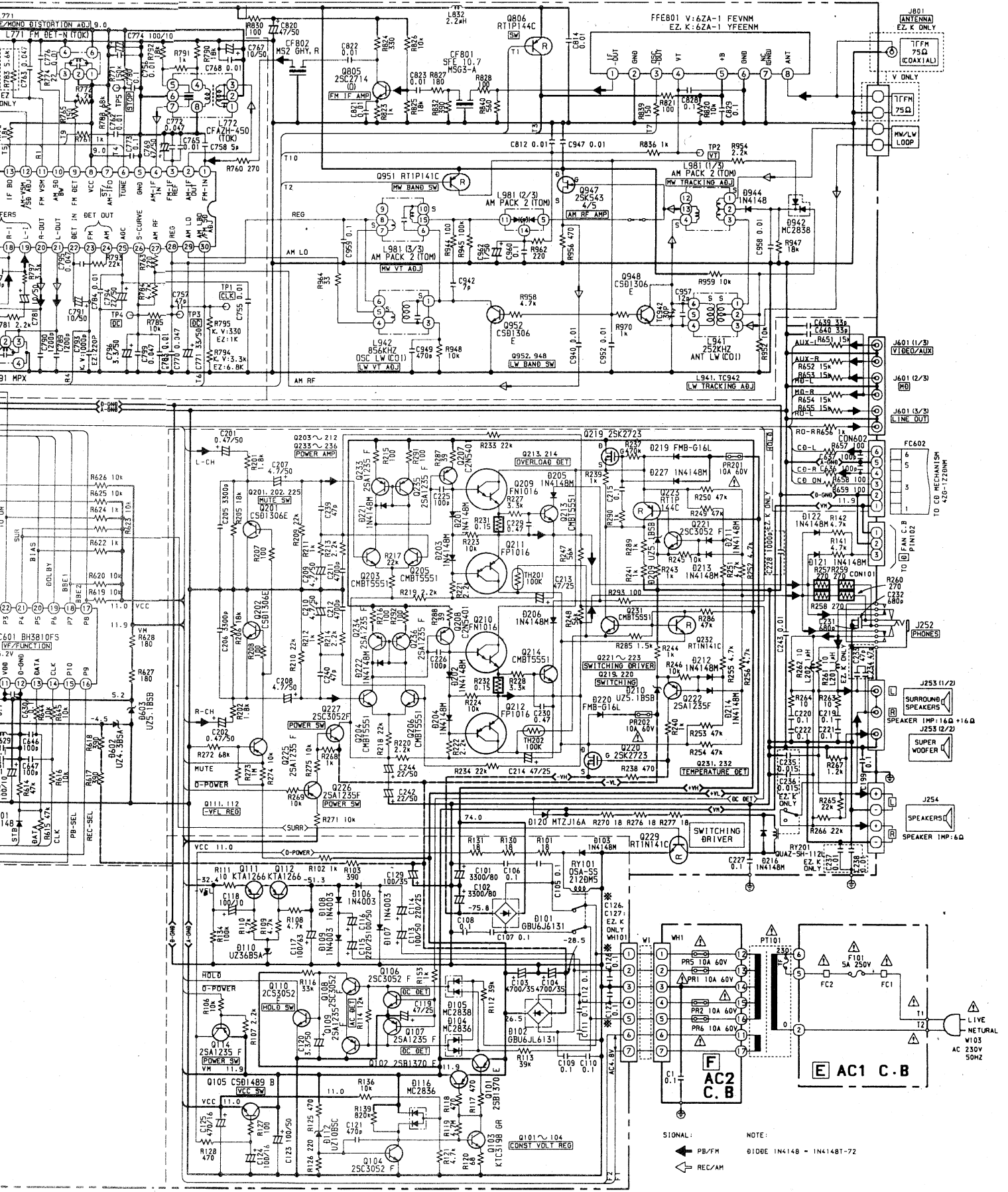


A MAIN C.B



I HEAD-2 C.B
AZIMUTH ADJ

H HEAD-1 C.B
AZIMUTH ADJ



NOTE:
 D106E 1N4148 - 1N4148T-72