

# aiwa

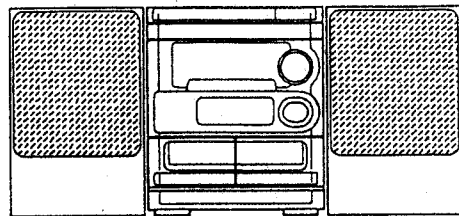
NSX-A50

NSX-A51

NSX-A54

NSX-S50

NSX-S52



COMPACT DISC STEREO  
CASSETTE RECEIVER

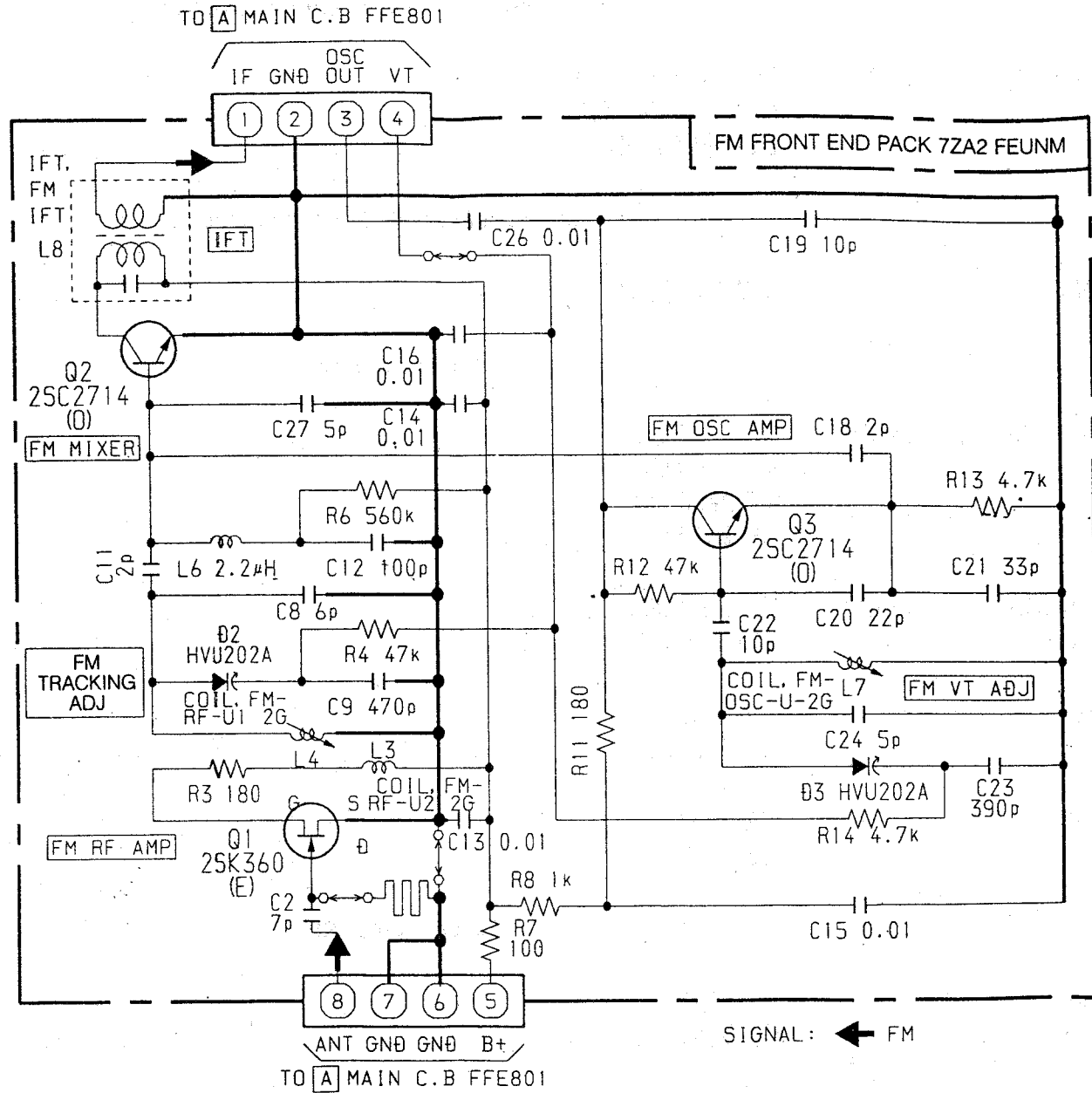
- BASIC TAPE MECHANISM : 2ZM-3MK2 PR4NM
- BASIC CD MECHANISM : 4ZG-1 Z1DNM

- TYPE : U<A50/51/54>, LH<S50>,HR<S52>

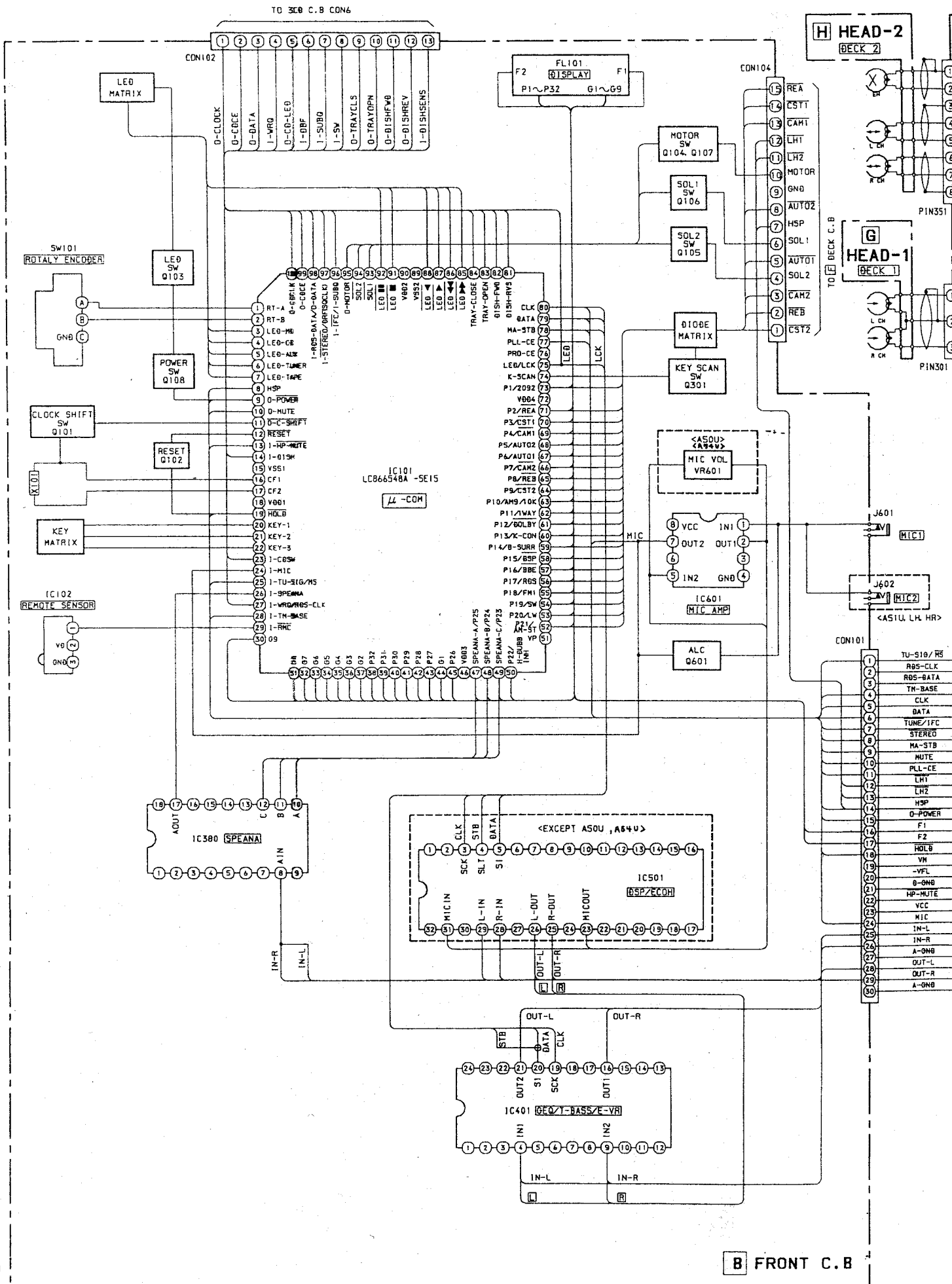
SYSTEM	SPEAKER	CD - CASSEIVER
NSX-A50 (TYPE : U)	SX - NA54	CX - NA50
NSX-A54 (TYPE : U)	SX - NA54 SX - R210	
NSX-A51 (TYPE : U)	SX - FNA51	CX - NA51
NSX-S50 (TYPE : LH)	SX - FNS50	CX - NS50
NSX-S52 (TYPE : HR)	SX - ANS70	CX - NS52

(TYPE : LH)		
NSX-S52 (TYPE : HR)	SX - ANS70	CX - NS52

SCHMATIC DIAGRAM - 7 (TUNER FRONT END)



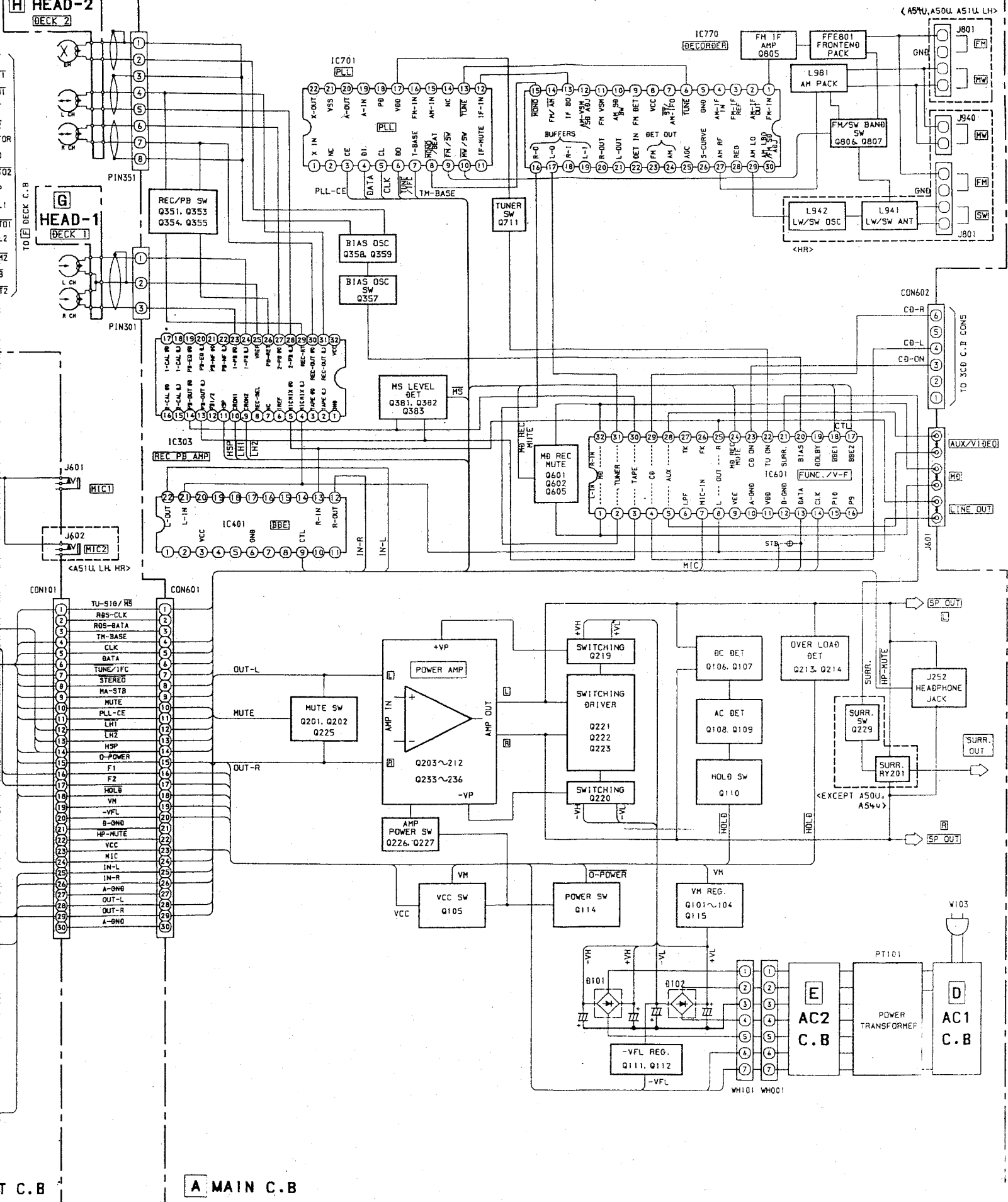
# BLOCK DIAGRAM



H HEAD-2 DECK 2

G HEAD-1 DECK 1

A MAIN C.B



A MAIN C.B

< A54U, A504U, A514U, LH >

TO 3CD C.B. CONS

AUX/V1 DECO

LINE OUT

SP OUT

J252 HEADPHONE JACK

SURR. SW Q229

SURR. RY201

EXCEPT A504U, A544U

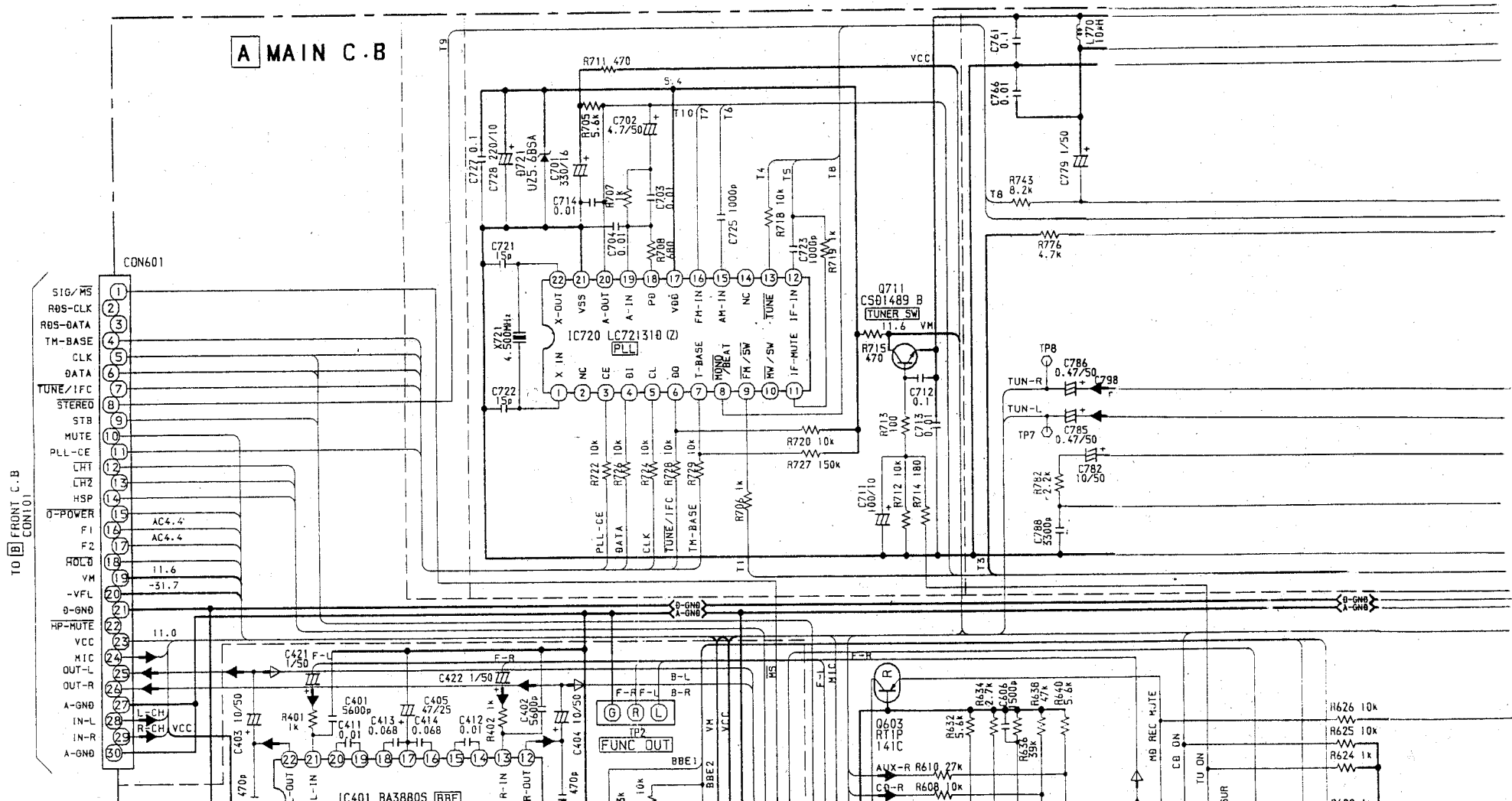
PT101

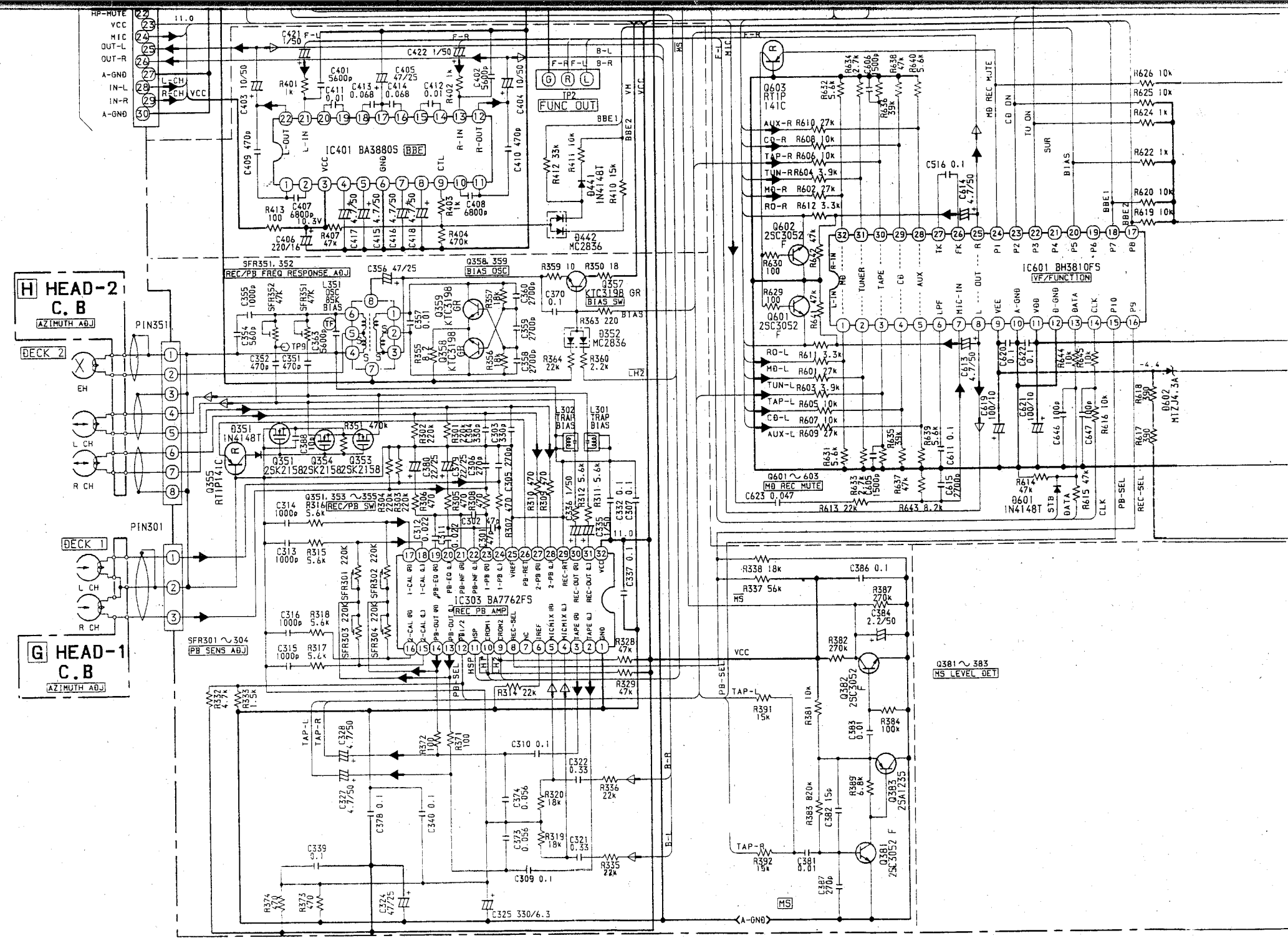
POWER TRANSFORMER

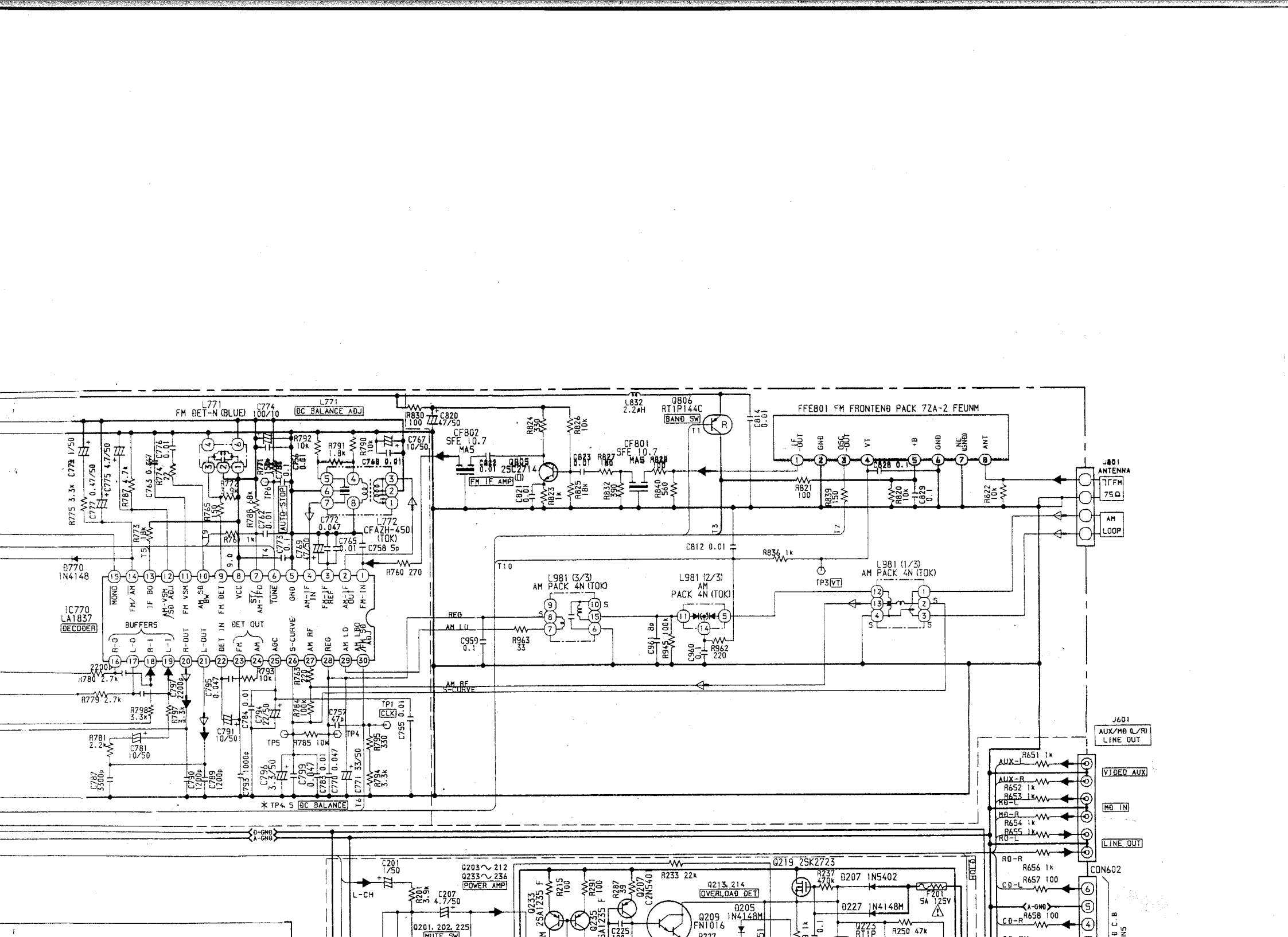
AC2 C.B

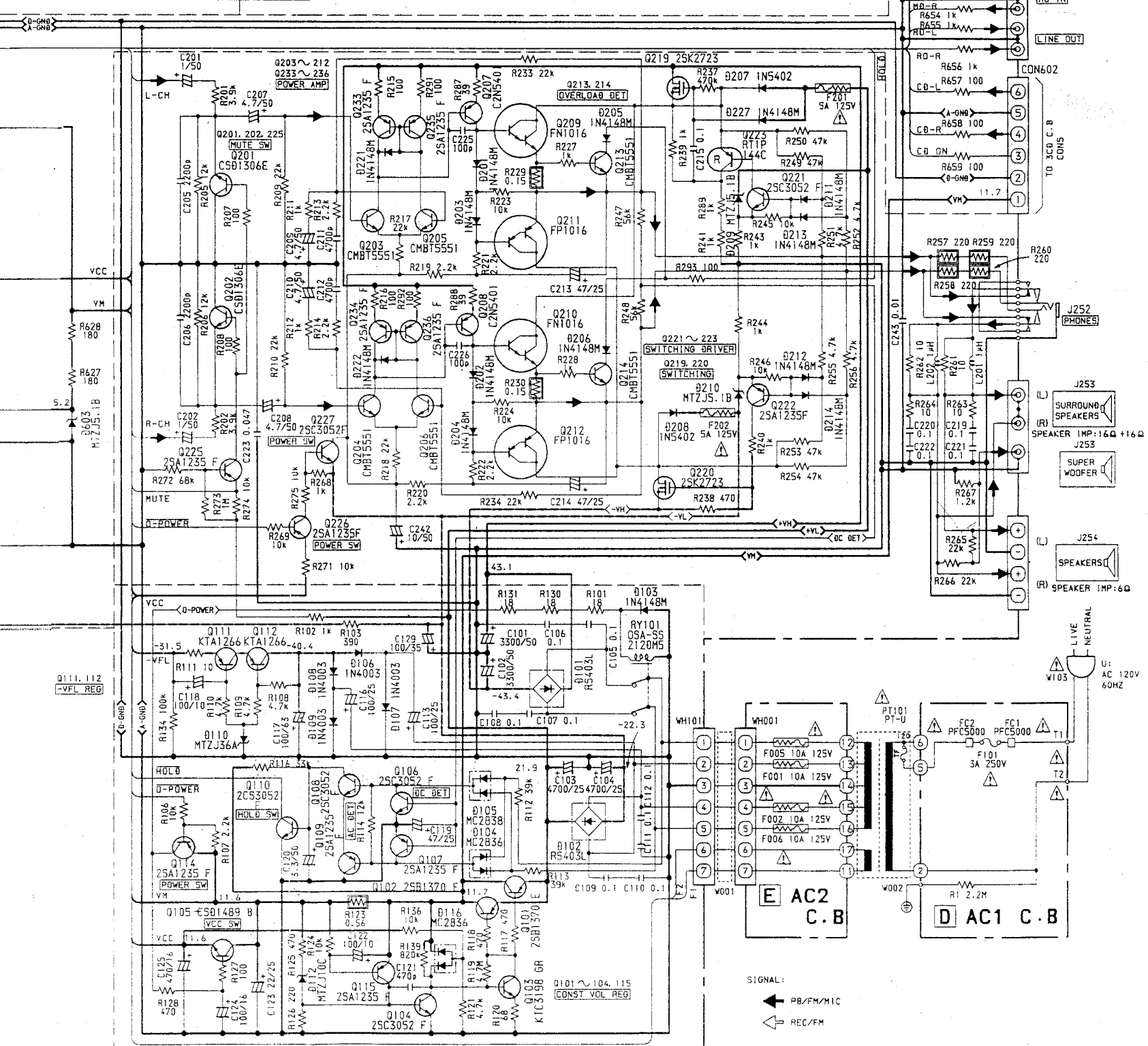
AC1 C.B

SCHEMATIC DIAGRAM - 1 (MAIN: A50U, A54U)





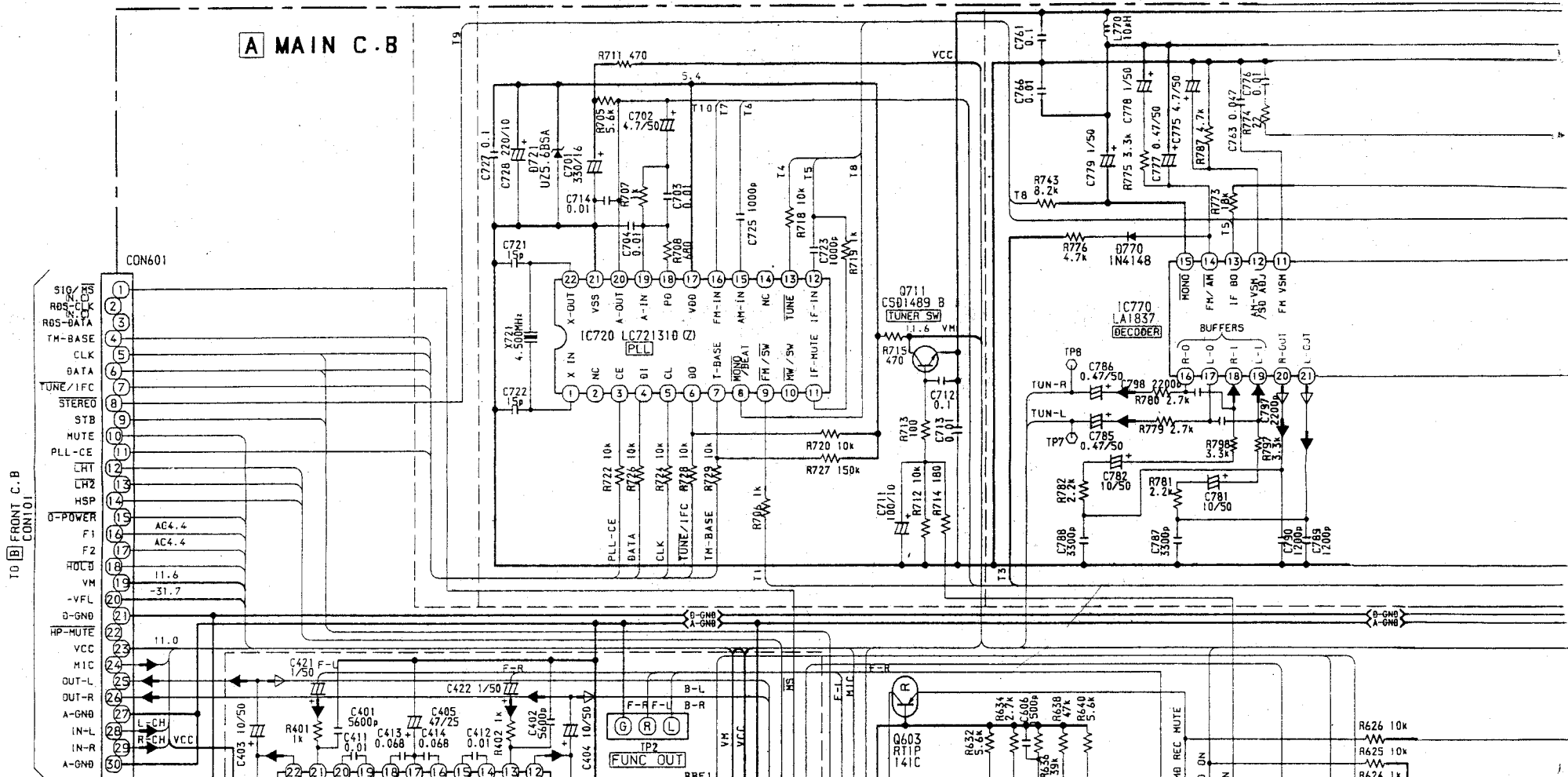




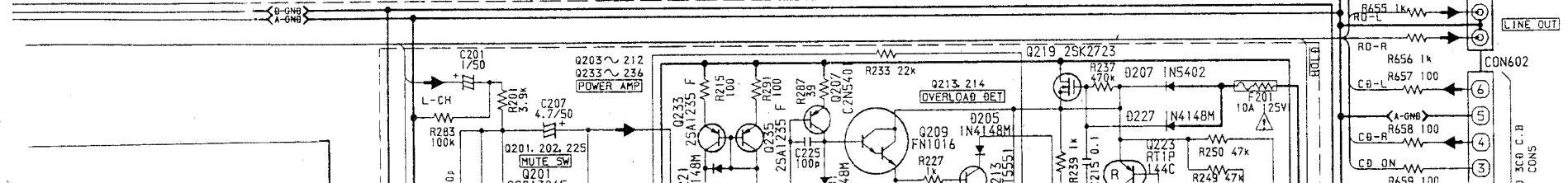
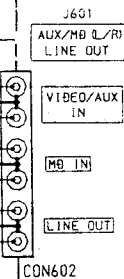
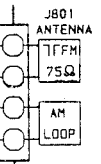
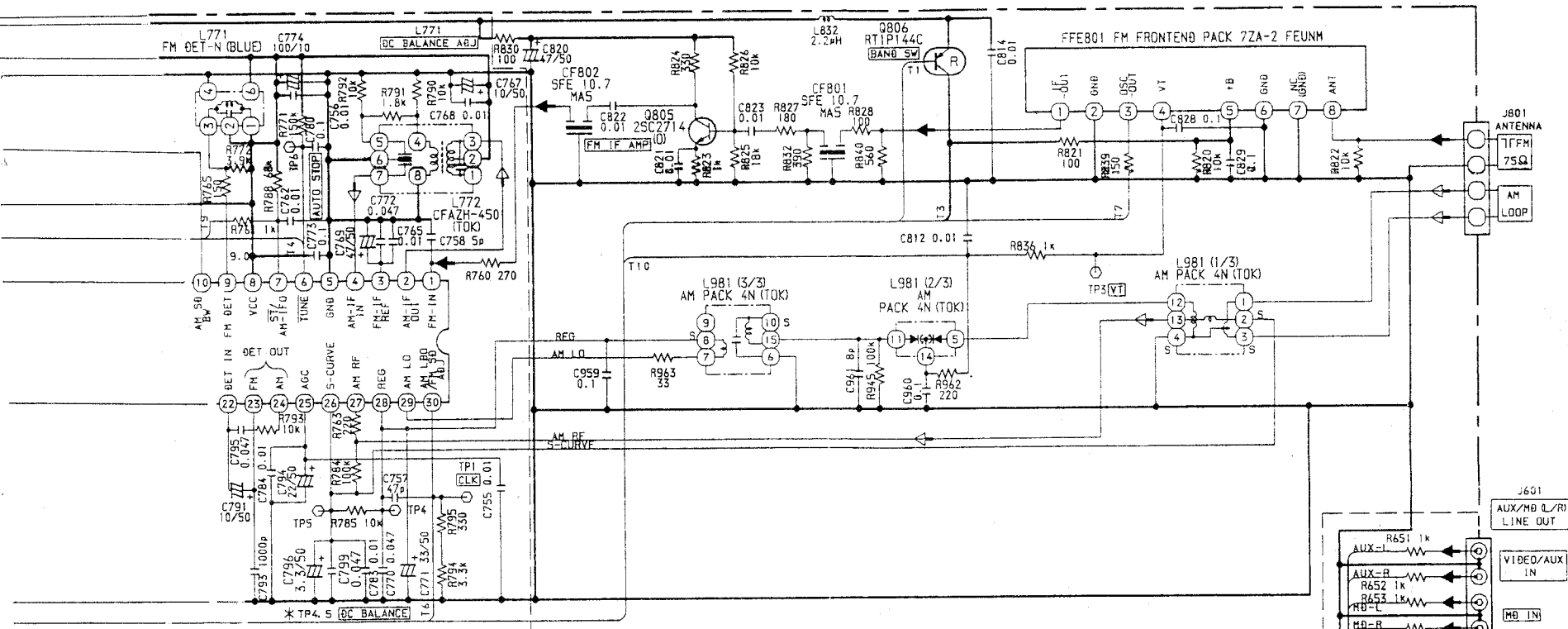
SIGNAL:  
 ← PB/FM/MIC  
 ← REC/FM

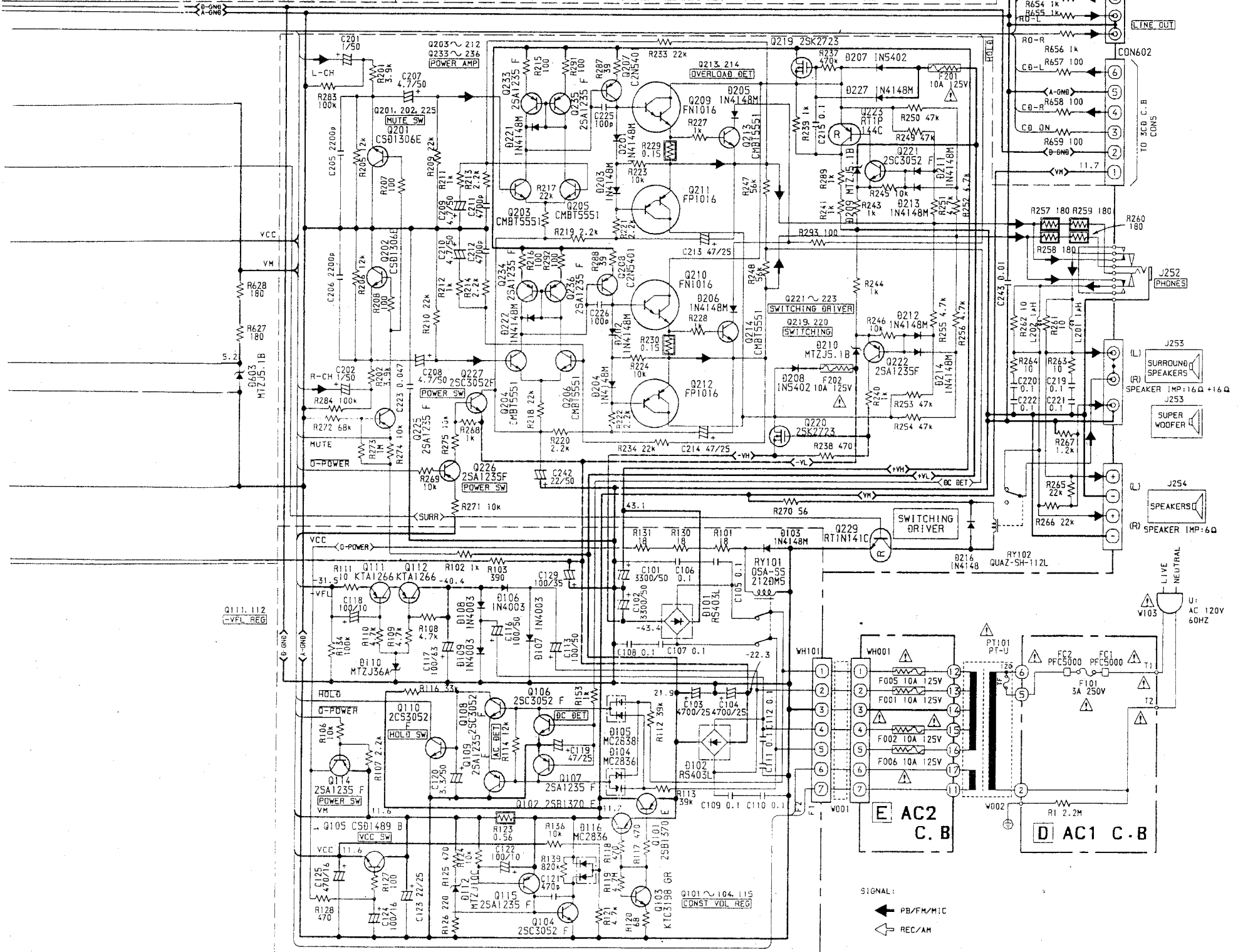


SCHEMATIC DIAGRAM - 2 (MAIN: A51U)



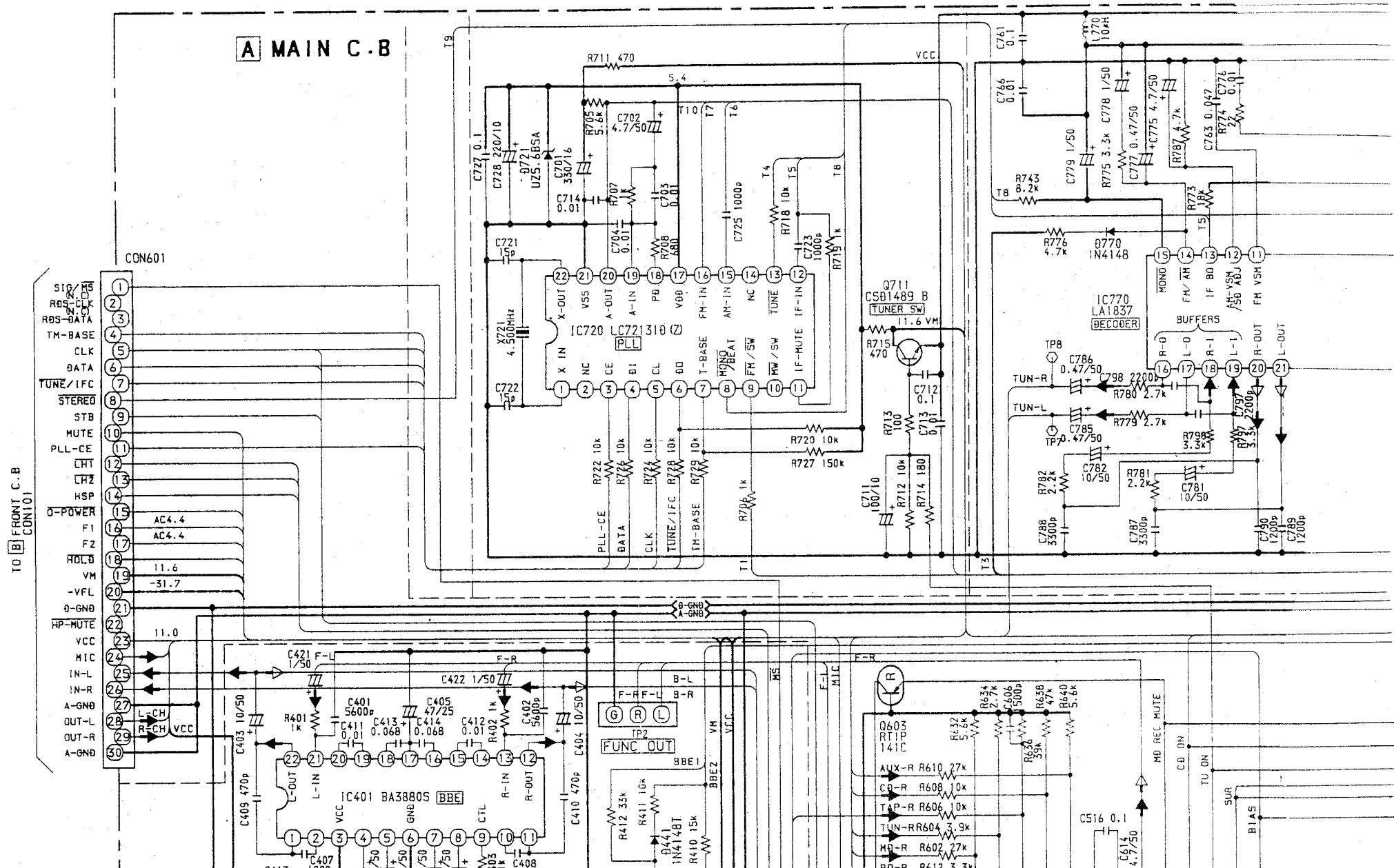




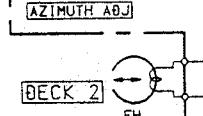


SIGNAL:  
 ← PB/FM/MIC  
 ← REC/AM

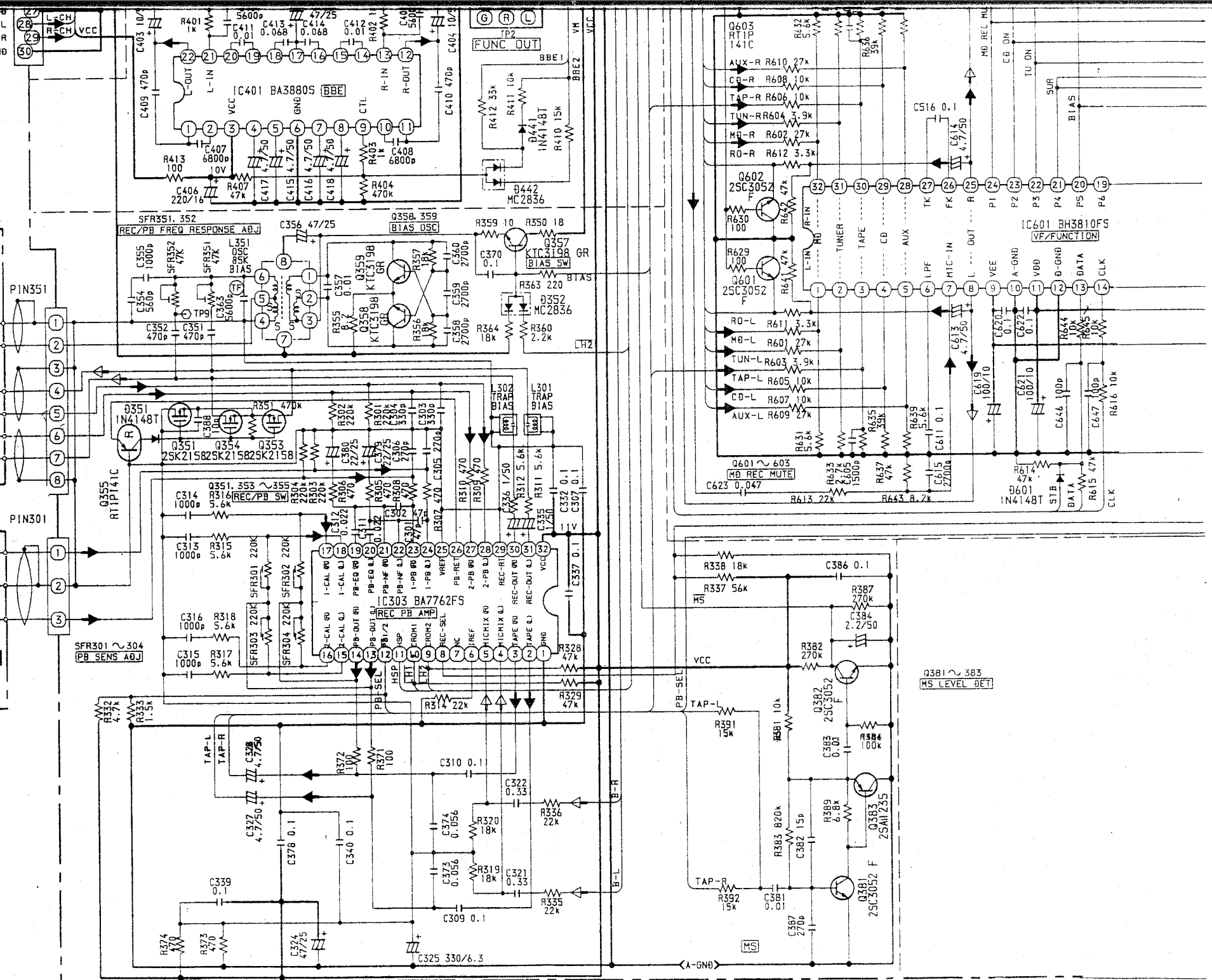
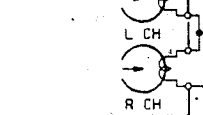
SCHEMATIC DIAGRAM - 3 (MAIN: LH)

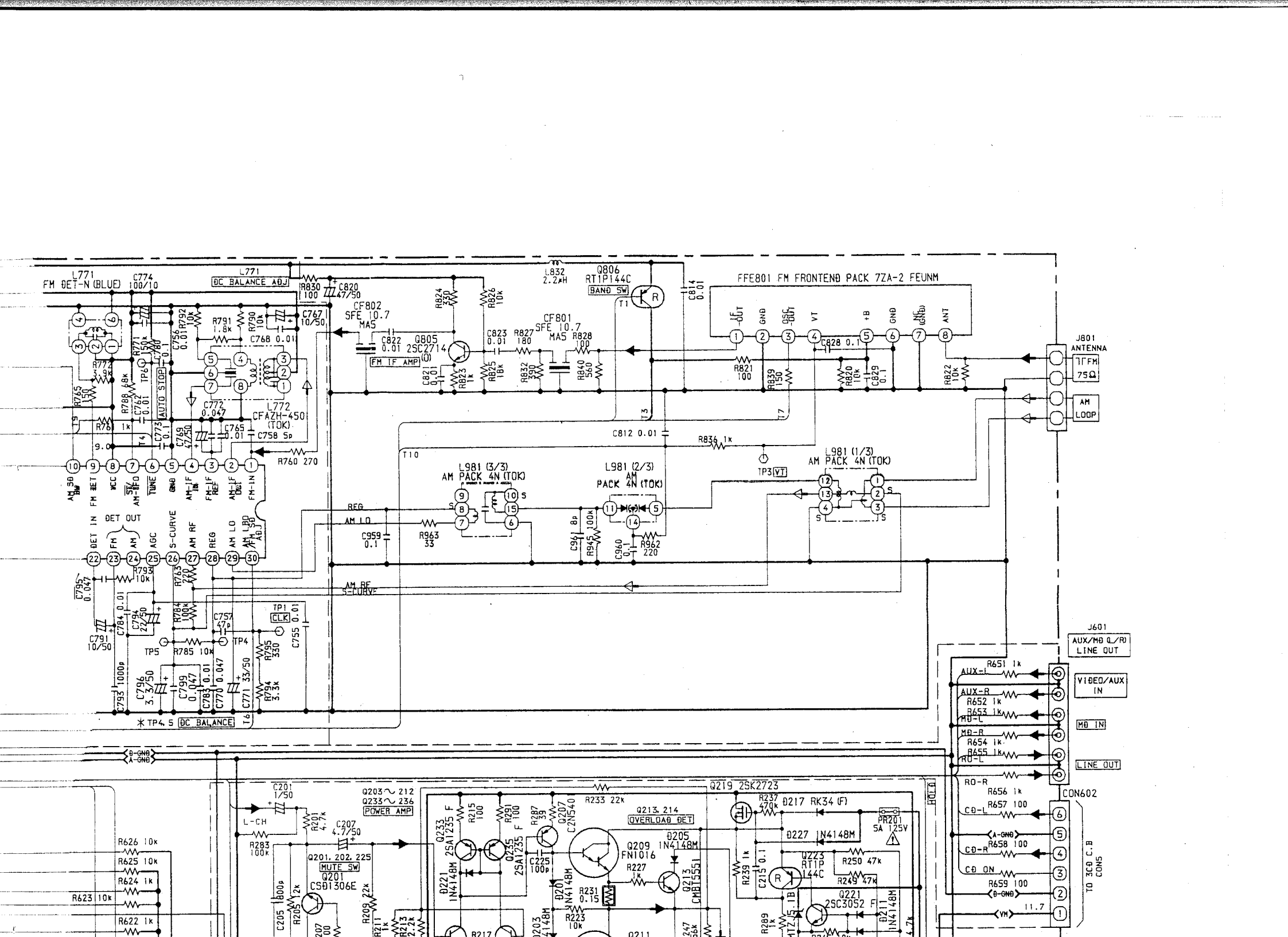


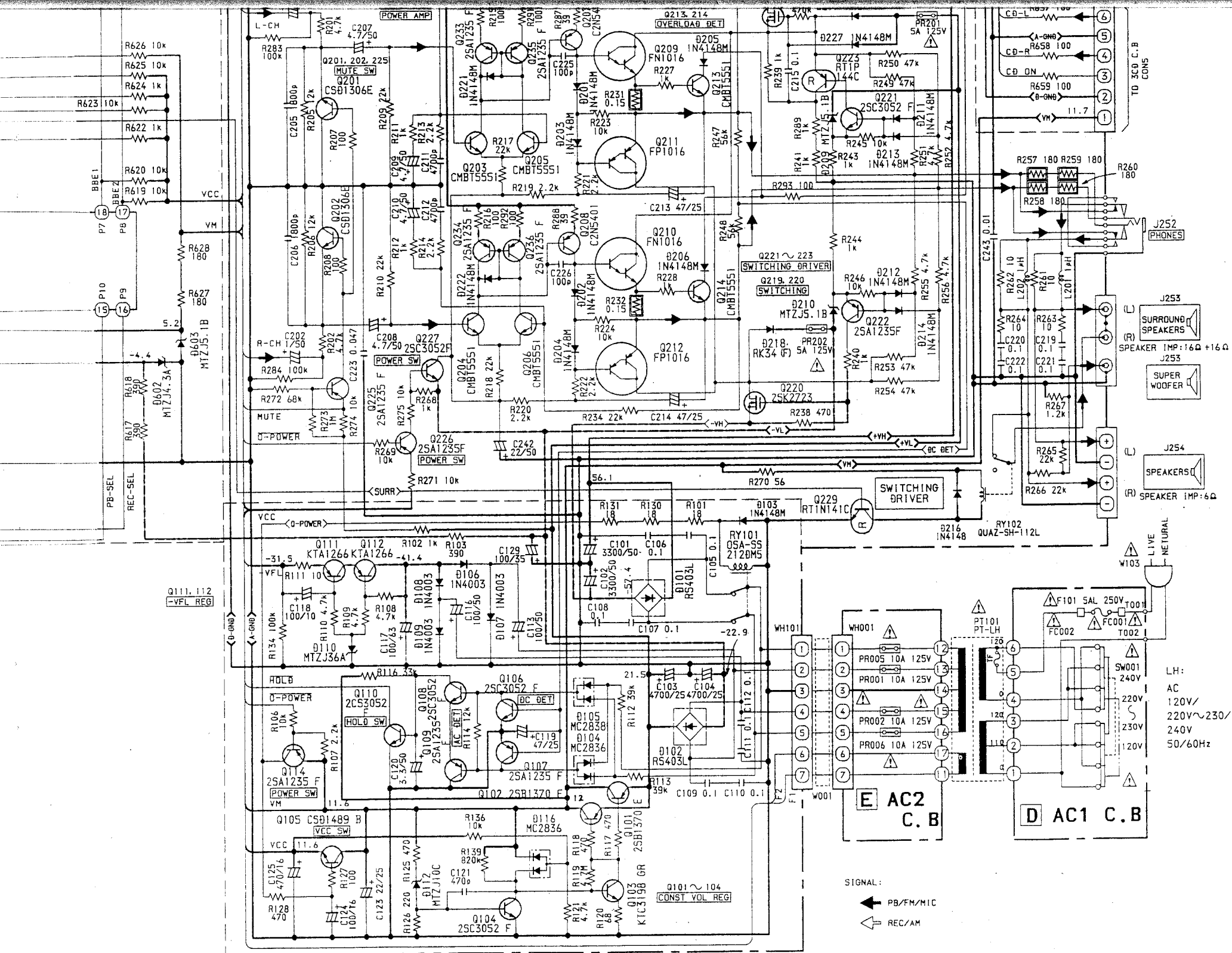
**H HEAD-2  
C. B**  
AZIMUTH ADJ



**G HEAD-1  
C. B**  
AZIMUTH ADJ

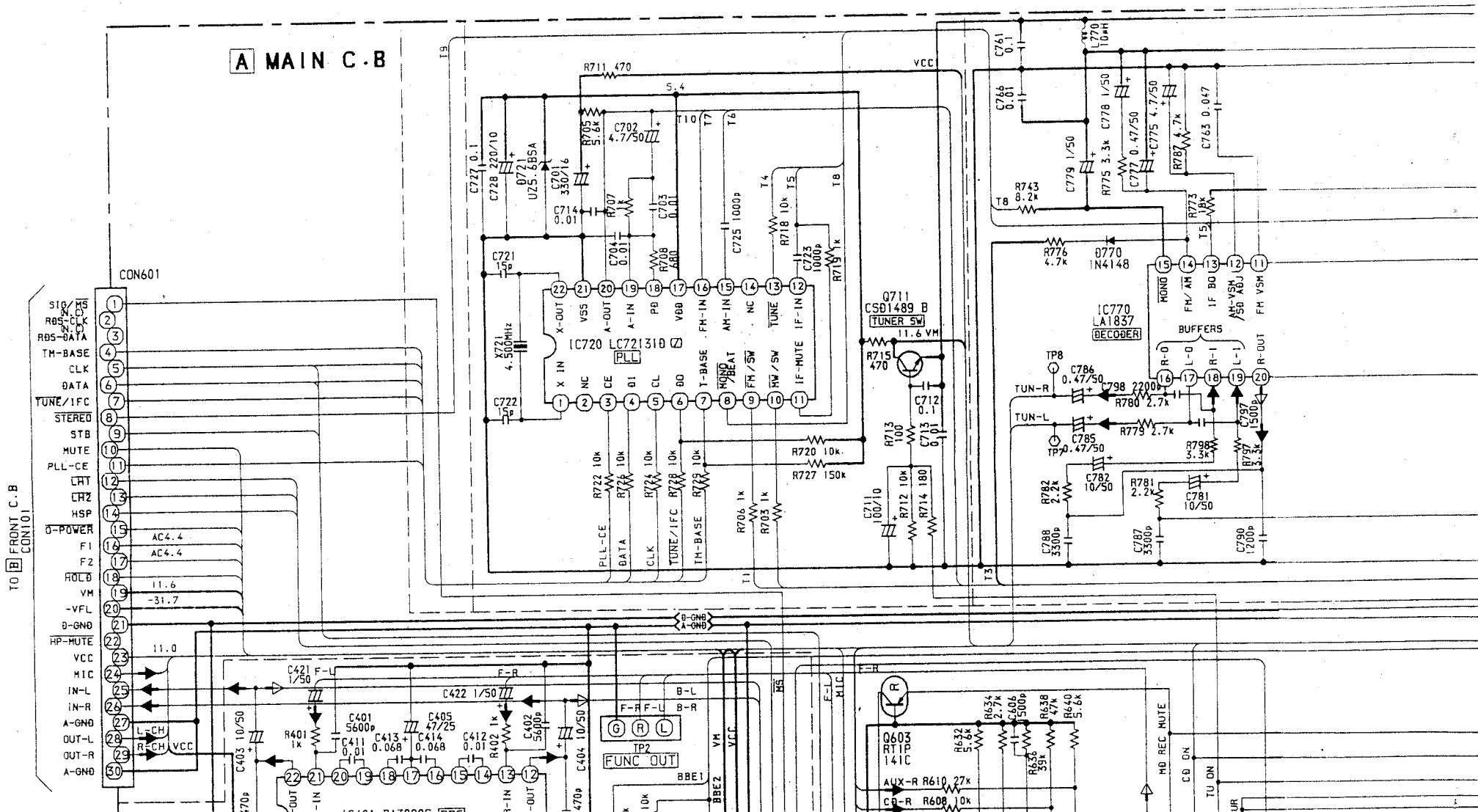


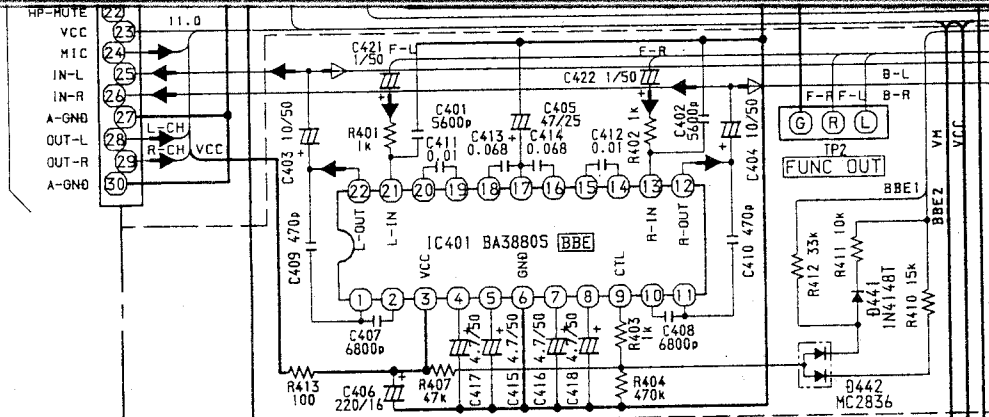




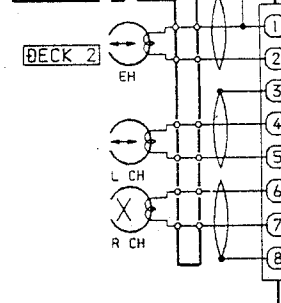


SCHEMATIC DIAGRAM - 4 (MAIN: HR)

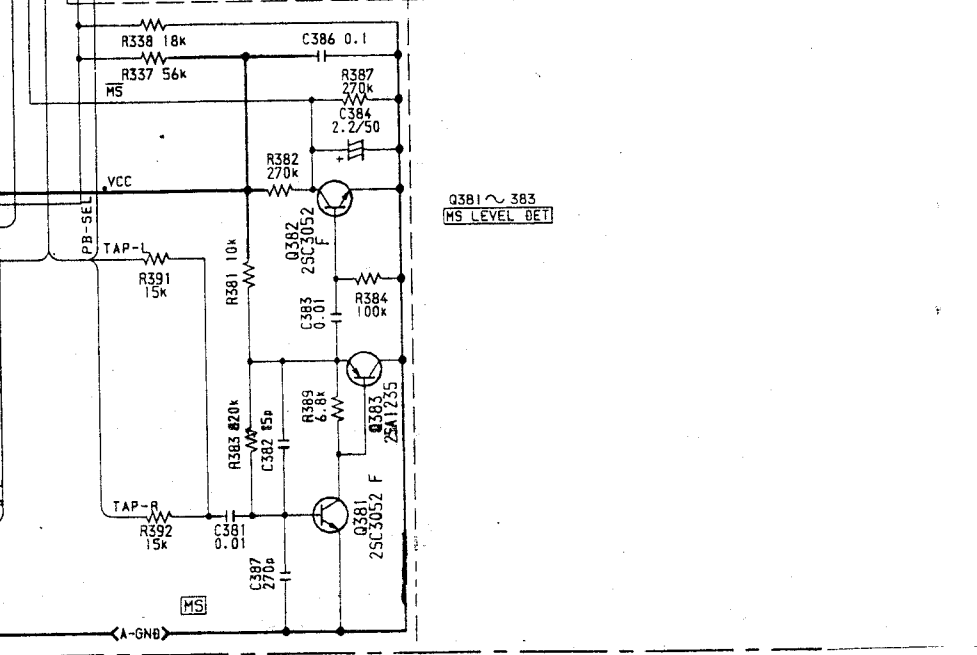
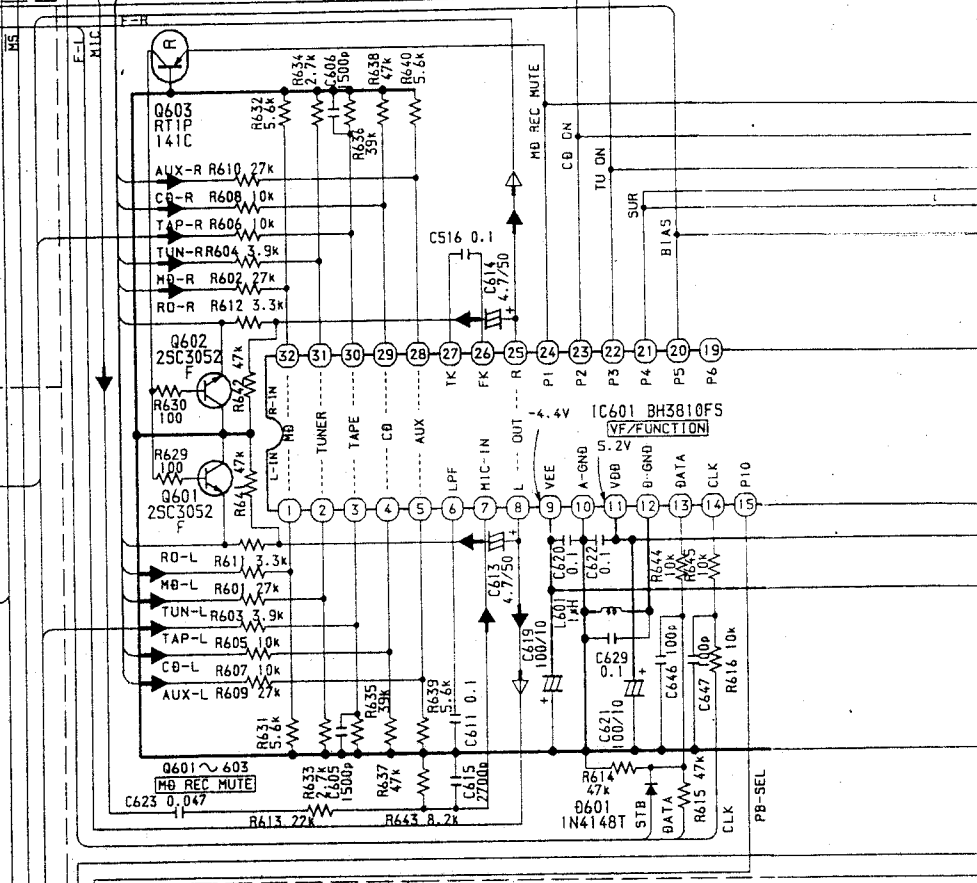
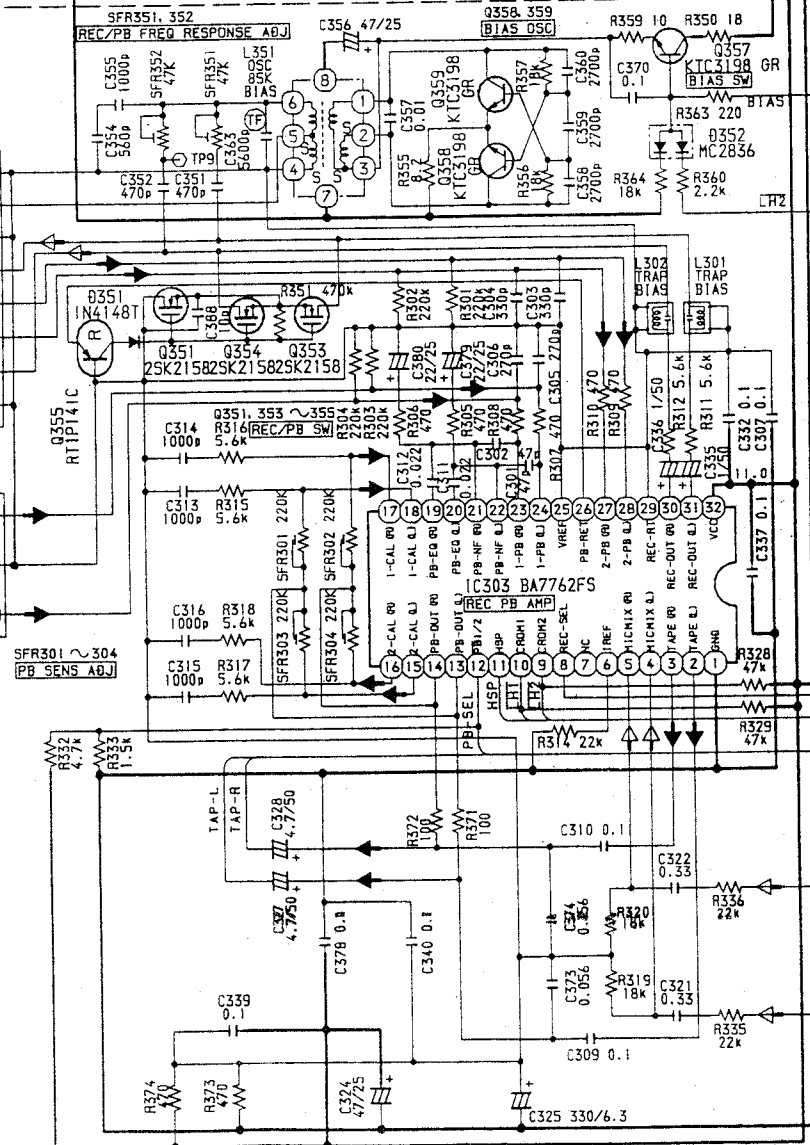
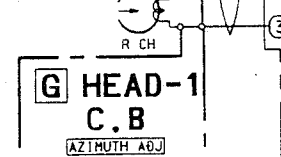




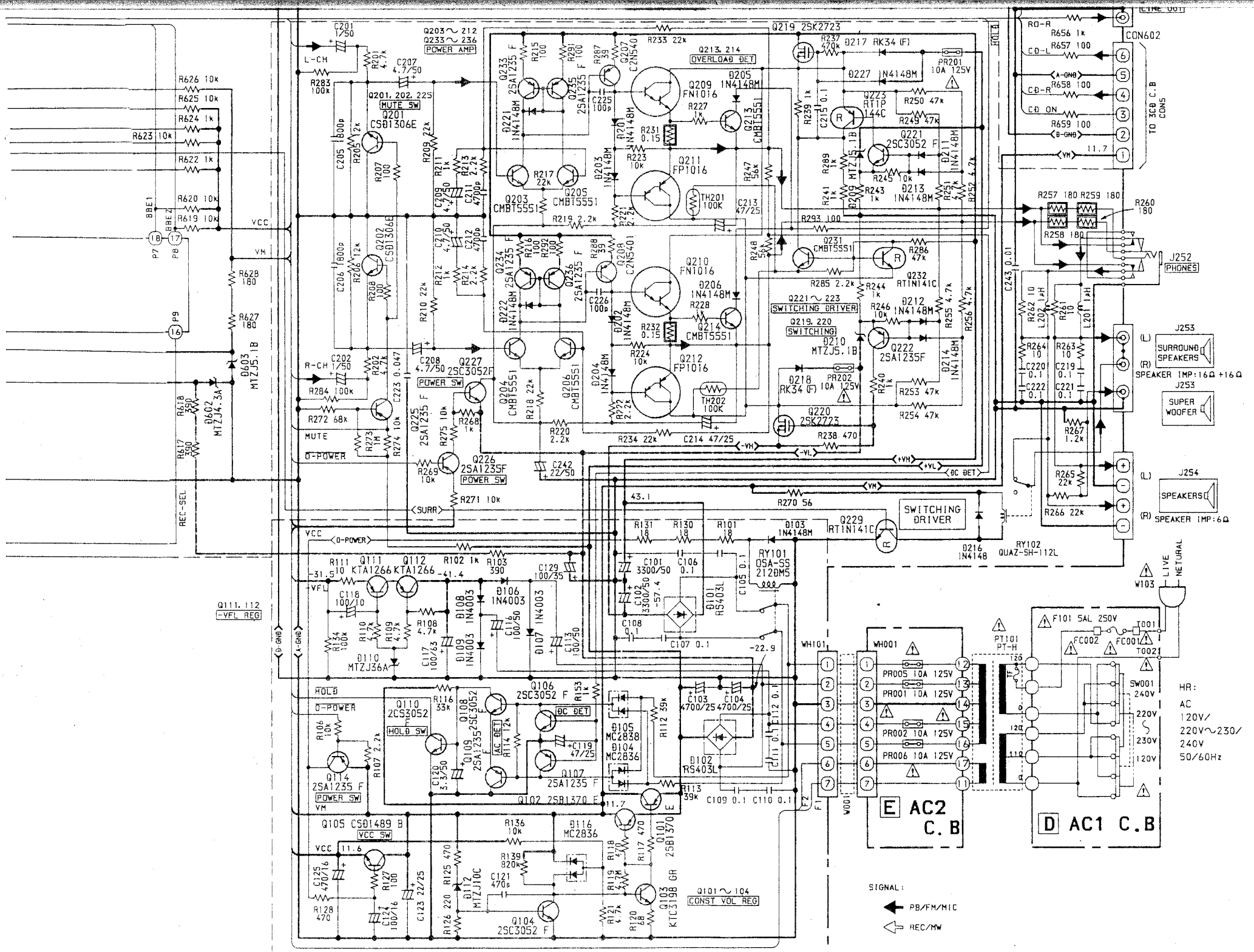
**H HEAD-2**  
C. B  
AZIMUTH ADJ



**G HEAD-1**  
C. B  
AZIMUTH ADJ



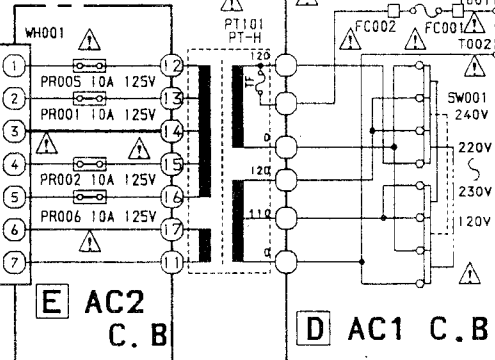




TO 3CB C.B  
CON602  
11.7

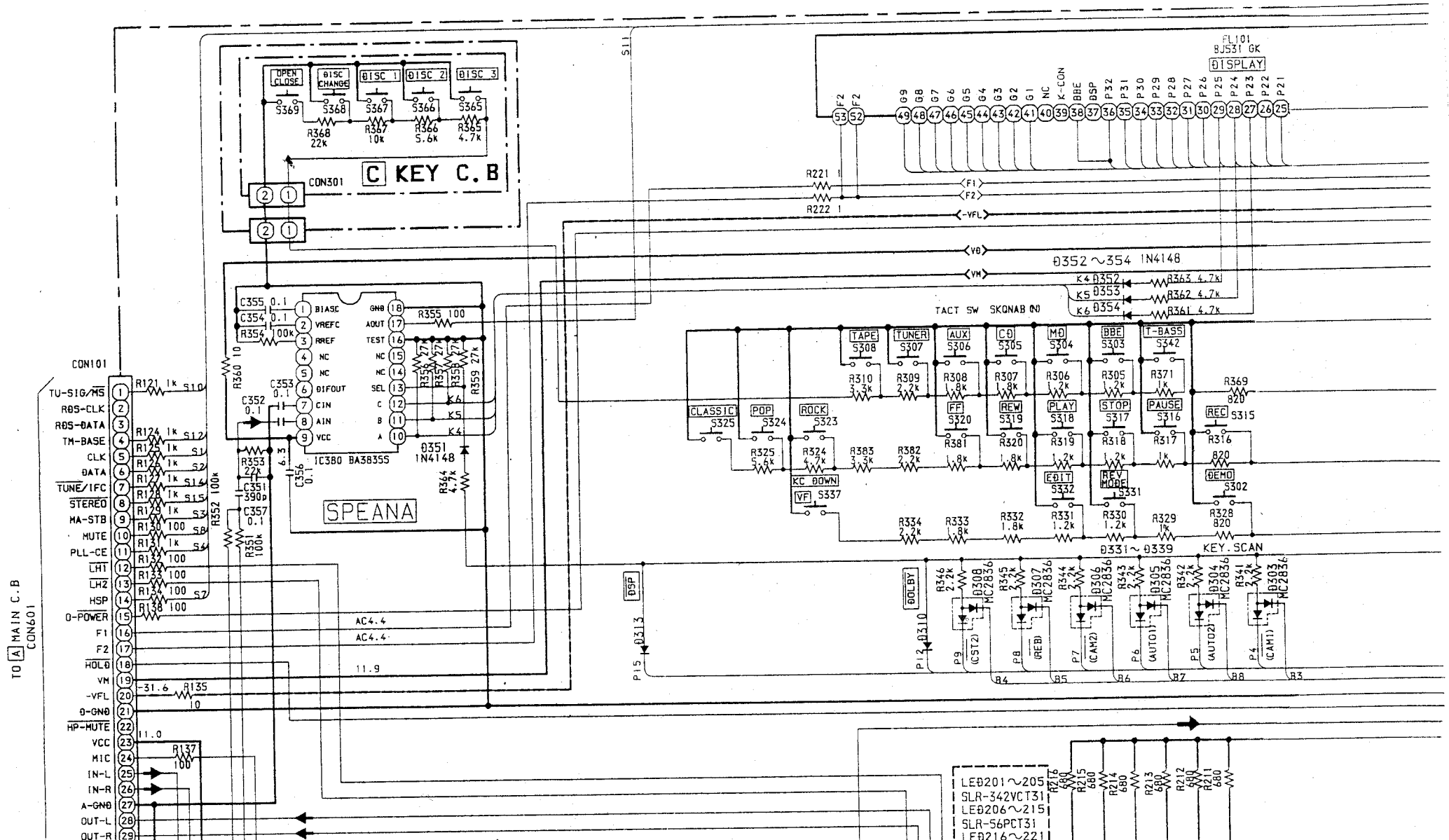
J252 (PHONE)  
J253 (SURROUND SPEAKERS)  
SPEAKER IMP: 16Ω +16Ω  
J253 (SUPER WOOFER)  
J254 (SPEAKERS)  
SPEAKER IMP: 6Ω

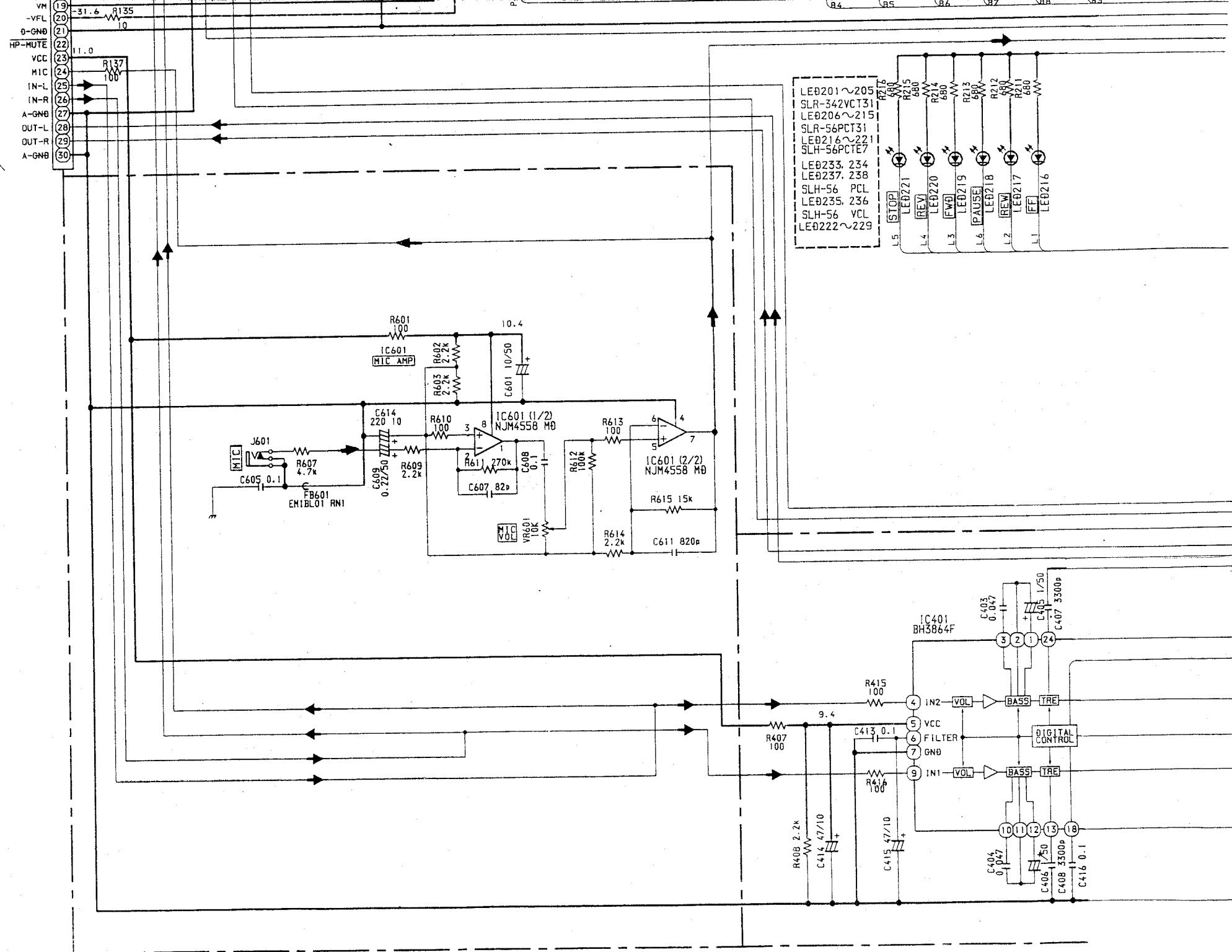
HR:  
AC 120V/  
220V~230V/  
240V  
50/60Hz

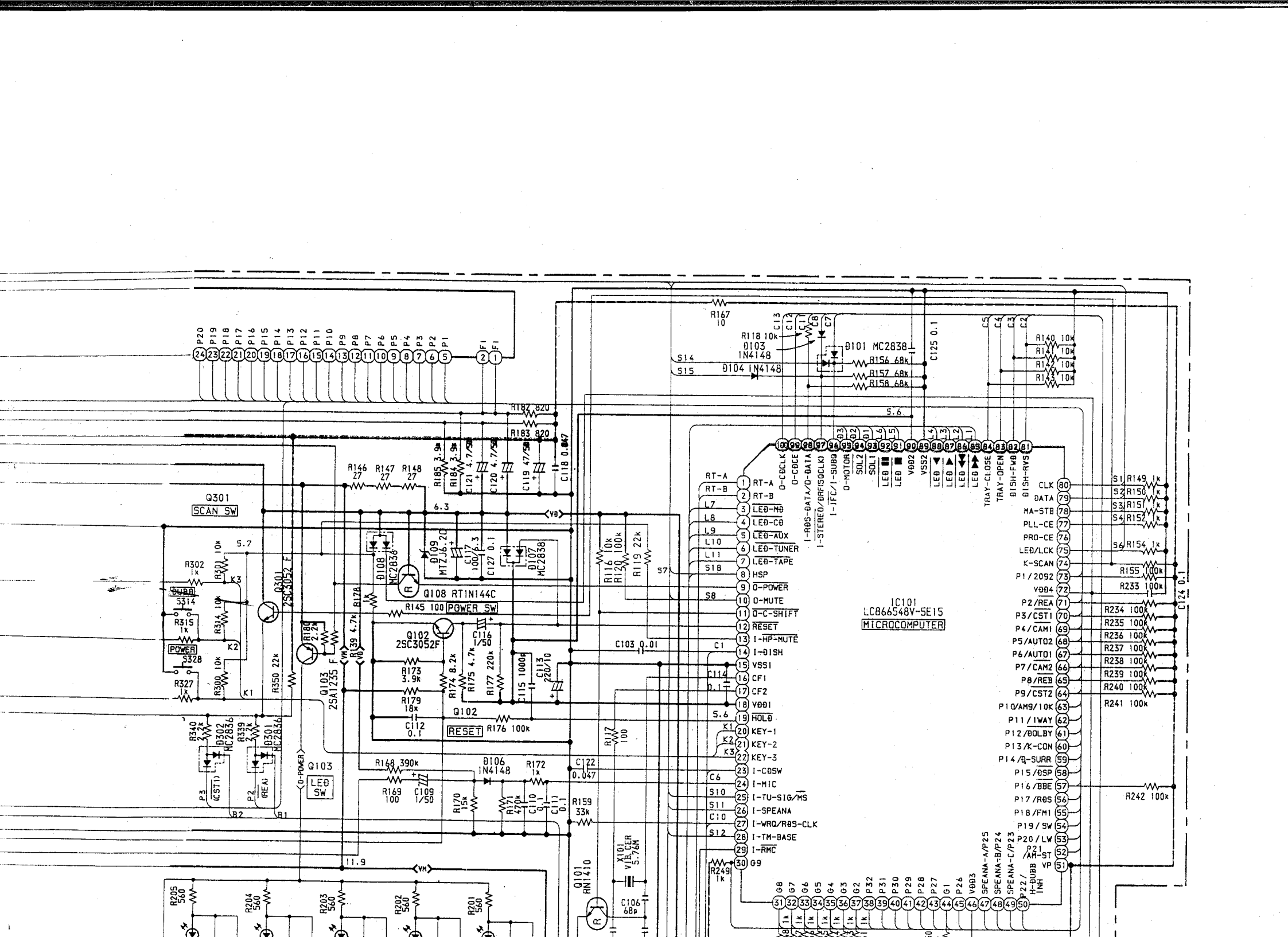


SIGNAL:  
← PB/FM/MIC  
← REC/MW

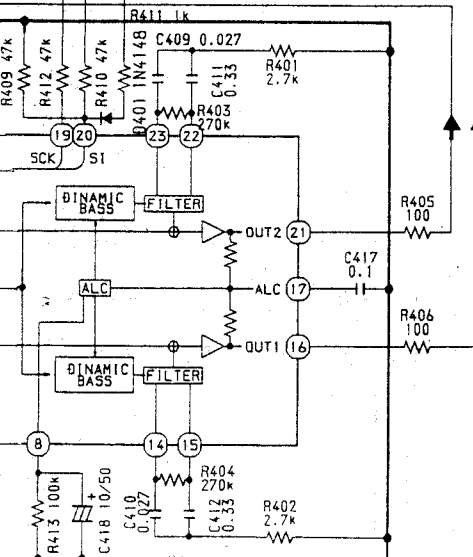
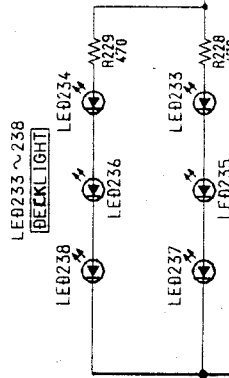
SCHEMATIC DIAGRAM - 5 (FRONT: A50U, A54U)





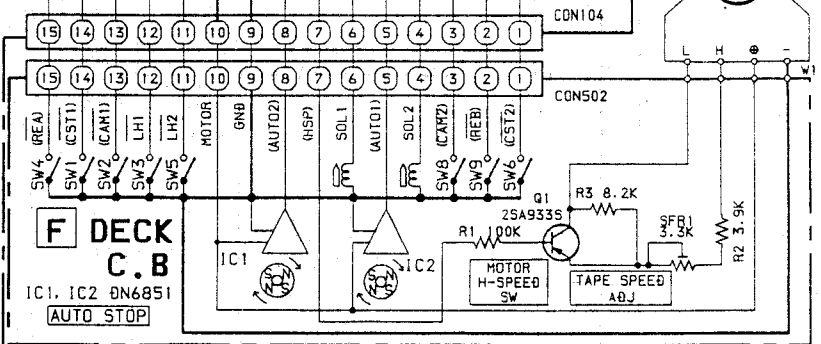
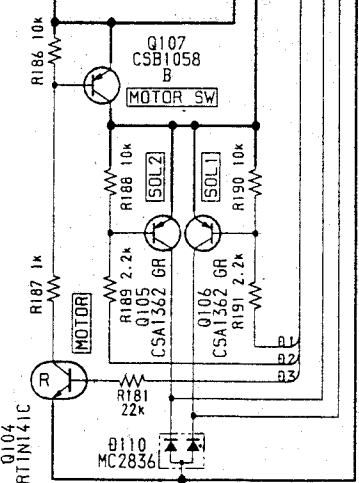


LED233 ~ 238  
BECK LIGHT



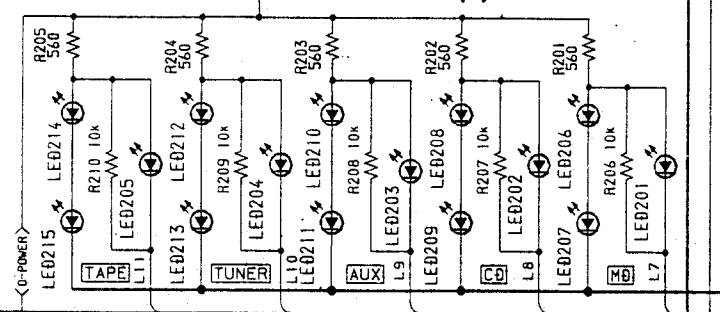
GEQ/T-BASS/E-VR

**B** FRONT  
C.B.

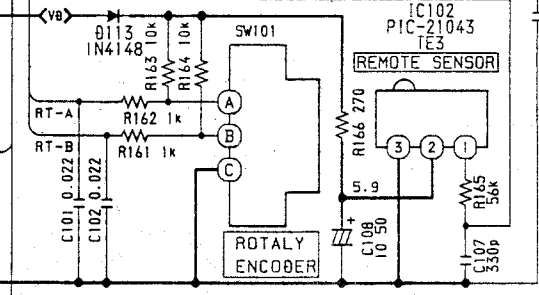


NOTE: 1010E NOMARK IS 1N4148SEM

SIGNAL:  
← PB/MIC



CLOCK  
SHIFT  
SW

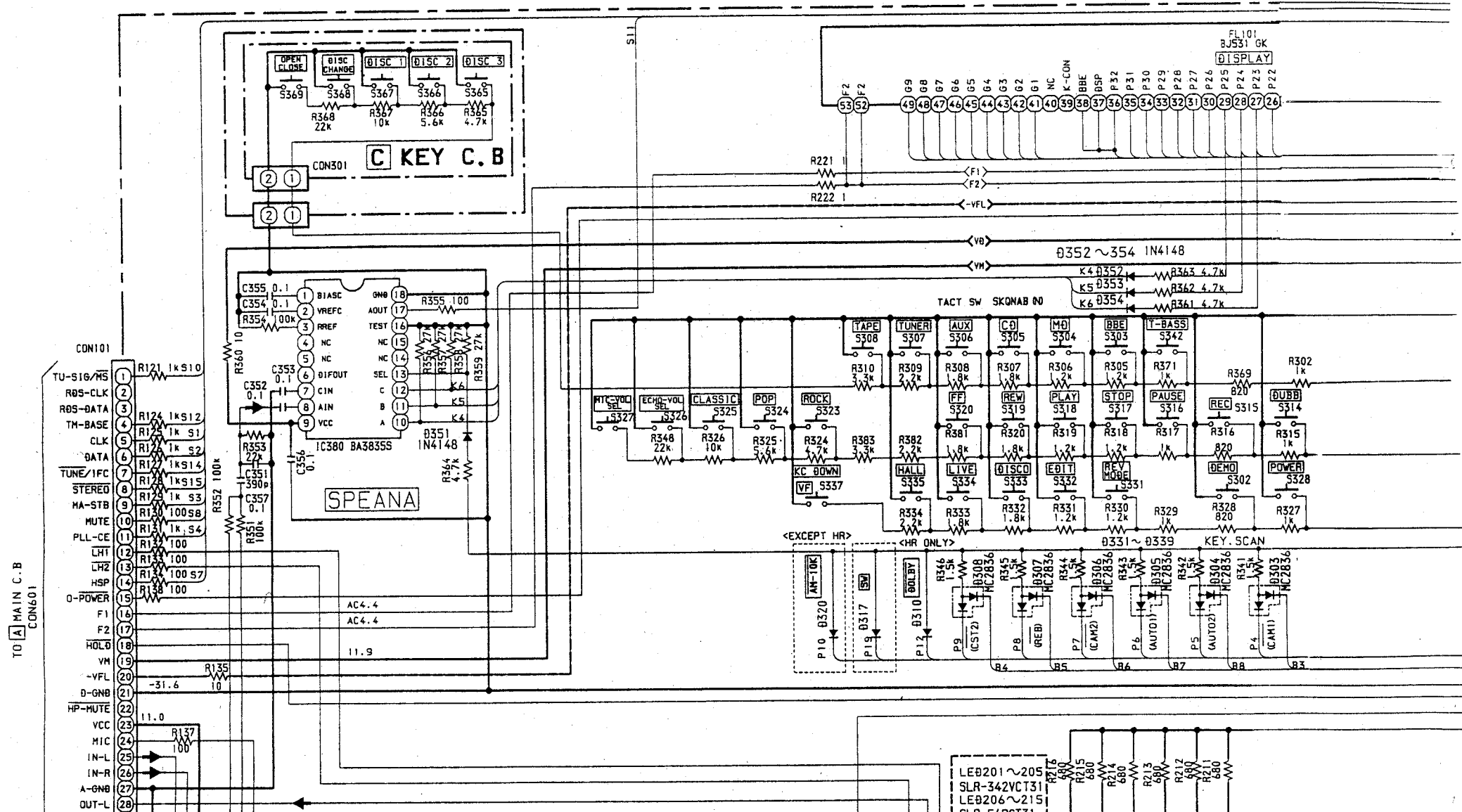


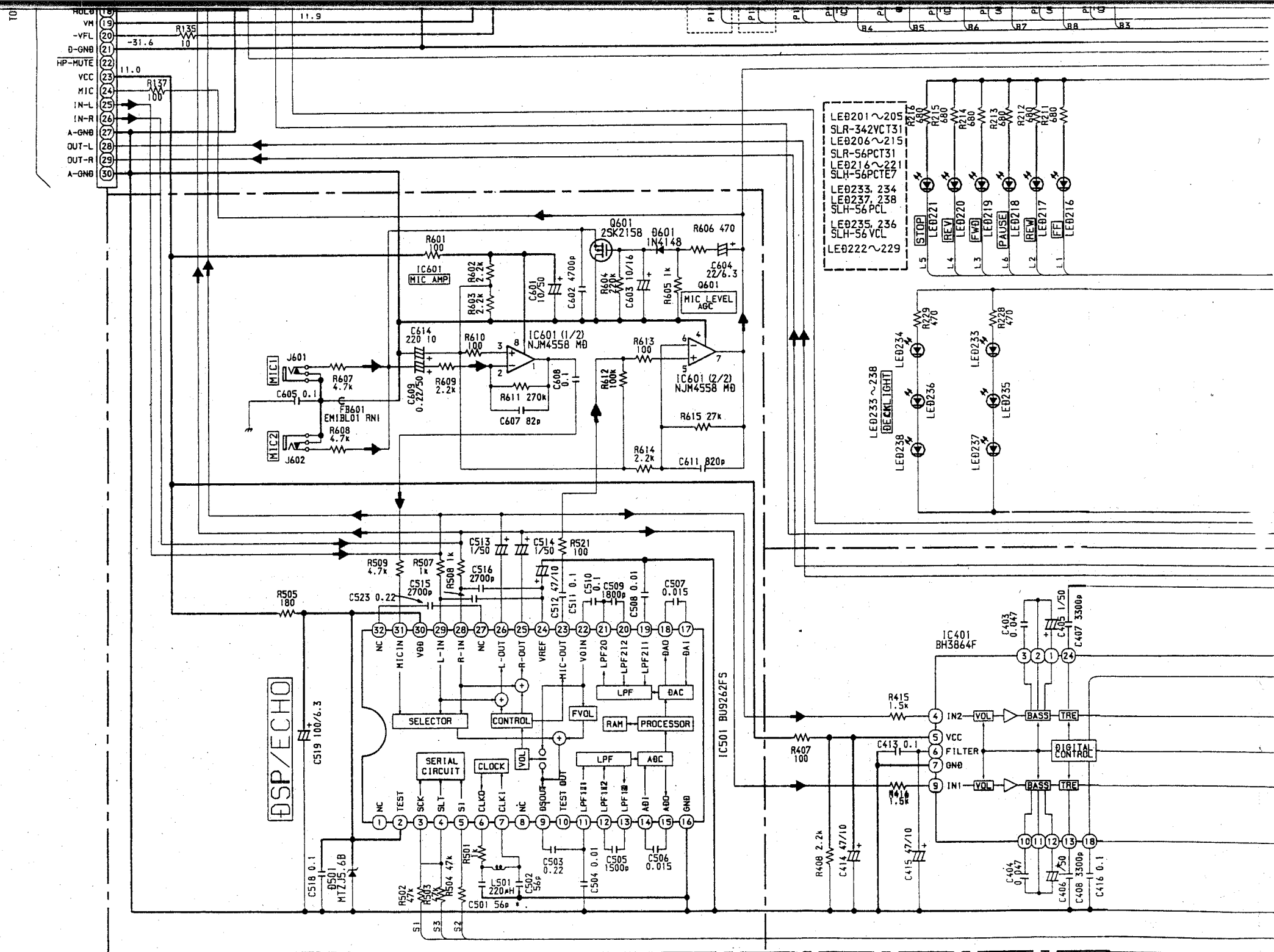
- CON102
- 1 I-DISHSENS
  - 2 O-DISHREV
  - 3 O-DISHFWD
  - 4 O-TRAYOPN
  - 5 O-TRAYCLS
  - 6 I-SW (CD)
  - 7 I-SUBQ
  - 8 I-DRF (SQCLK)
  - 9 O-C0-LED
  - 10 I-WRQ
  - 11 O-DATA (CD)
  - 12 O-C0CE
  - 13 O-CLK (CD)

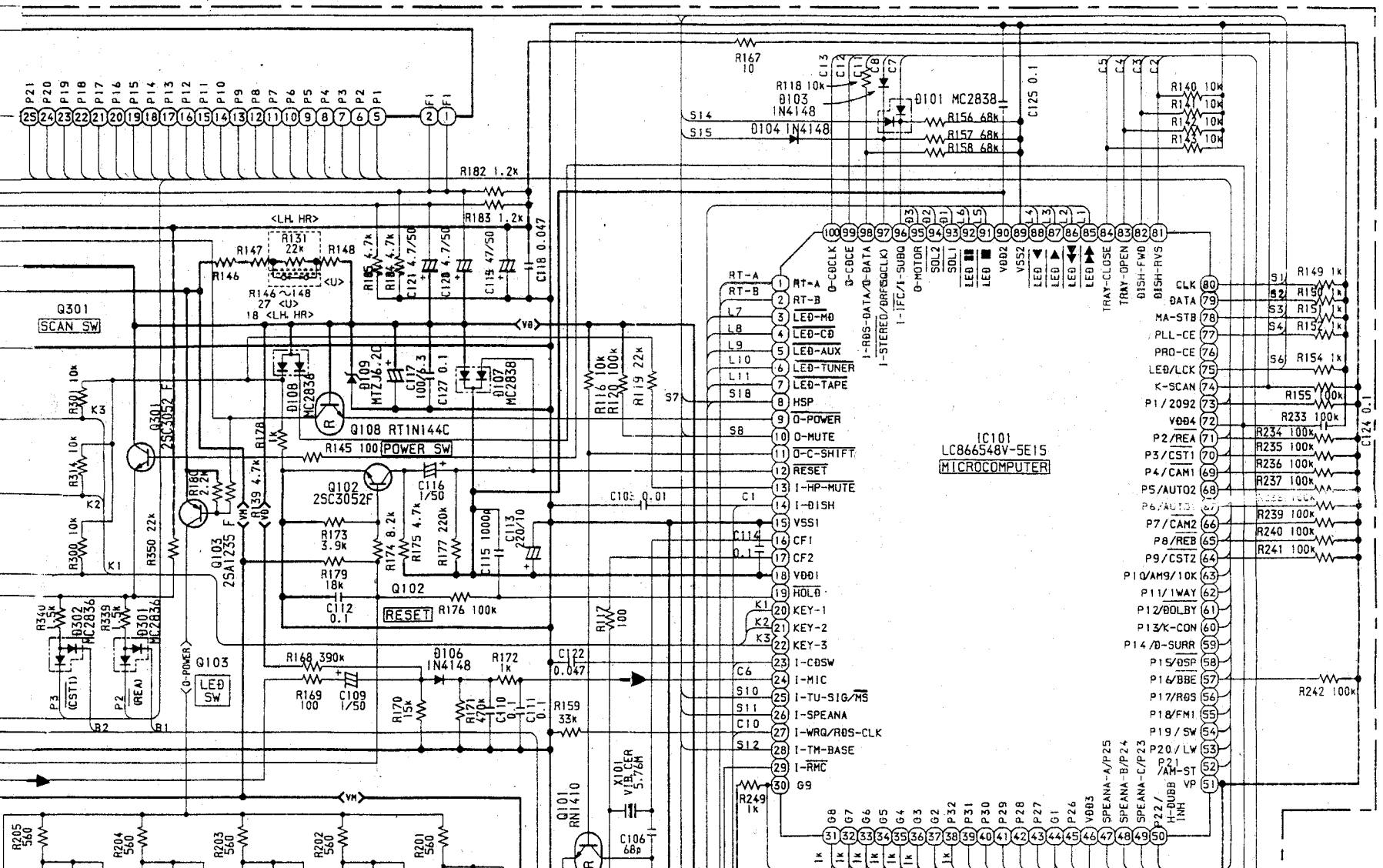
TO 3CD C.B.



SCHEMATIC DIAGRAM - 6 (FRONT: A51U, LH, HR)

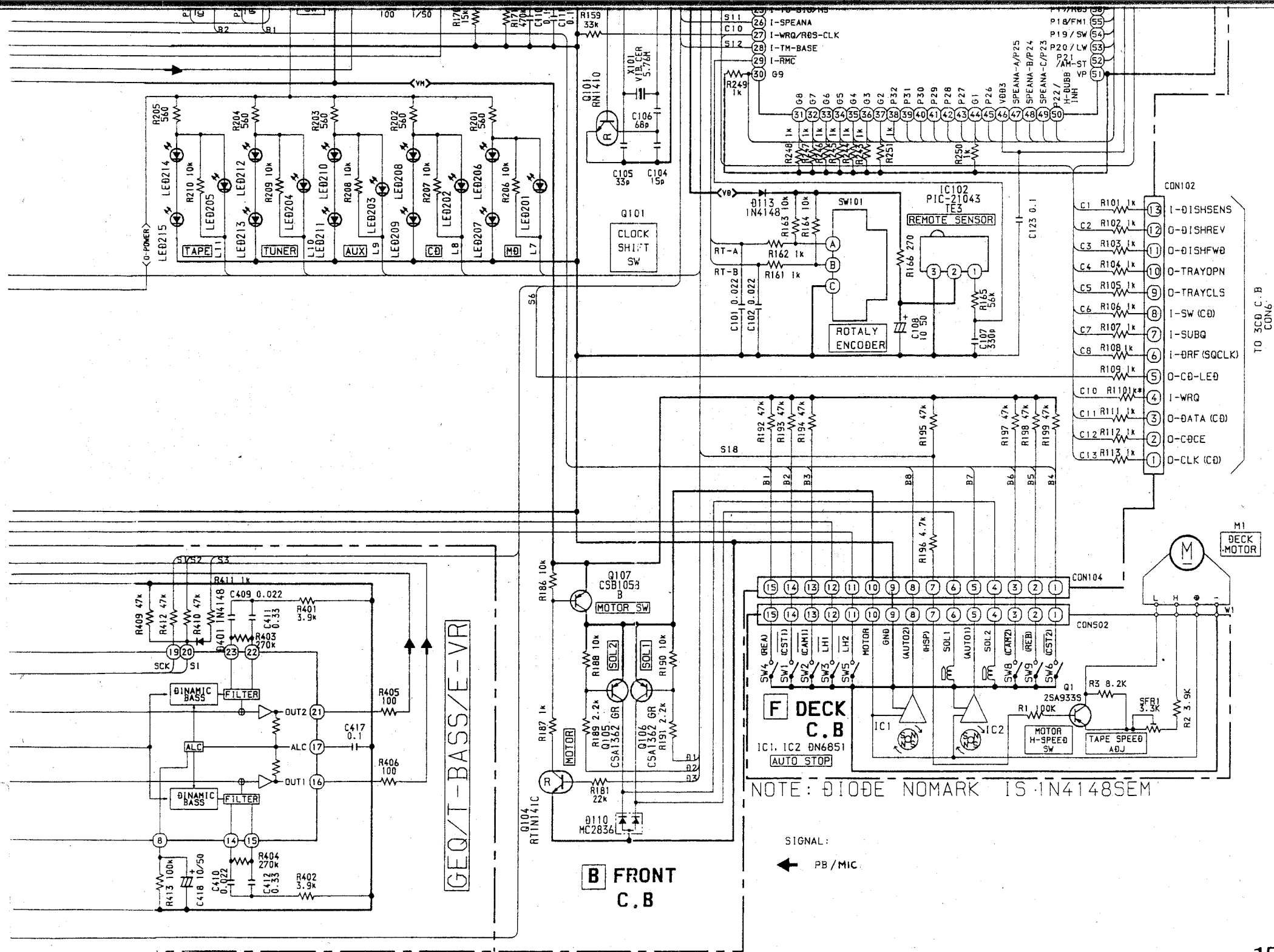






1	RT-A	100	RT-A	80	CLK	81	BISH-RYS
2	RT-B	101	RT-B	79	DATA	82	BISH-FWD
3	LED-MB	102	LED-MB	78	MA-STB	83	TRAY-OPEN
4	LED-CB	103	LED-CB	77	PLL-CE	84	TRAY-CLOSE
5	LED-AUX	104	LED-AUX	76	PRO-CE	85	LED-L1
6	LED-TUNER	105	LED-TUNER	75	LED/LCK	86	LED-L2
7	LED-TAPE	106	LED-TAPE	74	K-SCAN	87	LED-L3
8	HSP	107	HSP	73	P1/2092	88	LED-L4
9	O-POWER	108	O-POWER	72	V004	89	LED-L5
10	O-MUTE	109	O-MUTE	71	R233	90	V002
11	O-C-SHIFT	110	O-C-SHIFT	70	R234	91	V001
12	RESET	111	RESET	69	R235	92	V000
13	I-HP-MUTE	112	I-HP-MUTE	68	R236	93	V003
14	I-DISH	113	I-DISH	67	R237	94	V004
15	VSS1	114	VSS1	66	R239	95	V005
16	CF1	115	CF1	65	R240	96	V006
17	CF2	116	CF2	64	R241	97	V007
18	V001	117	V001	63	R242	98	V008
19	HOLD	118	HOLD	62	R243	99	V009
20	KEY-1	119	KEY-1	61	R244	100	V010
21	KEY-2	120	KEY-2	60	R245	101	V011
22	KEY-3	121	KEY-3	59	R246	102	V012
23	I-CBSW	122	I-CBSW	58	R247	103	V013
24	I-MIC	123	I-MIC	57	R248	104	V014
25	I-TU-SIG/MS	124	I-TU-SIG/MS	56	R249	105	V015
26	I-SPEANA	125	I-SPEANA	55	R250	106	V016
27	I-WRQ/R05-CLK	126	I-WRQ/R05-CLK	54	R251	107	V017
28	I-TM-BASE	127	I-TM-BASE	53	R252	108	V018
29	I-RMC	128	I-RMC	52	R253	109	V019
30	69	129	69	51	R254	110	V020

IC101  
LC866548V-5E15  
MICROCOMPUTER

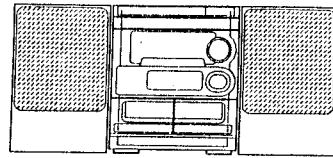


NOTE: DIODE NOMARK IS 1N4148SEM

SIGNAL:  
 ← PB/MIC

TO 3CD C.B. CON6

SCHEMATIC DIAGRAM - 1 (MAIN)



# aiwa

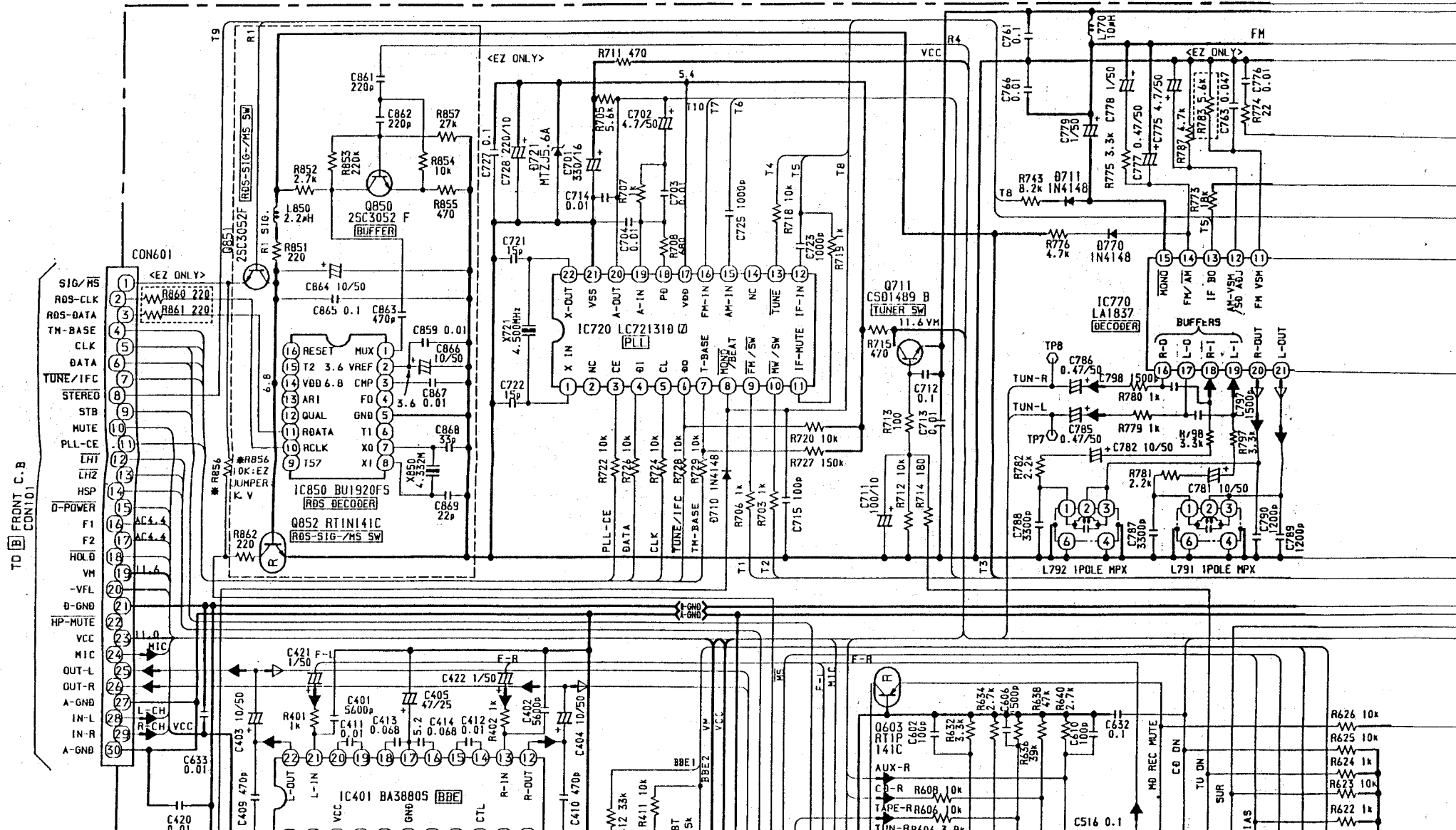
## NSX-S50

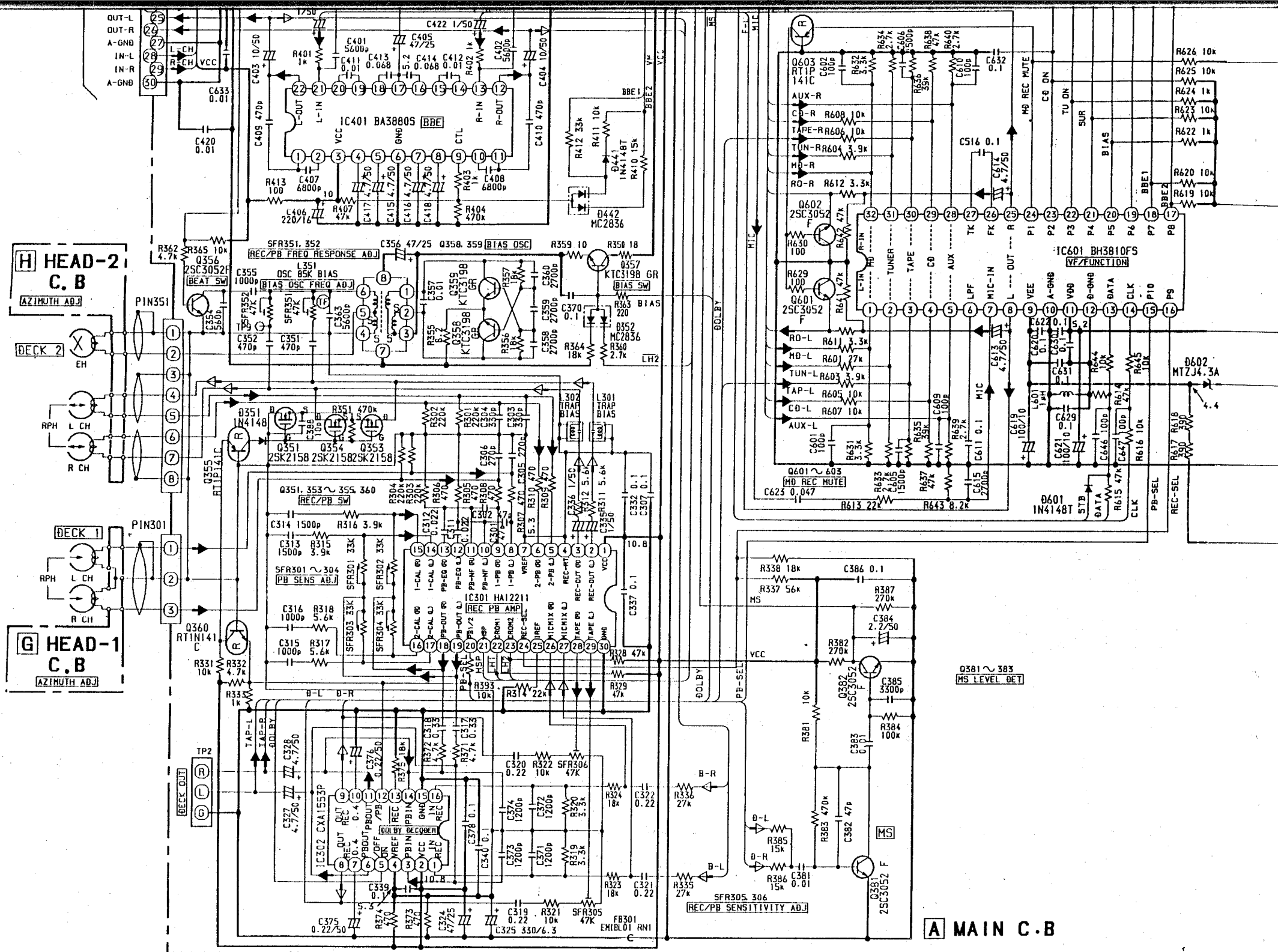
## NSX-S52

COMPACT DISC STEREO  
CASSETTE RECEIVER

SYSTEM	CD - CASSEIVER	SPEAKER
NSX-S50 (TYPE : EZ,K,V)	CX - NS50	SX - FNS50
NSX-S52 (TYPE : EZ)	CX - NS52	SX - ANS70

- BASIC TAPE MECHANISM : 2ZM-3MK2 PR4NM/YPR4NM
- BASIC CD MECHANISM : 4ZG-1 Z1DNM
- TYPE : EZ,K,V





**A MAIN C.B.**

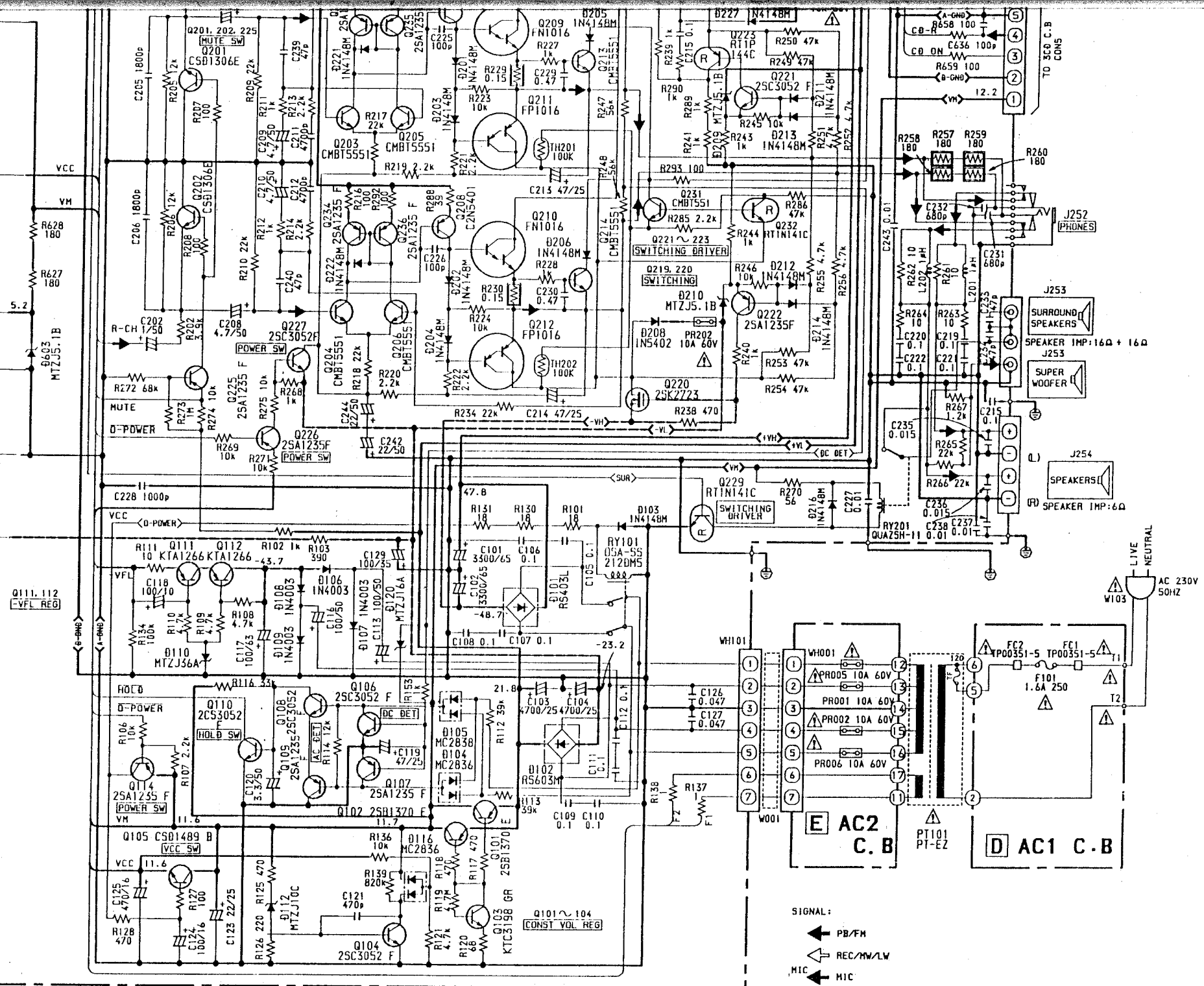
**H HEAD-2  
C.B.  
(AZIMUTH ADJ.)**

**G HEAD-1  
C.B.  
(AZIMUTH ADJ.)**

Q381 ~ 383  
MS LEVEL DET

SFR305 306  
REC/PB SENSITIVITY ADJ

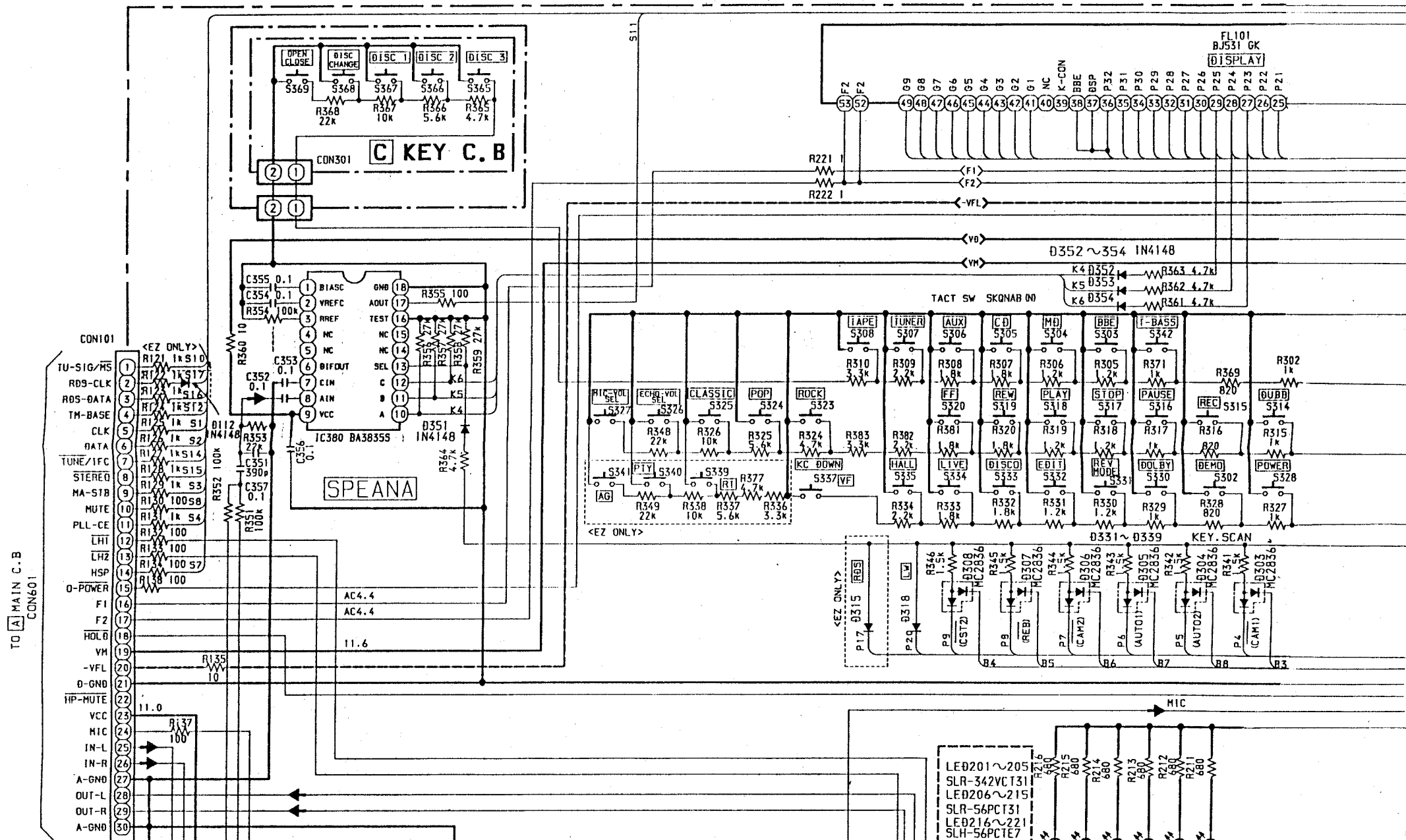


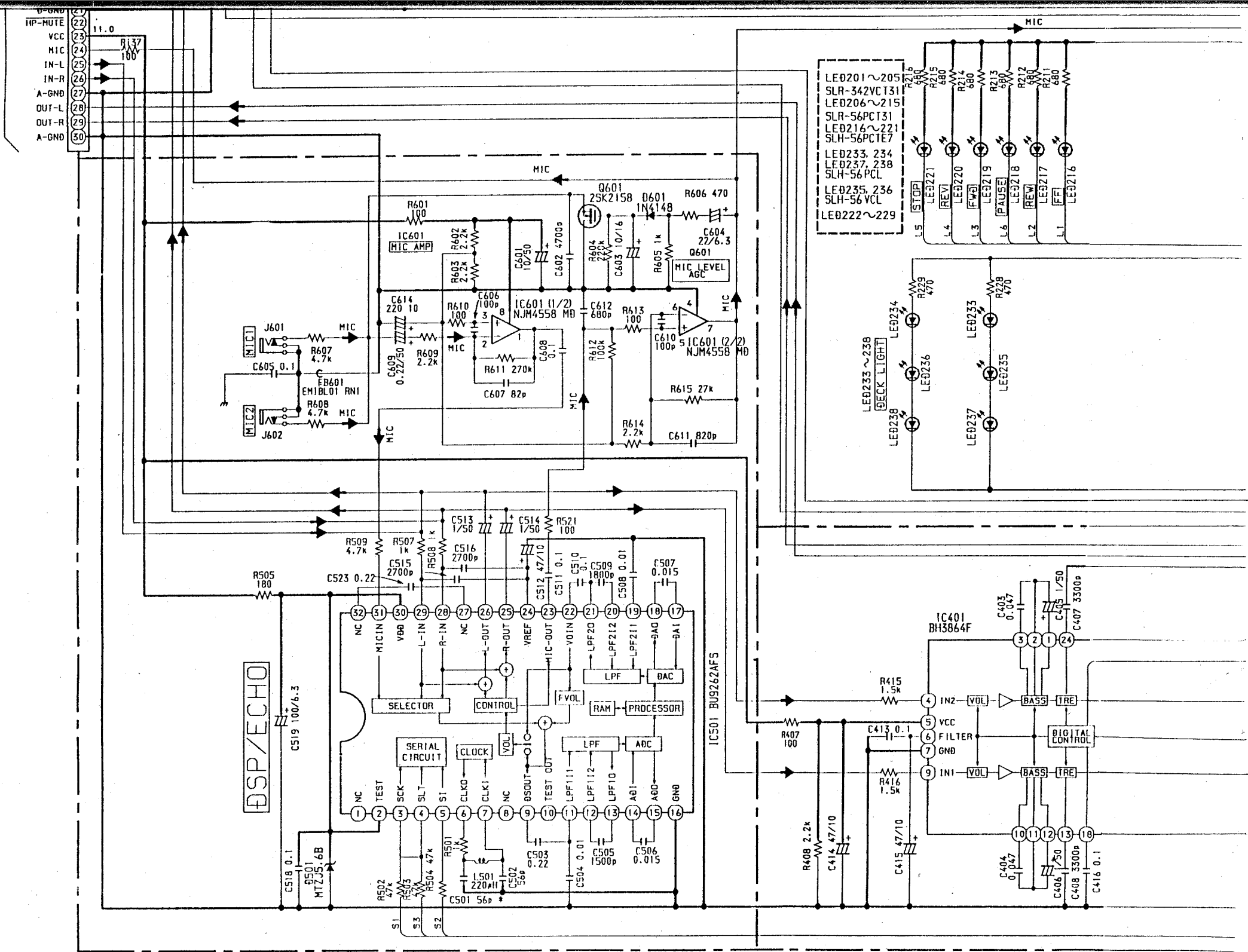


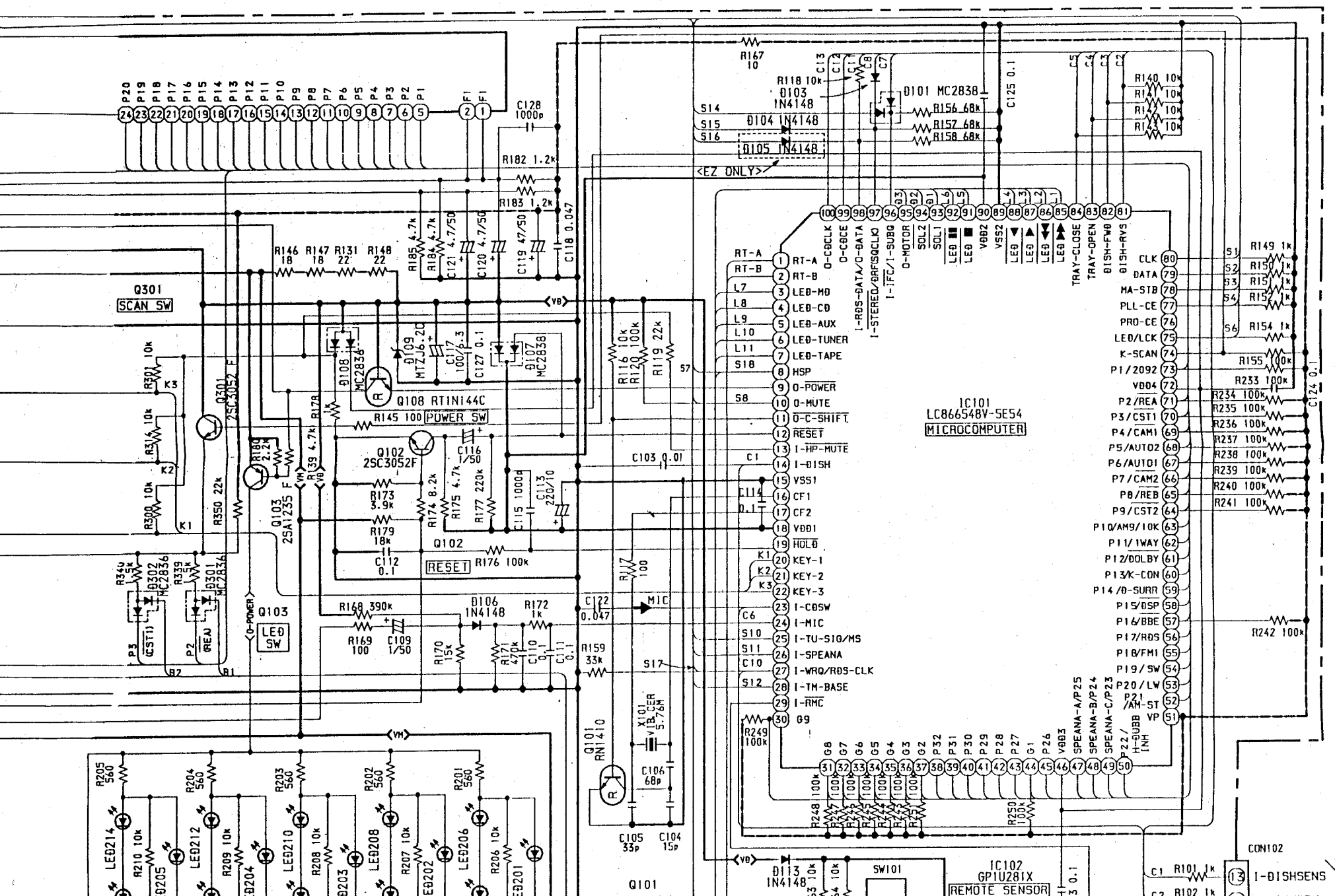
- SIGNAL:
- ◀ PB/FH
  - ◀ REC/M/LW
  - ◀ MIC



SCHEMATIC DIAGRAM - 2 (FRONT : EZ, K, V)

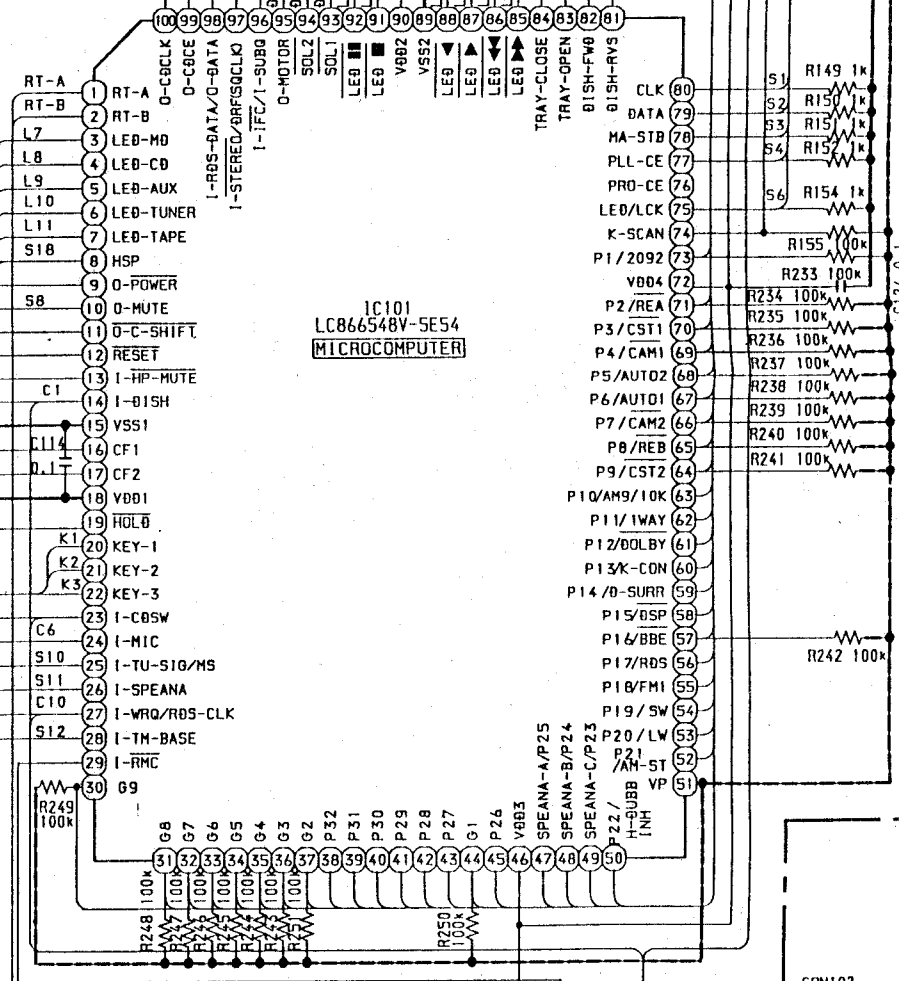






<EZ ONLY>

IC101  
LC866548V-SE54  
MICROCOMPUTER



CONT102

IC102  
GPIU281X  
REMOTE SENSOR

I-DISHSENS

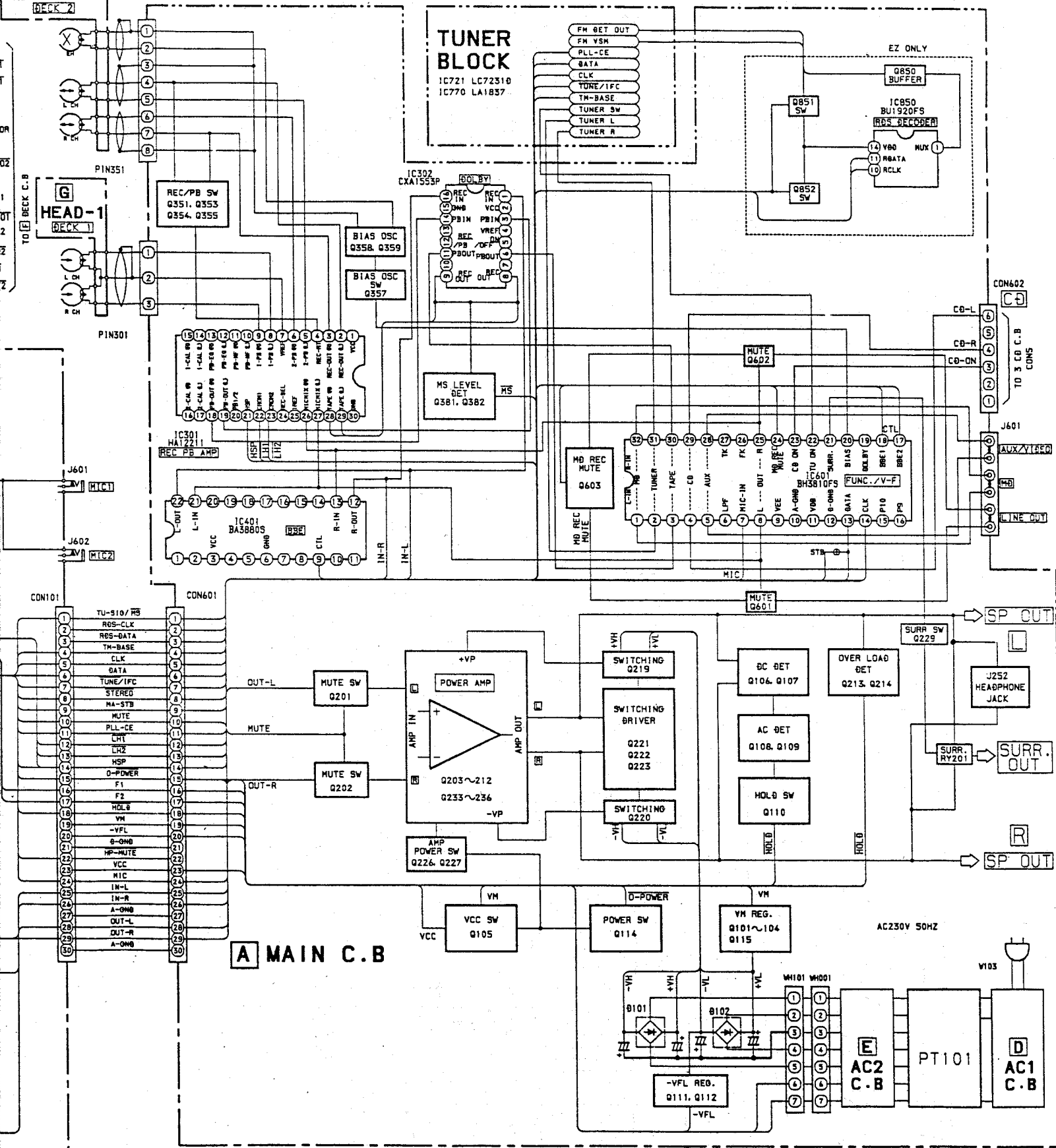




**H HEAD-2**  
DECK 2

**G HEAD-1**  
DECK 1

**TUNER BLOCK**  
IC721 LC72310  
IC770 LA1837



**A MAIN C.B.**

AC230V 50HZ

**E AC2 C.B.**

**D AC1 C.B.**

T C.B.