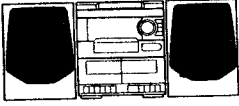


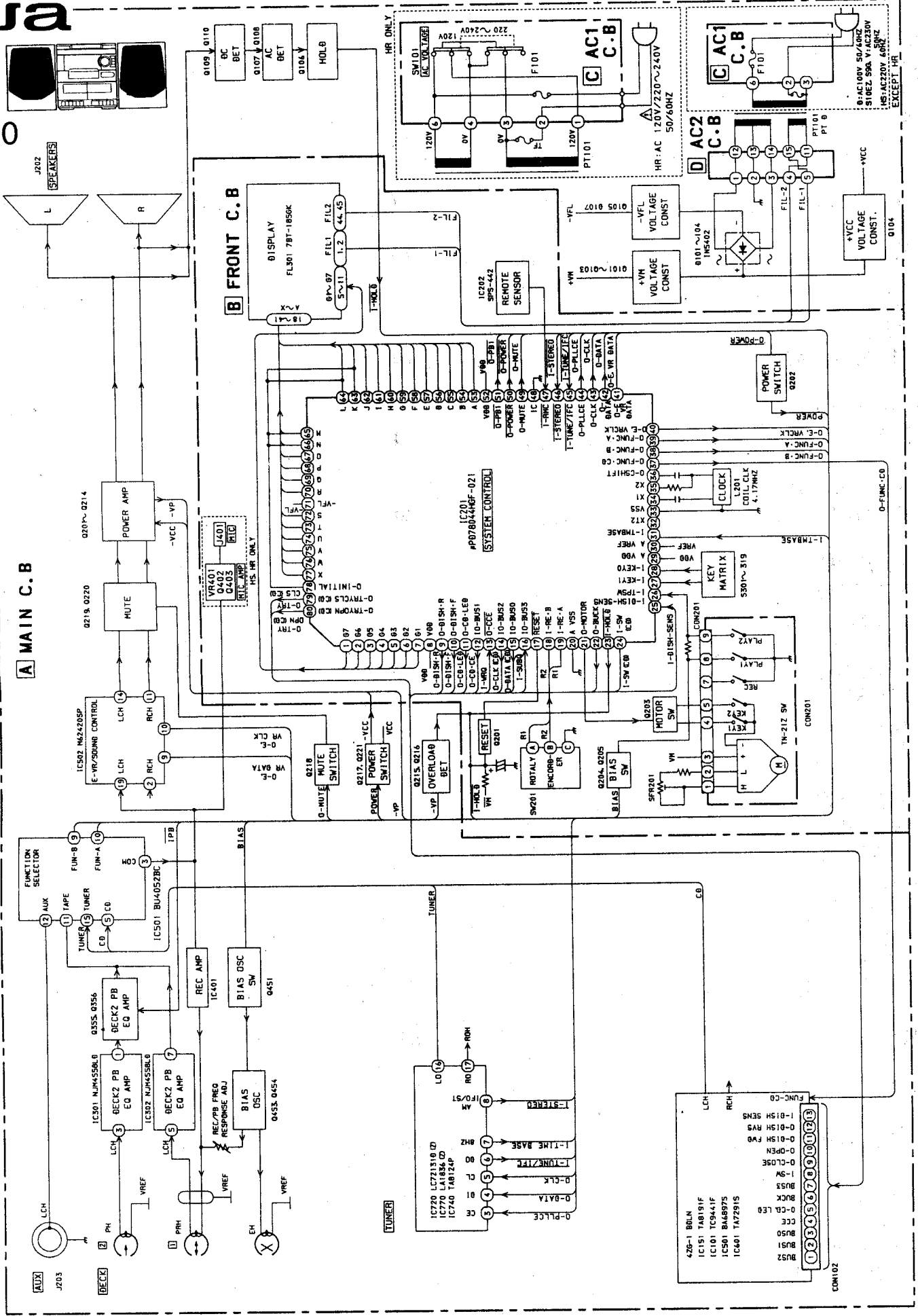
aiwa

XG-S10
NSX-S9
NSX-S10



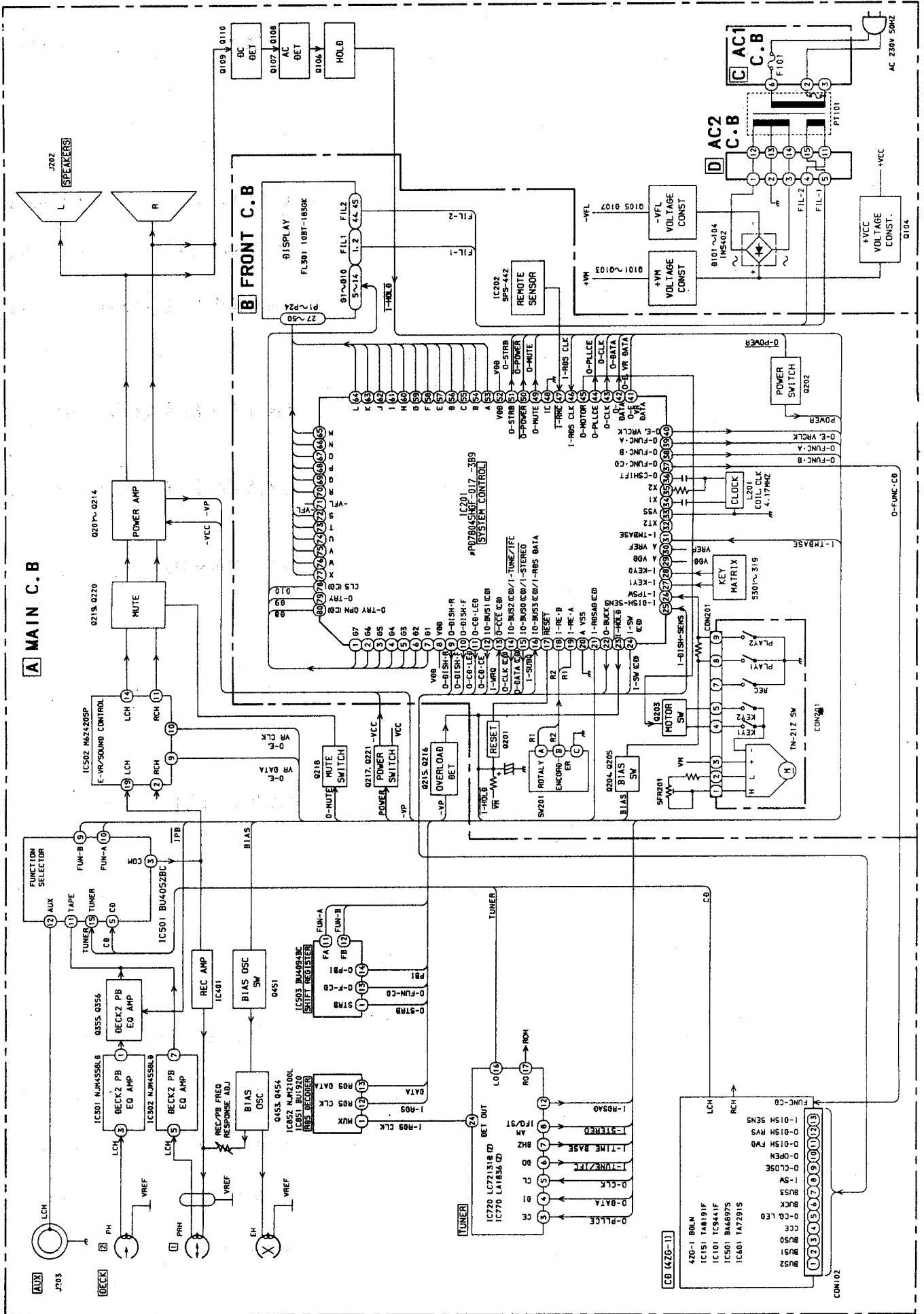
SYSTEM	CD-CASSEVER	SPEAKER	REMOTE CONTROLLER
NSX-S9 (TYPE: EZ.G)	CX-NS9	SC-NS10	RC UNIT, 6AS14
XG-S10 (TYPE: D)	CX-NS10		
NSX-S10 (TYPE: EZ.HR,HS.V)			

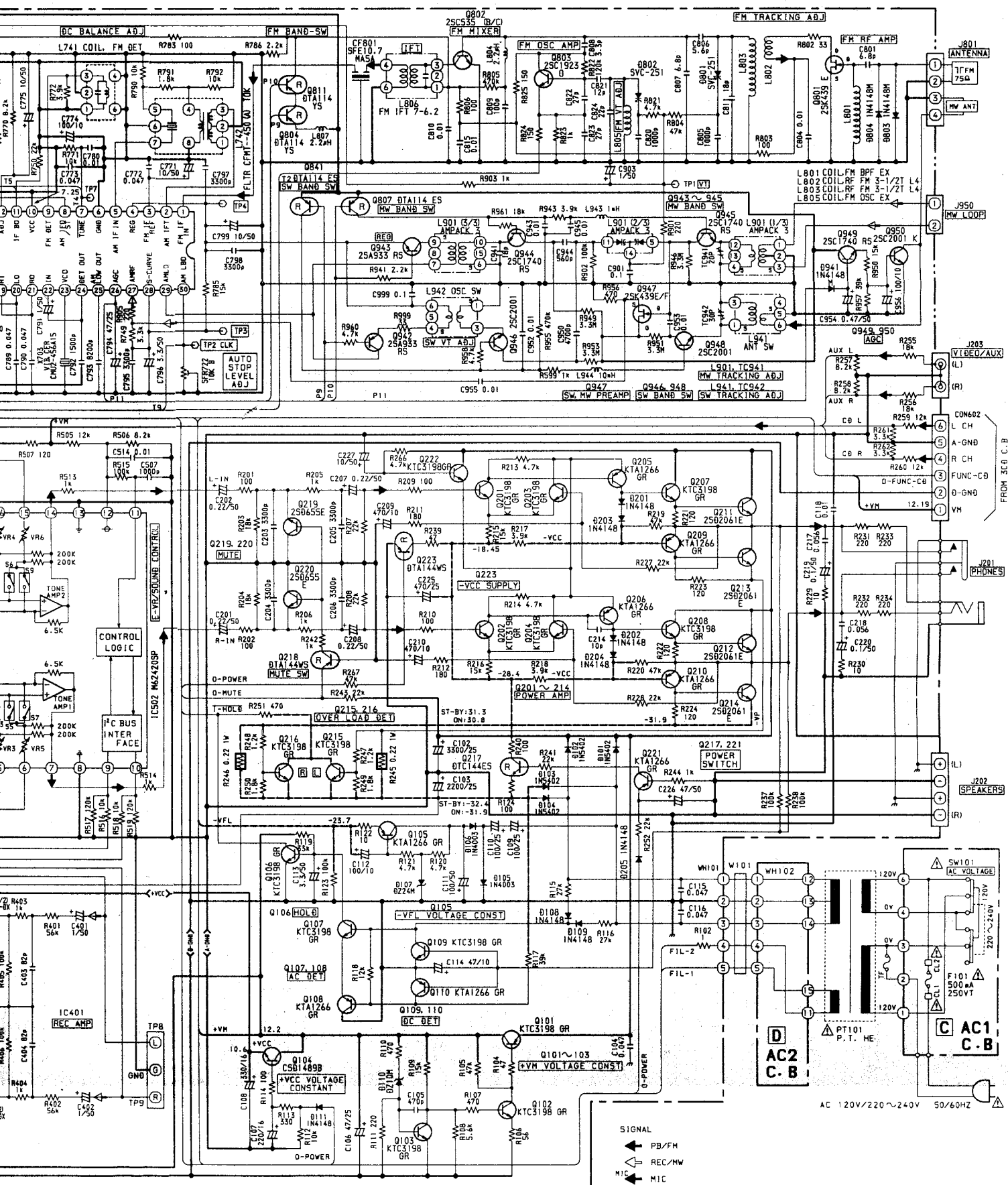
BLOCK DIAGRAM - 1 (MAIN / FRONT : EXCEPT 10EZ)



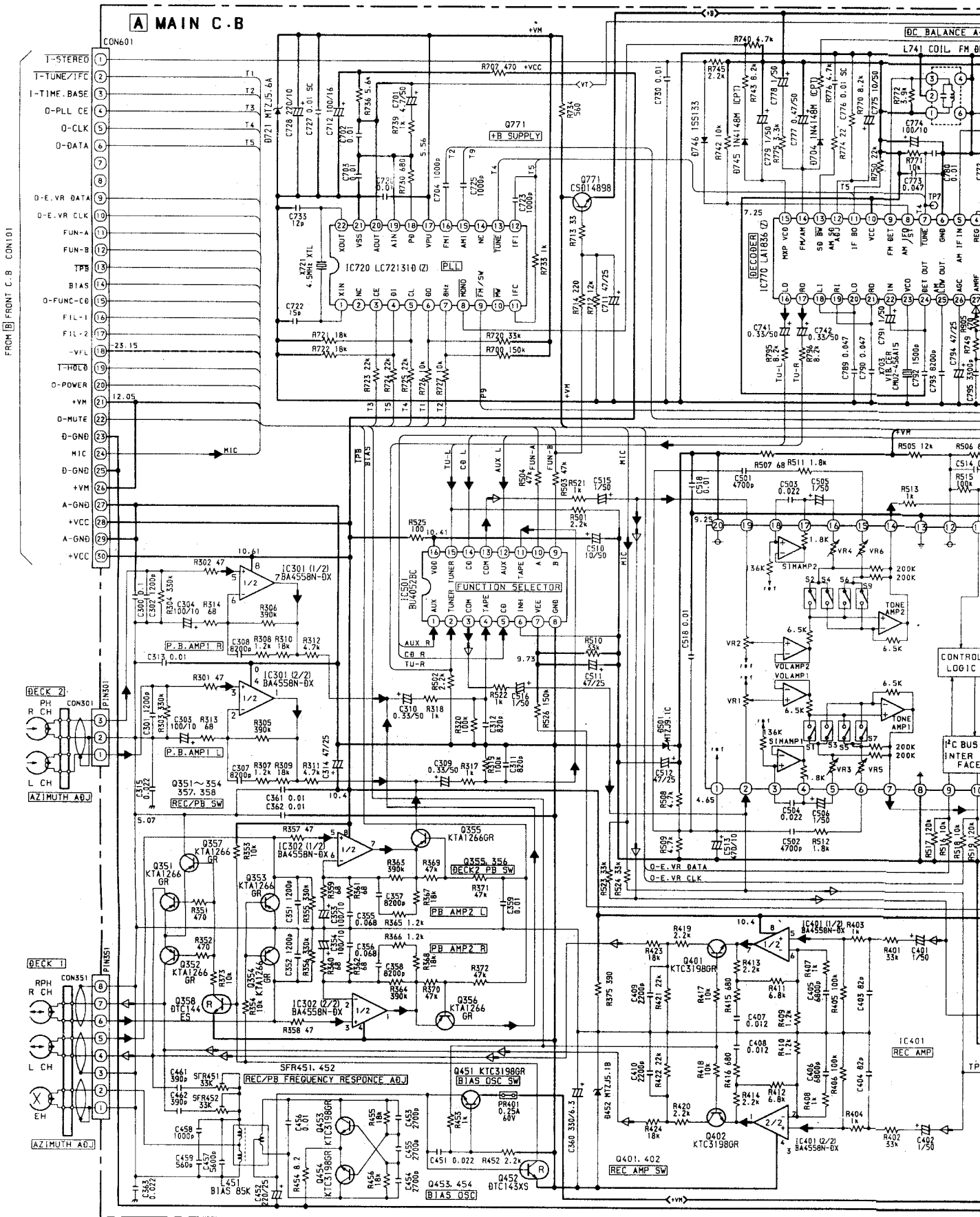
BLOCK DIAGRAM - 2 (MAIN / FRONT : 10EZ)

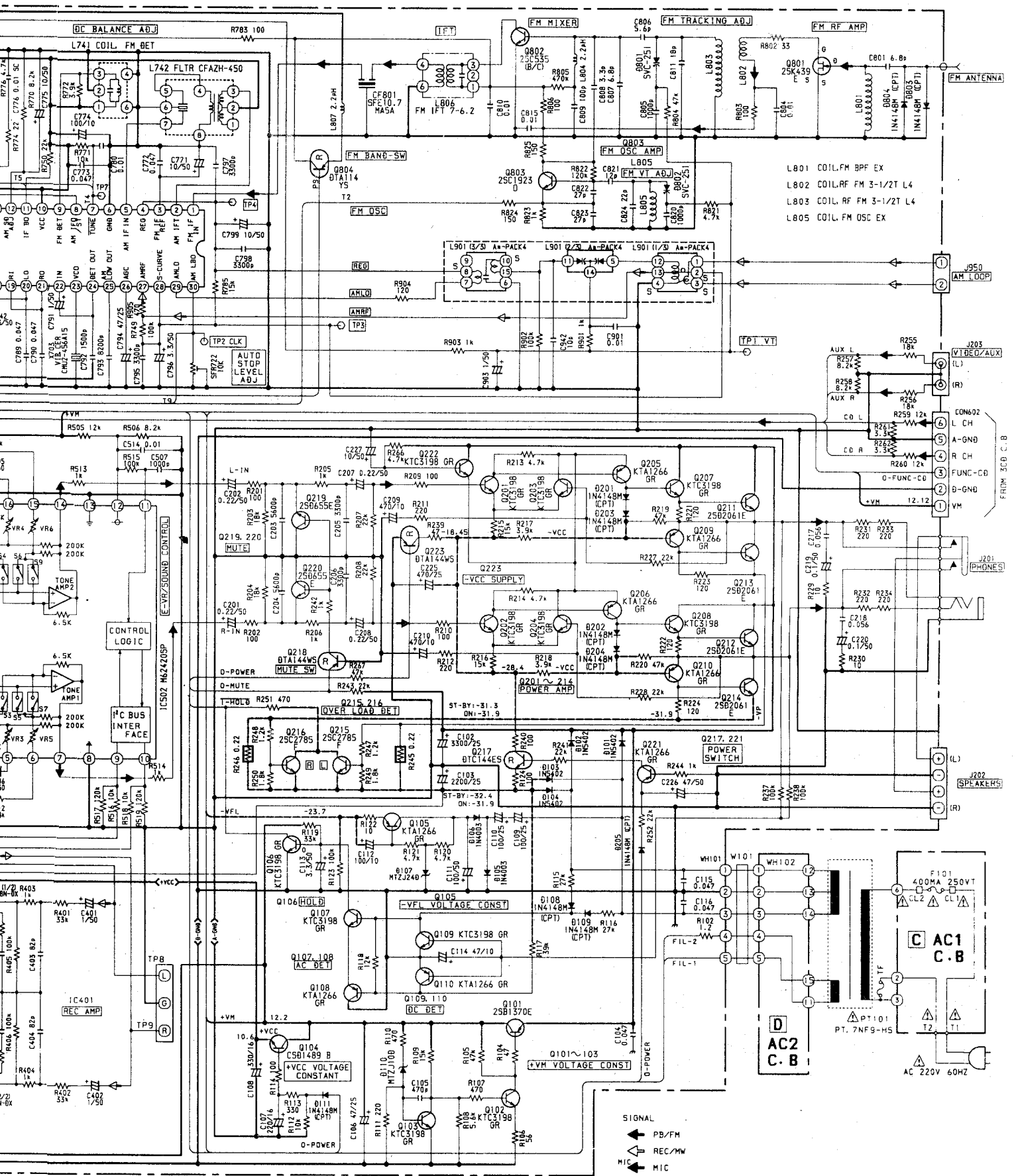
BLOCK DIAGRAM - 2 (MAIN / FRONT: 10EZ)



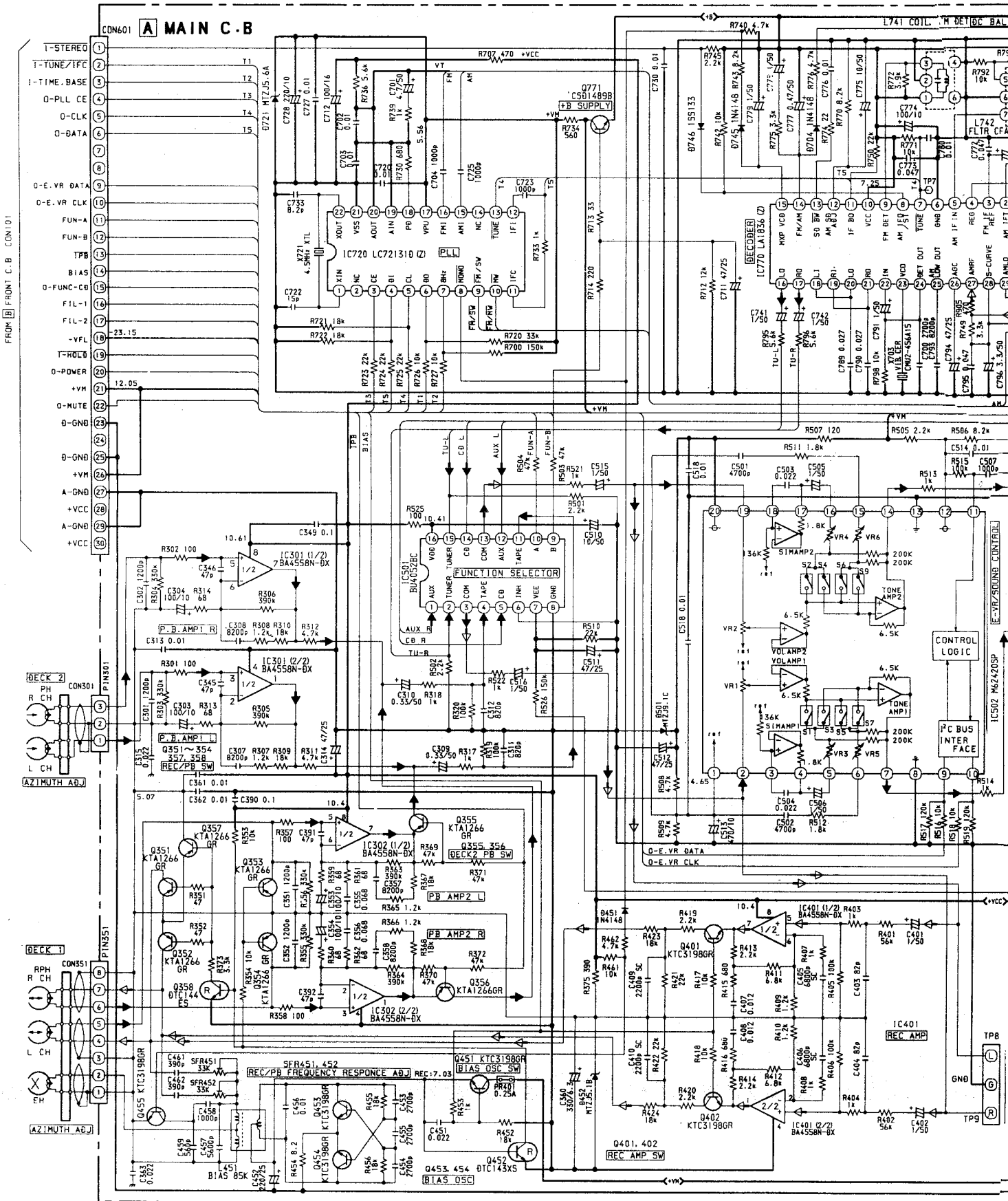


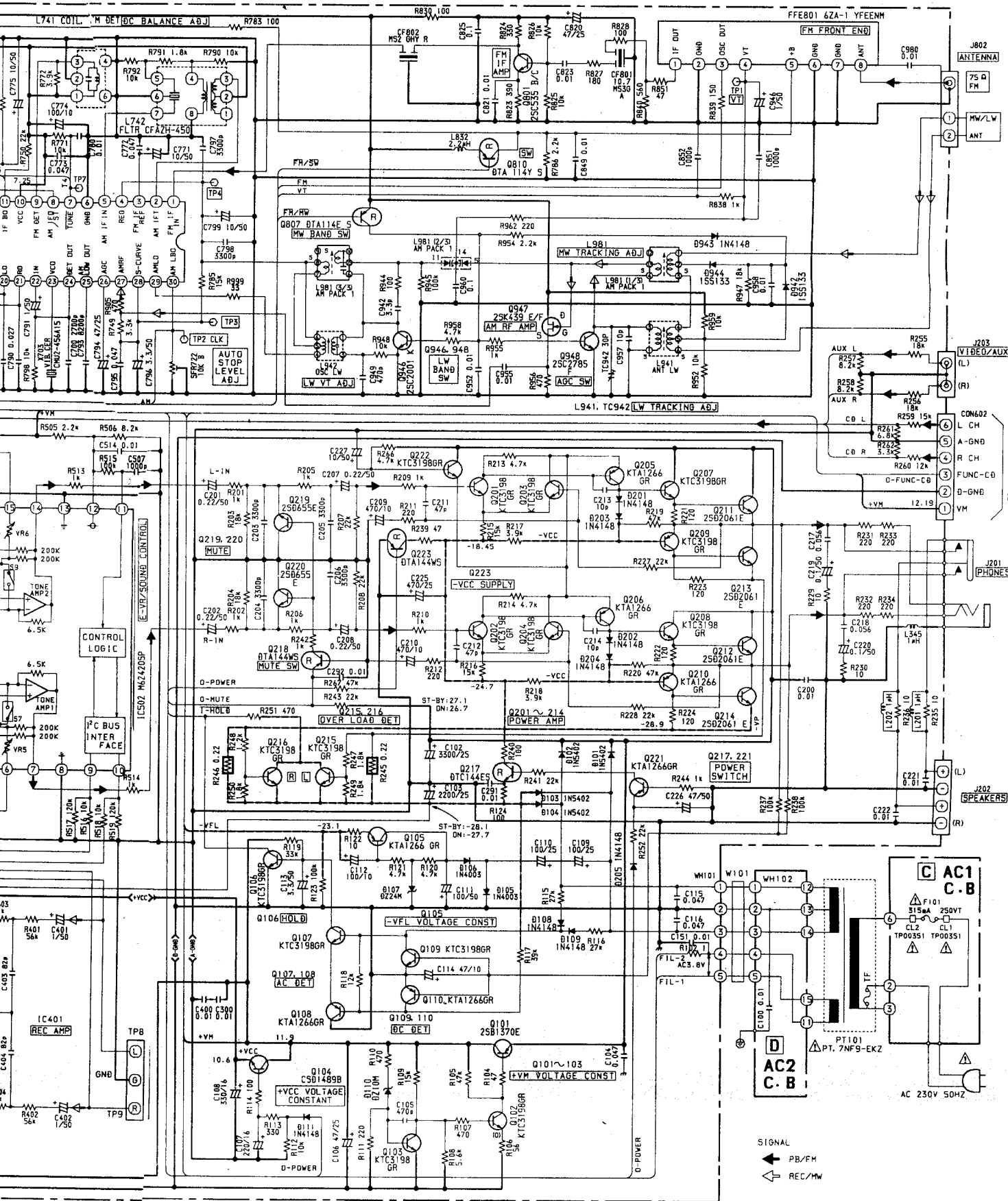
SCHEMATIC DIAGRAM - 3 (MAIN : HS)





SCHEMATIC DIAGRAM - 4 (MAIN : 9EZ, G)





SIGNAL
 ← PB/FM
 ← REC/MW

AC 230V 50HZ

AC1 C.B.
 F101 315mA 250V
 CL2 TP00351
 CL1 TP00351

AC2 C.B.
 PT101 PT. 7NF9-EKZ

FROM SEC. C.B.

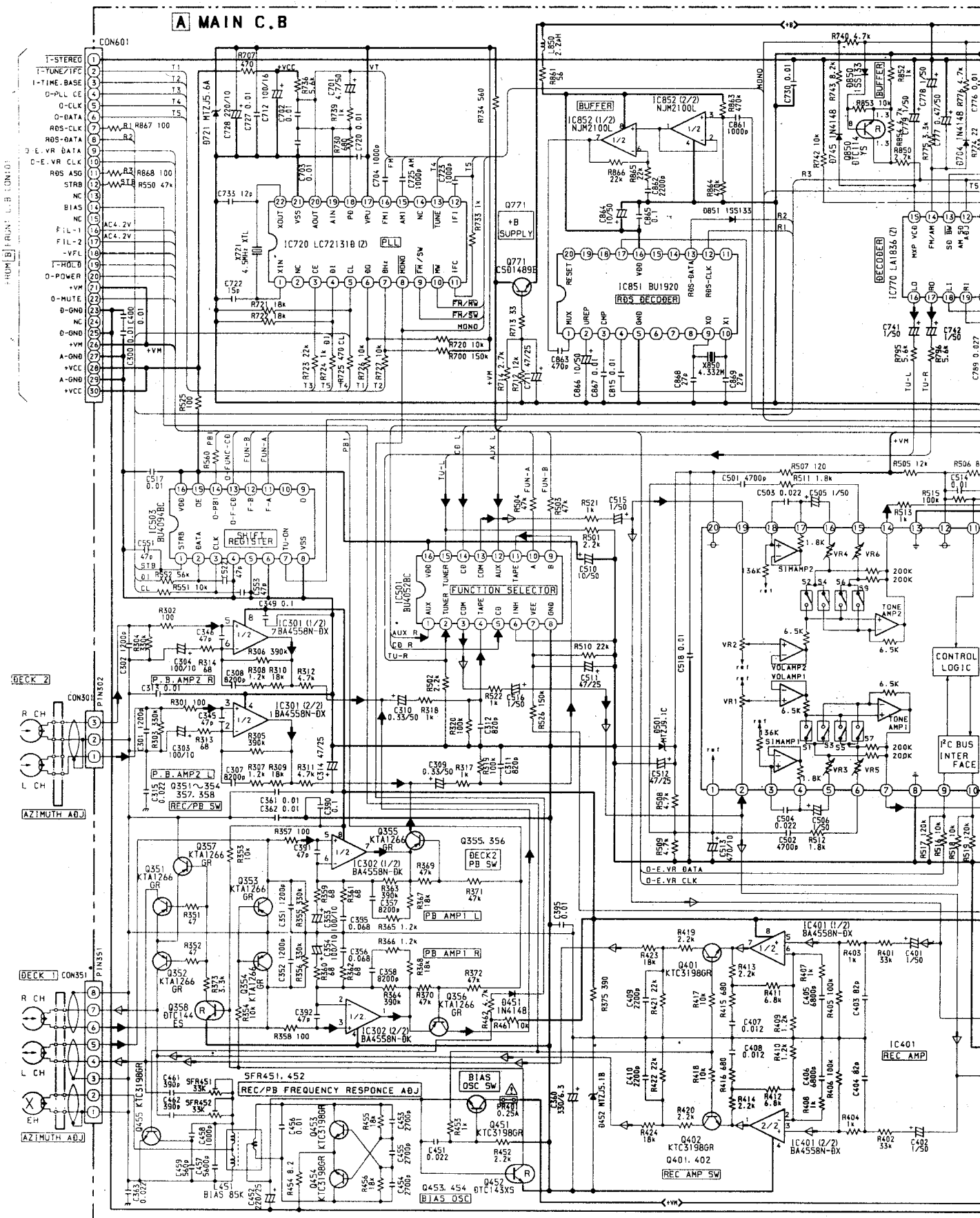
J202 (SPEAKERS)

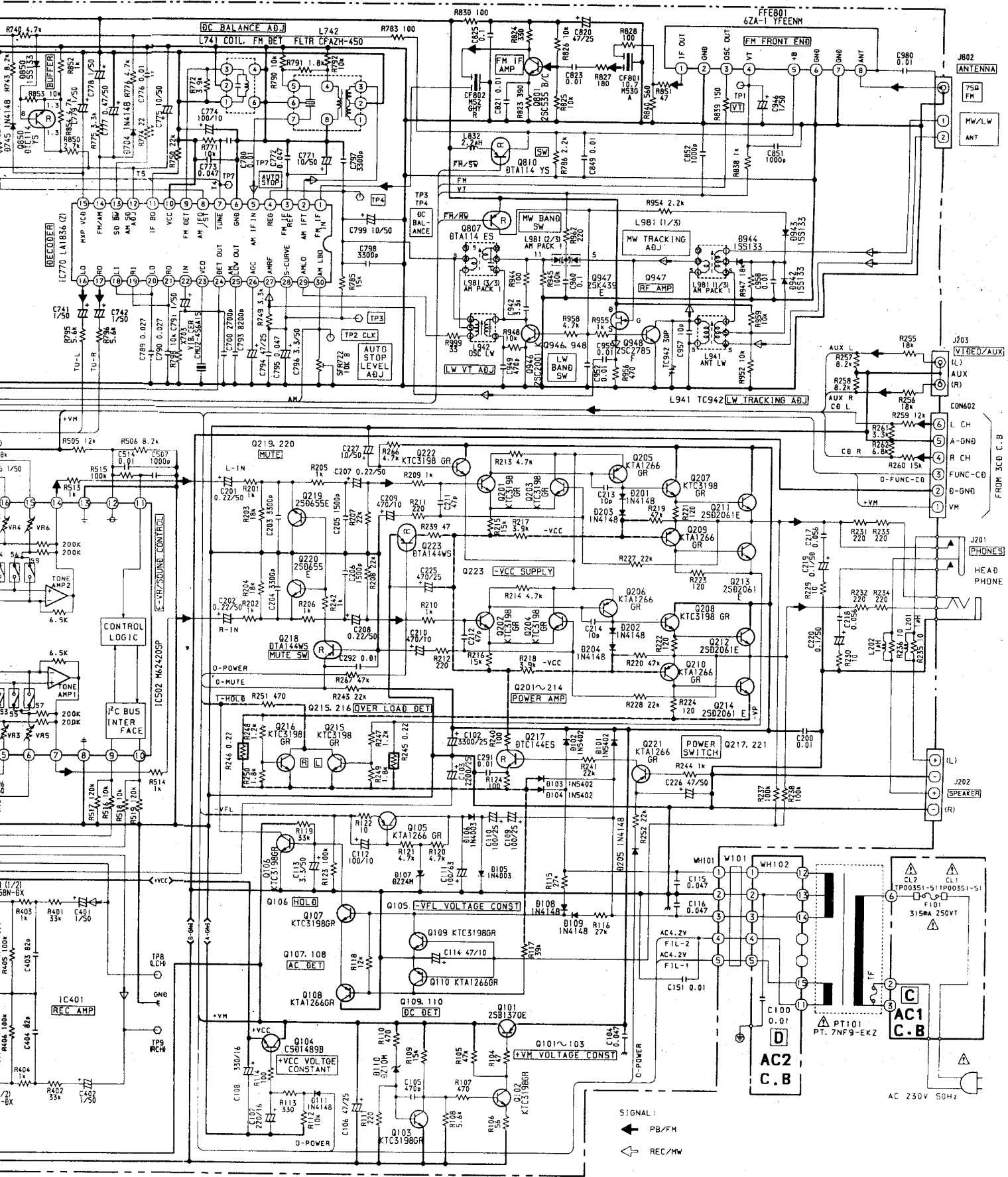
J201 (PHONES)

J203 (VIDEO/AUX)

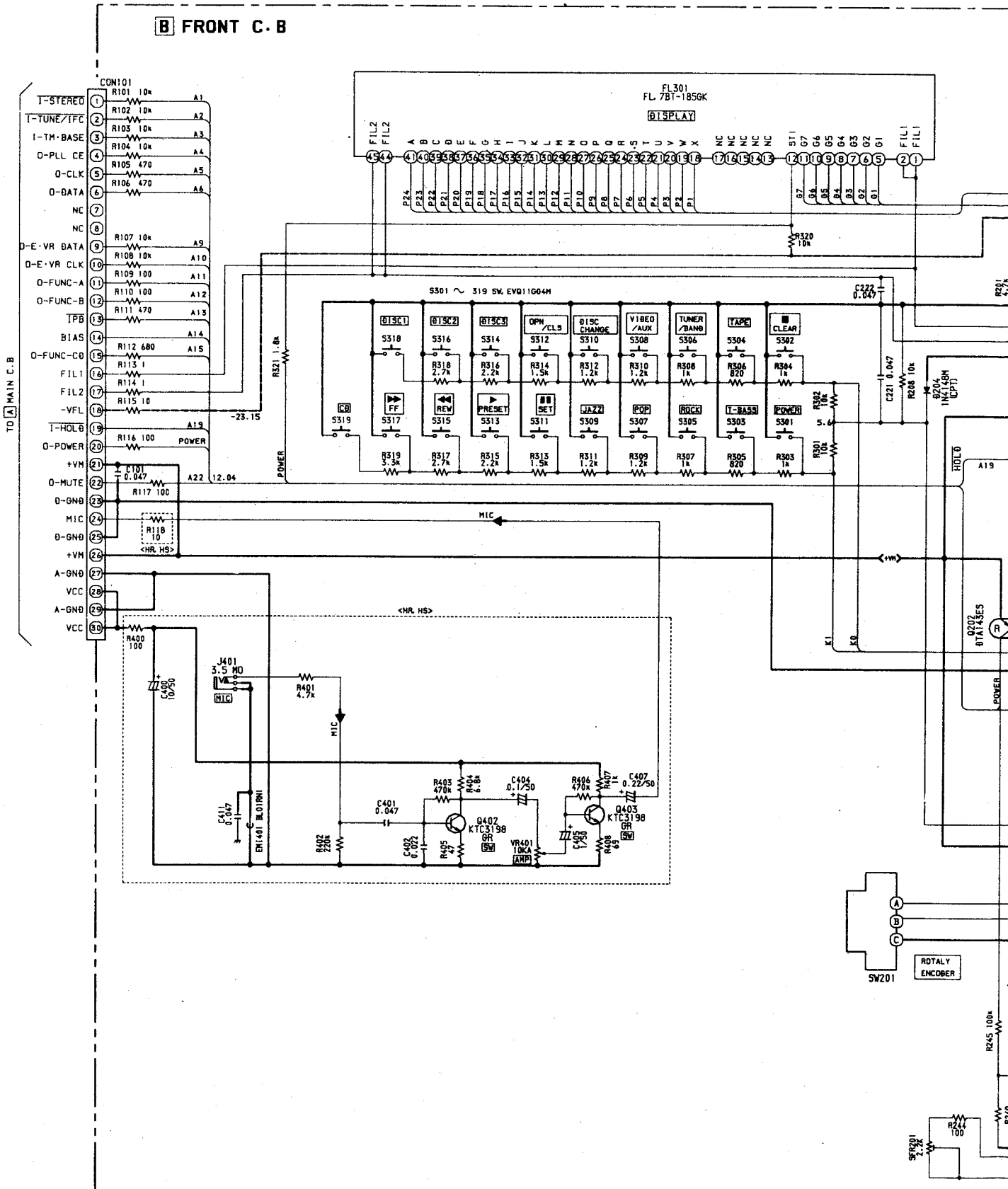
J802 (ANTENNA)

SCHEMATIC DIAGRAM - 6 (MAIN : 10EZ)

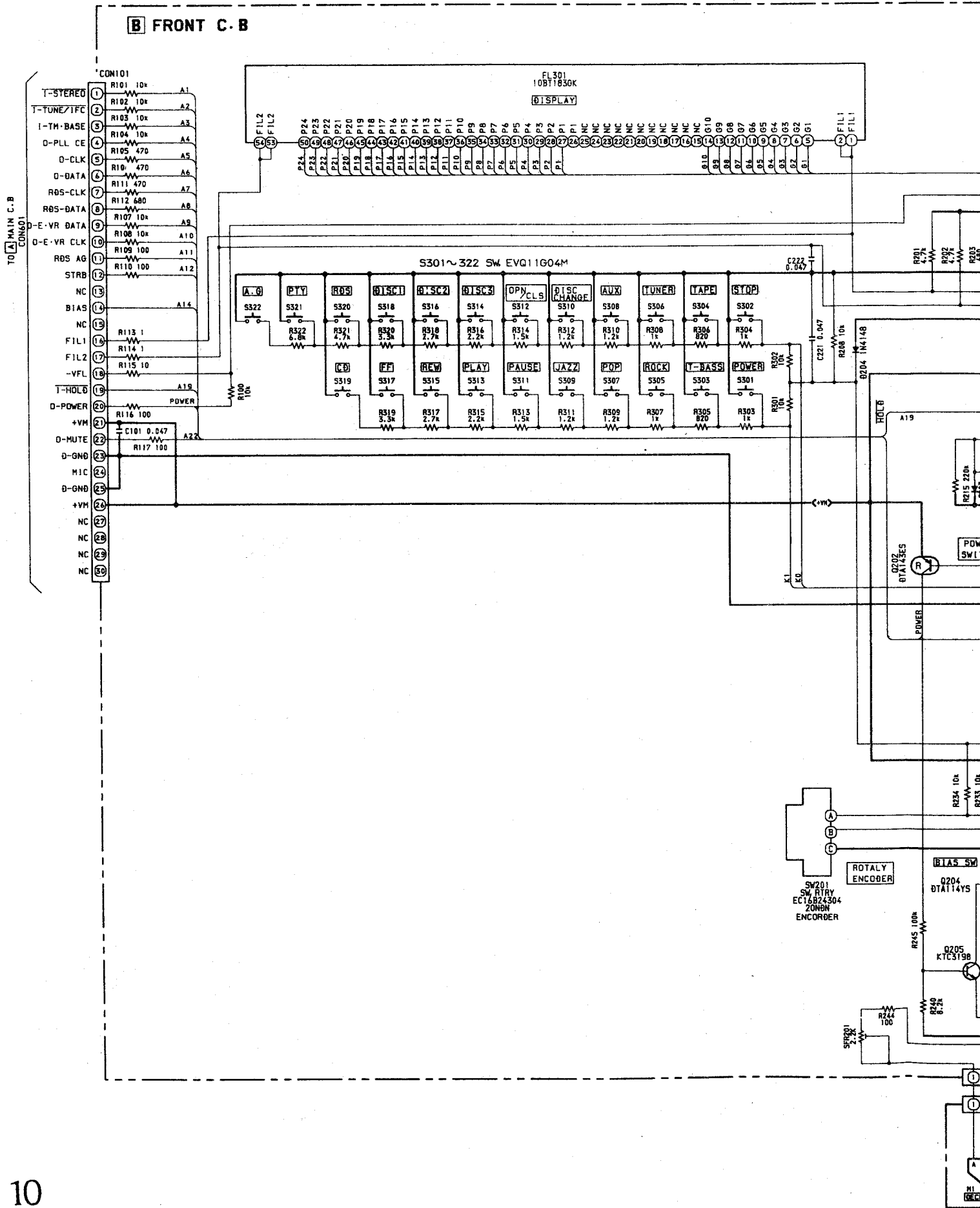


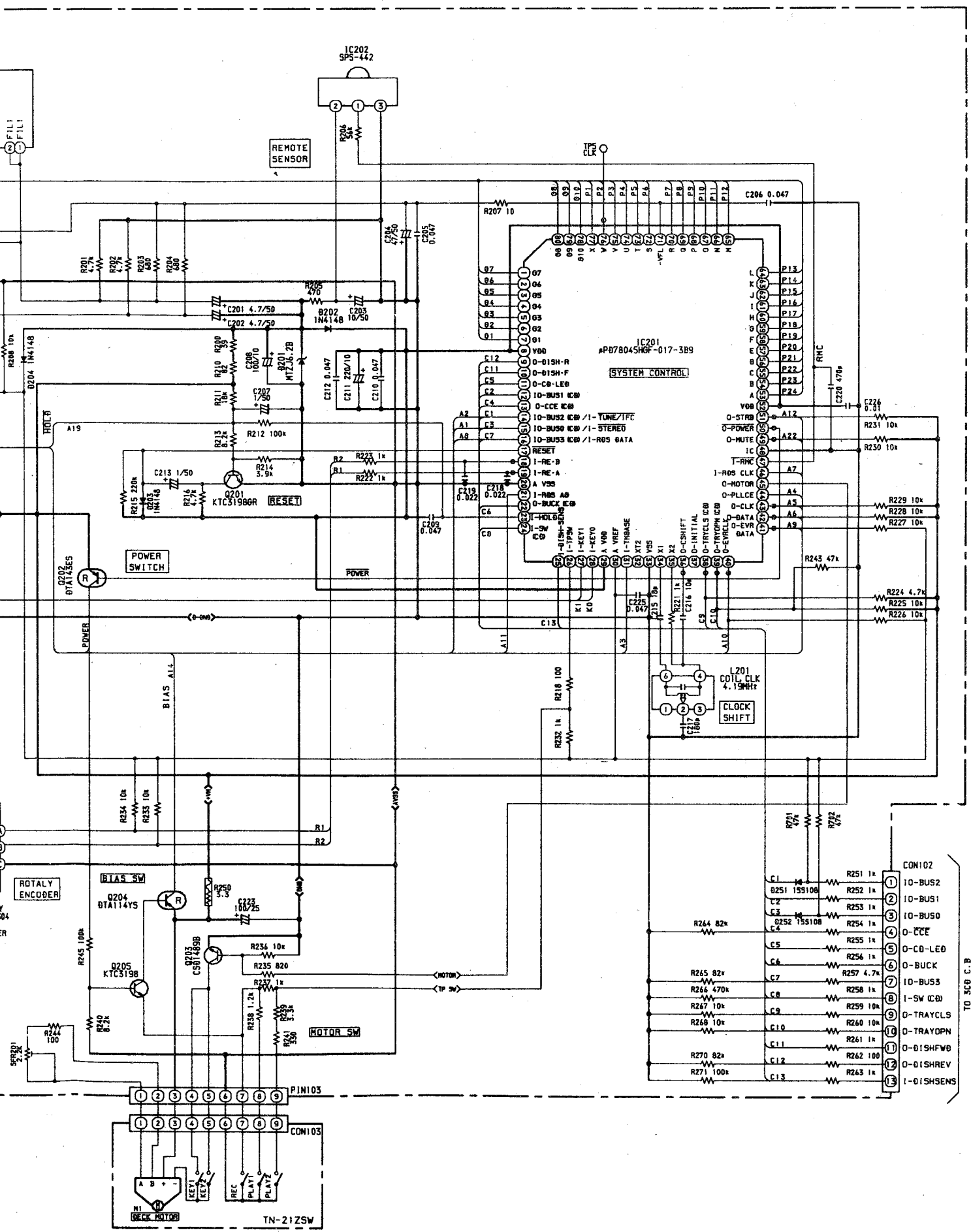


SCHEMATIC DIAGRAM - 7 (FRONT : EXCEPT 10EZ)



SCHEMATIC DIAGRAM - 8 (FRONT : 10EZ)





SYSTEM CONTROL

- | | | | | |
|-----|-------------|-----------|----|------------|
| C1 | 8251 1S5108 | R251 1k | 1 | CON102 |
| C2 | | R252 1k | 2 | 10-BUS2 |
| C3 | | R253 1k | 3 | 10-BUS1 |
| C4 | 0252 1S5108 | R254 1k | 4 | 10-BUS0 |
| C5 | | R255 1k | 5 | 0-CCE |
| C6 | | R256 1k | 6 | 0-CO-LED |
| C7 | | R257 4.7k | 7 | 0-BUCK |
| C8 | | R258 1k | 8 | 10-BUS3 |
| C9 | | R259 10k | 9 | 1-SW IC0 |
| C10 | | R260 10k | 10 | 0-TRAYCLS |
| C11 | | R261 1k | 11 | 0-TRAYDPN |
| C12 | | R262 100 | 12 | 0-B1SHFW0 |
| C13 | | R263 1k | 13 | 0-B1SHREV |
| | | | 14 | 1-B1SHSENS |

TO 360 C.B

BECK MOTOR TN-21ZSW