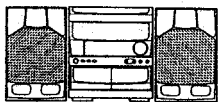


# aiwa

CX-NV700  
 CX-NV710  
 NSX-AV700  
 NSX-AV70  
 NSX-V770  
 NSX-K77



COMPACT DISC STEREO  
 CASSETTE RECEIVER

- BASIC TAPE MECHANISM : 2ZM-3MK2
- BASIC CD MECHANISM : 4ZG- $\rho$
- TYPE: HE, HR, LH, U, G,  
K, E1, E, EZ

## CORRECTION

MODEL NAME	TYPE	TAPE MECHANISM	CD MECHANISM
CX-NV700	HE, LH, EZ, E, G	PR5N	ZDNM
CX-NV710	K, E1		
NSX-AV700	U		
NSX-AV70	HE, HR, EZ, K, G		
NSX-V770	HE, HR	PR3N	GDFRV5NM
NSX-K77	HE, HR		

- BASIC TAPE MECHANISM : 2ZM-3MK2 PR5N
- BASIC CD MECHANISM : 4ZG-1 ZDNM
- TYPE: 700 EZ, E, G  
710, K, E1

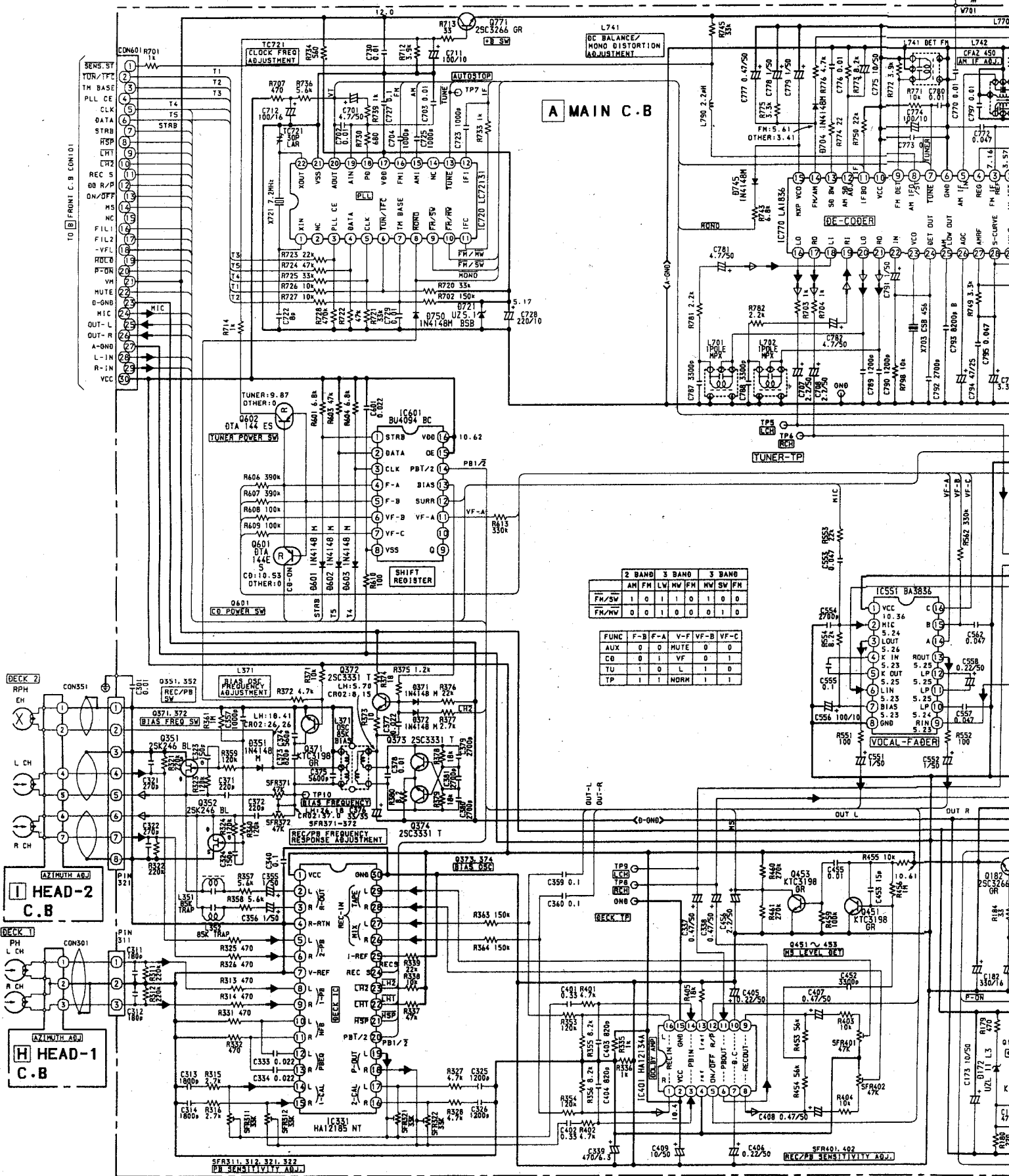
CD-CASSEIVER	SPEAKER	REMOTE CONTROLLER
CX-NV710 (TYPE: K, E1)	SX-FNV700	RC-T503
CX-NV700 (TYPE: EZ, E, G)	SX-NAV700	

CX-NV700  
 CX-NV705  
 CX-NV720

- BASIC TAPE MECHANISM : 2ZM-3MK2 PR5N
- BASIC CD MECHANISM : 4ZG-1 ZDNM
- TYPE: 700, V, 705, EZ  
720, EZ

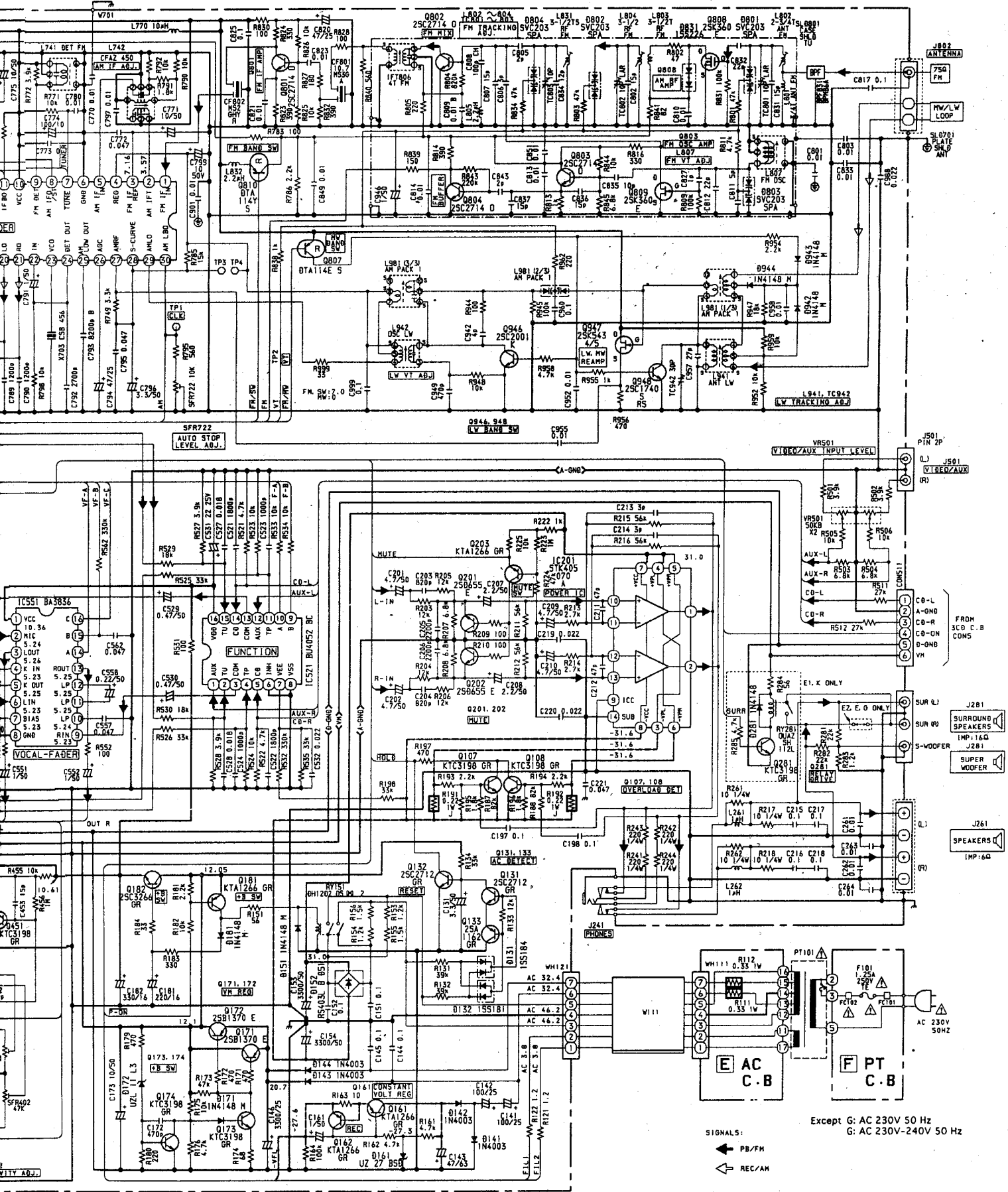
CD-CASSEIVER	SPEAKER	REMOTE CONTROLLER
CX-NV700 (TYPE: V)	SX-NAV70	RC-T503
CX-NV705 (TYPE: EZ)		
CX-NV720 (TYPE: EZ)		

SCHEMATIC DIAGRAM - 1 (MAIN)



	2 BAND	3 BAND	3 BAND
FM/SW	1	0	1
FM/FM	0	0	0

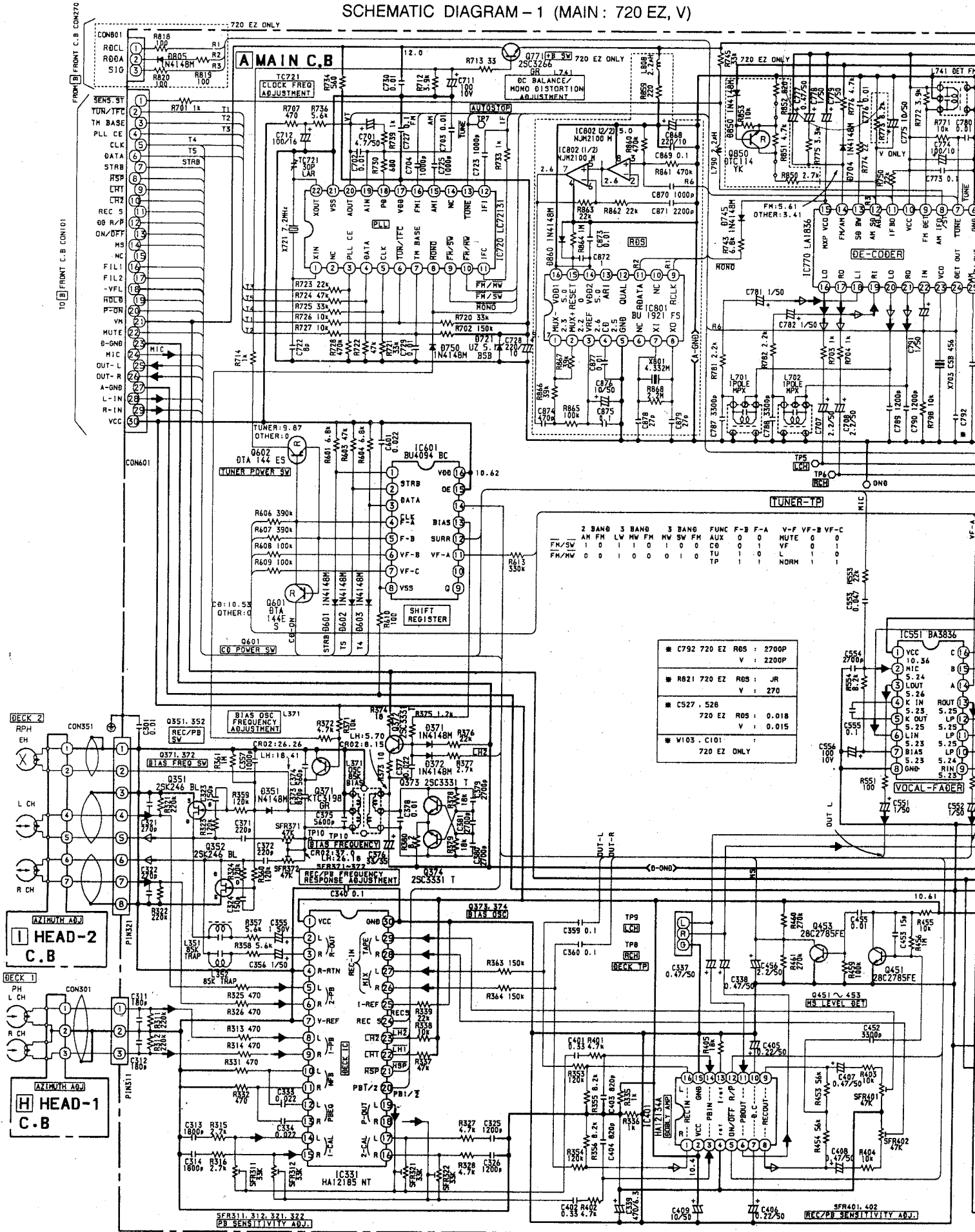
	F-B	F-A	V-F	V-F-B	V-F-C
AUX	0	0	0	0	0
CD	0	1	0	1	0
TU	1	0	1	1	0
TP	1	1	0	1	1

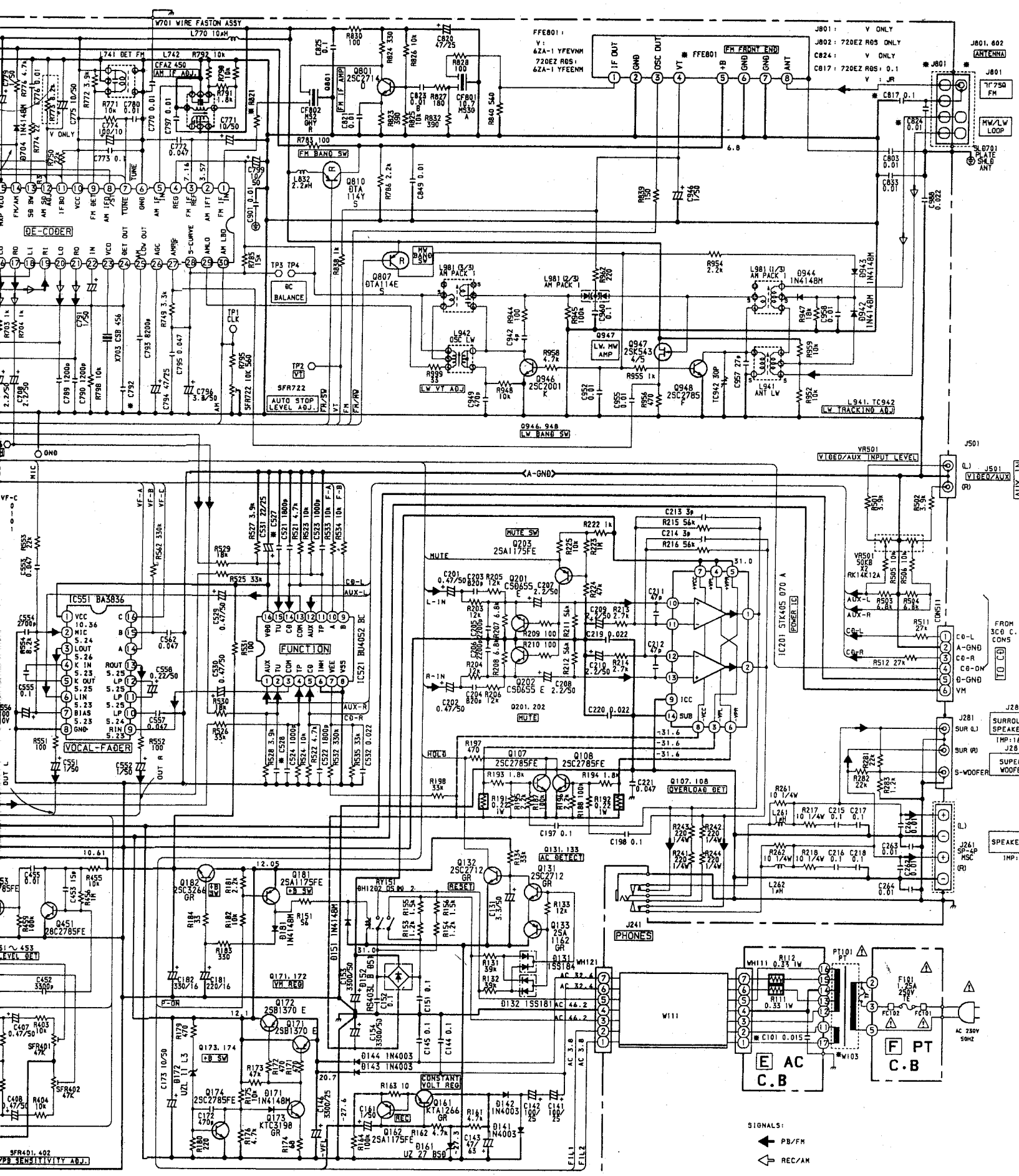


SIGNALS:  
 ← PB/FM  
 ← REC/AM

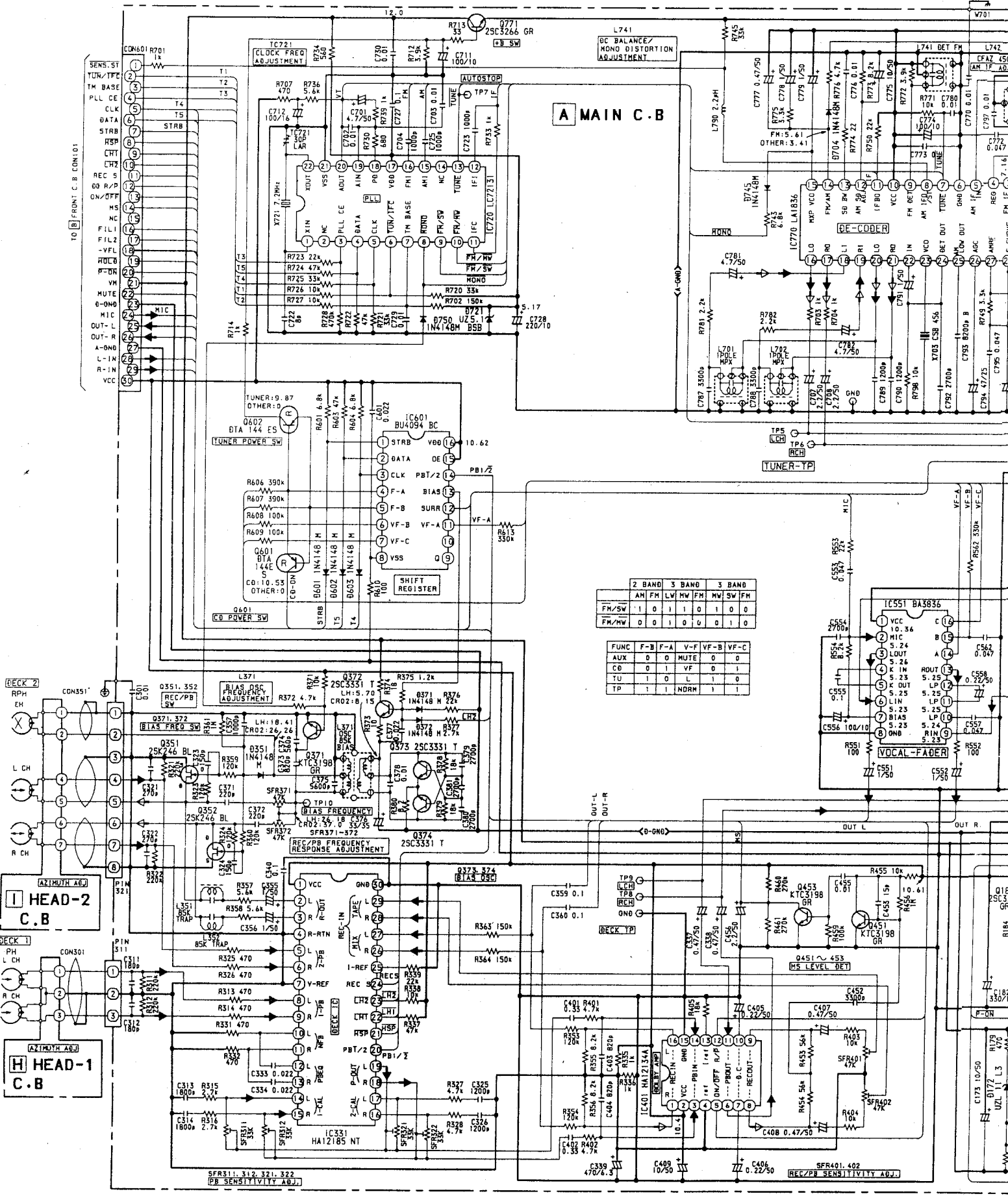
Except G: AC 230V 50 Hz  
 G: AC 230V-240V 50 Hz

# SCHEMATIC DIAGRAM - 1 (MAIN : 720 EZ, V)



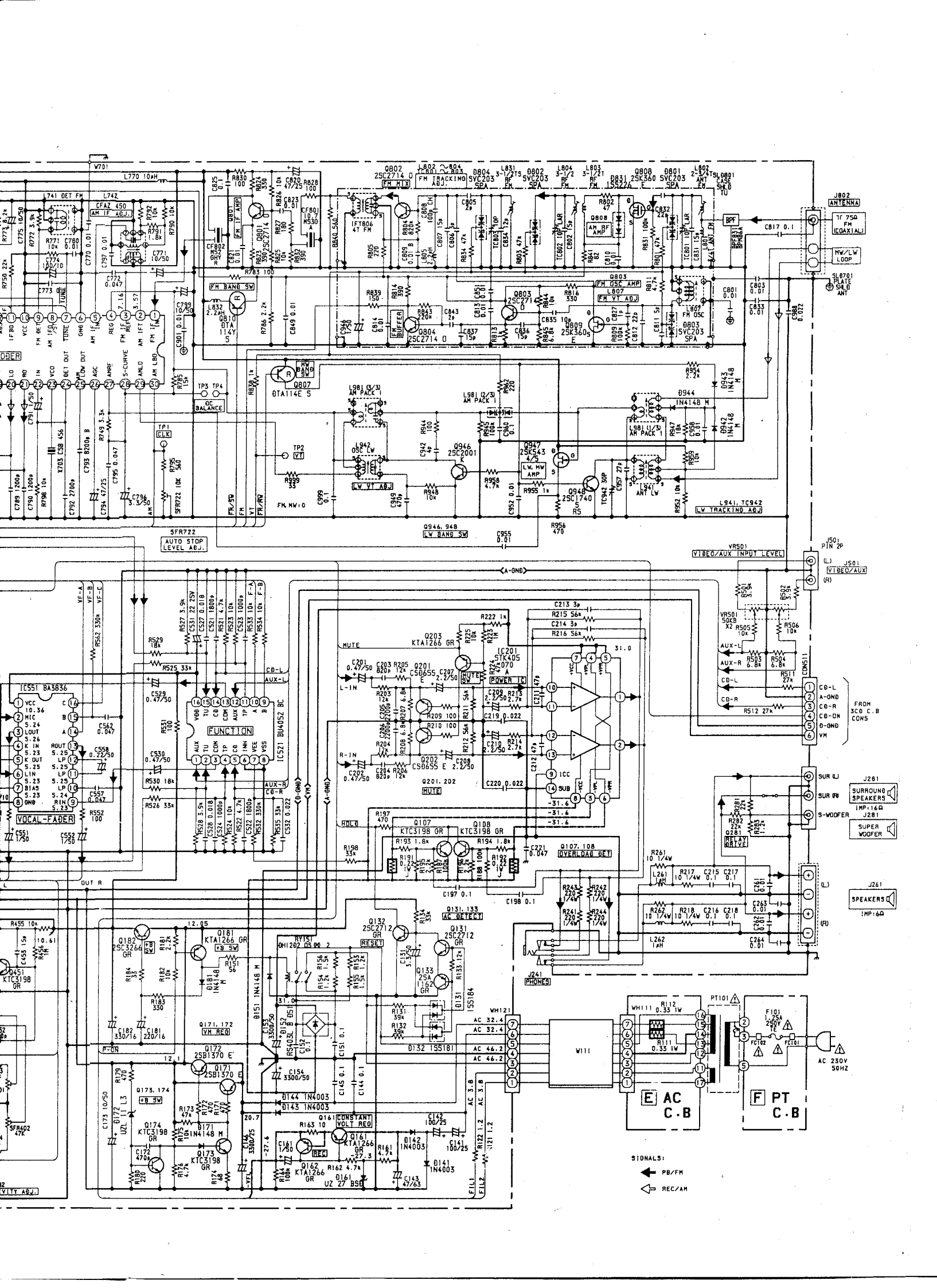


# SCHEMATIC DIAGRAM - 2 (MAIN : 705 EZ)

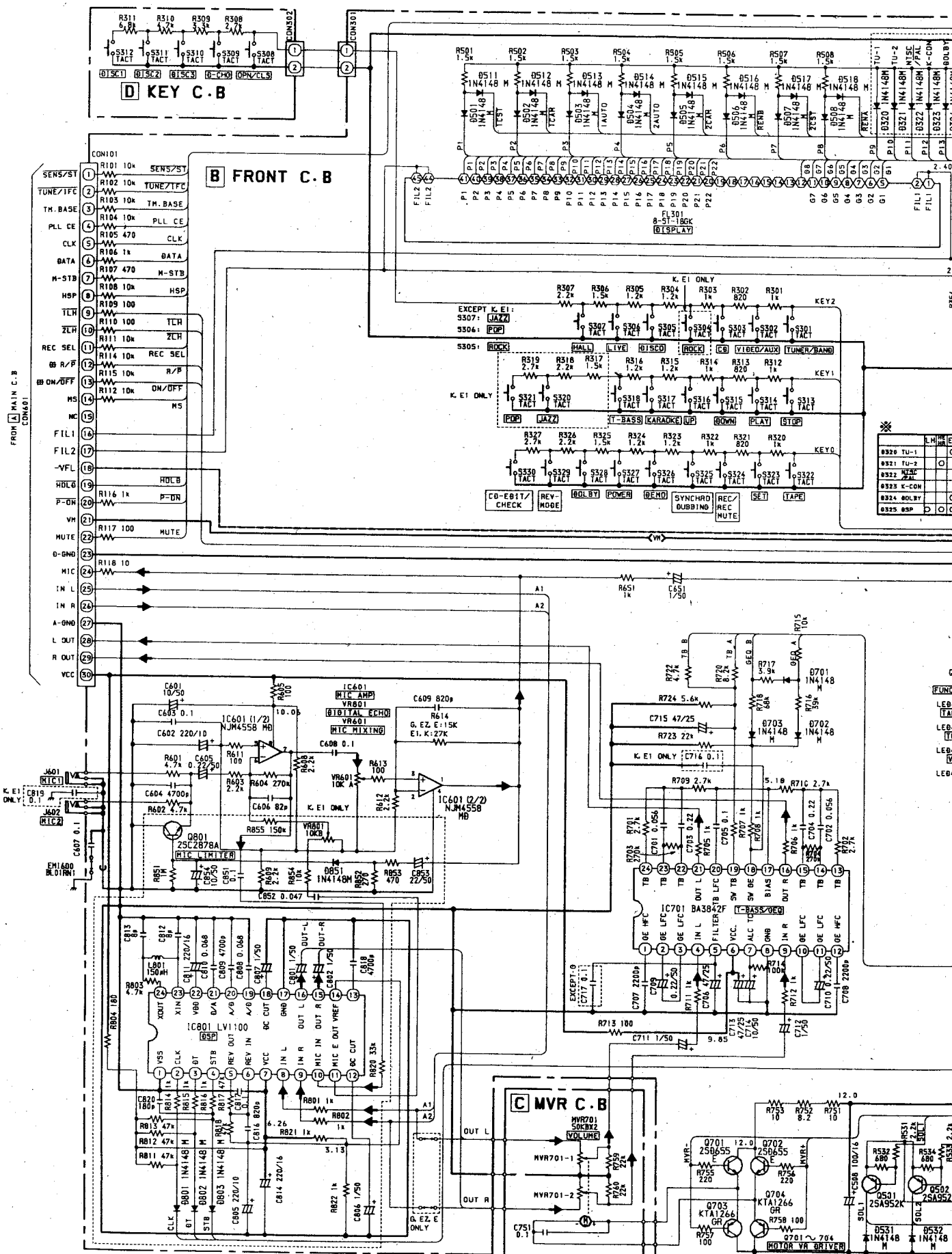


	2 BAND	3 BAND	3 BAND
AM	FM	LW	HW
FM/SW	1	0	0
FM/HW	0	0	0

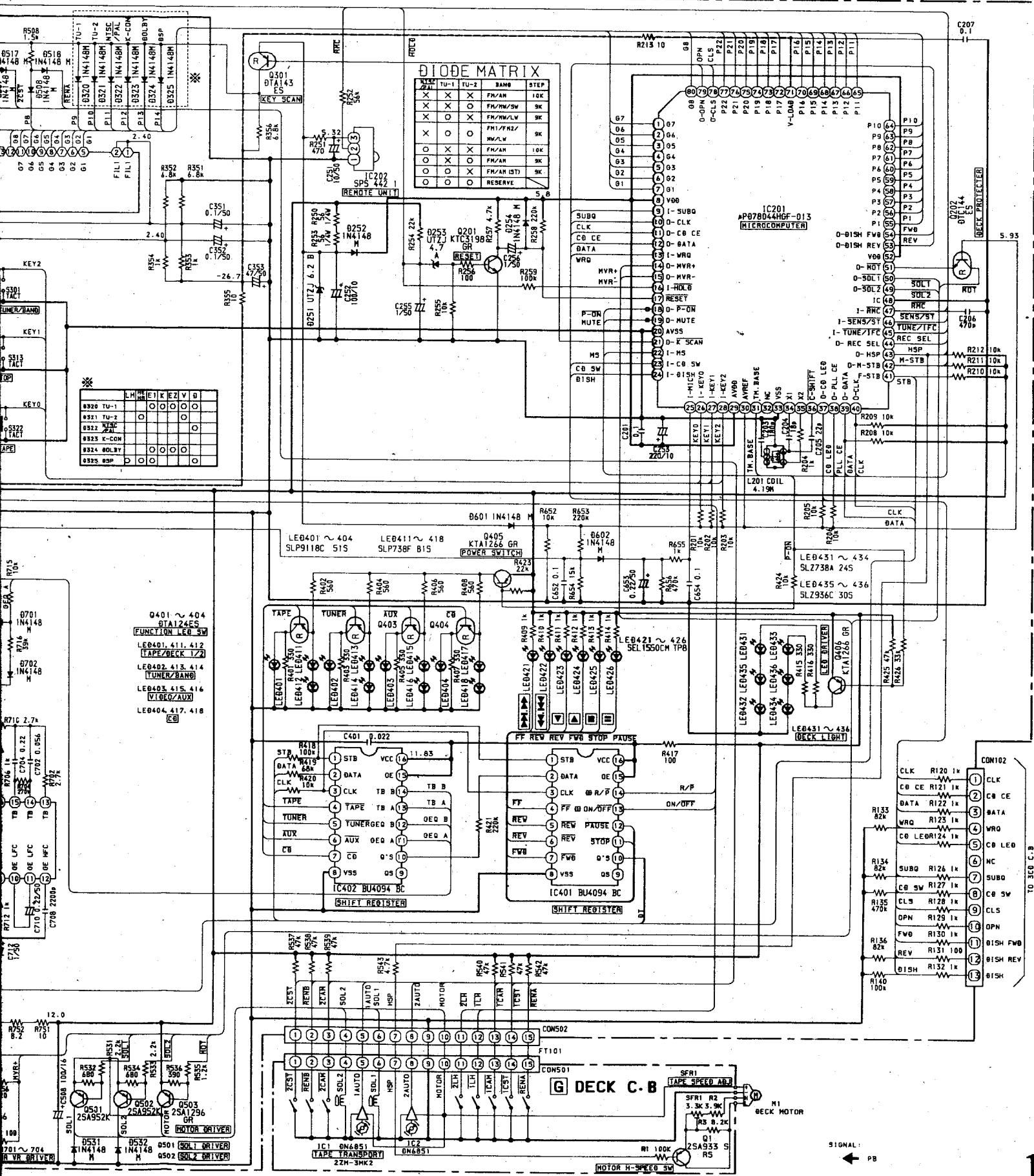
	F-B	F-A	V-F	V-B	V-C
AUX	0	0	MUTE	0	0
CD	0	1	VF	0	1
TU	1	0	L	1	0
TP	1	1	NDRM	1	1



# SCHEMATIC DIAGRAM - 2 (FRONT)







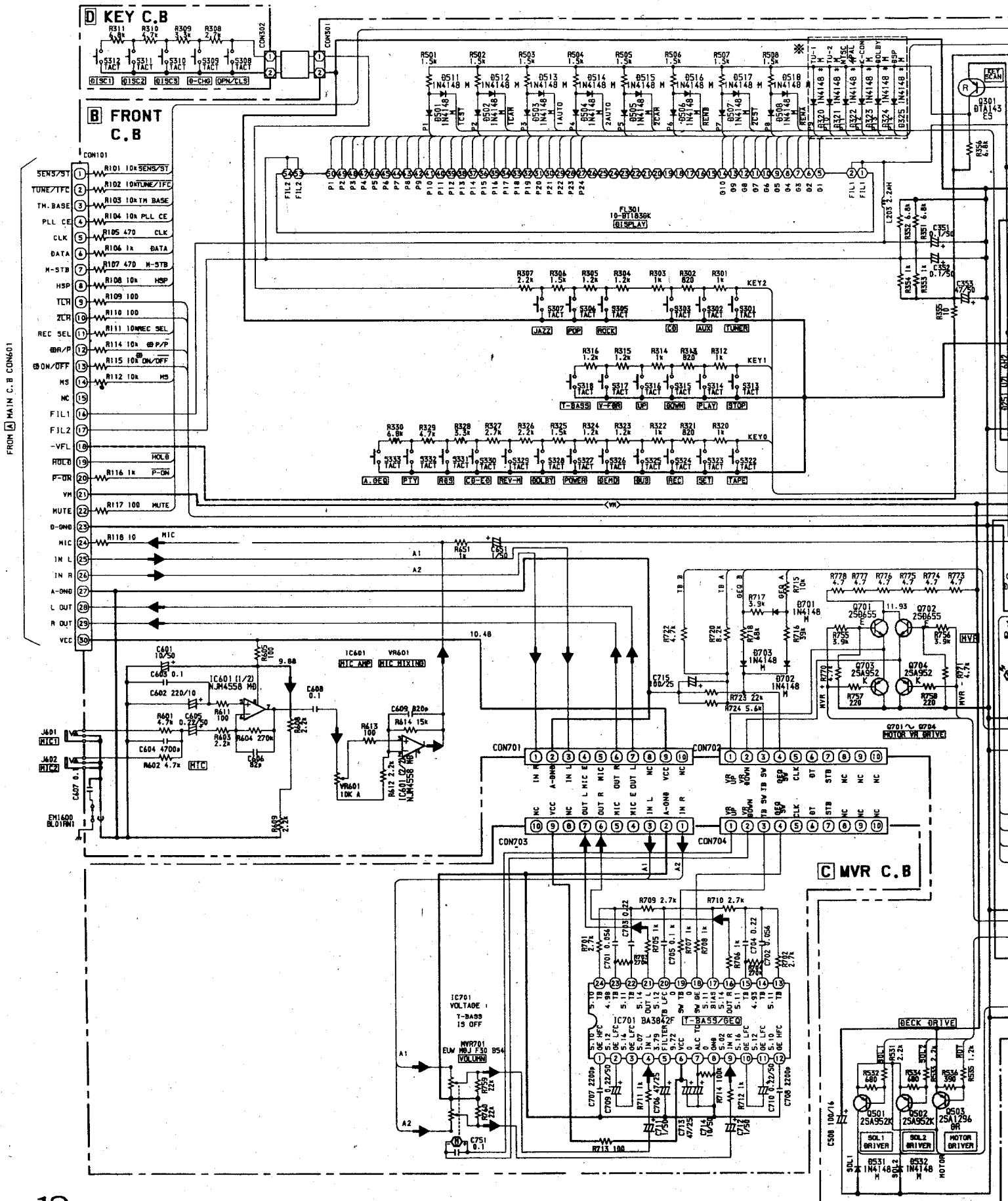
### DIODE MATRIX

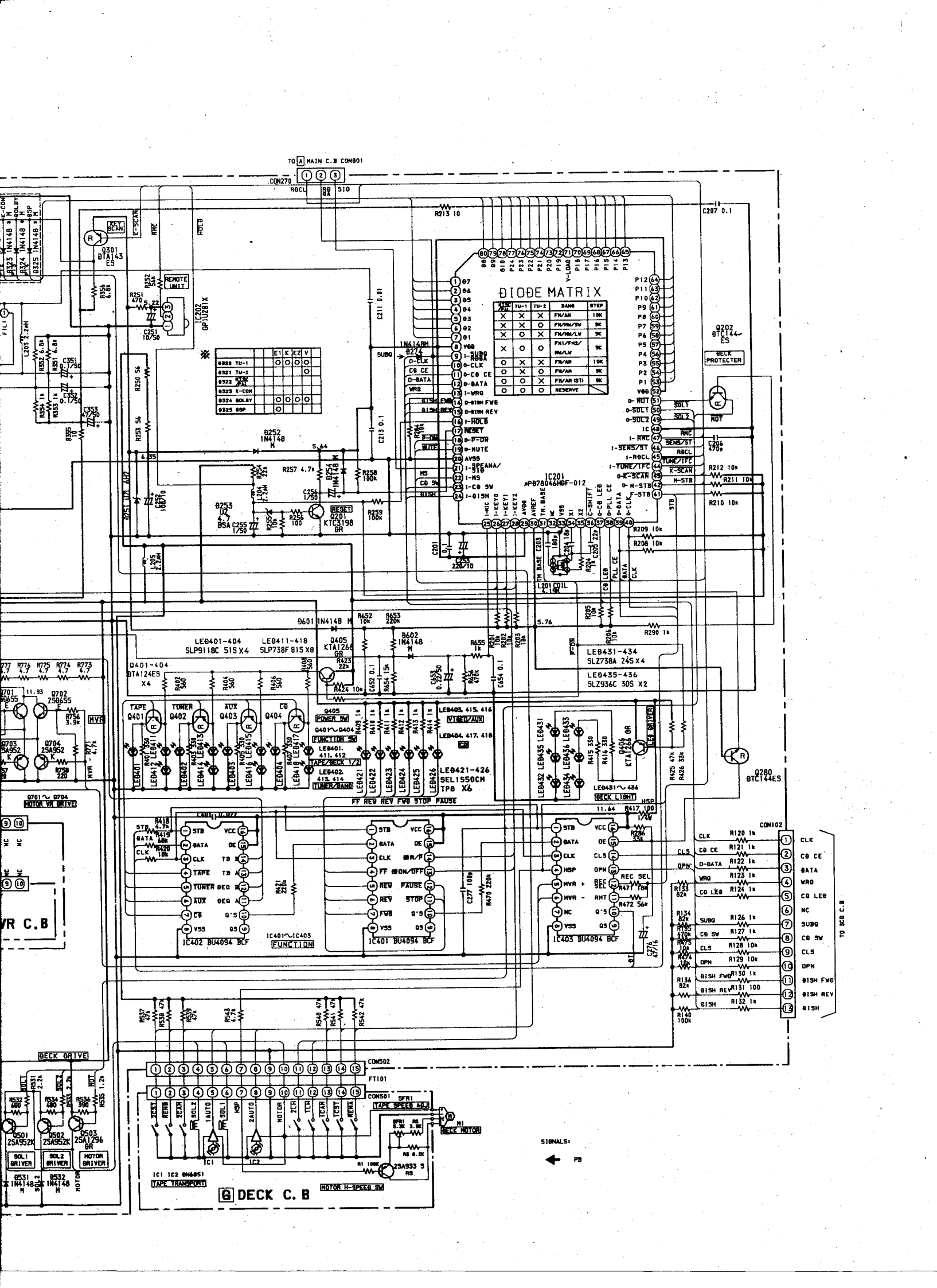
LINE	TU-1	TU-2	BAND	STEP
X	X	X	FM/AM	10K
X	X	X	FM/AM/SW	9K
X	X	X	FM/AM/LV	9K
X	X	X	FM/AM/ST	9K
X	X	X	FM/AM	10K
X	X	X	FM/AM	9K
X	X	X	FM/AM (ST)	9K
X	X	X	RESERVE	9K

	L	H	R	E	K	E	Z	V	D
8320 TU-1									
8321 TU-2									
8322 TUNE									
8323 C-COM									
8324 SOLBY									
8325 HSP									

- Q401 ~ 404 8TA124ES FUNCTION LED SW
- LEB401, 411, 412 TAPE/BECK L 2
- LEB402, 413, 414 TUNER/BAND
- LEB403, 415, 416 VIBRO/AUX
- LEB404, 417, 418

# SCHEMATIC DIAGRAM - 3 (FRONT : 720 EZ)





TO MAIN C.B. CON801

CON270

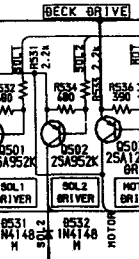
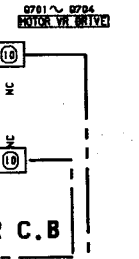
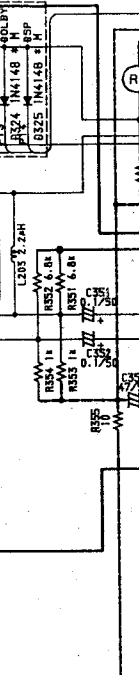
ROCL 8X S10

**DIODE MATRIX**

STEP	RAMB	TU-1	TU-2
1	FR/AR	X	X
2	FR/AR	X	X
3	FR/AR	X	X
4	FR/AR	X	X
5	FR/AR	X	X
6	FR/AR	X	X
7	FR/AR	X	X
8	FR/AR	X	X
9	FR/AR	X	X
10	FR/AR	X	X
11	FR/AR	X	X
12	FR/AR	X	X
13	FR/AR	X	X
14	FR/AR	X	X
15	FR/AR	X	X
16	FR/AR	X	X
17	FR/AR	X	X
18	FR/AR	X	X
19	FR/AR	X	X
20	FR/AR	X	X
21	FR/AR	X	X
22	FR/AR	X	X
23	FR/AR	X	X
24	FR/AR	X	X
25	FR/AR	X	X
26	FR/AR	X	X
27	FR/AR	X	X
28	FR/AR	X	X
29	FR/AR	X	X
30	FR/AR	X	X
31	FR/AR	X	X
32	FR/AR	X	X
33	FR/AR	X	X
34	FR/AR	X	X
35	FR/AR	X	X
36	FR/AR	X	X
37	FR/AR	X	X
38	FR/AR	X	X
39	FR/AR	X	X
40	FR/AR	X	X
41	FR/AR	X	X
42	FR/AR	X	X
43	FR/AR	X	X
44	FR/AR	X	X
45	FR/AR	X	X
46	FR/AR	X	X
47	FR/AR	X	X
48	FR/AR	X	X
49	FR/AR	X	X
50	FR/AR	X	X
51	FR/AR	X	X
52	FR/AR	X	X
53	FR/AR	X	X
54	FR/AR	X	X
55	FR/AR	X	X
56	FR/AR	X	X
57	FR/AR	X	X
58	FR/AR	X	X
59	FR/AR	X	X
60	FR/AR	X	X

	E	K	E	Z	V
0388 TU-1					
0321 TU-2					
0323 K-COM					
0324 HOLLY					
0325 SSP					

IC201 #P878046H6F-012



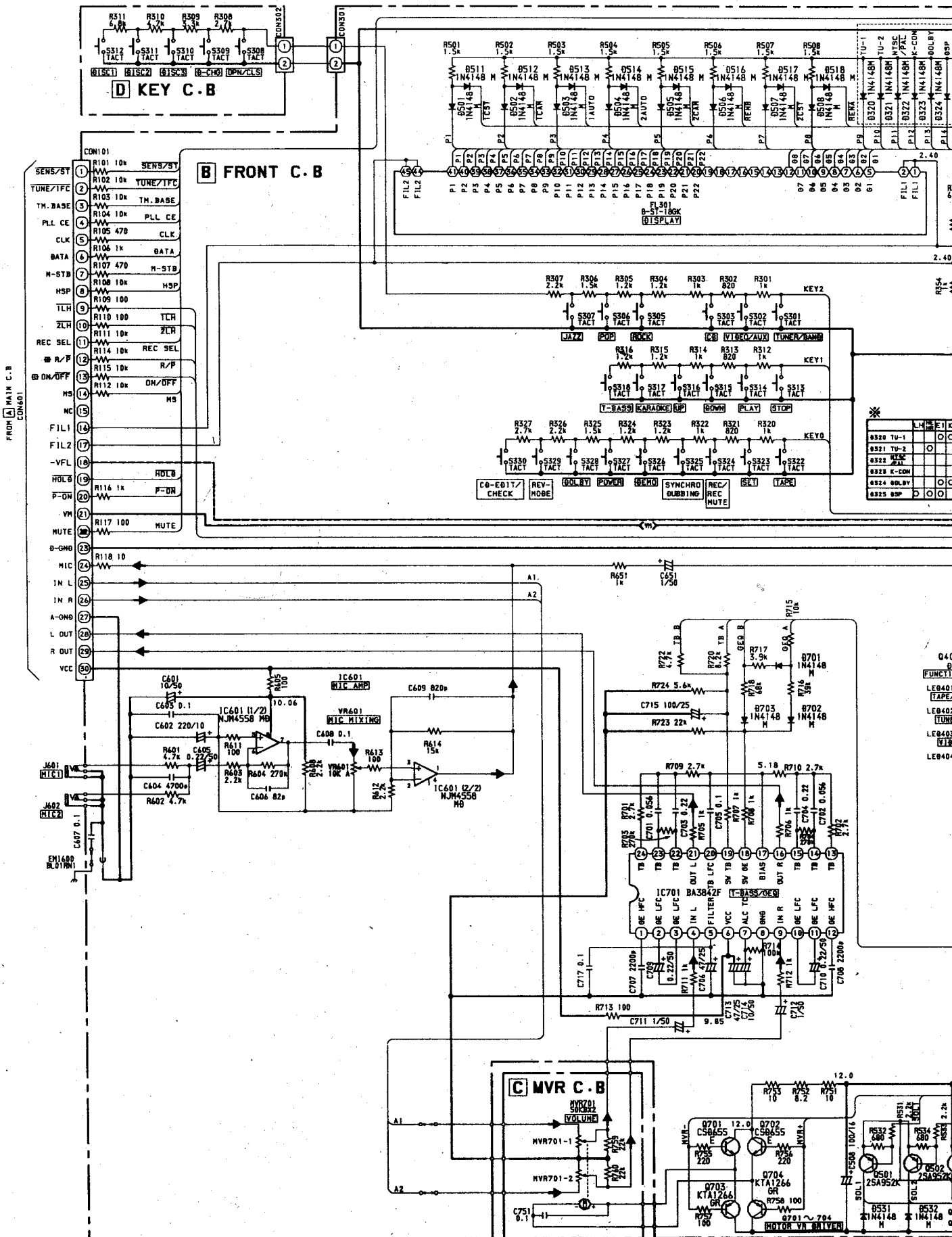
**G DECK C. B**

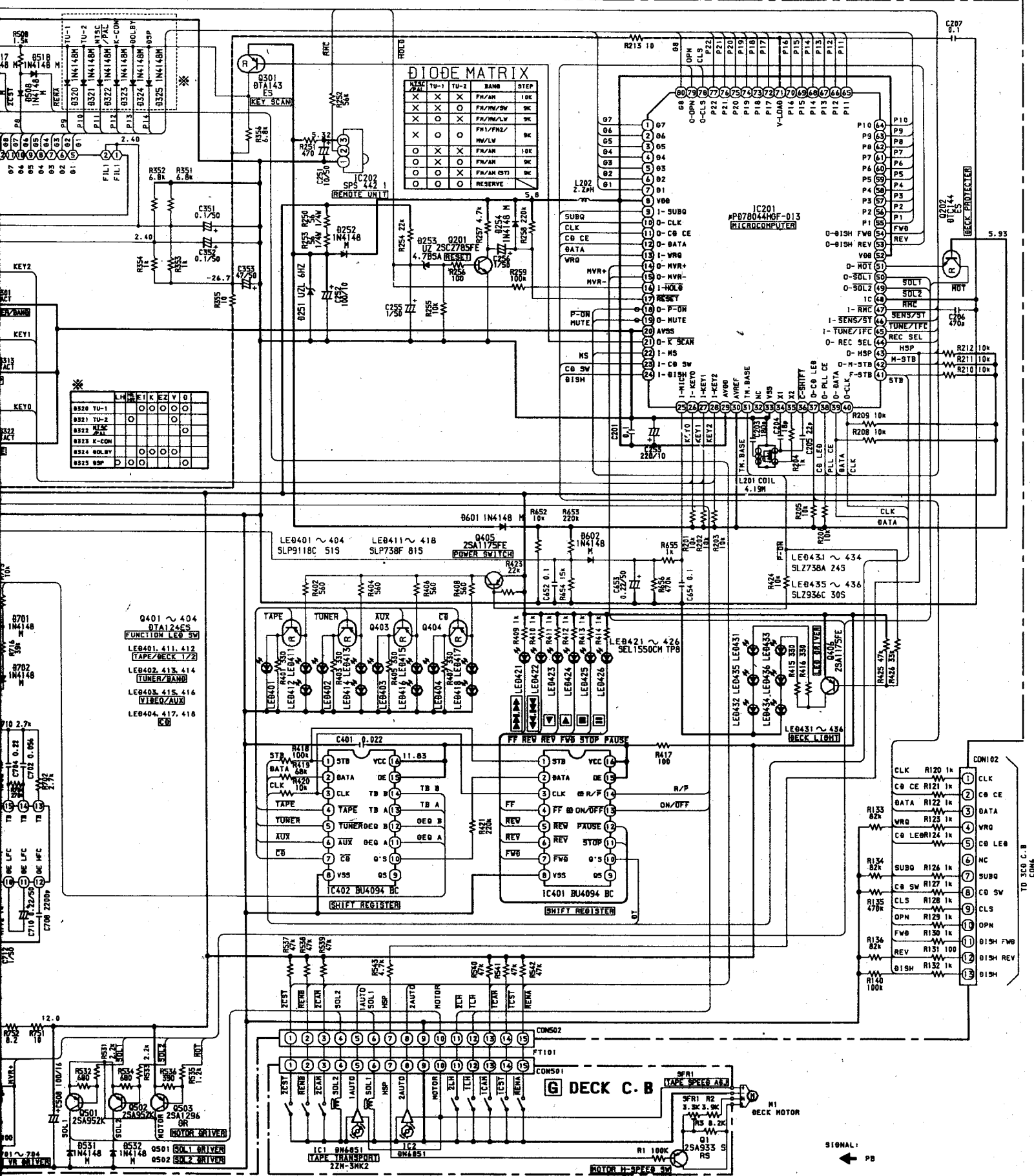
CON102

1	CLK	R120 1k
2	CB CE	R121 1k
3	BATA	R122 1k
4	WRD	R123 1k
5	CB LEB	R124 1k
6	NC	R126 1k
7	CB SW	R127 1k
8	CLS	R128 10k
9	DPN	R129 10k
10	DISH FWD	R130 1k
11	DISH REV	R131 100
12	DISH	R132 1k

SIGNALS:  
← PB

# SCHEMATIC DIAGRAM - 4 (FRONT : 705 EZ, V)





**DIODE MATRIX**

LINE	TU-1	TU-2	BAND	STEP
X	X	X	FR/AM	10K
X	X	X	FR/PM/AM	9K
X	X	X	FR/PL/LV	9K
X	X	X	FR/PL/2	9K
X	X	X	FR/AM	10K
X	X	X	FR/AM	9K
X	X	X	FR/AM (ST)	9K
O	O	O	RESERVE	5.6

**KEY MATRIX**

	L	H	E	K	Z	Y	G
0320 TU-1							
0321 TU-2							
0322 REW							
0323 F.F.							
0324 K-COM							
0325 DOLBY							
0325 SSP							

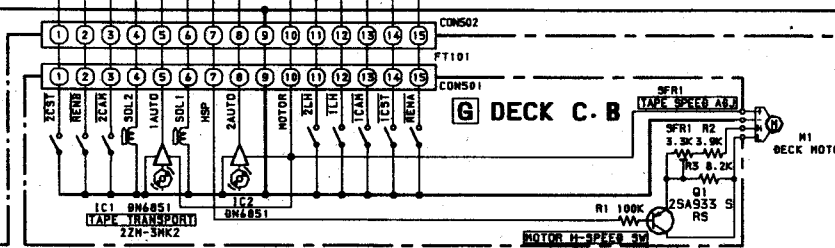
**Q401 ~ 404**  
 DTA143 FS  
**KEY SCAN**

**Q405**  
 2SA1175FE  
**POWER SWITCH**

**Q406**  
 2SA1175FE  
**BECK LIGHT**

**IC402 BU4094 BC**  
**SHIFT REGISTER**

**IC401 BU4094 BC**  
**SHIFT REGISTER**



TO 300 C. B