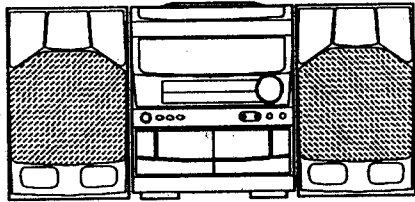


aiwa



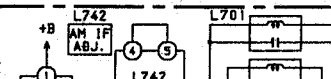
COMPACT DISC STEREO
CASSETTE RECEIVER

- BASIC TAPE MECHANISM : 2ZM-3MK2 PR4N
- BASIC CD MECHANISM : 4ZG-1 ADN M

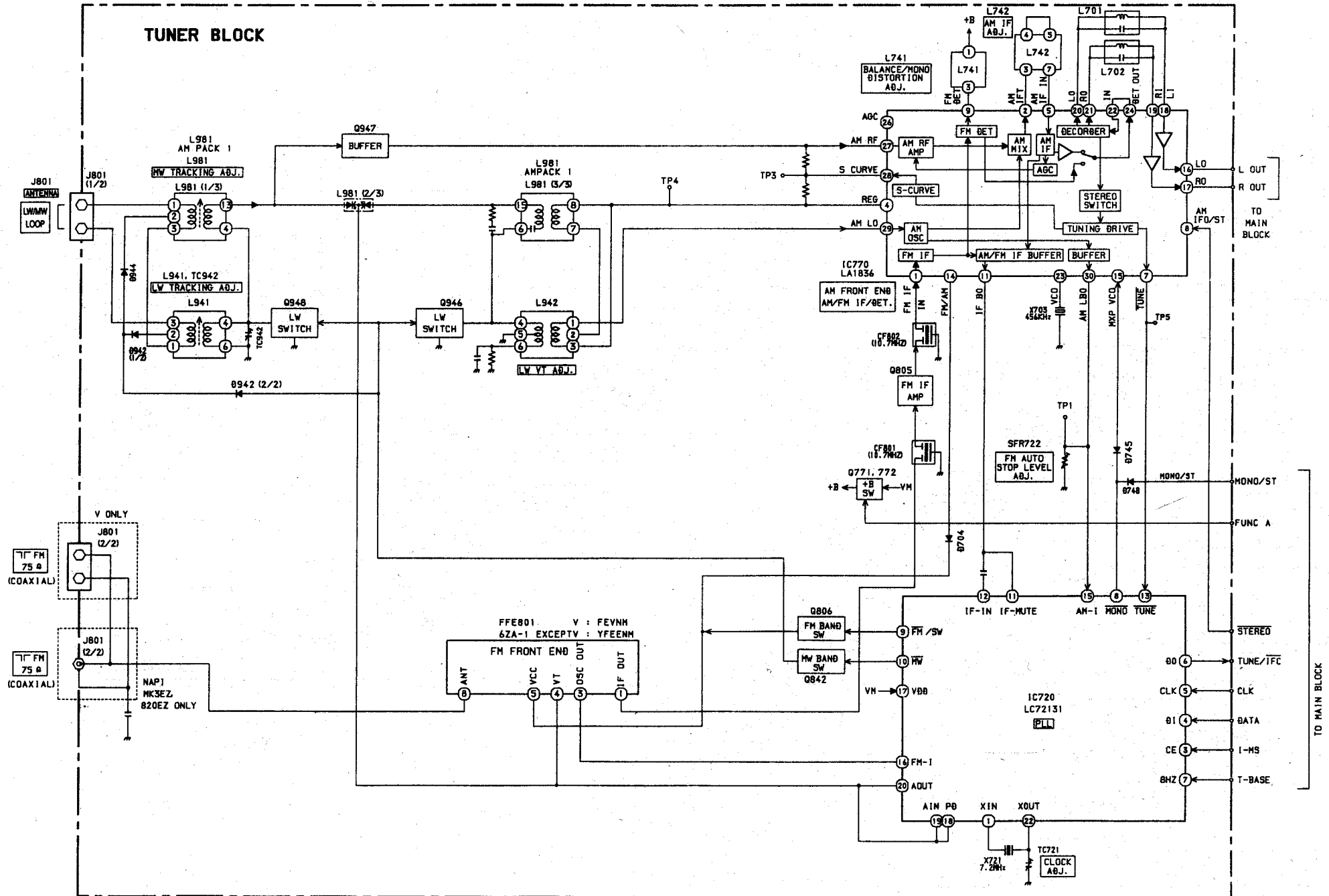
CX-NV800
CX-NV820
CX-NAP1MK3

CD-CASSEIVER	SPEAKER	REMOTE CONTROLLER
CX-NV800 (TYPE: V)	SX-FNV800	RC-T501
CX-NV820 (TYPE: EZ)		
CX-NAP1MK3 (TYPE: EZ)		

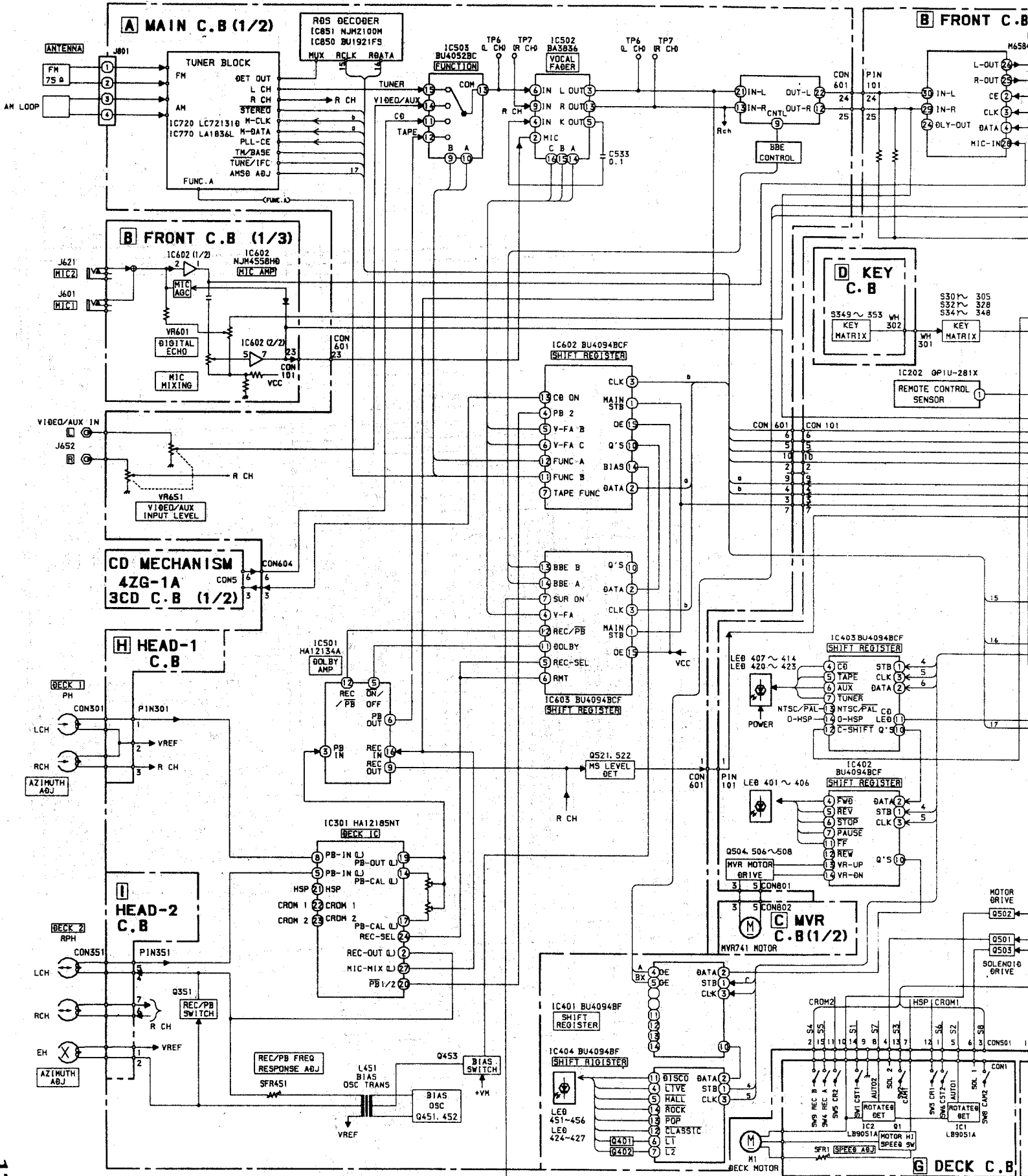
TUNER BLOCK



TUNER BLOCK



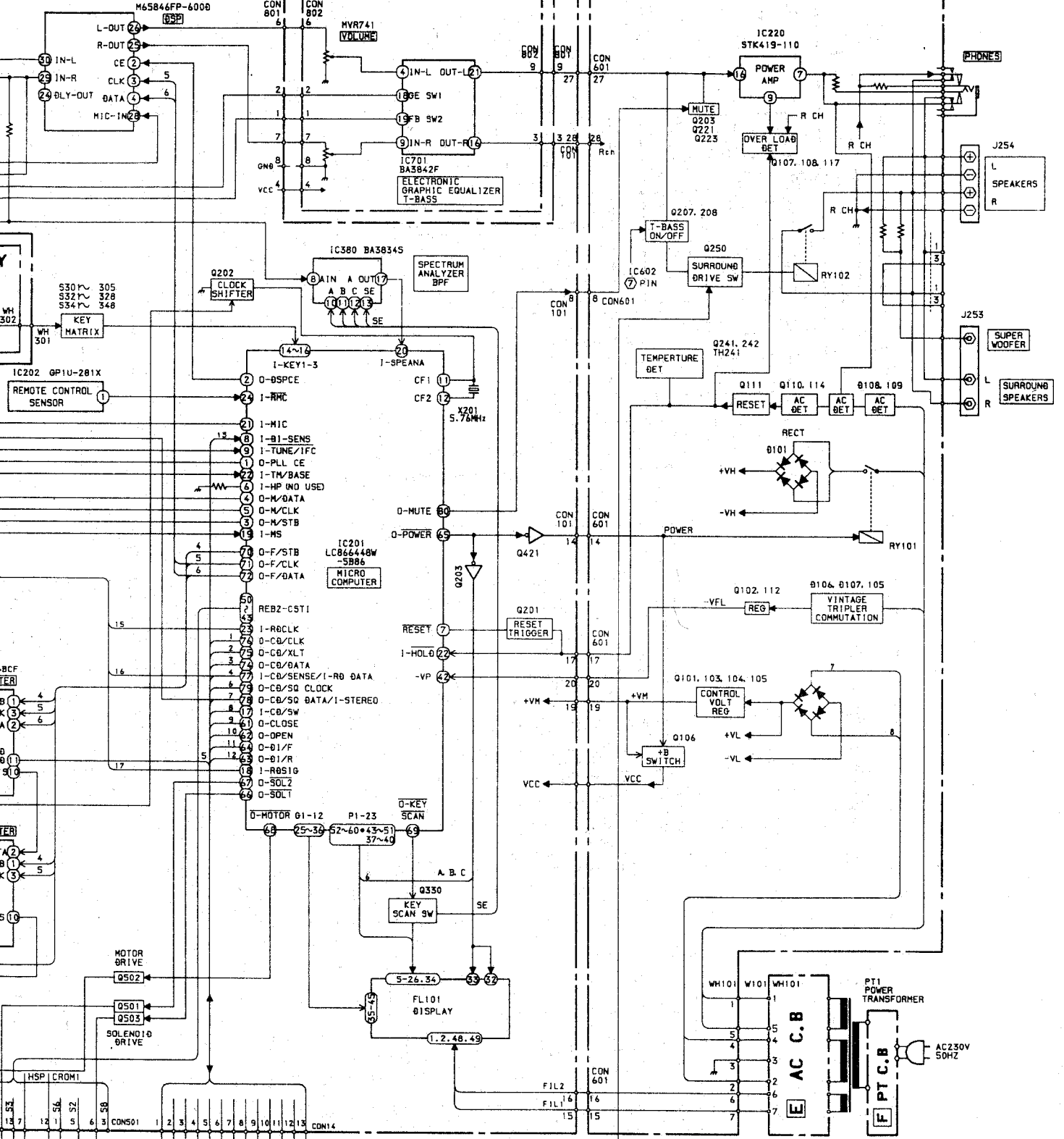
BLOCK DIAGRAM - 2 (MAIN / FRONT : EZ)



B FRONT C.B (2/2)

C MVR C.B

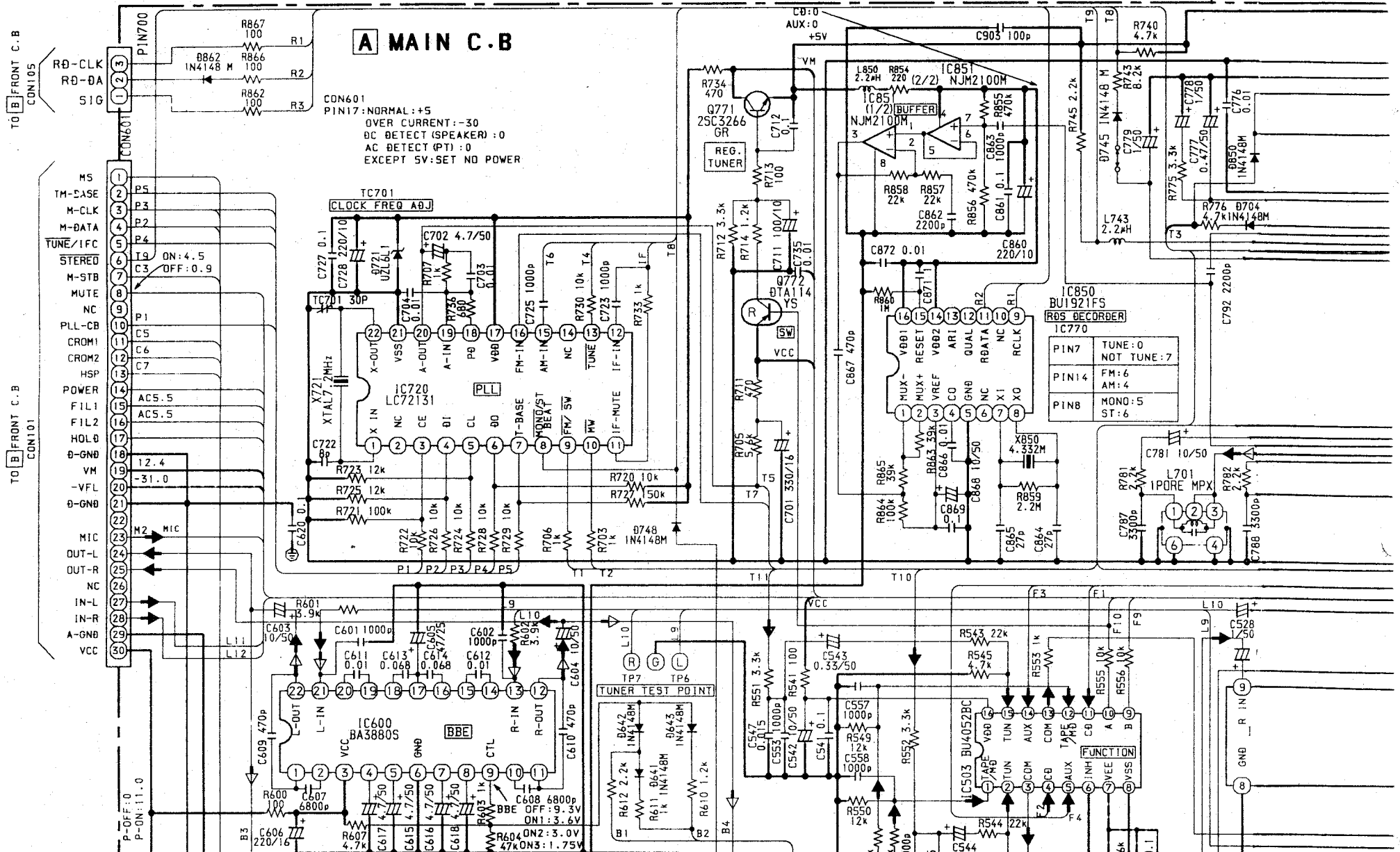
A MAIN C.B (2/2)

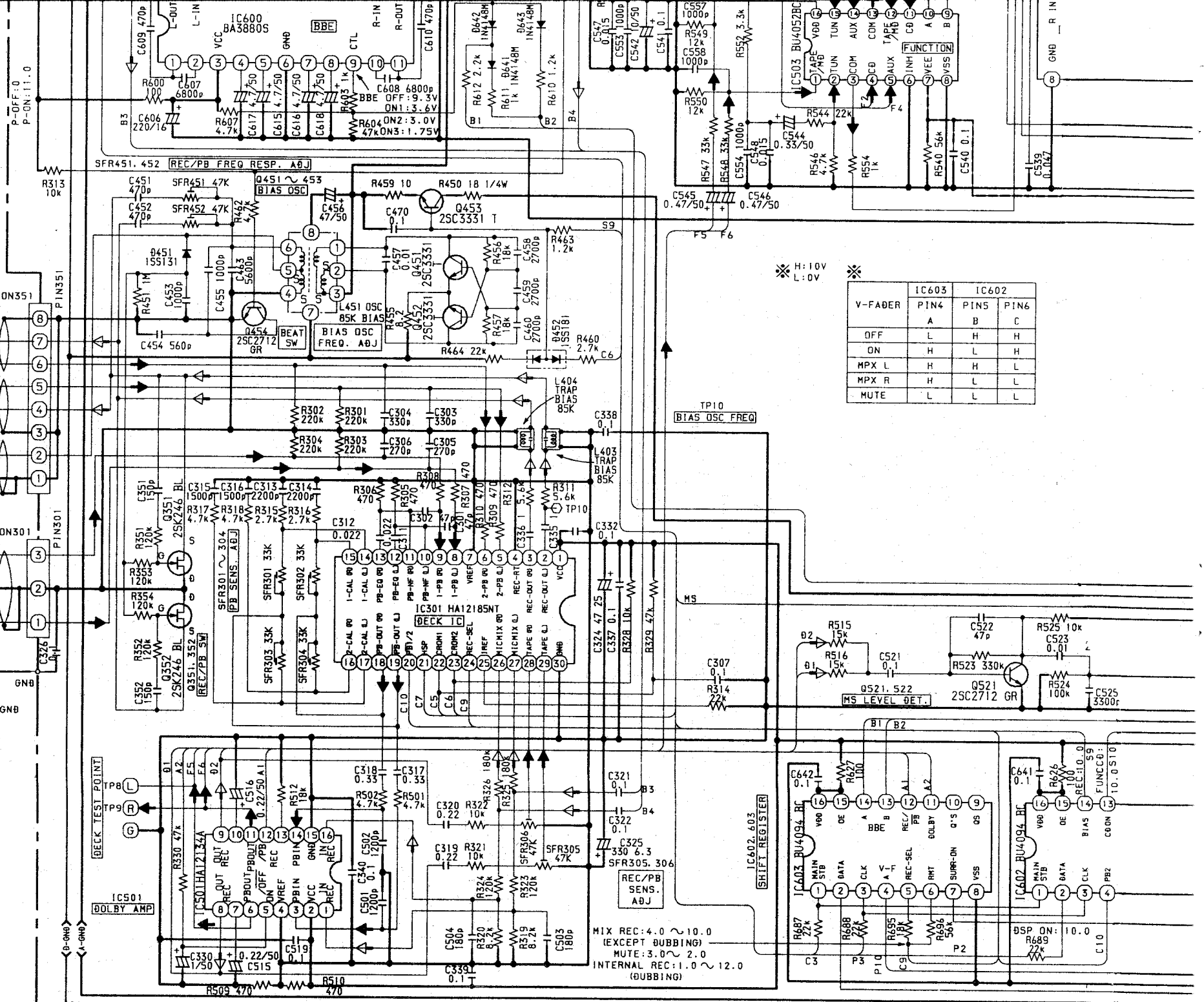
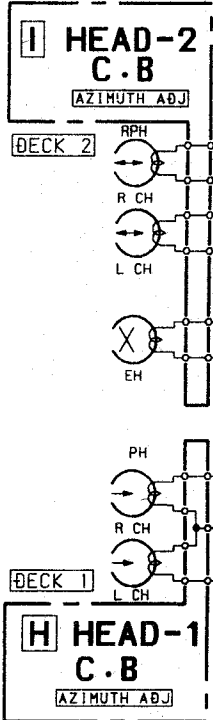


CD MECHANISM
4ZG-1A
3CD C.B (2/2)

G DECK C.B

SCHEMATIC DIAGRAM - 1 (MAIN: EZ)



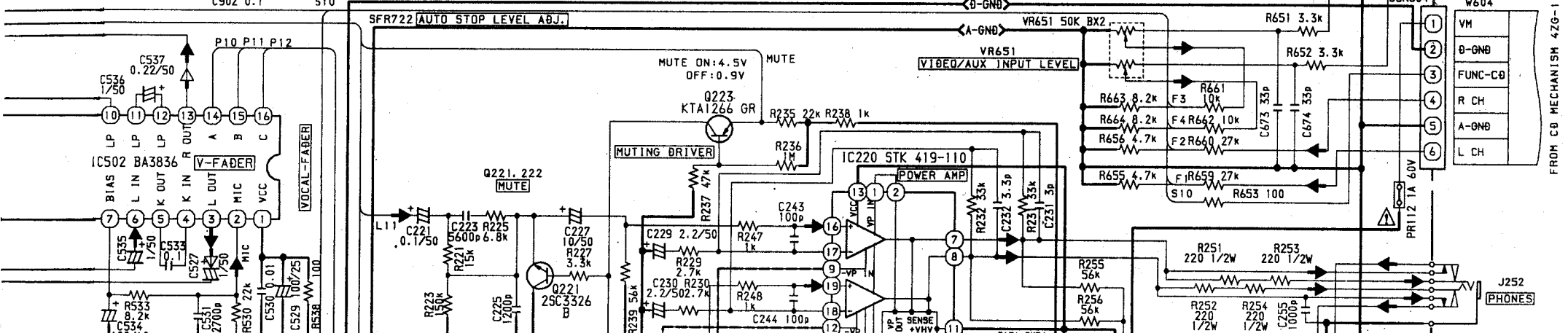
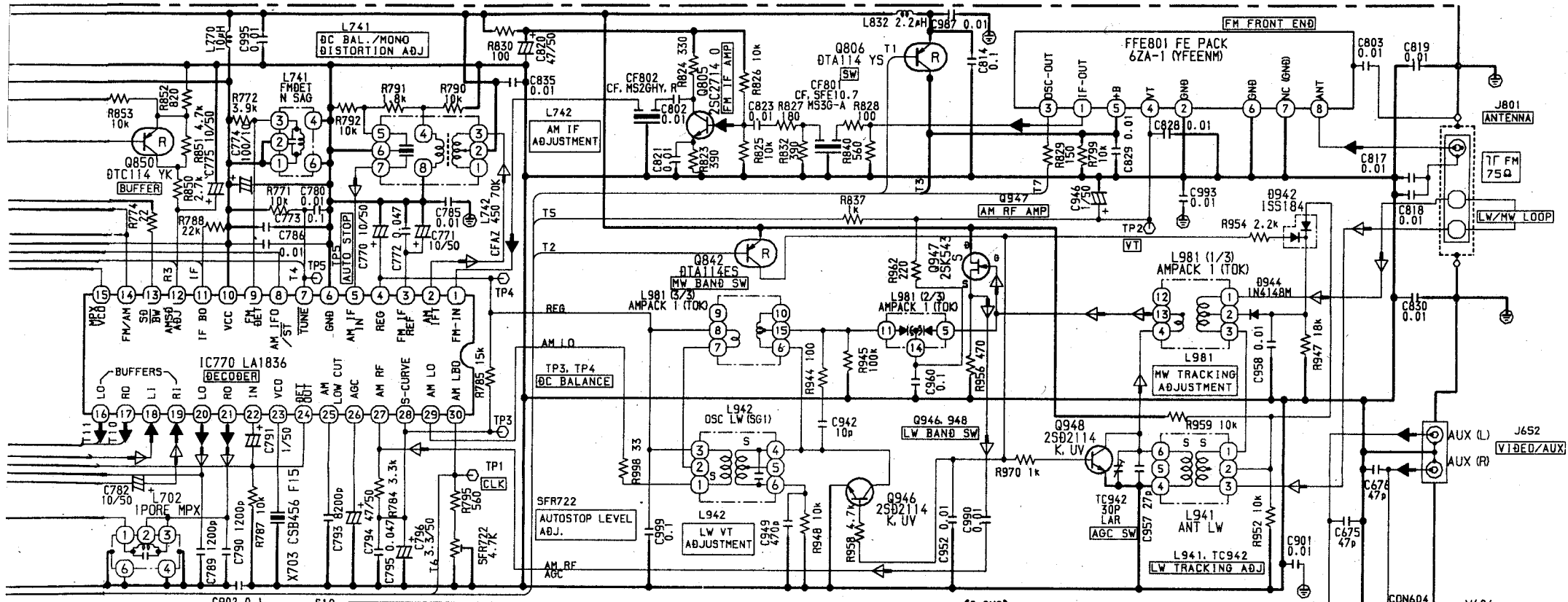


V-FADER	IC603		IC602
	PIN4	PIN5	PIN6
OFF	L	H	H
ON	H	L	H
MPX L	H	H	L
MPX R	H	L	L
MUTE	L	L	L

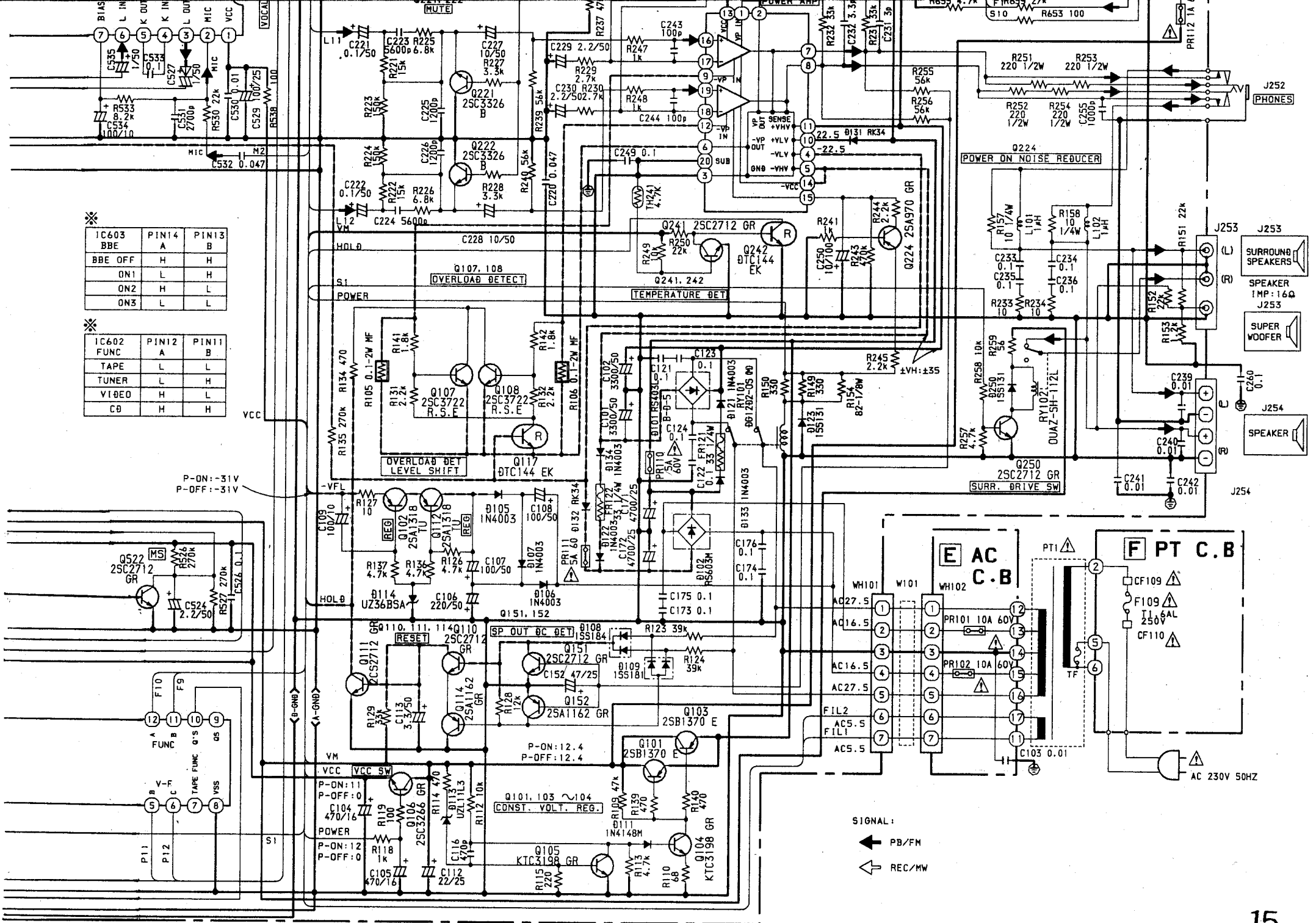
MIX REC: 4.0 ~ 10.0
(EXCEPT BUBBING)

MUTE: 3.0 ~ 2.0

INTERNAL REC: 1.0 ~ 12.0
(BUBBING)



FROM CD MECHANISM 476-1



※

IC603	PIN14	PIN13
BBD	A	B
BBD OFF	H	H
ON1	L	L
ON2	H	L
ON3	L	L

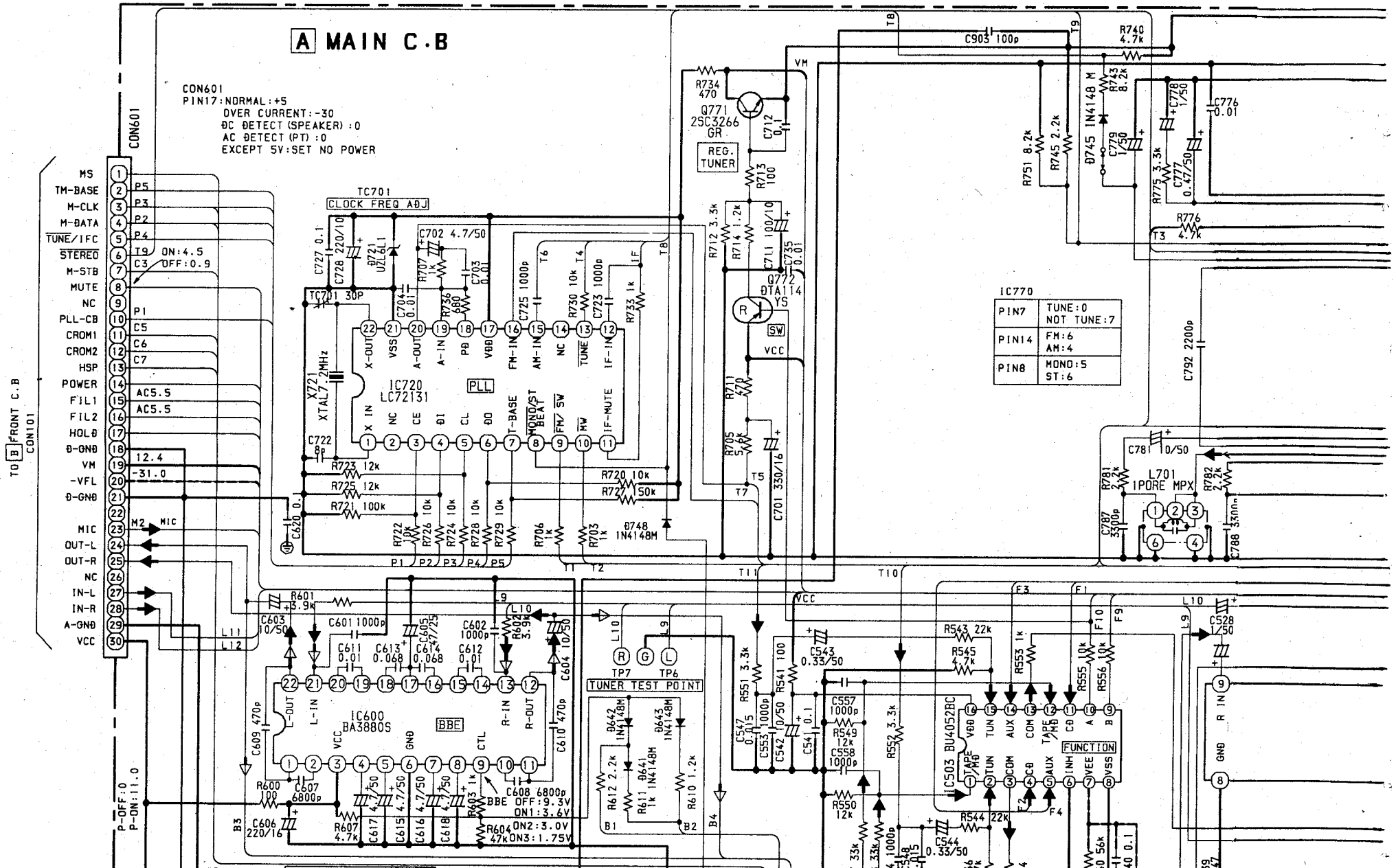
※

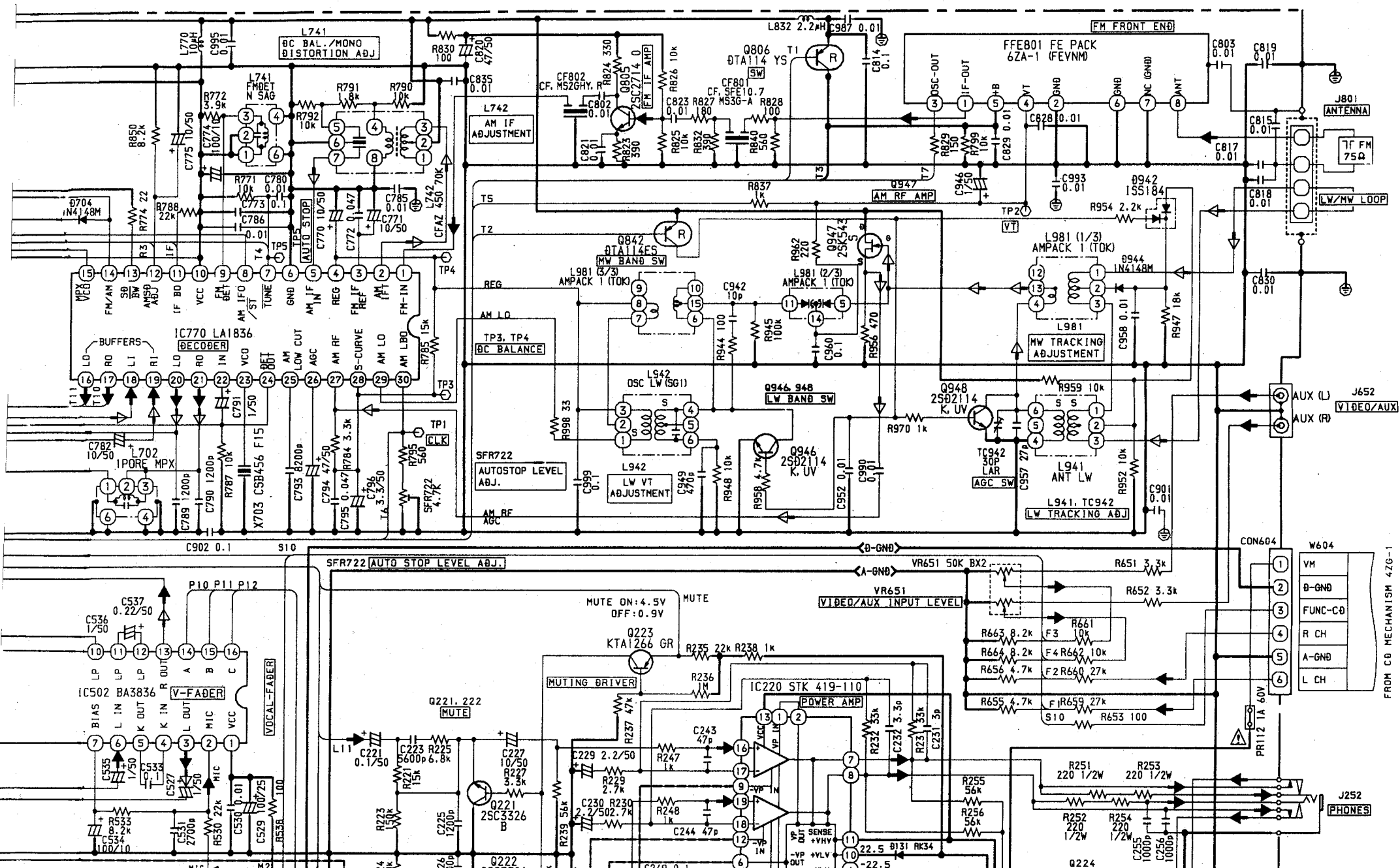
IC602	PIN12	PIN11
FUNC	A	B
TAPE	L	L
TUNER	L	H
VI-BEO	H	L
CB	H	H

P-ON: -31V
P-OFF: -51V

SIGNAL:
 ← PB/FM
 ← REC/MW

SCHEMATIC DIAGRAM - 2 (MAIN : V)

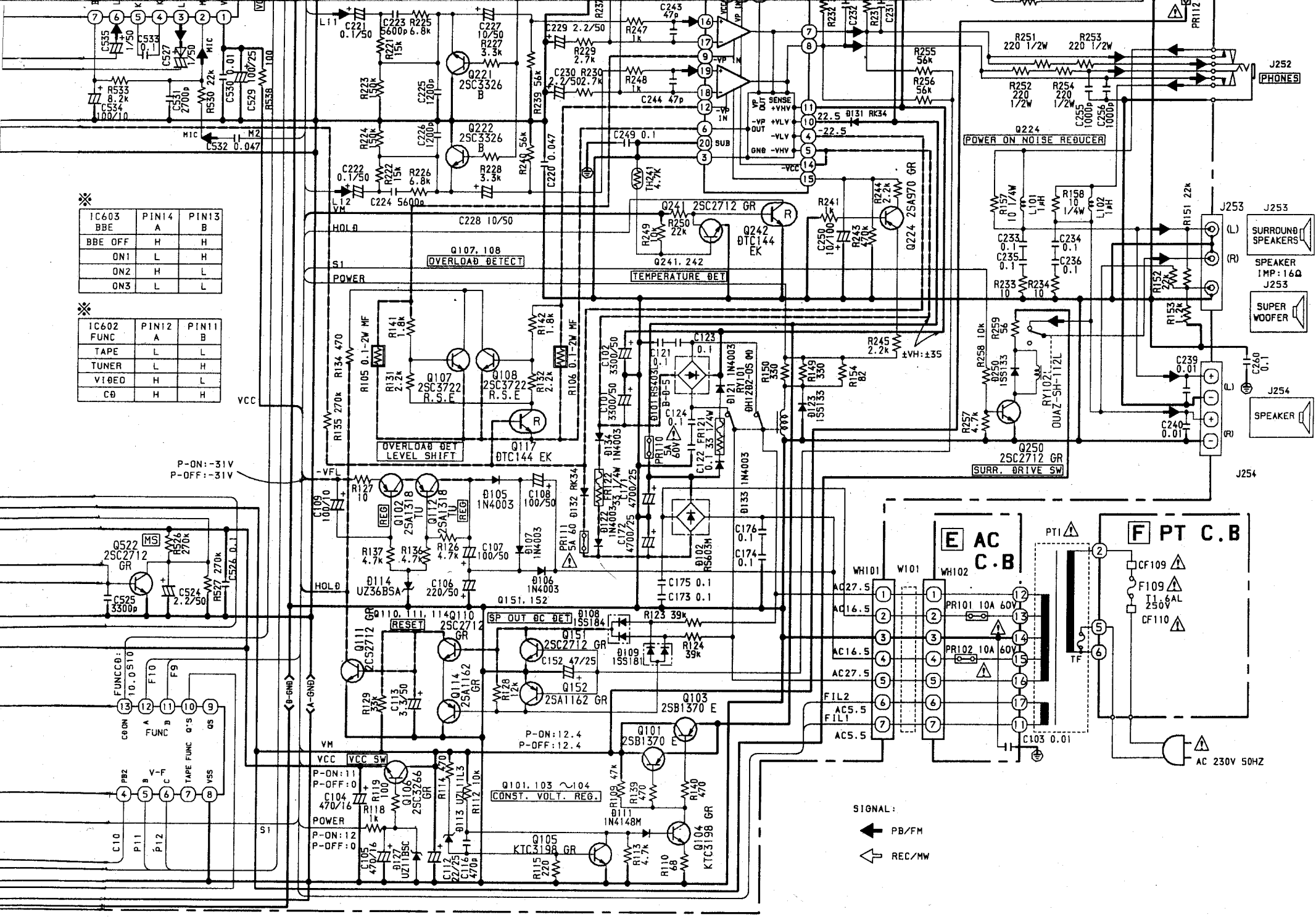




FROM CD MECHANISM 4ZG-1

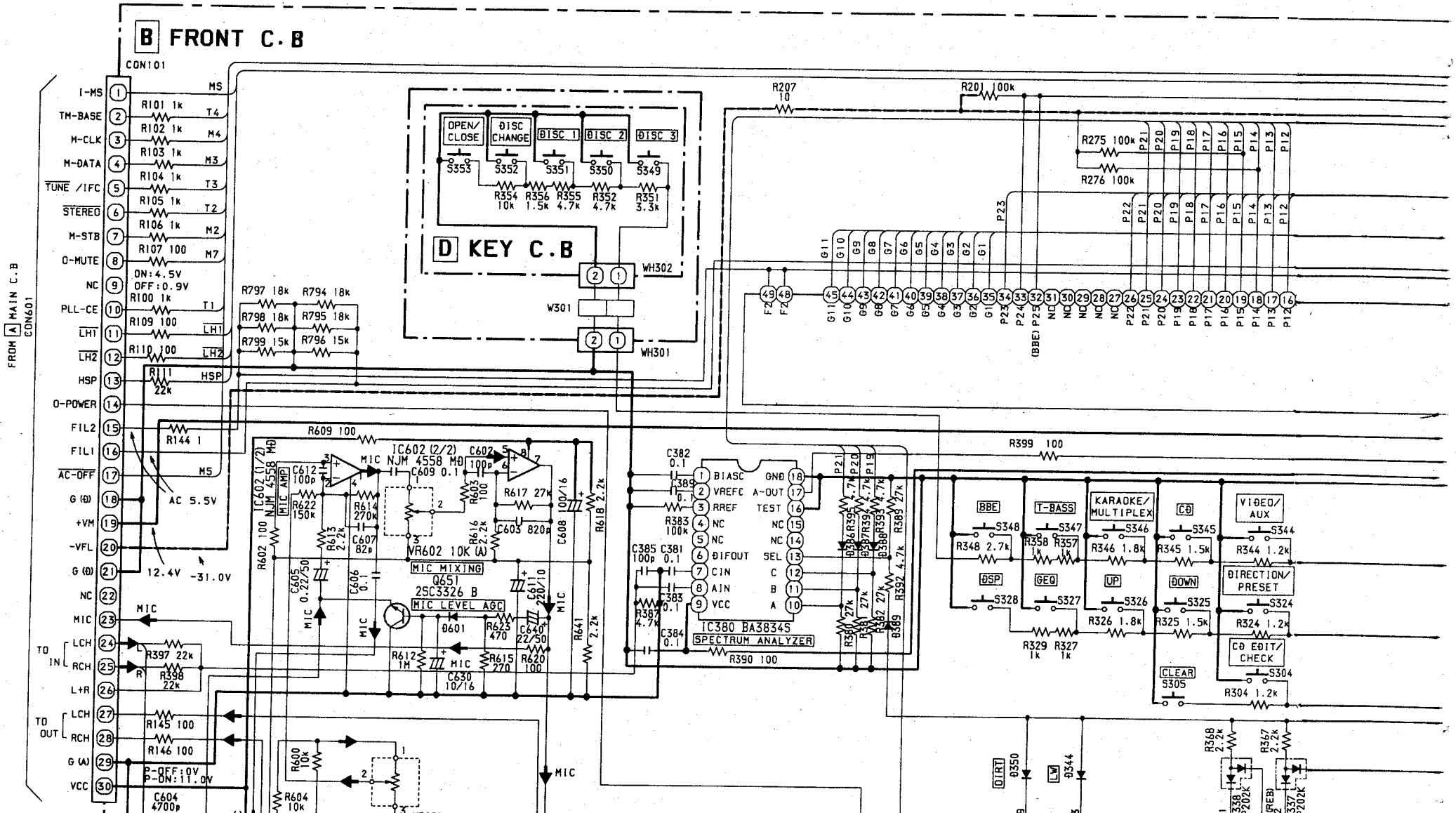
IC603	PIN14	PIN13
BBE	A	B
BBE OFF	H	H
ON1	L	H
ON2	H	L
ON3	L	L

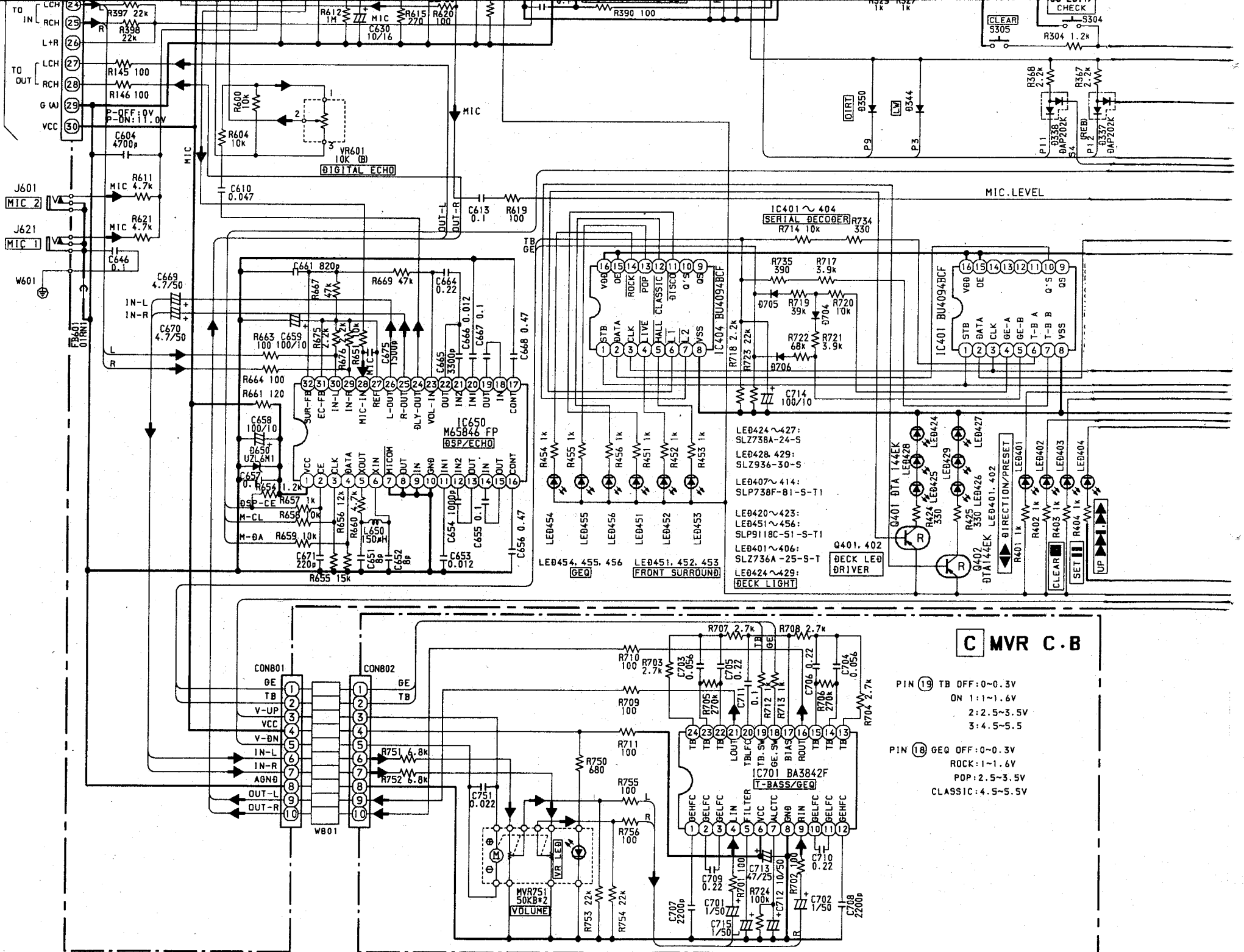
IC602	PIN12	PIN11
FUNC	A	B
TAPE	L	L
TUNER	L	H
VIDEO	H	L
CD	H	H



SIGNAL:
 ← PB/FM
 ↗ REC/MW

SCHEMATIC DIAGRAM - 4 (FRONT : V)

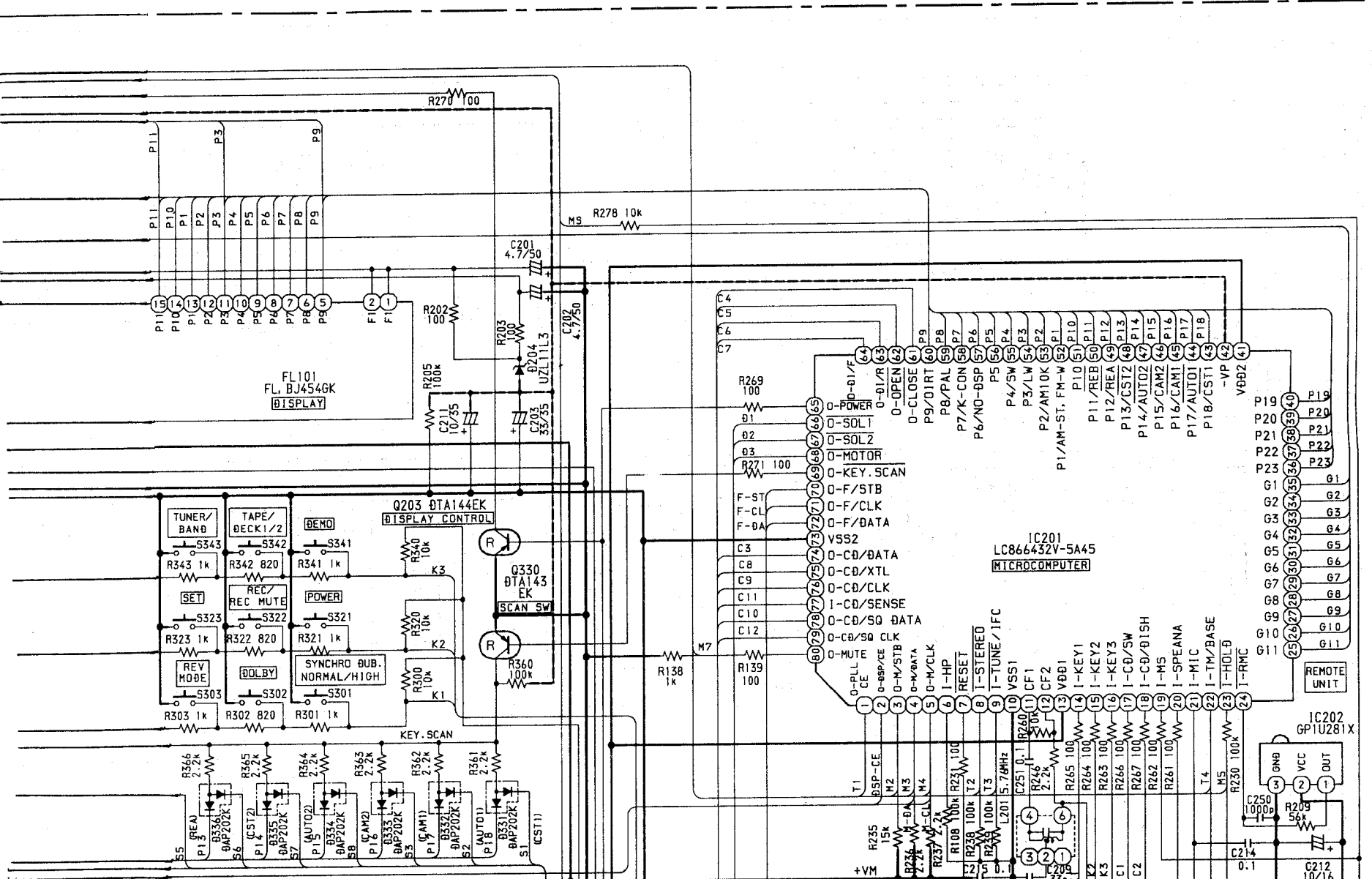


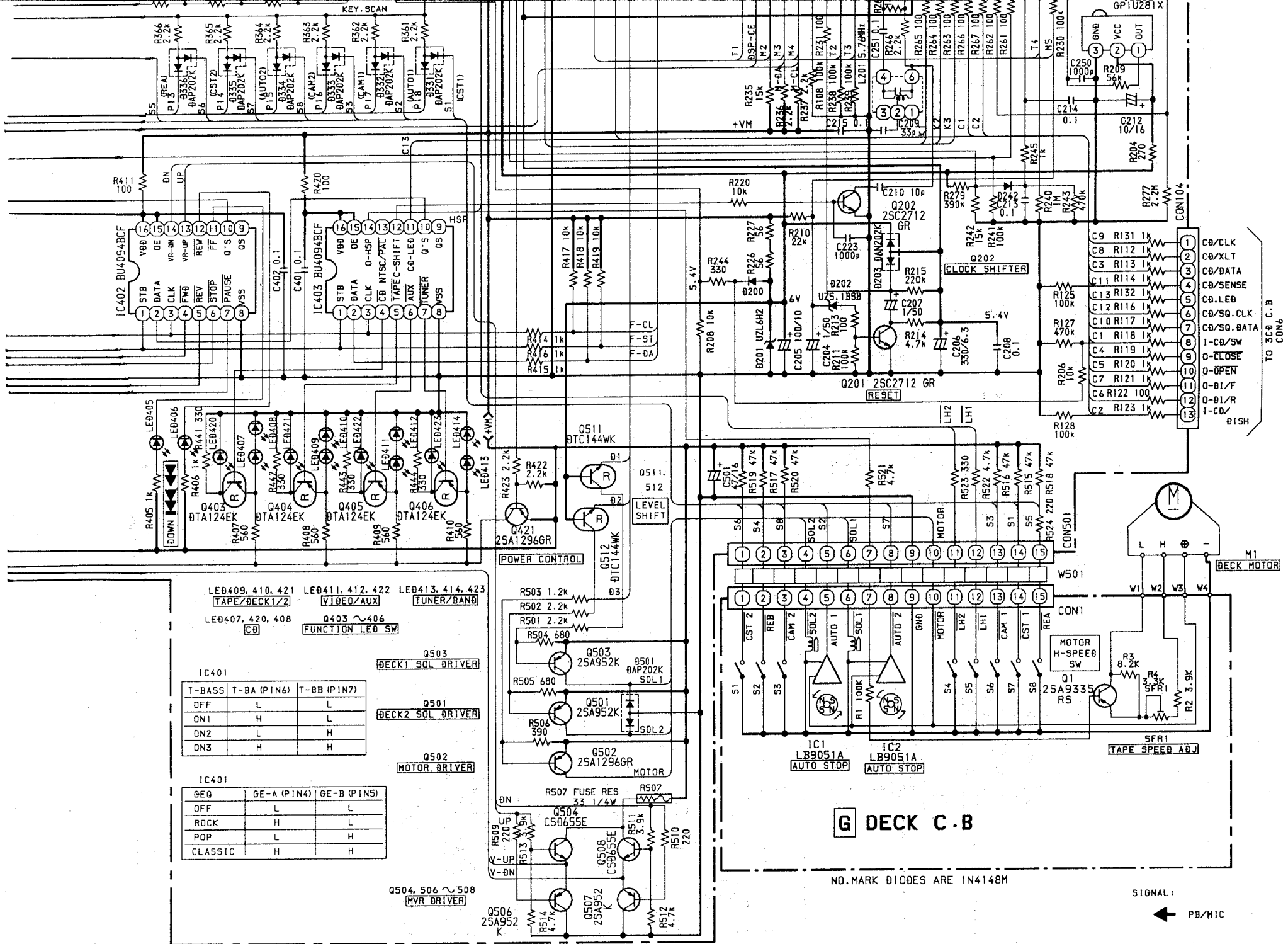


C MVR C.B

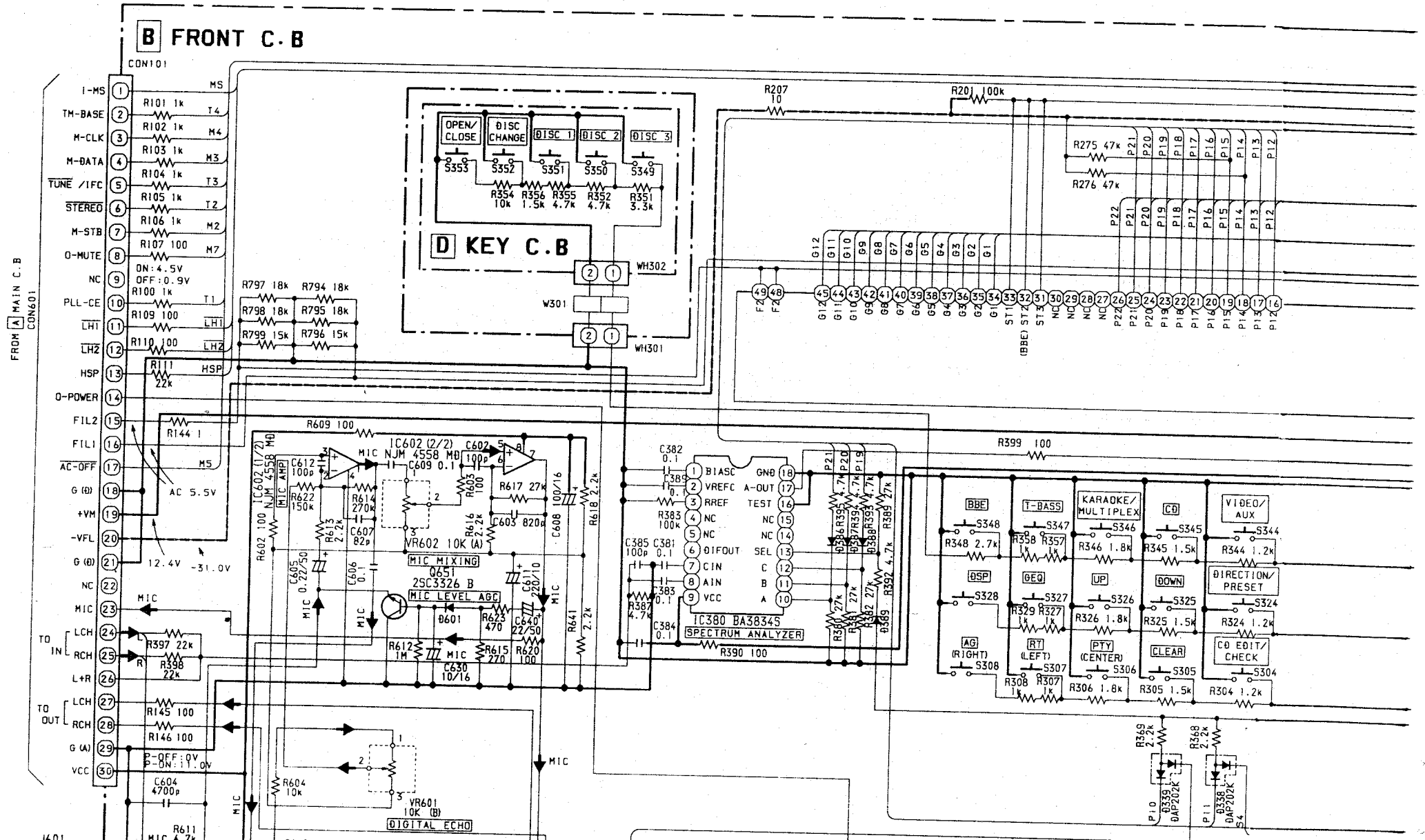
PIN 19 TB OFF: 0-0.3V
ON 1: 1-1.6V
2: 2.5-3.5V
3: 4.5-5.5V

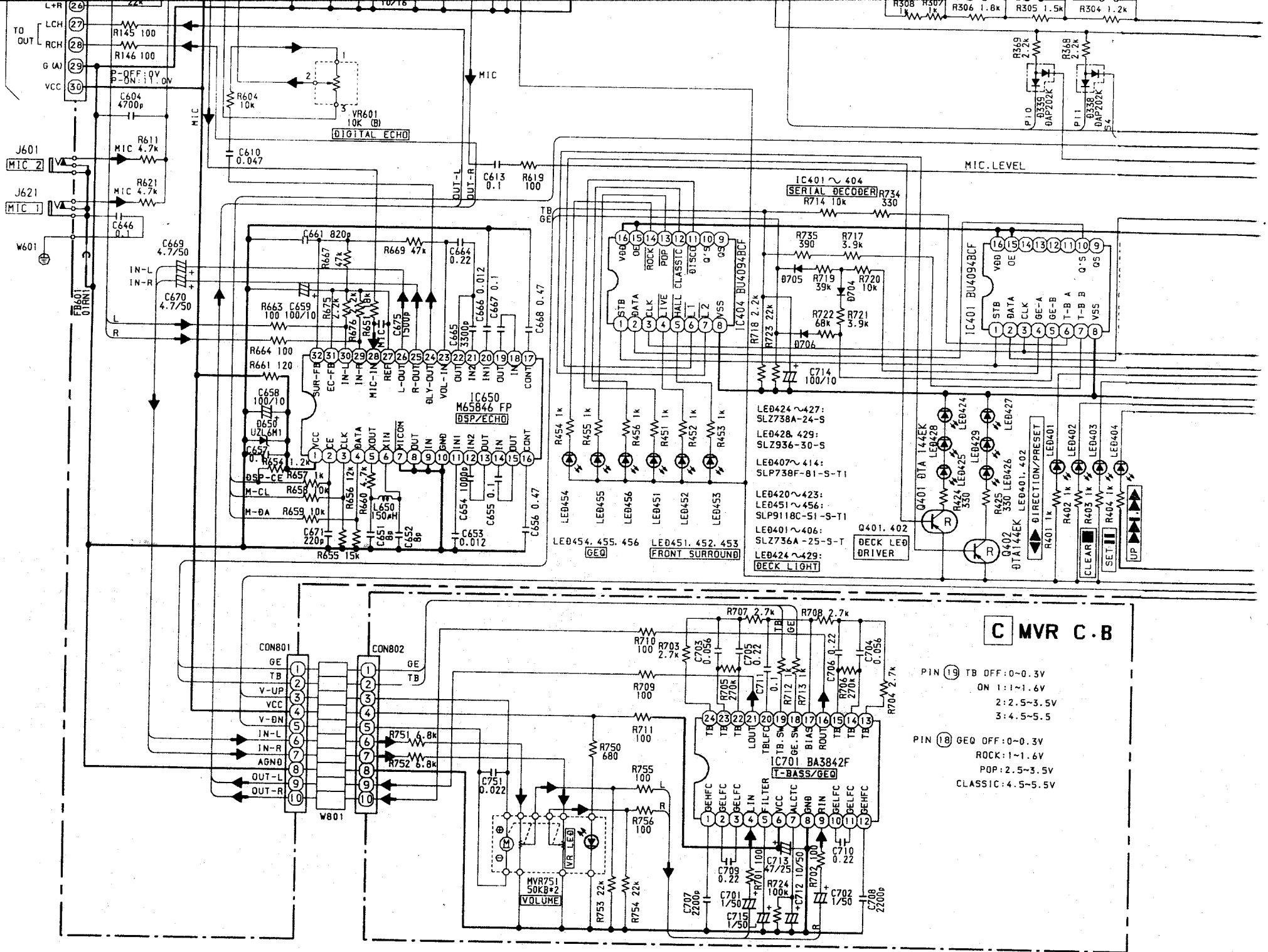
PIN 18 GEQ OFF: 0-0.3V
ROCK: 1-1.6V
POP: 2.5-3.5V
CLASSIC: 4.5-5.5V

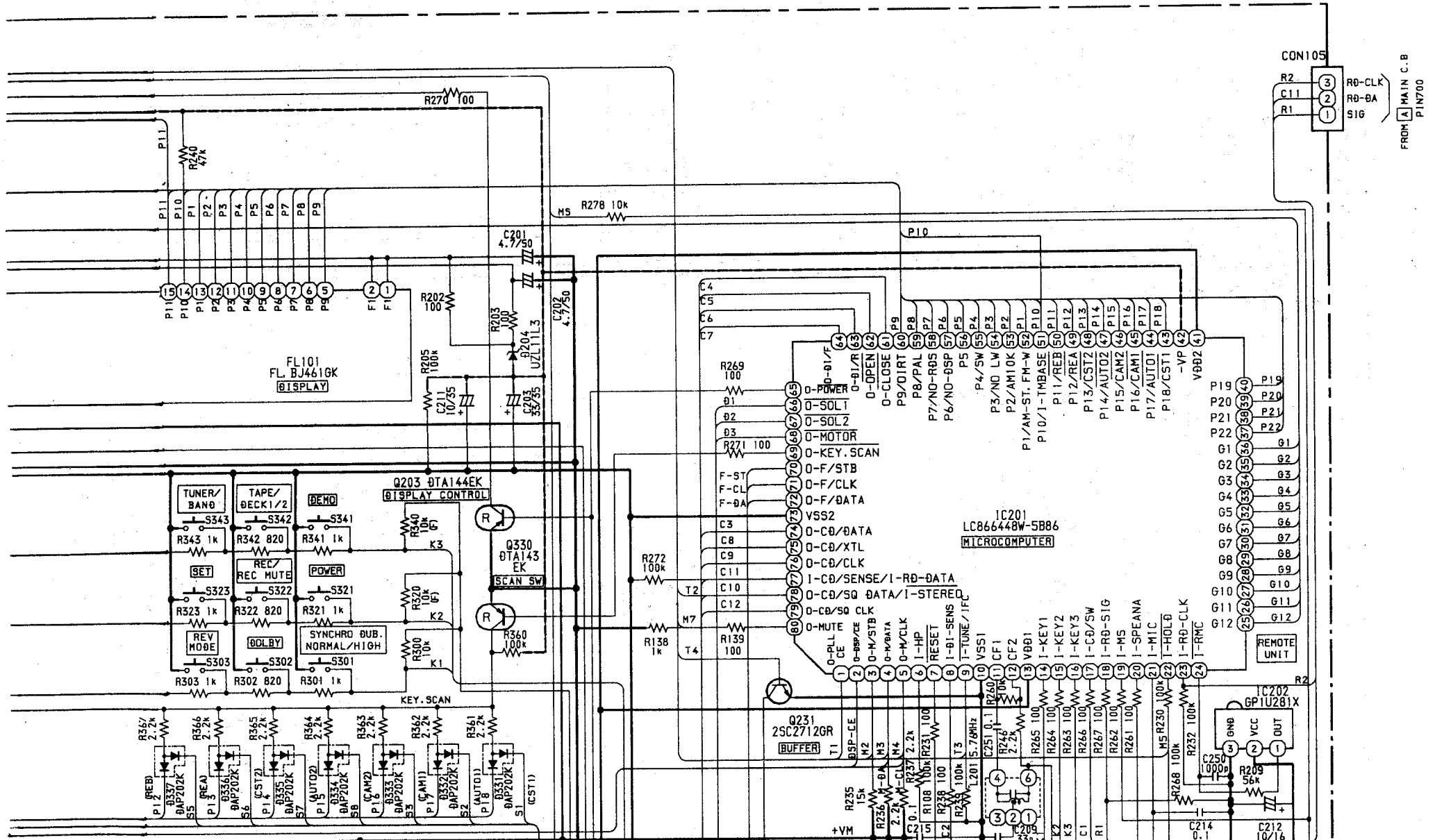




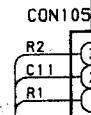
SCHEMATIC DIAGRAM - 3 (FRONT : EZ)







FROM MAIN C.B
PIN700



IC201
LC866448W-5B86
MICROCOMPUTER

Q231
25C2712GR
BUFFER

IC202
GP1U281X

FL101
FL BJ461GK
DISPLAY

Q203 9TA144EK
DISPLAY CONTROL

Q330 9TA143 EK
SCAN SW

TUNER/BAND

TAPE/DECK 1/2

DEMO

REC/REC MUTE

POWER

SET

REV MODE

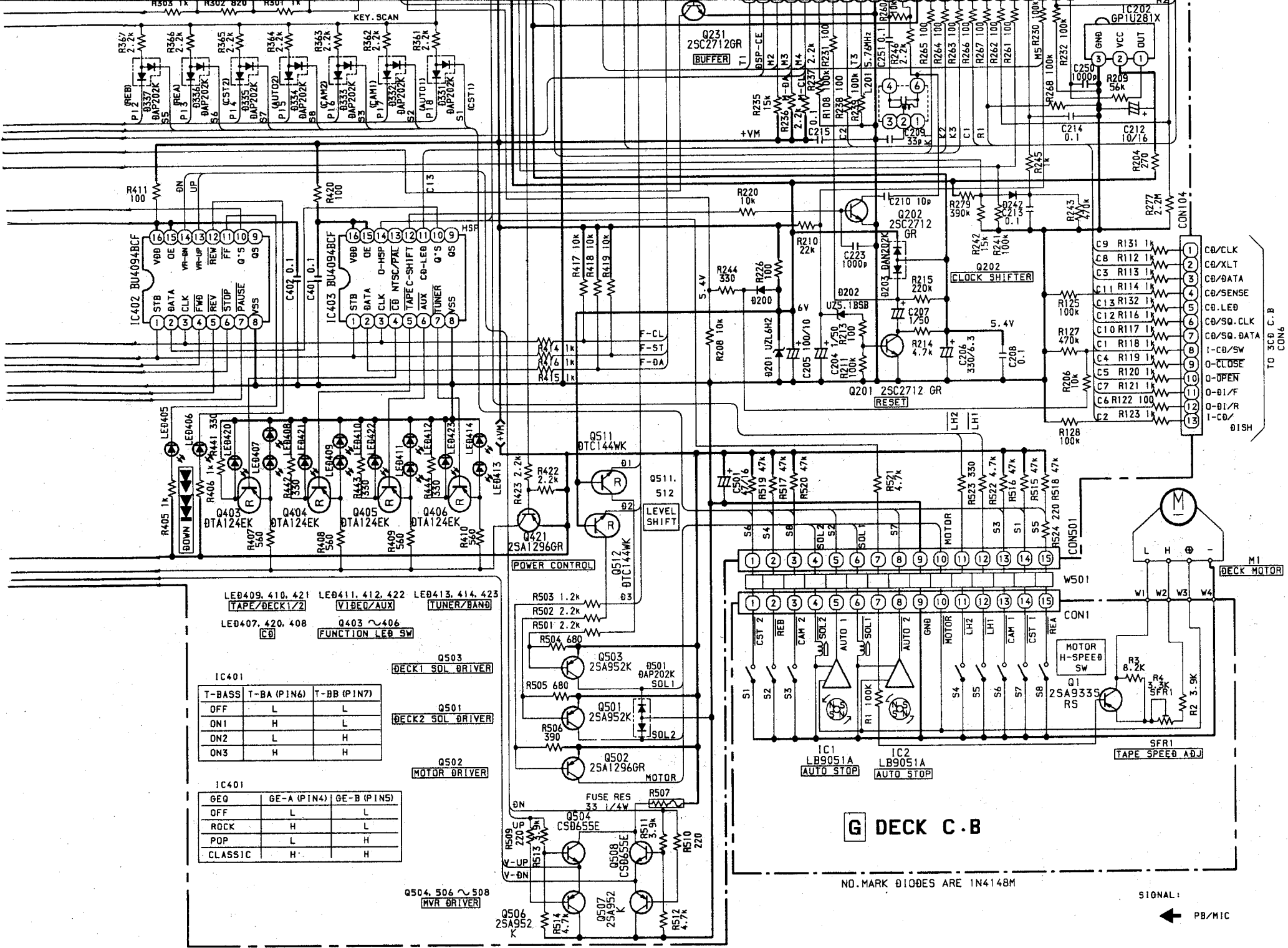
DOLBY

SYNCHRO SUB. NORMAL/HIGH

KEY SCAN

Q331 9TA143 EK
SCAN SW

IC202 GP1U281X



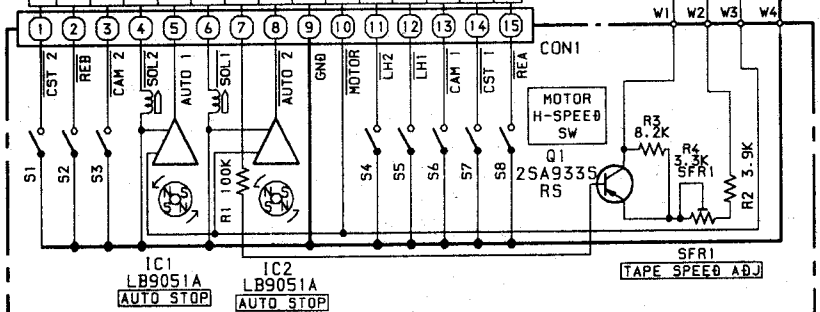
LEB409, 410, 421 TAPE/BECK/1/2
 LEB411, 412, 422 VIBED/AUX
 LEB413, 414, 423 TUNER/BAND
 LEB407, 420, 408 Q403 ~ 406 FUNCTION LEB SW

IC401

T-BASS	T-BA (PIN6)	T-BB (PIN7)
OFF	L	L
ON1	H	L
ON2	L	H
ON3	H	H

IC401

GEO	GE-A (PIN4)	GE-B (PIN5)
OFF	L	L
ROCK	H	L
POP	L	H
CLASSIC	H	H

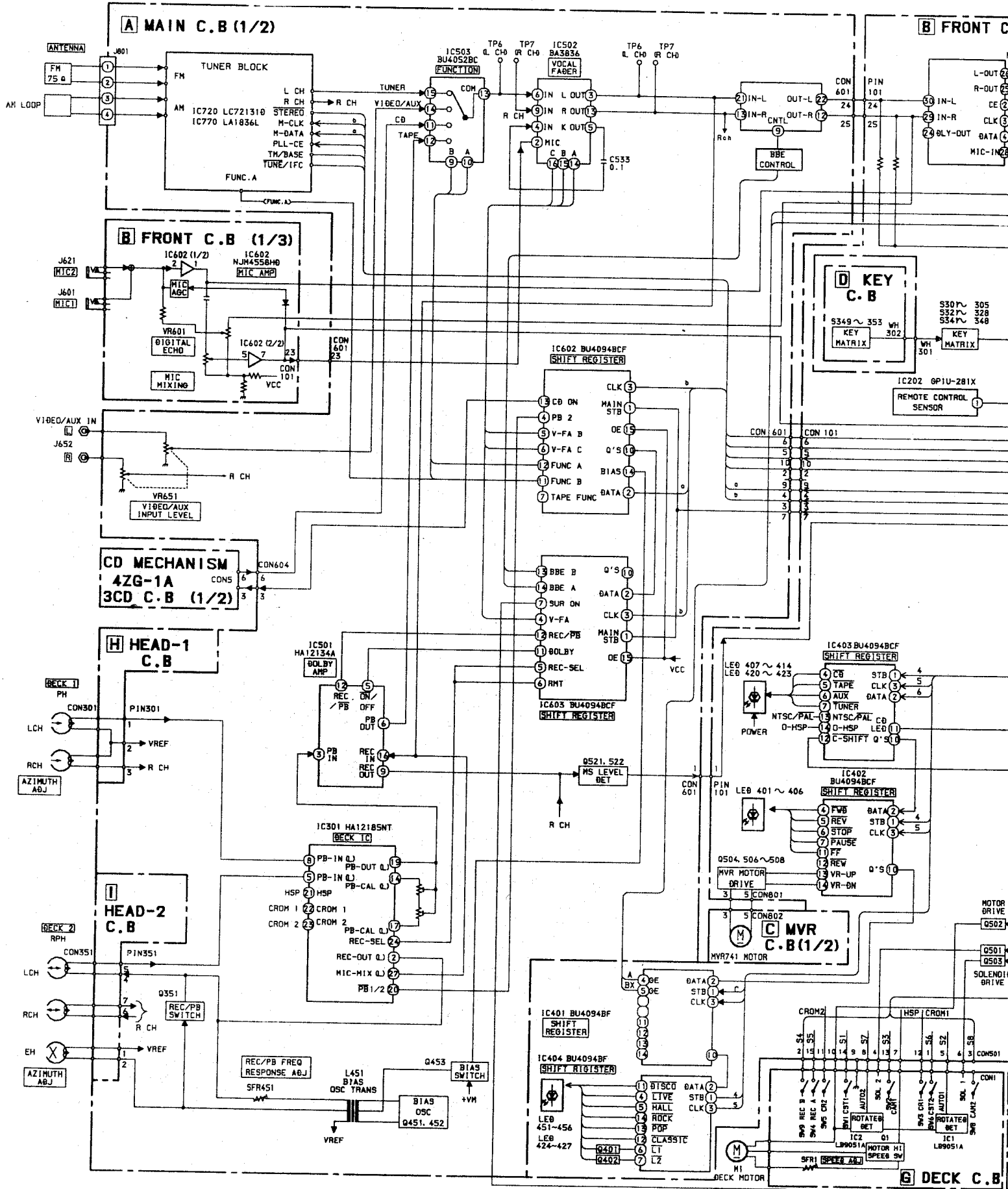


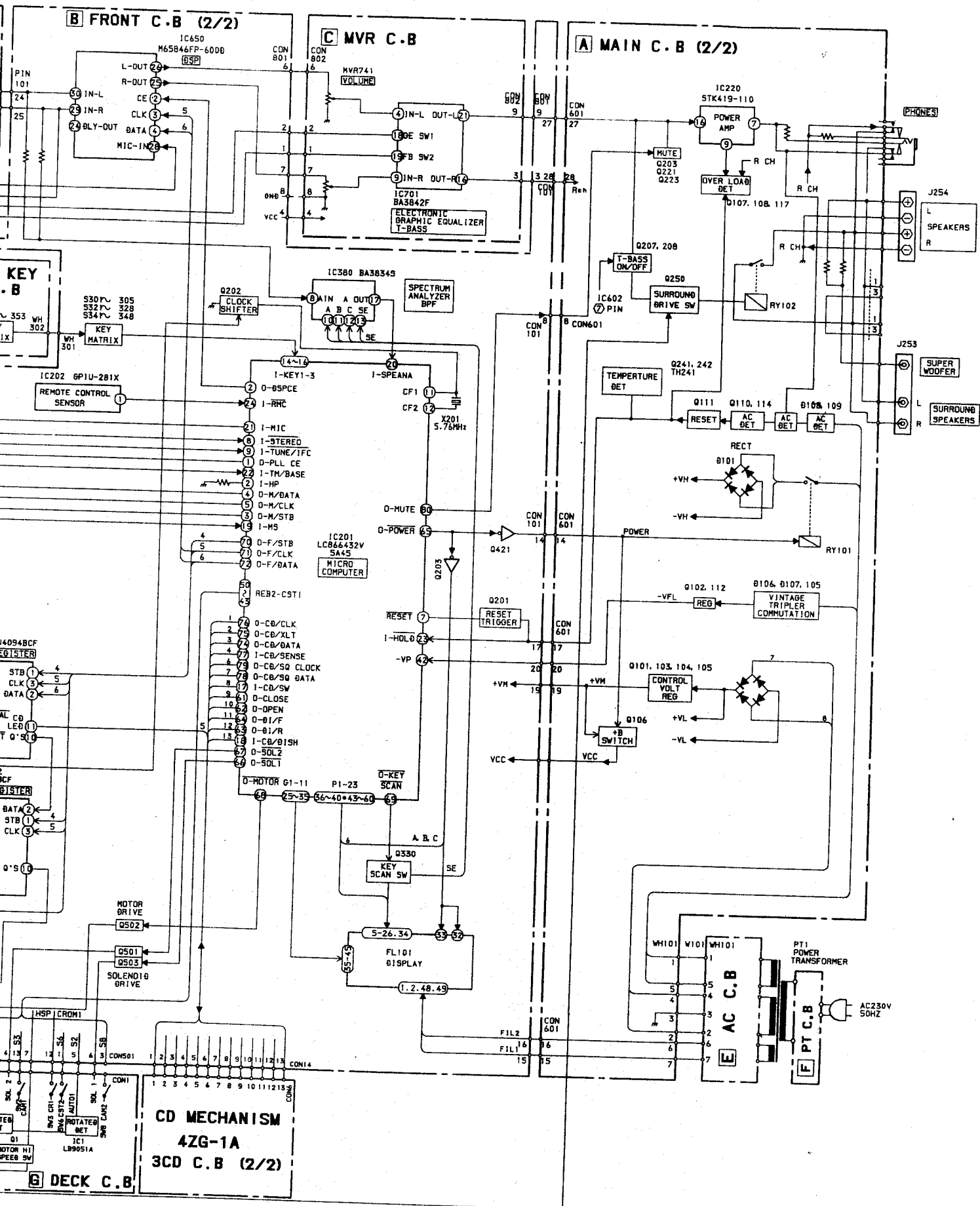
G DECK C.B

NO. MARK 010BES ARE 1N4148M

SIGNAL: ← PB/MIC

BLOCK DIAGRAM - 3 (MAIN / FRONT : V)





B FRONT C.B (2/2)

C MVR C.B

A MAIN C.B (2/2)

KEY C.B

D DECK C.B

**CD MECHANISM
4ZG-1A
3CD C.B (2/2)**

E AC C.B

F PT C.B

AC230V
50HZ