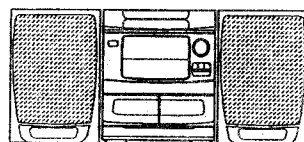


# aiwa

## CX-NV25 CX-NV10

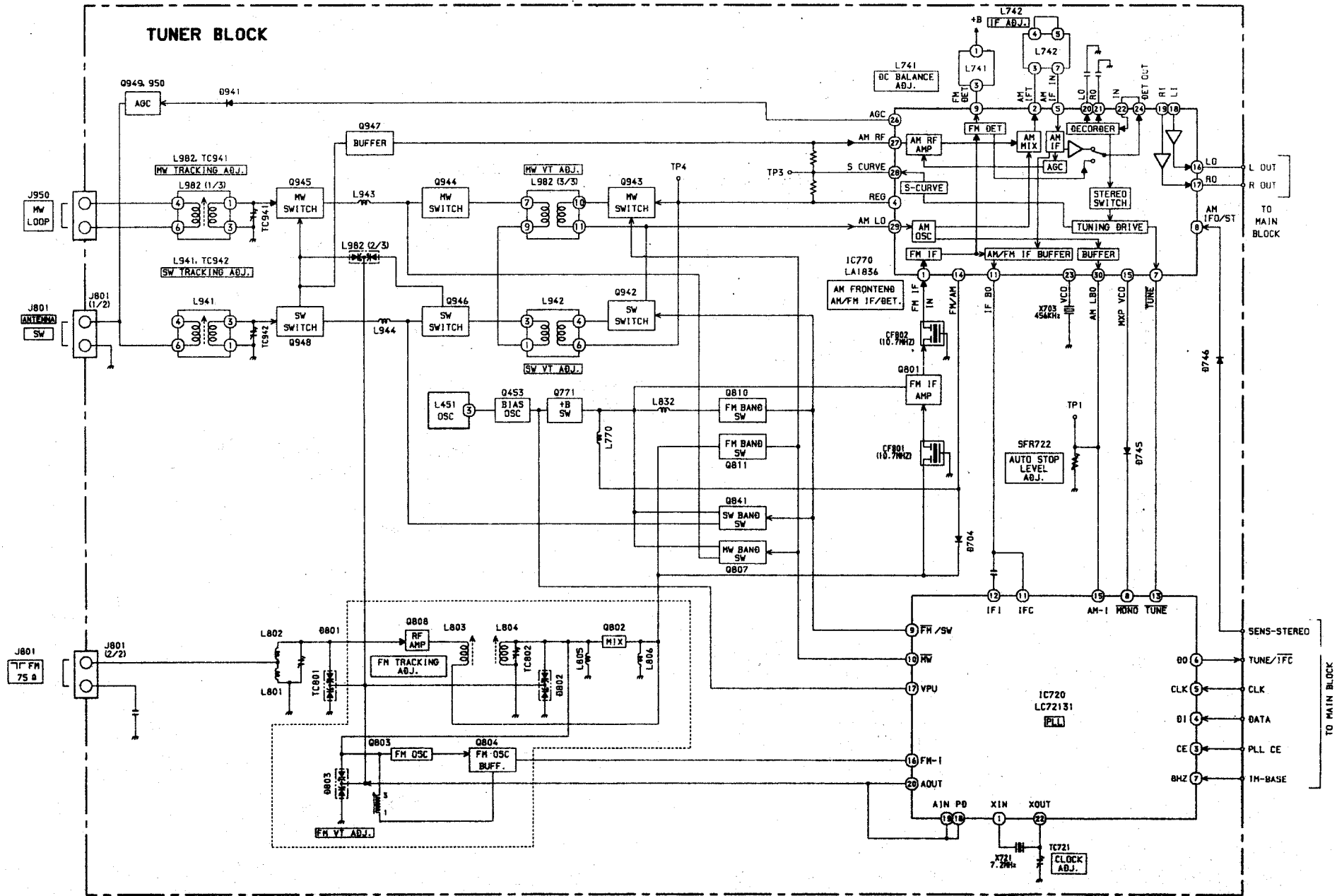


COMPACT DISC /  
STEREO CASSETTE RECEIVER

- BASIC TAPE MECHANISM : 2ZM-3MK2 PR3
- BASIC TAPE MECHANISM : 3ZG-3 A1
- TYPE: HE,HR,HK,LH,K, EE,EZ,U(NV10)

| CD-CASSEIVER | REMOTE<br>CONTROLLER | SPEAKER |
|--------------|----------------------|---------|
| CX-NV25      | RC-T504              | SX-NV30 |
| CN-NV10      |                      |         |

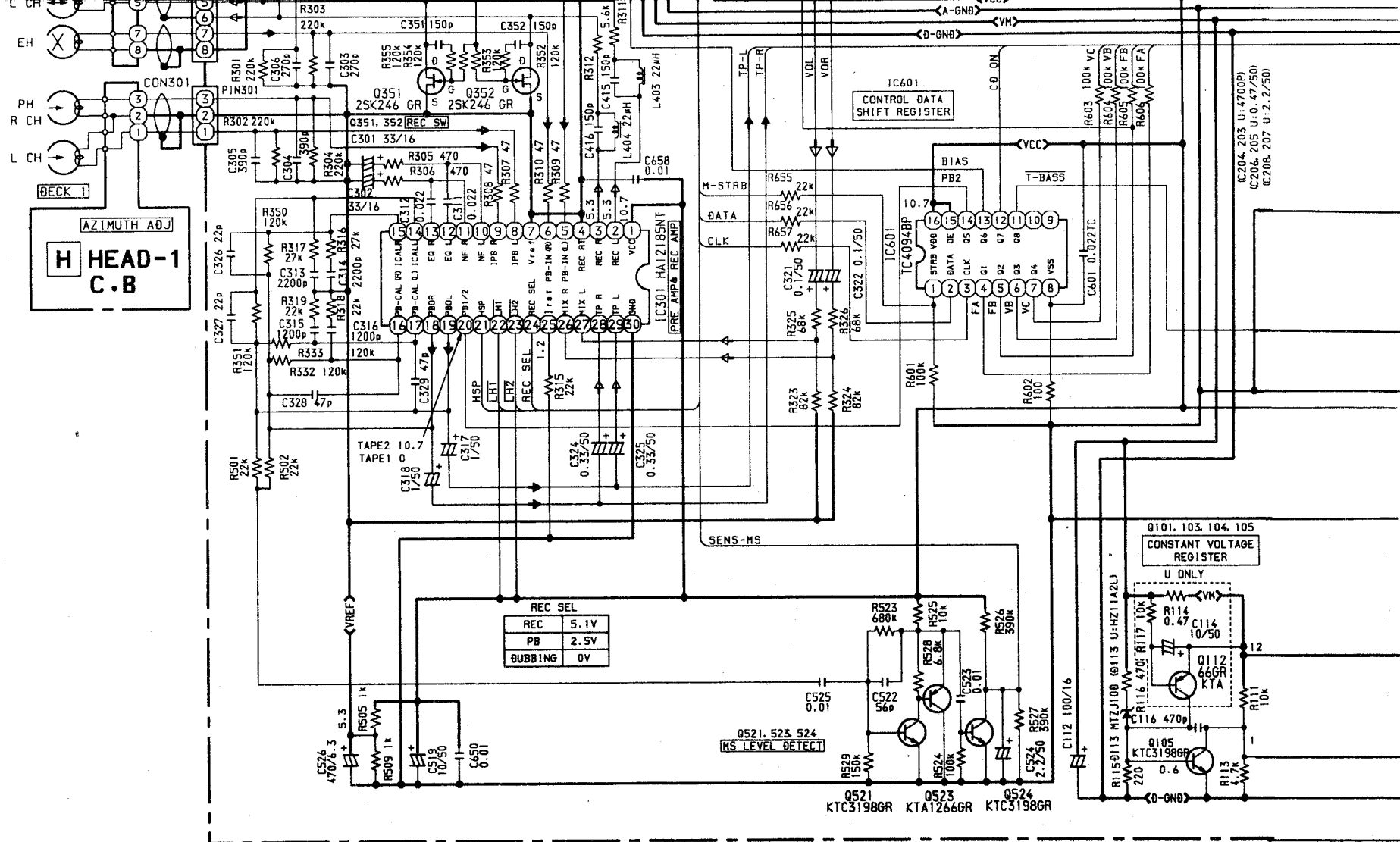
# BLOCK DIAGRAM - 1 (HE,HR,HK)

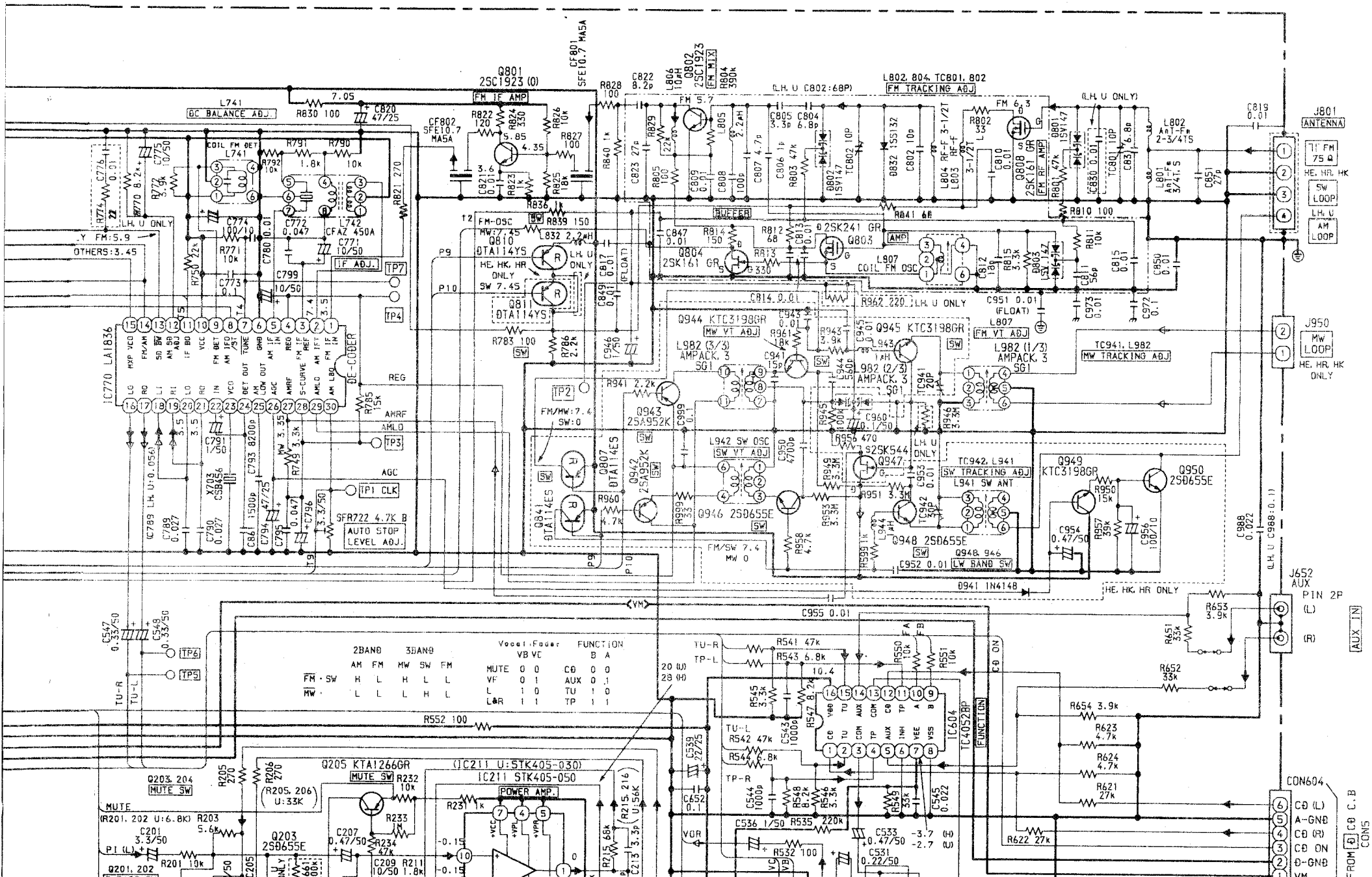












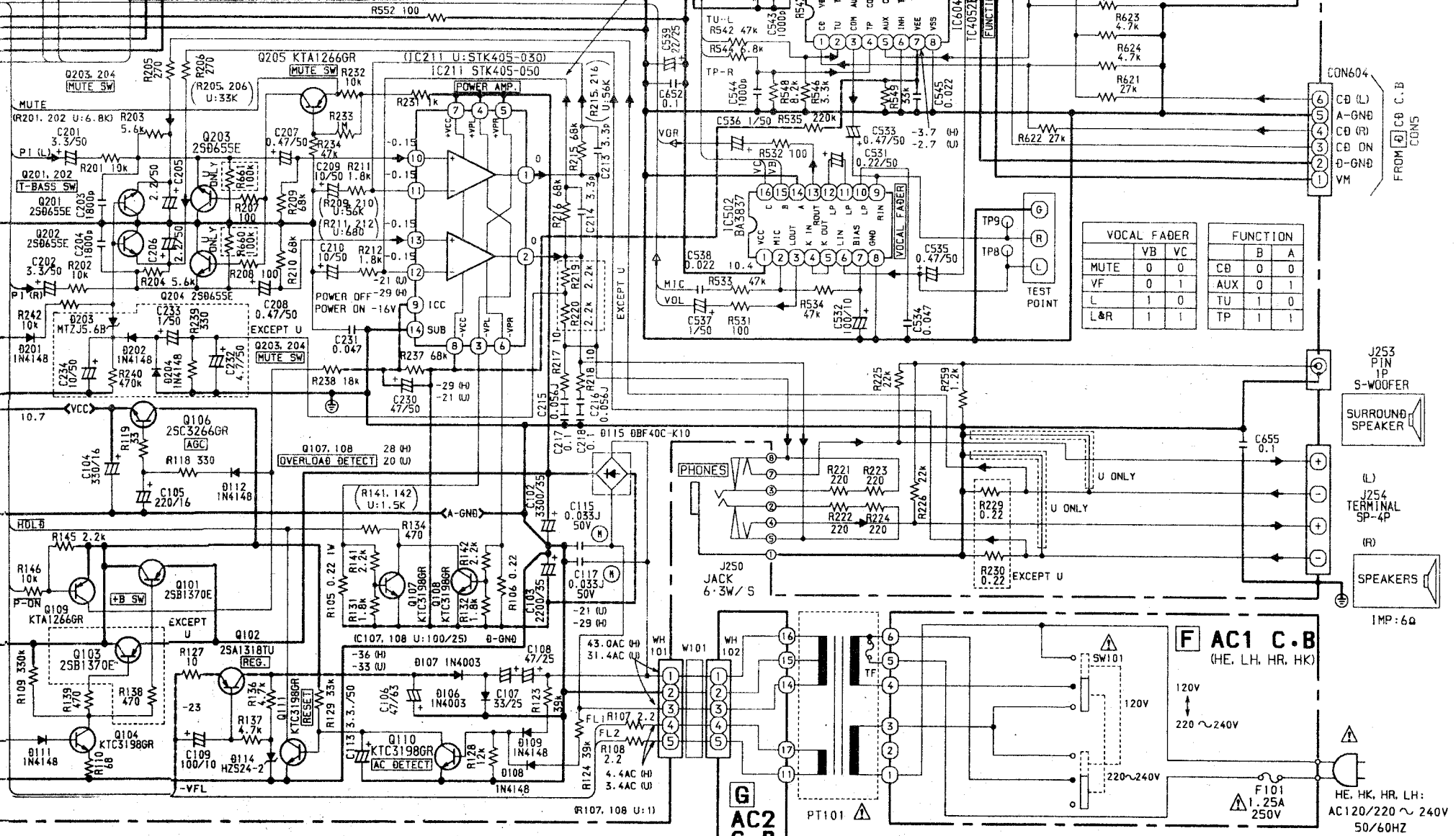
- J801 ANTENNA
- 1 FM 75 Ω
- 2 HE. NR. H
- 3 SW LOOP
- 4 LH. V AM LOOP

- J950 MW LOOP
- 1 HE. NR. H ONLY

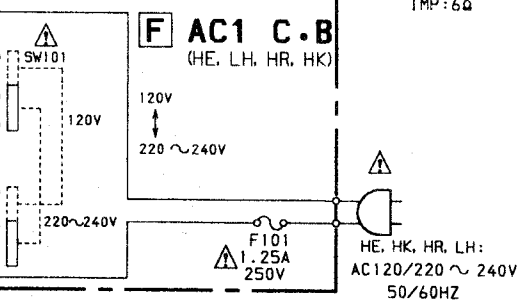
- J652 AUX
- 1 PIN 2P (L)
- 2 (R)

- CON604
- 1 C0 (L)
- 2 A-GND
- 3 C0 (R)
- 4 C0 (D)
- 5 C0 (DN)
- 6 VM

| 2BAND |    | 3BAND |   | Vocal Fader |    | FUNCTION |   |
|-------|----|-------|---|-------------|----|----------|---|
| FM    | SW | H     | L | VB          | VC | B        | A |
| MUTE  | 0  | 0     | 0 | C0          | 0  | 0        | 0 |
| VF    | 0  | 1     | 0 | AUX         | 0  | 1        | 0 |
| L     | 1  | 0     | 1 | TU          | 1  | 0        | 0 |
| C     | 0  | 1     | 1 | TP          | 1  | 1        | 1 |



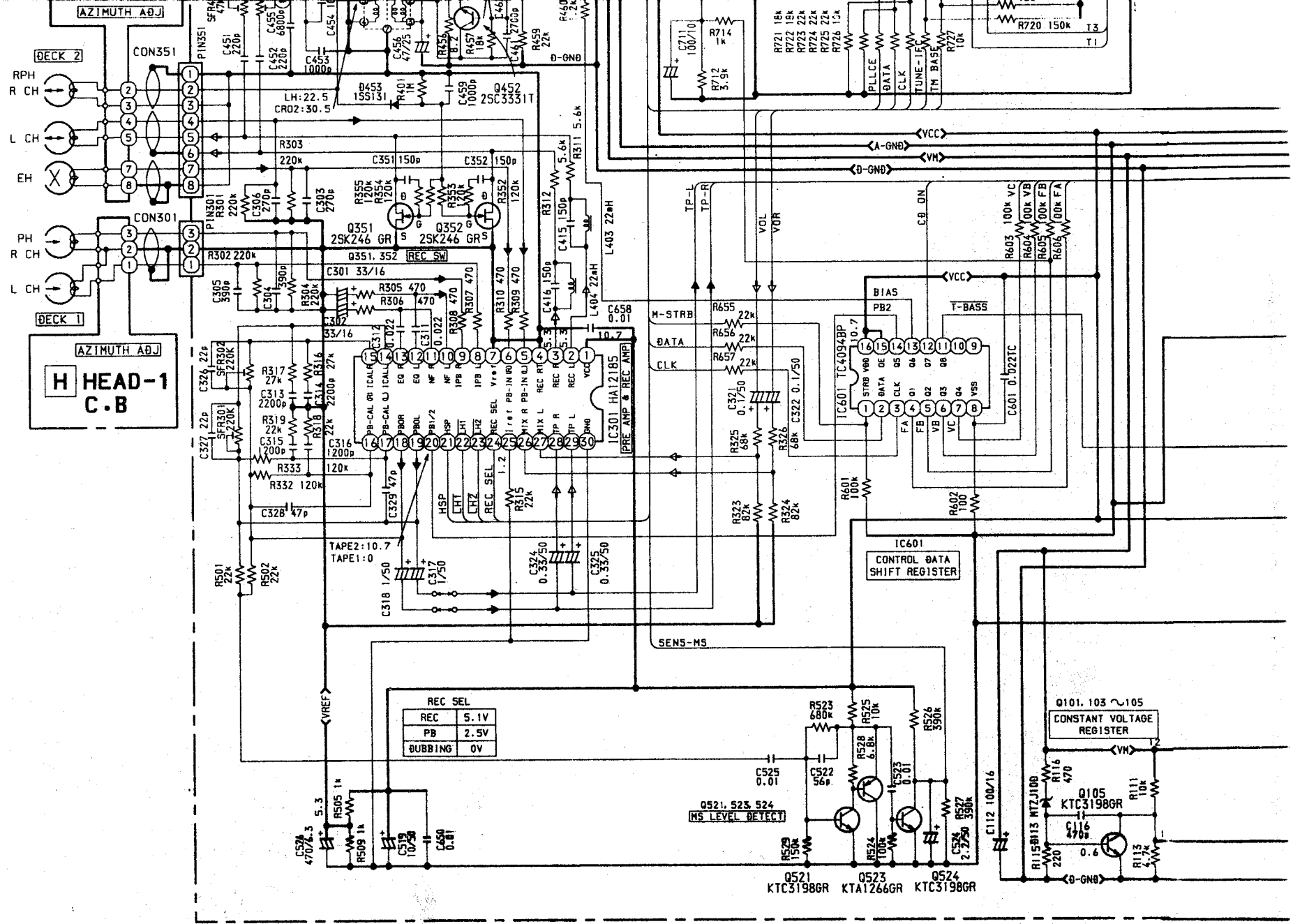
| VOCAL FABER |    |    | FUNCTION |   |
|-------------|----|----|----------|---|
| MUTE        | VB | VC | B        | A |
| 0           | 0  |    | CB       | 0 |
| 0           | 1  |    | AUX      | 0 |
| 1           | 0  |    | TU       | 1 |
| 1           | 1  |    | TP       | 1 |



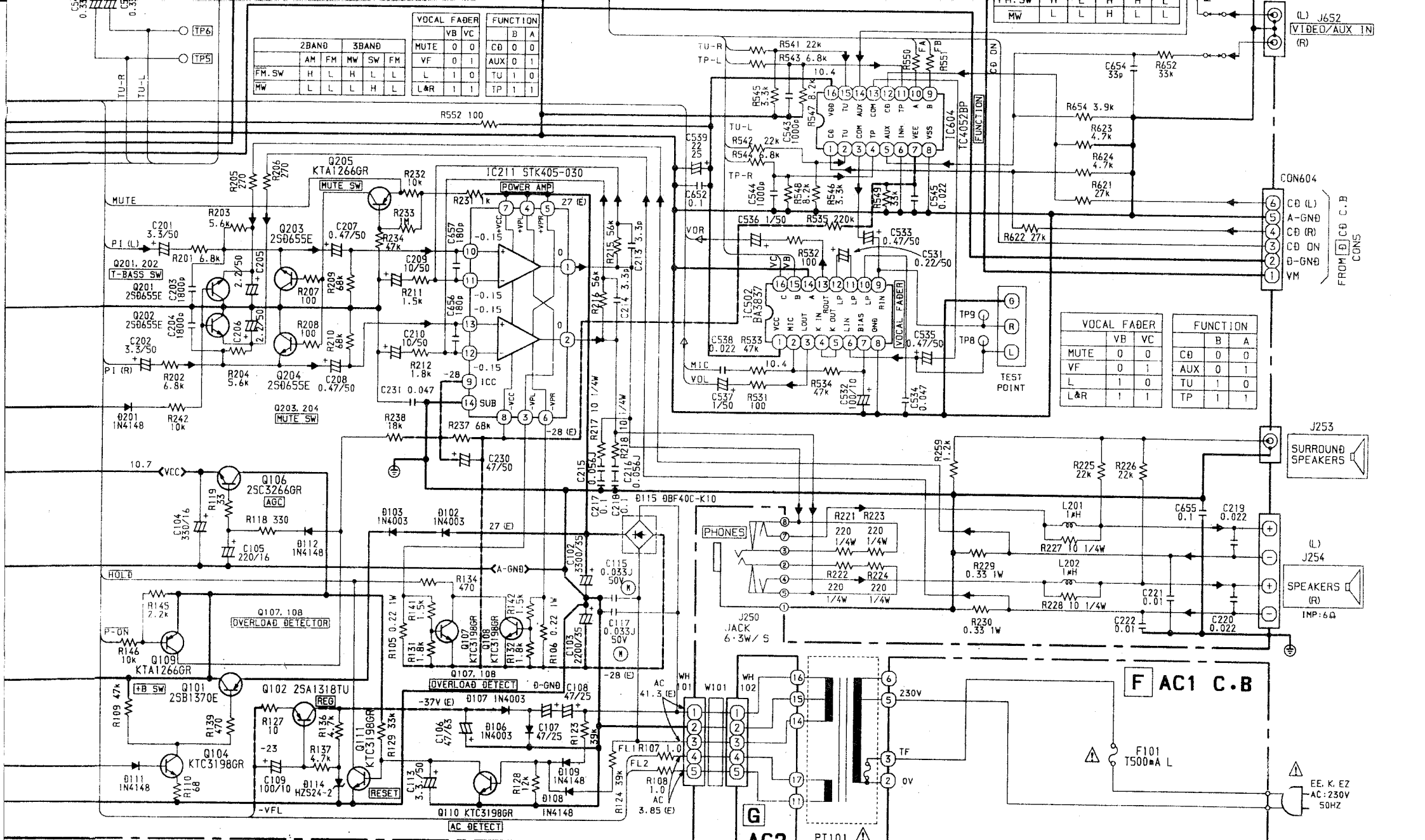
\* IN4148 EQUIVALENT = 15S133  
 VOLTAGE (H) : HE, LH, HR AND HK  
 (U) : U  
 SIGNAL  
 ← PB/FM











| 2BAND |    | 3BAND |    | VOCAL FADER |      | FUNCTION |    |
|-------|----|-------|----|-------------|------|----------|----|
| AM    | FM | MW    | SW | FM          | MUTE | VB       | VC |
| H     | L  | H     | L  | L           | 0    | 0        | 0  |
| L     | L  | L     | L  | L           | 0    | 1        | 0  |
| L     | L  | L     | L  | L           | 1    | 0        | 1  |
| L     | L  | L     | L  | L           | 1    | 1        | 1  |

| VOCAL FADER |    |    | FUNCTION |   |
|-------------|----|----|----------|---|
| MUTE        | VB | VC | B        | A |
| 0           | 0  | 0  | 0        | 0 |
| 0           | 1  | 0  | 0        | 1 |
| 1           | 0  | 1  | 1        | 0 |
| 1           | 1  | 1  | 1        | 1 |

VOLTAGE: (E) EE, EZ & K  
 SIGNAL  
 ← PB/FM    ← REC/AM  
 \* IN4148 EQUIVALENT = 1SS133

(L) J652  
 VIDEO/AUX IN  
 (R)

CON604  
 (6) CB (L)  
 (5) A-GND  
 (4) CB (R)  
 (3) CD ON  
 (2) B-GND  
 (1) VM

J253  
 SURROUND  
 SPEAKERS

(L) J254  
 SPEAKERS  
 (R) IMP: 6Ω

G  
 AC2  
 C.B

F AC1 C.B

EE, K, EZ  
 AC: 230V  
 50HZ

SCHEMATIC DIAGRAM - 3

B FRONT C.B

|             |      |       |       |     |     |        |        |      |            |
|-------------|------|-------|-------|-----|-----|--------|--------|------|------------|
|             | TAPE | TUNER | CLEAR | AUX | CB  | RANDOM | REPEAT | EDIT | OPEN/CLOSE |
| VOLTAGE (A) | 0    | 0.5   | 0.9   | 1.2 | 1.6 | 1.9    | 2.2    | 2.6  | 3.0        |

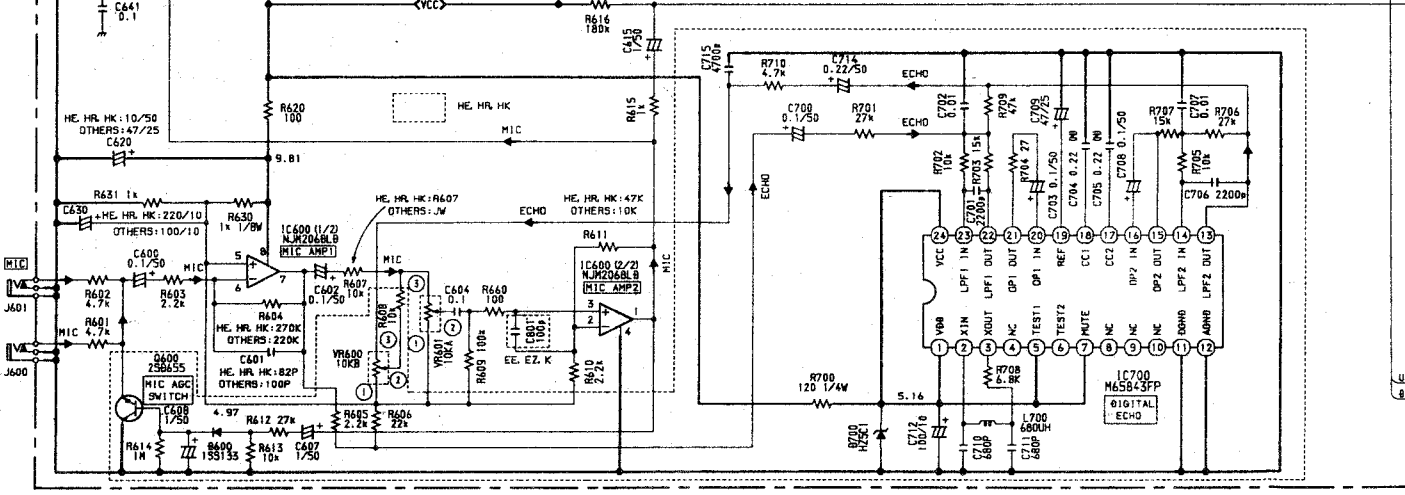
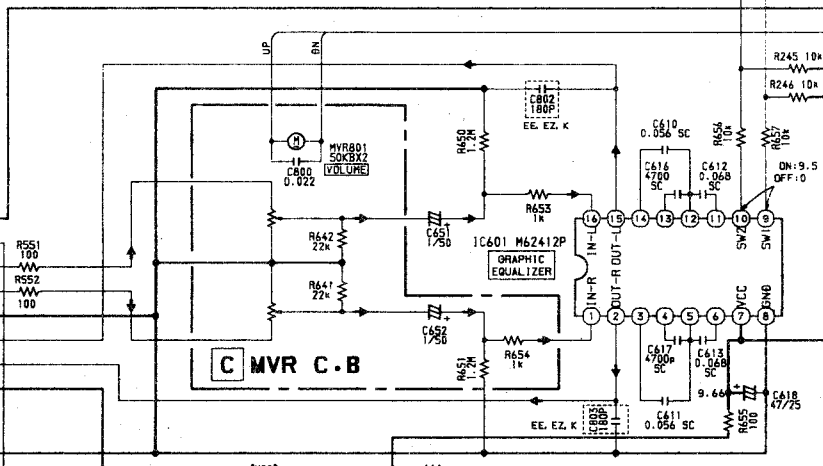
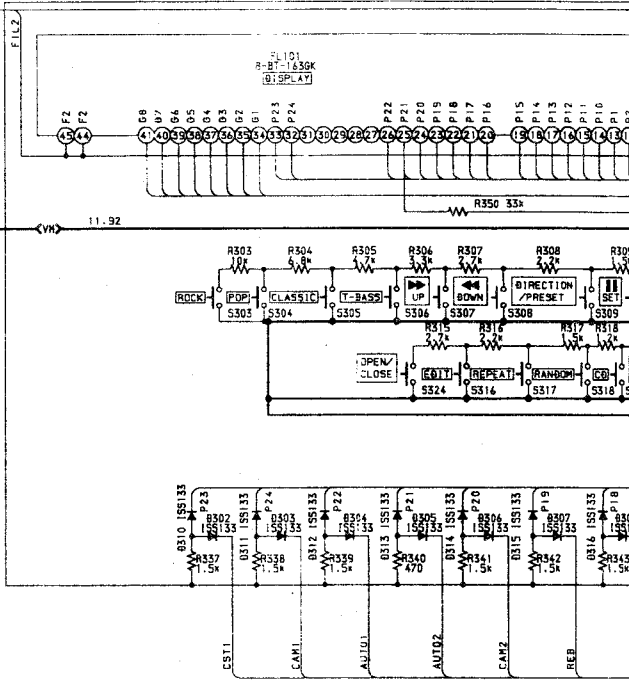
|             |       |     |     |     |     |     |                  |     |     |       |         |     |      |
|-------------|-------|-----|-----|-----|-----|-----|------------------|-----|-----|-------|---------|-----|------|
|             | POWER | REV | VF  | DUB | REC | SET | DIRECTION/PRESET | BW  | UP  | TRASS | CLASSIC | POP | ROCK |
| VOLTAGE (B) | 0     | 0.5 | 0.9 | 1.2 | 1.6 | 1.9 | 2.2              | 2.6 | 3.0 | 3.3   | 3.6     | 4.0 | 4.3  |

|         |      |   |    |    |    |   |       |     |    |   |
|---------|------|---|----|----|----|---|-------|-----|----|---|
|         | B    | U | HE | HR | LH | K | EE/EZ | EEZ | HK | V |
| LW      | Ø320 |   |    |    |    |   |       |     |    |   |
| SW      | Ø320 |   |    |    |    |   |       |     |    |   |
| 9K/10K  | Ø321 |   | ○  |    |    |   |       |     |    | ○ |
| AM ST   | Ø323 |   | ○  |    |    |   |       |     |    |   |
| FM WIDE | Ø324 |   |    |    |    |   |       |     |    |   |
| DIRT    | Ø322 |   |    |    |    |   |       |     |    | ○ |

DIODE MATRIX

- CON501
- 1-SENS ST (1) R101 10k
- 1-TUNE/IFC (2) R102 10k
- 1-TMBAE (3) R103 10k
- 0-PLLEE (4) R104 10k
- 0-CLCK (5) R105 1k
- 0-DATA (6) R106 1k
- 0-MSTB (7) R107 1k
- 0-HSP (8) R108 10k
- CHT (9) R109 100
- CRZ (10) R110 100
- 0-REC SEL (11) R111 10k
- (12)
- (13)
- 1-MS (14) R112 10k
- (15)
- FIL1 (16)
- FIL2 (17) -23.4
- VFL (18) R201 10
- XC-OFF (19) R117 1k
- 0-POWER (20)
- VH (21) R116 100
- 0-MUTE (22)
- Ø-ØNB (23)
- MIC (24) R551 100
- LIN (25) R552 100
- RIM (26)
- A-ØNB (27) R687 100
- LOUT (28) R688 100
- ROUT (29)
- VCC (30) 10.65

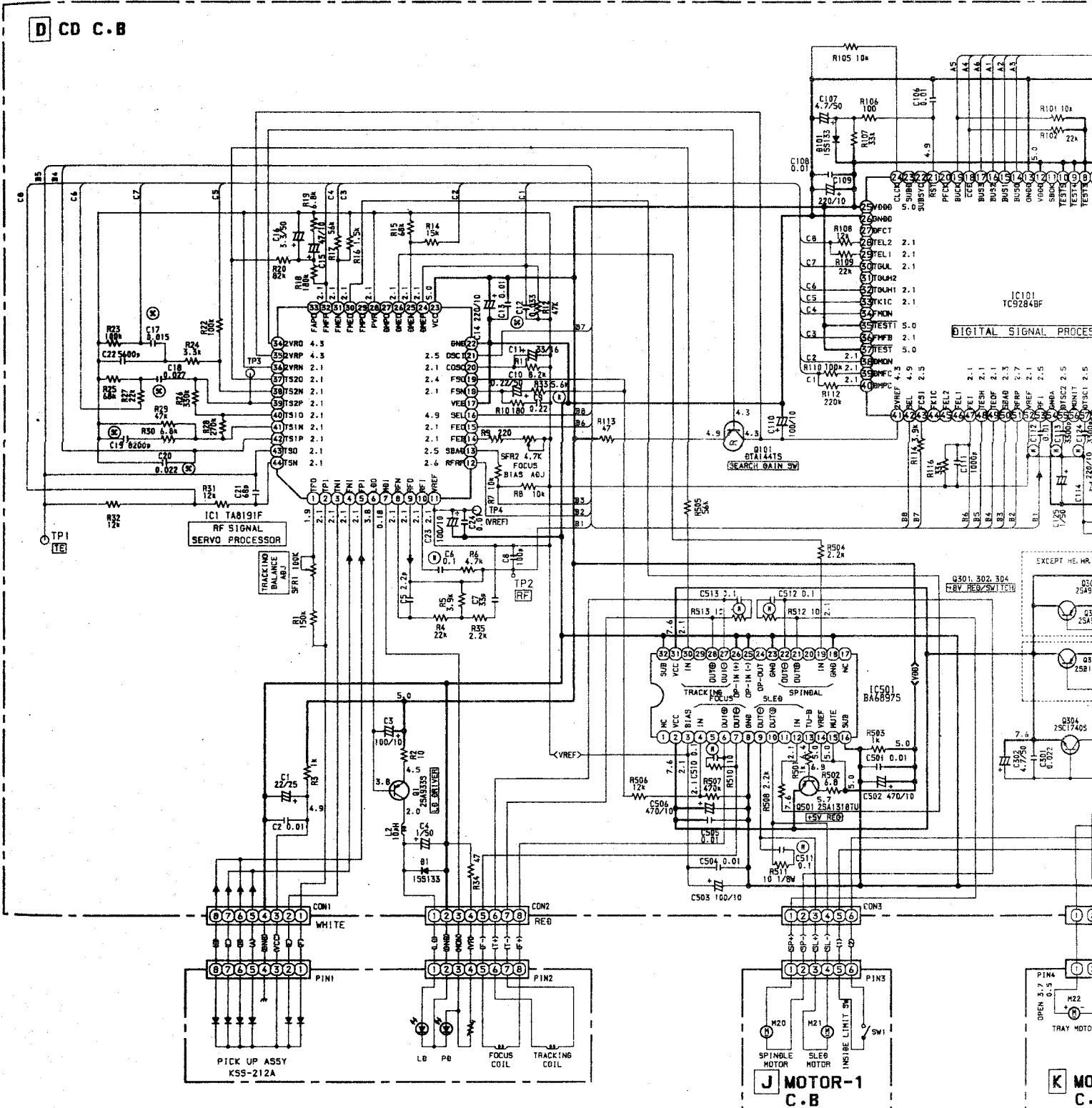
FROM MAIN C.B  
CD4601



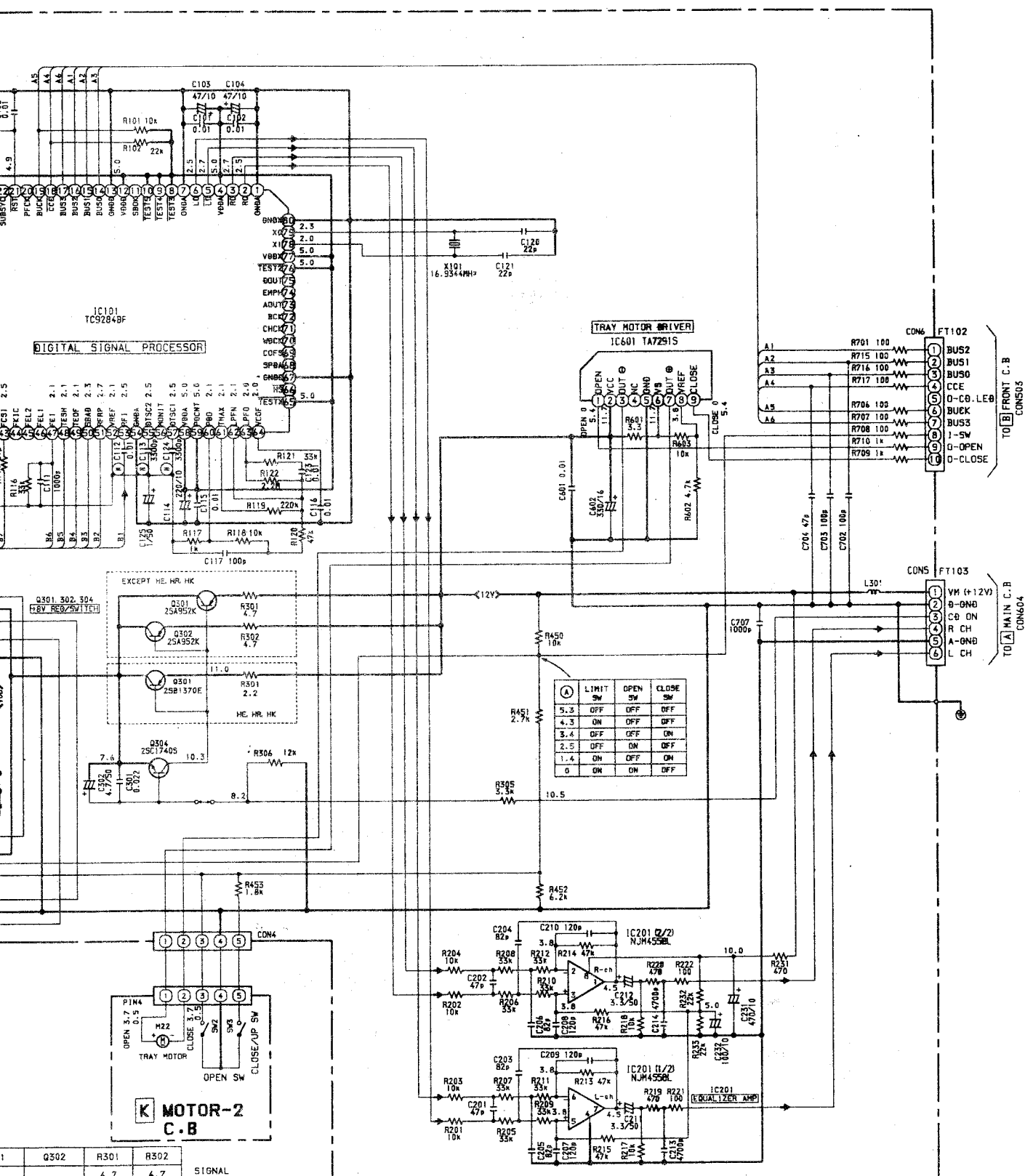


SCHEMATIC DIAGRAM - 4

D CD C.B



|                      | Q301     | Q302    | R301        | R302        |
|----------------------|----------|---------|-------------|-------------|
| ALL EXCEPT LH HE. HR | 25A952K  | 25A952K | 4.7<br>1/4W | 4.7<br>1/4W |
| ONLY LH HE. HR       | 25B1370E | -       | 2.2<br>1/4W | -           |



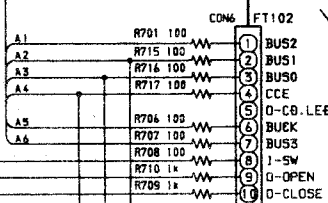
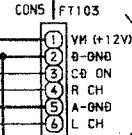
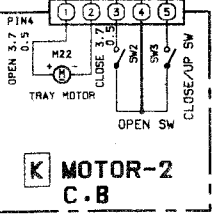
|     | LIMIT SW | OPEN SW | CLOSE SW |
|-----|----------|---------|----------|
| 5.3 | OFF      | OFF     | OFF      |
| 4.3 | ON       | OFF     | OFF      |
| 3.4 | OFF      | OFF     | ON       |
| 2.5 | OFF      | ON      | OFF      |
| 1.4 | ON       | OFF     | OFF      |
| 0   | ON       | ON      | OFF      |

|     | Q302    | R301     | R302     |
|-----|---------|----------|----------|
| 1   | Q302    | R301     | R302     |
| 2K  | 25A952K | 4.7 1/4W | 4.7 1/4W |
| 7DE | -       | 2.2 1/4W | -        |

SIGNAL ← AUB1D

TO [B] FRONT C.B.  
CON503

TO [A] MAIN C.B.  
CON604





BLOCK DIAGRAM - 5 (CD)

