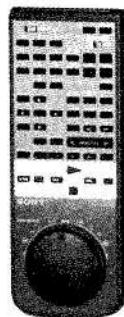


SLV-575UC/676UC ⁵⁹

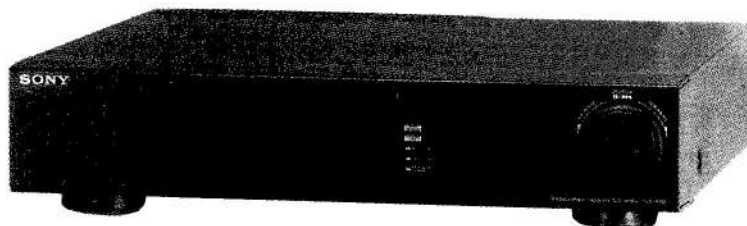
RMT-V575A RMT-V676A

SERVICE MANUAL

US Model
Canadian Model



This photo is RMT-V676A



This photo is SLV-676UC

• Refer to the SERVICE MANUAL of VHS MECHANICAL ADJUSTMENTS II for MECHANICAL ADJUSTMENTS. (9-972-816-11)

SPECIFICATIONS

System

Video recording system	Rotary two-head helical scanning FM system
Audio recording system	Rotary two-head hi-fi system (Recording on the conventional audio track is monaural)
Video signal	EIA standard, NTSC color
Tape speed	SP: 33.35mm/sec. (1 1/4 inches/sec.) EP: 11.11mm/sec. (3/8 inch/sec.) LP: 22.22mm/sec. (7/8 inch/sec.) (playback only)
Maximum recording/playback time	8 hours (EP) (T-160)
Fast-forward and rewind time	Approx. 4 min. (T-120)
HIGH SPEED REWIND time	Approx. 2 min. 30 sec. (T-120)
Audio frequency response	20Hz — 20kHz
Dynamic range	More than 90 dB
Wow and flutter	Less than 0.005%

Tuner section

Tuner system (audio)	Split inter carrier system
Channel coverage	VHF channels 2 to 13 UHF channels 14 to 69 CATV channels A-8 to A-1 A to W, W+1 to W+84
Antenna	75 ohm antenna terminal for VHF/UHF

INPUT and OUTPUT

LINE IN 1 and 2	VIDEO IN (phono jack) (1 each) input signal: 1Vp-p, 75ohms, unbalanced, sync negative
	AUDIO IN (phono jack) (2 each) Input level: -7.5dBs (0dBs = 0.775 Vrms)
	Input impedance: more than 47 kilohms
LINE OUT	VIDEO OUT (phono jack) (1) Output signal: 1Vp-p, 75ohms, unbalanced, sync negative
	AUDIO OUT (phono jack) (2) Standard output: -7.5dBs at load impedance 47 kilohms
	Output impedance: less than 10 kilohms
MONITOR OUT	VIDEO OUT (phono jack) (1) Output signal: 1Vp-p, 75ohms, unbalanced, sync negative
	AUDIO OUT (phono jack) (2) Standard output: -7.5 dBs at load impedance 47 kilohms
	Output impedance: less than 10 kilohms
	Minijack (1)
CONTROL S IN	Minijack (1) (SLV-676UC)
CONTROL S OUT	5-pin DIN connector (SLV-676UC)
CONTROL L	

— continued on next page —



VHS VIDEO CASSETTE RECORDER

SONY®

HEADPHONES Jack

Stereo minijack (1)
 Output impedance: more than
 8 ohms
 Output level: 45 mW at load
 impedance 8 ohms

Timer section

Clock Quartz locked
 Time indication 12-hour cycle
 Timer setting Only for recording
 8 programs over one month at max.
 Power back up Built-in self-charging battery
 Back-up duration: Up to 3 hours at one
 time

General

Power requirements 120V AC, 60Hz
 Power consumption 32W
 Operating temperature 5°C to 40°C (41°F to 104°F)
 Storage temperature -20°C to 60°C (-4°F to 140°F)
 Dimensions 430×96.5×367.5mm (w/h/d)
 (17×37/8×14 1/2inches)
 Weight Approx. 6.5kg (14 lbs 5 oz)

Wireless Commander RMT-V575A (SLV-575UC)

Remote control system Infrared control
 Command mode VTR1/VTR2/VTR3 selectable
 Power requirements 3V DC, 2 size AA batteries
 (IEC designation R6)
 Dimensions 72×20×200 mm (w/h/d)
 (2 7/8×12/16×7 7/8inches)
 Weight 120g (4.2oz) (excluding battery)

Wireless Commander RMT-V676A (SLV-676UC)

Remote control system Infrared control
 Command mode VTR1/VTR2/VTR3 selectable
 Power requirements 3V DC, 2 size AA batteries
 (IEC designation R6)
 Dimensions 75×36×198 mm (w/h/d)
 (3×1 7/16×7 7/8inches)
 Weight 200g (7.1oz)

Accessories supplied

Wireless commander RMT-V575A with two size AA batteries
 (IEC designation R6) (SLV-575UC)(1)
 Wireless commander RMT-V676A with two size AA batteries
 (IEC designation R6) (SLV-676UC)(1)
 75-ohm coaxial cable with F-type connectors(1)
 Audio connecting cable (2 phono to 2 phono)(1)
 Video connecting cable (Phono to phono)(1)
 External antenna connector(1)

Design and specifications are subject to change without notice.

SAFETY CHECK-OUT

After correcting the original service problem, perform the following safety checks before releasing the set to the customer:

1. Check the area of your repair for unsoldered or poorly-soldered connections. Check the entire board surface for solder splashes and bridges.
2. Check the interboard wiring to ensure that no wires are "pinched" or contact high-wattage resistors.
3. Look for unauthorized replacement parts, particularly transistors, that were installed during a previous repair. Point them out to the customer and recommend their replacement.
4. Look for parts which, though functioning, show obvious signs of deterioration. Point them out to the customer and recommend their replacement.
5. Check the line cord for cracks and abrasion. Recommend the replacement of any such line cord to the customer.
6. Check the B+ voltage to see it is at the values specified.
7. Check the antenna terminals, metal trim, "metallized" knobs, screws, and all other exposed metal parts for AC leakage. Check leakage as described below.

LEAKAGE TEST

The AC leakage from any exposed metal part to earth ground and from all exposed metal parts to any exposed metal part having a return to chassis, must not exceed 0.5 mA (500 microampers). Leakage current can be measured by any one of three methods.

1. A commercial leakage tester, such as the Simpson 229 or RCA WT-540A. Follow the manufacturers' instructions to use these instruments.
2. A battery-operated AC milliammeter. The Data Precision 245 digital multimeter is suitable for this job.
3. Measuring the voltage drop across a resistor by means of a VOM or battery-operated AC voltmeter. The "limit" indication is 0.75 V, so analog meters must have an accurate low-voltage scale. The Simpson 250 and Sanwa SH-63Trd are examples of a passive VOM that is suitable. Nearly all battery operated digital multimeters that have a 2V AC range are suitable. (See Fig. A)

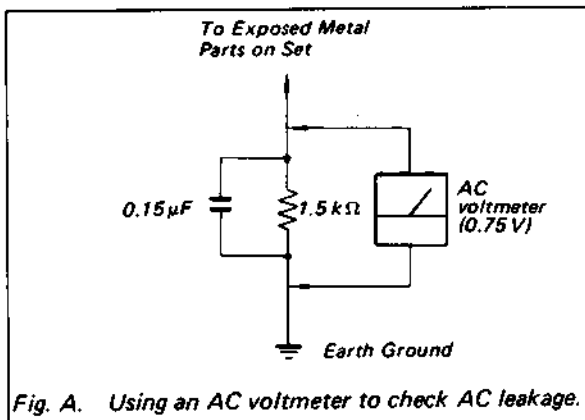


Fig. A. Using an AC voltmeter to check AC leakage.

TABLE OF CONTENTS

<u>Section</u>	<u>Title</u>	<u>Page</u>	<u>Section</u>	<u>Title</u>	<u>Page</u>
1. SERVICE NOTE			4. PRINTED WIRING BOARDS AND SCHEMATIC DIAGRAMS		
1-1.	Returning the Pinch Roller, Guide Roller and Elevator Cam to a Stop State	6	4-1.	Frame Schematic Diagram	41
1-2.	Housing the Tape in the Cassette Half	6	4-2.	Printed Wiring Boards and Schematic Diagrams	44
1-3.	Removing the Cassette when the Equipment Malfunctions with a cassette inserted	6	•	CG-10, RP-63, VI-91, YC-59 and TERMINAL Boards	45
1-4.	Removing the Upper Drum	7	•	MA-62 and SI-10 Boards	54
1-5.	Attaching the Upper Drum	7	•	MD-49 Board	62
2. DISASSEMBLY			•	HF-9 Board	67
2-1.	Removal of Upper Cover and Front Panel	8	•	TU-120 Board	71
2-2.	Removal of Door Block	8	•	MF-92, MF-93, RM-40, SH-10, TK-11 and SW Block Boards	73
2-3.	Removal of Control Switch Block	8	•	POWER BLOCK Board	80
2-4.	Removal of MA-62 Board	8	4-3.	Semiconductors	82
2-5.	Removal of MF-93 Board and I/O Terminal Board Block	9	5. EXPLODED VIEWS		
2-6.	Removal of TU-120 Board, HF-9 Board and CG-10 Board	9	5-1.	Front Panel and Cabinet Assemblies	83
2-7.	Removal of FL Cassette Compartment	9	5-2.	Main chassis Assembly	84
2-8.	Removal of Mechanism Deck and MF-92 Board	9	5-3.	FL Block Assembly	85
2-9.	Removal of VI-91 Board, YC-59 Board and Switching Block	10	5-4.	MD Block Assembly (1)	86
2-10.	Internal Views	11	5-5.	MD Block Assembly (2)	87
3. DIAGRAMS			5-6.	MD Block Assembly (3)	88
3-1.	Circuit Boards Location	12	6. ELECTRICAL PARTS LIST		
3-2.	Overall Block Diagram	13	HARDWARE LIST		
3-3.	Video Block Diagram	17			
3-4.	Servo, System Control Block Diagram	21	7. ELECTRICAL ADJUSTMENT		
3-5.	System Control — Video Block Interface	25	7-1.	Power Supply Adjustment	104
3-6.	System Control — Servo Peripheral Circuit Interface	27	7-1-1.	Power Supply Adjustment	104
3-7.	System Control — Mechanism Block Interface ..	29	7-1-2.	Power Supply Check	104
3-8.	System Control — System Control Peripheral Circuit Interface	31	7-2.	Servo System Adjustment	105
3-9.	System Control — Audio Block Interface	31	7-2-1.	Switching Position Adjustment 2	105
3-10.	Audio Block Diagram	33	7-3.	Video System Adjustment	105
3-11.	Mode Control Block Diagram	37	7-3-1.	Recording Y Signal Level Adjustment	105
3-12.	Tuner Block Diagram	39	7-3-2.	Sync. AGC Adjustment	106
3-13.	Power Block Diagram	39	7-3-3.	Sync. Tip Carrier Set and Deviation Adjustment	106
			7-3-4.	White Clip, Dark Clip Check	107
			7-3-5.	Playback Y Signal Level Adjustment	107
			7-3-6.	Recording Chroma Level Adjustment	107
			7-3-7.	CCD Level Adjustment	107
			7-3-8.	X'tal Oscillation Frequency Check	108

<u>Section</u>	<u>Title</u>	<u>Page</u>
7-4.	Audio System Adjustment	108
7-4-1.	Hi-Fi Audio System Adjustment	108
7-4-2.	Normal Audio System Adjustment	110
7-5.	Tuner System Adjustment	111
7-5-1.	RF AGC Adjustment	111
7-5-2.	Separation Adjustment	111
7-5-3.	Band Pass Filter f_0 Check	111
7-6.	Mode Control System Adjustment	111
7-6-1.	Clock Adjustment	111
7-6-2.	Level Meter Adjustment	112
7-7.	Character Generator Adjustment	112
7-7-1.	Clock Oscillation Frequency Check	112
7-7-2.	AFC Frequency Adjustment	112
7-7-3.	Character Position Check	112
7-8.	Parts Arrangement Diagram for the Adjustment	114

SECTION 1 SERVICE NOTE

1-1. RETURNING THE PINCH ROLLER, GUIDE ROLLER AND ELEVATOR CAM TO A STOP STATE

- ① Remove the bottom plate.
- ② The cam motor is on the bottom side of the MD (between the front panel and the MD-49 board). Turn the worm gear **A** on the MD in the direction shown by arrow **B**.

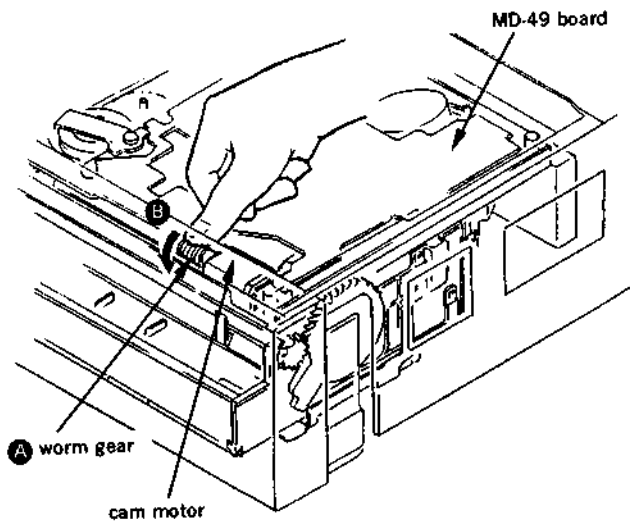


Fig. 1-1

1-3. REMOVING THE CASSETTE WHEN THE EQUIPMENT MALFUNCTIONS WITH A CASSETTE INSERTED

- ① Remove the upper case.
- ② Turn the worm gear **A** of the FL cassette compartment motor in the direction shown by arrow **B**.

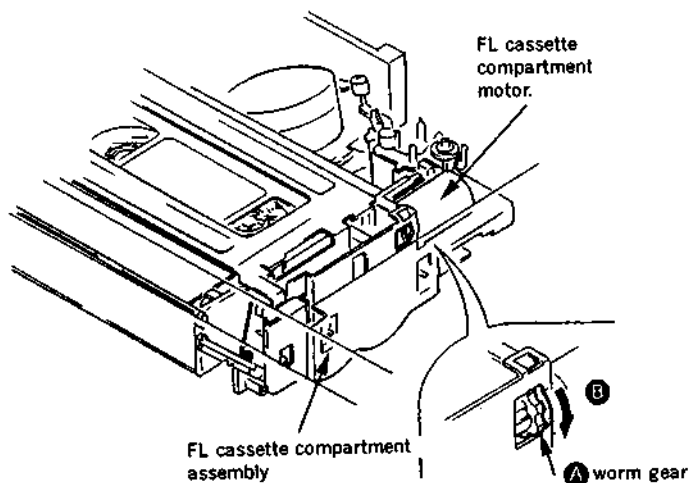


Fig. 1-3

1-2. HOUSING THE TAPE IN THE CASSETTE HALF

Use your finger to turn the flywheel **A** on the capstan motor in the direction of arrow **B**. The tape will be housed in the cassette half.

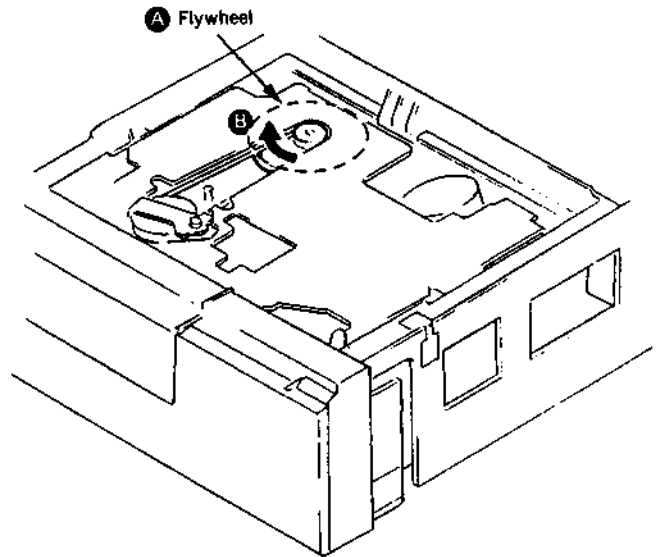


Fig. 1-2

Caution

When carrying out steps 1-1 to 1-3, be careful that the slack in the tape does not catch and that the tape is not damaged.

Replacing The Upper Drum

1-4. REMOVING THE UPPER DRUM

- ① Refer to Fig. 1-4 to remove the screw ❶ (P3×5) and then remove the axle ground.
- ② Completely remove the revolving upper drum PC board and the solder at sixteen points as shown by the arrows.
- ③ Refer to Fig. 1-5 to remove the two screws ❸ (PSW3×8) and remove the revolving upper drum in the direction shown by arrow ❹. If the drum proves difficult to remove, try tilting slightly backward and left and right.

Note: When the drum cannot be removed, check again to insure that all solder has been removed.

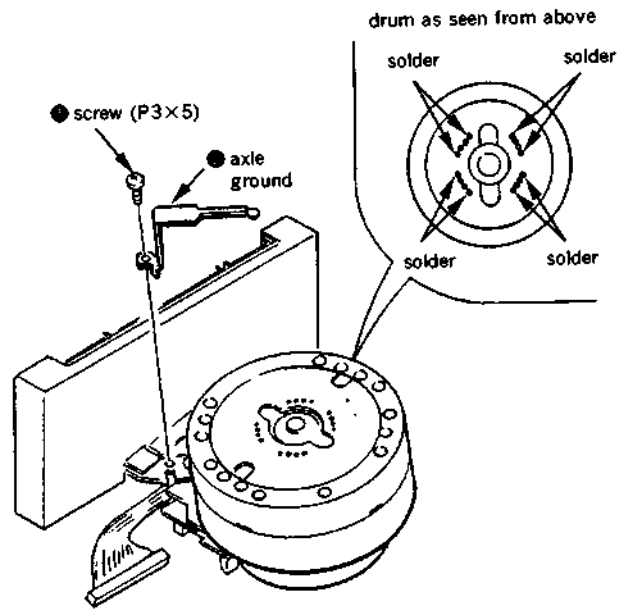


Fig. 1-4

1-5. ATTACHING THE UPPER DRUM

- ① When inserting the revolving drum in the lower drum, be very careful not to leave fingerprints or other soiling on the contact surface.
- ② Refer to Fig. 1-5 and make sure SP1 on the revolving upper drum PC board is aligned in the same direction as S1 on the rotor transformer PC board (lower drum side). Attach so that the holes on the upper and lower drums are aligned with each other.
- ③ If it proves difficult to attach the drum, attach while moving the drum slightly backward and forward and left and right.

Caution: Be careful not to damage the head at this time. Also make sure that the drum is securely inserted and not rattling.

- ④ Refer to Fig. 1-5 to tighten the two screws ❸ (PSW3×8).
Caution: Lightly tighten one of the screws and then the other screw and check to see that there is no rattling before tightening the screws completely.

⑤ Solder the sixteen locations on the PC board from the revolving drum.

- ⑥ Tighten screw ❶ (P3×5) so that the protruding portion on the end of axle ground ❷ is in contact with the center of the drum axle.

Caution: When attaching the axle ground ❷ be careful not to apply pressure to the spring section of the axle ground.

SLV-575UC

upper drum assy (DZR-14-R)	8-848-529-01
-------------------------------	--------------

SLV-676UC

upper drum assy (DZR-11-R)	8-848-528-01
-------------------------------	--------------

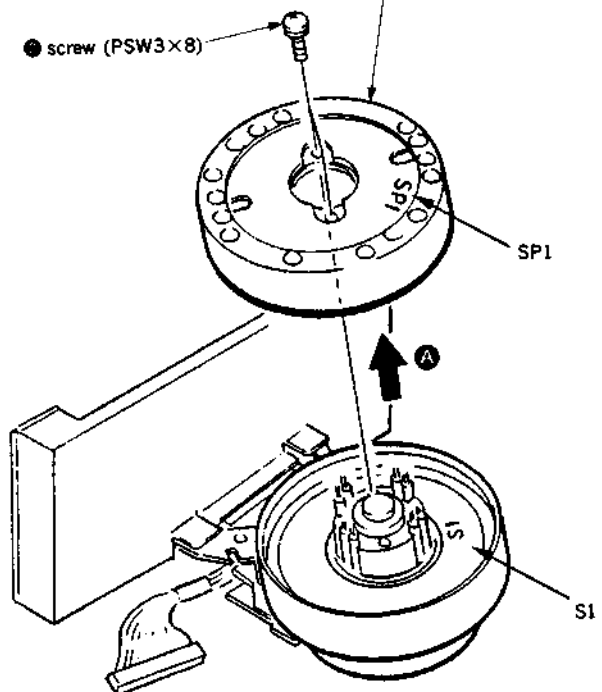
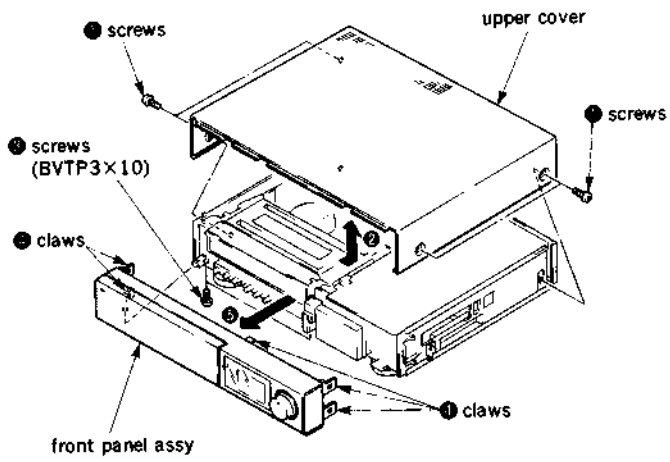


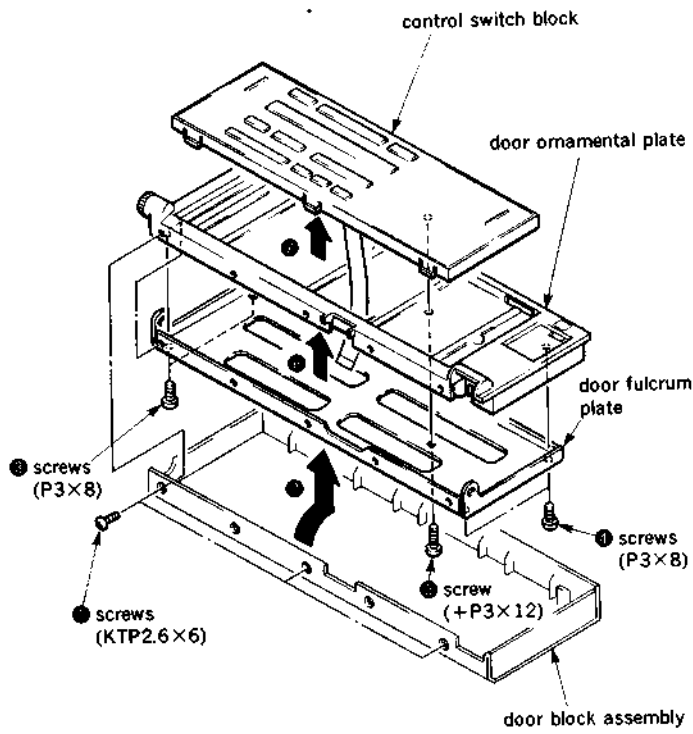
Fig. 1-5

SECTION 2 DISASSEMBLY

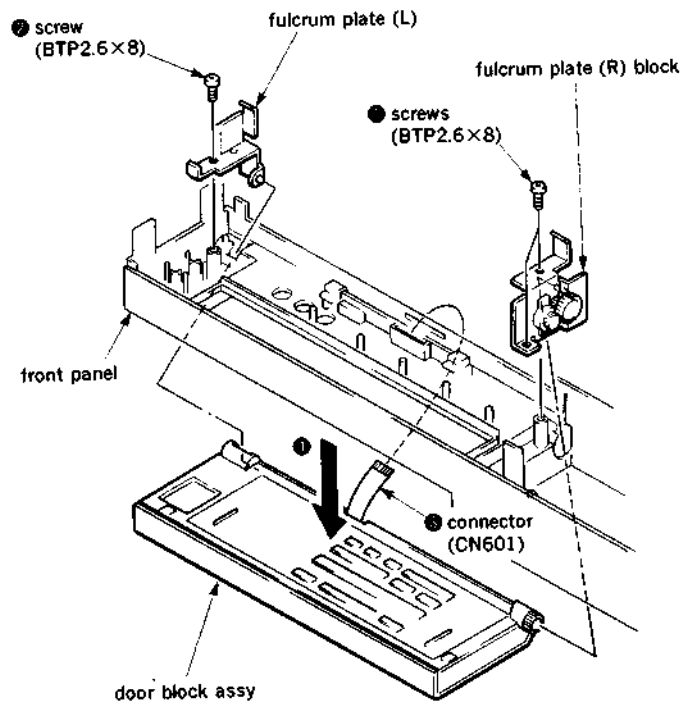
2-1. REMOVAL OF UPPER COVER AND FRONT PANEL



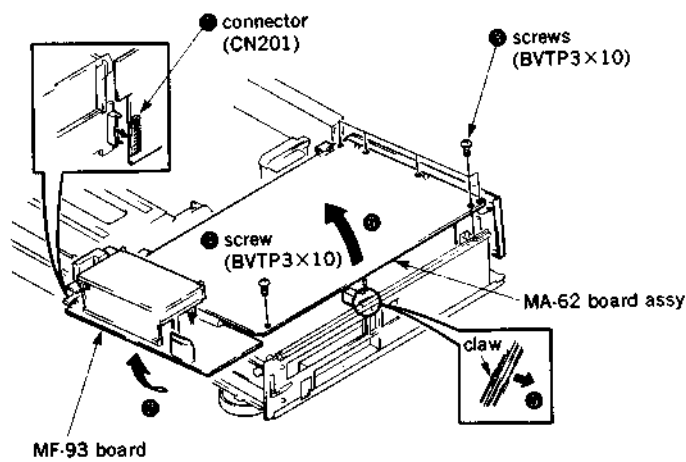
2-3. REMOVAL OF CONTROL SWITCH BLOCK



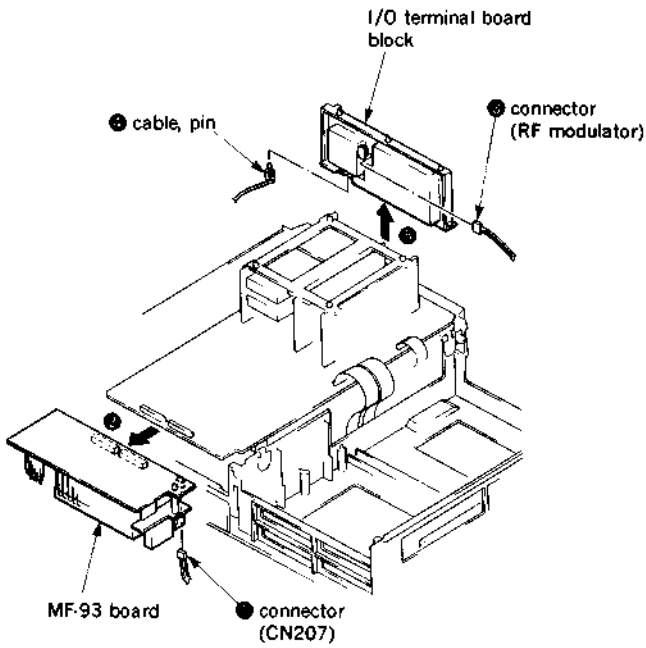
2-2. REMOVAL OF DOOR BLOCK



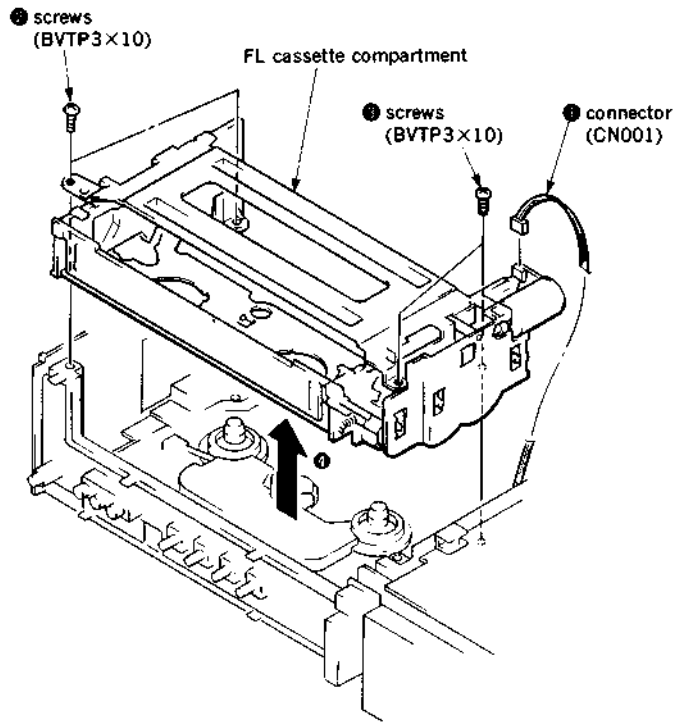
2-4. REMOVAL OF MA-62 BOARD



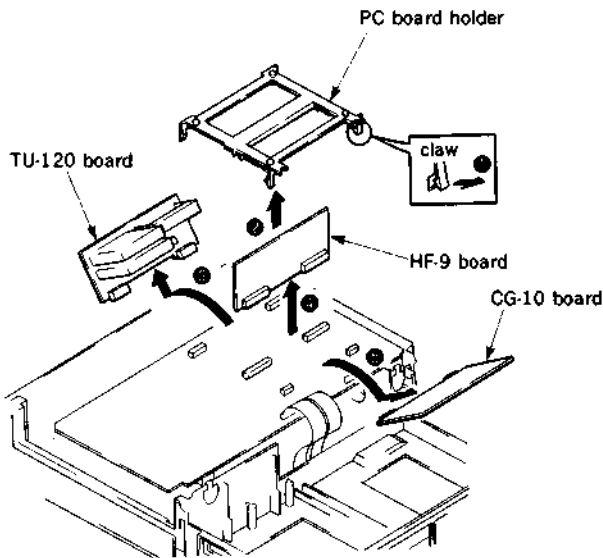
2-5. REMOVAL OF MF-93 BOARD AND I/O TERMINAL BOARD BLOCK



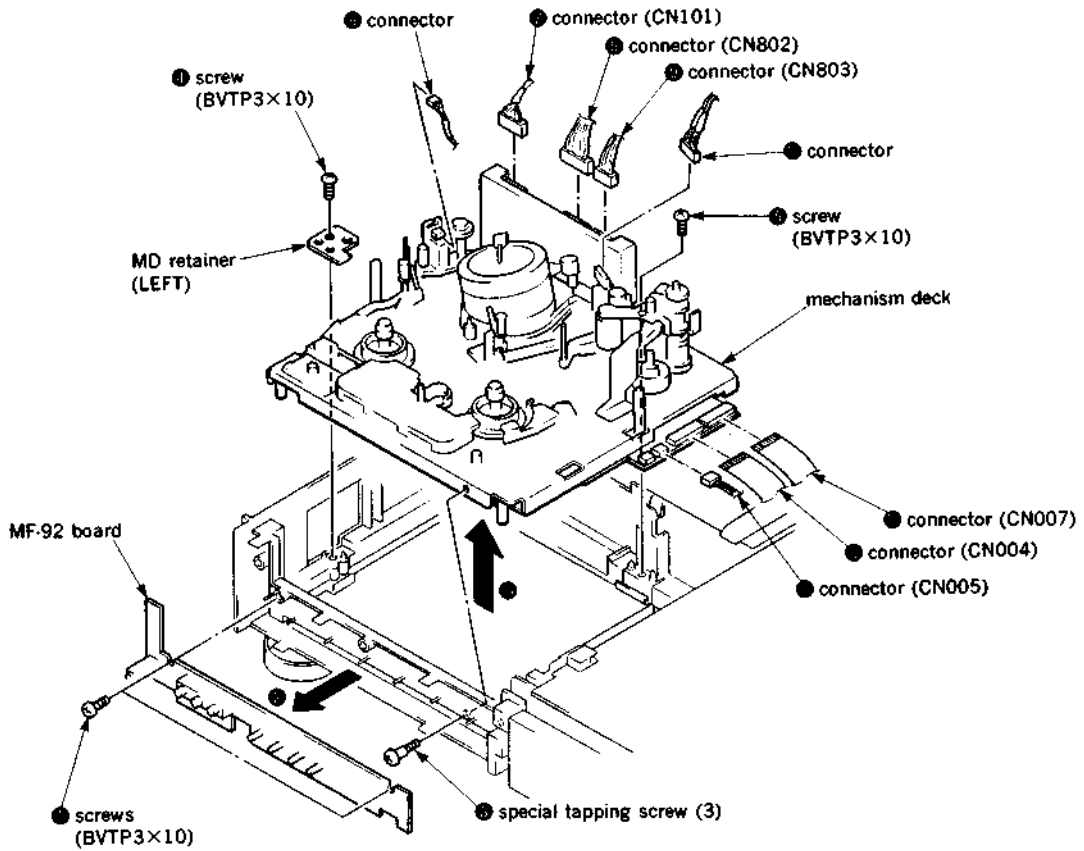
2-7. REMOVAL OF FL CASSETTE COMPARTMENT



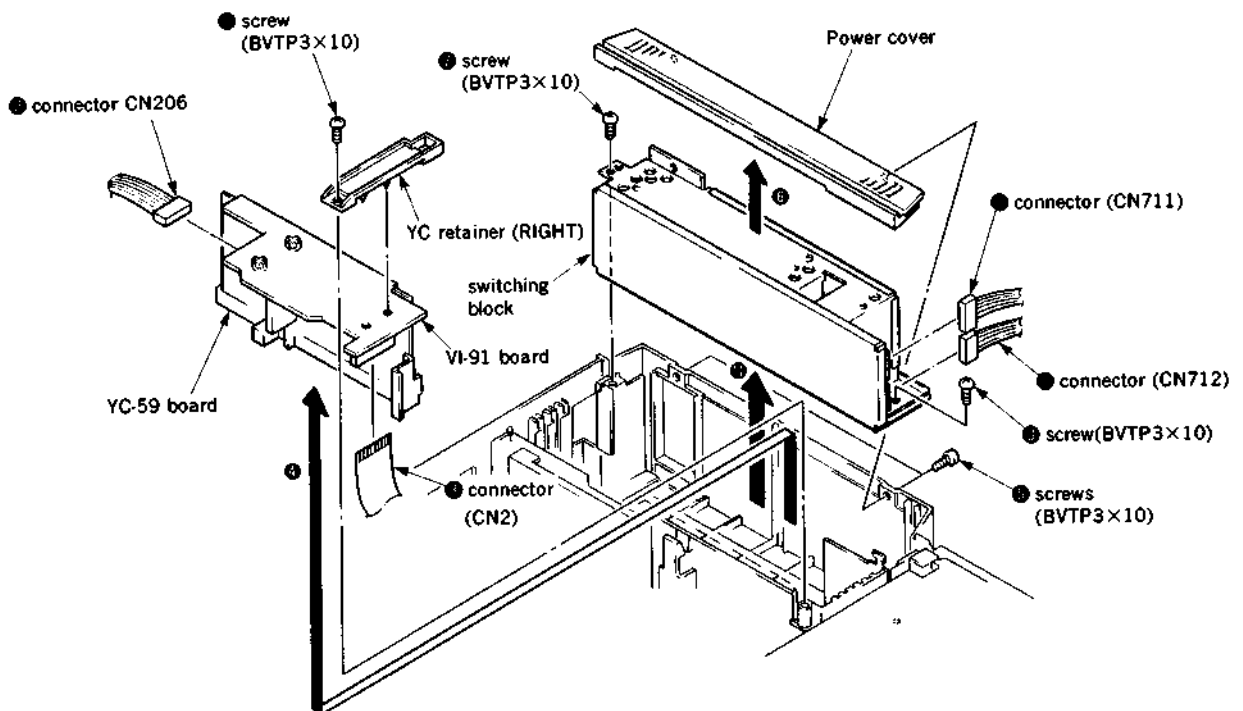
2-6. REMOVAL OF TU-120 BOARD, HF-9 BOARD AND CG-10 BOARD



2-8. REMOVAL OF MECHANISM DECK AND MF-92 BOARD



2-9. REMOVAL OF VI-91 BOARD, YC-59 BOARD AND SWITCHING BLOCK



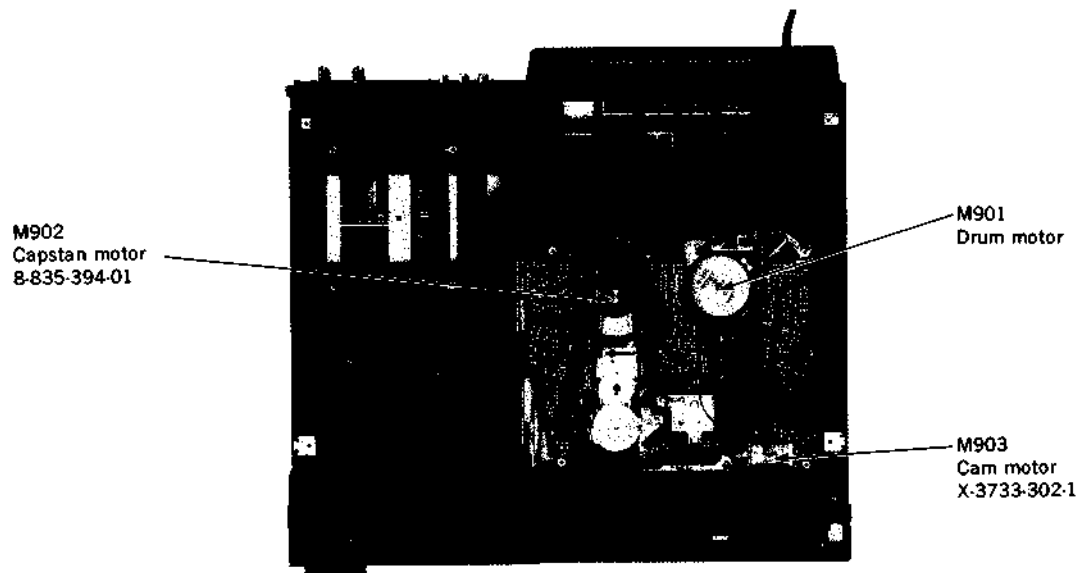
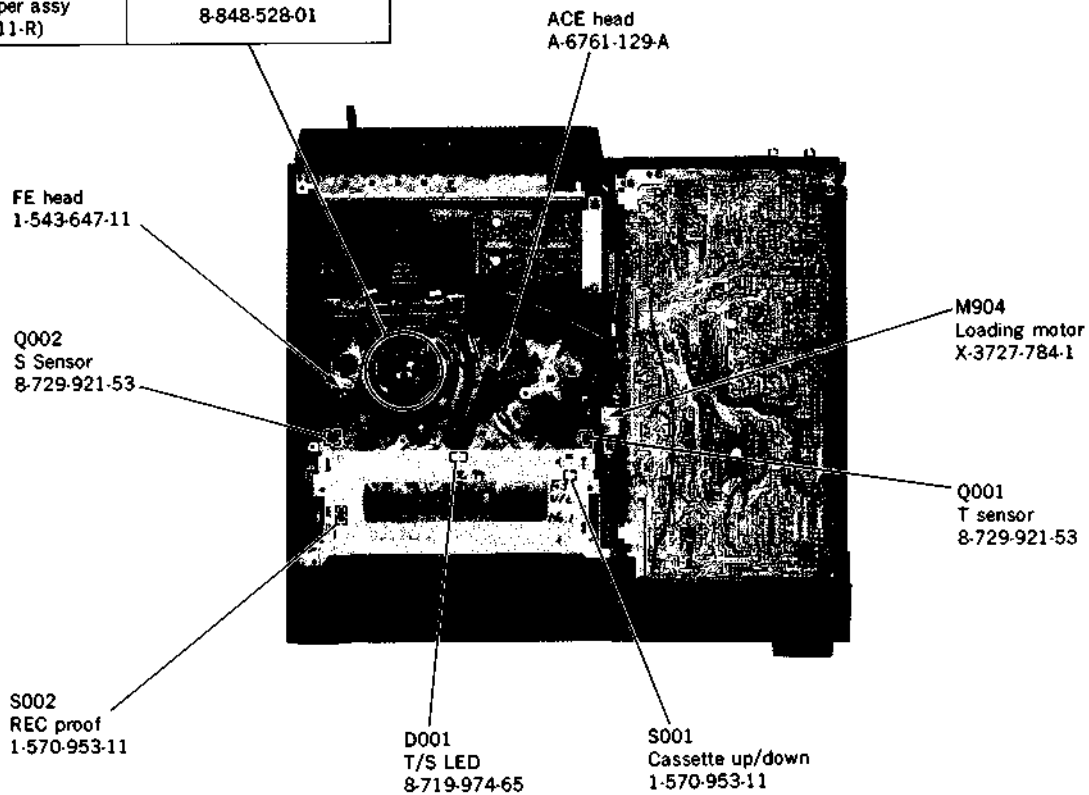
2-10. INTERNAL VIEWS

SLV-575UC

Drum assy (DZH-14A-R)	8-848-518-01
Drum upper assy (DZR-14-R)	8-848-529-01

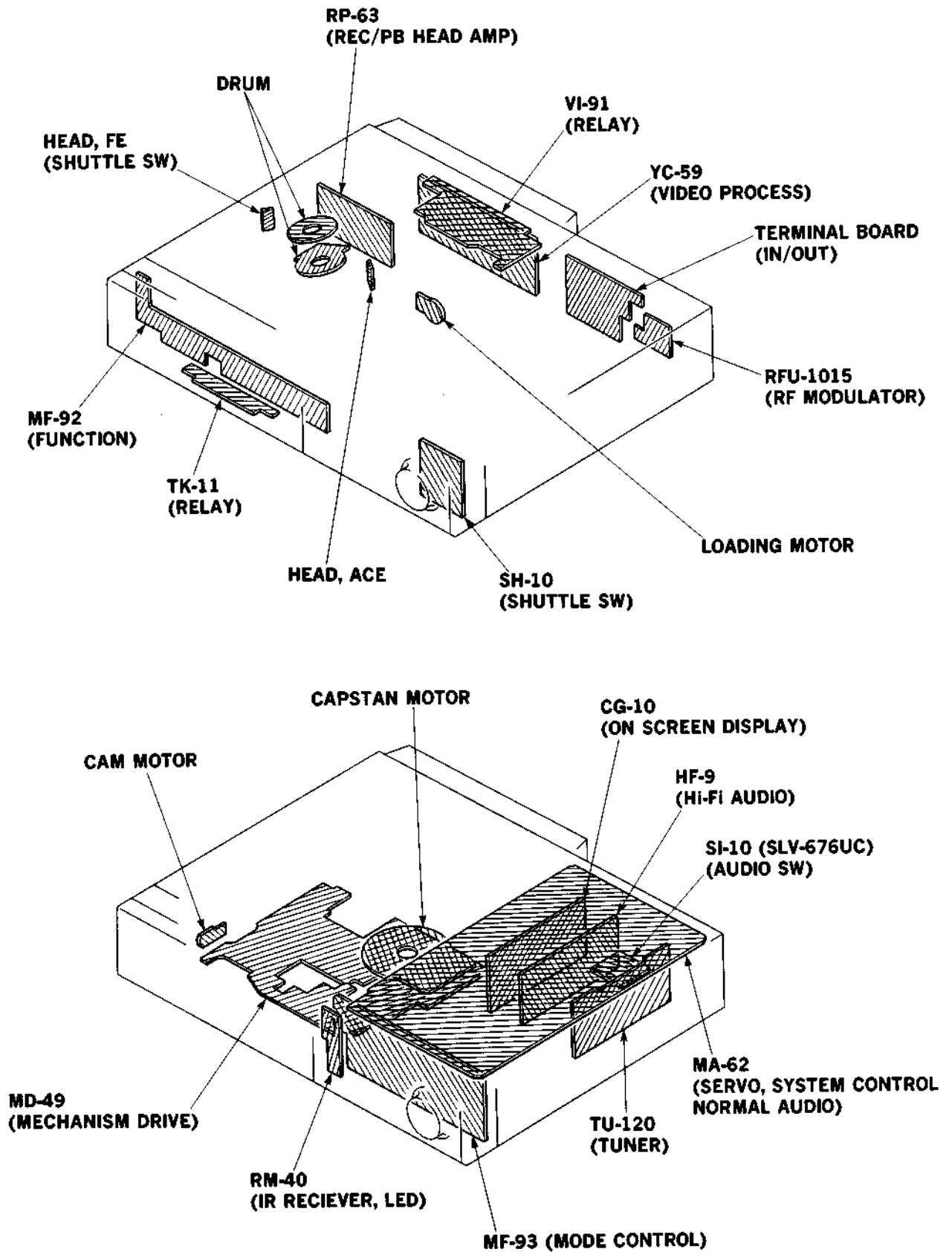
SLV-676UC

Drum assy (DZH-11A-R)	8-848-515-11
Drum upper assy (DZR-11-R)	8-848-528-01

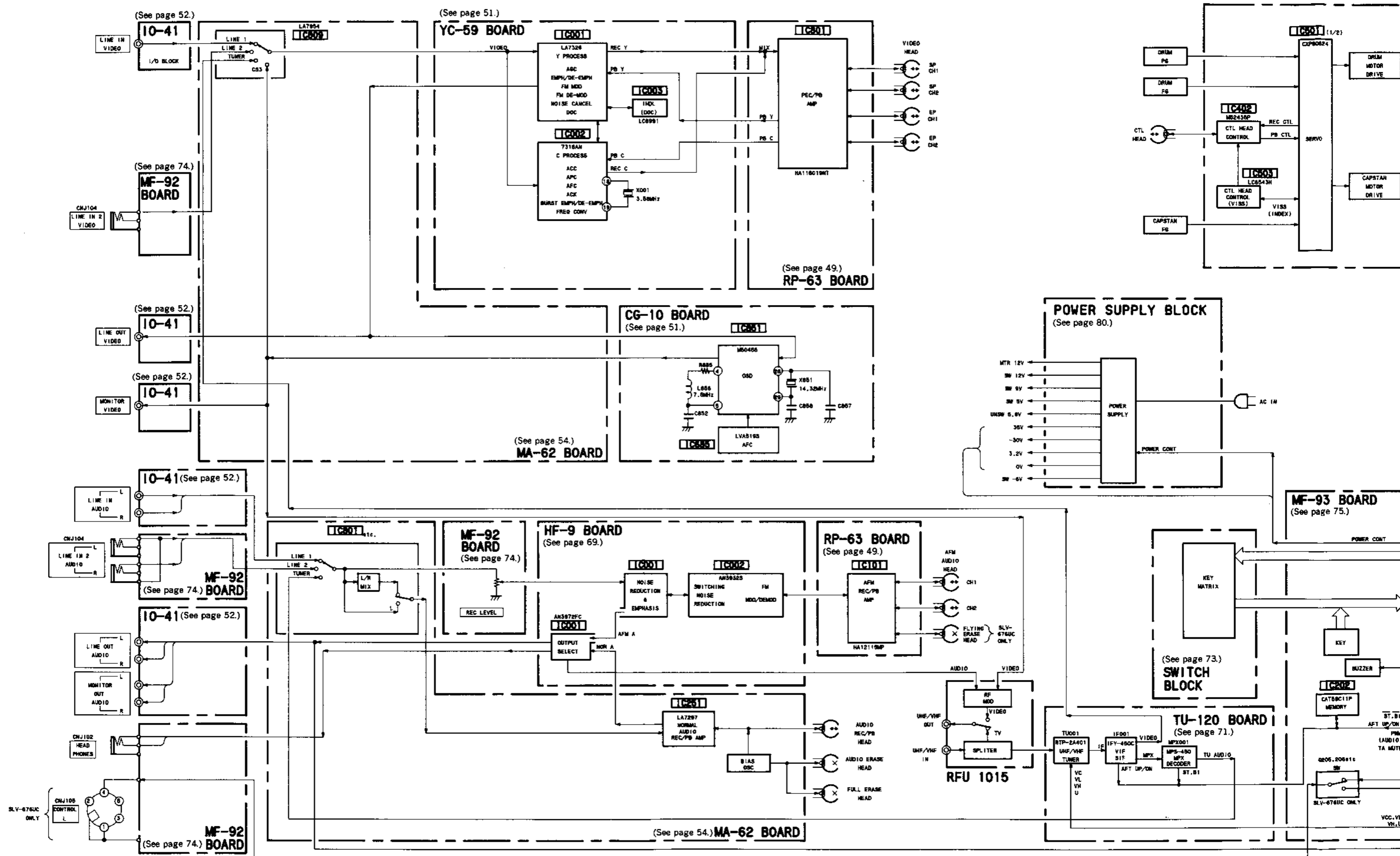


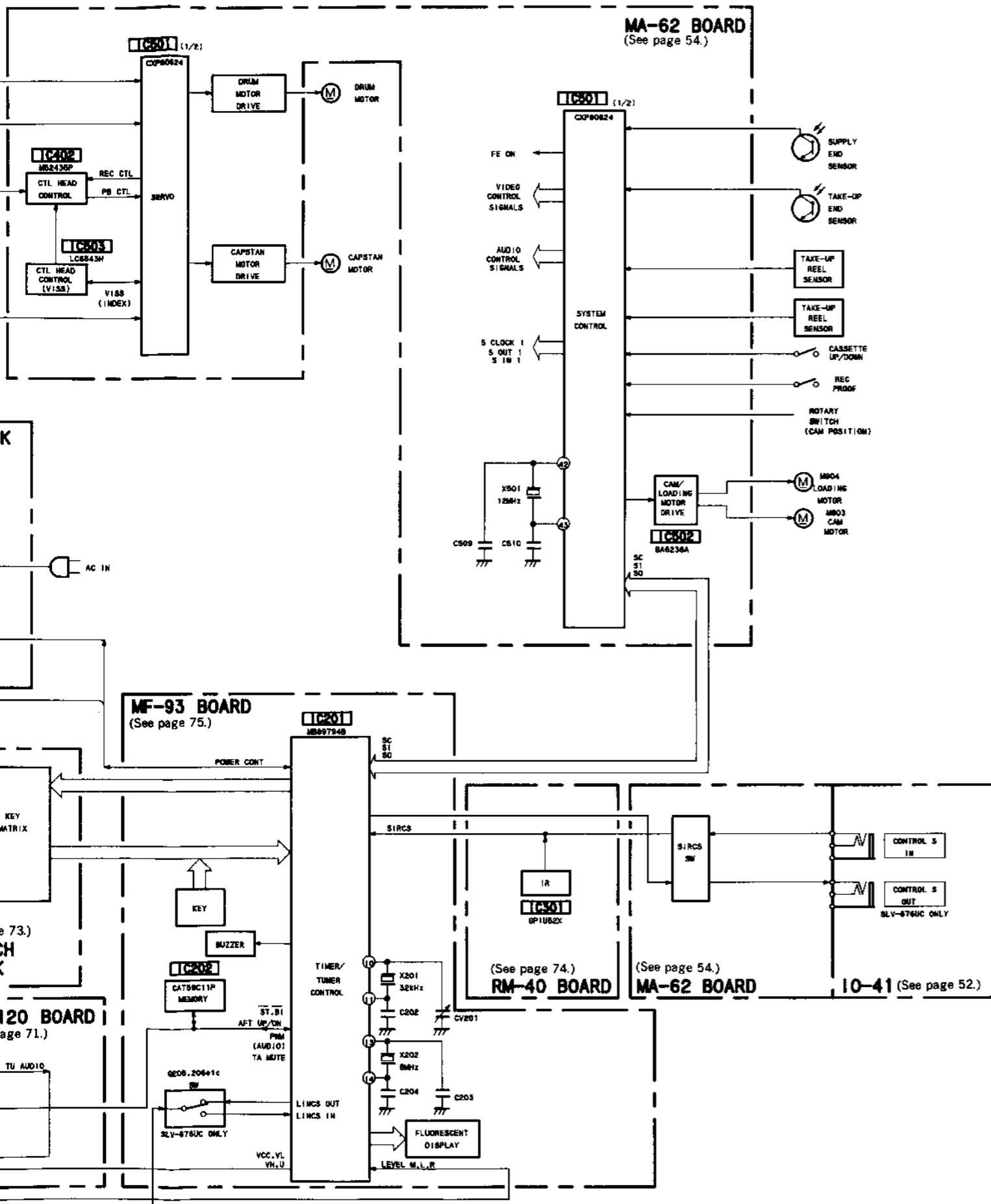
SECTION 3 DIAGRAMS

3-1. CIRCUIT BOARDS LOCATION

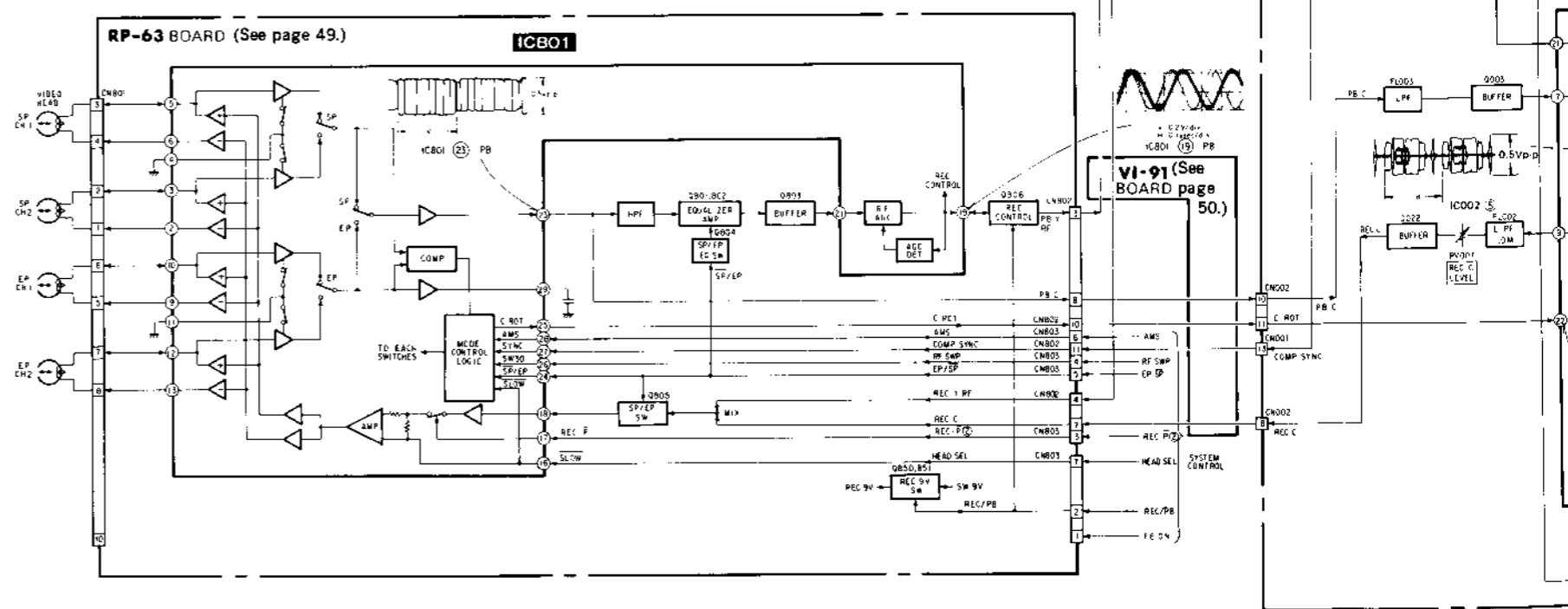
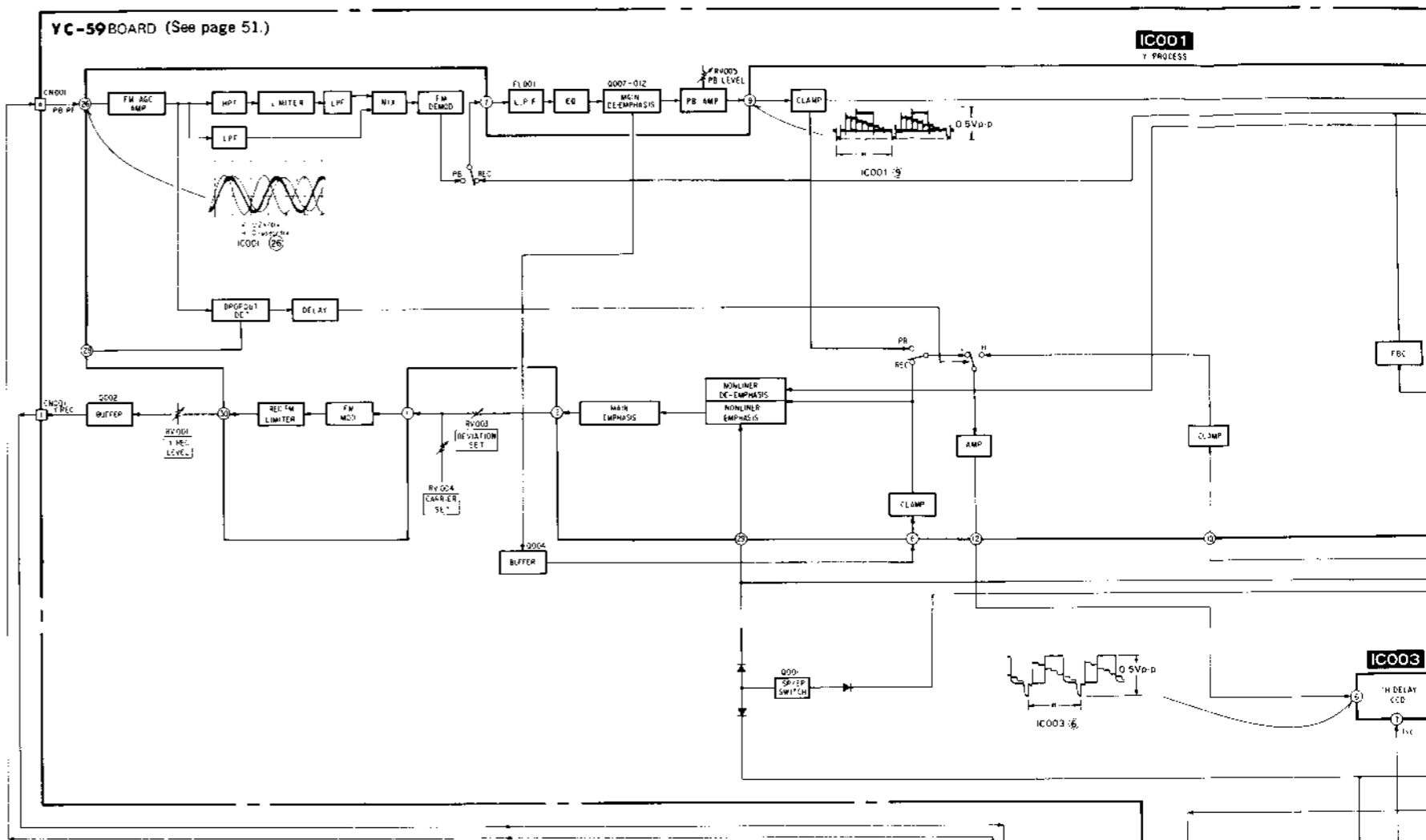


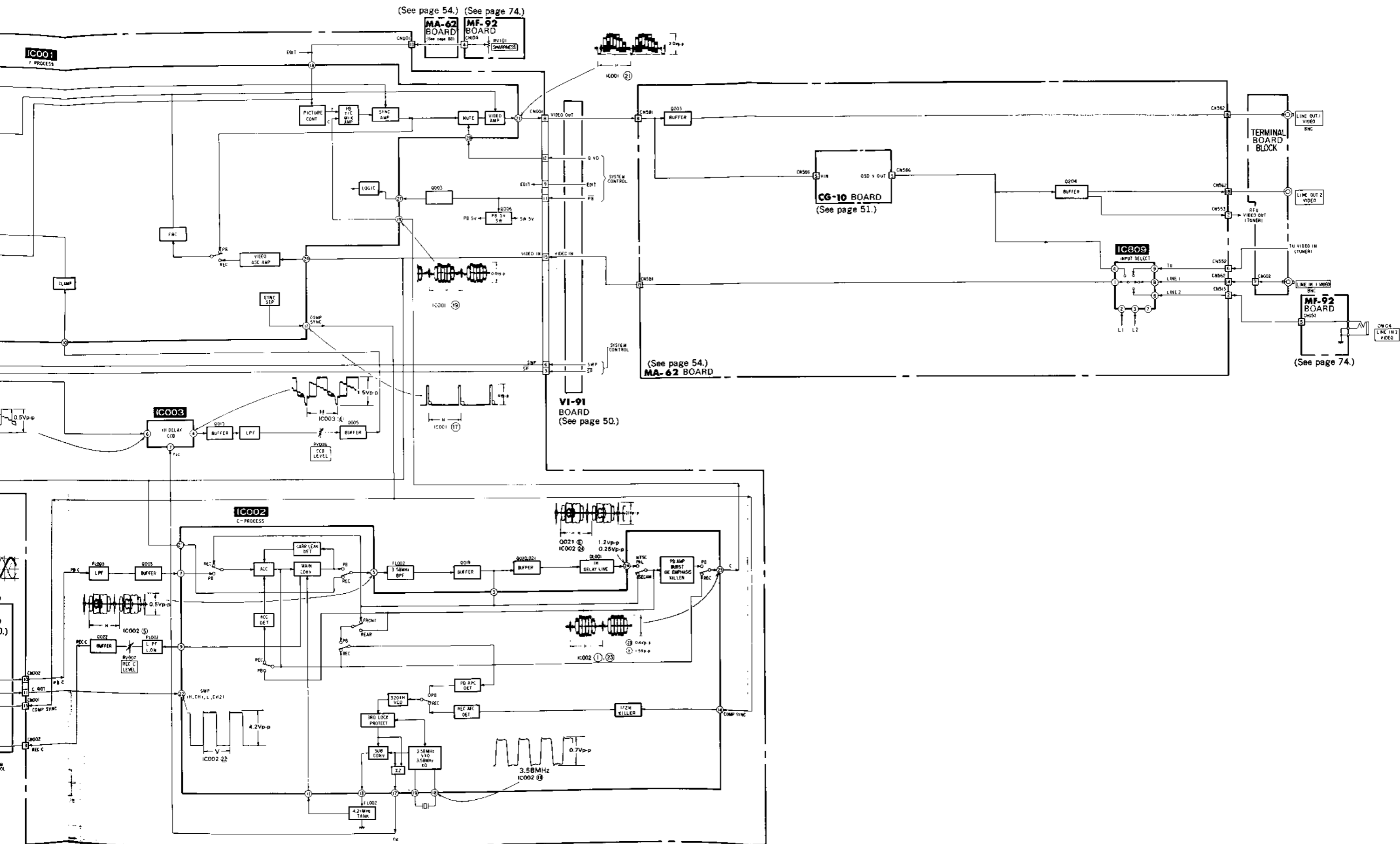
3-2. OVERALL BLOCK DIAGRAM



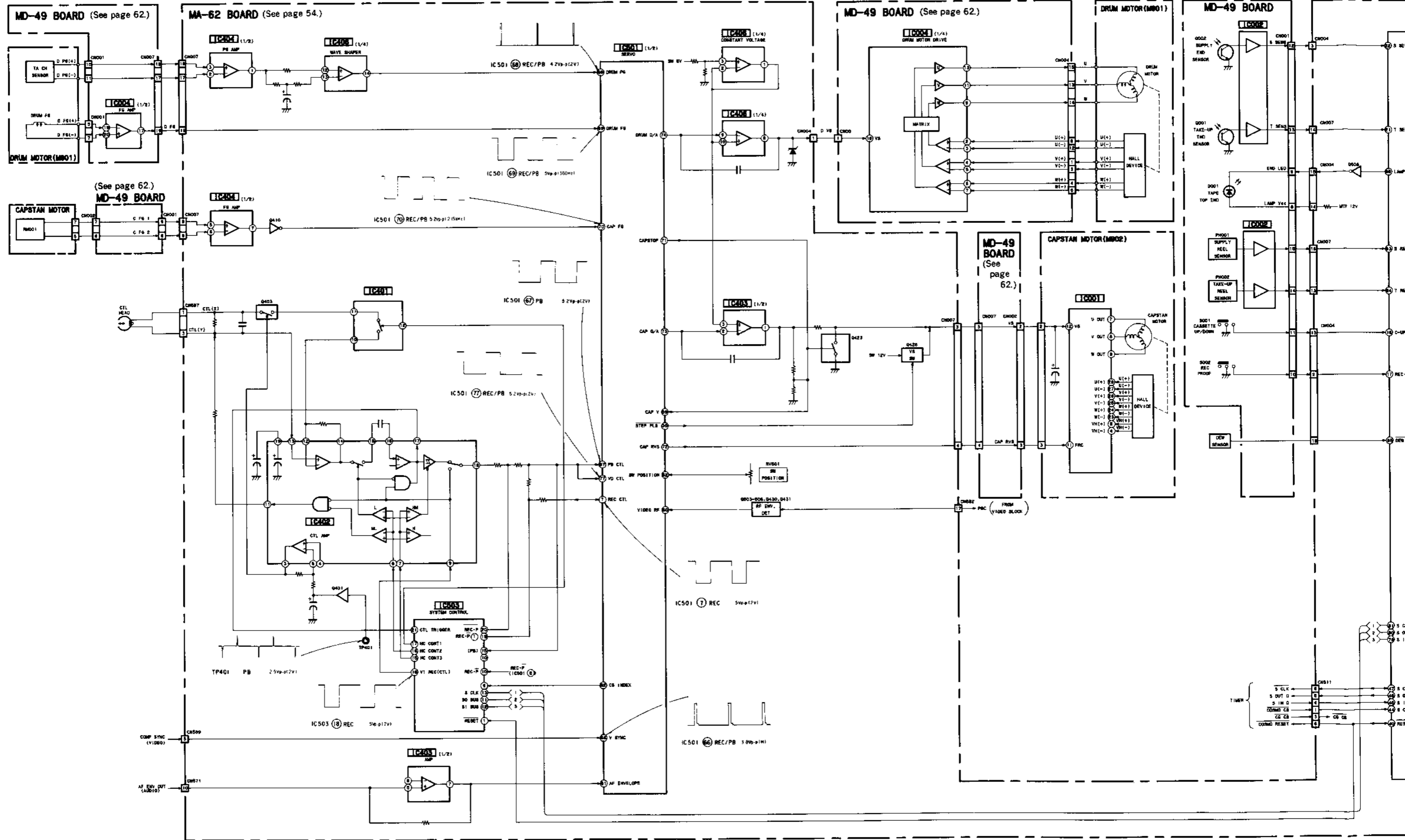


3-3. VIDEO BLOCK DIAGRAM

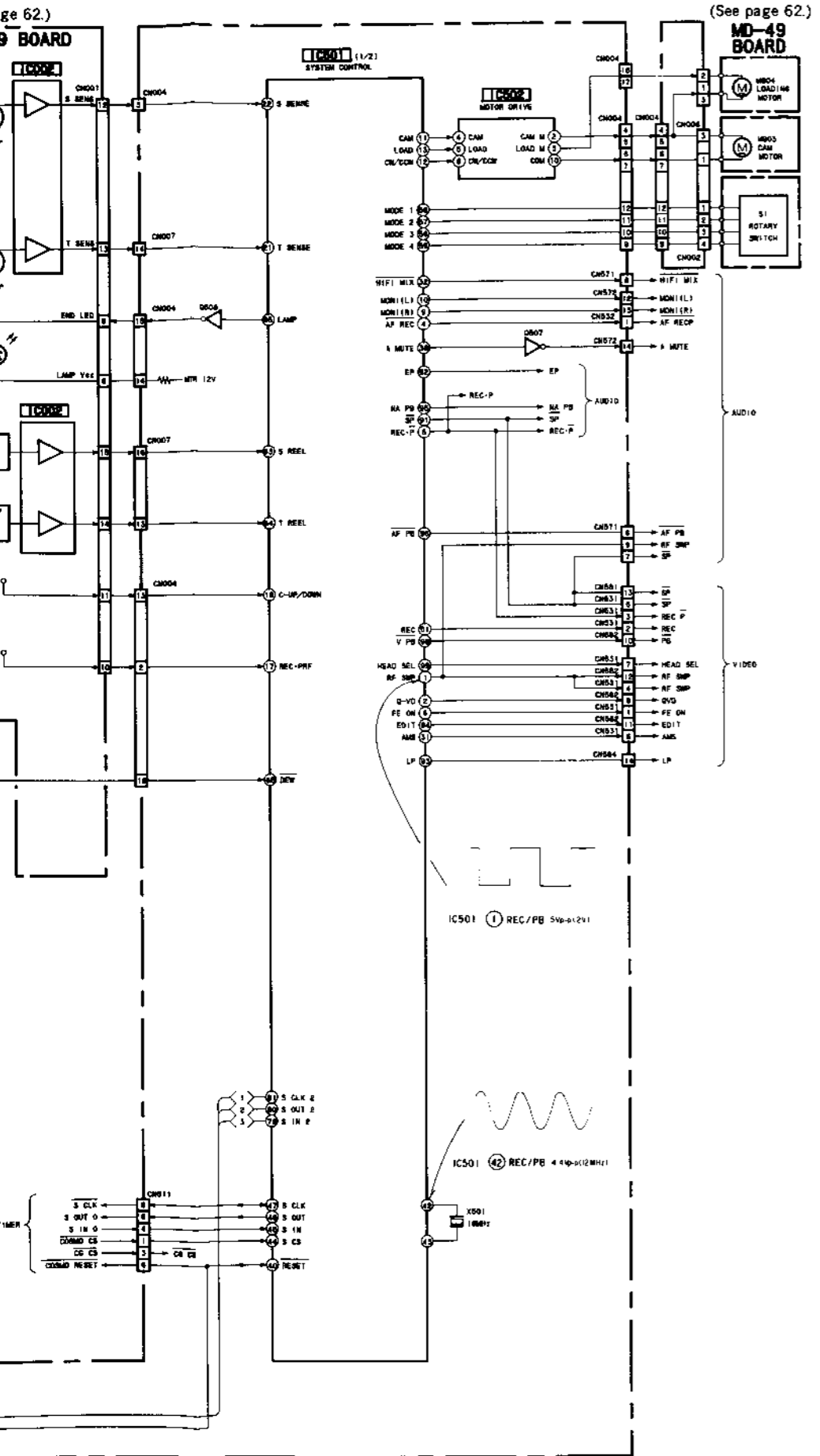




3-4. SERVO, SYSTEM CONTROL BLOCK DIAGRAM



(See page 62.)



3-5. SYSTEM CONTROL — VIDEO BLOCK INTERFACE

Signal Name	Pin No.	I/O	STOP/ FF/REW	TAPE LOADING	TAPE UNLOADING	PB	PB- PAUSE	SLOW	×2	CUE	REVIEW	REC	REC- PAUSE	INSERT	INSERT- PAUSE
$\overline{V \cdot PB}$	MA-62 BOARD IC501 ㉔	O	H	H	H	L	L	L	L	L	L	H	H	H/*12	H/*12
HEAD SEL	MA-62 BOARD IC501 ㉕	O	L	L	L	L	H	*1	H	L	L	H	L	H/*12	L
RF SW P (SW30)	MA-62 BOARD IC501 ㉖	O	*2	*2	*2	*2	*2	*2	*2	*2	*2	*2	*2	*2	*2
Q VD/V MUTE	MA-62 BOARD IC501 ㉗	O	L	L	L	*3	*4	*4	*4	*4	*4	L	L	L	L/*11
FE ON	MA-62 BOARD IC501 ㉘	O	L	L	L	L	L	L	L	L	L	*5	L	H/*12	L
EDIT	MA-62 BOARD IC501 ㉙	O	L	L	L	*6	*6	*6	*6	*6	*6	*6	L	*6	L
AMS	MA-62 BOARD IC501 ㉚	O	L	L	L	L	L	L	L	*7	*7	L	L	L	L
\overline{SP}	MA-62 BOARD IC501 ㉛	O	*8	*8	*8	*9	*9	*9	*9	*9	*9	*8	*8	*9	*9
EP	MA-62 BOARD IC501 ㉜	O	*8	*8	*8	*9	*9	*9	*9	*9	*9	*8	*8	*9	*9
LP	MA-62 BOARD IC501 ㉝	O				*9	*9	*9	*9	*9	*9			*9	*9
REC· \overline{P}	MA-62 BOARD IC501 ㉞	O	L	L	L	L	L	L	L	L	L	H	L	H	L
REC	MA-62 BOARD IC501 ㉟	O	L	L	L	L	L	L	L	L	L	H	H	H	H
V SYNC	MA-62 BOARD IC501 ㊱	I	*10	*10	*10	*10	*10	*10	*10	*10	*10	*10	*10	*10	*10

- * 1. "H" when the tape stops, and "L" when it runs (for approx. 40msec).
- * 2. Synchronized with drum rotation. 30Hz 50% duty pulse.
- * 3. Normally "L". "H" when CTL single is not played back.
- * 4. V-cycle "H" pulse.
- * 5. "H" when starts recording for approx. 7sec (SP), 21 sec (EP).
- * 6. Normally "L". "H" during EDIT mode.

- * 7. HI-Z (2.5V) during SP mode, or "L" during EP mode.
- * 8. By SP/EP selector, "L" during SP mode, or "H" during EP mode.
- * 9. By the mode on the recorded tape.

Signal \ Mode	SP	LP	EP
SP ㉛	L	H	H
EP ㉜	L	L	H
LP ㉝	L	H	L

- * 10. Composite sync. signal (positive polarity).
- * 11. V-cycle "H" pulse during A INS·PAUSE mode.
- * 12. "L" during A INS mode or A INS·PAUSE mode.

3-6. SYSTEM

Signal Name
REC CTL
CAP STO
$\overline{STEP PL}$
CAP V *
SW POSITIO
PB CTL
VD CTL
DRUM P
DRUM F
CAP FG
INDEX C
CAP RVS
CAP DA *
DRUM DA
REC· \overline{P}
\overline{INSERT}

- * 1. 30Hz pul
- * 2. Pulse wh
- * 3. Input ter
Used in
- * 4. Input ter
- * 5. Indefinit
- * 6. Cycle pu
- * 7. 30Hz "H

3-6. SYSTEM CONTROL — SERVO PERIPHERAL CIRCUIT INTERFACE

Signal Name	Pin No.	I/O	STOP	FF	REW	TAPE LOADING	TAPE UNLOADING	PB	PB-PAUSE	SLOW	×2	CUE	REVIEW	REC	REC-PAUSE	INSERT	INSERT-PAUSE
REC CTL *1	MA-62 BOARD IC501 ⑦	O	*1	*1	*1	*1	*1	*1	*1	*1	*1	*1	*1	*1	*1	*1	*1
CAP STOP	MA-62 BOARD IC501 ⑩	O	H	L	L	L	L	L	H	H	L	L	L	L	H	L	H
STEP PLS	MA-62 BOARD IC501 ⑮	O	H	H	H	H	H	H	H	*2	H	H	H	H	H	H	H
CAP V *3	MA-62 BOARD IC501 ⑲	I															
SW POSITION *4	MA-62 BOARD IC501 ⑳	I															
PB CTL	MA-62 BOARD IC501 ㉑	I	H	*6	*6			*1	H/L	*2	*6	*6	*6	*1	H	*1	H
VD CTL	MA-62 BOARD IC501 ㉒	I	H	*6	*6			*1	H/L	*2	*6	*6	*6	*1	H	*1	H
DRUM PG	MA-62 BOARD IC501 ㉓	I	L	L	L	*5	*5	*7	*7	*7	*7	*7	*7	*7	*7	*7	*7
DRUM FG	MA-62 BOARD IC501 ㉔	I	L	L	L	*5	*5	*8	*8	*8	*8	*8	*8	*8	*8	*8	*8
CAP FG	MA-62 BOARD IC501 ㉕	I	H/L	*6	*6	*5	*5	*6	H/L	*9	*6	*6	*6	*6	H/L	*6	H/L
INDEX \overline{CS}	MA-62 BOARD IC501 ㉖	O	*10	*10	*10	*10	*10	*10	*10	*10	*10	*10	*10	*10	*10	*10	*10
CAP RVS	MA-62 BOARD IC501 ㉗	O	H	L	H	L	H	L	L	*2	L	L	H	L	L	L	L
CAP DA *14	MA-62 BOARD IC501 ㉘	O	*11	L	L	*11	*11	*12	*11	*11	*12	*12	*12	*12	*11	*12	*11
DRUM DA *14	MA-62 BOARD IC501 ㉙	O	*13	*13	*13	*13	*13	*13	*13	*13	*13	*13	*13	*13	*13	*13	*13
REC- \overline{P}	MA-62 BOARD IC501 ㉚	O	L	L	L	L	L	L	L	L	L	L	L	H	L	H	L
\overline{INSERT}	MA-62 BOARD IC501 ㉛	O	H	H	H	H	H	H	H	H	H	H	H	H	H	L	H

* 1. 30Hz pulse.

* 2. Pulse when the tape runs.

* 3. Input terminal for capstan constant-voltage drive.
Used in the FF/REW mode and for cassette loading/unloading.

* 4. Input terminal for switching position adjustment.

* 5. Indefinite cycle pulse.

* 6. Cycle pulse proportional to a tape speed.

* 7. 30Hz "H" pulse.

* 8. 360Hz pulse.

* 9. Tape run time pulse.

* 10. 8 msec cycle pulse.

* 11. "H" or "L" pulse in a cycle of approx. 2 msec.

* 12. "H" or "L" pulse in a cycle of approx. 15 msec.

* 13. "H" or "L" pulse in a cycle of approx. 3 msec.

* 14. 3-value output of "H", "L" and HI-Z (2.5V).

3-7. SYSTEM CONTROL — MECHANISM BLOCK INTERFACE

Signal Name	Pin No.	I/O	HI-SPEED REW	EJECTED	CASSETTE LOADING	CASSETTE UNLOADING	TAPE LOADING	TAPE UNLOADING	STOP	FF	REW	PB	PB- PAUSE	SLOW	×2	CUE	REVIEW	REC	REC PAUSE
CAM * 1	MA-62 BOARD IC501 ⑩	O	L	L	L	L	H	H	L	L	L	L	L	L	L	L	L	L	L
LOAD	MA-62 BOARD IC501 ⑪	O	L	L	H	H	L	L	L	L	L	L	L	L	L	L	L	L	L
CW/CCW	MA-62 BOARD IC501 ⑫	O			H	L	H	L											
MODE 1	MA-62 BOARD IC501 ⑬	I	H	L	L	L	H	H	L	H	H	H	L	L	H	H	H	H	L
MODE 2	MA-62 BOARD IC501 ⑭	I	L	H	H	H	H	H	L	L	L	L	H	H	L	L	L	L	H
MODE 3	MA-62 BOARD IC501 ⑮	I	H	H	H	H	L	L	L	L	L	H	H	H	H	H	L	H	H
MODE 4	MA-62 BOARD IC501 ⑯	I	H	H	H	H	H	H	L	H	H	L	L	L	L	L	L	L	L
REC PRF	MA-62 BOARD IC501 ⑰	I	* 2	L	* 2	* 2	* 2	* 2	* 2	* 2	* 2	* 2	* 2	* 2	* 2	* 2	* 2	* 2	* 2
C-UP/DOWN	MA-62 BOARD IC501 ⑱	I	L	H	H → L	H → L	L	L	L	L	L	L	L	L	L	L	L	L	L
T REEL	MA-62 BOARD IC501 ⑲	I	* 3	H/L	H/L	H/L	H/L	H/L	H/L	* 3	* 3	* 3	H/L	* 3	* 3	* 3	* 3	* 3	H/L
S REEL	MA-62 BOARD IC501 ⑳	I	* 3	H/L	H/L	H/L	* 3	* 3	H/L	* 3	* 3	* 3	H/L	* 3	* 3	* 3	* 3	* 3	H/L
LAMP	MA-62 BOARD IC501 ㉑	O	* 4	* 4	* 4	* 4	* 4	* 4	* 4	* 4	* 4	* 4	* 4	* 4	* 4	* 4	* 4	* 4	* 4
DEW	MA-62 BOARD IC501 ㉒	I	* 5	* 5	* 5	* 5	* 5	* 5	* 5	* 5	* 5	* 5	* 5	* 5	* 5	* 5	* 5	* 5	* 5
CAP V	MA-62 BOARD IC501 ㉓	I	* 6	* 6	* 6	* 6	* 6	* 6	* 6	* 6	* 6	* 6	* 6	* 6	* 6	* 6	* 6	* 6	* 6
CAP STOP	MA-62 BOARD IC501 ㉔	O	L	H	H	H	L	L	H	L	L	L	H	H	L	L	L	L	H
CAP RVS	MA-62 BOARD IC501 ㉕	O	H	H			L	H	H/L	L	H	L	L	L/*9	L	L	H	L	L
CAP DA * 8	MA-62 BOARD IC501 ㉖	O																	
T SENS	MA-62 BOARD IC501 ㉗	I	* 7	* 4	* 4	* 4	* 7	* 7	* 7	* 7	* 7	* 7	* 7	* 7	* 7	* 7	* 7	* 7	* 7
S SENS	MA-62 BOARD IC501 ㉘	I	* 7	* 4	* 4	* 4	* 7	* 7	* 7	* 7	* 7	* 7	* 7	* 7	* 7	* 7	* 7	* 7	* 7

* 1. "H" when progressing to the MECHA mode.

* 2. "L" when a cassette erasure preventive finger is bent, and "H" when not bent.

* 3. Cycle pulse proportional to a reel speed.

* 4. "H" pulse in a cycle of approx. 2 msec.

* 5. Normally "H"

* 6. Input terminal for capstan constant-voltage drive.

Used in the FF/REW mode and for cassette loading/unloading.

* 7. Normally "L", "H" pulse in a cycle of 2 msec. when tape top or tape end is detected.

* 8. 3-value output of "H", "L" and HI-Z (2.5V).

* 9. Tape run pulse

3-8. SYSTEM CONTROL — SYSTEM CONTROL PERIPHERAL CIRCUIT INTERFACE

Signal Name	Pin No.	I/O	I/O LEVEL
$\overline{\text{COSMO}}\cdot\text{RESET}$	MA-62 BOARD IC501 ④	I	Normally "H". Set to "L" when a power failure is detected or power is restored.
$\overline{\text{COSMO}}\cdot\text{CS}$	MA-62 BOARD IC501 ④	I	Chip select signal from the timer microcomputer (MF-93 BOARD IC201). V-cycle "L" pulse.
SI·BUS	MA-62 BOARD IC501 ⑤	I	Serial communication data from the timer microcomputer. V-cycle "L" pulse.
SO·BUS	MA-62 BOARD IC501 ⑥	O	Serial communication data to the timer microcomputer. V-cycle "L" pulse.
S CLK	MA-62 BOARD IC501 ⑦	I	Serial communication clock from the timer microcomputer. V-cycle "L" pulse.
S IN 2	MA-62 BOARD IC501 ⑧	I	Serial communication data from the INDEX IC (IC503). V-cycle "L" pulse.
S OUT 2	MA-62 BOARD IC501 ⑨	O	Serial communication data to the INDEX IC. V-cycle "L" pulse.
S CLK 2	MA-62 BOARD IC501 ⑩	I/O	Serial communication clock to/from the INDEX IC. V-cycle "L" pulse.
INDEX $\overline{\text{CS}}$	MA-62 BOARD IC501 ⑪	O	Chip select signal to the INDEX IC (IC503). V-cycle "L" pulse.

3-9. SYSTEM CONTROL — AUDIO BLOCK INTERFACE

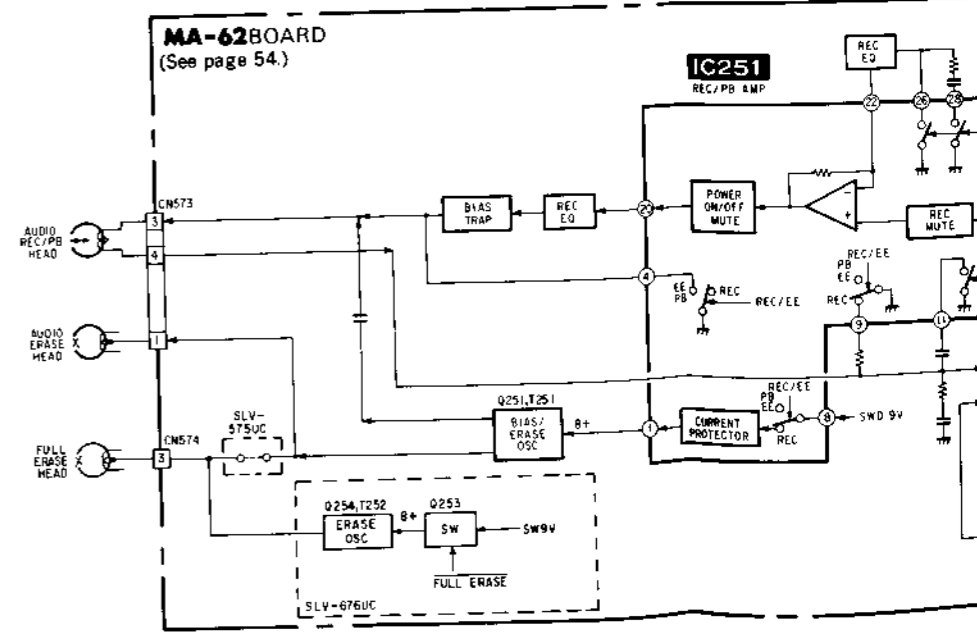
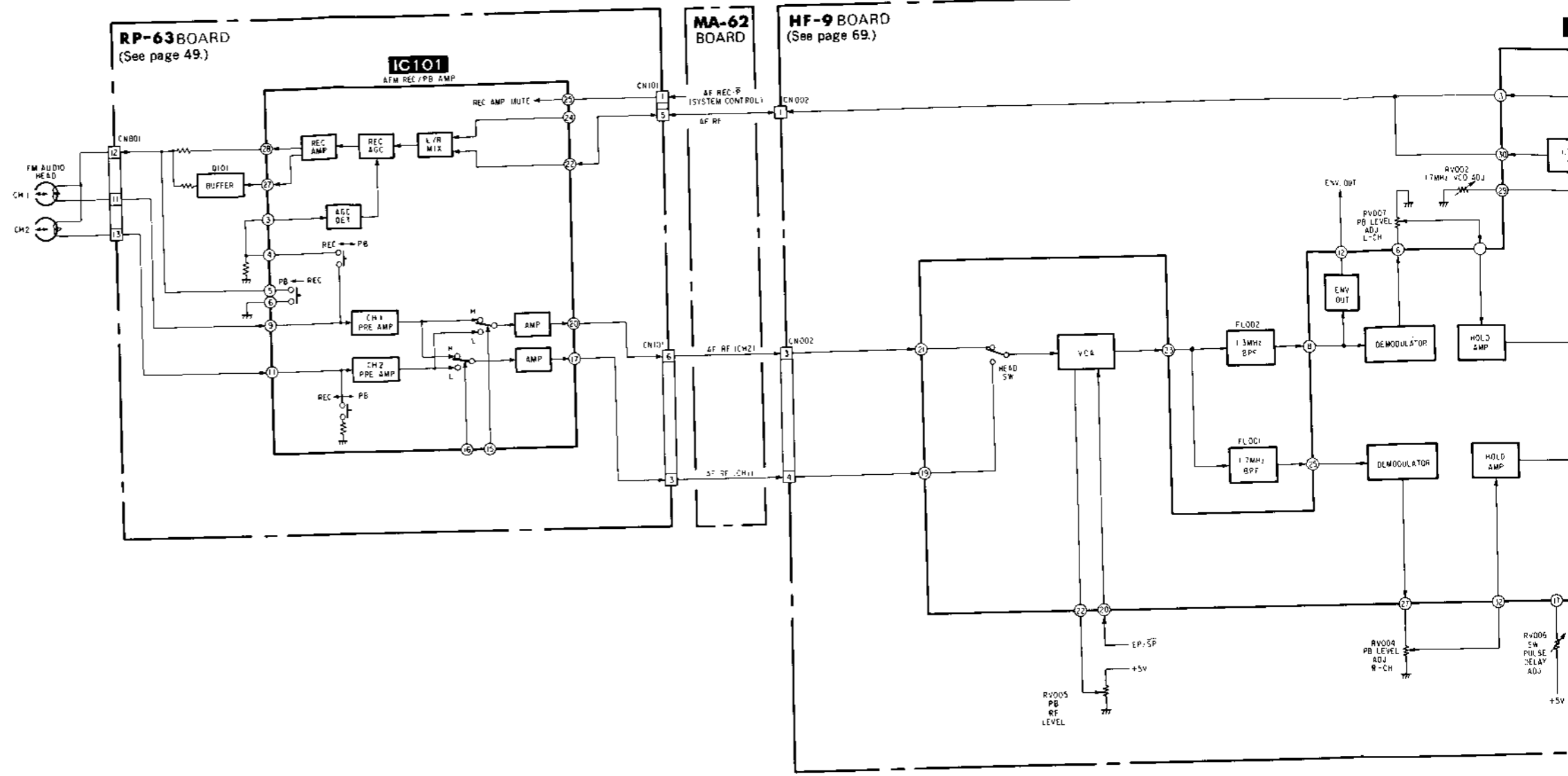
Signal Name	Pin No.	I/O	STOP/ FF/REW	TAPE LOADING	TAPE UNLOADING	PB	PB· PAUSE	SLOW	×2	CUE	REVIEW	REC	REC· PAUSE	INSERT	INSERT· PAUSE
$\overline{\text{AF}}\text{PB}$	MA-62 BOARD IC501 ⑫	O	H	H	H	L	L	L	L	L	L	H	H	* 1	* 1
MONI (L)	MA-62 BOARD IC501 ⑬	O	* 1	* 1	* 1	* 1	* 1	* 1	* 1	* 1	* 1	* 1	* 1	* 1	* 1
MONI (R)	MA-62 BOARD IC501 ⑭	O	* 1	* 1	* 1	* 1	* 1	* 1	* 1	* 1	* 1	* 1	* 1	* 1	* 1
AF ENVELOP	MA-62 BOARD IC501 ⑮	I													
NA·PB	MA-62 BOARD IC501 ⑯	O	L	L	L	H	H	H	H	H	H	L	L	* 1	* 1
$\overline{\text{A}}\text{MUTE}$	MA-62 BOARD IC501 ⑰	O	L	L	L	* 1	H	H	H	H	H	L	L	L	L
EP	MA-62 BOARD IC501 ⑱	O	* 2	* 2	* 2	* 3	* 3	* 3	* 3	* 3	* 3	* 2	* 2	* 3	* 3
REC· $\overline{\text{P}}$	MA-62 BOARD IC501 ⑲	O	L	L	L	L	L	L	L	L	L	H	L	H	L

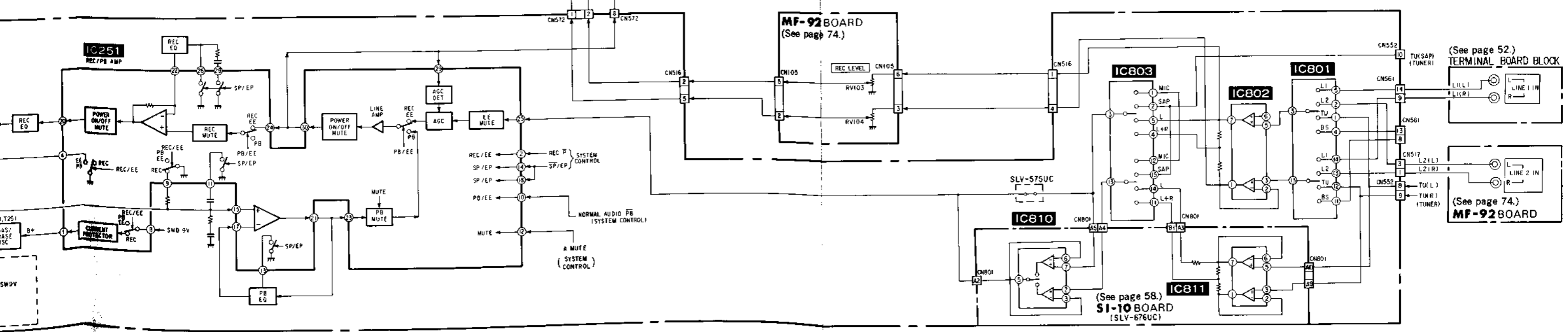
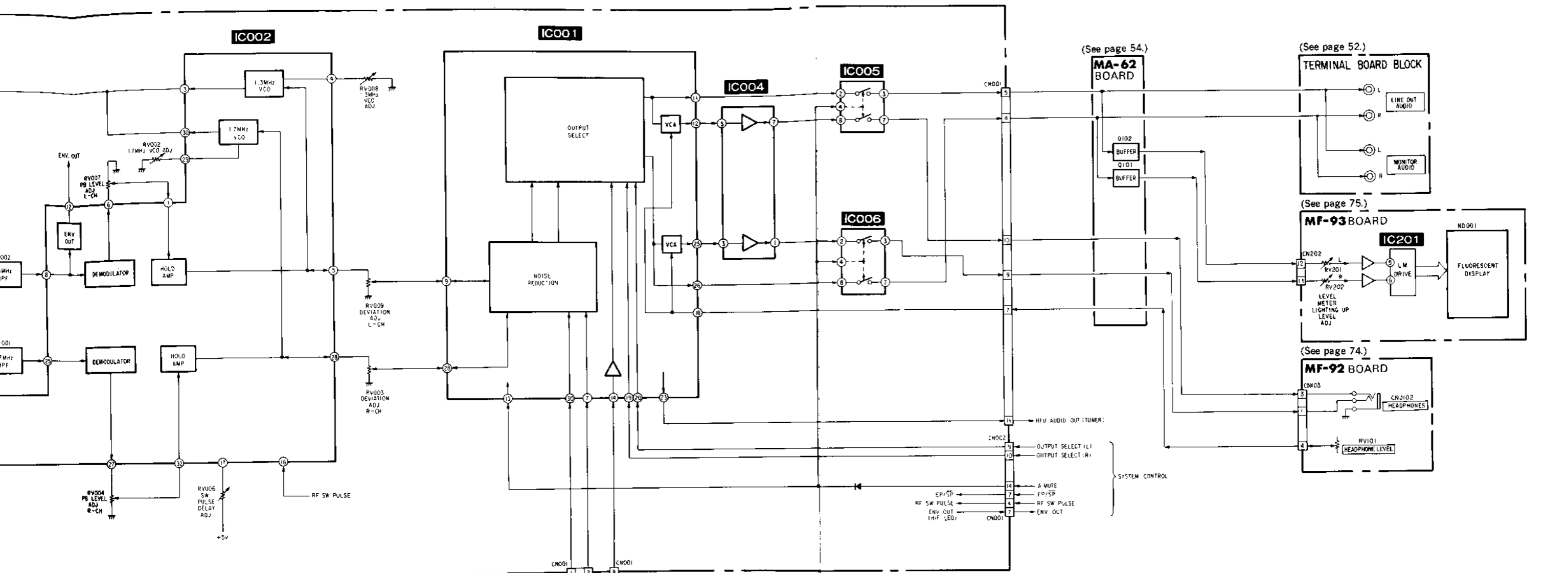
* 1. By Audio monitor

* 2. By SP/EP selector, "L" during SP mode, or "H" during EP mode.

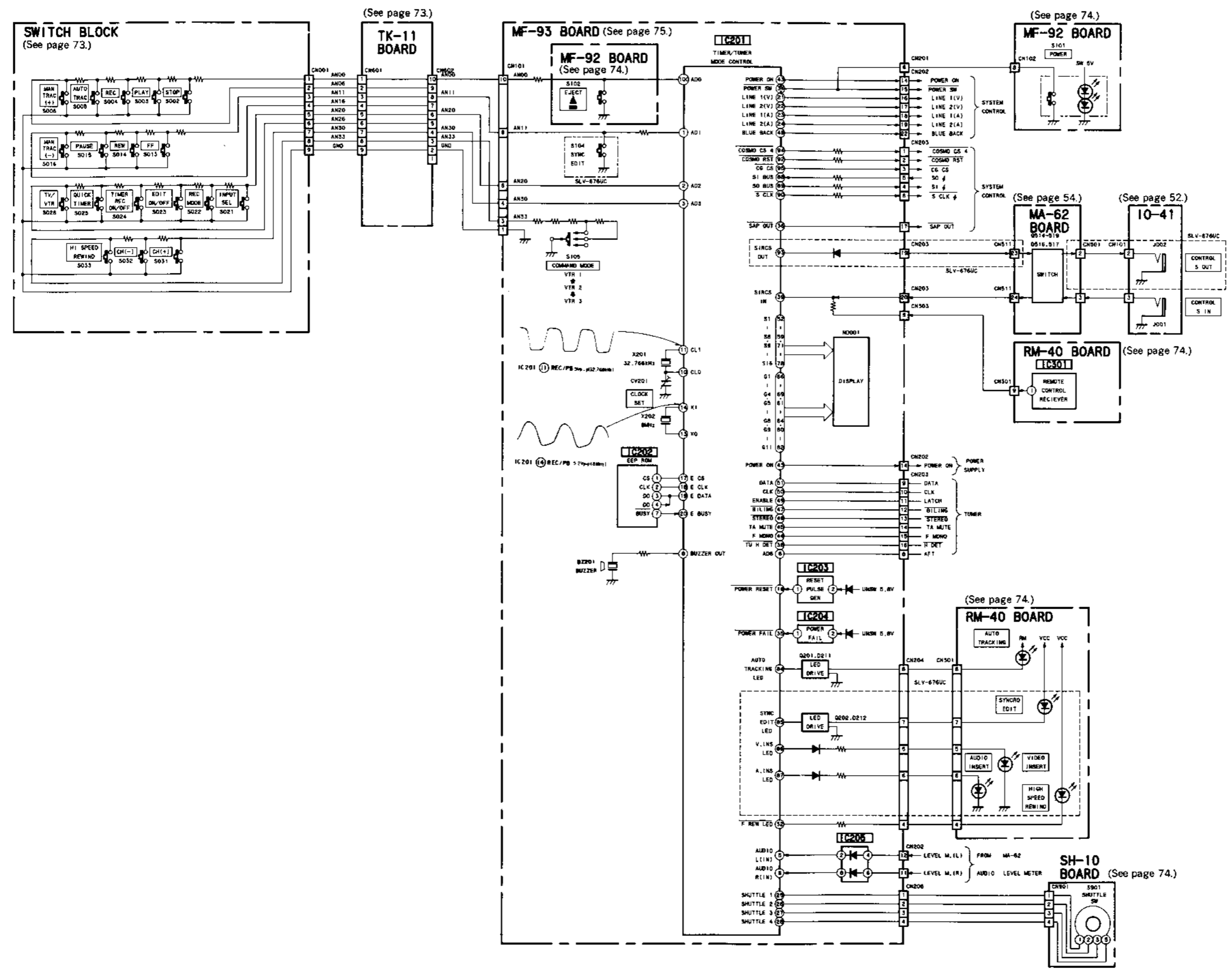
* 3. By the mode on the recorded tape, "L" when it is SP mode, or "H" when "EP" mode.

3-10. AUDIO BLOCK DIAGRAM

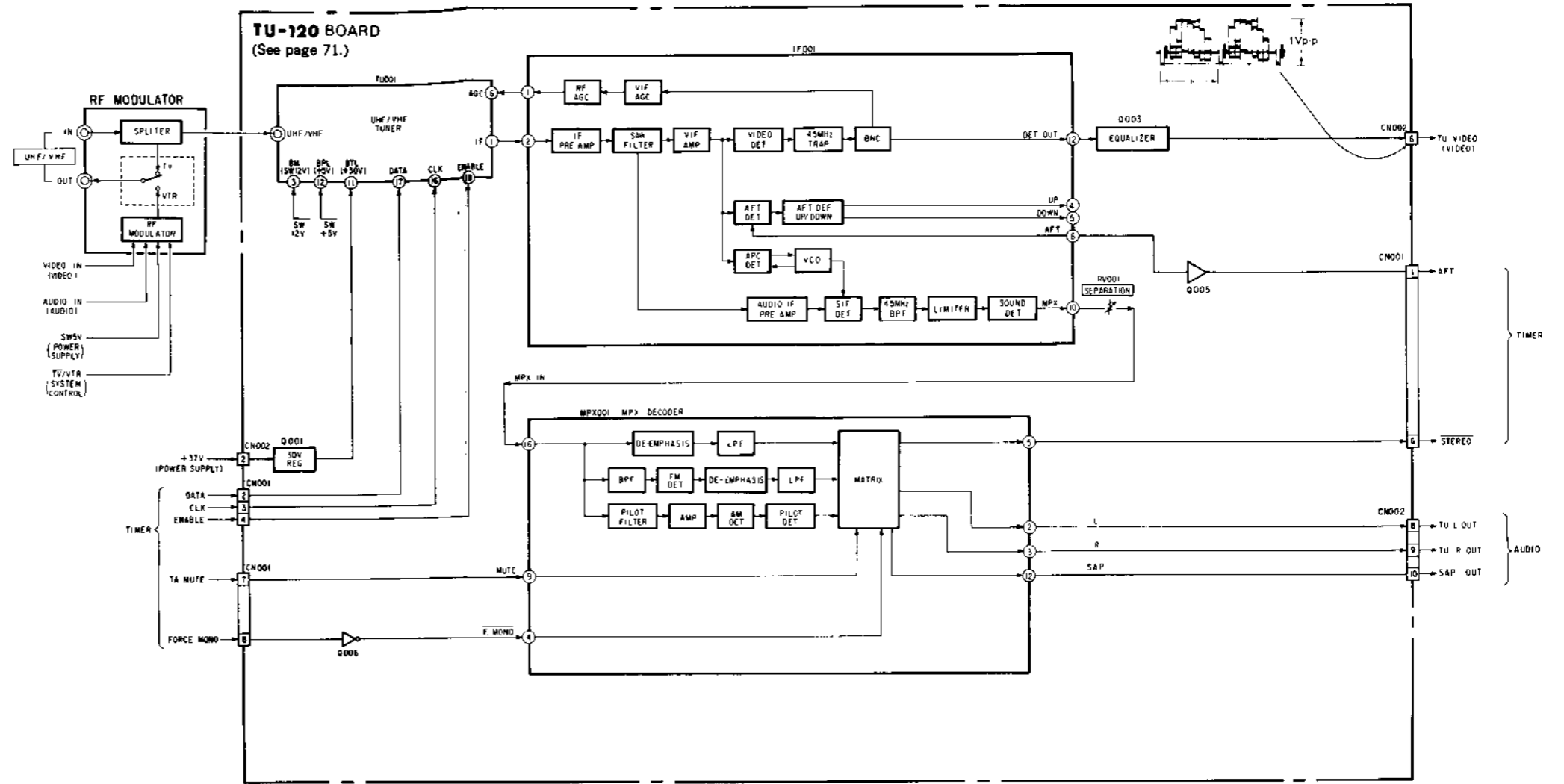




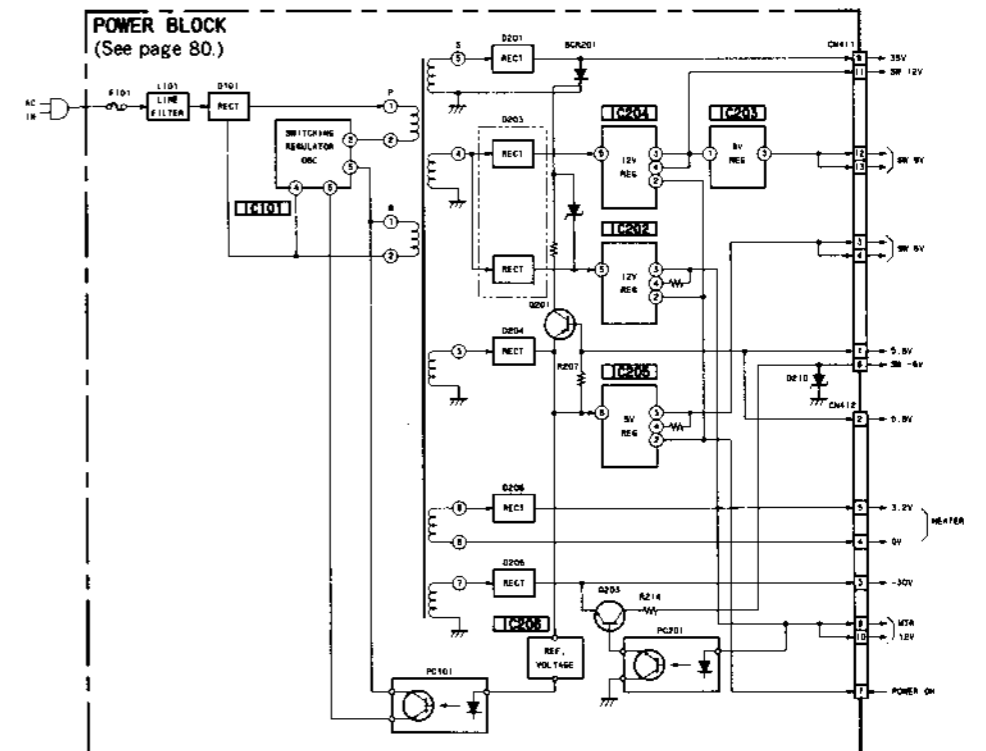
3-11. MODE CONTROL BLOCK DIAGRAM



3-12. TUNER BLOCK DIAGRAM

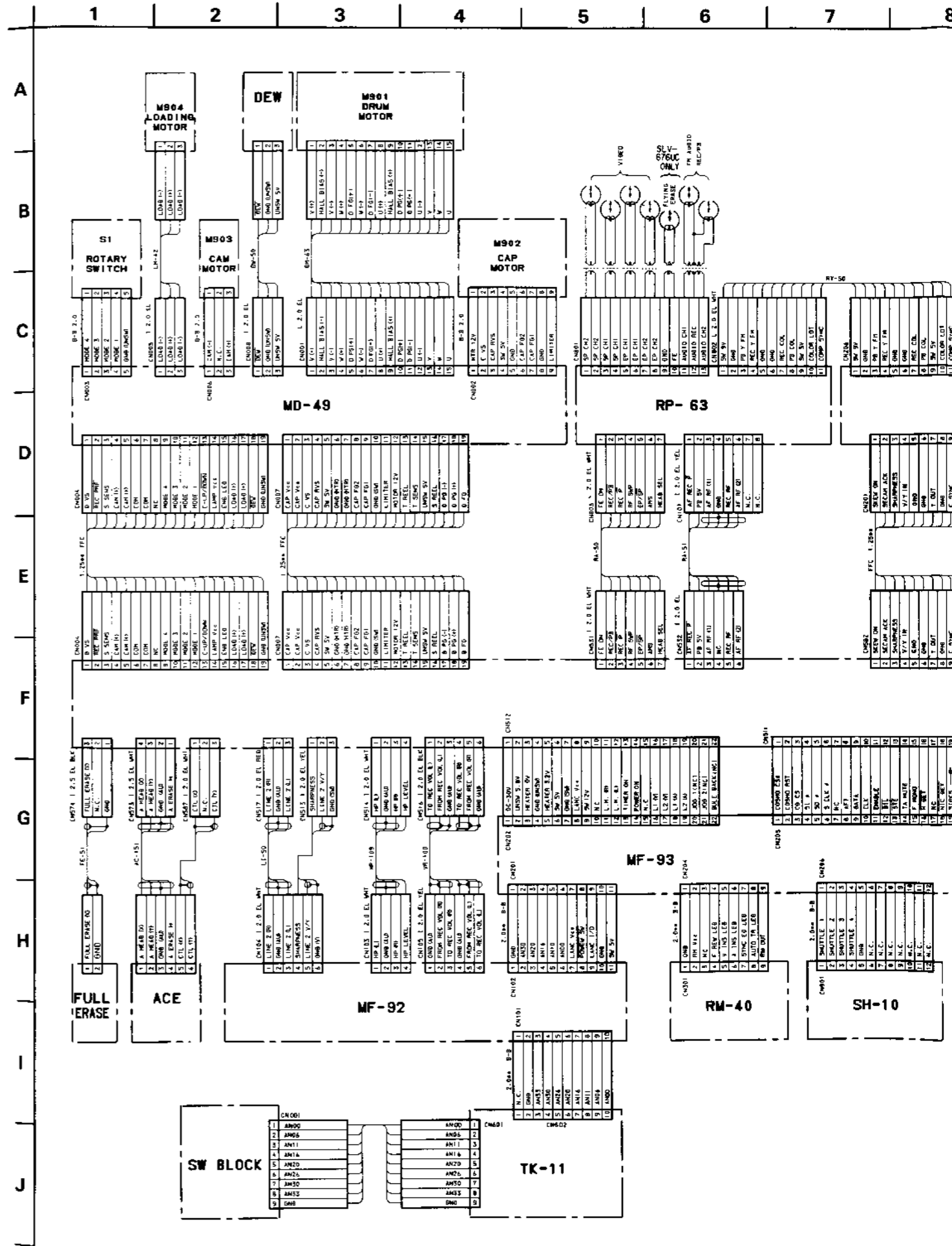


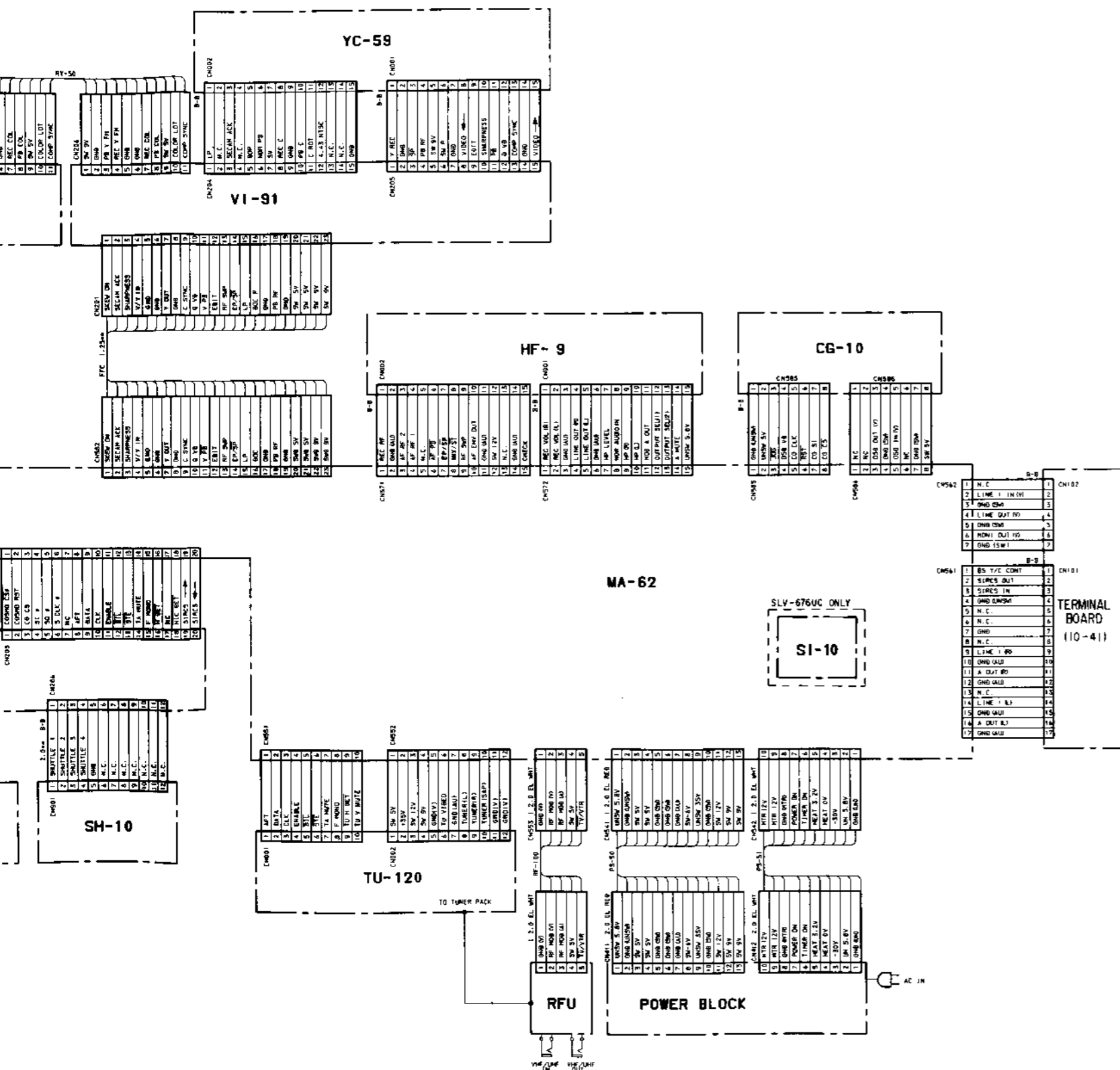
3-13. POWER BLOCK DIAGRAM



SECTION 4
PRINTED WIRING BOARDS AND SCHEMATIC DIAGRAMS

4-1. FRAME SCHEMATIC DIAGRAM





4-2. PRINTED WIRING BOARDS AND SCHEMATIC DIAGRAMS

THIS NOTE IS COMMON FOR PRINTED WIRING BOARDS AND SCHEMATIC DIAGRAMS. (In addition to this, the necessary note is printed in each block.)

● For printed wiring boards.

- : Through hole.
- : Pattern from the side which enables seeing.
- ◐ : Pattern of the rear side.*
- : Circled numbers refer to waveforms.*

● For schematic diagram.

- Caution when replacing chip parts. New parts must be attached after removal of chip. Be careful not to heat the minus side of tantalum capacitor, because it is damaged by the heat.
- All resistors are in ohms, 1/4W unless otherwise noted.
- Chip resistor are 1/8W or 1/10W unless otherwise noted. kΩ: 1000Ω, MΩ: 1000kΩ.
- All capacitors are in μF unless otherwise noted. pF : μμF. 50V or less are not indicated except for electrolytics and tantalums.
- All variable and adjustable resistors have characteristic curve B, unless otherwise noted.
- : nonflammable resistor.
- : fusible resistor.
- : panel designation.
- : internal component.
- : adjustment for repair.*
- : B + Line*
- : B - Line.*
- : IN/OUT direction of (+, -) B line.*
- Circled numbers refer to waveforms.*
- Voltages are dc between ground and measurement points.*
- Readings are taken with a color-bar signal input.*
- Readings are taken with a digital multimeter (DC10MΩ).*
- Voltage variations may be noted due to normal production tolerances.*

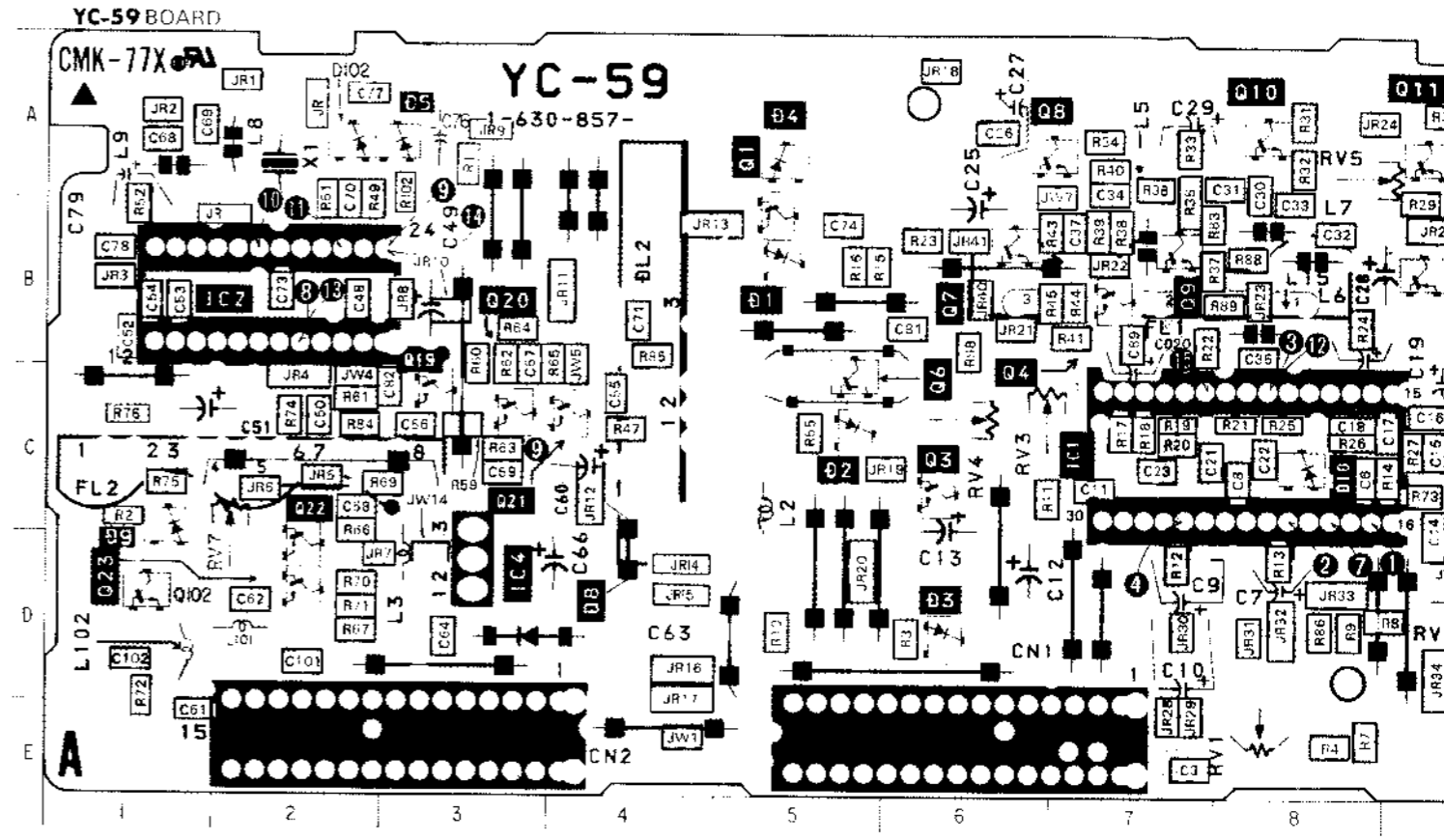
Note:
The components identified by mark or dotted line with mark are critical for safety. Replace only with part number specified.

Note:
Les composants identifiés par une marque sont critiques pour la sécurité. Ne les remplacer que par une pièce portant le numéro spécifié.

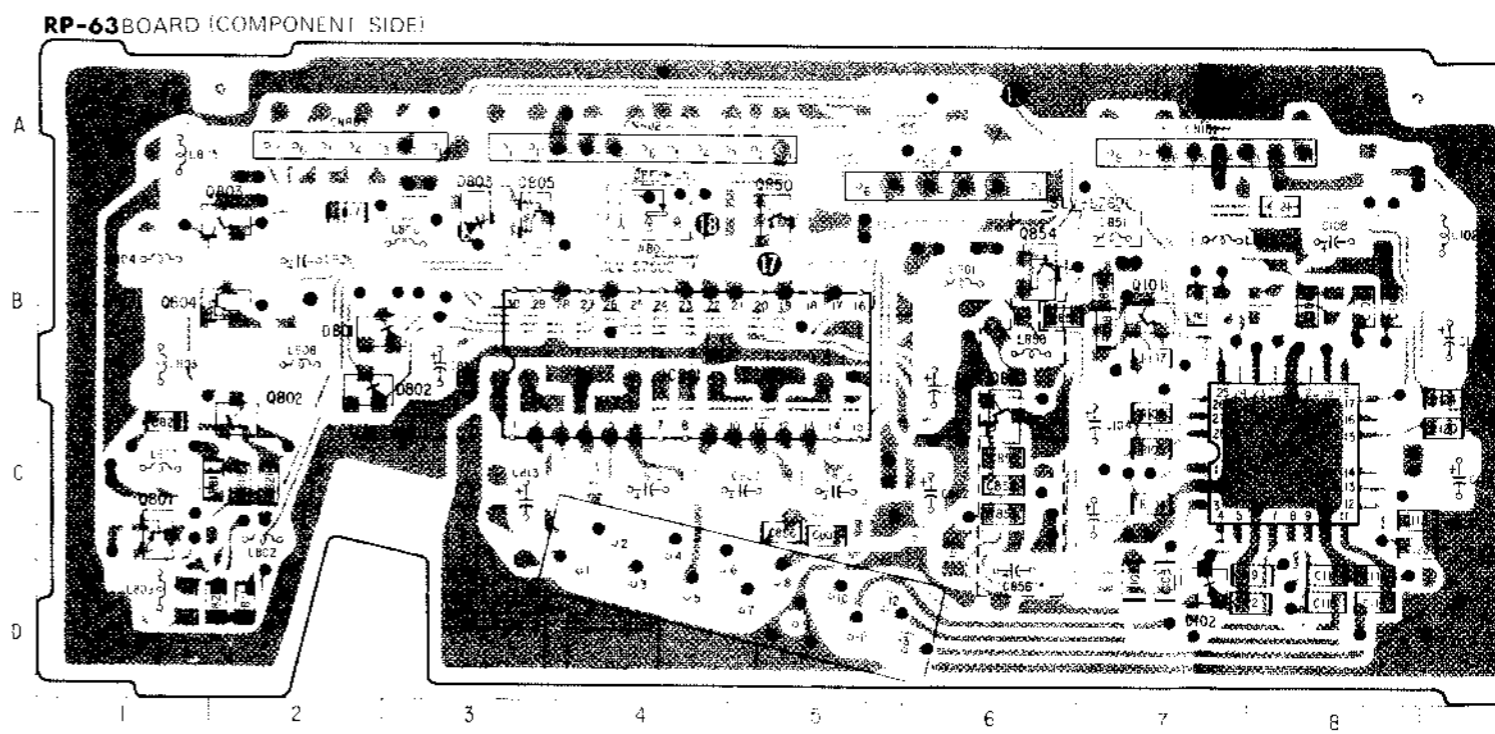
When indicating parts by reference number, please include the board name.

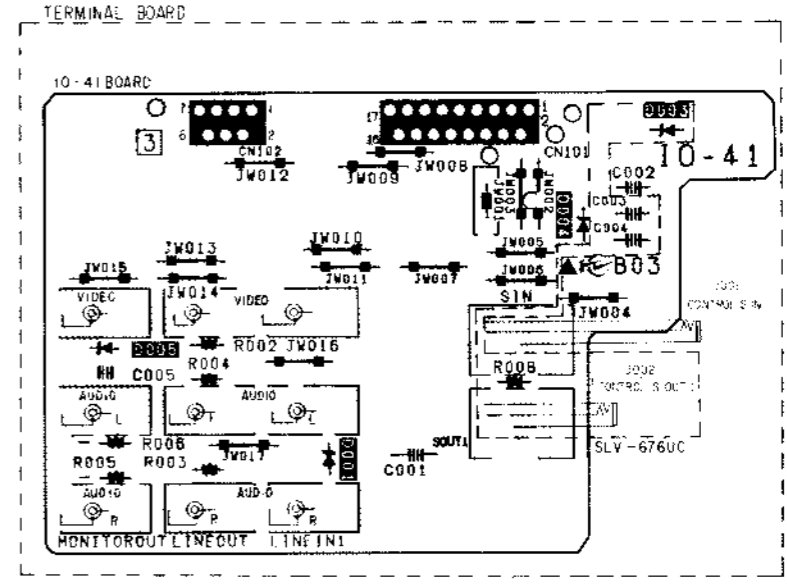
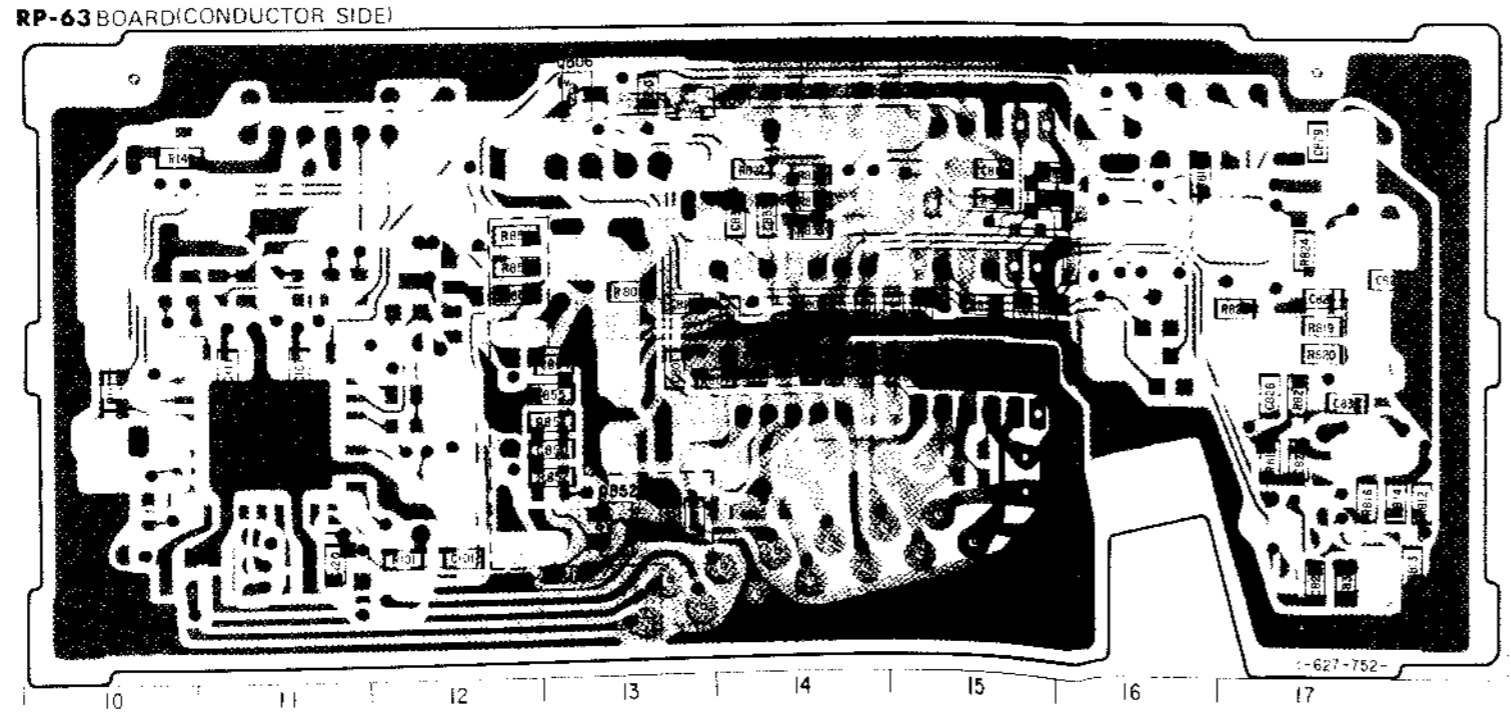
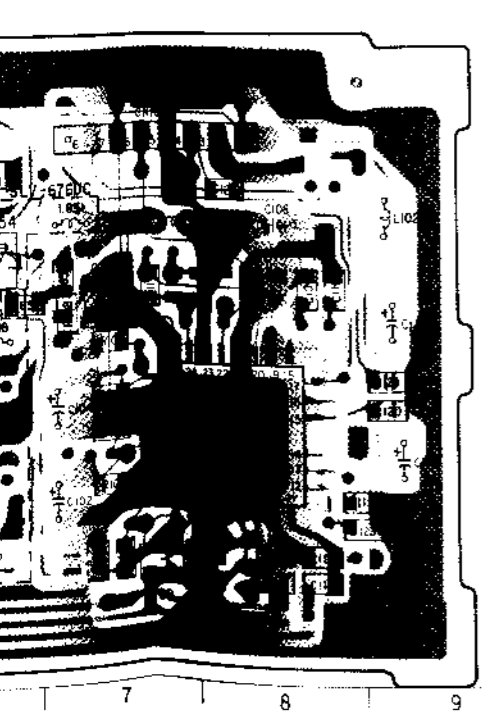
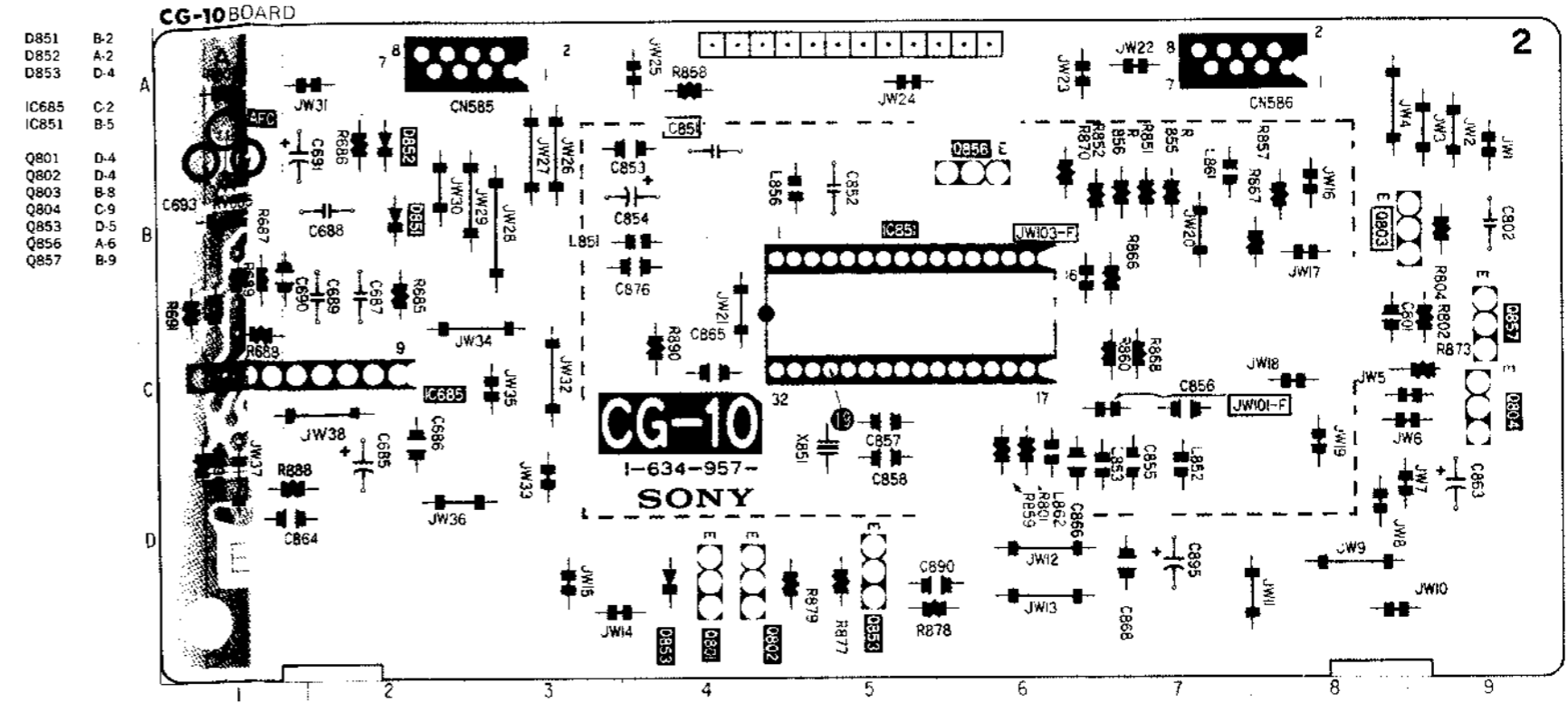
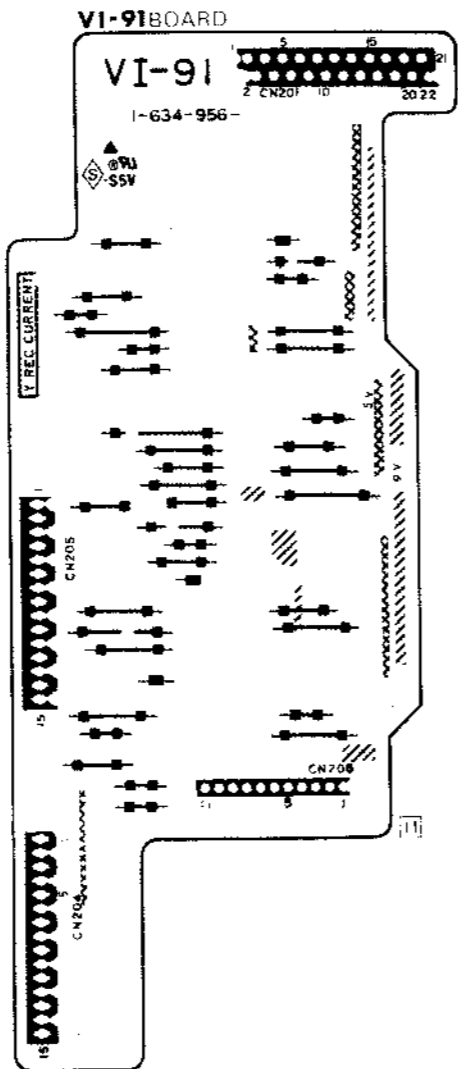
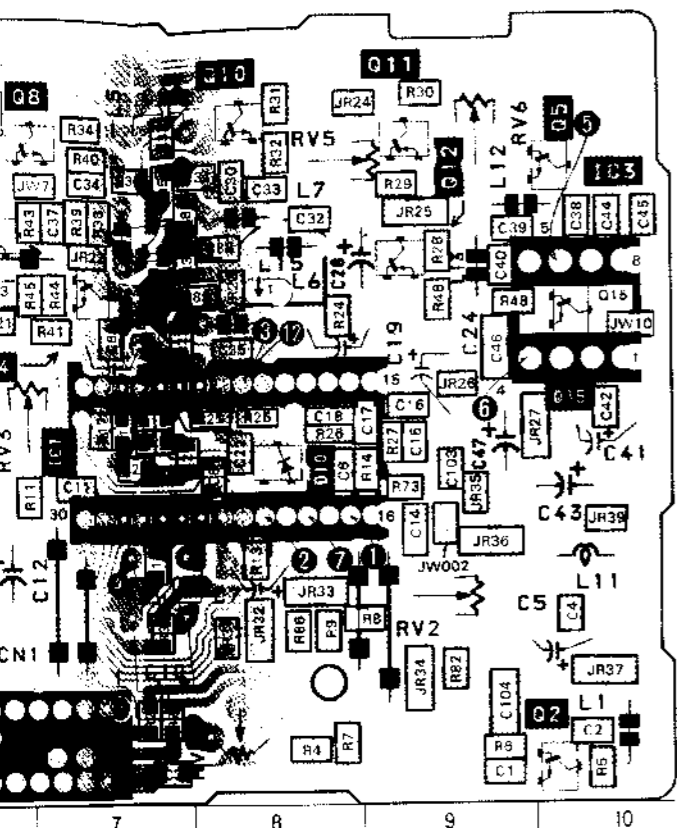
* : indicated by the color red.

D001	B-5
D002	C-5
D003	D-6
D004	A-5
D005	A-3
D008	D-3
D009	C-1
D010	C-8
D102	A-2
Q001	B-5
Q002	E-10
Q003	C-6
Q004	B-7
Q005	A-10
Q006	C-5
Q007	B-6
Q008	A-6
Q009	B-7
Q010	A-8
Q011	A-9
Q012	B-9
Q015	B-10
Q019	C-3
Q020	C-3
Q021	C-4
Q022	D-2
Q023	D-2
Q102	D-1
IC001	C-8
IC002	B-2
IC003	B-10
IC004	D-3



D102	D-7
D801	B-2
D802	B-3
D803	A-3
IC101	C-8
IC801	B-4
Q101	B-7
Q801	C-1
Q802	C-2
Q803	A-2
Q804	B-2
Q805	A-3
Q806	A-13
Q850	A-5
Q851	A-13
Q852	C-13
Q853	C-6
Q854	B-6

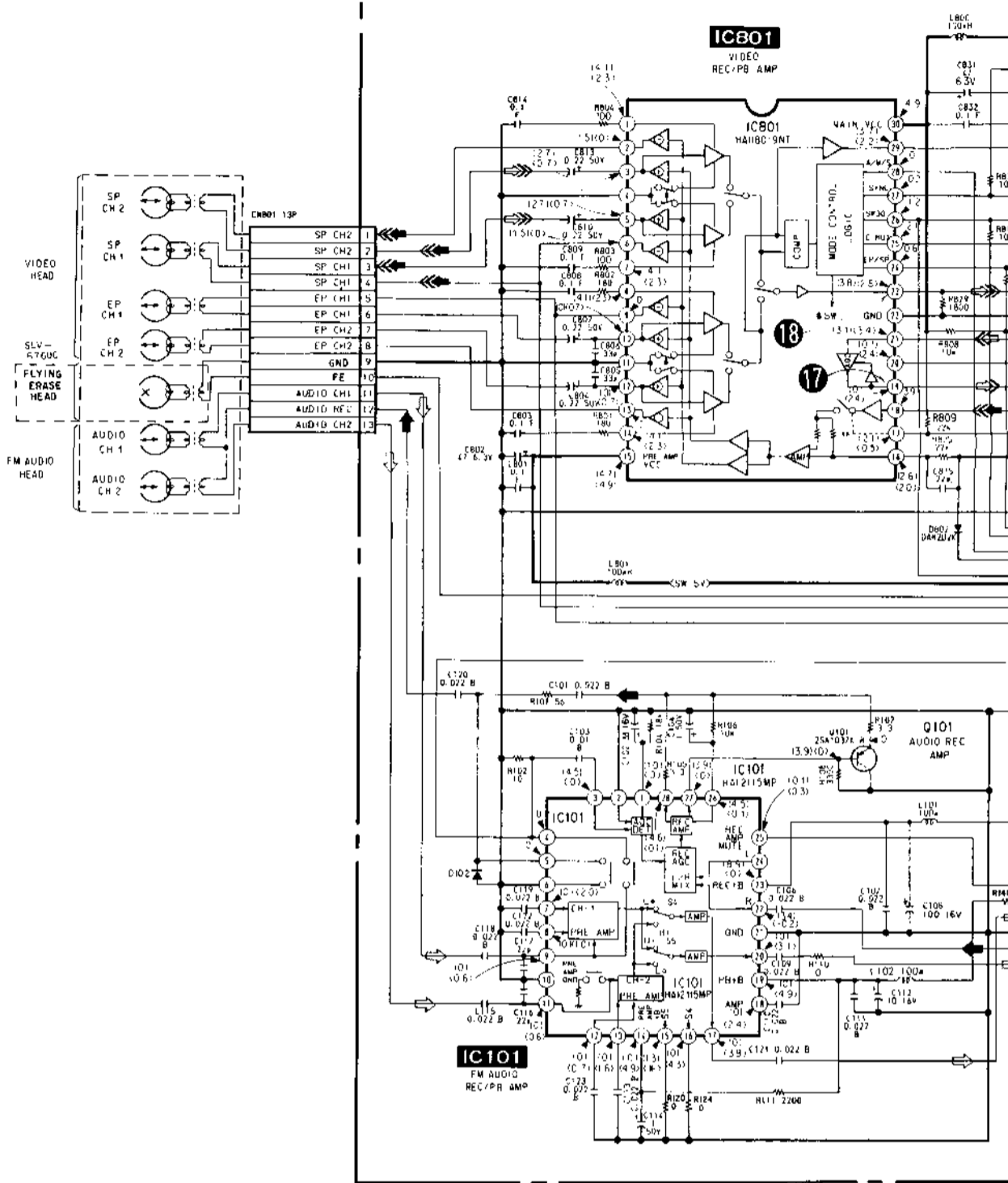




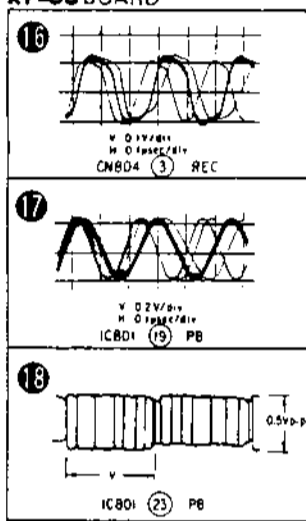
1 2 3 4 5 6 7

A
B
C
D
E
F
G
H
I
J
K
L
M
N
O
P

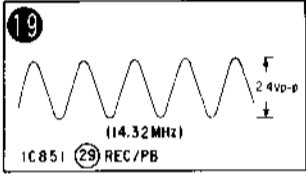
RP-63 BOARD



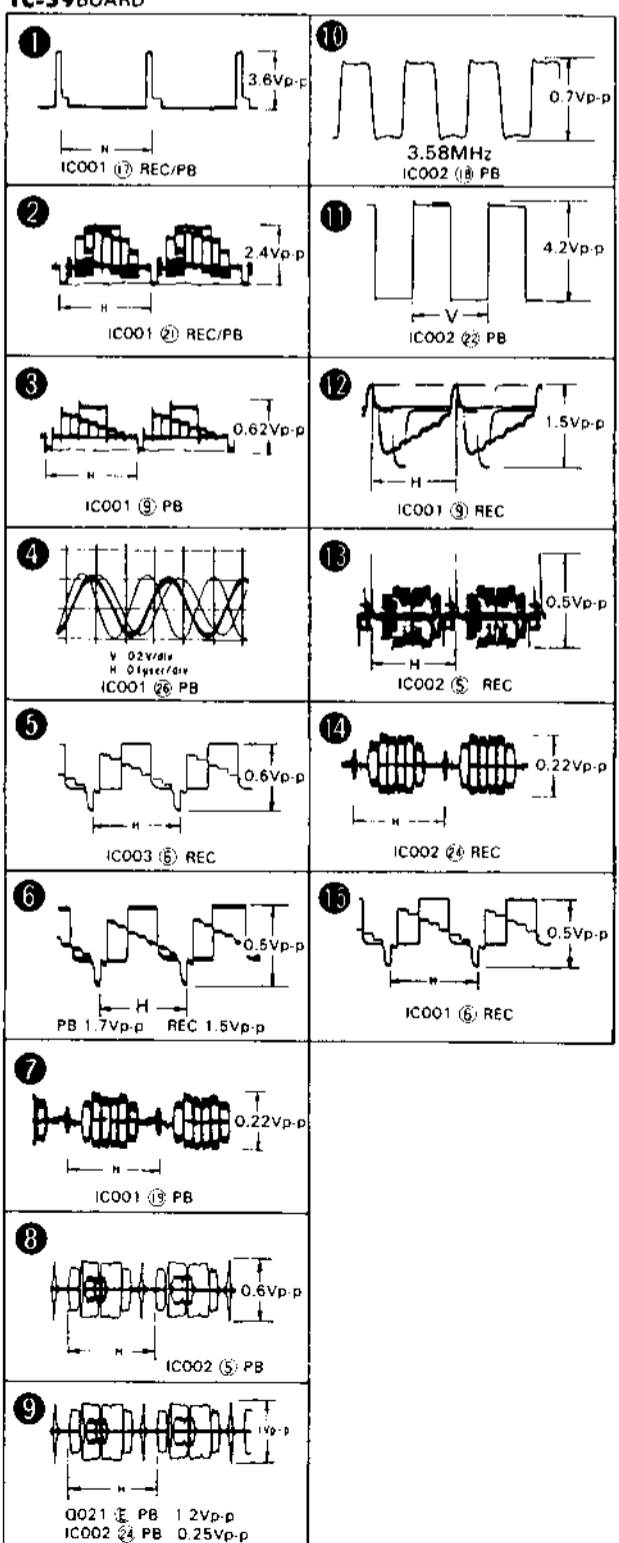
RP-63 BOARD



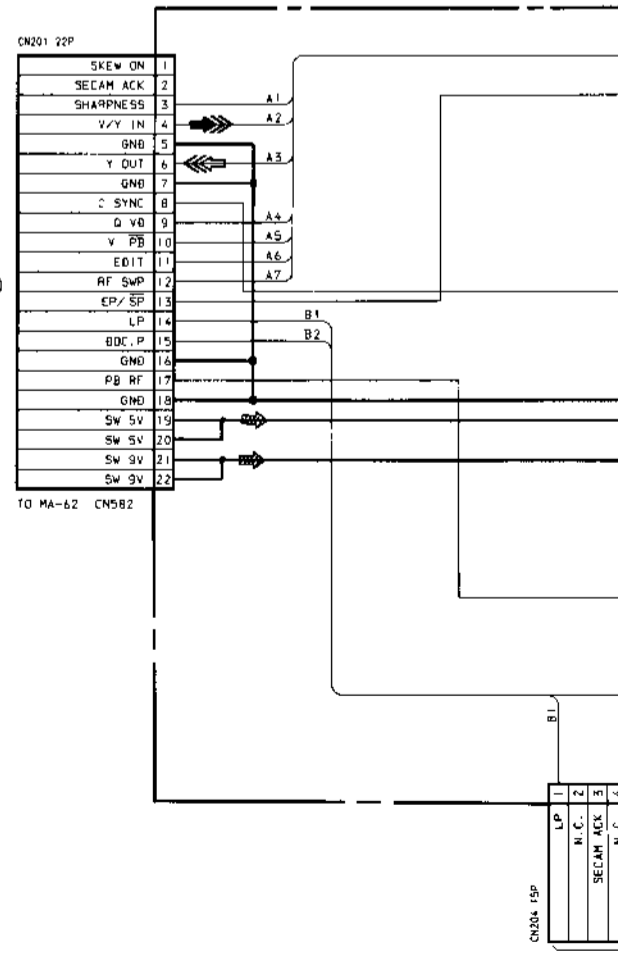
CG-10 BOARD



YC-59 BOARD



TO MA-62 BOARD CN582 (See page 57.)



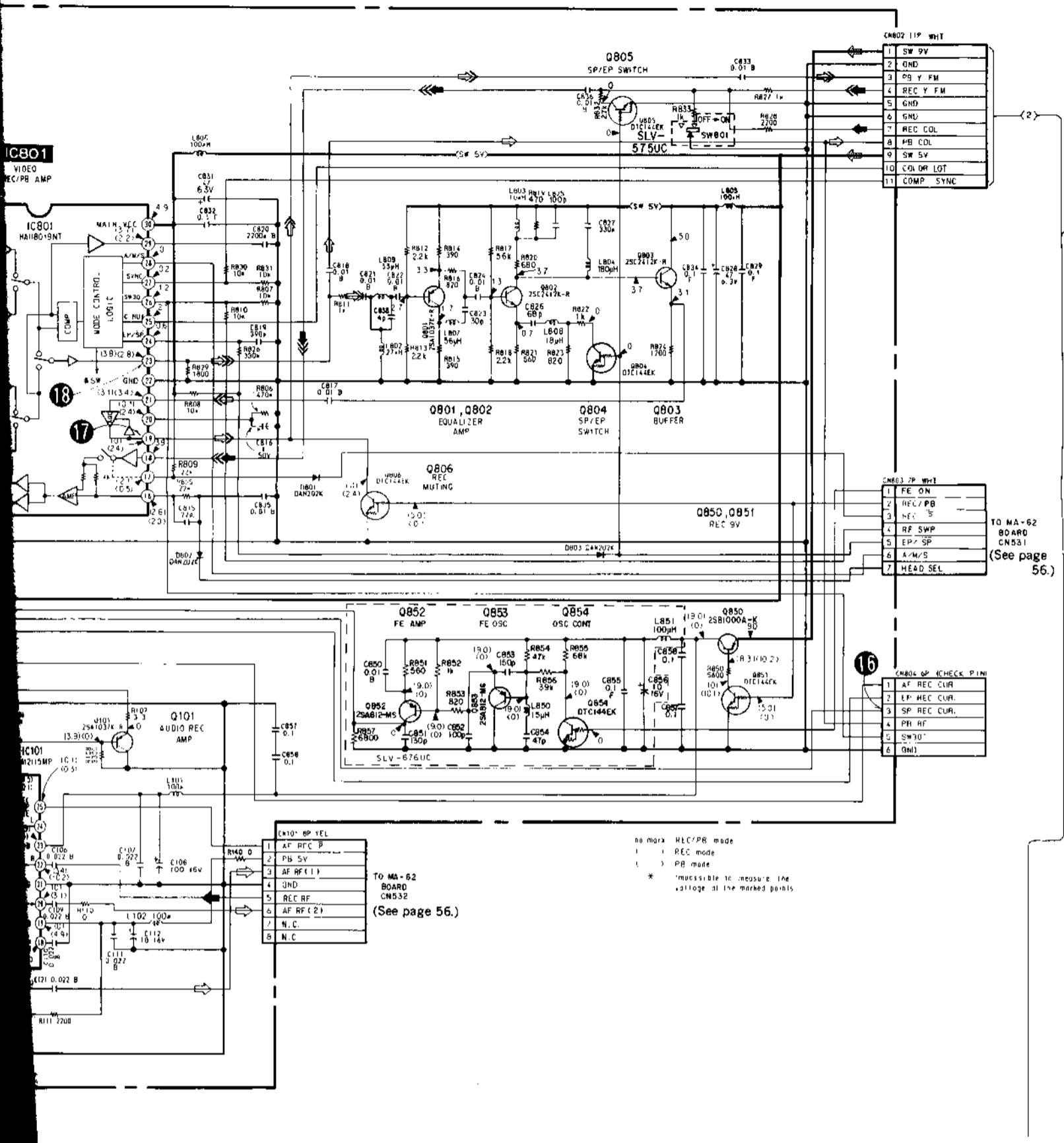
• Signal path

	VIDEO Signal			AUDIO Signal
	CHROMA	Y	Y/CHROMA	
REC	→	→	→	→
PB	→	→	→	→

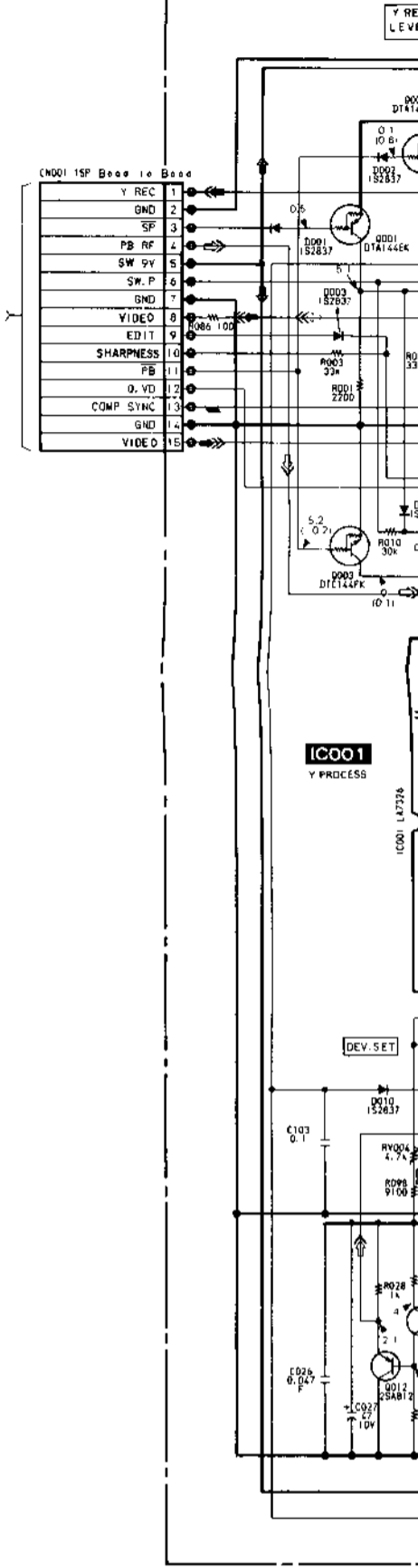
IC801
VIDEO
REC/PB AMP

IC801
MAIN1809NT

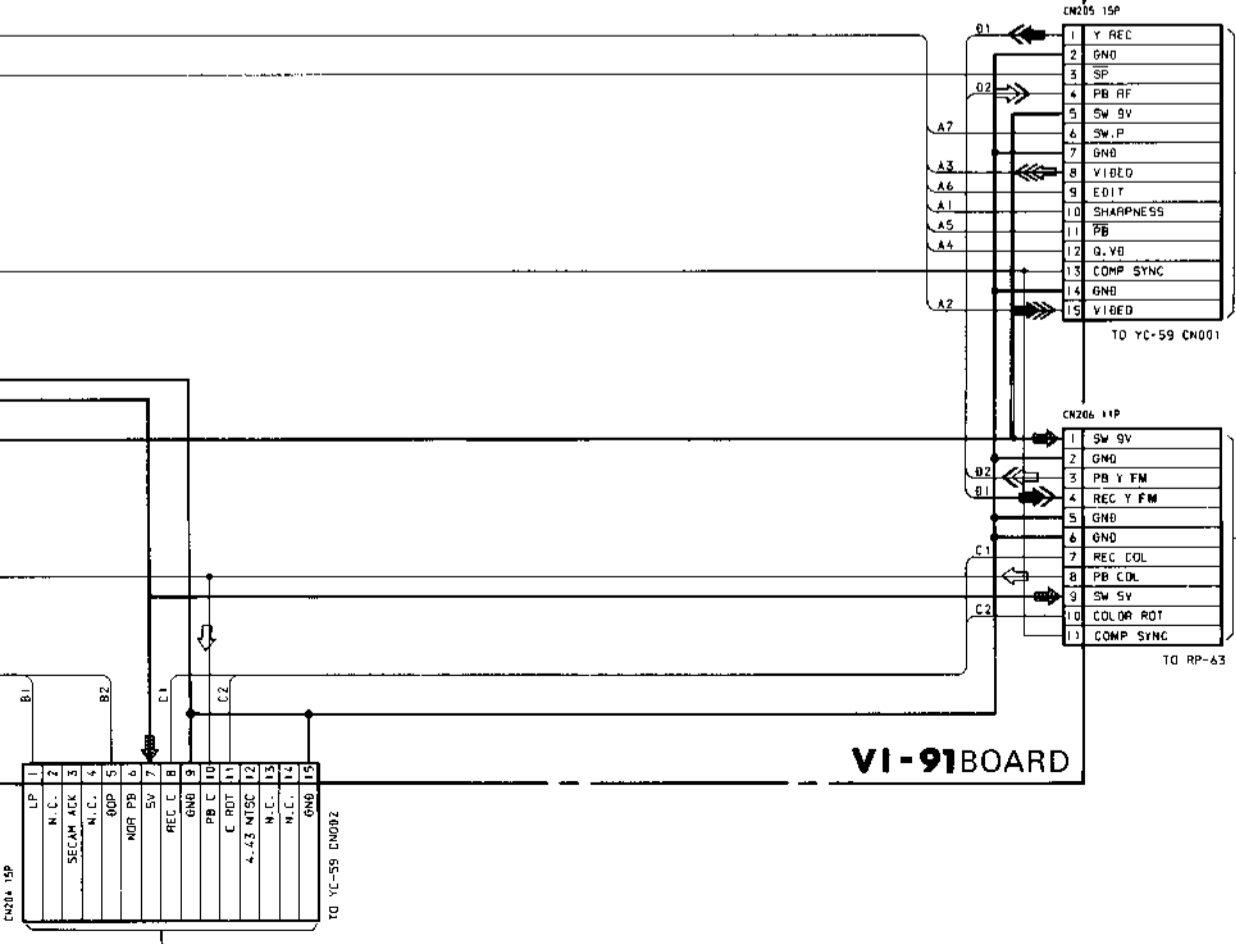
IC101
M2115MP
IC1: 2115
IC2: 2115



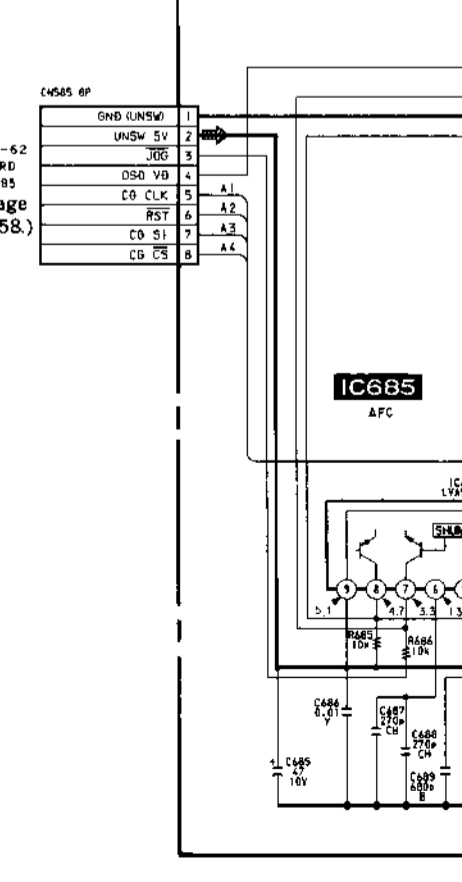
YC-59 BOARD



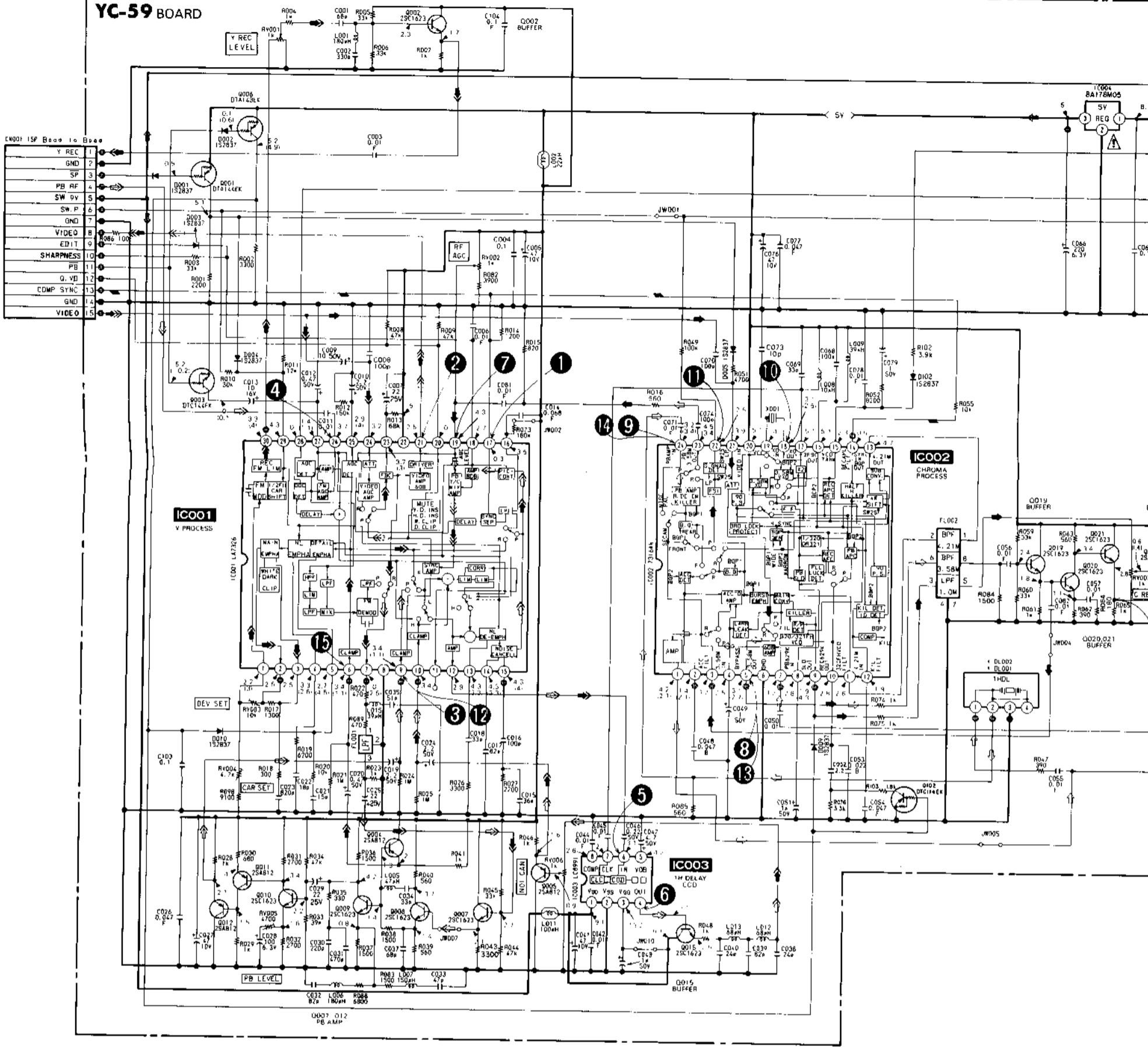
VI-91 BOARD



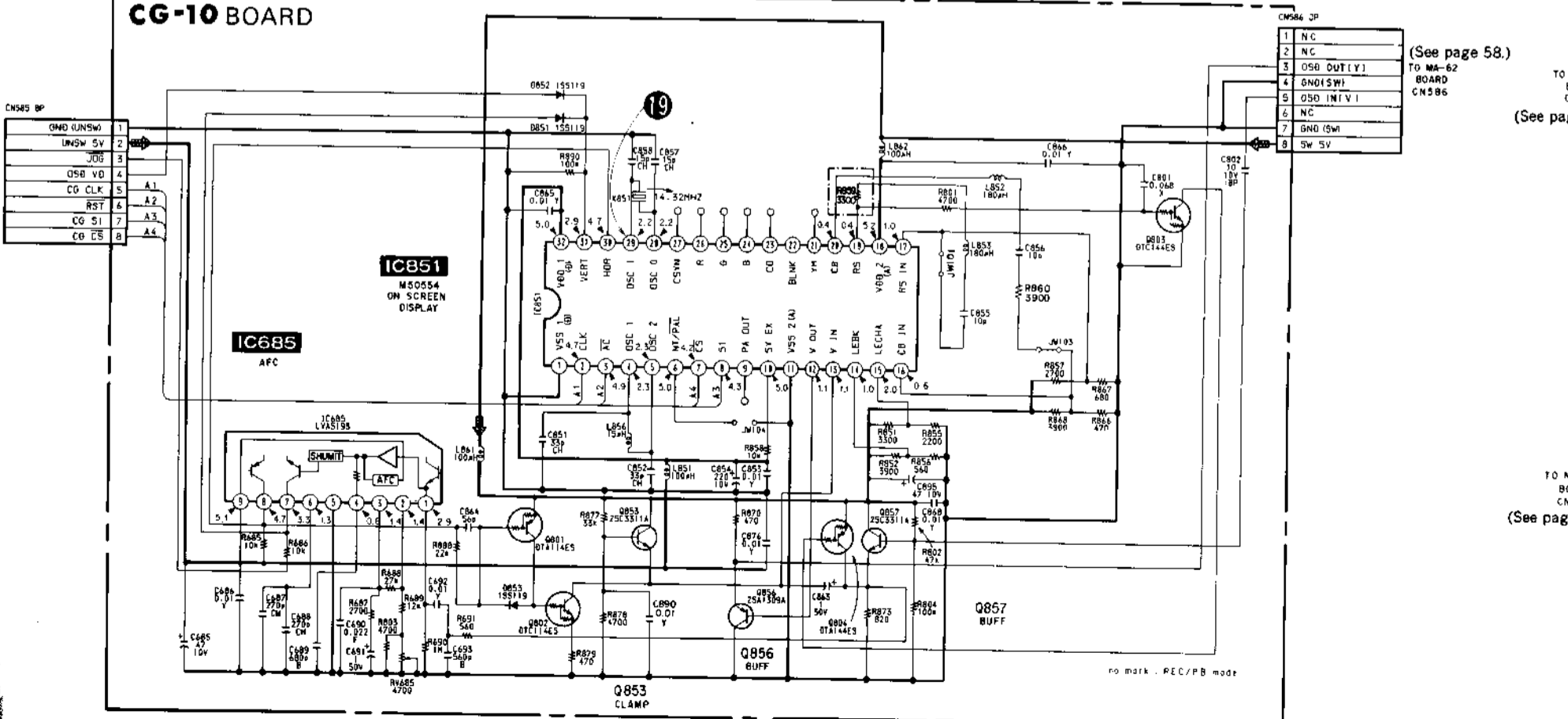
CG-10 BOARD



YC-59 BOARD

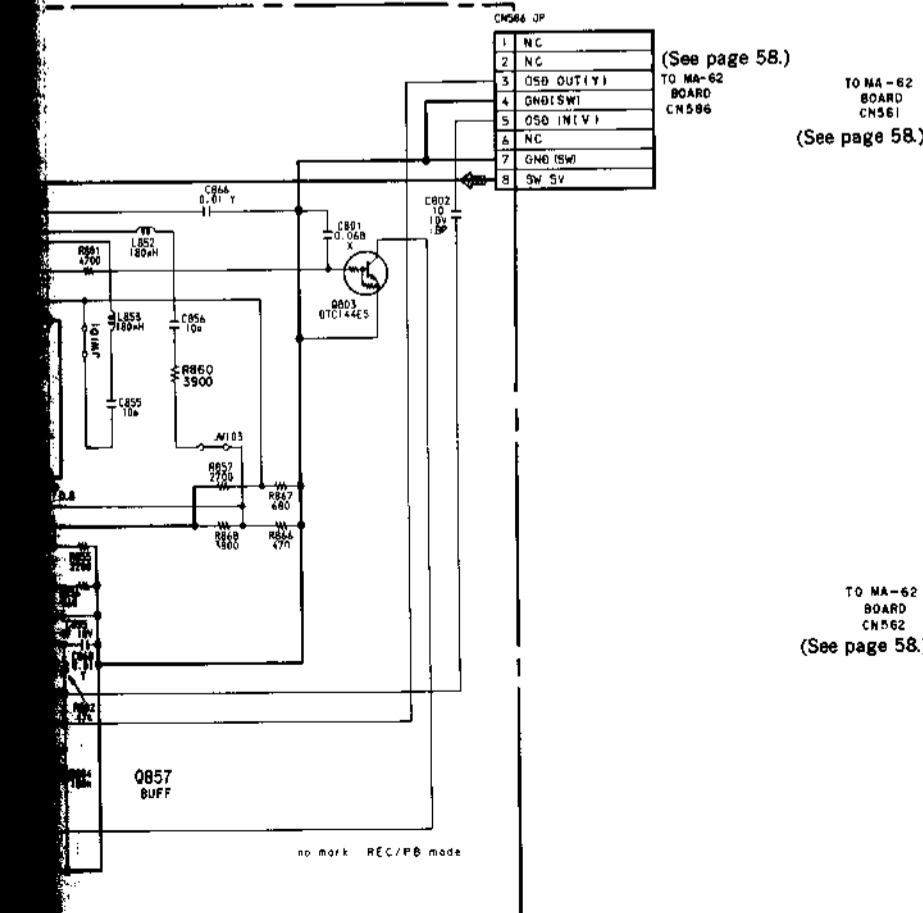
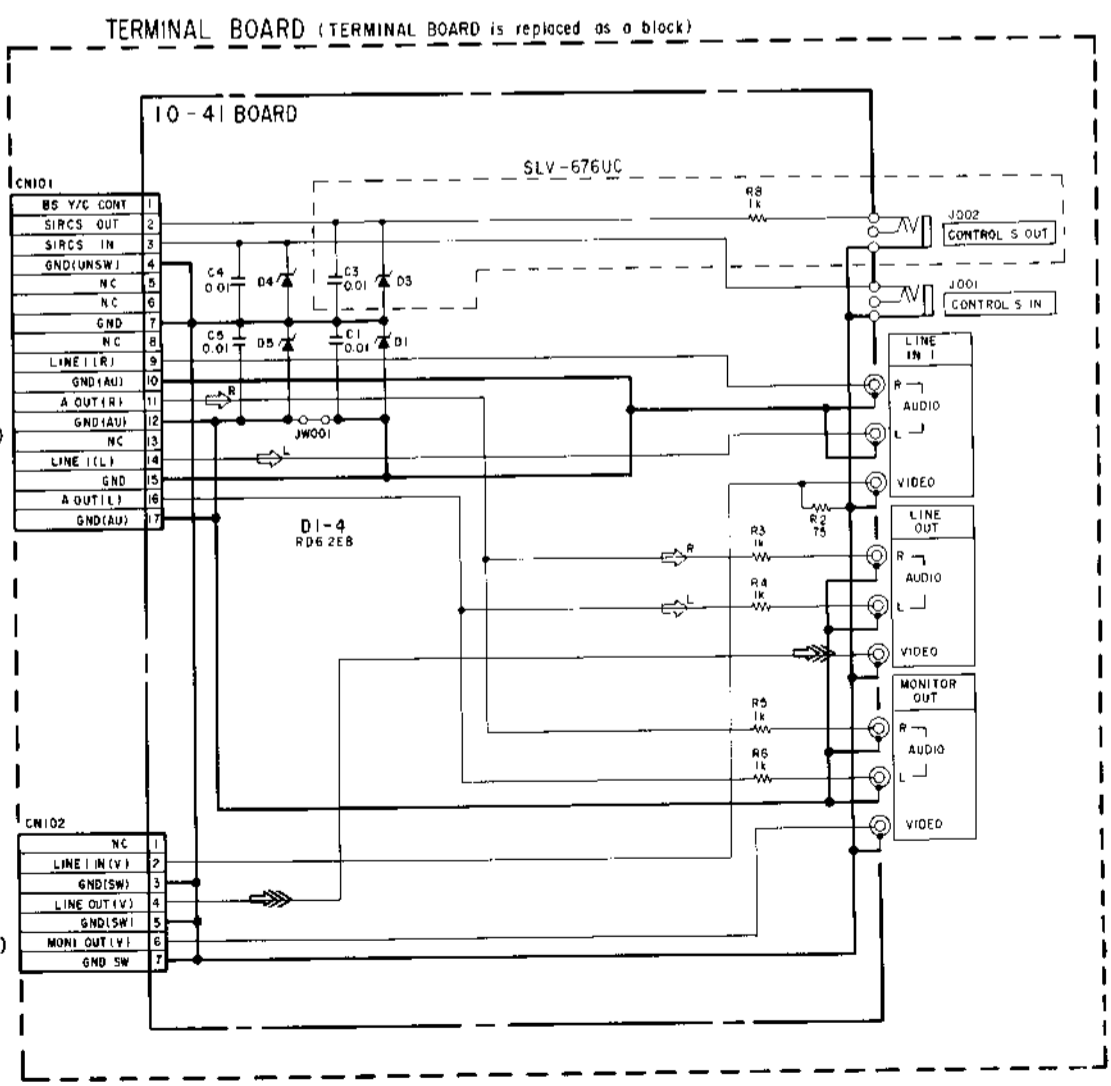
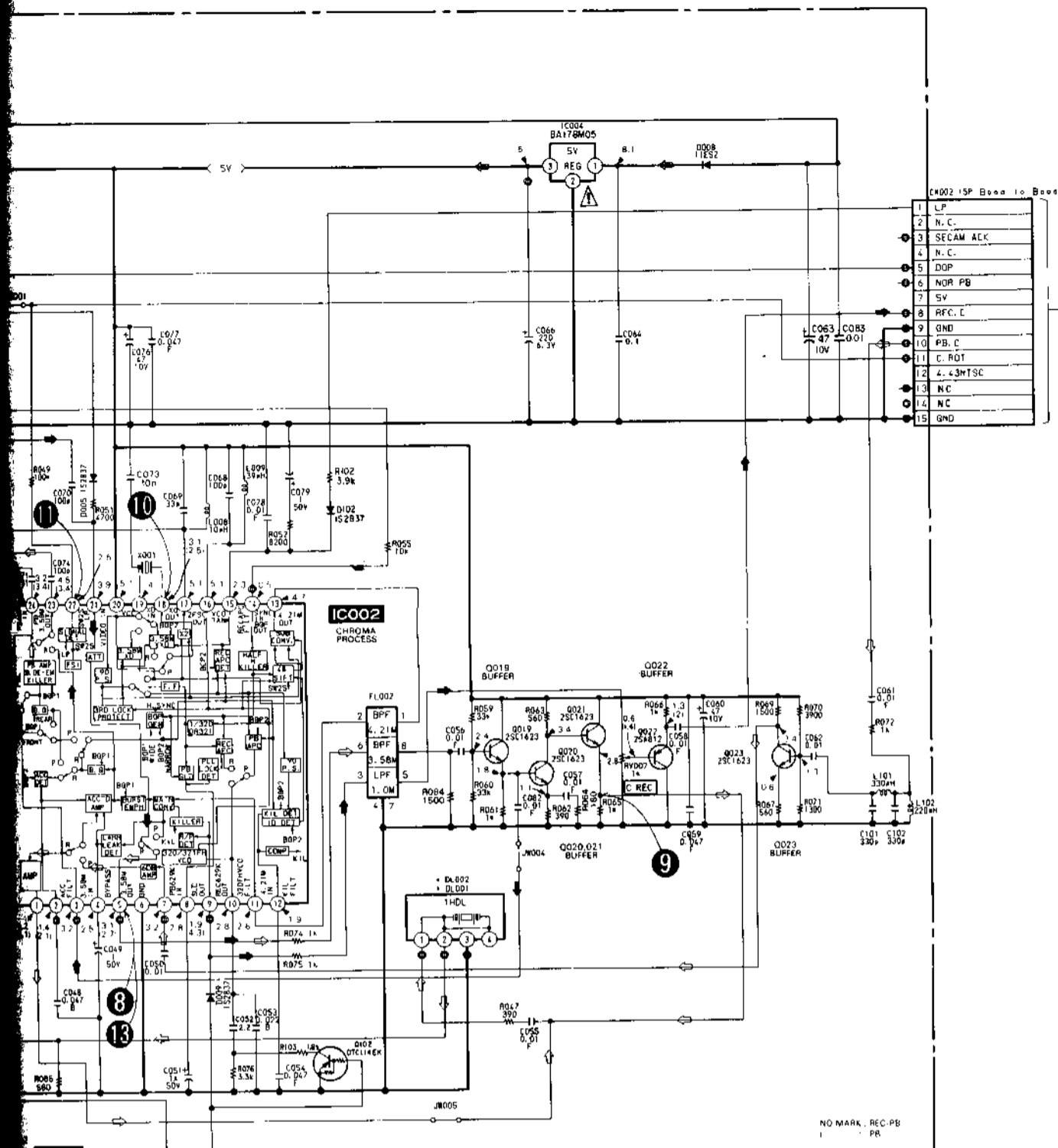


CG-10 BOARD

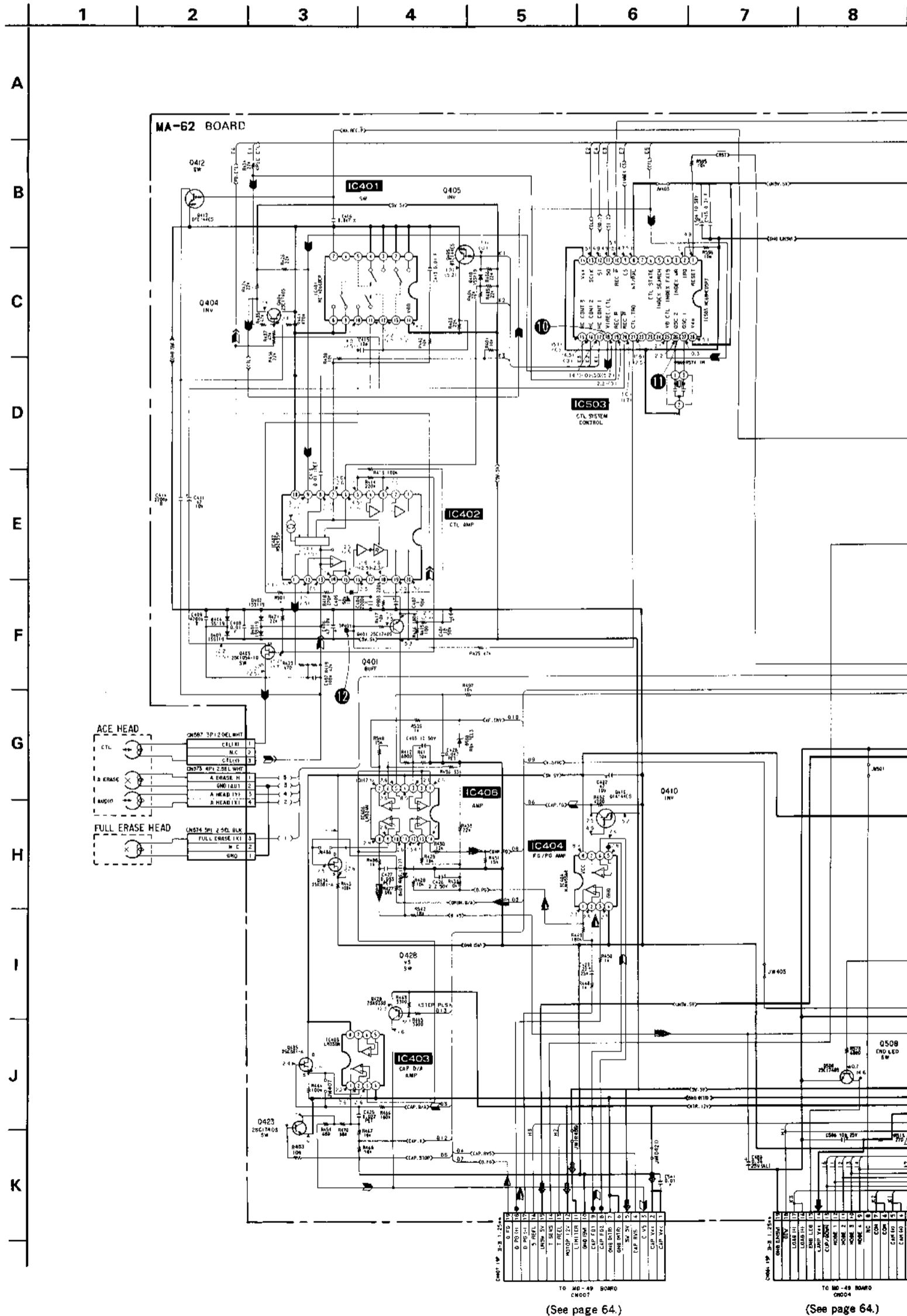


Page 56.)
TO MA-62 BOARD CN585 (See page 58.)

(See page 58.)
TO MA-62 BOARD CN586 (See page 58.)
TO MA-62 BOARD CN586 (See page 58.)

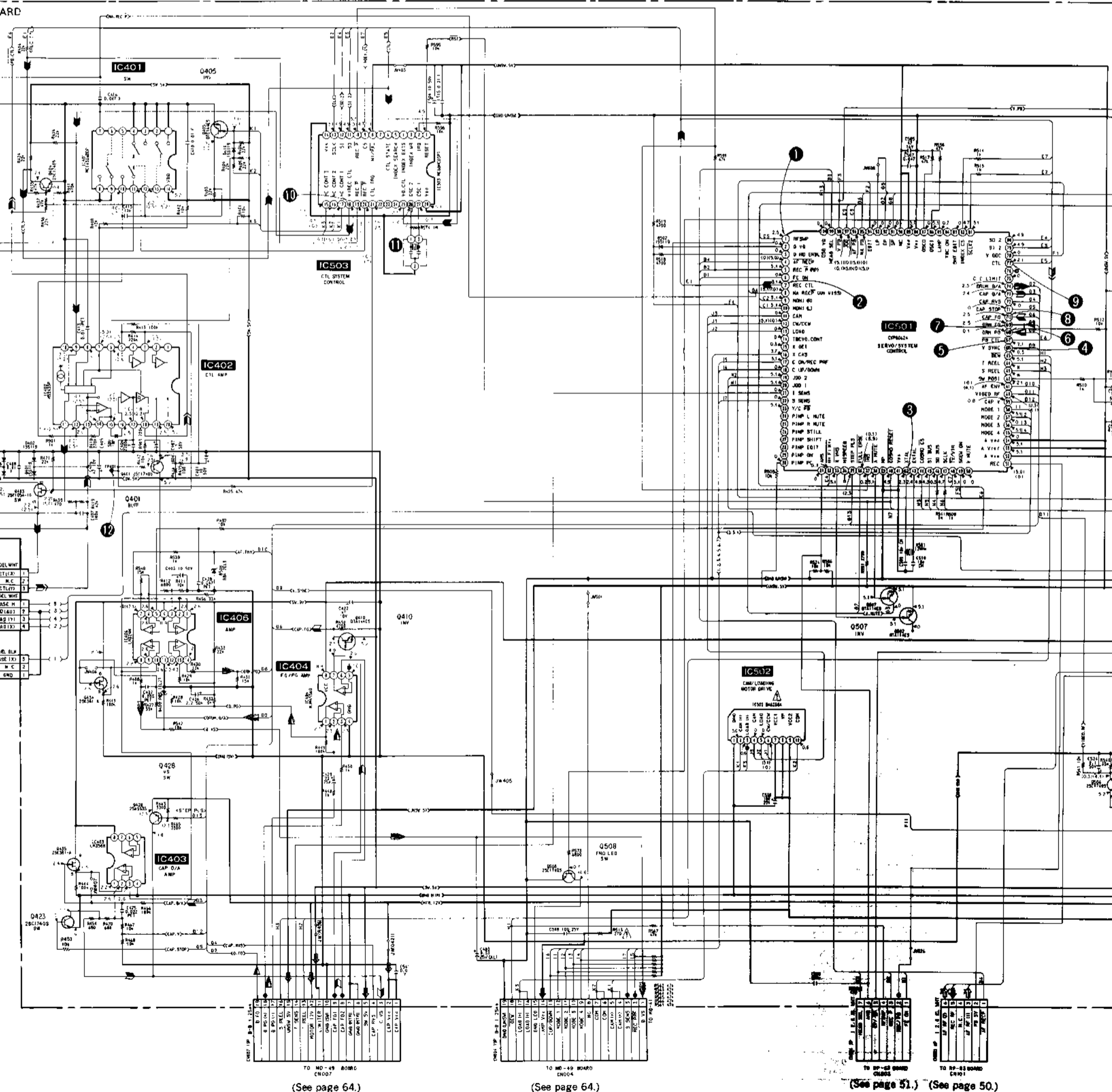


MA-62 (SERVO, SYSTEM CONTROL, NORMAL AUDIO), SI-10 (AUDIO SW) SCHEMATIC DIAGRAM
 —Ref. No. MA-62 and SI-10 BOARDS: 3000 series—



CONTROL, NORMAL AUDIO), SI-10 (AUDIO SW) SCHEMATIC DIAGRAM
 BOARDS: 3000 series—

3 4 5 6 7 8 9 10 11 12 13



(See page 64.)

(See page 64.)

(See page 51.)

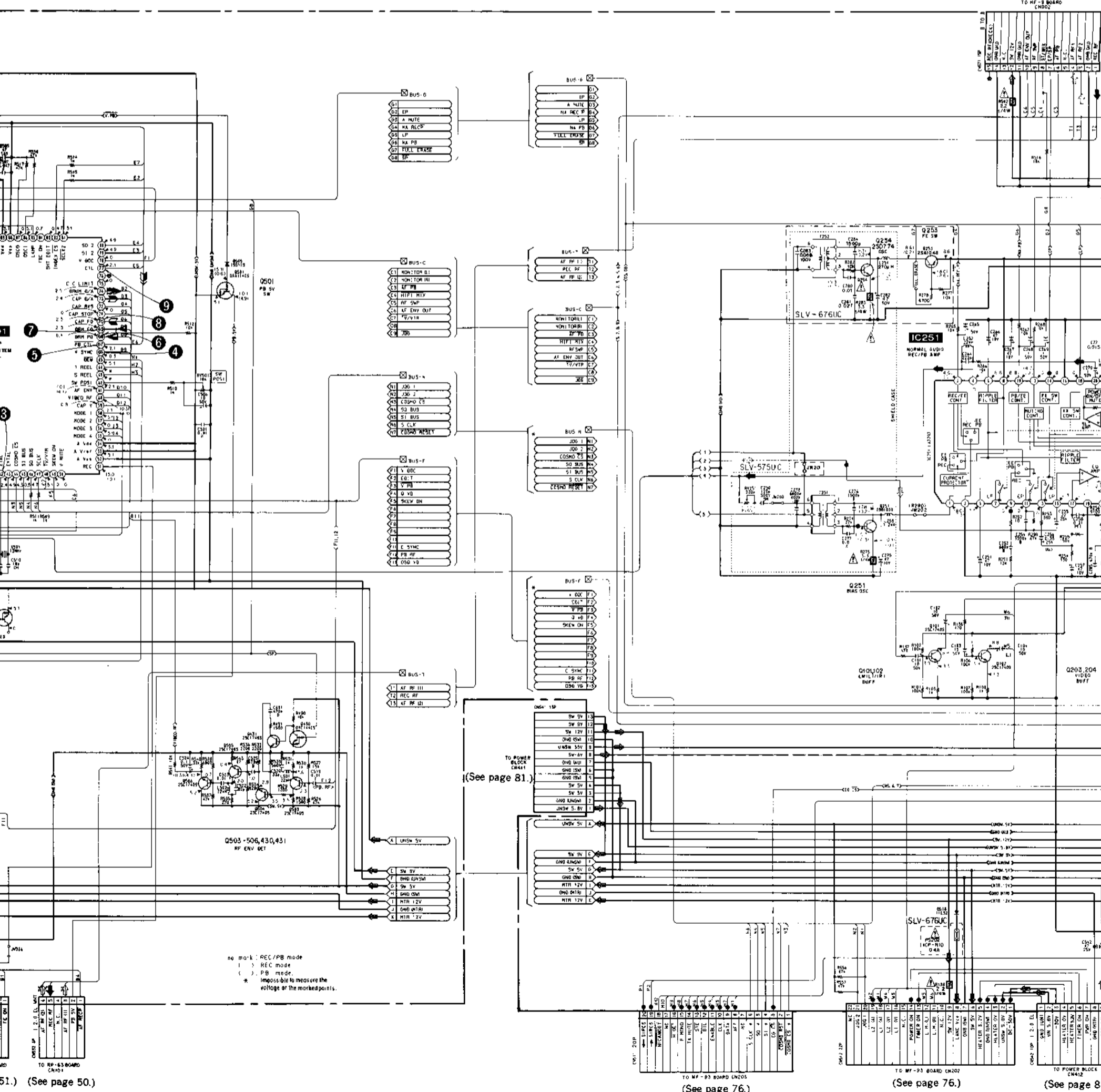
(See page 50.)

• Signal path

	REC	REC/PB	PB
Drum speed servo		▶	
Drum phase servo		▶▶	
Drum servo(speed and phase)		▶▶▶	
Capstan speed servo		▶	
Capstan phase servo	▶▶	▶▶▶	▶▶▶▶
Capstan servo(speed and phase)		▶▶▶▶	
Ref.signal	▶▶	▶▶▶	▶▶▶▶

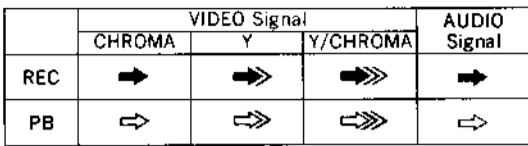
• Signal path

	CHROMA	VIDEO
REC	▶	
PB	▶▶	

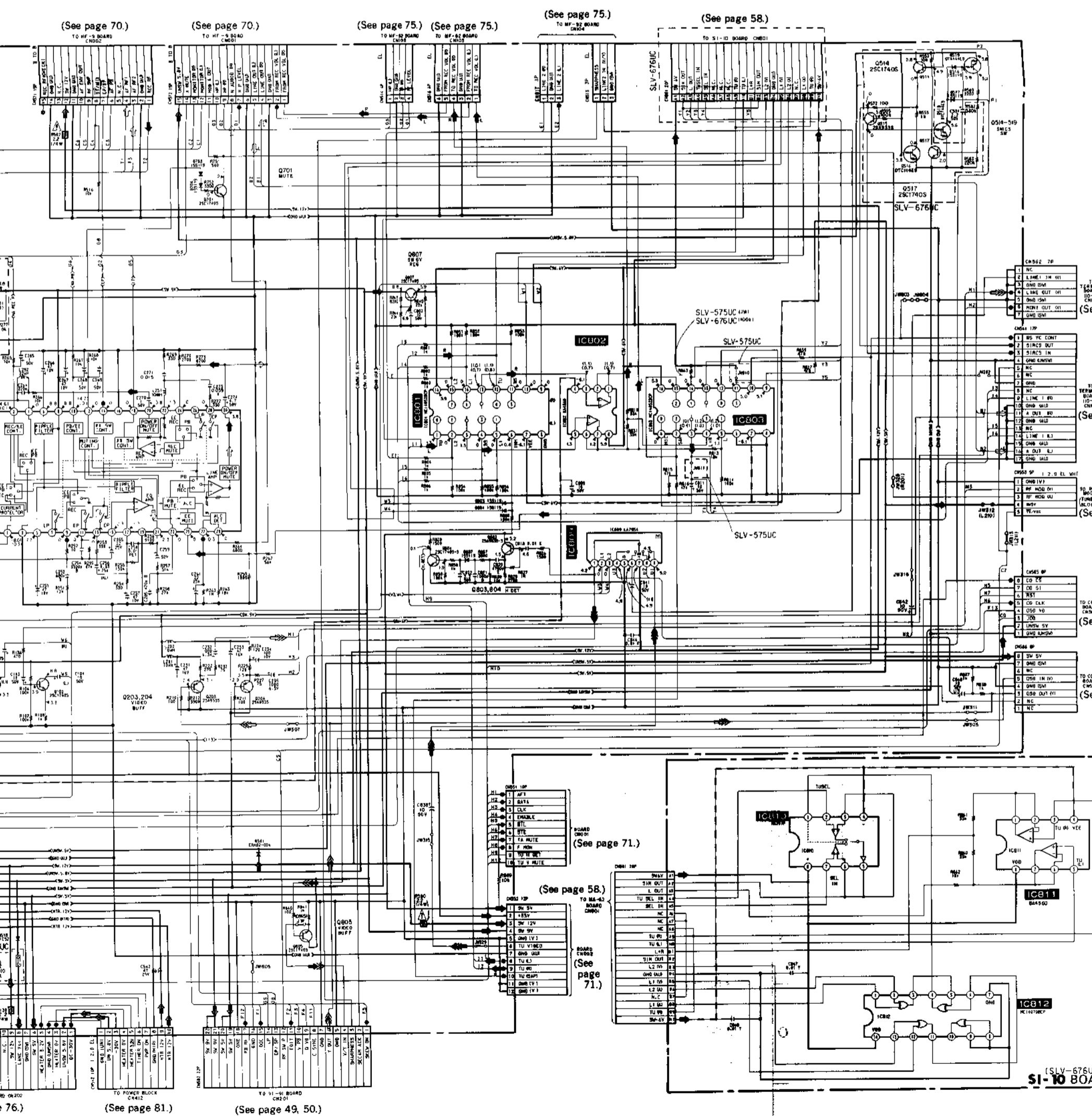


51.) (See page 50.)

• Signal path

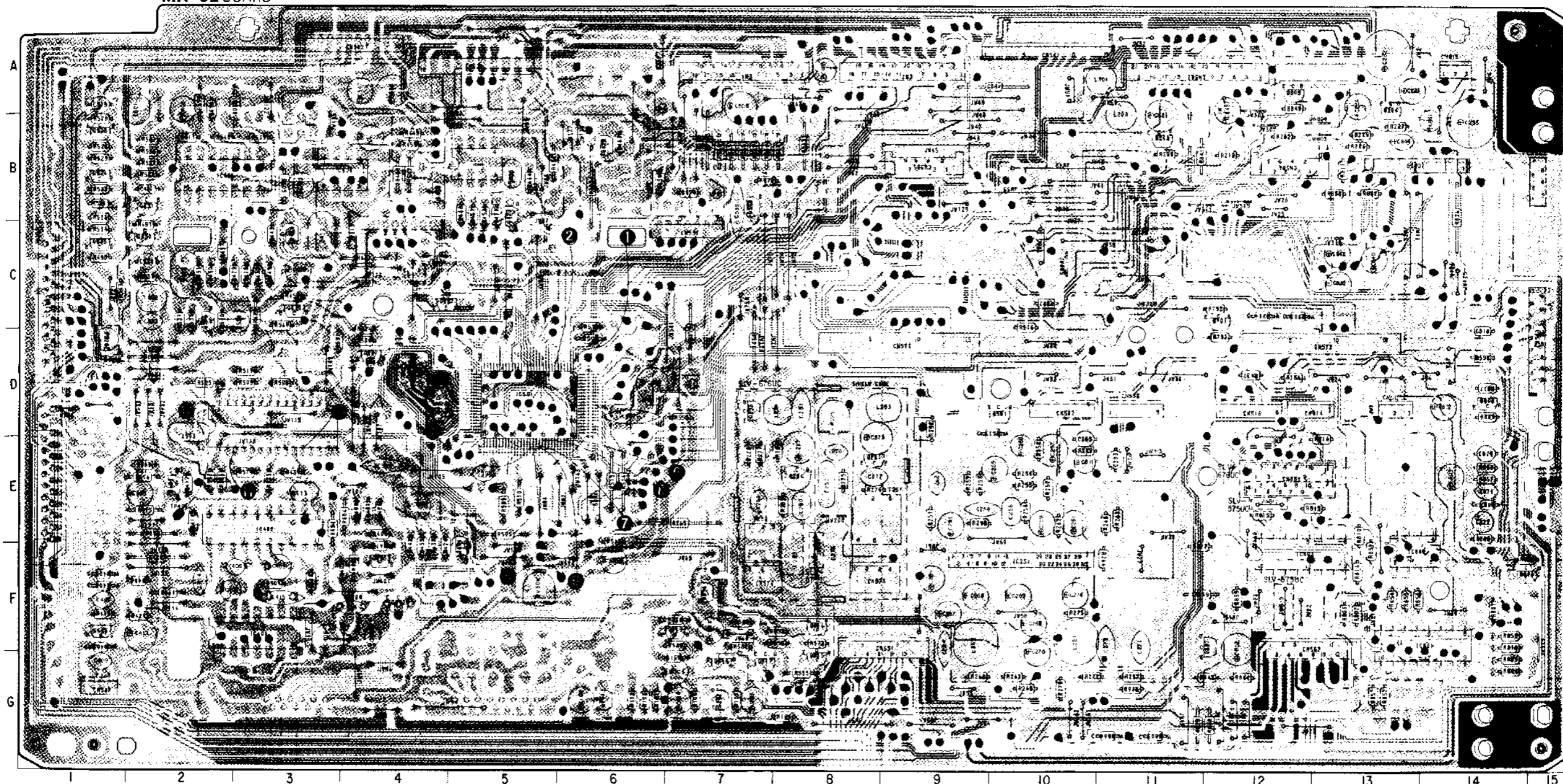


1 22 23 24 25 26 27 28 29 30 31



MA-62 (SERVO, SYSTEM CONTROL, NORMAL AUDIO), SI-10 (AUDIO SW) PRINTED WIRING BOARDS
 —Ref. No. MA-62 and SI-10 BOARDS: 3000 series—

MA-62 BOARD

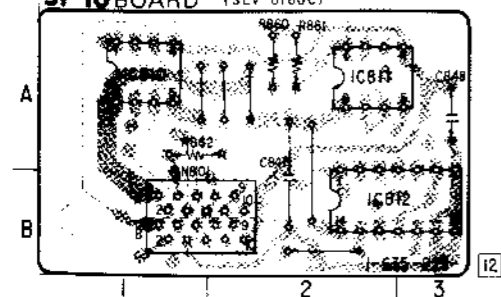


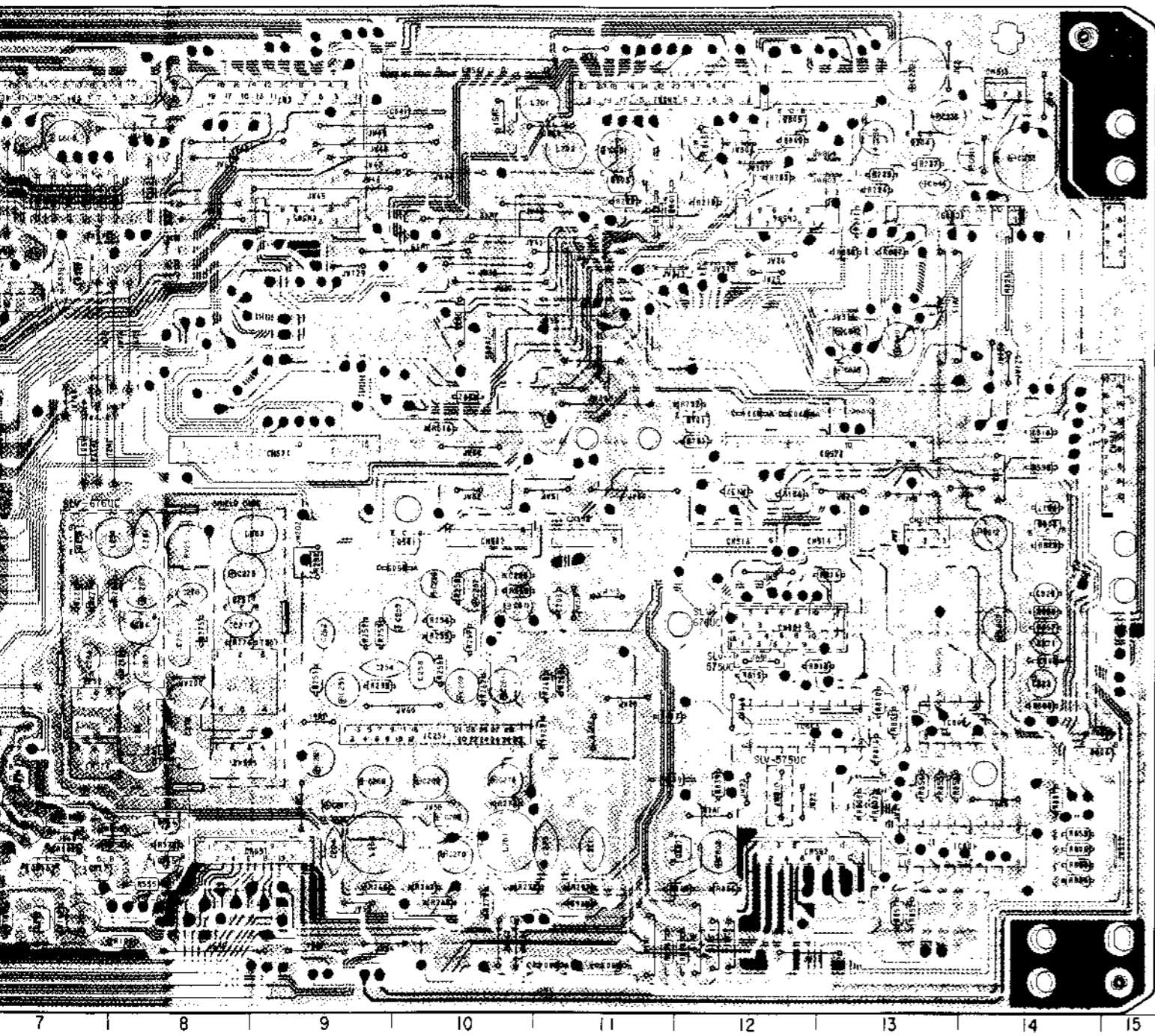
- D401 F-1
- D402 F-1
- D403 F-1
- D404 F-2
- D409 B-3
- D410 F-4
- D501 D-7
- D502 D-6
- D505 E-10
- D508 A-2
- D516 F-7
- D517 G-7
- D518 D-2
- D703 C-12
- D704 C-12
- D803 G-11
- D804 G-11
- D807 E-14

- IC251 F-10
- IC401 F-3
- IC402 E-3
- IC403 B-5
- IC404 B-4
- IC406 B-2
- IC501 D-5
- IC502 A-5
- IC503 D-3
- IC801 G-14
- IC802 F-13
- IC803 F-12
- IC809 B-13

- Q101 G-6
- Q102 G-7
- Q203 B-11
- Q204 A-13
- Q251 E-8
- Q253 D-7
- Q254 E-8
- Q401 E-2
- Q403 F-1
- Q404 F-5
- Q405 F-4
- Q410 C-3
- Q412 F-4
- Q423 C-5
- Q428 B-6
- Q430 C-2
- Q431 B-2
- Q434 C-3
- Q435 B-4
- Q501 O-10
- Q502 C-5
- Q503 B-1
- Q504 B-1
- Q505 C-1
- Q506 C-2
- Q507 D-4
- Q508 B-6
- Q514 F-8
- Q515 G-8
- Q516 F-7
- Q517 G-7
- Q518 G-7
- Q519 F-7
- Q701 C-12
- Q803 D-14
- Q804 F-14
- Q805 A-12
- Q807 G-12

SI-10 BOARD (SLV-6760C)



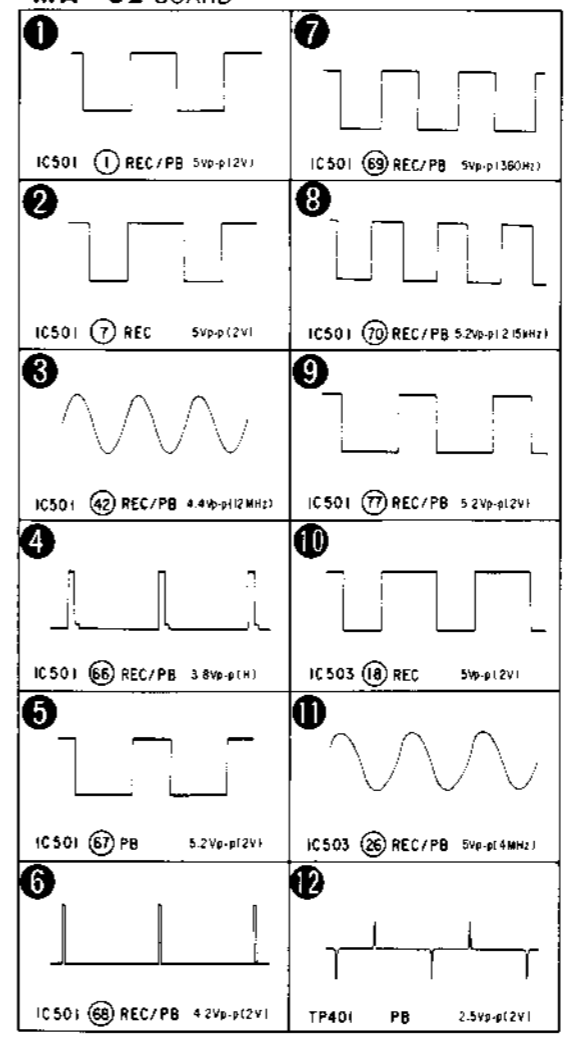


- D401 F-1
- D402 F-1
- D403 F-1
- D404 F-2
- D409 B-3
- D410 F-4
- D501 D-7
- D502 D-6
- D505 E-10
- D508 A-2
- D516 F-7
- D517 G-7
- D518 D-2
- D703 C-12
- D704 C-12
- D803 G-11
- D804 G-11
- D807 E-14

- IC251 F-10
- IC401 F-3
- IC402 E-3
- IC403 B-5
- IC404 B-4
- IC406 B-2
- IC501 D-5
- IC502 A-5
- IC503 D-3
- IC801 G-14
- IC802 F-13
- IC803 F-12
- IC809 B-13

- Q101 G-6
- Q102 G-7
- Q203 B-11
- Q204 A-13
- Q251 E-8
- Q253 D-7
- Q254 E-8
- Q401 E-2
- Q403 F-1
- Q404 F-5
- Q405 F-4
- Q410 C-3
- Q412 F-4
- Q423 C-5
- Q428 B-6
- Q430 C-2
- Q431 B-2
- Q434 C-3
- Q435 B-4
- Q501 D-10
- Q502 C-5
- Q503 B-1
- Q504 B-1
- Q505 C-1
- Q506 C-2
- Q507 D-4
- Q508 B-6
- Q514 F-8
- Q515 G-8
- Q516 F-7
- Q517 G-7
- Q518 G-7
- Q519 F-7
- Q701 C-12
- Q803 D-14
- Q804 F-14
- Q805 A-12
- Q807 G-12

MA-62 BOARD



MD-49 (MECHANISM DRIVE) SCHEMATIC DIAGRAM

—Ref. No. MD-49 BOARD: 2000 series—

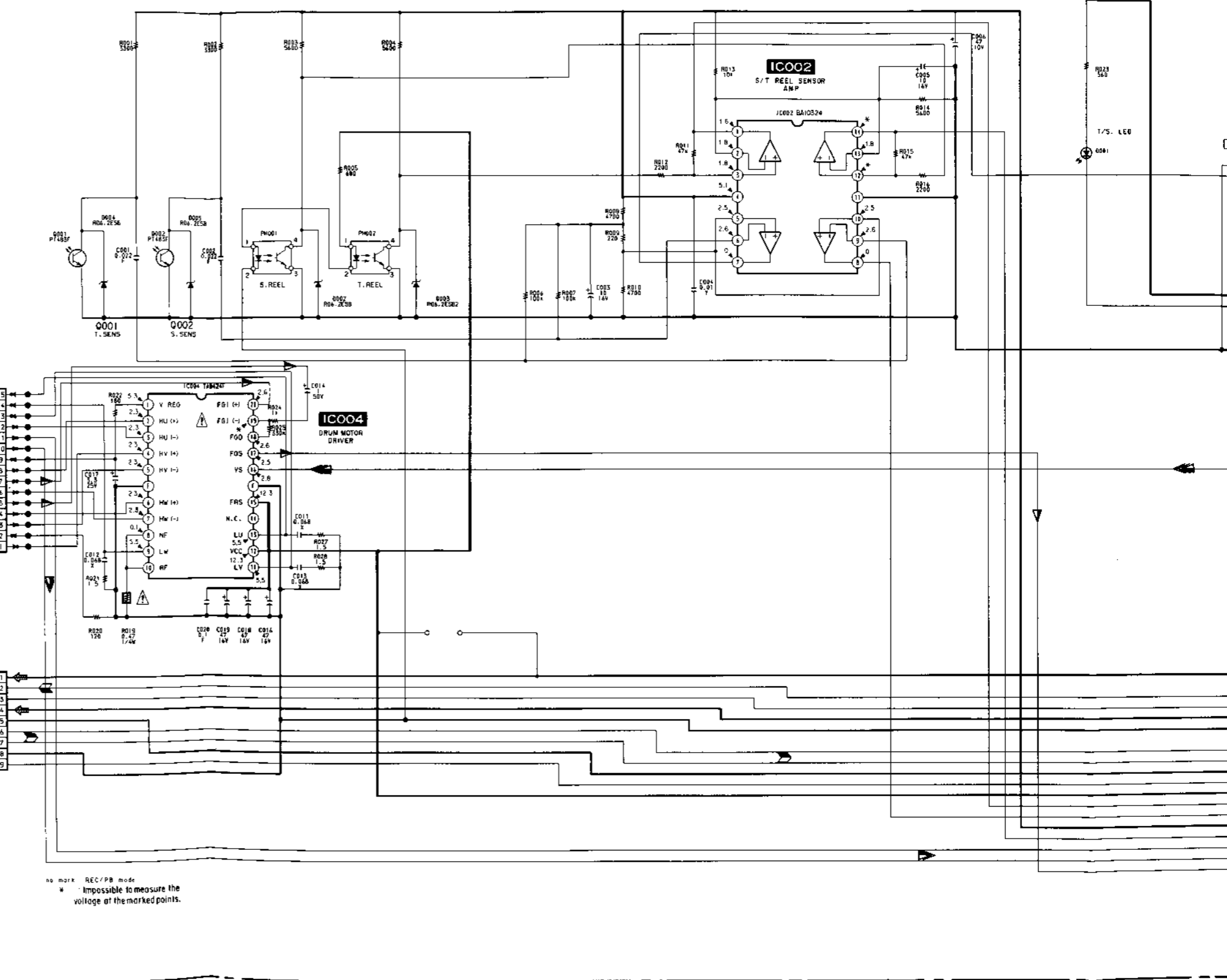
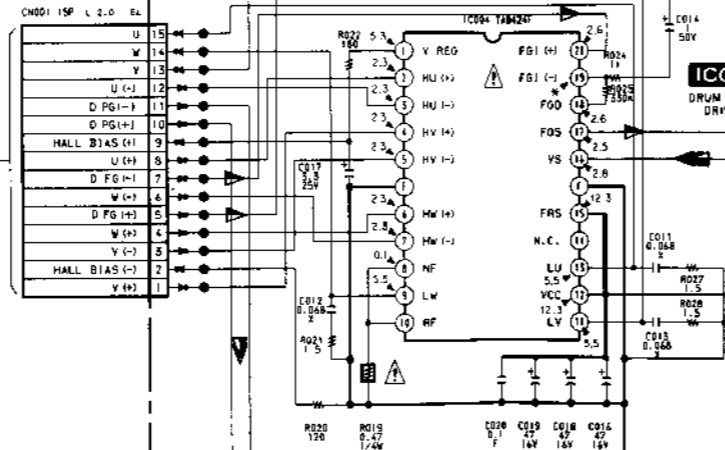
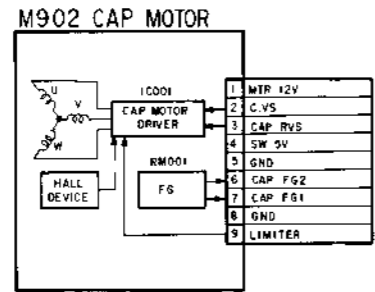
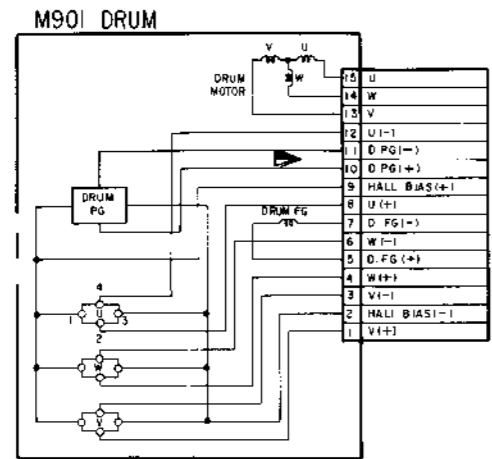
1 2 3 4 5 6 7 8 9 10 11 12 13 14 15

A
B
C
D
E
F
G
H
I
J

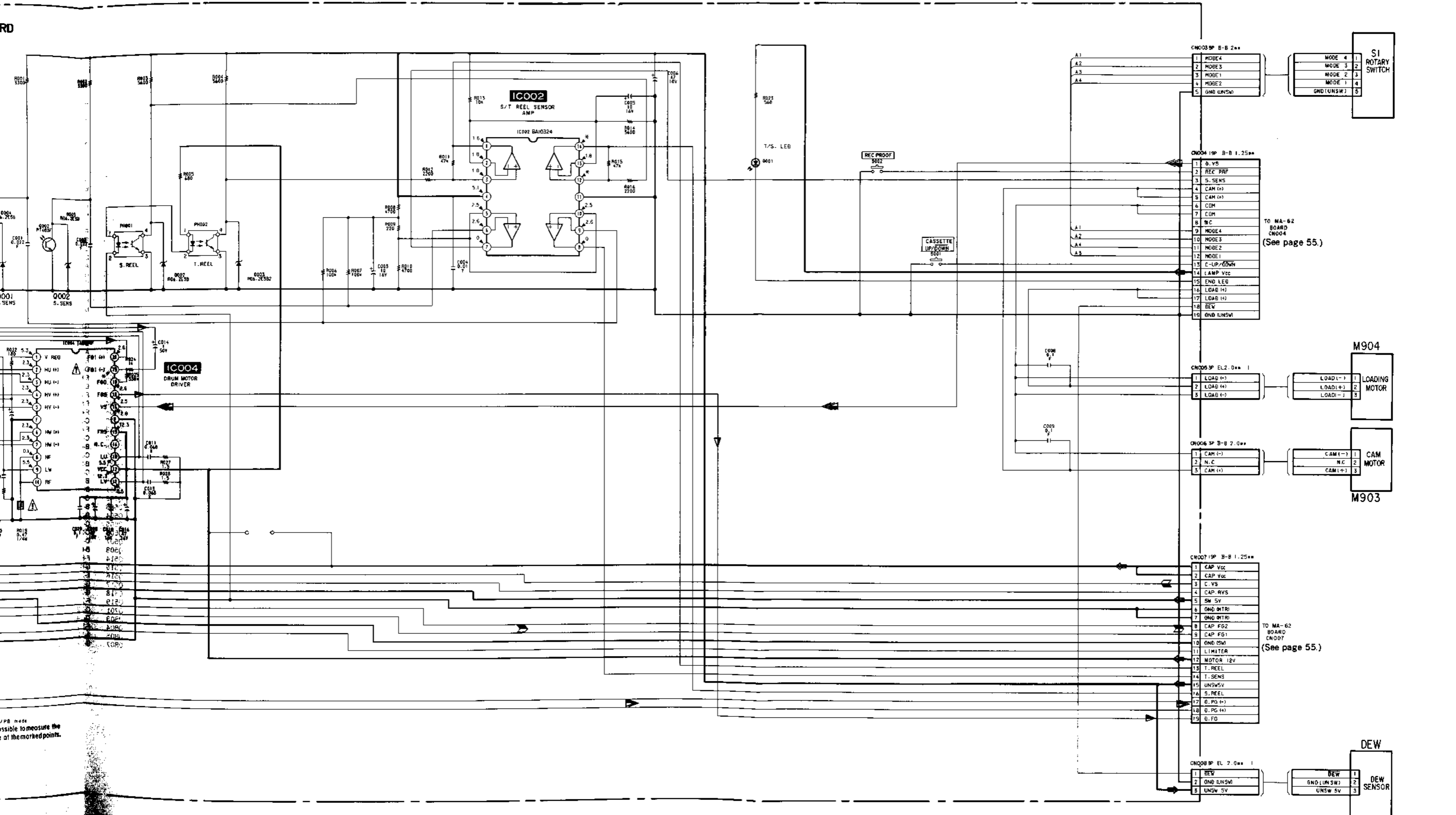
• Signal path

	REC	REC/PB	PB
Drum speed servo		▶	
Drum phase servo		▶	
Drum servo(speed and phase)		▶	
Capstan speed servo		▶	

MD-49 BOARD



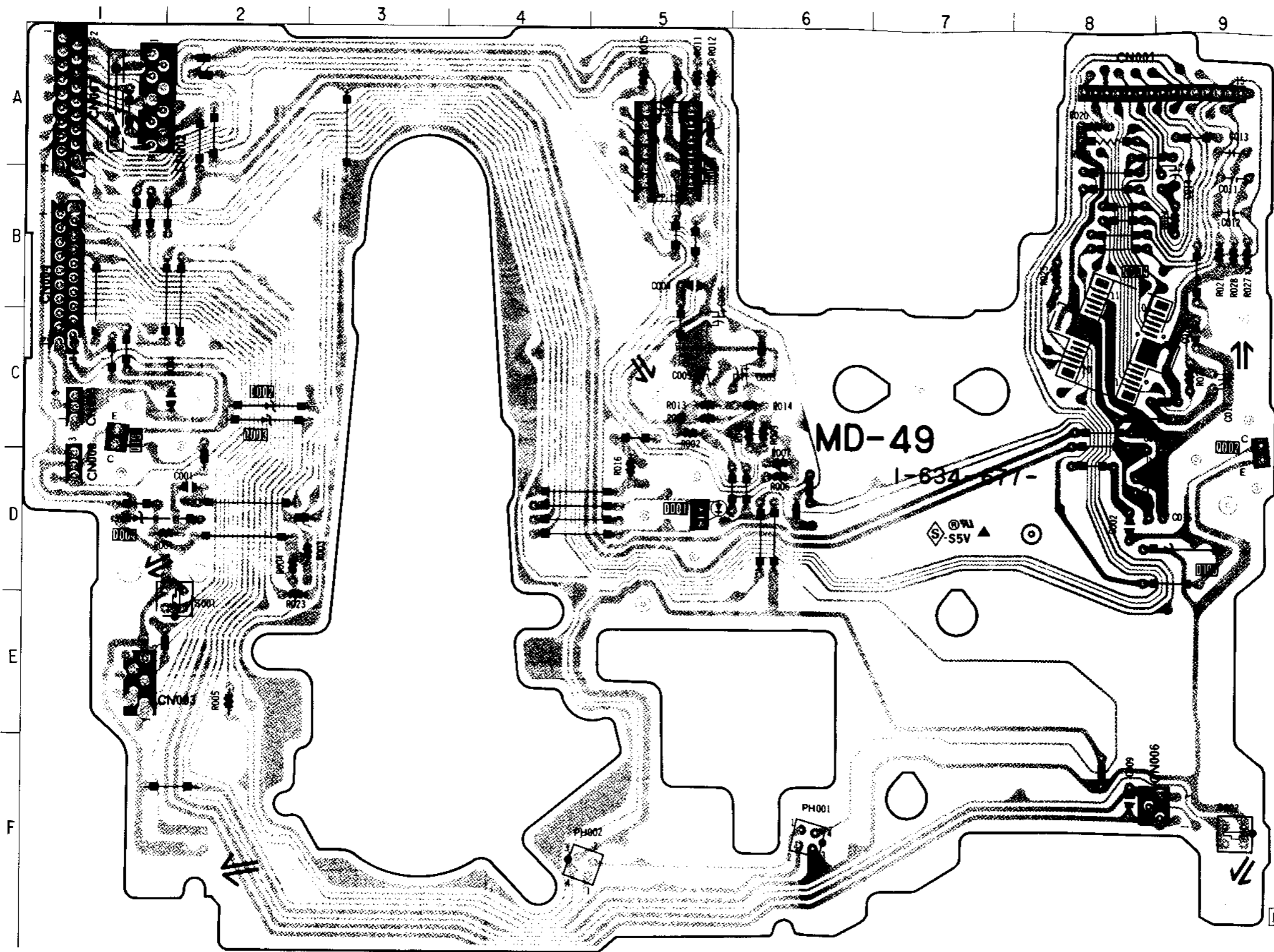
no mark REC/PB mode
* Impossible to measure the voltage at the marked points.



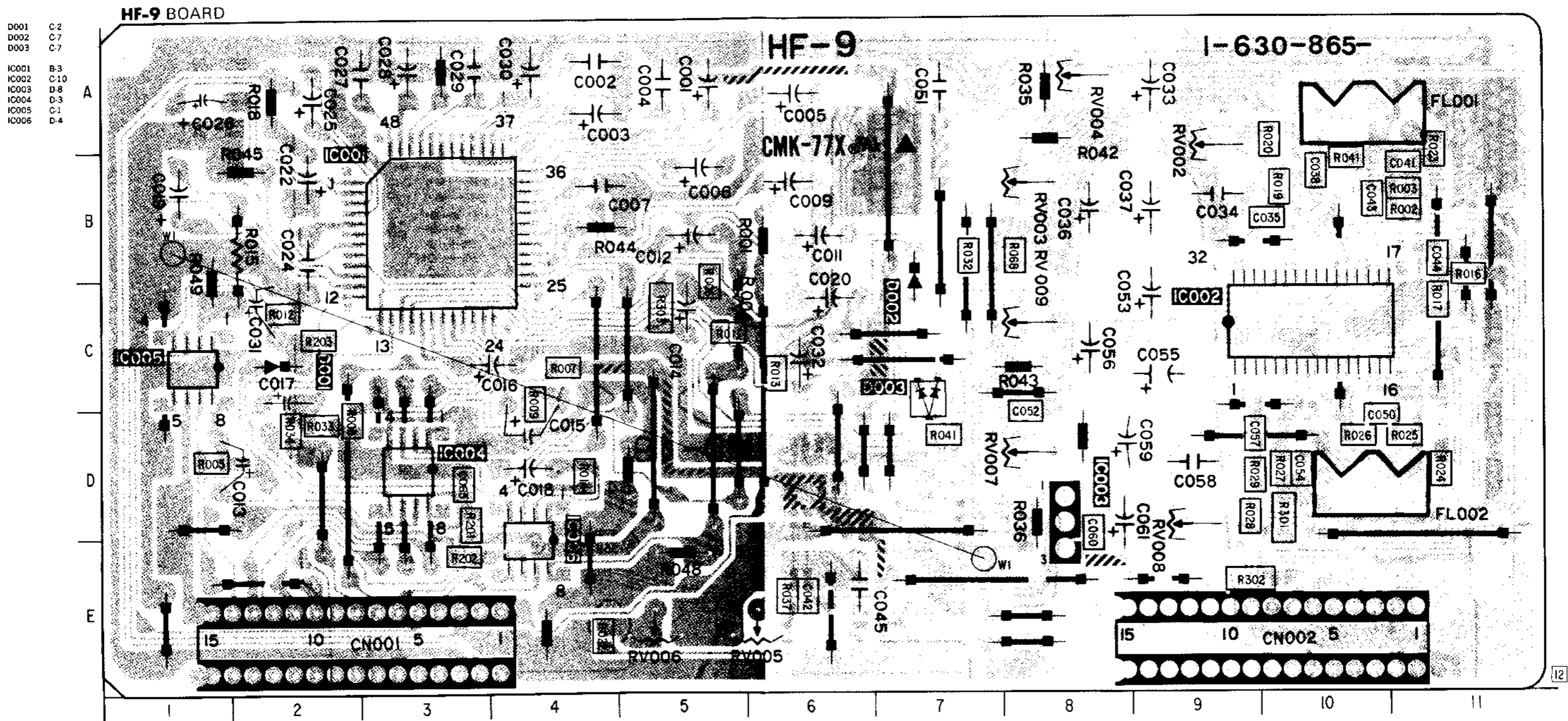
JPB made possible to measure the at the marked points.

MD-49 (MECHANISM DRIVE) PRINTED WIRING BOARD
—Ref. No. MD-49 BOARD: 2000 series—

MD-49 BOARD



D001	D-5
D002	C-2
D003	C-2
D004	D-1
D005	D-5
IC002	A-5
IC004	C-8
Q001	C-1
Q002	C-9

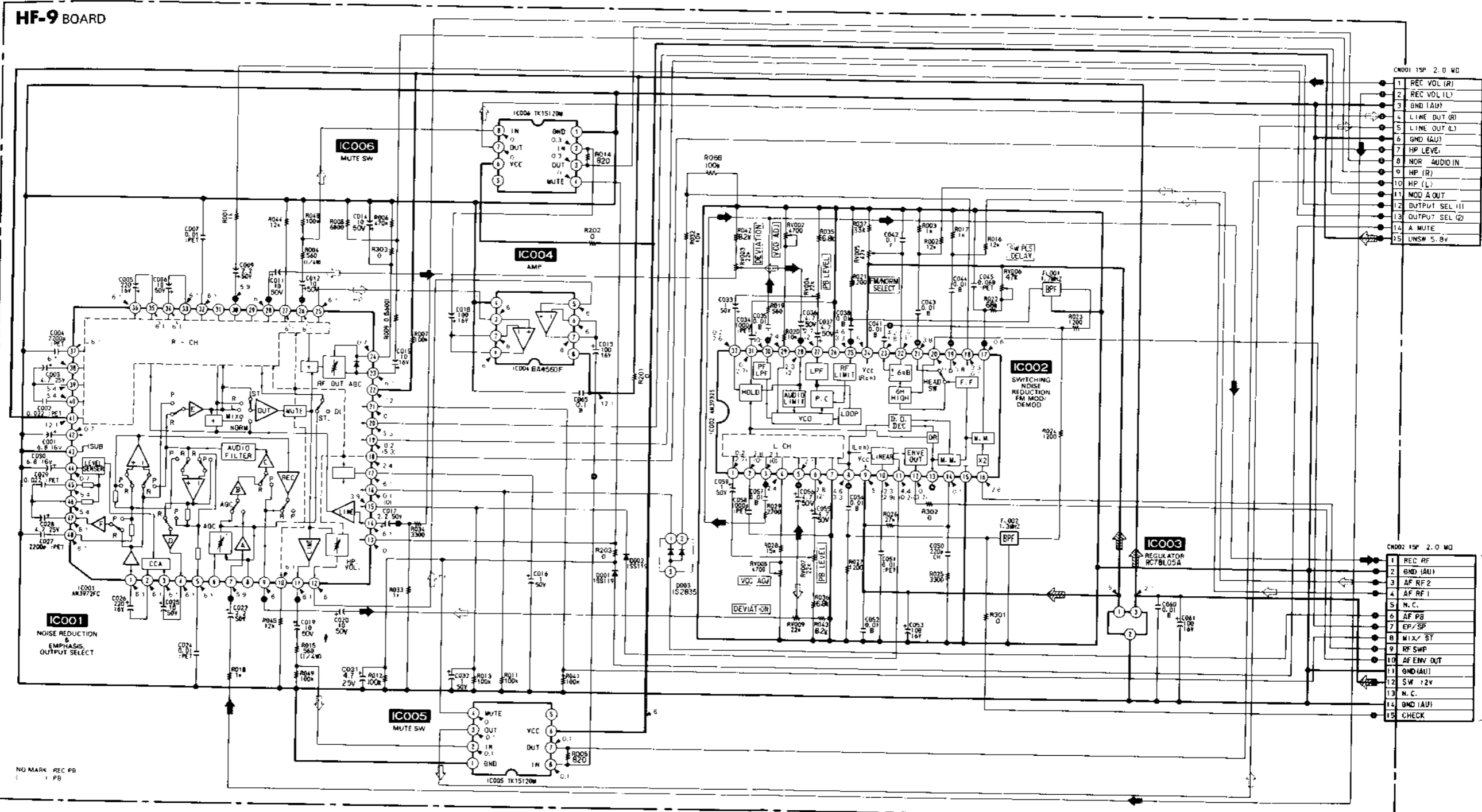


HF-9 (Hi-Fi AUDIO) SCHEMATIC DIAGRAM

—Ref. No. HF-9 BOARD: 4000 series—

1 2 3 4 5 6 7 8 9 10 11 12 13 14 15

A
B
C
D
E
F
G
H
I
J



CN001 15P 2.0 MO

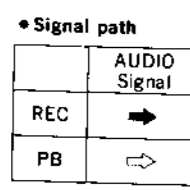
1	REC VOL (R)
2	REC VOL (L)
3	GND (AU)
4	LINE OUT (R)
5	LINE OUT (L)
6	GND (AU)
7	HP LEVEL
8	NOR AUDIO IN
9	HP (R)
10	HP (L)
11	MOD & OUT
12	OUTPUT SEL (1)
13	OUTPUT SEL (2)
14	A MUTE
15	UNSW S. BY

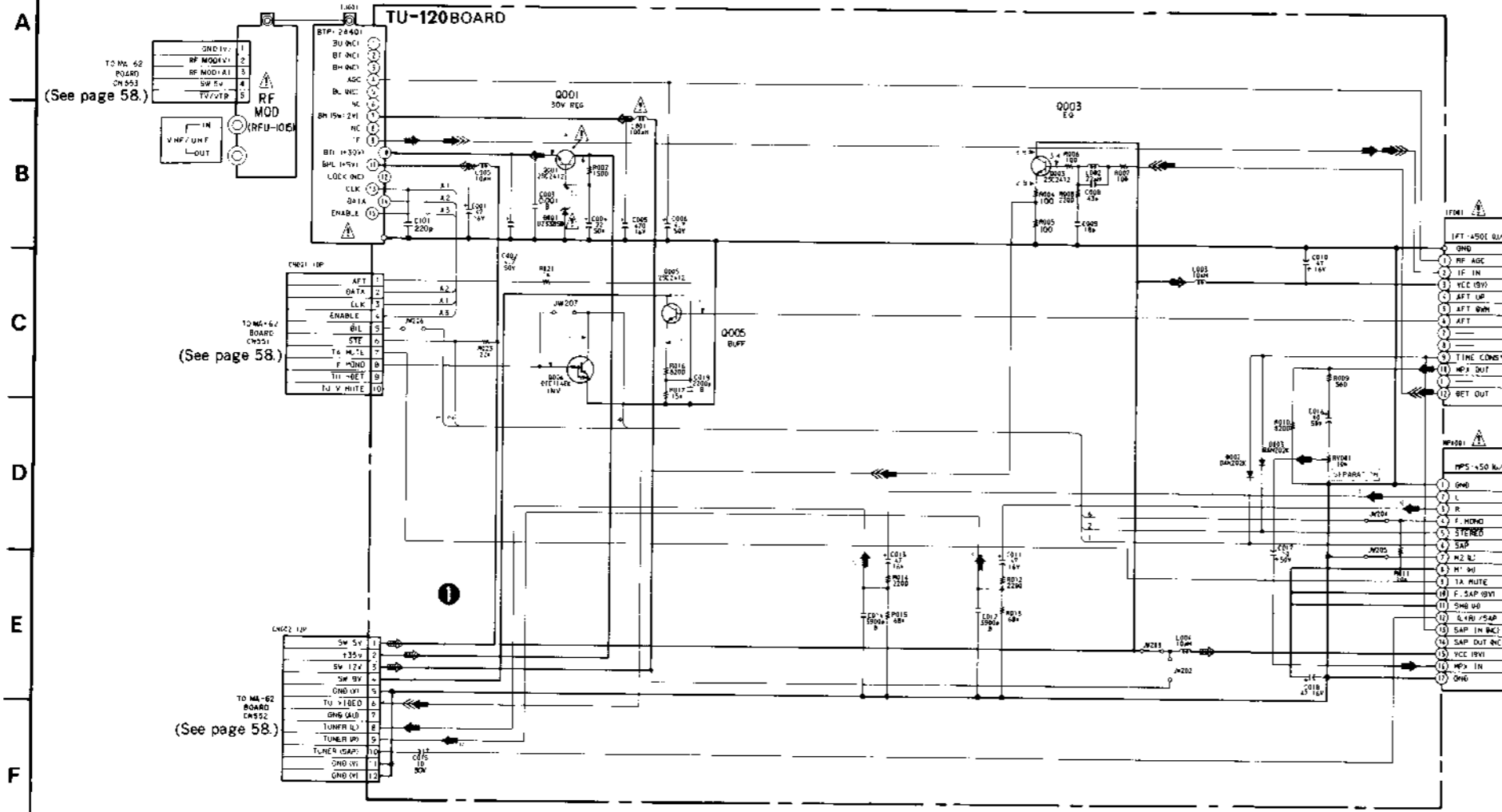
TO MA 39 BOARD CN572 (See page 57.)

CN002 15P 2.0 MO

1	REC RF
2	GND (AU)
3	AF RF 2
4	AF RF 1
5	N. C.
6	AF PB
7	EP/SP
8	MIX/ST
9	RF SWP
10	AF ENV OUT
11	GND (AU)
12	SW 12V
13	N. C.
14	GND (AU)
15	CHECK

TO MA 39 BOARD CN571 (See page 57.)





TO MA-62 BOARD CN572 (See page 57.)

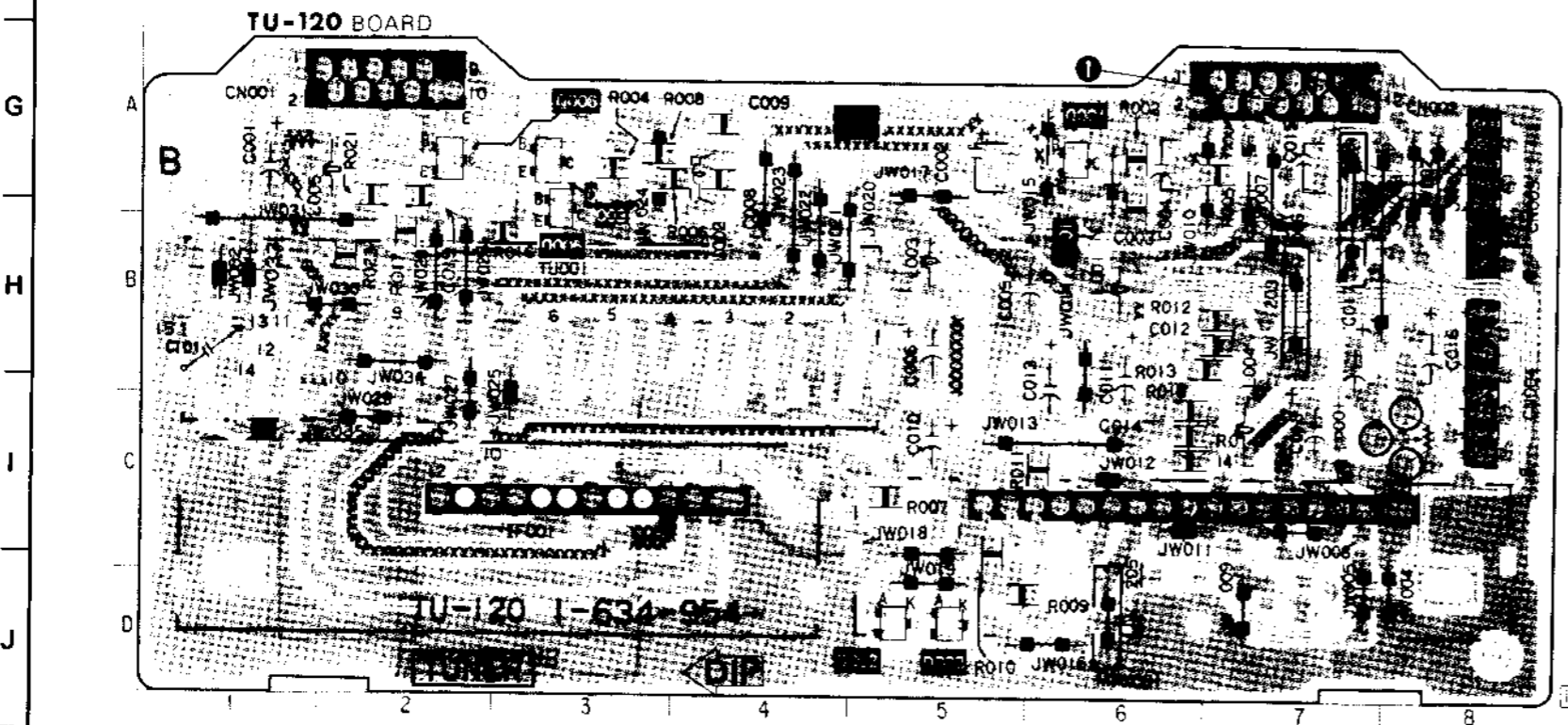
TO MA-62 BOARD CN551 (See page 58.)

TO MA-62 BOARD CN552 (See page 58.)

TO MA-39 BOARD CN571 (See page 57.)

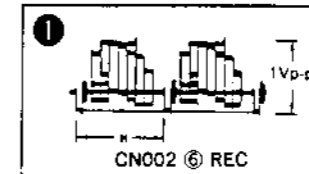
• Signal path

REC	VIDEO Signal			AUDIO Signal
	CHROMA	Y	Y/CHROMA	
→	→	→	→	→

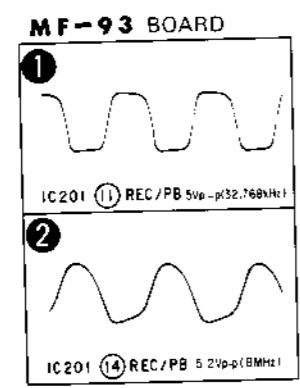
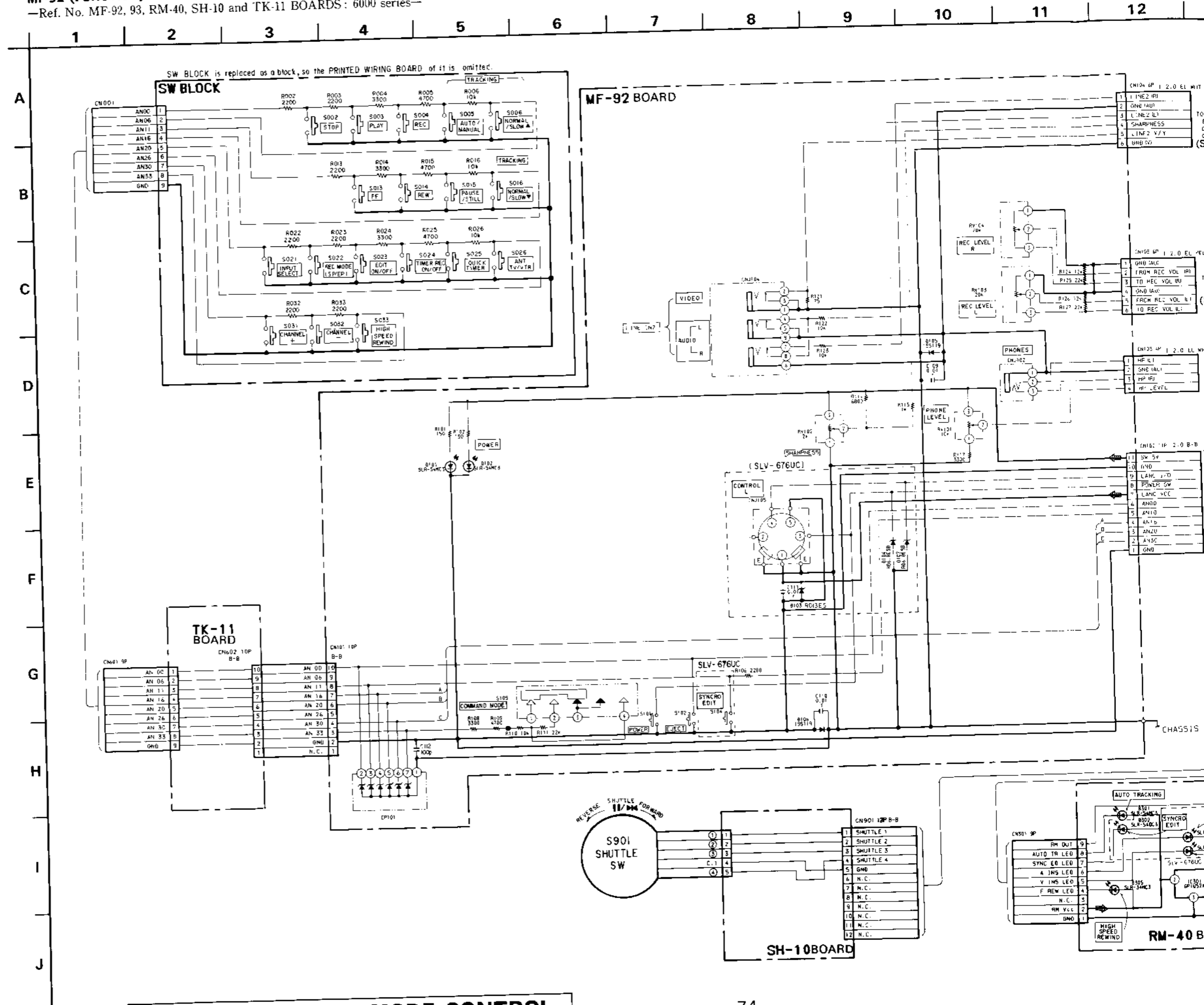


- D001 A-6
- D002 D-5
- D003 D-5
- Q001 A-6
- Q003 A-3
- Q005 A-3
- Q006 A-2

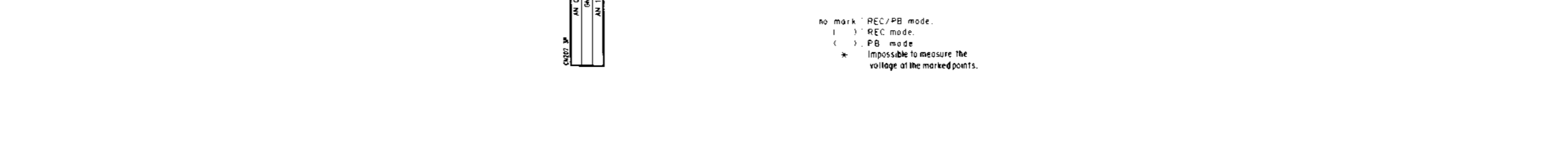
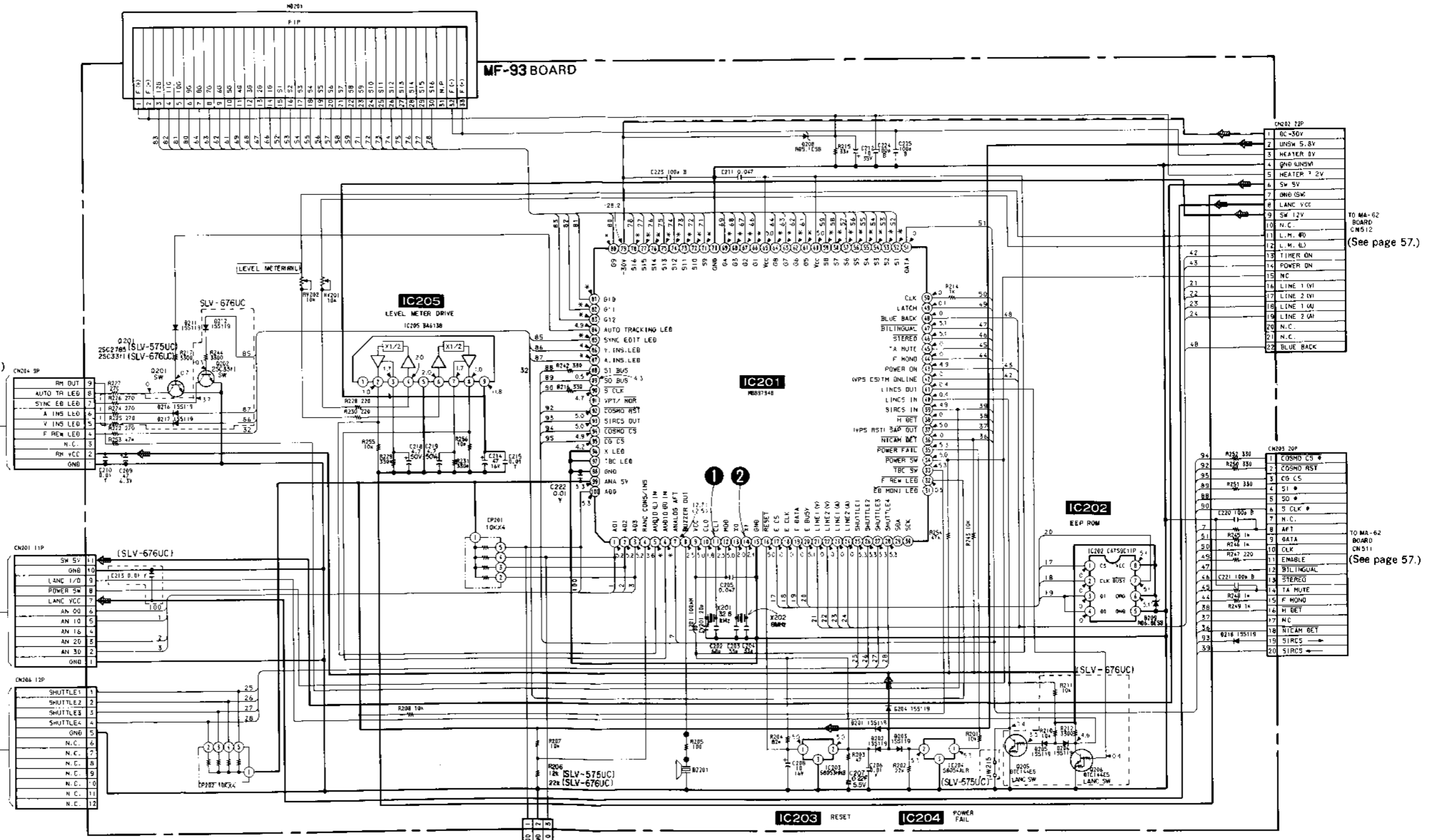
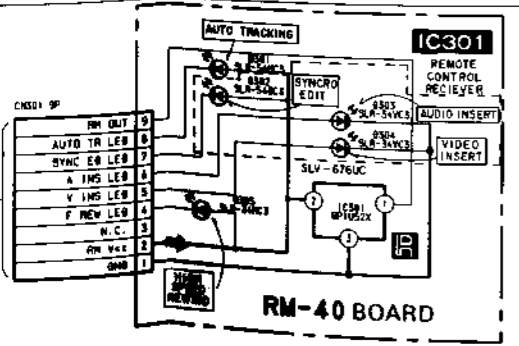
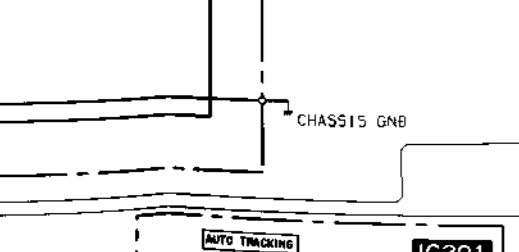
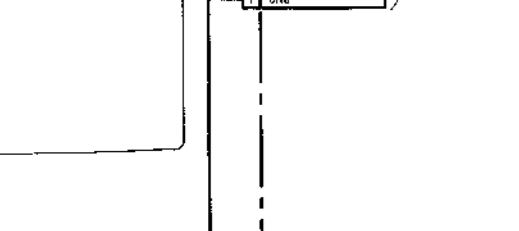
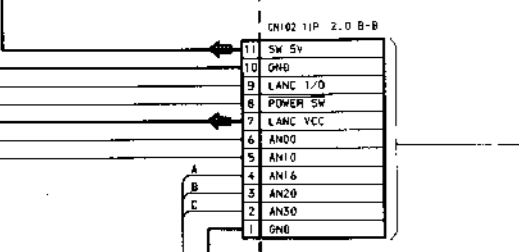
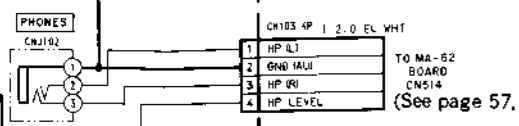
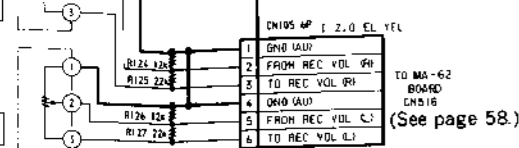
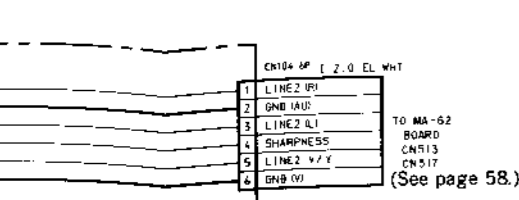
TU-120 BOARD



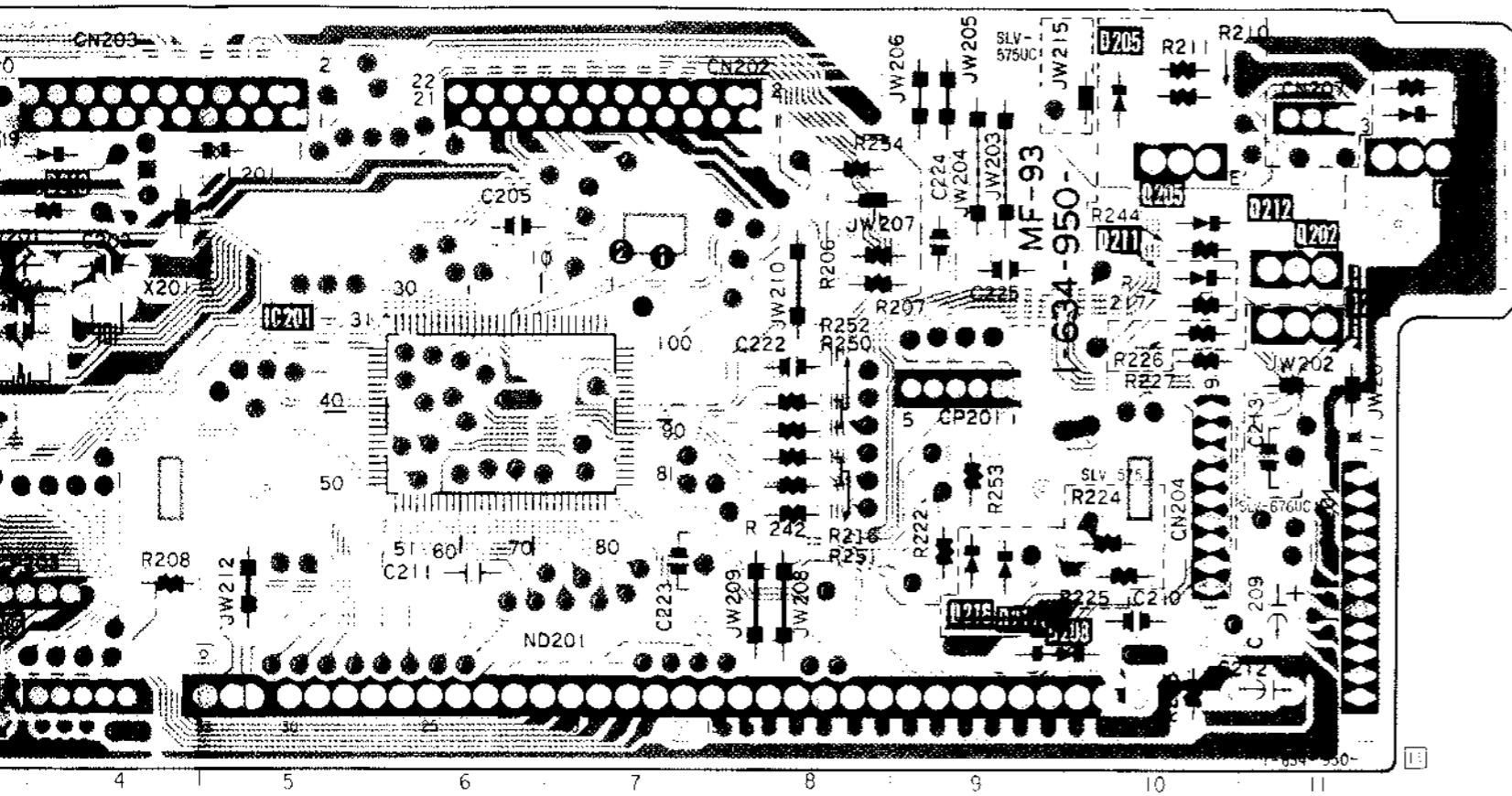
MF-92 (FUNCTION) MF-93 (MODE CONTROL) RM-40 (IR RECIEVER, LED), SH-10 (SHUTTLE SW), TK-11 (RELAY), SW BLOCK SCHEMATIC DIAGRAM
 -Ref. No. MF-92, 93, RM-40, SH-10 and TK-11 BOARDS: 6000 series-



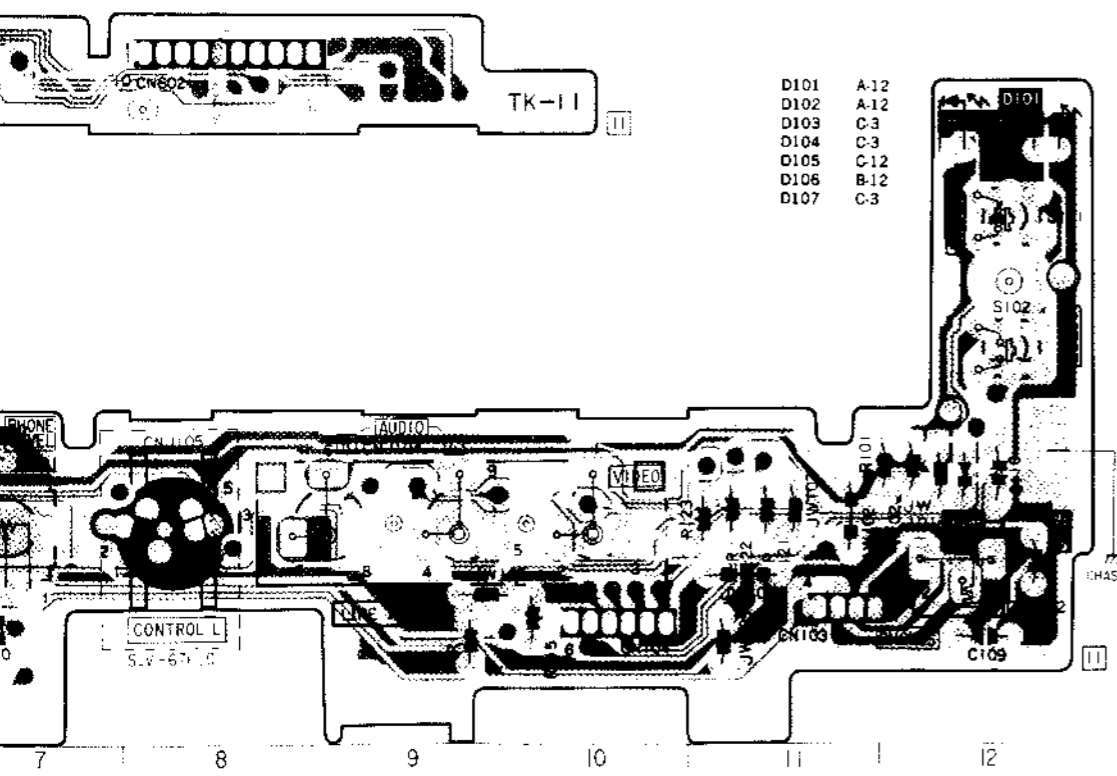
MODE CONTROL MODE CONTROL



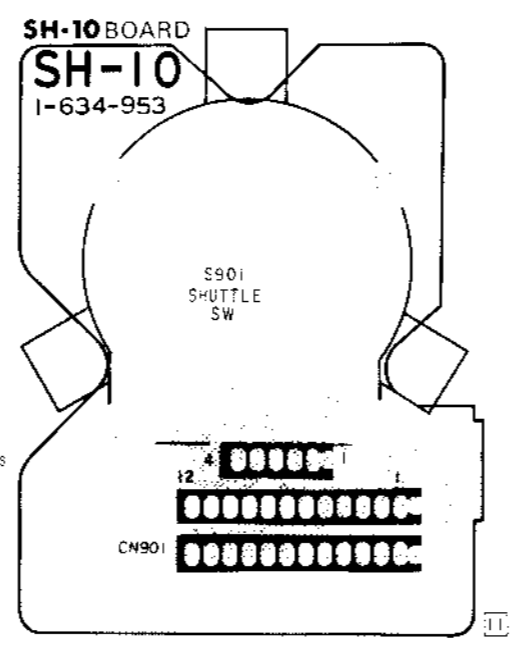
(RELAY) PRINTED WIRING BOARDS



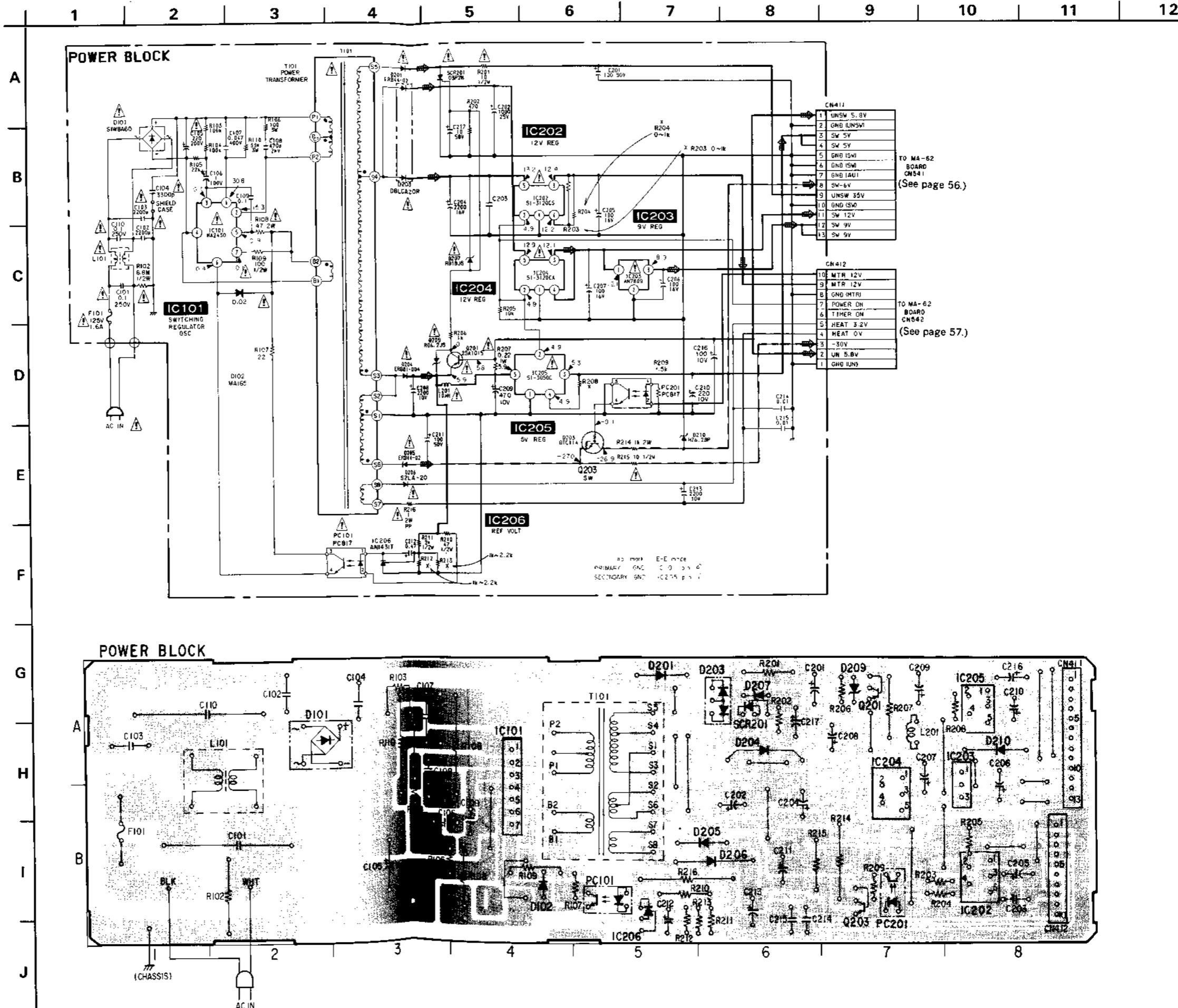
D201	B-1
D202	B-1
D203	D-1
D204	B-1
D205	A-10
D206	A-11
D208	D-9
D209	B-2
D211	B-10
D212	B-10
D216	D-9
D217	D-9
D218	B-4
IC201	C-6
IC202	C-2
IC203	B-2
IC204	C-1
IC205	D-3
Q201	B-11
Q202	B-11
Q205	B-10
Q206	B-11



D101	A-12
D102	A-12
D103	C-3
D104	C-3
D105	C-12
D106	B-12
D107	C-3

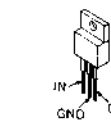


POWER BLOCK PRINTED WIRING BOARD AND SCHEMATIC DIAGRAM
 —Ref. No. POWER BLOCK : 7000 series—



4-3. SEMI

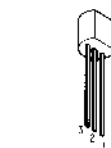
BA178M05



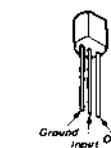
HA12115M



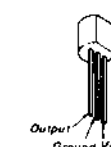
RC78L05A

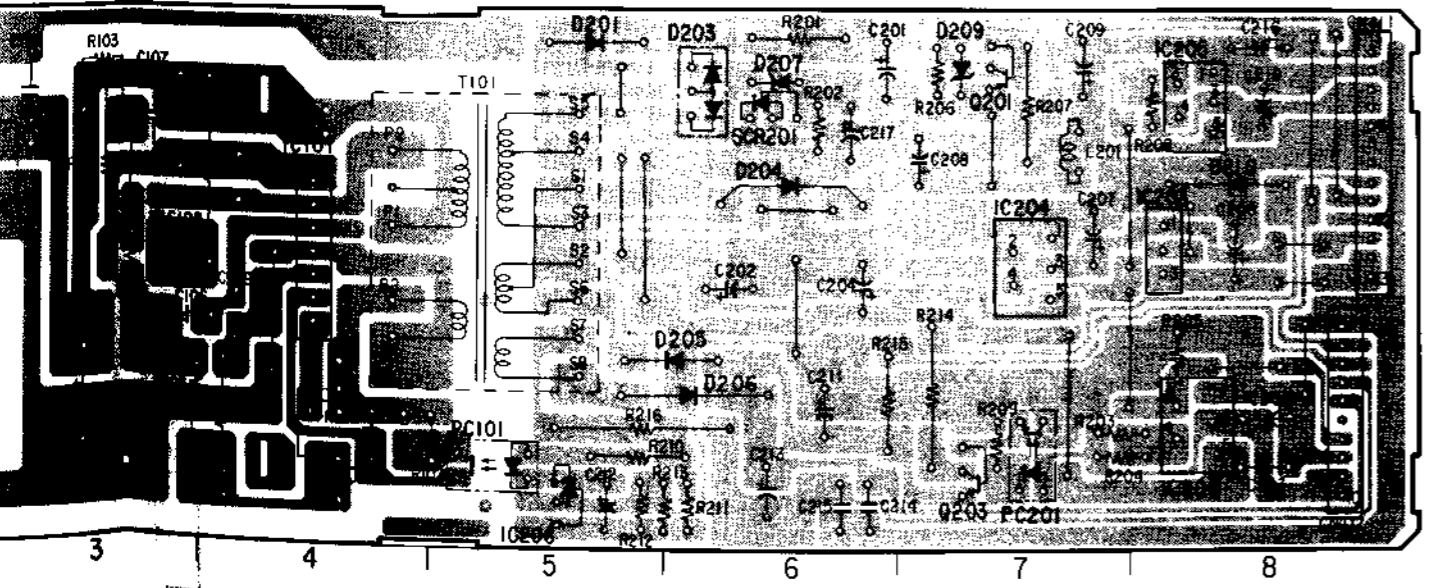
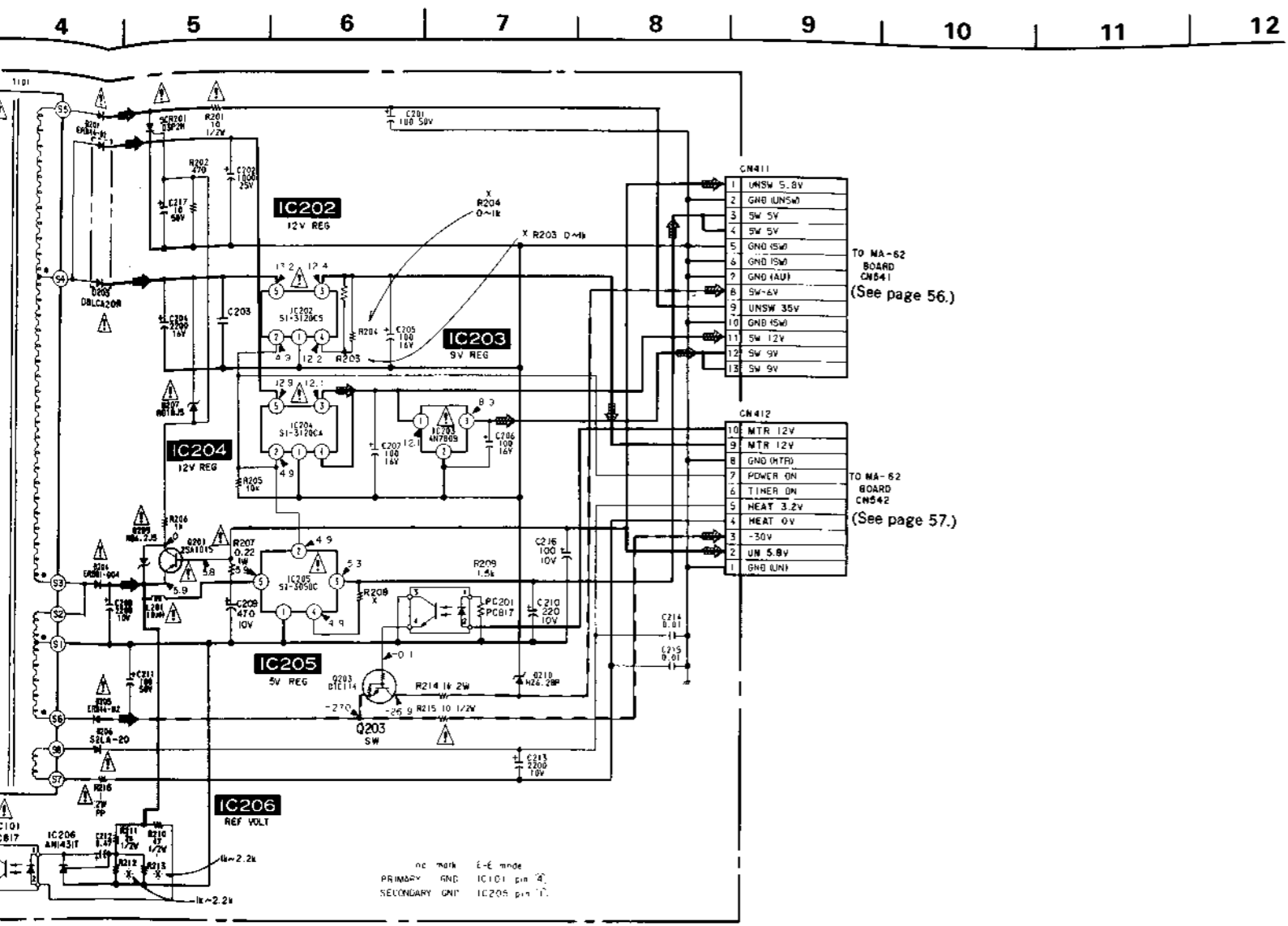


S-8053HN



S-8054AL





4-3. SEMICONDUCTORS

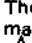

<p>BA178M05</p>	<p>TA8424F</p>	<p>2SB798</p>	<p>G1-451V</p>	<p>SLR-34MC3 SLR-34VC3</p>
<p>HA12115MP</p>	<p>DTA114ES DTA144ES DTC114ES DTC144ES 2SC1740S 2SC2603</p>	<p>2SD774</p>	<p>PS6002</p>	
<p>RC78L05A</p>	<p>PT483F1</p>	<p>2SK105A-10</p>	<p>PY5504S-1</p>	
<p>S-8053HNB</p>	<p>2SA933S</p>	<p>2SK381-A</p>	<p>RD4.7EL2 RD5.1EL2</p>	
<p>S-8054ALR</p>	<p>2SA1175 2SA1309A 2SC3311A 2SD1020</p>	<p>ERA82-004 RD5.1ESB2 RD6.2ESB2 RD6.8ESB2 RD13ESB2 RD33ESB2 1SS119 11ES2</p>	<p>SEL1810A</p>	


SECTION 5 EXPLODED VIEWS

NOTE:

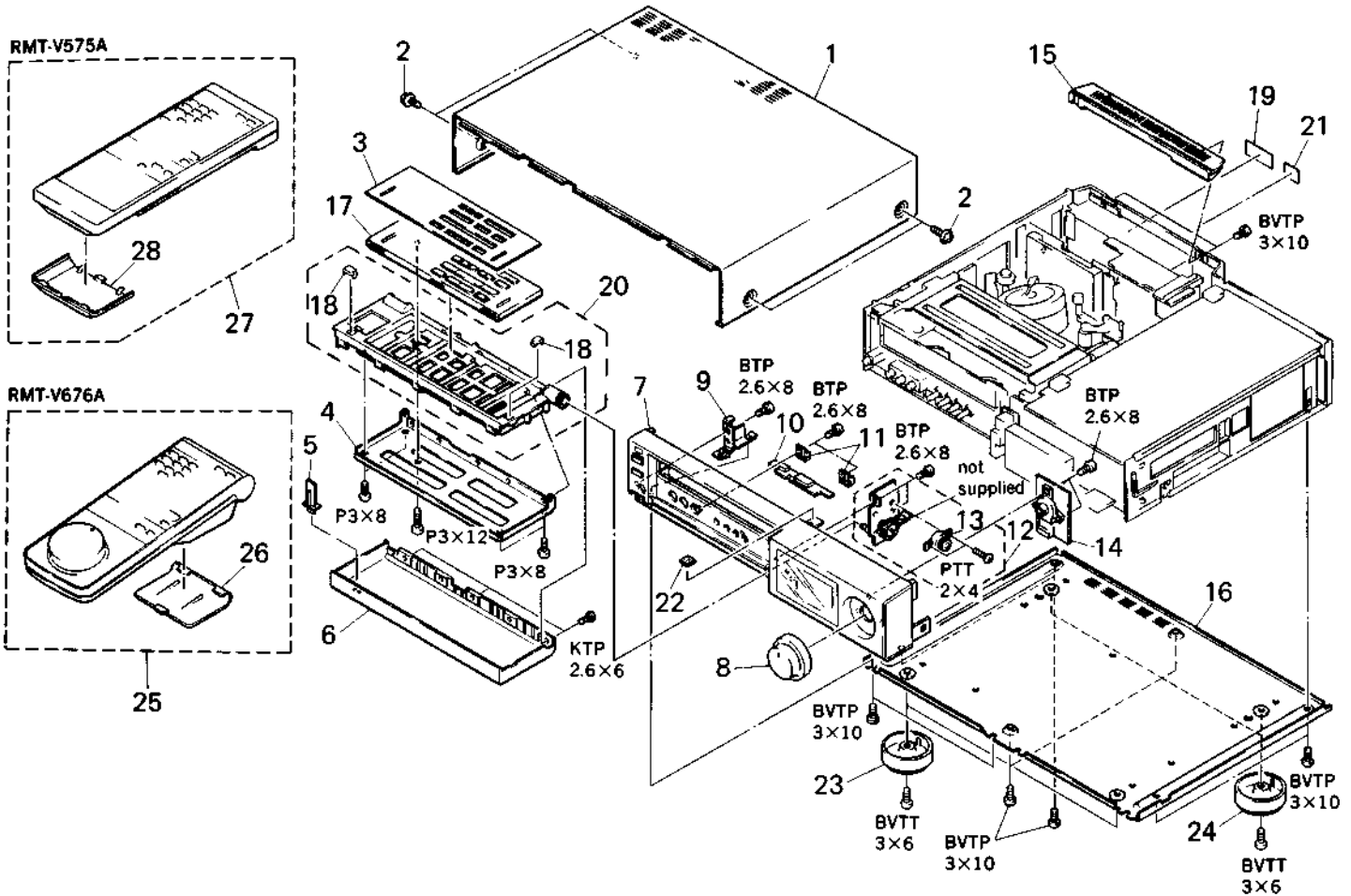
- The mechanical parts with no reference number in the exploded views are not supplied.
- Items marked "*" are not stocked since they are seldom required for routine service. Some delay should be anticipated when ordering these items.

- Due to standardization, parts with part number suffix -XX and -X may be different from the parts specified in the components used on the set.
- The construction parts of an assembled part are indicated with a collation number in the remark column.

The components identified by mark  or dotted line with mark  are critical for safety. Replace only with part number specified.

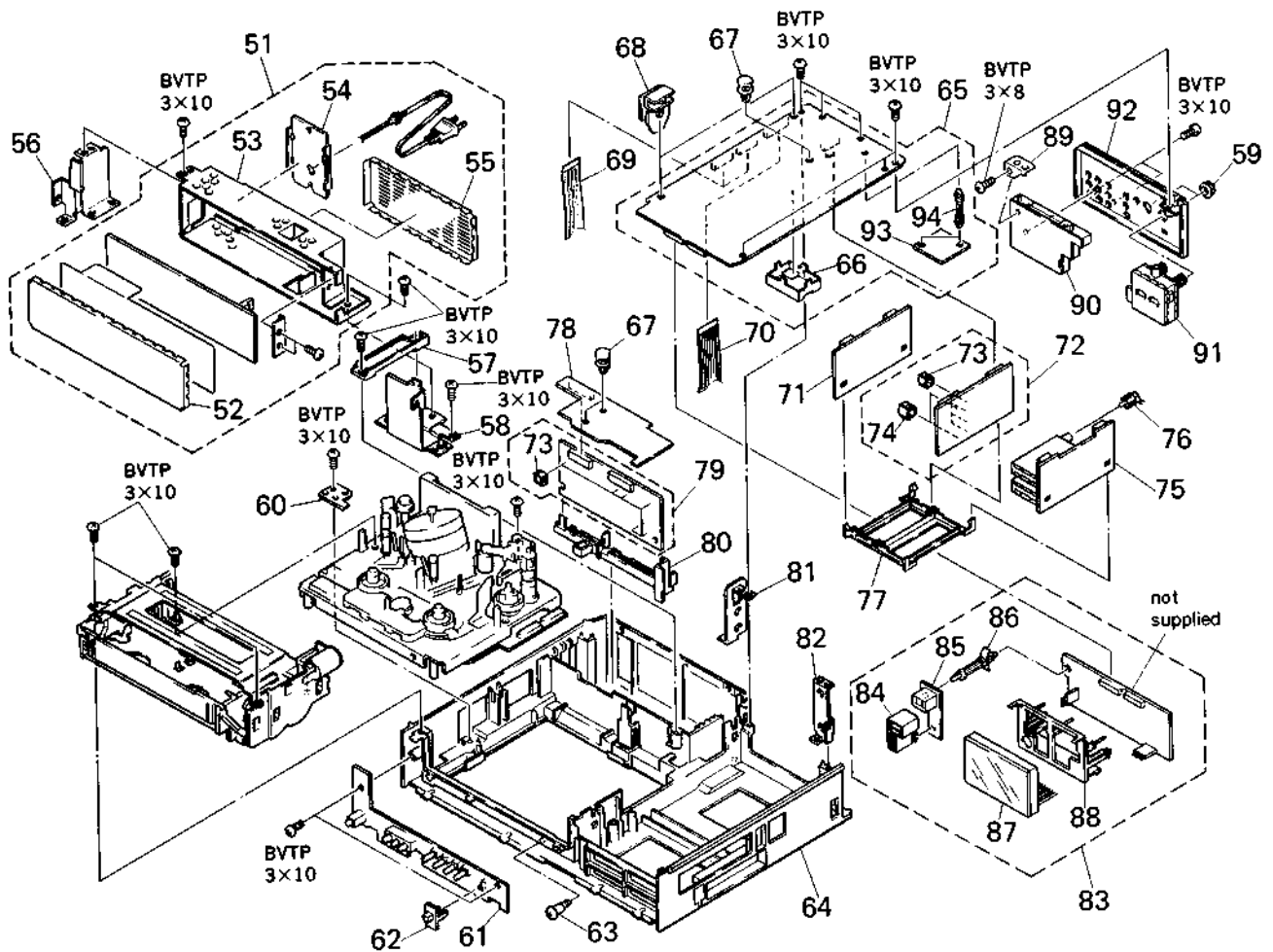
Les composants identifiés par une marque  sont critiques pour la sécurité. Ne les remplacer que par une pièce portant le numéro spécifié.

5-1. FRONT PANEL AND CABINET ASSEMBLIES



Ref.No	Part No.	Description	Remark	Ref.No	Part No.	Description	Remark
1	3-743-670-01	COVER, UPPER (SLV-676 UC)		14	*1-634-953-11	SH-10 BOARD	
1	3-743-670-11	COVER, UPPER (SLV-575 UC)		15	3-743-644-01	COVER, POWER	
2	3-710-901-11	SCREW (3X8), TAPPING		16	3-743-671-01	PLATE, BOTTOM	
3	3-743-668-01	PLATE, ORNAMENTAL, DOOR (SLV-575 UC)		17	1-466-345-11	SWITCH BLOCK, CONTROL	
3	3-743-668-11	PLATE, ORNAMENTAL, DOOR (SLV-676 UC)		18	*3-774-004-01	CATCHER	
4	*3-743-658-01	PLATE, FULCRUM, DOOR		19	*3-743-662-01	LABEL, MODEL NUMBER(NO 4) (SLV-575 UC)	
5	3-743-650-01	COVER, POWER LAMP		19	*3-743-663-01	LABEL, MODEL NUMBER (NO.4) (SLV-676 UC)	
6	X-3743-540-1	DOOR ASSY, FRONT (SLV-575 UC)		20	X-3743-549-1	PANEL ASSY, ORNAMENTAL, DOOR (SLV-676 UC) 18	
6	X-3743-541-1	DOOR ASSY, FRONT (SLV-676 UC)		20	X-3743-550-1	PANEL ASSY, ORNAMENTAL, DOOR (SLV-575 UC) 18	
7	X-3743-542-1	PANEL ASSY, FRONT (SLV-575 UC)		21	*3-704-386-01	LABEL, TELESONIC	
7	X-3743-543-1	PANEL ASSY, FRONT (SLV-676 UC)		22	9-911-841-XX	CUSHION (B)	
8	3-743-666-01	KNOB, SHUTTLE (SLV-575 UC)		23	3-744-272-11	FOOT	
8	3-743-666-11	KNOB, SHUTTLE (SLV-676 UC)		24	3-744-272-01	FOOT	
9	X-3743-536-1	PLATE (L) ASSY, FULCRUM		25	1-465-474-11	REMOTE COMMANDER (SLV-676 UC)	26
10	*1-634-952-11	TK-11 BOARD		26	3-746-029-01	COVER, BATTERY (SLV-676 UC)	
11	*3-743-640-02	RETAINER, PC BOARD		27	1-465-473-11	REMOTE COMMANDER (SLV-575 UC)	28
12	A-6759-486-A	PLATE (R) BLOCK ASSY, FULCRUM		28	3-744-081-11	COVER, BATTERY (SLV-575 UC)	
13	3-319-224-21	DAMPER, SMALL	13				

5-2. MAIN CHASSIS ASSEMBLY



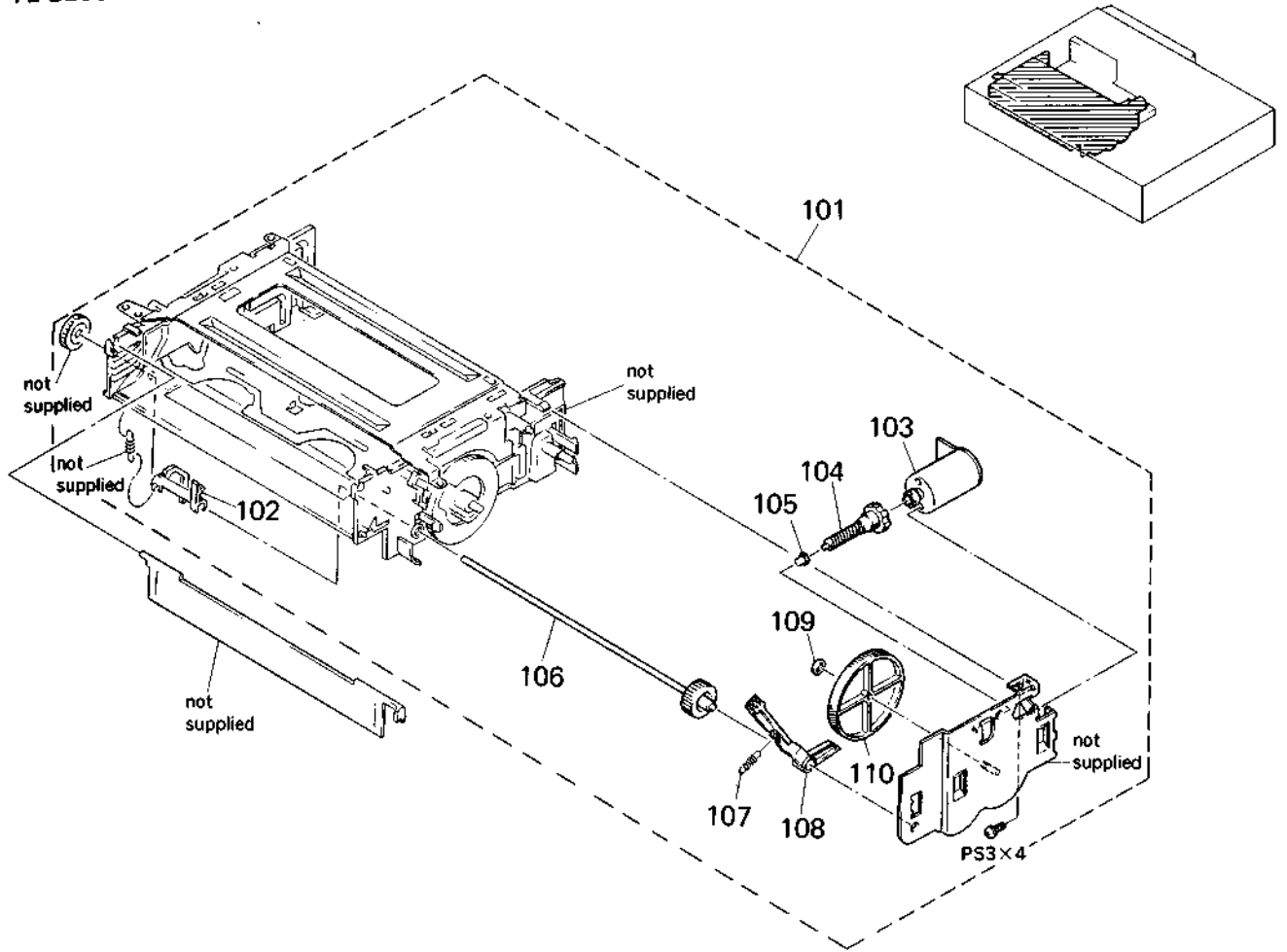
Note:
The components identified by mark ▲ or dotted line with mark ▲ are critical for safety. Replace only with part number specified.

Note:
Les composants identifiés par une marque ▲ sont critiques pour la sécurité. Ne les remplacer que par une pièce portant le numéro spécifié.

Ref.No	Part No.	Description	Remark
51	▲ 1-413-532-11	SWITCHING BLOCK (POWER BLOCK)	52-55
52	* 3-743-645-01	LID, UPPER	
53	* 3-743-649-01	CASE, MAIN	
54	* 3-743-648-11	PANEL, CONNECTOR	
55	* 3-743-646-01	PLATE, BOTTOM	
56	* 3-743-643-01	BRACKET (LEFT), POWER	
57	* 3-743-641-01	RETAINER (RIGHT), YC	
58	* 3-743-642-01	BRACKET (RIGHT), POWER	
59	3-682-691-00	NUT, WASHER HEXAGON	
60	3-729-938-01	RETAINER (LEFT), MD	
61	* A-6725-804-A	MF-92 BOARD, COMPLETE (SLV-575 UC)	
61	* A-6725-806-A	MF-92 BOARD, COMPLETE (SLV-676 UC)	
62	3-743-636-01	KNOB, SLIDE	
63	3-741-948-01	SCREW (3), SPECIAL (+) TAPPING	
64	* A-6771-254-A	FRAME BLOCK ASSY	
65	* A-6717-573-A	MA-62 BOARD, COMPLETE (SLV-575 UC)	66
65	* A-6717-574-A	MA-62 BOARD, COMPLETE (SLV-676 UC)	66,93,94
66	* 3-743-679-01	CASE, SHIELD, AU	
67	3-682-057-21	SPACER (SMALL)	
68	* 3-743-678-01	HINGE, P.C BOARD	
69	1-575-745-11	WIRE, FLAT TYPE (19 CORE)	
70	1-575-746-11	WIRE, FLAT TYPE (22 CORE)	
71	* A-6727-190-A	CG-10 BOARD, COMPLETE	
72	* A-6713-379-A	MF-9 BOARD, COMPLETE	73,74
73	3-729-971-01	COVER, VOLUME	

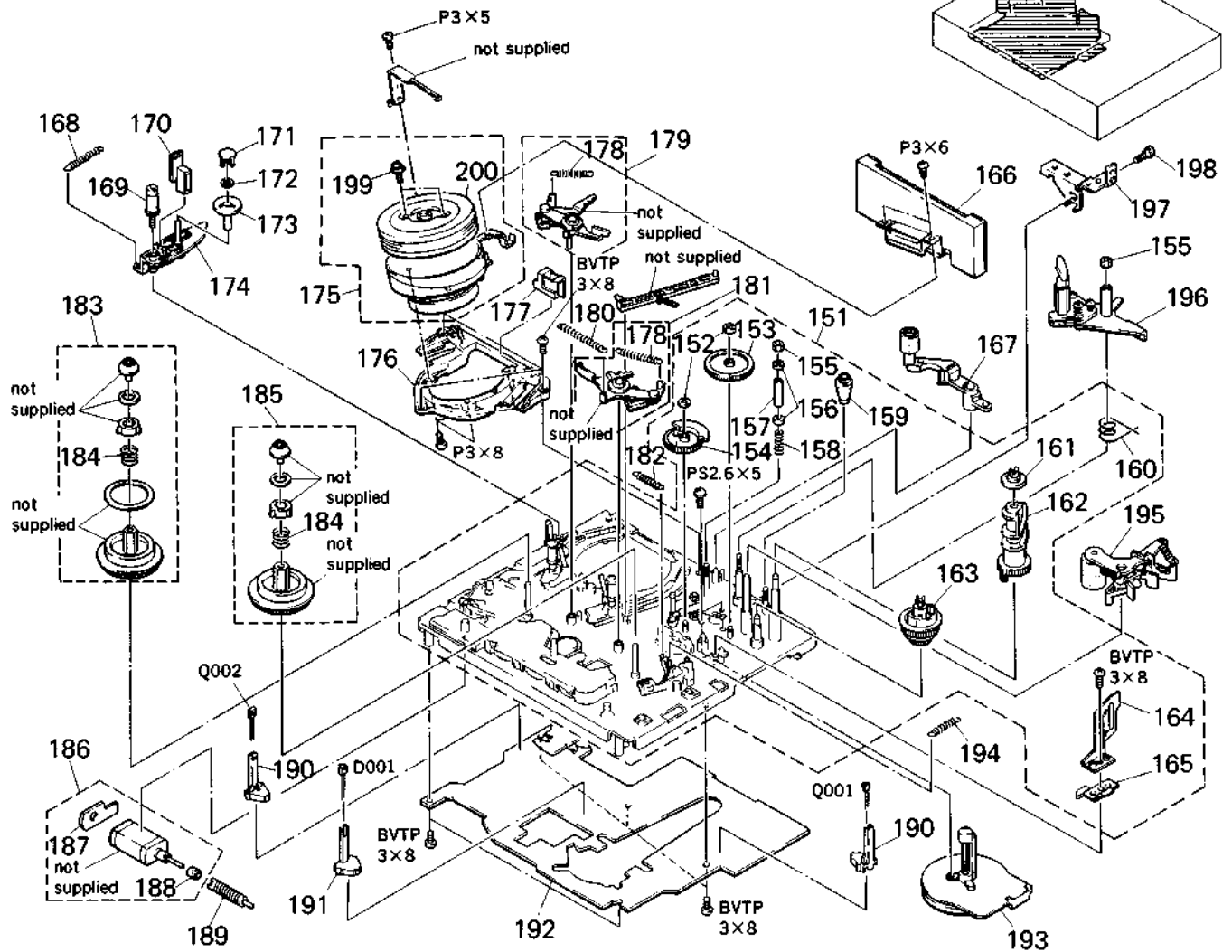
Ref.No	Part No.	Description	Remark
74	3-738-216-01	COVER, VOLUME	
75	* A-6721-334-A	TU-120 BOARD, COMPLETE	
76	1-558-924-41	CABLE, PIN	
77	* 3-743-673-01	HOLDER, P.C BOARD	
78	* 1-634-956-11	VI-91 BOARD	
79	* A-6727-207-A	YC-59 BOARD, COMPLETE	73
80	* 3-743-647-01	HOLDER, YC	
81	* 3-743-675-01	PLATE (LEFT), GROUND, MA	
82	* 3-743-676-01	PLATE (RIGHT), GROUND, MA	
83	* A-6725-803-A	MF-93 BOARD, COMPLETE (SLV-575 UC)	84-88
83	* A-6725-805-A	MF-93 BOARD, COMPLETE (SLV-676 UC)	84-88
84	* 3-743-659-01	HOLDER, LED	
85	1-634-951-11	RM-40 BOARD	
86	* 3-682-419-51	HOLDER, P.C.B	
87	1-519-598-11	INDICATOR TUBE, FLUORESCENT	
88	* 3-743-637-01	HOLDER, FL	
89	* 3-743-677-01	PLATE, GROUND, RF	
90	1-537-290-11	TERMINAL BOARD (SLV-575 UC)	
90	1-537-290-21	TERMINAL BOARD (SLV-676 UC)	
91	▲ 1-466-164-11	MODULATOR, RF (RFU-1015)	
92	3-743-672-11	TERMINAL BOARD, INPUT OUTPUT (SLV-575 UC)	
92	3-743-672-31	TERMINAL BOARD, INPUT OUTPUT (SLV-676 UC)	
93	* 1-635-225-11	SI-10 BOARD (SLV-676 UC)	
94	* 3-682-419-41	HOLDER, P.C.B (SLV-676 UC)	

5-3. FL BLOCK ASSEMBLY



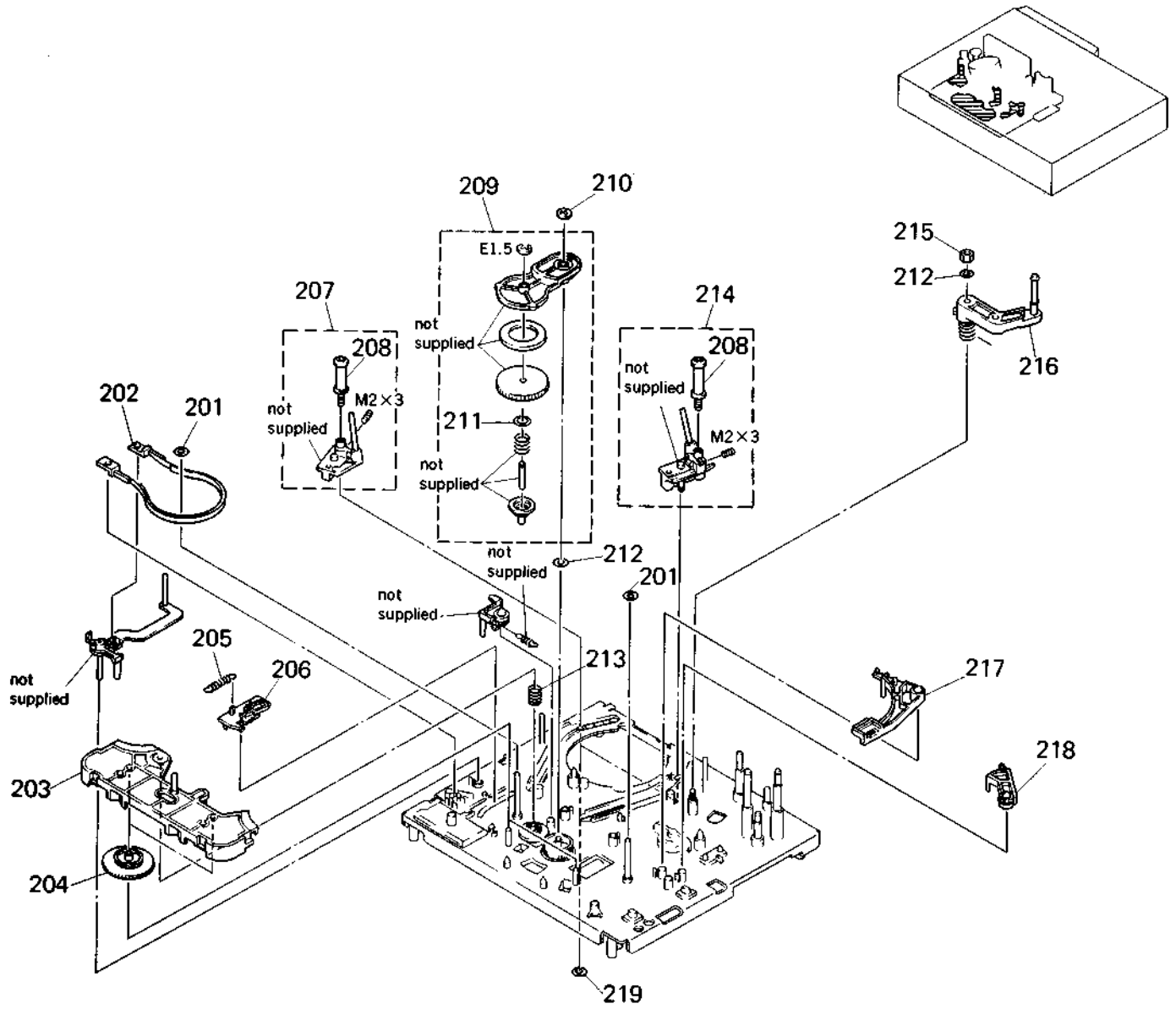
Ref.No	Part No.	Description	Remark	Ref.No	Part No.	Description	Remark
101	A-6751-426-B	FL BLOCK ASSY(F3) (SLV-575 UC)	102-110	106	X-3727-775-2	GEAR (RIGHT)ASSY. MIDWAY (SLV-575 UC)	
101	A-6751-426-C	FL BLOCK ASSY (F3) (SLV-676 UC)		107	3-738-285-01	SPRING, TENSION (SLV-575 UC)	
102	3-736-163-01	LEVER, ERASING PROTECTION (SLV-575 UC)		108	3-736-167-01	ARM, DOOR SWITCHING (SLV-575 UC)	
103	X-3727-784-1	MOTOR ASSY(CM-14) (LOADING)(M904)(SLV-575 UC)		109	3-696-510-01	WASHER(3), STOPPER (SLV-575 UC)	
104	3-736-100-01	GEAR (FL). WORM (SLV-575 UC)		110	3-736-164-01	WHEEL(FL). WORM (SLV-575 UC)	
105	3-716-144-02	RETAINER, WORM (SLV-575 UC)					

5-4. MD BLOCK ASSEMBLY (1)



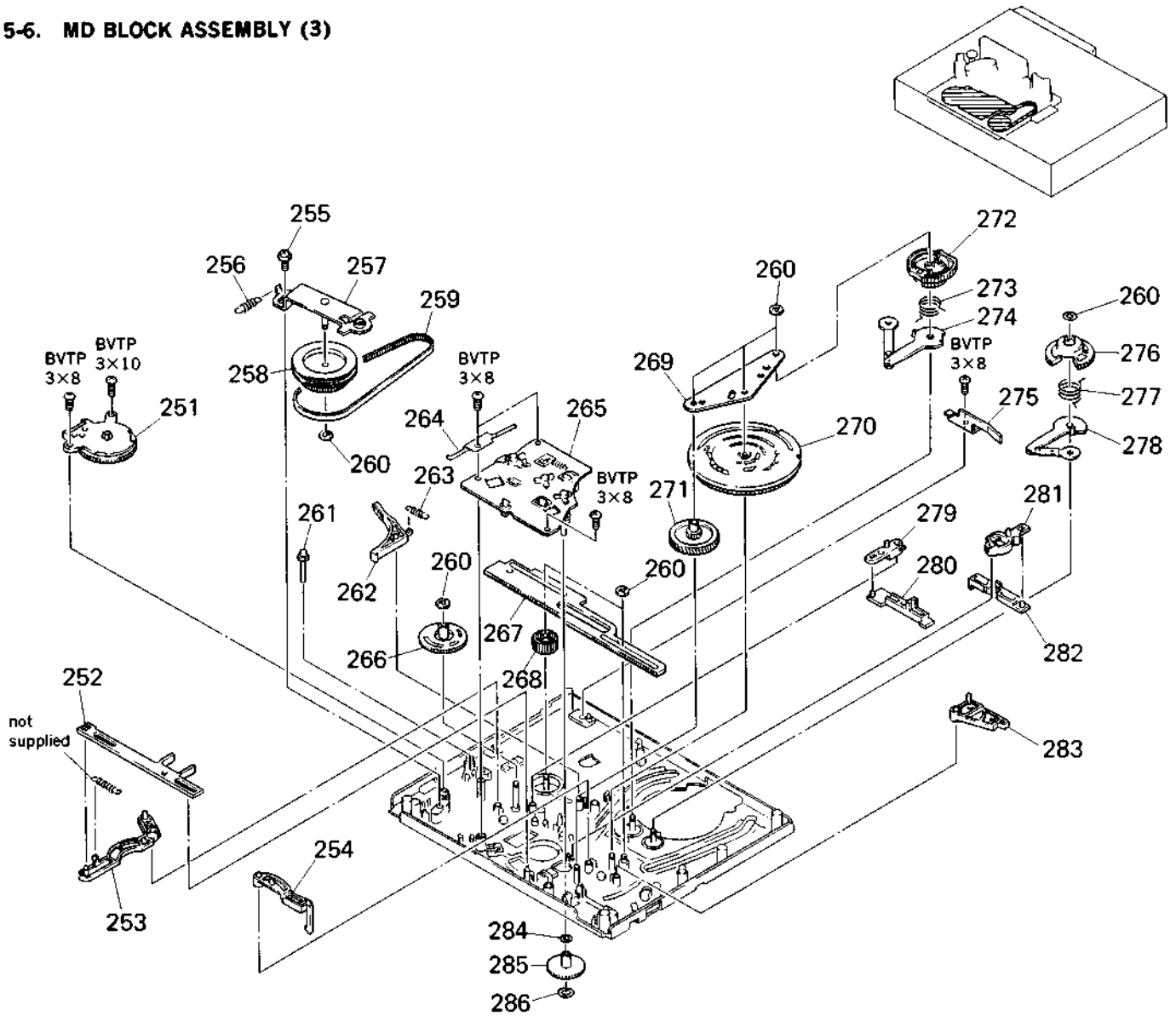
Ref.No	Part No.	Description	Remark	Ref.No	Part No.	Description	Remark
151	* A-6773-084-A	MD BLOCK ASSY	152-165	177	3-736-795-01	STOPPER	
152	3-669-595-00	WASHER (2), STOPPER		178	3-738-220-01	SPRING (MAIN BRAKE 2), TENSION	
153	3-736-116-01	GEAR, COMMUNICATION		179	X-3733-336-2	BRAKE ASSY (2) (AT), S	178
154	3-736-143-01	GEAR, RVS CAM		180	3-738-221-01	SPRING (MAIN BRAKE 1), TENSION	
155	3-736-041-01	NUT (N3), NYLON		181	X-3729-926-1	BRAKE ASSY (2), T	178
156	3-736-733-01	FLANGE, 7 GUIDE		182	3-736-024-01	SPRING, TENSION	
157	3-736-730-01	SLEEVE, 7 GUIDE		183	X-3729-935-3	TABLE ASSY, REEL, SUPPLY	184
158	3-736-729-01	SPRING, COMPRESSION		184	3-739-621-01	SPRING, COMPRESSION	
159	3-738-250-01	SCREW, AC ADJUSTMENT		185	X-3727-798-1	TABLE ASSY, REEL	184
160	3-736-042-01	SPRING, TORSION		186	X-3733-302-1	MOTOR ASSY, CAM (M903)	187,188
161	3-736-111-01	STOPPER		187	* 1-633-460-11	CA-41 BOARD	
162	3-736-136-01	CAM, ELEVATOR		188	3-696-388-01	RUBBER, JOINT	
163	3-736-135-01	GEAR, PRESS CAM		189	3-733-395-01	GEAR (CAM), WORM	
164	3-736-109-01	PLATE, OPEN, LID		190	3-736-149-01	HOLDER, ST SENSOR	
165	3-744-227-01	SPRING (ATOM), FL GROUND		191	* 3-736-144-01	HOLDER, LED	
166	* A-6727-101-A	RP-63 BOARD, COMPLETE (SLV-575 UC)		192	* A-6754-066-A	MD-49 BOARD, COMPLETE	
167	* A-6727-195-A	RP-63 BOARD, COMPLETE (SLV-676 UC)		193	8-835-394-01	MOTOR, DC U-26F (M902)	
168	3-736-745-01	SPRING		194	3-736-025-01	SPRING (REV BRAKE), TENSION	
169	X-3727-788-1	ROLLER ASSY, GUIDE, No.2		195	X-3727-770-1	PINCH ROLLER BLOCK ASSY	
170	1-543-647-11	HEAD, FE		196	A-6761-129-A	HEAD BLOCK ASSY, ACE	
171	3-736-082-01	RETAINER, TS THRUST		197	* 3-738-249-01	PLATE, FIXED, MD	
172	3-741-925-01	RING, RETAINING		198	3-736-055-01	SCREW (3X8), TAPPING	
173	X-3727-771-1	STABILIZER ASSY, TAPE		199	2-643-205-01	SCREW, (PSW) 3X8	
174	X-3727-767-1	BASE ASSY, STABILIZER		200	8-848-528-01	DRUM ASSY, ROTARY UPPER (DZR-11-R) (SLV-676 UC)	
175	8-848-515-11	DRUM ASSY (DZH-11A-R)(SLV-676 UC)	199,200	200	8-848-529-01	DRUM ASSY, ROTARY UPPER (DZR-14-R) (SLV-575 UC)	
176	8-848-518-01	DRUM ASSY (DZH-14A-R) (SLV-575 UC)	199,200				
177	X-3727-791-5	BASE ASSY, DRUM					

5-5. MD BLOCK ASSEMBLY (2)



Ref.No	Part No.	Description	Remark	Ref.No	Part No.	Description	Remark
201	3-738-212-21	RETAINER, THRUST, REEL TABLE		211	3-736-069-01	RETAINER, SPRING	
202	X-3727-797-1	BAND ASSY, TENSION REGULATOR		212	3-701-438-11	WASHER, 25	
203	3-736-172-02	RELEASE, LOCK, REEL		213	3-736-020-11	SPRING, COMPRESSION	
204	X-3727-795-1	GEAR ASSY, RELAY		214	X-3727-787-1	SHUTTLE (RIGHT) ASSY	208
205	3-738-284-01	SPRING, TENSION		215	3-736-740-01	NUT (M2X0.25), NYLON	
206	A-6759-483-A	TAKE-UP BLOCK ASSY (AT), S		216	X-3729-911-1	ARM ASSY, RVS	
207	X-3727-786-1	SHUTTLE (LEFT) ASSY	208	217	X-3733-335-1	BRAKE ASSY (AT), T SOFT	
208	X-3733-301-1	ROLLER ASSY, GUIDE		218	3-736-105-01	ARM, REV BRAKE	
209	X-3727-776-1	ARM ASSY, PENDULUM	211	219	3-736-073-01	SLIDER, POLYETHYLENE	
210	3-669-595-00	WASHER (2), STOPPER					

5-6. MD BLOCK ASSEMBLY (3)



Ref.No	Part No.	Description	Remark	Ref.No	Part No.	Description	Remark
251	1-571-920-11	SWITCH, ROTARY		269	3-733-396-01	HOLDER, CAM GEAR	
252	3-736-158-01	PLATE, SLIDE, PENDULUM		270	3-736-176-03	GEAR, CAM	
253	X-3729-924-1	ARM, PENDULUM FUNCTION		271	3-736-015-01	WHEEL (CAM), WORM	
254	3-736-140-01	ARM, S TAKE-UP		272	3-736-148-01	GEAR (RIGHT), THREADING	
255	3-733-386-01	SCREW (3X8), WASHER		273	3-736-092-01	SPRING (RIGHT), TORSION	
256	3-736-089-01	SPRING, TENSION		274	X-3727-777-1	ARM (RIGHT) ASSY, THREADING	
257	X-3727-761-1	ARM ASSY, ADJUSTMENT		275	3-736-744-01	RETAINER, ROTOR	
258	X-3727-782-1	PULLEY ASSY		276	3-736-147-01	GEAR (LEFT), THREADING	
259	3-736-013-01	BELT, TIMING		277	3-736-040-01	SPRING (LEFT), TORSION	
260	3-669-595-00	WASHER (2), STOPPER		278	X-3727-778-1	ARM (LEFT) ASSY, THREADING	
261	3-736-091-01	PIN, SWITCH		279	3-736-016-01	ARM, LIMITER FUNCTION	
262	X-3733-338-1	BRAKE ASSY (AT), CAP		280	3-736-103-01	PLATE, SLIDE, LIMITER	
263	3-738-237-01	SPRING (CAP BRAKE), TENSION		281	3-733-397-01	ARM, BRAKE FUNCTION	
264	3-741-950-01	SPRING, LEAF, SC GROUND		282	3-733-398-01	PLATE, SLIDE, BRAKE	
265	A-6739-084-A	CHASSIS BLOCK ASSY, SUB		283	3-736-142-01	ARM, TENSION REGULATOR FUNCTION	
266	3-736-170-01	GEAR, RKB CAM		284	3-736-074-01	RETAINER (SMALL), THRUST	
267	3-736-177-01	PLATE, SLIDE, MODE		285	3-736-037-01	GEAR, REW	
268	3-733-394-01	GEAR, RVS RELAY		286	3-736-069-01	RETAINER, SPRING	

SECTION 6 ELECTRICAL PARTS LIST

HF-9

NOTE:

- Due to standardization, replacements in the parts list may be different from the parts specified in the diagrams or the components used on the set.
- Items marked "*" are not stocked since they are seldom required for routine service. Some delay should be anticipated when ordering these items.
- If there are two or more same circuits in a set such as a stereophonic machine, only typical circuit parts may be indicated and capacitors and resistors in other same circuits may be omitted.

CAPACITORS:

MF: μ F, PF: μ P.

RESISTORS

- All resistors are in ohms.
- F: nonflammable

COILS

- MMH: mH, UH: μ H

SEMICONDUCTORS

In each case, U: μ , for example:
 UA...: μ A..., UPA...: μ PA...,
 UPC...: μ PC, UPD...: μ PD...

The components identified by mark Δ or dotted line with mark Δ are critical for safety. Replace only with part number specified.

Les composants identifiés par une marque Δ sont critiques pour la sécurité. Ne les remplacer que par une pièce portant le numéro spécifié.

When indicating parts by reference number, please include the board name.

Ref.No	Part No.	Description	Remark	Ref.No	Part No.	Description	Remark
*A-6713-379-A	HF-9 BOARD, COMPLETE (Ref. No. 4000 Series)	*****		C058	1-130-471-00	MYLAR	0.001MF 5% 50V
3-738-216-01	COVER, VOLUME (RV002.008)			C059	1-124-791-11	ELECT	1MF 20% 50V
3-729-971-01	COVER, VOLUME (RV003.004,007,009)			C060	1-164-232-11	CERAMIC CHIP	0.01MF 10% 50V
CAPACITOR				C061	1-126-101-11	ELECT	100MF 20% 16V
C001	1-124-239-00	ELECT	6.8MF 20% 16V	C065	1-163-038-00	CERAMIC CHIP	0.1MF 25V
C002	1-130-487-00	MYLAR	0.022MF 5% 50V	CONNECTOR			
C003	1-123-369-00	ELECT	4.7MF 20% 25V	CN001	*1-563-258-11	SOCKET, CONNECTOR 15P	
C004	1-130-475-00	MYLAR	0.0022MF 5% 50V	CN002	*1-563-258-11	SOCKET, CONNECTOR 15P	
C005	1-124-120-11	ELECT	220MF 20% 16V	DIODE			
C006	1-123-875-11	ELECT	10MF 20% 50V	D001	8-719-911-19	DIODE 1SS119	
C007	1-130-483-00	MYLAR	0.01MF 5% 50V	D002	8-719-911-19	DIODE 1SS119	
C009	1-124-925-11	ELECT	2.2MF 20% 50V	D003	8-719-104-34	DIODE 1S2836	
C011	1-123-875-11	ELECT	10MF 20% 50V	FILTER			
C012	1-123-875-11	ELECT	10MF 20% 50V	FL001	1-236-204-11	BPF (1.7MHZ)	
C013	1-126-101-11	ELECT	100MF 20% 16V	FL002	1-236-203-11	BPF (1.3MHZ)	
C014	1-123-875-11	ELECT	10MF 20% 50V	IC			
C015	1-126-157-11	ELECT	10MF 20% 16V	IC001	8-759-420-18	IC AN3972FC	
C016	1-124-791-11	ELECT	1MF 20% 50V	IC002	8-759-420-15	IC AN3932S	
C017	1-124-925-11	ELECT	2.2MF 20% 50V	IC003	8-759-982-21	IC RC78L05A	
C018	1-126-101-11	ELECT	100MF 20% 16V	IC004	8-759-924-46	IC BA4560F	
C019	1-123-875-11	ELECT	10MF 20% 50V	IC005	8-759-946-44	IC TK15120M	
C020	1-123-875-11	ELECT	10MF 20% 50V	IC006	8-759-946-44	IC TK15120M	
C022	1-124-925-11	ELECT	2.2MF 20% 50V	RESISTOR			
C024	1-130-483-00	MYLAR	0.01MF 5% 50V	R001	1-249-417-11	METAL	1K 5% 1/4W
C025	1-123-875-11	ELECT	10MF 20% 50V	R002	1-216-075-00	METAL GLAZE	12K 5% 1/10W
C026	1-124-120-11	ELECT	220MF 20% 16V	R003	1-216-049-00	METAL GLAZE	1K 5% 1/10W
C027	1-130-475-00	MYLAR	0.0022MF 5% 50V	R004	1-214-723-00	CARBON	560 5% 1/4W
C028	1-123-369-00	ELECT	4.7MF 20% 25V	R005	1-216-047-00	METAL GLAZE	820 5% 1/10W
C029	1-130-487-00	MYLAR	0.022MF 5% 50V	R006	1-216-113-00	METAL GLAZE	470K 5% 1/10W
C030	1-124-239-00	ELECT	6.8MF 20% 16V	R007	1-216-097-00	METAL GLAZE	100K 5% 1/10W
C031	1-126-094-11	ELECT	4.7MF 20% 25V	R008	1-216-069-00	METAL GLAZE	6.8K 5% 1/10W
C032	1-124-791-11	ELECT	1MF 20% 50V	R009	1-216-295-00	METAL GLAZE	0 5% 1/10W
C033	1-124-791-11	ELECT	1MF 20% 50V	R011	1-216-097-00	METAL GLAZE	100K 5% 1/10W
C034	1-130-471-00	MYLAR	0.001MF 5% 50V	R012	1-216-097-00	METAL GLAZE	100K 5% 1/10W
C035	1-164-232-11	CERAMIC CHIP	0.01MF 10% 50V	R013	1-216-097-00	METAL GLAZE	100K 5% 1/10W
C036	1-124-927-11	ELECT	4.7MF 20% 50V	R014	1-216-047-00	METAL GLAZE	820 5% 1/10W
C037	1-124-927-11	ELECT	4.7MF 20% 50V	R015	1-214-723-00	CARBON	560 5% 1/4W
C038	1-164-232-11	CERAMIC CHIP	0.01MF 10% 50V	R016	1-216-075-00	METAL GLAZE	12K 5% 1/10W
C041	1-164-232-11	CERAMIC CHIP	0.01MF 10% 50V	R017	1-216-049-00	METAL GLAZE	1K 5% 1/10W
C042	1-163-038-00	CERAMIC CHIP	0.1MF 25V	R018	1-249-417-11	METAL	1K 5% 1/4W
C043	1-164-232-11	CERAMIC CHIP	0.01MF 10% 50V	R019	1-216-043-00	METAL GLAZE	560 5% 1/10W
C044	1-164-232-11	CERAMIC CHIP	0.01MF 10% 50V	R020	1-216-073-00	METAL GLAZE	10K 5% 1/10W
C045	1-130-493-00	MYLAR	0.068MF 5% 50V	R021	1-216-051-00	METAL GLAZE	1.2K 5% 1/10W
C050	1-163-125-00	CERAMIC CHIP	220PF 5% 50V	R022	1-216-093-00	METAL GLAZE	68K 5% 1/10W
C051	1-130-483-00	MYLAR	0.01MF 5% 50V	R023	1-216-051-00	METAL GLAZE	1.2K 5% 1/10W
C052	1-164-232-11	CERAMIC CHIP	0.01MF 10% 50V	R024	1-216-051-00	METAL GLAZE	1.2K 5% 1/10W
C053	1-123-333-00	ELECT	100MF 20% 16V	R025	1-216-061-00	METAL GLAZE	3.3K 5% 1/10W
C054	1-164-232-11	CERAMIC CHIP	0.01MF 10% 50V	R026	1-216-083-00	METAL GLAZE	27K 5% 1/10W
C055	1-124-927-11	ELECT	4.7MF 20% 50V	R027	1-216-051-00	METAL GLAZE	1.2K 5% 1/10W
C056	1-124-927-11	ELECT	4.7MF 20% 50V				
C057	1-164-232-11	CERAMIC CHIP	0.01MF 10% 50V				

HF-9**MA-62**

Ref.No	Part No.	Description	Remark
R028	1-216-077-00	METAL GLAZE	15K 5% 1/10W
R029	1-216-059-00	METAL GLAZE	2.7K 5% 1/10W
R032	1-216-073-00	METAL GLAZE	10K 5% 1/10W
R033	1-216-049-00	METAL GLAZE	1K 5% 1/10W
R034	1-216-061-00	METAL GLAZE	3.3K 5% 1/10W
R035	1-249-427-11	METAL	6.8K 5% 1/4W
R036	1-249-427-11	METAL	6.8K 5% 1/4W
R037	1-216-085-00	METAL GLAZE	33K 5% 1/10W
R041	1-216-097-00	METAL GLAZE	100K 5% 1/10W
R042	1-249-428-11	METAL	8.2K 5% 1/4W
R043	1-249-428-11	METAL	8.2K 5% 1/4W
R044	1-249-430-11	METAL	12K 5% 1/4W
R045	1-249-430-11	METAL	12K 5% 1/4W
R048	1-249-441-11	METAL	100K 5% 1/4W
R049	1-249-441-11	METAL	100K 5% 1/4W
R049	1-249-441-11	CARBON	100K 5% 1/4W
R068	1-216-097-00	METAL GLAZE	100K 5% 1/10W
R201	1-216-295-00	METAL GLAZE	0 5% 1/10W
R202	1-216-295-00	METAL GLAZE	0 5% 1/10W
R203	1-216-295-00	METAL GLAZE	0 5% 1/10W
R301	1-216-296-00	METAL GLAZE	0 5% 1/8W
R302	1-216-296-00	METAL GLAZE	0 5% 1/8W
R303	1-216-296-00	METAL GLAZE	0 5% 1/8W

VARIABLE RESISTOR

RV002	1-230-522-11	RES, ADJ, METAL GLAZE	4.7K
RV003	1-238-167-11	RES, ADJ, CARBON	22K
RV004	1-238-167-11	RES, ADJ, CARBON	22K
RV005	1-230-498-11	RES, ADJ, CARBON	47K
RV006	1-230-498-11	RES, ADJ, CARBON	47K
RV007	1-238-167-11	RES, ADJ, CARBON	22K
RV008	1-230-522-11	RES, ADJ, METAL GLAZE	4.7K
RV009	1-238-167-11	RES, ADJ, CARBON	22K

* A-6717-573-A MA-62 BOARD, COMPLETE (SLV-575 UC)
 ***** (Ref. No. 3000 Series)

* A-6717-574-A MA-62 BOARD, COMPLETE (SLV-676 UC)
 ***** (Ref. No. 3000 Series)

(including the SI-10 BOARD)

* 3-743-679-01 CASE, SHIELD, AU

CAPACITOR

C101	1-123-875-11	ELECT	10MF 20% 50V
C102	1-123-875-11	ELECT	10MF 20% 50V
C103	1-123-875-11	ELECT	10MF 20% 50V
C104	1-123-875-11	ELECT	10MF 20% 50V
C231	1-124-477-11	ELECT	47MF 20% 16V
C232	1-124-471-00	ELECT	1000MF 20% 6.3V
C233	1-124-477-11	ELECT	47MF 20% 16V
C234	1-124-443-00	ELECT	100MF 20% 10V
C235	1-124-471-00	ELECT	1000MF 20% 6.3V
C250	1-109-675-11	MICA	120PF 5% 500V
C251	1-124-446-11	ELECT	47MF 20% 10V
C252	1-164-083-11	CERAMIC	680PF 10% 50V
C254	1-102-123-00	CERAMIC	0.0033MF 10% 50V
C255	1-126-233-11	ELECT	22MF 20% 25V
C256	1-131-344-00	ELECT(SOLID)	0.33MF 10% 25V
C257	1-124-446-11	ELECT	47MF 20% 10V
C258	1-130-483-00	MYLAR	0.01MF 5% 50V
C259	1-124-791-11	ELECT	1MF 20% 50V
C261	1-126-233-11	ELECT	22MF 20% 25V
C264	1-102-978-00	CERAMIC	220PF 5% 50V

Ref.No	Part No.	Description	Remark
C265	1-124-791-11	ELECT	1MF 20% 50V
C266	1-124-446-11	ELECT	47MF 20% 10V
C267	1-124-446-11	ELECT	47MF 20% 10V
C268	1-124-791-11	ELECT	1MF 20% 50V
C269	1-124-791-11	ELECT	1MF 20% 50V
C270	1-124-791-11	ELECT	1MF 20% 50V
C271	1-161-053-00	CERAMIC	0.015MF 10% 25V
C273	1-161-020-11	CERAMIC	0.039MF 10% 16V
C274	1-124-927-11	ELECT	4.7MF 20% 50V
C275	1-124-446-11	ELECT	47MF 20% 10V
C276	1-164-087-11	CERAMIC	0.0015MF 10% 50V
C277	1-161-051-00	CERAMIC	0.01MF 10% 25V
C278	1-136-561-11	FILM	0.0068MF 10% 400V
C280	1-130-483-00	MYLAR	0.01MF 5% 50V
C281	1-161-056-00	CERAMIC	0.027MF 10% 25V (SLV-676 UC)
C282	1-124-446-11	ELECT	47MF 20% 10V (SLV-676 UC)
C283	1-137-075-	FILM	0.068MF 5% 100V (SLV-676 UC)
C284	1-164-087-11	CERAMIC	0.0015MF 10% 50V (SLV-676 UC)
C285	1-102-114-00	CERAMIC	470PF 10% 50V
C401	1-123-875-11	ELECT	10MF 20% 50V
C402	1-124-791-11	ELECT	1MF 20% 50V
C403	1-123-875-11	ELECT	10MF 20% 50V
C404	1-161-043-00	CERAMIC	0.0022MF 20% 16V
C405	1-124-499-11	ELECT	1MF 20% 50V
C406	1-124-446-11	ELECT	47MF 20% 10V
C407	1-164-070-11	CERAMIC	100PF 5% 50V
C408	1-164-096-11	CERAMIC	0.01MF 50V
C409	1-164-093-11	CERAMIC	0.0047MF 10% 25V
C410	1-164-096-11	CERAMIC	0.01MF 50V
C411	1-124-446-11	ELECT	47MF 20% 10V
C413	1-130-483-00	MYLAR	0.01MF 5% 50V
C414	1-102-121-00	CERAMIC	0.0022MF 10% 50V
C415	1-102-947-00	CERAMIC	10PF 0.5PF 50V
C416	1-162-847-11	CERAMIC	0.047MF 20% 16V
C422	1-124-446-11	ELECT	47MF 20% 10V
C423	1-126-233-11	ELECT	22MF 20% 25V
C425	1-130-487-00	MYLAR	0.022MF 5% 50V
C426	1-124-925-11	ELECT	2.2MF 20% 50V
C427	1-130-489-00	MYLAR	0.033MF 5% 50V
C428	1-130-491-00	MYLAR	0.047MF 5% 50V
C431	1-162-290-31	CERAMIC	470PF 10% 50V
C483	1-131-344-00	ELECT(SOLID)	0.33MF 10% 25V
C501	1-164-096-11	CERAMIC	0.01MF 50V
C504	1-123-875-11	ELECT	10MF 20% 50V
C505	1-124-477-11	ELECT	47MF 20% 16V
C506	1-123-875-11	ELECT	10MF 20% 50V
C507	1-101-006-00	CERAMIC	0.047MF 50V
C508	1-124-478-11	ELECT	100MF 20% 25V
C509	1-102-953-00	CERAMIC	18PF 5% 50V
C510	1-102-953-00	CERAMIC	18PF 5% 50V
C515	1-164-096-11	CERAMIC	0.01MF 50V
C519	1-164-096-11	CERAMIC	0.01MF 50V
C520	1-102-963-00	CERAMIC	33PF 10% 50V
C522	1-164-068-11	CERAMIC	82PF 5% 50V
C523	1-164-096-11	CERAMIC	0.01MF 50V
C524	1-124-463-00	ELECT	0.1MF 20% 50V
C525	1-102-114-00	CERAMIC	470PF 10% 50V
C531	1-124-925-11	ELECT	2.2MF 20% 50V
C538	1-124-478-11	ELECT	100MF 20% 25V
C539	1-102-978-00	CERAMIC	220PF 5% 50V
C541	1-161-379-00	CERAMIC	0.01MF 30% 25V

When indicating parts by reference number, please include the board name.

Ref.No	Part No.	Description	Remark
C542	1-124-477-11	ELECT	47MF 20% 25V
C802	1-123-875-11	ELECT	10MF 20% 50V
C809	1-123-875-11	ELECT	10MF 20% 50V
C811	1-123-875-11	ELECT	10MF 20% 50V
C818	1-162-839-11	CERAMIC	0.01MF 10% 16V
C820	1-162-835-11	CERAMIC	0.0047MF 10% 16V
C821	1-164-085-11	CERAMIC	0.001MF 10% 50V
C822	1-124-925-11	ELECT	2.2MF 20% 50V
C838	1-123-875-11	ELECT	10MF 20% 50V
C840	1-123-875-11	ELECT	10MF 20% 50V
C841	1-123-875-11	ELECT	10MF 20% 50V
C842	1-123-875-11	ELECT	10MF 20% 50V
C844	1-164-096-11	CERAMIC	0.01MF 50V

CONNECTOR

CN004	1-563-596-11	CONNECTOR, FLEXIBLE 19P
CN007	1-563-596-11	CONNECTOR, FLEXIBLE 19P
CN511	1-568-093-11	CONNECTOR (PLUG) 20P
CN512	1-568-094-11	CONNECTOR (PLUG) 22P
CN513	1-506-468-11	PIN, CONNECTOR 3P
CN514	1-506-469-11	PIN, CONNECTOR 4P
CN516	*1-568-783-11	PIN, CONNECTOR 6P
CN517	1-506-468-11	PIN, CONNECTOR 3P
CN531	1-506-472-11	PIN, CONNECTOR 7P
CN532	*1-568-783-11	PIN, CONNECTOR 6P
CN541	*1-568-790-11	PIN, CONNECTOR 13P
CN542	*1-568-787-11	PIN, CONNECTOR 10P
CN551	*1-568-088-11	CONNECTOR (PLUG) 10P
CN552	1-568-089-11	CONNECTOR (PLUG) 12P
CN553	1-506-470-11	PIN, CONNECTOR 5P
CN561	1-569-695-21	CONNECTOR, BOARD TO BOARD 17P
CN562	1-569-677-21	CONNECTOR, BOARD TO BOARD 7P
CN571	*1-506-744-11	PIN, CONNECTOR 15P
CN572	*1-506-744-11	PIN, CONNECTOR 15P
CN573	*1-560-892-00	PIN, CONNECTOR 4P
CN574	*1-560-891-00	PIN, CONNECTOR 3P
CN582	1-563-599-11	CONNECTOR, FLEXIBLE 22P
CN585	1-568-087-11	CONNECTOR (PLUG) 8P
CN586	1-568-087-11	CONNECTOR (PLUG) 8P
CN587	1-506-468-11	PIN, CONNECTOR 3P

DIODE

D401	8-719-911-19	DIODE 1SS119
D402	8-719-911-19	DIODE 1SS119
D403	8-719-911-19	DIODE 1SS119
D404	8-719-911-19	DIODE 1SS119
D409	8-719-101-50	DIODE RD5.1EL2
D410	8-719-911-19	DIODE 1SS119
D501	8-719-913-44	DIODE ERA82-004
D502	8-719-911-19	DIODE 1SS119
D505	8-719-911-19	DIODE 1SS119
D508	8-719-101-47	DIODE RD4.7EL2
D516	8-719-911-19	DIODE 1SS119
D517	8-719-911-19	DIODE 1SS119
D518	8-719-200-82	DIODE 11ES2
D703	8-719-911-19	DIODE 1SS119
D704	8-719-911-19	DIODE 1SS119
D803	8-719-911-19	DIODE 1SS119
D804	8-719-911-19	DIODE 1SS119
D807	8-719-911-19	DIODE 1SS119

IC

IC251	8-759-805-20	IC LA7297
IC401	8-759-000-49	IC MC14066BCP
IC402	8-759-632-58	IC MS2435P
IC403	8-759-008-70	IC LM358N

When indicating parts by reference number, please include the board name.

Ref.No	Part No.	Description	Remark
IC404	8-759-981-85	IC RC4556D	
IC406	8-759-938-12	IC BA10324	
IC501	8-752-814-57	IC CXP80624-005Q	
IC502	8-759-983-45	IC BA6238A	
IC503	8-759-035-36	IC MC68HC05P7	
IC801	8-759-208-08	IC TC4052BPHB	
IC802	8-759-923-90	IC BA4560	
IC803	8-759-208-08	IC TC4052BPHB	
IC809	8-759-822-71	IC LA7954	

COIL

L201	1-408-409-00	INDUCTOR	10UH
L202	1-408-409-00	INDUCTOR	10UH
L251	1-410-087-31	INDUCTOR	10MMH
L252	1-410-091-31	INDUCTOR	22MMH
L253	1-410-687-11	INDUCTOR	1.2MMH
L254	1-408-426-00	INDUCTOR	270UH (SLV-676 UC)
L501	1-408-413-00	INDUCTOR	22UH
L502	1-408-413-00	INDUCTOR	22UH

IC LINK

PS202	1-532-605-00	LINK, IC (ICP-N10) 0.4A (SLV-676 UC)
-------	--------------	--------------------------------------

TRANSISTOR

Q101	8-729-920-70	TRANSISTOR	2SC1740S-QR
Q102	8-729-920-70	TRANSISTOR	2SC1740S-QR
Q203	8-729-920-68	TRANSISTOR	2SA933S-QR
Q204	8-729-920-68	TRANSISTOR	2SA933S-QR
Q251	8-729-102-03	TRANSISTOR	2SD1020
Q253	8-729-119-76	TRANSISTOR	2SA11175-HFE (SLV-676 UC)
Q254	8-729-140-96	TRANSISTOR	2SD774-34 (SLV-676 UC)
Q401	8-729-920-70	TRANSISTOR	2SC1740S-QR
Q403	8-729-115-10	TRANSISTOR	2SK105A-10
Q404	8-729-920-70	TRANSISTOR	2SC1740S-QR
Q405	8-729-900-89	TRANSISTOR	DTC144ES
Q410	8-729-900-65	TRANSISTOR	DTA144ES
Q412	8-729-900-89	TRANSISTOR	DTC144ES
Q423	8-729-920-70	TRANSISTOR	2SC1740S-QR
Q428	8-729-920-68	TRANSISTOR	2SA933S-QR
Q430	8-729-900-89	TRANSISTOR	DTC144ES
Q431	8-729-920-70	TRANSISTOR	2SC1740S-QR
Q434	8-729-600-19	TRANSISTOR	2SK381-A
Q435	8-729-600-19	TRANSISTOR	2SK381-A
Q501	8-729-900-61	TRANSISTOR	DTA114ES
Q502	8-729-900-61	TRANSISTOR	DTA114ES
Q503	8-729-920-70	TRANSISTOR	2SC1740S-QR
Q504	8-729-920-70	TRANSISTOR	2SC1740S-QR
Q505	8-729-920-70	TRANSISTOR	2SC1740S-QR
Q506	8-729-920-70	TRANSISTOR	2SC1740S-QR
Q507	8-729-900-61	TRANSISTOR	DTA114ES
Q508	8-729-920-70	TRANSISTOR	2SC1740S-QR
Q514	8-729-920-70	TRANSISTOR	2SC1740S-QR (SLV-676 UC)
Q515	8-729-920-68	TRANSISTOR	2SA933S-QR (SLV-676 UC)
Q516	8-729-900-80	TRANSISTOR	DTC114ES (SLV-676 UC)
Q517	8-729-920-70	TRANSISTOR	2SC1740S-QR (SLV-676 UC)
Q518	8-729-900-89	TRANSISTOR	DTC144ES (SLV-676 UC)
Q519	8-729-900-65	TRANSISTOR	DTA144ES (SLV-676 UC)
Q701	8-729-920-70	TRANSISTOR	2SC1740S-QR
Q803	8-729-920-68	TRANSISTOR	2SA933S-QR
Q804	8-729-920-70	TRANSISTOR	2SC1740S-QR
Q805	8-729-920-70	TRANSISTOR	2SC1740S-QR
Q807	8-729-920-70	TRANSISTOR	2SC1740S-QR

RESISTOR

R101	1-249-441-11	CARBON	100K	5%	1/4W
------	--------------	--------	------	----	------

Note:
The components identified by mark Δ or dotted line with mark Δ are critical for safety. Replace only with part number specified.

Note:
Les composants identifiés par une marque Δ sont critiques pour la sécurité. Ne les remplacer que par une pièce portant le numéro spécifié.

MA-62

Ref.No	Part No.	Description	Remark	Ref.No	Part No.	Description	Remark
R102	1-249-441-11	CARBON	100K 5% 1/4W	R425	1-249-437-11	CARBON	47K 5% 1/4W
R103	1-249-417-11	CARBON	1K 5% 1/4W	R426	1-249-433-11	CARBON	22K 5% 1/4W
R106	1-249-441-11	CARBON	100K 5% 1/4W	R427	1-249-436-11	CARBON	39K 5% 1/4W
R107	1-249-441-11	CARBON	100K 5% 1/4W	R428	1-249-429-11	CARBON	10K 5% 1/4W
R108	1-249-417-11	CARBON	1K 5% 1/4W	R429	1-249-429-11	CARBON	10K 5% 1/4W
R136	1-249-413-11	CARBON	470 5% 1/4W	R430	1-249-430-11	CARBON	12K 5% 1/4W
R137	1-249-413-11	CARBON	470 5% 1/4W	R431	1-249-431-11	CARBON	15K 5% 1/4W
R138	△1-249-385-11	CARBON	2.2 5% 1/4W	R432	1-249-429-11	CARBON	10K 5% 1/4W
R210	1-249-405-11	CARBON	100 5% 1/4W	R433	1-249-433-11	CARBON	22K 5% 1/4W
R211	1-249-405-11	CARBON	100 5% 1/4W	R434	1-249-433-11	CARBON	22K 5% 1/4W
R212	1-249-424-11	CARBON	3.9K 5% 1/4W	R435	1-249-437-11	CARBON	47K 5% 1/4W
R222	1-249-410-11	CARBON	270 5% 1/4W	R436	1-249-433-11	CARBON	22K 5% 1/4W
R224	1-249-406-11	CARBON	120 5% 1/4W	R437	1-249-437-11	CARBON	47K 5% 1/4W
R225	1-249-406-11	CARBON	120 5% 1/4W	R441	1-247-895-00	CARBON	470K 5% 1/4W
R227	1-247-804-11	CARBON	75 5% 1/4W	R442	1-249-429-11	CARBON	10K 5% 1/4W
R232	1-247-804-11	CARBON	75 5% 1/4W	R443	1-249-441-11	CARBON	100K 5% 1/4W
R251	1-249-430-11	CARBON	12K 5% 1/4W	R444	1-249-441-11	CARBON	100K 5% 1/4W
R252	1-249-393-11	CARBON	10 5% 1/4W	R448	1-249-417-11	CARBON	1K 5% 1/4W
R253	1-249-412-11	CARBON	390 5% 1/4W	R449	1-247-885-00	CARBON	180K 5% 1/4W
R254	1-249-411-11	CARBON	330 5% 1/4W	R450	1-249-417-11	CARBON	1K 5% 1/4W
R255	1-247-883-00	CARBON	150K 5% 1/4W	R452	1-249-425-11	CARBON	4.7K 5% 1/4W
R256	1-247-854-11	CARBON	9.1K 5% 1/4W	R453	1-249-429-11	CARBON	10K 5% 1/4W
R257	1-247-872-11	CARBON	51K 5% 1/4W	R454	1-249-415-11	CARBON	680 5% 1/4W
R258	1-249-434-11	CARBON	27K 5% 1/4W	R463	1-249-423-11	CARBON	3.3K 5% 1/4W
R259	1-249-420-11	CARBON	1.8K 5% 1/4W	R465	1-249-423-11	CARBON	3.3K 5% 1/4W
R260	1-247-903-00	CARBON	1M 5% 1/4W	R466	1-247-885-00	CARBON	180K 5% 1/4W
R262	1-249-438-11	CARBON	56K 5% 1/4W	R467	1-249-429-11	CARBON	10K 5% 1/4W
R263	1-249-432-11	CARBON	18K 5% 1/4W	R468	1-249-429-11	CARBON	10K 5% 1/4W
R264	1-249-427-11	CARBON	6.8K 5% 1/4W	R470	1-249-415-11	CARBON	680 5% 1/4W
R265	1-249-429-11	CARBON	10K 5% 1/4W	R488	1-249-417-11	CARBON	1K 5% 1/4W
R266	1-249-429-11	CARBON	10K 5% 1/4W	R490	1-249-429-11	CARBON	10K 5% 1/4W
R267	1-249-429-11	CARBON	10K 5% 1/4W	R491	1-249-419-11	CARBON	1.5K 5% 1/4W
R268	1-249-429-11	CARBON	10K 5% 1/4W	R496	1-249-435-11	CARBON	33K 5% 1/4W
R269	1-249-411-11	CARBON	330 5% 1/4W	R497	1-249-429-11	CARBON	10K 5% 1/4W
R270	1-249-422-11	CARBON	2.7K 5% 1/4W	R502	△1-249-385-11	CARBON	2.2 5% 1/4W
R272	1-249-411-11	CARBON	330 5% 1/4W	R505	1-249-429-11	CARBON	10K 5% 1/4W
R273	1-249-428-11	CARBON	8.2K 5% 1/4W	R506	1-249-429-11	CARBON	10K 5% 1/4W
R274	1-249-434-11	CARBON	27K 5% 1/4W	R509	1-249-417-11	CARBON	1K 5% 1/4W
R275	△1-249-387-11	CARBON	3.3 5% 1/4W	R510	1-249-417-11	CARBON	1K 5% 1/4W
R277	1-249-429-11	CARBON	10K 5% 1/4W	R511	1-249-417-11	CARBON	1K 5% 1/4W
			(SLV-676 UC)	R512	1-249-429-11	CARBON	10K 5% 1/4W
R278	1-249-425-11	CARBON	4.7K 5% 1/4W	R513	△1-247-705-11	CARBON	270 5% 1/4W
			(SLV-676 UC)	R514	1-249-417-11	CARBON	1K 5% 1/4W
R282	1-249-429-11	CARBON	10K 5% 1/4W	R515	1-249-417-11	CARBON	1K 5% 1/4W
			(SLV-676 UC)	R516	1-249-429-11	CARBON	10K 5% 1/4W
R283	△1-249-387-11	CARBON	3.3 5% 1/4W	R517	1-249-437-11	CARBON	47K 5% 1/4W
			(SLV-676 UC)	R518	1-249-425-11	CARBON	4.7K 5% 1/4W
R299	1-249-437-11	CARBON	47K 5% 1/4W	R519	1-249-425-11	CARBON	4.7K 5% 1/4W
R401	1-249-429-11	CARBON	10K 5% 1/4W	R524	1-249-429-11	CARBON	10K 5% 1/4W
R403	1-249-433-11	CARBON	22K 5% 1/4W	R526	1-249-437-11	CARBON	47K 5% 1/4W
R404	1-249-433-11	CARBON	22K 5% 1/4W	R527	1-249-431-11	CARBON	15K 5% 1/4W
R405	1-249-433-11	CARBON	22K 5% 1/4W	R528	1-249-419-11	CARBON	1.5K 5% 1/4W
R406	1-249-433-11	CARBON	22K 5% 1/4W	R529	1-249-418-11	CARBON	1.2K 5% 1/4W
R408	1-249-429-11	CARBON	10K 5% 1/4W	R530	1-249-417-11	CARBON	1K 5% 1/4W
R411	1-249-429-11	CARBON	10K 5% 1/4W	R531	1-249-417-11	CARBON	1K 5% 1/4W
R412	1-249-427-11	CARBON	6.8K 5% 1/4W	R532	1-249-421-11	CARBON	2.2K 5% 1/4W
R413	1-249-441-11	CARBON	100K 5% 1/4W	R533	1-247-897-11	CARBON	560K 5% 1/4W
R414	1-247-887-00	CARBON	220K 5% 1/4W	R534	1-249-428-11	CARBON	8.2K 5% 1/4W
R415	1-249-405-11	CARBON	100 5% 1/4W	R535	1-249-410-11	CARBON	270 5% 1/4W
R416	1-247-885-00	CARBON	180K 5% 1/4W	R536	1-249-421-11	CARBON	2.2K 5% 1/4W
R417	1-249-429-11	CARBON	10K 5% 1/4W	R537	1-249-437-11	CARBON	47K 5% 1/4W
R418	1-247-889-00	CARBON	270K 5% 1/4W	R538	1-249-427-11	CARBON	6.8K 5% 1/4W
R419	1-249-437-11	CARBON	47K 5% 1/4W	R539	1-249-417-11	CARBON	1K 5% 1/4W
R420	1-249-413-11	CARBON	470 5% 1/4W	R540	1-249-435-11	CARBON	33K 5% 1/4W
R421	1-249-433-11	CARBON	22K 5% 1/4W	R541	1-249-429-11	CARBON	10K 5% 1/4W
R424	1-249-433-11	CARBON	22K 5% 1/4W				

When indicating parts by reference number, please include the board name.

Note:
The components identified by mark **△** or dotted line with mark **△** are critical for safety. Replace only with part number specified.

Note:
Les composants identifiés par une marque **△** sont critiques pour la sécurité. Ne les remplacer que par une pièce portant le numéro spécifié.

Ref.No	Part No.	Description	Remark
R542	1-249-432-11	CARBON	18K 5% 1/4W
R543	1-249-401-11	CARBON	47 5% 1/4W
R548	1-249-431-11	CARBON	15K 5% 1/4W
R552	1-249-429-11	CARBON	10K 5% 1/4W
(SLV-676 UC)			
R553	1-249-417-11	CARBON	1K 5% 1/4W
(SLV-676 UC)			
R555	1-249-441-11	CARBON	100K 5% 1/4W
(SLV-676 UC)			
R556	1-249-437-11	CARBON	47K 5% 1/4W
R557	1-249-437-11	CARBON	47K 5% 1/4W
R558	1-249-437-11	CARBON	47K 5% 1/4W
R561	1-249-437-11	CARBON	47K 5% 1/4W
R562	1-249-437-11	CARBON	47K 5% 1/4W
R563	1-249-437-11	CARBON	47K 5% 1/4W
R564	1-249-437-11	CARBON	47K 5% 1/4W
R565	1-249-437-11	CARBON	47K 5% 1/4W
R566	1-249-437-11	CARBON	47K 5% 1/4W
R567	1-249-437-11	CARBON	47K 5% 1/4W
R572	1-249-405-11	CARBON	100 5% 1/4W
(SLV-676 UC)			
R573	1-249-427-11	CARBON	6.8K 5% 1/4W
R574	1-247-903-00	CARBON	1M 5% 1/4W
R582	1-247-891-00	CARBON	330K 5% 1/4W
(SLV-676 UC)			
R583	1-247-887-00	CARBON	220K 5% 1/4W
(SLV-676 UC)			
R589	1-249-421-11	CARBON	2.2K 5% 1/4W
R590	Δ1-249-385-11	CARBON	2.2 5% 1/4W F
R591	1-249-422-11	CARBON	2.7K 5% 1/4W
R595	1-249-429-11	CARBON	10K 5% 1/4W
R596	1-249-429-11	CARBON	10K 5% 1/4W
R598	1-249-413-11	CARBON	470 5% 1/4W
R599	1-249-437-11	CARBON	47K 5% 1/4W
R751	1-249-414-11	CARBON	560 5% 1/4W
R752	1-249-423-11	CARBON	3.3K 5% 1/4W
R801	1-249-417-11	CARBON	1K 5% 1/4W
R802	1-249-417-11	CARBON	1K 5% 1/4W
R803	1-249-417-11	CARBON	1K 5% 1/4W
R804	1-249-417-11	CARBON	1K 5% 1/4W
R805	1-249-417-11	CARBON	1K 5% 1/4W
R806	1-249-417-11	CARBON	1K 5% 1/4W
R808	1-249-441-11	CARBON	100K 5% 1/4W
R810	1-249-435-11	CARBON	33K 5% 1/4W
R813	1-249-432-11	CARBON	18K 5% 1/4W
R814	1-249-441-11	CARBON	100K 5% 1/4W
R815	1-249-437-11	CARBON	47K 5% 1/4W
R816	1-249-437-11	CARBON	47K 5% 1/4W
R817	1-249-437-11	CARBON	47K 5% 1/4W
R826	1-249-419-11	CARBON	1.5K 5% 1/4W
R827	1-247-903-00	CARBON	1M 5% 1/4W
R828	1-249-419-11	CARBON	1.5K 5% 1/4W
R829	1-249-422-11	CARBON	2.7K 5% 1/4W
R830	1-249-429-11	CARBON	10K 5% 1/4W
R831	1-249-435-11	CARBON	33K 5% 1/4W
R837	1-249-417-11	CARBON	1K 5% 1/4W
R838	1-249-417-11	CARBON	1K 5% 1/4W
R839	1-249-437-11	CARBON	47K 5% 1/4W
R840	1-249-405-11	CARBON	100 5% 1/4W
R841	1-249-417-11	CARBON	1K 5% 1/4W
R843	1-249-428-11	CARBON	8.2K 5% 1/4W
R844	1-249-433-11	CARBON	22K 5% 1/4W
R845	1-249-433-11	CARBON	22K 5% 1/4W
R849	1-249-429-11	CARBON	10K 5% 1/4W
R851	1-249-441-11	CARBON	100K 5% 1/4W
R852	1-249-441-11	CARBON	100K 5% 1/4W

Ref.No	Part No.	Description	Remark
R853	1-249-441-11	CARBON	100K 5% 1/4W
R854	1-249-441-11	CARBON	100K 5% 1/4W
R855	1-249-441-11	CARBON	100K 5% 1/4W
R856	1-249-441-11	CARBON	100K 5% 1/4W
R857	1-249-424-11	CARBON	3.9K 5% 1/4W
R858	1-249-417-11	CARBON	1K 5% 1/4W
R859	1-249-441-11	CARBON	100K 5% 1/4W
R863	1-249-441-11	CARBON	100K 5% 1/4W
(SLV-676 UC)			
R901	1-249-417-11	CARBON	1K 5% 1/4W
R903	1-247-887-00	CARBON	220K 5% 1/4W

VARIABLE RESISTOR

RV251	1-228-998-00	RES. ADJ. CARBON	220K
RV501	1-228-994-00	RES. ADJ. CARBON	10K

TRANSFORMER

T251	1-433-352-11	TRANSFORMER. BIAS OSCILLATION
T252	1-406-349-11	TRANSFORMER. OSCILLATION (SLV-676 UC)

CRYSTAL

X501	1-578-774-11	VIBRATOR. CRYSTAL (12MHZ)
X503	1-577-358-21	VIBRATOR. CERAMIC (4MHZ)

* A-6721-334-A TU-120 BOARD. COMPLETE (Ref. No. 5000 Series)

CAPACITOR

C001	1-124-477-11	ELECT	47MF	20%	16V
C002	1-124-927-11	ELECT	4.7MF	20%	50V
C003	1-163-009-11	CERAMIC CHIP	0.001MF	10%	50V
C004	1-126-233-11	ELECT	22MF	20%	50V
C005	1-126-103-11	ELECT	470MF	20%	16V
C006	1-124-927-11	ELECT	4.7MF	20%	50V
C008	1-163-108-00	CERAMIC CHIP	43PF	5%	50V
C009	1-163-099-00	CERAMIC CHIP	18PF	5%	50V
C010	1-124-477-11	ELECT	47MF	20%	16V
C011	1-124-477-11	ELECT	47MF	20%	16V
C012	1-163-016-00	CERAMIC CHIP	0.0039MF	10%	50V
C013	1-124-477-11	ELECT	47MF	20%	16V
C014	1-163-016-00	CERAMIC CHIP	0.0039MF	10%	50V
C015	1-123-875-11	ELECT	10MF	20%	50V
C016	1-123-875-11	ELECT	10MF	20%	50V
C017	1-123-875-11	ELECT	10MF	20%	50V
C018	1-124-477-11	ELECT	47MF	20%	16V
C019	1-164-161-11	CERAMIC CHIP	0.0022MF	10%	50V

CONNECTOR

CN001	Δ1-568-074-11	CONNECTOR (RECEPTALE)	10P
CN002	1-568-075-11	CONNECTOR (RECEPTALE)	12P

DIODE

D001	8-719-110-78	DIODE RD33ES-B2
D002	8-719-400-18	DIODE MA152WK
D003	8-719-400-18	DIODE MA152WK

IF BLOCK

IF001	Δ1-466-318-11	IF BLOCK (IFY-450C)
-------	---------------	---------------------

COIL

L001	Δ1-408-421-00	INDUCTOR	100UH
L002	1-408-413-00	INDUCTOR	22UH
L003	1-408-409-00	INDUCTOR	10UH

When indicating parts by reference number, please include the board name.

Note: The components identified by mark Δ or dotted line with mark Δ are critical for safety. Replace only with part number specified.

Note: Les composants identifiés par une marque Δ sont critiques pour la sécurité. Ne les remplacer que par une pièce portant le numéro spécifié.

TU-120

RM-40

MF-93

Ref.No	Part No.	Description	Remark
L004	1-408-409-00	INDUCTOR 10UH	
L005	1-408-409-00	INDUCTOR 10UH	

DECODER

AMPX001 1-466-072-11 DECODER BLOCK, MULTIPLE SOUND

TRANSISTOR

Q001	8-729-901-78	TRANSISTOR 2SC2412K-R
Q003	8-729-901-78	TRANSISTOR 2SC2412K-R
Q005	8-729-901-78	TRANSISTOR 2SC2412K-R
Q006	8-729-900-53	TRANSISTOR DTC114EK

RESISTOR

R002	1-216-053-00	METAL GLAZE 1.5K	5%	1/10W
R004	1-216-037-00	METAL GLAZE 330	5%	1/10W
R005	1-216-035-00	METAL GLAZE 270	5%	1/10W
R006	1-216-025-00	METAL GLAZE 100	5%	1/10W
R007	1-216-025-00	METAL GLAZE 100	5%	1/10W
R008	1-216-057-00	METAL GLAZE 2.2K	5%	1/10W
R009	1-216-043-00	METAL GLAZE 560	5%	1/10W
R010	1-216-071-00	METAL GLAZE 8.2K	5%	1/10W
R011	1-216-073-00	METAL GLAZE 10K	5%	1/10W
R012	1-216-057-00	METAL GLAZE 2.2K	5%	1/10W
R013	1-216-093-00	METAL GLAZE 68K	5%	1/10W
R014	1-216-057-00	METAL GLAZE 2.2K	5%	1/10W
R015	1-216-093-00	METAL GLAZE 68K	5%	1/10W
R016	1-216-071-00	METAL GLAZE 8.2K	5%	1/10W
R017	1-216-077-00	METAL GLAZE 15K	5%	1/10W
R021	1-216-049-00	METAL GLAZE 1K	5%	1/10W
R023	1-216-081-00	METAL GLAZE 22K	5%	1/10W

VARIABLE RESISTOR

RV001 1-238-016-11 RES. ADJ. CARBON 10K

TUNER

TU001 1-465-239-11 TUNER, ET

* 1-634-951-11 RM-40 BOARD (Ref. No. 6000 Series)

CONNECTOR

CN301 * 1-565-980-11 HOUSING.CONNECTOR(PC BOARD) 9P

DIODE

D301	8-719-955-04	DIODE RY5504S-1 (AUTO TRACKING)
D302	8-719-302-07	DIODE SEL1810A (SYNCRO EDIT) (SLV-676 UC)
D303	8-719-940-99	DIODE SLR-34VC3 (AUDIO INSERT) (SLV-676 UC)
D304	8-719-940-99	DIODE SLR-34VC3 (VIDEO INSERT) (SLV-676 UC)
D305	8-719-940-82	DIODE SLR-34MC3 (HIGH SPEED REWIND)

IC

IC301 1-466-131-11 CATCHER RAY BLOCK

* A-6725-803-A MF-93 BOARD, COMPLETE (SLV-575 UC)
***** (Ref. No 6000 Series)

* A-6725-805-A MF-93 BOARD, COMPLETE (SLV-676 UC)
***** (Ref. No. 6000 Series)

3-682-419-51 HOLDER, P.C.B
3-743-637-01 HOLDER, FL

When indicating parts by reference number, please include the board name.

Ref.No	Part No.	Description	Remark
	3-743-659-01	HOLDER, LED	

BUZZER

BZ201 1-529-080-11 BUZZER, PIEZOELECTRIC

CAPACITOR

C202	1-162-219-31	CERAMIC	68PF	5%	50V
C203	1-162-211-31	CERAMIC	33PF	5%	50V
C204	1-162-211-31	CERAMIC	33PF	5%	50V
C205	1-162-847-11	CERAMIC	0.047MF	10%	16V
C206	1-161-379-00	CERAMIC	0.01MF	30%	16V
C207	1-125-486-11	ELECT	0.22F		5.5V
C208	1-126-157-11	ELECT	10MF	20%	16V
C209	1-126-154-11	ELECT	47MF	20%	6.3V
C210	1-161-379-00	CERAMIC	0.01MF	30%	16V
C211	1-162-847-11	CERAMIC	0.047MF	10%	16V
C212	1-126-096-11	ELECT	10MF	20%	35V
C213	1-161-379-00	CERAMIC	0.01MF	30%	16V
C214	1-124-589-11	ELECT	47MF	20%	16V
C215	1-161-379-00	CERAMIC	0.01MF	30%	16V
C218	1-126-163-11	ELECT	47MF	20%	50V
C219	1-126-163-11	ELECT	4.7MF	20%	50V
C220	1-162-282-31	CERAMIC	100PF	10%	50V
C221	1-162-282-31	CERAMIC	100PF	10%	50V
C222	1-161-379-00	CERAMIC	0.01MF	30%	16V
C223	1-162-282-31	CERAMIC	100PF	10%	50V
C224	1-162-282-31	CERAMIC	100PF	10%	50V
C225	1-162-282-31	CERAMIC	100PF	10%	50V

CONNECTOR

CN201 1-568-665-11 CONNECTOR, BOARD TO BOARD 11P
 CN202 1-568-080-11 CONNECTOR (RECEPTALE) 22P
 CN203 1-568-079-11 CONNECTOR (RECEPTALE) 20P
 CN204 1-565-976-11 PIN, CONNECTOR (PC BOARD) 9P
 CN206 1-569-674-11 CONNECTOR, BOARD TO BOARD 12P

CN207 1-506-482-11 PIN, CONNECTOR 3P

COMBINATION PARTS

CP201 1-232-986-11 COMPOSITION CIRCUIT BLOCK
 CP202 1-232-986-11 COMPOSITION CIRCUIT BLOCK

VARIABLE CAPACITOR

CV201 1-141-291-11 CAP, TRIMMER

DIODE

D201 8-719-911-19 DIODE 1SS119
 D202 8-719-911-19 DIODE 1SS119
 D203 8-719-911-19 DIODE 1SS119
 D204 8-719-911-19 DIODE 1SS119
 D205 8-719-911-19 DIODE 1SS119 (SLV-676 UC)

D206 8-719-911-19 DIODE 1SS119 (SLV-676 UC)
 D208 8-719-109-85 DIODE RD5 1ES-B2
 D209 8-719-120-90 DIODE RD6 8ES-B2
 D211 8-719-911-19 DIODE 1SS119
 D212 8-719-911-19 DIODE 1SS119 (SLV-676 UC)

D216 8-719-911-19 DIODE 1SS119 (SLV-676 UC)
 D217 8-719-911-19 DIODE 1SS119 (SLV-676 UC)
 D218 8-719-911-19 DIODE 1SS119
 D212 8-719-911-19 DIODE 1SS133T-72 (SLV-676 UC)

IC

IC201 8-759-501-39 IC MB89794B-VSX681
 IC202 8-759-977-88 IC CAT59C11P
 IC203 8-759-502-50 IC S-8053HNB

Note:
 The components identified by mark **A** or dotted line with mark **A** are critical for safety. Replace only with part number specified.

Note:
 Les composants identifiés par une marque **A** sont critiques pour la sécurité. Ne les remplacer que par une pièce portant le numéro spécifié.

Ref.No	Part No.	Description	Remark
IC204	8-759-947-53	IC S-8054ALR	
IC205	8-759-961-38	IC BA6138	
<u>COIL</u>			
L201	1-410-521-11	INDUCTOR 100UH	
<u>INDICATOR TUBE</u>			
ND201	1-519-598-11	INDICATOR TUBE, FLUORESCENT	
<u>TRANSISTOR</u>			
Q201	8-729-620-05	TRANSISTOR 2SC2603-EF	
Q202	8-729-620-05	TRANSISTOR 2SC2603-EF (SLV-676 UC)	
Q205	8-729-900-89	TRANSISTOR DTC144ES (SLV-676 UC)	
Q206	8-729-900-89	TRANSISTOR DTC144ES (SLV-676 UC)	
<u>RESISTOR</u>			
R201	1-249-429-11	CARBON 10K 5% 1/4W	
R202	1-249-433-11	CARBON 22K 5% 1/4W	
R203	1-249-401-11	CARBON 47 5% 1/4W	
R204	1-249-440-11	CARBON 82K 5% 1/4W	
R205	1-249-405-11	CARBON 100 5% 1/4W	
R206	1-249-430-11	CARBON 12K 5% 1/4W (SLV-575 UC)	
R206	1-249-433-11	CARBON 22K 5% 1/4W (SLV-676 UC)	
R207	1-249-429-11	CARBON 10K 5% 1/4W	
R208	1-249-429-11	CARBON 10K 5% 1/4W	
R210	1-249-429-11	CARBON 10K 5% 1/4W (SLV-676 UC)	
R211	1-249-429-11	CARBON 10K 5% 1/4W (SLV-676 UC)	
R212	1-249-423-11	CARBON 3.3K 5% 1/4W (SLV-676 UC)	
R214	1-249-417-11	CARBON 1K 5% 1/4W	
R215	1-249-435-11	CARBON 33K 5% 1/4W	
R216	1-249-411-11	CARBON 330 5% 1/4W	
R217	1-249-423-11	CARBON 3.3K 5% 1/4W	
R222	1-249-410-11	CARBON 270 5% 1/4W	
R224	1-249-410-11	CARBON 270 5% 1/4W (SLV-676 UC)	
R225	1-249-410-11	CARBON 270 5% 1/4W (SLV-676 UC)	
R226	1-249-410-11	CARBON 270 5% 1/4W (SLV-676 UC)	
R227	1-249-410-11	CARBON 270 5% 1/4W	
R228	1-249-409-11	CARBON 220 5% 1/4W	
R229	1-247-891-00	CARBON 330K 5% 1/4W	
R230	1-249-409-11	CARBON 220 5% 1/4W	
R231	1-247-891-00	CARBON 330K 5% 1/4W	
R242	1-249-411-11	CARBON 330 5% 1/4W	
R243	1-249-429-11	CARBON 10K 5% 1/4W	
R244	1-249-423-11	CARBON 3.3K 5% 1/4W (SLV-676 UC)	
R245	1-249-417-11	CARBON 1K 5% 1/4W	
R246	1-249-417-11	CARBON 1K 5% 1/4W	
R247	1-249-409-11	CARBON 220 5% 1/4W	
R248	1-249-417-11	CARBON 1K 5% 1/4W	
R249	1-249-417-11	CARBON 1K 5% 1/4W	
R250	1-249-411-11	CARBON 330 5% 1/4W	
R251	1-249-411-11	CARBON 330 5% 1/4W	
R252	1-249-411-11	CARBON 330 5% 1/4W	
R253	1-249-437-11	CARBON 47K 5% 1/4W	
R254	1-249-437-11	CARBON 47K 5% 1/4W	
R255	1-249-429-11	CARBON 10K 5% 1/4W	
R256	1-249-429-11	CARBON 10K 5% 1/4W	

Ref.No	Part No.	Description	Remark
<u>VARIABLE RESISTOR</u>			
RV201	1-230-523-11	RES. ADJ. CARBON 10K	
RV202	1-230-523-11	RES. ADJ. CARBON 10K	
<u>CRYSTAL</u>			
X201	1-567-098-00	VIBRATOR, CRYSTAL (32.678MHz)	
X202	1-567-132-00	VIBLATOR, CERAMIC (8MHz)	

*A-6725-804-A		MF-92 BOARD, COMPLETE (SLV-575 UC)	(Ref. No. 6000 Series)
*A-6725-806-A		MF-92 BOARD, COMPLETE (SLV-676 UC)	(Ref. No. 6000 Series)
*3-743-635-01		PLATE, GROUND, MF	
<u>CAPACITOR</u>			
C109	1-161-379-00	CERAMIC 0.01MF 30% 16V	
C110	1-161-379-00	CERAMIC 0.01MF 30% 16V	
C111	1-161-379-00	CERAMIC 0.01MF 30% 16V	
C112	1-162-282-31	CERAMIC 100PF 10% 50V (SLV-676 UC)	
<u>CONNECTOR</u>			
CN101	1-569-668-11	CONNECTOR, BOARD TO BOARD 10P	
CN102	1-568-671-11	CONNECTOR, BOARD TO BOARD 11P	
CN103	1-506-483-21	PIN, CONNECTOR 4P	
CN104	1-506-485-11	PIN, CONNECTOR 6P	
CN105	1-506-485-11	PIN, CONNECTOR 6P (SLV-676 UC)	
<u>CONNECTOR</u>			
CNJ102	1-565-669-21	JACK, SMALL TYPE (PHONES)	
CNJ104	1-565-735-21	JACK, PIN 3P (LINE 2 IN)	
CNJ105	1-568-611-11	SOCKET, DIN (SMALL TYPE) 5P (CONTROL L) (SLV-676 UC)	
<u>DIODE</u>			
D101	8-719-955-04	DIODE PY5504S-1 (POWER)	
D102	8-719-955-04	DIODE PY5504S-1 (POWER)	
D103	8-719-110-36	DIODE RD1JES-B2 (SLV-676 UC)	
D104	8-719-109-97	DIODE RD6.8ES-B2 (SLV-676 UC)	
D105	8-719-911-19	DIODE 1SS119	
D106	8-719-911-19	DIODE 1SS119	
D107	8-719-109-97	DIODE RD6.8ES-B2 (SLV-676 UC)	
<u>RESISTOR</u>			
R101	1-249-407-11	CARBON 150 5% 1/4W	
R102	1-249-407-11	CARBON 150 5% 1/4W	
R106	1-249-421-11	CARBON 2.2K 5% 1/4W	
R108	1-249-423-11	CARBON 3.3K 5% 1/4W	
R109	1-249-425-11	CARBON 4.7K 5% 1/4W	
R110	1-249-429-11	CARBON 10K 5% 1/4W	
R111	1-249-433-11	CARBON 22K 5% 1/4W	
R114	1-249-427-11	CARBON 6.8K 5% 1/4W	
R115	1-249-417-11	CARBON 1K 5% 1/4W	
R117	1-249-423-11	CARBON 3.3K 5% 1/4W	
R121	1-247-804-11	CARBON 75 5% 1/4W	
R122	1-249-429-11	CARBON 10K 5% 1/4W	
R123	1-249-429-11	CARBON 10K 5% 1/4W	
R124	1-249-430-11	CARBON 12K 5% 1/4W	
R125	1-249-433-11	CARBON 22K 5% 1/4W	
R126	1-249-430-11	CARBON 12K 5% 1/4W	
R127	1-249-433-11	CARBON 22K 5% 1/4W	

When indicating parts by reference number, please include the board name.

MF-92**YC-59**

Ref.No	Part No.	Description	Remark
VARIABLE RESISTOR			
RV101	1-238-420-11	RES. VAR. CARBON 10K (PHONE LEVEL)	
RV102	1-241-061-11	RES. VAR. CARBON 2K (SHARPNESS)	
RV103	1-241-062-11	RES. VAR. CARBON 20K (REC LEVEL L)	
RV104	1-241-062-11	RES. VAR. CARBON 20K (REC LEVEL R)	

Ref.No	Part No.	Description	Remark
SWITCH			
S101	1-571-977-11	SWITCH, TACTIL (POWER)	
S102	1-571-977-11	SWITCH, TACTIL (EJECT)	
S104	1-571-977-11	SWITCH, TACTIL (SYNCR0 EDIT) (SLV-676 UC)	
S105	1-570-854-11	SWITCH, SLIDE (COMMAND MODE)	

 *A-6727-207-A YC-59 BOARD, COMPLETE (Ref. No. 1000 Series)

1-415-668-11 DELAY LINE, ULTRASONIC
 3-729-971-01 COVER, VOLUME

Ref.No	Part No.	Description	Remark
CAPACITOR			
C001	1-163-113-00	CERAMIC CHIP	68PF 5% 50V
C002	1-163-129-00	CERAMIC CHIP	330PF 5% 50V
C003	1-164-232-11	CERAMIC CHIP	0.01MF 50V
C004	1-163-038-00	CERAMIC CHIP	0.1MF 25V
C005	1-124-446-11	ELECT	47MF 20% 10V
C006	1-164-232-11	CERAMIC CHIP	0.01MF 50V
C007	1-126-233-11	ELECT	22MF 20% 25V
C008	1-163-117-00	CERAMIC CHIP	100PF 5% 50V
C009	1-123-875-11	ELECT	10MF 20% 50V
C010	1-124-925-11	ELECT	2.2MF 20% 50V
C011	1-164-232-11	CERAMIC CHIP	0.01MF 50V
C012	1-124-902-00	ELECT	0.47MF 20% 50V
C013	1-123-875-11	ELECT	10MF 20% 50V
C014	1-164-157-11	CERAMIC CHIP	0.068MF 10% 25V
C015	1-163-106-00	CERAMIC CHIP	36PF 5% 50V
C016	1-163-117-00	CERAMIC CHIP	100PF 5% 50V
C017	1-163-115-00	CERAMIC CHIP	82PF 5% 50V
C018	1-163-105-00	CERAMIC CHIP	33PF 5% 50V
C019	1-124-257-00	ELECT	2.2MF 20% 50V
C020	1-124-465-00	ELECT	0.47MF 20% 50V
C021	1-163-097-00	CERAMIC CHIP	15PF 5% 50V
C022	1-163-099-00	CERAMIC CHIP	18PF 5% 50V
C023	1-163-139-00	CERAMIC CHIP	820PF 5% 50V
C024	1-124-925-11	ELECT	2.2MF 20% 50V
C025	1-126-233-11	ELECT	22MF 20% 25V
C026	1-163-035-00	CERAMIC CHIP	0.047MF 50V
C027	1-124-446-11	ELECT	47MF 20% 10V
C028	1-124-443-00	ELECT	100MF 20% 6.3V
C029	1-126-233-11	ELECT	22MF 20% 25V
C030	1-163-125-00	CERAMIC CHIP	220PF 5% 50V
C031	1-163-133-00	CERAMIC CHIP	470PF 5% 50V
C032	1-163-115-00	CERAMIC CHIP	82PF 5% 50V
C033	1-163-109-00	CERAMIC CHIP	47PF 5% 50V
C034	1-163-105-00	CERAMIC CHIP	33PF 5% 50V
C035	1-163-110-00	CERAMIC CHIP	51PF 5% 50V
C037	1-163-113-00	CERAMIC CHIP	68PF 5% 50V
C038	1-163-102-00	CERAMIC CHIP	24PF 5% 50V
C039	1-163-115-00	CERAMIC CHIP	82PF 5% 50V
C040	1-163-102-00	CERAMIC CHIP	24PF 5% 50V
C041	1-124-446-11	ELECT	47MF 20% 10V
C042	1-164-232-11	CERAMIC CHIP	0.01MF 50V
C043	1-124-438-00	ELECT	1MF 20% 50V
C044	1-164-232-11	CERAMIC CHIP	0.01MF 50V
C045	1-164-232-11	CERAMIC CHIP	0.01MF 50V

Ref.No	Part No.	Description	Remark
C046	1-163-081-00	CERAMIC CHIP	0.22MF 25V
C047	1-124-927-11	ELECT	4.7MF 20% 50V
C048	1-163-809-11	CERAMIC CHIP	0.047MF 10% 25V
C049	1-124-791-11	ELECT	1MF 20% 50V
C050	1-164-232-11	CERAMIC CHIP	0.01MF 50V
C051	1-124-791-11	ELECT	1MF 20% 50V
C052	1-135-149-21	TANTAL CHIP	2.2MF 10% 10V
C053	1-163-037-11	CERAMIC CHIP	0.022MF 10% 25V
C054	1-163-035-00	CERAMIC CHIP	0.047MF 50V
C055	1-164-232-11	CERAMIC CHIP	0.01MF 50V
C056	1-164-232-11	CERAMIC CHIP	0.01MF 50V
C057	1-164-232-11	CERAMIC CHIP	0.01MF 50V
C058	1-164-232-11	CERAMIC CHIP	0.01MF 50V
C059	1-163-035-00	CERAMIC CHIP	0.047MF 50V
C060	1-124-446-11	ELECT	47MF 20% 10V
C061	1-164-232-11	CERAMIC CHIP	0.01MF 50V
C062	1-164-232-11	CERAMIC CHIP	0.01MF 50V
C063	1-124-446-11	ELECT	47MF 20% 10V
C064	1-163-038-00	CERAMIC CHIP	0.1MF 25V
C066	1-126-176-11	ELECT	220MF 20% 6.3V
C068	1-163-117-00	CERAMIC CHIP	100PF 5% 50V
C069	1-163-105-00	CERAMIC CHIP	33PF 5% 50V
C070	1-163-117-00	CERAMIC CHIP	100PF 5% 50V
C071	1-164-232-11	CERAMIC CHIP	0.01MF 50V
C073	1-163-093-00	CERAMIC CHIP	10PF 5% 50V
C074	1-163-117-00	CERAMIC CHIP	100PF 5% 50V
C076	1-124-446-11	ELECT	47MF 20% 10V
C077	1-163-035-00	CERAMIC CHIP	0.047MF 50V
C078	1-164-232-11	CERAMIC CHIP	0.01MF 50V
C079	1-124-791-11	ELECT	1MF 20% 50V
C081	1-164-232-11	CERAMIC CHIP	0.01MF 50V
C082	1-164-232-11	CERAMIC CHIP	0.01MF 50V
C083	1-164-232-11	CERAMIC CHIP	0.01MF 50V
C101	1-163-129-00	CERAMIC CHIP	330PF 5% 50V
C102	1-163-129-00	CERAMIC CHIP	330PF 5% 50V
C103	1-163-038-00	CERAMIC CHIP	0.1MF 25V
C104	1-163-077-00	CERAMIC CHIP	0.1MF 50V
CONNECTOR			
CN001	1-563-258-11	SOCKET, CONNECTOR 15P	
CN002	1-563-258-11	SOCKET, CONNECTOR 15P	
DIODE			
D001	8-719-400-18	DIODE MA152WK	
D002	8-719-400-18	DIODE MA152WK	
D003	8-719-400-18	DIODE MA152WK	
D004	8-719-400-18	DIODE MA152WK	
D005	8-719-400-18	DIODE MA152WK	
D008	8-719-200-82	DIODE 11ES2	
D009	8-719-400-18	DIODE MA152WK	
D010	8-719-400-18	DIODE MA152WK	
D102	8-719-400-18	DIODE MA152WK	
DELAY LINE			
DL001	1-415-668-11	DELAY LINE, ULTRASONIC	
FILTER			
FL001	1-236-488-21	L.P.F	
FL002	1-236-489-11	B.P.F	
IC			
IC001	8-759-821-62	IC LA7326	
IC002	8-759-821-87	IC LA7316AN	
IC003	8-759-821-50	IC LC8991	
IC004	8-759-938-15	IC BA178M05	

When indicating parts by reference number, please include the board name.

Note:
 The components identified by mark Δ or dotted line with mark Δ are critical for safety. Replace only with part number specified.

Note:
 Les composants identifiés par une marque Δ sont critiques pour la sécurité. Ne les remplacer que par une pièce portant le numéro spécifié.

Ref.No	Part No.	Description	Remark
<u>JUMPER RESISTOR</u>			
JR001	1-216-295-00	METAL GLAZE 0 5%	1/10W
JR002	1-216-295-00	METAL GLAZE 0 5%	1/10W
JR003	1-216-295-00	METAL GLAZE 0 5%	1/10W
JR004	1-216-296-00	METAL GLAZE 0 5%	1/8W
JR005	1-216-295-00	METAL GLAZE 0 5%	1/10W
JR006	1-216-295-00	METAL GLAZE 0 5%	1/10W
JR007	1-216-295-00	METAL GLAZE 0 5%	1/10W
JR008	1-216-295-00	METAL GLAZE 0 5%	1/10W
JR009	1-216-296-00	METAL GLAZE 0 5%	1/8W
JR010	1-216-295-00	METAL GLAZE 0 5%	1/10W
JR011	1-216-296-00	METAL GLAZE 0 5%	1/8W
JR012	1-216-296-00	METAL GLAZE 0 5%	1/8W
JR013	1-216-296-00	METAL GLAZE 0 5%	1/8W
JR014	1-216-296-00	METAL GLAZE 0 5%	1/8W
JR015	1-216-296-00	METAL GLAZE 0 5%	1/8W
JR016	1-216-296-00	METAL GLAZE 0 5%	1/8W
JR017	1-216-296-00	METAL GLAZE 0 5%	1/8W
JR018	1-216-295-00	METAL GLAZE 0 5%	1/10W
JR019	1-216-295-00	METAL GLAZE 0 5%	1/10W
JR020	1-216-296-00	METAL GLAZE 0 5%	1/8W
JR021	1-216-295-00	METAL GLAZE 0 5%	1/10W
JR022	1-216-295-00	METAL GLAZE 0 5%	1/10W
JR023	1-216-295-00	METAL GLAZE 0 5%	1/10W
JR024	1-216-295-00	METAL GLAZE 0 5%	1/10W
JR025	1-216-296-00	METAL GLAZE 0 5%	1/8W
JR026	1-216-295-00	METAL GLAZE 0 5%	1/10W
JR027	1-216-296-00	METAL GLAZE 0 5%	1/8W
JR028	1-216-295-00	METAL GLAZE 0 5%	1/10W
JR029	1-216-295-00	METAL GLAZE 0 5%	1/10W
JR030	1-216-295-00	METAL GLAZE 0 5%	1/10W
JR031	1-216-295-00	METAL GLAZE 0 5%	1/10W
JR032	1-216-296-00	METAL GLAZE 0 5%	1/8W
JR033	1-216-296-00	METAL GLAZE 0 5%	1/8W
JR034	1-216-296-00	METAL GLAZE 0 5%	1/8W
JR035	1-216-295-00	METAL GLAZE 0 5%	1/10W
JR036	1-216-296-00	METAL GLAZE 0 5%	1/8W
JR037	1-216-296-00	METAL GLAZE 0 5%	1/8W
JR038	1-216-296-00	METAL GLAZE 0 5%	1/8W
JR039	1-216-295-00	METAL GLAZE 0 5%	1/10W
JR040	1-216-295-00	METAL GLAZE 0 5%	1/10W
JR041	1-216-295-00	METAL GLAZE 0 5%	1/10W
JR101	1-216-296-00	METAL GLAZE 0 5%	1/8W
JR103	1-216-295-00	METAL GLAZE 0 5%	1/10W

JUMPER RESISTOR

JW002	1-216-295-00	METAL GLAZE 0 5%	1/10W
JW004	1-216-295-00	METAL GLAZE 0 5%	1/10W

COIL

L001	1-410-524-41	INDUCTOR 180UH
L002	1-410-667-31	INDUCTOR 22UH
L005	1-408-417-00	INDUCTOR 47UH
L006	1-408-424-00	INDUCTOR 180UH
L007	1-410-335-11	INDUCTOR 150UH
L008	1-410-509-11	INDUCTOR 10UH
L009	1-410-516-11	INDUCTOR 39UH
L011	1-408-421-00	INDUCTOR 100UH
L012	1-408-419-00	INDUCTOR 68UH
L013	1-408-419-00	INDUCTOR 68UH
L015	1-410-516-11	INDUCTOR 39UH
L101	1-408-427-00	INDUCTOR 330UH
L102	1-410-336-11	INDUCTOR 220UH

Ref.No	Part No.	Description	Remark
<u>TRANSISTOR</u>			
Q001	8-729-901-06	TRANSISTOR DTA144EK	
Q002	8-729-100-66	TRANSISTOR 2SC1623	
Q003	8-729-901-01	TRANSISTOR DTC144EK	
Q004	8-729-216-22	TRANSISTOR 2SA1162	
Q005	8-729-216-22	TRANSISTOR 2SA1162	
Q006	8-729-901-47	TRANSISTOR DTA143EK	
Q007	8-729-100-66	TRANSISTOR 2SC1623	
Q008	8-729-100-66	TRANSISTOR 2SC1623	
Q009	8-729-100-66	TRANSISTOR 2SC1623	
Q010	8-729-100-66	TRANSISTOR 2SC1623	
Q011	8-729-216-22	TRANSISTOR 2SA1162	
Q012	8-729-216-22	TRANSISTOR 2SA1162	
Q015	8-729-100-66	TRANSISTOR 2SC1623	
Q019	8-729-100-66	TRANSISTOR 2SC1623	
Q020	8-729-100-66	TRANSISTOR 2SC1623	
Q021	8-729-100-66	TRANSISTOR 2SC1623	
Q022	8-729-216-22	TRANSISTOR 2SA1162	
Q023	8-729-100-66	TRANSISTOR 2SC1623	
Q102	8-729-900-53	TRANSISTOR DTC114EK	

RESISTOR

R001	1-216-057-00	METAL GLAZE 2.2K 5%	1/10W
R002	1-216-061-00	METAL GLAZE 3.3K 5%	1/10W
R003	1-216-085-00	METAL GLAZE 33K 5%	1/10W
R004	1-216-049-00	METAL GLAZE 1K 5%	1/10W
R005	1-216-085-00	METAL GLAZE 33K 5%	1/10W
R006	1-216-085-00	METAL GLAZE 33K 5%	1/10W
R007	1-216-049-00	METAL GLAZE 1K 5%	1/10W
R008	1-216-089-00	METAL GLAZE 47K 5%	1/10W
R009	1-216-089-00	METAL GLAZE 47K 5%	1/10W
R010	1-216-084-00	METAL GLAZE 30K 5%	1/10W
R011	1-216-075-00	METAL GLAZE 12K 5%	1/10W
R012	1-216-101-00	METAL GLAZE 150K 5%	1/10W
R013	1-216-093-00	METAL GLAZE 68K 5%	1/10W
R014	1-216-051-00	METAL GLAZE 1.2K 5%	1/10W
R015	1-216-047-00	METAL GLAZE 820 5%	1/10W
R016	1-216-043-00	METAL GLAZE 560 5%	1/10W
R017	1-216-052-00	METAL GLAZE 1.3K 5%	1/10W
R018	1-216-035-00	METAL GLAZE 300 5%	1/10W
R019	1-216-068-00	METAL GLAZE 6.2K 5%	1/10W
R020	1-216-073-00	METAL GLAZE 10K 5%	1/10W
R021	1-216-121-00	METAL GLAZE 1M 5%	1/10W
R022	1-216-041-00	METAL GLAZE 470 5%	1/10W
R023	1-216-049-00	METAL GLAZE 1K 5%	1/10W
R024	1-216-121-00	METAL GLAZE 1M 5%	1/10W
R025	1-216-121-00	METAL GLAZE 1M 5%	1/10W
R026	1-216-061-00	METAL GLAZE 3.3K 5%	1/10W
R027	1-216-057-00	METAL GLAZE 2.2K 5%	1/10W
R028	1-216-049-00	METAL GLAZE 1K 5%	1/10W
R029	1-216-049-00	METAL GLAZE 1K 5%	1/10W
R030	1-216-045-00	METAL GLAZE 680 5%	1/10W
R031	1-216-059-00	METAL GLAZE 2.7K 5%	1/10W
R032	1-216-059-00	METAL GLAZE 2.7K 5%	1/10W
R033	1-216-748-11	METAL GLAZE 39K 5%	1/10W
R034	1-216-089-00	METAL GLAZE 47K 5%	1/10W
R035	1-216-037-00	METAL GLAZE 330 5%	1/10W
R036	1-216-053-00	METAL GLAZE 1.5K 5%	1/10W
R037	1-216-053-00	METAL GLAZE 1.5K 5%	1/10W
R038	1-216-053-00	METAL GLAZE 1.5K 5%	1/10W
R039	1-216-043-00	METAL GLAZE 560 5%	1/10W
R040	1-216-043-00	METAL GLAZE 560 5%	1/10W
R041	1-216-049-00	METAL GLAZE 1K 5%	1/10W
R042	1-216-295-00	METAL GLAZE 0 5%	1/10W
R043	1-216-061-00	METAL GLAZE 3.3K 5%	1/10W

When indicating parts by reference number, please include the board name.

Ref.No	Part No.	Description	Remark
R044	1-216-089-00	METAL GLAZE	47K 5% 1/10W
R045	1-216-085-00	METAL GLAZE	33K 5% 1/10W
R046	1-216-049-00	METAL GLAZE	1K 5% 1/10W
R047	1-216-039-00	METAL GLAZE	390 5% 1/10W
R048	1-216-049-00	METAL GLAZE	1K 5% 1/10W
R049	1-216-097-00	METAL GLAZE	100K 5% 1/10W
R051	1-216-065-00	METAL GLAZE	4.7K 5% 1/10W
R052	1-216-071-00	METAL GLAZE	8.2K 5% 1/10W
R055	1-216-073-00	METAL GLAZE	10K 5% 1/10W
R059	1-216-085-00	METAL GLAZE	33K 5% 1/10W
R060	1-216-085-00	METAL GLAZE	33K 5% 1/10W
R061	1-216-049-00	METAL GLAZE	1K 5% 1/10W
R062	1-216-039-00	METAL GLAZE	390 5% 1/10W
R063	1-216-043-00	METAL GLAZE	560 5% 1/10W
R064	1-216-031-00	METAL GLAZE	180 5% 1/10W
R065	1-216-049-00	METAL GLAZE	1K 5% 1/10W
R066	1-216-049-00	METAL GLAZE	1K 5% 1/10W
R067	1-216-043-00	METAL GLAZE	560 5% 1/10W
R069	1-216-053-00	METAL GLAZE	1.5K 5% 1/10W
R070	1-216-063-00	METAL GLAZE	3.9K 5% 1/10W
R071	1-216-052-00	METAL GLAZE	1.3K 5% 1/10W
R072	1-216-049-00	METAL GLAZE	1K 5% 1/10W
R073	1-216-103-00	METAL GLAZE	180K 5% 1/10W
R074	1-216-049-00	METAL GLAZE	1K 5% 1/10W
R075	1-216-049-00	METAL GLAZE	1K 5% 1/10W
R076	1-216-061-00	METAL GLAZE	3.3K 5% 1/10W
R082	1-216-063-00	METAL GLAZE	3.9K 5% 1/10W
R083	1-216-053-00	METAL GLAZE	1.5K 5% 1/10W
R084	1-216-053-00	METAL GLAZE	1.5K 5% 1/10W
R085	1-216-043-00	METAL GLAZE	560 5% 1/10W
R086	1-216-025-00	METAL GLAZE	100 5% 1/10W
R088	1-216-069-00	METAL GLAZE	6.8K 5% 1/10W
R089	1-216-041-00	METAL GLAZE	470 5% 1/10W
R098	1-216-072-00	METAL GLAZE	9.1K 5% 1/10W
R102	1-216-063-00	METAL GLAZE	3.9K 5% 1/10W
R103	1-216-055-00	METAL GLAZE	1.8K 5% 1/10W
<u>VARIABLE RESISTOR</u>			
RV001	1-230-494-11	RES. ADJ. CARBON 1K	
RV002	1-238-166-11	RES. ADJ. CARBON 1K	
RV003	1-230-523-11	RES. ADJ. CARBON 10K	
RV004	1-237-723-11	RES. ADJ. CARBON 4.7K	
RV005	1-237-723-11	RES. ADJ. CARBON 4.7K	
RV006	1-238-166-11	RES. ADJ. CARBON 1K	
RV007	1-238-166-11	RES. ADJ. CARBON 1K	
<u>CRYSTAL</u>			
X001	1-577-380-11	VIBRATOR, CRYSTAL	

* A-6727-190-A CG-10 BOARD, COMPLETE (Ref. No. 1000 Series)

CAPACITOR

C685	1-124-446-11	ELECT	47MF	20%	10V
C686	1-162-306-11	CERAMIC	0.01MF	20%	16V
C687	1-102-980-00	CERAMIC	270PF	5%	50V
C688	1-102-980-00	CERAMIC	270PF	5%	50V
C689	1-164-083-11	CERAMIC	680PF	10%	50V
C690	1-161-494-00	CERAMIC	0.022MF		25V
C691	1-124-791-11	ELECT	1MF	20%	50V
C692	1-162-306-11	CERAMIC	0.01MF	20%	16V
C693	1-162-291-31	CERAMIC	560PF	10%	50V
C801	1-161-061-11	CERAMIC	0.068MF	10%	25V

Ref.No	Part No.	Description	Remark
C802	1-124-287-00	ELECT	10MF 20% 10V
C851	1-102-963-00	CERAMIC	33PF 5% 50V
C852	1-102-963-00	CERAMIC	33PF 5% 50V
C853	1-162-306-11	CERAMIC	0.01MF 20% 16V
C854	1-126-176-11	ELECT	220MF 20% 10V
C855	1-162-199-31	CERAMIC	10PF 5% 50V
C856	1-162-199-31	CERAMIC	10PF 5% 50V
C857	1-162-203-31	CERAMIC	15PF 5% 50V
C858	1-162-203-31	CERAMIC	15PF 5% 50V
C863	1-124-791-11	ELECT	1MF 20% 50V
C864	1-162-217-31	CERAMIC	56PF 5% 50V
C865	1-162-306-11	CERAMIC	0.01MF 20% 16V
C866	1-162-306-11	CERAMIC	0.01MF 20% 16V
C868	1-162-306-11	CERAMIC	0.01MF 20% 16V
C876	1-162-306-11	CERAMIC	0.01MF 20% 16V
C890	1-162-306-11	CERAMIC	0.01MF 20% 16V
C895	1-124-446-11	ELECT	47MF 20% 10V
<u>CONNECTOR</u>			
CN585	1-568-073-11	CONNECTOR (RECEPTALE) 8P	
CN586	1-568-073-11	CONNECTOR (RECEPTALE) 8P	
<u>DIODE</u>			
D851	8-719-911-19	DIODE 1SS119	
D852	8-719-911-19	DIODE 1SS119	
D853	8-719-911-19	DIODE 1SS119	
<u>IC</u>			
IC685	8-759-996-03	IC LVA519S	
IC851	8-759-634-22	IC MS0554-182SP	
<u>COIL</u>			
L851	1-410-521-11	INDUCTOR	100UH
L852	1-408-424-00	INDUCTOR	180UH
L853	1-408-424-00	INDUCTOR	180UH
L856	1-410-511-11	INDUCTOR	15UH
L861	1-410-521-11	INDUCTOR	100UH
L862	1-410-521-11	INDUCTOR	100UH
<u>TRANSISTOR</u>			
Q801	8-729-900-61	TRANSISTOR DTA114ES	
Q802	8-729-900-80	TRANSISTOR DTC114ES	
Q803	8-729-900-89	TRANSISTOR DTC144ES	
Q804	8-729-900-65	TRANSISTOR DTA144ES	
Q853	8-729-423-33	TRANSISTOR 2SC3311A-QRSTA	
Q856	8-729-423-44	TRANSISTOR 2SA1309A-QR	
Q857	8-729-423-33	TRANSISTOR 2SC3311A-QRSTA	
<u>RESISTOR</u>			
R685	1-249-429-11	CARBON	10K 5% 1/4W
R686	1-249-429-11	CARBON	10K 5% 1/4W
R687	1-249-422-11	CARBON	2.7K 5% 1/4W
R688	1-249-434-11	CARBON	27K 5% 1/4W
R689	1-249-430-11	CARBON	12K 5% 1/4W
R690	1-247-903-00	CARBON	1M 5% 1/4W
R691	1-249-414-11	CARBON	560 5% 1/4W
R801	1-249-425-11	CARBON	4.7K 5% 1/4W
R802	1-249-437-11	CARBON	47K 5% 1/4W
R803	1-249-425-11	CARBON	4.7K 5% 1/4W
R804	1-249-441-11	CARBON	100K 5% 1/4W
R851	1-249-423-11	CARBON	3.3K 5% 1/4W
R852	1-249-424-11	CARBON	3.9K 5% 1/4W
R855	1-249-421-11	CARBON	2.2K 5% 1/4W
R856	1-249-414-11	CARBON	560 5% 1/4W

When indicating parts by reference number, please include the board name.

Ref.No	Part No.	Description	Remark
R857	1-249-422-11	CARBON 2.7K 5%	1/4W
R858	1-249-429-11	CARBON 10K 5%	1/4W
R859	1-249-423-11	CARBON 3.3K 5%	1/4W
R860	1-249-424-11	CARBON 3.9K 5%	1/4W
R866	1-249-413-11	CARBON 470 5%	1/4W
R867	1-249-415-11	CARBON 680 5%	1/4W
R868	1-249-424-11	CARBON 3.9K 5%	1/4W
R870	1-249-413-11	CARBON 470 5%	1/4W
R873	1-249-416-11	CARBON 820 5%	1/4W
R877	1-249-435-11	CARBON 33K 5%	1/4W
R878	1-249-425-11	CARBON 4.7K 5%	1/4W
R879	1-249-413-11	CARBON 470 5%	1/4W
R888	1-249-433-11	CARBON 22K 5%	1/4W
R890	1-249-441-11	CARBON 100K 5%	1/4W

VARIABLE RESISTOR

RV685 1-238-015-11 RES. ADJ. CARBON 4.7K

CRYSTAL

X851 1-577-381-11 VIBRATOR, CRYSTAL (14.32MHz)

*A-6727-101-A RP-63 BOARD, COMPLETE (SLV-575 UC) (Ref. No. 2000 Series)

*A-6727-195-A RP-63 BOARD, COMPLETE (SLV-676 UC) (Ref. No. 2000 Series)

CAPACITOR

C101	1-163-037-11	CERAMIC CHIP 0.022MF 10%	25V
C102	1-124-242-00	ELECT 33MF 20%	16V
C103	1-164-232-11	CERAMIC CHIP 0.01MF 10%	50V
C104	1-124-438-00	ELECT 1MF 20%	50V
C106	1-163-037-11	CERAMIC CHIP 0.022MF 10%	25V
C107	1-163-037-11	CERAMIC CHIP 0.022MF 10%	25V
C108	1-124-455-00	ELECT 100MF 20%	16V
C109	1-163-037-11	CERAMIC CHIP 0.022MF 10%	25V
C110	1-163-037-11	CERAMIC CHIP 0.022MF 10%	25V
C111	1-163-037-11	CERAMIC CHIP 0.022MF 10%	25V
C112	1-126-157-11	ELECT 10MF 20%	16V
C113	1-163-037-11	CERAMIC CHIP 0.022MF 10%	25V
C114	1-124-438-00	ELECT 1MF 20%	50V
C115	1-163-037-11	CERAMIC CHIP 0.022MF 10%	25V
C116	1-163-101-00	CERAMIC CHIP 22PF 5%	50V
C117	1-163-101-00	CERAMIC CHIP 22PF 5%	50V
C118	1-163-037-11	CERAMIC CHIP 0.022MF 10%	25V
C119	1-163-037-11	CERAMIC CHIP 0.022MF 10%	25V
C120	1-163-037-11	CERAMIC CHIP 0.022MF 10%	25V
C121	1-163-037-11	CERAMIC CHIP 0.022MF 10%	25V
C122	1-163-037-11	CERAMIC CHIP 0.022MF 10%	25V
C123	1-163-037-11	CERAMIC CHIP 0.022MF 10%	25V
C801	1-163-038-00	CERAMIC CHIP 0.1MF 25V	
C802	1-126-154-11	ELECT 47MF 20%	6.3V
C803	1-163-038-00	CERAMIC CHIP 0.1MF 25V	
C804	1-124-464-11	ELECT 0.22MF 20%	50V
C805	1-163-105-00	CERAMIC CHIP 33PF 5%	50V
C806	1-163-105-00	CERAMIC CHIP 33PF 5%	50V
C807	1-124-464-11	ELECT 0.22MF 20%	50V
C808	1-163-038-00	CERAMIC CHIP 0.1MF 25V	
C809	1-163-038-00	CERAMIC CHIP 0.1MF 25V	
C810	1-124-464-11	ELECT 0.22MF 20%	50V
C813	1-124-464-11	ELECT 0.22MF 20%	50V
C814	1-163-038-00	CERAMIC CHIP 0.1MF 25V	
C815	1-163-101-00	CERAMIC CHIP 22PF 5%	50V

Ref.No	Part No.	Description	Remark
C816	1-124-438-00	ELECT 1MF 20%	50V
C817	1-164-232-11	CERAMIC CHIP 0.01MF 10%	50V
C818	1-164-232-11	CERAMIC CHIP 0.01MF 10%	50V
C819	1-163-131-00	CERAMIC CHIP 390PF 5%	50V
C820	1-164-161-11	CERAMIC CHIP 0.0022MF 10%	50V
C821	1-164-232-11	CERAMIC CHIP 0.01MF 10%	50V
C822	1-164-232-11	CERAMIC CHIP 0.01MF 10%	50V
C823	1-163-104-00	CERAMIC CHIP 30PF 5%	50V
C824	1-164-232-11	CERAMIC CHIP 0.01MF 10%	50V
C825	1-163-117-00	CERAMIC CHIP 100PF 5%	50V
C826	1-163-113-00	CERAMIC CHIP 68PF 5%	50V
C827	1-163-129-00	CERAMIC CHIP 330PF 5%	50V
C828	1-126-154-11	ELECT 47MF 20%	6.3V
C829	1-163-038-00	CERAMIC CHIP 0.1MF 25V	
C831	1-126-154-11	ELECT 47MF 20%	6.3V

C832	1-163-038-00	CERAMIC CHIP 0.1MF 25V	
C833	1-164-232-11	CERAMIC CHIP 0.01MF 10%	50V
C834	1-163-038-00	CERAMIC CHIP 0.1MF 25V	
C835	1-164-232-11	CERAMIC CHIP 0.01MF 10%	50V
C836	1-164-232-11	CERAMIC CHIP 0.01MF 10%	50V
C838	1-163-087-00	CERAMIC CHIP 4PF 0.25PF	50V
C850	1-164-232-11	CERAMIC CHIP 0.01MF 10%	50V
C851	1-163-120-00	CERAMIC CHIP 130PF 5%	(SLV-676 UC) 50V
C852	1-163-117-00	CERAMIC CHIP 100PF 5%	(SLV-676 UC) 50V
C853	1-163-121-00	CERAMIC CHIP 150PF 5%	(SLV-676 UC) 50V
C854	1-163-109-00	CERAMIC CHIP 47PF 5%	50V
C855	1-163-038-00	CERAMIC CHIP 0.1MF 25V	(SLV-676 UC)
C856	1-126-157-11	ELECT 10MF 20%	16V (SLV-676 UC)
C857	1-163-038-00	CERAMIC CHIP 0.1MF 25V	
C858	1-163-038-00	CERAMIC CHIP 0.1MF 25V	

CONNECTOR

CN101	1-506-487-11	PIN, CONNECTOR 8P	
CN801	1-565-759-11	CONNECTOR, BOARD TO BOARD 13P	
CN802	1-506-490-21	PIN, CONNECTOR 11P	
CN803	1-506-486-11	PIN, CONNECTOR 7P	
CN804	*1-564-031-00	PIN, CONNECTOR 6P	

DIODE

D102	8-719-400-18	DIODE MA152WK	
D801	8-719-400-18	DIODE MA152WK	
D802	8-719-400-18	DIODE MA152WK	
D803	8-719-400-18	DIODE MA152WK	

IC

IC101	8-759-320-55	IC HA12115MP	
IC801	8-759-320-52	IC HA118019NT	

COIL

L101	1-407-169-XX	INDUCTOR 100UH	
L102	1-407-169-XX	INDUCTOR 100UH	
L801	1-407-169-XX	INDUCTOR 100UH	
L802	1-408-975-21	INDUCTOR 27UH	
L803	1-408-970-21	INDUCTOR 10UH	
L804	1-408-985-21	INDUCTOR 180UH	
L805	1-407-169-XX	INDUCTOR 100UH	
L806	1-407-169-XX	INDUCTOR 100UH	
L807	1-408-979-21	INDUCTOR 56UH	
L808	1-408-973-21	INDUCTOR 18UH	
L809	1-408-976-21	INDUCTOR 33UH	

When indicating parts by reference number, please include the board name.

RP-63

TK-11

SH-10

VI-91

MD-49

Ref.No	Part No.	Description	Remark
L850	1-408-972-21	INDUCTOR 15UH (SLV-676 UC)	
L851	1-407-169-XX	INDUCTOR 100UH (SLV-676 UC)	
<u>TRANSISTOR</u>			
Q101	8-729-216-22	TRANSISTOR 2SA1162	
Q801	8-729-216-22	TRANSISTOR 2SA1162	
Q802	8-729-901-78	TRANSISTOR 2SC2412K-R	
Q803	8-729-901-78	TRANSISTOR 2SC2412K-R	
Q804	8-729-901-01	TRANSISTOR DTC144EK	
Q805	8-729-901-01	TRANSISTOR DTC144EK	
Q806	8-729-901-01	TRANSISTOR DTC144EK	
Q850	8-729-101-07	TRANSISTOR 2SB798-DL	
Q851	8-729-901-01	TRANSISTOR DTC144EK	
Q852	8-729-216-22	TRANSISTOR 2SA1162(SLV-676 UC)	
Q853	8-729-216-22	TRANSISTOR 2SA1162(SLV-676 UC)	
Q854	8-729-901-01	TRANSISTOR DTC144EK(SLV-676 UC)	
<u>RESISTOR</u>			
R101	1-216-019-00	METAL GLAZE 56 5% 1/10W	
R102	1-216-001-00	METAL GLAZE 10 5% 1/10W	
R104	1-216-079-00	METAL GLAZE 18K 5% 1/10W	
R105	1-216-304-11	METAL GLAZE 3.3 5% 1/10W	
R106	1-216-073-00	METAL GLAZE 10K 5% 1/10W	
R107	1-216-304-11	METAL GLAZE 3.3 5% 1/10W	
R108	1-216-061-00	METAL GLAZE 3.3K 5% 1/10W	
R110	1-216-295-00	METAL GLAZE 0 5% 1/10W	
R111	1-216-057-00	METAL GLAZE 2.2K 5% 1/10W	
R120	1-216-295-00	METAL GLAZE 0 5% 1/10W	
R124	1-216-295-00	METAL GLAZE 0 5% 1/10W	
R140	1-216-296-00	METAL GLAZE 0 5% 1/8W	
R801	1-216-031-00	METAL GLAZE 180 5% 1/10W	
R802	1-216-031-00	METAL GLAZE 180 5% 1/10W	
R803	1-216-025-00	METAL GLAZE 100 5% 1/10W	
R804	1-216-025-00	METAL GLAZE 100 5% 1/10W	
R805	1-216-081-00	METAL GLAZE 22K 5% 1/10W	
R806	1-216-113-00	METAL GLAZE 470K 5% 1/10W	
R807	1-216-073-00	METAL GLAZE 10K 5% 1/10W	
R808	1-216-073-00	METAL GLAZE 10K 5% 1/10W	
R809	1-216-081-00	METAL GLAZE 22K 5% 1/10W	
R810	1-216-073-00	METAL GLAZE 10K 5% 1/10W	
R811	1-216-049-00	METAL GLAZE 1K 5% 1/10W	
R812	1-216-057-00	METAL GLAZE 2.2K 5% 1/10W	
R813	1-216-057-00	METAL GLAZE 2.2K 5% 1/10W	
R814	1-216-039-00	METAL GLAZE 390 5% 1/10W	
R815	1-216-039-00	METAL GLAZE 390 5% 1/10W	
R816	1-216-047-00	METAL GLAZE 820 5% 1/10W	
R817	1-216-067-00	METAL GLAZE 5.6K 5% 1/10W	
R818	1-216-057-00	METAL GLAZE 2.2K 5% 1/10W	
R819	1-216-041-00	METAL GLAZE 470 5% 1/10W	
R820	1-216-045-00	METAL GLAZE 680 5% 1/10W	
R821	1-216-043-00	METAL GLAZE 560 5% 1/10W	
R822	1-216-049-00	METAL GLAZE 1K 5% 1/10W	
R823	1-216-047-00	METAL GLAZE 820 5% 1/10W	
R824	1-216-051-00	METAL GLAZE 1.2K 5% 1/10W	
R826	1-216-109-00	METAL GLAZE 330K 5% 1/10W	
R827	1-216-049-00	METAL GLAZE 1K 5% 1/10W	
R828	1-216-057-00	METAL GLAZE 2.2K 5% 1/10W	
R829	1-216-055-00	METAL GLAZE 1.8K 5% 1/10W	
R830	1-216-073-00	METAL GLAZE 10K 5% 1/10W	
R831	1-216-073-00	METAL GLAZE 10K 5% 1/10W	
R832	1-216-059-00	METAL GLAZE 2.7K 5% 1/10W	
R833	1-216-049-00	METAL GLAZE 1K 5% 1/10W	
R850	1-216-067-00	METAL GLAZE 5.6K 5% 1/10W	
R851	1-216-043-00	METAL GLAZE 560 5% 1/10W	(SLV-676 UC)

Ref.No	Part No.	Description	Remark
R852	1-216-049-00	METAL GLAZE 1K 5% 1/10W	(SLV-676 UC)
R853	1-216-047-00	METAL GLAZE 820 5% 1/10W	(SLV-676 UC)
R854	1-216-089-00	METAL GLAZE 47K 5% 1/10W	(SLV-676 UC)
R855	1-216-093-00	METAL GLAZE 68K 5% 1/10W	(SLV-676 UC)
R856	1-216-748-11	METAL GLAZE 39K 5% 1/10W	(SLV-676 UC)
R857	1-216-069-00	METAL GLAZE 6.8K 5% 1/10W	(SLV-676 UC)
<u>SWITCH</u>			
S801	1-570-856-11	SWITCH. SLIDE (SLV-575 UC)	

* 1-634-952-11 TK-11 BOARD (Ref. No. 6000 Series)			

<u>CONNECTOR</u>			
CN601	1-563-612-21	CONNECTOR, FLEXIBLE 9P	
CN602	1-569-671-11	CONNECTOR, BOARD TO BOARD 10P	

* 1-634-953-11 SH-10 BOARD (Ref. No. 6000 Series)			

<u>CONNECTOR</u>			
CN901	1-569-673-11	CONNECTOR, BOARD TO BOARD 12P	
<u>SWITCH</u>			
S901	1-572-361-11	SWITCH, ROTARY (SHUTTLE SW)	

* 1-634-956-11 VI-91 BOARD (Ref. No. 1000 Series)			

<u>CONNECTOR</u>			
CN201	1-563-599-11	CONNECTOR, FLEXIBLE 22P	
CN204	* 1-506-744-11	PIN, CONNECTOR 15P	
CN205	* 1-506-744-11	PIN, CONNECTOR 15P	
CN206	1-506-490-21	PIN, CONNECTOR 11P	

* A-6754-066-A MD-49 BOARD, COMPLETE (Ref. No. 2000 Series)			

* 3-736-144-01 HOLDER, LED			
3-736-149-01 HOLDER, ST SENSOR			
<u>CAPACITOR</u>			
C001	1-161-494-00	CERAMIC 0.022MF 25V	
C002	1-161-494-00	CERAMIC 0.022MF 25V	
C003	1-126-157-11	ELECT 10MF 20% 16V	
C004	1-161-379-00	CERAMIC 0.01MF 30% 16V	
C005	1-126-157-11	ELECT 10MF 20% 16V	
C006	1-124-589-11	ELECT 47MF 20% 10V	
C008	1-164-159-11	CERAMIC 0.1MF 50V	
C009	1-164-159-11	CERAMIC 0.1MF 50V	
C011	1-162-849-11	CERAMIC 0.068MF 10% 16V	
C012	1-162-849-11	CERAMIC 0.068MF 10% 16V	

When indicating parts by reference number, please include the board name.

Ref.No	Part No.	Description	Remark
C013	1-162-849-11	CERAMIC	0.068MF 10% 16V
C014	1-126-160-11	ELECT	1MF 20% 50V
C016	1-124-589-11	ELECT	47MF 20% 16V
C017	1-126-162-11	ELECT	3.3MF 20% 25V
C018	1-124-589-11	ELECT	47MF 20% 16V
C019	1-124-589-11	ELECT	47MF 20% 16V
C020	1-164-159-11	CERAMIC	0.1MF 50V

CONNECTOR

CN001	1-506-494-11	PIN, CONNECTOR 15P	
CN002	1-569-335-11	CONNECTOR, BOARD TO BOARD 9P	
CN003	1-569-334-11	CONNECTOR, BOARD TO BOARD 5P	
CN004	1-563-622-21	CONNECTOR, FLEXIBLE 19P	
CN005	*1-506-482-11	PIN, CONNECTOR 3P	
CN006	1-569-333-11	CONNECTOR, BOARD TO BOARD 3P	
CN007	1-563-622-21	CONNECTOR, FLEXIBLE 19P	
CN008	*1-506-482-11	PIN, CONNECTOR 3P	

DIODE

D001	8-719-974-65	DIODE GL451V (LED)	
D002	8-719-109-93	DIODE RD6.2ESB2	
D003	8-719-109-93	DIODE RD6.2ESB2	
D004	8-719-109-93	DIODE RD6.2ESB2	
D005	8-719-109-93	DIODE RD6.2ESB2	

IC

IC002	8-759-938-12	IC BA10324	
IC004	A8-759-234-03	IC TA8424F	

PHOTOSENSOR

PH001	8-759-144-33	PHOTO SENSOR PS6002	
PH002	8-759-144-33	PHOTO SENSOR PS6002	

TRANSISTOR

Q001	8-729-921-53	PHOTO TRANSISTOR PT483F1	
Q002	8-729-921-53	PHOTO TRANSISTOR PT483F1	

RESISTOR

R001	1-249-423-11	CARBON	3.3K	5%	1/4W
R002	1-249-423-11	CARBON	3.3K	5%	1/4W
R003	1-249-426-11	CARBON	5.6K	5%	1/4W
R004	1-249-426-11	CARBON	5.6K	5%	1/4W
R005	1-249-415-11	CARBON	680	5%	1/4W
R006	1-249-441-11	CARBON	100K	5%	1/4W
R007	1-249-441-11	CARBON	100K	5%	1/4W
R008	1-249-425-11	CARBON	4.7K	5%	1/4W
R009	1-249-409-11	CARBON	220	5%	1/4W
R010	1-249-425-11	CARBON	4.7K	5%	1/4W
R011	1-249-437-11	CARBON	47K	5%	1/4W
R012	1-249-421-11	CARBON	2.2K	5%	1/4W
R013	1-249-429-11	CARBON	10K	5%	1/4W
R014	1-249-426-11	CARBON	5.6K	5%	1/4W
R015	1-249-437-11	CARBON	47K	5%	1/4W
R016	1-249-421-11	CARBON	2.2K	5%	1/4W
R019	A1-249-377-11	CARBON	0.47	5%	1/4W
R020	1-249-406-11	CARBON	120	5%	1/4W
R021	1-249-383-11	CARBON	1.5	5%	1/4W
R022	1-249-408-11	CARBON	180	5%	1/4W
R023	1-249-414-11	CARBON	560	5%	1/4W
R024	1-249-417-11	CARBON	1K	5%	1/4W
R025	1-247-891-00	CARBON	330K	5%	1/4W
R027	1-249-383-11	CARBON	1.5	5%	1/4W
R028	1-249-383-11	CARBON	1.5	5%	1/4W

Ref.No	Part No.	Description	Remark
--------	----------	-------------	--------

SWITCH

S001	1-570-953-11	SWITCH, PUSH (1 KEY) (CASSETTE IN)	
S002	1-570-953-11	SWITCH, PUSH (1 KEY) (REC PROOF)	

*1-635-225-11 SI-10 BOARD (Ref. No. 3000 Series) (SLV-676 UC)

CAPASITOR

C847	1-162-306-11	CERAMIC	0.01MF	20%	16V
C848	1-162-306-11	CERAMIC	0.01MF	20%	16V

CONNECTOR

CN801	1-569-761-11	CONNECTOR BOARD TO BOARD 20P	
-------	--------------	------------------------------	--

IC

IC810	8-759-602-49	IC M5201P	
IC811	8-759-923-90	IC BA4560	
IC812	8-759-040-70	IC MC14070BCP	

RESISTOR

R860	1-249-435-11	CARBON	33K	5%	1/4W
R861	1-249-435-11	CARBON	33K	5%	1/4W
R862	1-249-432-11	CARBON	18K	5%	1/4W

MISCELLANEOUS

M901	8-848-515-11	DRUM ASSY DZH-11B (SLV-676 UC)	
M901	8-848-518-01	DRUM ASSY DZH-14B (SLV-575 UC)	
M902	8-835-394-01	MOTOR, DC U-26F (CAPSTAN)	
M903	X-3733-302-1	MOTOR ASSY, CAM	
M904	X-3727-784-1	MOTOR ASSY (LOADING)	
S1	A1-571-920-11	SWITCH, ROTARY	
	A1-413-532-11	SWITCHING BLOCK (POWER BLOCK)	
	1-466-164-11	MODULATOR, RF (RFU-1015)	
	1-537-290-11	TERMINAL BOARD (SLV-575 UC)	
	1-537-290-21	TERMINAL BOARD (SLV-676 UC)	
	1-543-647-11	HEAD, FE	
	1-558-924-41	CABLE, PIN	
	1-575-745-11	WIRE, FLAT TYPE (19 CORE)	
	1-575-746-11	WIRE, FLAT TYPE (22 CORE)	
	A-6761-129-A	HEAD BLOCK ASSY, ACE	

ACCESSORIES AND PACKING MATERIALS

1-417-139-11	MATCHING TRANSFORMER, ANTENNA
1-465-473-11	REMOTE COMMANDER (RMT-V 575A)
1-465-474-11	REMOTE COMMANDER (RMT-V 676A)
1-558-076-41	CORD, CONNECTION
1-575-334-11	CORD, CONNECTION
	MANUAL, INSTRUCTION (SLV-575 UC)
	MANUAL, INSTRUCTION (SLV-676 UC)
*3-738-213-01	CASE, ACCESSORY
*3-743-684-01	CUSHION, UPPER
*3-743-685-01	CUSHION, LOWER
*3-743-687-01	INDIVIDUAL CARTON (SLV-575 UC)
*3-743-687-11	INDIVIDUAL CARTON (SLV-676 UC)

When indicating parts by reference number, please include the board name.

Note:
The components identified by mark **A** or dotted line with mark **A** are critical for safety. Replace only with part number specified.

Note:
Les composants identifiés par une marque **A** sont critiques pour la sécurité. Ne les remplacer que par une pièce portant le numéro spécifié.

Ref.No Part No. Description Remark

HARDWARE LIST

SET-SCT.

7-621-732-08 SET-SCT,HEX. 2X3 FLAT POINT

RING

7-624-102-04 STOP RING 1.5, TYPE -E

SCREW, PRECISION

7-627-552-08 SCREW,PRECISION +P 1.7X2.5

SCREW

7-628-254-00 SCREW +PS 2.6X5

7-682-548-04 SCREW +P 3X8

7-685-646-79 SCREW +P 3X8 TYPE2 NON-SLIT

7-685-648-79 SCREW +P 3X12 TYPE2 NON-SLIT

7-685-233-19 SCREW +KTP 2.6X6 TYPE2 SLIT

7-685-534-19 SCREW +BTP 2.6X8 TYPE2 N-S

7-685-646-79 SCREW +BVTP 3X8 TYPE2 IT-3

7-685-647-79 SCREW +BVTP 3X10 TYPE2 IT-3

7-621-255-25 SCREW +PTT 2X4 (S)

7-682-547-04 SCREW +BVTT 3X6 (S)

SECTION 7 ELECTRICAL ADJUSTMENT

Refer to the "VHS MECHANICAL ADJUSTMENTS MANUAL II" for MECHANICAL ADJUSTMENTS.

During the Adjustments, See the Parts Arrangement Diagram for the Adjustments on Page 114 - 115.

Necessary items and indications for total adjustment of electric circuit of this machine will be described in this chapter.

[Using Instruments]

- 1) Color TV
- 2) Oscilloscope 1 or 2 phenomera, band 15MHz min, delay mode, as provided.
- 3) Frequency counter (min. 8 digits)
- 4) NTSC pattern generator
- 5) Digital voltmeter
- 6) Audio level meter
- 7) Audio generator
- 8) Attenuator
- 9) Distortion factor meter
- 10) Audio multiplex signal generator
- 11) Alignment tape
 - Part Code: H7099046H (MH-1)
 - H7099153H (HiFi 400Hz)

[Connection]

Unless otherwise specified, connect and adjust the measuring instruments as shown in the following diagram.

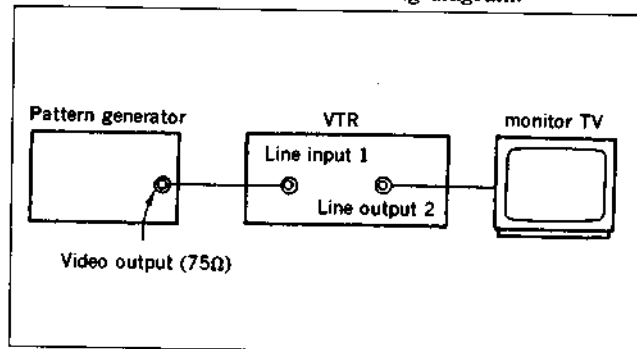


Fig. 7-1.

[Set-up Adjustment]

In this adjustment, NTSC pattern generator is connected with VHF antenna terminal and used as RF input signal. Which is processed through the tuner and IF circuit in VTR.

[Alignment Tape (MH-1)]

	Mode	Time	Video signal	Audio signal
1	SP	10 minutes	Stair-step	7 kHz
2		5 minutes	—	3 kHz
3		10 minutes	Color bar	1 kHz
4		3 minutes	RF sweep	—

[Standard input/output level and impedance] Input/output terminal

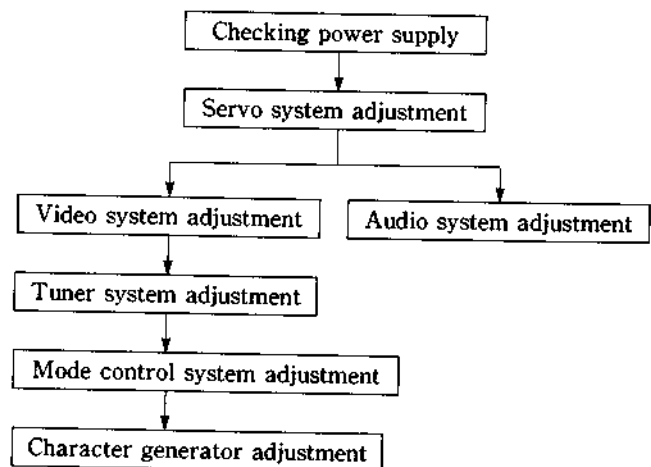
LINE IN 1 and 2 VIDEO IN (phono jack)
 Input signal: 1Vp-p, 75 ohms, unbalanced, sync negative
 AUDIO IN (phono jack)
 Input level: -10 dBs (0 dBs = 0.775Vrms)
 Input impedance: more than 47 kilohms

LINE OUT VIDEO OUT (phono jack)
 Output signal: 1Vp-p, 75 ohms, unbalanced, sync negative
 AUDIO OUT (phono jack)
 Standard output: -10 dBs at load impedance 47 kilohms
 Output impedance: less than 10 kilohms

MONITOR OUT VIDEO OUT (phono jack)
 Output signal: 1Vp-p, 75 ohms, unbalanced, sync negative
 AUDIO OUT (phono jack)
 Standard output: -10dBs at load impedance 47 kilohms
 Output impedance: less than 10 kilohms

[Adjusting Sequence]

Make the electrical adjustment in the following sequence.



7-1. POWER SUPPLY ADJUSTMENT

7-1-1. Power Supply Adjustment (Power Block)

Mode	E-E
Measurement equipment	Digital voltmeter
MTR 12V adjustment	
Measurement point	CN412 pin ⑨
Adjustment resistor	R203 (0 to 1k Ω) R204 (0 to 1k Ω)
Specified value	12.0 \pm 0.1Vdc
SWD 5V adjustment	
Measurement point	CN411 pin ③
Adjustment resistor	R208 (100 to 680 Ω)
Specified value	5.3 $\pm_{0.1}^{0.15}$ Vdc
UN 5.8V adjustment	
Measurement point	CN411 pin ①
Adjustment resistor	R212 (1 to 2.2k Ω) R213 (1 to 2.2k Ω)
Specified value	5.8 \pm 0.15Vdc

[Adjustment Method]

- 1) Confirm that each voltage satisfies its specified value.
- 2) If not met, adjust to specified value with adjustment resistor.

7-1-2. Power Supply Check (Power Block)

Mode	E-E
Measurement equipment	Digital voltmeter
SWD 12V check	
Measurement point	CN411 pin ⑩
Specified value	12.0 \pm 0.3Vdc
UN 35V check	
Measurement point	CN411 pin ⑨
Specified value	37 \pm 3Vdc
UN -30V check	
Measurement point	CN412 pin ③
Specified value	-29.0 \pm 2.5Vdc
Heater 3.2V check	
Measurement point	Between CN412 pin ④ and ⑤
Specified value	3.2 \pm 0.3Vdc
SWD -6V check	
Measurement point	CN411 pin ⑧
Specified value	-6.0 \pm 0.5Vdc

[Checking Method]

- 1) Confirm that each voltage satisfies its specified value.

POWER BLOCK (CONDUCTOR SIDE)



Fig. 7-2.

7-2. SERVO SYSTEM ADJUSTMENT

7-2-1. Switching Position Adjustment 2 (MA-62 Board)

Mode	PB
Signal	Alignment tape SP stair-step
Measurement point	CH1: CN562 pin ④ CH2: CN582 pin ⑫ (RF SWP)
Measurement equipment	Oscilloscope
Adjustment element	RV501
Specified value	$6.5 \pm 0.5H$ ($410 \pm 30\mu\text{sec}$)

[Adjustment Method]

- 1) Adjust to $6.5 \pm 0.5H$ ($410 \pm 30\mu\text{sec}$) with RV501.

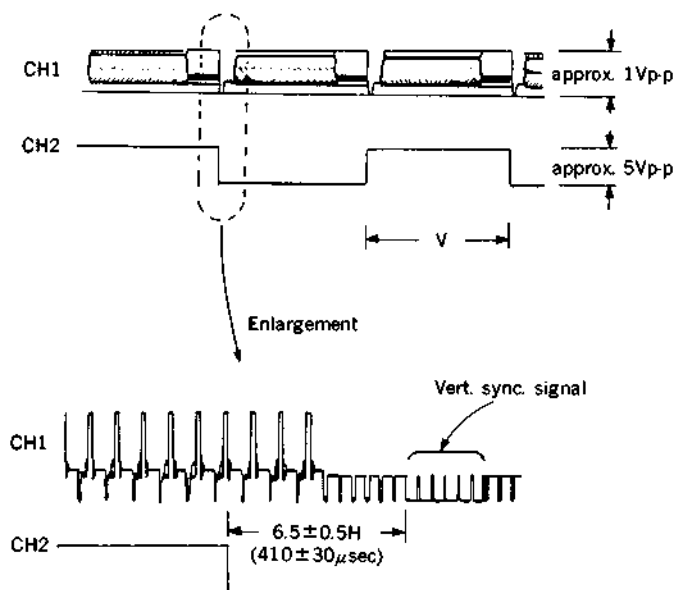


Fig. 7-3.

7-3. VIDEO SYSTEM ADJUSTMENT

Adjust the video system in the following sequence as a rule. The color video signal supplied from the pattern generator is used as a video input signal for video system adjustment in the recording mode.

Make sure that sync. and color burst signals meet requirements specified at set up of adjustment shown in Fig. 7-1.

[Adjustment Sequence]

7-3-1. Recording Y Signal Level Adjustment

7-3-2. Sync. AGC Adjustment

7-3-3. Sync. Tip Carrier Set and Deviation Adjustment

7-3-4. White Clip, Dark Clip Check

7-3-5. Playback Y Signal Level Adjustment

7-3-6. Recording Chroma Level Adjustment

7-3-7. CCD Level Adjustment

7-3-8. X'tal Oscillation Frequency Check

7-3-1. Recording Y Signal Level Adjustment (YC-59 Board/RP-63 Board)

Mode	REC
Signal	None
Measurement point	CN804 pin ③ (RP-63 board)
Measurement equipment	Oscilloscope
Adjustment element	RV001 (YC-59 board)
Specified value	$1.8 \pm 0.1V_{p-p}$

[Adjustment Method]

- 1) Adjust to $1.8 \pm 0.5V_{p-p}$ with RV001.



Fig. 7-4.

7-3-2. Sync. AGC Adjustment (YC-59 Board)

Mode	E-E
Signal	Color bar
Measurement point	VIDEO OUT terminal
Measurement equipment	Oscilloscope
Adjustment element	RV002
Specified value	$1.00 \pm 0.05V_{p-p}$

[Adjustment Method]

- 1) Adjust to $1.00 \pm 0.05V_{p-p}$ with RV002.

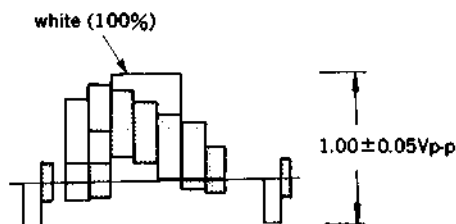


Fig. 7-5.

7-3-3. Sync. Tip Carrier Set and Deviation Adjustment (YC-59 Board)

Before starting this adjustment, be sure to check that playback Y signal level adjustment has been completed.

Sync tip carrier set	
Mode	E-E
Signal	None (Note 2)
Measurement point	IC001 pin ②
Measurement equipment	Frequency counter
Adjustment element	RV004
Specified value	$3.45 \pm 0.05MHz$
Deviation adjustment	
Mode	REC and PB
Signal	Color bar
Measurement point	VIDEO OUT terminal
Measurement equipment	Oscilloscope
Adjustment element	RV003
Specified value	$1.00 \pm 0.05V_{p-p}$

Note 1 : Video output terminal must be terminated at 75Ω .

Note 2 : To make no signal input, insert a shorting plug into a video input terminal.

[Adjustment Method]

- 1) Input the color bar signal to place the system in the E-E mode.
- 2) Make a no-signal state and select the E-E mode. (Note 2)
- 3) Connect the frequency counter to the IC001 pin ② and adjust to $3.45 \pm 0.05MHz$ with RV004.
- 4) Input the color bar signal to make recording.
- 5) Play back a recorded tape portion and check the playback Y signal level of VIDEO OUT terminal.
Specified value: $1.00 \pm 0.05V_{p-p}$.
- 6) When the specified value is not met, input the color bar signal to select the E-E mode. Adjust RV003 to correct a playback Y signal level error, and then, repeat the steps 2) through 5) above.

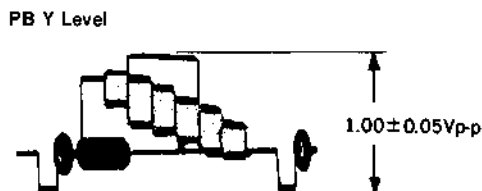


Fig. 7-6. Deviation adjustment

7-3-4. White Clip, Dark Clip Check (YC-59 Board)

Mode	E-E
Signal	Color bar
Measurement point	IC001 pin ②
Measurement equipment	Oscilloscope
Specified value	White clip : $190 \pm 10\%$ Dark clip : $40 \pm 10\%$

[Adjustment Method]

- 1) Confirm the white clip level to $190 \pm 10\%$ of the white level (100%).
- 2) Confirm the dark clip level to $40 \pm 10\%$ of the white level (100%).



Fig. 7-7.

7-3-5. Playback Y Signal Level Adjustment (YC-59 Board)

Mode	PB
Signal	Alignment tape SP color bar
Measurement point	VIDEO OUT terminal
Measurement equipment	Oscilloscope
Adjustment element	RV005

Note : Make this adjustment with the EDIT switch turned off.

[Adjustment Method]

- 1) Adjust to $1.00 \pm 0.05V_{p-p}$ with RV005.

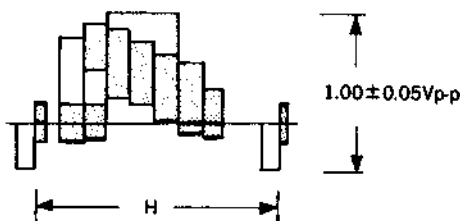


Fig. 7-8.

7-3-6. Recording Chroma Level Adjustment (YC-59 Board)

Mode	E-E
Signal	Color bar
Measurement point	CN002 pin ⑧
Measurement equipment	Oscilloscope
Adjustment element	RV007
Specified value	$130 \pm 10mV_{p-p}$

[Adjustment Method]

- 1) Adjust to $130 \pm 10mV_{p-p}$ with RV007.

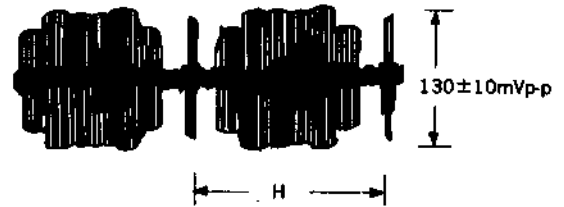


Fig. 7-9.

7-3-7. CCD Level Adjustment (YC-59 Board)

Mode	PB
Signal	Alignment tape SP color bar
Measurement point	IC001 pin ⑨ and ⑩ (INV mode) ADD
Measurement equipment	Oscilloscope
Adjustment element	RV006
Specified value	Minimum (within $150mV_{p-p}$)

[Adjustment Method]

- 1) Adjust the level to the minimum (within $150mV_{p-p}$) with RV006.

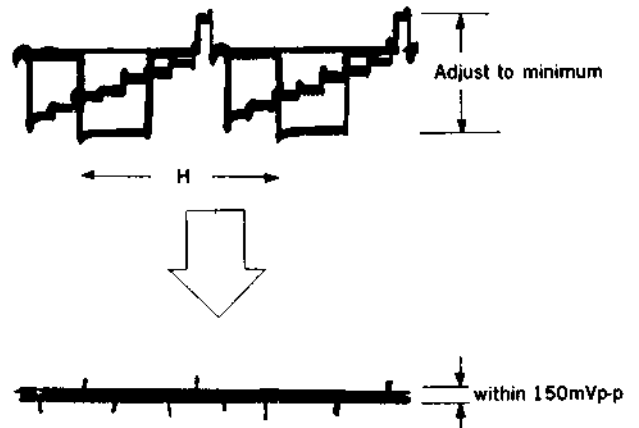


Fig. 7-10.

7-3-8. X'tal Oscillation Frequency Check (YC-59 Board)

Mode	PB
Signal	Alignment tape SP color bar
Measurement point	IC002 pin ⑨
Measurement equipment	Frequency counter, Oscilloscope
Specified value	3,579,545 ± 50Hz

Note : Connect the frequency counter through a probe of high input impedance (about 10MΩ) and low capacity (10pF or less).

[Adjustment Method]

- 1) Confirm 3,579,545 ± 50Hz.
- 2) At the same time confirm the level is 240 ± 100mVp-p.

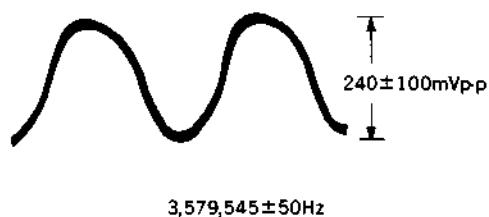


Fig. 7-11.

7-4. AUDIO SYSTEM ADJUSTMENT

• Adjust the audio system in the SP mode, unless otherwise specified.

Use the alignment tape.

• Adjust both LCH and RCH.

[Connection]

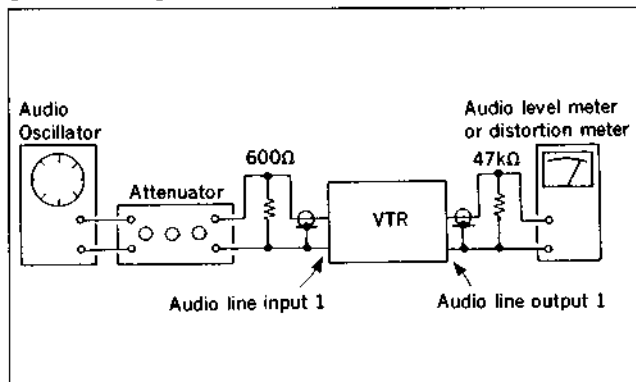


Fig. 7-12.

7-4-1. Hi-Fi Audio System Adjustment

Set switches and knobs to the following positions to make adjustment, unless otherwise specified.

INPUT SELECT switch LINE 1

MPX FILTER switch OFF

REC LEVEL knob Adjust to -21dBs on CN001 pins ① and ② of HF-9 board.

[Adjustment Sequence]

1. VCO fo Adjustment
2. AFM Deviation Adjustment
3. Carrier Frequency Check
4. Switching Pulse Position
5. PB RF Level Adjustment
6. PB Level Adjustment

1. VCO fo Adjustment (HF-9 Board)

Mode	REC
Signal	None
Measurement equipment	Frequency counter
1.3MHz Adjustment	
Measurement point	IC002 pin ③
Adjustment element	RV008
Specified Value	1,300 ± 2kHz
1.7MHz Adjustment	
Measurement point	IC002 pin ⑩
Adjustment element	RV002
Specified Value	1,700 ± 2kHz

Note : Connect the frequency counter through a probe of high input impedance (about 10MΩ) and low capacity (10pF or less).

[Adjustment Method]

- 1) Adjust with RV002 and RV008 so that each frequency becomes its specified value.

2. AFM Deviation Adjustment (HF-9 Board)

Mode	REC
Signal	Standard input
Measurement point	IC002 pin ③ (L ch) IC002 pin ⑩ (R ch)
Measurement equipment	Frequency counter
Adjustment element	RV009 (L ch) RV003 (R ch)
Specified value	50.0 ± 0.1kHz (both channels)

[Adjustment Method]

- 1) Adjust with RV009 (Lch) and RV003 (Rch) so that the frequency on IC002 pin ③ (Lch) or pin ⑩ (Rch) becomes its specified value.

3. Carrier Frequency Check (HF-9 Board)

Mode	Make JW030+5Vdc
Measurement Equipment	Frequency counter
1.3MHz Check	
Measurement point	IC002 pin ③
Specified Value	1.3MHz ± 2kHz
1.7MHz Check	
Measurement point	IC002 pin ⑩
Specified Value	1.7MHz ± 2kHz

Note: Connect the frequency counter through a probe of high input impedance (about 10MΩ) and low capacity (10pF or less).

[Checking Method]

- 1) Confirm the frequency on each position becomes its specified value.

4. Switching pulse position Adjustment (HF-9 Board)

Mode	PB
Signal	HiFi recorded tape
Measurement point	CN571 pin ⑨ and ⑮ (MA-62 board)
Measurement equipment	Oscilloscope
Adjustment element	RV006
Specified value	Fig. 7-13.

[Adjustment Method]

- 1) Adjust with RV006 so that the RF doesn't drop out at the switching position.

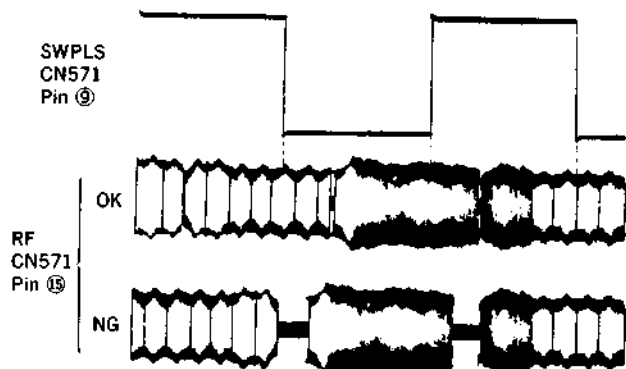


Fig. 7-13.

5. PB RF Level Adjustment (HF-9 Board)

Mode	PB
Signal	Carrier Frequency : 1.3MHz, not modulated - 22dBs signal to CN002 pin ③ and ④, 333Hz, -8dBs signal to CN001 pin ⑧.
Measurement point	IC002 pin ⑪ CN001 pin ④ and ⑤
Measurement equipment	Digital volt meter Audio level meter
Adjustment element	RV005

[Adjustment Method]

- 1) Adjust with RV005 so that the voltage on IC002 pin ⑪ becomes low (0Vdc) and next it becomes high (3.3Vdc or more.)
- 2) When IC002 pin ⑪ becomes high, confirm the 333Hz, -8dBs signal is out from CN001 pins ④ and ⑤.

6. PB Level Adjustment (HF-9 Board)

Mode	PB
Signal	Alignment tape (HiFi 400Hz)
Measurement point	LINE OUT (Lch, Rch)
Measurement equipment	Audio level meter
Adjustment element	RV007 (Lch) RV004 (Rch)
Specified value	-7.5 ± 0.1dBs

[Adjustment Method]

- 1) Adjust with RV007 (Lch) and RV004 (Rch) so that the reading on audio level meter becomes its specified value.

7-4-2. Normal Audio System Adjustment

- Make adjustment in the SP mode, unless otherwise specified.

Use a normal VHS cassette for an adjustment tape.

- Make adjustment with the switches set to the following positions:

INPUT SELECT LINE 1
AUDIO MONITOR NORMAL

[Adjustment Sequence]

1. ACE Head Adjustment... See "VHS MECHANICAL ADJUSTMENT MANUAL II"
2. E-E Output Level Check
3. Recording Bias Adjustment
4. Overall Level Characteristic and Distortion Factor Check
5. Overall S/N Check

1. ACE Head Adjustment
See "VHS MECHANICAL ADJUSTMENT MANUAL II".

2. E-E Output Level Check

Mode	E-E
Signal	L, R : 400Hz, -7.5dBs
Measurement point	Audio output terminal
Measurement equipment	Audio level meter
Specified value	-7.5±2dBs

[Confirmation Method]

- 1) Simultaneously input a signal of 400Hz, -7.5dBs to both L and R channels of Audio Line Input.
- 2) Confirm that the audio output level is -7.5±2dBs.

3. Recording Bias Adjustment (MA-62 Board)

Mode	REC and PB
Signal	400Hz, -30dBs 7kHz, -30dBs
Measurement point	Audio output terminal
Measurement equipment	Audio level meter
Measurement element	RV251
Specified value	0±1dB

[Adjustment Method]

- 1) Supply a signal of 400Hz, -30dBs to Audio Line Input.
- 2) Connect the audio level meter to the Audio Line Output.
- 3) Adjust the attenuator so that the audio level meter will indicate -30dBs.
- 4) Make recording in the SP mode.
- 5) Set an audio line input signal to 7kHz and make recording.
- 6) Play back a recorded portion, and measure output levels at 400Hz and 7kHz.
- 7) Confirm that the 7kHz playback output level is within a range of the 400Hz playback output level 0 ± 1 dB. When it is out of this range, adjust RV251 and repeat the steps 1) through 7) above.

4. Overall Level Characteristic and Distortion Factor Check

Mode	REC and PB
Signal	400Hz, -7.5dBs
Measurement point	Audio output terminal
Measurement equipment	Audio level meter and distortion factor meter
Specified value	Playback level: -7.5±2dBs Distortion factor: 4% or less

[Confirmation Method]

- 1) Supply an audio signal of 400Hz, -7.5dBs simultaneously to both L and R channels of Audio Line Input.
- 2) Make recording.
- 3) Play back a recorded portion.
- 4) Confirm that a playback level is -7.5±2dBs.
- 5) Confirm that a distortion factor is within 4%.

5. Overall S/N Check

Mode	REC and PB
Signal	400Hz, -7.5dBs, and no signal
Measurement point	Audio output terminal
Measurement equipment	Audio level meter
Specified value	38dB or more

[Confirmation Method]

- 1) Supply a signal of 400Hz simultaneously to both L and R channels of Audio Line Input. Adjust the attenuator so that the L channel audio line output level will be -7.5dBs.
- 2) Make recording.
- 3) With the REC mode held, make the no-signal state. (Short an input for both L and R.)
- 4) Play back a recorded portion, and confirm that there is a level difference of 38dB or more between 400Hz portion and no-signal portion (immediately after a 400Hz signal).

7-5. TUNER SYSTEM ADJUSTMENT

7-5-1. RF AGC Adjustment

(IF001 Unit/TU-120 Board)

Signal	Broadcast TV signal
Adjustment element	VR of IF001 unit (Fig. 7-14.)

[Adjustment Method]

- 1) Adjust the monitor TV to maximum contrast.
- 2) Turn the VR to make snow noise visible.
- 3) Turn the VR in an opposite direction and set it to the point where the snow noise disappears.
- 4) Receive each channel and confirm that there are no beat picture corruption snow noise due to cross modulation.

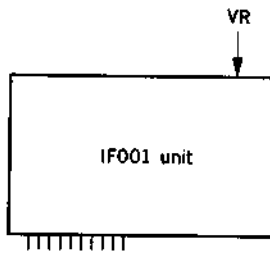


Fig. 7-14.

7-5-2. Separation Adjustment (TU-120 Board)

Signal	Stereo { Lch: 400Hz, 100%, modulation Rch: 2kHz, 100%, modulation
Connection point	Audio line output : L and R channels
Measurement point	Oscilloscope
Adjustment element	RV001, RV3 (MPX001), RV4 (MPX001)

[Setting of the switches]

REC LEVEL MF-92 board

RV104 (Rch) } Center click
RV103 (Lch) }

[Adjustment Method]

- 1) Set the audio multiplex signal generator in the Stereo mode, and set L CH to 400Hz, 100% modulation, and set R CH to 2kHz, 100% modulation.
- 2) Connect the oscilloscope to pin ⑨ of CN002.
- 3) Minimize the distortion of the output waveform of 2kHz with RV001. (Minimize the 400Hz component.)
- 4) Connect the oscilloscope to pin ⑩ of CN002.
- 5) Minimize the distortion of the output waveform of 400Hz with RV3 (internal of MPX001). (Minimize the 2kHz component.)
- 6) Connect the oscilloscope to pin ⑨ of CN002.
- 7) Minimize the distortion of the output waveform of 2kHz with RV4 (internal of MPX001). (Minimize the 400Hz component.)
- 8) Repeat the procedures 4) to 7) and perform the adjustment.

Note : From this to 7-7-8, setting should be performed on the horizontal condition.

7-5-3. Band Pass Filter to Check (TU-120 Board)

Signal	Monaural, stereo and dual sound
Measurement point	CN001 pins ⑤ and ⑥
Measurement equipment	Digital voltmeter
Specified value	Table 7-1.

[Confirmation Method]

- 1) Set the sound multiplex signal generator in the Dual Sound, Stereo and Monaural modes.
- 2) Confirm that the CN001 pins ⑤ and ⑥ meet their specified values.

Table 7-1.

	CN001 pin ⑤	CN001 pin ⑥
Monaural	H	H
Stereo	H	L
Dual sound	L	H

L : 0.5V DC or less
H : 3.5V DC or more

7-6. MODE CONTROL SYSTEM ADJUSTMENT

7-6-1. Clock Adjustment (MF-93 Board)

Measurement point	IC201 pin ⑧
Measurement equipment	Interval counter
Adjustment element	CV201
Specified value	0.125 ± 0.0000005 sec

[Adjustment Method]

- 1) Pass a 9-state binary counter through pin ⑧ of IC201, to divide the 4096Hz frequency nine times and transform to 8Hz. Measure the cycle.
- 2) Adjust CV201 so that an 8Hz cycle equals 0.125 ± 0.0000005 seconds.

Note : Do not adjust CV201 except when replacing micro-computers.

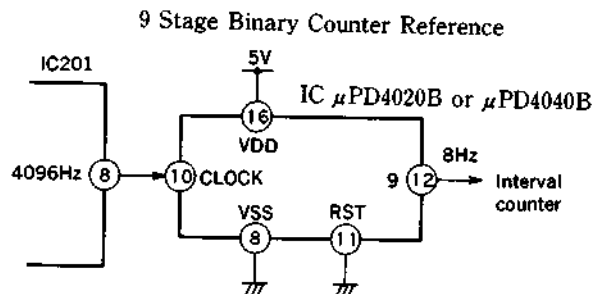


Fig. 7-15.

7-6-2. Level Meter Adjustment (MF-93 Board)

< >: Rch

Mode	E-E
Signal	400Hz, -7.5dBs
Input point	CN202 pin ⑫ <pin ⑪>
Adjustment element	RV201 <RV202>
Adjusting value	Level meter 0dBs segment lighting up

[Setting of the Switches]

INPUT SELECT : LINE 1 or 2

REC LEVEL control (MF-92 board RV103 <104>): Center click

[Adjustment Method]

- 1) Put 400Hz, -7.5dBs signal to CN202 pin ⑫ <pin ⑪>.
- 2) Adjust with RV201 <RV202> so that the level meter 0dB segment light up.

7-7. CHARACTER GENERATOR ADJUSTMENT

7-7-1. Clock Oscillation Frequency Check (CG-10 Board)

Mode	E-E
Signal	None
Measurement point	IC851 pin ⑤
Measurement equipment	Frequency counter
Specified value	14,318,180±100Hz

Note 1: Connect a 10kΩ resistor to the frequency counter.

Note 2: Connect the frequency counter through a probe of high input impedance (about 10MΩ) and low capacity (10pF or less).

[Checking Method]

- 1) Confirm that the frequency is 14,318,180±100Hz.

7-7-2. AFC Frequency Adjustment (CG-10 Board)

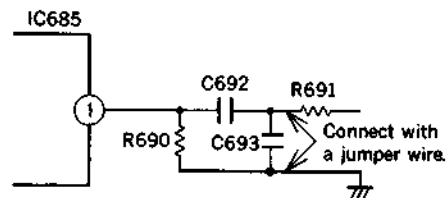
Mode	E-E
Signal	None
Measurement point	IC685 pin ⑧
Measurement equipment	Frequency counter
Adjustment element	RV685
Specified value	15,734±50Hz

Note 1: Connect a 10kΩ resistor to the frequency counter.

Note 2: Connect the frequency counter through a probe of high input impedance (about 10MΩ) and low capacity (10pF or less).

[Adjustment Method]

- 1) Connect with a jumper wire between not side of C693 and GND.



- 2) Adjust to 15,734±50Hz with RV685.

7-7-3. Character Position Check (CG-10 Board)

Mode	E-E
Signal	Color bar
Measurement point	IC851 pin ⑤
Measurement equipment	Frequency counter
Specified value	7.6±0.3MHz

Note 1: Connect a 10kΩ resistor to the frequency counter.

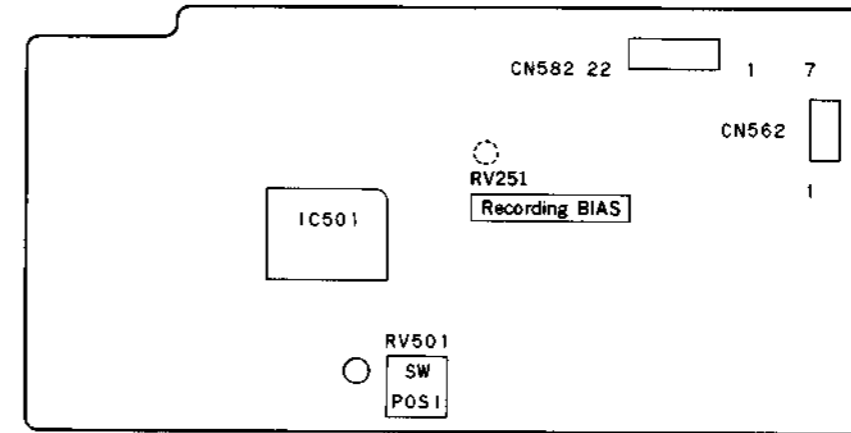
Note 2: Connect the frequency counter through a probe of high input impedance (about 10MΩ) and low capacity (10pF or less).

[Checking Method]

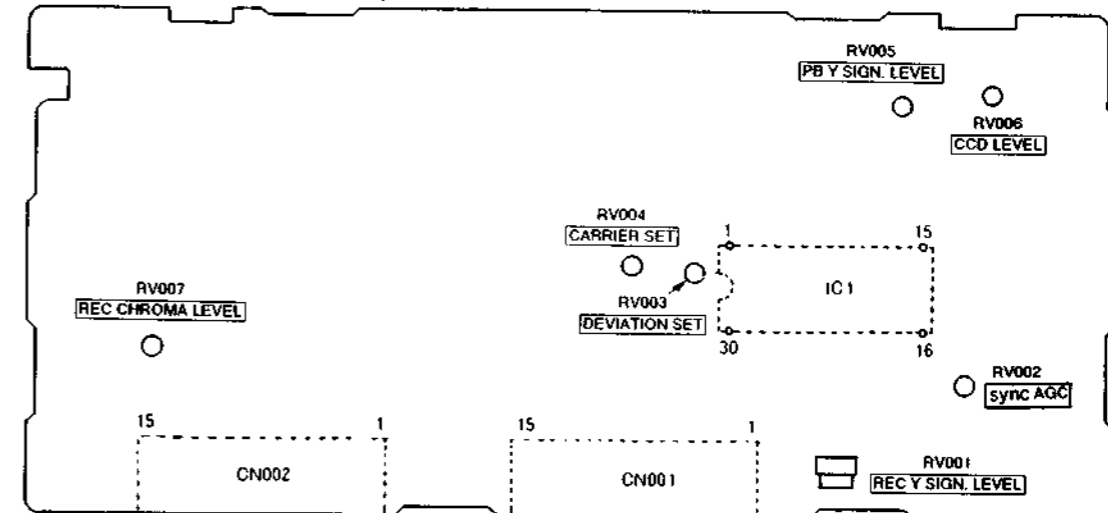
- 1) Confirm that the frequency is 7.6±0.3MHz.

7-8. PARTS ARRANGEMENT DIAGRAM FOR THE ADJUSTMENT

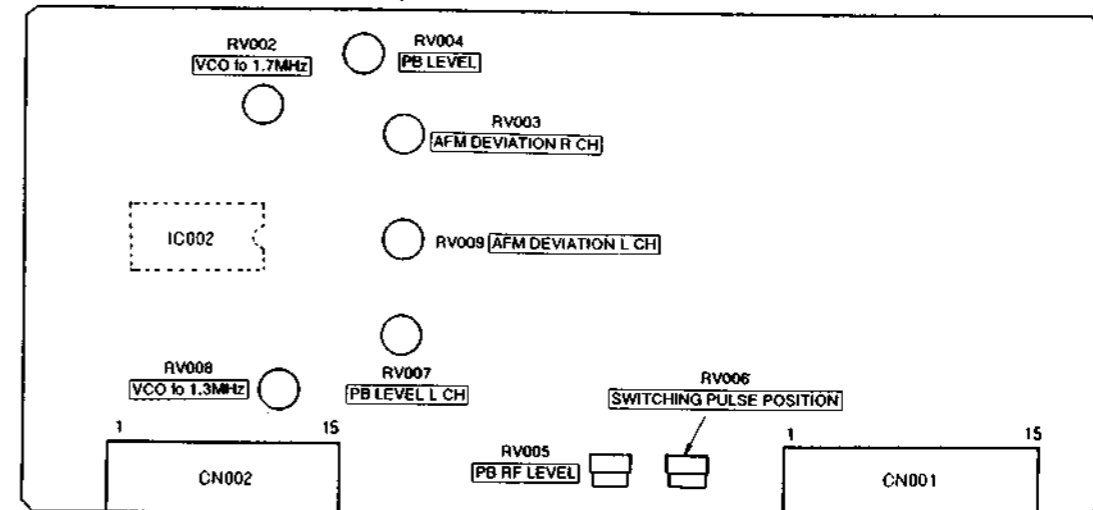
MA-62 BOARD (CONDUCTOR SIDE)



YC-59 Board (Conductor Side)

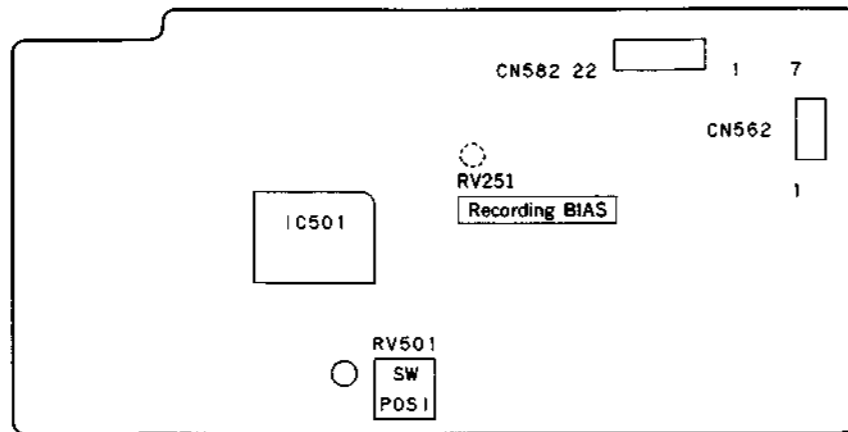


HF-9 BOARD (Component Side)

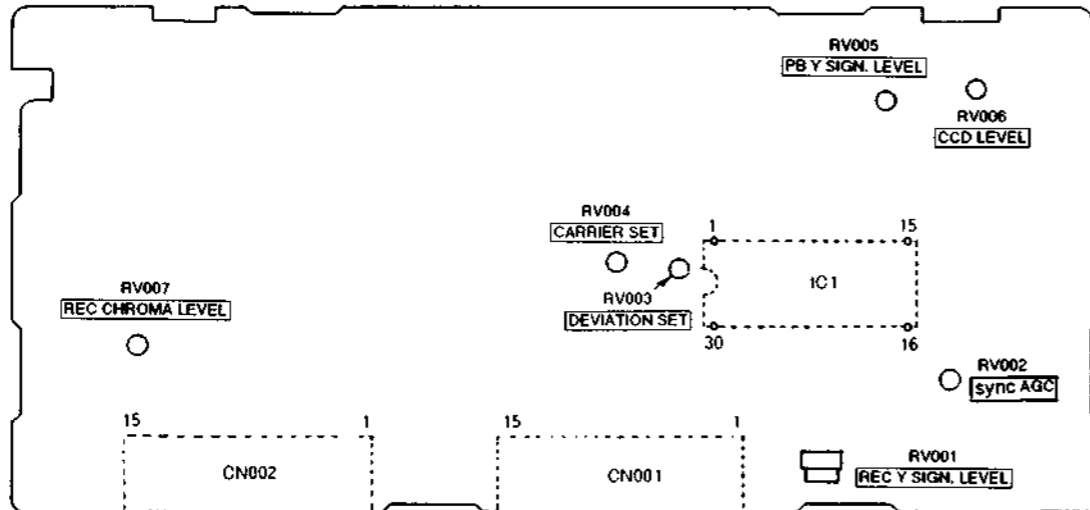


7-8. PARTS ARRANGEMENT DIAGRAM FOR THE ADJUSTMENT

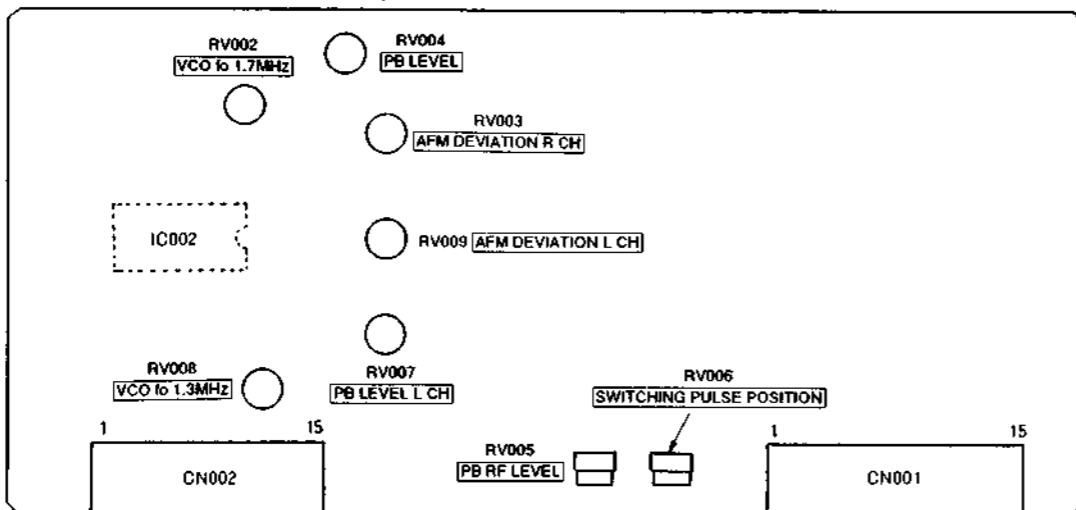
MA-62 BOARD (CONDUCTOR SIDE)



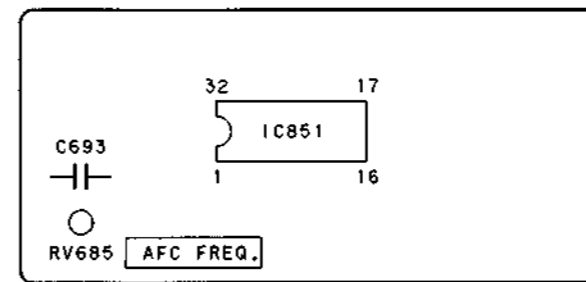
YC-59 Board (Conductor Side)



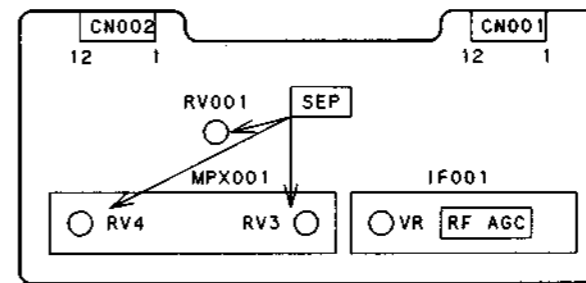
HF-9 BOARD (Component Side)



CG-10 BOARD (COMPONENT SIDE)



TU-120 BOARD (COMPONENT SIDE)



MF-93 BOARD (CONDUCTOR SIDE)

