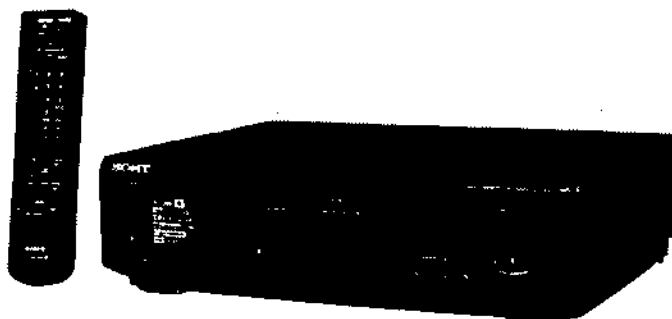


SLV-360/390/390PX/660HF/690HF/L2MX/L2PA/L2PL/L4CS/ L4MX/L4PA/L4PL/L6HFCS/L6HFMX/L6HFPA/L6HFPL RMT-V181/V181A/V182A/V182B/V182D

SERVICE MANUAL



VHS

- Refer to the **SERVICE MANUAL** of **VHS MECHANICAL ADJUSTMENTS IV** for **MECHANICAL ADJUSTMENTS**.
(9-973-623-11)

US Model

SLV-360/390/660HF/690HF

Canadian Model

SLV-360/660HF/690HF

MEXICAN Model

SLV-L2MX/L4MX/L6HFMX

PANAMANIAN Model

SLV-L2PA/L4PA/L6HFPA

PHILIPPINE Model

SLV-L2PL/L4PL/L6HFPL

CHILEAN Model

SLV-L4CS/L6HFCS

PX Model

SLV-390PX

H MECHANISM

SPECIFICATIONS

System

Format

VHS NTSC standard

Video recording system

Rotary head helical scanning FM system

Video heads

Double azimuth four heads

Video signal

NTSC color, EIA standards

Tape speed

SP: 33.35 mm/s (1 2/3 inches/s)

EP: 11.11 mm/s (7/16 inches/s)

LP: 16.67 mm/s (11/16 inches/s),
playback only

Maximum recording/playback time

8 hrs. in EP mode (with T-160 tape)

Fast-forward and rewind time

Approx. 3 min. (with T-120 tape)

Tuner section

Channel coverage

VHF 2 to 13

UHF 14 to 69

CATV A-8 to A-1, A to W, W+1 to W+84

Antenna

75-ohm antenna terminal for VHF/UHF

Inputs and outputs

LINE IN

VIDEO IN, phono jack (1)

Input signal: 1 Vp-p, 75 ohms, unbalanced,
sync negative

AUDIO IN, phono jack (2)

Input level: 327 mVrms

Input impedance: more than 47 kilohms

LINE OUT

VIDEO OUT, phono jack (1)

Output signal: 1 Vp-p, 75 ohms, unbalanced,
sync negative

AUDIO OUT, phono jack (2)

Standard output: 327 mVrms

Load impedance: 47 kilohms

Output impedance: less than 10 kilohms

Timer section

Clock

Quartz locked

Timer indication

12-hour cycle

Timer setting

8 programs per month (max.)

Power back-up

Built-in self-charging capacitor

Back-up duration: up to 3 hours at a time

US, Canadian, PX models up to 1 hour at a time

Except us, Canadian, PX models

General

Power requirements

See next page.

Power consumption

See next page.

Operating temperature

5°C to 40°C (41°F to 104°F)

Storage temperature

-20°C to 60°C (-4°F to 140°F)

Dimensions

Approx. 355 × 102 × 278 mm (w/h/d)

(Approx. 14 × 4 1/4 × 11 inches) including
projecting parts and controls

Mass

Approx. 4.0 kg (8 lb 13 oz)

Supplied accessories

Remote commander (1)

Size AA (R6) batteries (2)

75-ohm coaxial cable with F-type connectors (1)

AC power cord (1)

Audio/video cable (3 phono to 3 phono) (1)

Plug adaptor (1) (SLV-660HF PX/L6HFCS/
L6HFPL)



VIDEO CASSETTE RECORDER
SONY

• DIFFERENT SPECIFICATIONS LIST

MODEL	SLV-360	SLV-390	SLV-390PX	SLV-680HF	SLV-690HF
SPECIFICATION					
VIDEO/AUDIO HEADS	4 HEADS	4 HEADS	4 HEADS	6 HEADS	6 HEADS
AUDIO SYSTEM	MONAURAL	MONAURAL	MONAURAL	HIFI-STEREO	HIFI-STEREO
TUNER AUDIO (STEREO) SYSTEM	—	—	—	SAP	SAP
VCR + SYSTEM	—	BUILT-IN	BUILT-IN	—	BUILT-IN
POWER REQUIREMENTS	120V AC 60Hz	120V AC 60Hz	110-240V AC 50/60Hz	120V AC 60Hz	120V AC 60Hz
POWER CONSUMPTION	24W	24W	24W	26W	26W
REMOTE COMMANDER	RMT-V181	RMT-V182D	RMT-V182D	RMT-V182B	RMT-V182A

Abbreviations

CS : Chilean model
 MX : Mexican model
 PA : Panamanian model
 PL : Philippine model

MODEL	SLV-L2MX	SLV-L2PA	SLV-L2PL	SLV-L4MX	SLV-L4PA	SLV-L4CS	SLV-L4PL	SLV-L6HFMX	SLV-L6HFPA	SLV-L6HFCS	SLV-L6HFPL
SPECIFICATION											
VIDEO/AUDIO HEADS	2 HEADS			4 HEADS				6 HEADS			
AUDIO SYSTEM	MONAURAL			MONAURAL				HIFI-STEREO			
TUNER AUDIO (STEREO) SYSTEM	—			—				SAP			
VCR + SYSTEM	—			—				—			
POWER REQUIREMENTS	120V AC 60Hz		110-240V AC 50/60Hz	120V AC 60Hz		110-240V AC 50/60Hz		120V AC 60Hz		110-240V AC 50/60Hz	
POWER CONSUMPTION	18W			18W				20W			
REMOTE COMMANDER	RMT-V181			RMT-V181				RMT-V181A			

SAFETY-RELATED COMPONENT WARNING!!

COMPONENTS IDENTIFIED BY MARK Δ OR DOTTED LINE WITH MARK Δ ON THE SCHEMATIC DIAGRAMS AND IN THE PARTS LIST ARE CRITICAL TO SAFE OPERATION. REPLACE THESE COMPONENTS WITH SONY PARTS WHOSE PART NUMBERS APPEAR AS SHOWN IN THIS MANUAL OR IN SUPPLEMENTS PUBLISHED BY SONY.

ATTENTION AU COMPOSANT AYANT RAPPORT À LA SÉCURITÉ!

LES COMPOSANTS IDENTIFIÉS PAR UNE MARQUE Δ SUR LES DIAGRAMMES SCHÉMATIQUES ET LA LISTE DES PIÈCES SONT CRITIQUES POUR LA SÉCURITÉ DE FONCTIONNEMENT. NE REMPLACER CES COMPOSANTS QUE PAR DES PIÈCES SONY DONT LES NUMÉROS SONT DONNÉS DANS CE MANUEL OU DANS LES SUPPLÉMENTS PUBLIÉS PAR SONY.

SAFETY CHECK-OUT

After correcting the original service problem, perform the following safety checks before releasing the set the customer:

1. Check the area of your repair for unsoldered or poorly-soldered connections. Check the entire board surface for solder splashes and bridges.
2. Check the interboard wiring to ensure that no wires are "pinched" or contact high-wattage resistors.
3. Look for unauthorized replacement parts, particularly transistors, that were installed during a previous repair. Point them out to the customer and recommend their replacement.
4. Look for parts which, though functioning, show obvious signs of deterioration. Point them out to the customer and recommend their replacement.
5. Check the line cord for cracks and abrasion. Recommend the replacement of any such line cord to the customer.
6. Check the B+ voltage to see it is at the values specified.
7. Check the antenna terminals, metal trim, "metallized" knobs, screws, and all other exposed metal parts for AC leakage. Check leakage as described below.

LEAKAGE TEST

The AC leakage from any exposed metal part to earth ground and from all exposed metal parts to any exposed metal part having a return to chassis, must not exceed 0.5 mA (500 microamperes). Leakage current can be measured by any one of three methods.

1. A commercial leakage tester, such as the Simpson 229 or RCA TW-540A. Follow the manufacturers' instructions to use these instruments.
2. A battery-operated AC milliammeter. The Data Precision 245 digital multimeter is suitable for this job.
3. Measuring the voltage drop across a resistor by means of a VOM or battery-operated AC voltmeter. The "limit" indication is 0.75V, so analog meters must have an accurate low voltage scale. The Simpson 250 and Sanwa SH-63Trd are examples of a passive VOM that is suitable. Nearly all battery operated digital multimeters that have a 2V AC range are suitable. (See Fig. A)

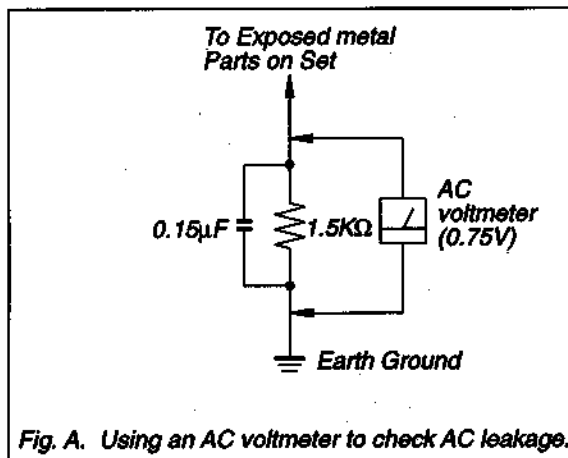


Fig. A. Using an AC voltmeter to check AC leakage.

TABLE OF CONTENTS

SERVICE NOTE

1.	HOW TO RETURN THE PINCH ROLLER, GUIDE ROLLER AND ELEVATOR CAM TO STOP MODE	6
2.	HOW TO RETURN A TAPE INTO CASSETTE HALF	6
3.	HOW TO REMOVE A CASSETTE FROM A MACHINE IF A CASSETTE IS LEFT IN A MACHINE IN TROUBLE	6
4.	HOW TO REMOVE DRUM ASSEMBLY	6
5.	HOW TO REPLACE A ROTARY UPPER DRUM.....	7
5-1.	HOW TO REMOVE A ROTARY UPPER DRUM ...	7
5-2.	HOW TO ATTACH NEW ROTARY UPPER DRUM.....	7

1. GENERAL

Getting Started

Unpacking	1-1
Setting up the remote commander	1-1
Hookups	1-2
Setting the clock	1-7
Selecting a language	1-7
Presetting channels	1-8
Playing a tape	1-10
Recording TV programs	1-11
Playing/searching at various speeds	1-12
Checking/changing/cancelling timer setting	1-13
Recording stereo and bilingual programs	1-13
Adjusting the picture	1-14
Recording TV programs using the timer	1-14
Changing menu options	1-16
Editing with another VCR	1-16
Additional Information	
Index to parts and controls	1-18

2. DISASSEMBLY

2-1.	REMOVAL OF FRONT PANEL ASSY	2-1
2-2.	REMOVAL OF POWER BLOCK	2-1
2-3.	REMOVAL OF RP-195 BOARD and MA-248 BOARD	2-2
2-4.	REMOVAL OF MECHANISM	2-3
2-5.	CIRCUIT BOARDS LOCATION	2-3
2-6.	INTERNAL VIEWS.....	2-4

3. BLOCK DIAGRAM

3-1.	OVERALL BLOCK DIAGRAM.....	3-1
3-2.	VIDEO BLOCK DIAGRAM	3-4
3-3.	SERVO/SYSTEM CONTROL BLOCK DIAGRAM	3-7
3-4.	AUDIO BLOCK DIAGRAM	3-9
3-5.	TUNER BLOCK DIAGRAM	3-11
3-6.	POWER BLOCK DIAGRAM	3-13

4. PRINTED WIRING BOARDS AND SCHEMATIC DIAGRAMS

4-1.	FRAME SCHEMATIC DIAGRAM	4-1
4-2.	PRINTED WIRING BOARDS AND SCHEMATIC DIAGRAMS	4-3
	MA-248 (MAIN), RP-195 (HEAD AMP), DM-45 (TRANSLATION)	
	PRINTED WIRING BOARDS	4-4

RP-195 (HEAD AMP) SCHEMATIC DIAGRAM ...	4-7
MA-248 (VIDEO) SCHEMATIC DIAGRAM	4-10
MA-248 (SERVO, SYSTEM CONTROL), SW-268 (SWITCH), DM-45 (TRANSLATION) SCHEMATIC DIAGRAMS	4-13
MA-248 (AUDIO) SCHEMATIC DIAGRAM	4-16
MA-248 (TUNER) SCHEMATIC DIAGRAM	4-19
MA-248 (DC POWER) SCHEMATIC DIAGRAM	4-21
POWER BLOCK (SR700)	
PRINTED WIRING BOARD AND SCHEMATIC DIAGRAM	4-23
POWER BLOCK (HS721SF)	
PRINTED WIRING BOARD AND SCHEMATIC DIAGRAM	4-25

5. REPAIR PARTS LIST

5-1.	EXPLODED VIEWS	5-1
5-1-1.	FRONT PANEL ASSY.....	5-1
5-1-2.	MAIN CHASSIS ASSEMBLY	5-2
5-1-3.	VHS MECHANISM DECK ASSEMBLY-1	5-3
5-1-4.	VHS MECHANISM DECK ASSEMBLY-2	5-4
5-1-5.	VHS MECHANISM DECK ASSEMBLY-3	5-5
5-1-6.	VHS MECHANISM DECK ASSEMBLY-4	5-6
5-2.	ELECTRICAL PARTS LIST	5-7

6. INTERFACE, IC PIN FUNCTION DESCRIPTION

6-1.	SYSTEM CONTROL — MECHANISM BLOCK INTERFACE (MA-248 board IC501)	6-1
6-2.	SYSTEM CONTROL — SERVO PERIPHERAL CIRCUIT INTERFACE (MA-248 board IC501).....	6-1
6-3.	SYSTEM CONTROL — SYSTEM CONTROL PERIPHERAL CIRCUIT INTERFACE (MA-248 board IC501)	6-2
6-4.	SYSTEM CONTROL AND RF MODULATOR — INPUT SELECTION BLOCK INTERFACE (MA-248 board IC501)	6-2
6-5.	SYSTEM CONTROL — VIDEO BLOCK INTERFACE (MA-248 board IC501)	6-2
6-6.	SYSTEM CONTROL — AUDIO BLOCK INTERFACE (MA-248 board IC501)	6-2
6-7.	SERVO/SYSTEM CONTROL MICROPROCESSOR M37775M5H311GP (MA-248 board IC501)	6-3

7. ADJUSTMENTS

7-1.	MECHANICAL ADJUSTMENTS	7-1
7-2.	ELECTRICAL ADJUSTMENTS.....	7-1
2-1.	PREPARATION BEFORE ADJUSTMENT	7-1
2-1-1.	Equipment Required.....	7-1
2-1-2.	Equipment Connection	7-1
2-1-3.	Input Signal Check	7-1
2-1-4.	Alignment Tape	7-1
2-1-5.	Input/Output Levels and Impedance	7-2
2-1-6.	Adjustment Sequence	7-2
2-2.	POWER SUPPLY CHECK	7-2
2-3.	SERVO SYSTEM CHECK	7-3
2-3-1.	RF Switching Position Check (MA-248, RP-195 Boards)	7-3
2-4.	VIDEO SYSTEM CHECKS	7-3
2-4-1.	X'tal OSC Check (RV-40 Board)	7-3

2-4-2.	SYNC AGC Check (MA-248 Board)	7-4
2-4-3.	White Clip/Dark Clip Check (MA-248 Board)	7-4
2-4-4.	Recording Y Level Check (MA-248 Board)	7-4
2-4-5.	Recording Chroma Level Check (MA-248 Board) ...	7-4
2-4-6.	Playback Level Check (MA-248 Board)	7-5
2-5.	AUDIO SYSTEM ADJUSTMENT	7-5
2-5-1.	VCO Fo Adjustment (MA-248 Board).....	7-5
2-5-2.	Band Pass Filter Fo Adjustment (MA-248 Board) ...	7-6
2-5-3.	AF Switch Position Check (MA-248, RP-195 BoardS)	7-6
2-5-4.	ACE Head Adjustment	7-7
2-5-5.	E-E Output Level Check	7-7
2-5-6.	Overall Output Level and Distortion Factor Check...	7-7
2-5-7.	Overall Noise Level Check	7-7
2-6.	ADJUSTMENT PARTS LOCATION DIAGRAM ...	7-8

SERVICE NOTE

1. HOW TO RETURN THE PINCH ROLLER, GUIDE ROLLER AND ELEVATOR CAM TO STOP MODE

- 1) Remove the VHS MD assembly from the machine. (Refer to section 2-4. Removal.)
- 2) Rotate the worm gear-1 of the cam motor beneath the MD assembly in the direction arrow (A) using a screw driver tip.

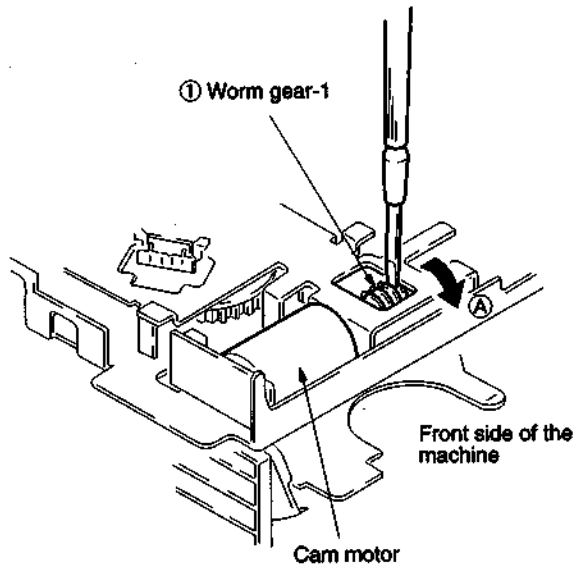


Fig. 1

2. HOW TO RETURN A TAPE INTO CASSETTE HALF

A tape can be rewound into a cassette half by rotating the flywheel-1 of the capstan motor in the direction of (A) with hand.

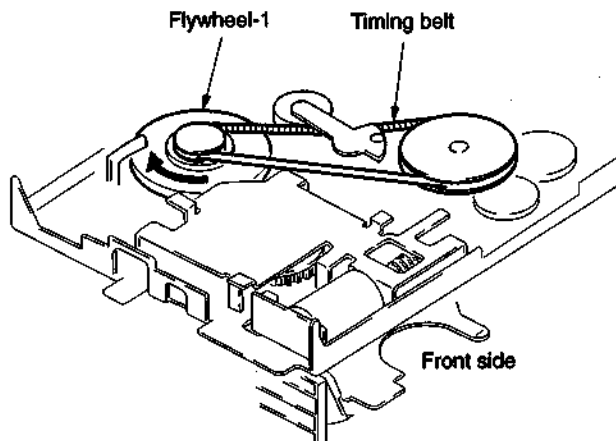


Fig. 2

3. HOW TO REMOVE A CASSETTE FROM A MACHINE IF A CASSETTE IS LEFT IN A MACHINE IN TROUBLE

Execute the section 2, and keep rotating the flywheel-1.

When executing section 1 to 3, take care that a tape slack should not be caught by a mechanism or a tape should not be damaged.

4. HOW TO REMOVE DRUM ASSEMBLY

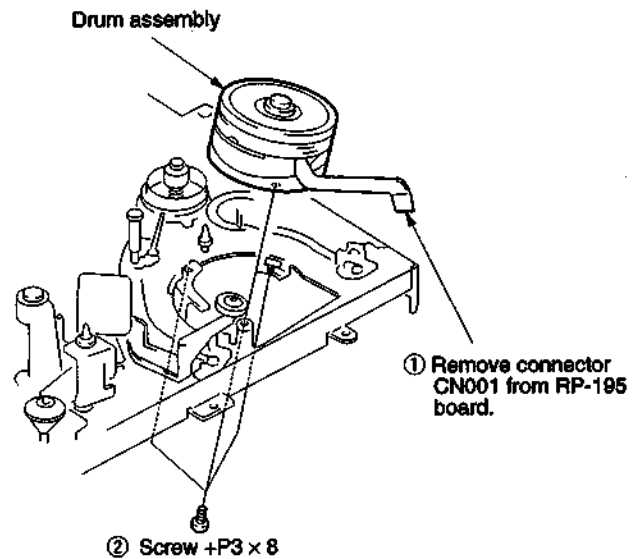


Illustration : SLV-660HF

Fig. 3

5. HOW TO REPLACE A ROTARY UPPER DRUM (SLV-660HF/690HF/L6HFCS/L6HFMX/L6HFPA/L6HFPL)

5-1. HOW TO REMOVE A ROTARY UPPER DRUM

- 1) Remove screw ① (+P3×8) and remove the ground shaft assembly ②. (Refer to Fig. 4.)
- 2) Remove soldering which is marked by arrow and remove the rotary upper drum board completely.
- 3) Remove two screws ③ (PSW3×8) and remove the rotary upper drum in the direction of ④. (Refer to Fig. 5.)
If removal is difficult, remove it while rotating it slowly.

Note: If removal is difficult, check again if soldering is removed completely.

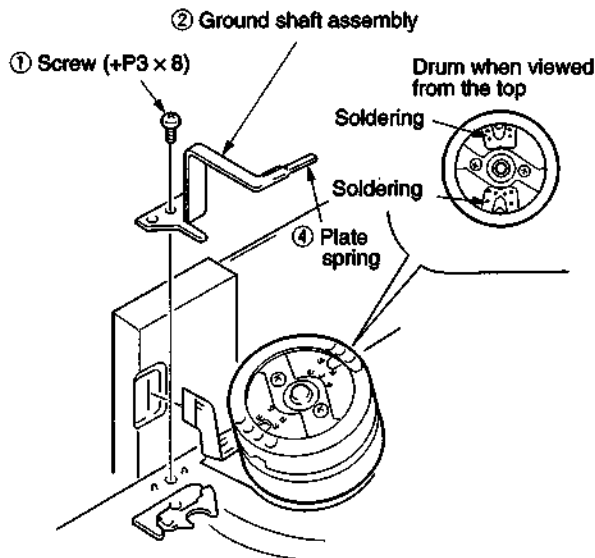


Fig. 4

5-2. HOW TO ATTACH A NEW ROTARY UPPER DRUM

- 1) Pay attention so that finger print or like must not be put when inserting a new upper drum into lower drum.
- 2) Align \Rightarrow mark of the rotary upper drum board with the \Rightarrow mark of the rotary transformer board so that the screw hole on the upper drum and that on the lower drum are aligned. (Refer to Fig. 5.)
- 3) If attaching is difficult, attach a upper drum while rotating it slowly.

Note: Pay attention not to damage the video heads.

Confirm that the upper drum is inserted completely.

- 4) Tighten the two screws ③ (PSW3×8). (Refer to Fig. 5.)
- 5) Fix the earth shaft ② by tightening the screw ① (+P3×8) so that protrusion at the tip of the earth shaft contacts the center of the drum shaft.

Note: When attaching the ground shaft assembly ②, never give force to the plate spring ④.

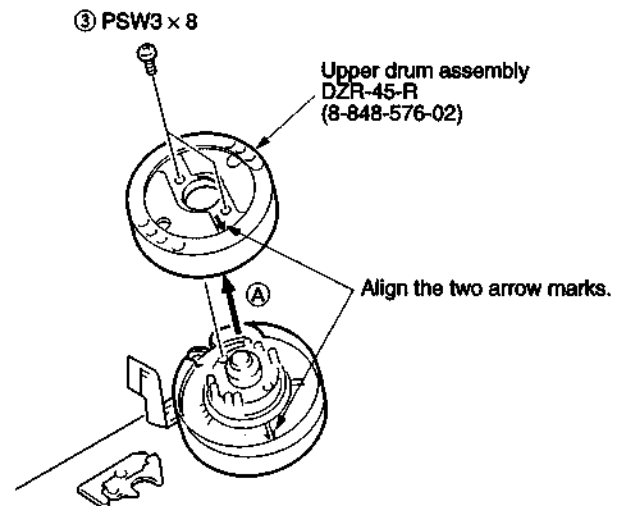


Fig. 5

SECTION 1
GENERAL

This section is extracted from the
SLV-660HF/L6HF instruction manual.

Step 1

Unpacking

Check that you have received the following items with the VCR:

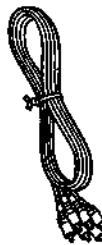
- Remote commander



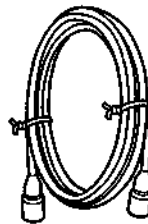
- Size AA (R6) batteries



- Audio/video cable (3-phono to 3-phono)



- 75-ohm coaxial cable with F-type connectors



- AC power cord



(SLV-660HF/L6HF MX/L6HF PA)



(SLV-660HF PX/L6HF CS/L6HF PL)

- Plug adaptor (SLV-660HF PX/L6HF CS/L6HF PL)



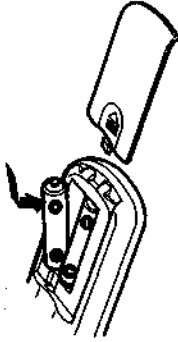
If the plug supplied with your VCR does not fit your power outlet, attach the supplied adaptor to the plug.

Step 2

Setting up the remote commander

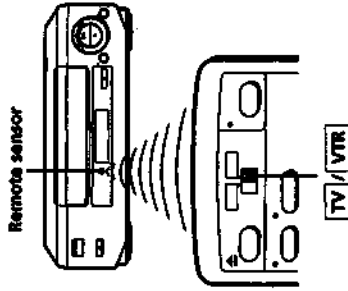
Inserting the batteries

Insert two size AA (R6) batteries by matching the + and - on the batteries to the diagram inside the battery compartment.



Using the remote commander

You can use this remote commander to operate this VCR and a Sony TV. Buttons on the remote commander marked with a dot (•) can be used to operate your Sony TV.



To operate the VCR

Set [TV/VTR] to [VTR] and point at the remote sensor on the VCR

a Sony TV [TV] and point at the remote sensor on the TV

Notes

- With normal use, the batteries should last about three to six months.
- If you do not use the remote commander for an extended period of time, remove the batteries to avoid possible damage from battery leakage.
- Do not use a new battery with an old one.
- Do not use different types of batteries.

Step 3

Hookups

Selecting the best hookup option

There are many ways in which your VCR can be hooked up. To hook up your VCR so that it works best for you, first scan through the table below. Then use the accompanying diagrams and procedures on the following pages to set up your VCR.

if you have	Use	Refer to
TV that has audio/video input	Audio/video (A/V) hookup, then follow one of the hookups below.	Page 7
Antenna only, no cable TV	Hookup 1	Pages 8 to 9
Cable box with many scrambled channels	Hookup 2	Pages 10 to 11
No cable box or cable box with only a few scrambled channels	Hookup 3	Pages 12 to 13
Cable box with only a few scrambled channels, using an A/B switch	Hookup 4	Pages 14 to 15

After you've completed the connections, follow the instructions for setup. During setup, if you need more details on the procedure described, page numbers are provided where you can find complete, step-by-step instructions.

After you've completed the setup, you're ready to use your VCR.

Procedures differ depending on the hookup you used. For an overview, refer to "Quick reference to using the VCR" on the back cover.

Before you get started

- Turn off the power to all equipment.
- Do not connect the AC power cords until all of the connections are completed.
- Be sure you make connections firmly. Loose connections may cause picture distortion.
- If your TV doesn't match any of the examples provided, see your nearest Sony dealer or qualified technician.

Caution

Connections between the VCR's VHF/UHF connector and the antenna terminals of the TV receiver should be made only as shown in the following instructions. Failure to do so may result in operation that violates the regulations of the Federal Communications Commission regarding the use and operation of RF devices. Never connect the output of the VCR to an antenna or make simultaneous (parallel) antenna and VCR connections at the antenna terminals of your receiver.

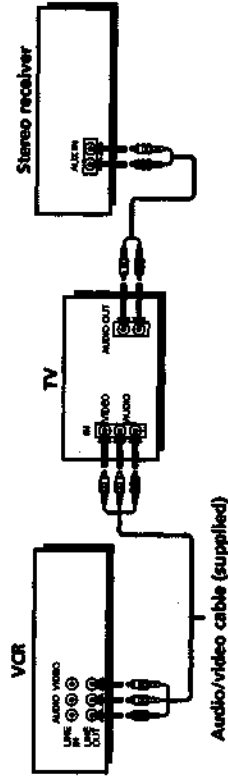
Audio/video (A/V) hookup

Page 7

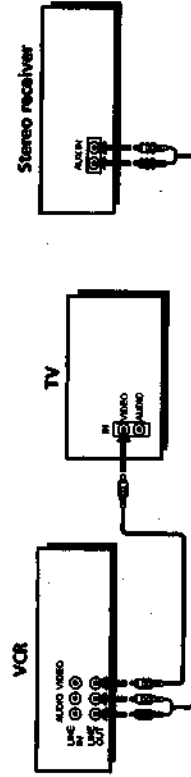
If your TV has audio/video (A/V) input jacks, you will get a better picture and sound if you hook up your VCR using these connections. In addition, for a true "home theater" experience, you should connect the audio outputs of your VCR or TV to your stereo system. If your TV doesn't have A/V inputs, see the following pages for antenna or cable hookups.

If you're not planning to use your VCR to record programs, you're finished setting up the VCR after you've made the connections shown on page 7. If you want to record off-air or off your cable TV system, complete these connections first, and then go to the following pages for antenna or cable hookups.

Use this hookup if your TV has stereo jacks



Use this hookup if your TV doesn't have stereo jacks



Note

To play a tape in stereo, you must use the A/V connection.

Note to CATV system installer

This reminder is provided to call the CATV system installer's attention to Article 820-40 of the NEC that provides guidelines for proper grounding and, in particular, specifies that the cable ground shall be connected to the grounding system of the building, as close to the point of cable entry as practical.

Step 3: Hookups (continued)

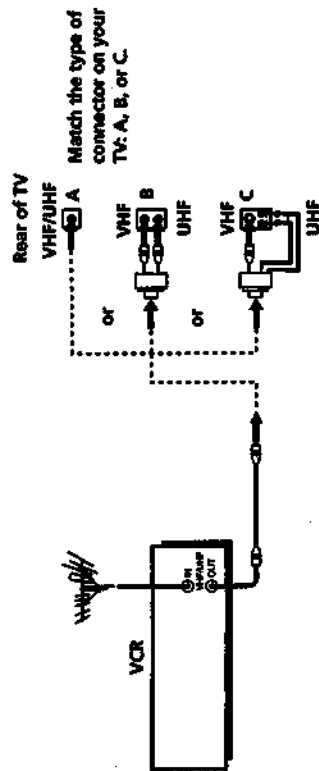
Hookup 1

Antenna hookup

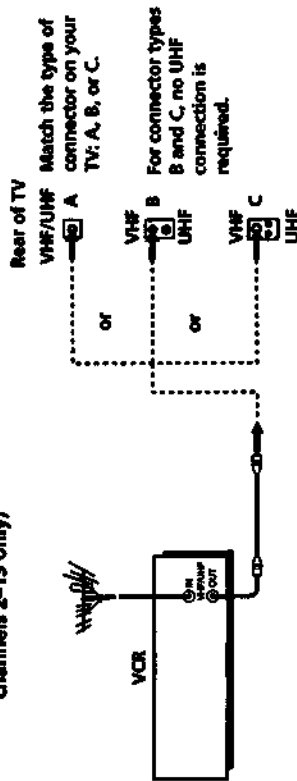
Make the following connections if you're using an antenna (if you don't have cable TV).

Use this hookup if you're using:

- VHF/UHF antenna (you get channels 2-13 and channels 14 and higher)
- UHF-only antenna (you get channels 14 and higher)
- Separate VHF and UHF antennas



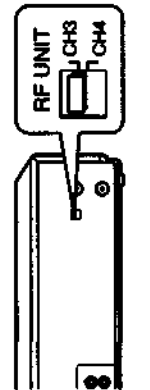
Use this hookup if you're using a VHF-only antenna (you get channels 2-13 only)



If you cannot connect your antenna cable to the VCR directly

If your antenna cable is a flat cable (300-ohm twin lead cable), attach an external antenna connector (not supplied) so you can connect the cable to the VHF/UHF IN connector. If you have separate cables for VHF and UHF antennas, you should use a U/V band mixer (not supplied). For details, see page 40.

Hookup 1: VCR setup

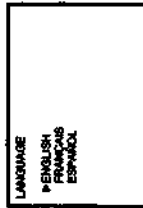


1 Set the RF UNIT switch to CH 3 or CH 4, whichever channel is not used in your area. If both are used, set the switch to either channel.

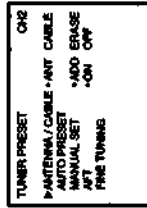
For details, see page 39. If you made A/V connections (page 7), you can skip this step.

2 Change the on-screen display language if desired. For details, see page 17.

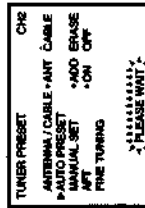
- Press MENU and select LANGUAGE.
- Select the language, and press EXECUTE.



3 Press MENU and select TUNER PRESET. Set ANTENNA/CABLE to ANT. For details, see page 18.



4 Preset the channels into the VCR. Select AUTO PRESET and press EXECUTE.



Step 3: Hookups (continued)

Hookup 2

Pages 10 to 11

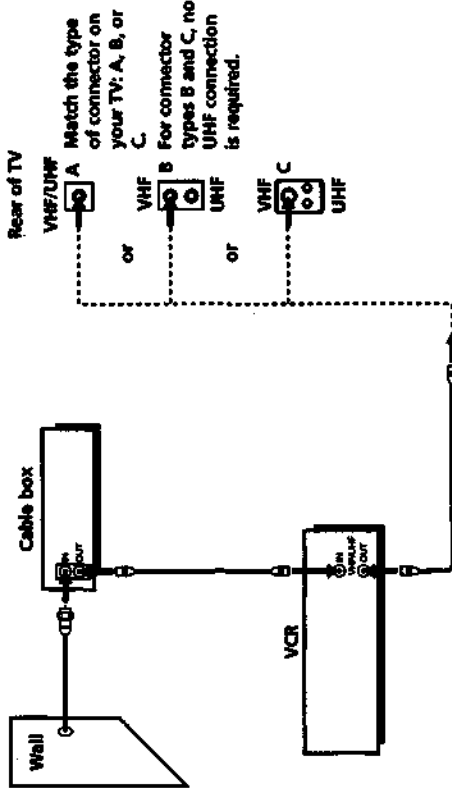
Cable box with many scrambled channels

Recommended use

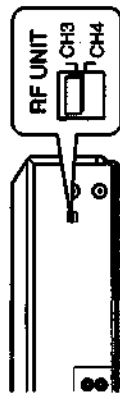
Use this hookup if your cable system scrambles all or most channels.

What you can do with this hookup

- Record any channel by selecting the channel on the cable box
- What you can't do**
 - Record one channel while watching another channel



Hookup 2: VCR setup



1 Set the RF UNIT switch to CH 3 or CH 4, whichever channel is not used in your area. If both are used, set the switch to either channel. For details, see page 39. If you made A/V connections (page 7), you can skip this step.

2 Turn on your cable box.

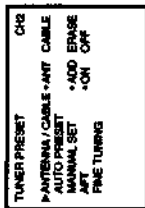
3 Change the on-screen display language if desired. For details, see page 17.

● Press MENU and select LANGUAGE.

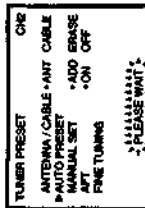
● Select the language, and press EXECUTE.



4 Press MENU and select TUNER PRESET. Set ANTENNA/CABLE to ANT. For details, see page 18.



5 Preset the channels into the VCR. Select AUTO PRESET and press EXECUTE.



Step 3: Hookups (continued)

Hookup 3

Pages 12 to 13

No cable box, or cable box with only a few scrambled channels

Recommended use

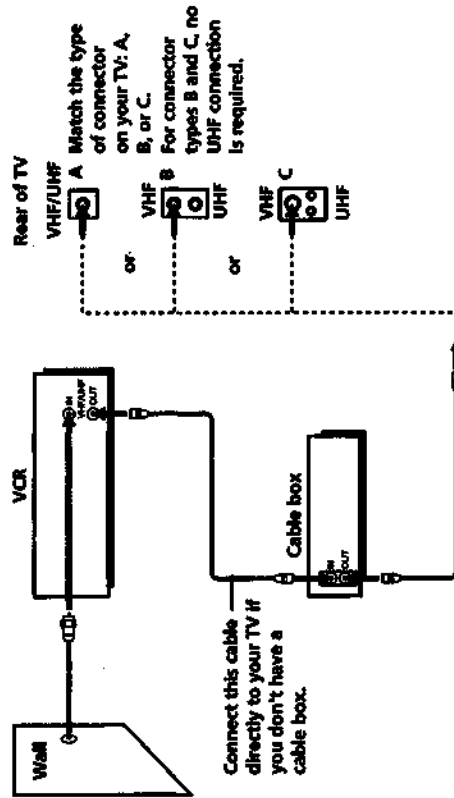
Use this hookup if you do not have a cable box. Also use this hookup if your cable system scrambles only a few channels.

What you can do with this hookup

- Record any unscrambled channel by selecting the channel on the VCR

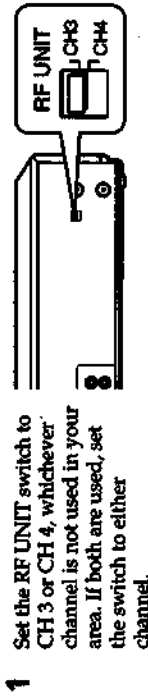
What you can't do

- Record scrambled channels that require a cable box



Connect this cable directly to your TV if you don't have a cable box.

Hookup 3: VCR setup

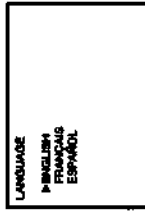


- 1 Set the RF UNIT switch to CH 3 or CH 4, whichever channel is not used in your area. If both are used, set the switch to either channel.

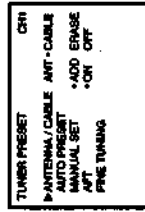
For details, see page 39. If you made A/V connections (page 7), you can skip this step.

- 2 Turn on your cable box.
- 3 Change the on-screen display language if desired. For details, see page 17.

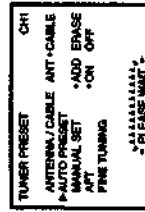
- Press MENU and select LANGUAGE.
- Select the language, and press EXECUTE.



- 4 Press MENU and select TUNER PRESET. Set ANTENNA/CABLE to CABLE. For details, see page 18.



- 5 Preset the channels into the VCR. Select AUTO PRESET and press EXECUTE.



Step 3: Hookups (continued)

Hookup 4

Pages 14 to 15

Cable box with only a few scrambled channels, using an A/B switch

Recommended use

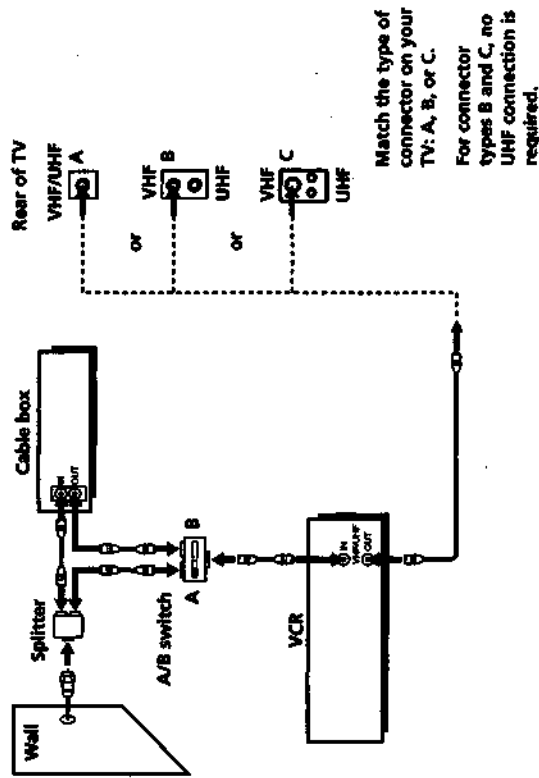
By using an A/B switch (not supplied), this hookup allows you to record both scrambled and unscrambled channels conveniently.

What you can do with this hookup

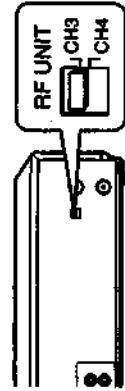
- Record any unscrambled channel by selecting the channel directly on the VCR (the A/B switch is set to A)
- Record any scrambled channel by selecting the channel on the cable box (the A/B switch is set to B)

What you can't do

- Record one scrambled channel while watching another channel (the A/B switch is set to B)



Hookup 4: VCR setup



1 Set the RF UNIT switch to CH3 or CH4, whichever channel is not used in your area. If both are used, set the switch to either channel.

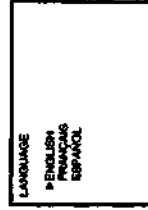
For details, see page 39. If you made A/V connections (page 7), you can skip this step.

2 Set the A/B switch to "A."

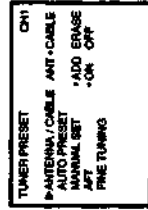
3 Change the on-screen display language if desired. For details, see page 17.

- Press MENU and select LANGUAGE.

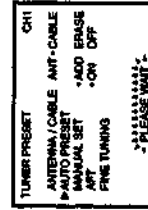
- Select the language, and press EXECUTE.



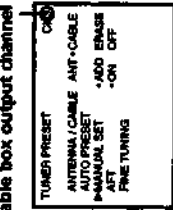
4 Press MENU and select TUNER PRESET. Set ANTENNA/CABLE to CABLE. For details, see page 18.



5 Preset the unscrambled channels into the VCR. Select AUTO PRESET and press EXECUTE.



6 Preset the cable box output channel (usually 2, 3 or 4). For details, see page 20.



- Press MENU and select TUNER PRESET.

- Enter the cable box output channel.

- Set MANUAL SET to ADD and press EXECUTE.

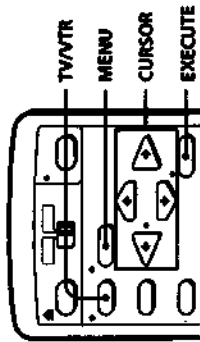
Step 4

Setting the clock

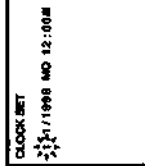
Set the time and date to use the timer feature for recording programs.

Before you start...

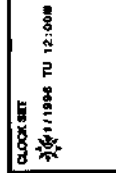
- Turn on the VCR and the TV.
- Set the TV to the VCR channel (channel 3 or 4). If your TV is connected to the VCR using A/V connections, set the TV to video input.
- Press TV/VTR to display the VTR indicator in the VCR's display window.



- 1 Press MENU, then press CURSOR \uparrow/\downarrow to move the cursor (P) to CLOCK SET and press EXECUTE.



- 2 Press CURSOR \uparrow/\downarrow to set the month.



- 3 Press CURSOR \rightarrow to flash the day and press CURSOR \uparrow/\downarrow to set the day. The day of the week is set automatically.



- 4 Set the year, hour and minutes in the same way as the day.

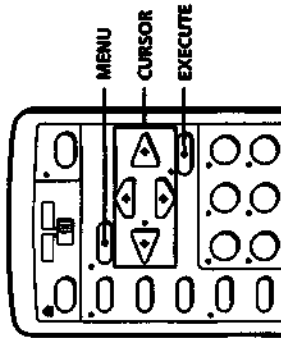


- 5 Press EXECUTE to start the clock.

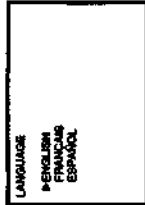


Selecting a language

You can change the on-screen display language.



- 1 Press MENU, then press CURSOR \uparrow/\downarrow to move the cursor (P) to LANGUAGE and press EXECUTE.



- 2 Press CURSOR \uparrow/\downarrow to select ENGLISH, FRANCAIS, or ESPAÑOL, then press EXECUTE.



Presetting channels

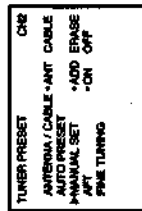
This VCR is capable of receiving VHF channels 2 to 13, UHF channels 14 to 69 and unscrambled CATV channels 1 to 125. First, we recommend that you preset the receivable channels in your area using automatic presetting. Then, if there are any unwanted channels, disable them manually. If you have decided which channels you wish to preset, set them directly using manual presetting.

Before you start...

- Turn on the VCR and the TV.
- Set the TV to the VCR channel (channel 3 or 4). If your TV is connected to the VCR using A/V connections, set the TV to video input.
- Press TV/VTR to display the VTR indicator in the VCR's display window.

Presetting all receivable channels automatically

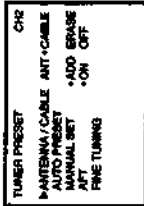
- 1 Press MENU, then press CURSOR \uparrow/\downarrow to move the cursor (C) to TUNER PRESET and press EXECUTE.



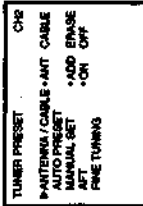
- 2 Press CURSOR \uparrow/\downarrow to select ANTENNA/CABLE.



- 3 To preset cable TV channels:
Press CURSOR \leftarrow/\rightarrow to set ANTENNA/CABLE to CABLE.

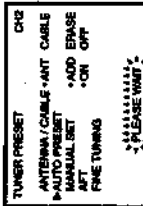


- To preset VHF and UHF channels:
Press CURSOR \leftarrow/\rightarrow to set ANTENNA/CABLE to ANT.



- 4 Press CURSOR \uparrow/\downarrow to select AUTO PRESET, then press EXECUTE.

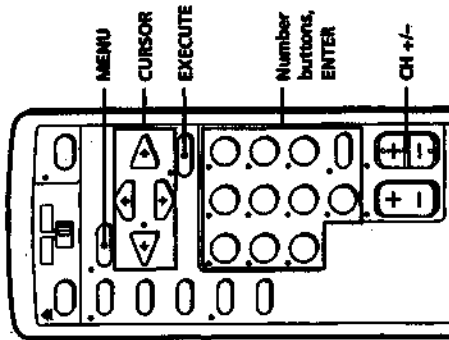
All receivable channels are preset in numerical sequence. When no more receivable channels can be found, presetting stops and the picture from the lowest numbered channel is displayed on the TV screen.



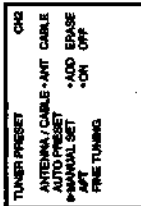
continued

Presetting channels (continued)

Presetting/disabling channels manually

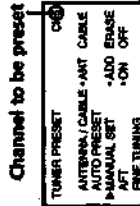


1 Press MENU and select TUNER PRESET, then press EXECUTE.



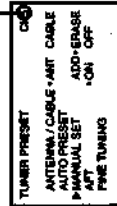
2 To preset a channel:

- 1 Press the number buttons to enter the channel number, then press ENTER.
- 2 Press CURSOR \leftarrow/\rightarrow to set MANUAL SET to ADD.



To disable a channel:

- 1 Press CH +/- to select the channel number.
- 2 Press CURSOR \leftarrow/\rightarrow to set MANUAL SET to ERASE.

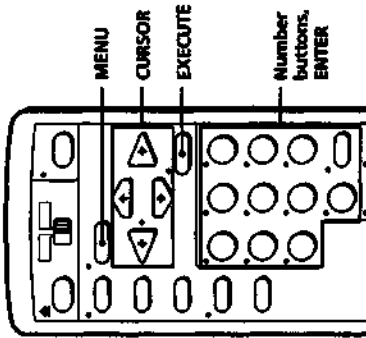


3 Repeat step 2 to preset or disable channels as required, then press EXECUTE.

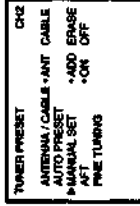


If the picture is not clear

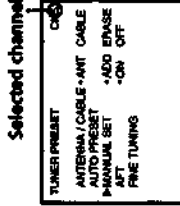
Normally, the Auto Fine Tuning (AFT) function automatically tunes in channels clearly. If, however, the picture of a channel is not clear, you can also use the manual tuning function.



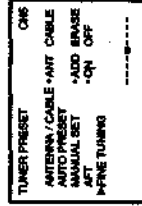
1 Press MENU and select TUNER PRESET, then press EXECUTE.



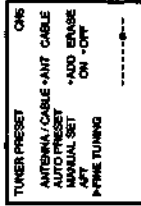
2 Press the number buttons to select the channel you want to fine-tune, then press ENTER.



3 Press CURSOR \uparrow/\downarrow to select FINE TUNING. The fine tuning meter appears.



4 Press CURSOR \leftarrow/\rightarrow to adjust to a clearer picture, then press EXECUTE. Note that the AFT setting switches to OFF.



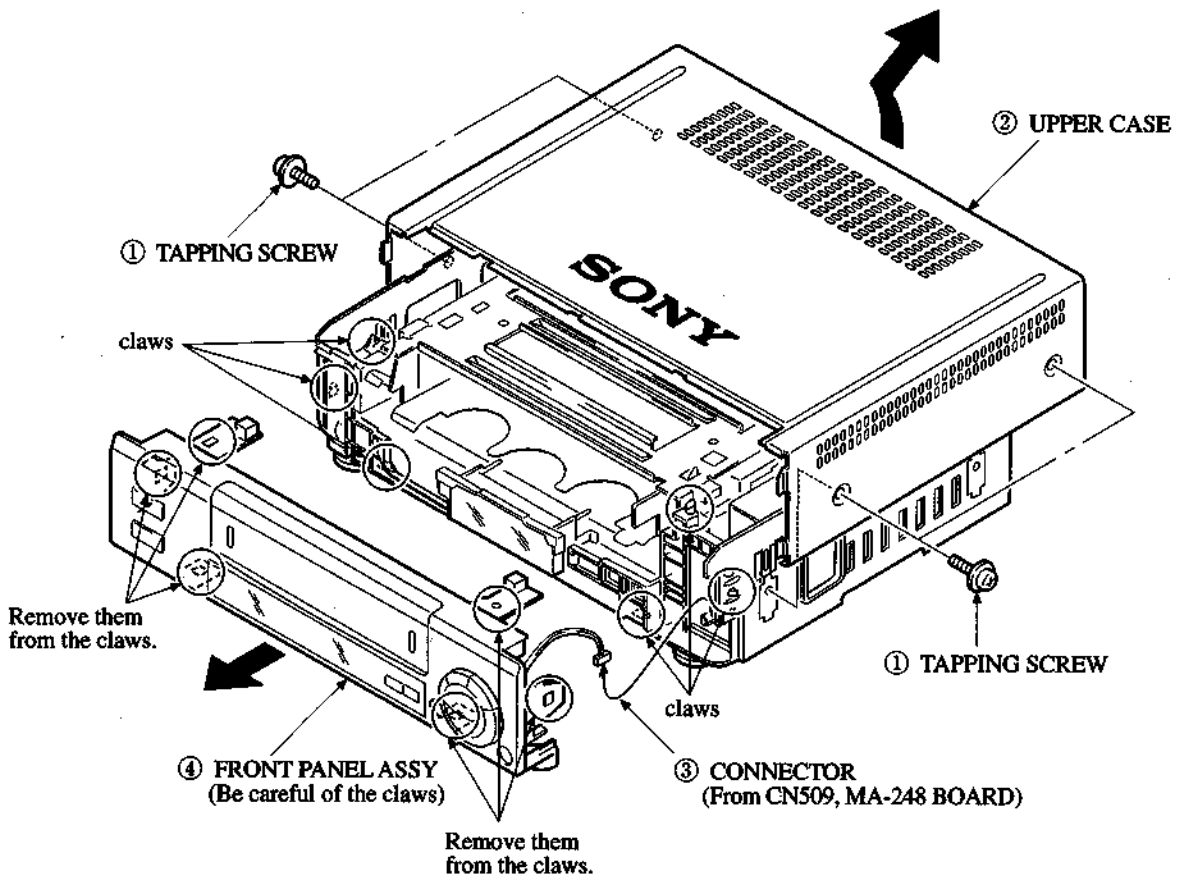
SLV-360/390/390PX/660HF/690HF/L2MX/L2PA/L2PL/L4CS/ L4MX/L4PA/L4PL/L6HFCS/L6HFMA/L6HFPA/L6HFPL

SECTION 2

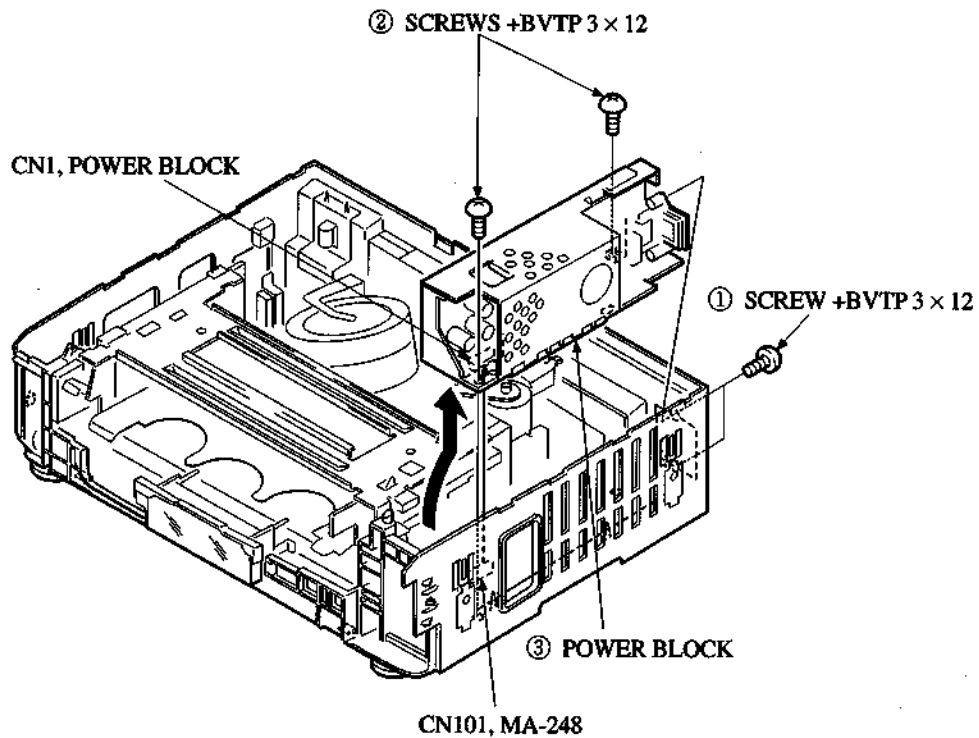
DISASSEMBLY

NOTE : Follow the disassembly procedure in the numerical order given.

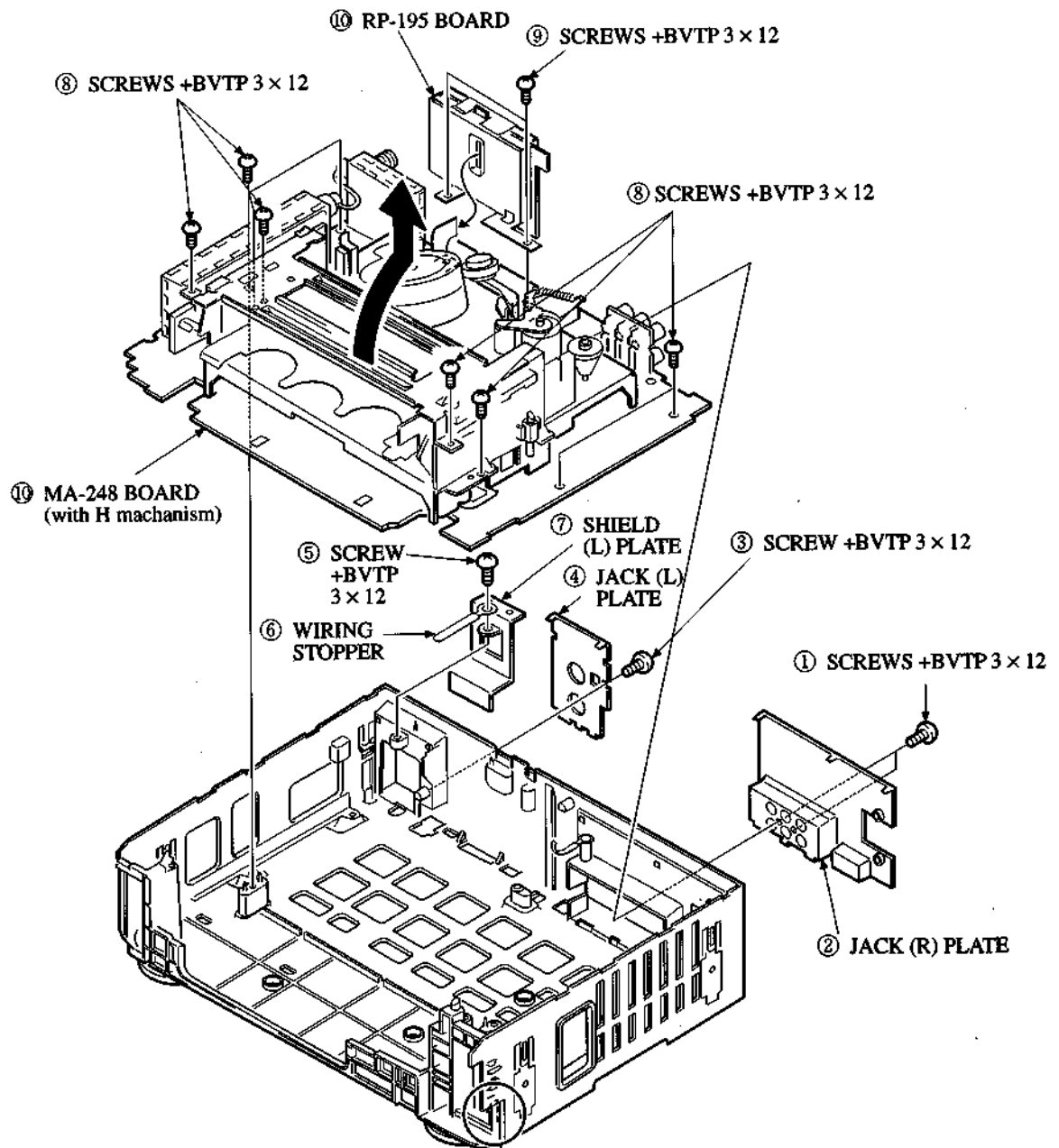
2-1. REMOVAL OF FRONT PANEL ASSY



2-2. REMOVAL OF POWER BLOCK

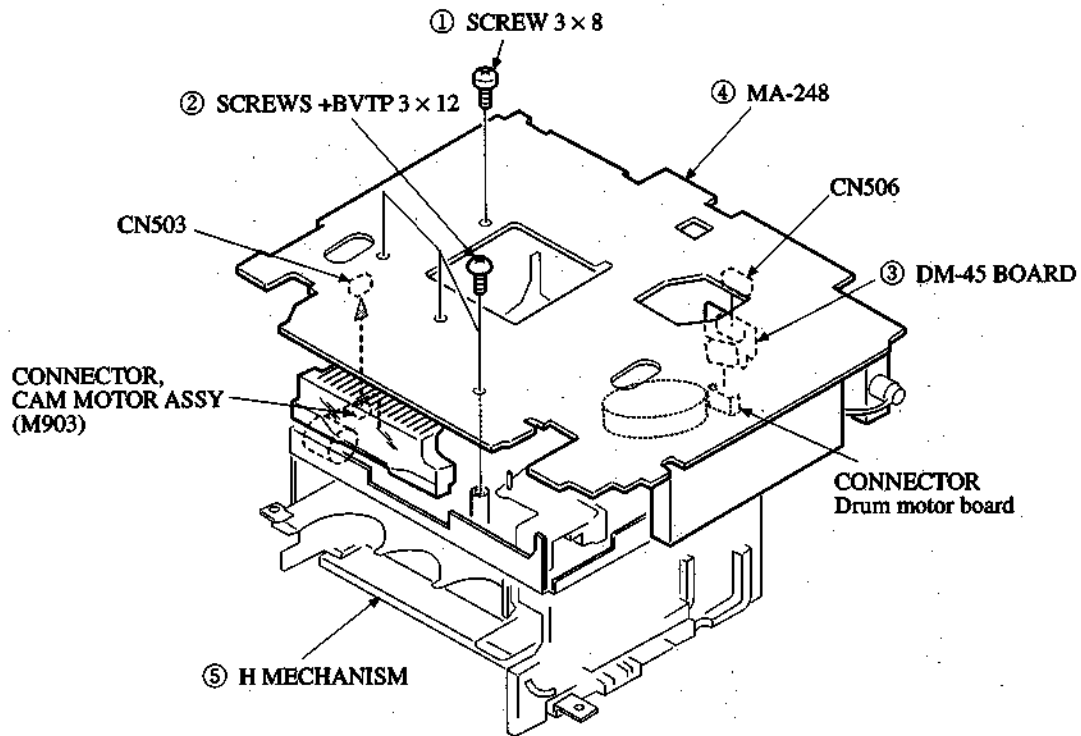


2-3. REMOVAL OF RP-195 BOARD and MA-248 BOARD

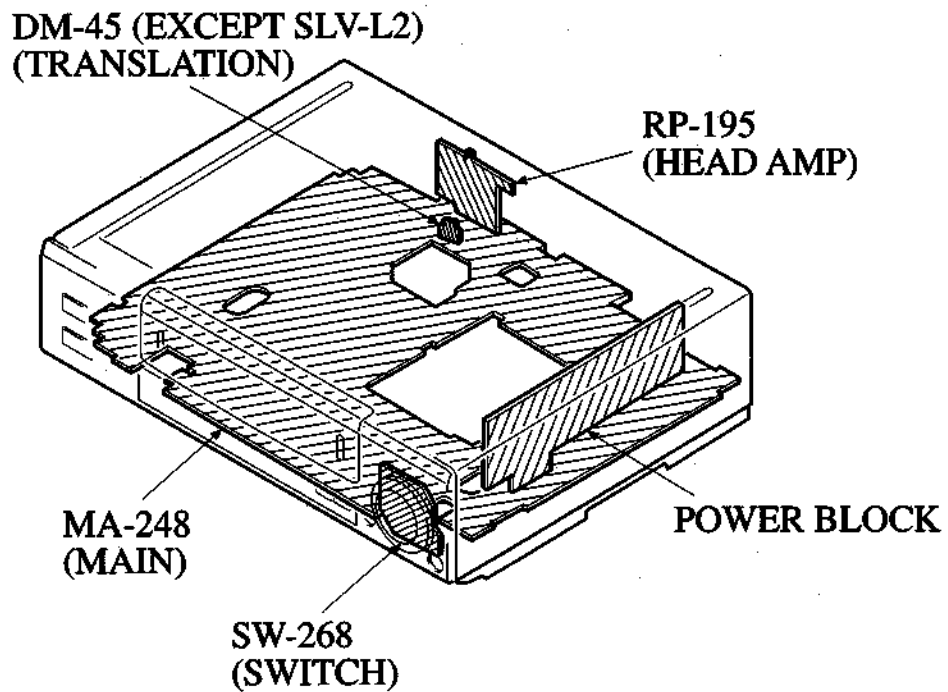


Be careful of a claw on removing MA-248 board with H mechanism ⑩.

2-4. REMOVAL OF H MECHANISM

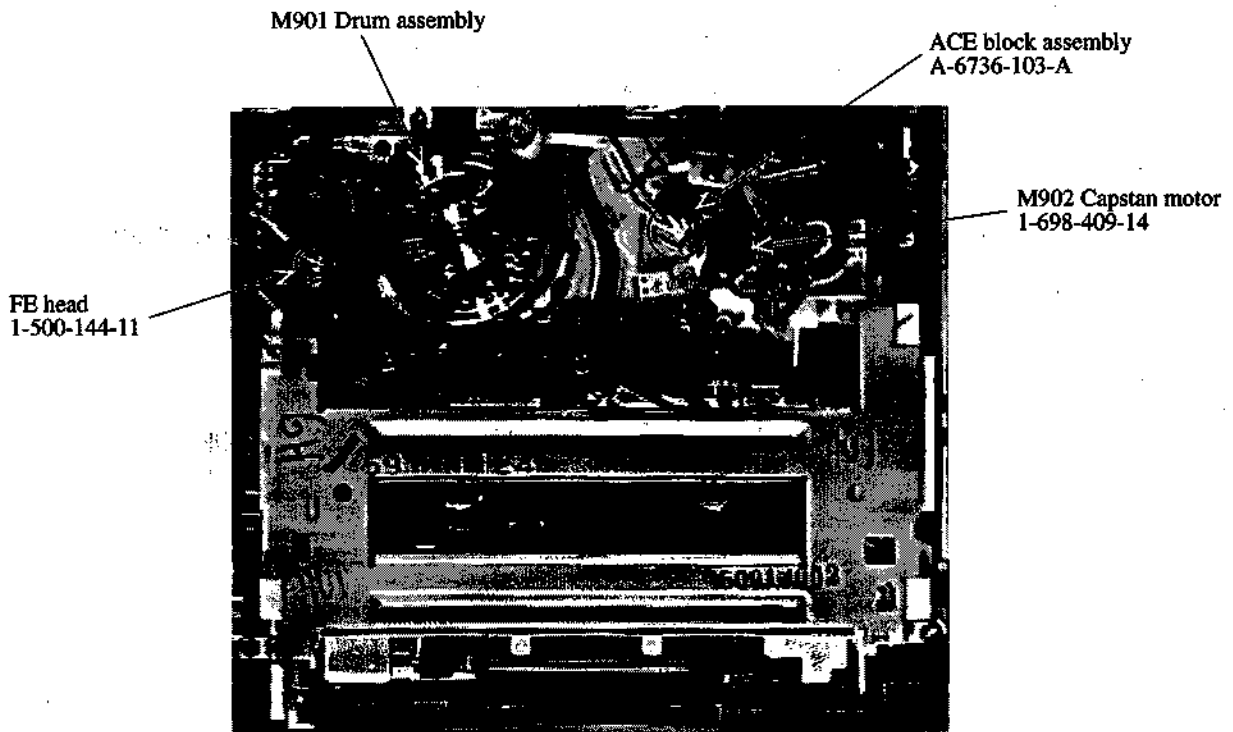


2-5. CIRCUIT BOARDS LOCATION

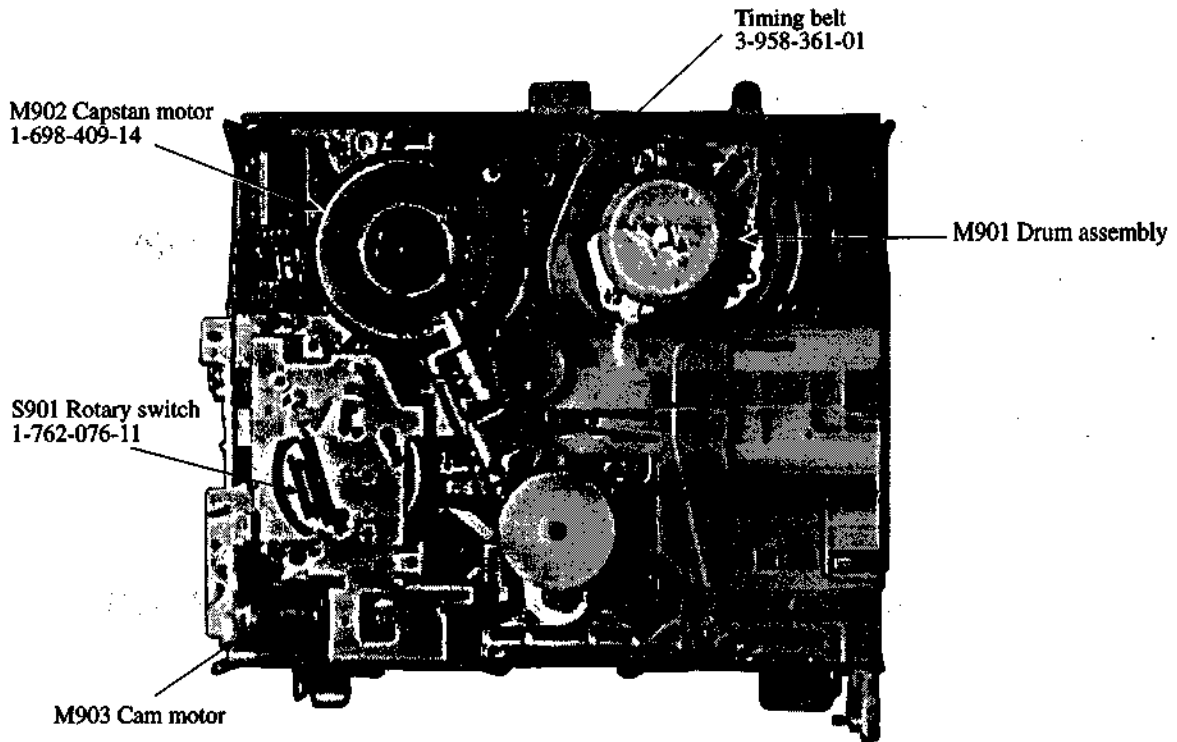


2-6. INTERNAL VIEWS

— Top view —

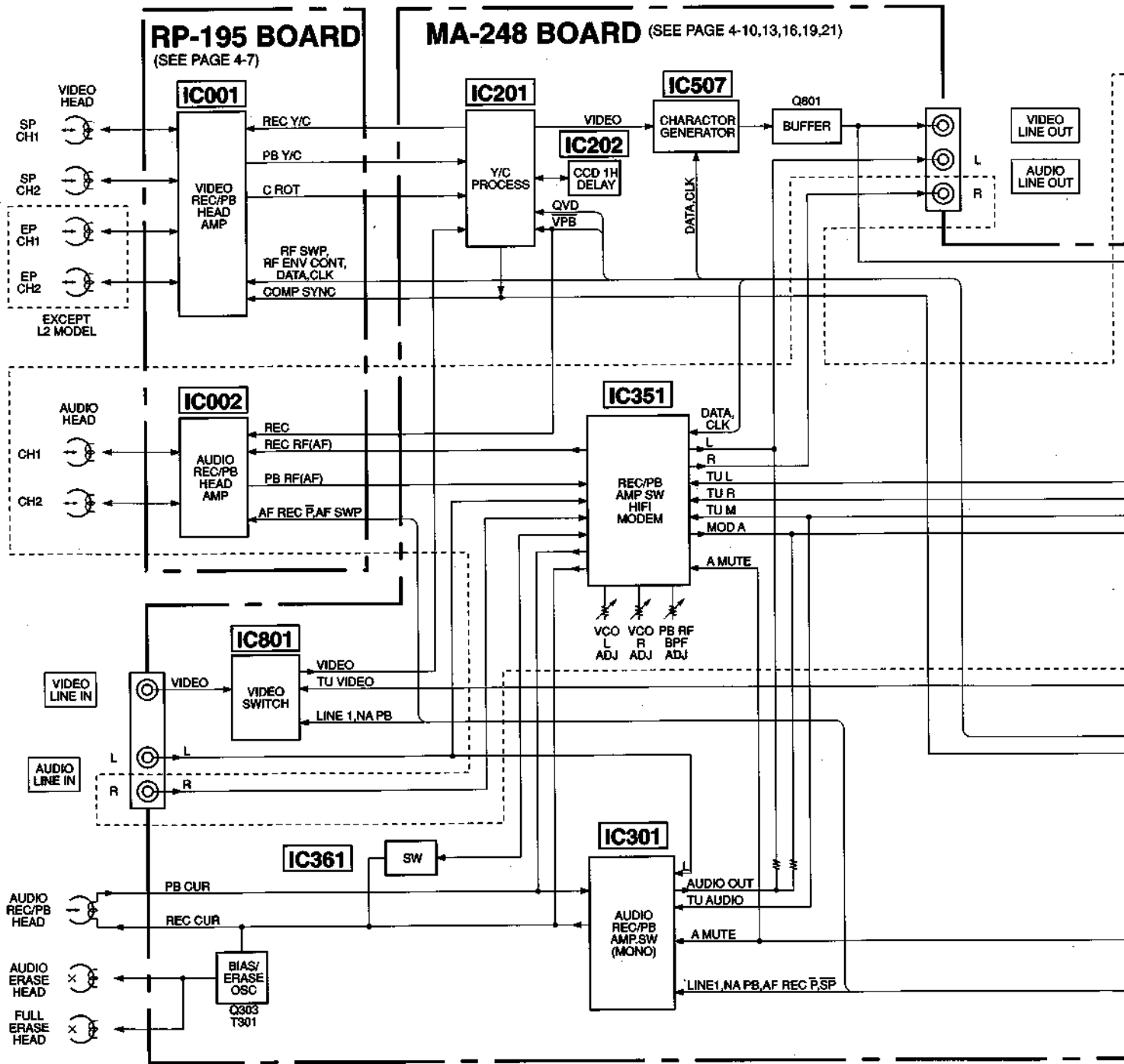


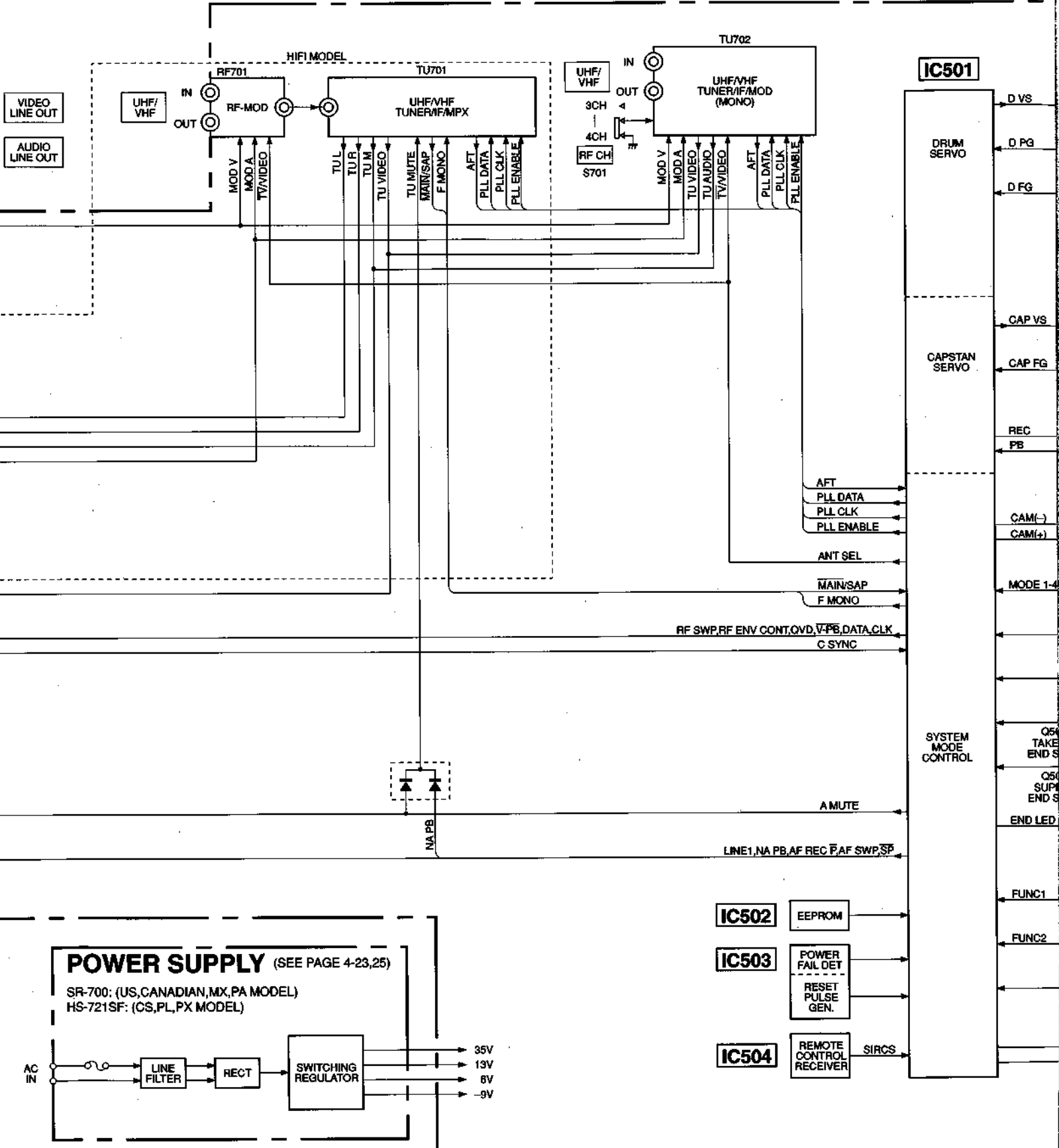
— Bottom view —

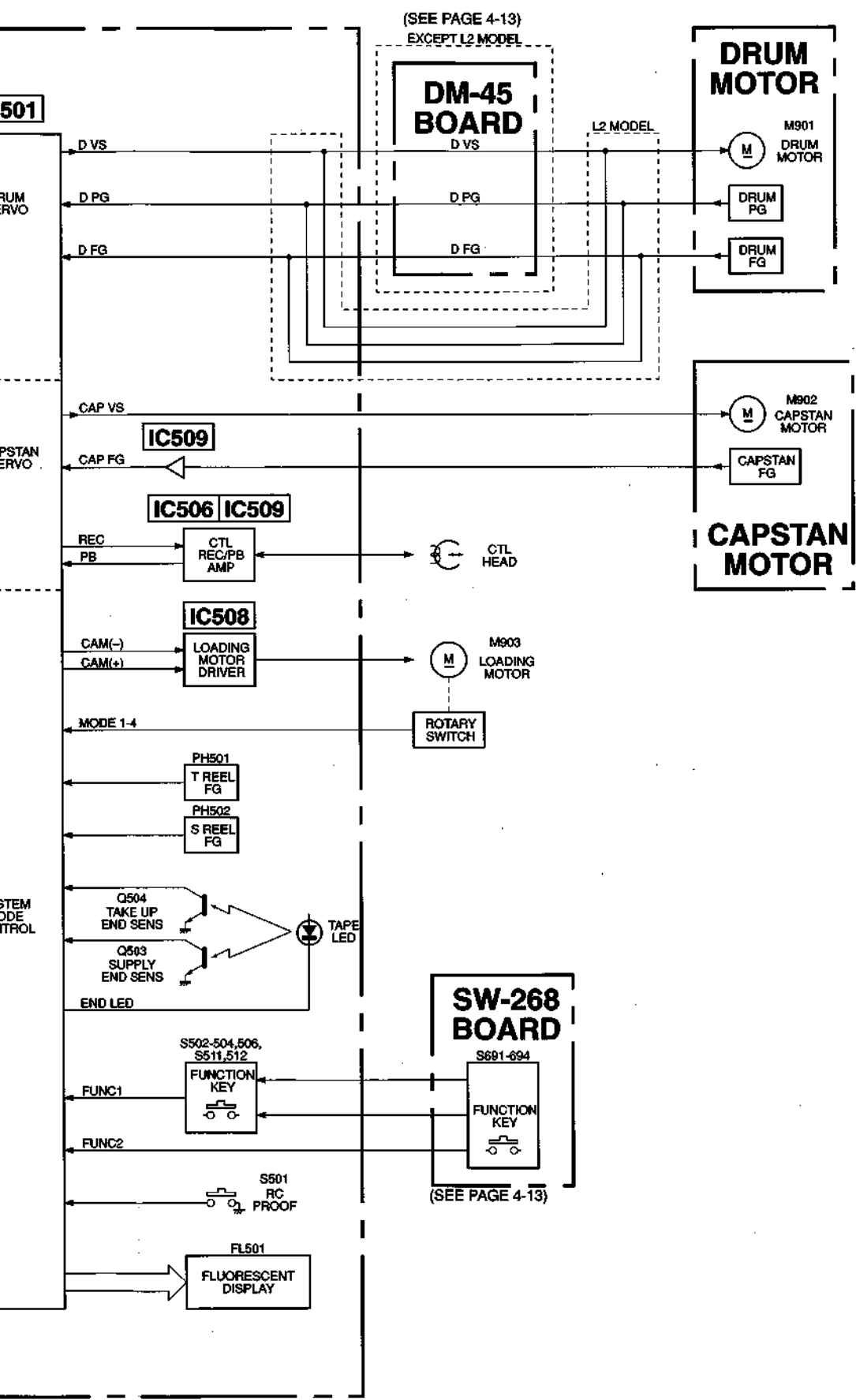


SECTION 3 BLOCK DIAGRAM

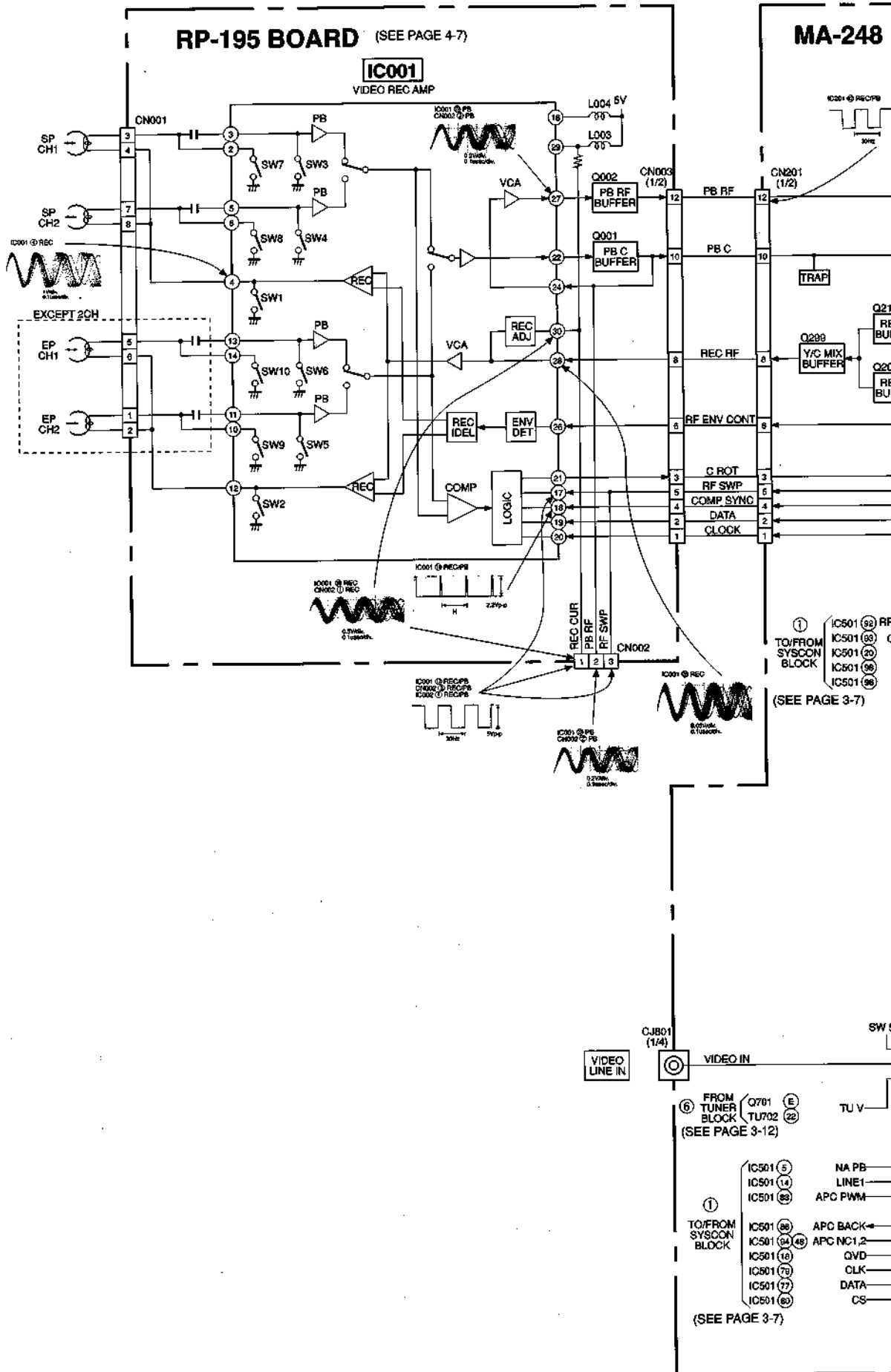
3-1. OVERALL BLOCK DIAGRAM

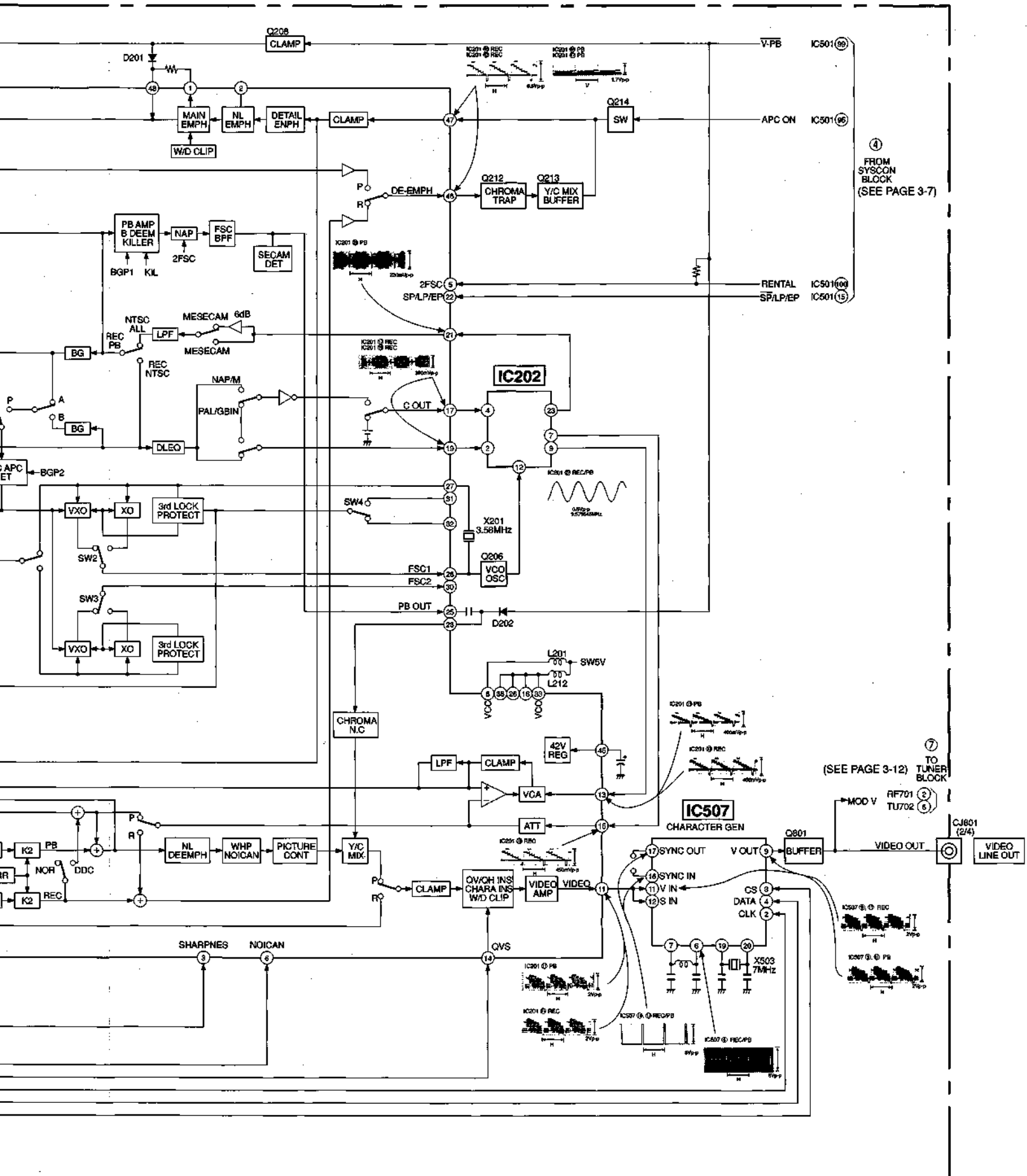






3-2. VIDEO BLOCK DIAGRAM



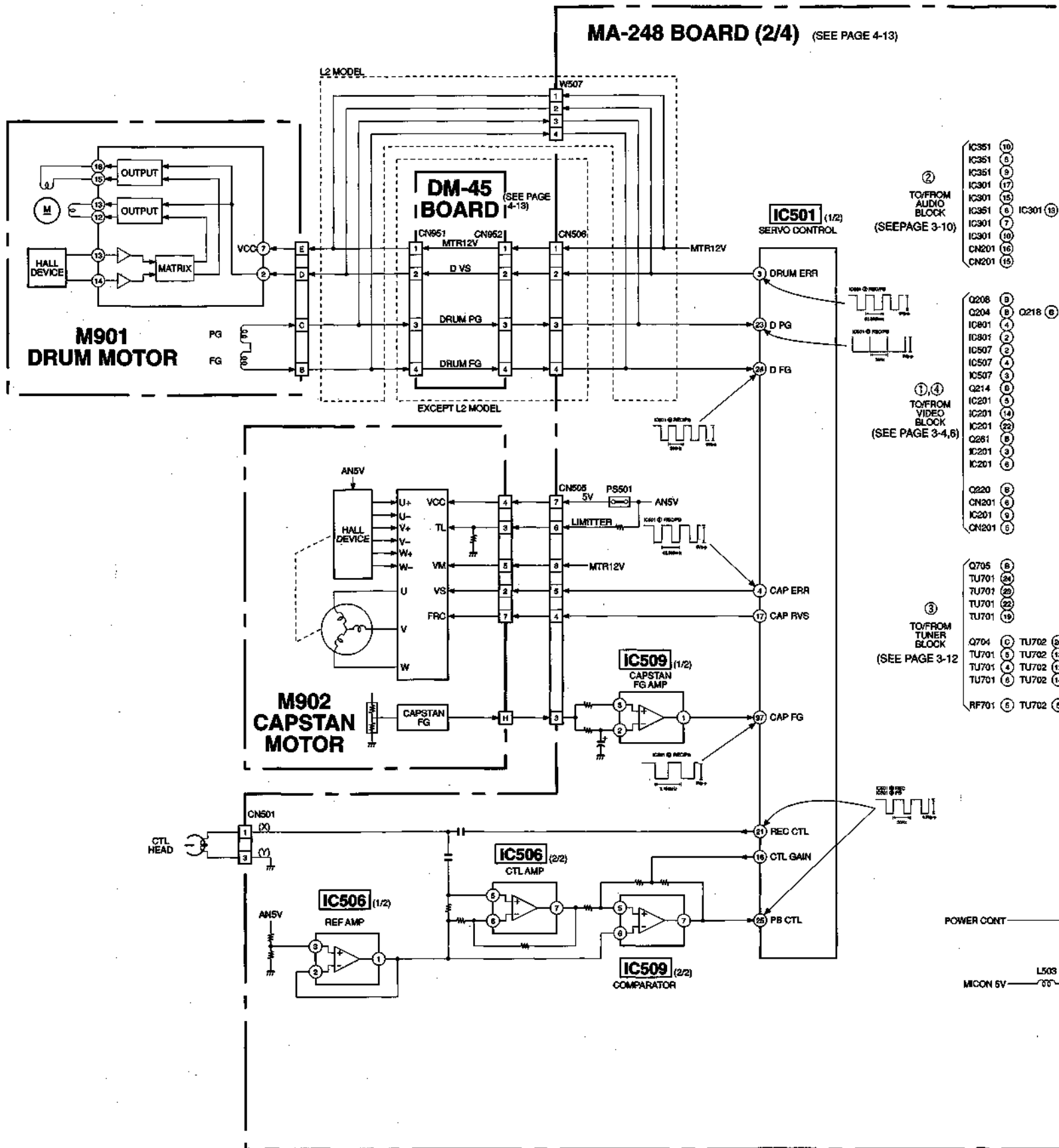


④ FROM SYSCON BLOCK (SEE PAGE 3-7)

⑦ TO TUNER BLOCK (SEE PAGE 3-12)

CJ801 (2/4) VIDEO LINE OUT

3-3. SERVO/SYSTEM CONTROL BLOCK DIAGRAM

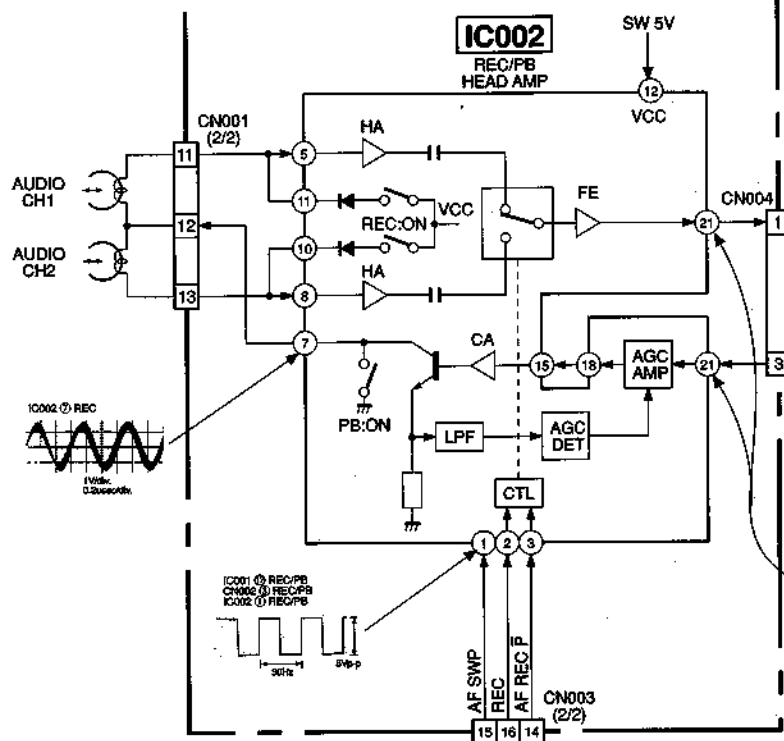


3-4. AUDIO BLOCK DIAGRAM

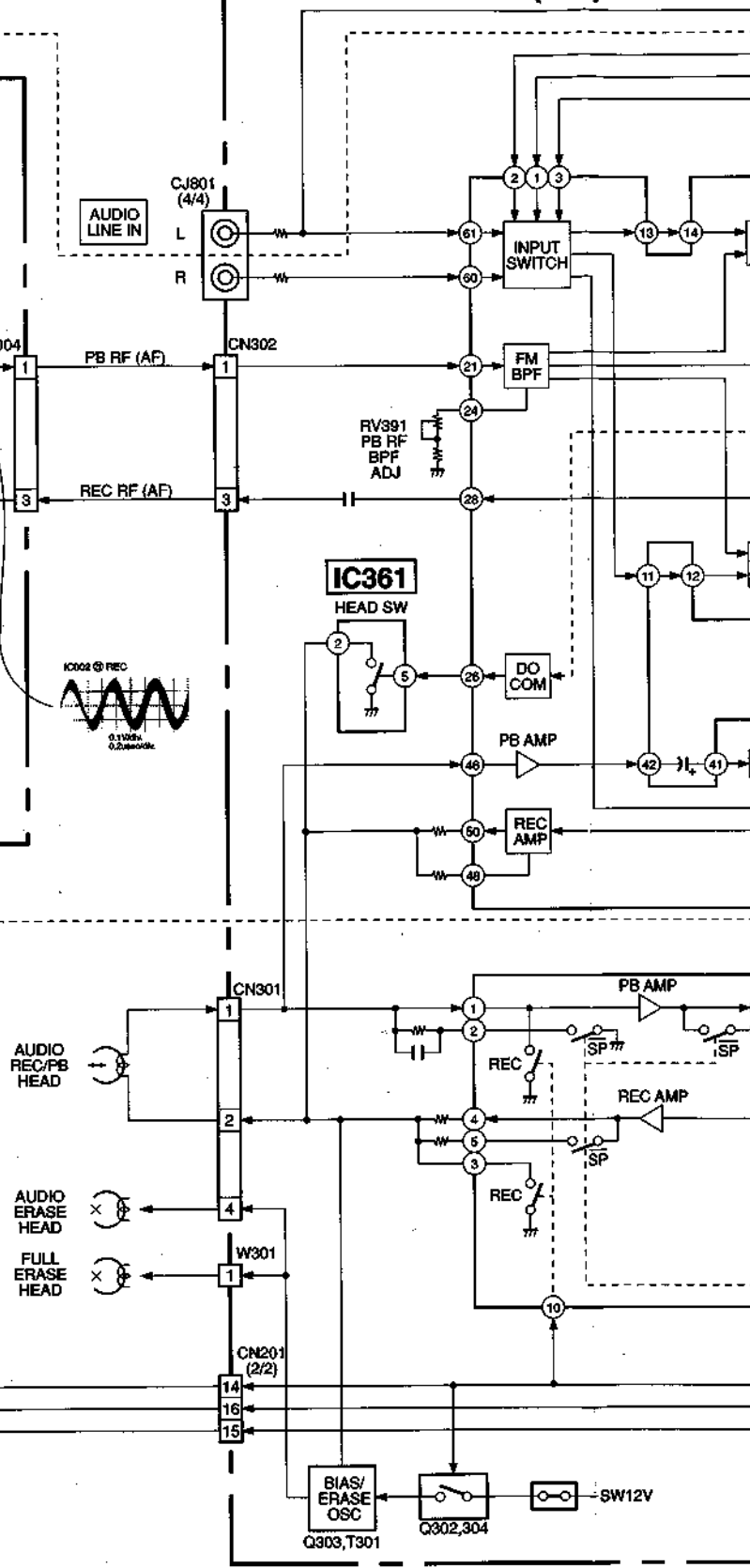
SLV-660HF/690HF/L6HF MODEL

RP-195 BOARD (2/2)
(SEE PAGE 4-7)

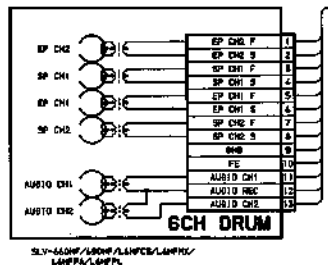
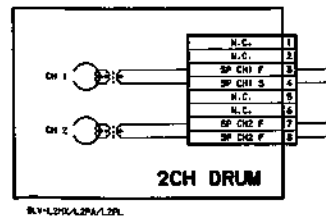
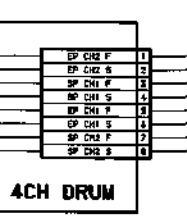
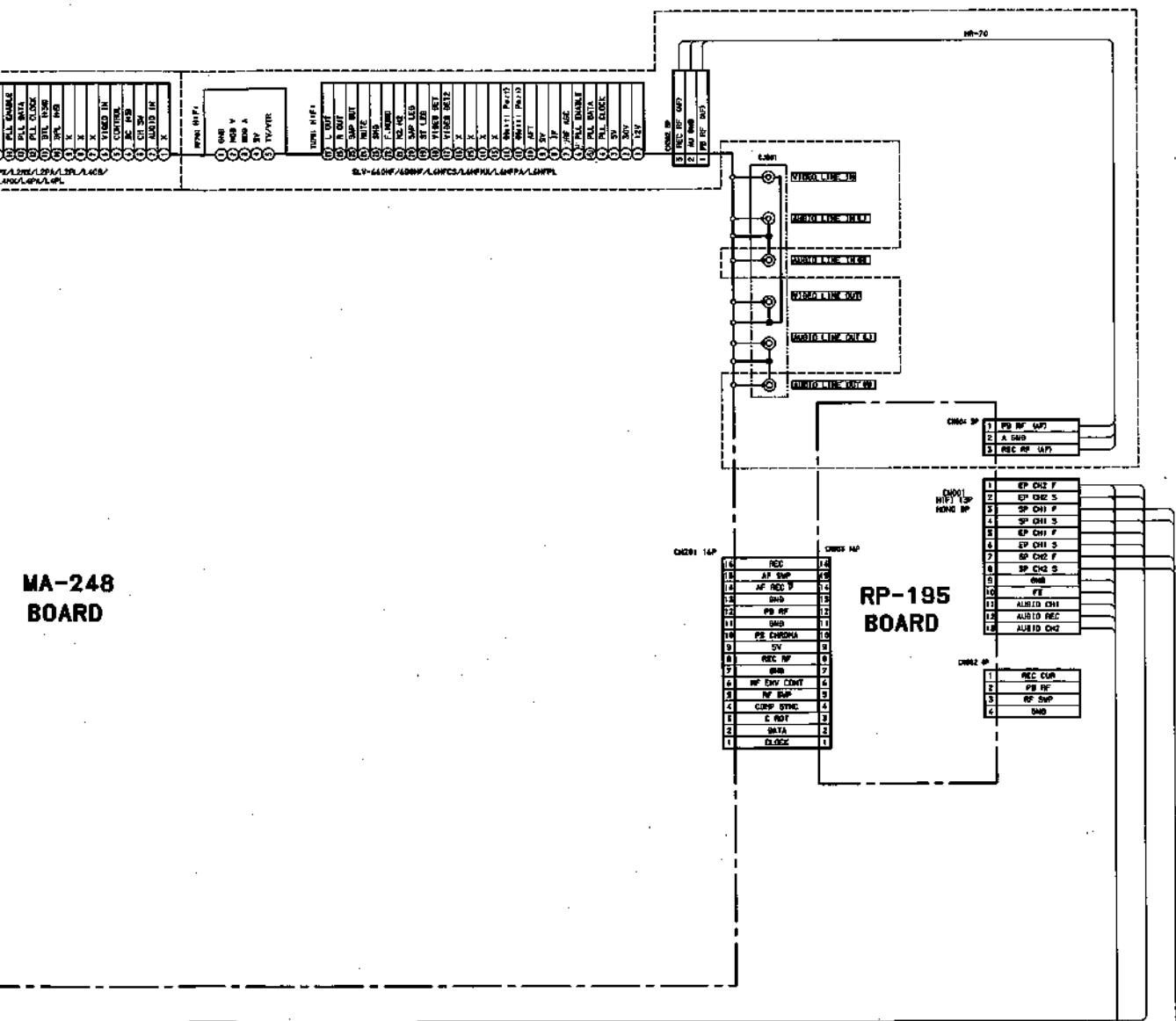
IC002
REC/PB
HEAD AMP



MA-248 BOARD (3/4) (SEE PAGE 4-16)



MA-248 BOARD






4-2. PRINTED WIRING BOARDS AND SCHEMATIC DIAGRAMS

THIS NOTE IS COMMON FOR PRINTED WIRING BOARDS AND SCHEMATIC DIAGRAMS.

(In addition to this, the necessary note is printed in each block.)






For printed wiring boards:

-  : Through hole is omitted.
-  : Pattern from the side which enables seeing.
-  : Pattern of the rear side.*

***Caution:**

Pattern face side: (Conductor Side)	Parts on the pattern face side seen from the pattern face are indicated.
Pattern face side: (Component Side)	Parts on the parts face side seen from the parts face are indicated.

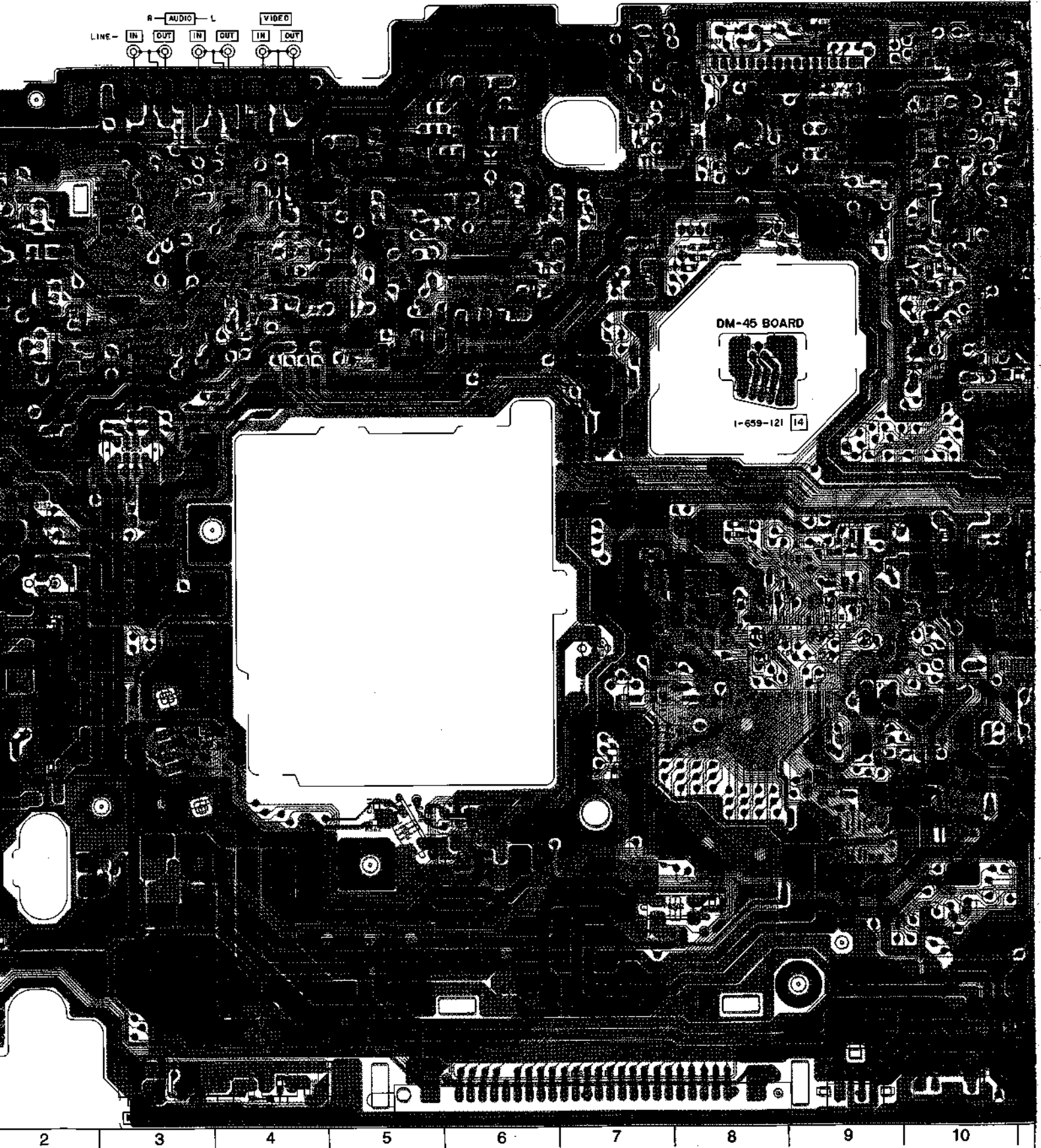
For schematic diagram:

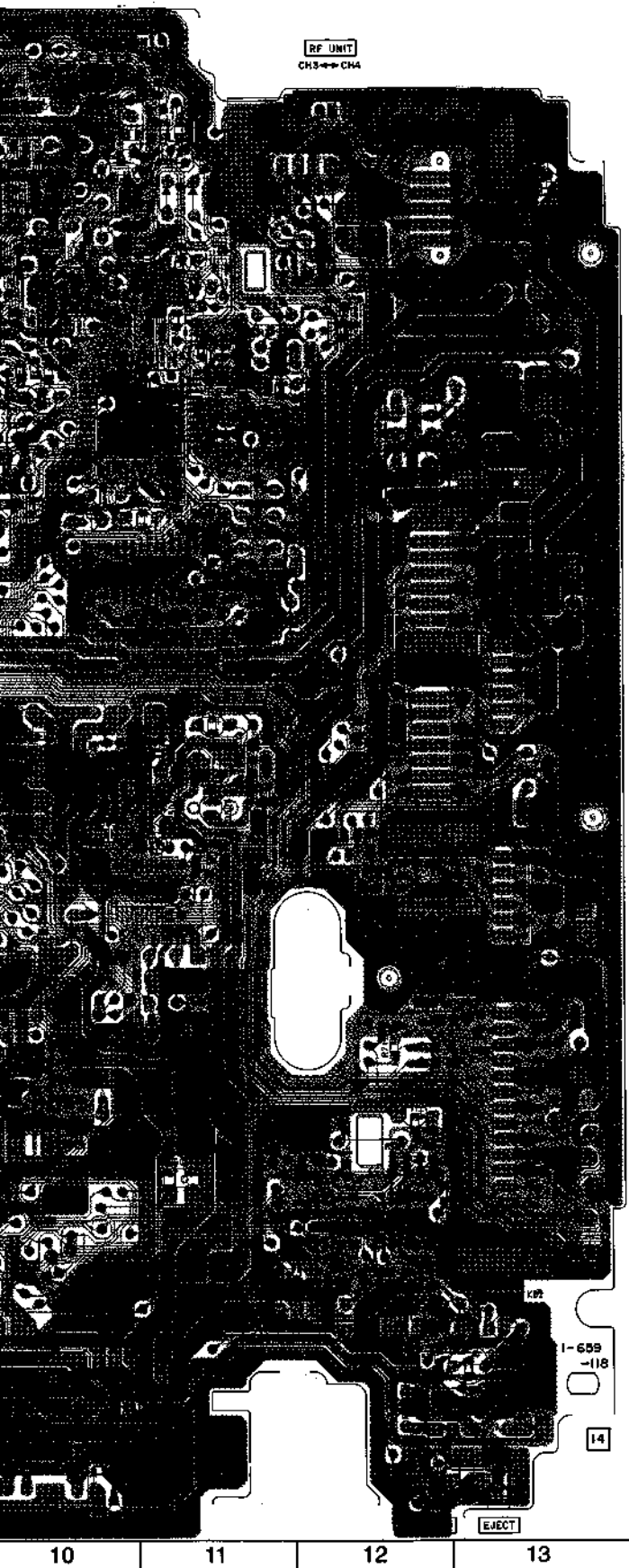
- Caution when replacing chip parts.
New parts must be attached after removal of chip.
Be careful not to heat the minus side of tantalum capacitor, because it is damaged by the heat.
- All resistors are in ohms, 1/4 W unless otherwise noted.
Chip resistors: 1/10 W unless otherwise noted.
k Ω : 1000k Ω , M Ω : 1000K Ω .
- All capacitors are in μ F unless otherwise noted. pF: μ μ F.
50V or less are not indicated except for electrolytics and tantalums.
-  : panel designation.
-  : internal component
-  : B-Line.*
-  : B-Line.*
-  : IN/OUT direction of B line (+, -).*
- Circled numbers refer to wavforms.*
- Readings are taken with a color-bar signal input.
- Voltage are dc between ground and measurement points.*
- Readings are taken with a digital multimeter (DC10M Ω).*
- Voltage variations may be noted due to normal production tolerances.*

When indicating parts by reference number, please include the board name.

- *: indicated by the color red.

There are few cases that the part printed on this diagram isn't mounted in this model.

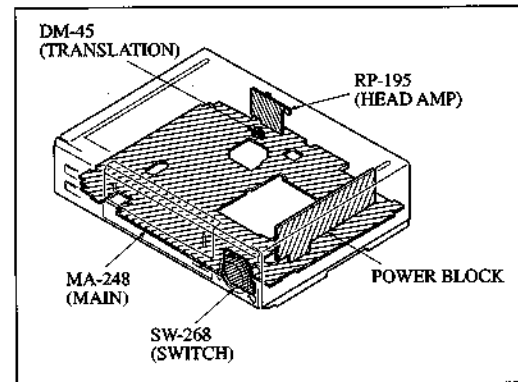




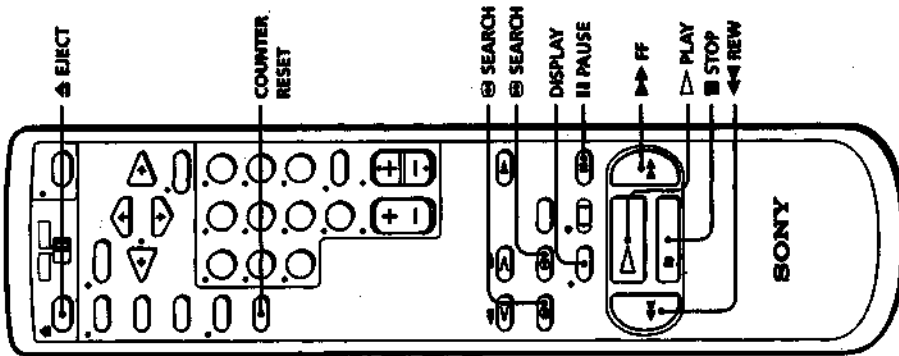
MA-248 BOARD

DM-45 BOARD

CN101	G-1	IC507	F-11	CN951	D-8
CN201	A-9	IC508	H-1	CN952	D-8
CN301	B-6	IC509	H-12		
CN302	C-2	IC801	B-7		
CN501	I-12				
CN502	G-3	Q131	E-1		
CN503	H-3	Q132	E-2		
CN505	E-3	Q161	F-1		
CN506	G-9	Q204	B-11		
CN509	J-1	Q206	D-11		
		Q208	B-11		
D131	E-2	Q209	A-10		
D161	E-1	Q210	B-10		
D162	E-1	Q211	A-11		
D201	C-10	Q212	B-10		
D202	D-11	Q213	C-10		
D204	C-11	Q214	C-10		
D205	C-12	Q215	B-9		
D301	C-5	Q216	B-9		
D302	C-5	Q217	B-9		
D391	C-2	Q218	C-9		
D503	G-7	Q219	B-10		
D504	H-3	Q220	C-11		
D505	H-3	Q261	B-9		
D506	G-10	Q299	B-8		
D507	G-8	Q301	C-5		
D508	G-9	Q302	B-5		
D510	J-12	Q303	B-6		
D513	F-9	Q304	B-5		
D701	D-12	Q391	C-1		
D702	D-12	Q392	C-2		
D703	D-13	Q502	H-6		
D704	G-13	Q503	F-11		
D801	B-3	Q504	F-2		
D802	A-3	Q701	G-12		
		Q702	D-12		
IC141	D-1	Q703	D-13		
IC201	D-11	Q704	F-12		
IC202	E-11	Q705	F-12		
IC301	C-6	Q801	A-7		
IC351	C-4				
IC361	C-6	RV341	C-2		
IC501	G-9	RV381	D-2		
IC502	H-10	RV391	C-2		
IC503	H-9				
IC504	J-9				
IC506	H-12				



Playing a tape



1 Turn on your TV and set it to the video channel.



2 Insert a tape.
The VCR turns on and starts playing automatically if you insert a tape with its safety tab removed.

3



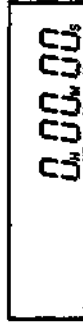
Press **▶▶** **PLAY**.
When the tape reaches the end, it will rewind automatically.

Additional tasks

To	Press
Stop play	■ STOP
Pause play	 PAUSE
Resume play after pause	 PAUSE or ▶▶ PLAY
Search forward	▶▶ FF or ⊕ SEARCH during playback
Search backward	◀◀ REW or ⊖ SEARCH during playback
Fast-forward the tape	▶▶ FF during stop
Rewind the tape	◀◀ REW during stop
Eject the tape	⬆ EJECT

To use the time counter

At the point on the tape that you want to find later, press **COUNTER RESET**. The counter in the display window resets to "00:00:00." Search for the point afterwards by referring to the counter.

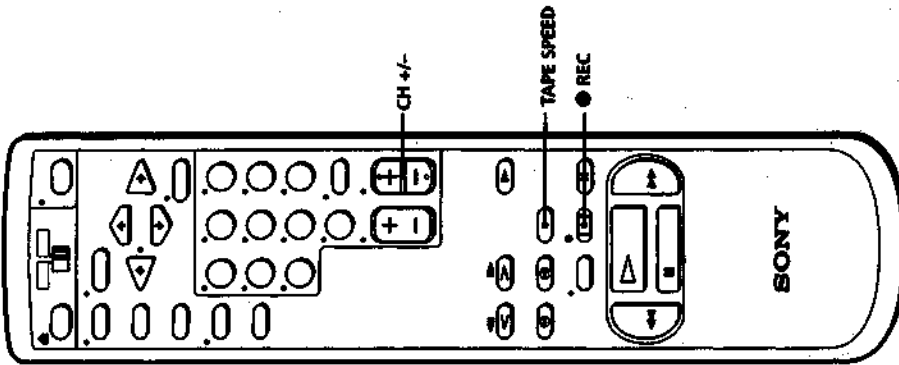


To display the counter on the TV screen, press **DISPLAY**.

Notes

- Tapes recorded in the LP mode on other VCRs can be played back on this VCR but the picture quality cannot be guaranteed.
- The counter resets to "00:00:00" whenever a tape is reinserted.
- The counter stops counting when it comes to a portion with no recording.

Recording TV programs



- 1 Turn on your TV and set it to the video channel.
To record from a cable box, turn it on.

- 2 Insert a tape with its safety tab in place.

- 3 Press CH +/- to select the channel you want to record.



- 4 Press TAPE SPEED to select the tape speed, SP or EP.
EP provides recording time three times as long as SP; however, SP produces better picture and audio quality.



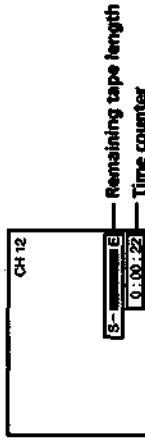
- 5 Press REC to start recording.

To stop recording

Press ■ STOP.

To check the remaining tape length

Press DISPLAY during playback or recording. The white bar indicates the approximate length of tape remaining.

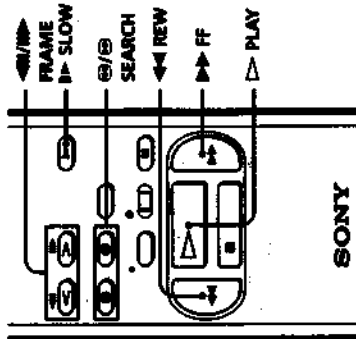


To watch another TV program while recording

- 1 Press TV/VTR to turn off the VTR indicator in the display window.
- 2 If the TV is connected to the VCR's LINE OUT jacks, set the TV to TV input; if not, skip this step.
- 3 Select another channel on the TV.

continued

Playing/searching at various speeds



Playback options	Operation
Fast-forward/rewind	During stop, press FF or REW .
View the picture during fast-forward or rewind	During fast-forward, keep pressing FF . During rewind, keep pressing REW .
Play at high speed	During playback or pause, press SEARCH or SEARCH . To change direction, press FRAME or FRAME .
Play in slow motion	During playback or pause, press SLOW . To change direction, press FRAME or FRAME .
Play frame by frame	During pause, press FRAME or FRAME . Hold the button down to play one frame each second.
Play in reverse	During playback, press FRAME .
Rewind and start play	During stop, press PLAY on the VCR while pressing REW on the VCR.

To resume normal playback

Press **PLAY**.

Tip

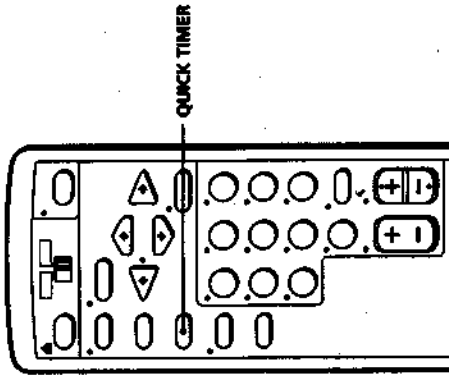
- Adjust the picture using the **TRACKING** **V**/**A** (**STILL ADJUST**) buttons on the VCR if:
 - Streaks appear while playing in slow motion.
 - The picture shakes while pausing.

Notes

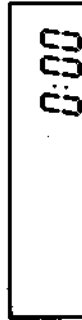
- The sound is muted during these operations.
- Tapes recorded in the LP mode on other VCRs can be played back on this VCR but the picture quality cannot be guaranteed.
- The picture may have white noise:
 - when playing at high speed in reverse
 - when playing in reverse slow motion
 - when playing in reverse.

Recording TV programs using the quick timer

After starting recording in the normal way, you can have the VCR stop recording automatically after a specified duration.

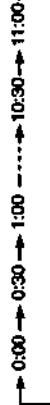


1 While recording, press **QUICK TIMER** once.



2 Press **QUICK TIMER** repeatedly to set the duration.

Each press advances the time in increments of 30 minutes.



The duration decreases minute by minute to 0:00, then the VCR stops recording and turns off automatically.

To extend the duration

Press **QUICK TIMER** repeatedly to set to the new duration.

To stop the VCR while recording

Press **STOP**.

Tip

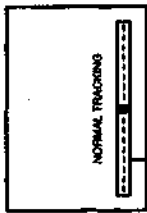
- You can also set the quick timer and start recording during stop mode.

Adjusting the picture

Adjusting the tracking

Although the VCR automatically adjusts the tracking when playing a tape (the AUTO TRACKING indicator flashes in the display window, then lights steadily), distortion may occur if the tape was recorded in poor condition. In this case, manually adjust the tracking.

Press the TRACKING ∇/Δ (STILL ADJUST) buttons on the VCR to display the tracking meter. The distortion should disappear as you press one of the two buttons. To resume automatic tracking adjustment, eject the tape.



Tracking meter

About Adaptive Picture Control (APC)

Adaptive Picture Control (APC) automatically improves recording and playback quality by adjusting the VCR to the condition of the video heads and tape. To maintain better picture quality, we recommend that you set APC to ON in the ADVANCED OPTIONS menu (with the APC indicator in the display window lit).

APC playback

The APC function automatically works on all types of tapes, including rental tapes and tapes that were not recorded with APC.

APC recording

Whenever you insert a tape and first start recording, the VCR adjusts to the tape using the APC function (the APC indicator flashes rapidly). This adjustment is retained until the tape is ejected.

Note

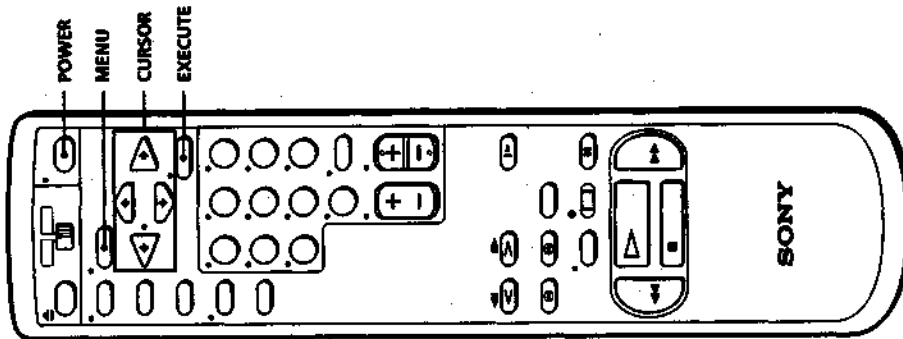
- There is a delay of a few seconds before the VCR actually starts recording while the VCR analyzes the tape. To avoid the delay, first set the VCR to recording pause (the APC indicator flashes slowly) and press \bullet REC to have the VCR analyze the tape. After the APC indicator stops flashing, press \blacksquare PAUSE to start recording immediately. If you press \blacksquare PAUSE before the APC indicator stops flashing, the APC function is cancelled.

Recording TV programs using the timer

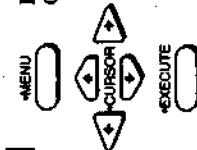
You can preset up to eight programs at a time.

Before you start...

- Check that the VCR clock is set to the correct time.
- Turn on your TV and set it to the video channel. When using a cable box, turn it on.
- Insert a tape with its safety tab in place. Make sure the tape is longer than the total recording time.



- Press MENU and select TIMER SET / CHECK, then press EXECUTE.



TIMER SET / CHECK	00/16 WE	DATE	START	STOP	CH
1	---	---	---	---	---
2	---	---	---	---	---
3	---	---	---	---	---
4	---	---	---	---	---
5	---	---	---	---	---
6	---	---	---	---	---
7	---	---	---	---	---
8	---	---	---	---	---

continued

Basic Operations

Recording TV programs using the timer (continued)

2

Set the date, start and stop times, channel number and tape speed:



1 Press CURSOR → to flash each item in turn.

2 Press CURSOR ↑/↓ to set each item. To correct a setting, press CURSOR ← to return to that setting and reset.

TIMER SET / CHECK	10/16	WE
DATE	---	---
START	---	---
STOP	---	---
CH	---	---
TAPE SPEED	---	---

To record the same program every day or the same day every week, press CURSOR ↓ while the date is flashing. For details, see "Daily/weekly recording" on page 29.

To record from a source connected to the LINE IN jacks, press CURSOR ↑/↓ to display "L" in the "CH" position.

3



Press CURSOR → to confirm the setting.

The cursor (▸) appears at the top of the line. To enter another setting, move the cursor to the next line and repeat step 2.

4



Press EXECUTE.

5



Press POWER to turn off the VCR.

The TIMER indicator on the VCR lights up and the VCR stands by for recording. When using a cable box, leave it on.

To stop recording

To stop the VCR while recording, press ■ STOP.

To use the VCR after setting the timer

To use the VCR before a timer recording begins, just press POWER. The TIMER indicator turns off and the VCR switches on. Remember to press POWER to reset the VCR after using the VCR.

You can also do the following tasks while the VCR is recording:

- Reset the counter.
- Display tape information on the TV screen.
- Check the timer settings.
- Watch another TV program.

Daily/weekly recording

In step 2 above, press CURSOR ↓ to select the recording pattern. Each time you press CURSOR ↓, the indication changes as shown below.

the current date → SU-SA → MO-SA → MO-FR → EVERY SA → → EVERY MO → EVERY SU → 1 month later → (cycles backward) → the current date

Tips

- To set the channel, you can also use the CH+/- or number buttons.
- To set the tape speed, you can also use TAPE SPEED.

Changing menu options

- 1 Press MENU and select **ADVANCED OPTIONS**.
- 2 Press CURSOR \uparrow/\downarrow to select the option to change, then press CURSOR \leftarrow/\rightarrow to change the setting.
- 3 Press EXECUTE to return to the original screen.

ADVANCED OPTIONS	
*AUTO STEREO	ON OFF
*NORMAL AUDIO	*MAIN SAP OFF
APC	*ON OFF

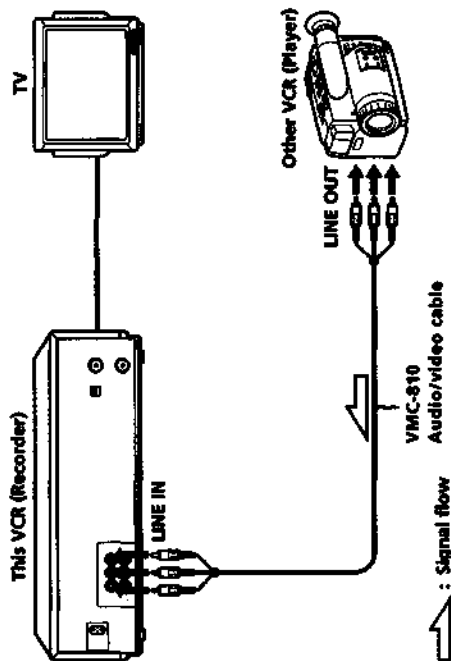
Menu choices

Initial settings are indicated in bold print.

Menu option	Set this option to
AUTO STEREO	ON to receive stereo programs. OFF to reduce noise. The sound changes to monaural.
NORMAL AUDIO	MAIN to record the main sound on both hi-fi and normal audio tracks. SAP to record the SAP (Second Audio Program) sound on the normal audio track. The main sound is recorded on the hi-fi audio track.
APC	ON to switch on the APC (Adaptive Picture Control) function and improve picture quality. OFF to switch off APC.

Editing with another VCR

How to hook up to record on this VCR



Notes

- Make sure you connect the plugs to jacks of the same color.
- If the other VCR is a monaural type, use a connecting cable like a Sony VMC-910MS.
- If you connected this VCR to both the LINE IN and LINE OUT jacks of the other VCR, select the input correctly to prevent a humming noise.

continued

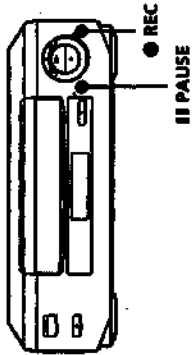
Editing with another VCR (continued)

Operation

(when recording on this VCR)

Before you start editing

- Turn on your TV and set it to the video channel.
- Press CH +/- to display "L" in the display window.
- Press TAPE SPEED on the remote commander to select the tape speed, SP or EP.



- 1 Insert a source tape with its safety tab removed into the other (playback) VCR. Search for the point to start playback and set it to playback pause.
- 2 Insert a tape with its safety tab in place into this (recording) VCR. Search for the point to start recording and press PAUSE.
- 3 Press REC on this VCR and set it to recording pause.
- 4 To start editing, press the PAUSE buttons on both VCRs at the same time.

To stop editing

Press the STOP buttons on both VCRs.

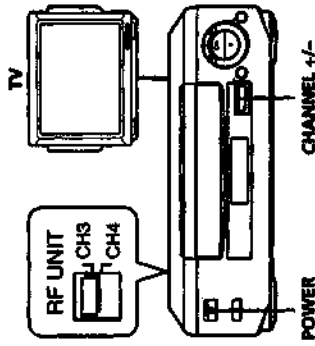
Note

- If you start recording following the procedure above, the VCR won't start recording with the APC function. To record a tape with the APC function, press REC again during recording pause in step 3 so that the VCR analyzes the tape. Then when you start recording in step 4, press PAUSE immediately after the APC indicator stops flashing. If you press PAUSE before the APC indicator stops flashing, the APC function is canceled.

General setup information

Setting the RF unit

When connecting the VCR to the TV using only the antenna cable, you must set the RF UNIT switch on the rear of the VCR so that the TV can receive the correct signal from the VCR.



- 1 Set the RF UNIT switch on the rear of the VCR to CH3 or CH4, whichever channel is not used in your area. If both are used, set the switch to either channel.
- 2 Press POWER to turn on the VCR.
- 3 Press TV/VTR on the remote commander to turn on the VTR indicator in the VCR's display window.
- 4 Press CHANNEL +/- to display a channel number in the display window. Select an active channel number in your area.
- 5 Turn on your TV and set it to the channel you selected in step 1 (channel 3 or 4).

The selected TV channel broadcast appears on the TV screen. If the channels change when you press CHANNEL +/-, you have made the correct setting.

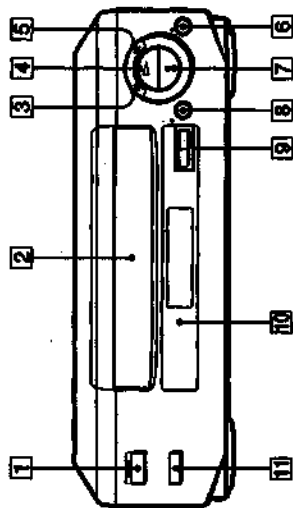
Whenever you use the VCR, set the TV to the channel selected in step 1.

continued

Index to parts and controls

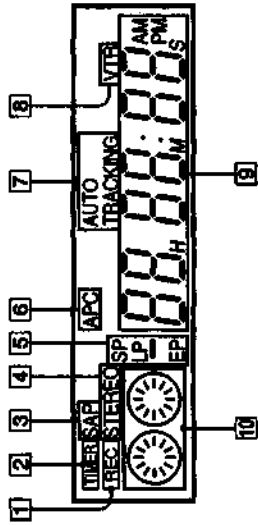
Refer to the pages indicated in parentheses () for details.

Front panel



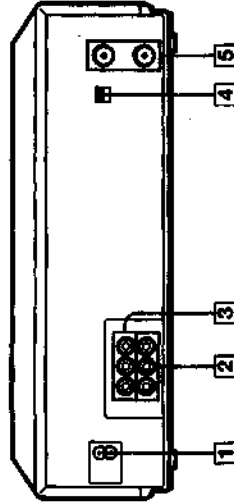
- 1 POWER switch/indicator
- 2 Tape compartment
- 3 ◀◀ REW button (23, 30)
- 4 ▷▶ PLAY button (23)
- 5 ▶▶ FF button (23, 30)
- 6 ● REC button (25)
- 7 ■ STOP button (23)
- 8 ■ PAUSE button (23)
- 9 CHANNEL +/-/TRACKING ▼/▲ (STILL ADJUST) buttons (24, 35)
- 10 Remote sensor (5)
- 11 ▲ EJECT button (23)

Display window



- 1 REC (recording) indicator
- 2 TIMER indicator (28)
- 3 SAP indicator (33)
- 4 STEREO indicator (33)
- 5 Tape speed indicator (25)
- 6 APC indicator (35)
- 7 AUTO TRACKING indicator (35)
- 8 VTR indicator (25)
- 9 Time counter/clock/line/channel indicator (23, 25)
- 10 Tape indicator

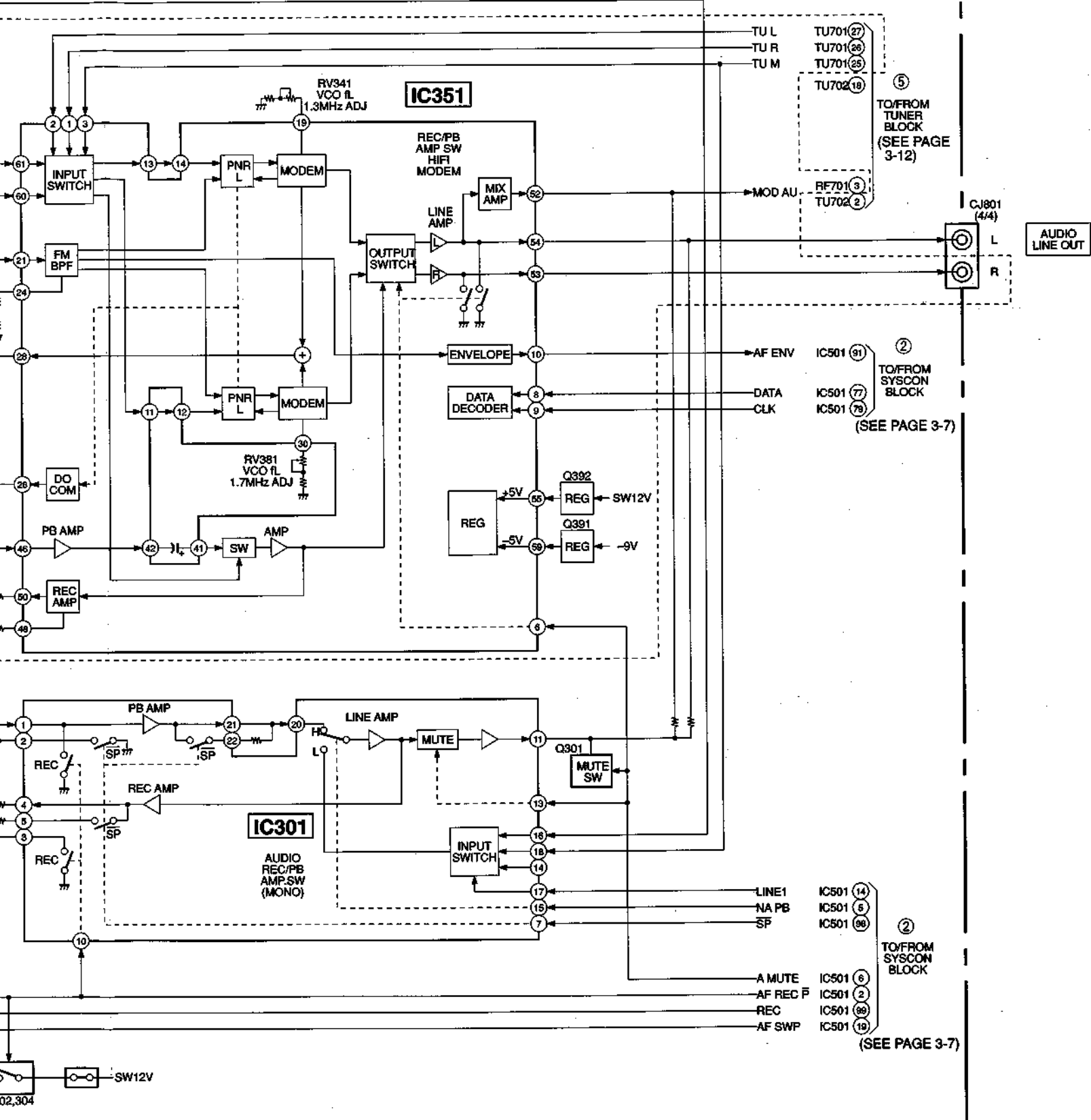
Rear panel



- 1 AC IN connector
- 2 LINE OUT AUDIO L/R/VIDEO jacks (7)
- 3 LINE IN AUDIO L/R/VIDEO jacks (37)
- 4 RF UNIT switch (39)
- 5 VHF/UHF IN/OUT connectors (8, 10, 12, 14)

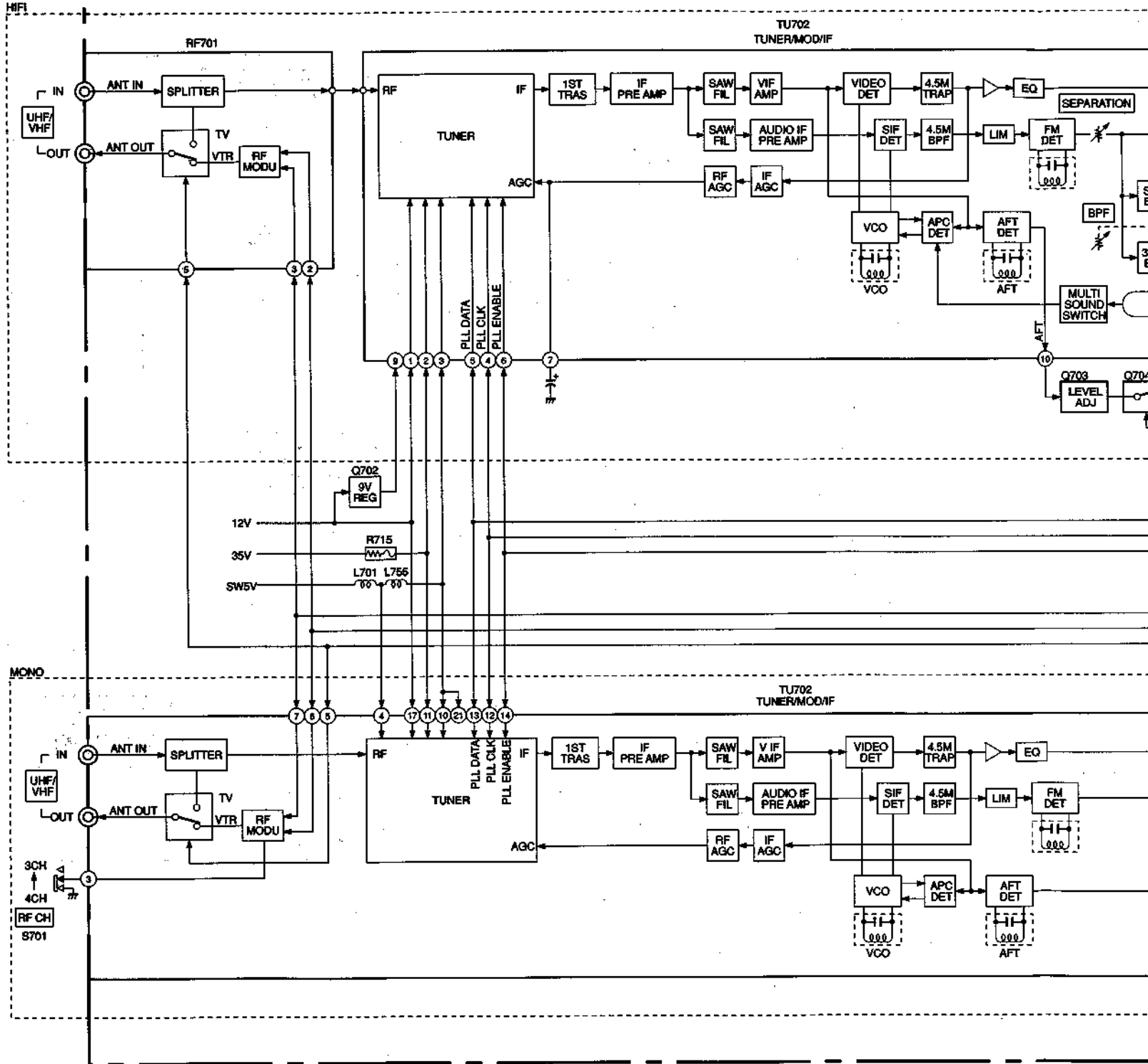
continued

ARD (3/4) (SEE PAGE 4-16)

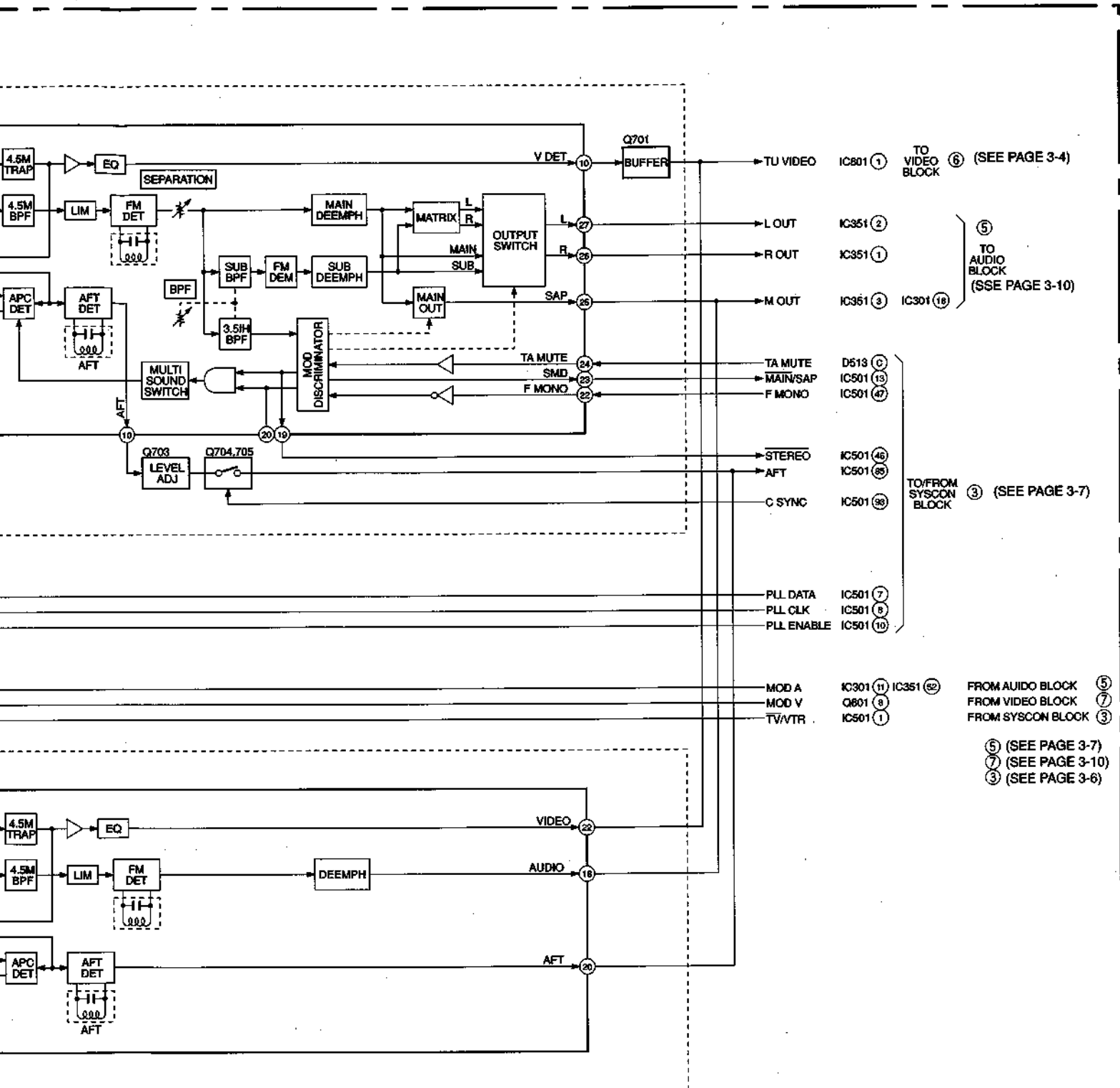


3-5. TUNER BLOCK DIAGRAM

MA-248 BOARD (4/4)



**SLV-360/390/390PX/660HF/690HF/L2MX/L2PA/L2PL/L4CS/
L4MX/L4PA/L4PL/L6HFCS/L6HFMS/L6HFPA/L6HFPL**



TO VIDEO BLOCK ⑥ (SEE PAGE 3-4)

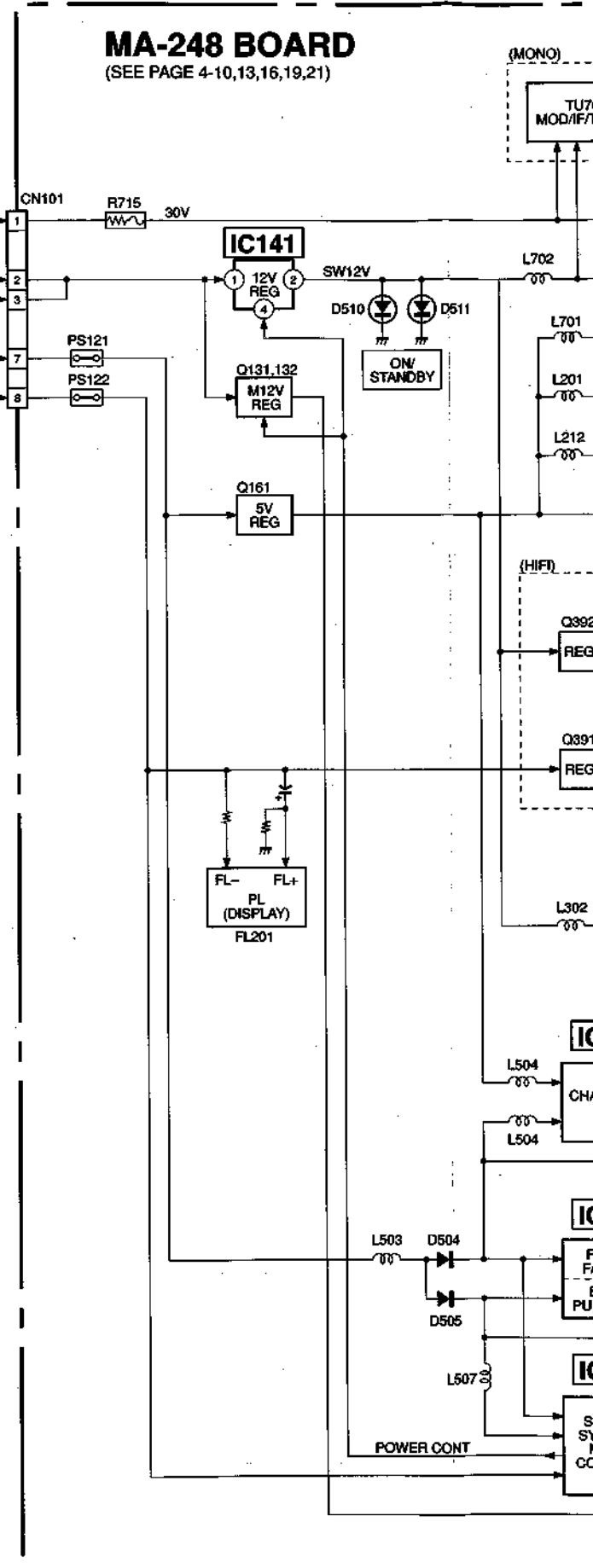
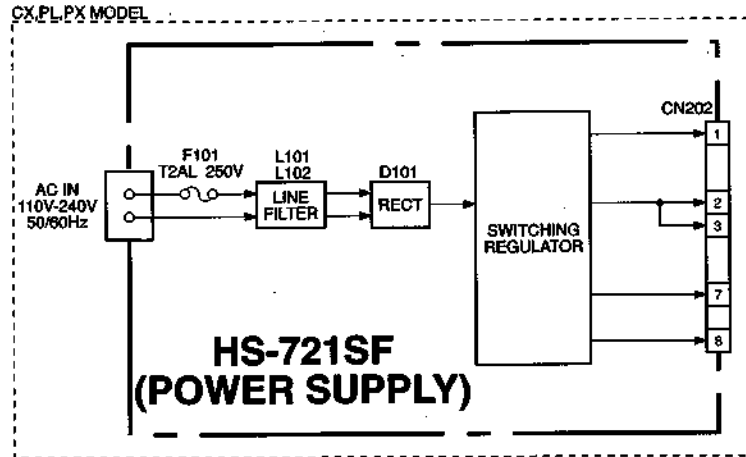
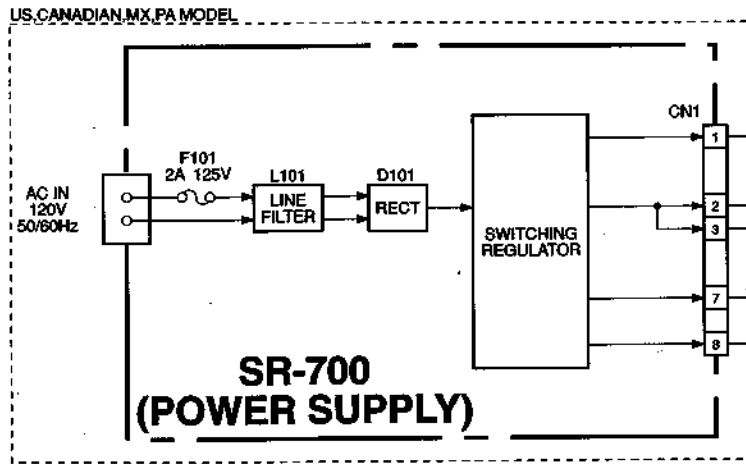
TO AUDIO BLOCK (SEE PAGE 3-10)

TO/FROM SYSCON BLOCK ③ (SEE PAGE 3-7)

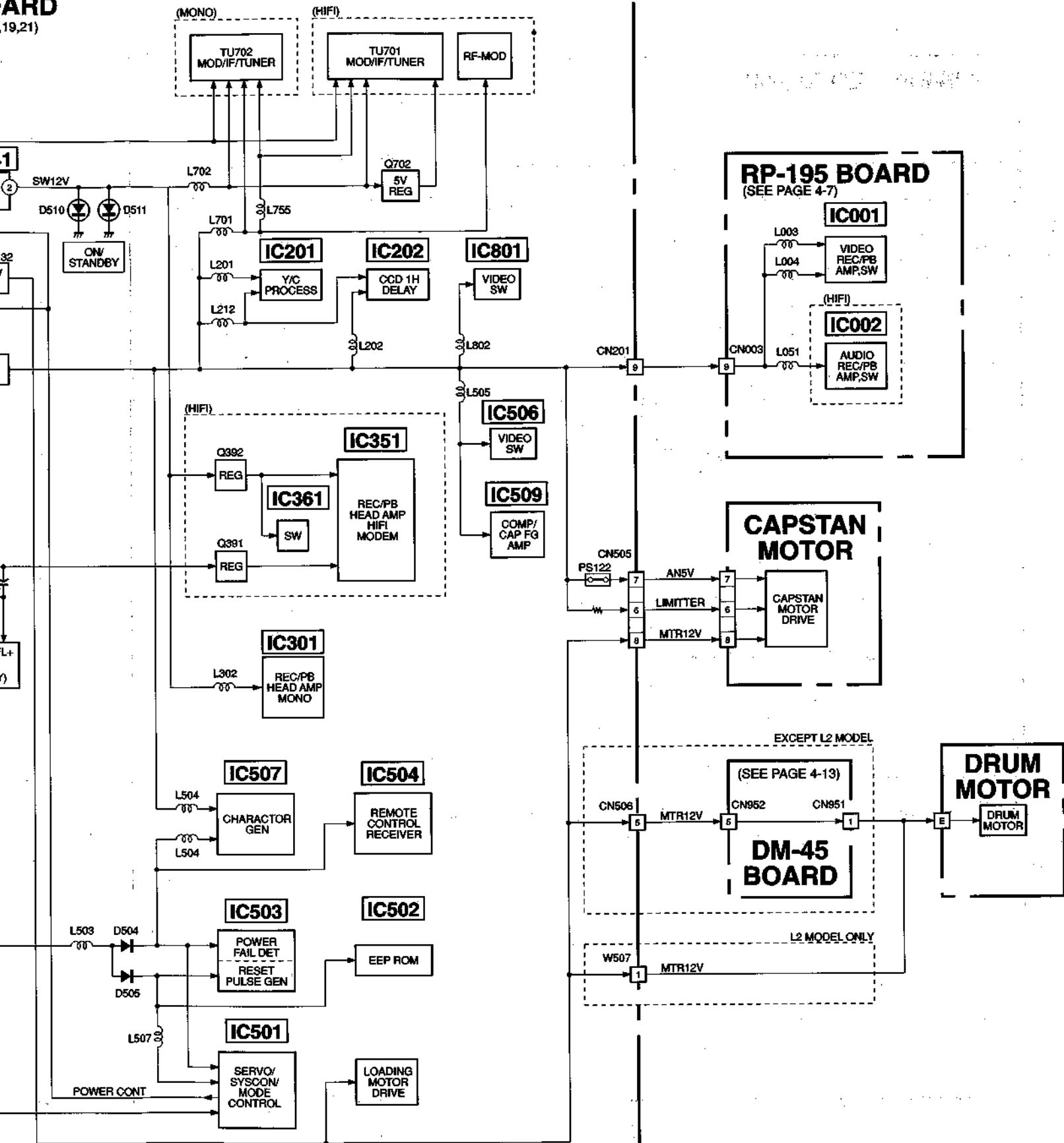
FROM AUDIO BLOCK ⑤
FROM VIDEO BLOCK ⑦
FROM SYSCON BLOCK ③

⑤ (SEE PAGE 3-7)
⑦ (SEE PAGE 3-10)
③ (SEE PAGE 3-6)

3-6. POWER BLOCK DIAGRAM



ARD
(19,21)

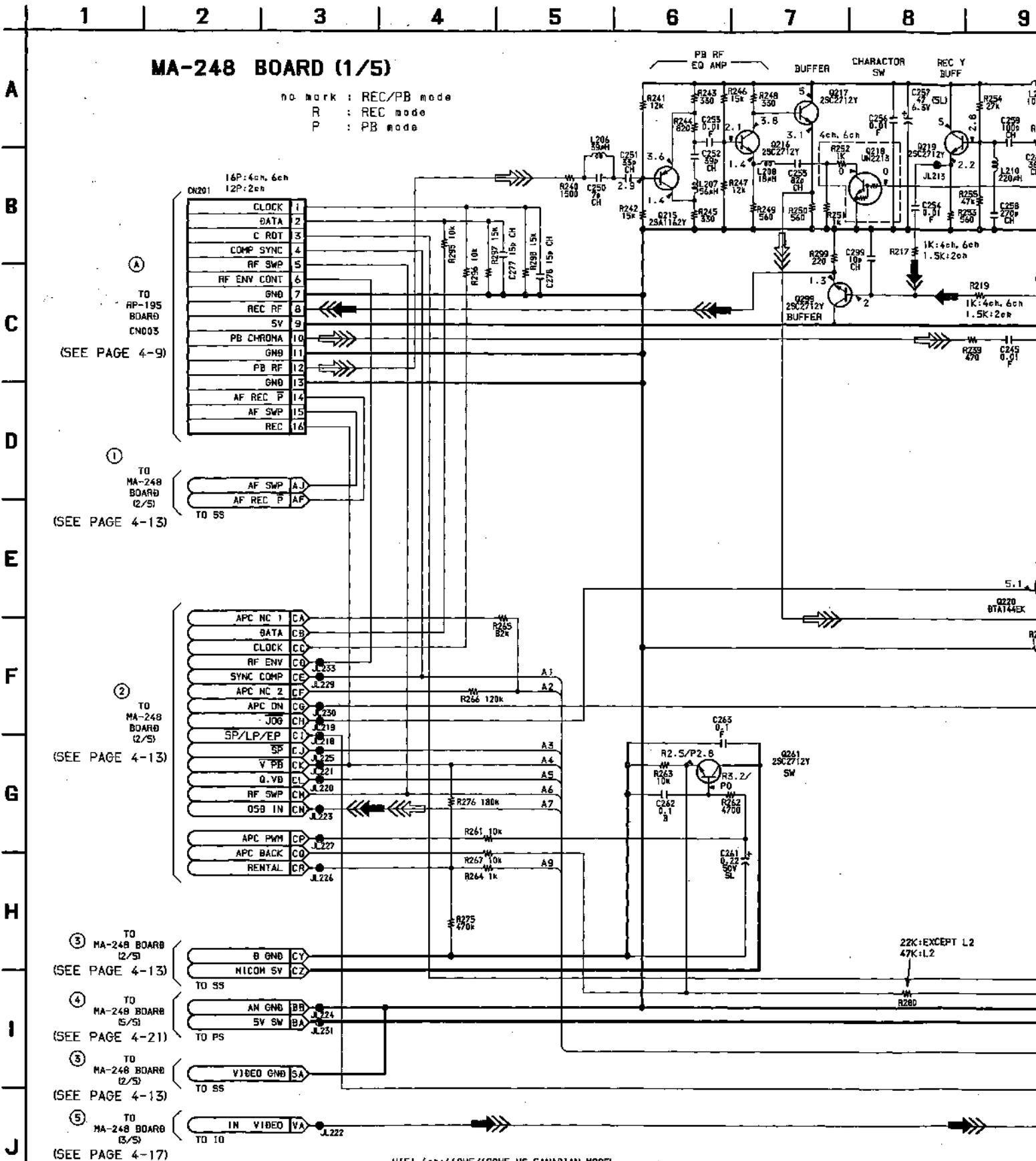


SLV-360/390/390PX/660HF/690HF/L2MX/L2PA/L2PL/L4CS/ L4MX/L4PA/L4PL/L6HFCS/L6HFMX/L6HFPA/L6HFPL

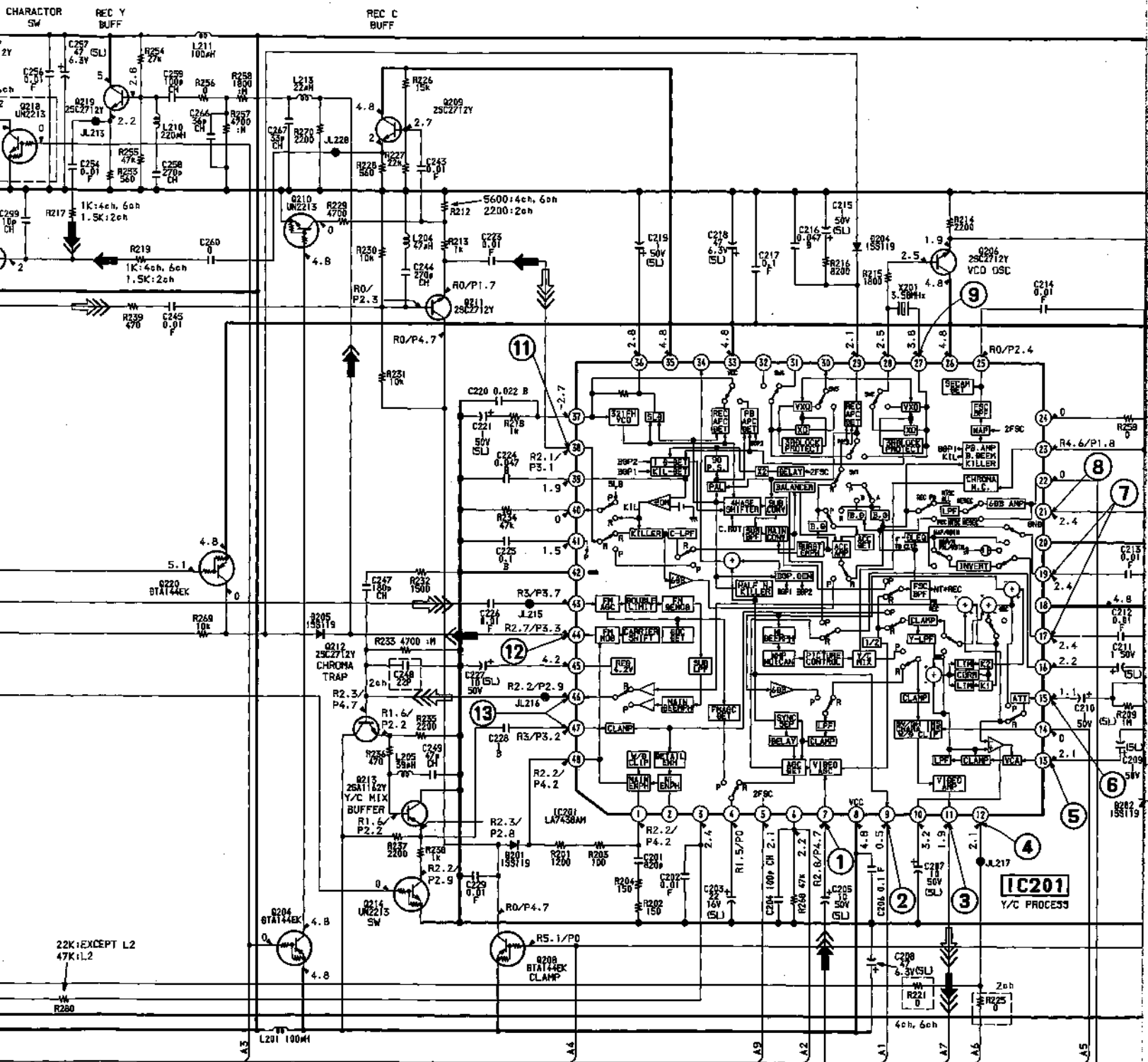
MA-248 (VIDEO) SCHEMATIC DIAGRAM

• See page 4-4 to 4-6 for the printed wiring board.

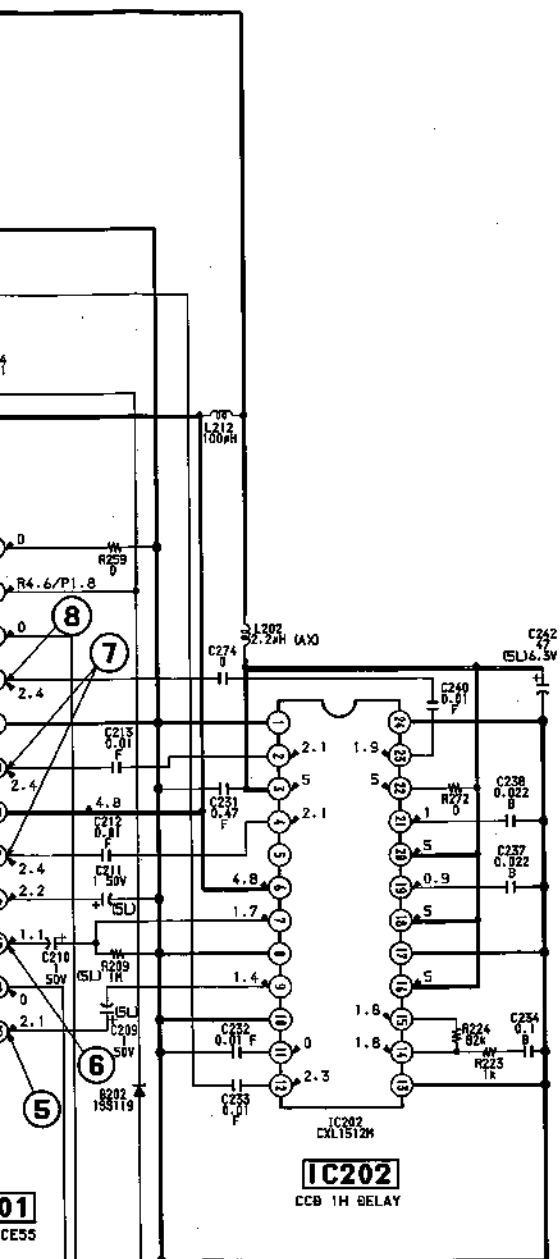
— Ref. No. : MA-248 Board: 1,000 Series —



HIFI 6ch:660HF/690HF US, CANADIAN MODEL
HIFI 4ch:L6HF, MX, PA, CS, PL MODEL
MONO 4ch:360 US, CANADIAN/390 US/390PX MODEL
MONO 4ch:L4, MX, PA, CS, PL MODEL
MONO 2ch:L2, MX, PA, PL MODEL

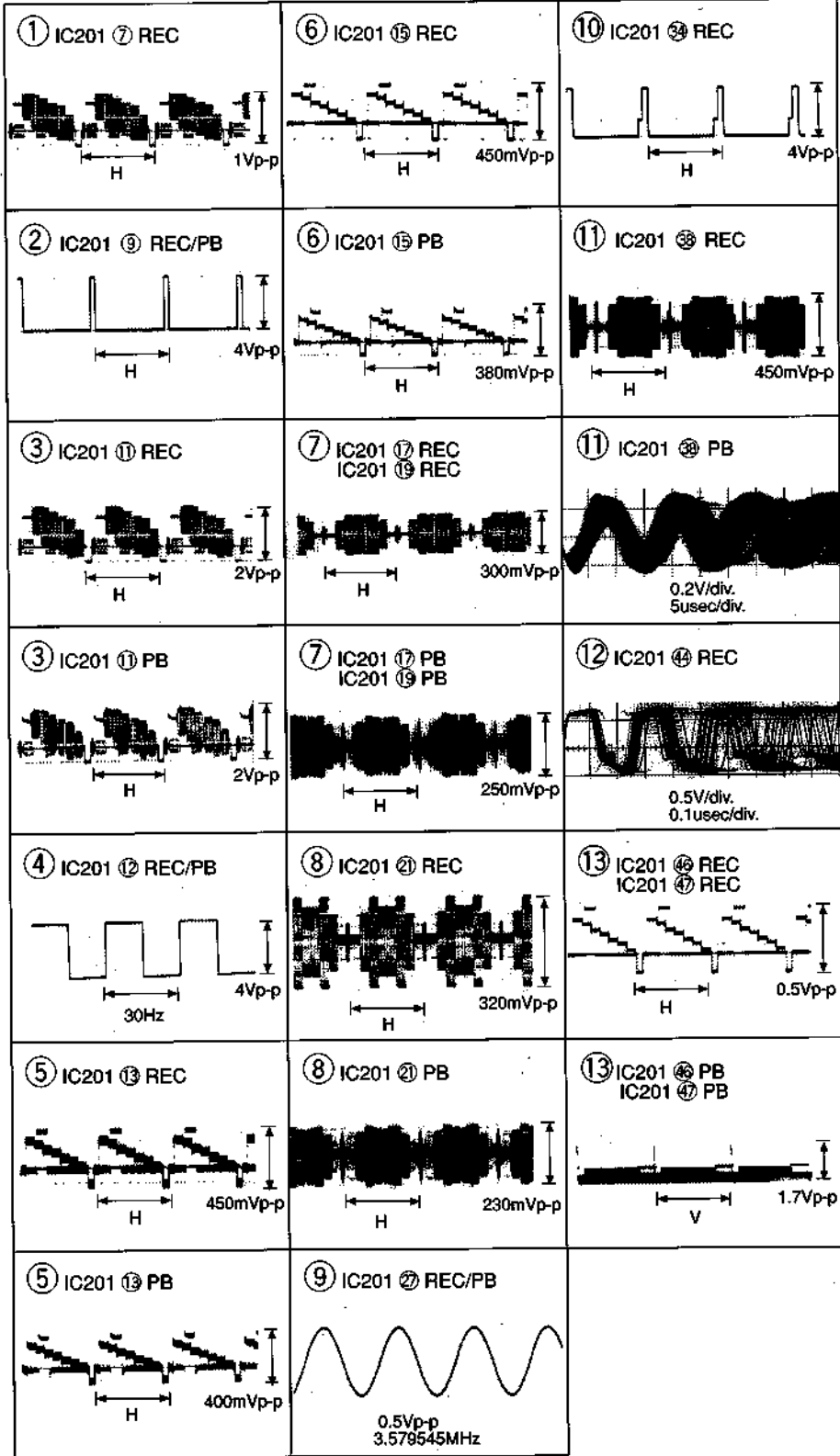


MA-248 BOARD



-SIGNAL PATH

	VIDEO SIGNAL			AUDIO SIGNAL
	CHROMA	Y	Y/CHROMA	
REC	→	→→	→→→	
PB			→→→	

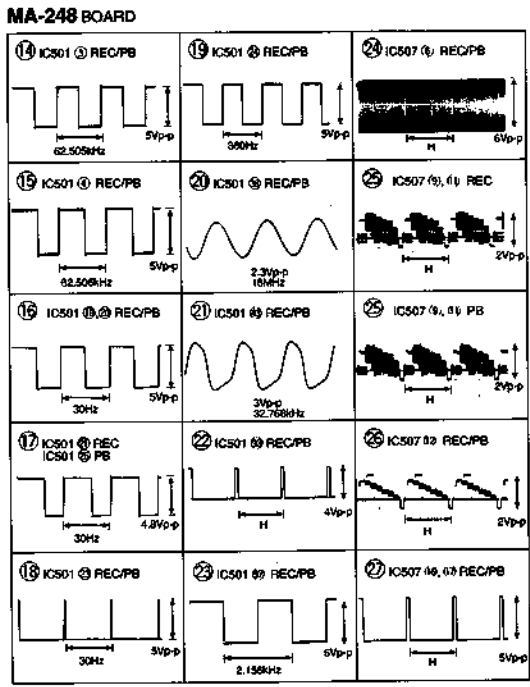


MA-248 (SERVO, SYSTEM CONTROL), SW-268 (SWITCH), DM-45 (TRANSLATION) SCHEMATIC DIAGRAMS

— Ref. No. : MA-248 Board: 1,000 Series, SW-248 Board: 2,000 Series DM-45 Board: 1,000 Series —

1 2 3 4 5 6 7 8 9 10 11 12 13

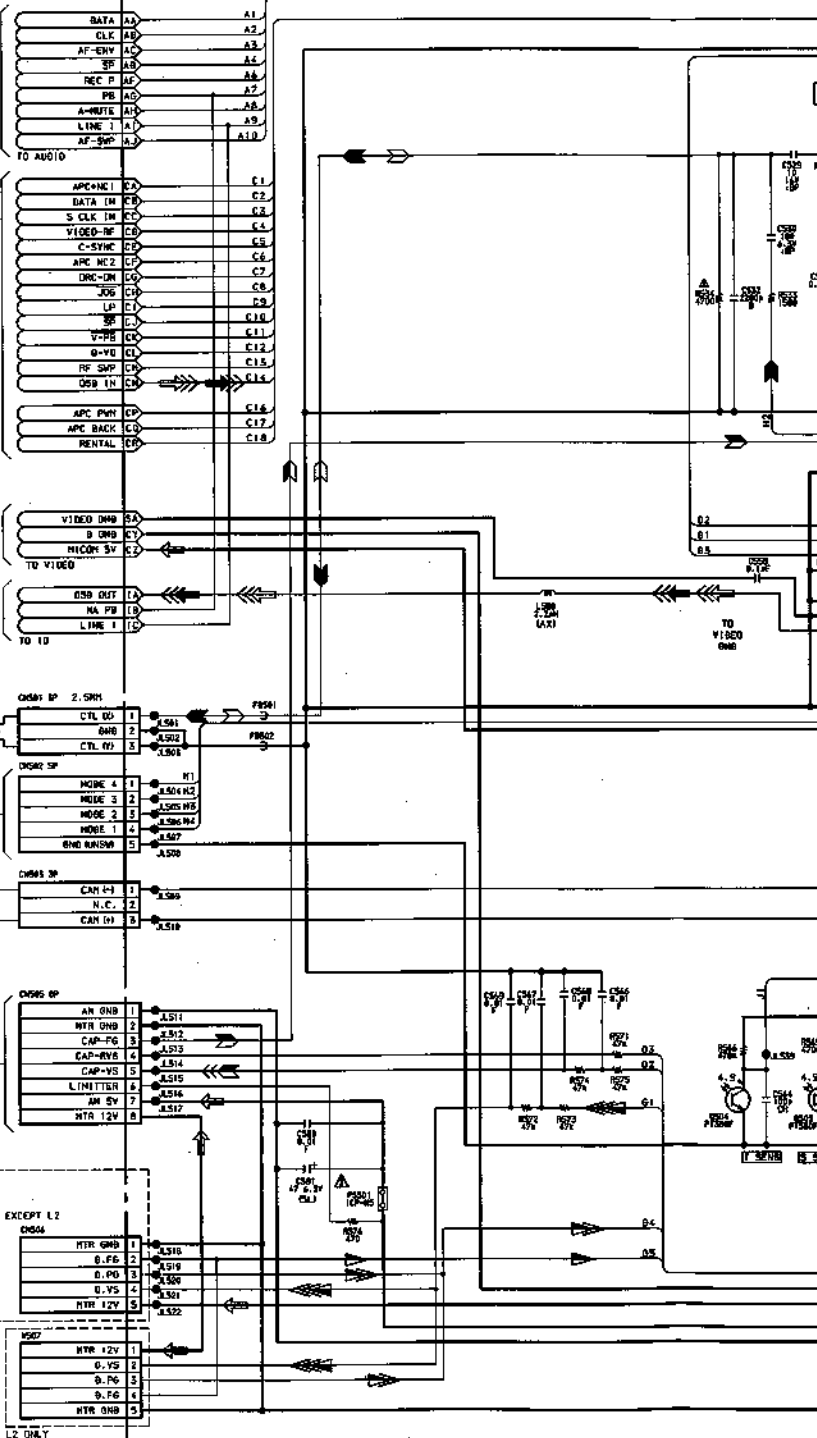
A
B
C
D
E
F
G
H
I
J
K
L
M
N



MA-248 BOARD (2/5)

no mark : REC/PB mode
R : REC mode
P : PB mode

- ① TO MA-248 BOARD (17/5, 5/8) (SEE PAGE 4-10, 4-17)
- ② TO MA-248 BOARD (1/9) (SEE PAGE 4-10)
- ③ TO MA-248 BOARD (1/9) (SEE PAGE 4-10)
- ④ TO MA-248 BOARD (2/3) (SEE PAGE 4-17)



**LV-360/390/390PX/660HF/690HF/L2MX/L2PA/L2PL/L4CS/
4MX/L4PA/L4PL/L6HFCS/L6HFMX/L6HFPA/L6HFPL**

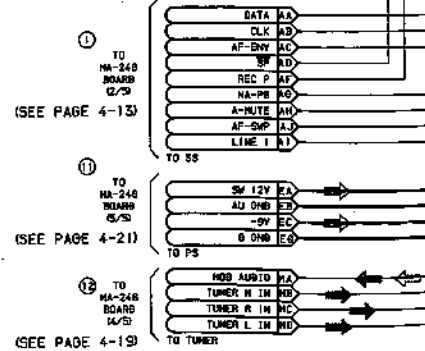
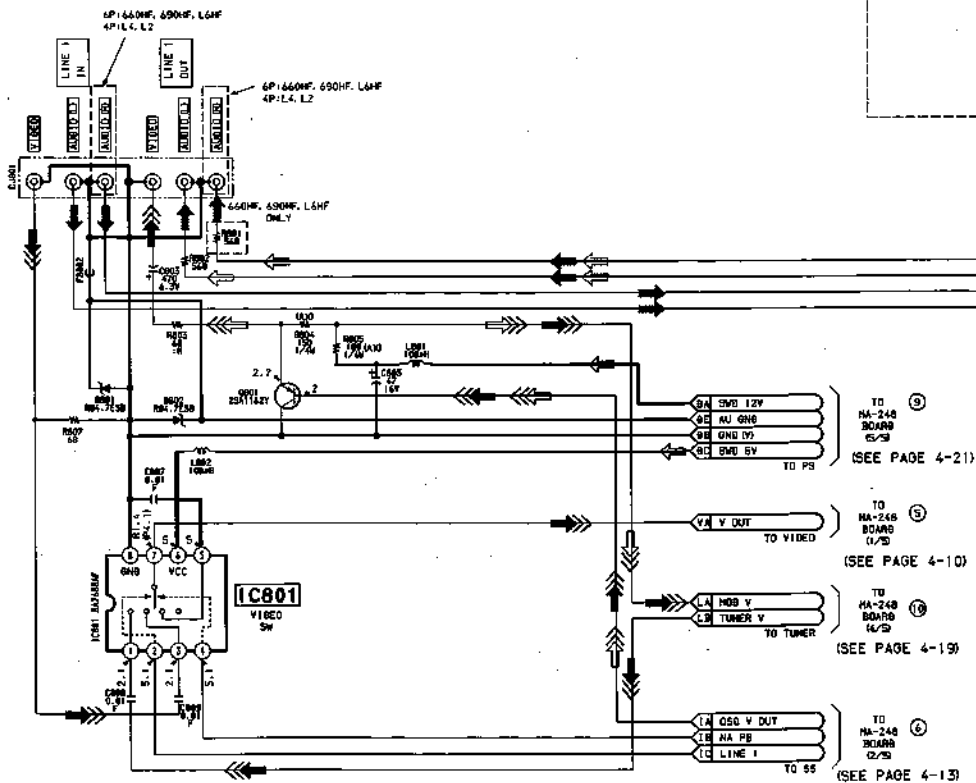
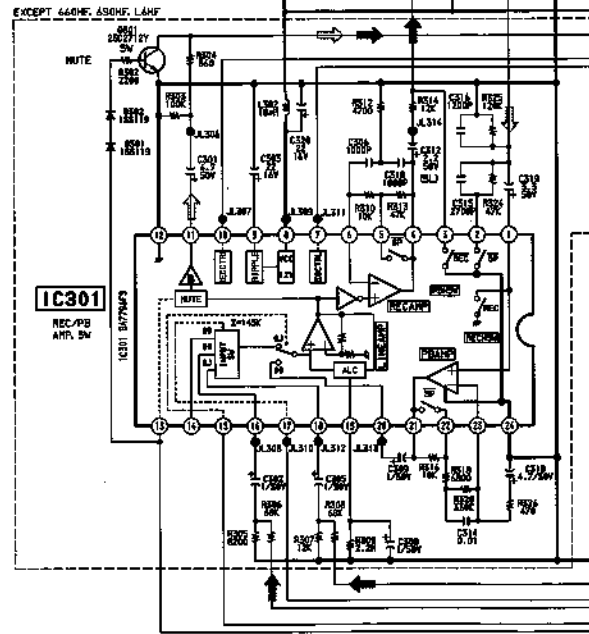
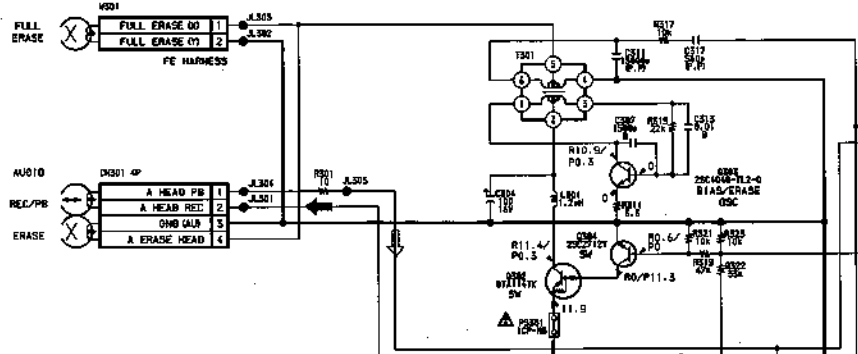
MA-248 (AUDIO) SCHEMATIC DIAGRAM

• See page 4-4 to 4-6 for the printed wiring board.

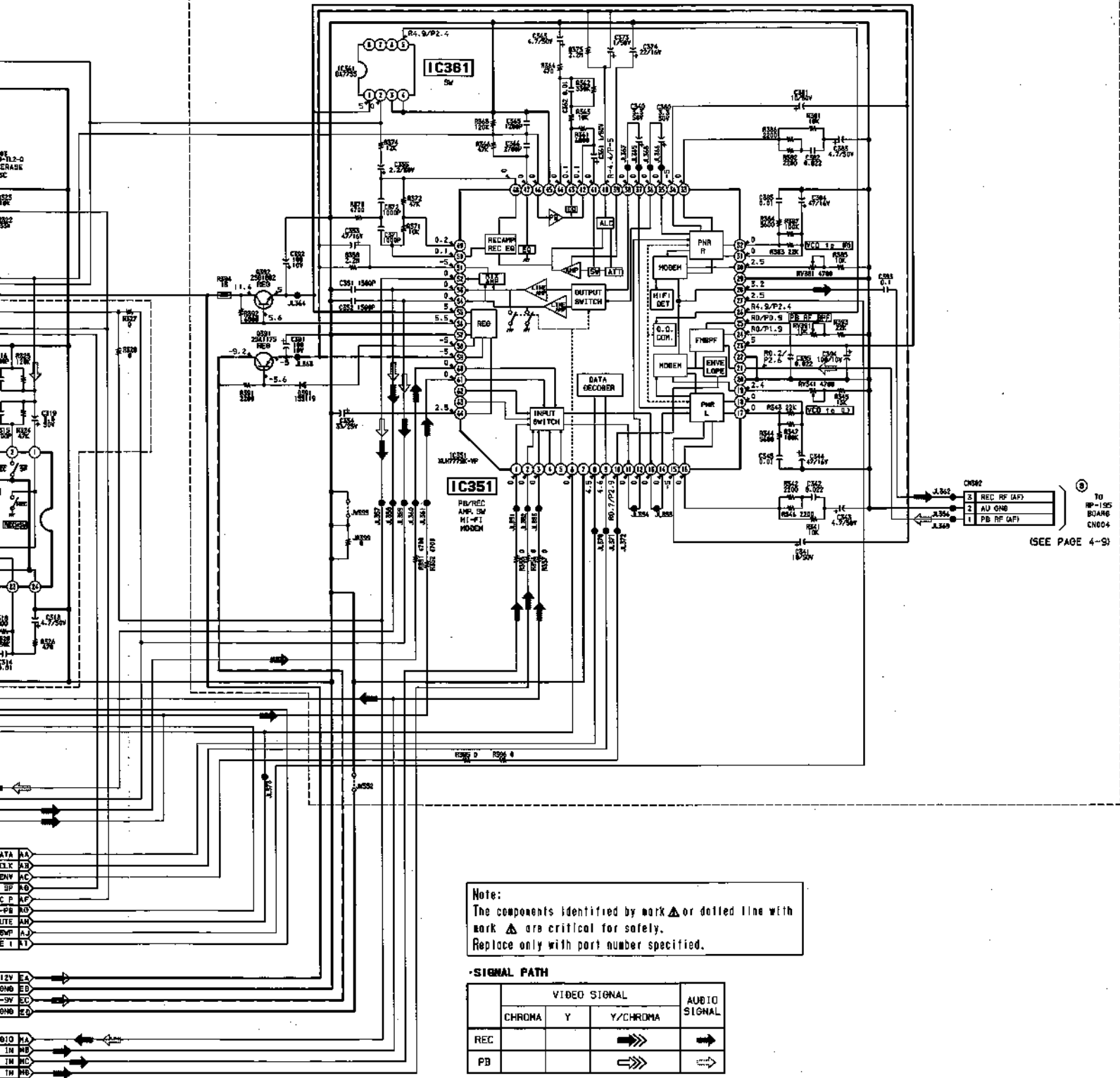
— Ref. No. : MA-248 Board: 1,000 Series —

MA-248 BOARD (3/5)

no park : REC/PB mode
 R : REC mode
 P : PB mode



640PF, 450V, LAHF



Note:
 The components identified by mark Δ or dotted line with
 mark Δ are critical for safety.
 Replace only with part number specified.

SIGNAL PATH

	VIDEO SIGNAL			AUDIO SIGNAL
	CHROMA	Y	Y/CHROMA	
REC		➡➡➡	➡➡➡	➡➡➡
PB		➡➡➡	➡➡➡	➡➡➡

③ TO
 RP-195
 BOARD
 CN604
 (SEE PAGE 4-9)

MA-248 (TUNER) SCHEMATIC DIAGRAM

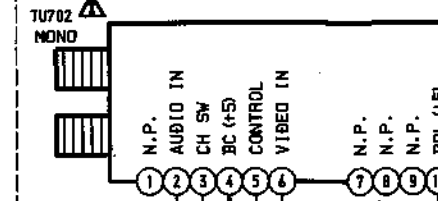
• See page 4-4 to 4-6 for the printed wiring board.

— Ref. No. : MA-248 Board: 1,000 Series —

MA-248 BOARD (4/5)

EXCEPT 660HF, 690HF, L6HF

no mark : REC/PB mode
 R : REC mode
 P : PB mode

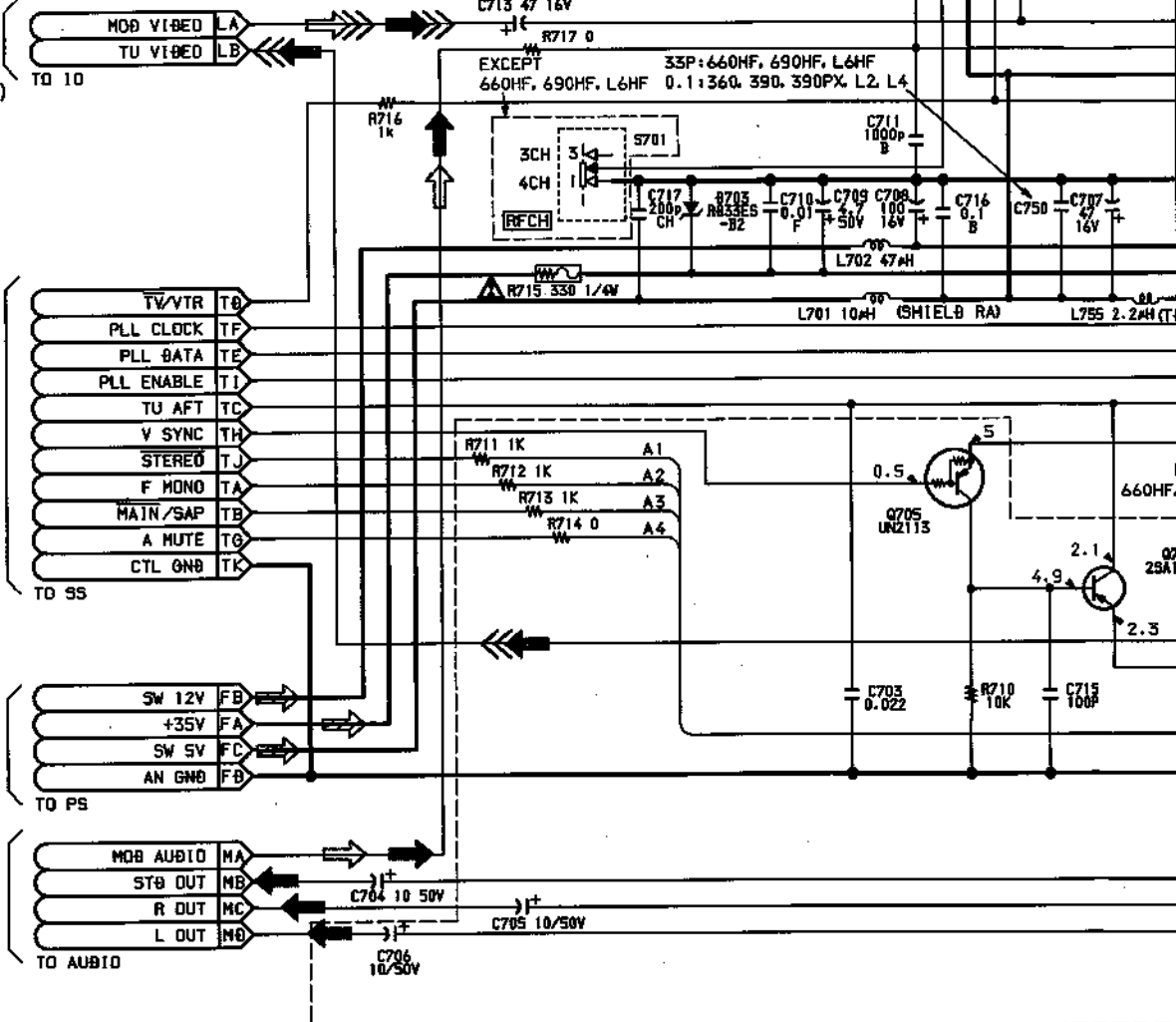


⑩ TO MA-248 BOARD (3/5)
 (SEE PAGE 4-17)

⑦ TO MA-248 BOARD (2/5)
 (SEE PAGE 4-15)

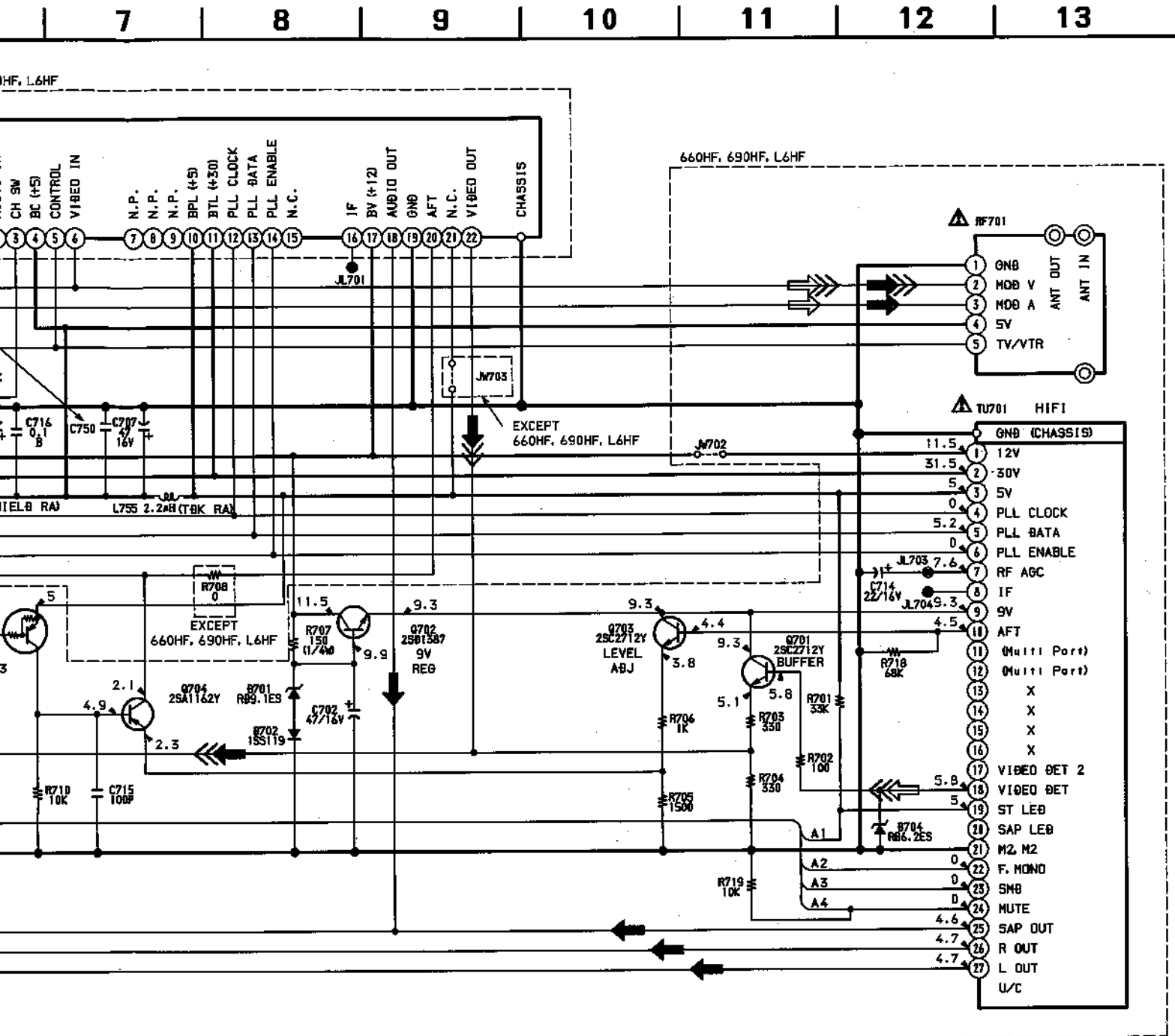
⑬ TO MA-248 BOARD (5/5)
 (SEE PAGE 4-21)

⑫ TO MA-248 BOARD (3/5)
 (SEE PAGE 4-18)



Note:
 The component mark Δ are Replace only

SLV-360/390/390PX/660HF/690HF/L2MX/L2PA/L2PL/L4CS/ L4MX/L4PA/L4PL/L6HFCS/L6HFMS/L6HFPA/L6HFPL



Note:
The components identified by mark **▲** or dotted line with mark **▲** are critical for safety.
Replace only with part number specified.

-SIGNAL PATH

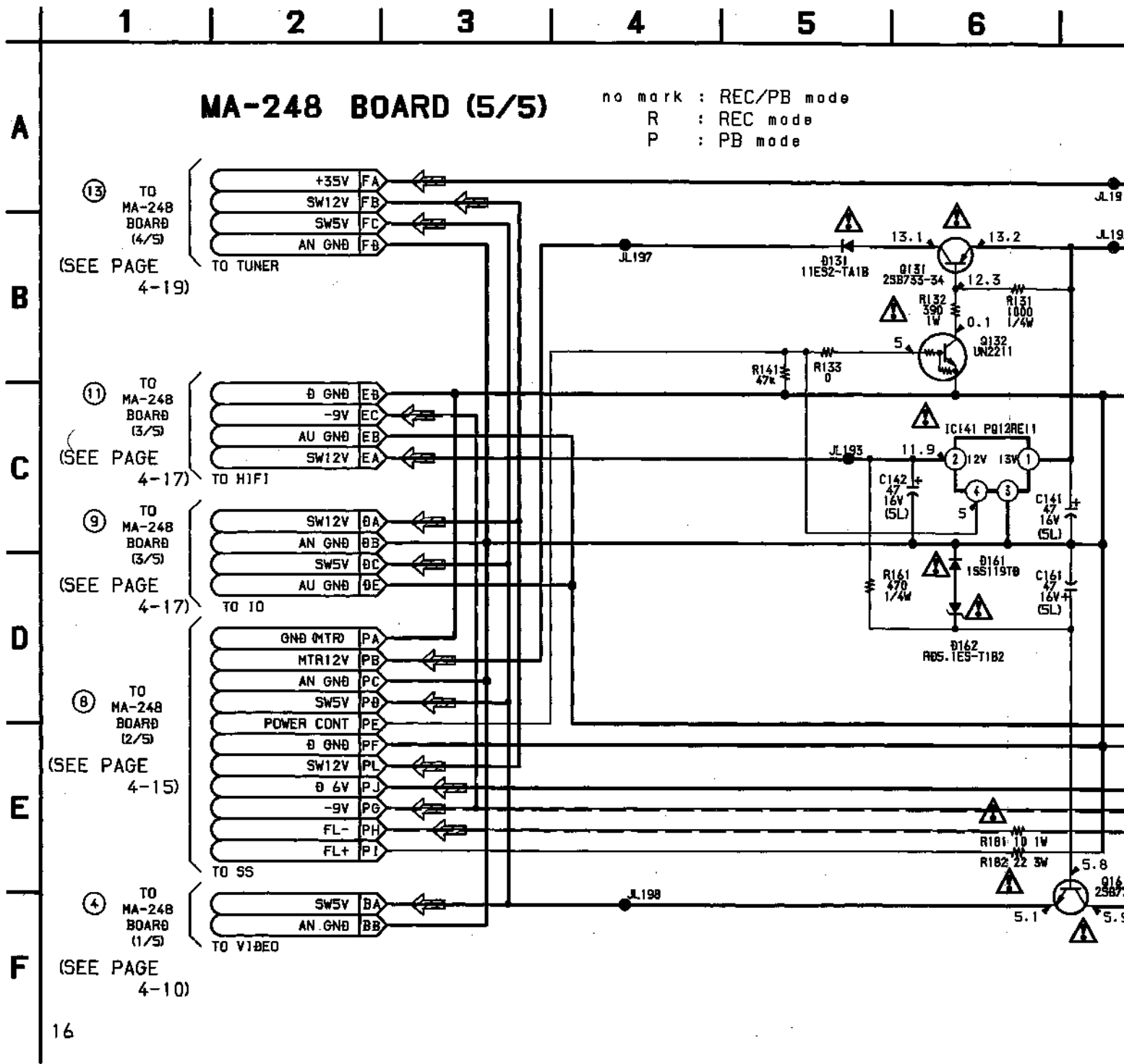
	VIDEO SIGNAL			AUDIO SIGNAL
	CHROMA	Y	Y/CHROMA	
REC			➡➡➡	➡
PB			➡➡➡	➡

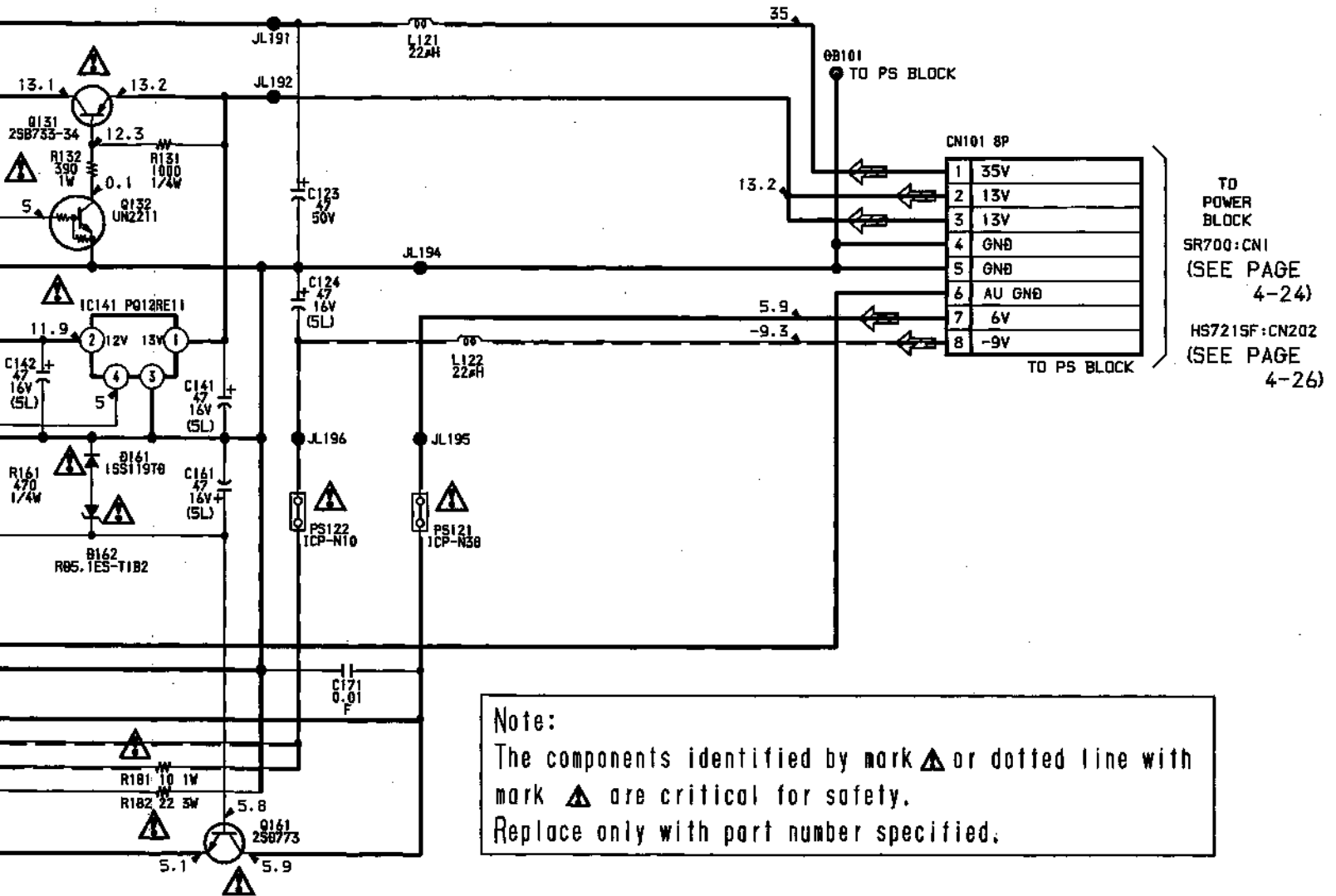
SLV-360/390/390PX/660HF/690HF/L2MX/L2PA/L2PL/L4CS/ L4MX/L4PA/L4PL/L6HFCS/L6HFMX/L6HFPA/L6HFPL

MA-248 (DC POWER) SCHEMATIC DIAGRAM

• See page 4-4 to 4-6 for the printed wiring board.

— Ref. No. : MA-248 Board: 1,000 Series —





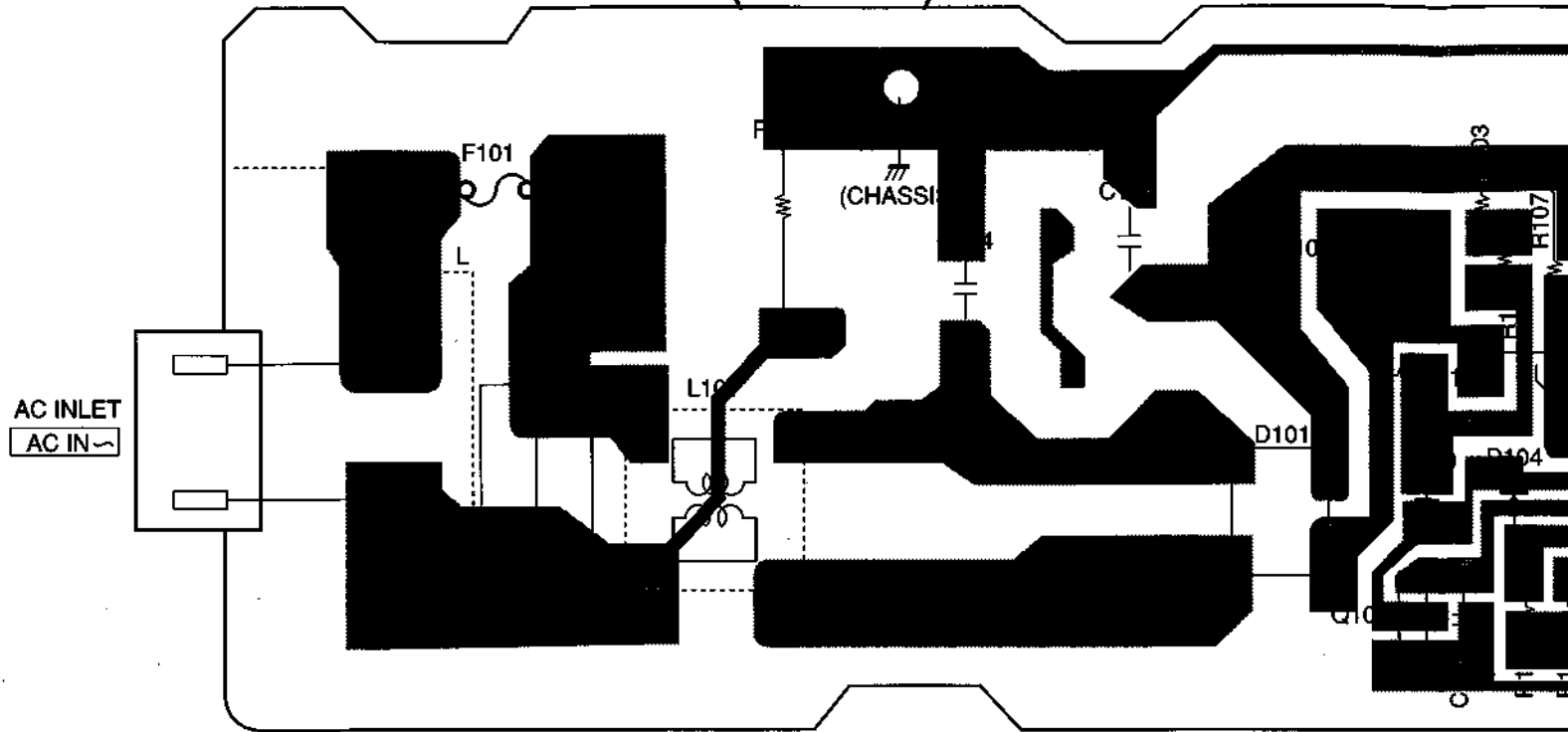
CN101 8P	
1	35V
2	13V
3	13V
4	GND
5	GND
6	AU GND
7	6V
8	-9V

TO
POWER
BLOCK
SR700:CN1
(SEE PAGE
4-24)
HS721SF:CN202
(SEE PAGE
4-26)

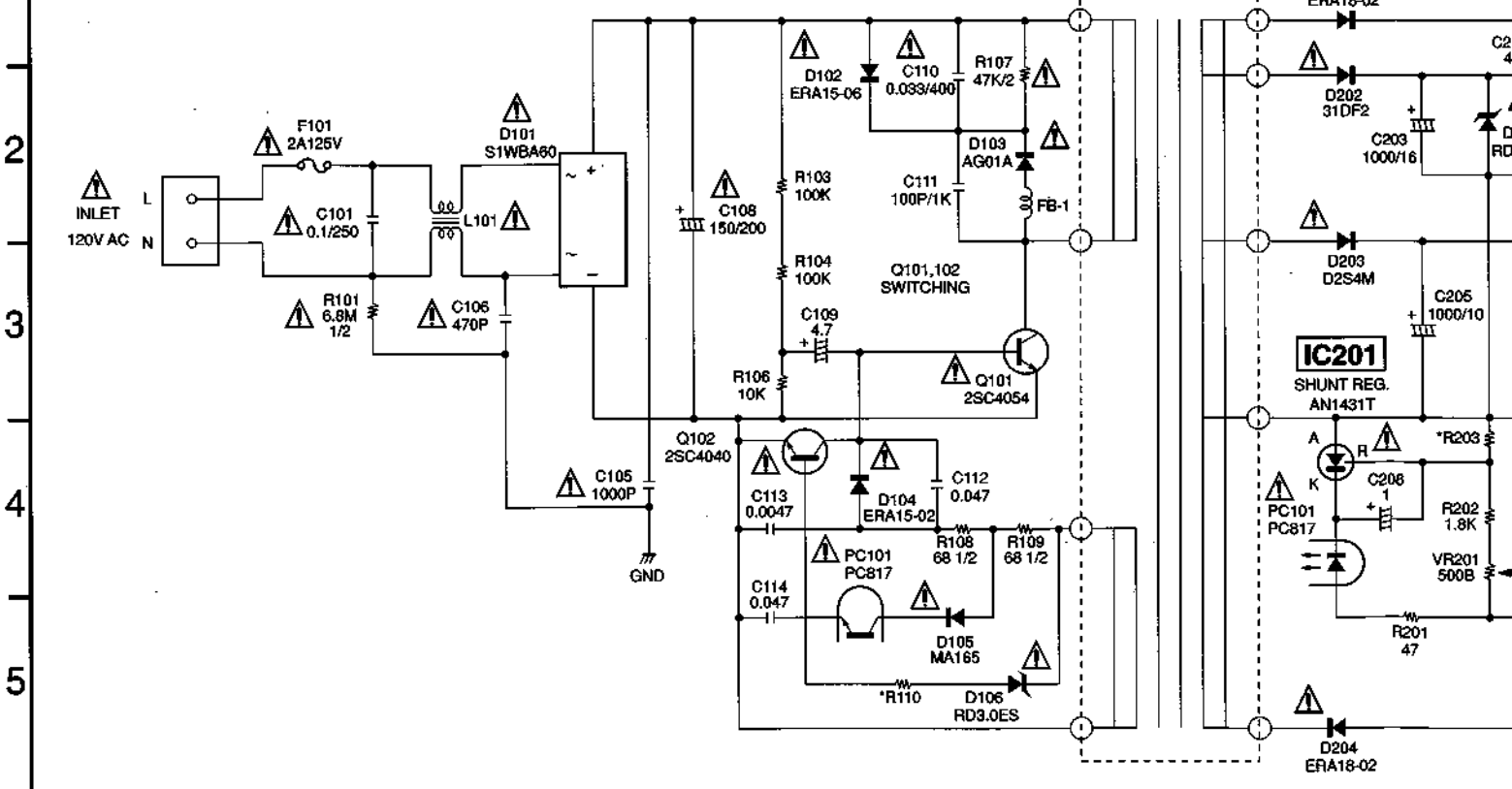
POWER BLOCK (SR700) SCHEMATIC DIAGRAM AND PRINTED WIRING BOARD

— Ref. No. : Power Board: 3,000 Series —

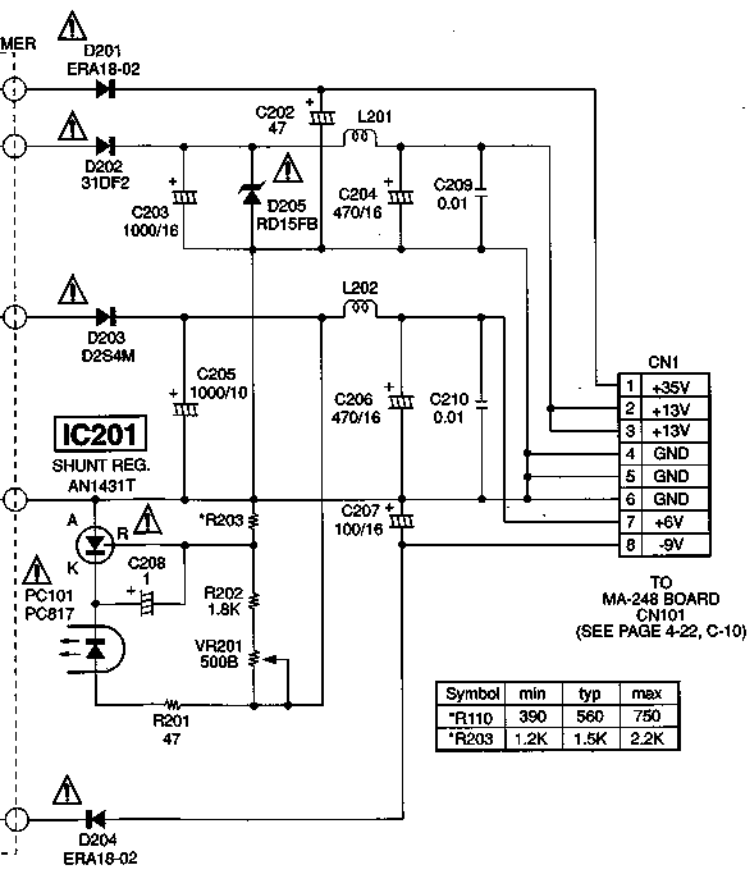
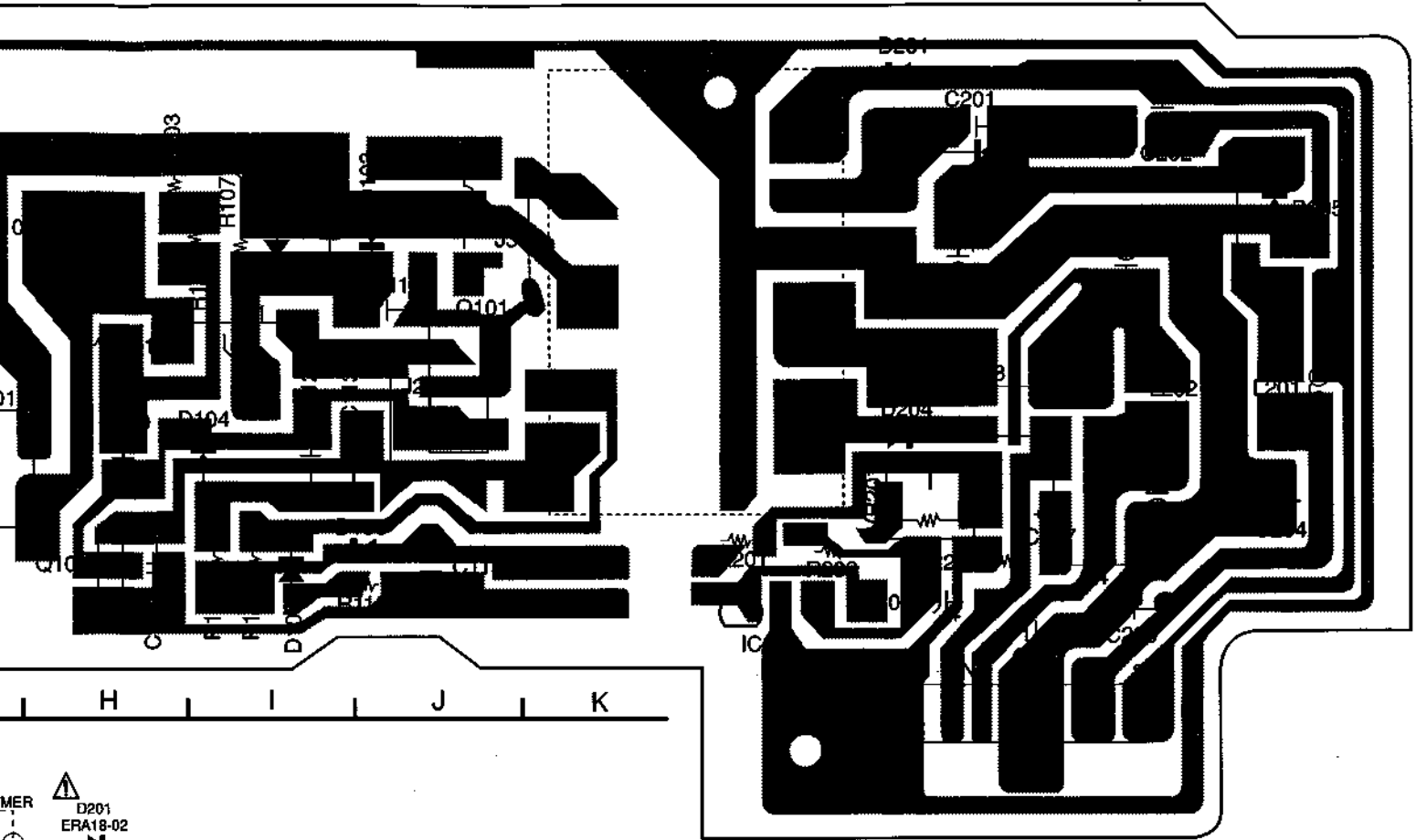
POWER BOARD (SR700)



1 POWER BOARD (SR700)



US, Canadian, Mexican, Panamanian Model.

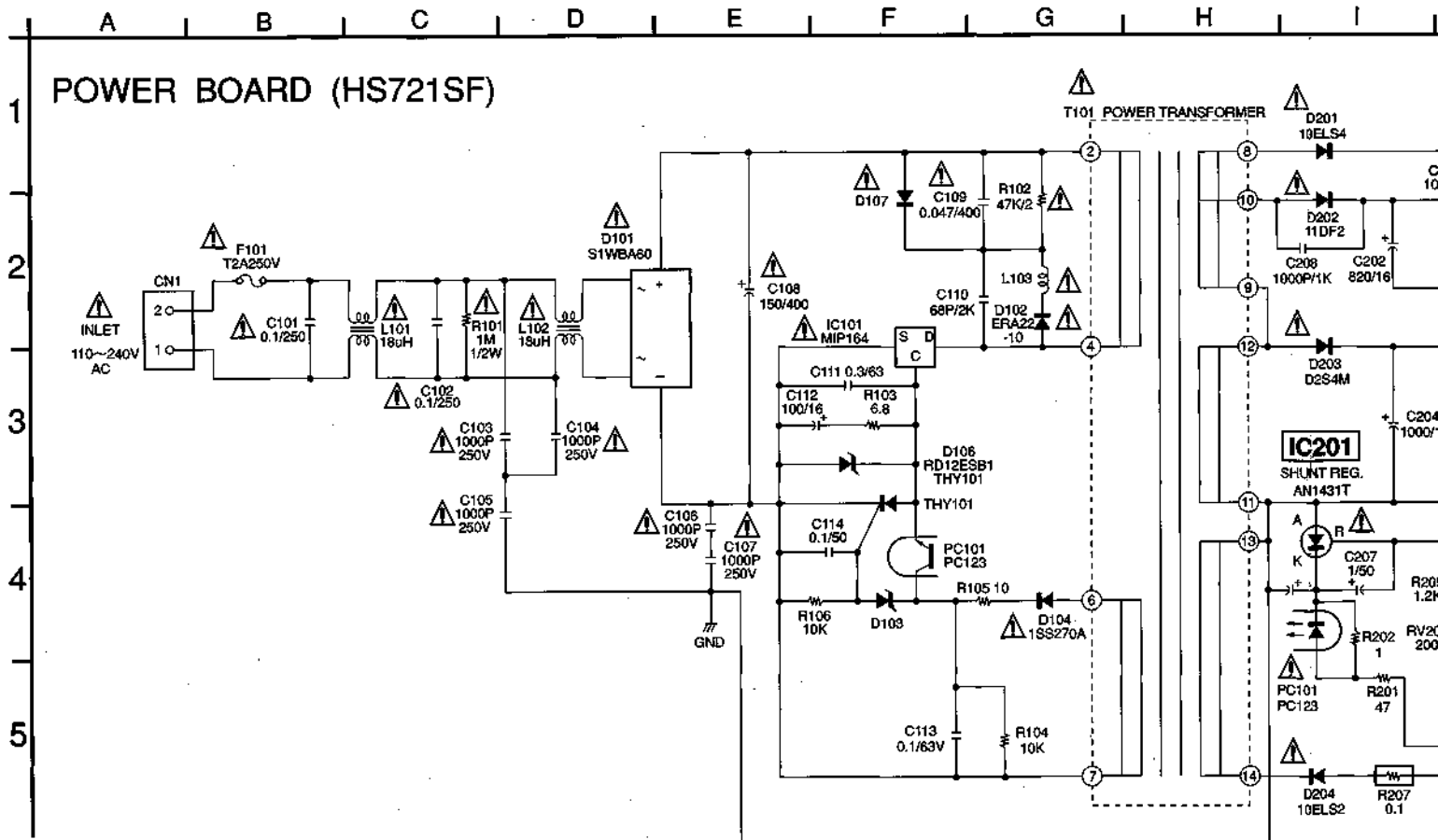
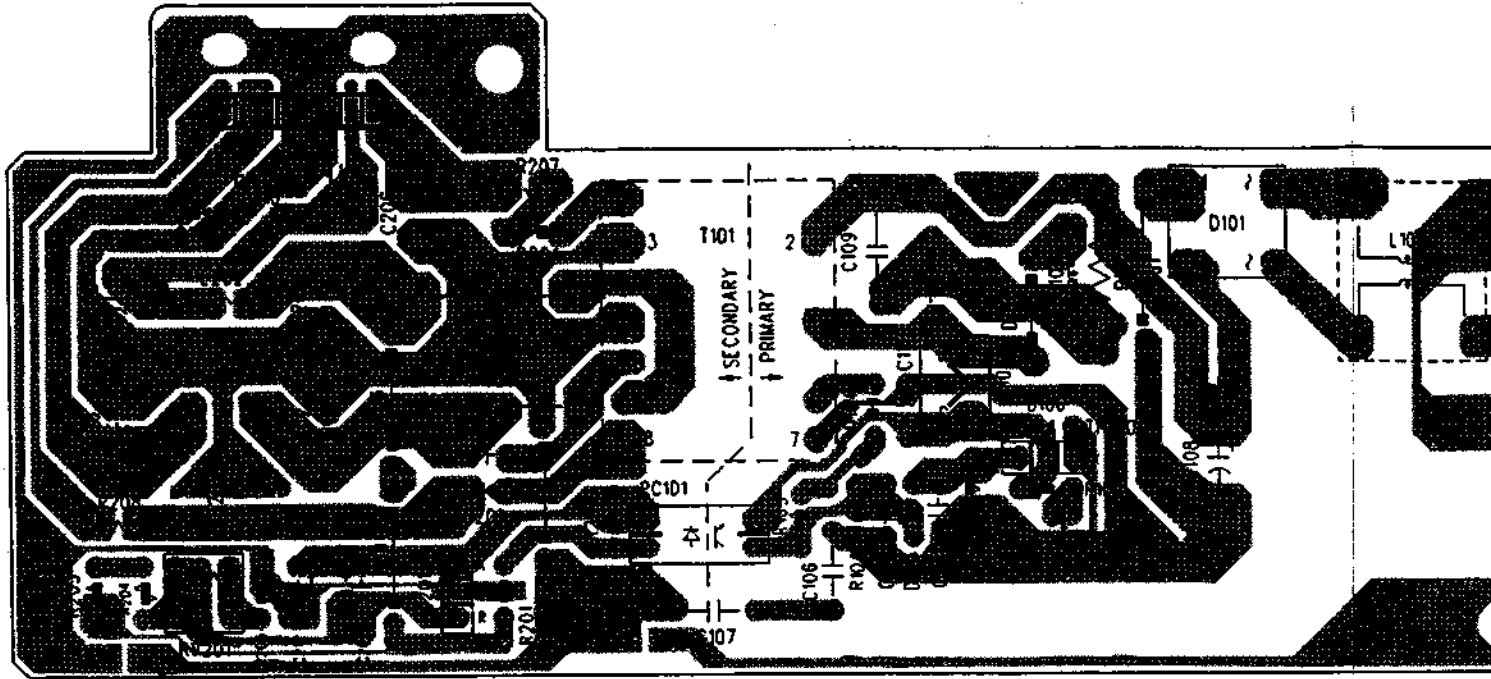


SLV-360/390/390PX/660HF/690HF/L2MX/L2PA/L2PL/L4CS/ L4MX/L4PA/L4PL/L6HFCS/L6HFMX/L6HFPA/L6HFPL

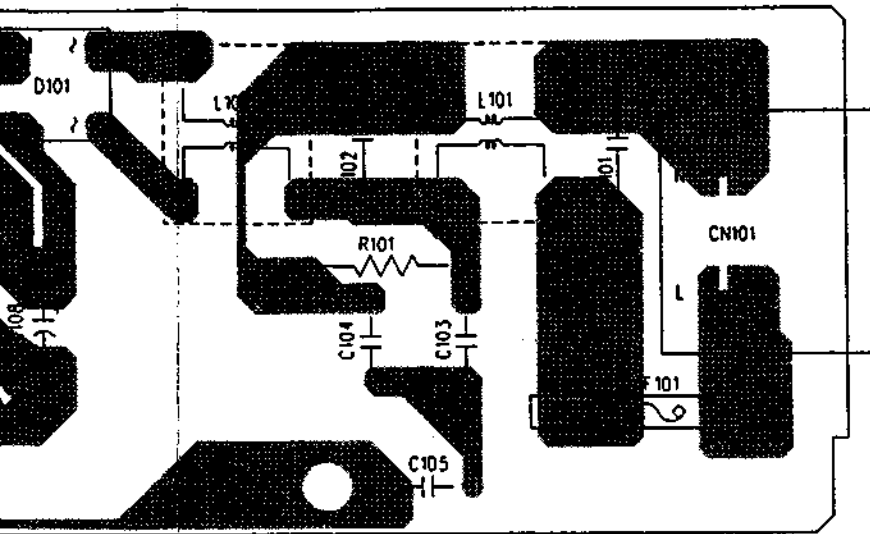
POWER BLOCK (HS721SF) SCHEMATIC DIAGRAM AND PRINTED WIRING BOARD

— Ref. No. : Power Board: 4,000 Series —

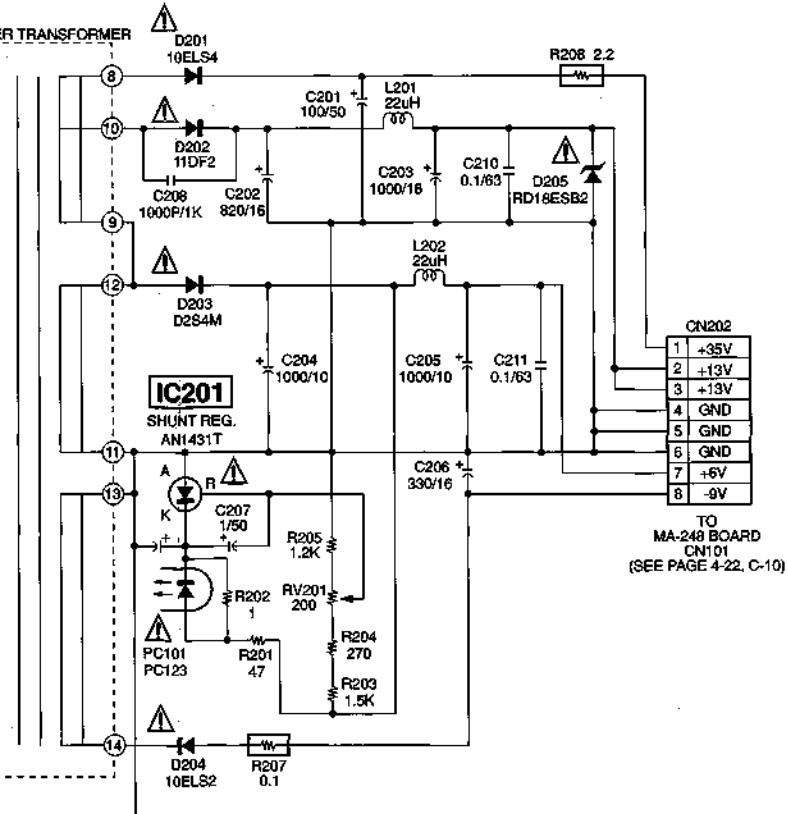
POWER BOARD (HS721SF)



Chilean, Philippine Model.



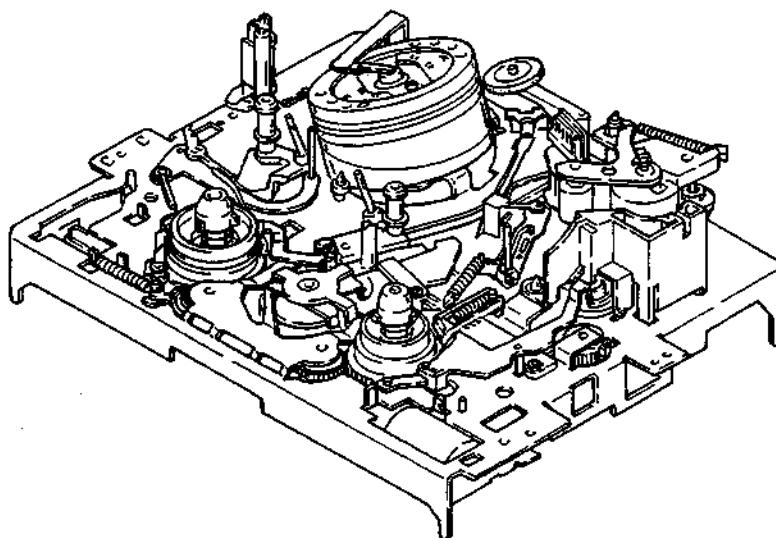
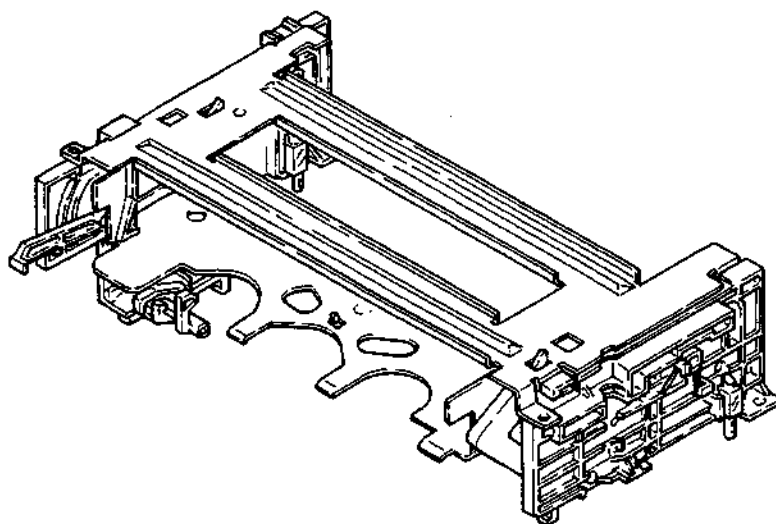
H | I | J | K | L



VHS MECHANICAL ADJUSTMENT MANUAL IV

H MECHANISM

Please use with the service manual.



VHS VIDEO CASSETTE RECORDER
SONY®



TABLE OF CONTENTS

<u>Section</u>	<u>Title</u>	<u>Page</u>	<u>Section</u>	<u>Title</u>	<u>Page</u>
1.	PREPARATION FOR MECHANISM CHECK ADJUSTMENT AND REPLACEMENT		3-11.	Soft Brake T Assembly (Fig. 3-13)	21
1-1.	Loading and Threading Procedure When the Power Turns Off (Fig. 1-1)	3	3-12.	RVS Brake Arm Assembly, Reel Table (T) Assembly (Fig. 3-14)	22
1-1-1.	Loading and Threading Procedure With Hands	3	3-13.	TG8 Assembly (Fig. 3-15)	23
1-1-2.	Loading and Threading Procedure With Regulated DC Power Supply	3	3-14.	TG8 Holder (Fig. 3-16)	24
1-2.	Unloading and Unthreading Procedure When the Power Turns Off (Figs. 1-2 and 1-3)	4	3-15.	TG8 and Press Gears (Fig. 3-17)	25
1-2-1.	Unloading and Unthreading Procedure With Hands	4	3-16.	Cam Motor Chassis Block Assembly, Upper/Lower Communication Gear (Fig. 3-18)	26
1-2-2.	Unloading and Unthreading Procedure With Regulated DC Power Supply	4	3-17.	Rotary Encoder Switch (Fig. 3-19)	27
1-3.	How to Complete Threading Without Cassette Compartment (Fig. 1-4)	6	3-18.	Main Slider (Fig. 3-20)	28
2.	PERIODIC CHECK AND REPLACEMENT		3-19.	Shuttle T Block and Loading Gear T Block Assemblies (Fig. 3-21)	29
2-1.	Cleaning of Rotating Head Disk Assembly	7	3-20.	Shuttle S Block and Loading Gear S Block Assemblies (Fig. 3-22)	30
2-2.	Cleaning of the Tape Movement System	7	3-21.	Reel Table (S) Assembly (Fig. 3-23)	31
2-3.	Cleaning the Drive System	7	3-22.	TG1 Assembly (Fig. 3-24)	32
2-4.	Periodic Check Items	8	3-23.	S Winding Block Assembly (Fig. 3-25)	33
2-5.	Tools and Fixtures Required for Servicing	9	3-24.	Trigger Lever and RKB Block Assemblies (Fig. 3-26) ..	34
3.	MAINLY MECHANICAL PARTS REPLACEMENT		4.	ADJUSTMENT	
3-1.	FL Block Assembly (Fig. 3-1)	10	4-1.	Tape Path Adjustment	35
3-2.	Drum Assembly (Fig. 3-2)	11	4-1-1.	Tension Regulator (TG1) Position/ Tension Adjustment (Fig. 4-1)	35
3-3.	Timing Belt (Fig. 3-3)	12	4-1-2.	TG8 Guide Roller Height Adjustment (Fig. 4-2)	36
3-4.	Cap Brake Assembly (Fig. 3-4)	13	4-1-3.	Height Adjustment of Guide Rollers No. 3 and No. 6 (Fig. 4-3)	36
3-5.	TG2 Roller, FE Head Assembly (Fig. 3-5)	14	4-1-4.	Ace Head Assembly Adjustment (Rough Adjustment) (Figs. 4-4 and 4-5)	37
3-6.	Pinch Press Block Assembly, Elevator Gear (Fig. 3-6) ..	15	4-1-5.	Ace Head Assembly Adjustment (Precision Adjustment)	38
3-7.	Ace Block Assembly (Fig. 3-7)	16	4-1-6.	X-Value Adjustment	38
3-8.	TG3, TG6 Guide Roller Assemblies (Fig. 3-8)	17	4-1-7.	Adjustments After Replacing the Drum (Video Head)	40
3-9.	Capstan Motor (Fig. 3-11)	19	4-1-8.	Checking the Tension and Torque	42
3-10.	Main Brake Assemblies S and T (Fig. 3-12)	20			

1. PREPARATION FOR MECHANISM CHECK ADJUSTMENT AND REPLACEMENT

Refer to the service manual, "DISASSEMBLY" for removal of the cabinet and boards.

1-1. LOADING AND THREADING PROCEDURE WHEN THE POWER TURNS OFF (Fig. 1-1)

1-1-1. LOADING AND THREADING PROCEDURE WITH HANDS

- 1) Turn cam motor in the arrow \odot direction until loading and threading are end.

1-1-2. LOADING AND THREADING PROCEDURE WITH REGULATED DC POWER SUPPLY

- 1) Applying approx. +9 V (300 mA) to cam motor with regulated DC power supply makes it loading and threading.

Note: When loading and threading without cassette, claws are caught in four positions as following figure (in the order ① → ② → ③ → ④).
So release them with hands.

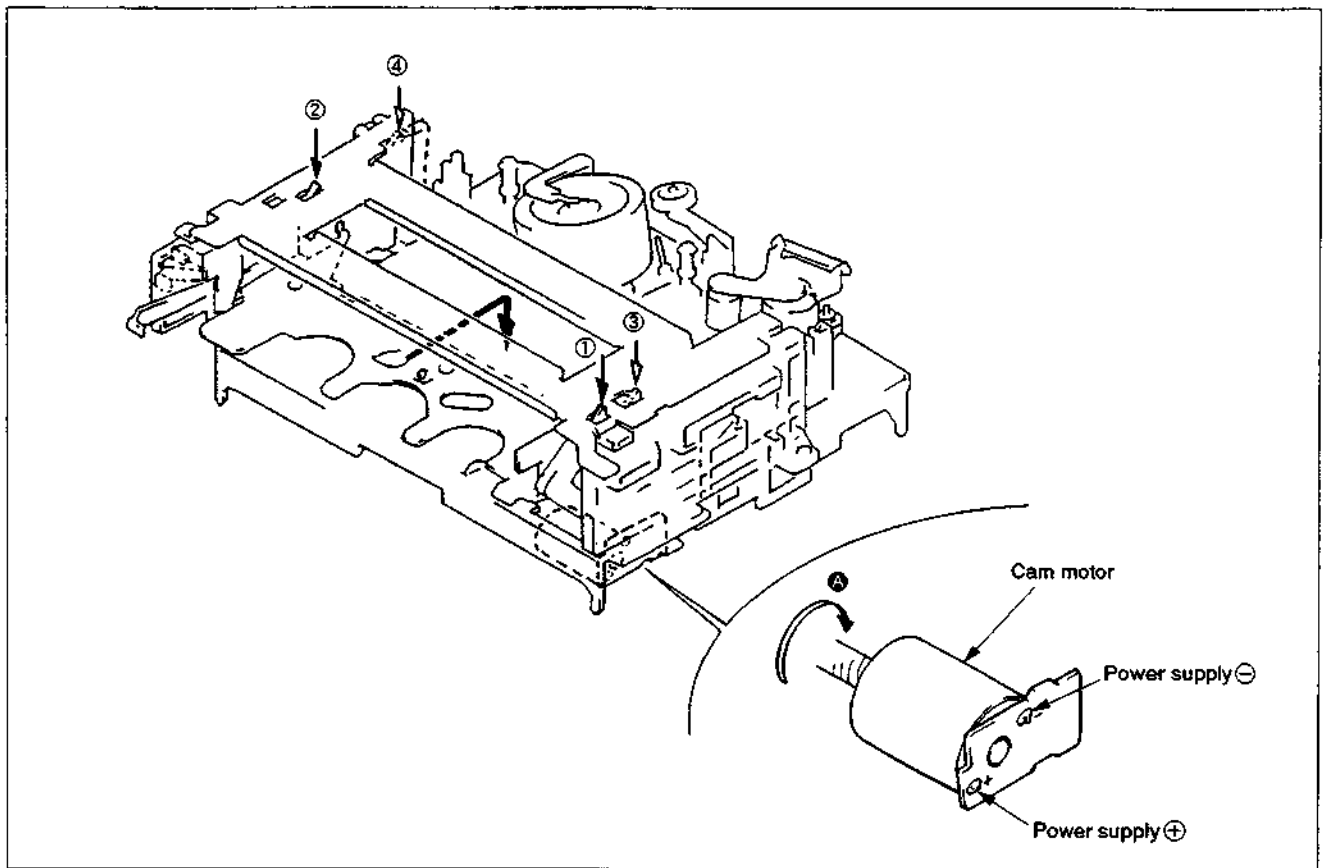


Fig. 1-1

1-2. UNLOADING AND UNTHREADING PROCEDURE WHEN THE POWER TURNS OFF (Figs. 1-2 and 1-3)

1-2-1. UNLOADING AND UNTHREADING PROCEDURE WITH HANDS

- 1) Turn cam motor in the arrow \oplus direction until unthreading is end.
- 2) Turn capstan motor in the arrow \ominus direction to take up tape in cassette.
- 3) Turn cam motor in the arrow \oplus direction until unloading is end.

1-2-2. UNLOADING AND UNTHREADING PROCEDURE WITH REGULATED DC POWER SUPPLY

- 1) Apply approx. +9 V (300 mA) to contrary polarities of cam motor.
- 2) Unthreading operation begins, tape guides return to their original positions (Unthreading operation is end but tape remains), then stop cam motor by turning power off.

Note: When unloading begins and cassette lid is closed, turn cam motor in the arrow \ominus direction to open tape guard.

- 3) Turn capstan motor in the arrow \ominus direction to take up tape in cassette.

Note: That tape is not caught at pinch roller. (Fig. 1-3)

- 4) Check that tape is not loosened completely, and apply approx. +9 V (300 mA) to contrary polarities of cam motor with regulated DC power supply. (Fig. 1-2)

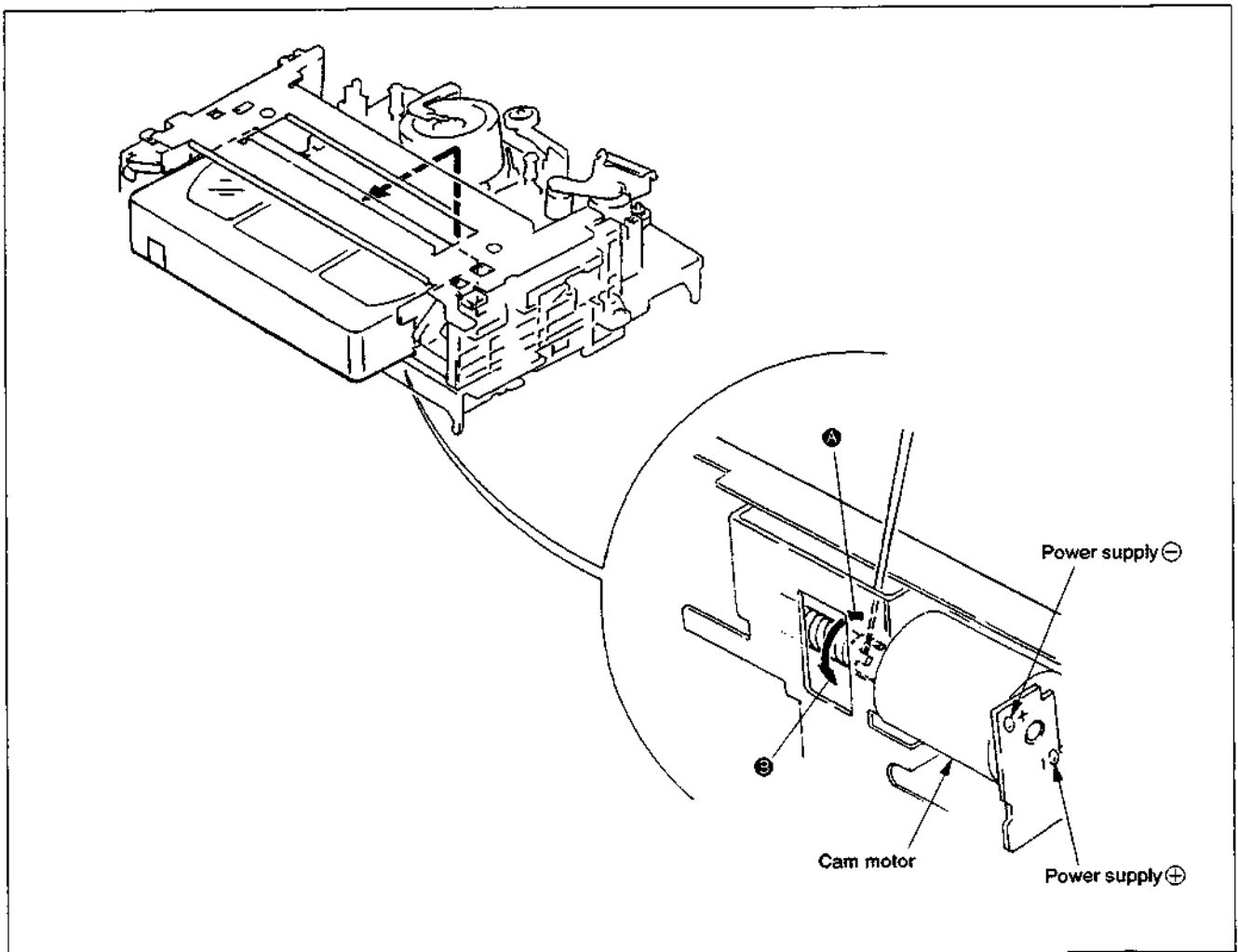


Fig. 1-2

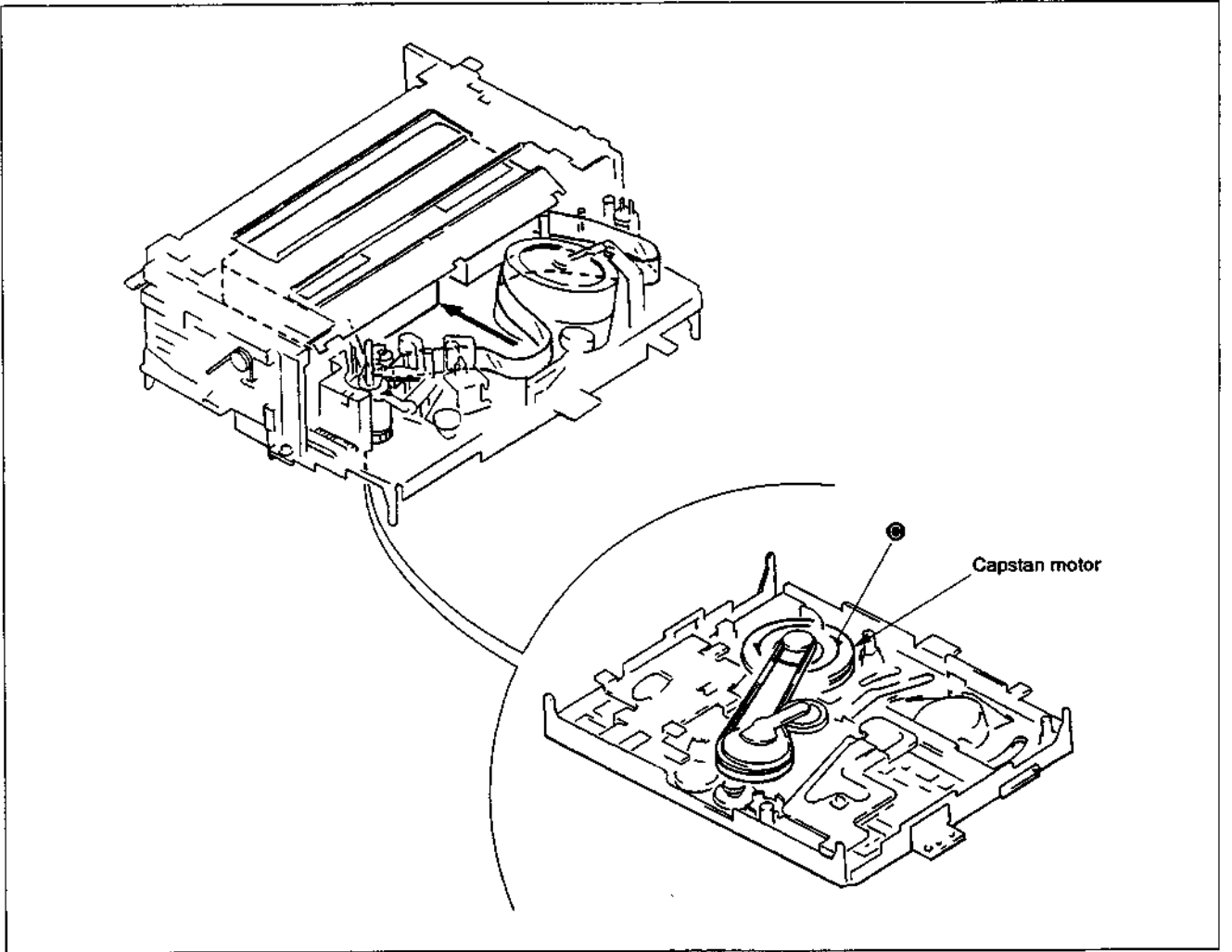


Fig. 1-3

1-3. HOW TO COMPLETE THREADING WITHOUT CASSETTE COMPARTMENT (Fig. 1-4)

Note 1: Put the FL block assembly removed the FL top plate on the bottom not to put dust or grease the top sensor and the end sensor luminous plates or not to scratch them. (Fig. A)

- 1) Pull out AC plug from wall outlet.
- 2) Shade near the end and top sensors with a black masking tape on the like.
- 3) Press cassette in/rec proof switch with a tip of screwdriver or the like.
- 4) Connect AC plug to wall outlet.
- 5) Release cassette in/rec proof switch by putting off a tip of screwdriver or the like.

(At this time, power turns on, rewind operates for 10 seconds, after that power turns off.)

Note 2: In this condition, each mode can be set to video cassette recorder. (including recording mode) However, fast forward should be done after rewinding for 15 seconds or more.

Note 3: After above mentioned operation, be sure to return the mode in the following order.

- 1) Remove the tape near the end and top sensors.
- 2) Pull out AC plug from wall outlet to reset the system control microcomputer.

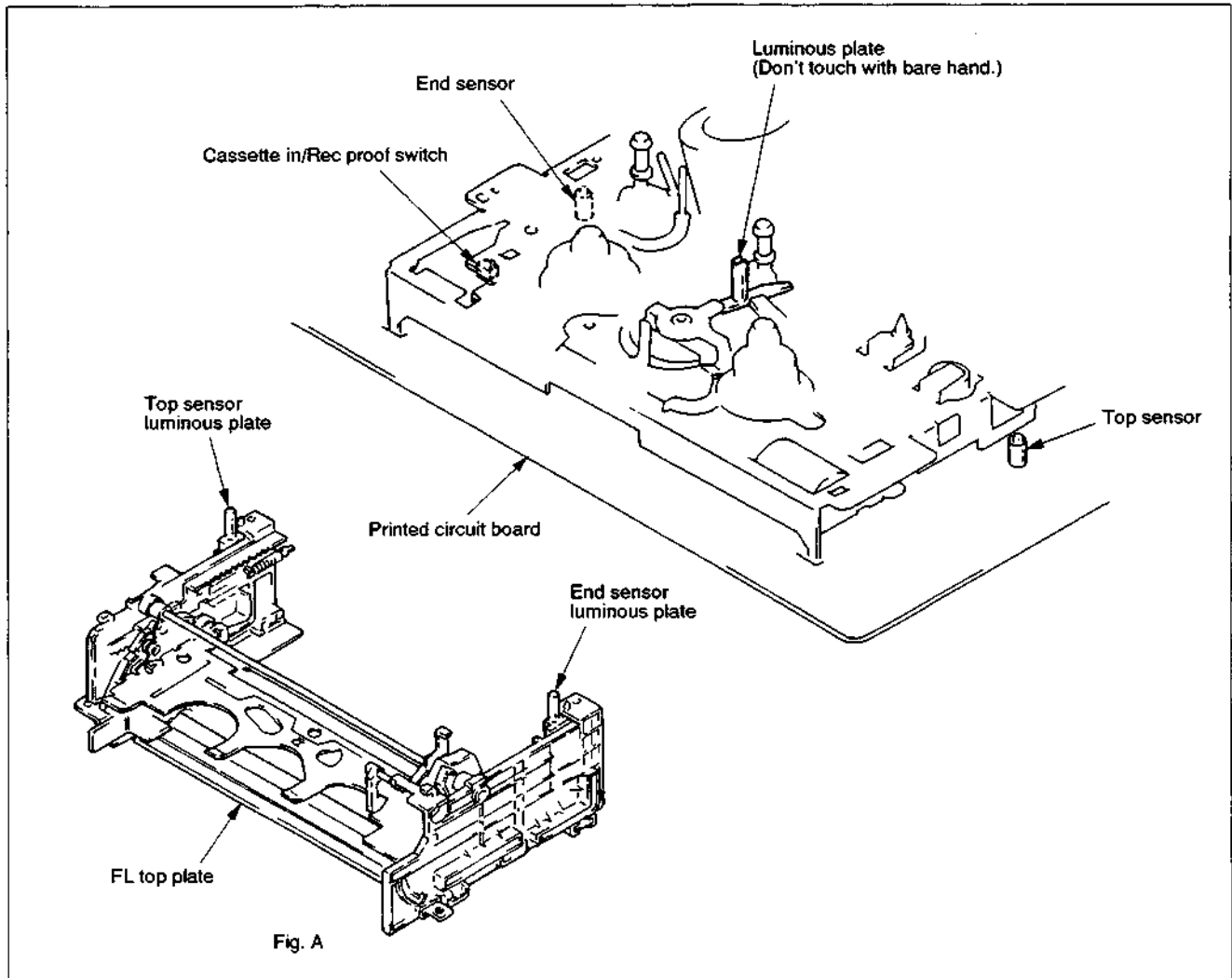


Fig. 1-4

2. PERIODIC CHECK AND REPLACEMENT

In order to obtain the best performance from this unit and make full use of its capabilities, and to extend the life of the unit and tapes, it is recommended that the following periodic checks and maintenance be performed.

* The following must be done after every repair regardless of how many hours the user has operated the machine.

2-1. CLEANING OF ROTATING HEAD DISK ASSEMBLY

- 1) Press a chamois cloth (Jig Ref. No. J-9) which has been dipped in cleaning fluid (Jig Ref. No. J-8) lightly against the rotating drum assembly, then do the cleaning by slowly rotating the rotating head disk by hand. (Never try to clean by using the motor to turn it.)
- 2) Never try to clean by moving the chamois cloth at a vertical angle to the head tip. There is a very great danger of damaging the head tip if this is done.

2-2. CLEANING OF THE TAPE MOVEMENT SYSTEM

- 1) Clean the surfaces which the tape contacts during its movement (tape guide, drum assembly surface, capstan, pinch roller, etc.) with a chamois cloth that has been dipped in cleaning fluid.

2-3. CLEANING THE DRIVE SYSTEM

- 1) Clean the driving parts with a cloth that been dipped in cleaning fluid.

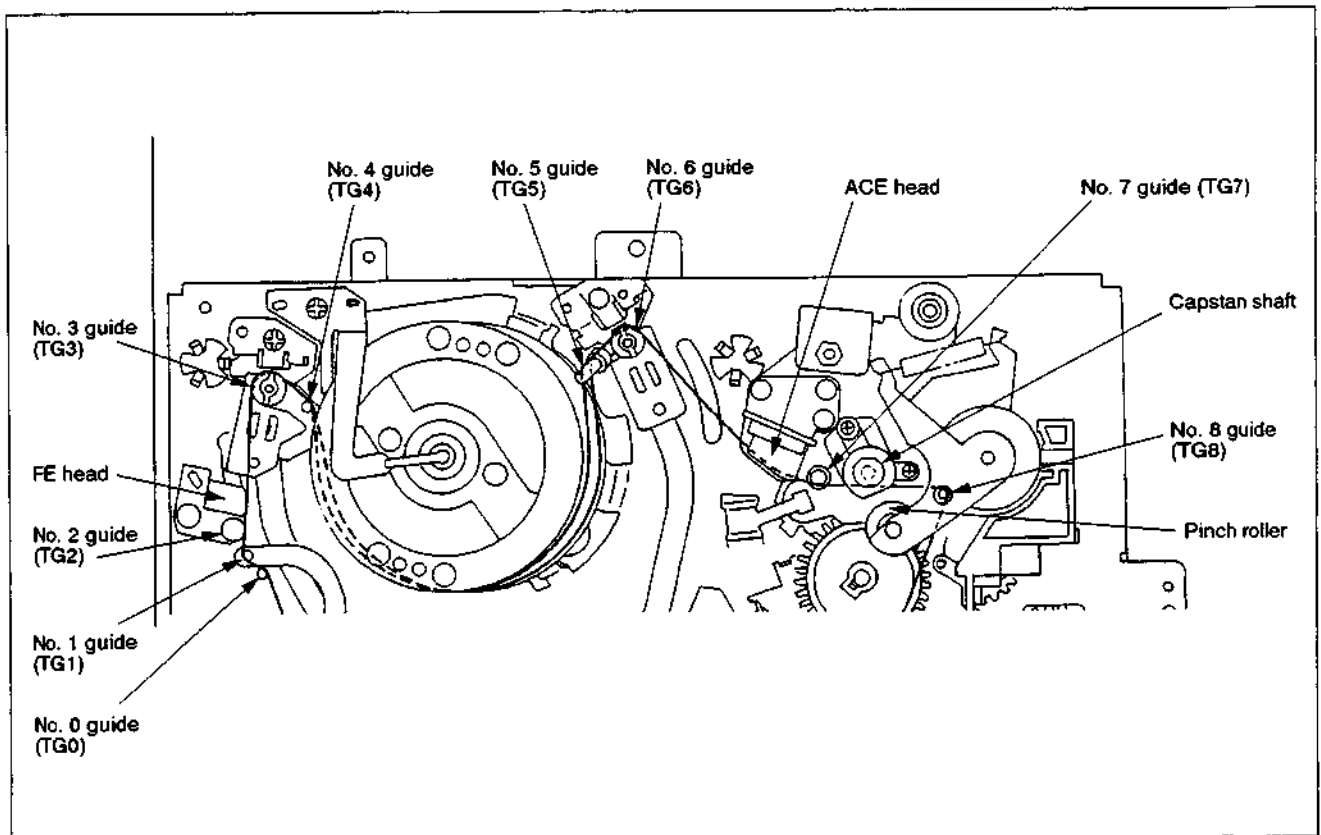


Fig. 2-1 Parts requiring cleaning

2-4. PERIODIC CHECK ITEMS

Perform the maintenance and check listed on the table below, according to users operating hours.

Maintenance & Check		Operating Hours (H)										Remarks
		500	1,000	1,500	2,000	2,500	3,000	3,500	4,000	4,500	5,000	
Tape Transportation System	Cleaning of tape transportation system	○	○	○	○	○	○	○	○	○	○	This cleaning must be done whenever a repair is made.
	Cleaning and degaussing of ACE assembly	○	○	○	○	○	○	○	○	○	○	
	Cleaning & degaussing of upper drum assembly	○	○	○	○	○	○	○	○	○	○	The life of the head varies, depending on operational conditions and method.
Performance Confirmation	Abnormal sound	☆	☆	☆	☆	☆	☆	☆	☆	☆	☆	Adjust or replace the section which causes abnormal sound.
	Measurement of FWD back tension	-	☆	-	☆	-	☆	-	☆	-	☆	Confirmation must be made according to 4-1-1. Specified value: adjust to 36 to 44 g*cm (when measured with torque cassette tape)
	Confirmation of brake system	-	☆	-	☆	-	☆	-	☆	-	☆	Confirmation must be made according to section.
	Confirmation of record & playback functions	☆	☆	☆	☆	☆	☆	☆	☆	☆	☆	Perform the confirmation whenever repair is made.
	Measurement of forward torque	☆	☆	☆	☆	☆	☆	☆	☆	☆	☆	Adjust to 70 to 120 g*cm

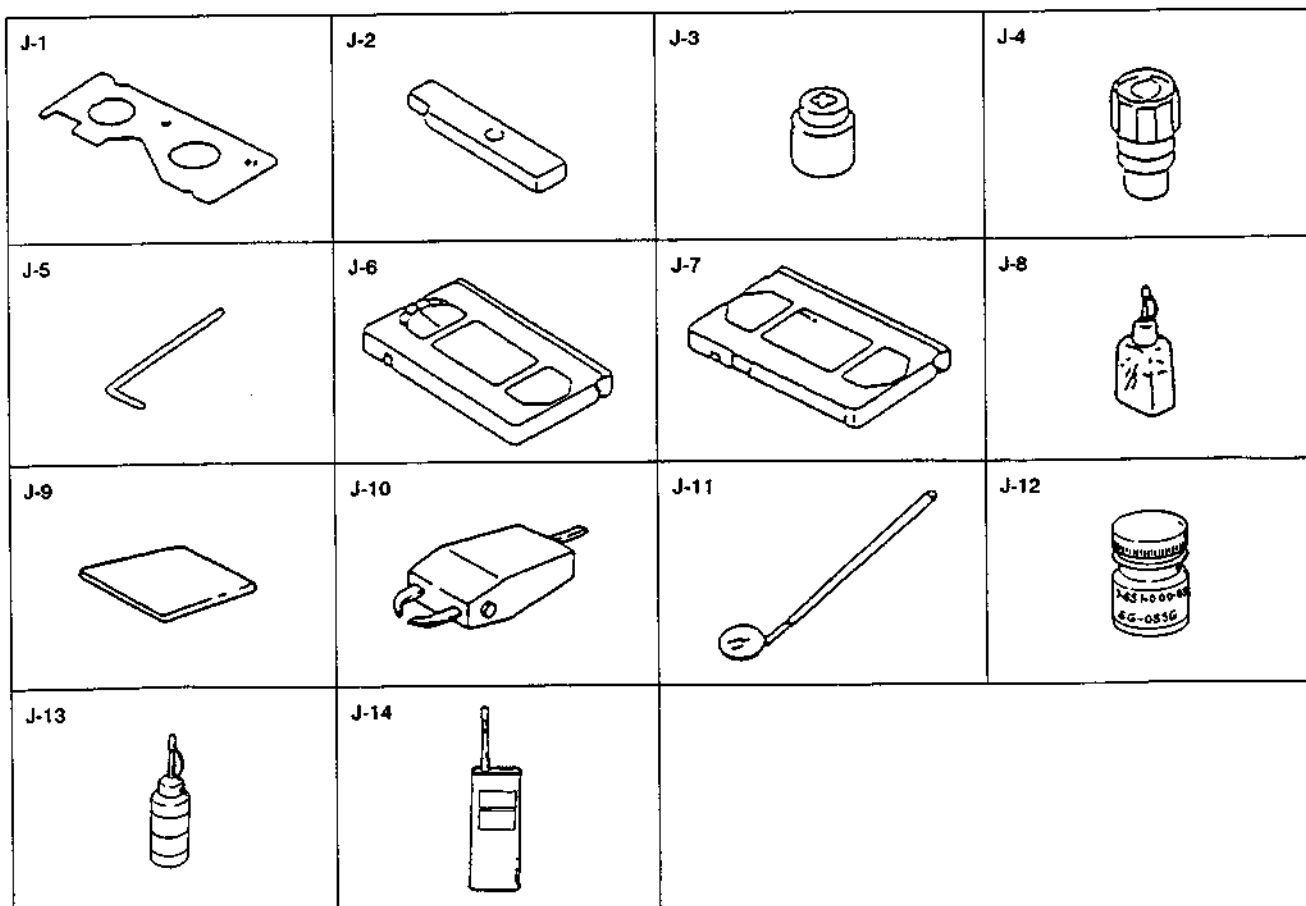
○ Cleaning ☆ Confirmation

Note: On overhaul

When overhauling the unit, replace parts as indicated in the above table.

2-5. TOOLS AND FIXTURES REQUIRED FOR SERVICING

Ref No.	Name	Part No.	Carved Jig No.	Remarks
J-1	Master Plane	H-7099-279-H		Applicable to S-VHS
J-2	Reel Disk Height Jig	H-7099-038-H		
J-3	Torque Gauge Adaptor	H-7099-035-H		
J-4	0.93 mm Torque Gauge	H-7099-039-H		
J-5	Hex. Wrench	H-7099-202-H		
J-6	Torque Measurement Cassette VHT-063S	J-6082-011-A		For FWD & back tension torque measurement.
	Torque Measurement Cassette VHT-404S	J-6082-012-A		For CUE and review torque measurement.
J-7	Alignment Tape JVC-MH-1 (NTSC)	H-7099-046-H		
	24HASF-2 (NTSC Hi-Fi)	H-7099-153-H		
	JVC-MH-2 (PAL)	H-7099-052-H		
	JVC-MH-4 (SECAM)	H-7099-053-H		
J-8	Cleaning Fluid	Y-2031-001-0	—	
J-9	Chamois Leather	2-034-697-00	—	
J-10	Head Demagnetizer	Widely available	—	Demagnetize video heads and audio heads.
J-11	Dental Mirror (With handle)	J-6080-029-A	SL-5052	Tape path and tape traveling adjustments or checks.
	Dental Mirror (Mirror)	J-6080-030-1		
J-12	FLOIL SG-055G	7-651-000-09		
J-13	Diamond Oil NT-68	7-661-018-18		
J-14	Screw Lock G (I401B)	7-432-114-11		



3. MAINLY MECHANICAL PARTS REPLACEMENT

Notes:

- Refer to the service manual, "DISASSEMBLY" for removal of the cabinet and boards.
- On mounting, while referring to notes on mounting perform reversely in the removal order.
- When replacing greased parts, grease them in the same way.
- Do not oil, grease or touch with bare hands the surfaces contacts tape of guides and brake shoes.
- Install gears to engage each other.
- Basically, disassembling and assembling should be done in the unthreading-end condition.

3-1. FL BLOCK ASSEMBLY (Fig. 3-1)

- 1) Remove screws ①.
- 2) Remove FL block assembly ② in the arrow **A** direction.

Note: Be careful not to damage claws on the bottom and front.

[Note on Mounting]

- First insert claws on the bottom and front not to damage.
- Engage FL slide plate to FL driving gear with slightly sliding FL slide plate. (Fig. A)
- Keep clean top sensor and end sensor luminous plates. (Refer to 1-3.)

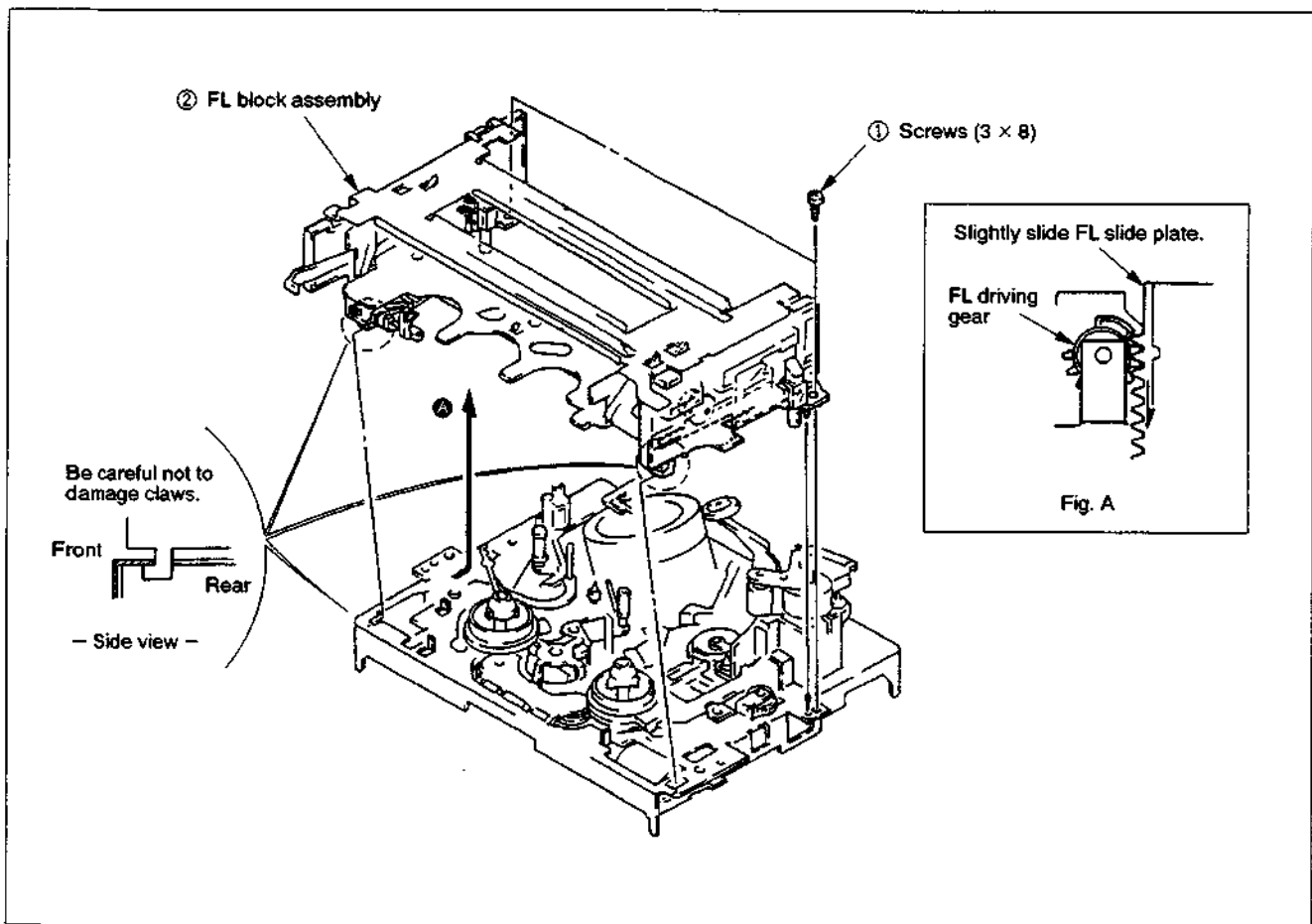


Fig. 3-1

3-2. DRUM ASSEMBLY (Fig. 3-2)

- 1) Remove screw ①.
- 2) Remove ground shaft assembly ② not to touch its tip with bare hand or tools.
- 3) Remove screws ③ to remove drum assembly ④.

[Note on Mounting]

- Don't touch head chips ⑤ and ground shaft assembly ④ with bare hand or tools.
- Keep clean the surface contacts tape of drum assembly ④.

[Adjustment after Mounting]

- 4-l. Tape path adjustment.

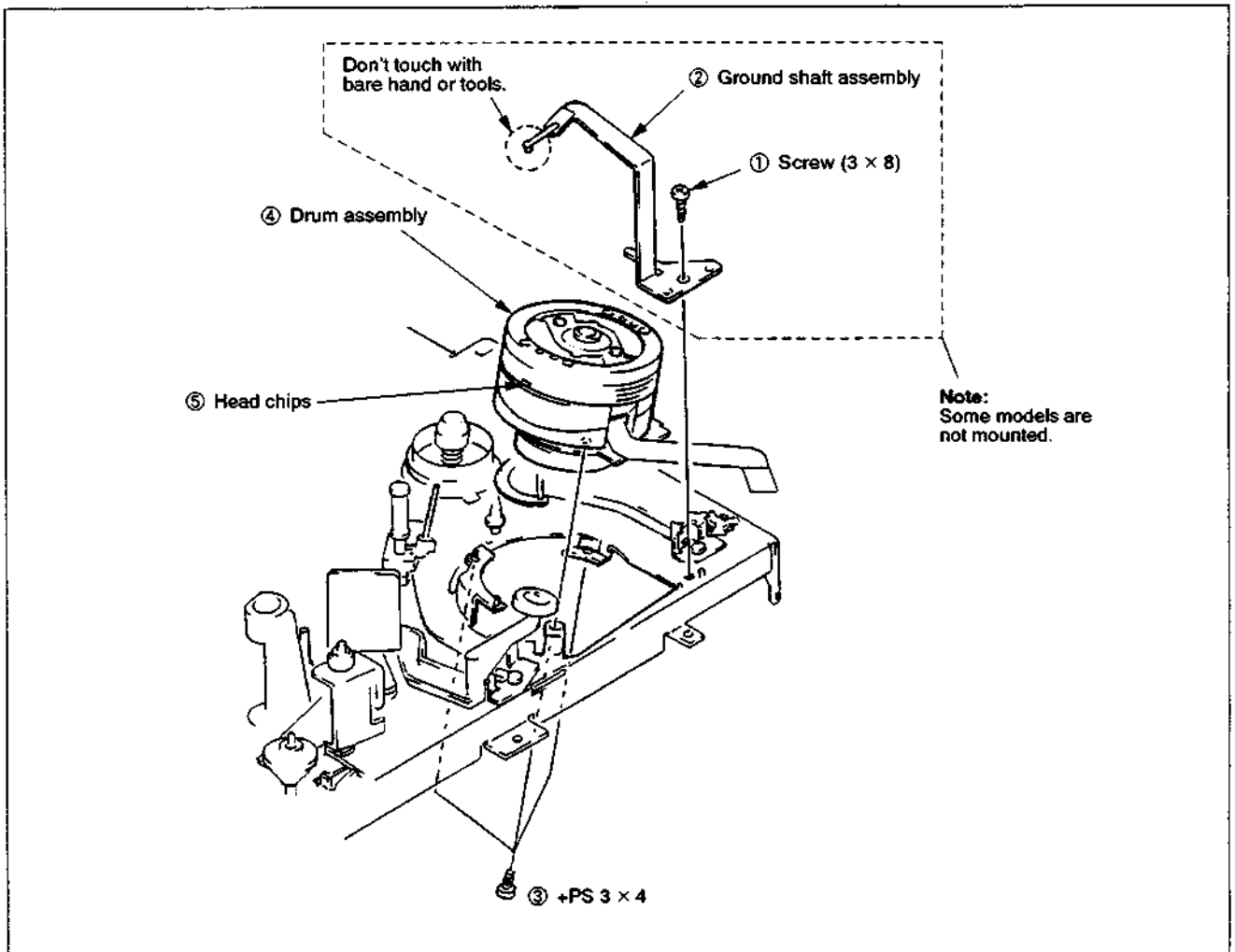


Fig. 3-2

3-3. TIMING BELT (Fig. 3-3)

- 1) Remove screw ① to remove tension vehicle arm assembly ②.
- 2) Remove timing belt ③.

[Note on Mounting]

- Tighten screw ① while pressing tension vehicle arm in the arrow ④ direction.

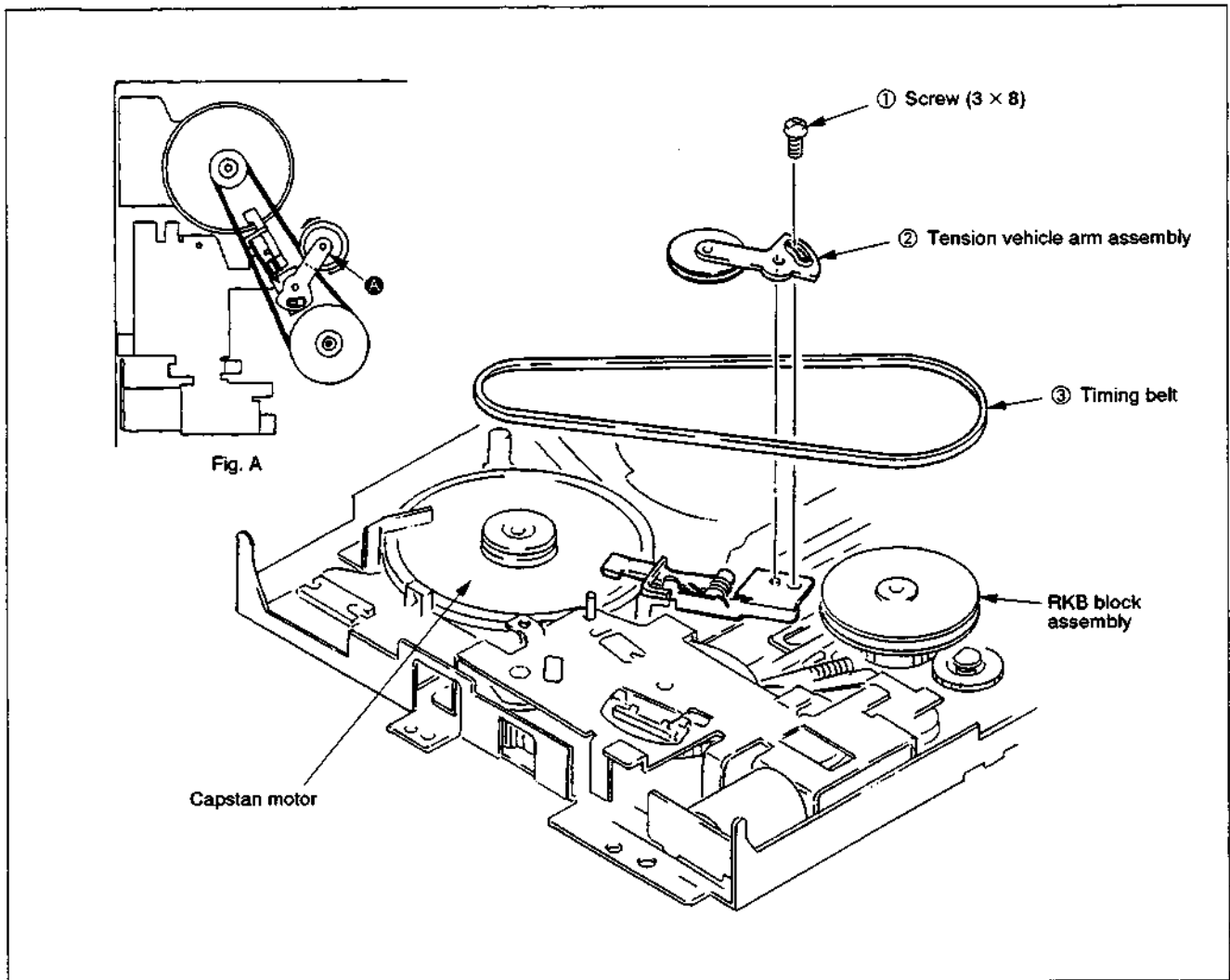


Fig. 3-3

3-4. CAP BRAKE ASSEMBLY (Fig. 3-4)

- 1) Remove tension vehicle arm assembly. (Refer to 3-3)
- 2) Remove torsion coil spring ① from portion ④ to remove CAP brake assembly.

[Note on Mounting]

- Mount torsion coil spring ① to CAP brake assembly ② in the order ④ and ③. (Fig. A)
- Put the fulcrum of CAP brake assembly ② to CAP brake shaft ③ and the tip of torsion coil spring to ④.
- Don't touch brake shoe ⑤ with bare hand.

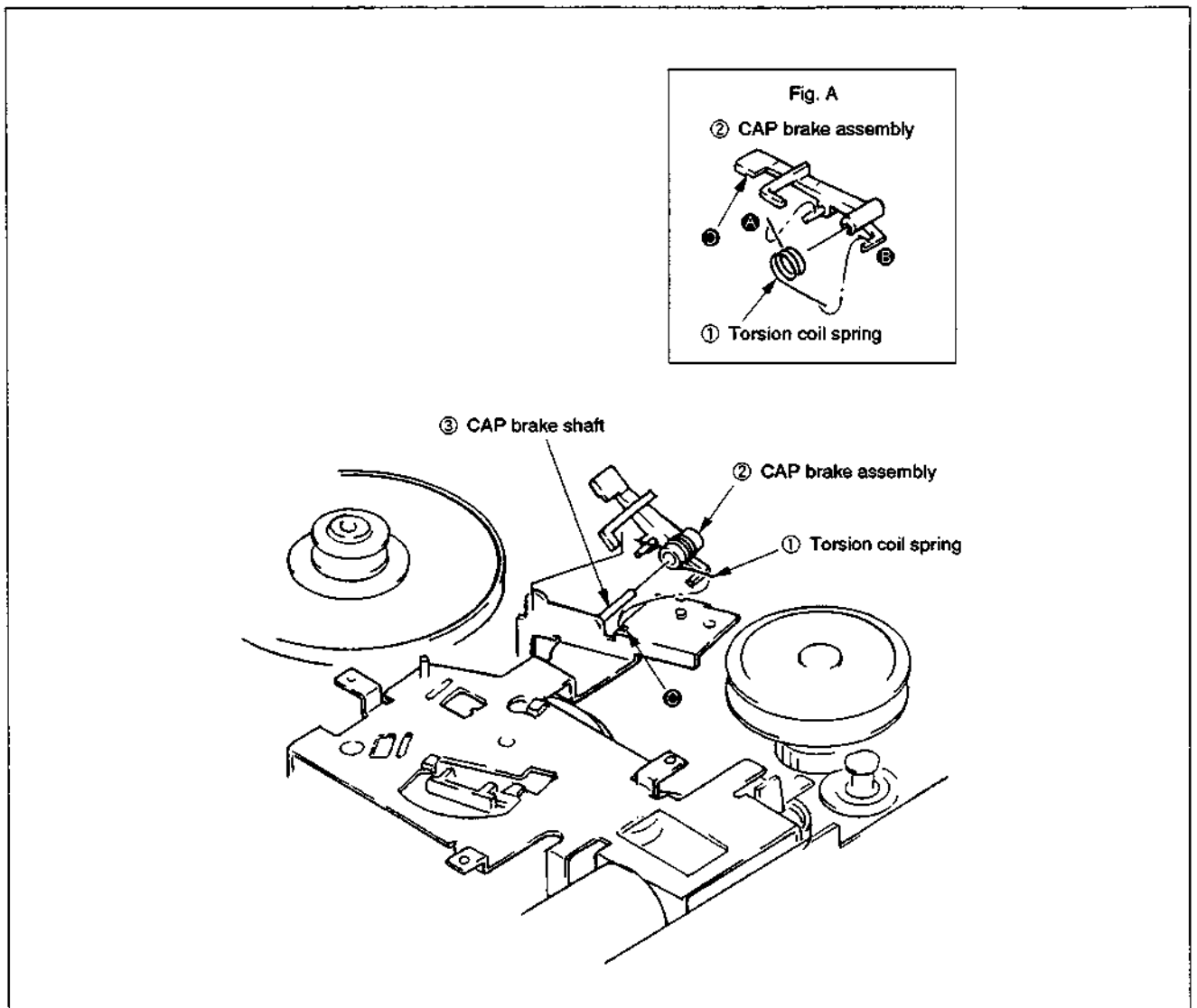


Fig. 3-4

**3-5. TG2 ROLLER, FE HEAD ASSEMBLY
(Fig. 3-5)**

- 1) Remove claw **A** to pull out TG2 roller **①**.
- 2) Remove screw **②** to pull out FE head assembly.

[Note on Mounting]

- Keep clean the surface contacts tape of TG2 roller **①**.

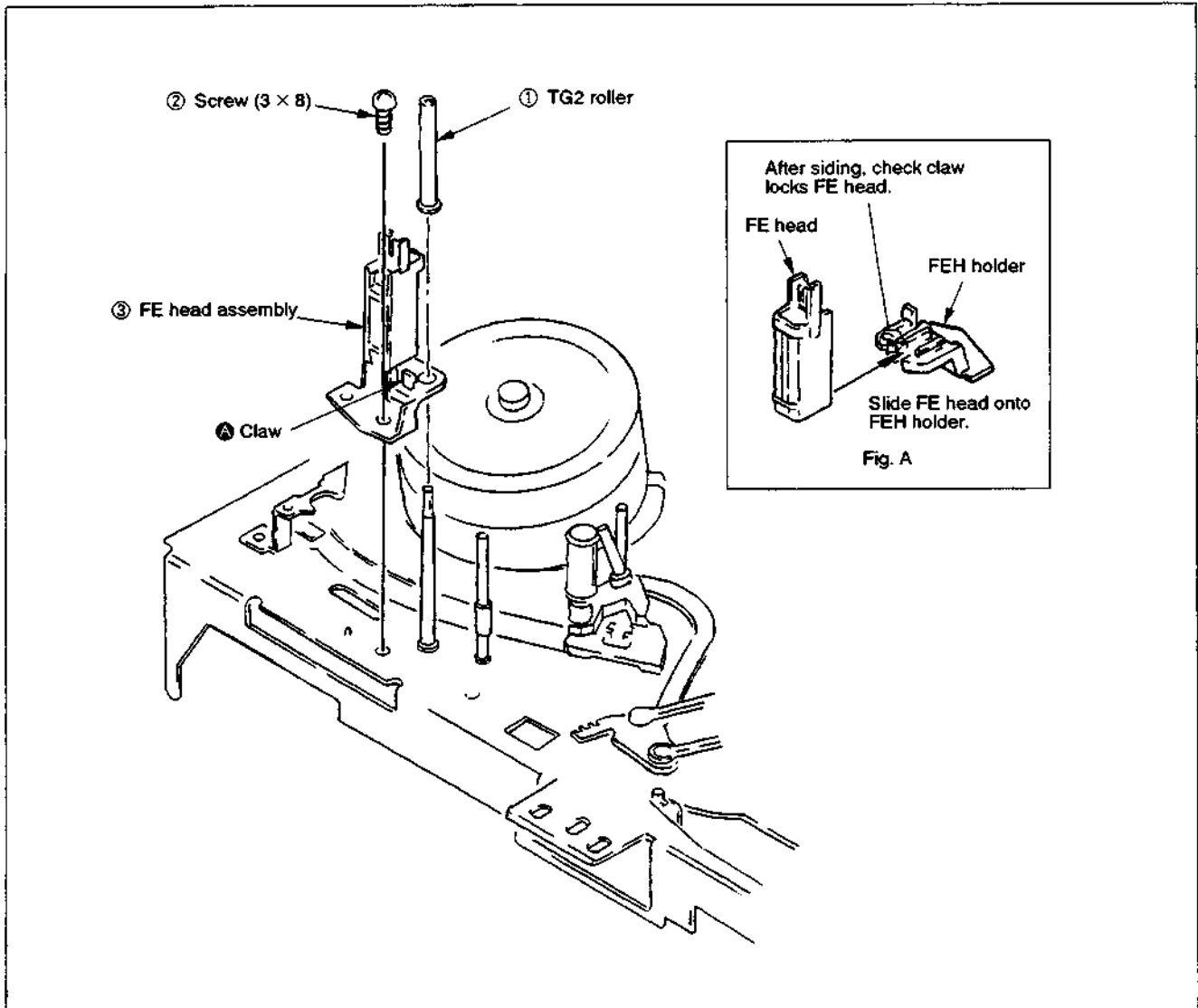


Fig. 3-5

3-6. PINCH PRESS BLOCK ASSEMBLY, ELEVATOR GEAR (Fig. 3-6)

- 1) Remove E ring ① to pull out pinch press block assembly ②.
- 2) Remove lid opener ③ by pressing claw ④ in the arrow ⑤ direction.
- 3) Pull out elevator gear ④.

[Note on Mounting]

- Apply grease FLOIL SG-055G (Jig Ref. No. J-12) to ☆ marked portions.
- Be sure to match the phase ⑥ between elevator gear ④ and press gear ⑤ on mounting elevator gear ④.

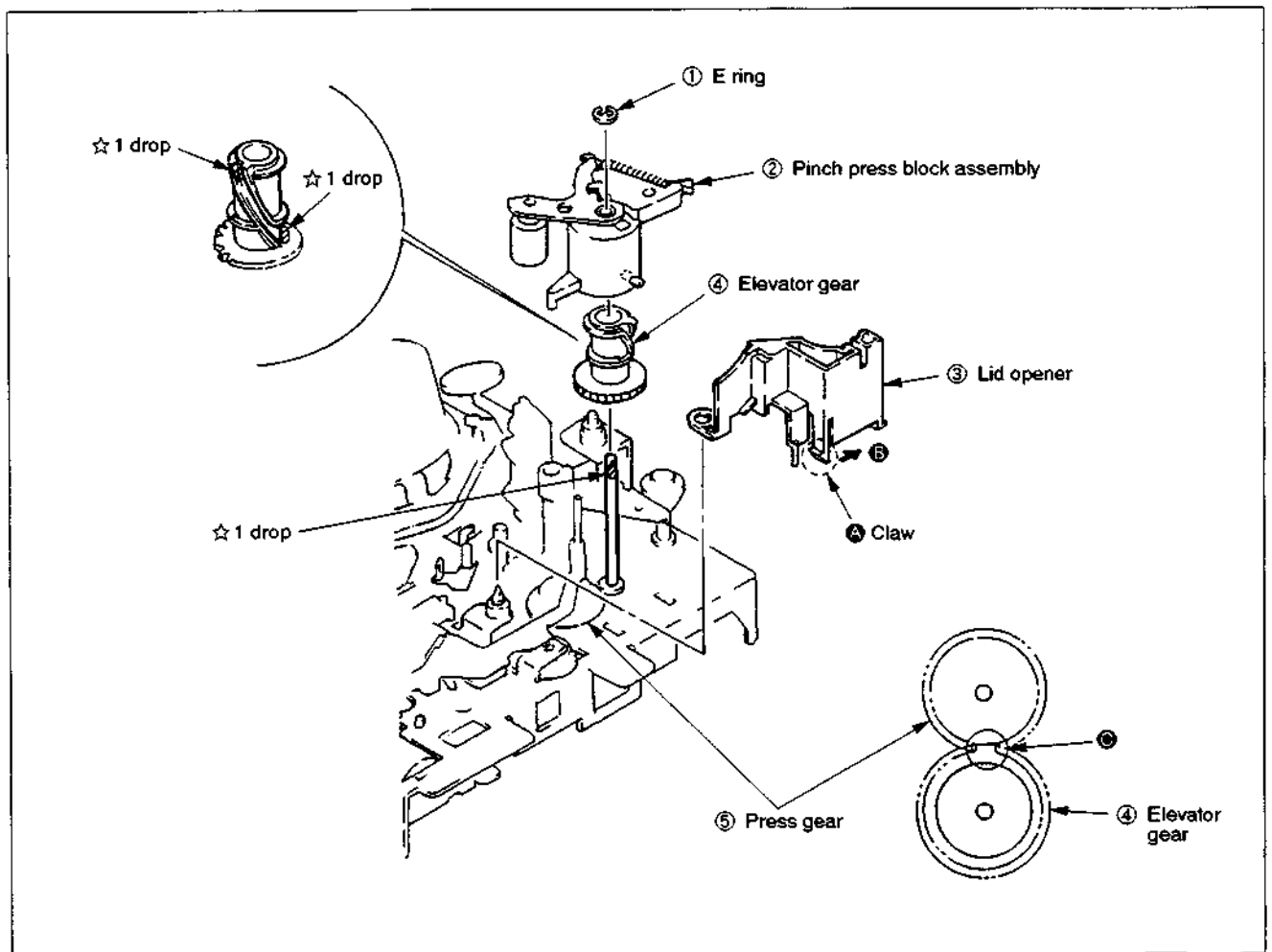


Fig. 3-6

3-7. ACE BLOCK ASSEMBLY (Fig. 3-7)

- 1) Move torsion coil spring (ACE) ① in the arrow ④ direction.
- 2) Remove ACE adjustment screw ②.
- 3) Remove AC height adjustment nut ③ to pull out ACE block assembly ④.

[Note on Mounting]

- Keep clean the surface contacts tape of ACE block assembly ④.
- Be sure to hang torsion coil spring (ACE) ① in the arrow ⑤ direction.
- Set ACE adjustment screw ② to the height as shown in Fig. A.

[Adjustment after Mounting]

- 4-1. Tape path adjustment.
- After adjustment apply Screw Lock G (1401B) (Jig Ref. No. J-14) at ☆ marked portion.

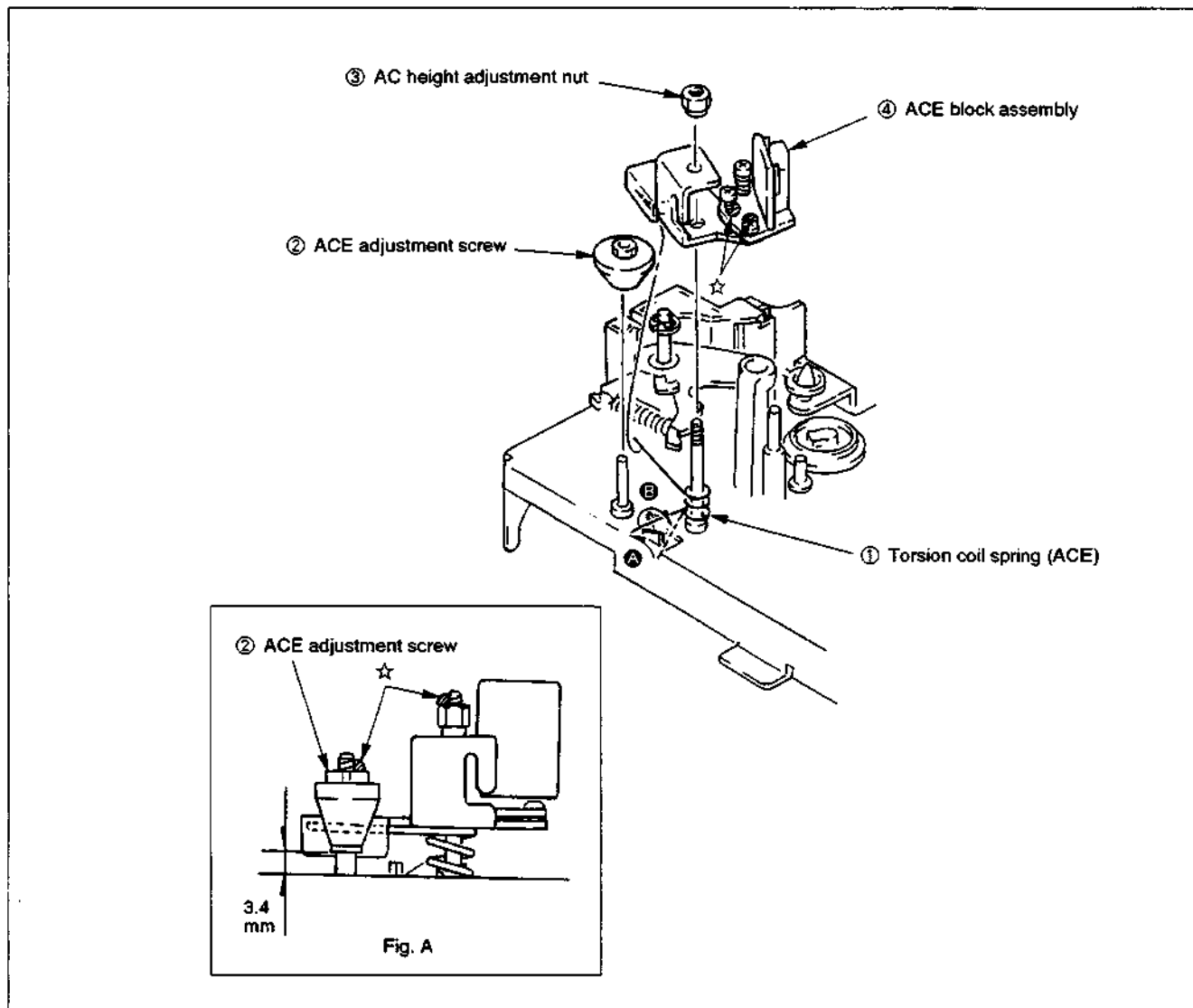


Fig. 3-7

3-8. TG3, TG6 GUIDE ROLLER ASSEMBLIES (Fig. 3-8)

- 1) Loosen screw ① and pull out TG3 guide roller assembly ② by turning it in the arrow A direction.
- 2) Loosen screw ③ and pull out TG6 guide roller assembly ④ by turning it in the arrow B direction.

[Note on Mounting]

- Keep clean the surface contacts tape of TG3 and TG6 guide roller assemblies ②, ④.

[Adjustment after Mounting]

- 4-1. Tape path adjustment.

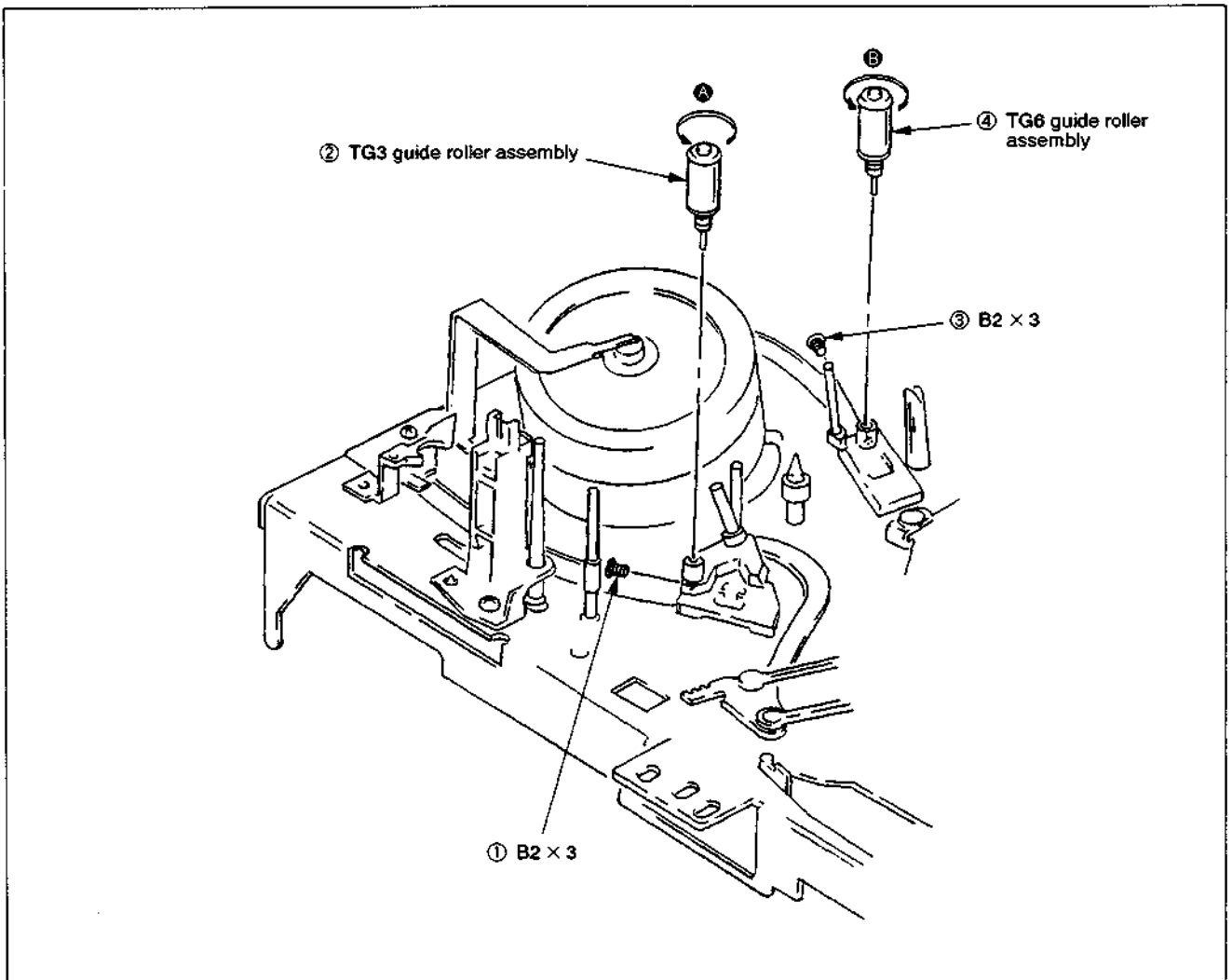


Fig. 3-8

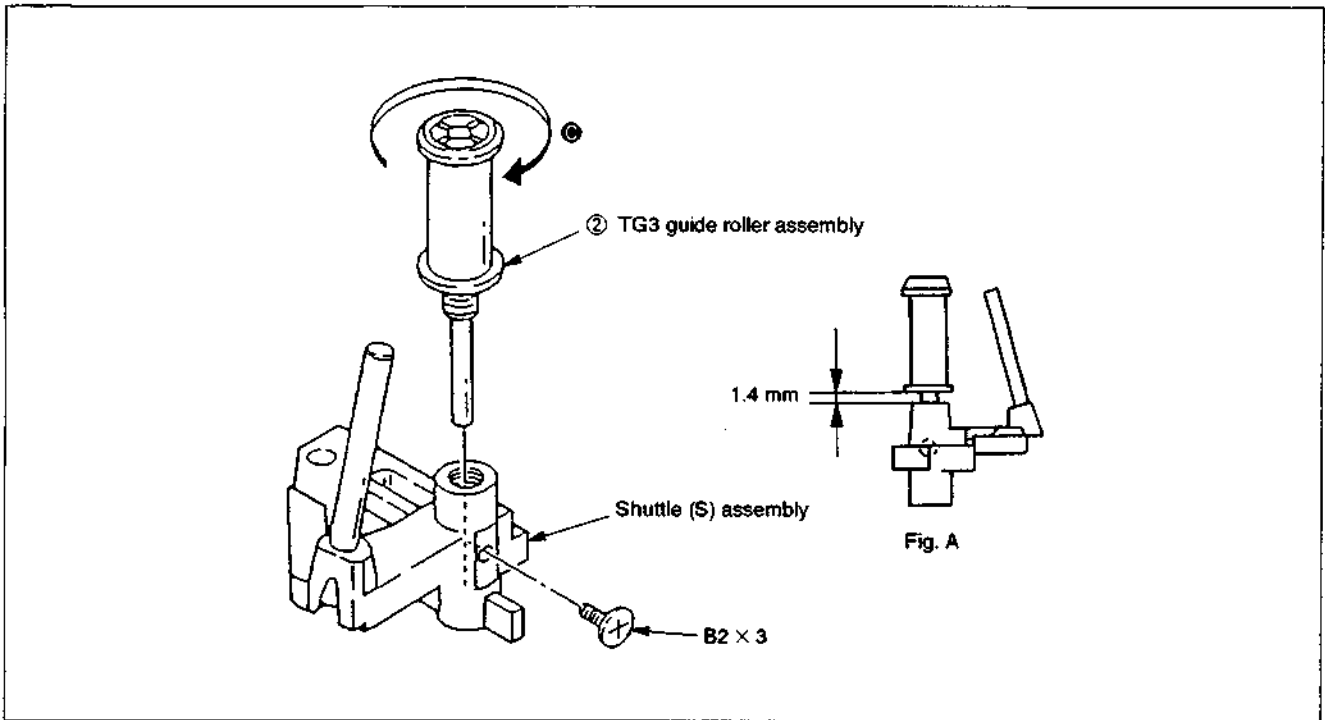


Fig. 3-9

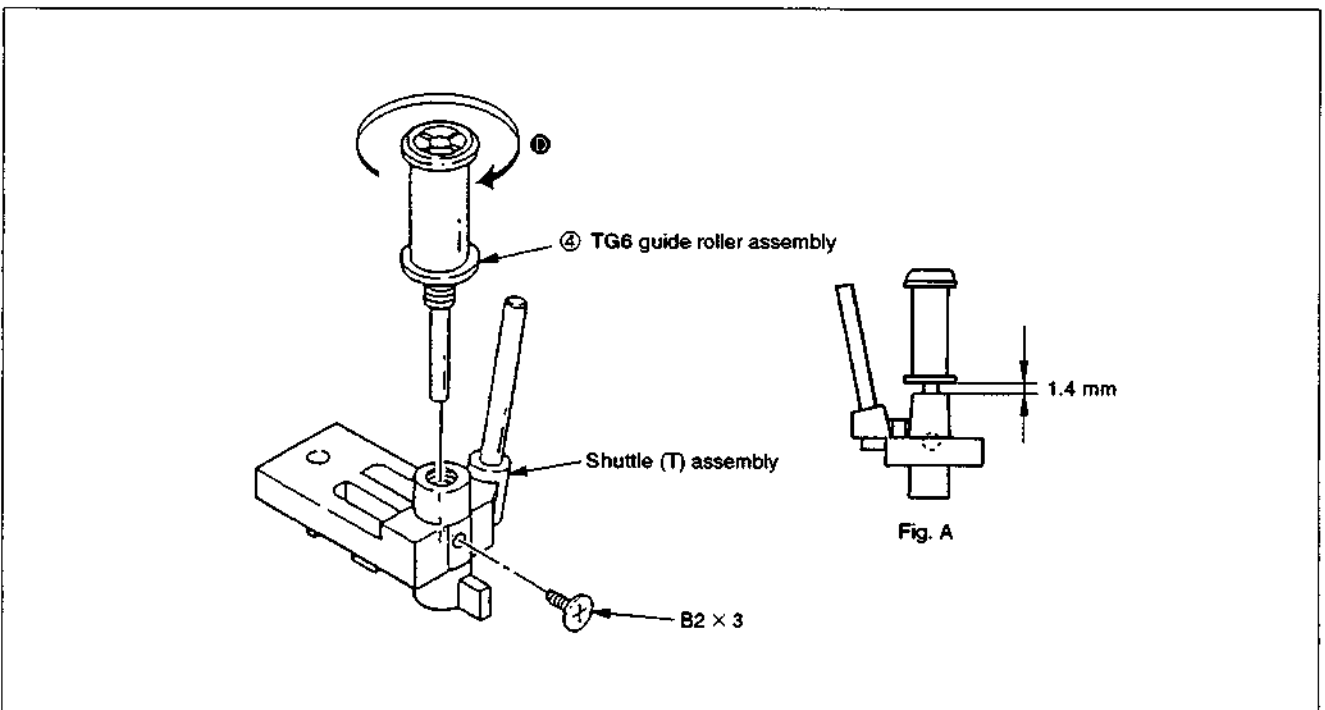


Fig. 3-10

3-9. CAPSTAN MOTOR (Fig. 3-11)

- 1) Remove timing belt. (Refer to 3-3.)
- 2) Remove CAP brake assembly. (Refer to 3-4.)
- 3) Remove screws ① to pull out capstan motor ②.

[Note on Mounting]

- Keep clean the surface contacts tape of capstan motor ②.
- On tightening screws ①, first tighten screw A temporarily, next tighten screws in the order B to C to A.

[Adjustment after Mounting]

- 4-1. Tape path adjustment.

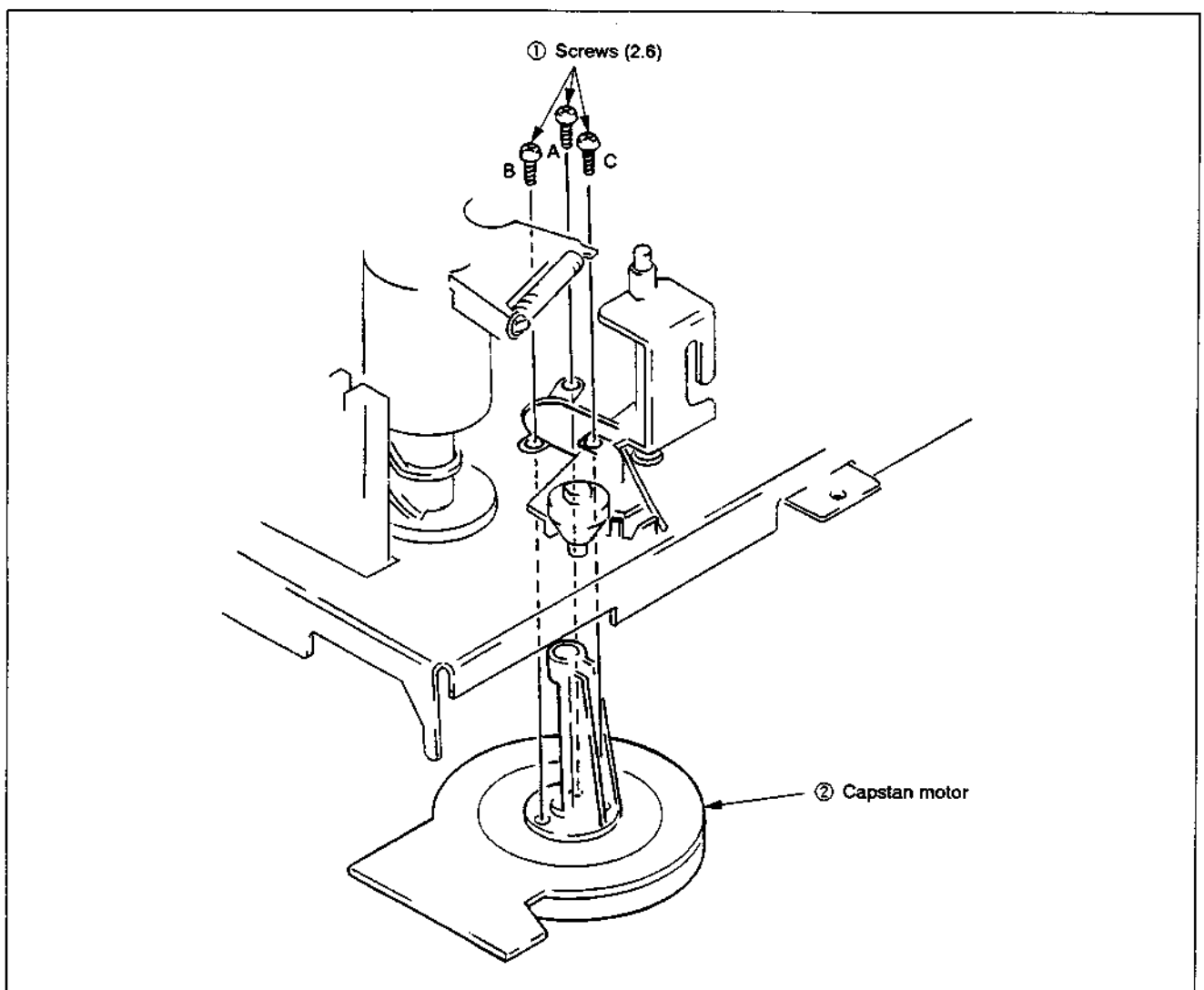


Fig. 3-11

3-10. MAIN BRAKE ASSEMBLIES S AND T
(Fig. 3-12)

- 1) Remove tension spring ①.
- 2) Remove stopper washer (2) ② to remove neutrality arm ③.
- 3) Remove pendulum compulsion arm ④ and tension coil spring ⑤.
- 4) Remove stopper washer (2) ⑥ to remove main brake S assembly ⑦.
- 5) Remove stopper washer (2) ⑧ to remove main brake T assembly ⑨.

[Note on Mounting]

- Don't touch brake shoes ④ and ⑤ with bare hand.
- Apply FLOIL FG-055G (Jig Ref. No. J-12) to ☆ marked portions.

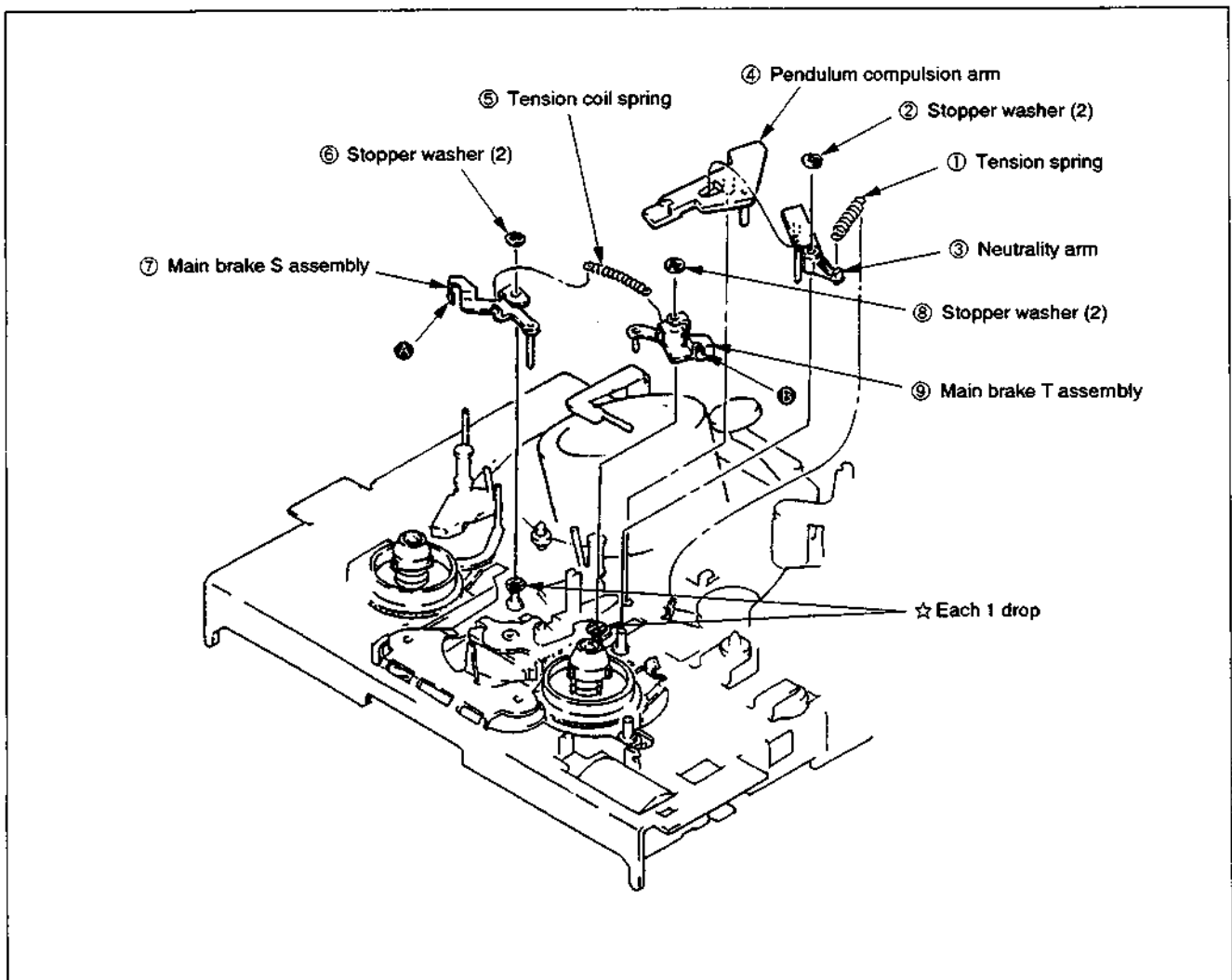


Fig. 3-12

3-11. SOFT BRAKE T ASSEMBLY (Fig. 3-13)

- 1) Remove pinch press block assembly. (Refer to 3-6.)
- 2) Remove lid opener ① carefully not to damage claw ④.
- 3) Remove tension spring ② from side ⑤ to pull out soft brake T assembly ③.

[Note on Mounting]

- Don't touch brake shoes ⑥ with bare hand.

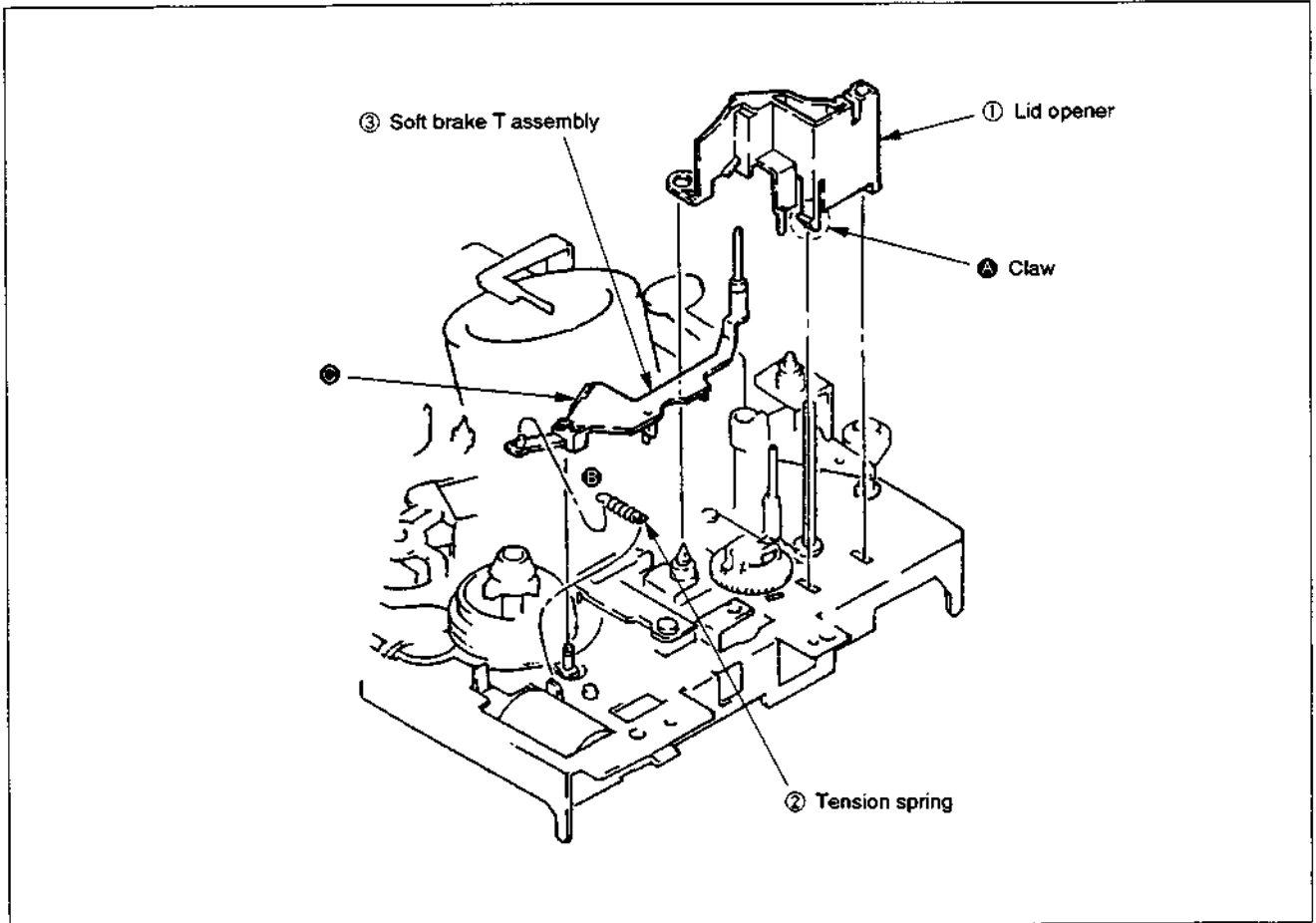


Fig. 3-13

3-12. RVS BRAKE ARM ASSEMBLY, REEL TABLE (T) ASSEMBLY (Fig. 3-14)

- 1) Remove main brake T assembly. (Refer to 3-10.)
- 2) Remove soft brake T assembly. (Refer to 3-11.)
- 3) Remove tension coil spring ① in the order ④ to ③.
- 4) Remove RVS brake arm assembly ②.
- 5) Remove stopper washer (2) ③ to pull out reel table (T) assembly ④.

[Note on Mounting]

- Apply one drop of Diamond Oil NT-68 (Jig Ref. No. J-13) to ☆ marked portion before mounting reel table (T) assembly ④. (Fig. A)
- Don't touch the hatched portion on reel table (T) assembly ④ and brake shoe ⑥ of RVS brake arm assembly ② with bare hand.

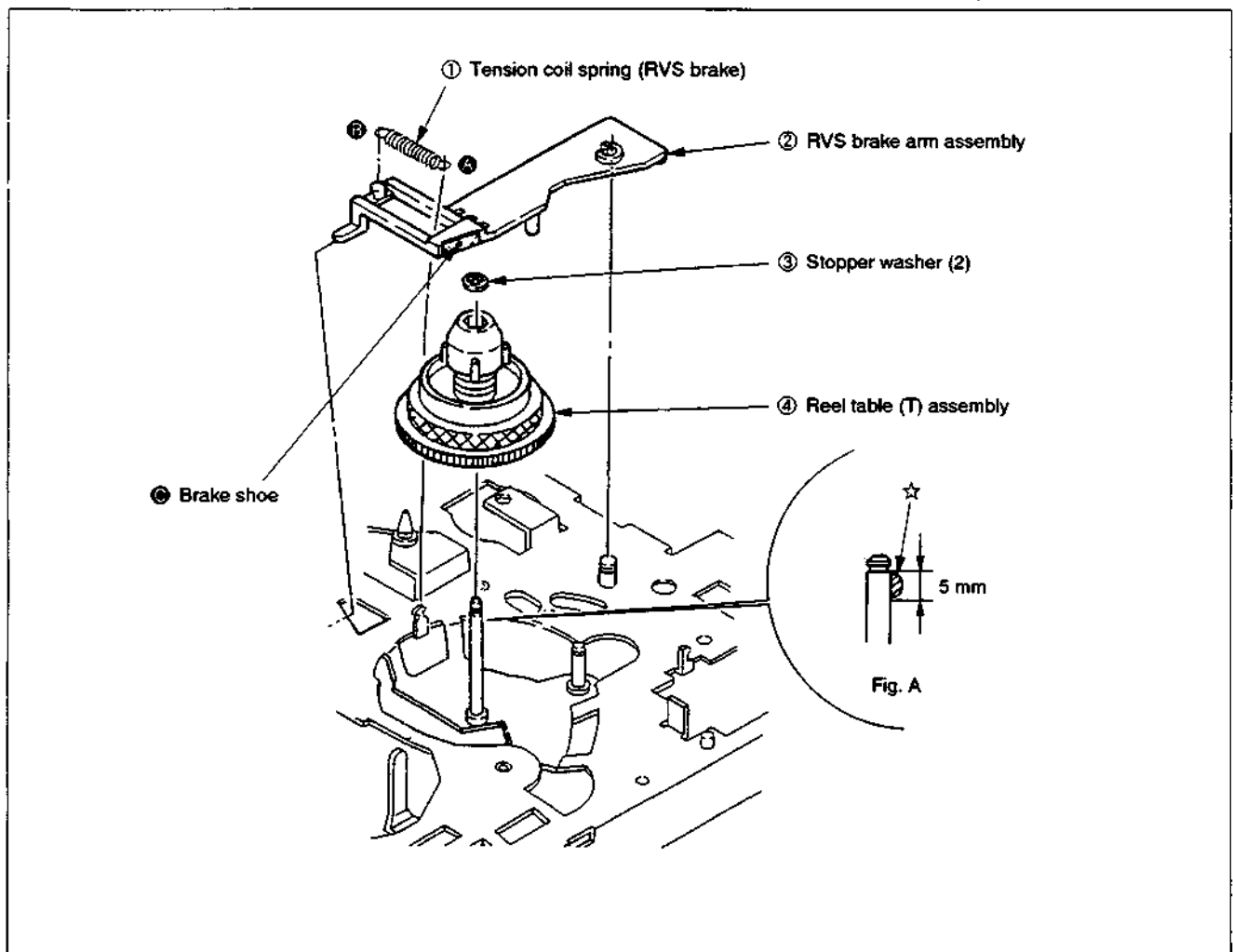


Fig. 3-14

3-13. TG8 ASSEMBLY (Fig. 3-15)

- 1) Remove TG8 retainer ① to pull out TG8 assembly ②.

[Note on Mounting]

- Apply FLOIL SG-055G (Jig Ref. No. J-12) to ☆ marked portion.
- Keep clean the surface contacts tape of TG8 assembly ②.
- Be careful not to change the shape of TG8 retainer ①.

[Adjustment after Mounting]

- 4-1. Tape path adjustment.

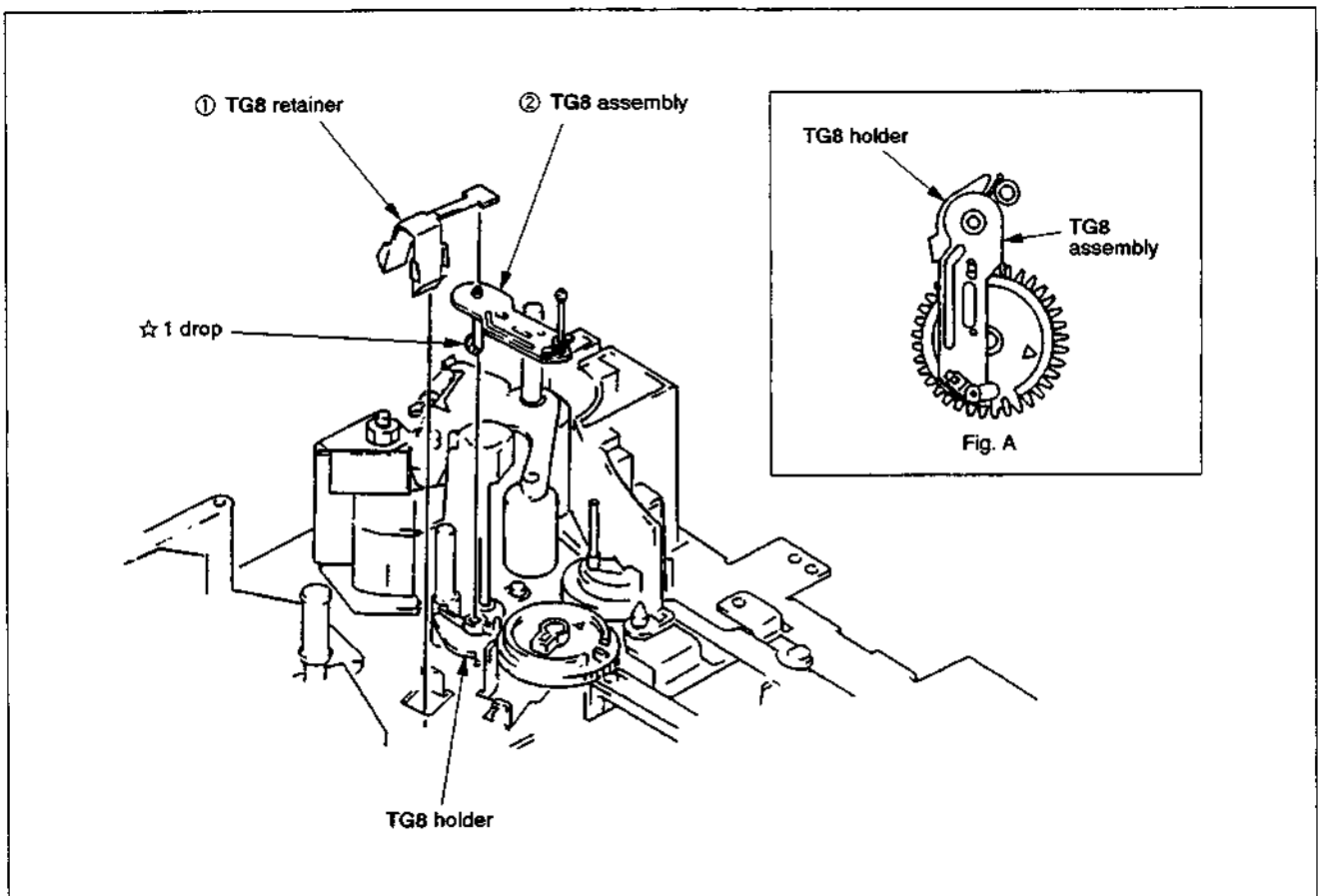


Fig. 3-15

3-14. TG8 HOLDER (Fig. 3-16)

- 1) Remove TG8 assembly. (Refer to 3-13)
- 2) Pull out TG8 holder ①.

[Note on Mounting]

- Be careful about the direction of TG8 holder ①. (A of Fig. A)

[Adjustment after Mounting]

- 4-1. Tape path adjustment.

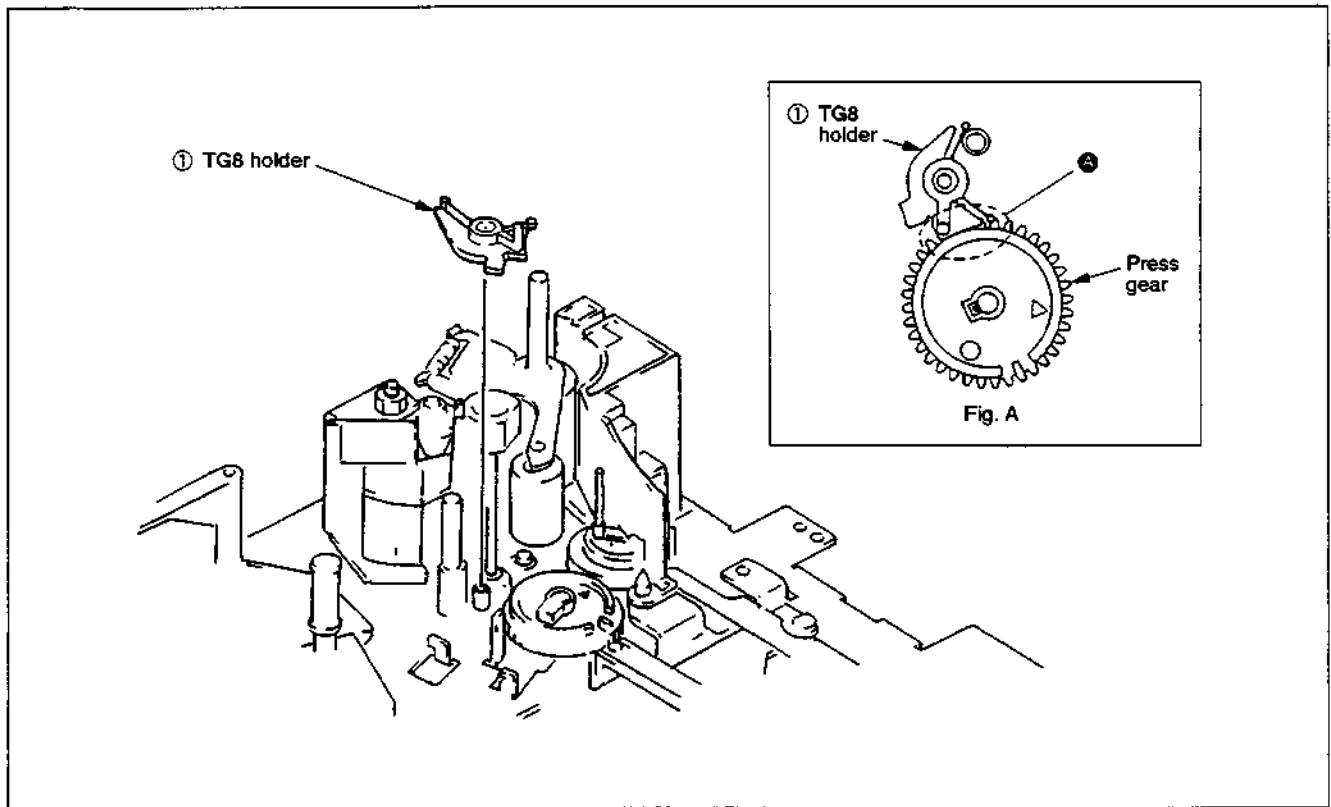


Fig. 3-16

3-15. TG8 AND PRESS GEARS (Fig. 3-17)

- 1) Remove pinch press block assembly. (Refer to 3-6.)
- 2) Remove soft brake T assembly. (Refer to 3-11.)
- 3) Remove TG8 assembly. (Refer to 3-13.)
- 4) Remove TG8 holder. (Refer to 3-14.)
- 5) Pull out TG8 gear ① or press gear ②.

[Note on Mounting]

- Adjust the holes on gears to the holes on chassis. (Fig. A)
- Adjust the arrows carved on gears each other. (Fig. A)

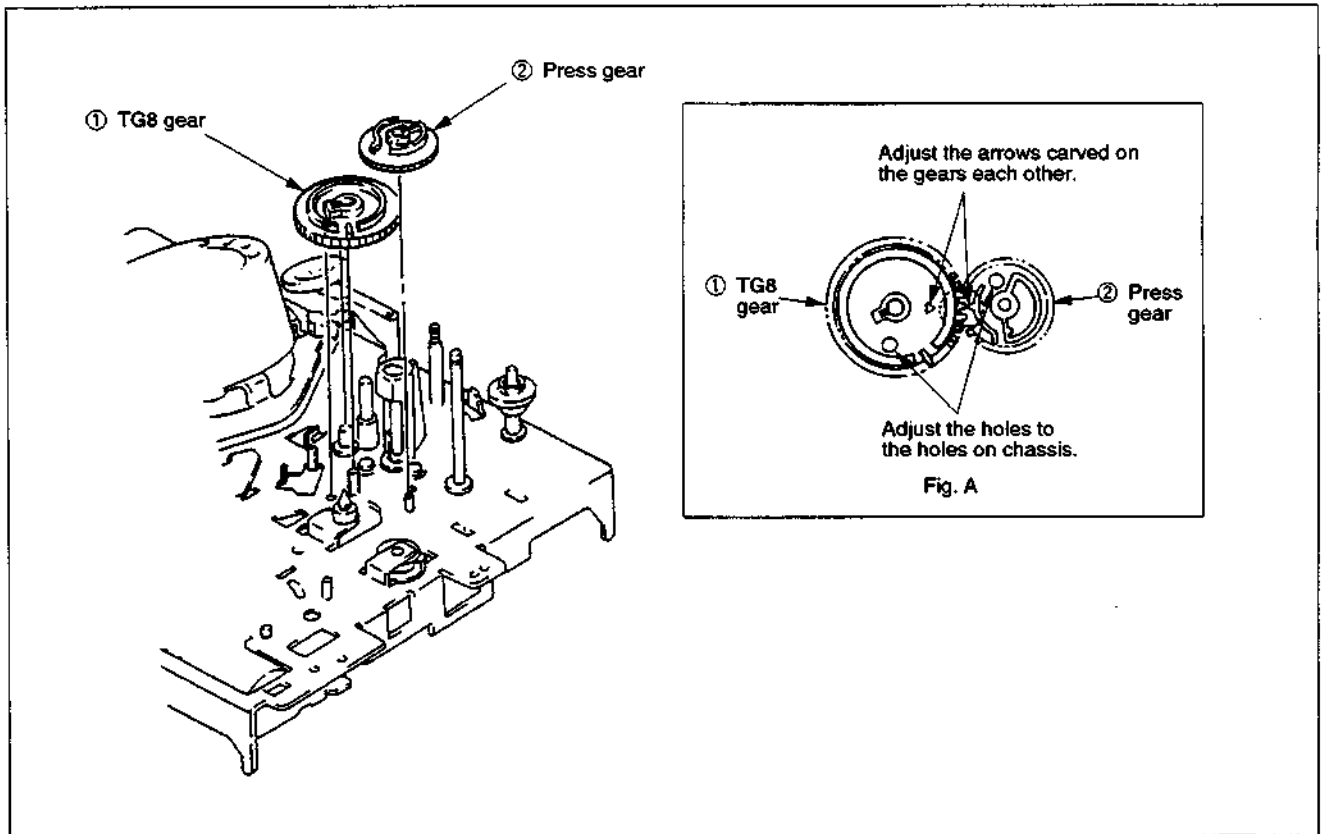


Fig. 3-17

3-16. CAM MOTOR CHASSIS BLOCK ASSEMBLY, UPPER/LOWER COMMUNICATION GEAR (Fig. 3-18)

- 1) Remove timing belt. (Refer to 3-3.)
- 2) Remove CAP brake assembly. (Refer to 3-4.)
- 3) Remove screws ① to remove cam motor chassis assembly ②.
- 4) Pull out upper/lower communication gear ③.

[Note on Mounting]

- First, check main slider ④ slides fully in the arrow direction.
- Set rotary encoder switch position to "E" seen from the window of cam motor chassis. (Fig. A)
- Tighten screws ① in the order ① to ② to ③ to ④.

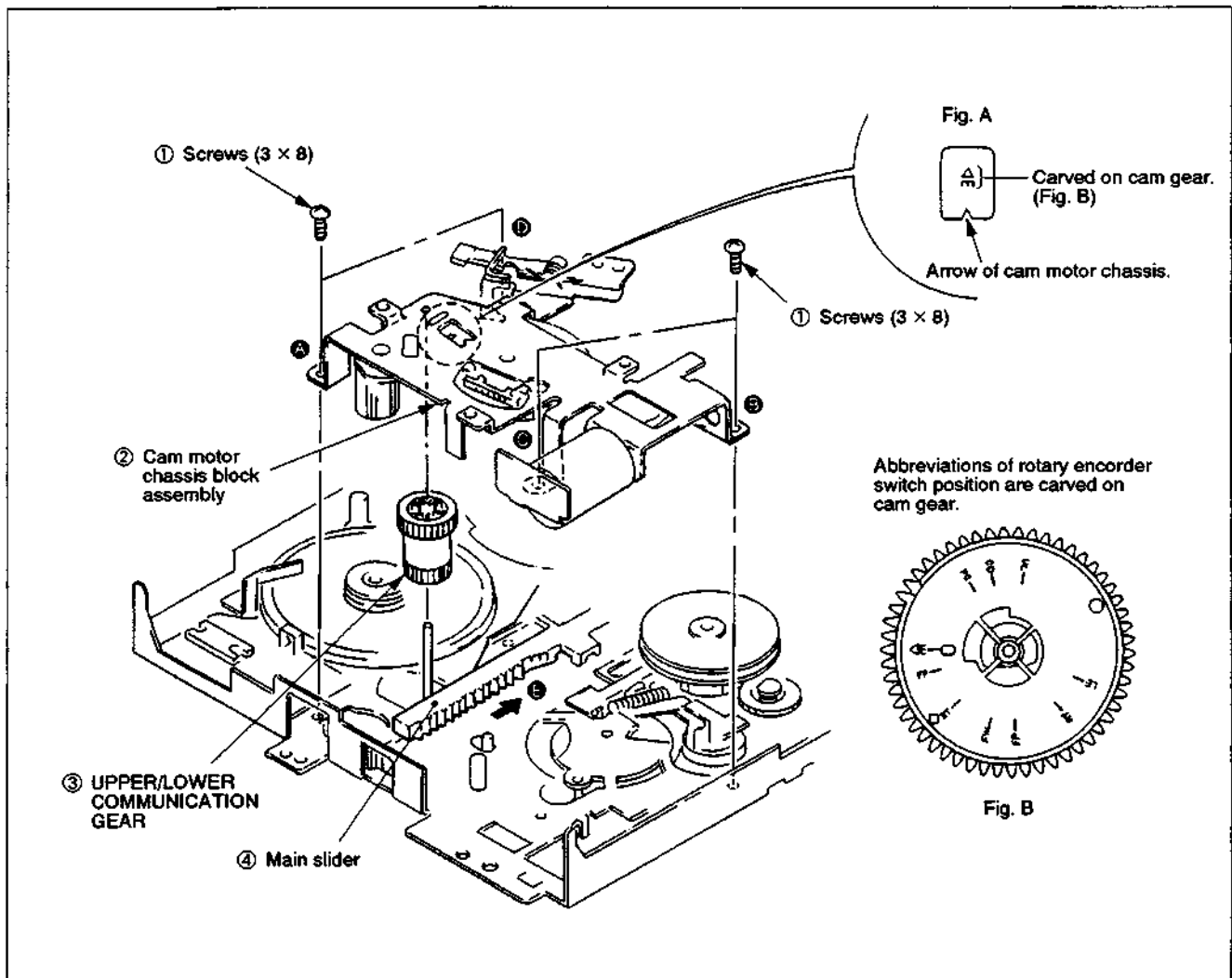


Fig. 3-18

3-17. ROTARY ENCODER SWITCH (Fig. 3-19)

- 1) Remove timing belt. (Refer to 3-3.)
- 2) Remove CAP brake assembly. (Refer to 3-4.)
- 3) Remove cam motor chassis block assembly (Refer to 3-15.) and turn upside on the bottom.
- 4) Remove stopper washer (2) ① to pull out worm wheel ②.
- 5) Remove stopper washer (2) ③ to pull out cam gear ④.
- 6) Pull out FL driving gear ⑤ and rotary encoder switch ⑥.

[Note on Mounting]

- Apply FLOIL SG-055G (Jig Ref. No. J-12) to ☆ marked portions. (Fig. 3-19, A)
- Adjust the hole ① to the hole on cam motor chassis. (Fig. B)
- Adjust the holes ② and ③ to the hole on cam motor chassis. (Fig. C)

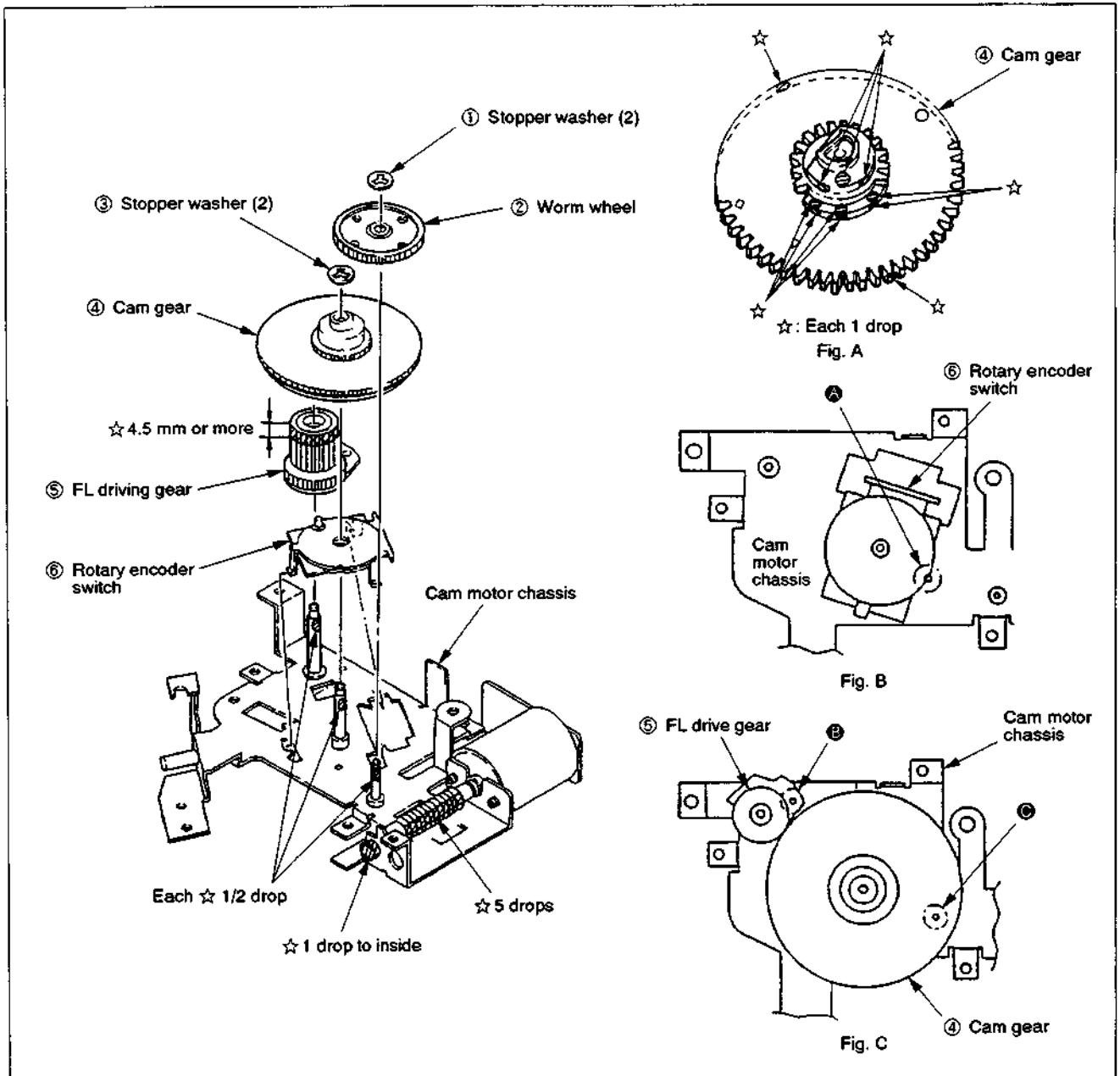


Fig. 3-19

3-18. MAIN SLIDER (Fig. 3-20)

- 1) Remove timing belt. (Refer to 3-3.)
- 2) Remove CAP brake assembly. (Refer to 3-4.)
- 3) Remove cam motor chassis block assembly. (Refer to 3-16.)
- 4) Remove screw ① to remove retainer ②.
- 5) Pull out main slider ③.

[Note on Mounting]

- Apply FLOIL SG-055G (Jig Ref. No. J-12) as shown in Fig. A.
- At the last, slide main slider fully in the arrow A direction.

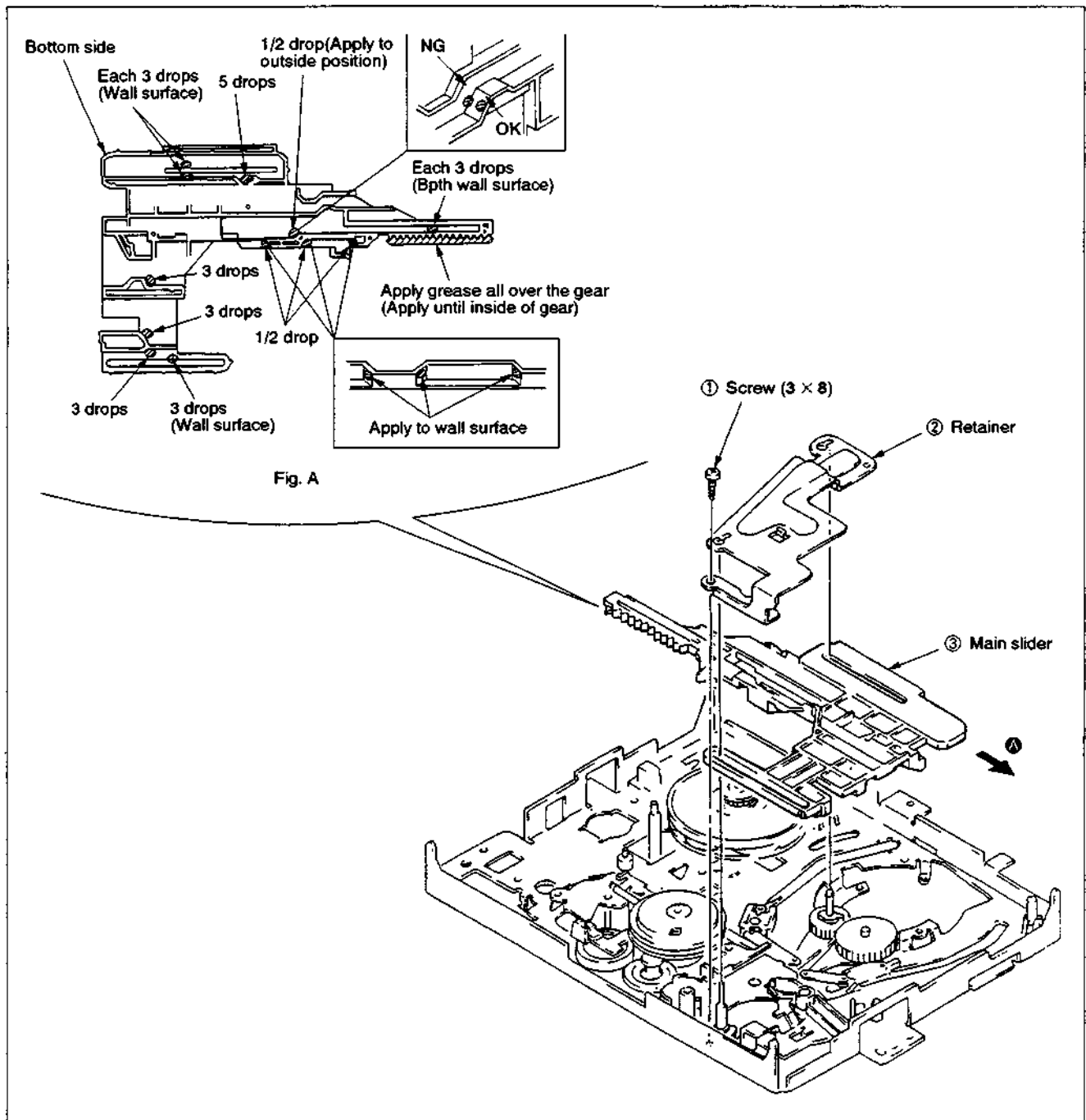


Fig. 3-20

3-19. SHUTTLE T BLOCK AND LOADING GEAR T BLOCK ASSEMBLIES (Fig. 3-21)

- 1) Remove timing belt. (Refer to 3-3.)
- 2) Remove CAP brake assembly. (Refer to 3-4.)
- 3) Remove cam motor chassis block assembly. (Refer to 3-16.)
- 4) Remove main slider. (Refer to 3-18.)
- 5) Remove screw ① to remove loading leaf (T) spring ② and shuttle T block assembly ③.
- 6) Pull out loading gear T block assembly ④.

[Note on Mounting]

- Adjust the phase **A** between loading gear (T) and loading gear (S). (Fig. A)
- Keep clean the surface contacts tape of shuttle T block assembly ③.

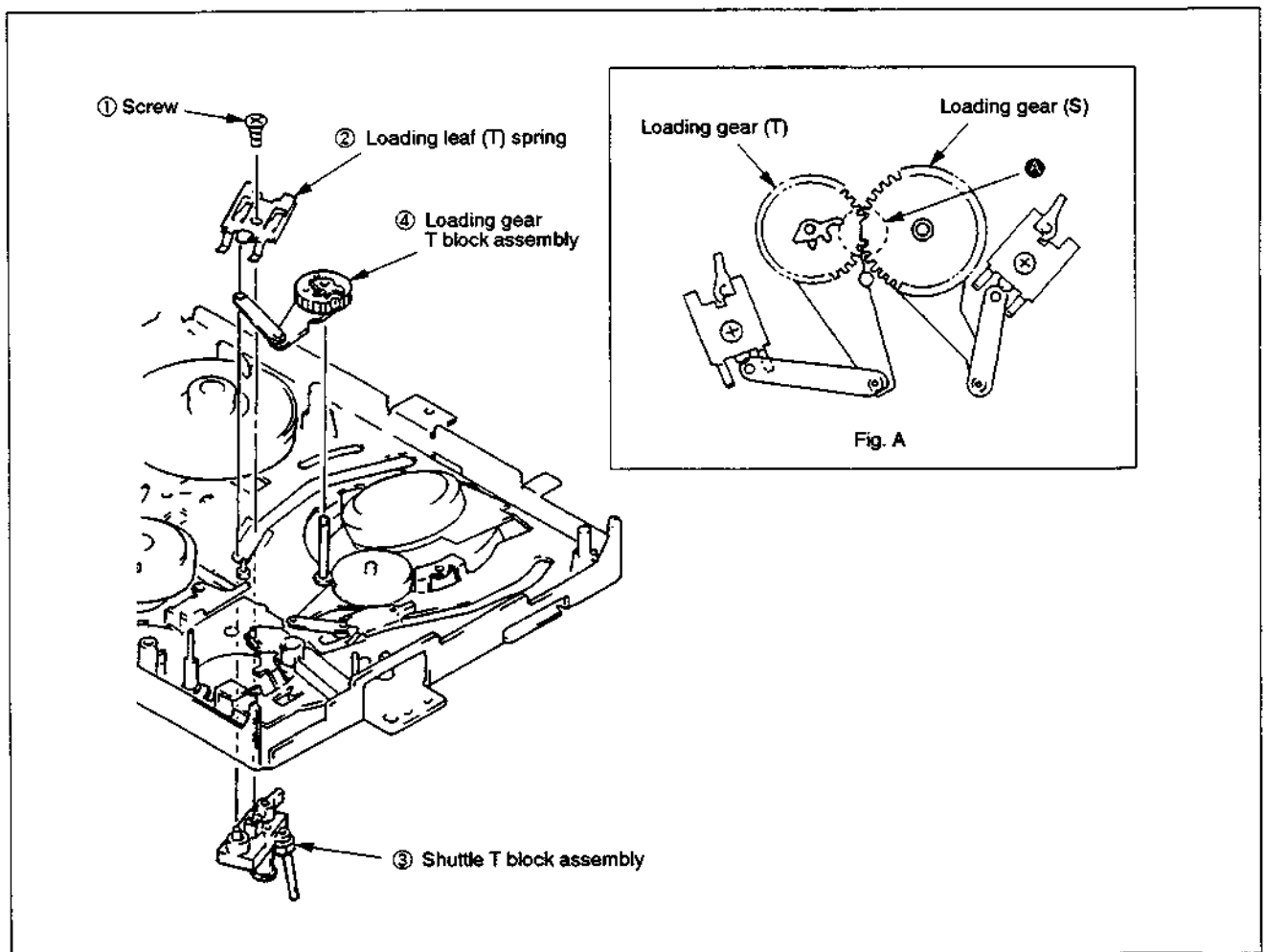


Fig. 3-21

3-20. SHUTTLE S BLOCK AND LOADING GEAR S BLOCK ASSEMBLIES (Fig. 3-22)

- 1) Remove timing belt. (Refer to 3-3.)
- 2) Remove CAP brake assembly. (Refer to 3-4.)
- 3) Remove cam motor chassis block assembly. (Refer to 3-16.)
- 4) Remove main slider. (Refer to 3-15.)
- 5) Remove screw ① to remove loading leaf (S) spring ② and shuttle S block assembly ③.
- 6) Pull out loading gear S block assembly ④.

[Note on Mounting]

- Adjust the phase Ⓐ between loading gear (S) and loading gear (T). (Fig. A)
- Keep clean the surface contacts tape of shuttle S block assembly ③.

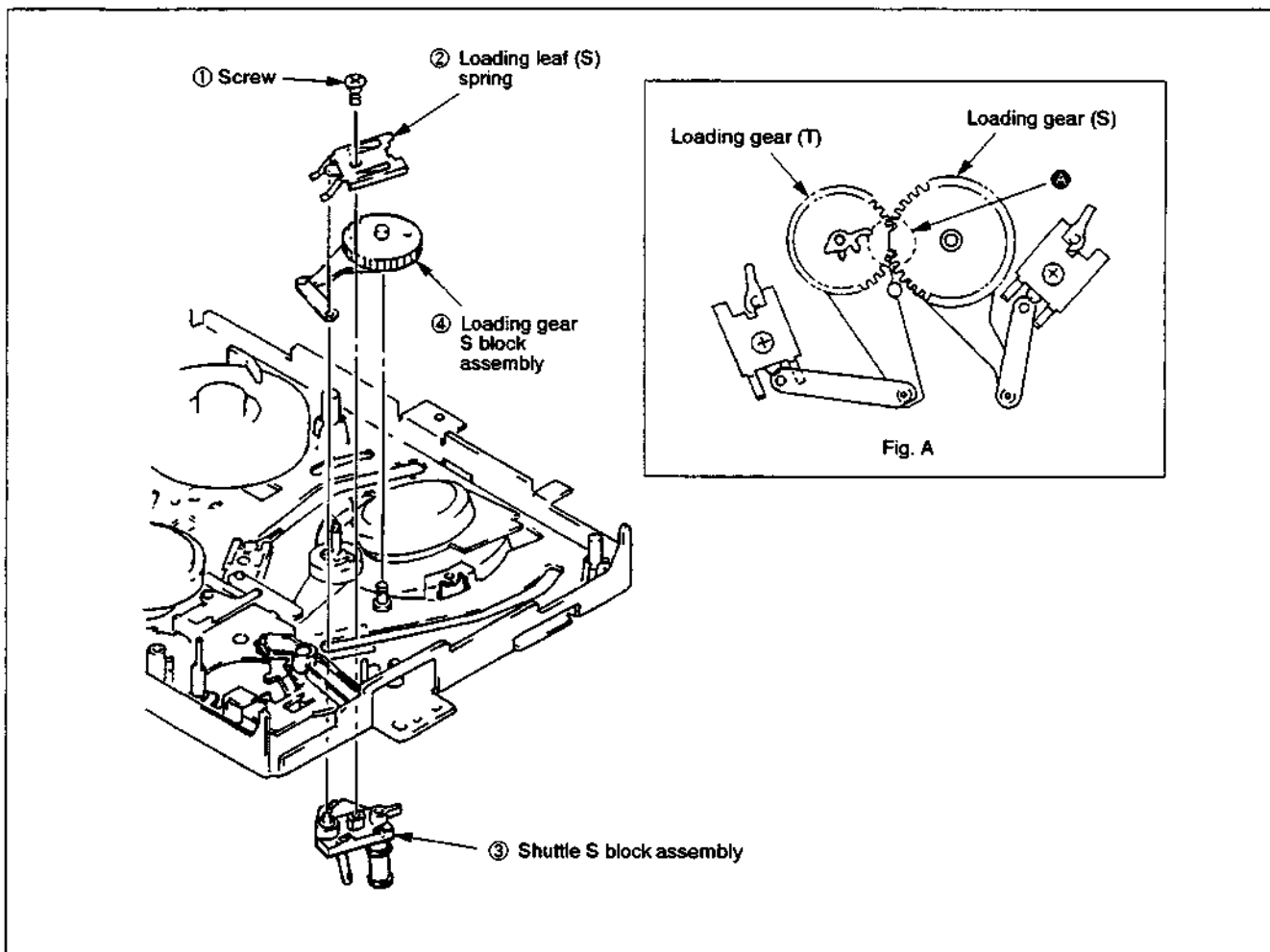


Fig. 3-22

3-21. REEL TABLE (S) ASSEMBLY (Fig. 3-23)

- 1) Remove tension spring ① from the chassis side.
- 2) Remove stopper washer (2) ② to pull out soft brake (S) ③.
- 3) Move TG1 band ④ over the reel table.
- 4) Remove stopper washer (2) ⑤.
- 5) While pressing main brake S assembly ⑥, pull out reel table (S) assembly ⑦.

[Note on Mounting]

- Apply one drop of Diamond Oil NT-68 (Jig Ref. No. J-13) to ☆ marked portion before mounting reel table (S) assembly ⑦.
(Fig. A)
- Don't touch the hatched portion on reel table (S) assembly ⑦ with bare hand.

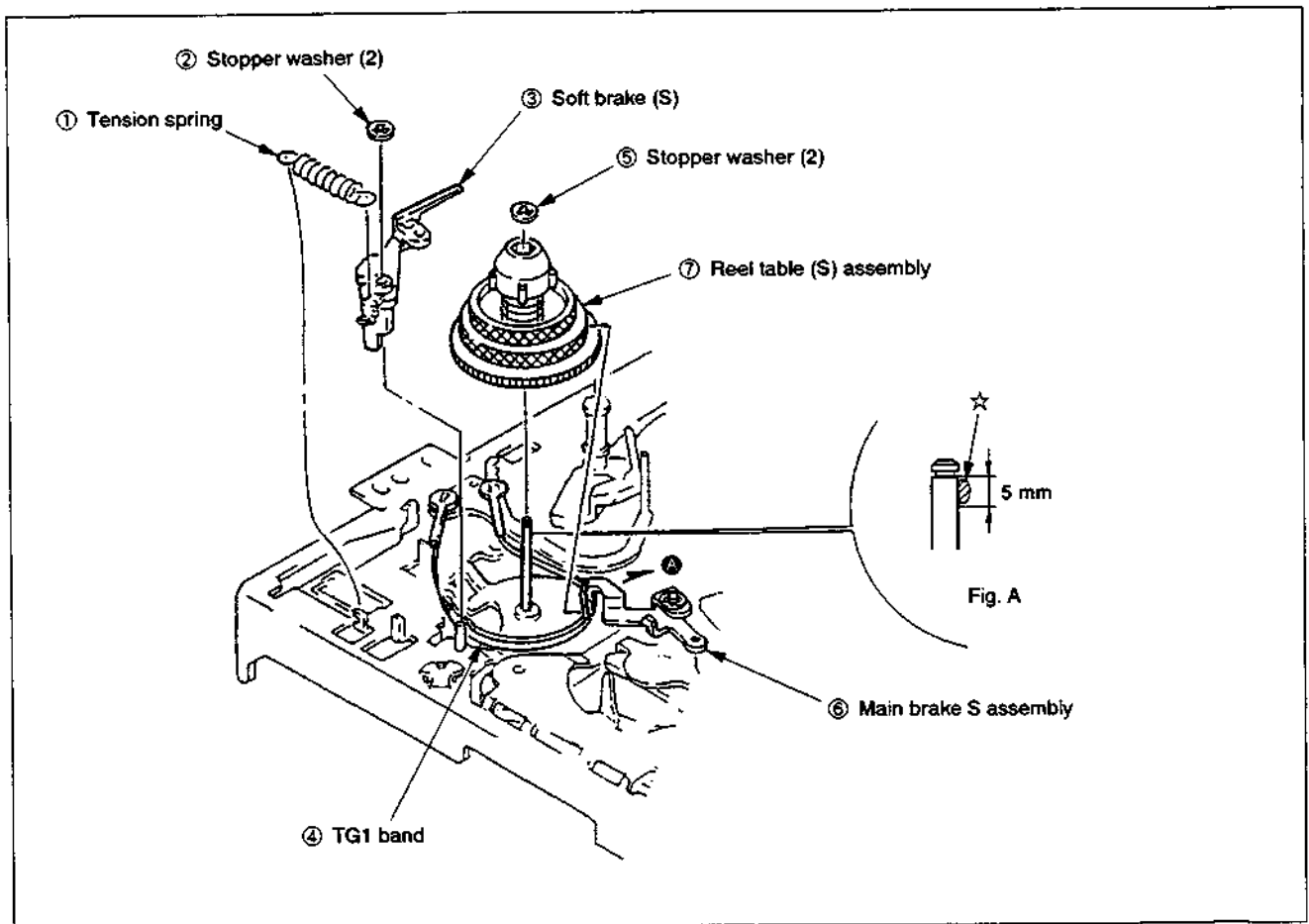


Fig. 3-23

3-22. TG1 ASSEMBLY (Fig. 3-24)

- 1) Set the mechanism to the loading-end condition referring to 1-1. (Cam gear indicates "LE". (Refer to Fig. A and B of Fig. 3-18.))
- 2) Remove tension spring ① in the order Ⓐ to Ⓑ.
- 3) Remove stopper washer (2) ② to pull out TG1 assembly ③.

[Note on Mounting]

- Apply one drop of Diamond Oil NT-68 (Jig Ref. No. J-13) to ☆ marked portion.
- Keep clean the felt side of TG1 assembly.

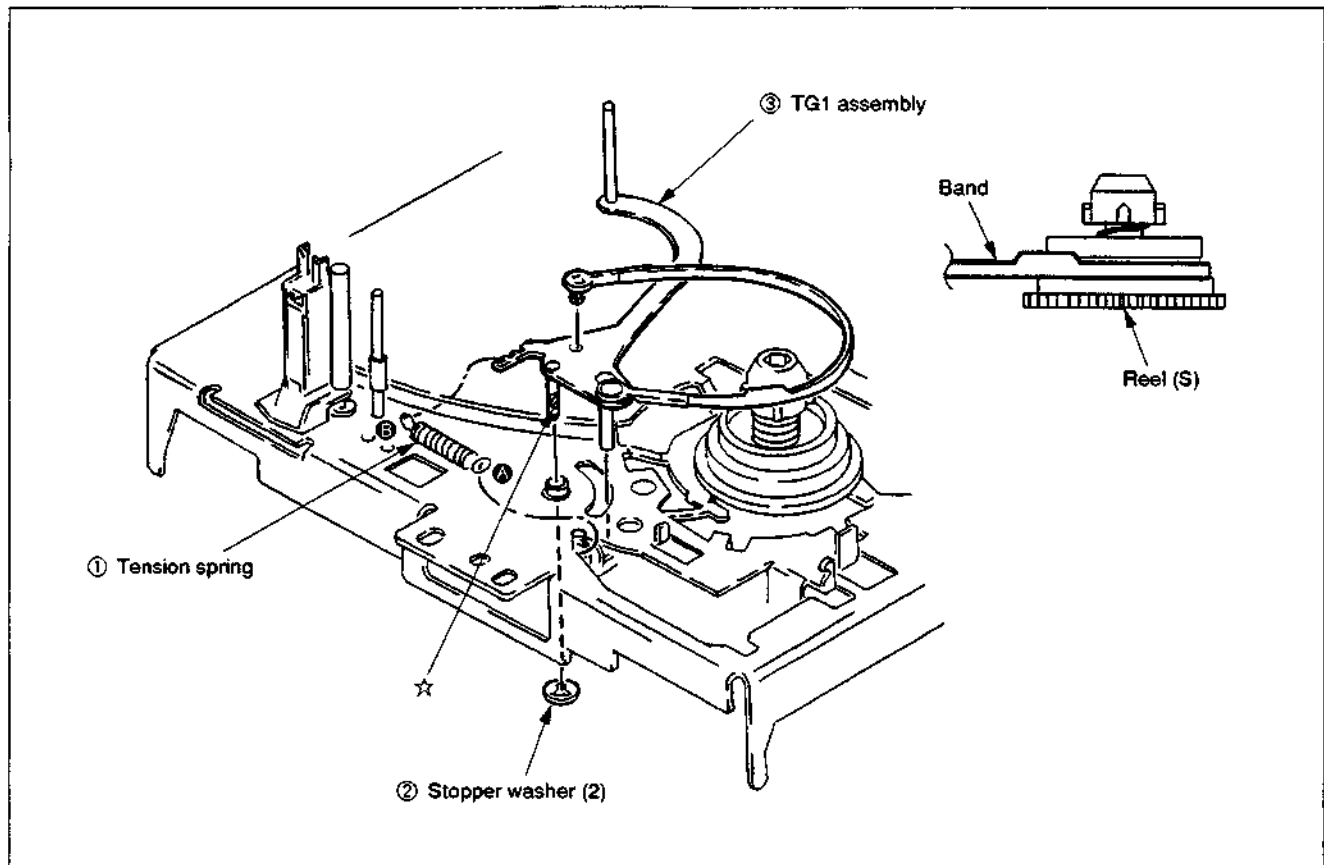


Fig. 3-24

3-23. S WINDING BLOCK ASSEMBLY (Fig. 3-25)

- 1) Remove timing belt. (Refer to 3-3.)
- 2) Remove CAP brake assembly. (Refer to 3-4.)
- 3) Remove cam motor chassis block assembly. (Refer to 3-16.)
- 4) Remove main slider. (Refer to 3-18.)
- 5) Remove stopper washer (2) ① to pull out S winding block assembly ②.
- 6) Remove torsion spring ③.

[Note on Mounting]

- At the last, hang torsion spring ② to the position ④.
- Apply FLOIL SG-055G (Jig Ref. No. J-12) to ☆ marked portions.

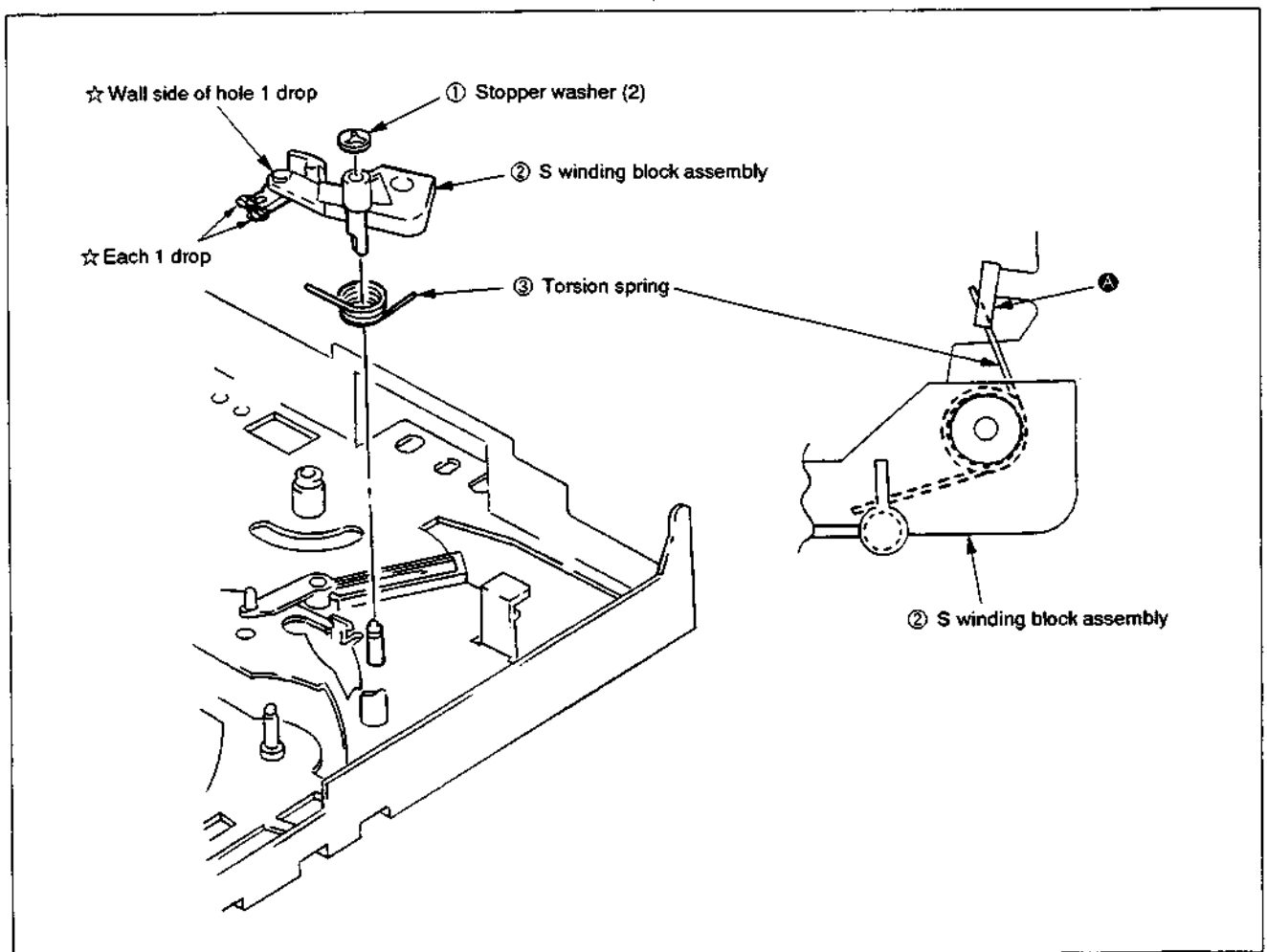


Fig. 3-25

3-24. TRIGGER LEVER AND RKB BLOCK ASSEMBLIES (Fig. 3-26)

- 1) Remove timing belt. (Refer to 3-3.)
- 2) Remove CAP brake assembly. (Refer to 3-4.)
- 3) Remove cam motor chassis block assembly. (Refer to 3-16.)
- 4) Remove main slider. (Refer to 3-18.)
- 5) Remove tension spring ① in the order ④ to ③ to remove trigger lever assembly ②.
- 6) Remove screws (3 × 8) ③ to remove RKB block assembly ④.

[Note on Mounting]

- Apply FLOIL SG-055G (Jig Ref. No. J-12) to ☆ marked portions on trigger lever assembly. (Fig. A)

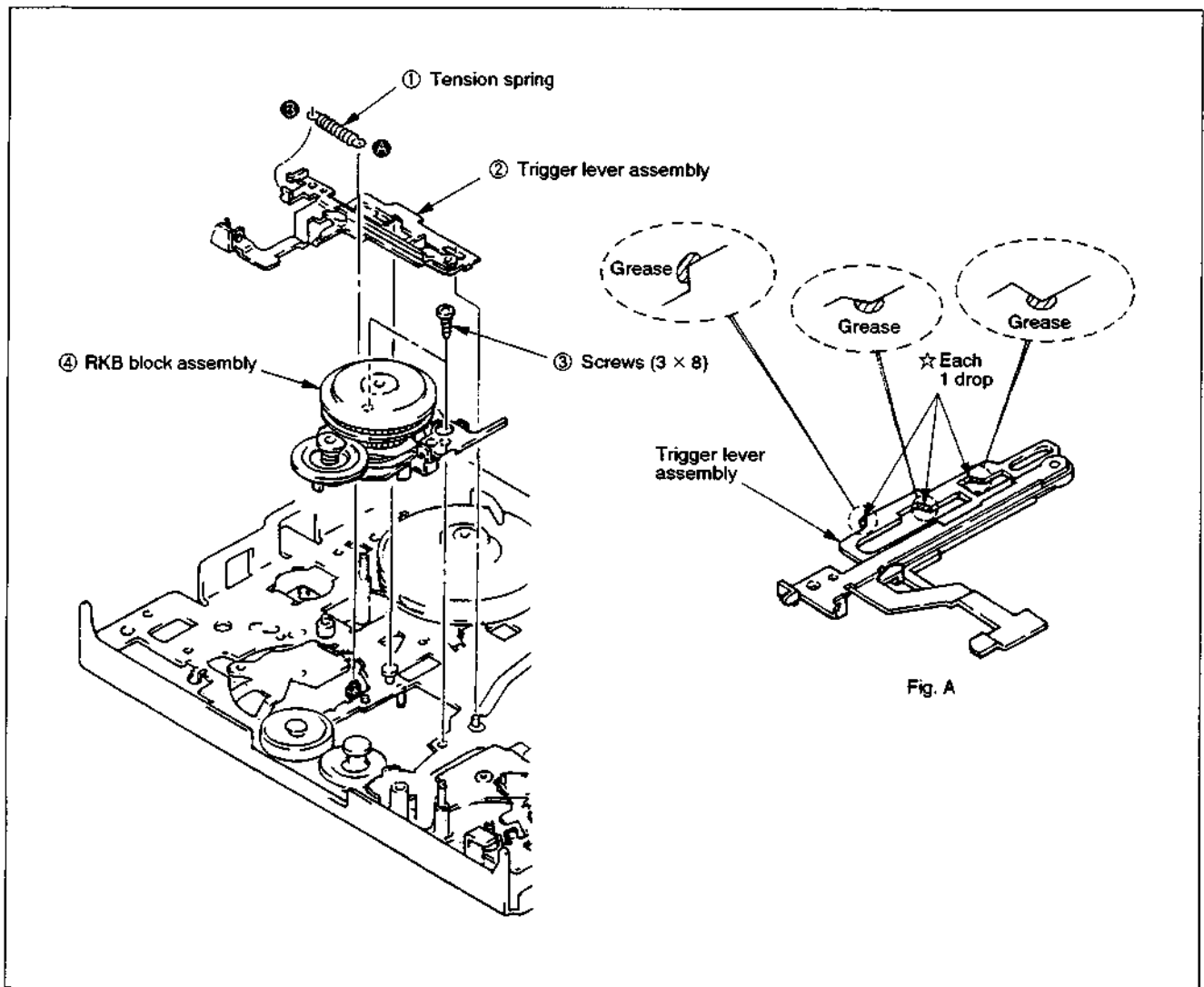


Fig. 3-26

4. ADJUSTMENT

4-1. TAPE PATH ADJUSTMENT

The "Tape path" refers to the route of the tape from the supply reel disk to the take-up reel disc via the video heads.

Each component part of the tape transport system particularly the surface of parts which make direct contact with the tape must always be kept clean, free of dust, oil, scratches and so forth.

The tape path system is factory preadjusted, when parts of the tape transport system are replaced, be sure to make the required adjustments as precisely as possible in order to ensure stable tape transport.

4-1-1. TENSION REGULATOR (TG1) POSITION/ TENSION ADJUSTMENT (Fig. 4-1)

Purpose: stabilizes contact of the video head and the tape to maintain the tension of the tape so that it feeds at a constant level.

• Position adjustment

Mode	Treading is completed without a cassette loaded
Adjustment locations	Eccentric pin of TG1 band assembly

[Adjustment Method]

- 1) Allow the unit to go through the threading procedure without a cassette loaded.

- 2) Set the unit to play back, then turn the eccentric pin so that the tip of tension arm goes to the left side line carved on the mechanical chassis. (Fig. A)
- 3) After adjustment, go through the loading procedure once more without a cassette loaded, then check the position of the tension arm.

• Tension adjustment

Mode	Playback
Measuring instrument/tool	Torque cassette
Adjustment locations	Position for hooking the tension spring
Specified value	36 to 44 g*cm

[Adjustment Method]

- 1) Playback the torque cassette.
 - 2) Check that the center value deviation reading on the torque cassette meets with the standards.
 - 3) When the reading is higher than the standards: Move the spring toward direction ㉗.
- When the reading is less than the standards: Move the spring toward direction ㉘.

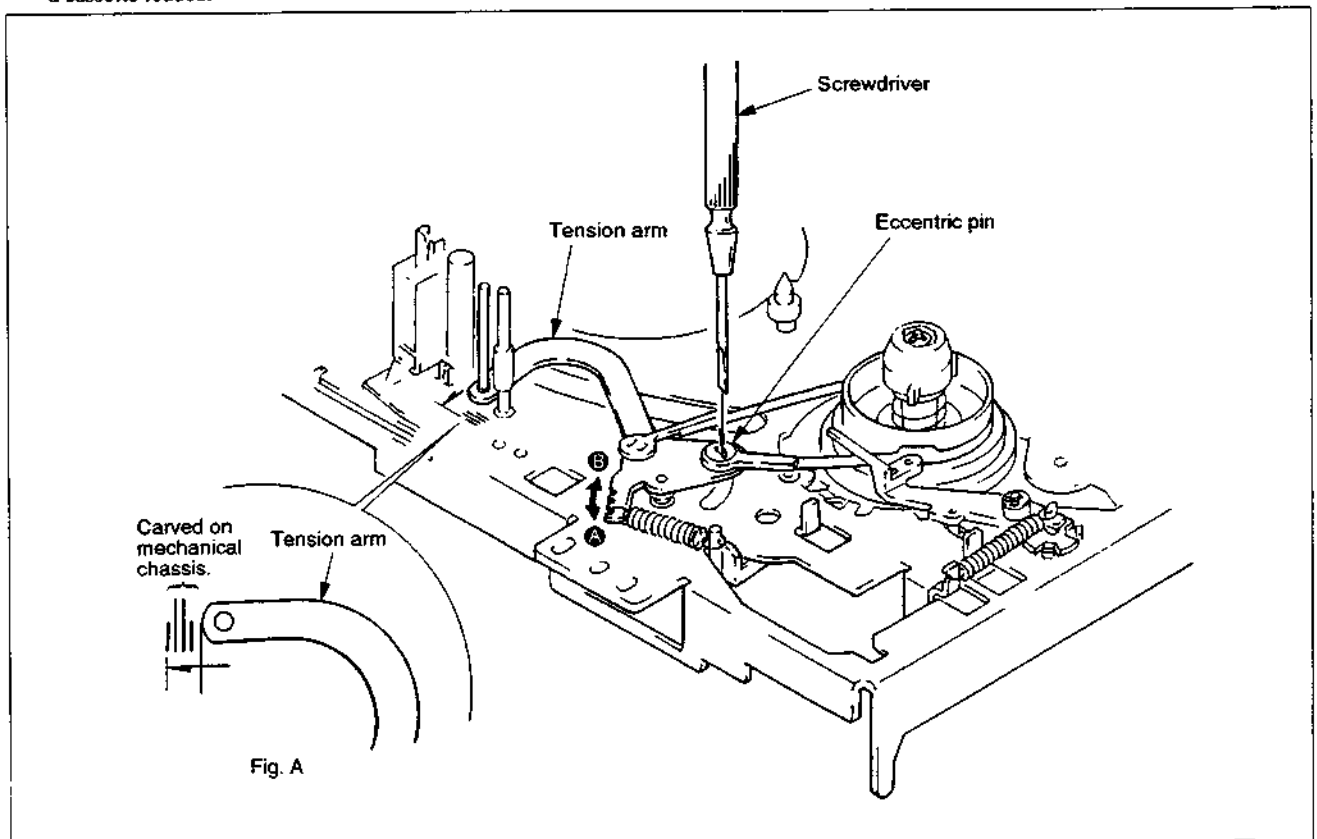


Fig. 4-1

4-1-2. TG8 GUIDE ROLLER HEIGHT ADJUSTMENT (Fig. 4-2)

Mode	Playback
Jig	Blank tape
Adjustment locations	Guide roller height adjustment screw
Specified value	0 to 0.1 mm

Procedure:

- 1) Set the tape, during CUE playing back, check the height from lower flange of TG7 to the running tape. (Fig. A)
- 2) During REV playing back, check the height from lower flange of TG7 to the running tape. (Fig. B)
- 3) When the difference between items 1) and 2) doesn't go to specified value, adjust by turning TG8 guide roller height adjustment screw.
- 4) Check the tape is creased or not between the capstan and TG8, adjust with TG8 guide roller height adjustment screw so that the tape is not creased during normal playback, CUE and REV.

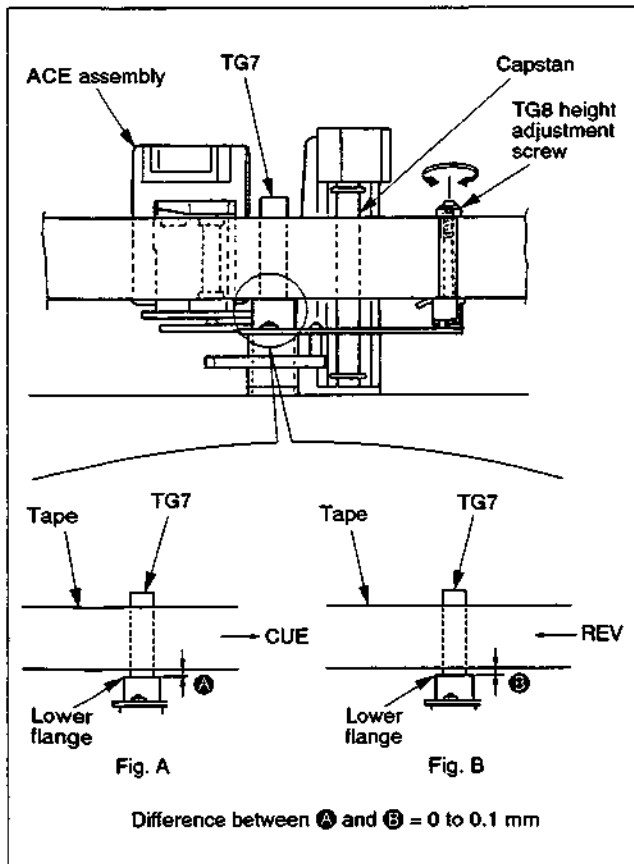


Fig. 4-2

4-1-3. HEIGHT ADJUSTMENT OF GUIDE ROLLERS NO. 3 AND NO. 6 (Fig. 4-3)

Mode	Playback
Signal	Alignment tape
Measuring instrument	Oscilloscope
Measuring point	CH-1: Connector PB RF pin for RF PC board check. CH-2: Connector RF SW P pin for RF PC board check.
Adjustment locations	Guide roller height adjuster screw

[Adjustment Method]

- 1) Tracking (playback): Turn off the auto tracking, then press the tracking buttons ∇ and \triangle simultaneously to set the tracking at the center position.
(If adjustment is made after the drum is replaced, the tracking must be set at the max. RF output position.)
- 2) Height adjuster screw: Even out the RF output waveforms.
- 3) Press the tracking buttons (playback), ∇ and \triangle alternately.
- 4) Check that RF output drops the same amount at the front and rear edges.

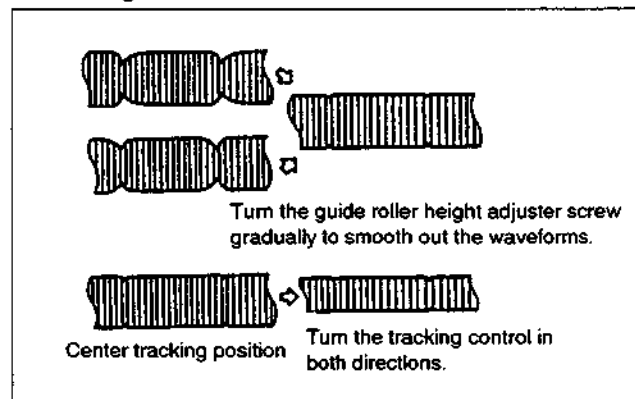


Fig. 4-3

**4-1-4. ACE HEAD ASSEMBLY ADJUSTMENT
(ROUGH ADJUSTMENT) (Figs. 4-4 and 4-5)**

Purpose: Allows the tape to make even contact with the head for recording and playback of the specified track.

Mode	Playback
Tool	Blank tape
Adjustment locations	Height adjuster nut, Tilt adjuster screw

[Adjustment Method]

- 1) Mount the ACE head assembly. At this time, adjust the height so that the height of guide flange No. 7 matches the level of the lower edge of the control head.
- 2) Remove the adjustment tool and load a new tape, then set the unit for playback.
- 3) Check that the tape does not curl or rise up noticeably near the ACE head.
- 4) If the tape curls up or rises noticeably, readjust the tilt adjuster screw, the azimuth adjuster screw and the height adjuster nut.
(The height of the ACE head should be adjusted so that the lower edge of the tape is approx. 0.1 to 0.15 mm from the control head.)
- 5) Perform precision adjustment.

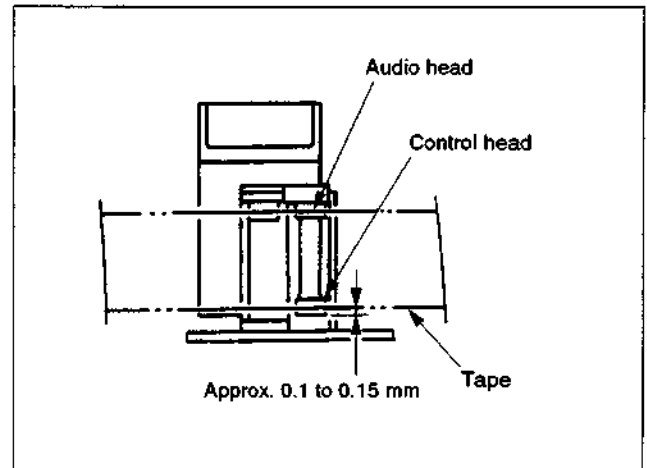


Fig. 4-5

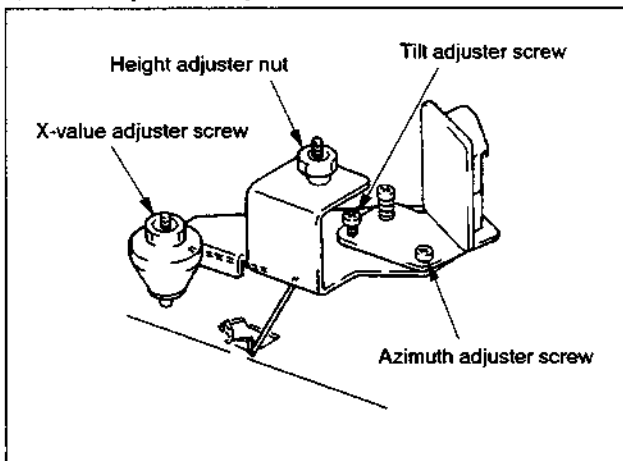


Fig. 4-4

4-1-5. ACE HEAD ASSEMBLY ADJUSTMENT (PRECISION ADJUSTMENT)

Mode	Playback
Signal	Alignment tape (1kHz track)
Measuring instrument	Oscilloscope
Measuring point	Audio output terminal
Adjustment locations	Azimuth adjuster screw, Height adjuster nut, Tilt adjuster screw

[Adjustment Method]

- 1) Adjust the tilt adjuster screw in the FWD or REV mode so that the lower flange of guide No. 7 does not curl up or rise.
- 2) Alternately adjust the azimuth adjuster screw, the height adjuster nut, and the tilt adjuster screw to maintain even audio output at maximum with minimum deviation.

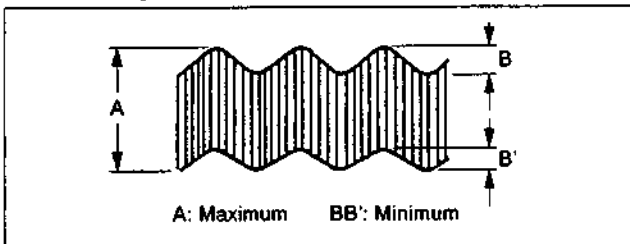


Fig. 4-6

4-1-6. X-VALUE ADJUSTMENT

Purpose: To obtain compatibility with other VTR

Precaution: Be sure to perform the preset tracking adjustment before perform this adjustment. (Refer to the Service Guide.)

Turn off the auto tracking and set the VTR for manual tracking mode.

Mode	Playback
Signal	Alignment tape
Measuring instrument	Oscilloscope
Measuring point	CH-1: Connector PB RF pin for RF PC board check. CH-2: Connector RF SW P pin for RF PC board check.
Adjustment locations	X-value adjuster screw

[Adjustment Method]

• Adjustment by Hi-Fi alignment tape (NTSC only)

When the tracking is set at the center position (by pressing the ∇ and \triangle keys simultaneously), adjust the RF output to maximum.

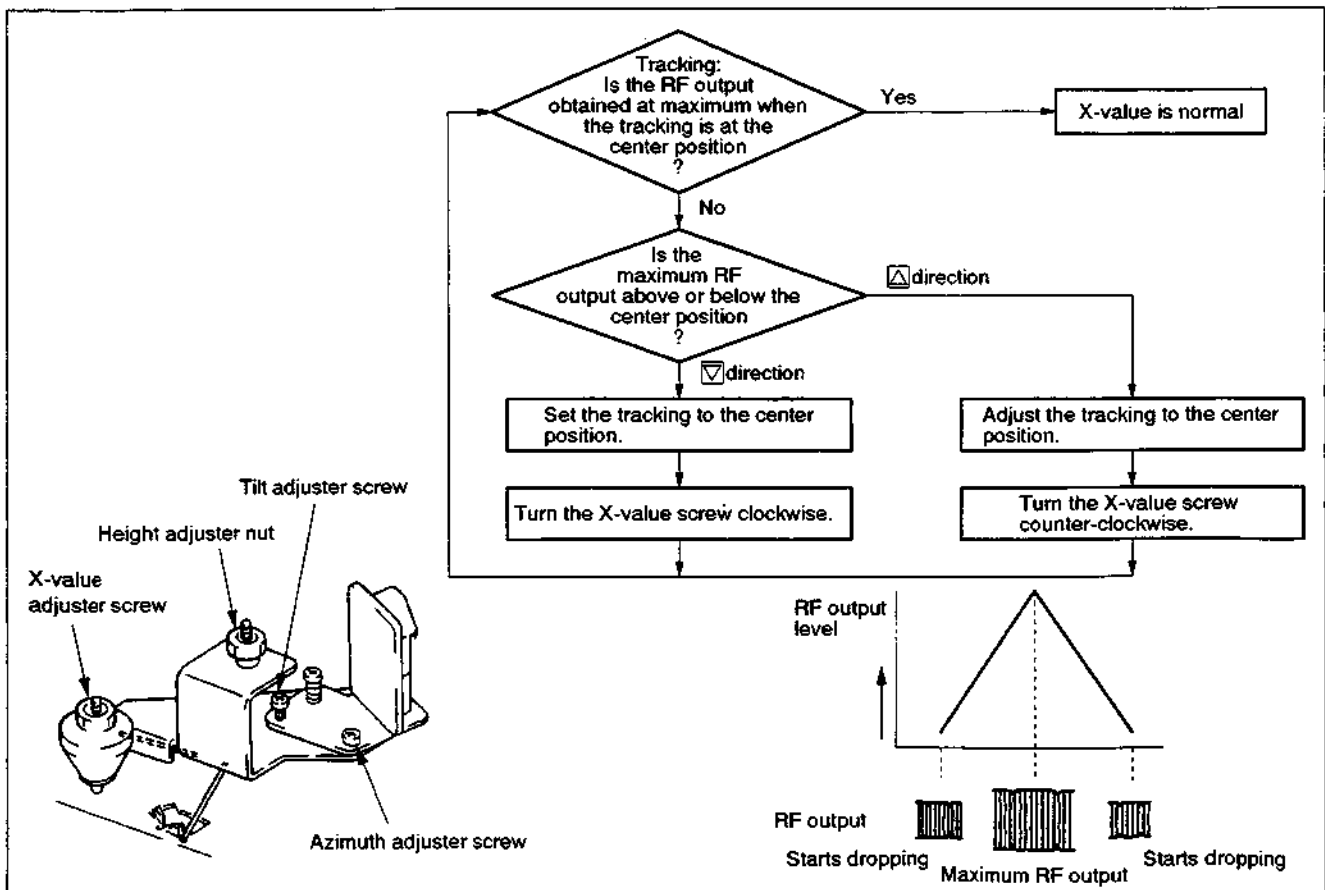


Fig. 4-7

• **Adjustment by alignment tape**

Adjust the X-value adjuster screw so that maximum RF output is obtained and also that the RF output drops to the same position on pressing the respective ▽ and ▴ buttons while the tracking is set at the center position.

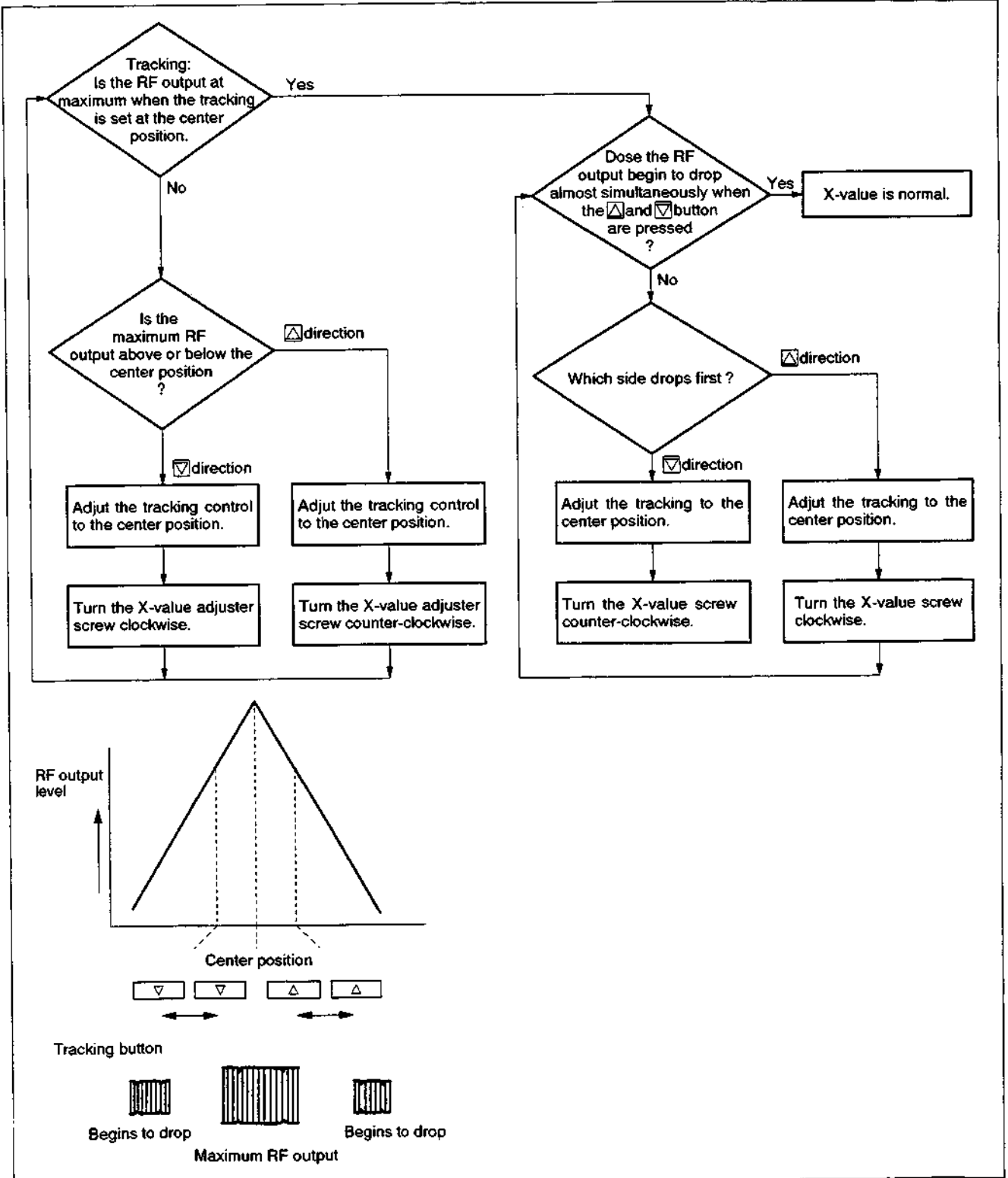


Fig. 4-8

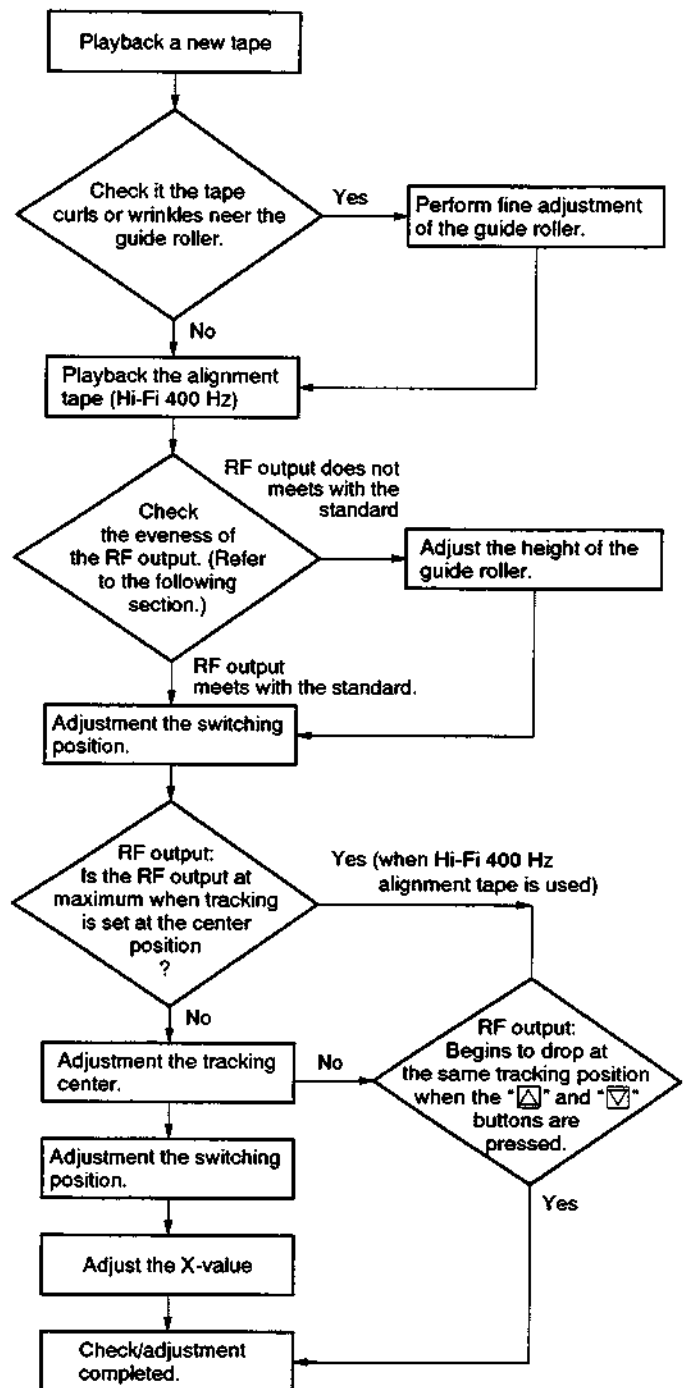
4-1-7. ADJUSTMENTS AFTER REPLACING THE DRUM (VIDEO HEAD)

Purpose: Co-relative height, X-value and other factors of the drum will deviate from those of the guide roller. If the drum is replaced properly, these deviations are extremely small.

Precaution: Turn off the auto tracking and set the manual tracking mode.

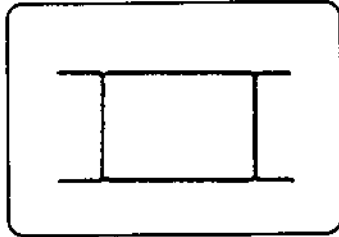
Mode	Playback
Signal	Alignment tape, blank tape
Measuring instrument	Oscilloscope
Measuring point	CH-1: Connector PB RF pin for RF PC board check. CH-2: Connector RF SW P pin for RF PC board check.
Adjustment locations	Guide roller (refer to 4-1-2, 4-1-3.) Switching position, Tracking preset, SP delay mono-multi (Refer to the Service Manual), X-value. (refer to 4-1-6.)

[Adjustment Method]

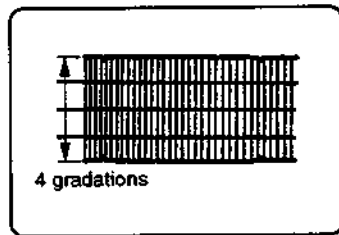


[Checking the evenness and fluctuation of the RF output]

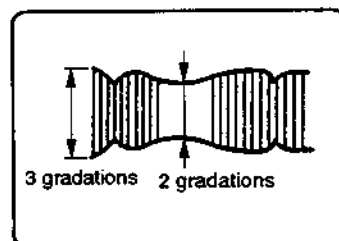
- 1) Set the RF output to the maximum level using the tracking buttons.



- 2) Perform fine adjustment of the voltage level range of the oscilloscope, then adjust the RF output deviation to within 4 gradations.



- 3) Press the tracking buttons and adjust the maximum amplitude of the RF output to within 3 gradations.
- 4) At this time, check if the minimum amplitude is more than 2 gradations.



- 5) Check that the RF output fluctuation between minimum and maximum levels is within 13%.

4-1-8. CHECKING THE TENSION AND TORQUE

Purpose: To check that the tension, torque and compression force of the tape take-up section and mobile sections to ensure smooth tape run and achieve standard VTR performance.

If the tape transport is not smooth or problems occur in relation to the tape transport speed, perform the following check.

Mode	Each operation mode without loading a cassette tape. (Refer to section 1-3.)
Measuring instrument	Torque gauge, Torque gauge adaptor

Item	VTR operation mode	Reel to be measured	Measurement value
Main brake torque	Stop	Supply and take-up reels	170 g·cm or more
Review torque	Review	Supply reel	180 ± 30 g·cm (using the torque cassette)
Take-up torque	Playback	Take-up reel	95 ± 25 g·cm (using the torque cassette)
Back tension torque	Playback	Take-up reel	33 to 44 g·cm (using the torque cassette)

[Check Method]

Measure the torque using the torque gauge and torque gauge adaptor with the torque gauge fixed.

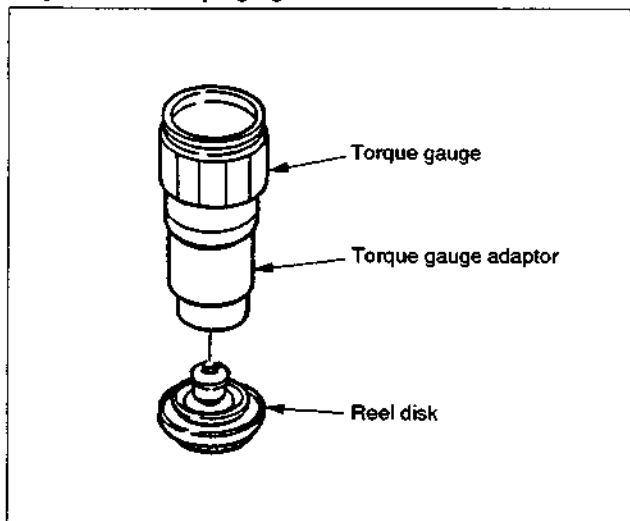


Fig. 4-9

V03056

VHS MECHANICAL ADJUSTMENT MANUAL IV

SONY SERVICE MANUAL

H MECHANISM

SUPPLEMENT-1

1. How to Use the Mode Selector II for Adjusting H Type Mechanism Assembly.
2. Adjusting Mechanism Using New Alignment Tape (KRV-52NE For NTSC).

File this supplement with the VHS mechanical adjustment IV.

TABLE OF CONTENTS

<u>Section</u>	<u>Title</u>	<u>Page</u>
1.	HOW TO USE THE MODE SELECTOR II FOR ADJUSTING H TYPE MECHANISM ASSEMBLY	2
1-1.	Outline	2
1-2.	Preparation	2
1-3.	Connection	2
1-4.	Operation	2
1-5.	Precautions	2
2.	ADJUSTING THE MECHANISM USING NEW ALIGNMENT TAPE (KRV-52NE for NTSC)	4
2-1.	Adjustment Using Alignment Tape (KRV-52NE for NTSC having no version No.)	4
2-1-1.	X-Value Adjustment (Using the tape having no version No.)	4
2-2.	Adjustment Using Alignment Tape (KRV-52NE for NTSC having the version No.)	6
2-2-1.	X-Value Adjustment (Using the tape having the version No.)	6
2-3.	Adjusting the Mechanism Using Alignment Tape (KRV-52NE for NTSC)	10
2-3-1.	Height Adjustment of Guide Rollers No. 3 and No. 6	10
2-3-2.	ACE Head Assembly Adjustment (Rough Adjustment)	11
2-3-3.	ACE Head Assembly Adjustment (Precision Adjustment)	11
2-3-4.	Adjustments After Replacing the Drum (Video Head)	12



1. HOW TO USE THE MODE SELECTOR II FOR ADJUSTING H TYPE MECHANISM ASSEMBLY

1-1. OUTLINE

To activate the VHS system H type mechanism assembly using mode selector II (J-6082-282-A), use connector conversion jig (J-6090-052-A). By using the connector conversion jig, the following operations are possible.

- Loading and unloading action by the loading motor
- Reading of the current setting of the mode switch
- Normal and reverse rotation of the capstan motor

1-2. PREPARATION

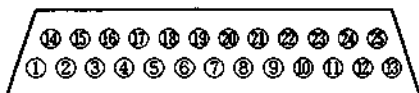
1-2-1. ADDITION OF POWER SUPPLY CABLE

(Already added Mode Selector II also available)

In order to drive the capstan motor, the power +5 V and +12 V are supplied from the Mode Selector II. Disassemble the D-SUB connector of the Mode Selector cable, then solder the following three places.

Supplied 3-pin cable	DSUB connector of the mode selector II	Voltage
Pin 1 (Red index)	Pin 20	+12 V
Pin 2	Pin 25	GND
Pin 3	Pin 24	+5 V

- Connector pin number assignment of the DSUB connector (From the soldering side)



- When connections are made, check that +5 V and +12 V are available at the 3-pin cable connector.

1-2-2. CHECKING THE SOFTWARE VERSION

Turn on the power of the mode selector II.

If the reading for the software version on the mode selector II is not 1.10 or higher, replace the New ROM (J-6082-314-A).

1-3. CONNECTION

1-3-1. CONNECTION BETWEEN THE CONNECTOR CONVERSION JIG AND THE MODE SELECTOR II (See Fig. 1-1)

Insert the connectors of the two 6-pin cables (one is white and the other is black) and the 3-pin cable from the mode selector II to the corresponding connectors on the connector conversion jig (J-6090-052-A).

1-3-2. CONNECTION BETWEEN THE CONNECTOR CONVERSION JIG AND THE H TYPE MECHANISM ASSEMBLY

With the power of the mode selector II turned off, insert the following three connectors to the corresponding connectors on the H type mechanism assembly.

- 3-pin connector for the loading motor
- 5-pin connector for the mode switch
- 8-pin connector for the capstan motor

Set the speed control for the minimum setting (fully counterclockwise).

1-4. OPERATION

1-4-1. OPERATION OF THE LOADING MOTOR ON THE H TYPE MECHANISM ASSEMBLY

- (1) Select the H type mechanism assembly setting on the mode selector II.
- (2) After this, procedures are the same as those for the previous model types.

For the operating method, see pages 3 to 5 of "8 mm Video Mechanism Manual VI (TK Mechanism) Supplement-1".

For the loading method, see page 3 of "VHS Mechanical Adjustment Manual IV (H Mechanism)".

1-4-2. OPERATION OF THE CAPSTAN MOTOR ON THE H TYPE MECHANISM ASSEMBLY

- (1) For the loading motor operation under Section 1-4-1, change the mode setting to the FF/REW mode with the mode switch.
- (2) Turn the speed control gradually in clockwise direction, and the capstan motor starts rotating. To turn the capstan motor in desired rotating direction, change the FWD/RVS setting of the rotating direction switch.

1-5. PRECAUTIONS

- Turn the speed control only when necessary. Otherwise, hold the speed control turned at fully counterclockwise direction. If the power of the mode selector II is turned on with the speed control turned in clockwise direction, +12V power fails and the power of the mode selector II cannot be turned on.
- Although the connector conversion jig (J-6090-052-A) has rubber feet, do not make a short circuit on the bottom surface of the connector conversion jig via foreign conductive materials.

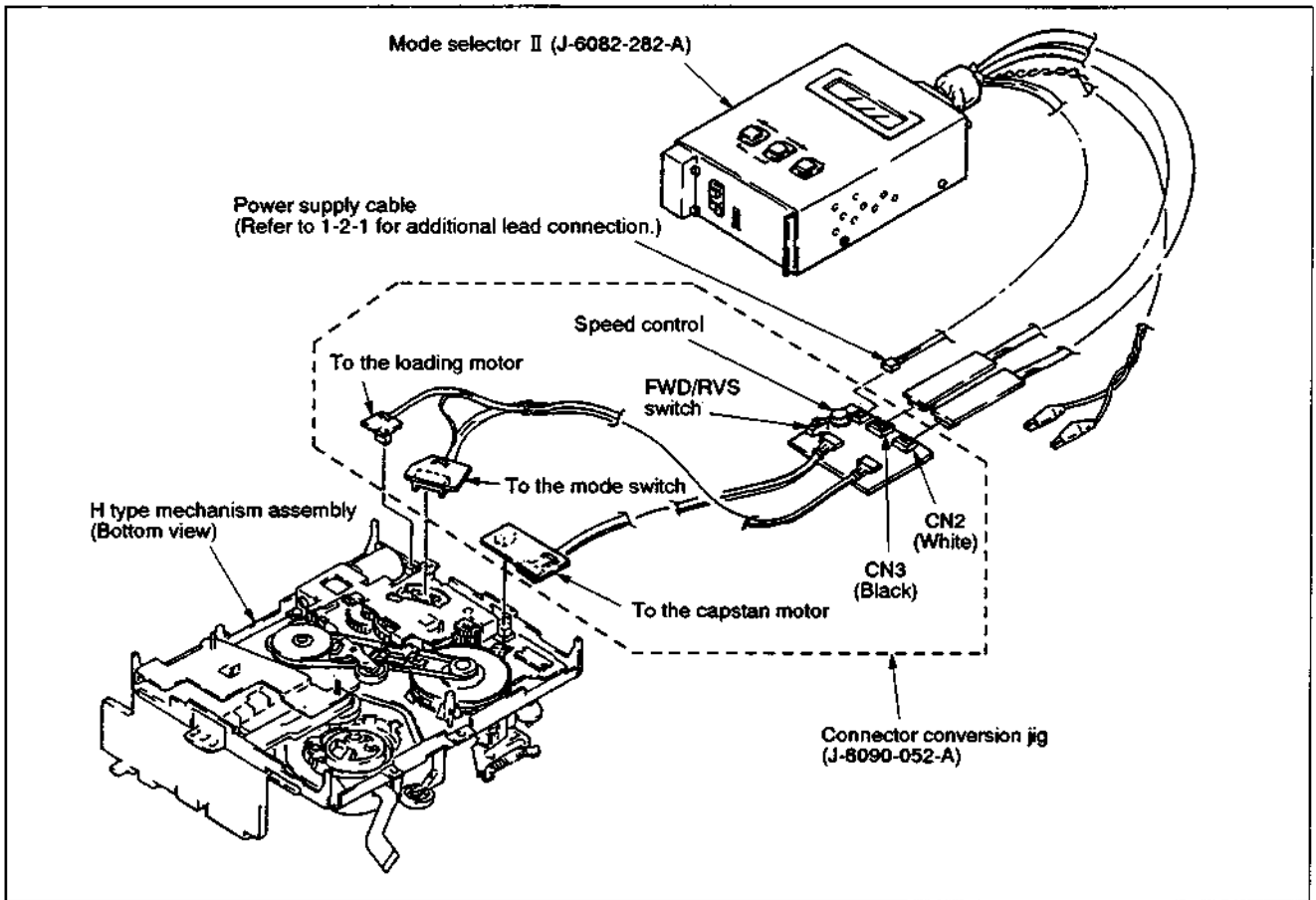


Fig. 1-1

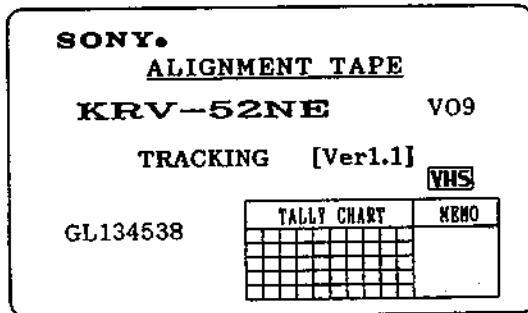
2. ADJUSTING THE MECHANISM USING NEW ALIGNMENT TAPE (KRV-52NE for NTSC)

The conventional alignment tape (For NTSC) is now replaced with alignment tape KRV-52NE, and the following describes how to align the mechanism using the KRV-52NE. For details on the use of KRV-51N2 for each model, refer to the service manuals which will be issued in the future.

Name	Parts No.	Remarks
Alignment tape KRV-52NE for NTSC	8-192-605-41	For tape path, audio azimuth, and X-value adjustments
Alignment tape KRV-51N2 for NTSC	8-192-605-32	For electrical adjustments (RF, AF, and switching position) and operation check

Note: The KRV-52NE has or does not have Ver No. depending on new or old type as shown below. (New one has Ver No.)

Note that an adjusting method of X-value is different.



Contents:

KRV-52NE (NTSC)

Time	Video	Audio
20 min.	Recording only at 1 MHz, A-ch. EP mode RF skipping once per 5 frames	5 kHz full tracks

KRV-51N2 (NTSC)

Class	Mode	Time	Video	Audio (HiFi/Normal)
1	SP	7 min.	Color bar	400 Hz
2	SP	3 min.	Mono. scope	400 Hz
3	EP	7 min.	Color bar	400 Hz
4	EP	3 min.	Mono. scope	400 Hz

2-1. ADJUSTMENT USING ALIGNMENT TAPE (KRV-52NE for NTSC having no version No.)

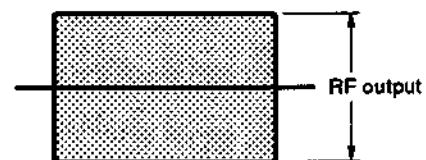
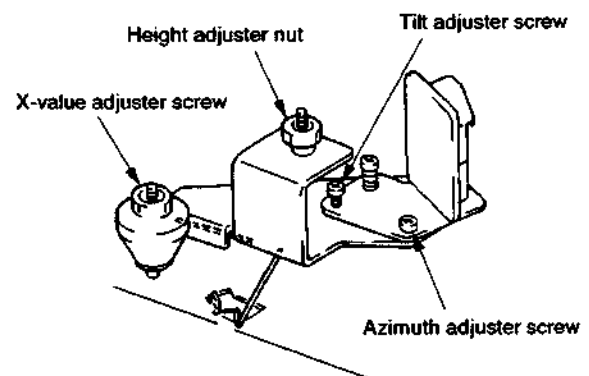
2-1-1. X-VALUE ADJUSTMENT (Using the tape having no version No.)

Purpose: To obtain compatibility with other VCRs.

Precaution: Before starting to adjust X-value, set the tracking control at the center position. To set the tracking

control at the center position for the VCRs equipped with the ▲ and ▼ tracking control keys, press both the ▲ and ▼ tracking control keys at the same time. For the VCRs not equipped with the tracking control keys, deactivate the automatic tracking control by pressing the tracking **AUTO/MANUAL** key on the remote control unit during threading operation (after a tape is inserted but before the VCR starts playing back the tape).

Mode	Playback
Signal	Alignment tape KRV-52NE (For NTSC having no version No.)
Measuring instrument	Oscilloscope TIM/DIV: 2ms Trigger source: CH2 Trigger slope: +
Measuring point	CH-1: Connector PB RF pin for RF PC board check CH-2: Connector RF SWP pin for RF PC board check
Adjustment locations	X-value adjuster screw

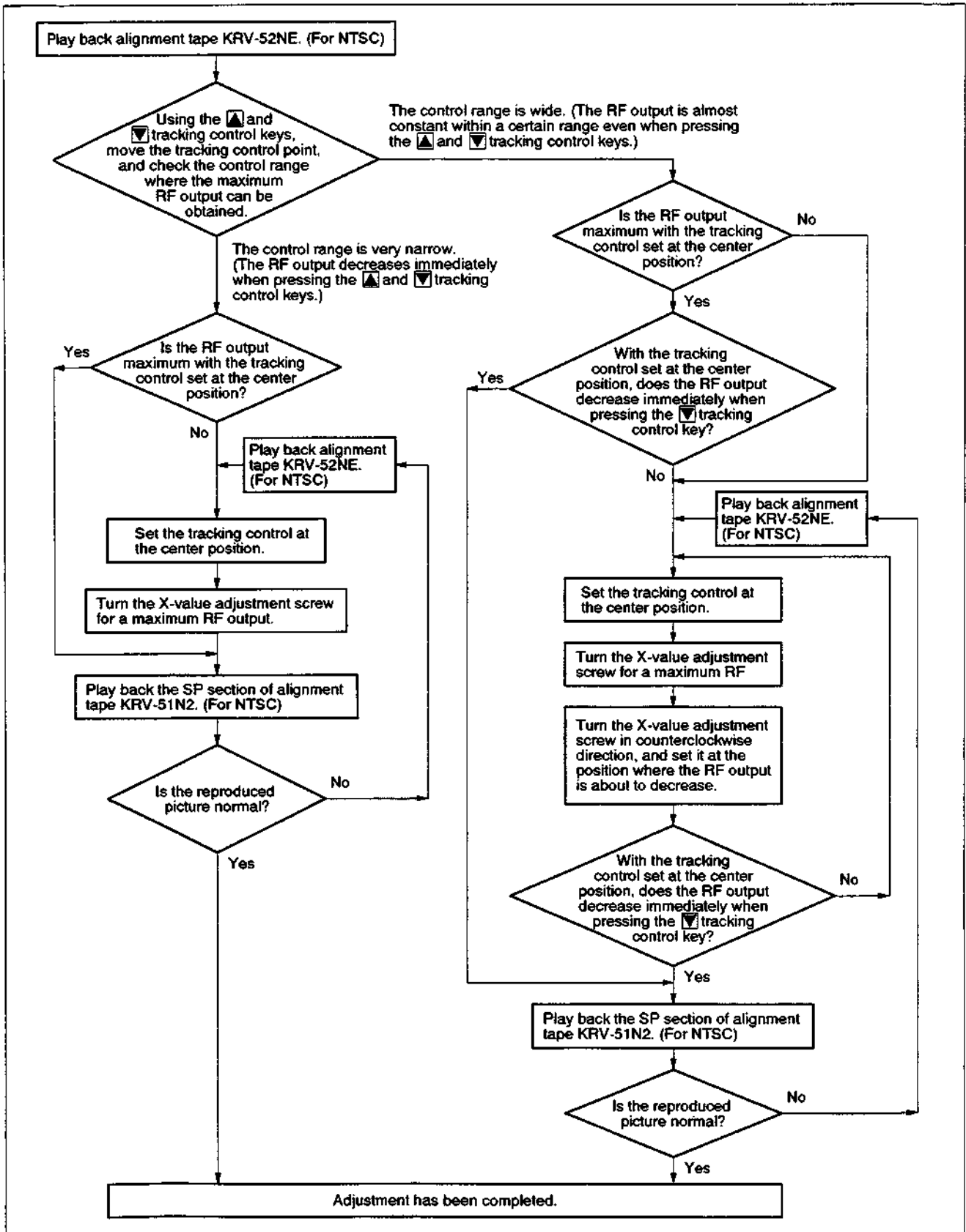


RF output shall be maximum at the center position of the tracking control.

[Adjustment Method]

Set the tracking control at the center position. For the VCRs equipped with narrow gap video heads, set the X-value adjustment screw where a maximum RF output is obtained. For the VCRs equipped with wide gap video heads, set the X-value adjustment screw both where a maximum RF output is obtained and where the RF output decreases immediately when the ▼ tracking control key is pressed.

X-VALUE ADJUSTMENT (Using the tape having no version No.)



When adjustment is complete, adjust the height of No. 3 and No. 6 guide rollers on page 10.

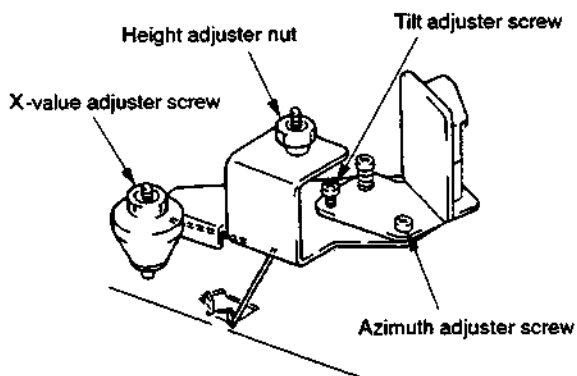
**2-2. ADJUSTMENT USING ALIGNMENT TAPE
(KRV-52NE for NTSC having the version No.)**

2-2-1. X-VALUE ADJUSTMENT (Using the tape having the version No.)

Purpose: To obtain compatibility with other VCRs.


Precaution: Before starting to adjust X-value, set the tracking control at the center position. To set the tracking control at the center position for the VCRs equipped with the ▲ and ▼ tracking control keys, press both the ▲ and ▼ tracking control keys at the same time. For the VCRs not equipped with the tracking control keys, deactivate the automatic tracking control by pressing the tracking **AUTO/MANUAL** key on the remote control unit during threading operation (after a tape is inserted but before the VCR starts playing back the tape).

Mode	Playback
Signal	Alignment tape KRV-52NE (For NTSC having the version No.)
Measuring instrument	Oscilloscope TIM/DIV: 2ms Trigger source: CH2 Trigger slope: +
Measuring point	CH-1: Connector PB RF pin for RF PC board check CH-2: Connector RF SWP pin for RF PC board check
Adjustment locations	X-value adjuster screw

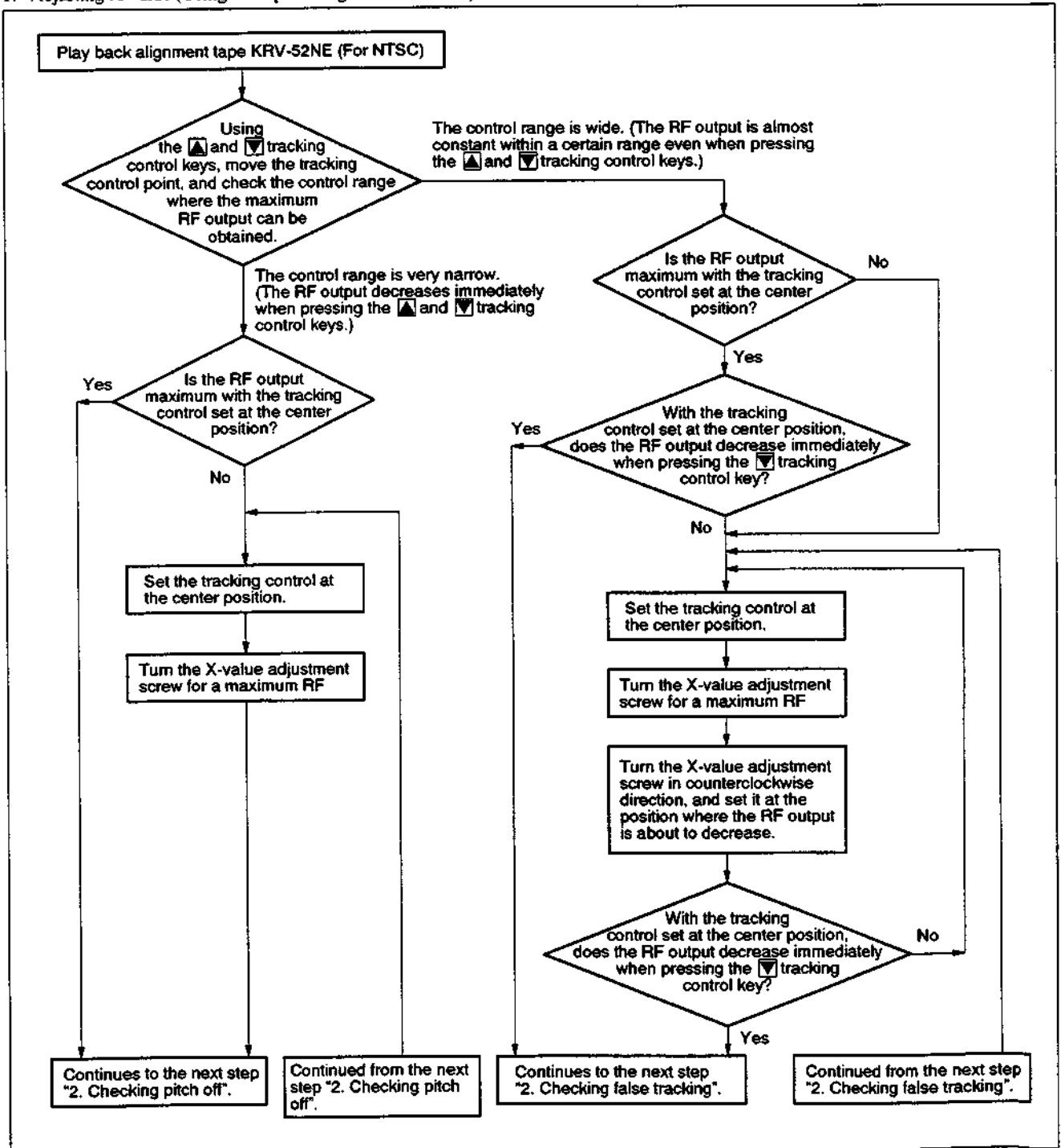


RF output shall be maximum at the center position of the tracking control.

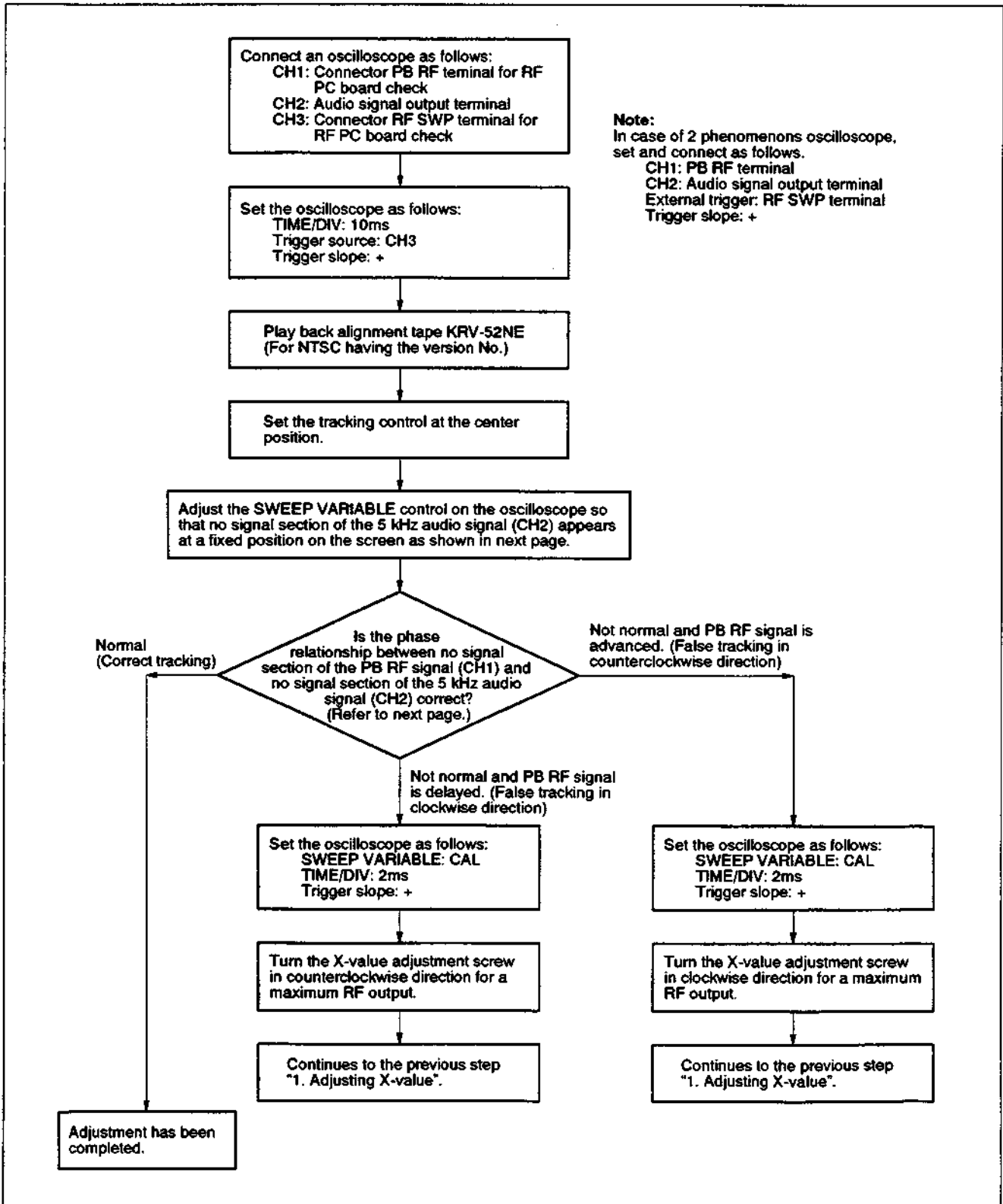
[Adjustment Method]

Set the tracking control at the center position. For the VCRs equipped with narrow gap video heads, set the X-value adjustment screw where a maximum RF output is obtained. For the VCRs equipped with wide gap video heads, set the X-value adjustment screw both where a maximum RF output is obtained and where the RF output decreases immediately when the  tracking control key is pressed.

1. Adjusting X-value (Using the tape having the version No.)



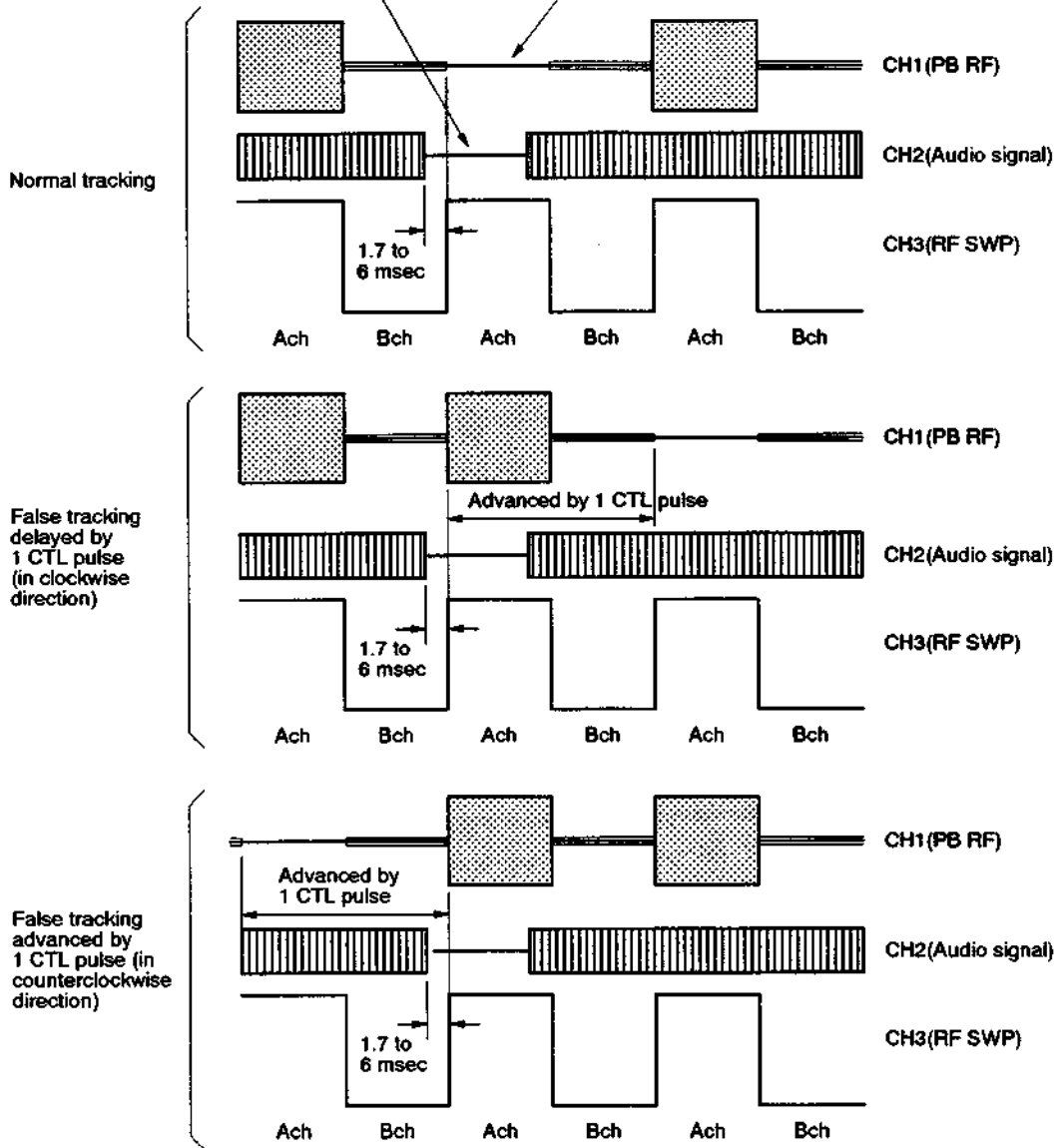
2. Checking false tracking (Using the tape having the version No.)



Using the tape having the version No.

No signal section of the audio signal
(continuously)

RF signal sampling every 5 frames







2-3. ADJUSTING THE MECHANISM USING ALIGNMENT TAPE (KRV-52NE for NTSC)

2-3-1. HEIGHT ADJUSTMENT OF GUIDE ROLLERS NO. 3 AND NO. 6

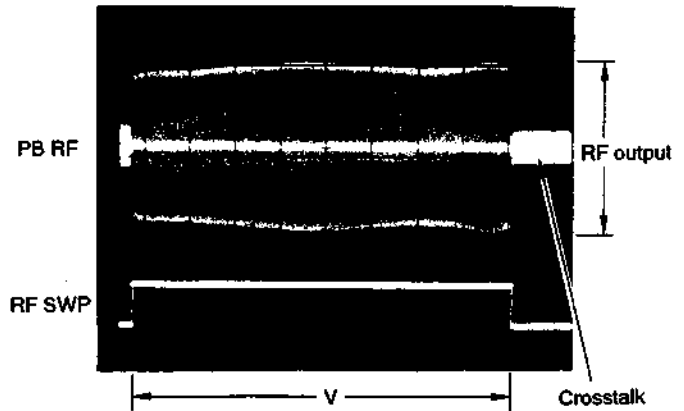
Mode	Playback
Signal	Alignment tape KRV-52NE (For NTSC)
Measuring instrument	Oscilloscope TIM/DIV: 2ms Trigger source: CH2 Trigger slope: +
Measuring point	CH-1: Connector PB RF pin for RF PC board check CH-2: Connector RF SWP pin for RF PC board check
Adjustment locations	Height adjustment screw for No.3 tape guide roller Height adjustment screw for No.6 tape guide roller



[Adjustment Method]

The following adjustment shall be carried out after completed Section 2-1-1 "X-value adjustment and check".

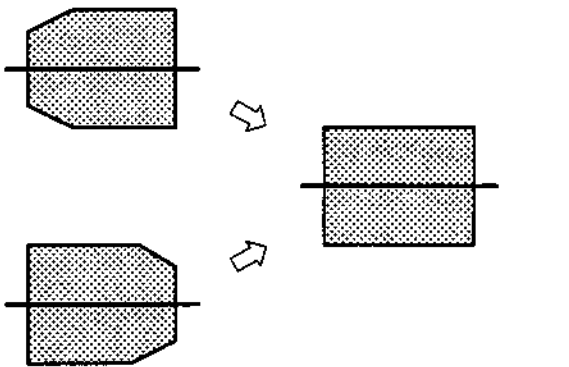
- 1) Deactivate the automatic tracking control, and set the tracking control at the center position. To set the tracking control at the center position for the VCRs equipped with the  and  tracking control keys, press both the  and  tracking control keys at the same time. For the VCRs not equipped with the tracking control keys, deactivate the automatic tracking control by pressing the tracking **AUTO/MANUAL** key on the remote control unit during threading operation (after a tape is inserted but before the VCR starts playing back the tape).

- 2) Check if the RF output changes in amplitude by pressing the tracking control key. The RF output should change periodically (changes from a minimum amplitude to a maximum amplitude, and to the minimum amplitude again).





- 3) Turn the height adjustment screws of tape guide rollers No.3 and No.6 so that the RF output envelope becomes as flat as possible.
- 4) Press the  tracking control key, and check that both the beginning and end of the RF output change together the same in amplitude.
- 5) Press the  tracking control key, and check that both the beginning and end of the RF output change together the same in amplitude.

Turn the height adjustment screws of tape guide rollers No.3 and No.6 little by little so that the RF output envelope becomes as flat as possible.

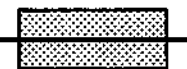


Height adjustment screw of tape guide roller No.3

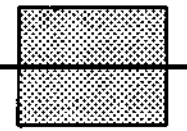
Tape guide No.4 Tape guide No.5

Press the  tracking control key, then the  tracking control key, and check that both the beginning and end of the RF output change together the same in amplitude.

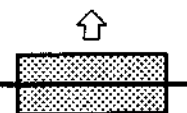
When the  tracking control key is pressed.



At the tracking center position.



When the  tracking control key is pressed.



Height adjustment screw of tape guide roller No. 6

**2-3-2. ACE HEAD ASSEMBLY ADJUSTMENT
(ROUGH ADJUSTMENT) (Figs. 2-1 and 2-2)**

Purpose: Allows the tape to make even contact with the head for recording and playback of the specified track.

Mode	Playback
Jig	Blank tape
Adjustment locations	Height adjuster nut, Tilt adjuster screw

[Adjustment Method]

- 1) Mount the ACE head assembly. At this time, adjust the height so that the height of guide flange No. 7 matches the level of the lower edge of the control head.
- 2) Remove the adjustment tool and load a new tape, then set the unit for playback.
- 3) Check that the tape does not curl or rise up noticeably near the ACE head.
- 4) If the tape curls up or rises noticeably, readjust the tilt adjuster screw and the height adjuster nut.
(The height of the ACE head should be adjusted so that the lower edge of the tape is approx. 0.1 to 0.15 mm from the control head.)
- 5) Perform precision adjustment.

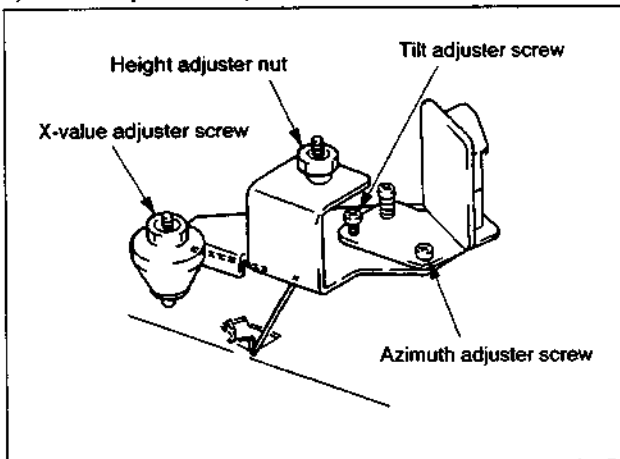


Fig. 2-1

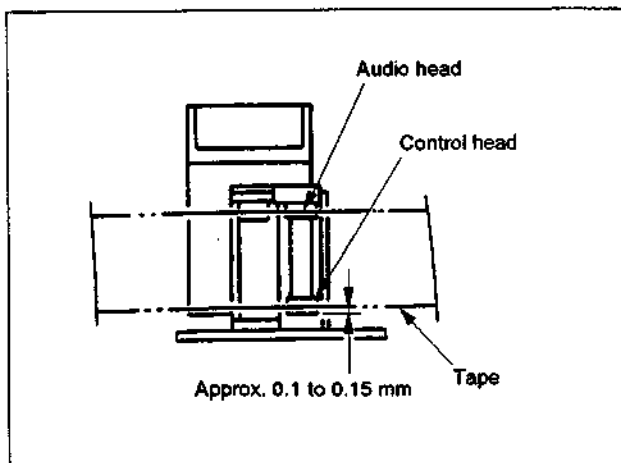


Fig. 2-2

**2-3-3. ACE HEAD ASSEMBLY ADJUSTMENT
(PRECISION ADJUSTMENT)**

Mode	Playback
Signal	Alignment tape (KRV-52NE 5 kHz) (For NTSC)
Measuring instrument	Oscilloscope
Measuring point	Audio output terminal
Adjustment locations	Azimuth adjuster screw, Height adjuster nut, Tilt adjuster screw

[Adjustment Method]

- 1) Adjust the tilt adjuster screw in the FWD or REV mode so that the lower flange of guide No. 7 does not curl up or rise.
- 2) Alternately adjust the azimuth adjuster screw, the height adjuster nut, and the tilt adjuster screw to maintain even audio output at maximum with minimum deviation.

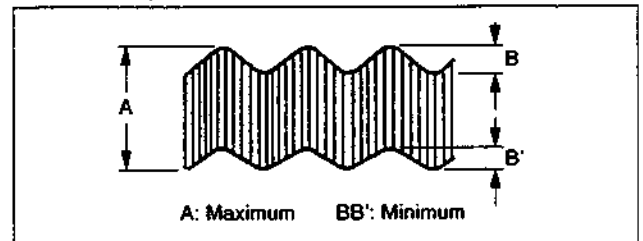


Fig. 2-3

2-3-4. ADJUSTMENTS AFTER REPLACING THE DRUM (VIDEO HEAD)

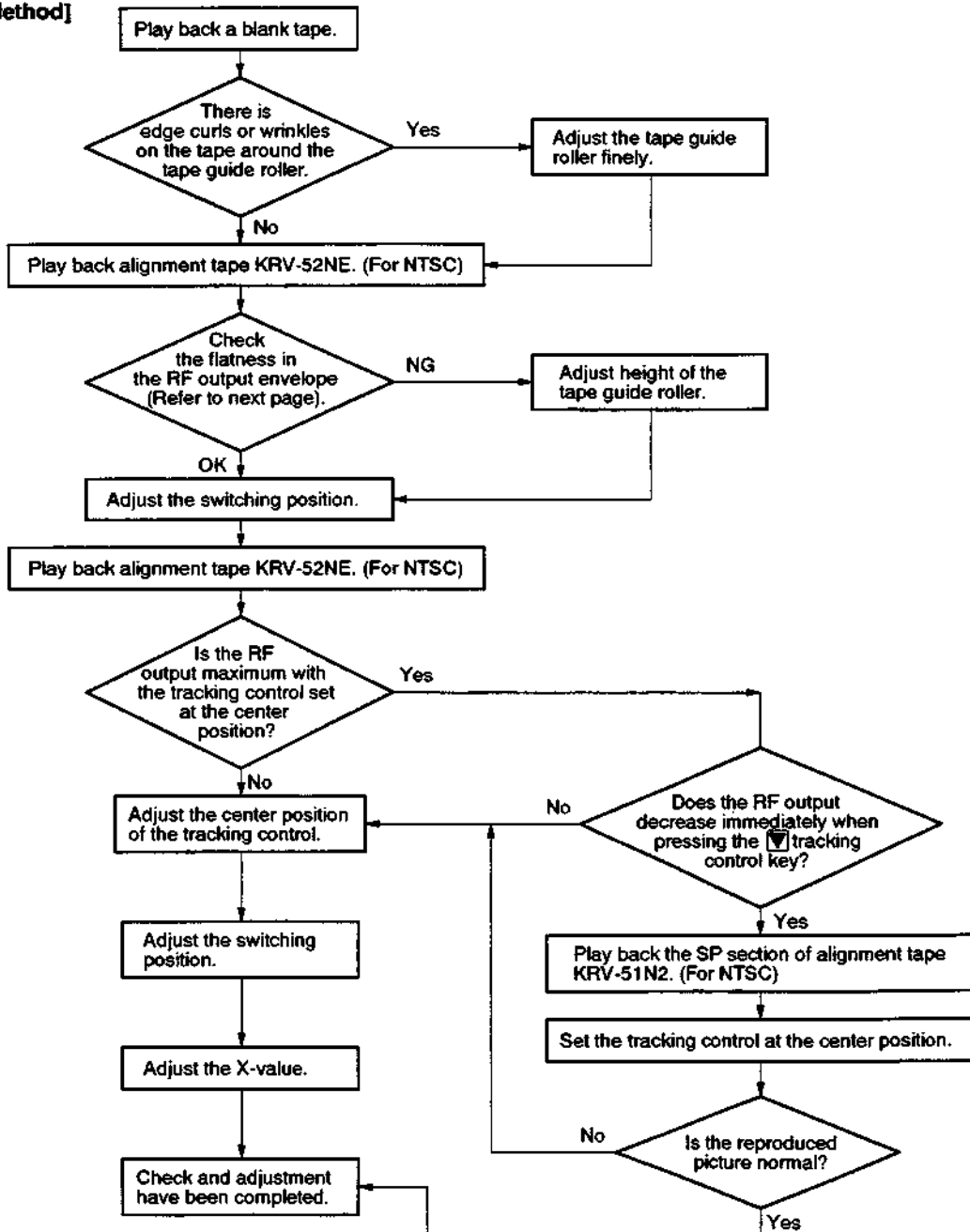
Purpose: Co-relative height, X-value and other factors of the drum will deviate from those of the guide roller. If the drum is replaced properly, these deviations are extremely small.

Note 1: Deactivate the automatic tracking control for setting the mechanism in manual tracking control mode.

Note 2: To set the tracking control at the center position, deactivate the automatic tracking control by pressing the tracking **AUTO/MANUAL** key on the remote control unit during threading operation (after a tape is inserted but before the VCR starts playing back the tape).

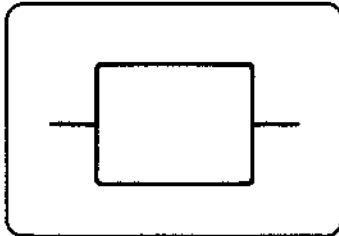
Mode	Playback
Signal	Alignment tape KRV-52NE (For NTSC), blank tape
Measuring instrument	Oscilloscope
Measuring point	CH-1: Connector PB RF pin for RF PC board check. CH-2: Connector RF SWP pin for RF PC board check.
Adjustment locations	Guide roller (Refer to 2-3-1.) Switching position (Refer to the Service Manual) X-value (Refer to 2-1-1, 2-1-2.)

[Adjustment Method]

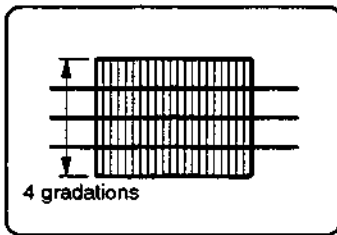


[Checking the evenness and fluctuation of the RF output]

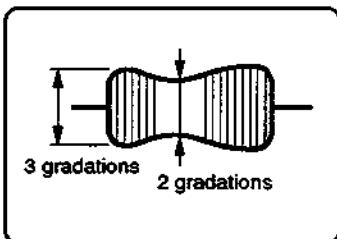
- 1) Set the RF output to the maximum level using the tracking buttons.



- 2) Perform fine adjustment of the voltage level range of the oscilloscope, then adjust the RF output deviation to within 4 gradations.



- 3) Press the tracking buttons and adjust the maximum amplitude of the RF output to within 3 gradations.
- 4) At this time, check if the minimum amplitude is more than 2 gradations.



- 5) Check that the RF output fluctuation between minimum and maximum levels is within 13%.

VHS MECHANICAL ADJUSTMENT MANUAL IV

9-973-623-82

Sony Corporation
Consumer A&V Products Company
Home A&V Products Div.

English
95D05112-1
Printed in Japan
© 1995. 4
Published by Personal A&V Products Div.
Quality Engineering Dept.

VHS MECHANICAL ADJUSTMENT MANUAL IV

SONY
SERVICE MANUAL

H MECHANISM

SUPPLEMENT-2

File this supplement with the VHS mechanical adjustment IV and supplement-1.

TABLE OF CONTENTS

<u>Section</u>	<u>Title</u>	<u>Page</u>
1.	CORRECTION	1
1-1.	Adjustment Sequence	1
2.	MODIFICATION	2
2-1.	Changing the Recorded Contents of Alignment Tape ...	2
2-2.	TG2 Roller, FE Head Assembly	2
2-3.	TG3, TG6 Guide Roller Assembly	3
2-4.	TG8 Assembly	4
2-5.	Tension Regulator (TG1) Position Tension Adjustment	5
2-6.	TG8 Guide Roller Height Adjustment	6

1. CORRECTION

In the VHS Mechanism Adjustment Manual IV (Supplement-1), an adjustment sequence was wrong, and it is corrected as follow;

1-1. Adjustment Sequence (VHS Mechanism Adjustment Manual IV (Supplement-1) Page 6 to 11)

(1) Adjustment of No. 3 and No. 6 guide roller height

Delete the "The following adjustment shall be carried out after completed Section 2-1-1 "X-value adjustment and check" under "Adjustment Method" on page 10.

(2) Adjustment of ACE head assembly

Note: In the adjustment of ACE head assembly (coarse adjustment and fine adjustment), if a azimuth, height and tilt were adjusted, again adjust the height of No. 3 and No. 6 guide rollers.

(3) Adjustment of X value



2. MODIFICATION

2-1. CHANGING THE RECORDED CONTENTS OF ALIGNMENT TAPE

KRV-S2NE (NTSC) (Ver. 1.2)

Time	Video	Audio
20 min.	Recording only at 1 MHz, A-ch. EP mode RF skipping once per 5 frames	5 kHz → 4 kHz full tracks

2-2. TG2 ROLLER, FE HEAD ASSEMBLY (Refer to VHS Mechanical Adjustment Manual IV page14)

- The TG2 roller is provided with either of two types, fixed or straight. For the fixed type, section 3-5 is added.

3-5. TG2 ROLLER, FE HEAD ASSEMBLY (Fig. 3-5)

- 1) Remove screw ① to pull out FE head assembly ②.

[Note on Mounting]

- Keep clean the surface contacts tape of TG2 roller.

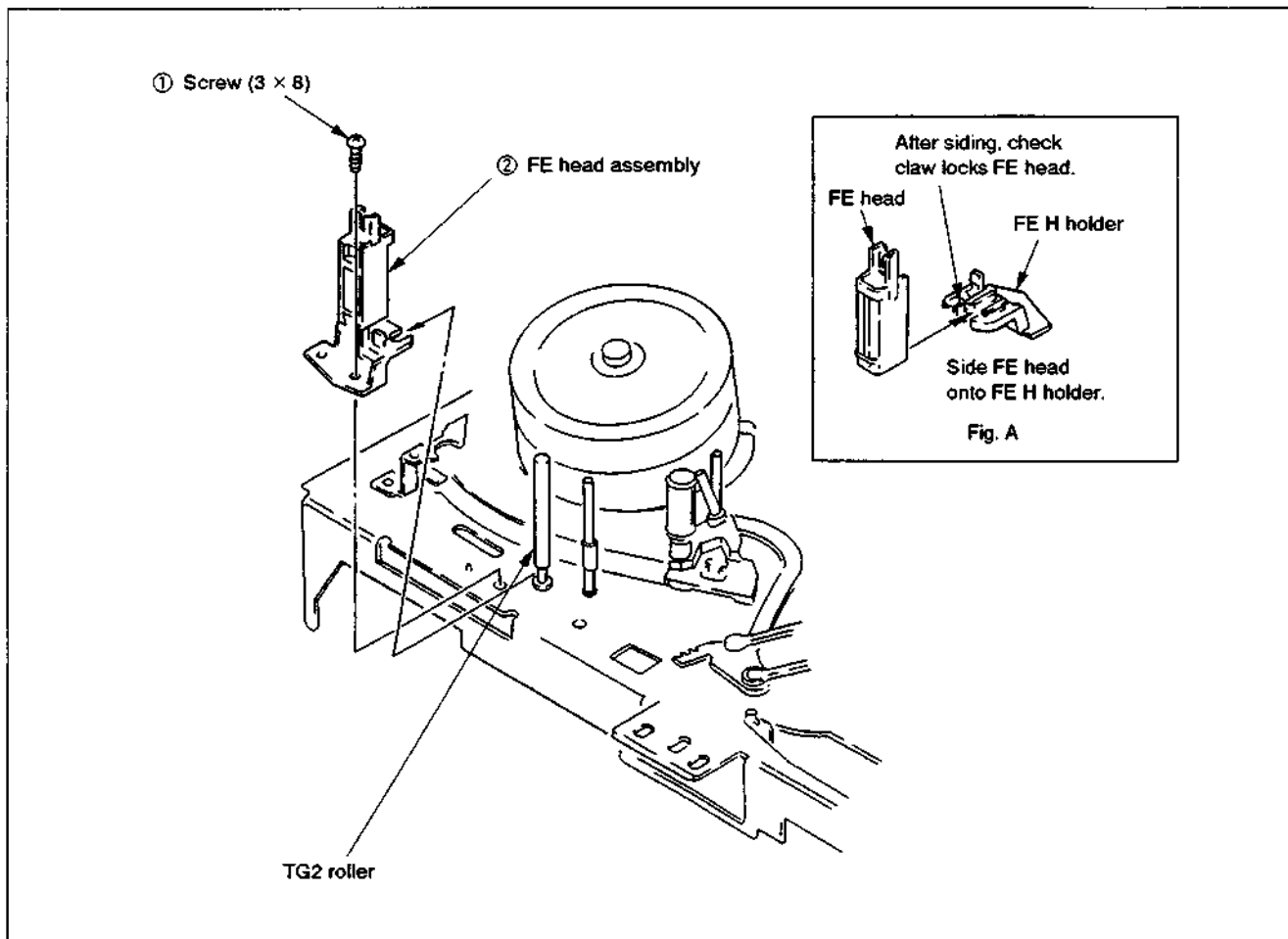


Fig. 3-5

2-3. TG3, TG6 GUIDE ROLLER ASSEMBLIES
(Refer to VHS Mechanical Adjustment
Manual IV page 17)

- There is another type in TG3 and TG6 guide roller assemblies, which is not attached with a screw (B2X3). For the screwless type, section 3-8 is added.

3-8. TG3, TG6 GUIDE ROLLER ASSEMBLIES
(Fig. 3-8)

- 1) TG3 guide roller assembly ① by turning it in arrow A direction.
- 2) Removal the spring ②.
- 3) TG6 guide roller assembly ③ by turning it in arrow B direction.
- 4) Removal the spring ④.

[Note on Mounting]

- Keep clean the surface contacts tape of TG3 and TG6 guide roller assemblies ①, ③.

[Adjustment after Mounting]

- 4-1. Tape path adjustment.

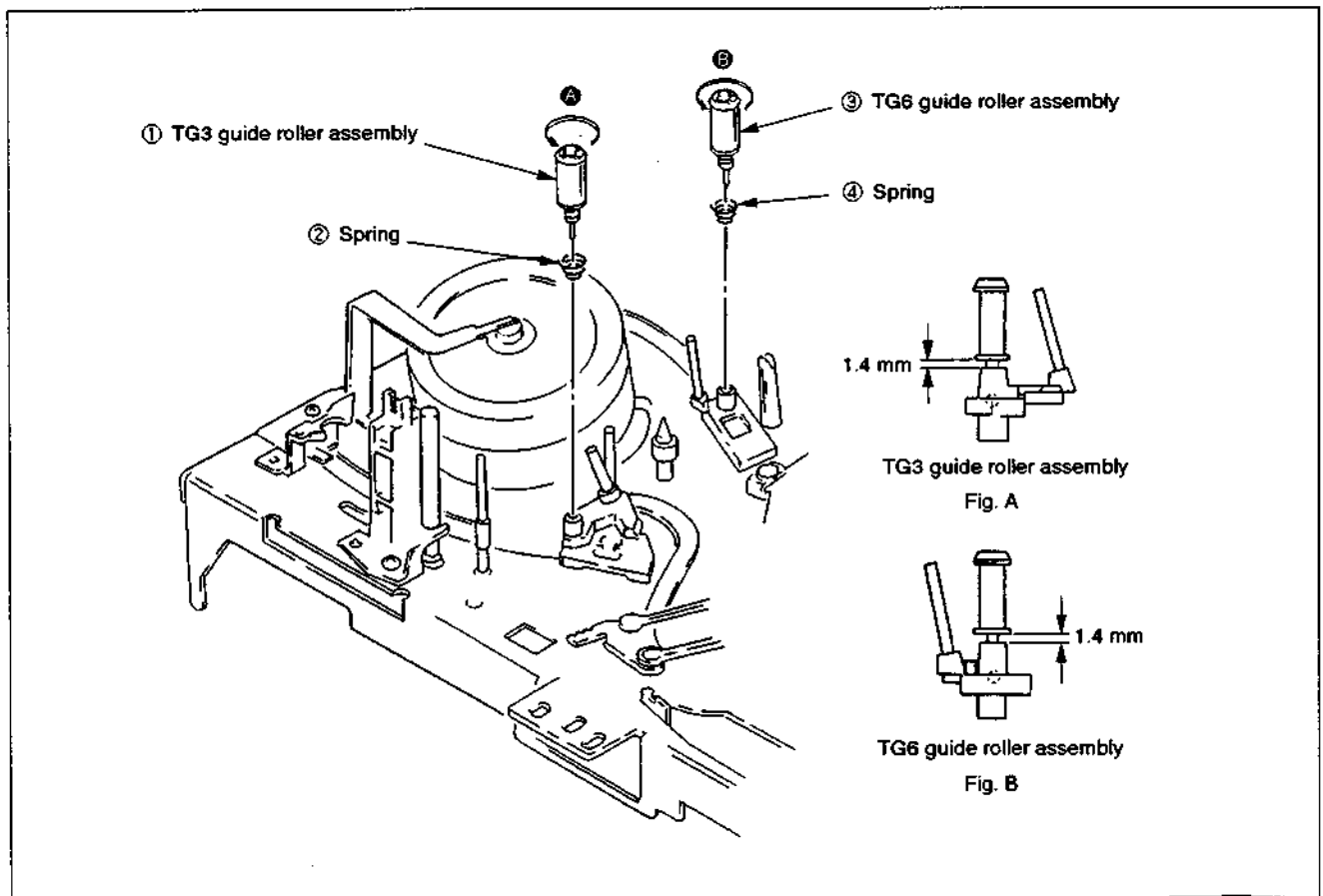


Fig. 3-8

2-4. TG8 ASSEMBLY
(Refer to VHS Mechanical Adjustment
Manual IV page 23)

- As the shape of TG8 assembly was changed, Section 3-13 is changed.

 : Changed portion

3-13. TG8 ASSEMBLY (Fig. 3-15)

- 1) Remove TG7 tape retainer ① to pull out TG8 assembly ②.

[Note on Mounting]

- Apply FLOIL SG-055G (Jig Ref. No. J-12) to ☆ marked portion.
- Keep clean the surface contacts tape of TG8 assembly ②.
- Be careful not to change the shape of TG7 tape retainer ①.
- After attaching the TG7 tape retainer ①, check that side ① of ① is below side ② of the stepped-part of the TG7 shaft. (Fig. A)

[Adjustment after Mounting]

- 4-1. Tape path adjustment.

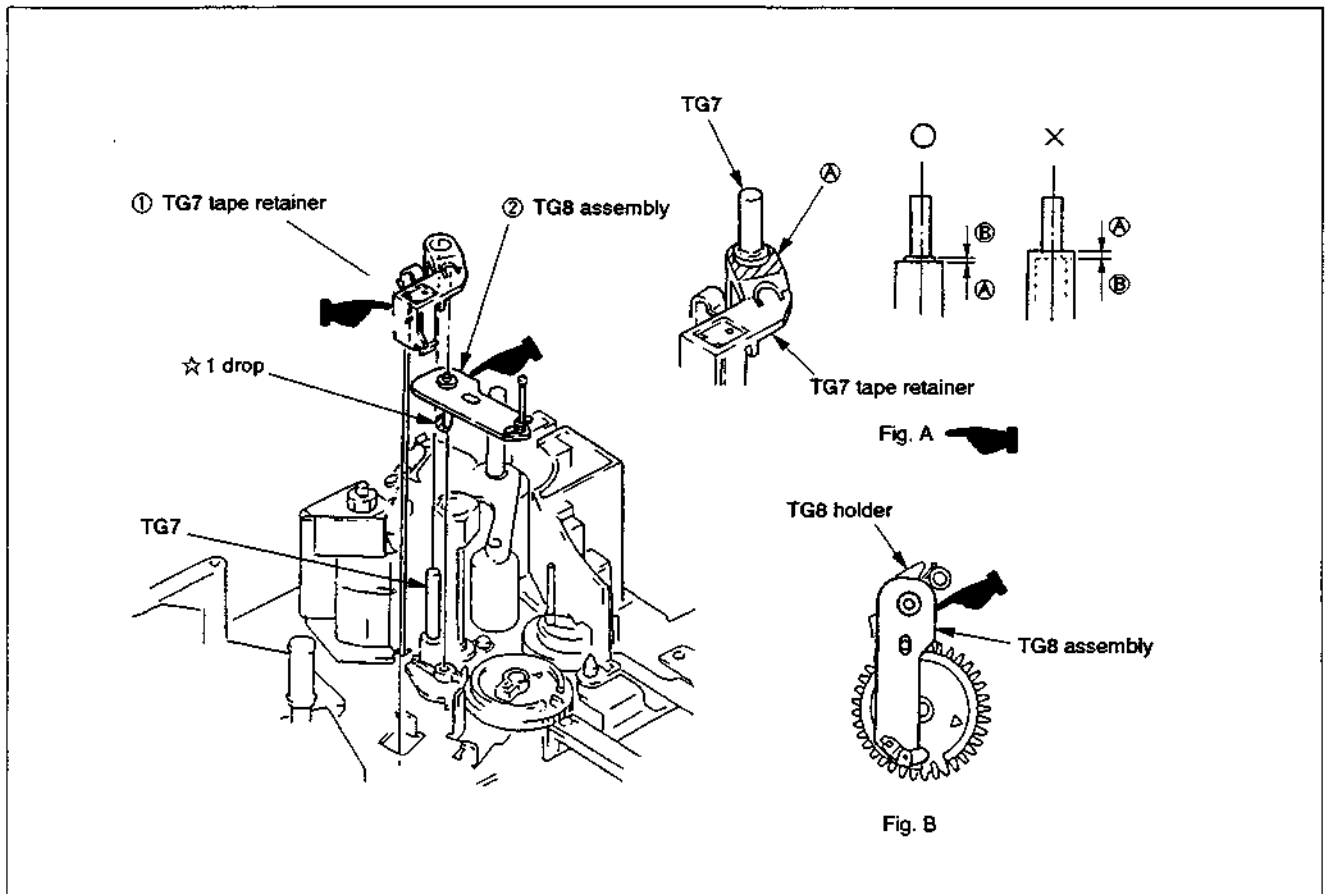



Fig. 3-15

**2-5. TENSION REGULATOR (TG1) POSITION/
TENSION ADJUSTMENT**
(Refer to VHS Mechanical Adjustment
Manual IV page 35)

- As the tension regulator position and tension adjustment were changed, the tension adjustment and Fig. 4-1 are changed.

 : Changed portion

• Tension adjustment

Mode	Playback
Measuring instrument/tool	Torque cassette
Adjustment locations	Position for hooking the tension spring
Specified value	$34 \pm 4 \text{ g}\cdot\text{cm}$

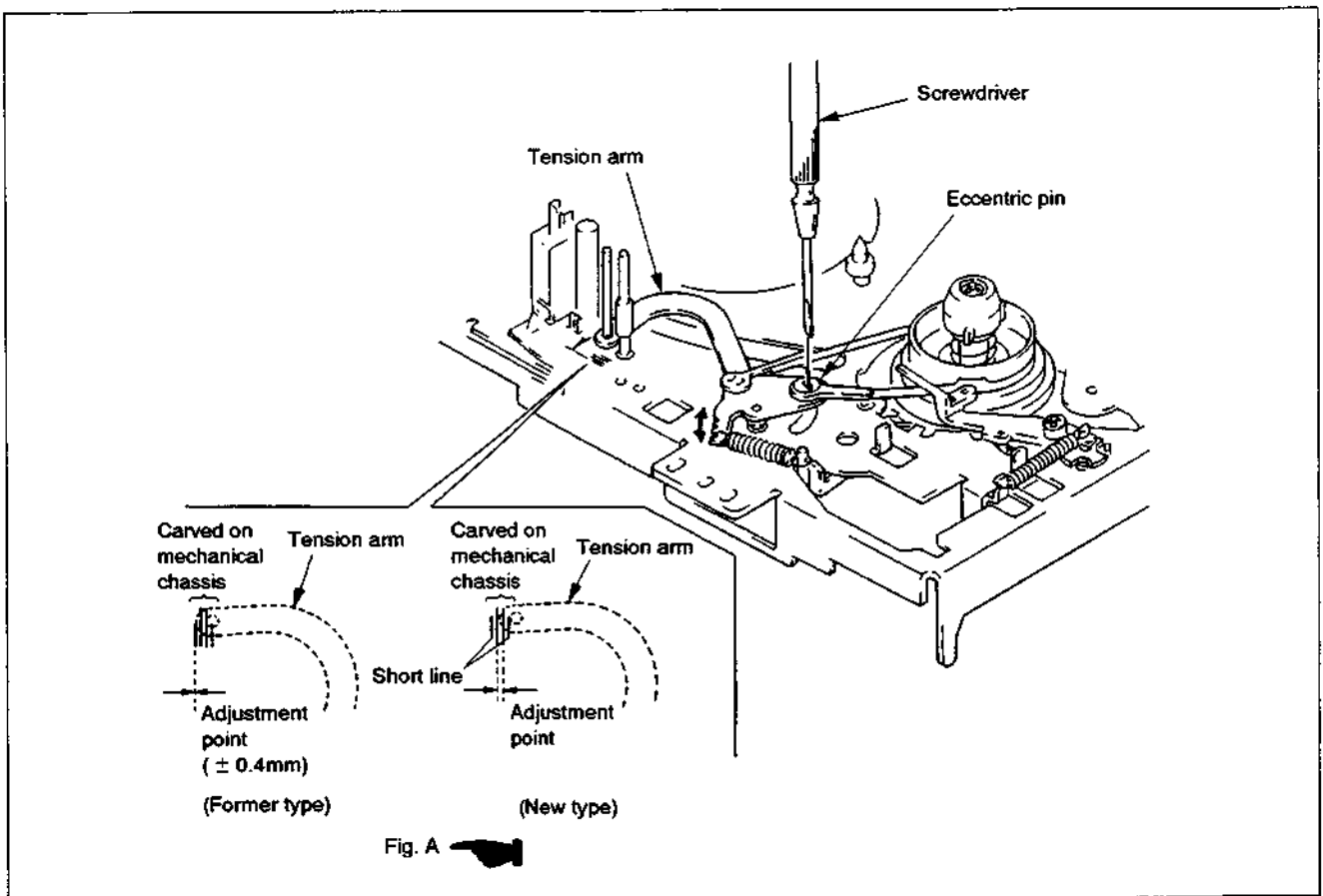


Fig. 4-1

VHS MECHANICAL ADJUSTMENT MANUAL IV

2-6. TG8 GUIDE ROLLER HEIGHT ADJUSTMENT (Refer to VHS Mechanical Adjustment Manual IV page 36)

• As the use of TG8 height adjusting screw was cancelled, section 4-1-2 is changed.

4-1-2. TG7 TAPE PATH ADJUSTMENT (Fig. 4-2)

[Adjustment Method]

1) Load a tape, and playback the tape in the CUE mode, confirm the distance between lower flange of No. 7 guide roller and lower side of tape (Fig. A).

2) Then, feeding the tape in the REV mode, confirm the distance between lower flange of No. 7 guide roller and lower side of tape.

3) If the tape height in the REV feed is higher than that in the CUE playback (Fig. B), rotate the ACE head flapping adjust screw in the direction Ⓐ so that a difference in tape height between CUE mode and REV mode becomes zero.

4) If the tape height in the REV feed is lower than that in the CUE playback (Fig. C), rotate the ACE head flapping adjust screw in the direction Ⓑ so that a difference in tape height between CUE mode and REV mode becomes zero.

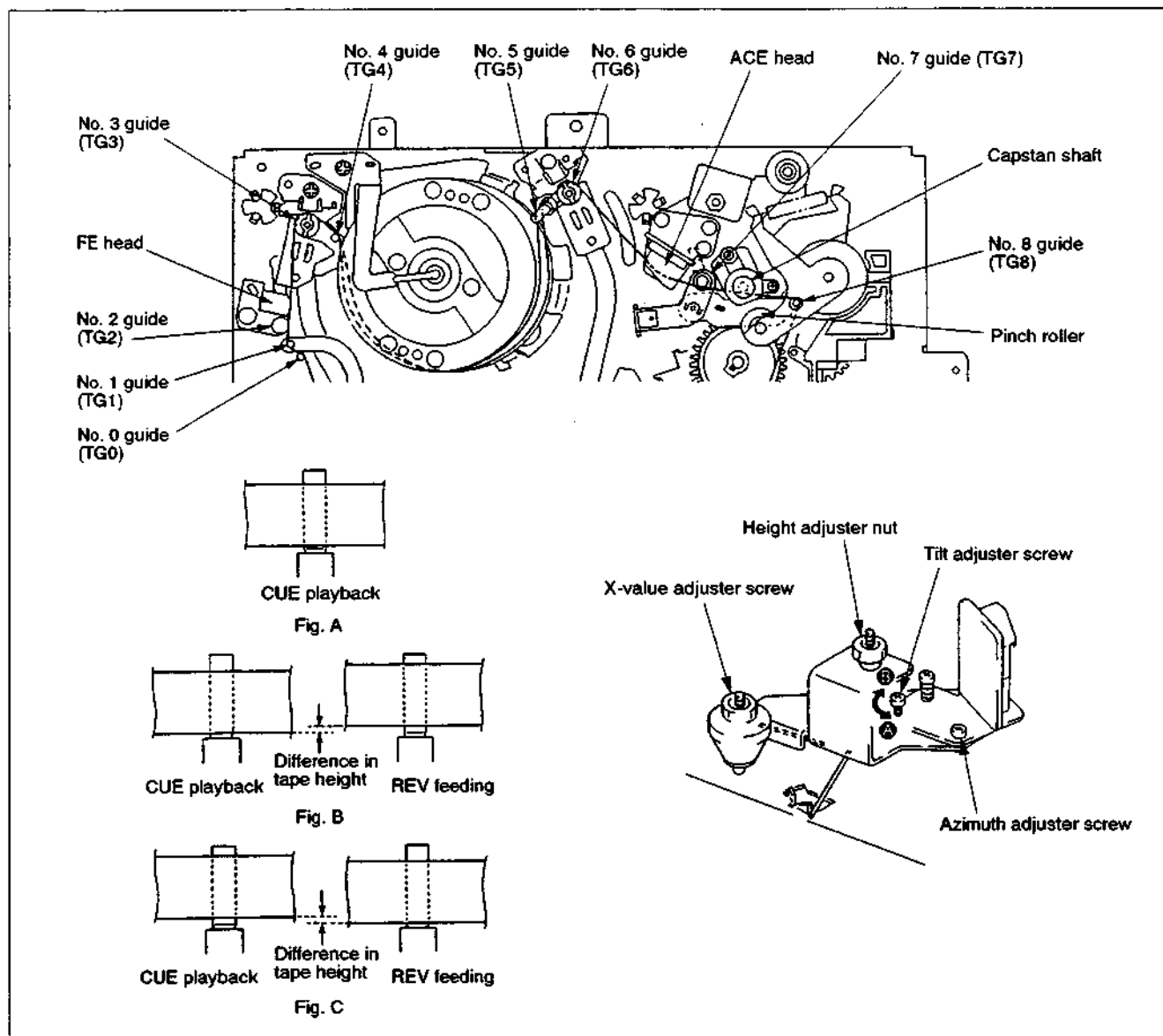


Fig. 4-2

Sony Corporation
Consumer A&V Products Company
Home A&V Products Div.

English
95H05103-1
Printed in Japan
© 1995. 8

Published by Personal A&V Products Div.
Quality Engineering Dept.