

SONY

VIDEOCASSETTE PLAYER

PVW-2600P

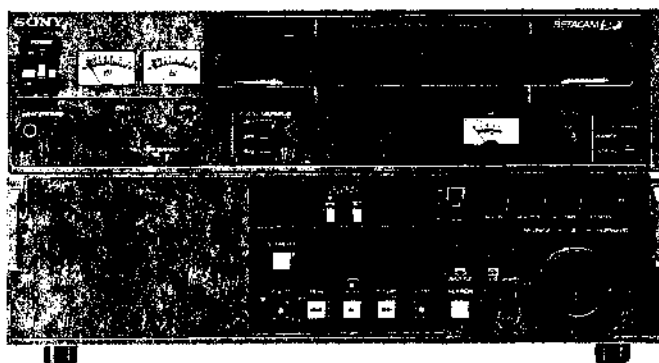
SERVICE MANUAL

Vol.2 1st Edition (Revised 1)

Serial No.10001 and Higher
(EK)

Serial No.10001 and Higher
(USA CANADA)

BETACAM SP
2000 PRO



このマニュアルに記載されている事柄の著作権は当社にあり、説明内容は機器購入者の使用を目的としています。従って、当社の許可なしに無断で複写したり、説明内容(操作、保守等)と異なる目的で本マニュアルを使用することを禁止します。

The material contained in this manual consists of information that is the property of Sony Corporation and is intended solely for use by the purchasers of the equipment described in this manual.

Sony Corporation expressly prohibits the duplication of any portion of this manual or the use thereof for any purpose other than the operation or maintenance of the equipment described in this manual without the express written permission of Sony Corporation.

Le matériel contenu dans ce manuel consiste en informations qui sont la propriété de Sony Corporation et sont destinées exclusivement à l'usage des acquéreurs de l'équipement décrit dans ce manuel.

Sony Corporation interdit formellement la copie de quelque partie que ce soit de ce manuel ou son emploi pour tout autre but que des opérations ou entretiens de l'équipement à moins d'une permission écrite de Sony Corporation.

Das in dieser Anleitung enthaltene Material besteht aus Informationen, die Eigentum der Sony Corporation sind, und ausschließlich zum Gebrauch durch den Käufer der in dieser Anleitung beschriebenen Ausrüstung bestimmt sind.

Die Sony Corporation untersagt ausdrücklich die Vervielfältigung jeglicher Teile dieser Anleitung oder den Gebrauch derselben für irgendeinen anderen Zweck als die Bedienung oder Wartung der in dieser Anleitung beschriebenen Ausrüstung ohne ausdrückliche schriftliche Erlaubnis der Sony Corporation.

TABLE OF CONTENTS

Volume 1

1. INSTALLATION
2. SERVICE INFORMATION
3. MAINTENANCE MENU
4. INSPECTION AND MAINTENANCE
5. REPLACEMENT OF MAJOR PARTS
6. TAPE RUN ALIGNMENT
7. GENERAL INFORMATION FOR ELECTRICAL
ADJUSTMENT
8. POWER SUPPLY/SYSTEM CONTROL
ALIGNMENT
9. SERVO SYSTEM ALIGNMENT
10. AUDIO/TIME CODE SYSTEM ALIGNMENT
11. VIDEO SYSTEM ALIGNMENT
12. VIDEO OVERALL ALIGNMENT

Volume 2

14. BLOCK DIAGRAM

Overall (1/2) 14-1
 Overall (2/2) 14-2
 RF PB Amplifier 14-4
 PB RF EQ, Demodulator 14-6
 Encode, Composite Output Driver 14-8
 Time Base Corrector, CTDM (Expand) 14-10
 Time Base Corrector 14-12
 Audio CH-1/CH-2 PB Process, Dolby System,
 Out Driver, Meter Driver 14-15
 Audio Mode Control, LTC PB 14-16
 System Control (1) 14-18
 System Control (2) 14-20
 Servo 14-23

15. BOARD LAYOUT

RP-57AP 15-2
 VP-33AP 15-3
 TBC-18P 15-5
 CP-166A 15-7
 AU-148AP 15-8
 AU-149AP 15-9
 AU-150A 15-10
 CP-167A 15-11
 DP-138A 15-12
 MA-44A
 VR-116A
 SS-48P 15-13
 DP-139A 15-15
 KY-210A
 PTC-39
 DR-118A 15-16
 DR-232A 15-17
 HC-14C 15-18
 SW-444A 15-19
 FRAME (1) 15-20
 AC-133
 CL-25
 DE-15
 DS-31
 LP-57
 PC-62
 PD-56
 PTC-42
 PTC-49
 PTC-54
 PTC-55
 RM-82
 SE-186
 TR-73

FRAME (2) 15-21
 DP-159A
 RM-93A
 VR-117A
 MB-322D 15-22
 MB-322A 15-22
 SOPS1019A 15-24
 SOPS1019B 15-24
 SOPS1019C 15-24

16. SCHEMATIC DIAGRAM

RP-57AP (1/2) 16-3
 RP-57AP (2/2) 16-4
 VP-33AP (1/9) 16-7
 VP-33AP (2/9) 16-8
 VP-33AP (3/9) 16-9
 VP-33AP (4/9) 16-10
 VP-33AP (5/9) 16-11
 VP-33AP (6/9) 16-12
 VP-33AP (7/9) 16-13
 VP-33AP (8/9) 16-14
 VP-33AP (9/9) 16-15
 TBC-18P (1/4) 16-17
 TBC-18P (2/4) 16-18
 TBC-18P (3/4) 16-19
 TBC-18P (4/4) 16-20
 CP-166A 16-21
 AU-148AP 16-22
 AU-149AP 16-23
 AU-150A (1/2) 16-24
 AU-150A (2/2) 16-24
 CP-167 16-25
 DP-138A 16-26
 MA-44A
 VR-116A
 SS-48P (1/7) 16-29
 SS-48P (2/7) 16-30
 SS-48P (3/7) 16-31
 SS-48P (4/7) 16-32
 SS-48P (5/7) 16-33
 SS-48P (6/7) 16-34
 SS-48P (7/7) 16-35
 DP-139A 16-37
 KY-210A
 PTC-39

DR-118A (1/4)	16-38
DR-118A (2/4)	16-39
DR-118A (3/4)	16-40
DR-118A (4/4)	16-41
DR-232A (1/4)	16-42
DR-232A (2/4)	16-43
DR-232A (3/4)	16-44
DR-232A (4/4)	16-45
HC-14C (1/2)	16-46
HC-14C (2/2)	
SW-444A	16-47
MB-322A/D (1/5)	16-48
MB-322A/D (2/5)	16-49
MB-322A/D (3/5)	16-50
MB-322A/D (4/5)	16-51
MB-322A/D (5/5)	16-52
FRAME (1)	16-53
AC-133	
CL-25	
DE-15	
DS-31	
LP-57	
PC-62	
PD-56	
PTC-42	
PTC-49	
PTC-54	
PTC-55	
RM-82	
SE-186	
TR-73	
FRAME (2)	16-54
DP-159	
RM-93	
VR-117	
SOPS1019A	16-55
SOPS1019B	16-55
SOPS1019C	16-55

17. SEMICONDUCTOR PIN ASSIGNMENT

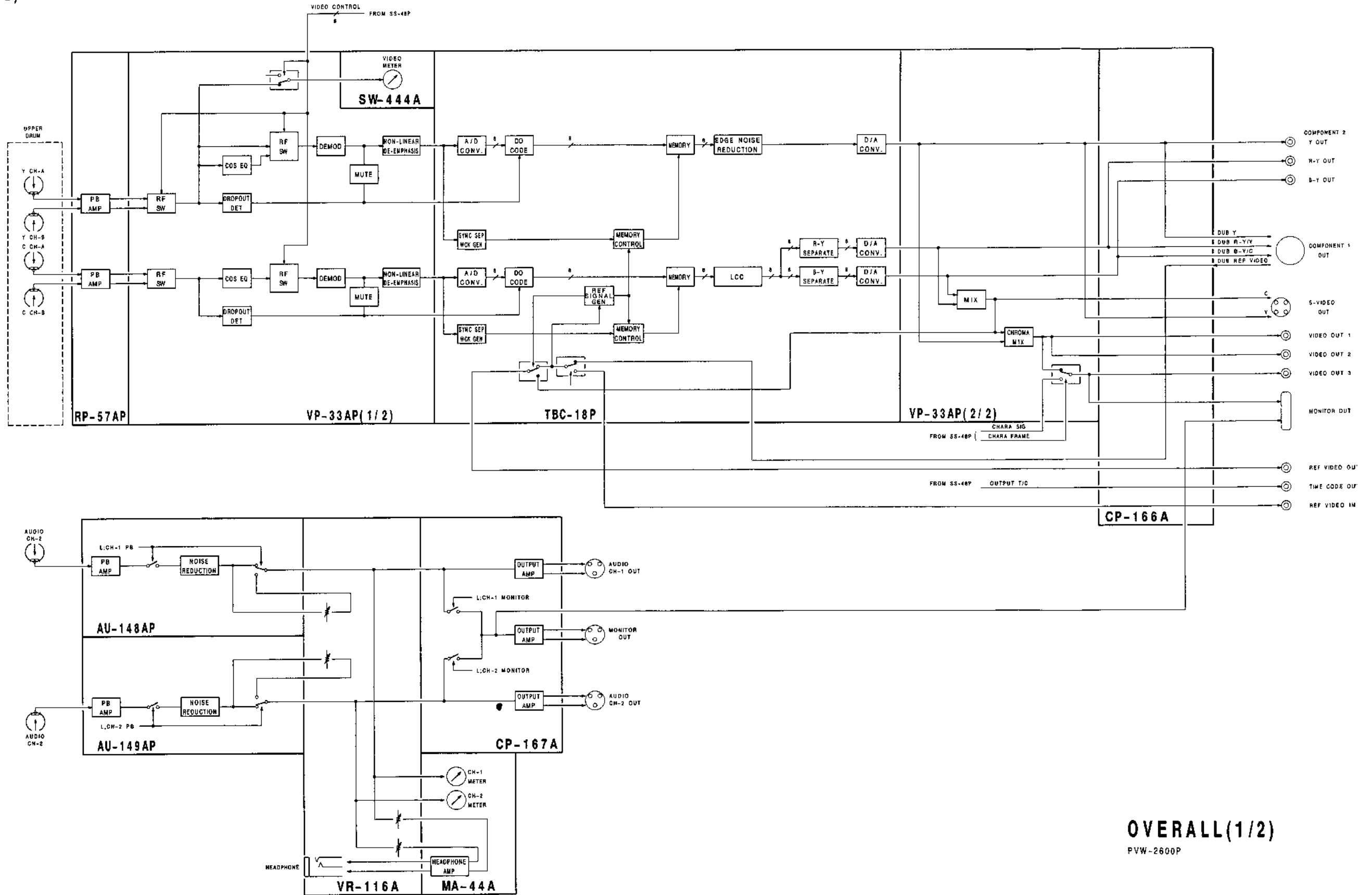
18. REPLACEABLE PARTS AND OPTIONAL FIXTURE

18-1. Notes on Repair Parts	18-1
18-2. Exploded View	18-2
Reel Chassis (1)	18-4
Reel Chassis (2)	18-6
Drum & Cleaning Roller Assembly	18-8
Head & Pinch Press Assembly	18-10
Rail & Slider Assembly	18-12
Threading Ring	18-14
Threading Gear Box Assembly	18-16
Tension Regulator Assembly	18-18
Reel Chassis (3)	18-20
Cassette Compartment Assembly	18-22
Chassis & Ornamental Panel Block	18-24
Card Rack Block	18-26
Front Panel Block	18-28
Function Control Panel Block	18-30
Rear Panel Block	18-32
18-3. Electrical Parts List	18-35

19. CHANGED PARTS

SECTION 14
BLOCK DIAGRAM

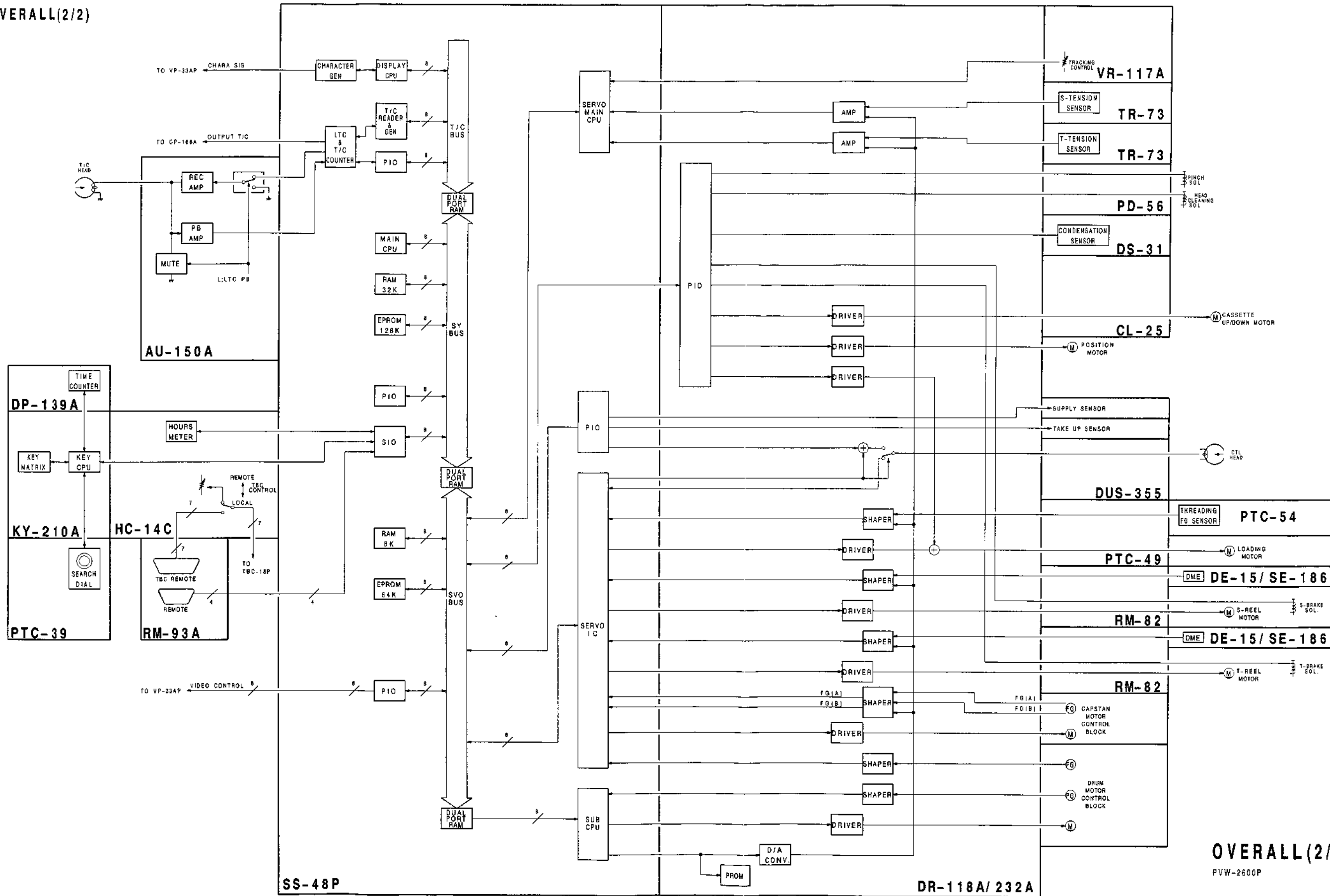
OVERALL(1/2)



OVERALL(1/2)
PVW-2600P

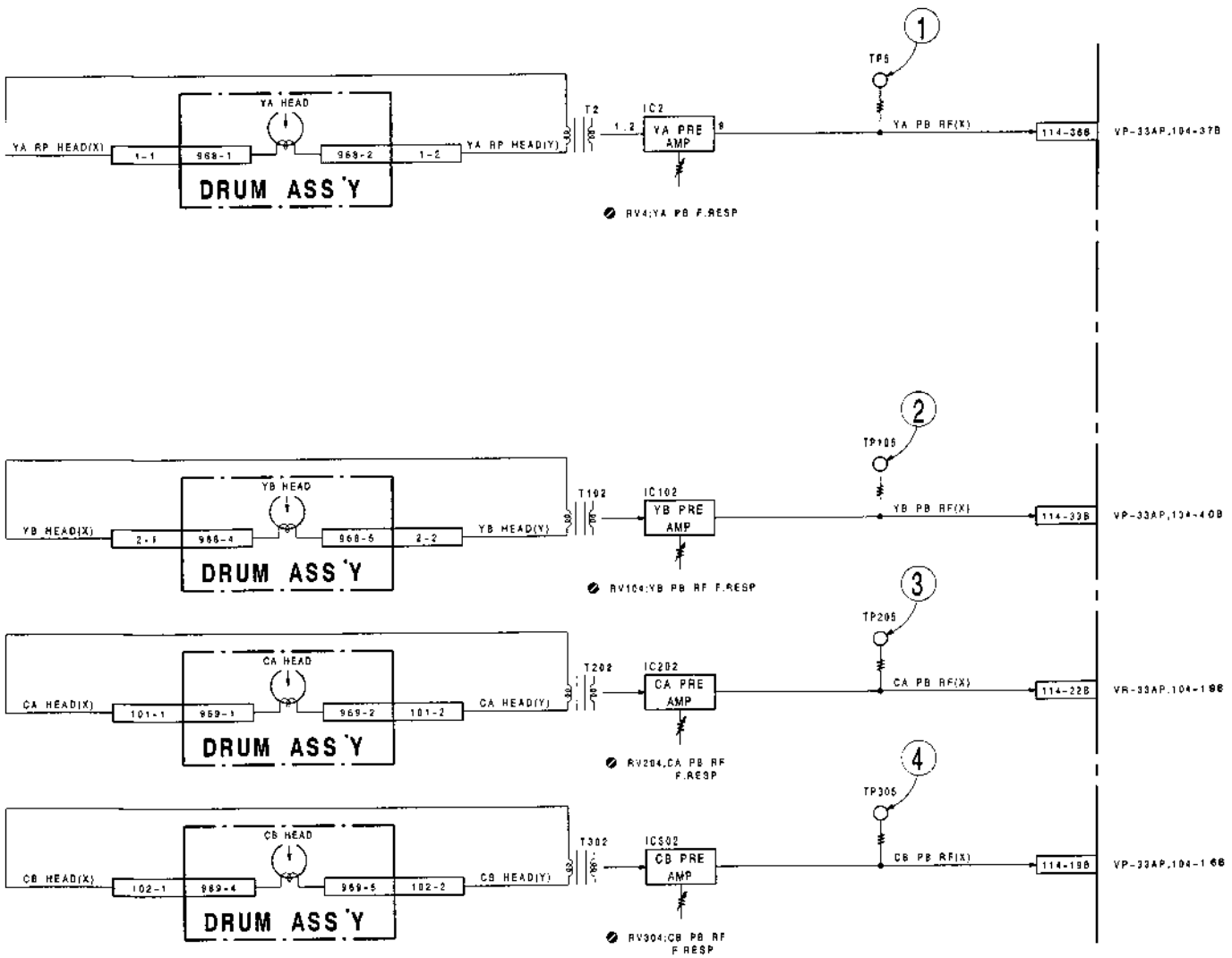
OVERALL(2/2) OVERALL(2/2)

OVERALL(2/2)

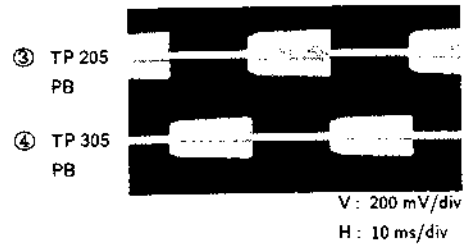


OVERALL(2/2)
PVW-2600P

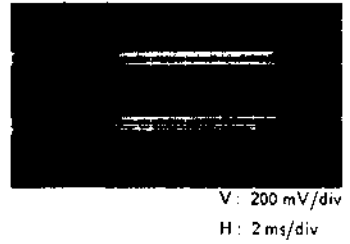
RF PB AMPLIFIER



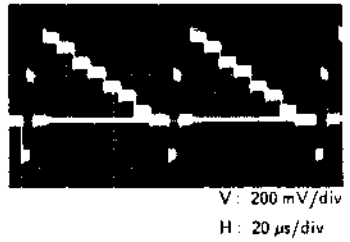
RP-57AP
PVW-2600P



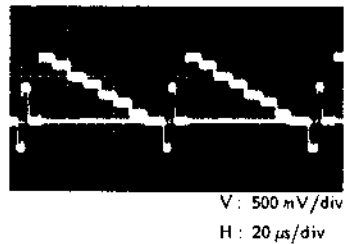
① TP 201
PB



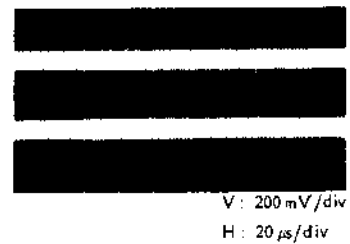
② TP 202
PB



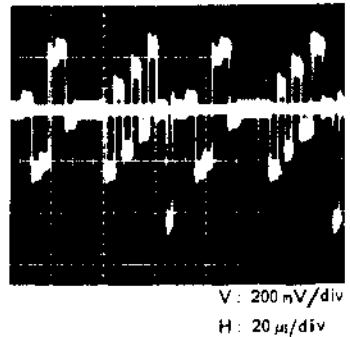
③ TP 204
PB



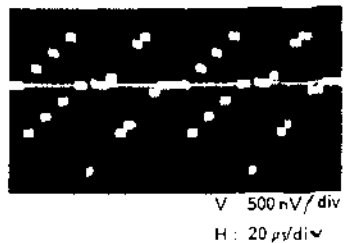
④ TP 501
PB



⑤ TP 502
PB

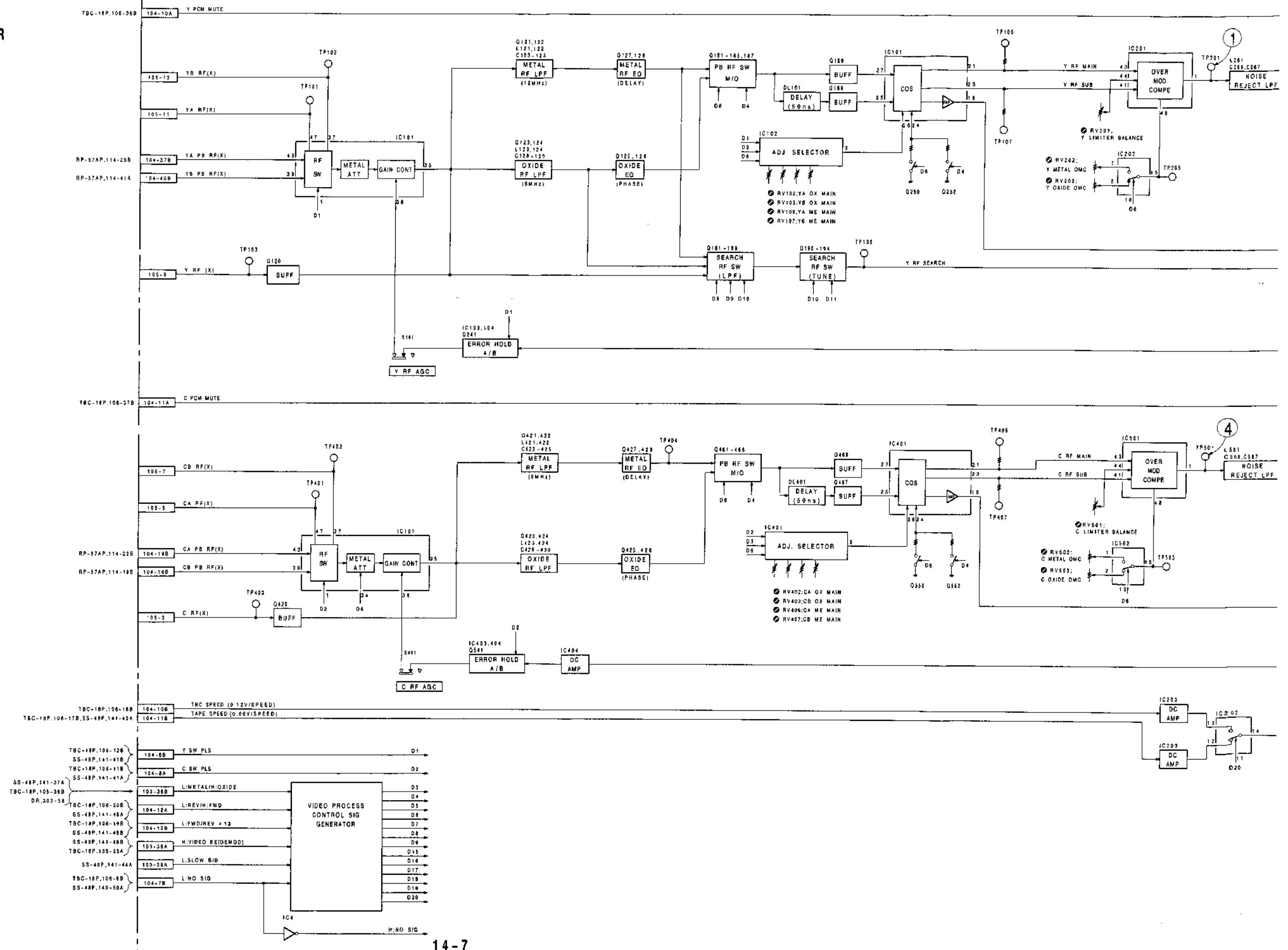


⑥ TP 504
PB

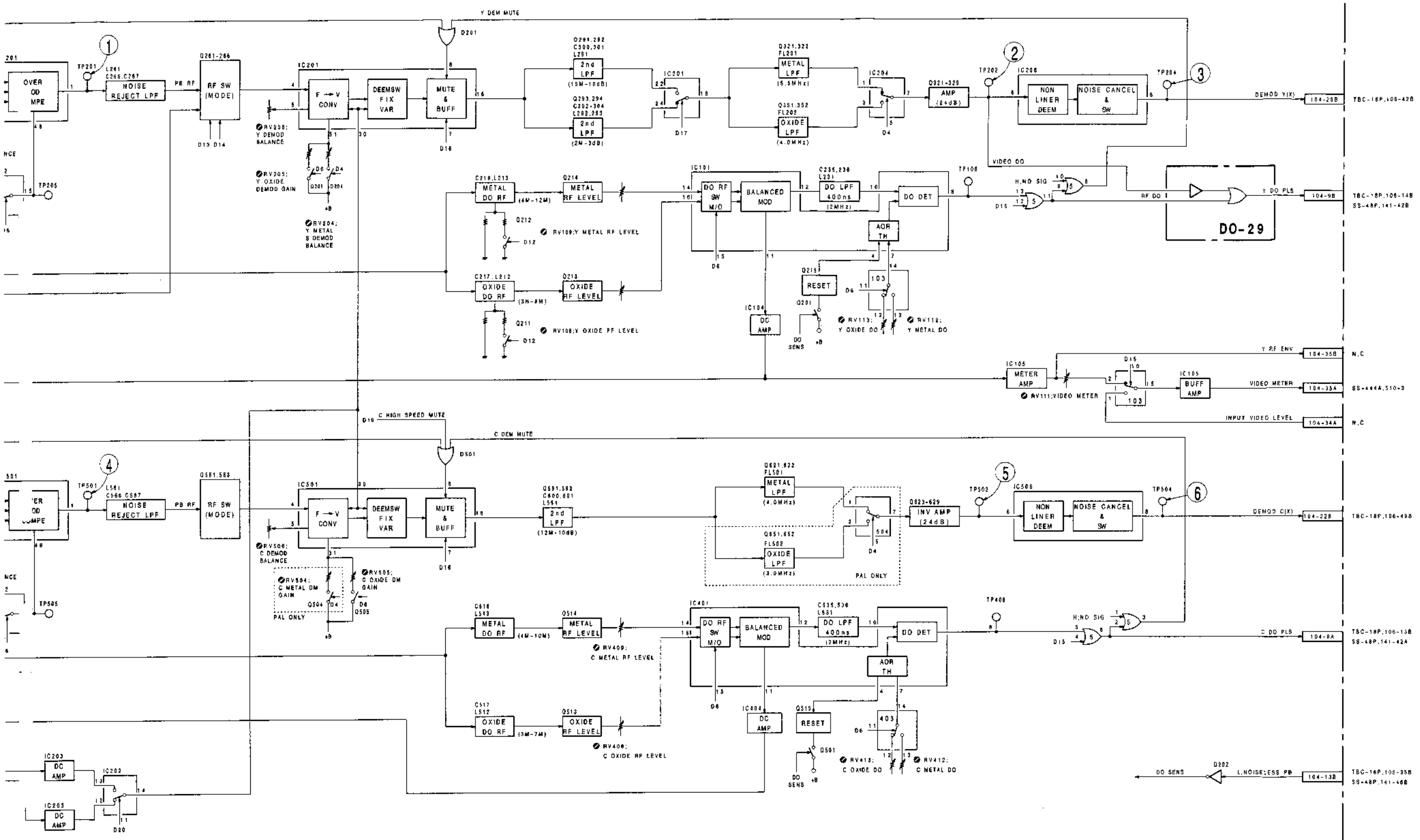


PB RF EQ,DEM. PB RF EQ,DEM.

PB RF EQ,DEMULATOR



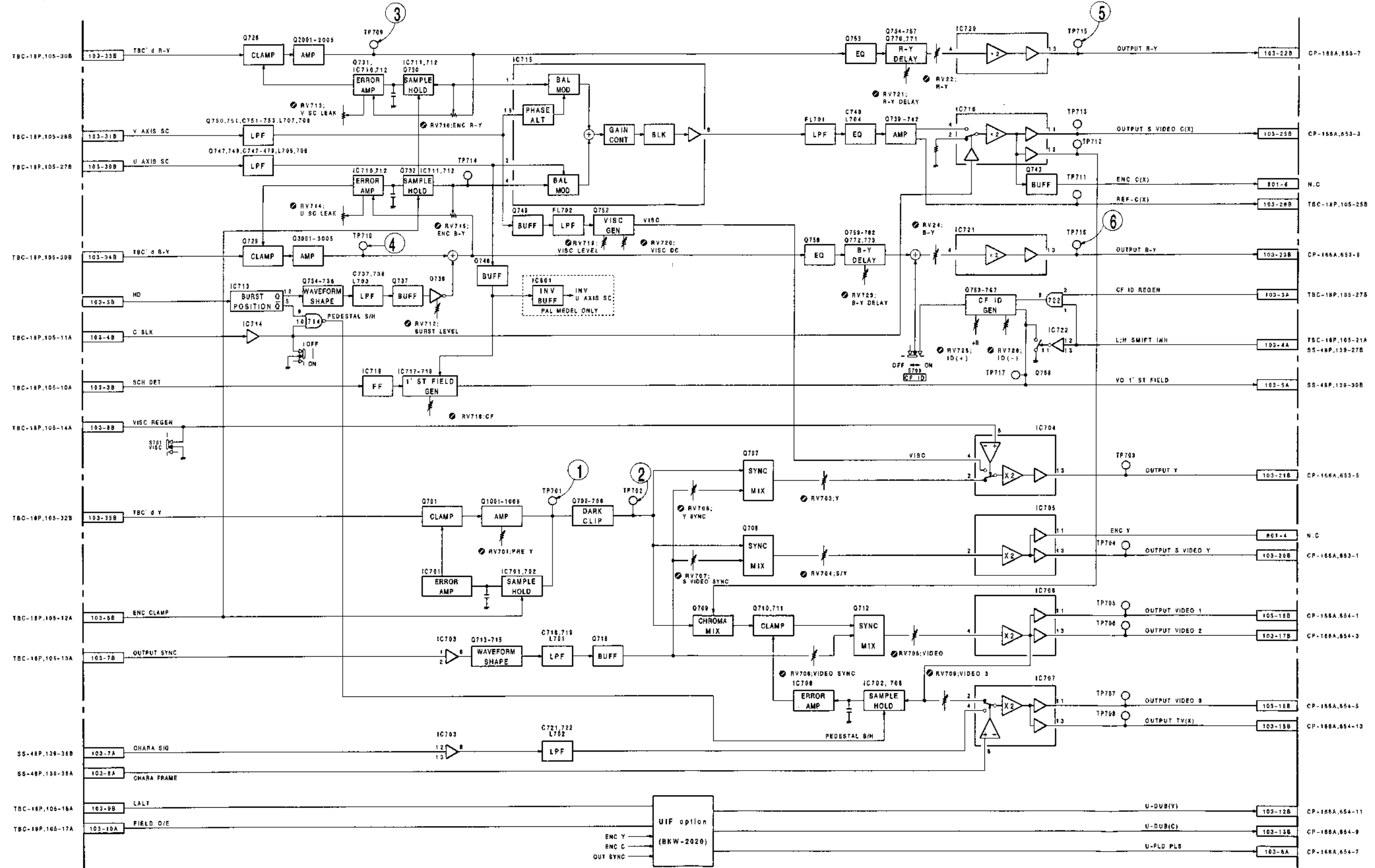
PB RF EQ, DEMOD. PB RF EQ, DEMOD.



VP-33AP(1/2)

PVW-2600P

ENCODE,COMPOSITE OUTPUT DRIVER



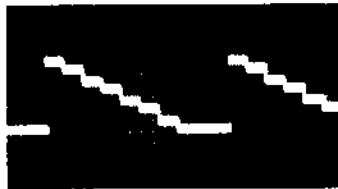
VP-33AP(2/2)
PVW-2600P

① TP 701
PB



V: 1V/div
H: 20 μs/div

② TP 702
PB



V: 1V/div
H: 20 μs/div

③ TP 709
PB



V: 1V/div
H: 20 μs/div

④ TP 710
PB



V: 1V/div
H: 20 μs/div

⑤ TP 715
PB



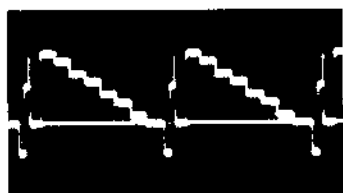
V: 500 mV/div
H: 20 μs/div

⑥ TP 716
PB



V: 500 mV/div
H: 20 μs/div

① TP 101
PB



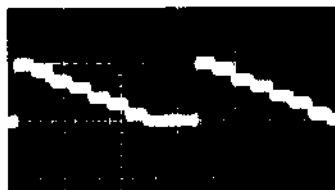
V: 1 V/div
H: 20 μs/div

② TP 201
PB



V: 1 V/div
H: 20 μs/div

③ TP 500
PB



V: 500 mV/div
H: 20 μs/div

④ TP 501
PB



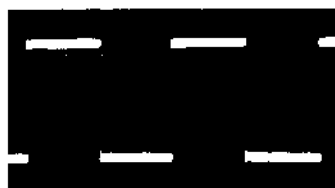
V: 500 mV/div
H: 20 μs/div

⑤ TP 502
PB



V: 500 mV/div
H: 20 μs/div

⑥ TP 303
PB



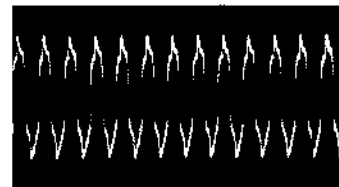
V: 2 V/div
H: 20 μs/div

⑦ TP 304
PB



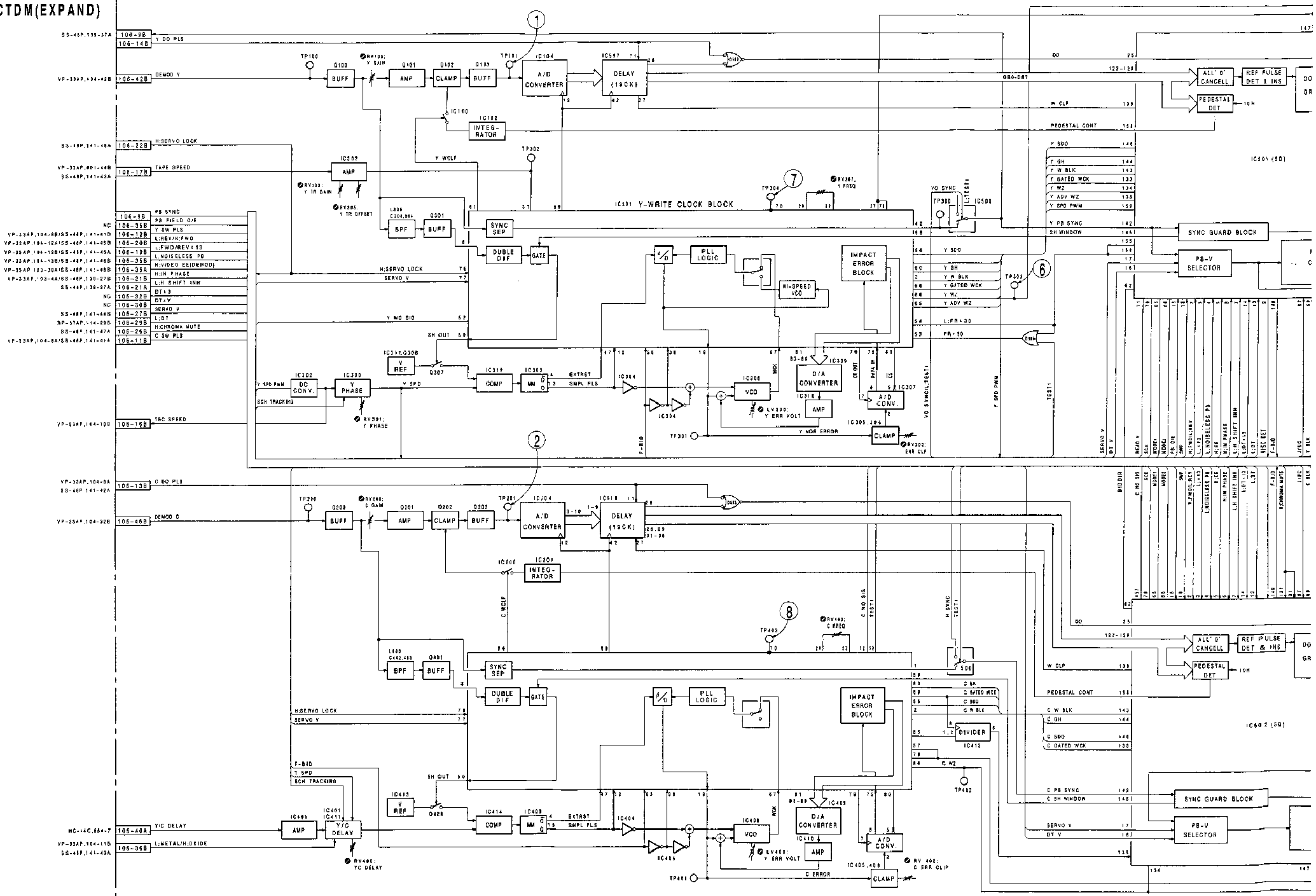
V: 2 V/div
H: 100 ns/div

⑧ TP 403
PB

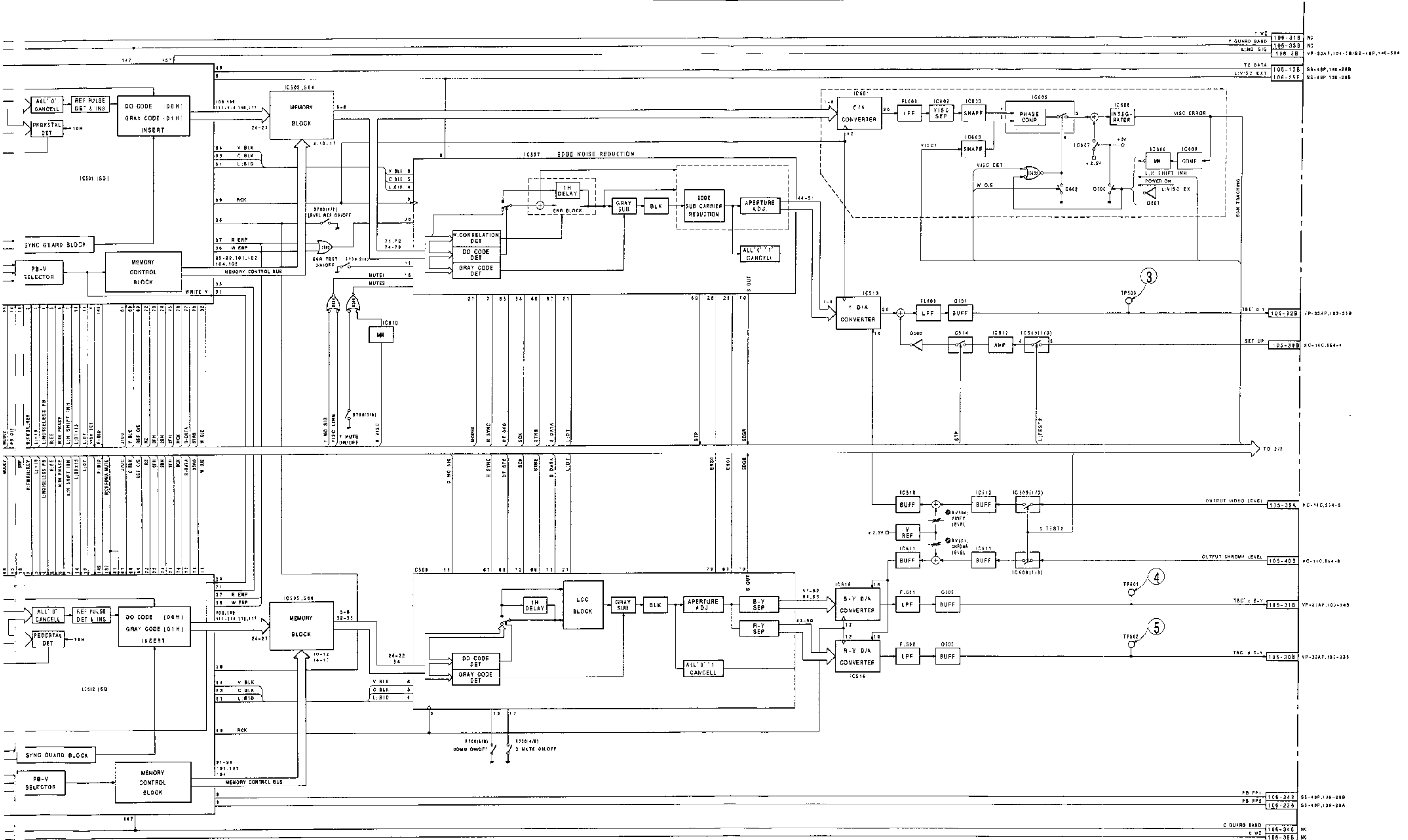


V: 2 V/div
H: 100 ns/div

TIME BASE CORRECTOR, CTD(1) (EXPAND)

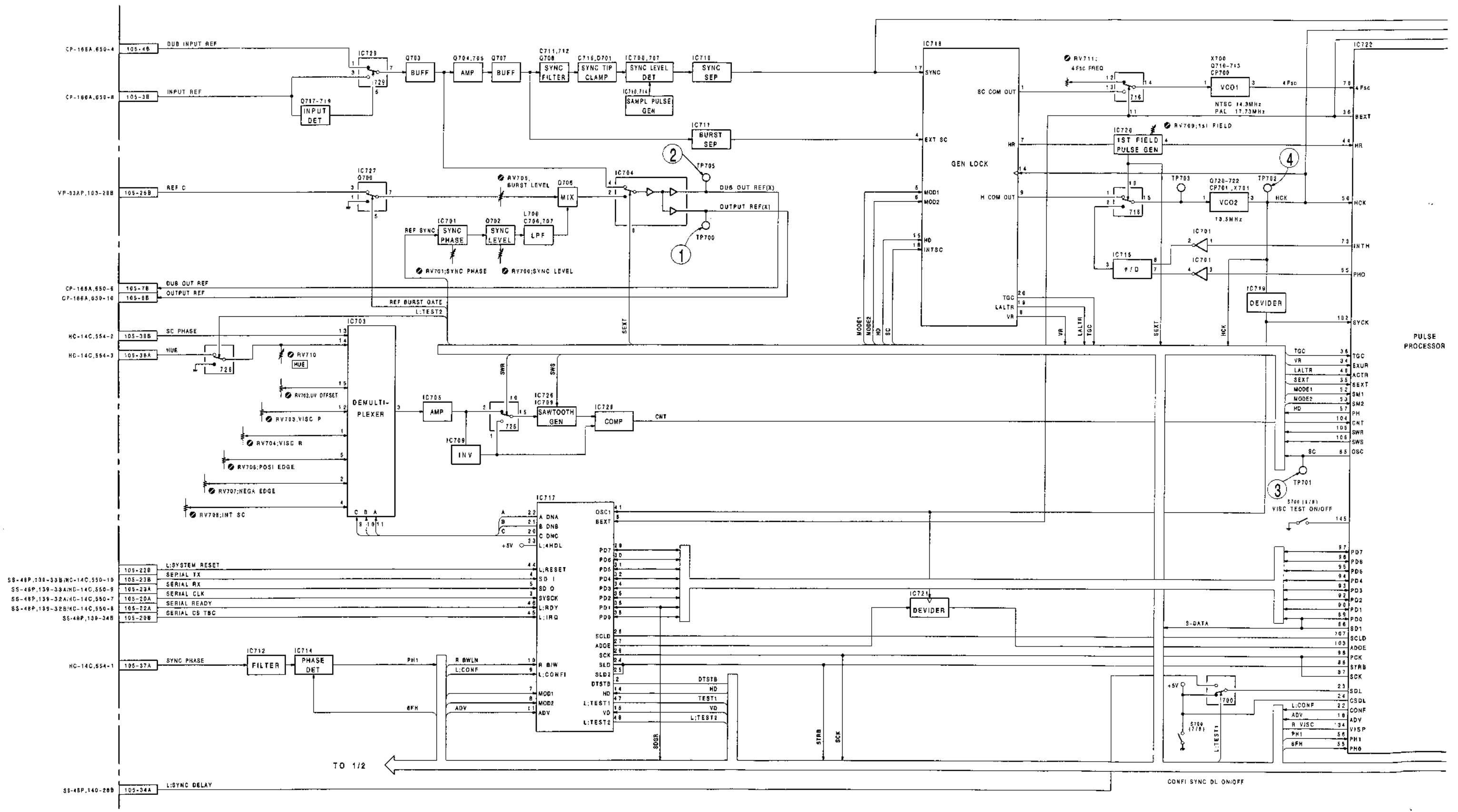


CTDM, TBC(1) TBC,CTDM(1)



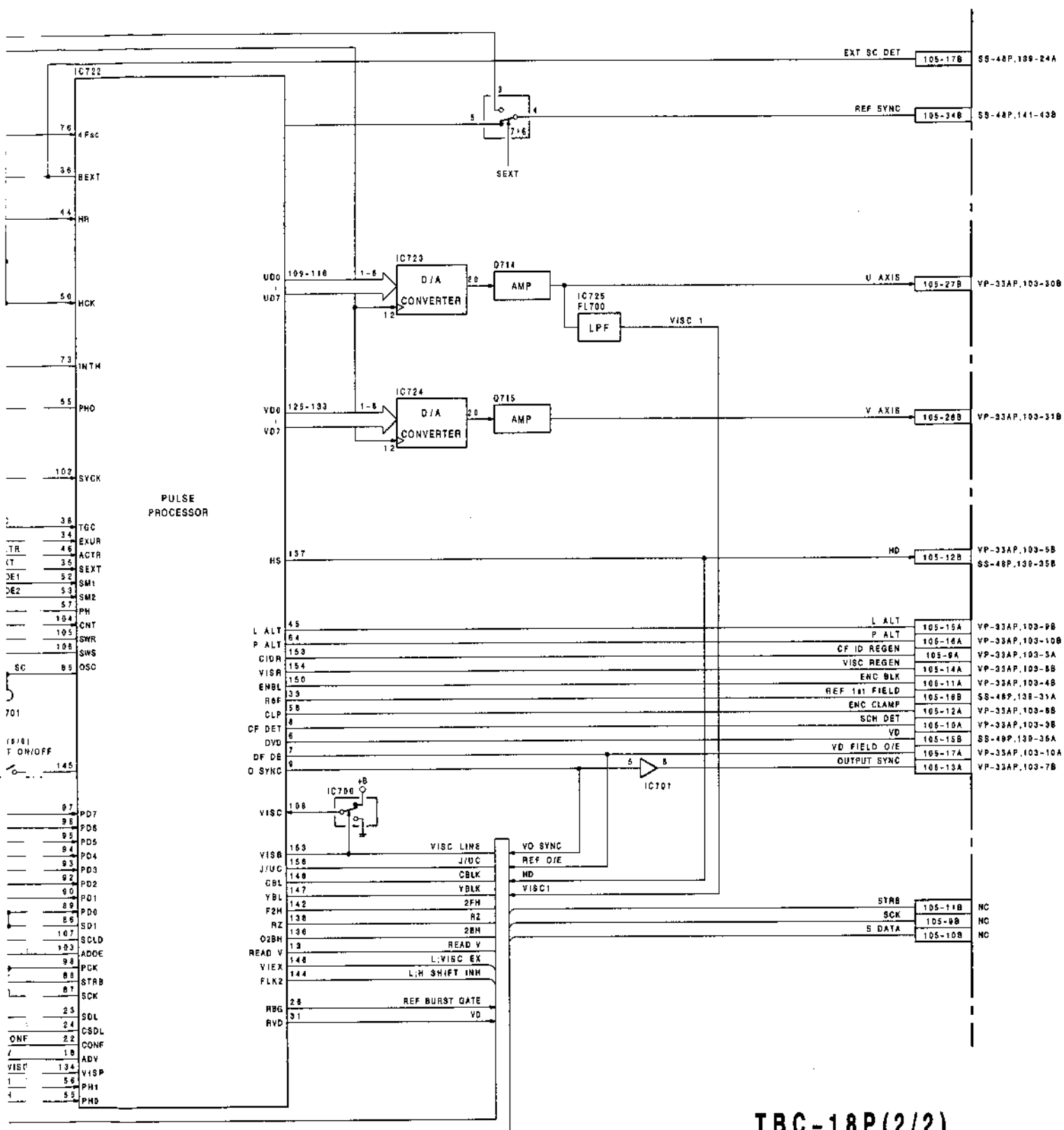
TBC-18P(1/2)
PVW-2600P

TIME BASE CORRECTOR



TO 1/2

CONF1 SYNC DL ON/OFF



TBC-18P(2/2)
PYW-2600P

- ① TP 700
- ② TP 705
- PB



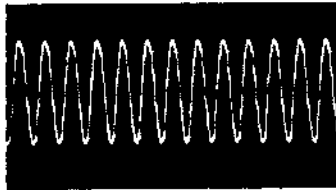
V : 500 mV/div
H : 20 μ s/div

- ③ TP 701
- PB



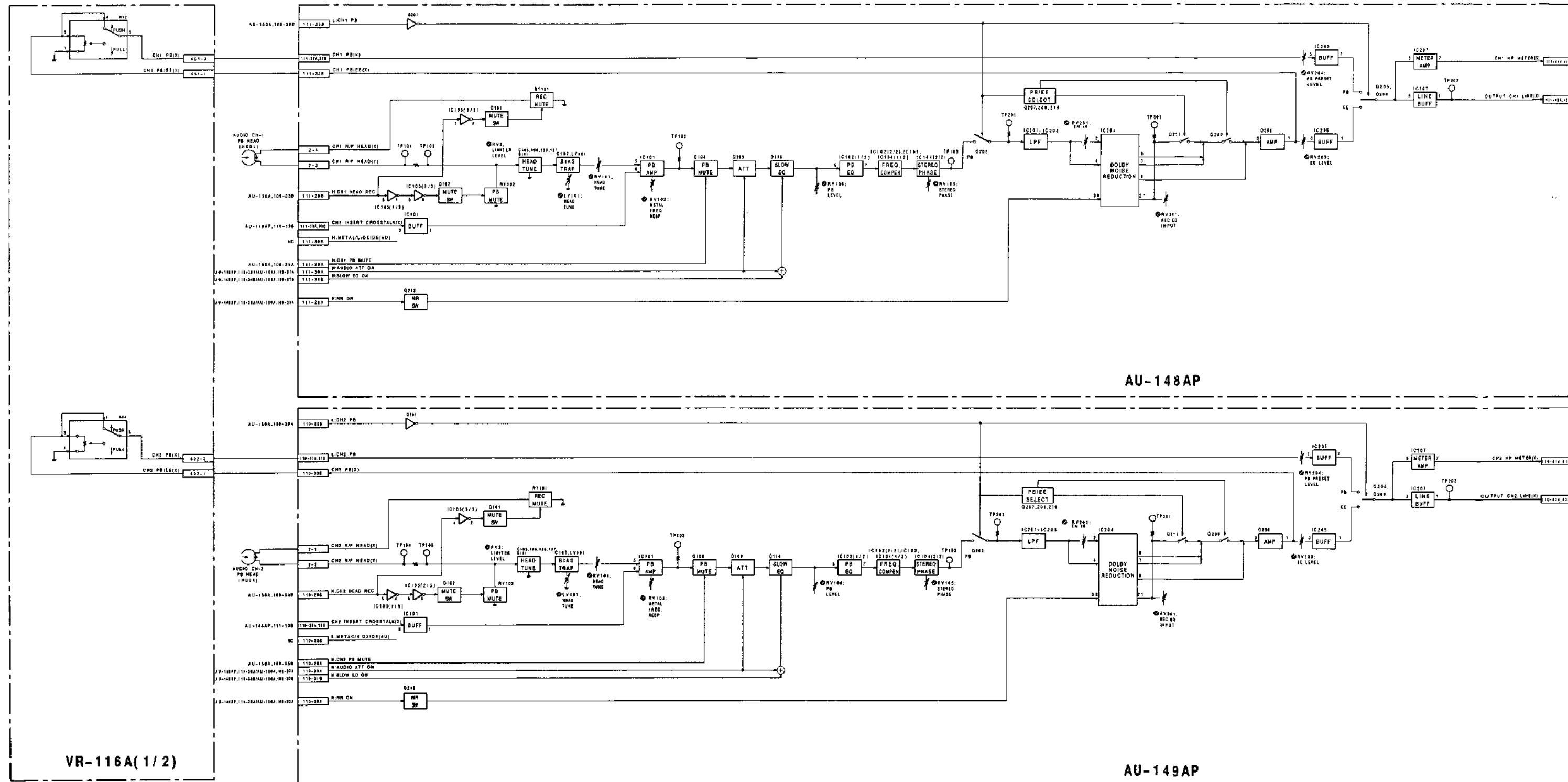
V : 2 V/div
H : 100 ns/div

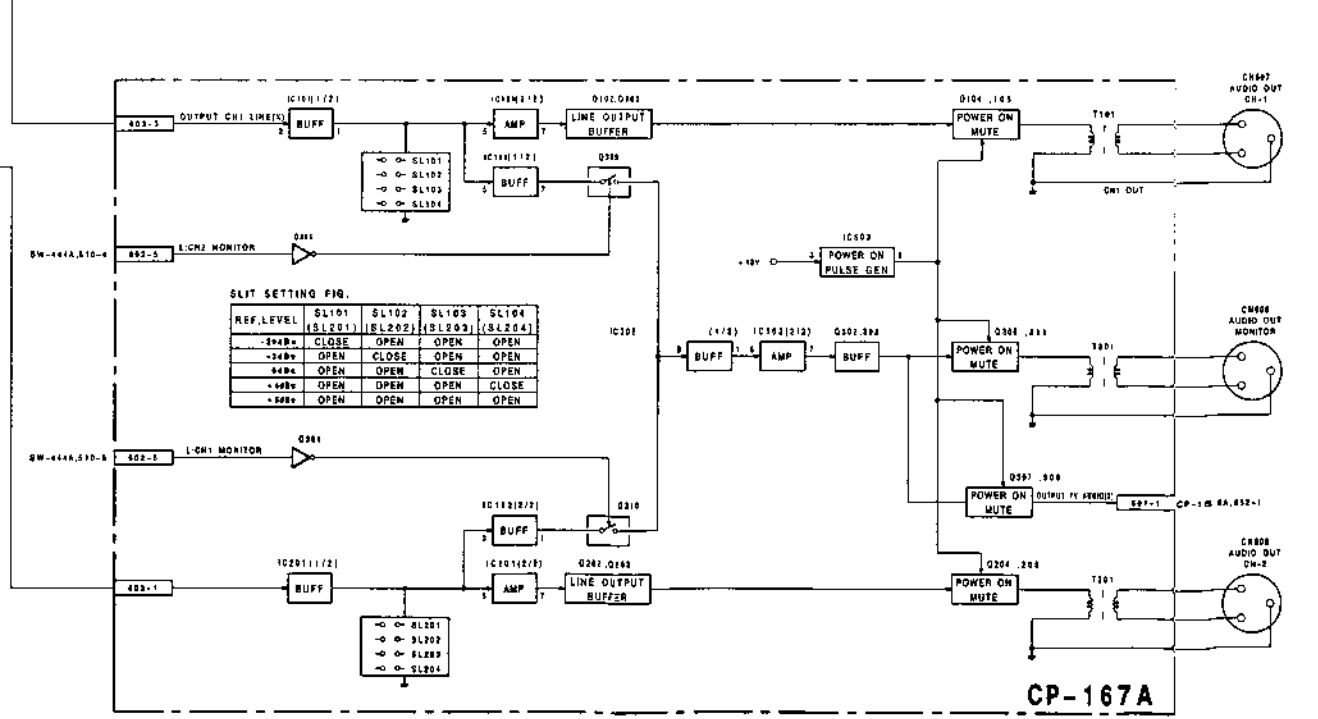
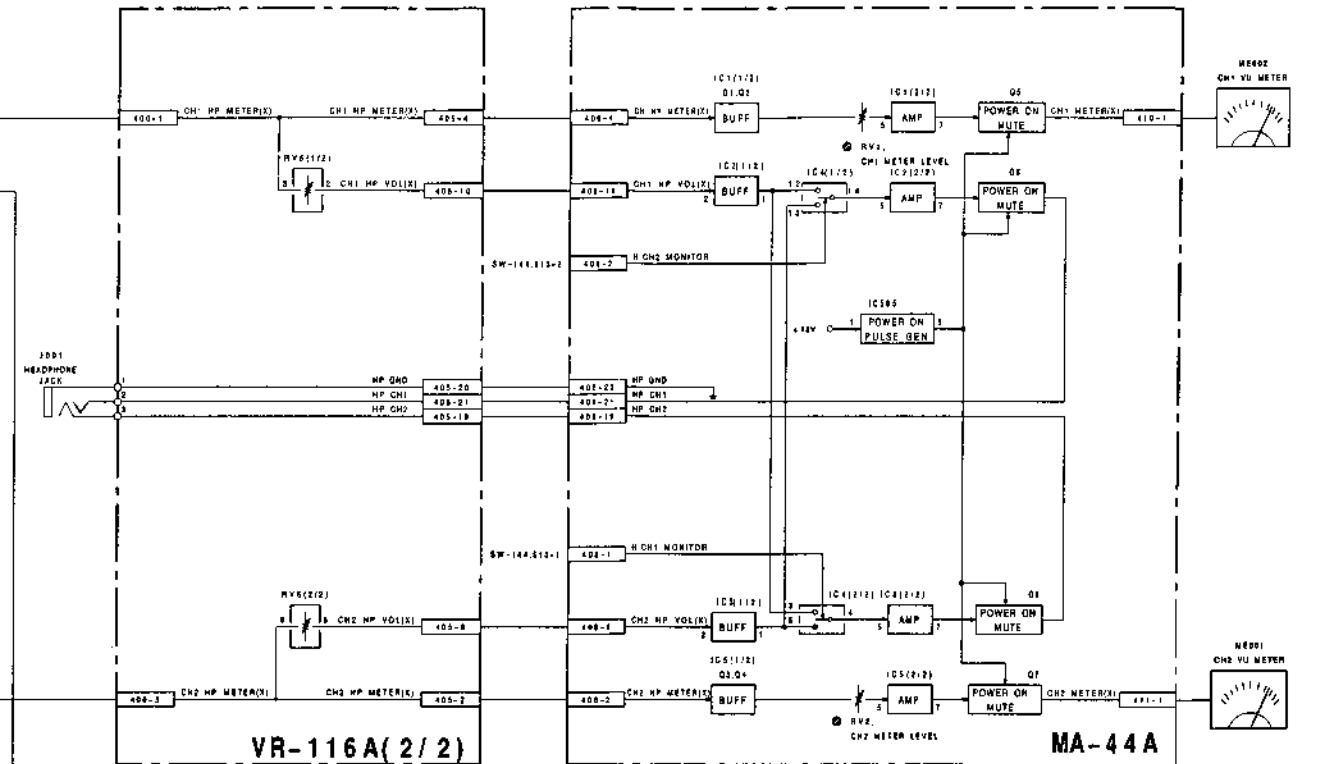
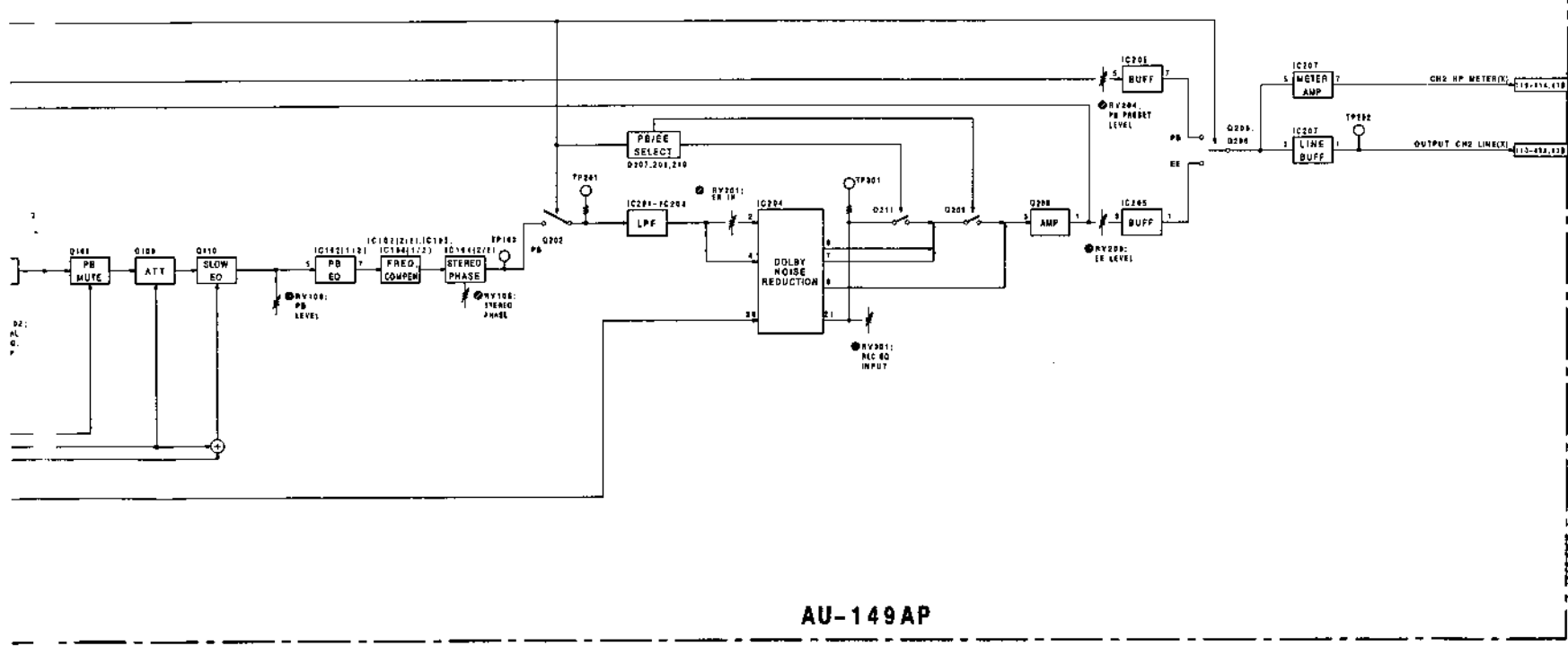
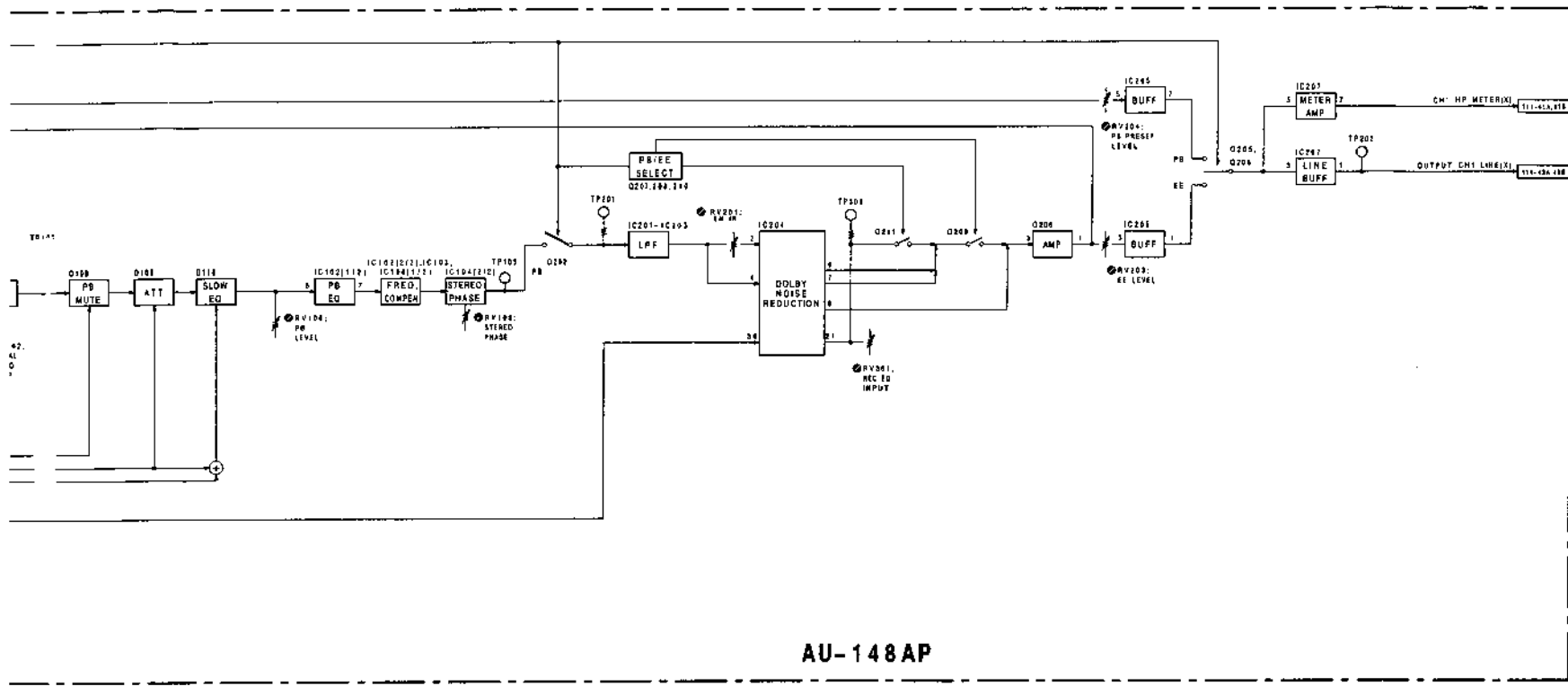
- ④ TP 702
- PB



V : 2 V/div
H : 100 ns/div

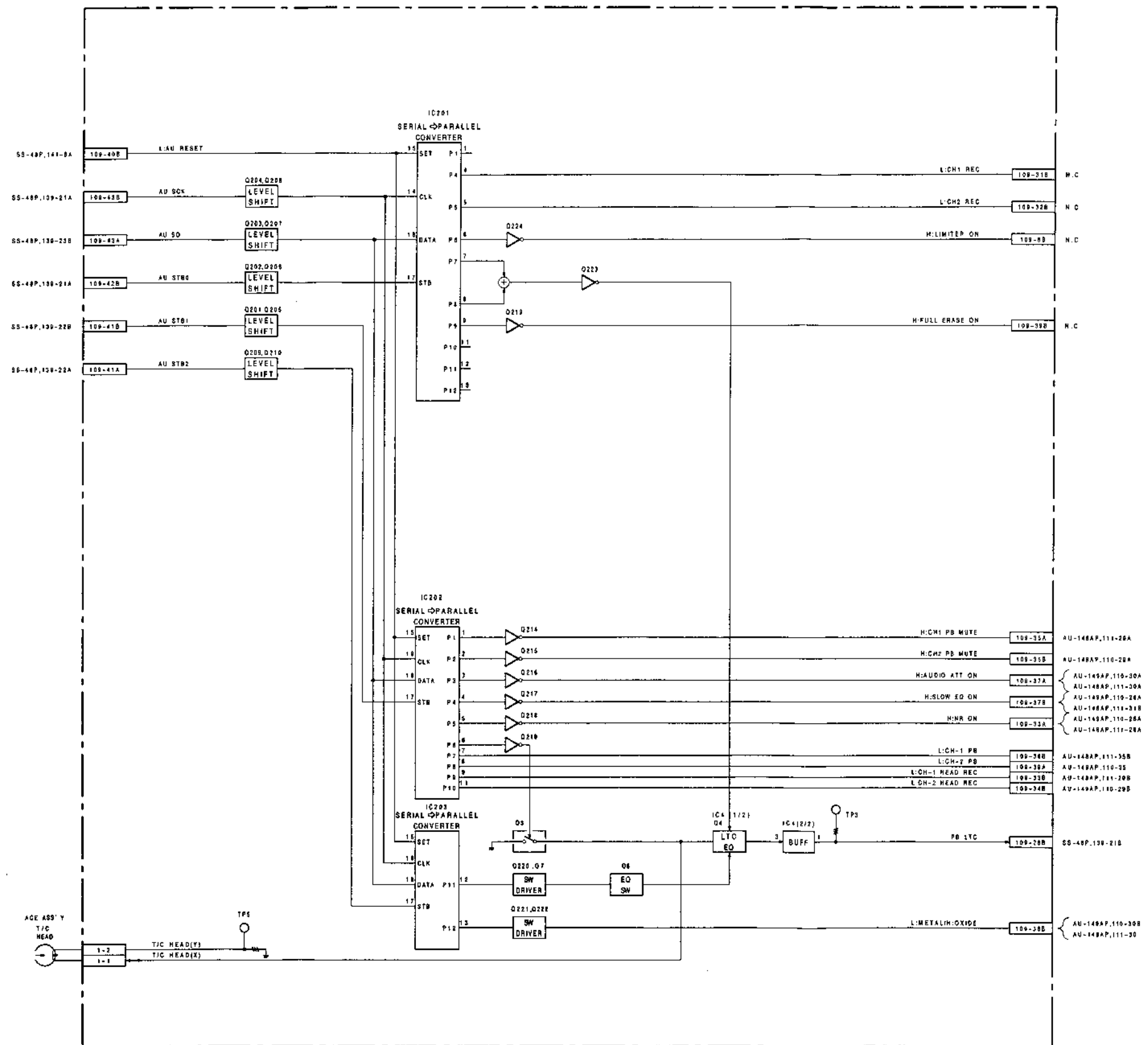
AUDIO CH-1/CH-2 PB PROCESS,DOLBY SYSTEM,OUT DRIVER,METER DRIVER

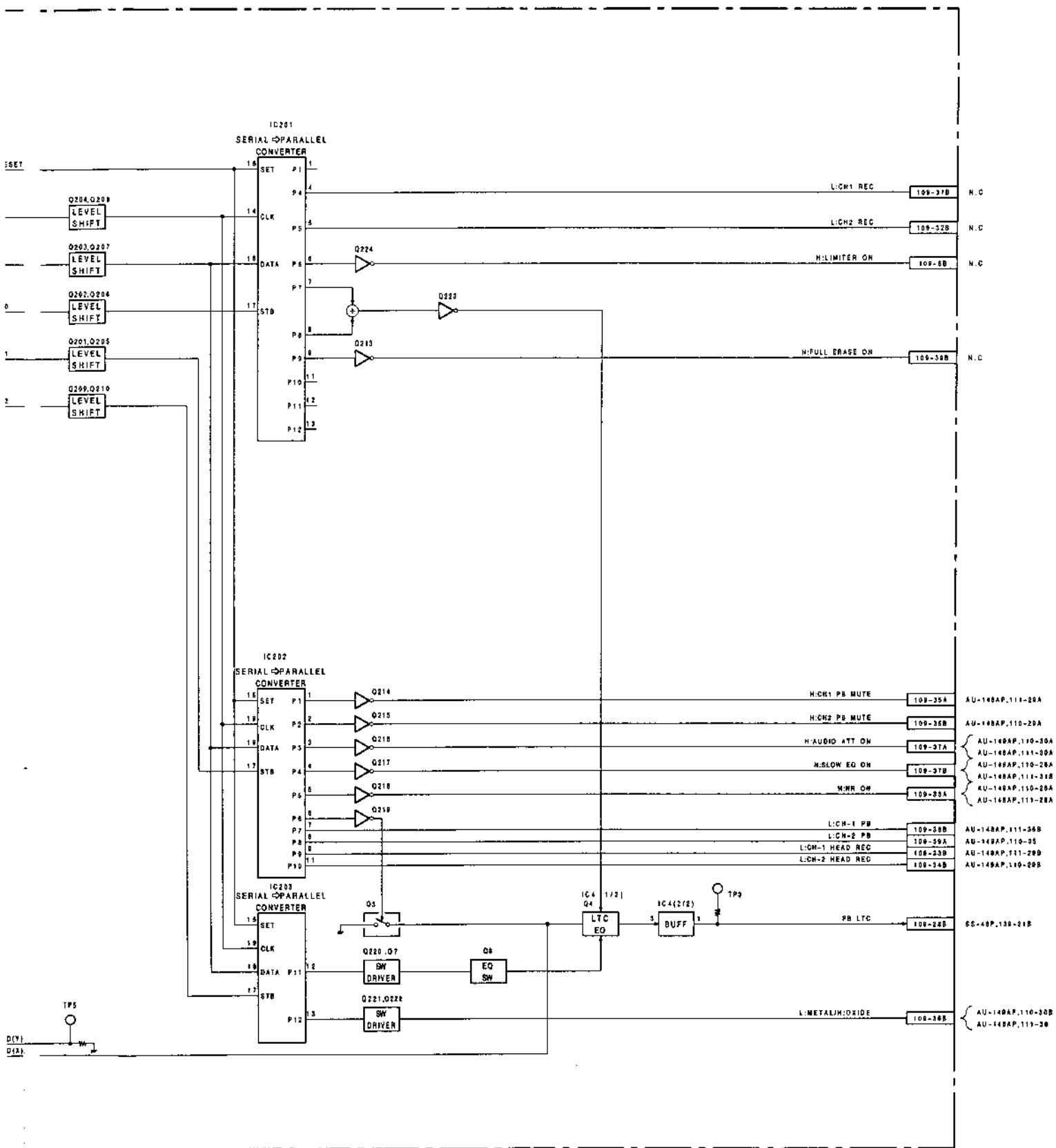




AU-148AP/149AP
PVW-2600P

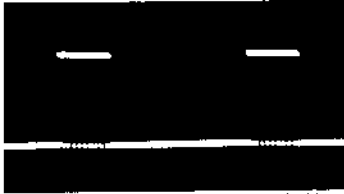
AUDIO MODE CONTROL, LTC PB





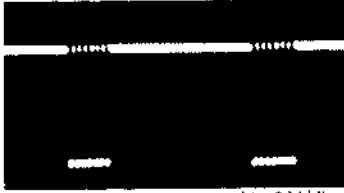
AU-150A
PVW-2600P

① TP 104
EE/PB



V: 2 V/div
H: 5 ms/div

② TP 105
EE/PB



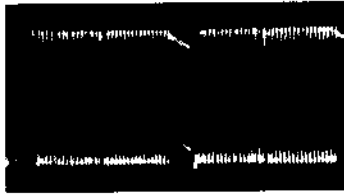
V: 2 V/div
H: 5 ms/div

③ TP 404
EE/PB



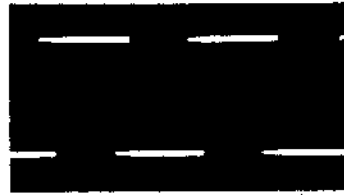
V: 1 V/div
H: 200 μ s/div

④ TP 408
EE/PB



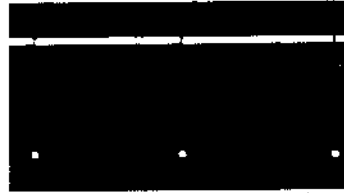
V: 2 V/div
H: 10 ms/div

⑤ TP 501
EE/PB



V: 2 V/div
H: 20 μ s/div

⑥ TP 502
EE/PB



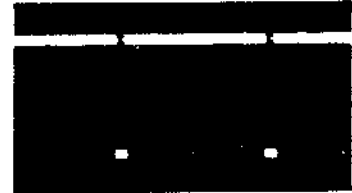
V: 2 V/div
H: 20 μ s/div

⑦ TP 503
EE/PB



V: 2 V/div
H: 10 ms/div

⑧ TP 504
EE/PB



V: 2 V/div
H: 20 μ s/div

⑨ TP 507
EE/PB



V: 2 V/div
H: 2 ms/div

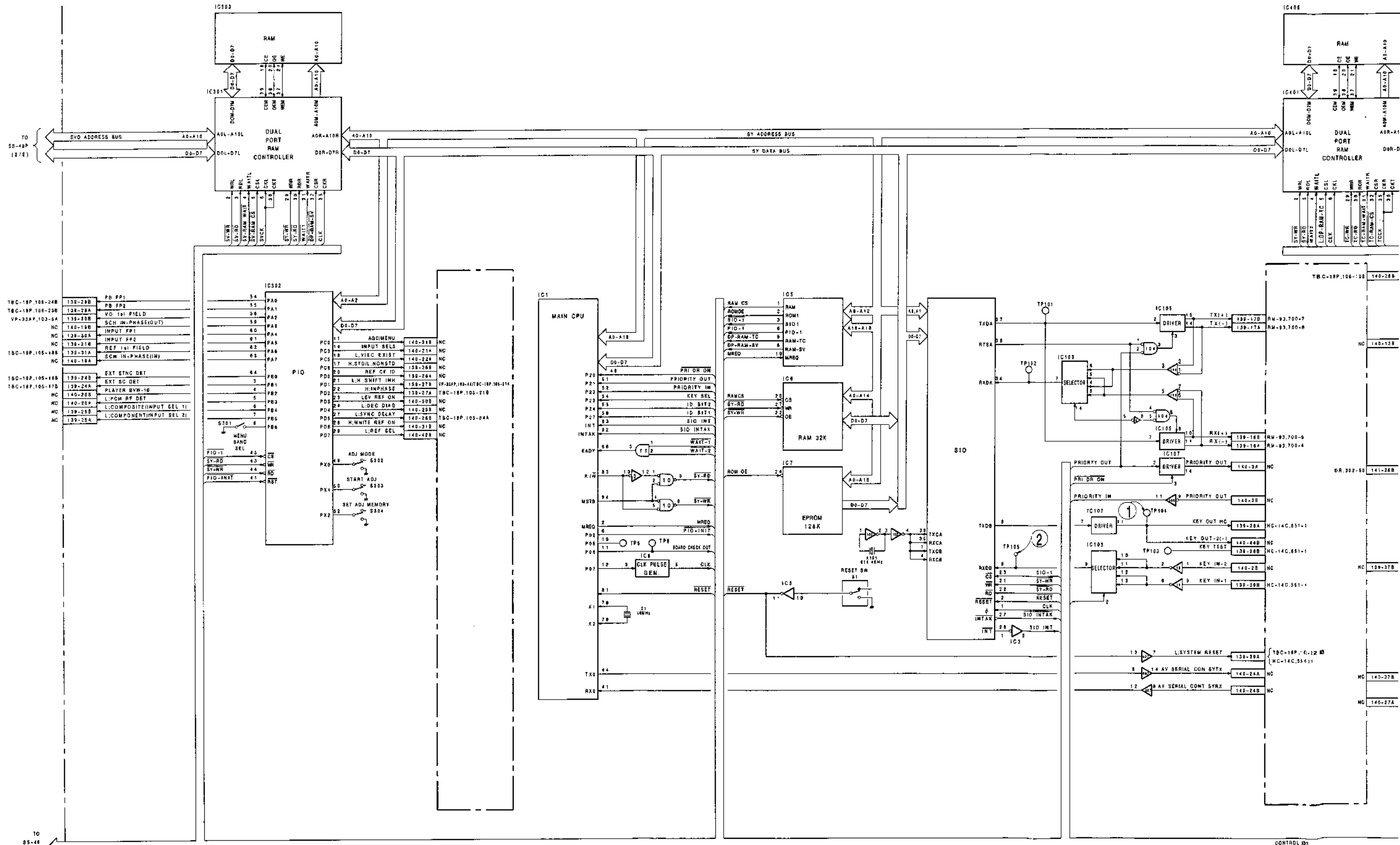
⑩ TP 509
PB



H: 2 ms/div

48 V_{p-p}

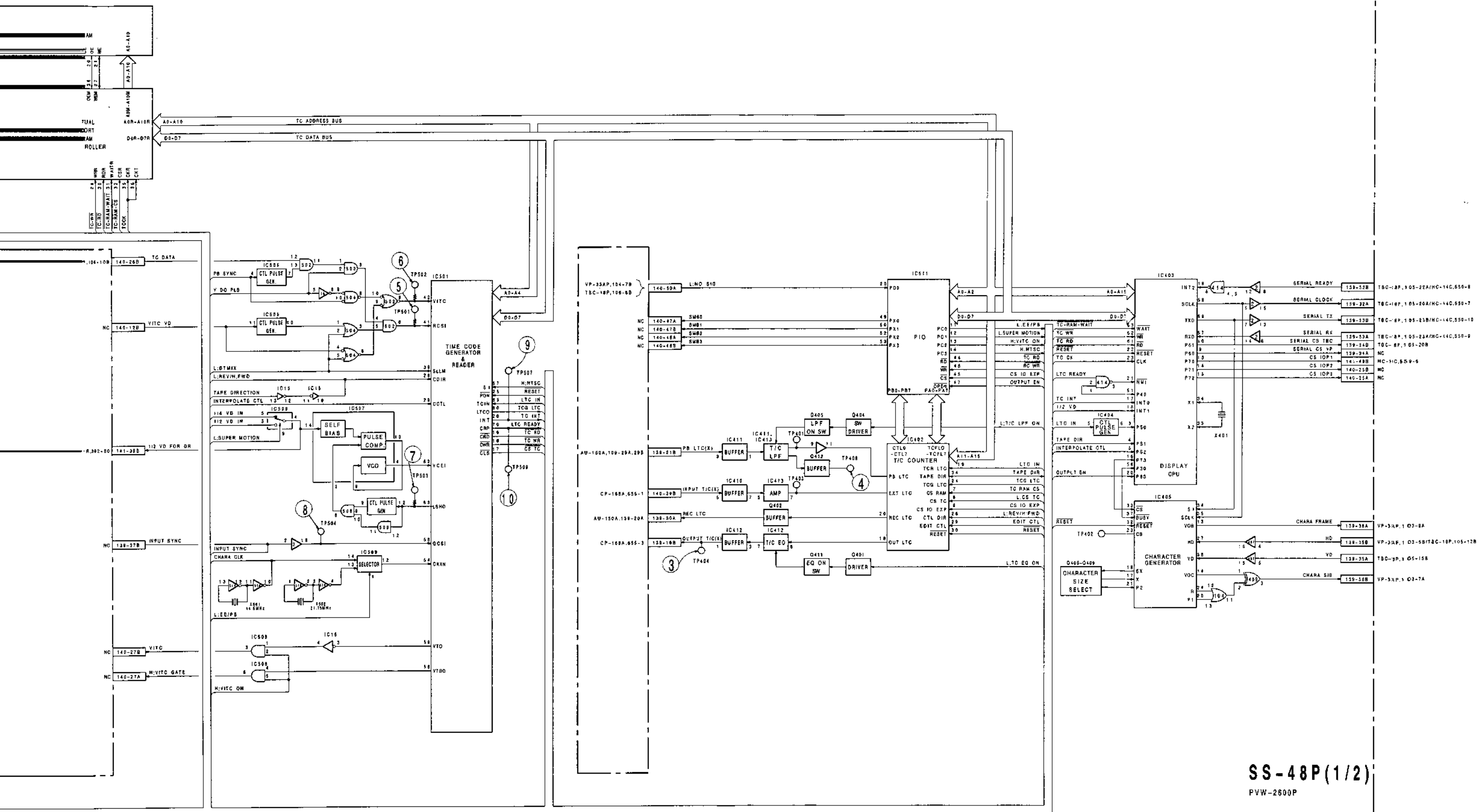
SYSTEM CONTROL(1)



TO 55-48 (2/2)

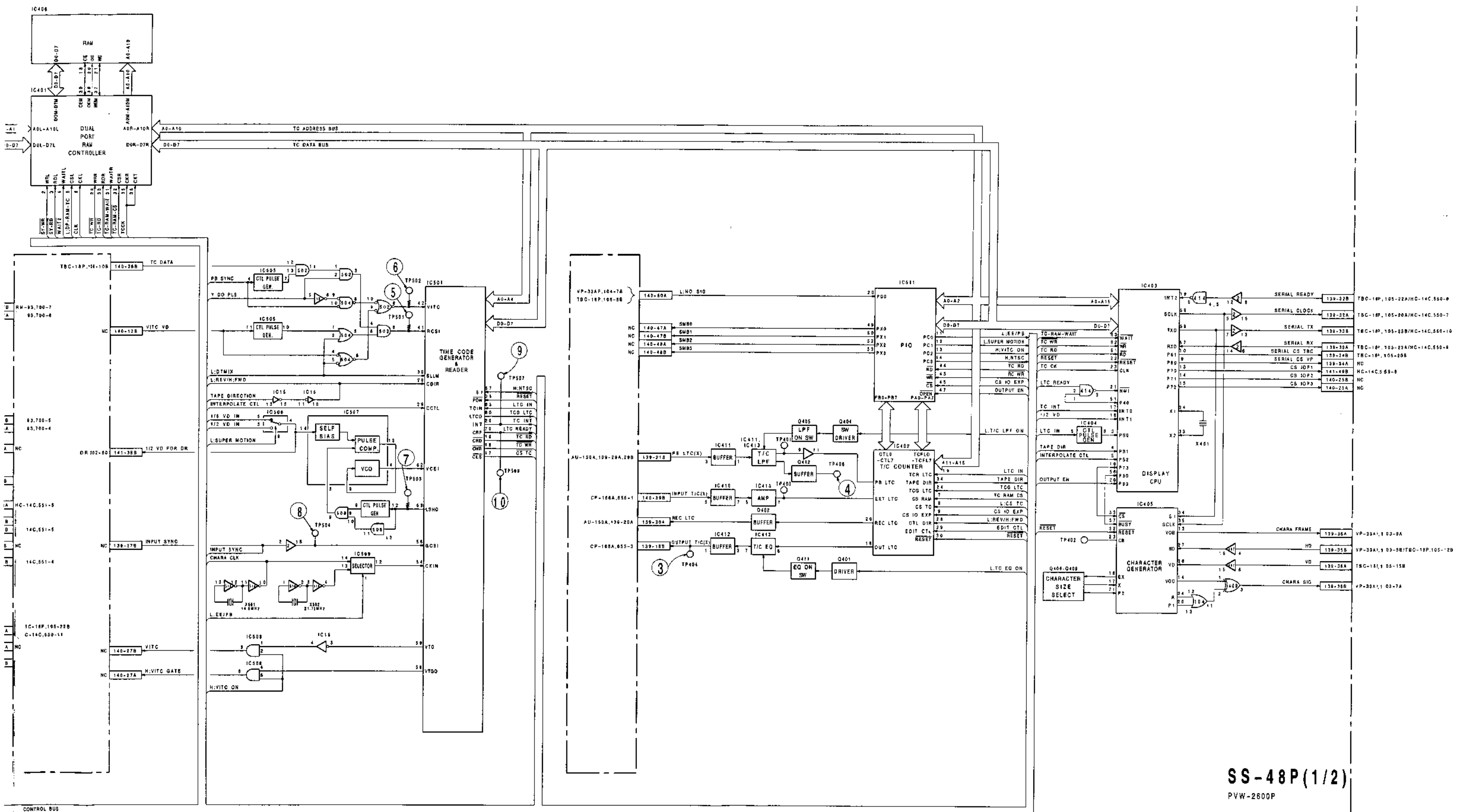
CONTRD 03

SYSTEM CONTROL(1) SYSTEM CONTROL(1)

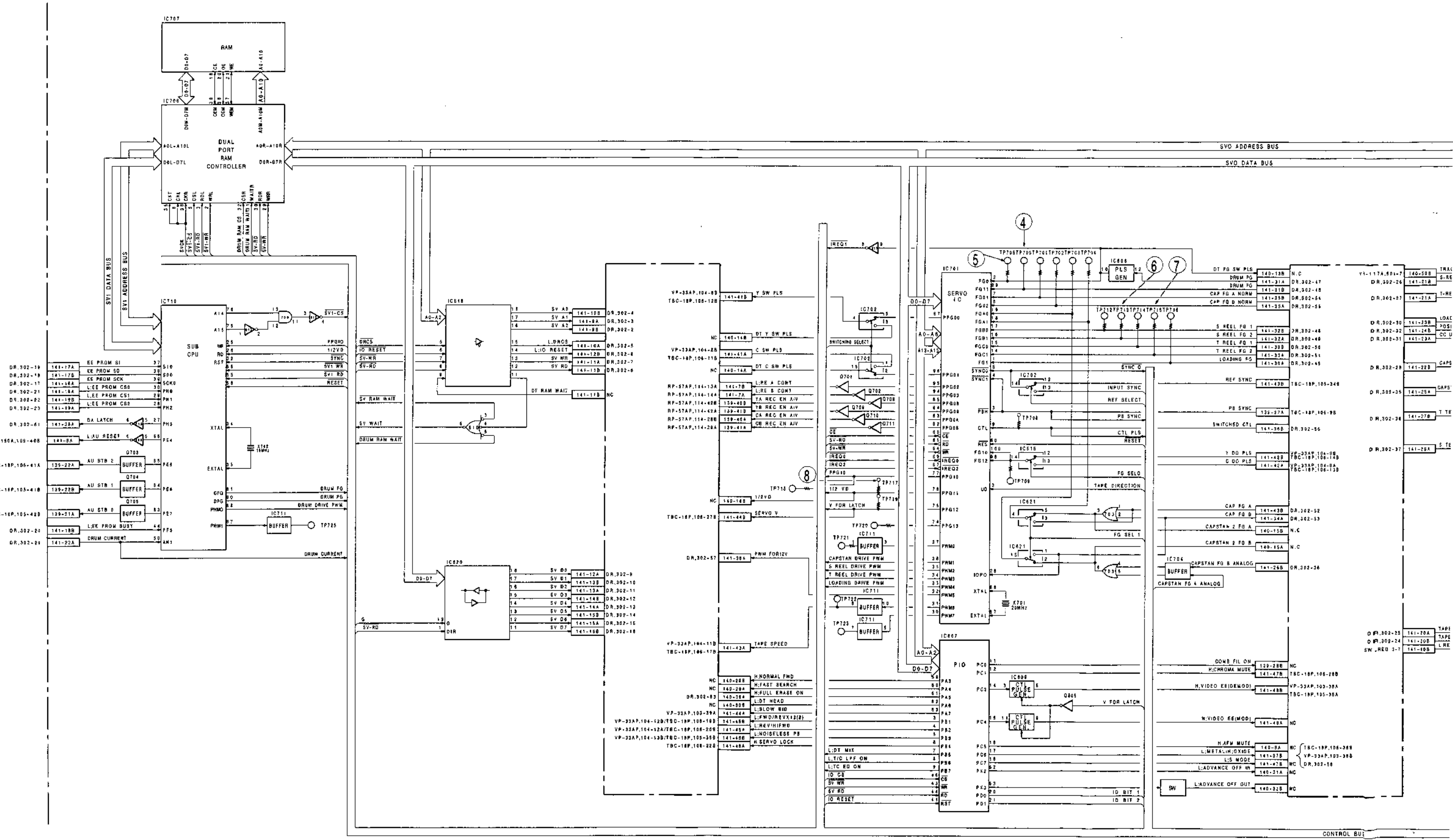


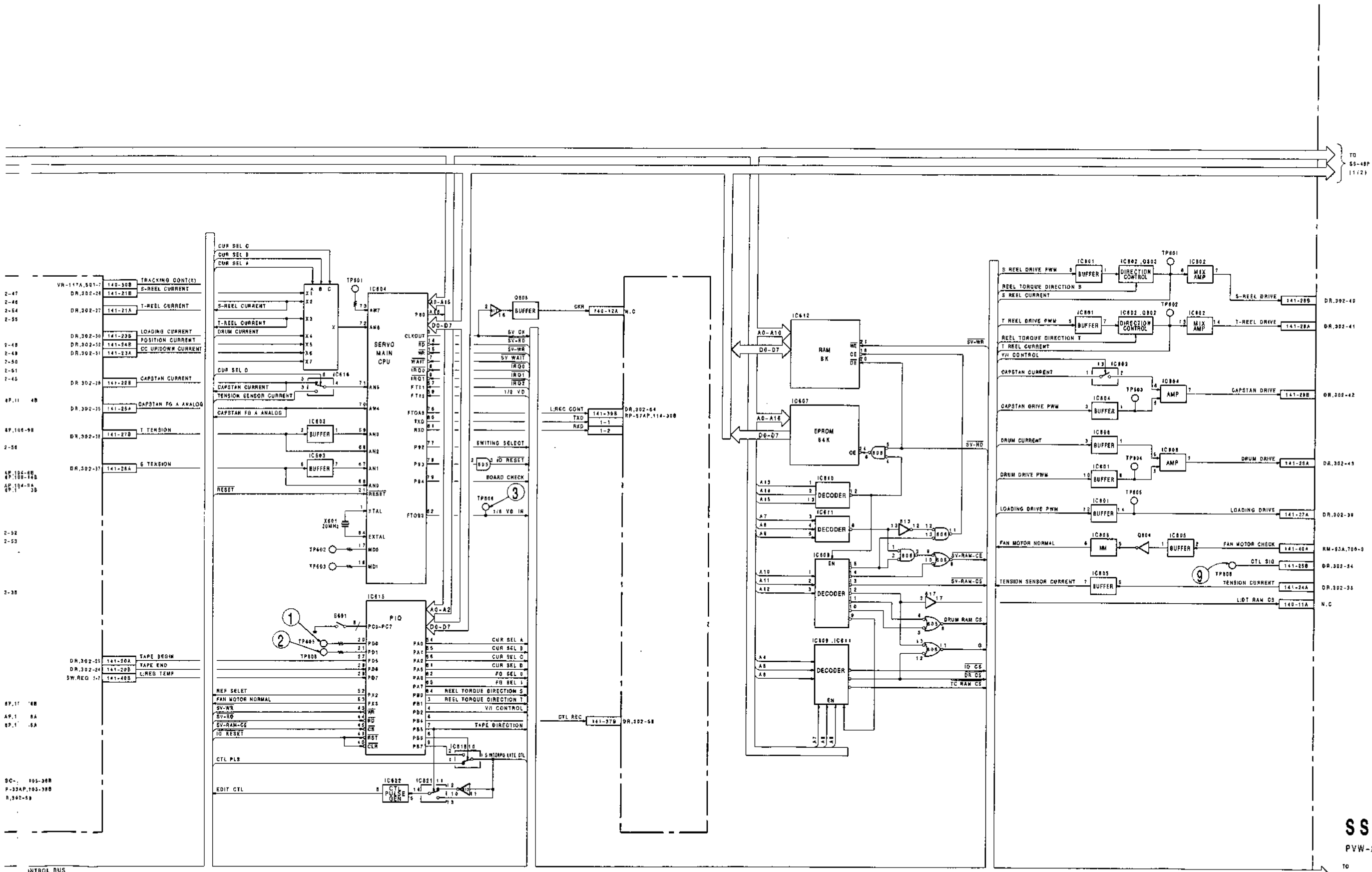
SS-48P(1/2)
PVW-2600P

SYSTEM CONTROL(1) SYSTEM CONTROL(1)



SS-48P(1/2)
PVW-2600P

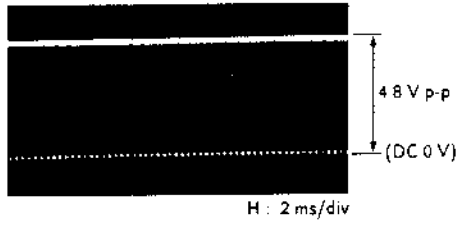




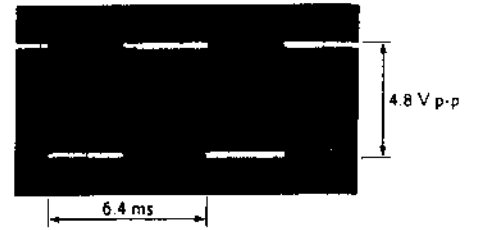
SS-48P(2/2)

PVW-2600P

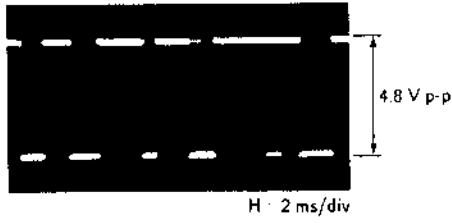
① TP 605
EE/PB



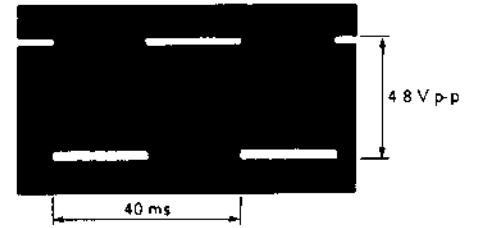
⑦ TP 715
PB



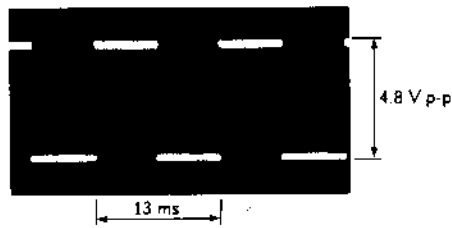
② TP 606
PB



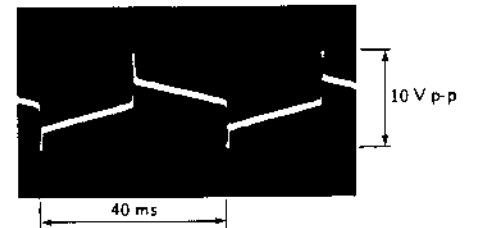
⑧ TP 717
EE/PB



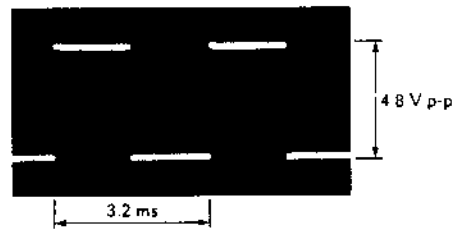
③ TP 607
EE/PB



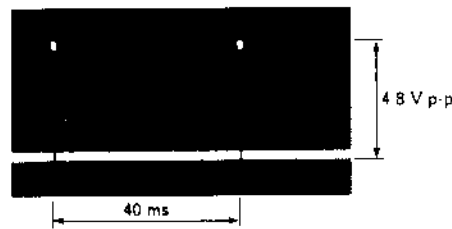
④ TP 806
PB



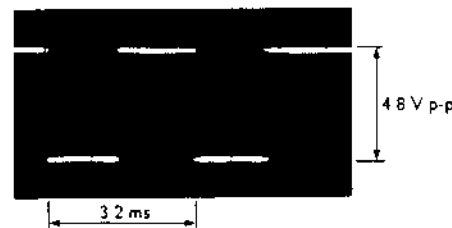
④ TP 705
EE/PB



⑤ TP 706
EE/PB

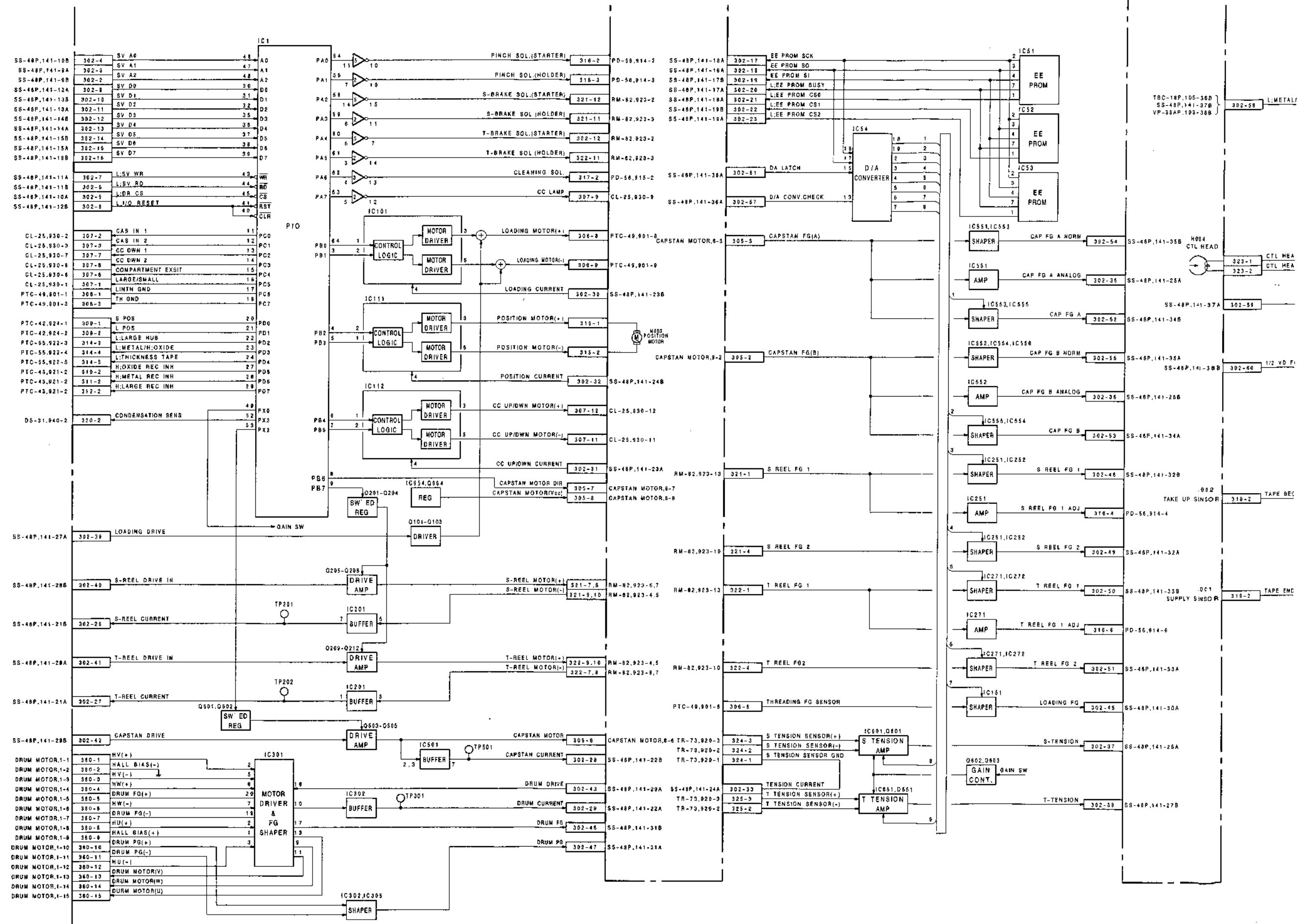


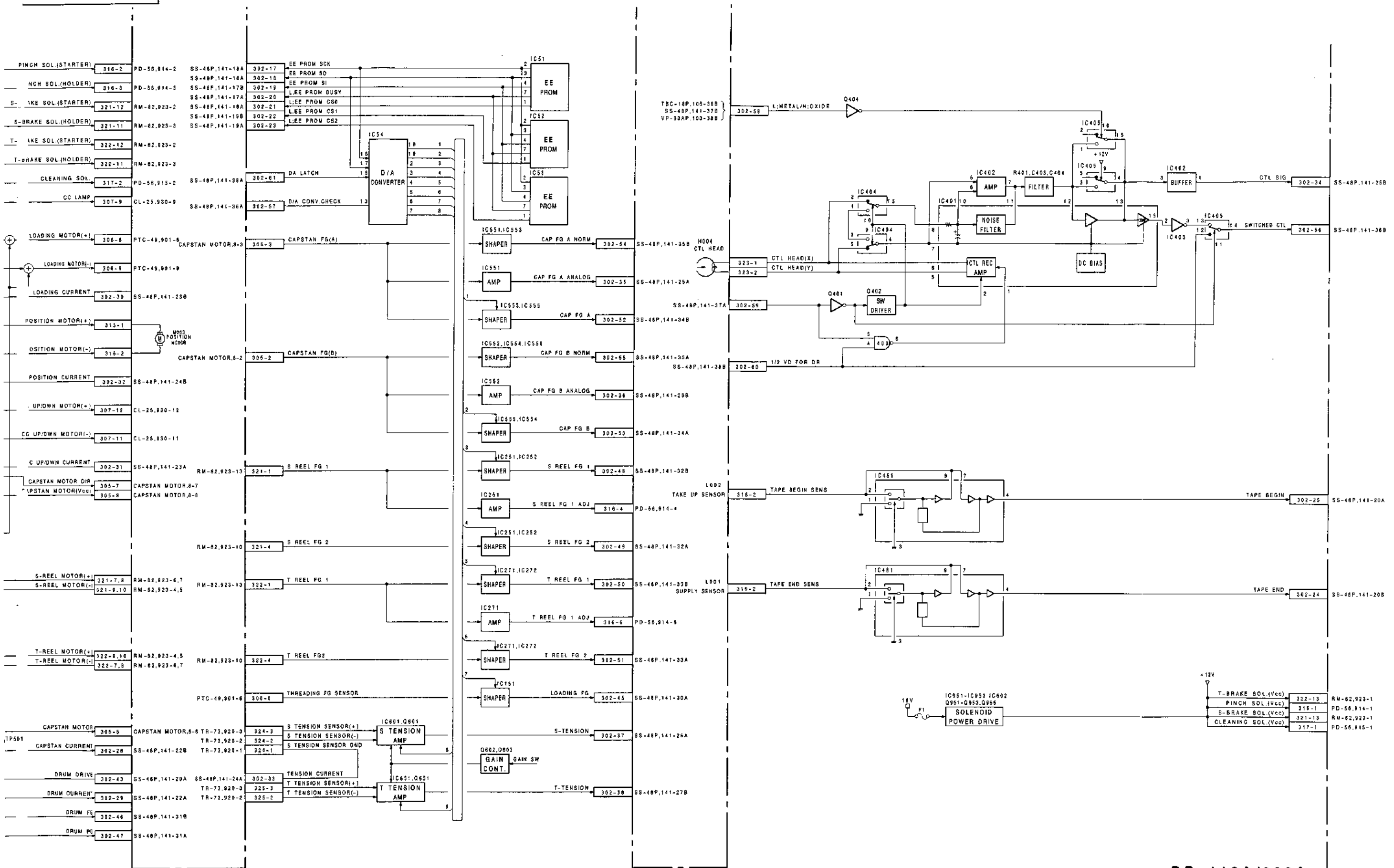
⑥ TP 713
PB



SERVO SERVO

SERVO





DR-118A/232A
PVW-2600P

SECTION 15 BOARD LAYOUT

CIRCUIT CONFIGURATION

The circuit information is provided below.

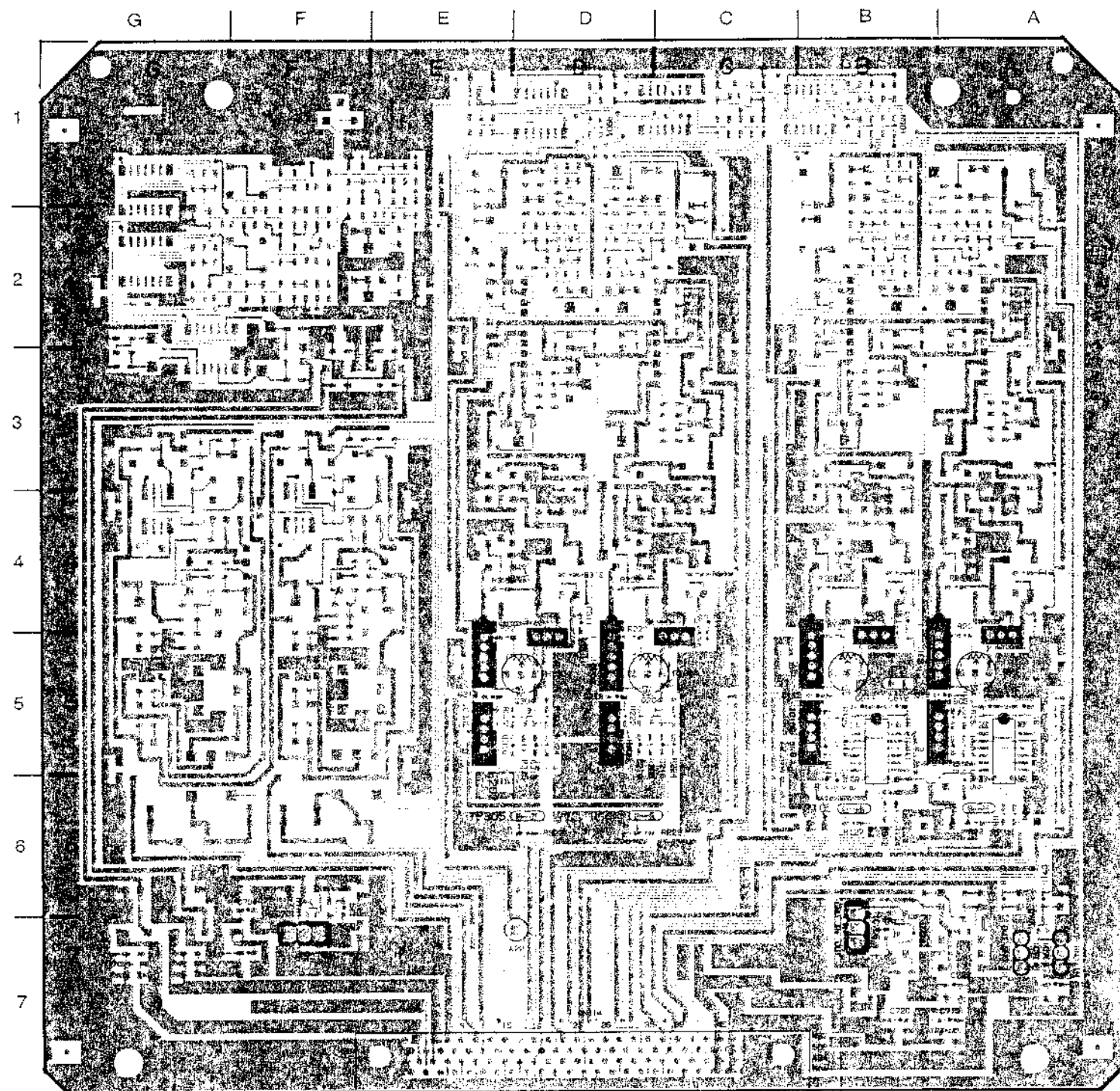
System	Board	Circuit Function
VIDEO	RP-57AP	RF PB Amplifier
	VP-33AP	Y/C PB Process (PB RF EQ, Demod., Encode, Y-RF Envelope DET), Composite Out Driver
	DO-29	Drop Out Detector
	TBC-18P	Time Base Corrector, CTDM (Expand)
	CP-166A	Output Connector, Component Out Driver
	VR-117A	Tracking Control
AUDIO	AU-148AP	CH-1 PB Process, Dolby System
	AU-149AP	CH-2 PB Process, Dolby System
	AU-150A	Mode Control, LTC PB
	CP-167A	Output Connector, Line Out Driver
	DP-138A	Audio Level Meter Back Light
	VR-116A	PB Level Control, Headphone Volume Control
	MA-44A	Meter Driver, Headphone Amplifier
SERVO/ SYSTEM CONTROL/ TIME CODE	SS-48P	System Control, Servo System Main, Time Code Reader, Character Generator
	KY-210A	Keyboard
	DP-139A	Time Code Display
	DR-118A	Motor Driver, Solenoid Driver, Sensor Input, Tension Amplifier, FG Amplifier, CTL PB, Adjust Data Storage
	DR-232A	Motor Driver, Solenoid Driver, Sensor Input, Tension Amplifier, FG Amplifier, CTL PB, Adjust Data Storage
	CL-25	Cassette Compartment (Cassette Loading Begin/Near-end Sensor, LP-57 Connection Cassette Loading Motor)
	DE-15	Reel FG
	DS-31	Condensation Sensor
	HC-14C	Sub-control Panel
	PC-62	Cassette In/Large Cassette Sensor
	PD-56	Pinch/Cleaning Solenoid Connection, Reel FG Check
	PTC-39	Search Dial
	PTC-42	Cassette Size Sensor
	PTC-49	Threading Motor
	PTC-54	Threading FG
	PTC-55	Cassette Information Sensor (Tape Thickness, Reel Hub Diameter, Metal/Oxide)
	RM-82	Reel Motor
	RM-93A	TBC/9P Remote Connector
	* SE-186	Reel FG
	SW-444A	Select Switch, Indicator, RF/Video Level Meter
TR-73	S/T Tension Sensor	
OTHERS	AC-133	AC Line Filter, Fuse
	DP-159A	RF/Video Meter Back Light
	LP-57	Cassette Illumination
	MB-322A/322D	Mother Board
	SOPS1019A	Switching Regulator
	SOPS1019B	Switching Regulator
	SOPS1019C	Switching Regulator

*SE-186 Board : As to serial No. (EK) 15836 and higher, (uc) 10011 and higher the board has been changed from DE-15 to SE-186.

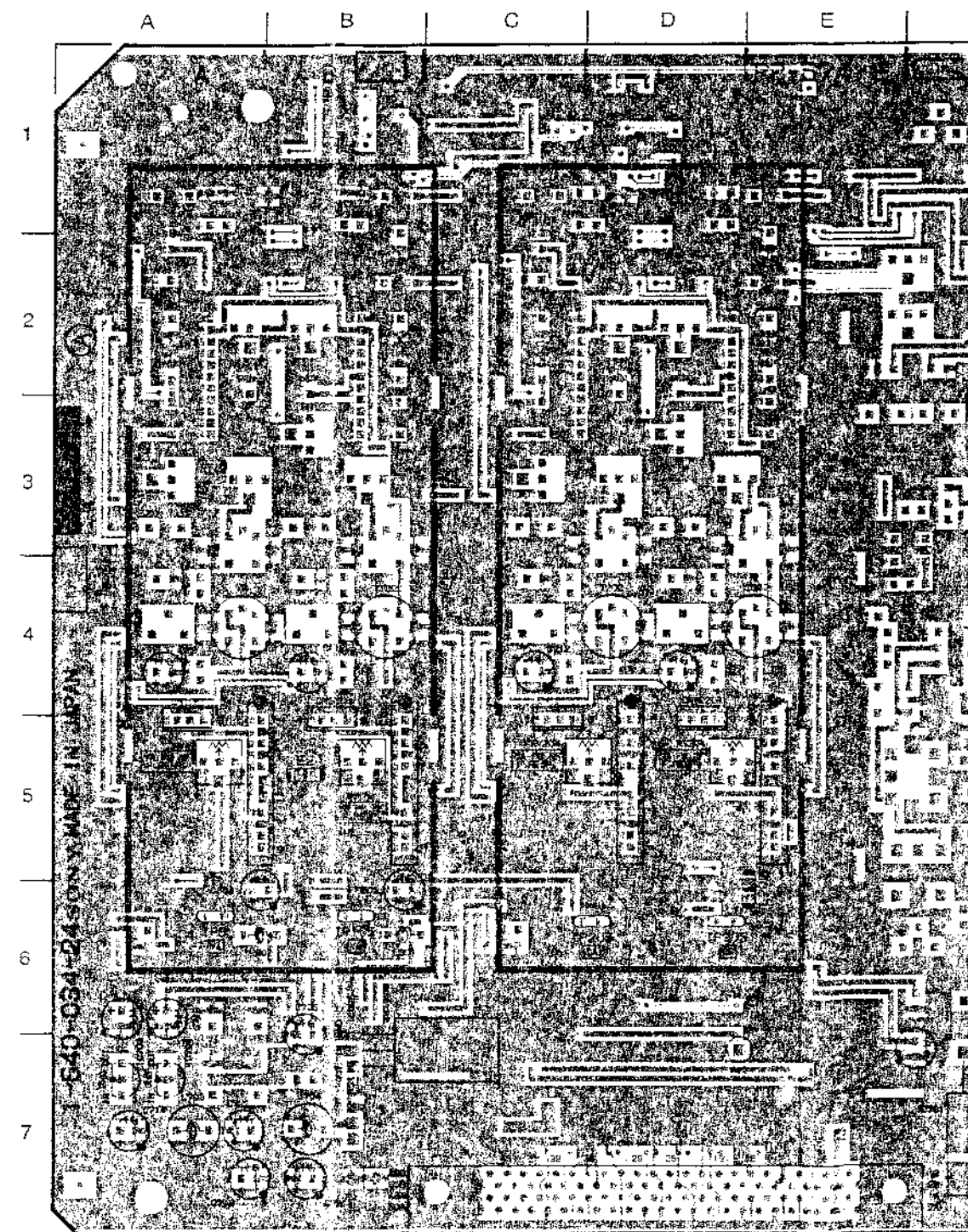
	Board	Page
A	AC-133	15-20
	AU-148AP	15-8
	AU-149AP	15-9
	AU-150A	15-10
C	CL-25	15-20
	CP-166A	15-7
	CP-167A	15-11
D	DE-15	15-20
	DO-29	15-4
	DP-138A	15-12
	DP-139A	15-15
	DP-159A	15-21
	DR-118A	15-16
	DR-232A	15-17
	DS-31	15-20
	DUS-668	15-4
H	HC-14AC	15-18
K	KY-210A	15-15
L	LP-57	15-20
M	MA-44A	15-12
	MB-322A/322D	15-22
P	PC-62	15-20
	PD-56	15-20
	PTC-39	15-15
	PTC-42	15-20
	PTC-49	15-20
	PTC-54	15-20
	PTC-55	15-20
R	RM-82	15-20
	RM-93A	15-21
	RP-57AP	15-2
S	SE-186	15-20
	SOPS1019A	15-24
	SOPS1019B	15-24
	SOPS1019C	15-24
	SS-48P	15-13
	SW-444A	15-19
T	TBC-18P	15-5
	TR-73	15-20
V	VP-33AP	15-3
	VR-116A	15-12
	VR-117A	15-21

Serial No. (EK); 12491 and higher
Serial No. (UC); 10001 and higher

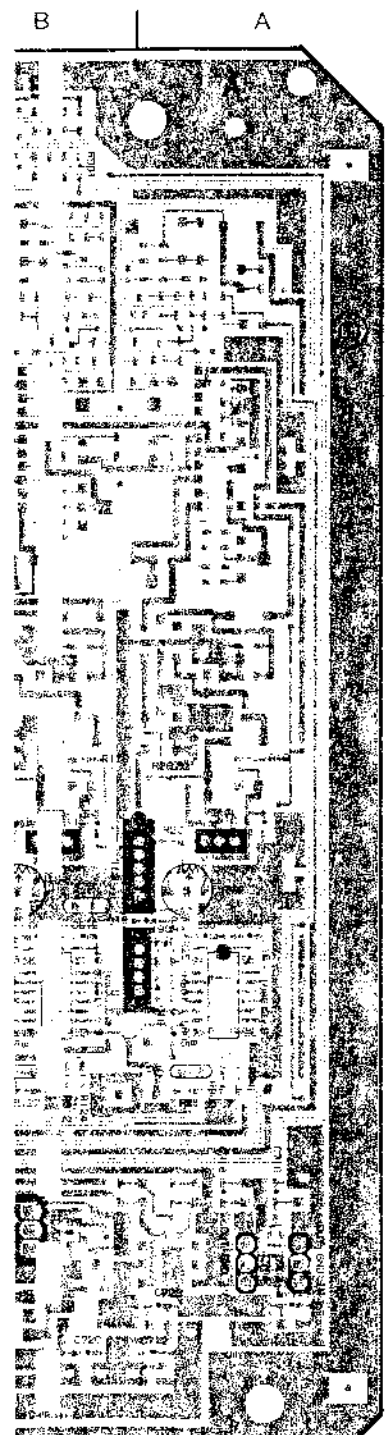
RP-57AP ; RM PB AMPLIFIER



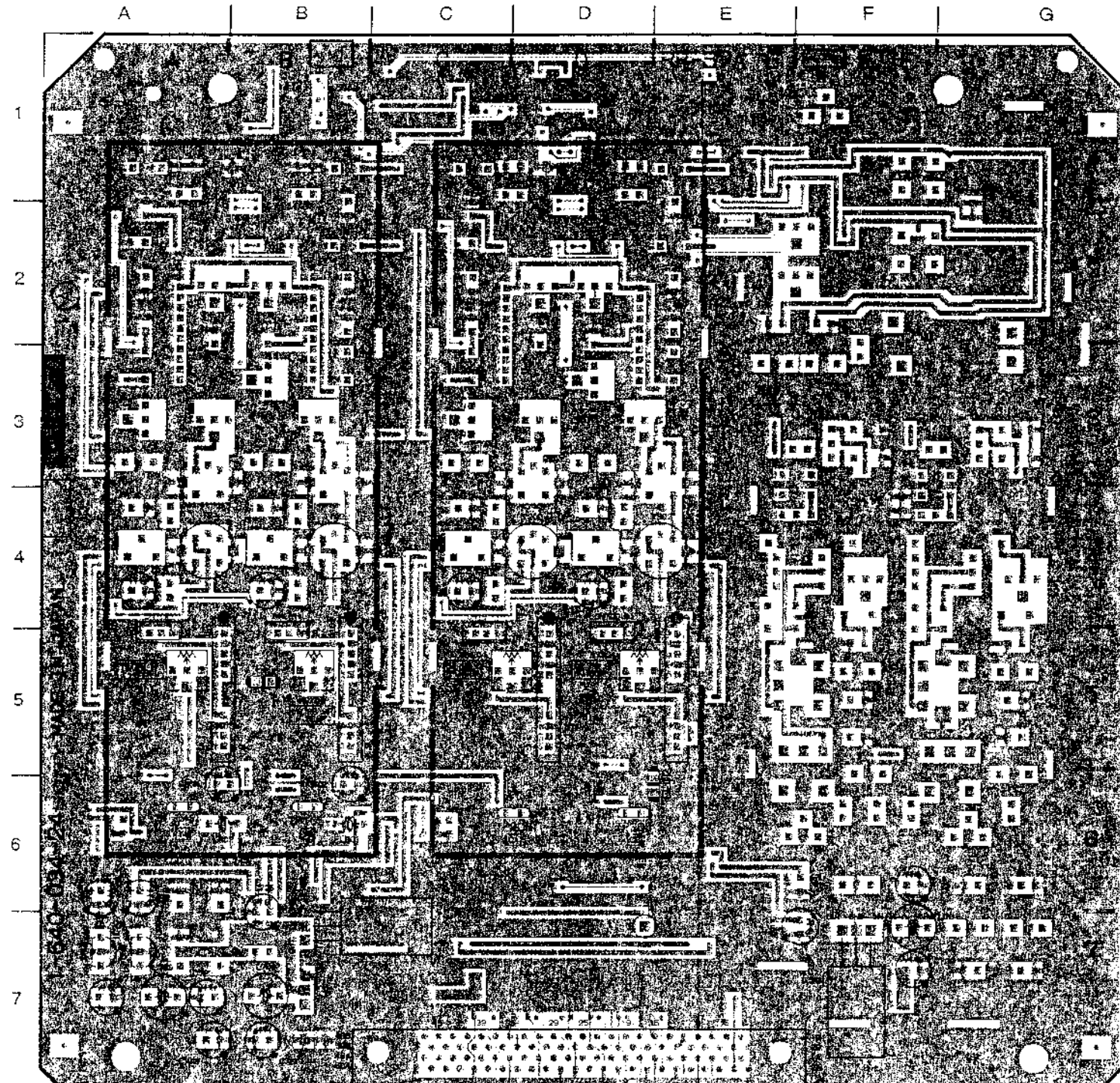
RP-57AP 1-640-034-24 B SIDE



RP



RP-57AP 1-640-034-24 B SIDE



RP-57AP 1-640-034-24 A SIDE

- CN 1 A-5
- CN 2 B-5
- CN 101 C-5
- CN 102 D-5
- CN 114 D-7
- * D 701 F-6
- * D 702 A-7
- * D 703 B-7
- E 2 E-5
- E 202 E-6
- IC 2 A-5
- IC 102 B-5
- IC 202 D-5
- IC 302 E-5
- IC 701 F-7
- IC 703 A-7
- IC 704 A-7
- IC 705 B-7
- * IC 801 A-5
- * IC 811 B-5
- L 701 F-7
- L 703 A-7
- L 704 B-7
- L 801 B-6
- L 802 A-6
- * Q 204 C-5
- * Q 304 C-5
- RV 4 A-5
- RV 104 B-5
- RV 204 C-5
- RV 304 D-5
- TP 5 A-6
- TP 105 E-6
- TP 205 D-6
- TP 305 D-6
- T 2 A-4
- T 102 B-4
- T 302 E-4
- * : E SIDE

Serial No. (EK); 10651 to 12490

RP-57P ; RF PB AMPLIFIER

- CN 1 A-5
- CN 2 B-5
- CN 101 C-5
- CN 102 D-5
- CN 114 D-7

- *D 701 F-6
- *D 702 A-7
- *D 703 B-7

- E 2 B-5
- E 202 E-6

- IC 2 A-5
- IC 102 B-5
- IC 202 D-5
- IC 302 E-5
- IC 701 F-7
- IC 703 A-7
- IC 704 A-7
- IC 705 B-7
- *IC 801 A-5
- *IC 811 B-5

- L 701 F-7
- L 703 A-7
- L 704 B-7
- L 801 B-6
- L 802 A-6

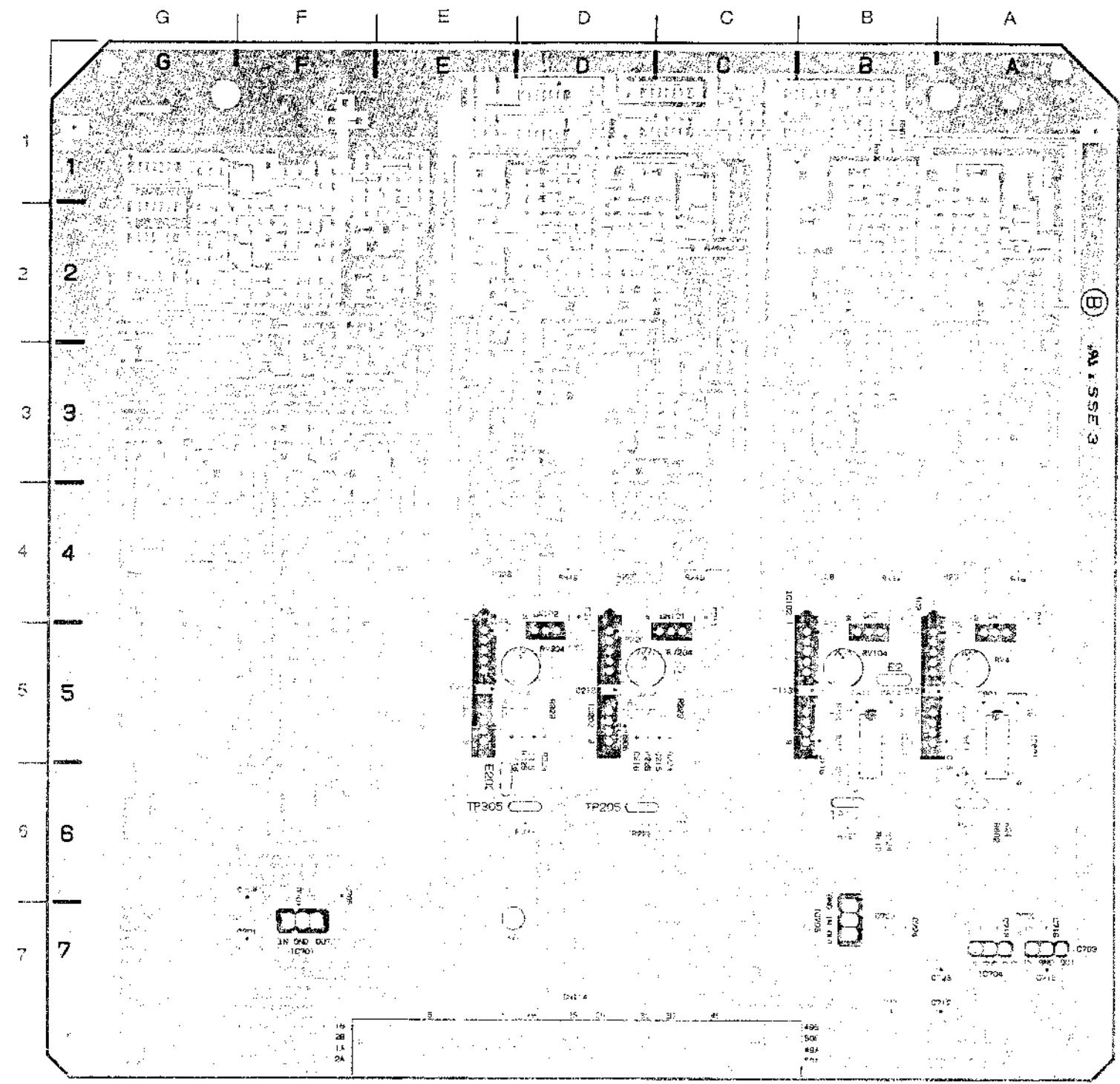
- *Q 204 C-5
- *Q 304 D-5

- RV 4 A-5
- RV 104 B-5
- RV 204 D-5
- RV 304 D-5

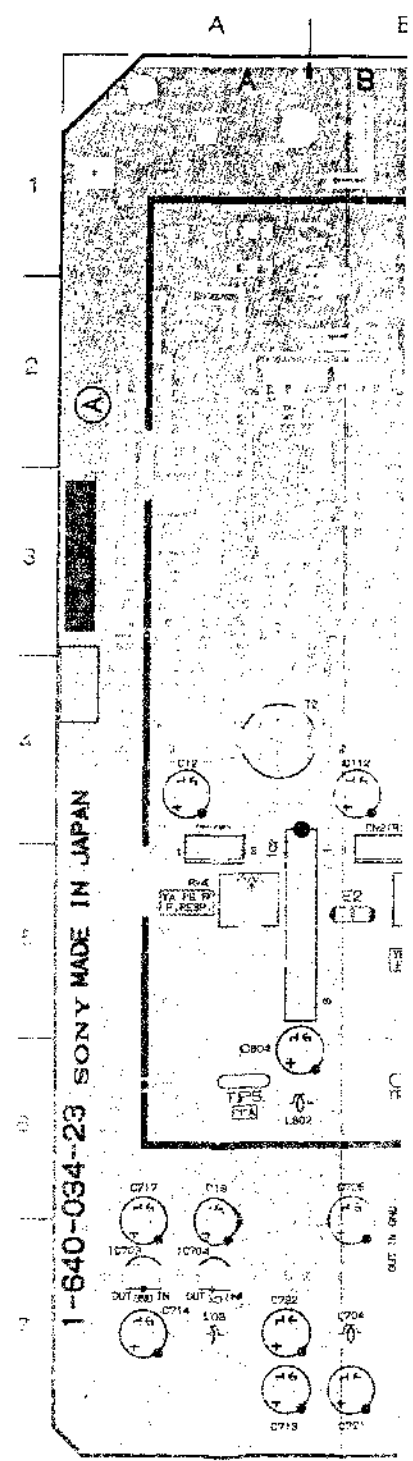
- TP 5 A-6
- TP 105 B-6
- TP 205 D-6
- TP 305 D-6

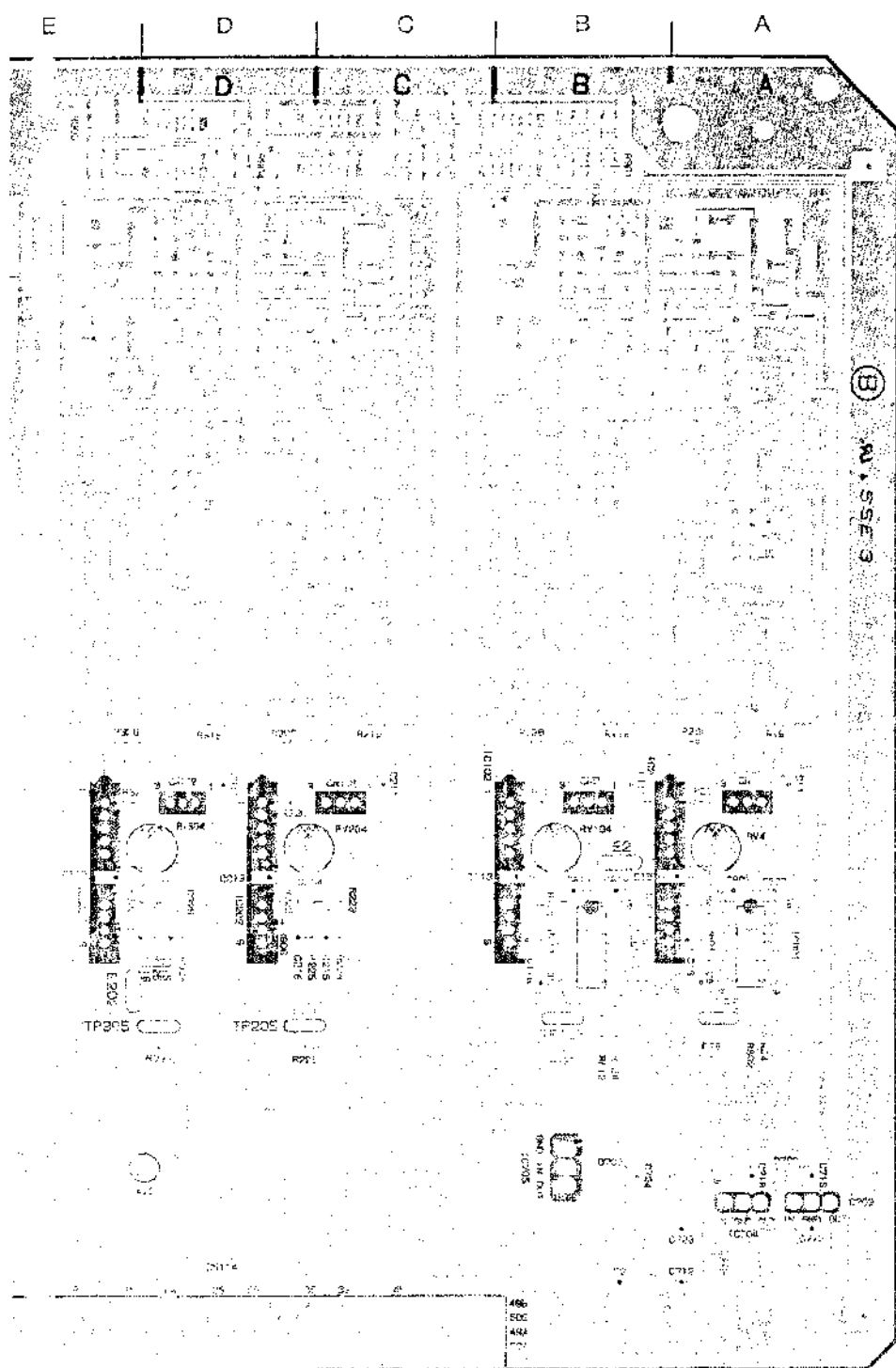
- T 2 A-4
- T 102 B-4
- T 202 C-4
- T 302 E-4

- * : B SIDE

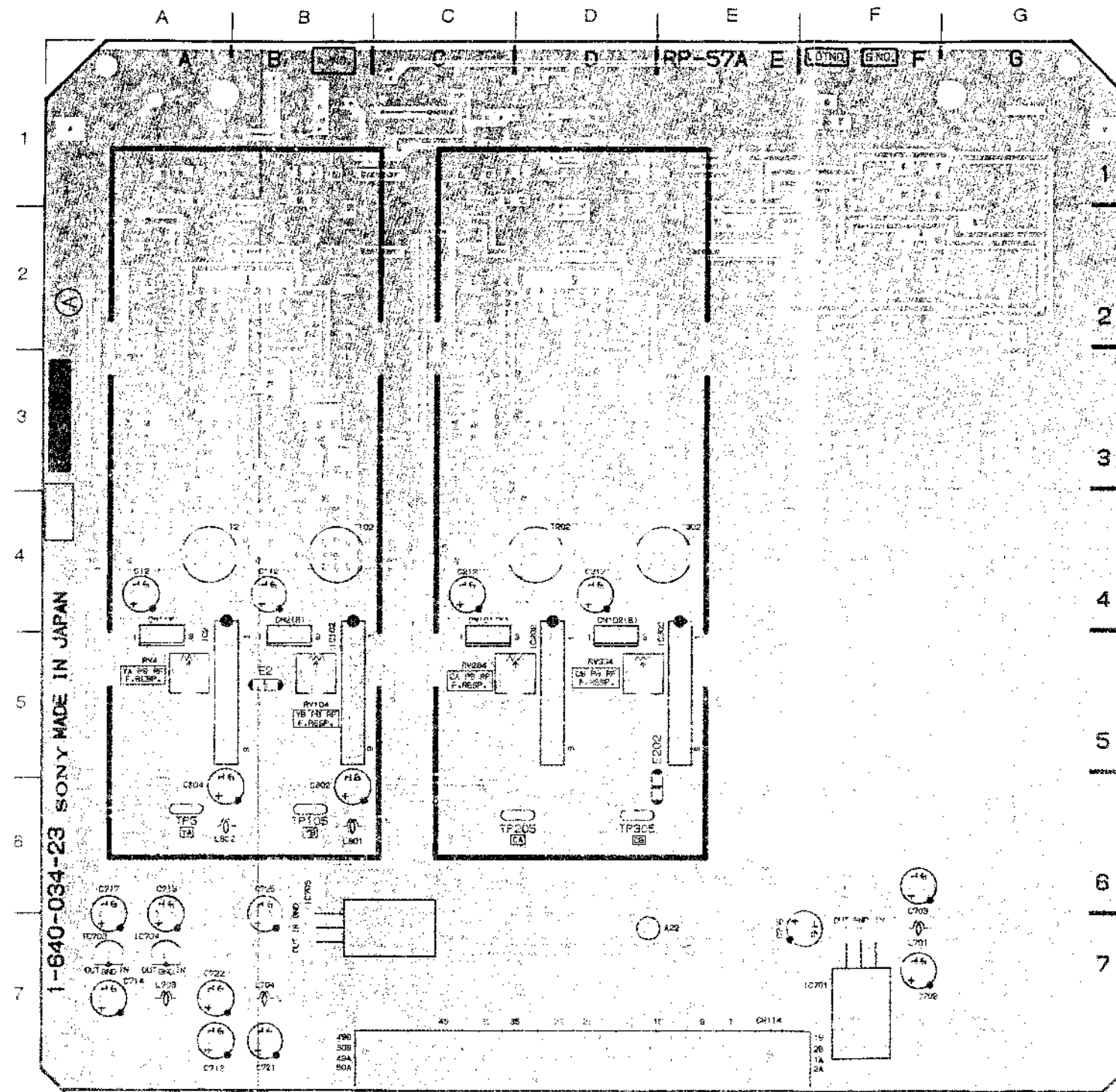


RP-57AP 1-640-034-23 B SIDE





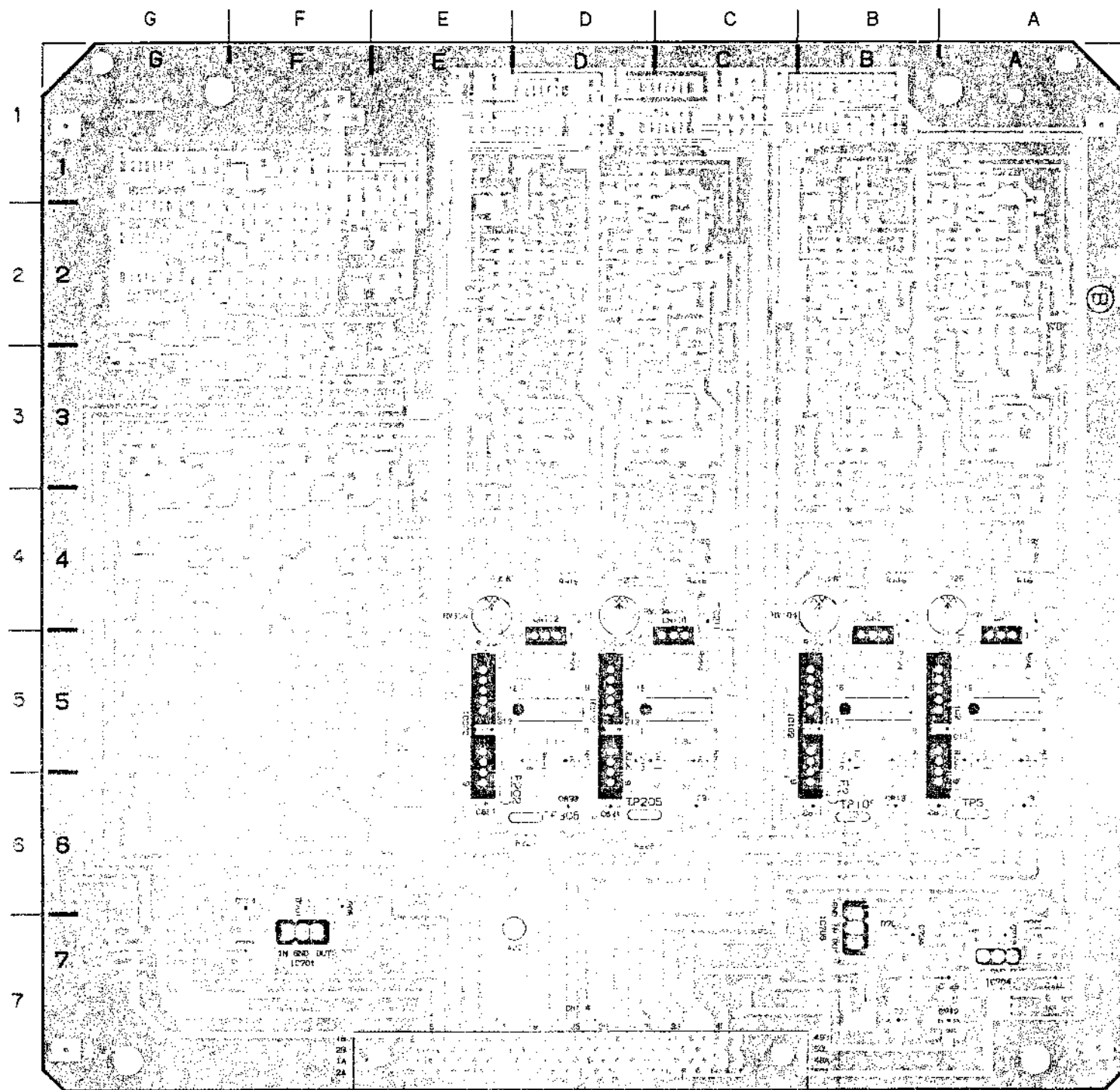
RP-57AP 1-640-034-23 B SIDE



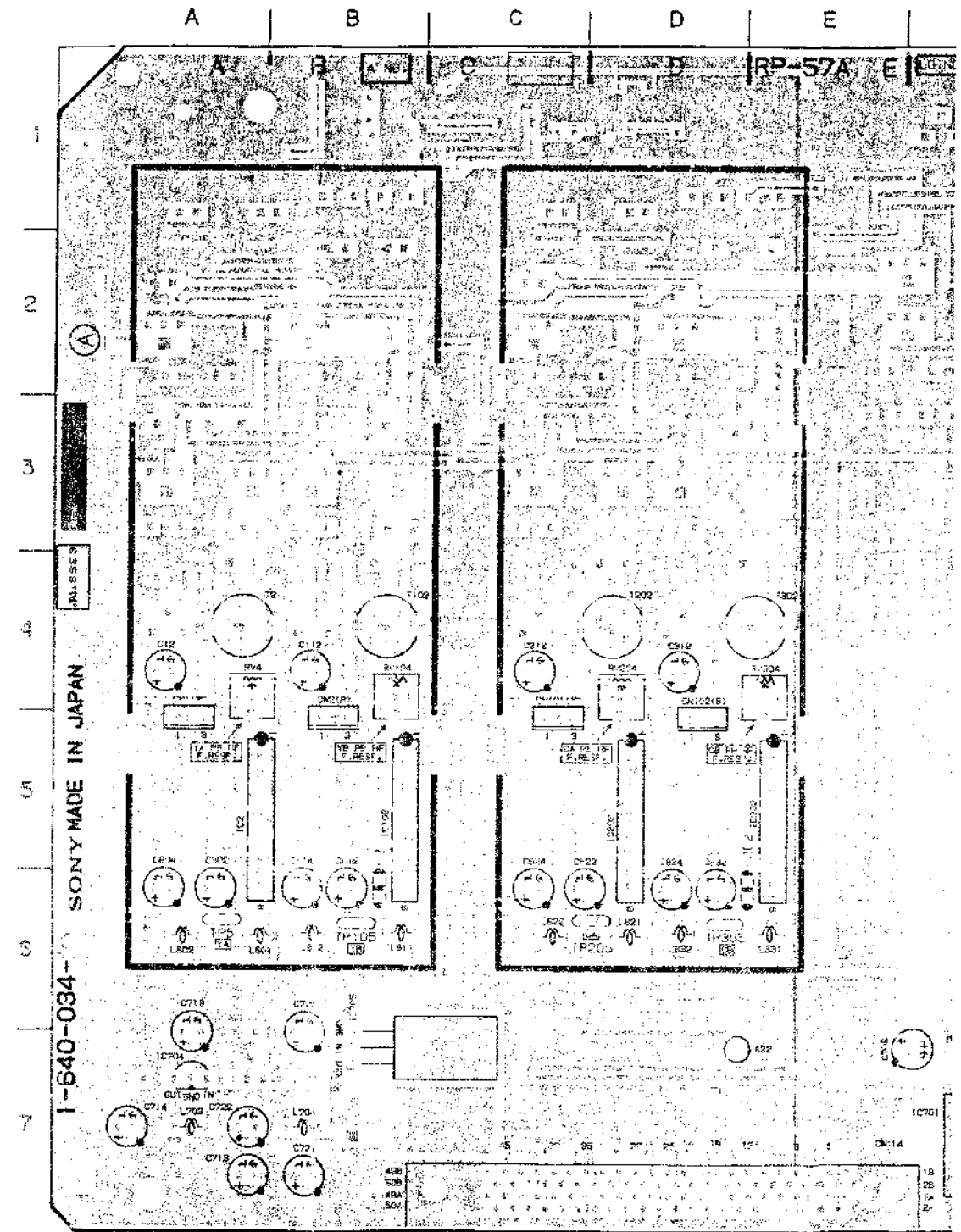
RP-57AP 1-640-034-23 A SIDE

Serial No.(EK); 10001 to 10650

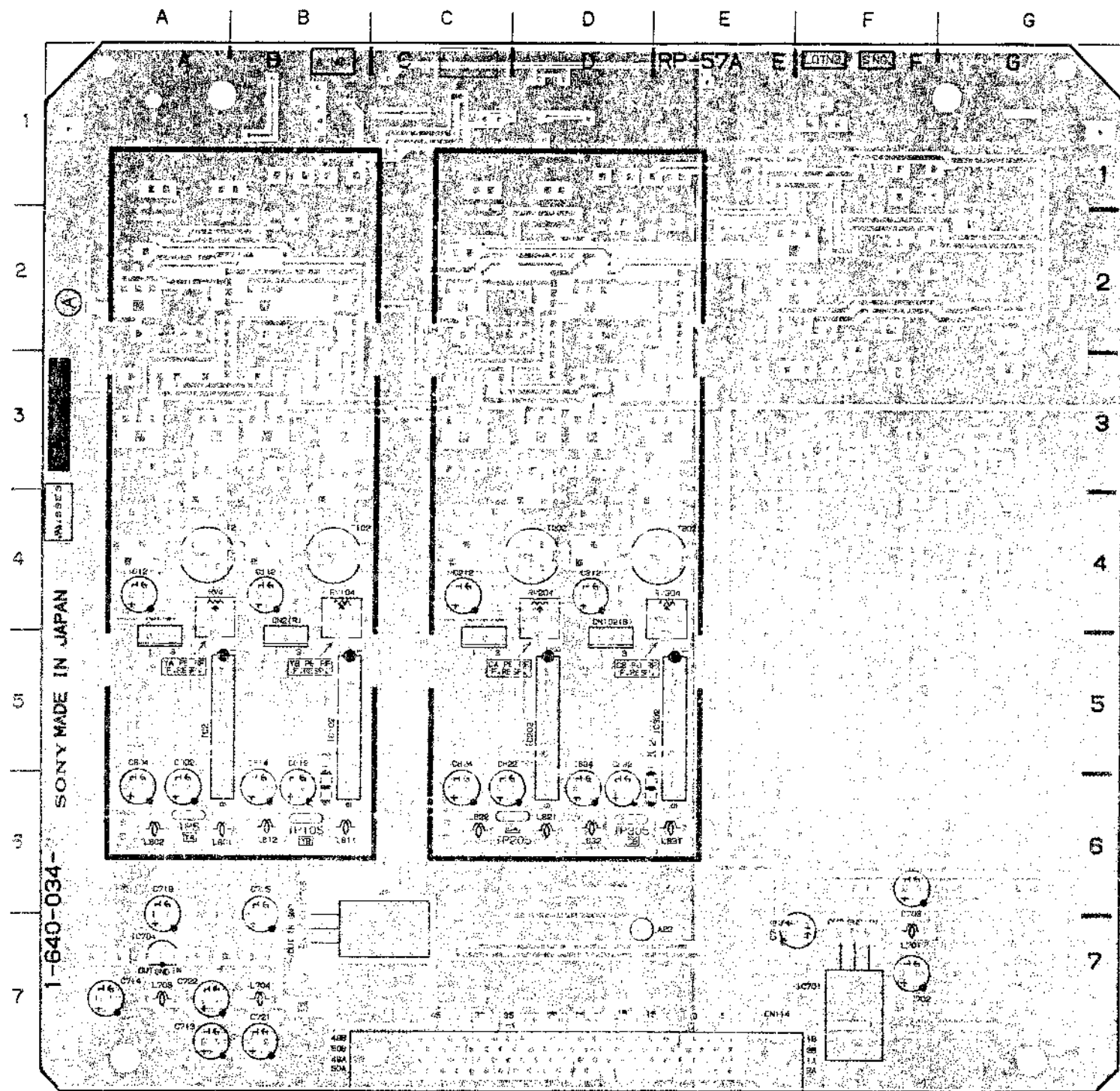
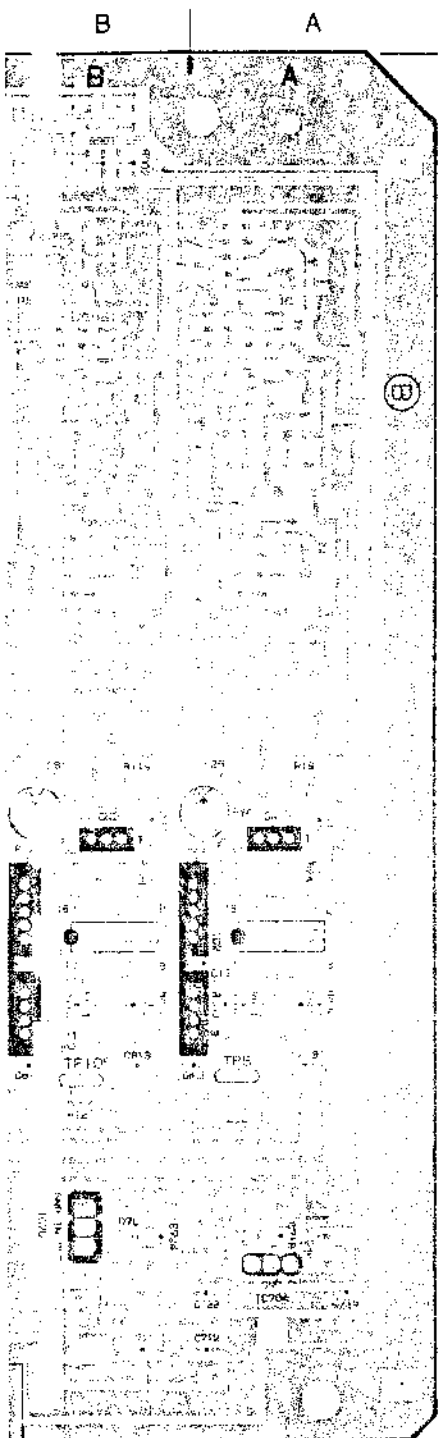
RP-57AP ; RF PB AMPLIFIER



RP-57AP 1-640-034.21,22 B SIDE



RP



- CN 1 A-4
- CN 2 B-4
- CN 101 D-4
- CN 102 D-4
- CN 114 D-7
- * D 701 F-6
- * D 702 A-6
- * D 703 E-6
- E 2 B-5
- E 202 E-5
- IC 2 B-4
- IC 102 C-4
- IC 202 D-4
- IC 302 E-4
- IC 701 F-6
- IC 703 A-6
- IC 704 A-6
- IC 705 B-6
- L 701 F-7
- L 703 A-7
- L 704 B-7
- * O 4 A-6
- * Q 104 B-5
- * C 204 C-5
- * C 304 D-5
- RV 4 B-4
- RV 104 C-4
- RV 204 D-4
- RV 304 E-4
- TP 5 A-5
- TP 105 B-5
- TP 205 C-5
- TP 305 E-5
- T 2 B-4
- T 102 B-4
- T 202 C-4
- T 302 E-4
- *: B SIDE

RP-57AP 1-640-034-21.22 B SIDE

RP-57AP 1-640-034-21.22 A SIDE

Serial No. (EK); 12951 and higher
 Serial No. (UC); 10001 and higher

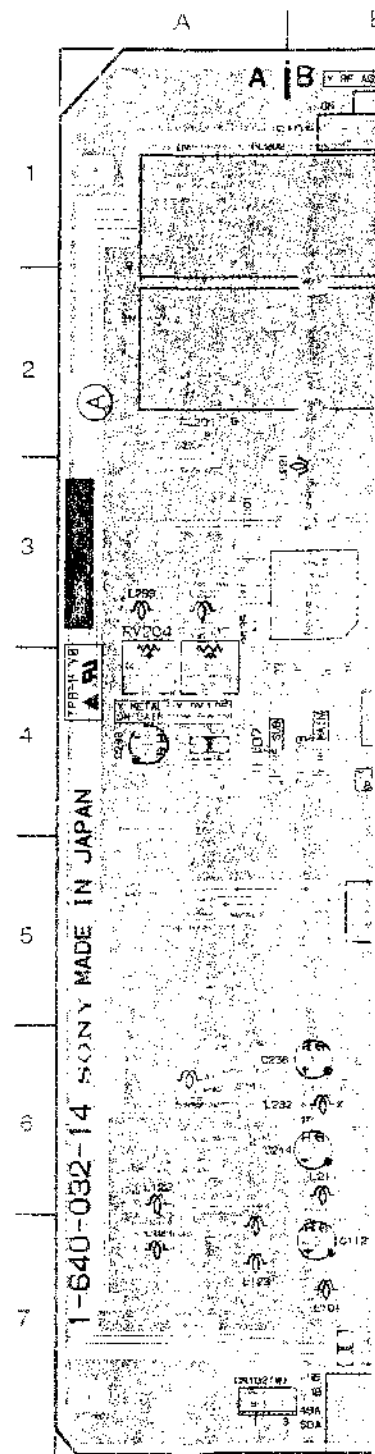
VP-33AP VP-33AP

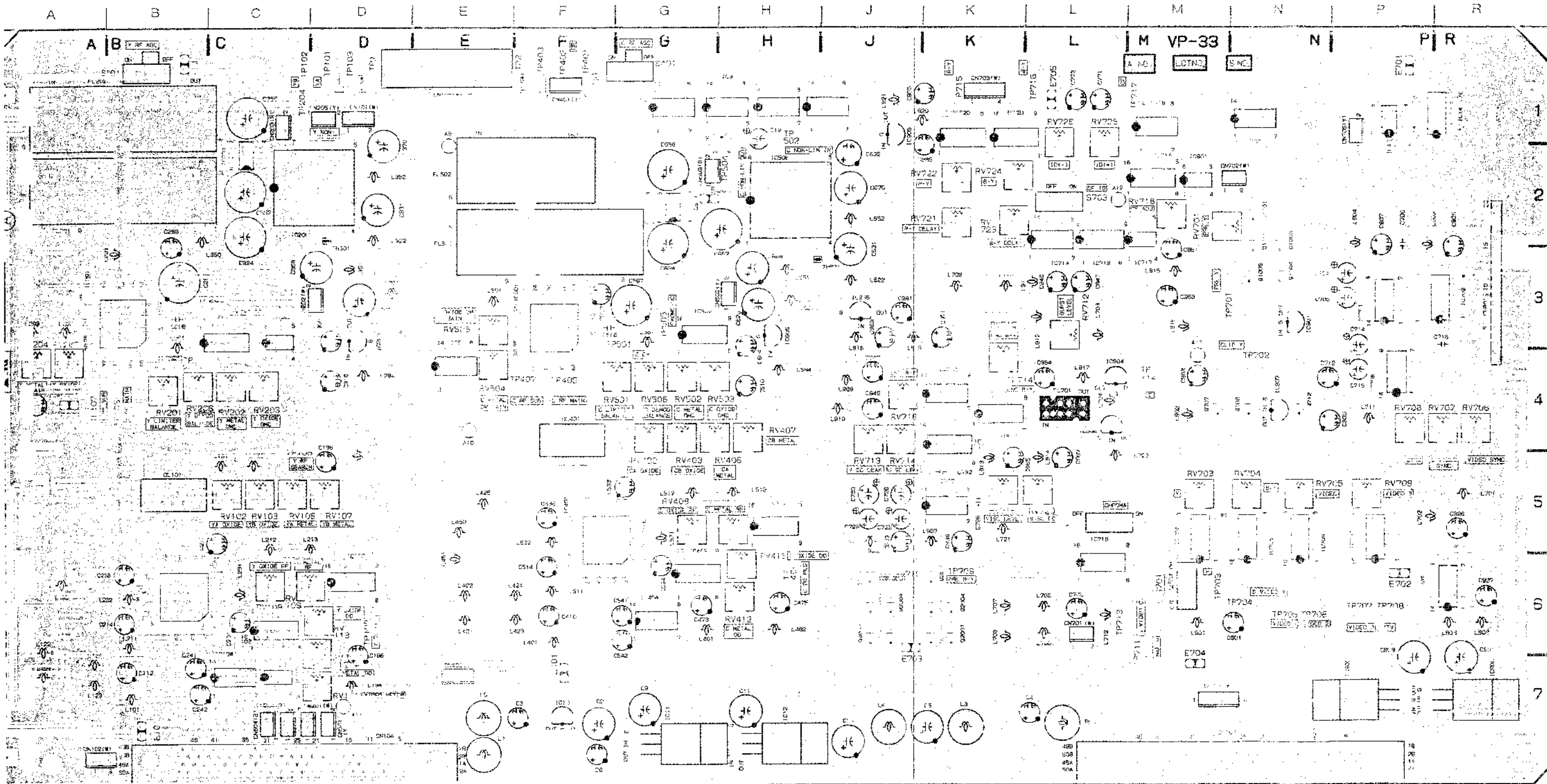
VP-33AP ; Y/C PB PROCESS (PB RF EQ, DEMOD., ENCODE, Y-RF ENVELOPE DET), COMPOSITE OUT DRIVER

VP-33AP (1-640-032-14)

CN 101	D-1	IC 204	C-2	L 351	D-3	*Q 151	A-5	*Q 462	E-4	*Q 743	L-5	RV 504	E-4
CN 102	A-7	IC 205	D-3	L 352	D-2	*Q 161	A-5	*Q 463	E-5	*Q 746	L-6	RV 505	E-3
CN 103	N-7	IC 206	C-2	L 401	F-6	*Q 162	A-5	*Q 464	F-5	*Q 747	L-6	RV 506	G-4
CN 104	C-7	IC 401	F-5	L 421	F-6	*Q 163	A-5	*Q 465	F-6	*Q 748	L-6	RV 701	M-2
CN 201	C-7	IC 402	H-5	L 422	E-6	*Q 164	B-5	*Q 466	F-5	*Q 749	K-6	RV 703	M-5
CN 202	D-3	IC 403	G-6	L 423	F-6	*Q 165	B-5	*Q 467	F-5	*Q 750	K-6	RV 704	N-5
CN 203	C-1	IC 404	G-6	L 424	F-6	*Q 167	B-5	*Q 468	F-5	*Q 751	K-7	RV 705	N-5
CN 204	C-7	IC 501	F-3	L 425	E-5	*Q 168	B-5	*Q 501	G-7	*Q 752	K-5	RV 706	R-4
CN 205	D-1	IC 502	G-4	L 450	E-5	*Q 169	B-5	*Q 504	E-4	*Q 753	K-3	RV 707	R-4
CN 401	F-1	IC 504	G-2	L 451	E-6	*Q 181	A-4	*Q 505	E-3	*Q 754	K-3	RV 708	P-4
CN 402	E-7	IC 506	H-2	L 461	G-6	*Q 182	A-5	*Q 513	G-5	*Q 755	K-3	RV 709	P-5
CN 501	D-7	IC 605	H-3	L 462	H-6	*Q 183	A-5	*Q 514	H-5	*Q 756	K-2	RV 712	L-3
CN 502	H-3	IC 701	P-3	L 511	F-6	*Q 184	A-4	*Q 515	G-6	*Q 757	K-2	RV 713	J-4
CN 503	G-2	IC 702	R-3	L 512	G-5	*Q 185	A-5	*Q 541	G-7	*Q 758	K-3	RV 714	J-4
CN 504	C-7	IC 703	R-6	L 513	H-5	*Q 186	A-5	*Q 550	G-5	*Q 759	K-3	RV 715	K-4
CN 701	L-6	IC 704	M-6	L 531	G-5	*Q 187	B-4	*Q 552	G-5	*Q 760	K-3	RV 716	J-4
CN 702	N-2	IC 705	N-6	L 532	F-5	*Q 188	B-5	*Q 551	G-3	*Q 761	K-2	RV 718	M-2
CN 703	K-1	IC 706	N-6	L 561	G-3	*Q 189	B-5	*Q 552	G-3	*Q 762	K-2	RV 719	K-5
CN 704	M-7	IC 707	P-6	L 591	E-3	*Q 190	B-4	*Q 563	G-3	*Q 763	L-1	RV 720	L-5
CN 705	P-1	IC 708	P-4	L 594	H-4	*Q 191	B-5	*Q 564	G-3	*Q 764	L-1	RV 721	K-2
CN 801	R-3	IC 710	K-5	L 621	H-3	*Q 192	C-4	*Q 565	G-3	*Q 765	L-1	RV 722	K-2
		IC 711	K-5	L 622	J-3	*Q 193	C-4	*Q 566	G-3	*Q 766	L-2	RV 723	K-2
DL 101	B-5	IC 712	K-4	L 651	H-3	*Q 194	C-5	*Q 570	F-4	*Q 767	L-2	RV 724	K-2
DL 401	F-4	IC 713	L-3	L 652	J-2	*Q 201	C-7	*Q 591	F-3	*Q 768	N-1	RV 725	L-1
		IC 714	L-3	L 701	R-5	*Q 204	A-4	*Q 592	E-3	*Q 770	K-2	RV 726	L-1
*D 1	G-7	IC 715	K-4	L 702	P-5	*Q 205	A-4	*Q 621	E-3	*Q 771	K-2		
*D 201	B-2	IC 716	L-6	L 703	L-3	*Q 211	C-5	*Q 622	G-2	*Q 772	L-2	S 101	B-1
*D 501	F-3	IC 717	M-3	L 704	L-4	*Q 212	C-5	*Q 623	H-2	*Q 773	K-2	S 401	G-1
*D 502	H-2	IC 718	M-2	L 705	L-6	*Q 213	C-6	*Q 624	H-2	Q 1001	N-2	S 701	M-6
*D 701	P-3	IC 719	M-1	L 706	L-6	*Q 214	D-6	*Q 625	H-2	Q 1002	N-2	S 702	L-5
*D 702	N-4	IC 720	K-2	L 707	K-6	*Q 215	C-6	*Q 626	H-2	Q 1003	N-2	S 703	L-2
*D 703	L-2	IC 721	K-2	L 708	K-6	*Q 241	C-7	*Q 627	H-2	Q 1004	N-3		
*D 704	L-2	IC 722	N-1	L 709	K-3	*Q 250	B-6	*Q 628	H-2	Q 1005	N-3	TH 301	D-2
*D 705	N-3	IC 801	M-2	L 710	K-3	*Q 252	C-5	*Q 629	H-2	Q 2001	K-6	TH 601	H-3
*D 706	L-4	IC 901	N-3	L 711	P-4	*Q 261	B-3	*Q 651	E-3	Q 2002	K-6		
*D 707	P-6	IC 902	F-7	L 712	L-6	*Q 262	C-3	*Q 652	G-2	Q 2003	K-6	TP 1	D-1
*D 708	K-4	IC 903	P-7	L 720	L-5	*Q 263	C-3	*Q 701	N-2	Q 2004	K-6	TP 2	F-1
*D 709	K-4	IC 904	L-4	L 721	K-5	*Q 264	C-3	*Q 702	N-3	Q 2005	K-6	TP 101	D-1
		IC 905	J-1	L 901	M-6	*Q 265	C-3	*Q 703	M-3	Q 3001	J-6	TP 102	C-1
E 1	B-1	IC 906	J-3	L 902	M-4	*Q 266	C-3	*Q 704	M-3	Q 3002	J-6	TP 103	D-1
E 501	G-2	IC 907	N-4	L 903	F-2	*Q 267	C-3	*Q 705	N-3	Q 3003	J-6	TP 105	C-4
E 702	F-6	IC 908	L-4	L 904	P-2	*Q 268	C-3	*Q 706	N-4	Q 3004	J-6	TP 106	B-4
E 703	J-6			L 905	R-6	*Q 269	C-3	*Q 707	M-4	Q 3005	J-6	TP 107	A-4
E 705	L-1	L 1	E-7	L 906	R-6	*Q 270	B-3	Q 708	N-4			TP 108	D-6
		L 2	L-7	L 907	K-5	*Q 291	B-3	*Q 709	N-4	RV 102	C-5	TP 201	E-4
FL 201	B-2	L 3	K-7	L 908	J-5	*Q 292	A-3	*Q 710	N-4	RV 103	C-5	TP 204	C-1
FL 202	B-1	L 4	J-7	L 909	J-4	*Q 293	A-3	*Q 711	N-4	RV 106	C-5	TP 205	C-3
FL 501	F-2	L 5	E-7	L 910	J-4	*Q 294	A-3	Q 712	N-4	RV 107	D-5	TP 401	F-1
FL 502	F-2	L 101	B-7	L 911	L-3	*Q 301	C-3	*Q 713	R-6	RV 108	C-6	TP 402	F-1
FL 701	L-4	L 121	A-7	L 912	L-3	*Q 321	A-3	*Q 714	F-5	RV 109	C-6	TP 403	F-1
		L 122	A-6	L 913	K-5	*Q 322	C-2	*Q 715	R-6	RV 111	D-7	TP 406	F-4
IC 1	H-1	L 123	A-7	L 914	L-5	*Q 323	C-2	*Q 716	R-5	RV 112	D-6	TP 407	F-4
IC 2	H-1	L 124	A-7	L 915	M-3	*Q 324	C-2	*Q 717	R-5	RV 113	D-6	TP 408	F-6
IC 3	G-1	L 125	A-6	L 916	M-3	*Q 325	D-2	*Q 718	R-5	RV 201	E-4	TP 501	G-4
IC 4	G-1	L 181	C-5	L 917	L-4	*Q 326	D-2	*Q 719	P-5	RV 202	C-4	TP 504	H-2
IC 5	E-4	L 182	C-5	L 918	J-3	*Q 327	C-2	*Q 728	K-6	RV 203	C-4	TP 505	G-3
IC 6	H-1	L 183	D-5	L 919	J-3	*Q 328	C-2	*Q 729	J-6	RV 204	A-4	TP 701	M-3
IC 10	F-7	L 184	D-7	L 920	J-1	*Q 329	D-2	*Q 730	K-4	RV 205	A-4	TP 703	M-6
IC 11	G-7	L 211	B-6	L 921	J-1	*Q 351	A-3	*Q 731	K-4	RV 206	B-4	TP 704	N-6
IC 12	H-7	L 212	C-5			*Q 352	C-1	*Q 732	K-4	RV 402	G-4	TP 705	N-6
IC 13	P-1	L 213	C-5	*Q 20	P-1	*Q 420	E-7	*Q 733	K-4	RV 403	G-4	TP 706	N-6
IC 14	R-1	L 231	C-6	*Q 120	A-7	*Q 421	E-6	*Q 734	L-3	RV 406	G-4	TP 707	P-6
IC 101	B-6	L 232	B-6	*Q 121	A-7	*Q 422	E-6	*Q 735	M-3	RV 407	H-4	TP 708	P-6
IC 102	D-6	L 261	B-3	*Q 122	A-6	*Q 423	E-6	*Q 736	M-3	RV 408	G-5	TP 711	M-6
IC 103	C-6	L 291	B-3	*Q 123	A-7	*Q 424	E-6	*Q 737	L-3	RV 409	H-5	TP 713	M-6
IC 104	C-7	L 292	A-3	*Q 124	A-6	*Q 425	F-6	*Q 738	L-3	RV 412	H-6	TP 715	K-1
IC 105	C-7	L 293	A-3	*Q 125	A-6	*Q 426	F-5	*Q 739	L-4	RV 413	H-6	TP 716	K-1
IC 201	B-3	L 294	D-4	*Q 126	A-6	*Q 427	E-5	*Q 740	L-5	RV 501	G-4	TP 717	L-1
IC 202	B-4	L 321	D-3	*Q 127	A-6	*Q 428	E-5	*Q 741	L-5	RV 502	G-4		
IC 203	C-4	L 322	D-2	*Q 128	A-5	*Q 461	E-4	*Q 742	L-5	RV 503	G-4		

* : B SIDE



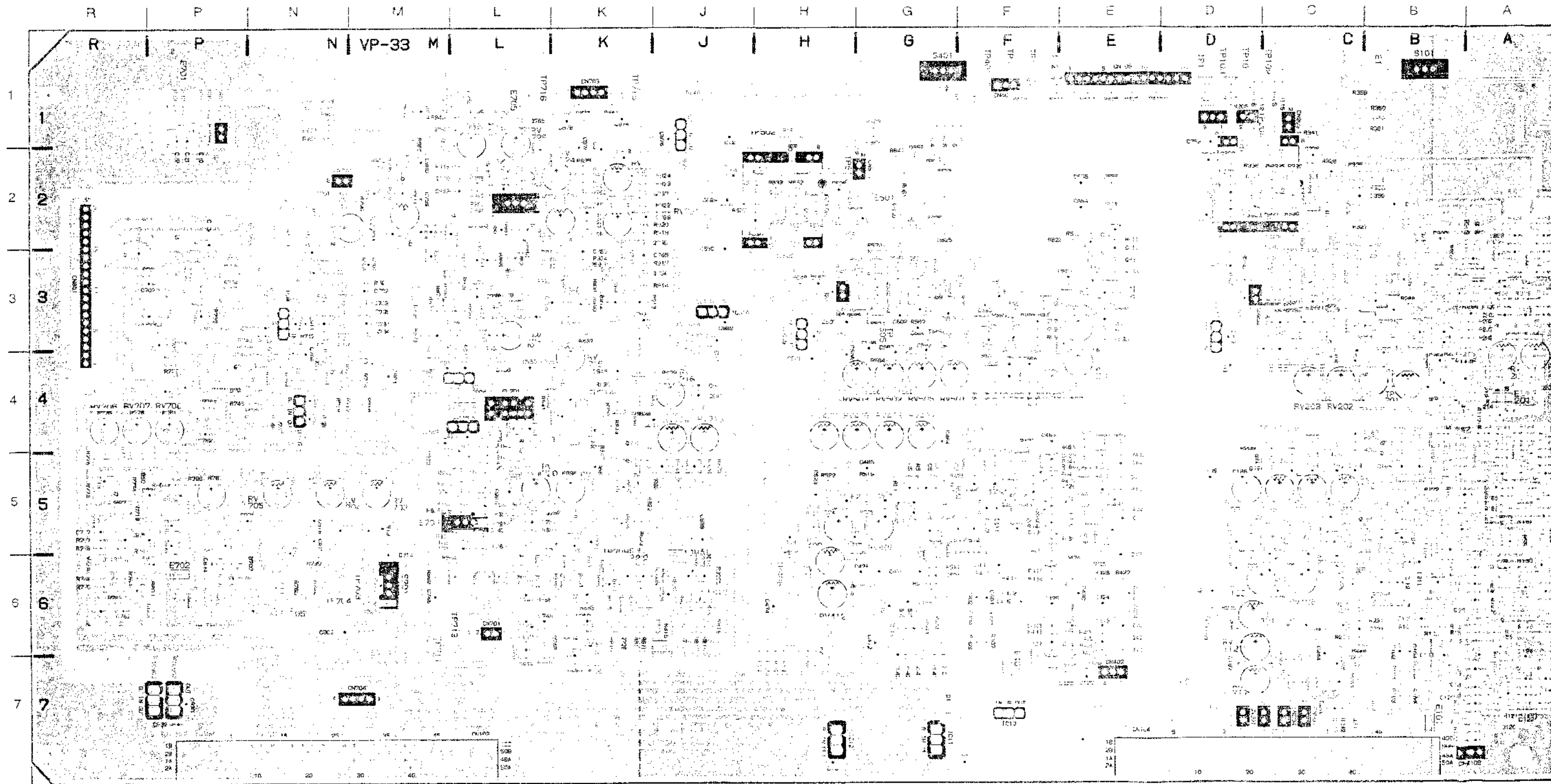


VP-33AP 1-840-032-14 A SIDE

Serial No. (EK); 12951 and higher
Serial No. (UC); 10001 and higher

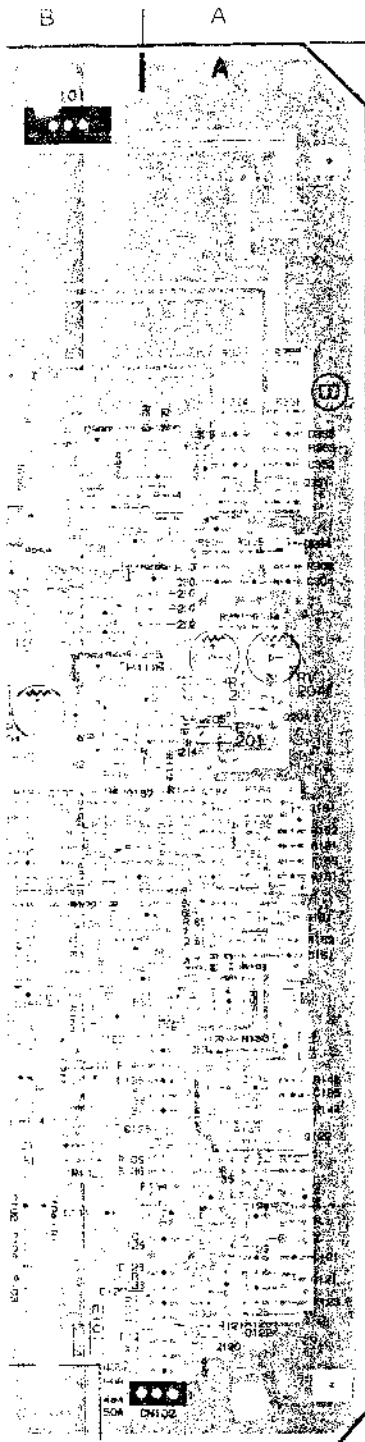
VP-33AP VP-33AP

VP-33AP ; Y/C PB PROCESS (PB RF EQ, DEMOD., ENCODE, Y-RF ENVELOPE DET), COMPOSITE OUT DRIVER



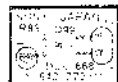
VP-33AP 1-40-002-14 B

VP-33AP (1-640-032-14)



P: AP 1-640-032-14 B SIDE

Serial No. (EK)
; 15256 and higher



DUS-668 1-648-773-11 B SIDE

CN 101	D-1	IC 204	C-2	L 351	D-3	*Q 151	A-5	*Q 462	E-4	*Q 743	L-5	RV 504	E-4
CN 102	A-7	IC 205	D-3	L 352	D-2	*Q 161	A-5	*Q 463	E-5	*Q 746	L-6	RV 505	E-3
CN 103	N-7	IC 206	C-2	L 401	F-6	*Q 162	A-5	*Q 464	F-5	*Q 747	L-6	RV 506	G-4
CN 104	C-7	IC 401	F-5	L 421	E-6	*Q 163	A-5	*Q 465	F-5	*Q 748	L-6	RV 701	M-2
CN 201	C-7	IC 402	H-5	L 422	E-6	*Q 164	B-5	*Q 466	F-5	*Q 749	K-6	RV 703	M-5
CN 202	D-3	IC 403	G-6	L 423	F-6	*Q 165	B-5	*Q 467	F-5	*Q 750	K-6	RV 704	N-5
CN 203	C-1	IC 404	G-6	L 424	F-6	*Q 167	B-5	*Q 468	F-5	*Q 751	K-7	RV 705	N-5
CN 204	C-7	IC 501	F-3	L 425	E-5	*Q 168	B-5	*Q 501	G-7	*Q 752	K-5	RV 706	R-4
CN 205	D-1	IC 502	G-4	L 450	E-5	*Q 169	B-5	*Q 504	E-4	*Q 753	K-3	RV 707	R-4
CN 401	F-1	IC 504	G-2	L 451	E-6	*Q 181	A-4	*Q 505	E-3	*Q 754	K-3	RV 708	P-4
CN 402	E-7	IC 506	H-2	L 461	G-6	*Q 182	A-5	*Q 513	G-5	*Q 755	K-3	RV 709	P-5
CN 501	D-7	IC 605	H-3	L 462	H-6	*Q 183	A-5	*Q 514	H-5	*Q 756	K-2	RV 712	L-3
CN 502	H-3	IC 701	P-3	L 511	F-6	*Q 184	A-4	*Q 515	G-6	*Q 757	K-2	RV 713	J-4
CN 503	G-2	IC 702	R-3	L 512	G-5	*Q 185	A-5	*Q 541	G-7	*Q 758	K-3	RV 714	J-4
CN 504	C-7	IC 703	R-6	L 513	H-5	*Q 186	A-5	*Q 550	G-5	*Q 759	K-3	RV 715	K-4
CN 701	L-6	IC 704	M-6	L 531	G-5	*Q 187	B-4	*Q 552	G-5	*Q 760	K-3	RV 716	J-4
CN 702	N-2	IC 705	N-6	L 532	F-5	*Q 188	B-5	*Q 561	G-3	*Q 761	K-2	RV 718	M-2
CN 703	K-1	IC 706	N-6	L 561	G-3	*Q 189	B-5	*Q 562	G-3	*Q 762	K-2	RV 719	K-5
CN 704	M-7	IC 707	P-6	L 591	E-3	*Q 190	B-4	*Q 563	G-3	*Q 763	L-1	RV 720	L-5
CN 705	P-1	IC 708	P-4	L 594	H-4	*Q 191	B-5	*Q 564	G-3	*Q 764	L-1	RV 721	K-2
CN 801	R-3	IC 710	K-5	L 621	H-3	*Q 192	C-4	*Q 565	G-3	*Q 765	L-1	RV 722	K-2
		IC 711	K-5	L 622	J-3	*Q 193	C-4	*Q 566	G-3	*Q 766	L-2	RV 723	K-2
DL 101	B-5	IC 712	K-4	L 651	H-3	*Q 194	C-5	*Q 570	F-4	*Q 767	L-2	RV 724	K-2
DL 401	F-4	IC 713	L-3	L 652	J-2	*Q 201	C-7	*Q 591	F-3	*Q 768	N-1	RV 725	L-1
		IC 714	L-3	L 701	R-5	*Q 204	A-4	*Q 592	E-3	*Q 770	K-2	RV 726	L-1
*D 1	G-7	IC 715	K-4	L 702	P-5	*Q 205	A-4	*Q 621	E-3	*Q 771	K-2		
*D 201	B-2	IC 716	L-6	L 703	L-3	*Q 211	C-5	*Q 622	G-2	*Q 772	L-2	S 101	B-1
*D 501	F-3	IC 717	M-3	L 704	L-4	*Q 212	C-5	*Q 623	H-2	*Q 773	K-2	S 401	G-1
*D 502	H-2	IC 718	M-2	L 705	L-6	*Q 213	C-6	*Q 624	F-2	Q 1001	N-2	S 701	M-6
*D 701	P-3	IC 719	M-1	L 706	L-6	*Q 214	D-6	*Q 625	H-2	Q 1002	N-2	S 702	L-5
*D 702	N-4	IC 720	K-2	L 707	K-6	*Q 215	C-6	*Q 626	H-2	Q 1003	N-2	S 703	L-2
*D 703	L-2	IC 721	K-2	L 708	K-6	*Q 241	C-7	*Q 627	H-2	Q 1004	N-3		
*D 704	L-2	IC 722	N-1	L 709	K-3	*Q 250	B-6	*Q 628	H-2	Q 1005	N-3	TH 301	D-2
*D 705	N-3	IC 801	M-2	L 710	K-3	*Q 252	C-5	*Q 629	H-2	Q 2001	K-6	TH 601	H-3
*D 706	L-4	IC 801	N-3	L 711	P-4	*Q 261	B-3	*Q 651	E-3	Q 2002	K-6		
*D 707	P-6	IC 802	P-7	L 712	L-6	*Q 262	C-3	*Q 652	G-2	Q 2003	K-6	TP 1	D-1
*D 708	K-4	IC 903	P-7	L 720	L-5	*Q 263	C-3	*Q 701	N-2	Q 2004	K-6	TP 2	F-1
*D 709	K-4	IC 904	L-4	L 721	K-5	*Q 264	C-3	*Q 702	N-3	Q 2005	K-6	TP 101	D-1
		IC 905	J-1	L 901	M-6	*Q 265	C-3	*Q 703	M-3	Q 3001	J-6	TP 102	C-1
E 1	B-1	IC 906	J-3	L 902	M-4	*Q 266	C-3	*Q 704	M-3	Q 3002	J-6	TP 103	D-1
E 501	G-2	IC 907	N-4	L 903	P-2	*Q 267	C-3	*Q 705	N-3	Q 3003	J-6	TP 105	C-4
E 702	P-6	IC 908	L-4	L 904	P-2	*Q 268	C-3	*Q 706	N-4	Q 3004	J-6	TP 106	B-4
E 703	J-6			L 905	R-6	*Q 269	C-3	Q 707	N-4	Q 3005	J-6	TP 107	A-4
E 705	L-1			L 906	R-6	*Q 270	B-3	Q 708	N-4			TP 108	D-6
		L 1	E-7	L 907	K-5	*Q 291	B-3	*Q 709	N-4	RV 102	C-5	TP 201	B-4
FL 201	B-2	L 2	L-7	L 908	J-5	*Q 292	A-3	*Q 710	N-4	RV 103	C-5	TP 204	C-1
FL 202	B-1	L 3	K-7	L 909	J-4	*Q 293	A-3	*Q 711	N-4	RV 106	C-5	TP 205	C-3
FL 501	F-2	L 4	J-7	L 910	J-4	*Q 294	A-3	Q 712	N-4	RV 107	D-5	TP 401	F-1
FL 502	F-2	L 5	E-7	L 911	L-3	*Q 301	C-3	*Q 713	R-6	RV 108	C-6	TP 402	F-1
FL 701	L-4	L 101	B-7	L 912	L-3	*Q 321	A-3	*Q 714	R-5	RV 109	C-6	TP 403	F-1
		L 121	A-7	L 913	K-5	*Q 322	C-2	*Q 715	R-6	RV 111	D-7	TP 406	F-4
IC 1	H-1	L 122	A-6	L 914	L-5	*Q 323	C-2	*Q 716	R-5	RV 112	D-6	TP 407	F-4
IC 2	H-1	L 123	A-7	L 915	M-3	*Q 324	C-2	*Q 717	R-5	RV 113	D-6	TP 408	F-6
IC 3	G-1	L 124	A-7	L 916	M-3	*Q 325	D-2	*Q 718	R-5	RV 201	B-4	TP 501	G-4
IC 4	G-1	L 125	A-6	L 917	L-4	*Q 326	D-2	*Q 719	P-5	RV 202	C-4	TP 504	H-2
IC 5	E-4	L 181	C-5	L 918	J-3	*Q 327	C-2	*Q 728	K-6	RV 203	C-4	TP 505	G-3
IC 6	H-1	L 182	C-5	L 919	J-3	*Q 328	C-2	*Q 729	J-6	RV 204	A-4	TP 701	M-3
IC 10	F-7	L 183	D-5	L 920	J-1	*Q 329	D-2	*Q 730	K-4	RV 205	A-4	TP 703	M-6
IC 11	G-7	L 184	D-7	L 921	J-1	*Q 351	A-3	*Q 731	K-4	RV 206	B-4	TP 704	N-6
IC 12	H-7	L 211	B-6			*Q 352	C-1	*Q 732	K-4	RV 402	G-4	TP 705	N-6
IC 13	P-1	L 212	C-5	*Q 20	P-1	*Q 420	E-7	*Q 733	K-4	RV 403	G-4	TP 706	N-6
IC 14	F-1	L 213	C-5	*Q 120	A-7	*Q 421	E-6	*Q 734	L-3	RV 406	G-4	TP 707	P-6
IC 101	B-6	L 231	C-6	*Q 121	A-7	*Q 422	E-6	*Q 735	M-3	RV 407	H-4	TP 708	P-6
IC 102	D-6	L 232	B-6	*Q 122	A-6	*Q 423	E-6	*Q 736	M-3	RV 408	G-5	TP 711	M-6
IC 103	C-6	L 261	B-3	*Q 123	A-7	*Q 424	E-6	*Q 737	L-3	RV 409	H-5	TP 713	M-6
IC 104	C-7	L 291	B-3	*Q 124	A-6	*Q 425	F-6	*Q 738	L-3	RV 412	H-6	TP 715	K-1
IC 105	C-7	L 292	A-3	*Q 125	A-6	*Q 426	F-5	*Q 739	L-4	RV 413	H-6	TP 716	K-1
IC 201	B-3	L 293	A-3	*Q 126	A-6	*Q 427	E-5	*Q 740	L-5	RV 501	G-4	TP 717	L-1
IC 202	B-4	L 294	D-4	*Q 127	A-6	*Q 428	E-5	*Q 741	L-5	RV 502	G-4		
IC 203	C-4	L 299	D-3	*Q 128	A-5	*Q 461	E-4	*Q 742	L-5	RV 503	G-4		
		L 321	D-3										
		L 322	D-2										

* : B SIDE

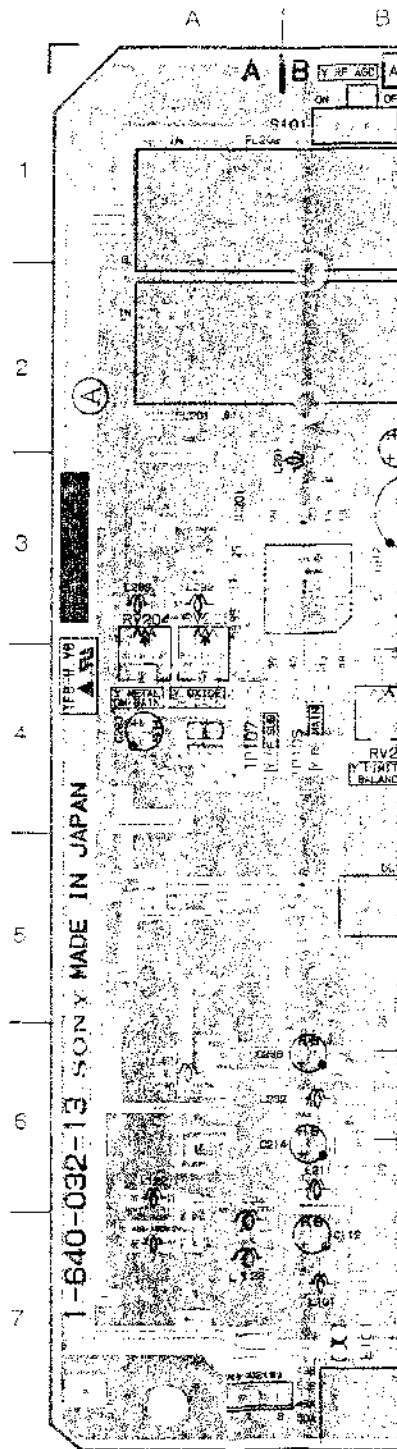
Serial No. (EK) ; 12241 to 12950

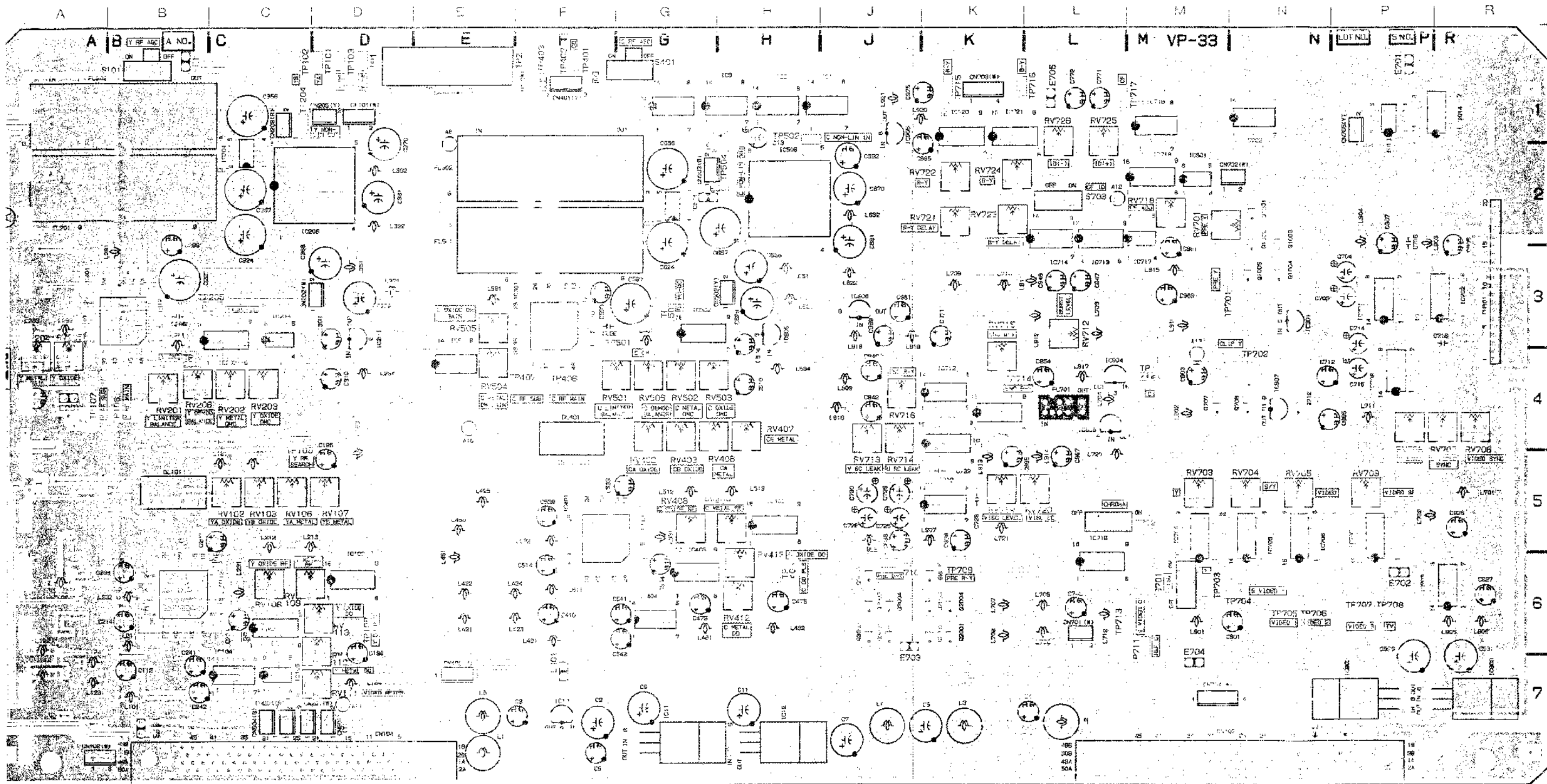
VP-33AP ; Y/C PB PROCESS (PB RF EQ, DEMOD., ENCODE, Y-RF ENVELOPE DET), COMPOSITE OUT DRIVER

VP-33AP (1-640-032-13)

CN 101	D-1	IC 105	C-7	L 294	D-4	*Q 128	A-5	*Q 463	E-5	*Q 746	L-6	RV 505	E-3
CN 102	A-7	IC 201	B-3	L 321	D-3	*Q 151	A-5	*Q 464	F-5	*Q 747	L-6	RV 506	G-4
CN 103	N-7	IC 202	C-4	L 322	D-2	*Q 161	A-5	*Q 465	F-5	*Q 748	L-6	RV 701	M-2
CN 104	C-7	IC 203	C-3	L 351	D-3	*Q 162	A-5	*Q 466	F-5	*Q 749	K-5	RV 703	M-5
CN 105	E-1	IC 204	C-2	L 352	D-2	*Q 163	A-5	*Q 467	F-5	*Q 750	K-6	RV 704	N-5
CN 201	C-7	IC 205	D-3	L 401	F-6	*Q 164	B-5	*Q 468	F-5	*Q 751	K-6	RV 705	N-5
CN 202	D-3	IC 206	C-2	L 421	E-6	*Q 165	B-5	*Q 501	G-7	*Q 752	K-5	RV 706	R-4
CN 203	C-1	IC 401	F-5	L 422	E-6	*Q 167	B-5	*Q 504	E-4	*Q 753	K-3	RV 707	R-4
CN 204	C-7	IC 402	H-5	L 423	F-6	*Q 168	E-5	*Q 505	E-3	*Q 754	K-3	RV 708	P-4
CN 205	D-1	IC 403	G-6	L 424	F-6	*Q 169	B-5	*Q 513	G-5	*Q 755	K-3	RV 709	P-5
CN 401	F-1	IC 404	G-6	L 425	E-5	*Q 181	A-4	*Q 514	H-5	*Q 756	K-2	RV 712	L-3
CN 402	E-7	IC 501	F-3	L 450	E-5	*Q 182	A-5	*Q 515	G-6	*Q 757	K-2	RV 713	J-4
CN 501	D-7	IC 502	G-3	L 451	E-6	*Q 183	A-5	*Q 541	G-7	*Q 758	K-3	RV 714	J-4
CN 502	H-3	IC 504	G-2	L 461	G-6	*Q 184	A-4	*Q 550	G-5	*Q 759	K-3	RV 715	K-4
CN 503	G-2	IC 506	H-2	L 462	H-6	*Q 185	A-5	*Q 552	G-5	*Q 760	K-3	RV 716	J-4
CN 504	C-7	IC 605	H-3	L 511	F-6	*Q 186	A-5	*Q 551	G-3	*Q 761	K-2	RV 718	M-2
CN 701	L-6	IC 701	P-3	L 512	G-5	*Q 187	B-4	*Q 562	G-3	*Q 762	K-2	RV 719	K-5
CN 702	N-2	IC 702	R-3	L 513	H-5	*Q 188	B-5	*Q 563	G-3	*Q 763	L-1	RV 720	L-5
CN 703	K-1	IC 703	R-6	L 531	G-5	*Q 189	B-5	*Q 564	G-3	*Q 764	L-1	RV 721	K-2
CN 704	M-7	IC 704	M-5	L 532	F-5	*Q 190	E-4	*Q 565	G-3	*Q 765	L-1	RV 722	K-2
CN 705	P-1	IC 705	N-5	L 561	G-3	*Q 191	B-5	*Q 566	G-3	*Q 766	L-2	RV 723	K-2
CN 801	R-3	IC 706	N-5	L 591	E-3	*Q 192	C-4	*Q 570	F-3	*Q 767	L-2	RV 724	K-2
DL 101	B-5	IC 707	P-5	L 594	H-4	*Q 193	C-4	*Q 591	F-3	*Q 768	N-1	RV 725	L-1
DL 401	F-4	IC 708	P-4	L 621	H-3	*Q 194	C-5	*Q 592	E-3	*Q 770	K-2	RV 726	L-1
		IC 710	K-5	L 622	J-3	*Q 201	C-7	*Q 621	E-3	*Q 771	K-2		
		IC 711	K-5	L 651	H-3	*Q 204	A-4	*Q 622	G-2	*Q 772	L-2	S 101	B-1
		IC 712	K-4	L 652	J-2	*Q 205	A-4	*Q 623	H-2	*Q 773	K-2	S 401	G-1
*D 1	G-7	IC 713	L-3	L 701	R-5	*Q 211	C-5	*Q 624	H-2	Q 1001	N-2	S 701	M-6
*D 201	B-2	IC 714	L-3	L 702	P-5	*Q 212	C-5	*Q 625	H-2	Q 1002	N-2	S 702	L-5
*D 501	F-3	IC 715	K-4	L 703	L-3	*Q 213	C-6	*Q 626	H-2	Q 1003	N-2	S 703	L-2
*D 502	H-2	IC 716	L-6	L 704	L-4	*Q 214	D-6	*Q 627	H-2	Q 1004	N-3		
*D 701	P-3	IC 717	M-3	L 705	L-6	*Q 215	C-6	*Q 628	H-2	Q 1005	N-3	TP 1	D-1
*D 702	N-4	IC 718	M-2	L 706	L-6	*Q 241	C-7	*Q 629	H-2	Q 2001	K-6	TP 2	F-1
*D 703	L-2	IC 719	M-1	L 707	K-6	*Q 250	B-6	*Q 651	E-3	Q 2002	K-6	TP 101	D-1
*D 704	L-2	IC 720	K-1	L 708	K-6	*Q 252	C-5	*Q 652	G-2	Q 2003	K-6	TP 102	C-1
*D 705	N-3	IC 721	K-1	L 709	K-3	*Q 261	B-3	*Q 701	N-2	Q 2004	K-6	TP 103	D-1
*D 706	L-4	IC 722	N-1	L 710	K-3	*Q 263	C-3	*Q 702	N-3	Q 2005	K-6	TP 105	C-4
*D 707	F-6	IC 801	M-2	L 711	F-4	*Q 264	C-3	*Q 703	M-3	Q 3001	J-6	TP 106	B-4
*D 708	K-4	IC 902	F-7	L 712	L-6	*Q 265	C-3	*Q 704	M-3	Q 3002	J-6	TP 107	A-4
*D 709	K-4	IC 903	R-7	L 721	K-5	*Q 266	C-3	*Q 705	N-3	Q 3003	J-6	TP 108	D-6
		IC 904	L-4	L 901	M-6	*Q 267	C-3	*Q 706	N-4	Q 3004	J-6	TP 201	B-4
E 1	B-1	IC 905	J-1	L 902	M-4	*Q 269	C-3	Q 707	M-4	Q 3005	J-6	TP 204	C-1
E 101	B-7	IC 906	J-3	L 903	P-2	*Q 270	B-3	Q 708	N-4			TP 205	C-3
E 201	A-4	IC 907	N-4	L 904	F-2	*Q 291	B-3	*Q 709	N-4			TP 401	F-1
E 401	F-7	IC 908	L-4	L 905	R-6	*Q 292	A-3	*Q 710	N-4	RV 102	C-5	TP 402	F-1
E 501	G-2			L 906	R-6	*Q 293	A-3	*Q 711	N-4	RV 103	C-5	TP 403	F-1
E 701	P-1			L 907	K-5	*Q 294	A-3	*Q 712	N-4	RV 106	C-5	TP 406	F-4
E 702	P-6	L 1	E-7	L 908	J-5	*Q 301	C-3	*Q 713	R-6	RV 107	D-5	TP 407	F-4
E 703	J-6	L 2	L-7	L 909	J-4	*Q 321	A-3	*Q 714	R-5	RV 108	C-6	TP 408	H-6
E 704	M-6	L 3	K-7	L 910	J-4	*Q 322	C-2	*Q 715	R-6	RV 109	C-6	TP 409	H-6
E 705	L-1	L 4	J-7	L 911	L-3	*Q 323	C-2	*Q 716	R-5	RV 111	D-7	TP 501	G-4
		L 5	E-7	L 912	L-3	*Q 324	C-2	*Q 717	R-5	RV 112	D-6	TP 502	H-1
FL 201	B-2	L 101	B-7	L 913	K-5	*Q 325	D-2	*Q 718	R-5	RV 113	D-6	TP 504	H-2
FL 202	B-1	L 121	A-7	L 914	L-5	*Q 326	D-2	*Q 719	P-5	RV 201	B-4	TP 505	G-3
FL 501	F-2	L 122	A-6	L 915	M-3	*Q 327	C-2	*Q 728	K-6	RV 202	C-4	TP 701	M-3
FL 502	F-2	L 123	A-7	L 916	M-3	*Q 328	C-2	*Q 729	J-6	RV 203	C-4	TP 702	N-4
FL 701	L-4	L 124	A-6	L 917	L-4	*Q 329	D-2	*Q 730	K-4	RV 204	A-4	TP 703	M-6
		L 125	A-6	L 918	J-3	*Q 351	A-3	*Q 731	K-4	RV 205	A-4	TP 704	N-6
IC 1	H-1	L 181	C-5	L 919	J-3	*Q 352	C-1	*Q 732	K-4	RV 206	B-4	TP 705	N-6
IC 2	H-1	L 182	C-5	L 920	J-1	*Q 420	E-7	*Q 733	K-4	RV 402	G-4	TP 706	N-6
IC 3	H-1	L 183	D-5	L 921	J-1	*Q 421	E-6	*Q 734	L-3	RV 403	G-4	TP 707	P-6
IC 4	G-1	L 184	D-7			*Q 422	E-6	*Q 735	M-3	RV 406	G-4	TP 708	F-6
IC 5	E-4	L 211	B-6			*Q 423	E-6	*Q 736	M-3	RV 407	H-4	TP 709	K-6
IC 6	H-1	L 212	C-5	*Q 120	A-7	*Q 424	E-6	*Q 737	L-3	RV 408	G-5	TP 710	J-6
IC 10	F-7	L 213	C-5	*Q 121	A-7	*Q 425	F-6	*Q 738	L-3	RV 409	H-5	TP 711	M-6
IC 11	G-7	L 231	C-6	*Q 122	A-6	*Q 426	F-5	*Q 739	L-4	RV 412	H-6	TP 712	M-4
IC 12	H-7	L 232	B-6	*Q 123	A-7	*Q 427	E-5	*Q 740	L-5	RV 413	H-6	TP 713	M-6
IC 101	B-6	L 261	B-3	*Q 124	A-6	*Q 428	E-5	*Q 741	L-5	RV 501	G-4	TP 714	K-4
IC 102	D-6	L 291	B-3	*Q 125	A-6	*Q 461	E-4	*Q 742	L-5	RV 502	G-4	TP 715	K-1
IC 103	C-6	L 292	A-3	*Q 126	A-5	*Q 462	E-4	*Q 743	L-5	RV 503	G-4	TP 716	K-1
IC 104	C-7	L 293	A-3							RV 504	E-4	TP 717	L-1

* : B SIDE

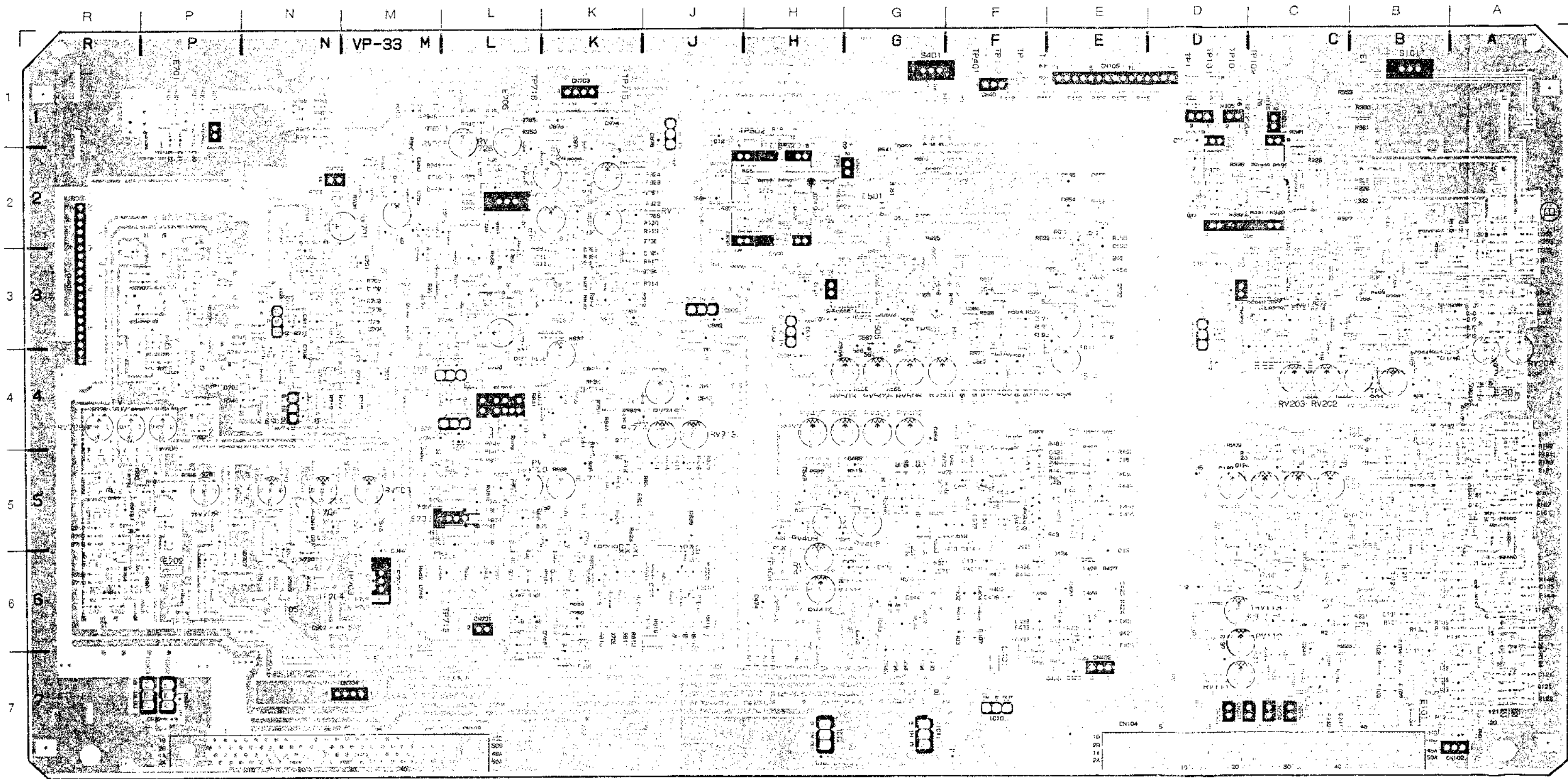




VP-33AP 1-640-032-13 A SIDE

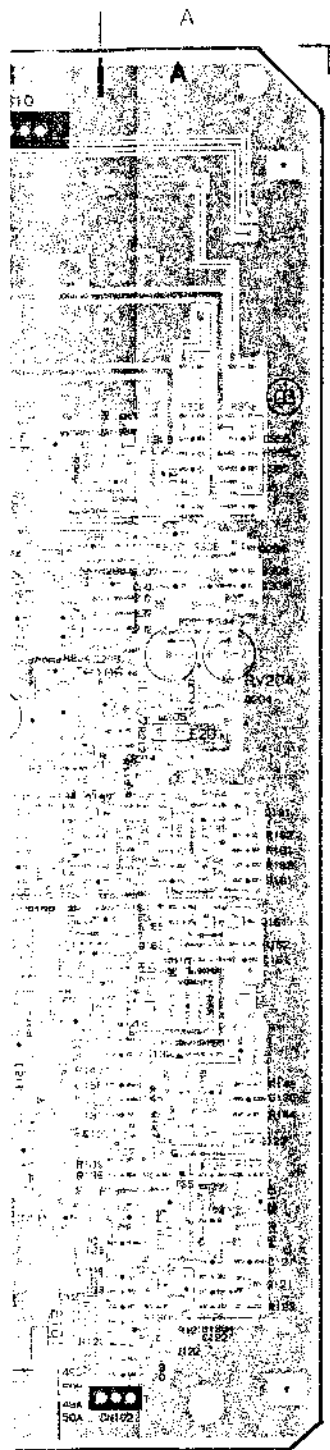
Serial No. (EK); 12241 to 12950

VP-33AP ; Y/C PB PROCESS (PB RF EQ, DEMOD., ENCODE, Y-RF ENVELOPE DET), COMPOSITE OUT DRIVER



VP-33AP 1-640-03213 B SIDE

VP-33AP (1-640-032-13)



CN 101	D-1	IC 105	C-7	L 294	D-4	*Q 128	A-5	*Q 463	E-5	*Q 746	L-6	RV 505	E-3
CN 102	A-7	IC 201	B-3	L 321	D-3	*Q 151	A-5	*Q 464	F-5	*Q 747	L-6	RV 506	G-4
CN 103	N-7	IC 202	C-4	L 322	D-2	*Q 161	A-5	*Q 465	F-6	*Q 748	L-6	RV 701	M-2
CN 104	C-7	IC 203	C-3	L 351	D-3	*Q 162	A-5	*Q 466	F-5	*Q 749	K-5	RV 703	M-5
CN 105	E-1	IC 204	C-2	L 352	D-2	*Q 163	A-5	*Q 467	F-5	*Q 750	K-6	RV 704	N-5
CN 201	C-7	IC 205	D-3	L 401	F-6	*Q 164	B-5	*Q 468	F-5	*Q 751	K-6	RV 705	N-5
CN 202	D-3	IC 206	C-2	L 421	E-6	*Q 165	B-5	*Q 501	G-7	*Q 752	K-5	RV 706	R-4
CN 203	C-1	IC 401	F-5	L 422	E-6	*Q 167	B-5	*Q 504	E-4	*Q 753	K-3	RV 707	R-4
CN 204	C-7	IC 402	H-5	L 423	F-6	*Q 168	B-5	*Q 505	E-3	*Q 754	K-3	RV 708	P-4
CN 205	D-1	IC 403	G-6	L 424	F-6	*Q 169	B-5	*Q 513	G-5	*Q 755	K-3	RV 709	P-5
CN 401	F-1	IC 404	G-6	L 425	E-5	*Q 181	A-4	*Q 514	H-5	*Q 756	K-2	RV 712	L-3
CN 402	E-7	IC 501	F-3	L 450	E-5	*Q 182	A-5	*Q 515	G-6	*Q 757	K-2	RV 713	J-4
CN 501	D-7	IC 502	G-3	L 451	E-6	*Q 183	A-5	*Q 541	G-7	*Q 758	K-3	RV 714	J-4
CN 502	H-3	IC 504	G-2	L 461	G-6	*Q 184	A-4	*Q 550	G-5	*Q 759	K-3	RV 715	K-4
CN 503	G-2	IC 506	H-2	L 462	H-6	*Q 185	A-5	*Q 552	G-5	*Q 760	K-3	RV 716	J-4
CN 504	C-7	IC 605	H-3	L 511	F-6	*Q 186	A-5	*Q 561	G-3	*Q 761	K-2	RV 718	M-2
CN 701	L-6	IC 701	P-3	L 512	G-5	*Q 187	B-4	*Q 562	G-3	*Q 762	K-2	RV 719	K-5
CN 702	N-2	IC 702	R-3	L 513	H-5	*Q 188	B-5	*Q 563	G-3	*Q 763	L-1	RV 720	L-5
CN 703	K-1	IC 703	R-6	L 531	G-5	*Q 189	B-5	*Q 564	G-3	*Q 764	L-1	RV 721	K-2
CN 704	M-7	IC 704	M-5	L 532	F-5	*Q 190	B-4	*Q 565	G-3	*Q 765	L-1	RV 722	K-2
CN 705	P-1	IC 705	N-5	L 561	G-3	*Q 191	B-5	*Q 566	G-3	*Q 766	L-2	RV 723	K-2
CN 801	R-3	IC 706	N-5	L 591	E-3	*Q 192	C-4	*Q 570	F-3	*Q 767	L-2	RV 724	K-2
DL 101	B-5	IC 707	P-5	L 594	H-4	*Q 193	C-4	*Q 591	F-3	*Q 768	N-1	RV 725	L-1
DL 401	F-4	IC 708	P-4	L 621	H-3	*Q 194	C-5	*Q 592	E-3	*Q 770	K-2	RV 726	L-1
		IC 710	K-5	L 622	J-3	*Q 201	C-7	*Q 621	E-3	*Q 771	K-2		
		IC 711	K-5	L 651	H-3	*Q 204	A-4	*Q 622	G-2	*Q 772	L-2	S 101	B-1
*D 1	G-7	IC 712	K-4	L 652	J-2	*Q 205	A-4	*Q 623	H-2	*Q 773	K-2	S 401	G-1
*D 201	B-2	IC 713	L-3	L 701	R-5	*Q 211	C-5	*Q 624	H-2	Q 1001	N-2	S 701	M-6
*D 501	F-3	IC 714	L-3	L 702	P-5	*Q 212	C-5	*Q 625	H-2	Q 1002	N-2	S 702	L-5
*D 502	H-2	IC 715	K-4	L 703	L-3	*Q 213	C-6	*Q 626	H-2	Q 1003	N-2	S 703	L-2
*D 701	P-3	IC 716	L-6	L 704	L-4	*Q 214	D-6	*Q 627	H-2	Q 1004	N-3		
*D 702	N-4	IC 717	M-3	L 705	L-6	*Q 215	C-6	*Q 628	H-2	Q 1005	N-3	TP 1	D-1
*D 703	L-2	IC 718	M-2	L 706	L-6	*Q 241	C-7	*Q 629	H-2	Q 2001	K-6	TP 2	F-1
*D 704	L-2	IC 719	M-1	L 707	K-6	*Q 250	E-6	*Q 651	E-3	Q 2002	K-6	TP 101	D-1
*D 705	N-3	IC 720	K-1	L 708	K-6	*Q 252	C-5	*Q 652	G-2	Q 2003	K-6	TP 102	C-1
*D 706	L-4	IC 721	K-1	L 709	K-3	*Q 261	E-3	*Q 701	N-2	Q 2004	K-6	TP 103	D-1
*D 707	P-6	IC 722	N-1	L 710	K-3	*Q 263	C-3	*Q 702	N-3	Q 2005	K-6	TP 105	C-4
*D 708	K-4	IC 801	M-2	L 711	P-4	*Q 264	C-3	*Q 703	M-3	Q 3001	J-6	TP 106	B-4
*D 709	K-4	IC 902	P-7	L 712	L-6	*Q 265	C-3	*Q 704	M-3	Q 3002	J-6	TP 107	A-4
		IC 903	R-7	L 721	K-5	*Q 266	C-3	*Q 705	N-3	Q 3003	J-6	TP 108	D-6
E 1	B-1	IC 904	L-4	L 901	M-6	*Q 267	C-3	*Q 706	N-4	Q 3004	J-6	TP 201	B-4
E 101	B-7	IC 905	J-1	L 902	M-4	*Q 269	C-3	Q 707	M-4	Q 3005	J-6	TP 204	C-1
E 201	A-4	IC 906	J-3	L 903	P-2	*Q 270	B-3	Q 708	N-4			TP 205	C-3
E 401	F-7	IC 907	N-4	L 904	P-2	*Q 291	E-3	*Q 709	N-4	RV 102	C-5	TP 401	F-1
E 501	G-2	IC 908	L-4	L 905	R-6	*Q 292	A-3	*Q 710	N-4	RV 103	C-5	TP 402	F-1
E 701	P-1			L 906	R-6	*Q 293	A-3	*Q 711	N-4	RV 106	C-5	TP 403	F-1
E 702	P-6	L 1	E-7	L 907	K-5	*Q 294	A-3	Q 712	N-4	RV 107	D-5	TP 406	F-4
E 703	J-6	L 2	L-7	L 908	J-5	*Q 301	C-3	*Q 713	R-6	RV 108	C-6	TP 407	F-4
E 704	M-6	L 3	K-7	L 909	J-4	*Q 321	A-3	*Q 714	R-5	RV 109	C-6	TP 408	H-6
E 705	L-1	L 4	J-7	L 910	J-4	*Q 322	C-2	*Q 715	R-6	RV 111	D-7	TP 501	G-4
		L 5	E-7	L 911	L-3	*Q 323	C-2	*Q 716	R-5	RV 112	D-6	TP 502	H-1
FL 201	B-2	L 101	B-7	L 912	L-3	*Q 324	C-2	*Q 717	R-5	RV 113	D-6	TP 504	H-2
FL 202	B-1	L 121	A-7	L 913	K-5	*Q 325	D-2	*Q 718	R-5	RV 201	B-4	TP 505	G-3
FL 501	F-2	L 122	A-6	L 914	L-5	*Q 326	D-2	*Q 719	P-5	RV 202	C-4	TP 701	M-3
FL 502	F-2	L 123	A-7	L 915	M-3	*Q 327	C-2	*Q 728	K-6	RV 203	C-4	TP 702	N-4
FL 701	L-4	L 124	A-6	L 916	M-3	*Q 328	C-2	*Q 729	J-6	RV 204	A-4	TP 703	M-6
		L 125	A-6	L 917	L-4	*Q 329	D-2	*Q 730	K-4	RV 205	A-4	TP 704	N-6
IC 1	H-1	L 181	C-5	L 918	J-3	*Q 351	A-3	*Q 731	K-4	RV 206	B-4	TP 705	N-6
IC 2	H-1	L 182	C-5	L 919	J-3	*Q 352	C-1	*Q 732	K-4	RV 402	G-4	TP 706	N-6
IC 3	H-1	L 183	D-5	L 920	J-1	*Q 420	E-7	*Q 733	K-4	RV 403	G-4	TP 707	P-6
IC 4	G-1	L 184	D-7	L 921	J-1	*Q 421	E-6	*Q 734	L-3	RV 406	G-4	TP 708	P-6
IC 5	E-4	L 211	B-6			*Q 422	E-6	*Q 735	M-3	RV 407	H-4	TP 709	K-6
IC 6	H-1	L 212	C-5			*Q 423	E-6	*Q 736	M-3	RV 408	G-5	TP 710	J-6
IC 10	F-7	L 213	C-5	*Q 120	A-7	*Q 424	E-6	*Q 737	L-3	RV 409	H-5	TP 711	M-6
IC 11	G-7	L 231	C-6	*Q 121	A-7	*Q 425	F-6	*Q 738	L-3	RV 412	H-6	TP 712	M-4
IC 12	H-7	L 232	B-6	*Q 122	A-6	*Q 426	F-5	*Q 739	L-4	RV 413	H-6	TP 713	M-6
IC 101	B-6	L 261	B-3	*Q 123	A-7	*Q 427	E-5	*Q 740	L-5	RV 501	G-4	TP 714	K-4
IC 102	D-6	L 291	B-3	*Q 124	A-6	*Q 428	E-5	*Q 741	L-5	RV 502	G-4	TP 715	K-1
IC 103	C-6	L 292	A-3	*Q 125	A-6	*Q 461	E-4	*Q 742	L-5	RV 503	G-4	TP 716	K-1
IC 104	C-7	L 293	A-3	*Q 126	A-5	*Q 462	E-4	*Q 743	L-5	RV 504	E-4	TP 717	L-1
				*Q 127	A-6								

* : B SIDE

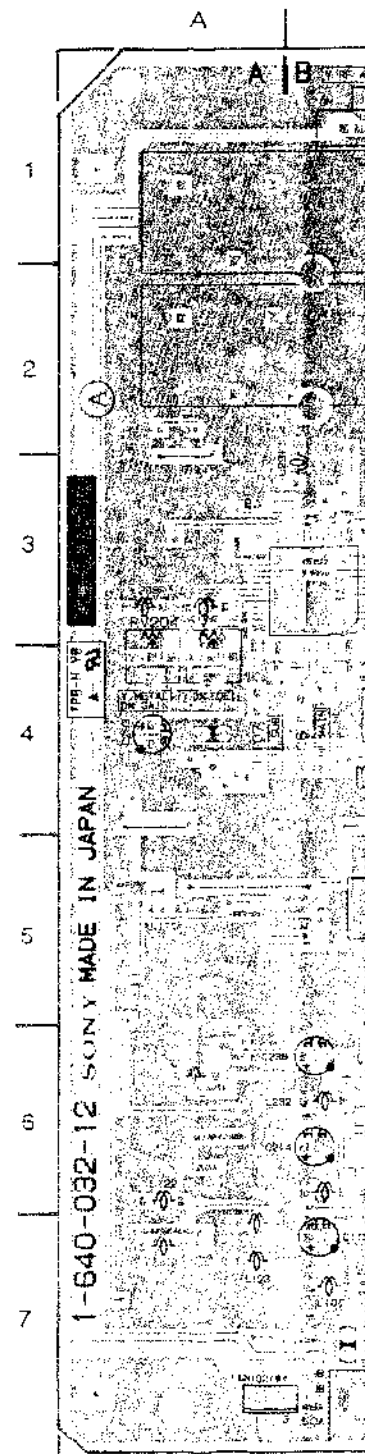
Serial No. (EK); 10651 to 12240

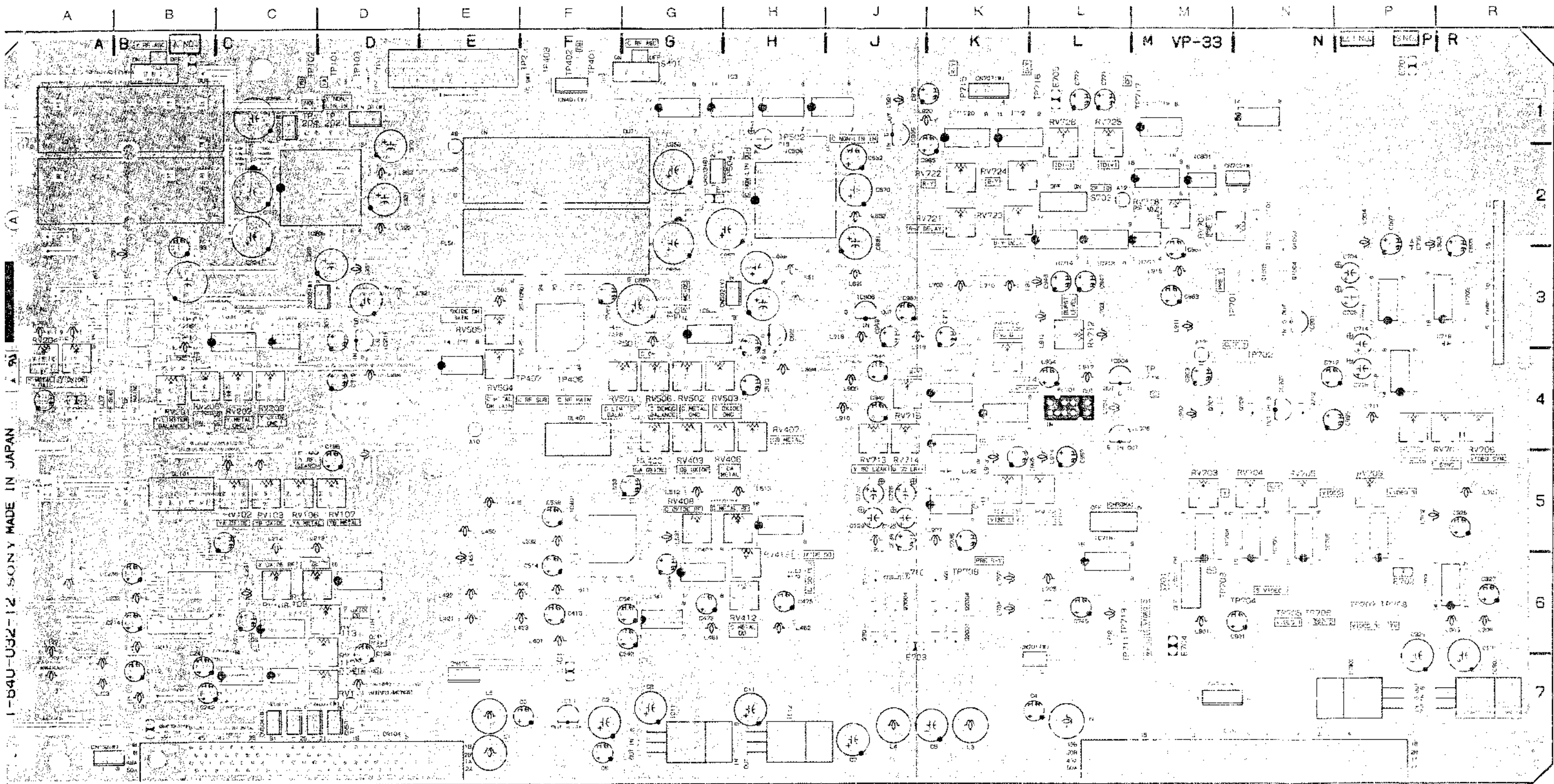
VP-33AP ; Y/C PB PROCESS (PB RF EQ, DEMOD., ENCODE, Y-RF ENVELOPE DET), COMPOSITE OUT DRIVER

VP-33AP (1-640-032-12)

CN 101	D-1	IC 204	C-2	L 401	F-6	* Q 169	B-5	* Q 501	G-7	* Q 756	K-2	RV 713	J-4
CN 102	A-7	IC 205	D-3	L 421	E-6	* Q 181	A-4	* Q 513	G-5	* Q 757	K-2	RV 714	J-4
CN 103	N-7	IC 206	C-2	L 422	E-6	* Q 182	A-5	* Q 514	H-5	* Q 758	K-3	RV 715	K-4
CN 104	C-7	IC 401	F-5	L 423	F-6	* Q 183	A-5	* Q 515	G-6	* Q 759	K-3	RV 716	J-4
CN 105	E-1	IC 402	H-5	L 424	F-6	* Q 184	A-4	* Q 541	G-7	* Q 760	K-3	RV 718	M-2
CN 201	C-7	IC 403	G-6	L 425	E-5	* Q 185	A-5	* Q 550	G-5	* Q 761	K-2	RV 719	K-5
CN 202	D-3	IC 404	G-6	L 461	G-6	* Q 186	A-5	* Q 552	G-5	* Q 762	K-2	RV 720	L-5
CN 203	C-1	IC 501	F-3	L 462	H-6	* Q 187	B-4	* Q 561	G-3	* Q 763	L-1	RV 721	K-2
CN 204	C-7	IC 502	G-4	L 511	F-6	* Q 188	B-5	* Q 562	G-3	* Q 764	L-1	RV 722	K-2
CN 401	F-1	IC 506	H-2	L 512	G-5	* Q 189	B-5	* Q 563	G-3	* Q 765	L-1	RV 723	K-2
CN 402	E-7	IC 605	H-3	L 513	H-5	* Q 190	B-4	* Q 564	G-3	* Q 766	L-2	RV 724	K-2
CN 501	D-7	IC 701	P-3	L 531	G-5	* Q 191	B-5	* Q 565	G-3	* Q 767	L-2	RV 725	L-1
CN 502	H-3	IC 702	R-3	L 532	F-5	* Q 192	C-4	* Q 566	G-3	* Q 768	N-1	RV 726	L-1
CN 503	G-2	IC 703	R-6	L 561	G-3	* Q 193	C-4	* Q 570	F-3	* Q 770	K-2		
CN 504	C-7	IC 704	M-6	L 591	E-3	* Q 194	C-5	* Q 591	F-3	* Q 771	K-2	S 101	B-1
CN 701	L-1	IC 705	N-6	L 594	H-4	* Q 201	C-7	* Q 592	E-3	* Q 772	L-2	S 401	G-1
CN 702	N-2	IC 706	N-6	L 621	H-3	* Q 202	D-7	* Q 621	E-3	* Q 773	K-2	S 701	M-6
CN 703	K-1	IC 707	P-6	L 622	J-3	* Q 204	A-4	* Q 622	G-2	Q 1001	N-2	S 702	L-5
CN 704	M-7	IC 708	P-4	L 651	H-3	* Q 205	A-4	* Q 623	H-2	Q 1002	N-2	S 703	L-2
CN 801	R-3	IC 710	K-5	L 852	J-2	* Q 211	C-5	* Q 624	H-2	Q 1003	N-2		
		IC 711	K-5	L 701	R-5	* Q 212	C-5	* Q 625	H-2	Q 1004	N-3	TP 1	D-1
DL 101	B-5	IC 712	K-4	L 702	P-5	* Q 213	C-6	* Q 626	H-2	Q 1005	N-3	TP 2	F-1
DL 401	F-4	IC 713	L-3	L 703	L-3	* Q 214	D-6	* Q 627	H-2	Q 2001	K-6	TP 101	D-1
		IC 714	L-3	L 704	L-4	* Q 215	C-6	* Q 628	H-2	Q 2002	K-6	TP 102	C-1
* D 1	G-7	IC 715	K-4	L 705	L-6	* Q 241	C-7	* Q 629	H-2	Q 2003	K-6	TP 103	D-1
* D 201	B-2	IC 716	L-6	L 706	L-6	* Q 250	B-6	* Q 701	N-2	Q 2004	K-6	TP 105	C-4
* D 501	F-3	IC 717	M-3	L 707	K-6	* Q 252	B-5	* Q 702	N-3	Q 2005	K-6	TP 106	B-4
D 502	S-8	IC 718	M-2	L 708	K-6	* Q 261	B-3	* Q 703	M-3	Q 3001	J-6	TP 107	A-4
* D 701	P-3	IC 719	M-1	L 709	K-3	* Q 262	C-3	* Q 704	M-3	Q 3002	J-6	TP 108	D-6
* D 702	N-4	IC 720	K-2	L 710	K-3	* Q 263	C-3	* Q 705	N-3	Q 3003	J-6	TP 201	B-4
* D 703	L-2	IC 721	K-2	L 711	P-4	* Q 264	C-3	* Q 706	N-4	Q 3004	J-6	TP 202	D-1
* D 704	L-2	IC 722	N-1	L 712	L-6	* Q 265	C-3	* Q 707	M-4	Q 3005	J-6	TP 204	C-1
* D 705	N-3	IC 901	N-3	L 901	M-6	* Q 266	C-3	Q 708	N-4			TP 205	C-3
* D 706	L-4	IC 902	P-7	L 902	M-4	* Q 267	C-3	* Q 709	N-4	RV 102	C-5	TP 401	F-1
* D 707	P-6	IC 903	P-7	L 903	P-2	* Q 268	C-3	* Q 710	N-4	RV 103	C-5	TP 402	F-1
* D 708	K-4	IC 904	L-4	L 904	P-2	* Q 269	C-3	* Q 711	N-4	RV 106	C-5	TP 403	F-1
* D 709	K-4	IC 905	J-1	L 905	R-6	* Q 270	B-3	Q 712	N-4	RV 107	D-5	TP 406	F-4
		IC 906	J-3	L 906	R-6	* Q 291	B-3	* Q 713	R-6	RV 108	C-6	TP 407	F-4
		IC 907	N-4	L 907	K-5	* Q 292	A-3	* Q 714	R-5	RV 109	C-6	TP 408	H-6
E 1	B-1	IC 908	L-4	L 908	J-5	* Q 293	A-3	* Q 715	R-6	RV 111	D-7	TP 501	G-4
E 101	B-7			L 909	J-4	* Q 294	A-3	* Q 716	R-5	RV 112	D-6	TP 502	J-2
E 201	A-4			L 910	J-4	* Q 301	C-3	* Q 717	R-5	RV 113	D-6	TP 504	H-2
E 401	F-7	L 1	E-7	L 911	L-3	* Q 321	A-3	* Q 718	R-5	RV 201	B-4	TP 505	G-3
E 701	P-1	L 2	L-7	L 912	L-3	* Q 322	C-2	* Q 719	P-5	RV 202	C-4	TP 701	M-3
E 702	R-7	L 3	K-7	L 913	K-5	* Q 323	C-2	* Q 728	K-6	RV 203	C-4	TP 702	N-4
E 703	J-6	L 4	J-7	L 914	L-5	* Q 324	C-2	* Q 729	J-6	RV 204	A-4	TP 703	M-6
E 704	M-6	L 5	E-7	L 915	M-3	* Q 325	D-2	* Q 730	K-4	RV 205	A-4	TP 704	N-6
E 705	L-1	L 101	B-7	L 916	M-3	* Q 326	D-2	* Q 731	K-4	RV 206	B-4	TP 705	N-6
		L 121	A-7	L 917	L-4	* Q 327	C-2	* Q 732	K-4	RV 402	G-4	TP 706	N-6
FL 201	B-2	L 122	A-6	L 918	J-3	* Q 328	C-2	* Q 733	K-4	RV 403	G-4	TP 707	F-6
FL 202	B-1	L 123	A-7	L 919	J-3	* Q 329	D-2	* Q 734	L-3	RV 406	G-4	TP 708	P-6
FL 501	F-2	L 124	A-6	L 920	J-1	* Q 351	A-3	* Q 735	M-3	RV 407	H-4	TP 709	K-6
FL 701	L-4	L 125	A-6	L 921	J-1	* Q 352	C-1	* Q 736	M-3	RV 408	G-5	TP 710	J-6
		L 181	C-5			* Q 420	E-7	* Q 737	L-3	RV 409	H-5	TP 711	M-6
IC 1	H-1	L 182	C-5			* Q 421	E-6	* Q 738	L-3	RV 412	H-6	TP 712	M-4
IC 2	H-1	L 183	D-5	* Q 120	A-7	* Q 422	E-5	* Q 739	L-4	RV 413	H-6	TP 713	M-6
IC 3	G-1	L 184	D-7	* Q 121	A-7	* Q 423	E-6	* Q 740	L-5	RV 501	G-4	TP 714	K-4
IC 4	G-1	L 211	B-6	* Q 122	A-6	* Q 424	E-6	* Q 741	L-5	RV 502	G-4	TP 715	K-1
IC 5	E-4	L 212	C-5	* Q 123	A-7	* Q 425	F-6	* Q 742	L-5	RV 503	G-4	TP 716	K-1
IC 6	S-8	L 213	C-5	* Q 124	A-6	* Q 426	F-5	* Q 743	L-5	RV 505	E-3	TP 717	L-1
IC 10	F-7	L 231	C-6	* Q 125	A-6	* Q 427	E-5	* Q 746	L-5	RV 506	G-4		
IC 11	G-7	L 232	B-6	* Q 126	A-5	* Q 428	E-5	* Q 747	L-6	RV 701	M-2		
IC 12	H-7	L 261	B-3	* Q 127	A-6	* Q 461	E-4	* Q 748	L-6	RV 703	M-5		
IC 101	B-6	L 291	B-3	* Q 128	A-5	* Q 462	E-4	* Q 749	K-5	RV 704	N-5		
IC 102	D-6	L 292	A-3	* Q 161	A-5	* Q 463	E-5	* Q 750	K-6	RV 705	N-5		
IC 103	C-6	L 293	A-3	* Q 162	A-5	* Q 464	F-5	* Q 751	K-6	RV 706	R-4		
IC 104	C-7	L 294	D-4	* Q 163	A-5	* Q 465	F-5	* Q 752	K-5	RV 707	R-4		
IC 105	C-7	L 321	D-3	* Q 164	B-5	* Q 466	F-5	* Q 753	K-3	RV 708	P-4		
IC 201	B-3	L 322	D-2	* Q 165	B-5	* Q 467	F-5	* Q 754	K-3	RV 709	P-5		
IC 202	B-4	L 351	D-3	* Q 167	B-5	* Q 468	F-5	* Q 755	K-3	RV 712	L-3		
IC 203	C-4	L 352	D-2	* Q 168	B-5								

* : B SIDE

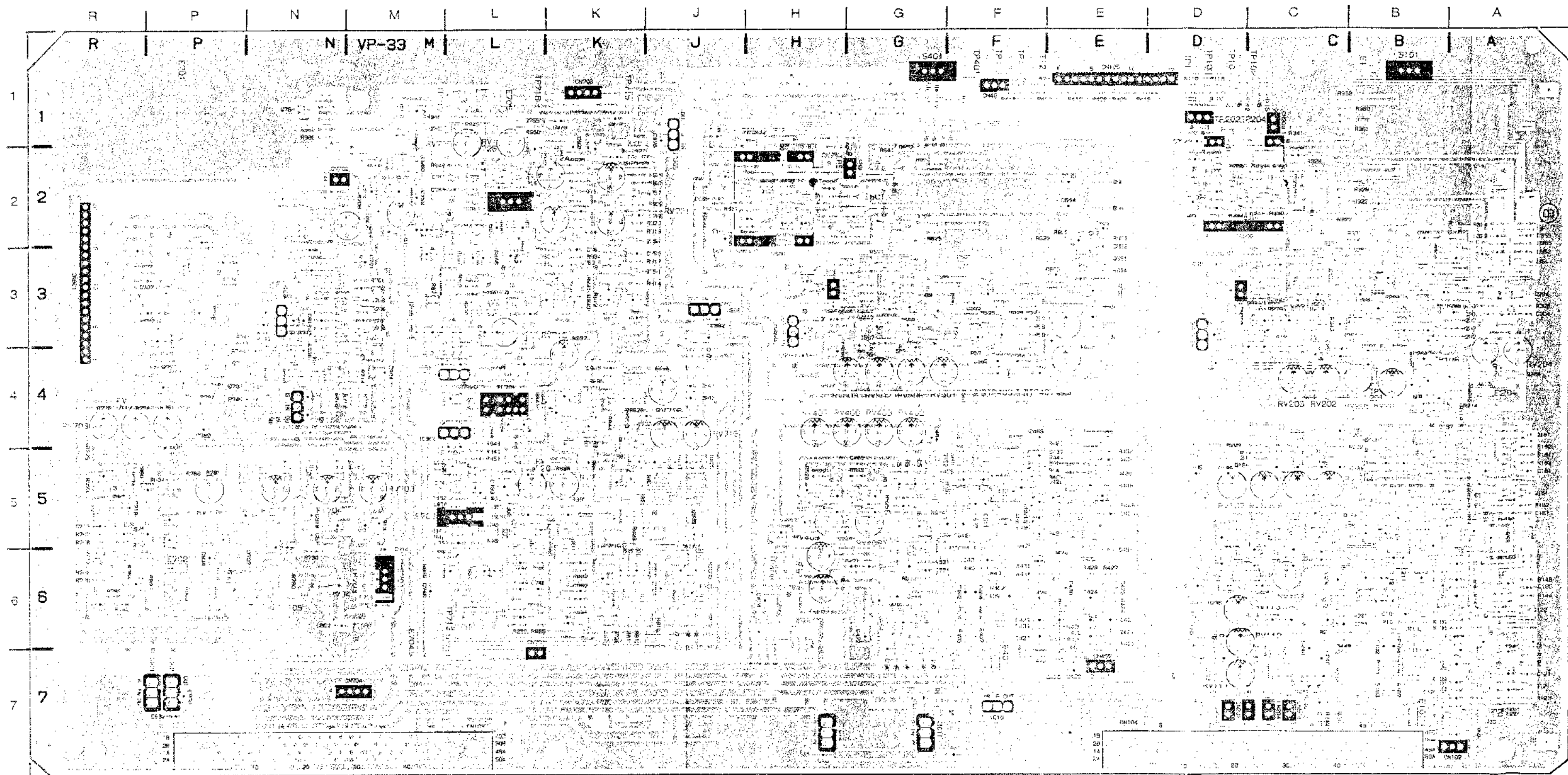




VP 33AP 1-64U-U32-12 A SIDE

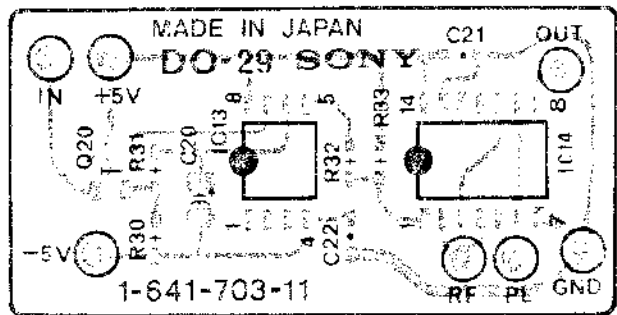
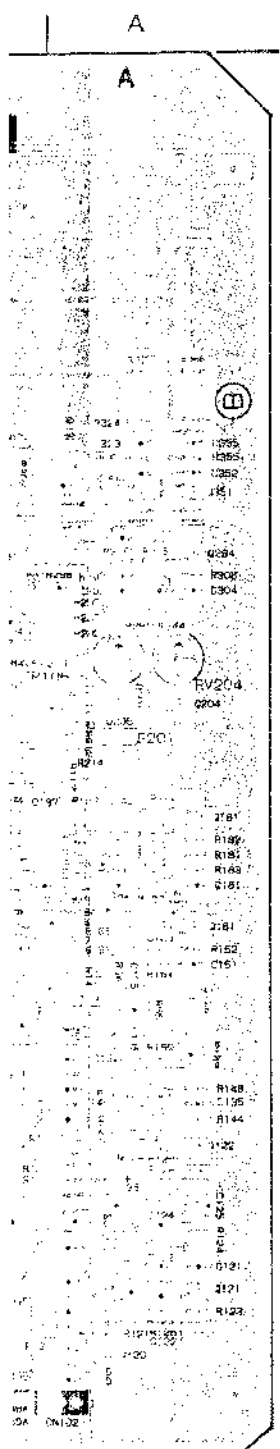
Serial No. (EK); 10651 to 12240

VP-33AP ; Y/C PB PROCESS (PB RF EQ, DEMOD., ENCODE, Y-RF ENVELOPE DET), COMPOSITE OUT DRIVER
DO-29 ; DROP OUT DETECTOR



VP-33AP 1-640 03:1 2 B SIDE

VP-33AP (1-640-032-12)



CN 101	D-1	IC 204	C-2	L 401	F-6	* Q 169	B-5	* Q 501	G-7	* Q 756	K-2	RV 713	J-4
CN 102	A-7	IC 205	D-3	L 421	E-6	* Q 181	A-4	* Q 513	G-5	* Q 757	K-2	RV 714	J-4
CN 103	N-7	IC 206	C-2	L 422	E-6	* Q 182	A-5	* Q 514	H-5	* Q 758	K-3	RV 715	K-4
CN 104	C-7	IC 401	F-5	L 423	F-6	* Q 183	A-5	* Q 515	G-6	* Q 759	K-3	RV 716	J-4
CN 105	E-1	IC 402	H-5	L 424	F-6	* Q 184	A-4	* Q 541	G-7	* Q 760	K-3	RV 718	M-2
CN 201	C-7	IC 403	G-6	L 425	E-5	* Q 185	A-5	* Q 550	G-5	* Q 761	K-2	RV 719	K-5
CN 202	D-3	IC 404	G-6	L 461	G-6	* Q 186	A-5	* Q 552	G-5	* Q 762	K-2	RV 720	L-5
CN 203	C-1	IC 501	F-3	L 462	H-6	* Q 187	B-4	* Q 561	G-3	* Q 763	L-1	RV 721	K-2
CN 204	C-7	IC 502	G-4	L 511	F-6	* Q 188	B-5	* Q 562	G-3	* Q 764	L-1	RV 722	K-2
CN 401	F-1	IC 506	H-2	L 512	G-5	* Q 189	B-5	* Q 563	G-3	* Q 765	L-1	RV 723	K-2
CN 402	E-7	IC 605	H-3	L 513	H-5	* Q 190	B-4	* Q 564	G-3	* Q 766	L-2	RV 724	K-2
CN 501	D-7	IC 701	P-3	L 531	G-5	* Q 191	B-5	* Q 565	G-3	* Q 767	L-2	RV 725	L-1
CN 502	H-3	IC 702	R-3	L 532	F-5	* Q 192	C-4	* Q 566	G-3	* Q 768	N-1	RV 726	L-1
CN 503	G-2	IC 703	R-6	L 561	G-3	* Q 193	C-4	* Q 570	F-3	* Q 770	K-2		
CN 504	C-7	IC 704	M-6	L 591	E-3	* Q 194	C-5	* Q 591	F-3	* Q 771	K-2	S 101	B-1
CN 701	L-1	IC 705	N-6	L 594	H-4	* Q 201	C-7	* Q 592	E-3	* Q 772	L-2	S 401	G-1
CN 702	N-2	IC 706	N-6	L 621	H-3	Q 202	D-7	* Q 621	E-3	* Q 773	K-2	S 701	M-6
CN 703	K-1	IC 707	P-6	L 622	J-3	* Q 204	A-4	* Q 622	G-2	Q 1001	N-2	S 702	L-5
CN 704	M-7	IC 708	P-4	L 651	H-3	* Q 205	A-4	* Q 623	H-2	Q 1002	N-2	S 703	L-2
CN 801	R-3	IC 710	K-5	L 652	J-2	* Q 211	C-5	* Q 624	H-2	Q 1003	N-2		
		IC 711	K-5	L 701	R-5	* Q 212	C-5	* Q 625	H-2	Q 1004	N-3	TP 1	D-1
DL 101	B-5	IC 712	K-4	L 702	P-5	* Q 213	C-6	* Q 626	H-2	Q 1005	N-3	TP 2	F-1
DL 401	F-4	IC 713	L-3	L 703	L-3	* Q 214	D-6	* Q 627	H-2	Q 2001	K-6	TP 10*	D-1
		IC 714	L-3	L 704	L-4	* Q 215	C-6	* Q 628	H-2	Q 2002	K-6	TP 102	C-1
* D 1	G-7	IC 715	K-4	L 705	L-6	* Q 241	C-7	* Q 629	H-2	Q 2003	K-6	TP 103	D-1
* D 201	B-2	IC 716	L-6	L 706	L-6	* Q 250	B-6	* Q 701	N-2	Q 2004	K-6	TP 105	C-4
* D 501	F-3	IC 717	M-3	L 707	K-6	* Q 252	B-5	* Q 702	N-3	Q 2005	K-6	TP 106	B-4
D 502	S-8	IC 718	M-2	L 708	K-6	* Q 261	B-3	* Q 703	M-3	Q 3001	J-6	TP 107	A-4
* D 701	P-3	IC 719	M-1	L 709	K-3	* Q 262	C-3	* Q 704	M-3	Q 3002	J-6	TP 108	D-6
* D 702	N-4	IC 720	K-2	L 710	K-3	* Q 263	C-3	* Q 705	N-3	Q 3003	J-6	TP 201	B-4
* D 703	L-2	IC 721	K-2	L 711	F-4	* Q 264	C-3	* Q 706	N-4	Q 3004	J-6	TP 202	D-1
* D 704	L-2	IC 722	N-1	L 712	L-6	* Q 265	C-3	Q 707	M-4	Q 3005	J-6	TP 204	C-1
* D 705	N-3	IC 901	N-3	L 901	M-6	* Q 266	C-3	Q 708	N-4			TP 205	C-3
* D 706	L-4	IC 902	P-7	L 902	M-4	* Q 267	C-3	* Q 709	N-4	RV 102	C-5	TP 401	F-1
* D 707	P-6	IC 903	P-7	L 903	P-2	* Q 268	C-3	* Q 710	N-4	RV 103	C-5	TP 402	F-1
* D 708	K-4	IC 904	L-4	L 904	F-2	* Q 269	C-3	* Q 711	N-4	RV 106	C-5	TP 403	F-1
* D 709	K-4	IC 905	J-1	L 905	R-6	* Q 270	B-3	Q 712	N-4	RV 107	D-5	TP 406	F-4
		IC 906	J-3	L 906	R-6	* Q 291	B-3	* Q 713	R-6	RV 108	C-6	TP 407	F-4
		IC 907	N-4	L 907	K-5	* Q 292	A-3	* Q 714	R-5	RV 109	C-6	TP 408	H-6
E 1	B-1	IC 908	L-4	L 908	J-5	* Q 293	A-3	* Q 715	R-6	RV 111	D-7	TP 501	G-4
E 101	B-7			L 909	J-4	* Q 294	A-3	* Q 716	R-5	RV 112	D-6	TP 502	J-2
E 201	A-4			L 910	J-4	* Q 301	C-3	* Q 717	R-5	RV 113	D-6	TP 504	H-2
E 401	F-7	L 1	E-7	L 911	L-3	* Q 321	A-3	* Q 718	R-5	RV 201	B-4	TP 505	G-3
E 701	P-1	L 2	L-7	L 912	L-3	* Q 322	C-2	* Q 719	P-5	RV 202	C-4	TP 701	M-3
E 702	R-7	L 3	K-7	L 913	K-5	* Q 323	C-2	* Q 728	K-6	RV 203	C-4	TP 702	N-4
E 703	J-6	L 4	J-7	L 914	L-5	* Q 324	C-2	* Q 729	J-6	RV 204	A-4	TP 703	M-6
E 704	M-6	L 5	E-7	L 915	M-3	* Q 325	D-2	* Q 730	K-4	RV 205	A-4	TP 704	N-6
E 705	L-1	L 101	B-7	L 916	M-3	* Q 326	D-2	* Q 731	K-4	RV 206	B-4	TP 705	N-6
		L 121	A-7	L 917	L-4	* Q 327	C-2	* Q 732	K-4	RV 402	G-4	TP 706	N-6
FL 201	B-2	L 122	A-6	L 918	J-3	* Q 328	C-2	* Q 733	K-4	RV 403	G-4	TP 707	P-6
FL 202	B-1	L 123	A-7	L 919	J-3	* Q 329	D-2	* Q 734	L-3	RV 406	G-4	TP 708	P-6
FL 501	F-2	L 124	A-6	L 920	J-1	* Q 351	A-3	* Q 735	M-3	RV 407	H-4	TP 709	K-6
FL 701	L-4	L 125	A-6	L 921	J-1	* Q 352	C-1	* Q 736	M-3	RV 408	G-5	TP 710	J-6
		L 181	C-5			* Q 420	E-7	* Q 737	L-3	RV 409	H-5	TP 711	M-6
IC 1	H-1	L 182	C-5	* Q 120	A-7	* Q 421	E-6	* Q 738	L-3	RV 412	H-6	TP 712	M-4
IC 2	H-1	L 183	D-5	* Q 121	A-7	* Q 422	E-5	* Q 739	L-4	RV 413	H-6	TP 713	M-6
IC 3	G-1	L 184	D-7	* Q 122	A-6	* Q 423	E-6	* Q 740	L-5	RV 501	G-4	TP 714	K-4
IC 4	G-1	L 211	B-6	* Q 123	A-7	* Q 424	E-6	* Q 741	L-5	RV 502	G-4	TP 715	K-1
IC 5	E-4	L 212	C-5	* Q 124	A-6	* Q 425	F-6	* Q 742	L-5	RV 503	G-4	TP 716	K-1
IC 6	S-8	L 213	C-5	* Q 125	A-6	* Q 426	F-5	* Q 743	L-5	RV 505	E-3	TP 717	L-1
IC 10	F-7	L 231	C-6	* Q 126	A-5	* Q 427	E-5	* Q 746	L-5	RV 506	G-4		
IC 11	G-7	L 232	B-6	* Q 127	A-6	* Q 428	E-5	* Q 747	L-6	RV 701	M-2		
IC 12	H-7	L 261	B-3	* Q 128	A-5	* Q 461	E-4	* Q 748	L-6	RV 703	M-5		
IC 101	B-6	L 291	B-3	* Q 161	A-5	* Q 462	E-4	* Q 749	K-5	RV 704	N-5		
IC 102	D-6	L 292	A-3	* Q 162	A-5	* Q 463	E-5	* Q 750	K-6	RV 705	N-5		
IC 103	C-6	L 293	A-3	* Q 163	A-5	* Q 464	F-5	* Q 751	K-6	RV 706	R-4		
IC 104	C-7	L 294	D-4	* Q 164	B-5	* Q 465	F-5	* Q 752	K-5	RV 707	R-4		
IC 105	C-7	L 321	D-3	* Q 165	B-5	* Q 466	F-5	* Q 753	K-3	RV 708	P-4		
IC 201	B-3	L 322	D-2	* Q 167	B-5	* Q 467	F-5	* Q 754	K-3	RV 709	P-5		
IC 202	B-4	L 351	D-3	* Q 168	B-5	* Q 468	F-5	* Q 755	K-3	RV 712	L-3		
IC 203	C-4	L 352	D-2										

* : B SIDE

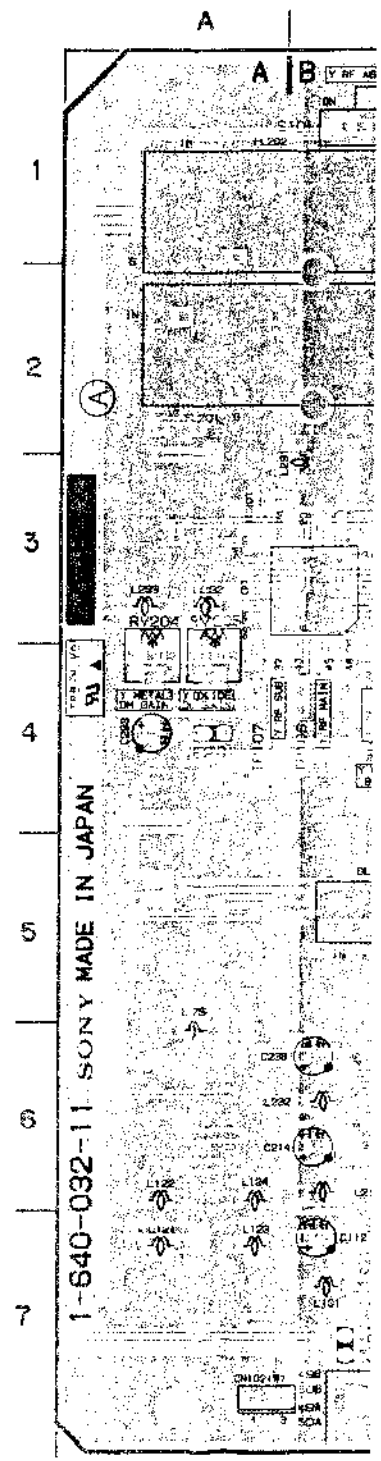
Serial No. (EK); 10001 to 10650

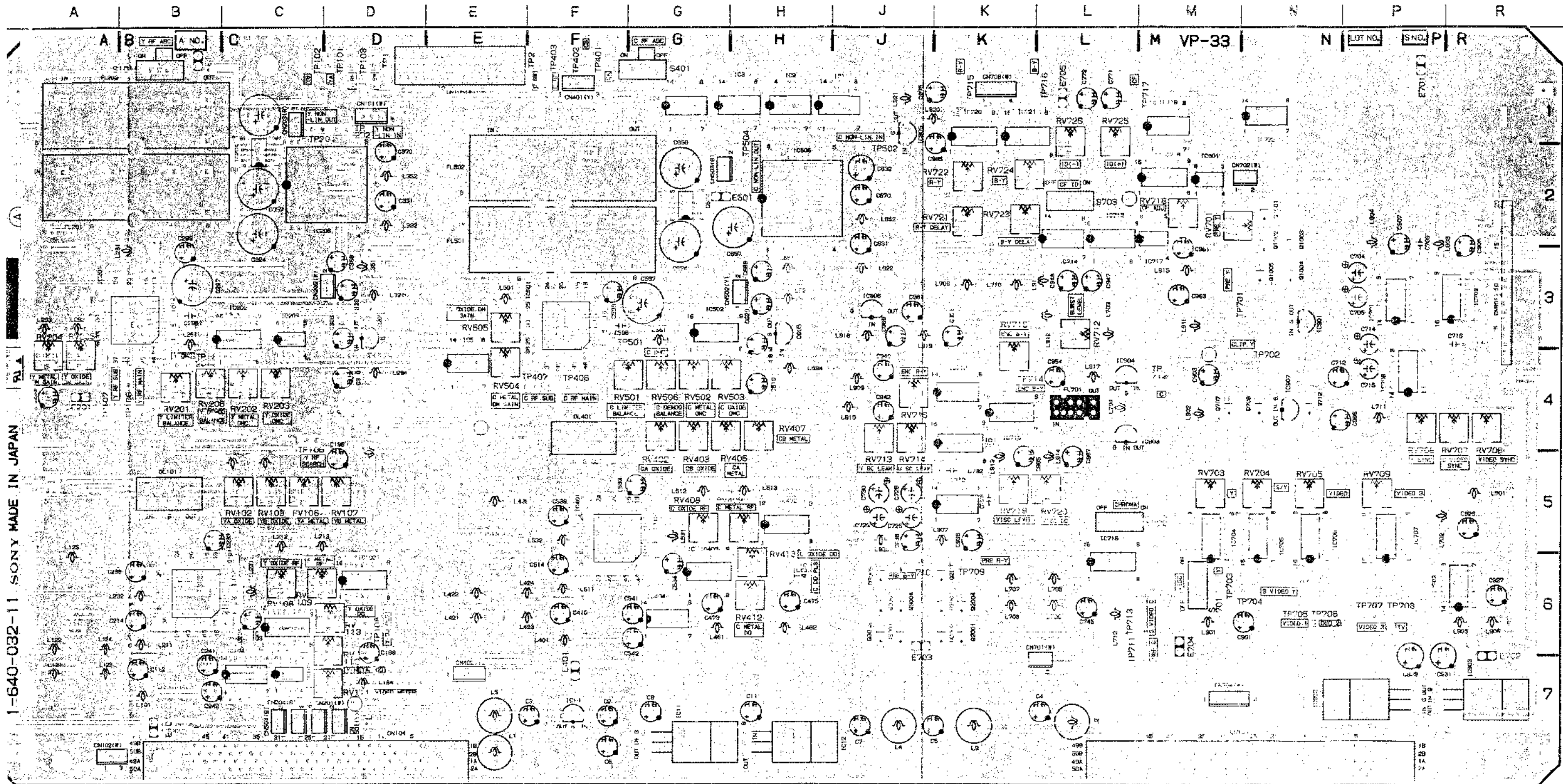
VP-33AP ; Y/C PB PROCESS (PB RF EQ, DEMOD., ENCODE, Y-RF ENVELOPE DET), COMPOSITE OUT DRIVER

VP-33AP (1-640-032-11)

CN 102	A-7	IC 403	G-6	L 425	E-5	*Q 185	A-5	*Q 570	F-3	*Q 768	N-1	RV 726	L-1
CN 103	N-7	IC 404	G-6	L 461	G-6	*Q 186	A-5	*Q 571	F-3	*Q 770	K-2		
CN 104	C-7	IC 501	F-3	L 462	H-6	*Q 187	B-4	*Q 591	F-3	*Q 771	K-2	S 101	B-1
CN 105	E-1	IC 502	G-4	L 511	F-6	*Q 188	B-5	*Q 592	E-3	*Q 772	L-2	S 401	G-1
CN 203	C-1	IC 506	H-2	L 512	G-5	*Q 189	B-5	*Q 621	E-3	*Q 773	K-2	S 701	M-6
CN 204	C-7	IC 605	H-3	L 513	H-5	*Q 190	B-4	*Q 622	G-2	Q 1001	N-2	S 702	L-5
CN 401	F-1	IC 701	P-3	L 531	G-5	*Q 191	B-5	*Q 623	H-2	Q 1002	N-2	S 703	L-2
CN 402	E-7	IC 702	R-3	L 532	F-5	*Q 192	C-4	*Q 624	H-2	Q 1003	N-2		
CN 503	G-2	IC 703	R-6	L 581	G-3	*Q 193	C-4	*Q 625	H-2	Q 1004	N-3	TP 1	D-1
CN 504	C-7	IC 704	M-6	L 591	E-3	*Q 194	C-5	*Q 626	H-2	Q 1005	N-3	TP 2	F-1
CN 701	L-7	IC 705	N-6	L 594	H-4	*Q 201	C-7	*Q 627	H-2	Q 2001	K-6	TP 101	D-1
CN 702	N-2	IC 706	N-6	L 621	H-3	*Q 202	D-7	*Q 628	H-2	Q 2002	K-6	TP 102	C-1
CN 703	K-1	IC 707	P-6	L 622	J-3	*Q 204	A-4	*Q 629	H-2	Q 2003	K-6	TP 103	D-1
CN 704	M-7	IC 708	P-4	L 651	H-3	*Q 205	A-4	*Q 701	N-2	Q 2004	K-6	TP 105	C-4
CN 801	R-3	IC 710	K-5	L 652	J-2	*Q 211	C-5	*Q 702	N-3	Q 2005	K-6	TP 106	B-4
		IC 711	K-5	L 701	R-5	*Q 212	C-5	*Q 703	M-3	Q 3001	J-6	TP 107	A-4
DL 101	B-5	IC 712	K-4	L 702	F-5	*Q 213	C-6	*Q 704	M-3	Q 3002	J-6	TP 108	D-6
DL 401	F-4	IC 713	L-3	L 703	L-3	*Q 214	D-6	*Q 705	N-3	Q 3003	J-6	TP 201	B-4
		IC 714	L-3	L 704	L-4	*Q 215	C-6	*Q 706	N-4	Q 3004	J-6	TP 202	D-1
*D 1	G-7	IC 715	K-4	L 705	L-6	*Q 241	C-7	Q 707	M-4	Q 3005	J-6	TP 204	C-1
*D 201	B-2	IC 716	L-6	L 706	L-6	*Q 250	B-6	Q 708	N-4			TP 205	C-3
*D 501	F-3	IC 717	M-3	L 707	K-6	*Q 252	B-5	*Q 709	N-4	RV 102	C-5	TP 401	F-1
*D 502	S-8	IC 718	M-2	L 708	K-6	*Q 261	B-3	*Q 710	N-4	RV 103	C-5	TP 402	F-1
*D 701	P-3	IC 719	M-1	L 709	K-3	*Q 262	C-3	*Q 711	N-4	RV 106	C-5	TP 403	F-1
*D 702	N-4	IC 720	K-2	L 710	K-3	*Q 263	C-3	Q 712	N-4	RV 107	D-5	TP 406	F-4
*D 703	L-2	IC 721	K-2	L 711	P-4	*Q 264	C-3	*Q 713	R-6	RV 108	C-6	TP 407	F-4
*D 704	L-2	IC 722	N-1	L 712	L-6	*Q 265	C-3	*Q 714	R-5	RV 109	C-6	TP 408	H-6
*D 705	N-3	IC 901	N-3	L 901	M-6	*Q 266	C-3	*Q 715	R-6	RV 111	D-7	TP 501	G-4
*D 706	L-4	IC 902	P-7	L 902	M-4	*Q 270	B-3	*Q 716	R-5	RV 112	D-6	TP 502	J-2
*D 707	P-6	IC 903	P-7	L 903	P-2	*Q 291	B-3	*Q 717	R-5	RV 113	D-6	TP 504	H-2
*D 708	K-4	IC 904	L-4	L 904	P-2	*Q 292	A-3	*Q 718	R-5	RV 201	B-4	TP 505	G-3
*D 709	K-4	IC 905	J-1	L 905	R-6	*Q 293	A-3	*Q 719	P-5	RV 202	C-4	TP 701	M-3
		IC 906	J-3	L 906	R-6	*Q 294	A-3	*Q 728	K-6	RV 203	C-4	TP 702	N-4
E 1	B-1	IC 907	N-4	L 907	K-5	*Q 321	A-3	*Q 729	J-6	RV 204	A-4	TP 703	M-6
E 101	B-7	IC 908	L-4	L 908	J-5	*Q 322	C-2	*Q 730	K-4	RV 205	A-4	TP 704	N-6
E 201	A-4			L 909	J-4	*Q 323	C-2	*Q 731	K-4	RV 206	B-4	TP 705	N-6
E 401	F-7	L 1	E-7	L 910	J-4	*Q 324	C-2	*Q 732	K-4	RV 402	G-4	TP 706	N-6
E 701	P-1	L 2	L-7	L 911	L-3	*Q 325	D-2	*Q 733	K-4	RV 403	G-4	TP 707	F-6
E 702	R-7	L 3	K-7	L 912	L-3	*Q 326	D-2	*Q 734	L-3	RV 406	G-4	TP 708	P-6
E 703	J-6	L 4	J-7	L 913	K-5	*Q 327	C-2	*Q 735	M-3	RV 407	H-4	TP 709	K-6
E 704	M-3	L 5	E-7	L 914	L-5	*Q 328	C-2	*Q 736	M-3	RV 408	G-5	TP 710	J-6
E 705	L-1	L 101	B-7	L 915	M-3	*Q 329	D-2	*Q 737	L-3	RV 409	H-5	TP 711	M-6
		L 121	A-7	L 916	M-3	*Q 351	A-3	*Q 738	L-3	RV 412	H-6	TP 712	M-4
FL 201	B-2	L 122	A-6	L 917	L-4	*Q 352	C-1	*Q 739	L-4	RV 413	H-6	TP 713	M-6
FL 202	B-1	L 123	A-7	L 918	J-3	*Q 420	E-7	*Q 740	L-5	RV 501	G-4	TP 714	K-4
FL 501	F-2	L 124	A-6	L 919	J-3	*Q 421	E-6	*Q 741	L-5	RV 502	G-4	TP 715	K-1
FL 701	L-4	L 125	A-6	L 920	J-1	*Q 422	E-5	*Q 742	L-5	RV 503	G-4	TP 716	K-1
		L 181	C-5	L 921	J-1	*Q 423	E-6	*Q 743	L-5	RV 505	E-3	TP 717	L-1
		L 182	C-5			*Q 424	E-6	*Q 746	L-5	RV 506	G-4		
IC 1	H-1	L 183	D-5	*Q 120	A-7	*Q 425	F-6	*Q 747	L-6	RV 701	M-2		
IC 2	H-1	L 184	D-7	*Q 121	A-7	*Q 426	F-5	*Q 748	L-6	RV 703	M-5		
IC 3	G-1	L 211	B-6	*Q 122	A-6	*Q 427	E-5	*Q 749	K-5	RV 704	N-5		
IC 4	G-1	L 212	C-5	*Q 123	A-7	*Q 428	E-5	*Q 750	K-6	RV 705	N-5		
IC 5	E-4	L 213	C-5	*Q 124	A-6	*Q 461	E-4	*Q 751	K-6	RV 706	R-4		
IC 6	S-8	L 231	C-6	*Q 125	A-6	*Q 462	E-4	*Q 752	K-5	RV 707	R-4		
IC 10	F-7	L 232	B-6	*Q 126	A-5	*Q 463	E-5	*Q 753	K-3	RV 708	P-4		
IC 11	G-7	L 261	B-3	*Q 127	A-6	*Q 464	F-5	*Q 754	K-3	RV 709	P-5		
IC 12	H-7	L 291	B-3	*Q 128	A-5	*Q 465	F-5	*Q 755	K-3	RV 712	L-3		
IC 101	B-6	L 292	A-3	*Q 161	A-5	*Q 466	F-5	*Q 756	K-2	RV 713	J-4		
IC 102	D-6	L 293	A-3	*Q 162	A-5	*Q 467	F-5	*Q 757	K-2	RV 714	J-4		
IC 103	C-6	L 294	D-4	*Q 163	A-5	*Q 468	F-5	*Q 758	K-3	RV 715	K-4		
IC 104	C-7	L 321	D-3	*Q 164	B-5	*Q 501	G-7	*Q 759	K-3	RV 716	J-4		
IC 105	C-7	L 322	D-2	*Q 165	B-5	*Q 513	G-5	*Q 760	K-3	RV 718	M-2		
IC 201	B-3	L 351	D-3	*Q 167	B-5	*Q 514	H-5	*Q 761	K-2	RV 719	K-5		
IC 202	B-4	L 352	D-2	*Q 168	B-5	*Q 515	G-6	*Q 762	K-2	RV 720	L-5		
IC 203	C-4	L 401	F-6	*Q 169	B-5	*Q 541	G-7	*Q 763	L-1	RV 721	K-2		
IC 204	C-2	L 421	E-6	*Q 181	A-4	*Q 550	G-5	*Q 764	L-1	RV 722	K-2		
IC 205	D-3	L 422	E-6	*Q 182	A-5	*Q 552	G-5	*Q 765	L-1	RV 723	K-2		
IC 206	C-2	L 423	F-6	*Q 183	A-5	*Q 561	G-3	*Q 766	L-2	RV 724	K-2		
IC 401	F-5	L 424	F-6	*Q 184	A-4	*Q 563	G-3	*Q 767	L-2	RV 725	L-1		
IC 402	H-5												

* : B SIDE



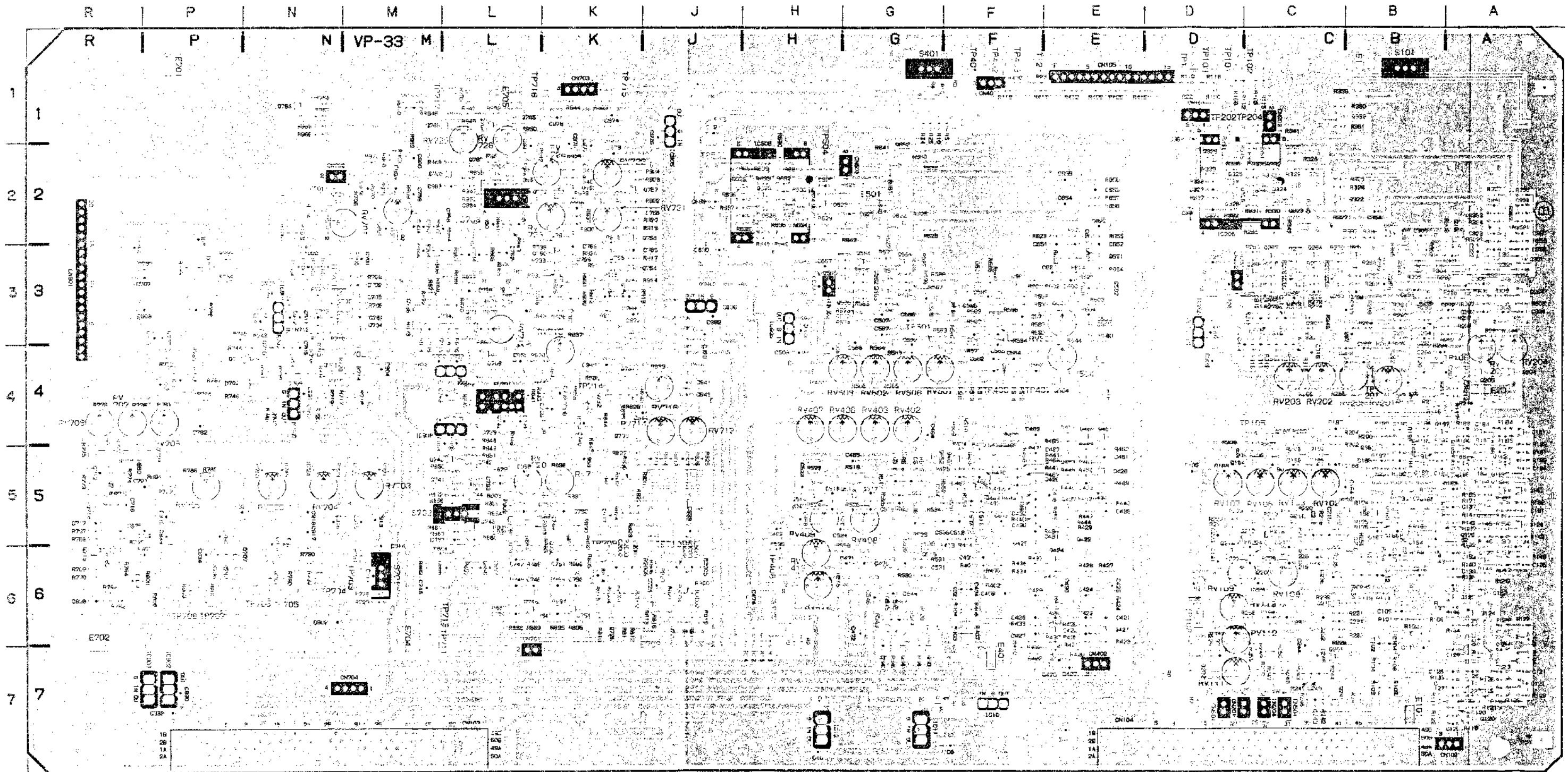


1-640-032-11 SONY MADE IN JAPAN

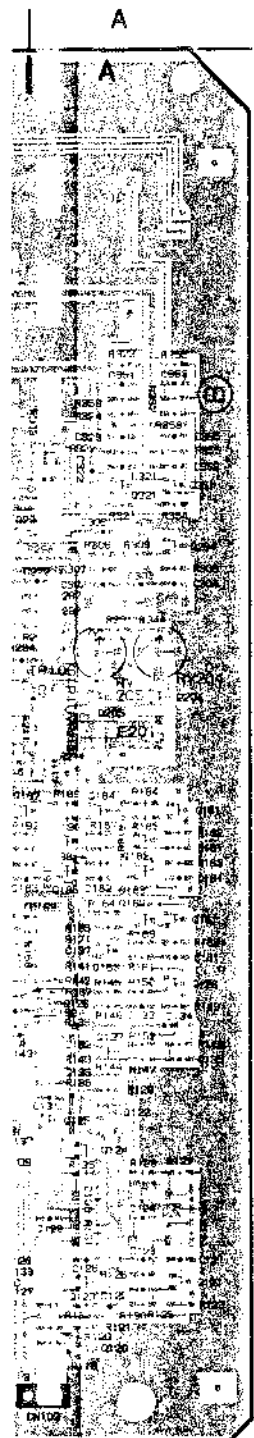
VP-33AP 1-640-032-11 A SIDE

Serial No.(EK); 10001 to 10650

VP-33AP ; Y/C PB PROCESS (PB RF EQ, DEMOD., ENCODE, Y-RF ENVELOPE DET), COMPOSITE OUT DRIVER
DO-29 ; DROP OUT DETECTOR



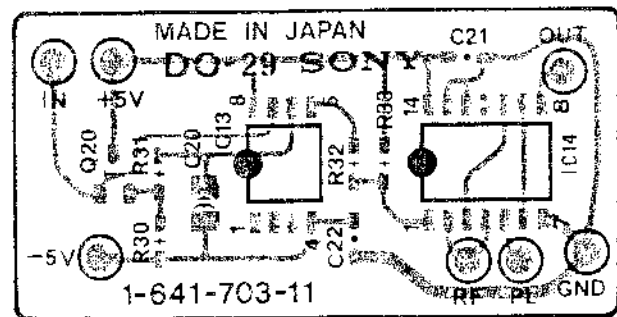
VP-33AP 1-640 032-11 B SIDE



VP-33AP (1-640-032-11)

CN 102	A-7	IC 403	G-6	L 425	E-5	*Q 185	A-5	*Q 570	F-3	*Q 768	N-1	RV 726	L-1
CN 103	N-7	IC 404	G-6	L 461	G-6	*Q 186	A-5	*Q571	F-3	*Q 770	K-2	S 101	B-1
CN 104	C-7	IC 501	F-3	L 462	H-6	*Q 187	B-4	*Q 591	F-3	*Q 771	K-2	S 401	G-1
CN 105	E-1	IC 502	G-4	L 511	F-6	*Q 188	B-5	*Q 592	E-3	*Q 772	L-2	S 701	M-6
CN 203	C-1	IC 506	H-2	L 512	G-5	*Q 189	B-5	*Q 621	E-3	*Q 773	K-2	S 702	L-5
CN 204	C-7	IC 605	H-3	L 513	H-5	*Q 190	B-4	*Q 622	G-2	Q 1001	N-2	S 703	L-2
CN 401	F-1	IC 701	P-3	L 531	G-5	*Q 191	B-5	*Q 623	H-2	Q 1002	N-2		
CN 402	E-7	IC 702	R-3	L 532	F-5	*Q 192	C-4	*Q 624	H-2	Q 1003	N-2	TP 1	D-1
CN 503	G-2	IC 703	R-6	L 561	G-3	*Q 193	C-4	*Q 625	H-2	Q 1004	N-3	TP 2	F-1
CN 504	C-7	IC 704	M-6	L 591	E-3	*Q 194	C-5	*Q 626	H-2	Q 1005	N-3	TP 101	D-1
CN 701	L-7	IC 705	N-6	L 594	H-4	*Q 201	C-7	*Q 627	H-2	Q 2001	K-6	TP 102	C-1
CN 702	N-2	IC 706	N-6	L 621	H-3	*Q 202	D-7	*Q 628	H-2	Q 2002	K-6	TP 103	D-1
CN 703	K-1	IC 707	P-6	L 622	J-3	*Q 204	A-4	*Q 629	H-2	Q 2003	K-6	TP 105	C-4
CN 704	M-7	IC 708	P-4	L 651	H-3	*Q 205	A-4	*Q 701	N-2	Q 2004	K-6	TP 106	B-4
CN 801	R-3	IC 710	K-5	L 652	J-2	*Q 211	C-5	*Q 702	N-3	Q 2005	K-6	TP 107	A-4
		IC 711	K-5	L 701	R-5	*Q 212	C-5	*Q 703	M-3	Q 3001	J-6	TP 108	D-6
DL 101	B-5	IC 712	K-4	L 702	P-5	*Q 213	C-6	*Q 704	M-3	Q 3002	J-6	TP 201	B-4
DL 401	F-4	IC 713	L-3	L 703	L-3	*Q 214	D-6	*Q 705	N-3	Q 3003	J-6	TP 202	D-1
		IC 714	L-3	L 704	L-4	*Q 215	C-6	*Q 706	N-4	Q 3004	J-6	TP 204	C-1
*D 1	G-7	IC 715	K-4	L 705	L-6	*Q 241	C-7	Q 707	M-4	Q 3005	J-6	TP 205	C-3
*D 201	B-2	IC 716	L-6	L 706	L-6	*Q 250	B-6	Q 708	N-4			TP 401	F-1
*D 501	F-3	IC 717	M-3	L 707	K-6	*Q 252	B-5	*Q 709	N-4	RV 102	C-5	TP 402	F-1
D 502	S-8	IC 718	M-2	L 708	K-6	*Q 261	B-3	*Q 710	N-4	RV 103	C-5	TP 403	F-1
*D 701	P-3	IC 719	M-1	L 709	K-3	*Q 262	C-3	*Q 711	N-4	RV 106	C-5	TP 406	F-4
*D 702	N-4	IC 720	K-2	L 710	K-3	*Q 263	C-3	Q 712	N-4	RV 107	D-5	TP 407	F-4
*D 703	L-2	IC 721	K-2	L 711	P-4	*Q 264	C-3	*Q 713	R-6	RV 108	C-6	TP 408	H-6
*D 704	L-2	IC 722	N-1	L 712	L-6	*Q 265	C-3	*Q 714	R-5	RV 109	C-6	TP 501	G-4
*D 705	N-3	IC 901	N-3	L 901	M-6	*Q 266	C-3	*Q 715	R-6	RV 111	D-7	TP 502	J-2
*D 706	L-4	IC 902	P-7	L 902	M-4	*Q 270	B-3	*Q 716	R-5	RV 112	D-6	TP 504	H-2
*D 707	F-6	IC 903	P-7	L 903	P-2	*Q 291	B-3	*Q 717	R-5	RV 113	D-6	TP 505	G-3
*D 708	K-4	IC 904	L-4	L 904	P-2	*Q 292	A-3	*Q 718	R-5	RV 201	B-4	TP 701	M-3
*D 709	K-4	IC 905	J-1	L 905	R-6	*Q 293	A-3	*Q 719	P-5	RV 202	C-4	TP 702	N-4
		IC 906	J-3	L 906	R-6	*Q 294	A-3	*Q 728	K-6	RV 203	C-4	TP 703	M-6
E 1	B-1	IC 907	N-4	L 907	K-5	*Q 321	A-3	*Q 729	J-6	RV 204	A-4	TP 704	N-6
E 101	B-7	IC 908	L-4	L 908	J-5	*Q 322	C-2	*Q 730	K-4	RV 205	A-4	TP 705	N-6
E 201	A-4			L 909	J-4	*Q 323	C-2	*Q 731	K-4	RV 206	B-4	TP 706	N-6
E 401	F-7	L 1	E-7	L 910	J-4	*Q 324	C-2	*Q 732	K-4	RV 402	G-4	TP 707	P-6
E 701	P-1	L 2	L-7	L 911	L-3	*Q 325	D-2	*Q 733	K-4	RV 403	G-4	TP 708	P-6
E 702	R-7	L 3	K-7	L 912	L-3	*Q 326	D-2	*Q 734	L-3	RV 406	G-4	TP 709	K-6
E 703	J-6	L 4	J-7	L 913	K-5	*Q 327	C-2	*Q 735	M-3	RV 407	H-4	TP 710	J-6
E 704	M-6	L 5	E-7	L 914	L-5	*Q 328	C-2	*Q 736	M-3	RV 408	G-5	TP 711	M-6
E 705	L-1	L 101	B-7	L 915	M-3	*Q 329	D-2	*Q 737	L-3	RV 409	H-5	TP 712	M-4
		L 121	A-7	L 916	M-3	*Q 351	A-3	*Q 738	L-3	RV 412	H-6	TP 713	M-6
FL 201	B-2	L 122	A-6	L 917	L-4	*Q 352	C-1	*Q 739	L-4	RV 413	H-6	TP 714	K-4
FL 202	B-1	L 123	A-7	L 918	J-3	*Q 420	E-7	*Q 740	L-5	RV 501	G-4	TP 715	K-1
FL 501	F-2	L 124	A-6	L 919	J-3	*Q 421	E-6	*Q 741	L-5	RV 502	G-4	TP 716	K-1
FL 701	L-4	L 125	A-6	L 920	J-1	*Q 422	E-5	*Q 742	L-5	RV 503	G-4	TP 717	L-1
		L 181	C-5	L 921	J-1	*Q 423	E-6	*Q 743	L-5	RV 505	E-3		
IC 1	H-1	L 182	C-5			*Q 424	E-6	*Q 746	L-5	RV 506	G-4		
IC 2	H-1	L 183	D-5	*Q 120	A-7	*Q 425	F-6	*Q 747	L-6	RV 701	M-2		
IC 3	G-1	L 184	D-7	*Q 121	A-7	*Q 426	F-5	*Q 748	L-6	RV 703	M-5		
IC 4	G-1	L 211	B-6	*Q 122	A-6	*Q 427	E-5	*Q 749	K-5	RV 704	N-5		
IC 5	E-4	L 212	C-5	*Q 123	A-7	*Q 428	E-5	*Q 750	K-6	RV 705	N-5		
IC 6	S-8	L 213	C-5	*Q 124	A-6	*Q 461	E-4	*Q 751	K-6	RV 706	R-4		
IC 10	F-7	L 231	C-6	*Q 125	A-6	*Q 462	E-4	*Q 752	K-5	RV 707	R-4		
IC 11	G-7	L 232	B-6	*Q 126	A-5	*Q 463	E-5	*Q 753	K-3	RV 708	P-4		
IC 12	H-7	L 261	B-3	*Q 127	A-6	*Q 464	F-5	*Q 754	K-3	RV 709	P-5		
IC 101	B-6	L 291	B-3	*Q 128	A-5	*Q 465	F-5	*Q 755	K-3	RV 712	L-3		
IC 102	D-6	L 292	A-3	*Q 161	A-5	*Q 466	F-5	*Q 756	K-2	RV 713	J-4		
IC 103	C-6	L 293	A-3	*Q 162	A-5	*Q 467	F-5	*Q 757	K-2	RV 714	J-4		
IC 104	C-7	L 294	D-4	*Q 163	A-5	*Q 468	F-5	*Q 758	K-3	RV 715	K-4		
IC 105	C-7	L 321	D-3	*Q 164	B-5	*Q 501	G-7	*Q 759	K-3	RV 716	J-4		
IC 201	B-3	L 322	D-2	*Q 165	B-5	*Q 513	G-5	*Q 760	K-3	RV 718	M-2		
IC 202	B-4	L 351	D-3	*Q 167	B-5	*Q 514	H-5	*Q 761	K-2	RV 719	K-5		
IC 203	C-4	L 352	D-2	*Q 168	B-5	*Q 515	G-6	*Q 762	K-2	RV 720	L-5		
IC 204	C-2	L 401	F-6	*Q 169	B-5	*Q 541	G-7	*Q 763	L-1	RV 721	K-2		
IC 205	D-3	L 421	E-6	*Q 181	A-4	*Q 550	G-5	*Q 764	L-1	RV 722	K-2		
IC 206	C-2	L 422	E-6	*Q 182	A-5	*Q 552	G-5	*Q 765	L-1	RV 723	K-2		
IC 401	F-5	L 423	F-6	*Q 183	A-5	*Q 561	G-3	*Q 766	L-2	RV 724	K-2		
IC 402	H-5	L 424	F-6	*Q 184	A-4	*Q 563	G-3	*Q 767	L-2	RV 725	L-1		

* : B SIDE



DO-29 1-641-703-11 B SIDE

Serial No. (EK); 14586 and higher
 Serial No. (UC); 10011 and higher

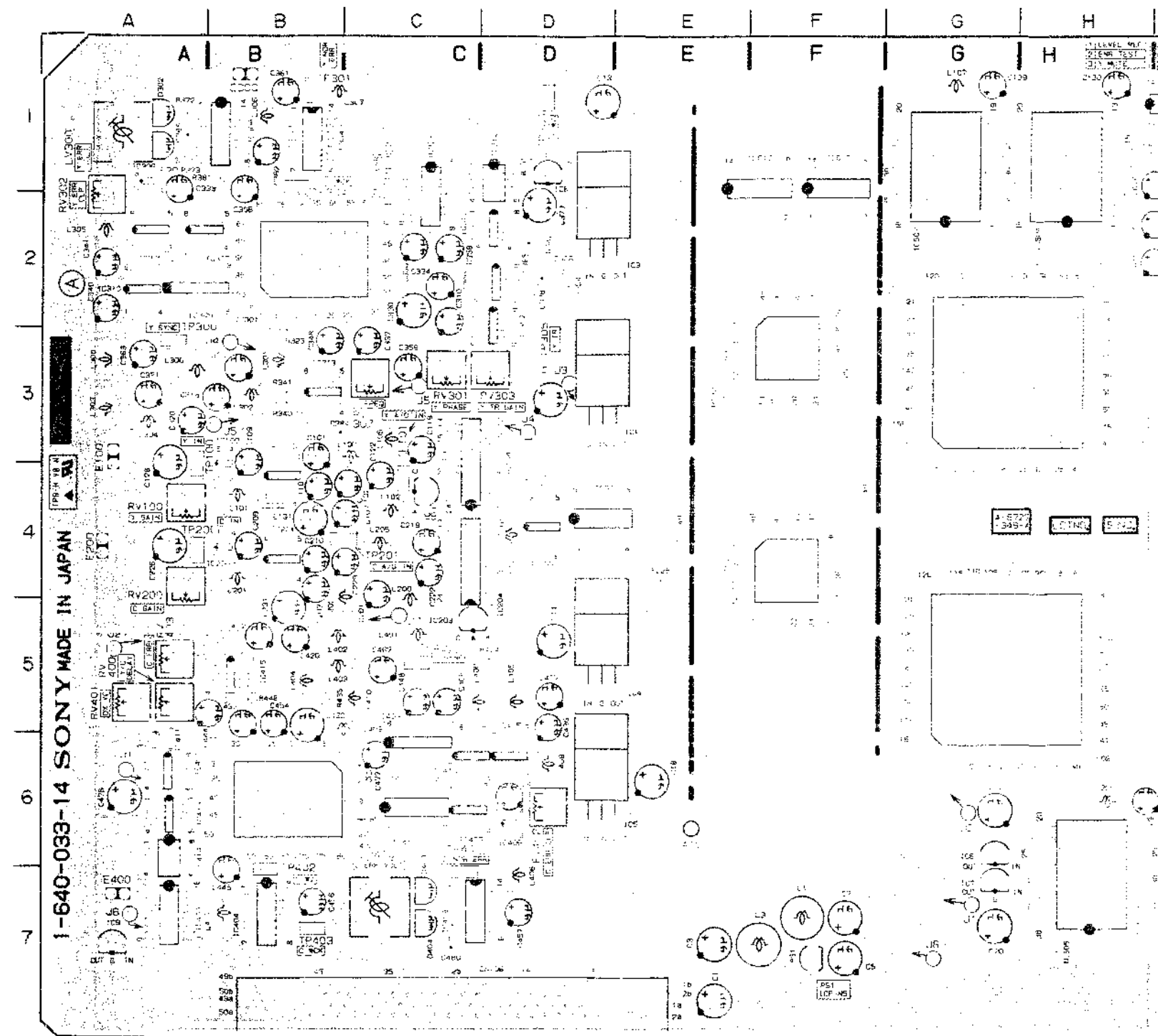
TBC-18P TBC-18P

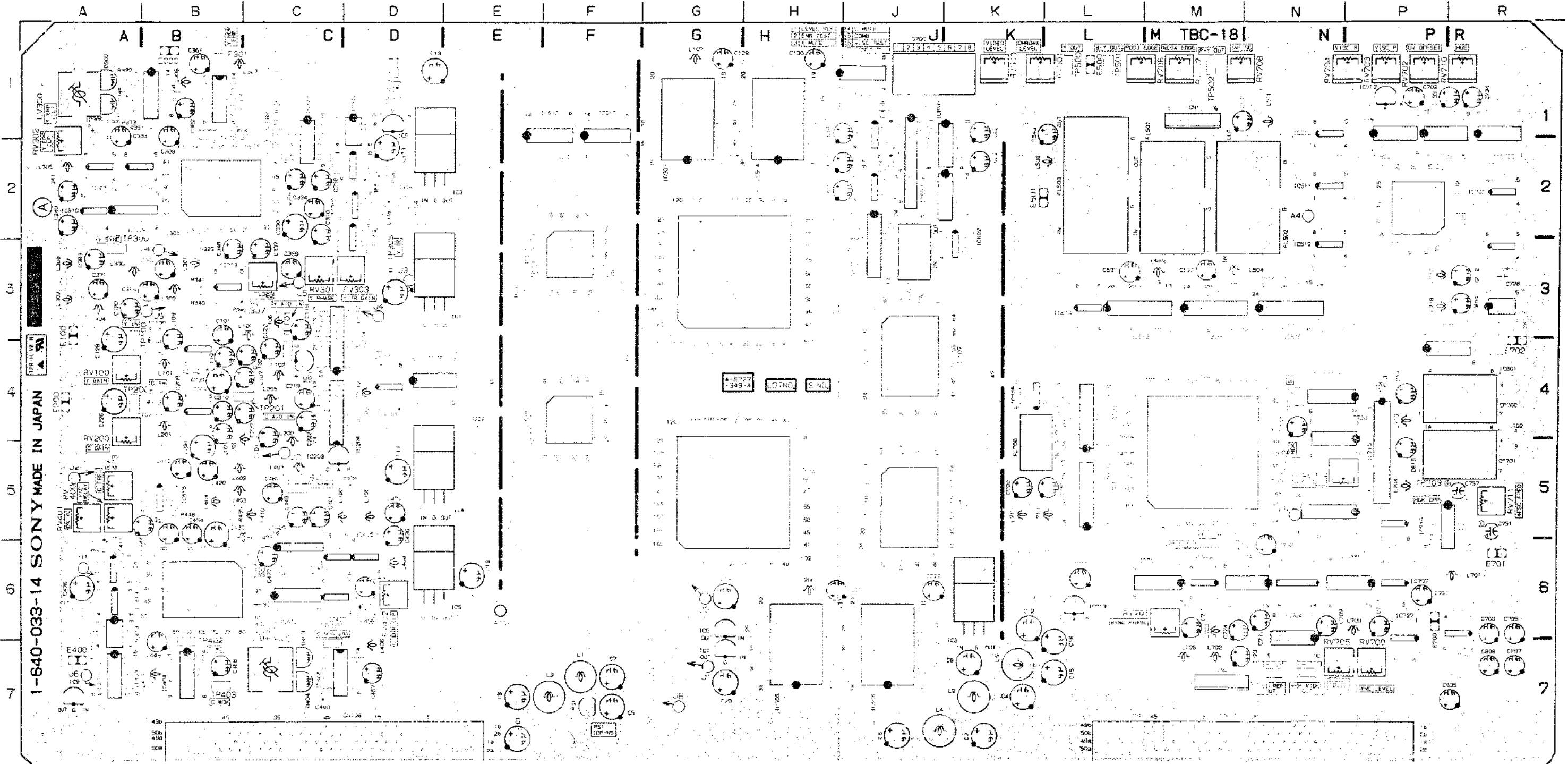
TBC-18P ; TIME BASE CORRECTOR, CTD (EXPAND)

TBC-18P (1-640-033-14)

CN 1	M-1	IC 8	D-1	IC 701	M-6	L 504	M-3	RV 403	A-5
CN 2	M-7	IC 9	A-7	IC 702	P-1	L 506	K-2	RV 500	K-1
CN 105	N-7	IC 100	B-4	IC 703	P-2	L 508	N-1	RV 501	L-1
CN 106	D-7	IC 102	B-4	IC 704	N-6	L 700	P-6	RV 700	P-7
		IC 103	D-4	IC 705	R-2	L 701	R-6	RV 702	P-1
CP 700	R-4	IC 104	D-4	IC 707	P-6	L 702	M-7	RV 703	P-1
CP 701	R-5	IC 105	C-4	IC 709	R-3	L 703	M-6	RV 704	P-1
		IC 200	B-4	IC 710	N-6	L 704	P-5	RV 705	F-7
*D 1	A-4	IC 201	B-4	IC 711	P-5	L 705	M-7	RV 706	M-1
*D 2	A-4	IC 203	D-5	IC 712	M-6	L 706	M-6	RV 707	M-1
*D 3	D-1	IC 204	D-5	IC 713	L-6	L 708	P-4	RV 708	N-1
*D 4	A-7	IC 300	D-2	IC 714	N-6	L 717	P-3	RV 709	N-5
*D 100	D-4	IC 301	B-2	IC 715	P-4	L 718	P-3	RV 710	R-1
*D 101	A-4	IC 302	D-2	IC 716	P-5	L 719	P-5	RV 711	P-6
*D 200	D-5	IC 304	B-1	IC 717	P-2				
*D 300	C-2	IC 305	A-2	IC 718	N-5	*Q 100	B-4	S 700	J-1
*D 301	C-3	IC 306	A-1	IC 719	N-4	*Q 101	B-4		
D 302	A-1	IC 307	B-2	IC 720	N-4	*Q 102	B-3	TP 100	B-4
D 303	A-1	IC 308	B-1	IC 721	P-4	*Q 103	B-4	TP 101	C-4
*D 305	A-2	IC 309	A-2	IC 722	M-5	*Q 104	A-4	TP 200	B-4
*D 306	A-1	IC 310	A-2	IC 723	L-5	*Q 200	B-4	TP 201	C-4
*D 307	D-1	IC 311	D-2	IC 724	L-5	*Q 201	B-5	TP 300	A-3
D 308	D-2	IC 312	D-1	IC 725	K-4	*Q 202	B-4	TP 301	D-1
*D 309	C-2	IC 313	B-3	IC 726	R-2	*Q 203	B-4	TP 302	C-2
*D 402	B-6	IC 401	A-6	IC 727	P-6	*Q 301	B-3	TP 303	D-1
D 403	C-7	IC 402	B-6	IC 728	R-3	*Q 302	B-3	TP 304	B-1
D 404	C-7	IC 403	A-7	IC 729	R-6	*Q 304	B-3	TP 305	D-3
*D 406	D-6	IC 404	B-7	*IC 800	P-3	*Q 305	B-3	TP 400	C-5
*D 407	D-7	IC 405	D-6	IC 801	R-4	*Q 306	D-2	TP 401	C-7
*D 408	A-7	IC 406	D-6	IC 802	R-5	*Q 307	D-1	TP 402	B-7
*D 500	G-4	IC 407	D-6			*Q 308	B-1	TP 403	B-7
*D 501	K-2	IC 408	C-7	LV 300	A-1	*Q 401	D-5	TP 500	L-1
*D 502	F-3	IC 409	C-6	LV 400	C-7	*Q 402	B-5	TP 501	L-1
*D 503	E-5	IC 410	D-6			*Q 404	C-6	TP 502	M-1
*D 504	K-3	IC 411	A-6	L 1	F-7	*Q 405	C-6	TP 700	N-7
*D 506	E-2	IC 412	C-6	L 2	K-7	*Q 406	C-5	TP 701	N-4
*D 600	J-2	IC 413	A-6	L 3	F-7	*Q 407	A-6	TP 702	N-5
*D 601	J-2	IC 414	A-6	L 4	K-7	*Q 408	D-7	TP 703	R-5
*D 602	J-2	IC 415	B-5	L 5	K-7	*Q 428	B-6	TP 704	M-6
*D 700	R-6	IC 500	D-4	L 100	C-3	*Q 500	L-3	TP 705	N-7
*D 701	P-6	IC 501	G-3	L 101	B-4	*Q 501	L-2		
*D 702	P-6	IC 502	G-5	L 102	C-4	*Q 502	M-2		
*D 706	R-3	IC 503	G-2	L 105	C-4	*Q 503	M-2		
		IC 504	H-2	L 106	C-4	*Q 600	J-2		
E100	A-4	IC 505	H-7	L 107	G-1	*Q 601	J-2		
E200	A-4	IC 506	J-7	L 200	C-5	*Q 602	J-1		
E300	B-1	IC 507	J-4	L 201	B-4	*Q 700	P-7		
E400	A-6	IC 508	J-5	L 202	C-5	*Q 702	P-7		
E500	L-1	IC 509	P-2	L 205	C-4	*Q 703	R-6		
E501	K-2	IC 510	N-2	L 206	G-6	*Q 704	R-6		
E700	P-6	IC 511	N-2	L 300	B-3	*Q 705	R-6		
E701	R-6	IC 512	N-3	L 301	C-3	*Q 706	N-7		
E702	R-4	IC 513	L-3	L 302	B-3	*Q 707	R-6		
		IC 514	L-3	L 303	A-3	*Q 708	P-6		
*FL 1	L-6	IC 515	L-3	L 304	A-3	*Q 709	R-2		
*FL 2	K-5	IC 516	N-3	L 306	A-1	*Q 714	K-5		
*FL 3	L-5	IC 517	F-3	L 307	C-1	*Q 715	L-5		
FL 500	L-2	IC 518	F-5	L 308	A-3	*Q 717	R-7		
FL 501	M-2	IC 601	H-2	L 400	D-5	*Q 718	R-7		
FL 502	M-2	IC 602	K-3	L 401	C-5	*Q 719	R-7		
FL 600	J-3	IC 603	J-2	L 402	B-5				
FL 700	K-5	IC 605	J-1	L 403	B-5	RV 100	B-4		
		IC 607	J-2	L 404	C-5	RV 200	B-4		
IC 1	E-3	IC 608	H-1	L 405	D-5	RV 301	C-3		
IC 2	K-7	IC 609	H-2	L 406	D-7	RV 302	A-2		
IC 3	E-2	IC 610	J-1	L 407	B-7	RV 303	D-3		
IC 4	E-5	IC 611	J-1	L 408	D-6	RV 307	C-3		
IC 5	E-6	IC 612	E-2	L 409	B-5	RV 400	A-5		
IC 6	A-4	IC 613	F-2	L 410	B-5	RV 401	A-5		
IC 7	A-5	IC 700	P-6	L 503	L-3	RV 402	D-6		

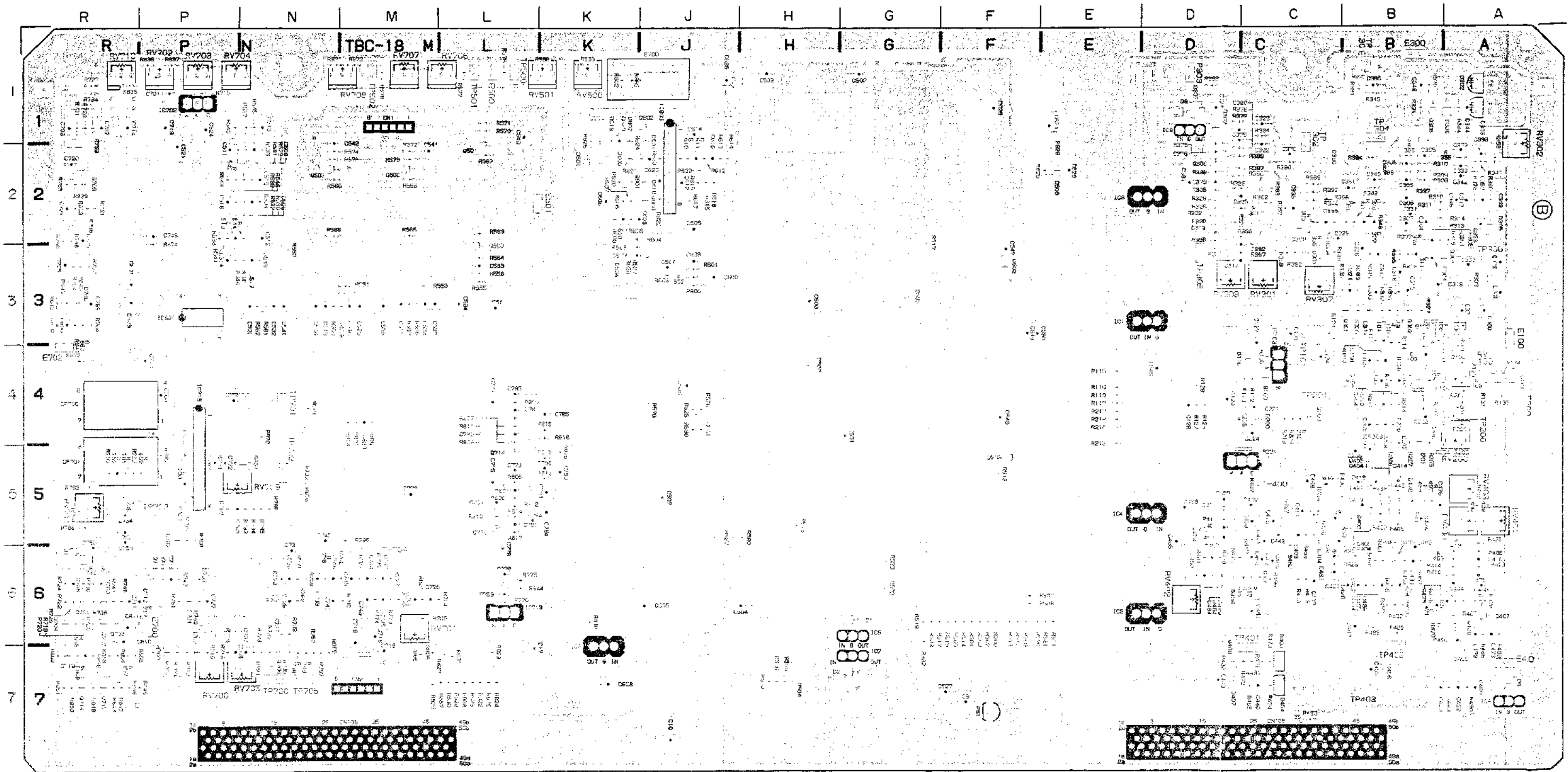
* : B SIDE





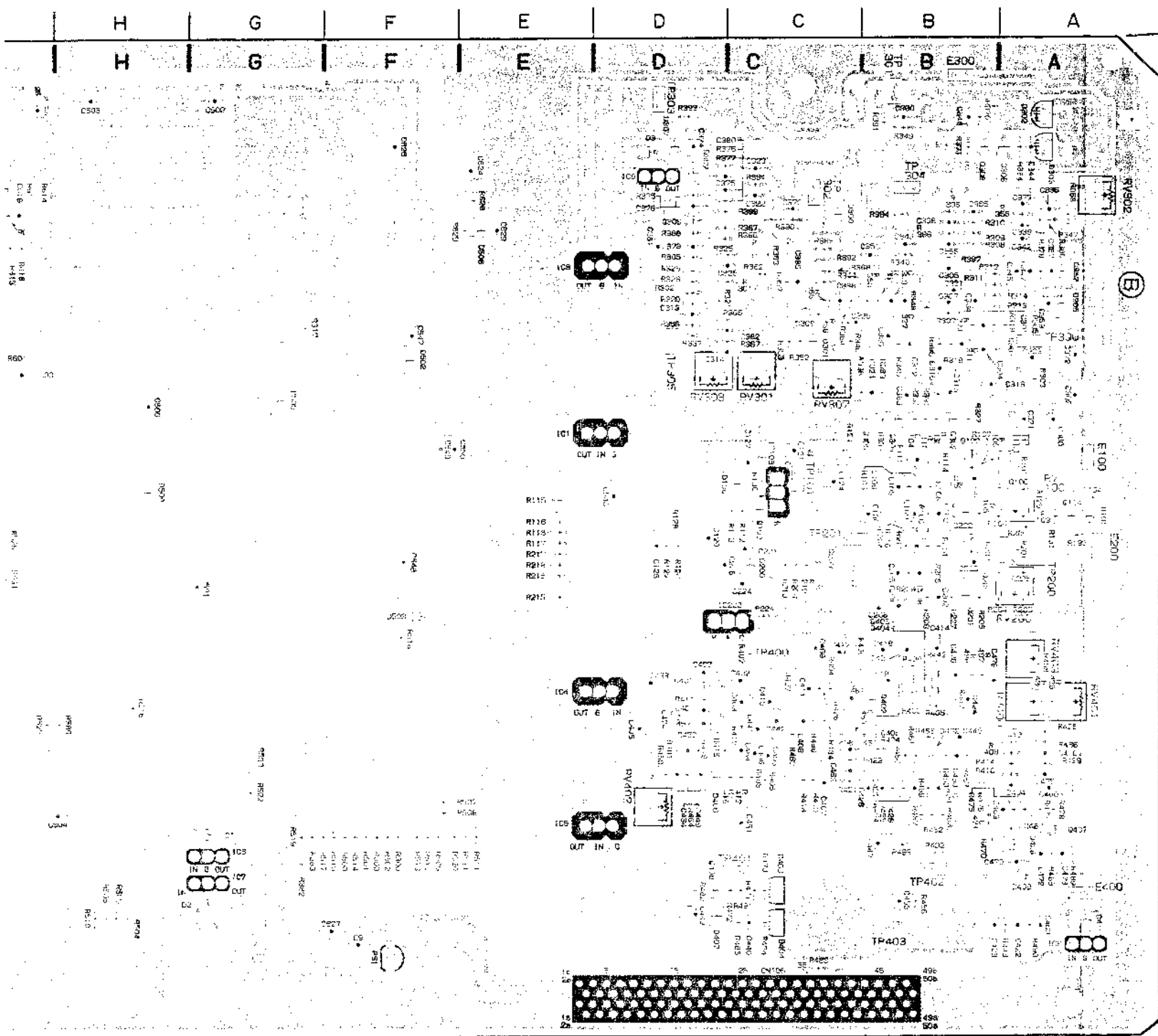
TBC-18P 1-640-033-14 A SIDE

TBC-18P ; TIME BASE CORRECTOR, CTD (EXPAND)



TBC-18P 1-640-033-14 E SIDE

TBC-18P (1-640-033-14)



TBC-18P 1-640-033-14 B SIDE

CN 1	M-1	IC 8	D-1	IC 701	M-6	L 504	M-3	RV 403	A-5
CN 2	M-7	IC 9	A-7	IC 702	P-1	L 506	K-2	RV 500	K-1
CN 105	N-7	IC 100	B-4	IC 703	P-2	L 508	N-1	RV 501	L-1
CN 106	D-7	IC 102	B-4	IC 704	N-6	L 700	P-6	RV 700	P-7
		IC 103	D-4	IC 705	P-2	L 701	R-6	RV 702	P-1
CP 700	R-4	IC 104	D-4	IC 707	P-6	L 702	M-7	RV 703	P-1
CP 701	R-5	IC 105	C-4	IC 709	R-3	L 703	M-6	RV 704	P-1
		IC 200	B-4	IC 710	N-6	L 704	P-5	RV 705	N-7
*D 1	A-4	IC 201	B-4	IC 711	P-5	L 705	M-7	RV 706	M-1
*D 2	A-4	IC 203	D-5	IC 712	M-6	L 706	M-6	RV 707	M-1
*D 3	D-1	IC 204	D-5	IC 713	L-6	L 708	P-4	RV 708	M-1
*D 4	A-7	IC 300	D-2	IC 714	N-6	L 717	P-3	RV 709	P-5
*D 100	D-4	IC 301	B-2	IC 715	P-4	L 718	P-3	RV 710	R-1
*D 101	A-4	IC 302	D-2	IC 716	P-5	L 719	P-5	RV 711	R-5
*D 200	D-5	IC 304	B-1	IC 717	P-2				
*D 300	C-2	IC 305	A-2	IC 718	N-5	*Q 100	B-4	S 700	J-1
*D 301	C-3	IC 306	A-1	IC 719	N-4	*Q 101	B-4		
D 302	A-1	IC 307	B-2	IC 720	N-4	*Q 102	B-3	TP 100	A-4
D 303	A-1	IC 308	B-1	IC 721	P-4	*Q 103	B-4	TP 101	C-4
*D 305	A-2	IC 309	A-2	IC 722	M-5	*Q 104	A-4	TP 200	A-4
*D 306	A-1	IC 310	A-2	IC 723	L-5	*Q 200	B-4	TP 201	B-4
*D 307	D-1	IC 311	D-2	IC 724	L-5	*Q 201	B-5	TP 300	A-3
D 308	D-2	IC 312	D-1	IC 725	K-4	*Q 202	B-4	TP 301	B-1
*D 309	C-2	IC 313	B-3	IC 726	R-2	*Q 203	B-4	TP 302	C-2
*D 402	B-6	IC 401	A-6	IC 727	P-6	*Q 301	B-3	TP 303	D-1
D 403	C-7	IC 402	B-6	IC 728	R-3	*Q 302	B-3	TP 304	B-1
D 404	C-7	IC 403	A-7	IC 729	P-6	*Q 304	B-3	TP 305	D-3
*D 406	D-6	IC 404	B-7	*IC 800	P-3	*Q 305	B-3	TP 400	C-5
*D 407	D-7	IC 405	D-6	IC 801	R-4	*Q 306	D-2	TP 401	C-7
*D 408	A-7	IC 406	D-6	IC 802	R-5	*Q 307	D-1	TP 402	B-7
*D 500	G-4	IC 407	D-5			*Q 308	B-1	TP 403	B-7
*D 501	K-2	IC 408	C-7	LV 300	A-1	*Q 401	D-5	TP 500	L-1
*D 502	F-3	IC 409	C-6	LV 400	C-7	*C 402	B-5	TP 501	L-1
*D 503	E-5	IC 410	D-6			*Q 404	C-6	TP 502	M-1
*D 504	K-3	IC 411	A-6	L 1	F-7	*Q 405	C-6	TP 700	N-7
*D 506	E-2	IC 412	C-6	L 2	K-7	*Q 406	C-5	TP 701	N-4
*D 600	J-2	IC 413	A-6	L 3	F-7	*Q 407	A-6	TP 702	N-5
*D 601	J-2	IC 414	A-6	L 4	K-7	*Q 408	D-7	TP 703	P-5
*D 602	J-2	IC 415	B-5	L 5	K-7	*Q 428	B-6	TP 704	M-6
*D 700	P-6	IC 500	D-4	L 100	C-3	*Q 500	L-3	TP 705	N-7
*D 701	P-6	IC 501	C-3	L 101	B-4	*Q 501	L-2		
*D 702	P-6	IC 502	C-5	L 102	C-4	*Q 502	M-2		
*D 706	R-3	IC 503	G-2	L 105	C-4	*Q 503	M-2		
		IC 504	H-2	L 106	C-4	*Q 600	J-2		
E 100	A-4	IC 505	H-7	L 107	G-1	*Q 601	J-2		
E 200	A-4	IC 506	J-7	L 200	C-5	*Q 602	J-1		
E 300	B-1	IC 507	J-4	L 201	B-4	*Q 700	P-7		
E 400	A-6	IC 508	J-5	L 202	C-5	*Q 702	P-7		
E 500	L-1	IC 509	P-2	L 205	C-4	*Q 703	R-5		
E 501	K-2	IC 510	N-2	L 206	G-6	*Q 704	R-6		
E 700	P-6	IC 511	N-2	L 300	B-3	*Q 705	R-6		
E 701	R-6	IC 512	N-3	L 301	C-3	*Q 706	N-7		
E 702	R-4	IC 513	L-3	L 302	B-3	*Q 707	R-6		
		IC 514	L-3	L 303	A-3	*Q 708	F-6		
*FL 1	L-6	IC 515	L-3	L 304	A-3	*Q 709	R-2		
*FL 2	K-5	IC 516	N-3	L 306	B-1	*Q 714	L-5		
*FL 3	L-5	IC 517	F-3	L 307	C-1	*Q 715	L-5		
FL 500	L-2	IC 518	F-5	L 308	A-3	*Q 717	R-7		
FL 501	M-2	IC 601	H-2	L 400	M-5	*Q 718	R-7		
FL 502	M-2	IC 602	K-3	L 401	C-5	*Q 719	R-7		
FL 600	J-3	IC 603	J-2	L 402	B-5				
FL 700	K-5	IC 605	J-1	L 403	B-5	RV 100	B-4		
		IC 607	J-2	L 404	C-5	RV 200	B-4		
IC 1	E-3	IC 608	H-1	L 405	D-5	RV 301	C-3		
IC 2	K-7	IC 609	H-2	L 406	D-7	RV 302	A-2		
IC 3	E-2	IC 610	J-1	L 407	B-7	RV 303	D-3		
IC 4	E-5	IC 611	J-1	L 408	D-6	RV 307	C-3		
IC 5	E-6	IC 612	E-2	L 409	B-5	RV 400	A-5		
IC 6	A-4	IC 613	F-2	L 410	B-5	RV 401	A-5		
IC 7	A-5	IC 700	P-6	L 503	L-3	RV 402	D-6		

* : B SIDE

Serial No. (EK); 11151 to 14585
 Serial No. (UC); 10001 to 10010

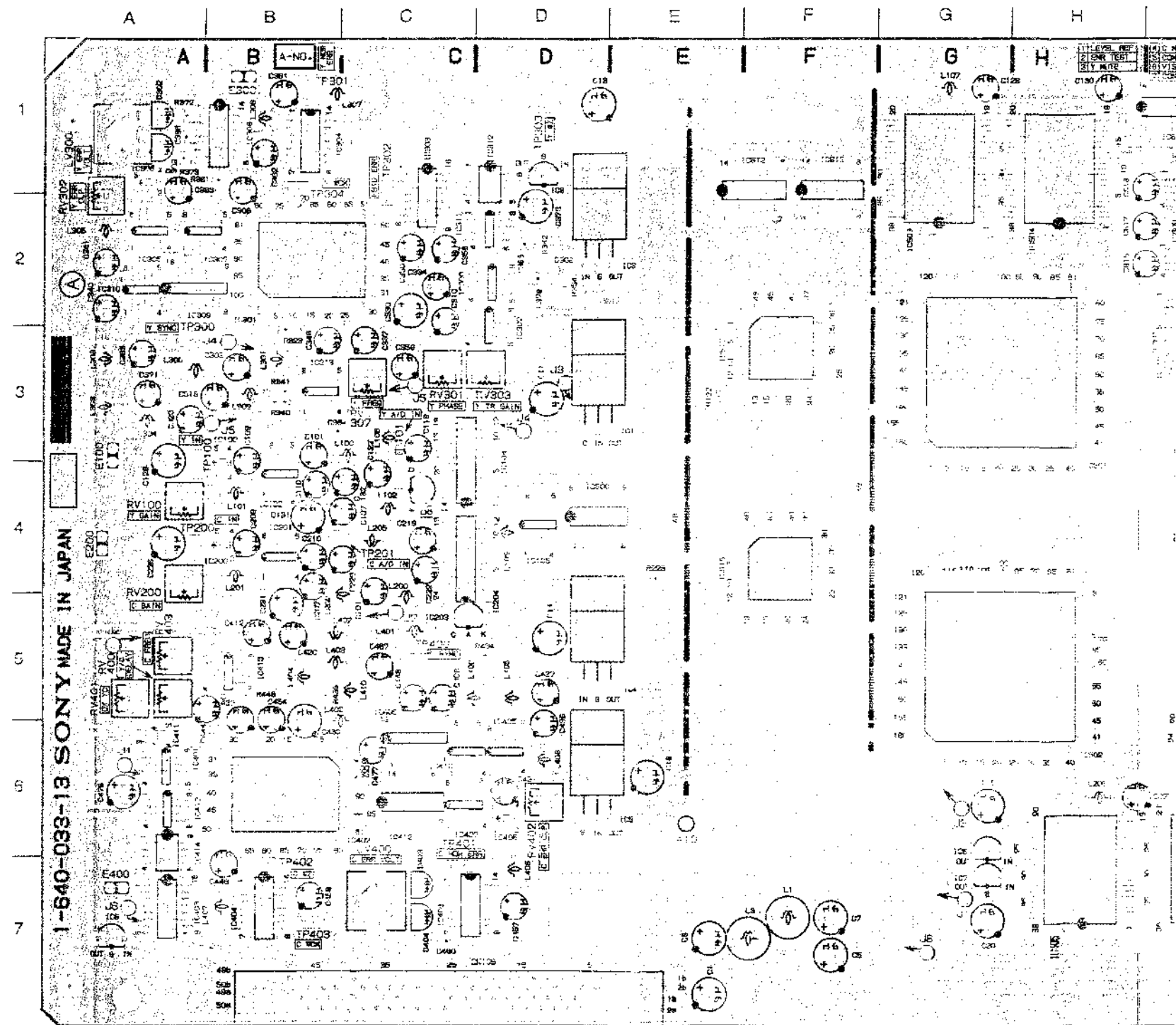
TBC-18P TBC-18P

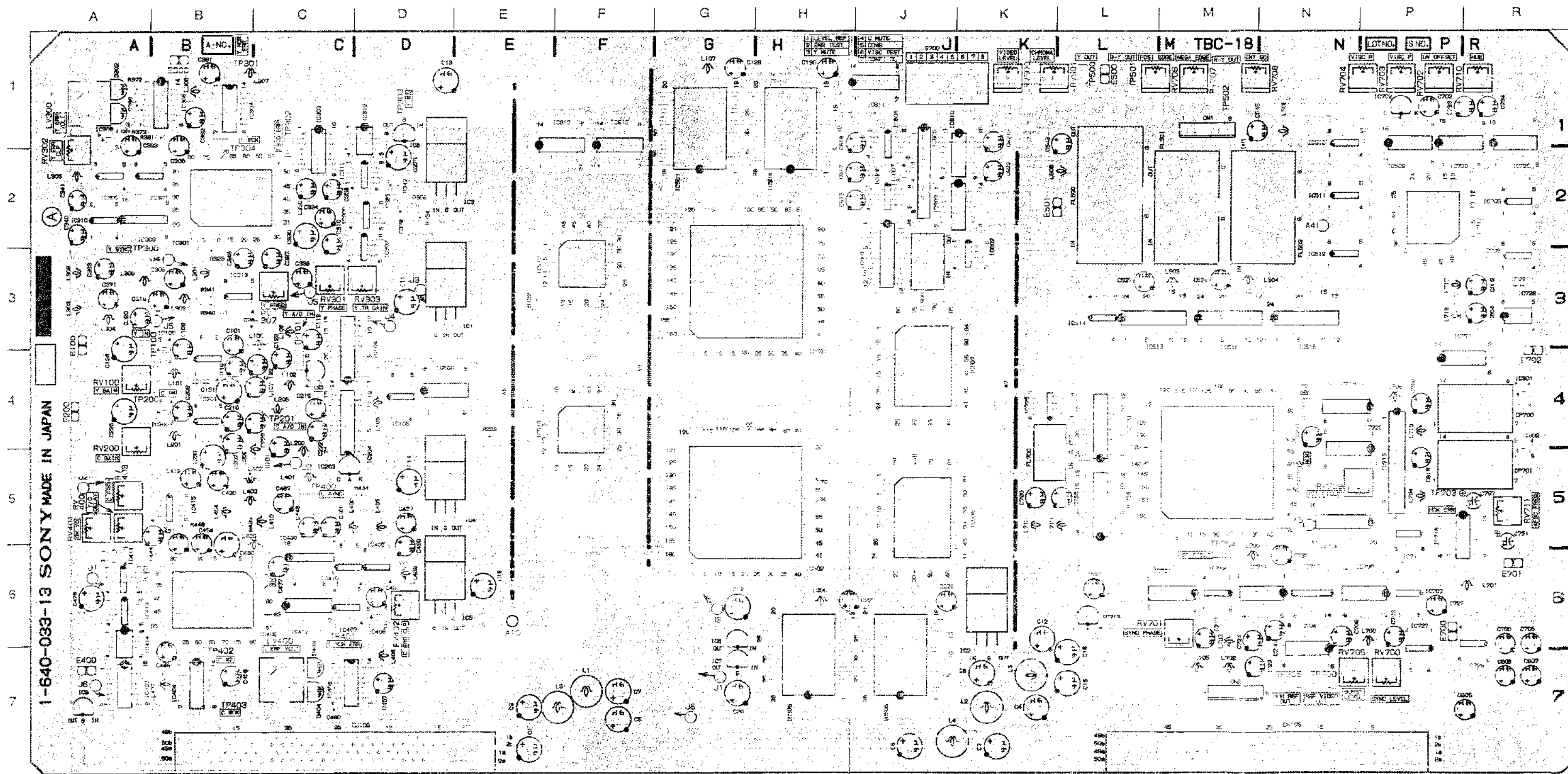
TBC-18P ; TIME BASE CORRECTOR, CTD (EXPAND)

TBC-18P (1-640-033-13)

CN 1	M-1	IC 103	C-4	IC 704	N-6	L 508	N-1	RV 403	A-5
CN 2	M-7	IC 104	D-4	IC 705	R-2	L 700	P-6	RV 500	K-1
CN 105	N-7	IC 105	D-4	IC 707	P-6	L 701	R-6	RV 501	L-1
CN 106	D-7	IC 200	B-4	IC 709	R-3	L 702	M-7	RV 700	P-7
		IC 201	B-4	IC 710	N-6	L 703	M-6	RV 701	M-6
CP 700	R-4	IC 203	C-5	IC 711	P-5	L 704	P-5	RV 702	P-1
CP 701	R-5	IC 204	D-5	IC 712	M-6	L 705	M-7	RV 703	P-1
		IC 300	D-2	IC 713	L-6	L 706	M-6	RV 704	P-1
*D 1	G-6	IC 301	B-2	IC 714	N-6	L 708	P-4	RV 705	N-7
*D 2	G-7	IC 302	D-2	IC 715	P-4	L 713	L-5	RV 706	M-1
*D 3	D-1	IC 303	C-1	IC 716	P-5	L 715	K-5	RV 707	M-1
*D 4	A-7	IC 304	B-1	IC 717	P-2	L 717	P-3	RV 708	M-1
*D 100	D-4	IC 305	A-2	IC 718	P-5	L 718	P-3	RV 709	P-5
*D 101	A-4	IC 306	A-1	IC 719	P-4	L 719	P-4	RV 710	R-1
*D 200	C-4	IC 307	A-2	IC 720	P-4			RV 711	R-5
*D 300	C-2	IC 308	B-1	IC 721	P-4	*Q 100	A-4		
*D 301	C-3	IC 309	A-2	IC 722	M-5	*Q 101	B-4	S 700	J-1
D 302	A-1	IC 310	A-2	IC 723	L-5	*Q 102	B-3		
D 303	A-1	IC 311	D-2	IC 724	L-5	*Q 103	C-4	TP 100	A-4
*D 305	A-2	IC 312	C-1	IC 725	L-4	*Q 104	A-4	TP 101	C-4
*D 306	A-1	IC 313	B-3	IC 726	R-2	*Q 200	A-4	TP 200	A-4
*D 307	D-1	IC 401	A-6	IC 727	P-6	*Q 201	B-5	TP 201	B-4
D 309	C-2	IC 402	B-6	IC 728	R-3	*Q 202	B-4	TP 300	A-3
*D 402	B-6	IC 403	A-7	IC 729	R-6	*Q 203	C-4	TP 301	B-1
D 403	C-7	IC 404	B-7	*IC 800	P-3	*Q 301	A-3	TP 302	C-2
D 404	C-7	IC 405	D-6	IC 801	R-4	*Q 302	B-3	TP 303	D-1
*D 406	D-6	IC 406	D-6	IC 802	R-5	*Q 304	B-3	TP 304	B-1
*D 407	D-7	IC 407	C-6			*Q 305	B-3	TP 305	D-3
*D 408	A-7	IC 408	C-7	LV 300	A-1	*Q 306	D-2	TP 400	C-5
*D 500	H-4	IC 409	C-6	LV 400	C-7	*Q 307	D-1	TP 401	C-7
*D 501	K-2	IC 410	C-6			*Q 308	B-1	TP 402	B-7
*D 502	F-3	IC 411	A-6	L 1	F-7	*Q 401	D-5	TP 403	B-7
*D 503	F-5	IC 412	C-6	L 2	K-7	*Q 402	B-5	TP 500	L-1
*D 504	K-3	IC 413	A-6	L 3	F-7	*Q 404	B-5	TP 501	L-1
*D 506	E-2	IC 414	A-6	L 4	K-7	*Q 405	B-6	TP 502	M-1
*D 600	K-2	IC 415	B-5	L 5	K-7	*Q 406	B-5	TP 700	N-7
*D 601	J-1	IC 500	D-4	L 100	C-3	*Q 407	A-6	TP 701	N-4
*D 602	K-2	IC 501	G-3	L 101	B-4	*Q 408	D-7	TP 702	N-5
*D 700	R-6	IC 502	G-5	L 102	C-4	*Q 428	A-6	TP 703	P-5
*D 701	P-6	IC 503	G-2	L 105	D-4	*Q 500	L-3	TP 704	M-6
*D 702	P-5	IC 504	H-2	L 106	C-3	*Q 501	L-2	TP 705	N-7
*D 706	R-3	IC 505	H-7	L 107	G-1	*Q 502	M-2		
		IC 506	J-7	L 200	C-5	*Q 503	N-2		
E 100	A-3	IC 507	J-4	L 201	B-4	*Q 600	J-2		
E 200	A-4	IC 508	J-5	L 202	C-5	*Q 601	J-2		
E 300	B-1	IC 509	P-2	L 205	C-4	*Q 602	J-1		
E 400	A-7	IC 510	N-2	L 206	H-6	*Q 700	P-7		
E 500	L-1	IC 511	N-2	L 300	A-3	*Q 702	P-7		
E 501	L-2	IC 512	N-3	L 301	B-3	*Q 703	R-6		
E 700	P-6	IC 513	L-3	L 302	B-3	*Q 704	R-6		
E 701	R-6	IC 514	L-3	L 303	A-3	*Q 705	R-6		
E 702	R-4	IC 515	L-3	L 304	A-3	*Q 706	N-7		
		IC 516	N-3	L 305	A-2	*Q 707	R-6		
FL 500	L-2	IC 517	F-3	L 306	B-1	*Q 708	P-6		
FL 501	M-2	IC 518	F-4	L 307	B-1	*Q 709	R-2		
FL 502	N-2	IC 601	J-2	L 308	A-3	*Q 714	L-5		
FL 600	J-3	IC 602	K-3	L 400	D-5	*Q 715	L-5		
FL 700	L-5	IC 603	J-2	L 401	C-5	*Q 717	R-7		
		IC 605	J-1	L 402	B-5	*Q 718	R-7		
IC 1	D-3	IC 607	J-2	L 403	B-5	*Q 719	R-7		
IC 2	K-7	IC 608	J-1	L 404	B-5				
IC 3	D-2	IC 609	J-2	L 405	D-5	RV 100	A-4		
IC 4	D-5	IC 610	J-1	L 406	D-7	RV 200	A-4		
IC 5	D-6	IC 611	J-1	L 407	B-7	RV 301	C-3		
IC 6	G-6	IC 612	E-2	L 408	D-6	RV 302	A-2		
IC 7	G-7	IC 613	F-2	L 409	C-5	RV 303	D-3		
IC 8	D-1	IC 700	P-6	L 410	C-5	RV 307	C-3		
IC 9	A-7	IC 701	M-6	L 503	M-3	RV 400	A-5		
IC 100	B-4	IC 702	P-1	L 504	M-3	RV 401	A-5		
IC 102	B-4	IC 703	P-2	L 506	L-2	RV 402	D-6		

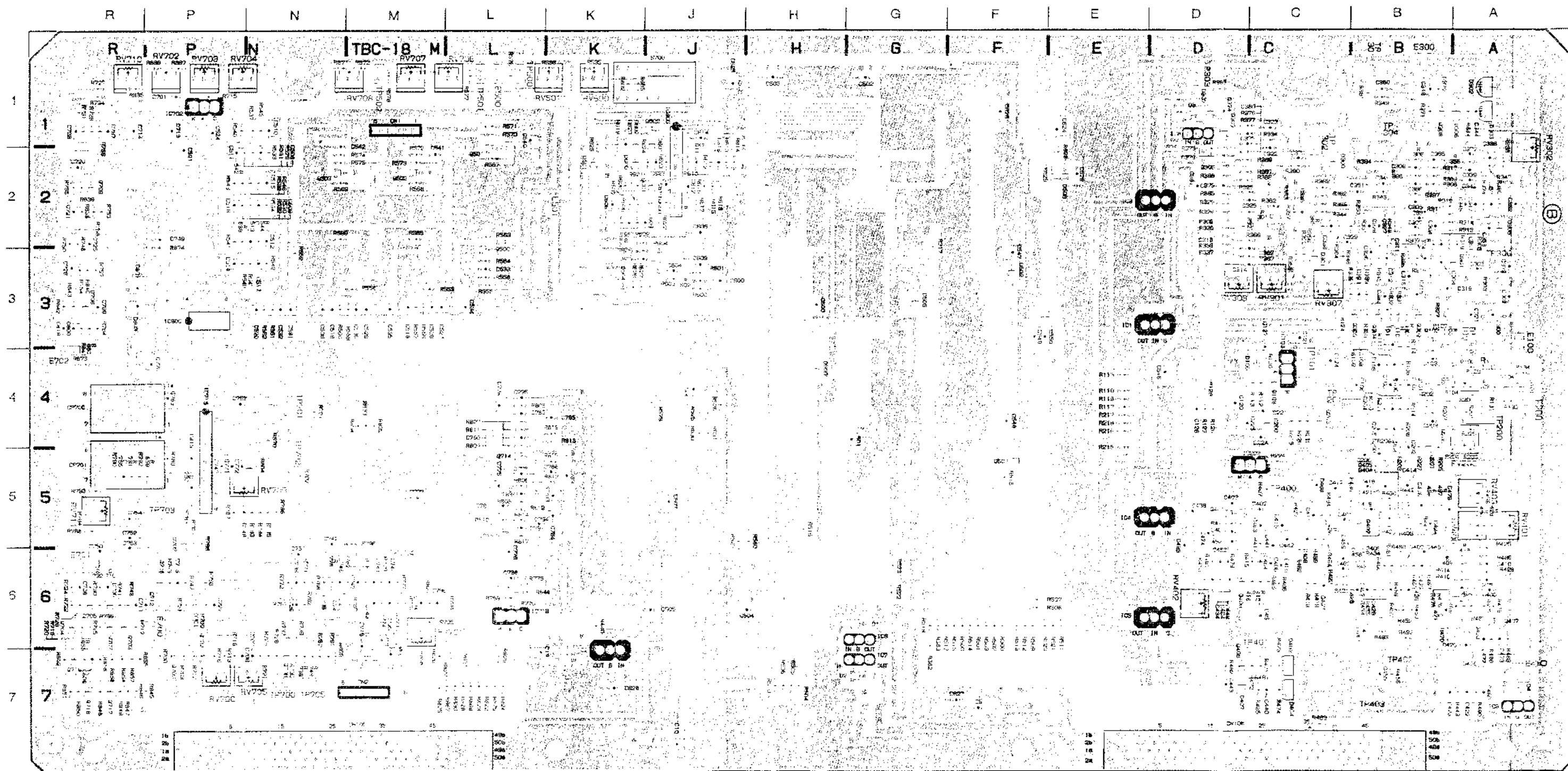
* : B SIDE





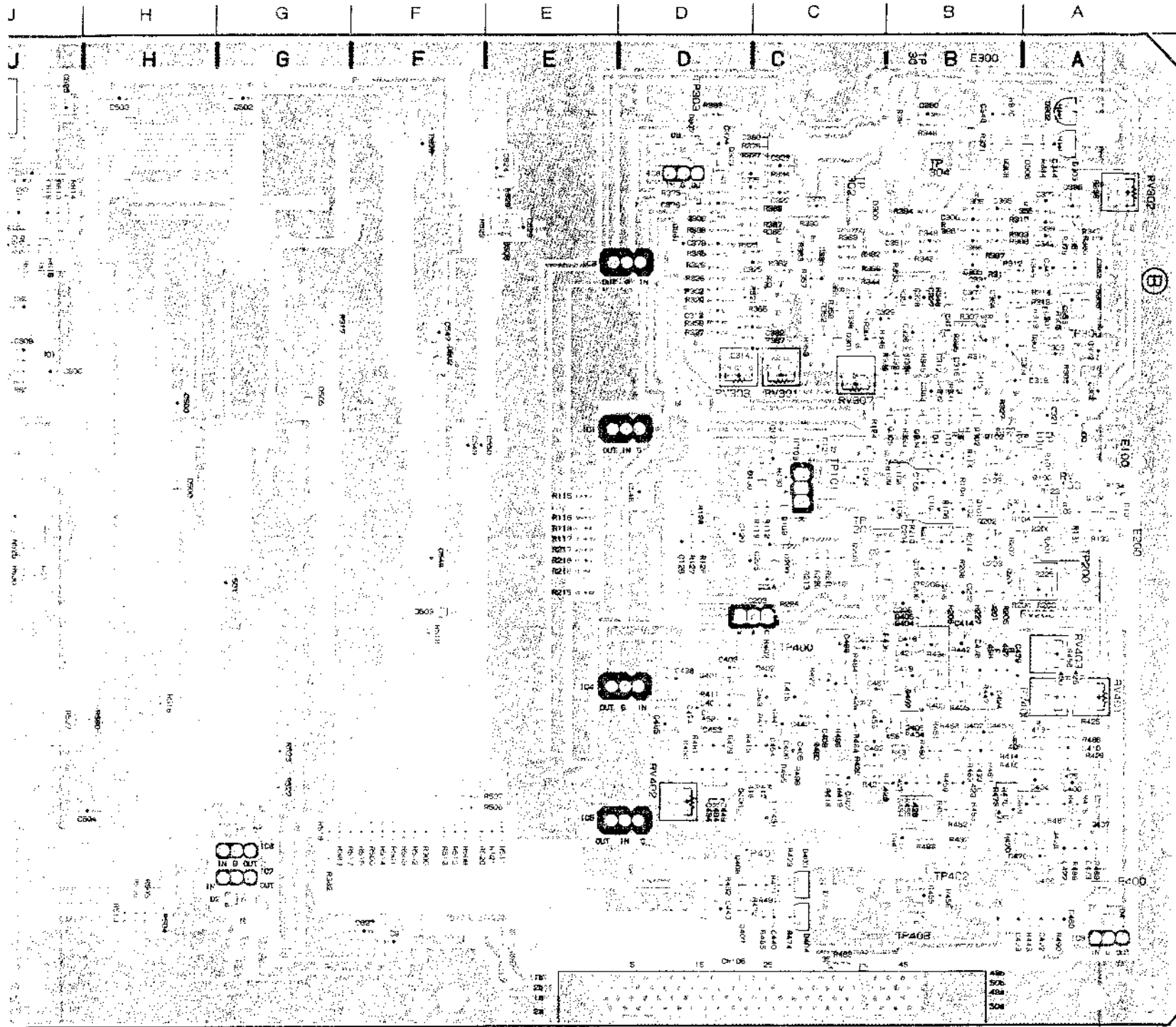
TBC-18P 1-640-033-13 A SIDE

TBC-18P ; TIME BASE CORRECTOR, CTD (EXPAND)



TBC-18P 1-640-033-13 B SIDE

TBC-18P (1-640-033-13)



TBC-18P 1-640-033-13 B SIDE

CN 1	M-1	IC 103	C-4	IC 704	N-6	L 508	N-1	RV 403	A-5
CN 2	M-7	IC 104	D-4	IC 705	R-2	L 700	P-6	RV 500	K-1
CN 105	N-7	IC 105	D-4	IC 707	P-6	L 701	R-6	RV 501	L-1
CN 106	D-7	IC 200	B-4	IC 709	R-3	L 702	M-7	RV 700	P-7
		IC 201	B-4	IC 710	N-6	L 703	M-6	RV 701	M-6
CP 700	R-4	IC 203	C-5	IC 711	P-5	L 704	P-5	RV 702	P-1
CP 701	R-5	IC 204	D-5	IC 712	M-6	L 705	M-7	RV 703	P-1
		IC 300	D-2	IC 713	L-6	L 706	M-6	RV 704	P-1
*D 1	G-6	IC 301	B-2	IC 714	N-6	L 708	P-4	RV 705	N-7
*D 2	G-7	IC 302	D-2	IC 715	P-4	L 713	L-5	RV 706	M-1
*D 3	D-1	IC 303	C-1	IC 716	P-5	L 715	K-5	RV 707	M-1
*D 4	A-7	IC 304	B-1	IC 717	P-2	L 717	P-3	RV 708	M-1
*D 100	D-4	IC 305	A-2	IC 718	P-5	L 718	P-3	RV 709	P-5
*D 101	A-4	IC 306	A-1	IC 719	P-4	L 719	P-4	RV 710	R-1
*D 200	C-4	IC 307	A-2	IC 720	P-4			RV 711	R-5
*D 300	C-2	IC 308	B-1	IC 721	P-4	*Q 100	A-4		
*D 301	C-3	IC 309	A-2	IC 722	M-5	*Q 101	B-4	S 700	J-1
D 302	A-1	IC 310	A-2	IC 723	L-5	*Q 102	B-3		
D 303	A-1	IC 311	D-2	IC 724	L-5	*Q 103	C-4	TP 100	A-4
*D 305	A-2	IC 312	C-1	IC 725	L-4	*Q 104	A-4	TP 101	C-4
*D 306	A-1	IC 313	B-3	IC 726	R-2	*Q 200	A-4	TP 200	A-4
*D 307	D-1	IC 401	A-6	IC 727	P-6	*Q 201	B-5	TP 201	B-4
D 309	C-2	IC 402	B-6	IC 728	R-3	*Q 202	B-4	TP 300	A-3
*D 402	B-6	IC 403	A-7	IC 729	R-6	*Q 203	C-4	TP 301	B-1
D 403	C-7	IC 404	B-7	*IC 800	P-3	*Q 301	A-3	TP 302	C-2
D 404	C-7	IC 405	D-6	IC 801	R-4	*Q 302	B-3	TP 303	D-1
*D 406	D-6	IC 406	D-6	IC 802	R-5	*Q 304	B-3	TP 304	B-1
*D 407	D-7	IC 407	C-6			*Q 305	B-3	TP 305	D-3
*D 408	A-7	IC 408	C-7	LV 300	A-1	*Q 306	D-2	TP 400	C-5
*D 500	H-4	IC 409	C-6	LV 400	C-7	*Q 307	D-1	TP 401	C-7
*D 501	K-2	IC 410	C-6			*Q 308	B-1	TP 402	B-7
*D 502	F-3	IC 411	A-6	L 1	F-7	*Q 401	D-5	TP 403	B-7
*D 503	F-5	IC 412	C-6	L 2	K-7	*Q 402	B-5	TP 500	L-1
*D 504	K-3	IC 413	A-6	L 3	F-7	*Q 404	B-5	TP 501	L-1
*D 506	E-2	IC 414	A-6	L 4	K-7	*Q 405	B-6	TP 502	M-1
*D 600	K-2	IC 415	B-5	L 5	K-7	*Q 406	B-5	TP 700	N-7
*D 601	J-1	IC 500	D-4	L 100	C-3	*Q 407	A-6	TP 701	N-4
*D 602	K-2	IC 501	G-3	L 101	B-4	*Q 408	D-7	TP 702	N-5
*D 700	R-6	IC 502	G-5	L 102	C-4	*Q 428	A-6	TP 703	P-5
*D 701	P-6	IC 503	G-2	L 105	D-4	*Q 500	L-3	TP 704	M-6
*D 702	P-5	IC 504	H-2	L 106	C-3	*Q 501	L-2	TP 705	N-7
*D 706	R-3	IC 505	H-7	L 107	G-1	*Q 502	M-2		
		IC 506	J-7	L 200	C-5	*Q 503	N-2		
E100	A-3	IC 507	J-4	L 201	B-4	*Q 600	J-2		
E200	A-4	IC 508	J-5	L 202	C-5	*Q 601	J-2		
E300	B-1	IC 509	P-2	L 205	C-4	*Q 602	J-1		
E400	A-7	IC 510	N-2	L 206	H-6	*Q 700	P-7		
E500	L-1	IC 511	N-2	L 300	A-3	*Q 702	P-7		
E501	L-2	IC 512	N-3	L 301	B-3	*Q 703	R-6		
E700	F-6	IC 513	L-3	L 302	B-3	*Q 704	R-6		
E701	R-6	IC 514	L-3	L 303	A-3	*Q 705	R-6		
E702	R-4	IC 515	L-3	L 304	A-3	*Q 706	N-7		
		IC 516	N-3	L 305	A-2	*Q 707	R-6		
FL 500	L-2	IC 517	F-3	L 306	B-1	*Q 708	P-6		
FL 501	M-2	IC 518	F-4	L 307	B-1	*Q 709	R-2		
FL 502	N-2	IC 601	J-2	L 308	A-3	*Q 714	L-5		
FL 600	J-3	IC 602	K-3	L 400	D-5	*Q 715	L-5		
FL 700	L-5	IC 603	J-2	L 401	C-5	*Q 717	R-7		
		IC 605	J-1	L 402	B-5	*Q 718	R-7		
IC 1	D-3	IC 607	J-2	L 403	B-5	*Q 719	R-7		
IC 2	K-7	IC 608	J-1	L 404	B-5				
IC 3	D-2	IC 609	J-2	L 405	D-5	RV 100	A-4		
IC 4	D-5	IC 610	J-1	L 406	D-7	RV 200	A-4		
IC 5	D-6	IC 611	J-1	L 407	B-7	RV 301	C-3		
IC 6	G-6	IC 612	E-2	L 408	D-6	RV 302	A-2		
IC 7	G-7	IC 613	F-2	L 409	C-5	RV 303	D-3		
IC 8	D-1	IC 700	P-6	L 410	C-5	RV 307	C-3		
IC 9	A-7	IC 701	M-6	L 503	M-3	RV 400	A-5		
IC 100	B-4	IC 702	P-1	L 504	M-3	RV 401	A-5		
IC 102	B-4	IC 703	P-2	L 506	L-2	RV 402	D-6		

* : B SIDE

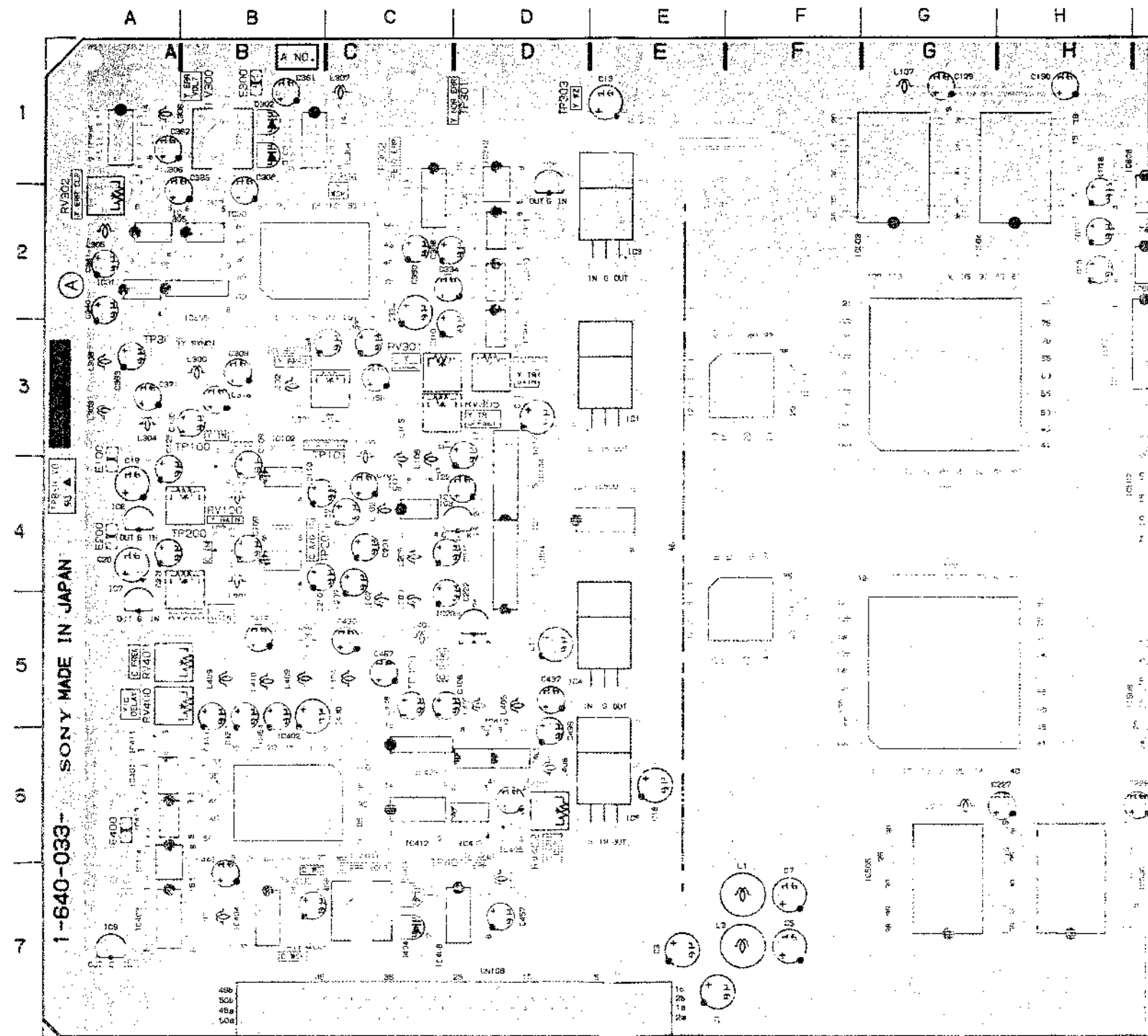
Serial No. (EK); 10001 to 11150

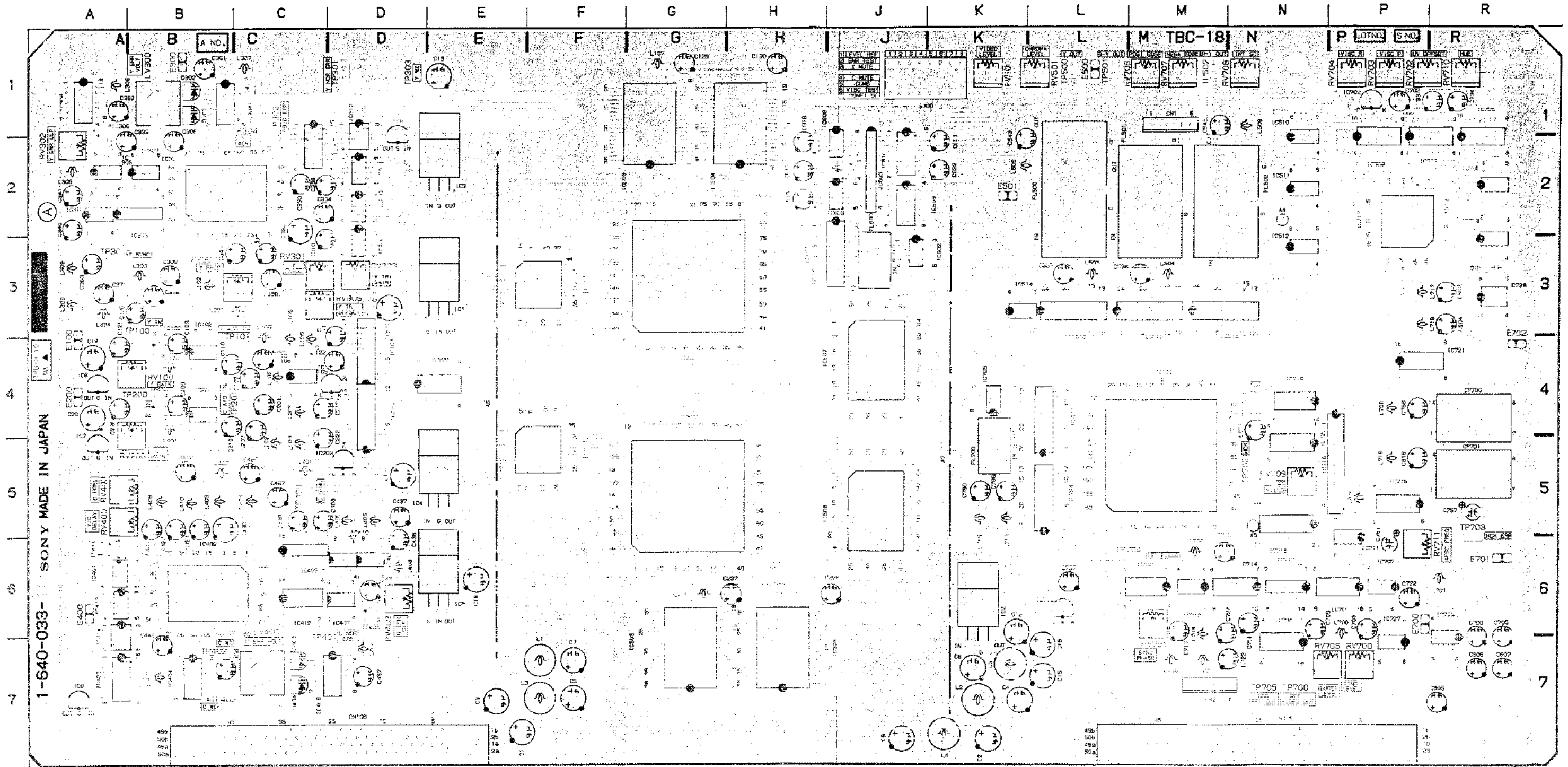
TBC-18P ; TIME BASE CORRECTOR, CTD (EXPAND)

TBC-18P (1-640-033-11,12)

CN 1	M-1	IC 200	B-4	IC 715	P-4	L 719	P-4	S 700	J-1
CN 2	M-7	IC 201	B-4	IC 716	P-5				
CN 105	N-7	IC 203	D-5	IC 718	N-5	*Q 100	B-4	TP 100	B-4
CN 106	D-7	IC 204	D-5	IC 719	N-4	*Q 101	B-4	TP 101	C-4
		IC 300	D-2	IC 720	N-4	*Q 102	B-3	TP 200	B-4
CP 700	R-4	IC 301	B-2	IC 721	P-4	*Q 103	B-4	TP 201	C-4
CP 701	R-5	IC 302	D-2	IC 722	M-5	*Q 200	B-4	TP 300	A-3
		IC 303	C-1	IC 723	L-5	*Q 201	B-5	TP 301	D-1
*D 1	A-4	IC 304	B-1	IC 724	L-5	*Q 202	B-4	TP 302	C-2
*D 2	A-4	IC 305	A-2	IC 725	K-4	*Q 203	B-4	TP 303	D-1
*D 3	D-1	IC 306	A-1	IC 726	R-2	*Q 301	B-3	TP 304	B-1
*D 4	A-7	IC 307	B-2	IC 727	P-6	*Q 302	B-3	TP 400	C-5
*D 100	D-4	IC 308	A-1	IC 728	R-3	*Q 304	B-3	TP 401	C-7
*D 200	D-5	IC 309	A-2	IC 729	R-6	*Q 305	B-3	TP 402	B-7
*D 300	C-2	IC 310	A-2			*Q 306	D-2	TP 403	B-7
*D 301	C-3	IC 311	D-2	LV 300	B-1	*Q 307	D-1	TP 500	L-1
D 302	B-1	IC 312	D-1	LV 400	C-7	*Q 401	D-5	TP 501	L-1
D 303	B-1	IC 401	A-6			*Q 402	B-5	TP 502	M-1
*D 305	A-2	IC 402	B-6	L 1	F-7	*Q 404	C-6	TP 700	N-7
*D 306	A-1	IC 403	A-7	L 2	K-7	*Q 405	C-6	TP 701	N-4
*D 307	D-1	IC 404	B-7	L 3	F-7	*Q 406	C-5	TP 702	N-5
*D 402	B-6	IC 405	D-6	L 4	K-7	*Q 407	A-6	TP 703	R-5
D 403	C-7	IC 406	D-6	L 5	K-7	*Q 408	B-6	TP 704	M-6
D 404	C-7	IC 407	D-6	L 100	C-3	*Q 500	L-3	TP 705	N-7
*D 406	D-6	IC 408	C-7	L 101	B-4	*Q 501	L-2		
*D 407	C-7	IC 409	C-6	L 102	C-4	*Q 502	M-2		
*D 408	A-7	IC 410	D-6	L 105	C-4	*Q 503	M-2		
*D 500	G-4	IC 411	A-6	L 106	C-4	*Q 600	J-2		
*D 501	K-2	IC 412	C-6	L 107	G-1	*Q 601	J-2		
*D 502	F-3	IC 413	A-6	L 200	C-5	*Q 602	J-1		
*D 503	E-5	IC 414	A-6	L 201	B-4	*Q 700	P-7		
*D 504	K-3	IC 500	D-4	L 202	C-5	*Q 702	P-7		
*D 600	J-2	IC 501	G-3	L 205	C-4	*Q 703	R-6		
*D 601	J-2	IC 502	G-5	L 206	G-6	*Q 704	R-6		
*D 602	J-2	IC 503	G-2	L 300	B-3	*Q 705	R-6		
*D 700	R-6	IC 504	H-2	L 301	C-3	*Q 706	N-7		
*D 701	P-6	IC 505	H-7	L 302	B-3	*Q 707	R-6		
*D 702	P-6	IC 506	H-7	L 303	A-3	*Q 708	P-6		
*D 706	R-3	IC 507	J-4	L 304	A-3	*C 709	R-2		
		IC 508	J-5	L 305	A-2	*Q 714	K-5		
E100	A-4	IC 509	P-2	L 306	A-1	*Q 715	L-5		
E200	A-4	IC 510	N-2	L 307	C-1	*Q 717	R-7		
E300	B-1	IC 511	N-2	L 308	A-3	*Q 718	R-7		
E400	A-6	IC 512	N-3	L 400	D-5	*Q 719	R-7		
E500	L-1	IC 513	L-3	L 401	C-5				
E501	K-2	IC 514	K-3	L 402	B-5	RV 100	B-4		
E700	P-6	IC 515	L-3	L 403	B-5	RV 200	B-4		
E701	R-6	IC 516	M-3	L 404	C-5	RV 301	C-3		
E702	R-4	IC 517	F-3	L 405	D-5	RV 302	A-2		
		IC 518	F-5	L 406	D-7	RV 303	D-3		
FL 500	L-2	IC 601	H-2	L 407	B-7	RV 305	C-3		
FL 501	M-2	IC 602	J-3	L 408	D-6	RV 307	C-3		
FL 502	M-2	IC 603	J-2	L 409	B-5	RV 400	A-5		
FL 600	J-3	IC 605	J-1	L 410	B-5	RV 402	D-6		
FL 700	K-5	IC 607	J-2	L 503	L-3	RV 403	A-5		
		IC 608	H-1	L 504	M-3	RV 500	K-1		
IC 1	E-3	IC 609	H-2	L 506	K-2	RV 501	L-1		
IC 2	K-7	IC 610	J-1	L 508	N-1	RV 700	P-7		
IC 3	E-2	IC 700	P-6	L 700	P-6	RV 701	M-6		
IC 4	E-5	IC 701	M-6	L 701	R-6	RV 702	P-1		
IC 5	E-6	IC 702	P-1	L 702	M-7	RV 703	P-1		
IC 6	A-4	IC 704	N-6	L 703	M-6	RV 704	P-1		
IC 7	A-5	IC 705	R-2	L 704	P-5	RV 705	P-7		
IC 8	D-1	IC 707	P-6	L 705	M-7	RV 706	M-1		
IC 9	A-7	IC 709	R-3	L 706	M-6	RV 707	M-1		
IC 100	B-4	IC 710	N-6	L 708	P-4	RV 708	N-1		
IC 102	B-4	IC 711	P-5	L 713	K-5	RV 709	N-5		
IC 103	D-4	IC 712	M-6	L 715	K-5	RV 710	R-1		
IC 104	D-4	IC 713	L-6	L 717	P-3	RV 711	P-6		
IC 105	C-4	IC 714	N-6	L 718	P-3				

* : B SIDE

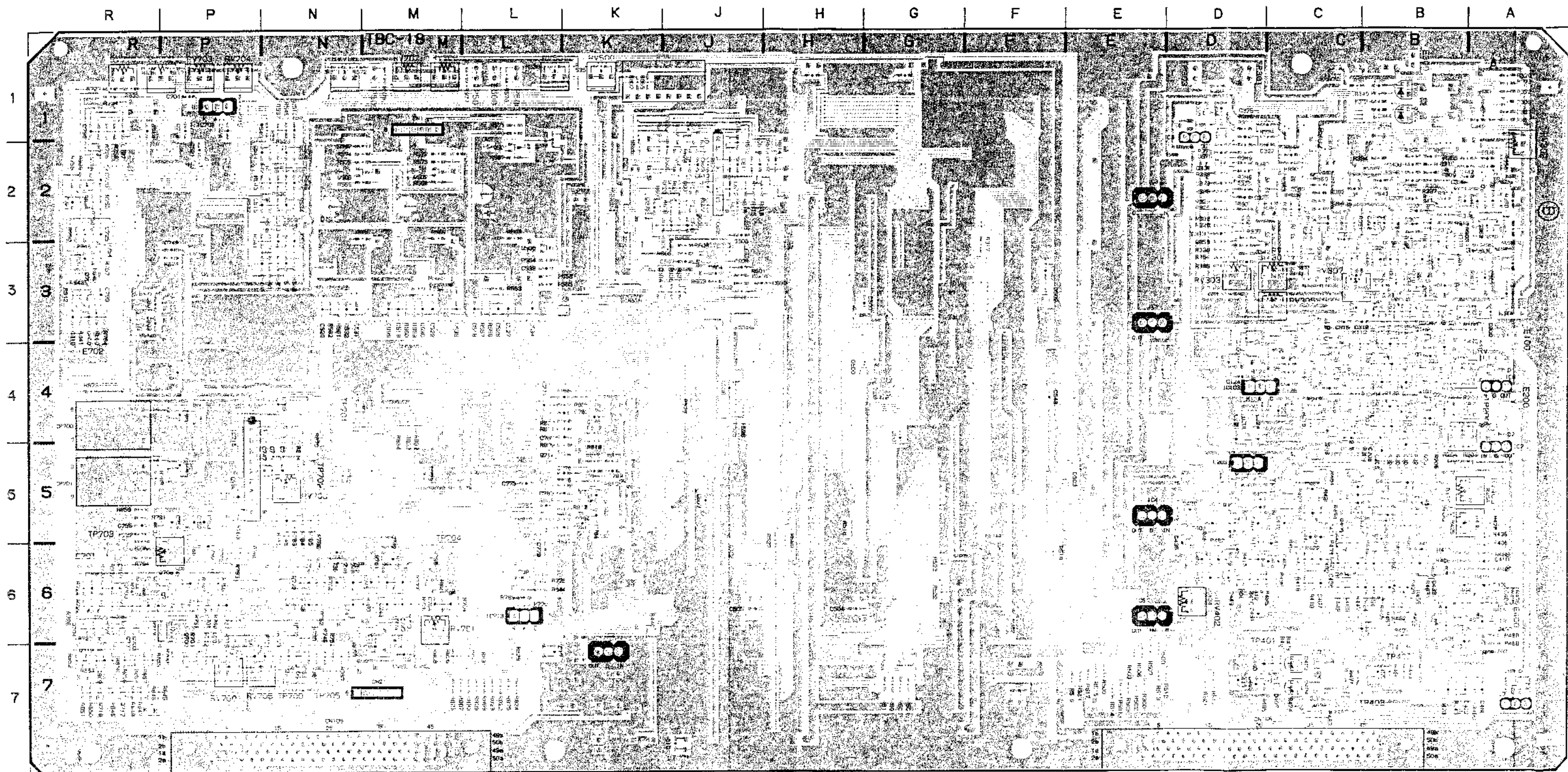




TBC-18P 1-640-033-11.12 A SIDE

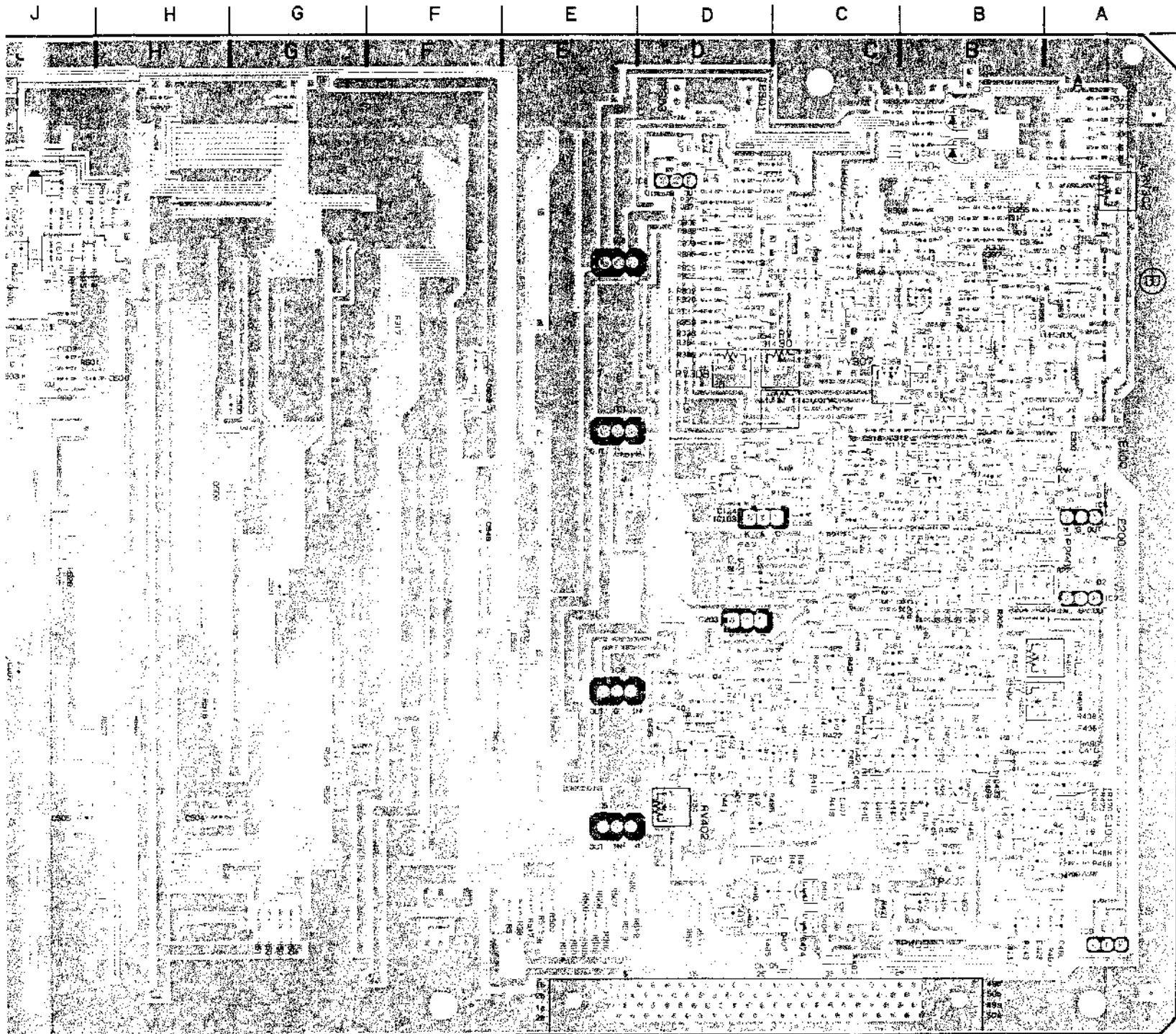
Serial No. (EK); 10001 to 11150

TBC-18P ; TIME BASE CORRECTOR, CTDM (EXPAND)



TBC-18P 1-640-033-11,12 B5 IDE

TBC-18P (1-640-033-11.12)



TBC-18P 1-640-033-11.12 B SIDE

CN 1	M-1	IC 200	B-4	IC 715	P-4	L 719	P-4	S 700	J-1
CN 2	M-7	IC 201	B-4	IC 716	P-5				
CN 105	N-7	IC 203	D-5	IC 718	N-5	*Q 100	B-4	TP 100	B-4
CN 106	D-7	IC 204	D-5	IC 719	N-4	*Q 101	B-4	TP 101	C-4
		IC 300	D-2	IC 720	N-4	*Q 102	B-3	TP 200	B-4
CP 700	R-4	IC 301	B-2	IC 721	P-4	*Q 103	B-4	TP 201	C-4
CP 701	R-5	IC 302	D-2	IC 722	M-5	*Q 200	B-4	TP 300	A-3
		IC 303	C-1	IC 723	L-5	*Q 201	B-5	TP 301	D-1
*D 1	A-4	IC 304	B-1	IC 724	L-5	*Q 202	B-4	TP 302	C-2
*D 2	A-4	IC 305	A-2	IC 725	K-4	*Q 203	B-4	TP 303	D-1
*D 3	D-1	IC 306	A-1	IC 726	R-2	*Q 301	B-3	TP 304	B-1
*D 4	A-7	IC 307	B-2	IC 727	P-6	*Q 302	B-3	TP 400	C-5
*D 100	D-4	IC 308	A-1	IC 728	R-3	*Q 304	B-3	TP 401	C-7
*D 200	D-5	IC 309	A-2	IC 729	R-6	*Q 305	B-3	TP 402	B-7
*D 300	C-2	IC 310	A-2			*Q 306	D-2	TP 403	B-7
*D 301	C-3	IC 311	D-2	LV 300	B-1	*Q 307	D-1	TP 500	L-1
D 302	B-1	IC 312	D-1	LV 400	C-7	*Q 401	D-5	TP 501	L-1
D 303	B-1	IC 401	A-6			*Q 402	B-5	TP 502	M-1
*D 305	A-2	IC 402	B-6	L 1	F-7	*Q 404	C-6	TP 700	N-7
*D 306	A-1	IC 403	A-7	L 2	K-7	*Q 405	C-6	TP 701	N-4
*D 307	D-1	IC 404	B-7	L 3	F-7	*Q 406	C-5	TP 702	N-5
*D 402	B-6	IC 405	D-6	L 4	K-7	*Q 407	A-6	TP 703	R-5
D 403	C-7	IC 406	D-6	L 5	K-7	*Q 408	B-6	TP 704	M-6
D 404	C-7	IC 407	D-6	L 100	C-3	*Q 500	L-3	TP 705	N-7
*D 406	D-6	IC 408	C-7	L 101	B-4	*Q 501	L-2		
*D 407	C-7	IC 409	C-6	L 102	C-4	*Q 502	M-2		
*D 408	A-7	IC 410	C-6	L 105	C-4	*Q 503	M-2		
*D 500	G-4	IC 411	A-6	L 106	C-4	*Q 600	J-2		
*D 501	K-2	IC 412	C-6	L 107	G-1	*Q 601	J-2		
*D 502	F-3	IC 413	A-6	L 200	C-5	*Q 602	J-1		
*D 503	E-5	IC 414	A-6	L 201	B-4	*Q 700	F-7		
*D 504	K-3	IC 500	D-4	L 202	C-5	*Q 702	F-7		
*D 600	J-2	IC 501	G-3	L 205	C-4	*Q 703	R-6		
*D 601	J-2	IC 502	G-5	L 206	G-6	*Q 704	R-6		
*D 602	J-2	IC 503	G-2	L 300	B-3	*Q 705	R-6		
*D 700	R-6	IC 504	H-2	L 301	C-3	*Q 706	N-7		
*D 701	P-6	IC 505	H-7	L 302	B-3	*Q 707	R-6		
*D 702	P-6	IC 506	H-7	L 303	A-3	*Q 708	P-6		
*D 706	R-3	IC 507	J-4	L 304	A-3	*Q 709	R-2		
		IC 508	J-5	L 305	A-2	*Q 714	K-5		
E100	A-4	IC 509	P-2	L 306	A-1	*Q 715	L-5		
E200	A-4	IC 510	N-2	L 307	C-1	*Q 717	R-7		
E300	B-1	IC 511	N-2	L 308	A-3	*Q 718	R-7		
E400	A-6	IC 512	N-3	L 400	D-5	*O 719	R-7		
E500	L-1	IC 513	L-3	L 401	C-5				
E501	K-2	IC 514	K-3	L 402	B-5	RV 100	B-4		
E700	P-6	IC 515	L-3	L 403	B-5	RV 200	B-4		
E701	R-6	IC 516	M-3	L 404	C-5	RV 301	C-3		
E702	R-4	IC 517	F-3	L 405	D-5	RV 302	A-2		
		IC 518	F-5	L 406	D-7	RV 303	D-3		
FL 500	L-2	IC 601	H-2	L 407	B-7	RV 305	C-3		
FL 501	M-2	IC 602	J-3	L 408	D-6	RV 307	C-3		
FL 502	M-2	IC 603	J-2	L 409	B-5	RV 400	A-5		
FL 600	J-3	IC 605	J-1	L 410	B-5	RV 402	D-6		
FL 700	K-5	IC 607	J-2	L 503	L-3	RV 403	A-5		
		IC 608	H-1	L 504	M-3	RV 500	K-1		
IC 1	E-3	IC 609	H-2	L 506	K-2	RV 501	L-1		
IC 2	K-7	IC 610	J-1	L 508	N-1	RV 700	P-7		
IC 3	E-2	IC 700	P-6	L 700	P-6	RV 701	M-6		
IC 4	E-5	IC 701	M-6	L 701	R-6	RV 702	P-1		
IC 5	E-6	IC 702	P-1	L 702	M-7	RV 703	P-1		
IC 6	A-4	IC 704	N-6	L 703	M-6	RV 704	P-1		
IC 7	A-5	IC 705	R-2	L 704	P-5	RV 705	P-7		
IC 8	D-1	IC 707	P-6	L 705	M-7	RV 706	M-1		
IC 9	A-7	IC 709	R-3	L 706	M-6	RV 707	M-1		
IC 100	B-4	IC 710	N-6	L 708	P-4	RV 708	N-1		
IC 102	B-4	IC 711	P-5	L 713	K-5	RV 709	N-5		
IC 103	D-4	IC 712	M-6	L 715	K-5	RV 710	R-1		
IC 104	D-4	IC 713	L-6	L 717	P-3	RV 711	P-6		
IC 105	C-4	IC 714	N-6	L 718	P-3				

* : B SIDE

Serial No. (EK); 10001 to 14585
 Serial No. (UC); 10001 to 10010

CP-166A CP-166A

CP-166A ; VIDEO INPUT/OUTPUT CONNECTOR, COMPONENT OUT DRIVER

CP-166A (1-640-045-21)

- CN 1 A-1
- CN 2 B-2
- CN 3 C-2
- CN 4 D-1
- CN 5 D-1
- CN 6 A-6
- CN 7 A-4
- CN 8 B-3
- CN 9 B-5
- CN 10 D-4
- CN 11 D-4
- CN 12 B-4
- CN 13 C-6
- CN 650 B-1
- CN 651 C-1
- CN 652 D-6
- CN 653 C-6
- CN 654 B-6
- CN 655 A-6

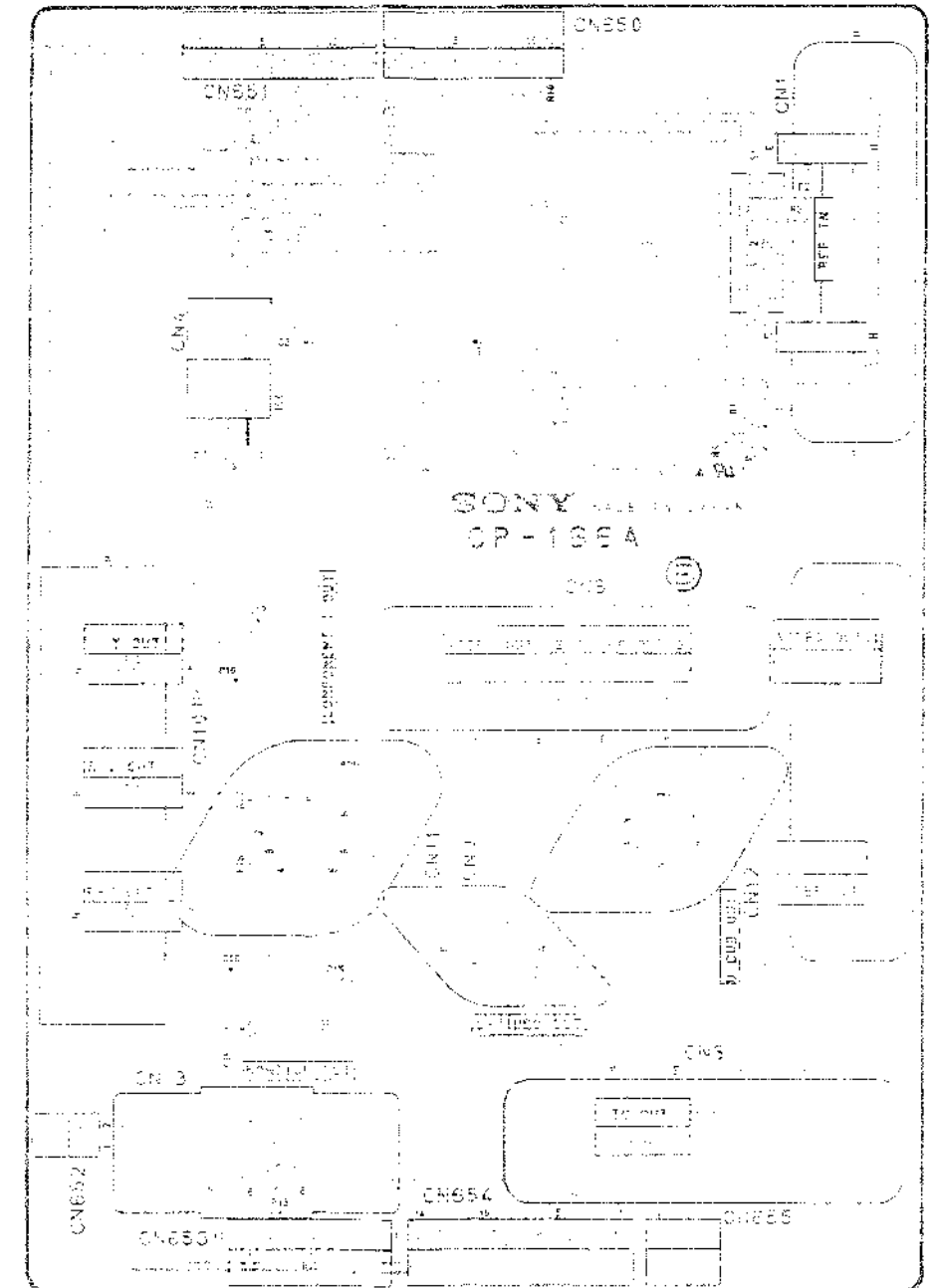
- IC 1 D-3
- IC 2 C-5
- IC 3 D-5
- IC 4 C-2

- L 1 C-2
- L 2 C-2

- *Q 1 A-3
- *Q 2 B-2

- S 1 B-1
- S 2 B-2
- S 3 C-2

*. B SIDE



CP-166A 1-640-045-21 B SIDE

Serial No. (EK); 15256 and higher
 Serial No. (UC); 10011 and higher

CP-166A CP-166A

CP-166A ; VIDEO INPUT/OUTPUT CONNECTOR, COMPONENT OUT DRIVER

CP-166A (1-640-045-23)

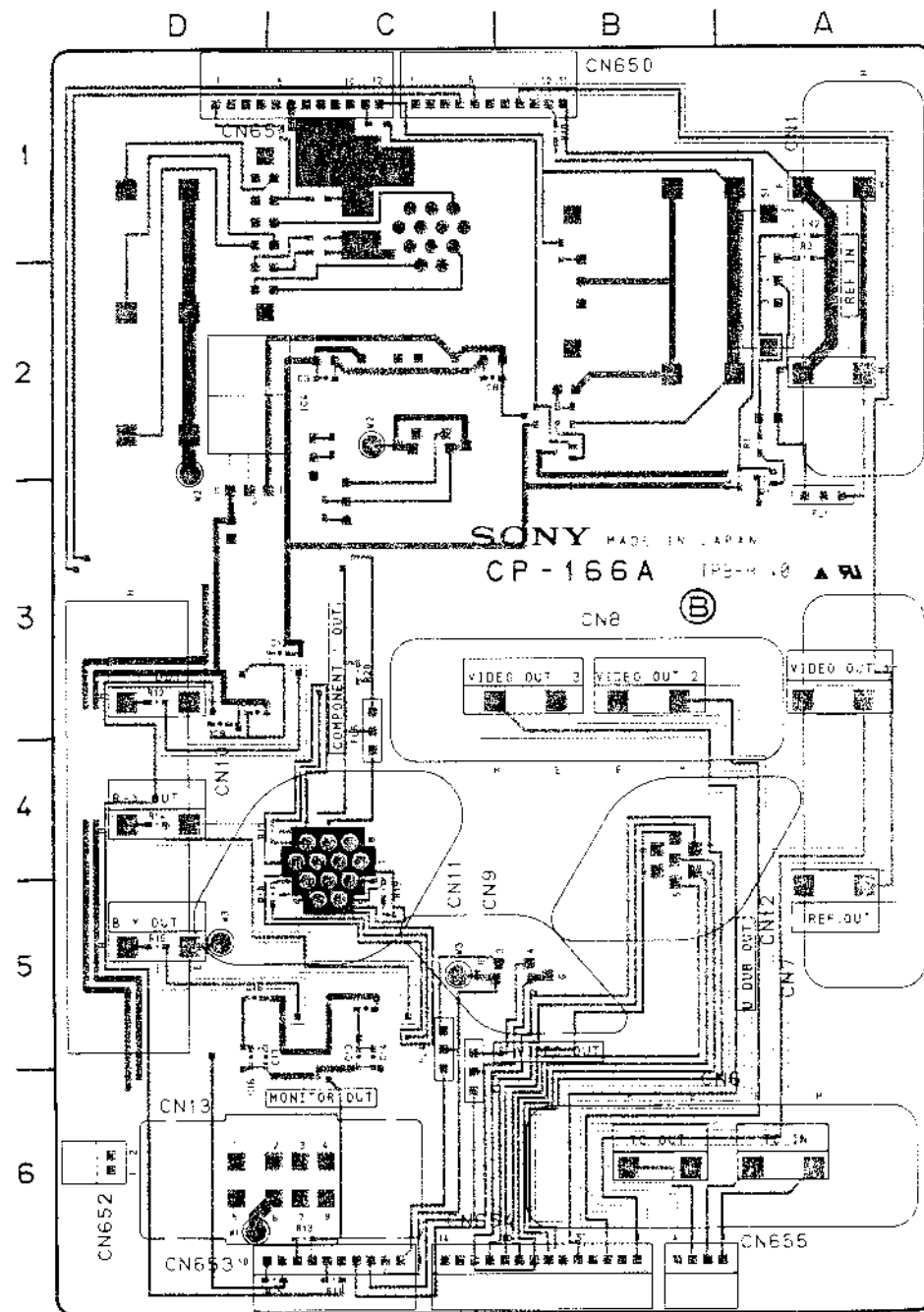
- CN 1 A-1
- CN 6 A-6
- CN 7 A-4
- CN 8 B-3
- CN 9 B-5
- CN 10 D-4
- CN 11 D-4
- CN 12 B-4
- CN 13 C-6
- CN 650 B-1
- CN 652 D-6
- CN 653 C-6
- CN 654 B-6
- CN 655 A-6

- IC 1 D-3
- IC 2 C-5
- IC 3 D-5
- IC 4 D-2

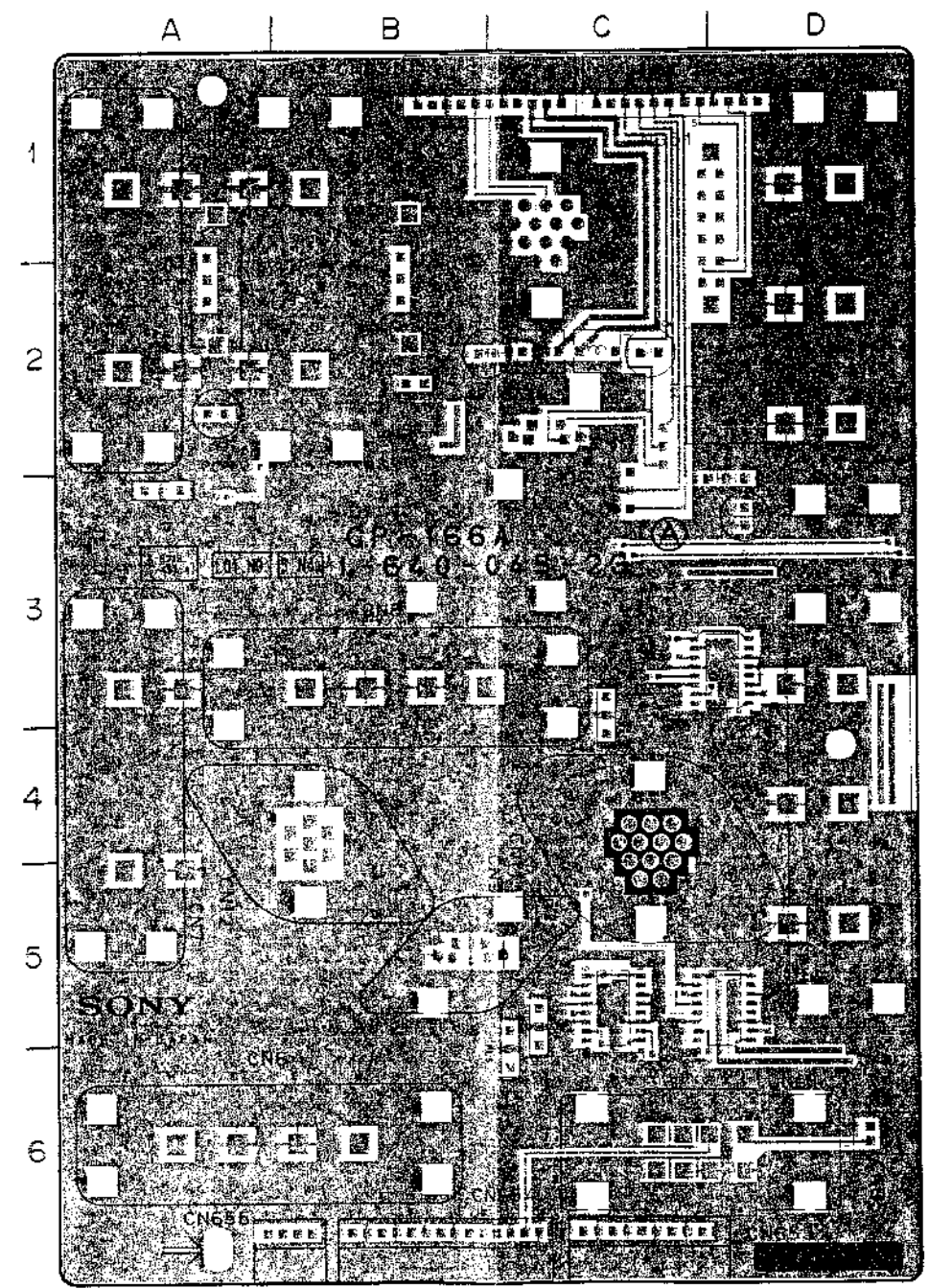
- L 1 C-2
- L 2 C-2

- *Q 1 A-3
- S 1 B-1

- * : B SIDE



CP-166A 1-640-045-23 B SIDE

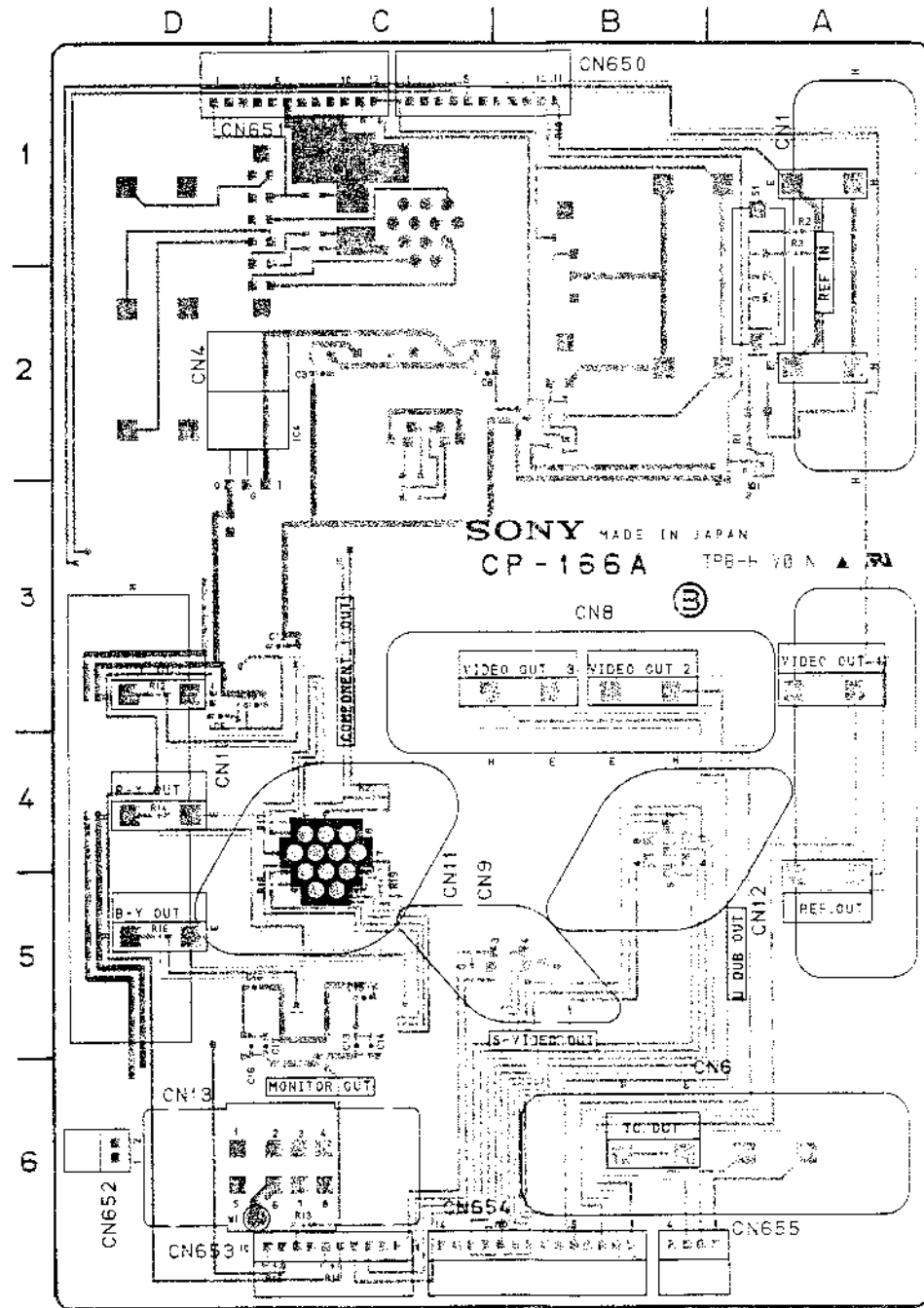


CP-166A 1-640-045-23 A SIDE

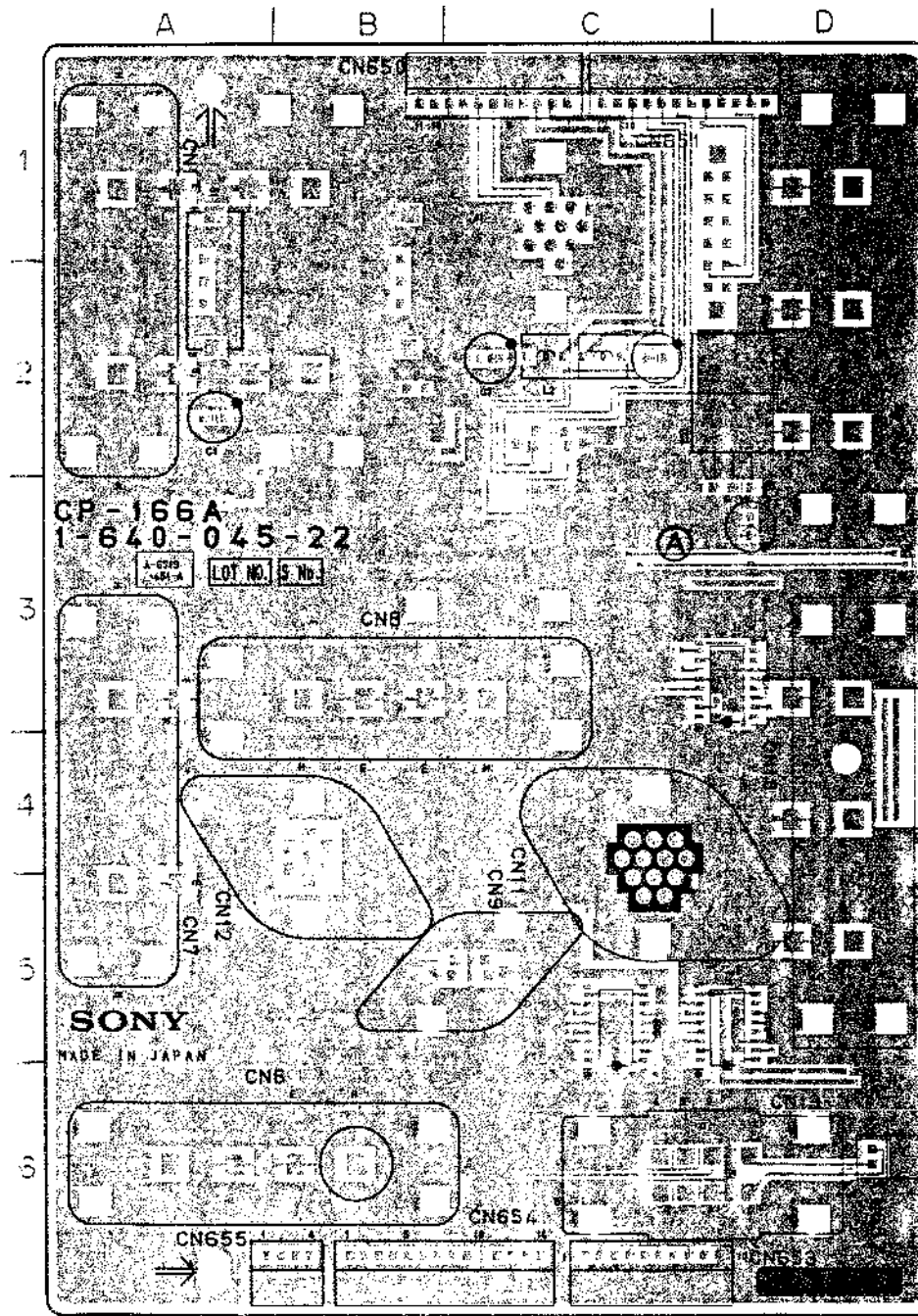
Serial No.(EK);14586 to 15255
 Serial No.(UC);10011 and higher

CP-166A CP-166A

CP-166A ; VIDEO INPUT/OUTPUT CONNECTOR, COMPONENT OUT DRIVER



CP-166A 1-640-045-22 B SIDE



CP-166A 1-640-045-22 A SIDE

CP-166A (1-640-045-22)

- CN 1 A-1
- CN 4 D-2
- CN 6 A-6
- CN 7 A-5
- CN 8 B-3
- CN 9 C-5
- CN 10 D-4
- CN 11 C-4
- CN 12 A-5
- CN 13 D-6
- CN 650 B-1
- CN 651 C-1
- CN 652 D-6
- CN 653 D-6
- CN 654 B-6
- CN 655 A-6

- IC 1 D-3
- IC 2 C-5
- IC 3 D-5
- IC 4 C-2

- L 1 C-2
- L 2 C-2

- *Q 1 A-3
- S 1 A-1

* B SIDE

REVER

CP-166A (1-640-045-21)

- CN 1 A-1
- CN 2 B-2
- CN 3 C-2
- CN 4 D-1
- CN 5 D-1
- CN 6 A-6
- CN 7 A-4
- CN 8 B-3
- CN 9 B-5
- CN 10 D-4
- CN 11 D-4
- CN 12 B-4
- CN 13 C-6
- CN 650 B-1
- CN 651 C-1
- CN 652 D-6
- CN 653 C-6
- CN 654 B-6
- CN 655 A-6

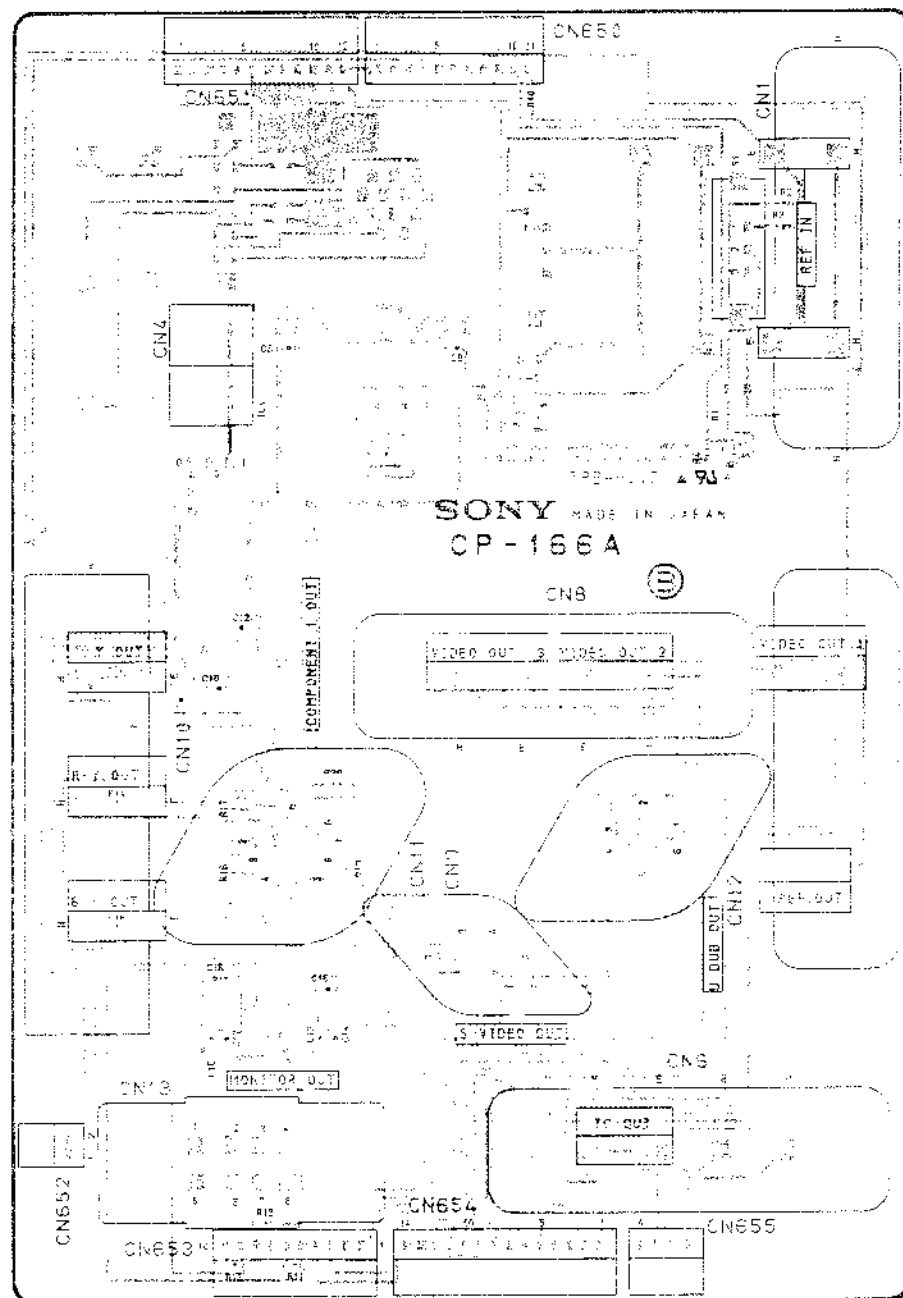
- IC 1 D-3
- IC 2 C-5
- IC 3 D-5
- IC 4 C-2

- L 1 C-2
- L 2 C-2

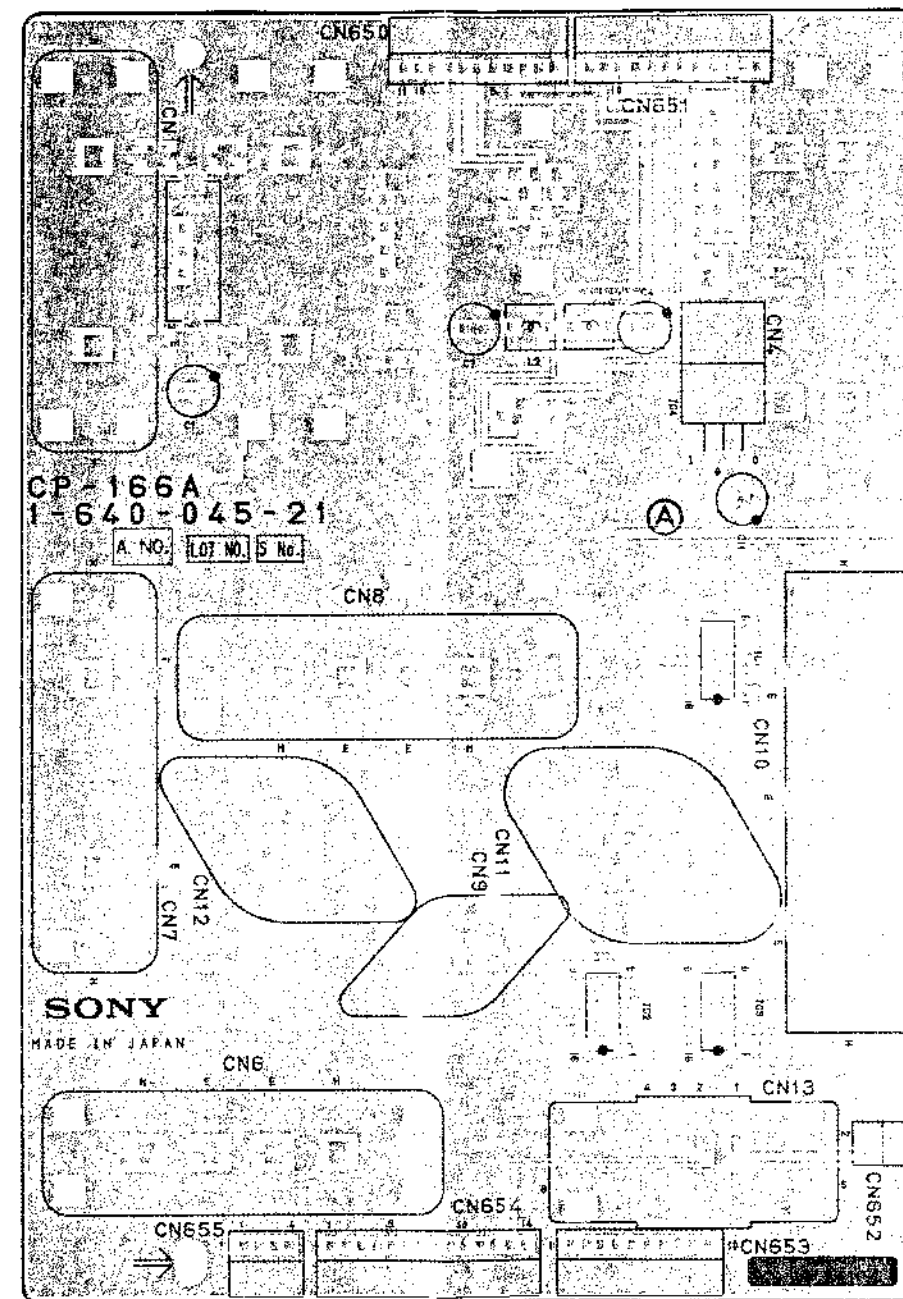
- *Q 1 A-3
- *Q 2 B-2

- S 1 B-1
- S 2 B-2
- S 3 D-2

- * B SIDE

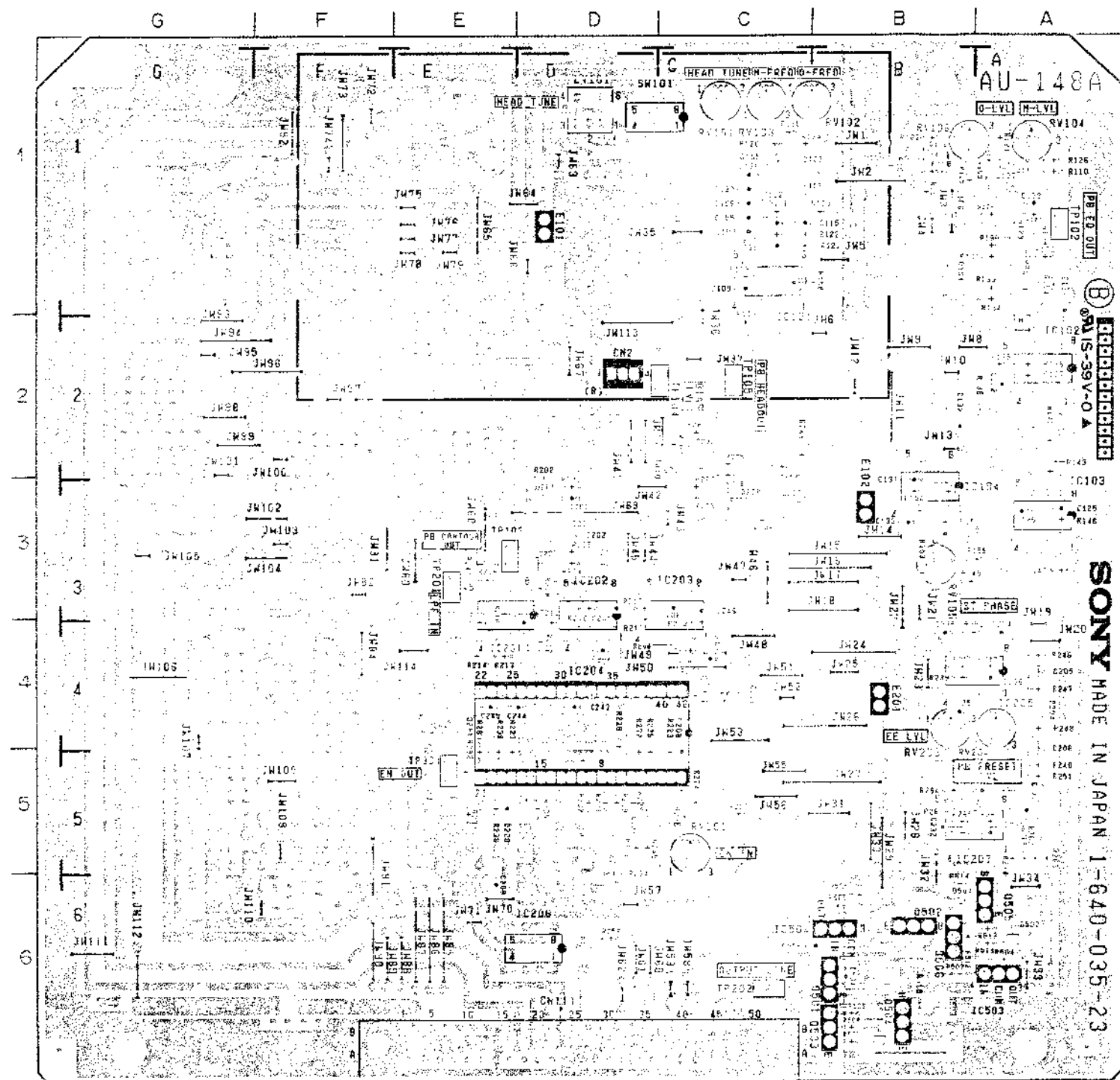


CP-166A 1-640-045-21 B SIDE

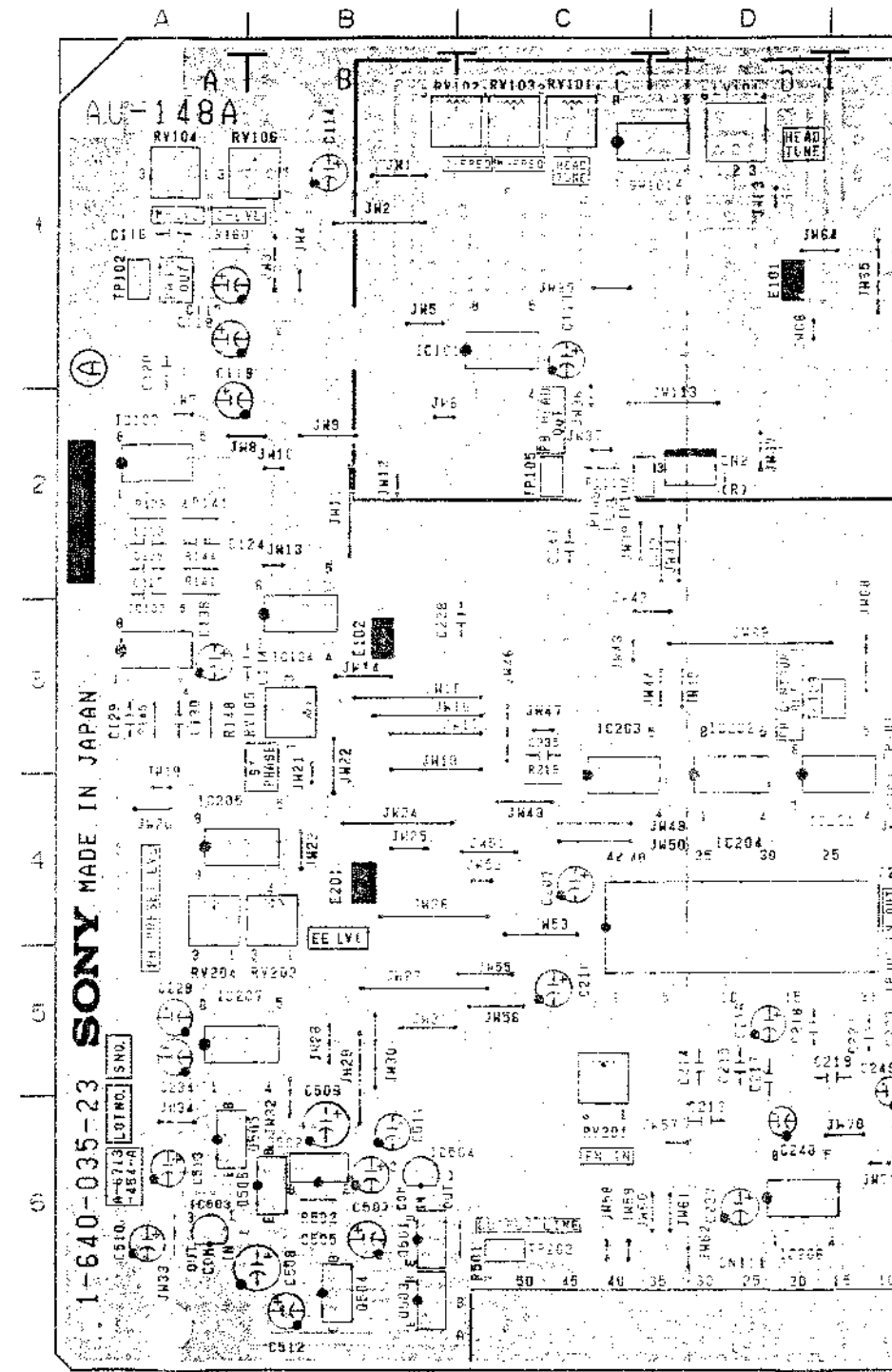


CP-166A 1-640-045-21 A SIDE

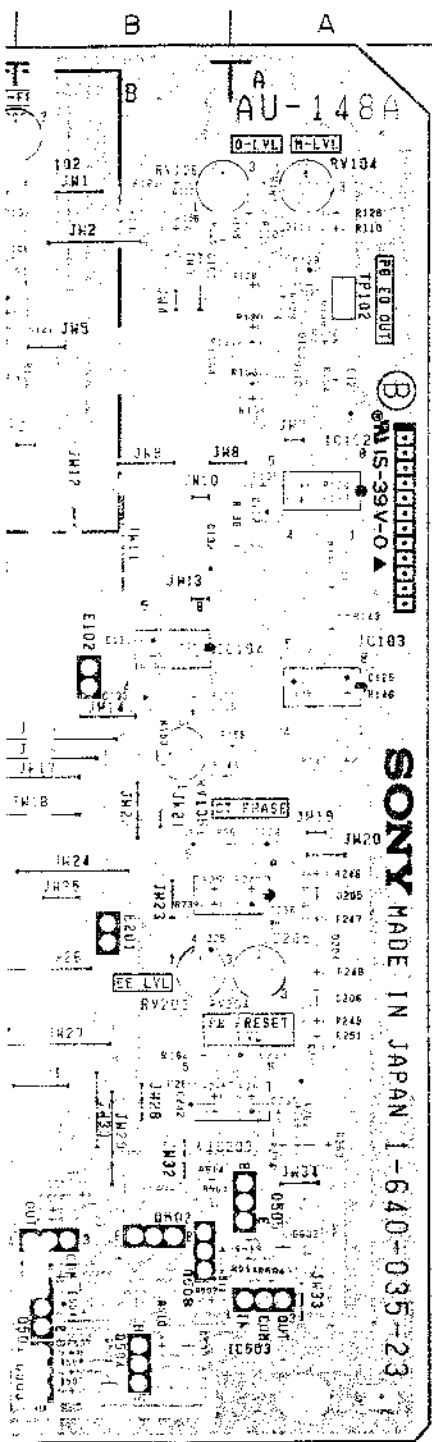
AU-148AP ; AUDIO CH-1 REC/PB PROCESS, DOLBY SYSTEM



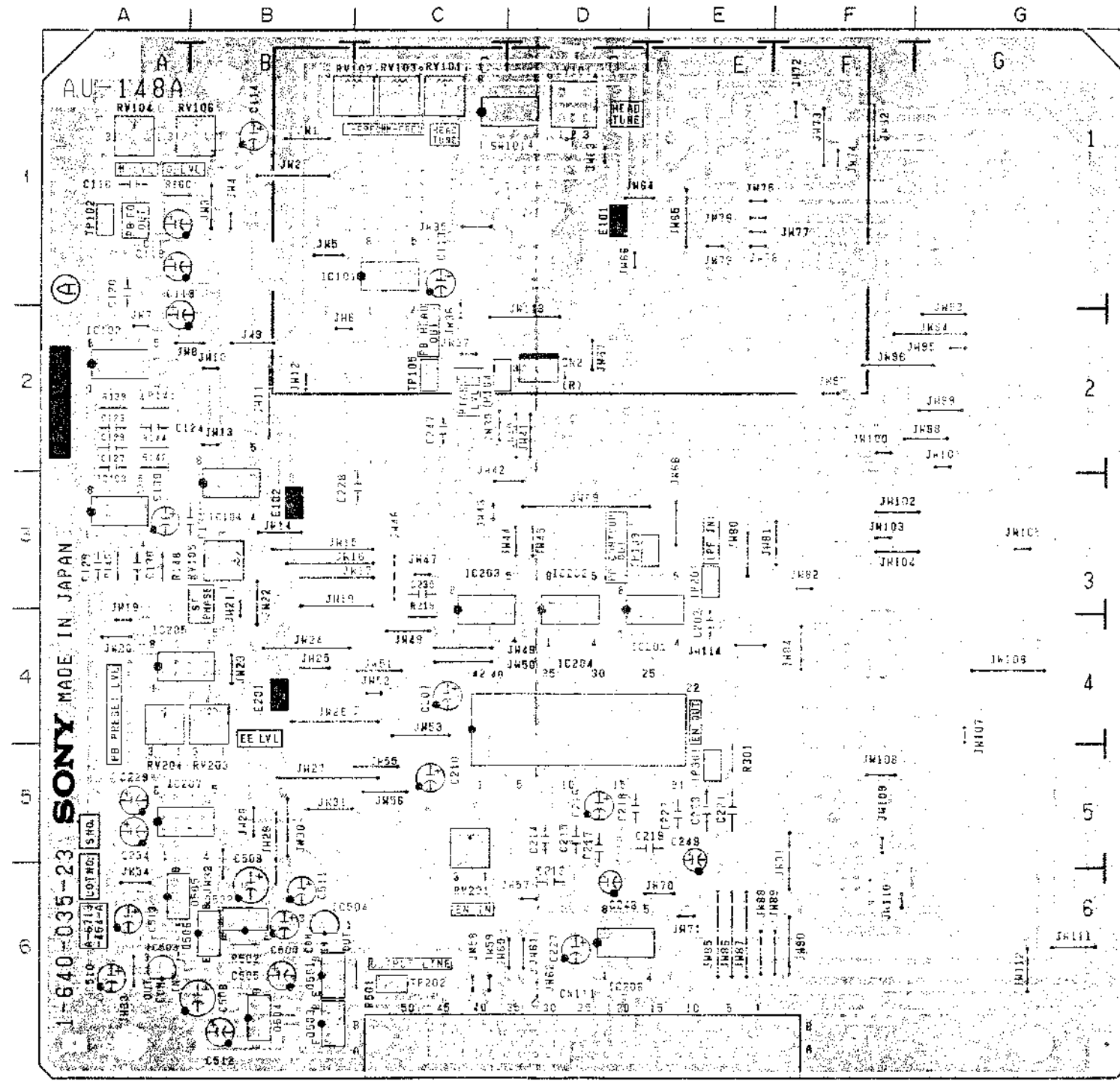
AU-148AP 1-640-035-23 B SIDE



AU-148AP 1-640-035-23 A SIDE



AU-148AP 1-640-035-23 B SIDE



AU-148AP 1-640-035-23 A SIDE

AU-148AP (1-640-035-23)

- | | | | |
|--------|-----|--------|-----|
| CN 2 | D-2 | TP 102 | A-1 |
| CN 111 | D-6 | TP 103 | E-3 |
| | | TP 202 | C-6 |
| | | TP 301 | E-4 |
| *D 103 | B-1 | | |
| *D 104 | B-1 | | |
| *D 201 | D-3 | | |
| *D 202 | D-3 | | |
| *D 204 | A-4 | | |
| *D 207 | C-3 | | |
| *D 209 | C-2 | | |
| *D 501 | B-6 | | |
| *D 502 | A-6 | | |
| *D 503 | B-6 | | |
| *D 504 | B-6 | | |
| IC 101 | C-1 | | |
| IC 102 | A-2 | | |
| IC 103 | A-3 | | |
| IC 104 | B-3 | | |
| IC 201 | E-3 | | |
| IC 202 | D-3 | | |
| IC 203 | C-3 | | |
| IC 204 | C-4 | | |
| IC 205 | A-4 | | |
| IC 206 | D-6 | | |
| IC 207 | A-5 | | |
| IC 503 | B-6 | | |
| IC 504 | B-6 | | |
| LV 101 | D-1 | | |
| *O 105 | C-1 | | |
| *O 106 | C-1 | | |
| *O 107 | A-1 | | |
| *O 108 | A-1 | | |
| *O 109 | A-1 | | |
| *O 110 | A-1 | | |
| *O 111 | A-1 | | |
| *O 112 | B-1 | | |
| *O 201 | D-3 | | |
| *O 202 | D-3 | | |
| *O 205 | A-4 | | |
| *O 206 | A-6 | | |
| *O 207 | C-3 | | |
| *O 208 | C-3 | | |
| *O 209 | D-5 | | |
| *O 210 | C-2 | | |
| *O 211 | B-6 | | |
| *O 212 | C-4 | | |
| O 501 | E-6 | | |
| O 502 | B-6 | | |
| O 503 | B-6 | | |
| O 504 | B-6 | | |
| O 505 | B-6 | | |
| O 506 | B-6 | | |
| RV 101 | C-1 | | |
| RV 102 | C-1 | | |
| RV 103 | C-1 | | |
| RV 104 | A-1 | | |
| RV 105 | B-3 | | |
| RV 106 | B-1 | | |
| RV 201 | C-5 | | |
| RV 203 | B-4 | | |
| RV 204 | A-4 | | |
| SW101 | C-1 | | |

* : B SIDE

Serial No. (EK); 11151 to 14585
 Serial No. (UC); 10001 to 10010

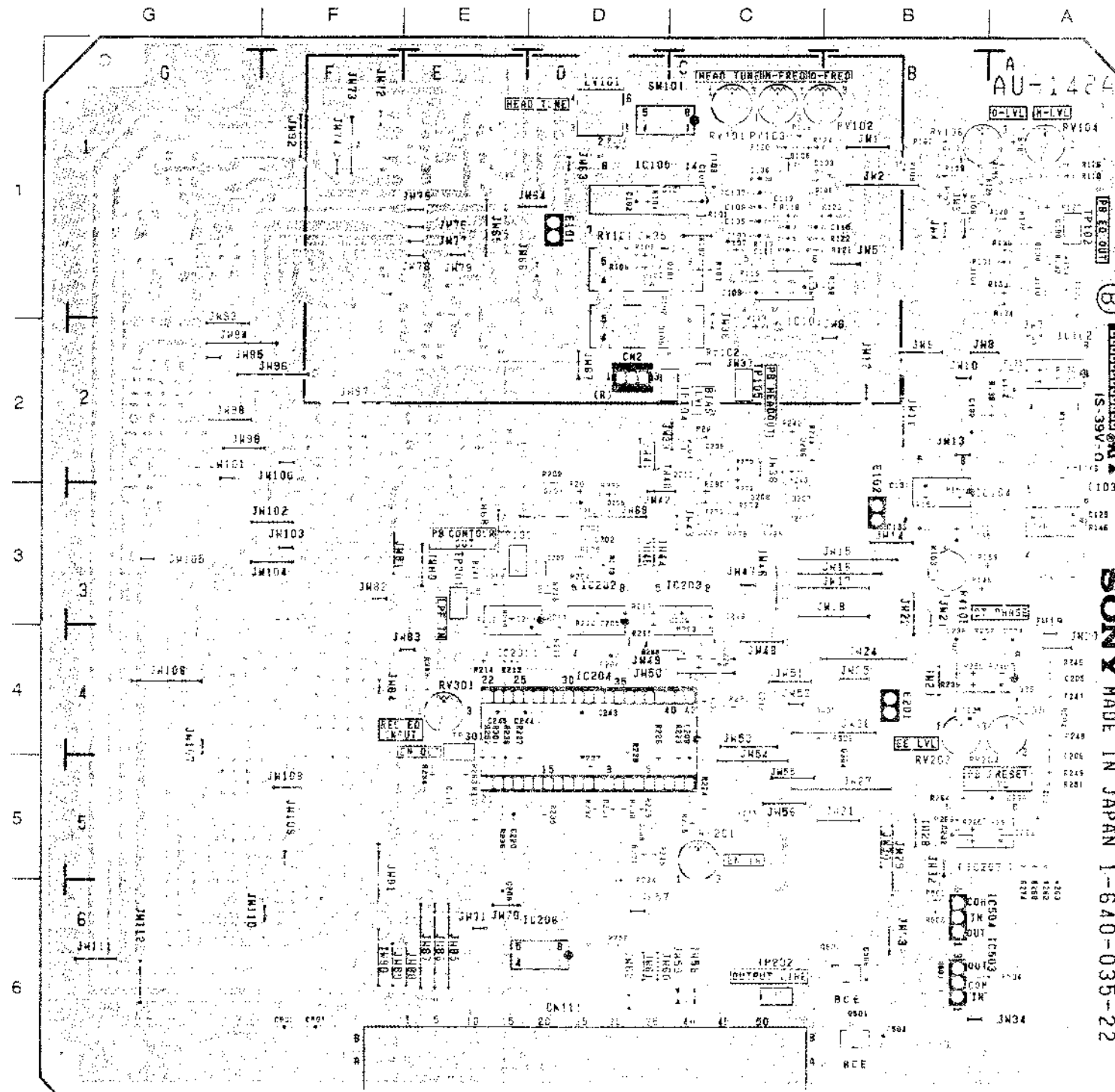
AU-148AP AU-148AP

AU-148AP ; AUDIO CH-1 REC/PB PROCESS, DOLBY SYSTEM

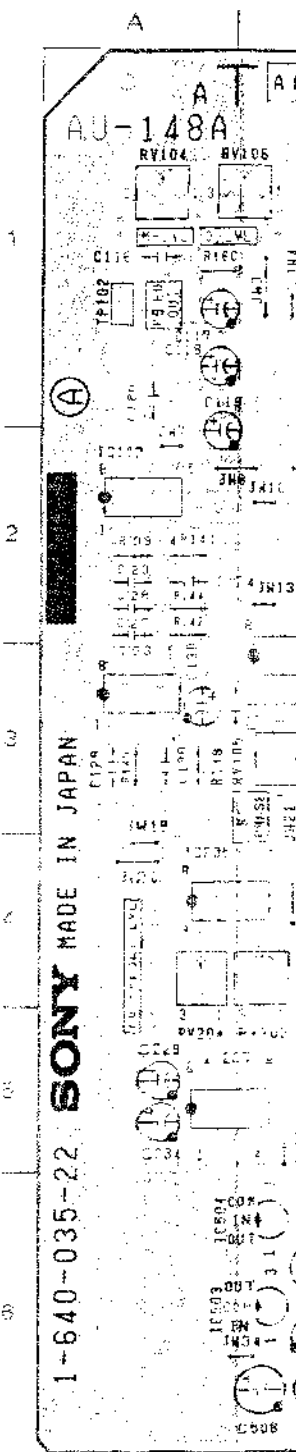
AU-148AP (1-640-035-22)

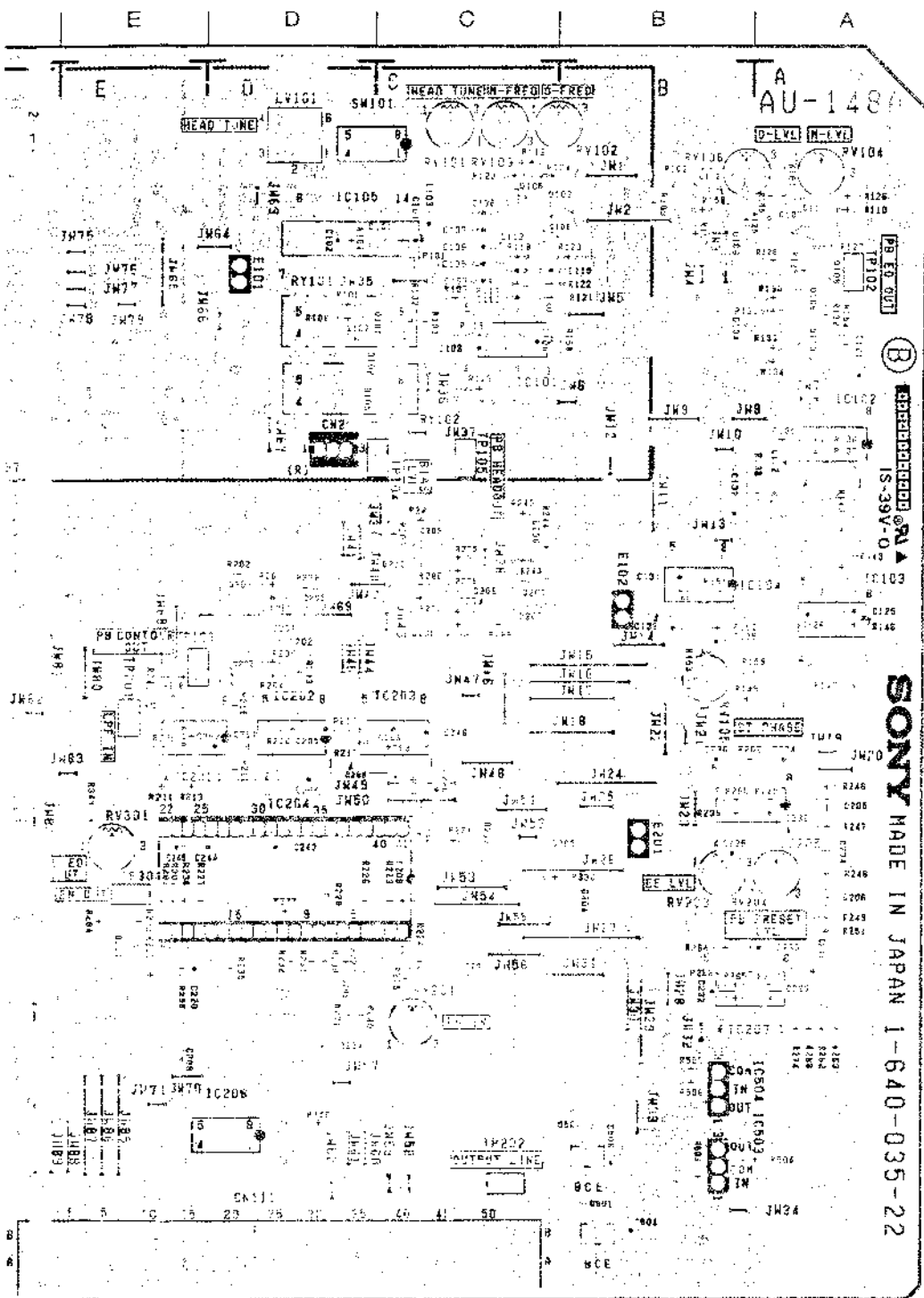
CN 2	A-2	SW101	C-1
CN 111	D-6		
		TP 102	A-1
		TP 103	E-3
*D 101	C-1	TP 104	C-2
*D 102	D-1	TP 105	C-2
*D 104	B-1	TP 201	E-3
*D 105	D-2	TP 202	C-6
*D 201	D-3	TP 301	E-4
*D 202	D-3		
*D 204	A-4		
*D 206	C-2		
*D 207	C-3		
*D 208	C-3		
*D 209	C-2		
E 101	D-1		
E 102	B-3		
E 201	B-4		
IC 101	C-1		
IC 102	A-2		
IC 103	A-3		
IC 104	B-3		
IC 105	D-1		
IC 201	E-3		
IC 202	D-3		
IC 203	C-3		
IC 204	D-4		
IC 205	A-4		
IC 206	D-6		
IC 207	A-6		
IC 503	B-6		
IC 504	B-6		
LV 101	D-1		
L 501	F-6		
*C 101	C-1		
*Q 102	D-1		
*Q 108	A-1		
*Q 109	A-1		
*Q 110	A-1		
*Q 201	D-3		
*Q 202	D-3		
*Q 205	A-4		
*Q 206	A-5		
*Q 207	C-3		
*Q 208	C-3		
*Q 209	D-5		
*Q 210	C-2		
*Q 211	E-5		
*Q 212	C-4		
*Q 501	B-6		
*Q 502	B-6		
RV 101	C-1		
RV 102	C-1		
RV 103	C-1		
RV 104	A-1		
RV 105	B-3		
RV 106	B-1		
RV 201	C-5		
RV 203	B-4		
RV 204	A-4		
RV 301	E-4		
RY101	D-1		
RY102	D-2		

* : B SIDE

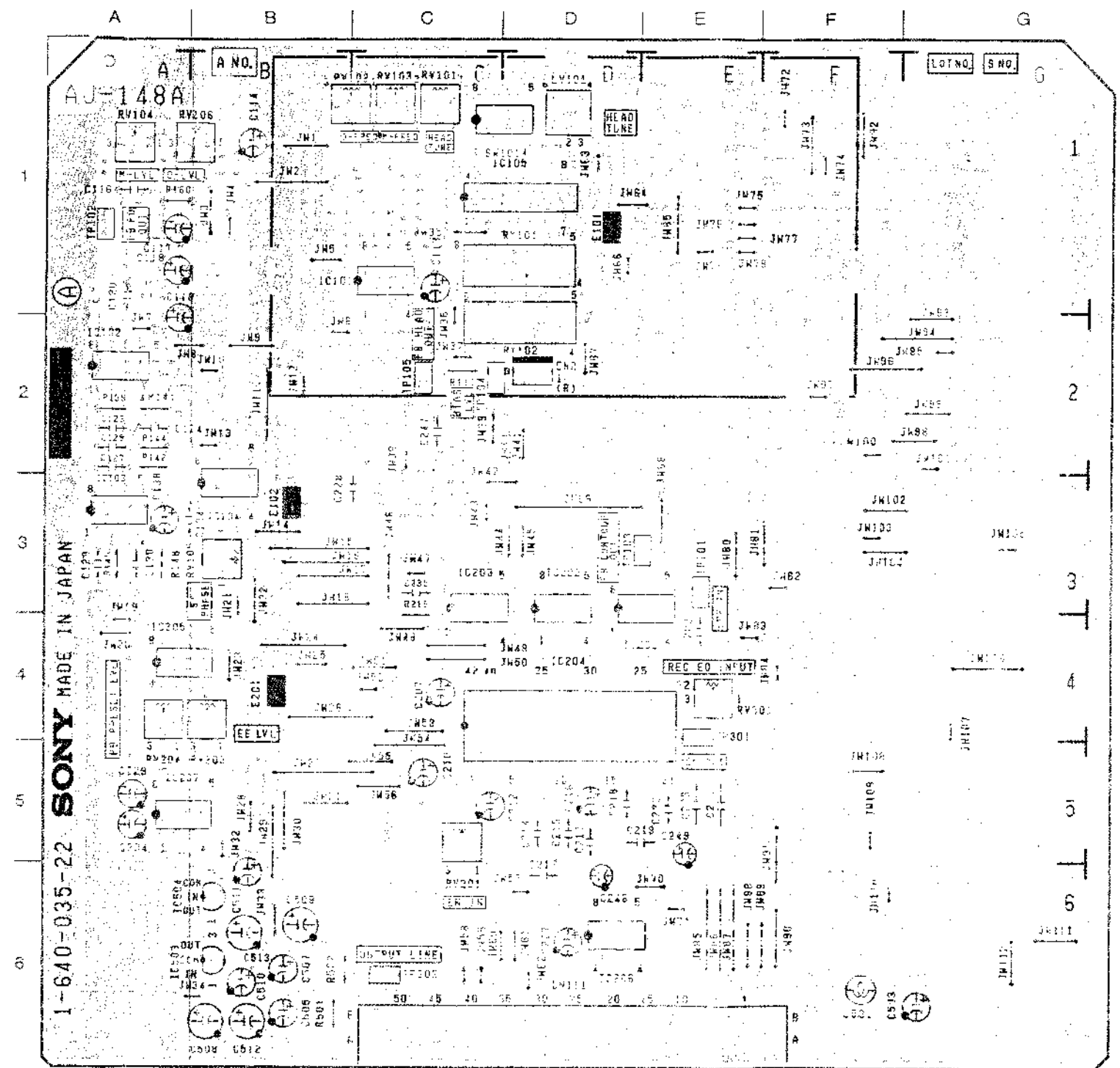


AU-148AP 1-640-035-22 B SIDE





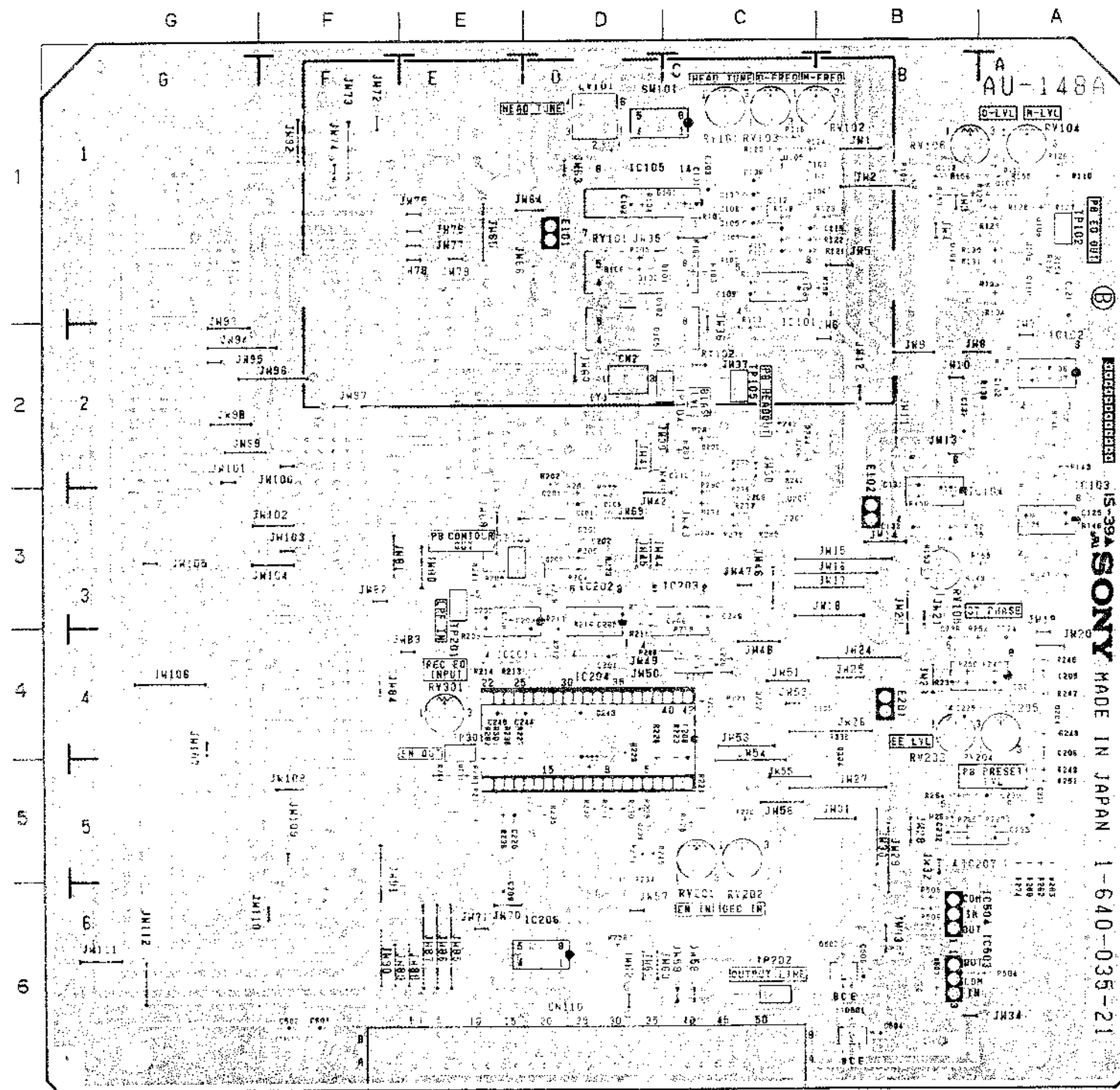
AU-148AP 1-640-035-22 B SIDE



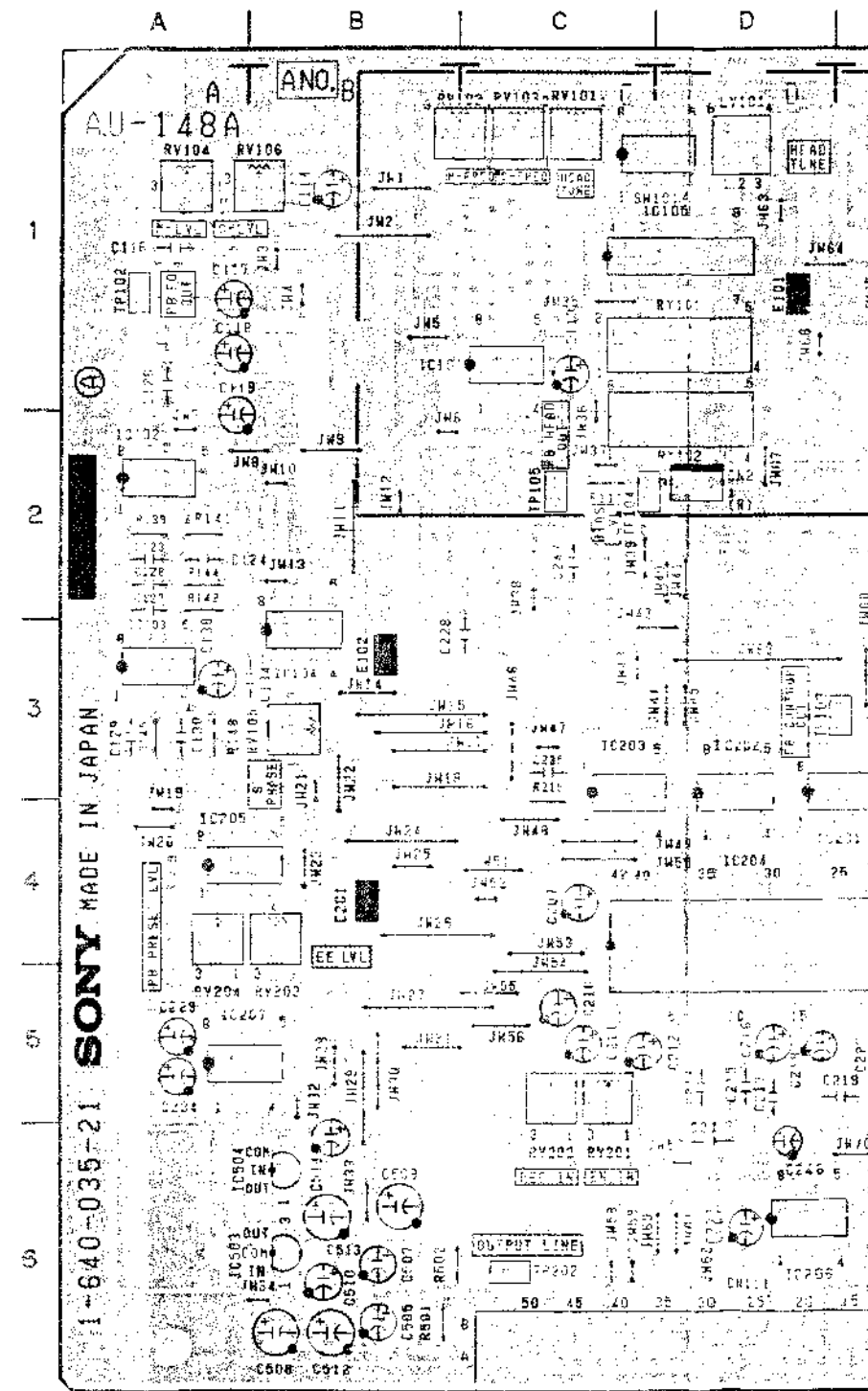
AU-148AP 1-640-035-22 A SIDE

Serial No. (EK); 10001 to 11150

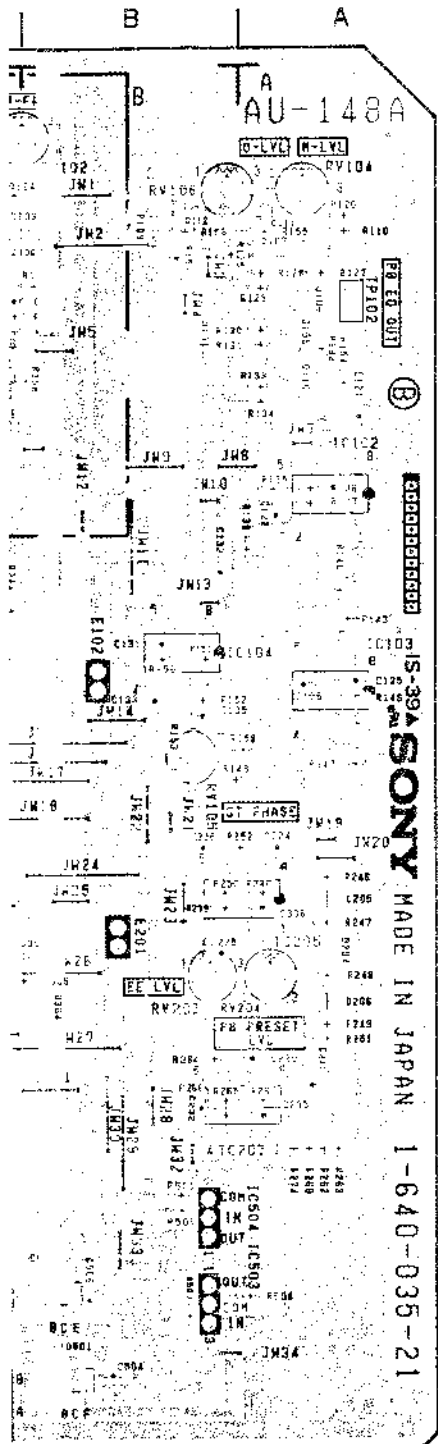
AU-148AP ; AUDIO CH-1 REC/PB PROCESS, DOLBY SYSTEM



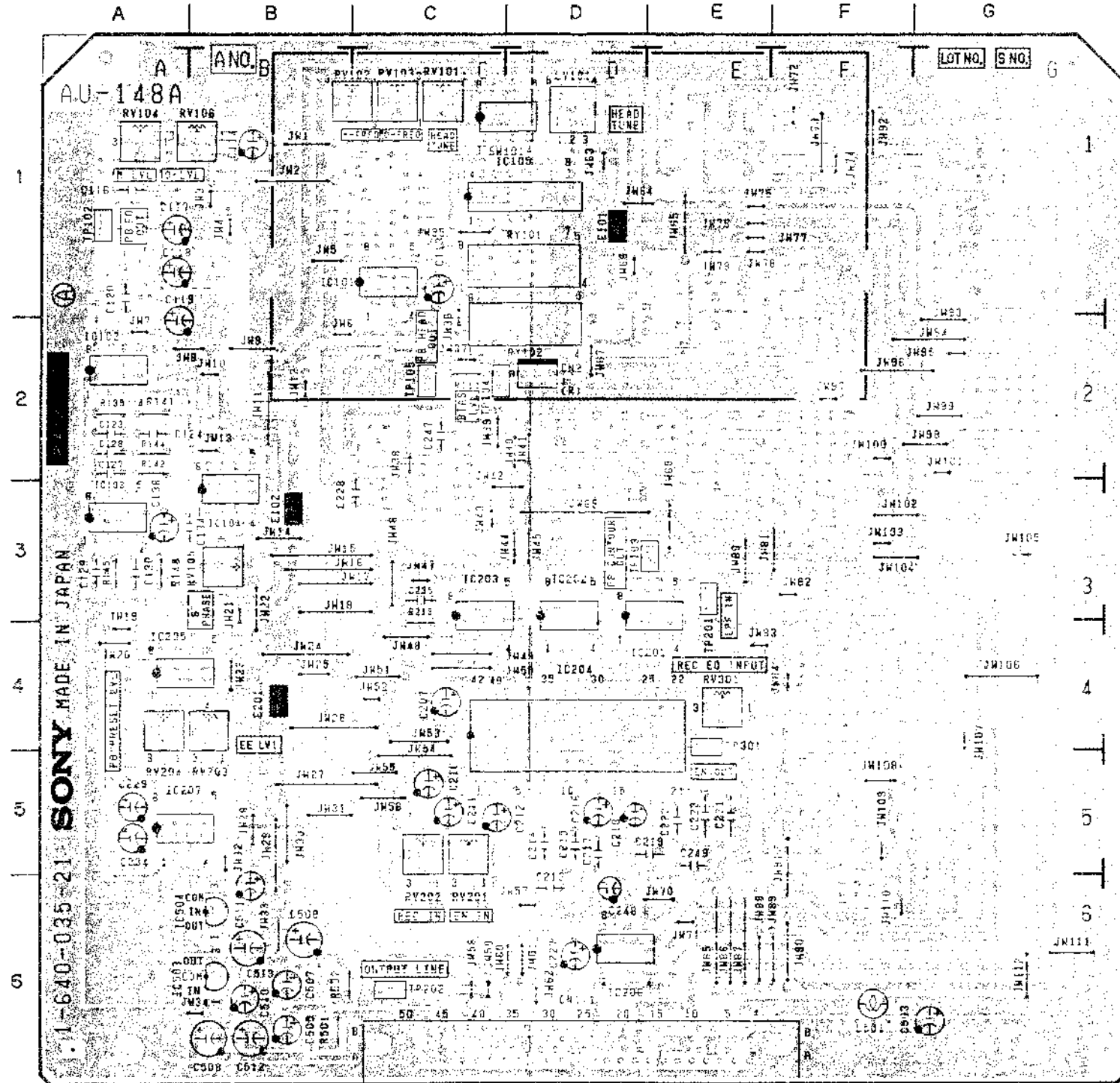
AU 148AP 1-640-035-21 B SIDE



AU-148AP (1-640-035-21)



U 148AP 1-640-035-21 B SIDE



AU-148AP 1-640-035-21 A SIDE

- | | | | |
|--------|-----|--------|-----|
| CN 2 | A-2 | TP 102 | A-1 |
| CN 111 | D-6 | TP 103 | E-3 |
| | | TP 104 | C-2 |
| *D 101 | C-1 | TP 105 | C-2 |
| *D 102 | D-1 | TP 201 | E-3 |
| *D 104 | B-1 | TP 202 | C-6 |
| *D 105 | D-2 | TP 301 | E-4 |
| *D 201 | D-3 | | |
| *D 202 | D-3 | | |
| *D 204 | A-4 | | |
| *D 206 | C-2 | | |
| *D 207 | C-3 | | |
| *D 208 | C-2 | | |
| *D 209 | C-2 | | |
| E 101 | D-1 | | |
| E 102 | B-3 | | |
| E 201 | B-4 | | |
| IC 101 | C-1 | | |
| IC 102 | A-2 | | |
| IC 103 | A-3 | | |
| IC 104 | B-3 | | |
| IC 105 | D-1 | | |
| IC 201 | E-3 | | |
| IC 202 | D-3 | | |
| IC 203 | C-3 | | |
| IC 204 | D-4 | | |
| IC 205 | A-4 | | |
| IC 206 | D-6 | | |
| IC 207 | A-5 | | |
| IC 303 | B-6 | | |
| IC 504 | B-6 | | |
| LV 101 | D-1 | | |
| L 501 | F-6 | | |
| *Q 101 | C-1 | | |
| *Q 102 | D-1 | | |
| *Q 108 | A-1 | | |
| *Q 109 | A-1 | | |
| *Q 110 | A-1 | | |
| *Q 201 | D-3 | | |
| *Q 202 | D-3 | | |
| *Q 205 | A-4 | | |
| *Q 206 | A-5 | | |
| *Q 207 | C-3 | | |
| *Q 208 | C-3 | | |
| *Q 209 | D-5 | | |
| *Q 210 | C-2 | | |
| *Q 211 | E-5 | | |
| *Q 212 | C-4 | | |
| *C 501 | B-6 | | |
| *C 502 | B-6 | | |
| RV 101 | C-1 | | |
| RV 102 | C-1 | | |
| RV 104 | A-1 | | |
| RV 105 | B-3 | | |
| RV 106 | B-1 | | |
| RV 201 | C-5 | | |
| RV 203 | B-4 | | |
| RV 204 | A-4 | | |
| RV 301 | E-4 | | |
| RY101 | D-1 | | |
| RY102 | D-2 | | |
| SW101 | C-1 | | |

* : B SIDE

Serial No. (EK); 14586 and higher
 Serial No. (UC); 10011 and higher

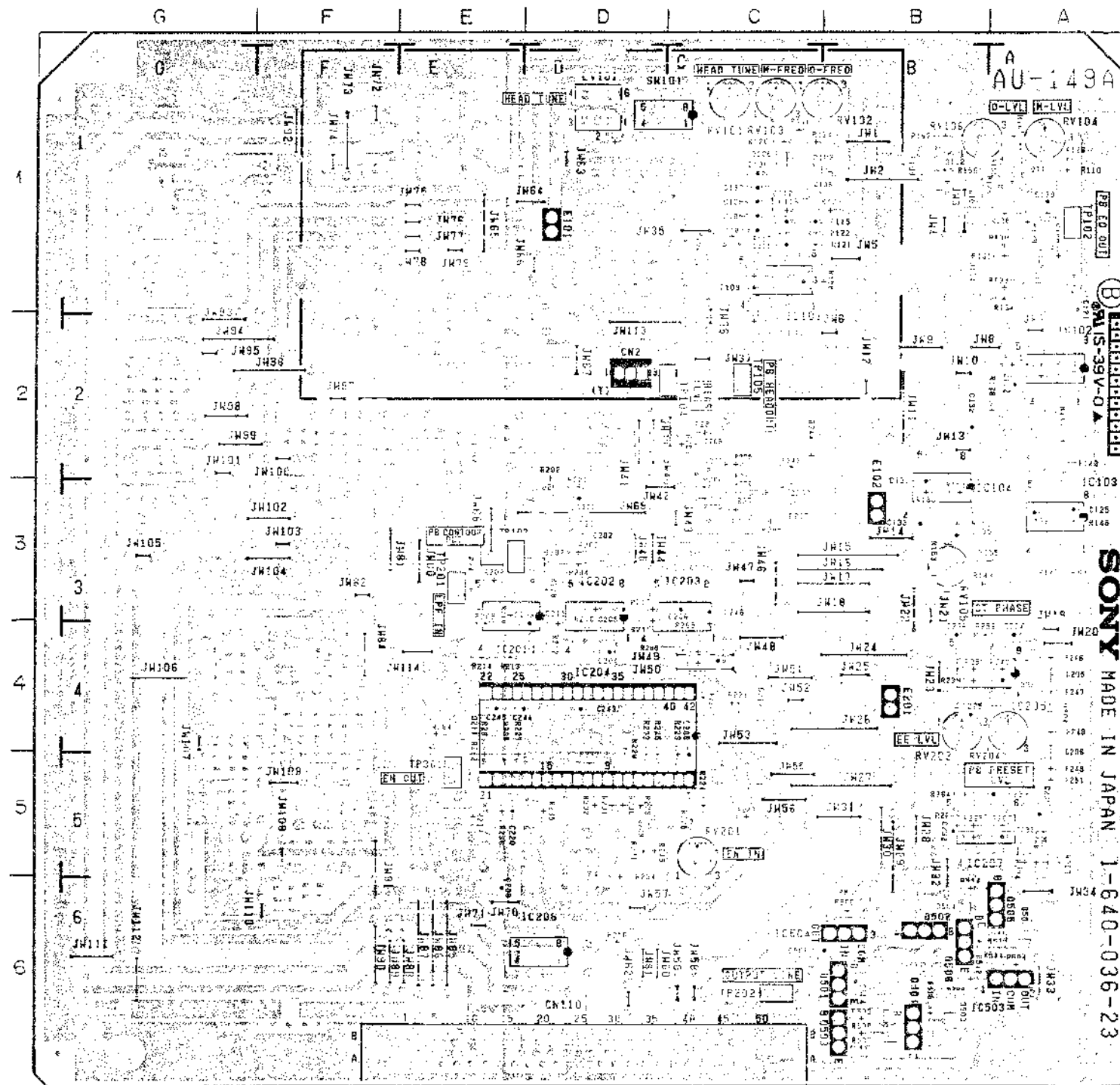
AU-149AP AU-149AP

AU-149AP ; AUDIO CH-2 PB PROCESS, DOLBY SYSTEM

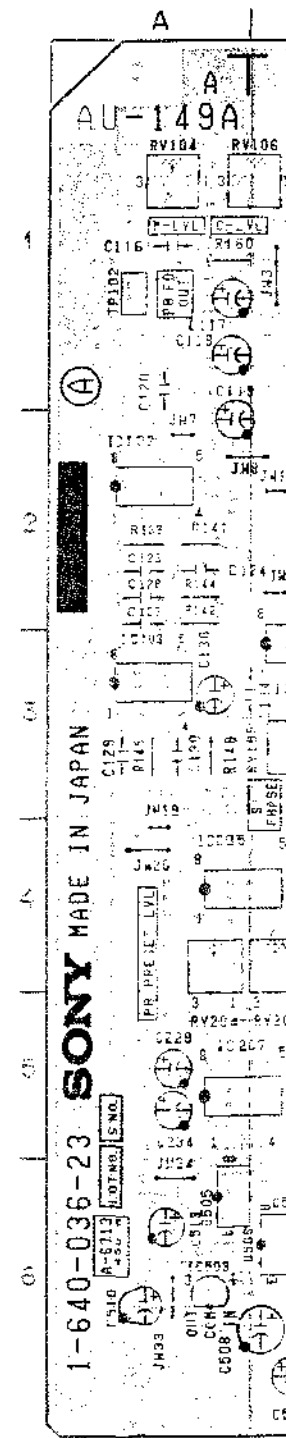
AU-149AP (1-640-036-23)

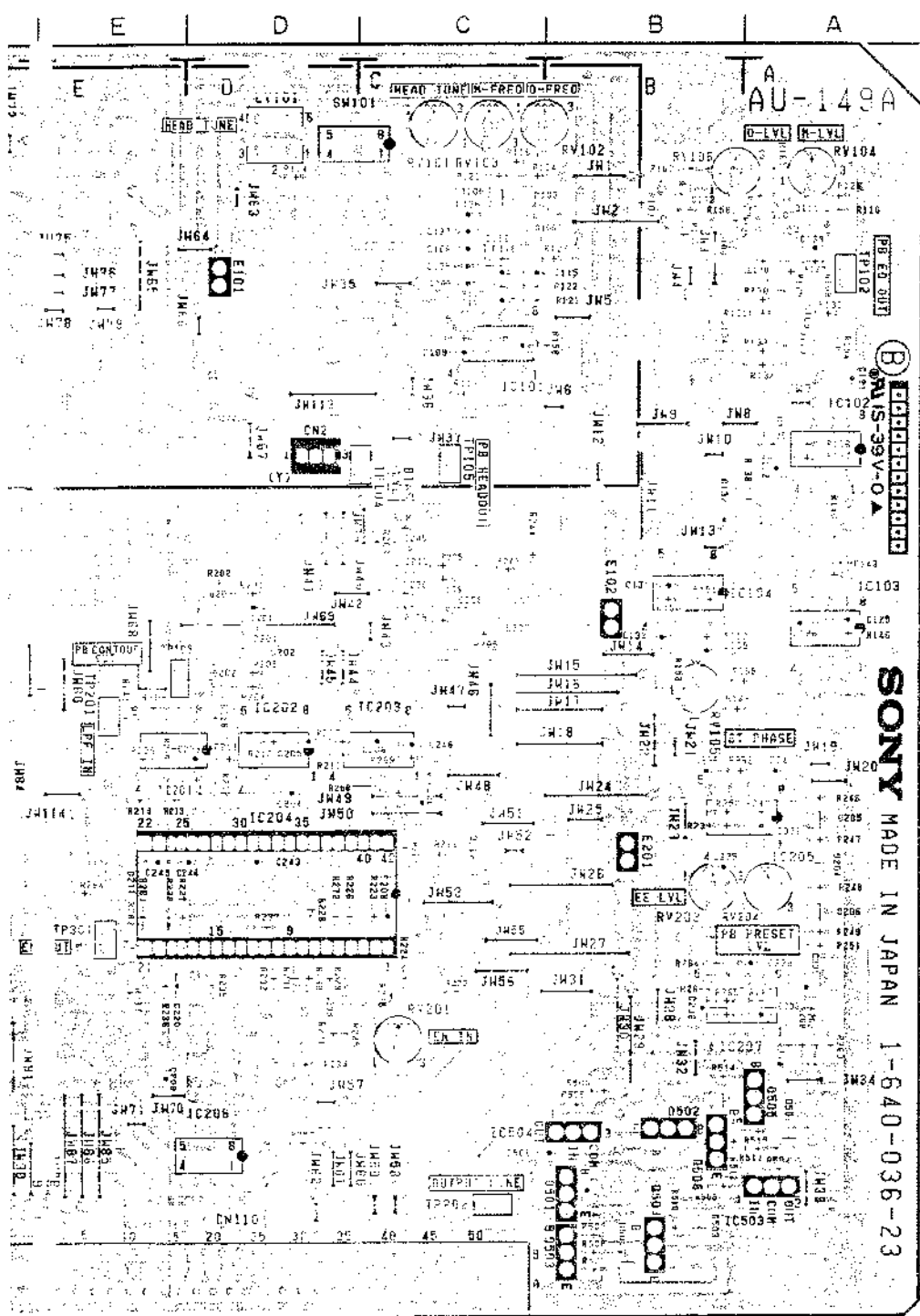
CN 2	D-2	TP 102	A-1
CN 110	D-6	TP 103	E-3
		TP 202	C-6
		TP 301	E-4
*D 103	B-1		
*D 104	B-1		
*D 201	D-3		
*D 202	D-3		
*D 204	A-4		
*D 207	C-3		
*D 209	C-2		
*D 501	B-6		
*D 502	A-6		
*D 503	B-6		
*D 504	B-6		
IC 101	C-1		
IC 102	A-2		
IC 103	A-3		
IC 104	B-3		
IC 201	E-3		
IC 202	D-3		
IC 203	C-3		
IC 204	D-4		
IC 205	A-4		
IC 206	D-6		
IC 207	A-5		
IC 503	B-6		
IC 504	B-6		
LV 101	D-1		
*Q 105	C-1		
*Q 106	C-1		
*Q 107	A-1		
*Q 108	A-1		
*Q 109	A-1		
*Q 110	A-1		
*Q 111	A-1		
*Q 112	B-1		
*Q 201	D-3		
*Q 202	D-3		
*Q 205	A-4		
*Q 206	A-5		
*Q 207	C-3		
*Q 208	C-3		
*Q 209	D-5		
*Q 210	C-2		
*Q 211	E-5		
*Q 212	C-4		
Q 501	B-6		
Q 502	B-6		
Q 503	B-6		
Q 504	B-6		
Q 505	B-6		
Q 506	B-6		
RV 101	C-1		
RV 102	C-1		
RV 103	C-1		
RV 104	A-1		
RV 105	B-3		
RV 106	B-1		
RV 201	C-5		
RV 203	B-4		
RV 204	A-4		
SW101	C-1		

* : B SIDE

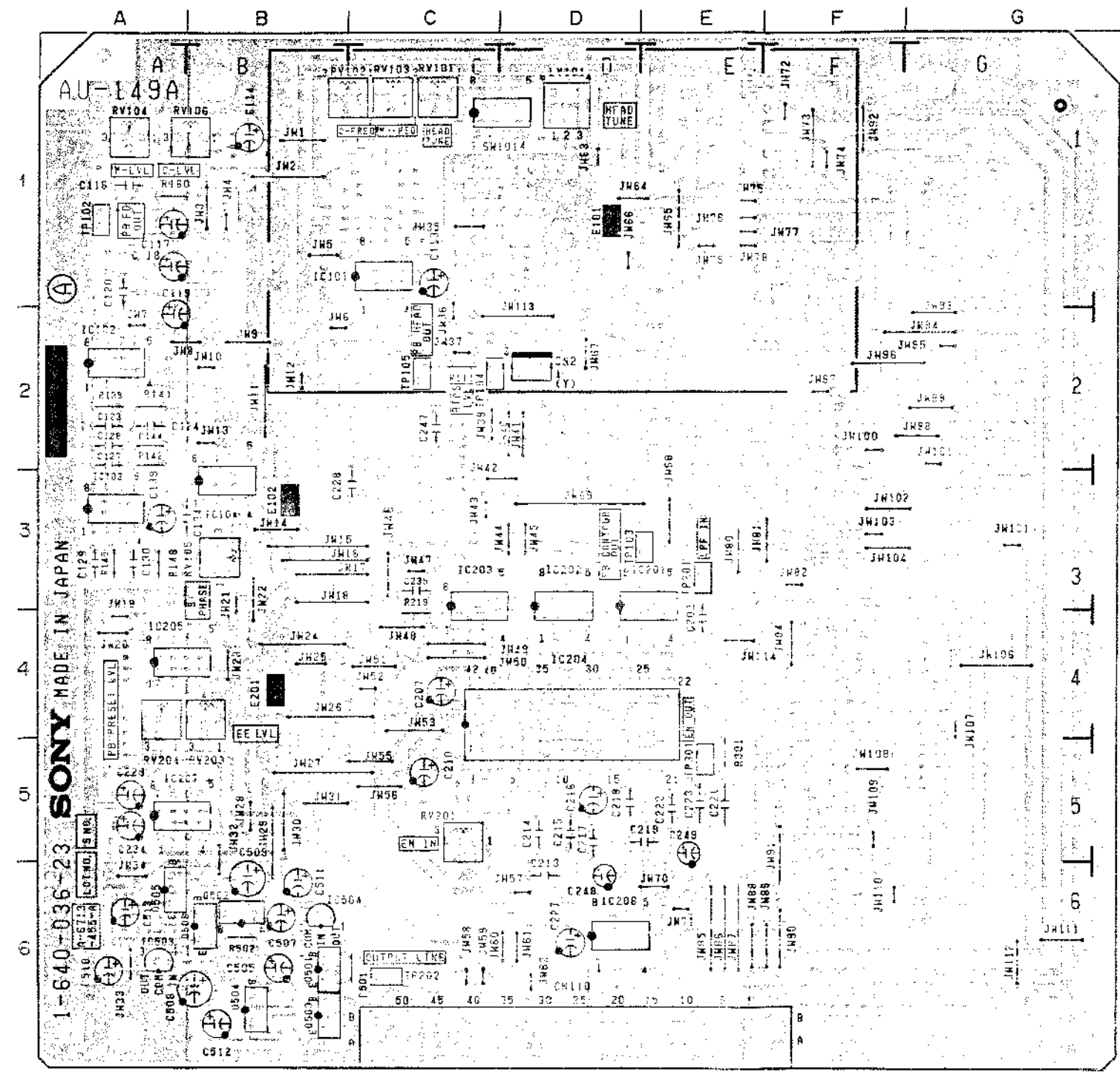


AU-149AP 1-640-036-23 B SIDE



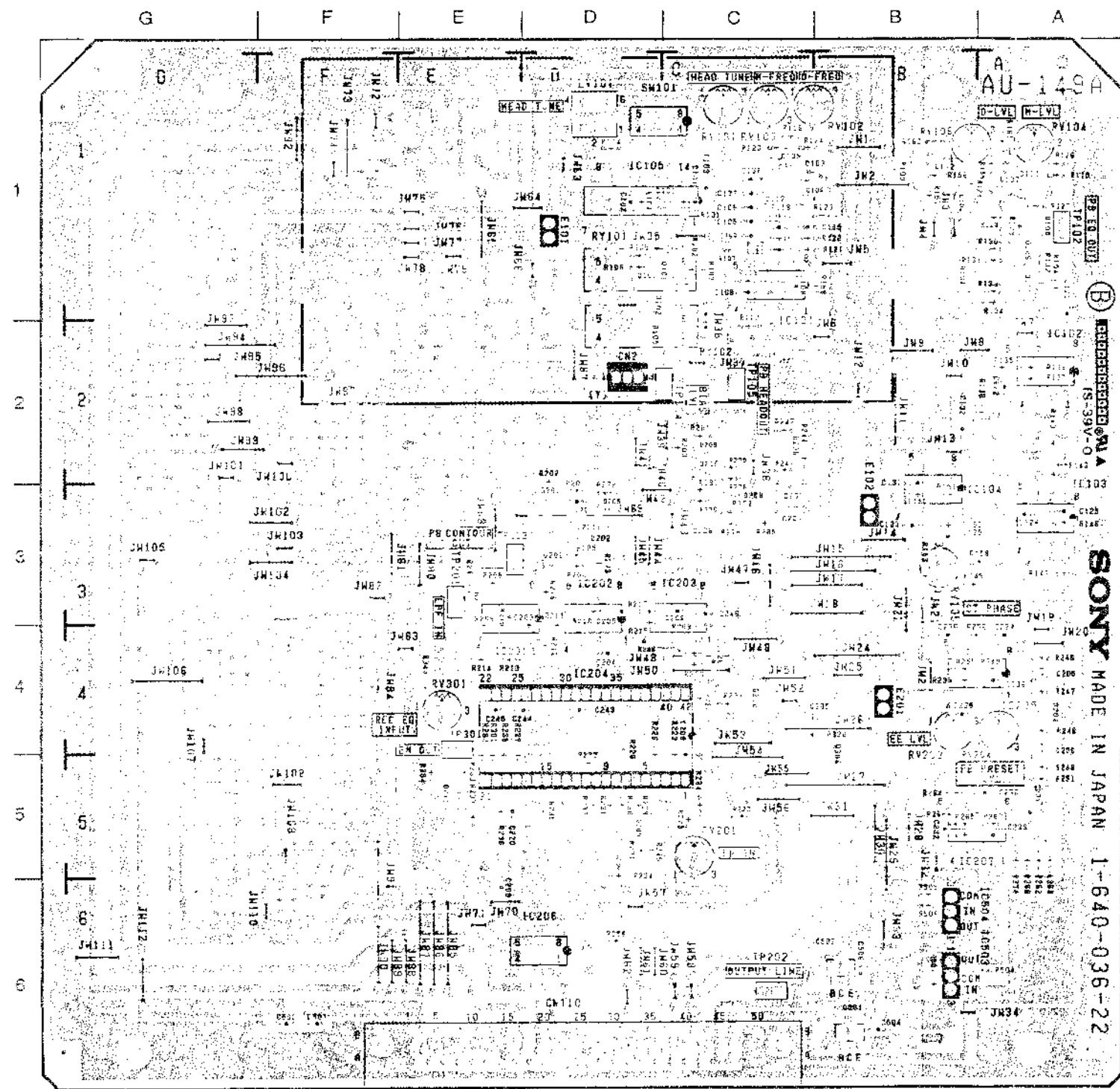


AU-149AP 1-640-036-23 B SIDE

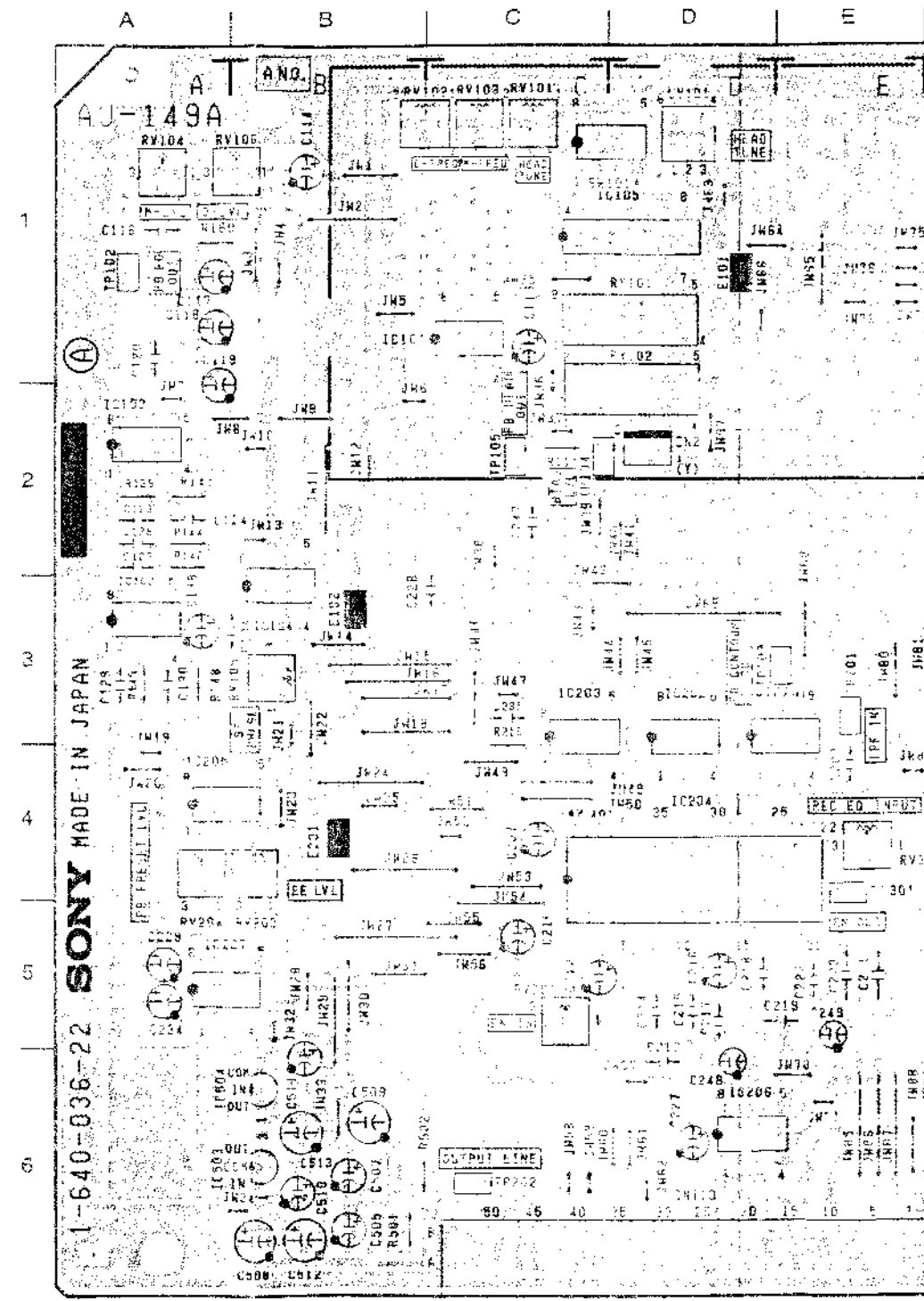


AU-149AP 1-640-036-23 A SIDE

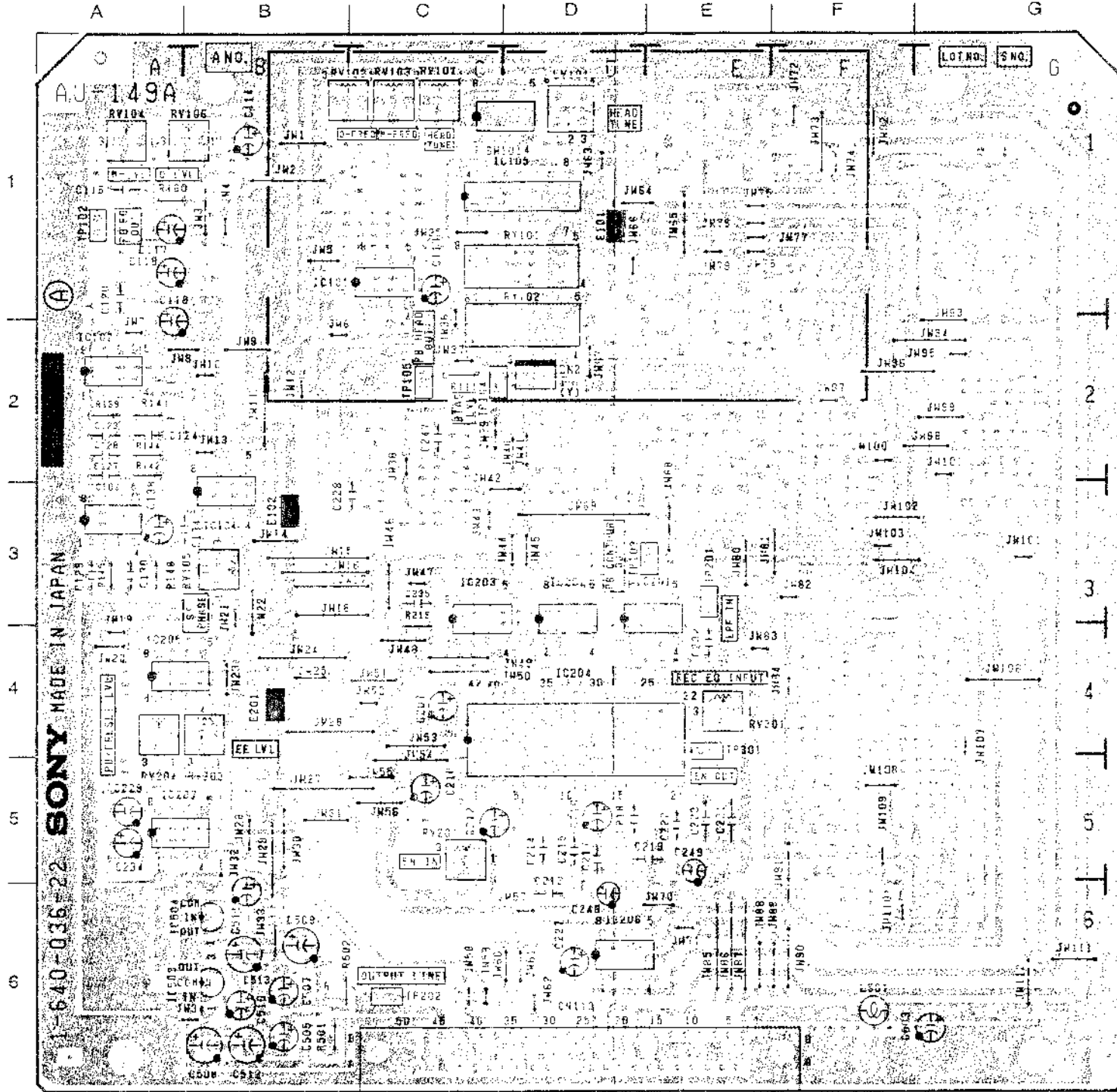
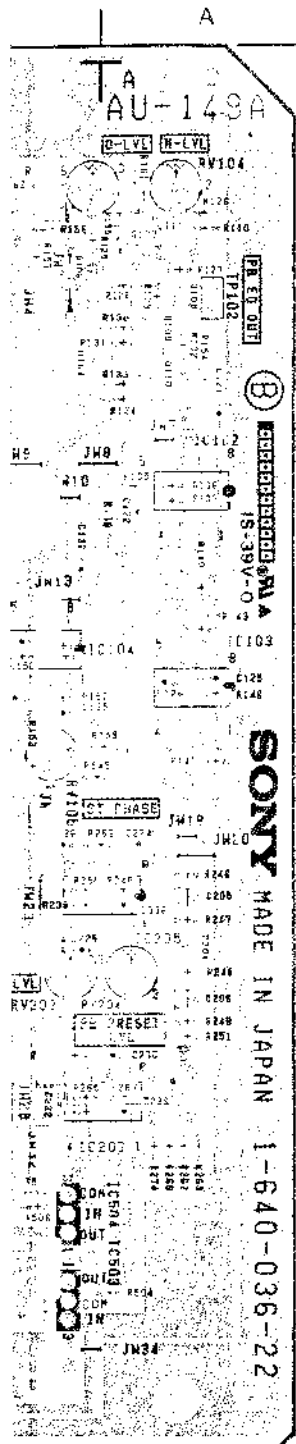
AU-149AP ; AUDIO CH-2 PB PROCESS, DOLBY SYSTEM



AU-149AP 1-640-036-22 B SIDE



AU-149AP (1-640-036-22)



CN 2	A-2	TP 102	A-1
CN 110	D-6	TP 103	E-3
		TP 104	C-2
*D 101	C-1	TP 105	C-2
*D 102	D-1	TP 201	E-3
*D 104	B-1	TP 202	C-6
*D 105	D-2	TP 301	E-4
*D 201	D-3		
*D 202	D-3		
*D 204	A-4		
*D 206	C-2		
*D 207	C-3		
*D 208	C-3		
*D 209	C-2		
E 101	D-1		
E 102	B-3		
E 201	B-4		
IC 101	C-1		
IC 102	A-2		
IC 103	A-3		
IC 104	B-3		
IC 105	D-1		
IC 201	E-3		
IC 202	D-3		
IC 203	C-3		
IC 204	D-4		
IC 205	A-4		
IC 206	D-6		
IC 207	A-5		
IC 503	B-6		
IC 504	B-6		
LV 101	D-1		
L 501	F-6		
*Q 101	C-1		
*Q 102	D-1		
*Q 108	A-1		
*Q 109	A-1		
*Q 110	A-1		
*Q 201	D-3		
*Q 202	D-3		
*Q 205	A-4		
*Q 206	A-5		
*Q 207	C-3		
*Q 208	C-3		
*Q 209	D-5		
*Q 210	C-2		
*Q 211	E-5		
*Q 212	C-4		
*Q 501	B-6		
*Q 502	B-6		
RV 101	C-1		
RV 102	C-1		
RV 105	B-3		
RV 106	B-1		
RV 201	C-5		
RV 203	B-4		
RV 204	A-4		
RV 301	E-4		
RY101	D-1		
RY102	D-2		
SW101	C-1		

* : B SIDE

P 640-036-22 B SIDE

AU-149AP 1-640-036-22 A SIDE

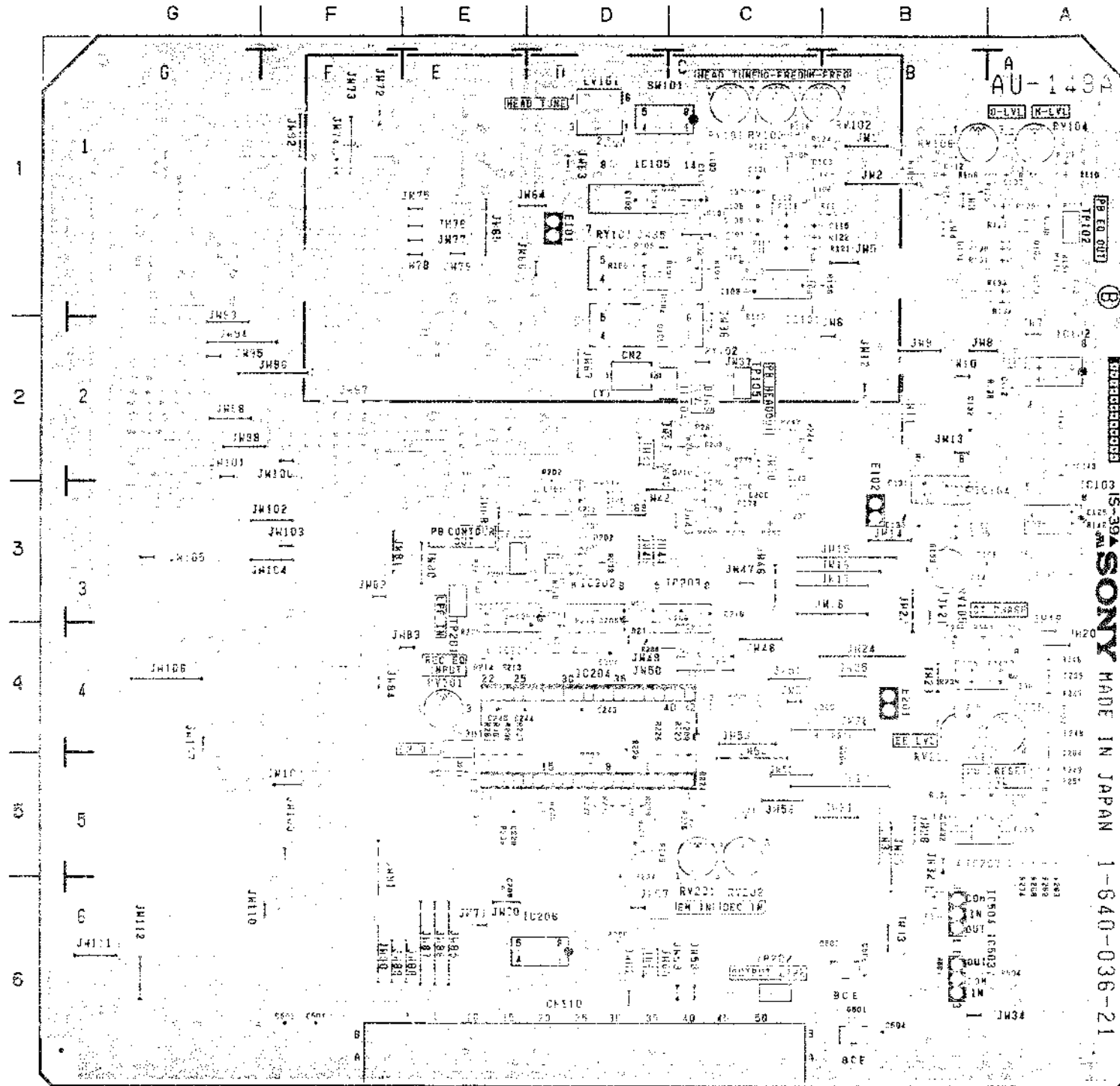
Serial No. (EK); 10001 to 11150

AU-149AP ; AUDIO CH-2 PB PROCESS, DOLBY SYSTEM

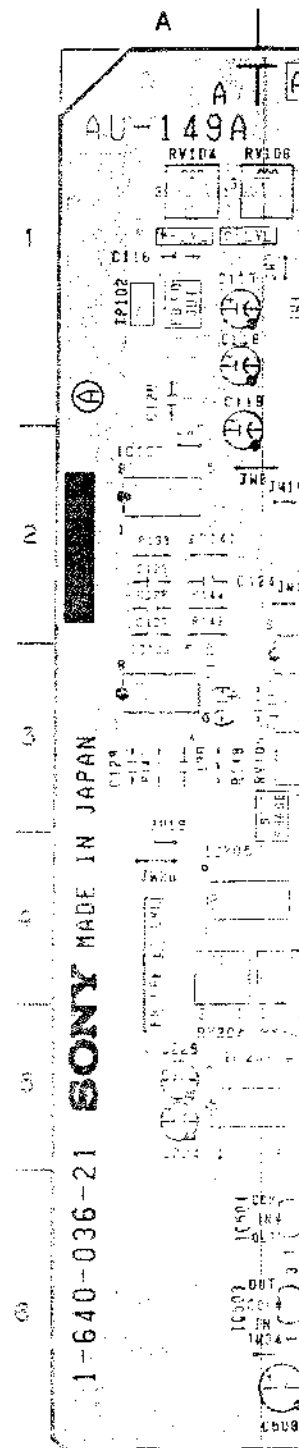
AU-149AP (1-640-036-21)

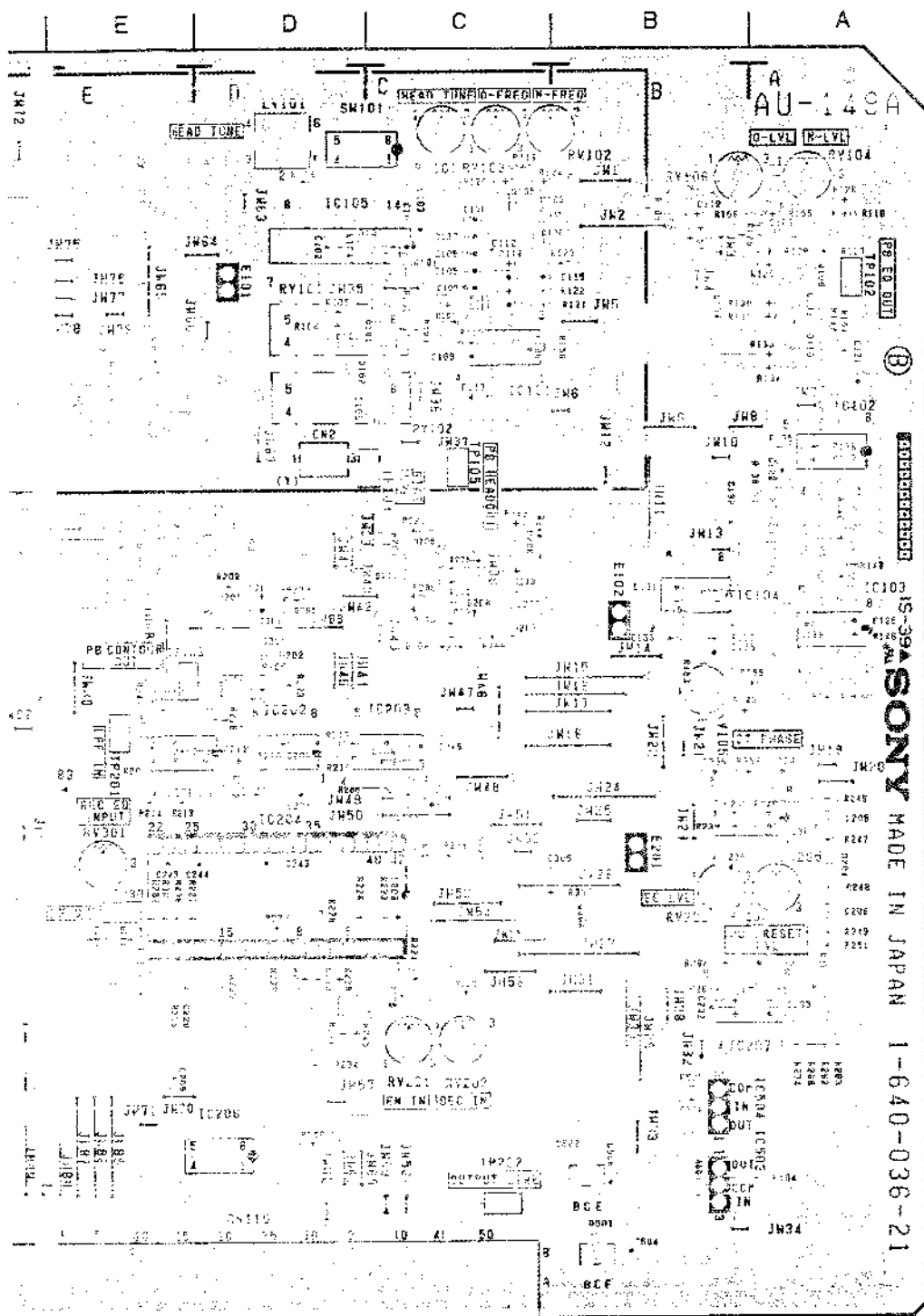
CN 2	D-2	RY101	D-1
CN 110	D-6	RY102	D-2
*D 101	C-1	SW101	C-1
*D 102	D-1		
*D 104	B-1	TP 102	A-1
*D 105	D-2	TP 103	E-3
*D 201	D-3	TP 104	C-2
*D 202	D-3	TP 105	C-2
*D 204	A-4	TP 201	E-3
*D 206	C-2	TP 202	C-6
*D 207	C-3	TP 301	E-4
*D 208	C-3		
*D 209	C-2		
E 101	D-1		
E 102	B-3		
E 201	B-4		
IC 101	C-1		
IC 102	A-2		
IC 103	A-3		
IC 104	B-3		
IC 105	D-1		
IC 201	E-3		
IC 202	D-3		
IC 203	C-3		
IC 204	D-4		
IC 205	A-4		
IC 206	D-6		
IC 207	A-5		
IC 503	B-6		
IC 504	B-6		
LV 101	D-1		
L 501	F-6		
*Q 101	C-1		
*Q 102	D-1		
*Q 108	A-1		
*Q 109	A-1		
*Q 110	A-1		
*Q 201	D-3		
*Q 202	D-3		
*Q 205	A-4		
*Q 206	A-5		
*Q 207	C-3		
*Q 208	C-3		
*Q 209	D-5		
*Q 210	C-2		
*Q 211	E-5		
*Q 212	C-4		
*Q 501	B-6		
*Q 502	B-6		
RV 101	C-1		
RV 102	C-1		
RV 104	A-1		
RV 105	B-3		
RV 106	B-1		
RV 201	C-5		
RV 203	B-4		
RV 204	A-4		
RV 301	E-4		

* : B SIDE

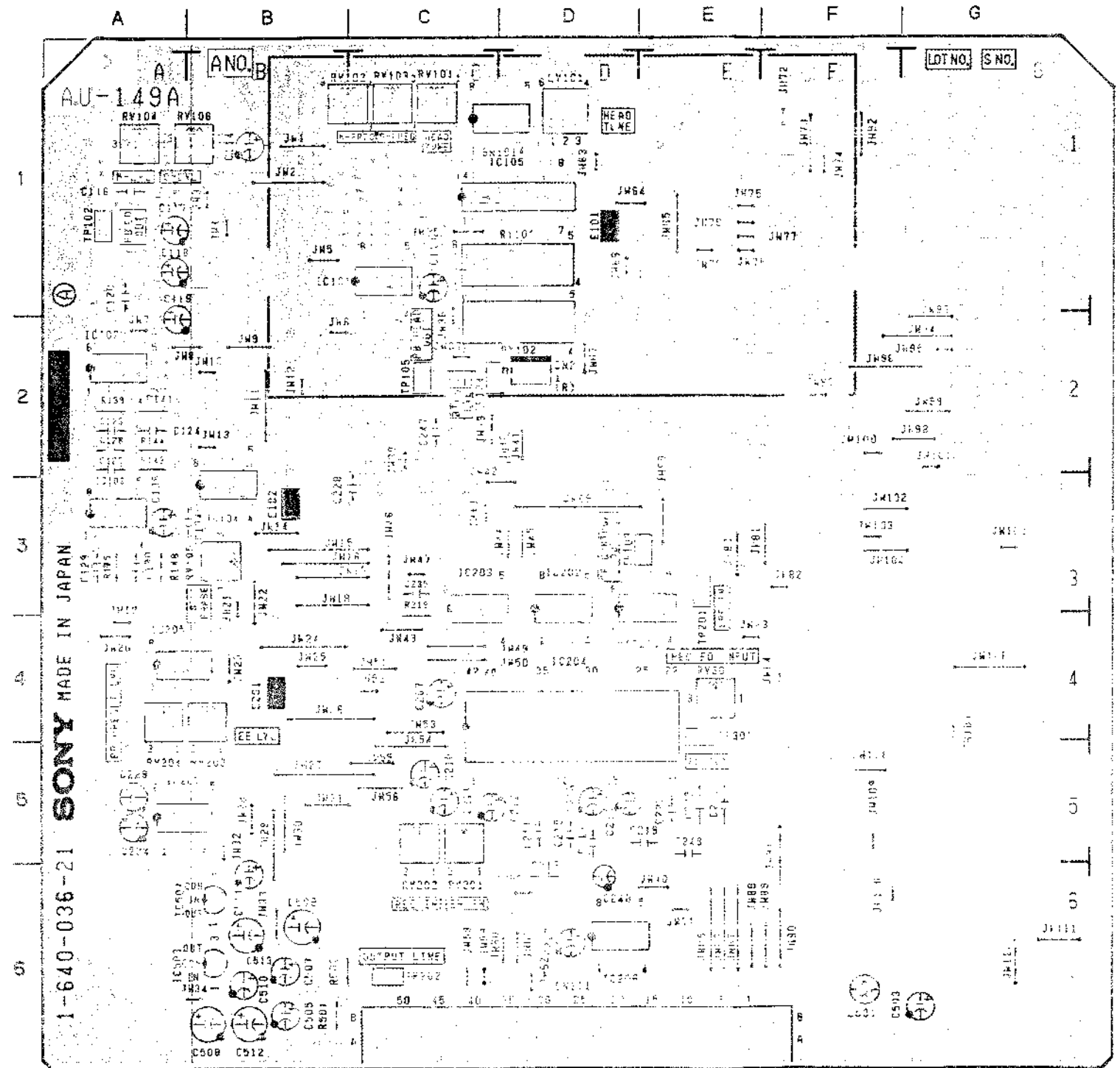


AU-149AP 1-640-036-21 B SIDE



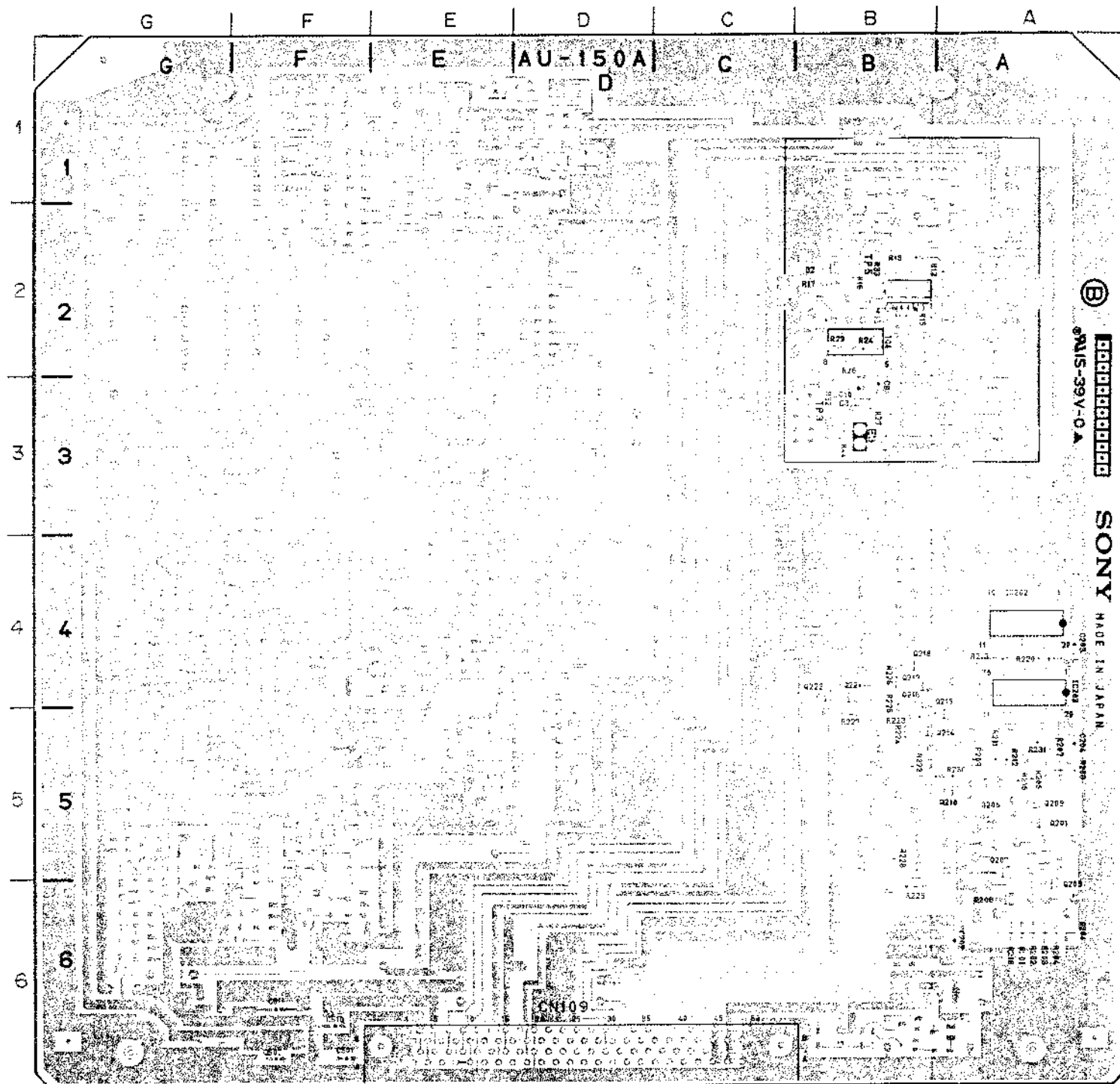


AU-149AP 1-640-036-21 B SIDE

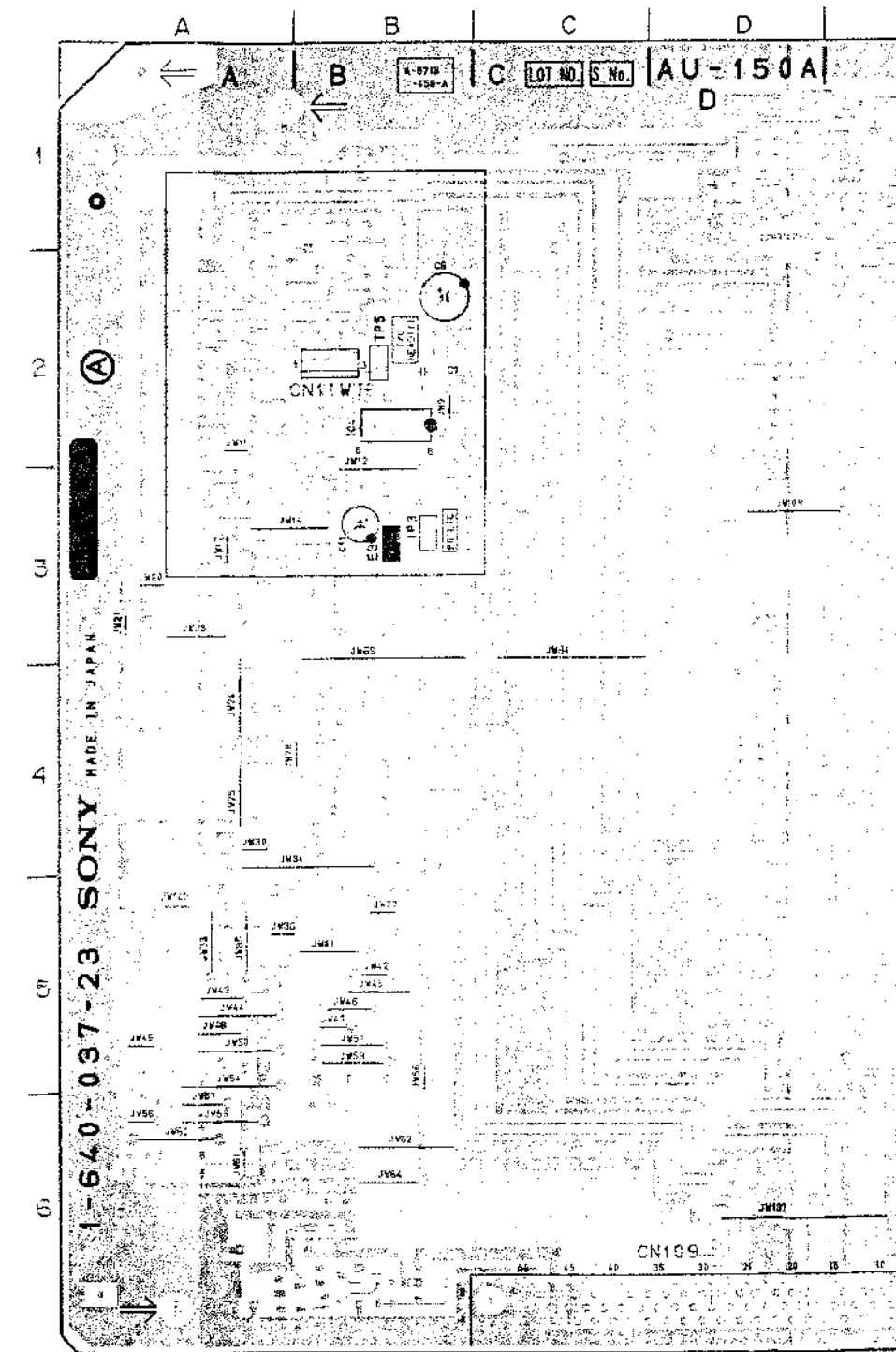


AU-149AP 1-640-036-21 A SIDE

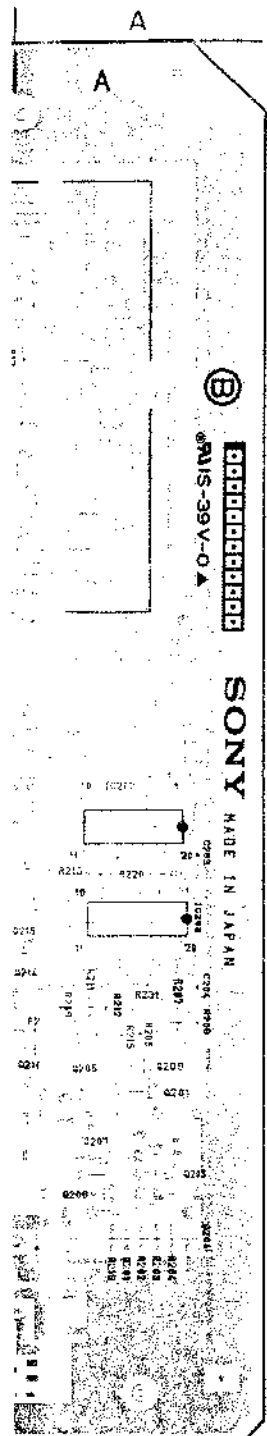
AU-150A ; AUDIO MODE CONTROL, LTC PB



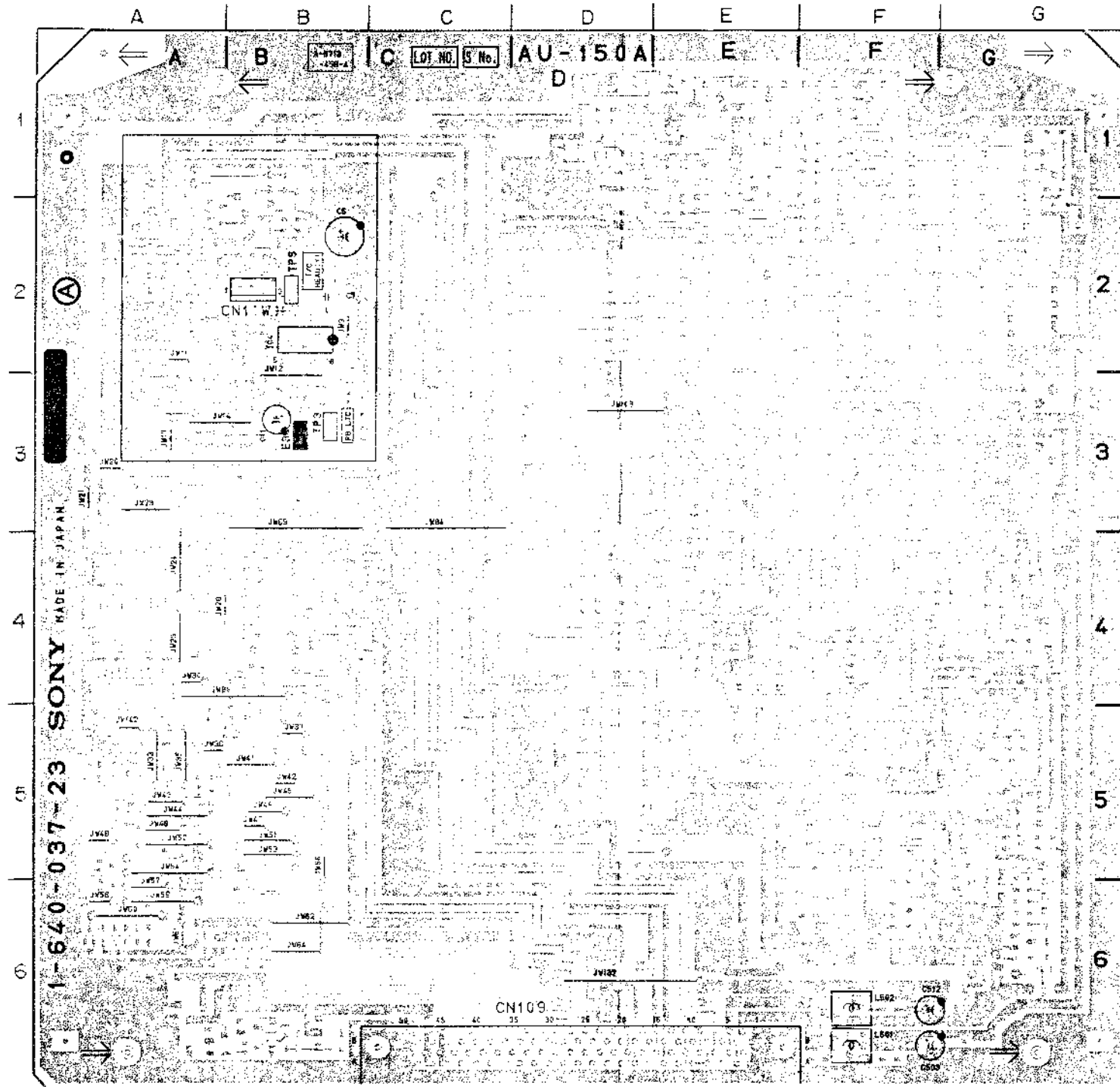
AU-150A 1-640-037-23 B SIDE



AU-150A (1-640-037-23)



A : 40-037-23 B SIDE



AU-150A 1-640-037-23 A SIDE

- | | |
|--------|-----|
| CN 1 | A-2 |
| CN 109 | D-6 |
| *D 2 | B-2 |
| *D 3 | B-3 |
| E 3 | B-3 |
| C 4 | B-2 |
| *C 202 | A-4 |
| *C 203 | A-4 |
| - 501 | F-6 |
| - 502 | F-6 |
| *Q 201 | A-5 |
| *Q 203 | A-6 |
| *Q 204 | A-6 |
| *Q 205 | A-5 |
| *Q 207 | A-5 |
| *Q 208 | A-6 |
| *Q 209 | A-5 |
| *Q 210 | A-5 |
| *Q 214 | A-5 |
| *Q 215 | A-4 |
| *Q 216 | B-4 |
| *Q 217 | B-4 |
| *Q 218 | B-4 |
| *Q 221 | B-4 |
| *Q 222 | B-4 |
| TP 3 | B-3 |
- * : B SIDE

Serial No. (EK); 11151 to 14585
 Serial No. (UC); 10001 to 10010

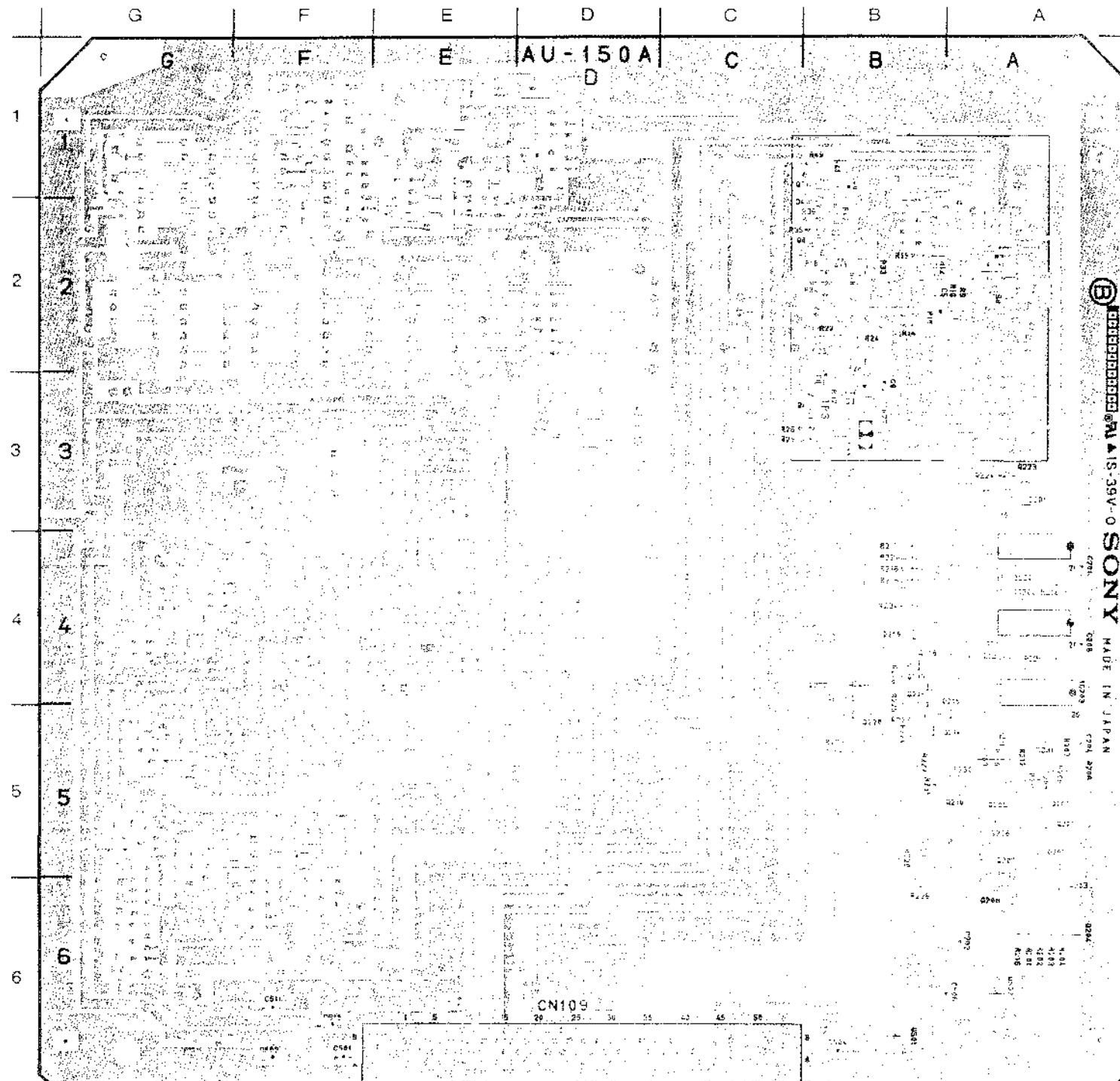
AU-150A AU-150A

AU-150A ; AUDIO MODE CONTROL, LTC PB

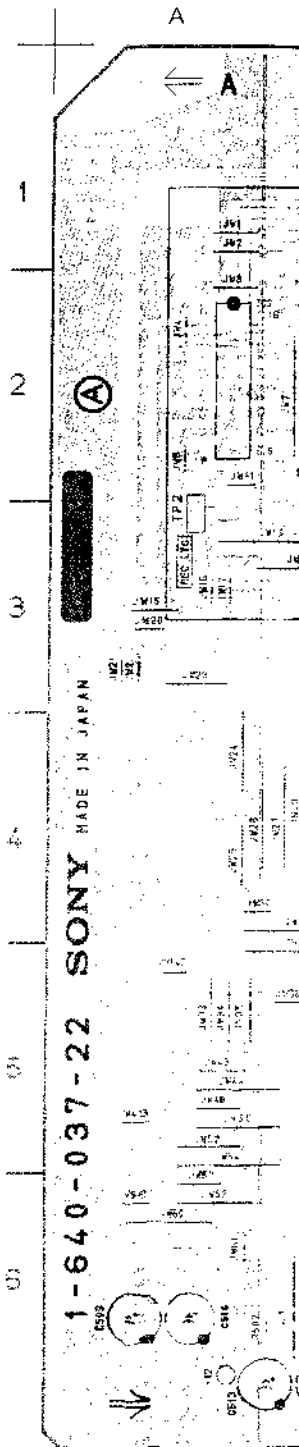
AU-150A (1-640-037-22)

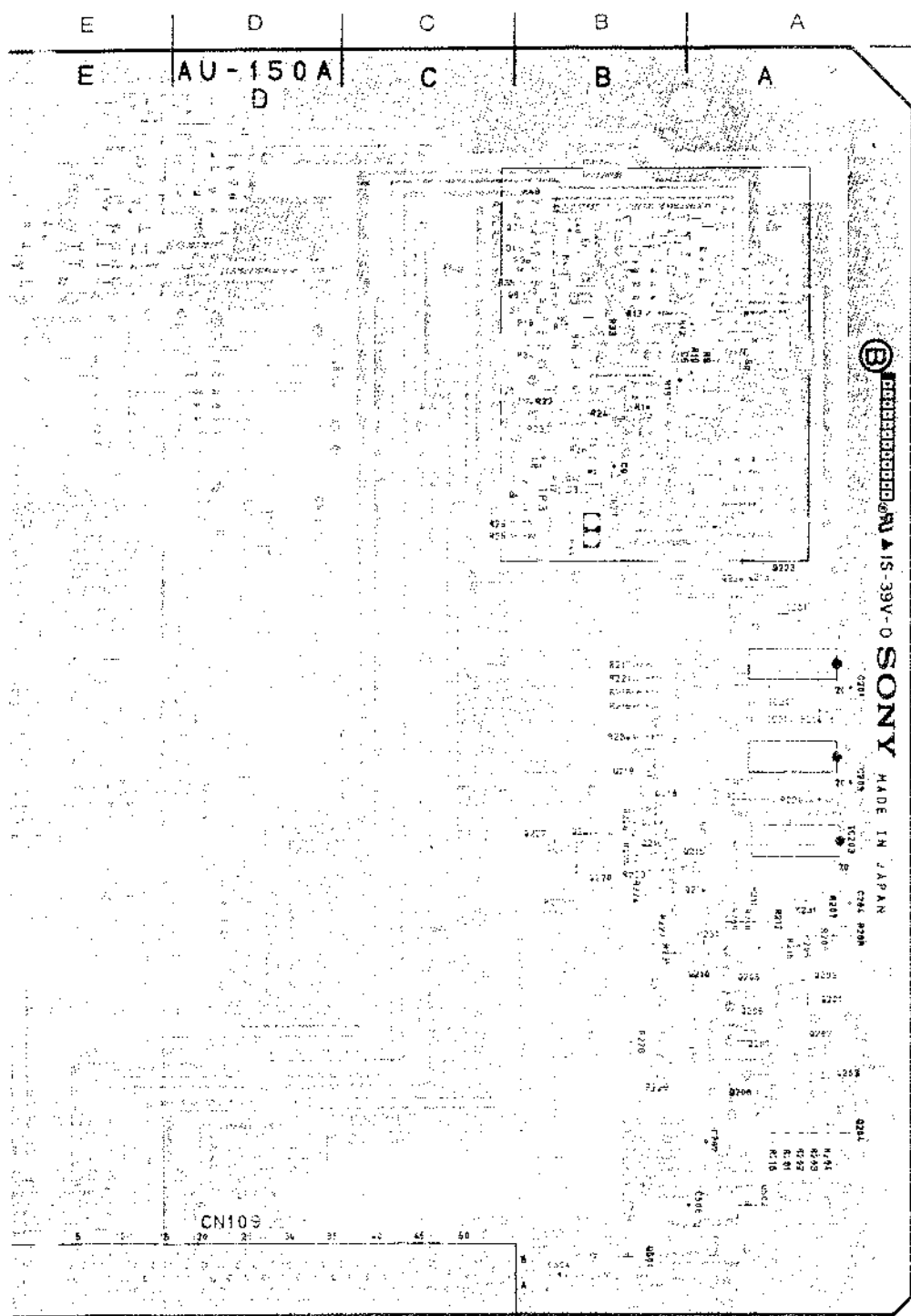
CN 1	B-2
CN 109	D-7
*D 2	B-2
*D 3	B-3
*D 4	B-2
*D 201	A-3
E 3	B-3
IC 2	A-2
IC 3	B-1
IC 4	B-2
*IC 201	A-5
*IC 202	A-5
*IC 203	A-5
L 1	B-3
L 501	F-7
L 502	F-7
Q 3	B-2
*Q 4	B-3
*Q 7	B-1
*Q 8	B-2
*Q 201	A-5
*Q 202	A-5
*Q 203	A-6
*Q 204	A-6
*Q 205	A-5
*Q 206	A-5
*Q 207	A-5
*Q 208	A-7
*Q 209	A-5
*Q 210	A-5
*C 213	A-3
*Q 214	B-5
*Q 215	A-5
*Q 216	B-4
*Q 217	B-4
*Q 218	B-4
*Q 219	B-4
*Q 220	B-5
*Q 221	B-4
*Q 222	B-4
*Q 223	A-3
*Q 224	A-3
*Q 501	B-6
*Q 502	A-5
TP 2	A-3
TP 3	B-3
TP 5	B-2

* : B SIDE

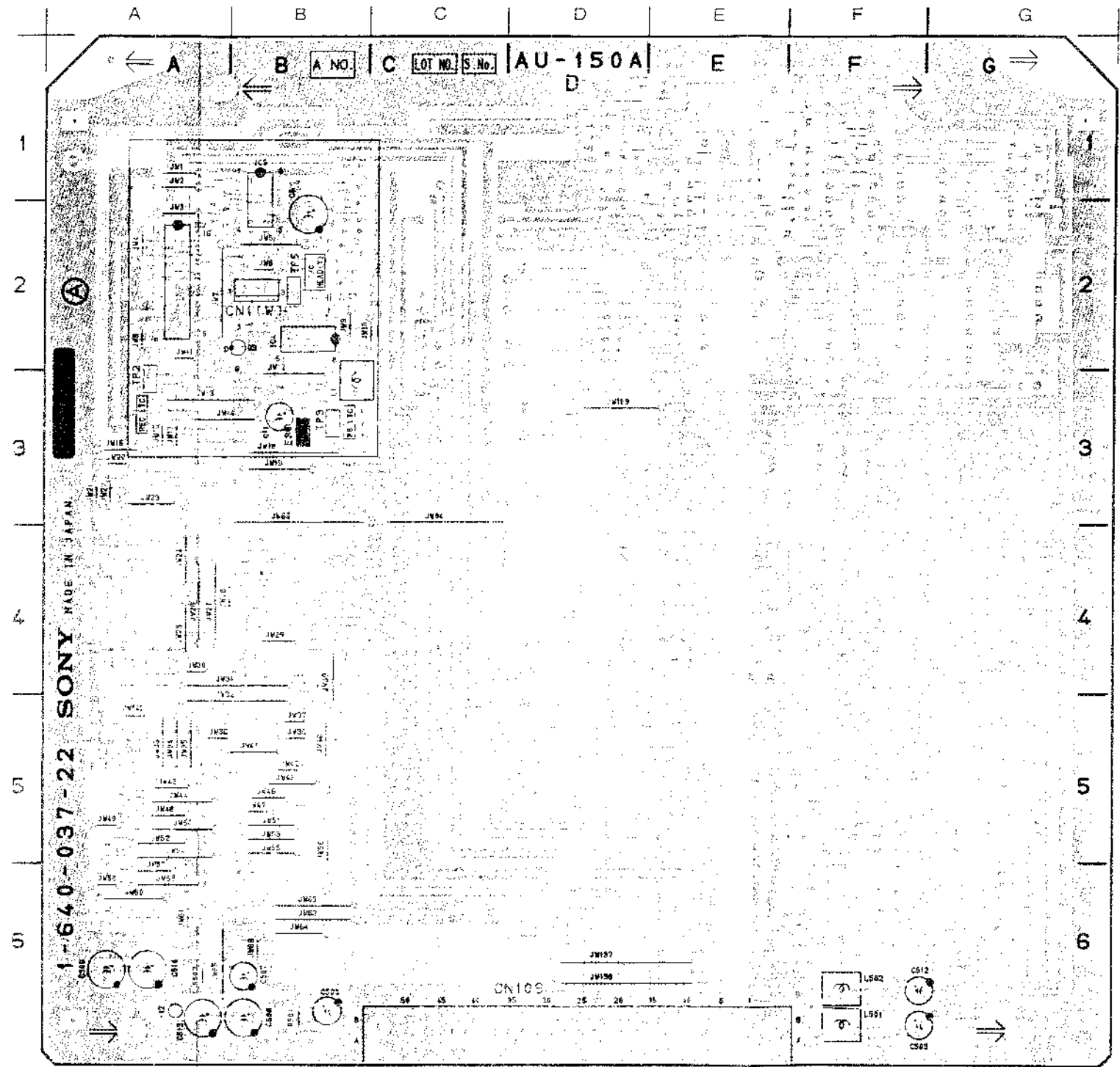


AU-150A 1-640-037-22 B SIDE





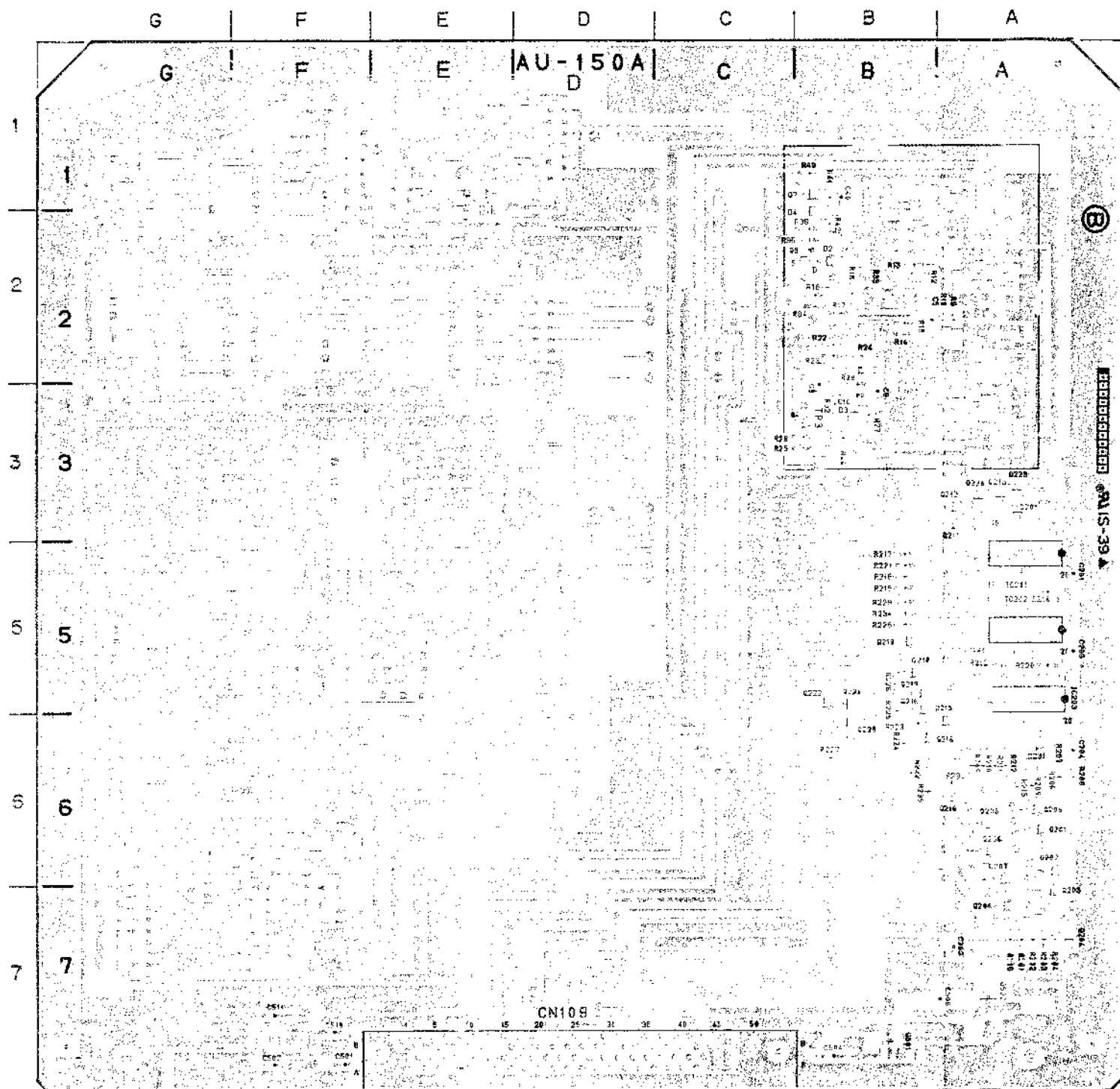
AU-150A 1-640-037-22 B SIDE



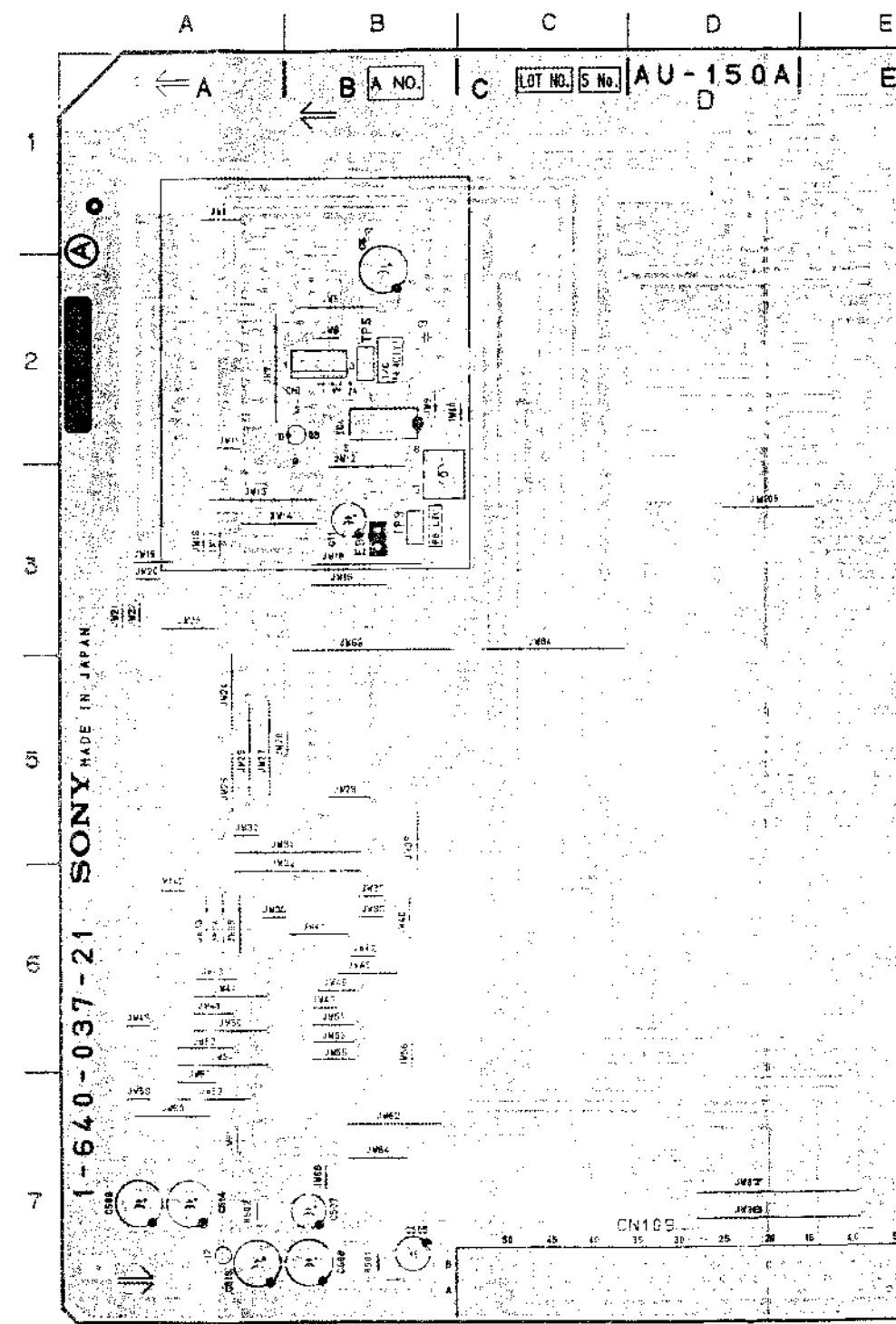
AU-150A 1-640-037-22 A SIDE

Serial No. (EK); 10001 to 11150

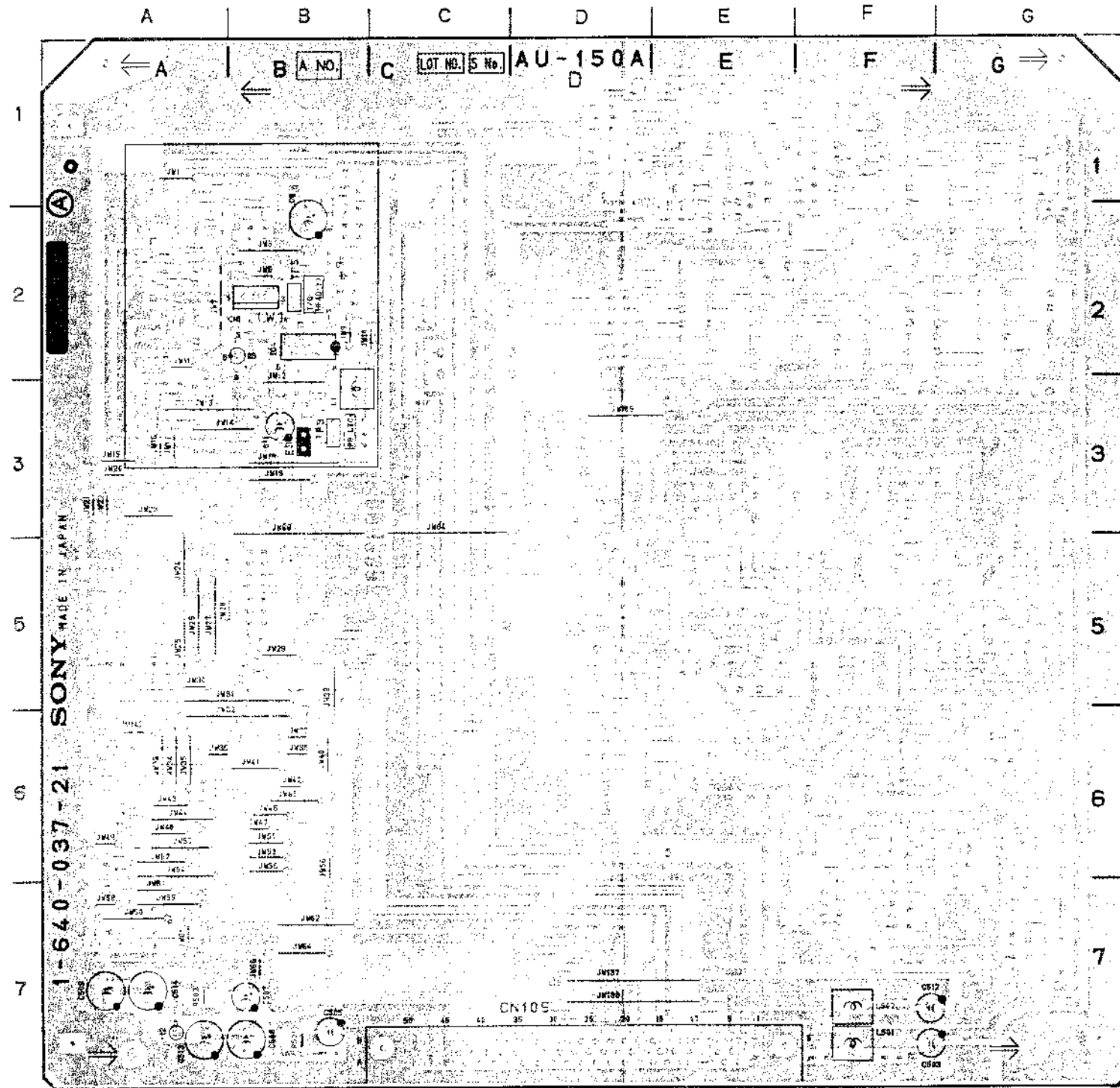
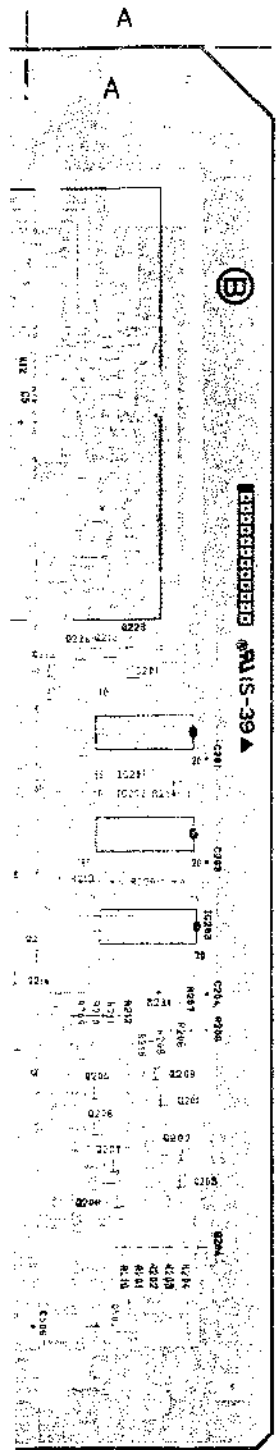
AU-150A ; AUDIO MODE CONTROL, LTC PB



AU-150A 1-640-037-21 B SIDE



AU-150A (1-640-037-21)



- | | |
|---------|-----|
| CN 1 | B-2 |
| CN 109 | D-7 |
| *D 2 | B-2 |
| *D 3 | B-3 |
| *D 4 | B-2 |
| *D 201 | A-3 |
| E 3 | B-3 |
| IC 4 | B-2 |
| *IC 201 | A-5 |
| *IC 202 | A-5 |
| *IC 203 | A-5 |
| L 1 | B-3 |
| L 501 | F-7 |
| L 502 | F-7 |
| Q 3 | B-2 |
| *Q 4 | B-3 |
| *Q 7 | B-1 |
| *Q 8 | B-2 |
| *Q 201 | A-6 |
| *Q 202 | A-6 |
| *Q 203 | A-7 |
| *Q 204 | A-7 |
| *Q 205 | A-6 |
| *Q 206 | A-6 |
| *Q 207 | A-6 |
| *Q 208 | A-7 |
| *Q 209 | A-6 |
| *Q 210 | A-6 |
| *Q 211 | A-3 |
| *Q 212 | A-3 |
| *Q 213 | A-3 |
| *Q 214 | B-6 |
| *Q 215 | A-6 |
| *Q 216 | B-5 |
| *Q 217 | B-5 |
| *Q 218 | B-5 |
| *Q 219 | B-5 |
| *Q 220 | B-6 |
| *Q 221 | B-5 |
| *Q 222 | B-5 |
| *Q 223 | A-3 |
| *Q 224 | A-3 |
| *Q 501 | B-7 |
| *Q 502 | A-7 |
| TP 3 | B-3 |
| TP 5 | B-2 |
- * : B SIDE

1- 10-037-21 B SIDE

AU-150A 1-640 037-21 A SIDE

Serial No. (EK); 14586 and higher
 Serial No. (UC); 10011 and higher

CP-167A CP-167A

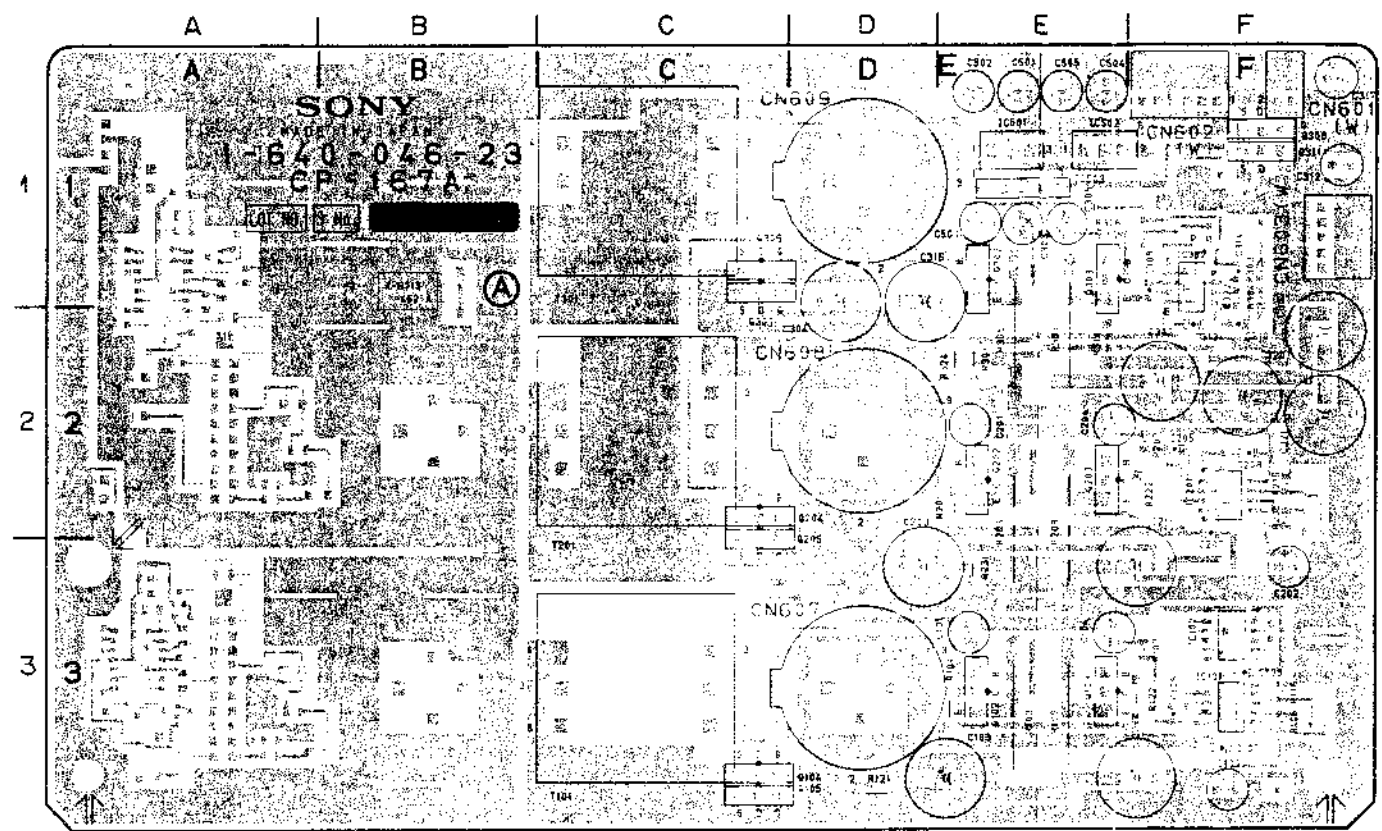
Serial No. (EK); 13916 to 14585
 Serial No. (UC); 10001 to 10010

CP-167A; AUDIO OUTPUT CONNECTOR, LINE OUT DRIVER

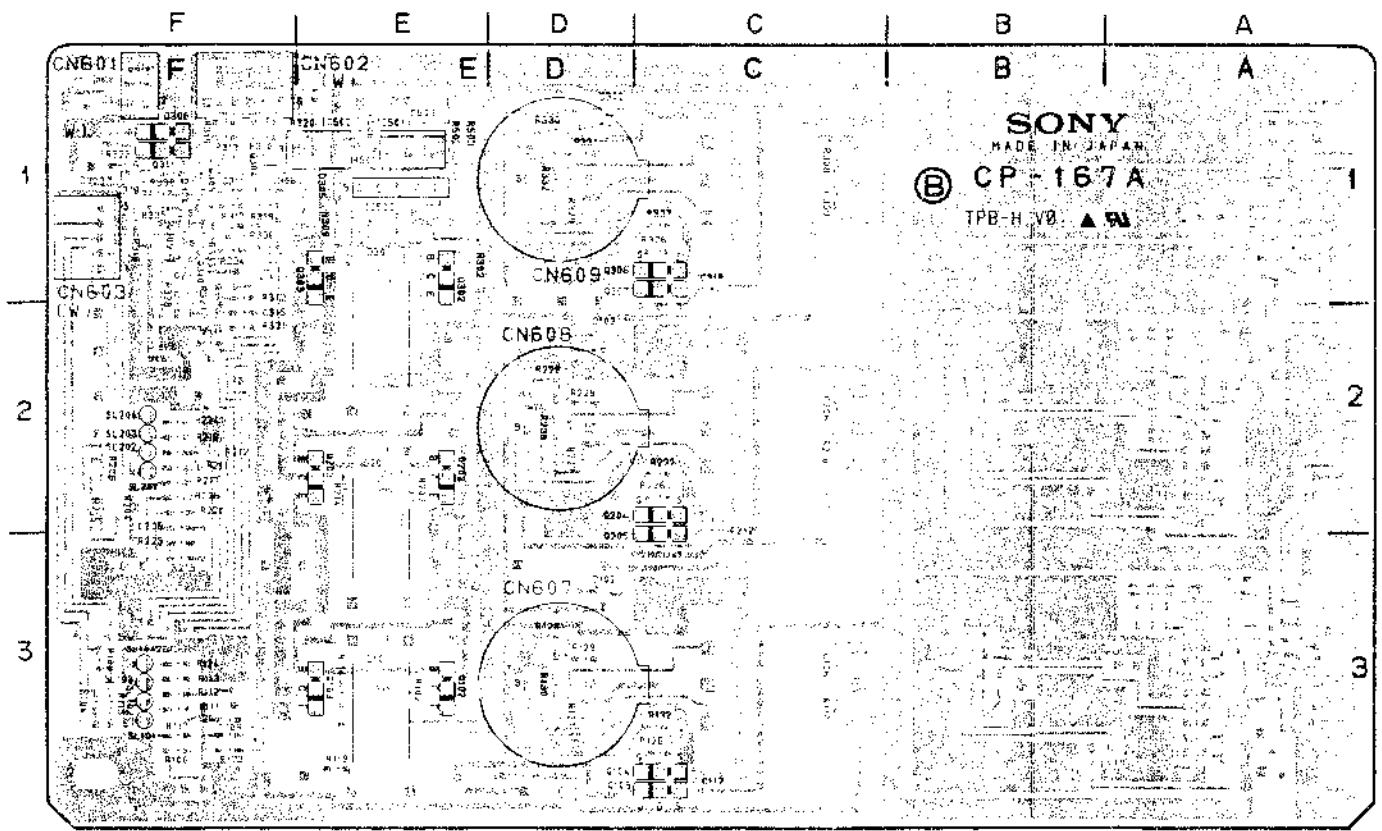
CP-167A (1-640-046-23)

- | | |
|--------|-----|
| CN 601 | F-1 |
| CN 602 | F-1 |
| CN 603 | F-1 |
| CN 607 | D-3 |
| CN 608 | D-2 |
| CN 609 | D-1 |
| | |
| *D 101 | E-3 |
| *D 102 | D-3 |
| *D 103 | D-2 |
| *D 201 | E-2 |
| *D 301 | E-1 |
| *D 302 | D-1 |
| *D 303 | F-1 |
| *D 304 | F-1 |
| *D 305 | E-1 |
| | |
| IC 101 | F-3 |
| IC 102 | F-3 |
| IC 201 | F-3 |
| IC 302 | F-1 |
| IC 501 | E-1 |
| IC 502 | E-1 |
| IC 503 | E-1 |
| | |
| Q 102 | E-3 |
| Q 103 | E-3 |
| Q 104 | D-3 |
| Q 105 | D-3 |
| Q 202 | E-2 |
| Q 203 | E-2 |
| Q 204 | D-2 |
| Q 205 | D-3 |
| Q 302 | E-1 |
| Q 303 | E-1 |
| *Q 304 | F-1 |
| *Q 305 | F-1 |
| Q 306 | C-1 |
| Q 307 | C-2 |
| Q 308 | F-1 |
| *Q 309 | F-1 |
| *Q 310 | F-1 |
| Q 311 | F-1 |
| | |
| T 101 | C-3 |
| T 201 | C-3 |
| T 301 | C-1 |

*: B SIDE



CP-167A 1-640-046-23 A SIDE



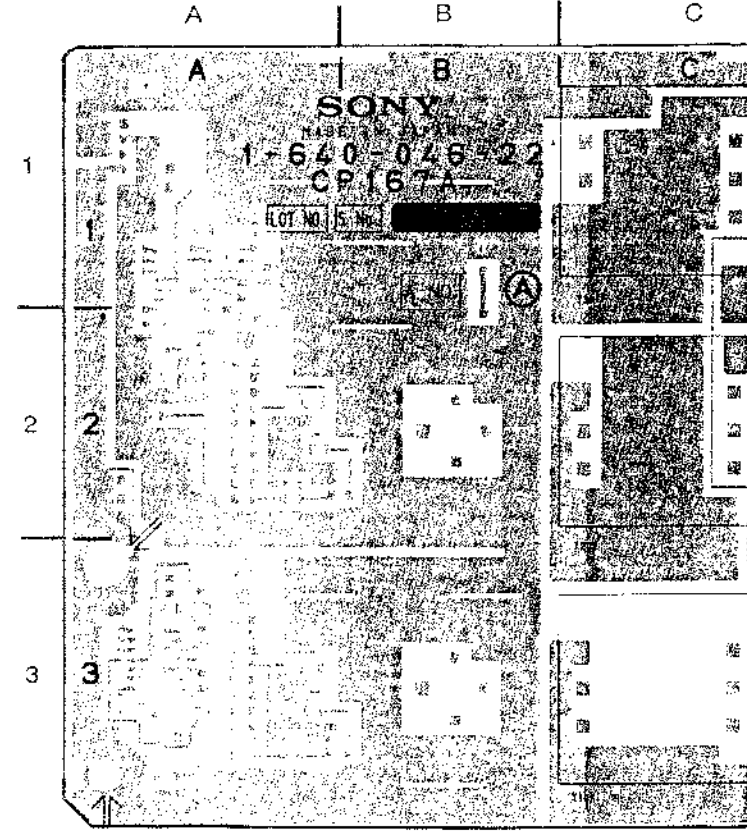
CP-167A 1-640-046-23 B SIDE

CP-167A; AUDIO OUTPUT CONNECTOR, LINE OUT DRIVER

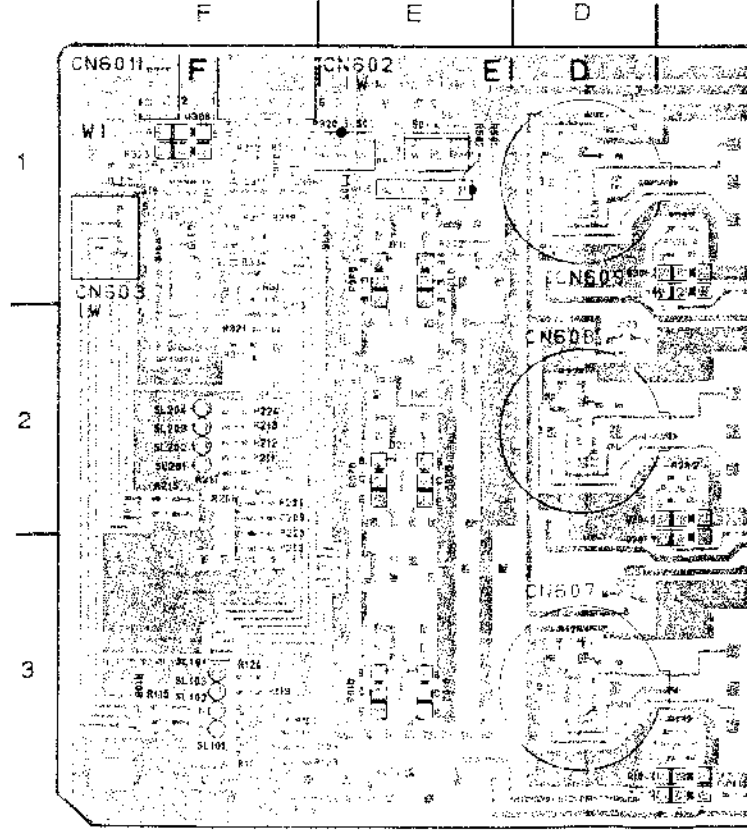
CP-167A (1-640-046-22)

- | | |
|--------|-----|
| CN 601 | F-1 |
| CN 602 | F-1 |
| CN 603 | F-1 |
| CN 607 | D-3 |
| CN 608 | D-2 |
| CN 609 | D-1 |
| | |
| *D 101 | E-3 |
| *D 102 | D-3 |
| *D 103 | D-2 |
| *D 201 | E-2 |
| *D 301 | E-1 |
| *D 302 | D-1 |
| *D 303 | F-1 |
| *D 304 | F-1 |
| *D 305 | E-1 |
| | |
| IC 101 | F-3 |
| IC 102 | F-3 |
| IC 201 | F-2 |
| IC 302 | F-1 |
| IC 501 | E-1 |
| IC 502 | E-1 |
| IC 503 | E-1 |
| | |
| Q 102 | E-3 |
| Q 103 | E-3 |
| Q 104 | D-3 |
| Q 105 | D-3 |
| Q 202 | E-2 |
| Q 203 | E-2 |
| Q 204 | D-2 |
| Q 205 | D-2 |
| Q 302 | E-1 |
| Q 303 | E-1 |
| *Q 304 | F-1 |
| *Q 305 | F-1 |
| Q 306 | D-1 |
| Q 307 | D-1 |
| Q 308 | F-1 |
| *Q 309 | F-1 |
| *Q 310 | F-1 |
| Q 311 | F-1 |
| | |
| T 101 | C-3 |
| T 201 | C-3 |
| T 301 | C-1 |

*: B SIDE



CP-167A 1-640-046-22 A SIDE



CP-167A 1-640-046-22 B SIDE

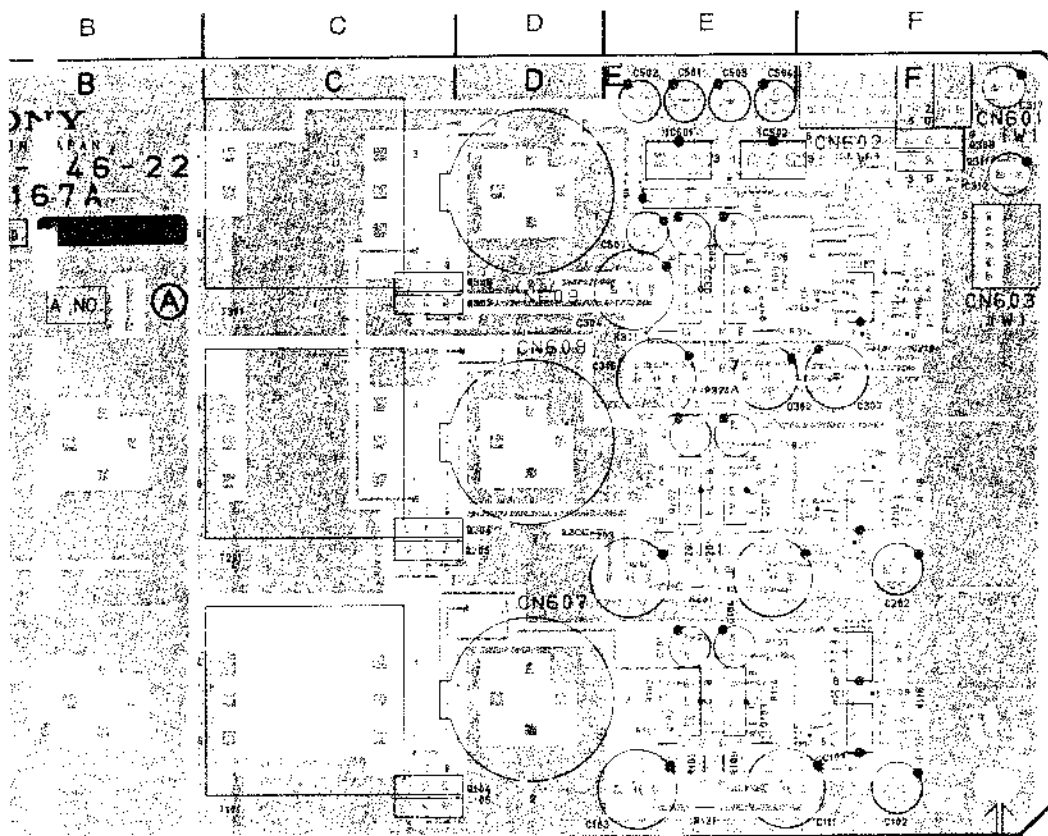
Serial No. (EK); 10001 to 13915

CP-167A ; AUDIO OUTPUT CONNECTOR, LINE OUT DRIVER

CP-167A (1-640-046-21)

B
10

E.



CP-167A 1-640-046-22 A SIDE

- CN 601 F-1
- CN 602 F-1
- CN 603 F-1
- CN 607 D-3
- CN 608 D-2
- CN 609 D-1

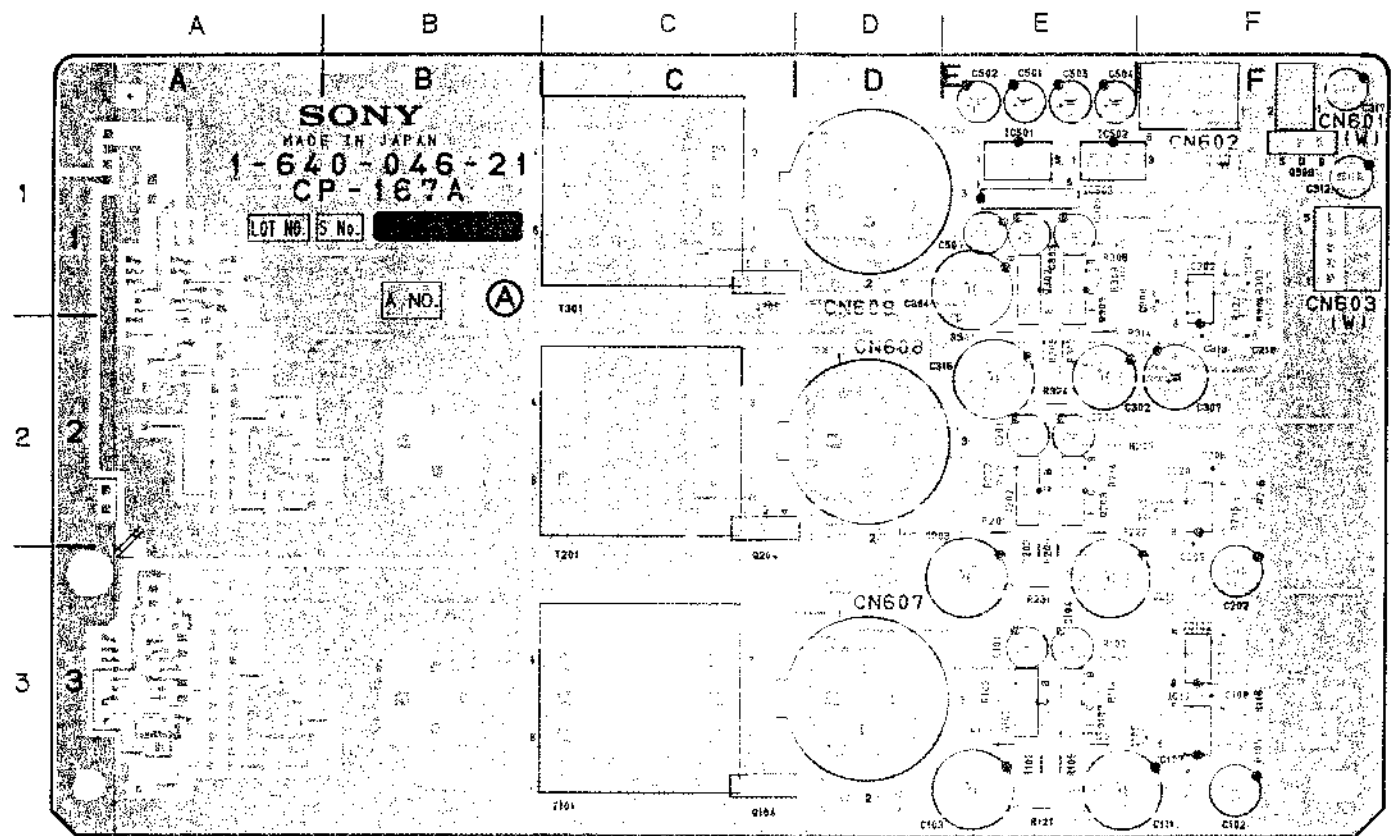
- *D 101 E-3
- *D 102 D-3
- *D 201 E-2
- *D 301 E-1
- *D 302 D-1
- *D 303 F-1
- *D 304 F-1
- *D 305 E-1

- IC 101 F-3
- IC 102 F-3
- IC 201 F-2
- IC 302 F-1
- IC 501 E-1
- IC 502 E-1
- IC 503 E-1

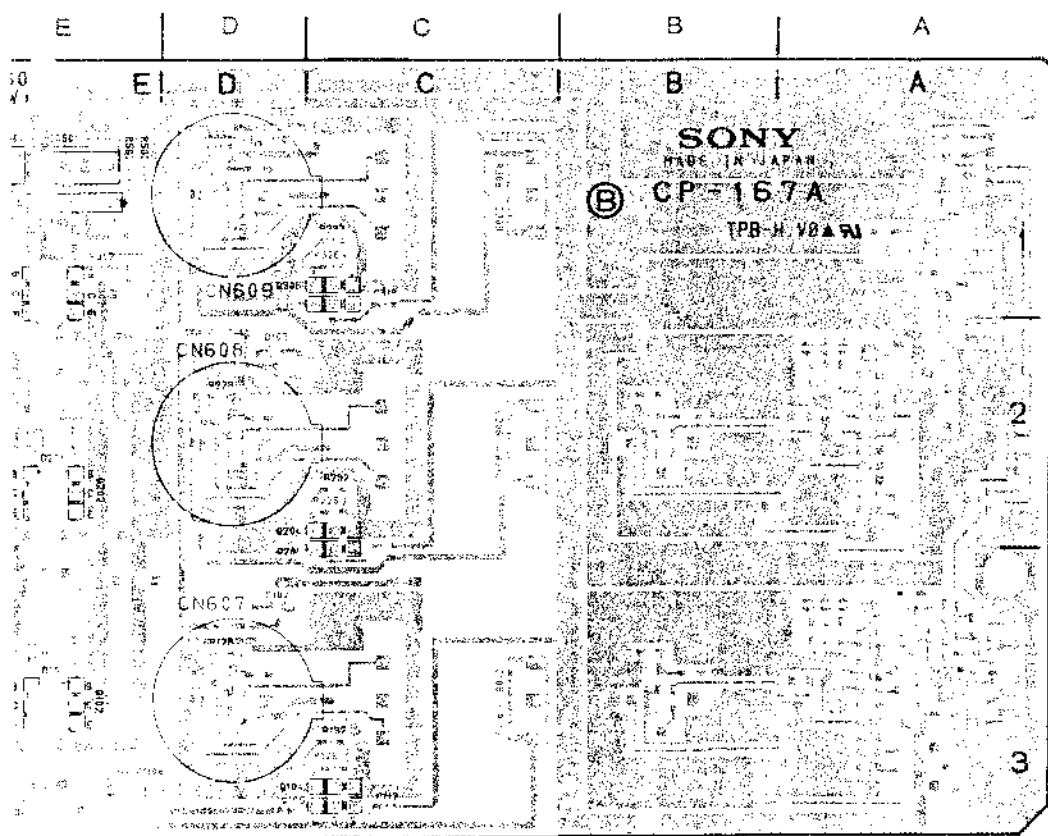
- Q 102 E-3
- Q 103 E-3
- Q 104 C-3
- Q 202 E-2
- Q 203 E-2
- Q 204 C-3
- Q 302 E-1
- Q 303 E-2
- *Q 304 F-1
- *Q 305 F-1
- Q 306 C-1
- Q 308 F-1
- *Q 309 F-1
- *Q 310 F-1

- T 101 C-3
- T 201 C-2
- T 301 C-1

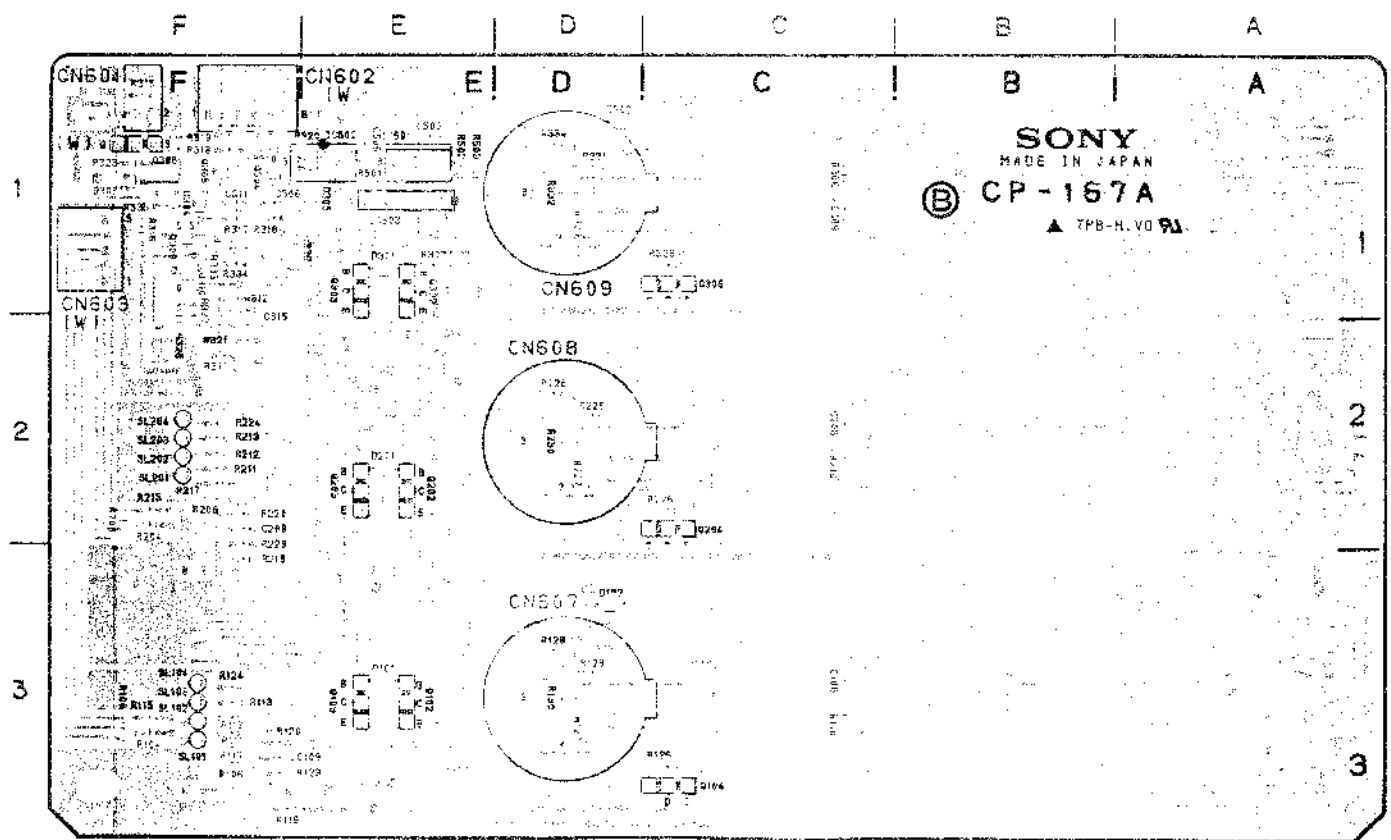
* : B SIDE



CP-167A 1-640-046-21 A SIDE



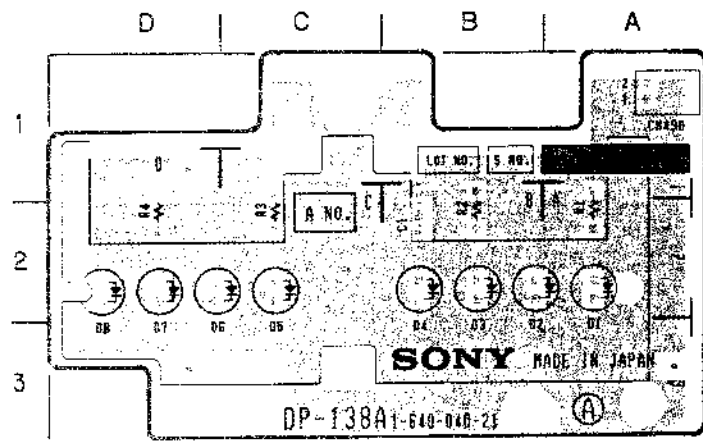
CP-167A 1-640-046-22 B SIDE



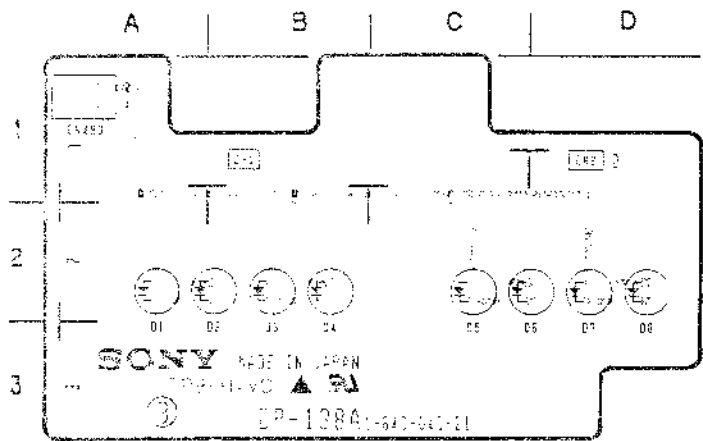
CP-167A 1-640-046-21 B SIDE

DP-138A : AUDIO LEVEL METER BACK LIGHT
 VR-116A : AUDIO PB LEVEL CONTROL, HEADPHONE VOLUME CONTROL
 MA-44A : AUDIO METER DRIVER, HEADPHONE AMPLIFIER

Serial No. (EK) : 10651 and higher
 Serial No. (UC) : 10001 and higher



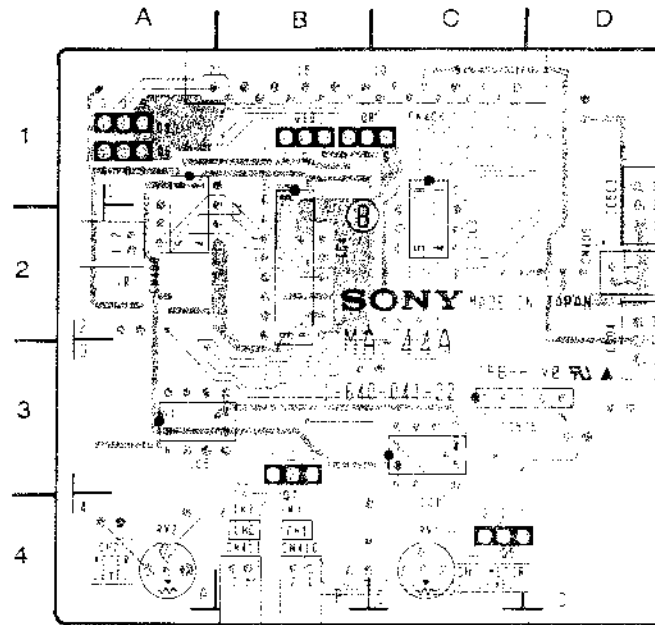
DP-138A 1-640-040-21 A SIDE



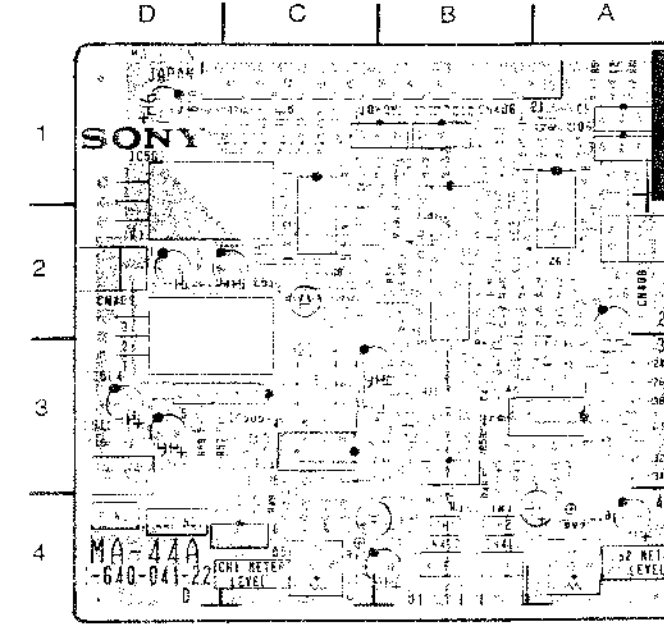
DP-138A 1-640-040-21 B SIDE

DP-138A (1-640-040-21)

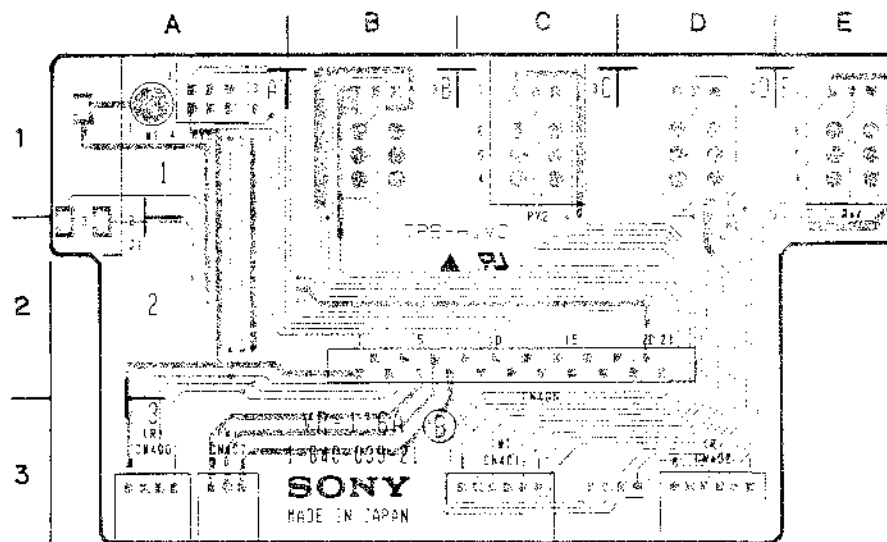
- | | |
|-------|-----|
| CN490 | A-1 |
| D1 | A-2 |
| D2 | B-2 |
| D3 | B-2 |
| D4 | B-2 |
| D5 | C-2 |
| D6 | D-2 |
| D7 | D-2 |
| D8 | D-2 |



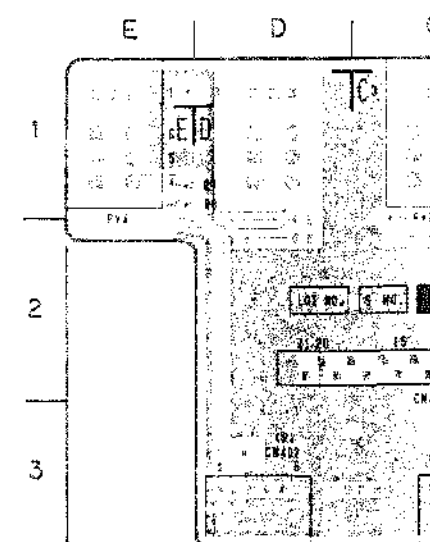
MA-44A 1-640-041-22 B SIDE



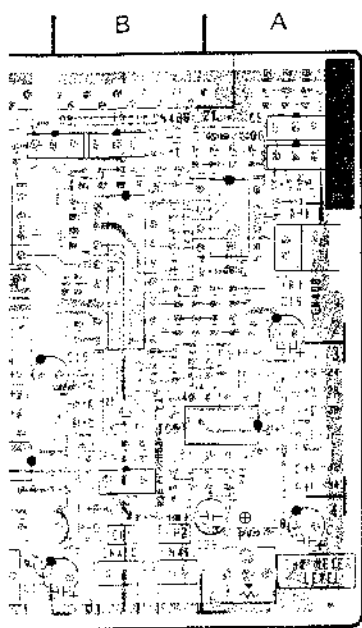
MA-44A 1-640-041-22 A SIDE



VR-116A 1-640-039-21 B SIDE



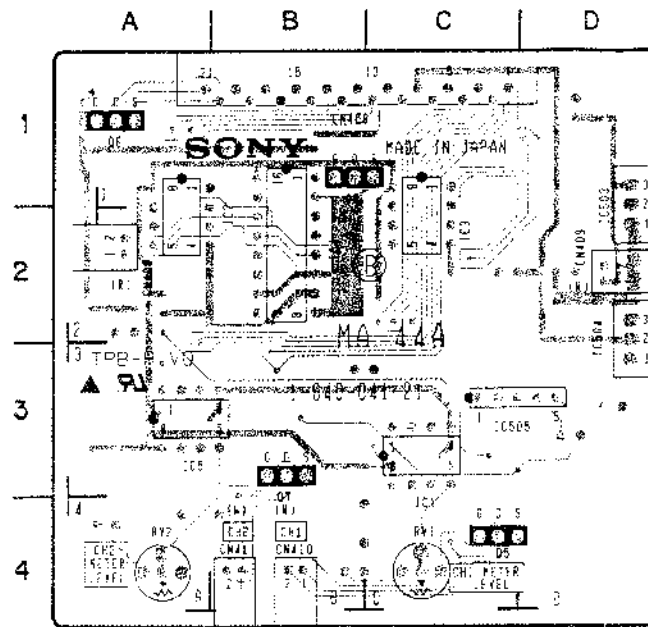
Serial No. (EK); 10001 to 10650



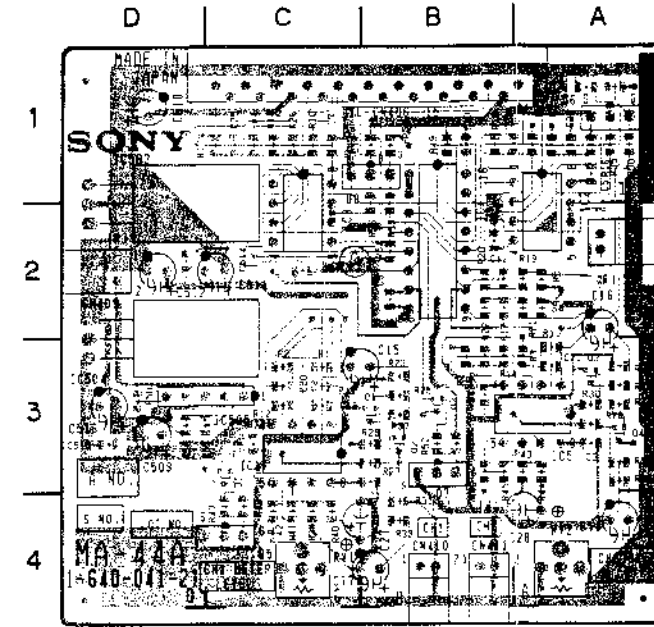
MA-44A (1-640-041-22)

- | | |
|--------|-----|
| CN 406 | B-1 |
| CN 408 | A-2 |
| CN 409 | D-2 |
| CN 410 | B-4 |
| CN 411 | B-4 |
| | |
| D 1 | C-3 |
| D 2 | B-3 |
| D 3 | B-1 |
| | |
| IC 1 | C-3 |
| IC 2 | A-2 |
| IC 3 | C-2 |
| IC 4 | B-2 |
| IC 5 | A-3 |
| IC 503 | D-1 |
| IC 504 | D-2 |
| IC 505 | C-3 |
| | |
| Q 1 | B-3 |
| Q 2 | B-3 |
| Q 3 | A-3 |
| Q 4 | A-3 |
| Q 5 | C-4 |
| Q 6 | A-1 |
| Q 7 | B-3 |
| Q 8 | B-1 |
| Q 9 | A-1 |
| Q 10 | B-1 |
| | |
| RV 1 | C-4 |
| RV 2 | A-4 |

MA-44A 1-640-041-22 A SIDE



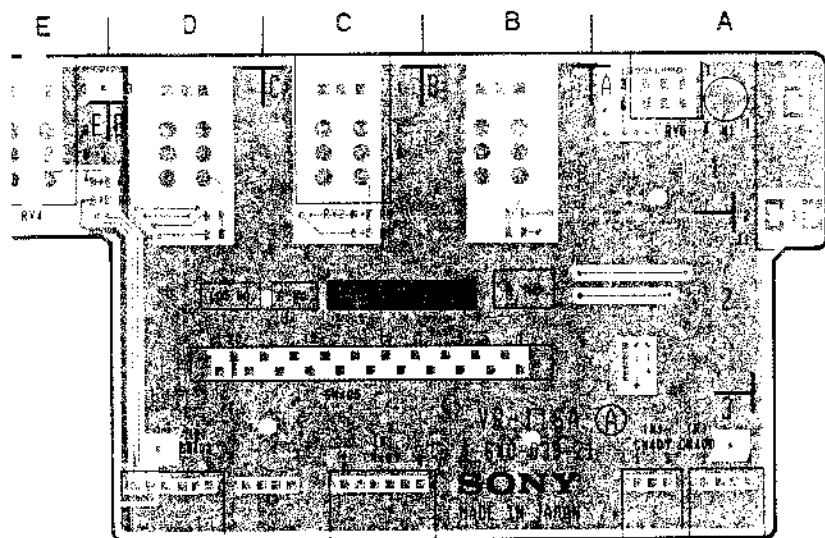
MA-44A 1-640-041-21 B SIDE



MA-44A 1-640-041-21 A SIDE

MA-44A (1-640-041-21)

- | | |
|--------|-----|
| CN 406 | B-1 |
| CN 408 | A-2 |
| CN 409 | D-2 |
| CN 410 | B-4 |
| CN 411 | B-4 |
| | |
| D 1 | C-3 |
| D 2 | B-3 |
| | |
| IC 1 | C-3 |
| IC 2 | A-3 |
| IC 3 | C-2 |
| IC 4 | B-2 |
| IC 5 | A-3 |
| IC 503 | D-1 |
| IC 504 | D-2 |
| IC 505 | C-3 |
| | |
| Q 1 | B-3 |
| Q 2 | B-3 |
| Q 3 | A-3 |
| Q 4 | A-3 |
| Q 5 | C-4 |
| Q 6 | A-1 |
| Q 7 | B-3 |
| Q 8 | B-1 |
| | |
| RV 1 | C-4 |
| RV 2 | A-4 |



VR-116A 1-640-039-21 A SIDE

VR-116A (1-640-039-21)

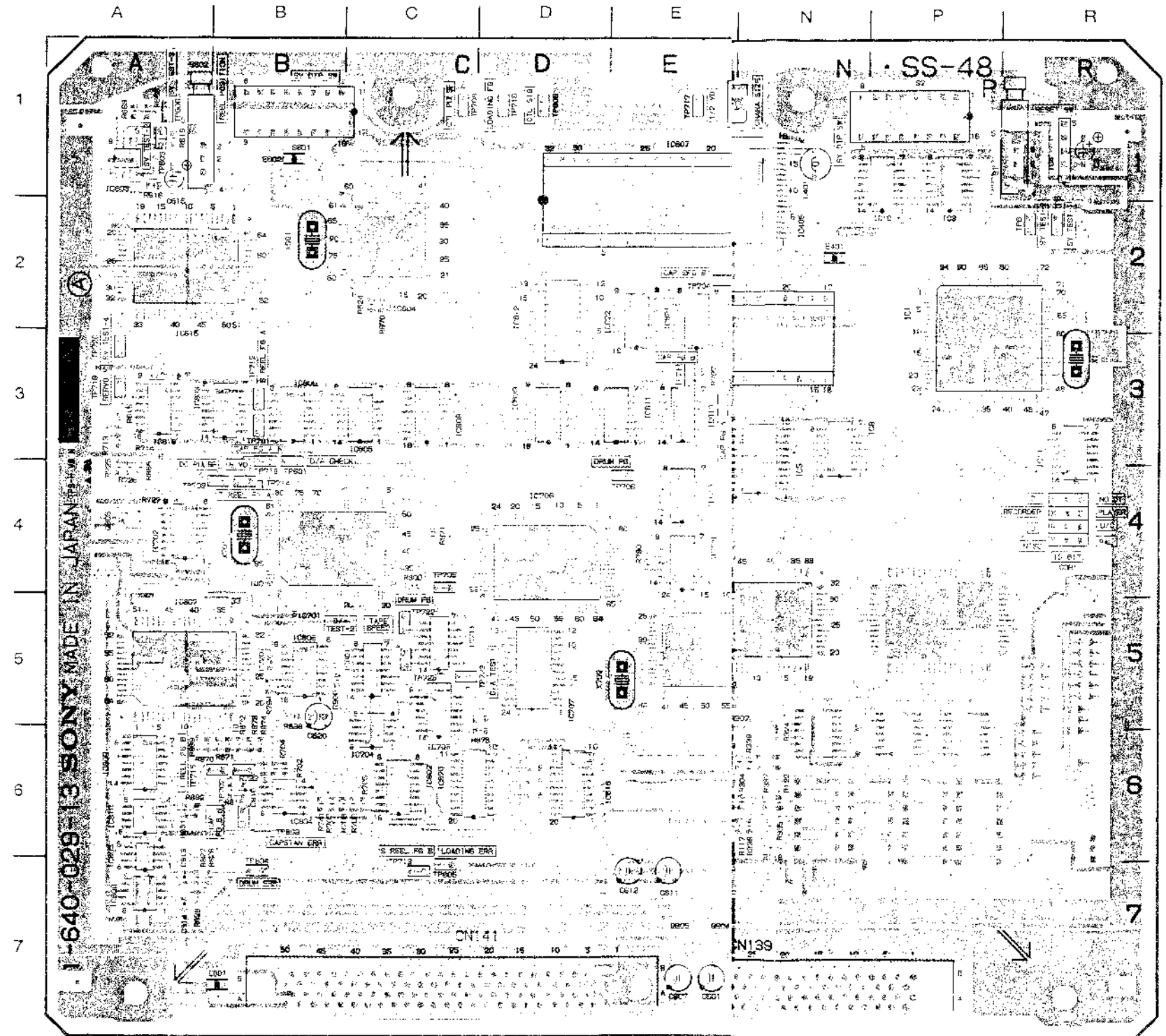
- | | |
|--------|-----|
| CN 400 | A-1 |
| CN 401 | C-3 |
| CN 402 | D-3 |
| CN 403 | C-3 |
| CN 405 | C-2 |
| CN 407 | A-2 |
| | |
| RV 1 | B-1 |
| RV 2 | C-2 |
| RV 3 | D-2 |
| RV 4 | E-2 |
| RV 5 | A-1 |

SS-48P; SYSTEM CONTROL, SERVO SYSTEM MAIN, TIME CODE READER,
 CHARACTER GENERATOR

SS-48P (1-640-029-13)

CN 1	F-1	IC 402	J-4	*Q 404	K-7
CN 139	N-7	IC 403	J-2	*Q 405	K-6
CN 140	H-7	IC 404	J-3	*Q 406	M-1
CN 141	C-7	IC 405	M-1	*Q 407	M-1
		IC 406	L-3	*Q 408	M-1
COP 1	R-4	IC 407	J-5	*Q 409	M-1
COP 2	R-4	IC 408	M-1	*Q 410	N-1
COP 3	R-4	IC 410	G-6	*Q 411	K-6
COP 4	R-4	IC 411	K-6	*Q 412	G-5
		IC 412	K-6	Q 604	E-7
COR 1	R-4	IC 413	G-6	Q 605	E-7
		IC 414	K-3	*Q 606	J-7
CV 401	M-1	IC 415	J-6	*Q 701	D-7
CV 402	M-1	IC 501	G-3	*Q 702	D-7
		IC 502	G-4	*Q 703	F-6
*D 101	F-3	IC 504	G-4	*Q 704	F-6
*D 102	F-4	IC 505	F-4	*Q 705	E-6
*D 401	F-5	IC 506	H-4	*Q 706	E-6
*D 402	G-5	IC 507	H-4	*Q 707	E-6
*D 403	G-5	IC 508	F-4	*Q 708	L-7
*D 404	F-6	IC 510	F-3	*Q 709	M-7
*D 405	F-6	IC 511	H-3	*Q 710	L-6
*D 406	K-3	IC 514	F-3	*Q 711	M-7
*D 601	C-6	IC 601	H-5	*Q 801	A-5
*D 602	C-6	IC 602	C-6	*Q 802	A-2
*D 603	C-6	IC 603	A-1	*Q 803	A-2
*D 604	H-5	IC 604	C-2	Q 805	A-4
*D 605	C-6	IC 605	B-4		
*D 606	C-6	IC 606	B-3	S 1	R-1
*D 607	C-6	IC 607	E-2	S 2	P-1
*D 608	A-3	IC 608	C-3	S 302	K-1
*D 609	A-3	IC 609	D-3	S 303	L-1
*D 610	C-1	IC 610	E-3	S 304	L-1
*D 611	C-1	IC 611	E-3	S 601	B-1
*D 612	C-1	IC 612	D-2	S 602	A-1
*D 613	C-1	IC 613	E-4		
*D 614	C-1	IC 615	A-2	TP 6	R-2
*D 615	C-1	IC 616	A-3	TP 401	J-1
*D 616	E-2	IC 618	D-6	TP 408	J-1
*D 701	C-5	IC 619	J-5	TP 708	C-1
*D 702	E-6	IC 620	D-6	TP 717	E-1
*D 703	E-6	IC 621	E-2	TP 801	F-7
*D 801	A-6	IC 622	E-2	TP 802	G-7
		IC 701	B-4	TP 806	D-1
		IC 702	A-4		
E 401	N-2	IC 703	C-5	X 1	R-3
E 601	F-5	IC 704	C-6	X 101	L-4
E 602	B-1	IC 706	D-4	X 401	K-1
		IC 707	D-5	X 402	M-1
IC 1	P-3	IC 709	E-4	X 501	F-3
IC 2	J-5	IC 710	E-5	X 601	B-2
IC 3	P-1	IC 711	C-5	X 701	B-4
IC 4	R-1	IC 801	C-5	X 702	E-5
IC 5	N-3	IC 802	F-7		
IC 6	M-4	IC 803	B-3		
IC 7	M-3	IC 804	B-6		
IC 8	N-3	IC 805	A-7		
IC 10	P-1	IC 806	B-5		
IC 11	R-3	IC 807	A-5		
IC 15	F-3	IC 808	A-7		
IC 101	L-5	IC 809	A-6		
IC 102	K-5	IC 810	A-6		
IC 103	L-5				
IC 104	M-5				
IC 105	M-6	L 401	N-1		
IC 106	M-6	L 602	L-7		
IC 107	L-6	L 603	K-7		
IC 301	G-2				
IC 302	N-5	*Q 401	K-7		
IC 303	G-1	*Q 402	K-4		
IC 401	L-2	*Q 403	J-6		

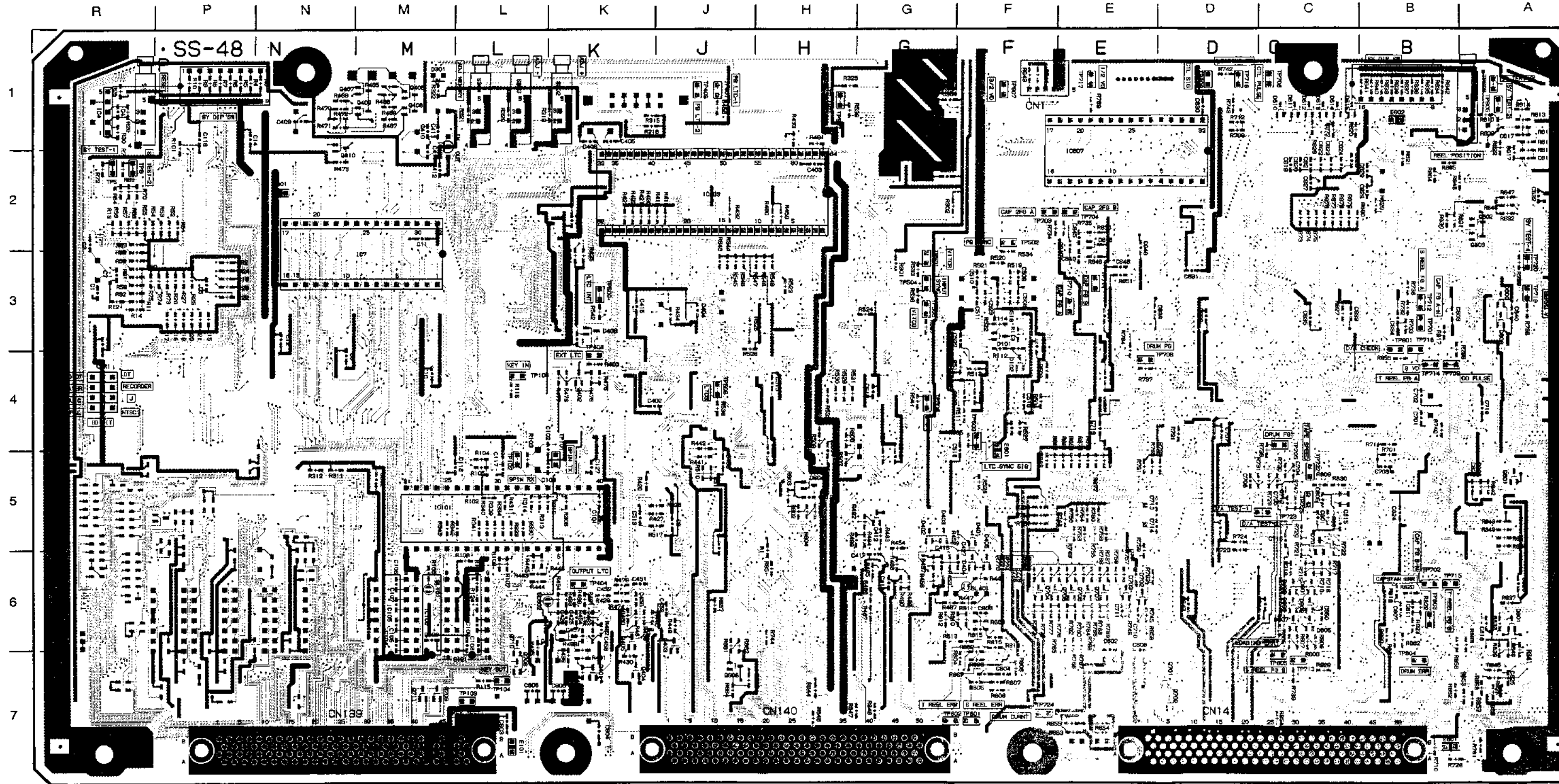
*: B SIDE



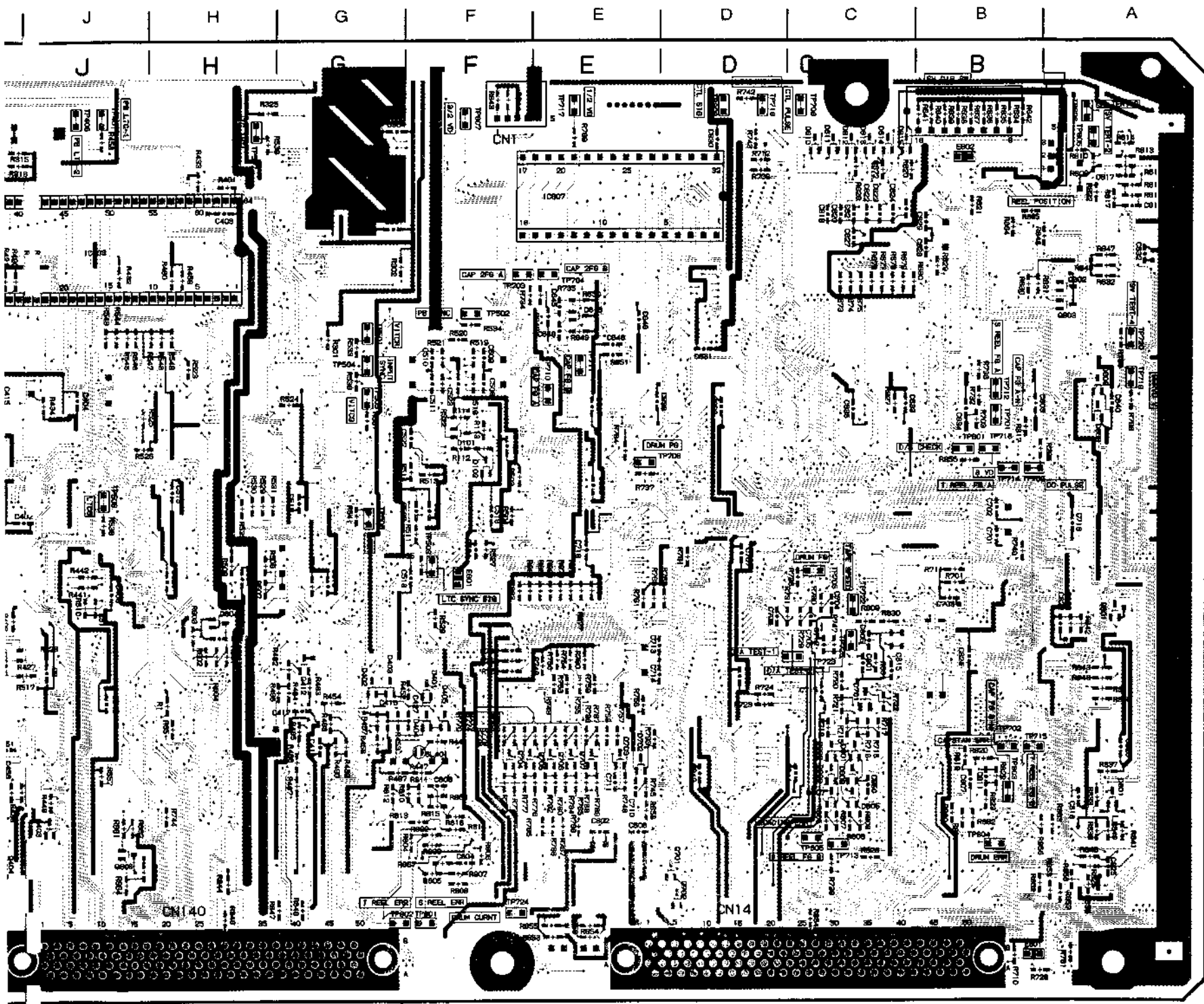
SS-48P 1-640-029-13 A SIDE

Serial No. (EK); 13101 and higher
Serial No. (UC); 10001 and higher

SS-48P ; SYSTEM CONTROL, SERVO SYSTEM MAIN, TIME CODE READER,
CHARACTER GENERATOR



SS-48P 1-640-029-13 B 5



SS-48P 1-640-029-13 B SIDE

SS-48P (1-640-029-13)

CN 1	F-1	IC 402	J-4	*Q 404	K-7
CN 139	N-7	IC 403	J-2	*Q 405	K-6
CN 140	H-7	IC 404	J-3	*Q 406	M-1
CN 141	C-7	IC 405	M-1	*Q 407	M-1
		IC 406	L-3	*Q 408	M-1
COP 1	R-4	IC 407	J-5	*Q 409	M-1
COP 2	R-4	IC 408	M-1	*Q 410	N-1
COP 3	R-4	IC 410	G-6	*Q 411	K-6
COP 4	R-4	IC 411	K-6	*Q 412	G-5
		IC 412	K-6	Q 604	E-7
COR 1	R-4	IC 413	G-6	Q 605	E-7
		IC 414	K-3	*Q 606	J-7
CV 401	M-1	IC 415	J-6	*Q 701	D-7
CV 402	M-1	IC 501	G-3	*Q 702	D-7
		IC 502	G-4	*Q 703	F-6
*D 101	F-3	IC 504	G-4	*Q 704	F-6
*D 102	F-4	IC 505	F-4	*Q 705	E-6
*D 401	F-5	IC 506	H-4	*Q 706	E-6
*D 402	G-5	IC 507	H-4	*Q 707	E-6
*D 403	G-5	IC 508	F-4	*Q 708	L-7
*D 404	F-6	IC 510	F-3	*Q 709	M-7
*D 405	F-6	IC 511	H-3	*Q 710	L-6
*D 406	K-3	IC 514	F-3	*Q 711	M-7
*D 601	C-6	IC 601	H-5	*Q 801	A-5
*D 602	C-6	IC 602	C-6	*Q 802	A-2
*D 603	C-6	IC 603	A-1	*Q 803	A-2
*D 604	H-5	IC 604	C-2	Q 805	A-4
*D 605	C-6	IC 605	B-4		
*D 606	C-6	IC 606	B-3	S 1	R-1
*D 607	C-6	IC 607	E-2	S 2	P-1
*D 608	A-3	IC 608	C-3	S 302	K-1
*D 609	A-3	IC 609	D-3	S 303	L-1
*D 610	C-1	IC 610	E-3	S 304	L-1
*D 611	C-1	IC 611	E-3	S 601	B-1
*D 612	C-1	IC 612	D-2	S 602	A-1
*D 613	C-1	IC 613	E-4		
*D 614	C-1	IC 615	A-2	TP 6	R-2
*D 615	C-1	IC 616	A-3	TP 401	J-1
*D 616	E-2	IC 618	D-6	TP 408	J-1
*D 701	C-5	IC 619	J-5	TP 708	C-1
*D 702	E-6	IC 620	D-6	TP 717	E-1
*D 703	E-6	IC 621	E-2	TP 801	F-7
*D 801	A-6	IC 622	E-2	TP 802	G-7
		IC 701	B-4	TP 806	D-1
E 401	N-2	IC 702	A-4		
E 601	F-5	IC 703	C-5	X 1	R-3
E 602	B-1	IC 704	C-6	X 101	L-4
		IC 706	D-4	X 401	K-1
IC 1	P-3	IC 707	D-5	X 402	M-1
IC 2	J-5	IC 709	E-4	X 501	F-3
IC 3	P-1	IC 710	E-5	X 601	B-2
IC 4	R-1	IC 711	C-5	X 701	B-4
IC 5	N-3	IC 801	C-5	X 702	E-5
IC 6	M-4	IC 802	F-7		
IC 7	M-3	IC 803	B-3		
IC 8	N-3	IC 804	B-6		
IC 10	P-1	IC 805	A-7		
IC 11	R-3	IC 806	B-5		
IC 15	F-3	IC 807	A-5		
IC 101	L-5	IC 808	A-7		
IC 102	K-5	IC 809	A-6		
IC 103	L-5	IC 810	A-6		
IC 104	M-5				
IC 105	M-6	L 401	N-1		
IC 106	M-6	L 602	L-7		
IC 107	L-6	L 603	K-7		
IC 301	G-2				
IC 302	N-5	*Q 401	K-7		
IC 303	G-1	*Q 402	K-4		
IC 401	L-2	*Q 403	J-6		

*: B SIDE

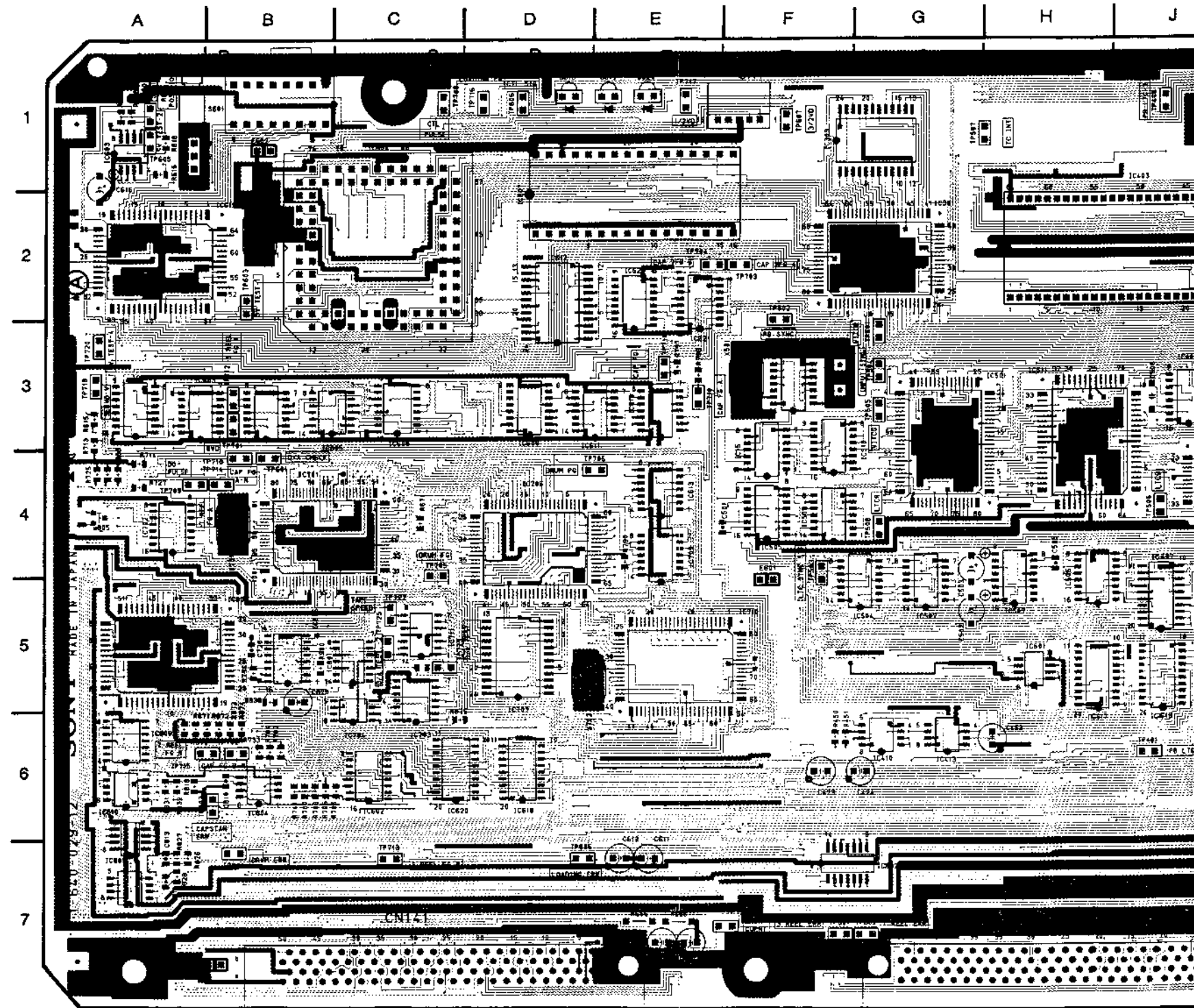
Serial No. (EK); 10001 to 13100

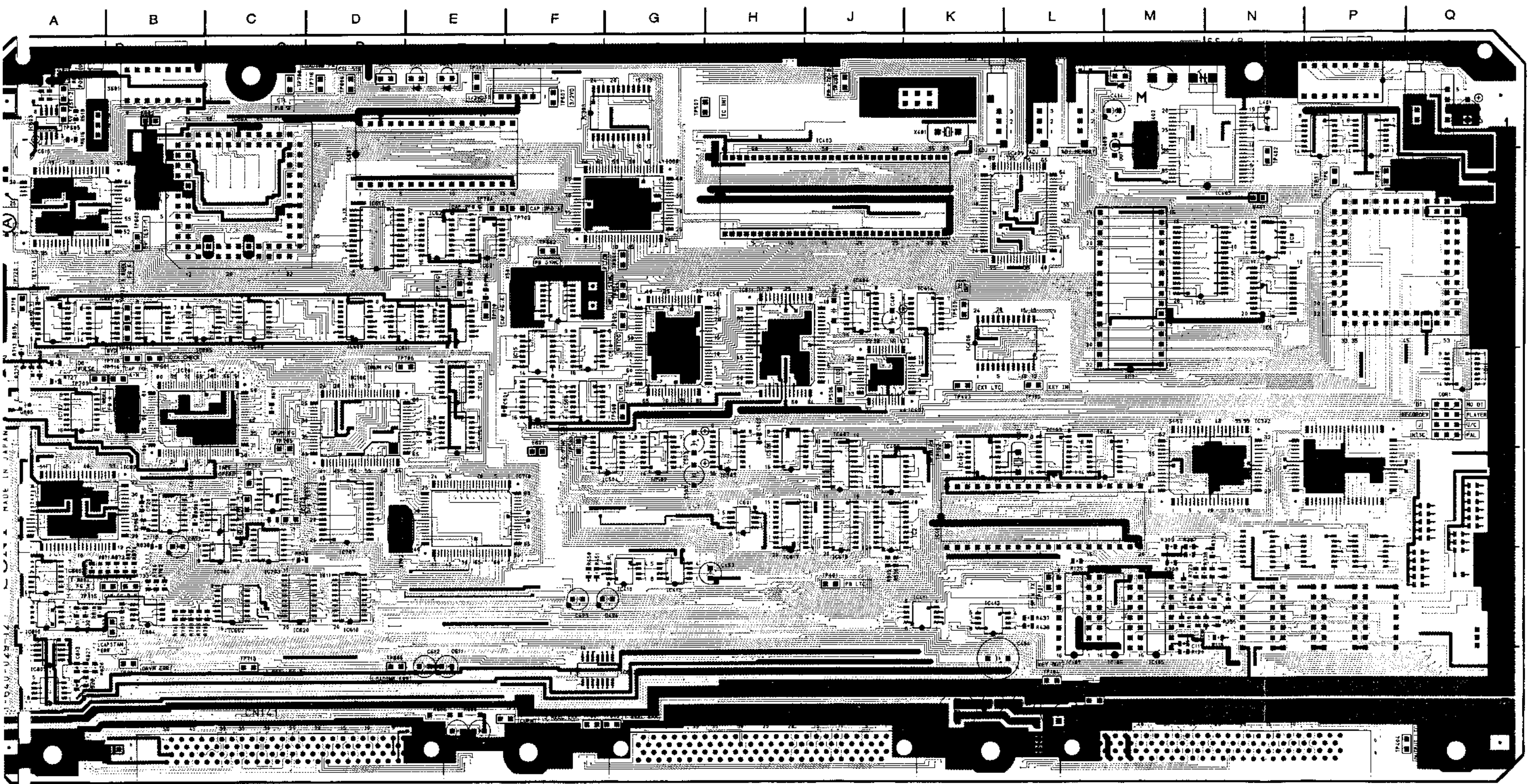
SS-48P ; SYSTEM CONTROL, SERVO SYSTEM MAIN, TIME CODE READER, CHARACTER GENERATOR

SS-48P (1-640-029-12)

CN 1	F-1	IC 401	L-2	*Q 402	K-7	TP 703	F-2
CN 139	N-7	IC 402	K-4	*Q 404	J-7	TP 704	E-2
CN 140	H-7	IC 403	J-2	*Q 405	J-6	TP 705	C-4
CN 141	C-7	IC 404	J-3	*Q 406	M-1	TP 706	D-4
		IC 405	N-2	*Q 407	M-1	TP 708	C-1
COR 1	Q-4	IC 406	K-3	*Q 408	M-1	TP 709	A-4
		IC 407	J-4	*Q 409	M-1	TP 710	E-3
CV 401	M-1	IC 408	M-2	*Q 410	N-2	TP 711	E-3
CV 402	M-1	IC 409	J-5	*Q 411	K-6	TP 712	B-3
		IC 410	G-6	*Q 412	G-5	TP 713	C-7
*D 101	F-3	IC 411	K-6	*Q 601	C-1	TP 714	B-4
*D 102	F-4	IC 412	K-6	*Q 602	C-1	TP 715	A-6
D 301	M-1	IC 413	G-6	*Q 603	C-1	TP 716	D-1
*D 401	F-5	IC 414	K-3	*Q 604	E-7	TP 717	E-1
*D 402	G-5	IC 501	H-3	*Q 605	E-7	TP 718	B-4
*D 403	G-5	IC 502	G-5	*Q 606	J-7	TP 719	A-3
*D 404	F-6	IC 504	G-5	*Q 701	C-4	TP 720	A-3
*D 405	F-6	IC 505	F-4	*Q 702	B-4	TP 722	C-5
*D 406	K-4	IC 506	H-5	*Q 703	F-6	TP 723	C-5
*D 601	C-6	IC 507	H-5	*Q 704	E-6	TP 724	F-7
*D 602	C-6	IC 508	F-4	*Q 705	E-6	TP 725	C-5
*D 603	C-6	IC 510	G-4	*Q 706	E-6	TP 801	F-7
*D 604	H-5	IC 511	H-3	*Q 707	E-6	TP 802	G-7
*D 605	C-6	IC 514	F-3	*Q 708	C-4	TP 803	A-6
*D 606	C-6	IC 601	H-5	*Q 709	C-4	TP 804	B-7
*D 607	C-6	IC 602	C-6	*Q 710	B-4	TP 805	D-7
*D 608	A-3	IC 603	A-1	*Q 711	B-4	TP 806	D-1
*D 609	A-3	IC 604	C-1	*Q 801	A-5		
*D 610	A-1	IC 605	B-3	*Q 802	A-2	X 1	Q-2
*D 611	C-2	IC 606	B-3	*Q 803	A-2	X 101	L-4
*D 612	C-2	IC 607	D-2	Q 805	A-4	X 401	K-1
*D 613	C-2	IC 608	C-3			X 501	F-3
*D 614	C-2	IC 609	D-3	S 1	Q-1	X 601	B-2
*D 615	B-2	IC 610	E-3	S 2	P-1	X 701	B-4
*D 616	E-2	IC 611	D-3	S 302	K-1	X 702	D-6
D 618	D-1	IC 612	D-2	S 303	L-1		
D 619	E-1	IC 613	E-4	S 304	L-1		
D 620	E-1	IC 615	B-2	S 601	B-1		
*D 701	C-5	IC 616	A-3	S 602	A-1		
*D 702	D-6	IC 617	H-5				
*D 703	E-6	IC 618	D-6	TP 5	P-2		
*D 801	A-6	IC 619	J-5	TP 6	P-2		
		IC 620	C-6	TP 101	L-6		
E 101	L-7	IC 621	E-3	TP 102	K-5		
E 401	N-2	IC 622	E-2	TP 103	L-7		
E 601	F-4	IC 701	B-4	TP 104	L-7		
E 602	B-1	IC 702	A-4	TP 105	L-4		
E 801	A-7	IC 703	C-6	TP 401	J-6		
		IC 704	C-6	TP 402	N-2		
IC 1	Q-2	IC 706	D-4	TP 403	K-4		
IC 2	K-5	IC 707	D-5	TP 404	Q-7		
IC 3	P-1	IC 709	E-4	TP 408	J-1		
IC 4	Q-1	IC 710	F-5	TP 501	G-3		
IC 5	N-3	IC 711	C-5	TP 502	F-2		
IC 6	M-3	IC 801	B-5	TP 503	F-4		
IC 7	M-4	IC 802	G-7	TP 504	G-3		
IC 8	N-2	IC 803	A-3	TP 505	G-3		
IC 10	P-1	IC 804	B-6	TP 506	J-4		
IC 11	Q-4	IC 805	A-7	TP 507	G-1		
IC 15	F-4	IC 806	B-5	TP 508	G-4		
IC 101	K-5	IC 807	B-5	TP 509	K-3		
IC 102	K-5	IC 808	A-7	TP 601	B-4		
IC 103	L-4	IC 809	A-6	*TP 602	B-2		
IC 104	L-4	IC 810	A-6	TP 603	B-2		
IC 105	M-7			*TP 604	B-1		
IC 106	M-7	L 401	N-1	TP 605	A-1		
IC 107	L-7	L 602	L-7	TP 606	A-1		
IC 301	G-2	L 603	K-7	TP 607	F-1		
IC 302	N-4			TP 701	B-3		
IC 303	F-1	*Q 401	K-7	TP 702	B-6		

*: B SIDE

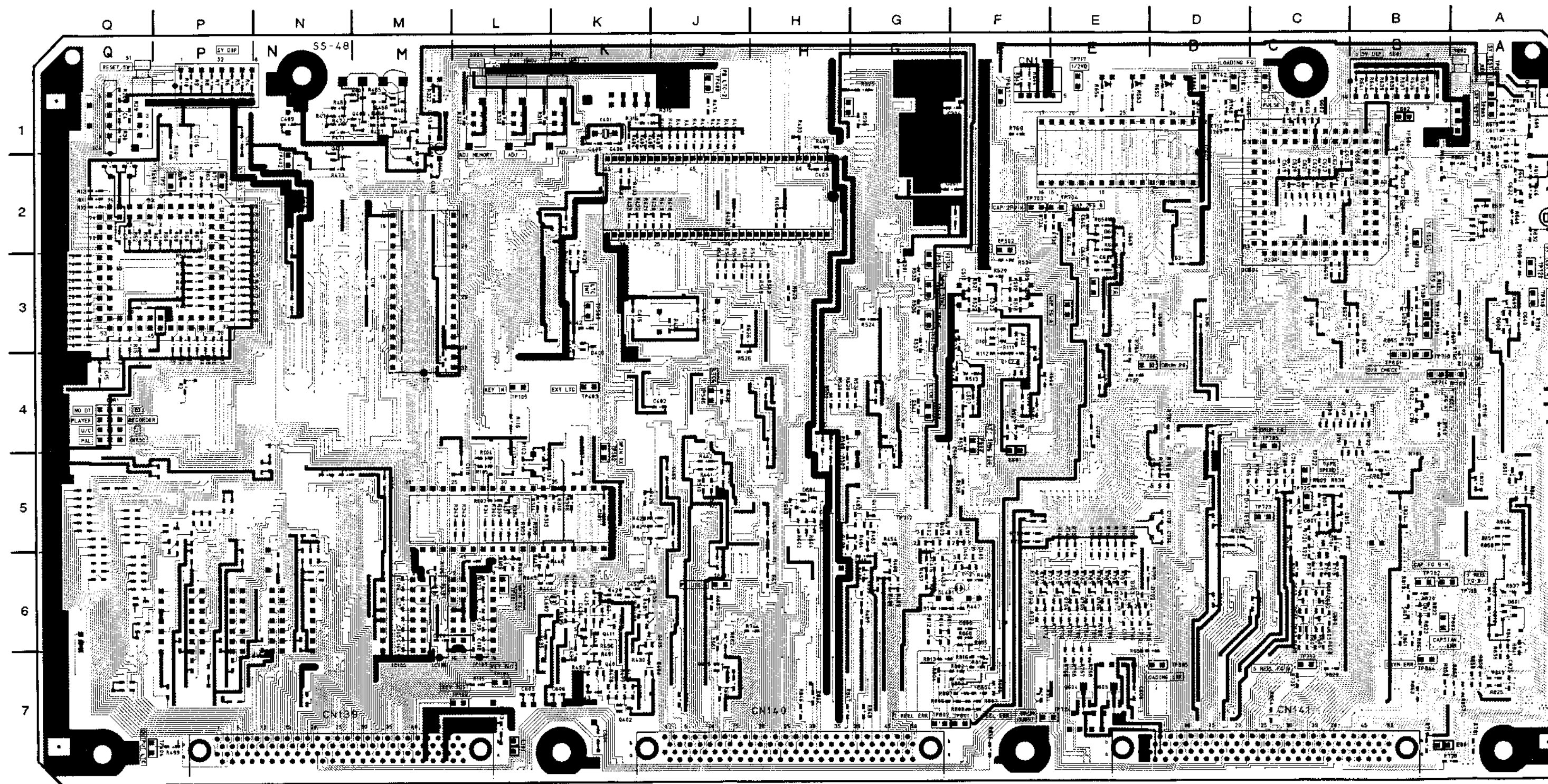




SS-48P 1-640-029-12 A SIDE

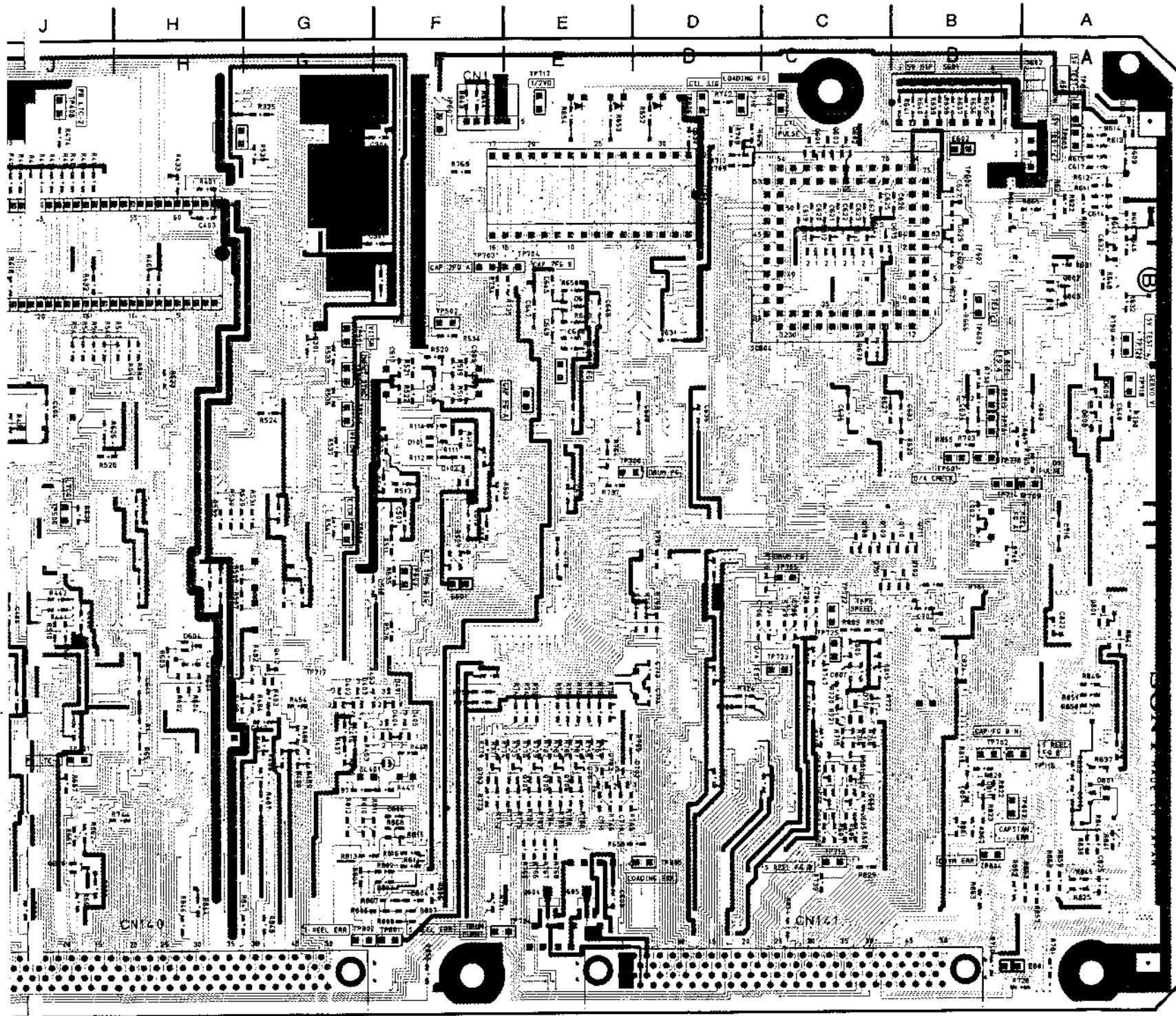
Serial No. (EK); 10001 to 13100

SS-48P ; SYSTEM CONTROL, SERVO SYSTEM MAIN, TIME CODE READER, CHARACTER GENERATOR



SS-48P 1-640-029-12 B SII

SS-48P (1-640-029-12)

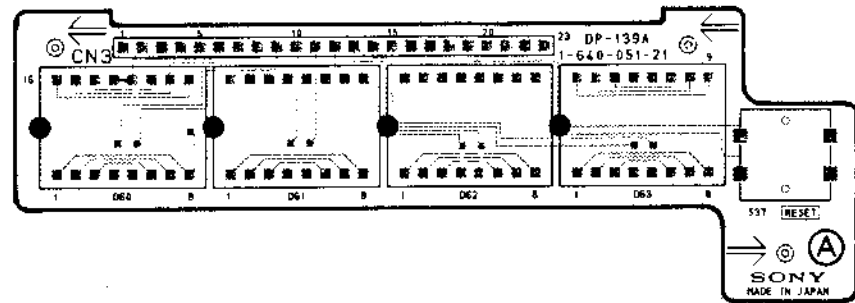


SS-48P 1-640-029-12 B SIDE

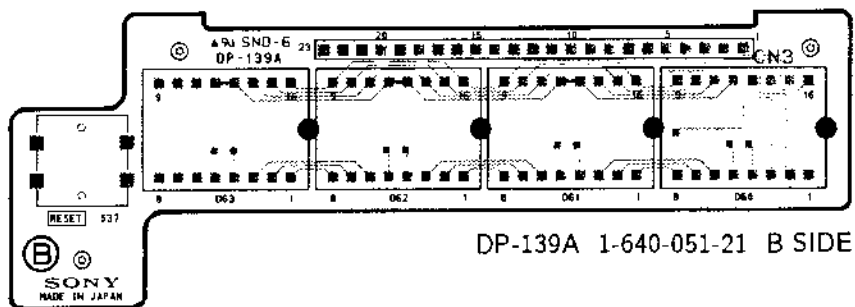
CN 1	F-1	IC 401	L-2	*Q 402	K-7	TP 703	F-2
CN 139	N-7	IC 402	K-4	*Q 404	J-7	TP 704	E-2
CN 140	H-7	IC 403	J-2	*Q 405	J-6	TP 705	C-4
CN 141	C-7	IC 404	J-3	*Q 406	M-1	TP 706	D-4
		IC 405	N-2	*Q 407	M-1	TP 708	C-1
COR 1	Q-4	IC 406	K-3	*Q 408	M-1	TP 709	A-4
		IC 407	J-4	*Q 409	M-1	TP 710	E-3
CV 401	M-1	IC 408	M-2	*Q 410	N-2	TP 711	E-3
CV 402	M-1	IC 409	J-5	*Q 411	K-6	TP 712	B-3
		IC 410	G-6	*Q 412	G-5	TP 713	C-7
*D 101	F-3	IC 411	K-6	*Q 601	C-1	TP 714	B-4
*D 102	F-4	IC 412	K-6	*Q 602	C-1	TP 715	A-6
D 301	M-1	IC 413	G-6	*Q 603	C-1	TP 716	D-1
*D 401	F-5	IC 414	K-3	*Q 604	E-7	TP 717	E-1
*D 402	G-5	IC 501	H-3	*Q 605	E-7	TP 718	B-4
*D 403	G-5	IC 502	G-5	*Q 606	J-7	TP 719	A-3
*D 404	F-6	IC 504	G-5	*Q 701	C-4	TP 720	A-3
*D 405	F-6	IC 505	F-4	*Q 702	B-4	TP 722	C-5
*D 406	K-4	IC 506	H-5	*Q 703	F-6	TP 723	C-5
*D 601	C-6	IC 507	H-5	*Q 704	E-6	TP 724	F-7
*D 602	C-6	IC 508	F-4	*Q 705	E-6	TP 725	C-5
*D 603	C-6	IC 510	G-4	*Q 706	E-6	TP 801	F-7
*D 604	H-5	IC 511	H-3	*Q 707	E-6	TP 802	G-7
*D 605	C-6	IC 514	F-3	*Q 708	C-4	TP 803	A-6
*D 606	C-6	IC 601	H-5	*Q 709	C-4	TP 804	B-7
*D 607	C-6	IC 602	C-6	*Q 710	B-4	TP 805	D-7
*D 608	A-3	IC 603	A-1	*Q 711	B-4	TP 806	D-1
*D 609	A-3	IC 604	C-1	*Q 801	A-5		
*D 610	A-1	IC 605	B-3	*Q 802	A-2	X 1	Q-2
*D 611	C-2	IC 606	B-3	*Q 803	A-2	X 101	L-4
*D 612	C-2	IC 607	D-2	Q 805	A-4	X 401	K-1
*D 613	C-2	IC 608	C-3			X 501	F-3
*D 614	C-2	IC 609	D-3	S 1	Q-1	X 601	B-2
*D 615	B-2	IC 610	E-3	S 2	P-1	X 701	B-4
*D 616	E-2	IC 611	D-3	S 302	K-1	X 702	D-6
D 618	D-1	IC 612	D-2	S 303	L-1		
D 619	E-1	IC 613	E-4	S 304	L-1		
D 620	E-1	IC 615	B-2	S 601	B-1		
*D 701	C-5	IC 616	A-3	S 602	A-1		
*D 702	D-6	IC 617	H-5			TP 5	P-2
*D 703	E-6	IC 618	D-6			TP 6	P-2
*D 801	A-6	IC 619	J-5			TP 101	L-6
		IC 620	C-6			TP 102	K-5
E 101	L-7	IC 621	E-3			TP 103	L-7
E 401	N-2	IC 622	E-2			TP 104	L-7
E 601	F-4	IC 701	B-4			TP 105	L-4
E 602	B-1	IC 702	A-4			TP 401	J-6
E 801	A-7	IC 703	C-6			TP 402	N-2
		IC 704	C-6			TP 403	K-4
IC 1	Q-2	IC 706	D-4			TP 404	Q-7
IC 2	K-5	IC 707	D-5			TP 408	J-1
IC 3	P-1	IC 709	E-4			TP 501	G-3
IC 4	Q-1	IC 710	F-5			TP 502	F-2
IC 5	N-3	IC 711	C-5			TP 503	F-4
IC 6	M-3	IC 801	B-5			TP 504	G-3
IC 7	M-4	IC 802	G-7			TP 505	G-3
IC 8	N-2	IC 803	A-3			TP 506	J-4
IC 10	P-1	IC 804	B-6			TP 507	G-1
IC 11	Q-4	IC 805	A-7			TP 508	G-4
IC 15	F-4	IC 806	B-5			TP 509	K-3
IC 101	K-5	IC 807	B-5			TP 601	B-4
IC 102	K-5	IC 808	A-7			*TP 602	B-2
IC 103	L-4	IC 809	A-6			*TP 603	B-2
IC 104	L-4	IC 810	A-6			*TP 604	B-1
IC 105	M-7					TP 605	A-1
IC 106	M-7	L 401	N-1			TP 606	A-1
IC 107	L-7	L 602	L-7			TP 607	F-1
IC 301	G-2	L 603	K-7			TP 701	B-3
IC 302	N-4					TP 702	B-6
IC 303	F-1	*Q 401	K-7				

*: B SIDE

KY-210A ; KEYBOARD
 DP-139A ; TIME CODE DISPLAY
 PTC-39 ; SEARCH DIAL

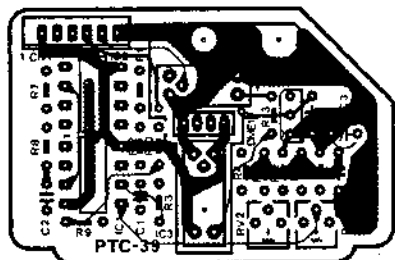


DP-139A 1-640-051-21 A SIDE

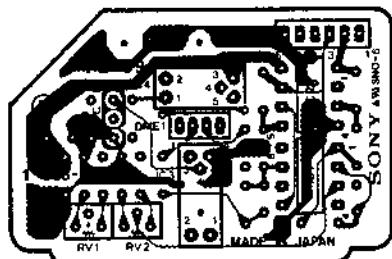


DP-139A 1-640-051-21 B SIDE

Serial No. (EK); 13316 and higher
 Serial No. (UC); 10001 and higher



PTC-39 1-633-548-13 A SIDE



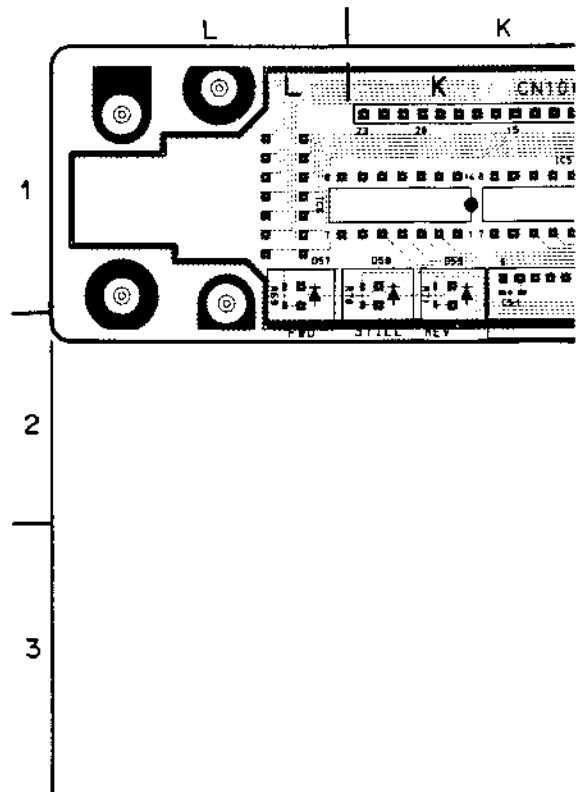
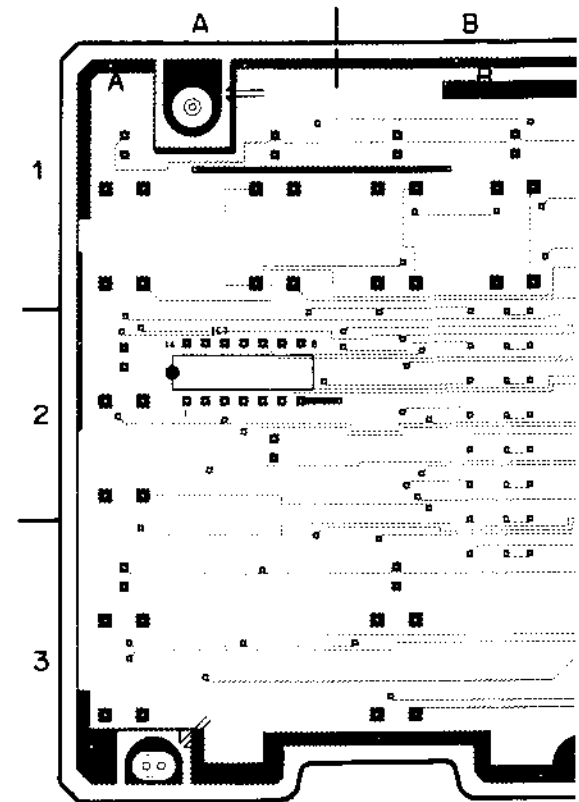
PTC-39 1-633-548-13 B SIDE

KY-210A (1-640-050-22)

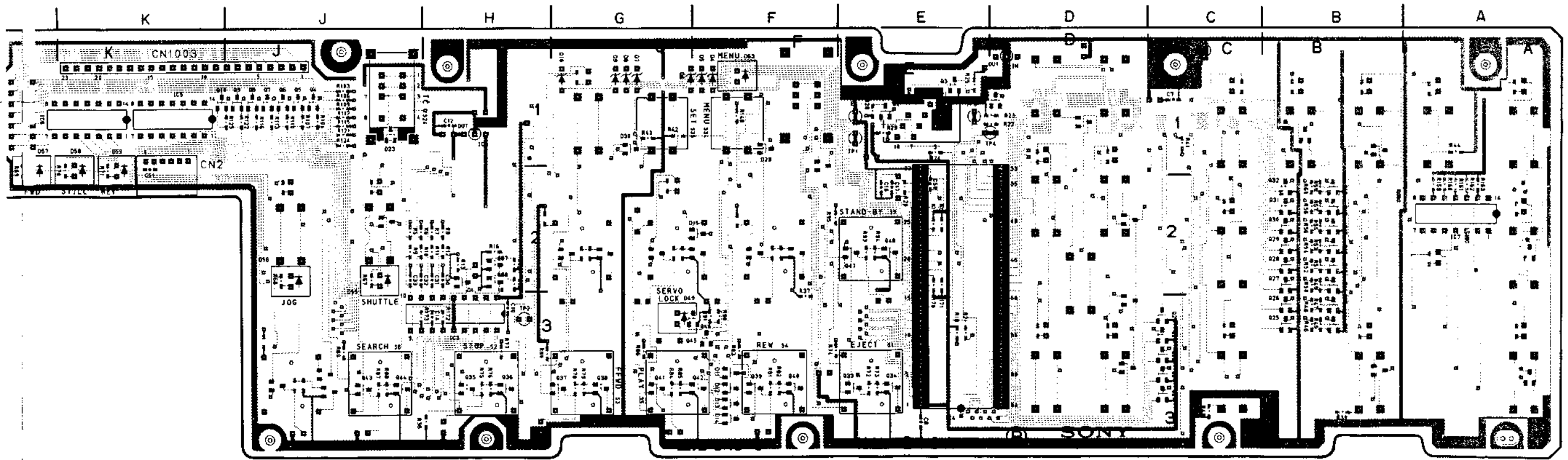
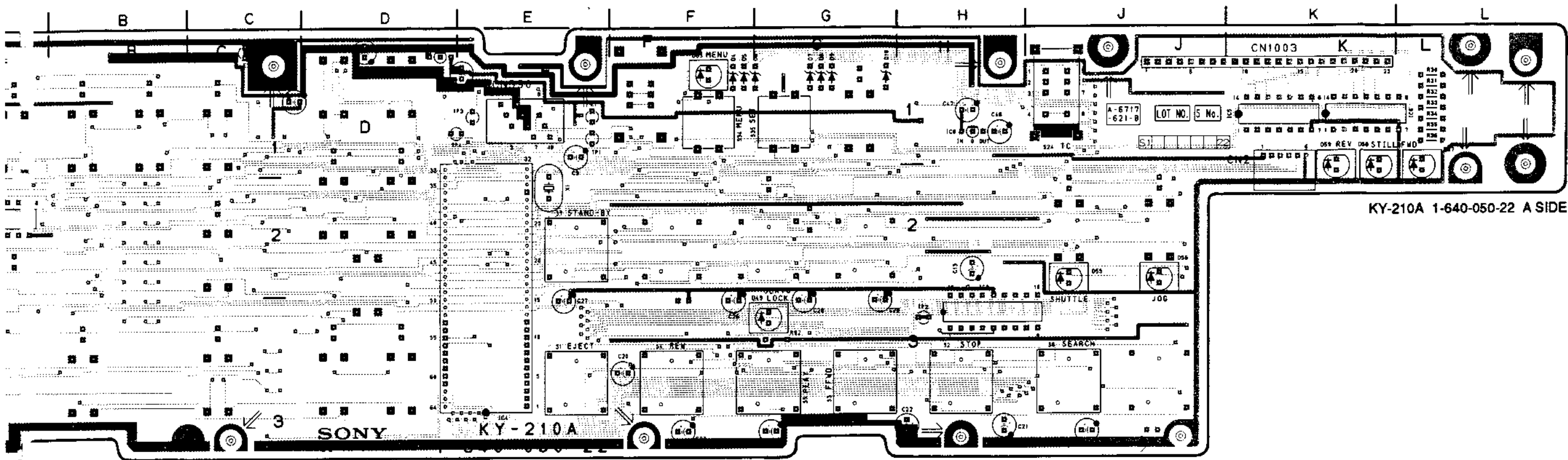
CN 2	K-1	*Q 34	E-3
CN 590	E-1	*Q 35	H-3
CN 1003	A-1	*Q 36	H-3
		*Q 37	G-3
*D 1	H-2	*Q 38	G-3
*D 2	H-1	*Q 39	F-3
D 4	F-1	*Q 40	F-3
D 5	F-1	*Q 41	G-3
D 6	F-1	*Q 42	G-3
D 7	G-1	*Q 43	J-3
D 8	G-1	*Q 44	J-3
D 9	G-1	*Q 45	G-3
D 10	G-1	*Q 46	G-3
*D 11	F-3	*Q 47	E-2
*D 12	F-3	*Q 48	E-2
*D 13	F-3	*Q 87	H-2
*D 14	F-3	*Q 88	H-2
*D 23	G-2		
*D 29	F-1	S 1	E-3
*D 30	G-1	S 2	H-3
D 49	G-3	S 3	G-3
D 55	J-3	S 4	F-3
D 56	J-3	S 5	G-3
D 57	L-1	S 6	J-3
D 58	K-1	S 7	E-2
D 59	K-1	S 24	J-1
D 63	F-1	S 34	F-1
D 1060	A-1	S 35	G-1
D 1061	A-1	S 1037	B-1
D 1062	B-1		
D 1063	B-1	TP 1	E-1
E 1	E-1	X 1	E-2
IC 2	D-1		
IC 3	H-3		
IC 4	E-3		
IC 5	K-1		
IC 6	K-1		
IC 7	A-2		
IC 8	H-1		
*Q 2	D-1		
*Q 3	E-1		
*Q 4	J-1		
*Q 5	J-1		
*Q 6	J-1		
*Q 7	J-1		
*Q 8	J-1		
*Q 9	J-1		
*Q 10	J-1		
*Q 12	B-3		
*Q 13	B-3		
*Q 14	B-2		
*Q 15	B-2		
*Q 16	B-2		
*Q 17	B-2		
*Q 18	B-2		
*Q 19	B-2		
*Q 20	C-3		
*Q 21	C-3		
*Q 22	C-3		
*Q 23	C-3		
*Q 24	C-3		
*Q 25	B-3		
*Q 26	B-3		
*Q 27	B-2		
*Q 28	B-2		
*Q 29	B-2		
*Q 30	B-2		
*Q 31	B-2		
*Q 32	B-2		
*Q 33	E-3		

* : B SIDE

Serial No. (EK); 14286
 Serial No. (UC); 10011



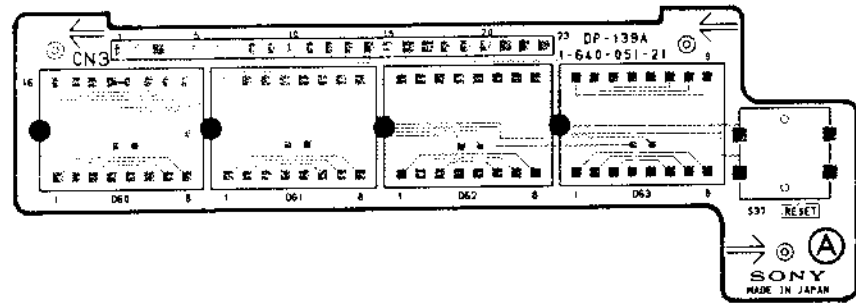
(EK); 14286 and higher
(UC); 10011 and higher



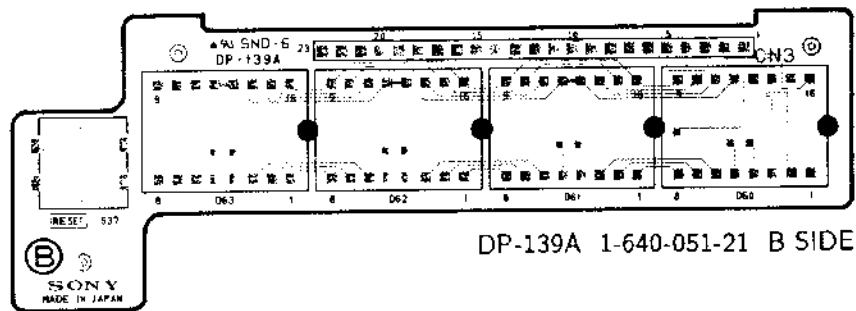
KY-210A 1-640-050-22 B SIDE

KY-210A ; KEYBOARD
DP-139A ; TIME CODE DISPLAY
PTC-39 ; SEARCH DIAL

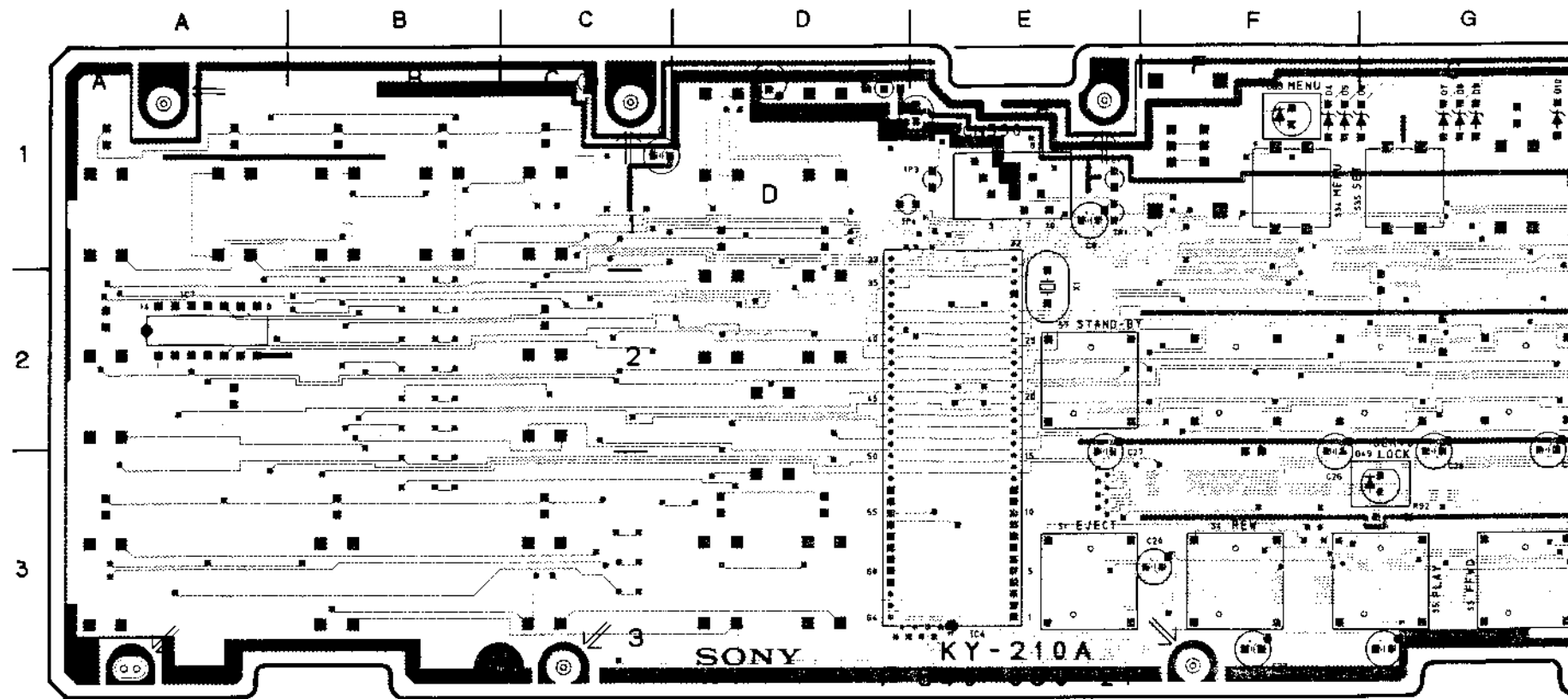
Serial No.(EK); 10001 to 14285
Serial No.(UC); 10001 to 10010



DP-139A 1-640-051-21 A SIDE

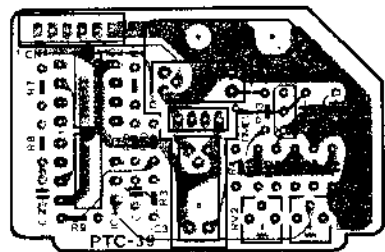


DP-139A 1-640-051-21 B SIDE

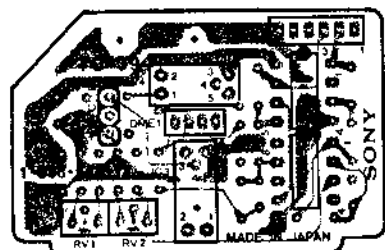


SONY KY-210A

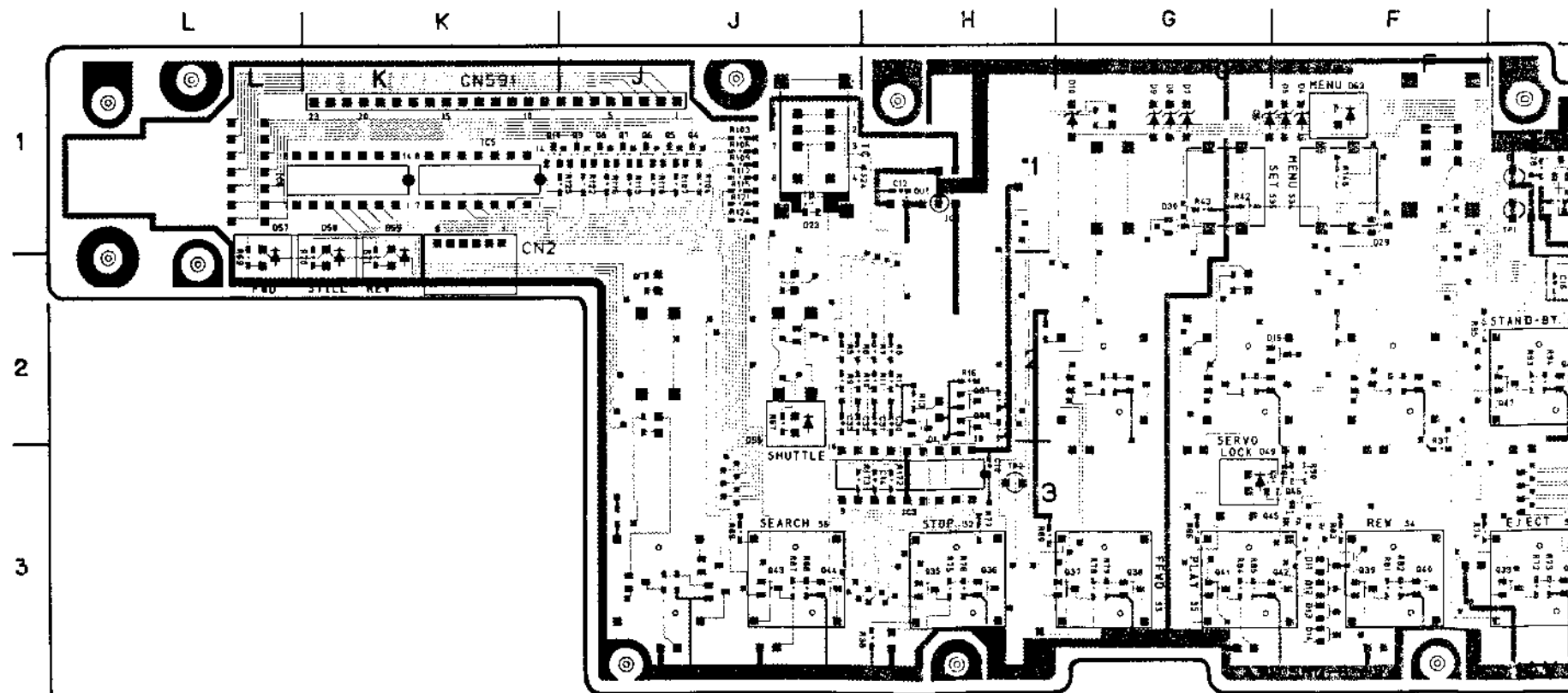
Serial No.(EK); 10001 to 13315

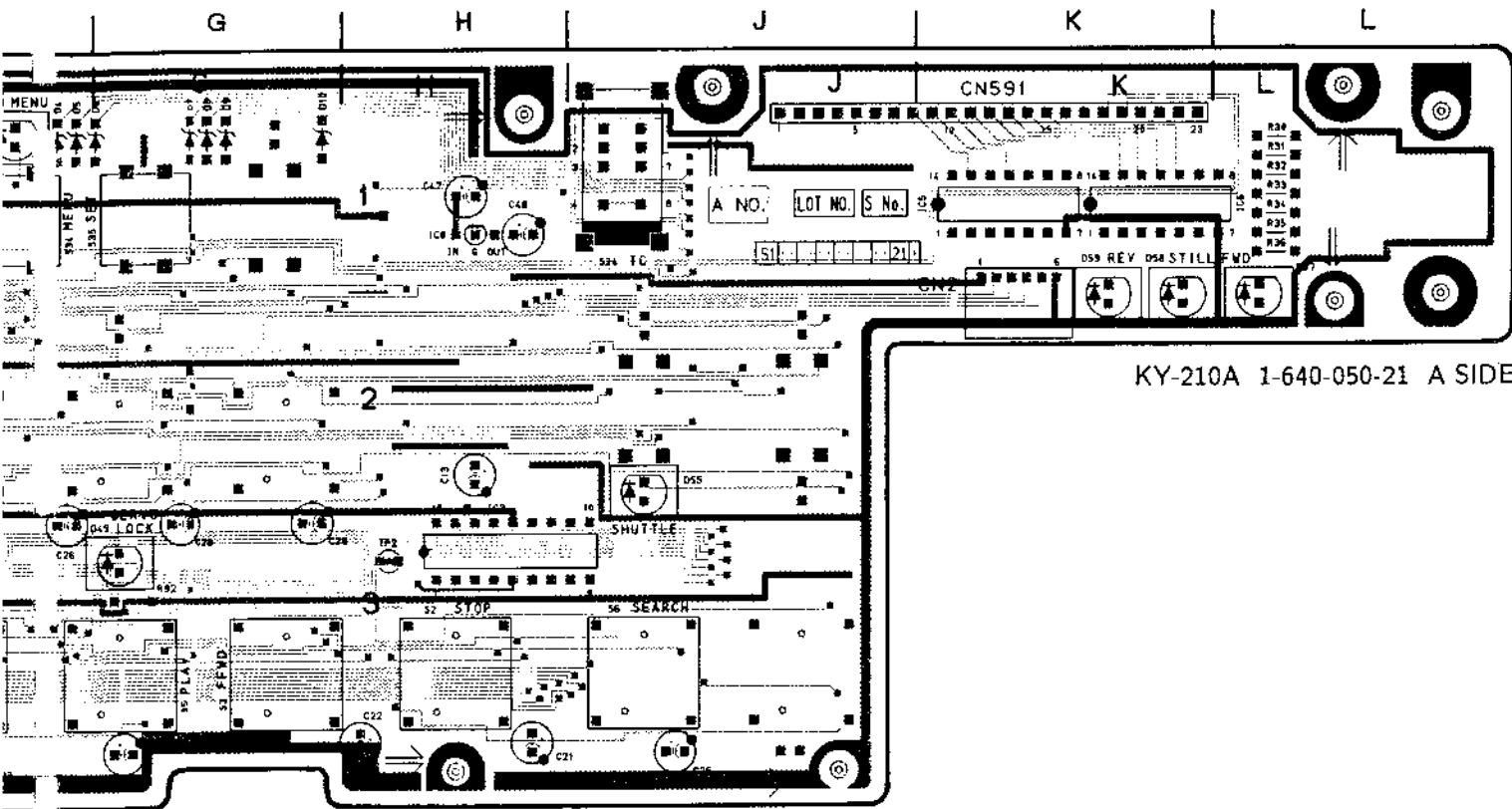


PTC-39 1-633-548-12 A SIDE

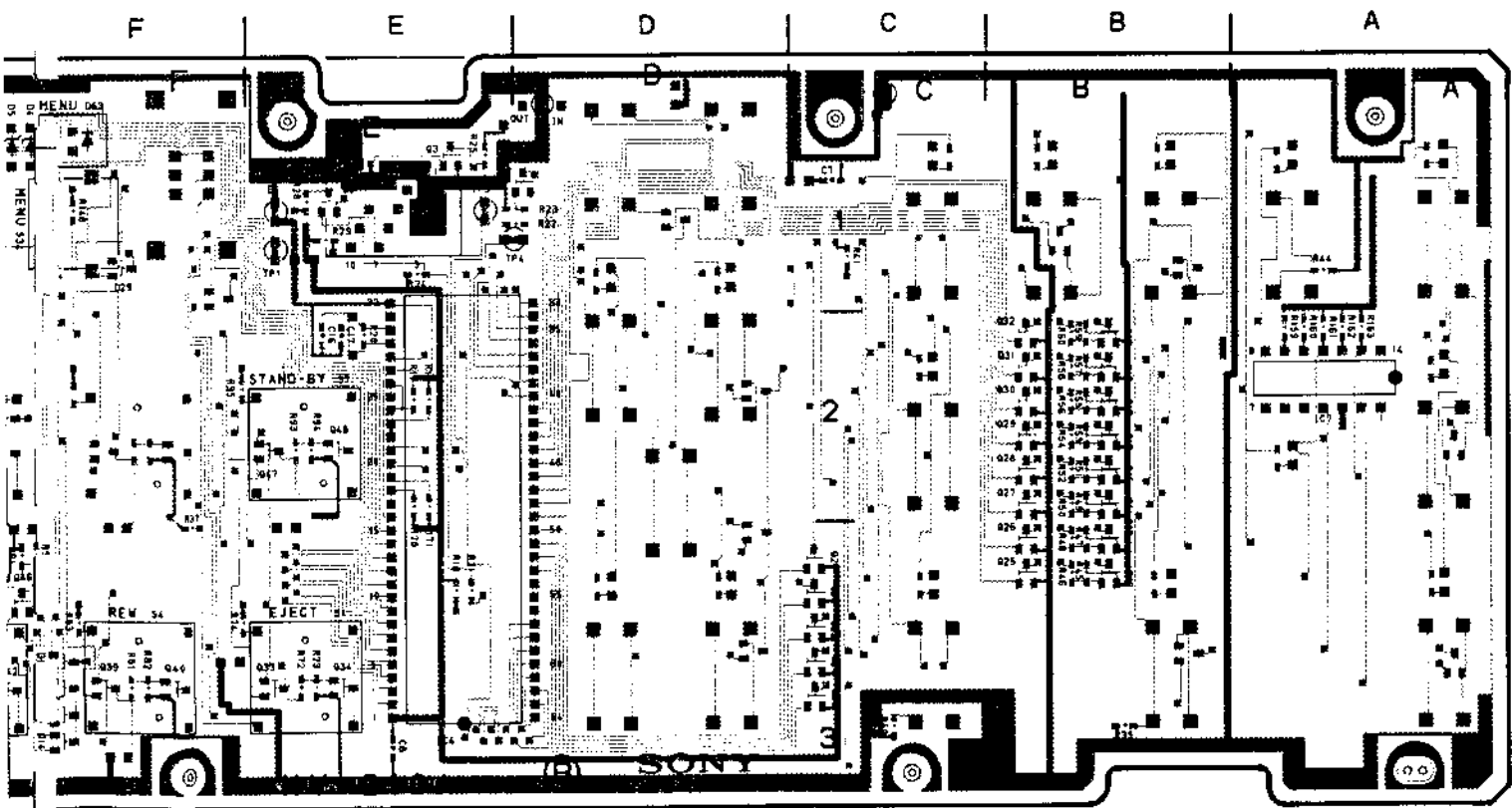


PTC-39 1-633-548-12 B SIDE





KY-210A 1-640-050-21 A SIDE



KY-210A 1-640-050-21 B SIDE

KY-210A (1-640-050-21)

CN 2	K-1	*Q 31	B-2
CN 590	E-1	*Q 32	B-2
CN 1003	A-1	*Q 33	E-3
		*Q 34	E-3
*D 1	H-2	*Q 35	H-3
*D 2	H-1	*Q 36	H-3
D 4	F-1	*Q 37	G-3
D 5	F-1	*Q 38	G-3
D 6	F-1	*Q 39	F-3
D 7	G-1	*Q 40	F-3
D 8	G-1	*Q 41	G-3
D 9	G-1	*Q 42	G-3
D 10	G-1	*Q 43	J-3
*D 11	F-3	*Q 44	J-3
*D 12	F-3	*Q 45	G-3
*D 13	F-3	*Q 46	G-3
*D 14	F-3	*Q 47	E-2
*D 23	G-2	*Q 48	E-2
*D 29	F-1	*Q 87	H-2
*D 30	G-1	*Q 88	H-2
D 49	G-3		
D 55	J-3	S 1	E-3
D 57	L-1	S 2	H-3
D 58	K-1	S 3	G-3
D 59	K-1	S 4	F-3
D 63	F-1	S 5	G-3
D 1060	A-1	S 6	J-3
D 1061	A-1	S 7	E-2
D 1062	B-1	S 24	J-1
D 1063	B-1	S 34	F-1
		S 35	G-1
		S 1037	B-1
E 1	E-1		
E 2	C-1		
		TP 1	E-1
IC 2	D-1	TP 2	H-3
IC 3	H-3	TP 3	E-1
IC 4	E-3	TP 4	E-1
IC 5	K-1		
IC 6	K-1		
IC 7	A-2		
IC 8	H-1		
*Q 2	D-1		
*Q 3	E-1		
*Q 4	J-1		
*Q 5	J-1		
*Q 6	J-1		
*Q 7	J-1		
*Q 8	J-1		
*Q 9	J-1		
*Q 10	J-1		
*Q 12	B-3		
*Q 13	B-3		
*Q 14	B-2		
*Q 15	B-2		
*Q 16	B-2		
*Q 17	B-2		
*Q 18	B-2		
*Q 19	B-2		
*Q 20	C-3		
*Q 21	C-3		
*Q 22	C-3		
*Q 23	C-3		
*Q 24	C-3		
*Q 25	B-3		
*Q 26	B-3		
*Q 27	B-2		
*Q 28	B-2		
*Q 29	B-2		
*Q 30	B-2		

* : B SIDE

Serial No. (EK); 11151 to 14045
 Serial No. (UC); 10001 to 10010

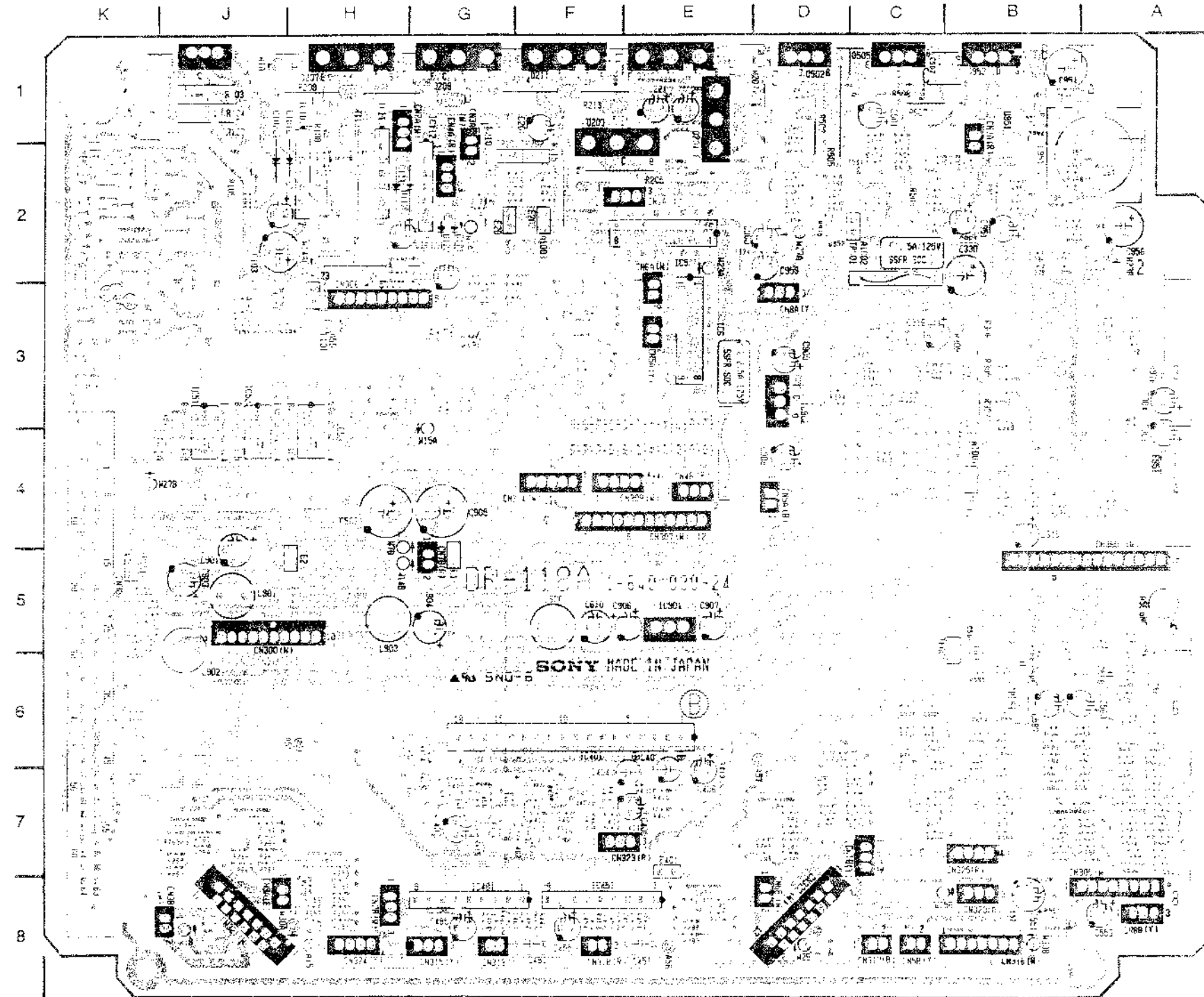
DR-118A DR-118A

DR-118A ; MOTOR DRIVER, SOLENOID DRIVER, SENSOR INPUT, TENSION AMPLIFIER, FG AMPLIFIER,
 CTL PB, ADJUST DATA STORAGE

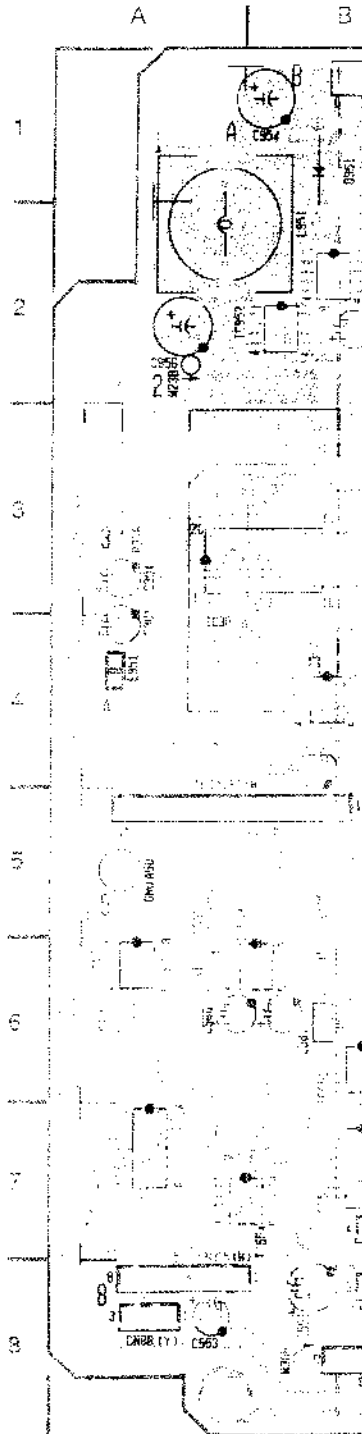
DR-118A (1-640-030-24)

CN 1A	E-2	IC 54	H-3	Q 505	C-1
CN 1B	C-7	IC 101	H-1	*Q 551	B-8
CN 2A	H-1	IC 111	H-1	*Q 951	B-1
CN 2B	H-8	IC 112	G-1	*Q 952	B-1
CN 3A	G-2	IC 151	J-3	Q 953	B-1
CN 3B	J-8	IC 152	K-5	Q 954	D-2
CN 4A	G-2	IC 201	F-2	Q 955	A-2
CN 4B	E-4	IC 251	H-8		
CN 5A	E-3	IC 252	J-7	TP 151	K-5
CN 5B	C-8	IC 253	J-7	TP 201	G-2
CN 6A	E-3	IC 271	D-7	TP 202	F-2
CN 6B	D-8	IC 272	E-8	TP 301	B-4
CN 7A	B-2	IC 273	D-7	TP 501	C-2
CN 7B	G-5	IC 301	A-4	TP 601	B-6
CN 8A	D-3	IC 302	B-4	TP 651	B-6
CN 8B	A-8	IC 304	C-3		
CN 9A	D-4	IC 305	C-3		
CN 9B	J-8	IC 401	F-6		
CN 300	J-5	IC 402	E-7		
CN 302	K-5	IC 403	G-6		
CN 305	A-8	IC 404	F-7		
CN 306	H-3	IC 405	G-7		
CN 307	E-4	IC 451	F-8		
CN 309	E-4	IC 481	G-8		
CN 314	F-4	IC 501	C-2		
CN 315	G-8	IC 551	B-6		
CN 316	B-8	IC 552	A-7		
CN 317	C-8	IC 553	B-6		
CN 318	F-8	IC 554	A-7		
CN 319	G-8	IC 601	C-6		
CN 320	B-8	IC 602	C-7		
CN 321	J-8	IC 651	B-6		
CN 322	D-8	IC 652	B-7		
CN 323	E-7	IC 901	E-5		
CN 324	H-8	IC 902	D-3		
CN 325	B-7	IC 951	B-2		
CN 360	A-5	IC 952	B-2		
		IC 953	B-2		
		IC 954	D-2		
D 101	H-1				
D 102	J-1				
D 111	H-2	L 600	F-5		
D 121	G-2	L 901	J-5		
D 122	G-2	L 902	J-5		
*D 301	C-3	L 903	H-5		
*D 401	G-7	L 951	B-2		
*D 402	F-7				
*D 403	F-7	Q 101	K-1		
*D 551	A-5	Q 102	J-2		
*D 581	A-6	Q 103	J-1		
D 951	B-1	Q 201	E-1		
*D 952	D-2	Q 202	D-2		
		Q 203	F-1		
E 1	G-5	Q 204	E-1		
E 2	H-5	*Q 205	H-1		
E 101	H-3	*Q 206	G-1		
E 201	G-2	Q 207	H-1		
E 401	E-8	Q 208	G-1		
E 951	A-4	*Q 209	F-1		
		*Q 210	E-1		
F 1	C-2	Q 211	F-1		
F 2	E-4	Q 212	E-1		
		*Q 401	F-7		
IC 1	F-3	*Q 402	F-7		
IC 5	E-2	*Q 404	G-7		
IC 6	E-3	*Q 501	D-1		
IC 51	J-3	Q 502	D-1		
IC 52	J-3	Q 503	C-1		
IC 53	H-4	Q 504	C-1		

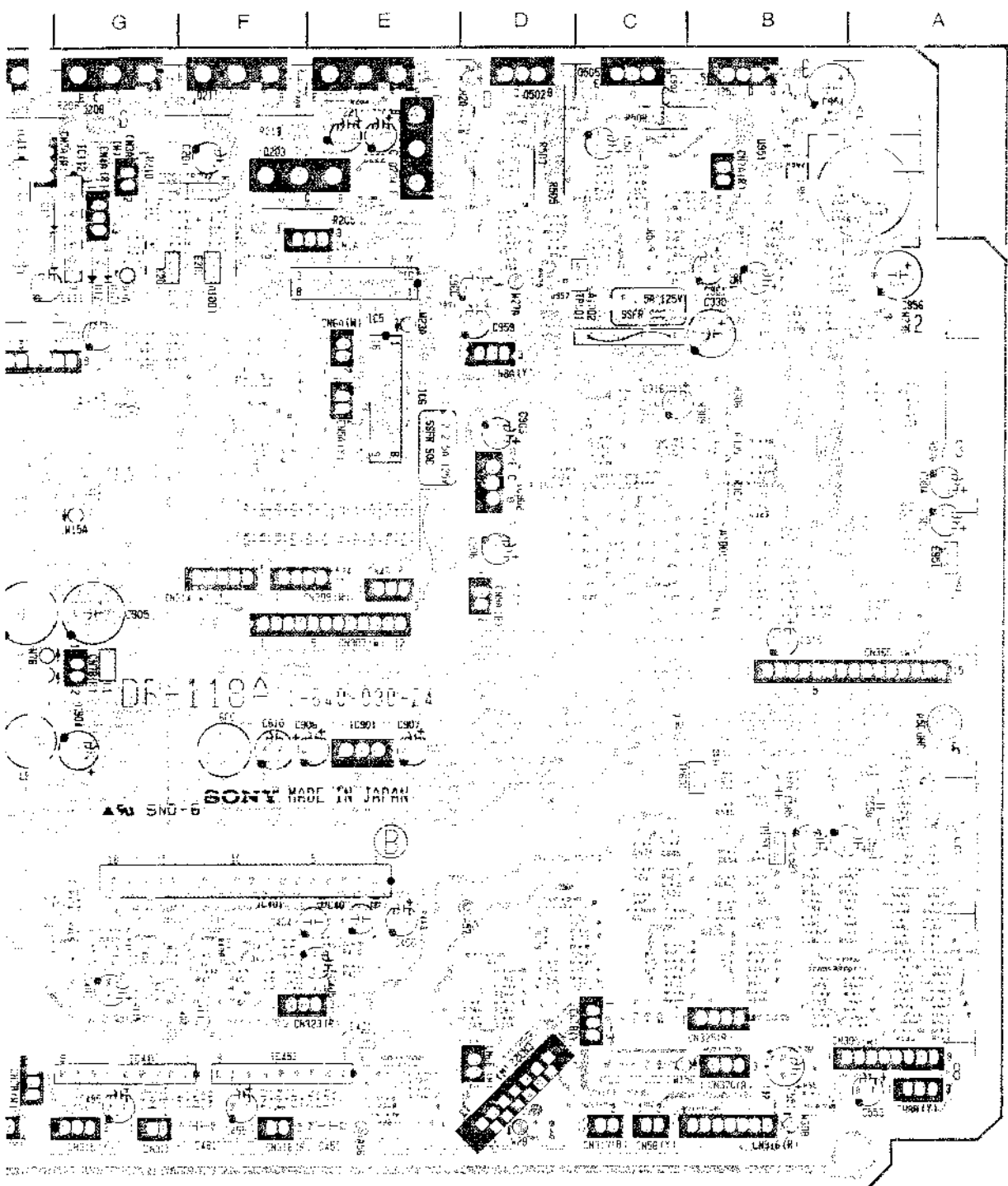
* : B SIDE



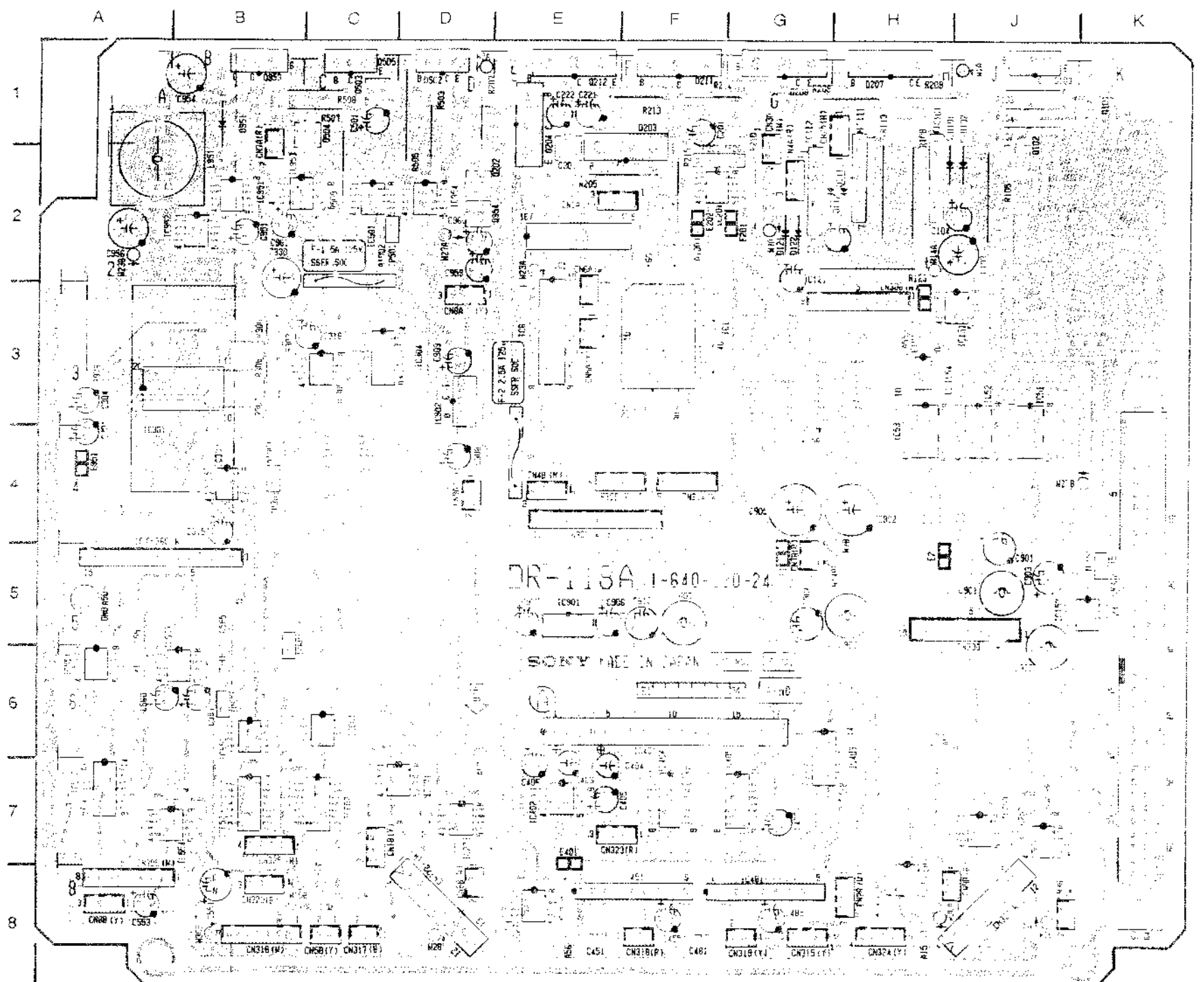
DR-118A 1-640-030-24 B SIDE



PL. FER,



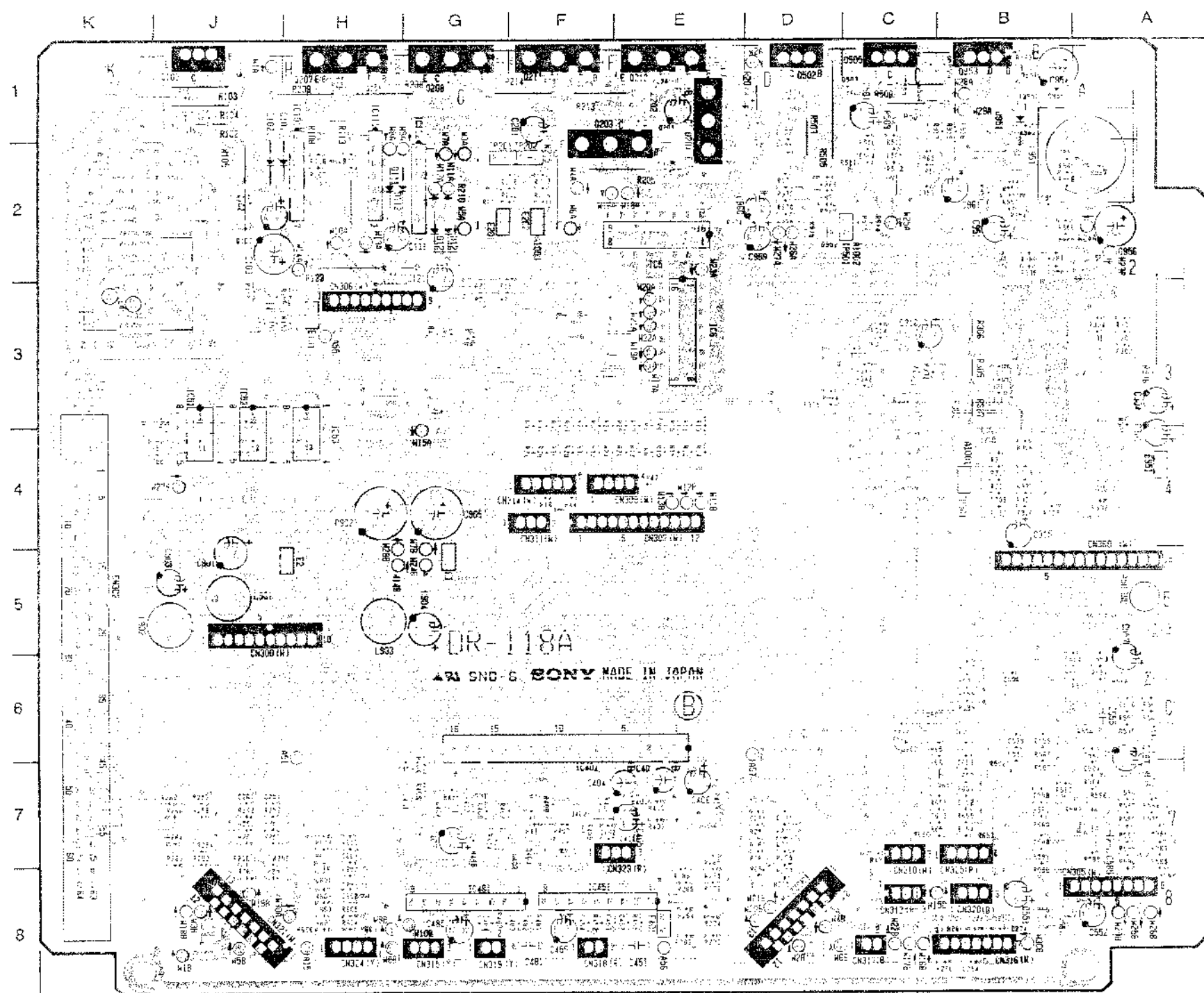
DR-118A 1-640-030-24 B SIDE



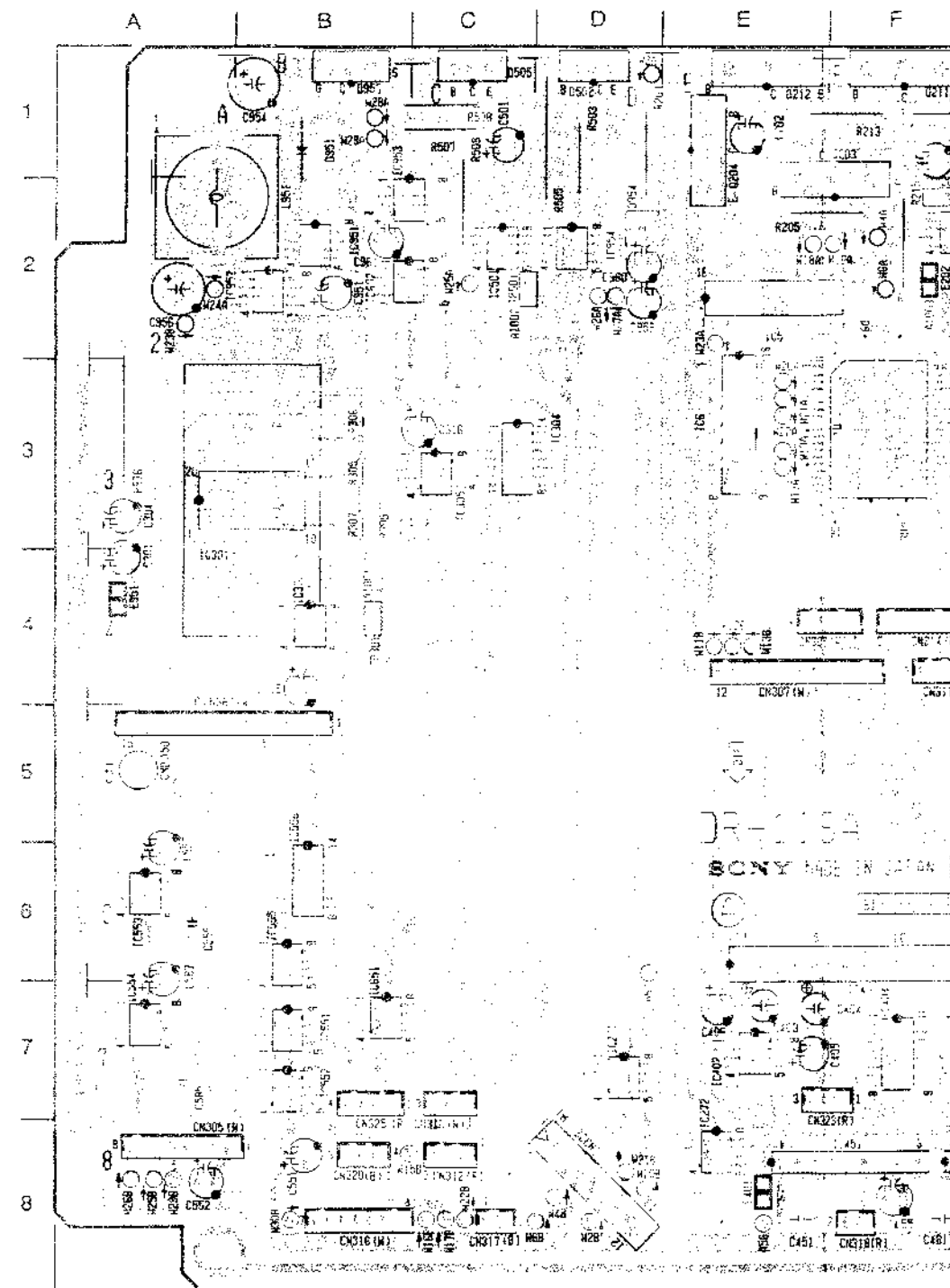
DR-118A 1-640-030-24 A SIDE

Serial No. (EK); 10651 to 11150

DR-118A ; MOTOR DRIVER, SOLENOID DRIVER, SENSOR INPUT, TENSION AMPLIFIER, FG AMPLIFIER, CTL PB, ADJUST DATA STORAGE

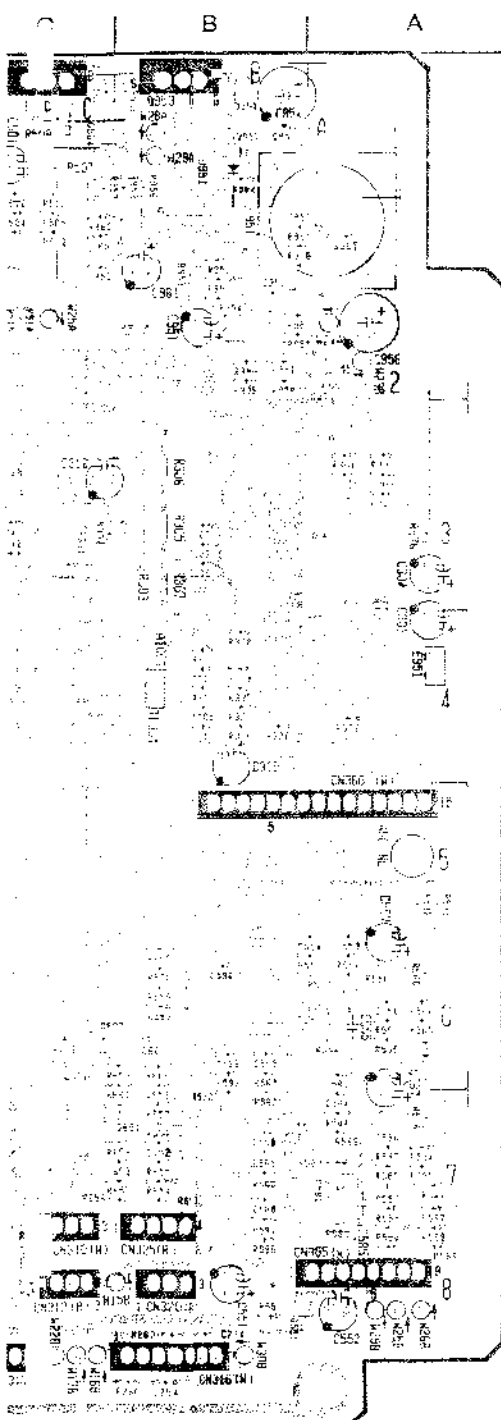


DR-118A 1-640-030-23 B SIDE

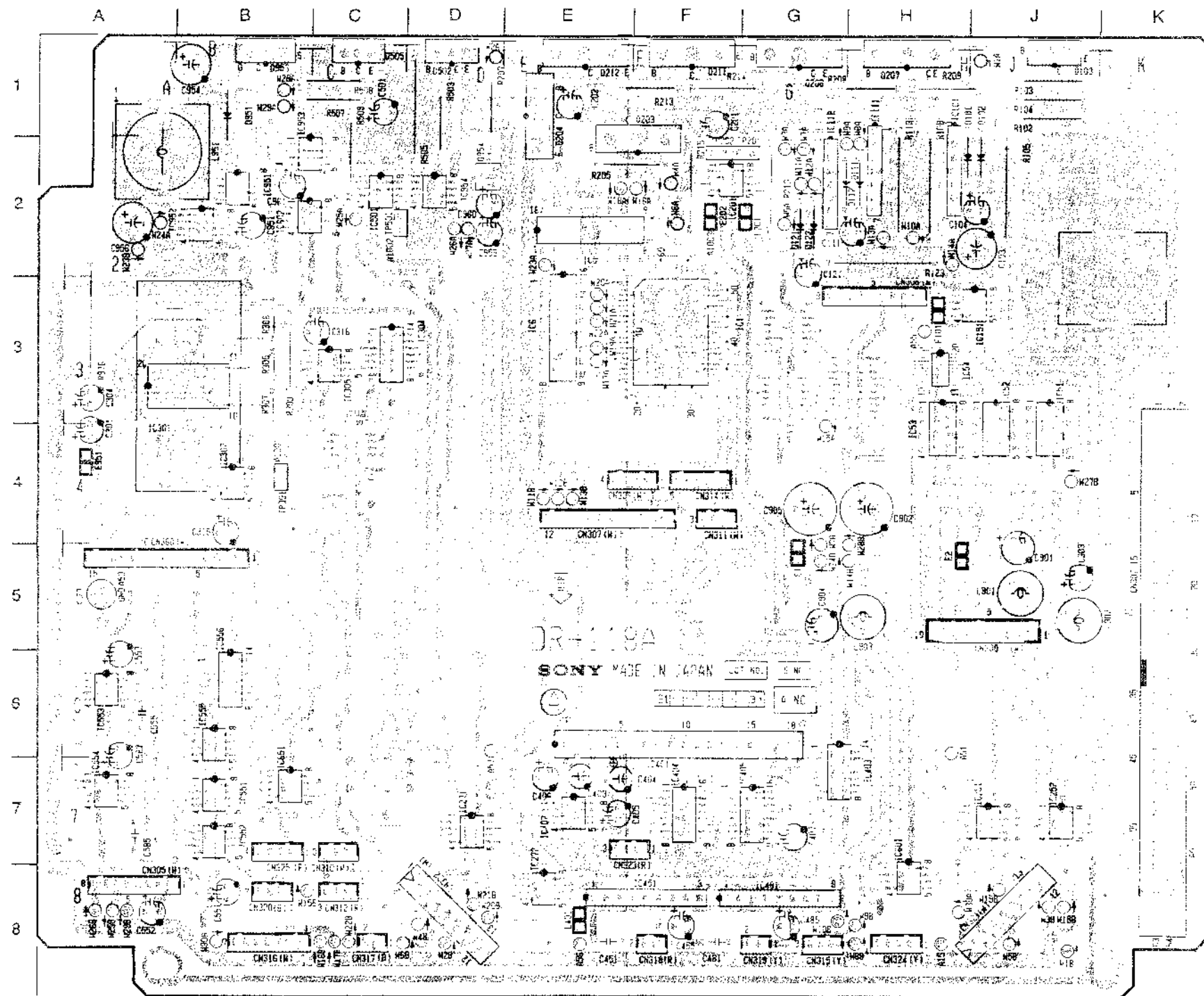


DR,

DR-118A (1-640-030-23)



DR-118A 1-640-030-23 B SIDE



DR-118A 1-640-030-23 A SIDE

CN 300	J-5	IC 401	F-7
CN 302	K-5	IC 402	E-7
CN 305	A-8	IC 403	H-7
CN 306	H-3	IC 404	F-7
CN 307	E-4	IC 405	G-7
CN 309	E-4	IC 451	F-8
CN 310	C-8	IC 481	G-8
CN 311	F-4	IC 501	C-2
CN 312	C-8	IC 551	B-7
CN 314	F-4	IC 552	B-7
CN 315	G-8	IC 553	A-6
CN 316	B-8	IC 554	A-7
CN 317	C-8	IC 555	B-6
CN 318	F-8	IC 556	B-5
CN 319	G-8	IC 601	H-8
CN 320	B-8	IC 602	B-2
CN 321	J-8	IC 651	B-7
CN 322	D-8	IC 951	B-2
CN 323	E-8	IC 952	A-2
CN 324	H-8	IC 953	B-1
CN 325	B-8	IC 954	D-2
CN 360	A-4		
		L 901	J-5
		L 902	K-5
		L 903	H-6
		L 951	B-2
D 101	H-1		
D 102	J-1		
D 111	H-2		
D 121	G-2		
D 122	G-2		
*D 301	C-3		
*D 401	G-7	*Q 101	J-1
*D 402	F-8	*Q 102	J-2
*D 403	F-8	Q 103	J-1
*D 551	A-6	*Q 201	E-1
*D 581	A-7	*Q 202	D-1
*D 601	B-6	Q 203	F-1
D 951	B-1	Q 204	E-1
*D 952	D-2	*Q 205	H-1
		*Q 206	G-1
		Q 207	H-1
E 1	G-5	Q 208	G-1
E 2	H-5	*Q 209	F-1
E 101	H-3	*Q 210	E-1
E 201	G-2	Q 211	F-1
E 401	E-8	Q 212	E-1
E 951	A-4	*Q 401	F-8
		*Q 402	F-7
F 1	C-7	*Q 404	G-7
F 2	H-4	*Q 501	D-1
		Q 502	D-1
IC 1	F-3	*Q 503	C-1
IC 5	E-2	*Q 504	C-1
IC 6	E-3	Q 505	C-1
IC 51	J-3	*Q 551	B-8
IC 52	J-3	*Q 601	H-8
IC 53	H-4	*Q 602	C-6
IC 54	H-3	*Q 603	C-6
IC 101	H-1	*Q 651	B-7
IC 111	H-1	*Q 951	B-1
IC 112	G-1	*Q 952	B-1
IC 151	J-3	Q 953	B-1
IC 201	F-2	Q 954	D-2
IC 251	J-7		
IC 271	D-7		
IC 272	E-8	TP 201	G-2
IC 301	A-4	TP 202	F-2
IC 302	B-4		
IC 304	D-3		
IC 305	C-3		

* : B SIDE

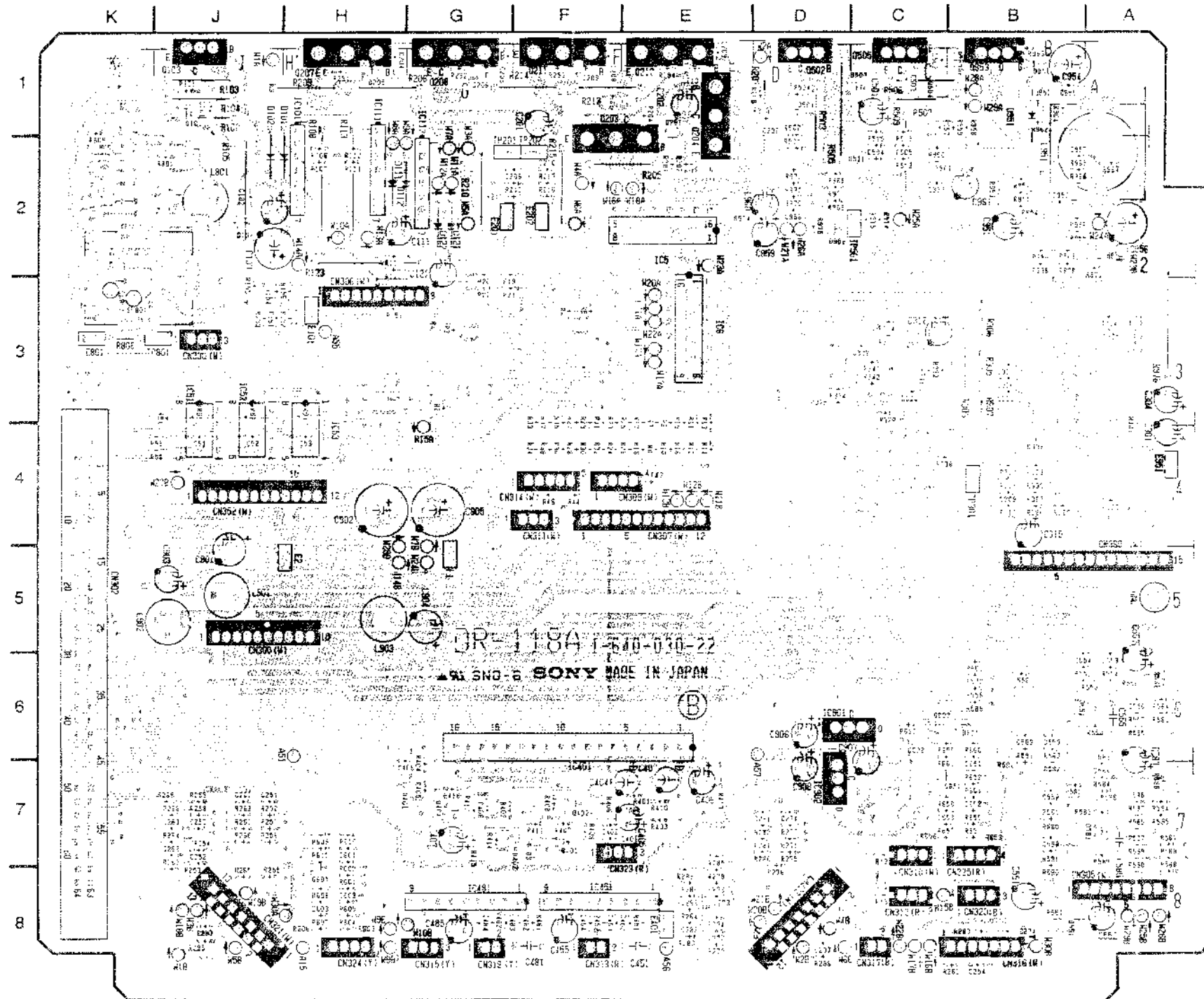
Serial No. (EK); 10001 to 10650

DR-118A ; MOTOR DRIVER, SOLENOID DRIVER, SENSOR INPUT, TENSION AMPLIFIER, FG AMPLIFIER, CTL PB, ADJUST DATA STORAGE

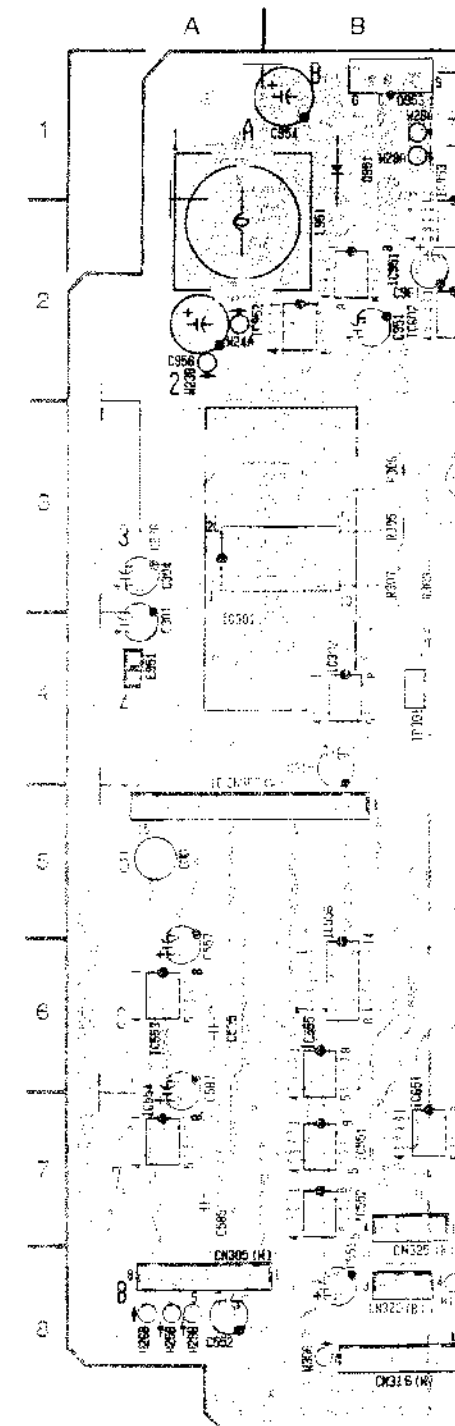
DR-118A (1-640-030-22)

CN 300	J-5	IC 451	F-8
CN 302	K-5	IC 481	G-8
CN 305	A-8	IC 501	C-2
CN 306	H-3	IC 551	B-7
CN 307	E-4	IC 552	B-7
CN 309	E-4	IC 553	A-6
CN 310	C-8	IC 554	A-7
CN 311	F-4	IC 555	B-6
CN 312	C-8	IC 556	B-5
CN 314	F-4	IC 601	H-8
CN 315	G-8	IC 602	B-2
CN 316	B-8	IC 651	B-6
CN 317	C-8	IC 951	B-2
CN 318	F-8	IC 952	A-2
CN 319	G-8	IC 953	B-1
CN 320	B-8	IC 954	D-2
CN 321	J-8		
CN 322	D-8	L 901	J-5
CN 323	E-8	L 902	K-5
CN 324	H-8	L 903	H-5
CN 325	B-8	L 951	B-2
CN 360	A-4		
D 101	H-1	*Q 101	J-1
D 102	J-1	Q 103	J-1
D 111	H-2	*Q 201	E-1
D 121	G-2	*Q 202	D-2
D 122	G-2	Q 203	F-1
*D 301	C-3	Q 204	E-1
*D 401	G-7	*Q 205	H-1
*D 402	F-8	*Q 206	G-1
*D 403	F-8	Q 207	H-1
*D 551	A-6	Q 208	G-1
*D 581	A-7	*Q 209	F-1
*D 601	B-6	*Q 210	E-1
*D 951	B-1	Q 211	F-1
*D 952	D-2	Q 212	E-1
E 1	G-5	*Q 401	F-8
E 2	H-5	*Q 402	F-7
E 101	H-3	*Q 404	G-7
E 201	G-2	*Q 501	D-1
E 401	E-8	Q 502	D-1
E 951	A-4	*Q 503	C-1
IC 1	F-3	*Q 504	C-1
IC 5	E-2	Q 505	C-1
IC 6	E-3	*Q 551	B-8
IC 51	J-3	*Q 601	H-8
IC 52	J-3	*Q 602	C-6
IC 53	H-4	*Q 603	C-6
IC 54	H-3	*Q 651	B-7
IC 101	H-1	*Q 951	B-1
IC 111	H-1	*Q 952	B-1
IC 112	G-1	Q 953	B-1
IC 151	J-3	Q 954	D-2
IC 201	F-2	*Q 955	A-2
IC 251	J-7		
IC 271	D-7	TP 201	G-2
IC 272	E-8	TP 202	F-2
IC 301	A-4	TP 301	B-4
IC 302	B-4	TP 501	C-2
IC 304	D-3	TP 801	J-3
IC 305	C-3		
IC 401	F-7		
IC 402	E-7		
IC 403	H-7		
IC 404	F-7		
IC 405	G-7		

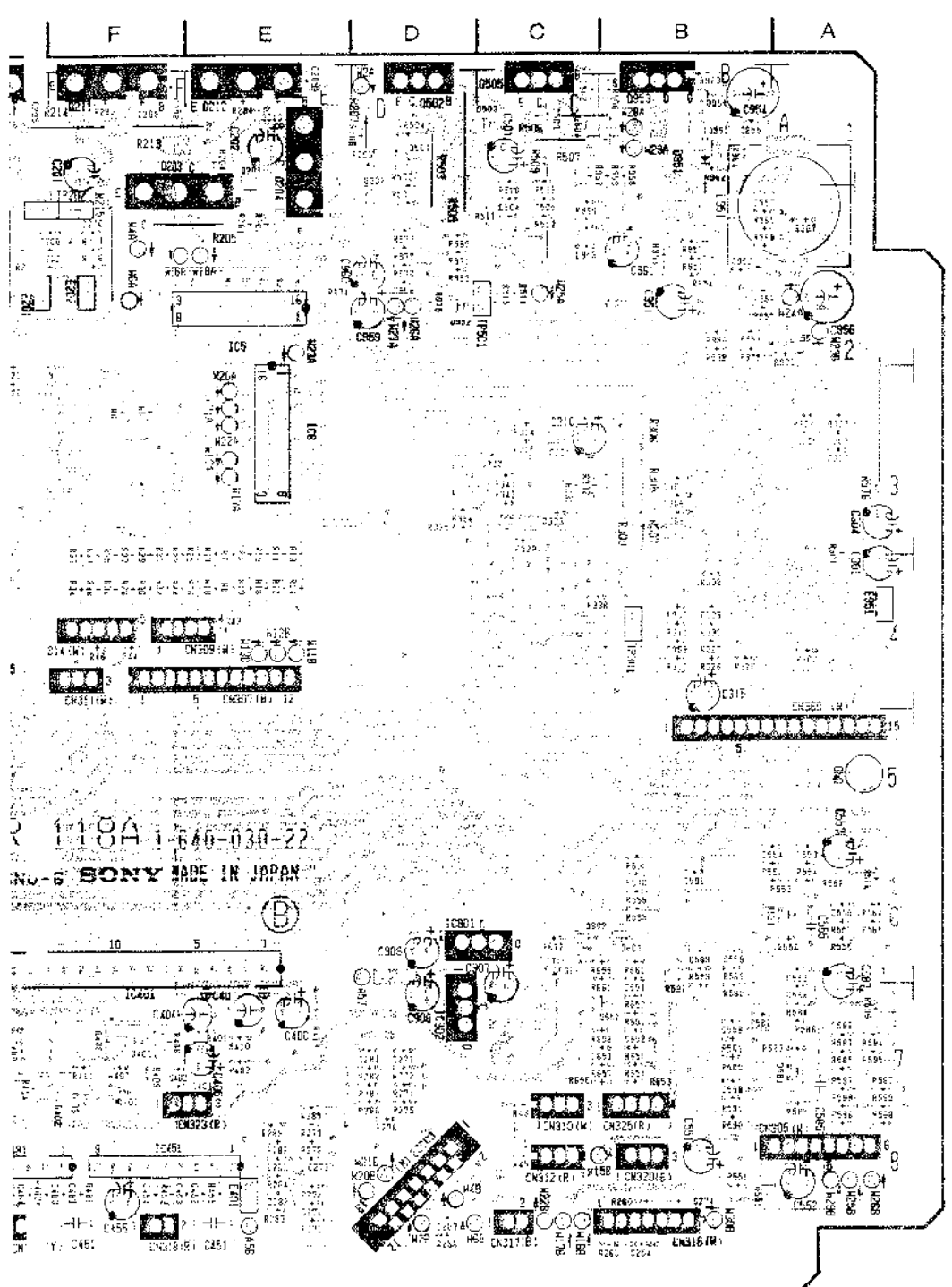
* : B SIDE



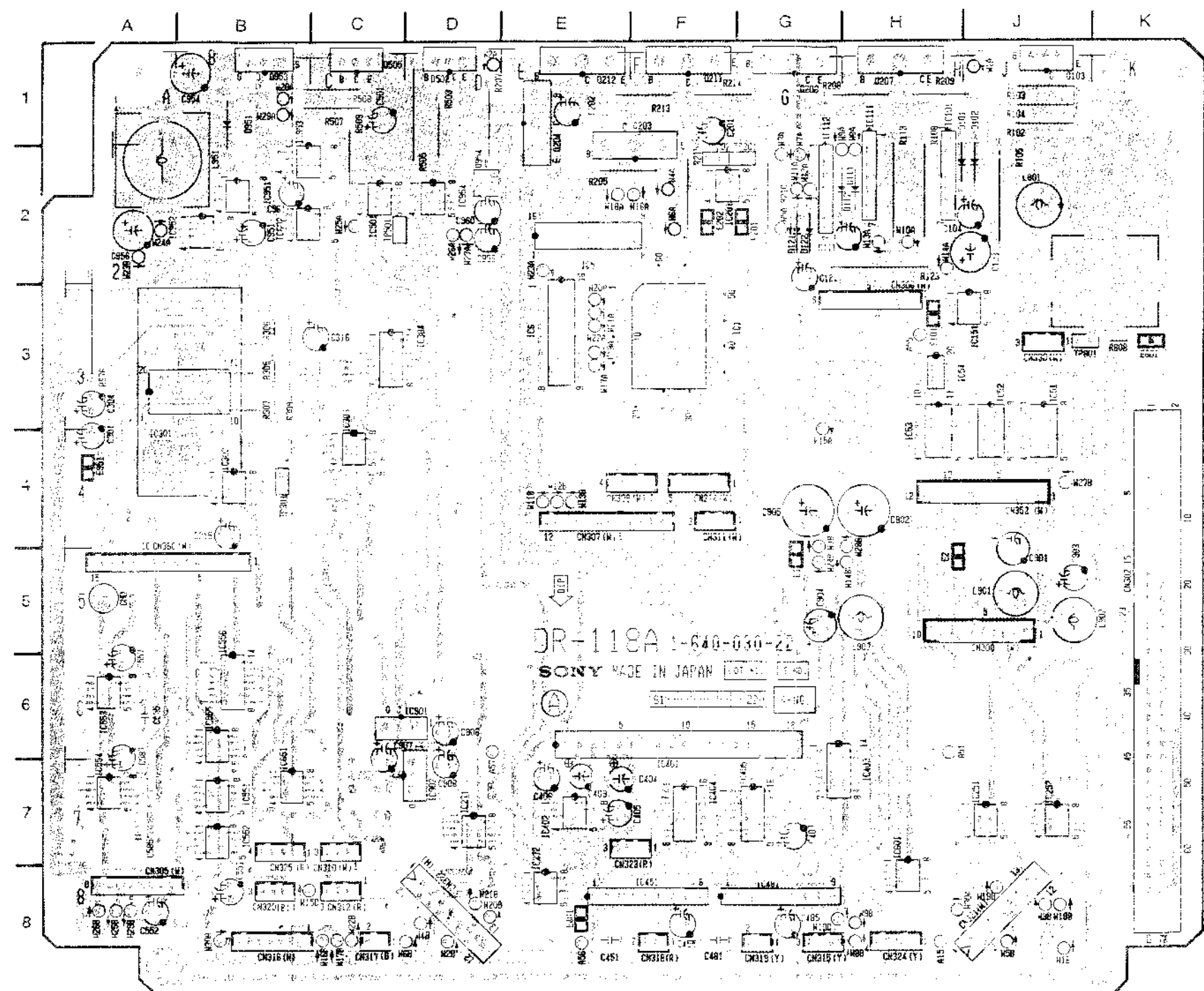
DR-118A 1-640-030-22 B SIDE



L.. ER,



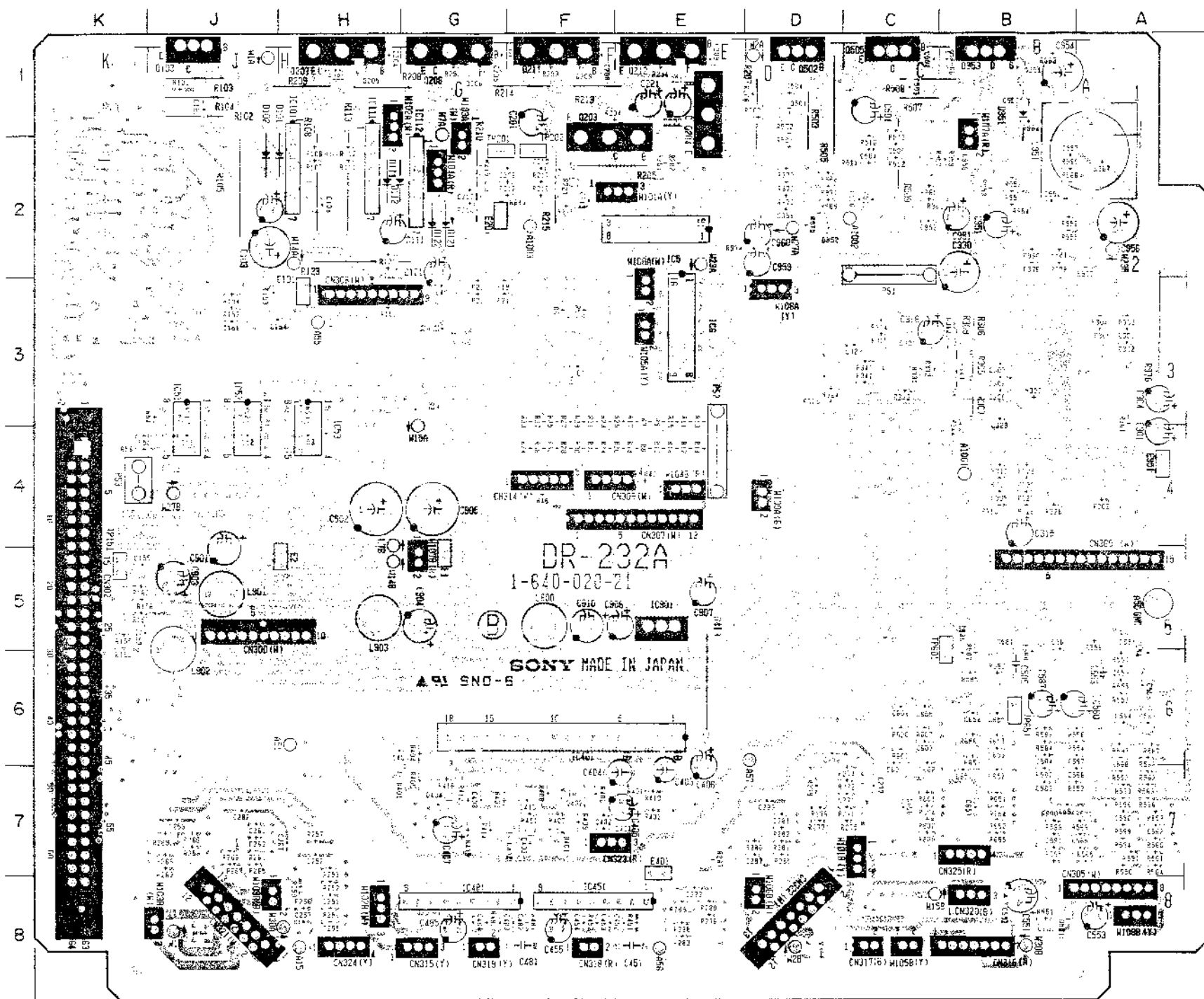
DR-118A 1-640-030-22 B SIDE



DR-118A 1-640-030-22 A SIDE

Serial No. (EK); 14046 and higher
Serial No. (UC); 10011 and higher

DR-232A ; MOTOR DRIVER, SOLENOID DRIVER, SENSOR INPUT, TENSION AMPLIFIER, FG AMPLIFIER,
CTL PB, ADJUST DATA STORAGE



DR-232A 1-640-020-21 B SIDE

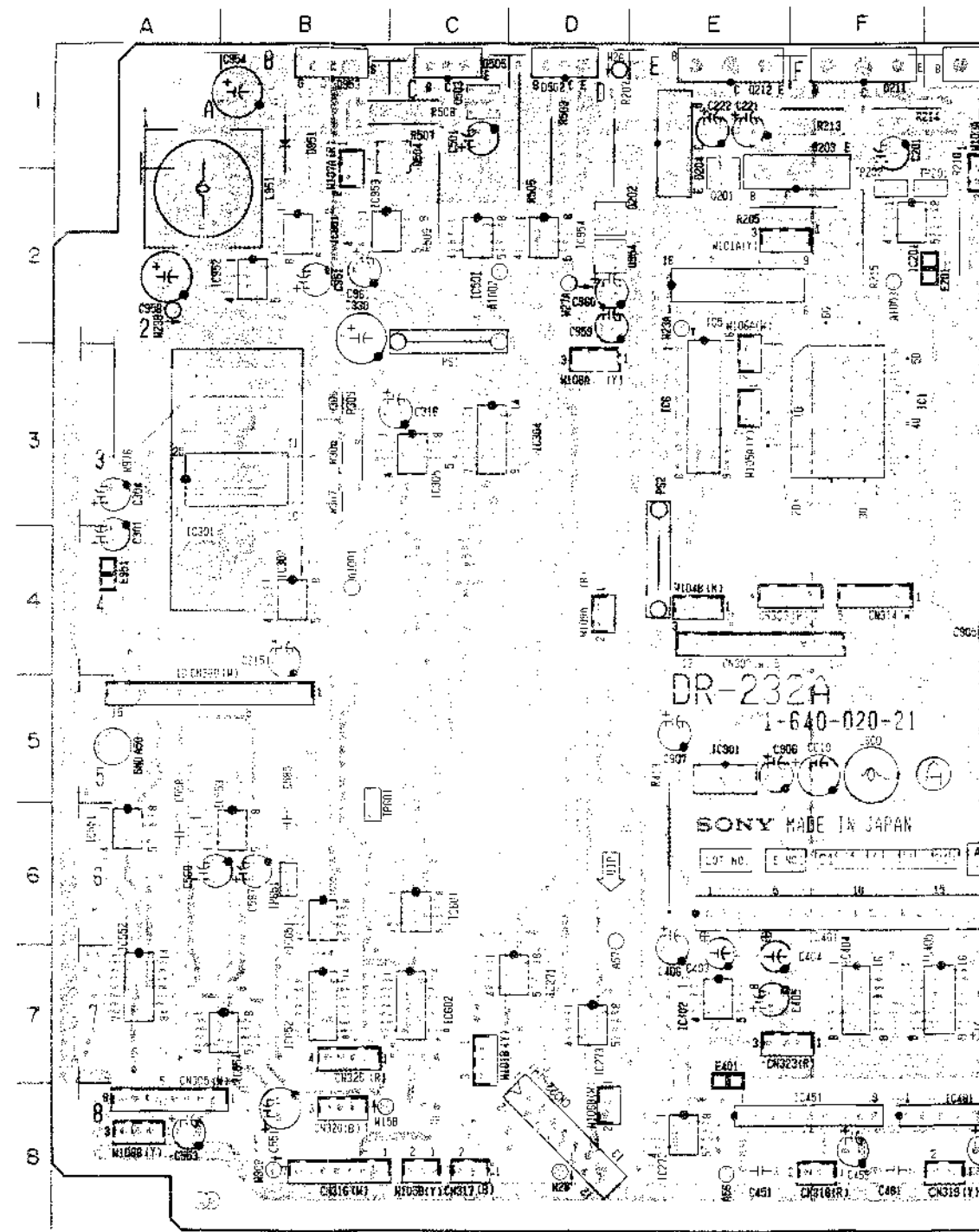
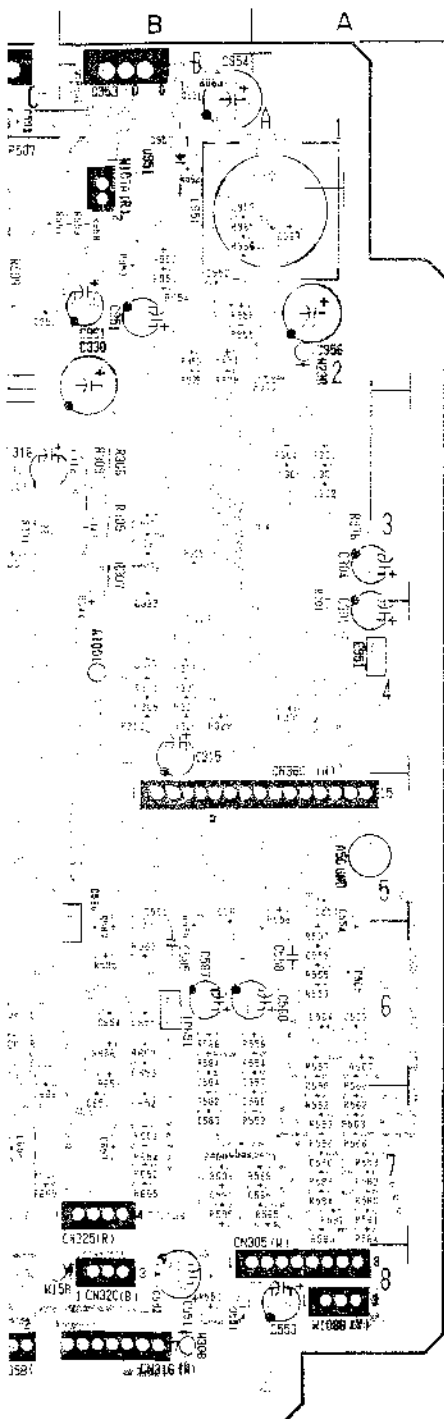
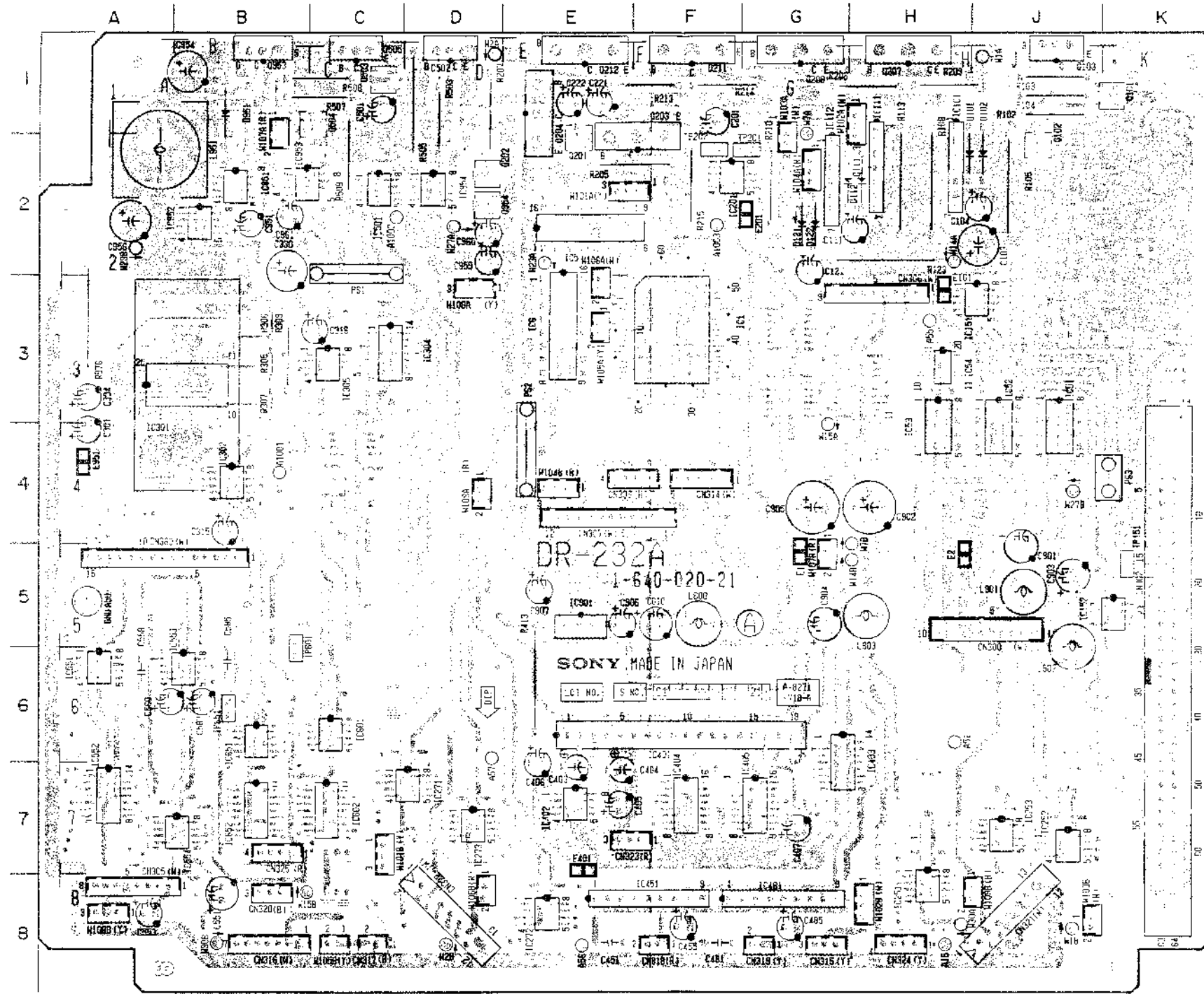


FIG. 1



DR-232A 1-640-020-21 B SIDE



DR-232A 1-640-020-21 A SIDE

DR-232A (1-640-020-21)

CN 300	J-6	IC 451	F-8
CN 302	K-5	IC 481	G-8
CN 305	A-8	IC 501	C-2
CN 306	H-3	IC 551	A-6
CN 307	E-4	IC 552	A-7
CN 309	E-4	IC 553	A-5
CN 314	F-4	IC 554	B-7
CN 315	G-8	IC 601	C-6
CN 316	B-8	IC 602	C-7
CN 317	C-8	IC 651	B-6
CN 318	F-8	IC 652	B-7
CN 319	G-8	IC 901	E-5
CN 320	B-8	IC 951	B-2
CN 321	J-8	IC 952	A-2
CN 322	D-8	IC 953	B-2
CN 323	E-7	IC 954	D-2
CN 324	H-8		
CN 325	B-7	L 600	F-5
CN 360	A-5	L 901	J-6
		L 902	J-6
		L 903	H-6
		L 951	B-2
D 101	H-1	Q 101	K-1
D 102	J-1	Q 102	J-2
D 111	H-2	Q 103	J-1
D 112	H-2	Q 201	E-2
D 121	G-2	Q 202	D-2
D 122	G-2	Q 203	F-1
*D 301	C-3	Q 204	E-2
*D 311	B-4	*Q 205	H-1
*D 312	B-3	*Q 206	G-1
*D 401	G-7	Q 207	H-1
*D 402	F-7	Q 208	G-1
*D 403	F-7	*Q 209	F-1
*D 551	A-5	*Q 210	E-1
*D 581	B-5	Q 211	F-1
D 951	B-1	Q 212	E-1
*D 952	D-2	*Q 401	F-7
		*Q 402	F-7
		*Q 404	G-7
		*Q 501	D-1
		Q 502	D-1
		Q 503	C-1
		Q 504	C-1
		Q 505	C-1
		*Q 551	B-8
		*Q 951	B-1
		*Q 952	B-1
		Q 953	B-1
		Q 954	D-2
IC 1	F-3		
IC 5	E-2		
IC 6	E-3		
IC 51	J-4		
IC 52	J-4		
IC 53	H-4		
IC 54	H-3		
IC 101	H-1		
IC 111	H-1		
IC 112	G-1		
IC 151	J-3		
IC 152	J-5		
IC 201	F-2		
IC 251	H-8		
IC 252	J-7		
IC 253	J-7		
IC 271	D-7		
IC 272	E-8		
IC 273	D-7		
IC 301	A-4		
IC 302	B-4		
IC 304	D-3		
IC 305	C-3		
IC 401	F-6		
IC 402	E-7		
IC 403	H-7		
IC 404	F-7		
IC 405	G-7		

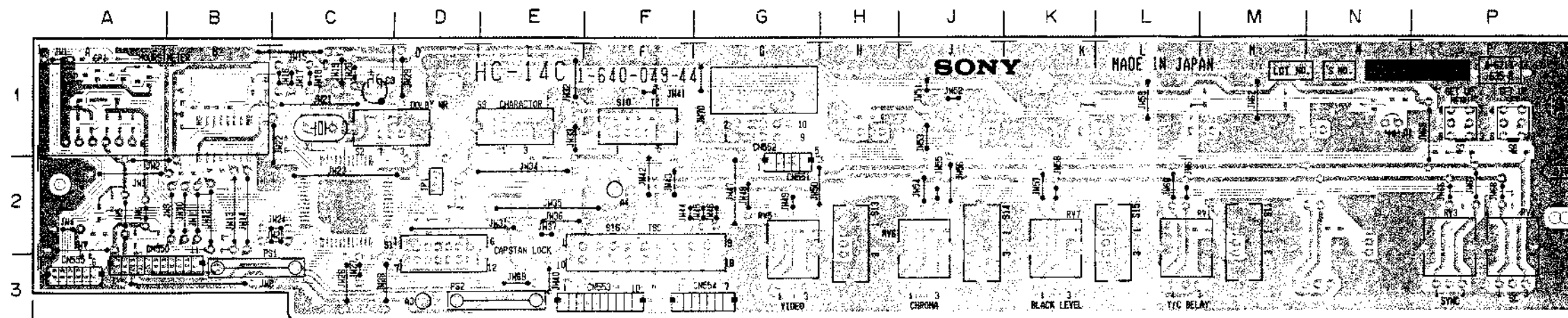
* : B SIDE

HC-14C ; SUB-CONTROL PANEL

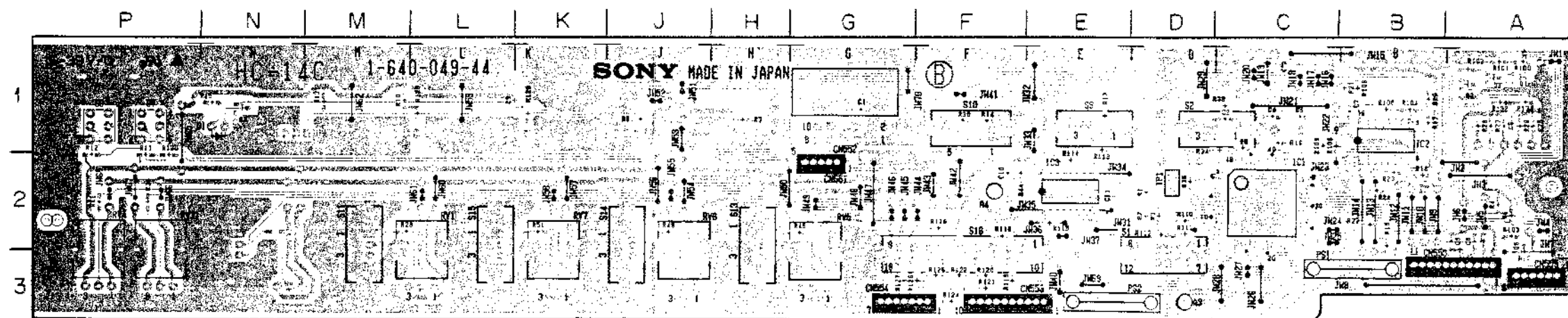
HC-14C (1-640-049-44)

- | | |
|--------|-----|
| CN 550 | A-3 |
| CN 551 | G-2 |
| CN 552 | G-2 |
| CN 553 | F-3 |
| CN 554 | G-3 |
| CN 555 | A-3 |
| | |
| CP 1 | A-1 |
| D 1 | N-1 |
| *IC 1 | C-2 |
| *IC 2 | B-1 |
| *IC 3 | E-2 |
| | |
| *Q 1 | A-1 |
| *Q 2 | A-1 |
| *Q 3 | A-1 |
| *Q 4 | N-1 |
| *Q 5 | A-2 |
| | |
| RV 1 | L-2 |
| RV 3 | P-2 |
| RV 4 | P-2 |
| RV 5 | G-2 |
| RV 6 | J-2 |
| RV 7 | K-2 |
| | |
| S 1 | D-2 |
| S 2 | C-1 |
| S 7 | P-1 |
| S 8 | P-1 |
| S 9 | E-1 |
| S 10 | F-1 |
| S 11 | M-2 |
| S 13 | H-2 |
| S 14 | J-2 |
| S 15 | L-2 |
| S 16 | F-2 |
| | |
| X 1 | C-1 |

* : B SIDE



HC-14C 1-640-049-44 A SIDE

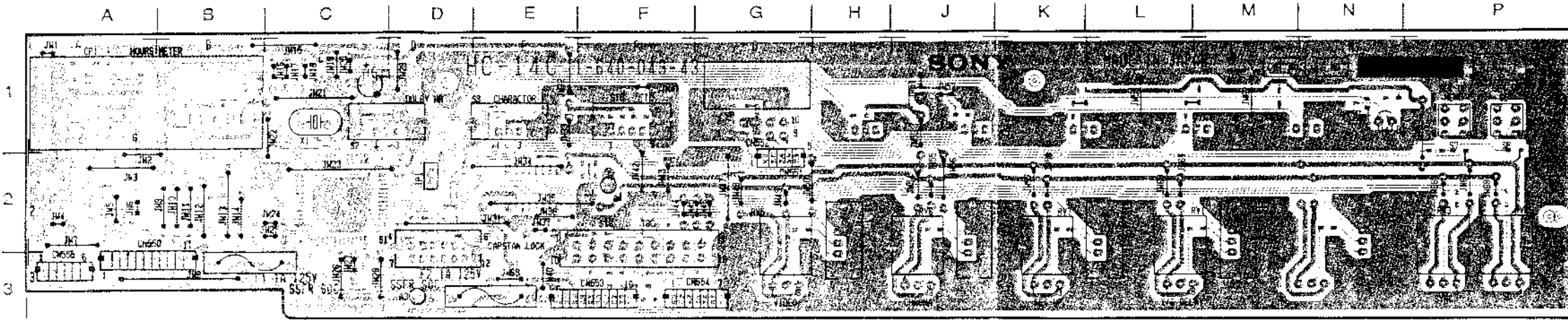


HC-14C 1-640-049-44 B SIDE

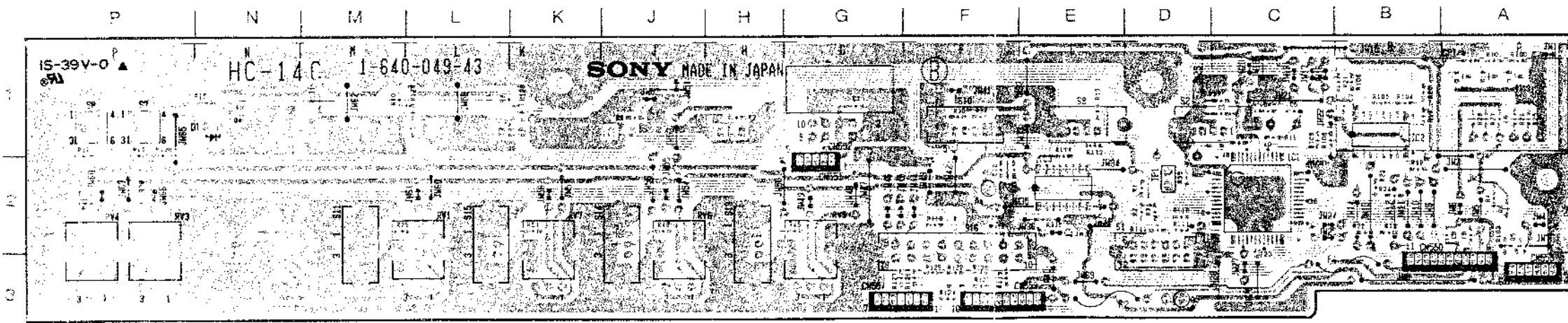
Serial No. (EK); 11151 to 14285
 Serial No. (UC); 10001 to 10010

HC-14C HC-14C

HC-14C ; SUB-CONTROL PANEL



HC-14C 1-640-049-43 A SIDE



HC-14C 1-640-049-43 B SIDE

HC-14C (1-640-049-43)

- CN 550 A-3
- CN 551 G-2
- CN 552 G-2
- CN 553 F-3
- CN 554 G-3
- CN 555 A-3
- CP 1 A-1
- D 1 N-1
- F 1 B-3
- F 2 E-3
- *IC 1 C-2
- *IC 2 B-1
- *IC 3 E-2
- *Q 1 A-1
- *Q 2 A-1
- *Q 3 A-1
- *Q 4 N-1
- *Q 5 A-2
- RV 1 L-2
- RV 3 P-2
- RV 4 P-2
- RV 5 G-2
- RV 6 J-2
- RV 7 K-2
- S 1 D-2
- S 2 C-1
- S 7 P-1
- S 8 P-1
- S 9 E-1
- S 10 F-1
- S 11 M-2
- S 13 H-2
- S 14 J-2
- S 15 L-2
- S 16 F-2
- TP 1 D-2
- X 1 C-1

* B S. DE

Serial No. (EK); 10151 to 11150

HC-14C ; SUB-CONTROL PANEL

HC-14C (1-640-049-42)

- CN 550 A-3
- CN 551 G-2
- CN 552 G-2
- CN 553 F-3
- CN 554 G-3
- CN 555 A-3

CP 1 A-1

D 1 N-1

F 1 E-3

F 2 E-3

*IC 1 C-2

*IC 2 B-1

*IC 3 E-2

*Q 1 A-1

*Q 2 A-1

*Q 3 A-1

*Q 4 N-1

*Q 5 A-2

RV 1 L-2

RV 3 P-2

RV 4 P-2

RV 5 G-2

RV 6 J-2

RV 7 K-2

S 1 D-2

S 2 C-1

S 7 P-1

S 8 P-1

S 9 E-1

S 10 F-1

S 11 M-2

S 13 H-2

S 14 J-2

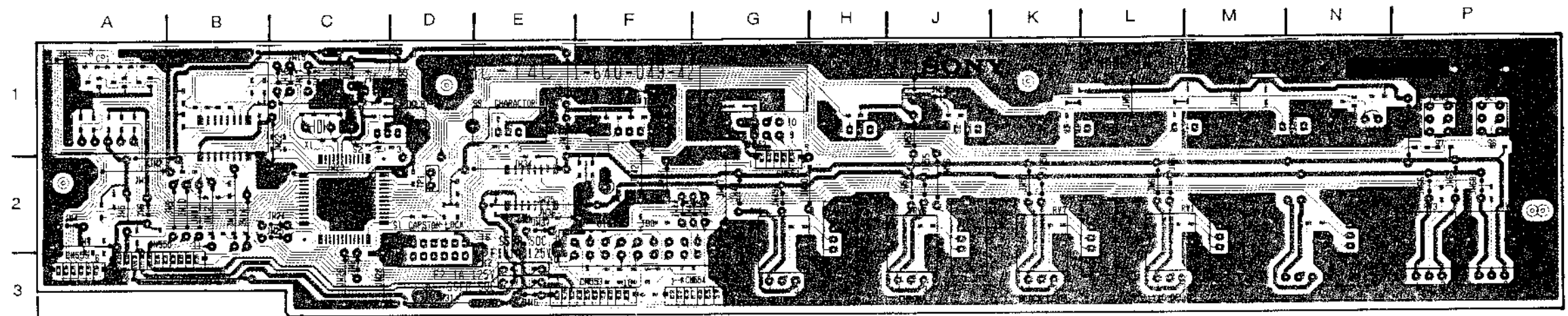
S 15 L-2

S 16 F-2

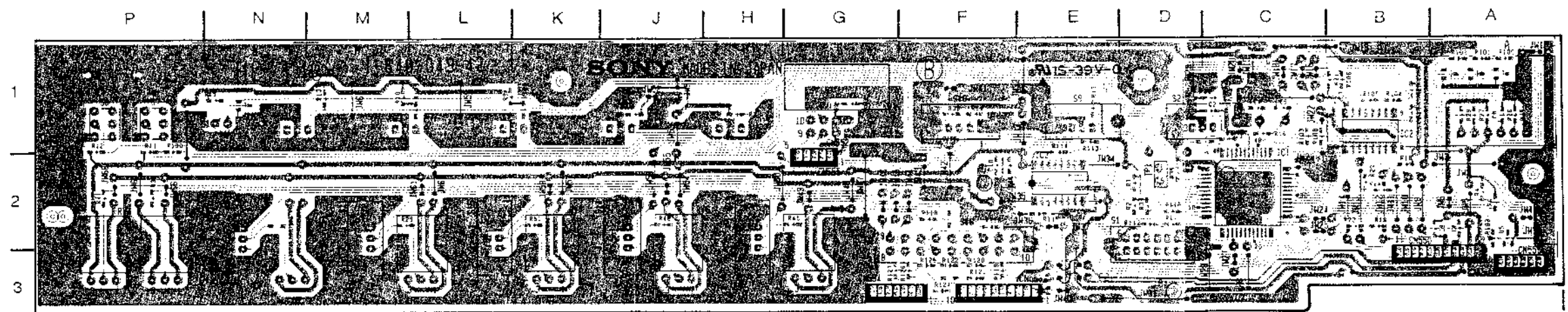
TP 1 D-2

X 1 C-1

* : B SIDE



HC-14C 1-640-049-42 A SIDE

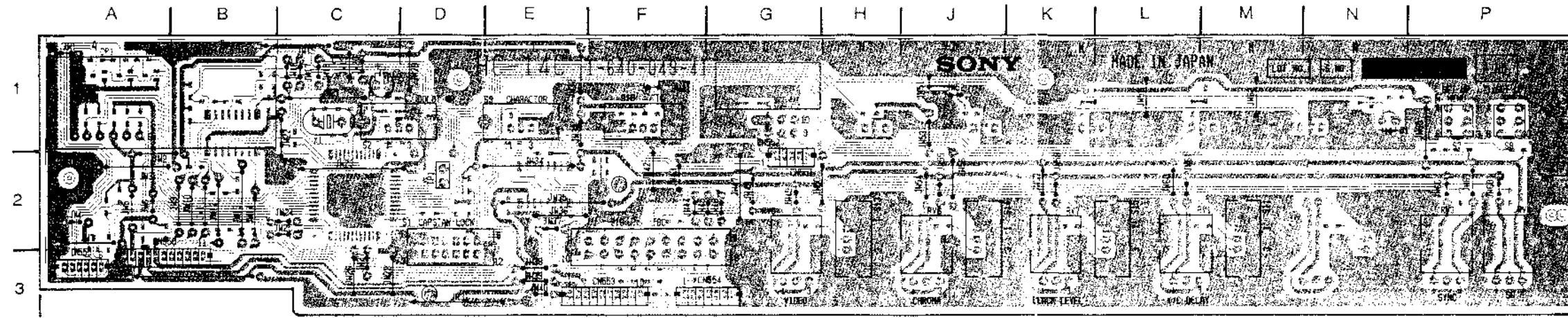


HC-14C 1-640-049-42 B SIDE

Serial No.(EK); 10001 to 10150

HC-14C ; SUB-CONTROL PANEL

HC-14C (1-640-049-41)



HC-14C 1-640-049-41 A SIDE

- CN 550 A-3
- CN 551 G-2
- CN 552 G-2
- CN 553 F-3
- CN 554 G-3
- CN 555 A-3

CP 1 A-1

D 1 N-1

- *IC 1 C-2
- *IC 2 B-1
- *IC 3 E-2

- *Q 1 A-1
- *Q 2 A-1
- *Q 3 A-1
- *Q 4 N-1
- *Q 5 A-2

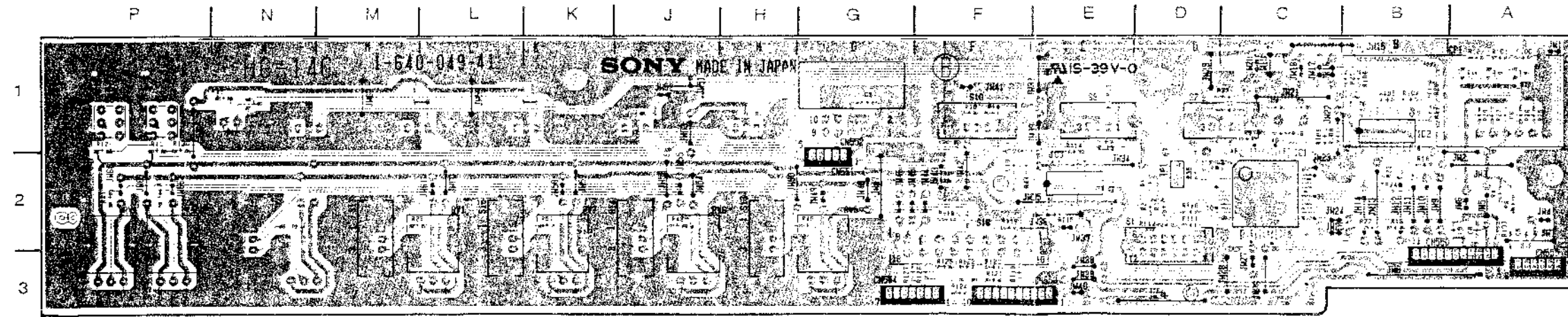
- RV 1 L-2
- RV 3 P-2
- RV 4 P-2
- RV 5 G-2
- RV 6 J-2
- RV 7 K-2

- S 1 D-2
- S 2 C-1
- S 7 P-1
- S 8 P-1
- S 9 E-1
- S 10 F-1
- S 11 M-2
- S 13 H-2
- S 14 J-2
- S 15 L-2
- S 16 F-2

TP 1 D-2

X 1 C-1

* B SIDE

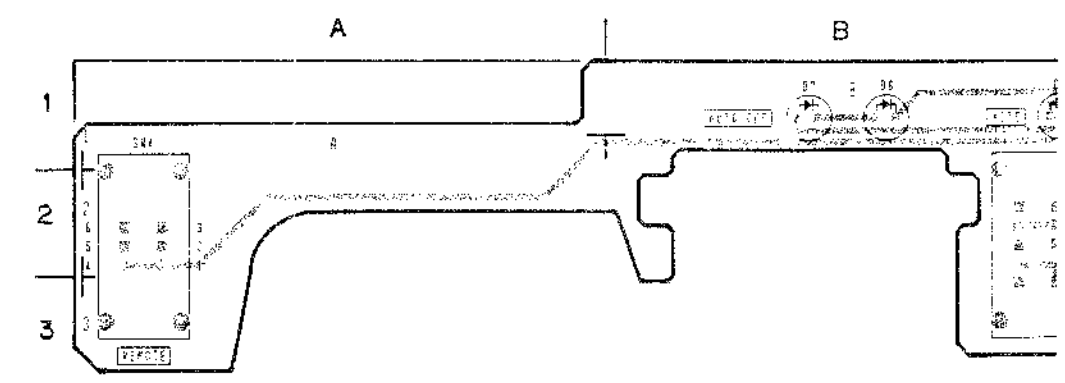
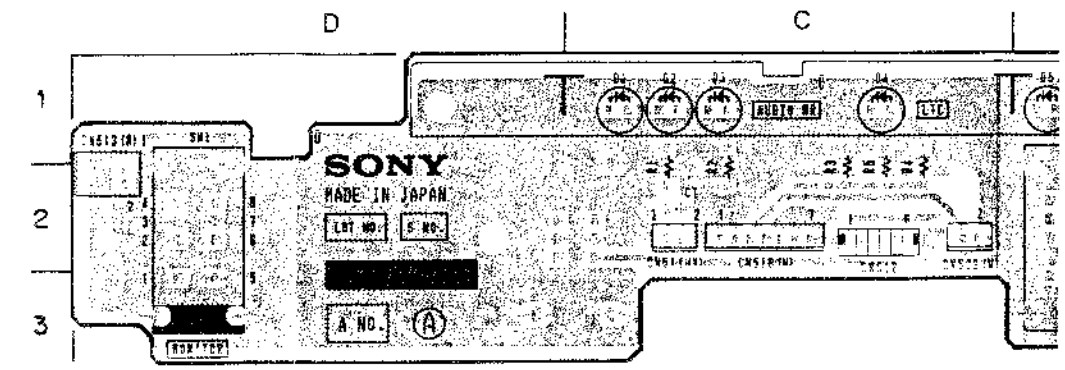


HC-14C 1-640-049-41 B SIDE

SW-444A ; SELECT SWITCH, INDICATOR, RF/VIDEO LEVEL METER

SW-444A (1-640-043-21)

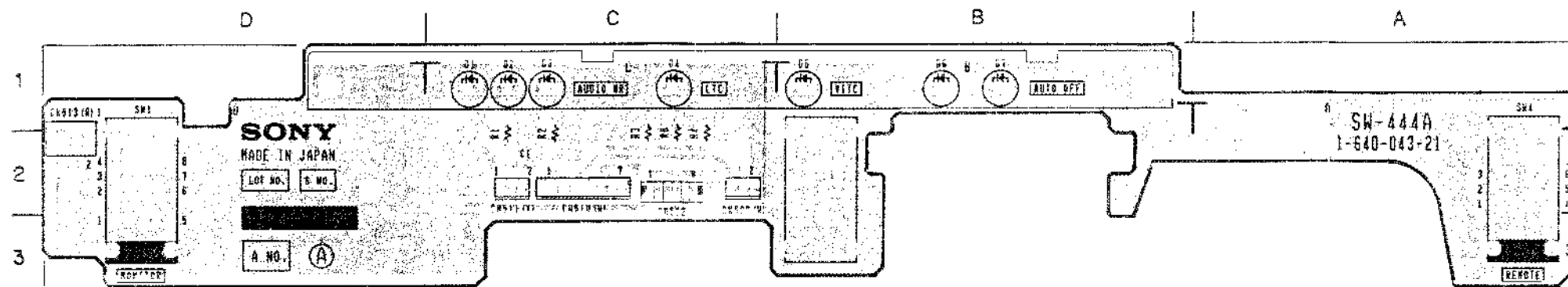
- D 1 C-1
- D 2 C-1
- D 3 C-1
- D 4 C-1
- D 5 B-1
- D 6 B-1
- D 7 B-1



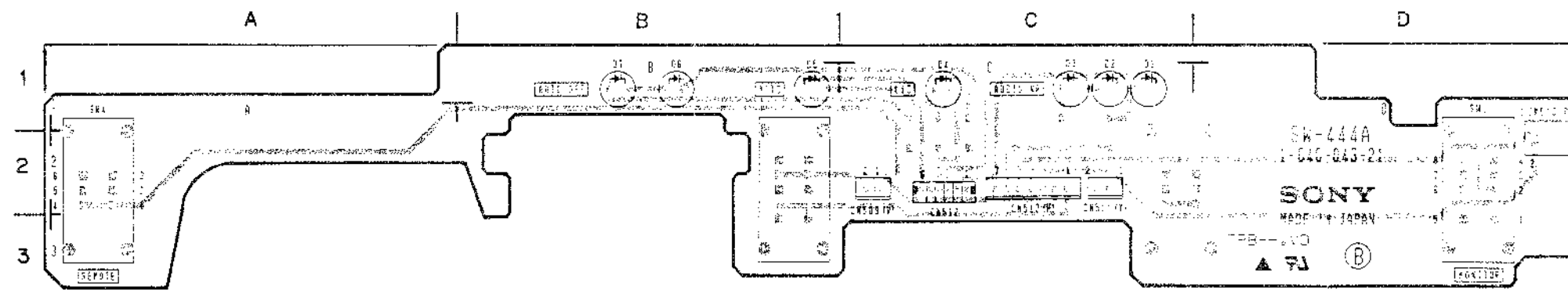
SW-444A ; SELECT SWITCH, INDICATOR, RF/VIDEO LEVEL METER

SW-444A (1-640-043-21)

- D 1 C-1
- D 2 C-1
- D 3 C-1
- D 4 C-1
- D 5 B-1
- D 6 B-1
- D 7 B-1



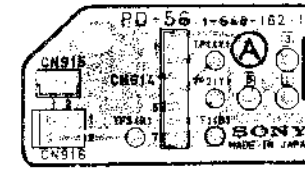
SW-444A 1-640-043-21 A SIDE



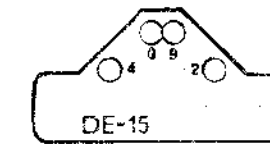
SW-444A 1-640-043 21 B SIDE

- RM-82 ; REEL MOTOR
- PTC-42 ; CASSETTE SIZE SENSOR
- PTC-43 ; REC INHIBIT SENSOR
- PTC-49 ; THREADING MOTOR
- PTC-54 ; THREADING FG
- PTC-55 ; CASSETTE INFORMATION SENSOR (TAPE THICKNESS, REEL HUB DIAMETER, METAL/OXIDE)
- PD-56 ; PINCH/CLEANING SOLENOID CONNECTION, REEL FG CHECK
- DS-31 ; CONDENSATION SENSOR
- TR-73 ; S/T TENSION SENSOR
- DE-15 ; REEL FG
- SE-186 ; REEL FG
- LP-57 ; CASSETTE ILLUMINATION
- PC-62 ; CASSETTE IN/LARGE CASSETTE SENSOR
- CL-25 ; CASSETTE COMPARTMENT (CASSETTE LOADING BEGIN/NEAR-END SENSOR, LP-57 CONNECTION, CASSETTE LOADING MOTOR)
- AC-133 ; AC LINE FILTER, FUSE

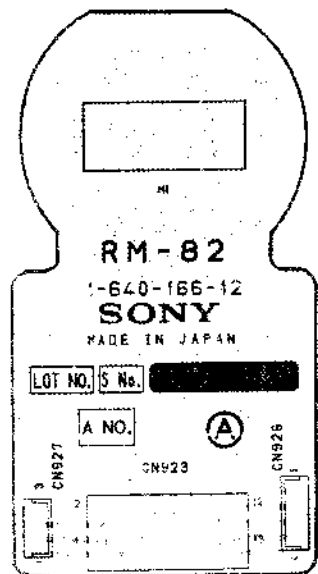
Serial No.(EK); 10001 to 1525
Serial No.(UC); 10001 to 1000



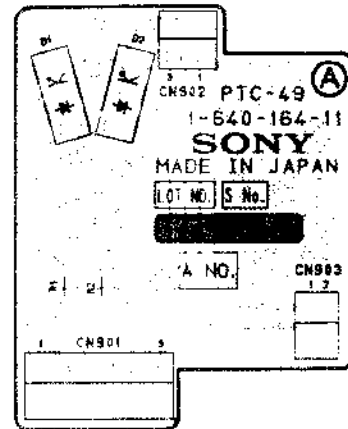
PD-56 1-640-162-13 A SIDE



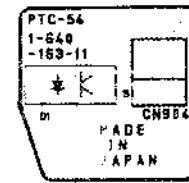
DE-15 1-622-606-12 A SIDE



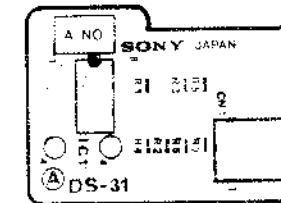
RM-82 1-640-166-12 A SIDE



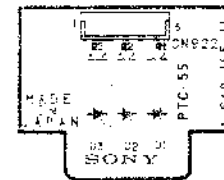
PTC-49 1-640-164-11 A SIDE



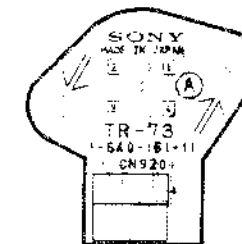
PTC-54 1-640-163-11 A SIDE



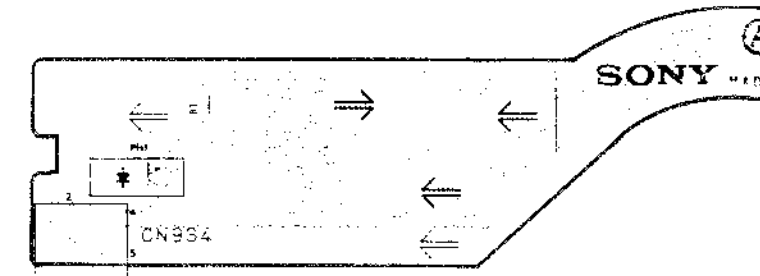
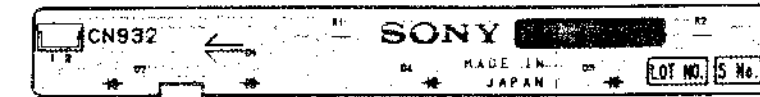
DS-31 1-640-167-11 A SIDE



PTC-55 1-640-165-11 A SIDE



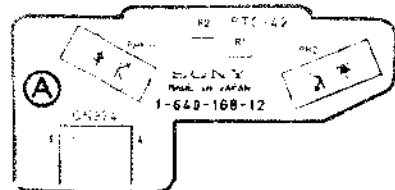
TR-73 1-640-161-11 A SIDE



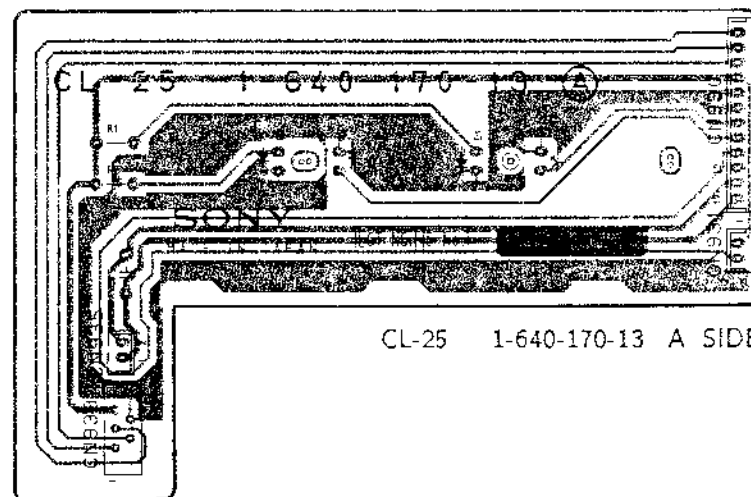
Serial No.(EK); 12851 and higher
Serial No.(UC); 10001 and higher

Serial No.(EK); 10001 to 12850

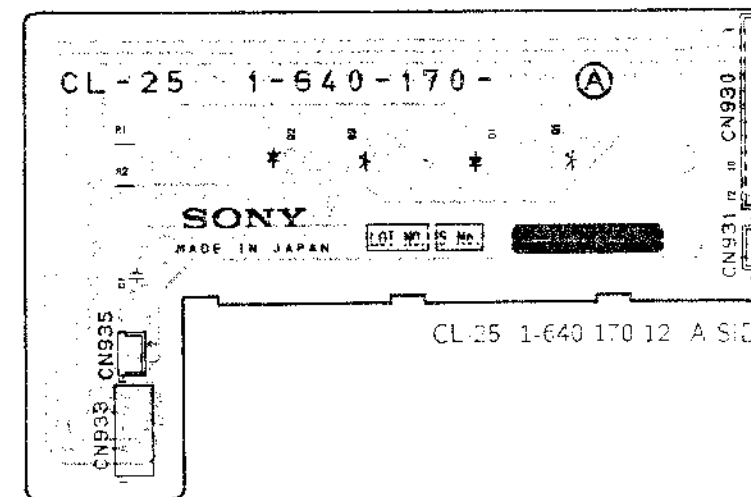
Serial No.(EK); 1
Serial No.(UC); 1



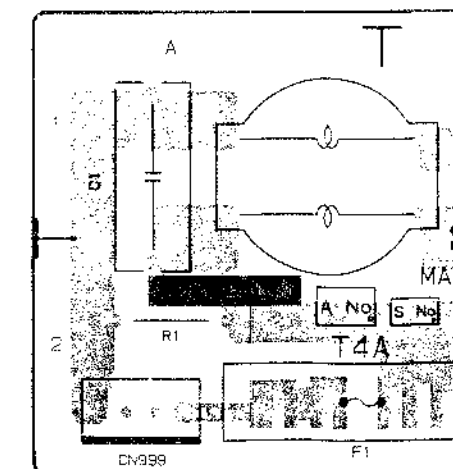
PTC-42 1-640-168-12 A SIDE



CL-25 1-640-170-13 A SIDE



CL-25 1-640-170-12 A SIDE

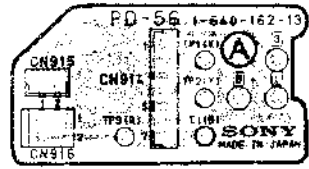


AC-1

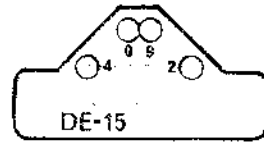
Serial No. (EK); 10001 to 15255
Serial No. (UC); 10001 to 10010

Serial No. (EK); 15256 and higher
Serial No. (UC); 10011 and higher

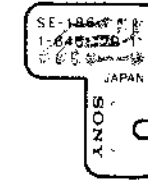
DE)



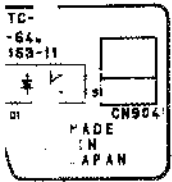
PD-56 1-640-162-13 A SIDE



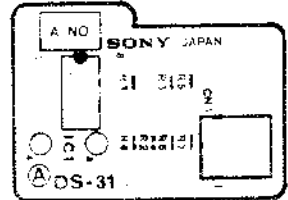
DE-15 1-622-606-12 A SIDE



SE-186 1-646-129-11 B SIDE



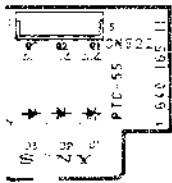
TC-64 1-640-163-11 A SIDE



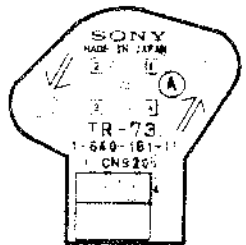
DS-31 1-640-167-11 A SIDE



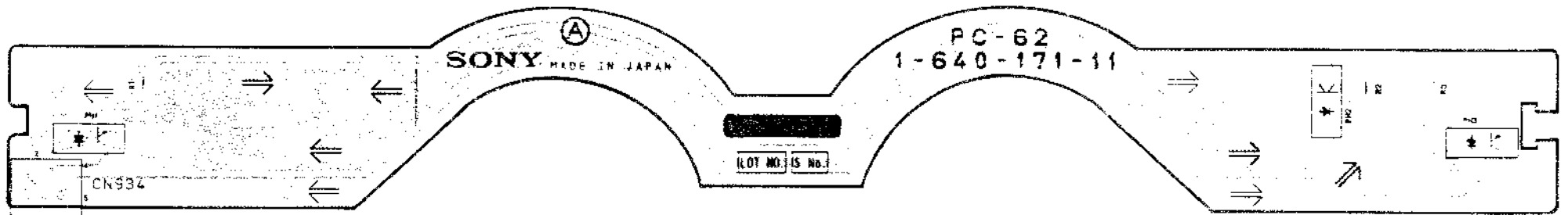
LP-57 1-640-173-11 A SIDE



TC-55 1-640-166-11 A SIDE



TR-73 1-640-161-11 A SIDE



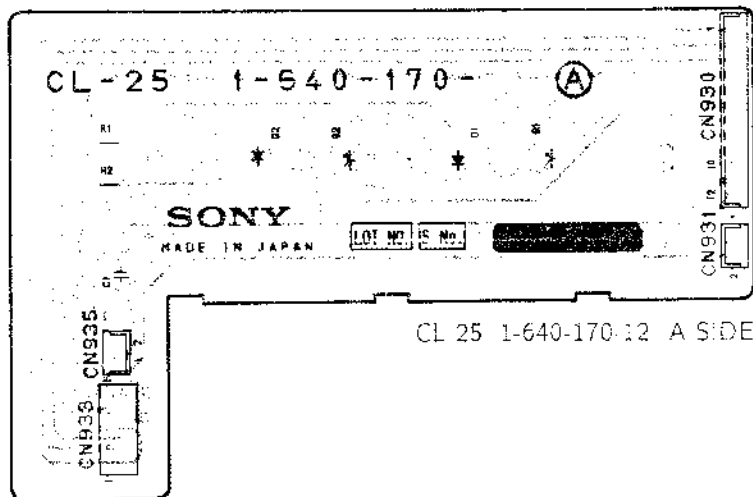
PC-62 1-640-171-11 A SIDE

higher
higher

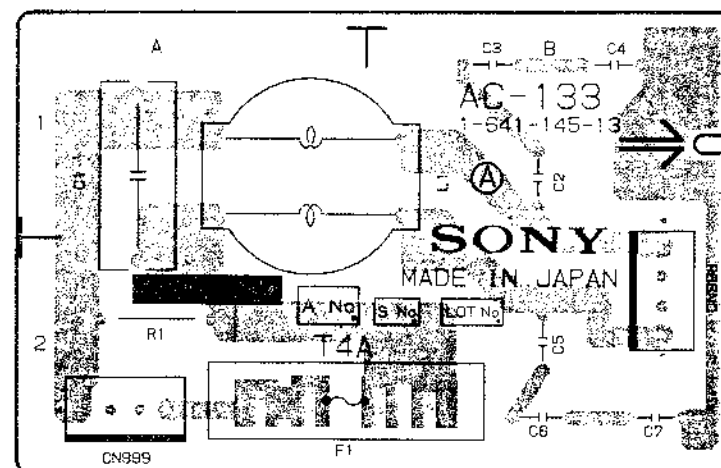
Serial No. (EK); 10001 to 12850

Serial No. (EK); 14586 and higher
Serial No. (UC); 10011 and higher

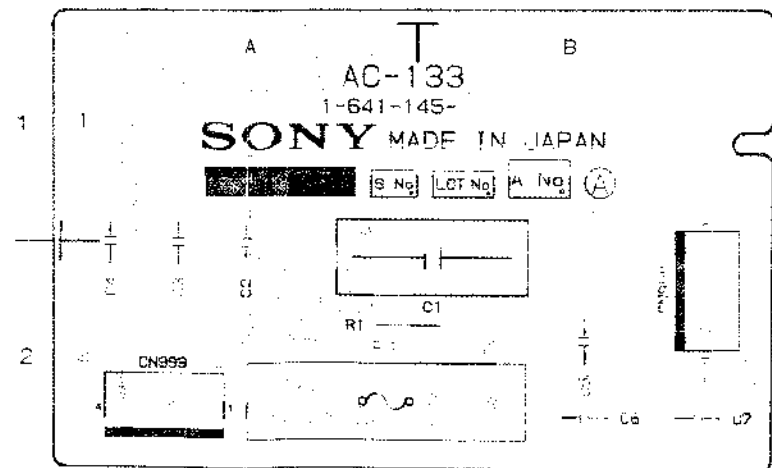
Serial No. (EK); 10001 to 14585
Serial No. (UC); 10001 to 10010



CL-25 1-640-170-12 A SIDE

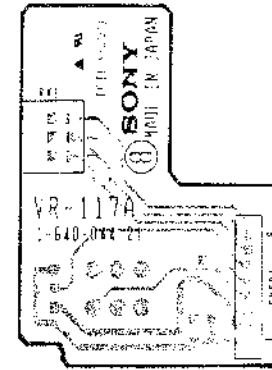


AC-133 1-641-145-13 A SIDE

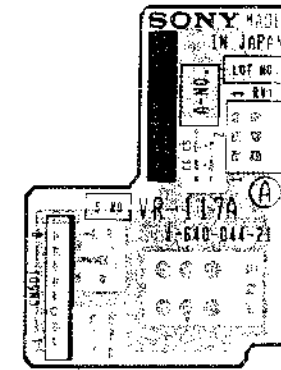


AC-133 1-641-145-12 A SIDE

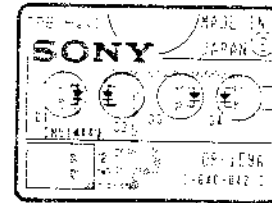
VR-117 ; VIDEO INPUT LEVEL/TRACKING CONTROL
CP-159 ; RF/VIDEO METER BACK LIGHT
RM-93 ; TBC/9P REMOTE CONNECTOR



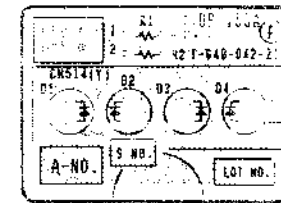
VR-117A 1-640-044-21 B SIDE



VR-117A 1-640-044-21 A SIDE

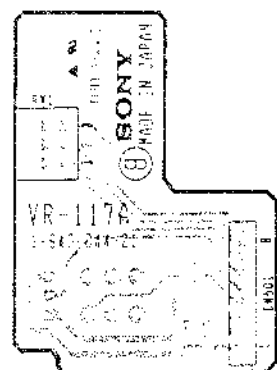


DP-159A 1-640-042-21 B SIDE

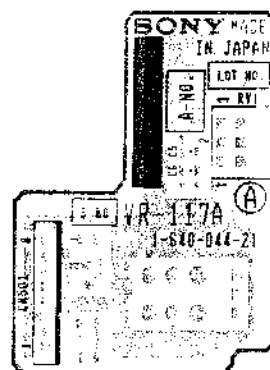


DP-159A 1-640-042-21 A SIDE

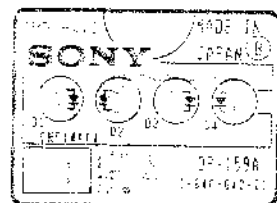
VR-117 ; VIDEO INPUT LEVEL/TRACKING CONTROL
CP-159 ; RF/VIDEO METER BACK LIGHT
RM-93 ; TBC/9P REMOTE CONNECTOR



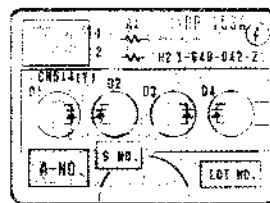
VR-117A 1-640-044-21 B SIDE



VR-117A 1-640-044-21 A SIDE

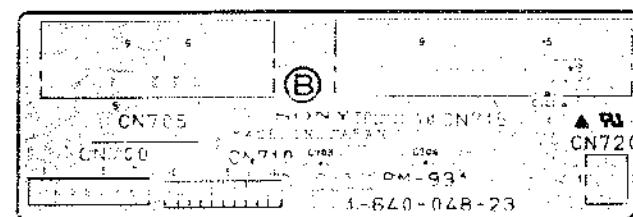


CP-159A 1-640-042-21 B SIDE

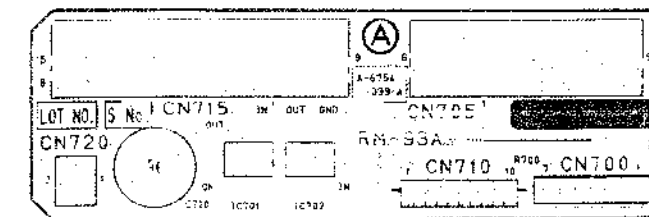


CP-159A 1-640-042-21 A SIDE

Serial No.(EK); 15256 and higher
Serial No.(UC); 10010 and higher

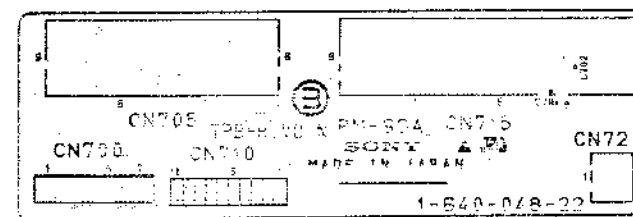


RM-93A 1-640-048-23 B SIDE

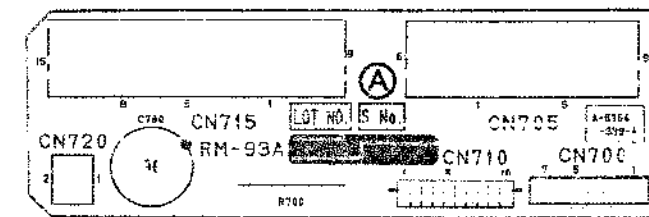


RM-93A 1-640-048-23 A SIDE

Serial No.(EK); 14586 to 15255
Serial No.(UC); 10001 to 10010

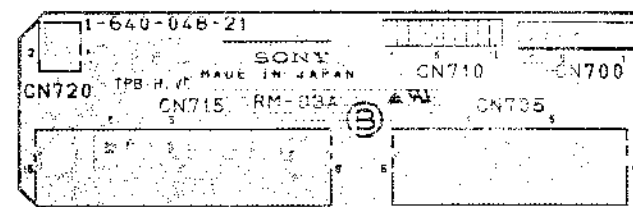


RM-93A 1-640-048-22 B SIDE

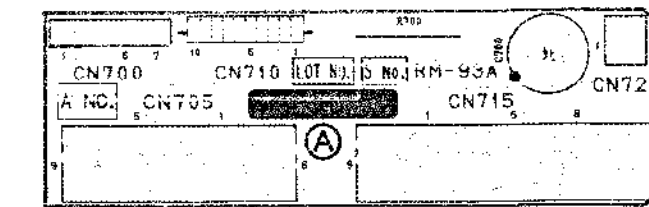


RM-93A 1-640-048-22 A SIDE

Serial No.(EK); 10001 to 14585

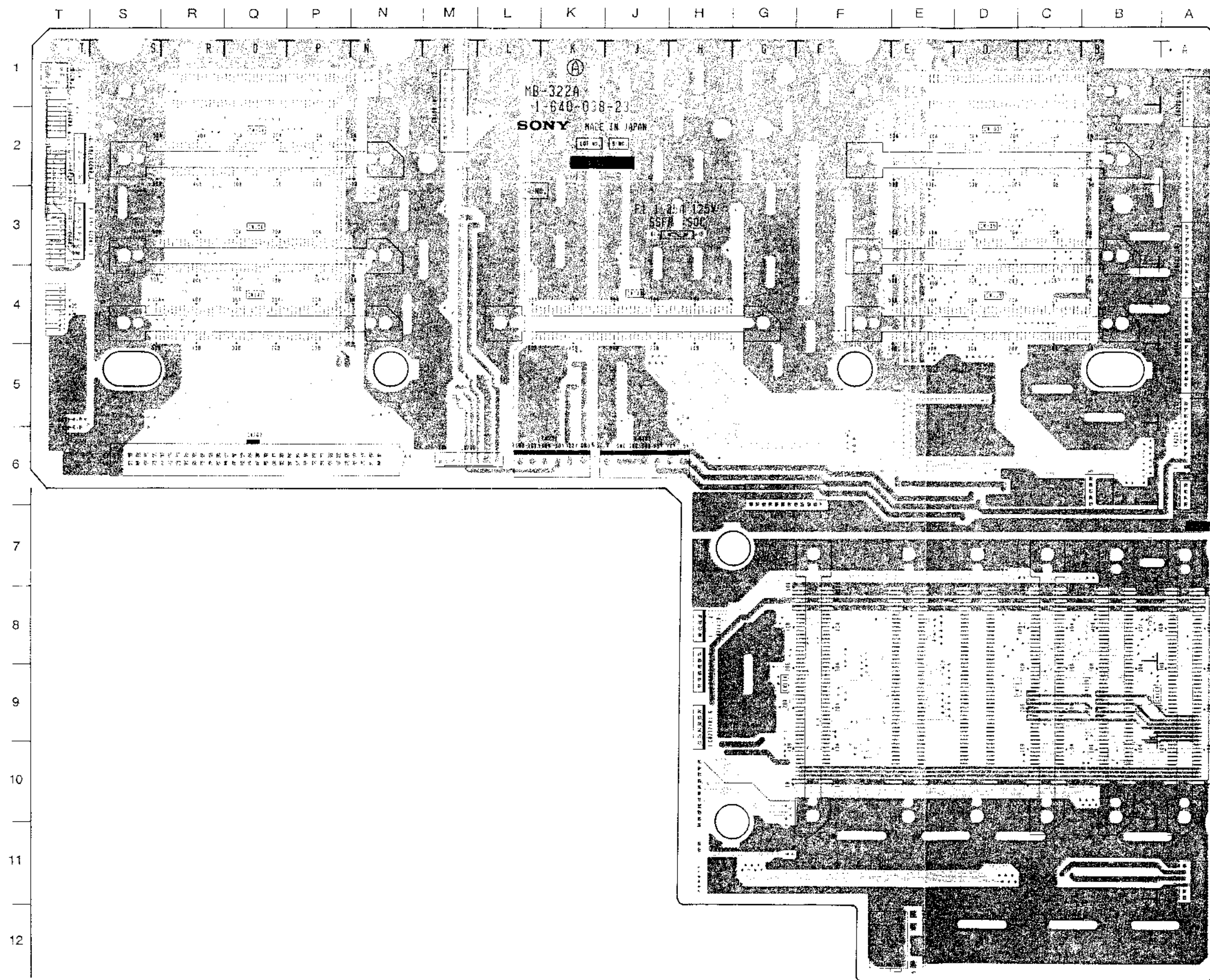


RM-93A 1-640-048-21 B SIDE



RM-93A 1-640-048-21 A SIDE

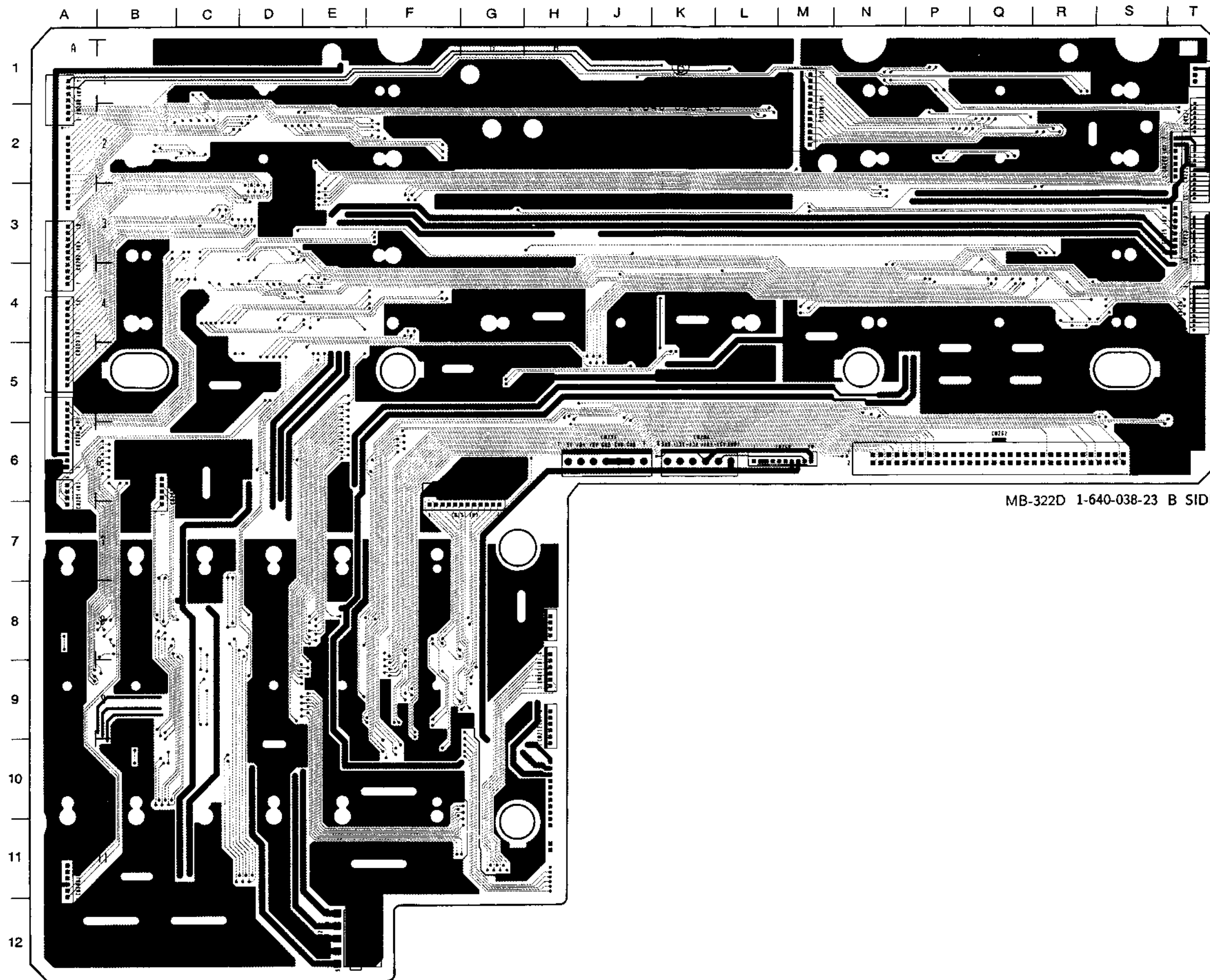
MB-322D ; MOTHER BOARD



MB-322D 1-640-038-23 A SIDE

MB-322D (1-640-038-23)

CN 103	D-2
CN 104	Q-2
CN 105	D-3
CN 106	Q-3
CN 109	A-9
CN 110	B-9
CN 111	C-9
CN 114	G-9
CN 139	D-4
CN 140	J-4
CN 141	Q-4
CN 150	M-2
CN 151	G-7
CN 200	A-2
CN 202	A-4
CN 203	A-5
CN 204	A-6
CN 205	A-6
CN 206	A-11
CN 207	B-6
CN 212	H-9
CN 213	H-9
CN 214	H-8
CN 220	T-1
CN 221	T-2
CN 222	T-2
CN 223	T-3
CN 224	S-2
CN 225	S-3
CN 260	M-6
CN 262	Q-6
CN 292	E-12
CN 293	J-6
CN 294	K-6

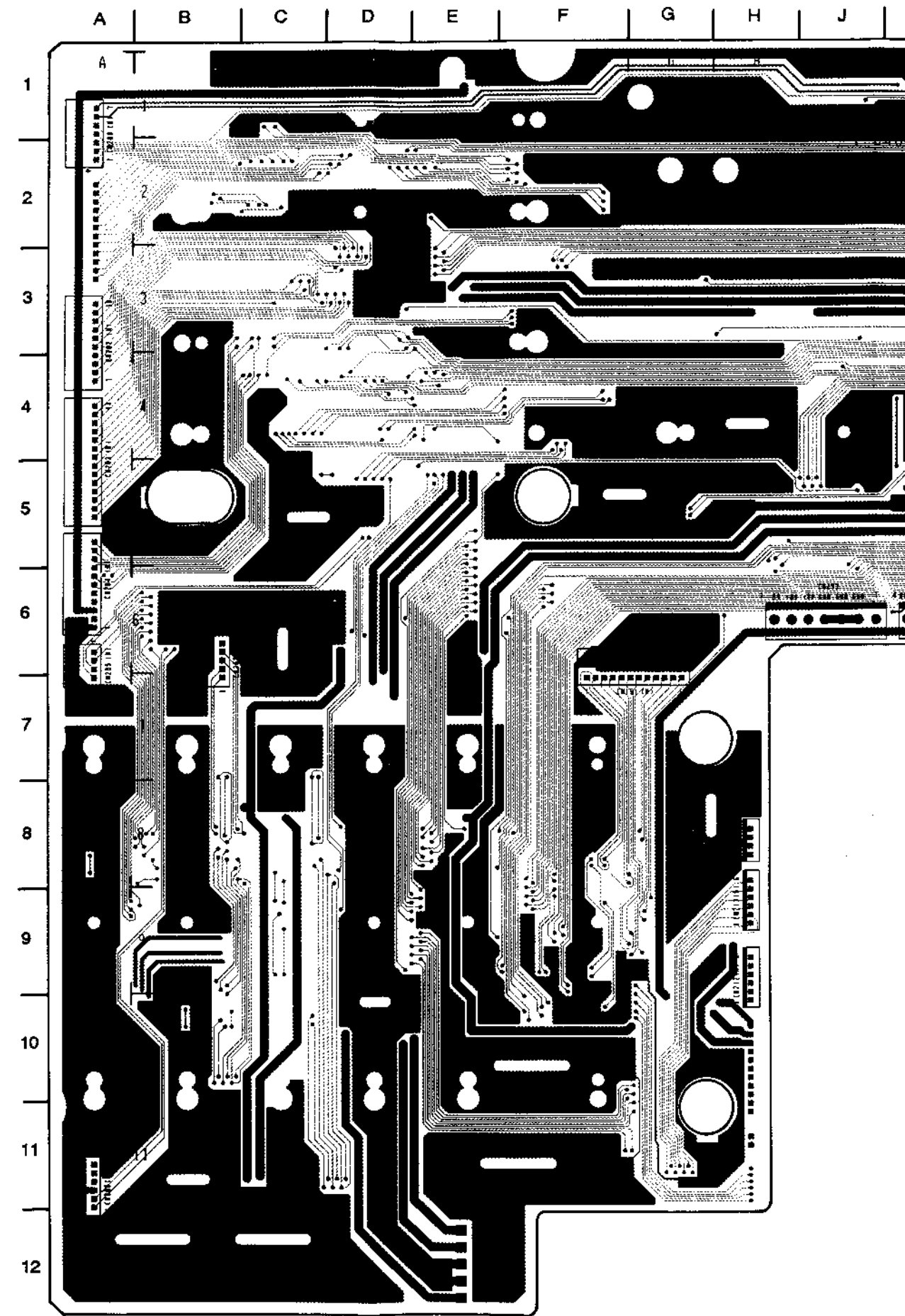


MB-322D 1-640-038-23 B SIDE

MB-322A ; MOTHER BOARD

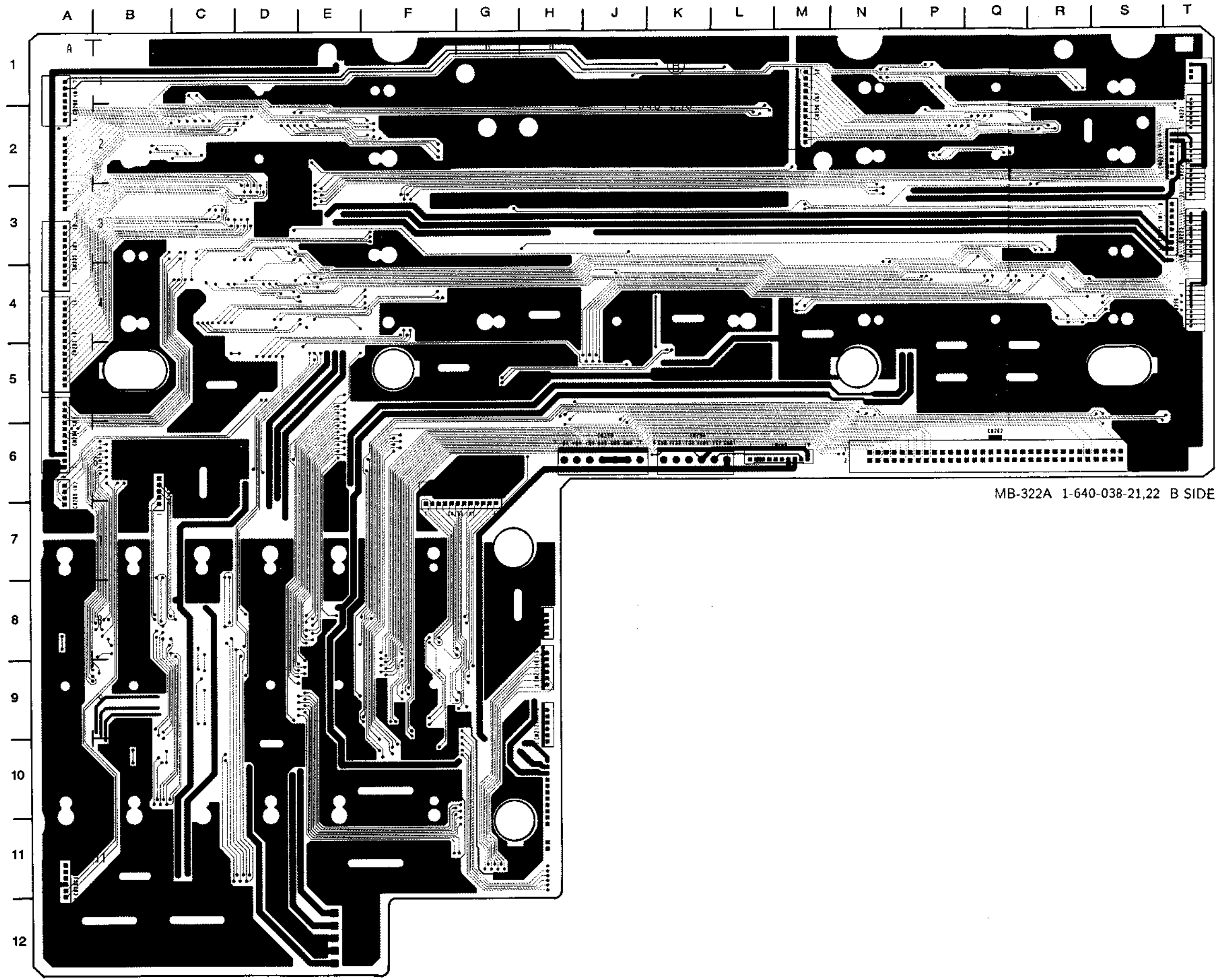
MB-322A (1-640-038-21,22)

CN 101	D-1
CN 102	Q-1
CN 103	D-2
CN 104	Q-2
CN 105	D-3
CN 106	Q-3
CN 109	A-9
CN 110	B-9
CN 111	C-9
CN 114	F-9
CN 139	D-4
CN 140	J-4
CN 141	Q-4
CN 150	M-2
CN 151	G-6
CN 200	A-1
CN 202	A-3
CN 203	A-4
CN 204	A-6
CN 205	A-6
CN 206	A-11
CN 207	B-6
CN 212	H-9
CN 213	H-9
CN 214	H-8
CN 220	T-1
CN 221	T-2
CN 223	T-3
CN 224	T-2
CN 225	T-3
CN 226	T-4
CN 260	M-6
CN 262	Q-6
CN 292	E-12
CN 293	J-6
CN 294	K-6
F 1	H-3



640-38-21,22)

D-1
D-2
D-3
Q-3
A-1
B-1
C-9
F-9
D-1
J-1
Q-1
M-2
G-6
A-1
A-1
A-6
A-6
A-1
B-1
H-9
H-9
T-1
T-1
T-3
T-2
T-1
M-1
Q-6
E-12
J-1
K-1
H-3



MB-322A 1-640-038-21,22 B SIDE

MB-322D ; MOTHER BOARD

MB-322D (1-640-038-23)

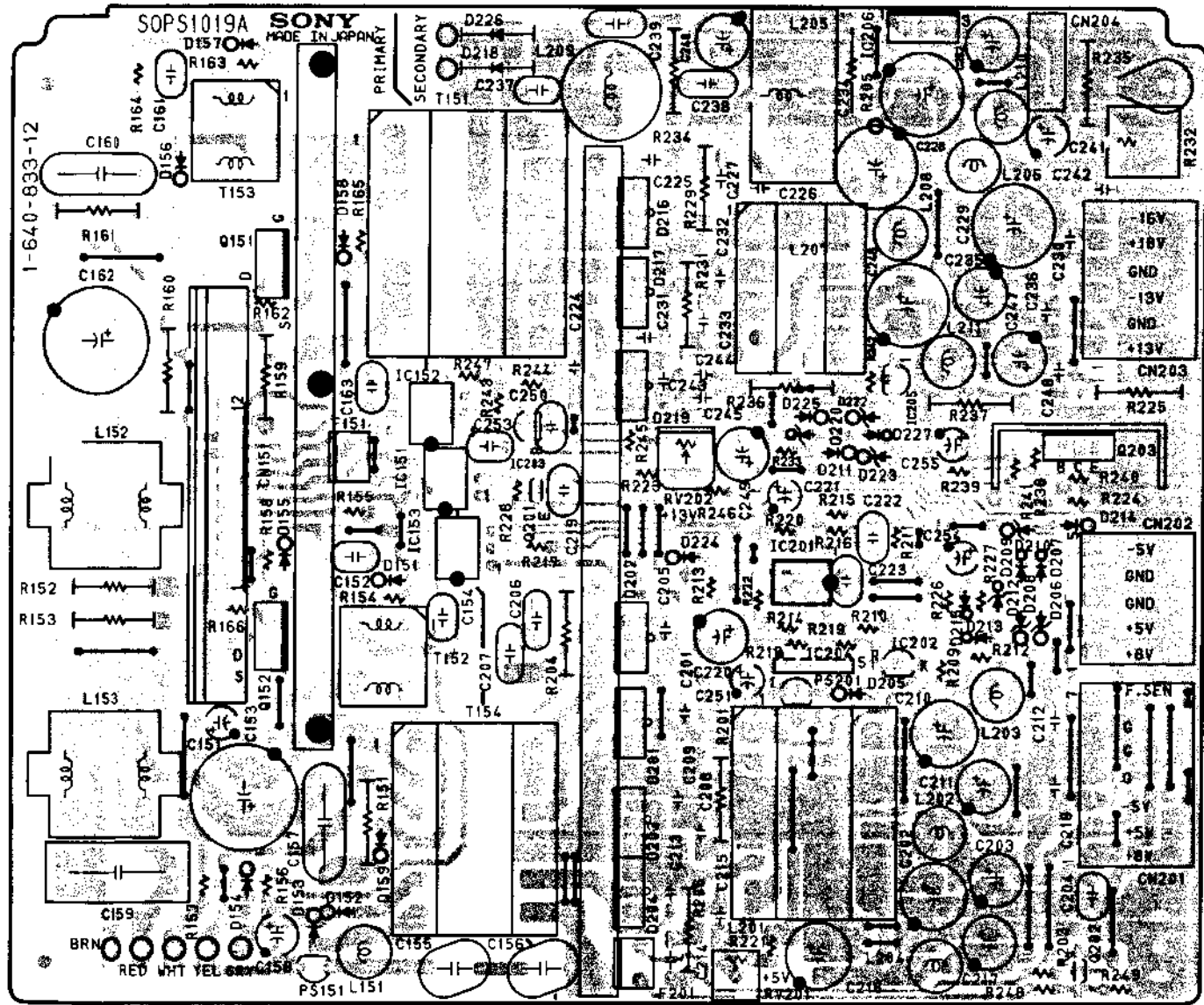
CN 103	D-2
CN 104	Q-2
CN 105	D-3
CN 106	Q-3
CN 109	A-9
CN 110	B-9
CN 111	C-9
CN 114	G-9
CN 139	D-4
CN 140	J-4
CN 141	Q-4
CN 150	M-2
CN 151	G-7
CN 200	A-2
CN 202	A-4
CN 203	A-5
CN 204	A-6
CN 205	A-6
CN 206	A-11
CN 207	B-6
CN 212	H-9
CN 213	H-9
CN 214	H-8
CN 220	T-1
CN 221	T-2
CN 222	T-2
CN 223	T-3
CN 224	S-2
CN 225	S-3
CN 260	M-6
CN 262	Q-6
CN 292	E-12
CN 293	J-6
CN 294	K-6

MB-322D ; MOTHER BOARD

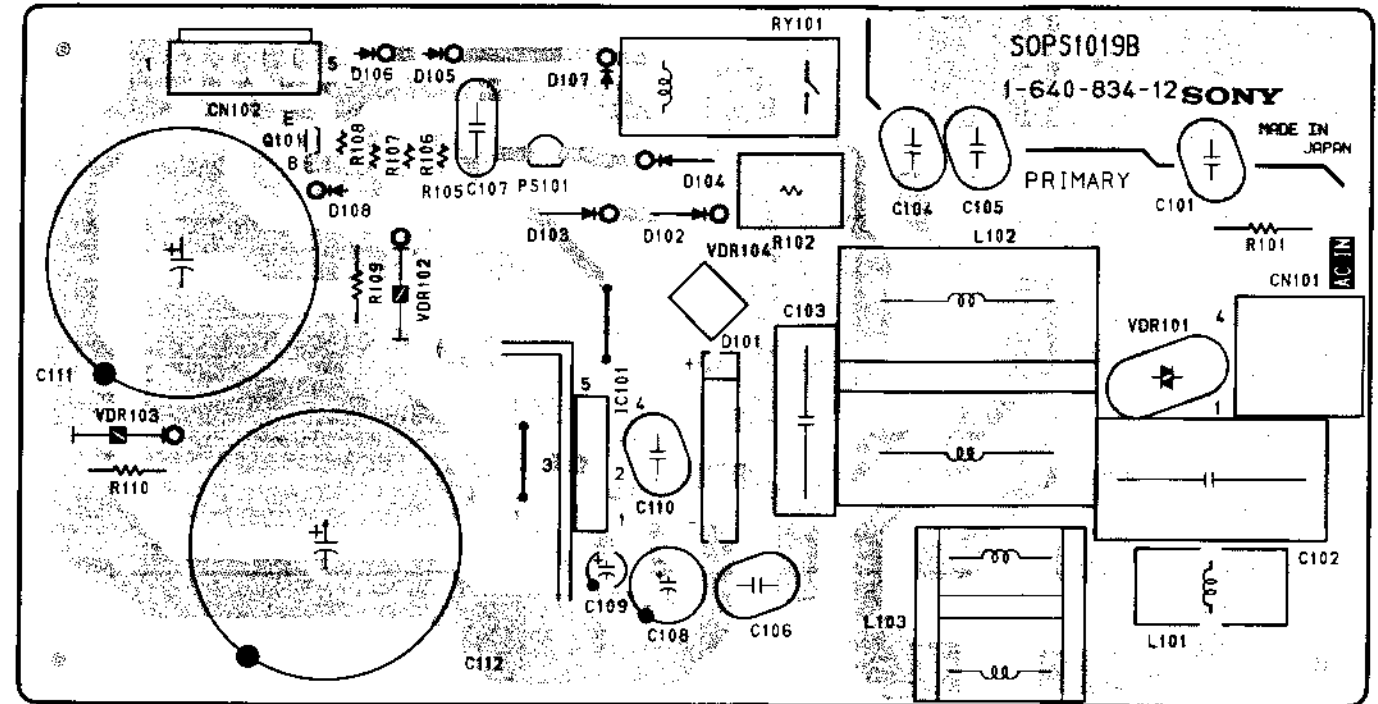
MB-322D (1-640-038-23)

CN 103	D-2
CN 104	Q-2
CN 105	D-3
CN 106	Q-3
CN 109	A-9
CN 110	B-9
CN 111	C-9
CN 114	G-9
CN 139	D-4
CN 140	J-4
CN 141	Q-4
CN 150	M-2
CN 151	G-7
CN 200	A-2
CN 202	A-4
CN 203	A-5
CN 204	A-6
CN 205	A-6
CN 206	A-11
CN 207	B-6
CN 212	H-9
CN 213	H-9
CN 214	H-8
CN 220	T-1
CN 221	T-2
CN 222	T-2
CN 223	T-3
CN 224	S-2
CN 225	S-3
CN 260	M-6
CN 262	Q-6
CN 292	E-12
CN 293	J-6
CN 294	K-6

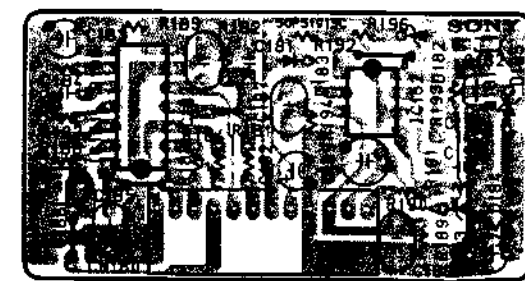
SOPS1019A ; SWITCHING REGULATOR
SOPS1019B ; SWITCHING REGULATOR
SOPS1019C : SWITCHING REGULATOR



SOPS1019A



SOPS1019B



SOPS1019C

123055

SONY

VIDEOCASSETTE PLAYER
PVW-2600P

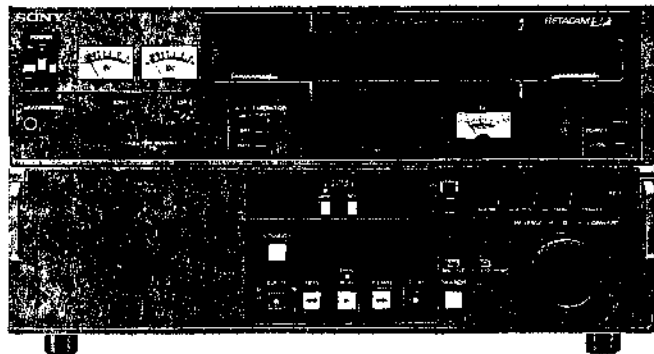
SERVICE MANUAL

Vol.2 1st Edition (Revised 1)

Serial No.10001 and Higher
(EK)

Serial No.10001 and Higher
(USA CANADA)

BETACAM SP
2000PRO



このマニュアルに記載されている事柄の著作権は当社にあり、説明内容は機器購入者の使用を目的としています。従って、当社の許可なしに無断で複写したり、説明内容(操作、保守等)と異なる目的で本マニュアルを使用することを禁止します。

The material contained in this manual consists of information that is the property of Sony Corporation and is intended solely for use by the purchasers of the equipment described in this manual.

Sony Corporation expressly prohibits the duplication of any portion of this manual or the use thereof for any purpose other than the operation or maintenance of the equipment described in this manual without the express written permission of Sony Corporation.

Le matériel contenu dans ce manuel consiste en informations qui sont la propriété de Sony Corporation et sont destinées exclusivement à l'usage des acquéreurs de l'équipement décrit dans ce manuel.

Sony Corporation interdit formellement la copie de quelque partie que ce soit de ce manuel ou son emploi pour tout autre but que des opérations ou entretiens de l'équipement à moins d'une permission écrite de Sony Corporation.

Das in dieser Anleitung enthaltene Material besteht aus Informationen, die Eigentum der Sony Corporation sind, und ausschließlich zum Gebrauch durch den Käufer der in dieser Anleitung beschriebenen Ausrüstung bestimmt sind.

Die Sony Corporation untersagt ausdrücklich die Vervielfältigung jeglicher Teile dieser Anleitung oder den Gebrauch derselben für irgendeinen anderen Zweck als die Bedienung oder Wartung der in dieser Anleitung beschriebenen Ausrüstung ohne ausdrückliche schriftliche Erlaubnis der Sony Corporation.

SECTION 16 SCHEMATIC DIAGRAM

CIRCUIT CONFIGURATION

The circuit information is provided below.

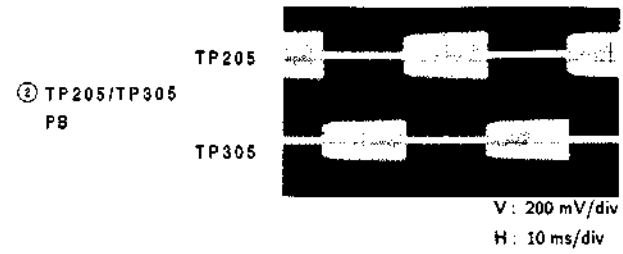
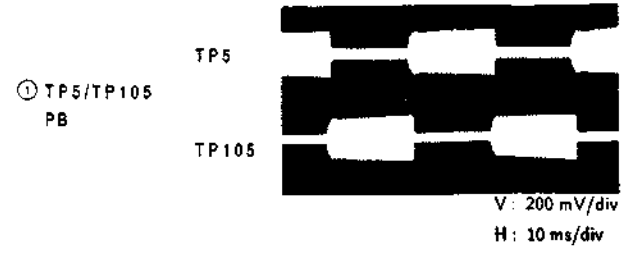
System	Board	Circuit Function
VIDEO	RP-57AP	RF PB Amplifier
	VP-33AP	Y/C PB Process (PB RF EQ, Demod., Encode, Y-RF Envelope DET), Composite Out Driver
	DO-29	Drop Out Detector
	TBC-18P	Time Base Corrector, CTDM (Expand)
	CP-166A	Output Connector, Component Out Driver
	VR-117A	Tracking Control
AUDIO	AU-148AP	CH-1 PB Process, Dolby System
	AU-149AP	CH-2 PB Process, Dolby System
	AU-150A	Mode Control, LTC PB
	CP-167A	Output Connector, Line Out Driver
	DP-138A	Audio Level Meter Back Light
	VR-116A	PB Level Control, Headphone Volume Control
	MA-44A	Meter Driver, Headphone Amplifier
SERVO/ SYSTEM CONTROL/ TIME CODE	SS-48P	System Control, Servo System Main, Time Code Reader, Character Generator
	KY-210A	Keyboard
	DP-139A	Time Code Display
	DR-118A	Motor Driver, Solenoid Driver, Sensor Input, Tension Amplifier, FG Amplifier, CTL PB, Adjust Data Storage
	DR-232A	Motor Driver, Solenoid Driver, Sensor Input, Tension Amplifier, FG Amplifier, CTL PB, Adjust Data Storage
	CL-25	Cassette Compartment (Cassette Loading Begin/Near-end Sensor, LP-57 Connection Cassette Loading Motor)
	DE-15	Reel FG
	DS-31	Condensation Sensor
	HC-14C	Sub-control Panel
	PC-62	Cassette In/Large Cassette Sensor
	PD-56	Pinch/Cleaning Solenoid Connection, Reel FG Check
	PTC-39	Search Dial
	PTC-42	Cassette Size Sensor
	PTC-49	Threading Motor
	PTC-54	Threading FG
	PTC-55	Cassette Information Sensor (Tape Thickness, Reel Hub Diameter, Metal/Oxide)
	RM-82	Reel Motor
	RM-93A	TBC/9P Remote Connector
* SE-186	Reel FG	
SW-444A	Select Switch, Indicator, RF/Video Level Meter	
TR-73	S/T Tension Sensor	
OTHERS	AC-133	AC Line Filter, Fuse
	DP-159A	RF/Video Meter Back Light
	LP-57	Cassette Illumination
	MB-322A/322D	Mother Board
	SOPS1019A	Switching Regulator
	SOPS1019B	Switching Regulator
	SOPS1019C	Switching Regulator

* SE-186 Board : As to serial No. (EK) 15836 and higher, (uc) 10011 and higher the board has been changed from DE-15 to SE-186.

Board	Page
A AC-133	16-53
AU-148AP	16-22
AU-149AP	16-23
AU-150A	16-24
C CL-25	16-53
CP-166A	16-21
CP-167A	16-25
D DE-15	16-53
DO-29	16-14
DP-138A	16-26
DP-139A	16-37
DP-159A	16-54
DR-118A	38-38
DR-232A	16-42
DS-31	16-53
H HC-14AC	16-46
K KY-210A	16-37
L LP-57	16-53
M MA-44A	16-26
MB-322A/322D	16-48
P PC-62	16-53
PD-56	16-53
PTC-39	16-37
PTC-42	16-53
PTC-49	16-53
PTC-54	16-53
PTC-55	16-53
R RM-82	16-53
RM-93A	16-54
RP-57AP	16-2
S SE-186	16-53
SOPS1019A	16-55
SOPS1019B	16-55
SOPS1019C	16-55
SS-48P	16-28
SW-444A	16-47
T TBC-18P	16-16
TR-73	16-53
V VP-33AP	16-6
VR-116A	16-26
VR-117A	16-54

RP-57AP(1-640-034-24)

TP5 A-6
TP105 B-6
TP205 D-6
TP305 D-6



RP-57AP(1-640-034-23)

TP6 A-6
TP105 B-6
TP205 D-6
TP305 D-6

① TP5/TP105
PB

TP6

TP105

V: 200 mV/div
H: 10 ms/div

② TP205/TP305
PB

TP205

TP305

V: 200 mV/div
H: 10 ms/div

RP-57AP(1-640-034-21.22)

TP5 A-5
TP105 B-5
TP205 D-5
TP305 E-5

① TP5/TP105
PB

TP5

TP105

V : 200 mV/div
H : 10 ms/div

② TP205/TP305
PB

TP205

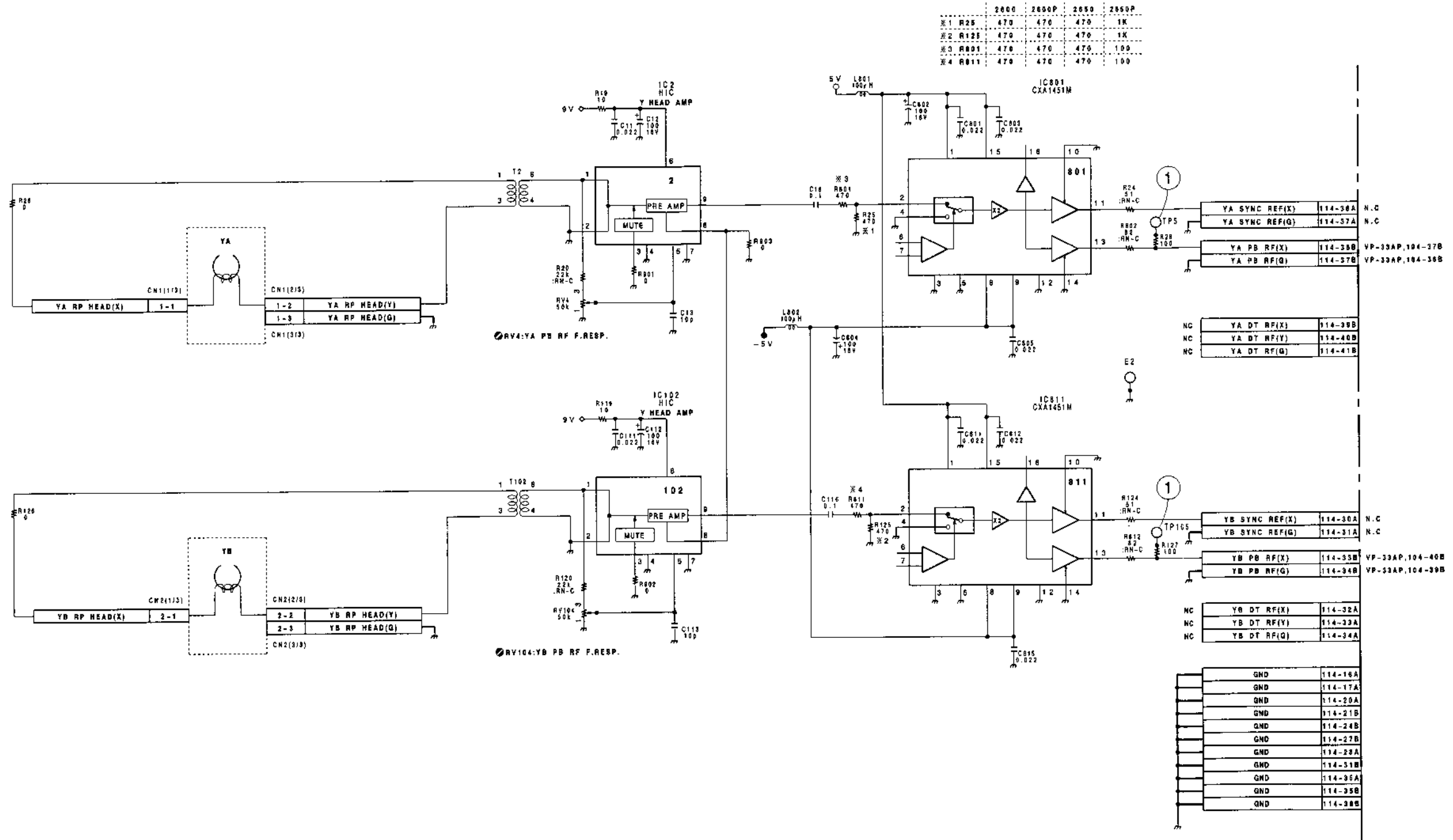
TP305

V : 200 mV/div
H : 10 ms/div

Serial No.(EK);12491 and higher
Serial No.(UC);10001 and higher

RP-57AP(1/2) RP-57AP(1/2)

RP-57AP(1/2);Y RF AMPLIFIER



	2600	2600P	2650	2650P
*1 R25	470	470	470	1K
*2 R125	470	470	470	1K
*3 R801	470	470	470	100
*4 R811	470	470	470	100

YA SYNC REF(X)	114-38A	N.C
YA SYNC REF(Y)	114-37A	N.C
YA PB RF(X)	114-38B	VP-33AP,104-37B
YA PB RF(Y)	114-37B	VP-33AP,104-36B
YA DT RF(X)	114-38B	NC
YA DT RF(Y)	114-40B	NC
YA DT RF(G)	114-41B	NC
YB SYNC REF(X)	114-30A	N.C
YB SYNC REF(Y)	114-31A	N.C
YB PB RF(X)	114-33B	VP-33AP,104-40B
YB PB RF(Y)	114-34B	VP-33AP,104-39B
YB DT RF(X)	114-32A	NC
YB DT RF(Y)	114-33A	NC
YB DT RF(G)	114-34A	NC
GND	114-16A	
GND	114-17A	
GND	114-20A	
GND	114-21B	
GND	114-24B	
GND	114-27B	
GND	114-28A	
GND	114-31B	
GND	114-35A	
GND	114-35B	
GND	114-38B	

RP-57AP BOARD (1/2)

BOARD NO.1-640-034-24
PVW-2600P (EK);#12491-
PVW-2600P (UC);#10001-

16-3(c)

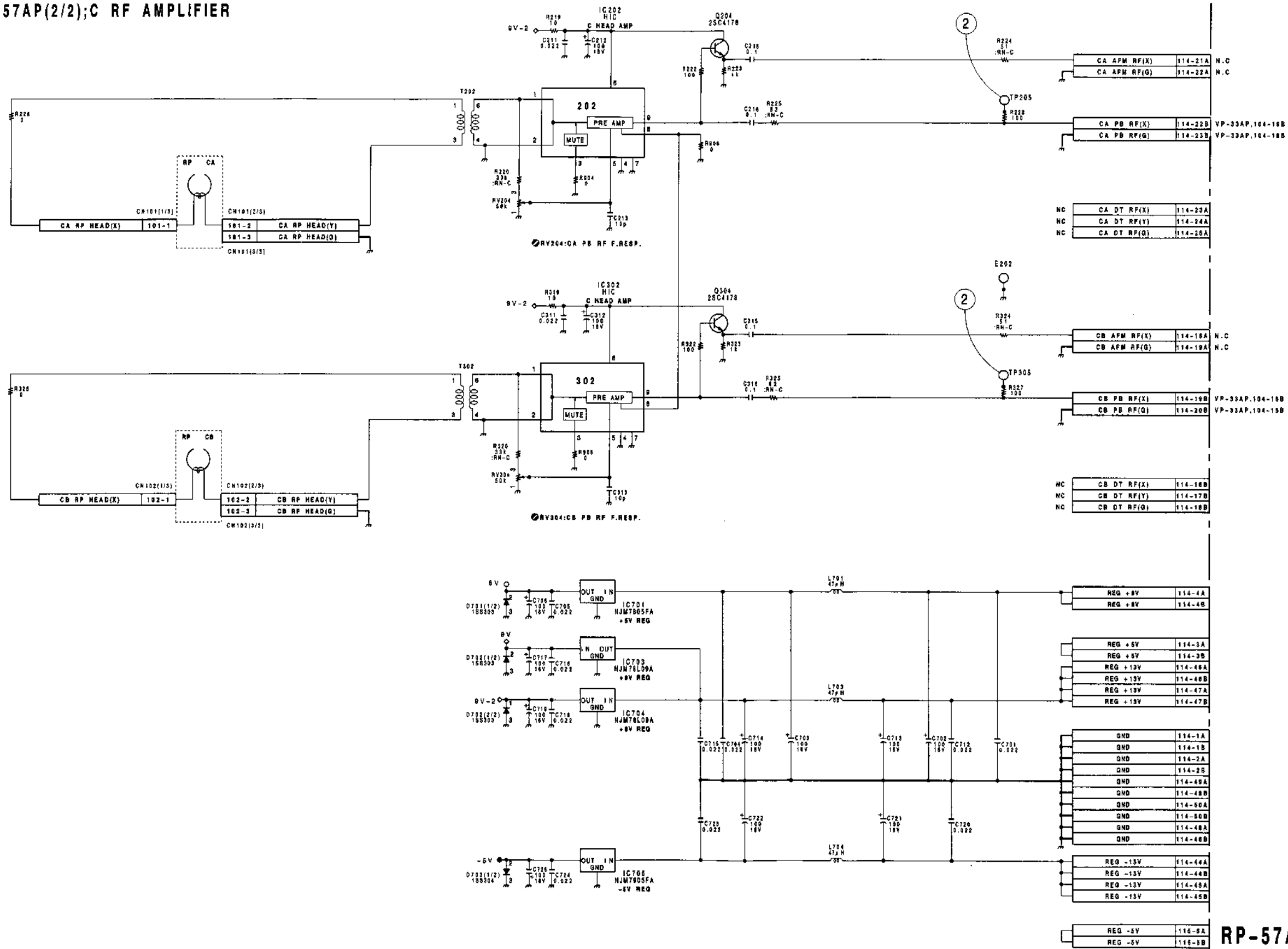
16-3(c)

A | B | C | D | E | F | G | H

Serial No.(EK);12491 and higher
Serial No.(UC);10001 and higher

RP-57AP(2/2) RP-57AP(2/2)

RP-57AP(2/2);C RF AMPLIFIER

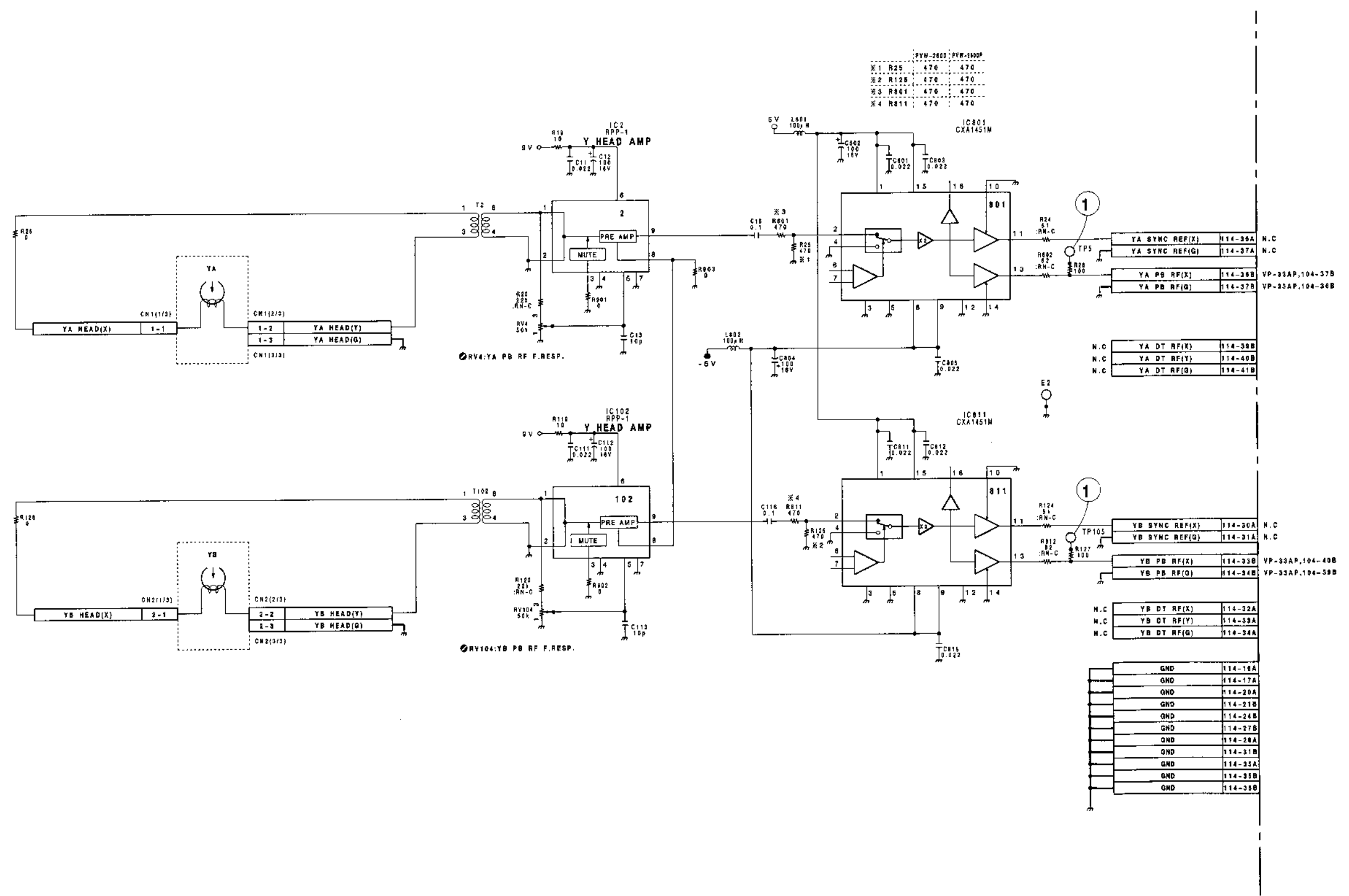


RP-57AP BOARD (2/2)

BOARD NO.1-640-034-24
PVW-2600P (EK);#12491-
PVW-2600P (UC);#10001-

Serial No.(EK);10651 to 12490

RP-57AP(1/2);Y RF AMPLIFIER

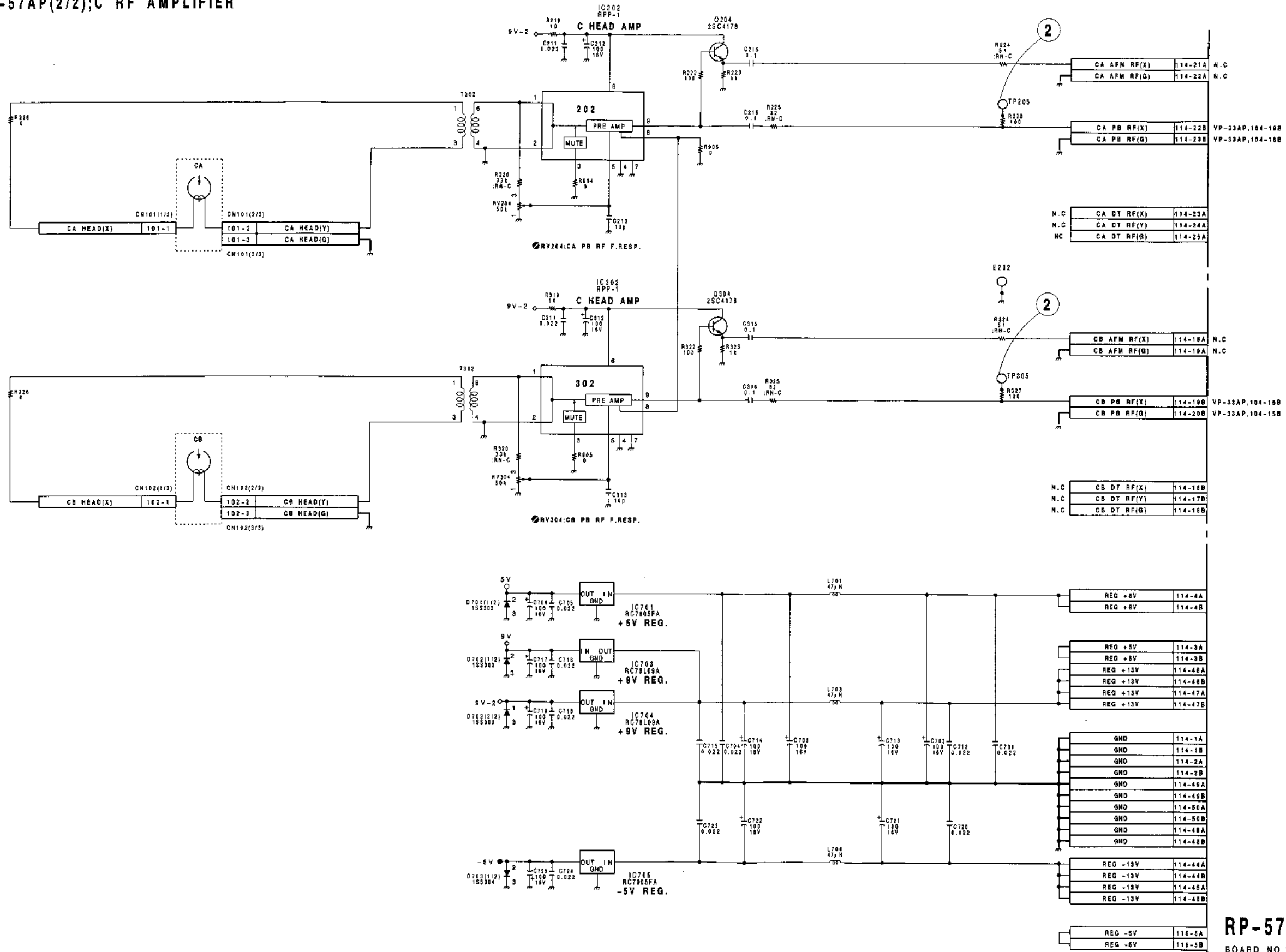


RP-57AP BOARD (1/2)

BOARD NO.1-640-034-23
PVW-2600P(EK);#10651-12490

Serial No.(EK);10651 to 12490

RP-57AP(2/2);C RF AMPLIFIER



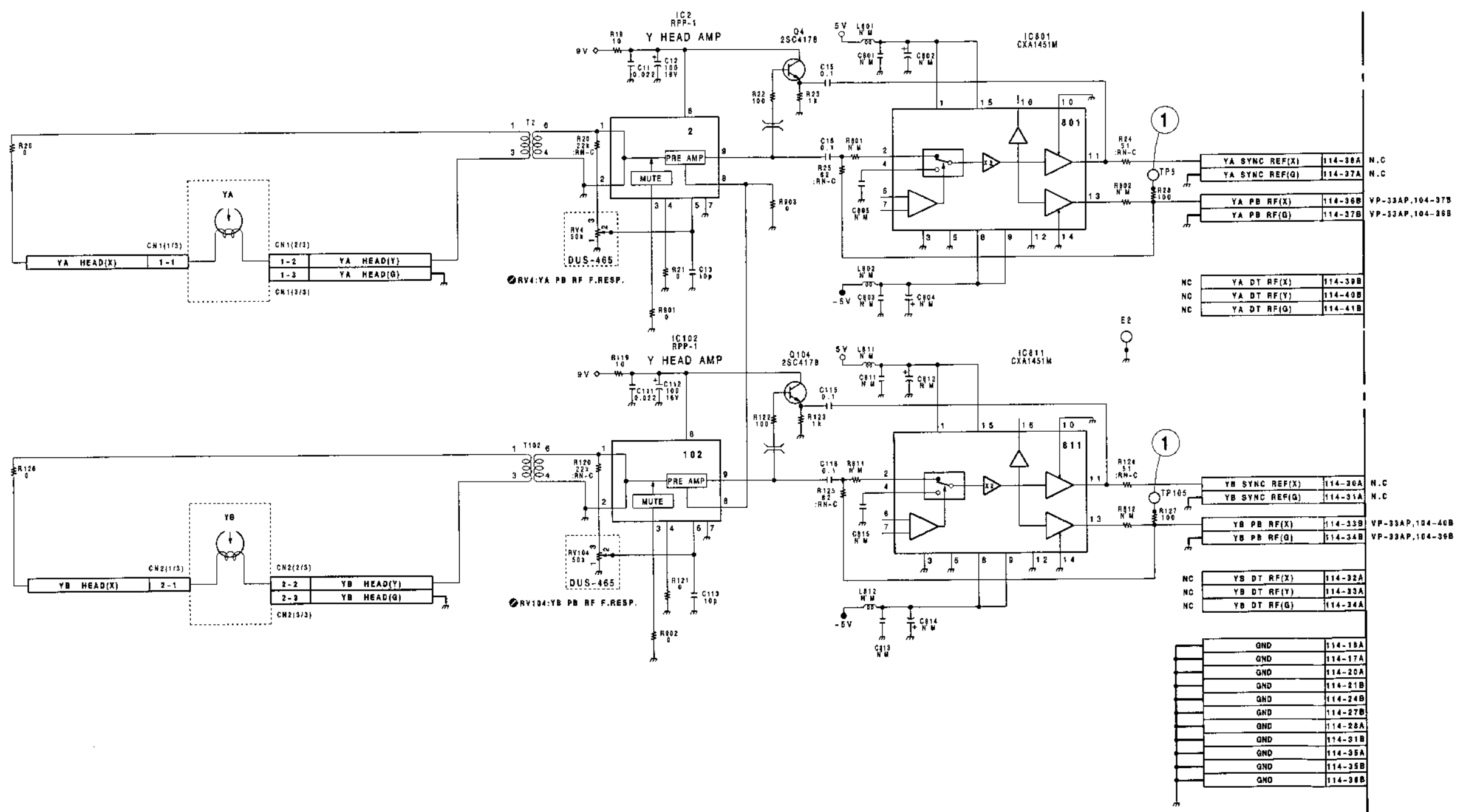
RP-57AP BOARD (2/2)

BOARD NO.1-640-034-23
PVW-2600P(EK);10651-12490

RP-57AP(1/2) RP-57AP(1/2)

Serial No.(EK);10001 to 10650

RP-57AP(1/2);Y RF AMPLIFIER



RP-57AP BOARD (1/2)

BOARD NO.1-640-034-21,22
PVW-2600P(EK);10001-10650

16-3(a)

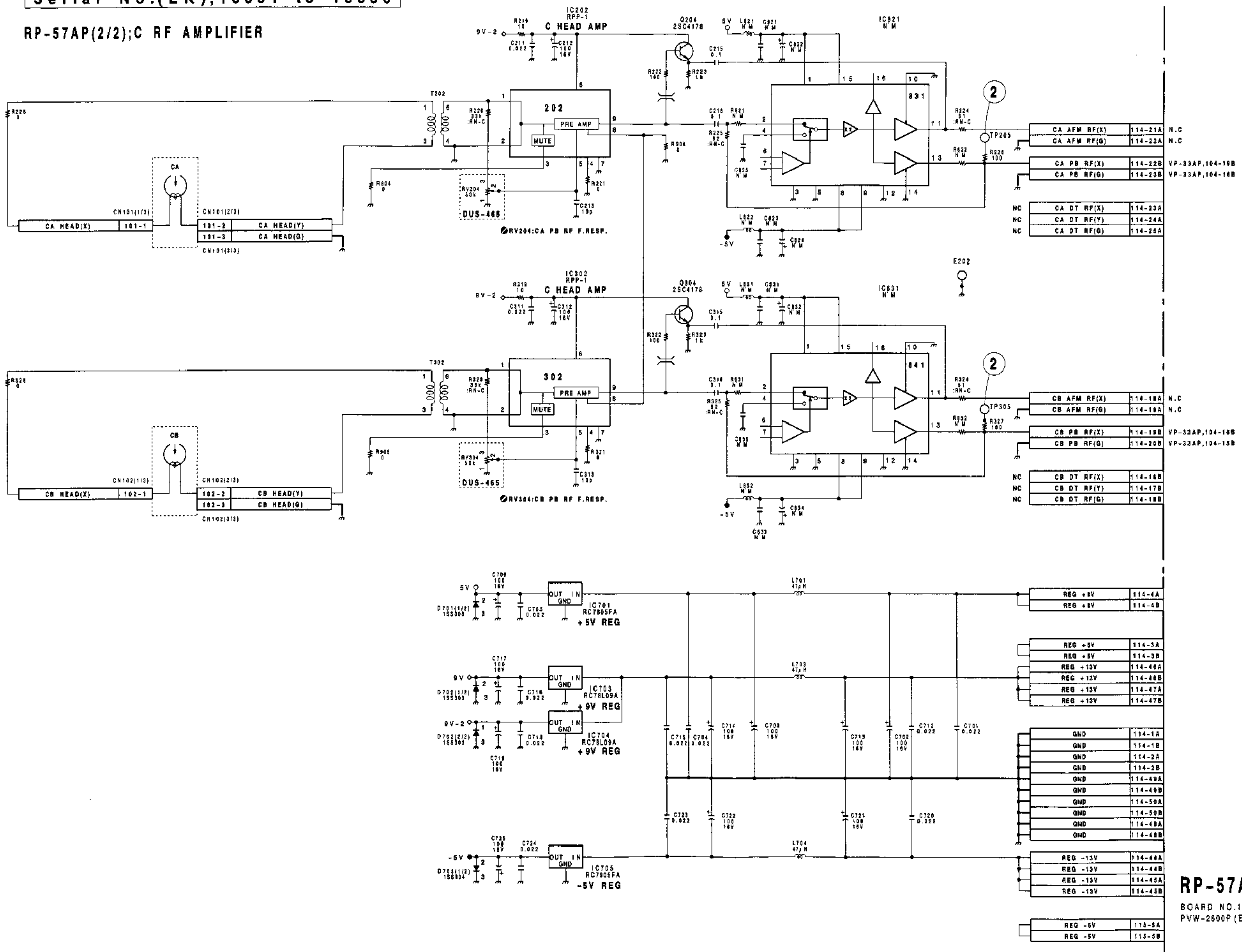
16-3(a)

A | B | C | D | E | F | G | H

RP-57AP(2/2) RP-57AP(2/2)

Serial No.(EK);10001 to 10650

RP-57AP(2/2);C RF AMPLIFIER



RP-57AP BOARD (2/2)

BOARD NO.1-640-034-21,22
PVW-2600P(EK);10001-10650

VP-33AP(1-640-032-14)

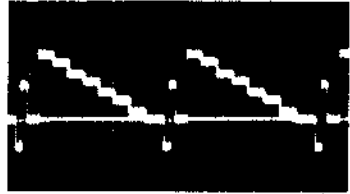
TP1 D-1
 TP2 F-1
 TP101 D-1
 TP102 C-1
 TP103 D-1
 TP105 C-4
 TP106 B-4
 TP107 A-4
 TP108 D-6
 TP201 B-4
 TP204 C-1
 TP205 C-3
 TP401 F-1
 TP402 F-1
 TP403 F-1
 TP406 F-4
 TP407 F-4
 TP408 H-6
 TP501 G-4
 TP504 H-2
 TP505 G-3
 TP701 M-3
 TP703 M-6
 TP704 N-6
 TP705 N-6
 TP706 N-6
 TP707 P-6
 TP708 P-6
 TP711 M-6
 TP713 M-6
 TP715 K-1
 TP716 K-1
 TP717 L-1

① TP201
PB



V: 200 mV/div
H: 2 ms/div

② TP204
PB



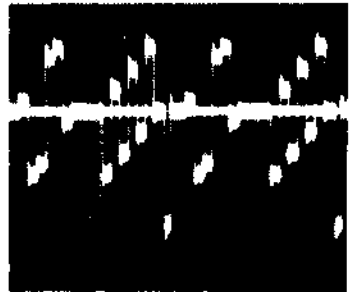
V: 500 mV/div
H: 20 μs/div

③ TP501
PB



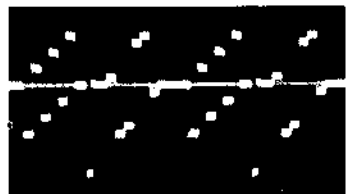
V: 200 mV/div
H: 20 μs/div

④ TP502
PB



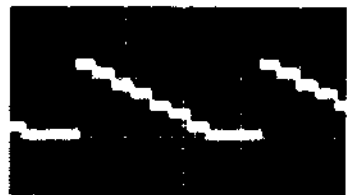
V: 200 mV/div
H: 20 μs/div

⑤ TP504
PB



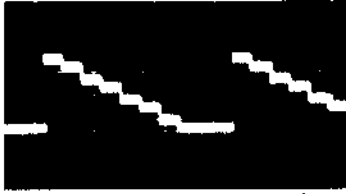
V: 500 mV/div
H: 20 μs/div

⑥ TP701
PB



V: 1V/div
H: 20 μs/div

⑦ TP702
PB



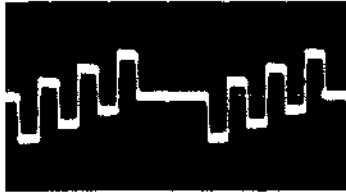
V: 1 V/div
H: 20 μ s/div

⑧ TP708
PB



V: 1 V/div
H: 20 μ s/div

⑨ TP710
PB



V: 1 V/div
H: 20 μ s/div

⑬ TP715
PB



V: 500 mV/div
H: 20 μ s/div

⑭ TP716
PB



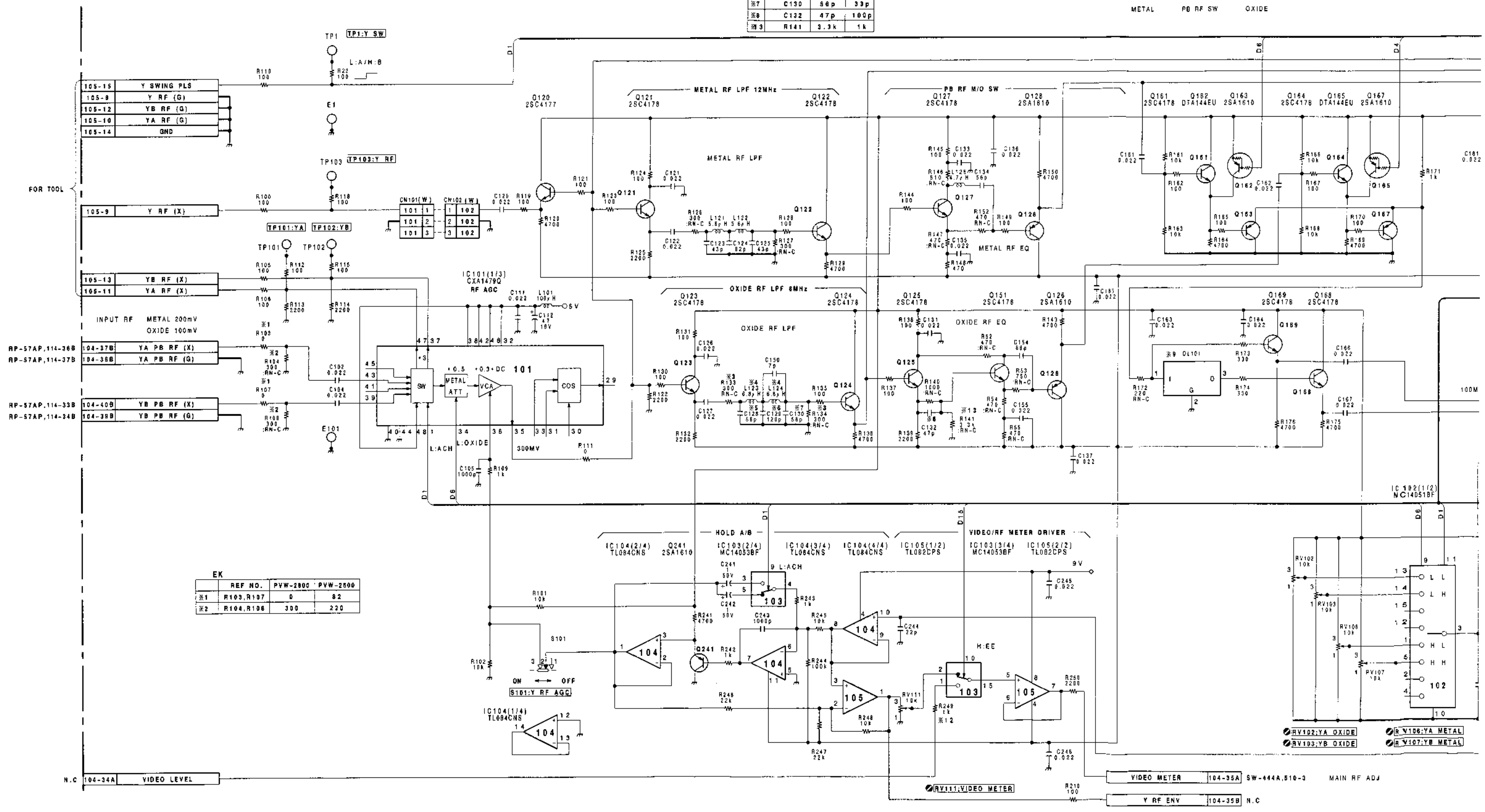
V: 500 mV/div
H: 20 μ s/div

Serial No.(EK);12951 and higher
Serial No.(UC);10001 and higher

VP-33AP(1/9);Y RF AGC,Y DO ENVELOPE DETECT

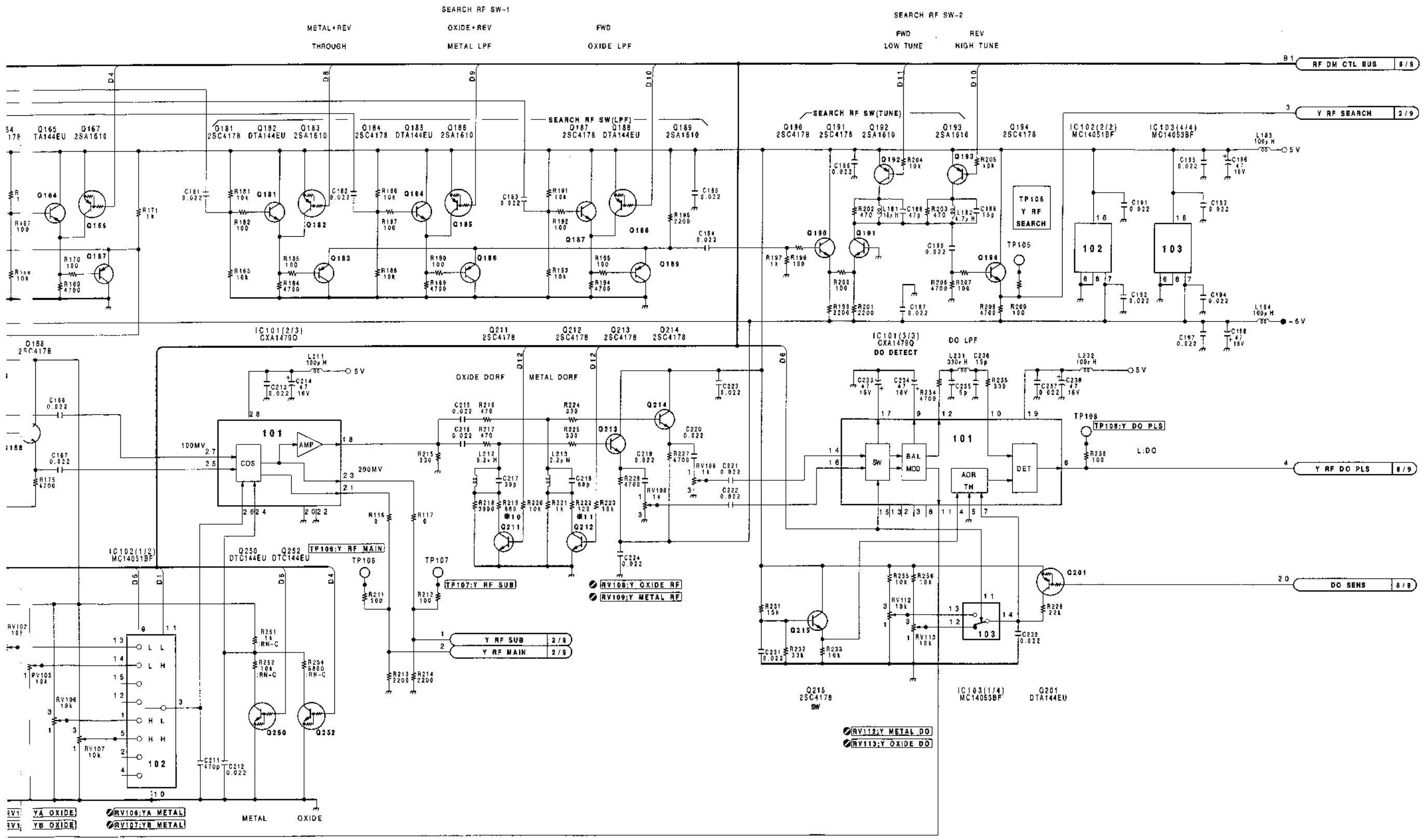
REF NO.	J.U.C	EK
*3	R133,R124	300 330
*4	L123,L124	5.6 μ H 10 μ H
*5	C126	56p 33p
*6	C129	120p 100p
*7	C130	56p 33p
*8	C132	47p 100p
*9	R141	3.3k 1k

REF NO.	J.U.C	EK
*9	DL101	1-415-548-11 50ma 35na
FC	5MHz	7MHz
METAL	PB RF SW	OXIDE



EK	REF NO.	PYW-2800	PYW-2500
*1	R103,R107	0	82
*2	R104,R106	390	220

REF NO.	PYW-2800	PYW-2500
*2	R248	1k NO M T



0-3 MAIN RF ADJ SUB RF

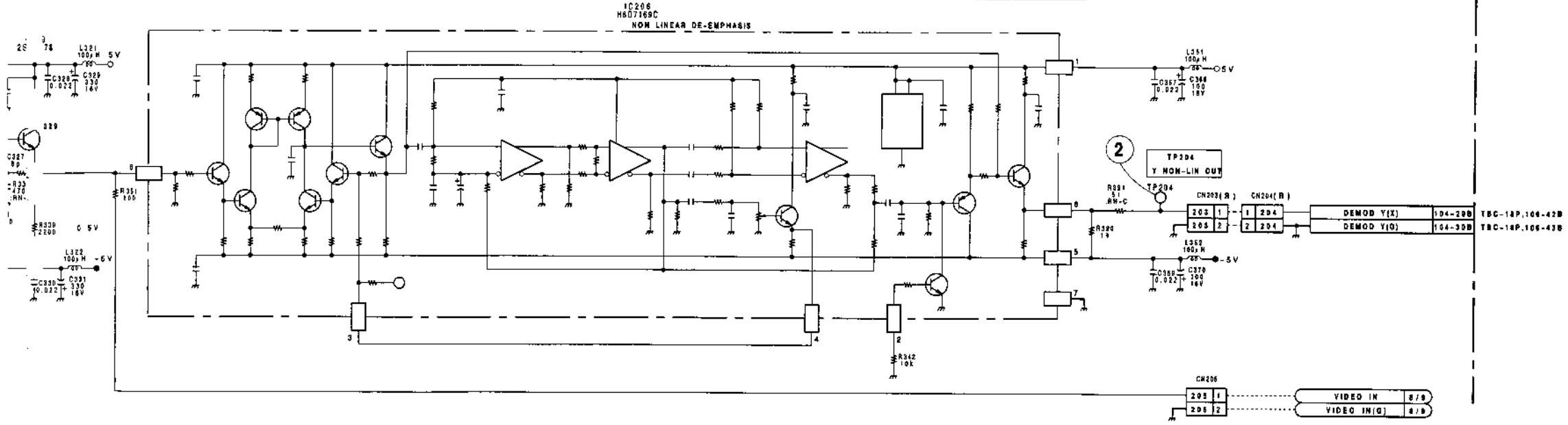
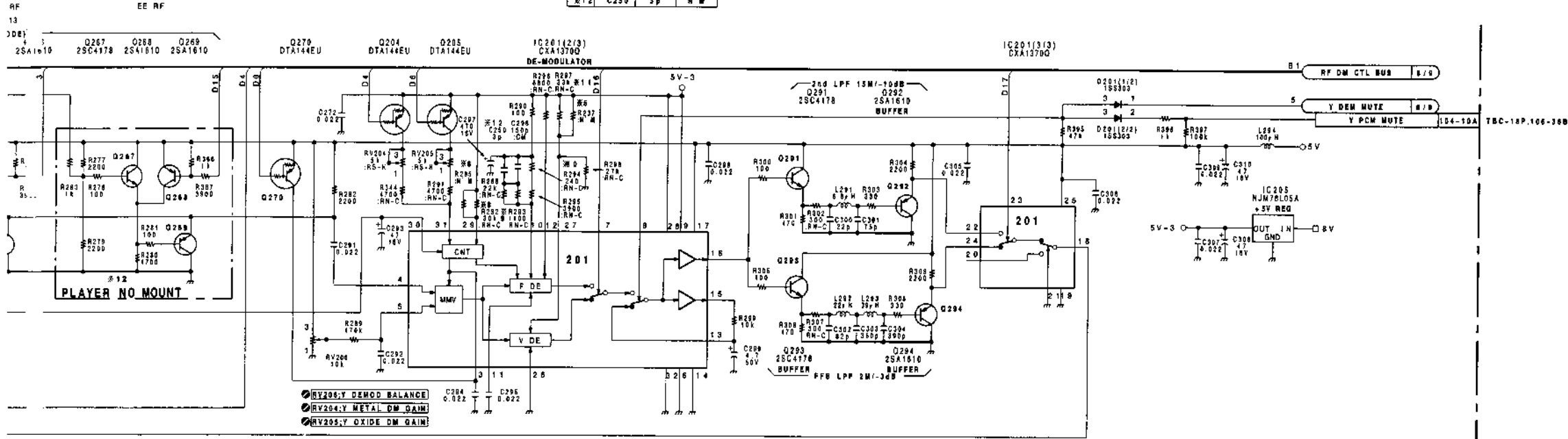
*10			*11		
R219	J,UC	EK	REF NO.	J,UC	EK
PYW-2600	590	680	R222	120	390
PYW-2600	1k	680			

VP-33AP BOARD (1/9)

BOARD NO.1-640-032-14
 PVW-2600P(EK);#12951-
 PVW-2600P(UC);#10001-

REF	VAL	TYPE	NOTE
R277	2200	RES	NO MOUNT
R278	100	RES	NO MOUNT
R279	2200	RES	NO MOUNT
R280	4700	RES	NO MOUNT
R281	100	RES	NO MOUNT
R285	1k	RES	NO MOUNT
R286	1k	RES	NO MOUNT
R287	3900	RES	NO MOUNT
R287	25C4178	IC	NO MOUNT
R288	25A1610	IC	NO MOUNT
R289	25A1610	IC	NO MOUNT

REF NO.	J, UC	EK
R2	R237	N M
R6	R285	N M
R8	R282	30k 33k
R9	R288	1100 1k
R10	R284	240 300
R11	R287	33k 39k
R12	C230	5p N M



VP-33AP BOARD (2/9)

BOARD NO.1-640-032-14
 PVW-2600P (EK):#12951-
 PVW-2600P (UC):#10001-

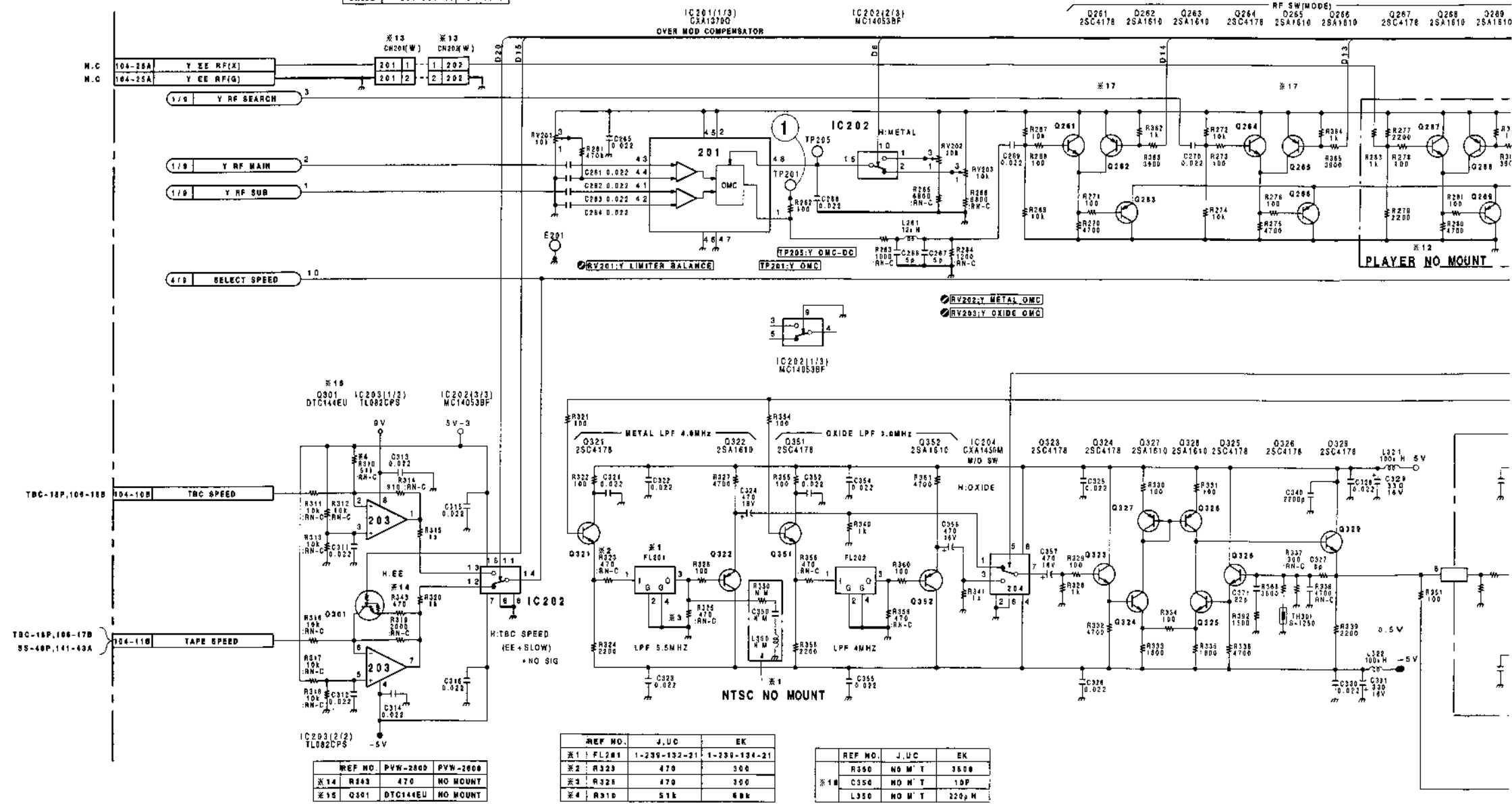
Serial No.(EK);12951 and higher
Serial No.(UC);10001 and higher

VP-33AP(2/9);Y DE-MODULATOR, NON LINEAR DE-EMPHASIS

⊗17	PYW-2800	PYW-2800
Q262	2SA1610	DTA144EU
R362	1K	NO MOUNT
R363	3900	Ω
Q265	2SA1610	DTA144EU
R364	1K	NO MOUNT
R365	3900	Ω

⊗12	PYW-2800	PYW-2800
R277	2200	NO MOUNT
R278	100	NO MOUNT
R279	2200	NO MOUNT
R280	4700	NO MOUNT
R281	100	NO MOUNT
R283	1K	NO MOUNT
R285	1K	NO MOUNT
R287	3900	NO MOUNT
Q267	2SC4178	NO MOUNT
Q268	2SA1610	NO MOUNT
Q269	2SA1610	NO MOUNT

⊗13	PYW-2800	PYW-2800
CN201	1-584-901-11	NO MOUNT
CN202	1-584-901-11	NO MOUNT



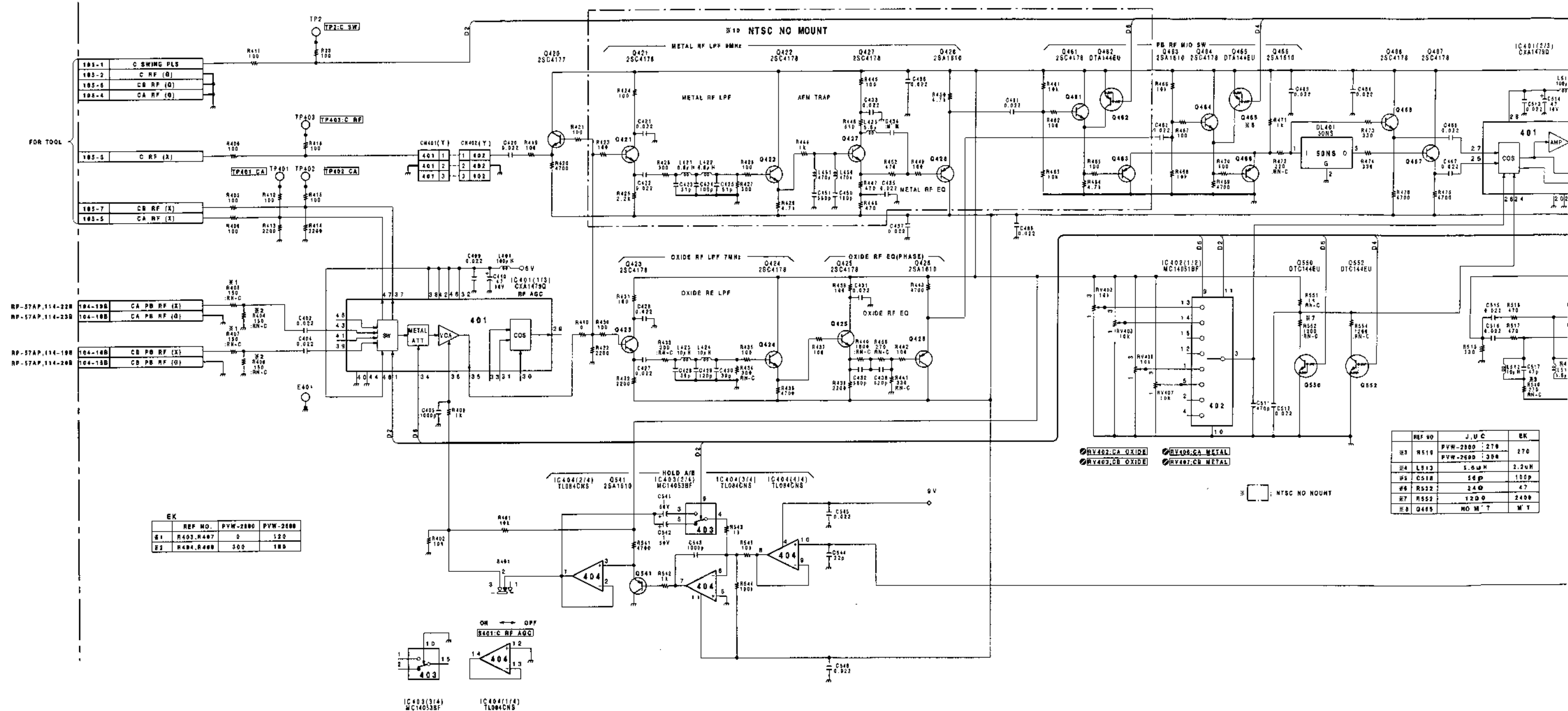
REF NO.	PYW-2800	PYW-2800
⊗14	R363	470
⊗15	Q301	DTG144EU

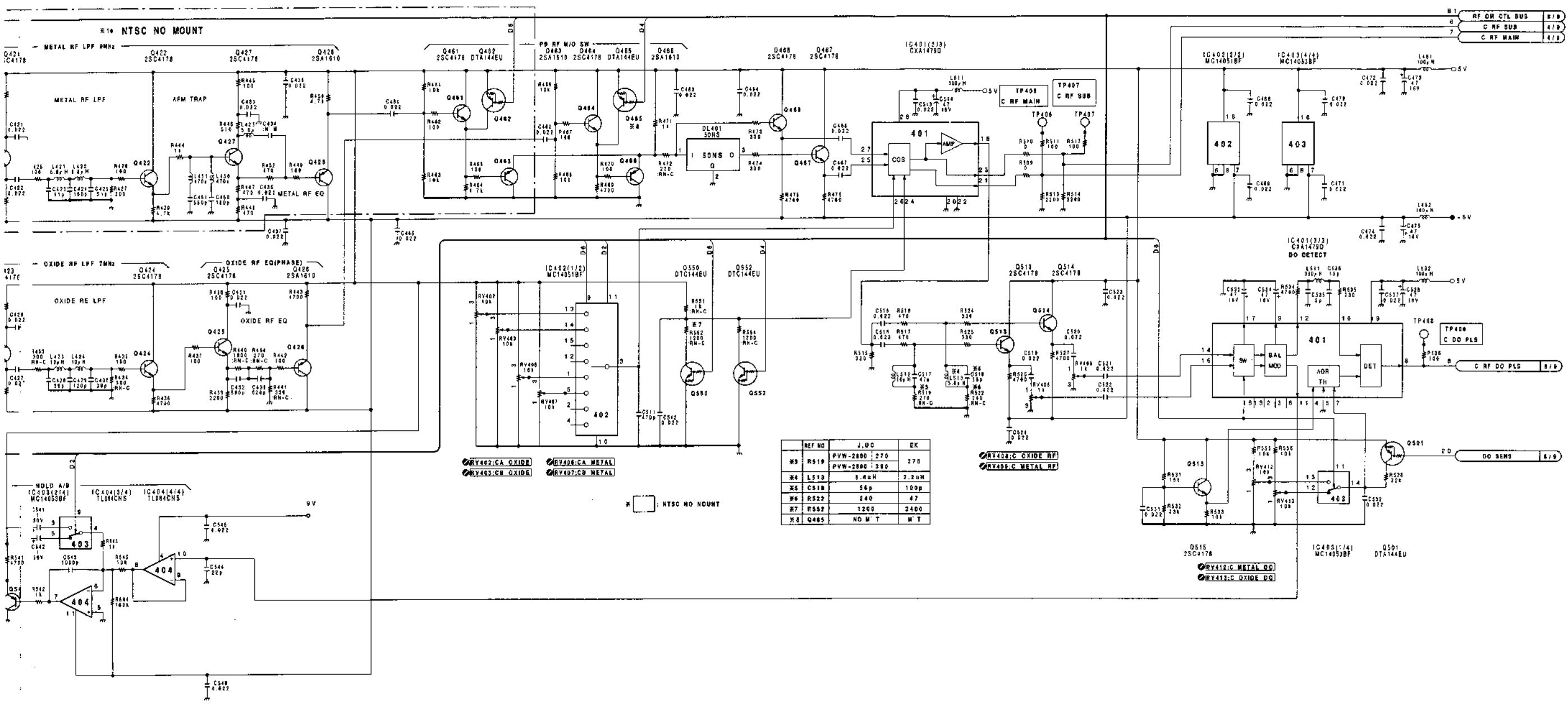
REF NO.	J.U.C	EK
⊗1	FL201	1-239-132-21 1-239-134-21
⊗2	R323	470 300
⊗3	R325	470 300
⊗4	R310	51K 600

REF NO.	J.U.C	EK
⊗16	R350	NO M T 3000
	C350	NO M T 10P
	L350	NO M T 220μH

Serial No.(EK);12951 and higher
Serial No.(UC);10001 and higher

VP33AP(3/9);C PB RF EQ,C RF AGC,C DO DETECT





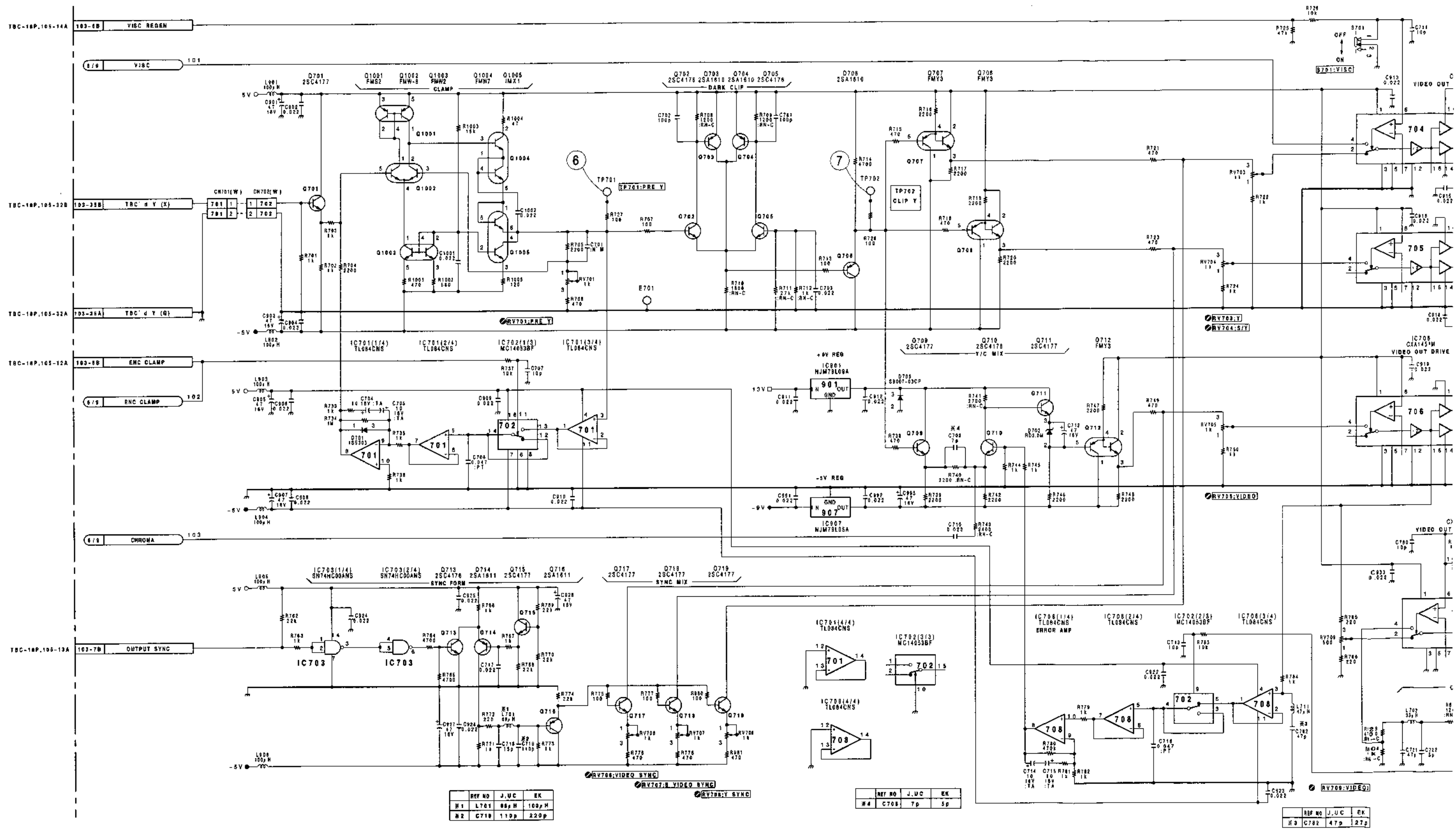
VP-33AP BOARD (3/9)

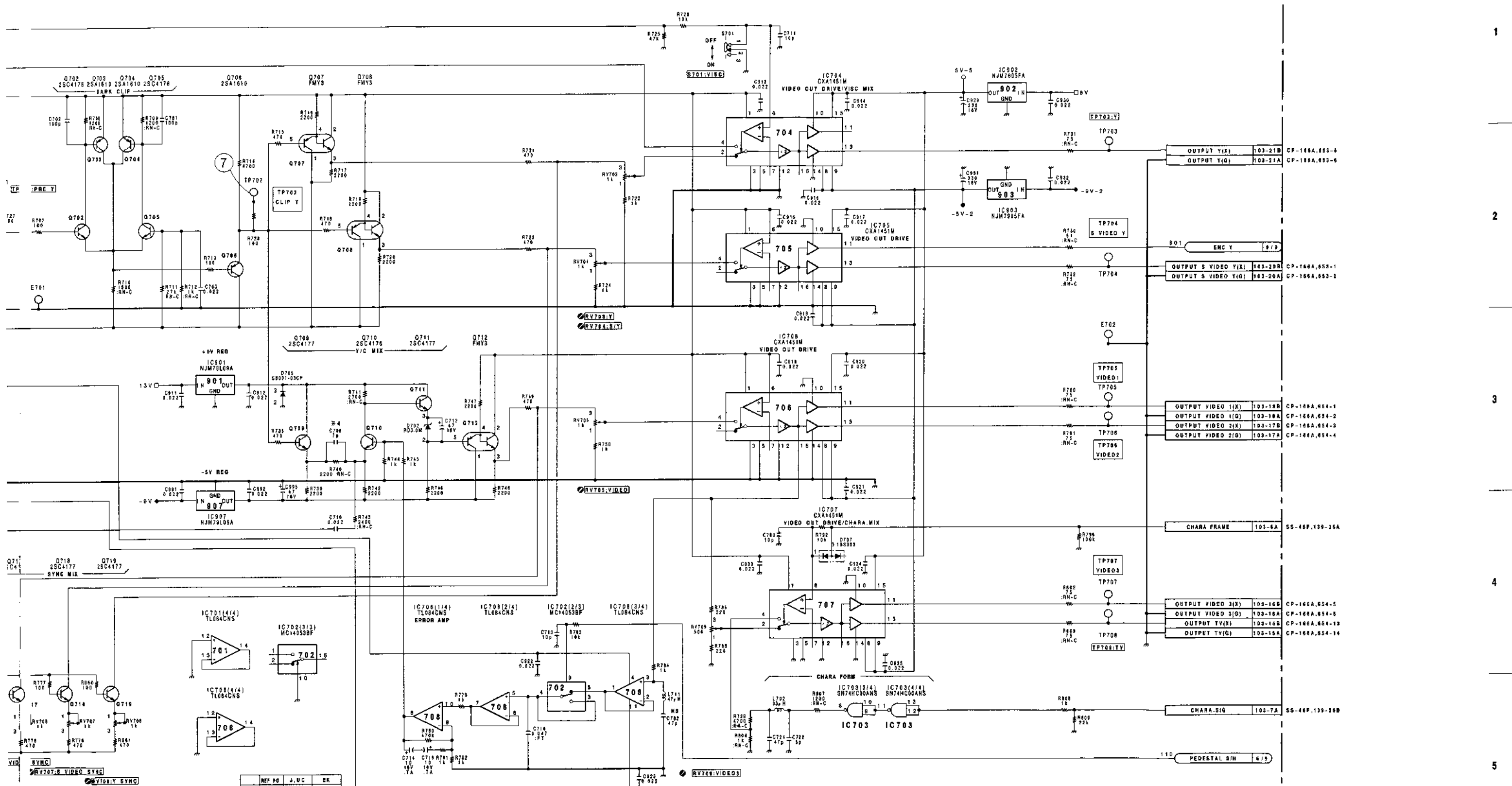
BOARD NO.1-640-032-14
PVW-2600P (EK); #12951-
PVW-2600P (UC); #10001-

Serial No.(EK);12951 and higher
Serial No.(UC);10001 and higher

VP-33AP(5/9) VP-33AP(5/9)

VP-33AP(5/9);COMPOSITE OUT DRIVER





REF NO	J, UC	EK
X4	C788	70 5p

REF NO	J, UC	EK
X3	C782	47p 27p

VP-33AP BOARD (5/9)

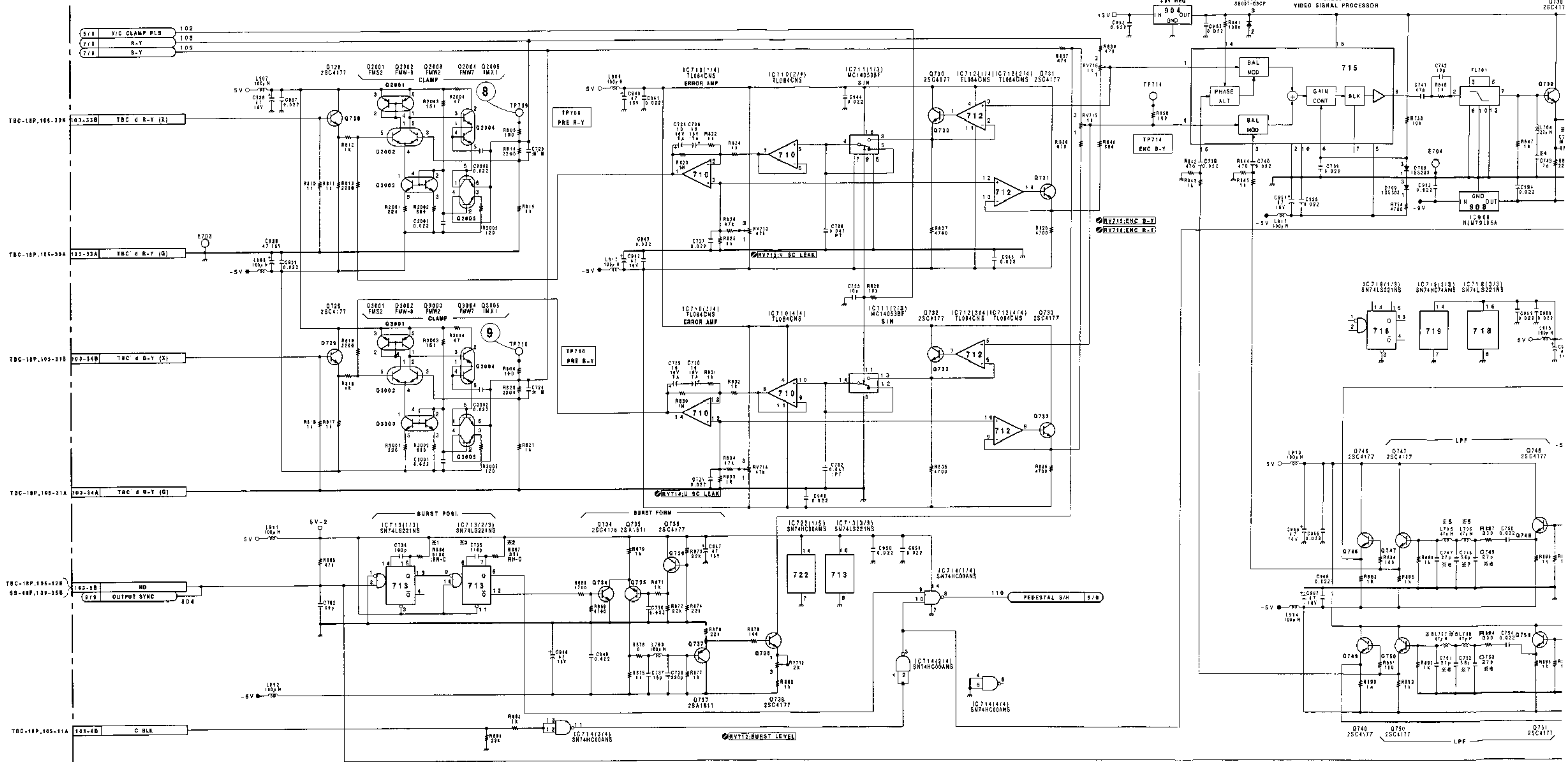
BOARD NO.1-640-032-14
 PVW-2600P (EK):#12951-
 PVW-2600P (UC):#10001-

Serial No.(EK);12951 and higher
Serial No.(UC);10001 and higher

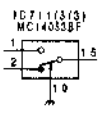
VP-33AP(6/9);ENCODER

REF NO	JUC	EK
#9	C789	NO MOUNT 10p
#10	R882	NO MOUNT 1k
#11	L720	NO MOUNT 22u

1
2
3
4
5



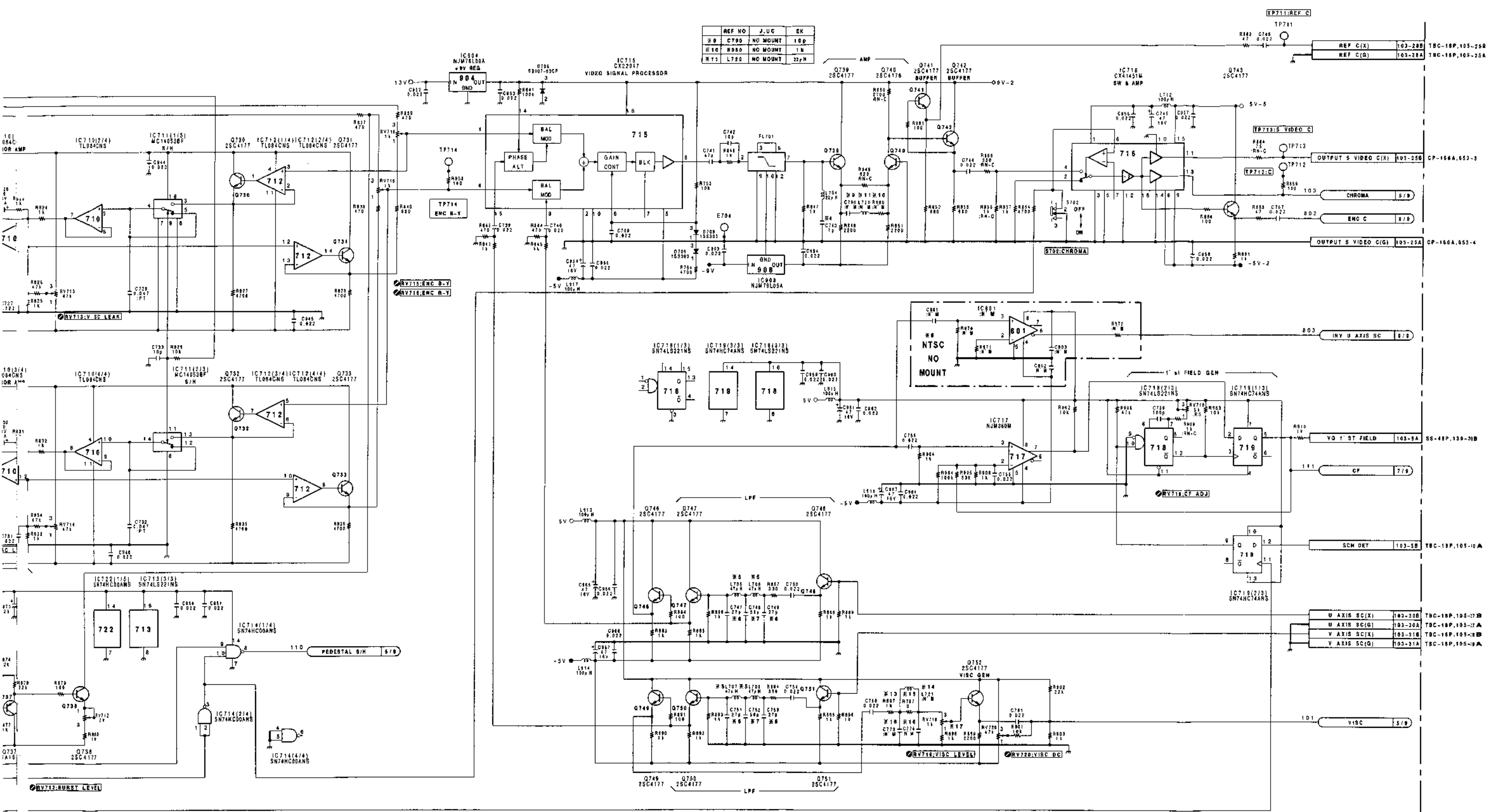
REF NO	JUC	EK
#1	R886	510k 10k
#2	R887	33k 20k
#3	C795	110p 150p



REF NO	JUC	EK
#4	C743	7p 4p
#5	L705, 706, 707, 708	47uH 27uH
#6	C747, 748, 751, 752	27p 33p
#7	C749, 750	58p 58p
#8	BLOCK	N/T N/T

A | B | C | D | E | F | G | H

VP-33AP(6/9) VP-33AP(6/9)



REF NO	JUC	EK
X 8	C790	NO MOUNT 10P
X 10	R860	NO MOUNT 1K
X 11	L720	NO MOUNT 22P



REF NO	JUC	EK
X 4	C743	7P 4P
X 5	L705, 708, 707, 706	47M 27P
X 6	C747, 749, 751, 753	27P 55P
X 7	C748, 752	56P 66P
X 8	BLOCK	N T M T

X 0	REF NO	JUC	EK
	R700	1K	C001 0.022
	R071	220	C002 0.022
	R072	47	C003 0.022

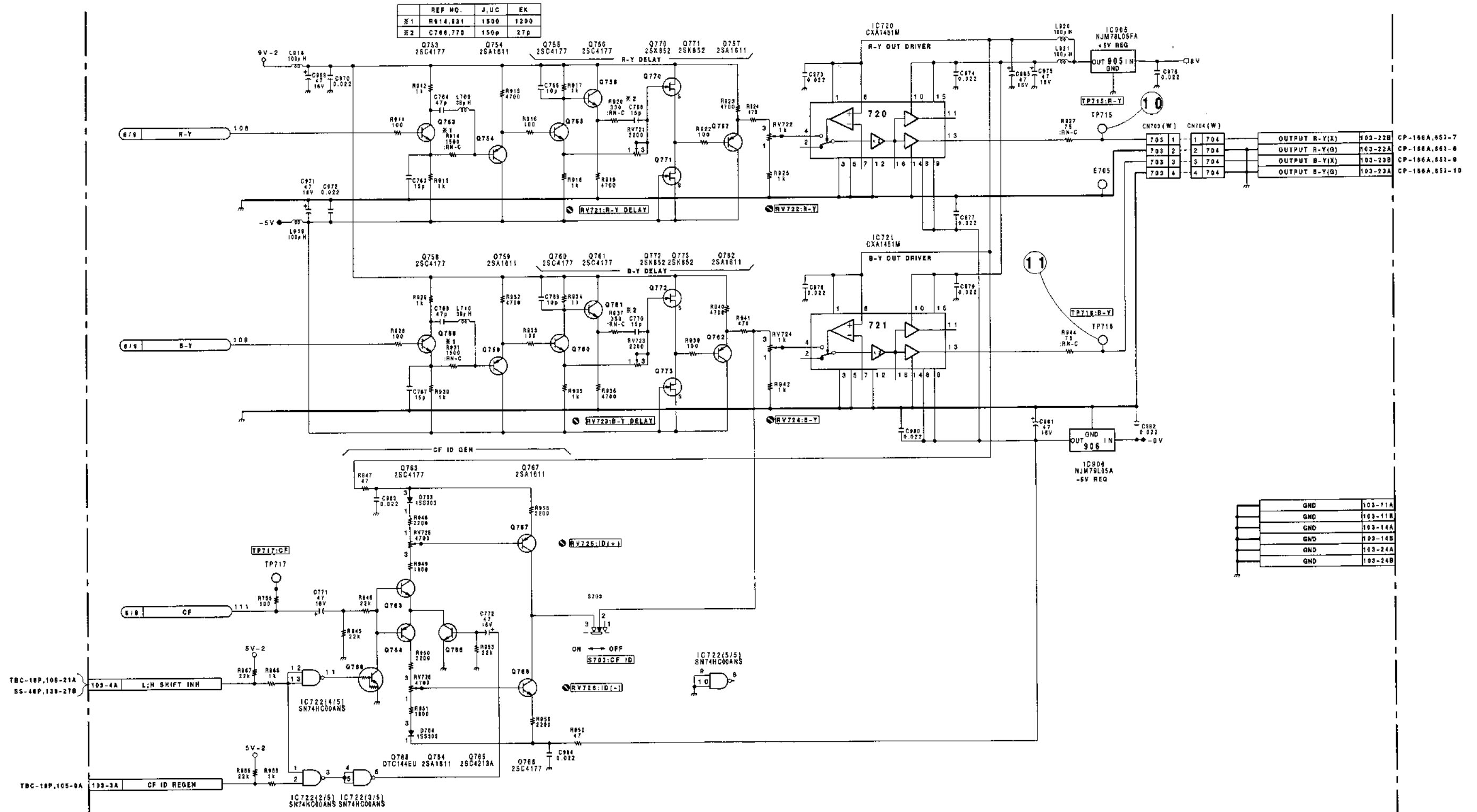
REF NO	JUC	EK
X 13	R897	1K 510
X 14	L721	NO M T 680H
X 15	R767	0 NO M T
X 16	C773, C774	NO M T 68P
X 17	R898	1K 220

VP-33AP BOARD (6/9)

BOARD NO. 1-640-032-14
 PVW-2600P (EK); #12951-
 PVW-2600P (UC); #10001-

Serial No.(EK);12951 and higher
 Serial No.(UC);10001 and higher

VP-33(7/9);R-Y/B-Y OUT DRIVER

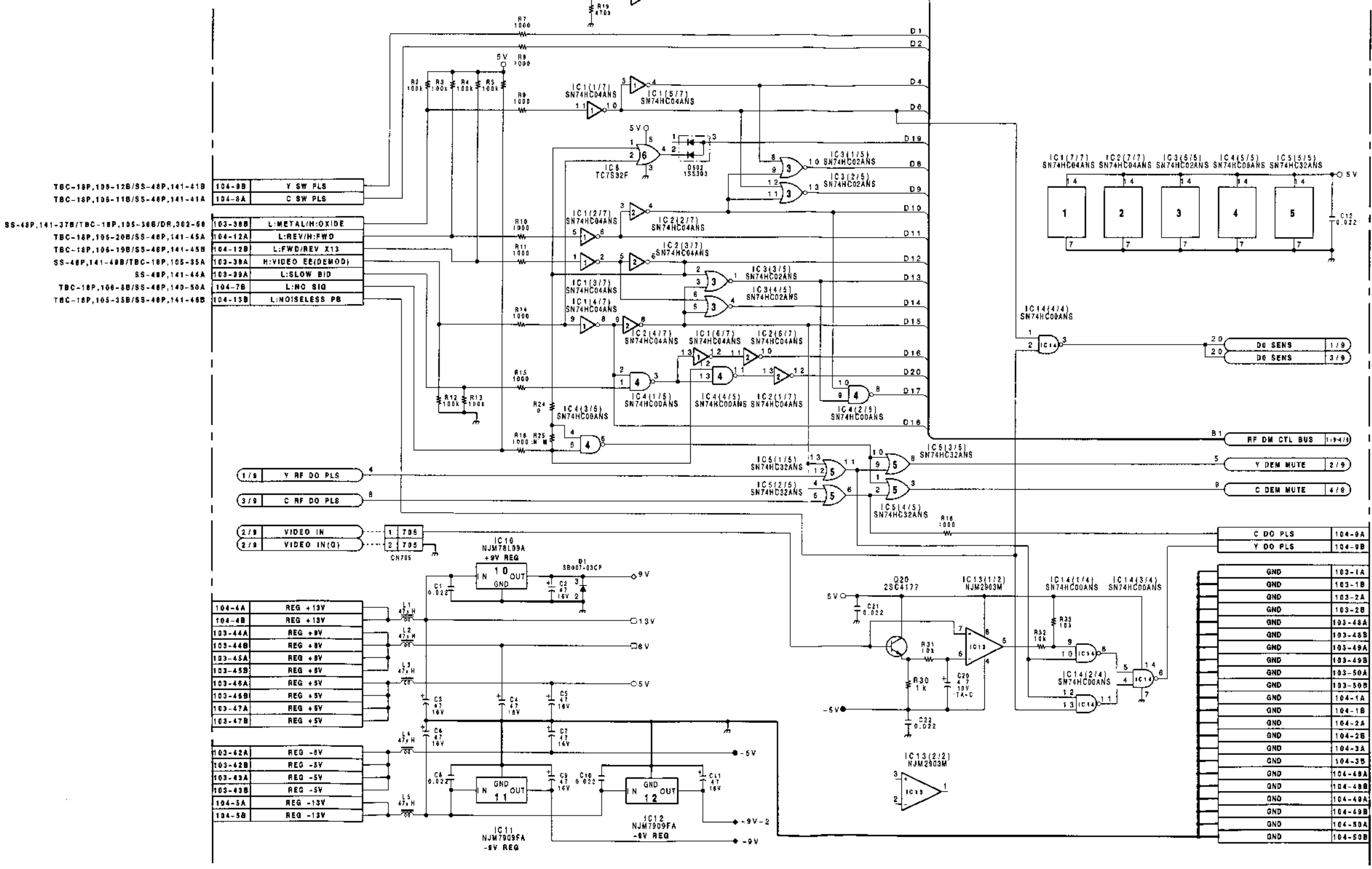


VP-33AP BOARD (7/9)

BOARD NO.1-640-032-14
 PVW-2600P (EK);#12951-
 PVW-2600P (UC);#10001-

Serial No.(EK);12951 and higher
Serial No.(UC);10001 and higher

VP-33AP(8/9);Y/C PB MODE PROCESS

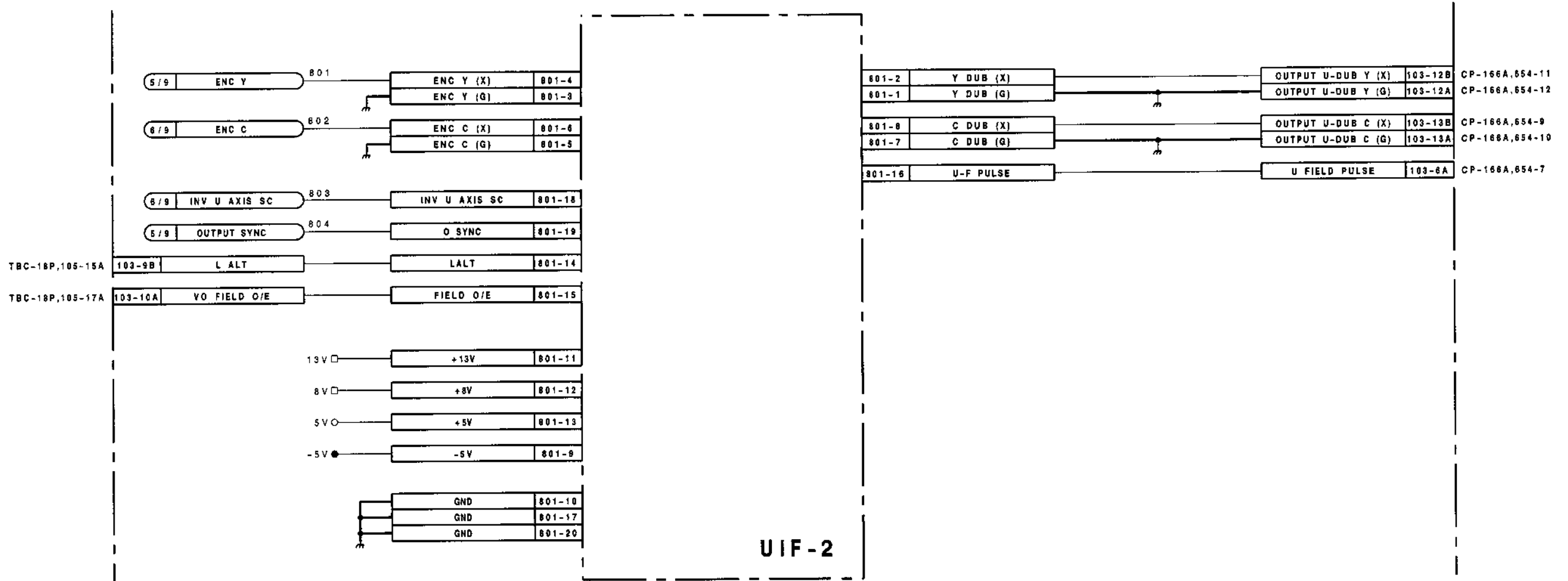


VP-33AP BOARD (8/9)

BOARD NO.1-640-032-14
PVW-2600P (EK);#12951-
PVW-2600P (UC);#10001-

Serial No.(EK);12951 and higher
 Serial No.(UC);10001 and higher

VP-33AP(9/9);U-DUB INTERFACE



1
2
3
4
5

VP-33AP BOARD (9/9)
 BOARD NO.1-640-032-14
 PVW-2600P (EK);#12951-
 PVW-2600P (UC);#10001-

VP-33AP(1-640-032-13)

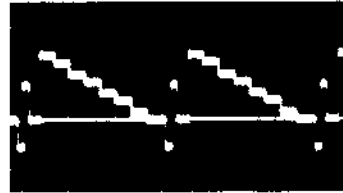
TP1	D-1
TP2	F-1
TP101	D-1
TP102	C-1
TP103	D-1
TP105	C-4
TP106	B-4
TP107	A-4
TP108	D-6
TP201	B-4
TP204	C-1
TP205	C-3
TP401	F-1
TP402	F-1
TP403	F-1
TP406	F-4
TP407	F-4
TP408	H-6
TP501	G-4
TP502	H-1
TP504	H-2
TP505	G-3
TP701	N-3
TP702	N-4
TP703	M-6
TP704	N-6
TP705	N-6
TP706	N-6
TP707	P-6
TP708	P-6
TP709	K-6
TP710	J-6
TP711	M-6
TP712	M-4
TP713	M-6
TP714	K-4
TP715	K-1
TP716	K-1
TP717	L-1

① TP201
PB



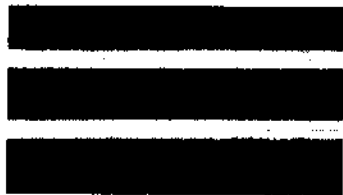
V: 200 mV/div
H: 2 ms/div

② TP204
PB



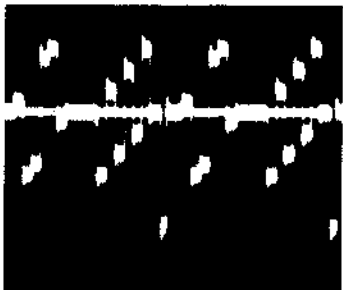
V: 500 mV/div
H: 20 μs/div

③ TP501
PB



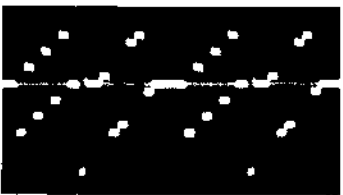
V: 200 mV/div
H: 20 μs/div

④ TP502
PB



V: 200 mV/div
H: 20 μs/div

⑤ TP504
PB



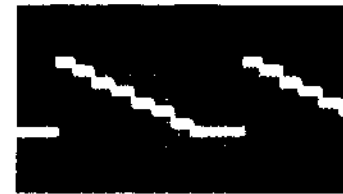
V: 500 mV/div
H: 20 μs/div

⑥ TP701
PB



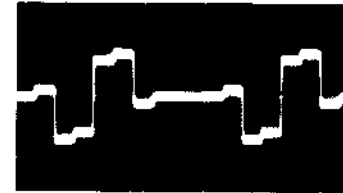
V: 1 V/div
H: 20 μs/div

⑦ TP702
PB



V: 1 V/div
H: 20 μs/div

⑧ TP709
PB



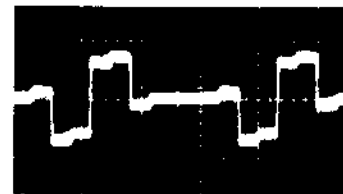
V: 1 V/div
H: 20 μs/div

⑨ TP710
PB



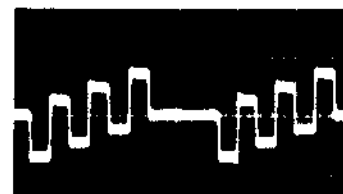
V: 1 V/div
H: 20 μs/div

⑩ TP715
PB



V: 500 mV/div
H: 20 μs/div

⑪ TP716
PB



V: 500 mV/div
H: 20 μs/div

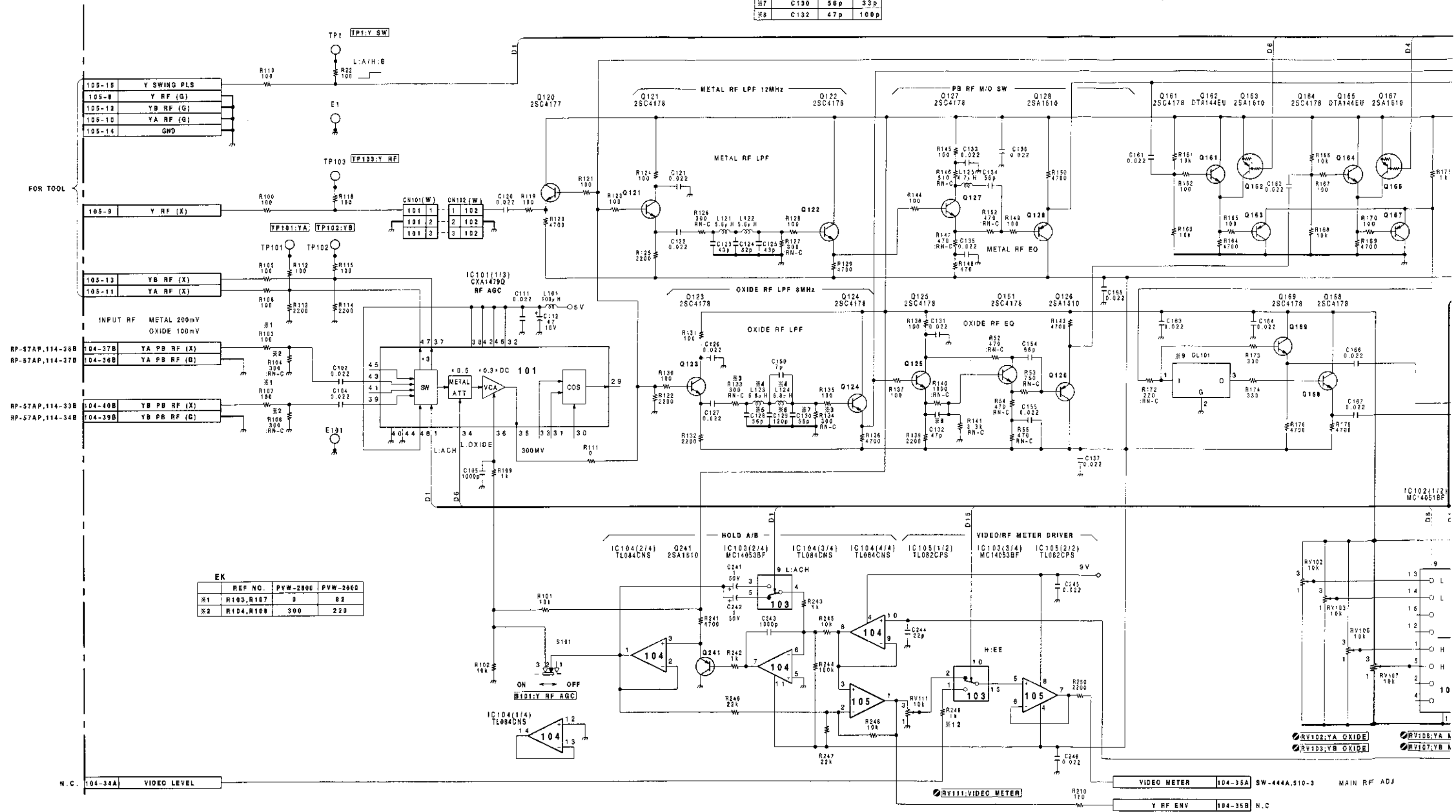
Serial No.(EK);12241 to 12950

VP-33AP(1/9);Y RF AGC,Y DO ENVELOPE DETECT

REF NO.	J,UC	EK
*3	R133,R134	300 330
*4	L123,L124	6.8μH 10μH
*5	C128	56p 33p
*6	C129	120p 100p
*7	C130	56p 33p
*8	C132	47p 100p

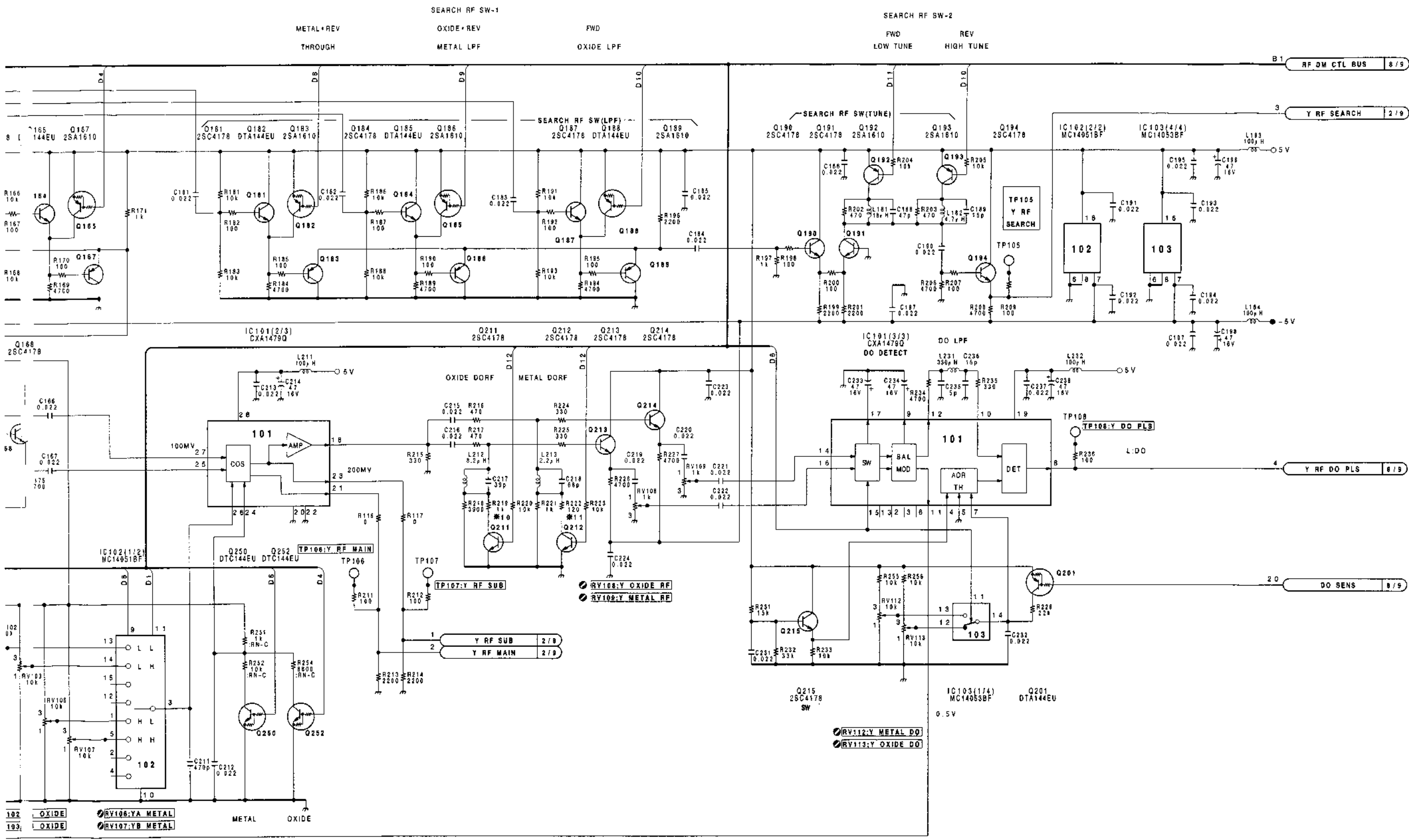
REF NO.	J,UC	EK
*9	DL101	1-415-648-11 50ns 35ns

METAL PB RF SW OXIDE



EK	REF NO.	PVW-2800	PVW-2600
*1	R103,R107	0	82
*2	R104,R108	300	220

REF NO.	PVW-2800	PVW-2600	
*12	R249	1k	NO M T



VP-33AP BOARD (1/9)

BOARD NO.1-640-032-13
PVW-2600P (EK); 12241-12950

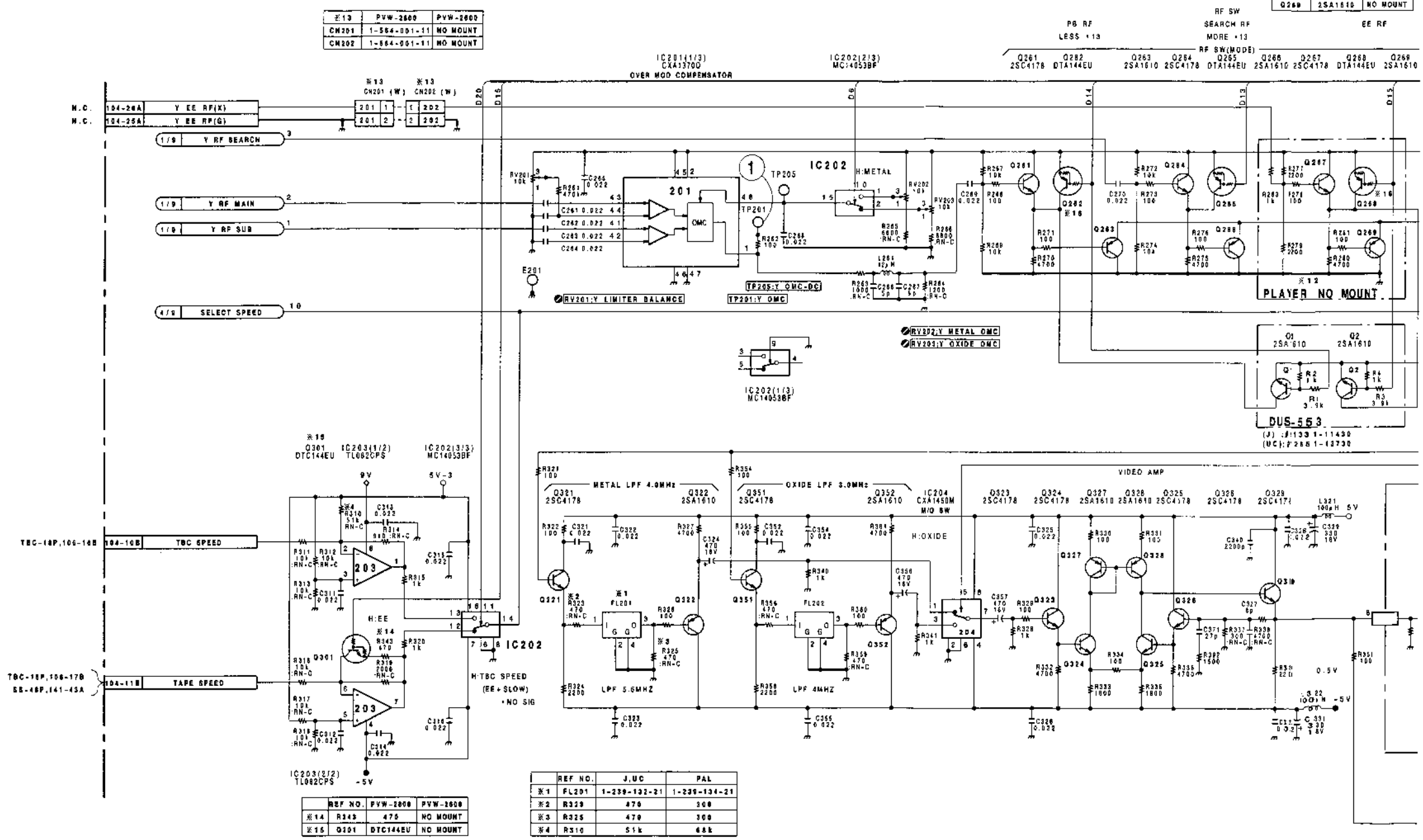
*10			*11		
R219	J,UC	EK	REF NO.	J,UC	EK
PVW-2600	680	680	R222	12B	390
PVW-2600	1k	680			

Serial No.(EK);12241 to 12950

VP-33AP(2/9);Y DE-MODULATOR, NON LINEAR DE-EMPHASIS

X12	PYW-2800	PYW-2800
R272	2200	NO MOUNT
R278	100	NO MOUNT
R279	2200	NO MOUNT
R280	4700	NO MOUNT
R281	100	NO MOUNT
R283	1K	NO MOUNT
Q267	2SC4178	NO MOUNT
Q268	DTA144EU	NO MOUNT
Q269	2SA1610	NO MOUNT

X13	PYW-2800	PYW-2800
CM201	1-584-001-11	NO MOUNT
CM202	1-584-001-11	NO MOUNT

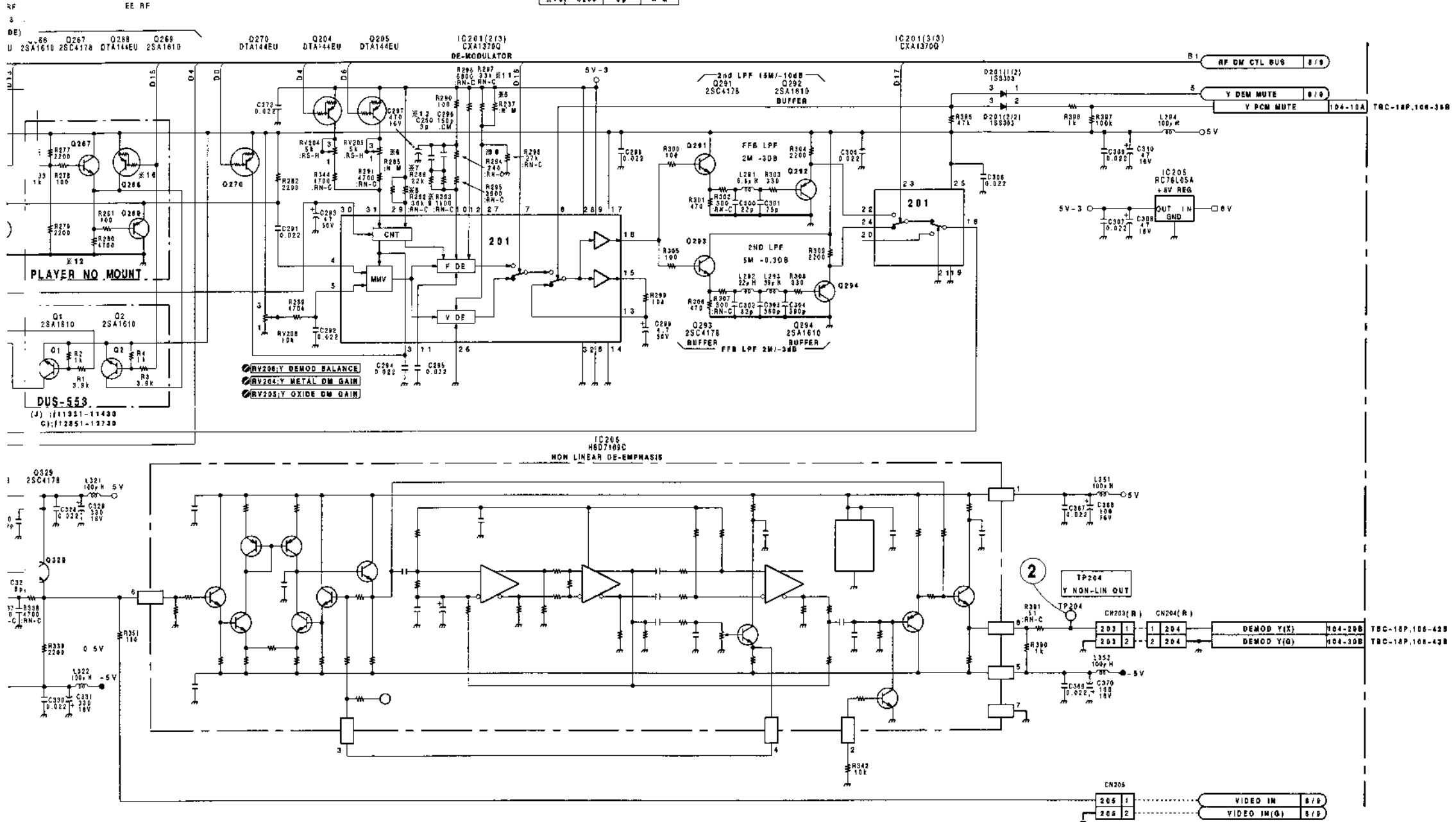


REF NO.	PYW-2800	PYW-2800	
X14	R345	475	NO MOUNT
X15	Q301	DTC144EU	NO MOUNT

REF NO.	J.U.C	PAL	
X1	FL201	1-239-132-21	1-239-134-21
X2	R329	470	300
X3	R325	470	300
X4	R310	51K	68K

X12	PYW-2600	PYW-2600
R277	2200	NO MOUNT
R278	100	NO MOUNT
R279	2700	NO MOUNT
R280	4700	NO MOUNT
R281	100	NO MOUNT
R283	1K	NO MOUNT
Q267	2SC4178	NO MOUNT
Q268	DTA144EU	NO MOUNT
Q269	2SA1610	NO MOUNT

REF NO.	J.U.C	EK
X5	R237	N' M
X6	R235	N' M
X8	R232	30K
X9	R233	1100
X10	R284	240
X11	R297	33K
X12	C260	3p

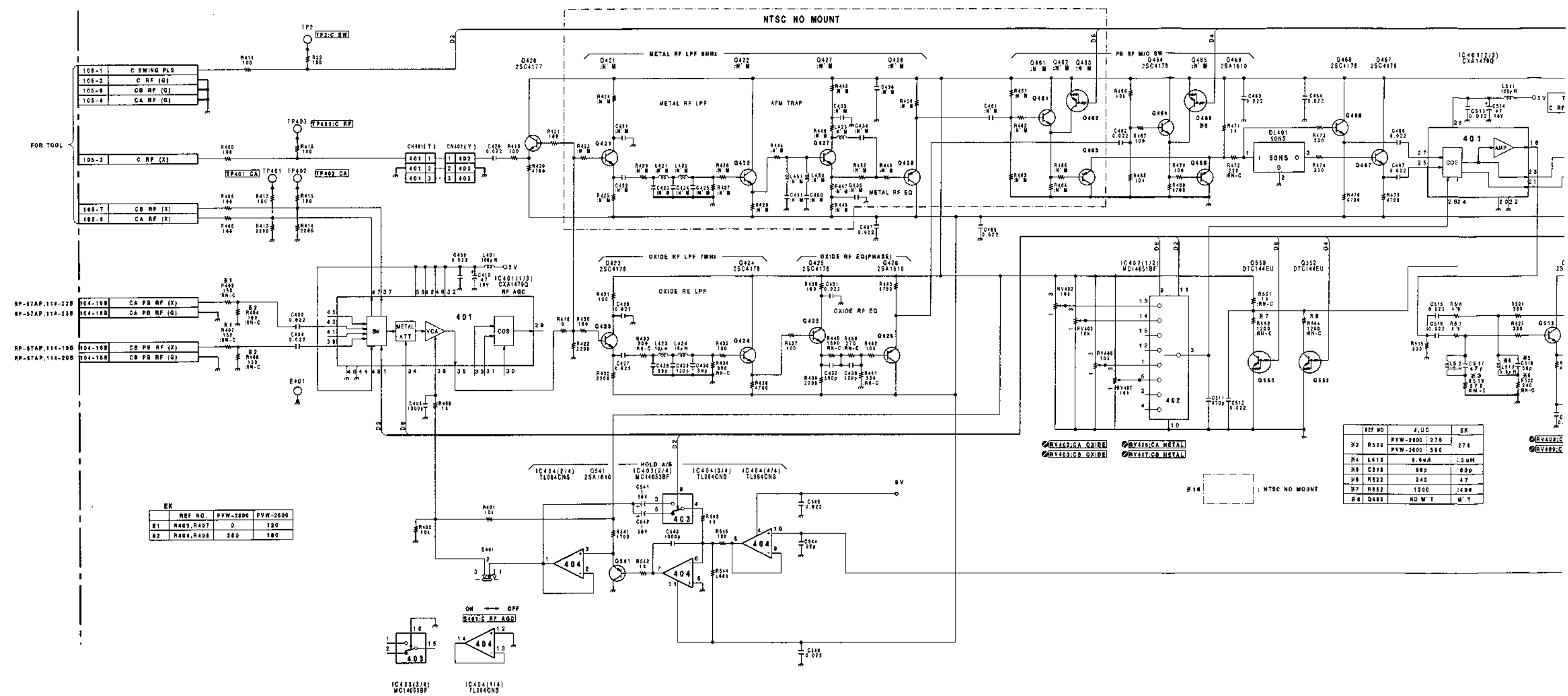


VP-33AP BOARD (2/9)

BOARD NO.1-640-032-13
 PVW-2600P (EK):#12241-12950

Serial No.(EK);12241 to 12950

VP-33AP(3/9);C PB RF EQ,C RF AGC,C DO DETECT

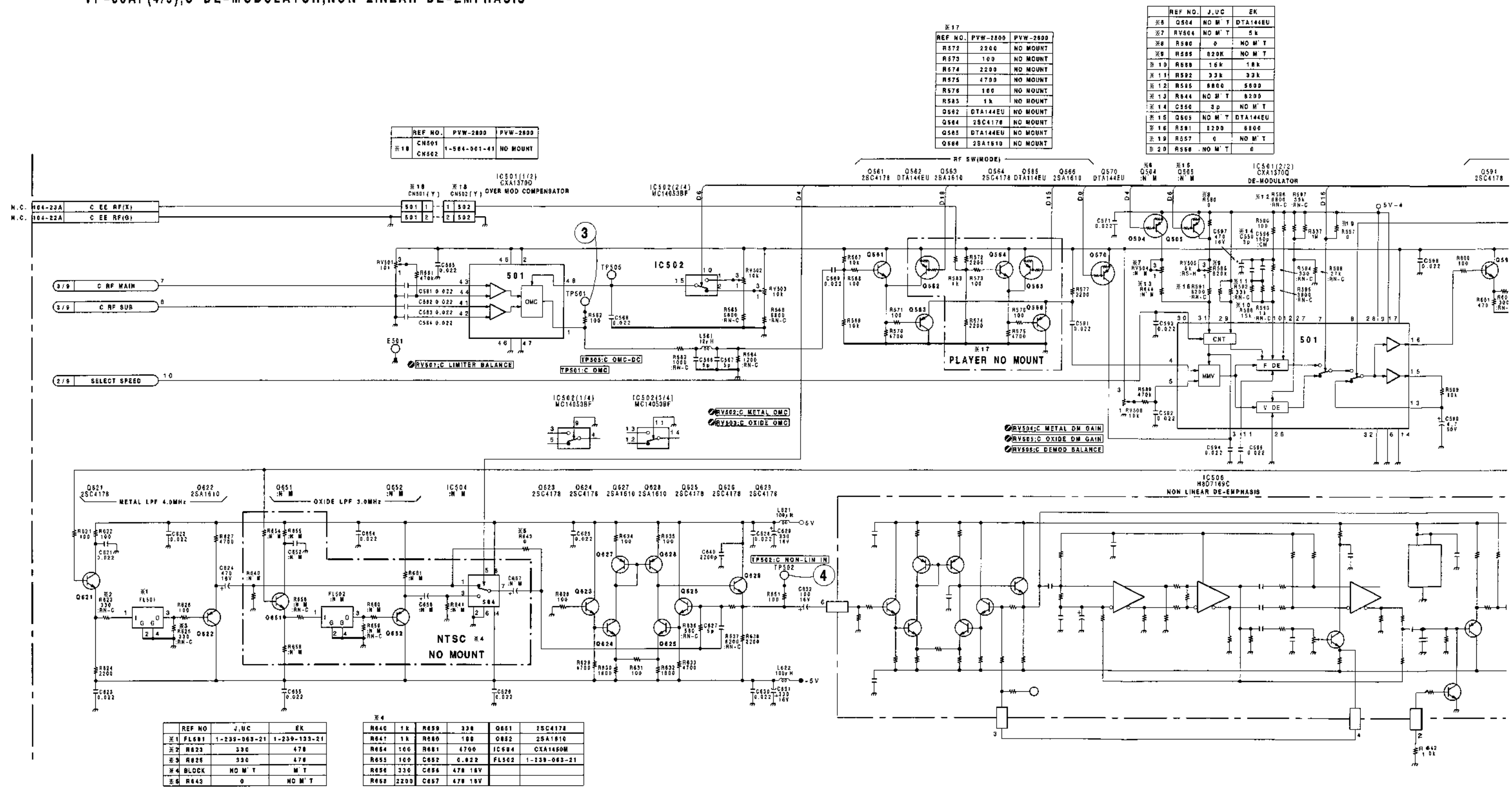


EK	REF. NO.	PVW-2800	PVW-2600
B1	R403, R407	0	120
B2	R404, R408	500	180

REF. NO.	J. LUC	EK
B3	RV402	270
B4	L513	270
B5	C518	270
B6	R522	270
B7	R522	270
B8	Q485	270

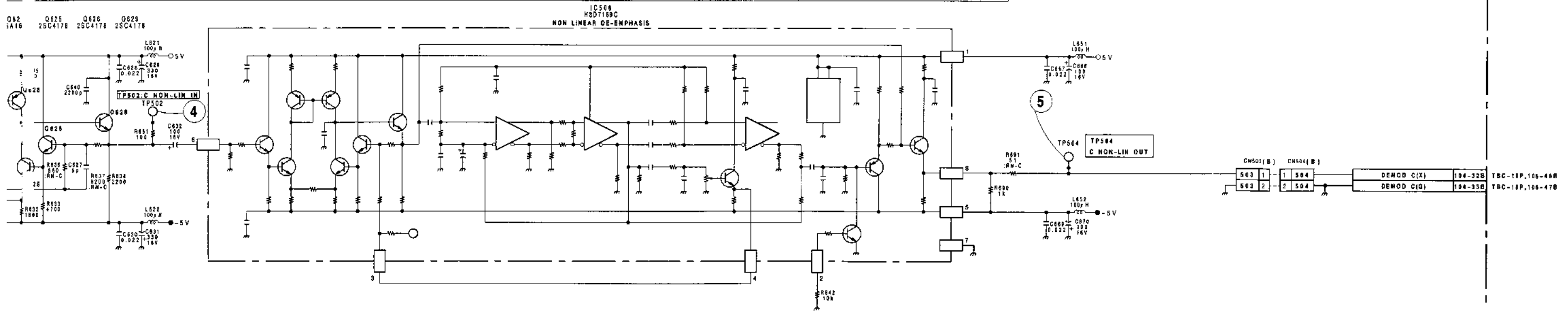
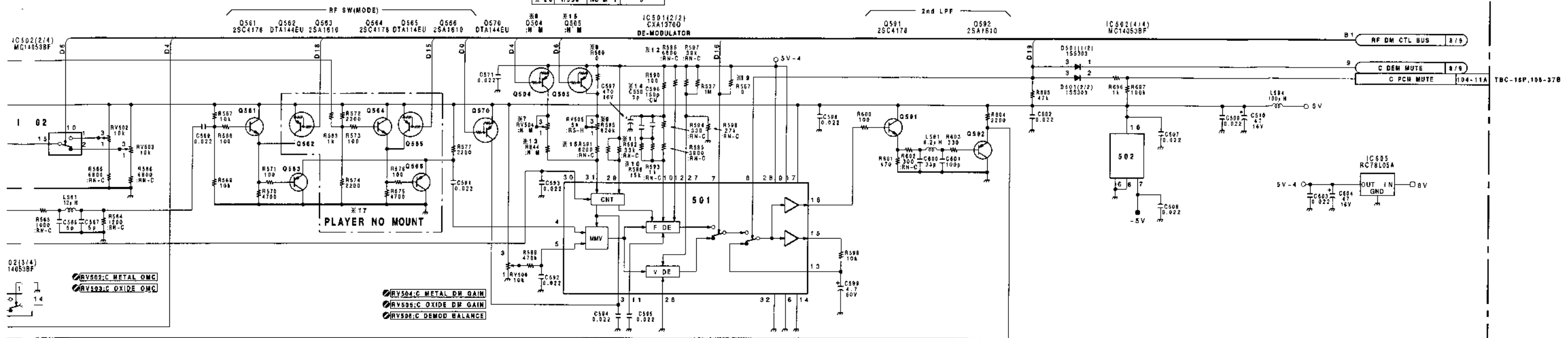
Serial No.(EK);12241 to 12950

VP-33AP(4/9);C DE-MODULATOR, NON LINEAR DE-EMPHASIS



*17		
REF. NO.	PYW-2800	PYW-2500
R572	2200	NO MOUNT
R573	100	NO MOUNT
R574	2200	NO MOUNT
R576	4700	NO MOUNT
R578	100	NO MOUNT
R583	1k	NO MOUNT
Q582	DTA144EU	NO MOUNT
Q584	2SC4178	NO MOUNT
Q588	DTA144EU	NO MOUNT
Q588	2SA1610	NO MOUNT

REF. NO.	J, UC	EK	
*6	Q504	NO M T	DTA144EU
*7	RV504	NO M T	5K
*8	R590	0	NO M T
*9	R585	820K	NO M T
*10	R588	15K	18K
*11	R592	33K	33K
*12	R595	8800	8800
*13	R644	NO M T	8200
*14	C560	3p	NO M T
*18	Q508	NO M T	DTA144EU
*18	R591	8200	8800
*19	R567	0	NO M T
*20	R558	NO M T	0

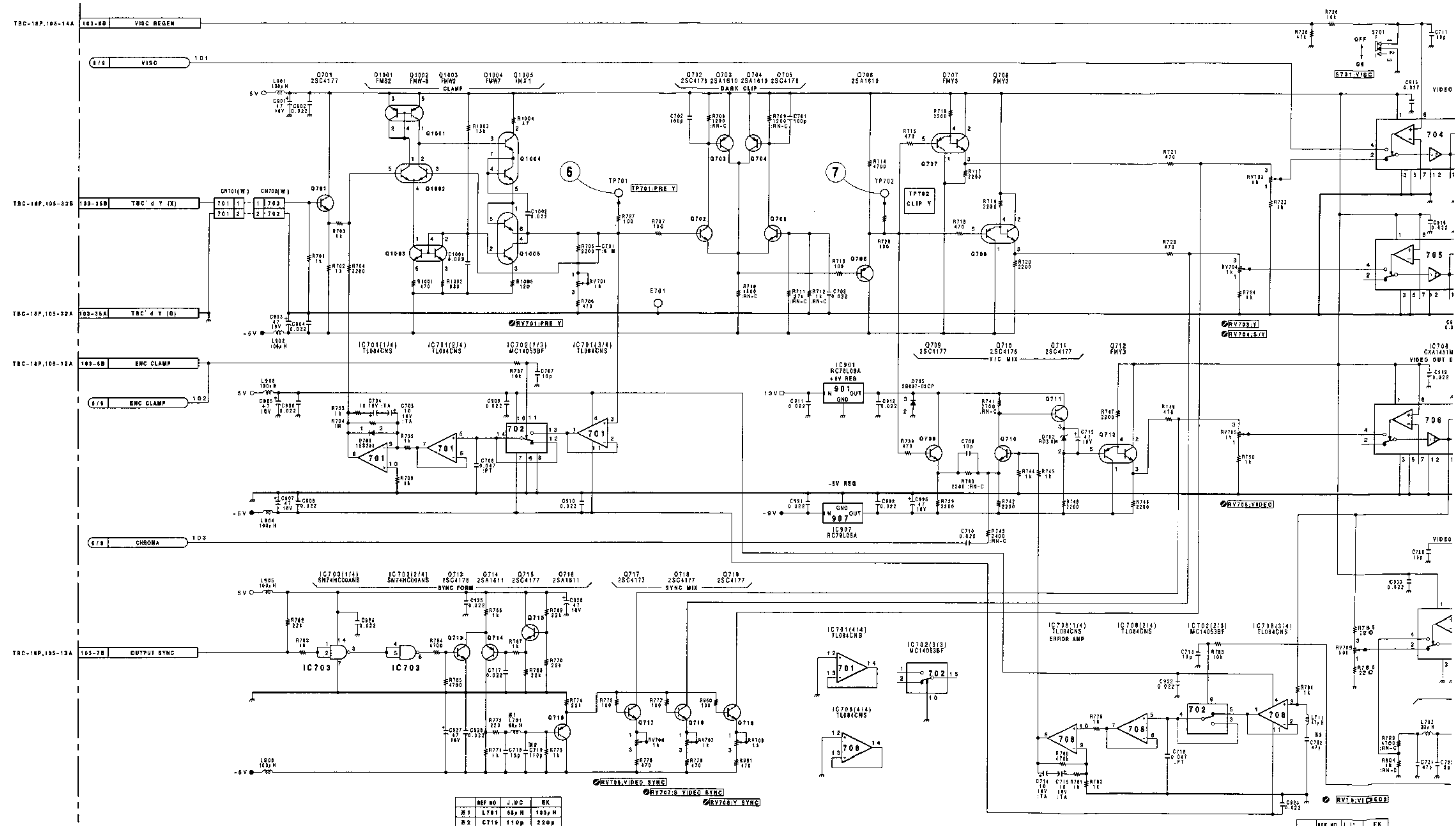


VP-33AP BOARD (4/9)

BOARD NO.1-640-032-13
 PVW-2600P(EK);#12241-12950

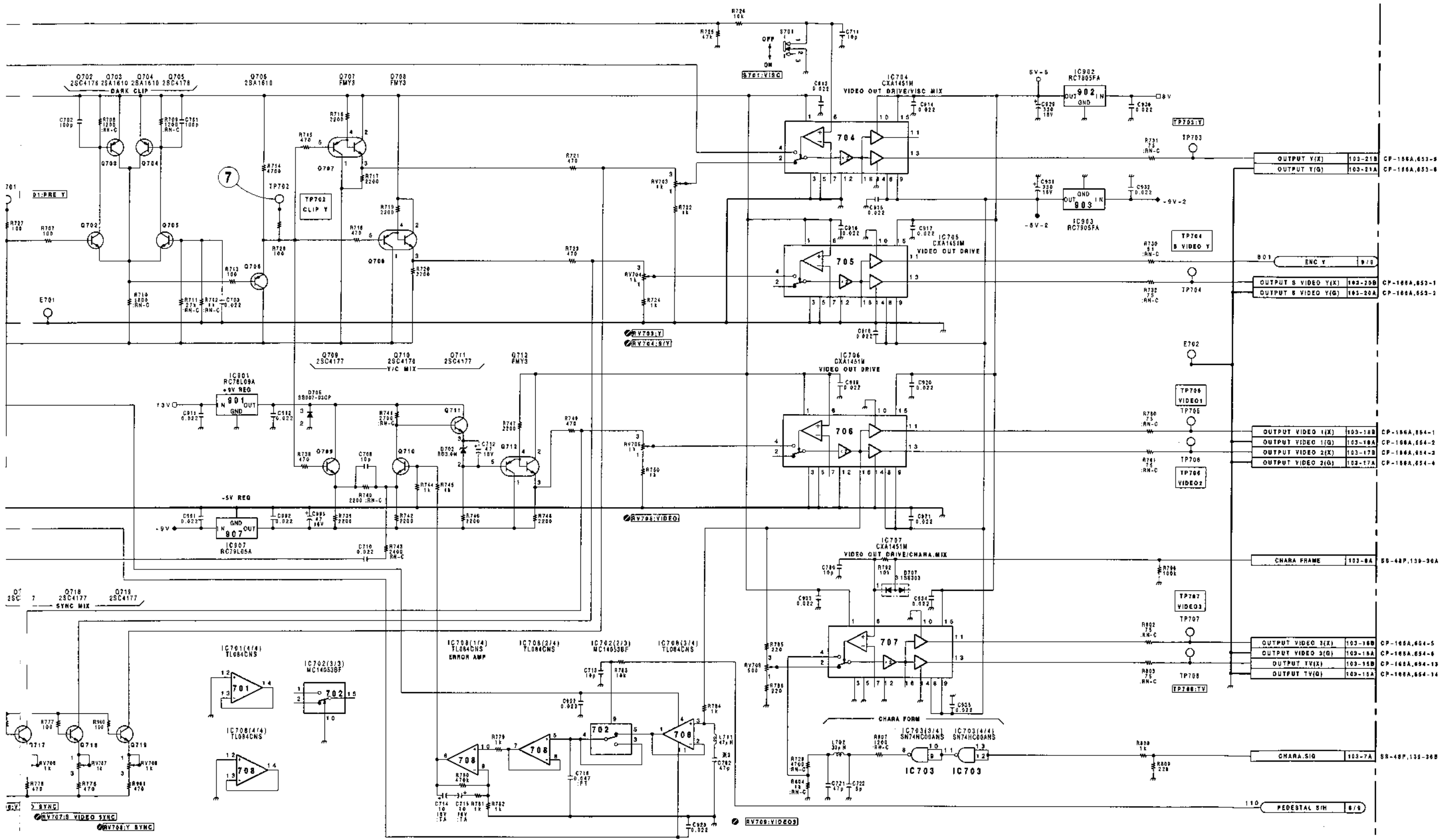
Serial No.(EK);12241 to 12950

VP-33AP(5/9);COMPOSITE OUT DRIVER



REF NO	J. U.C	EK
X1	L781 88pH	100pH
X2	C719 110p	220p

REF NO	J. U.C	EK
X3	IC702 47	27p



REF NO	JUC	EK
X3	C782	47p 27p

VP-33AP BOARD (5/9)

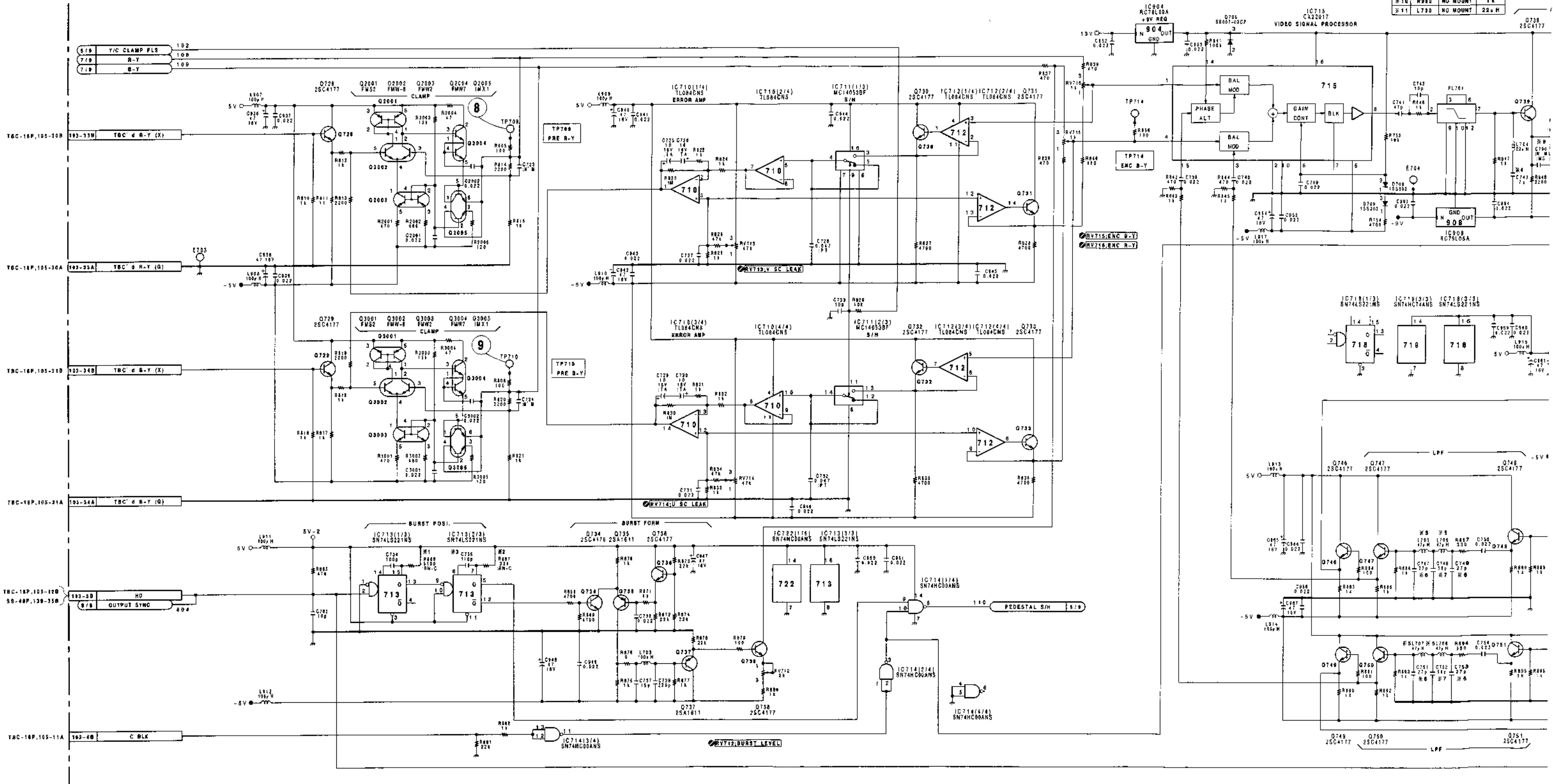
BOARD NO.1-640-032-13
PVW-2600P (EK);#12241-12950

E F G H I J K L

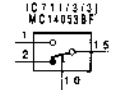
Serial No.(EK);12241 to 12950

VP-33AP(6/9);ENCODER

REF NO	J.U.C	EK
#8 C792	NO MOUNT	10D
#10 R880	NO MOUNT	1X
#11 L780	NO MOUNT	22x M

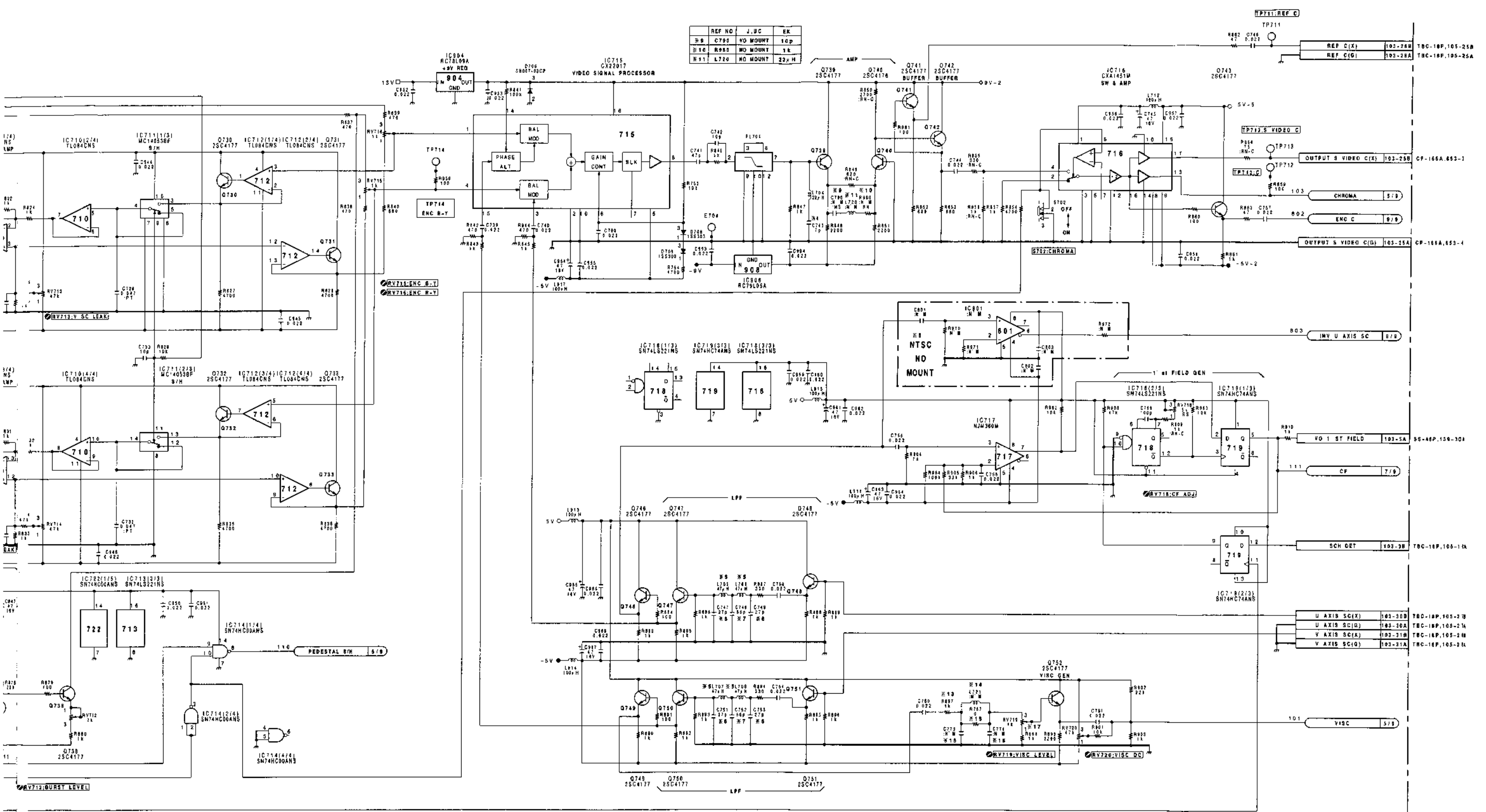


REF NO	J.U.C	EK
#1 R866	510K	10K
#2 R867	33K	20K
#3 C795	110P	100P



REF NO	J.U.C	EK
#4 C743	7P	4P
#5 L705,706,707,708	47M,47M,47M,47M	27M
#6 C747,748,749,750,751,752	27P,27P,27P,27P,27P,27P	33P
#7 C748,750	58P	68P
#8 BLOCK	NO	M.T

VP-33AP(6/9) VP-33AP(6/9)



REF NO	J,UC	EK
R 9	C793	NO MOUNT 10P
B 10	R980	NO MOUNT 1K
R 11	L720	NO MOUNT 22µH

REF NO	J,UC	EK
R 4	C745	7p 4p
R 5	L705,706,707,708	47µH 27µH
R 6	C747,748,751,752	27p 33p
K 7	C748,752	56p 56p
R 8	BLOCK	NO M T

REF NO	J,UC	EK
R70	1k	C801 0.022
R71	22k	C802 0.022
R72	47	C803 0.022
		IC801 NJM360M

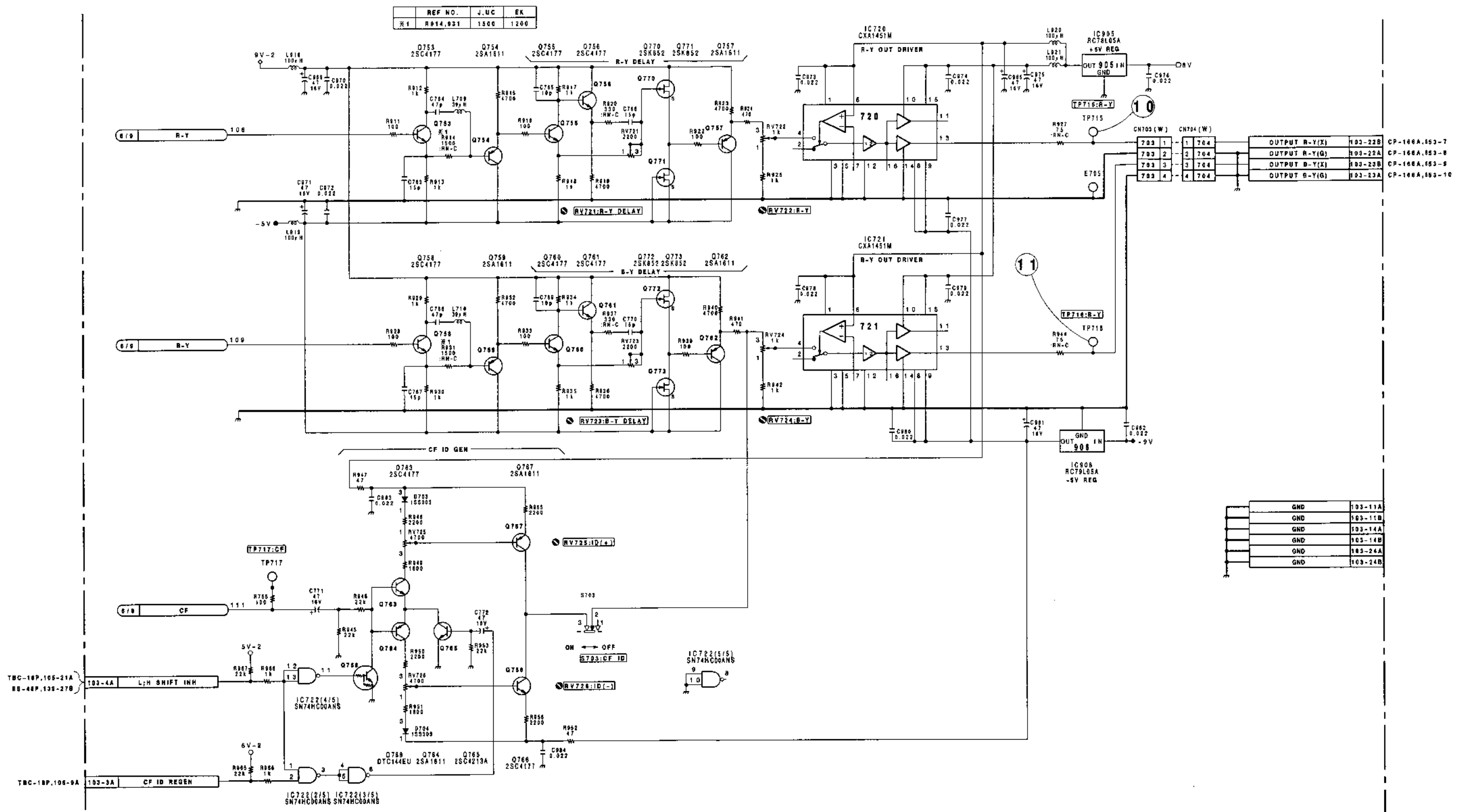
REF NO	J,UC	EK
R 13	R887	1k
R 14	L721	NO M T 680H
R 15	R787	0
R 16	C773,C774	NO M T 68p
R 17	R888	1k

VP-33AP BOARD (6/9)

BOARD NO.1-640-032-13
PVW-2600P(EK);12241-12950

Serial No.(EK);12241 to 12950

VP-33AP(7/9);R-Y/B-Y OUT DRIVER



GND	103-11A
GND	103-11B
GND	103-14A
GND	103-14B
GND	103-24A
GND	103-24B

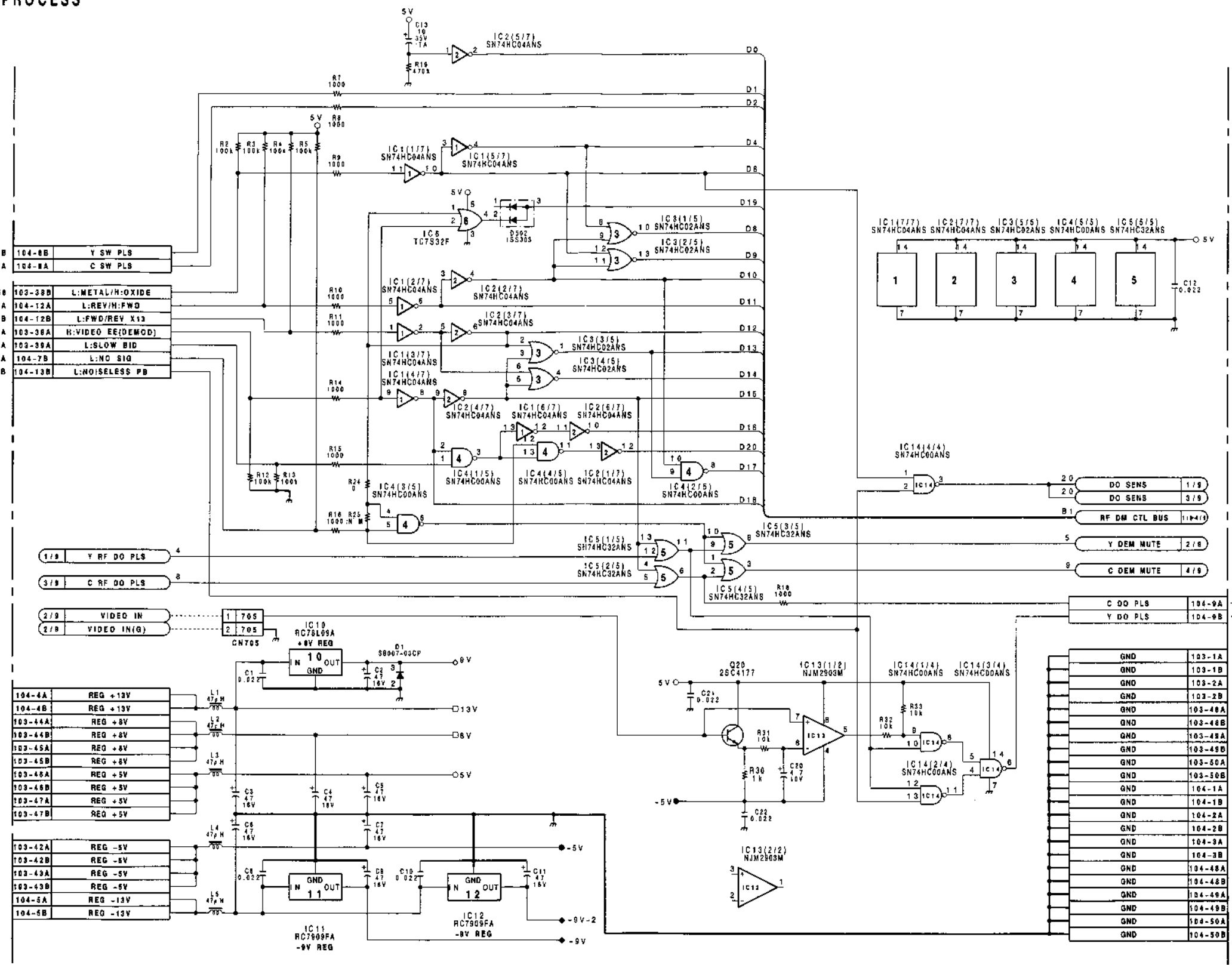
VP-33AP BOARD(7/9)

BOARD NO.1-640-032-13
PVW-2600P(EK);#12241-12950

Serial No.(EK);12241 to 12950

VP-33AP(8/9);Y/C PB MODE PROCESS

1
2
3
4
5



TBC-18P,106-12B/SS-48P,141-41B	104-8B	Y SW PLS
TBC-18P,106-11B/SS-48P,141-41A	104-8A	C SW PLS
SS-48P,141-37B/TBC-18P,105-36B/DR-118A,302-58	103-38B	L:METAL/H-OXIDE
TBC-18P,105-20B/SS-48P,141-45A	104-12A	L:REV/H:FWD
TBC-18P,106-19B/SS-48P,141-45B	104-12B	L:FWD/REV X13
SS-48P,141-48B/TBC-18P,105-35A	103-38A	H:VIDEO EE(DEMOD)
SS-48P,141-44A	103-39A	L:SLOW BID
TBC-18P,106-8B/SS-48P,140-50A	104-7B	L:NO SIG
TBC-18P,105-35B/SS48P,141-46B	104-13B	L:NOISELESS PB

1/8	Y RF DO PLS	4
3/8	C RF DO PLS	8

2/8	VIDEO IN	1
2/8	VIDEO IN(G)	2

104-4A	REG +13V	L1
104-4B	REG +13V	L2
103-44A	REG +8V	L3
103-44B	REG +8V	L4
103-45A	REG +8V	L5
103-45B	REG +8V	L6
103-46A	REG +5V	L7
103-46B	REG +5V	L8
103-47A	REG +5V	L9
103-47B	REG +5V	L10

103-42A	REG -5V	L11
103-42B	REG -5V	L12
103-43A	REG -5V	L13
103-43B	REG -5V	L14
104-5A	REG -13V	L15
104-5B	REG -13V	L16

20	DO SENS	1/8
20	DO SENS	3/8
B1	RF DM CTL BUS	11/41
5	Y DEM MUTE	2/8
9	C DEM MUTE	4/8

C DO PLS	104-9A
Y DO PLS	104-9B

GND	103-1A
GND	103-1B
GND	103-2A
GND	103-2B
GND	103-48A
GND	103-48B
GND	103-48A
GND	103-48B
GND	103-50A
GND	103-50B
GND	104-1A
GND	104-1B
GND	104-2A
GND	104-2B
GND	104-3A
GND	104-3B
GND	104-48A
GND	104-48B
GND	104-49A
GND	104-49B
GND	104-50A
GND	104-50B

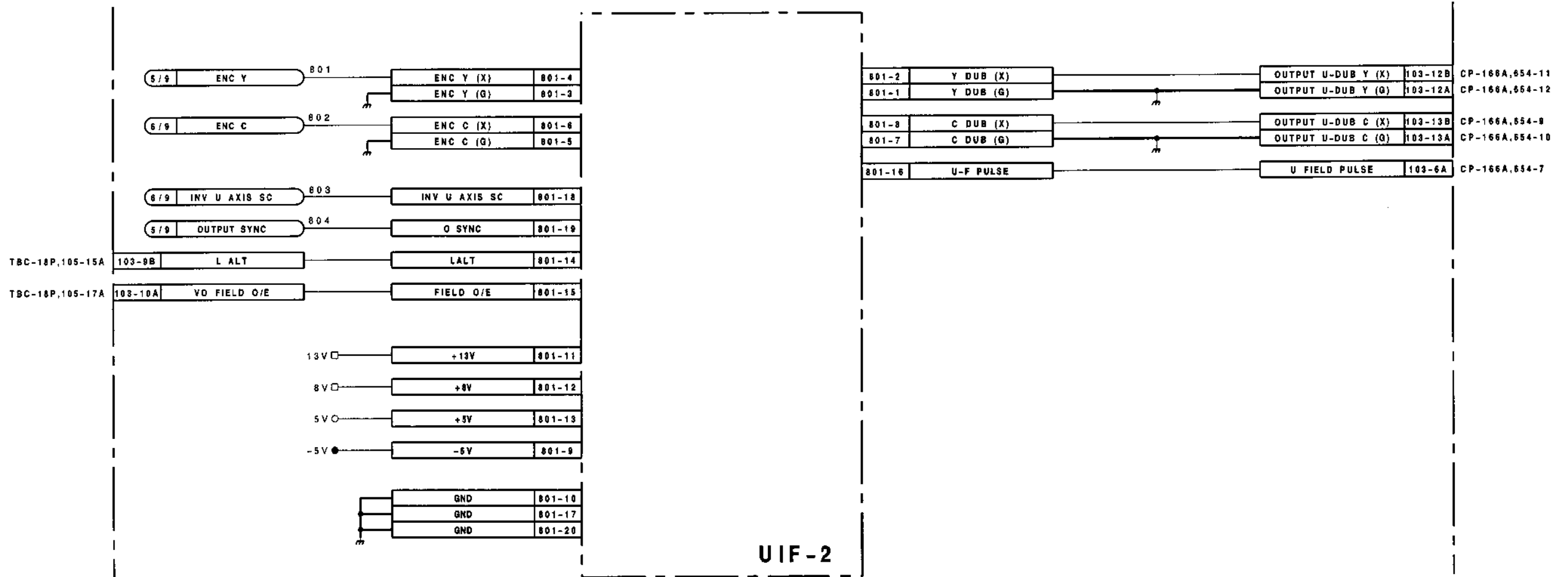
TBC-18P,106-13B
SS-48P,141-42A
TBC-18P,106-14B
SS-48P,141-42B

VP-33AP BOARD (8/9)

BOARD NO.1-540-032-13
PVW-2600P (EK);12241-12950

Serial No.(EK);12241 to 12950

VP-33AP(9/9);U-DUB INTERFACE



1

2

3

4

5

VP-33AP BOARD (9/9)

BOARD NO.1-640-032-13
PVW-2600P(EK);12241-12950

16-15(c)

16-15(c)

A | B | C | D | E | F | G | H

VP-33AP(1-640-032-12)

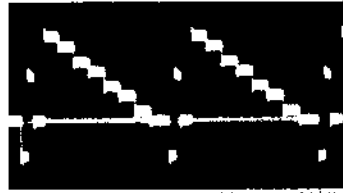
TP1	D-1
TP2	F-1
TP101	D-1
TP102	C-1
TP103	D-1
TP105	C-4
TP106	B-4
TP107	A-4
TP108	D-6
TP201	B-4
TP202	D-1
TP204	C-1
TP205	C-3
TP401	F-1
TP402	F-1
TP403	F-1
TP406	F-4
TP407	F-4
TP408	H-6
TP501	G-4
TP502	J-2
TP504	H-2
TP505	G-3
TP701	M-3
TP702	N-4
TP703	M-6
TP704	N-6
TP705	N-6
TP706	N-6
TP707	P-6
TP708	P-6
TP709	K-6
TP710	J-6
TP711	M-6
TP712	M-4
TP713	M-6
TP714	K-4
TP715	K-1
TP716	K-1
TP717	L-1

① TP201
PB



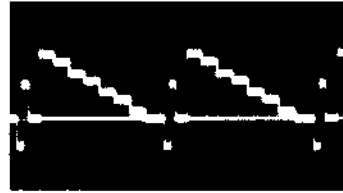
V: 200 mV/div
H: 2 ms/div

② TP202
PB



V: 200 mV/div
H: 20 μs/div

③ TP204
PB



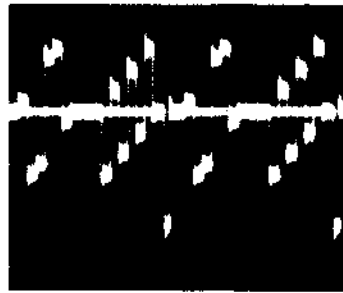
V: 500 mV/div
H: 20 μs/div

④ TP501
PB



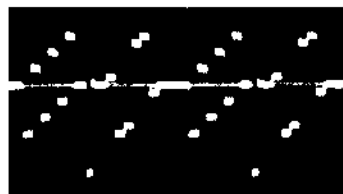
V: 200 mV/div
H: 20 μs/div

⑤ TP502
PB



V: 200 mV/div
H: 20 μs/div

⑥ TP504
PB



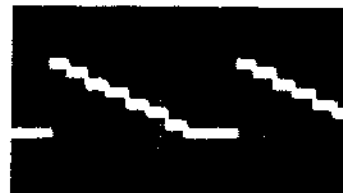
V: 500 mV/div
H: 20 μs/div

⑦ TP701
PB



V: 1 V/div
H: 20 μs/div

⑧ TP702
PB



V: 1 V/div
H: 20 μs/div

⑨ TP709
PB



V: 1 V/div
H: 20 μs/div

⑩ TP710
PB



V: 1 V/div
H: 20 μs/div

⑪ TP715
PB



V: 500 mV/div
H: 20 μs/div

⑫ TP716
PB



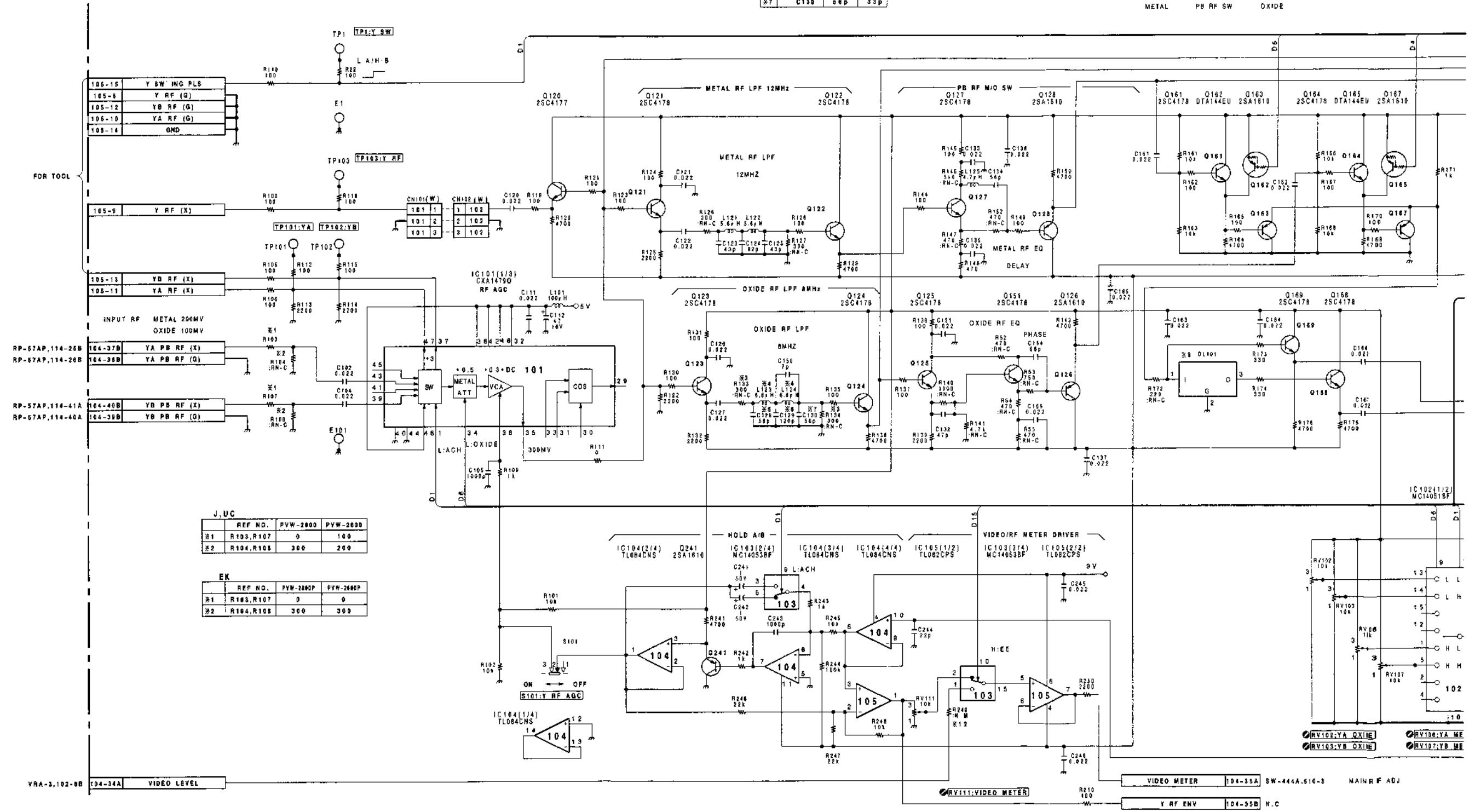
V: 500 mV/div
H: 20 μs/div

Serial No.(EK);10651 to 12240

VP-33AP(1/9);Y RF AGC,Y DO ENVELOPE DETECT

REF NO.	J,UC	EK
X3	R133,R134	300 300
X4	L123,L124	6.8pH 10pH
X5	C128	50p 35p
X6	C129	120p 100p
X7	C130	86p 33p

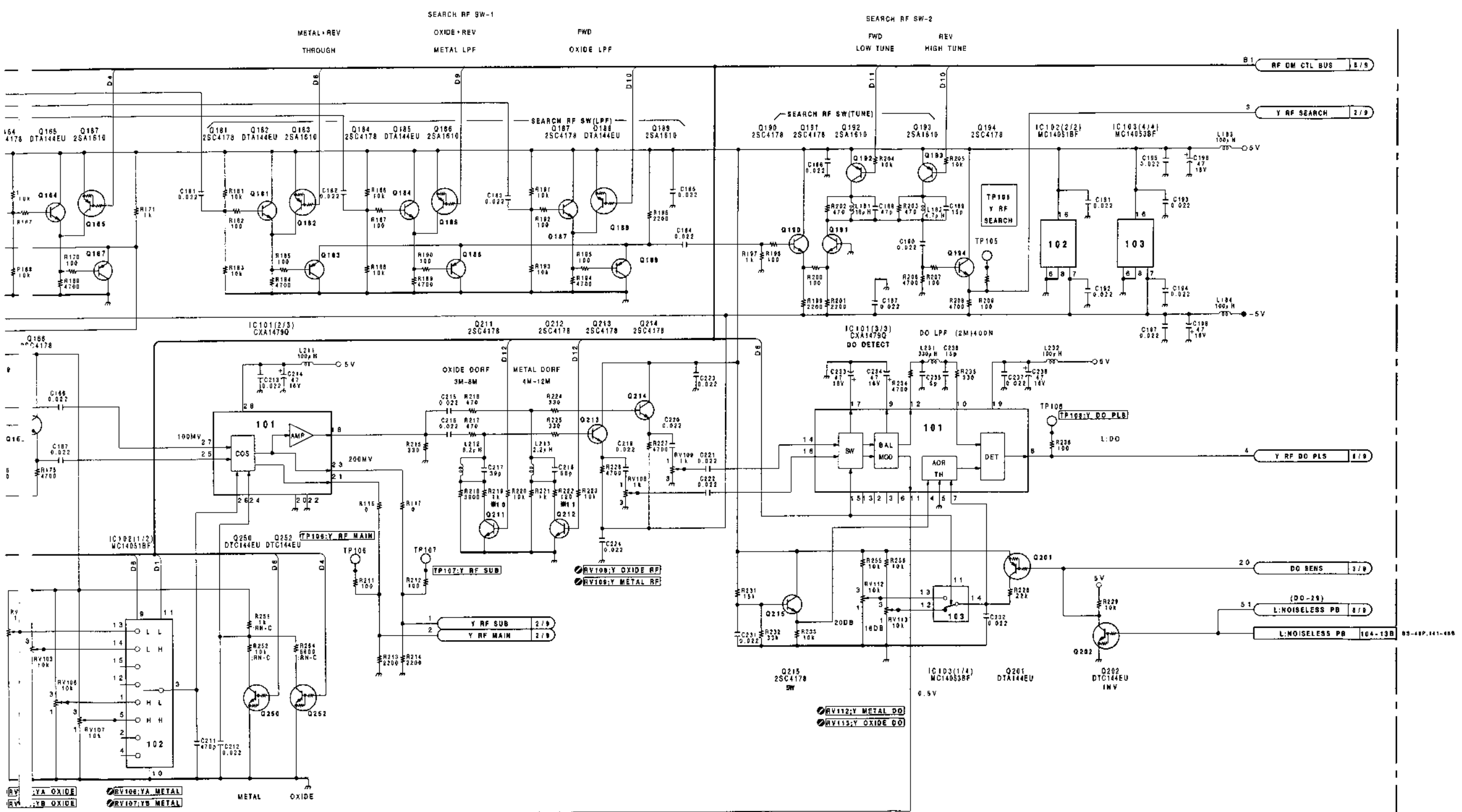
REF NO.	J,UC	EK
X8	DL101	1-415-548-11 1-415-154-31
	FC	5MHz 7MHz
	METAL	PB RF SW OXIDE



J,UC	REF NO.	PVW-2800	PVW-2600
X1	R103,R107	0	100
X2	R104,R105	300	200

EK	REF NO.	PVW-2800P	PVW-2600P
X1	R103,R107	0	0
X2	R104,R105	300	300

REF NO.	PVW-2800	PVW-2600
X12	R249	1k NO M T



10- MAIN RF ADJ SUB RF

*10

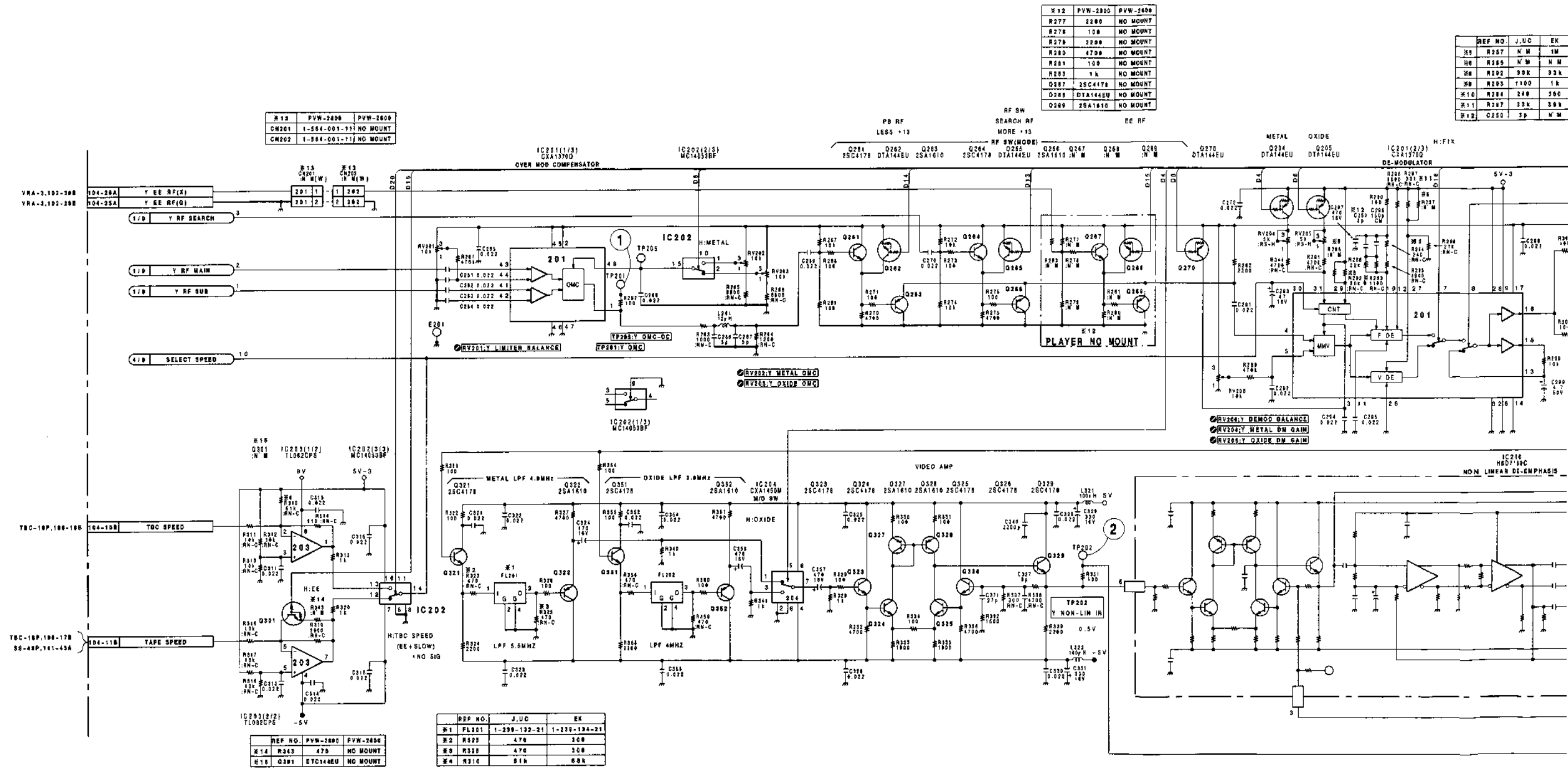
REF NO.	J,UC	EK
R218	10K	820
PVW-2800	500	820
PVW-2800	1K	820

REF NO.	J,UC	EK
Z11	R222	120 300

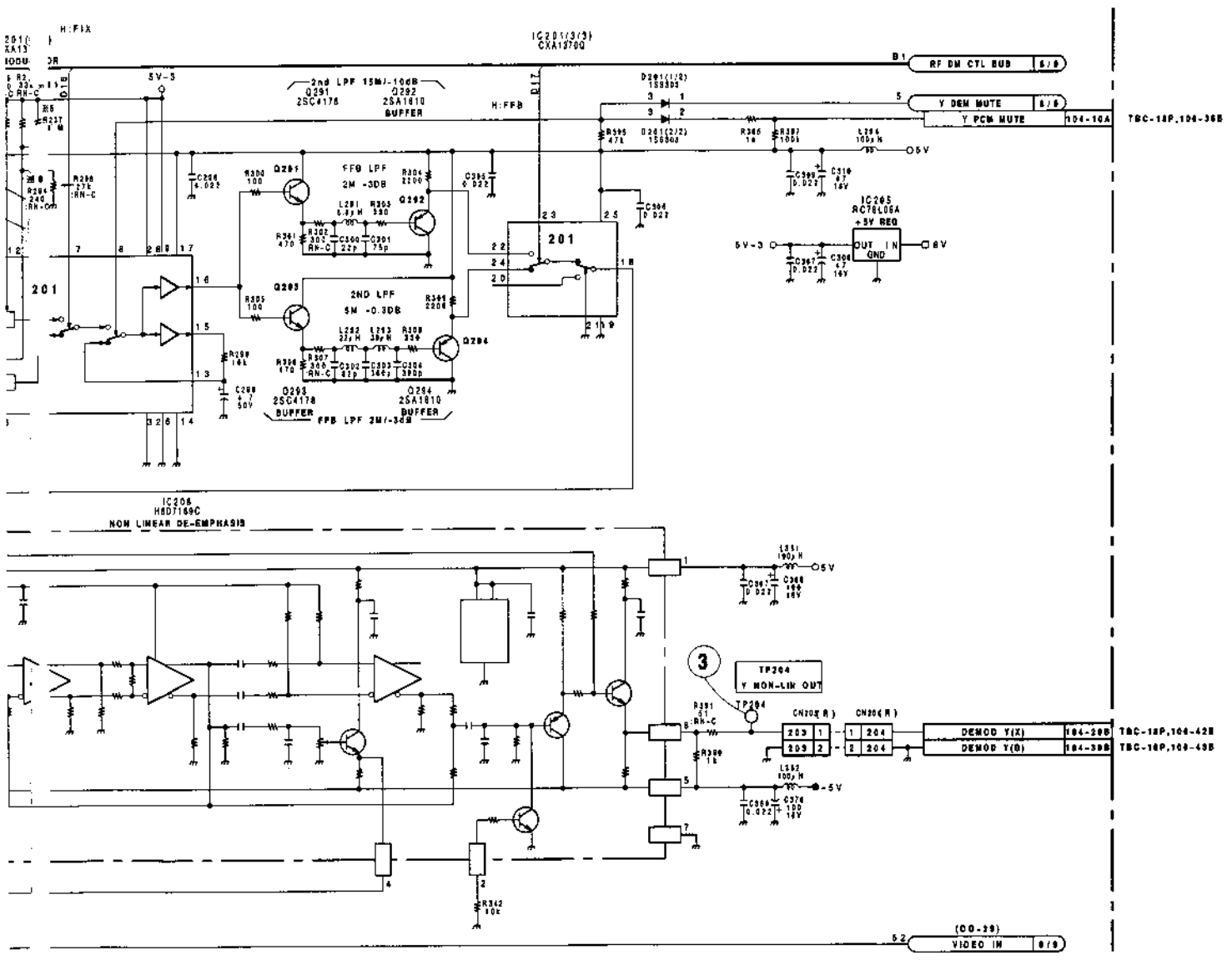
VP-33AP BOARD (1/9)
 BOARD NO.1-640-032-12
 PYW-2600P (EK); #10651-12240

Serial No.(EK);10651 to 12240

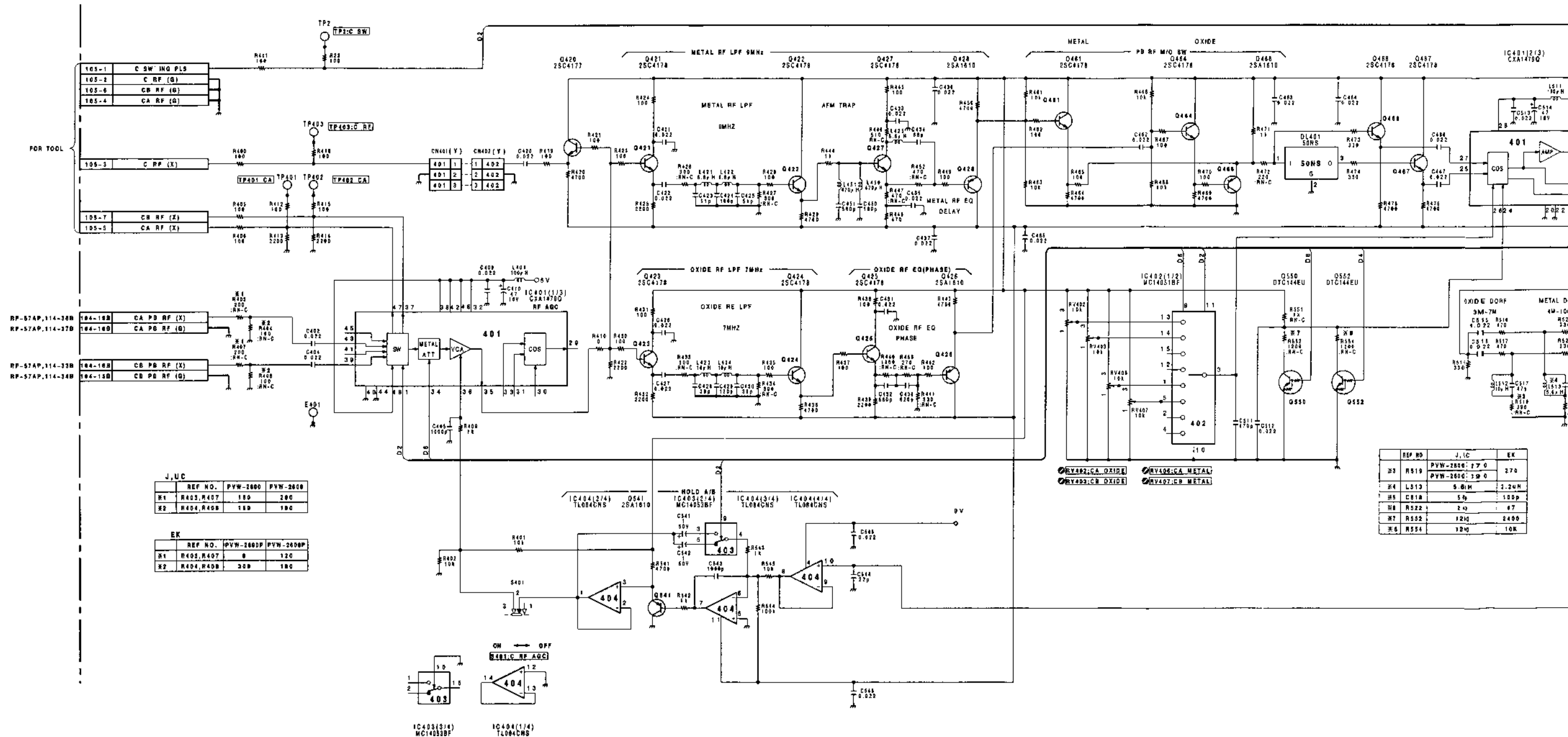
VP-33AP(2/9);DE-MODULATOR, NON LINEAR DE-EMPHASIS



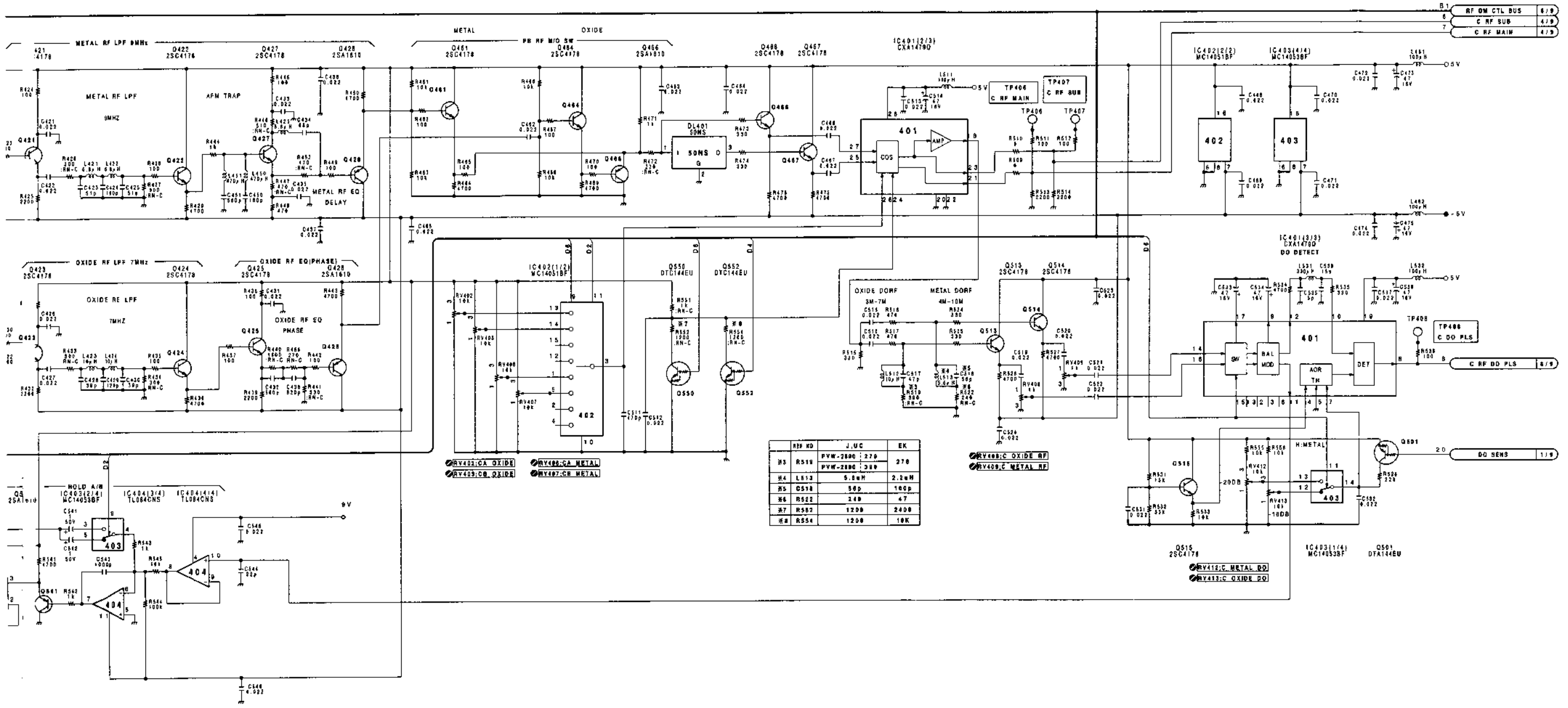
REF NO.	J.U.C.	ER
R237	M M	1M
R288	M M	M M
R293	30K	33K
R293	1100	1K
R294	240	220
R297	33K	30K
C289	3p	M M



VP-33AP BOARD (2/9)
 BOARD NO.1-640-032-12
 PVW-2600P(EK) : f10651-12240



REF NO	J,UC	EK
R1	PYW-2800: 270	270
R2	PYW-2800: 320	320
R3	5.0M	2.24M
R4	50	100P
R5	2.0	47
R6	120	240P
R7	120	10K



VP-33AP BOARD (3/9)
 BOARD NO.1-640-032-12
 PVW-2600P(EK);#10651-12240

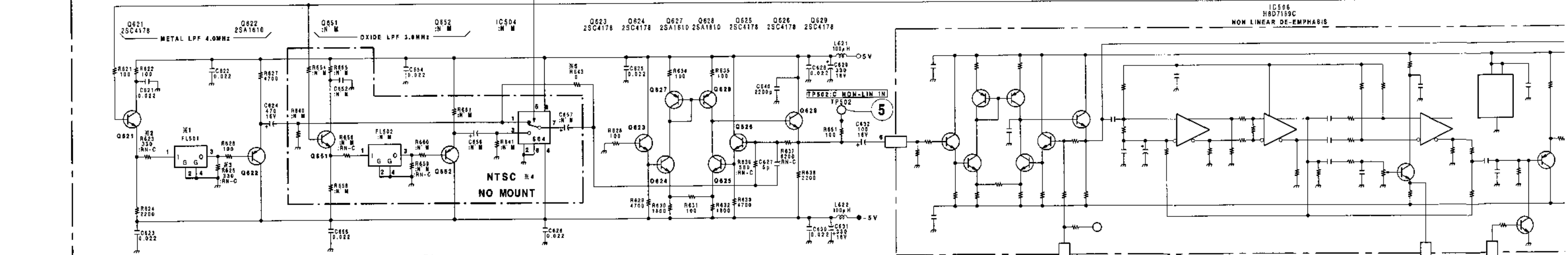
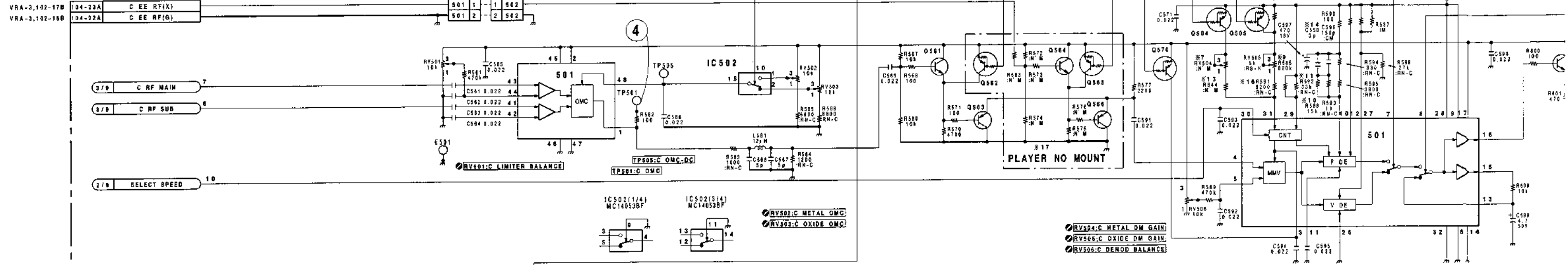
Serial No.(EK);10651 to 12240

VP-33AP(4/9);DE-MODULATOR, NON LINEAR DE-EMPHASIS

REF NO.	PVW-2800	PVW-2800
*18	CN501	NO MOUNT
	CN502	1-584-001-41

REF NO.	PVW-2800	PVW-2800
*17		
R572	2200	NO MOUNT
R573	100	NO MOUNT
R574	2200	NO MOUNT
R575	4700	NO MOUNT
R576	100	NO MOUNT
R582	1k	NO MOUNT
Q582	DTA144EU	NO MOUNT
Q584	2SC4178	NO MOUNT
Q585	DTA144EU	NO MOUNT
Q586	2SA1610	NO MOUNT

REF NO.	J.U.C	EK
*8	Q504	NO M T DTA144EU
*7	RV504	NO M T 5K
*6	R560	0 NO M T
*9	R585	220K NO M T
*10	R588	15K 18K
*11	R592	33K 33K
*12	R590	6800 5600
*13	R644	NO M T 8200
*14	C560	3p NO M T
*15	Q505	NO M T DTA144EU
*18	R591	8200 5600

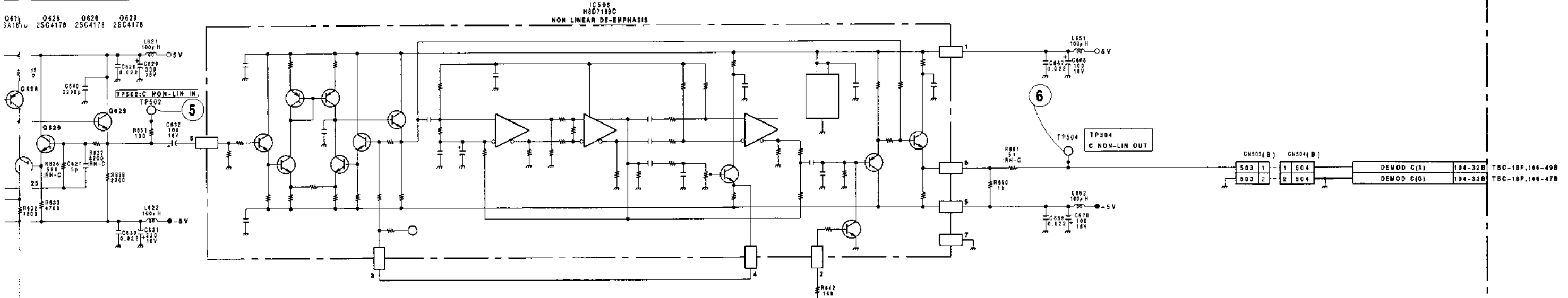
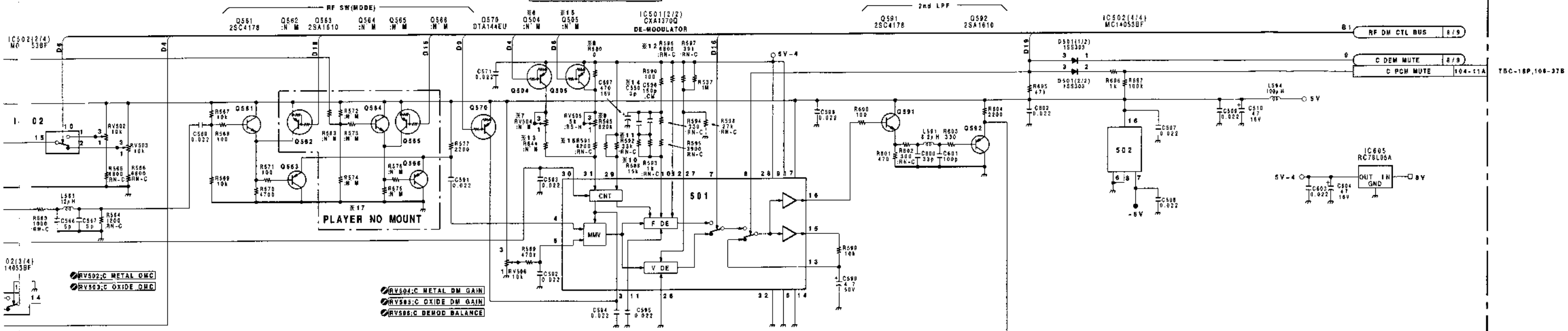


REF NO	J.U.C	EK
*1	FL501	1-239-003-21
*2	R623	330 470
*3	R625	330 470
*4	BLOCK	NO M T M T
*5	R643	0 NO M T

REF NO	J.U.C	EK
*4	R640	1k R659 330 Q651 28C4178
	R641	1k R660 100 Q652 2SA1610
	R654	100 R681 4700 IC504 CXA1450M
	R655	100 C662 0.022 FL502 1-239-003-21
	R658	330 C656 470 16V
	R656	2200 C667 470 16V

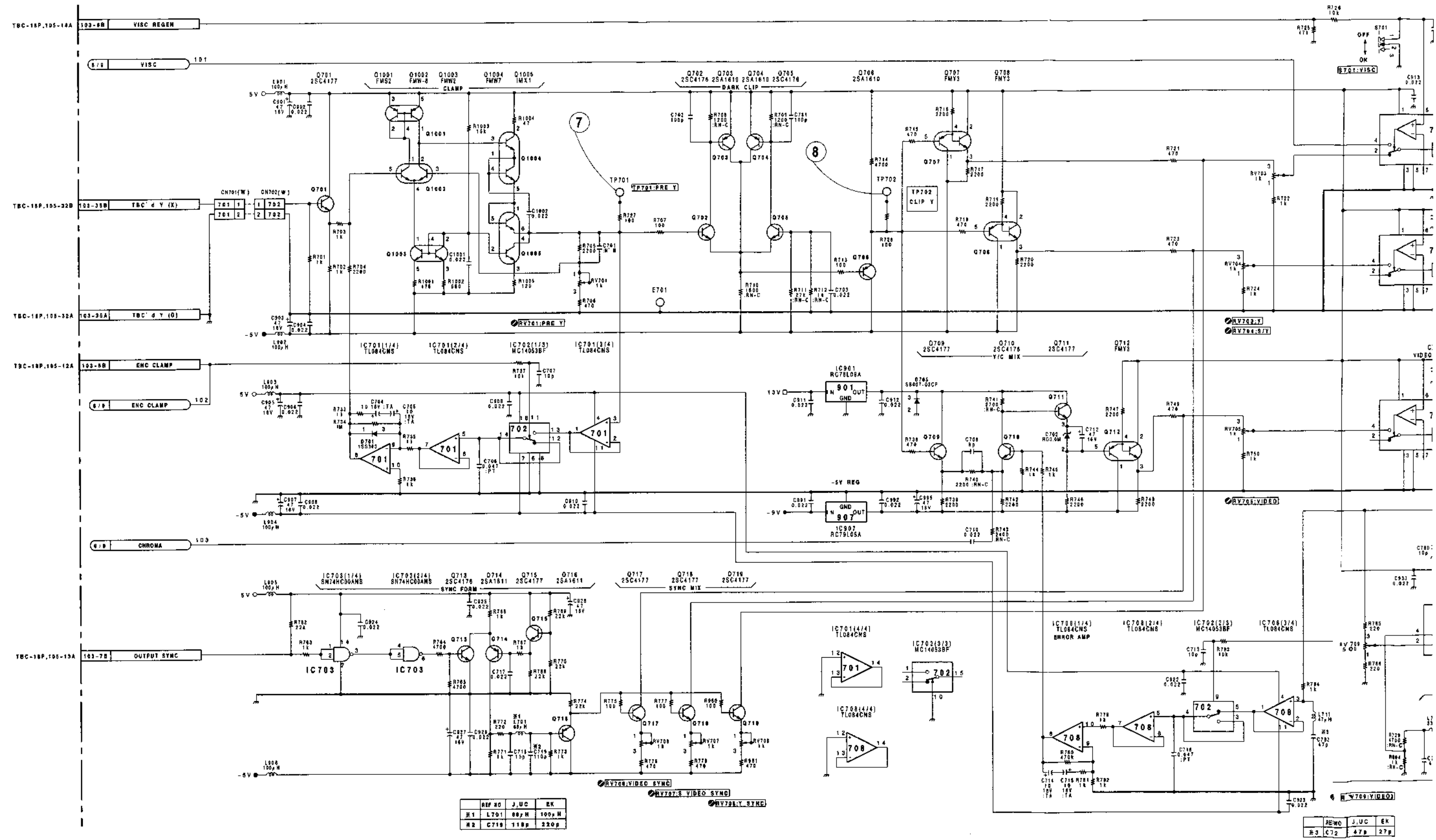
*17		
REF NO.	PVW-2800	PVW-2800
R572	2200	NO MOUNT
R573	100	NO MOUNT
R574	2200	NO MOUNT
R575	4700	NO MOUNT
R576	100	NO MOUNT
R563	1K	NO MOUNT
Q562	DTA144EU	NO MOUNT
Q564	2SC4178	NO MOUNT
Q565	DTA144EU	NO MOUNT
Q566	2SA1610	NO MOUNT

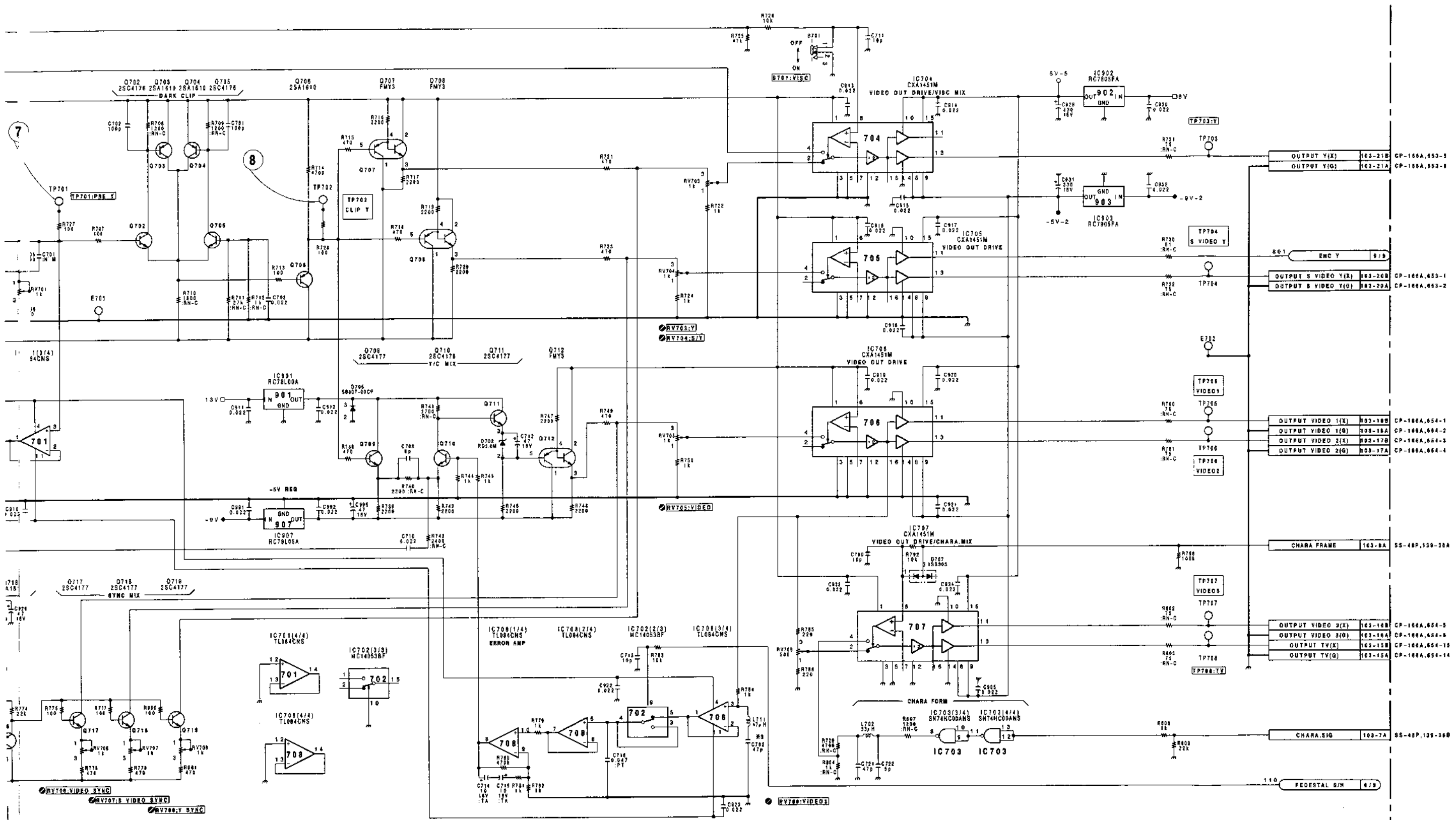
REF NO.	J.U.C	EK
*8	Q504	NO M T DTA144EU
*7	RV504	NO M T 5k
*6	R560	0 NO M T
*9	R583	220K NO M T
*10	R588	10k 10k
*11	R592	33k 33k
*12	R598	6600 5600
*13	R644	NO M T 220R
*14	C550	3p NO M T
*15	Q595	NO M T DTA144EU
*16	R591	5200 6800



VP-33AP BOARD (4/9)
 BOARD NO.1-640-032-12
 PVW-2600P (EK):#10651-12240

VP-33AP(5/9);COMPOSITE OUT DRIVER





REF NO	J.U.C	EK
33	C782	47P, 27P

VP-33AP BOARD (5/9)

BOARD NO.1-640-032-12
 PVW-2600P (EK);#10651-12240

1
2
3
4
5

11(b)

E | F | G | H | I | J | K

16-1 (b)

L

Serial No.(EK);10651 to 12240

VP-33AP(6/9);ENCODER

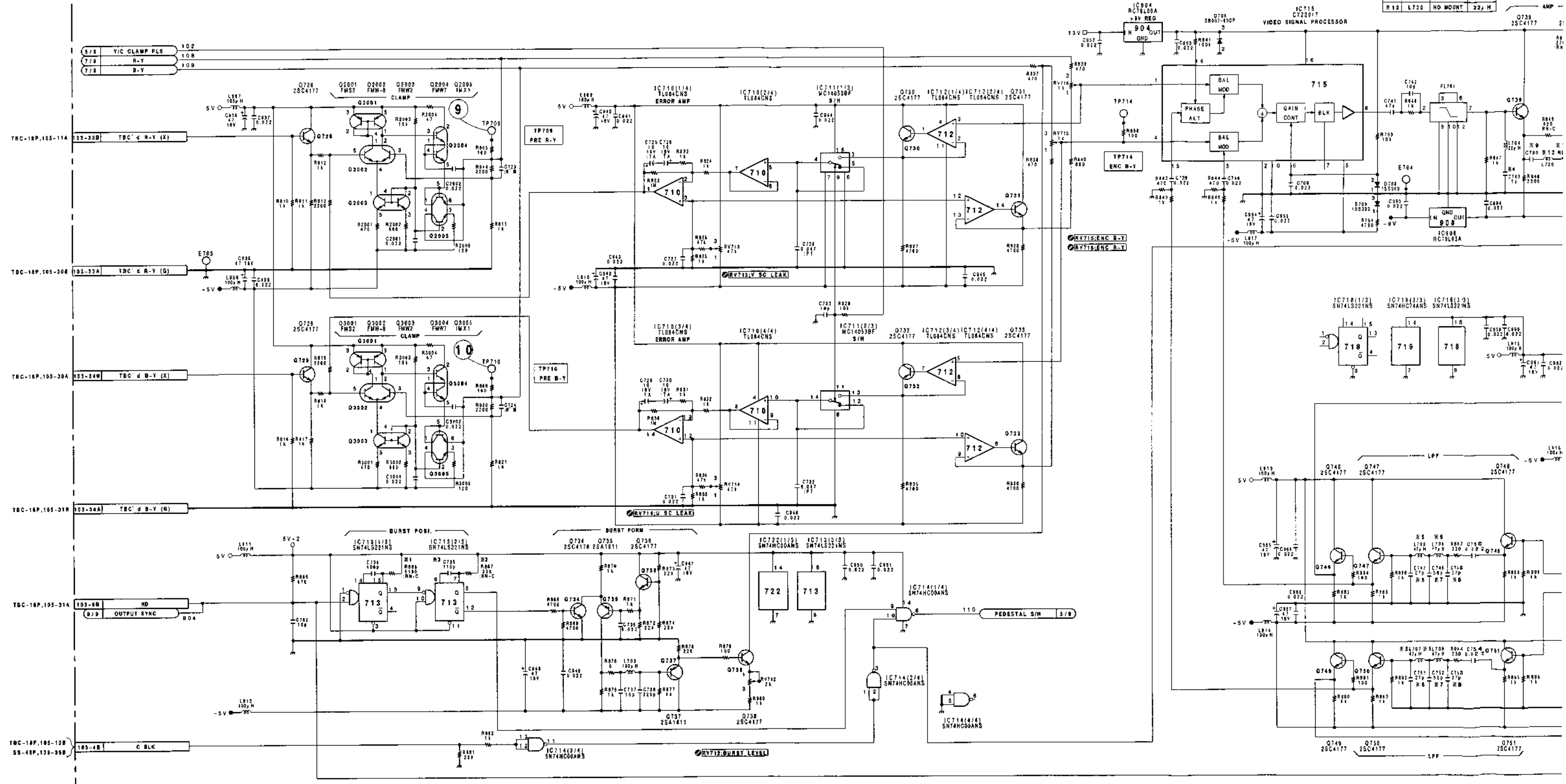
REF NO	J.U.C	EK
R 9	C790	NO MOUNT 10P
R 10	R880	NO MOUNT 1K
R 12	L720	NO MOUNT 22, H

1

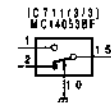
2

3

4

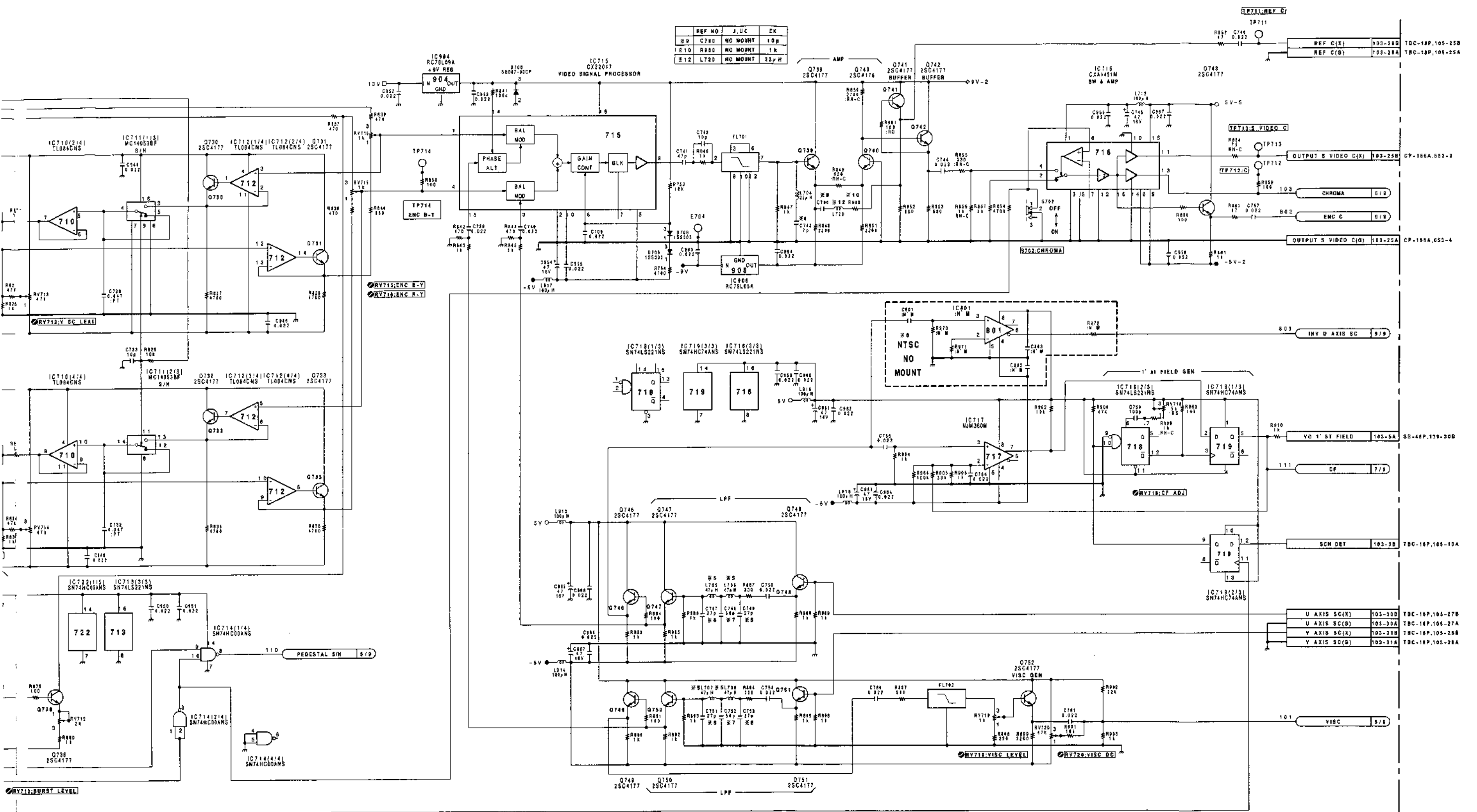


REF NO	J.U.C	EK
R 1	R888	S180 10K
R 2	R887	95K 20R
R 9	C795	10P 100P



REF NO	J.U.C	EK
R 4	C743	7P 4P
R 5	L705, 708, 707, 709	47, R 27P, H
R 6	C747, 748, 749, 750	27P 33P
R 7	C748, 751	56P 68P
R 8	BLOCK	NO M T

A B C D E F G H



REF NO	J, UC	EK
R9	C780	NO MOUNT 10 p
R10	R880	NO MOUNT 1 k
R12	L720	NO MOUNT 22 p H

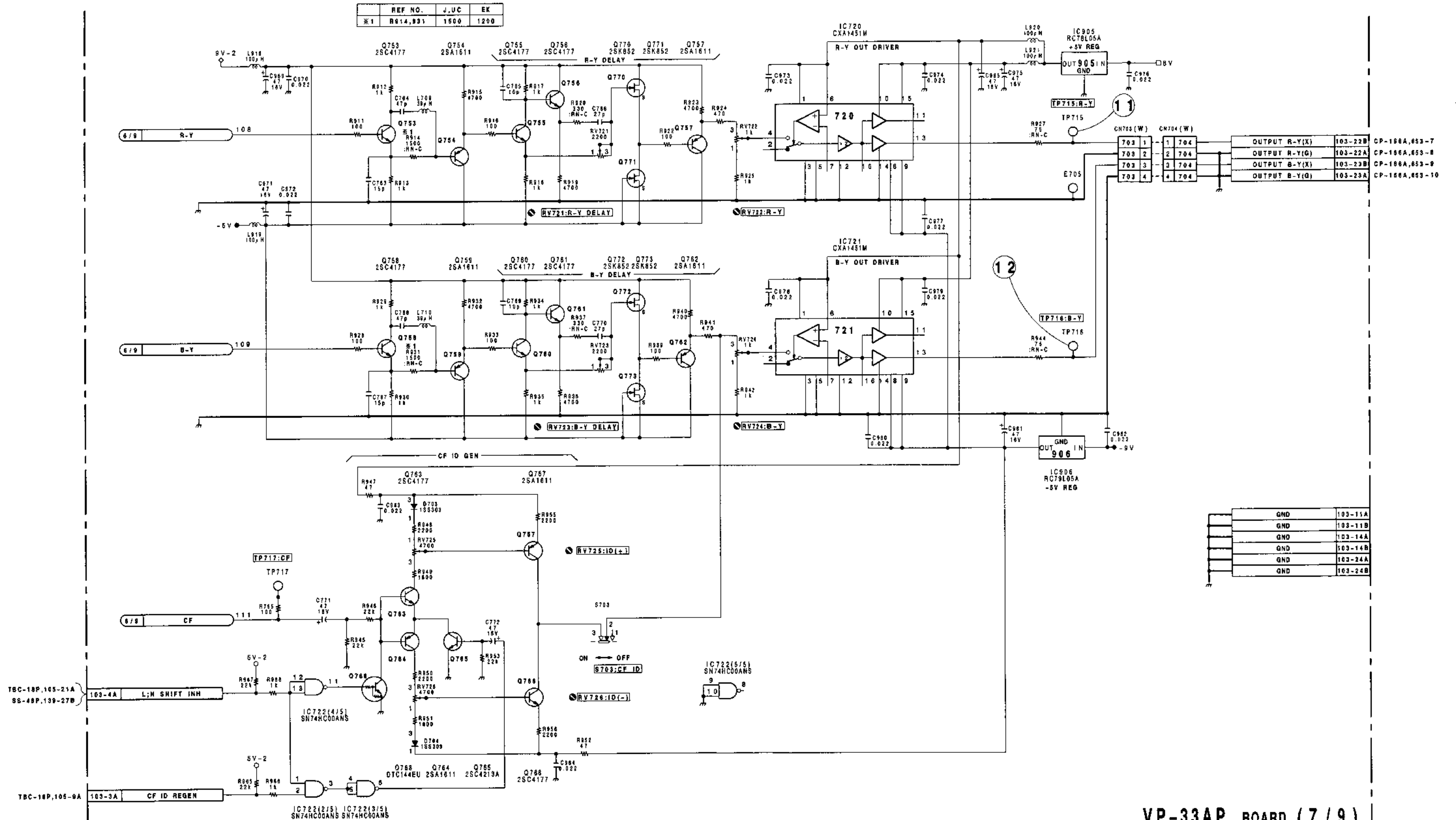
REF NO	J, UC	EK
R4	C743	7 p 4 p
R5	L705, L88, 787, 708	47 p H 27 p H
R6	C742, 748, 741, 743	27 p 33 p
R7	C748, 752	80 p 80 p
R8	BLOCK	NO M T

R#	Value	Value
R70	1 k	C801 0.022
R71	220	C802 0.022
R72	47	C803 0.022
		IC801 NJM360M

VP-33AP BOARD (6/9)
 BOARD NO. 1-640-032-12
 PVW-2600P (EK); #10651-12240

Serial No.(EK);10651 to 12240

VP-33AP(7/9);R-Y/B-Y OUT DRIVER



REF NO.	J,UC	EK
*1 R914,921	1500	1200

GND	103-11A
GND	103-11B
GND	103-14A
GND	103-14B
GND	103-24A
GND	103-24B

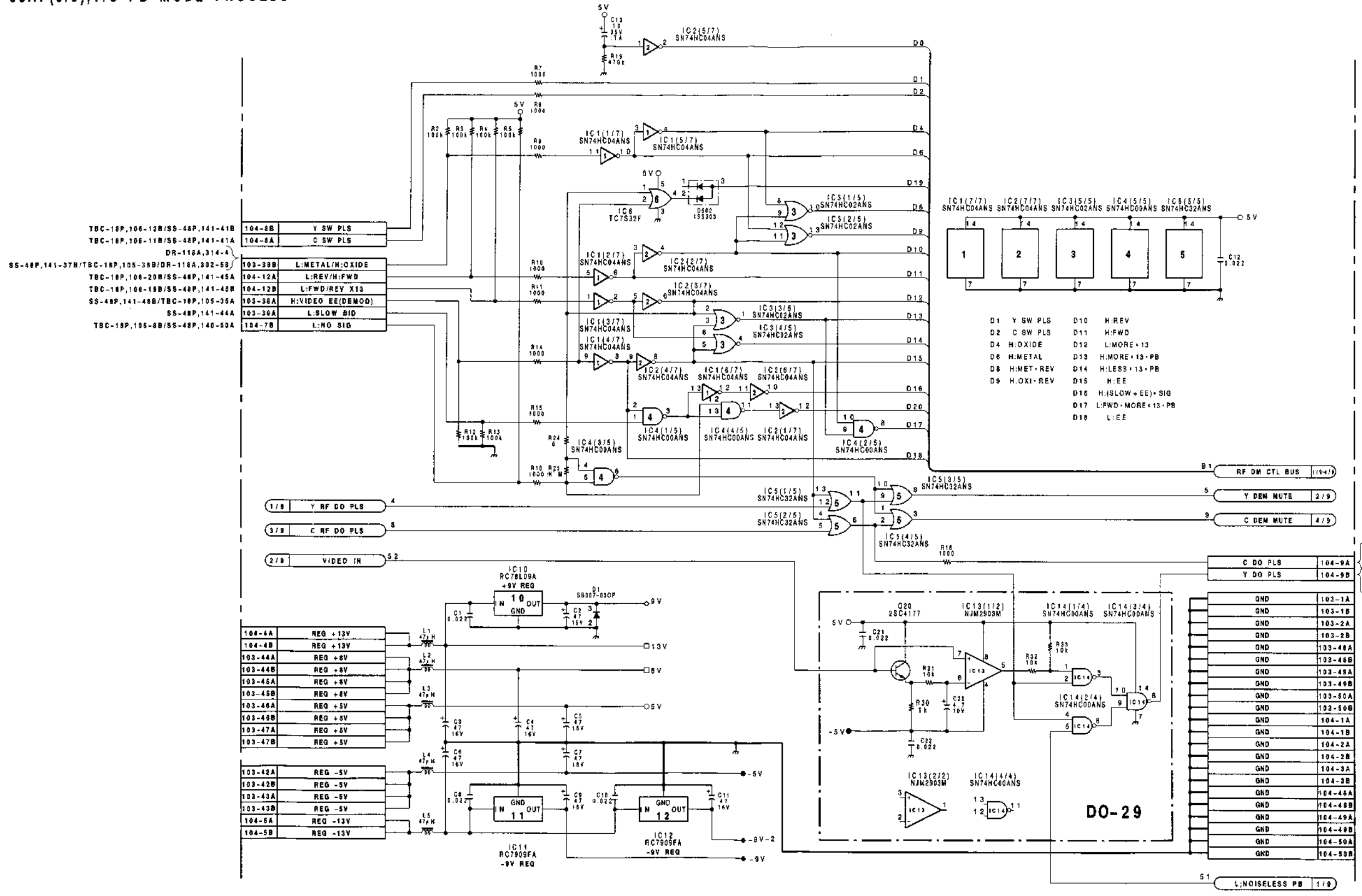
VP-33AP BOARD (7/9)

BOARD NO.1-640-032-12
PVW-2600P (EK):F10651-12240

VP-33AP(8/9) VP-33AP(8/9)

Serial No.(EK);10651 to 12240

VP-33AP(8/9);Y/C PB MODE PROCESS

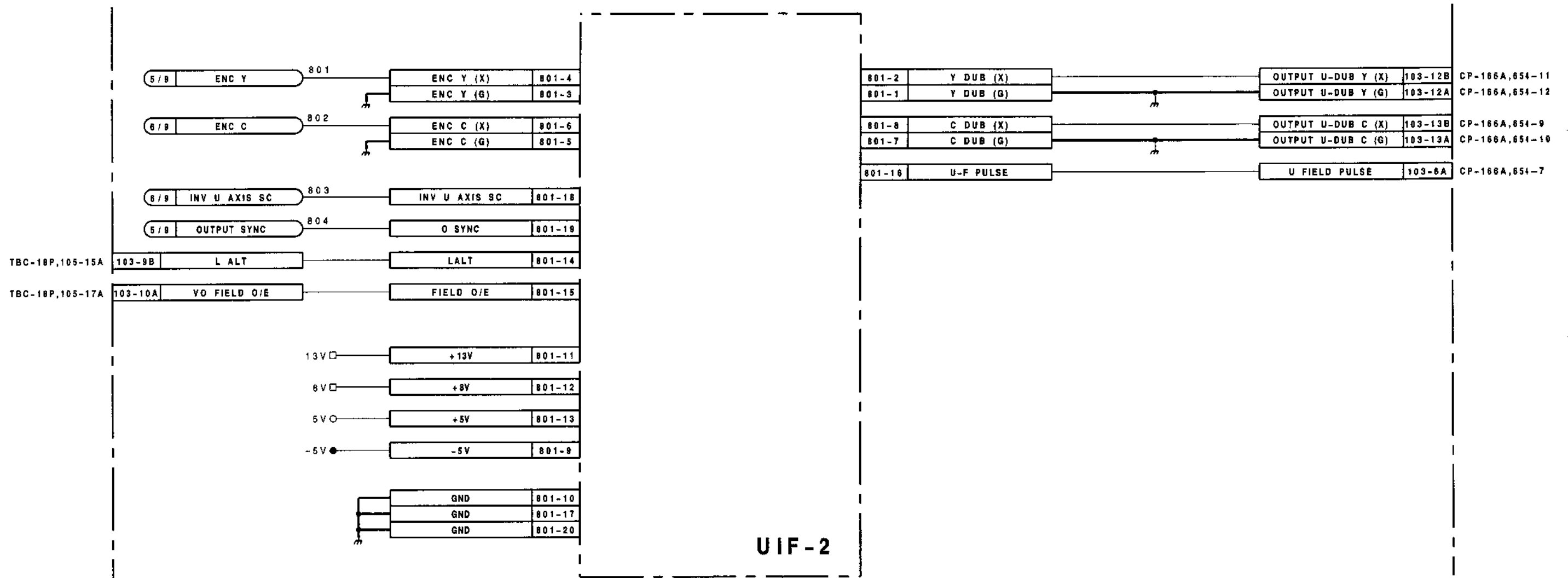


VP-33AP BOARD (8/9)

BOARD NO.1-640-032-12
PVW-2600P (EK);#10651-12240

Serial No.(EK);10651 to 12240

VP-33AP(9/9);U-DUB INTERFACE



1
2
3
4
5

VP-33AP BOARD (9/9)
BOARD NO.1-640-032-12
PVW-2600P(EK);#10651-12240

VP-33AP(1-640-032-11)

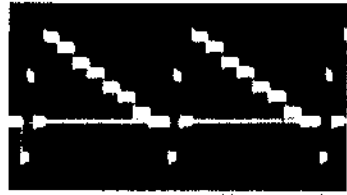
TP1	D-1
TP2	F-1
TP101	D-1
TP102	C-1
TP103	D-1
TP105	C-4
TP106	B-4
TP107	A-4
TP108	D-6
TP201	B-4
TP202	D-1
TP204	C-1
TP205	C-3
TP401	F-1
TP402	F-1
TP403	F-1
TP406	F-4
TP407	F-4
TP408	H-6
TP501	G-4
TP502	J-2
TP504	H-2
TP505	G-3
TP701	M-3
TP702	N-4
TP703	M-6
TP704	N-6
TP705	N-6
TP706	N-6
TP707	P-6
TP708	P-6
TP709	K-6
TP710	J-6
TP711	M-6
TP712	M-4
TP713	M-6
TP714	K-4
TP715	K-1
TP716	K-1
TP717	L-1

① TP201
PB



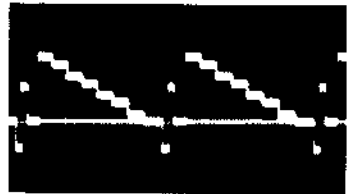
V: 200 mV/div
H: 2 ms/div

② TP202
PB



V: 200 mV/div
H: 20 μs/div

③ TP204
PB



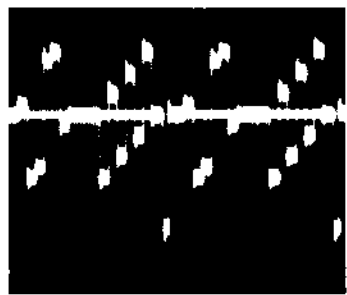
V: 500 mV/div
H: 20 μs/div

④ TP501
PB



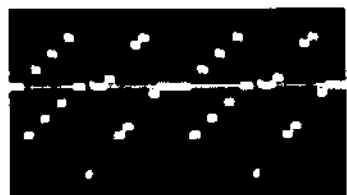
V: 200 mV/div
H: 20 μs/div

⑤ TP502
PB



V: 200 mV/div
H: 20 μs/div

⑥ TP504
PB



V: 500 mV/div
H: 20 μs/div

⑦ TP701
PB



V: 1 V/div
H: 20 μs/div

⑧ TP702
PB



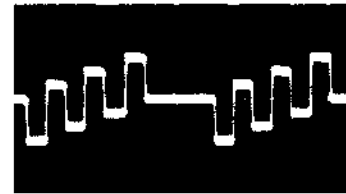
V: 1 V/div
H: 20 μs/div

⑨ TP709
PB



V: 1 V/div
H: 20 μs/div

⑩ TP710
PB



V: 1 V/div
H: 20 μs/div

⑪ TP715
PB



V: 500 mV/div
H: 20 μs/div

⑫ TP716
PB



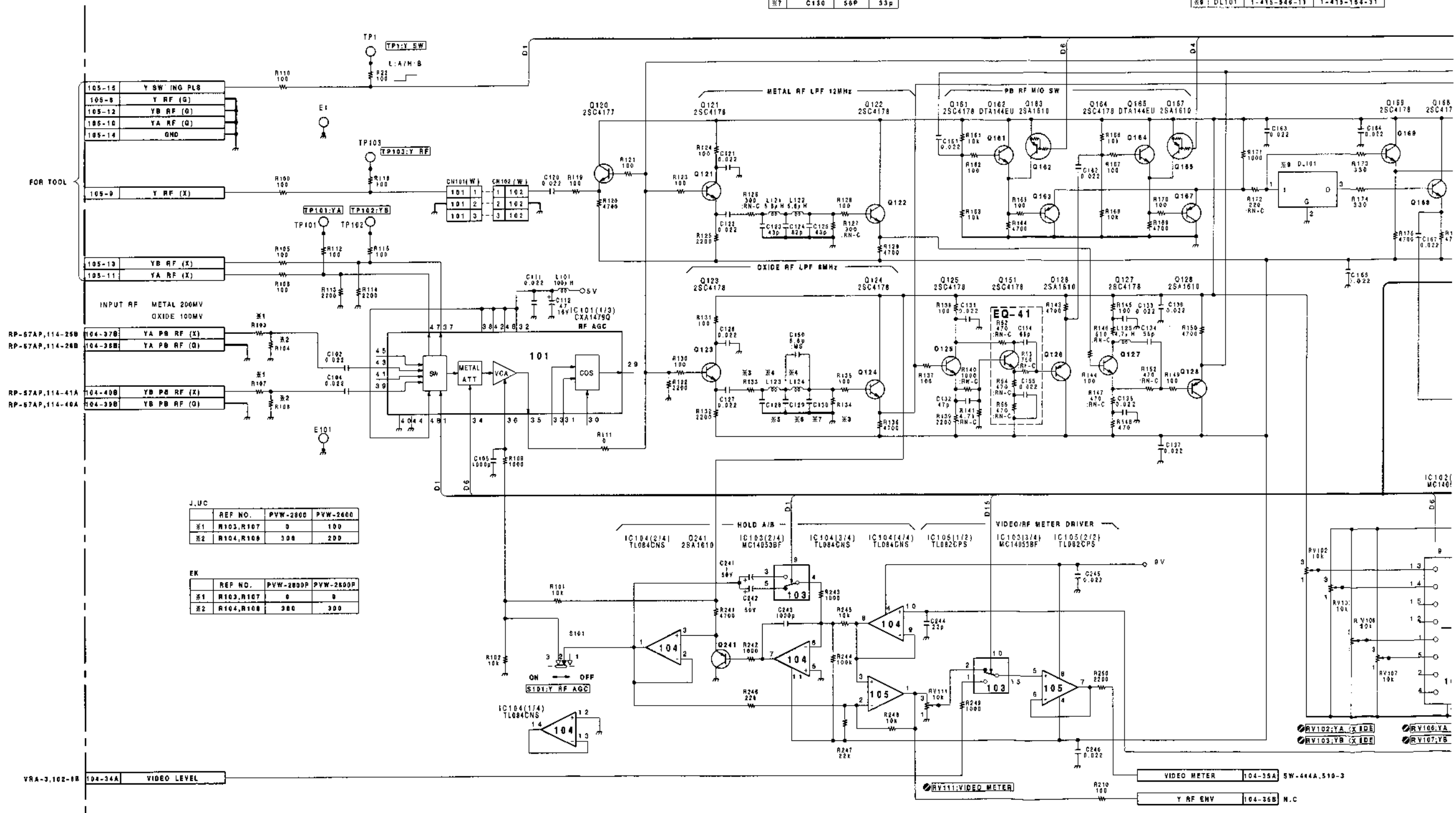
V: 500 mV/div
H: 20 μs/div

Serial No.(EK);10001 to 10650

VP-33AP(1/9);Y RF AGC,Y DO ENVELOPE DETECT

REF NO.	J,UC	EK
*3	R133,R134	300 330
*4	L123,L124	6.8μH 10μH
*5	C128	66P 33P
*6	C129	120P 100P
*7	C130	56P 33P

REF NO.	J,UC	EK
*9	DL101	1-415-346-13 1-415-154-31

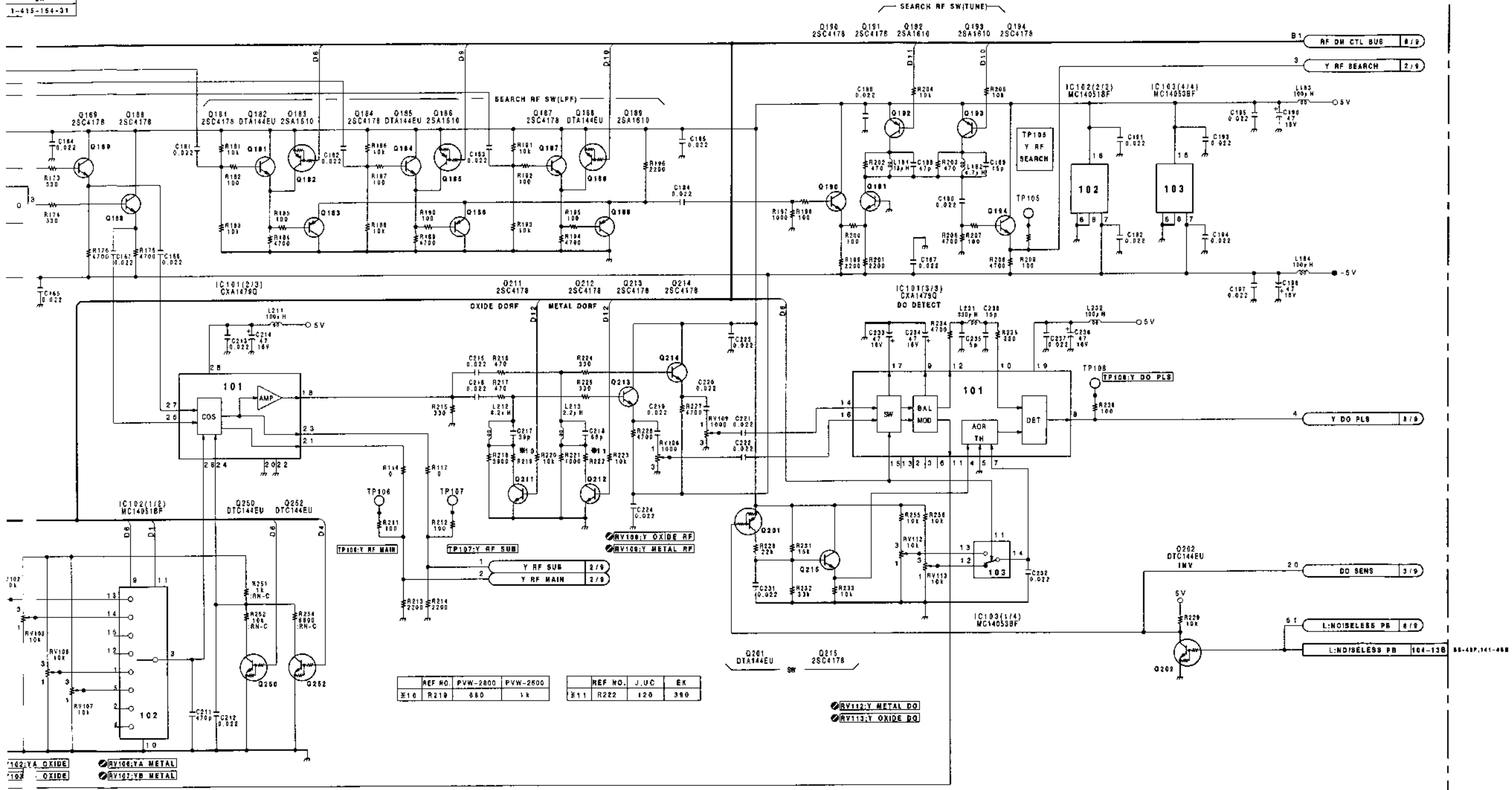


J,UC	REF NO.	PVW-2800	PVW-2600
*1	R103,R107	0	100
*2	R104,R108	300	200

EK	REF NO.	PVW-2800P	PVW-2600P
*1	R103,R107	0	0
*2	R104,R108	300	300

A | B | C | D | E | F | G | H

EK
1-415-154-31



L510-1

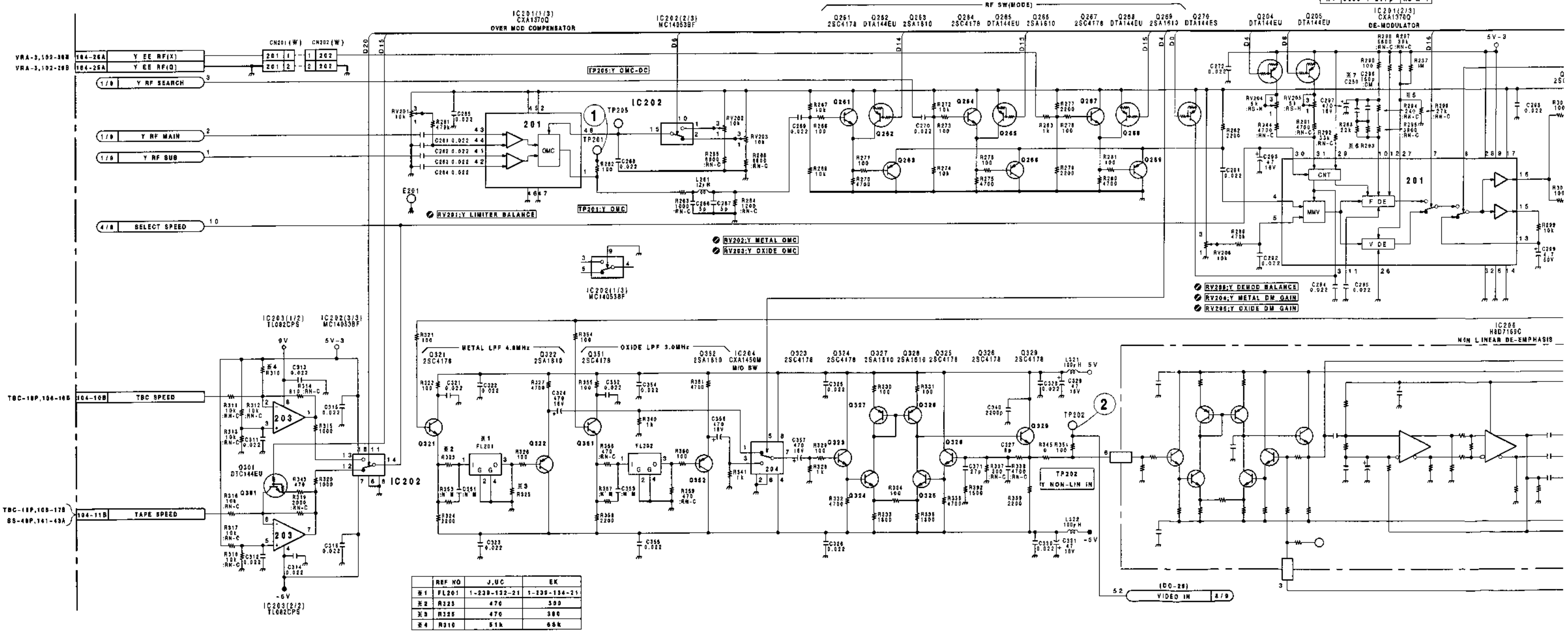
VP-33AP BOARD (1/9)
BOARD NO. 1-640-032-11
PVW-2600P (EK); #10001-10650

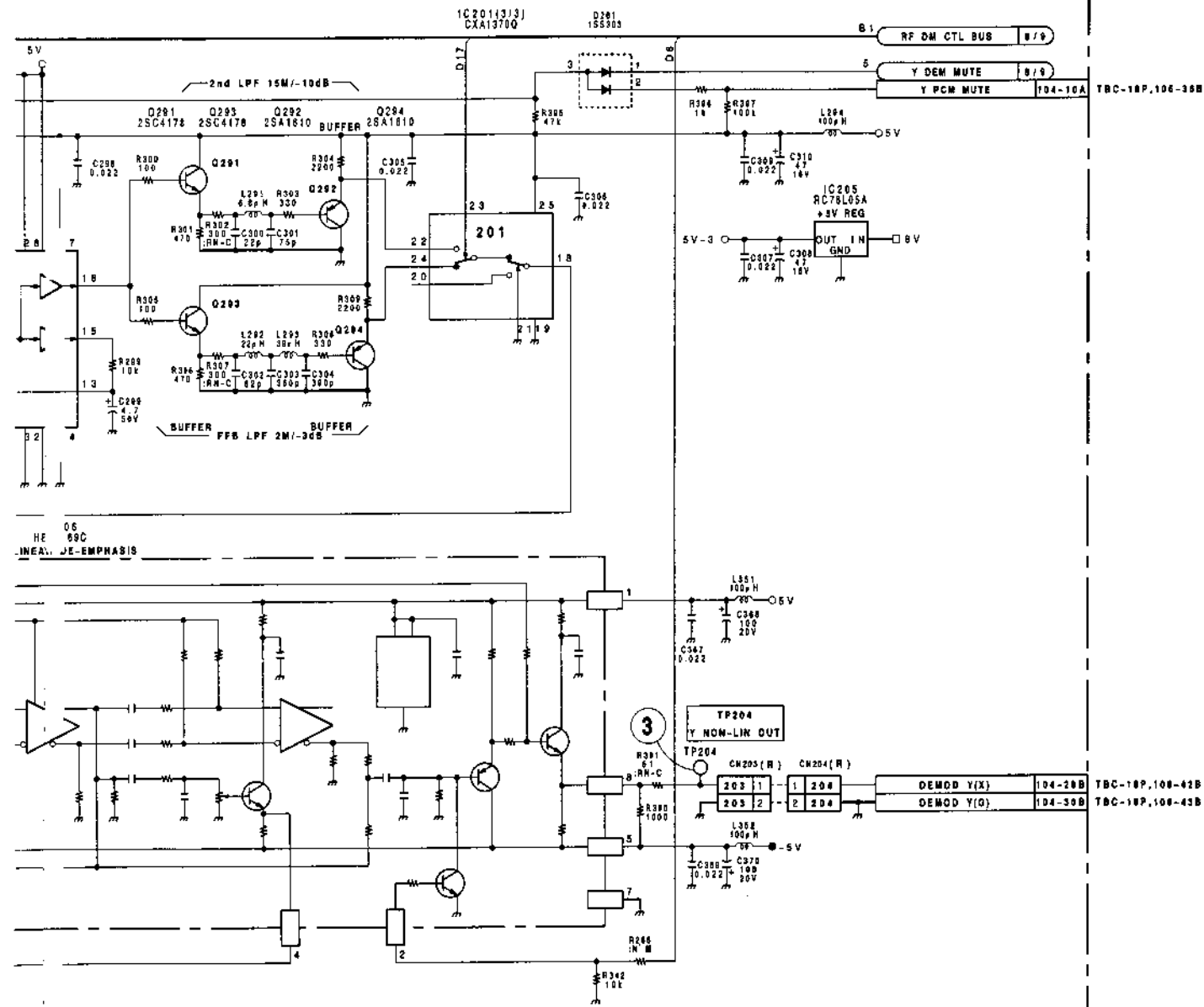
J | K | L | M | N | O

Serial No.(EK);10001 to 10650

VP-33AP(2/9);DE-MODULATOR, NON LINEAR DE-EMPHASIS

REF NO	J.U.C	EK
#6 R294	240	300
#8 R293	1.1k	1k
#7 C250	2.7p	NO M T



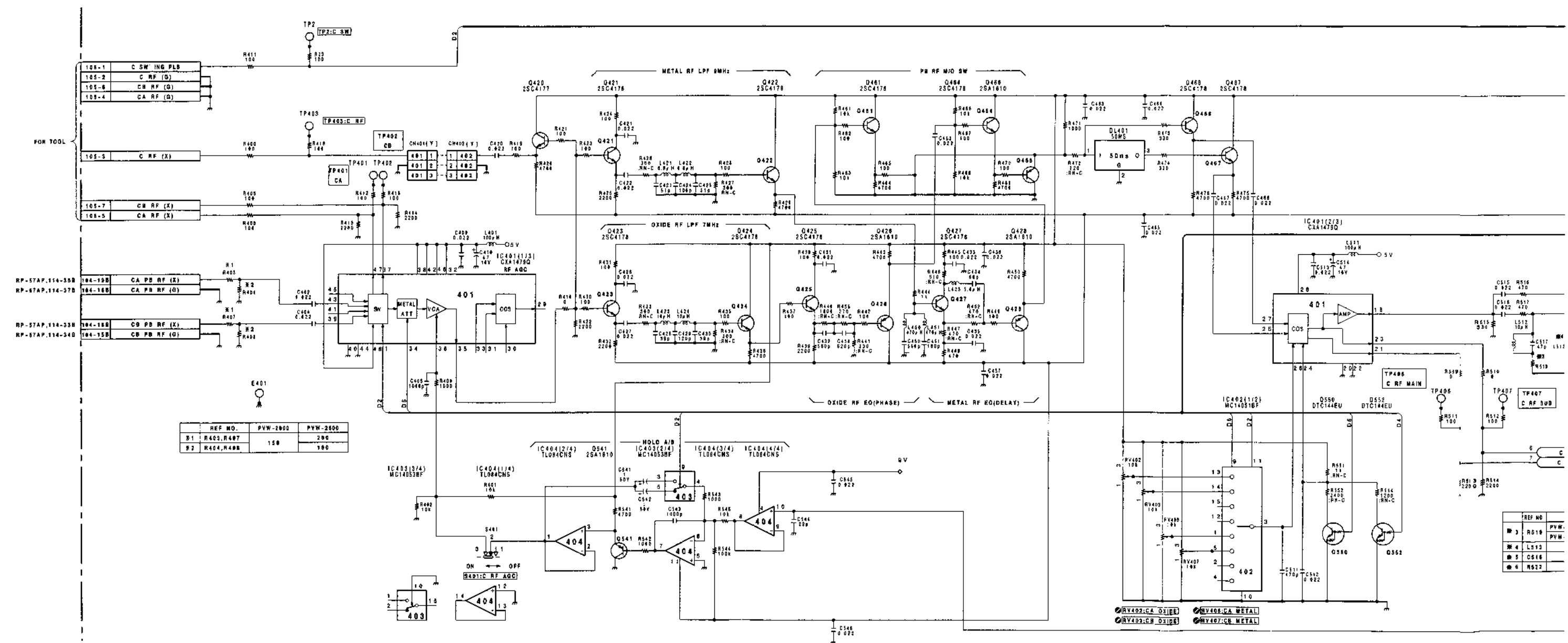


VP-33AP BOARD (2/9)

BOARD NO.1-640-032-11
PVW-2600P(EK);#10001-10650

Serial No.(EK);10001 to 10650

VP-33AP(3/9);C PB EQ,C RF AGC,DO DETECT

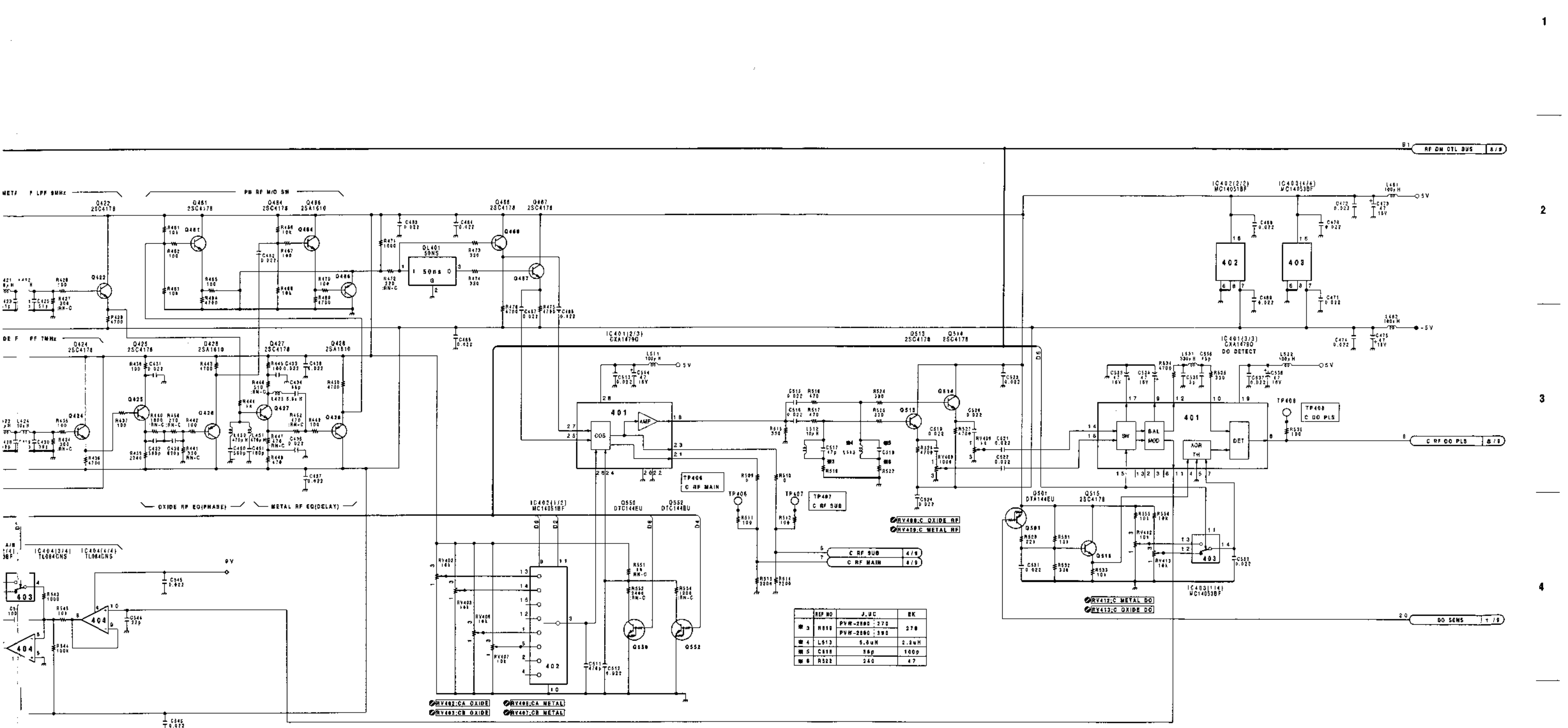


REF. NO.	PYW-2800	PYW-2800
B1	R403, R407	290
B2	R404, R408	190

RY402-CA	Oxide	RY405-CA	Metal
RY403-CR	Oxide	RY407-CR	Metal

REF. NO.	PYW.	PYW.
#3	R519	PYW.
#4	L515	PYW.
#5	C516	
#6	R522	

A | B | C | D | E | F | G | H



VP-33AP BOARD (3/9)

BOARD NO.1-640-032-11
PVW-2600P (EK); #10001-10650

-y(a)

16-9 (a)

E

F

G

H

I

J

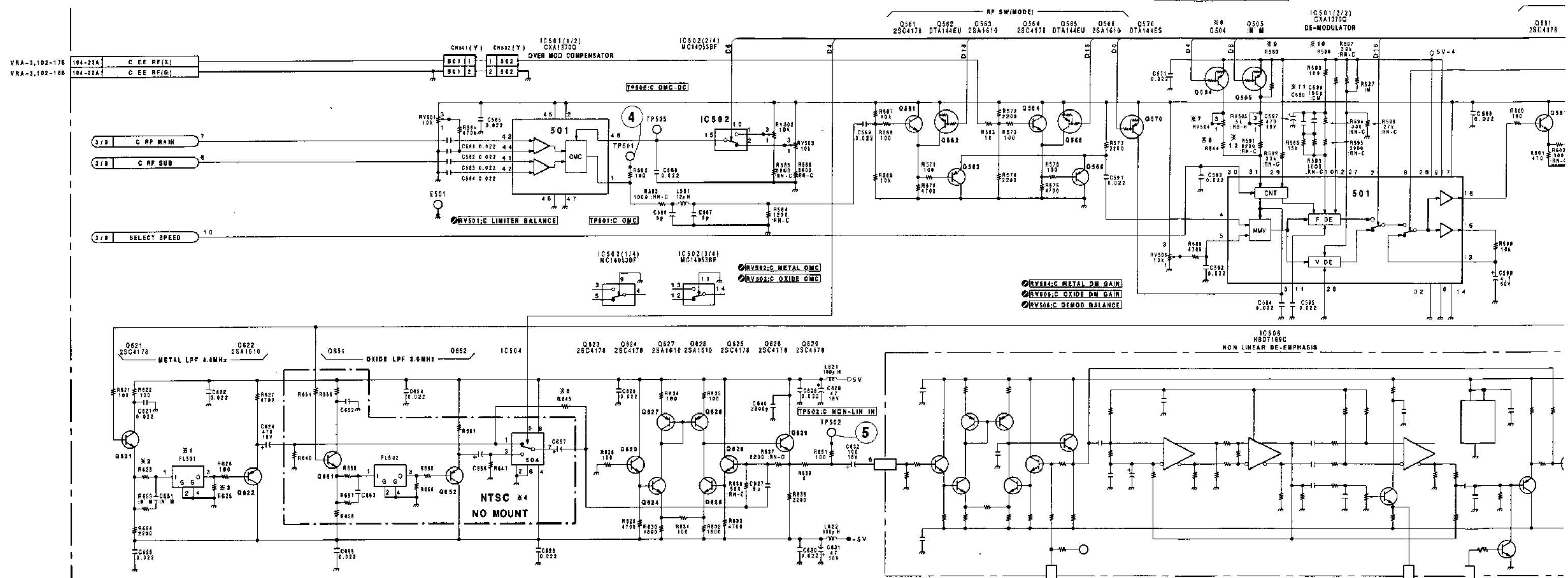
K

L

Serial No.(EK);10001 to 10650

VP-33AP(4/9);DE-MODULATOR, NON LINEAR DE-EMPHASIS

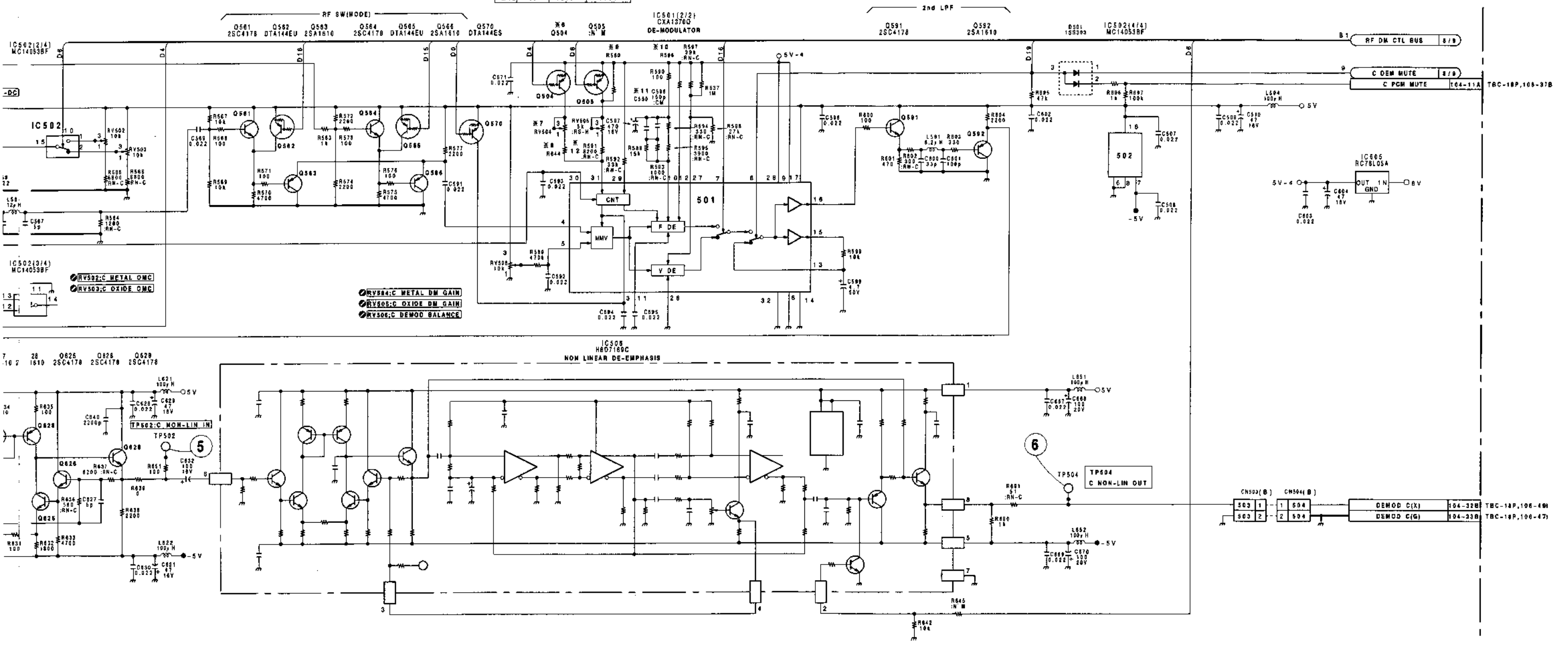
REF NO	J,U,C	EK	
*6	Q504	NO M T	DTA144EU
*7	RV504	NO M T	5K
*8	R644	NO M T	8800
*9	R580	0	NO M T
*10	R586	8200	5500
*11	C560	2.7p	NO M T
*12	R581	8200	5500



REF NO	J,U,C	EK	
*1	FL501	1-238-083-21	1-238-133-21
*2	R625	33K	470
*3	R626	33K	470
*4	BLOCK	NO M T	M T
*5	R643	0	NO M T

A B C D E F G H

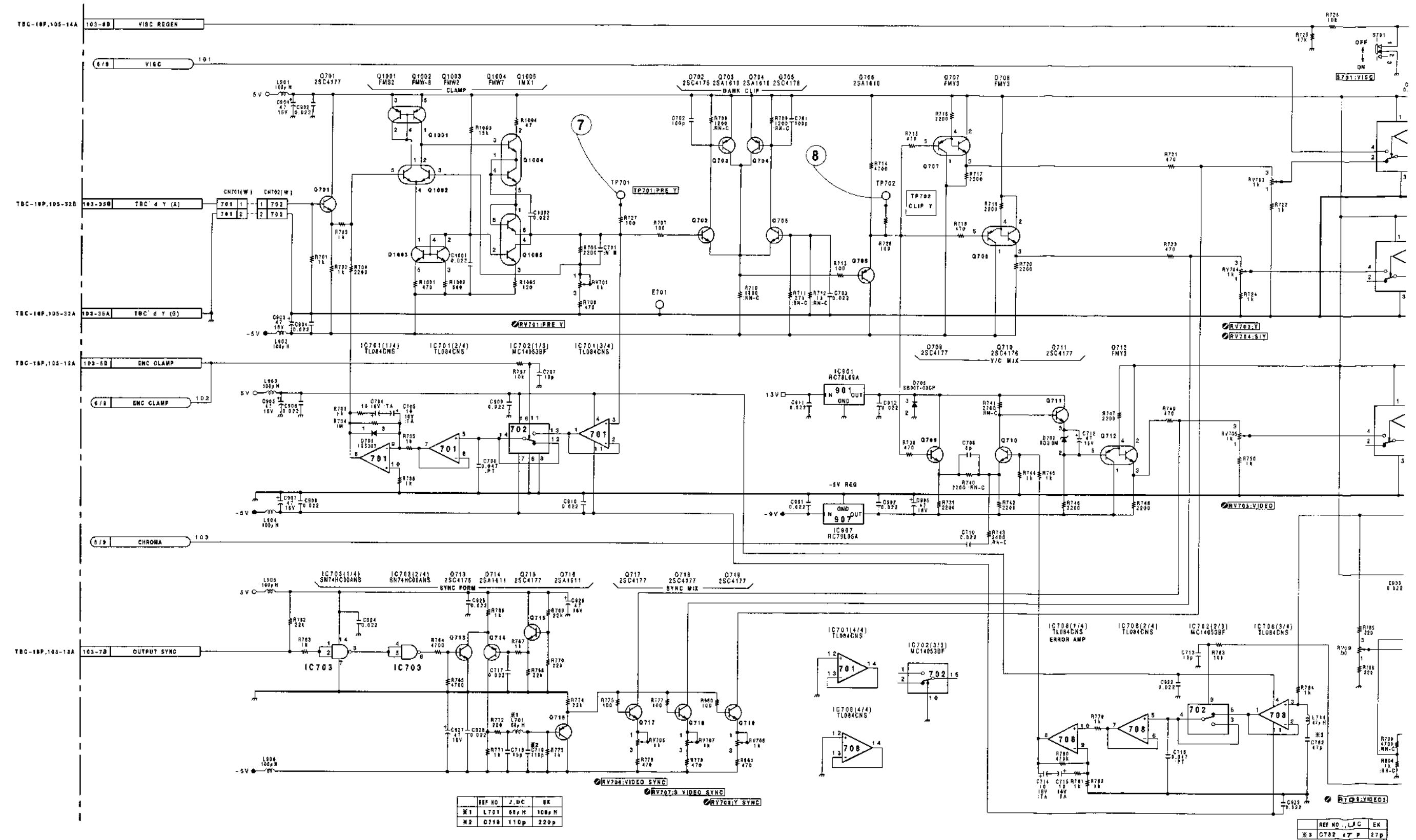
REF NO	J.U.C	EK
R6	Q504	NO M T DTA144EU
R7	RV504	NO M T 5k
R8	R644	NO M T 8900
R9	R558	5 NO M T
R10	R598	8900 5800
R11	C538	Z 7p NO M T
R12	R691	8200 8800



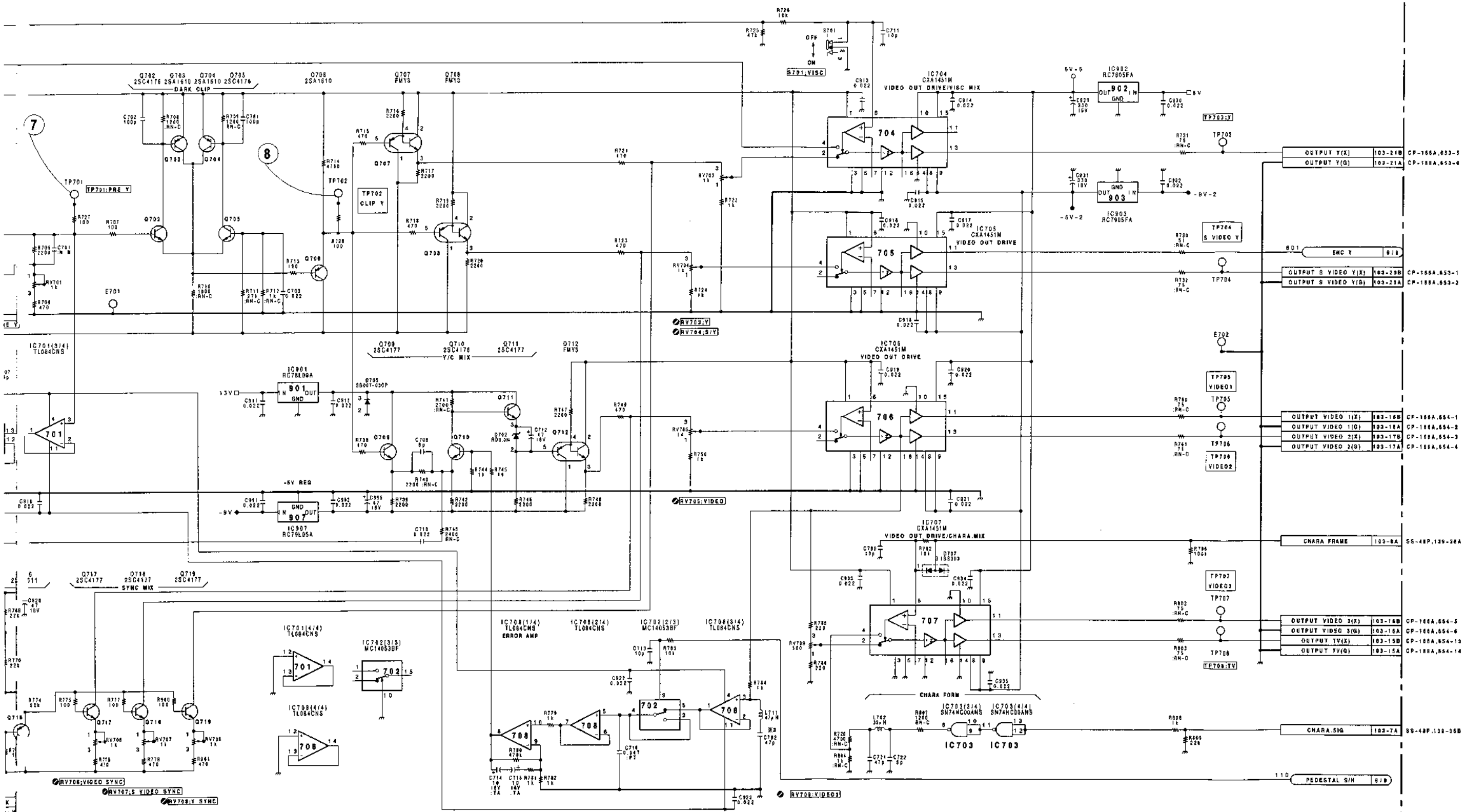
VP-33AP BOARD (4/9)
 BOARD NO.1-640-032-11
 PVW-2600P (EK); 10001-10650

Serial No.(EK);10001 to 10650

VP-33AP(5/9);COMPOSITE OUT DRIVER



A | B | C | D | E | F | G | H



1
2
3
4
5

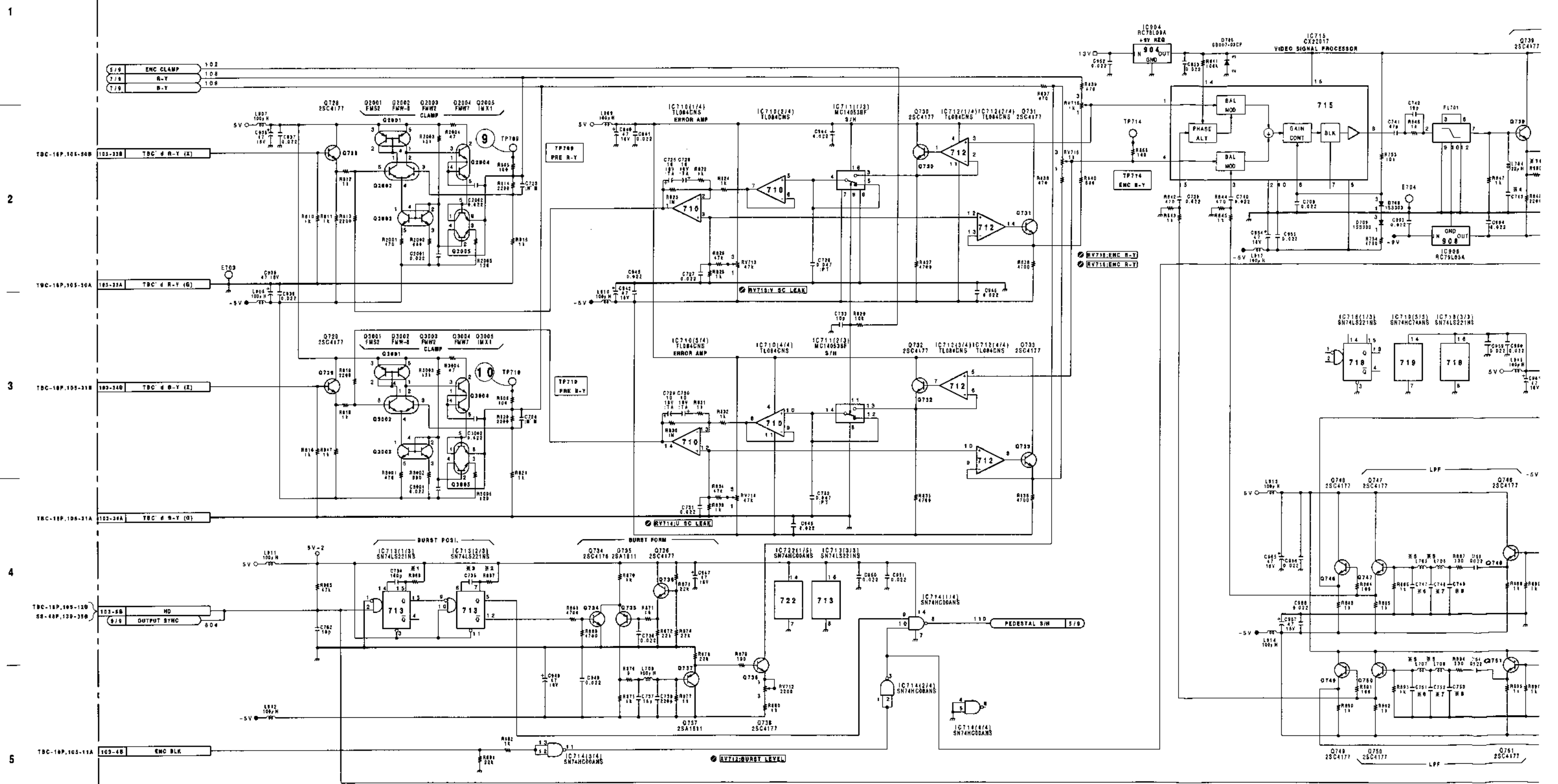
VP-33AP BOARD (5/9)

BOARD NO.1-840-032-11
PVW-2600P (EK);#10001-10650

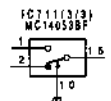
E F G H I J K L

Serial No.(EK);10001 to 10650

VP-33AP(6/9);ENCODER



REF NO	JUC	EK
R1	R866	5100 102
R2	R867	530 203
R3	C736	110p 150p

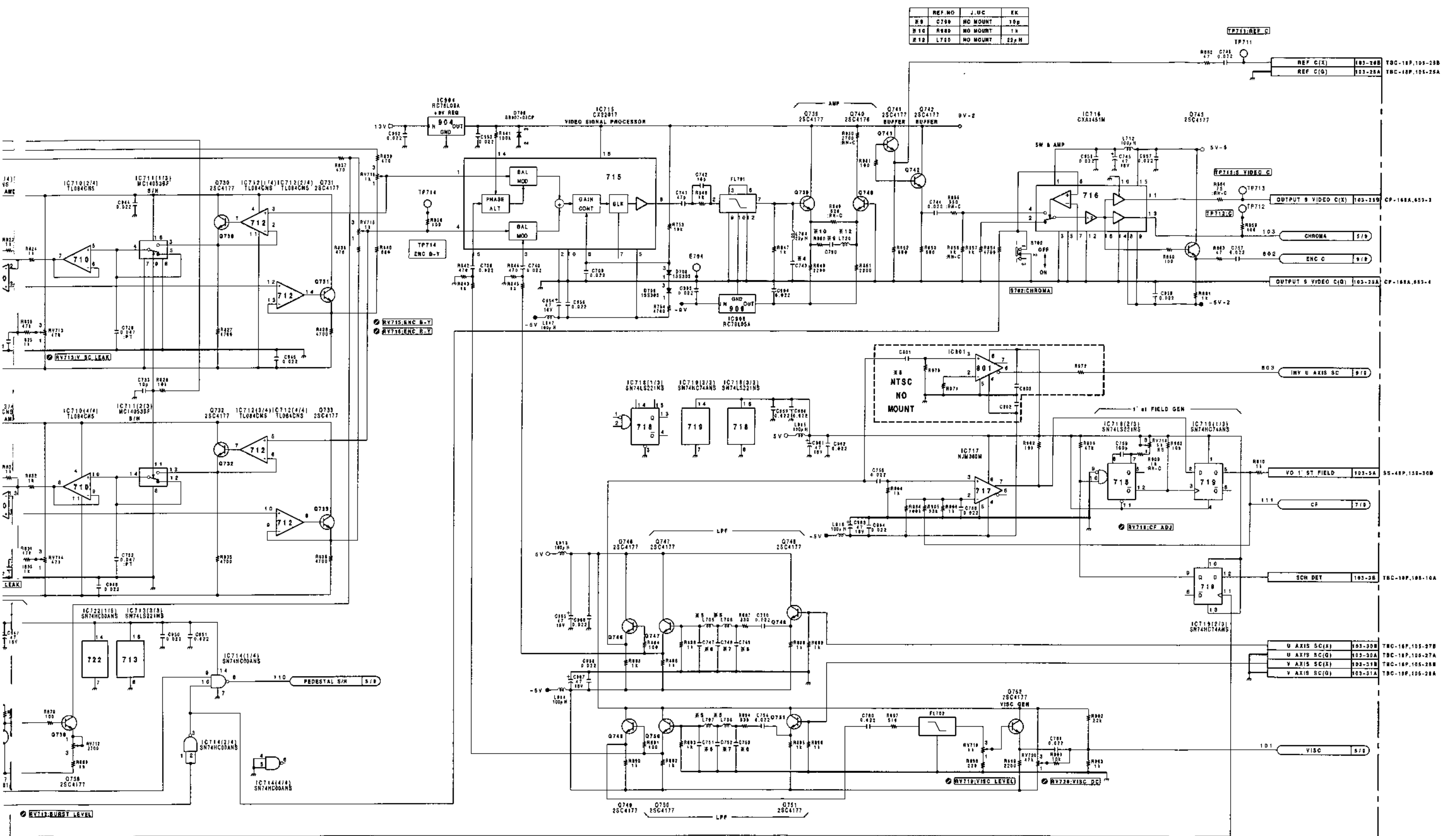


REF NO	JUC	EK
X4	C743	7p 4p
X5	L703,704,707,708	47uH 22u
X6	C747,748,751,752	33p 50p
X7	C748,751	50p 50p
X8	BLOCK	NO M 1

A B C D E F G H

VP-33AP(6/9) VP-33AP(6/9)

REF. NO.	J. UC	EK	
#8	C798	NO MOUNT	10p
#10	R880	NO MOUNT	1k
#12	L750	NO MOUNT	22µH



VP-33AP BOARD (6/9)
 BOARD NO.1-640-032-11
 PVW-2600P (EK); f10001-10650

16-12(a)

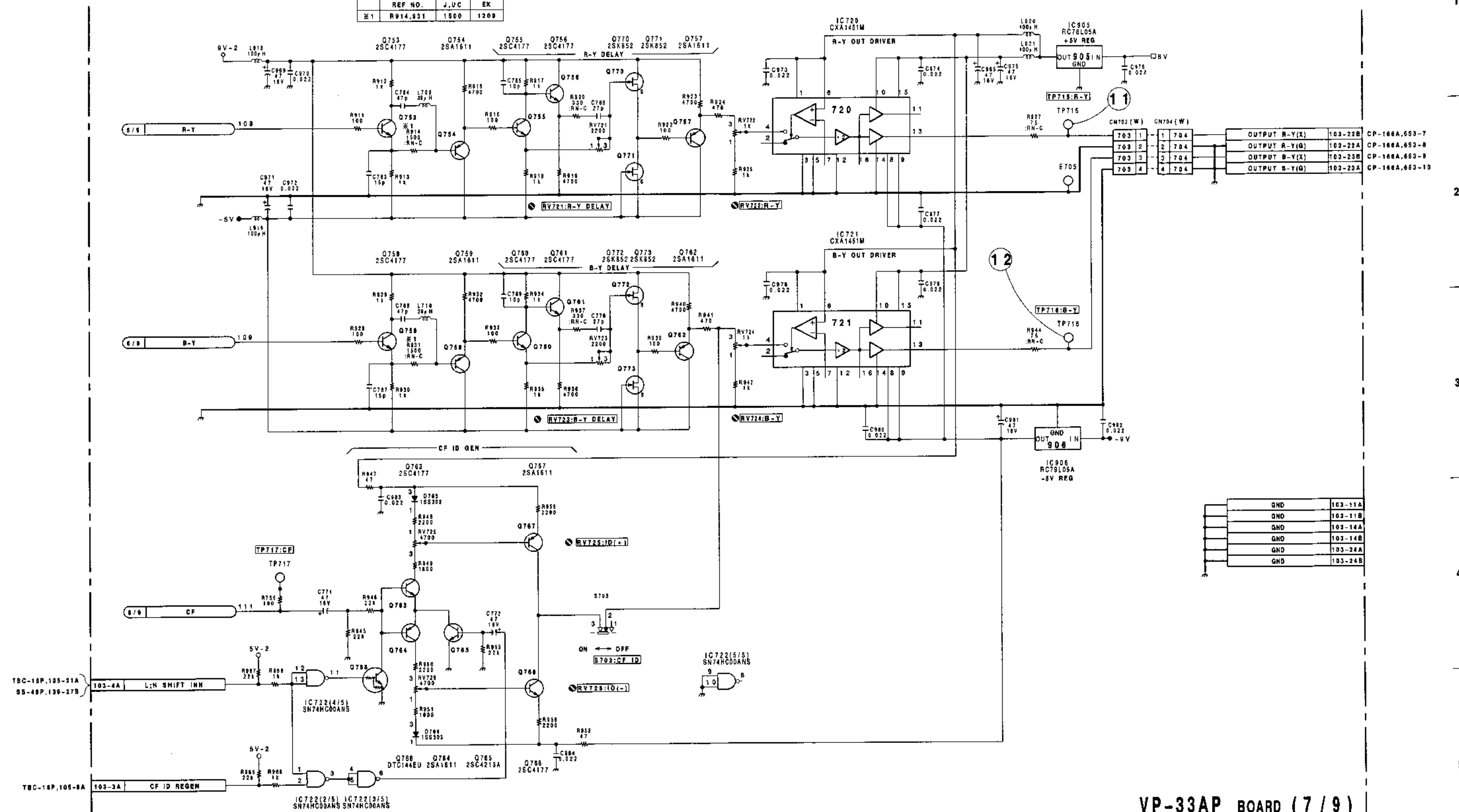
REF. NO.	J. UC	EK	
#4	C789	7p	4p
#5	L708, 709, 707, 709	A7, H	27µH
#6	C747, 748, 751, 750	27p	33p
#7	C748, 749	56p	99p
#8	BLOCK	NO	M'Y

E | F | G | H | I | J | K | L

Serial No.(EK);10001 to 10650

VP-33AP(7/9);R-Y/B-Y OUT DRIVER

REF. NO.	J,UC	EK
≠1	R914,931	1500 1209

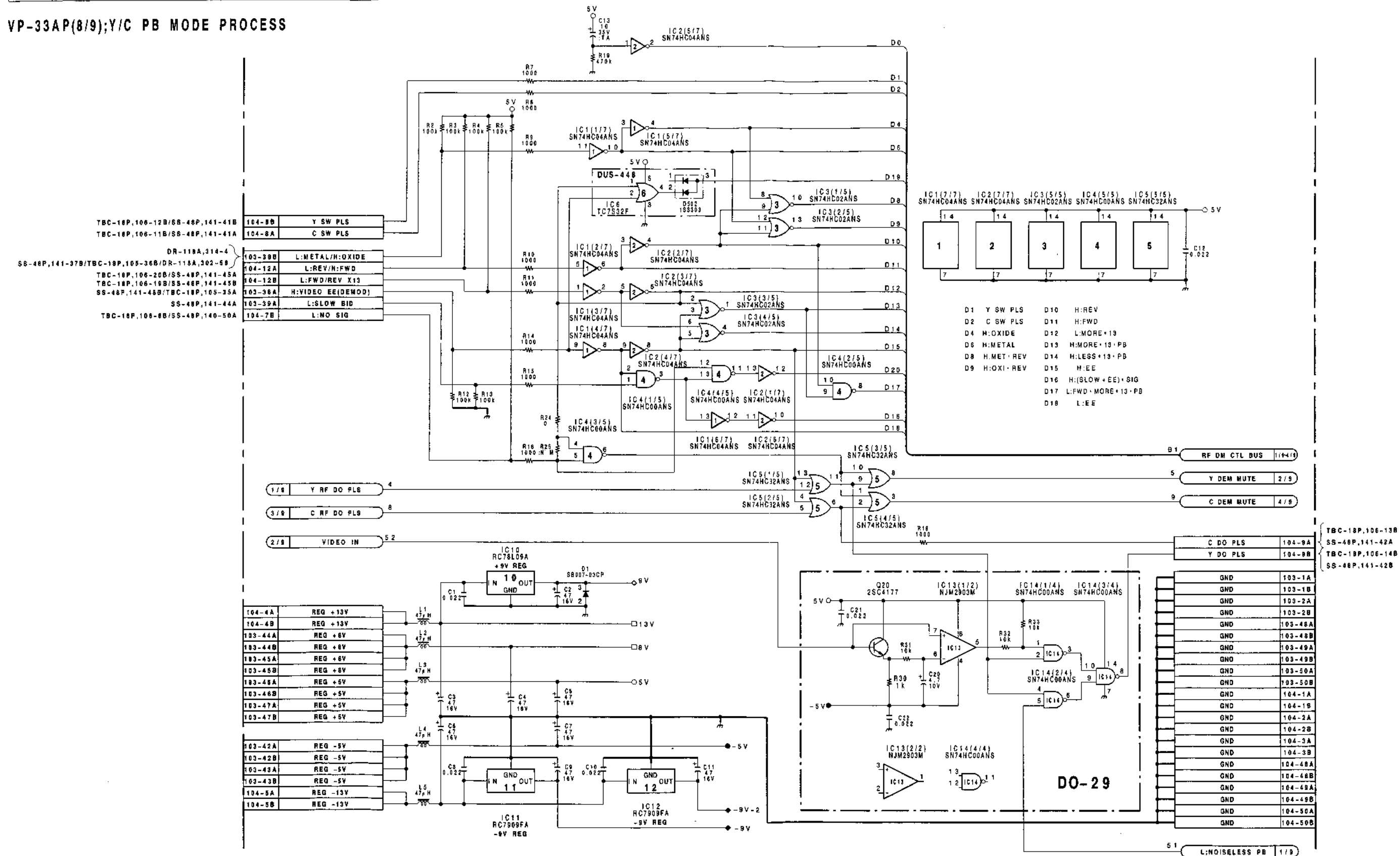


VP-33AP BOARD (7/9)

BOARD NO.1-640-032-11
PVW-2600P(EK);10001-10650

A | B | C | D | E | F | G | H

VP-33AP(8/9);Y/C PB MODE PROCESS

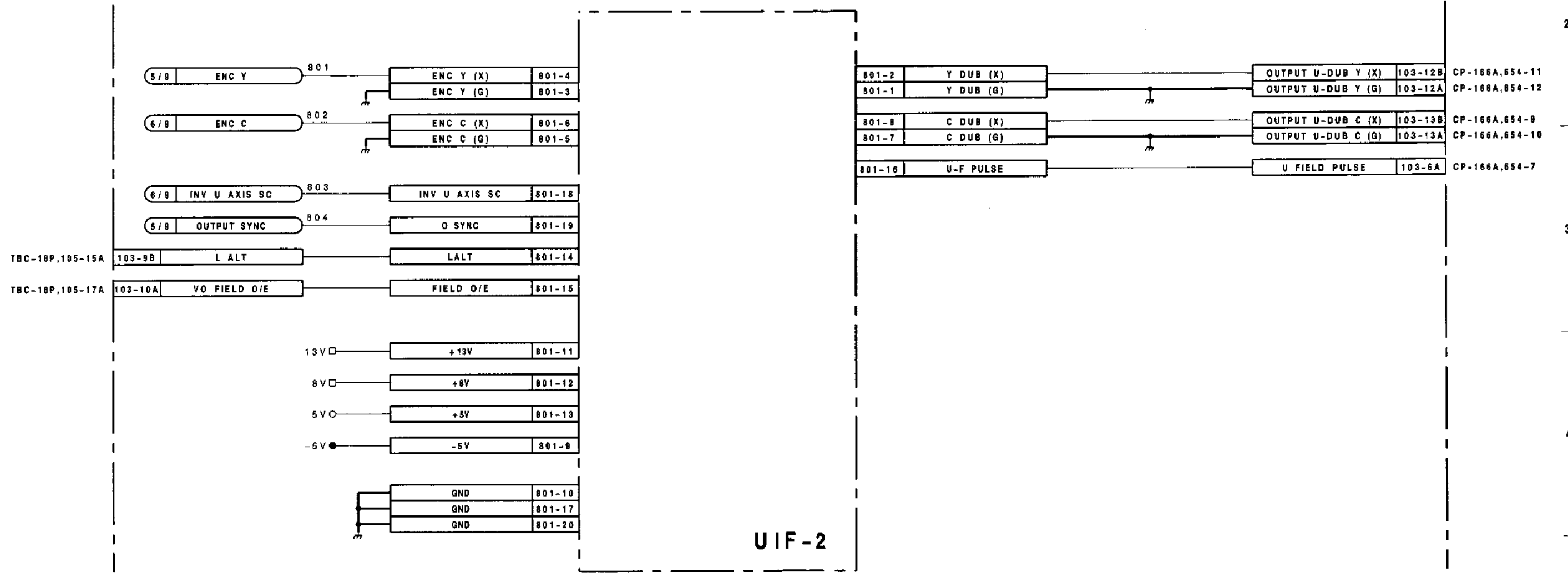


VP-33AP BOARD (8/9)

BOARD NO.1-640-032-11
PVW-2600P(EK);10001-10650

Serial No.(EK);10001 to 10650

VP-33AP(9/9);U-DUB INTERFACE



1
2
3
4
5

VP-33AP BOARD (9/9)

BOARD NO.1-840-032-11
PVW-2600P(EK);#10001-10650

16-15(a)

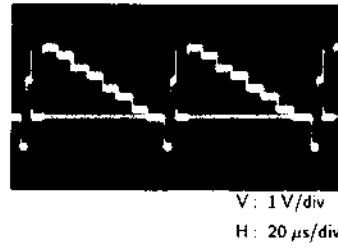
16-15(a)

A | B | C | D | E | F | G | H

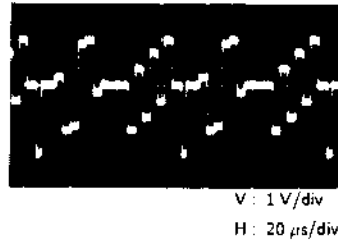
TBC-18P(1-640-033-14)

TP100	B-4
TP101	C-4
TP200	B-4
TP201	C-4
TP300	A-3
TP301	D-1
TP302	C-2
TP303	D-1
TP304	B-1
TP305	D-3
TP400	C-5
TP401	C-7
TP402	B-7
TP403	B-7
TP500	L-1
TP501	L-1
TP502	M-1
TP700	N-7
TP701	N-4
TP702	N-5
TP703	R-5
TP704	M-6
TP705	N-7

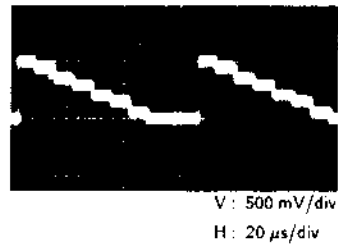
① TP101
PB



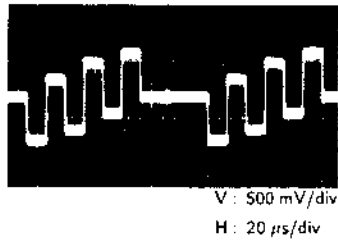
② TP201
PB



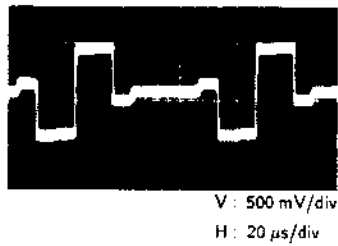
③ TP500
PB



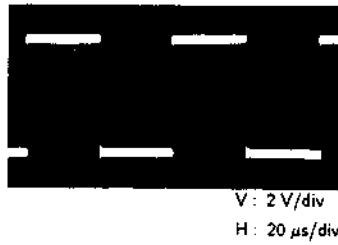
④ TP501
PB



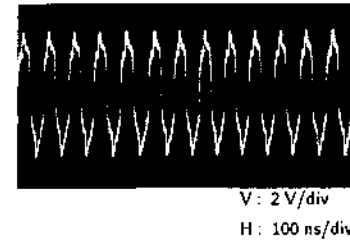
⑤ TP502
PB



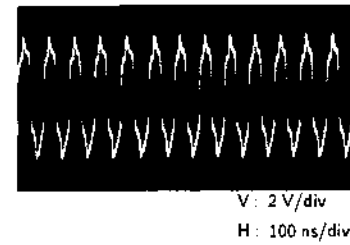
⑥ TP303
PB



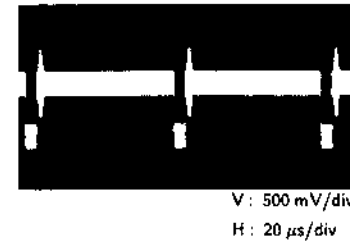
⑦ TP304
PB



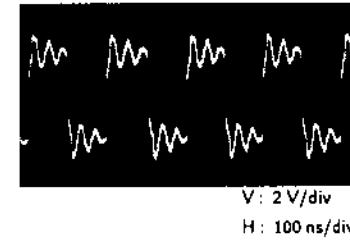
⑧ TP403
PB



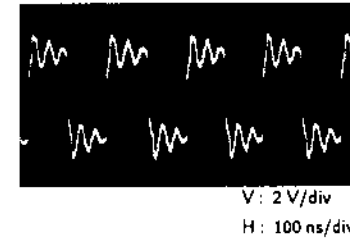
⑨ TP700
PB



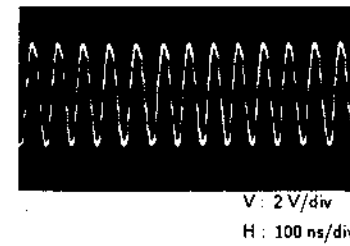
⑩ TP705
PB



⑪ TP701
PB



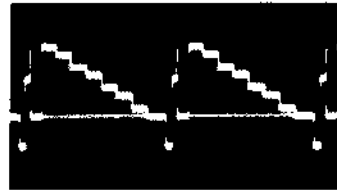
⑫ TP702
PB



TBC-18P(1-640-033-13)

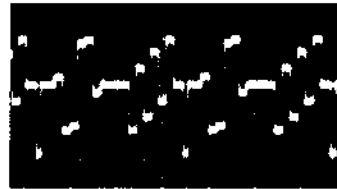
TP100	B-4
TP101	C-4
TP200	A-4
TP201	C-4
TP300	A-3
TP301	B-1
TP302	C-2
TP303	D-1
TP304	B-1
TP305	D-3
TP400	C-5
TP401	C-7
TP402	B-7
TP403	B-7
TP500	L-1
TP501	L-1
TP502	M-1
TP700	N-7
TP701	N-4
TP702	N-5
TP703	P-5
TP704	M-6
TP705	N-7

① TP101
PB



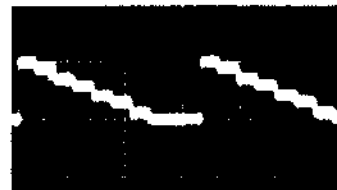
V: 1V/div
H: 20 μs/div

② TP201
PB



V: 1V/div
H: 20 μs/div

③ TP500
PB



V: 500 mV/div
H: 20 μs/div

④ TP501
PB



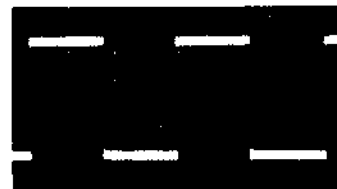
V: 500 mV/div
H: 20 μs/div

⑤ TP502
PB



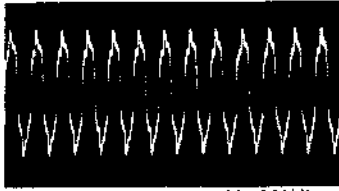
V: 500 mV/div
H: 20 μs/div

⑥ TP303
PB



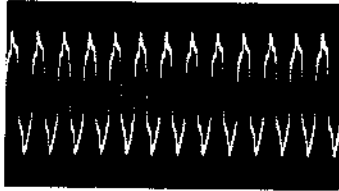
V: 2V/div
H: 20 μs/div

⑦ TP 304
PB



V: 2 V/div
H: 100 ns/div

⑧ TP 403
PB



V: 2 V/div
H: 100 ns/div

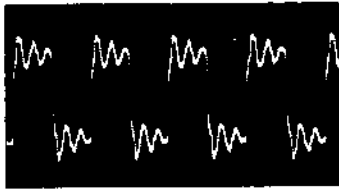
⑨ TP 700
PB



⑩ TP 705
PB

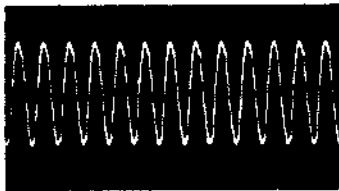
V: 500 mV/div
H: 20 μs/div

⑪ TP 701
PB



V: 2 V/div
H: 100 ns/div

⑫ TP 702
PB

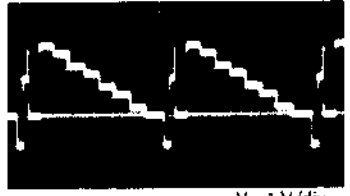


V: 2 V/div
H: 100 ns/div

TBC-18P(1-640-033-11,12)

TP100	B-4
TP101	C-4
TP200	B-4
TP201	C-4
TP300	A-3
TP301	D-1
TP302	C-2
TP303	D-1
TP304	B-1
TP400	C-6
TP401	C-7
TP402	B-7
TP403	B-7
TP500	L-1
TP501	L-1
TP502	M-1
TP700	N-7
TP701	N-4
TP702	N-5
TP703	R-5
TP704	M-6
TP705	N-7

① TP101
PB



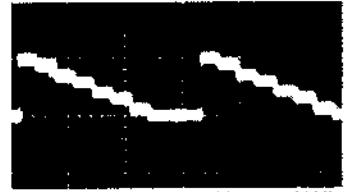
V: 1 V/div
H: 20 μs/div

② TP201
PB



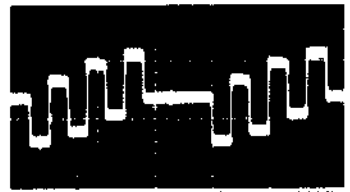
V: 1 V/div
H: 20 μs/div

③ TP500
PB



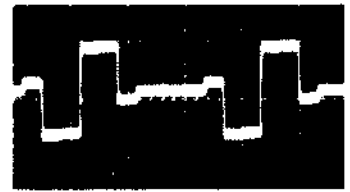
V: 500 mV/div
H: 20 μs/div

④ TP501
PB



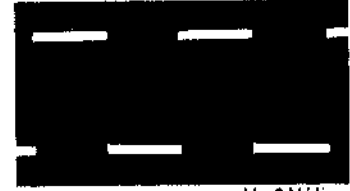
V: 500 mV/div
H: 20 μs/div

⑤ TP502
PB



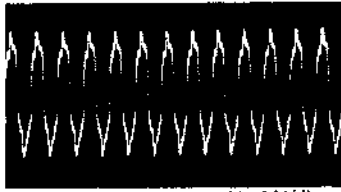
V: 500 mV/div
H: 20 μs/div

⑥ TP303
PB



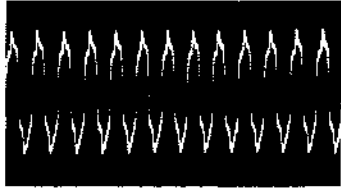
V: 2 V/div
H: 20 μs/div

⑦ TP304
PB



V: 2 V/div
H: 100 ns/div

⑧ TP403
PB



V: 2 V/div
H: 100 ns/div

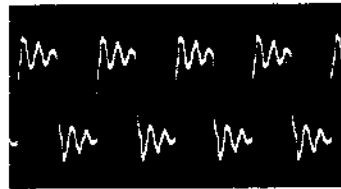
⑨ TP700
PB



⑩ TP705
PB

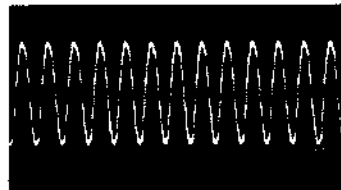
V: 500 mV/div
H: 20 μ s/div

⑪ TP701
PB



V: 2 V/div
H: 100 ns/div

⑫ TP702
PB

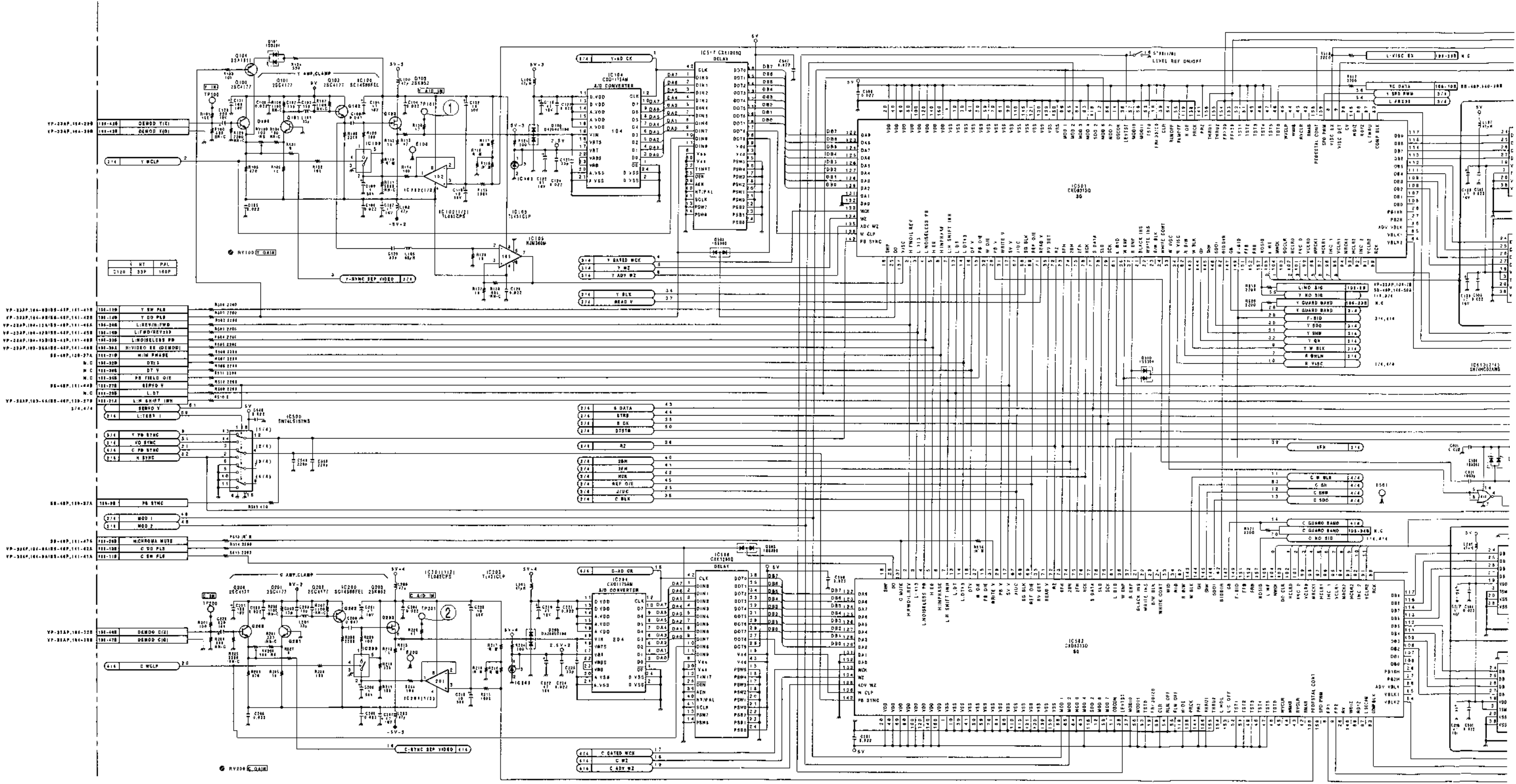


V: 2 V/div
H: 100 ns/div

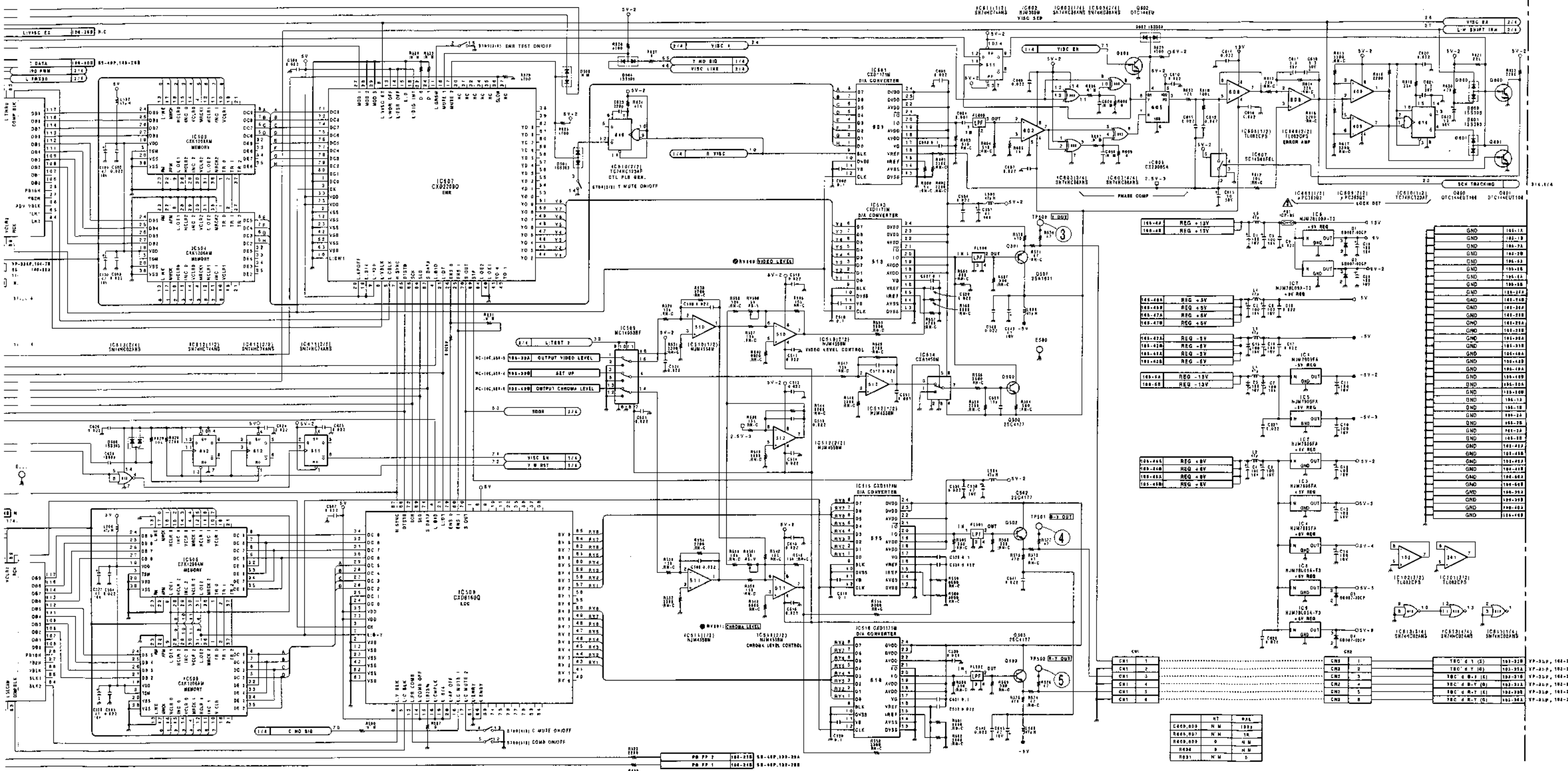
Serial No.(EK);14586 and higher
Serial No.(UC);10011 and higher

TBC-18P(1/4) TBC-18P(1/4)

TBC-18P(1/4);TIME BASE CORRECTOR,CTDM(EXPAND)



The Δ -marked components are critical to safety.
Replace only with the same components as specified.



TBC-18P BOARD (1/4)

BOARD NO. 1-640-033-14
PVW-2600P (E); #14586-
PVW-2600P (UC); #10011-

Serial No.(EK);14586 and higher
Serial No.(UC);10011 and higher

TBC-18P(2/4);TIME BASE CORRECTOR

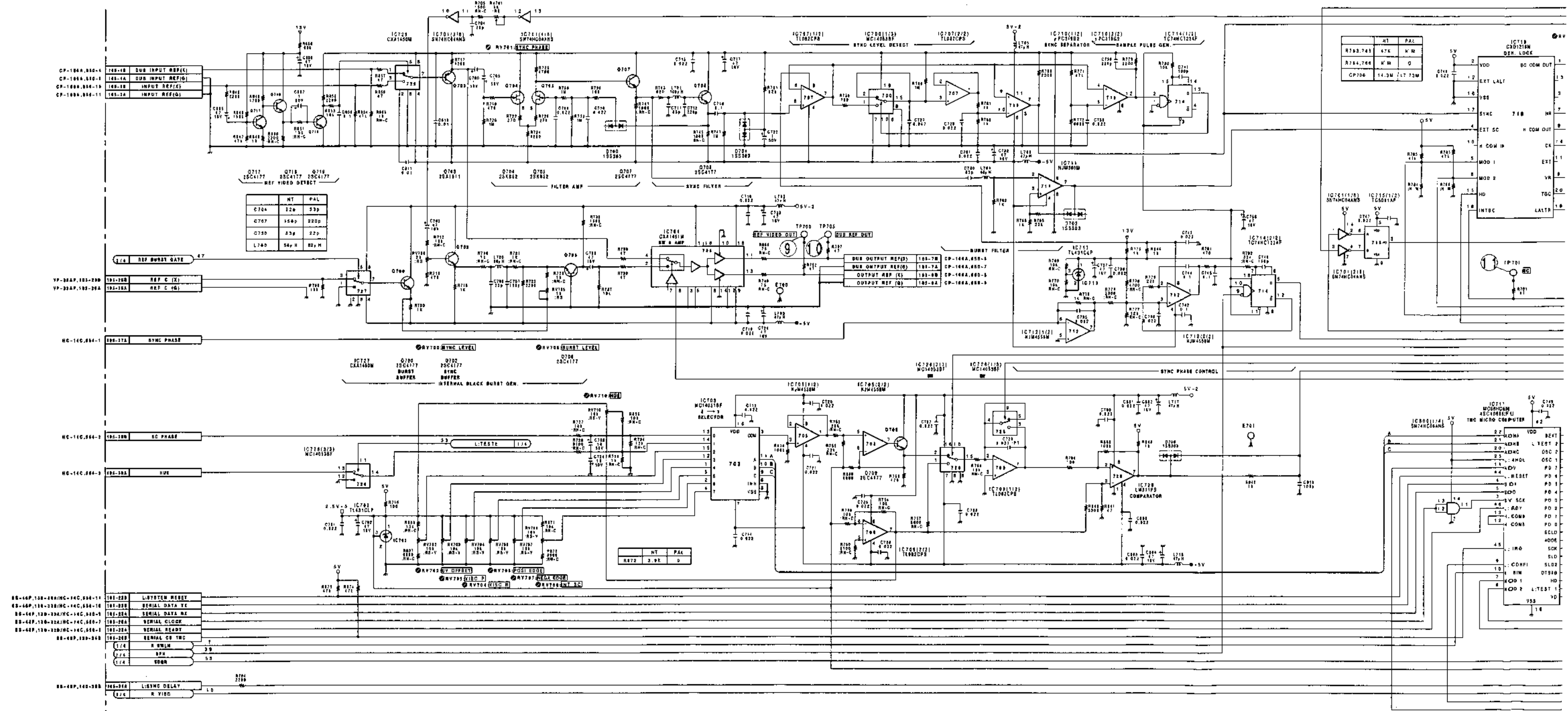
1

2

3

4

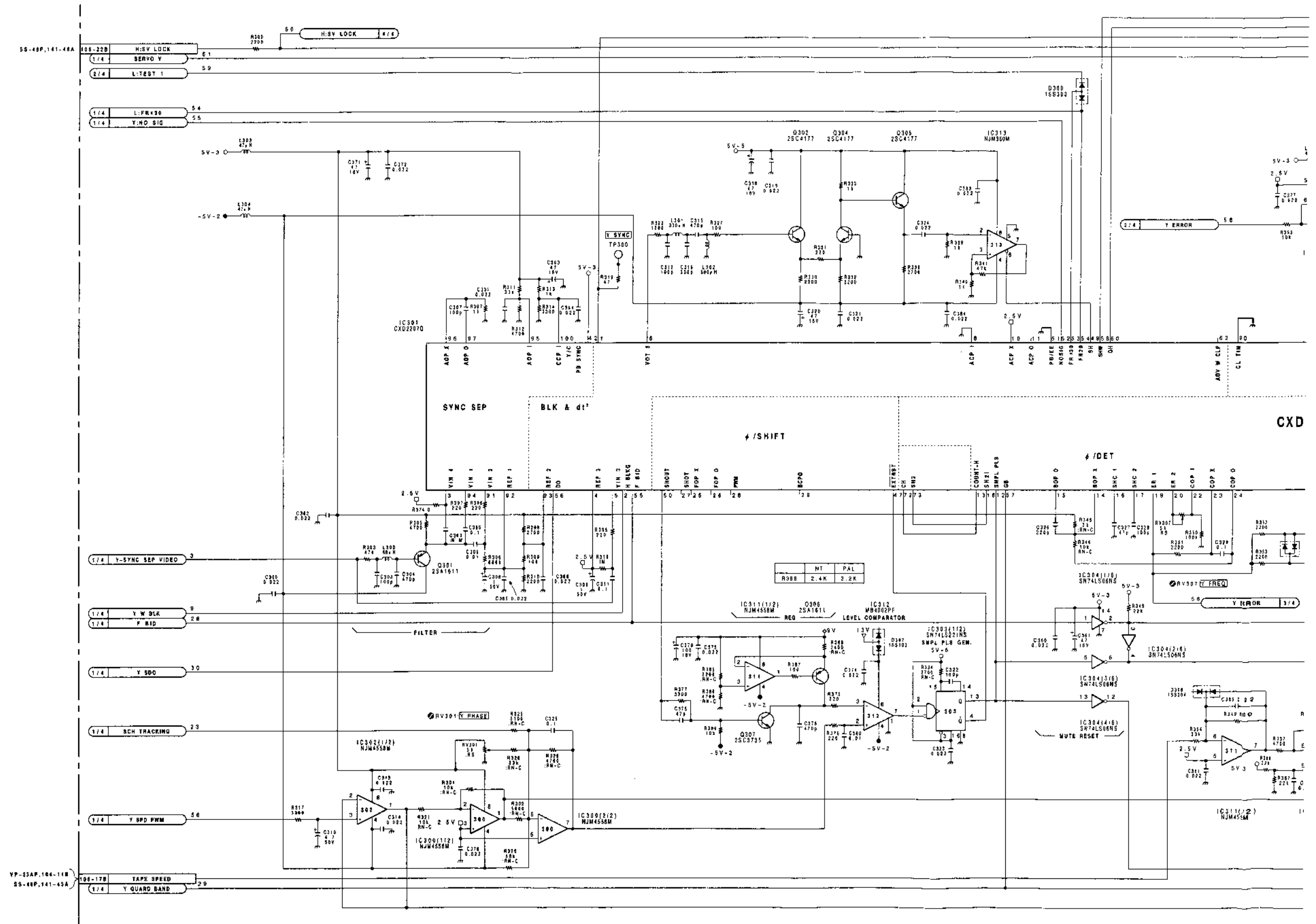
5



Serial No.(EK);14586 and higher
Serial No.(UC);10011 and higher

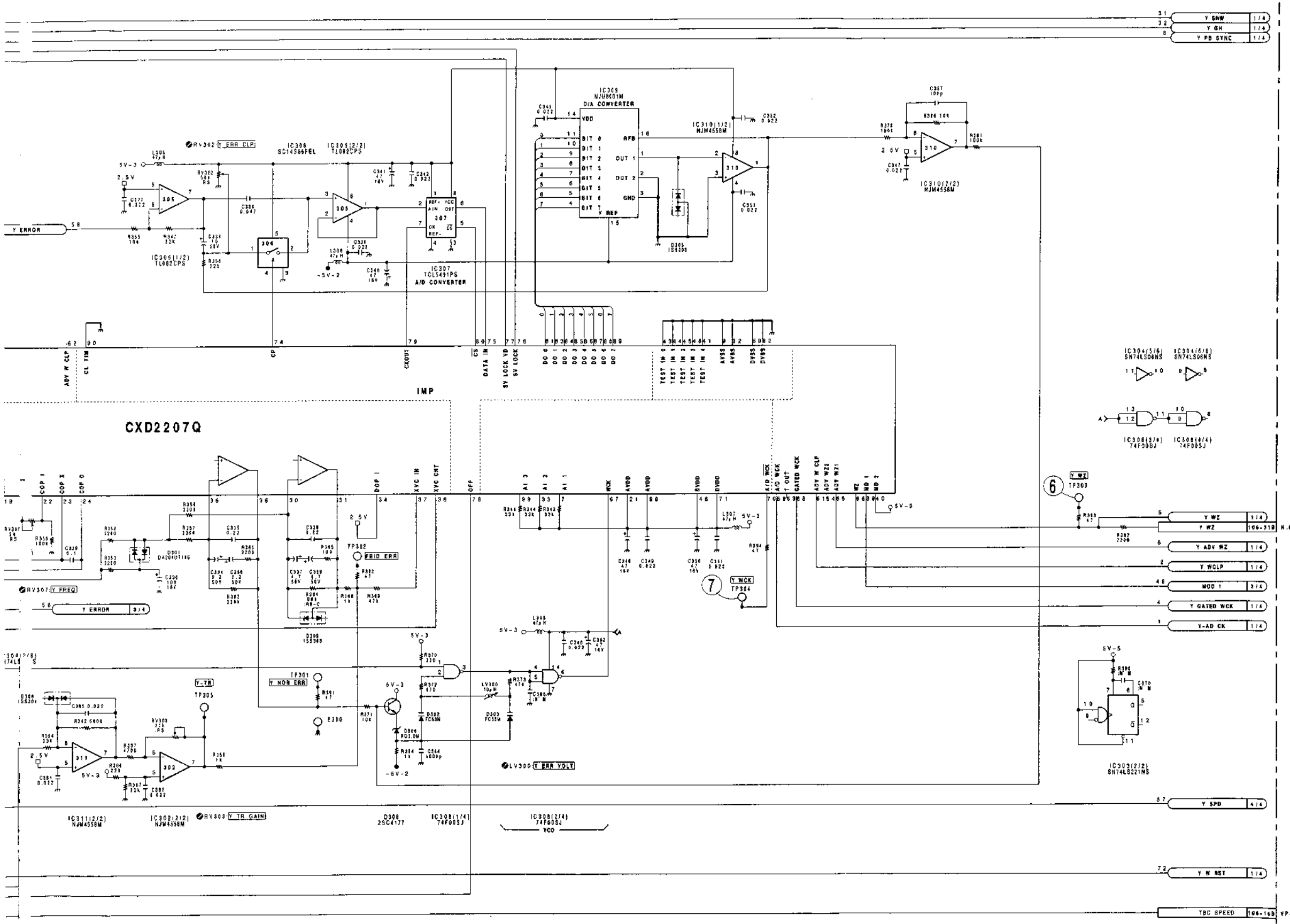
TBC-18P(3/4) TBC-18P(3/4)

TBC-18P(3/4);TIME BASE CORRECTOR(Y-WRITE CLOCK BLOCK)

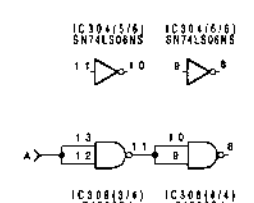


16-19(c)

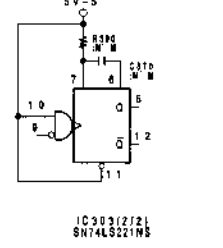
A | B | C | D | E | F | G | H



3.1	Y SHW	1/4
3.2	Y GH	1/4
3	Y PD SYNC	1/4



6	Y WZ	1/4
6	Y WZ	106-318
6	Y ADV WZ	1/4
2	Y WCLP	1/4
4	MOD 1	2/4
4	Y GATED WCK	1/4
1	Y-AD CK	1/4



5.7	Y SPD	4/4
-----	-------	-----

7.2	Y W RST	1/4
-----	---------	-----

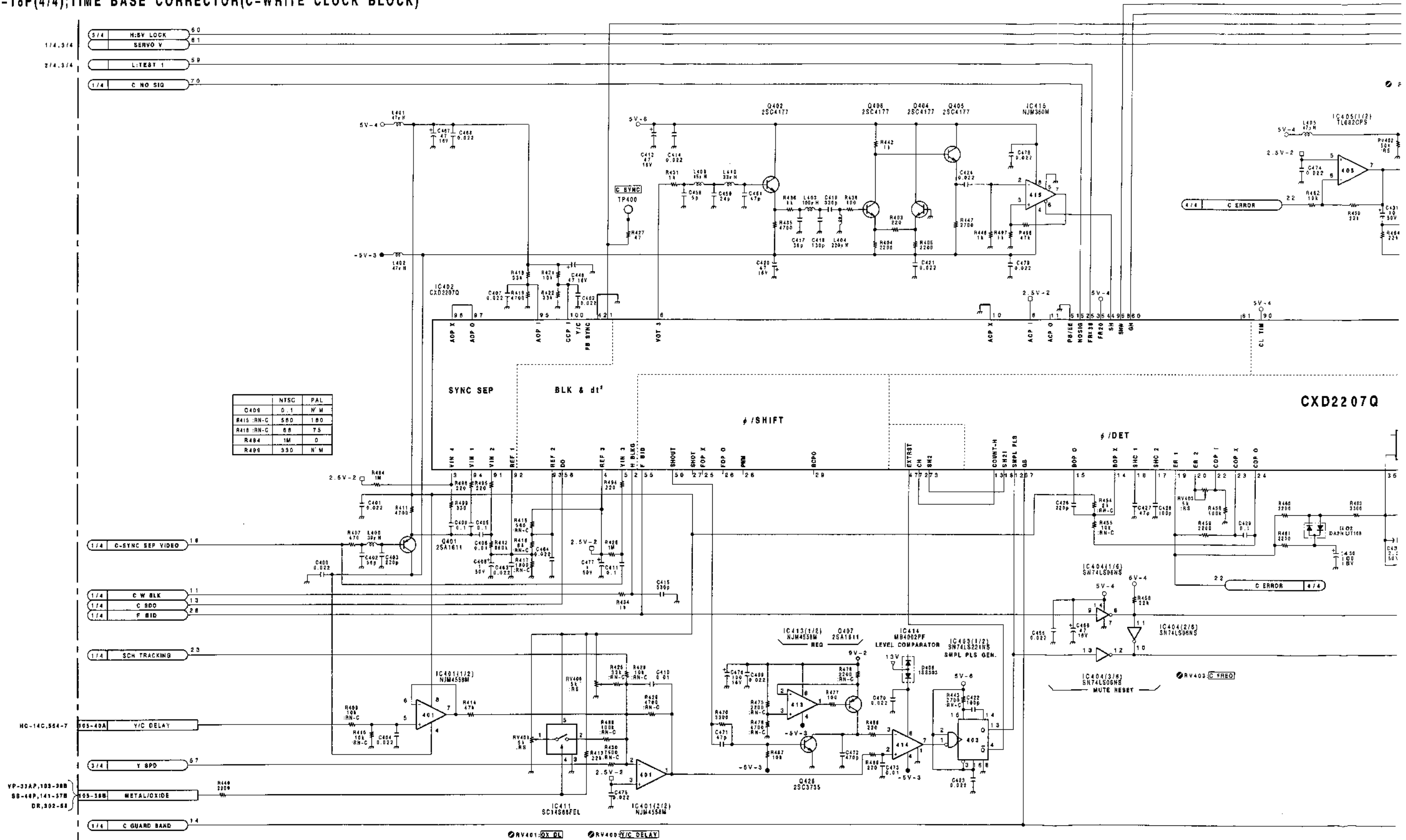
TBC SPEED	106-149	VP-35AP, 104-108
-----------	---------	------------------

TBC-18P BOARD (3/4)
 BOARD NO. 1-640-033-14
 PVW-2600P (EK); #14586-
 PVW-2600P (UC); #10011-

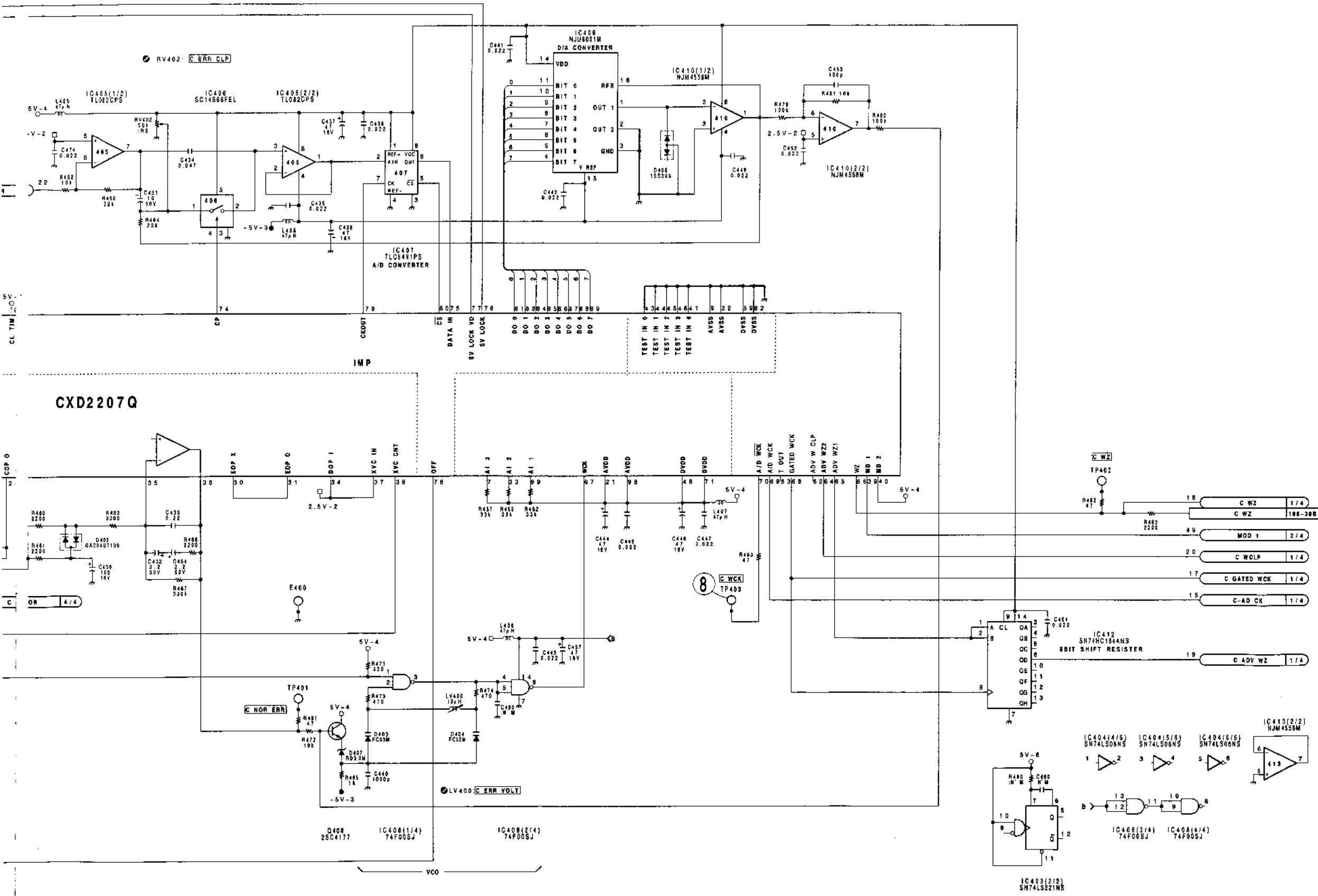
Serial No.(EK);14586 and higher
Serial No.(UC);10011 and higher

TBC-18P(4/4) TBC-18P(4/4)

TBC-18P(4/4);TIME BASE CORRECTOR(C-WRITE CLOCK BLOCK)



12	C SHW	1/4
63	C DM	1/4
21	C PB SYNC	1/4



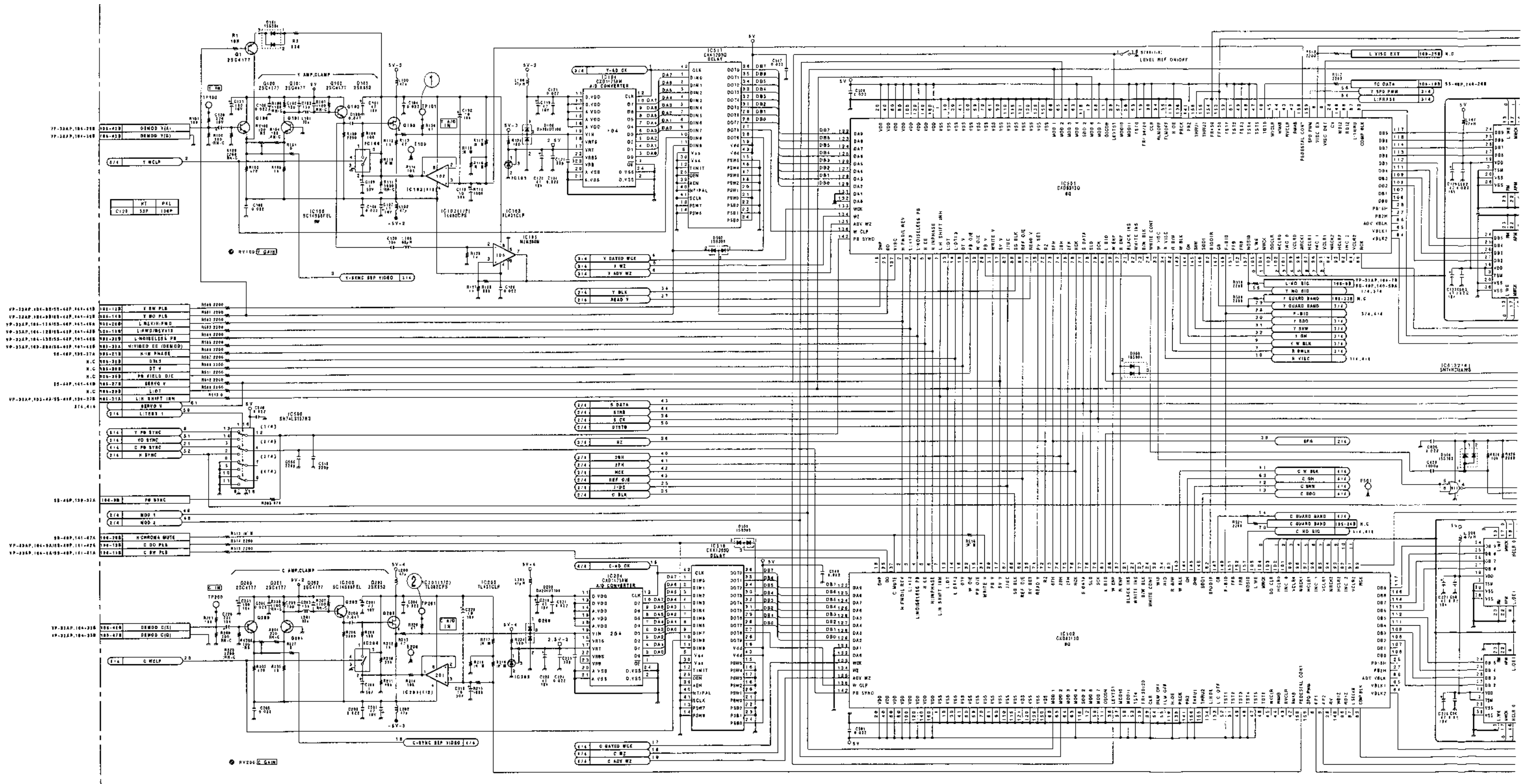
TBC-18P BOARD (4/4)

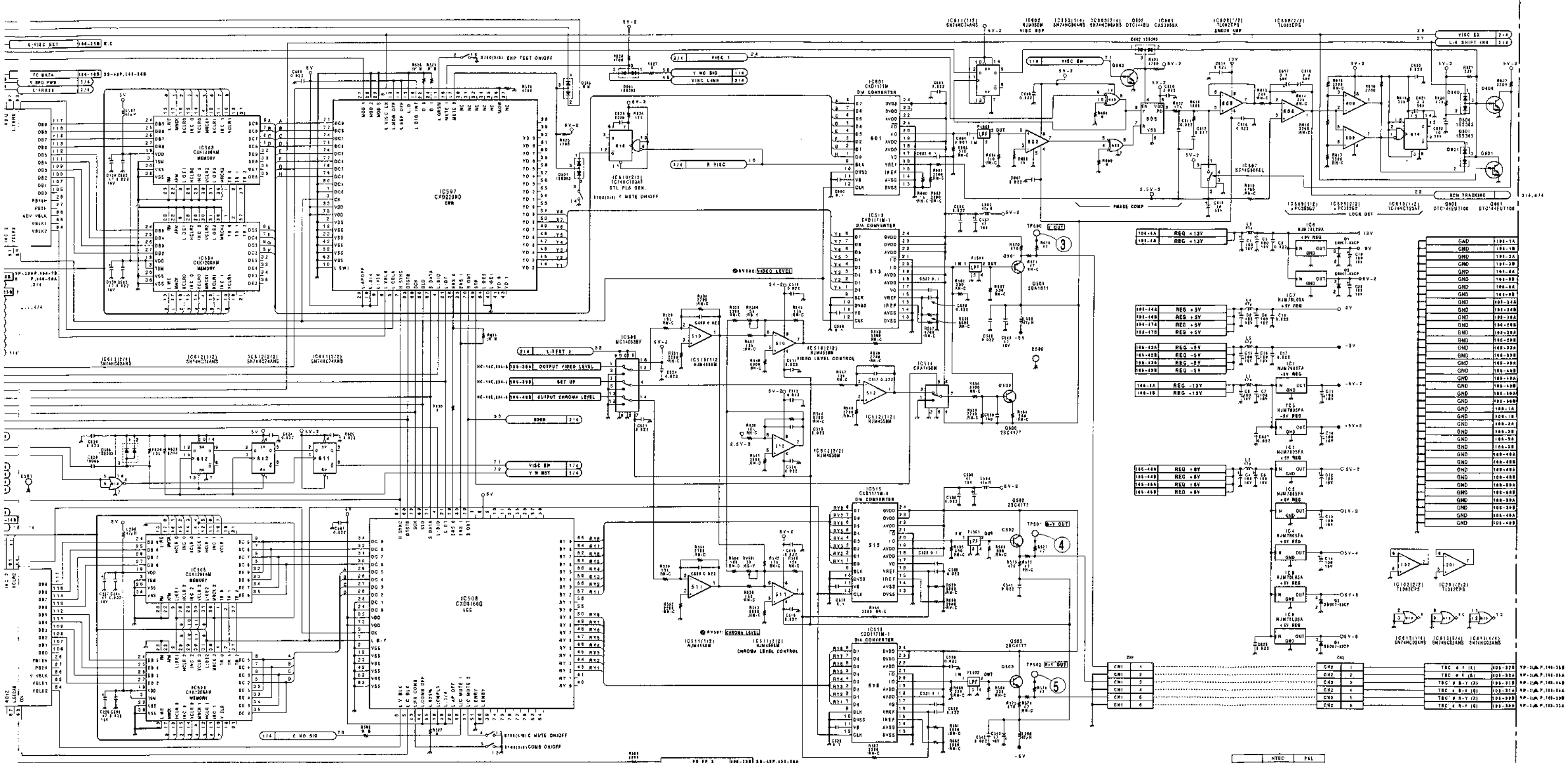
BOARD NO.1-640-033-14
 PVW-2600P (EK); #14588-
 PVW-2600P (UC); #10011-

Serial No.(EK);11151 to 14585
Serial No.(UC);10001 to 10010

TBC-18P(1/4) TBC-18P(1/4)

TBC-18P(1/4);TIME BASE CORRECTOR,CTDM(EXPAND)





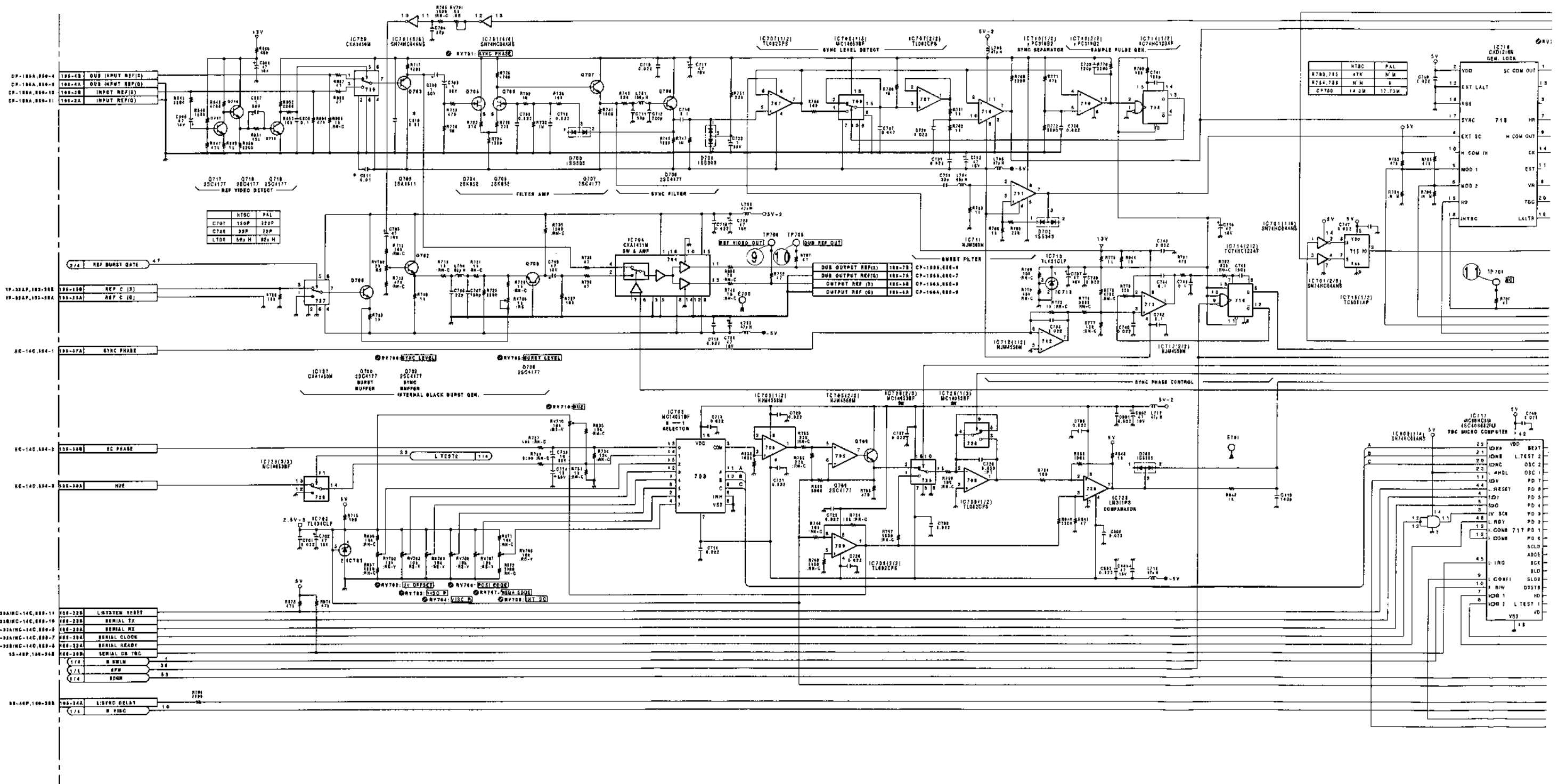
IC	TYPE	VAL
C109-148	K	100P
R100-147	K	1K
R100-149	0	K
R100-150	0	K
R100-151	0	K
R100-152	0	K
R100-153	0	K
R100-154	0	K
R100-155	0	K
R100-156	0	K
R100-157	0	K
R100-158	0	K
R100-159	0	K
R100-160	0	K
R100-161	0	K
R100-162	0	K
R100-163	0	K
R100-164	0	K
R100-165	0	K
R100-166	0	K
R100-167	0	K
R100-168	0	K
R100-169	0	K
R100-170	0	K
R100-171	0	K
R100-172	0	K
R100-173	0	K
R100-174	0	K
R100-175	0	K
R100-176	0	K
R100-177	0	K
R100-178	0	K
R100-179	0	K
R100-180	0	K
R100-181	0	K
R100-182	0	K
R100-183	0	K
R100-184	0	K
R100-185	0	K
R100-186	0	K
R100-187	0	K
R100-188	0	K
R100-189	0	K
R100-190	0	K
R100-191	0	K
R100-192	0	K
R100-193	0	K
R100-194	0	K
R100-195	0	K
R100-196	0	K
R100-197	0	K
R100-198	0	K
R100-199	0	K
R100-200	0	K

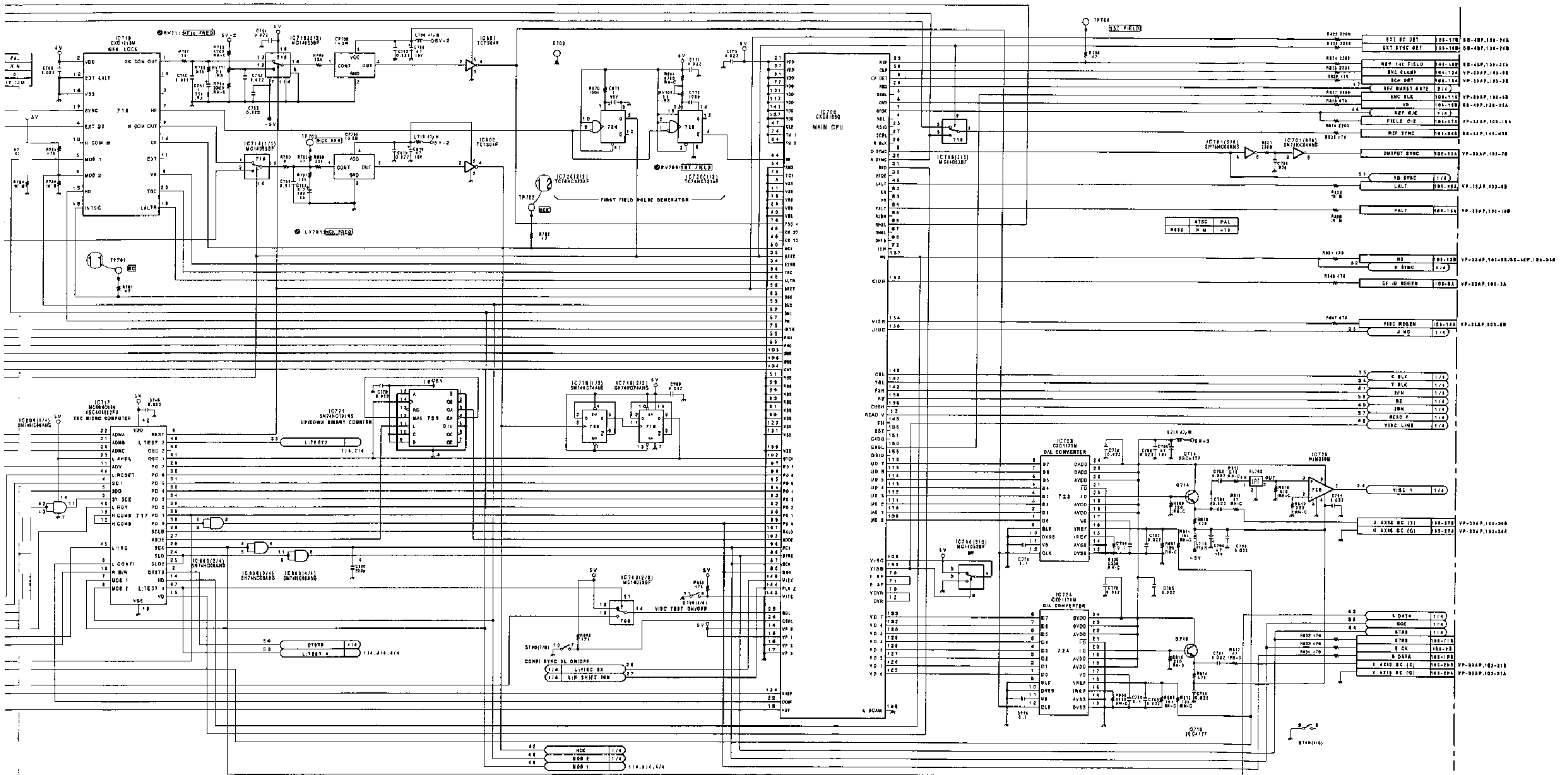
TBC-18P BOARD (1/4)
 BOARD NO.1-640-033-13
 PWV-2600P (EK):#1151-14585
 PWV-2600P (UC):#10001-10010

Serial No.(EK);11151 to 14585
Serial No.(UC);10001 to 10010

TBC-18P(2/4) TBC-18P(2/4)

TBC-18P(2/4);TIME BASE CORRECTOR





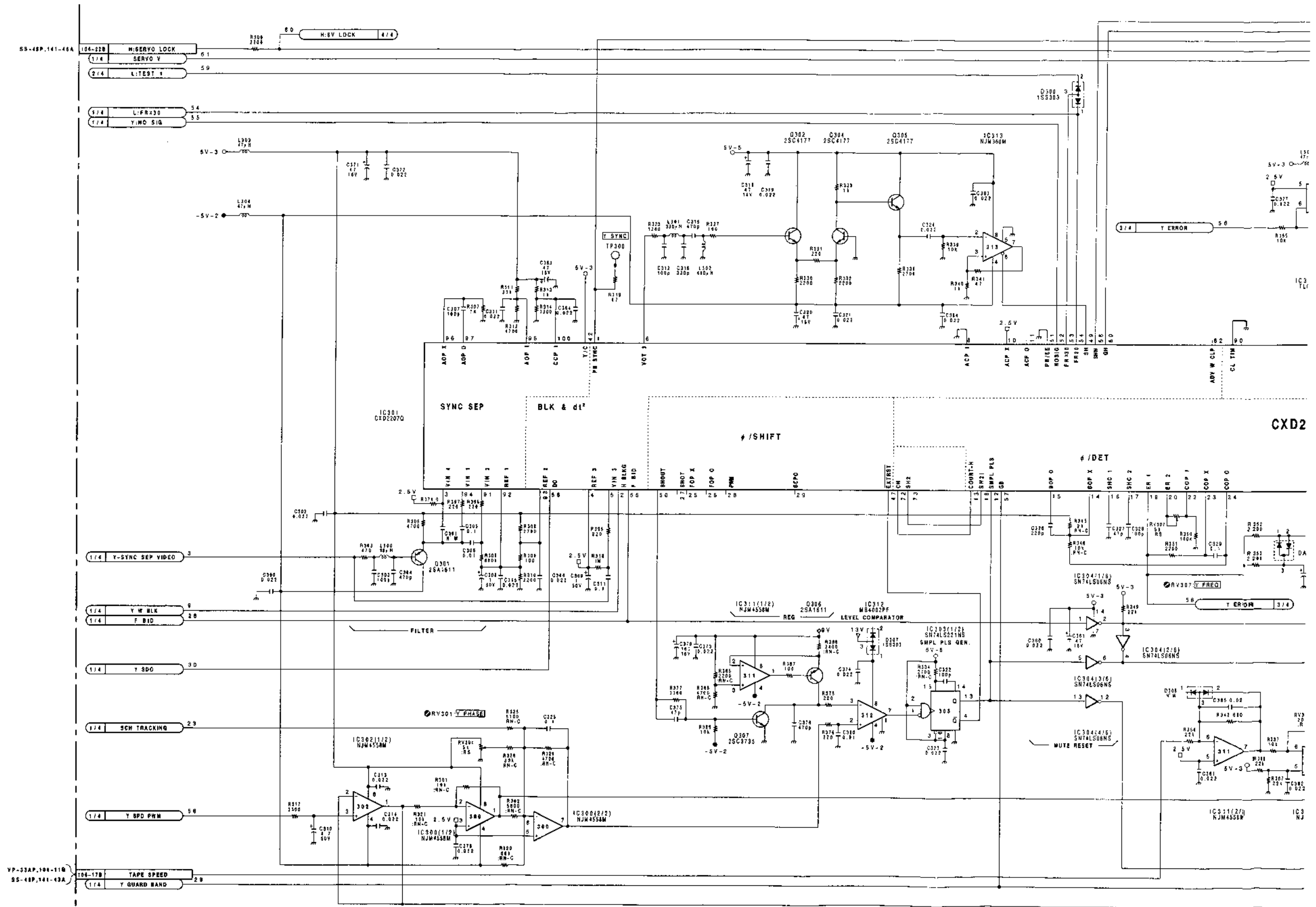
TBC-18P BOARD (2/4)

BOARD NO.1-640-033-13
 PVW-2600P (EK);#11161-14585
 PVW-2600P (UC);#10001-10010

Serial No.(EK);11151 to 14585
Serial No.(UC);10001 to 10010

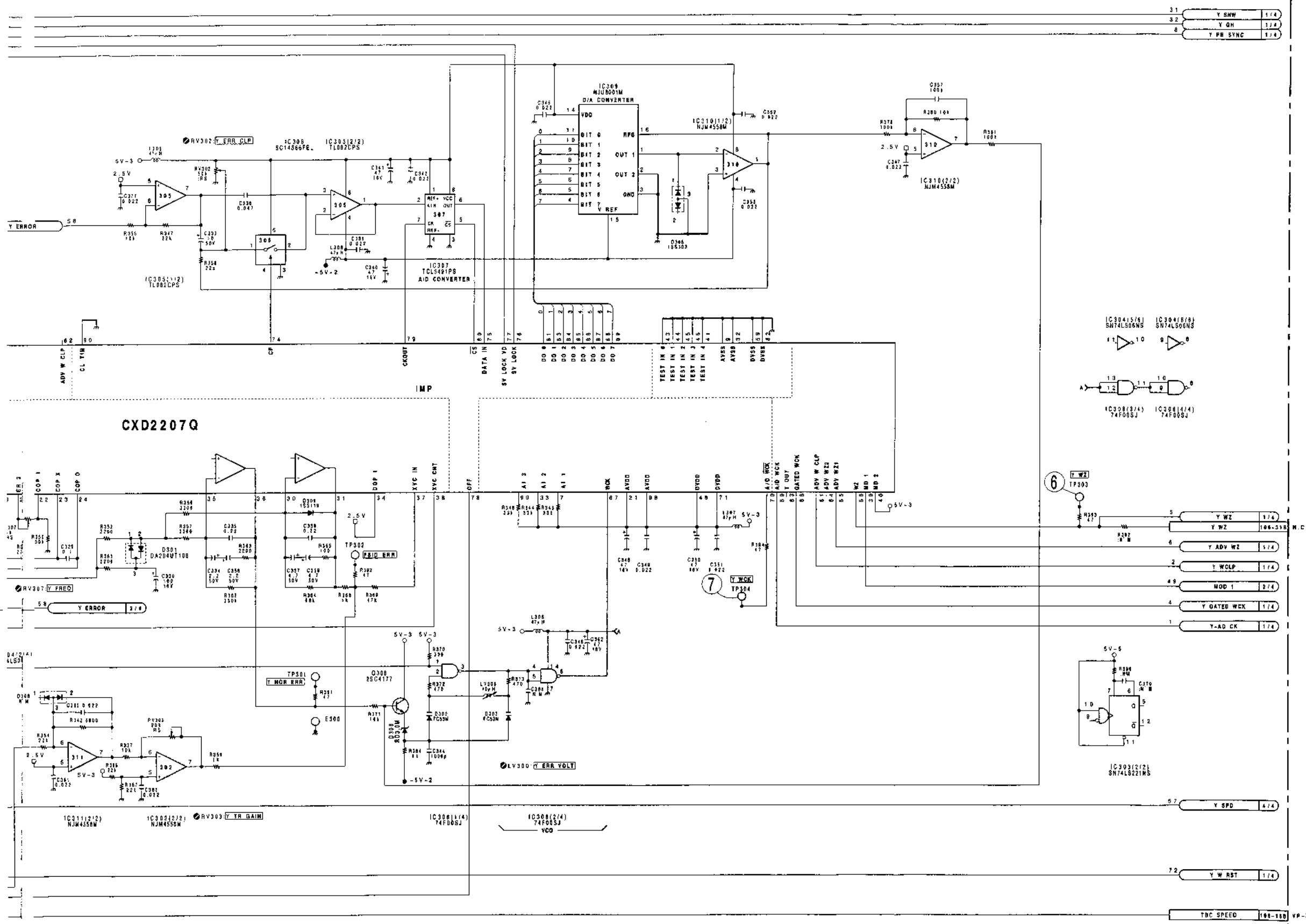
TBC-18P(3/4) TBC-18P(3/4)

TBC-18P(3/4);TIME BASE CORRECTOR(Y-WRITE CLOCK BLOCK)



16-19(b)

A B C D E F G H



TBC-18P BOARD (3/4)

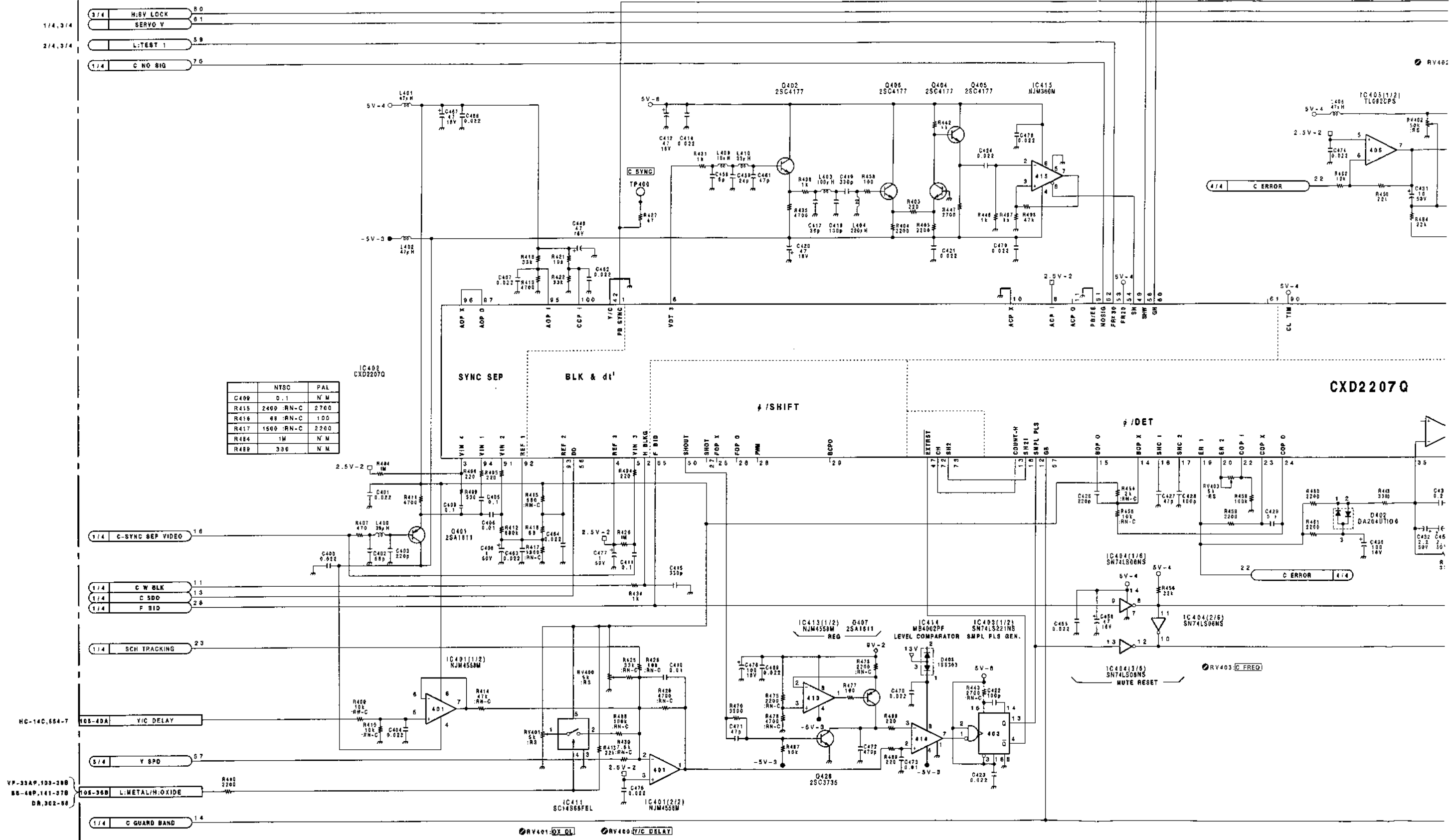
BOARD NO.1-640-033-13
PVW-2600P (EK); #11151-14585
PVW-2600P (UC); #10001-10010

1
2
3
4
5
O

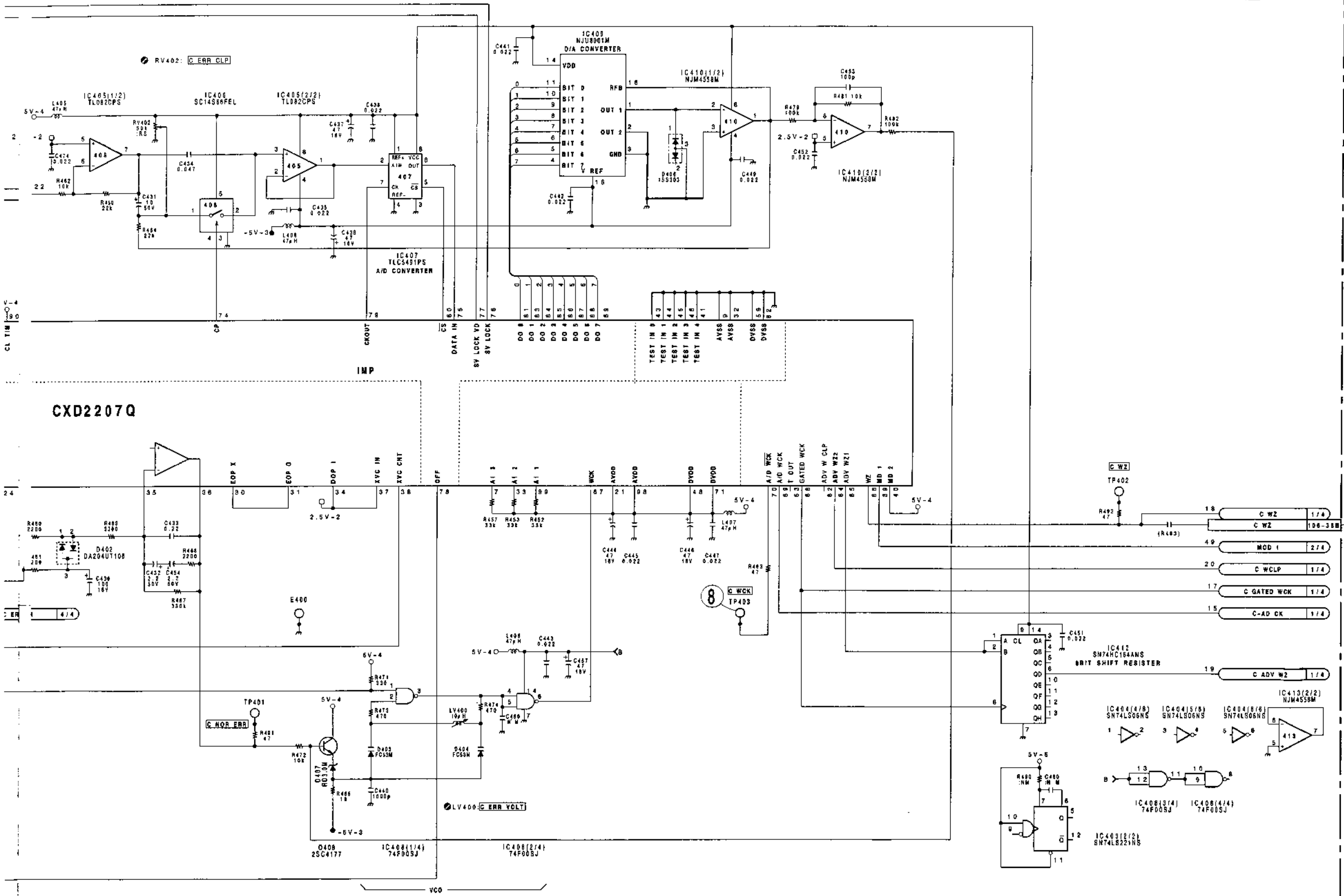
Serial No.(EK);11151 to 14585
 Serial No.(UC);10001 to 10010

TBC-18P(4/4) TBC-18P(4/4)

TBC-18P(4/4);TIME BASE CORRECTOR(C-WRITE CLOCK BLOCK)

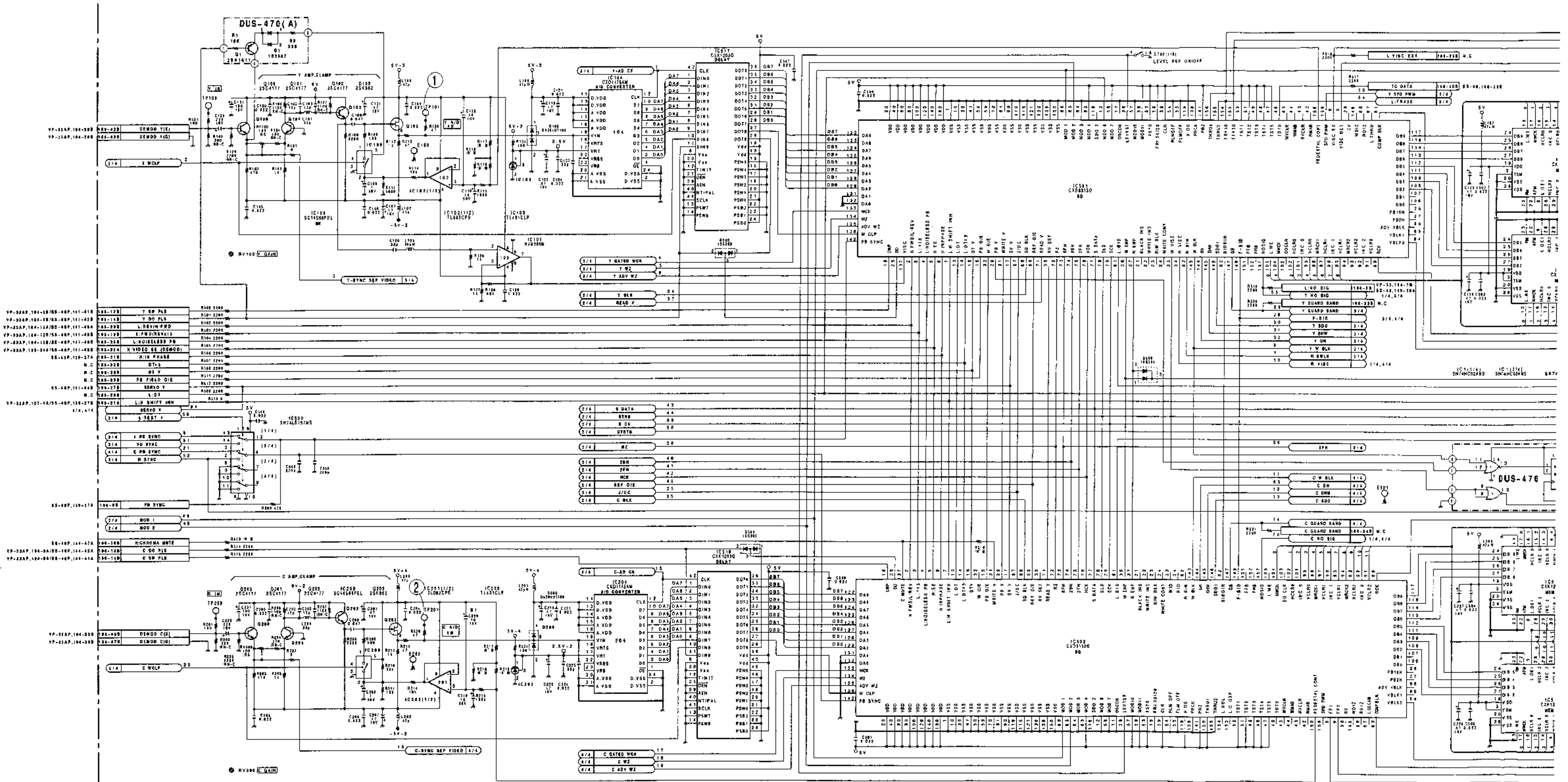


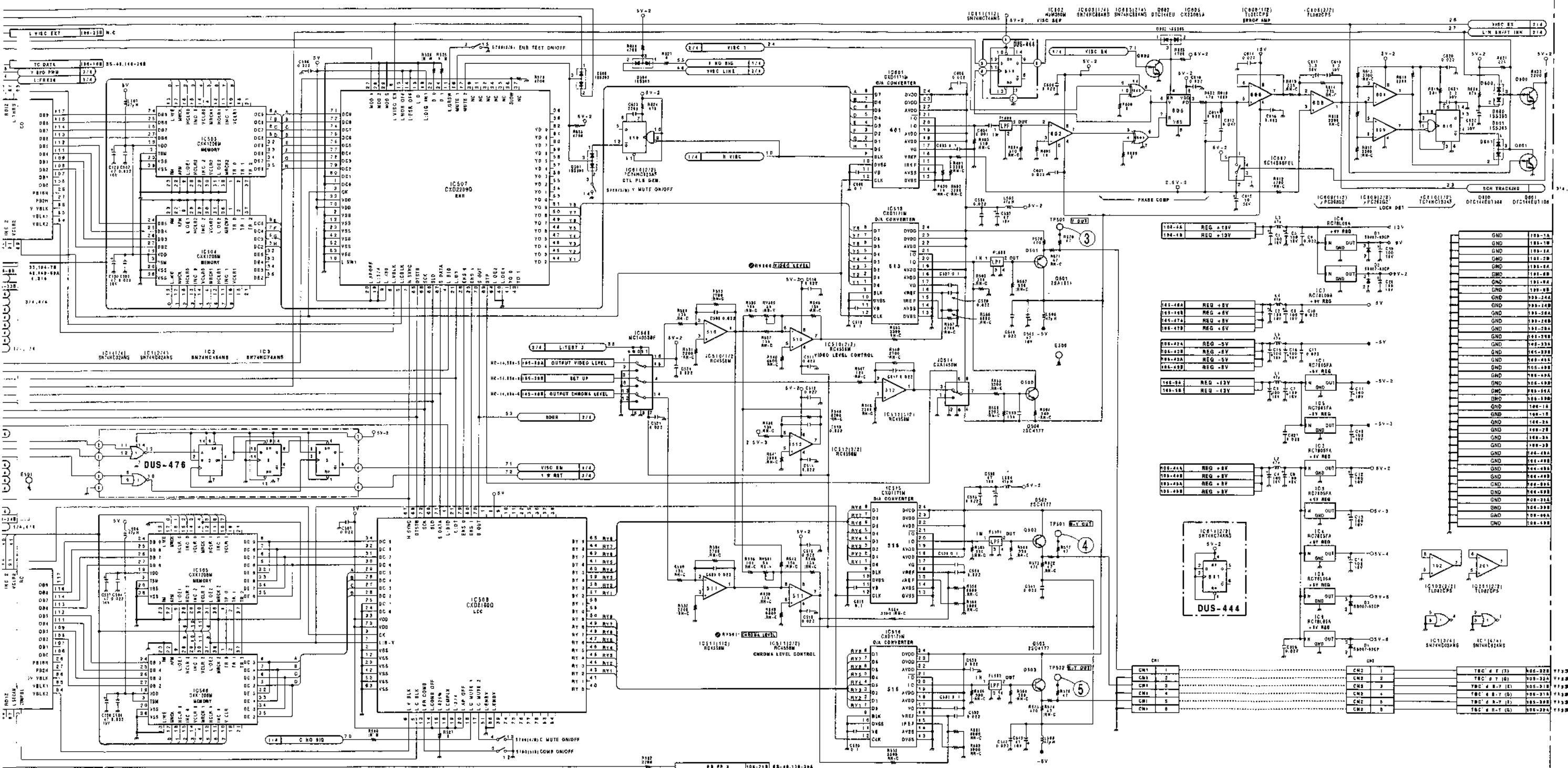
12	C SW	1/4
63	C GH	1/4
21	C PB SYNC	1/4



TBC-18P BOARD (4/4)
 BOARD NO.1-840-033-13
 PVW-2600P (EK);#11151-14585
 PVW-2600P (UC);#10001-10010

H | I | J | K | L | M | N | O

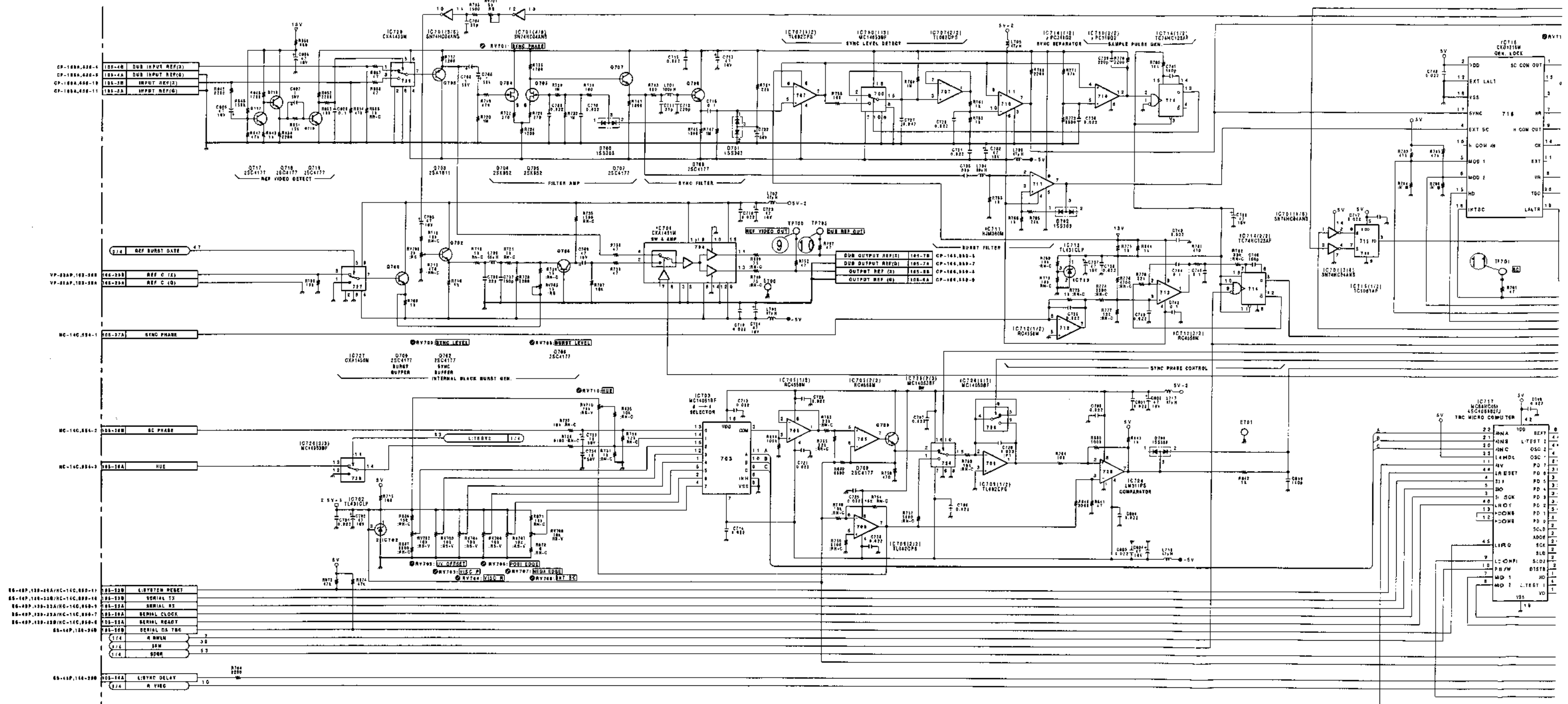


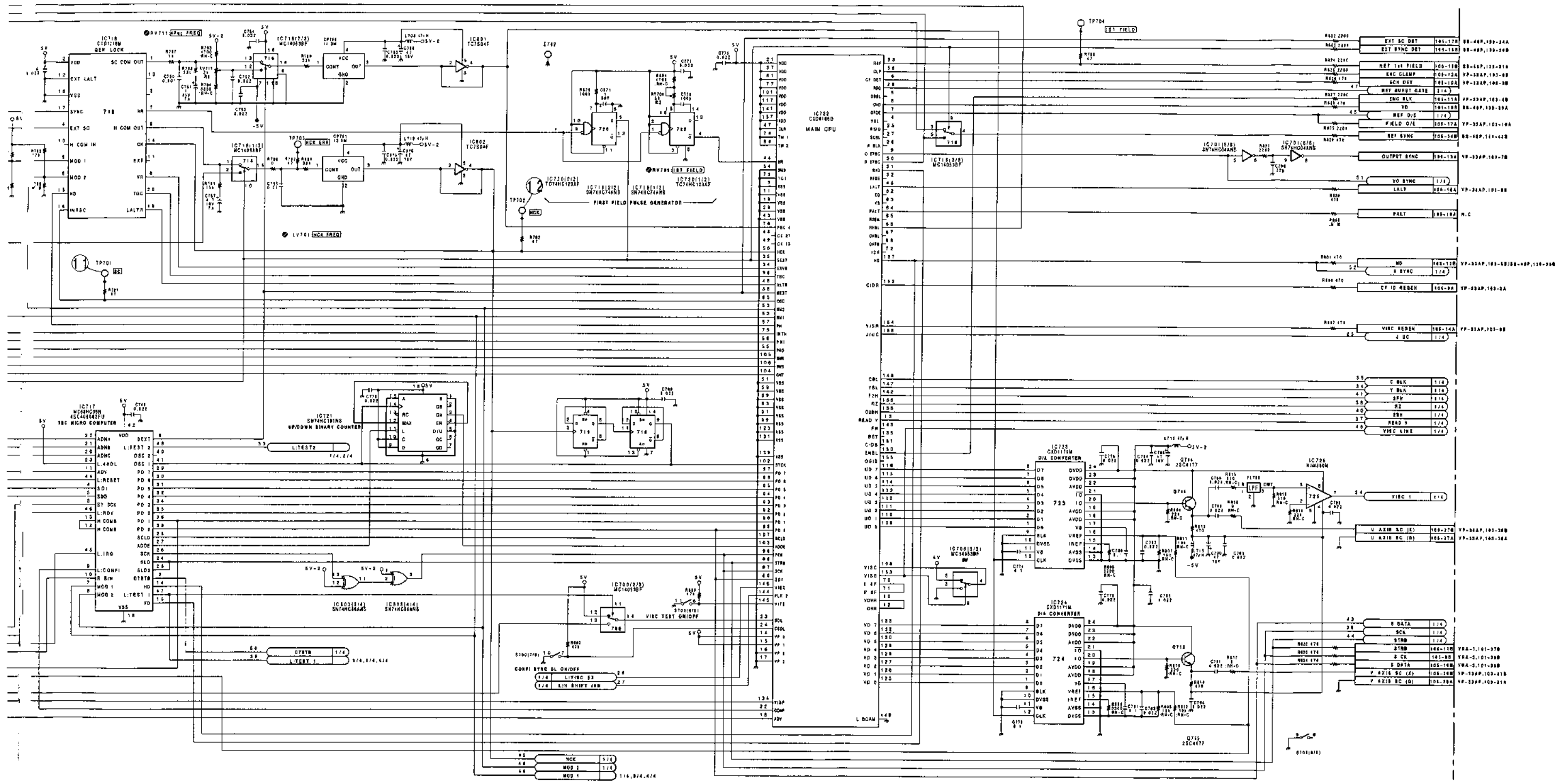


TBC-18P BOARD (1/4)

BOARD NO.1-640-033-11,12
PWV-2600P(EK);f10001-11150

TBC-18P(2/4);TIME BASE CORRECTOR

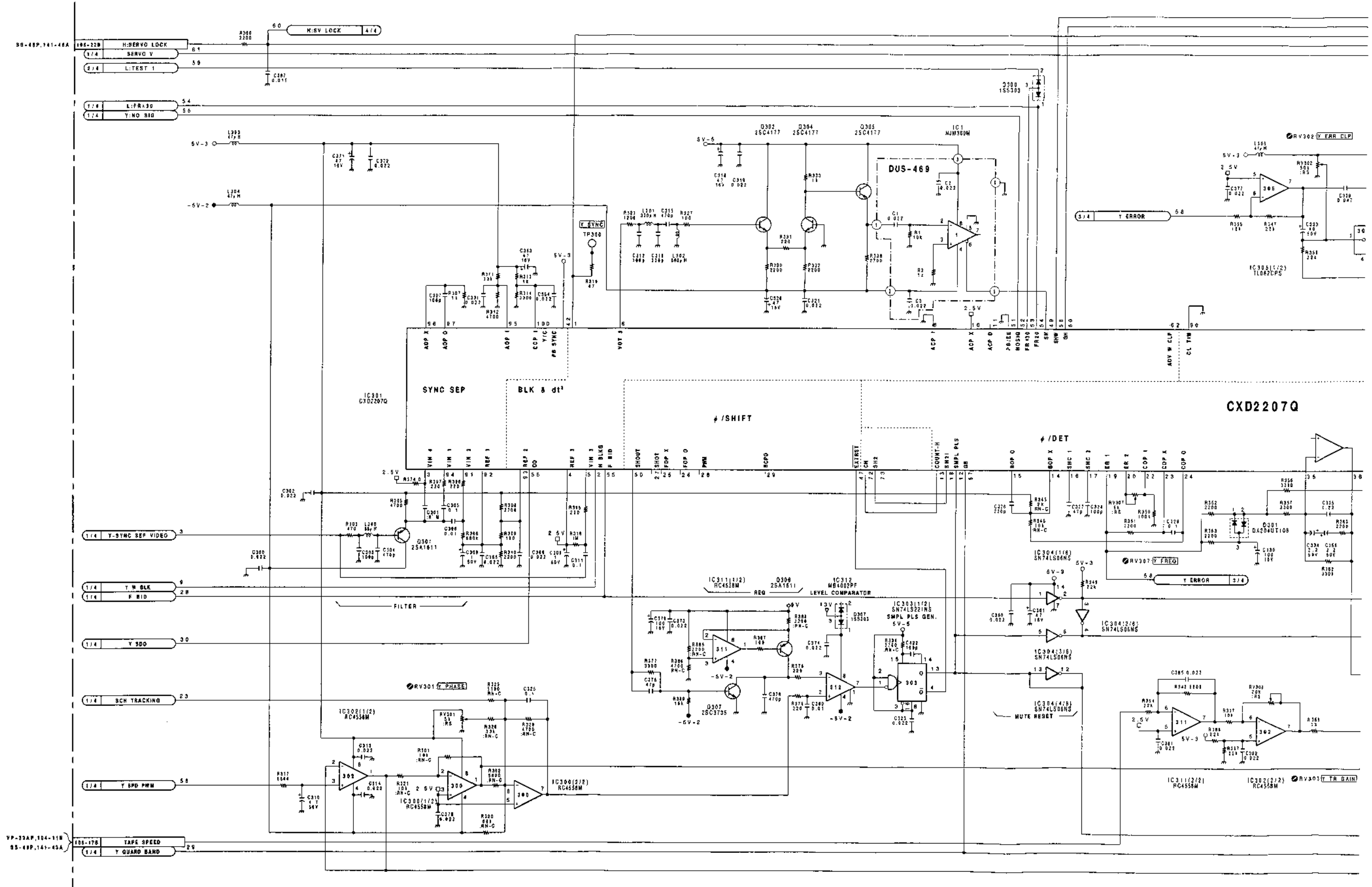




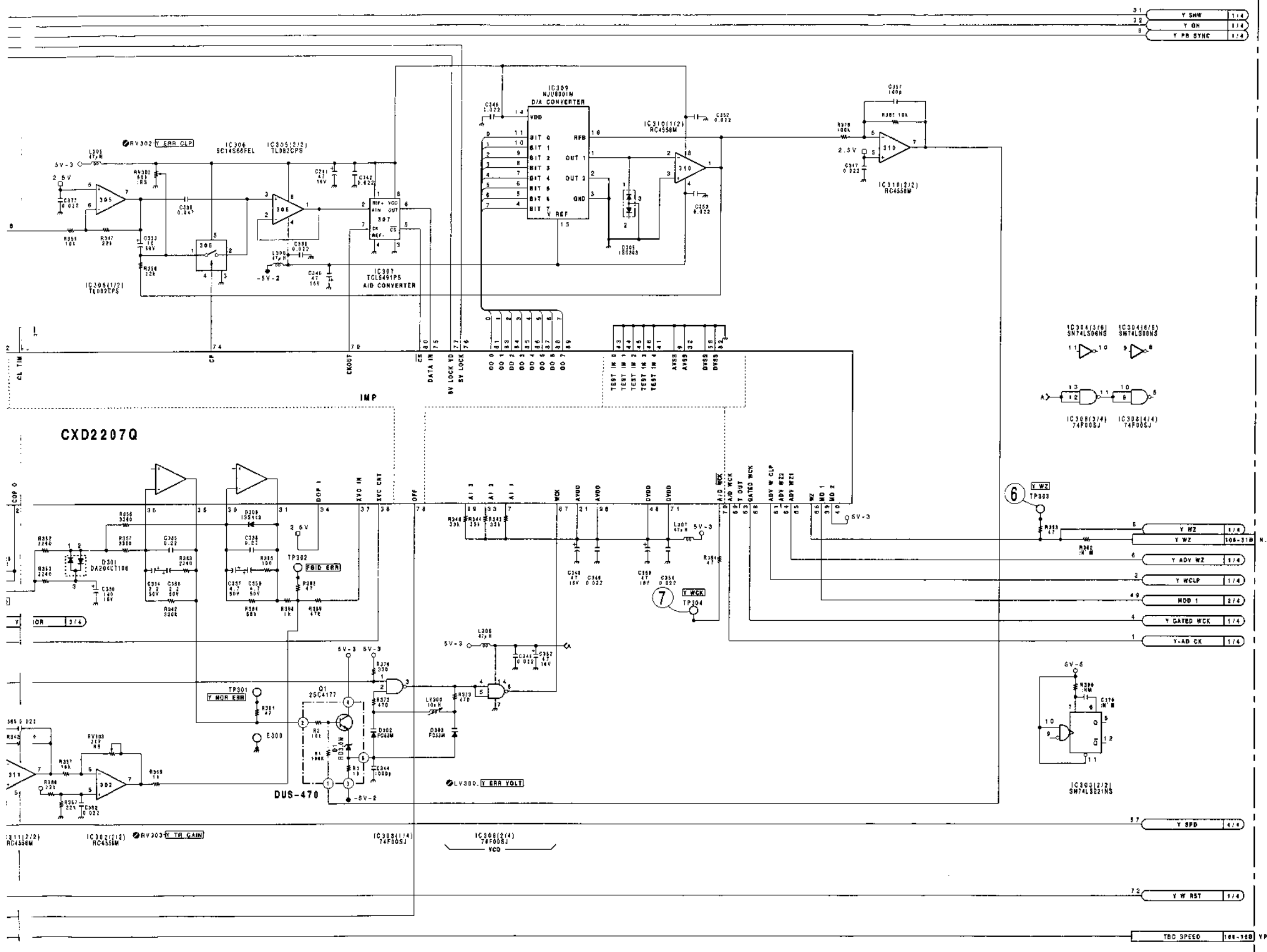
TBC-18P BOARD (2/4)
 BOARD NO.1-640-033-11,12
 PVW-2600P (EK);#10001-11150

I J K L M N O

TBC-18P(3/4);TIME BASE CORRECTOR(Y-WRITE CLOCK BLOCK)



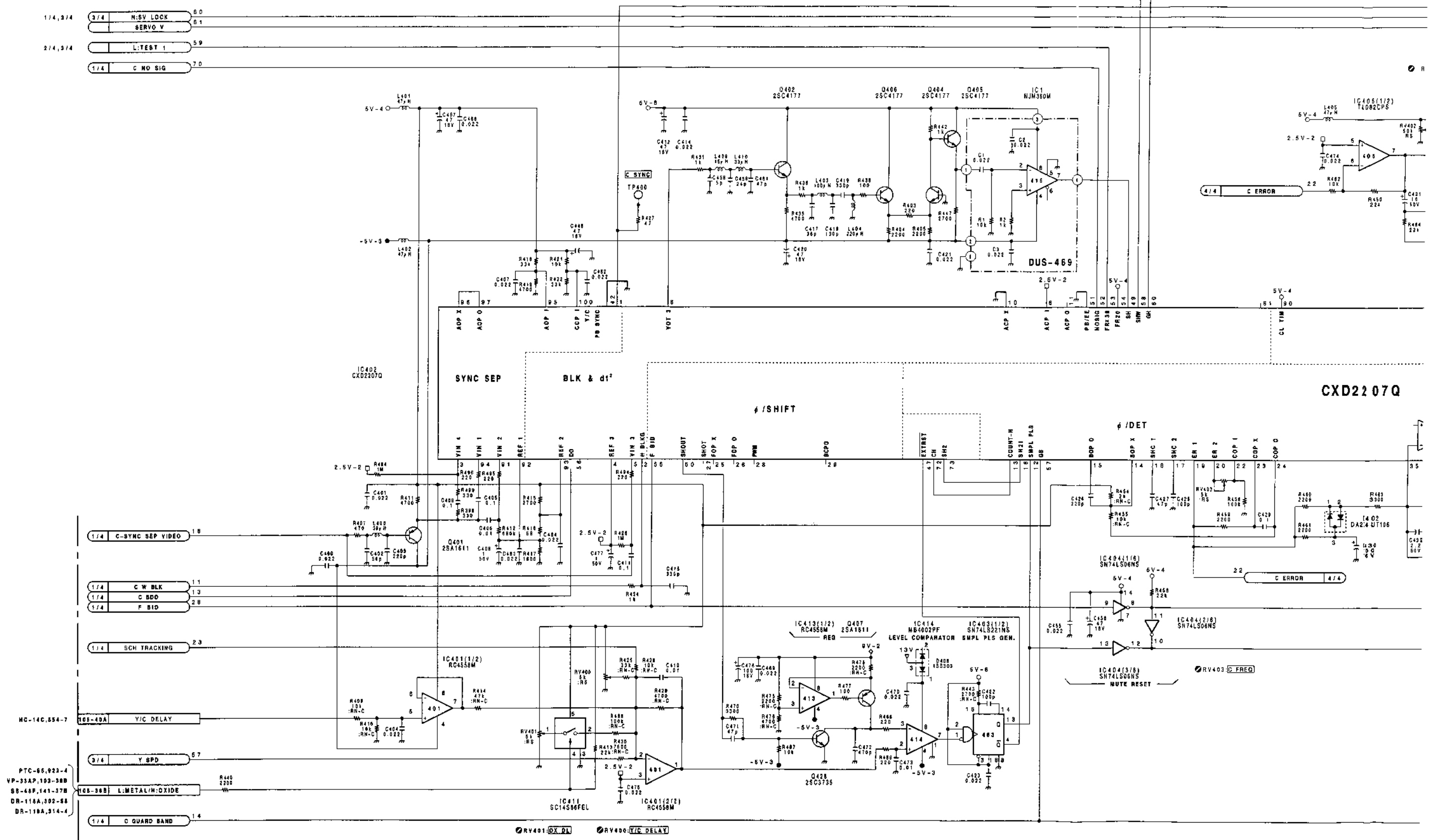
16-19(a)



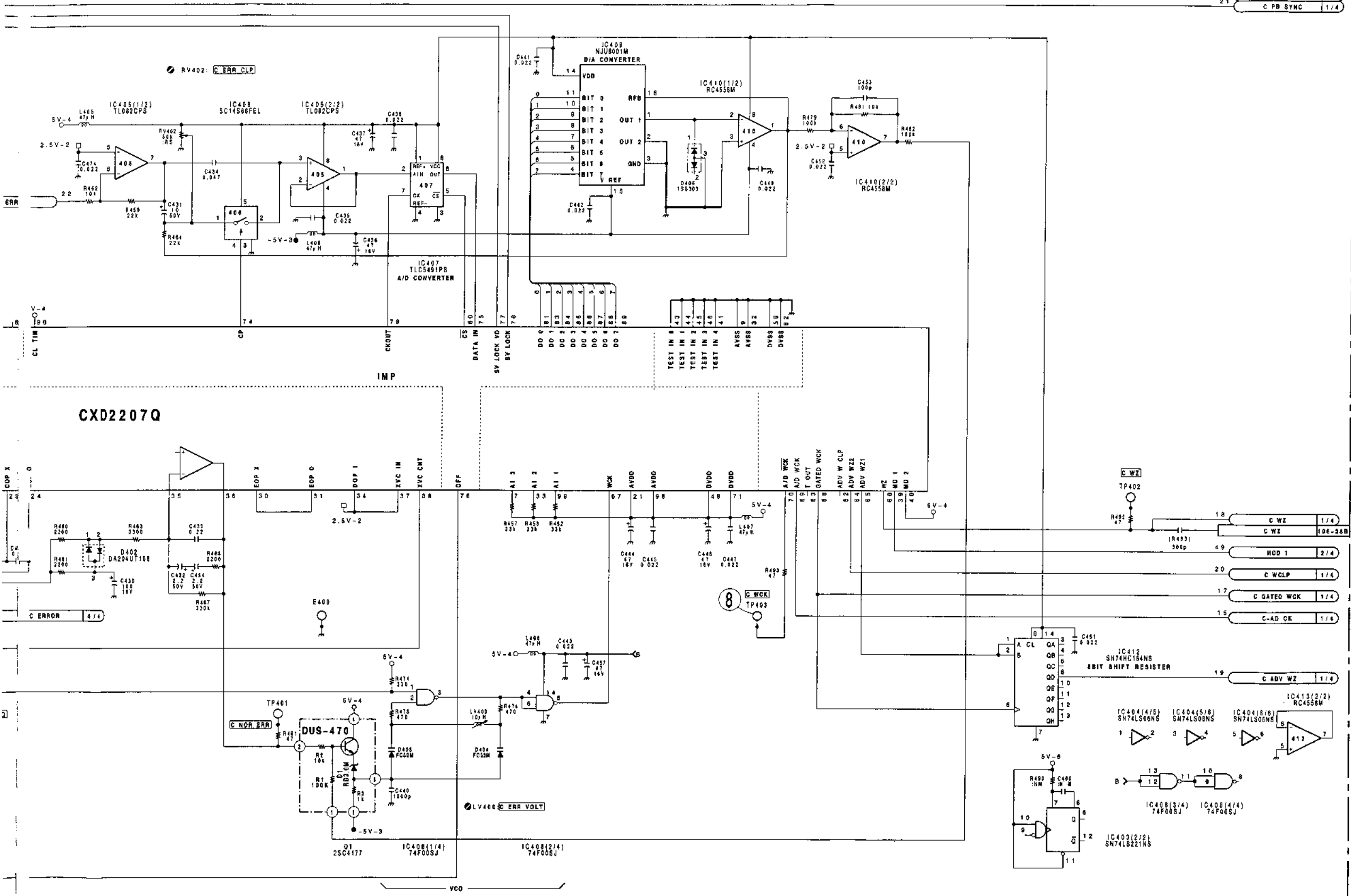
TBC-18P BOARD (3/4)
 BOARD NO.1-640-033-11,12
 PVW-2600P (EK);#10001-11150

Serial No.(EK);10001 to 11150

TBC-18P(4/4);TIME BASE CORRECTOR(C-WRITE CLOCK BLOCK)



12	C SHW	1/4
63	C GH	1/4
21	C PB SYNC	1/4



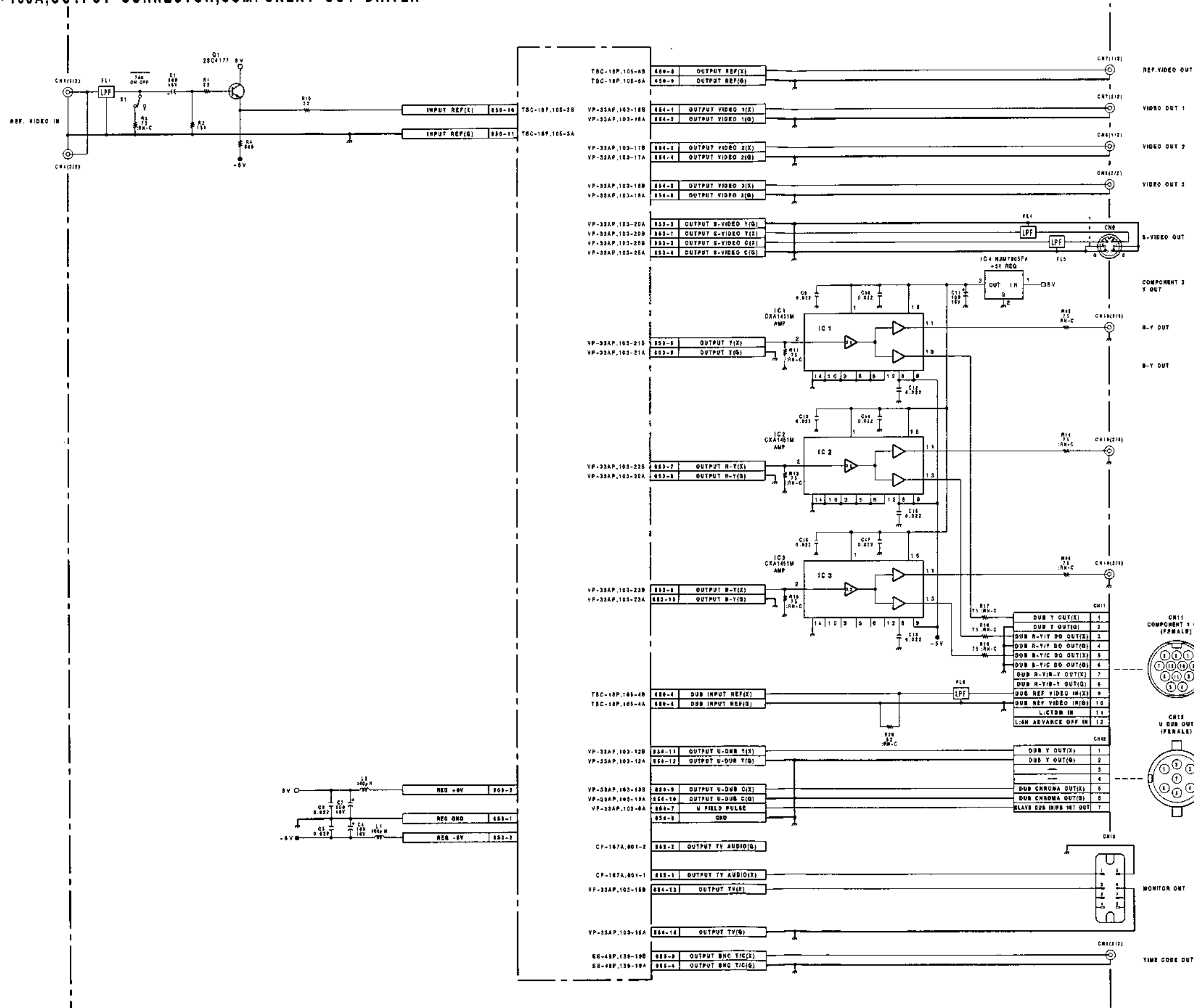
TBC-18P BOARD (4/4)
 BOARD NO.1-640-033-11,12
 PVW-2600P (EK):#10001-11150

H | I | J | K | L | M | N | O

Serial No.(EK);15256 and higher
Serial No.(UC);10011 and higher

CP-166A CP-166A

CP-166A;OUTPUT CONNECTOR,COMPONENT OUT DRIVER



1
2
3
4
5

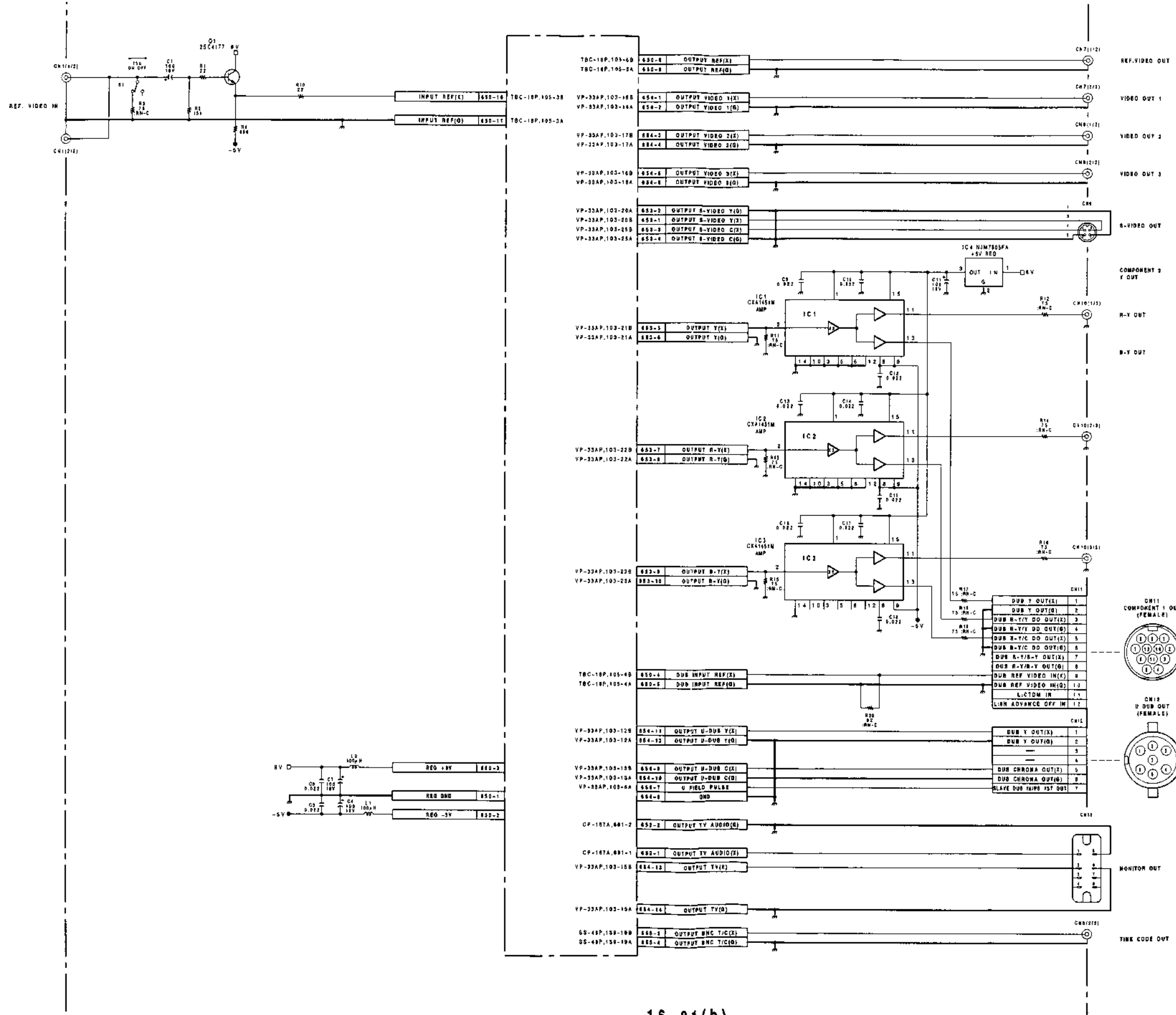
CP-166A BOARD
BOARD NO.1-640-045-23
PVW-2600P(EK);15256 -
PVW-2600P(UC);10011 -

A | B | C | D | E | F | G | H

Serial No.(EK);14586 to 15255
 Serial No.(UC);10011 and higher

CP-166A CP-166A

CP-166A;OUTPUT CONNECTOR,COMPONENT OUT DRIVER



CP-166A BOARD

BOARD NO.1-640-045-22
 PVW-2600P (EK);#14586-15255
 PVW-2600P (UC);#10011-

CP-166A CP-166A

Serial No.(EK);10001 to 14585
Serial No.(UC);10001 to 10010

CP-166A;OUTPUT CONNECTOR,COMPONENT OUT DRIVER

16-21(a)

A

B

C

D

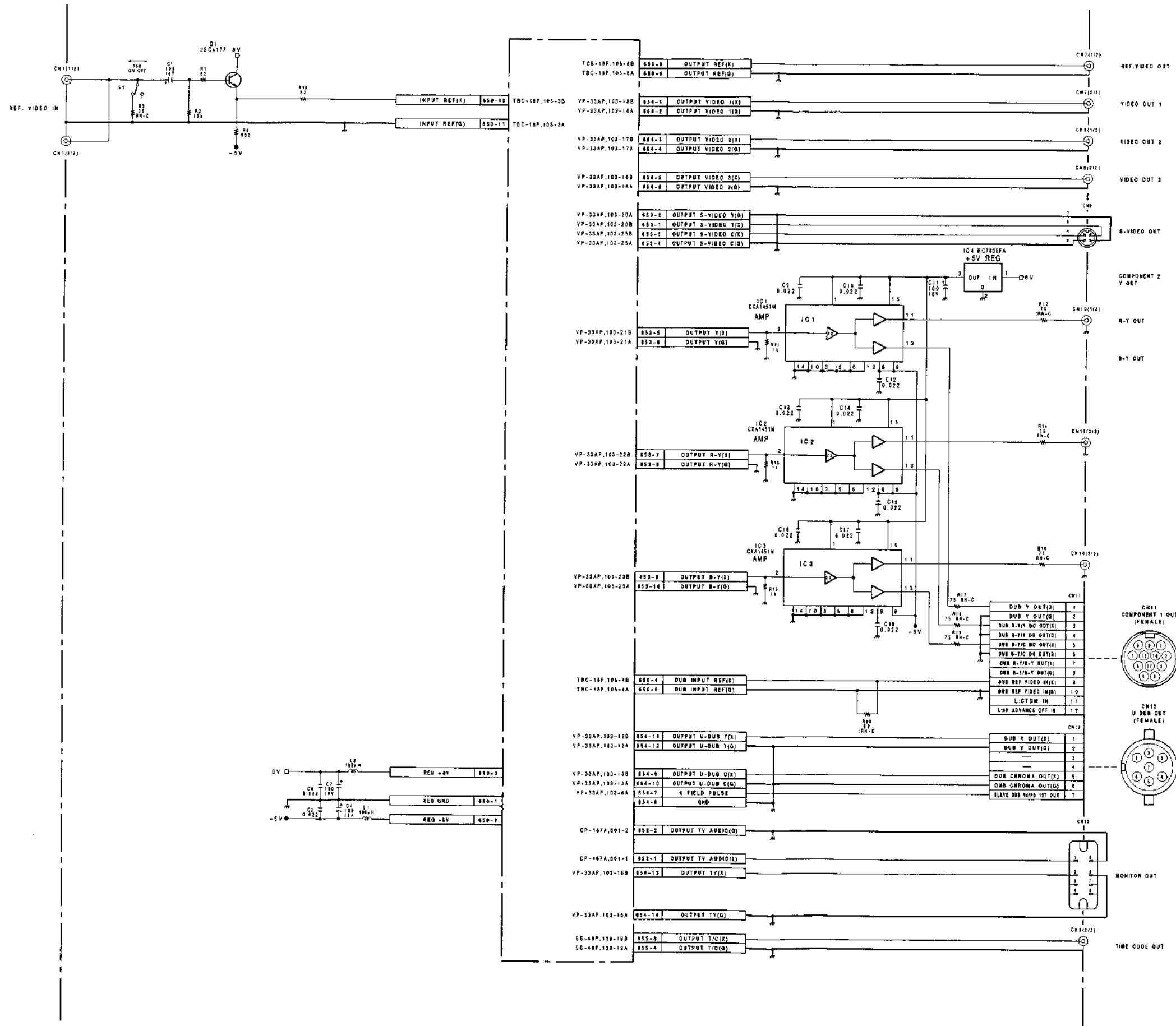
E

F

G

H

CP-166A CP-166A



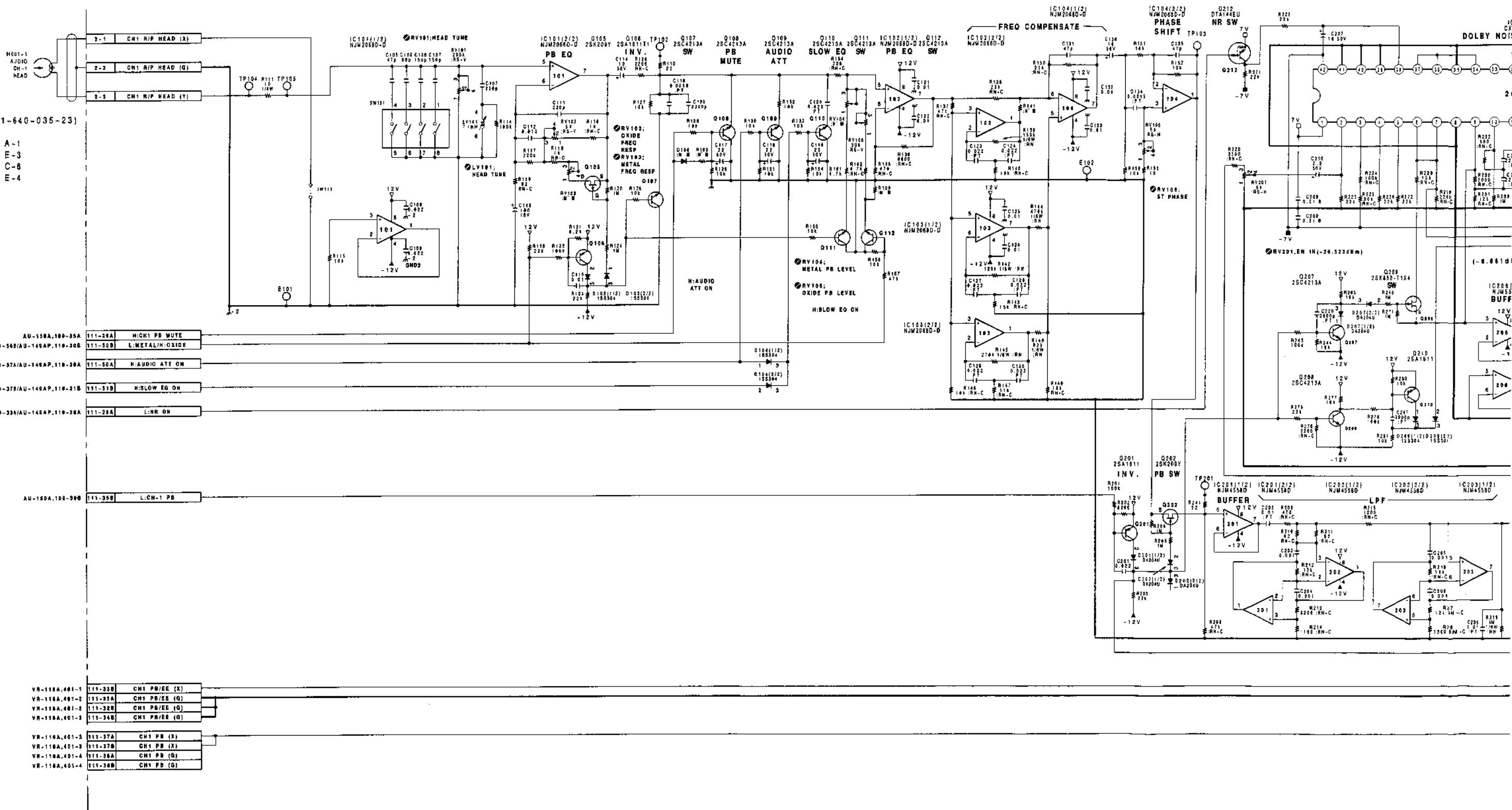
CP-166A BOARD
 BOARD NO.1-640-045-21
 PYW-2600P (EK);#10001-14585
 PYW-2600P (UC);#10001-10010

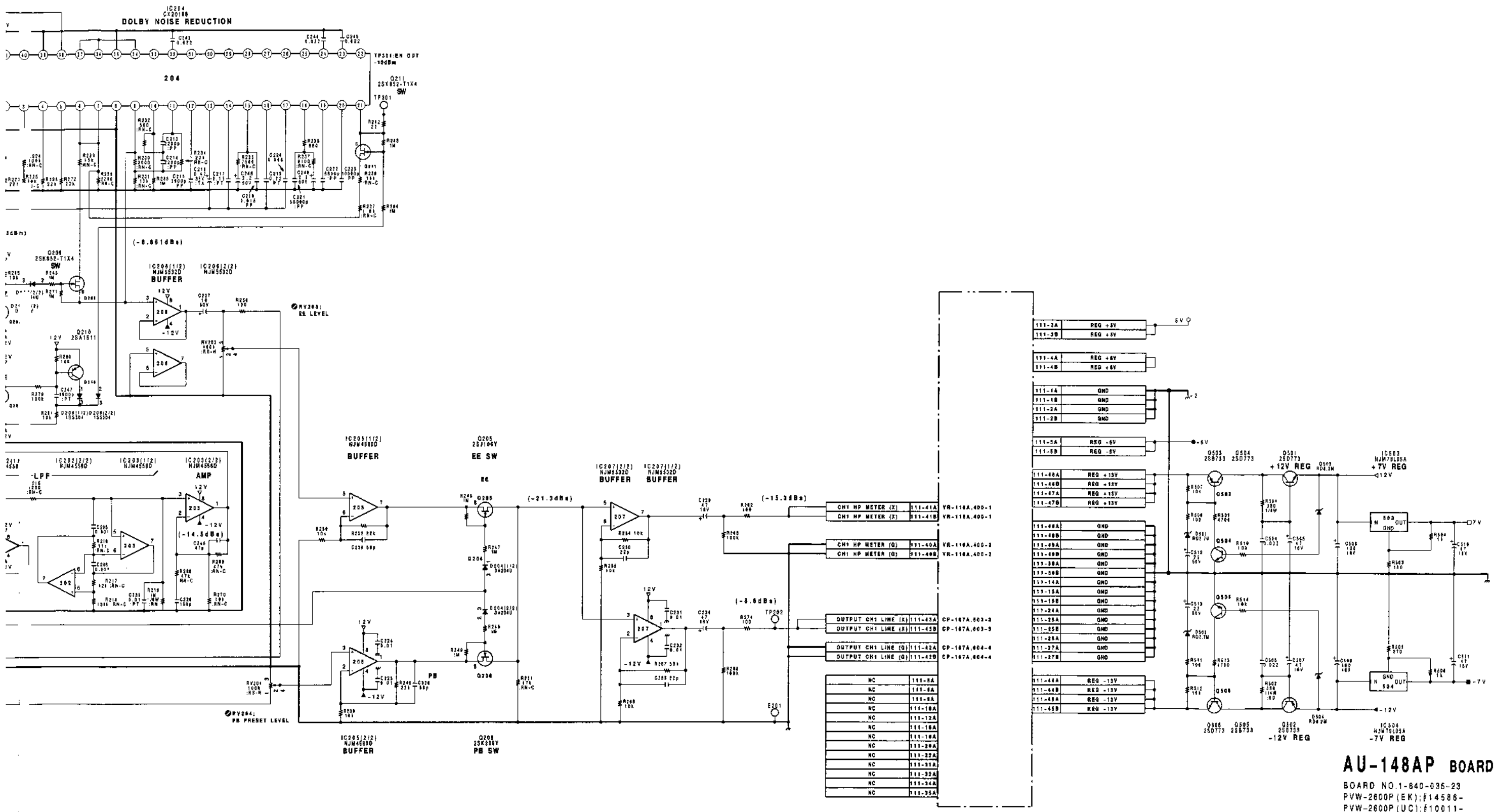
Serial No.(EK);14586 and higher
Serial No.(UC);10011 and higher

AU-148AP;AUDIO CH-1 PROCESS,DELBY SYSTEM

AU-148AP(1-640-035-23)

- TP102 A-1
- FP103 E-3
- FP202 C-6
- FP301 E-4





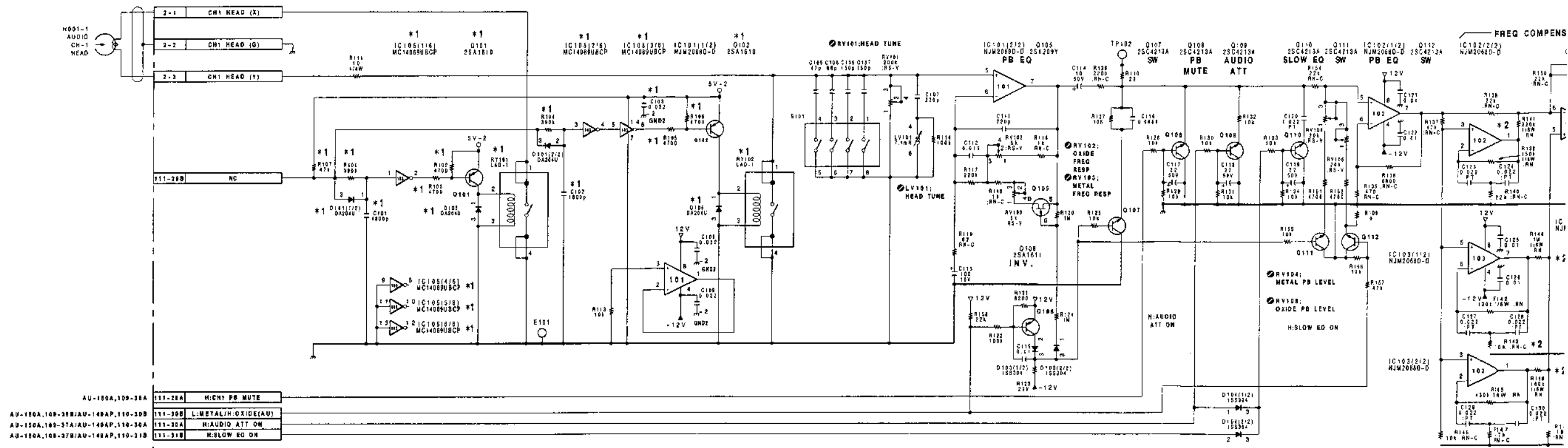
AU-148AP BOARD
 BOARD NO. 1-840-035-23
 PVW-2600P (EK): #14586-
 PVW-2600P (UC): #10011-

Serial No.(EK);11151 to 14585
 Serial No.(UC);10001 to 10010

AU148AP;AUDIO CH-1 PROCESS,DOLBY SYSTEM

AU-148AP(1-640-035-22)

- TP102 A-1
- TP103 E-3
- TP104 C-2
- TP105 C-2
- TP201 E-3
- TP202 C-6
- TP301 E-4

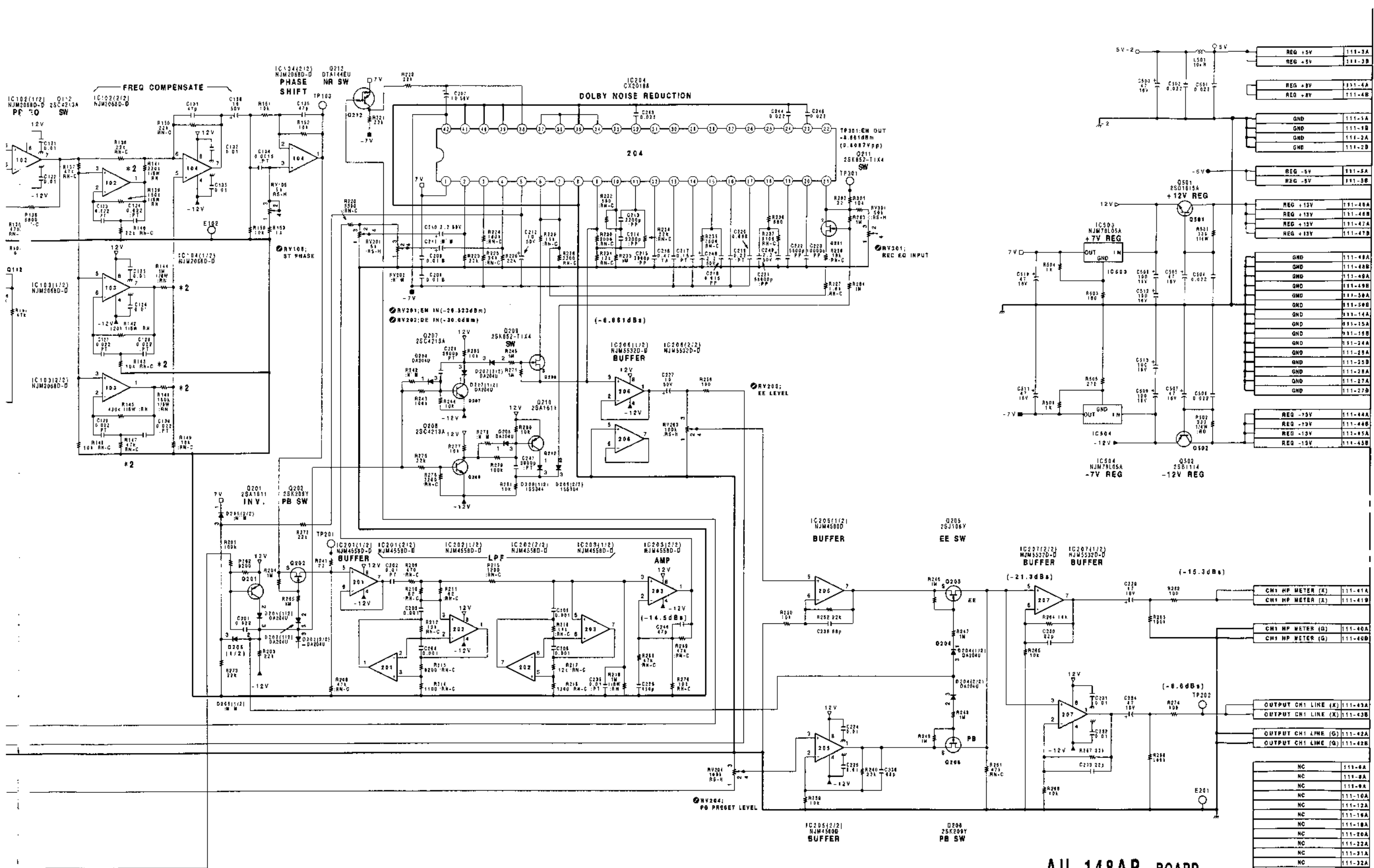


AU-150A,109-35A	111-28A	H:CH1 PB MUTE
AU-150A,109-36A/AU-148AP,110-30B	111-29B	L:METAL/OXIDE(AU)
AU-150A,109-37A/AU-148AP,110-30A	111-29A	N:AUDIO ATT ON
AU-150A,109-37B/AU-148AP,110-31B	111-31B	N:SLOW EQ ON

NOTE:

MARK	CHANGE INFORMATION	SERIAL NO.
#1	IC105 C101-C103 R101-R107 RY101,RY102 D101,102,105 Q101,102 DELETED	EK,S/N 12851-

AU-150A,109-32A/AU-148AP,110-28A	111-28A	LN:R ON
VR-118A,401-1	111-31A	CH1 PB/EE (X)
VR-118A,401-2	111-32A	CH1 PB/EE (Q)
VR-118A,401-2	111-32B	CH1 PB/EE (Q)
VR-118A,401-2	111-34B	CH1 PB/EE (Q)
VR-118A,401-3	111-37A	CH1 PB (X)
VR-118A,401-3	111-37B	CH1 PB (X)
VR-118A,401-4	111-36A	CH1 PB (Q)
VR-118A,401-4	111-36B	CH1 PB (Q)
AU-150A,109-39B	111-39B	L:CH-1 PB



AU-148AP BOARD

BOARD NO.1-640-035-22
 PWV-2600P (EK);#11151-14585
 PWV-2600P (UC);#10001-10010

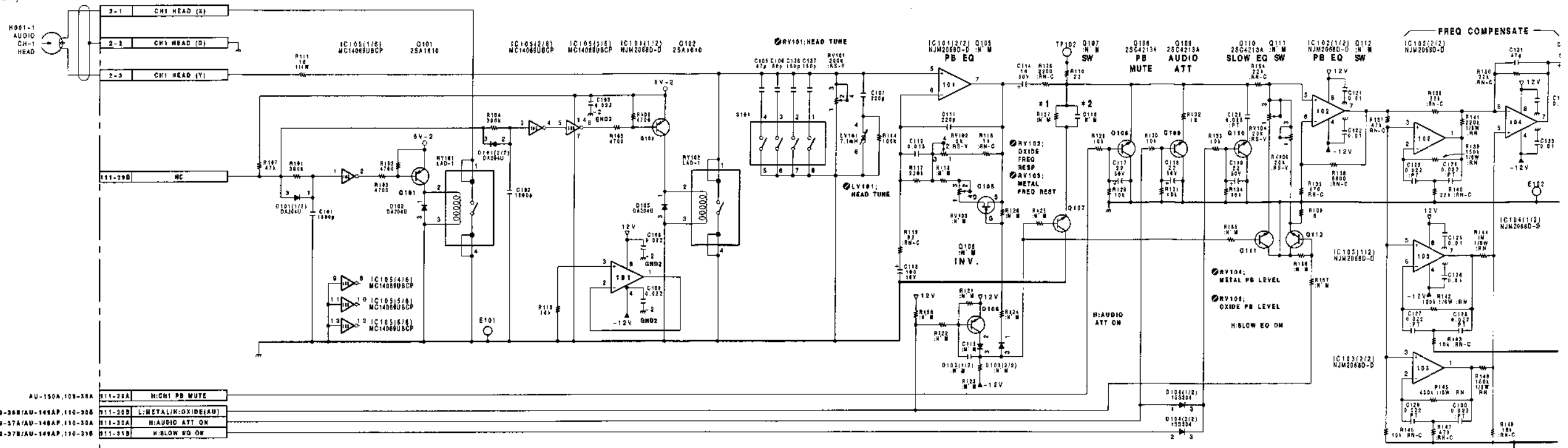
REG +5V	111-3A
REG +5V	111-3B
REG +8V	111-4A
REG +8V	111-4B
GND	111-5A
GND	111-5B
GND	111-2A
GND	111-2B
REG -5V	111-6A
REG -5V	111-6B
REG +12V	111-48A
REG +12V	111-48B
REG +12V	111-47A
REG +12V	111-47B
GND	111-48A
GND	111-48B
GND	111-48A
GND	111-48B
GND	111-50A
GND	111-50B
GND	111-14A
GND	111-15A
GND	111-24A
GND	111-25A
GND	111-25B
GND	111-28A
GND	111-27A
GND	111-27B
REG -7.5V	111-44A
REG -7.5V	111-44B
REG -12V	111-45A
REG -12V	111-45B
CH1 HP METER (K)	111-41A
CH1 HP METER (A)	111-41B
CH1 HP METER (Q)	111-40A
CH1 HP METER (G)	111-40B
OUTPUT CH1 LINE (K)	111-42A
OUTPUT CH1 LINE (X)	111-43B
OUTPUT CH1 LINE (G)	111-42A
OUTPUT CH1 LINE (Q)	111-42B
NC	111-6A
NC	111-6A
NC	111-6A
NC	111-10A
NC	111-12A
NC	111-16A
NC	111-18A
NC	111-20A
NC	111-22A
NC	111-21A
NC	111-22A
NC	111-24A
NC	111-35A

Serial No.(EK);10001 to 11150

AU-148AP;AUDIO CH-1 PROCESS,DOLBY SYSTEM

AU-148AP(1-640-035-21)

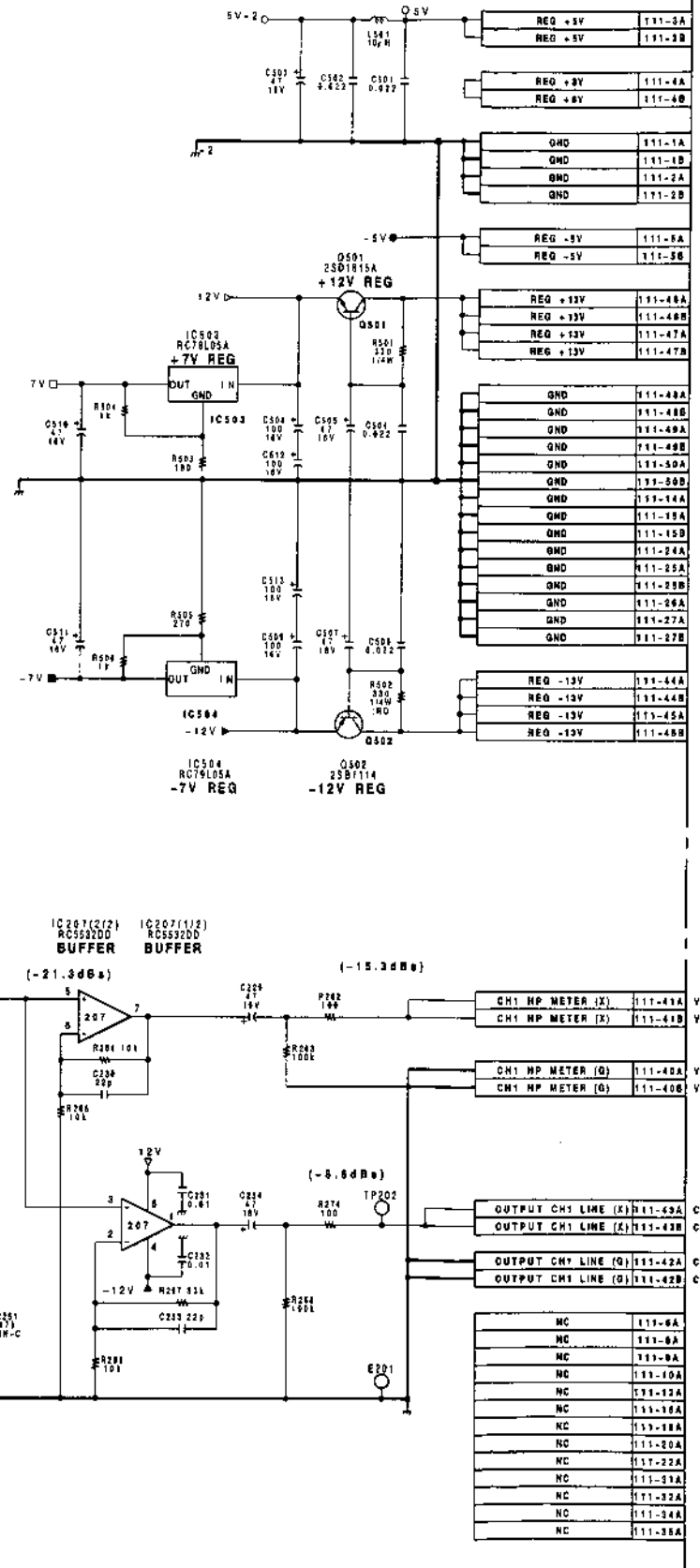
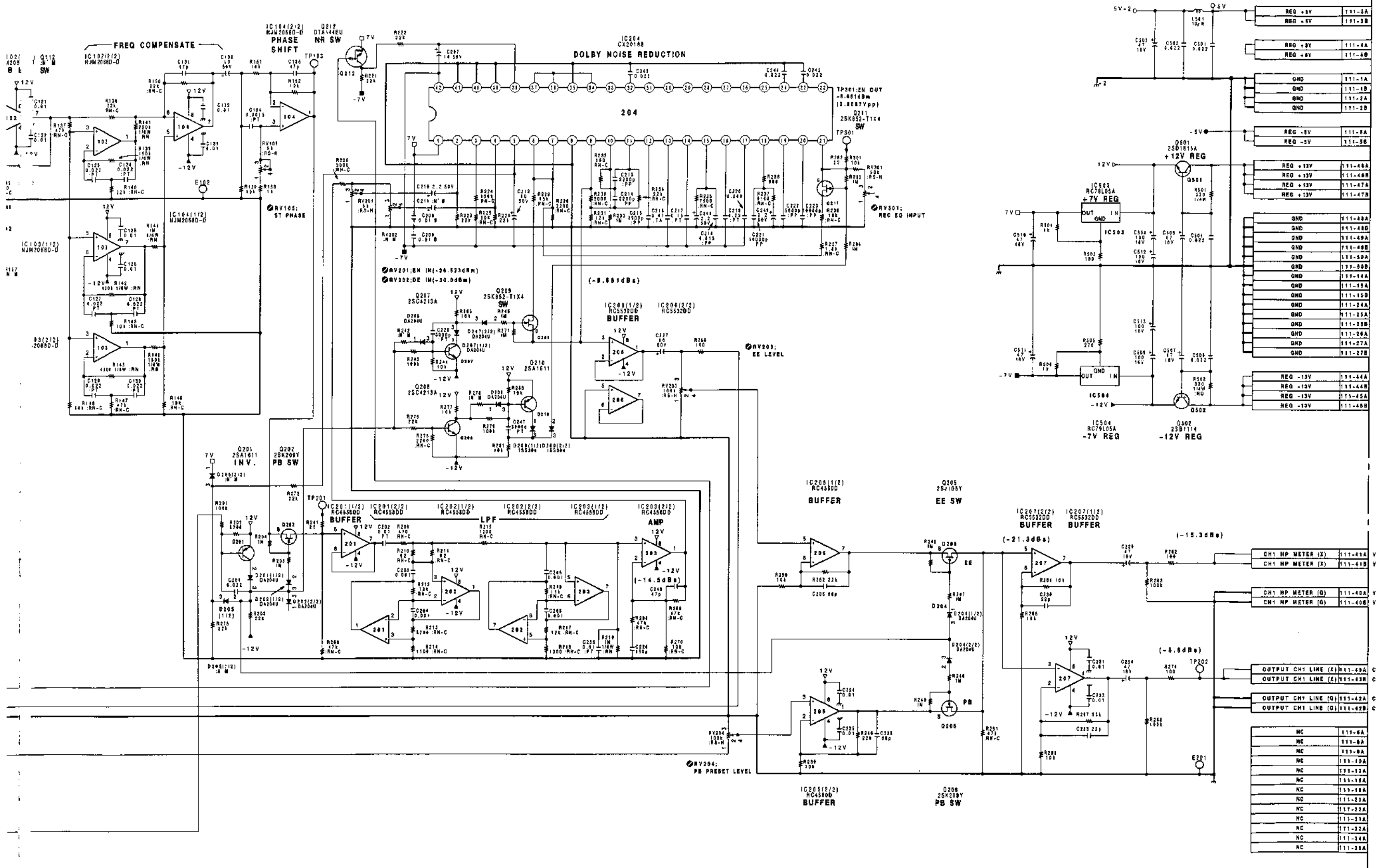
- TP102 A-1
- TP103 E-3
- TP104 C-2
- TP105 C-2
- TP201 E-3
- TP202 C-6
- TP301 E-4



- AU-150A,109-38A H:CH1 PB MUTE
- AU-150A,109-38A/AU-148AP,110-308 L:METAL(OXIDE)M
- AU-150A,109-37A/AU-148AP,110-30A H:AUDIO ATT ON
- AU-150A,109-37B/AU-148AP,110-316 H:SLOW EQ ON

REF.No.	J.U.C	EK
#1	R127 NO MOUNT	10A
#2	C116 NO MOUNT	550P

- AU-150A,109-33A/AU-148AP,110-26A L:NR ON
- VR-116A,401-1 511-320 CH1 PB/EE (X)
- VR-116A,401-2 511-322 CH1 PB/EE (Y)
- VR-116A,401-3 511-324 CH1 PB/EE (Z)
- VR-116A,401-4 511-326 CH1 PB (X)
- VR-116A,401-5 511-328 CH1 PB (Y)
- VR-116A,401-6 511-330 CH1 PB (Z)
- VR-116A,401-7 511-332 CH1 PB (Q)
- VR-116A,401-8 511-334 CH1 PB (R)
- AU-150A,109-59B L:CH-1 PB



AU-148AP BOARD
 BOARD NO.1-640-035-21
 PVW-2800P (EK); F10001-11-50

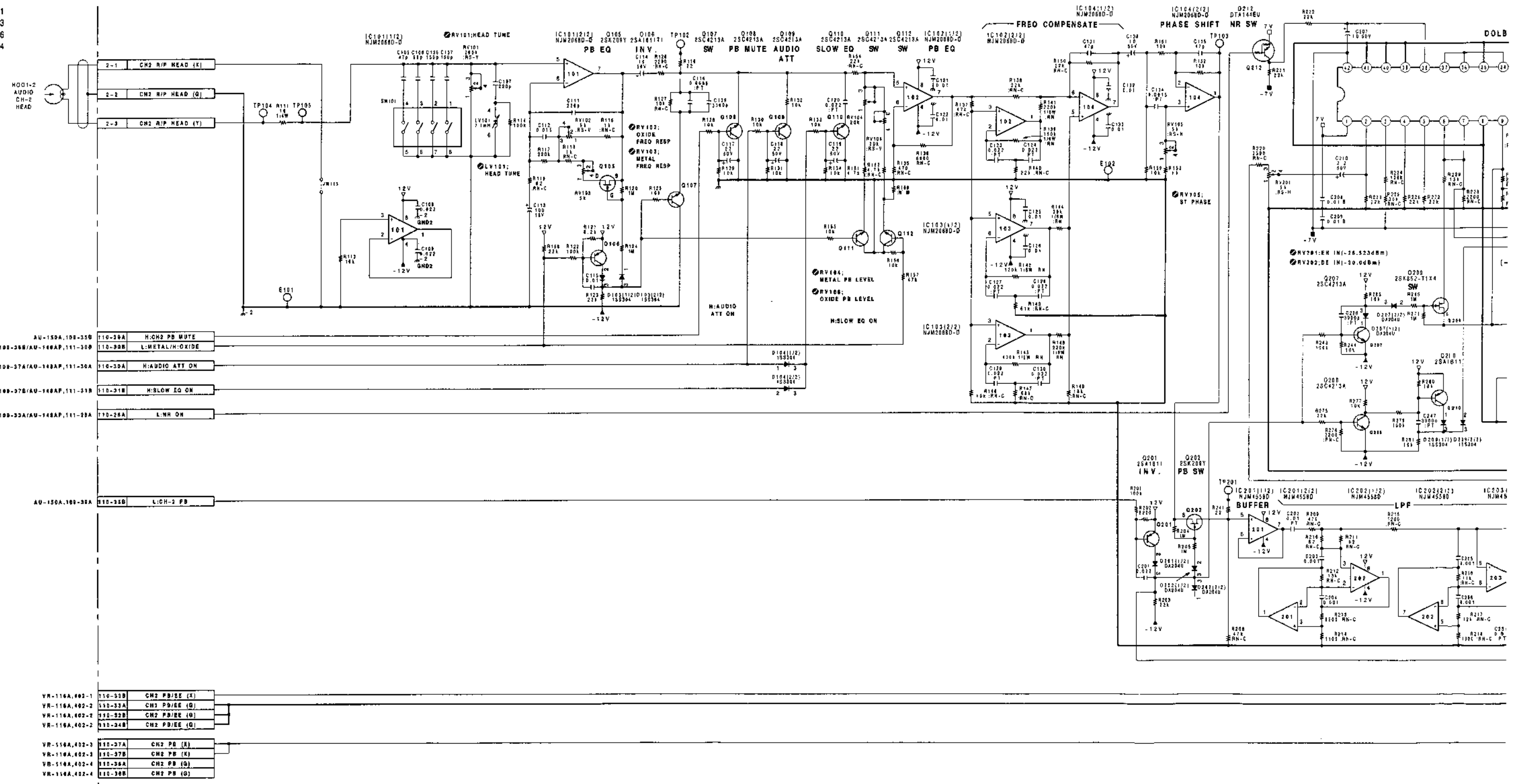
Serial No.(EK);14586 and higher
 Serial No.(UC);10011 and higher

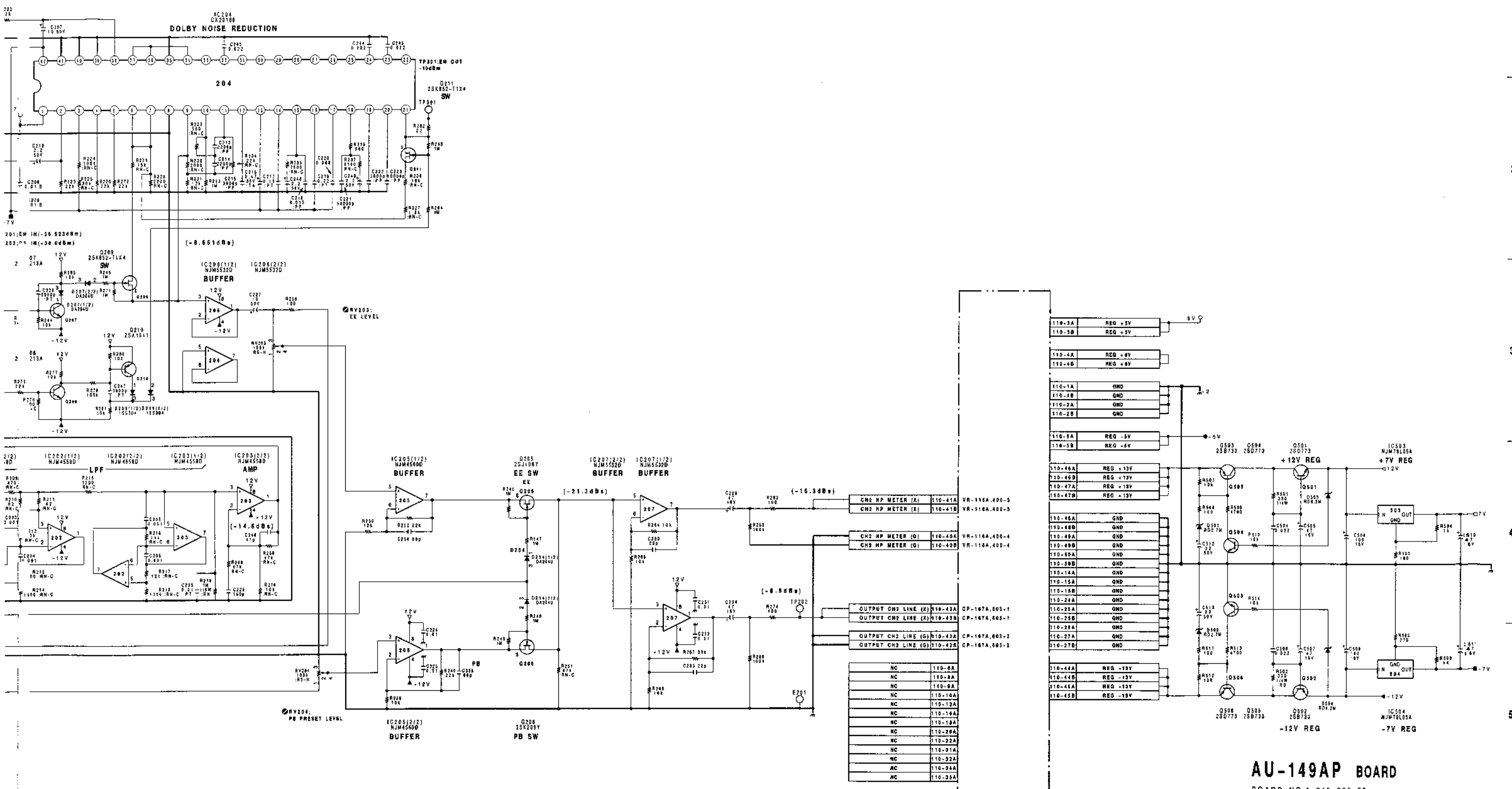
AU-149AP AU-149AP

AU-149AP;AUDIO CH-2 PROCESS,DOLBY SYSTEM

AU-149AP(1-640-036-23)

- TP102 A-1
- TP103 E-3
- TP202 C-6
- TP301 E-4





AU-149AP BOARD

BOARD NO.1-640-036-23
 PVW-2600P (EK);#14588-
 PVW-2600P (UC);#10011-

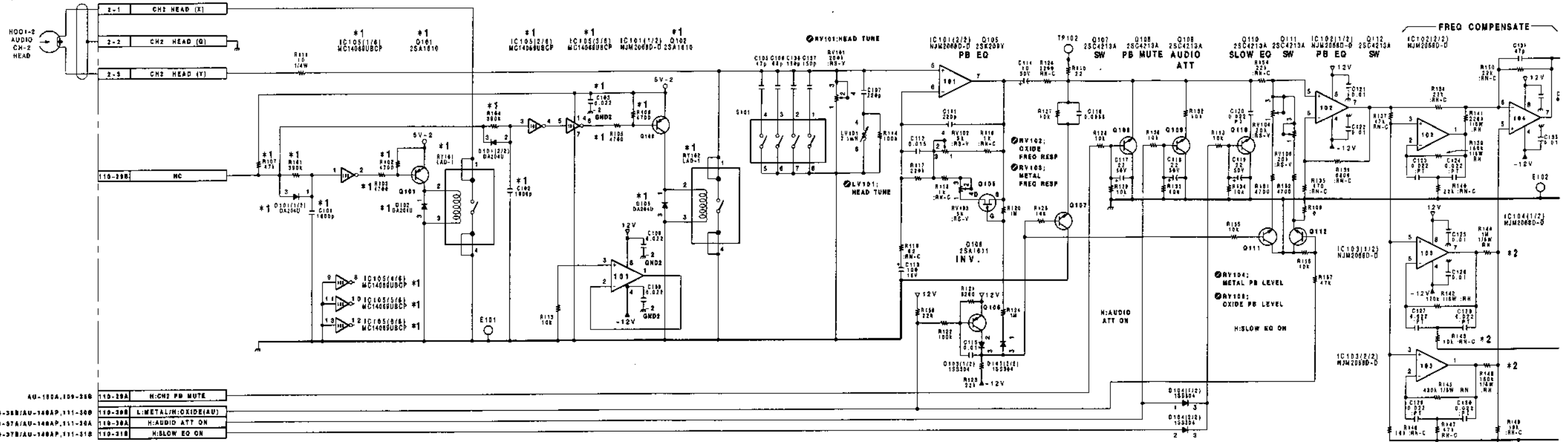
Serial No.(EK);11151 to 14585
Serial No.(UC);10011 to 10010

AU-149AP AU-149AP

AU-149AP;AUDIO CH-2 PROCESS,DOLBY SYSTEM

AU-149AP(1-640-036-22)

- TP102 A-1
- TP103 E-3
- TP104 C-2
- TP105 C-2
- TP201 E-3
- TP202 C-6
- TP301 E-4

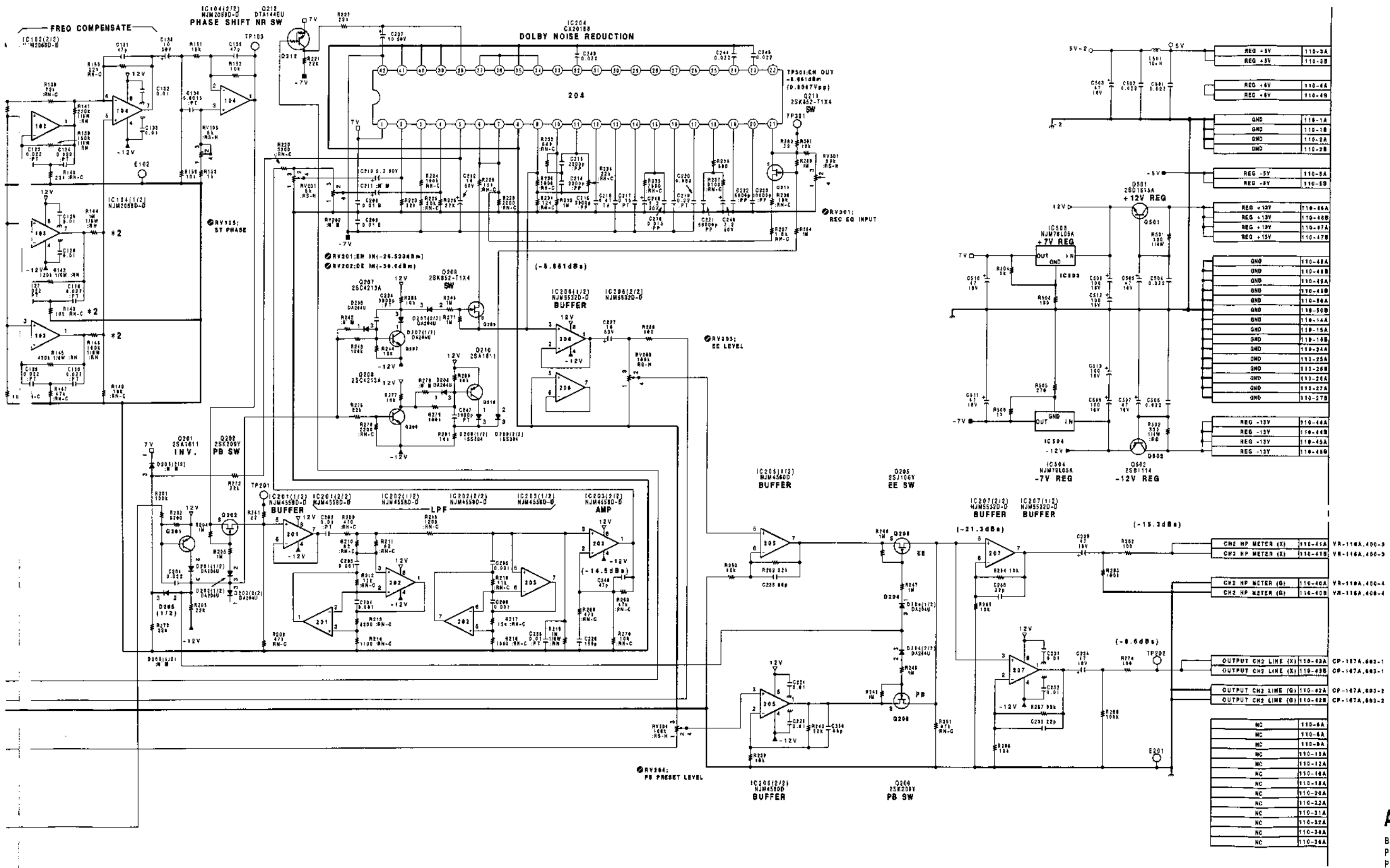


- AU-100A,109-300 110-29A H:CH2 PB MUTE
- AU-100A,109-300/AU-149AP,111-300 110-29B L:METAL/OXIDE(AU)
- AU-100A,109-37A/AU-149AP,111-30A 110-29C H:AUDIO ATT ON
- AU-100A,109-37B/AU-149AP,111-31B 110-29D H:SLOW EQ ON

NOTE:

MARK	CHANGE INFORMATION	SERIAL NO.
*1	IC105 C101-C103 R101-R107 RV101,RV102 D101,102,105 Q101,102 DELETED	EK;S/N 12051-

- AU-150A,109-33A/AU-149AP,111-33A 110-29A L:MR ON
- VR-116A,402-1 110-33B CH2 PR/EE (X)
- VR-116A,402-2 110-33A CH2 PR/EE (Q)
- VR-116A,402-3 110-32B CH2 PR/EE (Q)
- VR-116A,402-4 110-34B CH2 PR/EE (Q)
- VR-116A,402-5 110-37A CH2 PB (X)
- VR-116A,402-6 110-37B CH2 PB (X)
- VR-116A,402-7 110-36A CH2 PB (Q)
- VR-116A,402-8 110-38B CH2 PB (Q)
- AU-150A,109-39A 110-33B L:CH-2 PB

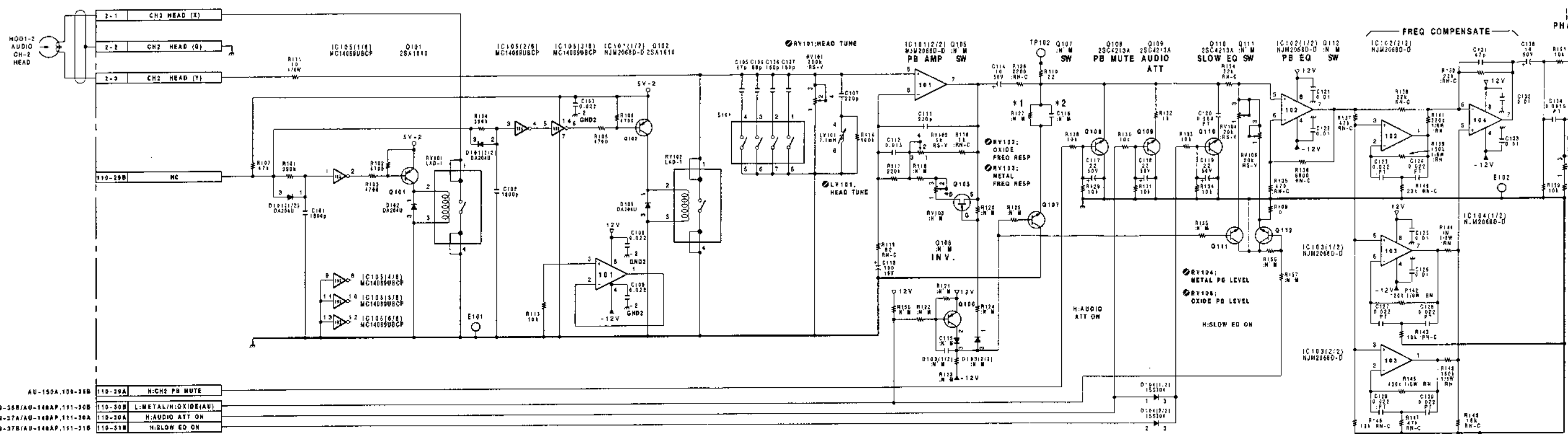


Serial No.(EK);10001 to 11150

AU-149AP;AUDIO CH-2 PROCESS,DOLBY SYSTEM

AU-149AP(1-640-036-21)

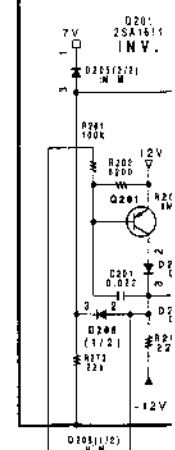
- TP102 A-1
- TP103 E-3
- TP104 C-2
- TP105 C-2
- TP201 E-3
- TP202 C-6
- TP301 E-4

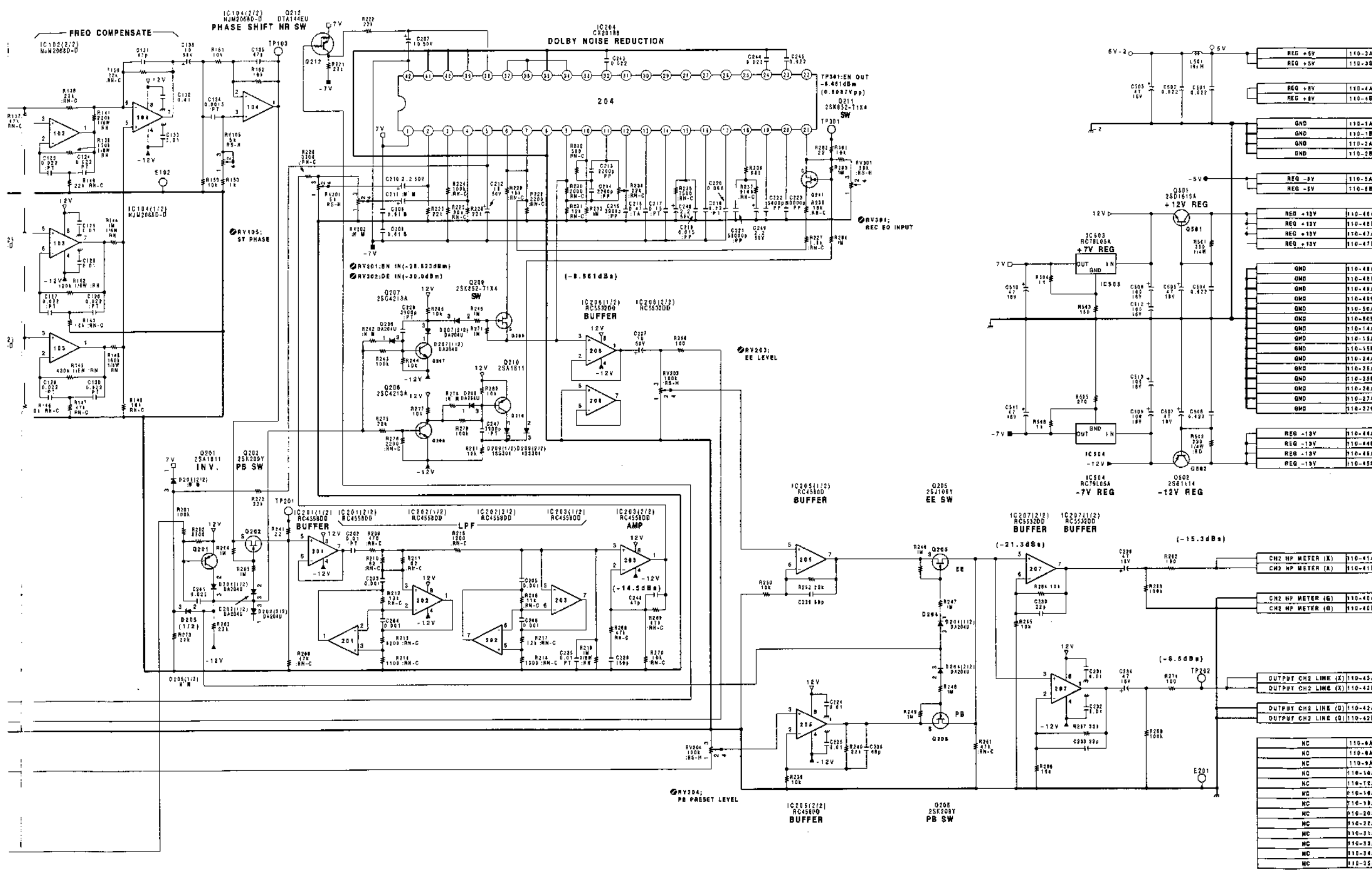


AU-150A,100-35B	110-29A	H:CH2 PB MUTE
AU-150A,100-36B/AU-149AP,111-30B	110-30B	L:METAL/H:OXIDE(AU)
AU-150A,100-37A/AU-149AP,111-30A	110-30A	H:AUDIO ATT ON
AU-150A,100-37B/AU-149AP,111-31B	110-31B	H:SLOW EQ ON

REF No	J.M.C	EK
#1 R127	NO MOUNT	10K
#2 C116	NO MOUNT	3300p

AU-150A,100-35A/AU-149AP,111-30A	110-28A	L:NR ON
VR-116A,402-1	110-32B	CH2 PB/EE (X)
VR-116A,402-2	110-32A	CH2 PB/EE (Y)
VR-116A,402-2	110-32B	CH2 PB/EE (Z)
VR-116A,402-2	110-34B	CH2 PB/EE (Q)
VR-116A,402-3	110-37A	CH2 PB (X)
VR-116A,402-3	110-37B	CH2 PB (Y)
VR-116A,402-4	110-36A	CH2 PB (Z)
VR-116A,402-4	110-36B	CH2 PB (Q)
AU-150A,100-39A	110-35M	L:CH-2 PB





AU-149AP BOARD
 BOARD NO.1-640-036-21
 PVW-2600P (EK); 10001-11150

Serial No.(EK);14586 and higher
Serial No.(UC);10011 and higher

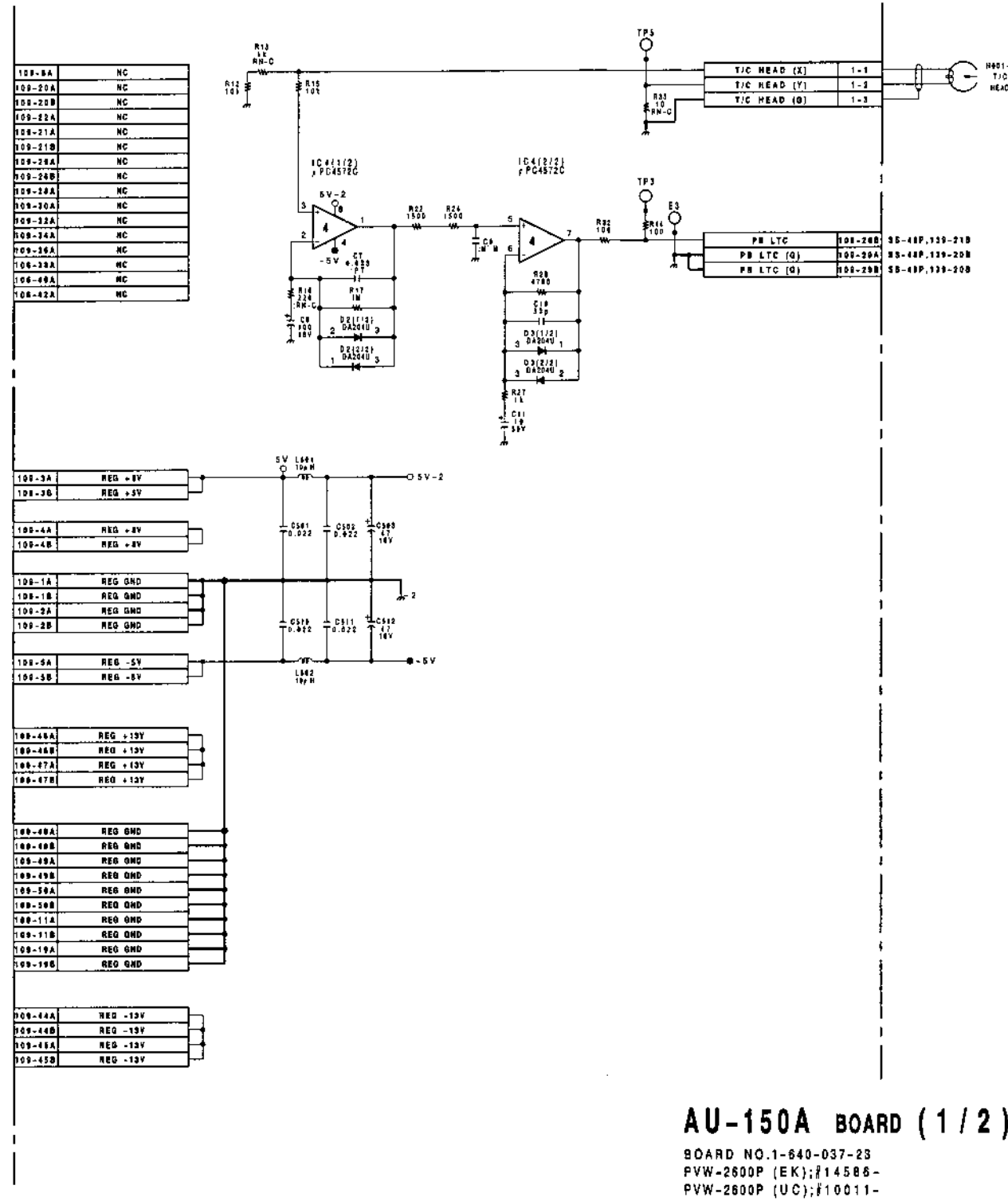
Seri
Seri

AU-150A(1/2);LTC PB

AU-150A

AU-150A(1-640-037-23

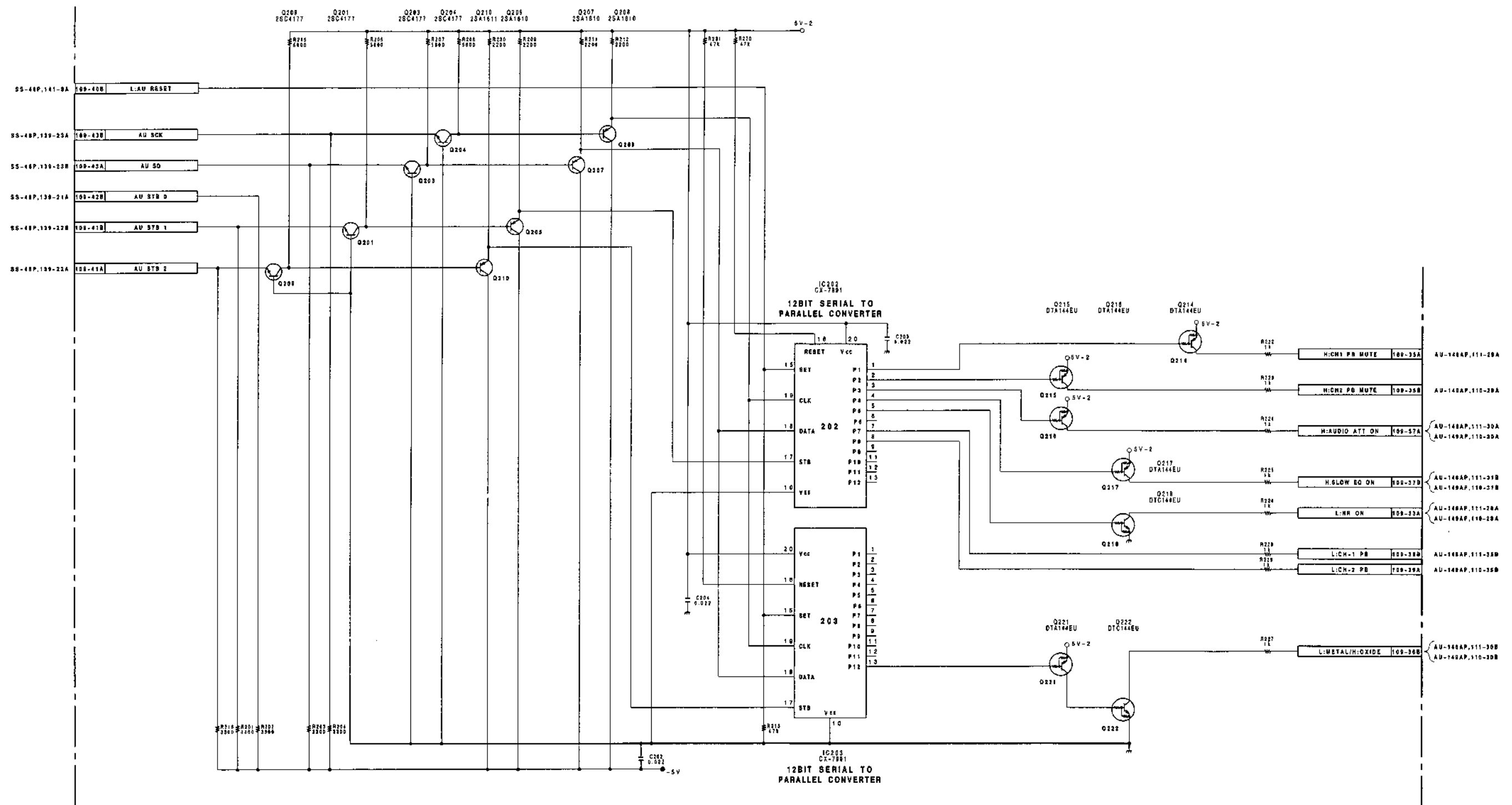
TP3 B-3



SS-48P,141-8A
SS-48P,139-23A
SS-48P,139-25B
SS-48P,139-21A
SS-48P,139-22B
SS-48P,139-23A

Serial No.(EK);14586 and higher
Serial No.(UC);10011 and higher

AU-150A(2/2);MODE CONTROL



AU-150A BOARD (2/2)

BOARD NO.1-640-037-23
PVW-2600P (EK);#14586-
PVW-2600P (UC);#10011-

Serial No.(EK);11151 to 14585
Serial No.(UC);10001 to 10010

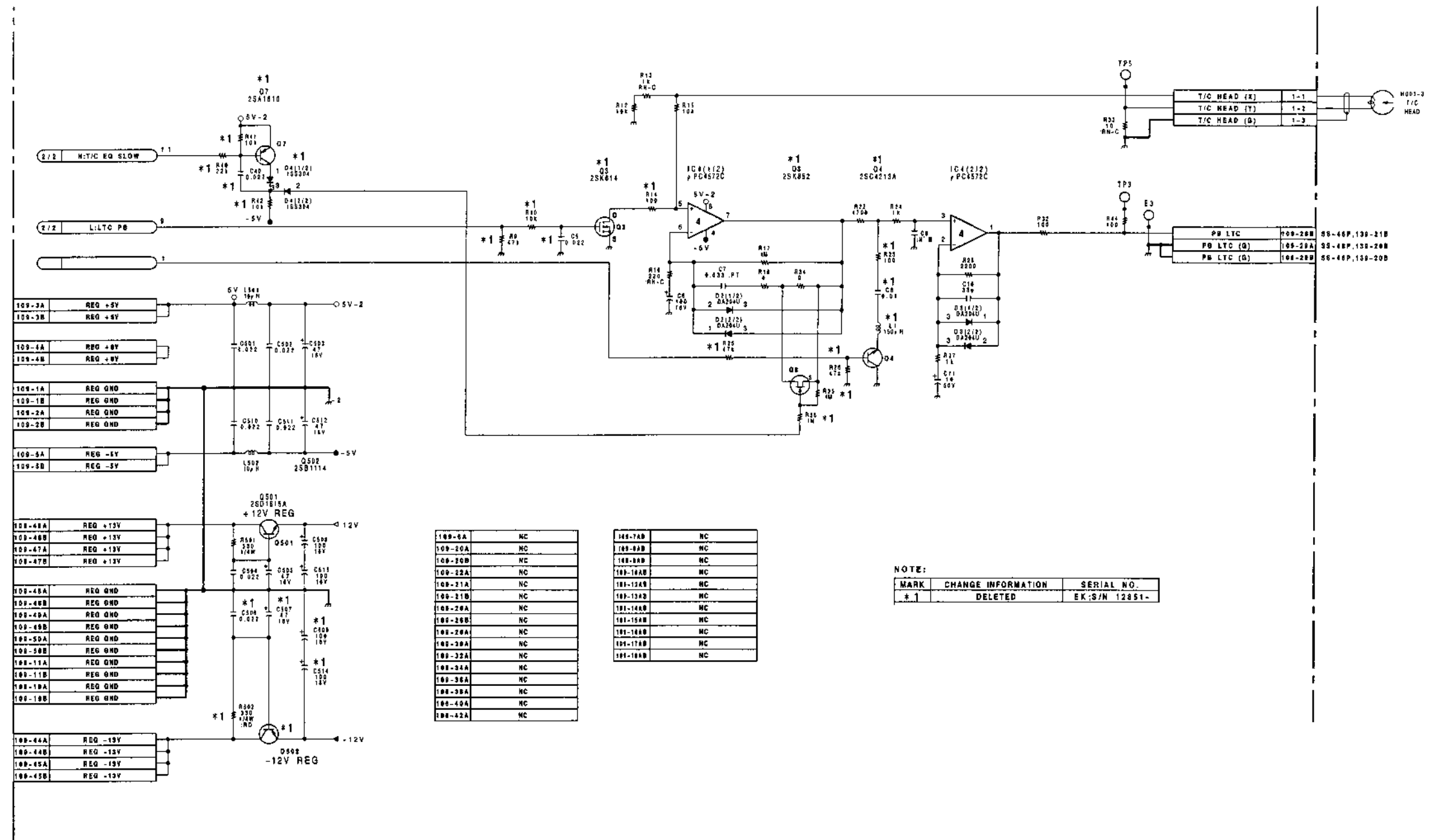
Serial
Serial

AU-150A(1/2);LTC PB

AU-150,

AU-150A(1-640-037-22)

TP2 A-3
TP3 B-3
TP5 B-2



- 109-3A REG +5V
- 109-3B REG +5V
- 109-4A REG +5V
- 109-4B REG +5V
- 109-1A REG 0ND
- 109-1B REG 0ND
- 109-2A REG 0ND
- 109-2B REG 0ND
- 109-5A REG -5V
- 109-5B REG -5V
- 109-6A REG +12V
- 109-6B REG +12V
- 109-67A REG +12V
- 109-67B REG +12V
- 109-45A REG 0ND
- 109-45B REG 0ND
- 109-46A REG 0ND
- 109-46B REG 0ND
- 109-50A REG 0ND
- 109-50B REG 0ND
- 109-11A REG 0ND
- 109-11B REG 0ND
- 109-19A REG 0ND
- 109-19B REG 0ND
- 109-44A REG -12V
- 109-44B REG -12V
- 109-45A REG -12V
- 109-45B REG -12V

109-6A	NC
109-20A	NC
109-20B	NC
109-22A	NC
109-21A	NC
109-21B	NC
109-28A	NC
109-28B	NC
109-28C	NC
109-28A	NC
109-28B	NC
109-28C	NC
109-32A	NC
109-34A	NC
109-36A	NC
109-38A	NC
109-40A	NC
109-42A	NC

NOTE:

MARK	CHANGE INFORMATION	SERIAL NO.
*1	DELETED	EK;S/N 12851-

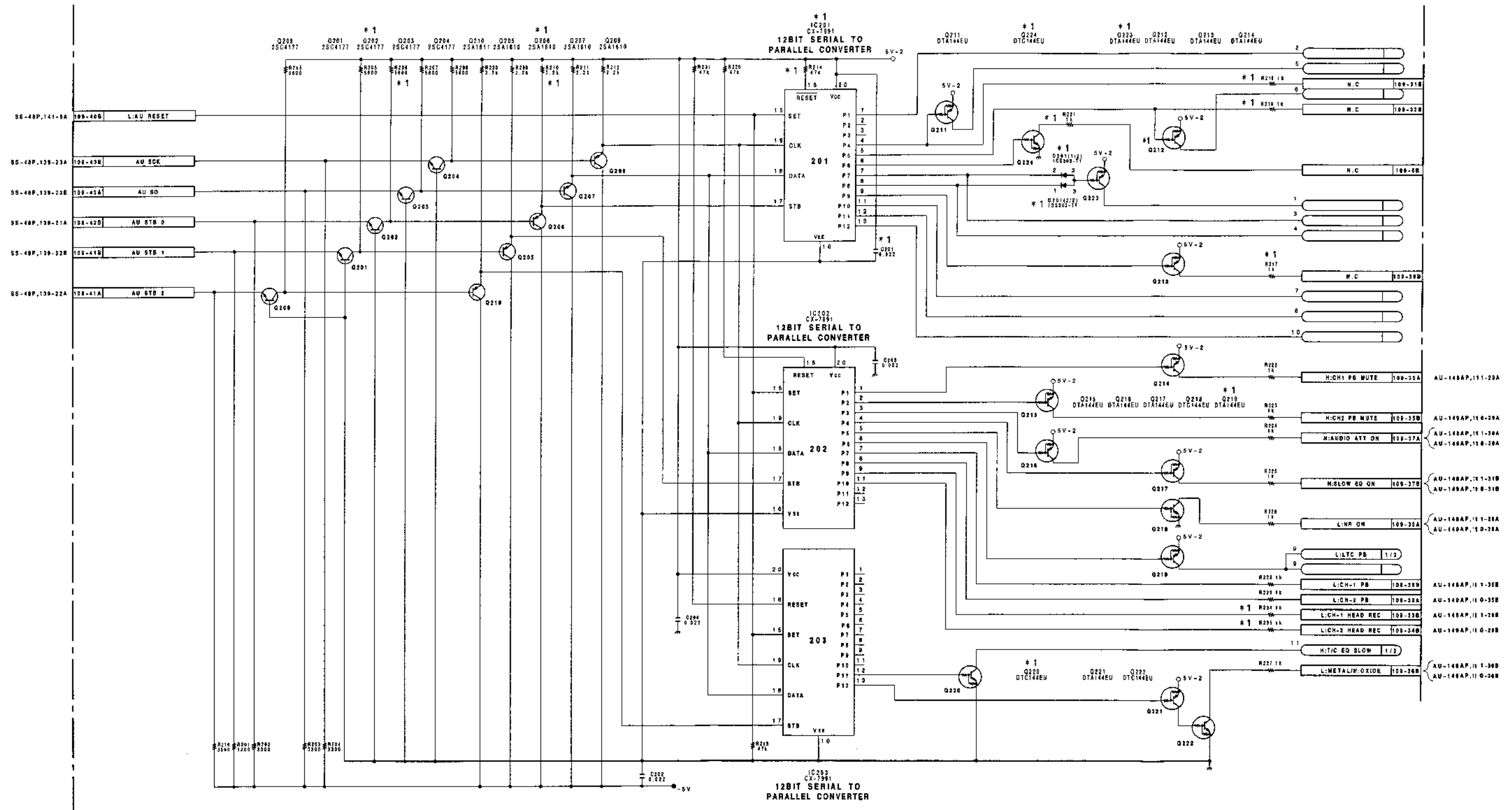
- SS-48P,141-
- SS-48P,139-2
- SS-48P,139-2
- SS-48P,139-2
- SS-48P,139-2
- SS-48P,139-2

AU-150A BOARD (1/2)

BOARD NO.1-640-037-22
PVW-2600P (EK);#11151-14585
PVW-2600P (UC);#10001-10010

Serial No.(EK);11151 to 14585
Serial No.(UC);10001 to 10010

AU-150A(2/2);MODE CONTROL



NOTE:

MARK	CHANGE INFORMATION	SERIAL NO.
* 1	DELETED	R.K./S/N 12851-

AU-150A BOARD (2/2)

BOARD NO.1-640-037-22
PVW-2600P(EK);11151-14585
PVW-2600P(UC);10001-10010

Serial No.(EK);10001 to 11150

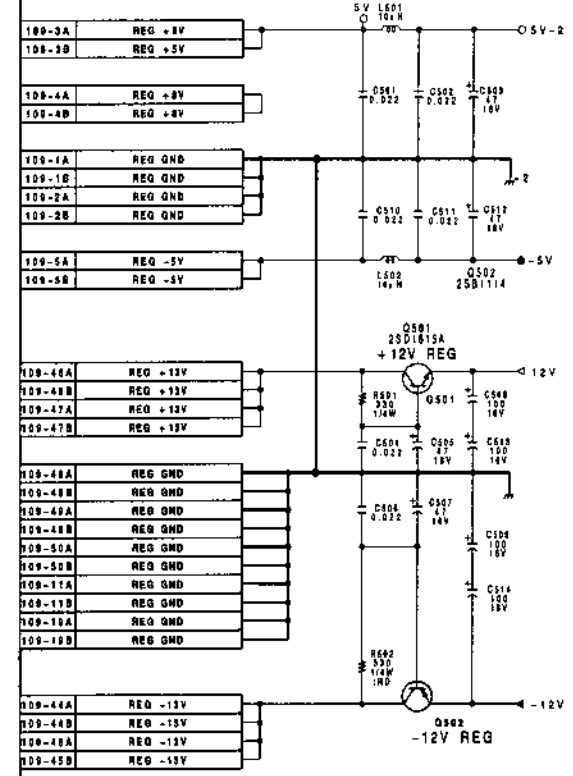
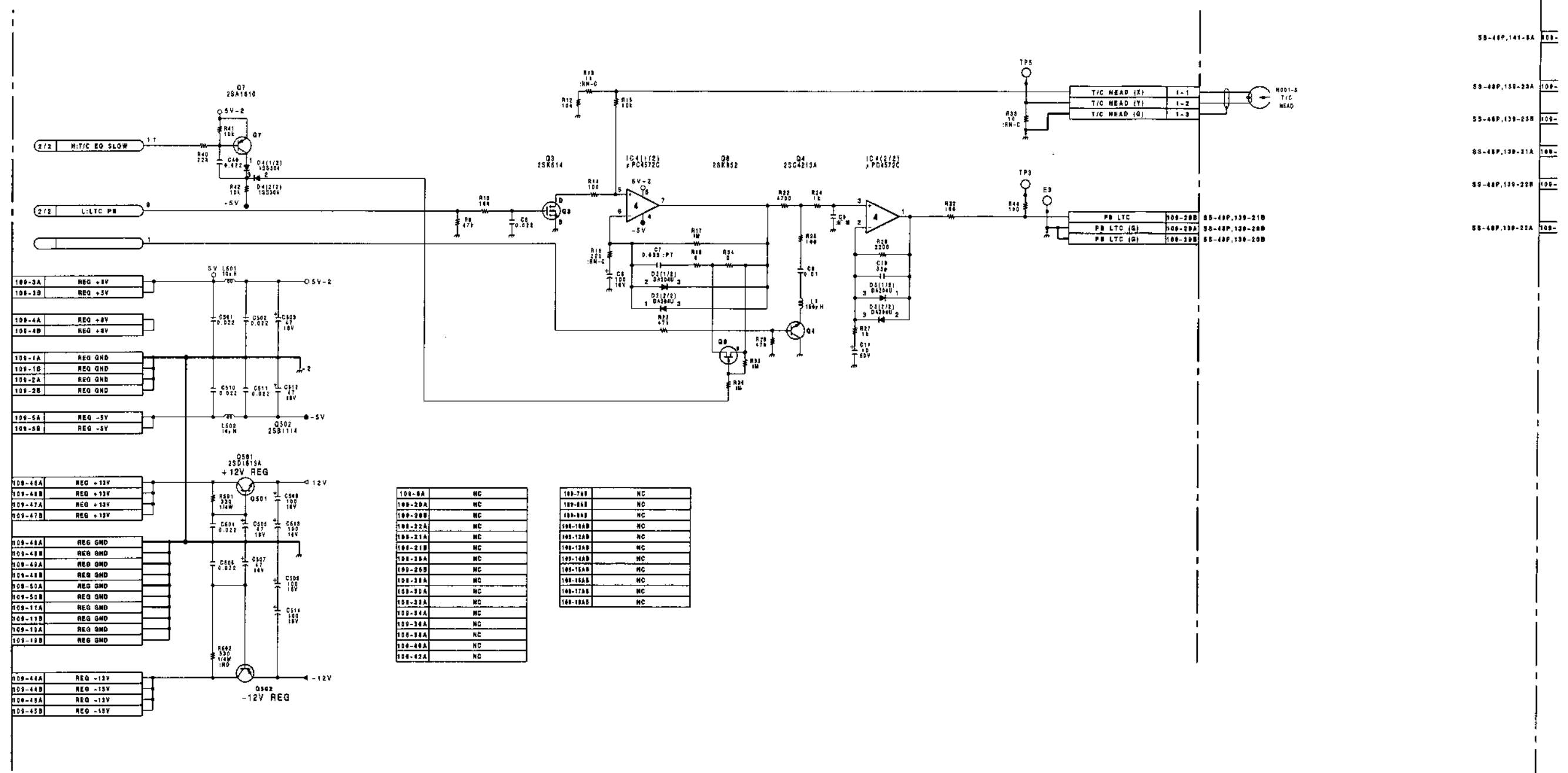
Serial

AU-150A(1/2);LTC PB

AU-150A(2/2)

AU-150A(1-640-037-21)

TP3 B-3
TP5 B-2



100-6A	NC
100-20A	NC
100-20B	NC
100-22A	NC
100-21A	NC
100-21B	NC
100-23A	NC
100-23B	NC
100-24A	NC
100-24B	NC
100-25A	NC
100-25B	NC
100-26A	NC
100-26B	NC
100-27A	NC
100-27B	NC
100-28A	NC
100-28B	NC

100-7A	NC
100-8A	NC
100-9A	NC
100-10A	NC
100-11A	NC
100-12A	NC
100-13A	NC
100-14A	NC
100-15A	NC
100-16A	NC
100-17A	NC
100-18A	NC

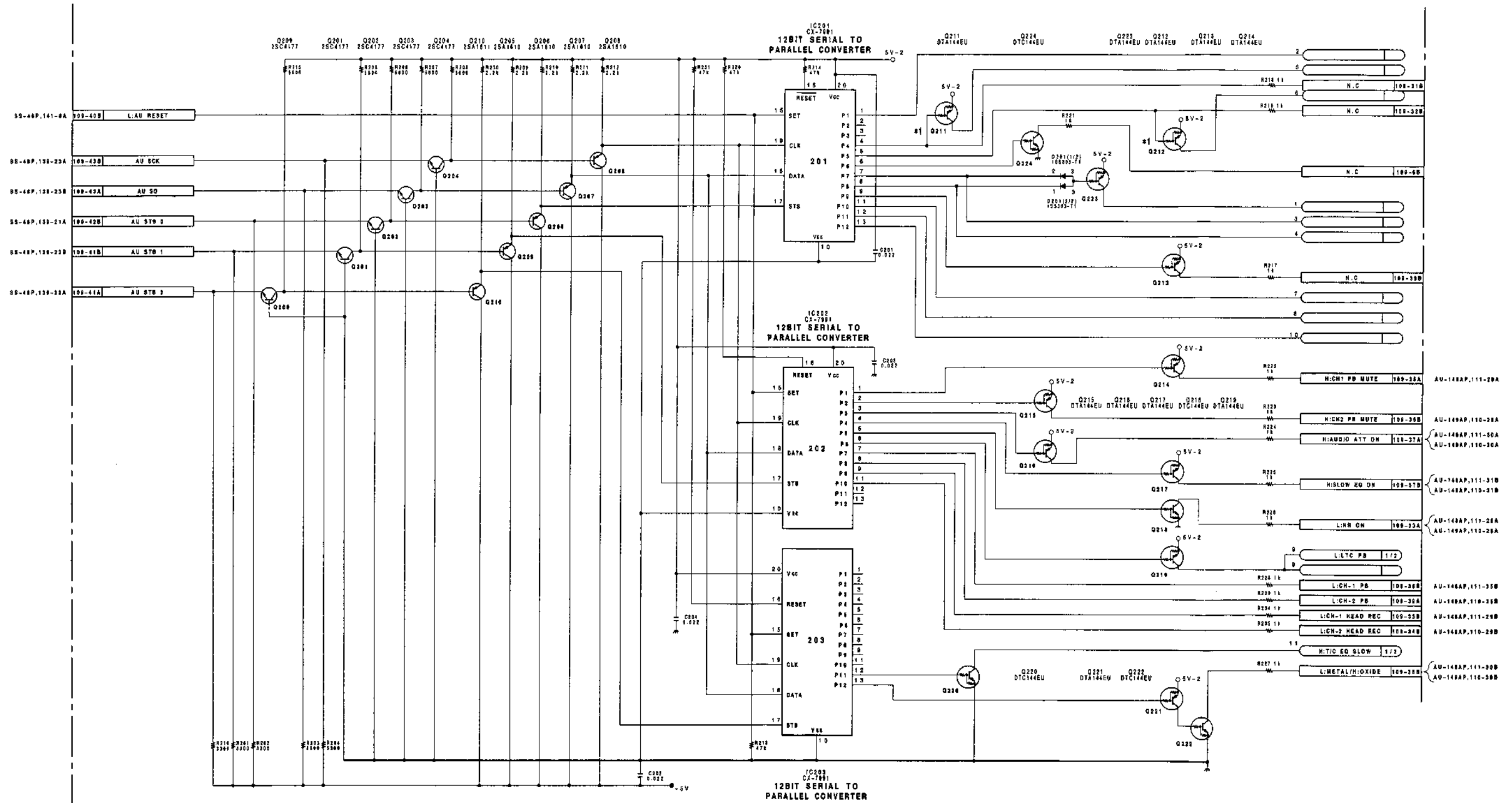
SS-48P,141-8A	100-
SS-48P,150-22A	100-
SS-48P,150-23B	100-
SS-48P,150-21A	100-
SS-48P,150-20B	100-
SS-48P,150-22A	100-

AU-150A BOARD (1/2)
BOARD NO.1-640-037-21
PVW-2600P (EK);10001-11150

16-24(a)
A | B | C | D | E | F | G | H

Serial No.(EK);10001 to 11150

AU-150A(2/2);MODE CONTROL



NOTE:

MARK	CHANGE INFORMATION	SERIAL NO.
* 1	Q211, Q212 DELETED	J/S/N10591- UC/S/N10671- EK/S/N10651-

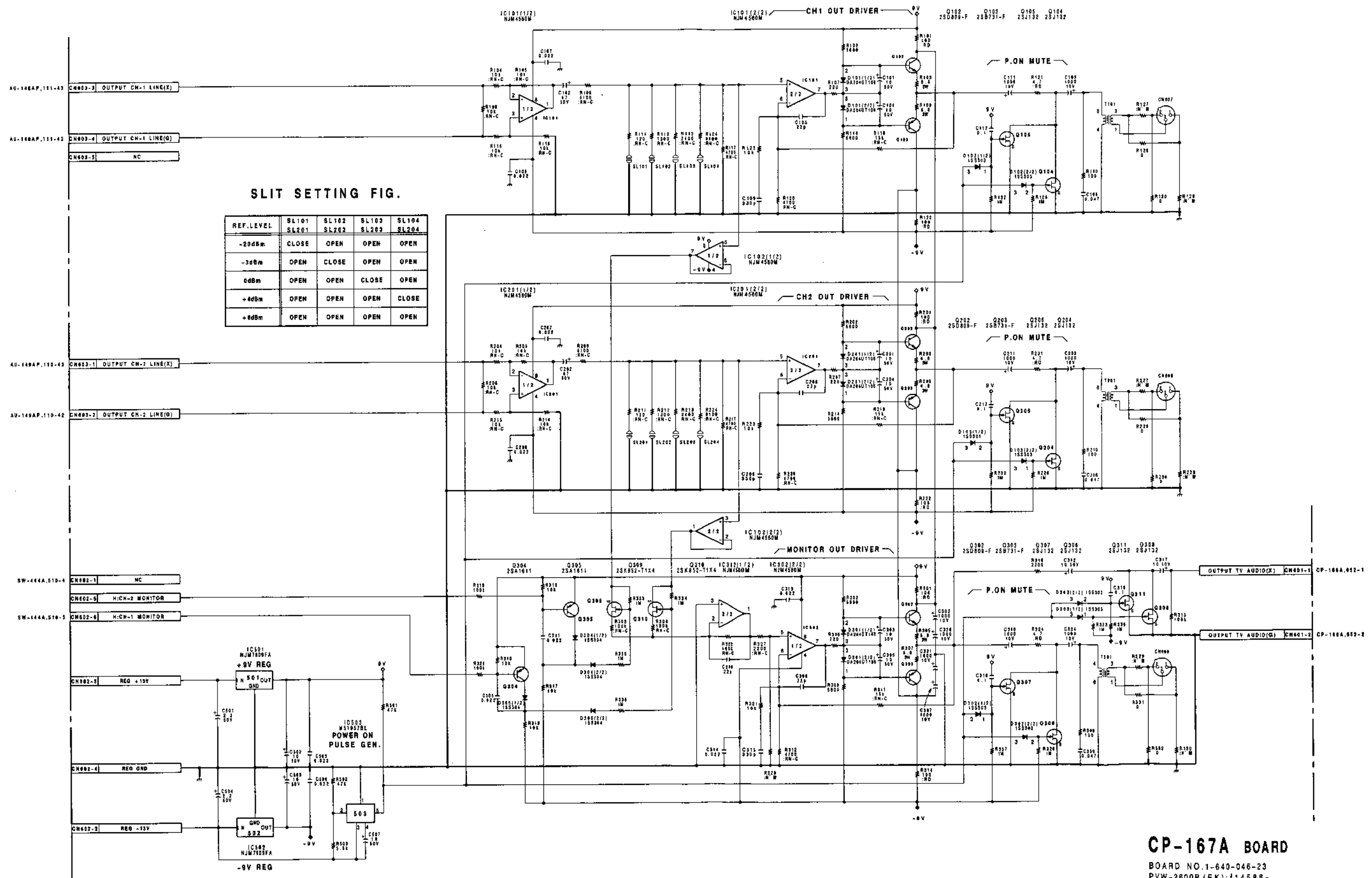
AU-150A BOARD (2/2)
 BOARD NO.1-640-037-21
 PVW-2600P (EK);#10001-11150

H | I | J | K | L | M | N | O

CP-167A CP-167A

Serial No.(EK);14586 and higher
Serial No.(UC);10011 and higher

CP-167A;AUDIO OUTPUT CONNECTOR,LINE OUT DRIVER



SLIT SETTING FIG.

REF.LEVEL	SL101 SL201	SL102 SL202	SL103 SL203	SL104 SL204
-20dBm	CLOSE	OPEN	OPEN	OPEN
-3dBm	OPEN	CLOSE	OPEN	OPEN
0dBm	OPEN	OPEN	CLOSE	OPEN
+4dBm	OPEN	OPEN	OPEN	CLOSE
+8dBm	OPEN	OPEN	OPEN	OPEN

1
2
3
4
5

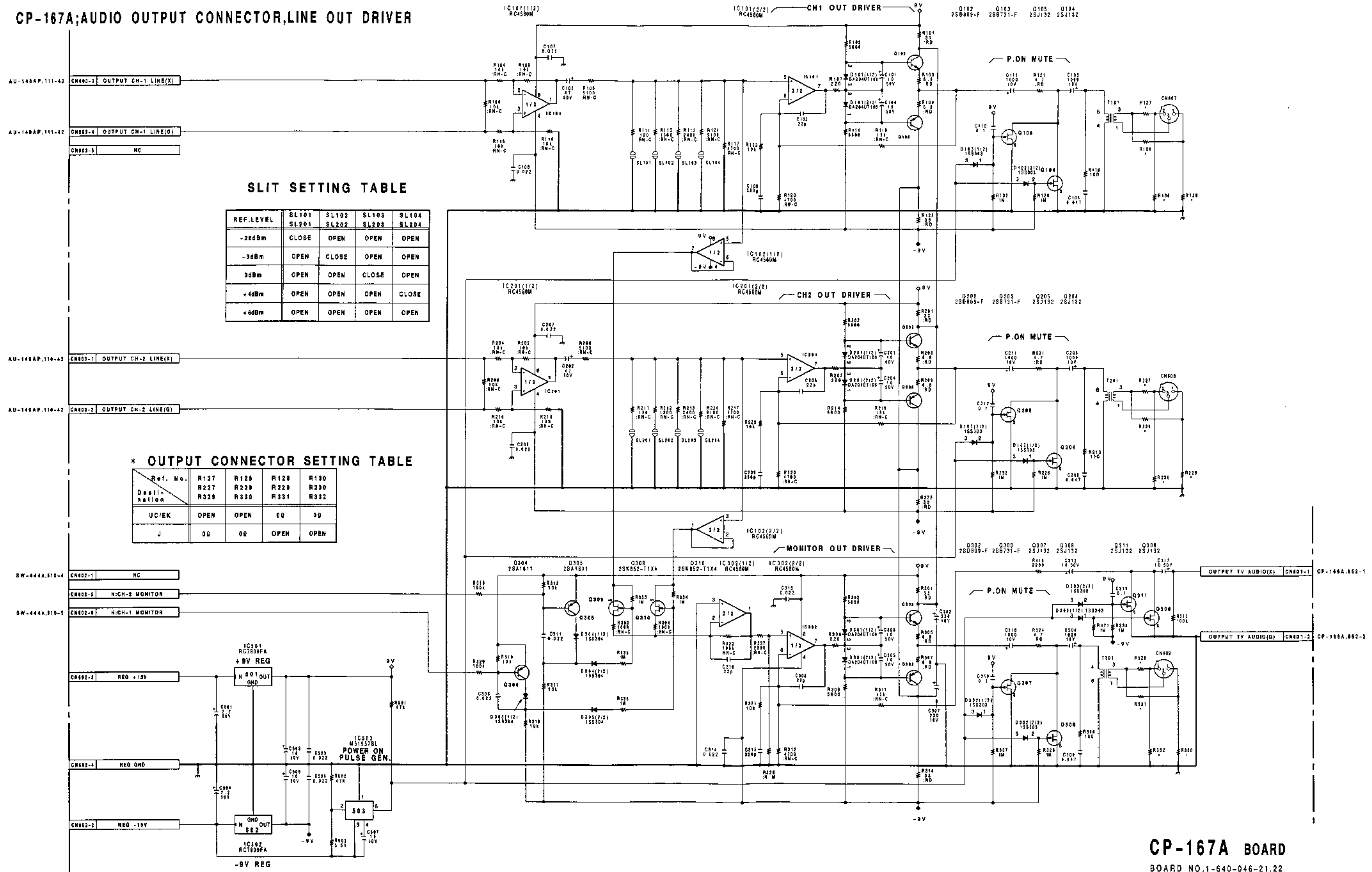
CP-167A BOARD

BOARD NO.1-640-046-23
PVW-2600P (EK);14586-
PVW-2600P (UC);10011-

A | B | C | D | E | F | G | H

Serial No.(EK);10001 to 14585
Serial No.(UC);10001 to 10010

CP-167A;AUDIO OUTPUT CONNECTOR,LINE OUT DRIVER



SLIT SETTING TABLE

REF.LEVEL	SL101 SL201	SL102 SL202	SL103 SL203	SL104 SL204
-2dBm	CLOSE	OPEN	OPEN	OPEN
-3dBm	OPEN	CLOSE	OPEN	OPEN
0dBm	OPEN	OPEN	CLOSE	OPEN
+4dBm	OPEN	OPEN	OPEN	CLOSE
+6dBm	OPEN	OPEN	OPEN	OPEN

* OUTPUT CONNECTOR SETTING TABLE

Ref. No. Desti- nation	R127	R128	R129	R130
	R327	R328	R329	R330
UC/EK	OPEN	OPEN	00	00
J	00	00	OPEN	OPEN

CP-167A BOARD

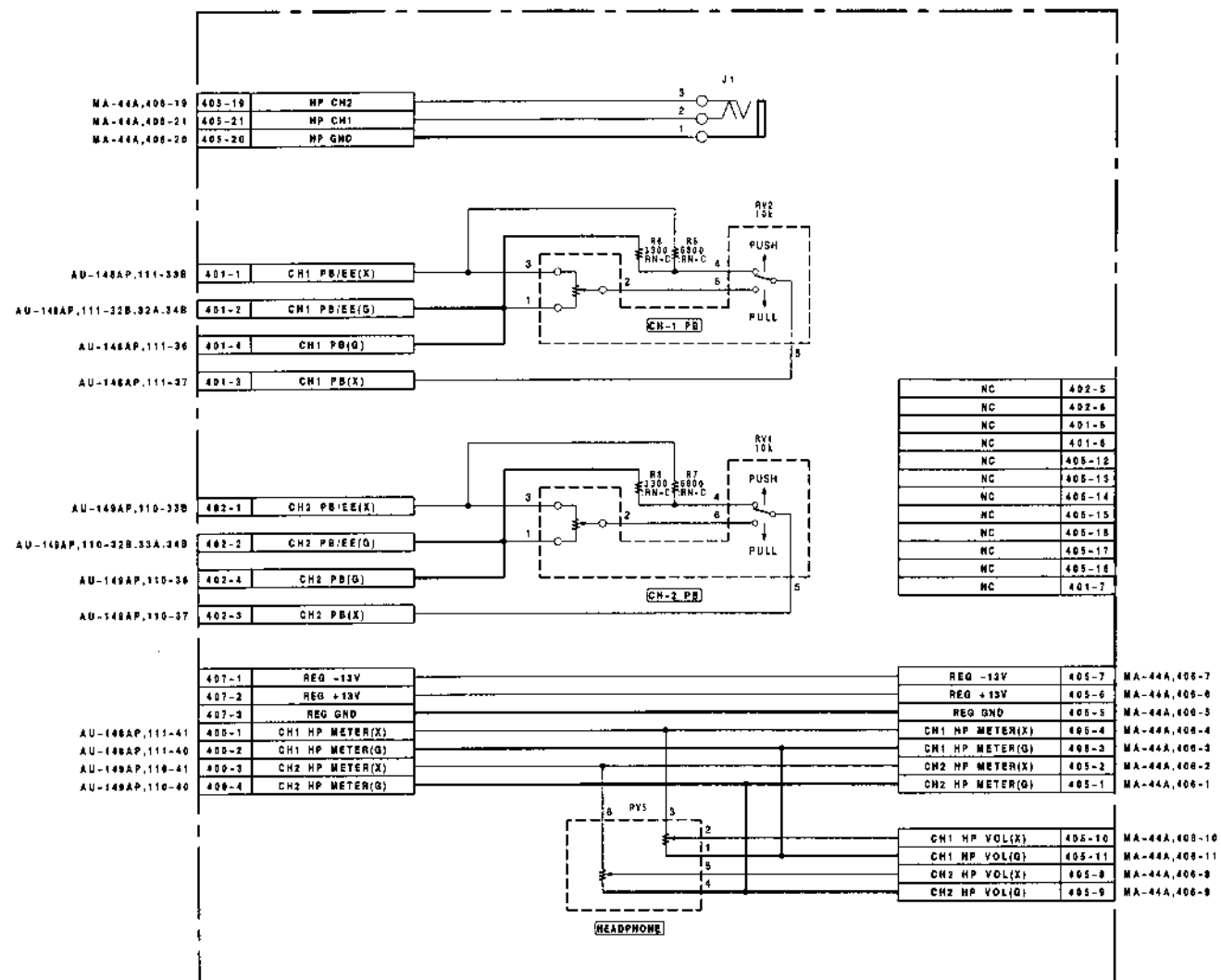
BOARD NO.1-640-046-21,22
PVW-2600P (EK);#10001-14585
PVW-2600P (UC);#10001-10010

Serial No.(EK);10651 and higher
Serial No.(UC);10001 and higher

VR-116A,MA-44A VR-116A,MA-44A

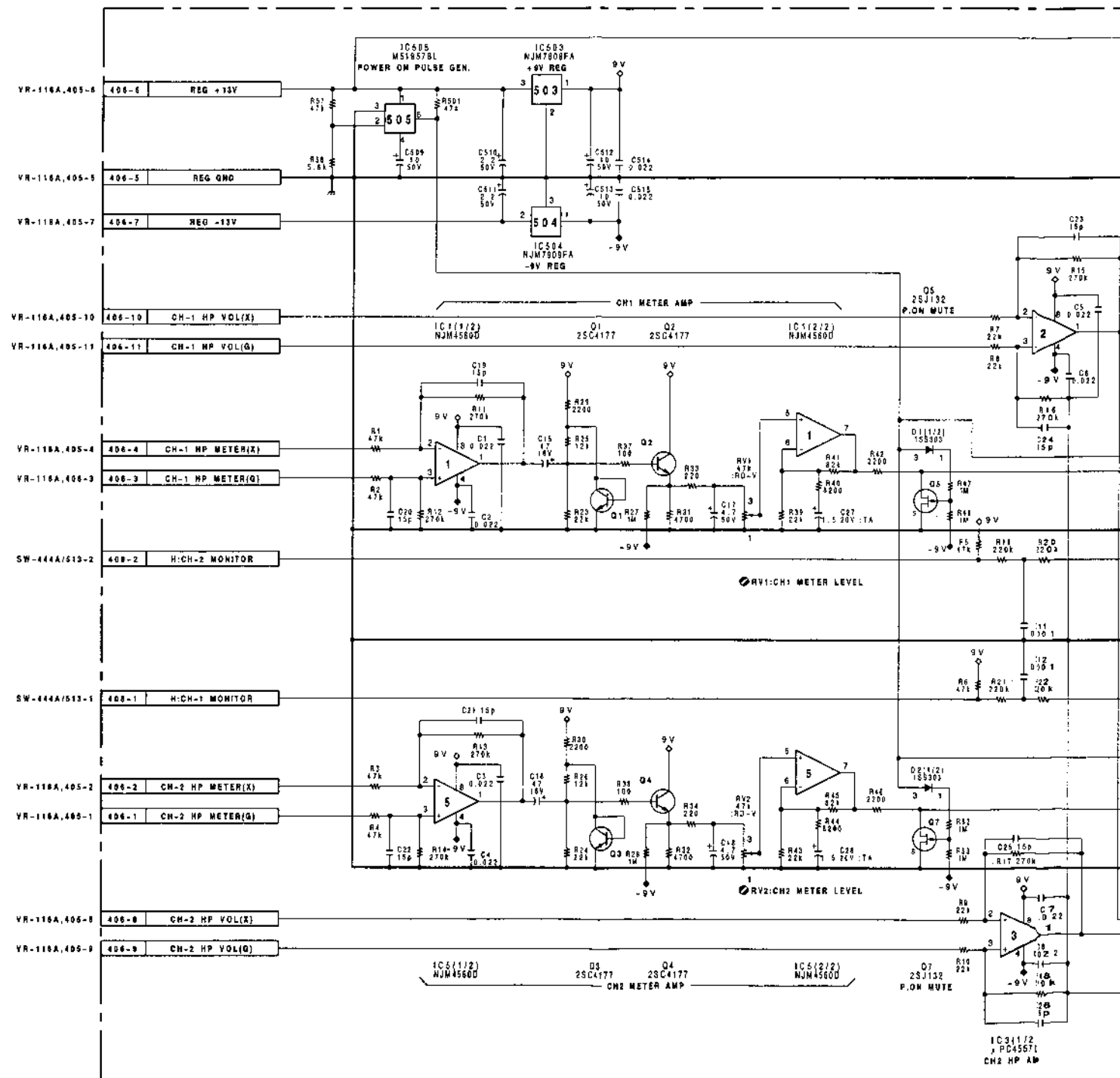
VR-116A;AUDIO PB LEVEL CONTROL,HEADPHONE VOLUME CONTROL

MA-44A;AUDIO METER DRIVER,HEADPHONE AMPLIFIER



VR-116A BOARD

BOARD NO.1-640-039-21
PVW-2600P (EK);#10001-
PVW-2600P (UC);#10001-



MA-44A; AUDIO METER DRIVER, HEADPHONE AMPLIFIER

1

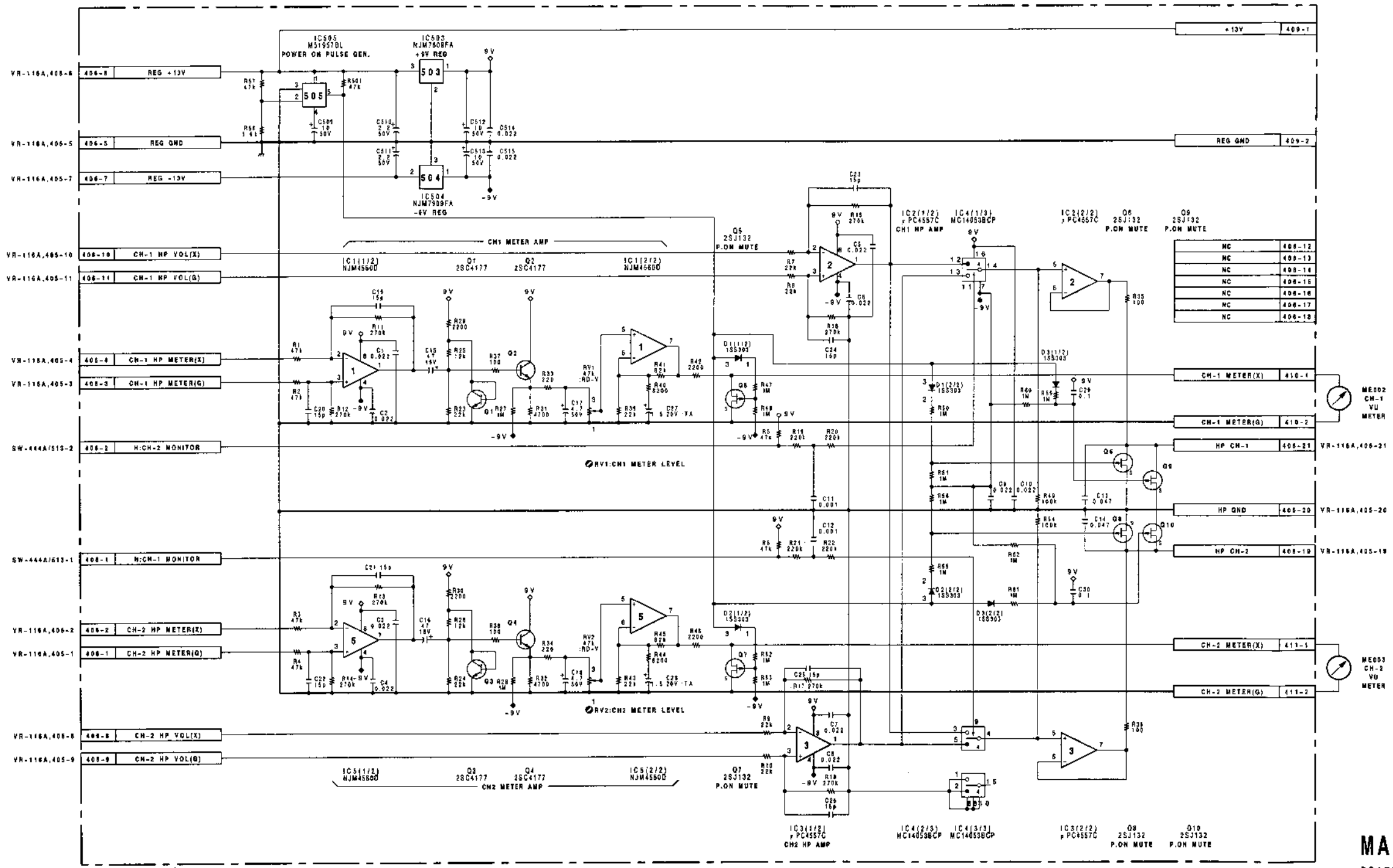
2

3

4

5

8
 9
 10
 11
 12
 13
 14
 15
 16
 17
 18
 19
 20
 21
 22
 23
 24
 25
 26
 27
 28
 29
 30
 31
 32
 33
 34
 35
 36
 37
 38
 39
 40
 41
 42
 43
 44
 45
 46
 47
 48
 49
 50
 51
 52
 53
 54
 55
 56
 57
 58
 59
 60
 61
 62
 63
 64
 65
 66
 67
 68
 69
 70
 71
 72
 73
 74
 75
 76
 77
 78
 79
 80
 81
 82
 83
 84
 85
 86
 87
 88
 89
 90
 91
 92
 93
 94
 95
 96
 97
 98
 99
 100



MA-44A BOARD
 BOARD NO.1-640-041-22
 PVW-2600P (EK):#10651-
 PVW-2600P (UC):#10001-

2 (b)

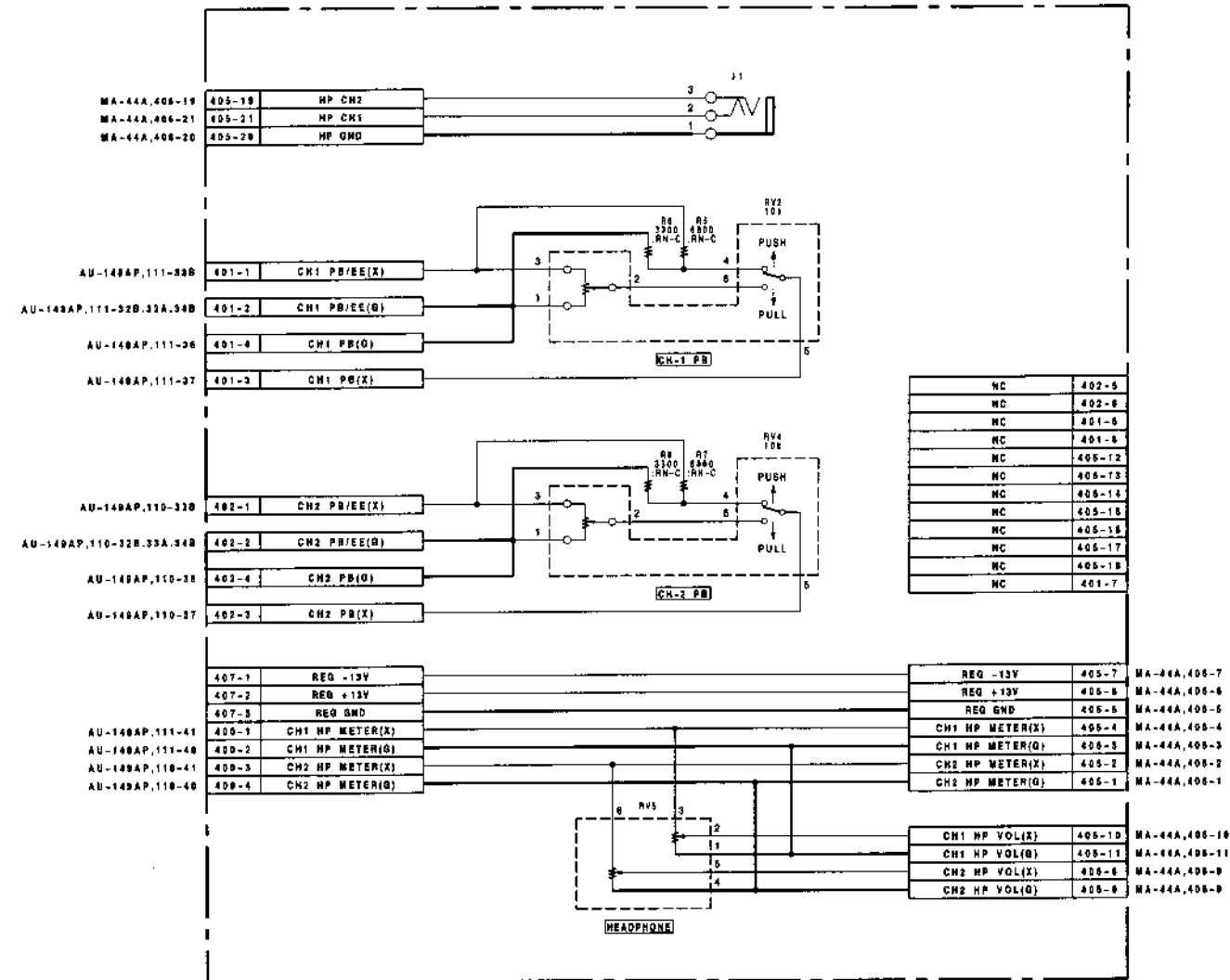
16-26 (b)

E | F | G | H | I | J | K | L

Serial No.(EK);10001 to 10650

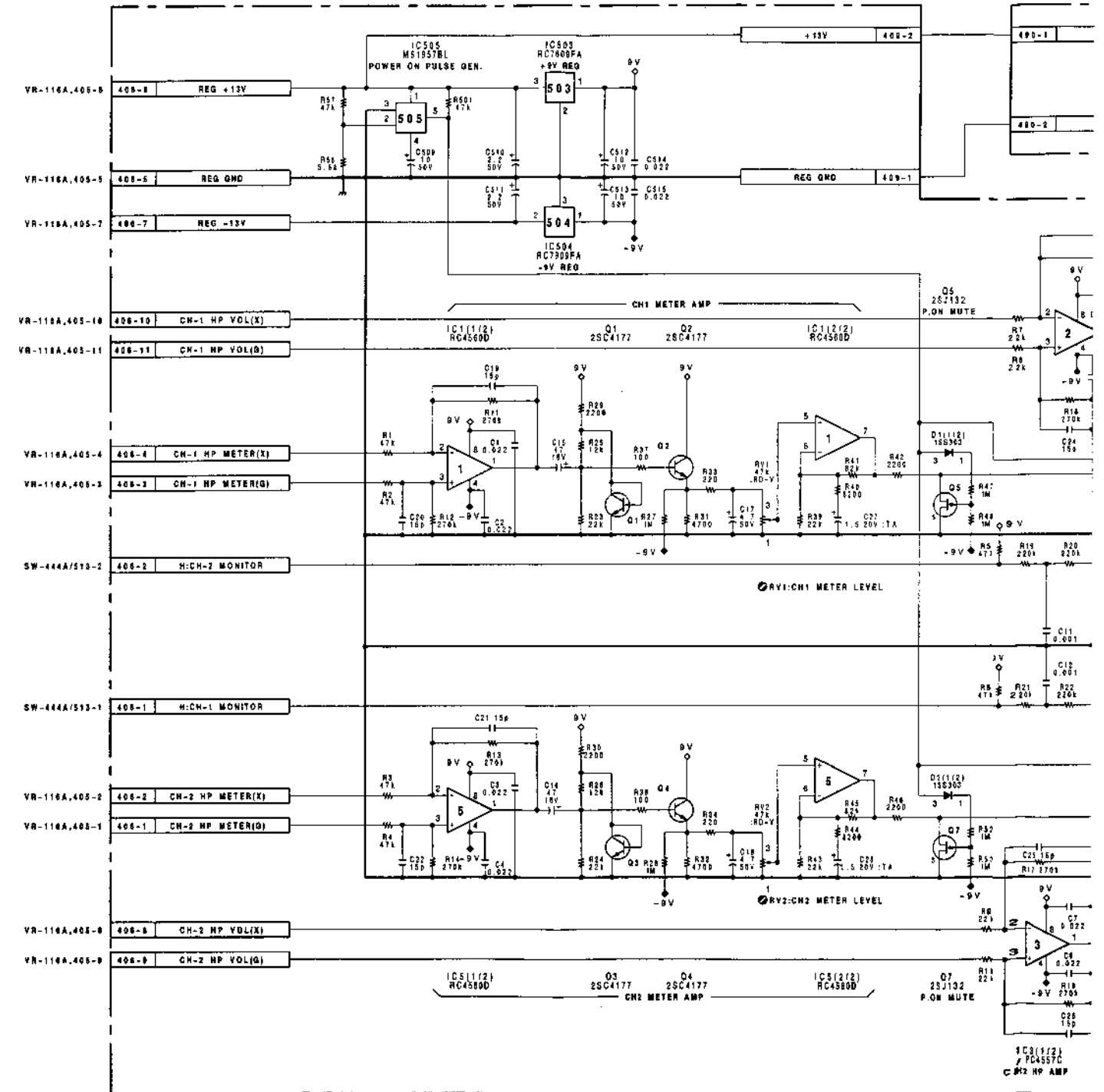
VR-116A;AUDIO PB LEVEL CONTROL,HEADPHONE VOLUME CONTROL

MA-44A;AUDIO METER DRIVER,HEADPHONE AMPLIFIER
DP-138A;AUDIO LEVEL METER BACK LIGHT



VR-116A BOARD

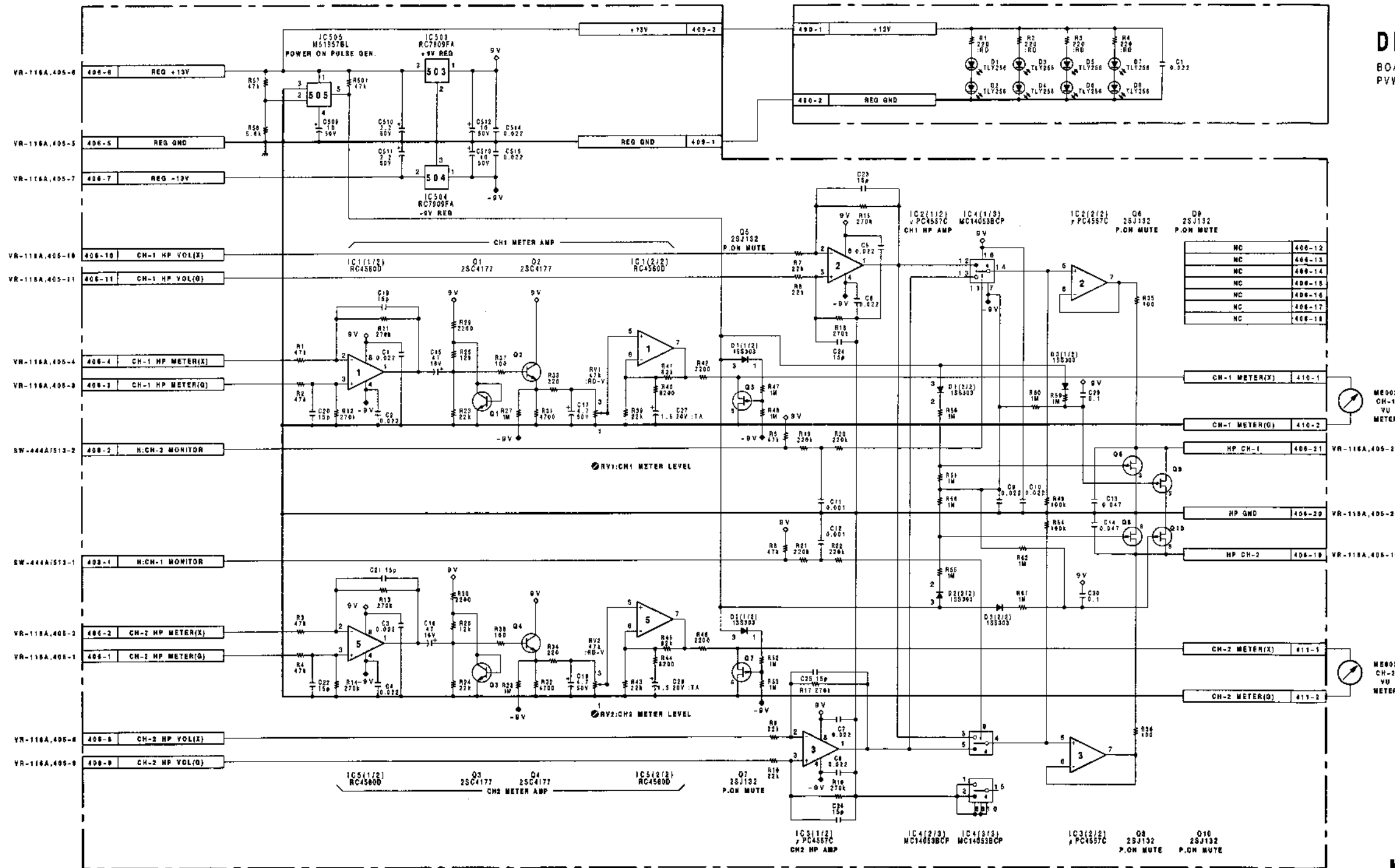
BOARD NO.1-640-039-21
PVW-2600P(EK);10001-



MA-44A;AUDIO METER DRIVER,HEADPHONE AMPLIFIER
DP-138A;AUDIO LEVEL METER BACK LIGHT

DP-138A BOARD

BOARD NO.1-640-040-21
PVW-2600P (EK);#10001-



NC	408-12
NC	408-13
NC	408-14
NC	408-15
NC	408-16
NC	408-17
NC	408-18

MA-44A BOARD

BOARD NO.1-640-041-21
PVW-2600P (EK);#10001-10650

SS-48P(1-640-028-13)

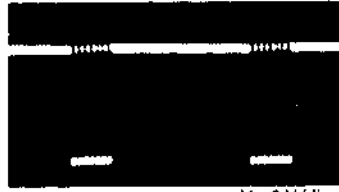
TP6	R-2
TP401	J-1
TP408	J-1
TP708	C-1
TP717	E-1
TP801	F-7
TP802	G-7
TP806	D-1

① TP104
EE/PB



V: 2 V/div
H: 5 ms/div

② TP105
EE/PB



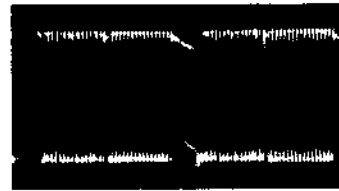
V: 2 V/div
H: 5 ms/div

③ TP404
EE/PB



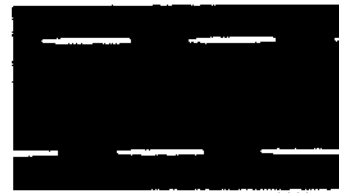
V: 1 V/div
H: 200 μs/div

④ TP408
PB



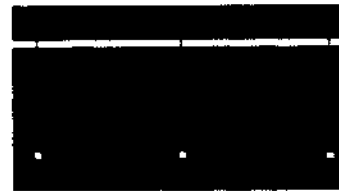
V: 2 V/div
H: 10 ms/div

⑤ TP501
EE/PB



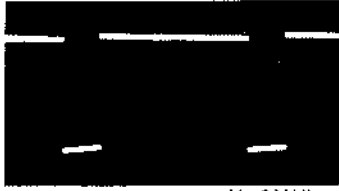
V: 2 V/div
H: 20 μs/div

⑥ TP502
EE/PB



V: 2 V/div
H: 20 μs/div

⑦ TP503
EE/PB



V: 2V/div
H: 10ms/div

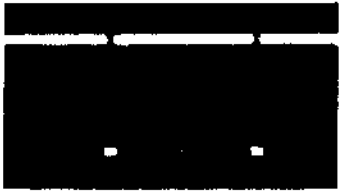
⑬ TP705
EE/PB



4.8 V p-p

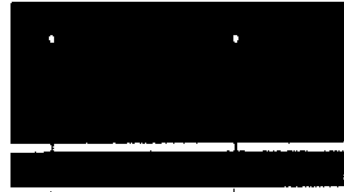
3.2 ms

⑧ TP504
EE/PB



V: 2V/div
H: 20μs/div

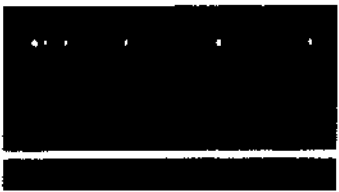
⑭ TP706
EE/PB



4.8 V p-p

40 ms

⑨ TP507
EE/PB



V: 2V/div
H: 2ms/div

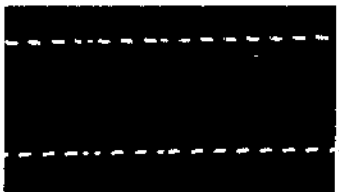
⑰ TP713
PB



4.8 V p-p

3.2 ms

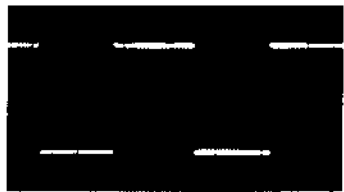
⑱ TP509
PB/EE



4.8 V p-p

H: 2ms/div

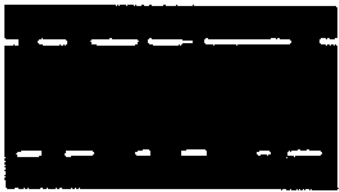
⑲ TP715
PB



4.8 V p-p

6.4 ms

⑩ TP606
PB



4.8 V p-p

H: 2ms/div

⑳ TP717
EE/PB



4.8 V p-p

40 ms

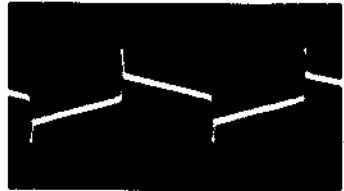
⑫ TP607
EE/PB



4.8 V p-p

13 ms

㉑ TP806
PB



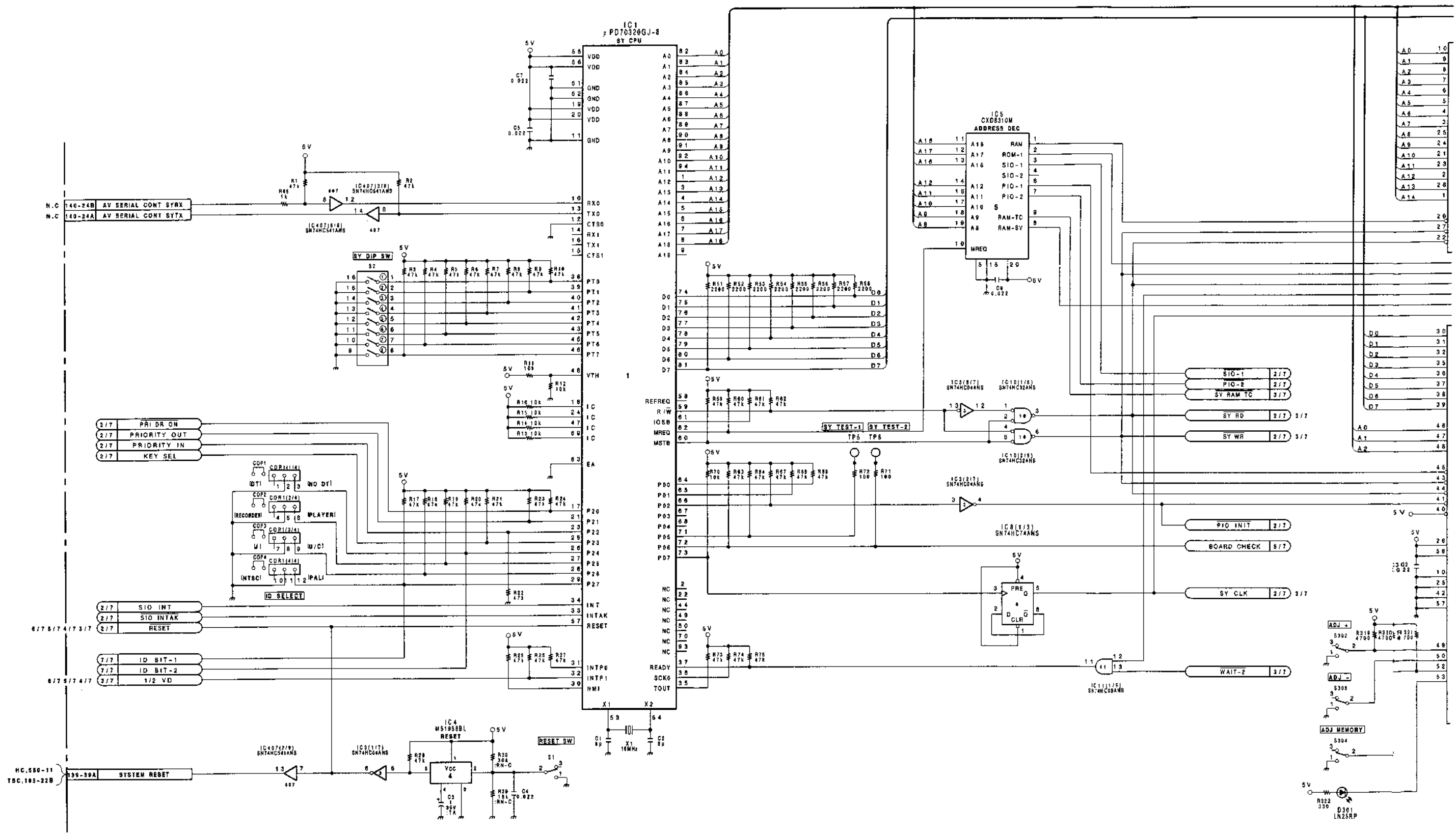
10 V p-p

40 ms

Serial No.(EK);13101 and higher
Serial No.(UC);10001 and higher

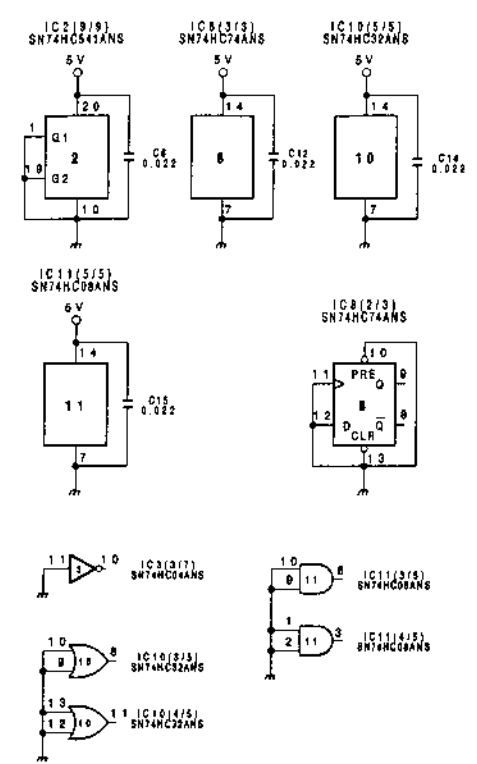
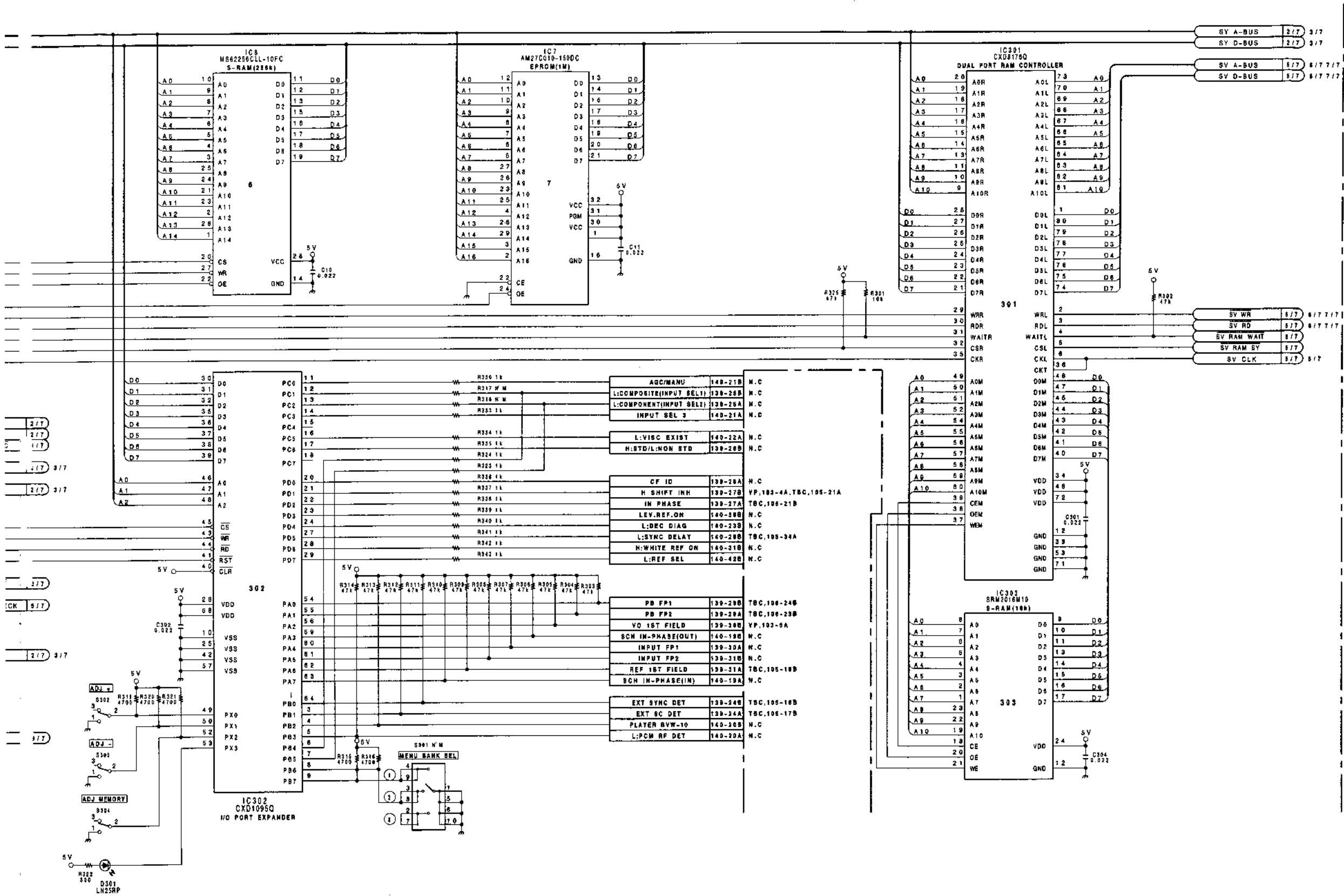
SS-48P(1/7) SS-48P(1/7)

SS-48P(1/7);SY CPU



16-29(b)

A | B | C | D | E | F | G | H | I



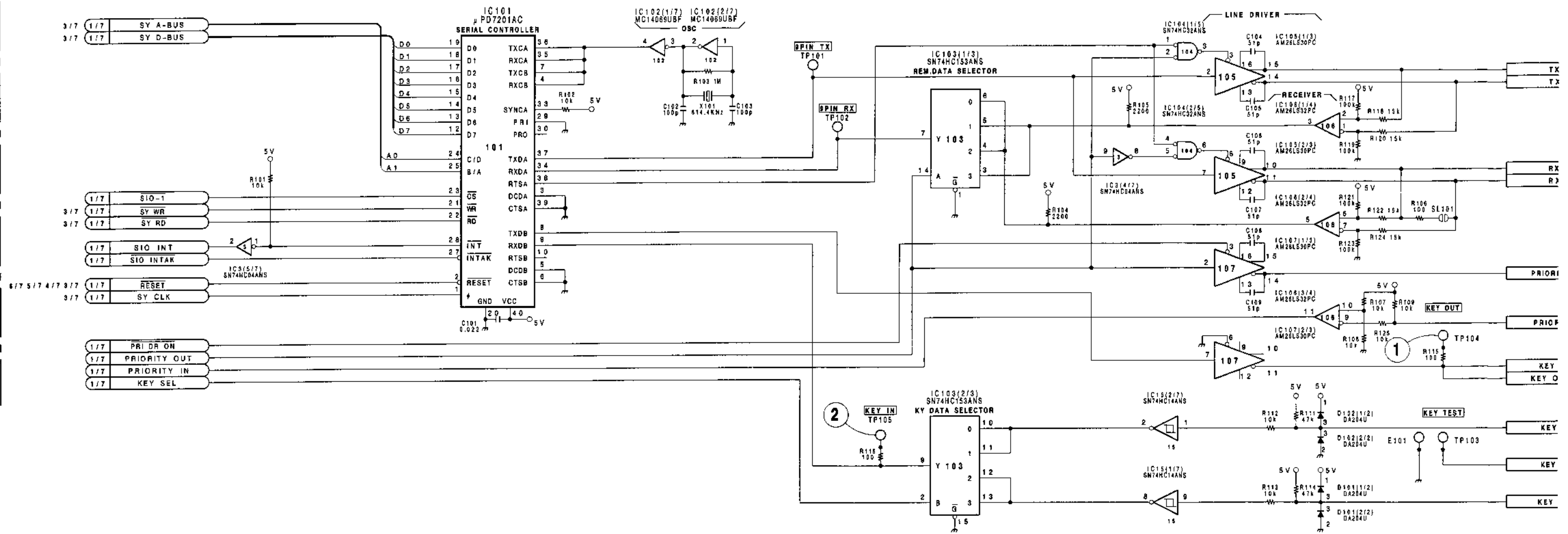
SS-48P BOARD (1/7)

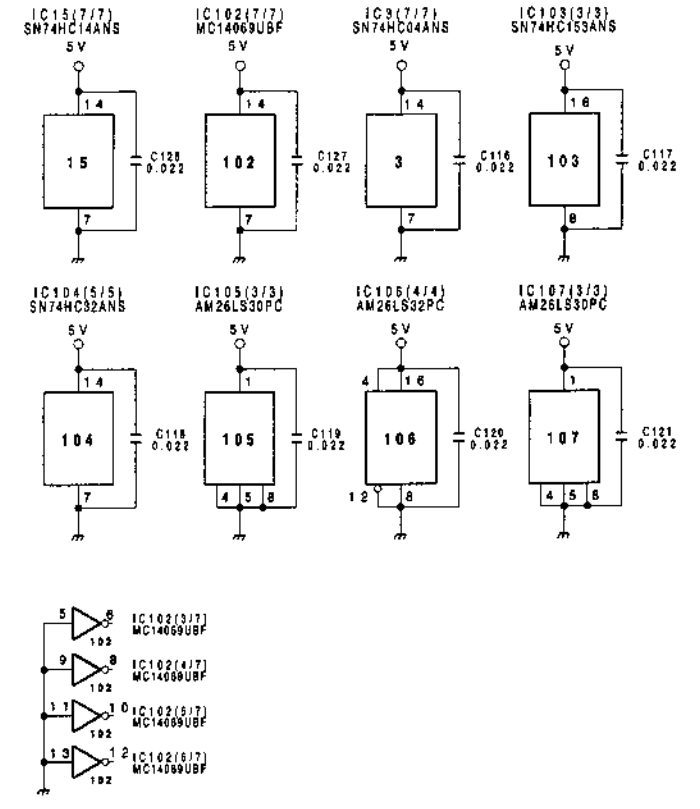
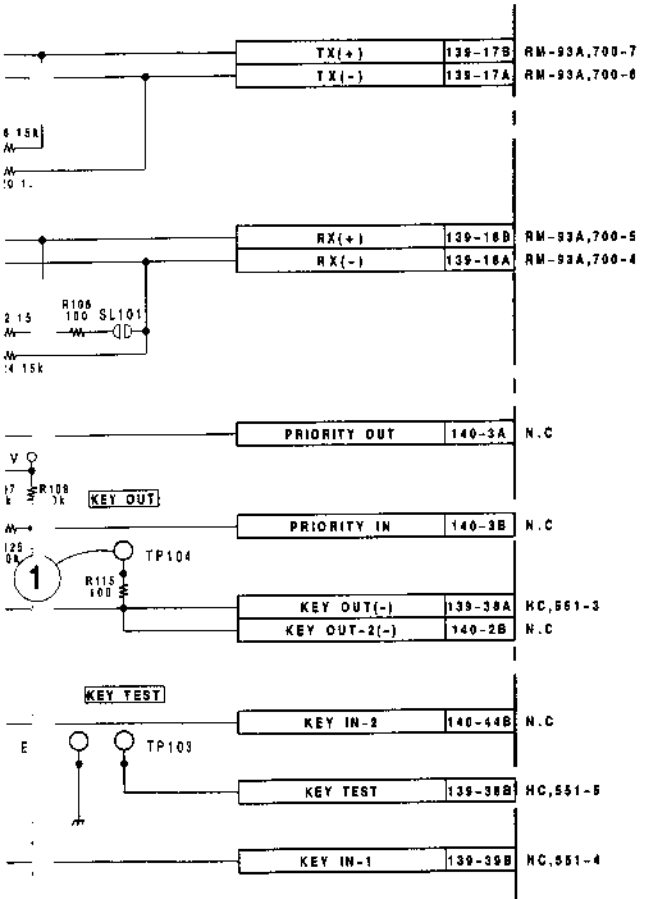
BOARD NO.1-640-029-13
 PVW-2600P (EK);#13101-
 PVW-2600P (UC);#10001-

Serial No.(EK);13101 and higher
Serial No.(UC);10001 and higher

SS-48P(2/7) SS-48P(2/7)

SS-48P(2/7);KY/REMOTE INTERFACE





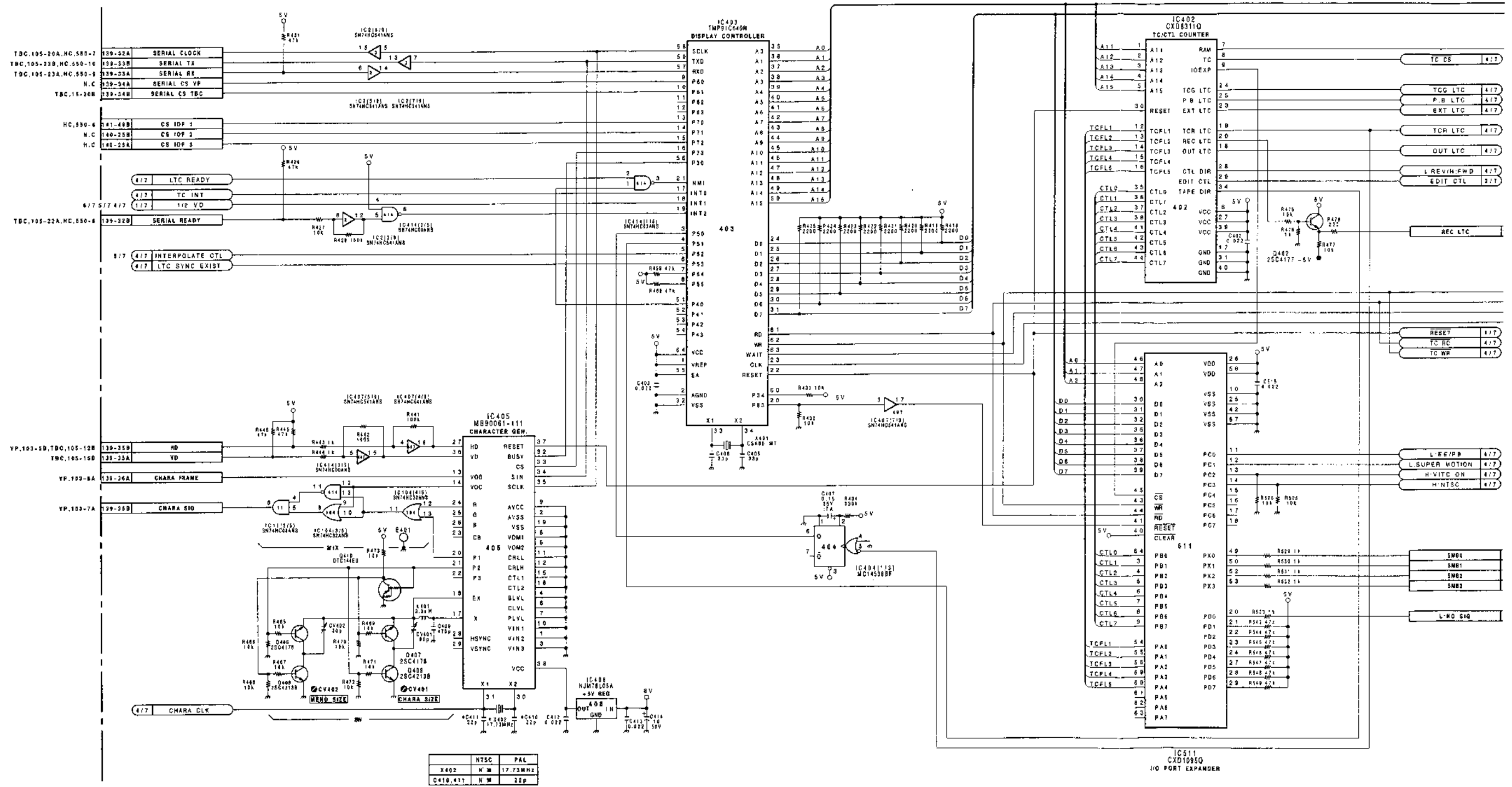
SS-48P BOARD (2/7)

BOARD NO.1-640-029-13
 PVW-2600P (EK); f13101-
 PVW-2600P (UC); f10001-

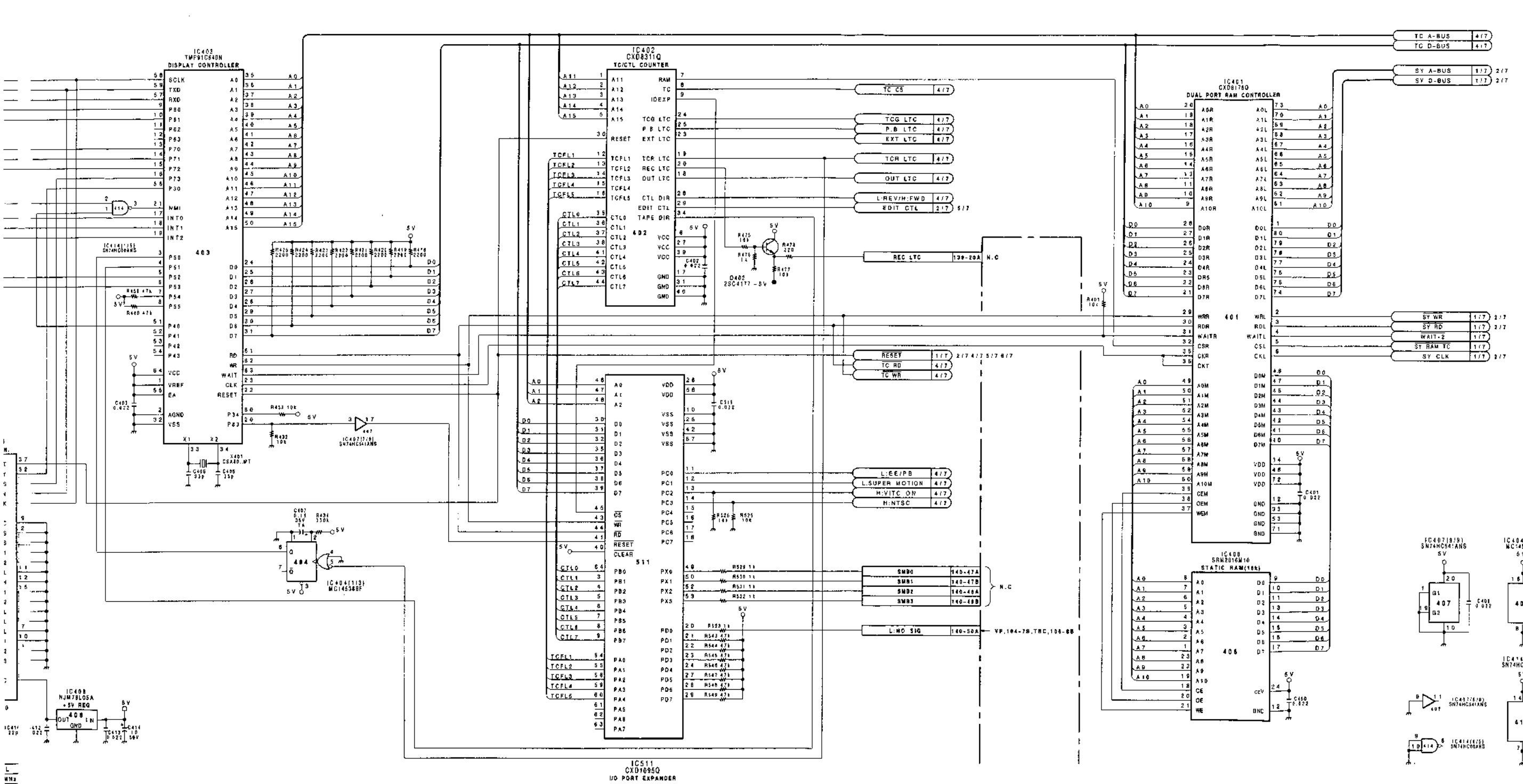
Serial No.(EK);13101 and higher
Serial No.(UC);10001 and higher

SS-48P(3/7) SS-48P(3/7)

SS-48P(3/7);CHARACTER GENERATOR,DISPLAY/RAM CONTROLLER,TC/CTL COUNTER



A | B | C | D | E | F | G | H | I



1

2

3

4

5

SS-48P BOARD (3/7)

BOARD NO.1-640-029-13
 PVW-2600P (EK): F13101-
 PVW-2600P (UC): F10001-

E | F | G | H | I | J | K | L

SS-48P(4/7);TC GEN/READER,LTC FORMER

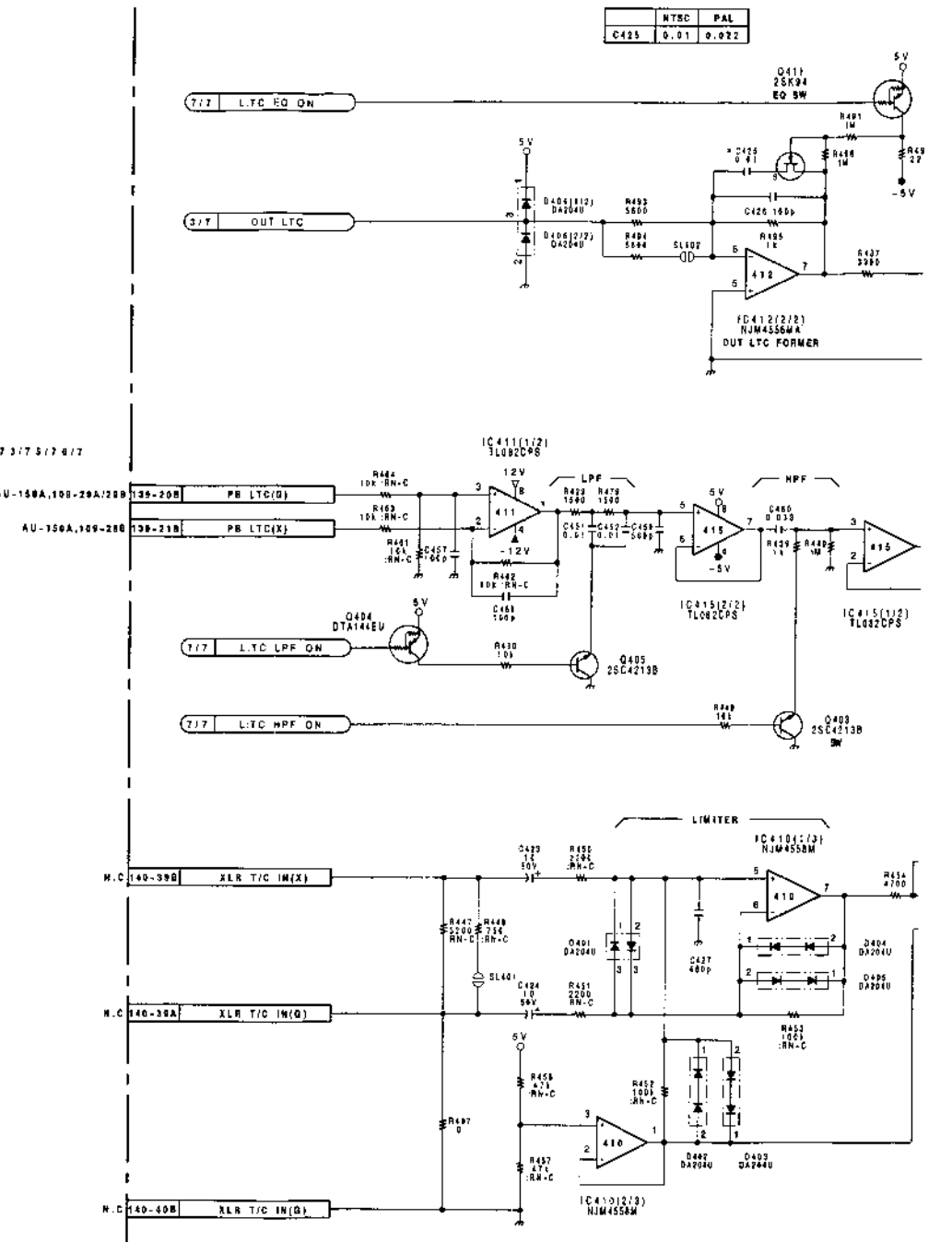
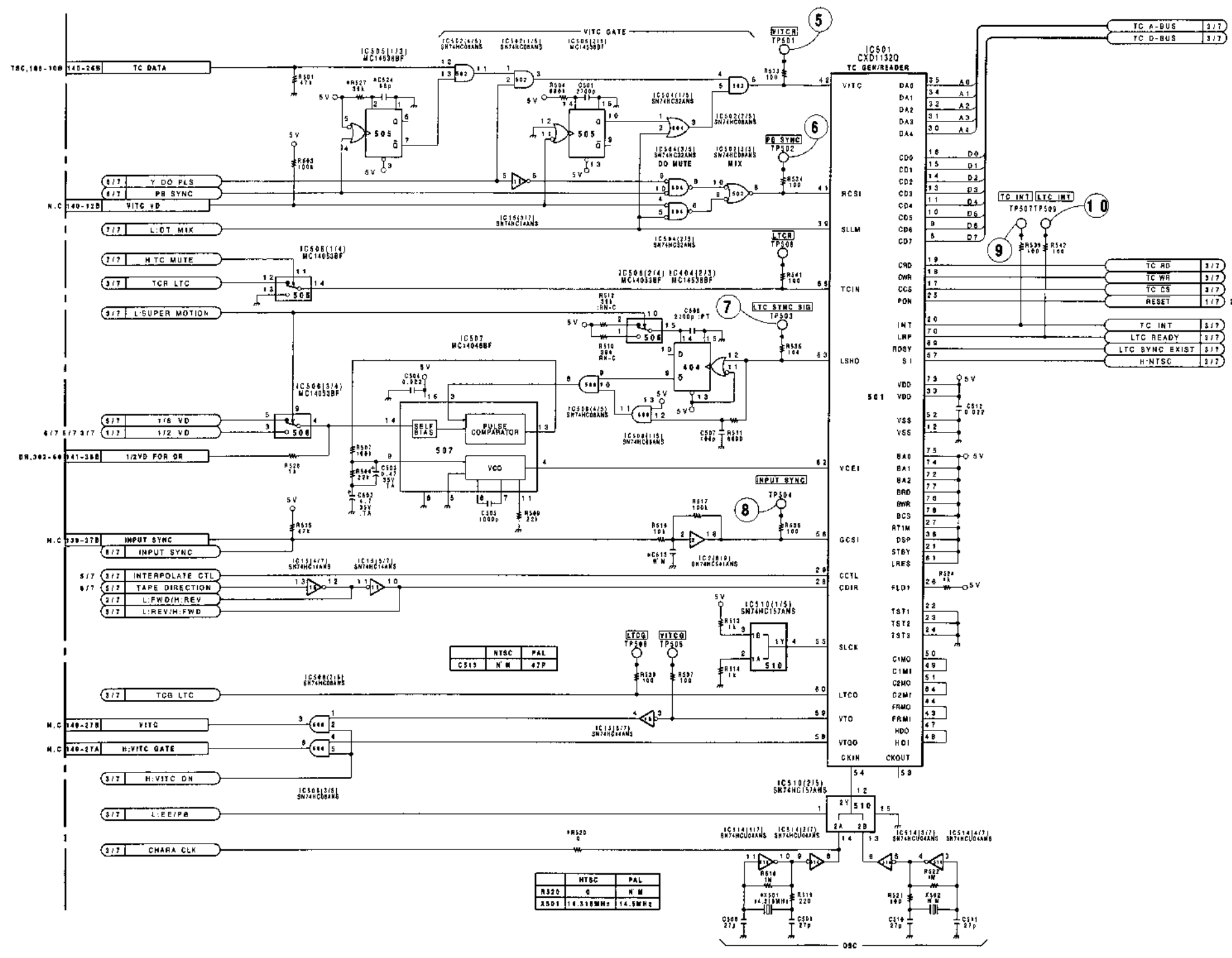
1

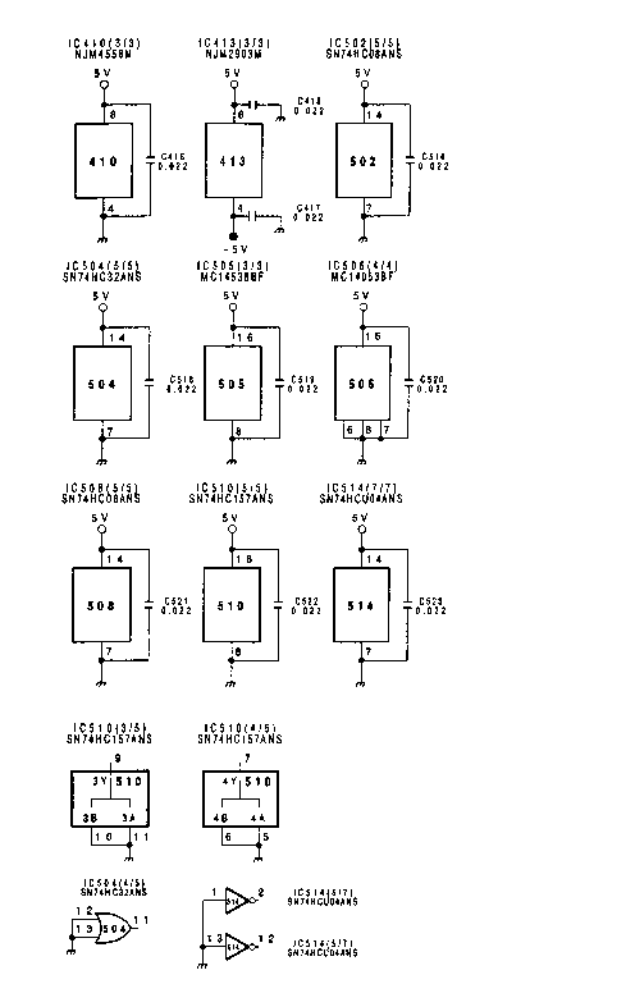
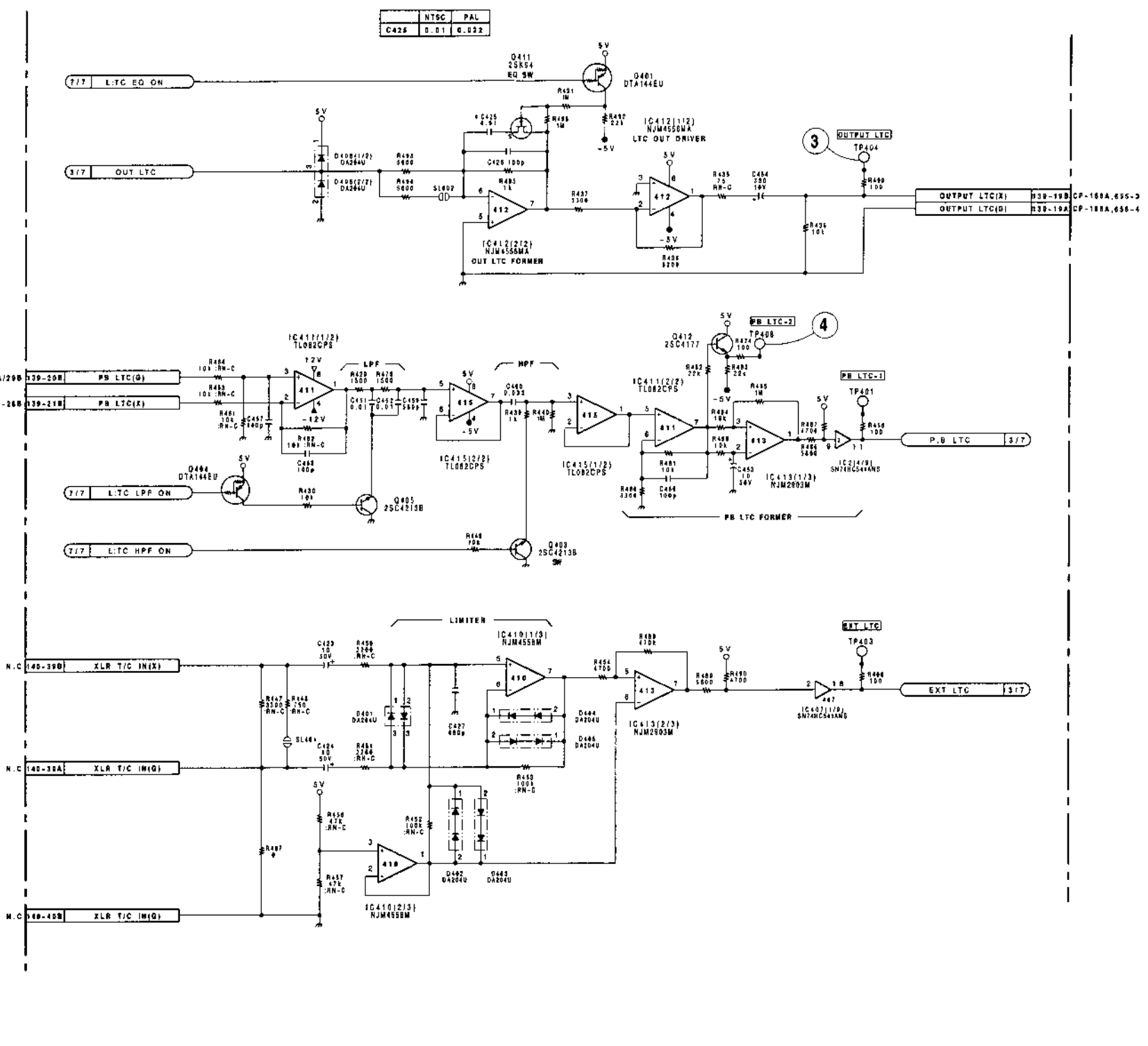
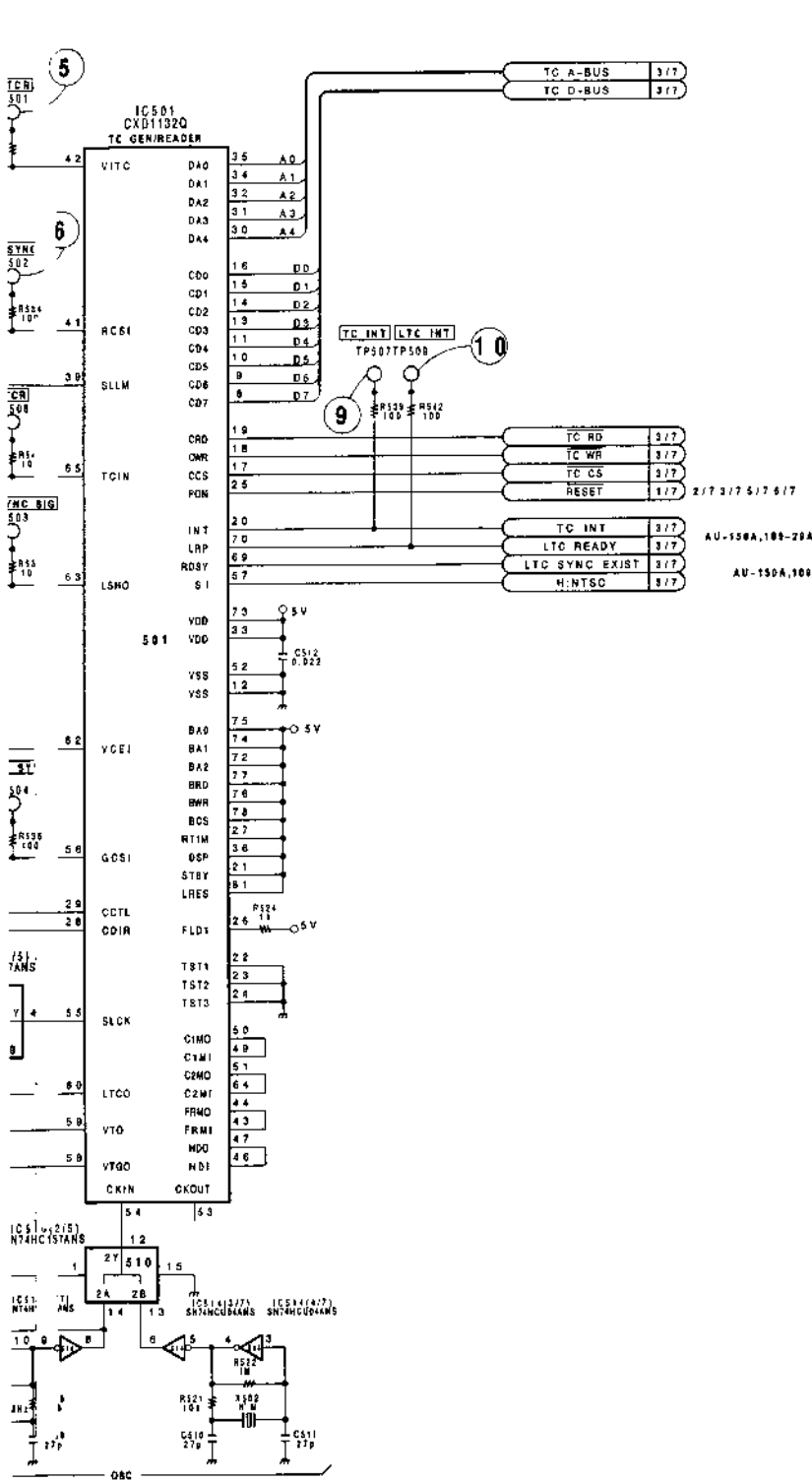
2

3

4

5



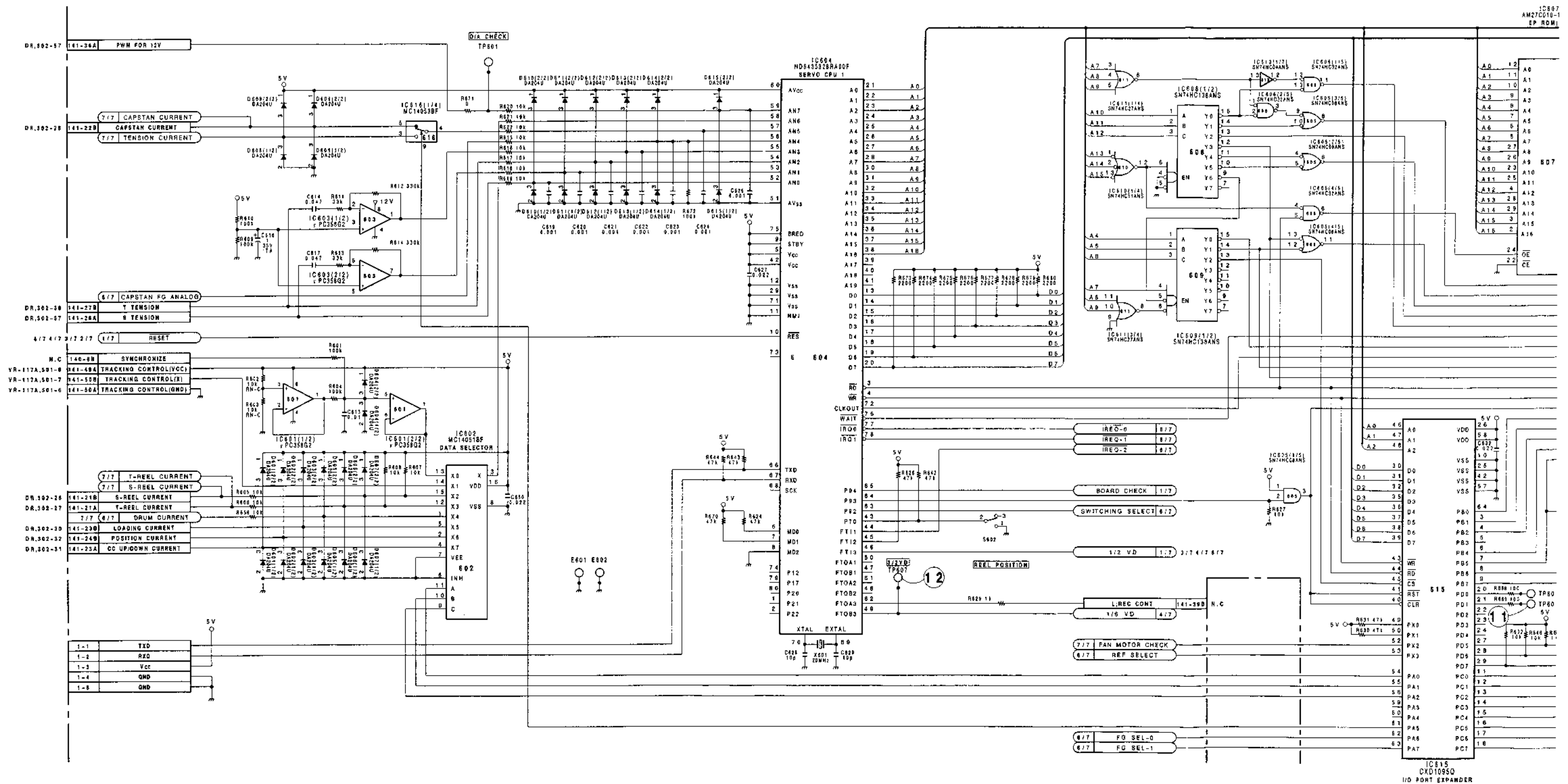


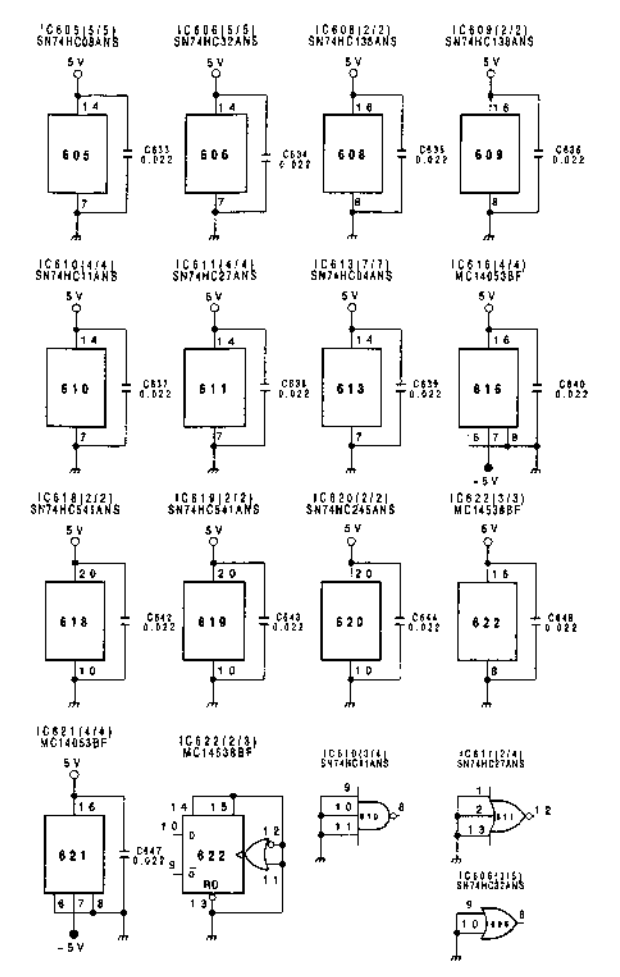
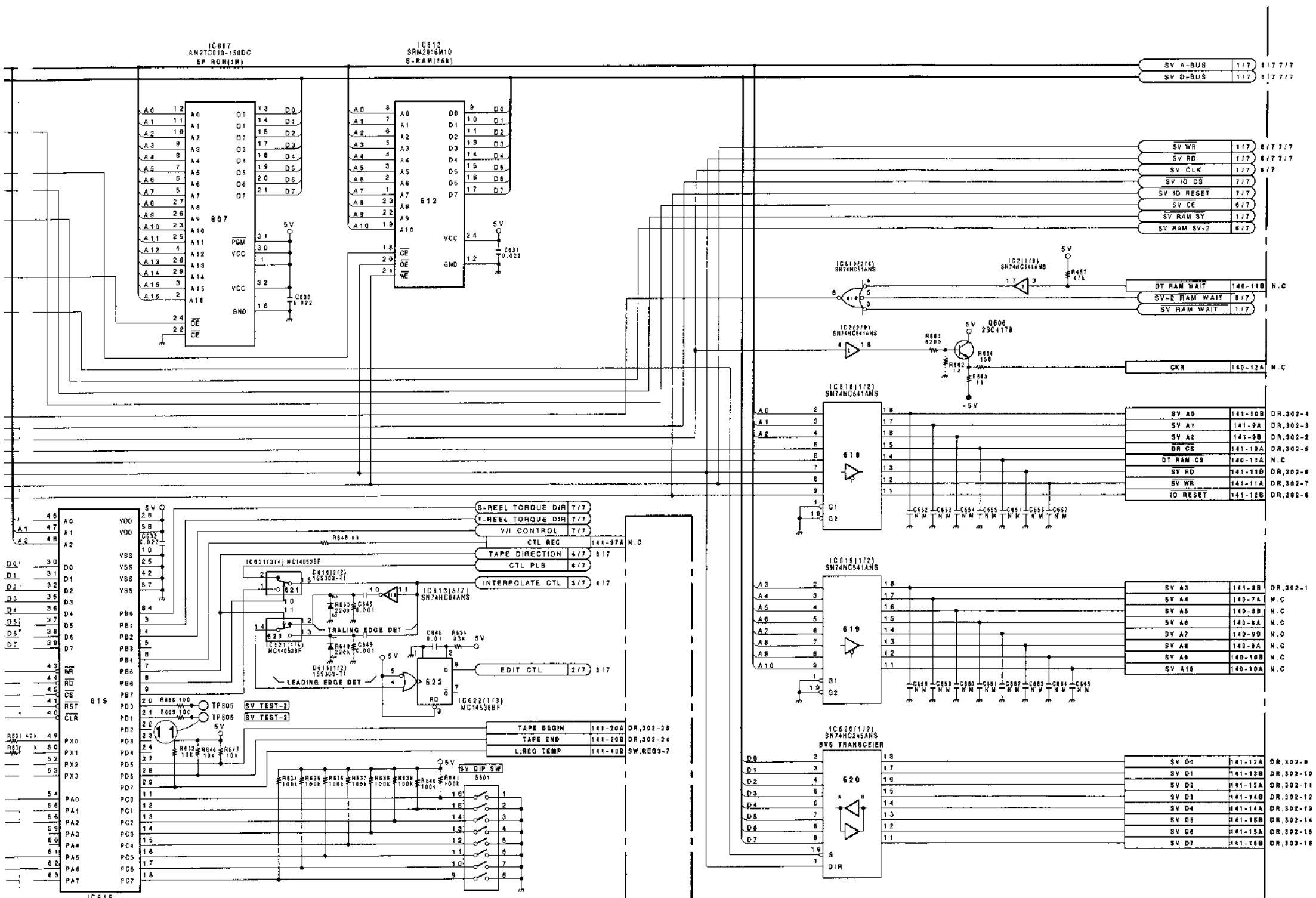
SS-48P BOARD (4/7)
 BOARD NO.1-640-029-13
 PVW-2600P (EK):#13101-
 PVW-2600P (UC):#10001-

Serial No.(EK);13101 and higher
Serial No.(UC);10001 and higher

SS-48P(5/7) SS-48P(5/7)

SS-48P(5/7);SERVO SYSTEM MAIN





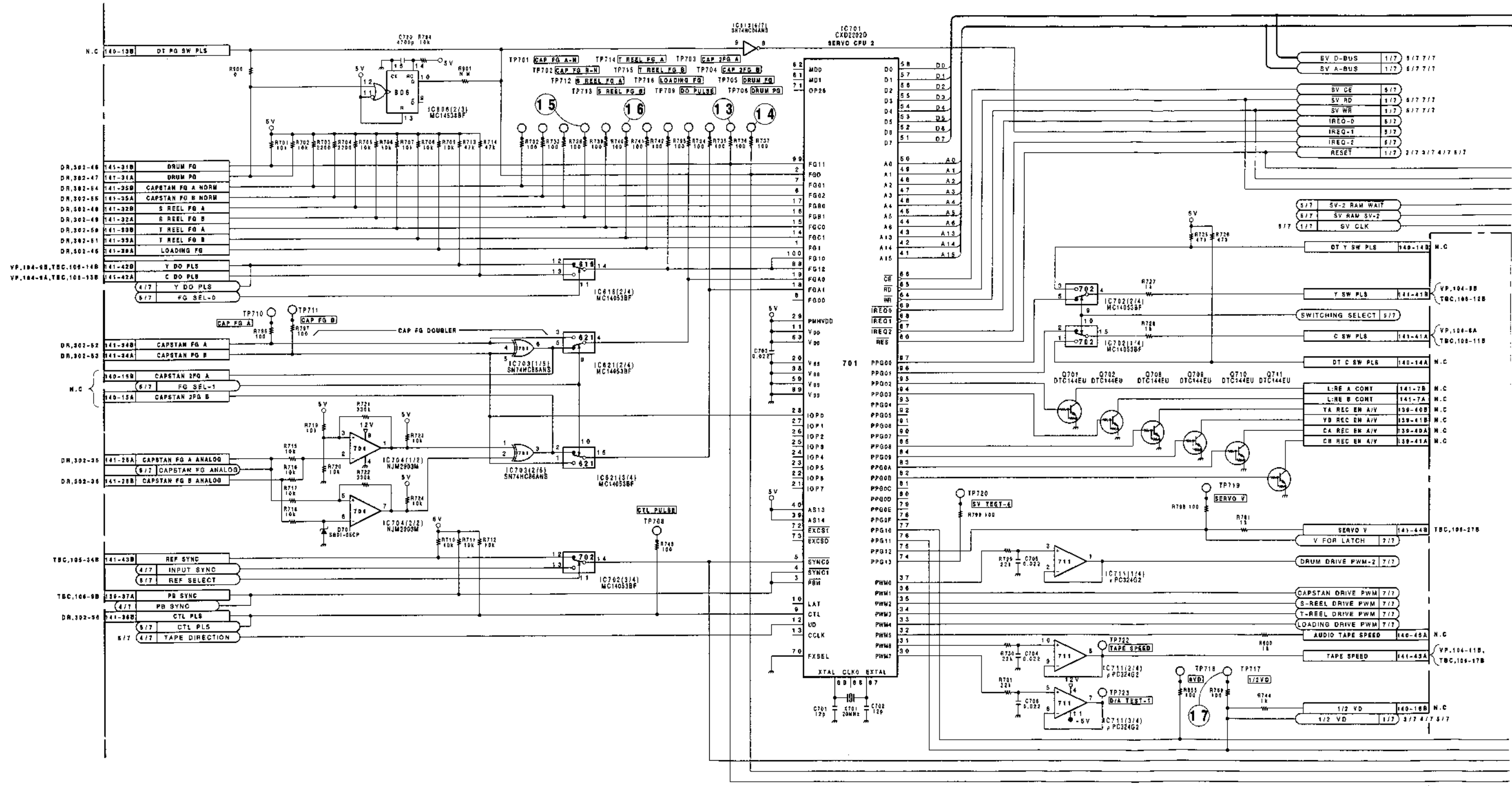
SS-48P BOARD (5/7)

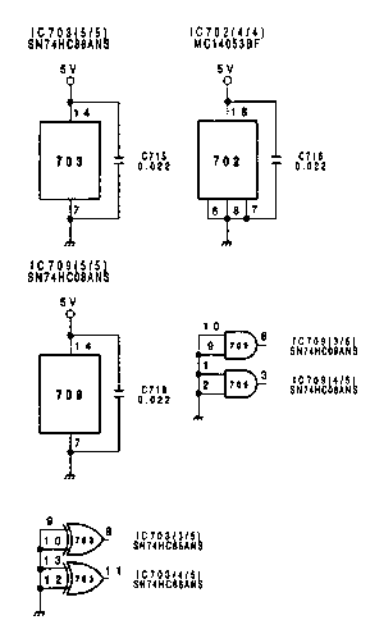
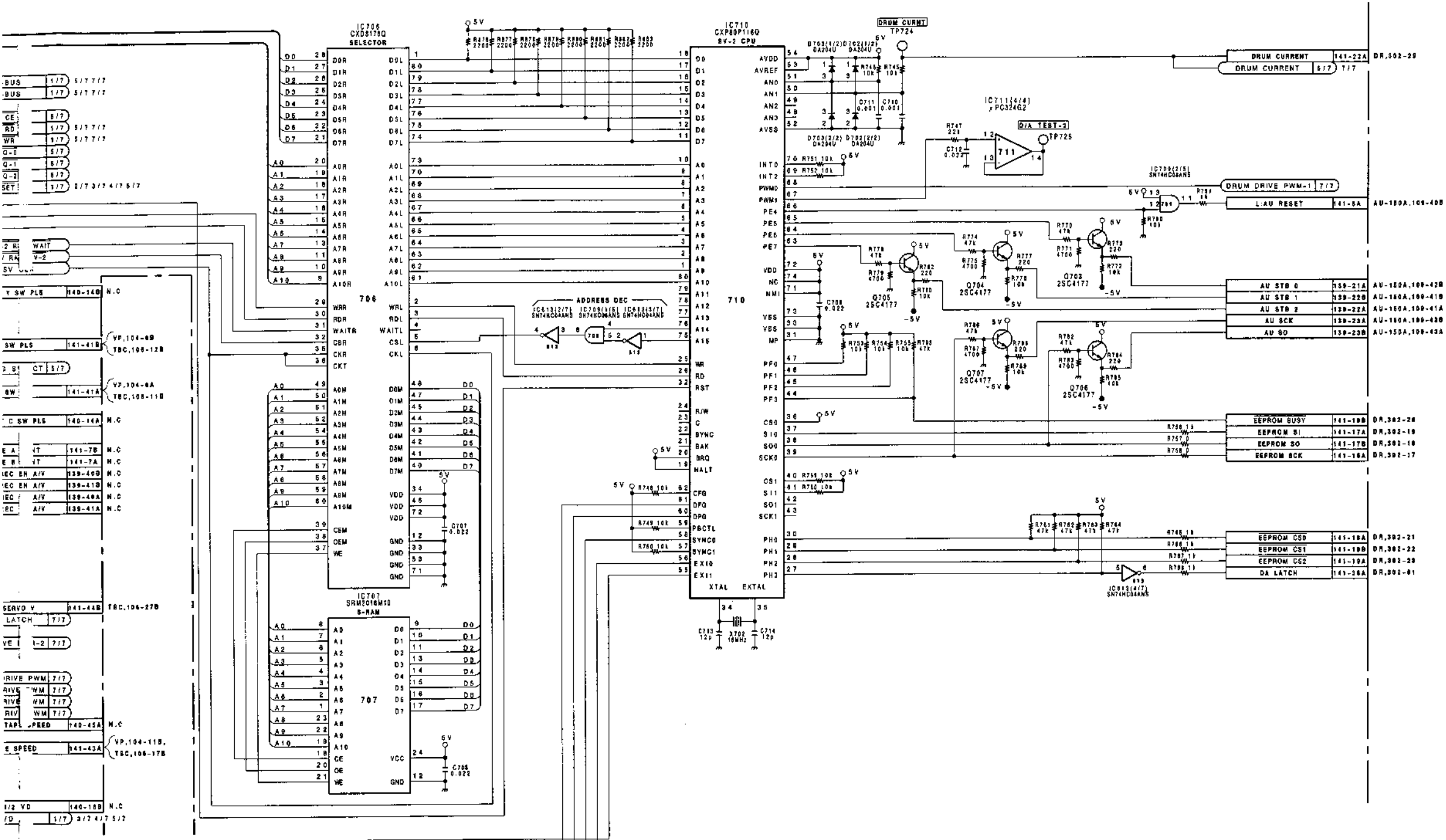
BOARD NO.1-640-029-13
PVW-2600P (EK):#13101-
PVW-2600P (UC):#10001-

Serial No.(EK);13101 and higher
Serial No.(UC);10001 and higher

SS-48P(6/7) SS-48P(6/7)

SS-48P(6/7);SERVO SYSTEM MAIN



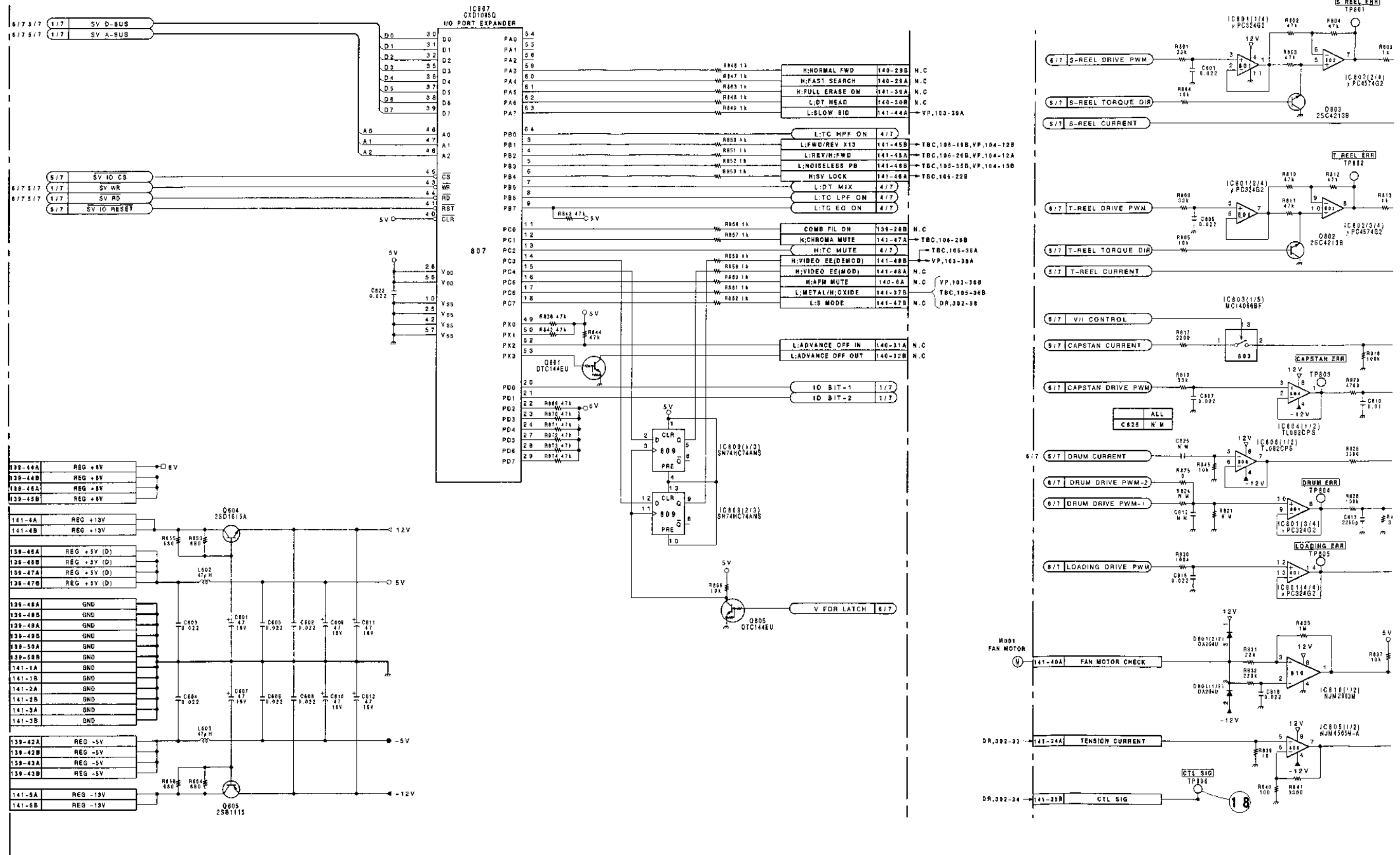


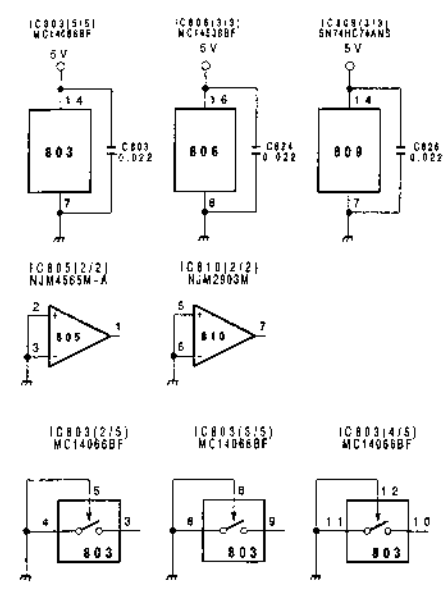
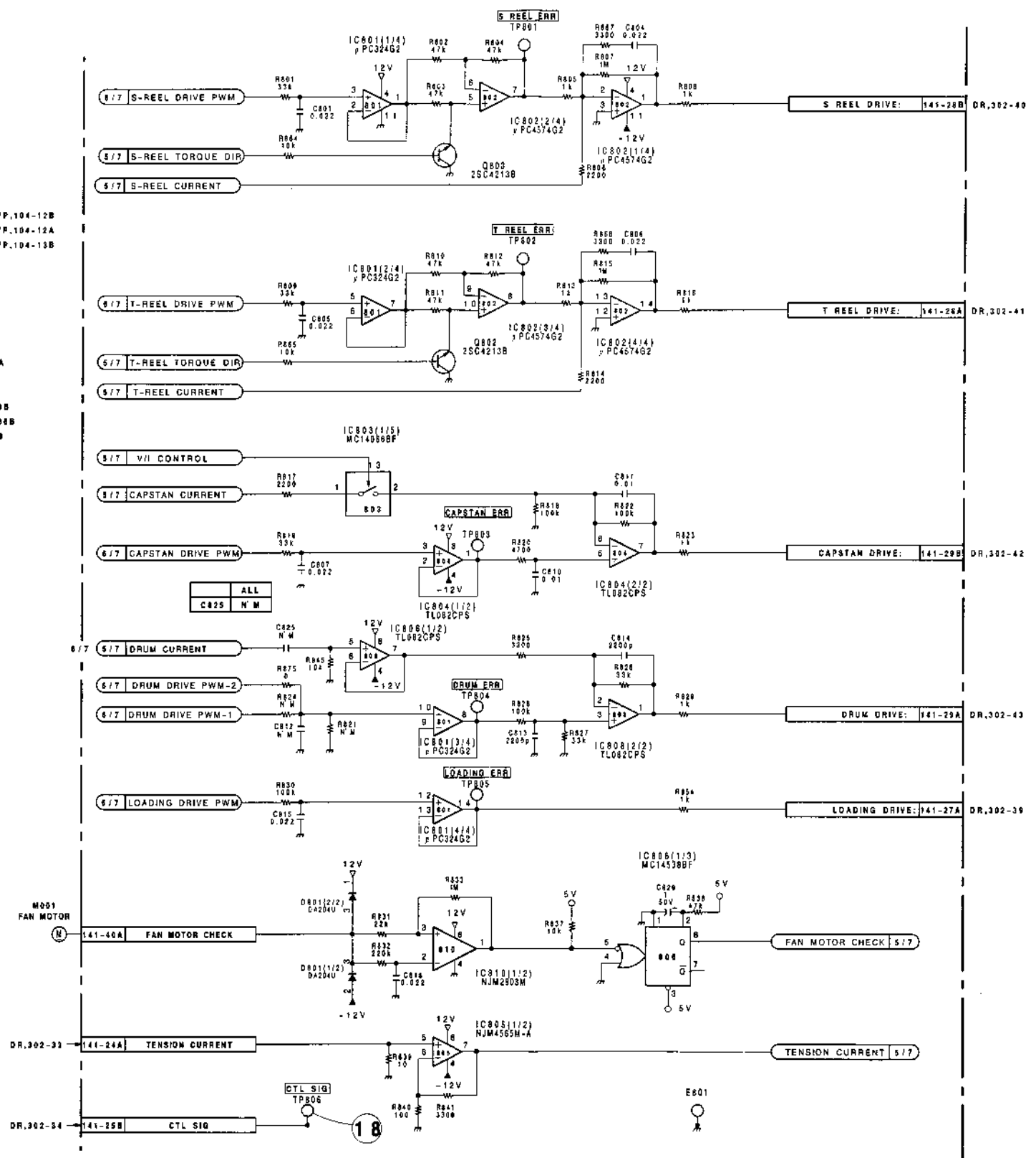
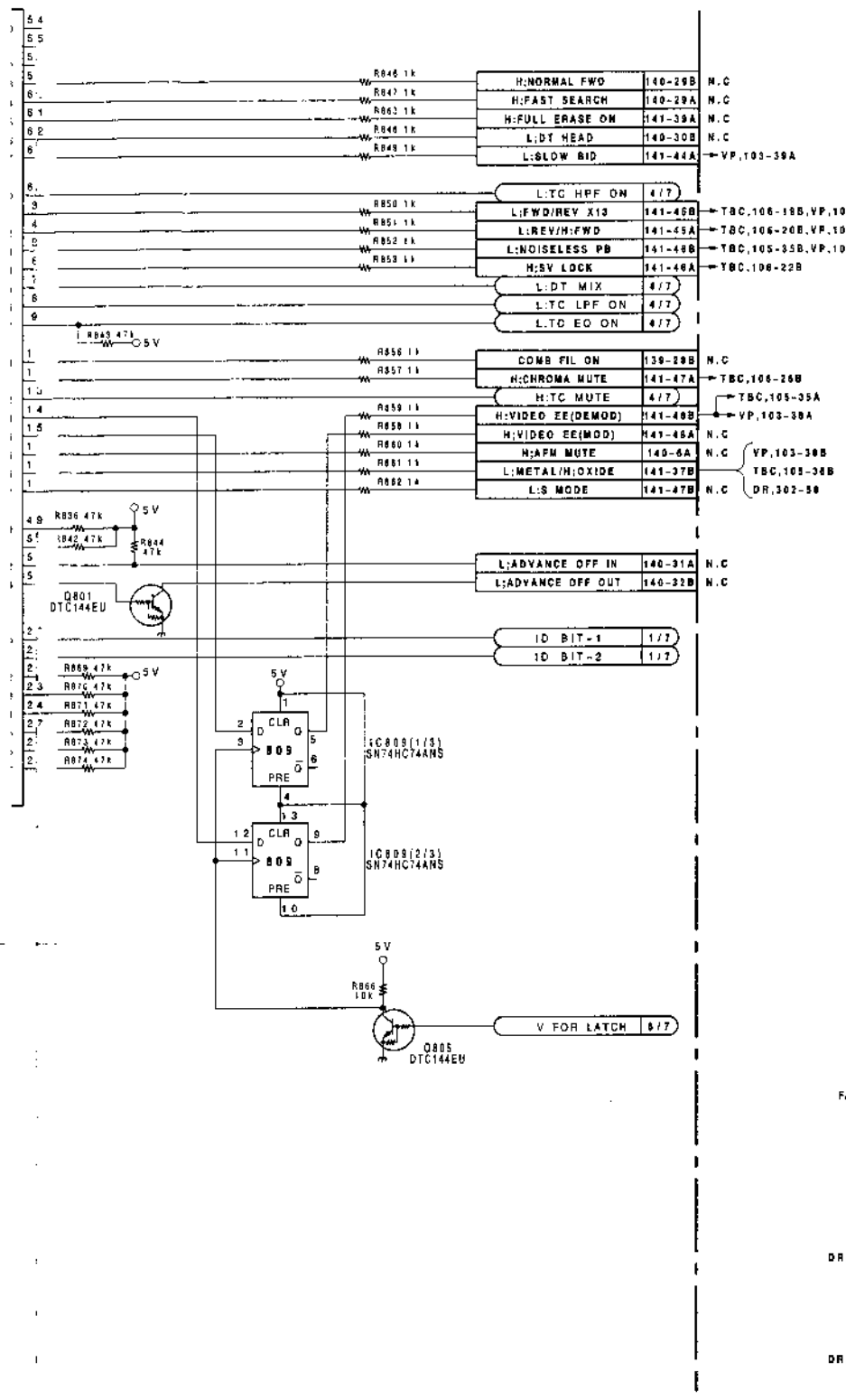
SS-48P BOARD (6/7)
 BOARD NO.1-640-029-13
 PVW-2600P (EK); #13101-
 PVW-2600P (UC); #10001-

Serial No.(EK);13101 and higher
Serial No.(UC);10001 and higher

SS-48P(7/7) SS-48P(7/7)

SS-48P(7/7);MOTOR PRE DRIVER,MODE CONTROL





1
2
3
4
5

SS-48P BOARD (7/7)

BOARD NO.1-640-029-13
PVW-2600P (EK):#13101-
PVW-2600P (UC):#10001-

5(b)

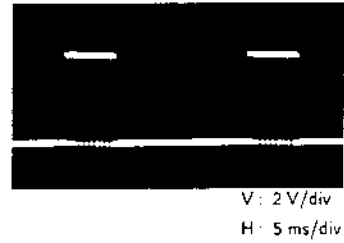
E | F | G | H | I | J | K | L

16-35(b)

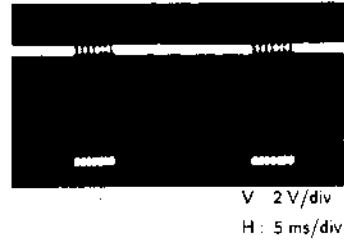
SS-48P(1-640-029-12)

TP5	P-2
TP6	P-2
TP101	L-6
TP102	K-5
TP103	L-7
TP104	L-7
TP105	L-4
TP401	J-6
TP402	N-2
TP403	K-4
TP404	Q-7
TP408	J-1
TP501	G-3
TP502	F-2
TP503	F-5
TP504	G-3
TP505	G-3
TP506	J-4
TP507	G-1
TP508	G-4
TP509	K-3
TP601	B-4
TP602	B-2
TP603	B-3
TP604	B-1
TP605	A-1
TP606	A-1
TP607	F-1
TP701	B-3
TP702	B-6
TP703	F-2
TP704	E-2
TP705	C-4
TP706	D-4
TP708	C-1
TP709	A-4
TP710	E-3
TP711	E-3
TP712	B-3
TP713	C-7
TP714	A-4
TP715	B-6
TP716	D-1
TP717	G-5
TP718	A-4
TP719	A-3
TP720	A-3
TP721	D-6
TP722	C-5
TP723	C-5
TP724	F-7
TP725	C-5
TP801	F-7
TP802	G-7
TP803	A-6
TP804	B-7
TP805	D-7
TP806	D-1

① TP104
EE/PB



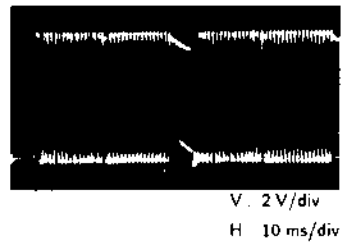
② TP105
EE/PB



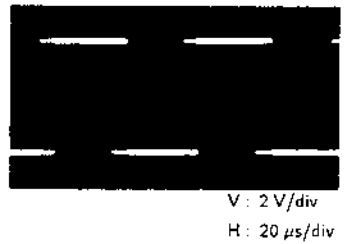
③ TP404
EE/PB



④ TP408
PB



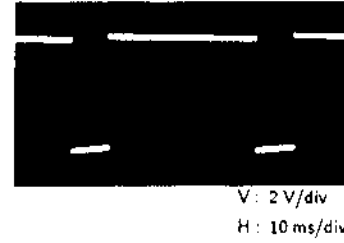
⑤ TP501
EE/PB



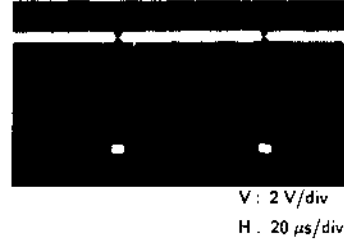
⑥ TP502
EE/PB



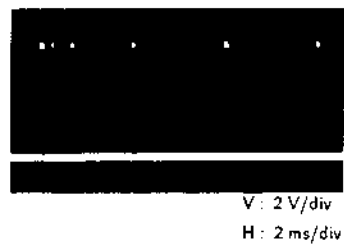
⑦ TP503
EE/PB



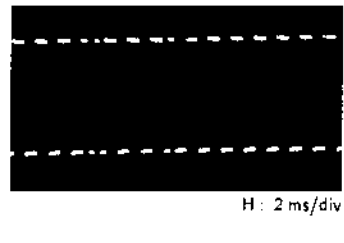
⑧ TP504
EE/PB



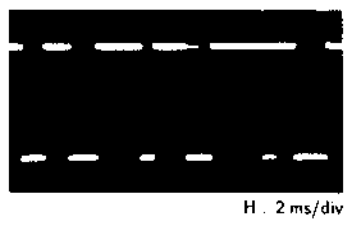
⑨ TP507
EE/PB



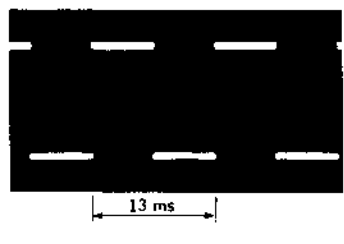
⑩ TP509
PB/EE



⑪ TP606
PB



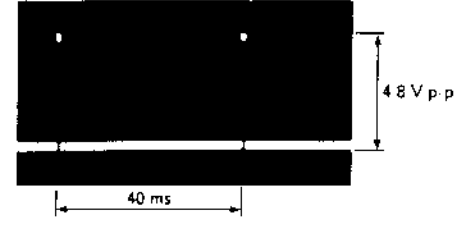
⑫ TP607
EE/PB



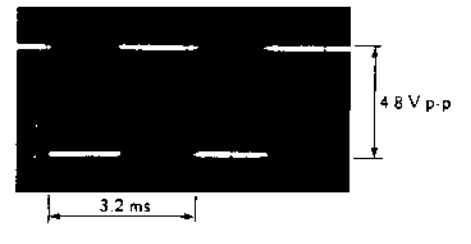
⑬ TP705
EE/PB



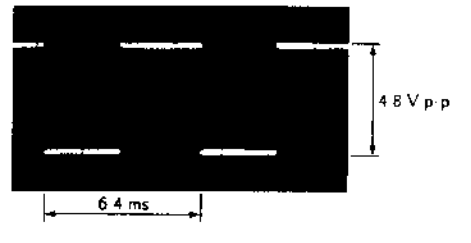
⑭ TP706
EE/PB



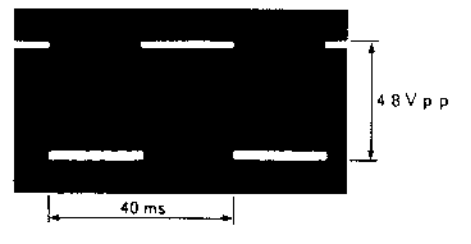
⑮ TP713
PB



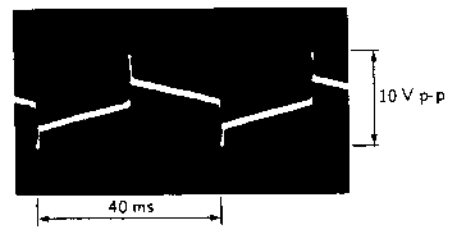
⑯ TP715
PB



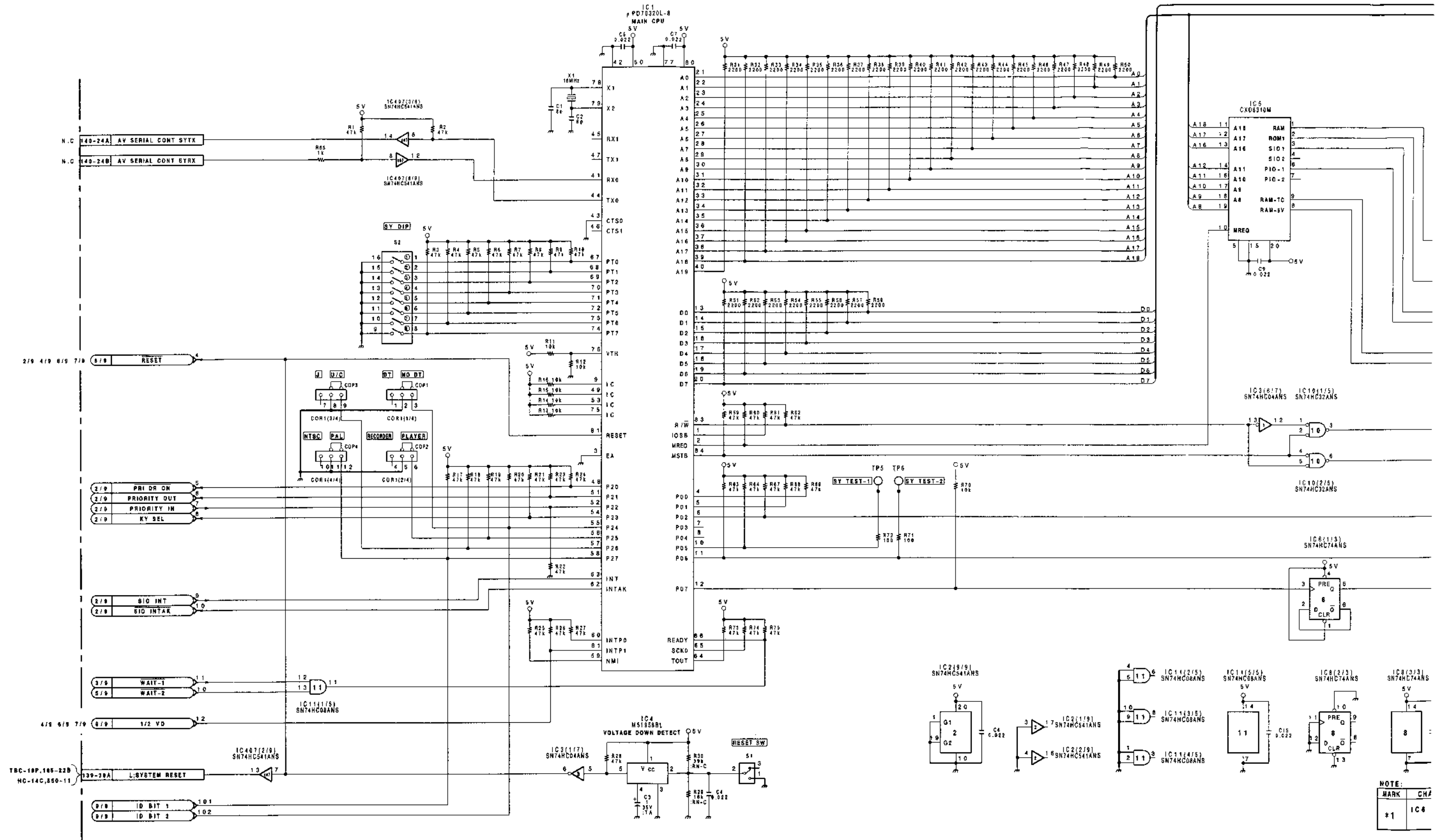
⑰ TP717
EE/PB



⑱ TP806
PB



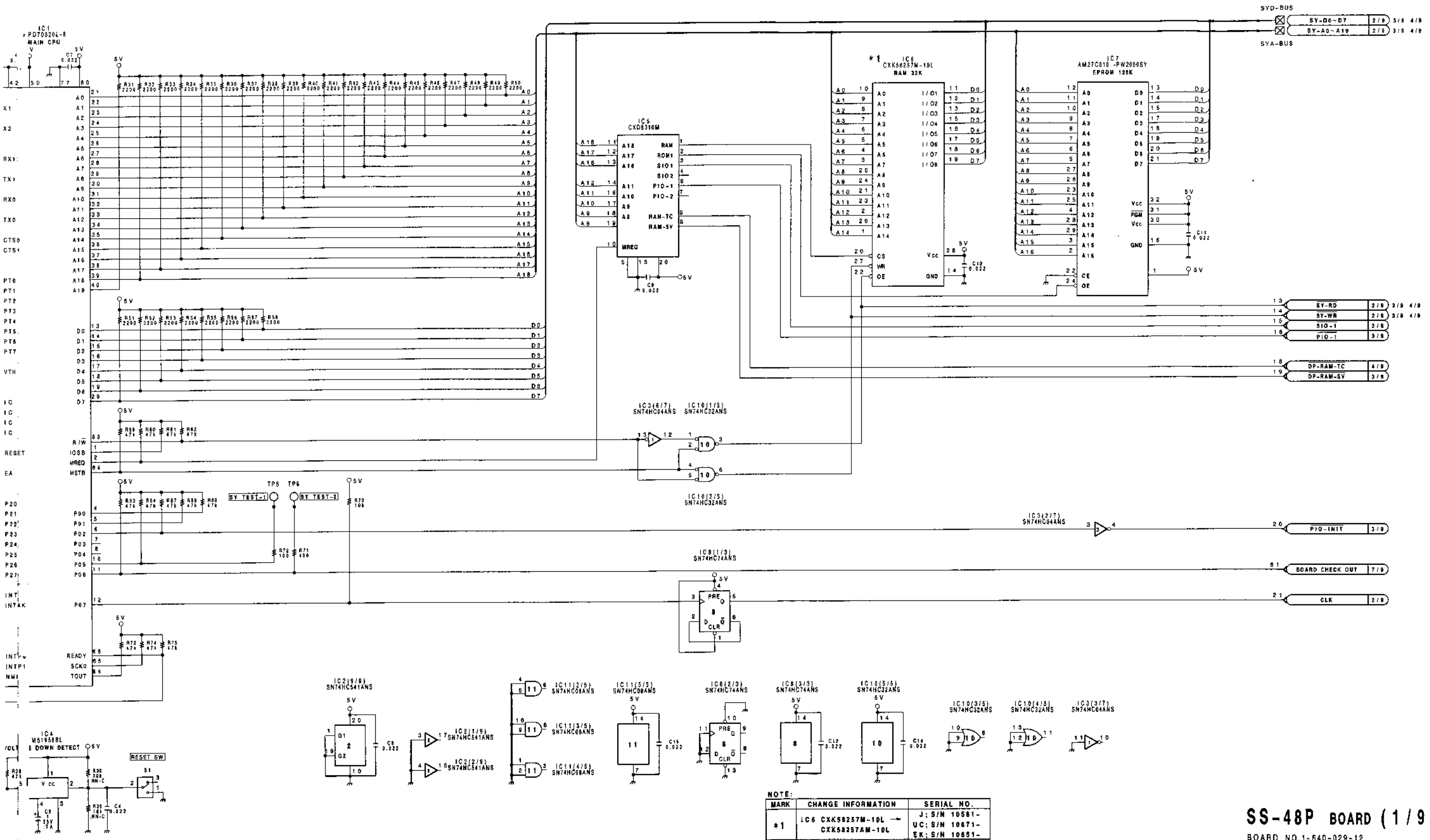
SS-48P(1/9);SYSTEM CONTROL



16-29(a)

NOTE:

MARK	CH#
#1	IC6



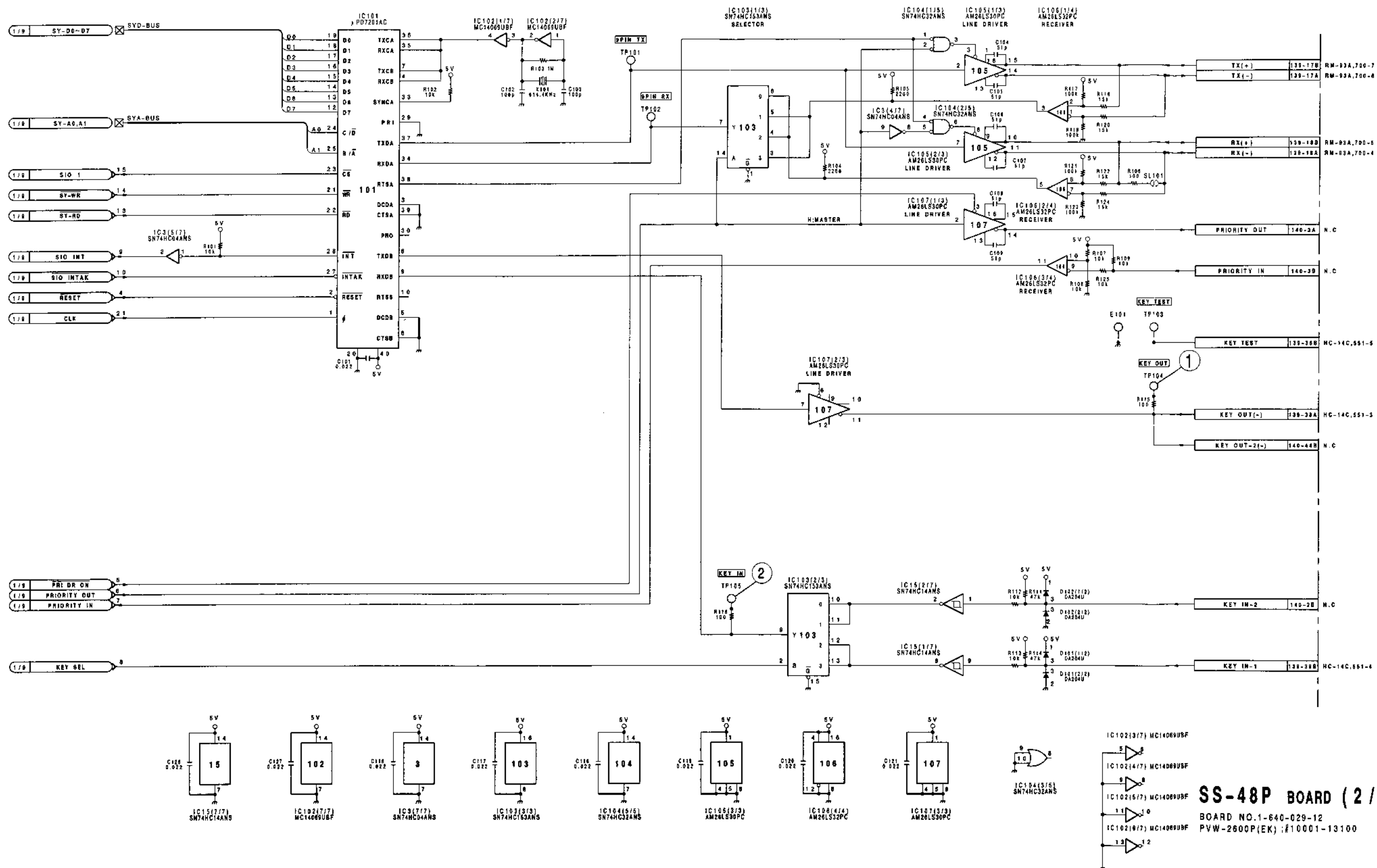
NOTE:

MARK	CHANGE INFORMATION	SERIAL NO.
#1	IC6 CXK56257M-10L → CXK56257AM-10L	J; S/N 10581-UC; S/N 10471-EK; S/N 10651-

SS-48P BOARD (1/9)
 BOARD NO.1-640-029-12
 PVW-2600P(EK); #10001-13100

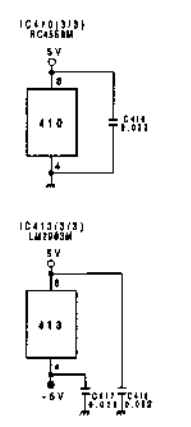
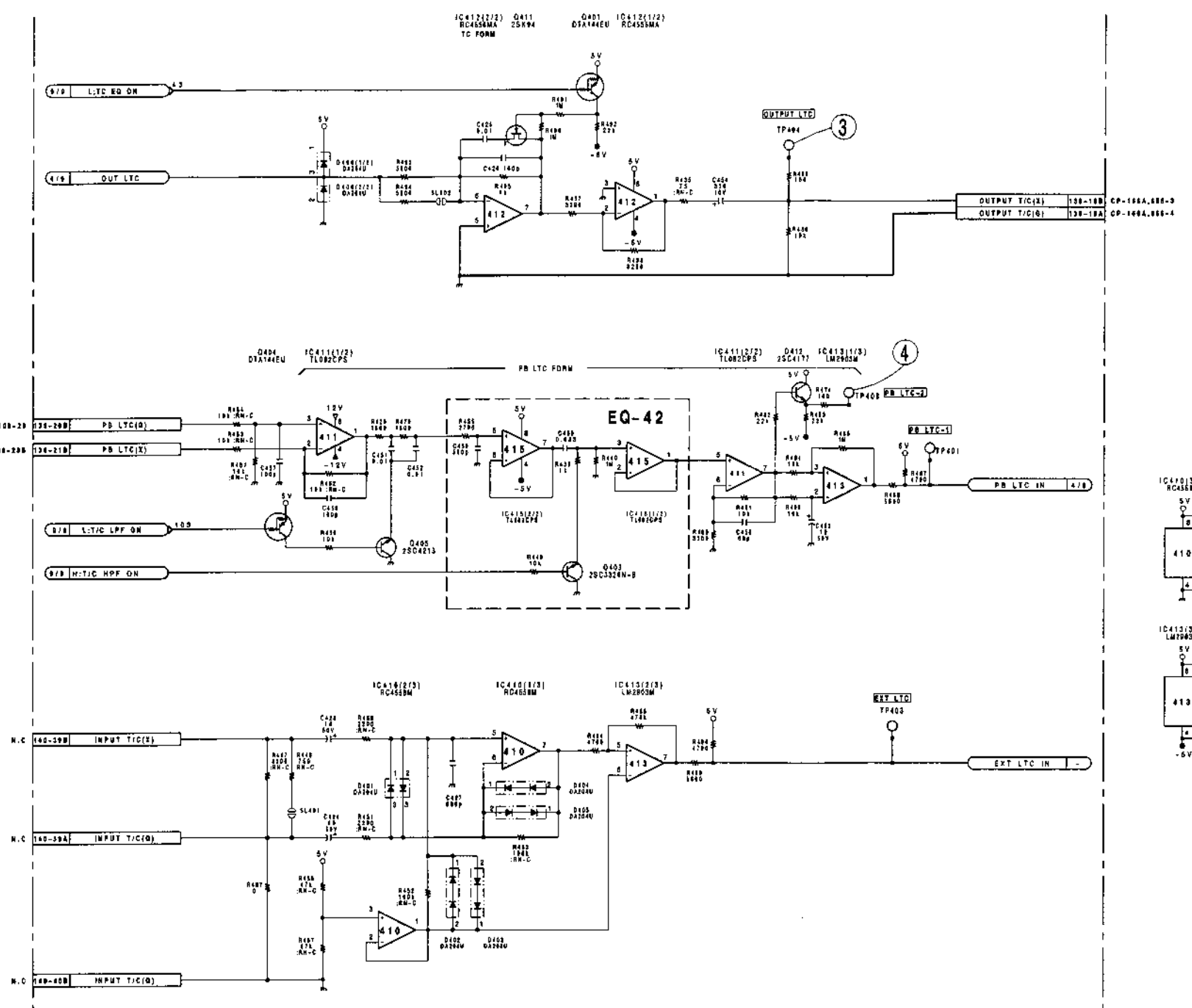
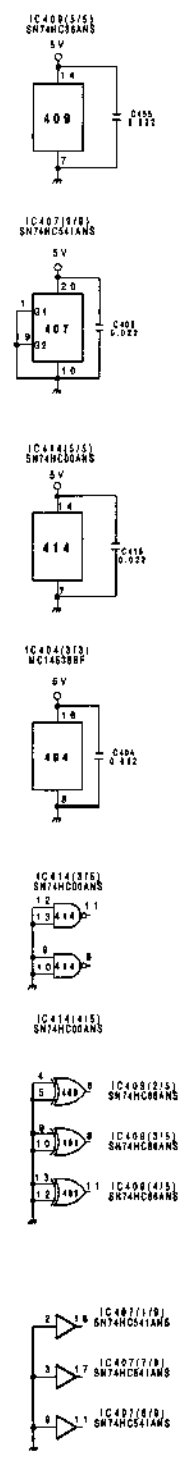
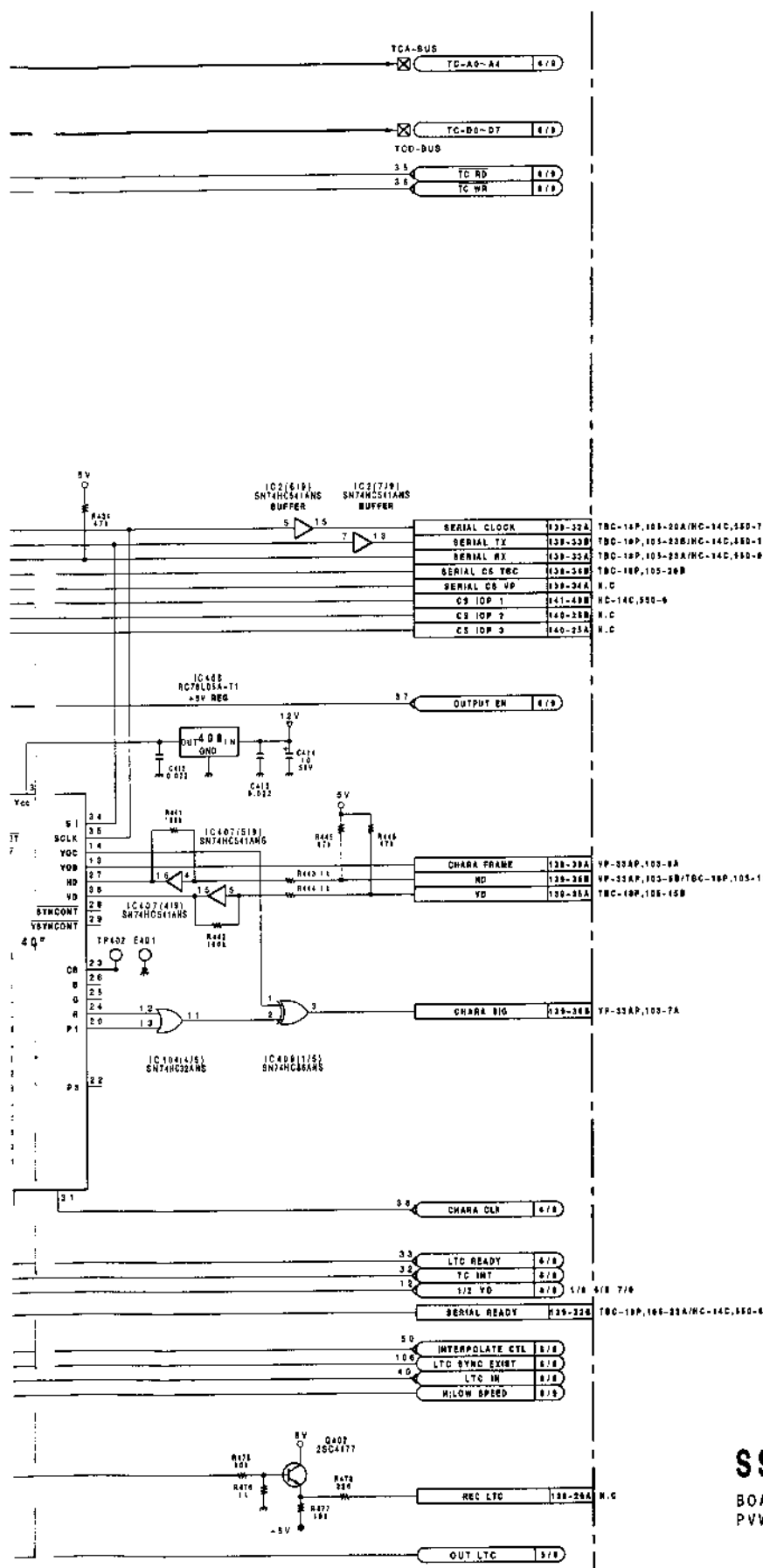
Serial No.(EK);10001 to 13100

SS-48P(2/9);SYSTEM CONTROL



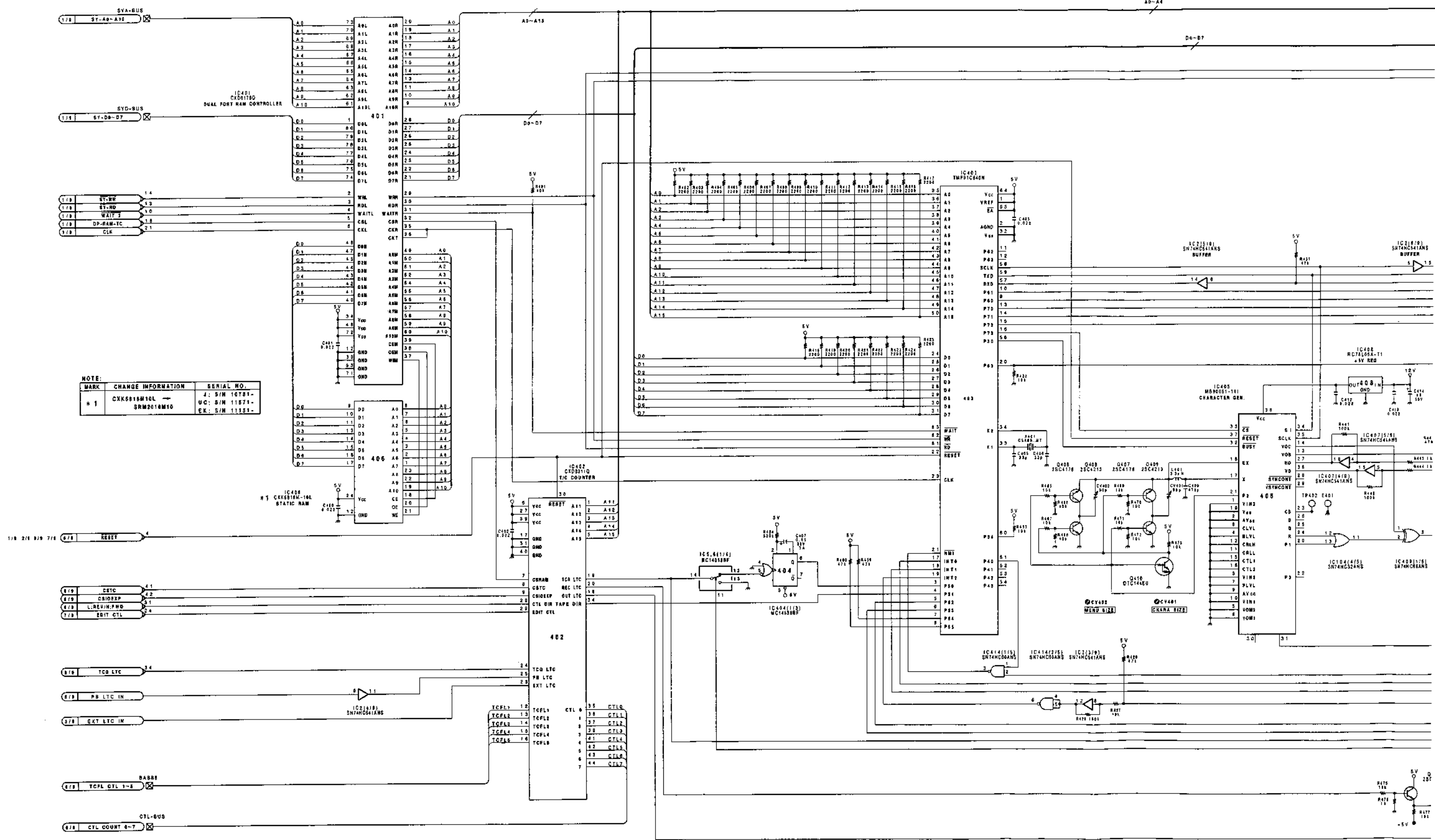
SS-48P BOARD (2/9)
 BOARD NO.1-640-029-12
 PVW-2600P(EK);#10001-13100

SS-48P(5/9);LTC FORMER



Serial No.(EK);10001 to 13100

SS-48P(4/9);T/C COUNTER,DISPLAY CONTROLLER,CHARACTER GENERATOR



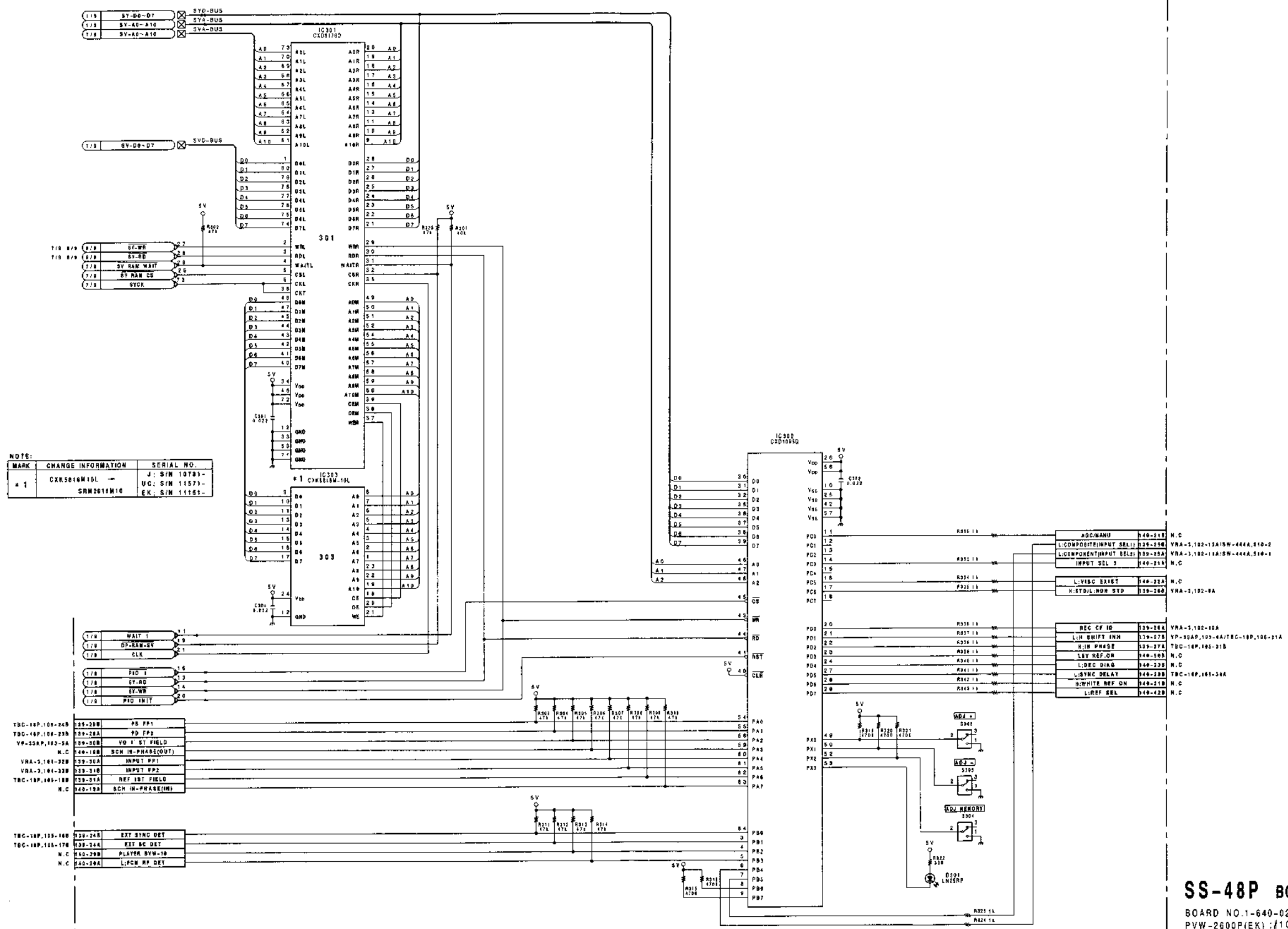
NOTE:

MARK	CHANGE INFORMATION	SERIAL NO.
* 1	SRM2018M10	4: S/N 10731- UC: S/N 11871- EK: S/N 11151-

A B C D E F G H

Serial No.(EK);10001 to 13100

SS-48P(3/9);SYSTEM CONTROL



SS-48P BOARD (3/9)
BOARD NO.1-640-029-12
PVW-2600P(EK);#10001-13100

16-31(a)

A

B

C

D

E

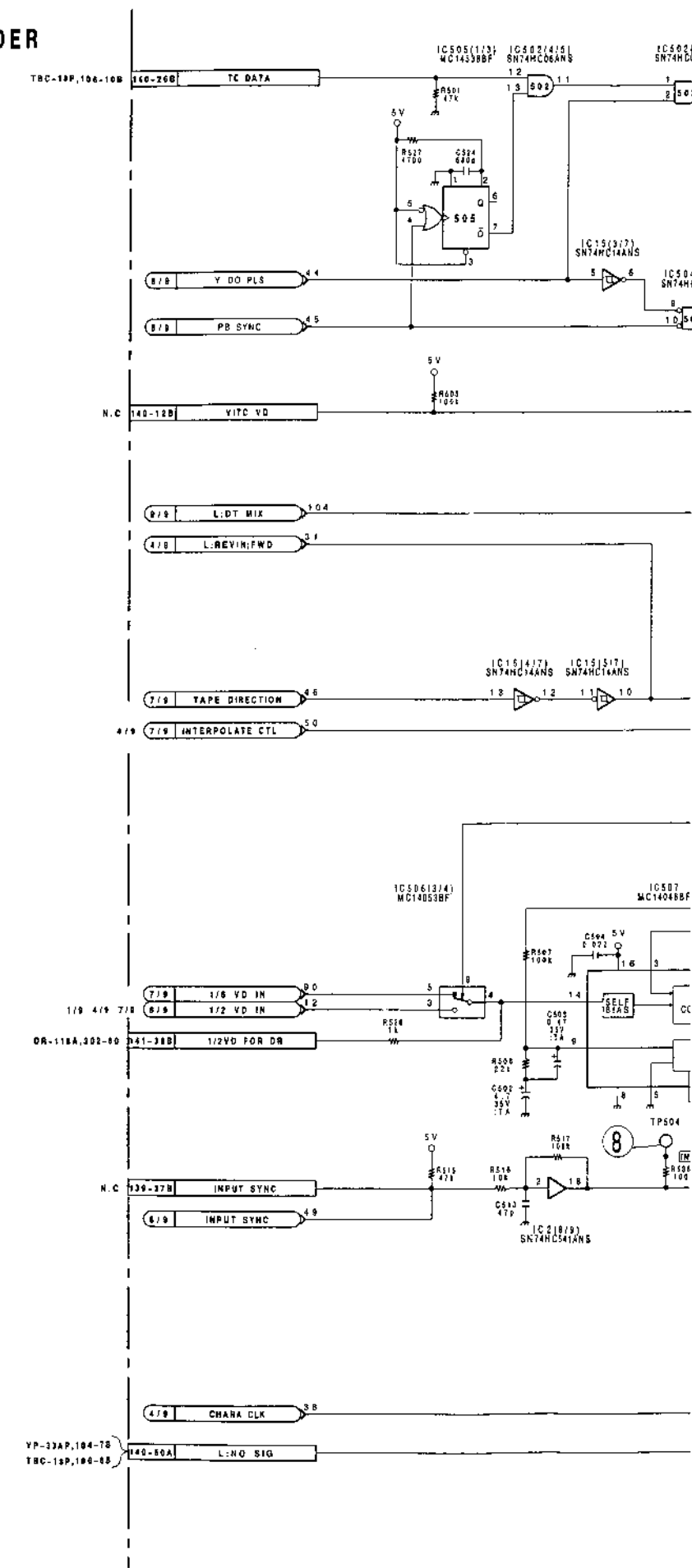
F

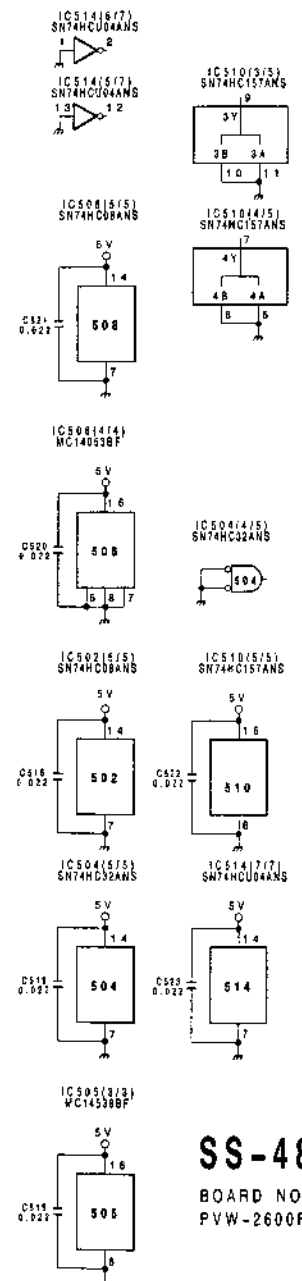
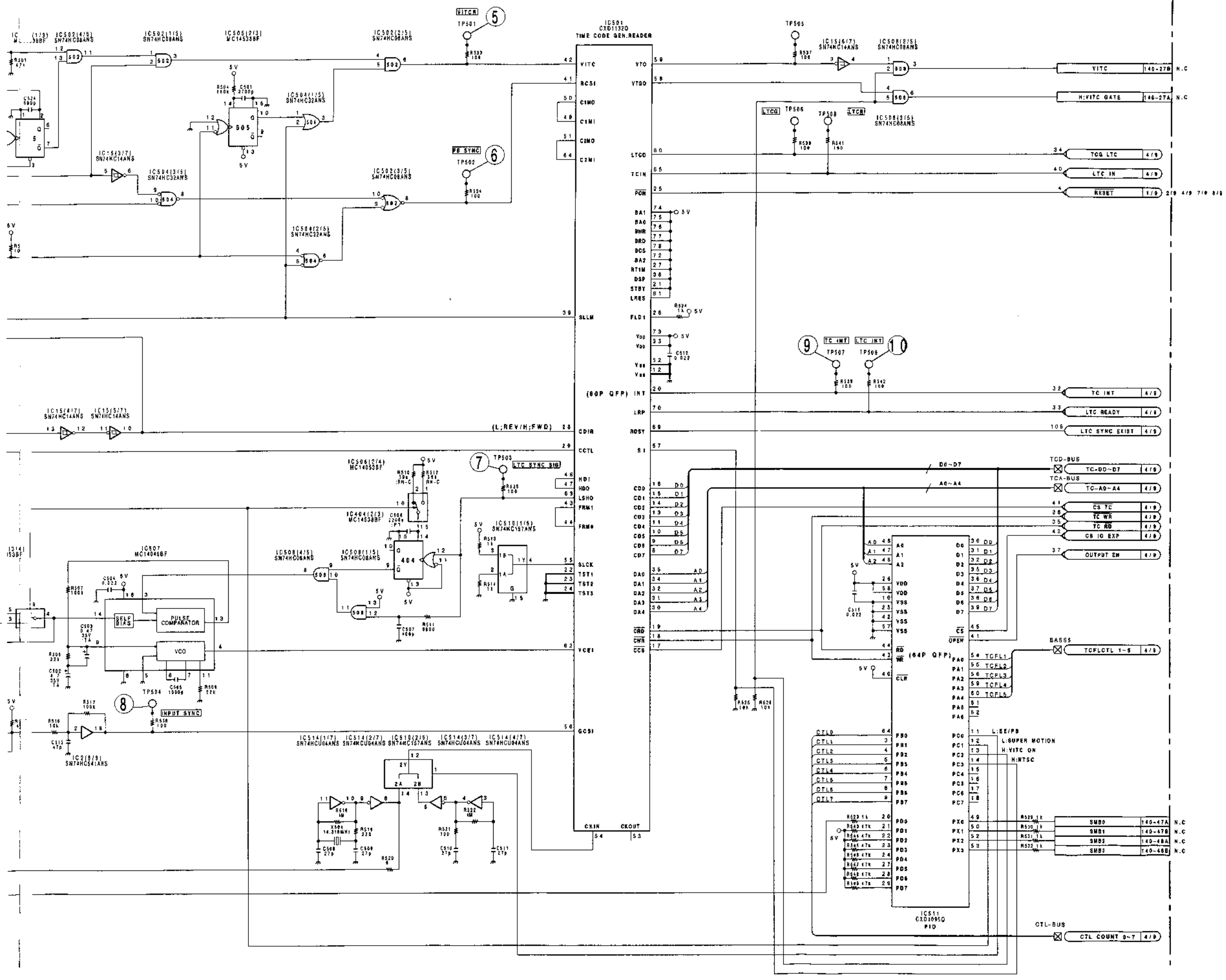
G

H

I

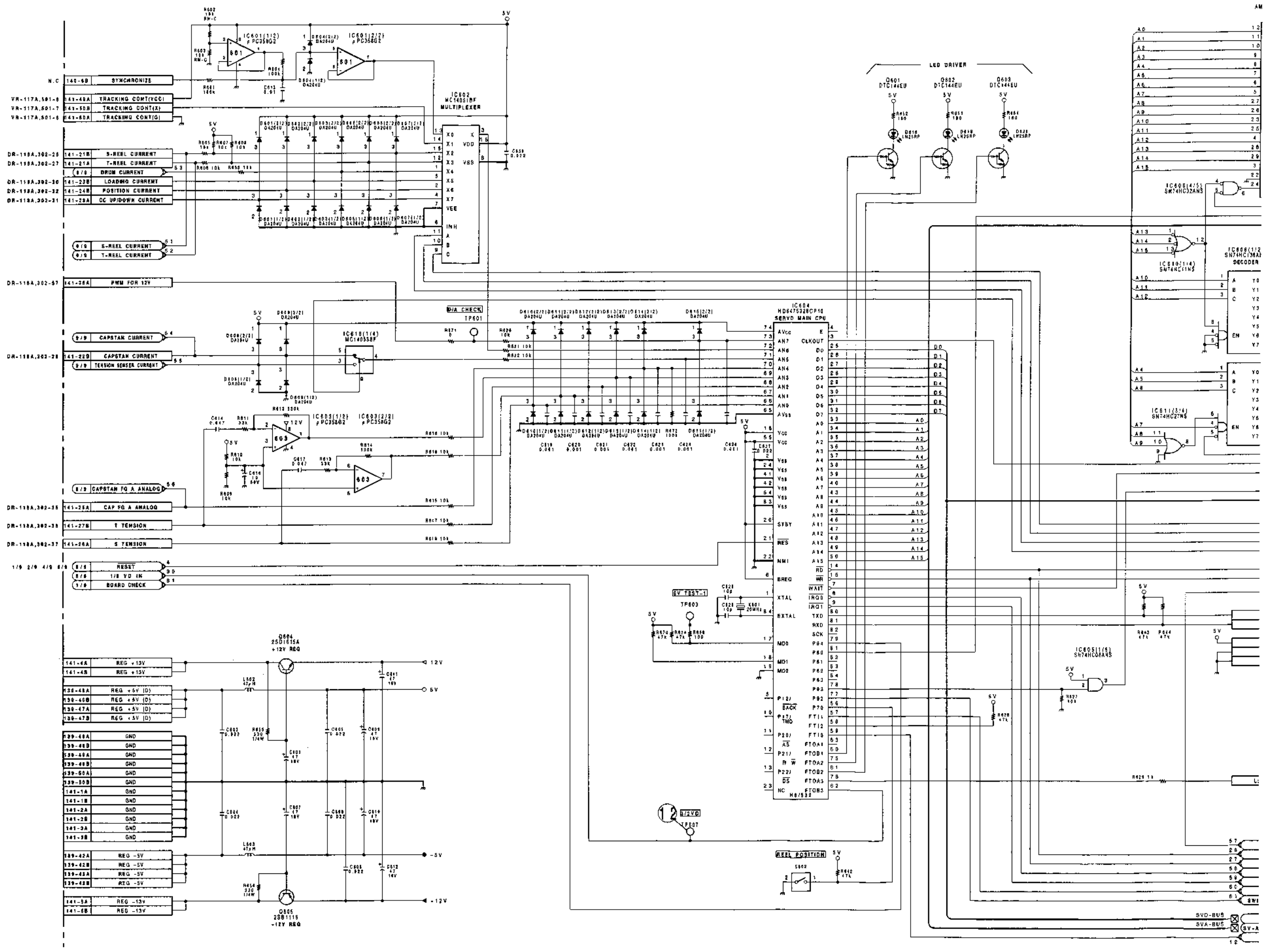
SS-48P(6/9);TIMECODE READER





SS-48P BOARD (6/9)
 BOARD NO.1-640-029-12
 PWV-2600P(EK) ; 110001-13100

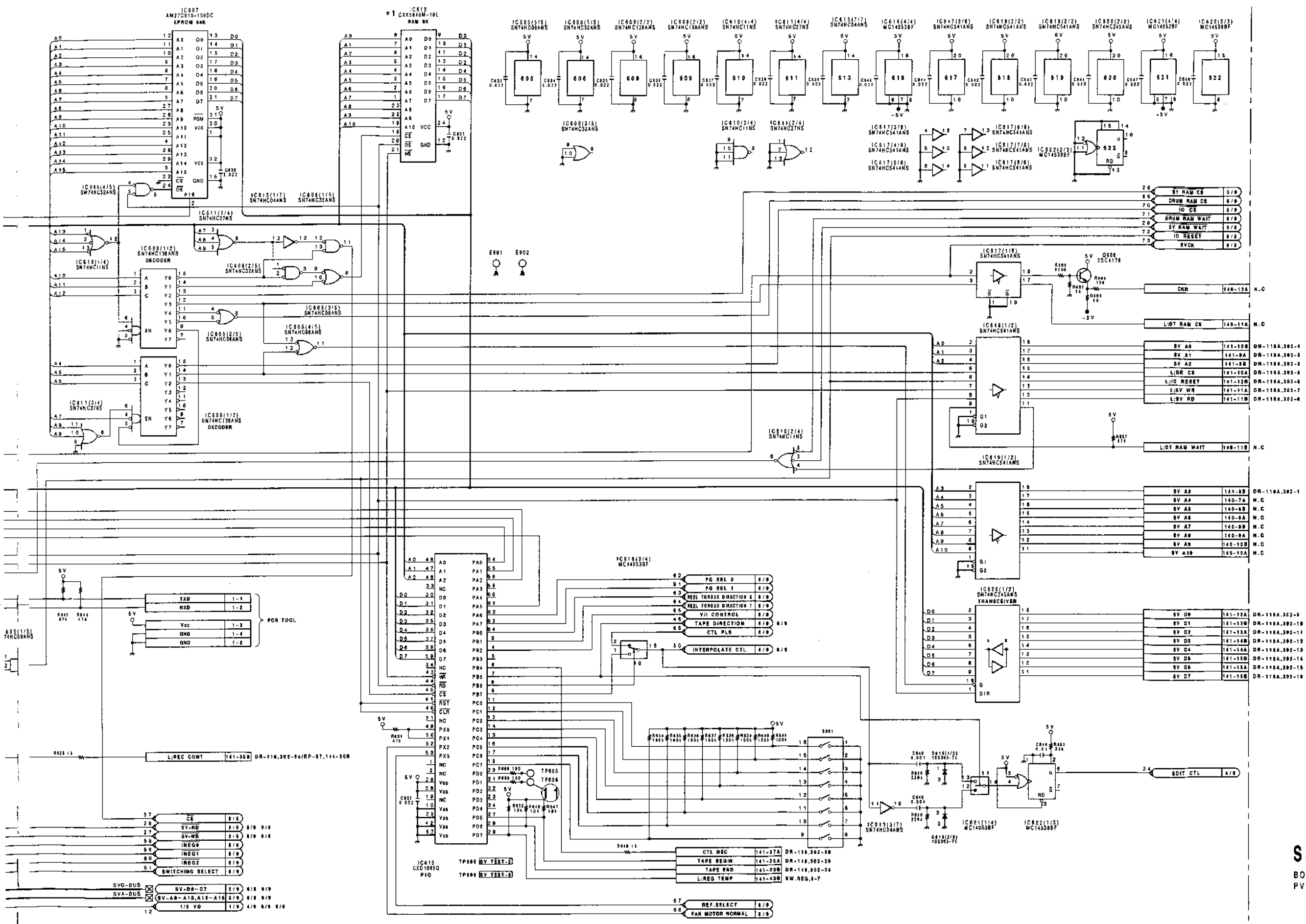
SS-48P(7/9);SERVO SYSTEM MAIN



NOTE:

MARK	CHANGE INFORMATION	SERIAL NO.
* 1	CXK6816M10L → SRM2616M10	J: S/N 10781- UC: S/N 11571- EK: S/N 11151-

SS-48P(7/9) SS-48P(7/9)

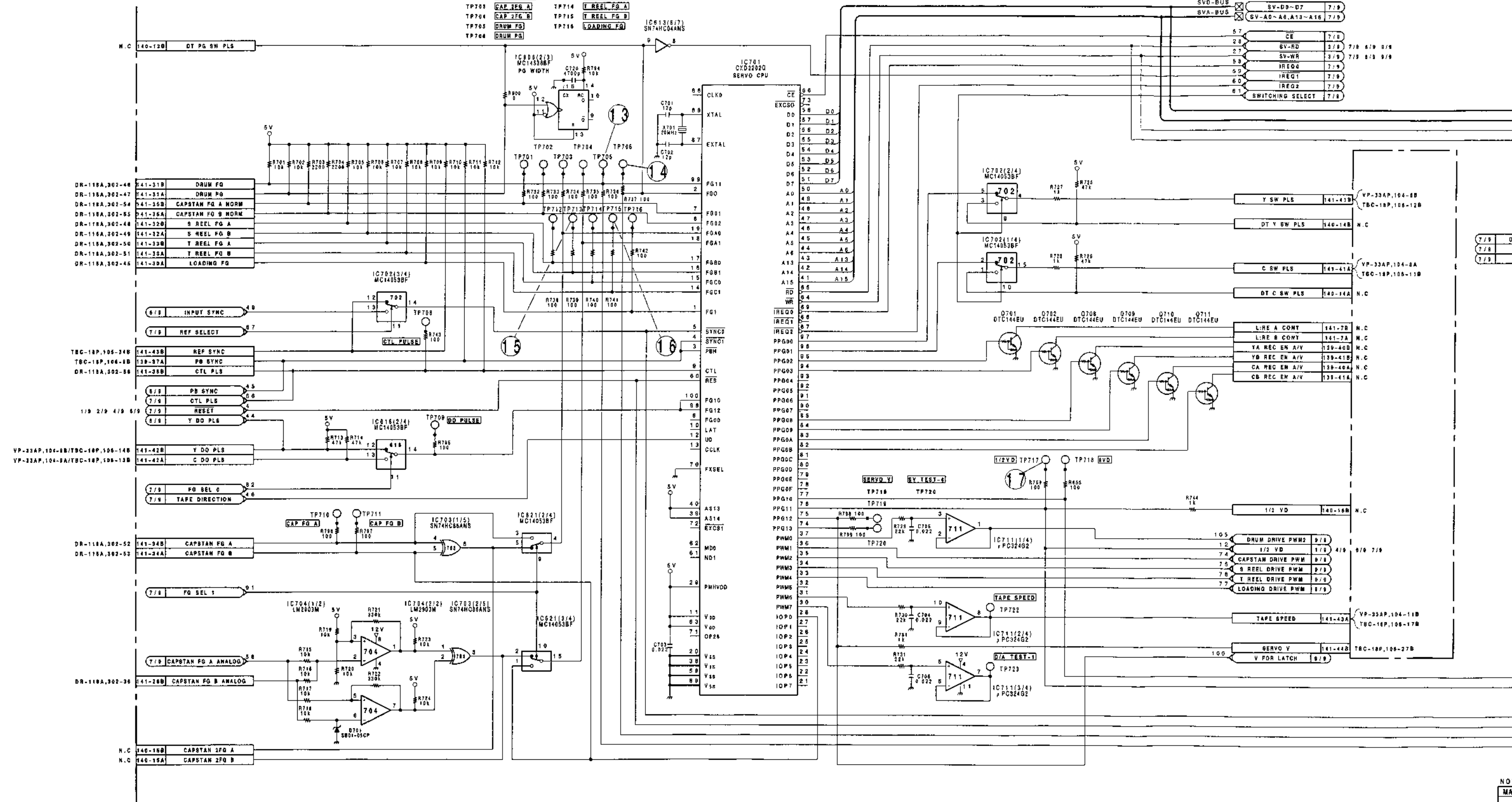


SS-48P BOARD (7/9)
 BOARD NO.1-640-029-12
 PVW-2600P(EK) #10001-13100

Serial No.(EK);10001 to 13100

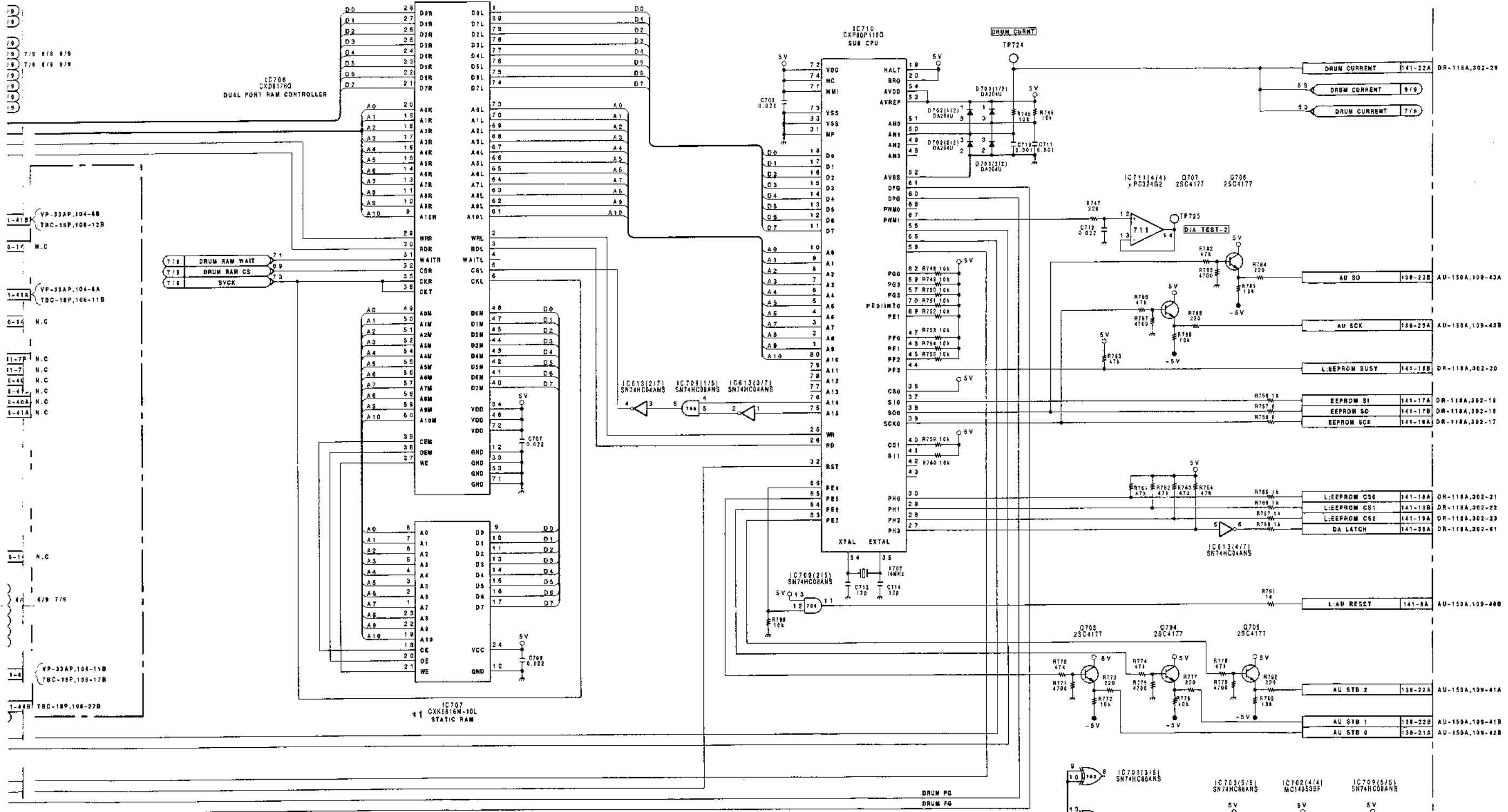
SS-48P(8/9);SERVO SYSTEM MAIN

- TP701 CAP FG A-W
- TP702 CAP FG B-W
- TP703 CAP REG A
- TP704 CAP 2FG B
- TP705 DRUM FG
- TP706 DRUM FG
- TP712 S REEL FG A
- TP713 S REEL FG B
- TP714 T REEL FG A
- TP715 T REEL FG B
- TP716 LOADING FG



A B C D E F G H I

NOT MAI

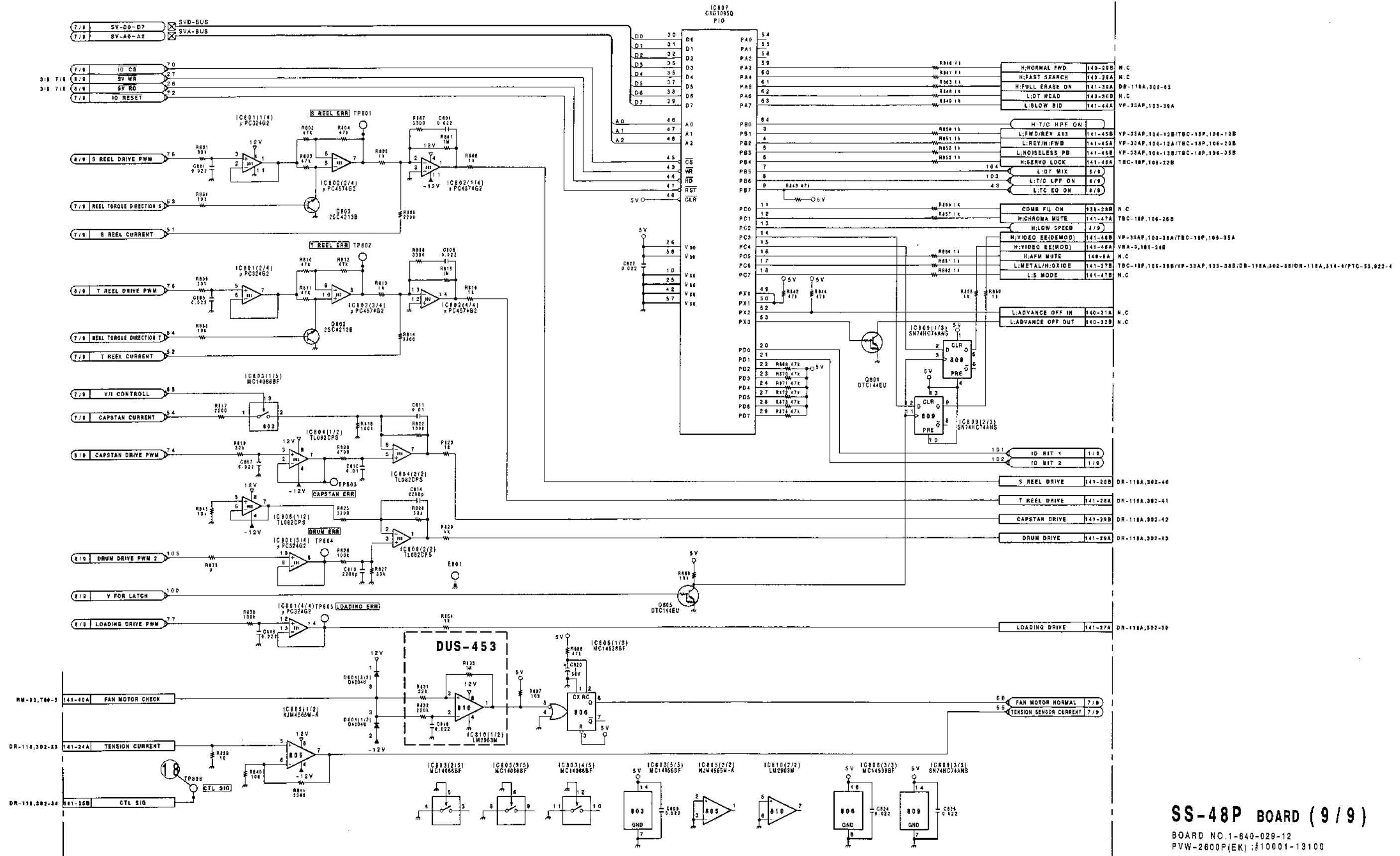


NOTE:

MARK	CHANGE INFORMATION	SERIAL NO.
* 1	CXKS816M10L → SRM2016M10	J: S/N 10781- UC: S/N 11571- EK: S/N 11151-

SS-48P BOARD (8/9)
 BOARD NO. 1-840-029-12
 PVW-2600P(EK); #10001-13100

SS-48P(9/9);SERVO,MODE CONTROL



SS-48P BOARD (9/9)
BOARD NO.1-640-029-12
PVW-2600P(EK);#10001-13100

C-55.822-4

16-36(a)

H

I

J

K

L

M

N

O

Serial No.(EK);13316 to 14285
Serial No.(UC);10001 to 10010

KY-210A,DP-139A,PTC-39 KY-210A,DP-139A,PTC-39

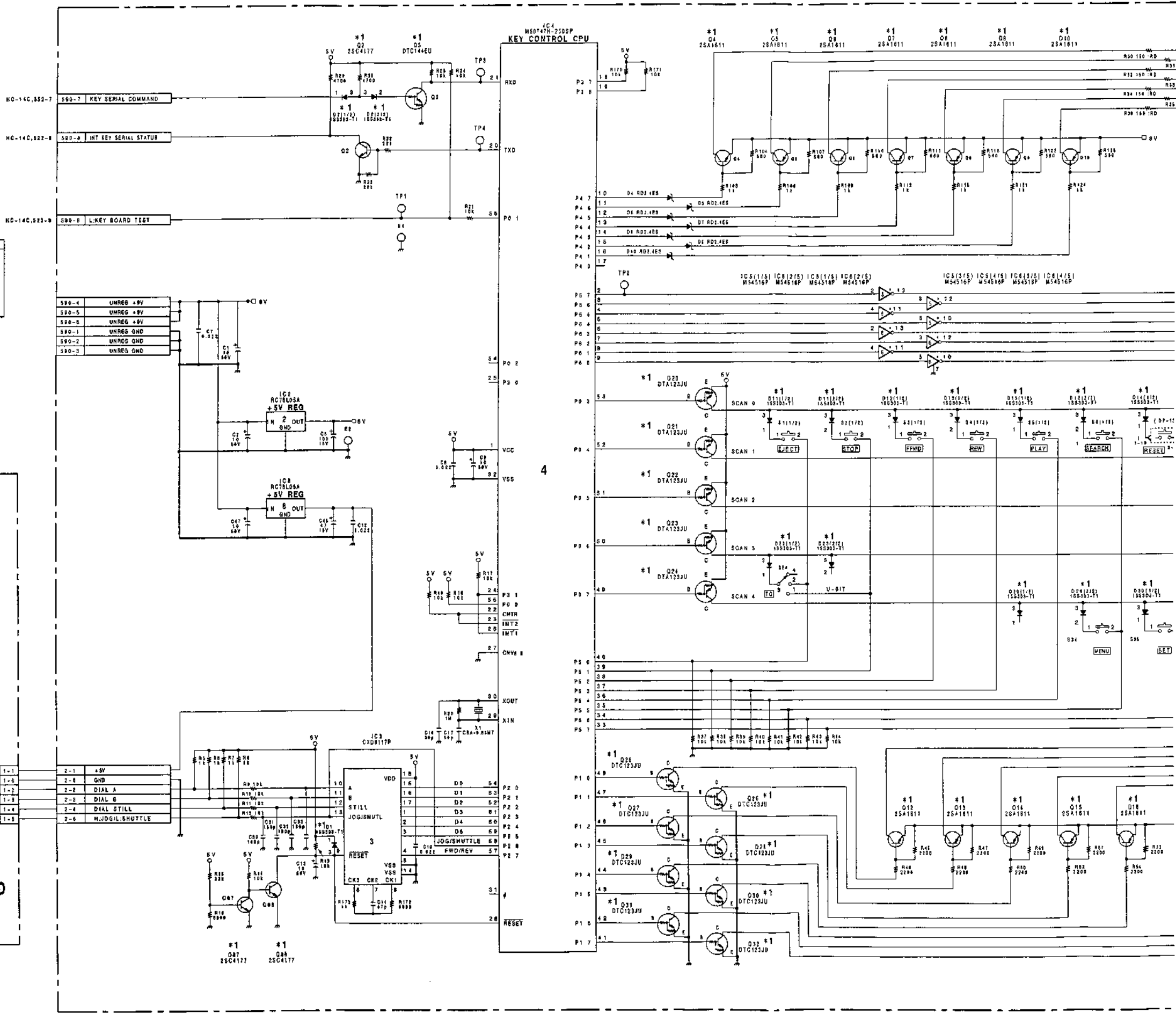
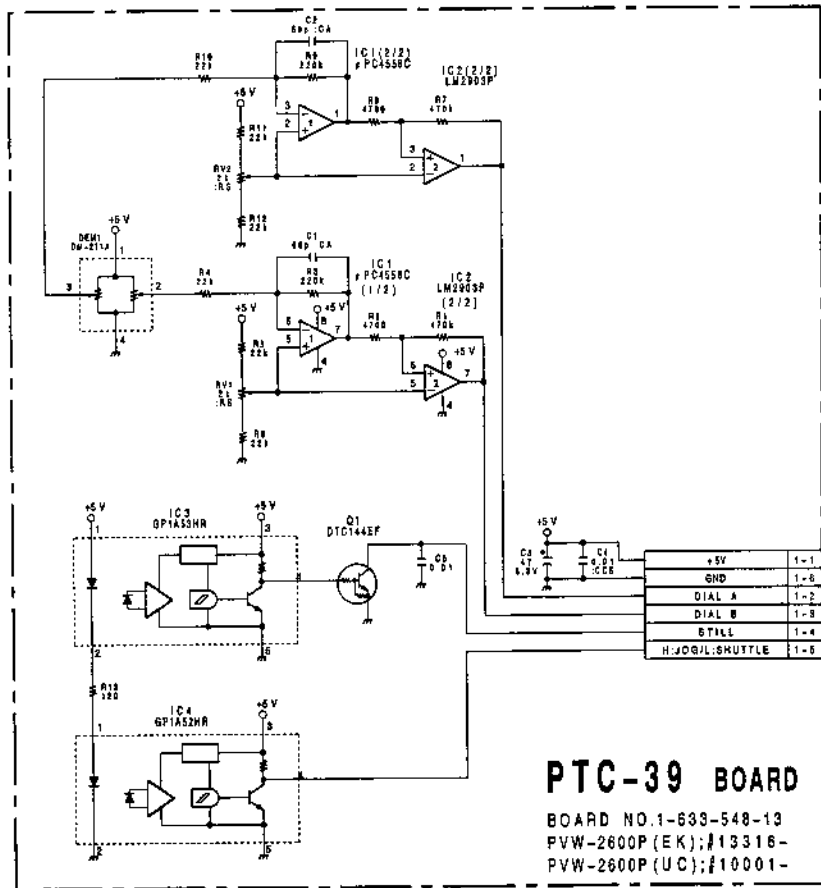
KY-210A;KEY BOARD
DP-139A;TIME CODE DISPLAY
PTC-39;SEARCH DIAL

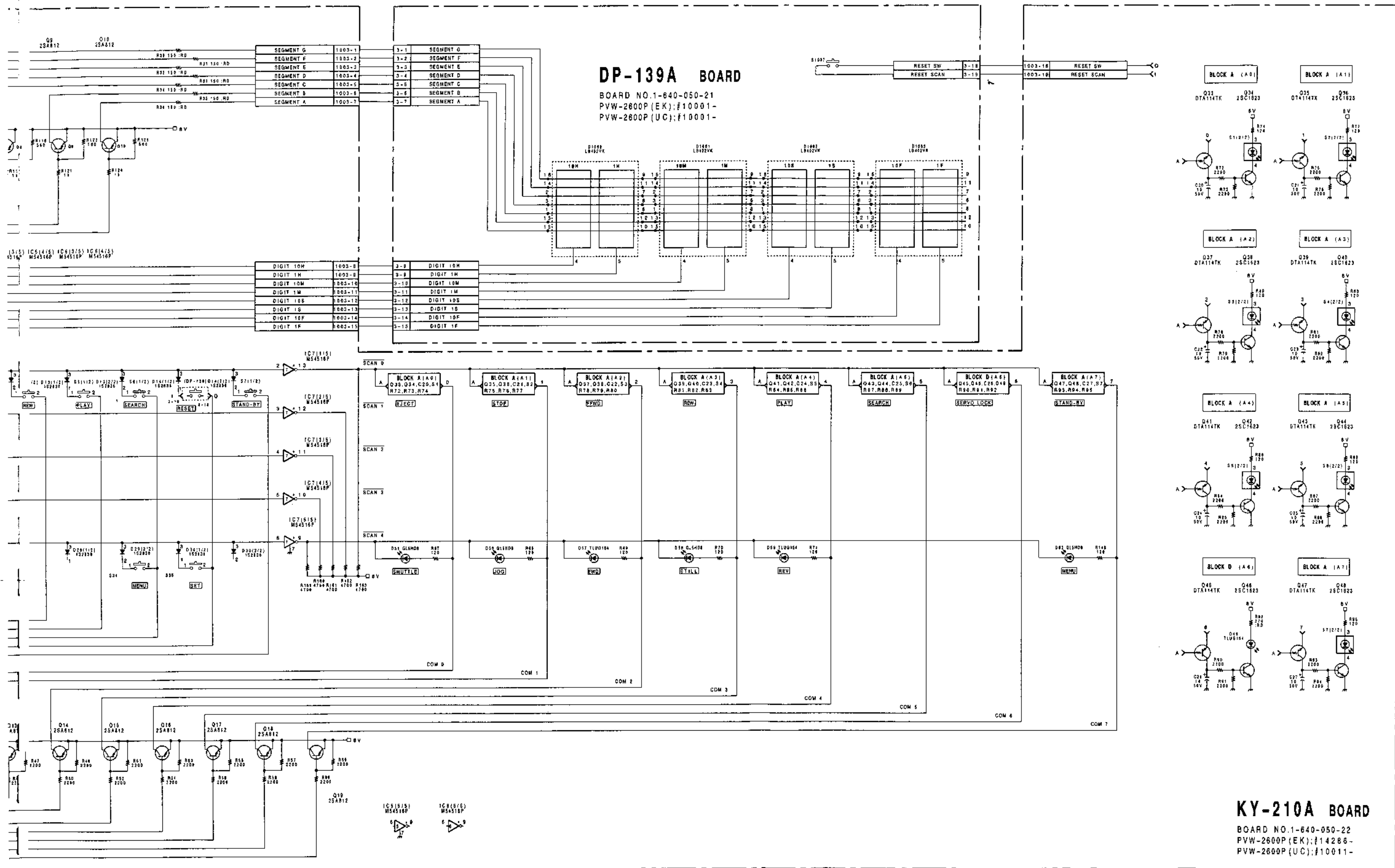
KY-210A(1-640-050-21)

TP1 E-1
TP2 H-3
TP3 E-1
TP4 E-1

NOTE:

MARK	CHANGE INFORMATION	SERIAL NO.
*1	1B3983 → 1B2834	J; S/M 10781-
	2SA1811 → 2SA812	UC; S/M 11571-
	2SC4177 → 2SC1828	EK; S/M 11151-
	DTC144EU → DTC144EK	
	DTA114TU → DTA114TK	
	DTA123TU → DTA123JK	
	DTC123JU → DTC123JK	





1

2

3

4

5

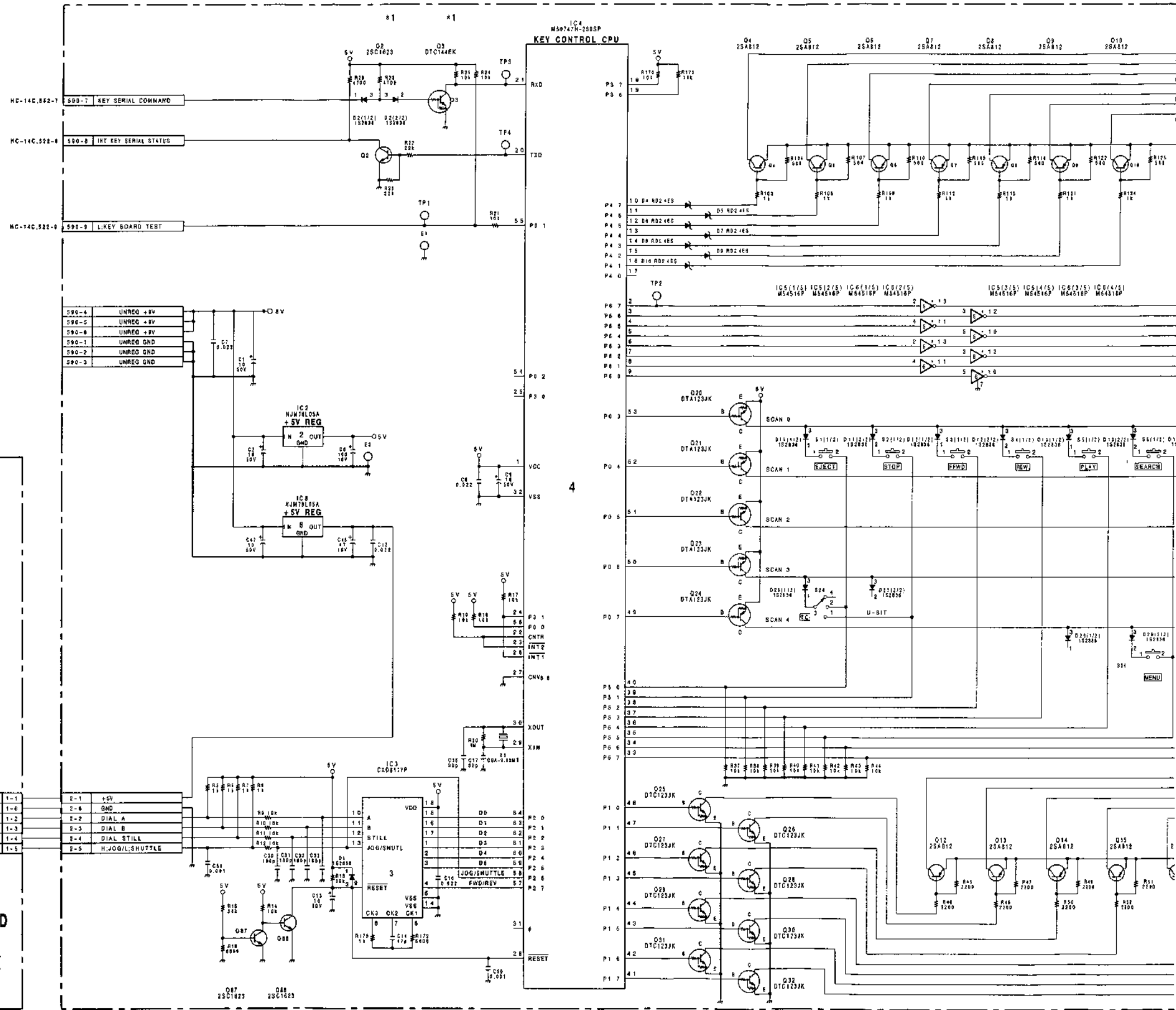
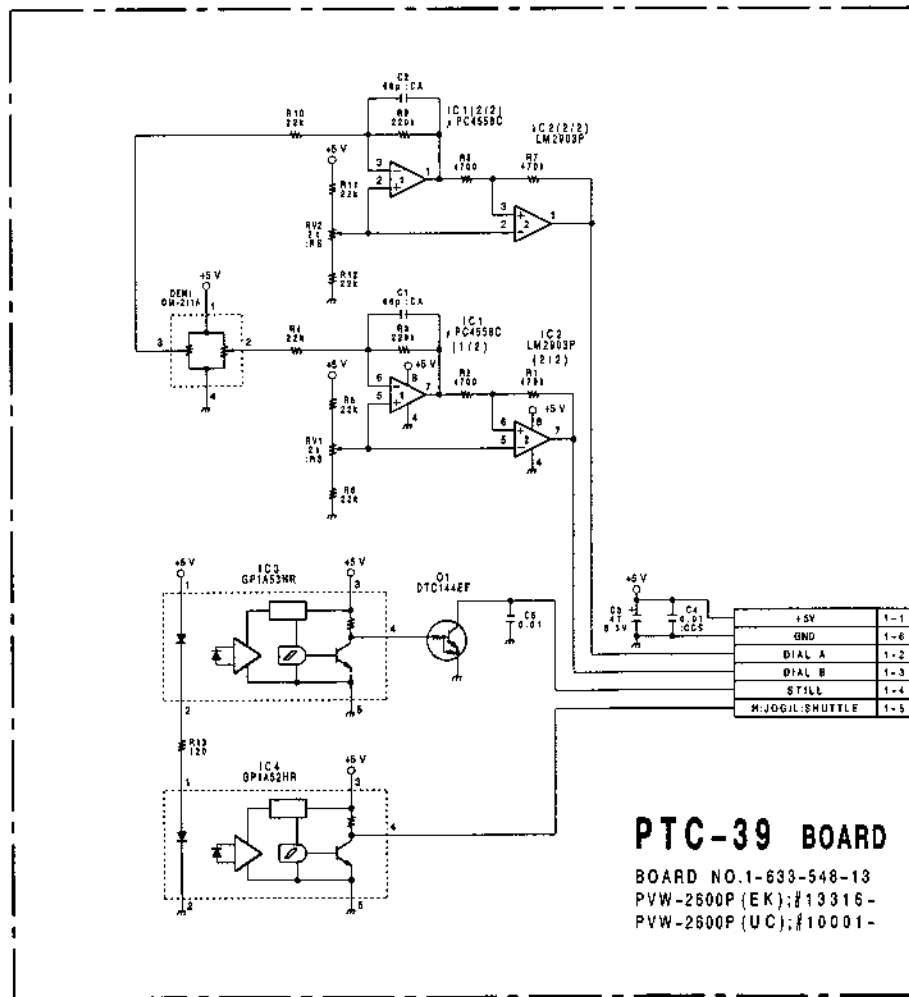
Serial No.(EK);14286 and higher
Serial No.(UC);10011 and higher

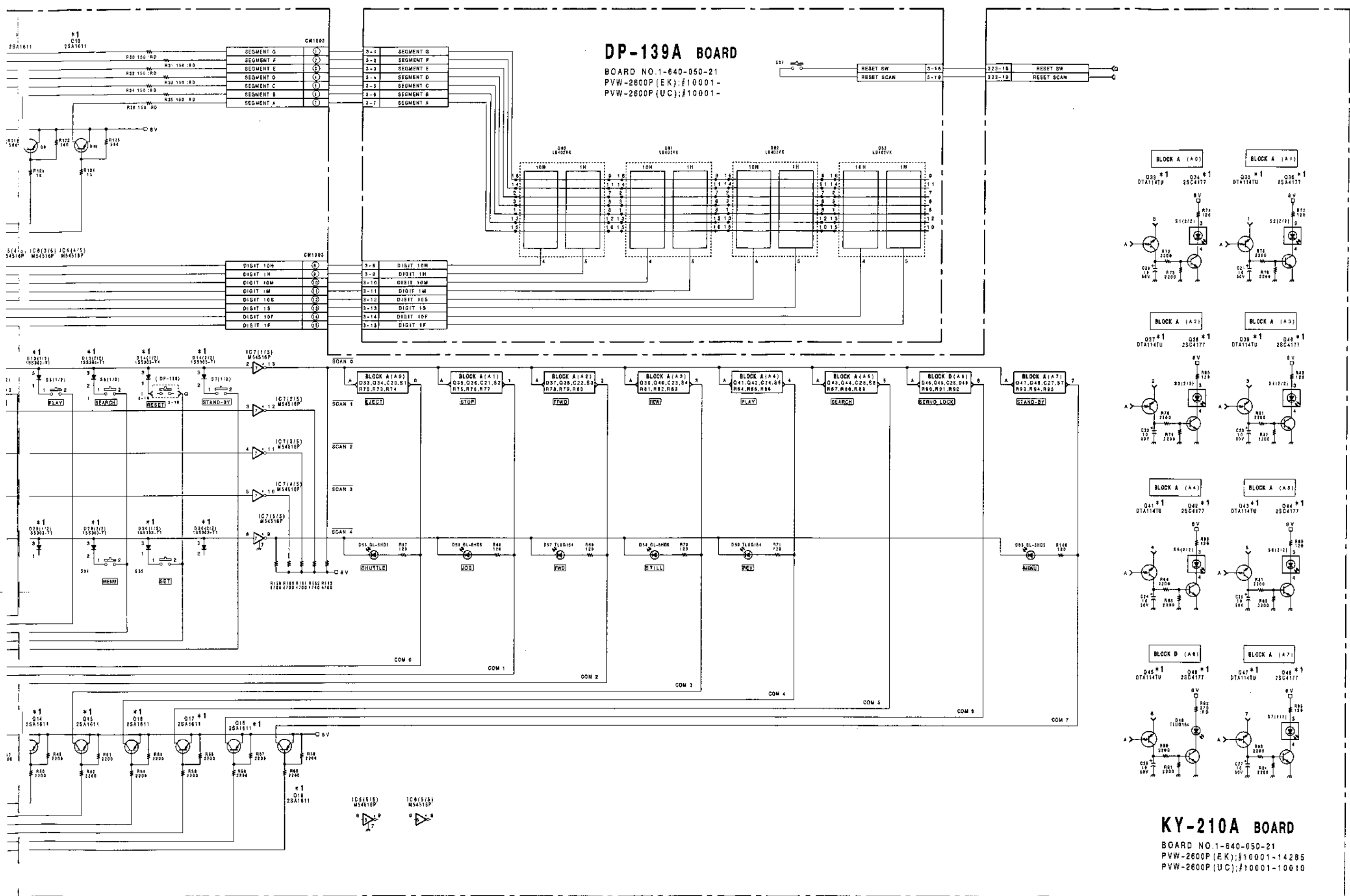
KY-210A,DP-139A,PTC-39 KY-210A,DP-139A,PTC-39

KY-210A;KEY BOARD
DP-139A;TIME CODE DISPLAY
PTC-39;SEARCH DIAL

KY-210A(1-640-050-22)

TP1 E-1





Serial No.(EK);10001 to 13315

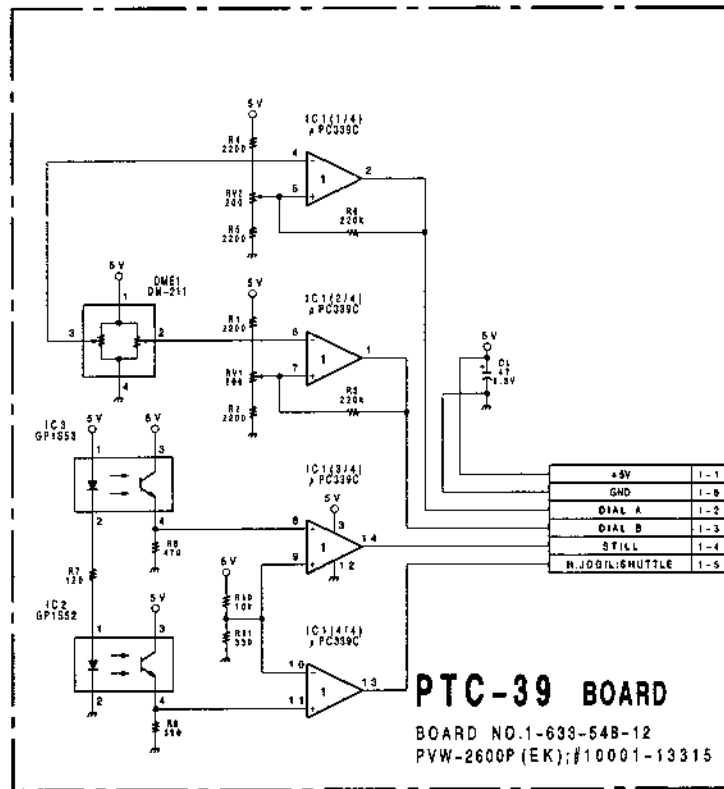
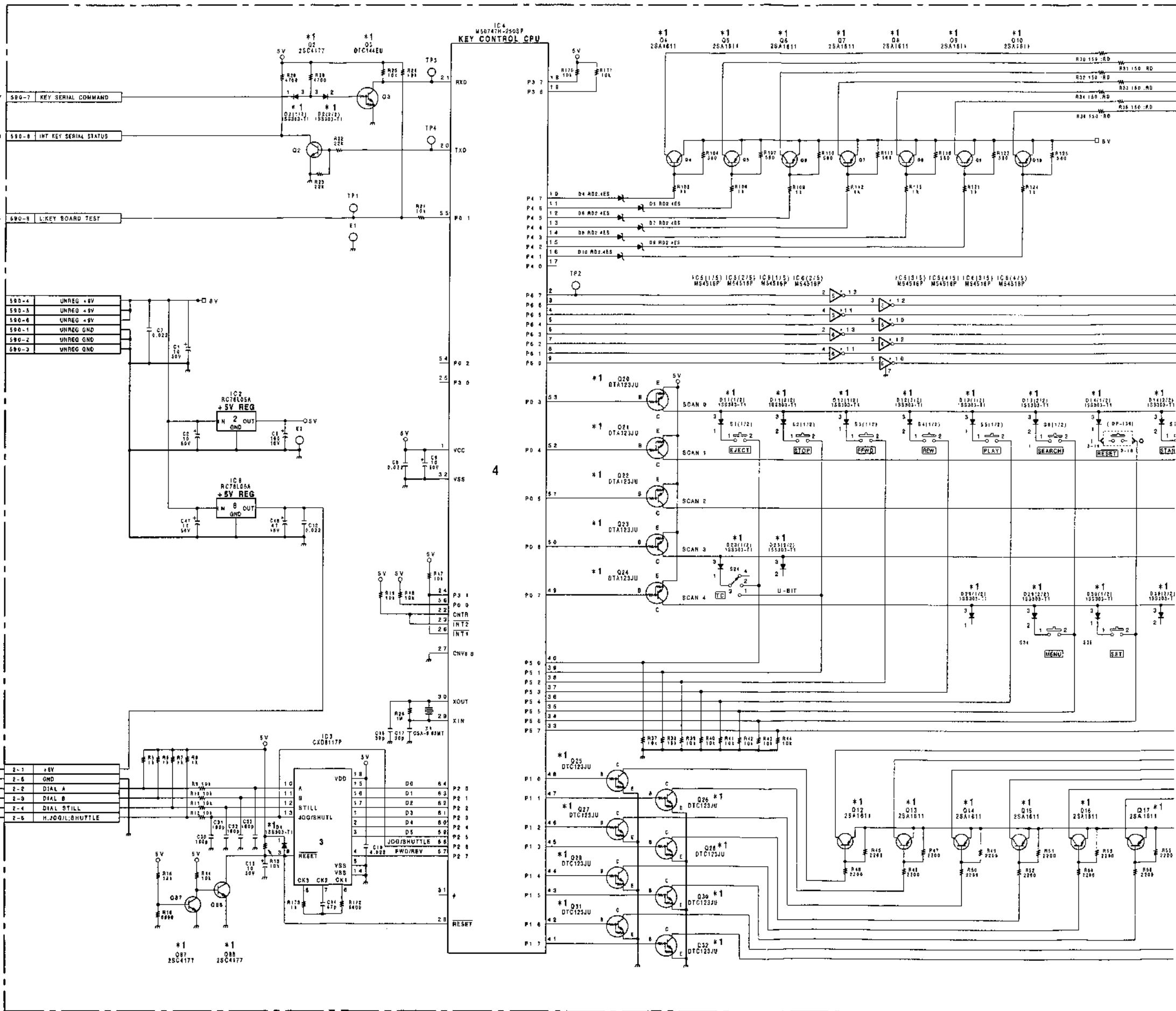
KY-210A;KEY BOARD
 DP-139A;TIME CODE DISPLAY
 PTC-39;SEARCH DIAL

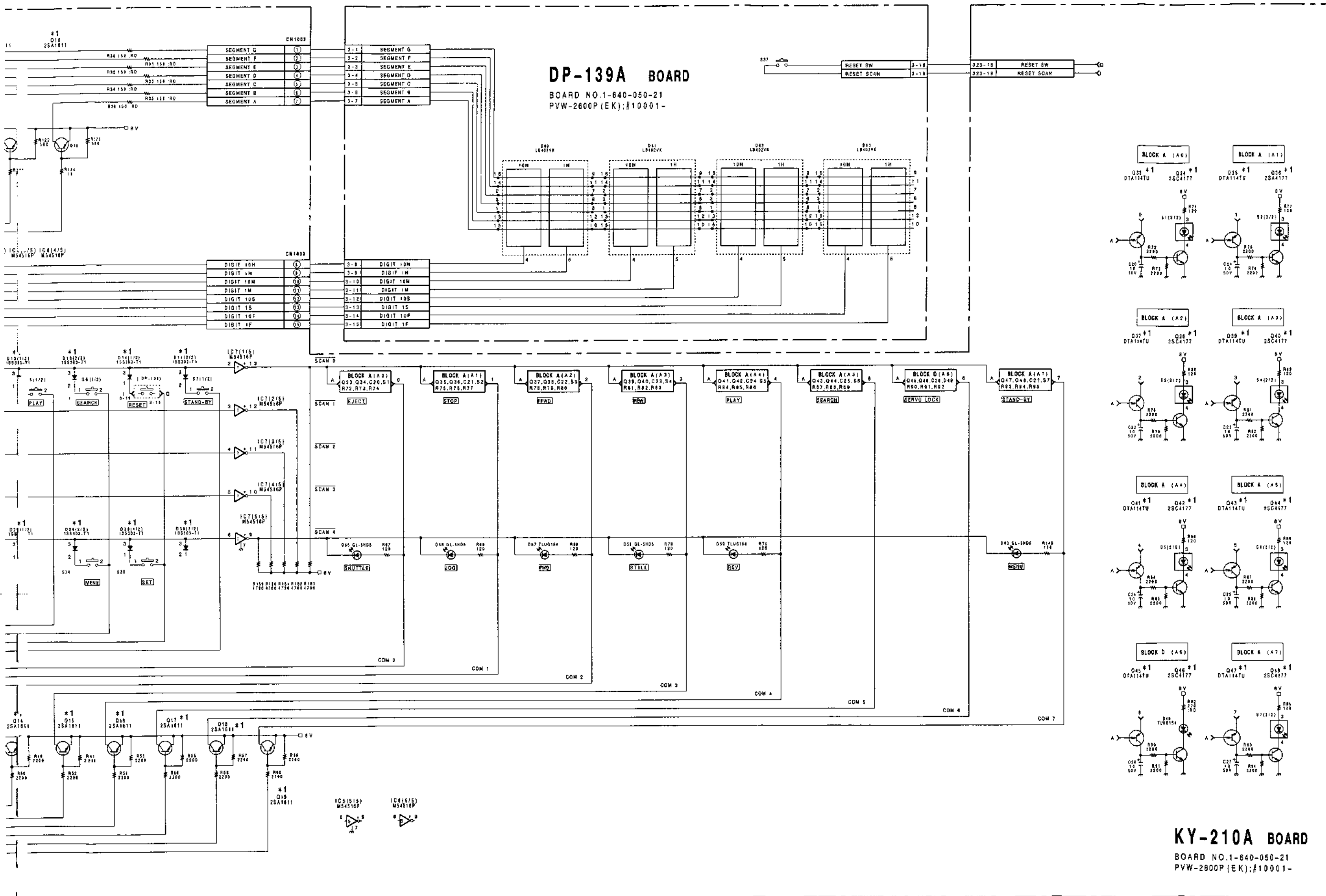
KY-210A(1-640-050-21)

TP1 E-1
 TP2 H-3
 TP3 E-1
 TP4 E-1

NOTE:

MARK	CHANGE INFORMATION	SERIAL NO.
* 1	1SG303 → 162838	J; S/N 10781-
	25A1611 → 25A812	UC; S/N 11871-
	25C4177 → 25C1823	EK; S/N 11151-
	DTC144EU → DTC144EK	
	DTA114TU → DTA114TK	
	DTA123TU → DTA123JK	
	DTC123JU → DTC123JK	





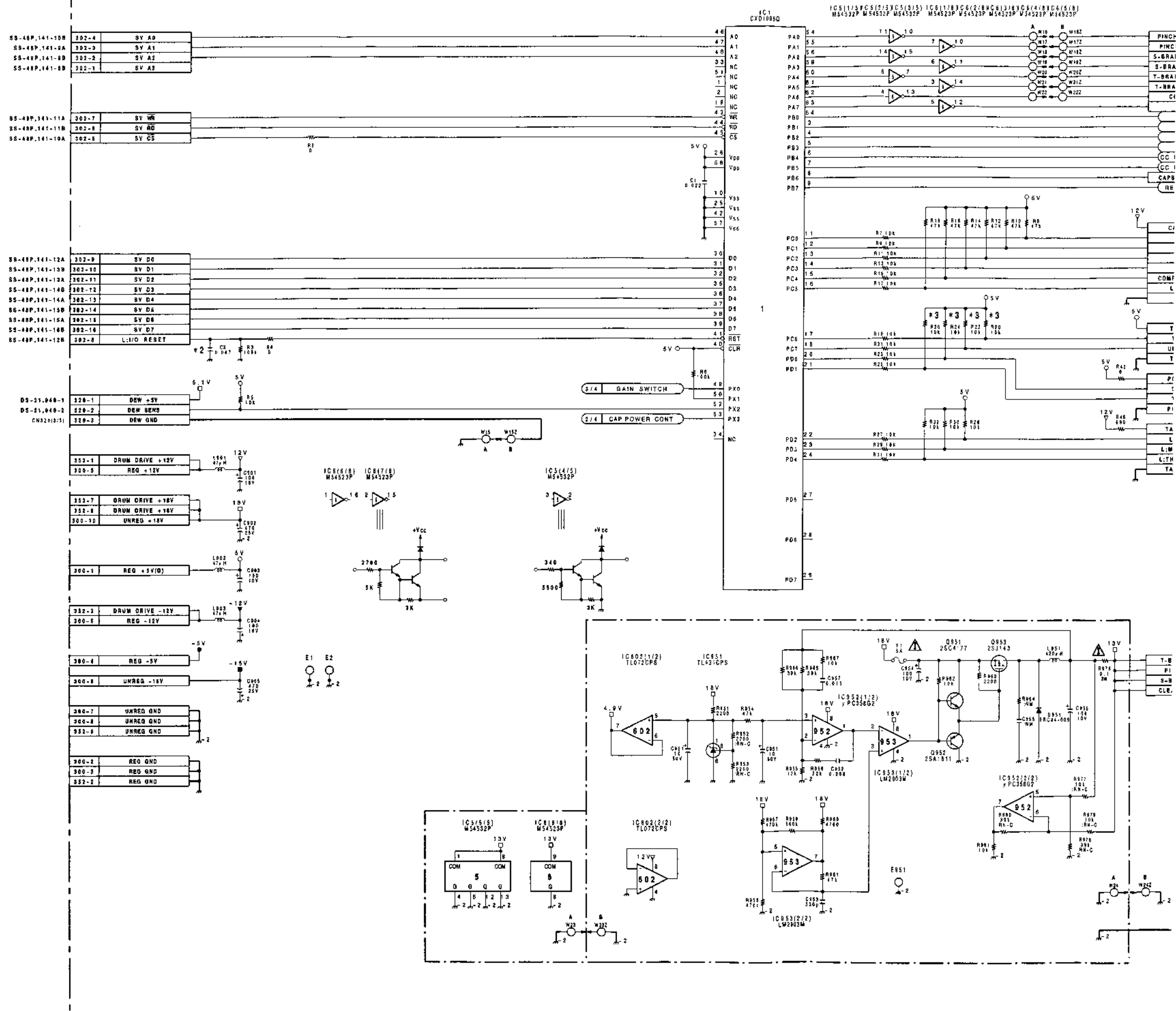
Serial No.(EK);10001 to 14045
Serial No.(UC);10001 to 10010

DR-118A(1/4) DR-118A(1/4)

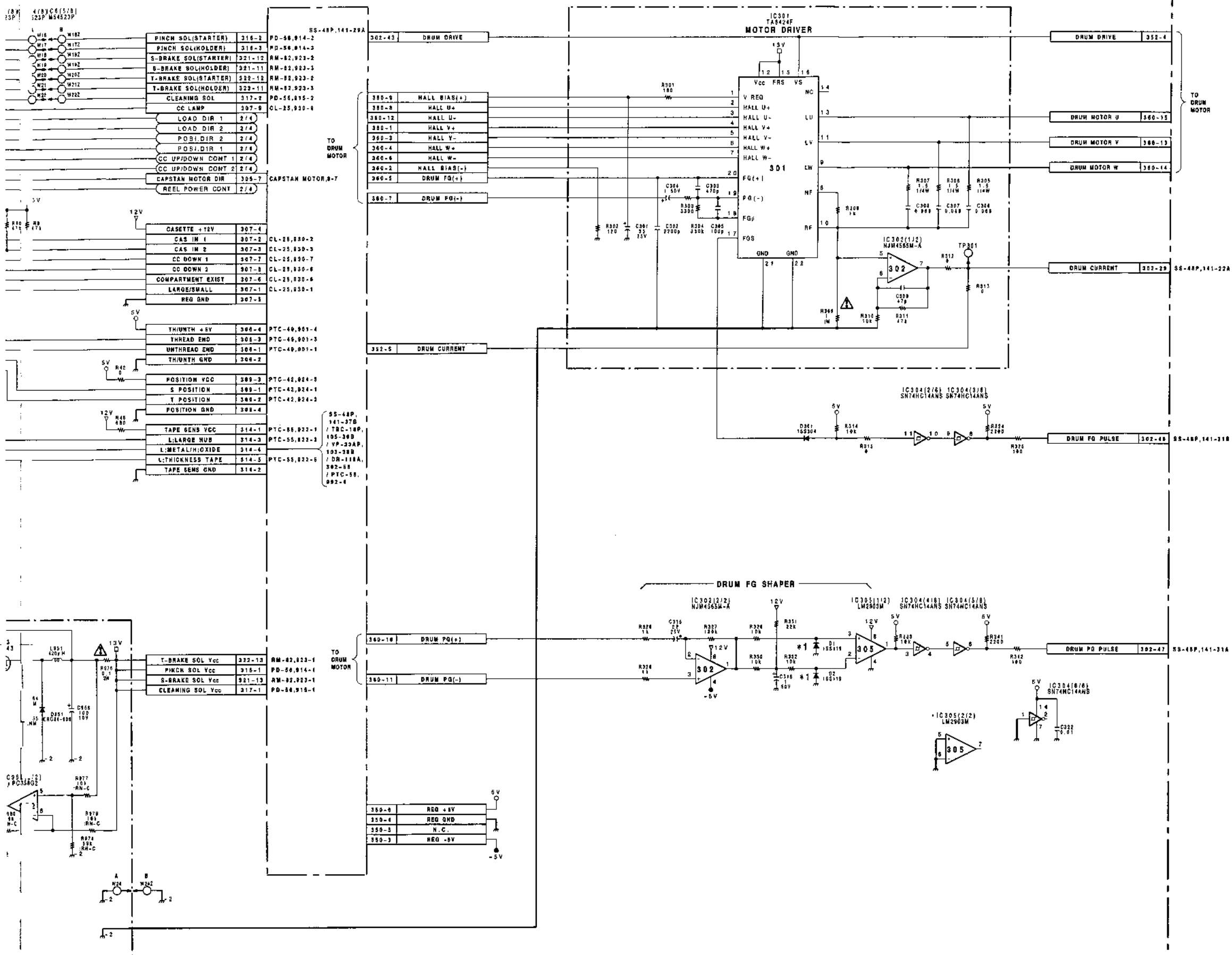
DR-118A(1/4);MOTOR DRIVER,SOLENOID DRIVER

DR-118A(1-640-030-22)

- TP201 G-2
- TP202 F-2
- TP301 B-4
- TP501 C-2
- TP801 J-3



The Δ -marked components are critical to safety.
Replace only with the same components as specified.



NOTE:

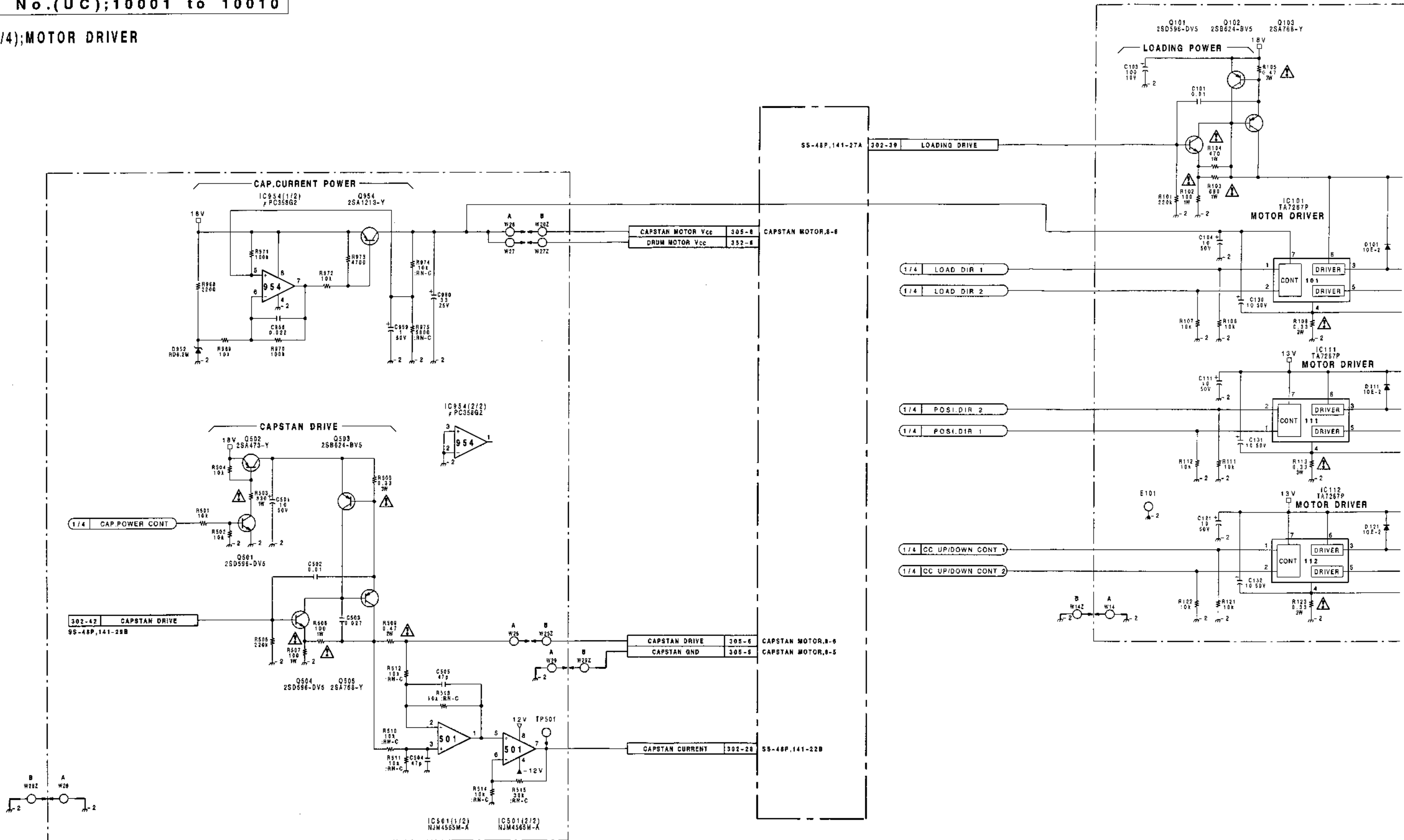
MARK	CHANGE INFORMATION	SERIAL NO.
*1	D:15S119>2 ADD	EK/S/N 11151-
*2	C:0.047 ADD	EK/S/N 10151-
*3	R20,22,24,26 10k → 47k	EK/S/N 11881-

DR-118A BOARD (1/4)
 BOARD NO.1-640-030-22
 PVW-2600P (EK);#10001-14045
 PVW-2600P (UC);#10001-10010

Serial No.(EK);10001 to 14045
Serial No.(UC);10001 to 10010

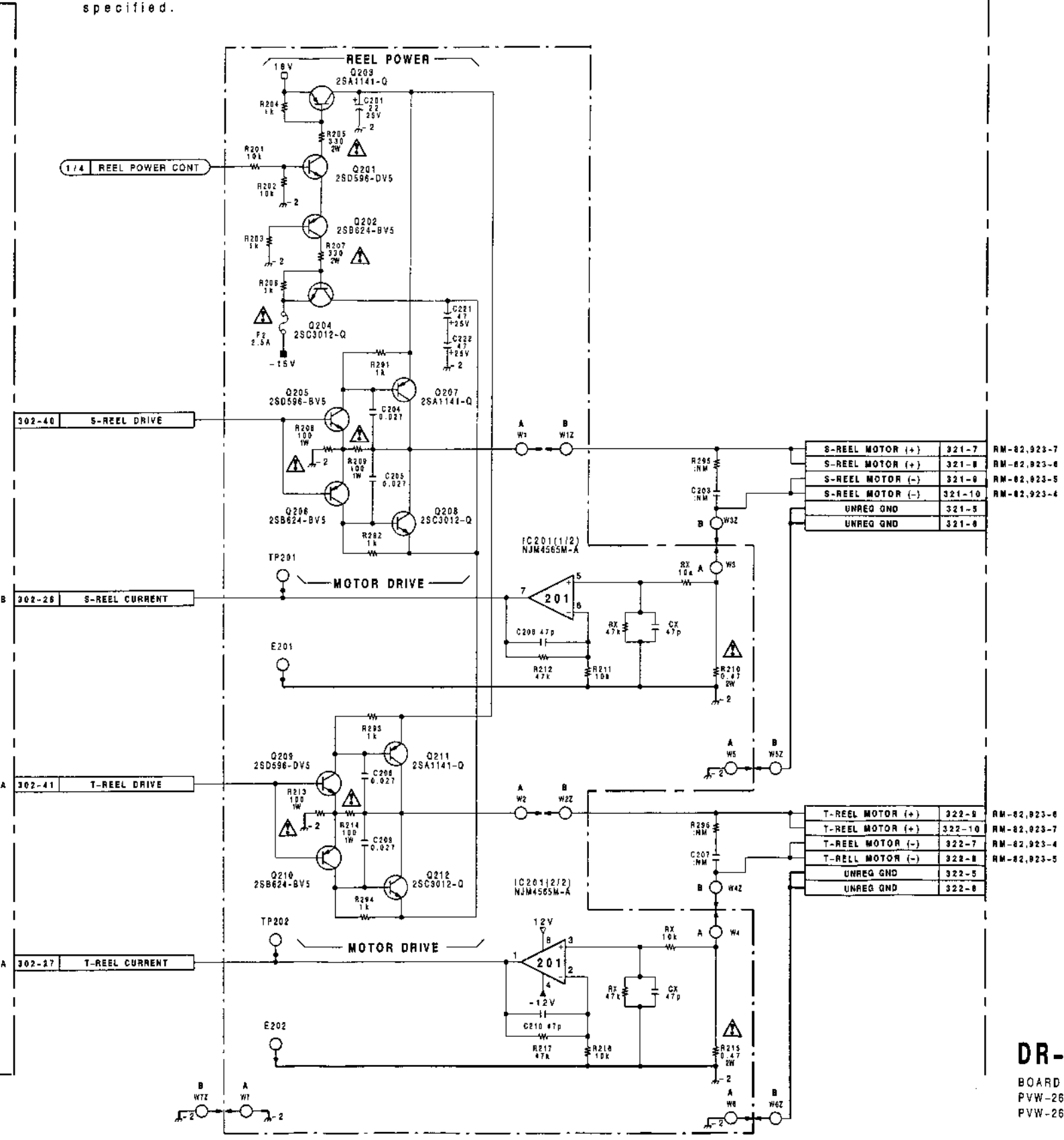
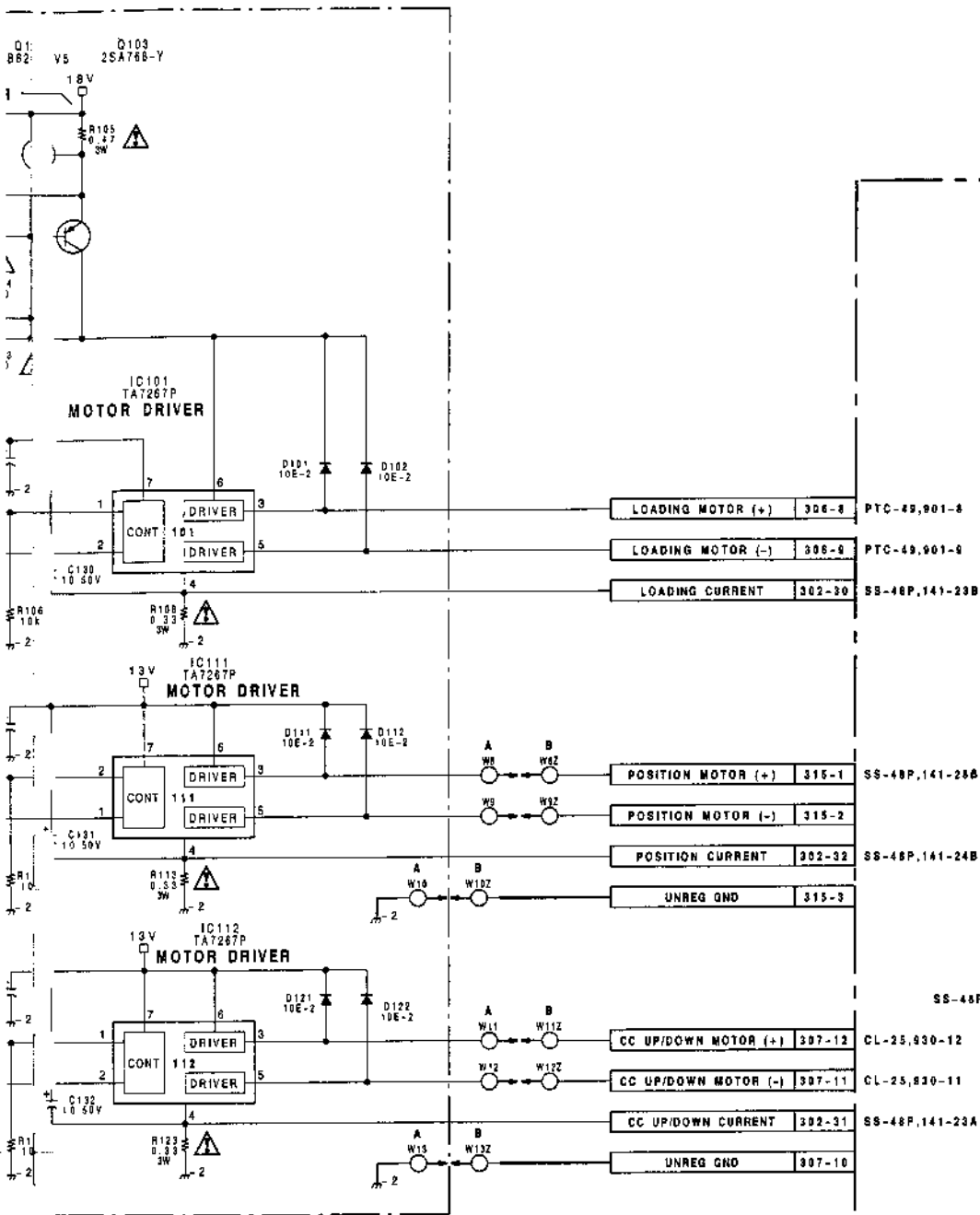
DR-118A(2/4) DR-118A(2/4)

DR-118A(2/4);MOTOR DRIVER



A | B | C | D | E | F | G | H

The Δ -marked components are critical to safety.
 Replace only with the same components as specified.

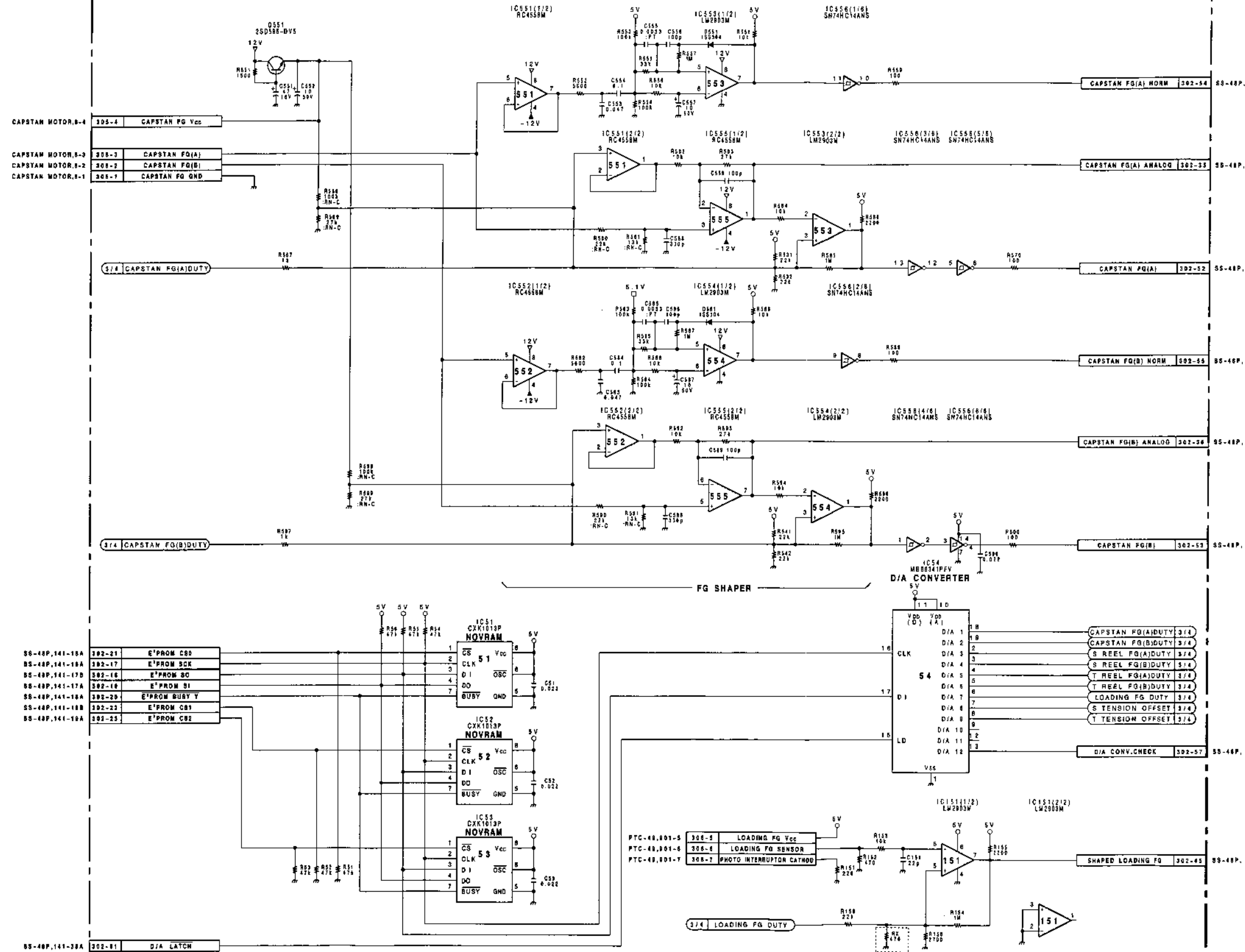


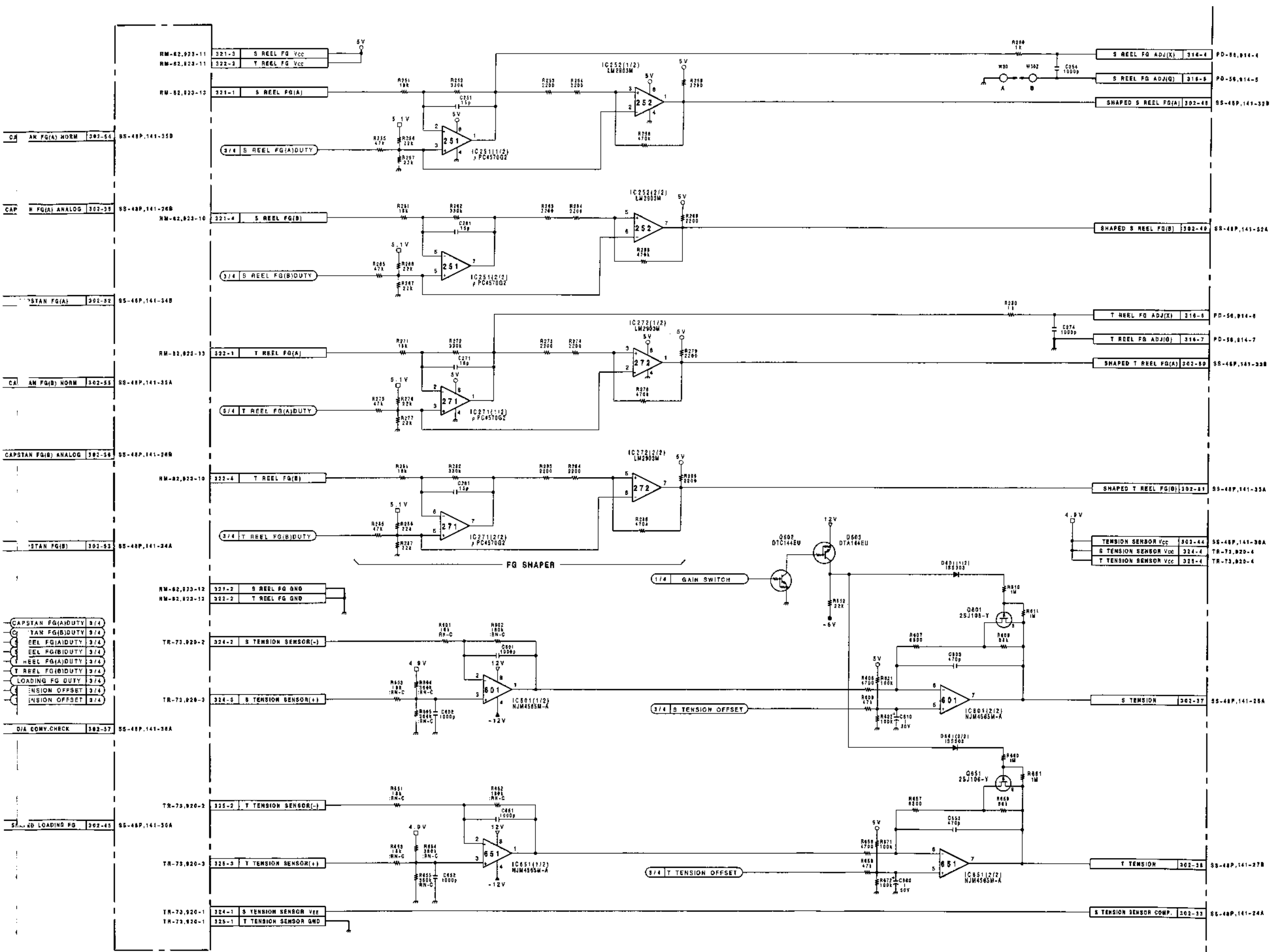
DR-118A BOARD (2/4)
 BOARD NO.1-640-030-22
 PVW-2600P (EK);#10001-14045
 PVW-2600P (UC);#10001-10010

Serial No.(EK);10001 to 14045
Serial No.(UC);10001 to 10010

DR-118A(3/4) DR-118A(3/4)

DR-118A(3/4);SENSOR INPUT,TENSION/FG AMPLIFIER,NOVRAM

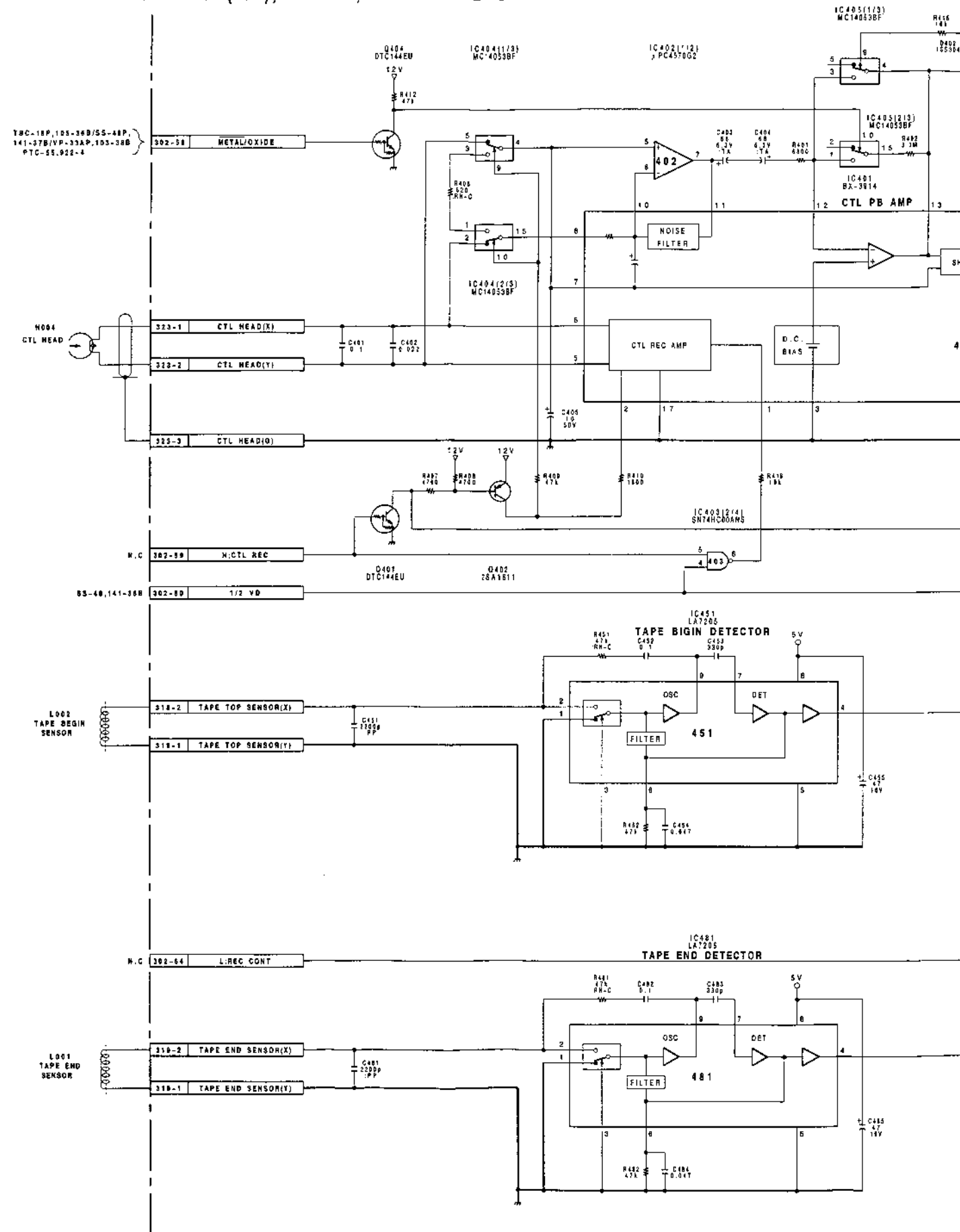




DR-118A BOARD (3/4)

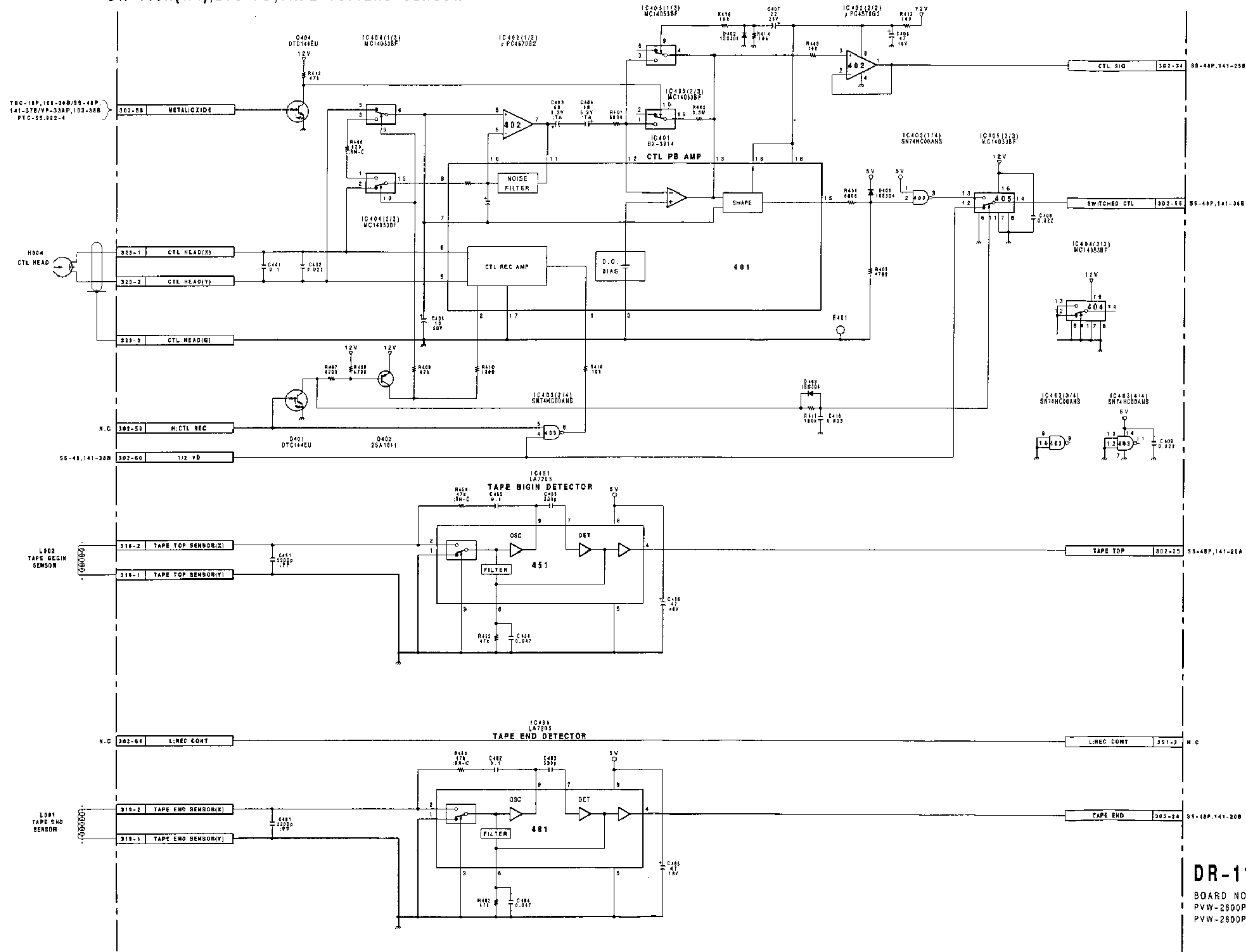
BOARD NO.1-640-030-22
 PVW-2600P(EK);#10001-14045
 PVW-2600P(UC);#10001-10010

DR-118A(4/4);LTC PB,TAPE TOP/END SENSOR



Serial No.(EK);10001 to 14045
Serial No.(UC);10001 to 10010

DR-118A(4/4);LTC PB,TAPE TOP/END SENSOR



DR-118A BOARD (4/4)
BOARD NO.1-640-030-22
PVW-2600P (EK);#10001-14045
PVW-2600P (UC);#10001-10010

Serial No.(EK);14046 and higher
Serial No.(UC);10011 and higher

DR-232A(1/4); MOTOR DRIVER,SOLENOID DRIVER

The Δ -marked components are critical to safety.
Replace only with the same components as specified.

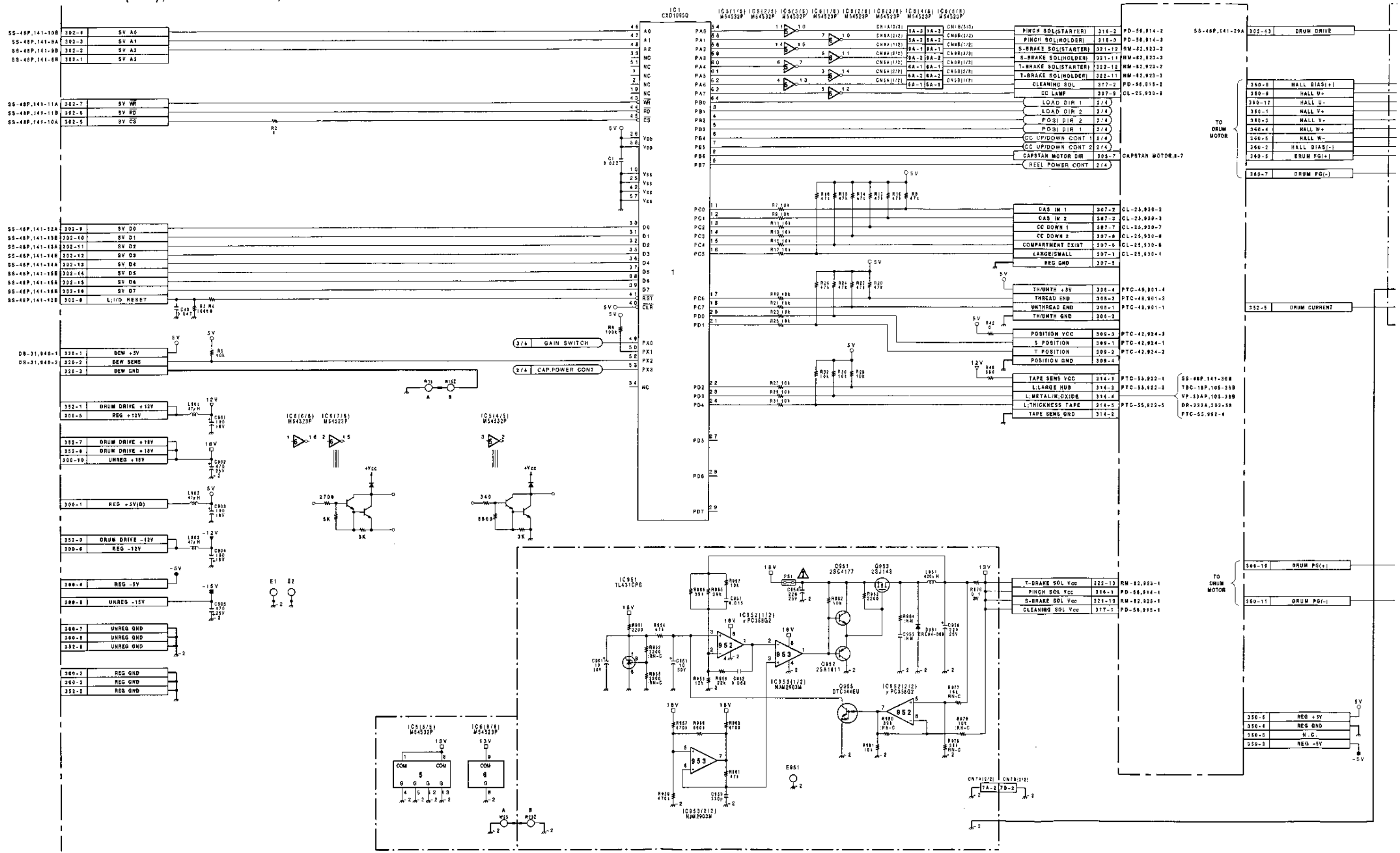
1

2

3

4

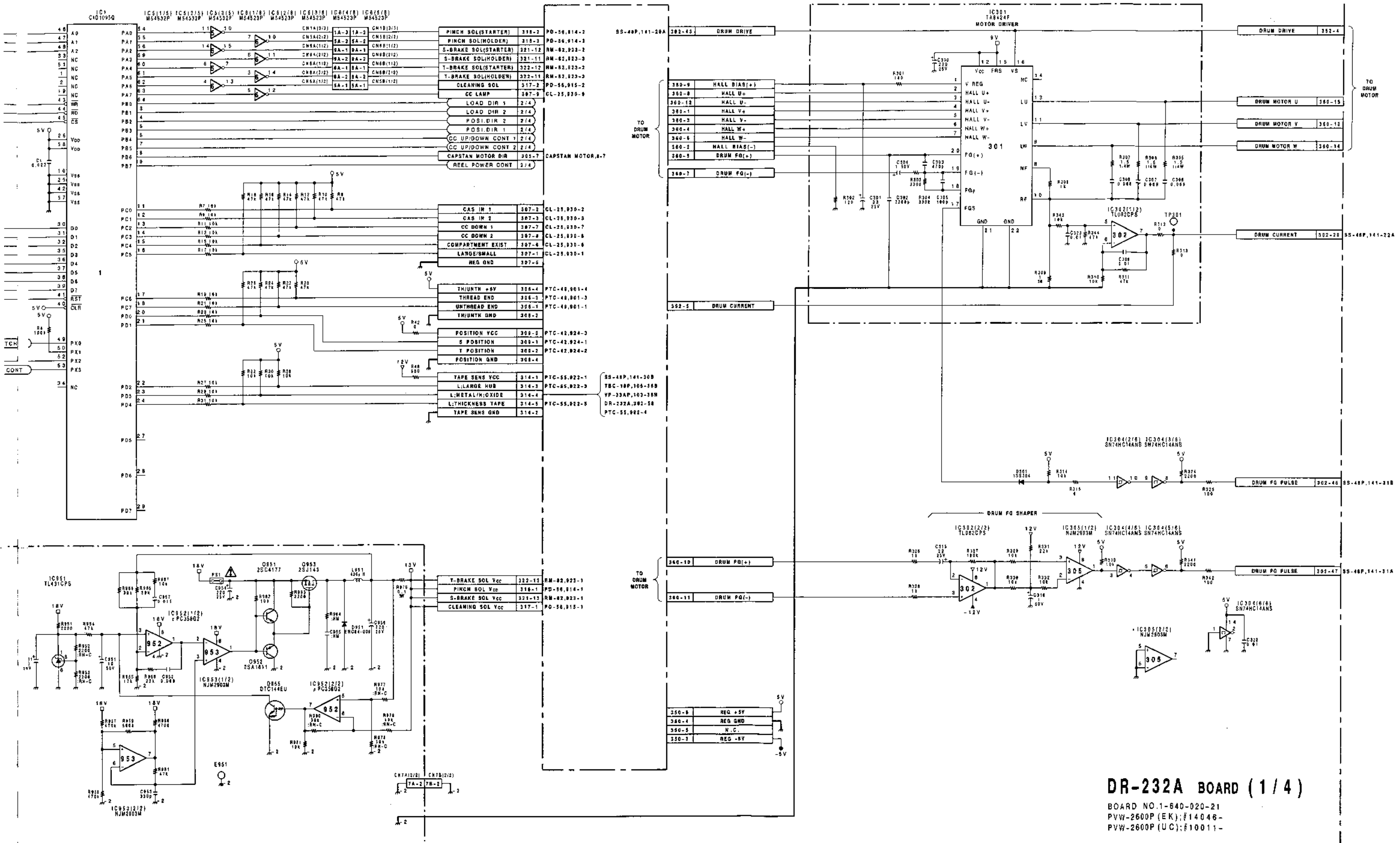
5



The Δ -marked components are critical to safety.

Replace only with the same components as specified.

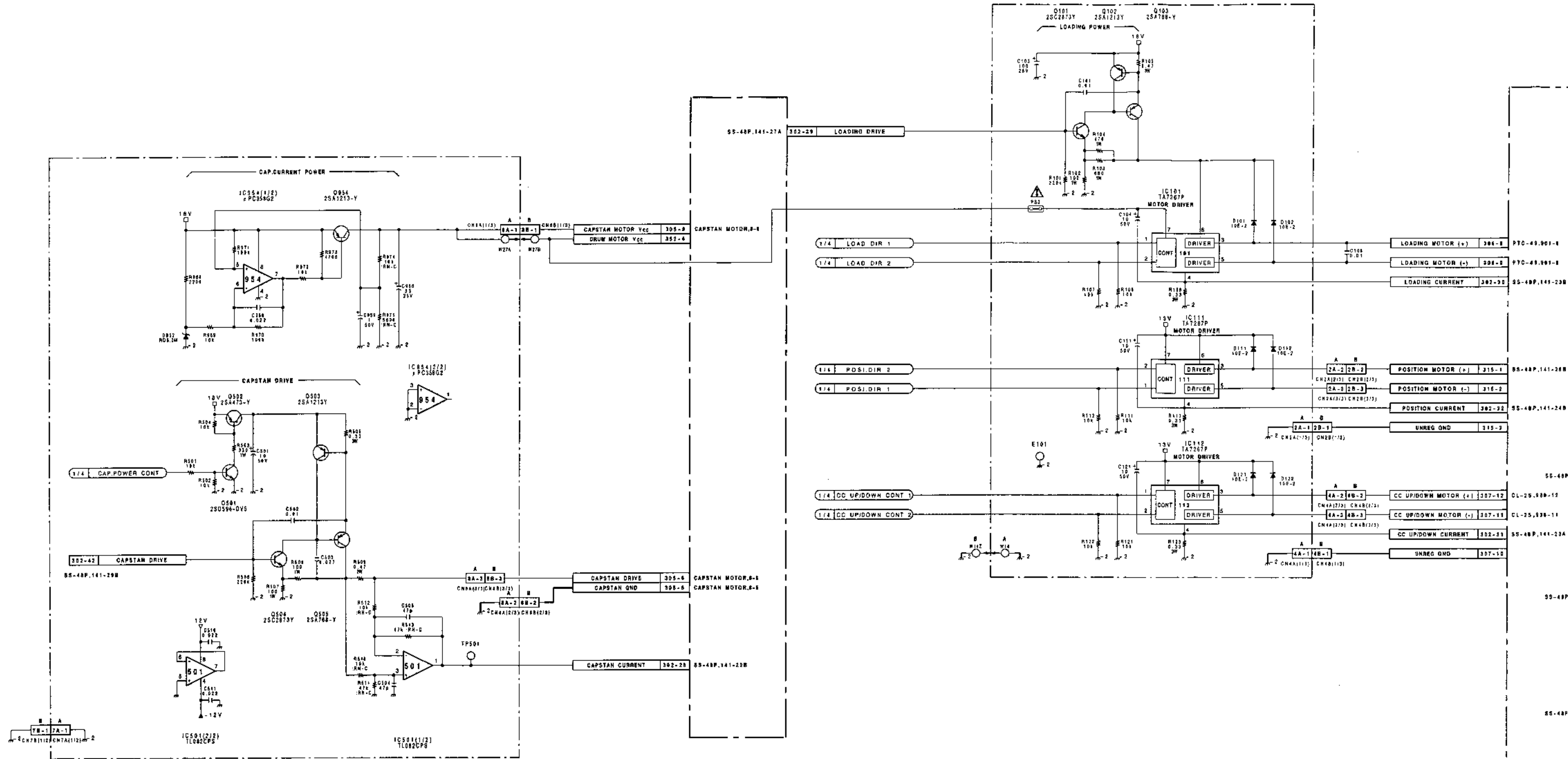
DR-232A(1/4) DR-232A(1/4)



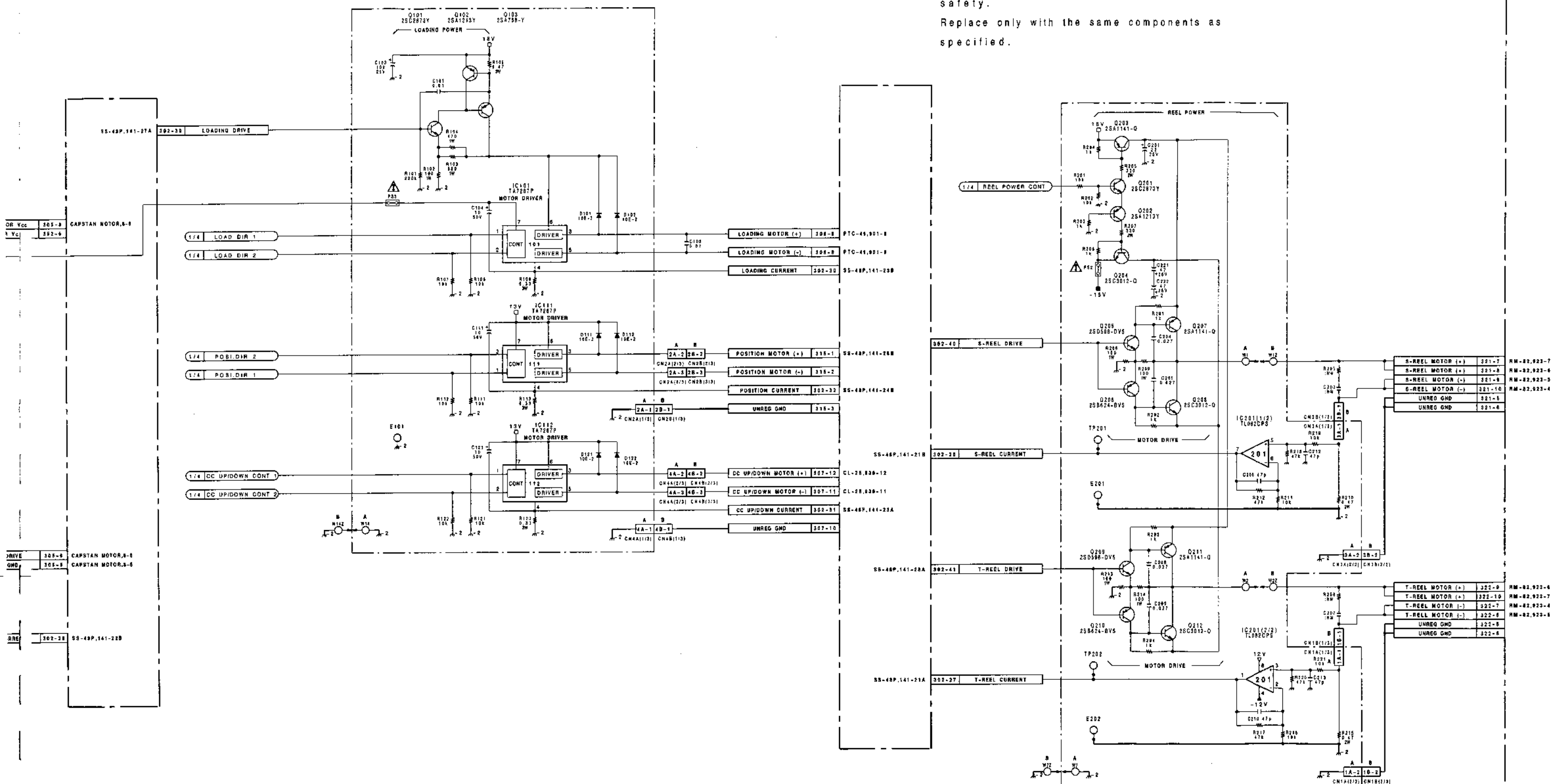
Serial No.(EK);14046 and higher
Serial No.(UC);10011 and higher

DR-232A(2/4) DR-232A(2/4)

DR-232A(2/4); MOTOR DRIVER

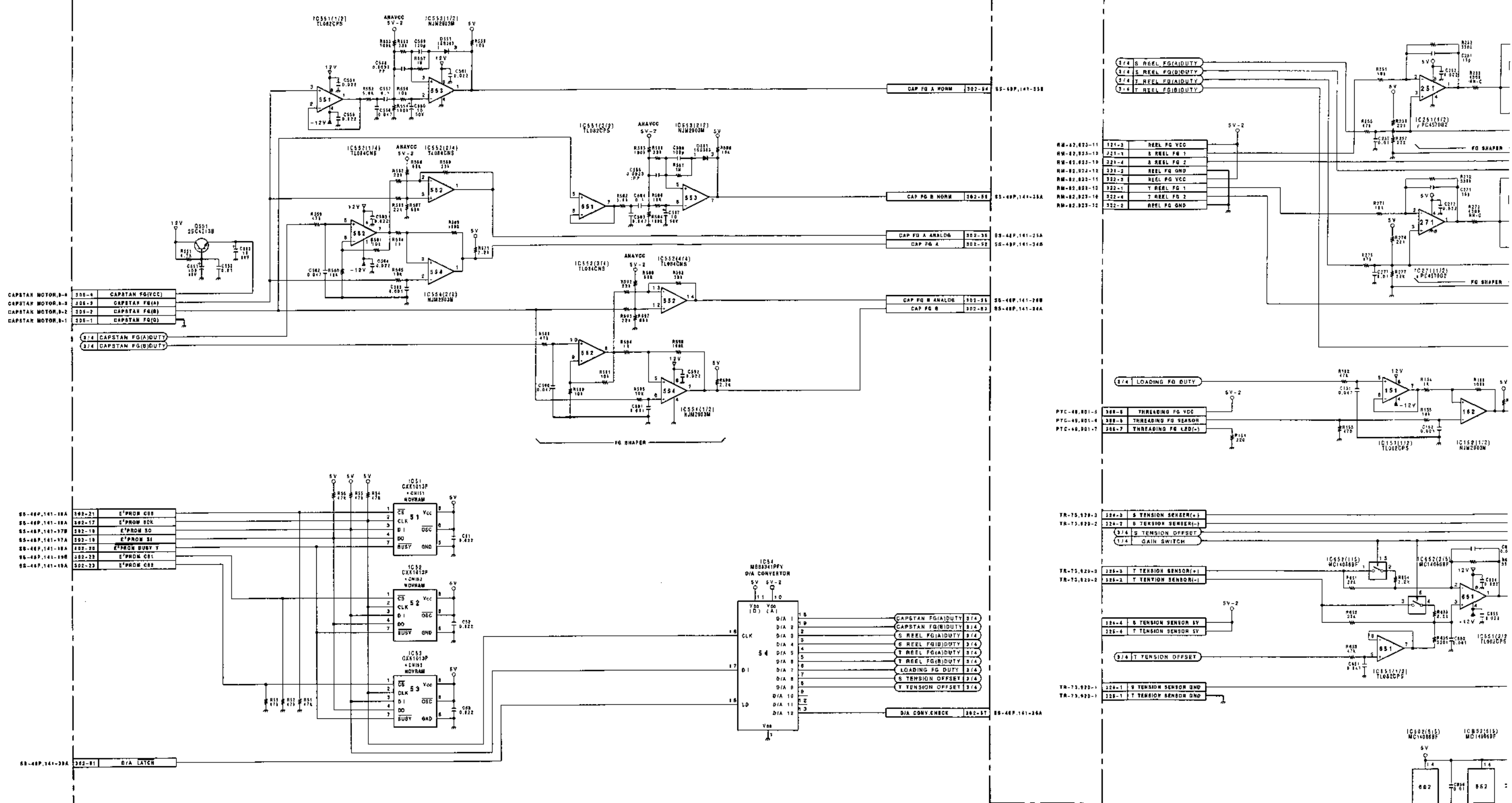


The Δ -marked components are critical to safety.
Replace only with the same components as specified.



DR-232A BOARD (2/4)
BOARD NO.1-640-020-21
PVW-2600P (EK); #14046-
PVW-2600P (UC); #10011-

DR-232A;SENSOR INPUT,TENSION/FG AMPLIFILER,NOVRAM



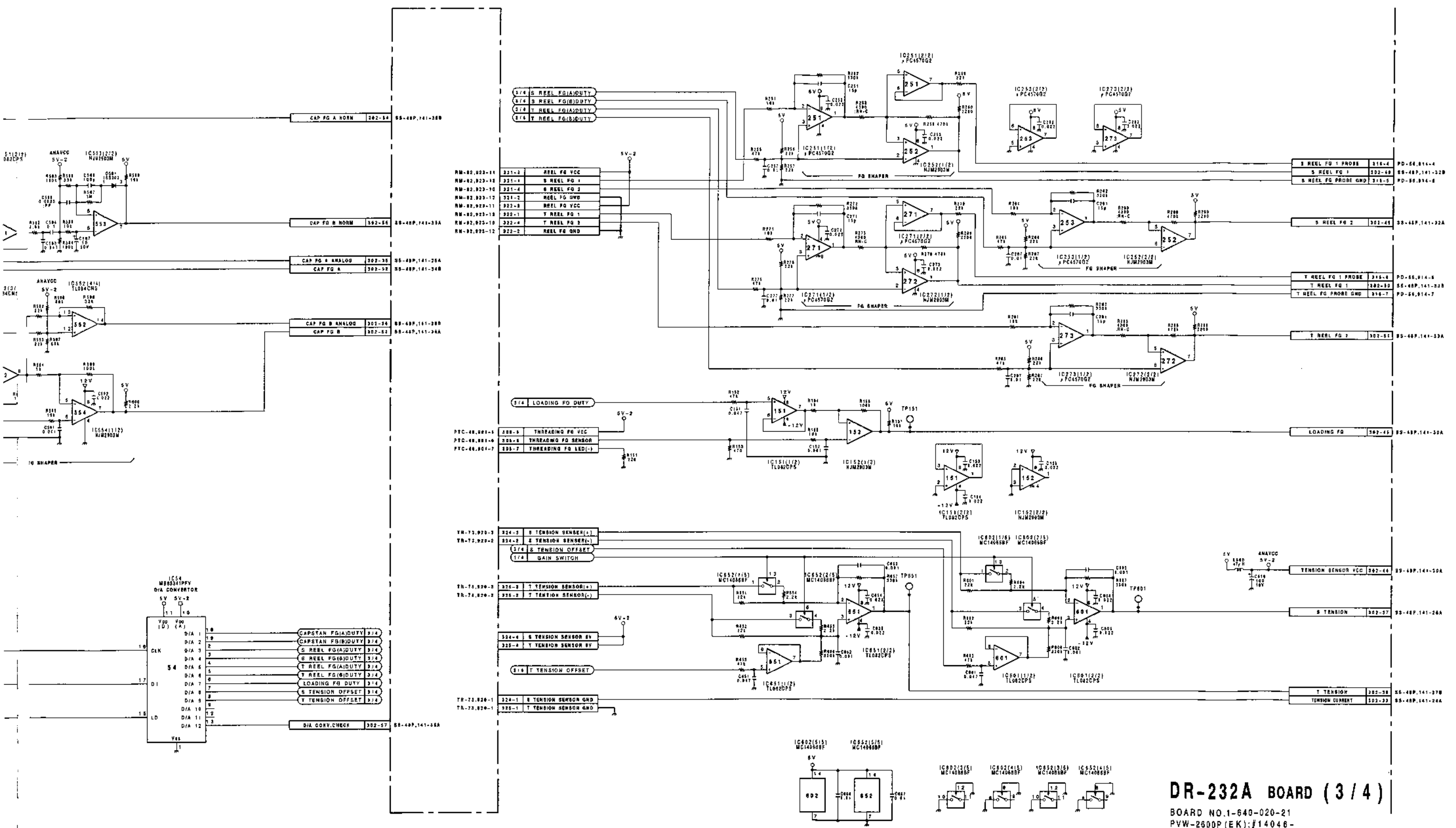
1

2

3

4

5



DR-232A BOARD (3/4)

BOARD NO.1-640-020-21
 PVW-2600P(EK);#14048-
 PVW-2600P(UC);#10011-

A

B

C

D

E

F

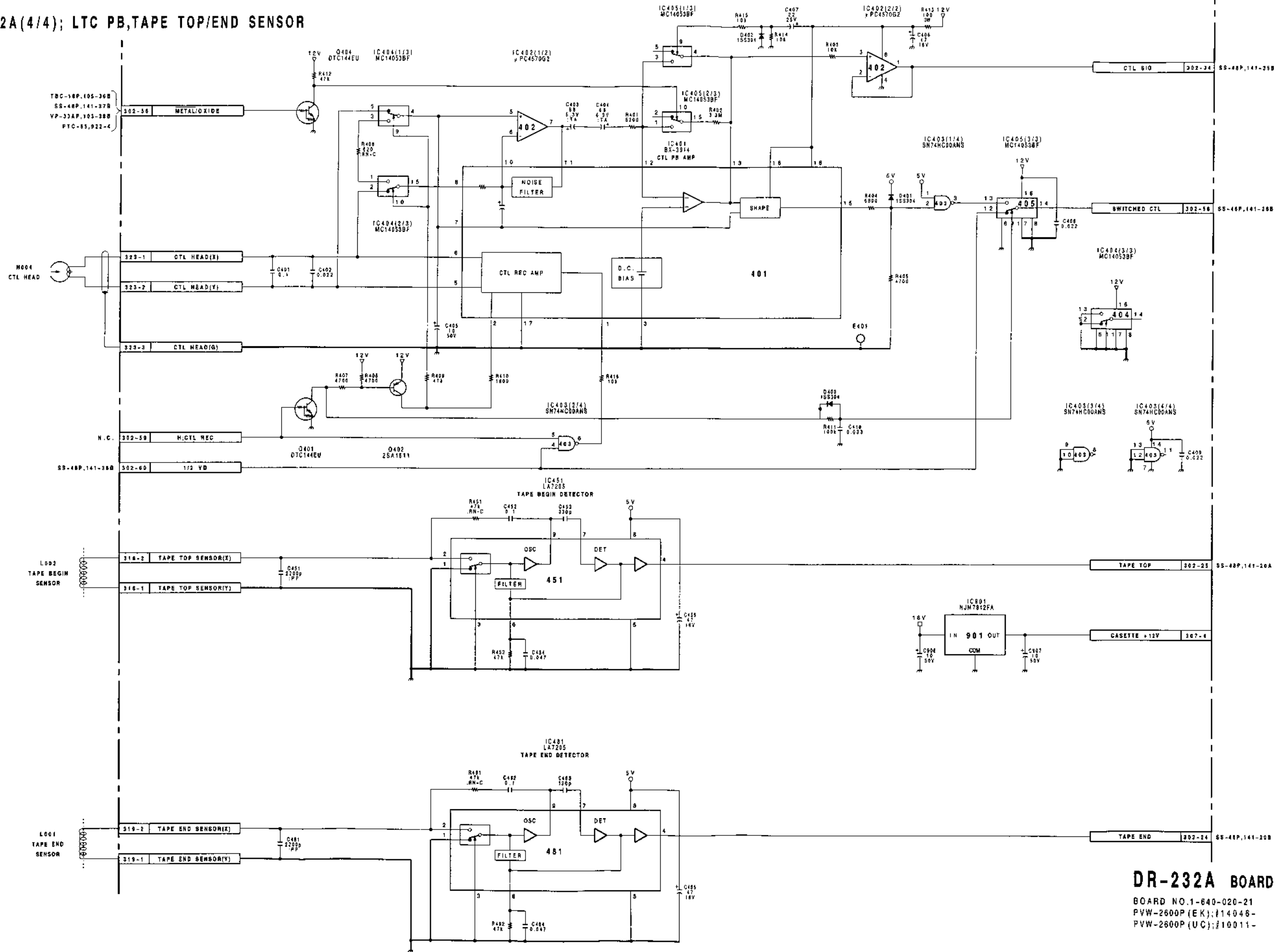
G

H

Serial No.(EK);14046 and higher
Serial No.(UC);10011 and higher

DR-232A(4/4) DR-232A(4/4)

DR-232A(4/4); LTC PB,TAPE TOP/END SENSOR



DR-232A BOARD (4/4)

BOARD NO.1-840-020-21
PVW-2600P (EK);114046-
PVW-2600P (UC);10011-

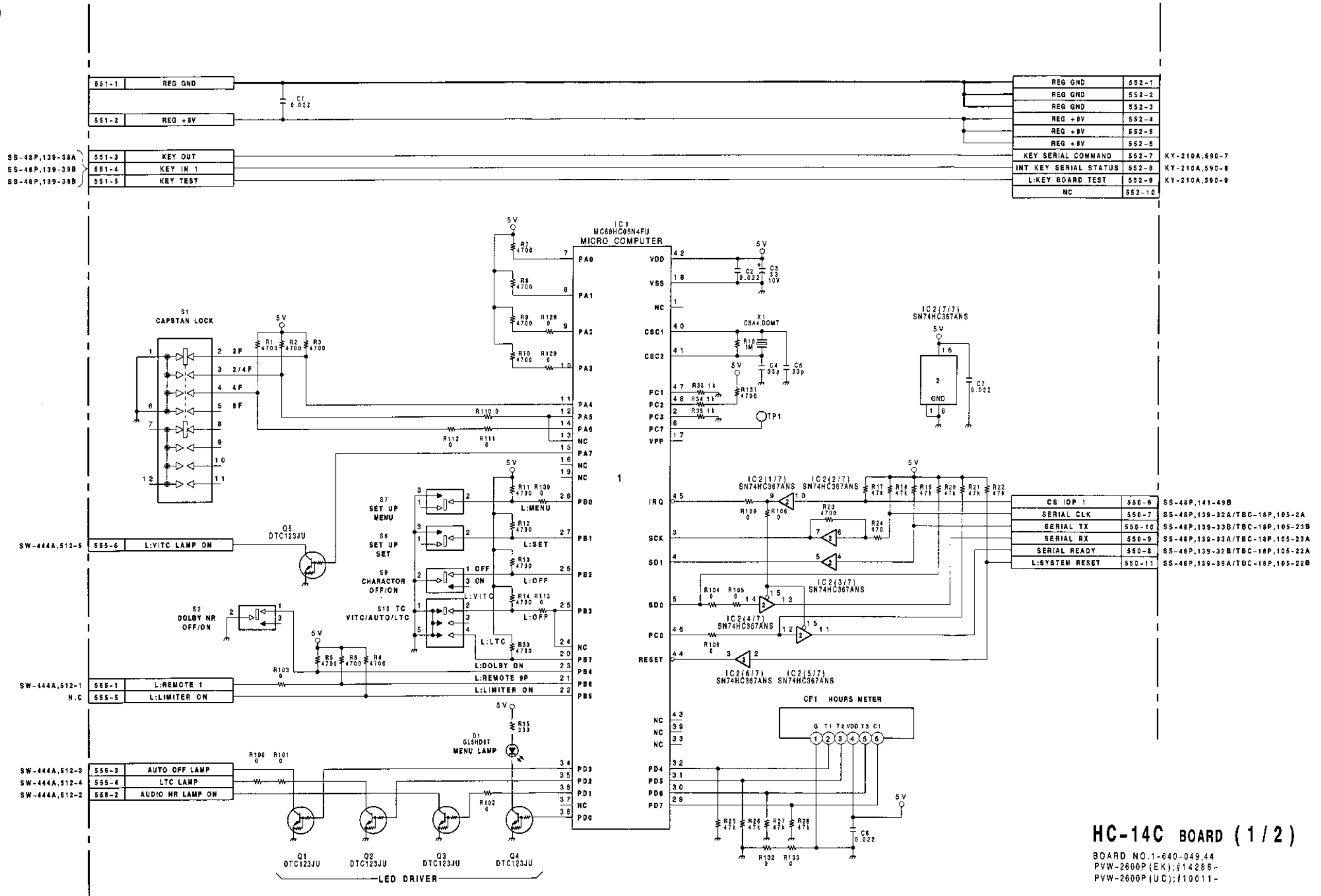
Serial No.(EK);14286 and higher
Serial No.(UC);10011 and higher

HC-14C(1/2) HC-14C(1/2)

HC-14C(1/2);SUB-CONTROL PANEL(SWITCH)

HC-14C(1-640-049-44)

TP1 D-2



HC-14C BOARD (1/2)

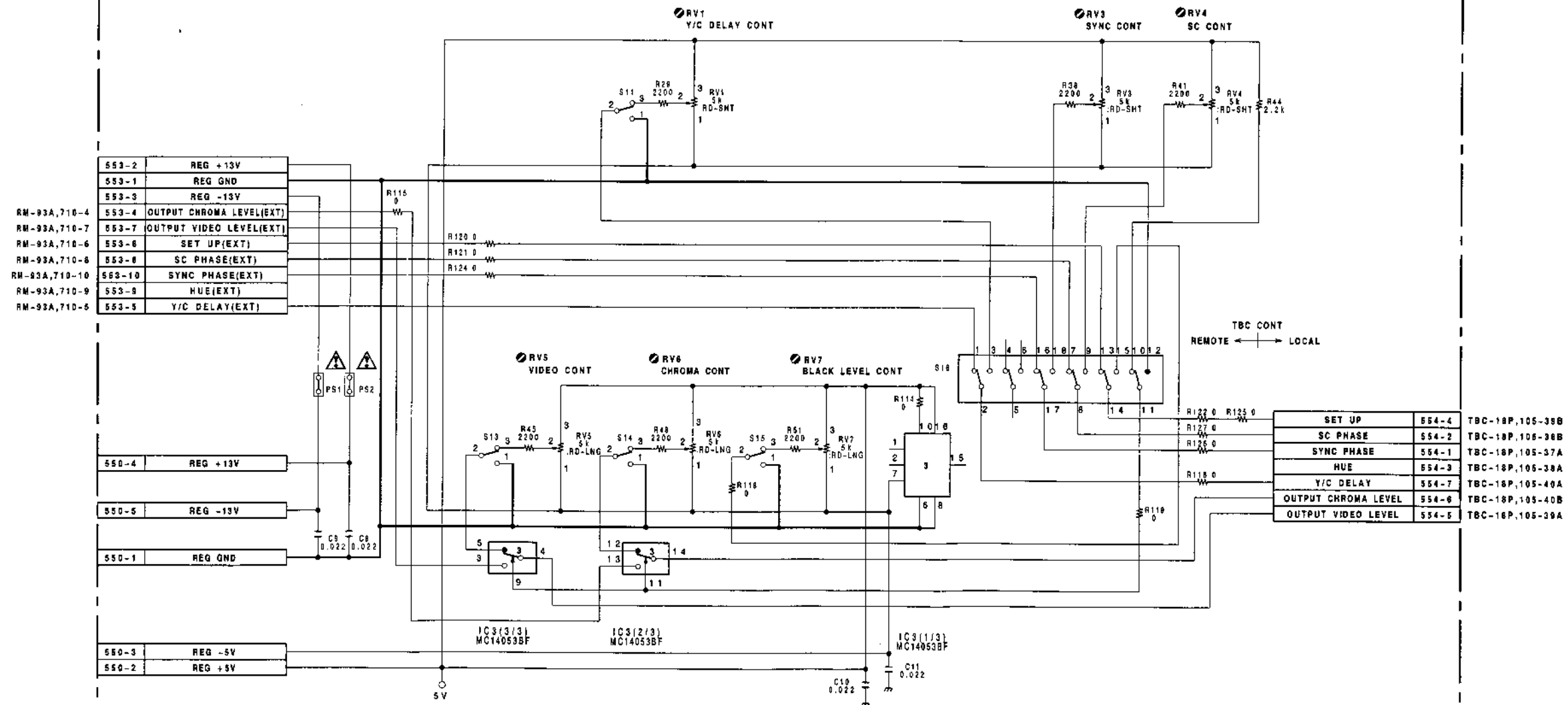
BOARD NO.1-640-049,44
PVW-2600P (EK);14286-
PVW-2600P (UC);10011-

Serial No.(EK);14286 and higher
Serial No.(UC);10011 and higher

HC-14C(2/2) HC-14C(2/2)

HC-14C(2/2);SUB-CONTROL PANEL(TBC CONTROL)

The Δ -marked components are critical to safety.
Replace only with the same components as specified.



HC-14C BOARD (2/2)

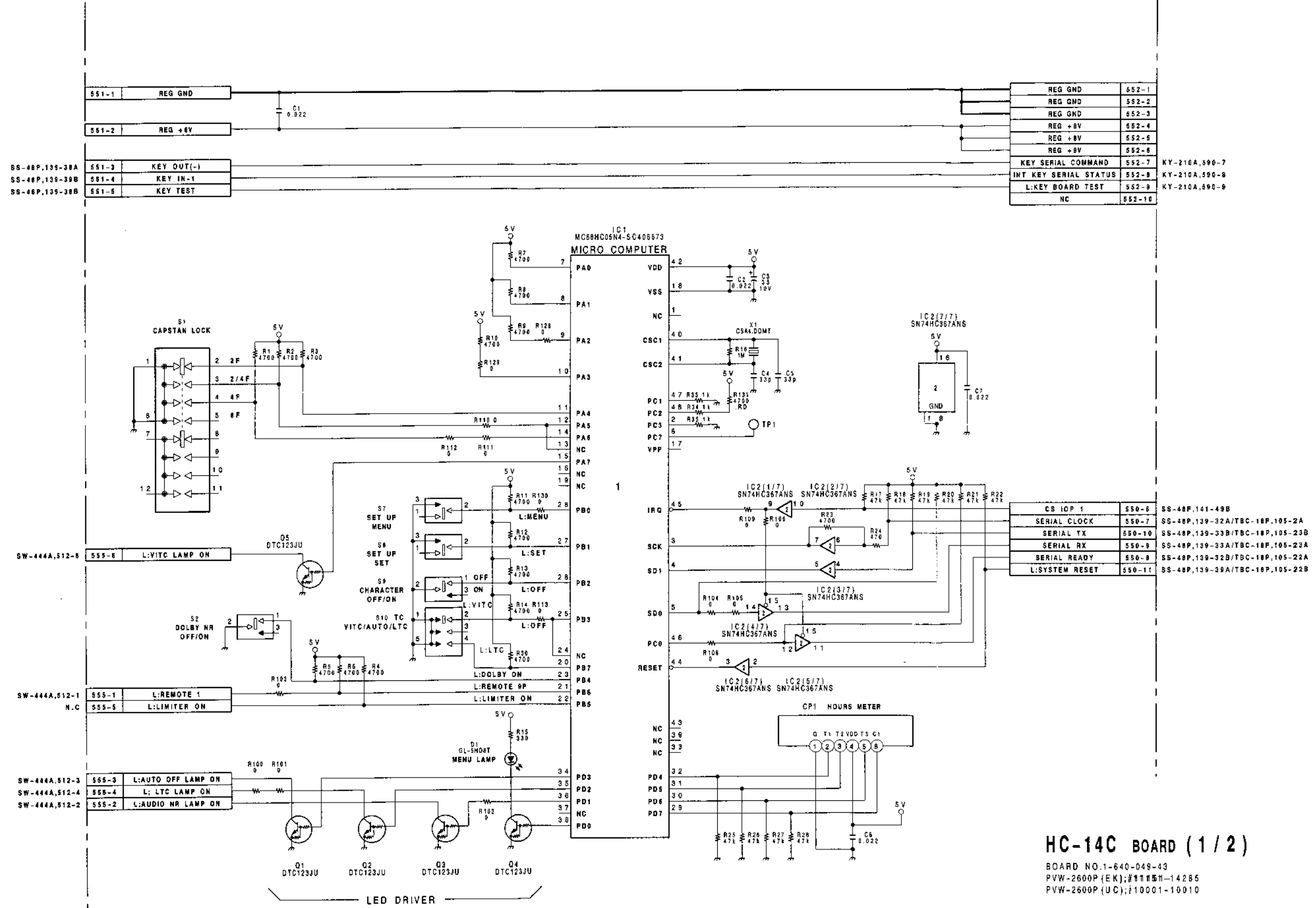
BOARD NO.1-640-049-44
PVW-2600P (EK);#14286-
PVW-2600P (UC);#10011-

Serial No.(EK);11151 to 14285
Serial No.(UC);10001 to 10010

HC-14C(1/2);SUB-CONTROL PANEL(SWITCH)

HC-14C(1-640-049-43)

TP1 D-2



HC-14C BOARD (1/2)

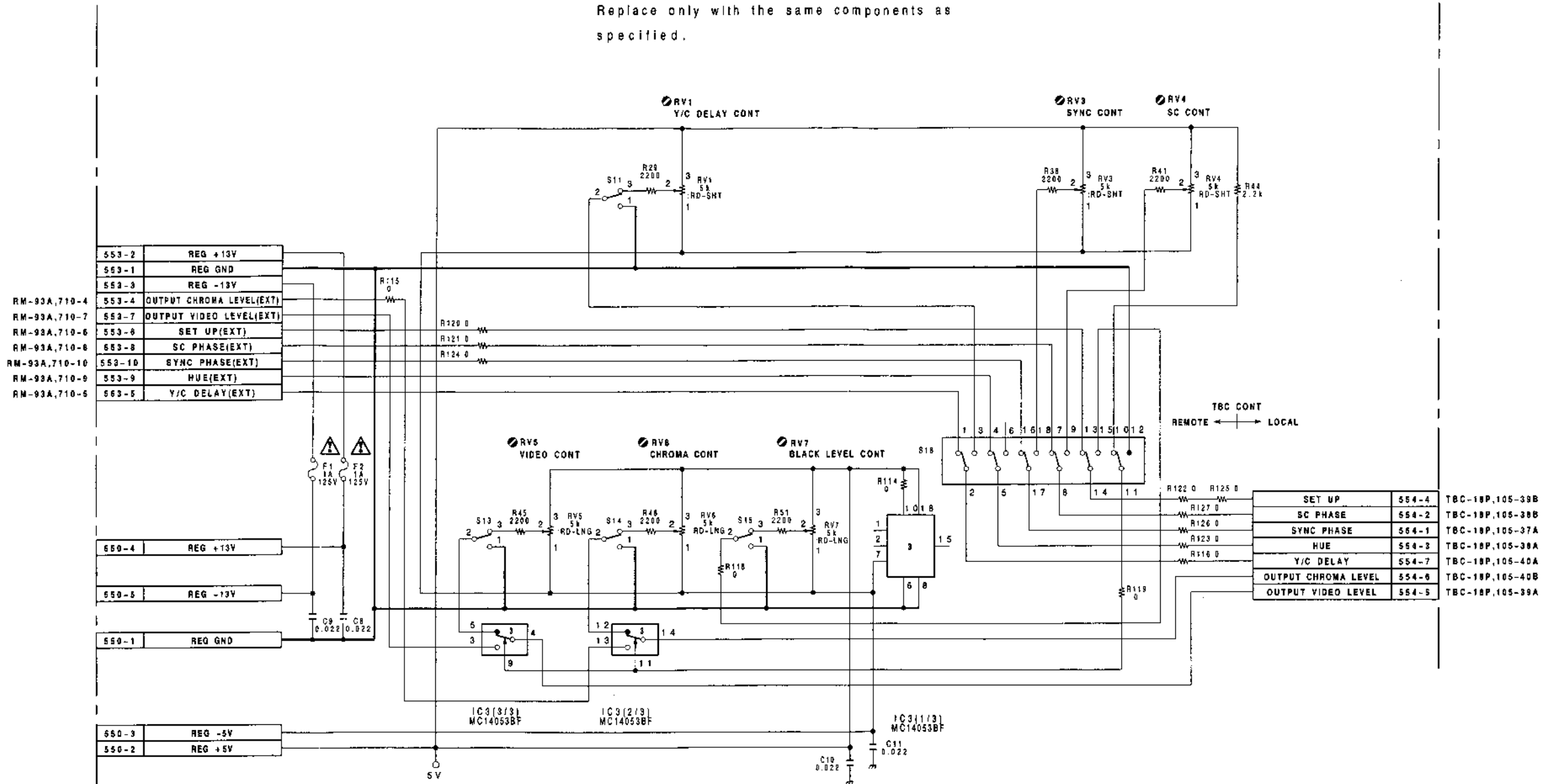
BOARD NO.1-640-049-43
PVW-2600P (EK);11151-14285
PVW-2600P (UC);10001-10010

Serial No.(EK);11151 to 14285
 Serial No.(UC);10001 to 10010

HC-14C(2/2) HC-14C(2/2)

HC-14C(2/2);SUB-CONTROL PANEL(TBC CONTROL)

The Δ -marked components are critical to safety.
 Replace only with the same components as specified.



HC-14C BOARD (2/2)

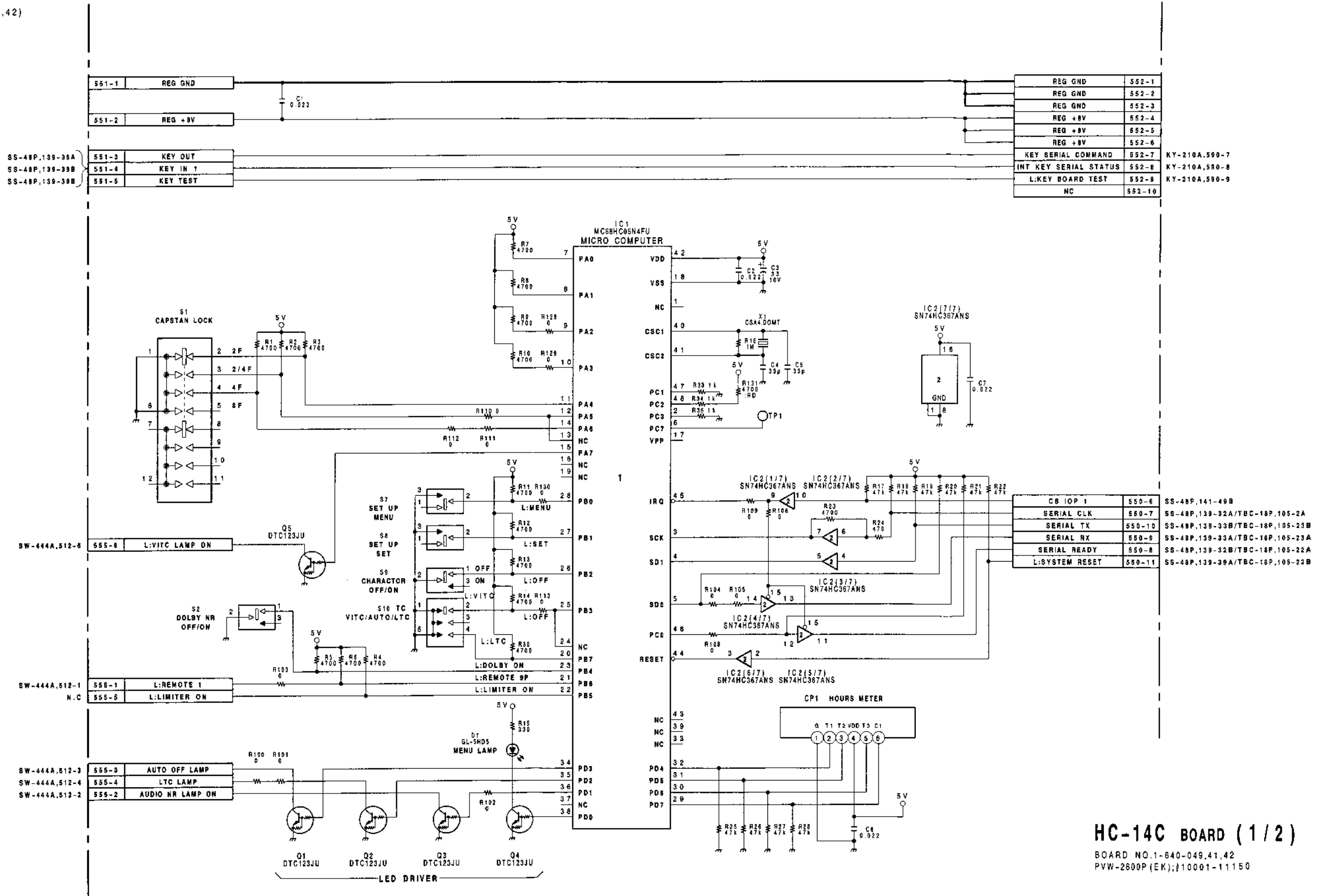
BOARD NO.1-840-049-43
 PVW-2600P (EK);#11151-14285
 PVW-2600P (UC);#10001-10010

Serial No.(EK);10001 to 11150

HC-14C(1/2);SUB-CONTROL PANEL(SWITCH)

HC-14C(1-640-049-41,42)

TP1 D-2



REG GND	552-1
REG GND	552-2
REG GND	552-3
REG +8V	552-4
REG +8V	552-5
REG +8V	552-6
KEY SERIAL COMMAND	552-7
INT KEY SERIAL STATUS	552-8
L:KEY BOARD TEST	552-9
NC	552-10

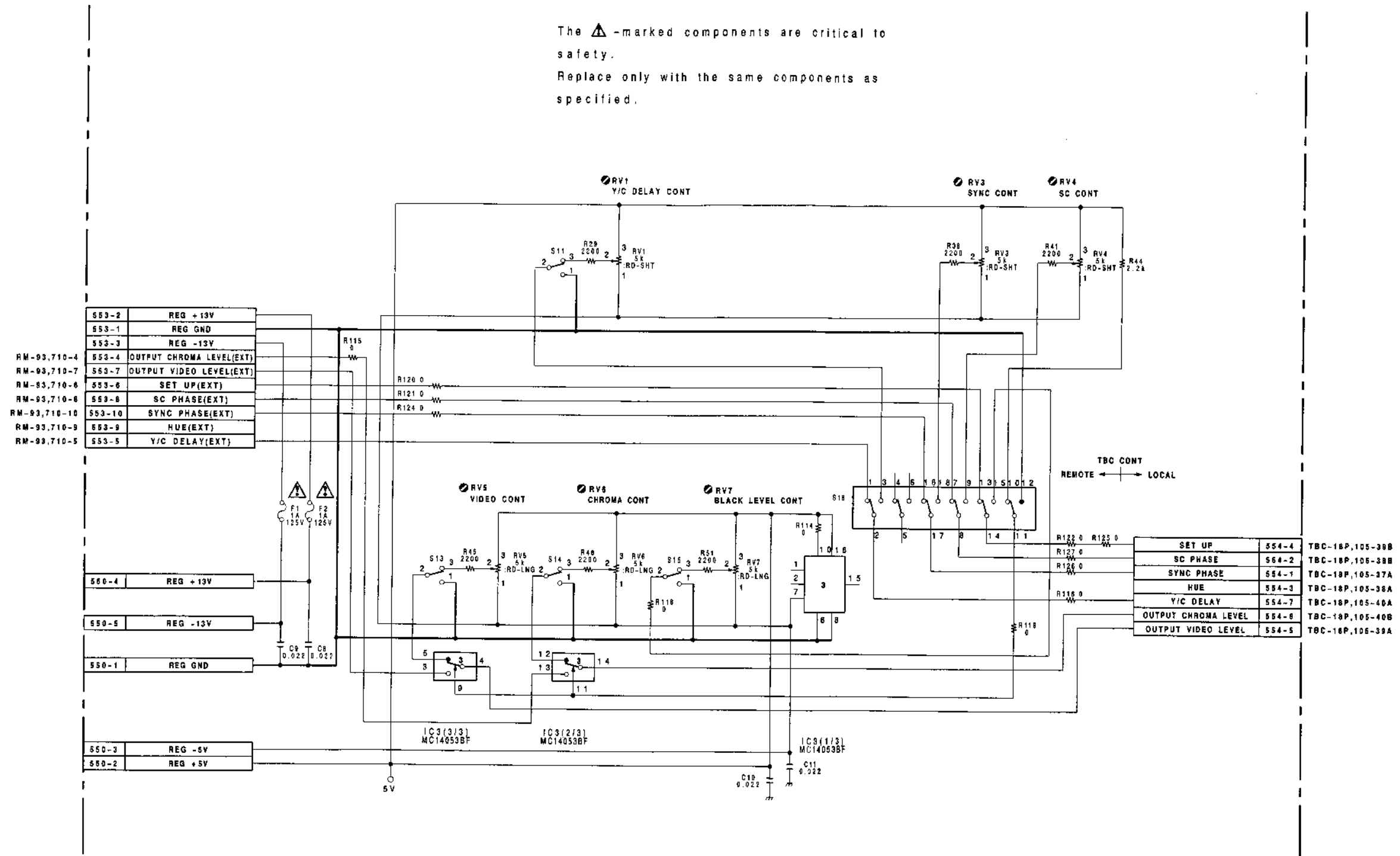
CB IOP 1	550-6	SS-48P,141-49B
SERIAL CLK	550-7	SS-48P,139-32A/TBC-18P,105-2A
SERIAL TX	550-10	SS-48P,139-33B/TBC-18P,105-23B
SERIAL RX	550-9	SS-48P,139-33A/TBC-18P,105-23A
SERIAL READY	550-8	SS-48P,139-32B/TBC-18P,105-22A
L:SYSTEM RESET	550-11	SS-48P,139-39A/TBC-18P,105-22B

HC-14C BOARD (1/2)
 BOARD NO.1-640-049,41,42
 PVW-2600P(EK);10001-11150

Serial No.(EK);10001 to 11150

HC-14C(2/2);SUB-CONTROL PANEL(TBC CONTROL)

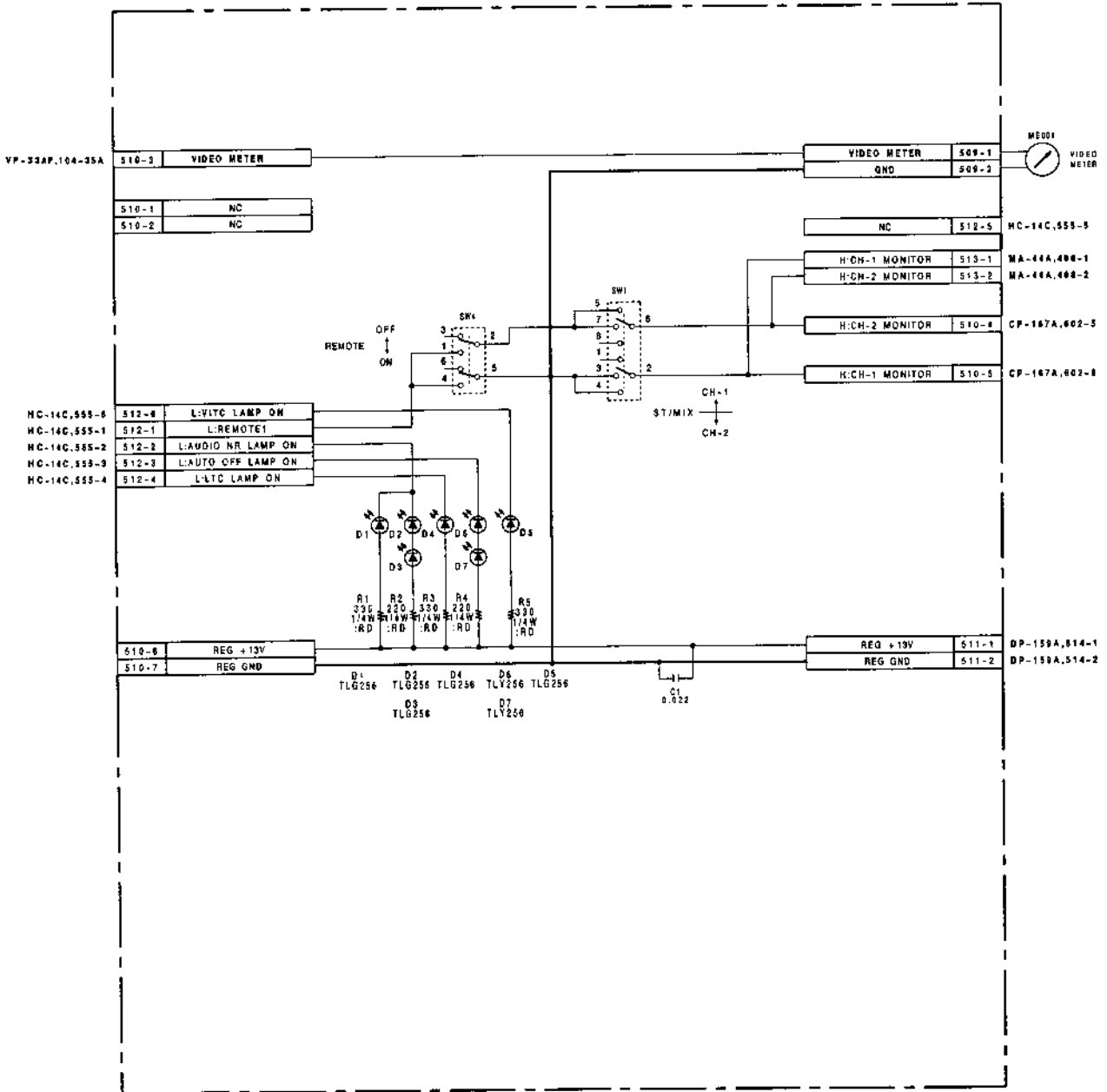
The Δ -marked components are critical to safety.
 Replace only with the same components as specified.



HC-14C BOARD (2/2)

BOARD NO.1-840-049-41,42
 PVW-2600P (EK);#10001-11150

SW-444A;SELECT SWITCH,INDICATOR,RF/VIDEO LEVEL METER

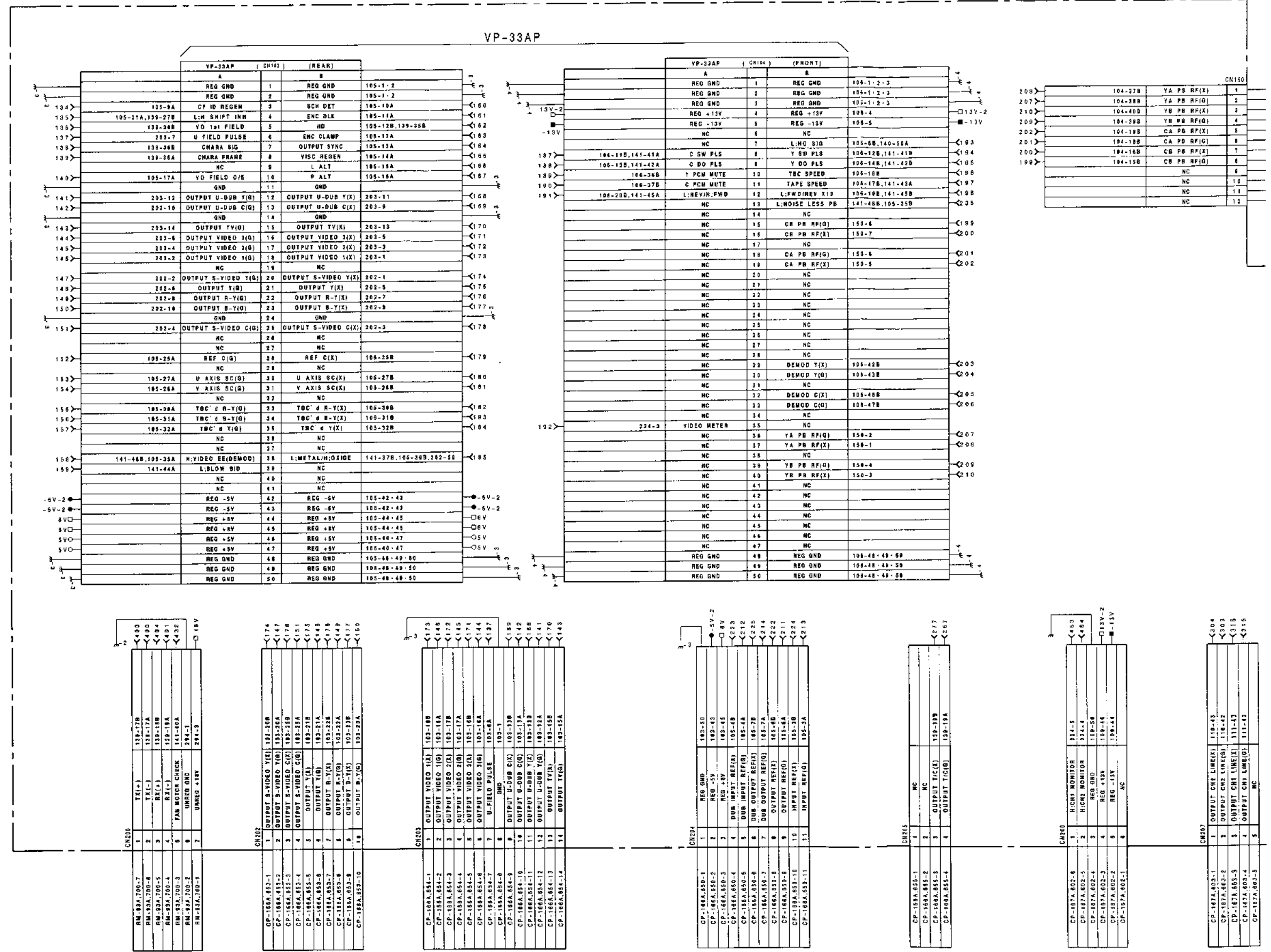


SW-444A BOARD

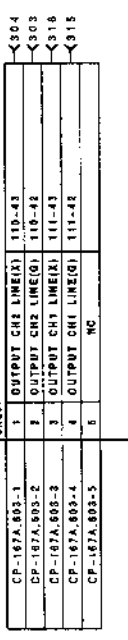
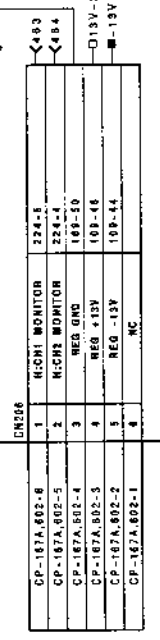
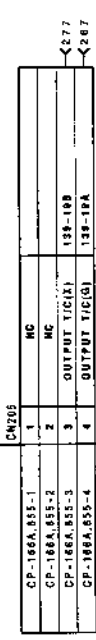
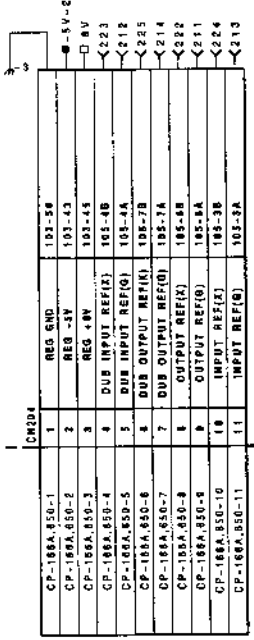
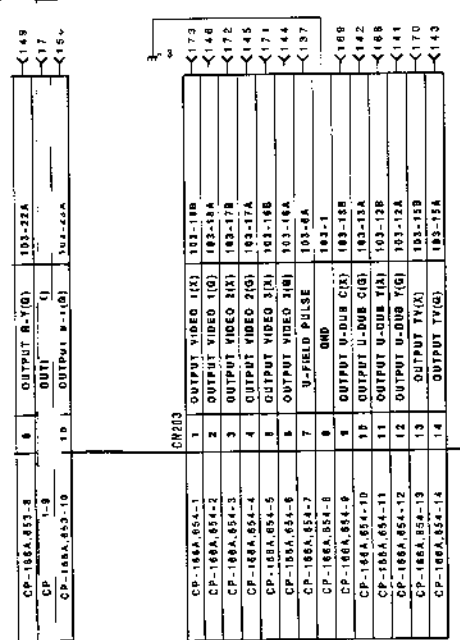
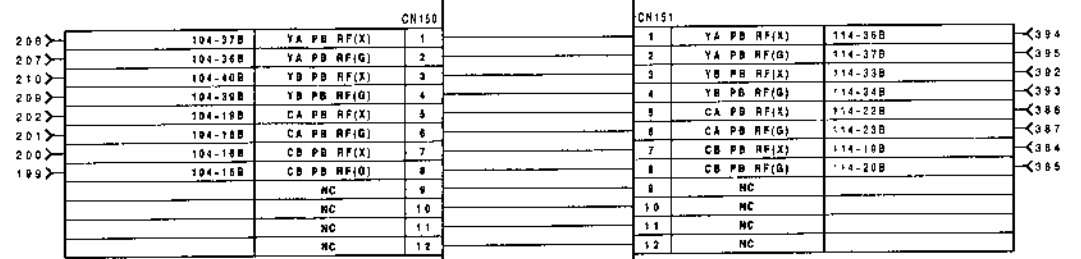
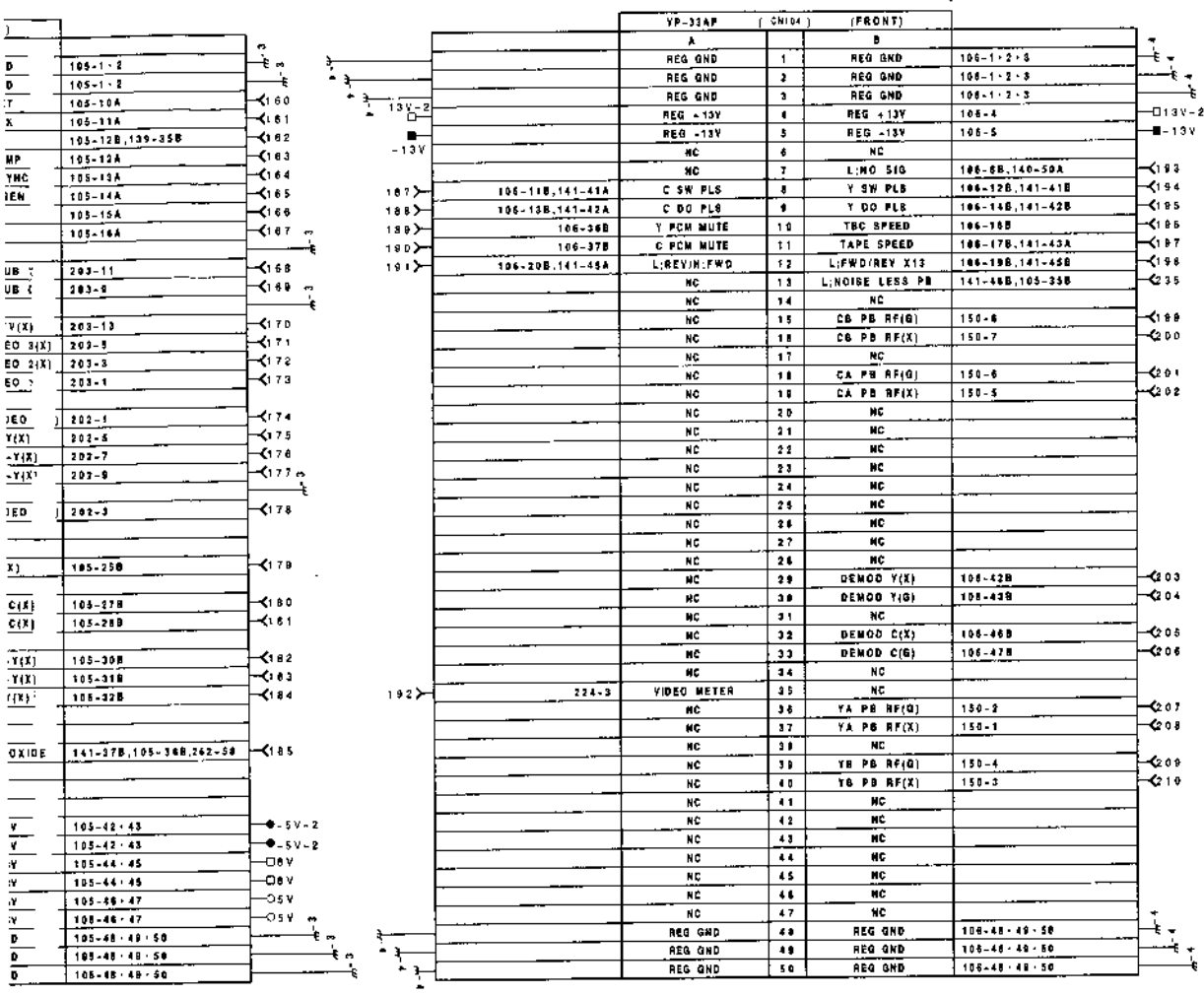
BOARD NO.1-640-043-21
 PVW-2600P (EK);#10001-
 PVW-2600P (UC);#10001-

Serial No.(EK);11681 and higher
Serial No.(UC);10001 and higher

MB-322D(1/5);MOTHER BOARD(1/5)



VP-33AP



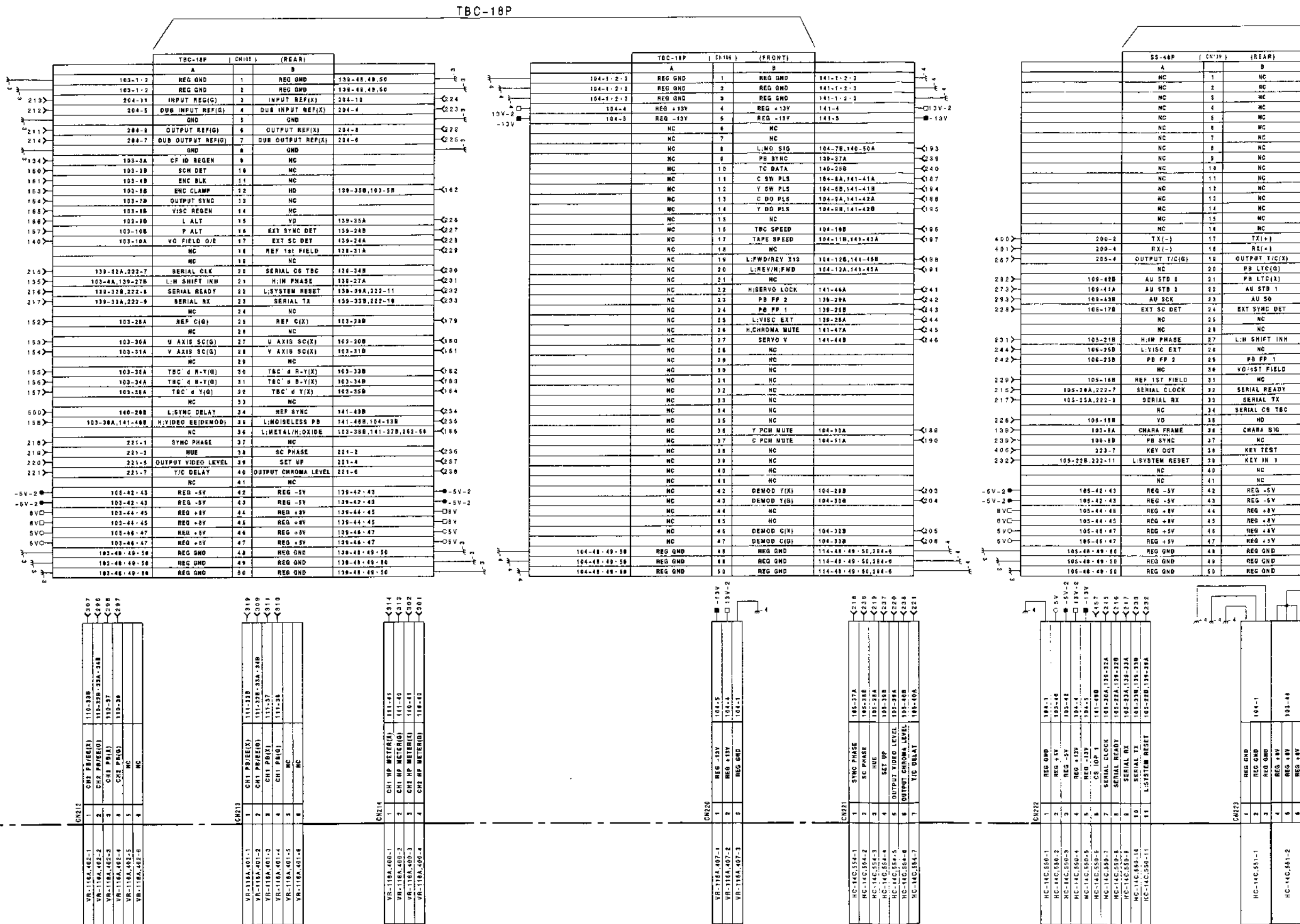
MB-322D BOARD (1/5)

BOARD NO.1-640-038-23
PVW-2600P (E.K);#11681-
PVW-2600P (U.C);#10001-

Serial No.(EK);11681 and higher
Serial No.(UC);10001 and higher

MB-322D(2/5) MB-322D(2/5)

MB-322D(2/5);MOTHER BOARD(2/5)



16-49(b)

A

B

C

D

E

F

G

H

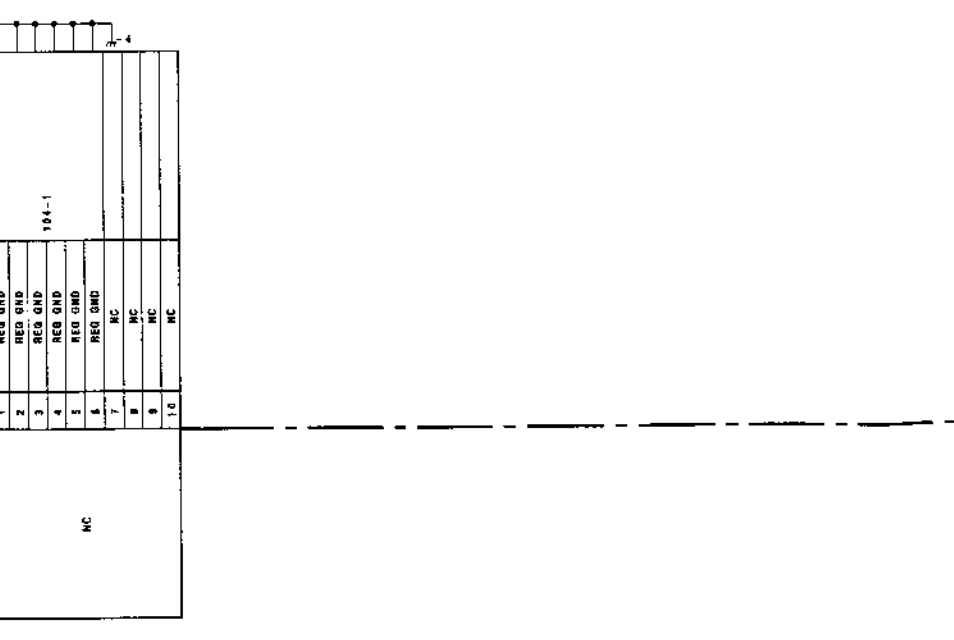
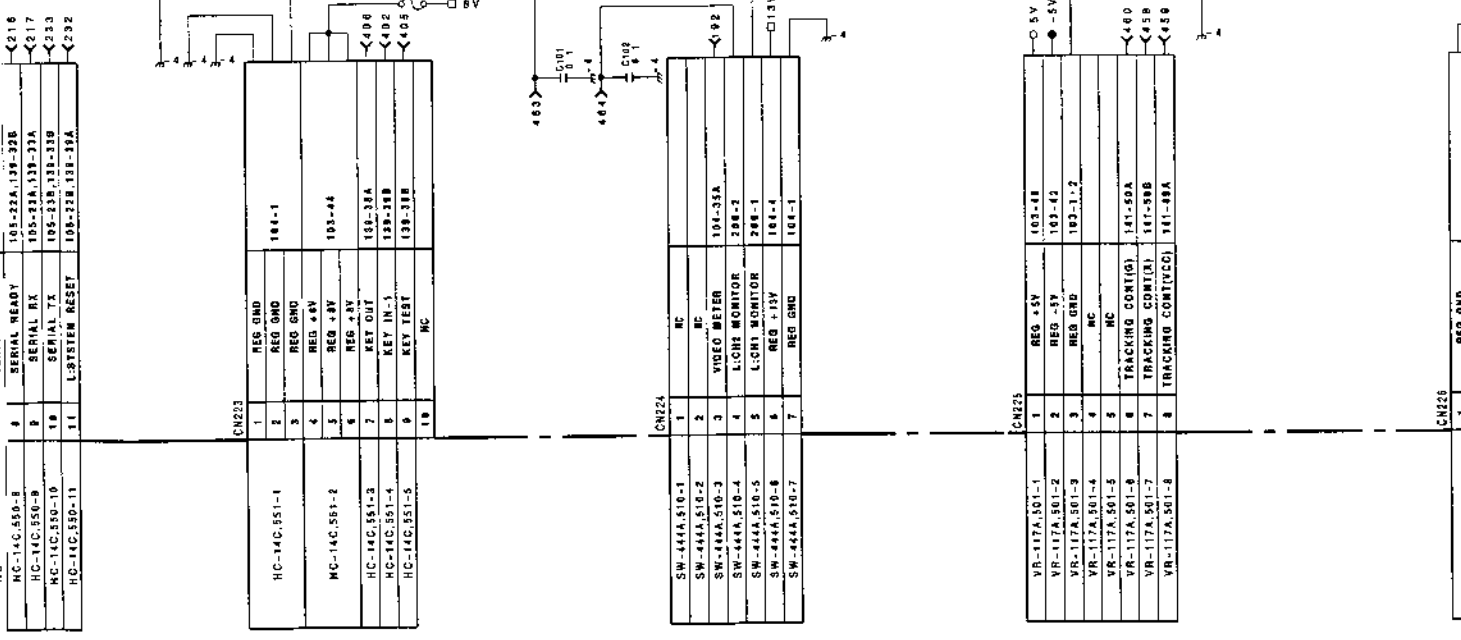
I

SS-48P

SS-48P (DRIVER)		(REAR)	
A	B	A	B
NC	1	NC	
NC	2	NC	
NC	3	NC	
NC	4	NC	
NC	5	NC	
NC	6	NC	
NC	7	NC	
NC	8	NC	
NC	9	NC	
NC	10	NC	
NC	11	NC	
NC	12	NC	
NC	13	NC	
NC	14	NC	
NC	15	NC	
NC	16	NC	
NC	17	TX(+)	200-1
NC	18	RX(+)	200-2
NC	19	OUTPUT T/C(G)	200-3
NC	20	PB LTC(G)	100-29A,109-29B
NC	21	PB LTC(X)	100-29B
NC	22	AU STB 1	100-41B
NC	23	AU SB	100-43A
NC	24	EXT BC DET	105-16B
NC	25	NC	
NC	26	NC	
NC	27	L:M SHIFT JNH	102-6A,105-21A
NC	28	NC	
NC	29	PB FP 1	106-24B
NC	30	VD-1ST FIELD	103-8A
NC	31	NC	
NC	32	SERIAL READY	105-22A,222-6
NC	33	SERIAL TX	105-23B,222-10
NC	34	SERIAL CS T0C	105-20B
NC	35	HD	103-5B,105-12B
NC	36	CHARA FRAME	102-7A
NC	37	NC	
NC	38	KEY OUT	223-9
NC	39	KEY IN 1	223-8
NC	40	NC	
NC	41	NC	
REG -5V	42	REG -5V	293-7
REG -5V	43	REG -5V	293-7
REG +5V	44	REG +5V	293-6
REG +5V	45	REG +5V	293-6
REG +5V	46	REG +5V	293-5
REG +5V	47	REG +5V	293-5
REG GND	48	REG GND	293-2,3,4
REG GND	49	REG GND	293-2,3,4
REG GND	50	REG GND	293-2,3,4

SS-48P (CN10)		(CENTER)	
A	B	A	B
NC	1	NC	
NC	2	NC	
NC	3	NC	
NC	4	NC	
NC	5	NC	
NC	6	NC	
NC	7	NC	
NC	8	NC	
NC	9	NC	
NC	10	NC	
NC	11	NC	
NC	12	NC	
NC	13	NC	
NC	14	NC	
NC	15	NC	
NC	16	NC	
NC	17	NC	
NC	18	NC	
NC	19	NC	
NC	20	NC	
NC	21	NC	
NC	22	NC	
NC	23	NC	
NC	24	NC	
NC	25	NC	
NC	26	TC DATA	104-10B
NC	27	NC	
NC	28	L:SYNC DELAY	105-34A
NC	29	NC	
NC	30	NC	
NC	31	NC	
NC	32	NC	
NC	33	NC	
NC	34	NC	
NC	35	NC	
NC	36	NC	
NC	37	NC	
NC	38	NC	
NC	39	NC	
NC	40	NC	
NC	41	NC	
NC	42	NC	
NC	43	NC	
NC	44	NC	
NC	45	NC	
NC	46	NC	
NC	47	NC	
NC	48	NC	
NC	49	NC	
NC	50	L:NO SIG	

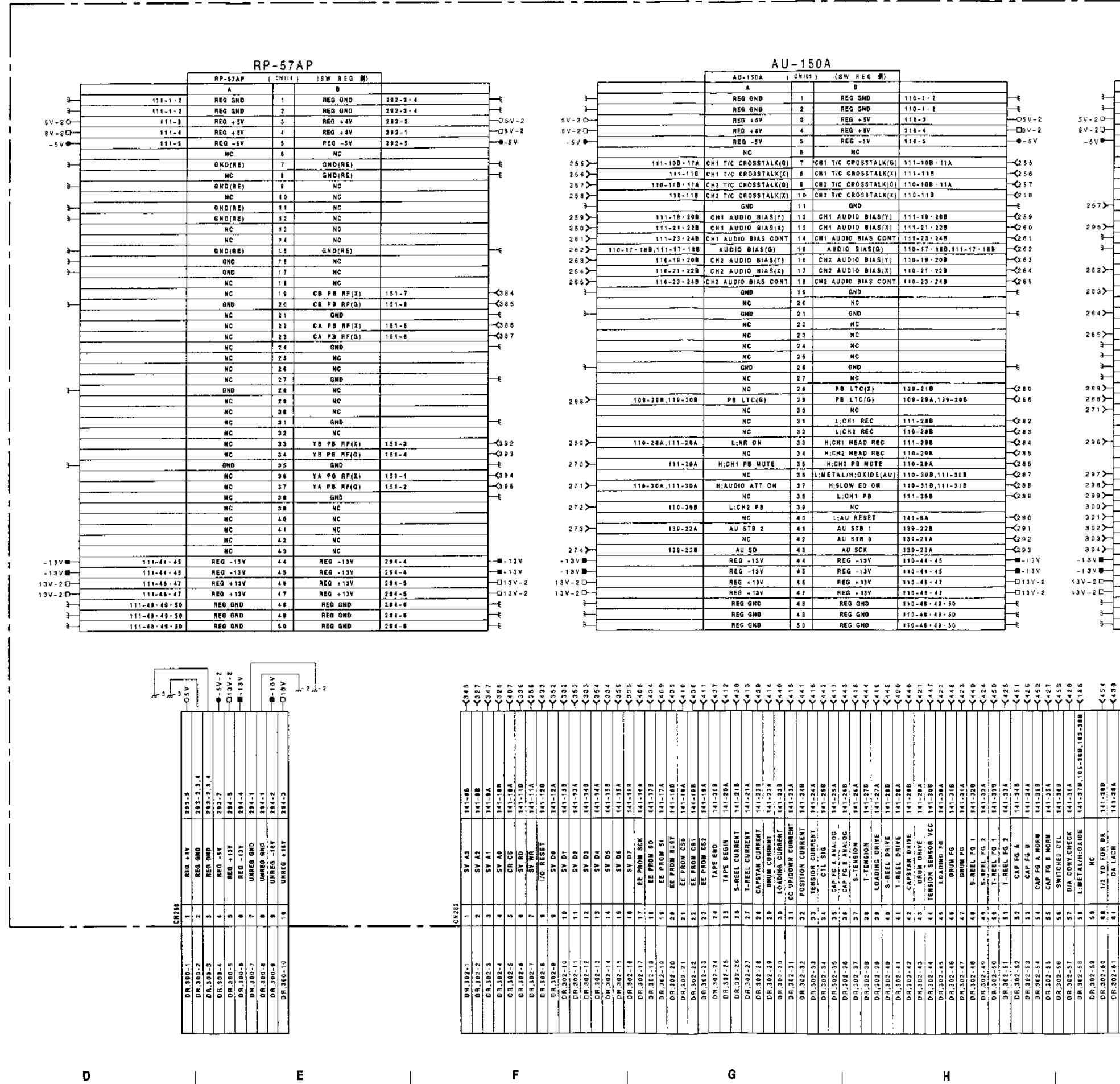
SS-48P (CN11)		(FRONT)	
A	B	A	B
REG GND	1	REG GND	294-8
REG GND	2	REG GND	294-8
REG GND	3	REG GND	294-8
REG +13V	4	REG +13V	294-9
REG -13V	5	REG -13V	294-4
NC	6	NC	
NC	7	NC	
L:AV RESET	8	SV A3	292-1
SV A1	9	SV A2	292-2
DR CS	10	SV A0	292-4
SV WR	11	SV RD	292-6
SV D0	12	I/O RESET	292-8
SV D2	13	SV D1	292-10
SV D4	14	SV D3	292-12
SV D6	15	SV D5	292-14
SV D7	16	SV D7	292-16
EE PROM SCK	17	EE PROM S0	292-16
EE PROM S1	18	EE PROM S1	292-20
EE PROM CS0	19	EE PROM CS1	292-22
EE PROM CS2	20	EE PROM CS3	292-24
TAPE BIQIN	21	TAPE END	292-24
T-REEL CURRENT	22	S-REEL CURRENT	292-26
DRUM CURRENT	23	CAPSTAN CURRENT	292-28
CC UP/DOWN CURRENT	24	LOADING CURRENT	292-30
TENSION CURRENT	25	POSITION CURRENT	292-32
CAP FG A ANALOG	26	CTL SIG	292-34
S-TENSION	27	CAP FG B ANALOG	292-36
LOADING DRIVE	28	T-TENSION	292-38
T-REEL DRIVE	29	S-REEL DRIVE	292-40
DRUM DRIVE	30	CAPSTAN DRIVE	292-42
LOADING FG	31	TENSION SENSOR VCC	292-44
DRUM FG	32	DRUM FG	292-46
S-REEL FG 2	33	S-REEL FG 1	292-48
T-REEL FG 2	34	T-REEL FG 1	292-50
CAP FG B	35	CAP FG A	292-52
CAP FG B NORM	36	CAP FG A NORM	292-54
D/A CONV. CHECK	37	SWITCHED CTL	292-56
NC	38	L:METAL/N-OXIDE	103-38B,105-38B,292-58
DA LACH	39	1/2 VD FOR DR	292-60
NC	40	NC	
FAN MOTOR CHECK	41	L:REG TEMP	293-1
C SW PLS	42	Y SW PLS	104-8B,106-12B
C DO PLS	43	Y DO PLS	104-8B,106-14B
TAPE SPEED	44	REF SYNC	105-34B
L:SLOW BID	45	SERVO V	105-27B
L:REV/H:FWD	46	L:FWD/REV X15(6)	104-12B,106-19B
H:SERVO LOCK	47	L:NOISELESS PB	105-35B,104-13B
H:CHROMA MUTE	48	NC	
NC	49	N:VIDEO EE(DEMOD)	103-36A,105-35A
TRACKING CONT(YCC)	50	CB TIDP 1	222-8
TRACKING CONT(G)	50	TRACKING CONT(X)	225-7



MB-322D BOARD (2/5)

BOARD NO.1-640-038-23
 PVW-2600P (EK);#11681-
 PVW-2600P (UC);#10001-

MB-322D(3/5);MOTHER BOARD(3/5)



AU-149AP

AU-149AP (CH110)		(SW REG #)			
A	B	A	B		
109-1-2	REG GND	1	REG GND	111-1-2	
109-1-2	REG GND	2	REG GND	111-1-2	
109-3	REG +5V	3	REG +5V	111-3	
109-4	REG +5V	4	REG +5V	111-4	
109-5	REG -5V	5	REG -5V	111-5	
	NC	6	NC		
	NC	7	NC		
	NC	8	NC		
	NC	9	NC		
	NC	10	CH2 TIC CROSSTALK(I)	109-9	
	NC	11	CH2 TIC CROSSTALK(X)	109-10	
	NC	12	CH2 INSERT CROSSTALK(I)	111-28	
	NC	13	CH2 INSERT CROSSTALK(X)	111-29	
	GND	14	CH2 INSERT CROSSTALK(I)	111-28	
	GND	15	GND		
	NC	16	CH2 CROSSTALK	111-25B	
	AUDIO BIAS(Q)	17	AUDIO BIAS(Q)	109-15,111-17-18B	
	NC	18	AUDIO BIAS(Q)	109-15,111-17-18B	
	CH2 AUDIO BIAS(Y)	19	CH2 AUDIO BIAS(Y)	109-16	
	NC	20	CH2 AUDIO BIAS(Y)	109-16	
	CH2 AUDIO BIAS(X)	21	CH2 AUDIO BIAS(X)	109-17	
	NC	22	CH2 AUDIO BIAS(X)	109-17	
	CH1 AUDIO BIAS CONT	23	CH2 AUDIO BIAS CONT	109-18	
	GND	24	CH2 AUDIO BIAS CONT	109-18	
	GND	25	GND		
	GND	26	CH1 CROSSTALK	111-18B	
	GND	27	GND		
	M/NR ON	28	L:CH2 REC	109-31B	
	H:CH2 PB MUTE	29	H:CH2 HEAD REC	109-34B	
	H:AUDIO ATT ON	30	L:METAL/H:OXIDE(AU)	109-38B,111-30B	
	NC	31	H:SLOW EQ ON	109-37B,111-31B	
	NC	32	CH2 P/B/E(E)	212-2	
	NC	33	CH2 P/B/E(X)	212-1	
	NC	34	CH2 P/B/E(Q)	212-2	
	NC	35	L:CH2 PB	109-39A	
	CH2 P/B(Q)	36	CH2 P/B(Q)	212-4	
	CH2 P/B(X)	37	CH2 P/B(X)	212-3	
	CH1 INSERT CROSSTALK(I)	38	CH1 INSERT CROSSTALK(X)	111-12B-13A-14B	
	CH1 INSERT CROSSTALK(I)	39	CH1 INSERT CROSSTALK(X)	111-13B	
	CH2 HP METER(Q)	40	CH2 HP METER(Q)	214-4	
	CH2 HP METER(X)	41	CH2 HP METER(X)	214-5	
	OUTPUT CH2 LINE(Q)	42	OUTPUT CH2 LINE(Q)	207-2	
	OUTPUT CH2 LINE(X)	43	OUTPUT CH2 LINE(X)	207-1	
	REG -13V	44	REG -13V	111-44-45	
	REG -13V	45	REG -13V	111-44-45	
	REG +13V	46	REG +13V	111-46-47	
	REG +13V	47	REG +13V	111-46-47	
	REG GND	48	REG GND	111-48-49-50	
	REG GND	49	REG GND	111-48-49-50	
	REG GND	50	REG GND	111-48-49-50	

AU-148AP

AU-148AP (CH111)		(SW REG #)			
A	B	A	B		
110-1-2	REG GND	1	REG GND	114-1-2	
110-1-2	REG GND	2	REG GND	114-1-2	
110-3	REG +5V	3	REG +5V	114-3	
110-4	REG +5V	4	REG +5V	114-4	
110-5	REG -5V	5	REG -5V	114-5	
	NC	6	NC		
	NC	7	NC		
	NC	8	NC		
	NC	9	NC		
	NC	10	CH1 TIC CROSSTALK(I)	109-7	
	NC	11	CH1 TIC CROSSTALK(X)	109-8	
	NC	12	CH1 INSERT CROSSTALK(I)	110-28	
	NC	13	CH1 INSERT CROSSTALK(X)	110-29	
	GND	14	CH1 INSERT CROSSTALK(I)	110-28	
	GND	15	GND		
	NC	16	CH1 CROSSTALK	110-26B	
	AUDIO BIAS(Q)	17	AUDIO BIAS(Q)	109-15,110-17-18B	
	NC	18	AUDIO BIAS(Q)	109-15,110-17-18B	
	CH1 AUDIO BIAS(Y)	19	CH1 AUDIO BIAS(Y)	109-12	
	NC	20	CH1 AUDIO BIAS(Y)	109-12	
	CH1 AUDIO BIAS(X)	21	CH1 AUDIO BIAS(X)	109-13	
	NC	22	CH1 AUDIO BIAS(X)	109-13	
	CH1 AUDIO BIAS CONT	23	CH1 AUDIO BIAS CONT	109-14	
	GND	24	CH1 AUDIO BIAS CONT	109-14	
	GND	25	GND		
	GND	26	CH2 CROSSTALK	110-18B	
	GND	27	GND		
	M/NR ON	28	L:CH1 REC	109-31B	
	H:CH1 PB MUTE	29	H:CH1 HEAD REC	109-33B	
	H:AUDIO ATT ON	30	L:METAL/H:OXIDE(AU)	109-38B,110-30B	
	NC	31	H:SLOW EQ ON	109-37B,110-31B	
	NC	32	CH1 P/B/E(Q)	213-2	
	NC	33	CH1 P/B/E(X)	213-1	
	NC	34	CH1 P/B/E(Q)	213-2	
	NC	35	L:CH1 PB	109-39B	
	CH1 P/B(Q)	36	CH1 P/B(Q)	213-4	
	CH1 P/B(X)	37	CH1 P/B(X)	213-3	
	CH2 INSERT CROSSTALK(I)	38	CH2 INSERT CROSSTALK(X)	110-12B-13A-14B	
	CH2 INSERT CROSSTALK(I)	39	CH2 INSERT CROSSTALK(X)	110-13B	
	CH1 HP METER(Q)	40	CH1 HP METER(Q)	214-2	
	CH1 HP METER(X)	41	CH1 HP METER(X)	214-1	
	OUTPUT CH1 LINE(Q)	42	OUTPUT CH1 LINE(Q)	207-4	
	OUTPUT CH1 LINE(X)	43	OUTPUT CH1 LINE(X)	207-3	
	REG -13V	44	REG -13V	114-44-45	
	REG -13V	45	REG -13V	114-44-45	
	REG +13V	46	REG +13V	114-46-47	
	REG +13V	47	REG +13V	114-46-47	
	REG GND	48	REG GND	114-48-49-50	
	REG GND	49	REG GND	114-48-49-50	
	REG GND	50	REG GND	114-48-49-50	

DR 302-41	DR 302-42	DR 302-43	DR 302-44	DR 302-45	DR 302-46	DR 302-47	DR 302-48	DR 302-49	DR 302-50	DR 302-51	DR 302-52	DR 302-53	DR 302-54	DR 302-55	DR 302-56	DR 302-57	DR 302-58	DR 302-59	DR 302-60	DR 302-61	DR 302-62	DR 302-63	DR 302-64
DR 302-41	DR 302-42	DR 302-43	DR 302-44	DR 302-45	DR 302-46	DR 302-47	DR 302-48	DR 302-49	DR 302-50	DR 302-51	DR 302-52	DR 302-53	DR 302-54	DR 302-55	DR 302-56	DR 302-57	DR 302-58	DR 302-59	DR 302-60	DR 302-61	DR 302-62	DR 302-63	DR 302-64

CH202

1	REG +5V	114-4
2	REG +5V	114-5
3	REG GND	114-1-2
4	REG GND	114-1-2
5	REG -5V	114-5

CH203

1	L:REG TEMP	141-10B
2	REG GND	139-49-49-50
3	REG GND	185-1-2
4	REG +5V	139-45-47
5	REG +5V	139-44-45
6	REG -5V	139-42-43

CH204

1	UNREG GND	200-6,211-11
2	UNREG -13V	200-7-9
3	UNREG +13V	200-8
4	REG -13V	200-2,100-18
5	REG +13V	200-2,100-18
6	REG GND	141-1-2,3

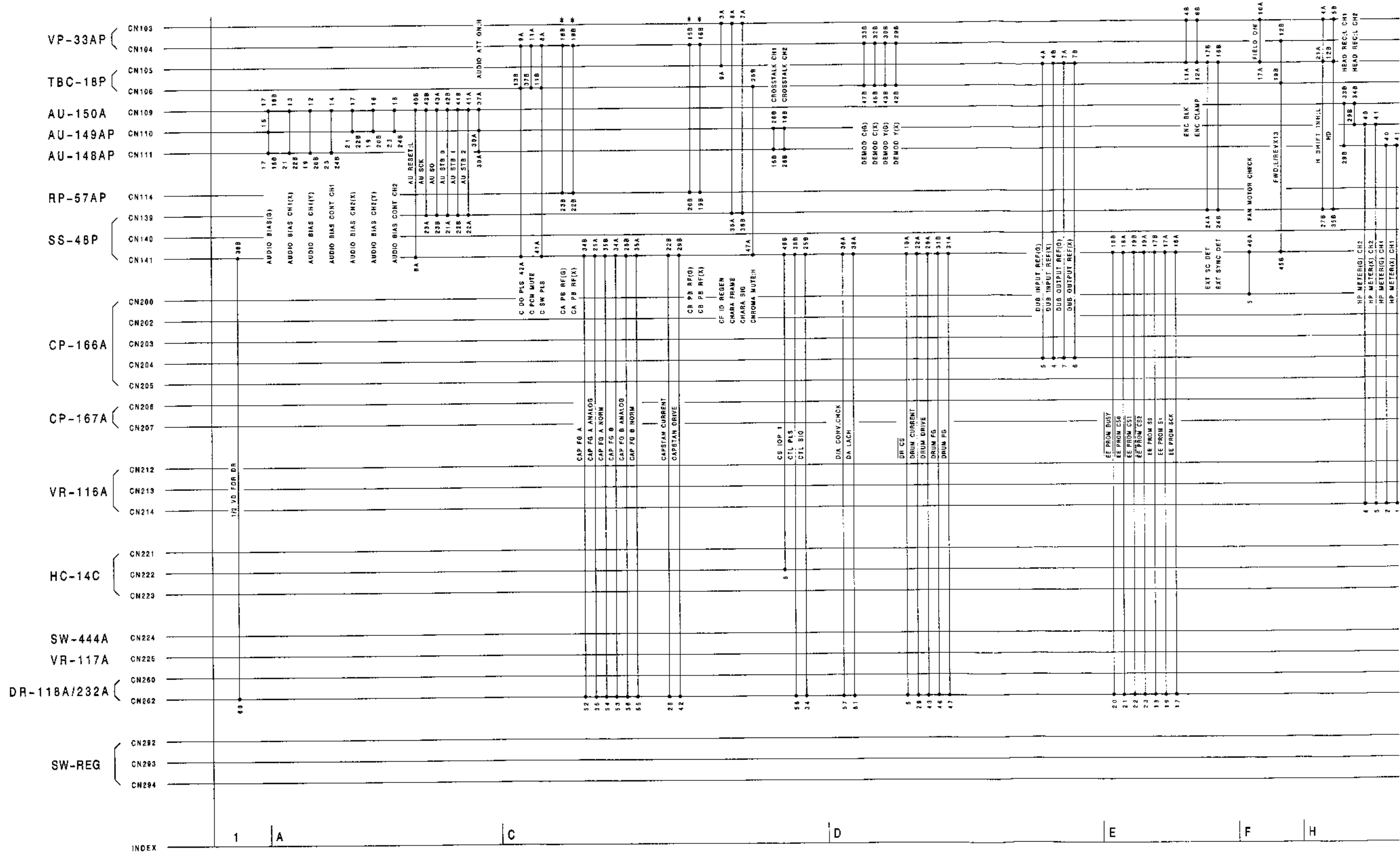
MB-322D BOARD (3/5)

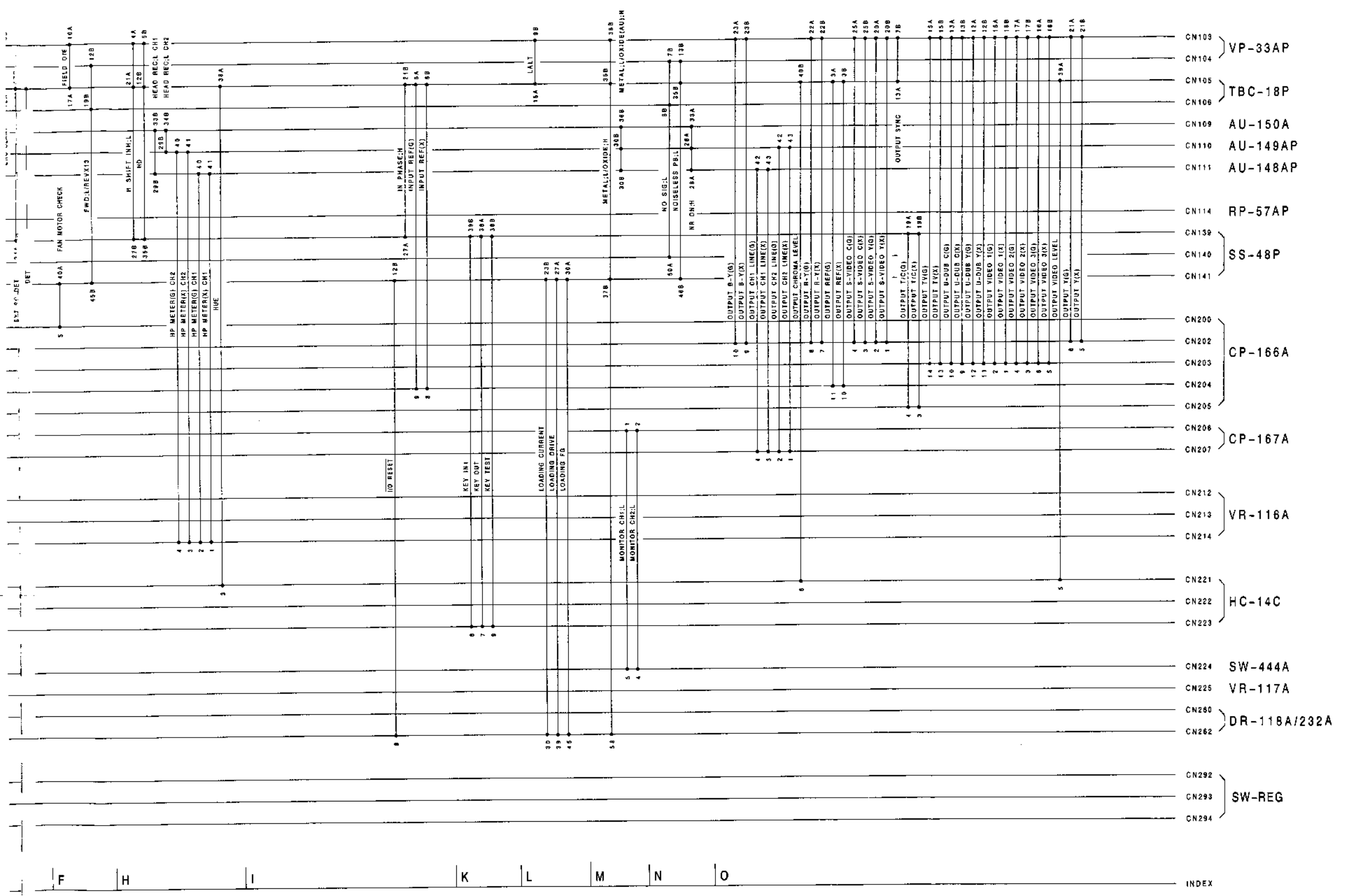
BOARD NO.1-640-038-23
 PVW-2600P (EK):#11681-
 PVW-2600P (UC):#10001-

Serial No.(EK);11681 and higher
Serial No.(UC);10001 and higher

MB-322D(4/5) MB-322D(4/5)

MB-322D(4/5);MOTHER BOARD





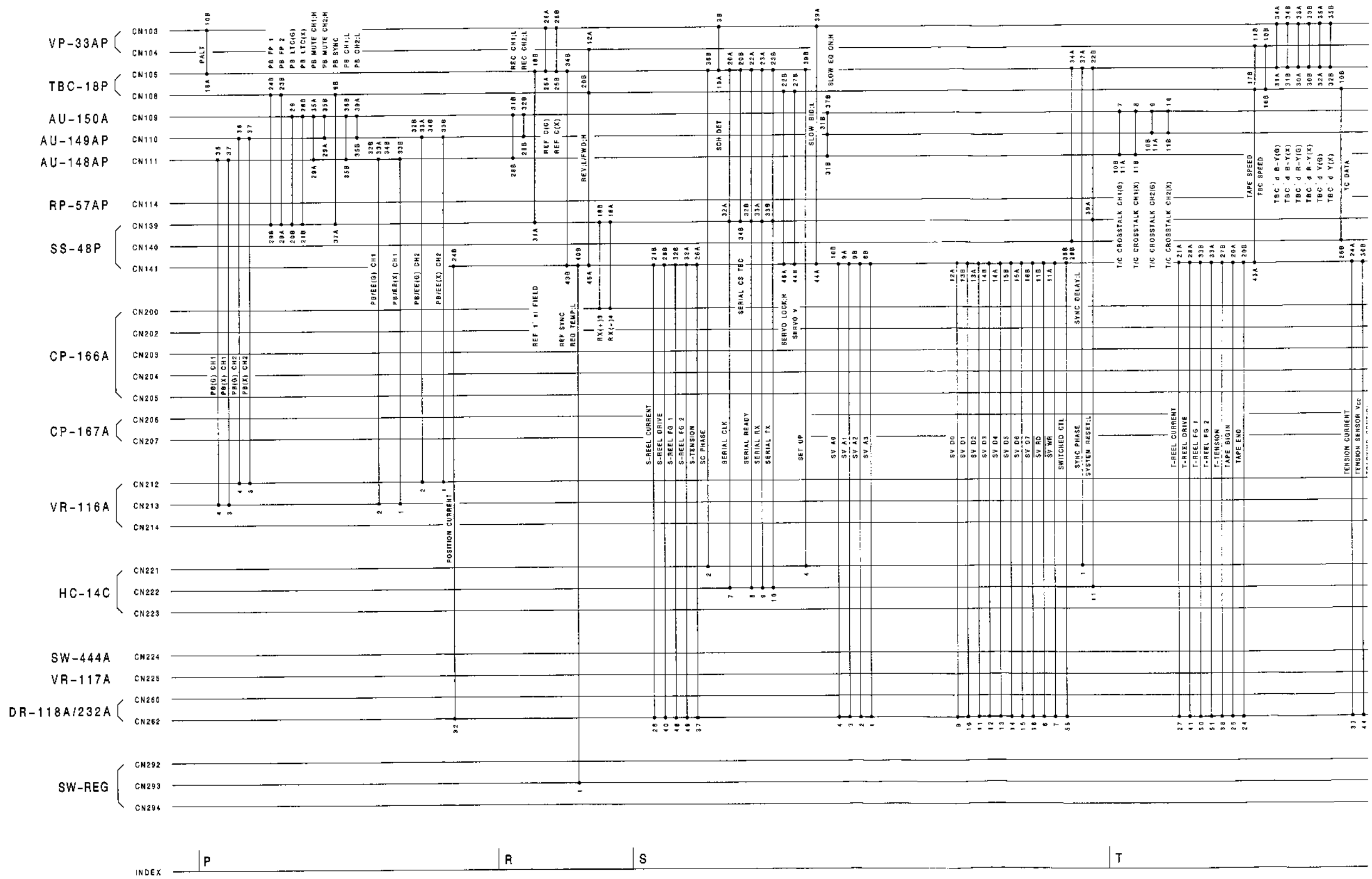
*Via CN150,CN151 on the MB-322D Board.

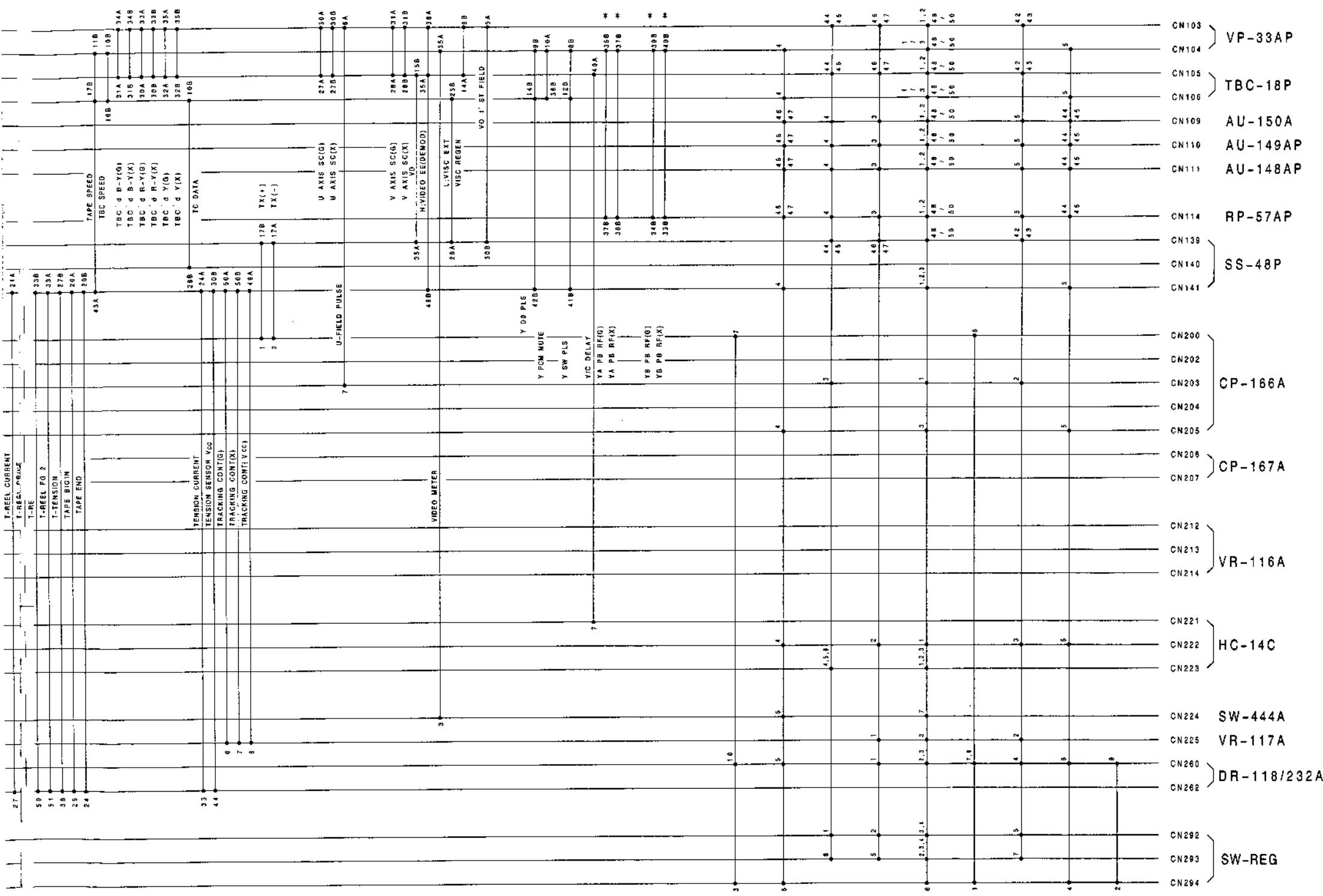
MB-322D BOARD (4/5)

BOARD NO.1-640-038-23
PVW-2600P (EK);#11681-
PVW-2600P (UC);#10001-

Serial No.(EK);11681 and higher
Serial No.(UC);10001 and higher

MB-322D(5/5);MOTHER BOARD

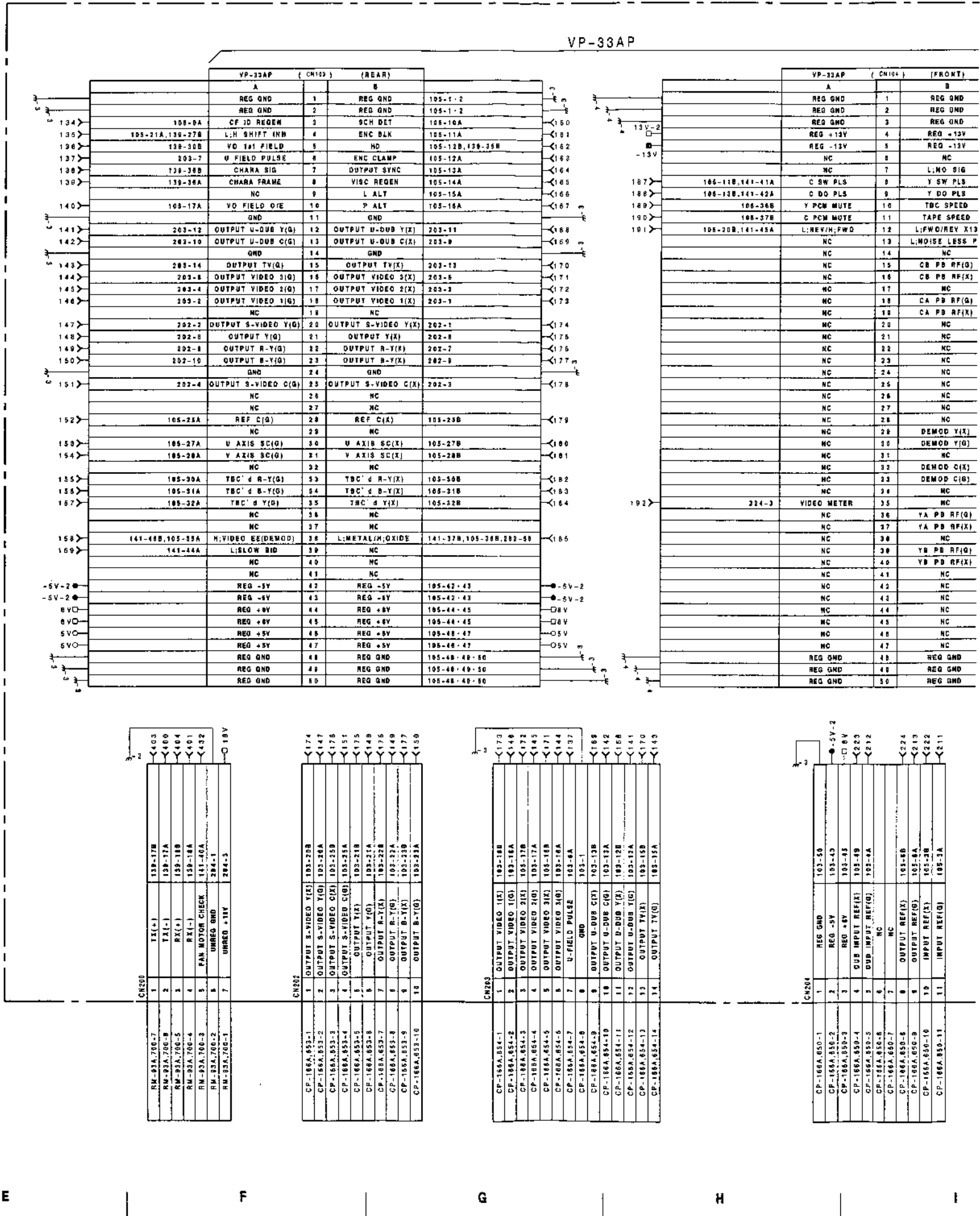




U	V	Y	UNREG +18V	REG +13V	REG +8V	REG +5V	REG GND	UNREG GND	REG -5V	REG -13V	UNREG -16V
---	---	---	------------	----------	---------	---------	---------	-----------	---------	----------	------------

* Via CN150,CN151 on the MB-322D Board.

MB-322D BOARD (5/5)
 BOARD NO.1-640-038-23
 PVW-2600P (EK);#11681-
 PVW-2600P (UC);#10001-



VP-322A (FRONT)		CN104	
A	B		
REG GND	1	REG GND	106-1-2-3
REG GND	2	REG GND	106-1-2-3
REG GND	3	REG GND	106-1-2-3
REG +13V	4	REG +13V	106-4
REG -13V	5	REG -13V	106-5
NC	6	NC	
NC	7	LND SID	106-2B,146-20A
NC	8	Y SW PLS	106-12B,141-61B
11B -41A C SW PLS	9	Y DO PLS	106-14B,141-62B
13B -42A C DO PLS	10	Y DO PLS	106-14B,141-62B
1-38W Y PCM MUTE	11	TBC SPEED	106-16B
106-37B C PCM MUTE	12	TAPE SPEED	106-17B,141-43A
20B,141-46A L:REV/H:PWD	13	L:FM/D:REV XTJ	106-19B,141-45B
NC	14	L:NOISE LESS PB	141-46B,105-35B
NC	15	NC	
NC	16	CB PB RF(Q)	150-8
NC	17	CB PB RF(X)	150-7
NC	18	NC	
NC	19	CA PB RF(Q)	150-8
NC	20	CA PB RF(X)	106-5
NC	21	NC	
NC	22	NC	
NC	23	NC	
NC	24	NC	
NC	25	NC	
NC	26	NC	
NC	27	NC	
NC	28	NC	
NC	29	DEMOD Y(X)	106-47B
NC	30	DEMOD Y(Q)	106-47B
NC	31	NC	
NC	32	DEMOD C(X)	106-47B
NC	33	DEMOD C(Q)	106-47B
NC	34	NC	
224-5 VIDEO METER	35	NC	
NC	36	YA PB RF(Q)	150-2
NC	37	YA PB RF(X)	150-1
NC	38	NC	
NC	39	YB PB RF(Q)	150-4
NC	40	YB PB RF(X)	150-3
NC	41	NC	
NC	42	NC	
NC	43	NC	
NC	44	NC	
NC	45	NC	
NC	46	NC	
NC	47	NC	
REG GND	48	REG GND	106-48-49-50
REG GND	49	REG GND	106-48-49-50
REG GND	50	REG GND	106-48-49-50

CN150		CN151			
104-37B	YA PB RF(X)	1	1	YA PB RF(X)	114-36B
104-36B	YA PB RF(Q)	2	2	YA PB RF(Q)	114-37B
104-40B	YB PB RF(X)	3	3	YB PB RF(X)	114-35B
104-39B	YB PB RF(Q)	4	4	YB PB RF(Q)	114-34B
104-19B	CA PB RF(X)	5	5	CA PB RF(X)	114-28B
104-18B	CA PB RF(Q)	6	6	CA PB RF(Q)	114-25B
104-16B	CB PB RF(X)	7	7	CB PB RF(X)	114-19B
104-15B	CB PB RF(Q)	8	8	CB PB RF(Q)	114-20B
NC	NC	9	9	NC	
NC	NC	10	10	NC	
NC	NC	11	11	NC	
NC	NC	12	12	NC	

CN204		
CP-186A,850-1	REG GND	103-50
CP-186A,850-2	REG -5V	103-43
CP-186A,850-3	REG +5V	103-45
CP-186A,850-4	DUB INPUT REF(A)	105-48
CP-186A,850-5	DUB INPUT REF(B)	105-4A
CP-186A,850-6	NC	
CP-186A,850-7	NC	
CP-186A,850-8	OUTPUT REF(X)	105-9B
CP-186A,850-9	OUTPUT REF(Q)	105-9A
CP-186A,850-10	INPUT REF(X)	105-2B
CP-186A,850-11	INPUT REF(Q)	105-2A

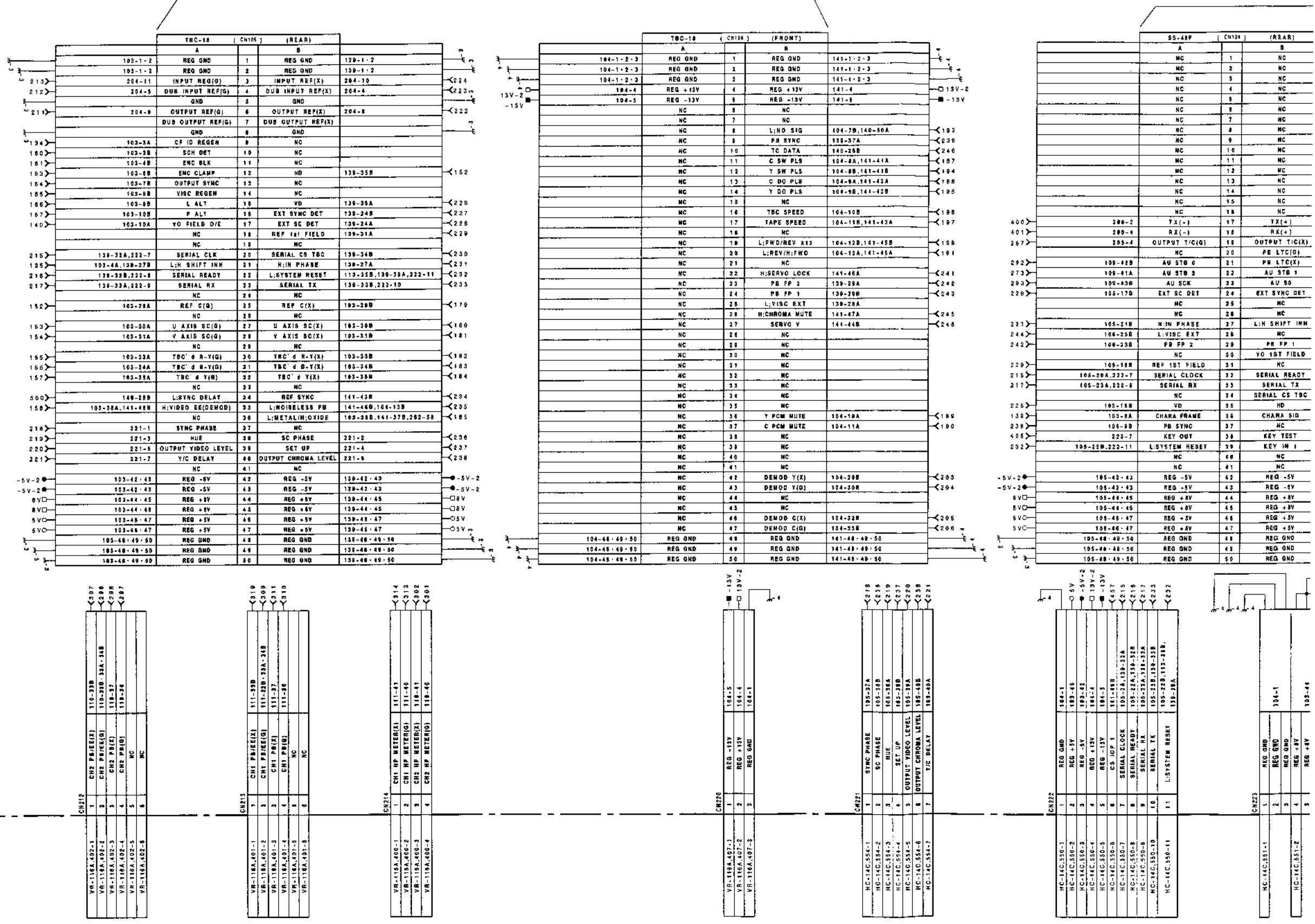
CN205		
CP-186A,855-1	NC	
CP-186A,855-2	NC	
CP-186A,855-3	OUTPUT TIC(X)	138-10B
CP-186A,855-4	OUTPUT TIC(Q)	138-10A

CN206		
CP-187A,802-1	H-CH1 MONITOR	224-5
CP-187A,802-2	H-CH2 MONITOR	224-4
CP-187A,802-3	REG GND	109-50
CP-187A,802-4	REG +13V	109-48
CP-187A,802-5	REG -13V	109-44
CP-187A,802-6	NC	

CN207		
CP-187A,802-1	OUTPUT CH1 LINE(X)	118-42
CP-187A,802-2	OUTPUT CH1 LINE(Q)	118-42
CP-187A,802-3	OUTPUT CH2 LINE(X)	111-42
CP-187A,802-4	OUTPUT CH2 LINE(Q)	111-42
CP-187A,802-5	NC	

MB-322A BOARD (1/5)
 BOARD NO.1-640-038-21,22
 PVW-2800P (EK);#10001-11680

TBC-18P

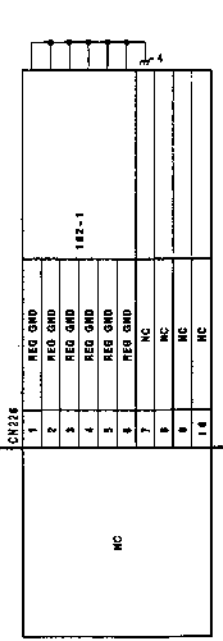
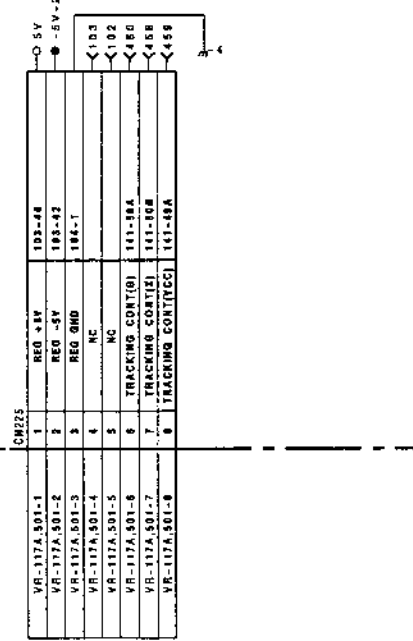
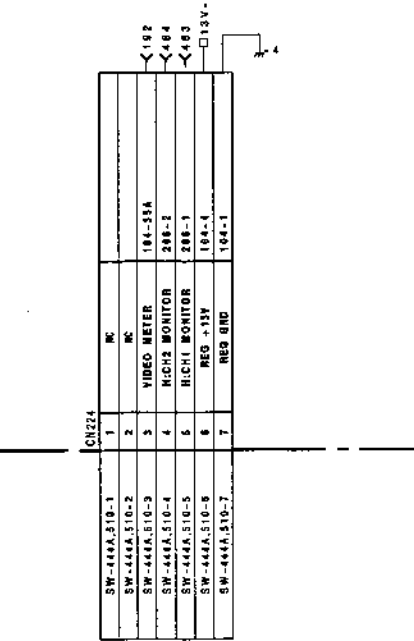
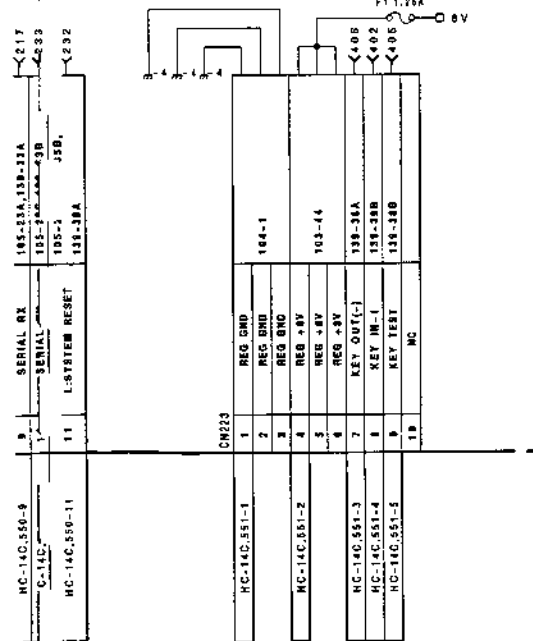


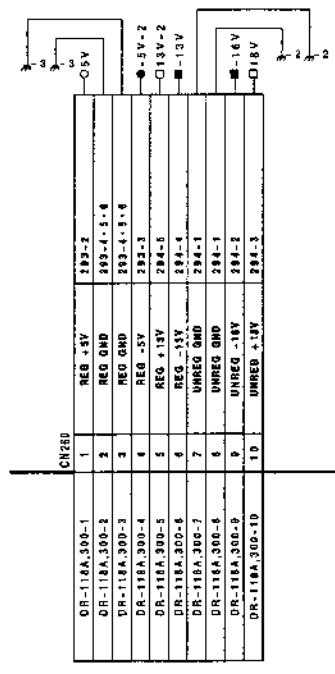
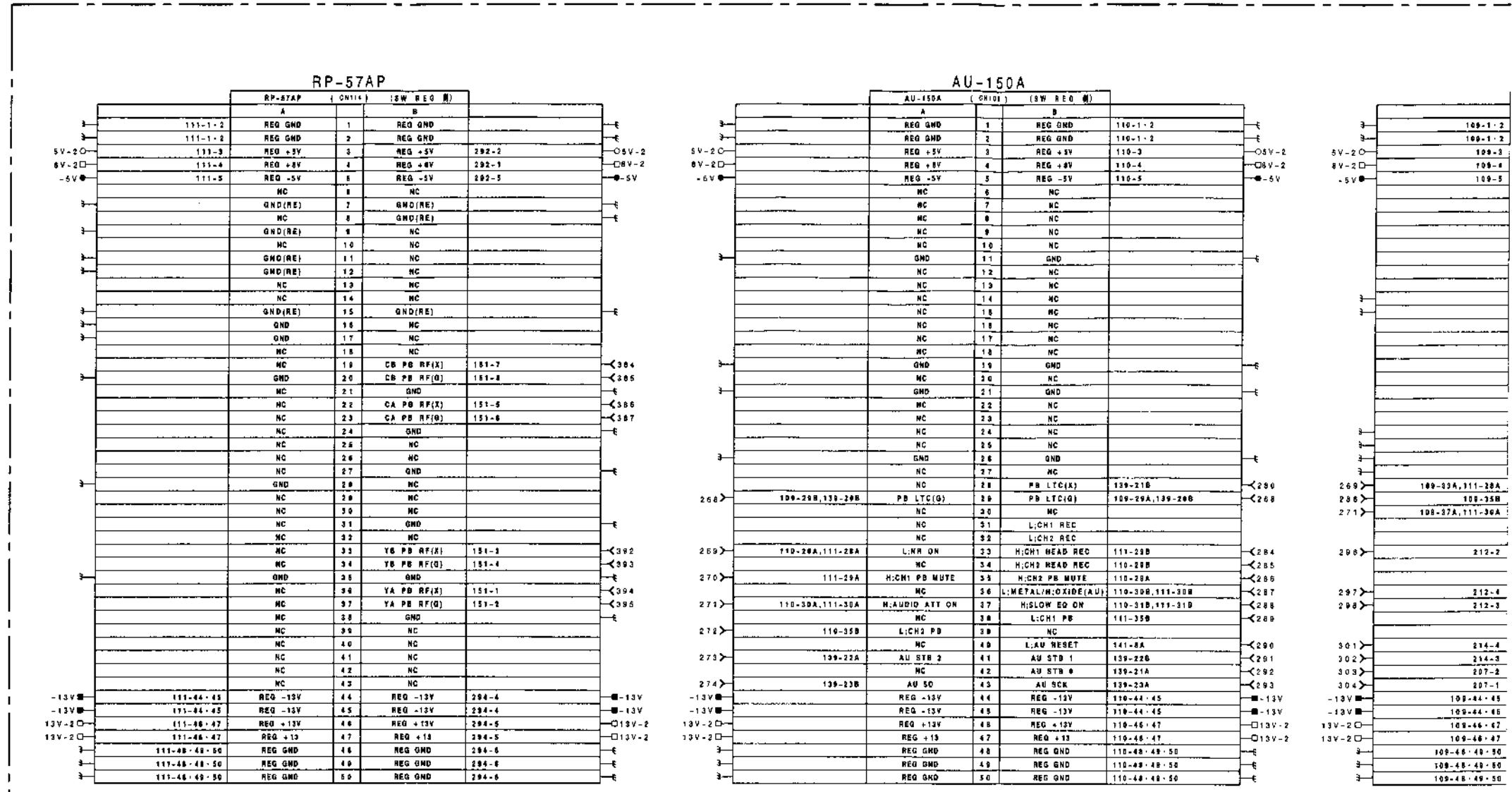
SS-48P

SS-48P (CN139) (REAR)			
A	B		
NC	1	NC	
NC	2	NC	
NC	3	NC	
NC	4	NC	
NC	5	NC	
NC	6	NC	
NC	7	NC	
NC	8	NC	
NC	9	NC	
NC	10	NC	
NC	11	NC	
NC	12	NC	
NC	13	NC	
NC	14	NC	
NC	15	NC	
NC	16	NC	
TX(-)	17	TX(+)	200-1
RX(-)	18	RX(+)	200-2
OUTPUT T/C(G)	19	OUTPUT T/C(X)	205-1
NC	20	PB LTC(O)	108-29A,109-29B
U STB 0	21	PB LTC(X)	108-29B
U STB 1	22	AU STB 1	108-41B
AU SCK	23	AU S0	109-43A
EXT SC DET	24	EXT SYNC DET	108-10B
NC	25	NC	
NC	26	NC	
M PHASE	27	L:M SHIFT INH	103-4A,105-21A
ISC EXT	28	NC	
PB FP 2	29	PB FP 1	106-24B
NC	30	VO 1ST FIELD	103-5A
1ST FIELD	31	NC	
IAL CLOCK	32	SERIAL READY	105-22A,222-8
IAL RX	33	SERIAL TX	105-23B,222-10
NC	34	SERIAL CS TBC	105-20B
VD	35	ND	103-5B,105-12B
CHARA FRAME	36	CHARA SIG	103-7A
B SYNC	37	NC	
SY OUT	38	KEY TEST	223-8
ITEM RESET	39	KEY IN 1	223-8
NC	40	NC	
NC	41	NC	
REG -5V	42	REG -5V	223-7
REG -5V	43	REG -5V	223-8
REG +5V	44	REG +5V	223-9
REG +5V	45	REG +5V	223-8
REG +5V	46	REG +5V	223-5
REG +5V	47	REG +5V	223-6
REG GND	48	REG GND	223-2-3-4
REG GND	49	REG GND	223-2-3-4
REG GND	50	REG GND	223-2-3-4

SS-48P (CN140) (CENTER)			
A	B		
NC	1	NC	
NC	2	NC	
NC	3	NC	
NC	4	NC	
NC	5	NC	
NC	6	NC	
NC	7	NC	
NC	8	NC	
NC	9	NC	
NC	10	NC	
NC	11	NC	
NC	12	NC	
NC	13	NC	
NC	14	NC	
NC	15	NC	
NC	16	NC	
NC	17	NC	
NC	18	NC	
NC	19	NC	
NC	20	NC	
NC	21	NC	
NC	22	NC	
NC	23	NC	
NC	24	NC	
NC	25	NC	
NC	26	TC DATA	106-10B
NC	27	NC	
NC	28	L:SYNC DELAY	105-24A
NC	29	NC	
NC	30	NC	
NC	31	NC	
NC	32	NC	
NC	33	NC	
NC	34	NC	
NC	35	NC	
NC	36	NC	
NC	37	NC	
NC	38	NC	
NC	39	NC	
NC	40	NC	
NC	41	NC	
NC	42	NC	
NC	43	NC	
NC	44	NC	
NC	45	NC	
NC	46	NC	
NC	47	NC	
NC	48	NC	
NC	49	NC	
NC	50	L:NO SIG	

SS-48P (CN141) (FRONT)			
A	B		
REG GND	1	REG GND	284-1
REG GND	2	REG GND	284-2
REG GND	3	REG GND	284-3
REG +13V	4	REG +13V	284-4
REG -13V	5	REG -13V	284-4
NC	6	NC	
NC	7	NC	
L:AV RESET	8	SV A1	282-1
SV A1	9	SV A2	282-2
DR ES	10	SV A3	282-4
SV WR	11	SV RD	282-5
SV D0	12	I/O RESET	282-8
SV D1	13	SV D1	282-10
SV D4	14	SV D2	282-12
SV D5	15	SV D3	282-14
EE PROM SCK	16	SV D7	282-18
EE PROM S1	17	EE PROM S8	282-18
EE PROM CS8	18	EE PROM BUSY	282-20
EE PROM CS2	19	EE PROM CS1	282-22
TAPE BIGIN	20	TAPE END	282-24
T-REEL CURRENT	21	S-REEL CURRENT	282-28
DRUM CURRENT	22	CAPSTAN CURRENT	282-28
CC UP/DOWN CURRENT	23	LOADING CURRENT	282-28
TENSION CURRENT	24	POSITION CURRENT	282-32
CAP FG A ANALOG	25	CTL SIG	282-34
S-TENSION	26	CAP FG B ANALOG	282-38
LOADING DRIVE	27	T-TENSION	282-38
T-REEL DRIVE	28	S-REEL DRIVE	282-40
DRUM DRIVE	29	CAPSTAN DRIVE	282-42
LOADING FG	30	TENSION SENSOR YCC	282-44
DRUM FG	31	DRUM FG	282-48
S-REEL FG 2	32	S-REEL FG 1	282-48
T-REEL FG 2	33	T-REEL FG 1	282-50
CAP FG 0	34	CAP FG A	282-52
CAP FG B NORM	35	CAP FG A NORM	282-54
PWM FOR 12V	36	SWITCHED CTL	282-58
NC	37	L:METAL/H:OXIDE	103-28B,105-28B,282-58
DA LACH	38	1/2 VD FOR DR	282-60
NC	39	NC	
FAN MOTOR CHECK	40	L:REQ TEMP	282-1
C SW PLS	41	Y SW PLS	104-28,106-12B
C DO PLS	42	Y DO PLS	104-28,106-14B
TAPE SPEED	43	REF SYNC	103-54B
L:SLOW BID	44	SERVO Y	106-27B
L:REVW:FWD	45	L:FWD/REVX13(S)	104-12B,106-10B
H:SERVO LOCK	46	L:NOISELESS PB	105-35B,104-15B
H:CHROMA MUTE	47	NC	
NC	48	H:VIDEO EE(EMOD)	103-38A,105-35A
TRACKING CONT(YCC)	49	CS TIO P 1	222-8
TRACKING CONT(O)	50	TRACKING CONT(X)	222-7





C4222

1	DR-118A,302-1	141-5B	SV A3	4346
2	DR-118A,302-2	141-5B	SV A2	4327
3	DR-118A,302-3	141-5B	SV A1	4347
4	DR-118A,302-4	141-5B	SV A0	4328
5	DR-118A,302-5	141-5B	L:DR CS	4407
6	DR-118A,302-6	141-5B	L:SV RG	4336
7	DR-118A,302-7	141-5B	L:SV WB	4358
8	DR-118A,302-8	141-5B	L:UO RESET	4439
9	DR-118A,302-9	141-5B	SV D0	4352
10	DR-118A,302-10	141-5B	SV D1	4352
11	DR-118A,302-11	141-5B	SV D2	4353
12	DR-118A,302-12	141-5B	SV D3	4353
13	DR-118A,302-13	141-5B	SV D4	4354
14	DR-118A,302-14	141-5B	SV D5	4354
15	DR-118A,302-15	141-5B	SV D6	4355
16	DR-118A,302-16	141-5B	SV D7	4355
17	DR-118A,302-17	141-5B	EE PROM SCK	4408
18	DR-118A,302-18	141-5B	EE PROM SO	4408
19	DR-118A,302-19	141-5B	EE PROM S1	4409
20	DR-118A,302-20	141-5B	EE PROM S2	4409
21	DR-118A,302-21	141-5B	L:EE PROM CSB	4435
22	DR-118A,302-22	141-5B	L:EE PROM CS1	4436
23	DR-118A,302-23	141-5B	L:EE PROM CS2	4436
24	DR-118A,302-24	141-5B	TAPE END	4437
25	DR-118A,302-25	141-5B	TAPE BEGIN	4437
26	DR-118A,302-26	141-5B	S-REEL CURRENT	4438
27	DR-118A,302-27	141-5B	T-REEL CURRENT	4438
28	DR-118A,302-28	141-5B	CAPSTAN CURRENT	4439
29	DR-118A,302-29	141-5B	DRUM CURRENT	4439
30	DR-118A,302-30	141-5B	LOADING CURRENT	4440
31	DR-118A,302-31	141-5B	CC UP/DOWN CURRENT	4440
32	DR-118A,302-32	141-5B	POSITION CURRENT	4441
33	DR-118A,302-33	141-5B	TENSION CURRENT	4441
34	DR-118A,302-34	141-5B	CTL SIG	4442
35	DR-118A,302-35	141-5B	CAPSTAN FC A ANALOG	4442
36	DR-118A,302-36	141-5B	CAPSTAN FC B ANALOG	4443
37	DR-118A,302-37	141-5B	S-TENSION	4443
38	DR-118A,302-38	141-5B	T-TENSION	4444
39	DR-118A,302-39	141-5B	LOADING DRIVE	4444
40	DR-118A,302-40	141-5B	S-REEL DRIVE	4445
41	DR-118A,302-41	141-5B	T-REEL DRIVE	4445
42	DR-118A,302-42	141-5B	CAPSTAN DRIVE	4446
43	DR-118A,302-43	141-5B	DRUM DRIVE	4446
44	DR-118A,302-44	141-5B	TENSION SENSOR VCC	4447
45	DR-118A,302-45	141-5B	LOADING FO	4447
46	DR-118A,302-46	141-5B	DRUM FO	4448
47	DR-118A,302-47	141-5B	DRUM FO	4448
48	DR-118A,302-48	141-5B	S-REEL FO A	4449
49	DR-118A,302-49	141-5B	S-REEL FO B	4449
50	DR-118A,302-50	141-5B	T-REEL FO A	4450
51	DR-118A,302-51	141-5B	T-REEL FO B	4450
52	DR-118A,302-52	141-5B	CAPSTAN FG A	4451
53	DR-118A,302-53	141-5B	CAPSTAN FG B	4451
54	DR-118A,302-54	141-5B	CAPSTAN FG A NORM	4452
55	DR-118A,302-55	141-5B	CAPSTAN FG B NORM	4452
56	DR-118A,302-56	141-5B	CTL PLS	4453
57	DR-118A,302-57	141-5B	PMW FOR 15V	4453
58	DR-118A,302-58	141-5B	L:META/INOXIDE	4454
59	DR-118A,302-59	141-5B	NC	4454
60	DR-118A,302-60	141-5B	I/O FOR DR	4454
61	DR-118A,302-61	141-5B	DA LATCH	4455
62	DR-118A,302-62	141-5B	NC	4455
63	DR-118A,302-63	141-5B	NC	4455
64	DR-118A,302-64	141-5B	NC	4455

AU-149AP

AU-148AP

AU-149AP (CH11)		(SW REG. #)		A		B	
109-1-2	REG GND	1	REG GND	111-1-2			
109-1-2	REG GND	2	REG GND	111-1-2			
109-3	REG +3V	3	REG +3V	111-3			
109-4	REG +5V	4	REG +5V	111-4			
109-5	REG -5V	5	REG -5V	111-5			
	NC	6	NC				
	NC	7	NC				
	NC	8	NC				
	NC	9	NC				
	NC	10	NC				
	NC	11	NC				
	NC	12	NC				
	NC	13	NC				
	GND	14	NC				
	GND	15	GND				
	NC	16	NC				
	NC	17	NC				
	NC	18	NC				
	NC	19	NC				
	NC	20	NC				
	NC	21	NC				
	NC	22	NC				
	NC	23	NC				
	GND	24	NC				
	GND	25	GND				
	GND	26	NC				
	GND	27	GND				
109-32A,111-28A	H:NR DN	28	NC				
109-32B	H:CH2 PB MUTE	29	H:CH2 HEAD REC				
109-37A,111-32A	H:AUDIO ATT ON	30	L:METAL/H:OXIDE(AU)	109-36B,111-30B			
	NC	31	H:SLOW EQ ON	109-37B,111-31B			
	NC	32	CH2 PB/EE(Q)	212-2			
	NC	33	CH2 PB/EE(X)	212-1			
	NC	34	CH2 PB/EE(Q)	212-2			
	NC	35	L:CH2 PB	109-39A			
	CH2 PB(Q)	36	CH2 PB(Q)	212-4			
	CH2 PB(X)	37	CH2 PB (X)	212-3			
	NC	38	NC				
	NC	39	NC				
	CH2 HP METER(Q)	40	CH2 HP METER(Q)	214-4			
	CH2 HP METER(X)	41	CH2 HP METER(X)	214-3			
	OUTPUT CH2 LINE(Q)	42	OUTPUT CH2 LINE(Q)	207-2			
	OUTPUT CH2 LINE(X)	43	OUTPUT CH2 LINE(X)	207-1			
109-44-46	REG -13V	44	REG -13V	111-44-46			
109-44-45	REG -13V	45	REG -13V	111-44-45			
109-46-47	REG +13V	46	REG +13V	111-46-47			
109-46-47	REG +13V	47	REG +13V	111-46-47			
109-48-49-50	REG GND	48	REG GND	111-48-49-50			
109-48-49-50	REG GND	49	REG GND	111-48-49-50			
109-48-49-50	REG GND	50	REG GND	111-48-49-50			

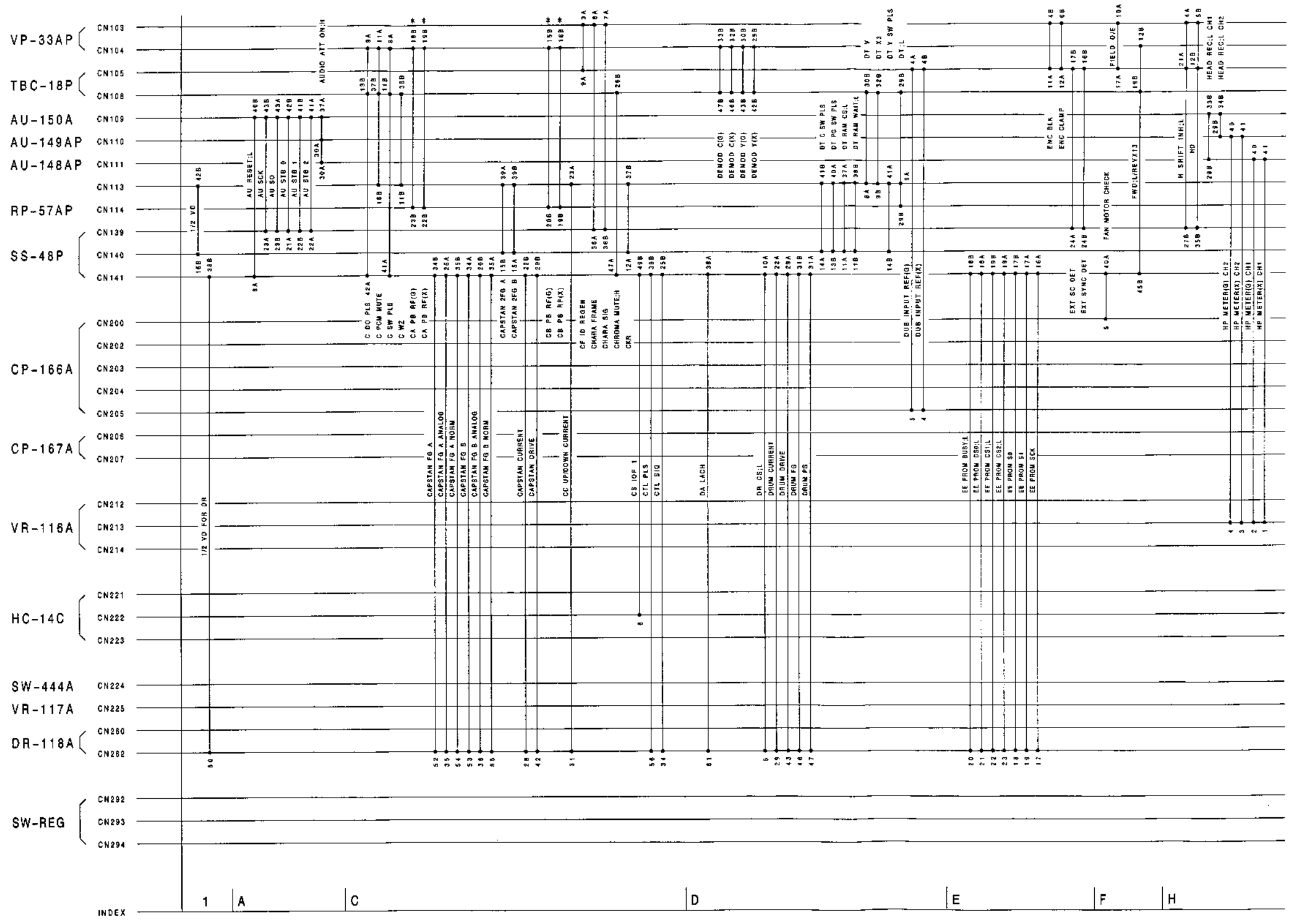
AU-148AP (CH11)		(SW REG. #)		A		B	
110-1-2	REG GND	1	REG GND	114-1-2			
110-1-2	REG GND	2	REG GND	114-1-2			
110-3	REG +3V	3	REG +3V	114-3			
110-4	REG +5V	4	REG +5V	114-4			
110-5	REG -5V	5	REG -5V	114-5			
	NC	6	NC				
	NC	7	NC				
	NC	8	NC				
	NC	9	NC				
	NC	10	NC				
	NC	11	NC				
	NC	12	NC				
	NC	13	NC				
	GND	14	NC				
	GND	15	GND				
	NC	16	NC				
	NC	17	NC				
	NC	18	NC				
	NC	19	NC				
	NC	20	NC				
	NC	21	NC				
	NC	22	NC				
	NC	23	NC				
	GND	24	NC				
	GND	25	GND				
	GND	26	NC				
	GND	27	GND				
109-32A,110-28A	H:NR DN	28	NC				
109-36A	H:CH1 PB MUTE	29	H:CH1 HEAD REC				
109-37A,110-30A	H:AUDIO ATT ON	30	L:METAL/H:OXIDE(AU)	109-36B,110-30B			
	NC	31	H:SLOW EQ ON	109-37B,110-31B			
	NC	32	CH1 PB/EE(Q)	213-2			
	NC	33	CH1 PB/EE(X)	213-1			
	NC	34	CH1 PB/EE(Q)	213-3			
	NC	35	L:CH1 PB	109-39B			
	CH1 PB(Q)	36	CH1 PB(Q)	213-4			
	CH1 PB(X)	37	CH1 PB (X)	213-3			
	NC	38	NC				
	NC	39	NC				
	CH1 HP METER(Q)	40	CH1 HP METER(Q)	214-2			
	CH1 HP METER(X)	41	CH1 HP METER(X)	214-1			
	OUTPUT CH1 LINE(Q)	42	OUTPUT CH1 LINE(Q)	207-4			
	OUTPUT CH1 LINE(X)	43	OUTPUT CH1 LINE(X)	207-3			
110-44-45	REG -13V	44	REG -13V	114-44-45			
110-44-45	REG -13V	45	REG -13V	114-44-45			
110-46-47	REG +13V	46	REG +13V	114-46-47			
110-46-47	REG +13V	47	REG +13V	114-46-47			
110-48-49-50	REG GND	48	REG GND	114-48-49-50			
110-48-49-50	REG GND	49	REG GND	114-48-49-50			
110-48-49-50	REG GND	50	REG GND	114-48-49-50			

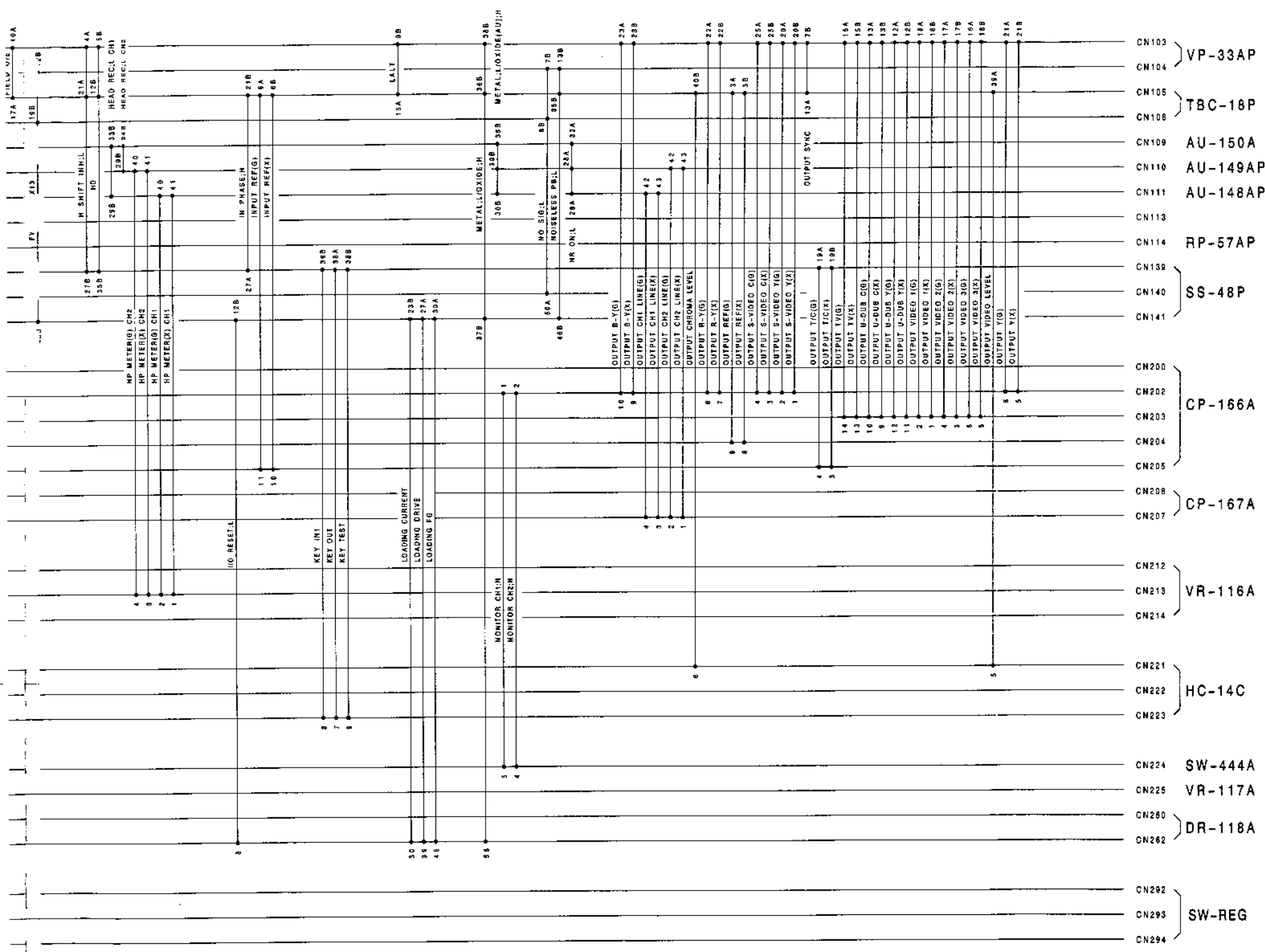
51	DR-118A,302-51	1-REEL FG B	141-32A
52	DR-118A,302-52	CAPSTAR ED. A	141-32A
53	DR-118A,302-53	APSTAR	141-32A
54	DR-118A,302-54	CAPSTAR FG B NORM	141-32B
55	DR-118A,302-55	CAPSTAR FG B NORM	141-32A
56	DR-118A,302-56	CTL PLS	141-32B
57	DR-118A,302-57	PWM FOR 12V	141-32A
58	DR-118A,302-58	L:METAL/H:OXIDE	141-37B,103-30B,103-30B
59	DR-118A,302-59	NC	
60	DR-118A,302-60	1/2 PD FOR DN	141-31B
61	DR-118A,302-61	DA LACH	141-31A
62	DR-118A,302-62	NC	
63	DR-118A,302-63	NC	
64	DR-118A,302-64	NC	

CH222		CH223	
1	REG +5V	1	L:REG TEMP
2	REG +3V	2	REG GND
3	REG GND	3	REG GND
4	REG GND	4	REG GND
5	REG -5V	5	REG +3V
		6	REG +5V
		7	REG -5V

CH224	
1	UNREG GND
2	UNREG -18V
3	UNREG +18V
4	REG -13V
5	REG +13V
6	REG GND

MB-322A BOARD (3/5)
 BOARD NO.1-640-038-21,22
 PVW-2600P(EK);#10001-11680





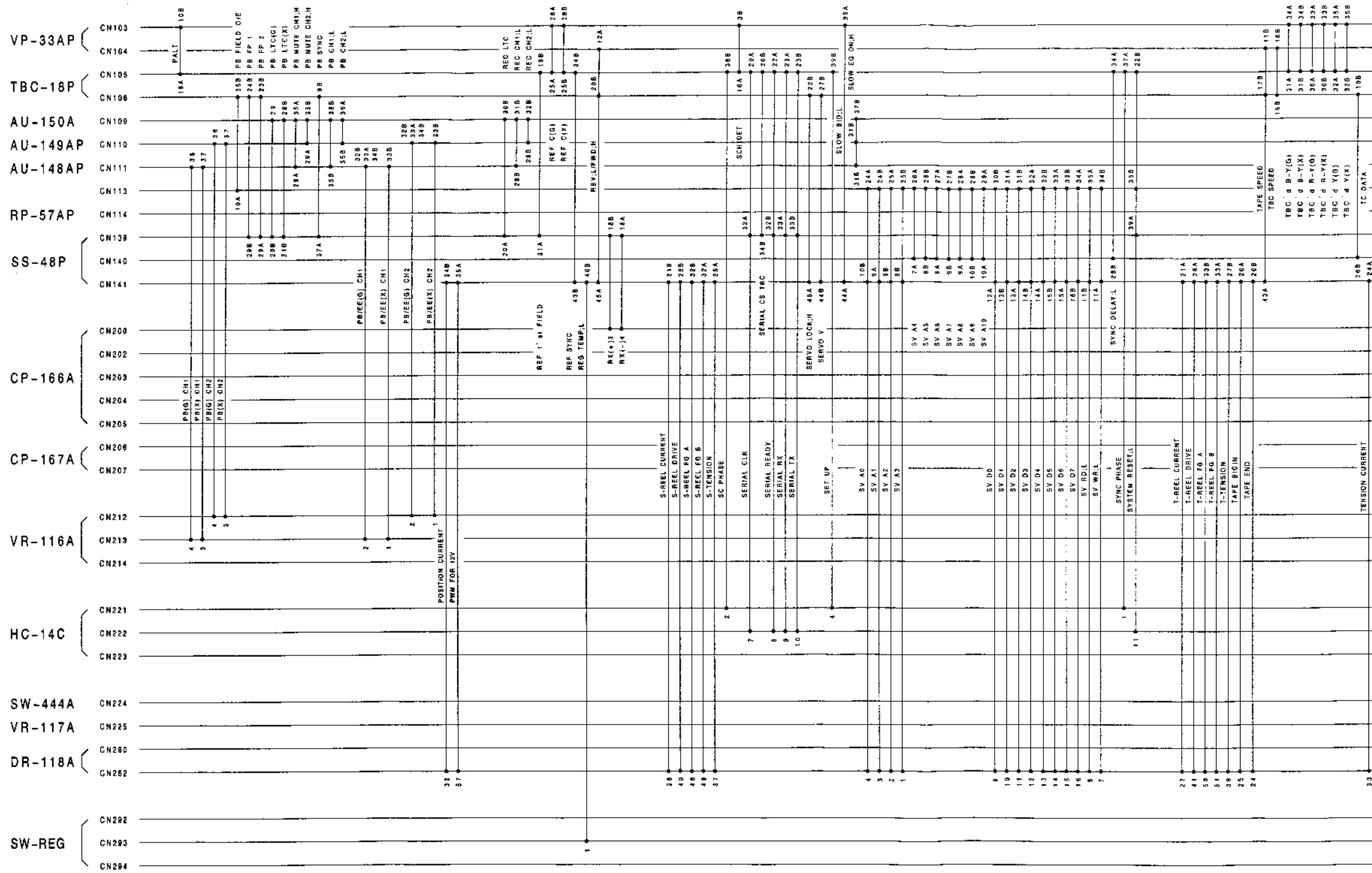
H I K L M N O INDEX

*Via CN150,CN151 on the MB-322A Board.

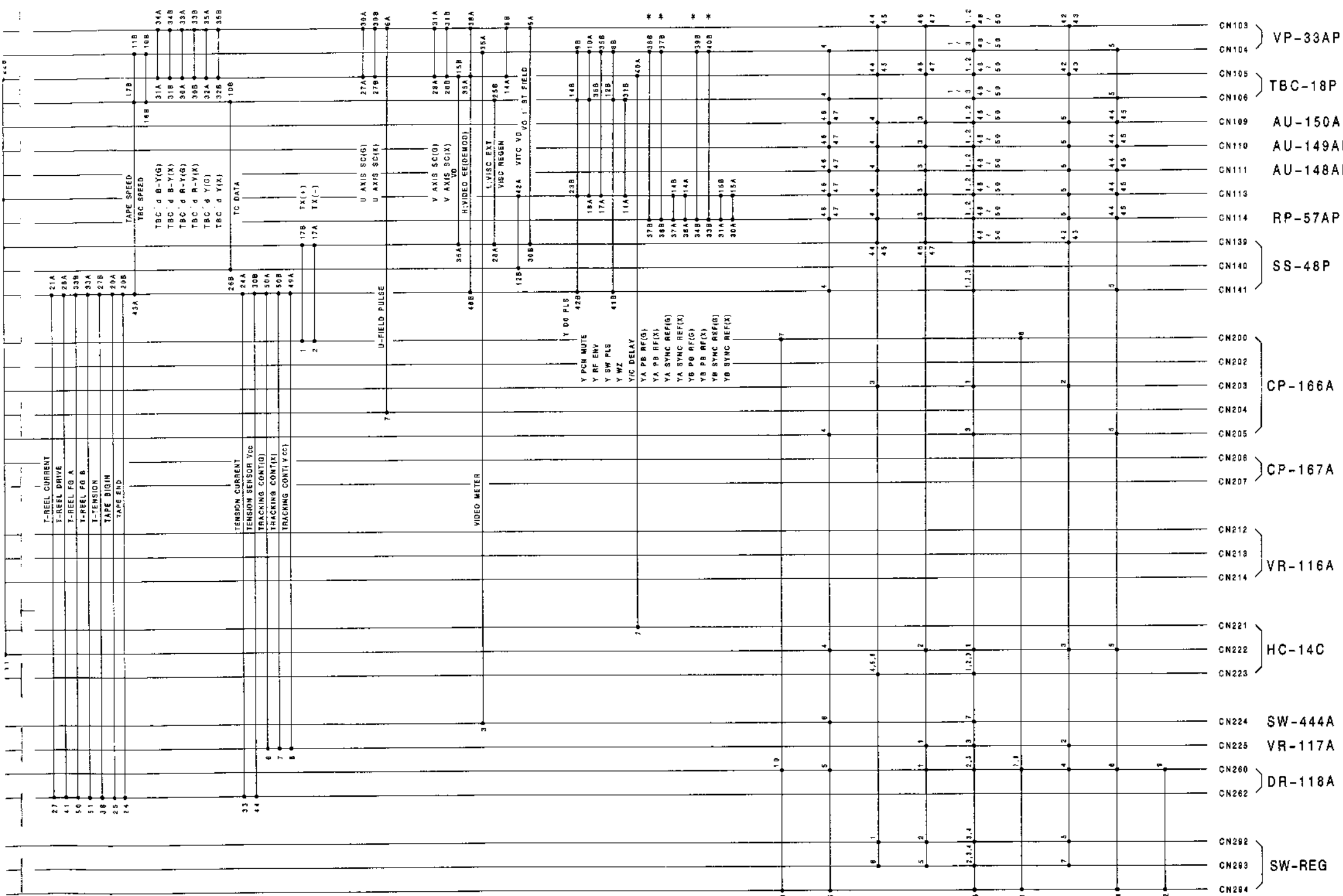
MB-322A BOARD (4/5)

BOARD NO.1-640-038-21,22
 PVW-2600P (EK):#10001-11680

I J K L M N O



INDEX | P | B | S | T



- CN103 } VP-33AP
- CN104 }
- CN105 }
- CN106 } TBC-18P
- CN109 AU-150A
- CN110 AU-149AP
- CN111 AU-148AP
- CN113
- CN114 RP-57AP
- CN139
- CN140 } SS-48P
- CN141 }
- CN200 }
- CN202 }
- CN203 } CP-166A
- CN204 }
- CN205 }
- CN206 } CP-167A
- CN207 }
- CN212 }
- CN213 } VR-116A
- CN214 }
- CN221 }
- CN222 } HC-14C
- CN223 }
- CN224 SW-444A
- CN225 VR-117A
- CN260 } DR-118A
- CN262 }
- CN292 }
- CN293 } SW-REG
- CN294 }

T	U	V	Y	UNREG +18V	REG +13V	REG +8V	REG +5V	REG GND	UNREG GND	REG -5V	REG -13V	UNREG -16V
---	---	---	---	------------	----------	---------	---------	---------	-----------	---------	----------	------------

INDEX

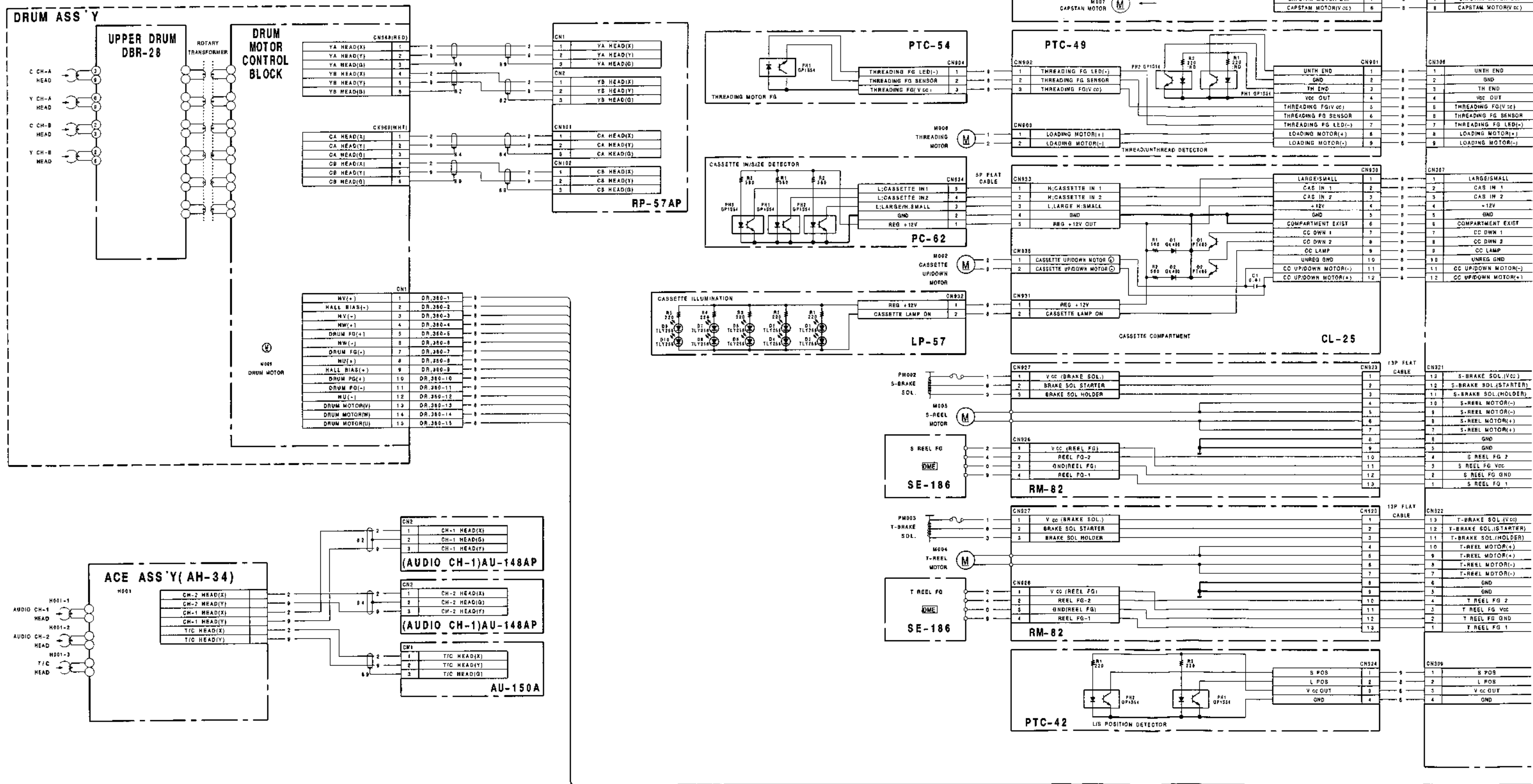
* Via CN150, CN151 on the MB-322A Board.

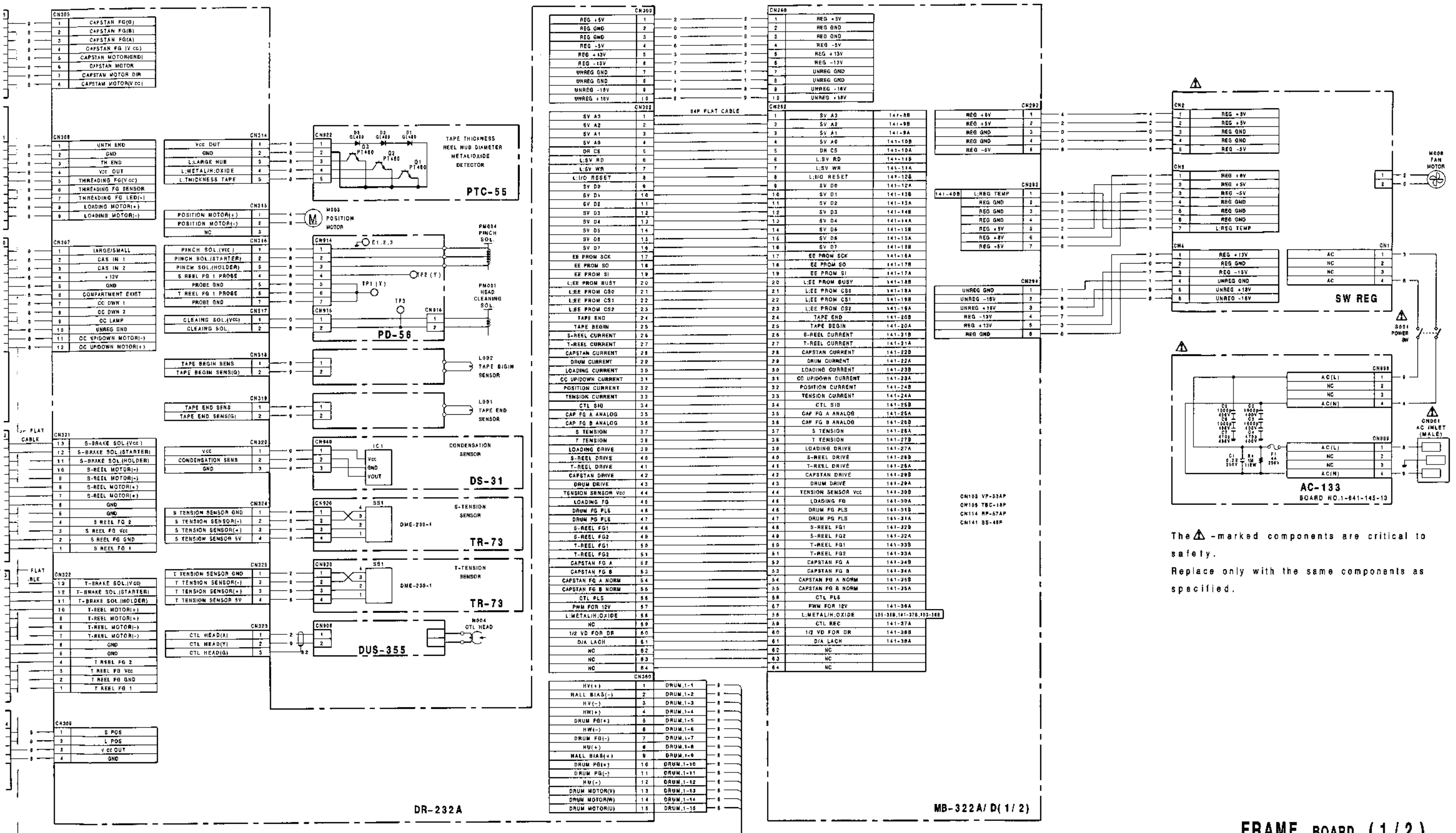
MB-322A BOARD (5/5)

BOARD NO.1-640-038-21,22
 PWV-2600P(EK);#10001-11680

Serial No. (EK) ; 15836 and higher
Serial No. (UC) ; 10011 and higher

FRAME(1/2)



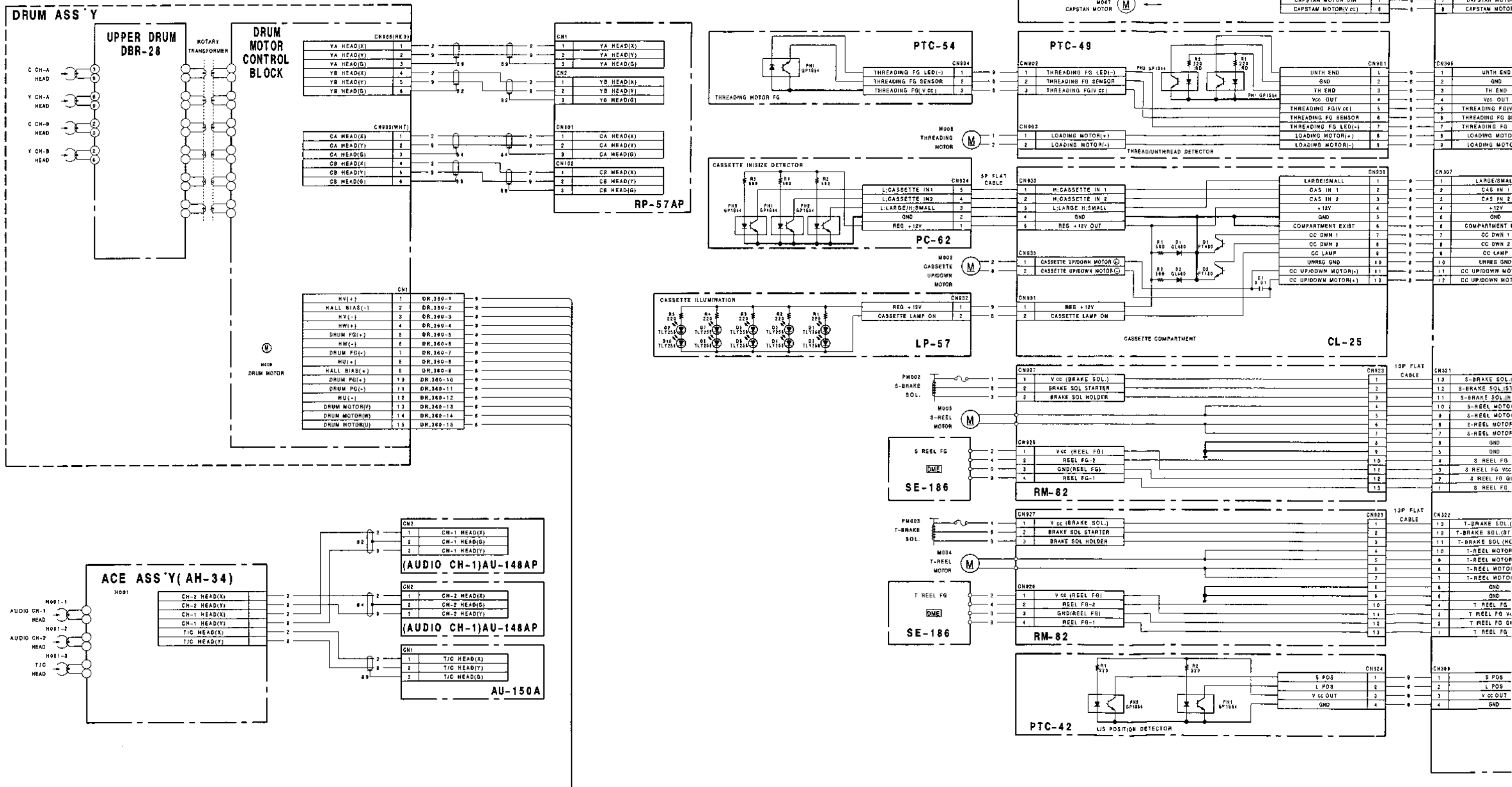


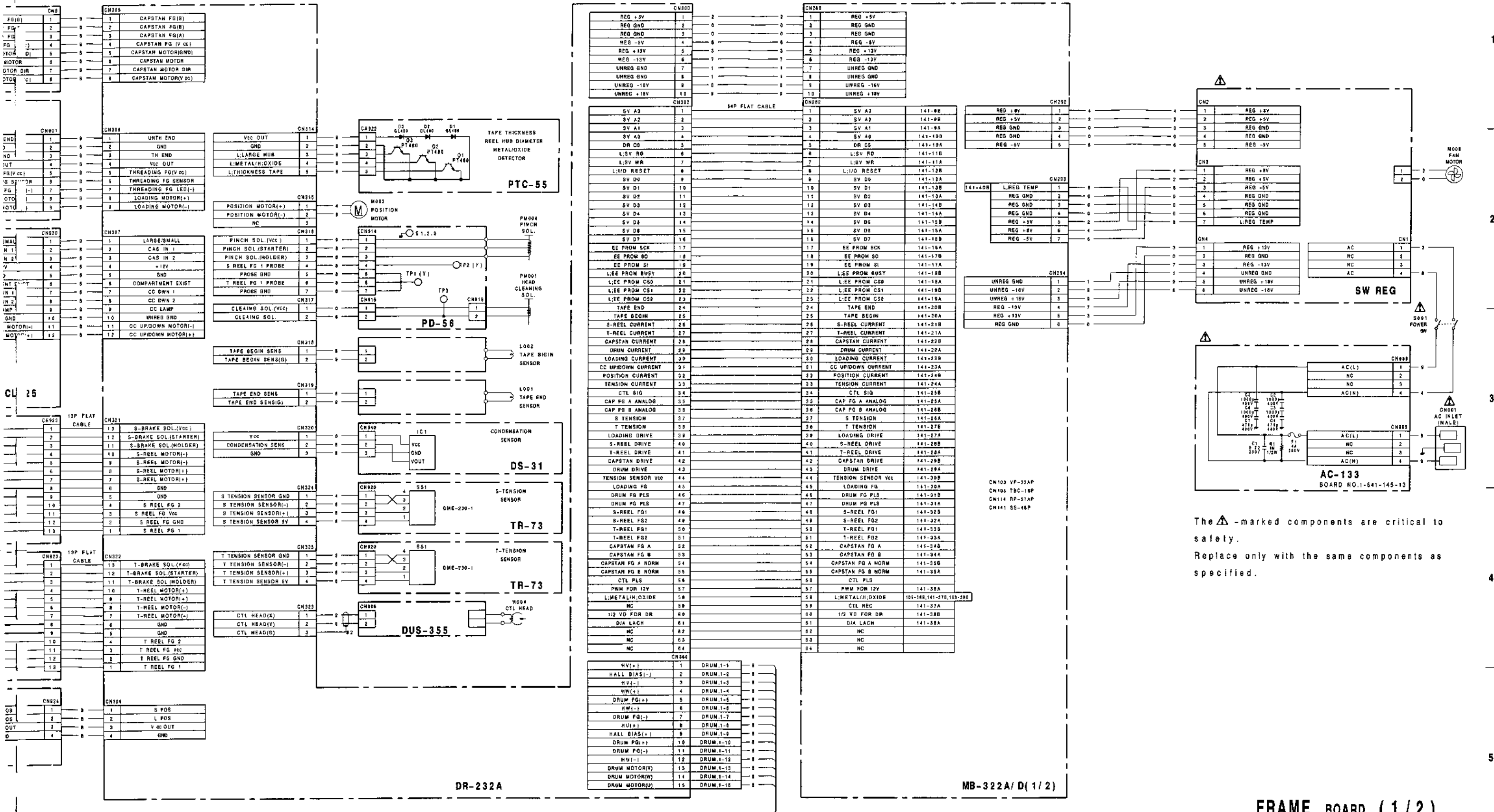
The Δ -marked components are critical to safety. Replace only with the same components as specified.

FRAME BOARD (1/2)
 PVW-2600P (EK):#15836-
 PVW-2600P (UC):#10011-

Serial No. (EK) ; 14586 and higher
Serial No. (UC) ; 10011 and higher

FRAME(1/2)





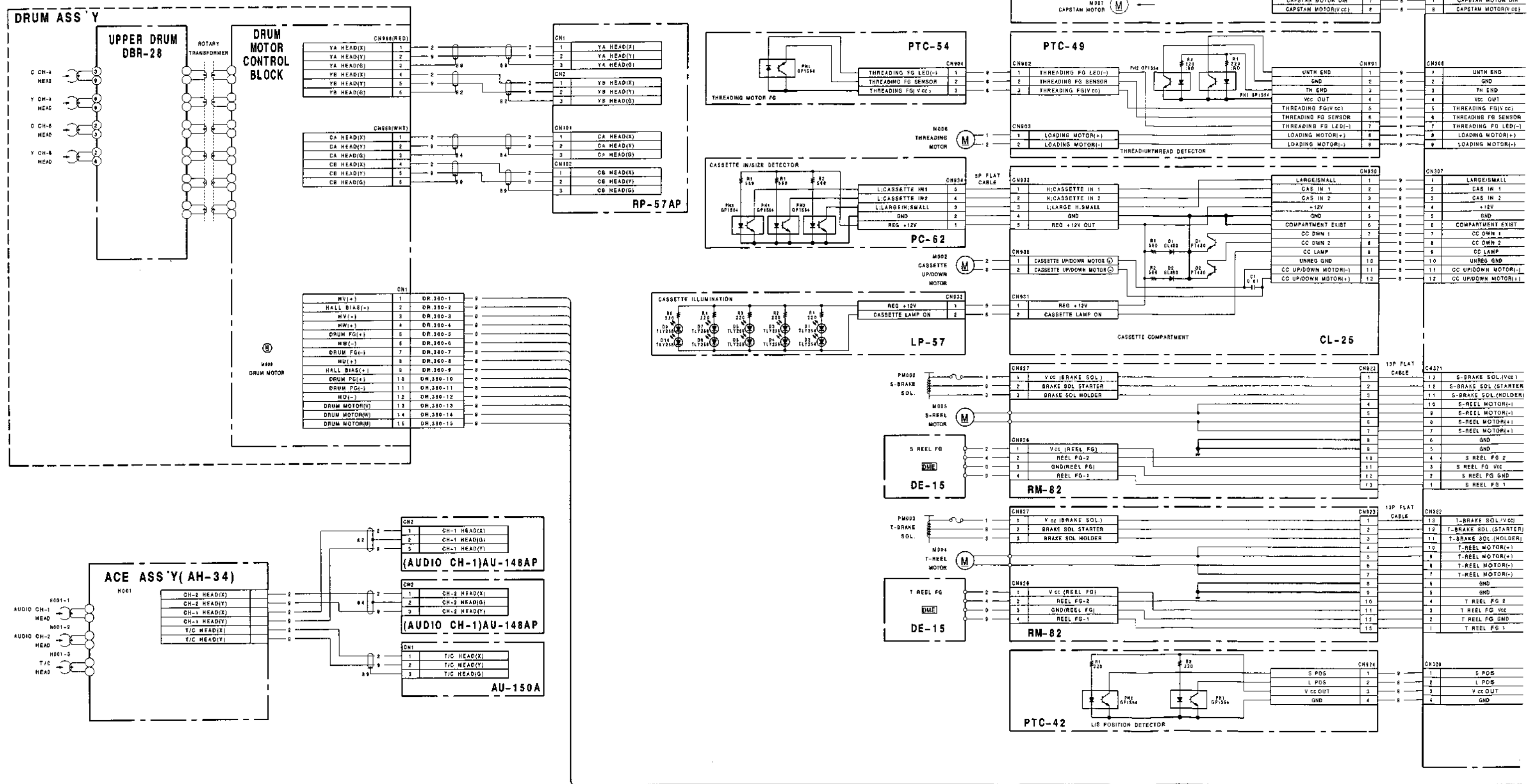
The Δ -marked components are critical to safety. Replace only with the same components as specified.

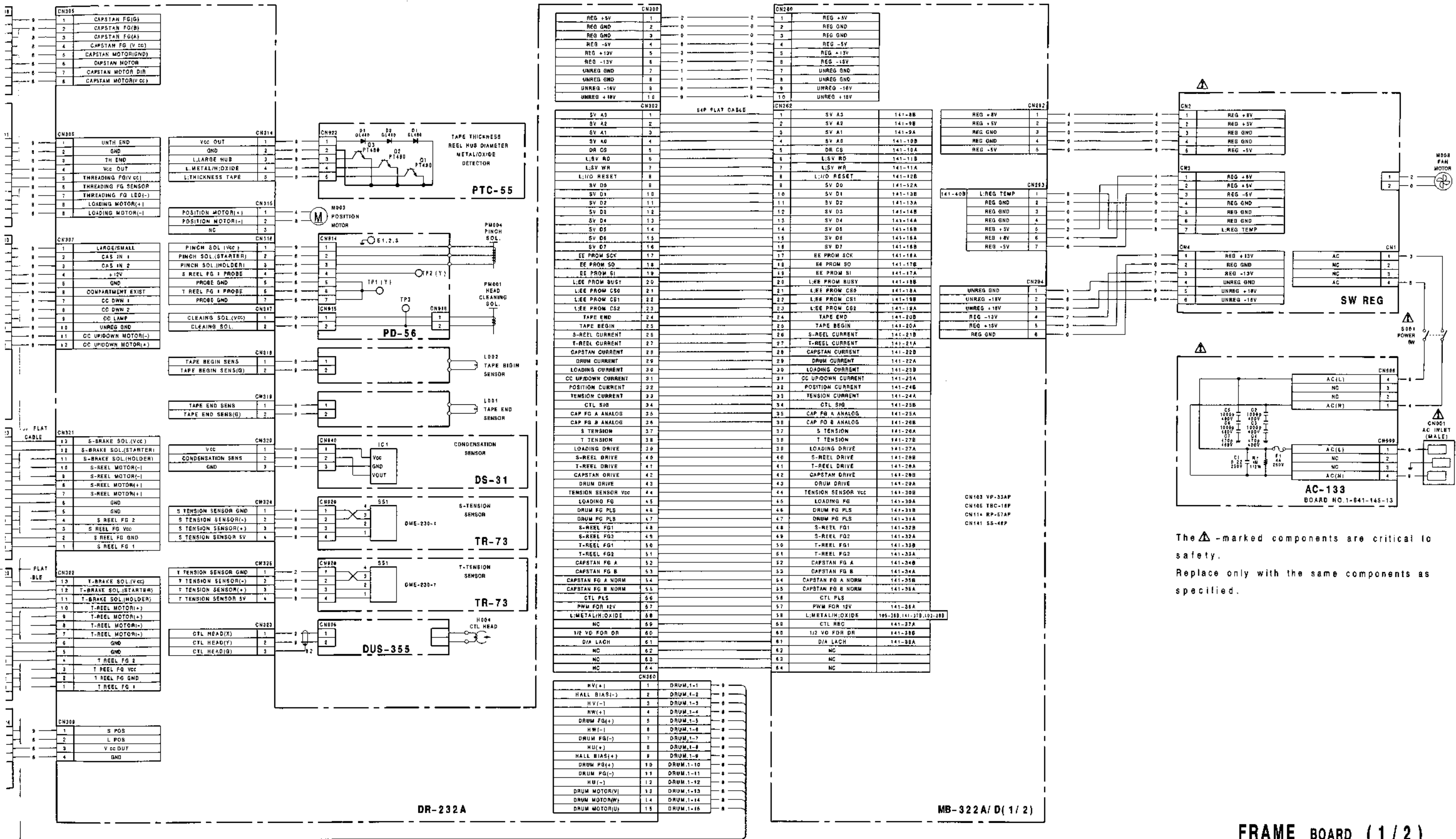
FRAME BOARD (1/2)

PVW-2600P (EK); 14586-
PVW-2600P (UC); 10011-

Serial No. (EK) ; 10001 to 14585
Serial No. (UC) ; 10001 to 10010

FRAME(1/2)



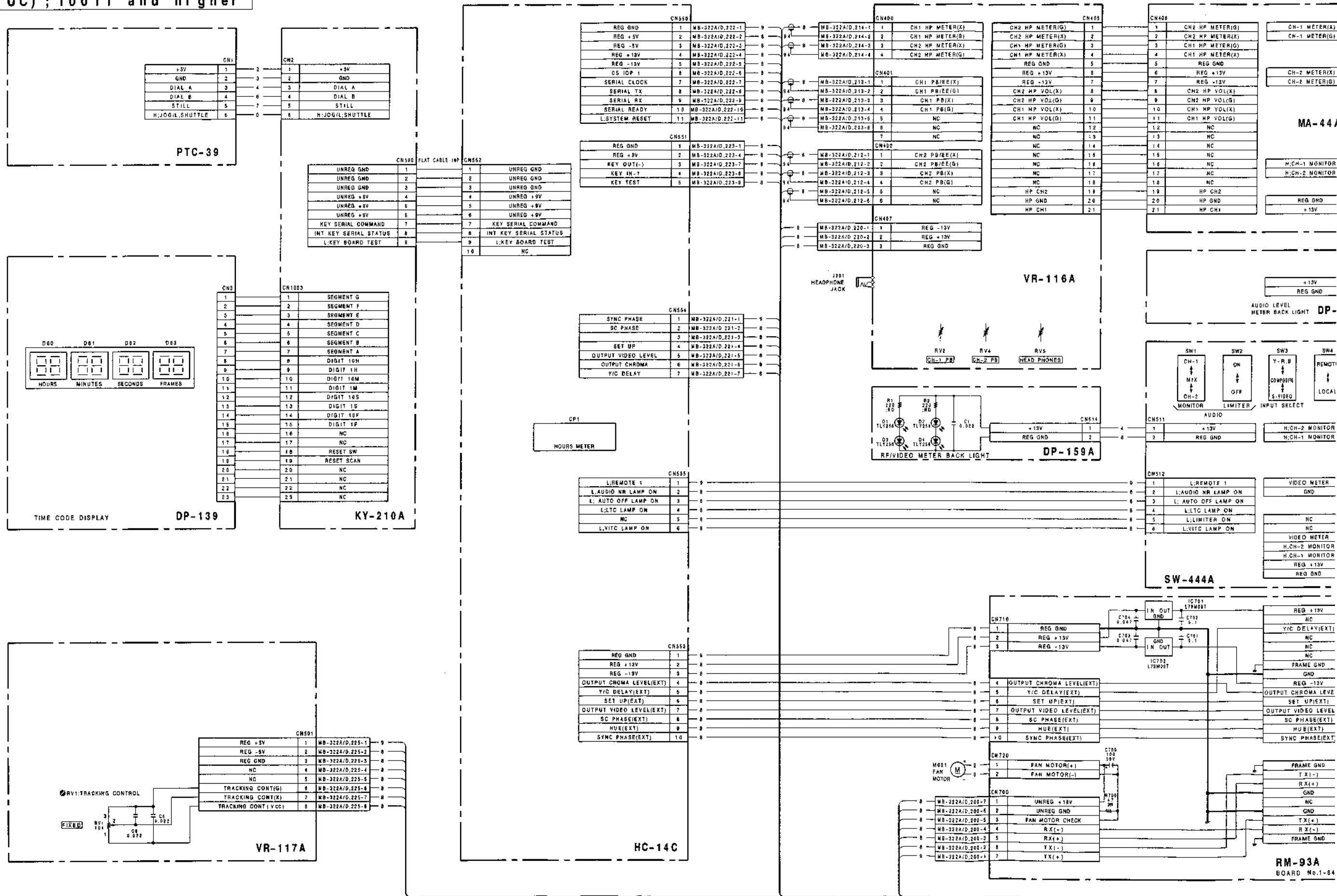


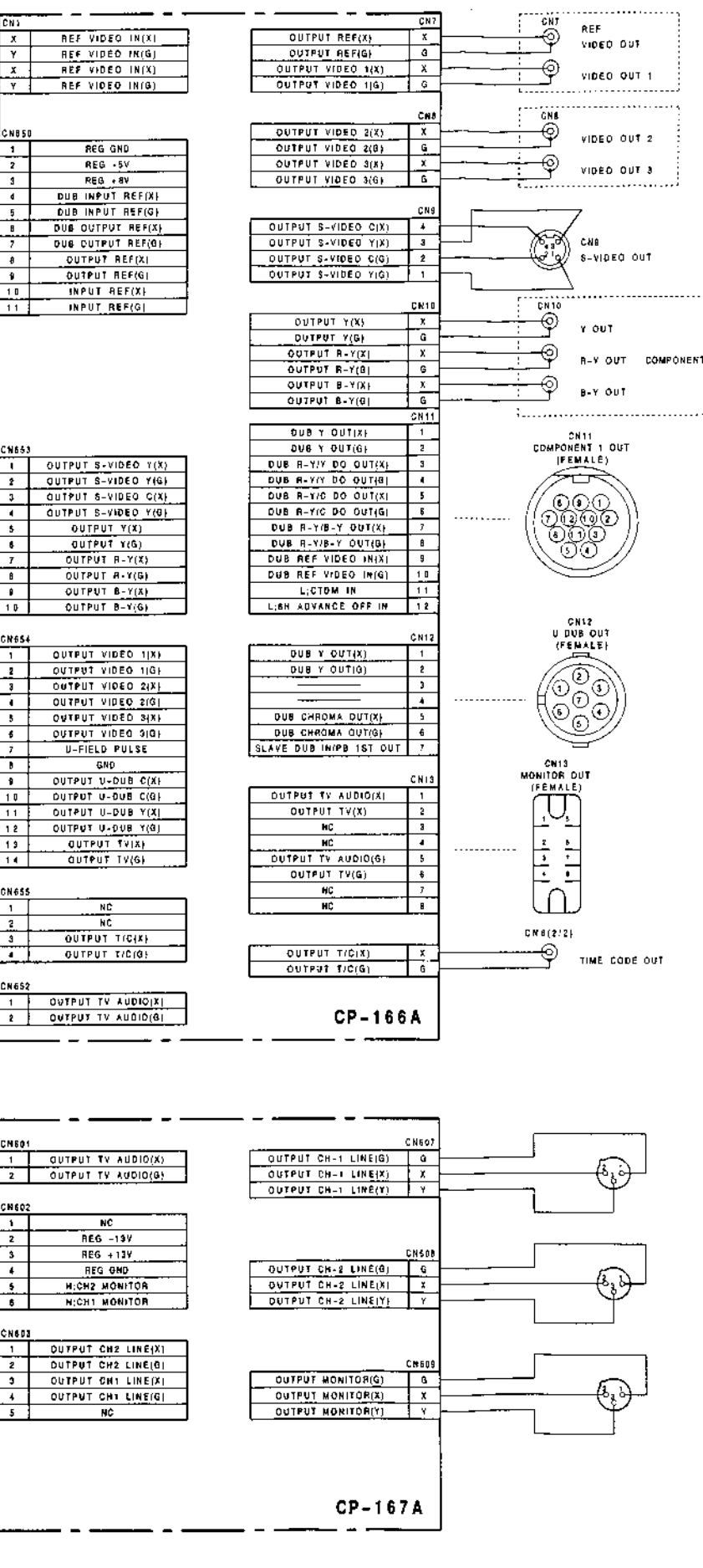
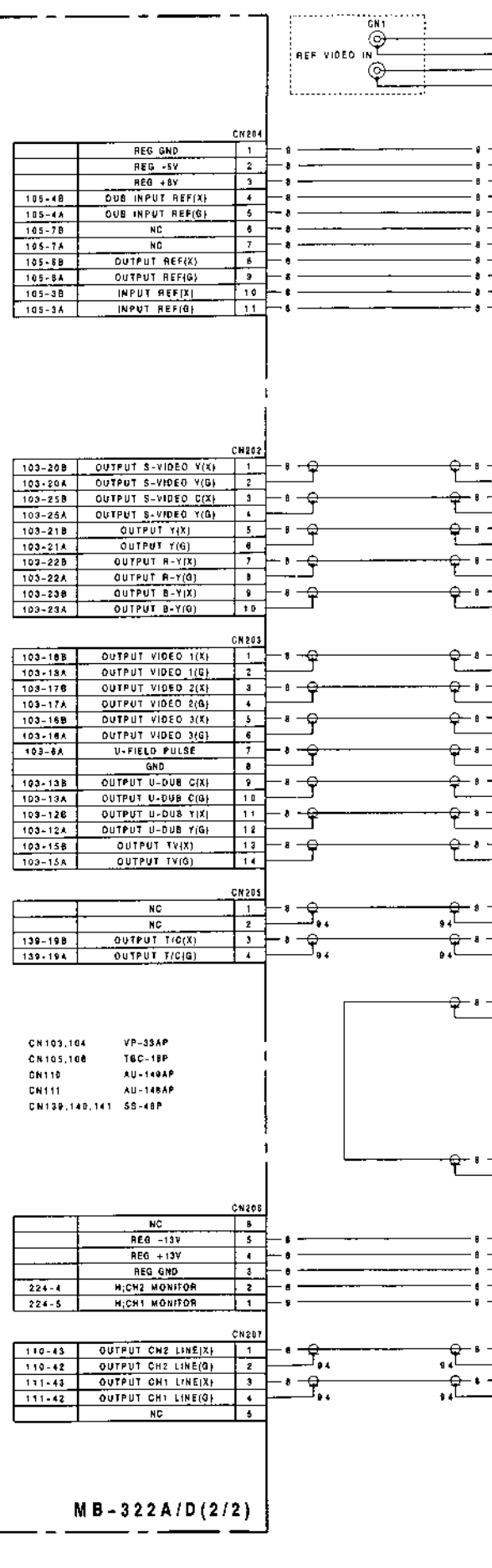
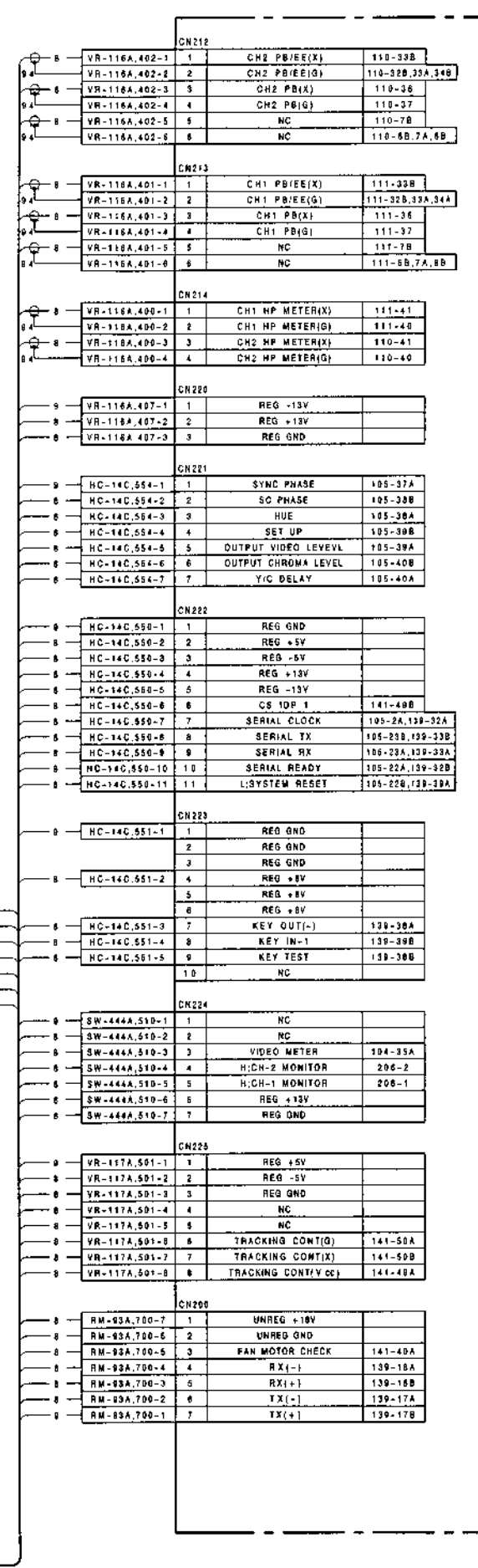
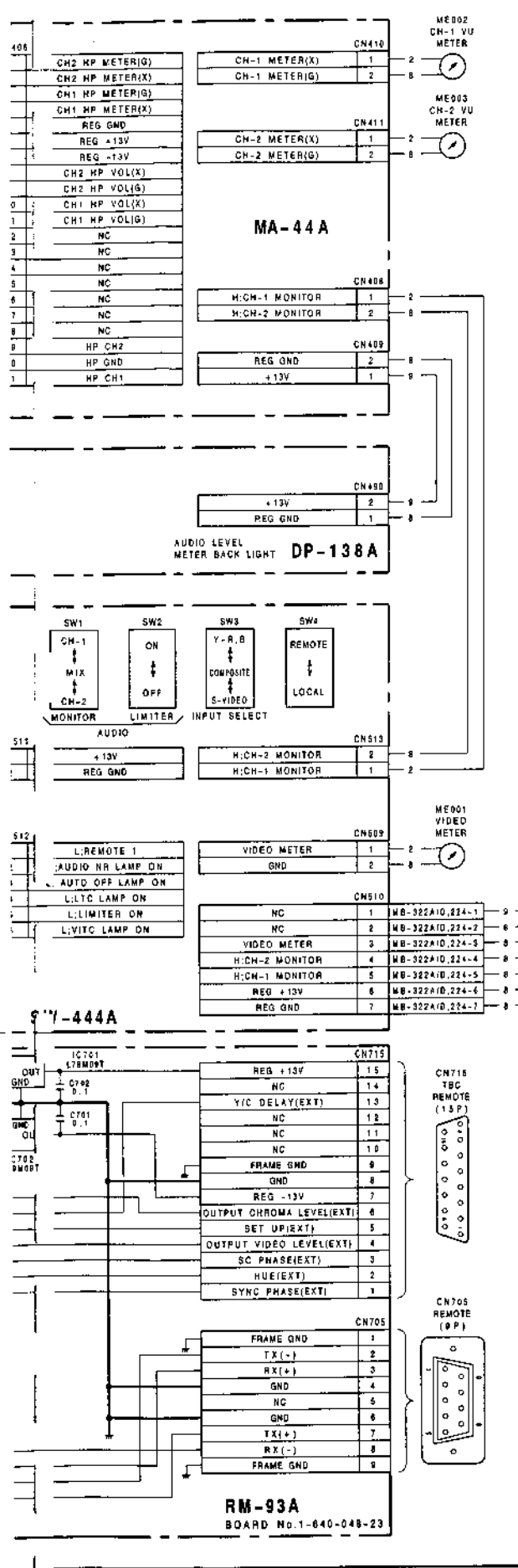
FRAME BOARD (1/2)

PVW-2600P (EK);#10001-14585
 PVW-2600P (UC);#10001-10010

Serial No. (EK) ; 15256 and higher
Serial No. (UC) ; 10011 and higher

FRAME(2/2)

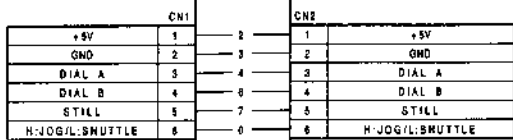
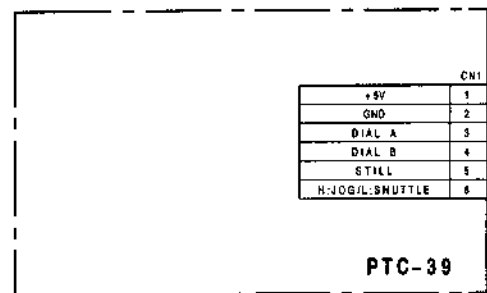




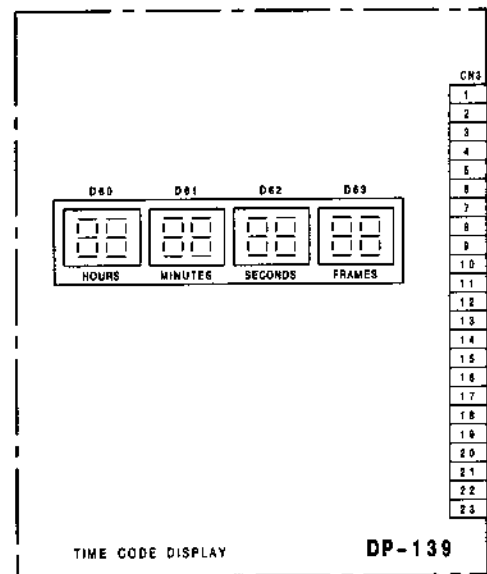
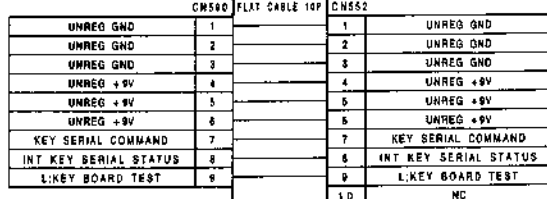
FRAME BOARD (2/2)
PVW-2600P (EK); #15256-
PVW-2600P (UC); #10011-

Serial No. (EK) ; 14586 to 15255
Serial No. (UC) ; 10011 and higher

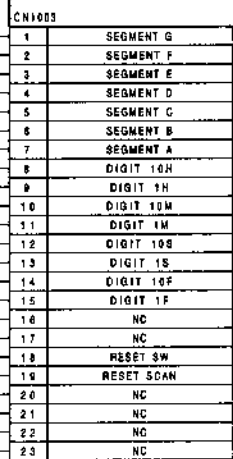
FRAME(2/2)



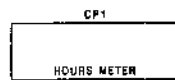
PTC-39



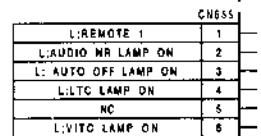
DP-139



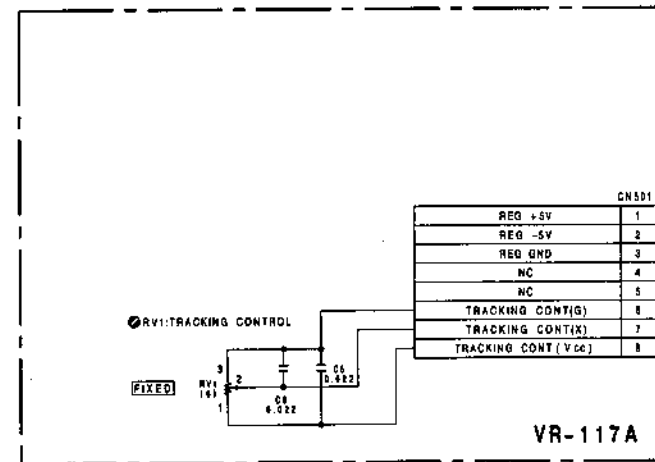
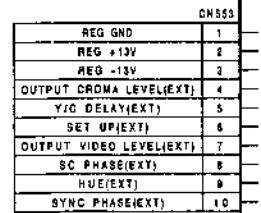
KY-210A



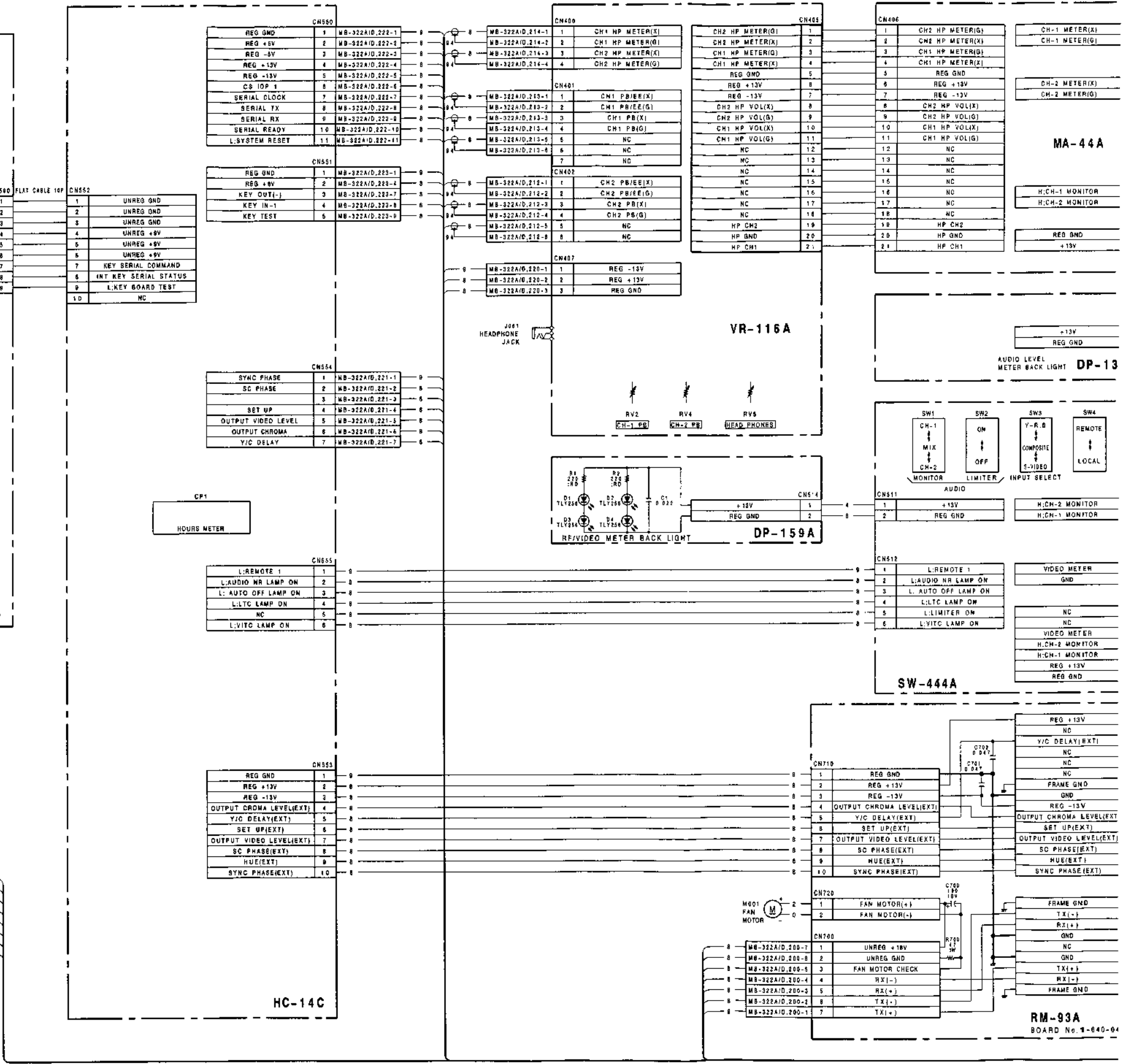
CP1 HOURS METER



HC-14C



VR-117A



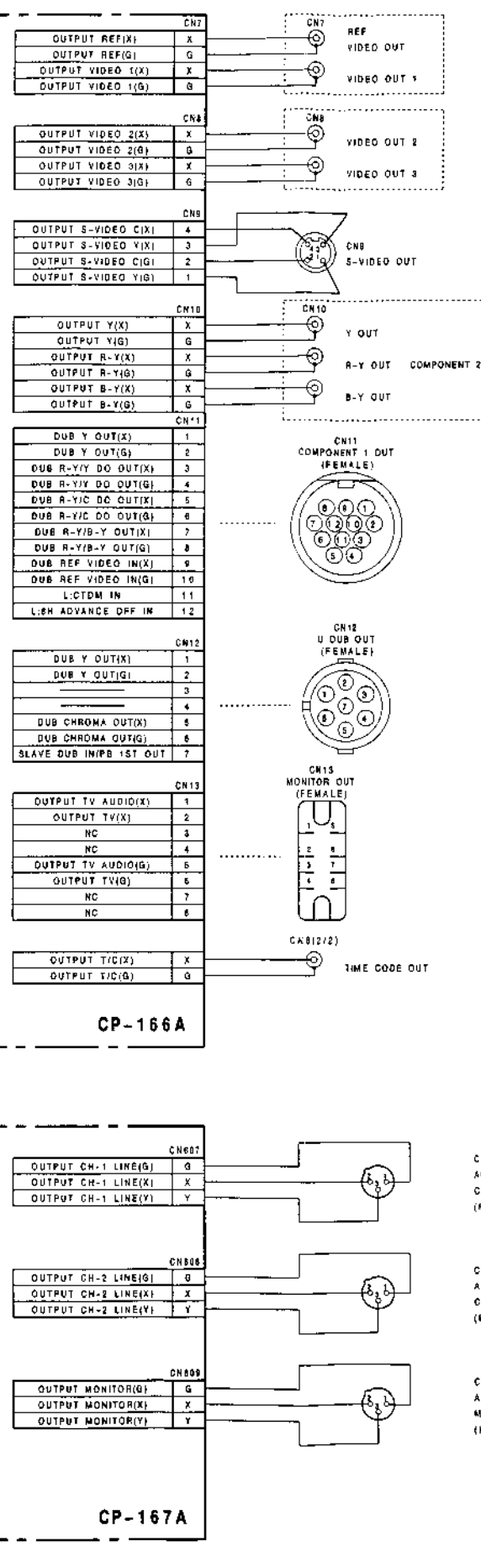
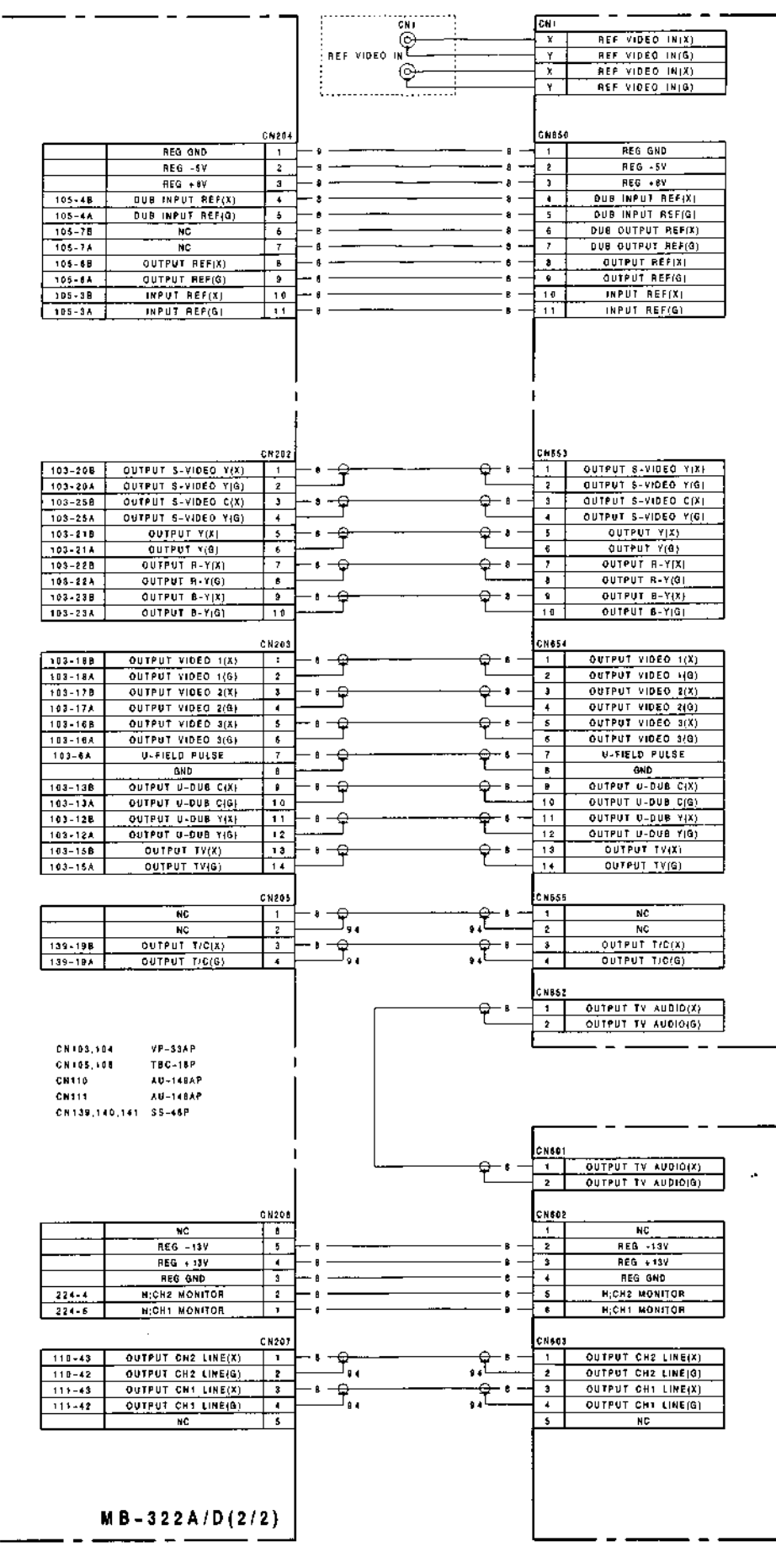
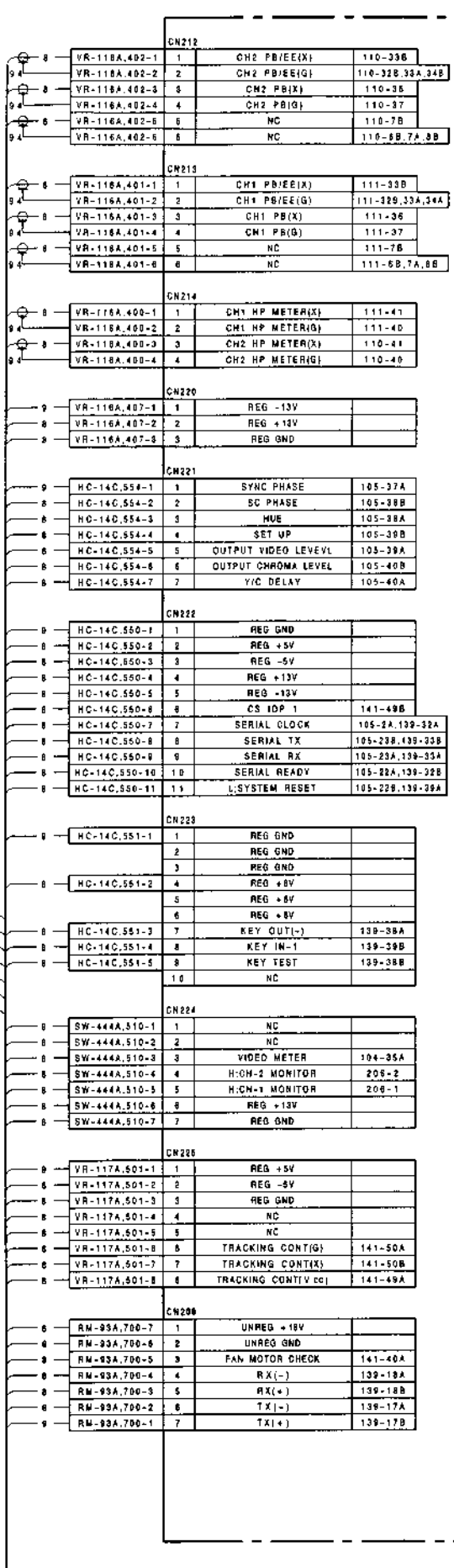
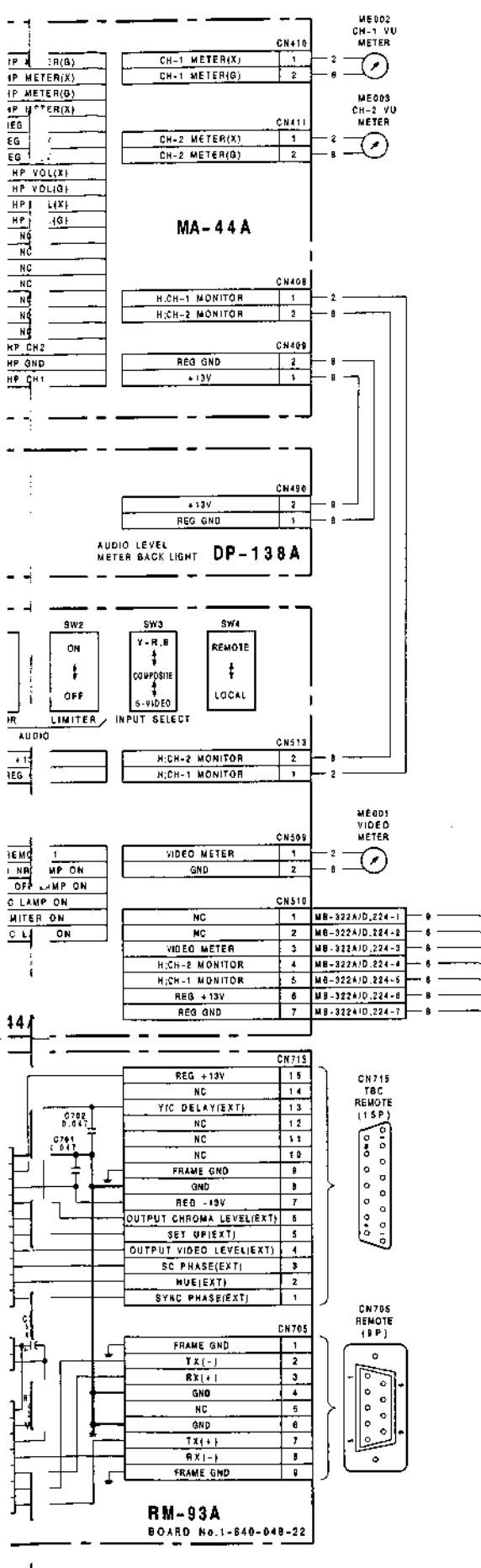
MA-44A

VR-116A

DP-159A

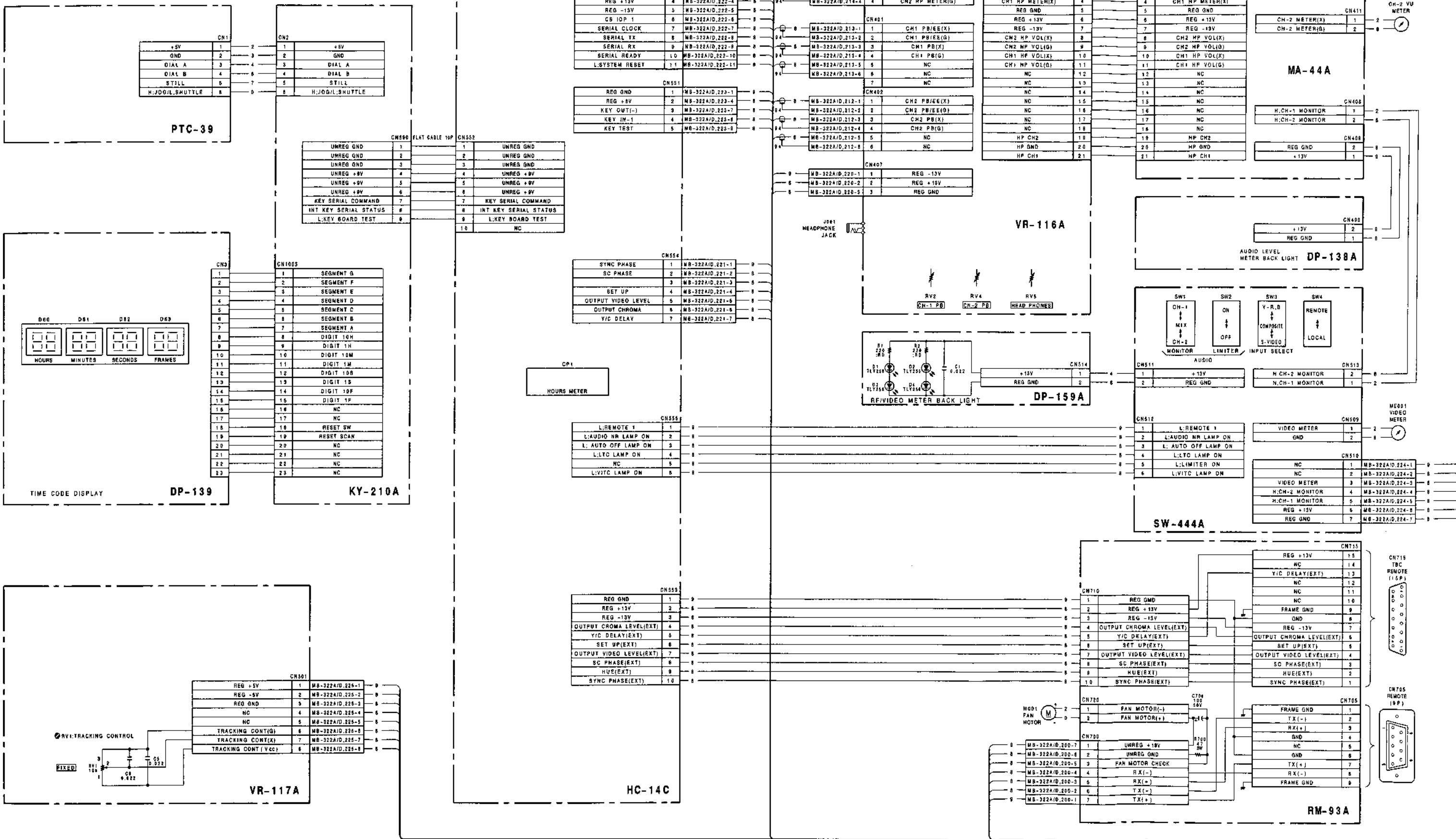
SW-444A

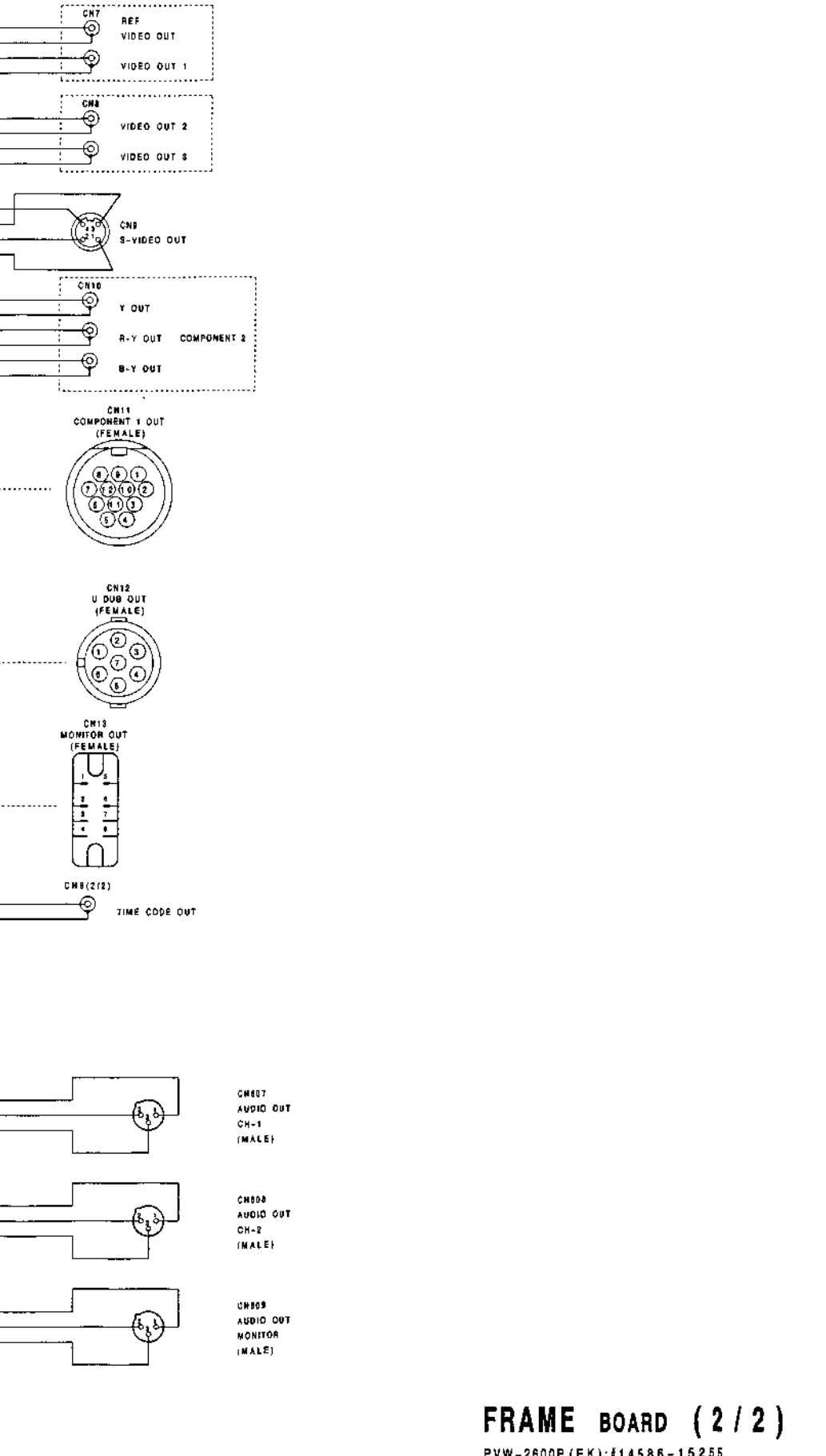
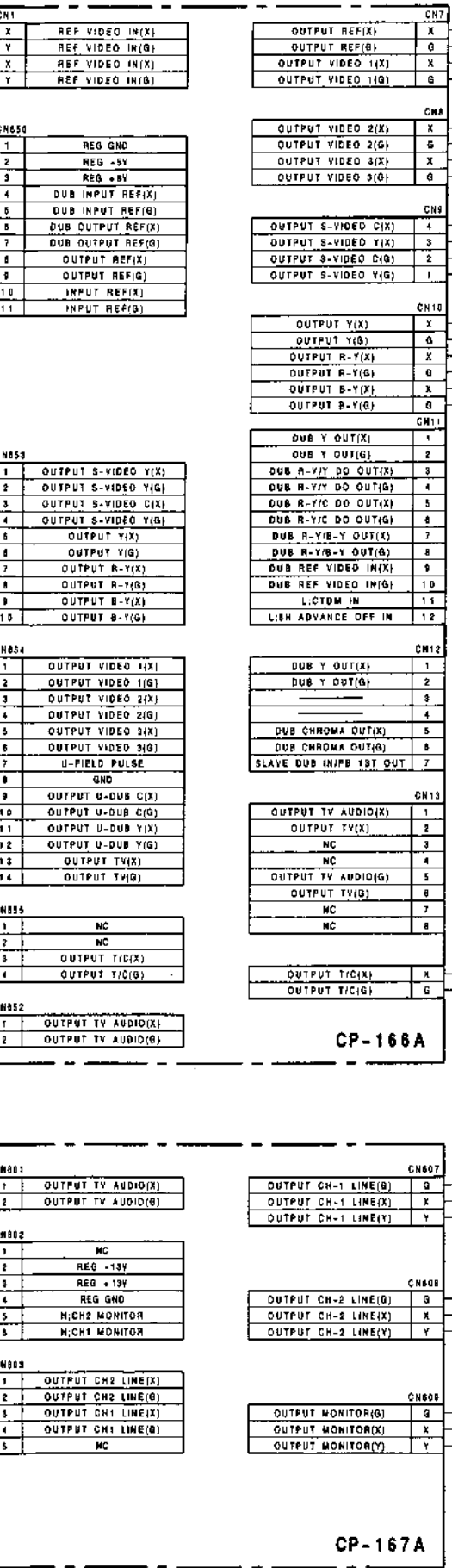
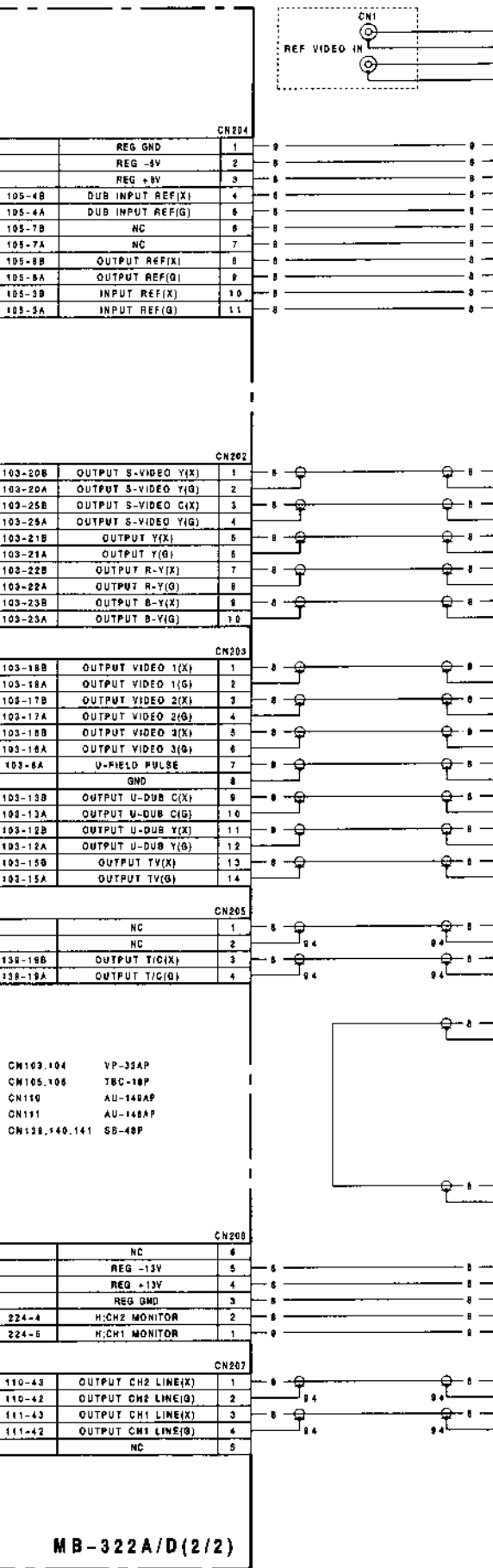
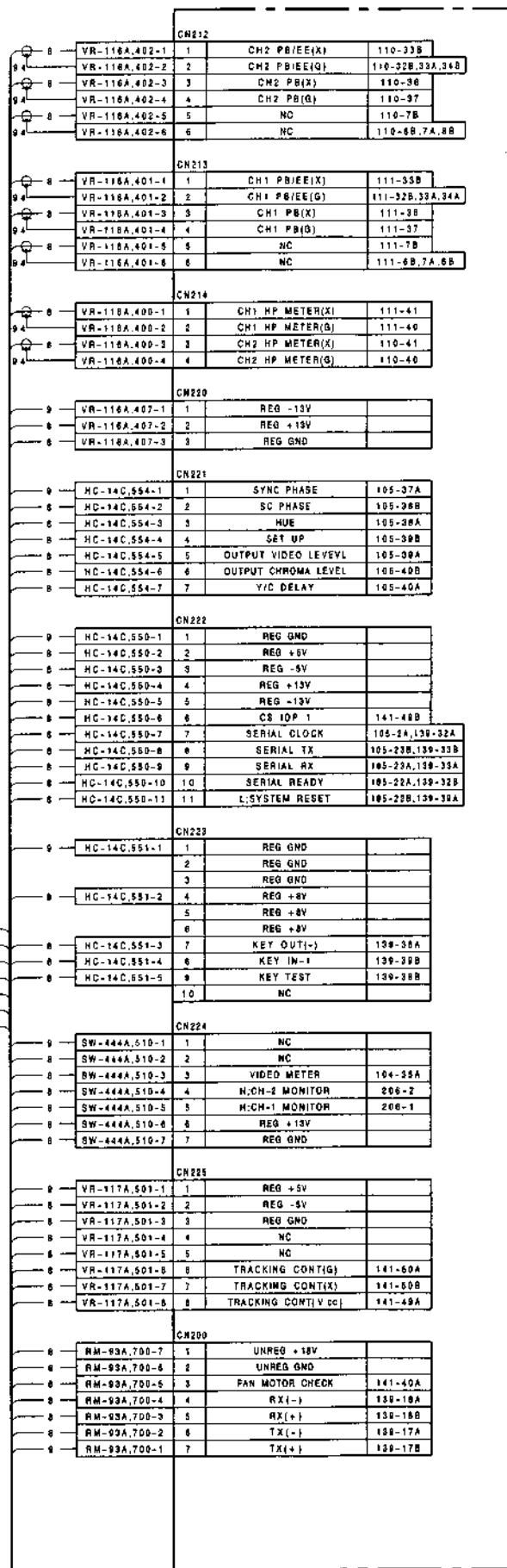
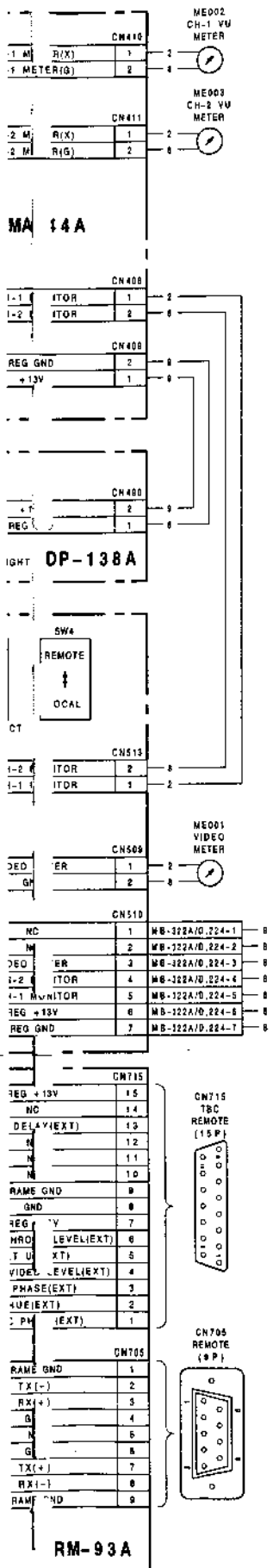
RM-93A BOARD No. 1-640-04



Serial No.(EK);10001 to 14585
Serial No.(UC);10001 to 10010

FRAME(2/2)



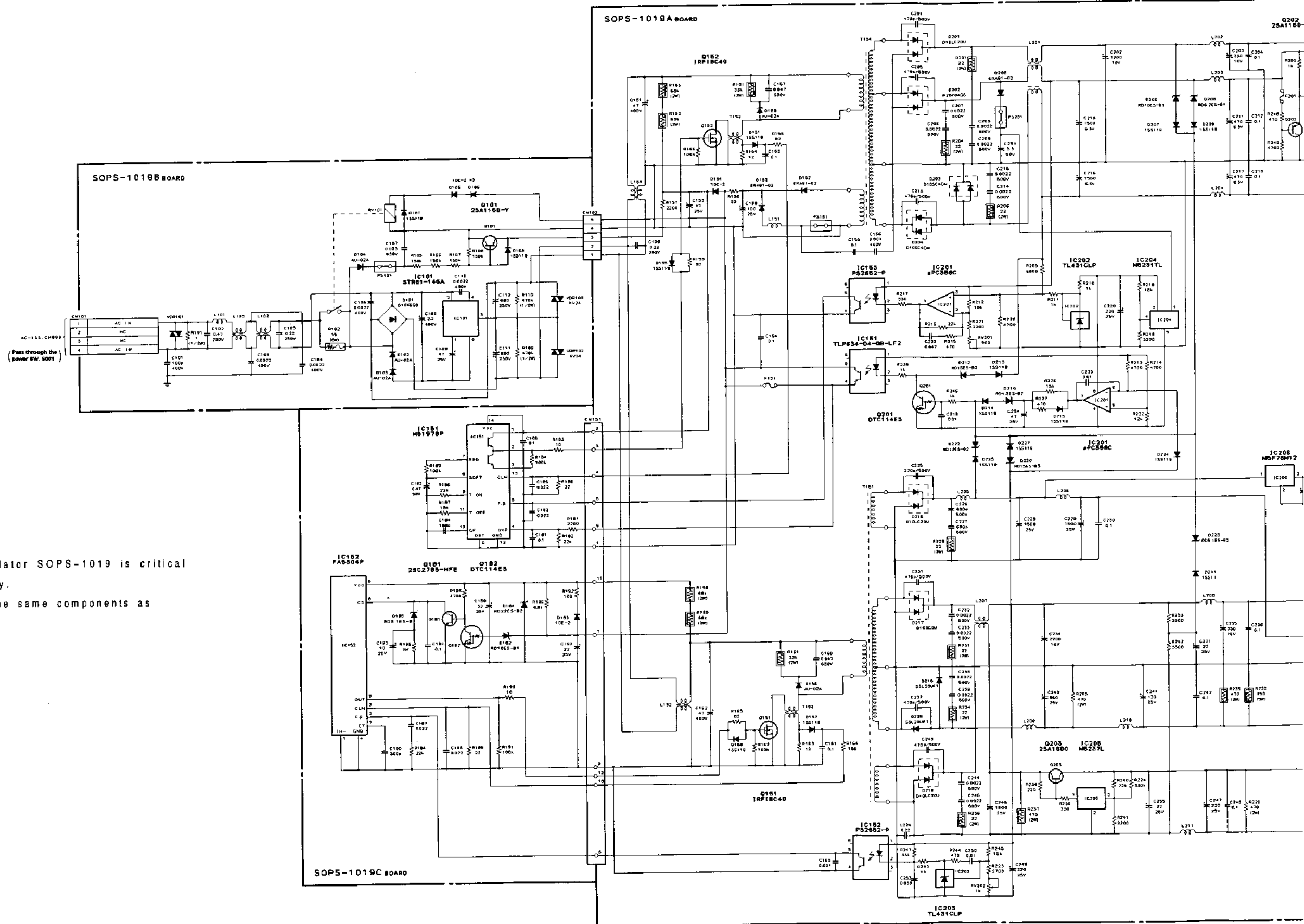


FRAME BOARD (2/2)

PVW-2600P (EK);#14586-15255
PVW-2600P (UC);#10001-10010

SWITCHING REGULATOR SWITCHING REGULATOR

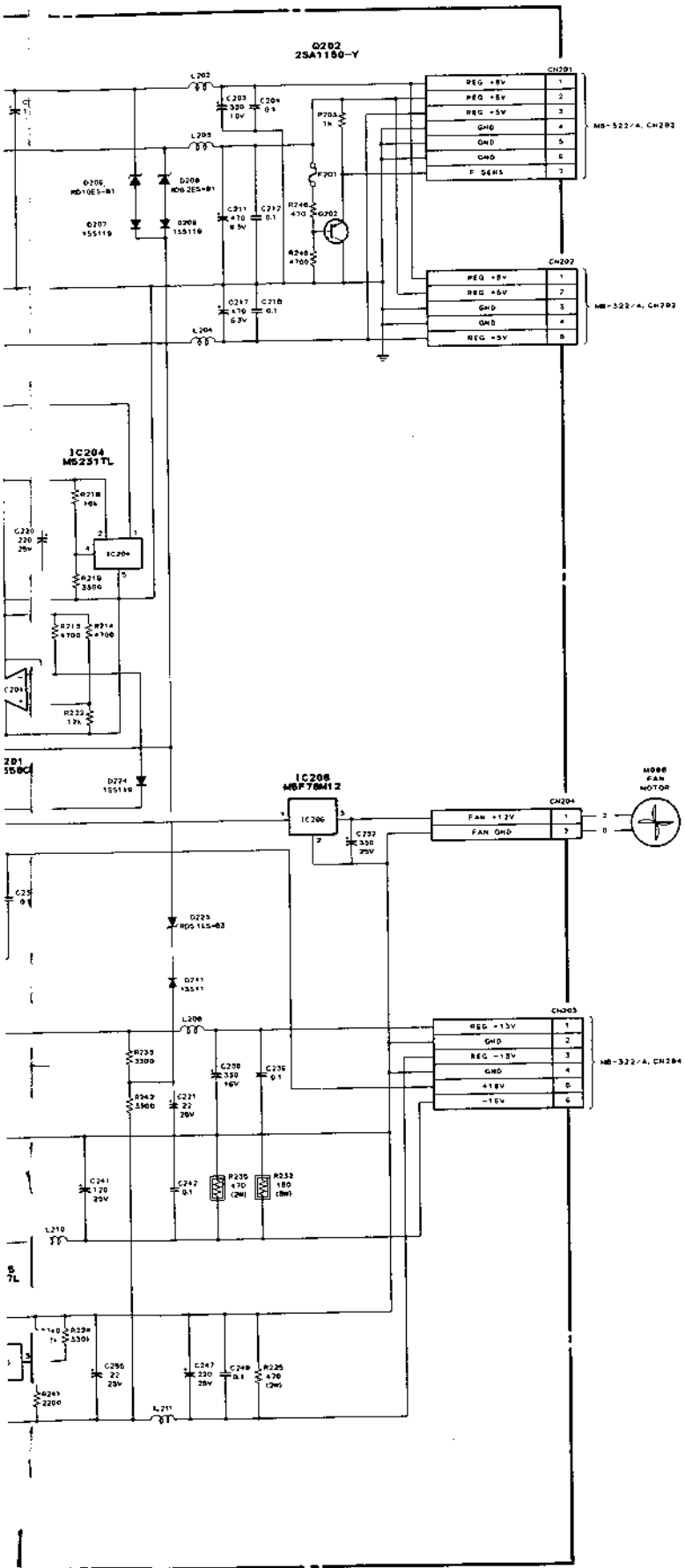
SOPS-1019A; SWITCHING REGULATOR
 SOPS-1019B; SWITCHING REGULATOR
 SOPS-1019C; SWITCHING REGULATOR



NOTE

The switching regulator SOPS-1019 is critical component to safety. Replace only with the same components as specified.

SWITCHING REGULATOR SWITCHING REGULATOR



122265

SONY

VIDEOCASSETTE PLAYER

PVW-2600P

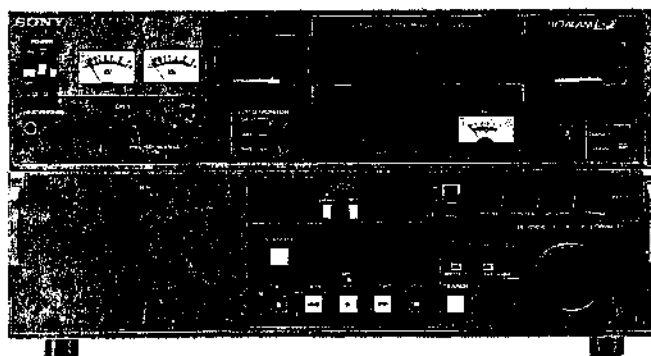
SERVICE MANUAL

Vol.2 1st Edition (Revised 1)

Serial No.10001 and Higher
(EK)

Serial No.10001 and Higher
(USA CANADA)

BETACAM SP
2000PRO



このマニュアルに記載されている事柄の著作権は当社にあり、説明内容は機器購入者の使用を目的としています。従って、当社の許可なしに無断で複写したり、説明内容(操作、保守等)と異なる目的で本マニュアルを使用することを禁止します。

The material contained in this manual consists of information that is the property of Sony Corporation and is intended solely for use by the purchasers of the equipment described in this manual.

Sony Corporation expressly prohibits the duplication of any portion of this manual or the use thereof for any purpose other than the operation or maintenance of the equipment described in this manual without the express written permission of Sony Corporation.

Le matériel contenu dans ce manuel consiste en informations qui sont la propriété de Sony Corporation et sont destinées exclusivement à l'usage des acquéreurs de l'équipement décrit dans ce manuel.

Sony Corporation interdit formellement la copie de quelque partie que ce soit de ce manuel ou son emploi pour tout autre but que des opérations ou entretiens de l'équipement à moins d'une permission écrite de Sony Corporation.

Das in dieser Anleitung enthaltene Material besteht aus Informationen, die Eigentum der Sony Corporation sind, und ausschließlich zum Gebrauch durch den Käufer der in dieser Anleitung beschriebenen Ausrüstung bestimmt sind.

Die Sony Corporation untersagt ausdrücklich die Vervielfältigung jeglicher Teile dieser Anleitung oder den Gebrauch derselben für irgendeinen anderen Zweck als die Bedienung oder Wartung der in dieser Anleitung beschriebenen Ausrüstung ohne ausdrückliche schriftliche Erlaubnis der Sony Corporation.

SECTION 17

SEMICONDUCTOR PIN ASSIGNMENTS

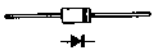
この章の図の中には互換性のないダイオード、トランジスタ、ICが併記されていることがあります。部品を交換するときには必ず部品表を参照してください。
等価回路はICメーカーのData Bookに従いました。

The chart in this section may sometimes show diodes, transistors, and ICs that are not interchangeable. When replacing a component, be sure to refer to the parts list.
The circuit diagram of each IC is obtained from the IC data book published by the manufacturer.

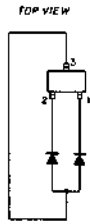
Diode	PAGE	Transistor	PAGE	Transistor	PAGE	IC	PAGE
10E-2	17-3	2SA1115	17-4	DTC114TK	17-5	74F00SJ	17-6
1S2836	17-3	2SA1141	17-4	DTC123JK	17-5		
1SS119	17-3	2SA1213	17-4	DTC123JU	17-5	AM26LS30PC	17-6
1SS303	17-3	2SA1610	17-4	DTC144EF	17-5	AM26LS32PC	17-6
1SS304	17-3	2SA1611	17-4	DTC144EK	17-5		
1SV160	17-3	2SA473	17-4	DTC144EU	17-5	BX-3914	17-6
		2SA768	17-4				
DA204U	17-3	2SA812	17-4	FMS2	17-5	CX20188	17-7
DM211A	17-3			FMW2	17-5	CX22017	17-6
		2SB1115	17-4	FMW7	17-5	CX23065A	17-6
FC52M	17-3	2SB1115A	17-4	FMW8	17-5	CX7991	17-7
FC53M	17-3	2SB1121	17-4	FMY3	17-5		
FC54M	17-3	2SB624	17-4			CXA1370Q	17-8
		2SB731	17-4	IMX1	17-5	CXA1450M	17-9
GL-5HD8	17-3	2SB733	17-4			CXA1451M	17-9
GL480	17-3	2SB798	17-4	PT480F	17-5	CXA1479Q	17-9
		2SB962	17-4			CXA1480Q	17-9
						CXA1521M	17-9
LB402VK	17-3	2SC1623	17-4			CXD1095Q	17-10
LN25RP	17-3	2SC1627	17-4			CXD1132Q	17-11
		2SC2120	17-4			CXD1151Q	17-12
RD??ESB?	17-3	2SC2458	17-4			CXD1171M	17-12
RD??M	17-3	2SC2785	17-4			CXD1175AM	17-13
		2SC2873Y	17-4			CXD1216M	17-13
SB007-03CP	17-3	2SC3012	17-4			CXD2202Q	17-14
SB01-05CP	17-3	2SC3735	17-4			CXD2207Q	17-15
		2SC4176	17-4			CXD2209Q	17-16
TLG256	17-3	2SC4177	17-4			CXD8117P	17-16
TLY256	17-3	2SC4178	17-4			CXD8152Q	17-18
TLUG154	17-3	2SC4213A	17-4			CXD8160Q	17-19
		2SC4213B	17-4			CXD8161AQ	17-17
						CXD8165Q	17-20
		2SD1615A	17-4			CXD8176AQ	17-21
		2SD1623	17-4			CXD8243AM	17-21
		2SD596	17-4			CXD8310M	17-22
		2SD773	17-4			CXD8311Q	17-22
		2SD774	17-4			CXD8313Q	17-22
		2SD788	17-4				
		2SD809	17-4			CXK1013P	17-23
						CXK1023P	17-23
		2SJ106	17-4			CXK1203Q	17-24
		2SJ122	17-4			CXK1206AM	17-24
		2SJ132	17-4			CXK1206M	17-24
		2SJ143	17-4			CXK5816M-12L	17-25
						CXK58257M-10L	17-25
		2SK209	17-5				
		2SK613	17-5			HD6435328RA00F	17-26
		2SK614	17-5				
		2SK852	17-5			L78M09T	17-27
		2SK94	17-5			L79M09T	17-27
						LA7205	17-27
		DTA114TU	17-5			LM2903DQ	17-27
		DTA123JK	17-5			LM2903M	17-27
		DTA123JU	17-5			LM2903P	17-27
		DTA144ES	17-5				
		DTA144EU	17-5				

SEMICONDUCTOR INDEX

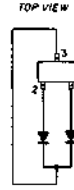
IC	PAGE	IC	PAGE	IC	PAGE
LM2903PS	17-27	RC5532DD	17-34	UPC319G2	17-43
LM311PS	17-27	RC7805FA	17-34	UPC324G2	17-43
LM358P	17-27	RC7809FA	17-34	UPC358G2	17-27
M50747H-XXXSP	17-28	RC78L05A	17-35	UPC393G2	17-27
M51957BL	17-28	RC78L09A	17-35	UPC4557C	17-43
M51958BL	17-28	RC7905FA	17-34	UPC4558C	17-34
M54516P	17-28	RC7909FA	17-34	UPC4570G2	17-43
M54523P	17-29	RC79L05A	17-34	UPC4572C	17-43
M54532P	17-29	RC79L09A	17-34	UPC4574G2	17-43
MB4002PF	17-29	S-81230AG	17-35	UPD42101C-3	17-43
MB40568	17-29	SC14S66F	17-35	UPD70320GJ-8-5BG	17-44
MB40568PF	17-29	SC14S66FEL	17-35	UPD70320L-8	17-45
MB88341PFV	17-29	SC7S04F	17-35	UPD7201AC	17-46
MB90061-111	17-30	SC7S32F	17-35		
MC14013BCP	17-31	SN74HC00ANS	17-35		
MC14024BCP	17-31	SN74HC02ANS	17-35		
MC14046BF	17-31	SN74HC04ANS	17-36		
MC14051BF	17-31	SN74HC08ANS	17-36		
MC14052BF	17-31	SN74HC11ANS	17-36		
MC14053BCP	17-32	SN74HC11NS	17-36		
MC14053BF	17-32	SN74HC138ANS	17-36		
MC14066BF	17-32	SN74HC14ANS	17-36		
MC14069UBCP	17-32	SN74HC153ANS	17-36		
MC14069UBF	17-32	SN74HC157ANS	17-37		
MC14081BCP	17-32	SN74HC164NS	17-37		
MC14161BCP	17-32	SN74HC191NS	17-37		
MC14538BCP	17-32	SN74HC245ANS	17-37		
MC14538BF	17-32	SN74HC27NS	17-38		
MC34182M	17-33	SN74HC32ANS	17-38		
MC34184M	17-33	SN74HC367ANS	17-38		
MC68HC05N4	17-33	SN74HC541ANS	17-38		
MC74HC4024N	17-33	SN74HC74ANS	17-38		
MS62256CLL-10FC ..	17-25	SN74HC86ANS	17-38		
NJM2068DD	17-34	SN74HCU04AN	17-36		
NJM2903D	17-27	SN74HCU04ANS	17-36		
NJM2903M	17-27	SN74LS06NS	17-38		
NJM360M	17-34	SN74LS123NS	17-39		
NJM4558D-D	17-34	SN74LS157NS	17-39		
NJM4558M	17-34	SN74LS221NS	17-39		
NJM4560D	17-34	SRM2016M10	17-39		
NJM4560M	17-34	TA7267P	17-40		
NJM4565M	17-34	TA8424F	17-40		
NJM4565M-A	17-34	TC5081AP	17-40		
NJM5532D-D	17-34	TC74HC123AF	17-40		
NJM7805FA	17-34	TC74HC221AF	17-40		
NJM7809FA	17-34	TC7S32F	17-35		
NJM7812FA	17-34	TC7SU04F	17-35		
NJM7905FA	17-34	TL072ACP	17-42		
NJM7909FA	17-34	TL072CP	17-33		
NJM79L05A	17-34	TL082CPS	17-33		
NJM79L09A	17-34	TL084CNS	17-42		
NJU8001M	17-34	TL431CLP	17-42		
RC4556MA	17-35	TL431CPS	17-42		
RC4558DD	17-34	TLC549IPS	17-41		
RC4558M	17-34	TMP91C640N-2306 ..	17-41		
RC4560D	17-34	TMS27C010A-15JL ...	17-42		
RC4560M	17-34				



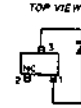
10E-2
1SS119



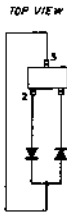
1S2836
1SS303



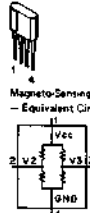
1SS304



1SV160



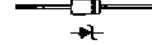
DA204U



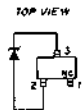
DM211A



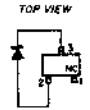
FC52M
FC53M
FC54M



RD ? ?ESB ?



RD ? ? M



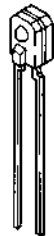
SB007-03CP



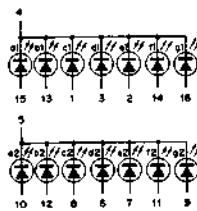
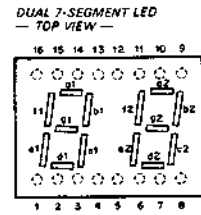
SB01-05CP



GL-5HD8 ; RED



GL480 ; INFRARED



LB402VK (ROHM)



LI25AP ; RED



TLG256 ; GREEN
TLY256 ; YELLOW

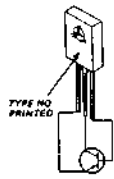


TLUG154 ; GREEN

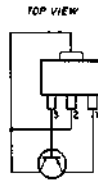
RANSISTOR



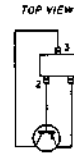
2SA1115



2SA1141
2SB731



2SA1213
2SB1115
2SB1115A
2SB1121
2SB798



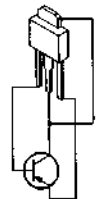
2SA1610
2SA1611
2SA812
2SB624



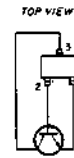
2SA473
2SA768



2SB733



2SB962



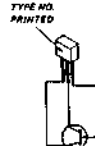
2SC1623
2SC3735
2SC4176
2SC4177
2SC4178
2SC4213A
2SC4213B
2SD596



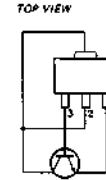
2SC1627
2SC2120



2SC2458



2SC2785



2SC2873Y
2SD1615A
2SD1623



2SC3012



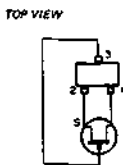
2SD773
2SD774



2SD788



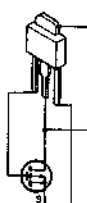
2SD809



2SJ106



2SJ122

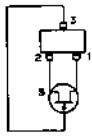


2SJ132



2SJ143

TOP VIEW

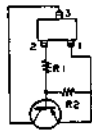


2SK209
2SK613
2SK852
2SK94



2SK614

TOP VIEW

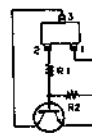


DTA114TU (R1 = 10K, R2 = ∞)
DTA123JK (R1 = 2.2K, R2 = 47K)
DTA123JU (R1 = 2.2K, R2 = 47K)
DTA144EU (R1 = 47K, R2 = 47K)

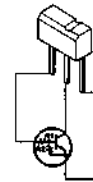


DTA144ES (R1 = 47K, R2 = 47K)

TOP VIEW



DTC114TX (R1 = 10K, R2 = ∞)
DTC123JK (R1 = 2.2K, R2 = 47K)
DTC123JU (R1 = 2.2K, R2 = 47K)
DTC144EK (R1 = 47K, R2 = 47K)
DTC144EU (R1 = 47K, R2 = 47K)

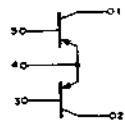


OTC144EF (R1 = 47K, R2 = 47K)

TOP VIEW



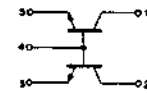
FMS2



TOP VIEW



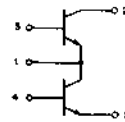
FMW2



TOP VIEW



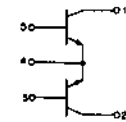
FMW7



TOP VIEW



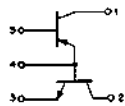
FMW8



TOP VIEW



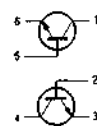
FMY3



TOP VIEW

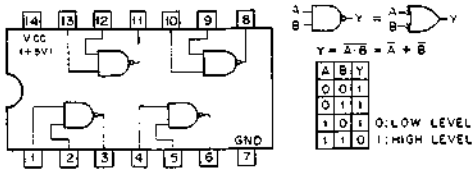


IMX1

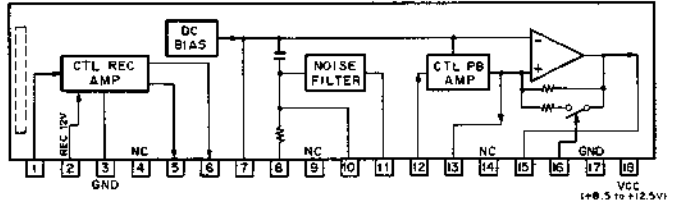


PT480F

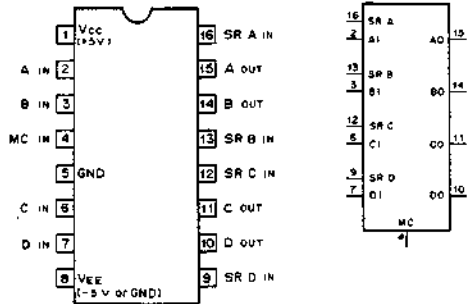
74F00SJ (NS) FLAT PACKAGE
TTL 2-INPUT POSITIVE-NAND GATE
- TOP VIEW -



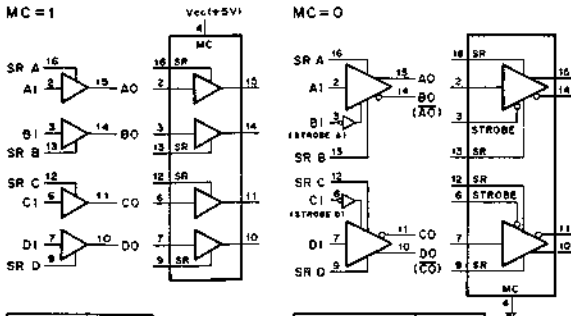
BX3814 (SONY)
CTL REC/PB AMPLIFIER
- PRINTED SIDE -



AM26LS30PC (ADVANCED MICRO DEVICES)
LINE DRIVER
- TOP VIEW -



MC: MODE CONTROL
SR: SLEW RATE CONTROL

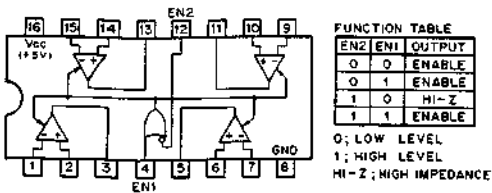


MC	A TO A	D TO D
1	0	0
1	1	1

0: LOW LEVEL X: DON'T CARE
1: HIGH LEVEL HI-Z: HIGH IMPEDANCE

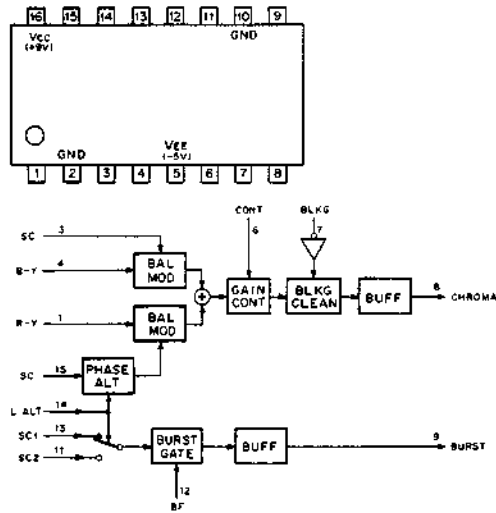
MC	STROBE A	A	D	A	D	B & C
0	0	0	0	0	1	1
0	0	0	1	1	0	0
0	1	X	HI-Z	HI-Z		

AM26LS32PC (ADVANCED MICRO DEVICES)
HIGH SPEED DIFFERENTIAL LINE RECEIVER
- TOP VIEW -

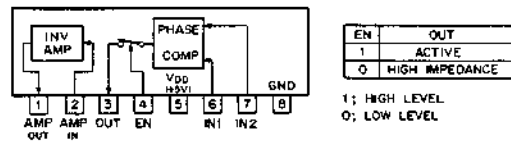


	SENSE	INPUT VOLT
LS32	±200mV	±7V
LS33	±500mV	±15V

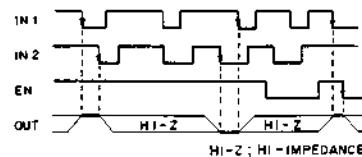
CX22017 (SONY)
VIDEO SIGNAL PROCESSOR
- TOP VIEW -



CX23065A (SONY)
N-MOS PHASE COMPARATOR WITH INVERSION AMPLIFIER
- PRINTED SIDE VIEW -

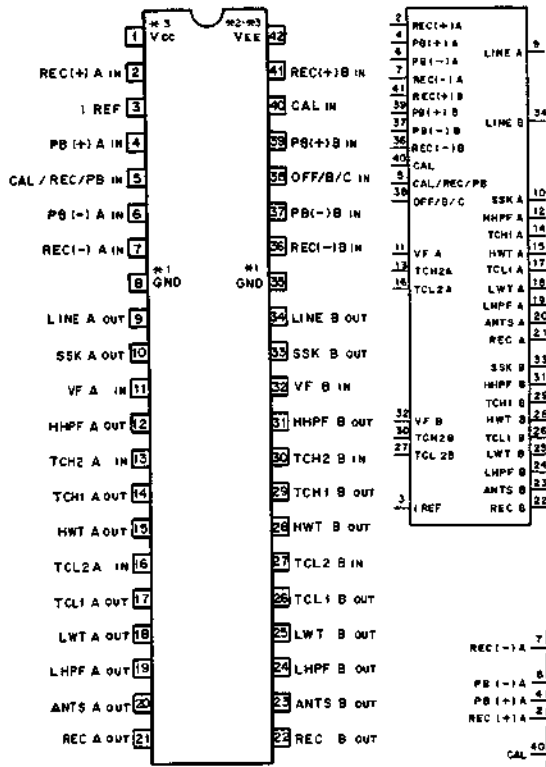


TIMING CHART



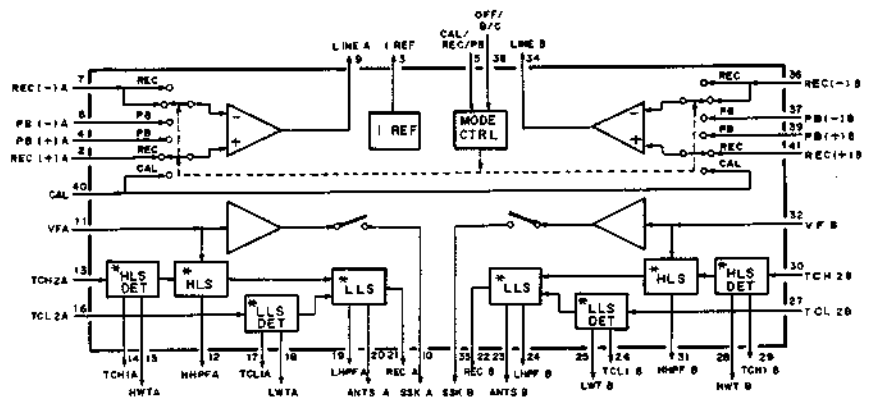
CX20188 (SONY)

DOLBY B TYPE AND C TYPE, NOISE REDUCTION SYSTEM
- TOP VIEW -



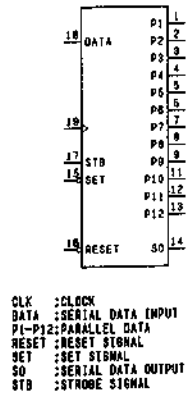
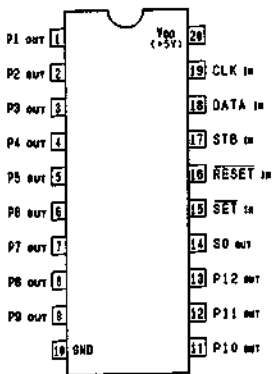
*1: ONE POWER → V_{CC}/2. TWO POWER → GND
*2: ONE POWER → GND. TWO POWER → V_{EE}
*3: V_{CC} - V_{EE} : +8 to +21V

ANTS : ANTI SATURATION
CAL : CALIBRATION
CAL/REC/PB : CALIBRATION/REC/ PB SELECT
HHPF : HLS HIGH PASS FILTER
HWT : HLS WAITING
I REF : REFERENCE SOURCE CURRENT
LHPF : LLS HIGH PASS FILTER
LWT : LLS WAITING
OFF/B/C : DOLBY NR OFF/B-TYPE/C-TYPE SELECT
SSK : SPECTRAL SKEWING SWITCH
TCH : HLS DETECTOR TIME CONSTANT
TCL : LLS DETECTOR TIME CONSTANT
VF : ENCODE INPUT
*HLS : HIGH LEVEL STAGE
*LLS : LOW LEVEL STAGE



CX7991 (SONY)

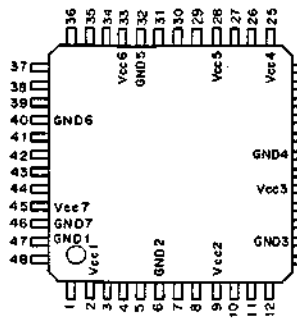
CMOS 12-BIT SERIAL TO PARALLEL CONVERTER
- TOP VIEW -



CLK : CLOCK
DATA : SERIAL DATA INPUT
P1-P12: PARALLEL DATA
RESET : RESET SIGNAL
SET : SET SIGNAL
SO : SERIAL DATA OUTPUT
STB : STROBE SIGNAL

CXA1370Q (SONY)

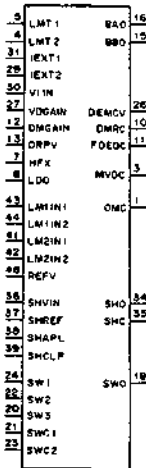
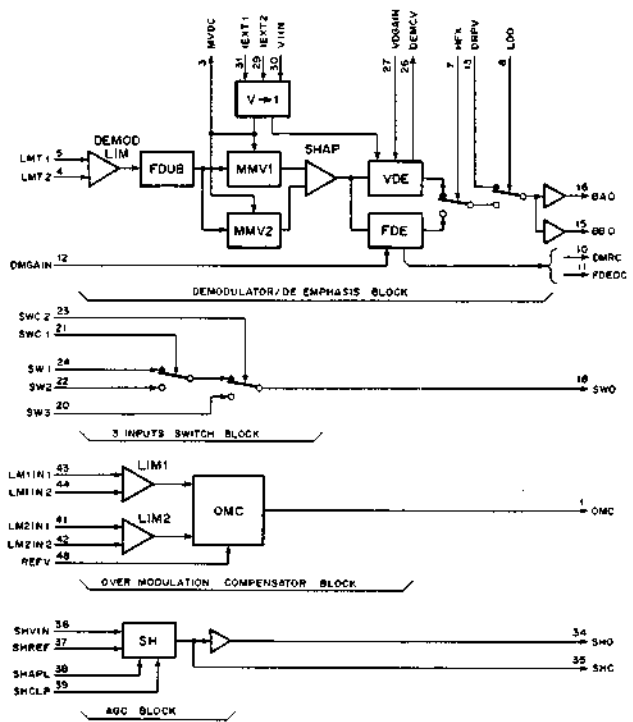
DEMODULATOR/OVER MODULATION COMPENSATOR
- TOP VIEW -



(Vcc = +5V)

PIN No.	I/O	SIGNAL	PIN No.	I/O	SIGNAL	PIN No.	I/O	SIGNAL	PIN No.	I/O	SIGNAL
1	O	DMC	19	I	DRFV	25	-	Vcc4	37	I	SHREF
2	-	Vcc1	14	-	GND3	25	O	DEMVCV	38	I	SHAPL
3	O	MVDC	15	O	BBO	27	I	VDGAIN	39	I	SHCLP
4	I	LMT2	18	O	BAG	28	-	Vcc5	40	-	GND5
5	I	LMT1	17	-	Vcc3	29	I	IEXT2	41	I	LMZIN1
6	-	GND2	18	O	SWO	30	I	VIIN	42	I	LMZIN2
7	I	HFX	19	-	GND4	31	I	IEXT1	43	I	LM1IN1
8	I	LDO	20	I	SW3	32	-	GND5	44	I	LM1IN2
9	-	Vcc2	21	I	SWC1	33	-	Vcc6	45	-	Vcc7
10	O	DMRC	22	I	SW2	34	O	SHO	46	-	GND7
11	O	FDEDC	23	I	SWC2	35	O	SHC	47	-	GND1
12	I	DMGAIN	24	I	SW1	36	I	SHVIN	48	I	REFV

Vcc1, GND1: FOR OVER MODULATION COMPENSATOR
Vcc2, GND2: FOR DEMODULATOR
Vcc3, GND3: FOR BUFFER
Vcc4, GND4: FOR 3 INPUT SWITCH
Vcc5, GND5: FOR DEMODULATOR
Vcc6, GND6: FOR SAMPLE HOLD
Vcc7, GND7: FOR LIMITER



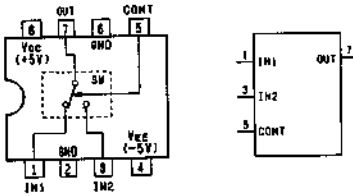
INPUT

- DMGAIN : FOR RESISTOR
- DRFV : VIDEO SIGNAL
- HFX : SWITCH CONTROL
- IEXT1, 2 : FOR RESISTOR
- LMT1, 2 : OVER MODULATION COMPENSATE LIMITER
- LMT1, 2 : DEMODULATE LIMITER
- LDO : SWITCH CONTROL
- REFV : REFERENCE VOLTAGE
- SHAPL : FOR RESISTOR
- SHCLP : SAMPLE HOLD PULSE
- SHREF : SAMPLE HOLD REFERENCE VOLTAGE
- SHVIN : SAMPLE HOLD DEMODULATE VIDEO
- SW1-3 : 3 INPUT SWITCH
- SWC1, 2 : 3 INPUT SWITCH CONTROL
- VDGAIN : GAIN CONTROL VOLTAGE
- VIIN : V-1 CONTROL VOLTAGE

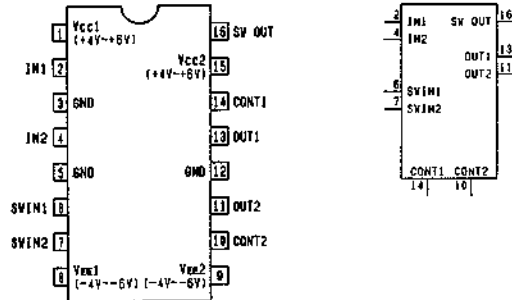
OUTPUT

- BAG, BBO : DEMODULATOR
- DEMVCV : VARIABLE DEEMPHASIS CONSTANT
- DMRC : FIXED DEEMPHASIS CONSTANT
- FDEDC : FIXED DEEMPHASIS DECOUPLING
- MVDC : MONOMULTI DECOUPLING
- OMC : OVER MODULATION COMPENSATOR
- SHC : SAMPLE HOLD CAPACITY
- SHO : SAMPLE HOLD
- SWO : 3 INPUT SWITCH

CXA1450M (SONY) FLAT PACKAGE
VIDEO SIGNAL SWITCH
 - TOP VIEW -

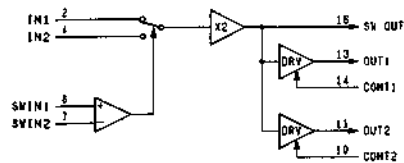


CXA1451M (SONY)
WIDEBAND VIDEO SWITCH
 - TOP VIEW -

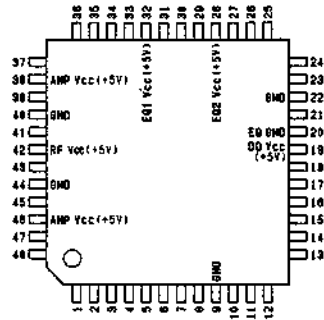


INPUT
 CONT1, 2 : POWER SAVE CONTROL PIN OF DRV.1 AND DRV.2
 IN1, 2 : 1/2-CHANNEL INPUT PIN
 SWIN1, 2 : IN1/IN2 PINS SWITCH CONTROL PIN

OUTPUT
 OUT1, 2 : OUTPUT PIN OF DRV.1/2
 SWOUT : OUTPUTS IN1 PIN OR IN2 PIN WHICH HAS BEEN SELECTED BY SWITCH.

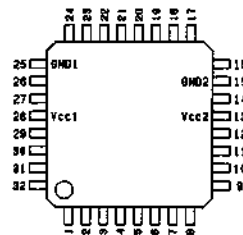


CXA1479Q (SONY)
PB RF SIGNAL PROCESSOR FOR VTR
 - TOP VIEW -



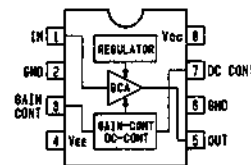
PIN NO.	I/O	SIGNAL	PIN NO.	I/O	SIGNAL	PIN NO.	I/O	SIGNAL	PIN NO.	I/O	SIGNAL
1	I	CHSW CONT	13	I	OFF SET1	25	I	EQ2(A)IN	37	O	AP RF OUT
2	I	OFF SET2	14	I	IN A	26	I	EQ2(MAIN)CNT	38	-	AMP Vcc
3	O	ACH OUT	15	I	EGSEL	27	I	EQ2(B)IN	39	I	RF(A)IN
4	I	ENV(B)	16	I	IN B	28	-	EQ2 Vcc	40	-	GND
5	I	ENV(A)	17	-	DCPL1	29	O	EQ1 OUT	41	I	RF(B)IN
6	O	TH OUT	18	O	DO EQ	30	I	EQ1 CONT	42	-	RF Vcc
7	I	TH CONT	19	-	DO Vcc	31	I	EQ1(B)IN	43	I	RF(C)IN
8	O	DO OUT	20	-	EQ GND	32	-	EQ1 Vcc	44	-	GND
9	O	REF	21	O	EQ2(MARK)OUT	33	I	EQ1(A)IN	45	I	RF(D)IN
10	I	ENV IN	22	-	GND	34	I	GAIN CNT	46	-	AMP Vcc
11	O	DET OUT2	23	O	EQ2(SUB)OUT	35	O	SWD RF	47	O	CD RF OUT
12	O	DET OUT1	24	I	EQ2(SUB)CNT	36	I	RF LEVEL	48	I	MODE CONT

CXA1480Q (SONY)
THROUGH-RATE LIMITER
 - TOP VIEW -



PIN No.	I/O	SIGNAL	PIN No.	I/O	SIGNAL
1	I	TH IN	17	O	SRL OUT
2	I	SRL CONT	18	I	SRL IN
3	I	SRL C	19	I	SRL R IN
4	I	SRL REF	20	O	SRL R OUT
5	I	LIM H	21	O	VCA OUT
6	I	LIM L	22	I	RG1 IN
7	I	SW IN2	23	O	RG1 OUT
8	I	SH IN	24	O	A.AMP OUT
9	O	SH C	25	-	GND1
10	O	SH OUT	26	I	AMP IN
11	I	SH PLS	27	I	AMP REF
12	I	SW PLS	28	-	Vcc1
13	-	Vcc2	29	I	PG2 IN
14	O	SW OUT	30	I	VCA CONT
15	-	GND2	31	O	COMP OUT
16	I	SW IN1	32	O	COMP SG

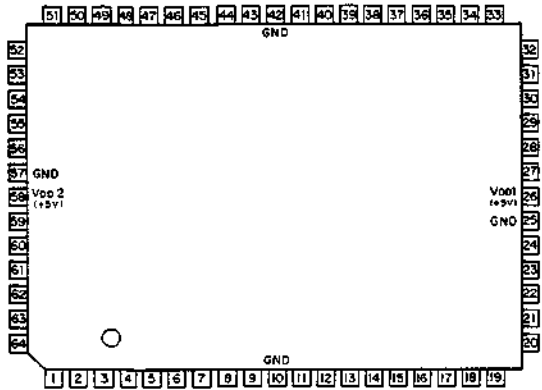
CXA1521M (SONY)
GAIN CONTROL AMP
 - TOP VIEW -



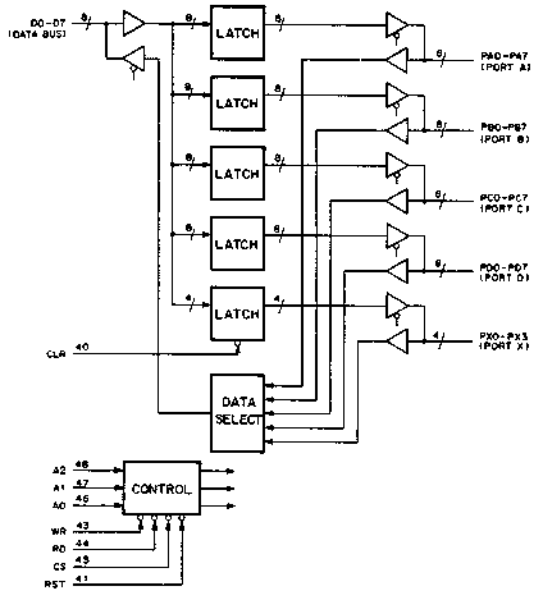
CXD1095Q (SONY) FLAT PACKAGE

CMOS I/O PORT EXPANDER

- TOP VIEW -



PIN NO.	IN	OUT	SYMBOL	PIN NO.	IN	OUT	SYMBOL	PIN NO.	IN	OUT	SYMBOL	PIN NO.	IN	OUT	SYMBOL
1			NC	17	O	O	PC6	33			NC	49	O	O	PX0
2			NC	18	O	O	PC7	34			NC	50	O	O	PX1
3	O	O	PB1	19			NC	35	O	O	D3	51			NC
4	O	O	PB2	20	O	O	PD0	36	O	O	D4	52	O	O	PX2
5	O	O	PB3	21	O	O	PD1	37	O	O	D5	53	O	O	PX3
6	O	O	PB4	22	O	O	PD2	38	O	O	D6	54	O	O	PA0
7	O	O	PB5	23	O	O	PD3	39	O	O	D7	55	O	O	PA1
8	O	O	PB6	24	O	O	PD4	40	O	O	CLR	56	O	O	PA2
9	O	O	PB7	25			GND	41	O		RST	57			GND
10			GND	26	O		VDD1(+5V)	42			GND	58	O		VDD1(+5V)
11	O	O	PC0	27	O	O	PD5	43	O		WR	59	O	O	PA3
12	O	O	PC1	28	O	O	PD6	44	O		RD	60	O	O	PA4
13	O	O	PC2	29	O	O	PD7	45	O		CS	61	O	O	PA5
14	O	O	PC3	30	O	O	D0	46	O		A0	62	O	O	PA6
15	O	O	PC4	31	O	O	D1	47	O		A1	63	O	O	PA7
16	O	O	PC5	32	O	O	D2	48	O		A2	64	O	O	PB0



CS	RD	WR	A2	A1	A0	MODE
0	0	1	0	0	0	PORT A → DATA BUS
0	0	1	0	0	1	PORT B → DATA BUS
0	0	1	0	1	0	PORT C → DATA BUS
0	0	1	0	1	1	PORT D → DATA BUS
0	0	1	1	0	0	PORT X → DATA BUS
0	0	1	1	1	0	---
0	0	1	1	1	1	---
0	1	0	0	0	0	DATA BUS → PORT A
0	1	0	0	0	1	DATA BUS → PORT B
0	1	0	0	1	0	DATA BUS → PORT C
0	1	0	0	1	1	DATA BUS → PORT D
0	1	0	1	0	0	DATA BUS → PORT X
0	1	0	1	0	1	---
0	1	0	1	1	0	DATA BUS → CTL REG.1
0	1	0	1	1	1	DATA BUS → CTL REG.2
1	X	X	X	X	X	DATA BUS ; HI-Z

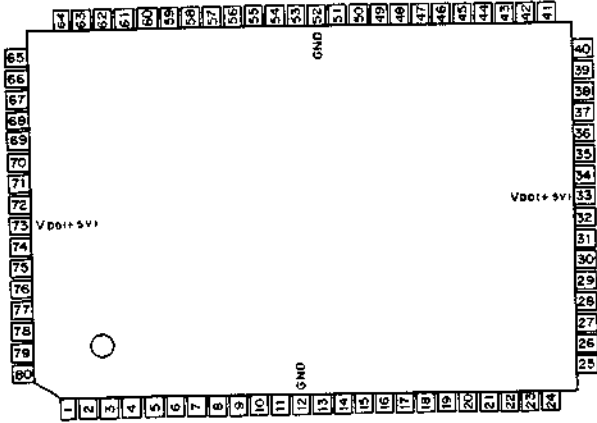
34	PA0
35	PA1
36	PA2
37	PA3
38	PA4
39	PA5
40	PA6
41	PA7
42	---
43	---
44	---
45	---
46	---
47	---
48	---
49	PB0
50	PB1
51	PB2
52	PB3
53	PB4
54	PB5
55	PB6
56	PB7
57	---
58	---
59	---
60	---
61	---
62	---
63	---
64	---
65	---
66	---
67	---
68	---
69	---
70	---
71	---
72	---
73	---
74	---
75	---
76	---
77	---
78	---
79	---
80	---
81	---
82	---
83	---
84	---
85	---
86	---
87	---
88	---
89	---
90	---
91	---
92	---
93	---
94	---
95	---
96	---
97	---
98	---
99	---
100	---

0; LOW LEVEL
 1; HIGH LEVEL
 X; DON'T CARE
 HI-Z; HIGH IMPEDANCE

DO-D7; DATA BUS INPUTS/OUTPUTS
 CS; CHIP SELECT INPUT
 RD; READ STROBE INPUT
 WR; WRITE STROBE INPUT
 A0-A2; ADDRESS INPUT
 RST; RESET INPUT
 CLR; CLEAR INPUT

PA0-PA7; PORT A INPUTS/OUTPUTS
 PB0-PB7; PORT B INPUTS/OUTPUTS
 PC0-PC7; PORT C INPUTS/OUTPUTS
 PD0-PD7; PORT D INPUTS/OUTPUTS
 PX0-PX3; PORT X INPUTS/OUTPUTS

CXD1132Q (SONY) FLAT PACKAGE
 CMOS TIME CODE GENERATOR/READER
 - TOP VIEW -



PIN NO.	I/O	SYMBOL	PIN NO.	I/O	SYMBOL	PIN NO.	I/O	SYMBOL	PIN NO.	I/O	SYMBOL	PIN NO.	I/O	SYMBOL
1	I/O	DB5	17	I	CCS	33	-	V _{DD}	49	I	C1M1	65	I	TCIN
2	I/O	DB4	18	I	CWR	34	I/O	DA1	50	O	C1M0	66	O	DCLK
3	I/O	DB3	19	I	CRD	35	I/O	DA0	51	O	C2M0	67	O	DATA
4	I/O	DB2	20	O	INT	36	I	DSP	52	-	GND	68	O	RFLD
5	I/O	DB1	21	I	STBY	37	O	DTSE	53	O	CKO	69	O	RDSY
6	I/O	DB0	22	I	TST1	38	O	VRCK	54	I	CKIN	70	O	LPR
7	O	STOP	23	I	TST2	39	I	SLLM	55	I	SLCK	71	O	BUSY
8	I/O	DT	24	I	TST3	40	O	RVDO	56	I	GCSI	72	I	BA2
9	I/O	D5	25	I	PON	41	I	RCSI	57	I	SI	73	-	V _{DD}
10	I/O	D5	26	I	FLD1	42	I	VITC	58	O	VTGO	74	I	BA1
11	I/O	D4	27	I	RTM	43	I	FRM1	59	O	VTO	75	I	BA0
12	-	GND	28	I	CDR	44	O	FRM0	60	O	LTGO	76	I	BWR
13	I/O	D3	29	I	CTL	45	O	GLSY	61	I	LRES	77	I	BRD
14	I/O	D2	30	I/O	DWR	46	I	HDI	62	I	VCEI	78	I	BCS
15	I/O	D1	31	I/O	DA3	47	O	HDO	63	O	LSHO	79	I/O	BDT
16	I/O	D0	32	I/O	DA2	48	O	VDO	64	I	C2M1	80	I/O	BD6

SIGNAL DESCRIPTION

- BA0-BA2 B ADDRESS INPUTS
- BCS B CHIP ENABLE INPUT ("L":ENABLE)
- BD0-BD7 B DATA I/O
- BRD B READ INPUT ("L":READ)
- BUSY B BUSY OUTPUT
- BWR B WRITE INPUT ("L":WRITE)
- C1M1 SYSTEM CLOCK INPUT
- C1M0 CLOCK 1 OUTPUT (CKIN X 1/16)
- C2M1 LTC READ CLOCK INPUT
- C2M0 CLOCK 2 OUTPUT (CKIN X 1/8)
- CCS C CHIP ENABLE INPUT ("L":ENABLE) (when DSP is low)
- CDR ADDRESS LATCH ENABLE INPUT ("L":ENABLE) (when DSP is high)
- CDIR CTL DIRECTION INPUT
- CKIN SYSTEM CLOCK INPUT

VIDEO SIGNAL FORMAT	CKIN
SMPTE 29.97HZ 525LINE	14.318MHZ
EBU 25HZ 625LINE	14.500MHZ

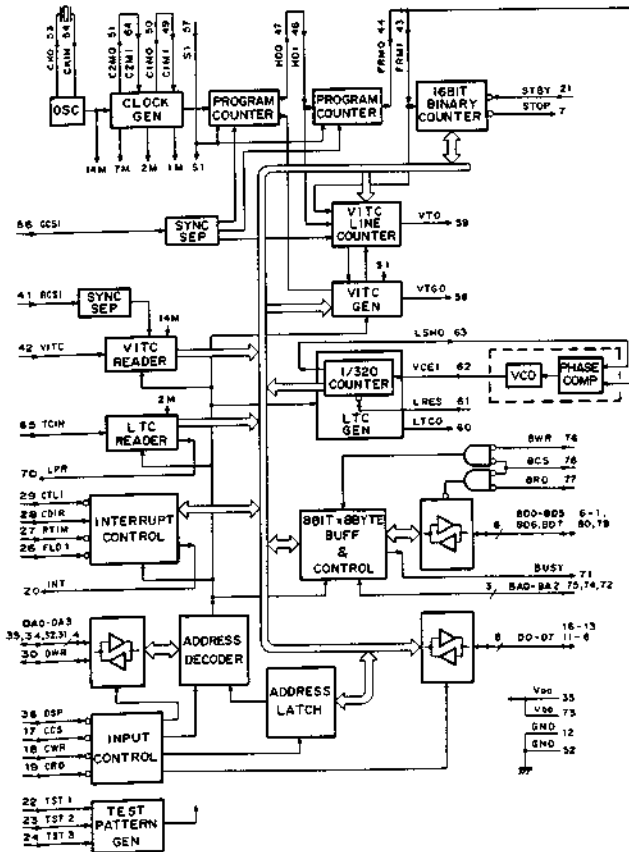
- CKO CLOCK OUTPUT
- CRD C READ INPUT ("L":READ)
- CTL1 CTL SIGNAL INPUT
- CWR C WRITE INPUT ("L":WRITE)
- D0-D7 DATA I/O (when DSP is low)/ ADDRESS INPUTS
- DA0-DA3 E ADDRESS INPUTS (when DSP is high)
- D ADDRESS OUTPUT (when DSP is low)
- DATA DEMODULATED SERIAL DATA OUTPUT
- DCLK DEMODULATED CLOCK OUTPUT
- DSP DISPLAY BUS SELECT INPUT
 DSP controls CCS,DA0-DA3 and DVR.
- DTSR VITC DATA SEARCH FLAG OUTPUT
- DWR WRITE ENABLE OUTPUT ("L":ENABLE) (when DSP is low)
- E ADDRESS 4 INPUT (when DSP is high)
- EA ADDRESS BUS INPUT
- FLD1 FIELD REFERENCE INPUT ("L":PILD 1)
- FRM1 FRAME SIGNAL INPUT
- FRM0 FRAME SIGNAL OUTPUT
- GCSI COMPOSITE SYNC INPUT
- GLSY LOST SYNC FLAG OUTPUT
- HDI HORIZONTAL SYNC INPUT
- HDO HORIZONTAL SYNC OUTPUT
- INT INTERRUPT REQUEST OUTPUT
- LPR LTC READ REQUEST OUTPUT
- LRES LTC COUNTER RESET INPUT ("L":RESET)
- LSHO SYNCHRONOUS SIGNAL OUTPUT
- LTGO LTC SIGNAL OUTPUT
- PON SYSTEM RESET INPUT ("L":PON)
- RCSI COMPOSITE SYNC INPUT
- RDSY READ SYNC WORD DATA OUTPUT
- RRES RESET INPUT ("L":RTIM)
- RFLD FIELD DATA OUTPUT
- RTIM TIME ADDRESS RESET INPUT ("L":RESET)
- RVDO VITC READ DATA OUTPUT

- S1 SIGNAL FORMAT SELECT INPUT
 "H":NTSC/PAL-M 29.94HZ 525LINE
 "L":PAL/SECAM 25HZ 625LINE

SLCK	SELECT CLOCK INPUT
SLCK 1	"H" "L"
CKIN	14.318MHZ 14.5MHZ 7.159MHZ 7.25MHZ
SPFC	SMPTE EBU SMPTE EBU

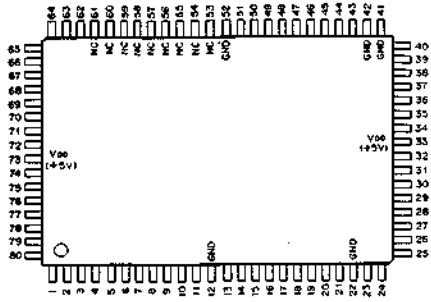
- SLLM READ SIZE SELECT INPUT
- STBY STANDBY READ FLAG INPUT
- STOP STOP OUTPUT ("L":STOP)
- TCIN LONGITUDINAL TIME AND CONTROL CODE INPUT
- TST1-TST3 TEST INPUT

- VCEI LTC CLOCK INPUT
- VDO HORIZONTAL SYNC DRIVE OUTPUT
- VITC VITC SIGNAL INPUT
- VTGO VITC GATE SIGNAL OUTPUT
- VTO VITC SIGNAL OUTPUT ("H":VITC)



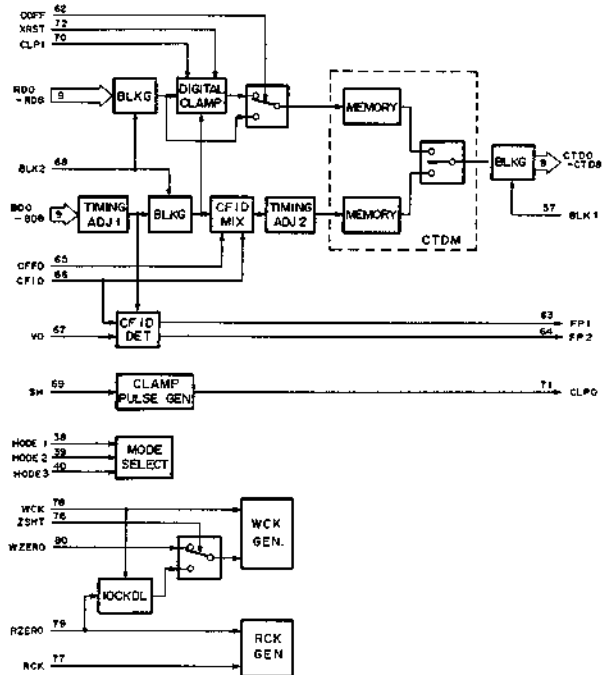
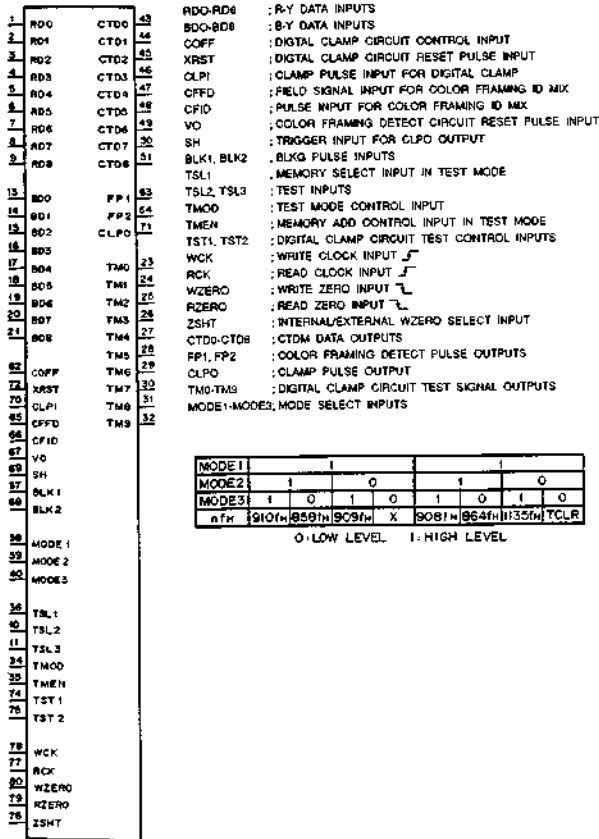
CXD1151Q (SONY)

C-MOS VIDEO SIGNAL PROCESSOR FOR BÉTACAM
- TOP VIEW -

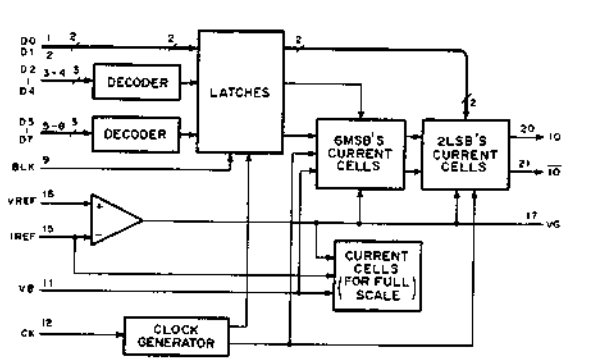
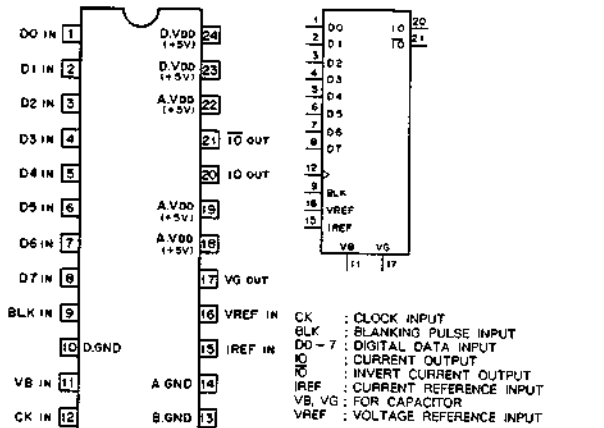


PIN ASSIGNMENT

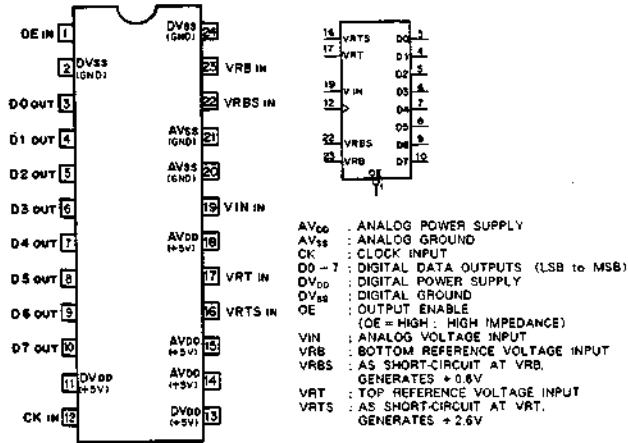
Pin No.	I/O	SIGNAL	Pin No.	I/O	SIGNAL	Pin No.	I/O	SIGNAL	Pin No.	I/O	SIGNAL
1	I	RD0	21	I	BD9	41	-	NC	61	-	NC
2	I	RD1	22	-	Vss (GND)	42	-	Vss (GND)	62	I	COFF
3	I	RD2	23	O	TM0	43	O	CTD0	63	I	FP1
4	I	RD3	24	O	TM1	44	O	CTD1	64	I	FP2
5	I	RD4	25	O	TM2	45	O	CTD2	65	I	CFD0
6	I	RD5	26	O	TM3	46	O	CTD3	66	I	CFID
7	I	RD6	27	O	TM4	47	O	CTD4	67	I	VO
8	I	RD7	28	O	TM5	48	O	CTD5	68	I	BLK2
9	I	RD8	29	O	TM6	49	O	CTD6	69	I	SH
10	I	TSL2	30	O	TM7	50	O	CTD7	70	I	CLP1
11	I	TSL3	31	O	TM8	51	O	CTD8	71	O	CLP0
12	-	Vss (GND)	32	O	TM9	52	-	Vss (GND)	72	I	XRST
13	I	BD0	33	I	Vdd (+5V)	53	-	NC	73	I	Vdd (+5V)
14	I	BD1	34	I	TM0D	54	-	NC	74	I	TST1
15	I	BD2	35	I	TMEN	55	-	NC	75	I	TST2
16	I	BD3	36	I	TSL1	56	-	NC	76	I	ZSH1
17	I	BD4	37	I	BLK1	57	-	NC	77	I	RCK
18	I	BD5	38	I	MODE1	58	-	NC	78	I	WCK
19	I	BD6	39	I	MODE2	59	-	NC	79	I	RZERO
20	I	BD7	40	I	MODE3	60	-	NC	80	I	WZERO



CXD1171M (SONY) FLAT PACKAGE
C-MOS 8-BIT D/A CONVERTER
- TOP VIEW -

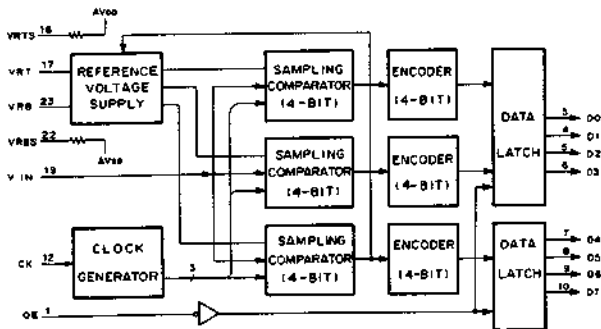


CXD1175AM (SONY) FLAT PACKAGE
 CMOS 8-BIT 20MSPS VIDEO A/D CONVERTER
 - TOP VIEW -

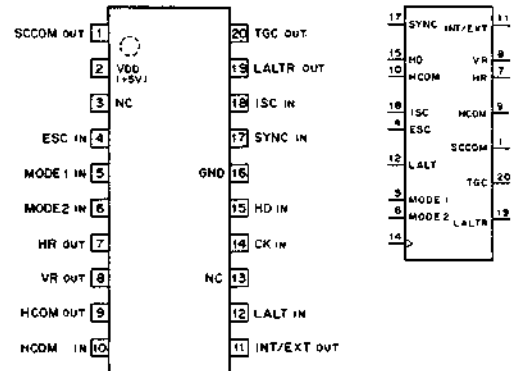


STEP	INPUT SIGNAL VOLTAGE	DATA OUTPUTS							
		D7	D6	D5	D4	D3	D2	D1	D0
0	0V (VRT)	1	1	1	1	1	1	1	1
1	0.01V	1	1	1	1	1	1	1	0
...
127	1.34V	1	0	0	0	0	0	0	0
128	1.35V	0	1	1	1	1	1	1	1
...
255	2.7V (VRB)	0	0	0	0	0	0	0	0

0 : LOW LEVEL
 1 : HIGH LEVEL

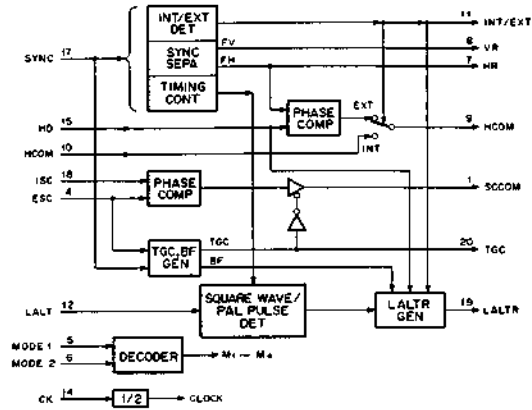


CXD1216M (SONY) FLAT PACKAGE
 CMOS GENLOCK DRIVER
 - TOP VIEW -



INPUT MODE1	INPUT MODE2	MODE	SYSTEM
0	0	M1	PAL-VBS
1	0	M2	PALM-VBS
0	1	M3	PAL-SECAM-VS/SC/LALT
1	1	M4	NTSC-VBS,NTSC-VS/SC PALM-VS/SC/LALT

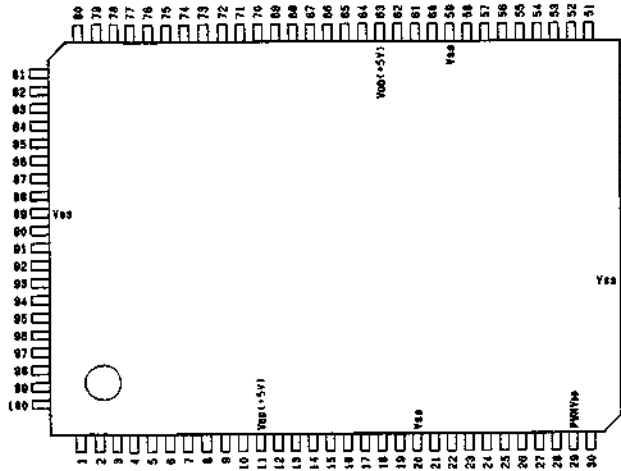
0 : LOW LEVEL
 1 : HIGH LEVEL



- INPUT**
 CK : 4fs CLOCK INPUT
 ESC : SC/COLOR BURST
 HCOM : PHASE COMPARE FROM CXD1217
 HD : H DRIVE FROM CXD1217
 ISC : SUBCARRIER FROM CXD1217
 LALT : LALT FROM REFERENCE SIGNAL GENERATOR
 MODE1,2 : SYSTEM SELECT
 SYNC : SYNC FROM REFERENCE SIGNAL GENERATOR
- OUTPUT**
 HCOM : PHASE COMPARETOR HR WITH HD
 HR : fr OF SYNC SEPARATE
 INT/EXT : INTERNAL/EXTERNAL SPECIFIED
 LALTR : LINE CHANGE RESET
 SCCOM : PHASE COMPARETOR ESC WITH ISC
 TGC : TRISTATE CONTROL
 VR : fv OF SYNC SEPARATE

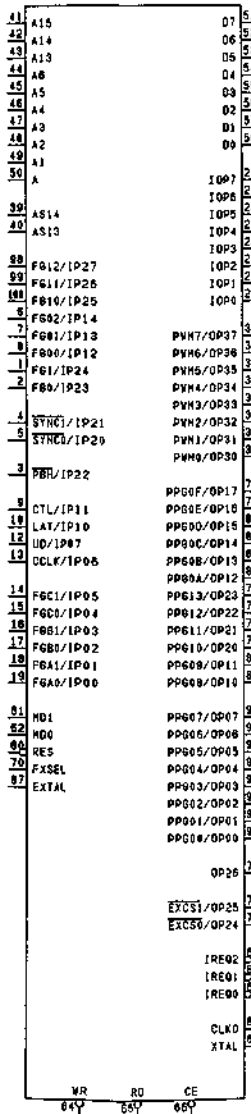
CXD2202Q (SONY)

SERVO IC
- TOP VIEW -



(VDD = +5V)

PIN No.	I/O	SIGNAL	PIN No.	I/O	SIGNAL	PIN No.	I/O	SIGNAL	PIN No.	I/O	SIGNAL
1	I	FG1/IP24	26	I/O	IOP2	51	I/O	D7	76	O	PPG11/OP21
2	I	FG0/IP23	27	I/O	IOP1	52	I/O	D6	77	O	PPG10/OP20
3	I	PBH/IP22	28	I/O	IOP0	53	I/O	D5	78	O	PPG06/OP17
4	I	SYNCD/IP21	29	-	PWM VDD	54	I/O	D4	79	O	PPG05/OP16
5	I	SYNCD/IP20	30	O	PWM7/OP37	55	I/O	D3	80	O	PPG04/OP15
6	I	FG02/IP14	31	O	PWM6/OP36	56	I/O	D2	81	O	PPG03/OP14
7	I	FG01/IP13	32	O	PWM5/OP35	57	I/O	D1	82	O	PPG02/OP13
8	I	FG00/IP12	33	O	PWM4/OP34	58	I/O	D0	83	O	PPG0A/OP12
9	I	CTL/IP11	34	O	PWM3/OP33	59	-	VSS	84	O	PPG09/OP11
10	I	LAT/IP10	35	O	PWM2/OP32	60	I	RES	85	O	PPG08/OP10
11	-	VDD	36	O	PWM1/OP31	61	I	MD1	86	O	CLKO
12	I	UD/IP07	37	O	PWM0/OP30	62	I	MDO	87	I	EXTAL
13	I	CCLK/IP06	38	-	VSS	63	-	VDD	88	O	XTAL
14	I	FGC1/IP05	39	I	AS14	64	I	WR	89	-	VSS
15	I	FGC0/IP04	40	I	AS13	65	I	RD	90	O	PPG07/OP07
16	I	FGB1/IP03	41	I	A15	66	I	CE	91	O	PPG06/OP06
17	I	FGB0/IP02	42	I	A14	67	O	IREQ2	92	O	PPG05/OP05
18	I	FGA1/IP01	43	I	A13	68	O	IREQ1	93	O	PPG04/OP04
19	I	FGA0/IP00	44	I	A8	69	O	IREQ0	94	O	PPG03/OP03
20	-	VSS	45	I	A5	70	I	FXSEL	95	O	PPG02/OP02
21	I/O	IOP7	46	I	A4	71	O	OP26	96	O	PPG01/OP01
22	I/O	IOP6	47	I	A3	72	O	EXCS0/OP25	97	O	PPG00/OP00
23	I/O	IOP5	48	I	A2	73	O	EXCS0/OP24	98	I	FG12/IP27
24	I/O	IOP4	49	I	A1	74	O	PPG13/OP23	99	I	FG11/IP26
25	I/O	IOP3	50	I	A0	75	O	PPG12/OP22	100	I	FG10/IP25



INPUT

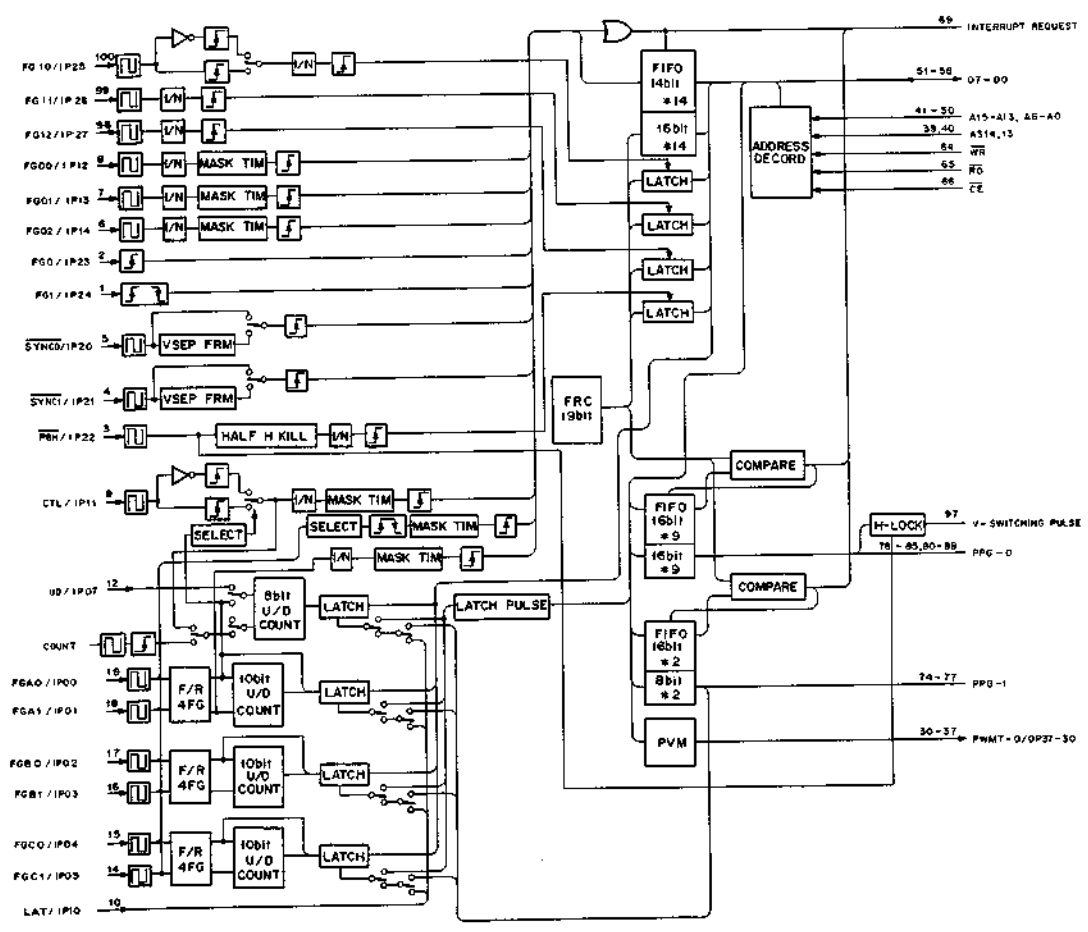
- AG - A15 : ADDRESS BUS
- AS13, AS14 : SELECTING CONDITION OF ADDRESS DECODER
- CCLK : 8-BIT COUNTER CLOCK INPUT
- CE : CHIP ENABLE
- CTL : RESOLUTION 2.5MHz WITH EDGE SELECT FUNCTION. WITH FREQUENCY DIVISION MASK TIMER
- EXTAL : CRYSTAL OSCILLATION OR EXTERNAL CLOCK INPUT
- FG0 : RESOLUTION 2.5MHz
- FG00 - FG03 : FREQUENCY DIVISION ENABLE RESOLUTION 2.5MHz. WITH FREQUENCY DIVISION MASK TIMER
- FG1 : RESOLUTION 2.5MHz BOTH EDGES
- FG10 : EDGE SELECTION ENABLE RESOLUTION 10MHz
- FG11, 12 : FREQUENCY DIVISION ENABLE RESOLUTION 10MHz
- FGA0 : PERFORMS FORWARD/REVERSE ROTATION DETECTION AND 4FG COUNT (UP/DOWN) BY FGA0 AND FGA1. 10 BITS. UP/DOWN IS MADE BY CONTROLLING THE UP/DOWN OF 8-BIT COUNTER.
- FGA1 : 4FG PERFORMS FREQUENCY DIVISION AND FRC CAPTURE THROUGH MASK TIMER. *1: SELECTS ONE OF FGA0 TO FGC1 INPUT AND DETECTS BOTH EDGES AND PERFORM THE FRC CAPTURE THROUGH THE MASK TIMER.
- FGB0 : PERFORMS FORWARD/REVERSE ROTATION DETECTION AND 4FG COUNT BY FGB0 AND FGB1.
- FGB1 : *1: SELECTS ONE OF FGA0 TO FGC1 INPUT AND DETECTS BOTH EDGES AND PERFORM THE FRC CAPTURE THROUGH THE MASK TIMER.
- FGC0 : PERFORMS FORWARD/REVERSE ROTATION DETECTION AND 4FG COUNT BY FGC0 AND FGC1.
- FGC1 : *1: SELECTS ONE OF FGA0 TO FGC1 INPUT AND DETECTS BOTH EDGES AND PERFORM THE FRC CAPTURE THROUGH THE MASK TIMER.
- FXSEL : FREQUENCY DIVISION SELECTION OF CLOCK INPUT
- LAT : EXTERNAL LATCH TIMING OF UP/DOWN COUNTER
- MDO, 1 : TEST MODE DESIGNATION
- PBH : INPUT OF COMPOSITE SYNC OR H SYNC. RESOLUTION 10MHz WITH HALF H KILLER.
- RD : RESET
- RES : RESET
- SYNCD, 1 : INPUT OF COMPOSITE SYNC OR V SYNC. RESOLUTION 2.5MHz
- UD : 8-BIT COUNTER UP/DOWN INPUT
- WR : WRITE

XOUTPUT

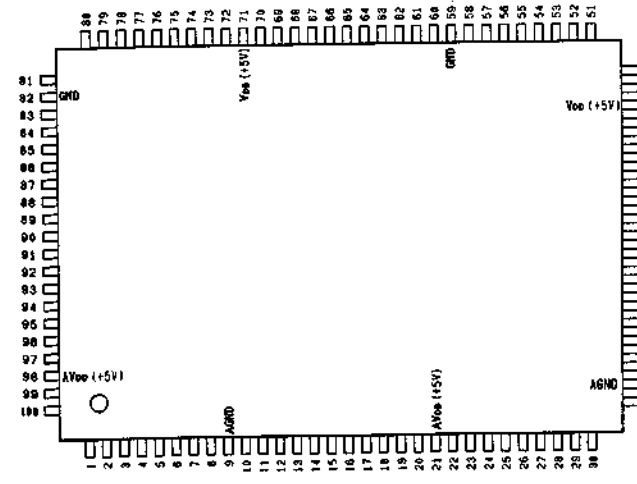
- CLKO : CLOCK OUTPUT
- EXCS0, 1 : DECODE AT ADDRESS A3 LEVEL
- IREQ0 : INTERRUPTION SIGNAL OF FRC CAPTURE UNIT
- IREQ1 : COINCIDENCE INTERRUPTION OF PPG0
- IREQ2 : COINCIDENCE INTERRUPTION OF PPG1
- OP26 : EXCLUSIVELY OUTPUT PORT
- PPG00 - PPG09 : PROGRAMMABLE PULSE GENERATOR RESOLUTION 1.25MHz PPG00 - WITH HLOCK
- PPG10 - PPG13 : PWM OUTPUT NORMALLY PWM, OR PWM0 AND PWM5, PWM1, PWM2 AND PWM3, OR PWM4 AND PWM5 OUTPUT SIGNAL CORRESPONDED TO PUSH-PULL.
- PWM0 - PWM5 : PWM OUTPUT
- XTAL : CRYSTAL OSCILLATION

INPUT/OUTPUT

- D0 - D7 : DATA BUS
- IOP0 - IOP7 : SELECTS AND USES INPUT AND OUTPUT BY EVERY 1 BIT.

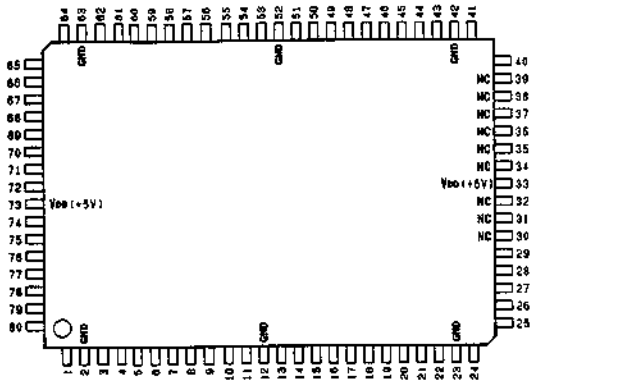


CXD2207Q (SONY)
 C-MOS TBC WRITE CLOCK GENERATOR FOR BETACAM
 - TOP VIEW -



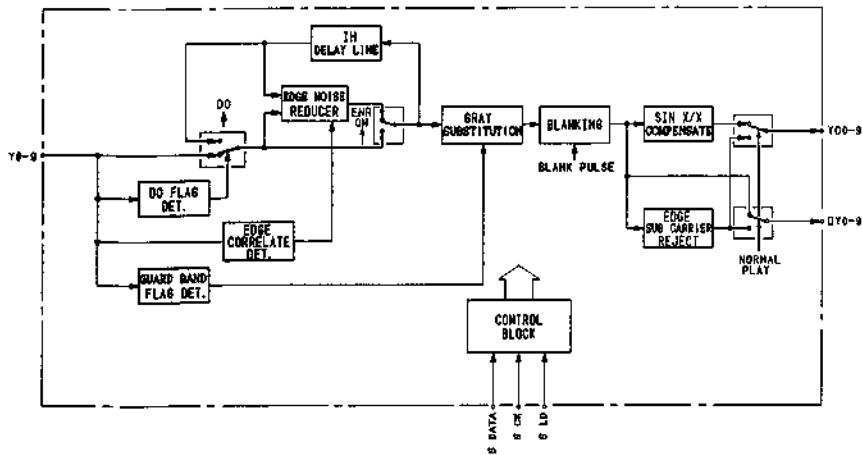
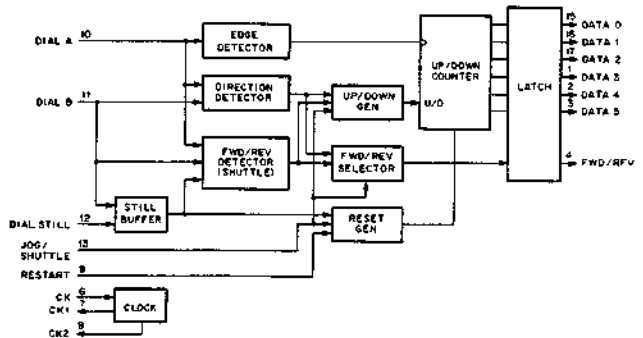
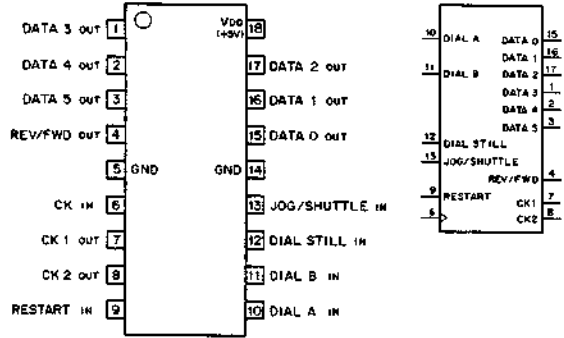
PIN No. = AVcc = +5V											
PIN No.	I/O	SIGNAL	PIN No.	I/O	SIGNAL	PIN No.	I/O	SIGNAL	PIN No.	I/O	SIGNAL
1	O	SYNC	26	I	FOPO	51	I	PBE	76	I	SYLK
2	I	BLK	27	I	SHOT	52	I	NOS	77	I	SYD
3	I	VIN4	28	I	BCPI	53	I	SPD	78	I	OFF
4	I	REF3	29	O	BCPO	54	I	R20	79	O	LOCK
5	I	VIN3	30	I	EOPX	55	I	FBID	80	O	CS
6	O	VOT3	31	O	EOPD	56	I	DO	81	O	MO0
7	I	A13	32	-	AGND	57	I	GBD	82	-	GND
8	I	ACPI	33	I	A12	58	I	GAT	83	O	MO1
9	-	AGND	34	I	DOPI	59	-	GND	84	O	MO2
10	I	ACPX	35	I	DOPX	60	I	GH	85	O	MO3
11	O	ACPO	36	O	DOPO	61	O	WCP	86	O	MO4
12	I	SMPL	37	I	VCOI	62	O	ACP	87	O	MO5
13	I	CHIN	38	I	VCEN	63	O	TOUT	88	O	MO6
14	I	BOPX	39	I	MD1	64	O	AZ2	89	O	MO7
15	I	BOPO	40	I	MD2	65	O	AZ1	90	I	AIMD
16	I	SHC1	41	I	INT	66	O	WZ	91	I	VIN2
17	I	SHC2	42	I	YC	67	I	CKN	92	I	REF1
18	I	SHZ1	43	I	TMOD	68	O	GCK	93	I	REF2
19	O	ERI	44	I	TCK	69	O	ACK	94	I	VIN1
20	O	ER2	45	I	TDAT	70	O	XCK	95	I	AOPI
21	-	AVcc	46	I	BTS	71	-	Vdd	96	I	AOPX
22	I	COP1	47	I	REST	72	O	CH	97	O	ACPO
23	I	COPX	48	-	Vcc	73	O	SSH	98	-	AVcc
24	O	COPD	49	I	DDP	74	O	DCP	99	I	A11
25	I	FOPX	50	O	SHO	75	I	ERR	100	I	COP1

CXD2209Q (SONY)
 CMOS DIGITAL EDGE NOISE REDUCER
 - TOP VIEW -

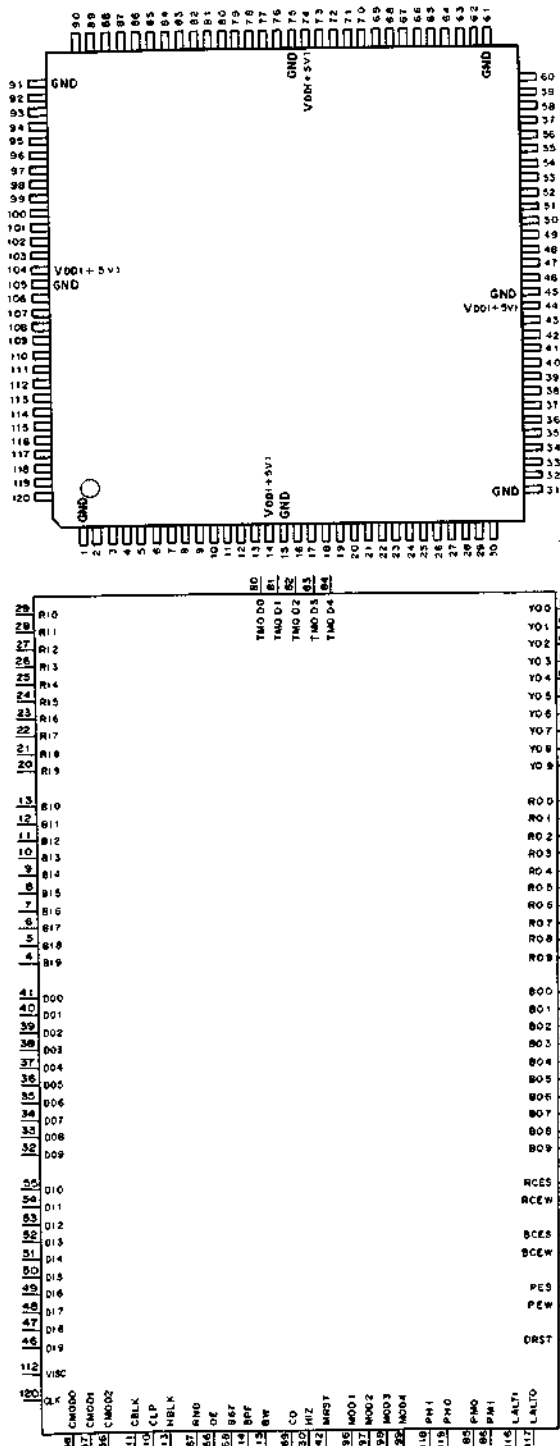


PIN No.	I/O	SIGNAL	PIN No.	I/O	SIGNAL	PIN No.	I/O	SIGNAL	PIN No.	I/O	SIGNAL
1	I	Y0	21	I	L: DT	41	O	Y00	61	O	DY8
2	-	GND	22	I	DO	42	-	GND	62	O	DY9
3	I	CK	23	-	GND	43	O	Y01	63	-	GND
4	I	L: BID	24	I	D1	44	O	Y02	64	I	OE2
5	I	L: CBLK	25	I	ENS1	45	O	Y03	65	I	DSTB
6	I	L: VBLK	26	I	ENS0	46	O	Y04	66	I	SLD
7	I	H SYN	27	I	MOD1	47	O	Y05	67	I	SDAT
8	I	VISC	28	I	MOD2	48	O	Y06	68	I	SCK
9	I	L: X30	29	I	MOD3	49	O	Y07	69	O	STP
10	I	L: SW1	30	-	-	50	O	Y08	70	O	S OUT
11	I	L: ORSW	31	-	-	51	O	Y09	71	I	Y9
12	-	GND	32	-	-	52	-	GND	72	I	Y8
13	I	NROF	33	-	VDD	53	O	DY0	73	-	VDD
14	I	EOFF	34	-	-	54	O	DY1	74	I	Y7
15	I	L: DEF	35	-	-	55	O	DY2	75	I	Y6
16	I	MUT1	36	-	-	56	O	DY3	76	I	Y5
17	I	MUT2	37	-	-	57	O	DY4	77	I	Y4
18	I	DGT	38	-	-	58	O	DY5	78	I	Y3
19	I	X76	39	-	-	59	O	DY6	79	I	Y2
20	I	AOFF	40	I	OE1	60	O	DY7	80	I	Y1

CXD8117P (SONY)
 CMOS DIAL DATA DECODER
 - TOP VIEW -

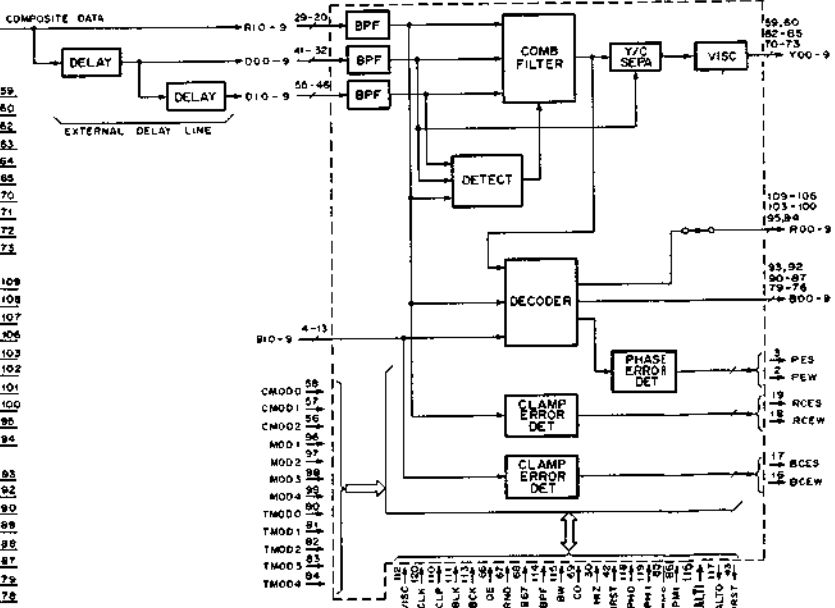


CXD8161AQ (SONY) FLAT PACKAGE
CMOS DIGITAL Y/C SEPARATOR & CHROMA DECODER
- TOP VIEW -



(VDD = +5V)

PIN No.	I/O	SIGNAL	PIN No.	I/O	SIGNAL	PIN No.	I/O	SIGNAL	PIN No.	I/O	SIGNAL
1	-	GND	31	-	GND	61	-	GND	91	-	GND
2	O	PEW	32	I	DO9	62	O	Y02	92	O	BO1
3	O	PES	33	I	DO8	63	O	Y03	93	O	BO0
4	I	BI9	34	I	DO7	64	O	Y04	94	O	RO9
5	I	BI8	35	I	DO6	65	O	Y05	95	O	RO8
6	I	BI7	36	I	DO5	66	I	OE	96	I	HOD1
7	I	BI6	37	I	DO4	67	I	RND	97	I	HOD2
8	I	BI5	38	I	DO3	68	I	BE7	98	I	HOD3
9	I	BI4	39	I	DO2	69	I	CO	99	I	HOD4
10	I	BI3	40	I	DO1	70	O	Y06	100	O	RO7
11	I	BI2	41	I	DO0	71	O	Y07	101	O	RO6
12	I	BI1	42	I	MRST	72	O	Y08	102	O	RO5
13	I	BI0	43	O	DRST	73	O	Y09	103	O	RO4
14	-	VDD	44	-	VDD	74	-	VDD	104	-	VDD
15	-	GND	45	-	GND	75	-	GND	105	-	GND
16	O	BCEW	46	I	D19	76	O	BO9	106	O	RO3
17	O	BCE5	47	I	D18	77	O	BO8	107	O	RO2
18	O	RCEW	48	I	D17	78	O	BO7	108	O	RO1
19	O	RCE5	49	I	D16	79	O	BO6	109	O	RO0
20	I	R19	50	I	D15	80	I	TMOD0	110	I	CLP
21	I	R18	51	I	D14	81	I	TMOD1	111	I	CLBK
22	I	R17	52	I	D13	82	I	TMOD2	112	I	YISC
23	I	R16	53	I	D12	83	I	TMOD3	113	I	HLBK
24	I	R15	54	I	D11	84	I	TMOD4	114	I	BPF
25	I	R14	55	I	D10	85	I	PM0	115	I	BW
26	I	R13	56	I	CMOD2	86	I	PM1	116	I	LALT1
27	I	R12	57	I	CMOD1	87	O	BO5	117	O	LALTO
28	I	R11	58	I	CMOD0	88	O	BO4	118	I	PH1
29	I	R10	59	O	Y00	89	O	BO3	119	I	PH0
30	I	HIZ	60	O	Y01	90	O	BO2	120	I	CLK



- INPUT**
- B67 : CORRELATION DETECT SENSITIVITY SELECT (H: 6 BITS; L: 7 BITS)
 - BI0 - BI9 : B-Y DATA (COMPONENT MOD)
 - BPF : BAND PASS FILTER SELECT
 - BW : COMPOSITE SIGNAL THROUGH-OUT CONTROL
 - CLBK : CHROMA BLANKING PULSE
 - CLK : CLOCK
 - CLP : CLAMP PULSE
 - * 1) CMOD0 - D2 : Y/C CORRECTION MODE SELECT
 - CO : CHROMA DECODE CONTROL
 - D10 - D19 : 2H DELAY DATA (COMPOSITE MODE) for NTSC
 - 4H DELAY DATA (COMPOSITE MODE) for PAL/PAL-M
 - 1H DELAY DATA (COMPOSITE MODE) for NTSC
 - 2H DELAY DATA (COMPOSITE MODE) for PAL/PAL-M
 - HLBK : H BLANKING PULSE
 - HIZ : PULSE CONTROL
 - LALT1 : LINE ALTERNATE
 - * 2) MODE1 - MODE4 : MODE SELECT
 - MRST : RESET
 - OE : OUTPUT ENABLE
 - PH0, PH1 : REFERENCE PHASE for CHROMA DECODE and VISC GENERATION
 - PH0, PH1 : PHASE SHIFT CONTROL
 - PM0 - PM1 : COMPOSITE DATA (COMPOSITE MODE)
 - R10 - R19 : R-Y DATA (COMPONENT MOD)
 - RND : CHROMA DATA (CHROMA MODE)
 - Y00 - Y09 : OUTPUT ROUND OFF SELECT
 - TMOD0 - D4 : TEST MODE/BPF STAGE SELECT
 - VISC : VERTICAL INTERVAL SUB-CARRIER CONTROL
- OUTPUT**
- BCE5 : B-Y CLAMP ERROR SENSE
 - BCEW : B-Y CLAMP ERROR WIDTH
 - BO0 - BO9 : B-Y DATA (8 09; MSB)
 - DRST : EXTERNAL DELAY LINE RESET
 - LALTO : LINE ALTERNATE
 - PES : PHASE ERROR SENSE
 - PEW : PHASE ERROR WIDTH
 - RCE5 : R-Y CLAMP ERROR SENSE
 - RCEW : R-Y CLAMP ERROR WIDTH
 - RO0 - RO9 : R-Y DATA (RO9; MSB)
 - Y00 - Y09 : Y DATA (Y09; MSB)

* 1)

CMOD2	CMOD1	CMOD0	MODE
0	0	0	0-1 FIX
0	0	1	1-2 FIX
0	1	0	0-1-2 FIX
0	1	1	BPF FIX
1	0	0	0-1/1-2/0-1 ADAPTIVE
1	0	1	0-1/1-2/1-2 ADAPTIVE
1	1	0	0-1/1-2/0-1-2 ADAPTIVE
1	1	1	0-1/1-2/0-1-2/BPF ADAPTIVE

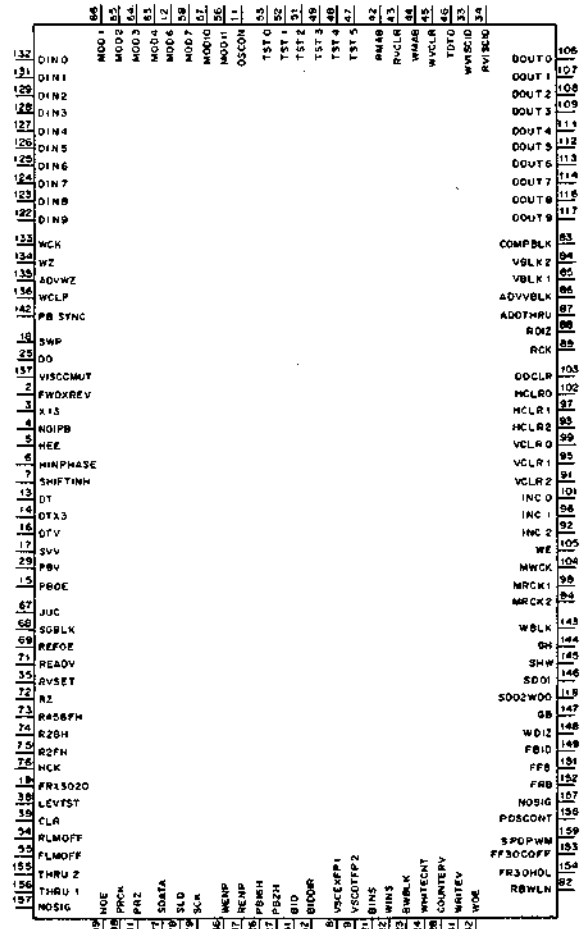
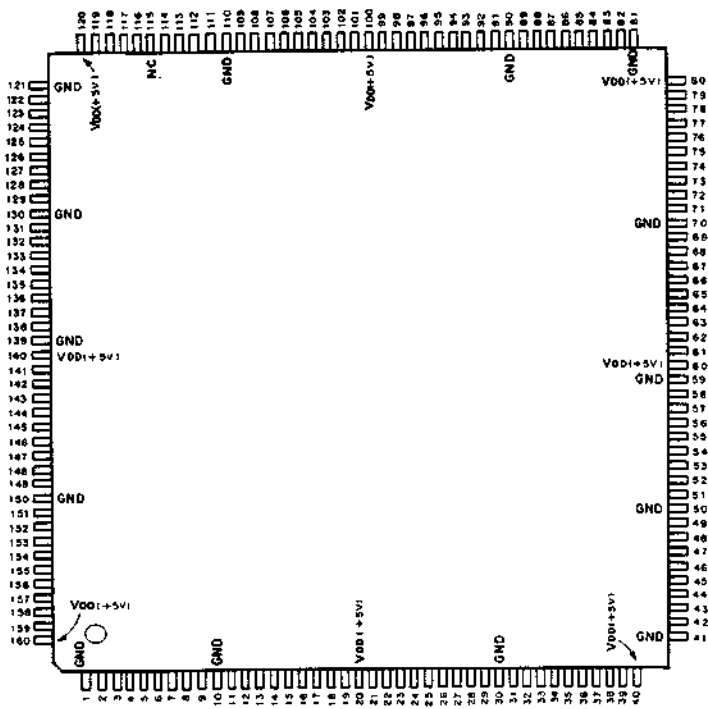
0 : LOW LEVEL 0-1 : UPPER 2 LINE COMB FILTER
1 : HIGH LEVEL 1-2 : LOWER 2 LINE COMB FILTER
0-1-2 : UPPER/LOWER 3 LINE COMB FILTER

* 2)

MODE2	MODE1	MODE
0	0	PAL
0	1	PAL-M
1	0	SECAM
1	1	NTSC

MODE4: MODE3 MODE
0 : LOW LEVEL 0 : COMPONENT
1 : HIGH LEVEL 1 : COMPOSITE
1 : CHROMA

CXD8152Q (SONY) FLAT PACKAGE
 CMOS VIDEO DATA PROCESS/SYNC GUARD/MEMORY CONTROLLER
 - TOP VIEW -



(VDD = +5V)

PIN No.	I/O	SIGNAL	PIN No.	I/O	SIGNAL	PIN No.	I/O	SIGNAL	PIN No.	I/O	SIGNAL
1	-	GND	41	-	GND	81	-	GND	121	-	GND
2	I	FWDXREV	42	I/O	RMAB	82	O	RBWLN	122	I	DIN9
3	I	X13	43	I/O	RYCLR	83	O	COMPBLK	123	I	DIN8
4	I	NOIPB	44	I/O	WMAB	84	O	YBLK2	124	I	DIN7
5	I	HEE	45	I/O	WYCLR	85	O	YBLK1	125	I	DIN6
6	I	HINPHASE	46	I/O	TDTO	86	O	ADYYBLK	126	I	DIN5
7	I	SHIFTNH	47	I	TST5	87	O	ADDTHRU	127	I	DIN4
8	O	YSCXEP1	48	I	TST4	88	O	RDIZ	128	I	DIN3
9	O	YSCDTP2	49	I	TST3	89	O	RCK	129	I	DIN2
10	-	GND	50	-	GND	90	-	GND	130	-	GND
11	I	OSCON	51	I	TST2	91	O	YCLR2	131	I	DIN1
12	I	MOD6	52	I	TST1	92	O	INC2	132	I	DIN0
13	I	DT	53	I	TST0	93	O	HCLR2	133	I	WCK
14	I	DTX3	54	I	FLMOFF	94	O	MRCK2	134	I	WZ
15	I	PBOE	55	I	FLMOFF	95	O	YCLR1	135	I	ADYWZ
16	I	DTY	56	I	MOD11	96	O	INC1	136	I	WCLP
17	I	SYT	57	I	MOD10	97	O	HCLR1	137	I	YISCCMUT
18	I	SWP	58	I	MOD7	98	O	MRCK1	138	I	PRCK
19	I	FRX3020	59	-	GND	99	O	YCLR0	139	-	GND
20	-	Vee	60	-	Vee	100	-	Vee	140	-	Vee
21	O	BINS	61	I/O	BID	101	O	INCO	141	I	PRZ
22	O	WINS	62	I/O	BIDDR	102	O	HCLR0	142	I	PBSYNC
23	O	BWBLK	63	I	MOD4	103	O	DOCLR	143	O	WBLK
24	O	WHITECNT	64	I	MOD3	104	O	MWCK	144	I/O	GH
25	I	DO	65	I	MOD2	105	O	WE	145	O	SHW
26	I/O	PB16H	66	I	MOD1	106	O	DOU0	146	I/O	SDO1
27	I/O	PB2H	67	I	JUC	107	O	DOU1	147	I/O	GB
28	O	COUNTRY	68	I	SGBLK	108	O	DOU2	148	O	WDIZ
29	I/O	PBY	69	I	REFOE	109	O	DOU3	149	I/O	FBID
30	-	GND	70	-	GND	110	-	GND	150	-	GND
31	O	WRITEY	71	I	READY	111	O	DOU4	151	I/O	FFB
32	O	WOE	72	I	RZ	112	O	DOU5	152	I/O	FRB
33	I/O	WYISOD	73	I	R456FH	113	O	DOU6	153	O	FF30CHL
34	O	RYISOD	74	I	R2BH	114	O	DOU7	154	O	FR30HDL
35	I/O	RYSET	75	I	R2FH	115	-	-	155	I	THRU2
36	I/O	WENP	76	I	HCK	116	O	DOU8	156	I	THRU1
37	I/O	REN	77	I	SDATA	117	O	DOU9	157	I/O	NOSIG
38	I	LEVST	78	I	SLD	118	O	SDO2WDO	158	O	PDSCONT
39	I	CLR	79	I	SCK	119	I	HOE	159	O	SPDPWM
40	-	Vee	80	-	Vee	120	-	Vee	160	-	Vee

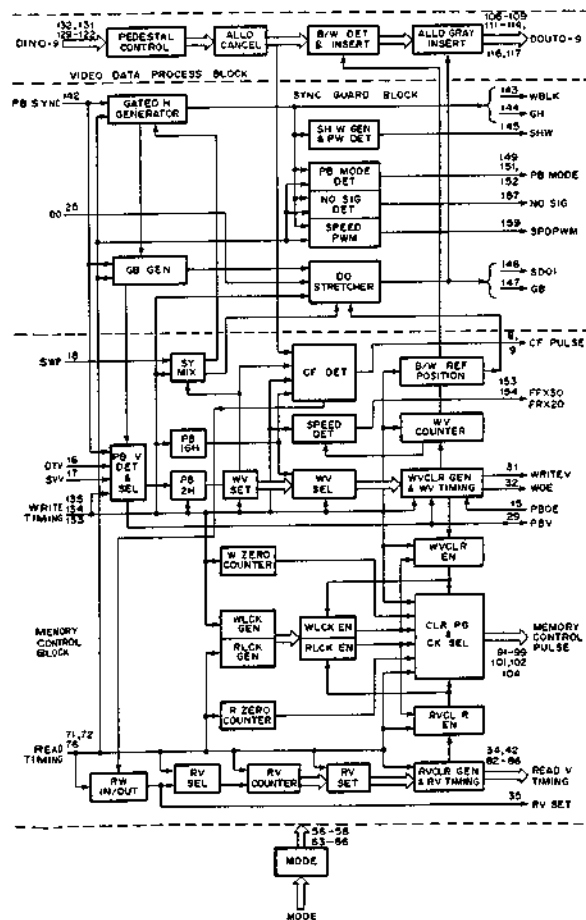
INPUT
 ADYWZ : 66 CLOCK in ADVANCE of WRITE ZERO
 CLR : L: CLEAR
 DIN0 - DIN9 : INPUT VIDEO DATA 2⁰-2⁹
 DO : L: DROP OUT PULSE
 DT : L: DYNAMIC TRACKING MODE V REFERENCE PULSE
 DTY : DYNAMIC TRACKING MODE V REFERENCE PULSE
 DTX3 : L: DYNAMIC TRACKING 3 TIMES NORMAL SPEED
 FLMOFF : H: FORWARD LIMITER OFF
 FRX3020 : MORE THAN 20 or 30 TIMES NORMAL SPEED SELECT SWITCH
 FWDXREV : H: FORWARD, L: REVERSE
 HCY : READ CLOCK (13.5 or 14.3 MHz)
 HEE : H: VIDEO EE
 HINPHASE : L: COLOR FRAMING DISCORD
 H: COLOR FRAMING IN PHASE
 HOE : H: DATA OUTPUT ENABLE
 H: JAPAN, L: USA/CANADA
 JUC : L: VIDEO LEVEL TEST
 CLR : H: 525, L: 625
 MOD2 : H: NTSC SECAM, L: PAL PAL-M
 MOD3 : H: 14.3 MHz, L: 19.5 MHz
 MOD4 : H: READ EXPANDER, L: WRITE EXPANDER
 MOD6 : L: EXTERNAL PB OUTPUT ENABLE SELECT
 MOD7 : H: Y, L: CHROMA
 MOD10 : L: Y/C SYNCHRONOUS MODE
 MOD11 : H: READ DO PROCESS, L: WRITE DO PROCESS
 NOIPB : L: NORMAL PB, DT, EE
 OSCON : H: REFERENCE OSCILLATOR ON
 PBOE : PB ODD/EVEN FIELD ID (H: ODD)
 PB SYNC : SYNC, SEPARATED from PB VIDEO
 PRCK : READ CLOCK for WRITE EXPANDER
 PRZ : READ ZERO for WRITE EXPANDER
 R2BH : READ SYSTEM 2H BLANKING
 R2FH : READ SYSTEM 2FH CLOCK
 R456FH : READ SYSTEM 4.5 and 6FH CLOCK
 READY : READ SYSTEM REFERENCE V
 REFOE : READ SYSTEM ODD/EVEN FIELD ID (H: ODD)
 RLMOFF : H: REVERSE LIMITER OFF
 RZ : READ REFERENCE EDGE OF MEMORY
 SCK : SERIAL CLOCK
 SDATA : SERIAL DATA
 SHIFTNH : L: COMPOSITE BLANKING PULSE
 H: SHIFT INHIBIT
 SLD : SERIAL STORBE PULSE
 SVV : SERVO V REFERENCE
 SWP : SWITCHING PULSE
 THRU1 : L: CYCLE THROUGH
 THRU2 : L: WIDTH THROUGH
 TST0 - 5 : TEST MODE
 VISCCMUT : PB VISC/CHROMA MUTE
 WCK : WRITE CLOCK
 WCLP : WRITE CLAMP PULSE
 WZ : WRITE ZERO
 X13 : L: MORE THAN ±13 TIMES NORMAL SPEED

OUTPUT

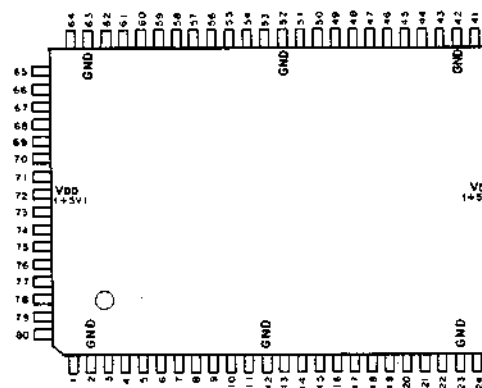
AD0VTRU : YSO → L: ADD THROUGH, CSQ → L: SECAM COMPOSITE V TOP
 ADDVBLK : Y ADD CONTROL
 SWS : H: BLACK REF INSERT PULSE
 BWBLK : L: BLACK & WHITE REF BLANKING PULSE
 COMBLK : L: COMPOSITE BLANKING
 COUNTER V/RVL : COUNTER V/RVL
 DOCLR : WRITE H CLEAR PULSE
 DOU0-9 : OUTPUT VIDEO DATA 2⁰-2⁹
 FF3COFF : L: MORE THAN +30 TIMES NORMAL SPEED/L: CHROMA OFF
 FR30HDL : L: MORE THAN -30 TIMES NORMAL SPEED/L: CHROMA OFF
 /L: COLOR FRAMING DISCORD H SHIFT
 HCLRO : WRITE MEMORY LINE ADDRESS COUNTER CLEAR PULSE
 HCLR1, 2 : READ MEMORY LINE ADDRESS COUNTER CLEAR PULSE
 INCO : WRITE MEMORY LINE ADDRESS COUNTER CLOCK
 INCI, 2 : READ MEMORY LINE ADDRESS COUNTER CLOCK
 MRCK1, 2 : READ MEMORY CLOCK
 MWCK : WRITE MEMORY CLOCK
 POSCONT : A/D CLAMP CONTROL
 RBWLN : BLACK/WHITE LEVEL DIFFERENCE INSERT LINE
 RCK : READ MEMORY AFTER CLOCK
 ROIZ : READ SYSTEM LINE ALTERNATE
 RVISCI0 : L: VISC & DET LINE (525: 11 LINE, 625: 8 LINE)
 /L: COLOR FRAMING ID BLANKING PULSE (525: 15 LINE, 625: 12 LINE)
 SD02W00 : STRETCH ED DO PULSE
 SHW : WINDOW TO DETECT HORIZONTAL SYNC
 SPOPWM : PB SPEED PWM
 VBLK1 : V BLANKING PULSE
 VBLK2 : ENR DCC INHIBIT PULSE
 VCLRO : WRITE MEMORY LINE ADDRESS COUNTER CLEAR PULSE
 VCLR1, 2 : READ MEMORY LINE ADDRESS COUNTER CLEAR PULSE
 VSCDFP2 : H: PB VISC PHASE COMPARISON ENABLE PULSE 1H: CFID (-)
 VSCDFP1 : L: PB VISC EXIST/H: CFID (+)
 WBLK : VIDEO BLANKING USED IN DETECTING HORIZONTAL SYNC
 WE : L: WRITE
 WHIZ : WRITE SYSTEM LINE ALTERNATE
 WHITECNT : WHITE CONTROL
 WINS : H: WHITE REF INSERT PULSE
 WOE : YSO OUTPUT TO PB OE OF CSQ
 WRITEV : YSO OUTPUT TO PB V OF CSQ

INPUT/OUTPUT

BID : L: BIDIREX
 BIDDIR : H: FORWARD, L: REVERSE
 FBID : L: FAST BIDIREX
 FFB : L: FAST FORWARD BIDIREX
 FRB : L: FAST REVERSE BIDIREX
 GB : GUARD BAND
 GH : GATED H SYNC
 NOSIG : L: NO SIGNAL
 PB1GH : ADVANCE WRITE ZERO RESET, 16 TIMES H RATE
 PB2H : PB V RESET, 2 TIMES H RATE
 PBV : Y NORMAL PB V REFERENCE PULSE
 RENP : L: READ EXTRACT INHIBIT PULSE
 RMAB : READ EXJ RCT PULSE
 RVCLR : READ V CLEAR LINE
 RVSET : YSO OUTPUT TO READ V OF CSQ
 SDO1 : STRETCH ED DO PULSE
 TDTO : TIME CODE DATA
 WENP : L: WRITE EXTRACT INHIBIT PULSE
 WMAB : WRITE EXTRACT PULSE
 WVCLR : WRITE V CLEAR LINE
 WVISCI0 : L: PB VISC BLANKING PULSE (525: 11 LINE, 625: 8 LINE)
 /L: CFID BLANKING PULSE (525: 15 LINE, 625: 12 LINE)

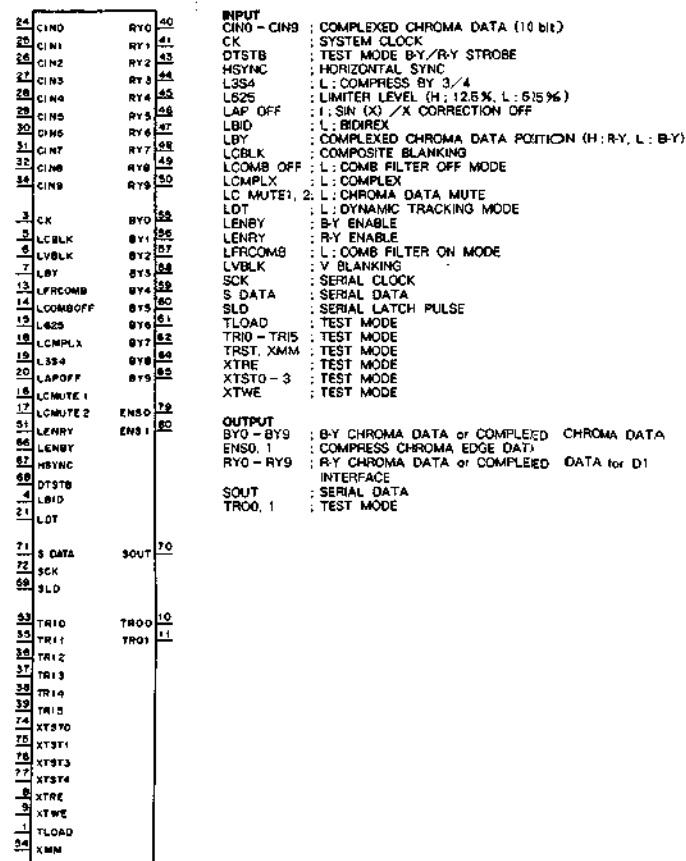


CXD8160Q (SONY) FLAT PACKAGE
 CMOS DIGITAL CHROMA EXPANDER
 - TOP VIEW -

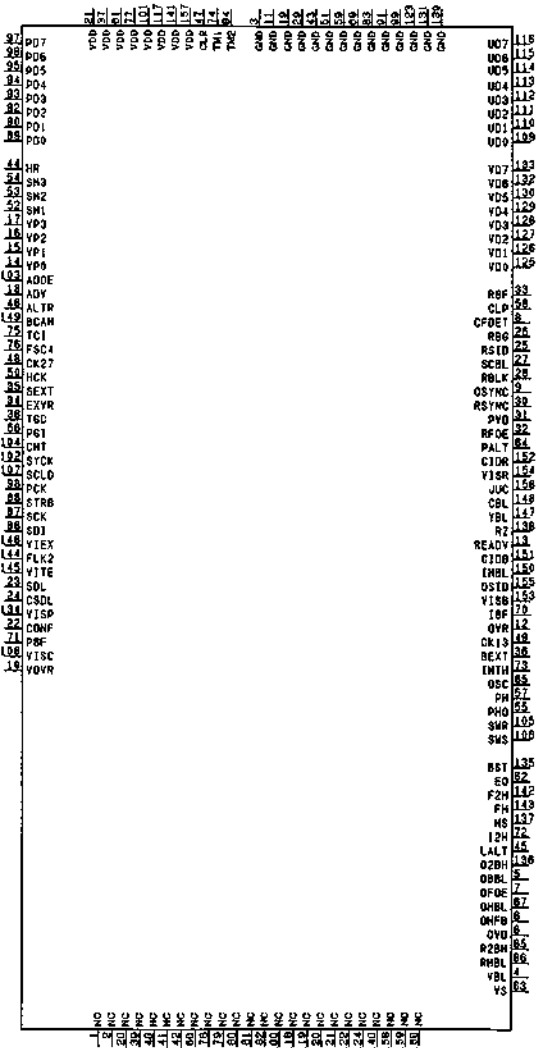
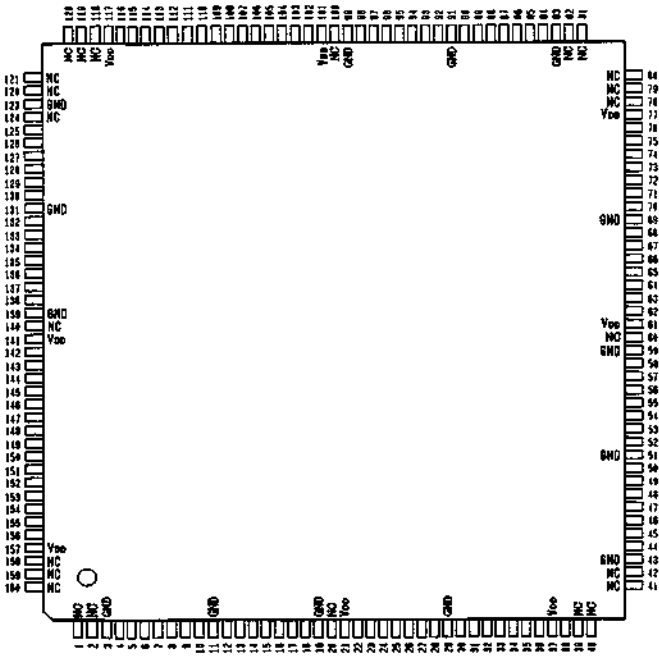


PIN ASSIGNMENT (V_{DD} = +5V)

PIN NO.	I/O	SIGNAL	PIN NO.	I/O	SIGNAL	PIN NO.	I/O	SIGNAL	PIN NO.	I/O	SIGNAL
1	I	TLOAD	21	I	L: DT	41	O	RY1	61	O	BY6
2	-	GND	22	I	TRST	42	-	GND	62	O	BY7
3	I	CK	23	-	GND	43	O	RY2	63	-	GND
4	I	LBID	24	I	CIN0	44	O	RY3	64	O	BY8
5	I	LCBLK	25	I	CIN1	45	O	RY4	65	O	BY9
6	I	LVBLK	26	I	CIN2	46	O	RY5	66	I	LENBY
7	I	LBY	27	I	CIN3	47	O	RY6	67	I	HSYNC
8	I	XTRE	28	I	CIN4	48	O	RY7	68	I	DTSTB
9	I	XTWE	29	I	CIN5	49	O	RY8	69	I	SLD
10	O	TRO0	30	I	CIN6	50	O	RY9	70	O	S OUT
11	O	TRO1	31	I	CIN7	51	I	LENRY	71	I	S DATA
12	-	GND	32	I	CIN8	52	-	GND	72	I	SCK
13	I	LFRCOMB	33	-	V _{DD}	53	I	TRIO	73	-	V _{DD}
14	I	LCOMBOFF	34	I	CIN9	54	I	XMM	74	I	XTST0
15	I	L625	35	I	TRI1	55	O	BY0	75	I	XTST1
16	I	LC MUTE1	36	I	TRI2	56	O	BY1	76	I	XTST2
17	I	LC MUTE2	37	I	TRI3	57	O	BY2	77	I	XTST3
18	I	LC MPLX	38	I	TRI4	58	O	BY3	78	-	-
19	I	L3S4	39	I	TRI5	59	O	BY4	79	O	ENS0
20	I	LAP OFF	40	O	RY0	60	O	BY5	80	O	ENS1



CXD8165Q (SONY) FLAT PACKAGE
 CMOS REFERENCE SYNC GENERATOR
 - TOP VIEW -



PIN No.	I/O	SIGNAL	PIN No.	I/O	SIGNAL	PIN No.	I/O	SIGNAL	PIN No.	I/O	SIGNAL
1	-	NC	41	-	NC	81	-	NC	121	-	NC
2	-	NC	42	-	NC	82	-	NC	122	-	NC
3	-	GND	43	-	GND	83	-	GND	123	-	GND
4	I/O	VBL	44	I	HR	84	I	TM2	124	-	NC
5	I/O	OBBL	45	I/O	LALT	85	O	OSC	125	O	VDO
6	I/O	QVD	46	I	ALTR	86	I	SD1	126	O	VD1
7	I/O	CFDE	47	I	CLR	87	I	SCK	127	O	VD2
8	O	OSYNC	48	I	CK27	88	I	STRB	128	O	VD3
9	O	OSYNC	49	O	CK19	89	I/O	PDO	129	O	VD4
10	I	VOVR	50	I	HCK	90	I/O	PD1	130	O	VD5
11	-	GND	51	-	GND	91	-	GND	131	-	GND
12	O	OVR	52	I	SM1	92	I/O	PD2	132	O	VD6
13	O	READY	53	I	SM2	93	I/O	PD3	133	O	VD7
14	I	VPO	54	I	SM3	94	I/O	PD4	134	I	VISP
15	I	VP1	55	O	PHO	95	I/O	PDE	135	I/O	BST
16	I	VP2	56	I	PHI	96	I/O	PDE	136	I/O	O2BH
17	I	VP3	57	O	PH	97	I/O	PD7	137	I/O	HS
18	I	ADV	58	O	CLP	98	I	PCK	138	O	RZ
19	-	GND	59	-	GND	99	-	GND	139	-	GND
20	-	NC	60	-	NC	100	-	NC	140	-	NC
21	-	VDD	61	-	NC	101	-	VDD	141	-	VDD
22	I	CONF	62	I/O	EQ	102	I	SYCK	142	I/O	F2H
23	I	SDL	63	I/O	VS	103	I	ADOE	143	I/O	FH
24	I	CSOL	64	O	PALT	104	I	CNT	144	I	FLK2
25	O	RSID	66	I/O	R2BH	105	O	SWR	145	I	VITE
26	O	RBG	66	I/O	RHBL	106	O	SWS	146	I	VIEX
27	O	SCBL	67	I/O	OHBL	107	I	SCLD	147	O	YBL
28	O	RBLK	68	I/O	OHFB	108	I	VISC	148	O	CBL
29	-	GND	69	-	GND	109	O	UDO	149	I	BCAM
30	O	RSYNC	70	O	IBF	110	O	UD1	150	O	ENBL
31	O	RVD	71	I	PRF	111	O	UD2	151	O	CID8
32	O	RROE	72	I/O	I2H	112	O	UD3	152	O	CIDR
33	O	RBF	73	O	INTH	113	O	UD4	153	O	VISB
34	I	EXVR	74	I	TM1	114	O	UD5	154	O	VISA
35	I	SEXT	75	I	TC1	115	O	UD6	155	O	OSIO
36	O	BEXT	76	I	FSC4	116	O	UD7	156	O	JUC
37	-	VDD	77	-	VDD	117	-	VDD	157	-	VDD
38	I	TGC	78	-	NC	118	-	NC	158	-	NC
39	-	NC	79	-	NC	119	-	NC	159	-	NC
40	-	NC	80	-	NC	120	-	NC	160	-	NC

CXDB176AQ (NEC)
CMOS DUAL PORT RAM CONTROLLER
- TOP VIEW -

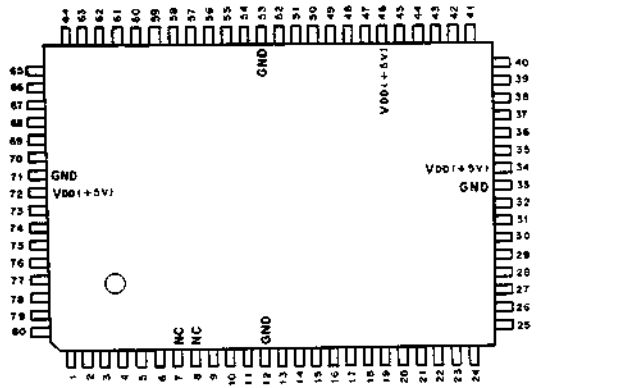
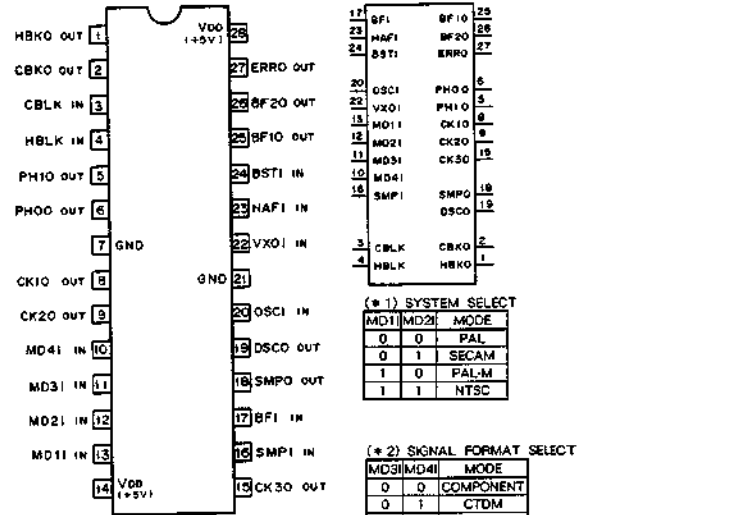


Table with 5 columns: PIN No., I/O, SIGNAL, PIN No., I/O, SIGNAL, PIN No., I/O, SIGNAL, PIN No., I/O, SIGNAL. Lists various signals like DOL, D7R, D6M, A10L, etc.

Table with 2 columns: INPUT/OUTPUT and SIGNAL. Lists signals like ADL-A10L, AOR-A10R, CKL, CKR, etc.

CXDB243AM (SONY) FLAT PACKAGE
CMOS DIGITAL YC SEPARATOR/DECODER/CTDM CLOCK GENERATOR
- TOP VIEW -

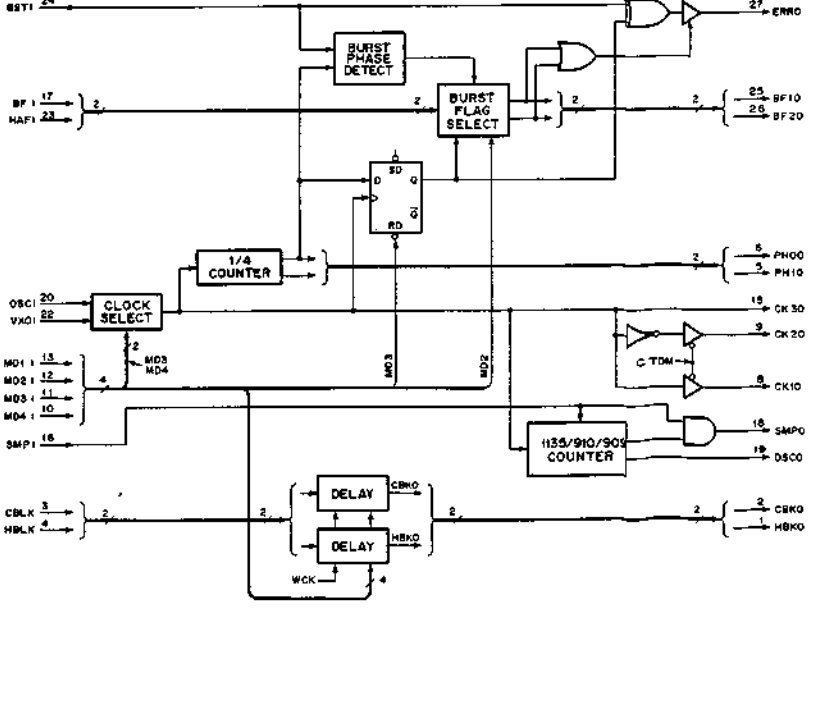


- INPUT: BFI, BSTI, CBK, HAFI, HBLK, PH10, PH00, CK10, CK20, MD4, MD3, MD2, MD1, AOR, A9R, A8R, GND, A7R, ASR, A4R, A3R, A2R, A1R, A10L, A11L, A2L, A3L, A4L, A5L, A6L, A7L, A8L, A9L, A10R, D0L, D1L, D2L, D3L, D4L, D5L, D6L, D7L, WRL, RDL, WAITL, CSL, CKL, CKT, DOM, D1M, D2M, D3M, D4M, D5M, D6M, D7M, A10M, A11M, A2M, A3M, GND, A4M, A5M, A6M, A7M, A8M, A9M, A10M, OEM, OEM, DCM, WEM.
- OUTPUT: BFI, BF10, BF20, PH00, PH10, CK20, CK10, SMPO, DSCO, CBKO, HBKO, CK30.

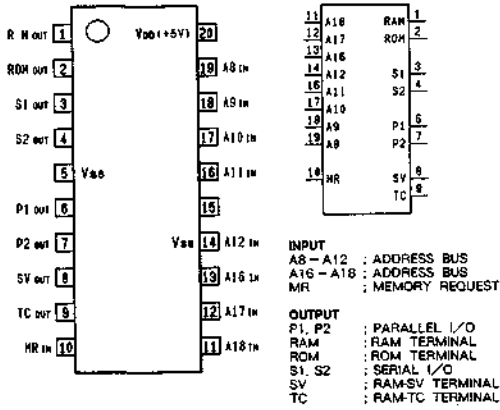
(* 1) SYSTEM SELECT table with columns MD1, MD2, MODE and rows for PAL, SECAM, PAL-M, NTSC.

(* 2) SIGNAL FORMAT SELECT table with columns MD3, MD4, MODE and rows for COMPONENT, CTDM, COMPOSITE, S-VIDEO.

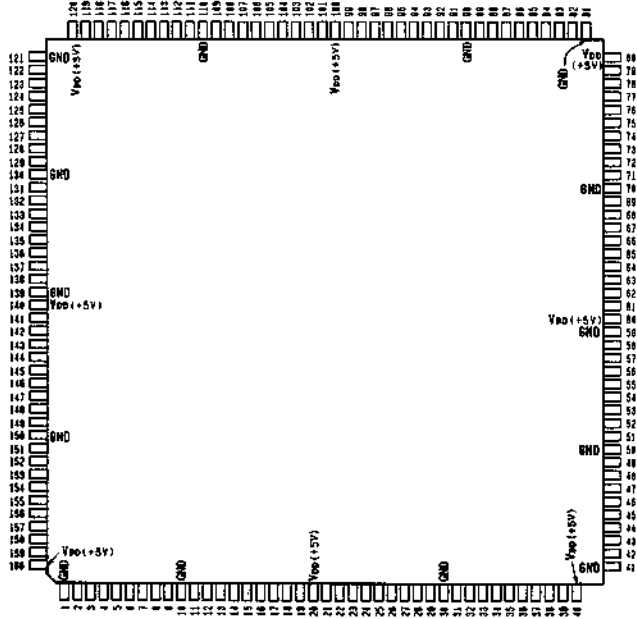
0: LOW LEVEL
1: HIGH LEVEL



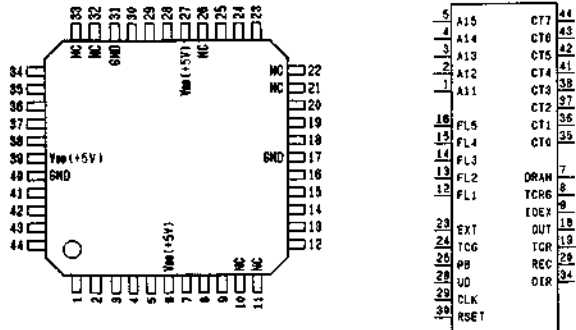
CXD8310M (SONY)
CMOS GATE ARRAY
- TOP VIEW -



CXD8313Q (SONY)
CMOS TBC
- TOP VIEW -



CXD8311Q (SONY) FLAT PACKAGE
TIME CODE u-COM INTERFACE
- TOP VIEW -

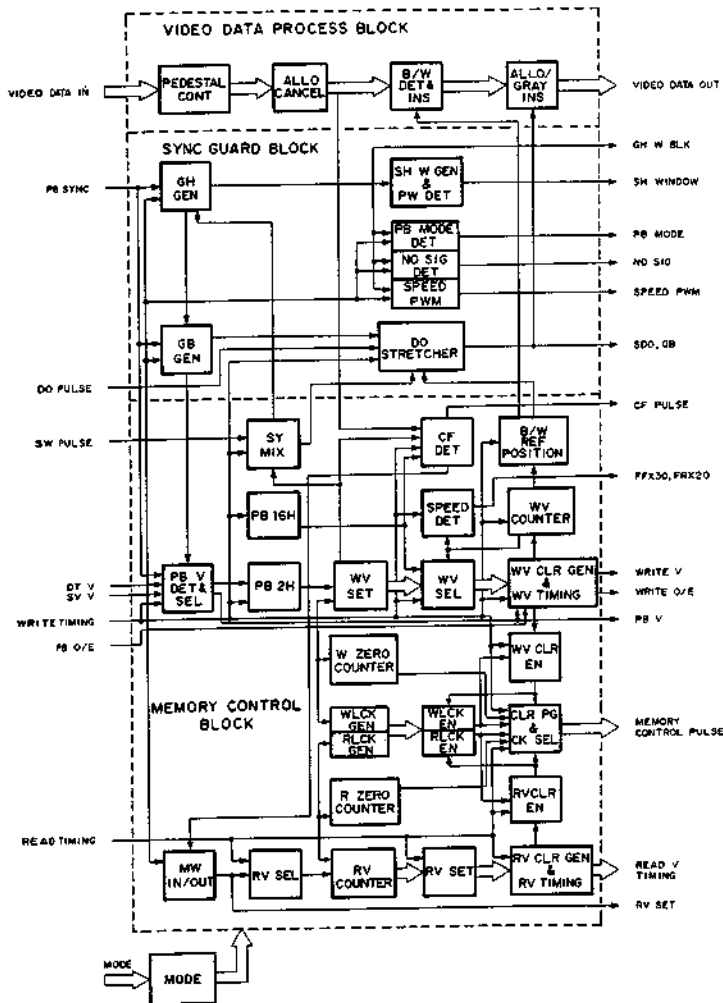


PIN No.	I/O	SIGNAL	PIN No.	I/O	SIGNAL	PIN No.	I/O	SIGNAL	PIN No.	I/O	SIGNAL
1	I	A11	12	I	FL1	23	I	EXT	34	O	DIR
2	I	A12	13	I	FL2	24	I	TCG	35	O	CT0
3	I	A13	14	I	FL3	25	I	PB	36	O	CT1
4	I	A14	15	I	FL4	26	I	NC	37	O	CT2
5	I	A15	16	I	FL5	27	I	VDD	38	O	CT3
6	I	VDD	17	I	GND	28	I	UD	39	I	VDD
7	O	DRAM	18	O	OUT	29	I	CLK	40	I	GND
8	O	TCRG	19	O	TCR	30	I	RSET	41	O	CT4
9	O	IOEX	20	O	REC	31	I	GND	42	O	CT5
10	I	NC	21	I	NC	32	I	NC	43	O	CT6
11	I	NC	22	I	NC	33	I	NC	44	O	CT7

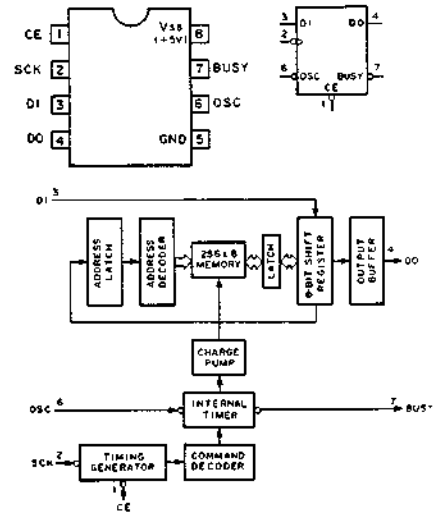
INPUT
A11 - A15 : ADDRESS BUS
CLK : EDIT CTL
EXT, TCG, PB : TIME CODE INPUT
FL1 - FL6 : TIME CODE SELECT SWITCH
RSET : RESET PULSE
UD : TAPE DIRECTION

OUTPUT
CT0 - CT7 : CTL COUNTER OUT
DIR : LATCHED DIRECTION
DRAM, TCRG, IOEX : CHIP SELECT
OUT, TCR, REC : SELECTED TIME CODE

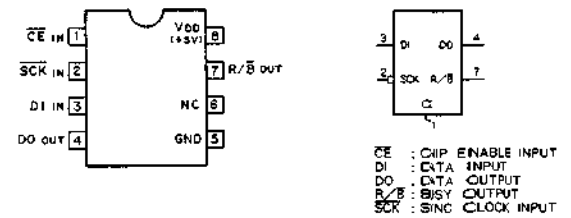
PIN No.	I/O	PIN NAME	PIN No.	I/O	PIN NAME	PIN No.	I/O	PIN NAME	PIN No.	I/O	PIN NAME
1	-	GND	41	-	GND	81	-	GND	121	-	GND
2	I	FWDXREV	42	I/O	RMAB	82	O	RBWLN	122	I	DIN9
3	I	X13	43	I/O	RVCLR	83	O	COMPLK	123	I	DIN8
4	I	NOIPB	44	I/O	WMAB	84	O	VBLK2	124	I	DIN7
5	I	HEE	45	I/O	WVCLR	85	O	VBLK1	125	I	DIN6
6	I	HINPHASE	46	I/O	TDT0	86	O	ADVBLK	126	I	DIN5
7	I	SHIFTRH	47	I/O	TST5	87	O	ADOTHRU	127	I	DIN4
8	O	VSCXFP1	48	I	TST4	88	O	RIZ	128	I	DIN3
9	O	VSCDFP2	49	I	TST3	89	O	ACK	129	I	DIN2
10	-	GND	50	-	GND	90	-	GND	130	-	GND
11	I	OSCON	51	I	TST2	91	O	VCLR2	131	I	DIN1
12	I	MOD6	52	I	TST1	92	O	INC2	132	I	DINO
13	I	DT	53	I	TST0	93	O	HCLR2	133	I	WCK
14	I	DTX3	54	I	FLMOFF	94	O	MACK2	134	I	WZ
15	I	PBOE	55	I	FLMOFF	95	O	VCLR1	135	I	ADVWZ
16	I	DTV	56	I	MOD11	96	O	INCL	136	I	WCLP
17	I	SVV	57	I	MOD10	97	O	HCLR1	137	I	VISOCMUT
18	I	SWP	58	I	MOD7	98	O	MACK1	138	I	PRCK
19	I	FRX3020	59	-	GND	99	O	VCLR0	139	-	GND
20	-	VDD	60	-	VDD	100	-	VDD	140	-	VDD
21	O	BNS	61	I/O	BID	101	O	INCO	141	I	PRZ
22	O	WNS	62	I/O	BIDIR	102	O	HCLR0	142	I	PBSYNC
23	O	BWBLK	63	I	MOD4	103	O	DOCLR	143	O	WBLK
24	O	WHITCNT	64	I	MOD3	104	O	MWCK	144	I/O	GH
25	I	DO	65	I	MOD2	105	O	WE	145	O	SHW
26	I/O	PB16H	66	I	MOD1	106	O	DOU0	146	I/O	SD01
27	I/O	PB2H	67	I	JUC	107	O	DOU1	147	I/O	GB
28	O	COUNTERV	68	I	SGBLK	108	O	DOU2	148	O	WDIZ
29	I/O	PBV	69	I	REPOE	109	O	DOU3	149	I/O	FBID
30	-	GND	70	-	GND	110	-	GND	150	-	GND
31	O	WRITEV	71	I	READV	111	O	DOU4	151	I/O	FFB
32	O	WOE	72	I	RZ	112	O	DOU5	152	I/O	FRB
33	I/O	WVSCID	73	I	R456FH	113	O	DOU6	153	O	FF30COFF
34	O	RVSCID	74	I	R2BH	114	O	DOU7	154	O	FR30HDL
35	I/O	RVSET	75	I	R2FH	115	-	-	155	I	THRU2
36	I/O	WENP	76	I	HCK	116	O	DOU8	156	I	THRU1
37	I/O	RENH	77	I	SDATA	117	O	DOU9	157	I/O	NOSIG
38	I	LEVST	78	I	SLD	118	O	SDO2W00	158	O	POSCONT
39	I	CLR	79	I	SCK	119	I	HDE	159	O	SPDPWM
40	-	VDD	80	-	VDD	120	-	VDD	160	-	VDD



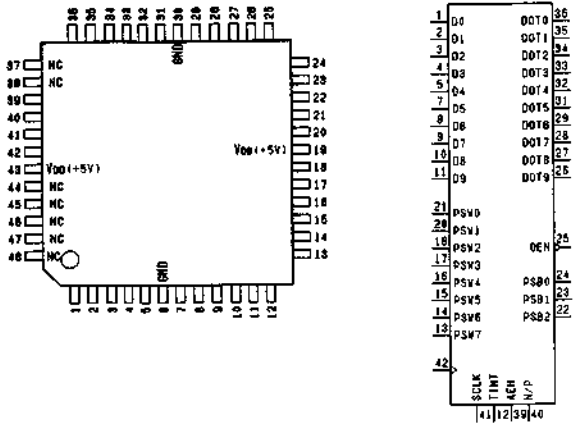
CXK1013P (SONY)
 MNOS 2K (256x8)-BIT NON-VOLATILE MEMORY
 - TOP VIEW -



CXK1023P (SONY)
 C-MOS 2K (256x8)-BIT NON-VOLATILE MEMORY
 - TOP VIEW -

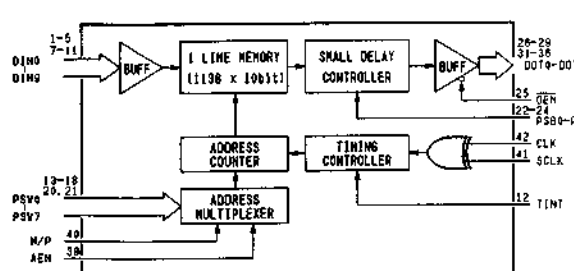


CXK1203Q (SONY)
 C-MOS DIGITAL LINE MEMORY
 - TOP VIEW -

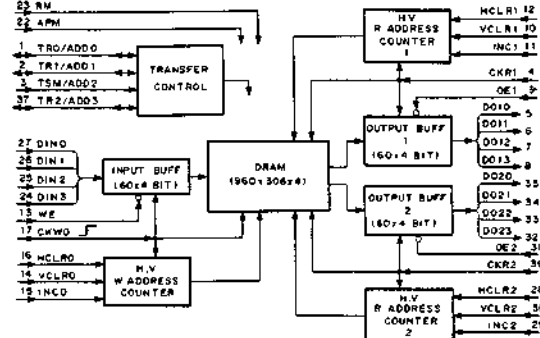
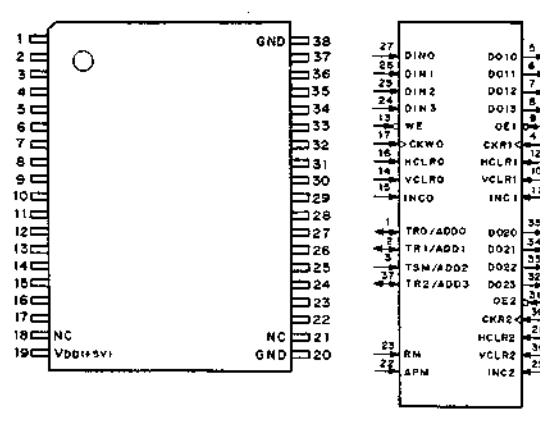


PIN No.	I/O	SIGNAL	PIN No.	I/O	SIGNAL	PIN No.	I/O	SIGNAL	PIN No.	I/O	SIGNAL
1	I	D0	13	I	PSW7	25	I	OEN	37	-	N.C
2	I	D1	14	I	PSW6	26	O	DOT9	38	-	N.C
3	I	D2	15	I	PSW5	27	O	DOT8	39	I	AEN
4	I	D3	16	I	PSW4	28	O	DOT7	40	I	N/P
5	I	D4	17	I	PSW3	29	O	DOT6	41	I	SCLK
6	-	GND	18	I	PSW2	30	-	GND	42	I	CLK
7	I	D5	19	-	VDD	31	O	DOT5	43	-	VDD
8	I	D6	20	I	PSW1	32	O	DOT4	44	-	N.C
9	I	D7	21	I	PSW0	33	O	DOT3	45	-	N.C
10	I	D8	22	I	PSB2	34	O	DOT2	46	-	N.C
11	I	D9	23	I	PSB1	35	O	DOT1	47	-	N.C
12	I	TINT	24	I	PSB0	36	O	DOT0	48	-	N.C

AEN : LINE MEMORY SELECT
 CLK : CLOCK
 DIN0-DIN9 : VIDEO DATA INPUT
 DOT0-DOT9 : VIDEO DATA OUTPUT
 OEN : NTSC/PAL/SECAM SELECT
 N/P : OUTPUT ENABLE
 PSB0-PSB2 : DELAY STEP SELECT(1 BITX3)
 PSW0-PSW7 : DELAY STEP SELECT(8 BITX8)
 SCLK : CLOCK EDGE SELECT
 TINT : TEST



CXK1206AM (SONY) FLAT PACKAGE
 CXK1206M (SONY) FLAT PACKAGE
 C-MOS VIDEO FIELD MEMORY (360-COLUMNx306-ROWx4-BIT)
 - TOP VIEW -

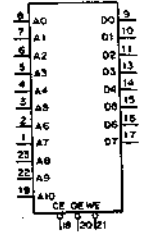
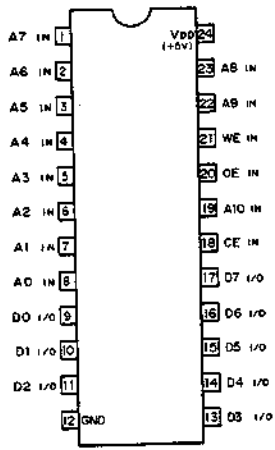


PIN	SIGNAL	DESCRIPTION
1	TR0/ADD0	W PORT 0 TRANSFER SYNC I/O, ADDRESS 0 INPUT
2	TR1/ADD1	R PORT 1 TRANSFER SYNC I/O, ADDRESS 1 INPUT
3	TSM/ADD2	TRANSFER SYNCHRONOUS MODE, ADDRESS 2 INPUT
4	CKR1	R PORT 1 SHIFT SIGNAL INPUT
5	DO10	R PORT 1 DATA 0 OUTPUT
6	DO11	R PORT 1 DATA 1 OUTPUT
7	DO12	R PORT 1 DATA 2 OUTPUT
8	DO13	R PORT 1 DATA 3 OUTPUT
9	OE1	R PORT 1 OUTPUT ENABLE INPUT
10	VCLR1	R PORT 1 VERTICAL CLEAR INPUT
11	INC1	R PORT 1 LINE INCREMENT INPUT
12	HCLR1	R PORT 1 HORIZONTAL CLEAR INPUT
13	WE	W PORT 0 WRITE ENABLE INPUT
14	VCLR0	W PORT 0 VERTICAL CLEAR INPUT
15	INCO	W PORT 0 LINE INCREMENT INPUT
16	HCLR0	W PORT 0 HORIZONTAL CLEAR INPUT
17	CKW0	W PORT 0 SHIFT SIGNAL INPUT
18	NC	(no connection)
19	VDD	+5V INPUT
20	GND	GND
21	NC	(no connection)
22	APN	ADDRESS PRESET MODE INPUT
23	RHM	RECURSIVE MODE ENABLE INPUT
24	DIN3	W PORT 0 DATA 3 INPUT
25	DIN2	W PORT 0 DATA 2 INPUT
26	DIN1	W PORT 0 DATA 1 INPUT
27	DIN0	W PORT 0 DATA 0 INPUT
28	HCLR2	R PORT 2 HORIZONTAL CLEAR INPUT
29	INC2	R PORT 2 LINE INCREMENT INPUT
30	VCLR2	R PORT 2 VERTICAL CLEAR INPUT
31	OE2	R PORT 2 OUTPUT ENABLE INPUT
32	DO23	R PORT 2 DATA 3 OUTPUT
33	DO22	R PORT 2 DATA 2 OUTPUT
34	DO21	R PORT 2 DATA 1 OUTPUT
35	DO20	R PORT 2 DATA 0 OUTPUT
36	CKR2	R PORT 2 SHIFT SIGNAL INPUT
37	TR2/ADD3	R PORT 2 TRANSFER SYNC I/O, ADDRESS 3 INPUT
38	GND	GND

MODE SELECTION				
CONTROL INPUTS		TR, TR/ADD		MODE
RM	APK	TSM	TR ADD 0-2 0-3	
0	0	0	OUT PUT	NON RECURSIVE MODE, TRANSFER SYNCHRONOUS MODE OUTPUT
0	0	1	IN-PUT	NON RECURSIVE MODE, TRANSFER SYNCHRONOUS MODE INPUT
0	1	-	-	NON RECURSIVE MODE, ADDRESS PRESET MODE
1	0	0	OUT PUT	RECURSIVE MODE, TRANSFER SYNCHRONOUS MODE OUTPUT
1	0	1	IN-PUT	RECURSIVE MODE, TRANSFER SYNCHRONOUS MODE INPUT

0:LOW LEVEL 1:HIGH LEVEL

CXK5816M-12L (SONY) (ACCESS TIME 120ns)
 C-MOS 16K (2Kx8-BIT) STATIC RAM
 - TOP VIEW -



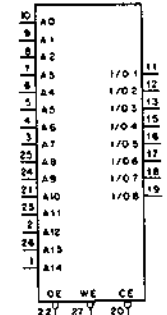
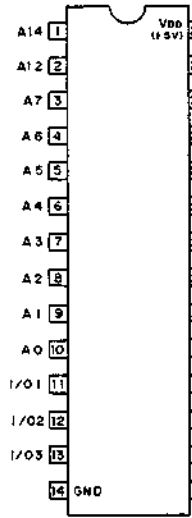
A0-A10; ADDRESS INPUTS
 CE ; CHIP ENABLE INPUT
 DO-D7 ; DATA INPUTS/OUTPUTS
 OE ; OUTPUT ENABLE INPUT
 WE ; WRITE ENABLE INPUT

MODE SELECTION

CONTROL INPUTS			MODE
CE	OE	WE	
1	X	X	NO CHANGE
0	1	1	DISABLE OUTPUT
0	0	1	READ
0	1	0	WRITE

0 ; LOW LEVEL
 1 ; HIGH LEVEL
 X ; DON'T CARE

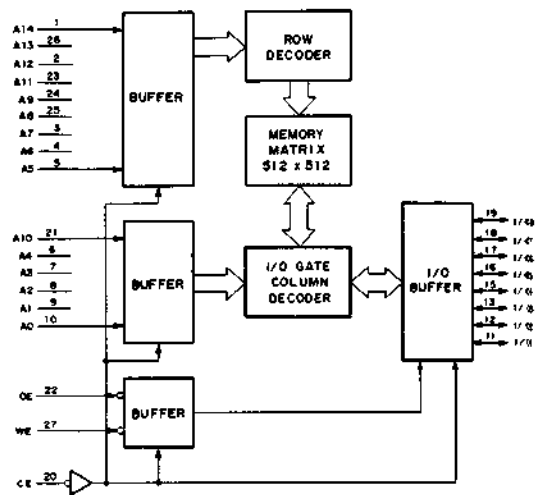
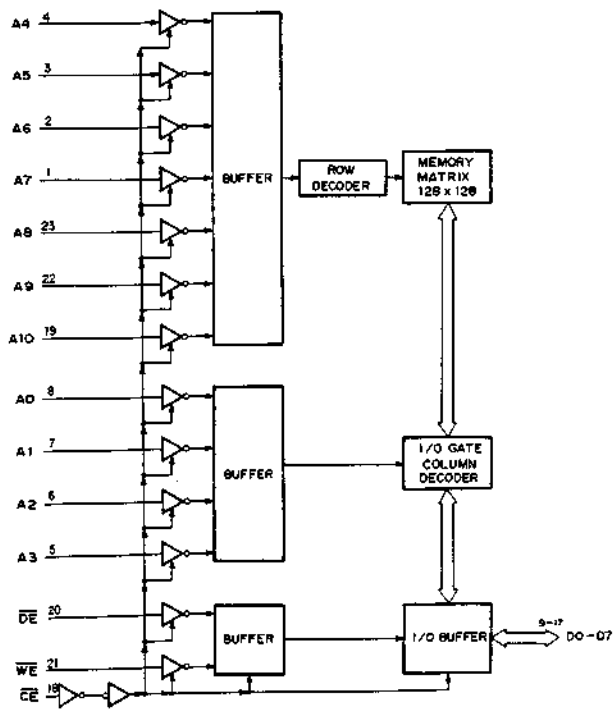
CXK58257M-10L (SONY) FLAT PACKAGE
 MS62256CLL-10FC (MOSEL) FLAT PACKAGE
 C-MOS 256K (32768x8)-BIT STATIC RAM
 - TOP VIEW -



A0-A14 ; ADDRESS INPUTS
 CE ; CHIP ENABLE INPUT
 I/O1-I/O8 ; DATA INPUTS/OUTPUTS
 OE ; OUTPUT ENABLE INPUT
 WE ; WRITE ENABLE INPUT

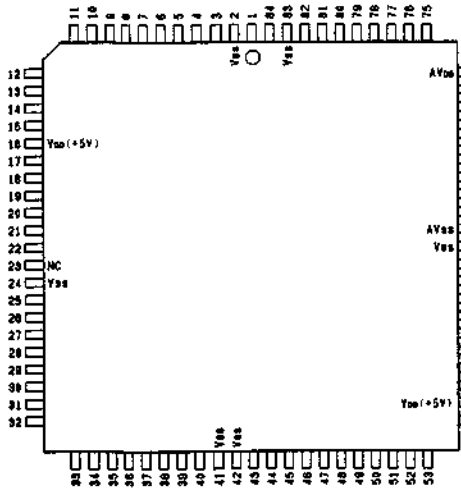
CE	OE	WE	MODE	I/O TERMINAL
1	X	X	NOT SELECT	HIGH IMPEDANCE
0	1	1	OUTPUT DISABLE	HIGH IMPEDANCE
0	0	1	READ	OUTPUT DATA
0	X	0	WRITE	INPUT DATA

0 ; LOW LEVEL
 1 ; HIGH LEVEL
 X ; DON'T CARE



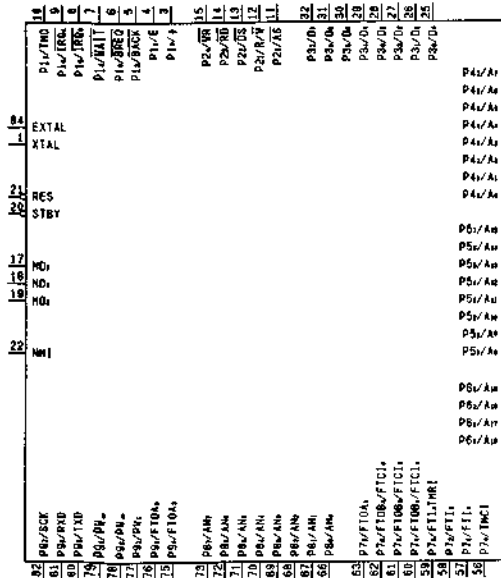
HD645328RA00F (HITACHI)

16-BIT CPU
- TOP VIEW -

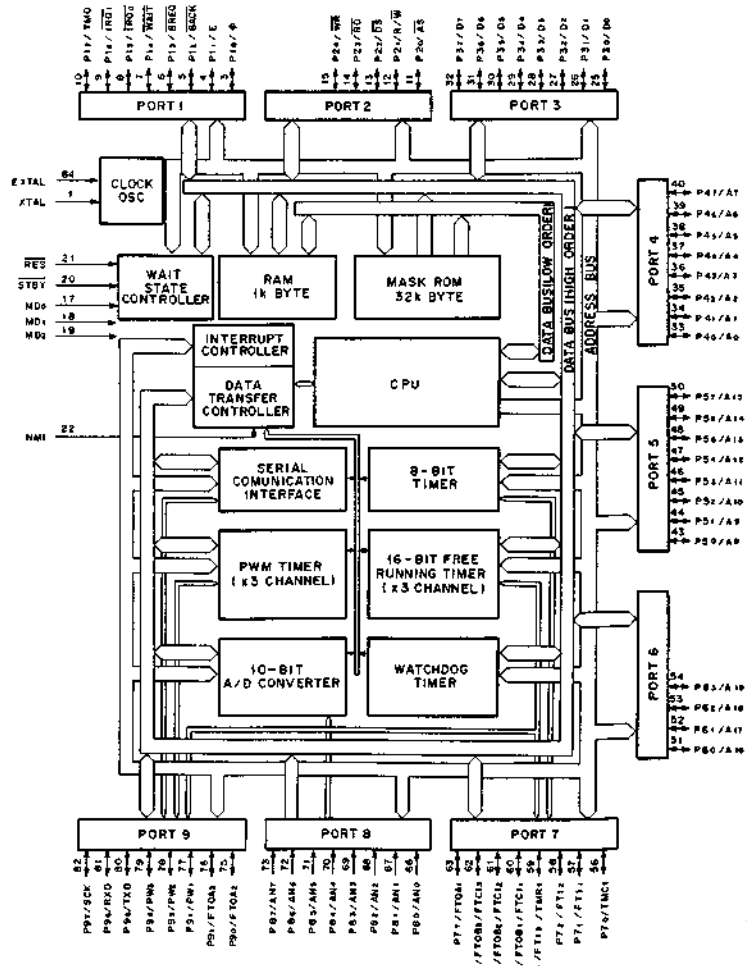


(V_{DD} = +5V)

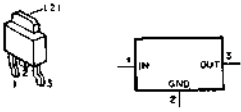
PIN No.	I/O	SIGNAL	PIN No.	I/O	SIGNAL	PIN No.	I/O	SIGNAL
1	I	XTAL	29	I/O	P34/D4	57	I/O	P71/FT11
2	-	V _{SS}	30	I/O	P35/D5	58	I/O	P72/FT12
3	I/O	P10/φ	31	I/O	P36/D6	59	I/O	P73/FT13/TMRI
4	I/O	P11/E	32	I/O	P37/D7	60	I/O	P74/FT081/FTC11
5	I/O	P12/BACK	33	I/O	P40/A0	61	I/O	P75/FT082/FTC12
6	I/O	P13/BREQ	34	I/O	P41/A1	62	I/O	P76/FT083/FTC13
7	I/O	P14/WAIT	35	I/O	P42/A2	63	O	P77/FTOA1
8	I/O	P15/IRQ0	36	I/O	P43/A3	64	-	V _{SS}
9	I/O	P16/IRQ1	37	I/O	P44/A4	65	-	AV _{SS}
10	I/O	P17/TMO	38	I/O	P45/A5	66	I/O	P80/ANO
11	I/O	P20/AS	39	I/O	P46/A6	67	I/O	P81/ANI
12	I/O	P21/R/W	40	I/O	P47/A7	68	I/O	P82/AN2
13	I/O	P22/DS	41	-	V _{SS}	69	I/O	P83/AN3
14	I/O	P23/RD	42	-	V _{SS}	70	I/O	P84/AN4
15	I/O	P24/WR	43	I/O	P50/A8	71	I/O	P85/AN5
16	-	V _{CC}	44	I/O	P51/A9	72	I/O	P86/AN6
17	I	MD0	45	I/O	P52/A10	73	I/O	P87/AN7
18	I	MD1	46	I/O	P53/A11	74	-	AV _{CC}
19	I	MD2	47	I/O	P54/A12	75	I/O	P90/FTOA2
20	I	STBY	48	I/O	P55/A13	76	I/O	P91/FTOA3
21	I	RES	49	I/O	P56/A14	77	I/O	P92/PW1
22	I	NMI	50	I/O	P57/A15	78	I/O	P93/PW2
23	-	NC	51	I/O	P60/A16	79	I/O	P94/PW3
24	-	V _{SS}	52	I/O	P61/A17	80	I/O	P95/TXD
25	I/O	P30/D0	53	I/O	P62/A18	81	I/O	P96/RXD
26	I/O	P31/D1	54	I/O	P63/A14	82	I/O	P97/SCK
27	I/O	P32/D2	55	-	V _{CC}	83	-	V _{SS}
28	I/O	P33/D3	56	I/O	PT0/TMCI	84	I	EXTAL



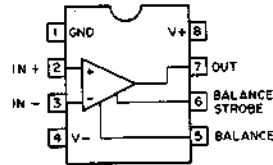
- INPUT**
- ANO - AN7 : ANALOG INPUT
 - BREQ : BUS REQUEST
 - EXTAL : CONNECTED TO CRYSTAL OSCILLATOR
 - FTC1 - FTC13 : FRT COUNTER CLOCK INPUT (CHANNEL 1 TO 3)
 - FT11 - FT13 : FRT INPUT CAPTURE INPUT (CHANNEL 1 TO 3)
 - IRQ0, 1 : INTERRUPTION REQUEST 0 AND 1
 - MD0 - MD2 : MODE SETTING
 - NMI : NON MASKABLE INTERRUPTION
 - P80 - P87 : PORT 8
 - RES : RESET
 - RXD : RECEIVE DATA
 - STBY : STANDBY
 - TMCI : 8-BIT TIMER CLOCK INPUT
 - TMRI : 8-BIT TIMER COUNTER RESET INPUT
 - WAIT : WAIT
 - XRAL : CONNECTED TO CRYSTAL OSCILLATOR.
- OUTPUT**
- A0 - A19 : ADDRESS BUS
 - AS : ADDRESS STROBE
 - BACK : BUS REQUEST ACKNOWLEDGE
 - DS : DATA STROBE
 - E : ENABLE CLOCK
 - FTOA1 - FTOA3 : FRT OUTPUT COMPARE A OUTPUT (CHANNEL 1 TO 3)
 - FTOB1 - FTOB3 : FRT OUTPUT COMPARE B OUTPUT (CHANNEL 1 TO 3)
 - PW1 - PW3 : PWM TIMER OUTPUT (CHANNEL 1 TO 3)
 - R/W : READ/WRITE
 - RD : READ
 - TMO : 8-BIT TIMER OUTPUT
 - TXD : SEND DATA
 - WR : WRITE
 - φ : SYSTEM CLOCK
- INPUT/OUTPUT**
- D0 - D7 : DATA BUS
 - P10 - P17 : PORT 1
 - P20 - P24 : PORT 2
 - P30 - P37 : PORT 3
 - P40 - P47 : PORT 4
 - P50 - P57 : PORT 5
 - P60 - P63 : PORT 6
 - P70 - P77 : PORT 7
 - P80 - P87 : PORT 8
 - SCK : SERIAL CLOCK INPUT/OUTPUT



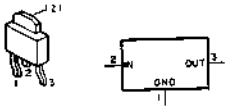
L78M09T (SANYO) +9V 0.5A
POSITIVE VOLTAGE REGULATOR



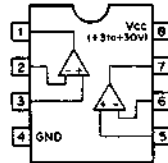
LM311PS (TI) FLAT PACKAGE
VOLTAGE COMPARATOR WITH STROBE
- TOP VIEW -



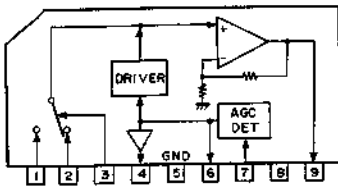
L79M09T (SANYO) -9 V
NEGATIVE VOLTAGE REGULATOR (500 mA)



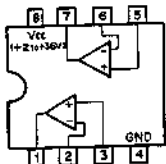
LM358P (TI)
UPC358G2 (NEC) FLAT PACKAGE
DUAL OPERATIONAL AMPLIFIERS
- TOP VIEW -



LA7205 (SANYO)
AGC AMP, INPUT SELECT, AGC DET, COMPARATOR
- SIDE VIEW -

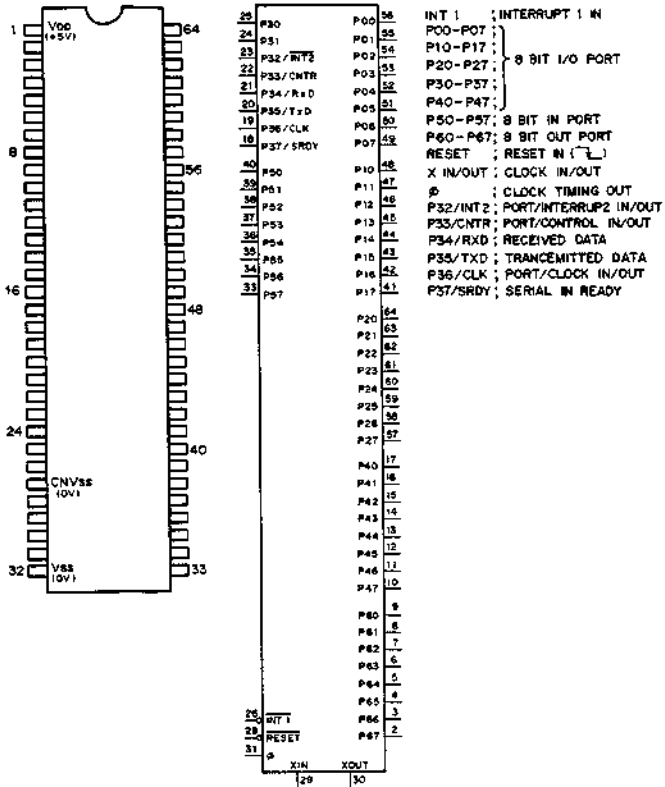


LM2903DQ (RAYTHEON)
LM2903M (RAYTHEON) FLAT PACKAGE
LM2903P (TI)
LM2903PS (TI) FLAT PACKAGE
NJM2903D (JRC)
NJM2903M (JRC) FLAT PACKAGE
UPC393G2 (NEC) FLAT PACKAGE
DUAL VOLTAGE COMPARATORS
- TOP VIEW -



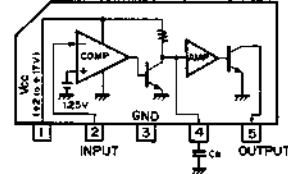
M50747H-XXXSP

C-MOS PROCESS 8-BIT ONE CHIP MICROCOMPUTER
- TOP VIEW -

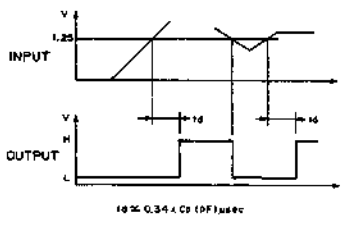


M51957BL (MITSUBISHI)

VOLTAGE DETECT DELAY
- PRINTED SIDE VIEW -

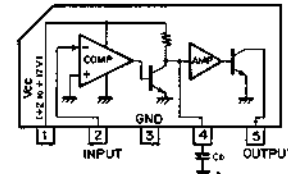


TIMING CHART

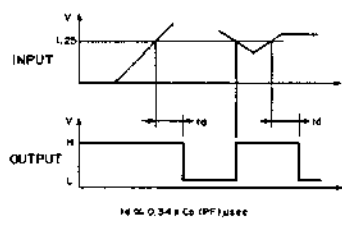


M51958BL (MITSUBISHI)

VOLTAGE DETECT DELAY
- PRINTED SIDE VIEW -

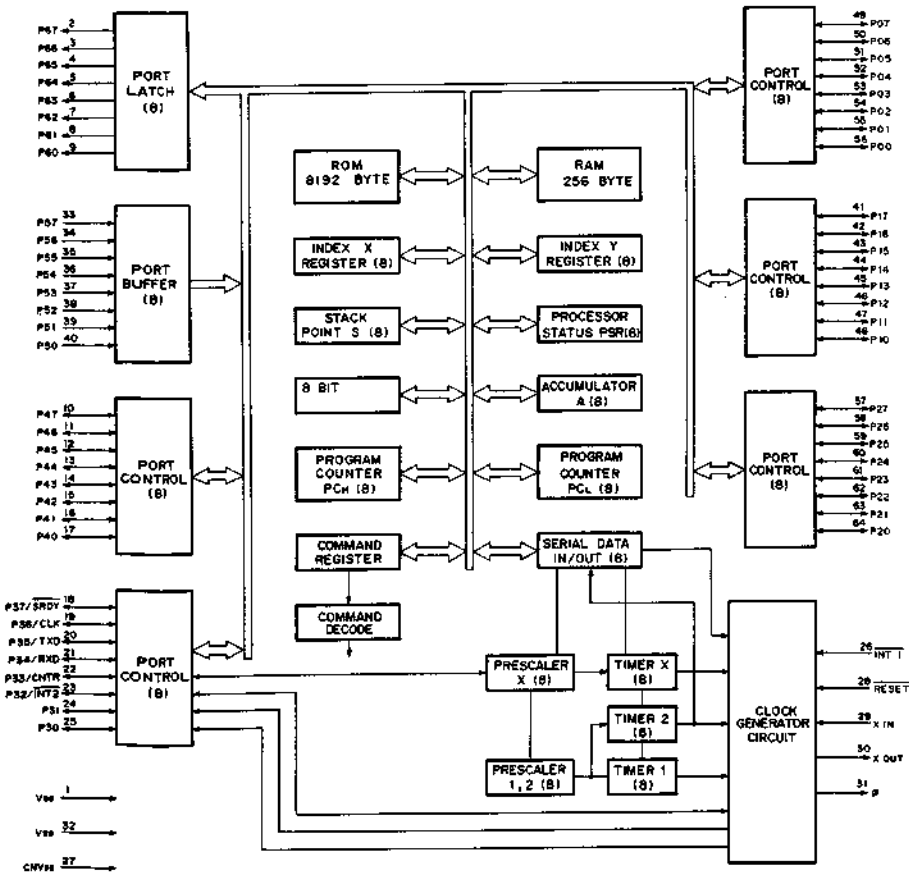
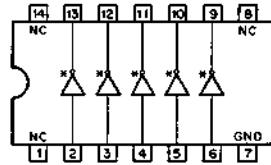


TIMING CHART

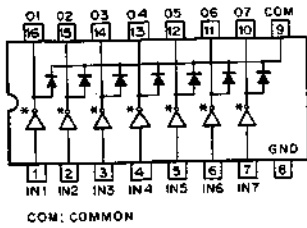


M54516P (MITSUBISHI)

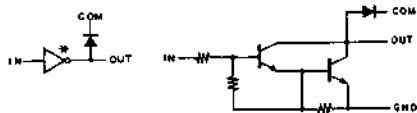
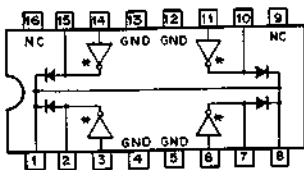
INVERTER WITH OPEN-COLLECTOR
(DARLINGTON-CONNECTED TRANSISTOR ARRAY)
- TOP VIEW -



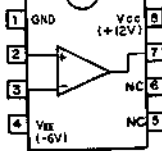
M54523P (MITSUBISHI)
 BIPOLAR TRANSISTOR ARRAY WITH OPEN COLLECTOR
 - TOP VIEW -



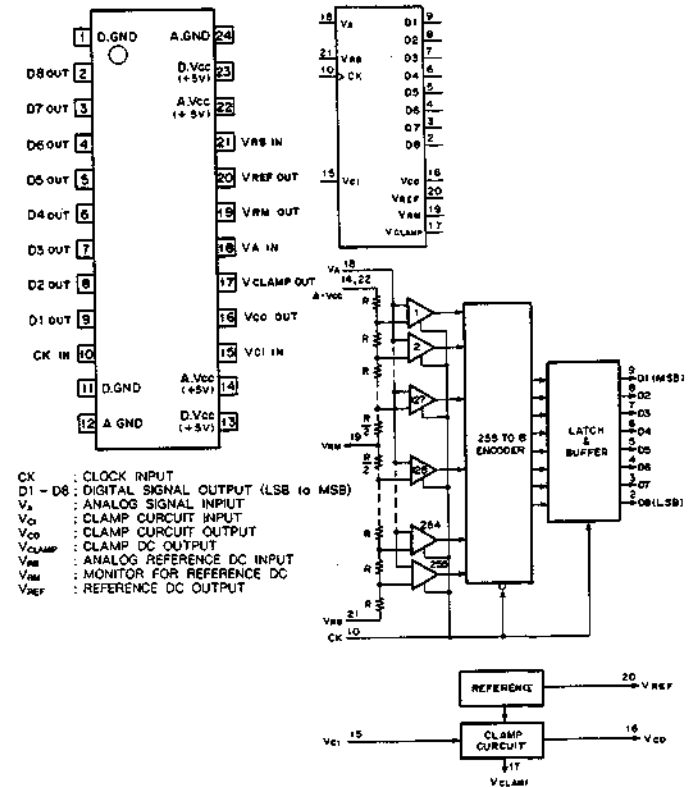
M54532P (MITSUBISHI)
 DARLINGTON TRANSISTOR ARRAY WITH CLAMP DIODE
 - TOP VIEW -



MB4002PF (FUJITSU) FLAT PACKAGE
 HIGH SPEED VOLTAGE COMPARATOR
 - TOP VIEW -

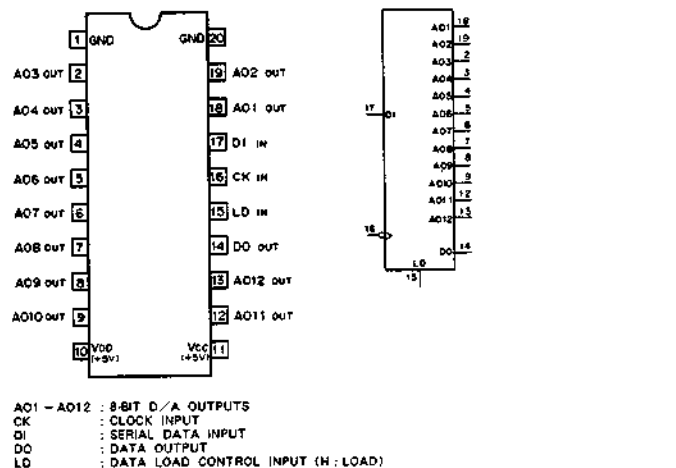


MB40568 (FUJITSU) FLAT PACKAGE
 MB40568PF (FUJITSU) FLAT PACKAGE
 8BIT VIDEO A/D CONVERTER
 - TOP VIEW -



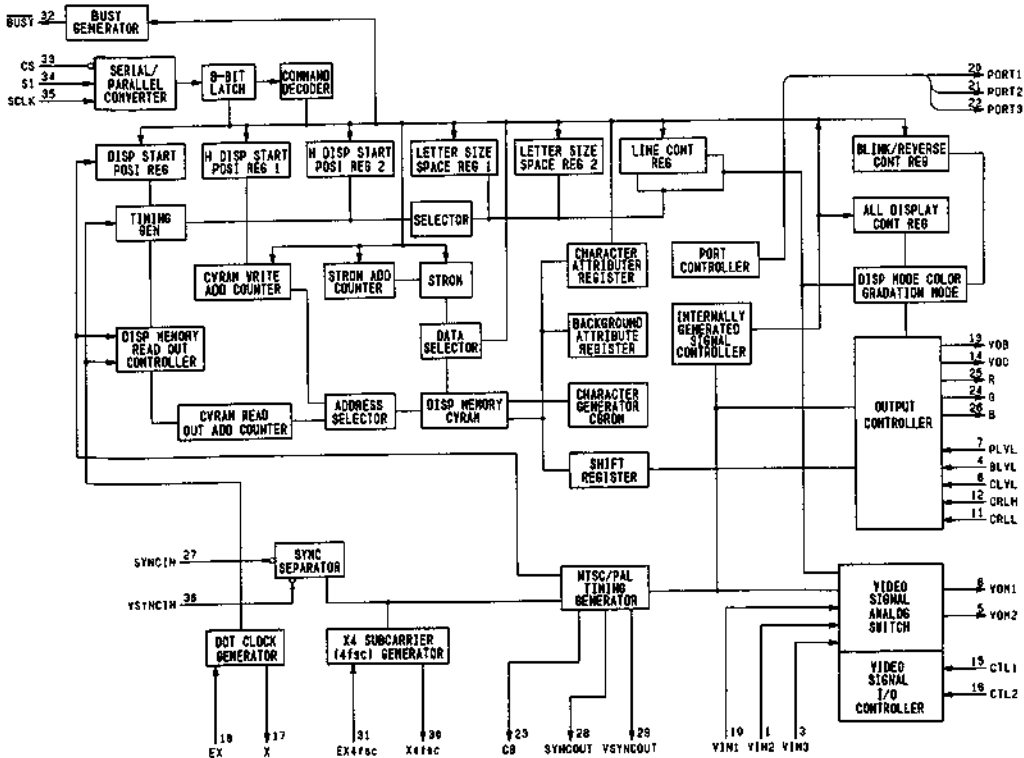
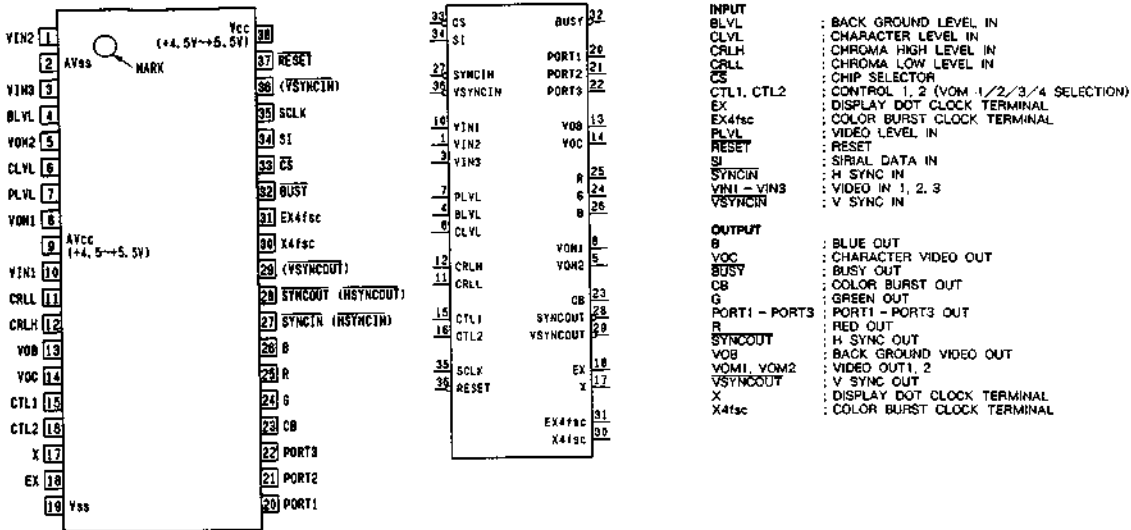
- CK : CLOCK INPUT
- D1 - D8 : DIGITAL SIGNAL OUTPUT (LSB to MSB)
- VA : ANALOG SIGNAL INPUT
- VCI : CLAMP CIRCUIT INPUT
- VCC : CLAMP CIRCUIT OUTPUT
- VCLAMP : CLAMP DC OUTPUT
- VRS : ANALOG REFERENCE DC INPUT
- VREF : MONITOR FOR REFERENCE DC
- VREF : REFERENCE DC OUTPUT

MB88341PFV (FUJITSU) FLAT PACKAGE
 C-MOS 8-BIT D/A CONVERTER
 - TOP VIEW -

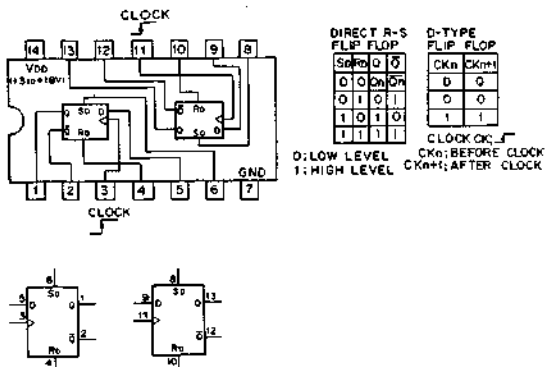


- AO1 - AO12 : 8-BIT D/A OUTPUTS
- CK : CLOCK INPUT
- D1 : SERIAL DATA INPUT
- D0 : DATA OUTPUT
- LD : DATA LOAD CONTROL INPUT (H : LOAD)

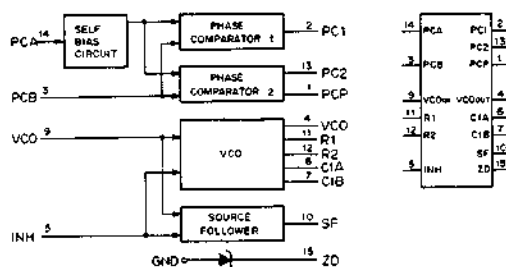
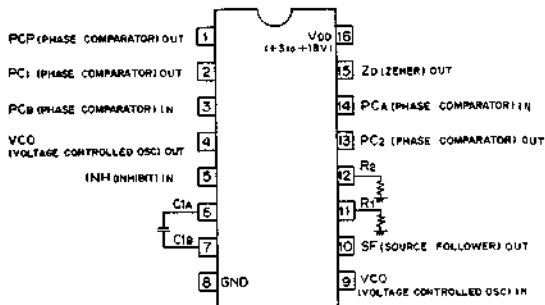
MB90061-111 (FUJITSU)
 C-MOS TV DISPLAY CONTROLLER
 - TOP VIEW -



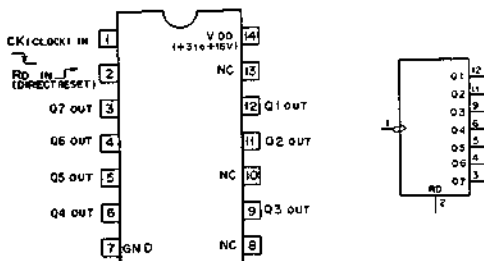
MC14013BCP (MOTOROLA)
C-MOS D-TYPE FLIP-FLOP WITH DIRECT SET/RESET
 - TOP VIEW -



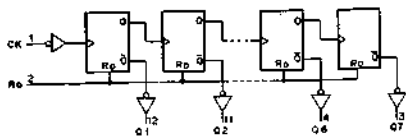
MC14046BF (MOTOROLA) FLAT PACKAGE
C-MOS PHASE LOCKED LOOP
 - TOP VIEW -



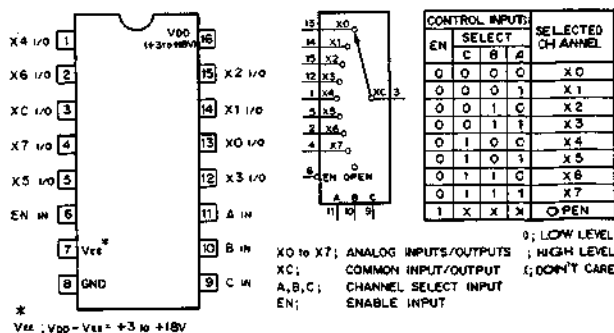
MC14024BCP (MOTOROLA)
C-MOS ASYNCHRONOUS 7-BIT BINARY COUNTER
 - TOP VIEW -



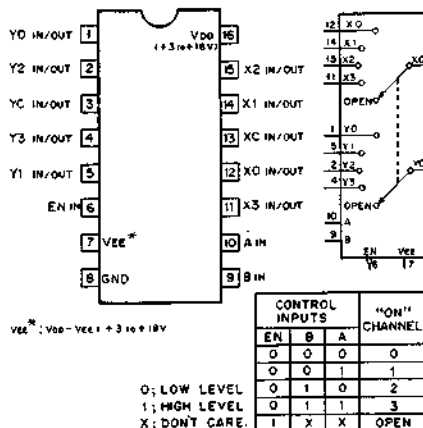
COUNT	INPUTS		OUTPUTS						
	CK	RD	Q7	Q6	Q5	Q4	Q3	Q2	Q1
0	X	1	0	0	0	0	0	0	0
1	1	0	0	0	0	0	0	0	1
2	1	0	0	0	0	0	0	1	0
3	1	0	0	0	0	0	1	0	0
4	1	0	0	0	0	1	0	0	0
5	1	0	0	0	1	0	0	0	0
6	1	0	0	1	0	0	0	0	0
7	1	0	0	1	1	0	0	0	0
8	1	0	0	1	1	1	0	0	0
9	1	0	0	1	1	1	1	0	0
10	1	0	0	1	1	1	1	1	0
11	1	0	0	1	1	1	1	1	1
12	1	0	0	1	1	1	1	1	1
13	1	0	0	1	1	1	1	1	1
14	1	0	0	1	1	1	1	1	1
15	1	0	0	1	1	1	1	1	1
16	1	0	0	1	1	1	1	1	1
17	1	0	0	1	1	1	1	1	1
18	1	0	0	1	1	1	1	1	1
19	1	0	0	1	1	1	1	1	1
20	1	0	0	1	1	1	1	1	1
21	1	0	0	1	1	1	1	1	1
22	1	0	0	1	1	1	1	1	1
23	1	0	0	1	1	1	1	1	1
24	1	0	0	1	1	1	1	1	1
25	1	0	0	1	1	1	1	1	1
26	1	0	0	1	1	1	1	1	1
27	1	0	0	1	1	1	1	1	1
28	1	0	0	1	1	1	1	1	1
29	1	0	0	1	1	1	1	1	1
30	1	0	0	1	1	1	1	1	1
31	1	0	0	1	1	1	1	1	1



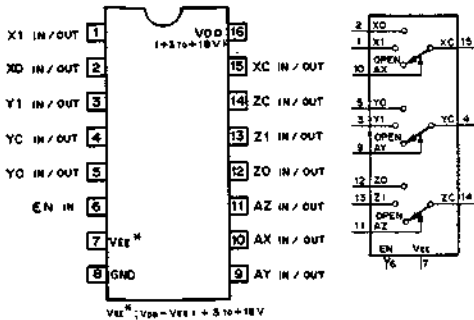
MC14051BF (MOTOROLA) FLAT PACKAGE
C-MOS 8-CHANNEL ANALOG MULTIPLEXER/DEMULTIPLEXER
 - TOP VIEW -



MC14052BF (MOTOROLA) FLAT PACKAGE
C-MOS DUAL 4-CHANNEL ANALOG MULTIPLEXER/DEMULTIPLEXER
 - TOP VIEW -



MC14053BCP (MOTOROLA)
MC14053BF (MOTOROLA) FLAT PACKAGE
C-MOS TRIPLE 2-CHANNEL ANALOG MULTIPLEXER/DEMULPLEXER
- TOP VIEW -

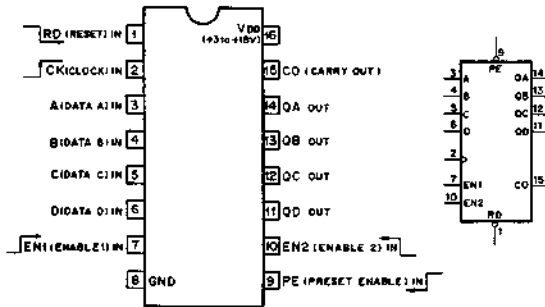


CONT. INPUTS		ON
EN	A (X,Y,Z)	CHANNEL
0	0	0
0	1	1
1	X	OPEN

0; LOW LEVEL
1; HIGH LEVEL
X; DON'T CARE.

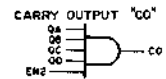
VEE*; V_{EE} = VEE1 + 5.10 + 18V

MC14181BCP (MOTOROLA)
C-MOS PRESETTABLE SYNCHRONOUS 4-BIT BINARY COUNTER WITH ASYNCHRONOUS RESET
- TOP VIEW -



MODE SELECTION				MODE
RD	PE	EN1	EN2	
0	X	X	X	RESET (ASYNCHRONOUS)
1	0	X	X	PRESET (SYNCHRONOUS)
1	1	0	X	NO COUNT
1	1	X	0	NO COUNT
1	1	1	1	COUNT

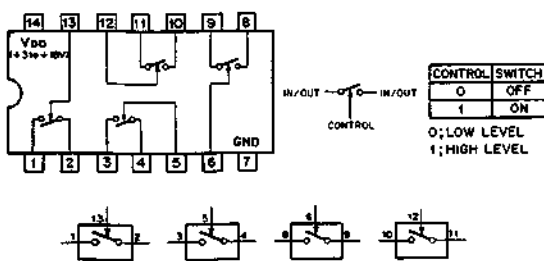
COUNT	OUTPUTS			
	QD	QC	QB	QA
0	0	0	0	0
1	0	0	0	1
2	0	0	1	0
3	0	0	1	1
4	0	1	0	0
5	0	1	0	1
6	0	1	1	0
7	0	1	1	1
8	1	0	0	0
9	1	0	0	1
10	1	0	1	0
11	1	0	1	1
12	1	1	0	0
13	1	1	0	1
14	1	1	1	0
15	1	1	1	1



CO IS HIGH WHEN EN2 INPUT IS HIGH AND COUNT IS '15'.

0; LOW LEVEL
1; HIGH LEVEL
X; DON'T CARE

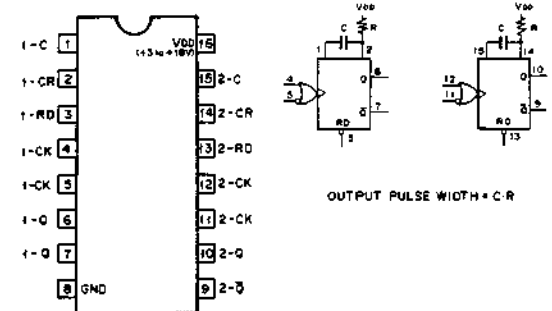
MC14056BF (MOTOROLA) FLAT PACKAGE
C-MOS BILATERAL ANALOG SWITCH
- TOP VIEW -



CONTROL	SWITCH
0	OFF
1	ON

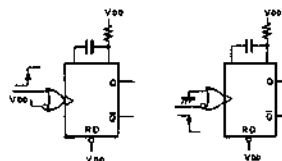
0; LOW LEVEL
1; HIGH LEVEL

MC14538BCP (MOTOROLA)
MC14538BF (MOTOROLA) FLAT PACKAGE
C-MOS DUAL RETRIGGERABLE MONOSTABLE MULTIVIBRATOR
- TOP VIEW -

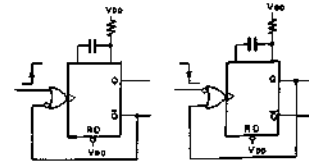


OUTPUT PULSE WIDTH = C · R

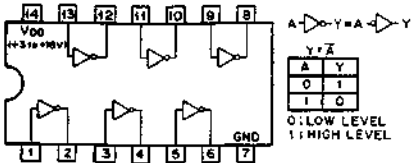
RETRIGGERABLE M.M.V



NON-RETRIGGERABLE M.M.V



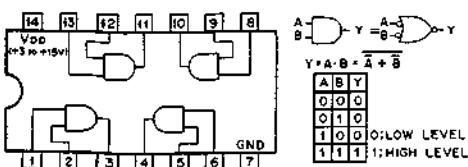
MC14069UBCP (MOTOROLA)
MC14069UBF (MOTOROLA)
C-MOS INVERTER
- TOP VIEW -



A	Y
0	1
1	0

0; LOW LEVEL
1; HIGH LEVEL

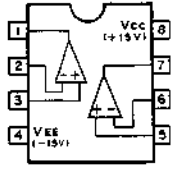
MC14081BCP (MOTOROLA)
C-MOS 2-INPUT AND GATE
- TOP VIEW -



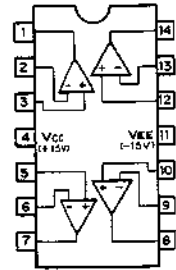
A	B	Y
0	0	0
0	1	0
1	0	0
1	1	1

0; LOW LEVEL
1; HIGH LEVEL

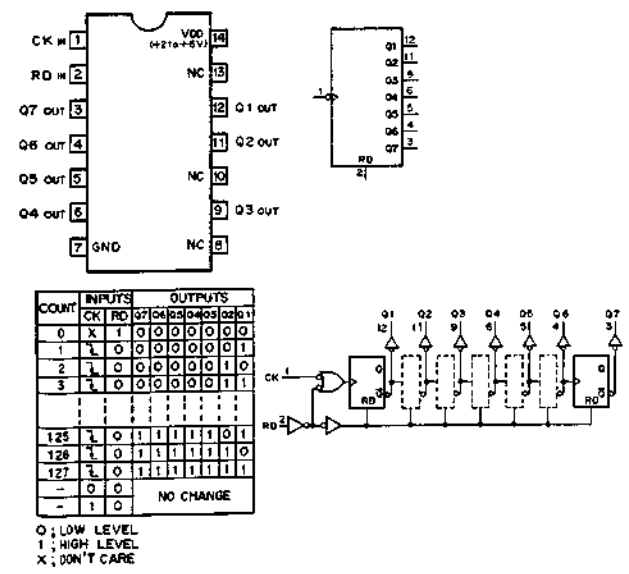
MC34182M (MOTOROLA) FLAT PACKAGE
TL072CP (TI)
TL082CPS (TI) FLAT PACKAGE
OPERATIONAL AMPLIFIER
(J FET-INPUT)
- TOP VIEW -



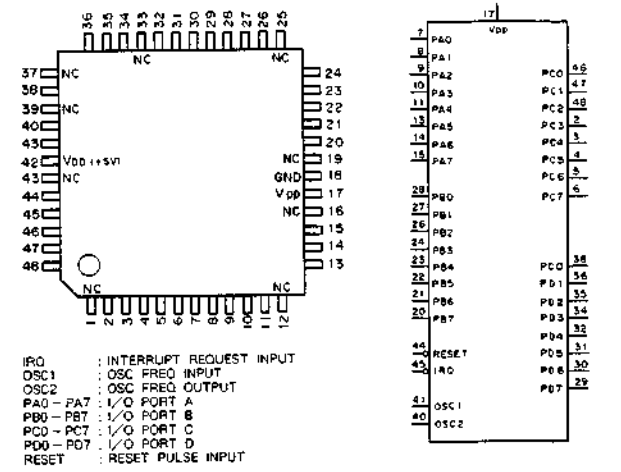
MC34184M (MOTOROLA) FLAT PACKAGE
JFET INPUT OPERATIONAL AMPLIFIER
- TOP VIEW -



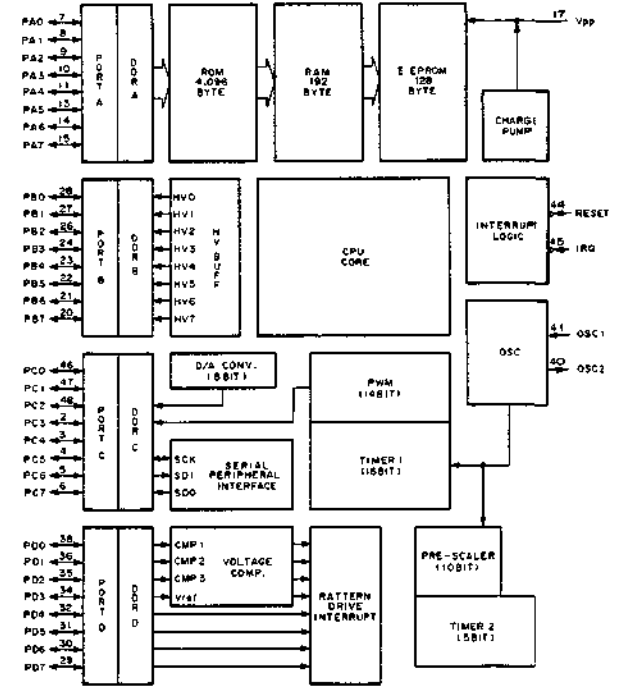
MC74HC4024N (MOTOROLA)
C-MOS 7-BIT BINARY COUNTERS
- TOP VIEW -



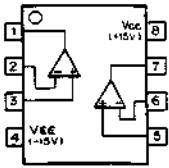
MC68HC05N4 (MOTOROLA)
C-MOS 8-BIT MICROPROCESSOR
- TOP VIEW -



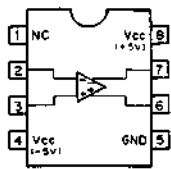
PIN NO	I/O	SYMBOL	PIN NO	I/O	SYMBOL	PIN NO	I/O	SYMBOL	PIN NO	I/O	SYMBOL
1	-	NC	19	I/O	PA5	25	-	NC	37	-	NC
2	I/O	PC3	14	I/O	PA6	26	I/O	PB2	38	I/O	PC0
3	I/O	PC4	15	I/O	PA7	27	I/O	PB1	39	-	NC
4	I/O	PC5	16	-	NC	28	I/O	PB0	40	O	OSC2
5	I/O	PC6	17	I	VPP	29	I/O	PD7	41	I	OSC1
6	I/O	PC7	18	-	GND	30	I/O	PD6	42	-	VDD (+5V)
7	I/O	PA0	19	-	NC	31	I/O	PD5	43	-	NC
8	I/O	PA1	20	I/O	PB7	32	I/O	PD4	44	I	RESET
9	I/O	PA2	21	I/O	PB6	33	-	NC	45	I	IRQ
10	I/O	PA3	22	I/O	PB5	34	I/O	PD3	46	I/O	PC0
11	I/O	PA4	23	I/O	PB4	35	I/O	PD2	47	I/O	PC1
12	-	NC	24	I/O	PB3	36	I/O	PD1	48	I/O	PC2



NJM2068DD (JRC)
 LOW NOISE OPERATIONAL AMPLIFIER
 - TOP VIEW -

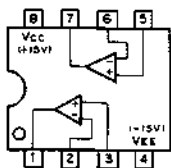


NJM360M (JRC) FLAT PACKAGE
 HIGH SPEED VOLTAGE COMPARATOR
 (TTL OUTPUT)
 - TOP VIEW -



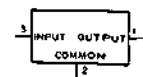
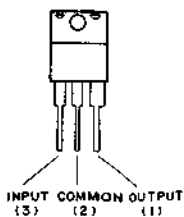
NJM4558D-D (JRC)
 NJM4558M (JRC) FLAT PACKAGE
 NJM4560D (JRC)
 NJM4560M (JRC) FLAT PACKAGE
 NJM4565M (JRC) FLAT PACKAGE
 NJM4565M-A (JRC) FLAT PACKAGE
 NJM5532D-D (JRC)
 RC4558DD (RAYTHEON)
 RC4558M (RAYTHEON) FLAT PACKAGE
 RC4560D (RAYTHEON)
 RC4560M (RAYTHEON) FLAT PACKAGE
 RC5532DD (RAYTHEON)
 UPC4558C (NEC)

DUAL OPERATIONAL AMPLIFIER
 - TOP VIEW -



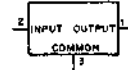
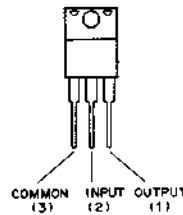
NJM7805FA (JRC) + 5V (1 A)
 NJM7809FA (JRC) + 9V (1 A)
 NJM7812FA (JRC) + 12V (1 A)
 RC7805FA (RAYTHEON) + 5V (1 A)
 RC7809FA (RAYTHEON) + 9V (1 A)

POSITIVE VOLTAGE REGULATOR
 - FRONT VIEW -



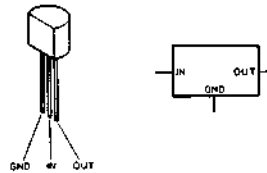
NJM7905FA (JRC) - 5V (1 A)
 NJM7909FA (JRC) - 9V (1 A)
 RC7905FA (RAYTHEON) - 5V (1 A)
 RC7909FA (RAYTHEON) - 9V (1 A)

NEGATIVE VOLTAGE REGULATOR
 - FRONT VIEW -

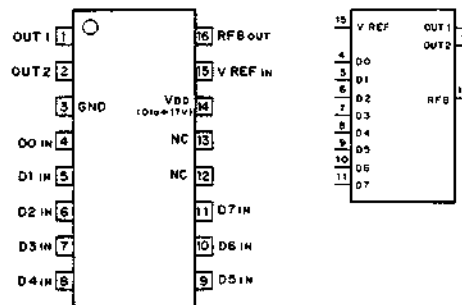


NJM79L05A (JRC) - 5V (100 mA)
 NJM79L09A (JRC) - 9V (100 mA)
 RC79L05A (RAYTHEON) - 5V (100 mA)
 RC79L09A (RAYTHEON) - 9V (100 mA)

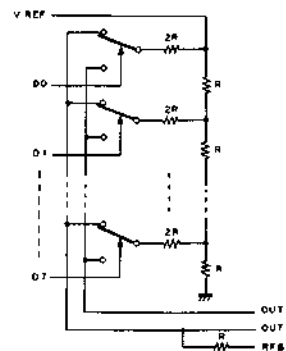
NEGATIVE VOLTAGE REGULATOR



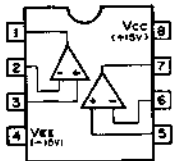
NJU8001M (JRC) FLAT PACKAGE
 C-MOS 8-BIT MULTIPLYING D/A CONVERTER
 - TOP VIEW -



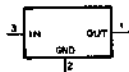
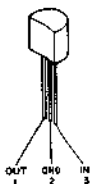
D0 - D7 : DATA INPUTS
 RFB : FEED BACK INPUT



RC4556MA (RAYTHEON) FLAT PACKAGE
 OPERATIONAL AMPLIFIER
 (WIDE BAND, DECOMPENSATED)
 - TOP VIEW -



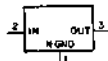
RC78L05A (RAYTHEON) +5V
 RC78L09A (RAYTHEON) +9V
 POSITIVE VOLTAGE REGULATOR (100mA)



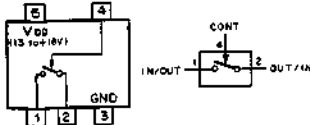
S-81230AG (SEIKO I AND E) +3V
 C-MOS VOLTAGE REGULATOR



* S-802PP → V_{DD}
 S-812PP → V_{SS}



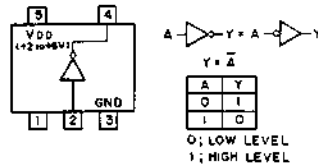
SC14566F (MOTOROLA) CHIP PACKAGE
 SC14566FEL (MOTOROLA) CHIP PACKAGE
 C-MOS BILATERAL ANALOG SWITCH
 - TOP VIEW -



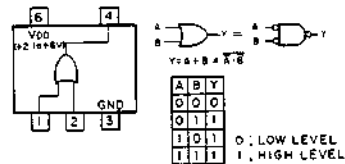
CONT	SWITCH
0	OFF
1	ON

0: LOW LEVEL
 1: HIGH LEVEL

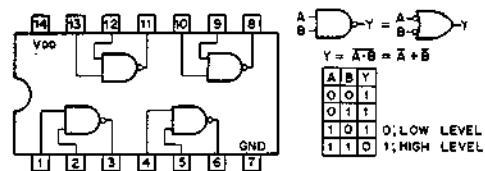
SC7504F (MOTOROLA) FLAT PACKAGE
 TC75U04F (TOSHIBA) FLAT PACKAGE
 C-MOS INVERTER
 - TOP VIEW -



SC7532F (MOTOROLA) CHIP PACKAGE
 TC7532F (TOSHIBA) CHIP PACKAGE
 C-MOS 2-INPUT OR GATE
 - TOP VIEW -



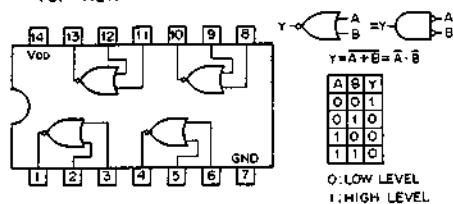
SN74HC00ANS (TI) FLAT PACKAGE
 C-MOS QUAD 2-INPUT NAND GATE
 - TOP VIEW -



NOTE

TYPE	V _{DD}
TC74AC00P TC74AC00F	+2 to +5.5V
MC74HC00N 74ACT00PC	+5V
OTHER TYPES	+2 to +6V

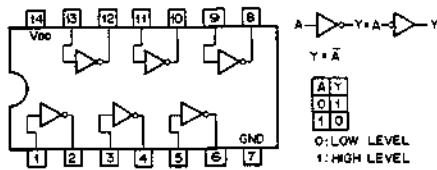
SN74HC02ANS (TI) FLAT PACKAGE
 C-MOS QUAD 2-INPUT NOR GATE
 - TOP VIEW -



NOTE:

TYPE	V _{DD}
TC74AC02F	+2 to +5.5V
OTHER TYPES	+2 to +6V

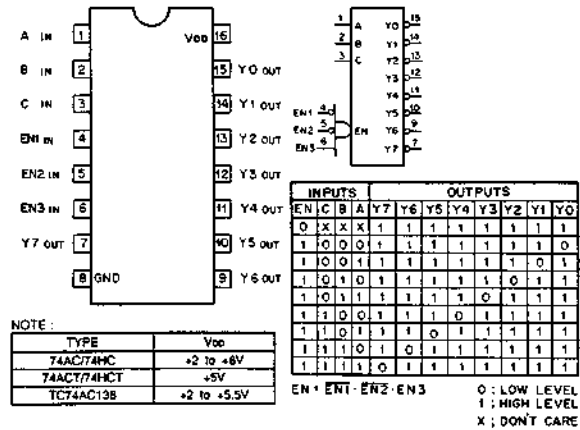
SN74HC04ANS (TI) FLAT PACKAGE
 SN74HCU04AN (TI)
 SN74HCU04ANS (TI) FLAT PACKAGE
 CMOS HEX INVERTERS
 - TOP VIEW -



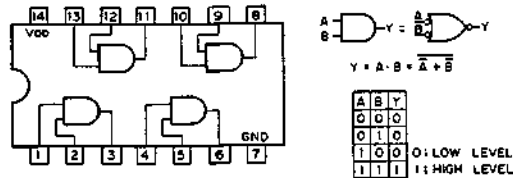
NOTE:

TYPE	V _{DD}
74ACT04 TYPES	+5V
74HCT04 TYPES	+5V
TC74AC04F	+2 to +5.5V
TC74ACT04F	+4.5 to +5.5V
OTHER TYPES	+2 to +6V

SN74HC138ANS (TI) FLAT PACKAGE
 CMOS 3-TO-8 LINE DECODER/DEMULTIPLEXER
 - TOP VIEW -



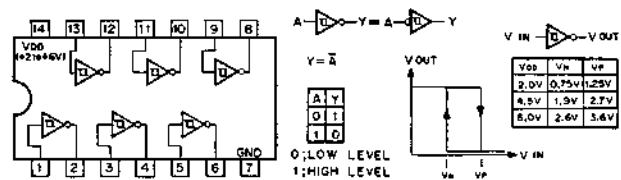
SN74HC08ANS (TI) FLAT PACKAGE
 CMOS QUAD 2-INPUT AND GATE
 - TOP VIEW -



NOTE:

TYPE	V _{DD}
TC74AC08F	+2 to +5.5V
OTHER TYPES	+2 to +6V

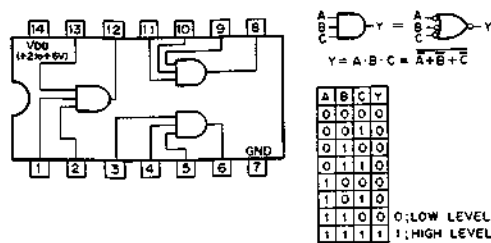
SN74HC14ANS (TI) FLAT PACKAGE
 CMOS SCHMITT TRIGGER INVERTER
 - TOP VIEW -



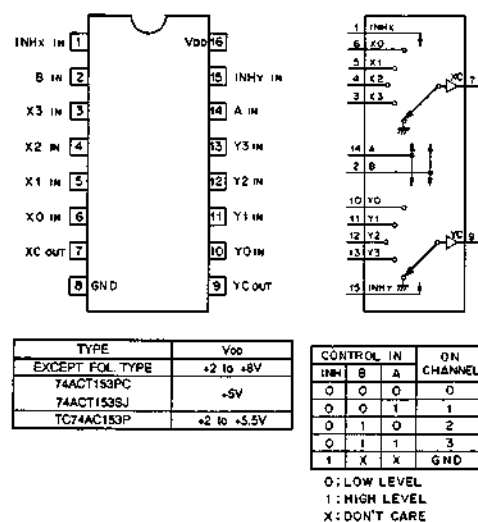
NOTE:

TYPE	V _{DD}
74ACT14HC	+2 to +6V
TC74AC14	+2 to +5.5V

SN74HC11ANS (TI) FLAT PACKAGE
 SN74HC11NS (TI) FLAT PACKAGE
 CMOS 3-INPUT POSITIVE-AND GATE

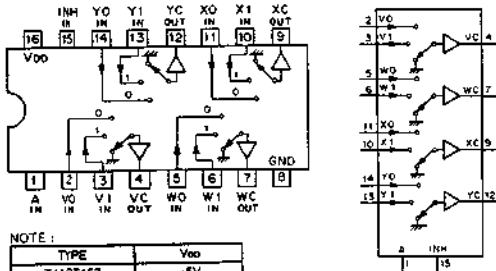


SN74HC153ANS (TI) FLAT PACKAGE
 CMOS DUAL 4-LINE-TO-1-LINE DATA SELECTOR/MULTIPLEXER
 - TOP VIEW -



SN74HC157ANS (TI) FLAT PACKAGE

C-MOS QUAD 2-LINE-TO-1-LINE DATA SELECTOR/MULTIPLEXER
- TOP VIEW -



NOTE:

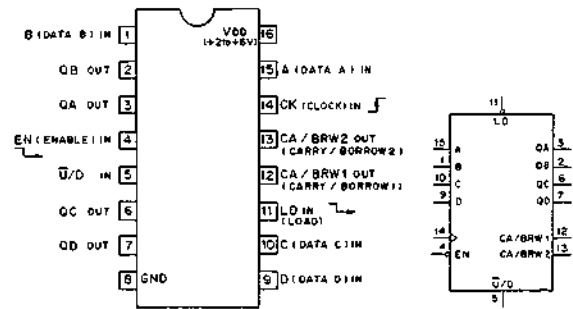
TYPE	V _{DD}
74ACT157	+5V
TC74AC157P	+2 to +5.5V
TC74AC157F	+2 to +6V
OTHER TYPES	+2 to +6V

CONT. IN	ON CHANNEL
INH A	Q
0 0	0
0 1	1
1 X	GND

0: LOW LEVEL
1: HIGH LEVEL
X: DON'T CARE

SN74HC191NS (TI) FLAT PACKAGE

C-MOS PRESETTABLE SYNCHRONOUS 4-BIT BINARY UP/DOWN COUNTER
- TOP VIEW -



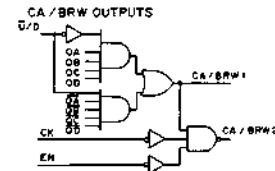
MODE SELECTION

CONTROL INPUTS			MODE
LD	EN	U/D	
0	X	X	PRESET (ASYNCHRONOUS)
1	1	X	NO COUNT
1	0	0	UP COUNT
1	0	1	DOWN COUNT

0: LOW LEVEL
1: HIGH LEVEL
X: DON'T CARE.

COUNT SEQUENCE

COUNT	OUTPUTS			
	QD	QC	QB	QA
0	0	0	0	0
1	0	0	0	1
2	0	0	1	0
3	0	0	1	1
4	0	1	0	0
5	0	1	0	1
6	0	1	1	0
7	0	1	1	1
8	1	0	0	0
9	1	0	0	1
10	1	0	1	0
11	1	0	1	1
12	1	1	0	0
13	1	1	0	1
14	1	1	1	0
15	1	1	1	1

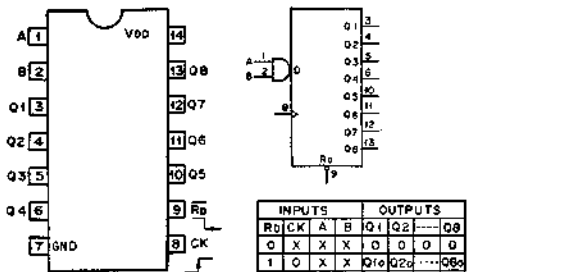


CA/BRW1 OUTPUT IS HIGH WHEN COUNT IS "15" AT UP-COUNT OR WHEN COUNT IS "0" AT DOWN COUNT.

CA/BRW2 OUTPUT IS LOW WHEN BOTH THE CLOCK AND EN INPUTS ARE LOW AND CA/BRW1 OUTPUT IS HIGH.

SN74HC164NS (TI) FLAT PACKAGE

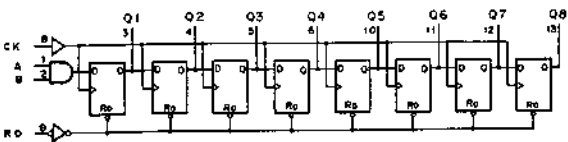
C-MOS 8-BIT SERIAL-IN/PARALLEL-OUT SHIFT REGISTER
- TOP VIEW -



INPUTS		OUTPUTS									
Rd	CK	A	B	Q1	Q2	Q3	Q4	Q5	Q6	Q7	Q8
0	X	X	X	0	0	0	0	0	0	0	0
1	0	X	X	Q1n	Q2n	Q3n	Q4n	Q5n	Q6n	Q7n	Q8n
1	1	1	1	Q1n	Q2n	Q3n	Q4n	Q5n	Q6n	Q7n	Q8n
1	1	0	X	Q1n	Q2n	Q3n	Q4n	Q5n	Q6n	Q7n	Q8n
1	1	X	0	Q1n	Q2n	Q3n	Q4n	Q5n	Q6n	Q7n	Q8n

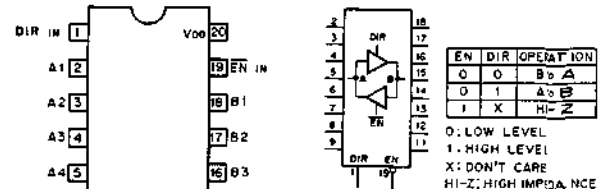
NOTE:

TYPE	V _{DD}
TC74AC164F	+2 to +5.5V
OTHER TYPES	+2 to +6V



SN74HC245ANS (TI) FLAT PACKAGE

C-MOS BILATERAL BUS TRANSCEIVERS WITH 3-STATE OUTPUTS
- TOP VIEW -

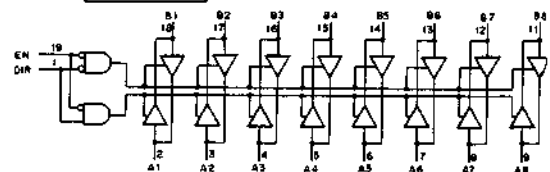


EN	DIR	OPERATION
0	0	B to A
0	1	A to B
1	X	HI-Z

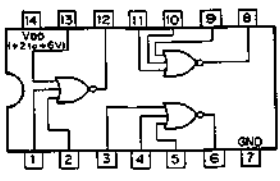
0: LOW LEVEL
1: HIGH LEVEL
X: DON'T CARE
HI-Z, HIGH IMPEDANCE

NOTE:

TYPE	V _{DD}
AC HC	+2 to +6V
ACT HCT	+5V
TC74AC245F	+2 to +5.5V
TC74AC245P	+2 to +5.5V



SN74HC27NS (TI) FLAT PACKAGE
C-MOS 3-LINE POSITIVE-NOR GATE
 - TOP VIEW -

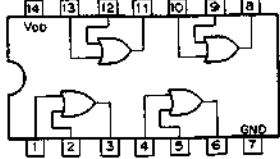


$Y = \overline{A+B+C} = \overline{A} \cdot \overline{B} \cdot \overline{C}$

A	B	C	Y
0	0	0	1
0	0	1	0
0	1	0	0
0	1	1	0
1	0	0	0
1	0	1	0
1	1	0	0
1	1	1	0

0; LOW LEVEL
1; HIGH LEVEL

SN74HC32ANS (TI) FLAT PACKAGE
C-MOS 2-INPUT OR GATE
 - TOP VIEW -



$Y = A + B = \overline{\overline{A} \cdot \overline{B}}$

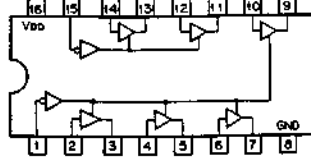
A	B	Y
0	0	0
0	1	1
1	0	1
1	1	1

0; LOW LEVEL
1; HIGH LEVEL

NOTE:

TYPE	V _{cc}
TC74AC32	+2 to +5.5V
OTHER TYPES	+2 to +6V

SN74HC367ANS (TI) FLAT PACKAGE
C-MOS BUS DRIVER WITH 3-STATE OUTPUTS
 - TOP VIEW -



$Y = \overline{A}$

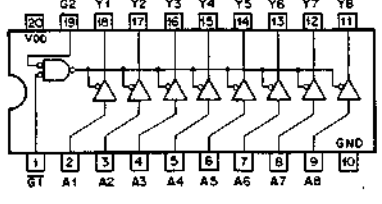
G	A	Y
0	0	0
0	1	1
1	X	Hi-Z

0; LOW LEVEL
1; HIGH LEVEL
X; DON'T CARE
Hi-Z; HIGH IMPEDANCE

NOTE:

TYPE	V _{cc}
TC74AC367	+2 to +5.5V
OTHER TYPES	+2 to +6V

SN74HC541ANS (TI) FLAT PACKAGE
C-MOS BUFFERS AND LINE DRIVERS WITH 3-STATE OUTPUTS
 - TOP VIEW -



$Y = \overline{A}$

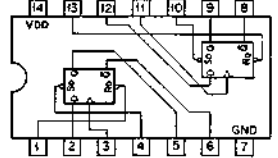
G1	G2	A	Y
0	0	0	0
0	0	1	1
1	X	X	Hi-Z
X	1	X	Hi-Z

0; LOW LEVEL
1; HIGH LEVEL
X; DON'T CARE
Hi-Z; HIGH IMPEDANCE

NOTE:

TYPE	V _{cc}
AC	+2 to +5.5V
HC	+2 to +6V
ACTHCT	+5V

SN74HC74ANS (TI) FLAT PACKAGE
C-MOS D-TYPE FLIP FLOP WITH DIRECT SET/RESET
 - TOP VIEW -



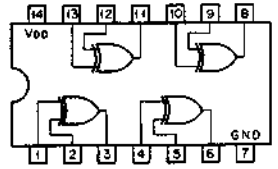
INPUTS	OUTPUTS				
Set	R	CK	D	Qn+1	Qn+1'
0	1	X	X	1	0
1	0	X	X	0	1
0	0	X	X	1	1
1	1	1	1	1	0
1	1	1	0	0	1
1	1	0	X	Qn	Qn'

0; LOW LEVEL
1; HIGH LEVEL
X; DON'T CARE

NOTE:

TYPE	V _{cc}
74ACT	+5V
TC74AC74F	+2 to +5.5V
TC74ACT74F	+4.5 to +5.5V
OTHER TYPES	+2 to +6V

SN74HC86ANS (TI) FLAT PACKAGE
C-MOS EXCLUSIVE OR GATE
 - TOP VIEW -



$Y = \overline{A} \cdot B + A \cdot \overline{B}$

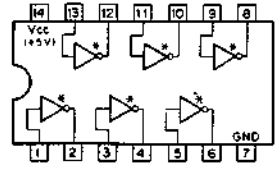
A	B	Y
0	0	0
0	1	1
1	0	1
1	1	0

0; LOW LEVEL
1; HIGH LEVEL

NOTE:

TYPE	V _{cc}
TC74AC86F	+2 to +5.5V
OTHER TYPES	+2 to +6V

SN74LS06NS (TI) FLAT PACKAGE
TTL INVERTER BUFFER/DRIVER WITH OPEN-COLLECTOR
 - TOP VIEW -

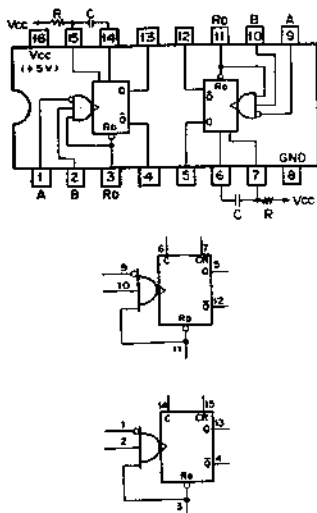


$Y = \overline{A}$

A	Y
0	1
1	0
1	0

0; LOW LEVEL
1; HIGH LEVEL
*: OPEN COLLECTOR

SN74LS123NS (TI) FLAT PACKAGE
TTL RETRIGGERABLE MONOSTABLE MULTIVIBRATOR WITH DIRECT RESET
 - TOP VIEW -



INPUTS		OUTPUTS	
Rd	A B	Q	Q'
0	X X	0	1
X	1 X	0	1
X	X 0	0	1
1	0 1	1	0
1	1 1	1	0
1	0 1	1	0

OUTPUT PULSE WIDTH

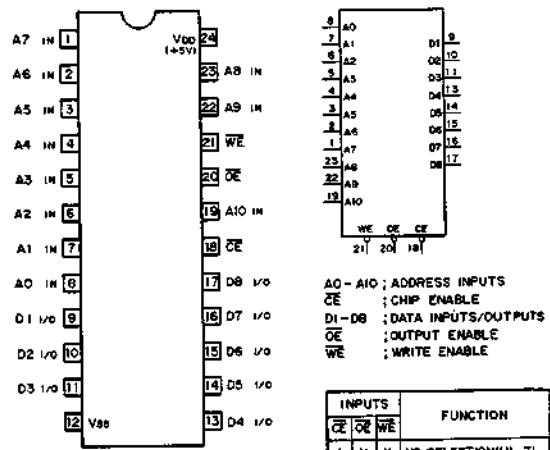
$$T_{123} = 0.28 \left(1 + \frac{2CR}{R} \right) CR$$

$$T_{L123} = 0.53 \left(1 + \frac{2CR}{R} \right) CR$$

$$T_{123} = 0.25 \left(1 + \frac{2CR}{R} \right) CR$$

$$T_{L123} = 0.29 \left(1 + \frac{2CR}{R} \right) CR$$

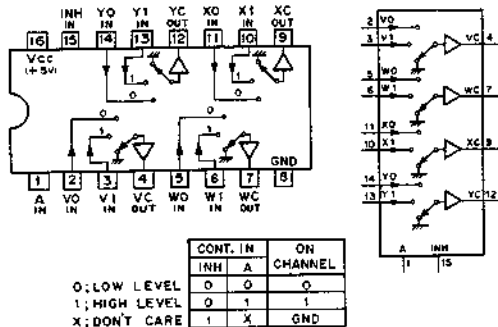
SRM2016M10 (SEIKO EPSON) FLAT PACKAGE
C-MOS 16384-BIT (2048x8) STATIC RAM
 - TOP VIEW -



CE	OE	WE	FUNCTION
1	X	X	NO SELECTION(HI-Z)
0	1	1	OUTPUT DISABLE(HI-Z)
0	0	1	READ
0	X	0	WRITE

0 : LOW LEVEL
 1 : HIGH LEVEL
 X : DON'T CARE
 HI-Z : HIGH IMPEDANCE

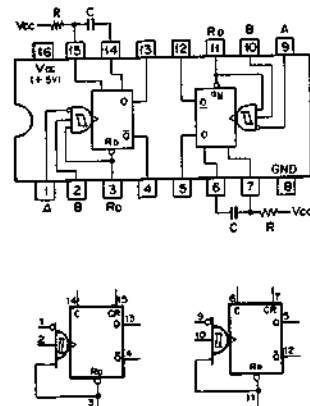
SN74LS157NS (TI) FLAT PACKAGE
TTL 2LINE-TO-1-LINE DATA SELECTOR/MULTIPLEXER
 - TOP VIEW -



CONT. IN		ON CHANNEL	
INH	A	Q	Q'
0	0	0	0
0	1	0	1
1	X	GND	GND

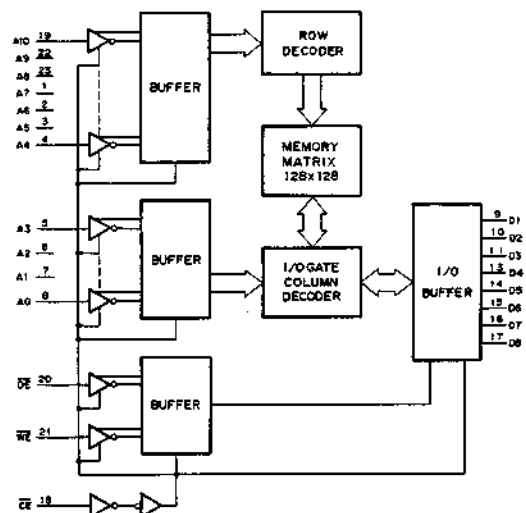
0 : LOW LEVEL
 1 : HIGH LEVEL
 X : DON'T CARE

SN74LS221NS (TI) FLAT PACKAGE
TTL MONOSTABLE MULTIVIBRATOR WITH SCHMITT TRIGGER INPUT
 - TOP VIEW -

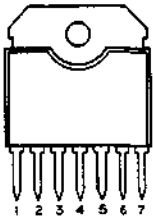


INPUTS		OUTPUTS	
Rd	A B	Q	Q'
0	X X	0	1
X	1 X	0	1
X	X 0	0	1
1	0 1	1	0
1	1 1	1	0
1	0 1	1	0

OUTPUT PULSE WIDTH = 0.7CR

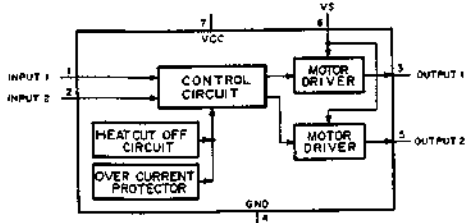


TA7267P (TOSHIBA)
DC MOTOR DRIVER
- PRINTED SIDE VIEW -

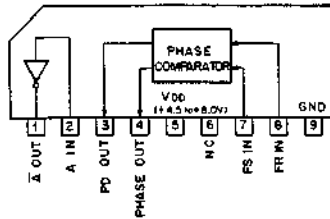


INPUTS		OUTPUTS		MODE
1	2	1	2	
1	1	0	0	BRAKE
0	1	0	1	ROTATION/REV. ROTATION
1	0	1	0	REV. ROTATION/ROTATION
0	0	H-Z		STOP

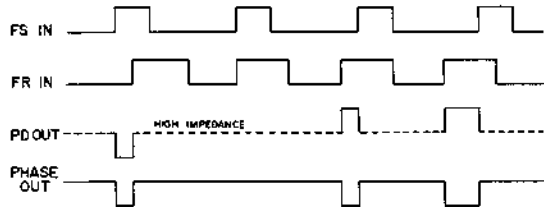
0 : LOW LEVEL
1 : HIGH LEVEL
H-Z : HIGH IMPEDANCE



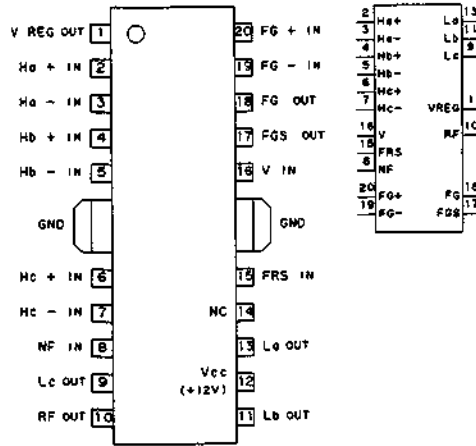
TC5081AP (TOSHIBA)
CMOS PHASE COMPARATOR
- SIDE VIEW -



PHASE COMPARATOR TIMING CHART

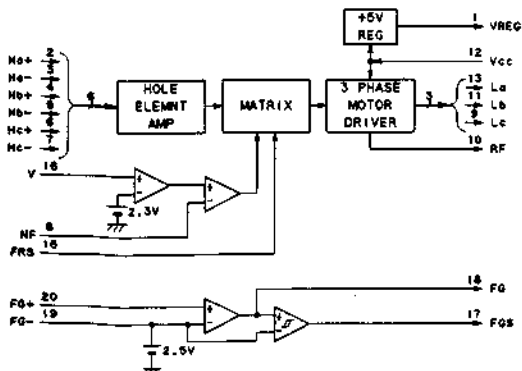


TA8424F (TOSHIBA)
MOTOR DRIVER FOR DIRECT CURRENT COMPACT MOTOR
- TOP VIEW -

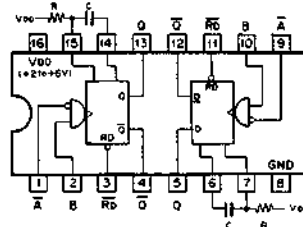


INPUT
FG +/- : FG INPUT AMP
FRS : MOTOR ROTATIONAL DIRECTION CONTROL
Ha, Hb, Hc +/- : HOLE ELEMENT AMP
NF : FEEDBACK OUTPUT CURRENT
V : CONTROL VOLTAGE

OUTPUT
FG : FG GAIN AMP
FGS : FG HYSTERESIS AMP
La, Lb, Lc : 3 PHASE MOTOR DRIVE
RF : OUTPUT CURRENT DETECTOR
V REG : VOLTAGE REGULATOR



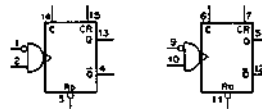
TC74HC123AF (TOSHIBA) FLAT PACKAGE
CMOS DUAL RETRIGGERABLE MONOSTABLE MULTIVIBRATOR
- TOP VIEW -



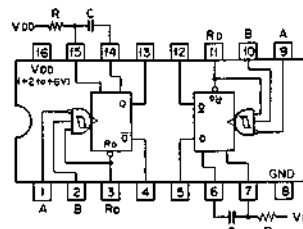
INPUT		OUTPUT	
Rd	A	Q	Q'
0	X	X	0
1	1	X	0
1	X	0	1
1	0	1	1
1	1	1	1
1	0	1	1

0 : LOW LEVEL
1 : HIGH LEVEL
X : DON'T CARE

OUTPUT PULSE WIDTH = 0.46CR



TC74HC221AF (TOSHIBA) FLAT PACKAGE
CMOS MONOSTABLE MULTIVIBRATOR WITH SCHMITT TRIGGER INPUT
- TOP VIEW -

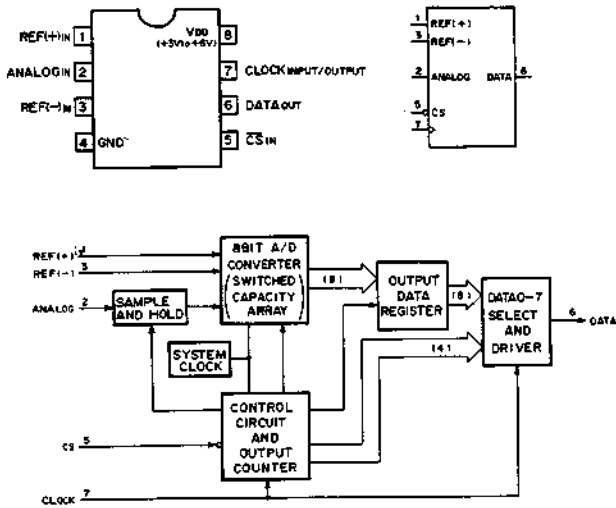


INPUTS		OUTPUTS	
Rd	A	Q	Q'
0	X	X	0
X	1	X	0
X	X	0	1
1	0	1	1
1	1	1	1
1	0	1	1

0 : LOW LEVEL
1 : HIGH LEVEL
X : DON'T CARE

OUTPUT PULSE WIDTH = 0.7CR

TLC5491PS (T1) FLAT PACKAGE
CMOS 8 BIT A/D CONVERTER
- TOP VIEW -



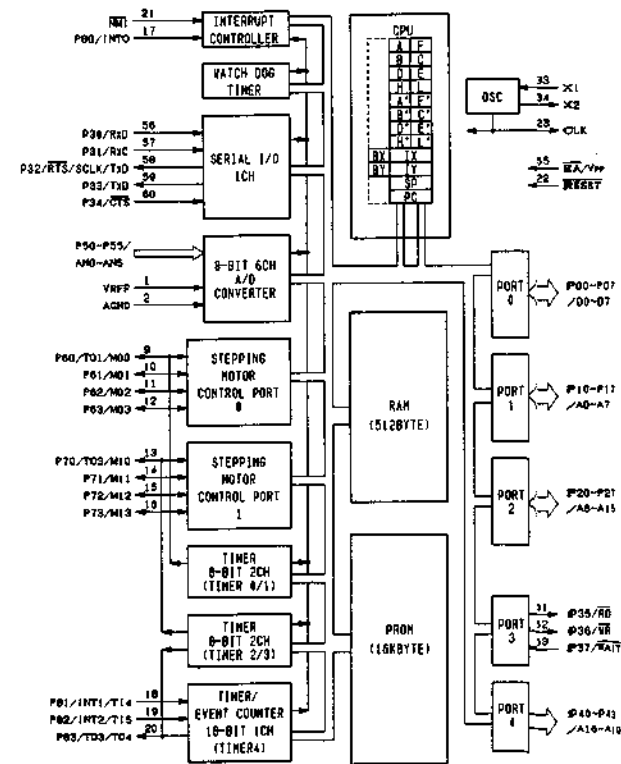
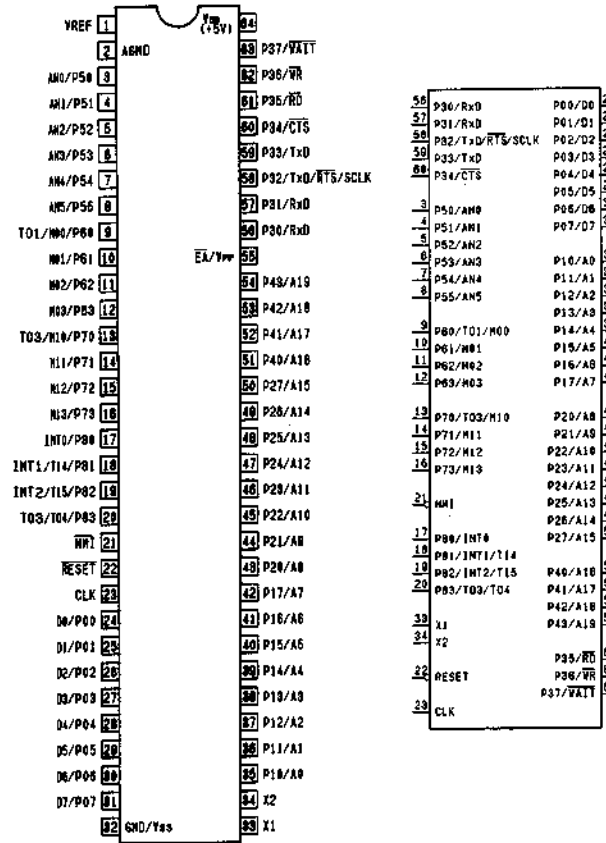
MCU MODE

- INPUT**
- AN0 - AN5 : ANALOG INPUT
 - CTS : CLEAR TO SEND THE SERIAL DATA
 - EA : EXTERNAL ACCESS
 - INT0 - INT2 : INTERRUPT REQUEST PIN 0-2
 - NMI : NON MASKABLE INTERRUPT REQUEST PIN
 - P30, 31, 34, 37 : PORT 30, 31, 34, 37
 - P50 - P55 : PORT 5
 - P80, 81, 82 : PORT 80, 81, 82
 - RESET : RESET
 - RXD : SERIAL RECEIVE DATA
 - T14, 5 : TIMER INPUT 4, 5
 - WAIT : WAIT
- OUTPUT**
- A0 - A7 : ADDRESS BUS
 - A16 - A19 : ADDRESS BUS
 - AB - A15 : ADDRESS BUS
 - CLK : CLOCK OUTPUT
 - M00 - M03 : STEPPING MOTOR CONTROL PORT 0
 - M10 - M13 : STEPPING MOTOR CONTROL PORT 1
 - P32, 33, 35, 36 : PORT 32, 33, 35, 36
 - P40 - P43 : PORT 4
 - P83 : PORT 83
 - RD : READ
 - RTS : REQUEST TO SEND THE SERIAL DATA
 - SClk : SERIAL CLOCK OUTPUT
 - TO1, 3-5 : TIMER OUTPUT 1, 3-5
 - TXD : SERIAL SEND DATA
 - WR : WRITE
- INPUT/OUTPUT**
- DO - DT : DATA BUS
 - P00 - P07 : PORT 0
 - P10 - P17 : PORT 1
 - P20 - P27 : PORT 2
 - P60 - P63 : PORT 6
 - P70 - P73 : PORT 7
 - X1, 2 : CRYSTAL OSCILLATION CONNECTION PIN

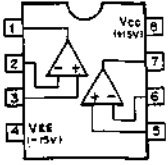
PROM MODE

- INPUT**
- A14, 15 : FIXED TO LOW LEVEL
 - A0 - A7, A8 - A13 : PROGRAM MEMORY ADDRESS INPUT
- INPUT/OUTPUT**
- DO - DT : PROGRAM MEMORY DATA INPUT/OUTPUT

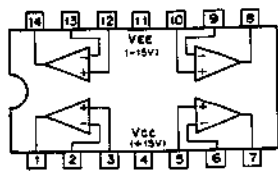
TMP91CS40N-2306 (TOSHIBA)
CMOS 8-BIT MICROCONTROLLER
- TOP VIEW -



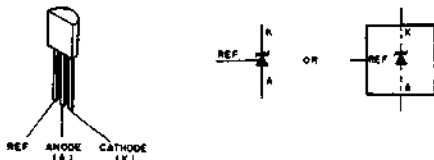
TL072ACP (TI)
OPERATIONAL AMPLIFIER
(LOW-NOISE, JFET-INPUT)
- TOP VIEW -



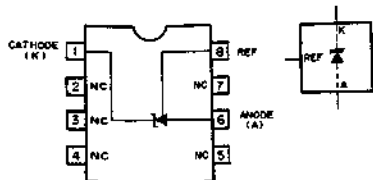
TL084CNS (TI) FLAT PACKAGE
OPERATIONAL AMPLIFIER
(J FET-INPUT)
- TOP VIEW -



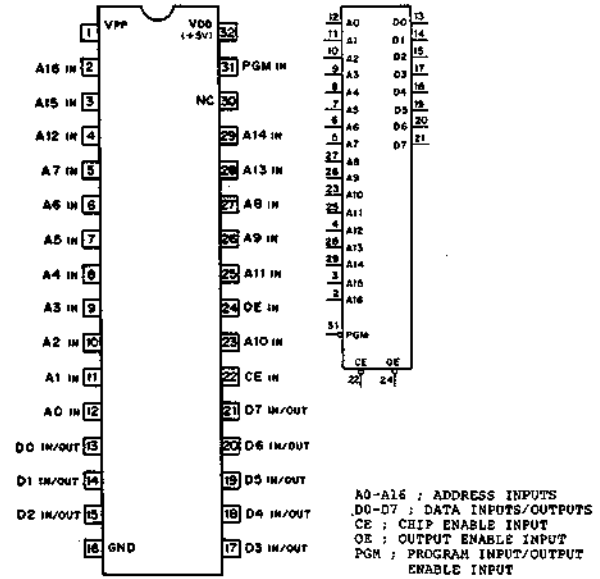
TL431CLP (TI)
ADJUSTABLE PRECISION SHUNT REGULATOR



TL431CPS (TI) FLAT PACKAGE
ADJUSTABLE PRECISION SHUNT REGULATOR
- TOP VIEW -



TMS27C010A-15JL (TI)
C-MOS 1M (131072x8)-BIT EPROM
- TOP VIEW -



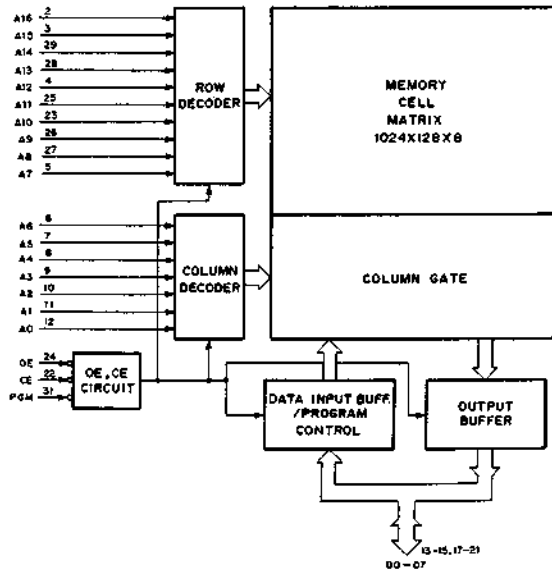
READ MODE (V₀₀=+5V, V_{pp}=+5V)

OE	CE	PGM	A0-A16	D0-D7	FUNCTION
0	0	1	A IN	D OUT	ACTIVE
X	1	X	X	HI-Z	STANDBY
1	0	X	A IN	HI-Z	OUTPUT
X	0	0	A IN	HI-Z	DISABLE

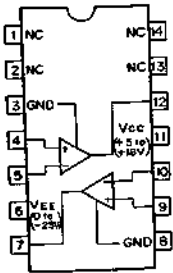
0; LOW LEVEL
 1; HIGH LEVEL
 X; DON'T CARE
 HI-Z; HIGH-IMPEDANCE

PROGRAM MODE (V₀₀=+5V, V_{pp}=+12.5V)

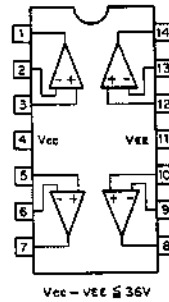
MODE	OE	CE	PGM	A0-A16	D0-D7	FUNCTION
1-BYTE PROGRAM	1	0	0	A IN	D IN	PROGRAM
PROGRAM MODE	0	0	1	A IN	D OUT	VERIFY
	1	0	1	A IN	HI-Z	PROGRAM INHIBIT
4-BYTE PROGRAM MODE	1	1	1	A IN	D IN	PROGRAM DATA INPUT
	0	1	0	A0, A1; X A2-A16; A IN	HI-Z	PROGRAM
	0	0	1	A IN	D OUT	VERIFY
	0	1	1	A IN	HI-Z	PROGRAM INHIBIT



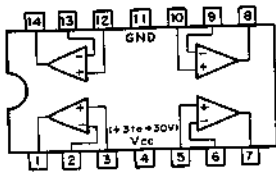
UPC319G2 (NEC) FLAT PACKAGE
DUAL VOLTAGE COMPARATOR
- TOP VIEW -



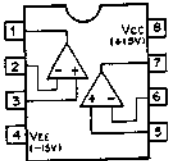
UPC4574G2 (NEC)
QUAD OPERATIONAL AMPLIFIER
- TOP VIEW -



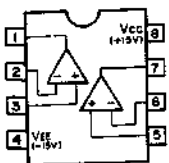
UPC324G2 (NEC) FLAT PACKAGE
QUAD. OP. AMPLIFIER
- TOP VIEW -



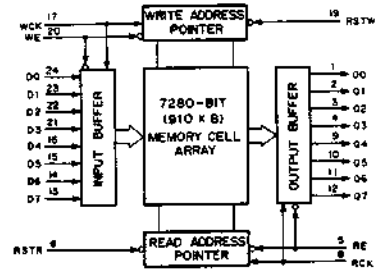
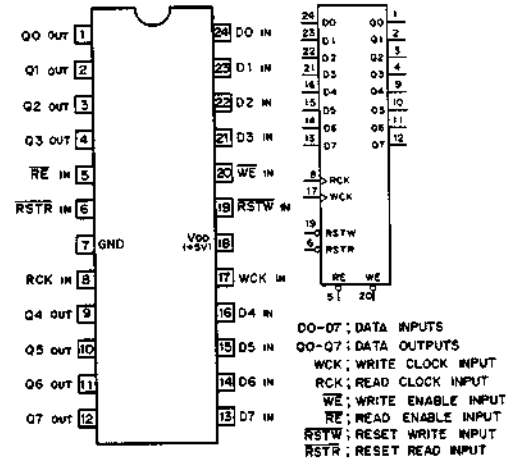
UPC4557C (NEC)
UPC4572C (NEC)
OPERATIONAL AMPLIFIER (WIDE BAND, LOW NOISE)
- TOP VIEW -



UPC4570G2 (NEC) FLAT PACKAGE
OPERATIONAL AMPLIFIER
- TOP VIEW -

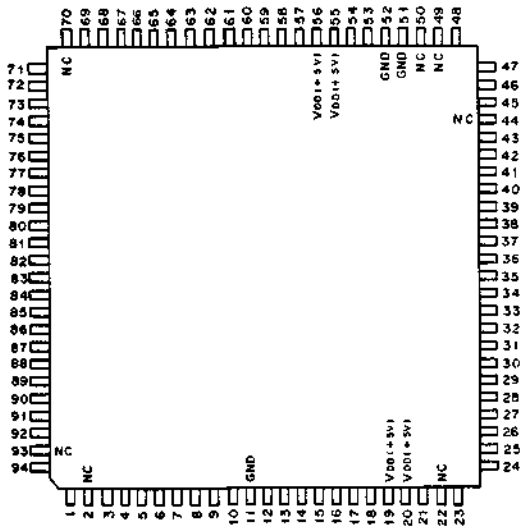


UPD42101C-3 (NEC)
CMOS 7K (910x8)-BIT FIFO MEMORY
- TOP VIEW -



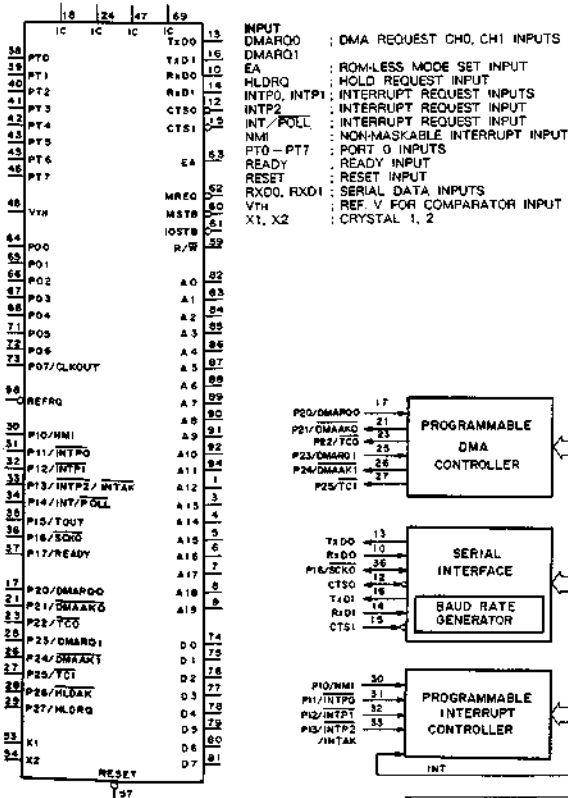
UPD70320GJ-8-5BG (NEC)

C-MOS SINGLE CHIP 16/8-BIT MICROCOMPUTER
- TOP VIEW -



(V_{DD} = +5V)

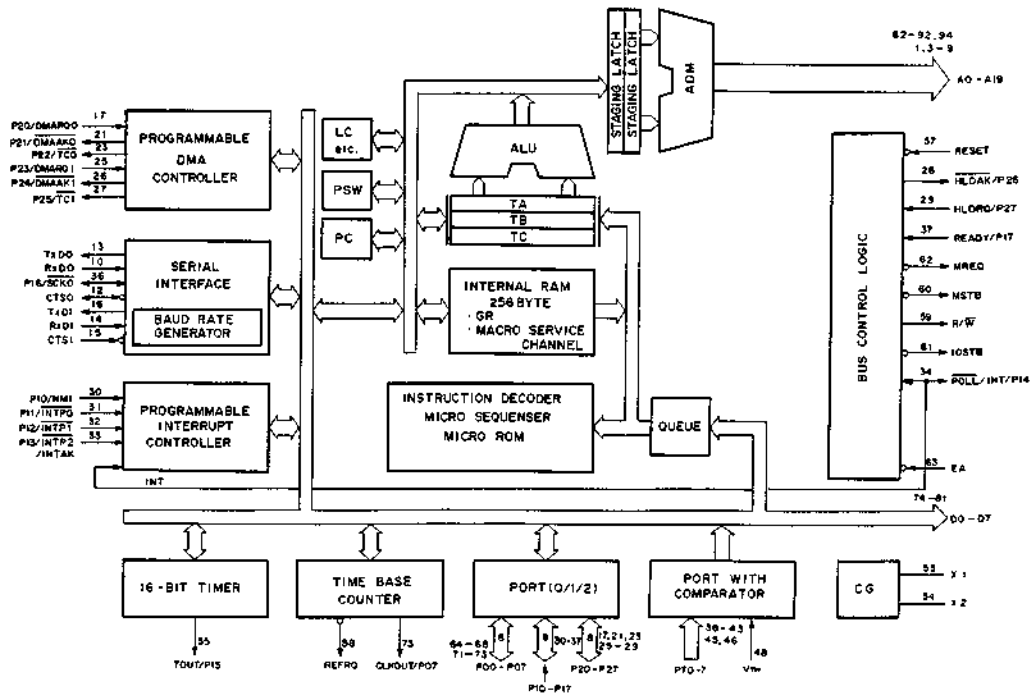
PIN No.	I/O	SYMBOL	PIN No.	I/O	SYMBOL	PIN No.	I/O	SYMBOL
1	O	A12	33	I/O	P13/INTP2/INTAK	65	I/O	P01
2	-	NC	34	I/O	P14/INT/POLL	66	I/O	P02
3	O	A13	35	I/O	P15/TOUT	67	I/O	P03
4	O	A14	36	I/O	P16/SCKO	68	I/O	P04
5	O	A15	37	I/O	P17/READY	69	-	INT.CONNECT
6	O	A16	38	I	PT0	70	-	NC
7	O	A17	39	I	PT1	71	I/O	P05
8	O	A18	40	I	PT2	72	I/O	P06
9	O	A19	41	I	PT3	73	I/O	P07/CLKOUT
10	I	RxD0	42	I	PT4	74	I/O	D0
11	-	GND	43	I	PT5	75	I/O	D1
12	I/O	CTS0	44	-	NC	76	I/O	D2
13	O	TxD0	45	I	PT6	77	I/O	D3
14	I	RxD1	46	I	PT7	78	I/O	D4
15	I	CTS1	47	-	INT.CONNECT	79	I/O	D5
16	O	TxD1	48	-	VTH	80	I/O	D6
17	I/O	P20/DMARQ0	49	-	NC	81	I/O	D7
18	-	INT.CONNECT	50	-	NC	82	O	A0
19	-	VDD	51	-	GND	83	O	A1
20	-	VDD	52	-	GND	84	O	A2
21	I/O	P21/DMAAK0	53	-	X1	85	O	A3
22	-	NC	54	-	X2	86	O	A4
23	I/O	P22/TC0	55	-	VDD	87	O	A5
24	-	INT.CONNECT	56	-	VDD	88	O	A6
25	I/O	P23/DMARQ1	57	I	RESET	89	O	A7
26	I/O	P24/DMAAK1	58	O	REFRQ	90	O	A8
27	I/O	P25/TC1	59	O	R/W	91	O	A9
28	I/O	P26/HLDAK	60	O	MSTB	92	O	A10
29	I/O	P27/HLDORQ	61	O	IOSTB	93	-	NC
30	I	P10/NIMI	62	O	MREQ	94	O	A11
31	I	P11/INTP0	63	I	EA			
32	I	P12/INTP1	64	I/O	P00			



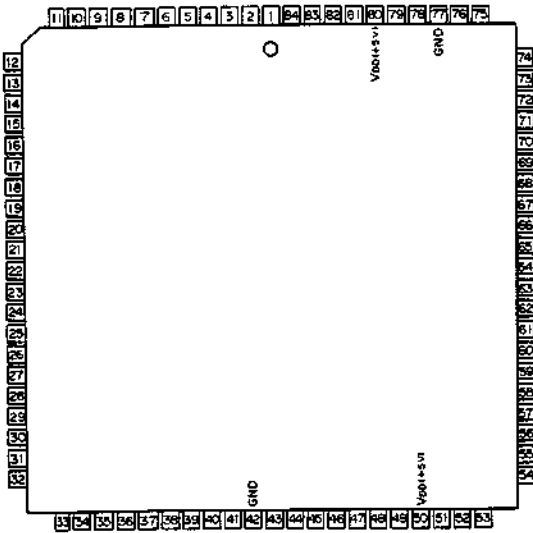
INPUT
 DMARQ0 : DMA REQUEST CH0, CH1 INPUTS
 DMARQ1 :
 EA : ROM/LESS MODE SET INPUT
 HLDORQ : HOLD REQUEST INPUT
 INTP0, INTP1 : INTERRUPT REQUEST INPUTS
 INTP2 : INTERRUPT REQUEST INPUT
 INT/POLL : INTERRUPT REQUEST INPUT
 NMI : NON-MASKABLE INTERRUPT INPUT
 PTO - PT7 : PORT 0 INPUTS
 READY : READY INPUT
 RESET : RESET INPUT
 RXD0, RXD1 : SERIAL DATA INPUTS
 VTH : REF. V FOR COMPARATOR INPUT
 X1, X2 : CRYSTAL 1, 2

OUTPUT
 A0 - A19 : ADDRESS BUS OUTPUTS
 CLKOUT : SYSTEM CLOCK OUTPUT
 DMAAK0 : DMA ACKNOWLEDGE CH0, CH1 OUTPUTS
 DMAAK1 : HOLD ACKNOWLEDGE OUTPUT
 HLDAK :
 INTAK : INTERRUPT ACKNOWLEDGE OUTPUT
 IOSTB : I/O READ/WRITE STROBE OUTPUT
 MREQ : MEMORY REQUEST OUTPUT
 MSTB : MEMORY READ/WRITE STROBE OUTPUT
 REFRQ : REFRESH REQUEST OUTPUT
 R/W : READ AND WRITE CYCLE OUTPUT
 SCKO : SERIAL CLOCK OUTPUT
 TC0, TC1 : DMA (CH0/CH1) ENDING OUTPUTS
 TOUT : TIMER OUTPUT
 TXD0, TXD1 : SERIAL DATA OUTPUTS

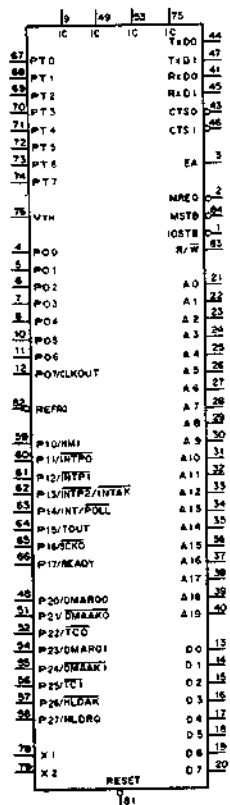
INPUT/OUTPUT
 CTS0, CTS1 : CLEAR TO SEND INPUT/OUTPUT
 D0 - D7 : DATA BUS INPUTS/OUTPUTS
 P00 - P07 : PORT 0 INPUTS/OUTPUTS
 P10 - P17 : PORT 1 INPUTS/OUTPUTS
 P20 - P27 : PORT 2 INPUTS/OUTPUTS



UPD70320L-8 (NEC)
C-MOS 16-BIT MICROPROCESSOR
- TOP VIEW -

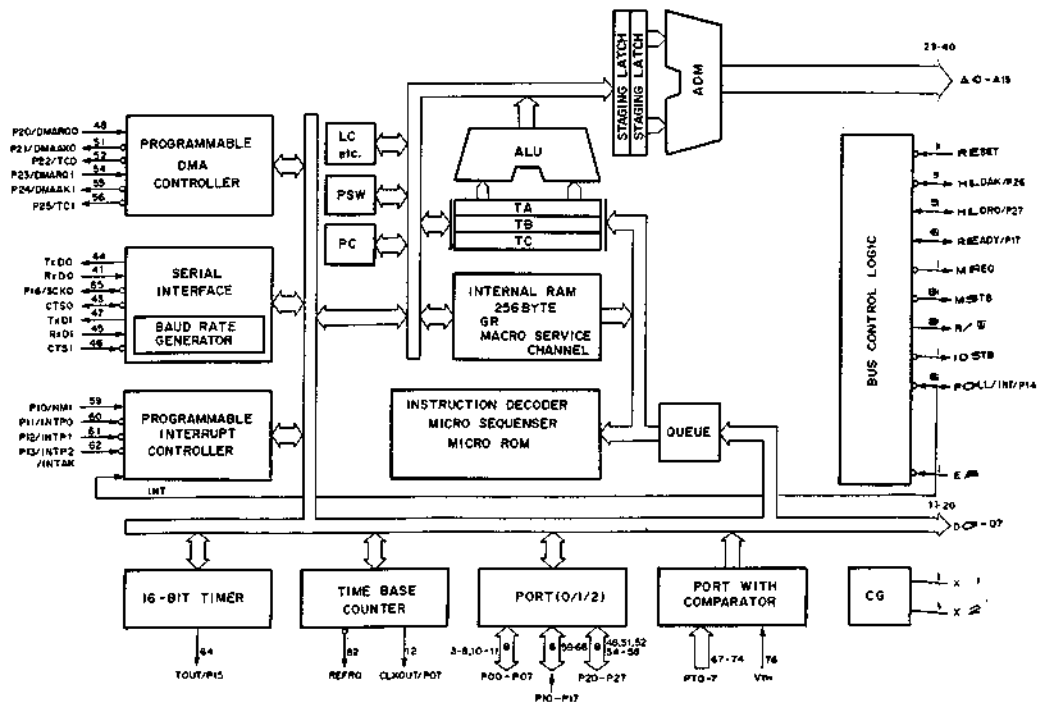


PIN No.	I/O	SYMBOL	PIN No.	I/O	SYMBOL	PIN No.	I/O	SYMBOL
1	O	IOSTB	29	O	A8	57	I/O	P26/HLDAK
2	O	MREQ	30	O	A9	58	I/O	P27/HLDRO
3	I	EA	31	O	A10	59	I/O	P10/NMI
4	I/O	P00	32	O	A11	60	I/O	P11/INTP0
5	I/O	P01	33	O	A12	61	I/O	P12/INTP1
6	I/O	P02	34	O	A13	62	I/O	P13/INTF2/INTAK
7	I/O	P03	35	O	A14	63	I/O	P14/INT/POLL
8	I/O	P04	36	O	A15	64	I/O	P15/TOUT
9	-	IC	37	O	A16	65	I/O	P16/SCKO
10	I/O	P05	38	O	A17	66	I/O	P17/READY
11	I/O	P06	39	O	A18	67	I	PT0
12	I/O	P07/CLKOUT	40	O	A19	68	I	PT1
13	I/O	D0	41	I	RXD0	69	I	PT2
14	I/O	D1	42	-	GND	70	I	PT3
15	I/O	D2	43	I/O	CTS0	71	I	PT4
16	I/O	D3	44	O	TXD0	72	I	PT5
17	I/O	D4	45	I	RXD1	73	I	PT6
18	I/O	D5	46	I	CTS1	74	I	PT7
19	I/O	D6	47	O	TXD1	75	-	IC
20	I/O	D7	48	I/O	P20/DMAREQ0	76	I	V _M
21	O	A0	49	-	IC	77	-	GND
22	O	A1	50	I	V _{CC} (+5V)	78	-	X1
23	O	A2	51	I/O	P21/DMAAK0	79	-	X2
24	O	A3	52	I/O	P22/TC0	80	O	V _{DD} (-5V)
25	O	A4	53	-	IC	81	I	RESET
26	O	A5	54	I/O	P23/DMARQ1	82	O	REFRQ
27	O	A6	55	I/O	P24/DMAAK1	83	O	R/W
28	O	A7	56	I/O	P25/TC1	84	O	MSTB

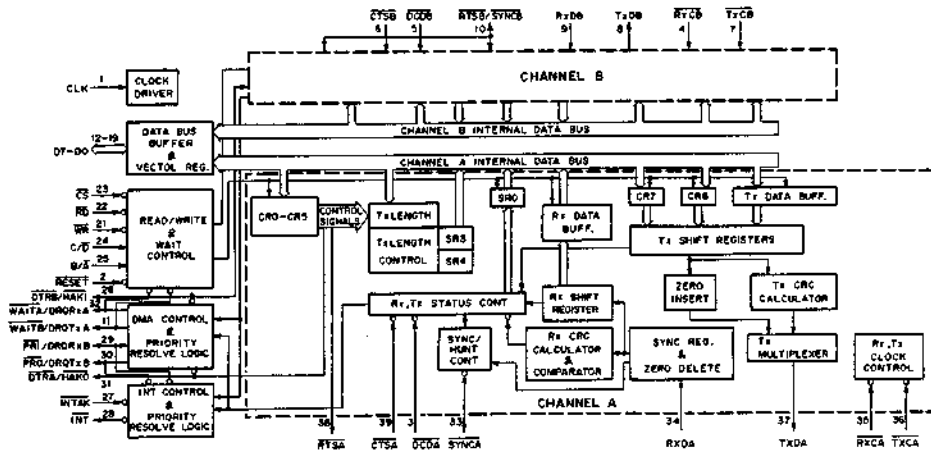
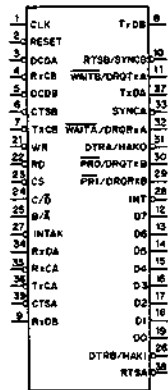
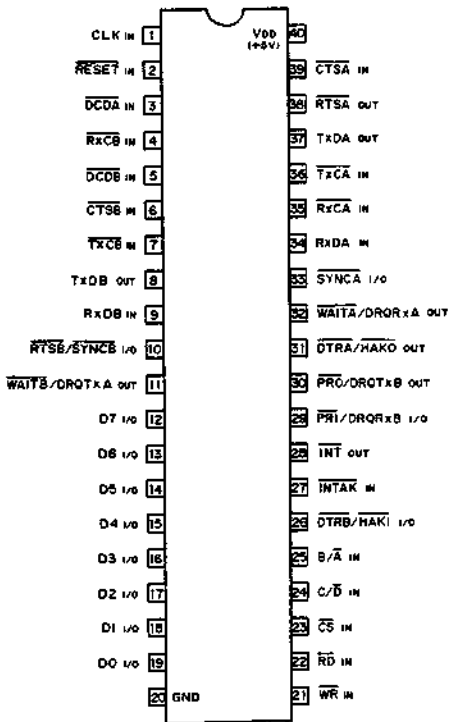


- A0 - A19 : ADDRESS BUS OUTPUTS
- CLKOUT : SYSTEM CLOCK OUTPUT
- CTS0, CTS1 : CLEAR TO SEND INPUT/OUTPUT
- D0 - D7 : DATA BUS INPUTS/OUTPUTS
- DMAAK0, DMAAK1 : DMA ACKNOWLEDGE CH0, CH1 OUTPUTS
- DMARQ0, DMARQ1 : DMA REQUEST CH0, CH1 INPUTS
- EA : ROM-LESS MODE SET INPUT
- HLDK : HOLD ACKNOWLEDGE OUTPUT
- HLDRO : HOLD REQUEST INPUT
- IC : INTERNAL CONNECT
- INTP0, INTP1 : INTERRUPT REQUEST INPUTS
- INTP2 : INTERRUPT REQUEST INPUT
- INTAK : INTERRUPT ACKNOWLEDGE OUTPUT
- I/O STB : I/O READ/WRITE STROBE OUTPUT
- MREQ : MEMORY REQUEST OUTPUT
- MSTB : MEMORY READ/WRITE STROBE OUTPUT
- NMI : NON-MASKABLE INTERRUPT INPUT

- P00 - P07 : PORT 0 INPUTS/OUTPUTS
- P10 - P17 : PORT 1 INPUTS/OUTPUTS
- P20 - P27 : PORT 2 INPUTS/OUTPUTS
- PT0 - PT7 : PORT 0 INPUTS
- INT/POLL : INTERRUPT REQUEST INPUT
- READY : READY INPUT
- REFRQ : REFRESH REQUEST OUTPUT
- RESET : RESET INPUT
- R/W : READ AND WRITE CYCLE OUTPUT
- RXD0, RXD1 : SERIAL DATA INPUTS
- SKCO : SERIAL CLOCK OUTPUT
- TC0, TC1 : DMA (CH0/CH1) ENDING OUTPUTS
- TOUT : TIMER OUTPUT
- TXD0, TXD1 : SERIAL DATA OUTPUTS
- V_M : REF. V FOR COMPARATOR INPUT
- X1, X2 : CRYSTAL 1, 2



UPD7201AC (NEC)
 NMOS MULTIPROTOCOL SERIAL CONTROLLER
 - TOP VIEW -



CLK: SYSTEM CLOCK
 D7-D0: DATA BUS
 CS: CHIP SELECT
 WR: WRITE
 RD: READ
 C/D: CONTROL/DATA
 B/A: CHANNEL B/CHANNEL A
 INT: INTERRUPT REQUEST
 INTAK: INTERRUPT ACKNOWLEDGE
 PRI/DRQRxB: PRIORITY INPUT/DMA REQUEST RxB
 PRO/DRQTXA: PRIORITY OUTPUT/DMA REQUEST Tx A
 WAITA/DRQRxA: WAIT A/DMA REQUEST RxA
 WAITB/DRQTXA: WAIT B/DMA REQUEST Tx A
 OTRB/HAKI: DATA TERMINAL READY/HOLD ACKNOWLEDGE INPUT
 OTRA/HAKO: DATA TERMINAL READY/HOLD ACKNOWLEDGE OUTPUT
 RxDA, RxB: RECEIVE DATA A/B
 TxDA, TxDB: TRANSMIT DATA A/B
 RxCa, RxCB: RECEIVE CLOCK A/B
 TxCA, TxCB: TRANSMIT CLOCK A/B
 SYNCA: SYNCHRONIZATION A
 RTSB/SYNCB: REQUEST TO SEND B/SYNCHRONIZATION B

CHANNEL SELECTION

B/A	C/D	WR	RD	CS	FUNCTION
0					CHANNEL A
1	0	0	1	0	CHANNEL B WRITE (Tx/D)
0					CHANNEL A
1	0	1	0	0	CHANNEL B READ (Rx/D)
0					CHANNEL A
1	1	0	1	0	CHANNEL A WRITE (COMMAND/PARAMETER REGISTER)
0					CHANNEL B
1	1	1	0	0	CHANNEL A READ (STATUS/VECTOR REGISTER)
0					CHANNEL B

CTSA, CTSB: CLEAR TO SEND A/B
 DCDA, DCDB: DATA CARRIER DETECT A/B
 RTSB: REQUEST TO SEND A

SECTION 18

REPLACEABLE PART AND OPTIONAL FIXTURE

18-1. NOTES ON REPAIR PARTS

(1) Safety Related Components Warning

Components marked with Δ on the schematic diagrams, exploded views and electrical spare parts list are critical to safe operation. Replace these components with Sony parts whose part numbers appear in this manual or in service bulletin and service manual supplements published by Sony.

(2) Standardization of Parts

Repair parts supplied from Sony Parts Center may not be always identical with the parts which actually in use due to "accommodating the improved parts and/or engineering changes" or "standardization of genuine parts". This manual's exploded views and electrical spare parts list are indicating the part numbers of "the standardized genuine parts at present"

(3) Changes of Parts

Regarding engineering parts changes, refer to "Section 19. CHANGED PART".

(4) Stock of Parts

Parts marked with "o" SP(Supply Code) column of the spare parts list are not normally required for routine service work. Orders for parts marked with "o" will be processed, but allow for additional delivery time.

(5) Units for Capacitors, Inductors and Resistors

The following units are assumed in schematic diagrams, electrical parts list and exploded views unless otherwise specified.

Capacitors : μF

Inductors : μH

Resistors : Ω

(6) Tension Spring

($\times \times \text{T}$) after a tension spring is shown on the parts list in order to indicate the number of spring turns required for the use.

(Example) TENSION, SPRING(20 T) :

This spring must be cut at its 20 th turn for actual use.

18-2. EXPLODED VIEW

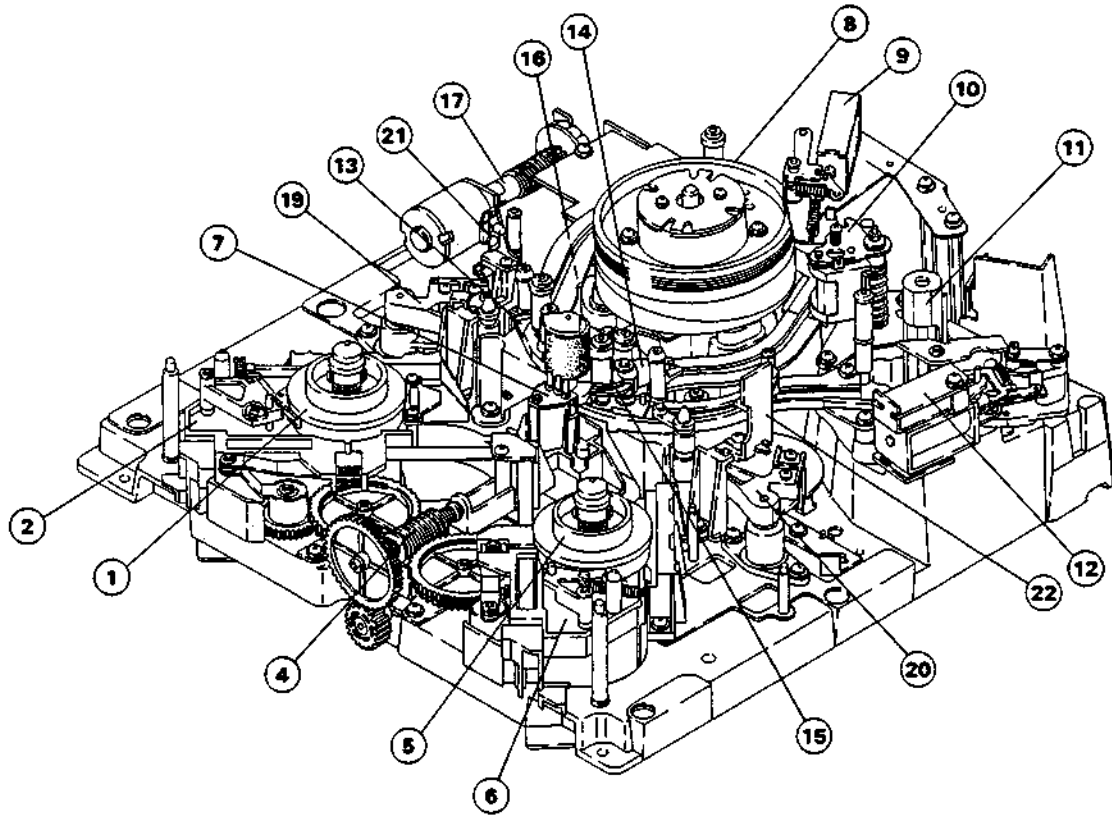
Index of Main Mechanical Parts / Components

Mark	Item	Title	Page
① ② ③ ④	S Reel Table RS Table (S) Block LS Motor Block LS Gear Block	REEL CHASSIS (1)	18-4
⑤ ⑥ ⑦	T Reel Table RS Table (T) Block Cassette Sensor	REEL CHASSIS (2)	18-7
⑧ ⑨	Head Drum Cleaning Roller Block	DRUM & CLEANING ROLLER ASSEMBLY	18-8
⑩ ⑪ ⑫	Audio/TC Head Capstan Motor Pinch Solenoid Block	HEAD & PINCH PRESS ASSEMBLY	18-11
⑬ ⑭ ⑮	S Slider T Slider P Slider	RAIL & SLIDER ASSEMBLY	18-12
⑯	Threading Ring	THREADING RING	18-15
⑰	Threading Gear Box	THREADING GEAR BOX ASSEMBLY	18-17
⑱ ⑲ ⑲ ⑲	S Tension Regulator T Tension Regulator Tape End Sensor Tape Beginning Sensor	TENSION REGULATOR ASSEMBLY	18-19
⑳	Printed Circuit Board	REEL CHASSIS (3)	18-21
㉑	Cassette Compartment	CASSETTE COMPARTMENT ASSEMBLY	18-23
㉒	Upper Lid Bottom Panel Cabinet (right) Cabinet (left)	CHASSIS & ORNAMENTAL PANEL BLOCK	18-24
㉓	Printed Circuit Boards	CARD RACK BLOCK	18-27
㉔	Front Panel Front Chassis Cassette Guide	FRONT PANEL BLOCK	18-29
㉕	Key Panel Search Dial	FUNCTION CONTROL PANEL BLOCK	18-31
㉖	Connector Panel	REAR PANEL BLOCK	18-32

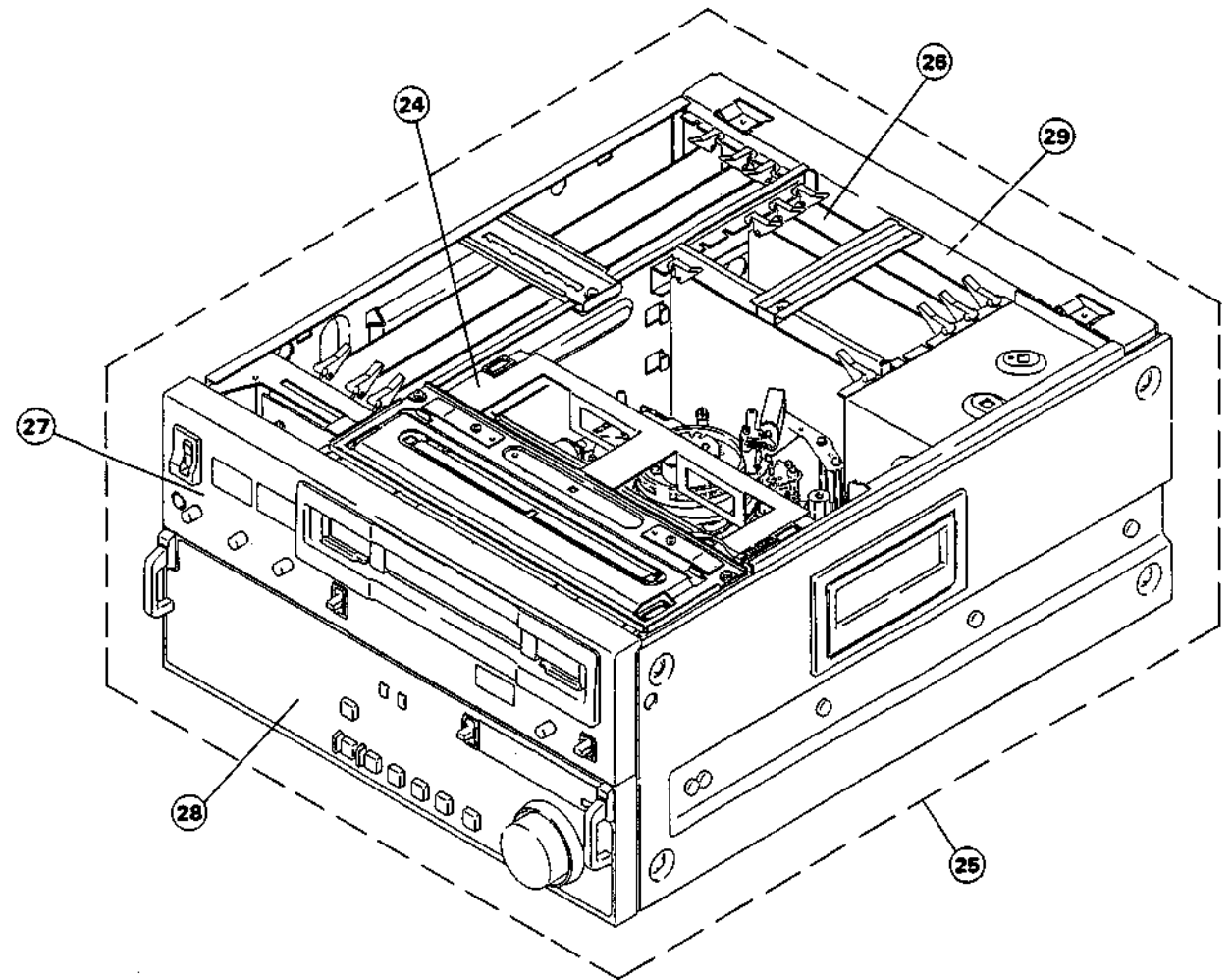
EXPLODED VIEW

EXPLODED VIEW

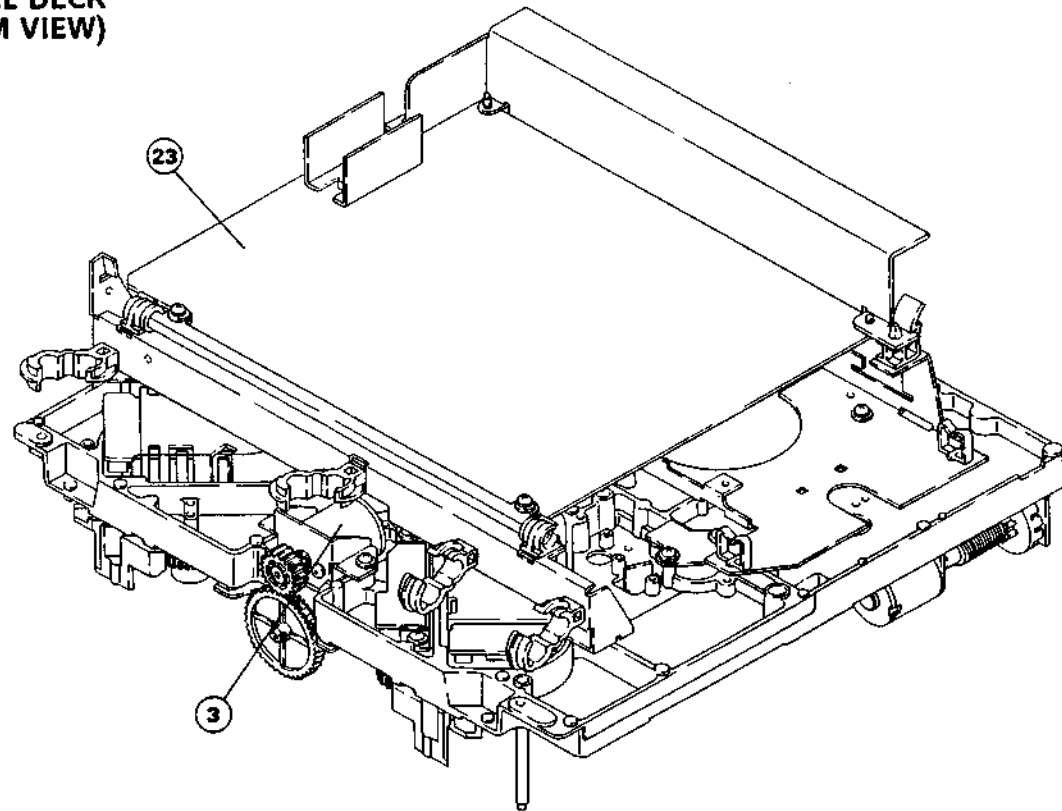
MECHANICAL DECK
(TOP VIEW)



OVERALL BLOCK



MECHANICAL DECK
(BOTTOM VIEW)

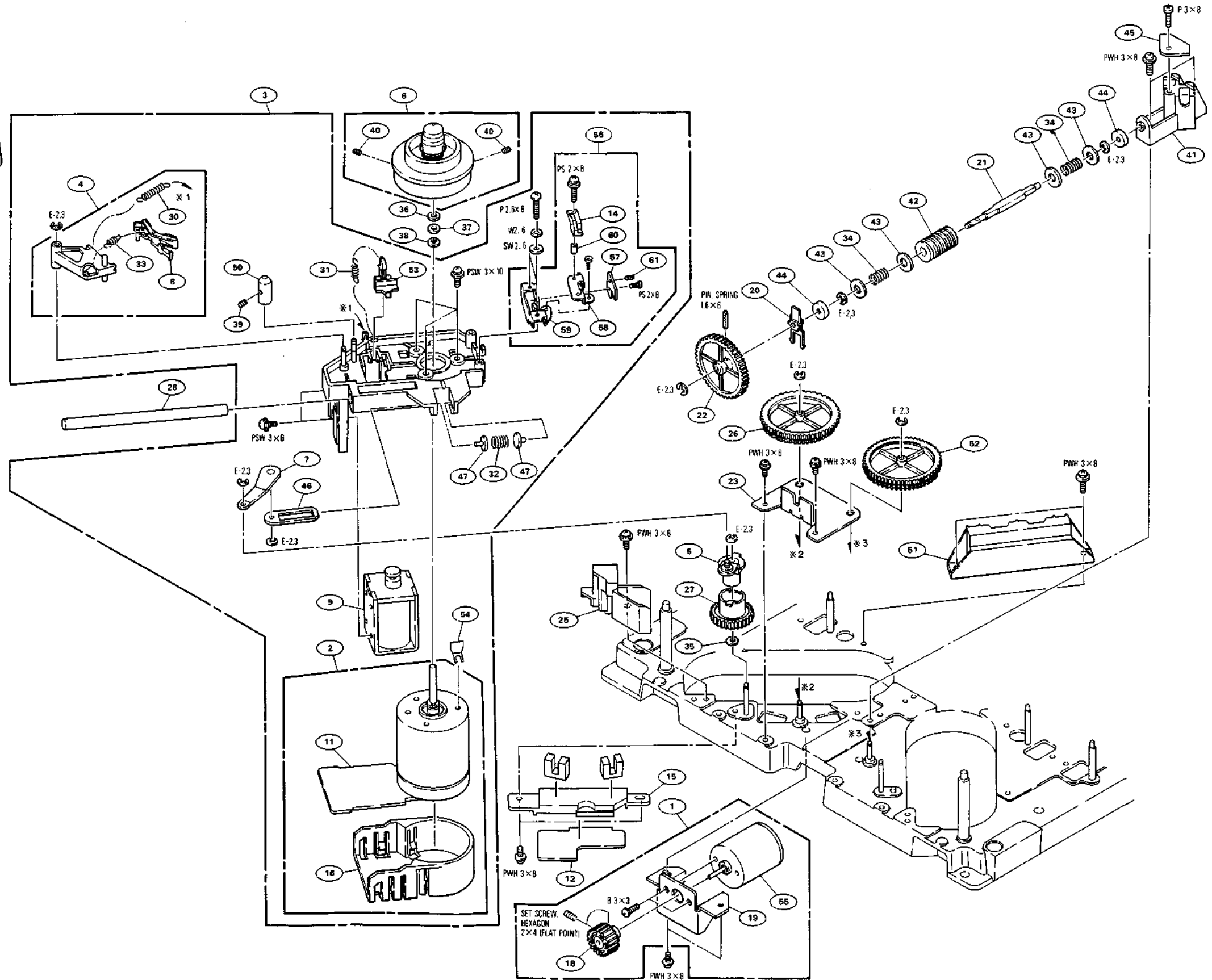
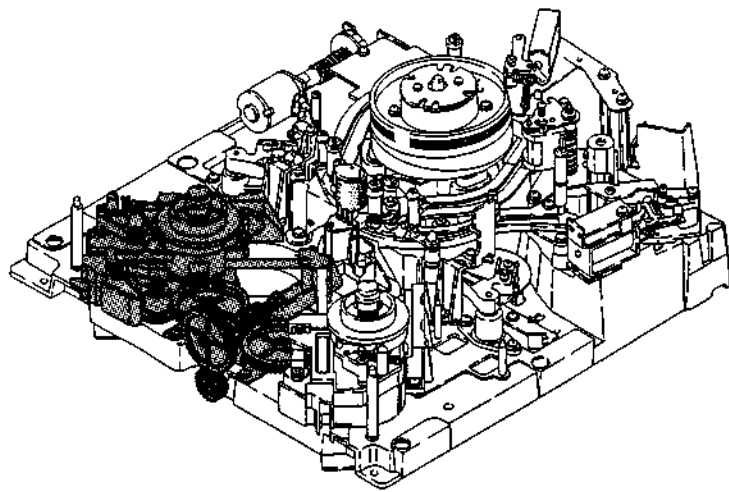


REEL CHASSIS (1)

REEL CHASSIS (1)

Serial No. 15836 and higher (EK)
Serial No. 10011 and higher (UC)

Reel chassis (1)



Serial No. 10001 through 15835 (EK)
 Serial No. 10001 through 10010 (UC)

No.	Part No.	SP Description	No.	Part No.	SP Description
1	A-6737-206-D	o MOTOR ASSY, LS	53	3-717-450-01	o ARM, BRAKE RELEASE
2	A-6737-207-A	s RM ASSY	54	3-717-625-01	s SPACER
3	A-6739-097-C	s TABLE (S) BLOCK ASSY, RS	55	8-835-179-01	s MOTOR, DC MCB2B15
4	A-6741-066-A	o BRAKE ASSY			
5	X-3166-024-1	o ARM (A) ASSY, CRANK			
6	X-3166-025-2	s TABLE ASSY, REEL			
7	X-3166-060-1	o ARM (B) ASSY, CRANK			
8	X-3717-205-1	s LINING ASSY			
9	1-454-417-41	s SOLENOID "S-BRAKE"			
10	1-622-606-11	o PRINTED CIRCUIT BOARD, DE-15			
11	1-640-166-12	o PRINTED CIRCUIT BOARD, RM-82			
12	1-640-168-12	o PRINTED CIRCUIT BOARD, PTC-42			
14	1-807-683-11	s DME			
15	3-171-308-01	o BRACKET, LS SENSOR			
16	3-171-309-01	o COVER, RM			
18	3-171-316-01	s GEAR, M			
19	3-171-317-02	o BRACKET, M			
20	3-171-318-01	o BEARING, WORM			
21	3-171-319-01	o SHAFT, WORM			
22	3-171-320-01	o GEAR, DRIVE			
23	3-171-321-01	o BRACKET, GEAR			
25	3-171-397-02	o HOLDER (S), SHAFT			
26	3-171-429-01	o GEAR, LS			
27	3-171-430-01	o GEAR, CRANK			
28	3-171-431-01	s SHAFT, SLIDE			
30	3-307-381-00	s SPRING, TENSION			
31	3-535-532-01	s SPRING, TENSION			
32	3-491-247-00	s SPRING, COMPRESSION			
33	3-648-217-00	o SPRING, TENSION			
34	3-659-324-00	s SPRING, COMPRESSION			
35	3-701-439-21	s WASHER, POLY 3MM DIA., 0.5T			
36	3-701-441-01	s WASHER, POLY 4MM DIA., 0.13T			
37	3-701-441-11	s WASHER, POLY 4MM DIA., 0.25T			
38	3-701-441-21	s WASHER, POLY 4MM DIA., 0.50T			
39	3-701-506-01	s SET SCREW, DOUBLE POINT 3X4			
40	3-701-507-00	s SET SCREW, DOUBLE POINT, (M3X5)			
41	3-717-208-01	o HOLDER (A), SHAFT			
42	3-717-210-01	s WORM			
43	3-717-212-01	o WASHER (B), WORM			
44	3-717-213-01	o WASHER (A), WORM			
45	3-717-224-01	s RETAINER, SHAFT, SLIDE			
46	3-717-230-01	o BRACKET, LIMITER			
47	3-717-231-01	o HOLDER, LIMITER			
48	3-717-232-01	o SHAFT, FITTING, MR SENSOR			
49	3-717-233-01	o BRACKET, DE-15			
50	3-717-266-01	o CAP (S), CG SHAFT			
51	3-717-398-01	o TABLE, SLIDE			
52	3-717-399-01	s WHEEL, W			

REEL CHASSIS (2)

Serial No. 15836 and higher (EK)
Serial No. 10011 and higher (UC)

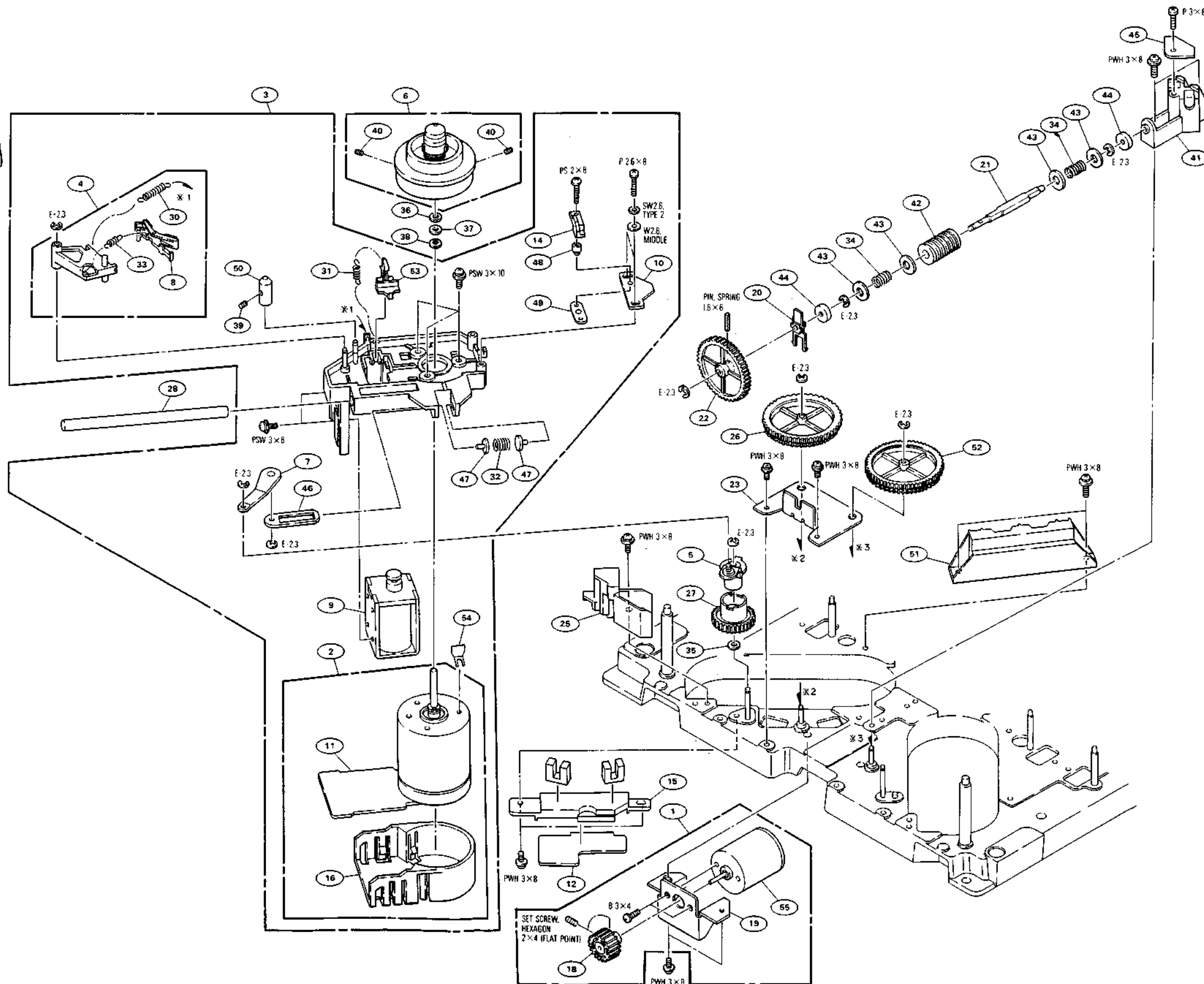
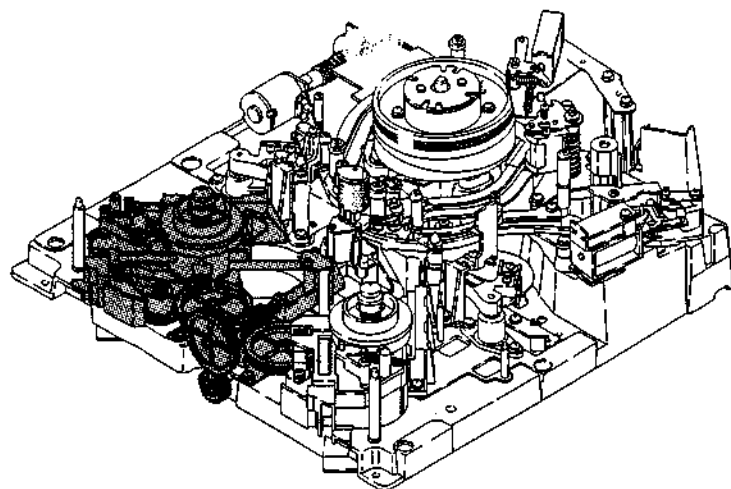
No.	Part No.	SP Description
101	A-6737-207-A	s RM ASSY
102	A-6739-098-D	s TABLE (T) BLOCK ASSY, RS
103	A-6741-066-A	o BRAKE ASSY
104	X-3166-024-1	o ARM (A) ASSY, CRANK
105	X-3166-025-2	s TABLE ASSY, REEL
106	X-3166-060-1	o ARM (B) ASSY, CRANK
107	X-3717-205-1	s LINING ASSY
108	1-454-417-41	s SOLENOID "T-BRAKE"
110	1-640-165-11	o PRINTED CIRCUIT BOARD, PTC-55
111	1-640-166-12	o PRINTED CIRCUIT BOARD, RM-82
113	1-807-683-11	s DME
114	3-171-309-01	o COVER, RM
116	3-171-313-01	o COVER, MC
117	3-171-314-01	s LEVER (B), SENSOR
118	3-171-328-02	o HOLDER, MC DETECTION
120	3-171-428-02	o HOLDER (T), SHAFT
121	3-171-430-01	o GEAR, CRANK
122	3-171-431-01	s SHAFT, SLIDE
124	3-307-381-00	s SPRING, TENSION
125	3-535-532-01	s SPRING, TENSION
126	3-491-247-00	s SPRING, COMPRESSION
127	3-554-202-00	o SPRING, COMPRESSION
128	3-648-217-00	o SPRING, TENSION
129	3-701-439-21	s WASHER, POLY 3MM DIA., 0.5T
130	3-701-441-01	s WASHER, POLY 4MM DIA., 0.13T
131	3-701-441-11	s WASHER, POLY 4MM DIA., 0.25T
132	3-701-441-21	s WASHER, POLY 4MM DIA., 0.50T
133	3-701-506-01	s SET SCREW, DOUBLE POINT 3X4
134	3-701-507-00	s SET SCREW, DOUBLE POINT, (M3X5)
135	3-717-230-01	o BRACKET, LIMITER
136	3-717-231-01	o HOLDER, LIMITER
139	3-717-266-01	o CAP (S), CG SHAFT
140	3-717-398-01	o TABLE SLIDE
141	3-717-450-01	o ARM, BRAKE RELEASE
142	3-717-625-01	s SPACER
143	A-8267-923-A	o SENSOR ASSY, FG
144	1-646-129-11	o PRINTED CIRCUIT BOARD, SE-186
145	3-183-376-01	o BRACKET, SE
146	3-183-377-01	o PLATE ADJUSTMENT, SE
147	3-307-259-01	o TUBE, GAP
148	3-689-039-11	s SCREW (M2X6), SMALL

Serial No. 15836 and higher (EK)
Serial No. 10011 and higher (UC)

No.	Part No.	SP Description	No.	Part No.	SP Description
1	A-6737-206-E	o MOTOR ASSY, LS	53	3-717-450-01	o ARM, BRAKE RELEASE
2	A-6737-207-A	s RM ASSY	54	3-717-625-01	s SPACER
3	A-6739-097-D	s TABLE (S) BLOCK ASSY, RS	55	8-835-179-01	s MOTOR, DC MCB2B15
4	A-6741-066-A	o BRAKE ASSY			Serial No. 15836 through 16195 (EK)
5	X-3166-024-1	o ARM (A) ASSY, CRANK			Serial No. 10011 through 10015 (UC)
				1-698-152-11	s MOTOR, DC SVD-1449
6	X-3166-025-2	s TABLE ASSY, REEL			Serial No. 16196 and higher (EK)
7	X-3166-060-1	o ARM (B) ASSY, CRANK			Serial No. 10016 and higher (UC)
8	X-3717-205-1	s LINING ASSY	56	A-8267-923-A	o SENSOR ASSY, FG
9	I-454-417-41	s SOLENOID "S-BRAKE"	57	1-646-129-11	o PRINTED CIRCUIT BOARD, SE-186
11	I-640-166-12	o PRINTED CIRCUIT BOARD, RM-82			
			58	3-183-376-01	o BRACKET, SE
12	1-640-168-12	o PRINTED CIRCUIT BOARD, PTC-42	59	3-183-377-01	o PLATE ADJUSTMENT, SE
14	1-807-683-11	s DME	60	3-307-259-01	o TUBE, GAP
15	3-171-308-01	o BRACKET, LS SENSOR	61	3-689-039-11	s SCREW (M2X6), SMALL
16	3-171-309-01	o COVER, RM			
18	3-171-316-01	s GEAR, M			
19	3-171-317-02	o BRACKET, M			
20	3-171-318-01	o BEARING, WORM			
21	3-171-319-01	o SHAFT, WORM			
22	3-171-320-01	o GEAR, DRIVE			
23	3-171-321-01	o BRACKET, GEAR			
25	3-171-397-02	o HOLDER (S), SHAFT			
26	3-171-429-01	o GEAR, LS			
27	3-171-430-01	o GEAR, CRANK			
28	3-171-431-01	s SHAFT, SLIDE			
30	3-307-381-00	s SPRING, TENSION			
31	3-535-532-01	s SPRING, TENSION			
32	3-491-247-00	s SPRING, COMPRESSION			
33	3-648-217-00	o SPRING, TENSION			
34	3-659-324-00	s SPRING, COMPRESSION			
35	3-701-439-21	s WASHER, POLY 3MM DIA., 0.5T			
36	3-701-441-01	s WASHER, POLY 4MM DIA., 0.13T			
37	3-701-441-11	s WASHER, POLY 4MM DIA., 0.25T			
38	3-701-441-21	s WASHER, POLY 4MM DIA., 0.50T			
39	3-701-506-01	s SET SCREW, DOUBLE POINT 3X4			
40	3-701-507-00	s SET SCREW, DOUBLE POINT, (M3X5)			
41	3-717-208-01	o HOLDER (A), SHAFT			
42	3-717-210-01	s WORM			
43	3-717-212-01	o WASHER (B), WORM			
44	3-717-213-01	o WASHER (A), WORM			
45	3-717-224-01	s RETAINER, SHAFT, SLIDE			
46	3-717-230-01	o BRACKET, LIMITER			
47	3-717-231-01	o HOLDER, LIMITER			
50	3-717-266-01	o CAP (S), CG SHAFT			
51	3-717-398-01	o TABLE, SLIDE			
52	3-717-399-01	s WHEEL, W			

Serial No. 10001 through 15835 (EK)
Serial No. 10001 through 10010 (UC)

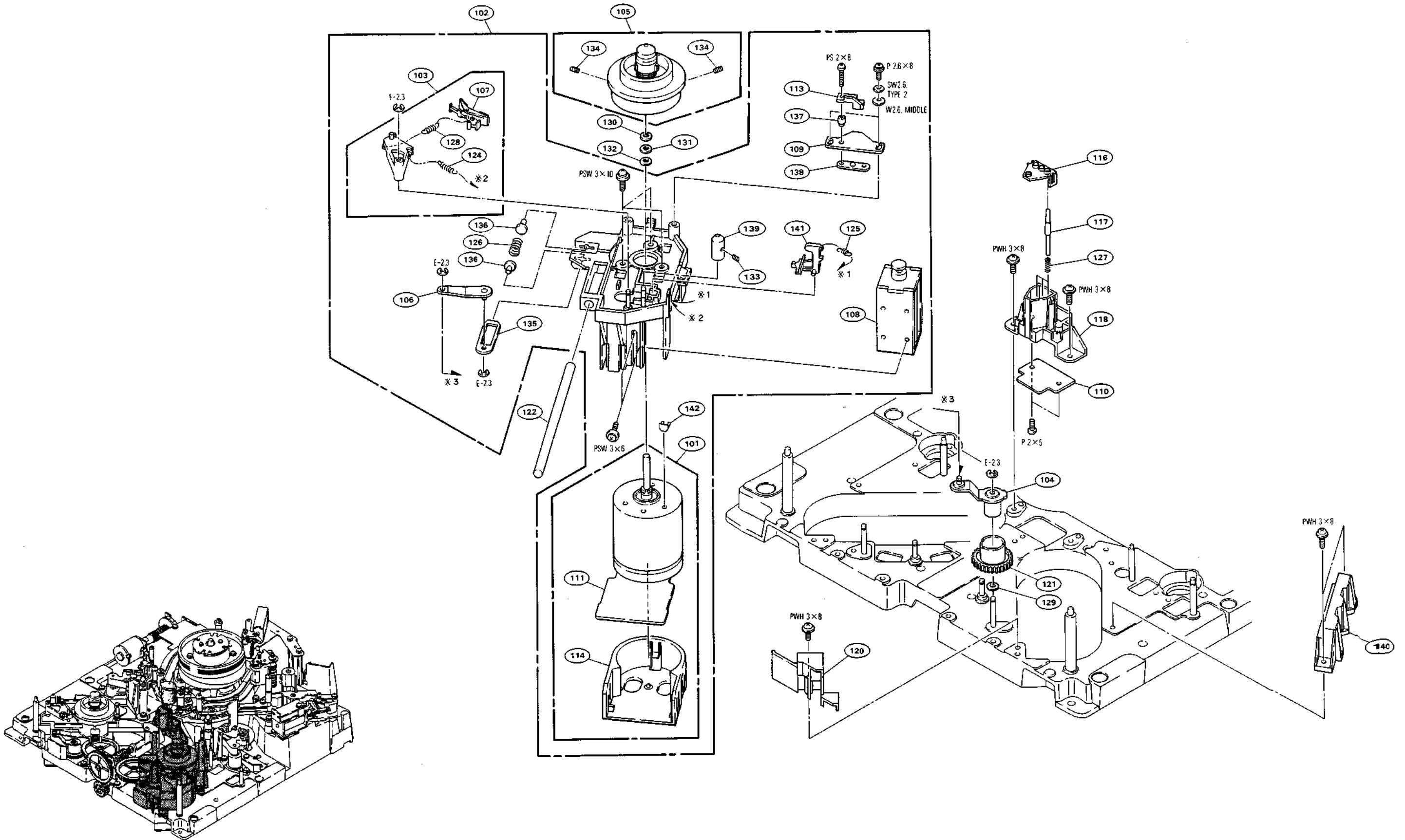
Reel chassis (1)



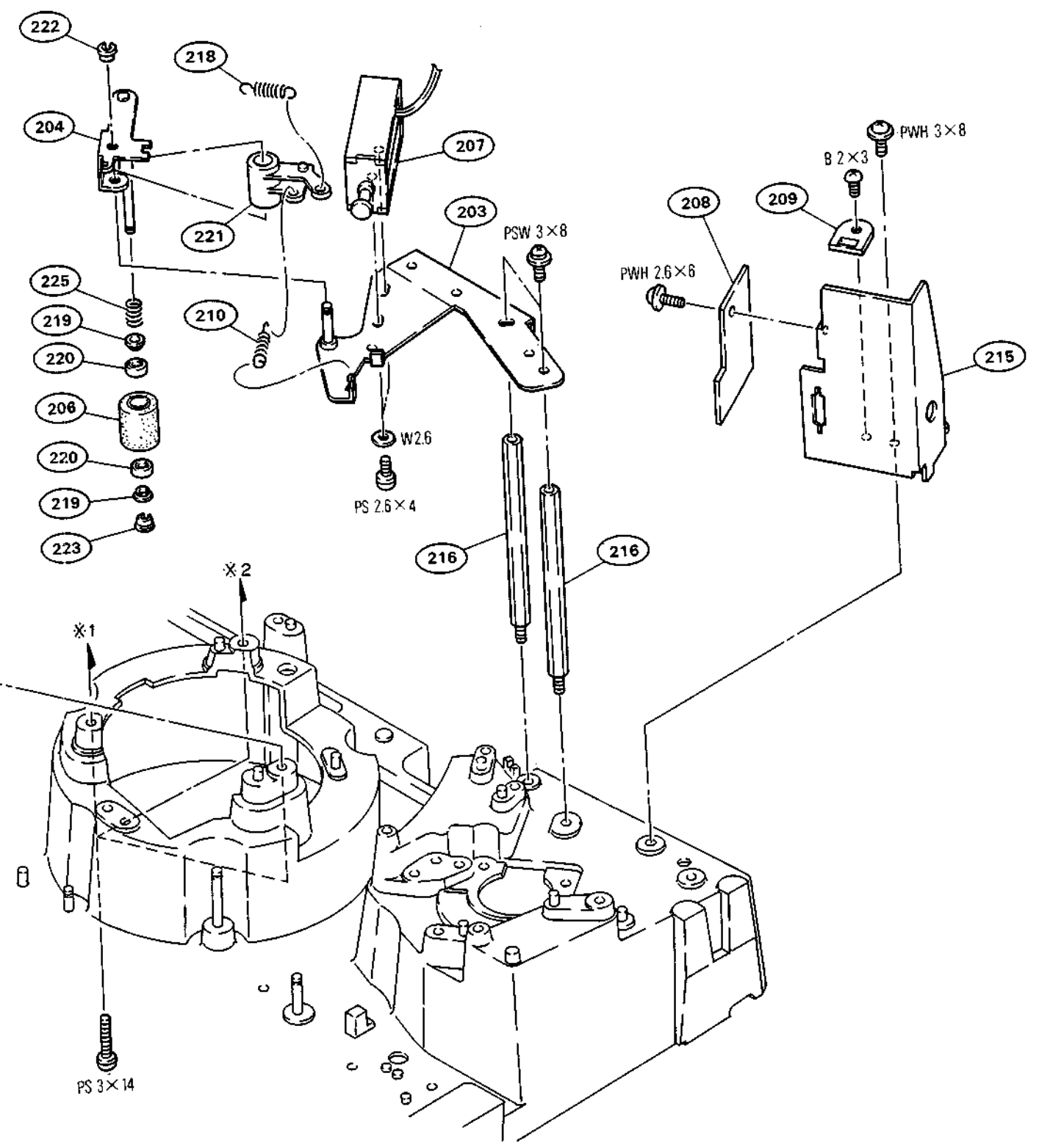
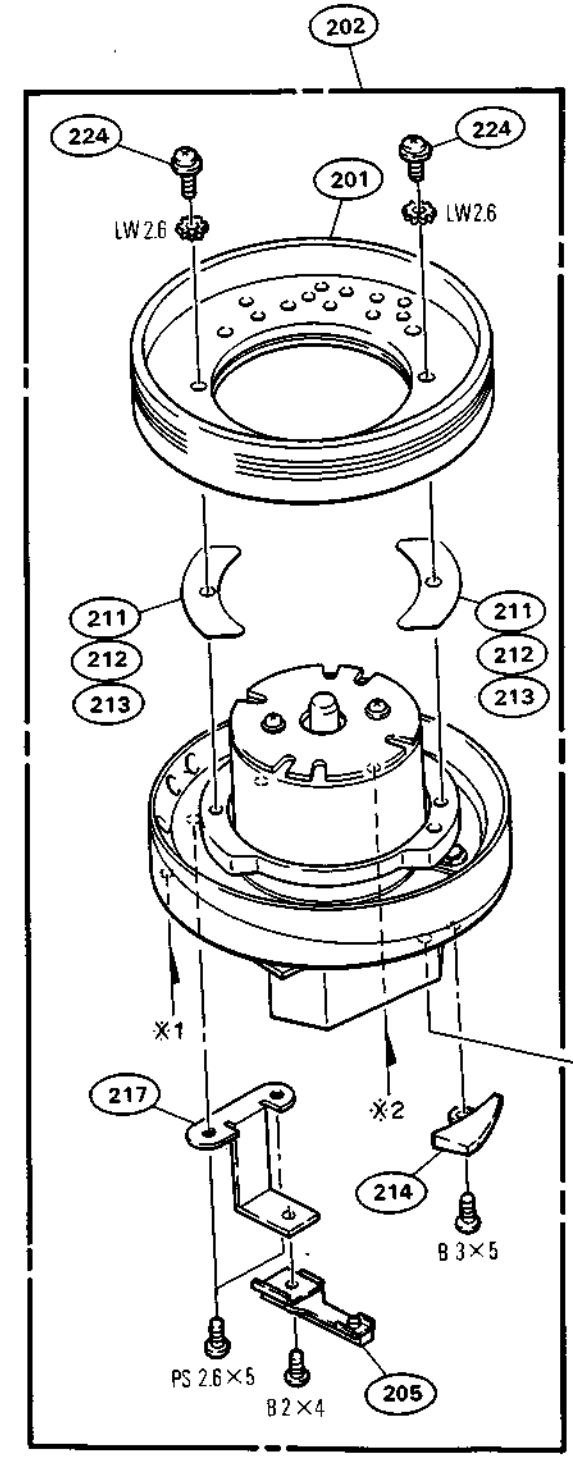
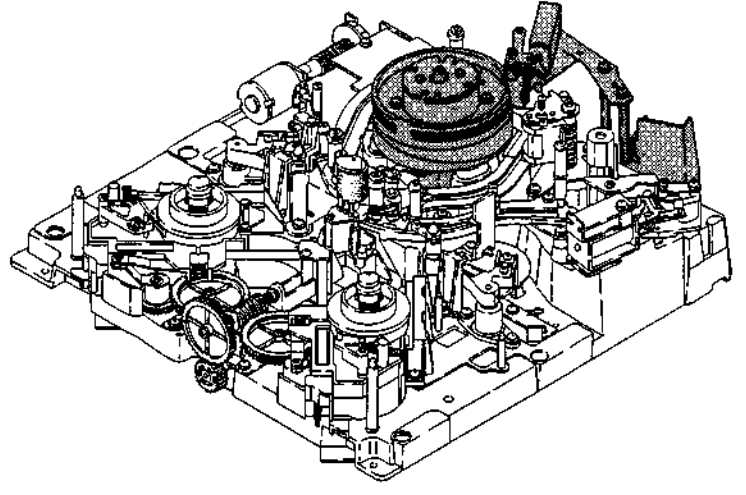
REEL CHASSIS (2) REEL CHASSIS (2)

Serial No. 10001 through 15835 (EK)
 Serial No. 10001 through 10010 (UC)

Reel chassis (2)



Drum and cleaning roller assembly

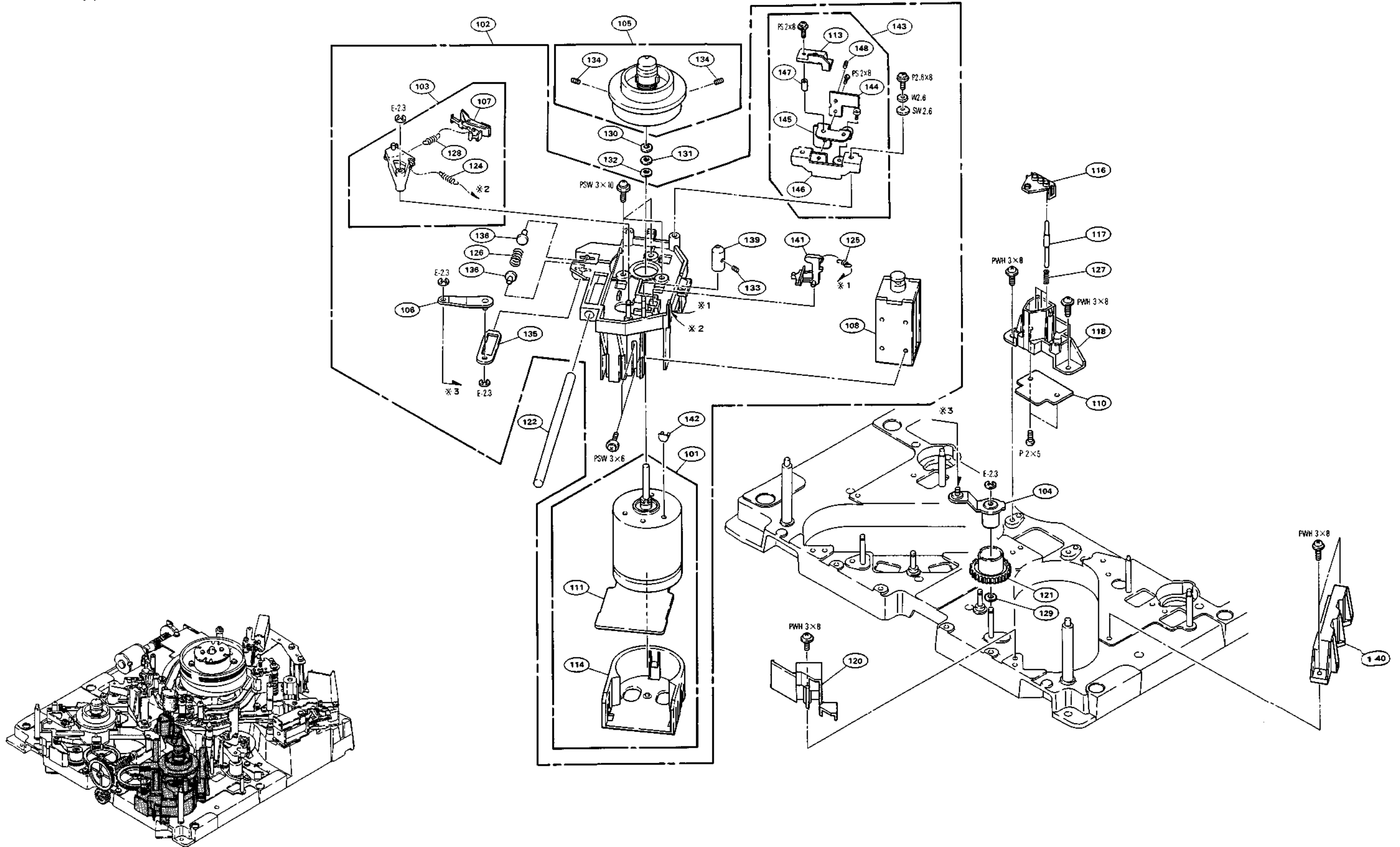


REEL CHASSIS (2)

REEL CHASSIS (2)

Serial No. 15836 and higher (EK)
Serial No. 10011 and higher (UC)

Reel chassis (2)



Serial No. 10001 through 15835 (EK)
Serial No. 10001 through 10010 (UC)

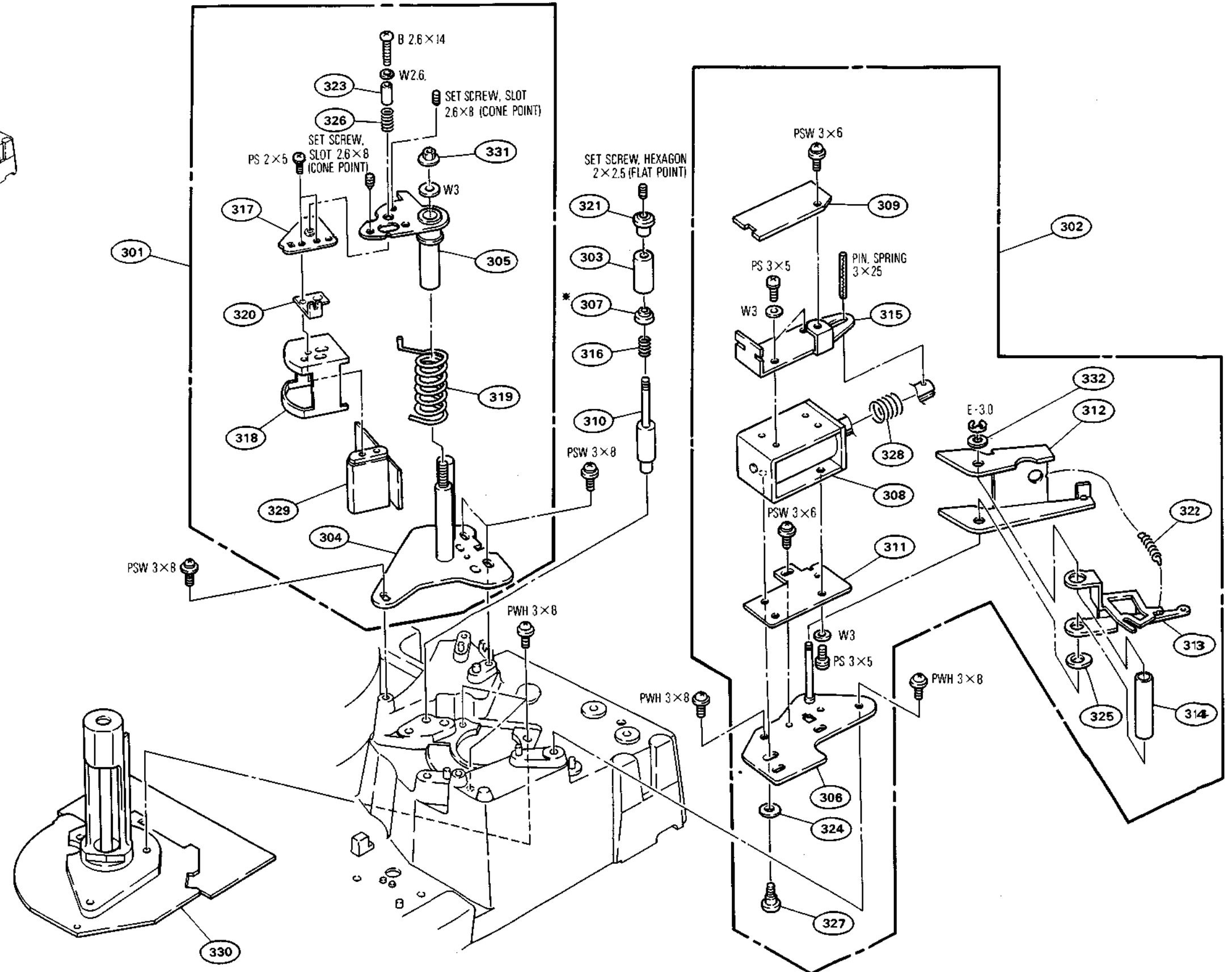
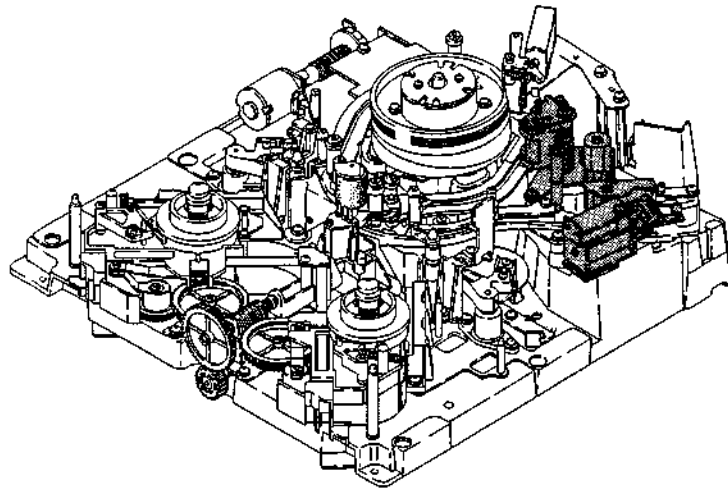
No.	Part No.	SP Description
101	A-6737-207-A	s RM ASSY
102	A-6739-098-C	s TABLE (T) BLOCK ASSY, RS
103	A-6741-066-A	o BRAKE ASSY
104	X-3166-024-1	o ARM (A) ASSY, CRANK
105	X-3166-025-2	s TABLE ASSY, REEL
106	X-3166-060-1	o ARM (B) ASSY, CRANK
107	X-3717-205-1	s LINING ASSY
108	1-454-417-41	s SOLENOID "T-BRAKE"
109	1-622-606-11	o PRINTED CIRCUIT BOARD, DE-15
110	1-640-165-11	o PRINTED CIRCUIT BOARD, PTC-55
111	1-640-166-12	o PRINTED CIRCUIT BOARD, RM-82
113	1-807-683-11	s DME
114	3-171-309-01	o COVER, RM
116	3-171-313-01	o COVER, MC
117	3-171-314-01	s LEVER (B), SENSOR
118	3-171-328-02	o HOLDER, MC DETECTION
120	3-171-428-02	o HOLDER (T), SHAFT
121	3-171-430-01	o GEAR, CRANK
122	3-171-431-01	s SHAFT, SLIDE
124	3-307-381-00	s SPRING, TENSION
125	3-535-532-01	s SPRING, TENSION
126	3-491-247-00	s SPRING, COMPRESSION
127	3-554-202-00	o SPRING, COMPRESSION
128	3-648-217-00	o SPRING, TENSION
129	3-701-439-21	s WASHER, POLY 3MM DIA., 0.5T
130	3-701-441-01	s WASHER, POLY 4MM DIA., 0.13T
131	3-701-441-11	s WASHER, POLY 4MM DIA., 0.25T
132	3-701-441-21	s WASHER, POLY 4MM DIA., 0.50T
133	3-701-506-01	s SET SCREW, DOUBLE POINT 3X4
134	3-701-507-00	s SET SCREW, DOUBLE POINT, (M3X5)
135	3-717-230-01	o BRACKET, LIMITER
136	3-717-231-01	o HOLDER, LIMITER
137	3-717-232-01	o SHAFT, FITTING, MR SENSOR
138	3-717-233-01	o BRACKET, DE-15
139	3-717-266-01	o CAP (S), CG SHAFT
140	3-717-398-01	o TABLE SLIDE
141	3-717-450-01	o ARM, BRAKE RELEASE
142	3-717-625-01	s SPACER

No.	Part No.	SP Description
201	A-6762-463-A	s UPPER DRUM ASSY, DBR-28-R
202	A-6050-841-A	s HEAD DRUM ASSY, DBH-28A-R
203	X-3166-324-1	o C (BASE) ASSY
204	X-3166-325-1	o ARM ASSY, C MAIN
205	X-3166-376-1	s GROUND ASSY, SHAFT
206	X-3675-858-1	s ROLLER SUB ASSY, C
207	1-454-372-11	s SOLENOID "CLEANING ROLLER"
208	1-640-167-11	o PRINTED CIRCUIT BOARD, DS-31
209	1-806-682-71	s SENSOR, DEW CONDENSATION
210	3-140-263-XX	s SPRING, TENSION (23T)
211	3-171-234-01	s SPACER, FLANGE
212	3-171-234-11	s SPACER, FLANGE
213	3-171-234-21	s SPACER, FLANGE
214	3-171-326-01	o BRACKET (B), TAPE
215	3-172-933-01	o BRACKET, DEW SENSOR
216	3-173-187-01	o SUPPORT
217	3-173-532-01	o BRACKET, GROUND
218	3-542-475-00	s SPRING, TENSION
219	3-655-966-00	s SPACER, STEP
220	3-669-443-01	s BEARING, BALL (NO FLANGE)
221	3-680-839-01	o LEVER (2), C
222	3-703-074-01	s CAP 3, SHAFT
223	3-703-075-00	s CAP 2, SHAFT
224	3-729-125-01	s SCREW (M2. 6X8)
225	4-879-762-02	s SPRING, COMPRESSION

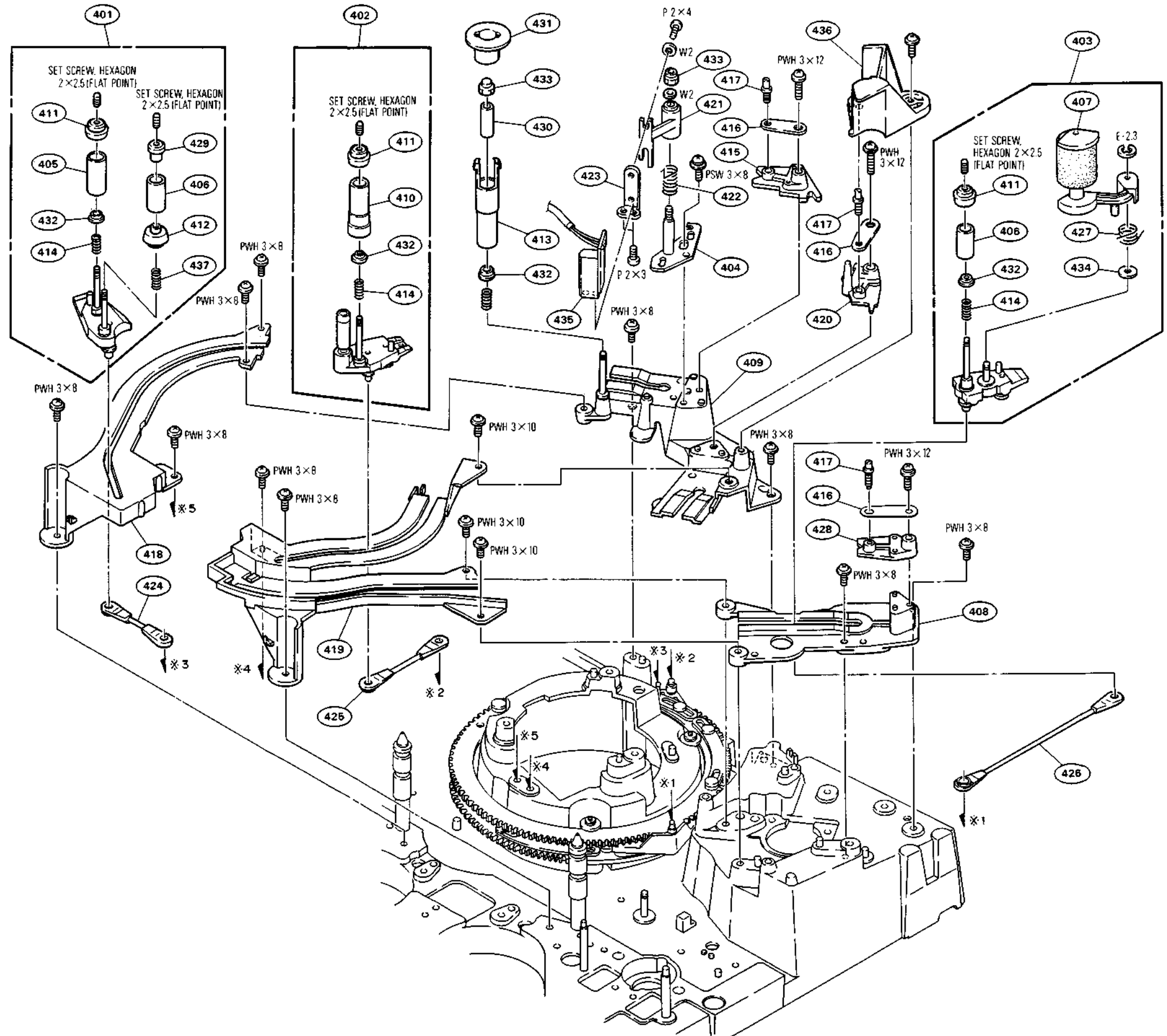
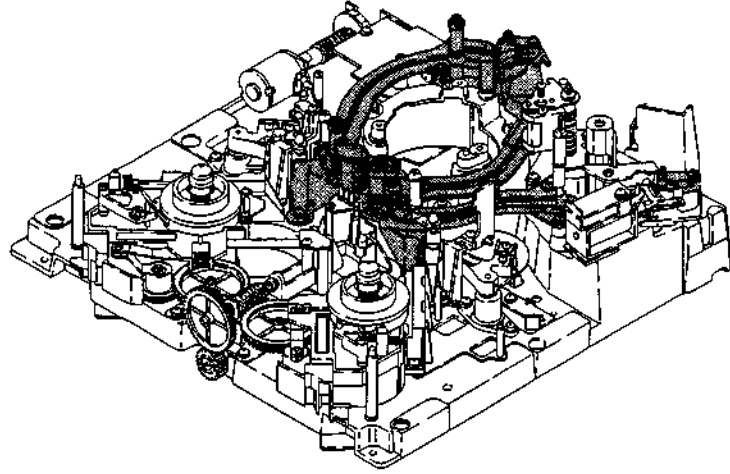
HEAD & PINCH PRESS ASSEMBLY

No.	Part No.	SP Description
301	A-6736-098-C	o HEAD (P) ASSY, AT
302	A-6749-125-A	o PRESS ASSY, PINCH
303	X-3166-431-1	s ROLLER (TG-6) ASSY, TAPE
304	X-3166-044-2	s DECK (P) ASSY, AT
305	X-3166-050-1	o PLATE ASSY, ADJUSTMENT, RP
306	X-3166-061-2	o BASE ASSY, PINCH PRESS
※ 307	3-174-316-02	s FLANGE (LOWER) As to the models of the following serial Nos., when replacing this part, replace No. 316 SPRING, COMPRESSION with a new part (2-242-703-00) at the same time. Serial No. 10001 through 11150 (EK)
308	1-454-338-00	s SOLENOID "PINCH"
309	1-640-162-12	o PRINTED CIRCUIT BOARD, PD-56
310	3-171-307-01	o SHAFT, TG-6
311	3-171-331-01	o BASE, SOLENOID
312	3-171-332-01	o ARM, PINCH PRESS
313	3-171-333-01	o ARM, SUB PRESS
314	3-171-334-02	o COLLAR, PINCH SHAFT
315	3-171-335-01	o HOLDER, PC BOARD
316	3-171-344-01	s SPRING, COMPRESSION Serial No. 10001 through 11150 (EK)
	2-242-703-00	s SPRING, COMPRESSION Serial No. 11151 and higher (EK) Serial No. 10001 and higher (UC)
317	3-171-567-03	o BRACKET, RP
318	3-171-568-01	o CASE, SHIELD, AT
319	3-171-569-01	s SPRING (A)
320	3-171-570-01	o PLATE (R), ADJUSTMENT
321	3-173-176-01	s NUT, ADJUSTMENT
322	3-578-532-00	s SPRING, TENSION
323	3-642-719-01	o SPACER (2.6X11)
324	3-701-441-21	s WASHER, POLY 4MM DIA., 0.50T
325	3-701-444-21	s WASHER, POLY 6MM DIA., 0.50T
326	3-738-730-01	s SPRING, COMPRESSION
327	4-835-134-00	s SCREW, TD 3.8X2.5
328	4-860-709-02	s SPRING, COMPRESSION
329	8-825-776-22	s HEAD PS244-2103E "AUDIO/TC"
330	8-835-445-01	s MOTOR, DC SCV-0301A "CAPSTAN"
331	4-334-513-00	s NUT, NYLON Serial No. 12851 and higher (EK) Serial No. 10001 and higher (UC)
332	3-701-441-11	s WASHER, POLY 4MM DIA, 0.25T Serial No. 12951 and higher (EK) Serial No. 10001 and higher (UC)

Head and pinch press assembly



Rail and slider assembly

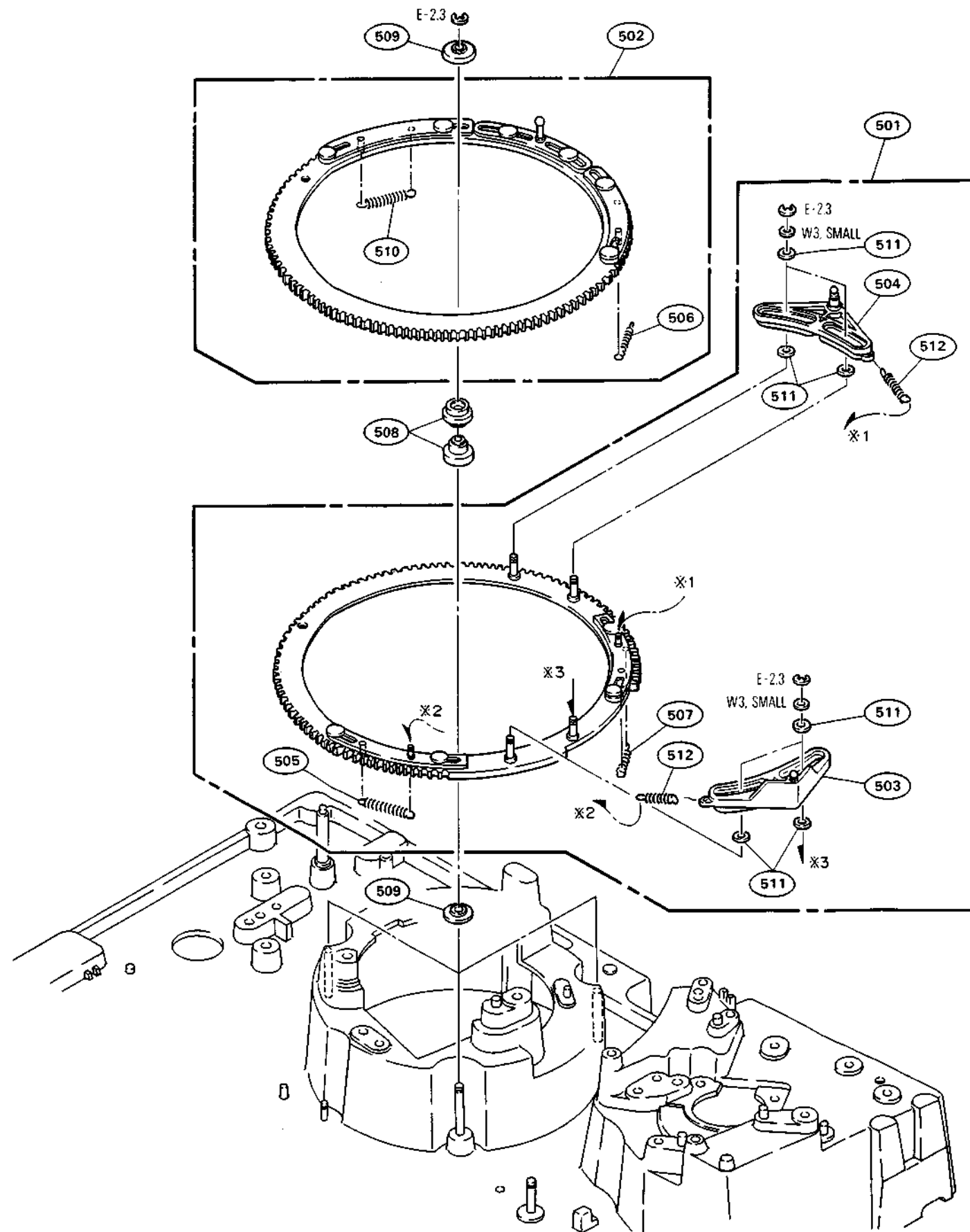
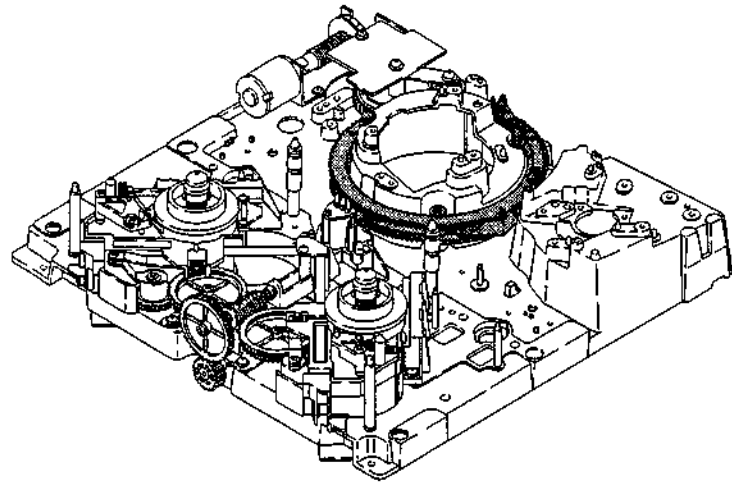


No.	Part No.	SP Description
401	A-6750-291-D	s SLIDER ASSY, S Serial No. 10001 through 12490 (EK)
	A-8262-601-A	s SLIDER ASSY, S Serial No. 12851 and higher (EK) Serial No. 10001 and higher (UC)
402	A-6750-292-D	s SLIDER ASSY, T
403	A-6750-293-E	s SLIDER ASSY, P
404	X-3166-027-1	o BASE ASSY, CTL
405	X-3166-573-1	s TG-3 ASSY
406	3-176-903-01	s TAPE GIUDE
407	X-3166-040-4	s ARM ASSY, PINCH
408	X-3166-042-2	o BASE SUB ASSY, P
409	X-3166-072-6	s BASE SUB ASSY, ST
410	X-3166-320-1	s TG-5 ASSY
411	3-174-315-01	s FLANGE (UPPER)
412	3-176-902-01	s FLANGE (LOWER)
413	X-3166-386-1	s TG-4 (IP) ASSY
414	3-171-344-01	s SPRING, COMPRESSION
415	3-171-345-01	s PLATE, ADJUSTMENT, S
416	3-171-346-01	o SPRING, ADJUSTMENT
417	3-171-347-01	o SCREW, ADJUSTMENT
418	3-171-348-02	s RAIL, S
419	3-171-349-05	o RAIL, T
420	3-171-378-02	s PLATE, ADJUSTMENT, T
421	3-171-381-02	o ARM, CTL
422	3-171-382-01	s SPRING, CTL
423	3-171-383-02	o PLATE, SIDE, CTL
424	3-171-432-02	s ROD, S
425	3-171-433-02	s ROD, T
426	3-171-434-02	s ROD, P
427	3-171-498-01	s SPRING, PINCH ARM RETURN
428	3-171-515-01	s PLATE, ADJUSTMENT, P
429	3-173-176-01	s NUT, ADJUSTMENT
430	3-173-648-01	o RETAINER, BEARING
431	3-174-897-01	s WHEEL, FLY (P)
432	3-655-966-00	s SPACER, STEP
433	3-698-829-01	s NUT (M2)
434	3-701-439-01	s WASHER, POLY 3MM DIA., 0.13T
435	8-825-776-41	s HEAD PS244-21C "CTL"
436	3-174-911-01	o COVER, AU HEAD
437	3-513-234-00	s SPRING, COMPRESSION

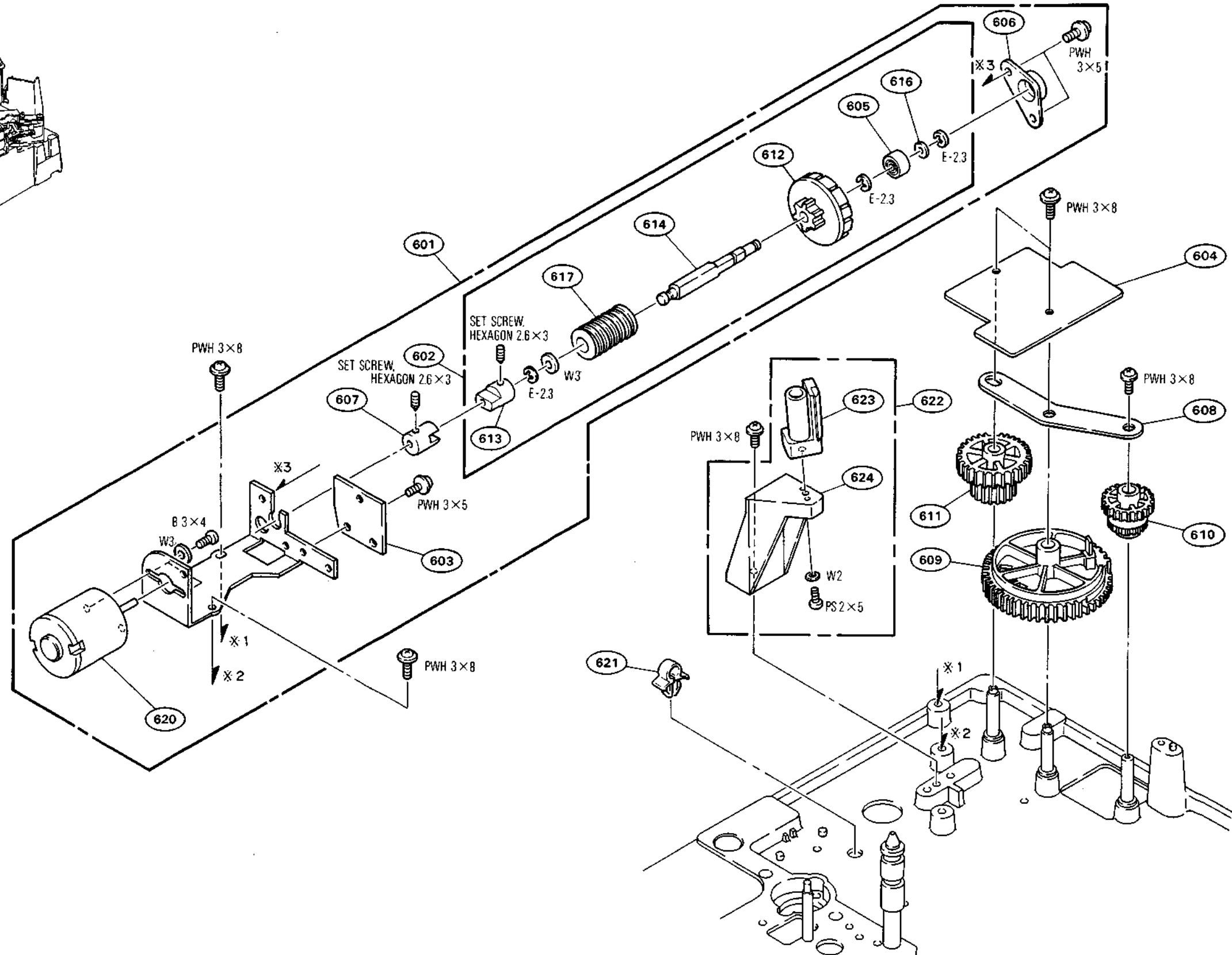
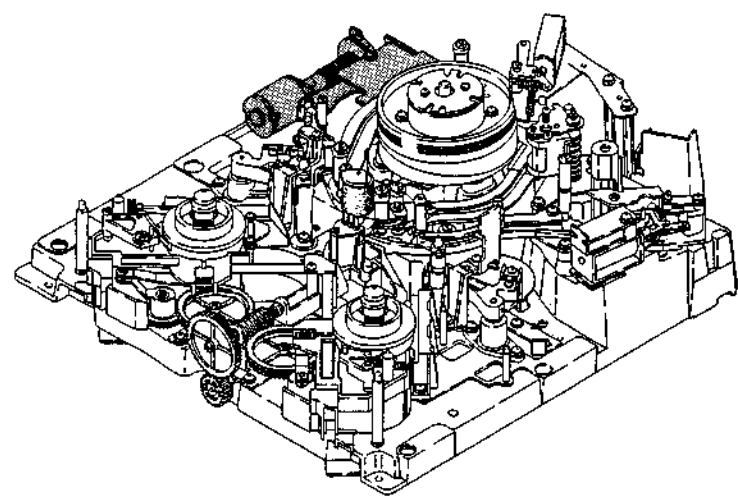
THREADING RING

No.	Part No.	SP Description
501	A-6750-289-C	o RING ASSY, T
502	A-6750-290-B	o RING ASSY, S
503	X-3166-028-2	o SLIDER ASSY, P
504	X-3166-029-2	o SLIDER ASSY, T
505	3-171-384-01	o SPRING, TENSION
506	3-171-385-01	o SPRING, TENSION
507	3-171-386-01	o SPRING, TENSION
508	3-171-435-03	o ROLLER (A), RING
509	3-171-436-02	o ROLLER (B), RING
510	3-171-468-01	o SPRING, TENSION
511	3-701-439-11	s WASHER, POLY 3MM DIA., 0.25T
512	3-171-385-01	o SPRING, TENSION Serial No. 10001 through 12490 (EK)
	3-171-386-01	o SPRING, TENSION Serial No. 12851 and higher (EK) Serial No. 10001 and higher (UC)

Threading ring



Threading gear box assembly



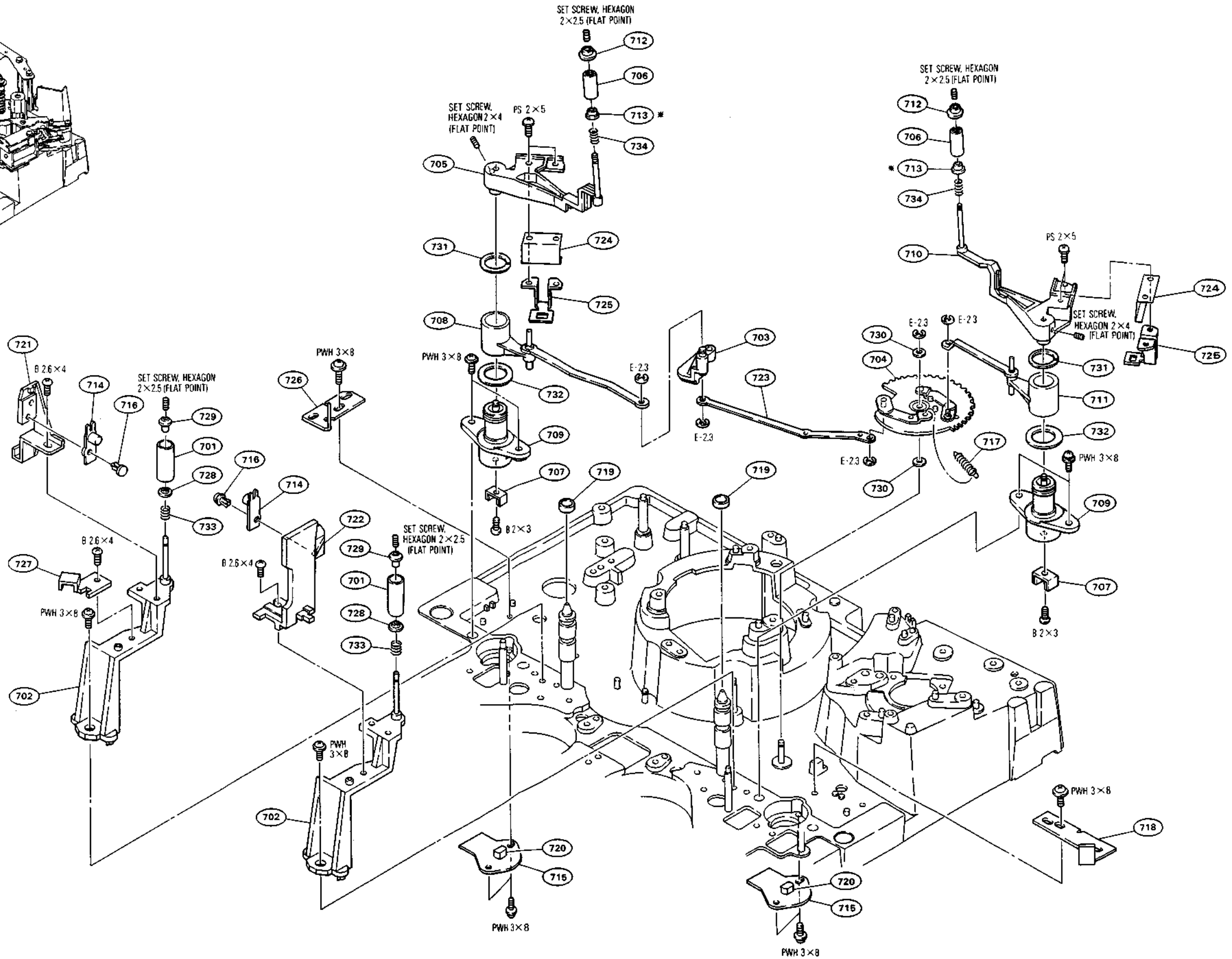
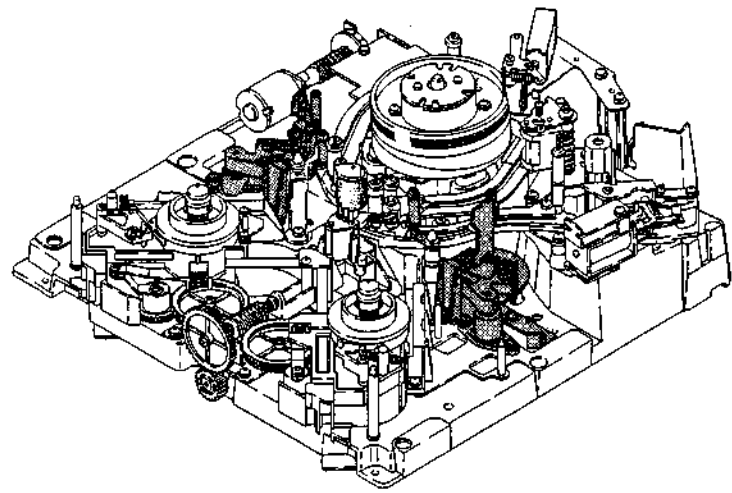
No.	Part No.	SP Description
601	A-6750-294-C	s MOTOR ASSY, LOADING
602	A-6750-295-B	o WORM ASSY
603	1-640-163-11	o PRINTED CIRCUIT BOARD, PTC-54
604	1-640-164-11	o PRINTED CIRCUIT BOARD, PTC-49
605	2-621-007-01	s BEARING, BALL, (B) (NO FRANGE)
606	3-171-336-01	o HOLDER, BEARING
607	3-171-337-01	o JOINT (1)
608	3-171-352-01	o REINFORCEMENT
609	3-171-353-02	o GEAR, MAIN
610	3-171-354-02	o GEAR, S
611	3-171-355-01	o WHEEL, WORM
612	3-171-389-01	o RING, FG
613	3-171-390-01	o JOINT (2)
614	3-171-391-01	o SHAFT, WORM
616	3-701-439-21	s WASHER, POLY 3MM DIA., 0.50T
617	3-717-210-01	s WORM
620	8-835-179-01	s MOTOR, DC MCB2B15 Serial No. 10001 through 16195 (EK) Serial No. 10001 through 10015 (UC)
	1-698-152-11	s MOTOR, DC SVD-1449 Serial No. 16196 and higher (EK) Serial No. 10016 and higher (UC)
621	4-321-237-00	s CLIP, CABLE
622	A-8310-268-A	s BLADE ASSY Serial No. 16396 and higher (EK) Serial No. 10016 and higher (UC)
623	X-3167-212-2	s CLEANING BLADE ASSY Serial No. 16396 and higher (EK) Serial No. 10016 and higher (UC)
624	3-171-571-01	o BASE, FE Serial No. 16396 and higher (EK) Serial No. 10016 and higher (UC)

ENSION REGULATOR ASSEMBLY

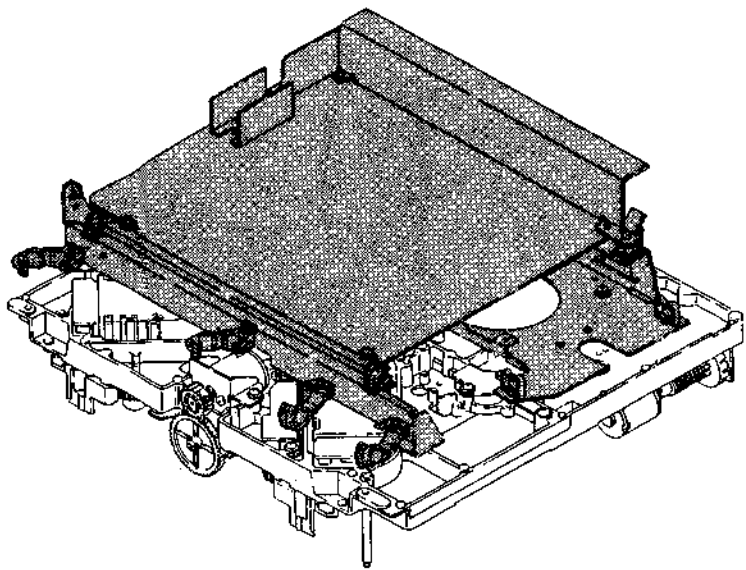
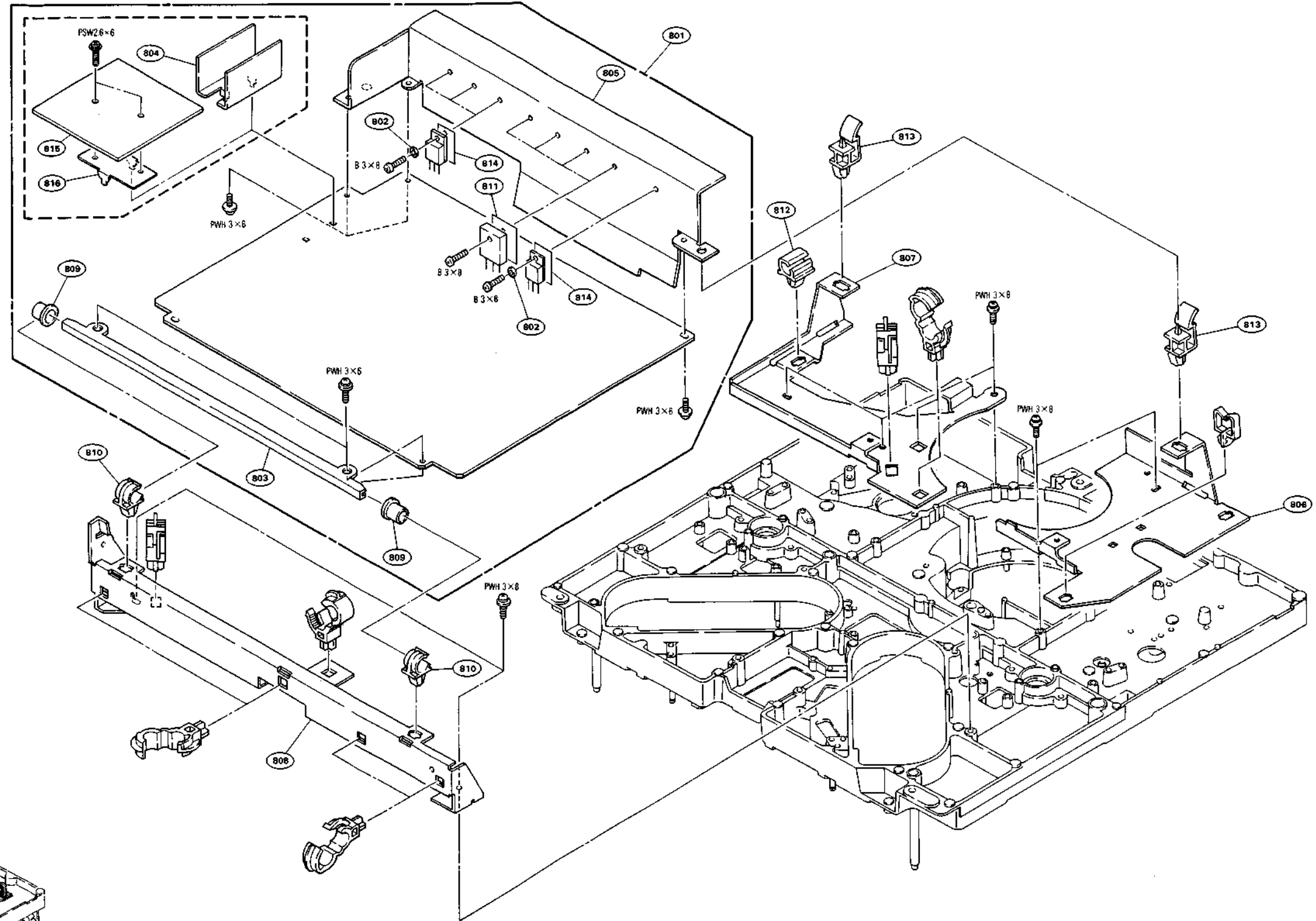
No.	Part No.	SP Description
701	X-3166-037-2	s ROLLER (M) ASSY, TAPE
702	X-3166-043-2	o ARM ASSY, CASSETTE EXIT
703	X-3166-047-1	o ARM ASSY, SUB DRIVING
704	X-3166-048-3	o GEAR SUB ASSY, DRIVING
705	X-3166-051-4	s ARM ASSY, S TENSION REGULATOR
706	X-3166-052-2	s ROLLER (S-T) ASSY, TAPE
707	X-3166-053-2	o YOKE ASSY, MAGNET
708	X-3166-054-1	o ARM ASSY, DRIVING
709	X-3166-055-2	s SUPPORT ASSY, TENSION REGULATOR
710	X-3166-057-2	s ARM ASSY, T TENSION REGULATOR
711	X-3166-059-1	o ARM ASSY, DRIVING
712	3-174-315-01	s FLANGE (UPPER)
※ 713	3-174-316-02	s FLANGE (LOWER) As to the models of the following serial Nos., when this part, replace No. 734 SPRING, COMPRESSION with a new part (2-618-901-00) at the same time. Serial No. 10001 through 11150 (EK)
714	1-543-316-31	s HEAD, SENSING
715	1-640-161-11	o PRINTED CIRCUIT BOARD, TR-73
716	2-279-715-01	s RIVET, NYLON
717	3-531-860-00	s SPRING, TENSION
718	3-171-350-01	o STOPPER, T
719	3-171-351-01	o STOPPER, TENSION REGULATOR
720	3-171-392-01	s HOLDER, DME
721	3-171-516-01	o HOLDER, S SENSOR
722	3-171-519-02	s HOLDER, T SENSOR
723	3-171-520-01	o DISK (A), S TENSION REGULATOR
724	3-171-579-02	o SPRING, LEAF, TENSION REGULATOR
725	3-176-613-02	o PROTECTOR
726	3-171-592-01	o STOPPER, S
727	3-172-763-01	o HOLDER, SENSOR HARNESS
728	3-173-172-01	s FLANGE, LOWER
729	3-173-176-01	s NUT, ADJUSTMENT
730	3-701-439-21	s WASHER, POLY, 3MM DIA., 0.5T
731	3-701-447-21	s WASHER
732	3-701-448-21	s WASHER, POLYETHYLENE
733	4-879-563-00	s SPRING, COMPRESSION
734	4-879-762-00	s SPRING, COMPRESSION Serial No. 10001 through 11150 (EK)
	2-618-901-00	s SPRING Serial No. 11151 and higher (EK) Serial No. 10001 and higher (UC)

※As to the model of its serial No. is among 10001 through 11150(EK), when replacing No.713, replace No.734 with a new part (2-618-901-00) at the same time.

Tension regulator assembly



Reel chassis (3)

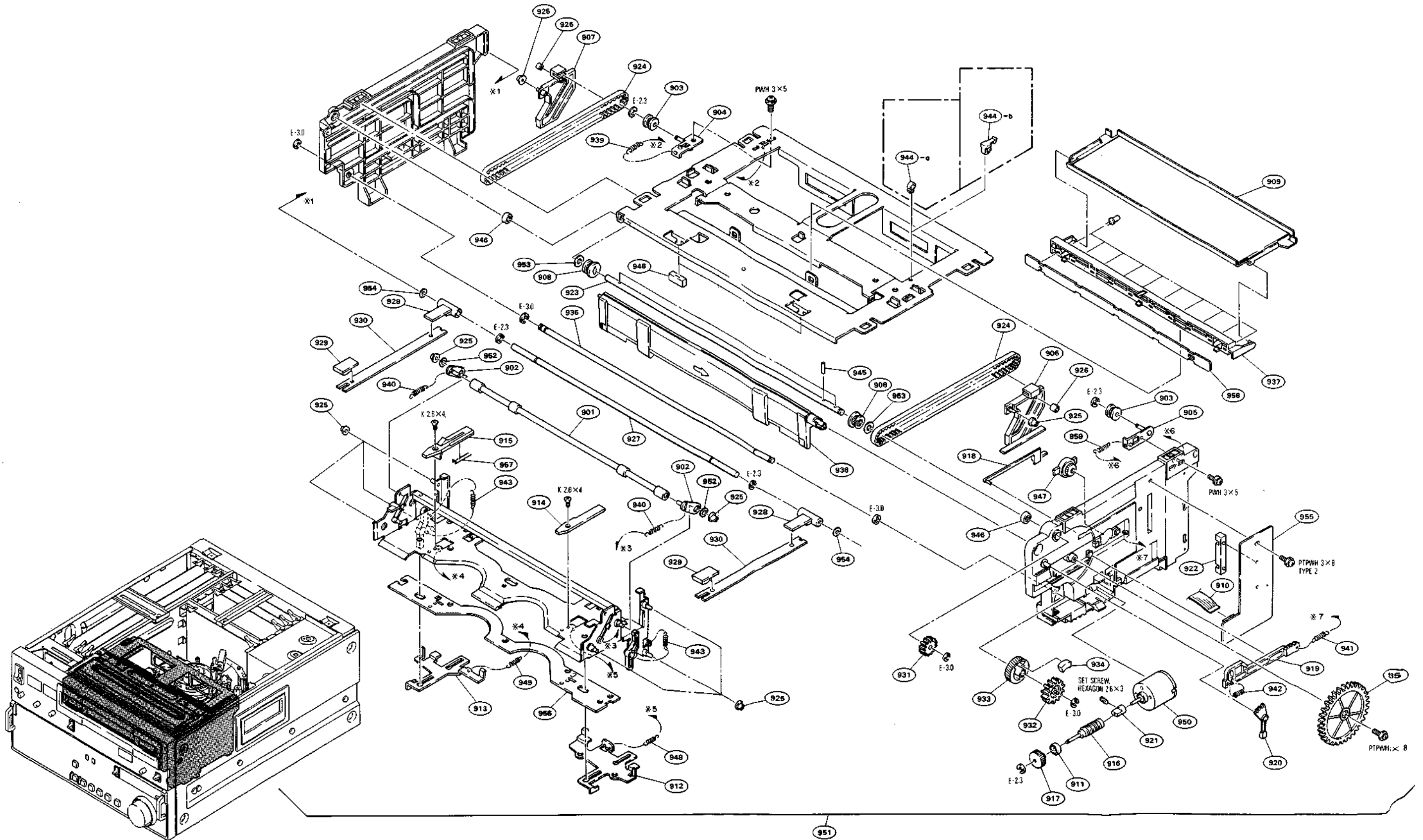


No.	Part No.	SP Description
801	A-6717-623-B	o MOUNTED CIRCUIT BOARD, DR-118A Serial No. 10001 through 14045 (EK) Serial No. 10001 through 10010 (UC)
	A-8271-718-A	o MOUNTED CIRCUIT BOARD, DR-232 (A) Serial No. 14046 and higher (EK) Serial No. 10011 and higher (UC)
802	2-371-561-01	s BUSHING (P), INSULATING
803	3-171-393-01	o SUPPORT, DR
804	3-171-395-01	o HEAT SINK (B) Serial No. 10001 through 12490 (EK)
805	3-171-493-01	o HEAT SINK (A)
806	3-171-494-02	o PLATE, FIXED, DD
807	3-171-505-02	o PLATE, FIXED, DT
808	3-171-506-02	o PLATE, FIXED, DR
809	3-646-084-00	o CAP, REINFORCEMENT
810	3-646-086-01	o HOLDER, ROD
811	3-660-978-00	s SHEET, HEAT RESISTING
812	3-703-072-00	o HOLDER, PCB
813	3-703-141-00	o HOLDER, PCB
814	4-911-232-01	s SHEET, INSULATING
815	3-176-491-01	o HEAT SINK (2), DR Serial No. 12851 and higher (EK) Serial No. 10001 and higher (UC)
816	3-176-490-01	o HEAT SINK (1), DR Serial No. 12851 and higher (EK) Serial No. 10001 and higher (UC)

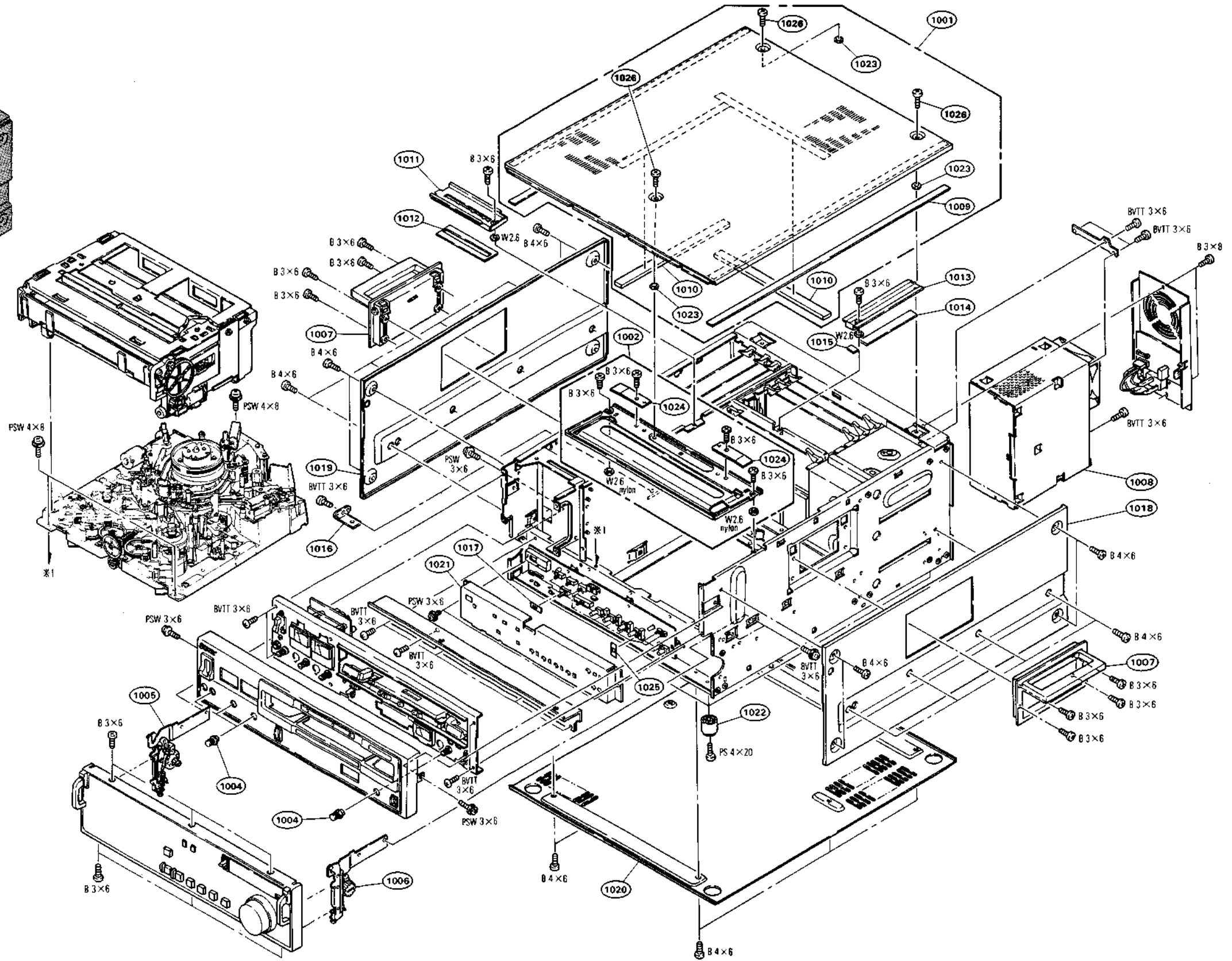
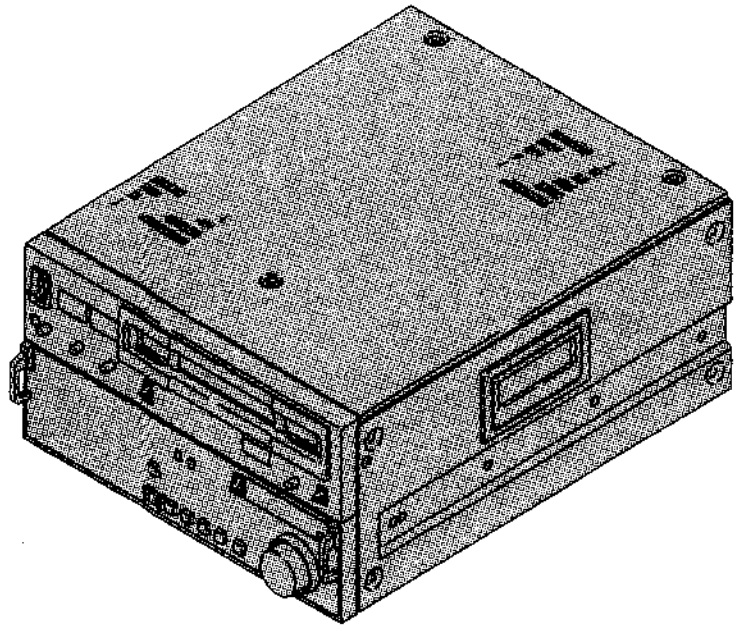
ASSETTE COMPARTMENT ASSEMBLY

No.	Part No.	SP Description	No.	Part No.	SP Description
901	X-3166-062-1	o SHAFT ASSY, PRESS ROLLER	939	3-554-122-00	o SPRING, TENSION Serial No. 10001 through 12950 (EK)
902	X-3166-063-2	o ARM ASSY, PRESS	3-176-578-01	s SPRING, TENSION Serial No. 12951 and higher (EK)	
903	3-176-584-01	o PULLEY (B)		s SPRING, TENSION Serial No. 10001 and higher (UC)	
904	X-3166-065-1	o DECK (L) ASSY, PULLEY	940	3-548-757-00	s SPRING, TENSION
905	X-3166-066-1	o DECK (R) ASSY, PULLEY	941	3-872-461-00	s SPRING, TENSION
906	X-3166-067-1	o SLIDER (R) ASSY	942	3-579-759-00	s SPRING, COMPRESSION
907	X-3166-068-1	o SLIDER (L) ASSY	943	3-646-214-00	s SPRING
908	3-176-583-01	o PULLEY (A)	944-a	3-660-815-00	o CLIP, CABLE Serial No. 10001 through 10650 (EK)
909	X-3166-217-1	s MIRROR ASSY	944-b	3-671-150-01	o CLAMP Serial No. 10651 and higher (EK)
910	1-690-106-12	s WIRE, FLEXIBLE CARD 5P			Serial No. 10001 and higher (UC)
911	2-621-007-01	s BEARING, BALL, (B) (NO FRANGE)	945	3-677-193-00	o PIN, STOPPER
912	3-171-367-04	o SWITCH (R), IN	946	3-698-217-01	s BEARING (NO FLANGE), BALL
913	3-171-398-03	o SWITCH (L), IN	947	3-712-786-01	s DAMPER, OIL
914	3-171-399-02	o GUIDE (R), CASSETTE	948	3-717-369-04	o STOPPER, DOOR
915	3-171-400-02	o GUIDE (L), CASSETTE	949	4-858-799-00	s SPRING, TENSION
916	3-171-418-02	s WORM	950	8-835-179-01	s MOTOR, DC MCB2B15 Serial No. 10001 through 16195 (EK)
917	3-171-419-03	s WHEEL			Serial No. 10001 through 10015 (UC)
918	3-171-420-01	o SHUTTER	1-698-152-11	s MOTOR, DC SVD-1449 Serial No. 16196 and higher (EK)	
919	3-171-421-01	o SLIDER, DOOR SWITCHING			Serial No. 10016 and higher (UC)
920	3-171-422-01	o LEVER, DOOR SWITCHING	951	A-6751-474-A	s CASSETTE COMPARTMENT ASSY
921	3-171-423-02	o JOINT, MOTOR	952	3-701-443-21	s WASHER
922	3-171-424-01	o HOLDER, SENSOR	953	3-701-441-11	s WASHER
923	3-171-457-01	o SHAFT, JOINT	954	3-701-439-21	s WASHER
924	3-171-458-01	s BELT, TIMING	955	1-640-170-13	o PRINTED CIRCUIT BOARD, CL-25
925	3-171-459-01	s ROLLER, GUIDE	956	1-640-171-12	o PRINTED CIRCUIT BOARD, PC-62
926	3-171-460-01	s ROLLER, SLIDER	957	3-176-139-01	s SPRING, C GUIDE
927	3-171-461-01	o SHAFT, RETAINER, L CASSETTE	958	1-640-172-11	o PRINTED CIRCUIT BOARD, LP-57
928	3-171-462-01	o HOLDER, SHAFT	959	3-554-122-01	s SPRING, TENSION Serial No. 10001 through 12950
929	3-171-463-03	o PLATE	3-176-579-01	s SPRING, TENSION Serial No. 12951 and higher	
930	3-171-464-01	o SPRING, LEAF			
931	3-171-465-01	o GEAR, DRIVING			
932	3-171-466-02	o GEAR, LIMITER			
933	3-171-477-02	o WHEEL, WORM Serial No. 10001 through 14965 (EK) Serial No. 10001 through 10010 (UC)			
	3-181-430-01	o WHEEL, WORM Serial No. 14966 and higher (EK) Serial No. 10011 and higher (UC)			
934	3-171-478-01	o RUBBER, LIMITER Serial No. 10001 through 14965 (EK) Serial No. 10001 through 10010 (UC)			
	3-181-431-01	o RUBBER, LIMITER Serial No. 14966 and higher (EK) Serial No. 10011 and higher (UC)			
935	3-171-479-01	o GEAR, MIDWAY			
936	3-171-480-01	o SHAFT, WORM WHEEL			
937	3-171-508-04	o HOLDER, LAMP			
938	3-171-510-02	s DOOR, CASSETTE			

Cassette compartment assembly



Chassis and ornamental panel block



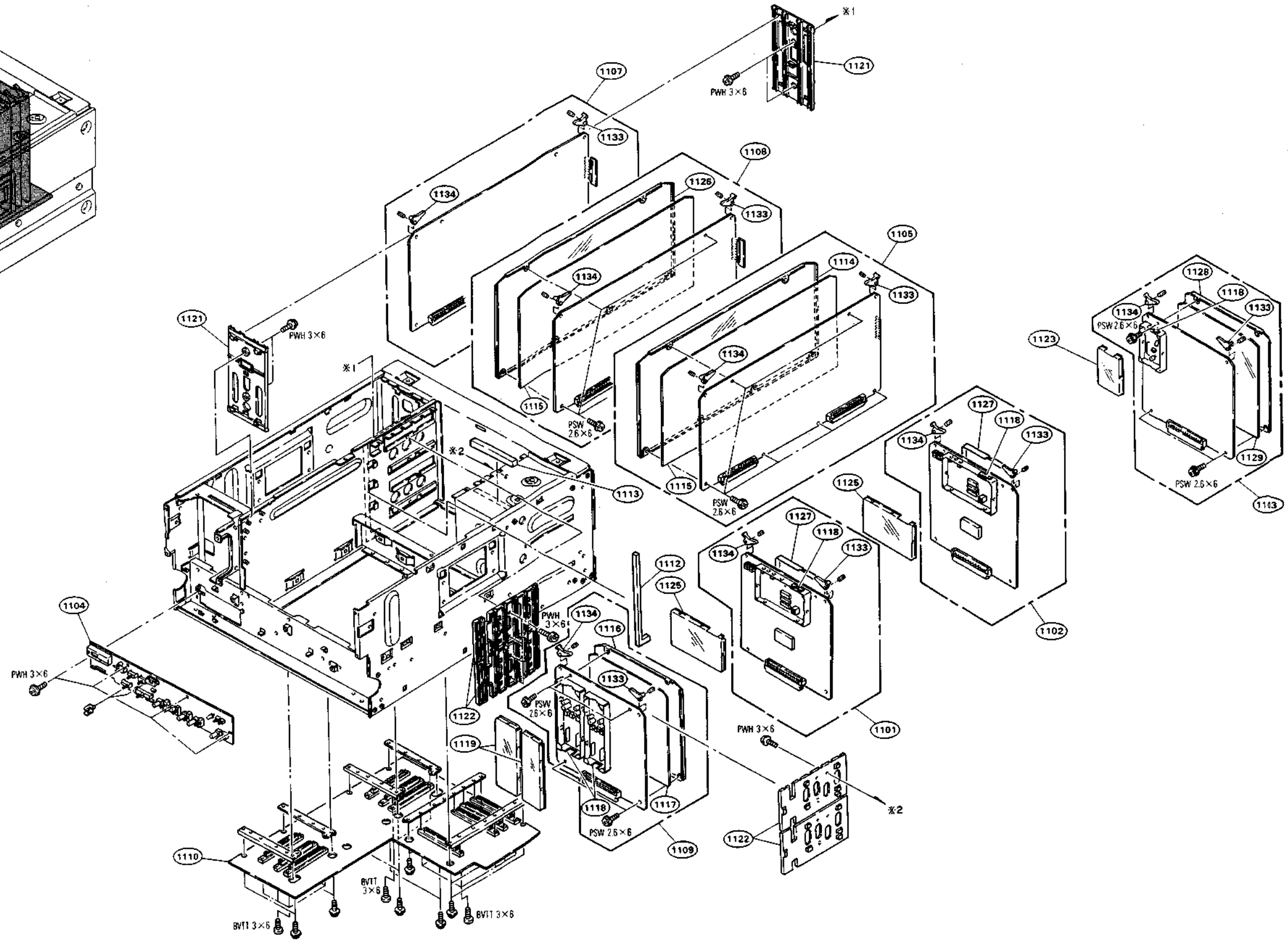
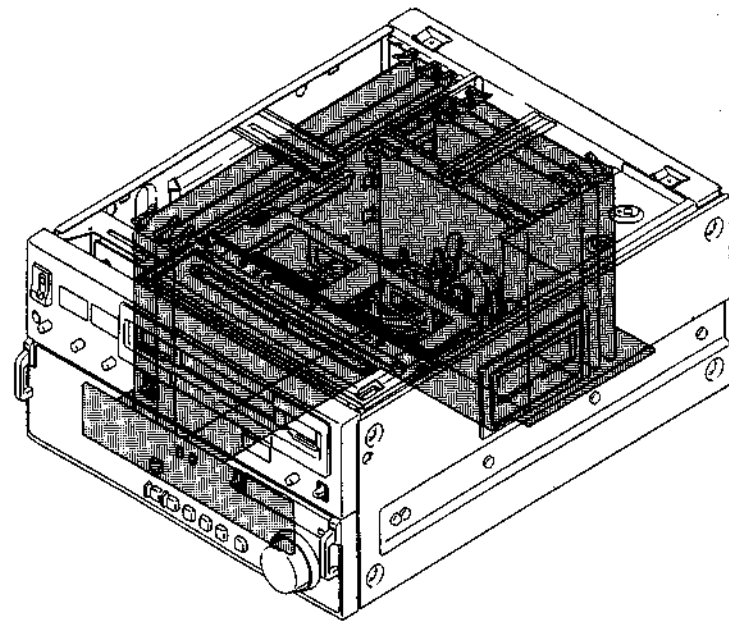
No.	Part No.	SP Description
1001	A-6703-711-F	o LID ASSY, UPPER
1002	A-6771-428-A	s STAY ASSY, CASSETTE COMPARTMENT
1004	X-3166-071-1	s KNOB ASSY (B), VOL
1005	X-3166-076-5	o HINGE (L) ASSY
1006	X-3166-077-5	o HINGE (R) ASSY
1007	X-3642-018-3	o HANDLE ASSY
1008	Δ1-413-675-12	s REGULATOR, SWITCHING
1009	3-171-368-01	o CUSHION Serial No. 10001 through 11150 (EK)
1010	3-171-369-01	o LID (A), UPPER, AIR GUARD
1011	3-171-377-02	o RETAINER (L), PC BOARD
1012	3-171-408-01	o RETAINER (L), PC BOARD
1013	3-171-409-01	o RETAINER (S), PC BOARD
1014	3-171-410-01	o RETAINER (S), PC BOARD
1015	3-171-411-01	o RETAINER (RP), PC BOARD
1016	3-171-489-01	o BRACKET, PLATE, BOTTOM
1017	3-717-393-03	o PLATE (LARGE), ORNAMENTAL, SW
1018	3-171-533-01	o CABINET (RIGHT)
1019	3-171-534-01	o CABINET (LEFT)
1020	3-171-535-02	o PLATE, BOTTOM
1021	3-171-536-01	o PLATE, ORNAMENTAL, HC
1022	3-642-656-01	s FOOT
1023	3-688-102-01	o SPACER, M4
1024	3-717-306-01	o SPRING
1025	3-717-394-03	o PLATE (SMALL), ORNAMENTAL, SW
1026	3-174-264-01	s SCREW (+) (B4X8) (CU, NI)

ARD RACK BLOCK

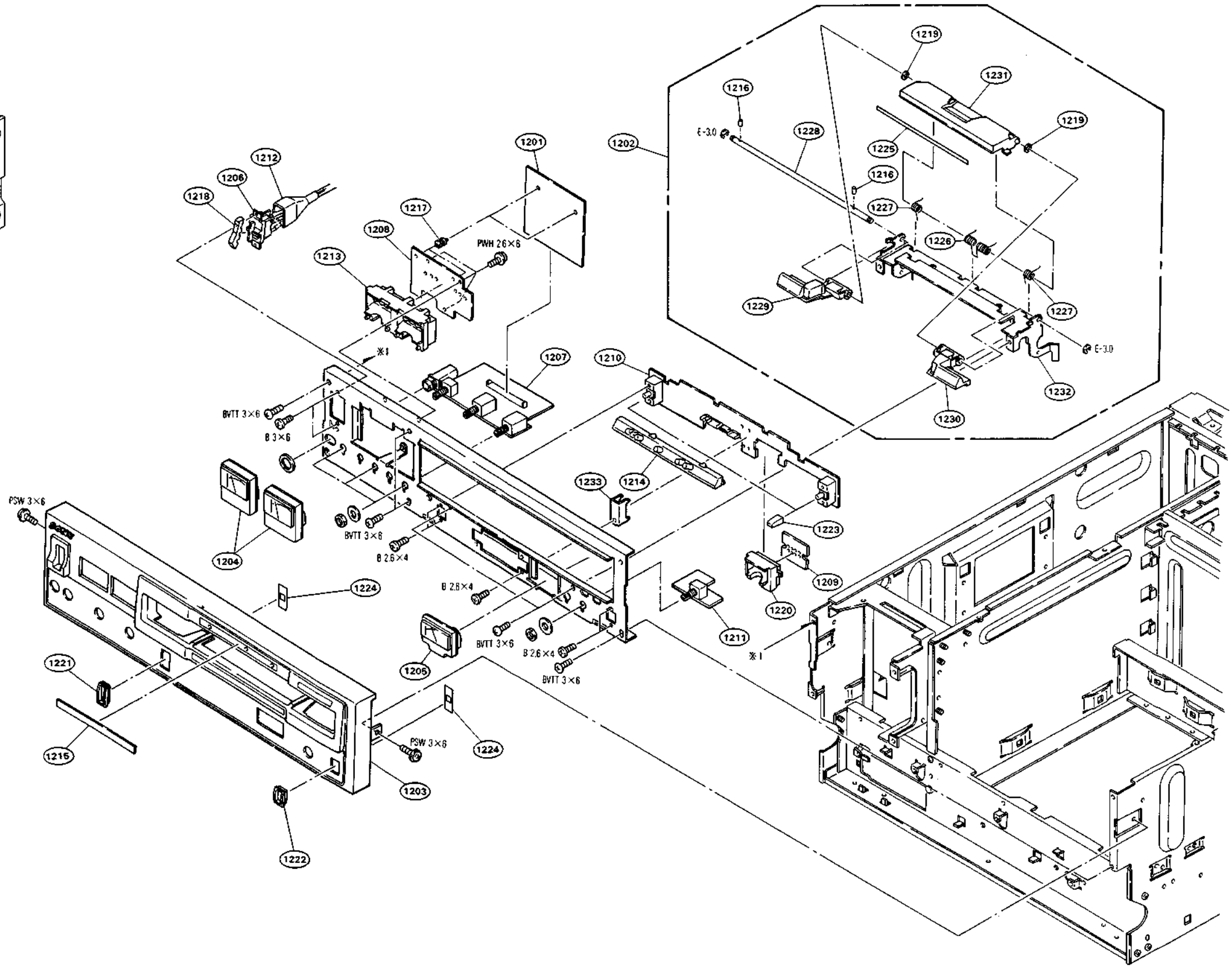
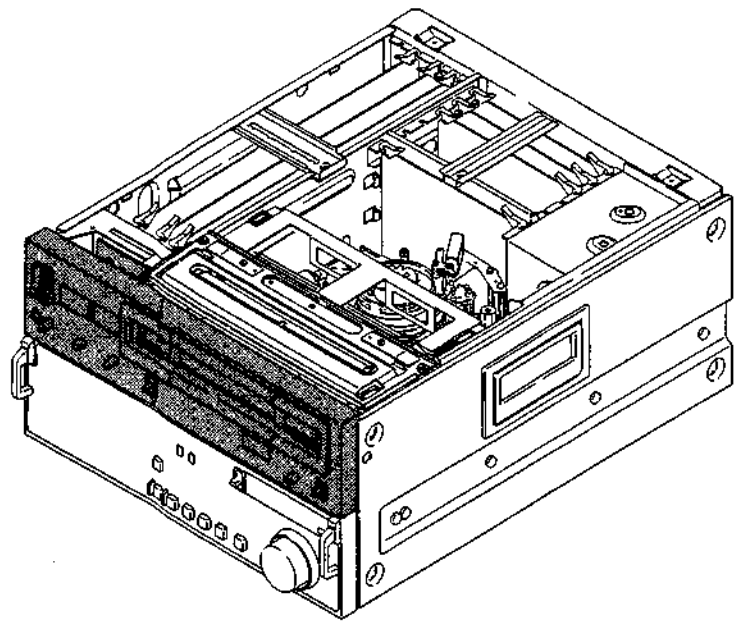
No.	Part No.	SP Description
1101	A-6713-472-A	o MOUNTED CIRCUIT BOARD, AU-148AP
1102	A-6713-473-A	o MOUNTED CIRCUIT BOARD, AU-149AP
1103	A-6713-456-A	o MOUNTED CIRCUIT BOARD, AU-150A
1104	A-6717-635-B	o MOUNTED CIRCUIT BOARD, HC-14C
1105	A-6717-637-A	o MOUNTED CIRCUIT BOARD, SS-48P
1107	A-6727-374-B	o MOUNTED CIRCUIT BOARD, VP-33AP
1108	A-6727-378-B	o MOUNTED CIRCUIT BOARD, TBC-18P
1109	A-6727-375-A	o MOUNTED CIRCUIT BOARD, RP-57AP
1110	A-6754-338-A	o MOUNTED CIRCUIT BOARD, MB-322A Serial No. 10001 through 11680 (EK)
	A-8276-480-A	o MOUNTED CIRCUIT BOARD, MB-322D Serial No. 11681 and higher (EK) Serial No. 10001 and higher (UC)
1111	2-251-622-11	s LEVER, PC BOARD Serial No. 10001 through 14435 (EK) Serial No. 10001 through 10010 (UC)
1112	3-171-413-01	o GUARD (M), AIR
1113	3-171-414-02	o GUARD (SW), AIR
1114	3-171-453-03	o PLATE (L), SHIELD, CARD
1115	3-171-454-02	o SHEET (L), CARD
1116	X-3166-417-2	o PLATE (S) ASSY, SHIELD, CARD
1117	3-171-456-02	o SHEET (S), CARD
1118	3-171-485-02	o GUARD, EDGE
1119	1-949-962-11	o HARNESS (RP SHIELD)
1121	3-171-525-02	o GUIDE (L), PCB
1122	3-171-527-01	o GUIDE (S), PCB
1123	3-172-937-01	o LID, AU SHIELD PLATE (2)
1125	3-172-941-02	o LID, AU SHIELD PLATE (1)
1126	X-3166-572-1	o PLATE (TBC) ASSY, SHIELD, CARD Serial No. 10001 through 10650 (EK)
	3-171-453-03	o PLATE (L), SHIELD, CARD Serial No. 10651 and higher (EK) Serial No. 10001 and higher (UC)
1127	3-173-739-03	o SHIELD (B), AU
1128	3-171-455-01	o PLATE (S), SHIELD, CARD Serial No. 10001 through 11150 (EK)
1129	3-171-456-02	s SHEET (S), CARD Serial No. 10001 through 11150 (EK)
1130	3-179-084-01	s LEVER (R), PC BOARD Serial No. 14436 and higher (EK) Serial No. 10011 and higher (UC)
1131	3-179-085-01	s LEVER (L), PC BOARD Serial No. 14436 and higher (EK) Serial No. 10011 and higher (UC)

CARD RACK BLOCK CARD RACK BLOCK

Card rack block



Front panel block

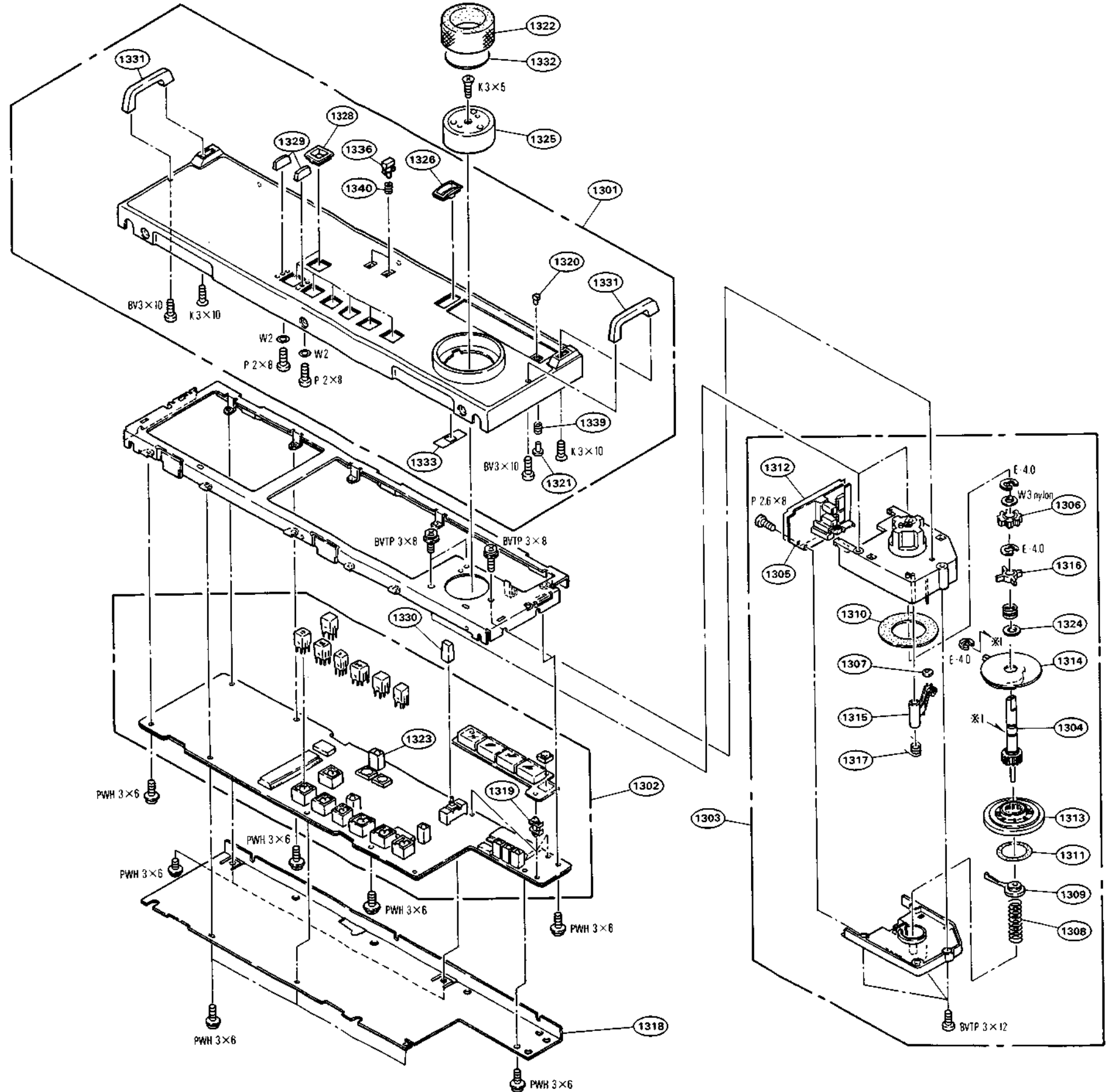
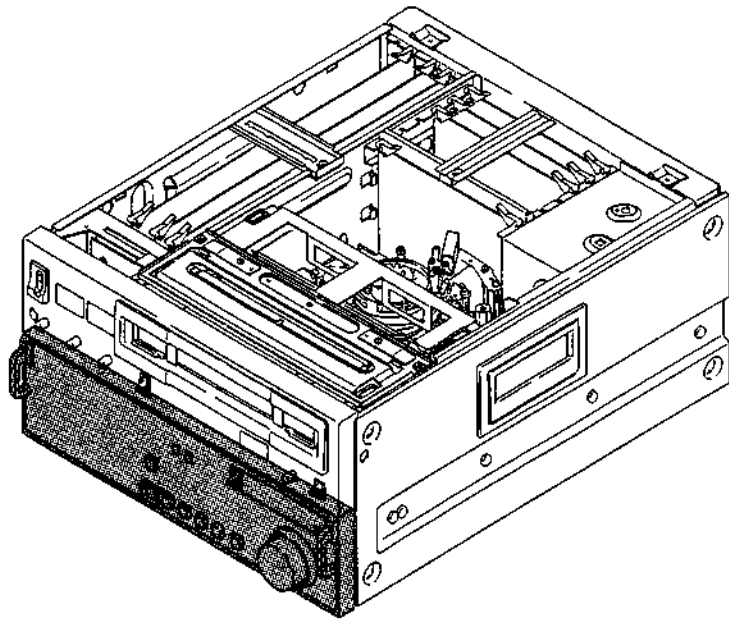


No.	Part No.	SP Description
1201	A-6713-450-A	o MOUNTED CIRCUIT BOARD, MA-44A
1202	A-6751-377-G	o GUIDE ASSY, SC
1203	X-3166-045-2	o PANEL SUB ASSY, FRONT
1204	1-520-393-21	s METER, AUDIO LEVEL
1205	1-520-494-21	s METER, VIDEO LEVEL
1206	△1-570-117-31	s SWITCH, ROCKER "POWER"
1207	1-640-039-21	o PRINTED CIRCUIT BOARD, VR-116A
1208	1-640-040-21	o PRINTED CIRCUIT BOARD, DP-138A
1209	1-640-042-21	o PRINTED CIRCUIT BOARD, DP-159A
1210	1-640-043-21	o PRINTED CIRCUIT BOARD, SW-444A
1211	1-640-044-21	o PRINTED CIRCUIT BOARD, VR-117A
1212	2-269-962-00	o COVER, SWITCH
1213	3-171-415-01	o HOLDER, METER LED
1214	3-171-416-01	o HOLDER, LED
1215	3-171-291-11	o LABEL (P), MODEL
1216	3-677-193-00	o PIN, STOPPER
1217	3-682-419-11	o HOLDER, P. C. B
1218	3-688-814-01	s CAP, SWITCH
1219	3-701-441-21	s WASHER, POLY 4MM DIA., 0.50T
1220	3-717-323-01	o COVER, METER LED
1221	3-717-374-01	o FRAME (23X12), ORNAMENTAL, SW
1222	3-717-375-01	o FRAME (18X12), ORNAMENTAL, SW
1223	3-717-382-01	s KNOB, LEVER SW
1224	3-717-613-01	o PLATE, ORNAMENTAL, LSW
1225	3-717-614-01	o LABEL, C-LOCK OUT
1226	3-717-615-01	o SPRING
1227	3-717-616-01	o SPRING
1228	3-717-617-01	o SHAFT, SC GUIDE
1229	3-717-618-01	o GUIDE (LEFT), SC
1230	3-717-619-02	o GUIDE (RIGHT), SC
1231	3-717-620-01	o PLATE, OUT, C-LOCK
1232	3-717-621-03	o PLATE, INDICATION, SC GUIDE
1233	3-717-672-01	o STOPPER, KY

INCTION CONTROL PANEL BLOCK

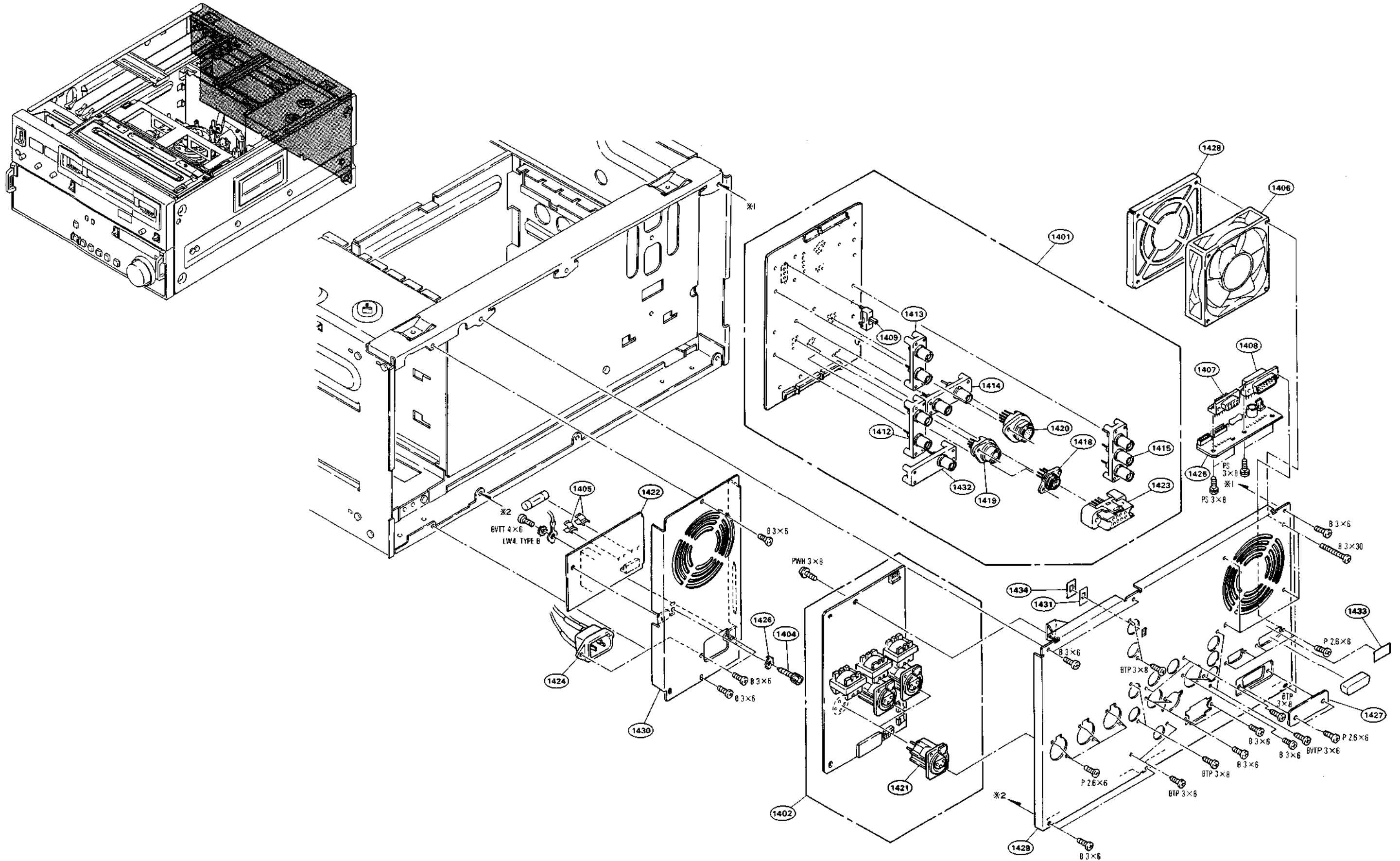
No.	Part No.	SP Description
1301	A-6704-546-A	o PANEL ASSY, KEY
1302	A-6717-621-B	o MOUNTED CIRCUIT BOARD, KY-210A
1303	A-6734-253-A	o DIAL BLOCK ASSY, SERCH
1304	X-2124-627-1	o SHAFT SUB ASSY, MAIN
1305	1-633-548-13	o PRINTED CIRCUIT BOARD, PTC-39
1306	2-124-690-01	o GUIDE, LOCK IN
1307	2-124-691-01	s ROLLER
1308	2-124-692-01	o SPRING, COMPRESSION
1309	2-124-693-02	s PLATE
1310	2-124-694-02	o PLATE, CLUTCH
1311	2-124-695-01	o PLATE, CUSHION
1312	2-124-696-01	o PROTECTOR, PTC
1313	2-143-601-01	s RING, FG
1314	2-143-602-03	o CAM, SD
1315	2-143-603-01	o ARM, RETURN
1316	2-143-604-01	o GUIDE, LOCK OUT
1317	2-143-613-01	s SPRING, TORSION
1318	3-171-532-02	o PROTECTOR, KY
1319	3-660-828-00	o HOLDER (9), PC BOARD
1320	3-668-008-02	s PUSH BUTTON (3X5)
1321	3-668-009-02	s PIN, PUSH BUTTON
1322	3-668-012-00	s RUBBER, DIAL KNOB
1323	3-668-124-00	o HOLDER, LED
1324	3-701-443-21	s WASHER, POLY 5MM DIA., 0.50T
1325	3-717-370-01	o KNOB, DIAL
1326	3-717-374-01	o FRAME (23X12), ORNAMENTAL, SW
1328	3-717-377-01	o FRAME (SQUARE 17), ORNAMENTAL
1329	3-717-380-01	o GUARD, REC
1330	3-717-382-01	s KNOB, LEVER SW
1331	3-717-425-21	o HANDLE
1332	3-717-557-01	o PLATE, KNOB
1333	3-717-613-01	o PLATE, ORNAMENTAL, LSW
1336	3-718-681-01	s PUSH BUTTON
1339	4-309-349-00	s SPRING, COIL
1340	4-866-613-00	s SPRING, COMPRESSION

Function control panel block



REAR PANEL BLOCK REAR PANEL BLOCK

Rear panel block



No.	Part No.	SP Description
1401	A-6713-451-A	o MOUNTED CIRCUIT BOARD, CP-166A
1402	A-6713-452-A	o MOUNTED CIRCUIT BOARD, CP-167A
1404	X-2068-004-0	s TERMINAL ASSY
1405	1-533-189-11	o HOLDER, FUSE
1406	1-541-431-31	s FAN, DC "FAN"
1407	1-563-770-11	s CONNECTOR, D-SUB 9P, FEMALE Serial No. 10001 through 16135 (EK) Serial No. 10001 through 10010 (UC)
	1-573-566-11	s CONNECTOR, D-SUB 9P, FEMALE Serial No. 16136 and higher (EK) Serial No. 10011 and higher (UC)
1408	1-566-319-11	o CONNECTOR, D-SUB 15P, FEMALE Serial No. 10001 through 16135 (EK) Serial No. 10001 through 10010 (UC)
	1-764-259-11	o CONNECTOR, D-SUB 15P, FEMALE Serial No. 16136 and higher (EK) Serial No. 10011 and higher (UC)
1409	1-570-157-51	s SWITCH, SLIDE
1412	1-573-580-11	s CONNECTOR, BNC FEMALE
1413	1-573-581-11	s CONNECTOR, BNC FEMALE
1414	1-573-582-11	s CONNECTOR, BNC FEMALE
1415	1-573-584-11	s CONNECTOR, BNC FEMALE
1418	1-573-590-12	s CONNECTOR, CIRCULAR 4P, FEMALE
1419	1-573-591-11	s CONNECTOR, CIRCULAR 7P, FEMALE
1420	1-573-592-11	s CONNECTOR, CIRCULAR 12P, FEMALE
1421	1-573-593-11	s CONNECTOR, XLR 3P, MALE
1422	1-641-145-12	o PRINTED CIRCUIT BOARD, AC-133
1423	1-573-602-11	s CONNECTOR, 8P(MONITOR), FEMALE
1424	△1-580-375-21	o INLET, AC 3P, MALE
1425	1-640-048-21	o PRINTED CIRCUIT BOARD, RM-93A
1426	2-068-008-00	s WASHER
1427	3-171-451-01	o PANEL, OP
1428	3-171-452-02	o COVER, FAN
1429	3-171-530-31	o PANEL, CONNECTOR Serial No. 10001 through 13615 (EK)
	X-3166-889-2	o PANEL SUB ASSY, CONNECTOR Serial No. 13616 and higher (EK) Serial No. 10001 and higher (UC)
1430	3-171-531-01	o PANEL, POWER Serial No. 10001 through 13615 (EK)
	X-3166-892-1	o PANEL SUB ASSY, POWER Serial No. 13616 and higher (EK) Serial No. 10001 and higher (UC)
1431	3-717-394-03	o PLATE (SMALL), ORNAMENTAL, SW
1432	1-573-583-11	s CONNECTOR, BNC FEMALE
1433	3-176-091-01	o LABEL (TBC REMOTE, ENGLISH)
1434	3-173-384-01	o SPACER, ORNAMENTAL PLATE

18-3. ELECTRICAL PARTS LIST

AC-133 BOARD

Ref. No. or Q'ty	Part No.	SPDescription
1pc	1-641-145-13	o PRINTED CIRCUIT BOARD, AC-133
2pcs	1-533-189-11	s HOLDER, FUSE
1pc	4-949-521-20	o LABEL (B) (T.H.), FUSE RATING
C1	▲ 1-136-185-00	s FILM 0.22uF 20% 250V
C2	▲ 1-161-741-00	s CERAMIC 0.001uF 10% 400V
C3	▲ 1-161-741-00	s CERAMIC 0.001uF 10% 400V
C4	▲ 1-161-740-00	s CERAMIC 470PF 10% 400V
C5	▲ 1-161-741-00	s CERAMIC 0.001uF 10% 400V
C6	▲ 1-161-741-00	s CERAMIC 0.001uF 10% 400V
C7	▲ 1-161-740-00	s CERAMIC 470PF 10% 400V
CN998	1-564-241-00	o CONNECTOR 4P, MALE
CN999	1-564-241-00	o CONNECTOR 4P, MALE
F1	▲ 1-576-231-11	s FUSE (H.B.C.)
L1	▲ 1-424-598-11	s COIL, CHOKE
R1	▲ 1-260-135-11	s CARBON 1M 5% 1/2W

AU-148AP BOARD

Ref. No. or Q'ty	Part No.	SPDescription
1pc	A-6713-472-A	o MOUNTED CIRCUIT BOARD, AU-148AP
1pc	3-171-456-02	o SHEET (S), CARD
1pc	3-171-485-02	o GUARD, EDGE
1pc	3-173-739-03	o SHIELD (B), AU
1pc	7-621-759-45	s +PSW, 2.6X6
1pc	3-179-084-01	s LEVER (R), PC BOARD
1pc	3-179-085-01	s LEVER (L), PC BOARD
C105	1-163-243-11	s CERAMIC, CHIP 47PF 5% 50V
C106	1-163-113-00	s CERAMIC, CHIP 68PF 5% 50V
C107	1-163-125-00	s CERAMIC, CHIP 220PF 5% 50V
C108	1-163-033-00	s CERAMIC, CHIP 0.022uF 50V
C109	1-163-033-00	s CERAMIC, CHIP 0.022uF 50V
C111	1-163-125-00	s CERAMIC, CHIP 220PF 5% 50V
C112	1-163-023-00	s CERAMIC, CHIP 0.015uF 10% 50V
C113	1-126-101-11	s ELECT 100uF 20% 16V
C114	1-124-907-11	s ELECT 10uF 20% 50V
C115	1-164-232-11	s CERAMIC 0.01uF 10% 50V
C116	1-130-481-00	s MYLAR 0.0068uF 5% 50V
C117	1-124-916-11	s ELECT 22uF 20% 50V
C118	1-124-916-11	s ELECT 22uF 20% 50V
C119	1-124-916-11	s ELECT 22uF 20% 50V
C120	1-130-487-00	s MYLAR 0.022uF 5% 50V
C121	1-164-232-11	s CERAMIC 0.01uF 10% 50V
C122	1-164-232-11	s CERAMIC 0.01uF 10% 50V
C123	1-130-487-00	s MYLAR 0.022uF 5% 50V
C124	1-130-487-00	s MYLAR 0.022uF 5% 50V
C125	1-164-232-11	s CERAMIC 0.01uF 10% 50V
C126	1-164-232-11	s CERAMIC 0.01uF 10% 50V
C127	1-130-487-00	s MYLAR 0.022uF 5% 50V
C128	1-130-487-00	s MYLAR 0.022uF 5% 50V
C129	1-130-487-00	s MYLAR 0.022uF 5% 50V
C130	1-130-487-00	s MYLAR 0.022uF 5% 50V
C131	1-163-243-11	s CERAMIC, CHIP 47PF 5% 50V
C132	1-164-232-11	s CERAMIC 0.01uF 10% 50V
C133	1-164-232-11	s CERAMIC 0.01uF 10% 50V
C134	1-130-473-00	s MYLAR 0.0015uF 5% 50V
C135	1-163-243-11	s CERAMIC, CHIP 47PF 5% 50V
C136	1-163-121-00	s CERAMIC, CHIP 150PF 5% 50V
C137	1-163-121-00	s CERAMIC, CHIP 150PF 5% 50V
C138	1-124-907-11	s ELECT 10uF 20% 50V
C139	1-164-182-11	s CERAMIC 0.0033uF 1% 50V
C201	1-163-033-00	s CERAMIC, CHIP 0.02uF 50V
C202	1-130-483-00	s MYLAR 0.01uF 5% 50V
C203	1-163-275-11	s CERAMIC, CHIP 0.001uF 5% 50V
C204	1-163-275-11	s CERAMIC, CHIP 0.001uF 5% 50V
C205	1-163-275-11	s CERAMIC, CHIP 0.001uF 5% 50V
C206	1-163-275-11	s CERAMIC, CHIP 0.001uF 5% 50V
C207	1-124-907-11	s ELECT 10uF 20% 50V
C208	1-164-232-11	s CERAMIC 0.01uF 10% 50V
C209	1-164-232-11	s CERAMIC 0.01uF 10% 50V
C210	1-124-925-11	s ELECT 2.2uF 20% 50V
C213	1-130-728-00	s FILM 0.0022uF 2% 10V
C214	1-130-728-00	s FILM 0.0022uF 2% 10V
C215	1-136-682-11	s FILM 0.0039uF 2% 10V
C216	1-131-345-00	s TANTALUM 0.47uF 10% 35V
C217	1-130-497-00	s MYLAR 0.15uF 5% 50V
C218	1-130-738-00	s FILM 0.015uF 1% 10V
C219	1-130-499-00	s MYLAR 0.22uF 5% 50V

(AU-148AP BOARD)

Ref. No. or Q'ty	Part No.	SPDescription
C220	1-164-344-11	s CERAMIC 0.068uF 10% 25V
C221	1-130-765-00	s FILM 0.056uF 5% 100V
C222	1-136-683-11	s FILM 0.0056uF 2% 100V
C223	1-130-736-11	s FILM 0.01uF 5% 50V
C224	1-164-232-11	s CERAMIC 0.01uF 10% 50V
C225	1-164-232-11	s CERAMIC 0.01uF 10% 50V
C226	1-163-121-00	s CERAMIC, CHIP 150PF 5% 50V
C227	1-124-907-11	s ELECT 10uF 20% 50V
C228	1-130-478-00	s MYLAR 0.0039uF 5% 50V
C229	1-124-477-11	s ELECT 47uF 20% 16V
C230	1-163-235-11	s CERAMIC, CHIP 22PF 5% 50V
C231	1-164-232-11	s CERAMIC 0.01uF 10% 50V
C232	1-164-232-11	s CERAMIC 0.01uF 10% 50V
C233	1-163-235-11	s CERAMIC, CHIP 22PF 5% 50V
C234	1-124-477-11	s ELECT 47uF 20% 16V
C235	1-130-483-00	s MYLAR 0.01uF 5% 50V
C236	1-163-113-00	s CERAMIC, CHIP 68PF 5% 50V
C243	1-163-033-00	s CERAMIC, CHIP 0.022uF 50V
C244	1-163-033-00	s CERAMIC, CHIP 0.022uF 50V
C245	1-163-033-00	s CERAMIC, CHIP 0.022uF 50V
C246	1-163-243-11	s CERAMIC, CHIP 47PF 5% 50V
C247	1-130-478-00	s MYLAR 0.0039uF 5% 50V
C248	1-131-349-00	s TANTALUM 2.2uF 10% 16V
C249	1-131-349-00	s TANTALUM 2.2uF 10% 16V
C336	1-163-113-00	s CERAMIC, CHIP 68PF 5% 50V
C504	1-163-033-00	s CERAMIC, CHIP 0.022uF 50V
C505	1-124-477-11	s ELECT 47uF 20% 16V
C506	1-163-033-00	s CERAMIC, CHIP 0.022uF 50V
C507	1-124-477-11	s ELECT 47uF 20% 16V
C508	1-126-101-11	s ELECT 100uF 20% 16V
C509	1-126-101-11	s ELECT 100uF 20% 16V
C510	1-124-477-11	s ELECT 47uF 20% 16V
C511	1-124-477-11	s ELECT 47uF 20% 16V
C512	1-124-916-11	s ELECT 22uF 20% 50V
C513	1-124-916-11	s ELECT 22uF 20% 50V
CN2	1-506-468-11	s CONNECTOR 3P, MALE
CN111	1-573-600-21	s CONNECTOR, PHEC 100P, MALE
D103	8-719-123-85	s DIODE 1SS304
D104	8-719-123-85	s DIODE 1SS304
D201	8-719-941-23	s DIODE DA204U
D202	8-719-941-23	s DIODE DA204U
D204	8-719-941-23	s DIODE DA204U
D207	8-719-941-23	s DIODE DA204U
D209	8-719-123-85	s DIODE 1SS304
D501	8-719-105-32	s DIODE RD2.7M-B2
D502	8-719-105-32	s DIODE RD2.7M-B2
D503	8-719-105-28	s DIODE RD2.4M-B
D504	8-719-105-28	s DIODE RD2.4M-B
IC101	8-759-701-25	s IC NJM2068D-D
IC102	8-759-701-25	s IC NJM2068D-D
IC103	8-759-701-25	s IC NJM2068D-D
IC104	8-759-701-25	s IC NJM2068D-D
IC201	8-759-705-58	s IC NJM4558D-D
IC202	8-759-705-58	s IC NJM4558D-D
IC203	8-759-705-58	s IC NJM4558D-D
IC204	8-752-018-80	s IC CX20188
IC205	8-759-981-96	s IC RC4560D
IC206	8-759-982-03	s IC RC5532DD

(AU-148AP BOARD)

Ref. No. or Q'ty	Part No.	SPDescription
IC207	8-759-982-03	s IC RC5532DD
IC503	8-759-708-05	s IC NJM78L05A
IC504	8-759-700-65	s IC NJM79L05A
LV101	1-410-934-21	s COIL, VARIABLE 7.1uH
Q105	8-729-109-44	s TRANSISTOR 2SK94
Q106	8-729-140-63	s TRANSISTOR 2SA1611-M5M6
Q107	8-729-209-06	s TRANSISTOR 2SC4213-B
Q108	8-729-209-06	s TRANSISTOR 2SC4213-B
Q109	8-729-209-06	s TRANSISTOR 2SC4213-B
Q110	8-729-209-06	s TRANSISTOR 2SC4213-B
Q111	8-729-209-06	s TRANSISTOR 2SC4213-B
Q112	8-729-209-06	s TRANSISTOR 2SC4213-B
Q201	8-729-140-63	s TRANSISTOR 2SA1611-M5M6
Q202	8-729-109-44	s TRANSISTOR 2SK94
Q205	8-729-203-30	s TRANSISTOR 2SJ106Y
Q206	8-729-109-44	s TRANSISTOR 2SK94
Q207	8-729-209-06	s TRANSISTOR 2SC4213-B
Q208	8-729-209-06	s TRANSISTOR 2SC4213-B
Q209	8-729-118-58	s TRANSISTOR 2SK852-X4
Q210	8-729-140-63	s TRANSISTOR 2SA1611-M5M6
Q211	8-729-118-58	s TRANSISTOR 2SK852-X4
Q212	8-729-905-12	s TRANSISTOR DTA144EU
Q501	8-729-140-98	s TRANSISTOR 2SD773
Q502	8-729-140-93	s TRANSISTOR 2SB733
Q503	8-729-140-93	s TRANSISTOR 2SB733
Q504	8-729-140-98	s TRANSISTOR 2SD773
Q505	8-729-140-93	s TRANSISTOR 2SB733
Q506	8-729-140-98	s TRANSISTOR 2SD773
R110	1-216-009-00	s METAL, CHIP 22 5% 1/10W
R111	1-249-393-11	s CARBON 10 5% 1/4W
R113	1-216-073-00	s METAL, CHIP 10K 5% 1/10W
R114	1-216-097-00	s METAL, CHIP 100K 5% 1/10W
R116	1-216-651-11	s METAL, CHIP 1K 0.5% 1/10W
R117	1-216-105-00	s METAL, CHIP 220K 5% 1/10W
R118	1-216-651-11	s METAL, CHIP 1K 0.5% 1/10W
R119	1-216-625-11	s METAL, CHIP 82 0.5% 1/10W
R120	1-216-121-00	s METAL, CHIP 1M 5% 1/10W
R121	1-216-071-00	s METAL, CHIP 8.2K 5% 1/10W
R122	1-216-097-00	s METAL, CHIP 100K 5% 1/10W
R123	1-216-081-00	s METAL, CHIP 22K 5% 1/10W
R124	1-216-121-00	s METAL, CHIP 1M 5% 1/10W
R125	1-216-073-00	s METAL, CHIP 10K 5% 1/10W
R126	1-216-659-11	s METAL, CHIP 2.2K 0.5% 1/10W
R127	1-216-675-11	s METAL, CHIP 10K 0.5% 1/10W
R128	1-216-073-00	s METAL, CHIP 10K 5% 1/10W
R129	1-216-073-00	s METAL, CHIP 10K 5% 1/10W
R130	1-216-073-00	s METAL, CHIP 10K 5% 1/10W
R131	1-216-073-00	s METAL, CHIP 10K 5% 1/10W
R132	1-216-073-00	s METAL, CHIP 10K 5% 1/10W
R133	1-216-073-00	s METAL, CHIP 10K 5% 1/10W
R134	1-216-073-00	s METAL, CHIP 10K 5% 1/10W
R135	1-216-643-11	s METAL, CHIP 47K 0.5% 1/10W
R136	1-216-671-11	s METAL, CHIP 6.8K 0.5% 1/10W
R137	1-216-691-11	s METAL, CHIP 47K 0.5% 1/10W
R138	1-216-683-11	s METAL, CHIP 22K 0.5% 1/10W
R139	1-215-473-00	s METAL 150K 1% 1/4W
R140	1-208-812-11	s METAL 18K 0.5% 1/10W
R142	1-215-471-00	s METAL 120K 1% 1/4W

(AU-148AP BOARD)

Ref. No. or Q'ty	Part No.	SPDescription
R143	1-216-679-11	s METAL, CHIP 15K 0.5% 1/10W
R144	1-215-485-00	s METAL 470K 1% 1/4W
R145	1-215-479-00	s METAL 270K 1% 1/4W
R146	1-216-675-11	s METAL, CHIP 10K 0.5% 1/10W
R147	1-216-692-11	s METAL, CHIP 51K 0.5% 1/10W
R148	1-215-467-00	s METAL 82K 1% 1/4W
R149	1-208-812-11	s METAL 18K 0.5% 1/10W
R150	1-216-683-11	s METAL, CHIP 22K 0.5% 1/10W
R151	1-216-073-00	s METAL, CHIP 10K 5% 1/10W
R152	1-216-073-00	s METAL, CHIP 10K 5% 1/10W
R153	1-216-049-00	s METAL, CHIP 1K 5% 1/10W
R154	1-216-683-11	s METAL, CHIP 22K 0.5% 1/10W
R155	1-216-073-00	s METAL, CHIP 10K 5% 1/10W
R156	1-216-073-00	s METAL, CHIP 10K 5% 1/10W
R157	1-216-089-00	s METAL, CHIP 47K 5% 1/10W
R158	1-216-081-00	s METAL, CHIP 22K 5% 1/10W
R159	1-216-073-00	s METAL, CHIP 10K 5% 1/10W
R161	1-216-667-11	s METAL, CHIP 4.7K 0.5% 1/10W
R162	1-216-667-11	s METAL, CHIP 4.7K 0.5% 1/10W
R201	1-216-097-00	s METAL, CHIP 100K 5% 1/10W
R202	1-216-071-00	s METAL, CHIP 8.2K 5% 1/10W
R203	1-216-081-00	s METAL, CHIP 22K 5% 1/10W
R204	1-216-121-00	s METAL, CHIP 1M 5% 1/10W
R205	1-216-121-00	s METAL, CHIP 1M 5% 1/10W
R208	1-216-691-11	s METAL, CHIP 47K 0.5% 1/10W
R209	1-216-643-11	s METAL, CHIP 470 0.5% 1/10W
R210	1-216-622-11	s METAL, CHIP 62 0.5% 1/10W
R211	1-216-622-11	s METAL, CHIP 62 0.5% 1/10W
R212	1-216-678-11	s METAL, CHIP 13K 0.5% 1/10W
R213	1-216-673-11	s METAL, CHIP 8.2K 0.5% 1/10W
R214	1-216-652-11	s METAL, CHIP 1.1K 0.5% 1/10W
R215	1-216-653-11	s METAL, CHIP 1.2K 0.5% 1/10W
R216	1-216-676-11	s METAL, CHIP 11K 0.5% 1/10W
R217	1-216-677-11	s METAL, CHIP 12K 0.5% 1/10W
R218	1-208-785-11	s METAL 1.3K 0.5% 1/10W
R219	1-215-493-00	s METAL 1M 1% 1/4W
R220	1-216-663-11	s METAL, CHIP 3.3K 0.5% 1/10W
R221	1-216-081-00	s METAL, CHIP 22K 5% 1/10W
R222	1-216-081-00	s METAL, CHIP 22K 5% 1/10W
R223	1-216-081-00	s METAL, CHIP 22K 5% 1/10W
R224	1-216-699-11	s METAL, CHIP 100K 0.5% 1/10W
R225	1-216-686-11	s METAL, CHIP 30K 0.5% 1/10W
R226	1-216-081-00	s METAL, CHIP 22K 5% 1/10W
R227	1-216-657-11	s METAL, CHIP 1.8K 0.5% 1/10W
R228	1-216-659-11	s METAL, CHIP 2.2K 0.5% 1/10W
R229	1-216-679-11	s METAL, CHIP 15K 0.5% 1/10W
R230	1-208-789-11	s METAL 2K 0.5% 1/10W
R231	1-216-677-11	s METAL, CHIP 12K 0.5% 1/10W
R232	1-216-645-11	s METAL, CHIP 560 0.5% 1/10W
R233	1-216-121-00	s METAL, CHIP 1M 5% 1/10W
R234	1-216-683-11	s METAL, CHIP 22K 0.5% 1/10W
R235	1-208-803-11	s METAL 7.5K 0.5% 1/10W
R236	1-216-045-00	s METAL, CHIP 680 5% 1/10W
R237	1-216-674-11	s METAL, CHIP 9.1K 0.5% 1/10W
R238	1-208-812-11	s METAL 18K 0.5% 1/10W
R239	1-216-073-00	s METAL, CHIP 10K 5% 1/10W
R240	1-216-081-00	s METAL, CHIP 22K 5% 1/10W
R241	1-216-009-00	s METAL, CHIP 22 5% 1/10W
R243	1-216-097-00	s METAL, CHIP 100K 5% 1/10W

(AU-148AP BOARD)

Ref. No. or Q'ty	Part No.	SPDescription
R244	1-216-073-00	s METAL, CHIP 10K 5% 1/10W
R245	1-216-121-00	s METAL, CHIP 1M 5% 1/10W
R246	1-216-121-00	s METAL, CHIP 1M 5% 1/10W
R247	1-216-121-00	s METAL, CHIP 1M 5% 1/10W
R248	1-216-121-00	s METAL, CHIP 1M 5% 1/10W
R249	1-216-121-00	s METAL, CHIP 1M 5% 1/10W
R250	1-216-073-00	s METAL, CHIP 10K 5% 1/10W
R251	1-216-691-11	s METAL, CHIP 47K 0.5% 1/10W
R252	1-216-081-00	s METAL, CHIP 22K 5% 1/10W
R256	1-216-025-00	s METAL, CHIP 100 5% 1/10W
R262	1-216-025-00	s METAL, CHIP 100 5% 1/10W
R263	1-216-097-00	s METAL, CHIP 100K 5% 1/10W
R264	1-216-073-00	s METAL, CHIP 10K 5% 1/10W
R265	1-216-073-00	s METAL, CHIP 10K 5% 1/10W
R266	1-216-073-00	s METAL, CHIP 10K 5% 1/10W
R267	1-216-085-00	s METAL, CHIP 33K 5% 1/10W
R268	1-216-097-00	s METAL, CHIP 100K 5% 1/10W
R269	1-216-691-11	s METAL, CHIP 47K 0.5% 1/10W
R270	1-216-675-11	s METAL, CHIP 10K 0.5% 1/10W
R271	1-216-121-00	s METAL, CHIP 1M 5% 1/10W
R272	1-216-081-00	s METAL, CHIP 22K 5% 1/10W
R274	1-216-025-00	s METAL, CHIP 100 5% 1/10W
R275	1-216-081-00	s METAL, CHIP 22K 5% 1/10W
R276	1-216-659-11	s METAL, CHIP 2.2K 0.5% 1/10W
R277	1-216-073-00	s METAL, CHIP 10K 5% 1/10W
R279	1-216-097-00	s METAL, CHIP 100K 5% 1/10W
R280	1-216-073-00	s METAL, CHIP 10K 5% 1/10W
R281	1-216-073-00	s METAL, CHIP 10K 5% 1/10W
R282	1-216-009-00	s METAL, CHIP 22 5% 1/10W
R283	1-216-121-00	s METAL, CHIP 1M 5% 1/10W
R284	1-216-121-00	s METAL, CHIP 1M 5% 1/10W
R285	1-216-073-00	s METAL, CHIP 10K 5% 1/10W
R288	1-216-691-11	s METAL, CHIP 47K 0.5% 1/10W
R501	1-249-411-11	s CARBON 330 5% 1/4W
R502	1-249-411-11	s CARBON 330 5% 1/4W
R503	1-216-031-00	s METAL, CHIP 180 5% 1/10W
R504	1-216-049-00	s METAL, CHIP 1K 5% 1/10W
R505	1-216-035-00	s METAL, CHIP 270 5% 1/10W
R506	1-216-049-00	s METAL, CHIP 1K 5% 1/10W
R507	1-216-073-00	s METAL, CHIP 10K 5% 1/10W
R508	1-216-025-00	s METAL, CHIP 100 5% 1/10W
R509	1-216-065-00	s METAL, CHIP 4.7K 5% 1/10W
R510	1-216-073-00	s METAL, CHIP 10K 5% 1/10W
R511	1-216-025-00	s METAL, CHIP 100 5% 1/10W
R512	1-216-073-00	s METAL, CHIP 10K 5% 1/10W
R513	1-216-065-00	s METAL, CHIP 4.7K 5% 1/10W
R514	1-216-073-00	s METAL, CHIP 10K 5% 1/10W
RV101	1-238-791-11	s RES, ADJ, CERMET 200K
RV102	1-238-786-11	s RES, ADJ, CERMET 5K
RV103	1-238-786-11	s RES, ADJ, CERMET 5K
RV104	1-238-788-11	s RES, ADJ, CERMET 20K
RV105	1-238-801-11	s RES, ADJ, CERMET 5K
RV106	1-238-788-11	s RES, ADJ, CERMET 20K
RV201	1-238-801-11	s RES, ADJ, CERMET 5K
RV203	1-238-805-11	s RES, ADJ, CERMET 100K
RV204	1-238-805-11	s RES, ADJ, CERMET 100K
SW101	1-570-598-11	s SWITCH, DIP 4-CKT

AC-149AP BOARD

Ref. No. or Q'ty	Part No.	SPDescription
lpc	A-6713-473-A	o MOUNTED CIRCUIT BOARD. AU-149AP
lpc	3-171-456-02	o SHEET (S), CARD
lpc	3-171-485-02	o GUARD, EDGE
lpc	3-173-739-03	o SHIELD (B), AU
lpc	7-621-759-45	s +PSW, 2.6X6
lpc	3-179-084-01	s LEVER (R), PC BOARD
lpc	3-179-085-01	s LEVER (L), PC BOARD
C105	1-163-243-11	s CERAMIC, CHIP 47PF 5% 50V
C106	1-163-113-00	s CERAMIC, CHIP 68PF 5% 50V
C107	1-163-125-00	s CERAMIC, CHIP 220PF 5% 50V
C108	1-163-033-00	s CERAMIC, CHIP 0.022uF 50V
C109	1-163-033-00	s CERAMIC, CHIP 0.022uF 50V
C111	1-163-125-00	s CERAMIC, CHIP 220PF 5% 50V
C112	1-163-023-00	s CERAMIC, CHIP 0.015uF 10% 50V
C113	1-126-101-11	s ELECT 100uF 20% 16V
C114	1-124-907-11	s ELECT 10uF 20% 50V
C115	1-164-232-11	s CERAMIC 0.01uF 10% 50V
C116	1-130-481-00	s MYLAR 0.0068uF 5% 50V
C117	1-124-916-11	s ELECT 22uF 20% 50V
C118	1-124-916-11	s ELECT 22uF 20% 50V
C119	1-124-916-11	s ELECT 22uF 20% 50V
C120	1-130-487-00	s MYLAR 0.022uF 5% 50V
C121	1-164-232-11	s CERAMIC 0.01uF 10% 50V
C122	1-164-232-11	s CERAMIC 0.01uF 10% 50V
C123	1-130-487-00	s MYLAR 0.022uF 5% 50V
C124	1-130-487-00	s MYLAR 0.022uF 5% 50V
C125	1-164-232-11	s CERAMIC 0.01uF 10% 50V
C126	1-164-232-11	s CERAMIC 0.01uF 10% 50V
C127	1-130-487-00	s MYLAR 0.022uF 5% 50V
C128	1-130-487-00	s MYLAR 0.022uF 5% 50V
C129	1-130-487-00	s MYLAR 0.022uF 5% 50V
C130	1-130-487-00	s MYLAR 0.022uF 5% 50V
C131	1-163-243-11	s CERAMIC, CHIP 47PF 5% 50V
C132	1-164-232-11	s CERAMIC 0.01uF 10% 50V
C133	1-164-232-11	s CERAMIC 0.01uF 10% 50V
C134	1-130-473-00	s MYLAR 0.0015uF 5% 50V
C135	1-163-243-11	s CERAMIC, CHIP 47PF 5% 50V
C136	1-163-121-00	s CERAMIC, CHIP 150PF 5% 50V
C137	1-163-121-00	s CERAMIC, CHIP 150PF 5% 50V
C138	1-124-907-11	s ELECT 10uF 20% 50V
C139	1-164-182-11	s CERAMIC 0.0033uF 10% 50V
C201	1-163-033-00	s CERAMIC, CHIP 0.022uF 50V
C202	1-130-483-00	s MYLAR 0.01uF 5% 50V
C203	1-163-275-11	s CERAMIC, CHIP 0.001uF 5% 50V
C204	1-163-275-11	s CERAMIC, CHIP 0.001uF 5% 50V
C205	1-163-275-11	s CERAMIC, CHIP 0.001uF 5% 50V
C206	1-163-275-11	s CERAMIC, CHIP 0.001uF 5% 50V
C207	1-124-907-11	s ELECT 10uF 20% 50V
C208	1-164-232-11	s CERAMIC 0.01uF 10% 50V
C209	1-164-232-11	s CERAMIC 0.01uF 10% 50V
C210	1-124-925-11	s ELECT 2.2uF 20% 50V
C213	1-130-728-00	s FILM 0.0022uF 2% 100V
C214	1-130-728-00	s FILM 0.0022uF 2% 100V
C215	1-136-682-11	s FILM 0.0039uF 2% 100V
C216	1-131-345-00	s TANTALUM 0.47uF 10% 35V
C217	1-130-497-00	s MYLAR 0.15uF 5% 50V
C218	1-130-738-00	s FILM 0.015uF 1% 100V
C219	1-130-499-00	s MYLAR 0.22uF 5% 50V

(AU-149AP BOARD)

Ref. No. or Q'ty	Part No.	SPDescription
C220	1-164-344-11	s CERAMIC 0.068uF 10% 25V
C221	1-130-765-00	s FILM 0.056uF 5% 100V
C222	1-136-683-11	s FILM 0.0056uF 2% 100V
C223	1-130-736-11	s FILM 0.01uF 5% 50V
C224	1-164-232-11	s CERAMIC 0.01uF 10% 50V
C225	1-164-232-11	s CERAMIC 0.01uF 10% 50V
C226	1-163-121-00	s CERAMIC, CHIP 150PF 5% 50V
C227	1-124-907-11	s ELECT 10uF 20% 50V
C228	1-130-478-00	s MYLAR 0.0039uF 5% 50V
C229	1-124-477-11	s ELECT 47uF 20% 16V
C230	1-163-235-11	s CERAMIC, CHIP 22PF 5% 50V
C231	1-164-232-11	s CERAMIC 0.01uF 10% 50V
C232	1-164-232-11	s CERAMIC 0.01uF 10% 50V
C233	1-163-235-11	s CERAMIC, CHIP 22PF 5% 50V
C234	1-124-477-11	s ELECT 47uF 20% 16V
C235	1-130-483-00	s MYLAR 0.01uF 5% 50V
C236	1-163-113-00	s CERAMIC, CHIP 68PF 5% 50V
C243	1-163-033-00	s CERAMIC, CHIP 0.022uF 50V
C244	1-163-033-00	s CERAMIC, CHIP 0.022uF 50V
C245	1-163-033-00	s CERAMIC, CHIP 0.022uF 50V
C246	1-163-243-11	s CERAMIC, CHIP 47PF 5% 50V
C247	1-130-478-00	s MYLAR 0.0039uF 5% 50V
C248	1-131-349-00	s TANTALUM 2.2uF 10% 16V
C249	1-131-349-00	s TANTALUM 2.2uF 10% 16V
C336	1-163-113-00	s CERAMIC, CHIP 68PF 5% 50V
C504	1-163-033-00	s CERAMIC, CHIP 0.022uF 50V
C505	1-124-477-11	s ELECT 47uF 20% 16V
C506	1-163-033-00	s CERAMIC, CHIP 0.022uF 50V
C507	1-124-477-11	s ELECT 47uF 20% 16V
C508	1-126-101-11	s ELECT 100uF 20% 16V
C509	1-126-101-11	s ELECT 100uF 20% 16V
C510	1-124-477-11	s ELECT 47uF 20% 16V
C511	1-124-477-11	s ELECT 47uF 20% 16V
C512	1-124-916-11	s ELECT 22uF 20% 50V
C513	1-124-916-11	s ELECT 22uF 20% 50V
CN2	1-564-002-41	s CONNECTOR 3P, MALE
CN110	1-573-600-21	s CONNECTOR, PHEC 100P, MALE
D103	8-719-123-85	s DIODE 1SS304
D104	8-719-123-85	s DIODE 1SS304
D201	8-719-941-23	s DIODE DA204U
D202	8-719-941-23	s DIODE DA204U
D204	8-719-941-23	s DIODE DA204U
D207	8-719-941-23	s DIODE DA204U
D209	8-719-123-85	s DIODE 1SS304
D501	8-719-105-32	s DIODE RD2.7M-B2
D502	8-719-105-32	s DIODE RD2.7M-B2
D503	8-719-105-28	s DIODE RD2.4M-B
D504	8-719-105-28	s DIODE RD2.4M-B
IC101	8-759-701-25	s IC NJM2068D-D
IC102	8-759-701-25	s IC NJM2068D-D
IC103	8-759-701-25	s IC NJM2068D-D
IC104	8-759-701-25	s IC NJM2068D-D
IC201	8-759-705-58	s IC NJM4558D-D
IC202	8-759-705-58	s IC NJM4558D-D
IC203	8-759-705-58	s IC NJM4558D-D
IC204	8-752-018-80	s IC CX20188
IC205	8-759-981-96	s IC RC4560D
IC206	8-759-982-03	s IC RC5532DD

(AC-149AP BOARD)

Ref. No. or Q'ty	Part No.	SPDescription
IC207	8-759-982-03	s IC RC5532DD
IC503	8-759-708-05	s IC NJM78L05A
IC504	8-759-700-65	s IC NJM79L05A
LV101	1-410-934-21	s COIL, VARIABLE 7.1uH
Q105	8-729-109-44	s TRANSISTOR 2SK94
Q106	8-729-140-63	s TRANSISTOR 2SA1611-M5M6
Q107	8-729-209-06	s TRANSISTOR 2SC4213-B
Q108	8-729-209-06	s TRANSISTOR 2SC4213-B
Q109	8-729-209-06	s TRANSISTOR 2SC4213-B
Q110	8-729-209-06	s TRANSISTOR 2SC4213-B
Q111	8-729-209-06	s TRANSISTOR 2SC4213-B
Q112	8-729-209-06	s TRANSISTOR 2SC4213-B
Q201	8-729-140-63	s TRANSISTOR 2SA1611-M5M6
Q202	8-729-109-44	s TRANSISTOR 2SK94
Q205	8-729-203-30	s TRANSISTOR 2SJ106Y
Q206	8-729-109-44	s TRANSISTOR 2SK94
Q207	8-729-209-06	s TRANSISTOR 2SC4213-B
Q208	8-729-209-06	s TRANSISTOR 2SC4213-B
Q209	8-729-118-58	s TRANSISTOR 2SK852-X4
Q210	8-729-140-63	s TRANSISTOR 2SA1611-M5M6
Q211	8-729-118-58	s TRANSISTOR 2SK852-X4
Q212	8-729-905-12	s TRANSISTOR DTA144EU
Q501	8-729-140-98	s TRANSISTOR 2SD773
Q502	8-729-140-93	s TRANSISTOR 2SB733
Q503	8-729-140-93	s TRANSISTOR 2SB733
Q504	8-729-140-98	s TRANSISTOR 2SD773
Q505	8-729-140-93	s TRANSISTOR 2SB733
Q506	8-729-140-98	s TRANSISTOR 2SD773
R110	1-216-009-00	s METAL, CHIP 22 5% 1/10W
R111	1-249-393-11	s CARBON 10 5% 1/4W
R113	1-216-073-00	s METAL, CHIP 10K 5% 1/10W
R114	1-216-097-00	s METAL, CHIP 100K 5% 1/10W
R116	1-216-651-11	s METAL, CHIP 1K 0.5% 1/10W
R117	1-216-105-00	s METAL, CHIP 220K 5% 1/10W
R118	1-216-651-11	s METAL, CHIP 1K 0.5% 1/10W
R119	1-216-625-11	s METAL, CHIP 82 0.5% 1/10W
R120	1-216-121-00	s METAL, CHIP 1M 5% 1/10W
R121	1-216-071-00	s METAL, CHIP 8.2K 5% 1/10W
R122	1-216-097-00	s METAL, CHIP 100K 5% 1/10W
R123	1-216-081-00	s METAL, CHIP 22K 5% 1/10W
R124	1-216-121-00	s METAL, CHIP 1M 5% 1/10W
R125	1-216-073-00	s METAL, CHIP 10K 5% 1/10W
R126	1-216-659-11	s METAL, CHIP 2.2K 0.5% 1/10W
R127	1-216-675-11	s METAL, CHIP 10K 0.5% 1/10W
R128	1-216-073-00	s METAL, CHIP 10K 5% 1/10W
R129	1-216-073-00	s METAL, CHIP 10K 5% 1/10W
R130	1-216-073-00	s METAL, CHIP 10K 5% 1/10W
R131	1-216-073-00	s METAL, CHIP 10K 5% 1/10W
R132	1-216-073-00	s METAL, CHIP 10K 5% 1/10W
R133	1-216-073-00	s METAL, CHIP 10K 5% 1/10W
R134	1-216-073-00	s METAL, CHIP 10K 5% 1/10W
R135	1-216-643-11	s METAL, CHIP 470 0.5% 1/10W
R136	1-216-671-11	s METAL, CHIP 6.8K 0.5% 1/10W
R137	1-216-691-11	s METAL, CHIP 47K 0.5% 1/10W
R138	1-216-683-11	s METAL, CHIP 22K 0.5% 1/10W
R139	1-215-473-00	s METAL 150K 1% 1/4W
R140	1-216-683-11	s METAL, CHIP 22K 0.5% 1/10W
R141	1-215-477-00	s METAL 220K 1% 1/4W

(AU-149AP BOARD)

Ref. No. or Q'ty	Part No.	SPDescription
R142	1-215-471-00	s METAL 120K 1% 1/4W
R143	1-216-692-11	s METAL, CHIP 51K 0.5% 1/10W
R144	1-215-459-00	s METAL 39K 1% 1/4W
R145	1-215-484-00	s METAL 430K 1% 1/4W
R146	1-216-675-11	s METAL, CHIP 10K 0.5% 1/10W
R147	1-216-695-11	s METAL, CHIP 68K 0.5% 1/10W
R148	1-215-477-00	s METAL 220K 1% 1/4W
R149	1-208-812-11	s METAL 18K 0.50% 1/10W
R150	1-216-683-11	s METAL, CHIP 22K 0.5% 1/10W
R151	1-216-073-00	s METAL, CHIP 10K 5% 1/10W
R152	1-216-073-00	s METAL, CHIP 10K 5% 1/10W
R153	1-216-049-00	s METAL, CHIP 1K 5% 1/10W
R154	1-216-683-11	s METAL, CHIP 22K 0.5% 1/10W
R155	1-216-073-00	s METAL, CHIP 10K 5% 1/10W
R156	1-216-073-00	s METAL, CHIP 10K 5% 1/10W
R157	1-216-089-00	s METAL, CHIP 47K 5% 1/10W
R158	1-216-081-00	s METAL, CHIP 22K 5% 1/10W
R159	1-216-073-00	s METAL, CHIP 10K 5% 1/10W
R161	1-216-667-11	s METAL, CHIP 4.7K 0.5% 1/10W
R162	1-216-667-11	s METAL, CHIP 4.7K 0.5% 1/10W
R201	1-216-097-00	s METAL, CHIP 100K 5% 1/10W
R202	1-216-071-00	s METAL, CHIP 8.2K 5% 1/10W
R203	1-216-081-00	s METAL, CHIP 22K 5% 1/10W
R204	1-216-121-00	s METAL, CHIP 1M 5% 1/10W
R205	1-216-121-00	s METAL, CHIP 1M 5% 1/10W
R208	1-216-691-11	s METAL, CHIP 47K 0.5% 1/10W
R209	1-216-643-11	s METAL, CHIP 470 0.5% 1/10W
R210	1-216-622-11	s METAL, CHIP 62 0.5% 1/10W
R211	1-216-622-11	s METAL, CHIP 62 0.5% 1/10W
R212	1-216-678-11	s METAL, CHIP 13K 0.5% 1/10W
R213	1-216-673-11	s METAL, CHIP 8.2K 0.5% 1/10W
R214	1-216-652-11	s METAL, CHIP 1.1K 0.5% 1/10W
R215	1-216-653-11	s METAL, CHIP 1.2K 0.5% 1/10W
R216	1-216-676-11	s METAL, CHIP 11K 0.5% 1/10W
R217	1-216-677-11	s METAL, CHIP 12K 0.5% 1/10W
R218	1-208-785-11	s METAL 1.3K 0.5% 1/10W
R219	1-215-493-00	s METAL 1M 1% 1/4W
R220	1-216-663-11	s METAL, CHIP 3.3K 0.5% 1/10W
R221	1-216-081-00	s METAL, CHIP 22K 5% 1/10W
R222	1-216-081-00	s METAL, CHIP 22K 5% 1/10W
R223	1-216-081-00	s METAL, CHIP 22K 5% 1/10W
R224	1-216-699-11	s METAL, CHIP 100K 0.5% 1/10W
R225	1-216-686-11	s METAL, CHIP 30K 0.5% 1/10W
R226	1-216-081-00	s METAL, CHIP 22K 5% 1/10W
R227	1-216-657-11	s METAL, CHIP 1.8K 0.5% 1/10W
R228	1-216-659-11	s METAL, CHIP 2.2K 0.5% 1/10W
R229	1-216-679-11	s METAL, CHIP 15K 0.5% 1/10W
R230	1-208-789-11	s METAL 2K 0.50% 1/10W
R231	1-216-677-11	s METAL, CHIP 12K 0.5% 1/10W
R232	1-216-645-11	s METAL, CHIP 560 0.5% 1/10W
R233	1-216-121-00	s METAL, CHIP 1M 5% 1/10W
R234	1-216-683-11	s METAL, CHIP 22K 0.5% 1/10W
R235	1-208-803-11	s METAL 7.5K 0.5% 1/10W
R236	1-216-045-00	s METAL, CHIP 680 5% 1/10W
R237	1-216-674-11	s METAL, CHIP 9.1K 0.5% 1/10W
R238	1-208-812-11	s METAL 18K 0.5% 1/10W
R239	1-216-073-00	s METAL, CHIP 10K 5% 1/10W
R240	1-216-081-00	s METAL, CHIP 22K 5% 1/10W
R241	1-216-009-00	s METAL, CHIP 22 5% 1/10W

(AC-149AP BOARD)

Ref. No. or Q'ty	Part No.	SPDescription
R243	1-216-097-00	s METAL, CHIP 100K 5% 1/10W
R244	1-216-073-00	s METAL, CHIP 10K 5% 1/10W
R245	1-216-121-00	s METAL, CHIP 1M 5% 1/10W
R246	1-216-121-00	s METAL, CHIP 1M 5% 1/10W
R247	1-216-121-00	s METAL, CHIP 1M 5% 1/10W
R248	1-216-121-00	s METAL, CHIP 1M 5% 1/10W
R249	1-216-121-00	s METAL, CHIP 1M 5% 1/10W
R250	1-216-073-00	s METAL, CHIP 10K 5% 1/10W
R251	1-216-691-11	s METAL, CHIP 47K 0.5% 1/10W
R252	1-216-081-00	s METAL, CHIP 22K 5% 1/10W
R256	1-216-025-00	s METAL, CHIP 100 5% 1/10W
R262	1-216-025-00	s METAL, CHIP 100 5% 1/10W
R263	1-216-097-00	s METAL, CHIP 100K 5% 1/10W
R264	1-216-073-00	s METAL, CHIP 10K 5% 1/10W
R265	1-216-073-00	s METAL, CHIP 10K 5% 1/10W
R266	1-216-073-00	s METAL, CHIP 10K 5% 1/10W
R267	1-216-085-00	s METAL, CHIP 33K 5% 1/10W
R268	1-216-097-00	s METAL, CHIP 100K 5% 1/10W
R269	1-216-691-11	s METAL, CHIP 47K 0.5% 1/10W
R270	1-216-675-11	s METAL, CHIP 10K 0.5% 1/10W
R271	1-216-121-00	s METAL, CHIP 1M 5% 1/10W
R272	1-216-081-00	s METAL, CHIP 22K 5% 1/10W
R274	1-216-025-00	s METAL, CHIP 100 5% 1/10W
R275	1-216-081-00	s METAL, CHIP 22K 5% 1/10W
R276	1-216-659-11	s METAL, CHIP 2.2K 0.5% 1/10W
R277	1-216-073-00	s METAL, CHIP 10K 5% 1/10W
R279	1-216-097-00	s METAL, CHIP 100K 5% 1/10W
R280	1-216-073-00	s METAL, CHIP 10K 5% 1/10W
R281	1-216-073-00	s METAL, CHIP 10K 5% 1/10W
R282	1-216-009-00	s METAL, CHIP 22 5% 1/10W
R283	1-216-121-00	s METAL, CHIP 1M 5% 1/10W
R284	1-216-121-00	s METAL, CHIP 1M 5% 1/10W
R285	1-216-073-00	s METAL, CHIP 10K 5% 1/10W
R288	1-216-691-11	s METAL, CHIP 47K 0.5% 1/10W
R501	1-249-411-11	s CARBON 330 5% 1/4W
R502	1-249-411-11	s CARBON 330 5% 1/4W
R503	1-216-031-00	s METAL, CHIP 180 5% 1/10W
R504	1-216-049-00	s METAL, CHIP 1K 5% 1/10W
R505	1-216-035-00	s METAL, CHIP 270 5% 1/10W
R506	1-216-049-00	s METAL, CHIP 1K 5% 1/10W
R507	1-216-073-00	s METAL, CHIP 10K 5% 1/10W
R508	1-216-025-00	s METAL, CHIP 100 5% 1/10W
R509	1-216-065-00	s METAL, CHIP 4.7K 5% 1/10W
R510	1-216-073-00	s METAL, CHIP 10K 5% 1/10W
R511	1-216-025-00	s METAL, CHIP 100 5% 1/10W
R512	1-216-073-00	s METAL, CHIP 10K 5% 1/10W
R513	1-216-065-00	s METAL, CHIP 4.7K 5% 1/10W
R514	1-216-073-00	s METAL, CHIP 10K 5% 1/10W
RV101	1-238-791-11	s RES. ADJ, CERMET 200K
RV102	1-238-786-11	s RES. ADJ, CERMET 5K
RV103	1-238-786-11	s RES. ADJ, CERMET 5K
RV104	1-238-788-11	s RES. ADJ, CERMET 20K
RV105	1-238-801-11	s RES. ADJ, CERMET 5K
RV106	1-238-788-11	s RES. ADJ, CERMET 20K
RV201	1-238-801-11	s RES. ADJ, CERMET 5K
RV203	1-238-805-11	s RES. ADJ, CERMET 100K
RV204	1-238-805-11	s RES. ADJ, CERMET 100K
SW101	1-570-598-11	s SWITCH, DIP

AU-150A BOARD

Ref. No. or Q'ty	Part No.	SPDescription
1pc	A-6713-456-A	o MOUNTED CIRCUIT, BOARD, AU-150A
1pc	3-171-485-02	o GUARD, EDGE
1pc	3-179-084-01	s LEVER (R), PC BOARD
1pc	3-179-085-01	s LEVER (L), PC BOARD
C6	1-126-101-11	s ELECT 100uF 20% 16V
C7	1-130-489-00	s MYLAR 0.033uF 5% 50V
C10	1-163-239-11	s CERAMIC, CHIP 33PF 5% 50V
C11	1-124-907-11	s ELECT 10uF 20% 50V
C202	1-163-033-00	s CERAMIC, CHIP 0.022uF 50V
C203	1-163-033-00	s CERAMIC, CHIP 0.022uF 50V
C204	1-163-033-00	s CERAMIC, CHIP 0.022uF 50V
C501	1-163-033-00	s CERAMIC, CHIP 0.022uF 50V
C502	1-163-033-00	s CERAMIC, CHIP 0.022uF 50V
C503	1-124-477-11	s ELECT 47uF 20% 16V
C510	1-163-033-00	s CERAMIC, CHIP 0.022uF 50V
C511	1-163-033-00	s CERAMIC, CHIP 0.022uF 50V
C512	1-124-477-11	s ELECT 47uF 20% 16V
CN1	1-564-002-11	s CONNECTOR 3P, MALE
CN109	1-573-600-21	s CONNECTOR, PHEC 100P, MALE
D2	8-719-941-23	s DIODE DA204U
D3	8-719-941-23	s DIODE DA204U
IC4	8-759-153-69	s IC UPC4572C
IC202	8-757-991-00	s IC CX7991
IC203	8-757-991-00	s IC CX7991
L501	1-410-470-11	s INDUCTOR 10uH
L502	1-410-470-11	s INDUCTOR 10uH
Q201	8-729-117-32	s TRANSISTOR 2SC4177
Q203	8-729-117-32	s TRANSISTOR 2SC4177
Q204	8-729-117-32	s TRANSISTOR 2SC4177
Q205	8-729-143-07	s TRANSISTOR 2SA1610-YY33
Q207	8-729-143-07	s TRANSISTOR 2SA1610-YY33
Q208	8-729-143-07	s TRANSISTOR 2SA1610-YY33
Q209	8-729-117-32	s TRANSISTOR 2SC4177
Q210	8-729-140-63	s TRANSISTOR 2SA1611-M5M6
Q214	8-729-905-12	s TRANSISTOR DTA144EU
Q215	8-729-905-12	s TRANSISTOR DTA144EU
Q216	8-729-905-12	s TRANSISTOR DTA144EU
Q217	8-729-905-12	s TRANSISTOR DTA144EU
Q218	8-729-905-18	s TRANSISTOR DTC144EU
Q221	8-729-905-12	s TRANSISTOR DTA144EU
Q222	8-729-905-18	s TRANSISTOR DTC144EU
R12	1-216-073-00	s METAL, CHIP 10K 5% 1/10W
R13	1-216-651-11	s METAL, CHIP 1K 0.5% 1/10W
R15	1-216-073-00	s METAL, CHIP 10K 5% 1/10W
R16	1-216-635-11	s METAL, CHIP 220 0.5% 1/10W
R17	1-216-121-00	s METAL, CHIP 1M 5% 1/10W
R22	1-216-053-00	s METAL, CHIP 1.5K 5% 1/10W
R24	1-216-053-00	s METAL, CHIP 1.5K 5% 1/10W
R27	1-216-049-00	s METAL, CHIP 1K 5% 1/10W
R28	1-216-065-00	s METAL, CHIP 4.7K 5% 1/10W
R32	1-216-025-00	s METAL, CHIP 100 5% 1/10W
R33	1-216-603-11	s METAL, CHIP 10 0.5% 1/10W
R44	1-216-025-00	s METAL, CHIP 100 5% 1/10W
R201	1-216-061-00	s METAL, CHIP 3.3K 5% 1/10W
R202	1-216-061-00	s METAL, CHIP 3.3K 5% 1/10W
R203	1-216-061-00	s METAL, CHIP 3.3K 5% 1/10W

(AU-150A BOARD)

Ref. No. or Q'ty	Part No.	SPDescription
R204	1-216-061-00	s METAL, CHIP 3.3K 5% 1/10W
R205	1-216-067-00	s METAL, CHIP 5.6K 5% 1/10W
R207	1-216-067-00	s METAL, CHIP 5.6K 5% 1/10W
R208	1-216-067-00	s METAL, CHIP 5.6K 5% 1/10W
R209	1-216-057-00	s METAL, CHIP 2.2K 5% 1/10W
R211	1-216-057-00	s METAL, CHIP 2.2K 5% 1/10W
R212	1-216-057-00	s METAL, CHIP 2.2K 5% 1/10W
R213	1-216-089-00	s METAL, CHIP 47K 5% 1/10W
R215	1-216-067-00	s METAL, CHIP 5.6K 5% 1/10W
R216	1-216-061-00	s METAL, CHIP 3.3K 5% 1/10W
R220	1-216-089-00	s METAL, CHIP 47K 5% 1/10W
R222	1-216-049-00	s METAL, CHIP 1K 5% 1/10W
R223	1-216-049-00	s METAL, CHIP 1K 5% 1/10W
R224	1-216-049-00	s METAL, CHIP 1K 5% 1/10W
R225	1-216-049-00	s METAL, CHIP 1K 5% 1/10W
R226	1-216-049-00	s METAL, CHIP 1K 5% 1/10W
R227	1-216-049-00	s METAL, CHIP 1K 5% 1/10W
R228	1-216-049-00	s METAL, CHIP 1K 5% 1/10W
R229	1-216-049-00	s METAL, CHIP 1K 5% 1/10W
R230	1-216-057-00	s METAL, CHIP 2.2K 5% 1/10W
R231	1-216-089-00	s METAL, CHIP 47K 5% 1/10W

CL-25 BOARD

Ref. No. or Q'ty	Part No.	SPDescription
1pc	1-640-170-13	o PRINTED CIRCUIT BOARD, CL-25
1pc	3-171-424-01	o HOLDER, SENSOR
C1	1-161-051-00	s CERAMIC 0.01uF 10% 50V
CN930	1-564-011-11	o CONNECTOR 12P, MALE
CN931	1-564-001-11	o CONNECTOR 2P, MALE
CN933	1-573-599-11	s CONNECTOR 5P, FEMALE
CN935	1-564-001-11	o CONNECTOR 2P, MALE
D1	8-719-938-07	s LED GL480, INFRARED
D2	8-719-938-07	s LED GL480, INFRARED
Q1	8-729-903-81	s PHOTO TRANSISTOR PT480
Q2	8-729-903-81	s PHOTO TRANSISTOR PT480
R1	1-247-825-31	s CARBON 560 5% 1/4W
R2	1-247-825-31	s CARBON 560 5% 1/4W

CP-166A BOARD

Ref. No. or Q'ty	Part No.	SPDescription
1pc	A-6713-451-A	o MOUNTED CIRCUIT BOARD, CP-166A
C1	1-126-101-11	s ELECT 100uF 20% 16V
C3	1-163-037-11	s CERAMIC, CHIP 0.022uF 10% 25V
C4	1-126-101-11	s ELECT 100uF 20% 16V
C7	1-126-101-11	s ELECT 100uF 20% 16V
C8	1-163-037-11	s CERAMIC, CHIP 0.022uF 10% 25V
C9	1-163-037-11	s CERAMIC, CHIP 0.022uF 10% 25V
C10	1-163-037-11	s CERAMIC, CHIP 0.022uF 10% 25V
C11	1-126-101-11	s ELECT 100uF 20% 16V
C12	1-163-037-11	s CERAMIC, CHIP 0.022uF 10% 25V
C13	1-163-037-11	s CERAMIC, CHIP 0.022uF 10% 25V
C14	1-163-037-11	s CERAMIC, CHIP 0.022uF 10% 25V
C15	1-163-037-11	s CERAMIC, CHIP 0.022uF 10% 25V
C16	1-163-037-11	s CERAMIC, CHIP 0.022uF 10% 25V
C17	1-163-037-11	s CERAMIC, CHIP 0.022uF 10% 25V
C18	1-163-037-11	s CERAMIC, CHIP 0.022uF 10% 25V
CN1	1-573-581-11	s CONNECTOR, BNC, FEMALE
CN6	1-573-583-11	s CONNECTOR, BNC, FEMALE
CN7	1-573-580-11	s CONNECTOR, BNC, FEMALE
CN8	1-573-582-11	s CONNECTOR, BNC, FEMALE
CN9	1-573-590-12	s CONNECTOR, CIRCULAR 4P, FEMALE
CN11	1-573-592-11	s CONNECTOR, CIRCULAR 12P, FEMALE
CN12	1-573-591-11	s CONNECTOR, CIRCULAR 7P, FEMALE
CN13	1-573-602-11	s CONNECTOR 8P (MONITOR), FEMALE
CN650	1-506-490-21	s CONNECTOR 11P, MALE
CN652	1-506-481-11	s CONNECTOR 2P, MALE
CN653	1-506-489-11	s CONNECTOR 10P, MALE
CN654	1-506-493-11	s CONNECTOR 14P, MALE
CN655	1-564-014-11	s CONNECTOR 4P, MALE
FL4	1-236-129-11	s ENCAPSULATED COMPONENT
FL5	1-236-129-11	s ENCAPSULATED COMPONENT
IC1	8-752-052-73	s IC CXA1451M
IC2	8-752-052-73	s IC CXA1451M
IC3	8-752-052-73	s IC CXA1451M
IC4	8-759-701-75	s IC NJM7805FA
L1	1-410-482-31	s INDUCTOR 100uH
L2	1-410-482-31	s INDUCTOR 100uH
Q1	8-729-117-32	s TRANSISTOR 2SC4177
R1	1-216-009-00	s METAL, CHIP 22 5% 1/10W
R2	1-216-077-00	s METAL, CHIP 15K 5% 1/10W
R3	1-216-624-11	s METAL, CHIP 75 0.5% 1/10W
R4	1-216-045-00	s METAL, CHIP 680 5% 1/10W
R10	1-216-009-00	s METAL, CHIP 22 5% 1/10W
R11	1-216-624-11	s METAL, CHIP 75 0.5% 1/10W
R12	1-216-624-11	s METAL, CHIP 75 0.5% 1/10W
R13	1-216-624-11	s METAL, CHIP 75 0.5% 1/10W
R14	1-216-624-11	s METAL, CHIP 75 0.5% 1/10W
R15	1-216-624-11	s METAL, CHIP 75 0.5% 1/10W
R16	1-216-624-11	s METAL, CHIP 75 0.5% 1/10W
R17	1-216-624-11	s METAL, CHIP 75 0.5% 1/10W
R18	1-216-624-11	s METAL, CHIP 75 0.5% 1/10W
R19	1-216-624-11	s METAL, CHIP 75 0.5% 1/10W
R20	1-216-625-11	s METAL, CHIP 82 0.5% 1/10W
S1	1-570-157-51	s SWITCH, SLIDE

CP-167A BOARD

Ref. No. or Q'ty	Part No.	SPDescription
1pc	A-6713-452-A	o MOUNTED CIRCUIT BOARD, CP-167A
C101	1-124-907-11	s ELECT 10uF 20% 50V
C102	1-124-910-11	s ELECT 47uF 20% 50V
C103	1-124-473-11	s ELECT 1000uF 20% 10V
C104	1-124-907-11	s ELECT 10uF 20% 50V
C105	1-163-235-11	s CERAMIC, CHIP 22PF 5% 50V
C106	1-163-809-11	s CERAMIC, CHIP 0.047uF 10% 25V
C107	1-163-033-00	s CERAMIC, CHIP 0.022uF 50V
C108	1-163-033-00	s CERAMIC, CHIP 0.022uF 50V
C109	1-163-263-11	s CERAMIC, CHIP 330PF 5% 50V
C111	1-124-473-11	s ELECT 1000uF 20% 10V
C112	1-163-038-00	s CERAMIC, CHIP 0.1uF 25V
C201	1-124-907-11	s ELECT 10uF 20% 50V
C202	1-124-910-11	s ELECT 47uF 20% 50V
C203	1-124-473-11	s ELECT 1000uF 20% 10V
C204	1-124-907-11	s ELECT 10uF 20% 50V
C205	1-163-235-11	s CERAMIC, CHIP 22PF 5% 50V
C206	1-163-809-11	s CERAMIC, CHIP 0.047uF 10% 25V
C207	1-163-033-00	s CERAMIC, CHIP 0.022uF 50V
C208	1-163-033-00	s CERAMIC, CHIP 0.022uF 50V
C209	1-163-263-11	s CERAMIC, CHIP 330PF 5% 50V
C210	1-163-235-11	s CERAMIC, CHIP 22PF 5% 50V
C211	1-124-473-11	s ELECT 1000uF 20% 10V
C212	1-163-038-00	s CERAMIC, CHIP 0.1uF 25V
C302	1-124-473-11	s ELECT 1000uF 20% 10V
C303	1-124-907-11	s ELECT 10uF 20% 50V
C304	1-124-473-11	s ELECT 1000uF 20% 10V
C305	1-124-907-11	s ELECT 10uF 20% 50V
C306	1-163-033-00	s CERAMIC, CHIP 0.022uF 50V
C307	1-124-473-11	s ELECT 1000uF 20% 10V
C308	1-163-235-11	s CERAMIC, CHIP 22PF 5% 50V
C309	1-163-809-11	s CERAMIC, CHIP 0.047uF 10% 25V
C311	1-163-033-00	s CERAMIC, CHIP 0.022uF 50V
C312	1-124-907-11	s ELECT 10uF 20% 50V
C313	1-163-033-00	s CERAMIC, CHIP 0.022uF 50V
C314	1-163-033-00	s CERAMIC, CHIP 0.022uF 50V
C315	1-163-263-11	s CERAMIC, CHIP 330PF 5% 50V
C316	1-124-473-11	s ELECT 1000uF 20% 10V
C317	1-124-907-11	s ELECT 10uF 20% 50V
C318	1-163-038-00	s CERAMIC, CHIP 0.1uF 25V
C319	1-163-038-00	s CERAMIC, CHIP 0.1uF 25V
C320	1-124-473-11	s ELECT 1000uF 20% 10V
C321	1-124-473-11	s ELECT 1000uF 20% 10V
C501	1-124-925-11	s ELECT 2.2uF 20% 50V
C502	1-124-907-11	s ELECT 10uF 20% 50V
C503	1-163-033-00	s CERAMIC, CHIP 0.022uF 50V
C504	1-124-925-11	s ELECT 2.2uF 20% 50V
C505	1-124-907-11	s ELECT 10uF 20% 50V
C506	1-163-033-00	s CERAMIC, CHIP 0.022uF 50V
C507	1-124-907-11	s ELECT 10uF 20% 50V
CN601	1-506-481-11	s CONNECTOR 2P, MALE
CN602	1-506-485-11	s CONNECTOR 6P, MALE
CN603	1-506-484-11	s CONNECTOR 5P, MALE
CN607	1-573-593-11	s CONNECTOR, XLR 3P, MALE
CN608	1-573-593-11	s CONNECTOR, XLR 3P, MALE
CN609	1-573-593-11	s CONNECTOR, XLR 3P, MALE
D101	8-719-941-23	s DIODE DA204U

(CP-167A BOARD)

Ref. No. or Q'ty	Part No.	SPDescription
D102	8-719-123-82	s DIODE 1SS303
D103	8-719-123-82	s DIODE 1SS303
D201	8-719-941-23	s DIODE DA204U
D301	8-719-941-23	s DIODE DA204U
D302	8-719-123-82	s DIODE 1SS303
D303	8-719-123-82	s DIODE 1SS303
D304	8-719-123-85	s DIODE 1SS304
D305	8-719-123-85	s DIODE 1SS304
IC101	8-759-745-64	s IC NJM4560M
IC102	8-759-745-64	s IC NJM4560M
IC201	8-759-745-64	s IC NJM4560M
IC302	8-759-745-64	s IC NJM4560M
IC501	8-759-701-59	s IC NJM7809FA
IC502	8-759-701-87	s IC NJM7909FA
IC503	8-759-603-69	s IC M51957BL
Q102	8-729-180-93	s TRANSISTOR 2SD809-F
Q103	8-729-173-13	s TRANSISTOR 2SB731-F
Q104	8-729-143-63	s TRANSISTOR 2SJ132
Q105	8-729-143-63	s TRANSISTOR 2SJ132
Q202	8-729-180-93	s TRANSISTOR 2SD809-F
Q203	8-729-173-13	s TRANSISTOR 2SB731-F
Q204	8-729-143-63	s TRANSISTOR 2SJ132
Q205	8-729-143-63	s TRANSISTOR 2SJ132
Q302	8-729-180-93	s TRANSISTOR 2SD809-F
Q303	8-729-173-13	s TRANSISTOR 2SB731-F
Q304	8-729-140-63	s TRANSISTOR 2SA1611-M5M6
Q305	8-729-140-63	s TRANSISTOR 2SA1611-M5M6
Q306	8-729-143-63	s TRANSISTOR 2SJ132
Q307	8-729-143-63	s TRANSISTOR 2SJ132
Q308	8-729-143-63	s TRANSISTOR 2SJ132
Q309	8-729-118-58	s TRANSISTOR 2SK852-X4
Q310	8-729-118-58	s TRANSISTOR 2SK852-X4
Q311	8-729-143-63	s TRANSISTOR 2SJ132
R101	1-247-807-31	s CARBON 100 5% 1/4W
R102	1-216-067-00	s METAL, CHIP 5.6K 5% 1/10W
R103	1-216-399-00	s METAL, CHIP 6.8 5% 3W
R104	1-216-675-11	s METAL, CHIP 10K 0.5% 1/10W
R105	1-216-675-11	s METAL, CHIP 10K 0.5% 1/10W
R106	1-216-668-11	s METAL, CHIP 5.1K 0.5% 1/10W
R107	1-216-033-00	s METAL, CHIP 220 5% 1/10W
R108	1-216-675-11	s METAL, CHIP 10K 0.5% 1/10W
R109	1-216-399-00	s METAL, CHIP 6.8 5% 3W
R110	1-216-025-00	s METAL, CHIP 100 5% 1/10W
R111	1-216-629-11	s METAL, CHIP 120 0.5% 1/10W
R112	1-208-785-11	s METAL, CHIP 1.3K 0.5% 1/10W
R113	1-216-660-11	s METAL, CHIP 2.4K 0.5% 1/10W
R114	1-216-067-00	s METAL, CHIP 5.6K 5% 1/10W
R115	1-216-675-11	s METAL, CHIP 10K 0.5% 1/10W
R116	1-216-675-11	s METAL, CHIP 10K 0.5% 1/10W
R117	1-216-667-11	s METAL, CHIP 4.7K 0.5% 1/10W
R119	1-216-679-11	s METAL, CHIP 15K 0.5% 1/10W
R120	1-216-667-11	s METAL, CHIP 4.7K 0.5% 1/10W
R121	1-249-389-11	s CARBON 4.7 5% 1/4W
R122	1-247-807-31	s CARBON 100 5% 1/4W
R123	1-216-073-00	s METAL, CHIP 10K 5% 1/10W
R124	1-216-674-11	s METAL, CHIP 9.1K 0.5% 1/10W
R126	1-216-121-00	s METAL, CHIP 1M 5% 1/10W
R129	1-216-295-00	s METAL, CHIP 0 5% 1/10W

(CP-167A BOARD)

Ref. No. or Q'ty	Part No.	SPDescription
R130	1-216-295-00	s METAL, CHIP 0 5% 1/10W
R132	1-216-121-00	s METAL, CHIP 1M 5% 1/10W
R201	1-247-807-31	s CARBON 100 5% 1/4W
R202	1-216-067-00	s METAL, CHIP 5.6K 5% 1/10W
R203	1-216-399-00	s METAL, CHIP 6.8 5% 3W
R204	1-216-675-11	s METAL, CHIP 10K 0.5% 1/10W
R205	1-216-675-11	s METAL, CHIP 10K 0.5% 1/10W
R206	1-216-668-11	s METAL, CHIP 5.1K 0.5% 1/10W
R207	1-216-033-00	s METAL, CHIP 220 5% 1/10W
R208	1-216-675-11	s METAL, CHIP 10K 0.5% 1/10W
R209	1-216-399-00	s METAL, CHIP 6.8 5% 3W
R210	1-216-025-00	s METAL, CHIP 100 5% 1/10W
R211	1-216-629-11	s METAL, CHIP 120 0.5% 1/10W
R212	1-208-785-11	s METAL, CHIP 1.3K 0.5% 1/10W
R213	1-216-660-11	s METAL, CHIP 2.4K 0.5% 1/10W
R214	1-216-067-00	s METAL, CHIP 5.6K 5% 1/10W
R215	1-216-675-11	s METAL, CHIP 10K 0.5% 1/10W
R216	1-216-675-11	s METAL, CHIP 10K 0.5% 1/10W
R217	1-216-667-11	s METAL, CHIP 4.7K 0.5% 1/10W
R219	1-216-679-11	s METAL, CHIP 15K 0.5% 1/10W
R220	1-216-667-11	s METAL, CHIP 4.7K 0.5% 1/10W
R222	1-247-807-31	s CARBON 100 5% 1/4W
R223	1-216-073-00	s METAL, CHIP 10K 5% 1/10W
R224	1-216-674-11	s METAL, CHIP 9.1K 0.5% 1/10W
R226	1-216-121-00	s METAL, CHIP 1M 5% 1/10W
R229	1-216-295-00	s METAL, CHIP 0 5% 1/10W
R230	1-216-295-00	s METAL, CHIP 0 5% 1/10W
R231	1-249-389-11	s CARBON 4.7 5% 1/4W
R232	1-216-121-00	s METAL, CHIP 1M 5% 1/10W
R301	1-247-807-31	s CARBON 100 5% 1/4W
R302	1-216-067-00	s METAL, CHIP 5.6K 5% 1/10W
R303	1-216-699-11	s METAL, CHIP 100K 0.5% 1/10W
R304	1-216-699-11	s METAL, CHIP 100K 0.5% 1/10W
R305	1-216-399-00	s METAL, CHIP 6.8 5% 3W
R306	1-216-033-00	s METAL, CHIP 220 5% 1/10W
R307	1-216-399-00	s METAL, CHIP 6.8 5% 3W
R308	1-216-025-00	s METAL, CHIP 100 5% 1/10W
R309	1-216-067-00	s METAL, CHIP 5.6K 5% 1/10W
R310	1-216-073-00	s METAL, CHIP 10K 5% 1/10W
R311	1-216-679-11	s METAL, CHIP 15K 0.5% 1/10W
R312	1-216-667-11	s METAL, CHIP 4.7K 0.5% 1/10W
R313	1-216-073-00	s METAL, CHIP 10K 5% 1/10W
R314	1-247-807-31	s CARBON 100 5% 1/4W
R315	1-216-097-00	s METAL, CHIP 100K 5% 1/10W
R316	1-216-057-00	s METAL, CHIP 2.2K 5% 1/10W
R317	1-216-073-00	s METAL, CHIP 10K 5% 1/10W
R318	1-216-073-00	s METAL, CHIP 10K 5% 1/10W
R319	1-216-097-00	s METAL, CHIP 100K 5% 1/10W
R320	1-216-097-00	s METAL, CHIP 100K 5% 1/10W
R321	1-216-073-00	s METAL, CHIP 10K 5% 1/10W
R322	1-216-699-11	s METAL, CHIP 100K 0.5% 1/10W
R323	1-216-121-00	s METAL, CHIP 1M 5% 1/10W
R324	1-249-389-11	s CARBON 4.7 5% 1/4W
R326	1-216-121-00	s METAL, CHIP 1M 5% 1/10W
R327	1-216-659-11	s METAL, CHIP 2.2K 0.5% 1/10W
R331	1-216-295-00	s METAL, CHIP 0 5% 1/10W
R332	1-216-295-00	s METAL, CHIP 0 5% 1/10W
R333	1-216-121-00	s METAL, CHIP 1M 5% 1/10W
R334	1-216-121-00	s METAL, CHIP 1M 5% 1/10W

(CP-167A BOARD)

Ref. No. or Q'ty	Part No.	SPDescription
R335	1-216-121-00 s	METAL, CHIP 1M 5% 1/10W
R336	1-216-121-00 s	METAL, CHIP 1M 5% 1/10W
R337	1-216-121-00 s	METAL, CHIP 1M 5% 1/10W
R338	1-216-121-00 s	METAL, CHIP 1M 5% 1/10W
R501	1-216-089-00 s	METAL, CHIP 47K 5% 1/10W
R502	1-216-089-00 s	METAL, CHIP 47K 5% 1/10W
R503	1-216-067-00 s	METAL, CHIP 5.6K 5% 1/10W
T101	1-427-586-11 s	TRANSFORMER, INPUT/OUTPUT
T201	1-427-586-11 s	TRANSFORMER, INPUT/OUTPUT
T301	1-427-586-11 s	TRANSFORMER, INPUT/OUTPUT

DP-138A BOARD

Ref. No. or Q'ty	Part No.	SPDescription
1pc	1-640-040-21 o	PRINTED CIRCUIT BOARD, DP-138A
1pc	3-171-415-01 o	HOLDER, METER LED
C1	1-163-033-00 s	CERAMIC 0.022uF 50V
CN490	1-506-481-11 o	CONNECTOR 2P, MALE
D1	8-719-820-27 s	LED TLY256, YEL
D2	8-719-820-27 s	LED TLY256, YEL
D3	8-719-820-27 s	LED TLY256, YEL
D4	8-719-820-27 s	LED TLY256, YEL
D5	8-719-820-27 s	LED TLY256, YEL
D6	8-719-820-27 s	LED TLY256, YEL
D7	8-719-820-27 s	LED TLY256, YEL
D8	8-719-820-27 s	LED TLY256, YEL
R1	1-249-409-11 s	CARBON 220 5% 1/4W
R2	1-249-409-11 s	CARBON 220 5% 1/4W
R3	1-249-409-11 s	CARBON 220 5% 1/4W
R4	1-249-409-11 s	CARBON 220 5% 1/4W

DP-139A BOARD

Ref. No. or Q'ty	Part No.	SPDescription
All of component parts on the DP-139A board are supplied together when you order KY-210A board.		
D1060	8-719-942-19 s	LED LB402VK, RED
D1061	8-719-942-19 s	LED LB402VK, RED
D1062	8-719-942-19 s	LED LB402VK, RED
D1063	8-719-942-19 s	LED LB402VK, RED
D1060	8-719-942-19 s	LED LB402VK, RED
S1037	1-552-539-00 s	SWITCH, TACTILE

DP-159A BOARD

Ref. No. or Q'ty	Part No.	SPDescription
1pc	1-640-042-21 o	PRINTED CIRCUIT BOARD, DP-159A
1pc	3-717-323-01 o	COVER, METER LED
C1	1-163-037-11 s	CERAMIC, CHIP 0.022uF 10% 25V
CN514	1-506-481-11 o	CONNECTOR (LIGHT ANGLE) 2P, MALE
D1	8-719-820-27 s	LED TLY256, YEL
D2	8-719-820-27 s	LED TLY256, YEL
D3	8-719-820-27 s	LED TLY256, YEL
D4	8-719-820-27 s	LED TLY256, YEL
R1	1-249-409-11 s	CARBON 220 5% 1/4W
R2	1-249-409-11 s	CARBON 220 5% 1/4W

DR-232A BOARD

Ref. No. or Q'ty	Part No.	SPDescription
1pc	A-8271-718-A	o MOUNTED CIRCUIT BOARD, DR-232A
1pc	3-171-393-01	o SUPPORT, DR
1pc	3-701-822-01	o HOLDER, WIRE
1pc	7-682-903-11	s SCREW +PWH 3X6
1pc	3-176-491-01	o HEAT SINK (2), DR
2pcs	7-621-759-45	s +PSW, 2.6X6
1pc	3-660-978-11	s SHEET, HEAT RESISTING
3pcs	7-682-903-11	s SCREW +PWH 3X6
1pc	3-171-493-02	o HEAT SINK (A)
1pc	3-176-490-01	o HEAT SINK (1), DR
4pcs	4-911-232-01	s SHEET, INSULATING
3pcs	3-660-978-11	s SHEET, HEAT RESISTING
4pcs	7-682-549-09	s SCREW +B 3X10
3pcs	2-371-561-00	s BUSHING (P), INSULATING
4pcs	7-682-549-09	s SCREW +B 3X10
1pc	1-535-894-11	o TAB (PC BOARD)
C1	1-163-033-00	s CERAMIC, CHIP 0.022uF 50V
C40	1-163-809-11	s CERAMIC, CHIP 0.047uF 10% 25V
C51	1-163-033-00	s CERAMIC, CHIP 0.022uF 50V
C52	1-163-033-00	s CERAMIC, CHIP 0.022uF 50V
C53	1-163-033-00	s CERAMIC, CHIP 0.022uF 50V
C101	1-164-232-11	s CERAMIC 0.01uF 10% 50V
C103	1-124-478-11	s ELECT 100uF 20% 25V
C104	1-124-907-11	s ELECT 10uF 20% 50V
C108	1-164-232-11	s CERAMIC 0.01uF 10% 50V
C111	1-124-907-11	s ELECT 10uF 20% 50V
C121	1-124-907-11	s ELECT 10uF 20% 50V
C151	1-163-809-11	s CERAMIC, CHIP 0.047uF 10% 25V
C152	1-163-275-11	s CERAMIC, CHIP 0.001uF 5% 50V
C153	1-163-033-00	s CERAMIC, CHIP 0.022uF 50V
C154	1-163-033-00	s CERAMIC, CHIP 0.022uF 50V
C155	1-163-033-00	s CERAMIC, CHIP 0.022uF 50V
C201	1-126-233-11	s ELECT 22uF 20% 25V
C204	1-163-986-00	s CERAMIC, CHIP 0.027uF 10% 25V
C205	1-163-986-00	s CERAMIC, CHIP 0.027uF 10% 25V
C206	1-163-243-11	s CERAMIC, CHIP 47PF 5% 50V
C208	1-163-986-00	s CERAMIC, CHIP 0.027uF 10% 25V
C209	1-163-986-00	s CERAMIC, CHIP 0.027uF 10% 25V
C210	1-163-243-11	s CERAMIC, CHIP 47PF 5% 50V
C212	1-163-243-11	s CERAMIC, CHIP 47PF 5% 50V
C213	1-163-243-11	s CERAMIC, CHIP 47PF 5% 50V
C221	1-124-477-11	s ELECT 47uF 20% 25V
C222	1-124-477-11	s ELECT 47uF 20% 25V
C251	1-163-097-00	s CERAMIC, CHIP 15PF 5% 50V
C252	1-163-033-00	s CERAMIC, CHIP 0.022uF 50V
C253	1-163-033-00	s CERAMIC, CHIP 0.022uF 50V
C257	1-164-232-11	s CERAMIC 0.01uF 10% 50V
C261	1-163-097-00	s CERAMIC, CHIP 15PF 5% 50V
C267	1-164-232-11	s CERAMIC 0.01uF 10% 50V
C271	1-163-097-00	s CERAMIC, CHIP 15PF 5% 50V
C272	1-163-033-00	s CERAMIC, CHIP 0.022uF 50V
C273	1-163-033-00	s CERAMIC, CHIP 0.022uF 50V
C277	1-164-232-11	s CERAMIC 0.01uF 10% 50V
C281	1-163-097-00	s CERAMIC, CHIP 15PF 5% 50V
C282	1-163-033-00	s CERAMIC, CHIP 0.022uF 50V
C283	1-163-033-00	s CERAMIC, CHIP 0.022uF 50V
C287	1-164-232-11	s CERAMIC 0.01uF 10% 50V
C301	1-124-482-11	s ELECT 33uF 20% 25V

(DR-232A BOARD)

Ref. No. or Q'ty	Part No.	SPDescription
C302	1-164-161-11	s CERAMIC 0.0022uF 10% 50V
C303	1-163-133-00	s CERAMIC, CHIP 470PF 5% 50V
C304	1-124-903-11	s ELECT 1uF 20% 50V
C305	1-163-251-11	s CERAMIC, CHIP 100PF 5% 50V
C306	1-164-344-11	s CERAMIC 0.068uF 10% 25V
C307	1-164-344-11	s CERAMIC 0.068uF 10% 25V
C308	1-164-344-11	s CERAMIC 0.068uF 10% 25V
C309	1-164-232-11	s CERAMIC 0.01uF 10% 50V
C315	1-126-233-11	s ELECT 22uF 20% 25V
C316	1-124-903-11	s ELECT 1uF 20% 50V
C322	1-164-232-11	s CERAMIC 0.01uF 10% 50V
C323	1-164-232-11	s CERAMIC 0.01uF 10% 50V
C330	1-124-120-11	s ELECT 220uF 20% 25V
C401	1-164-004-11	s CERAMIC 0.1uF 10% 25V
C402	1-163-037-11	s CERAMIC, CHIP 0.022uF 10% 25V
C403	1-131-388-00	s TANTALUM 68uF 10% 6.3V
C404	1-131-388-00	s TANTALUM 68uF 10% 6.3V
C405	1-124-907-11	s ELECT 10uF 20% 50V
C406	1-124-477-11	s ELECT 47uF 20% 16V
C407	1-126-233-11	s ELECT 22uF 20% 25V
C408	1-163-033-00	s CERAMIC, CHIP 0.022uF 50V
C409	1-163-033-00	s CERAMIC, CHIP 0.022uF 50V
C410	1-163-989-11	s CERAMIC, CHIP 0.033uF 10% 25V
C451	1-130-728-00	s FILM 0.0022uF 5% 50V
C452	1-164-004-11	s CERAMIC 0.1uF 10% 25V
C453	1-163-263-11	s CERAMIC, CHIP 330PF 5% 50V
C454	1-163-809-11	s CERAMIC, CHIP 0.047uF 10% 25V
C455	1-124-477-11	s ELECT 47uF 20% 16V
C481	1-130-728-00	s FILM 0.0022uF 5% 50V
C482	1-164-004-11	s CERAMIC 0.1uF 10% 25V
C483	1-163-263-11	s CERAMIC, CHIP 330PF 5% 50V
C484	1-163-809-11	s CERAMIC, CHIP 0.047uF 10% 25V
C485	1-124-477-11	s ELECT 47uF 20% 16V
C501	1-124-907-11	s ELECT 10uF 20% 50V
C502	1-164-232-11	s CERAMIC 0.01uF 10% 50V
C503	1-163-986-00	s CERAMIC, CHIP 0.027uF 10% 25V
C504	1-163-243-11	s CERAMIC, CHIP 47PF 5% 50V
C505	1-163-243-11	s CERAMIC, CHIP 47PF 5% 50V
C510	1-163-033-00	s CERAMIC, CHIP 0.022uF 50V
C511	1-163-033-00	s CERAMIC, CHIP 0.022uF 50V
C551	1-126-101-11	s ELECT 100uF 20% 16V
C552	1-164-232-11	s CERAMIC 0.01uF 10% 50V
C553	1-124-907-11	s ELECT 10uF 20% 50V
C554	1-163-033-00	s CERAMIC, CHIP 0.022uF 50V
C555	1-163-033-00	s CERAMIC, CHIP 0.022uF 50V
C556	1-163-809-11	s CERAMIC, CHIP 0.047uF 10% 25V
C557	1-164-004-11	s CERAMIC 0.1uF 10% 25V
C558	1-130-477-00	s FILM 0.0033uF 5% 50V
C559	1-163-251-11	s CERAMIC, CHIP 100PF 5% 50V
C560	1-124-907-11	s ELECT 10uF 20% 50V
C561	1-163-033-00	s CERAMIC, CHIP 0.022uF 50V
C562	1-163-809-11	s CERAMIC, CHIP 0.047uF 10% 25V
C563	1-163-033-00	s CERAMIC, CHIP 0.022uF 50V
C564	1-163-033-00	s CERAMIC, CHIP 0.022uF 50V
C565	1-163-275-11	s CERAMIC, CHIP 0.001uF 5% 50V
C583	1-163-809-11	s CERAMIC, CHIP 0.047uF 10% 25V
C584	1-164-004-11	s CERAMIC 0.1uF 10% 25V
C585	1-130-477-00	s FILM 0.0033uF 5% 50V
C586	1-163-251-11	s CERAMIC, CHIP 100PF 5% 50V

(DR-232A BOARD)

Ref. No. or Q'ty	Part No.	SPDescription
C587	1-124-907-11	s ELECT 10uF 20% 50V
C590	1-163-809-11	s CERAMIC, CHIP 0.047uF 10% 25V
C591	1-163-275-11	s CERAMIC, CHIP 0.001uF 5% 50V
C592	1-163-033-00	s CERAMIC, CHIP 0.022uF 50V
C601	1-163-809-11	s CERAMIC, CHIP 0.047uF 10% 25V
C602	1-163-275-11	s CERAMIC, CHIP 0.001uF 5% 50V
C603	1-163-275-11	s CERAMIC, CHIP 0.001uF 5% 50V
C604	1-163-033-00	s CERAMIC, CHIP 0.022uF 50V
C605	1-163-033-00	s CERAMIC, CHIP 0.022uF 50V
C610	1-126-101-11	s ELECT 100uF 20% 16V
C651	1-163-809-11	s CERAMIC, CHIP 0.047uF 10% 25V
C652	1-163-275-11	s CERAMIC, CHIP 0.001uF 5% 50V
C653	1-163-275-11	s CERAMIC, CHIP 0.001uF 5% 50V
C654	1-163-033-00	s CERAMIC, CHIP 0.022uF 50V
C655	1-163-033-00	s CERAMIC, CHIP 0.022uF 50V
C656	1-164-232-11	s CERAMIC 0.01uF 10% 50V
C657	1-164-232-11	s CERAMIC 0.01uF 10% 50V
C901	1-126-101-11	s ELECT 100uF 20% 16V
C902	1-124-480-11	s ELECT 470uF 20% 25V
C903	1-126-101-11	s ELECT 100uF 20% 16V
C904	1-126-101-11	s ELECT 100uF 20% 16V
C905	1-124-480-11	s ELECT 470uF 20% 25V
C906	1-124-907-11	s ELECT 10uF 20% 50V
C907	1-124-907-11	s ELECT 10uF 20% 50V
C951	1-124-907-11	s ELECT 10uF 20% 50V
C952	1-164-344-11	s CERAMIC 0.068uF 10% 25V
C953	1-163-263-11	s CERAMIC, CHIP 330PF 5% 50V
C954	1-124-120-11	s ELECT 220uF 20% 25V
C956	1-124-120-11	s ELECT 220uF 20% 25V
C957	1-163-023-00	s CERAMIC, CHIP 0.015uF 10% 50V
C958	1-163-037-11	s CERAMIC, CHIP 0.022uF 10% 25V
C959	1-124-903-11	s ELECT 1uF 20% 50V
C960	1-124-482-11	s ELECT 33uF 20% 25V
C961	1-124-907-11	s ELECT 10uF 20% 50V
CN300	1-564-209-00	o CONNECTOR, IL-S 10P, MALE
CN302	1-573-601-11	o CONNECTOR 64P, MALE
CN305	1-564-007-11	o CONNECTOR 8P, MALE
CN306	1-506-474-11	s CONNECTOR 9P, MALE
CN307	1-564-011-11	o CONNECTOR 12P, MALE
CN309	1-506-469-11	s CONNECTOR 4P, MALE
CN314	1-564-004-11	o CONNECTOR 5P, MALE
CN315	1-564-002-41	s CONNECTOR 3P, MALE
CN316	1-506-472-11	s CONNECTOR 7P, MALE
CN317	1-506-467-11	s CONNECTOR 2P, MALE
CN318	1-506-467-11	s CONNECTOR 2P, MALE
CN319	1-506-467-11	s CONNECTOR 2P, MALE
CN320	1-506-468-11	s CONNECTOR 3P, MALE
CN321	1-562-708-11	o CONNECTOR FPC 13P, FEMALE
CN322	1-562-708-11	o CONNECTOR FPC 13P, FEMALE
CN323	1-506-468-11	s CONNECTOR 3P, MALE
CN324	1-506-469-11	s CONNECTOR 4P, MALE
CN325	1-506-469-11	s CONNECTOR 4P, MALE
CN360	1-506-480-11	s CONNECTOR 15P, MALE
CNI51	1-526-652-21	s SOCKET, IC 8P
CNI52	1-526-652-21	s SOCKET, IC 8P
CNI53	1-526-652-21	s SOCKET, IC 8P
D101	8-719-200-02	s DIODE 10E-2
D102	8-719-200-02	s DIODE 10E-2

(DR-232A BOARD)

Ref. No. or Q'ty	Part No.	SPDescription
D111	8-719-200-02	s DIODE 10E-2
D112	8-719-200-02	s DIODE 10E-2
D121	8-719-200-02	s DIODE 10E-2
D122	8-719-200-02	s DIODE 10E-2
D301	8-719-123-85	s DIODE 1SS304
D311	8-719-123-85	s DIODE 1SS304
D312	8-719-123-85	s DIODE 1SS304
D401	8-719-123-85	s DIODE 1SS304
D402	8-719-123-85	s DIODE 1SS304
D403	8-719-123-85	s DIODE 1SS304
D551	8-719-123-82	s DIODE 1SS303
D581	8-719-123-82	s DIODE 1SS303
D951	8-719-903-06	s DIODE ERC84-009
D952	8-719-106-08	s DIODE RD6.2M-B2
IC1	8-759-938-68	s IC CXD1095Q
IC5	8-759-600-34	s IC M54532P
IC6	8-759-645-23	s IC M54523P
IC51	8-752-348-02	s IC CXK1023P
IC52	8-752-348-02	s IC CXK1023P
IC53	8-752-348-02	s IC CXK1023P
IC54	8-759-946-00	s IC MB88341PFV
IC101	8-759-205-56	s IC TA7267P
IC111	8-759-205-56	s IC TA7267P
IC112	8-759-205-56	s IC TA7267P
IC151	8-759-908-17	s IC TL082CPS
IC152	8-759-700-07	s IC NJM2903M
IC201	8-759-908-17	s IC TL082CPS
IC251	8-759-106-02	s IC UPC4570G2
IC252	8-759-700-07	s IC NJM2903M
IC253	8-759-106-02	s IC UPC4570G2
IC271	8-759-106-02	s IC UPC4570G2
IC272	8-759-700-07	s IC NJM2903M
IC273	8-759-106-02	s IC UPC4570G2
IC301	8-759-234-03	s IC TA8424F
IC302	8-759-908-17	s IC TL082CPS
IC304	8-759-925-80	s IC SN74HC14ANS
IC305	8-759-700-07	s IC NJM2903M
IC401	8-743-914-00	s IC BX-3914
IC402	8-759-106-02	s IC UPC4570G2
IC403	8-759-927-46	s IC SN74HC00ANS
IC404	8-759-300-71	s IC HD14053BFP
IC405	8-759-300-71	s IC HD14053BFP
IC451	8-759-800-72	s IC LA7205
IC481	8-759-800-72	s IC LA7205
IC501	8-759-908-17	s IC TL082CPS
IC551	8-759-908-17	s IC TL082CPS
IC552	8-759-908-92	s IC TL084CNS
IC553	8-759-700-07	s IC NJM2903M
IC554	8-759-700-07	s IC NJM2903M
IC601	8-759-908-17	s IC TL082CPS
IC602	8-759-008-67	s IC MC14066BF
IC651	8-759-908-17	s IC TL082CPS
IC652	8-759-008-67	s IC MC14066BF
IC901	8-759-701-79	s IC NJM7812FA
IC951	8-759-929-26	s IC TL431CPS
IC952	8-759-100-94	s IC UPC358G2
IC953	8-759-700-07	s IC NJM2903M
IC954	8-759-100-94	s IC UPC358G2

(DR-232A BOARD)

Ref. No. or Q'ty	Part No.	SPDescription
L600	1-412-533-21	s INDUCTOR 47uH
L901	1-412-533-21	s INDUCTOR 47uH
L902	1-412-533-21	s INDUCTOR 47uH
L903	1-412-533-21	s INDUCTOR 47uH
L951	1-408-519-00	s COIL, CHOKE
PS1	▲1-532-846-21	s LINK, IC 5.0A
PS2	▲1-532-843-21	s LINK, IC
PS3	▲1-532-727-11	s LINK, IC 0.25A
Q101	8-729-807-51	s TRANSISTOR 2SD1623-R
Q102	8-729-101-07	s TRANSISTOR 2SB798
Q103	8-729-376-84	s TRANSISTOR 2SA768-G
Q201	8-729-807-51	s TRANSISTOR 2SD1623-R
Q202	8-729-101-07	s TRANSISTOR 2SB798
Q203	8-729-102-47	s TRANSISTOR 2SA1141-Q
Q204	8-729-102-57	s TRANSISTOR 2SC3012
Q205	8-729-159-65	s TRANSISTOR 2SD596-DV5
Q206	8-729-162-45	s TRANSISTOR 2SB624-BV5
Q207	8-729-102-47	s TRANSISTOR 2SA1141-Q
Q208	8-729-102-57	s TRANSISTOR 2SC3012
Q209	8-729-159-65	s TRANSISTOR 2SD596-DV5
Q210	8-729-162-45	s TRANSISTOR 2SB624-BV5
Q211	8-729-102-47	s TRANSISTOR 2SA1141-Q
Q212	8-729-102-57	s TRANSISTOR 2SC3012
Q401	8-729-905-18	s TRANSISTOR DTC144EU
Q402	8-729-140-63	s TRANSISTOR 2SA1611-M5M6
Q404	8-729-905-18	s TRANSISTOR DTC144EU
Q501	8-729-159-65	s TRANSISTOR 2SD596-DV5
Q502	8-729-141-83	s TRANSISTOR 2SA473-Y
Q503	8-729-101-07	s TRANSISTOR 2SB798
Q504	8-729-807-51	s TRANSISTOR 2SD1623-R
Q505	8-729-376-84	s TRANSISTOR 2SA768-G
Q551	8-729-209-07	s TRANSISTOR 2SC4213-B
Q951	8-729-117-32	s TRANSISTOR 2SC4177
Q952	8-729-140-63	s TRANSISTOR 2SA1611-M5M6
Q953	8-729-142-68	s TRANSISTOR 2SJ143
Q954	8-729-101-07	s TRANSISTOR 2SB798
R2	1-216-295-00	s METAL, CHIP 0 5% 1/10W
R3	1-216-097-00	s METAL, CHIP 100K 5% 1/10W
R4	1-216-295-00	s METAL, CHIP 0 5% 1/10W
R5	1-216-073-00	s METAL, CHIP 10K 5% 1/10W
R6	1-216-097-00	s METAL, CHIP 100K 5% 1/10W
R7	1-216-073-00	s METAL, CHIP 10K 5% 1/10W
R8	1-216-089-00	s METAL, CHIP 47K 5% 1/10W
R9	1-216-073-00	s METAL, CHIP 10K 5% 1/10W
R10	1-216-089-00	s METAL, CHIP 47K 5% 1/10W
R11	1-216-073-00	s METAL, CHIP 10K 5% 1/10W
R12	1-216-089-00	s METAL, CHIP 47K 5% 1/10W
R13	1-216-073-00	s METAL, CHIP 10K 5% 1/10W
R14	1-216-089-00	s METAL, CHIP 47K 5% 1/10W
R15	1-216-073-00	s METAL, CHIP 10K 5% 1/10W
R16	1-216-089-00	s METAL, CHIP 47K 5% 1/10W
R17	1-216-073-00	s METAL, CHIP 10K 5% 1/10W
R18	1-216-089-00	s METAL, CHIP 47K 5% 1/10W
R19	1-216-073-00	s METAL, CHIP 10K 5% 1/10W
R20	1-216-089-00	s METAL, CHIP 47K 5% 1/10W
R21	1-216-073-00	s METAL, CHIP 10K 5% 1/10W
R22	1-216-089-00	s METAL, CHIP 47K 5% 1/10W
R23	1-216-073-00	s METAL, CHIP 10K 5% 1/10W

(DR-232A BOARD)

Ref. No. or Q'ty	Part No.	SPDescription
R24	1-216-089-00	s METAL, CHIP 47K 5% 1/10W
R25	1-216-073-00	s METAL, CHIP 10K 5% 1/10W
R26	1-216-089-00	s METAL, CHIP 47K 5% 1/10W
R27	1-216-073-00	s METAL, CHIP 10K 5% 1/10W
R28	1-216-073-00	s METAL, CHIP 10K 5% 1/10W
R29	1-216-073-00	s METAL, CHIP 10K 5% 1/10W
R30	1-216-073-00	s METAL, CHIP 10K 5% 1/10W
R31	1-216-073-00	s METAL, CHIP 10K 5% 1/10W
R32	1-216-073-00	s METAL, CHIP 10K 5% 1/10W
R33	1-216-073-00	s METAL, CHIP 10K 5% 1/10W
R34	1-216-073-00	s METAL, CHIP 10K 5% 1/10W
R35	1-216-073-00	s METAL, CHIP 10K 5% 1/10W
R36	1-216-073-00	s METAL, CHIP 10K 5% 1/10W
R37	1-216-073-00	s METAL, CHIP 10K 5% 1/10W
R38	1-216-073-00	s METAL, CHIP 10K 5% 1/10W
R42	1-216-295-00	s METAL, CHIP 0 5% 1/10W
R46	1-216-045-00	s METAL, CHIP 680 5% 1/10W
R51	1-216-089-00	s METAL, CHIP 47K 5% 1/10W
R52	1-216-089-00	s METAL, CHIP 47K 5% 1/10W
R53	1-216-089-00	s METAL, CHIP 47K 5% 1/10W
R54	1-216-089-00	s METAL, CHIP 47K 5% 1/10W
R55	1-216-089-00	s METAL, CHIP 47K 5% 1/10W
R56	1-216-089-00	s METAL, CHIP 47K 5% 1/10W
R101	1-216-105-00	s METAL, CHIP 220K 5% 1/10W
R102	1-215-863-11	s METAL 100 5% 1W
R103	1-215-868-00	s METAL 680 5% 1W
R104	1-215-867-00	s METAL 470 5% 1W
R105	1-216-385-11	s METAL, CHIP 0.47 5% 3W
R106	1-216-073-00	s METAL, CHIP 10K 5% 1/10W
R107	1-216-073-00	s METAL, CHIP 10K 5% 1/10W
R108	1-216-383-11	s METAL, CHIP 0.33 5% 3W
R111	1-216-073-00	s METAL, CHIP 10K 5% 1/10W
R112	1-216-073-00	s METAL, CHIP 10K 5% 1/10W
R113	1-216-383-11	s METAL, CHIP 0.33 5% 3W
R121	1-216-073-00	s METAL, CHIP 10K 5% 1/10W
R122	1-216-073-00	s METAL, CHIP 10K 5% 1/10W
R123	1-216-383-11	s METAL, CHIP 0.33 5% 3W
R151	1-216-033-00	s METAL, CHIP 220 5% 1/10W
R152	1-216-089-00	s METAL, CHIP 47K 5% 1/10W
R153	1-216-041-00	s METAL, CHIP 470 5% 1/10W
R154	1-216-049-00	s METAL, CHIP 1K 5% 1/10W
R155	1-216-073-00	s METAL, CHIP 10K 5% 1/10W
R156	1-216-097-00	s METAL, CHIP 100K 5% 1/10W
R157	1-216-073-00	s METAL, CHIP 10K 5% 1/10W
R160	1-216-041-00	s METAL, CHIP 470 5% 1/10W
R201	1-216-073-00	s METAL, CHIP 10K 5% 1/10W
R202	1-216-073-00	s METAL, CHIP 10K 5% 1/10W
R203	1-216-049-00	s METAL, CHIP 1K 5% 1/10W
R204	1-216-049-00	s METAL, CHIP 1K 5% 1/10W
R205	1-215-889-00	s METAL 330 5% 2W
R206	1-216-049-00	s METAL, CHIP 1K 5% 1/10W
R207	1-215-889-00	s METAL 330 5% 2W
R208	1-215-863-11	s METAL 100 5% 1W
R209	1-215-863-11	s METAL 100 5% 1W
R210	1-216-365-00	s METAL, CHIP 0.47 5% 1W
R211	1-216-073-00	s METAL, CHIP 10K 5% 1/10W
R212	1-216-089-00	s METAL, CHIP 47K 5% 1/10W
R213	1-215-863-11	s METAL 100 5% 1W
R214	1-215-863-11	s METAL 100 5% 1W

(DR-232A BOARD)

Ref. No. or Q' ty	Part No.	SPDescription
R215	1-216-365-00	s METAL, CHIP 0.47 5% 2W
R216	1-216-073-00	s METAL, CHIP 10K 5% 1/10W
R217	1-216-089-00	s METAL, CHIP 47K 5% 1/10W
R218	1-216-089-00	s METAL, CHIP 47K 5% 1/10W
R219	1-216-073-00	s METAL, CHIP 10K 5% 1/10W
R220	1-216-089-00	s METAL, CHIP 47K 5% 1/10W
R221	1-216-073-00	s METAL, CHIP 10K 5% 1/10W
R251	1-216-079-00	s METAL, CHIP 18K 5% 1/10W
R252	1-216-109-00	s METAL, CHIP 330K 5% 1/10W
R253	1-216-666-11	s METAL, CHIP 4.3K 0.5% 1/10W
R255	1-216-089-00	s METAL, CHIP 47K 5% 1/10W
R256	1-216-683-11	s METAL, CHIP 22K 0.5% 1/10W
R257	1-216-683-11	s METAL, CHIP 22K 0.5% 1/10W
R258	1-216-113-00	s METAL, CHIP 470K 5% 1/10W
R259	1-216-081-00	s METAL, CHIP 22K 5% 1/10W
R260	1-216-057-00	s METAL, CHIP 2.2K 5% 1/10W
R261	1-216-079-00	s METAL, CHIP 18K 5% 1/10W
R262	1-216-109-00	s METAL, CHIP 330K 5% 1/10W
R263	1-216-666-11	s METAL, CHIP 4.3K 0.5% 1/10W
R265	1-216-089-00	s METAL, CHIP 47K 5% 1/10W
R266	1-216-683-11	s METAL, CHIP 22K 0.5% 1/10W
R267	1-216-683-11	s METAL, CHIP 22K 0.5% 1/10W
R268	1-216-113-00	s METAL, CHIP 470K 5% 1/10W
R269	1-216-057-00	s METAL, CHIP 2.2K 5% 1/10W
R271	1-216-079-00	s METAL, CHIP 18K 5% 1/10W
R272	1-216-109-00	s METAL, CHIP 330K 5% 1/10W
R273	1-216-666-11	s METAL, CHIP 4.3K 0.5% 1/10W
R275	1-216-089-00	s METAL, CHIP 47K 5% 1/10W
R276	1-216-683-11	s METAL, CHIP 22K 0.5% 1/10W
R277	1-216-683-11	s METAL, CHIP 22K 0.5% 1/10W
R278	1-216-113-00	s METAL, CHIP 470K 5% 1/10W
R279	1-216-081-00	s METAL, CHIP 22K 5% 1/10W
R280	1-216-057-00	s METAL, CHIP 2.2K 5% 1/10W
R281	1-216-079-00	s METAL, CHIP 18K 5% 1/10W
R282	1-216-109-00	s METAL, CHIP 330K 5% 1/10W
R283	1-216-666-11	s METAL, CHIP 4.3K 0.5% 1/10W
R285	1-216-089-00	s METAL, CHIP 47K 5% 1/10W
R286	1-216-683-11	s METAL, CHIP 22K 0.5% 1/10W
R287	1-216-683-11	s METAL, CHIP 22K 0.5% 1/10W
R288	1-216-113-00	s METAL, CHIP 470K 5% 1/10W
R289	1-216-057-00	s METAL, CHIP 2.2K 5% 1/10W
R291	1-216-049-00	s METAL, CHIP 1K 5% 1/10W
R292	1-216-049-00	s METAL, CHIP 1K 5% 1/10W
R293	1-216-049-00	s METAL, CHIP 1K 5% 1/10W
R294	1-216-049-00	s METAL, CHIP 1K 5% 1/10W
R301	1-216-031-00	s METAL, CHIP 180 5% 1/10W
R302	1-216-027-00	s METAL, CHIP 120 5% 1/10W
R303	1-216-061-00	s METAL, CHIP 3.3K 5% 1/10W
R304	1-216-109-00	s METAL, CHIP 330K 5% 1/10W
R305	1-249-383-11	s CARBON 1.5 5% 1/4W
R306	1-249-383-11	s CARBON 1.5 5% 1/4W
R307	1-249-383-11	s CARBON 1.5 5% 1/4W
R308	1-216-049-00	s METAL, CHIP 1K 5% 1/10W
R309	1-216-349-00	s METAL, CHIP 1 5% 1W
R310	1-216-073-00	s METAL, CHIP 10K 5% 1/10W
R311	1-216-089-00	s METAL, CHIP 47K 5% 1/10W
R312	1-216-295-00	s METAL, CHIP 0 5% 1/10W
R314	1-216-073-00	s METAL, CHIP 10K 5% 1/10W
R315	1-216-295-00	s METAL, CHIP 0 5% 1/10W

(DR-232A BOARD)

Ref. No. or Q' ty	Part No.	SPDescription
R324	1-216-057-00	s METAL, CHIP 2.2K 5% 1/10W
R325	1-216-025-00	s METAL, CHIP 100 5% 1/10W
R326	1-216-049-00	s METAL, CHIP 1K 5% 1/10W
R327	1-216-103-00	s METAL, CHIP 180K 5% 1/10W
R328	1-216-049-00	s METAL, CHIP 1K 5% 1/10W
R329	1-216-073-00	s METAL, CHIP 10K 5% 1/10W
R330	1-216-073-00	s METAL, CHIP 10K 5% 1/10W
R331	1-216-081-00	s METAL, CHIP 22K 5% 1/10W
R332	1-216-073-00	s METAL, CHIP 10K 5% 1/10W
R333	1-216-073-00	s METAL, CHIP 10K 5% 1/10W
R341	1-216-057-00	s METAL, CHIP 2.2K 5% 1/10W
R342	1-216-025-00	s METAL, CHIP 100 5% 1/10W
R343	1-216-073-00	s METAL, CHIP 10K 5% 1/10W
R344	1-216-089-00	s METAL, CHIP 47K 5% 1/10W
R401	1-208-801-11	s METAL 6.2K 0.5% 1/10W
R402	1-216-133-00	s METAL, CHIP 3.3M 5% 1/10W
R403	1-216-073-00	s METAL, CHIP 10K 5% 1/10W
R404	1-216-069-00	s METAL, CHIP 6.8K 5% 1/10W
R405	1-216-065-00	s METAL, CHIP 4.7K 5% 1/10W
R406	1-216-646-11	s METAL, CHIP 620 0.5% 1/10W
R407	1-216-065-00	s METAL, CHIP 4.7K 5% 1/10W
R408	1-216-065-00	s METAL, CHIP 4.7K 5% 1/10W
R409	1-216-089-00	s METAL, CHIP 47K 5% 1/10W
R410	1-216-055-00	s METAL, CHIP 1.8K 5% 1/10W
R411	1-216-097-00	s METAL, CHIP 100K 5% 1/10W
R412	1-216-089-00	s METAL, CHIP 47K 5% 1/10W
R413	1-215-911-11	s METAL 100 5% 3W
R414	1-216-073-00	s METAL, CHIP 10K 5% 1/10W
R415	1-216-073-00	s METAL, CHIP 10K 5% 1/10W
R416	1-216-073-00	s METAL, CHIP 10K 5% 1/10W
R451	1-216-691-11	s METAL, CHIP 47K 0.5% 1/10W
R452	1-216-089-00	s METAL, CHIP 47K 5% 1/10W
R481	1-216-691-11	s METAL, CHIP 47K 0.5% 1/10W
R482	1-216-089-00	s METAL, CHIP 47K 5% 1/10W
R501	1-216-073-00	s METAL, CHIP 10K 5% 1/10W
R502	1-216-073-00	s METAL, CHIP 10K 5% 1/10W
R503	1-215-866-11	s METAL 330 5% 1W
R504	1-216-073-00	s METAL, CHIP 10K 5% 1/10W
R505	1-216-383-11	s METAL, CHIP 0.33 5% 3W
R506	1-216-105-00	s METAL, CHIP 220K 5% 1/10W
R507	1-215-863-11	s METAL 100 5% 1W
R508	1-215-863-11	s METAL 100 5% 1W
R509	1-216-365-00	s METAL, CHIP 0.47 5% 2W
R510	1-216-675-11	s METAL, CHIP 10K 0.5% 1/10W
R511	1-216-691-11	s METAL, CHIP 47K 0.5% 1/10W
R512	1-216-675-11	s METAL, CHIP 10K 0.5% 1/10W
R513	1-216-691-11	s METAL, CHIP 47K 0.5% 1/10W
R551	1-216-065-00	s METAL, CHIP 4.7K 5% 1/10W
R552	1-216-067-00	s METAL, CHIP 5.6K 5% 1/10W
R553	1-216-097-00	s METAL, CHIP 100K 5% 1/10W
R554	1-216-097-00	s METAL, CHIP 100K 5% 1/10W
R555	1-216-085-00	s METAL, CHIP 33K 5% 1/10W
R556	1-216-073-00	s METAL, CHIP 10K 5% 1/10W
R557	1-216-121-00	s METAL, CHIP 1M 5% 1/10W
R558	1-216-073-00	s METAL, CHIP 10K 5% 1/10W
R559	1-216-089-00	s METAL, CHIP 47K 5% 1/10W
R560	1-216-073-00	s METAL, CHIP 10K 5% 1/10W
R561	1-216-073-00	s METAL, CHIP 10K 5% 1/10W
R562	1-216-081-00	s METAL, CHIP 22K 5% 1/10W

(DR-232A BOARD)

Ref. No. or Q'ty	Part No.	SPDescription
R563	1-216-081-00	s METAL, CHIP 22K 5% 1/10W
R564	1-216-049-00	s METAL, CHIP 1K 5% 1/10W
R565	1-216-073-00	s METAL, CHIP 10K 5% 1/10W
R566	1-216-093-00	s METAL, CHIP 68K 5% 1/10W
R567	1-216-093-00	s METAL, CHIP 68K 5% 1/10W
R568	1-216-085-00	s METAL, CHIP 33K 5% 1/10W
R569	1-216-097-00	s METAL, CHIP 100K 5% 1/10W
R571	1-216-057-00	s METAL, CHIP 2.2K 5% 1/10W
R582	1-216-067-00	s METAL, CHIP 5.6K 5% 1/10W
R583	1-216-097-00	s METAL, CHIP 100K 5% 1/10W
R584	1-216-097-00	s METAL, CHIP 100K 5% 1/10W
R585	1-216-085-00	s METAL, CHIP 33K 5% 1/10W
R586	1-216-073-00	s METAL, CHIP 10K 5% 1/10W
R587	1-216-121-00	s METAL, CHIP 1M 5% 1/10W
R588	1-216-073-00	s METAL, CHIP 10K 5% 1/10W
R589	1-216-089-00	s METAL, CHIP 47K 5% 1/10W
R590	1-216-073-00	s METAL, CHIP 10K 5% 1/10W
R591	1-216-073-00	s METAL, CHIP 10K 5% 1/10W
R592	1-216-081-00	s METAL, CHIP 22K 5% 1/10W
R593	1-216-081-00	s METAL, CHIP 22K 5% 1/10W
R594	1-216-049-00	s METAL, CHIP 1K 5% 1/10W
R595	1-216-073-00	s METAL, CHIP 10K 5% 1/10W
R596	1-216-093-00	s METAL, CHIP 68K 5% 1/10W
R597	1-216-093-00	s METAL, CHIP 68K 5% 1/10W
R598	1-216-085-00	s METAL, CHIP 33K 5% 1/10W
R599	1-216-097-00	s METAL, CHIP 100K 5% 1/10W
R600	1-216-057-00	s METAL, CHIP 2.2K 5% 1/10W
R601	1-216-081-00	s METAL, CHIP 22K 5% 1/10W
R602	1-216-081-00	s METAL, CHIP 22K 5% 1/10W
R603	1-216-089-00	s METAL, CHIP 47K 5% 1/10W
R604	1-216-057-00	s METAL, CHIP 2.2K 5% 1/10W
R605	1-216-057-00	s METAL, CHIP 2.2K 5% 1/10W
R606	1-216-109-00	s METAL, CHIP 330K 5% 1/10W
R607	1-216-109-00	s METAL, CHIP 330K 5% 1/10W
R651	1-216-081-00	s METAL, CHIP 22K 5% 1/10W
R652	1-216-081-00	s METAL, CHIP 22K 5% 1/10W
R653	1-216-089-00	s METAL, CHIP 47K 5% 1/10W
R654	1-216-057-00	s METAL, CHIP 2.2K 5% 1/10W
R655	1-216-057-00	s METAL, CHIP 2.2K 5% 1/10W
R656	1-216-109-00	s METAL, CHIP 330K 5% 1/10W
R657	1-216-109-00	s METAL, CHIP 330K 5% 1/10W
R951	1-216-057-00	s METAL, CHIP 2.2K 5% 1/10W
R952	1-216-659-11	s METAL, CHIP 2.2K 0.5% 1/10W
R953	1-216-659-11	s METAL, CHIP 2.2K 0.5% 1/10W
R954	1-216-089-00	s METAL, CHIP 47K 5% 1/10W
R955	1-216-075-00	s METAL, CHIP 12K 5% 1/10W
R956	1-216-081-00	s METAL, CHIP 22K 5% 1/10W
R957	1-216-113-00	s METAL, CHIP 470K 5% 1/10W
R958	1-216-113-00	s METAL, CHIP 470K 5% 1/10W
R959	1-216-115-00	s METAL, CHIP 560K 5% 1/10W
R960	1-216-065-00	s METAL, CHIP 4.7K 5% 1/10W
R961	1-216-089-00	s METAL, CHIP 47K 5% 1/10W
R962	1-216-073-00	s METAL, CHIP 10K 5% 1/10W
R963	1-216-057-00	s METAL, CHIP 2.2K 5% 1/10W
R965	1-216-689-11	s METAL, CHIP 39K 5% 1/10W
R966	1-216-689-11	s METAL, CHIP 39K 5% 1/10W
R967	1-216-073-00	s METAL, CHIP 10K 5% 1/10W
R968	1-216-057-00	s METAL, CHIP 2.2K 5% 1/10W
R969	1-216-073-00	s METAL, CHIP 10K 5% 1/10W

(DR-232A BOARD)

Ref. No. or Q'ty	Part No.	SPDescription
R970	1-216-097-00	s METAL, CHIP 100K 5% 1/10W
R971	1-216-097-00	s METAL, CHIP 100K 5% 1/10W
R972	1-216-073-00	s METAL, CHIP 10K 5% 1/10W
R973	1-216-065-00	s METAL, CHIP 4.7K 5% 1/10W
R974	1-216-675-11	s METAL, CHIP 10K 0.5% 1/10W
R975	1-216-669-11	s METAL, CHIP 5.6K 0.5% 1/10W
R976	1-207-612-00	s WIREWOUND 0.1 10% 3W
R977	1-216-073-00	s METAL, CHIP 10K 5% 1/10W
R978	1-216-689-11	s METAL, CHIP 39K 5% 1/10W
R979	1-216-073-00	s METAL, CHIP 10K 5% 1/10W
R980	1-216-689-11	s METAL, CHIP 39K 5% 1/10W
R981	1-216-073-00	s METAL, CHIP 10K 5% 1/10W

DS-31 BOARD

Ref. No. or Q'ty	Part No.	SPDescription
lpc	1-640-167-11	o PRINTED CIRCUIT BOARD, DS-31
CN1	1-564-013-11	o PIN, CONNECTOR 3P
IC1	8-759-729-03	s IC NJM2903D
R1	1-215-456-00	s METAL 30K 1% 1/4W
R2	1-215-437-00	s METAL 4.7K 1% 1/4W
R3	1-215-419-00	s METAL 820 1% 1/4W
R4	1-215-469-00	s METAL 100K 1% 1/4W
R5	1-215-440-00	s METAL 6.2K 1% 1/4W
R6	1-215-487-00	s METAL 560K 1% 1/4W
R7	1-215-453-00	s METAL 22K 1% 1/4W

DUS-668 BOARD

Ref. No. or Q'ty	Part No.	SPDescription
All of component parts on the DUS-668 board are supplied together when you order VP-33AP board.		
lpc	1-648-773-11	s PRINTED CIRCUIT BOARD, DUS-668

HC-14C BOARD

(HC-14C BOARD)

Ref. No. or Q' ty	Part No.	SPDescription
1pc	A-6717-635-B	o MOUNTED CIRCUIT BOARD, HC-14C
C1	1-163-037-11	s CERAMIC, CHIP 0.022uF 10% 25V
C2	1-163-037-11	s CERAMIC, CHIP 0.022uF 10% 25V
C3	1-124-229-00	s ELECT 33uF 20% 10V
C4	1-163-239-11	s CERAMIC, CHIP 33PF 5% 50V
C5	1-163-239-11	s CERAMIC, CHIP 33PF 5% 50V
C6	1-163-037-11	s CERAMIC, CHIP 0.022uF 10% 25V
C7	1-163-037-11	s CERAMIC, CHIP 0.022uF 10% 25V
C8	1-163-037-11	s CERAMIC, CHIP 0.022uF 10% 25V
C9	1-163-037-11	s CERAMIC, CHIP 0.022uF 10% 25V
C10	1-163-037-11	s CERAMIC, CHIP 0.022uF 10% 25V
C11	1-163-037-11	s CERAMIC, CHIP 0.022uF 10% 25V
CN550	1-566-766-11	o CONNECTOR 11P, MALE
CN551	1-566-760-11	s CONNECTOR ZR 5P, MALE
CN552	1-566-772-11	o CONNECTOR PS 10P, MALE
CN553	1-566-765-11	o PIN, CONNECTOR 10P, MALE
CN554	1-566-762-11	o PIN, CONNECTOR 7P, MALE
CN555	1-566-761-11	o PIN, CONNECTOR 6P, MALE
CP1	1-548-152-11	o HOUR METER, DIGITAL
D1	8-719-939-39	s LED GL-5HD8, RED
IC1	8-759-043-36	s IC MC68HC05N4-SC406673
IC2	8-759-926-64	s IC SN74HC367ANS
IC3	8-759-300-71	s IC HD14053BFP
PS1	▲ 1-532-839-11	s LINK, IC
PS2	▲ 1-532-839-11	s LINK, IC
Q1	8-729-924-56	s TRANSISTOR DTC123JU
Q2	8-729-924-56	s TRANSISTOR DTC123JU
Q3	8-729-924-56	s TRANSISTOR DTC123JU
Q4	8-729-924-56	s TRANSISTOR DTC123JU
Q5	8-729-924-56	s TRANSISTOR DTC123JU
R1	1-216-065-00	s METAL, CHIP 4.7K 5% 1/10W
R2	1-216-065-00	s METAL, CHIP 4.7K 5% 1/10W
R3	1-216-065-00	s METAL, CHIP 4.7K 5% 1/10W
R4	1-216-065-00	s METAL, CHIP 4.7K 5% 1/10W
R5	1-216-065-00	s METAL, CHIP 4.7K 5% 1/10W
R6	1-216-065-00	s METAL, CHIP 4.7K 5% 1/10W
R7	1-216-065-00	s METAL, CHIP 4.7K 5% 1/10W
R8	1-216-065-00	s METAL, CHIP 4.7K 5% 1/10W
R9	1-216-065-00	s METAL, CHIP 4.7K 5% 1/10W
R10	1-216-065-00	s METAL, CHIP 4.7K 5% 1/10W
R11	1-216-065-00	s METAL, CHIP 4.7K 5% 1/10W
R12	1-216-065-00	s METAL, CHIP 4.7K 5% 1/10W
R13	1-216-065-00	s METAL, CHIP 4.7K 5% 1/10W
R14	1-216-065-00	s METAL, CHIP 4.7K 5% 1/10W
R15	1-216-037-00	s METAL, CHIP 330 5% 1/10W
R16	1-216-121-00	s METAL, CHIP 1M 5% 1/10W
R17	1-216-089-00	s METAL, CHIP 47K 5% 1/10W
R18	1-216-089-00	s METAL, CHIP 47K 5% 1/10W
R19	1-216-089-00	s METAL, CHIP 47K 5% 1/10W
R20	1-216-089-00	s METAL, CHIP 47K 5% 1/10W
R21	1-216-089-00	s METAL, CHIP 47K 5% 1/10W
R22	1-216-089-00	s METAL, CHIP 47K 5% 1/10W
R23	1-216-065-00	s METAL, CHIP 4.7K 5% 1/10W
R24	1-216-041-00	s METAL, CHIP 470 5% 1/10W
R25	1-216-089-00	s METAL, CHIP 47K 5% 1/10W

Ref. No. or Q' ty	Part No.	SPDescription
R26	1-216-089-00	s METAL, CHIP 47K 5% 1/10W
R27	1-216-089-00	s METAL, CHIP 47K 5% 1/10W
R28	1-216-089-00	s METAL, CHIP 47K 5% 1/10W
R29	1-216-057-00	s METAL, CHIP 2.2K 5% 1/10W
R30	1-216-065-00	s METAL, CHIP 4.7K 5% 1/10W
R33	1-216-049-00	s METAL, CHIP 1K 5% 1/10W
R34	1-216-049-00	s METAL, CHIP 1K 5% 1/10W
R35	1-216-049-00	s METAL, CHIP 1K 5% 1/10W
R38	1-216-057-00	s METAL, CHIP 2.2K 5% 1/10W
R41	1-216-057-00	s METAL, CHIP 2.2K 5% 1/10W
R44	1-216-659-11	s METAL, CHIP 2.2K 0.5% 1/10W
R45	1-216-057-00	s METAL, CHIP 2.2K 5% 1/10W
R48	1-216-057-00	s METAL, CHIP 2.2K 5% 1/10W
R51	1-216-057-00	s METAL, CHIP 2.2K 5% 1/10W
R100	1-216-295-00	s METAL, CHIP 0 5% 1/10W
R101	1-216-295-00	s METAL, CHIP 0 5% 1/10W
R102	1-216-295-00	s METAL, CHIP 0 5% 1/10W
R103	1-216-295-00	s METAL, CHIP 0 5% 1/10W
R104	1-216-295-00	s METAL, CHIP 0 5% 1/10W
R105	1-216-295-00	s METAL, CHIP 0 5% 1/10W
R106	1-216-295-00	s METAL, CHIP 0 5% 1/10W
R108	1-216-295-00	s METAL, CHIP 0 5% 1/10W
R109	1-216-295-00	s METAL, CHIP 0 5% 1/10W
R110	1-216-295-00	s METAL, CHIP 0 5% 1/10W
R111	1-216-295-00	s METAL, CHIP 0 5% 1/10W
R112	1-216-295-00	s METAL, CHIP 0 5% 1/10W
R113	1-216-295-00	s METAL, CHIP 0 5% 1/10W
R114	1-216-295-00	s METAL, CHIP 0 5% 1/10W
R115	1-216-295-00	s METAL, CHIP 0 5% 1/10W
R116	1-216-295-00	s METAL, CHIP 0 5% 1/10W
R118	1-216-295-00	s METAL, CHIP 0 5% 1/10W
R119	1-216-295-00	s METAL, CHIP 0 5% 1/10W
R120	1-216-295-00	s METAL, CHIP 0 5% 1/10W
R121	1-216-295-00	s METAL, CHIP 0 5% 1/10W
R122	1-216-295-00	s METAL, CHIP 0 5% 1/10W
R124	1-216-295-00	s METAL, CHIP 0 5% 1/10W
R125	1-216-295-00	s METAL, CHIP 0 5% 1/10W
R126	1-216-295-00	s METAL, CHIP 0 5% 1/10W
R127	1-216-295-00	s METAL, CHIP 0 5% 1/10W
R128	1-216-295-00	s METAL, CHIP 0 5% 1/10W
R129	1-216-295-00	s METAL, CHIP 0 5% 1/10W
R130	1-216-295-00	s METAL, CHIP 0 5% 1/10W
R131	1-216-065-00	s METAL, CHIP 4.7K 5% 1/10W
R132	1-216-295-00	s METAL, CHIP 0 5% 1/10W
R133	1-216-295-00	s METAL, CHIP 0 5% 1/10W
RV1	1-237-695-11	s RES, VAR, CARBON 5K
RV3	1-237-695-11	s RES, VAR, CARBON 5K
RV4	1-237-695-11	s RES, VAR, CARBON 5K
RV5	1-237-696-11	s RES, VAR, CARBON 5K
RV6	1-237-696-11	s RES, VAR, CARBON 5K
RV7	1-237-696-11	s RES, VAR, CARBON 5K
S1	1-572-839-11	s SWITCH, SLIDE
S2	1-572-837-11	s SWITCH, SLIDE
S7	1-554-909-11	s SWITCH, PUSH
S8	1-554-909-11	s SWITCH, PUSH
S9	1-572-837-11	s SWITCH, SLIDE
S10	1-572-838-11	s SWITCH, SLIDE
S11	1-572-837-11	s SWITCH, SLIDE

(HC-14C BOARD)

Ref. No. or Q'ty	Part No.	SPDescription
S13	1-572-837-11	s SWITCH, SLIDE
S14	1-572-837-11	s SWITCH, SLIDE
S15	1-572-837-11	s SWITCH, SLIDE
S16	1-554-949-11	s SWITCH, SLIDE
X1	1-567-192-11	s OSCILLATOR, CERAMIC 4.00MHz

KY-210A BOARD

Ref. No. or Q'ty	Part No.	SPDescription
This board includes the DP-139A board.		
1pc	A-6717-621-B	o MOUNTED CIRCUIT BOARD, KY-210A
3pcs	3-660-828-00	o HOLDER (9), PC BOARD
7pcs	3-668-124-00	o HOLDER, LED
C1	1-124-907-11	s ELECT 10uF 20% 50V
C2	1-124-907-11	s ELECT 10uF 20% 50V
C6	1-126-101-11	s ELECT 100uF 20% 16V
C7	1-163-037-11	s CERAMIC, CHIP 0.022uF 10% 25V
C8	1-163-037-11	s CERAMIC, CHIP 0.022uF 10% 25V
C9	1-124-907-11	s ELECT 10uF 20% 50V
C10	1-163-037-11	s CERAMIC, CHIP 0.022uF 10% 25V
C12	1-163-037-11	s CERAMIC, CHIP 0.022uF 10% 25V
C13	1-124-907-11	s ELECT 10uF 20% 50V
C14	1-163-243-11	s CERAMIC, CHIP 47PF 5% 50V
C16	1-163-104-00	s CERAMIC, CHIP 30PF 5% 50V
C17	1-163-104-00	s CERAMIC, CHIP 30PF 5% 50V
C20	1-124-907-11	s ELECT 10uF 20% 50V
C21	1-124-907-11	s ELECT 10uF 20% 50V
C22	1-124-907-11	s ELECT 10uF 20% 50V
C23	1-124-907-11	s ELECT 10uF 20% 50V
C24	1-124-907-11	s ELECT 10uF 20% 50V
C25	1-124-907-11	s ELECT 10uF 20% 50V
C26	1-124-907-11	s ELECT 10uF 20% 50V
C27	1-124-907-11	s ELECT 10uF 20% 50V
C30	1-163-257-11	s CERAMIC, CHIP 180PF 5% 50V
C31	1-163-257-11	s CERAMIC, CHIP 180PF 5% 50V
C32	1-163-257-11	s CERAMIC, CHIP 180PF 5% 50V
C33	1-163-257-11	s CERAMIC, CHIP 180PF 5% 50V
C47	1-124-907-11	s ELECT 10uF 20% 50V
C48	1-124-477-11	s ELECT 47uF 20% 16V
C50	1-163-025-11	s CERAMIC, CHIP 0.001uF 50V
C51	1-163-025-11	s CERAMIC, CHIP 0.001uF 50V
CN2	1-506-485-11	s CONNECTOR 6P, MALE
CN590	1-559-261-21	s CABLE, FLAT 10P
CN1003	1-535-761-11	o WIRE, JUMPER (HIGH WINDING)
D1	8-719-104-34	s DIODE 1S2835
D2	8-719-104-34	s DIODE 1S2835
D4	8-719-109-57	s DIODE RD2.4ES-B2
D5	8-719-109-57	s DIODE RD2.4ES-B2
D6	8-719-109-57	s DIODE RD2.4ES-B2
D7	8-719-109-57	s DIODE RD2.4ES-B2
D8	8-719-109-57	s DIODE RD2.4ES-B2
D9	8-719-109-57	s DIODE RD2.4ES-B2
D10	8-719-109-57	s DIODE RD2.4ES-B2
D11	8-719-104-34	s DIODE 1S2835
D12	8-719-104-34	s DIODE 1S2835
D13	8-719-104-34	s DIODE 1S2835
D14	8-719-104-34	s DIODE 1S2835
D23	8-719-104-34	s DIODE 1S2835
D29	8-719-104-34	s DIODE 1S2835
D30	8-719-104-34	s DIODE 1S2835
D49	8-719-802-11	s LED TLUG154, GRN
D55	8-719-939-39	s LED GL5HD8, RED
D56	8-719-939-39	s LED GL5HD8, RED
D57	8-719-802-11	s LED TLUG154, GRN
D58	8-719-939-39	s LED GL5HD8, RED
D59	8-719-802-11	s LED TLUG154, GRN
D63	8-719-939-39	s LED GL5HD8, RED

(KY-210A BOARD)

(KY-210A BOARD)

Ref. No. or Q'ty	Part No.	SPDescription
IC2	8-759-708-05	s IC NJM78L05A
IC3	8-759-500-43	s IC CXD8117P
IC4	8-759-501-52	s IC M50747H-250SP
IC5	8-759-645-16	s IC M54516P
IC6	8-759-645-16	s IC M54516P
IC7	8-759-645-16	s IC M54516P
IC8	8-759-708-05	s IC NJM78L05A
Q2	8-729-120-28	s TRANSISTOR 2SC1623
Q3	8-729-901-01	s TRANSISTOR DTC144EK
Q4	8-729-216-22	s TRANSISTOR 2SA1162
Q5	8-729-216-22	s TRANSISTOR 2SA1162
Q6	8-729-216-22	s TRANSISTOR 2SA1162
Q7	8-729-216-22	s TRANSISTOR 2SA1162
Q8	8-729-216-22	s TRANSISTOR 2SA1162
Q9	8-729-216-22	s TRANSISTOR 2SA1162
Q10	8-729-216-22	s TRANSISTOR 2SA1162
Q12	8-729-216-22	s TRANSISTOR 2SA1162
Q13	8-729-216-22	s TRANSISTOR 2SA1162
Q14	8-729-216-22	s TRANSISTOR 2SA1162
Q15	8-729-216-22	s TRANSISTOR 2SA1162
Q16	8-729-216-22	s TRANSISTOR 2SA1162
Q17	8-729-216-22	s TRANSISTOR 2SA1162
Q18	8-729-216-22	s TRANSISTOR 2SA1162
Q19	8-729-216-22	s TRANSISTOR 2SA1162
Q20	8-729-923-62	s TRANSISTOR DTA123JK
Q21	8-729-923-62	s TRANSISTOR DTA123JK
Q22	8-729-923-62	s TRANSISTOR DTA123JK
Q23	8-729-923-62	s TRANSISTOR DTA123JK
Q24	8-729-923-62	s TRANSISTOR DTA123JK
Q25	8-729-922-73	s TRANSISTOR DTC123JK
Q26	8-729-922-73	s TRANSISTOR DTC123JK
Q27	8-729-922-73	s TRANSISTOR DTC123JK
Q28	8-729-922-73	s TRANSISTOR DTC123JK
Q29	8-729-922-73	s TRANSISTOR DTC123JK
Q30	8-729-922-73	s TRANSISTOR DTC123JK
Q31	8-729-922-73	s TRANSISTOR DTC123JK
Q32	8-729-922-73	s TRANSISTOR DTC123JK
Q33	8-729-900-51	s TRANSISTOR DTA114TK
Q34	8-729-120-28	s TRANSISTOR 2SC1623
Q35	8-729-900-51	s TRANSISTOR DTA114TK
Q36	8-729-120-28	s TRANSISTOR 2SC1623
Q37	8-729-900-51	s TRANSISTOR DTA114TK
Q38	8-729-120-28	s TRANSISTOR 2SC1623
Q39	8-729-900-51	s TRANSISTOR DTA114TK
Q40	8-729-120-28	s TRANSISTOR 2SC1623
Q41	8-729-900-51	s TRANSISTOR DTA114TK
Q42	8-729-120-28	s TRANSISTOR 2SC1623
Q43	8-729-900-51	s TRANSISTOR DTA114TK
Q44	8-729-120-28	s TRANSISTOR 2SC1623
Q45	8-729-900-51	s TRANSISTOR DTA114TK
Q46	8-729-120-28	s TRANSISTOR 2SC1623
Q47	8-729-900-51	s TRANSISTOR DTA114TK
Q48	8-729-120-28	s TRANSISTOR 2SC1623
Q87	8-729-120-28	s TRANSISTOR 2SC1623
Q88	8-729-120-28	s TRANSISTOR 2SC1623
R5	1-216-049-00	s METAL, CHIP 1K 5% 1/10W
R6	1-216-049-00	s METAL, CHIP 1K 5% 1/10W
R7	1-216-049-00	s METAL, CHIP 1K 5% 1/10W

Ref. No. or Q'ty	Part No.	SPDescription
R8	1-216-049-00	s METAL, CHIP 1K 5% 1/10W
R9	1-216-073-00	s METAL, CHIP 10K 5% 1/10W
R10	1-216-073-00	s METAL, CHIP 10K 5% 1/10W
R11	1-216-073-00	s METAL, CHIP 10K 5% 1/10W
R12	1-216-073-00	s METAL, CHIP 10K 5% 1/10W
R13	1-216-073-00	s METAL, CHIP 10K 5% 1/10W
R14	1-216-073-00	s METAL, CHIP 10K 5% 1/10W
R15	1-216-085-00	s METAL, CHIP 33K 5% 1/10W
R16	1-216-069-00	s METAL, CHIP 6.8K 5% 1/10W
R17	1-216-073-00	s METAL, CHIP 10K 5% 1/10W
R18	1-216-073-00	s METAL, CHIP 10K 5% 1/10W
R19	1-216-073-00	s METAL, CHIP 10K 5% 1/10W
R20	1-216-121-00	s METAL, CHIP 1M 5% 1/10W
R21	1-216-073-00	s METAL, CHIP 10K 5% 1/10W
R22	1-216-081-00	s METAL, CHIP 22K 5% 1/10W
R23	1-216-081-00	s METAL, CHIP 22K 5% 1/10W
R24	1-216-073-00	s METAL, CHIP 10K 5% 1/10W
R25	1-216-073-00	s METAL, CHIP 10K 5% 1/10W
R30	1-247-811-31	s CARBON 150 5% 1/4W
R31	1-247-811-31	s CARBON 150 5% 1/4W
R32	1-247-811-31	s CARBON 150 5% 1/4W
R33	1-247-811-31	s CARBON 150 5% 1/4W
R34	1-247-811-31	s CARBON 150 5% 1/4W
R35	1-247-811-31	s CARBON 150 5% 1/4W
R36	1-247-811-31	s CARBON 150 5% 1/4W
R37	1-216-073-00	s METAL, CHIP 10K 5% 1/10W
R38	1-216-073-00	s METAL, CHIP 10K 5% 1/10W
R39	1-216-073-00	s METAL, CHIP 10K 5% 1/10W
R40	1-216-073-00	s METAL, CHIP 10K 5% 1/10W
R41	1-216-073-00	s METAL, CHIP 10K 5% 1/10W
R42	1-216-073-00	s METAL, CHIP 10K 5% 1/10W
R43	1-216-073-00	s METAL, CHIP 10K 5% 1/10W
R44	1-216-073-00	s METAL, CHIP 10K 5% 1/10W
R45	1-216-057-00	s METAL, CHIP 2.2K 5% 1/10W
R46	1-216-057-00	s METAL, CHIP 2.2K 5% 1/10W
R47	1-216-057-00	s METAL, CHIP 2.2K 5% 1/10W
R48	1-216-057-00	s METAL, CHIP 2.2K 5% 1/10W
R49	1-216-057-00	s METAL, CHIP 2.2K 5% 1/10W
R50	1-216-057-00	s METAL, CHIP 2.2K 5% 1/10W
R51	1-216-057-00	s METAL, CHIP 2.2K 5% 1/10W
R52	1-216-057-00	s METAL, CHIP 2.2K 5% 1/10W
R53	1-216-057-00	s METAL, CHIP 2.2K 5% 1/10W
R54	1-216-057-00	s METAL, CHIP 2.2K 5% 1/10W
R55	1-216-057-00	s METAL, CHIP 2.2K 5% 1/10W
R56	1-216-057-00	s METAL, CHIP 2.2K 5% 1/10W
R57	1-216-057-00	s METAL, CHIP 2.2K 5% 1/10W
R58	1-216-057-00	s METAL, CHIP 2.2K 5% 1/10W
R59	1-216-057-00	s METAL, CHIP 2.2K 5% 1/10W
R60	1-216-057-00	s METAL, CHIP 2.2K 5% 1/10W
R67	1-216-027-00	s METAL, CHIP 120 5% 1/10W
R68	1-216-027-00	s METAL, CHIP 120 5% 1/10W
R69	1-216-027-00	s METAL, CHIP 120 5% 1/10W
R70	1-216-027-00	s METAL, CHIP 120 5% 1/10W
R71	1-216-027-00	s METAL, CHIP 120 5% 1/10W
R72	1-216-057-00	s METAL, CHIP 2.2K 5% 1/10W
R73	1-216-057-00	s METAL, CHIP 2.2K 5% 1/10W
R74	1-216-027-00	s METAL, CHIP 120 5% 1/10W
R75	1-216-057-00	s METAL, CHIP 2.2K 5% 1/10W
R76	1-216-057-00	s METAL, CHIP 2.2K 5% 1/10W

(KY-210A BOARD)

Ref. No. or Q'ty	Part No.	SPDescription
R77	1-216-027-00	s METAL, CHIP 120 5% 1/10W
R78	1-216-057-00	s METAL, CHIP 2.2K 5% 1/10W
R79	1-216-057-00	s METAL, CHIP 2.2K 5% 1/10W
R80	1-216-027-00	s METAL, CHIP 120 5% 1/10W
R81	1-216-057-00	s METAL, CHIP 2.2K 5% 1/10W
R82	1-216-057-00	s METAL, CHIP 2.2K 5% 1/10W
R83	1-216-027-00	s METAL, CHIP 120 5% 1/10W
R84	1-216-057-00	s METAL, CHIP 2.2K 5% 1/10W
R85	1-216-057-00	s METAL, CHIP 2.2K 5% 1/10W
R86	1-216-027-00	s METAL, CHIP 120 5% 1/10W
R87	1-216-057-00	s METAL, CHIP 2.2K 5% 1/10W
R88	1-216-057-00	s METAL, CHIP 2.2K 5% 1/10W
R89	1-216-027-00	s METAL, CHIP 120 5% 1/10W
R90	1-216-057-00	s METAL, CHIP 2.2K 5% 1/10W
R91	1-216-057-00	s METAL, CHIP 2.2K 5% 1/10W
R92	1-249-410-11	s CARBON 270 5% 1/4W
R93	1-216-057-00	s METAL, CHIP 2.2K 5% 1/10W
R94	1-216-057-00	s METAL, CHIP 2.2K 5% 1/10W
R95	1-216-027-00	s METAL, CHIP 120 5% 1/10W
R103	1-216-049-00	s METAL, CHIP 1K 5% 1/10W
R104	1-216-043-00	s METAL, CHIP 560 5% 1/10W
R106	1-216-049-00	s METAL, CHIP 1K 5% 1/10W
R107	1-216-043-00	s METAL, CHIP 560 5% 1/10W
R109	1-216-049-00	s METAL, CHIP 1K 5% 1/10W
R110	1-216-043-00	s METAL, CHIP 560 5% 1/10W
R112	1-216-049-00	s METAL, CHIP 1K 5% 1/10W
R113	1-216-043-00	s METAL, CHIP 560 5% 1/10W
R115	1-216-049-00	s METAL, CHIP 1K 5% 1/10W
R116	1-216-043-00	s METAL, CHIP 560 5% 1/10W
R121	1-216-049-00	s METAL, CHIP 1K 5% 1/10W
R122	1-216-043-00	s METAL, CHIP 560 5% 1/10W
R124	1-216-049-00	s METAL, CHIP 1K 5% 1/10W
R125	1-216-043-00	s METAL, CHIP 560 5% 1/10W
R148	1-216-027-00	s METAL, CHIP 120 5% 1/10W
R159	1-216-065-00	s METAL, CHIP 4.7K 5% 1/10W
R160	1-216-065-00	s METAL, CHIP 4.7K 5% 1/10W
R161	1-216-065-00	s METAL, CHIP 4.7K 5% 1/10W
R162	1-216-065-00	s METAL, CHIP 4.7K 5% 1/10W
R163	1-216-065-00	s METAL, CHIP 4.7K 5% 1/10W
R170	1-216-073-00	s METAL, CHIP 10K 5% 1/10W
R171	1-216-073-00	s METAL, CHIP 10K 5% 1/10W
R172	1-216-067-00	s METAL, CHIP 5.6K 5% 1/10W
R173	1-216-049-00	s METAL, CHIP 1K 5% 1/10W
S1	1-692-609-11	s SWITCH, TACTILE, WITH LED
S2	1-692-609-21	s SWITCH, TACTILE, WITH LED
S3	1-692-612-41	s SWITCH, TACTILE, WITH LED
S4	1-692-612-31	s SWITCH, TACTILE, WITH LED
S5	1-692-612-21	s SWITCH, TACTILE, WITH LED
S6	1-692-612-11	s SWITCH, TACTILE, WITH LED
S7	1-692-612-11	s SWITCH, TACTILE, WITH LED
S24	1-516-995-00	s SWITCH, LEVER SLIDE
S34	1-552-539-00	s SWITCH, TACTILE
S35	1-552-539-00	s SWITCH, TACTILE
X1	1-567-869-11	s VIBRATOR, CERAMIC 9.83MHz

LP-57 BOARD

Ref. No. or Q'ty	Part No.	SPDescription
1pc	3-171-508-04	o HOLDER, LAMP
CN932	1-564-001-11	o CONNECTOR 2P, MALE
D1	8-719-820-27	s LED TLY256, YEL
D2	8-719-820-27	s LED TLY256, YEL
D3	8-719-820-27	s LED TLY256, YEL
D4	8-719-820-27	s LED TLY256, YEL
D5	8-719-820-27	s LED TLY256, YEL
D6	8-719-820-27	s LED TLY256, YEL
D7	8-719-820-27	s LED TLY256, YEL
D8	8-719-820-27	s LED TLY256, YEL
D9	8-719-820-27	s LED TLY256, YEL
D10	8-719-820-27	s LED TLY256, YEL
R1	1-249-409-11	s CARBON 220 5% 1/4W
R2	1-249-409-11	s CARBON 220 5% 1/4W
R3	1-249-409-11	s CARBON 220 5% 1/4W
R4	1-249-409-11	s CARBON 220 5% 1/4W
R5	1-249-409-11	s CARBON 220 5% 1/4W

MA-44A BOARD

(MA-44A BOARD)

Ref. No. or Q'ty	Part No.	SPDescription
1pc	A-6713-450-A	o MOUNTED CIRCUIT BOARD, MA-44A
C1	1-163-033-00	s CERAMIC, CHIP 0.022uF 50V
C2	1-163-033-00	s CERAMIC, CHIP 0.022uF 50V
C3	1-163-033-00	s CERAMIC, CHIP 0.022uF 50V
C4	1-163-033-00	s CERAMIC, CHIP 0.022uF 50V
C5	1-163-033-00	s CERAMIC, CHIP 0.022uF 50V
C6	1-163-033-00	s CERAMIC, CHIP 0.022uF 50V
C7	1-163-033-00	s CERAMIC, CHIP 0.022uF 50V
C8	1-163-033-00	s CERAMIC, CHIP 0.022uF 50V
C9	1-163-033-00	s CERAMIC, CHIP 0.022uF 50V
C10	1-163-033-00	s CERAMIC, CHIP 0.022uF 50V
C11	1-163-275-11	s CERAMIC, CHIP 0.001uF 5% 50V
C12	1-163-275-11	s CERAMIC, CHIP 0.001uF 5% 50V
C13	1-163-809-11	s CERAMIC, CHIP 0.047uF 10% 25V
C14	1-163-809-11	s CERAMIC, CHIP 0.047uF 10% 25V
C15	1-124-477-11	s ELECT 47uF 20% 16V
C16	1-124-477-11	s ELECT 47uF 20% 16V
C17	1-124-927-11	s ELECT 4.7uF 20% 50V
C18	1-124-927-11	s ELECT 4.7uF 20% 50V
C19	1-163-097-00	s CERAMIC, CHIP 15PF 5% 50V
C20	1-163-097-00	s CERAMIC, CHIP 15PF 5% 50V
C21	1-163-097-00	s CERAMIC, CHIP 15PF 5% 50V
C22	1-163-097-00	s CERAMIC, CHIP 15PF 5% 50V
C23	1-163-097-00	s CERAMIC, CHIP 15PF 5% 50V
C24	1-163-097-00	s CERAMIC, CHIP 15PF 5% 50V
C25	1-163-097-00	s CERAMIC, CHIP 15PF 5% 50V
C26	1-163-097-00	s CERAMIC, CHIP 15PF 5% 50V
C27	1-131-348-00	s TANTALUM 1.5uF 10% 20V
C28	1-131-348-00	s TANTALUM 1.5uF 10% 20V
C29	1-164-004-11	s CERAMIC 0.1uF 10% 25V
C30	1-164-004-11	s CERAMIC 0.1uF 10% 25V
C509	1-124-907-11	s ELECT 10uF 20% 50V
C510	1-124-925-11	s ELECT 2.2uF 20% 50V
C511	1-124-925-11	s ELECT 2.2uF 20% 50V
C512	1-124-907-11	s ELECT 10uF 20% 50V
C513	1-124-907-11	s ELECT 10uF 20% 50V
C514	1-163-033-00	s CERAMIC, CHIP 0.022uF 50V
C515	1-163-033-00	s CERAMIC, CHIP 0.022uF 50V
CN406	1-569-343-11	s CONNECTOR, BOARD TO BOARD 21P
CN408	1-506-481-11	s PIN, CONNECTOR 2P
CN409	1-506-481-11	s PIN, CONNECTOR 2P
CN410	1-506-481-11	s PIN, CONNECTOR 2P
CN411	1-506-481-11	s PIN, CONNECTOR 2P
D1	8-719-123-82	s DIODE 1SS303
D2	8-719-123-82	s DIODE 1SS303
D3	8-719-123-82	s DIODE 1SS303
IC1	8-759-981-96	s IC RC4560D
IC2	8-759-145-57	s IC UPC4557C
IC3	8-759-145-57	s IC UPC4557C
IC4	8-759-140-53	s IC UPD4053BC
IC5	8-759-981-96	s IC RC4560D
IC503	8-759-701-59	s IC NJM7809FA
IC504	8-759-701-87	s IC NJM7909FA
IC505	8-759-603-69	s IC M51957BL
Q1	8-729-117-32	s TRANSISTOR 2SC4177
Q2	8-729-117-32	s TRANSISTOR 2SC4177
Q3	8-729-117-32	s TRANSISTOR 2SC4177

Ref. No. or Q'ty	Part No.	SPDescription
Q4	8-729-117-32	s TRANSISTOR 2SC4177
Q5	8-729-143-63	s TRANSISTOR 2SJ132
Q6	8-729-143-63	s TRANSISTOR 2SJ132
Q7	8-729-143-63	s TRANSISTOR 2SJ132
Q8	8-729-143-63	s TRANSISTOR 2SJ132
Q9	8-729-143-63	s TRANSISTOR 2SJ132
Q10	8-729-143-63	s TRANSISTOR 2SJ132
R1	1-216-089-91	s METAL, CHIP 47K 5% 1/10W
R2	1-216-089-91	s METAL, CHIP 47K 5% 1/10W
R3	1-216-089-91	s METAL, CHIP 47K 5% 1/10W
R4	1-216-089-91	s METAL, CHIP 47K 5% 1/10W
R5	1-216-089-91	s METAL, CHIP 47K 5% 1/10W
R6	1-216-089-91	s METAL, CHIP 47K 5% 1/10W
R7	1-216-081-00	s METAL, CHIP 22K 5% 1/10W
R8	1-216-081-00	s METAL, CHIP 22K 5% 1/10W
R9	1-216-081-00	s METAL, CHIP 22K 5% 1/10W
R10	1-216-081-00	s METAL, CHIP 22K 5% 1/10W
R11	1-216-107-00	s METAL, CHIP 270K 5% 1/10W
R12	1-216-107-00	s METAL, CHIP 270K 5% 1/10W
R13	1-216-107-00	s METAL, CHIP 270K 5% 1/10W
R14	1-216-107-00	s METAL, CHIP 270K 5% 1/10W
R15	1-216-107-00	s METAL, CHIP 270K 5% 1/10W
R16	1-216-107-00	s METAL, CHIP 270K 5% 1/10W
R17	1-216-107-00	s METAL, CHIP 270K 5% 1/10W
R18	1-216-107-00	s METAL, CHIP 270K 5% 1/10W
R19	1-216-105-00	s METAL, CHIP 220K 5% 1/10W
R20	1-216-105-00	s METAL, CHIP 220K 5% 1/10W
R21	1-216-105-00	s METAL, CHIP 220K 5% 1/10W
R22	1-216-105-00	s METAL, CHIP 220K 5% 1/10W
R23	1-216-081-00	s METAL, CHIP 22K 5% 1/10W
R24	1-216-081-00	s METAL, CHIP 22K 5% 1/10W
R25	1-216-075-00	s METAL, CHIP 12K 5% 1/10W
R26	1-216-075-00	s METAL, CHIP 12K 5% 1/10W
R27	1-216-121-00	s METAL, CHIP 1M 5% 1/10W
R28	1-216-121-00	s METAL, CHIP 1M 5% 1/10W
R29	1-216-057-00	s METAL, CHIP 2.2K 5% 1/10W
R30	1-216-057-00	s METAL, CHIP 2.2K 5% 1/10W
R31	1-216-065-00	s METAL, CHIP 4.7K 5% 1/10W
R32	1-216-065-00	s METAL, CHIP 4.7K 5% 1/10W
R33	1-216-033-00	s METAL, CHIP 220 5% 1/10W
R34	1-216-033-00	s METAL, CHIP 220 5% 1/10W
R35	1-216-025-00	s METAL, CHIP 100 5% 1/10W
R36	1-216-025-00	s METAL, CHIP 100 5% 1/10W
R37	1-216-025-00	s METAL, CHIP 100 5% 1/10W
R38	1-216-025-00	s METAL, CHIP 100 5% 1/10W
R39	1-216-081-00	s METAL, CHIP 22K 5% 1/10W
R40	1-216-071-00	s METAL, CHIP 8.2K 5% 1/10W
R41	1-216-095-00	s METAL, CHIP 82K 5% 1/10W
R42	1-216-057-00	s METAL, CHIP 2.2K 5% 1/10W
R43	1-216-081-00	s METAL, CHIP 22K 5% 1/10W
R44	1-216-071-00	s METAL, CHIP 8.2K 5% 1/10W
R45	1-216-095-00	s METAL, CHIP 82K 5% 1/10W
R46	1-216-057-00	s METAL, CHIP 2.2K 5% 1/10W
R47	1-216-121-00	s METAL, CHIP 1M 5% 1/10W
R48	1-216-121-00	s METAL, CHIP 1M 5% 1/10W
R49	1-216-097-00	s METAL, CHIP 100K 5% 1/10W
R50	1-216-121-00	s METAL, CHIP 1M 5% 1/10W
R51	1-216-121-00	s METAL, CHIP 1M 5% 1/10W

(MA-44A BOARD)

Ref. No. or Q'ty	Part No.	SPDescription
R52	1-216-121-00	s METAL, CHIP 1M 5% 1/10W
R53	1-216-121-00	s METAL, CHIP 1M 5% 1/10W
R54	1-216-097-00	s METAL, CHIP 100K 5% 1/10W
R55	1-216-121-00	s METAL, CHIP 1M 5% 1/10W
R56	1-216-121-00	s METAL, CHIP 1M 5% 1/10W
R57	1-216-083-00	s METAL, CHIP 27K 5% 1/10W
R58	1-216-067-00	s METAL, CHIP 5.6K 5% 1/10W
R59	1-216-121-00	s METAL, CHIP 1M 5% 1/10W
R60	1-216-121-00	s METAL, CHIP 1M 5% 1/10W
R61	1-216-121-00	s METAL, CHIP 1M 5% 1/10W
R62	1-216-121-00	s METAL, CHIP 1M 5% 1/10W
R501	1-216-089-91	s METAL 47K 5% 1/10W
RV1	1-238-789-11	s RES, ADJ, CERMET 50K
RV2	1-238-789-11	s RES, ADJ, CERMET 50K

MB-322D BOARD

Ref. No. or Q'ty	Part No.	SPDescription
1pc	A-8276-480-A	o MOUNTED CIRCUIT BOARD, MB-322 (D)
C101	1-164-004-11	s CERAMIC 0.1uF 10% 25V
C102	1-164-004-11	s CERAMIC 0.1uF 10% 25V
CN103	1-573-598-11	s CONNECTOR, PHEC 100P, FEMALE
CN104	1-573-598-11	s CONNECTOR, PHEC 100P, FEMALE
CN105	1-573-598-11	s CONNECTOR, PHEC 100P, FEMALE
CN106	1-573-598-11	s CONNECTOR, PHEC 100P, FEMALE
CN109	1-573-598-11	s CONNECTOR, PHEC 100P, FEMALE
CN110	1-573-598-11	s CONNECTOR, PHEC 100P, FEMALE
CN111	1-573-598-11	s CONNECTOR, PHEC 100P, FEMALE
CN114	1-573-598-11	s CONNECTOR, PHEC 100P, FEMALE
CN139	1-573-598-11	s CONNECTOR, PHEC 100P, FEMALE
CN140	1-573-598-31	s CONNECTOR, PHEC 100P, FEMALE
CN141	1-573-598-11	s CONNECTOR, PHEC 100P, FEMALE
CN150	1-568-950-11	o CONNECTOR 12P, MALE
CN151	1-568-950-11	o CONNECTOR 12P, MALE
CN200	1-568-945-11	o CONNECTOR 7P, MALE
CN202	1-568-948-11	o CONNECTOR 10P, MALE
CN203	1-506-493-11	s CONNECTOR 14P, MALE
CN204	1-568-949-11	o CONNECTOR 11P, MALE
CN205	1-568-942-11	o CONNECTOR 4P, MALE
CN206	1-568-944-11	o CONNECTOR 6P, MALE
CN207	1-568-943-11	o CONNECTOR 5P, MALE
CN212	1-506-471-11	s CONNECTOR 6P, MALE
CN213	1-568-955-11	o CONNECTOR 6P, MALE
CN214	1-506-469-11	s CONNECTOR 4P, MALE
CN220	1-568-941-11	o CONNECTOR 3P, MALE
CN221	1-565-879-11	s CONNECTOR 7P, MALE
CN222	1-565-883-11	o CONNECTOR 11P, MALE
CN223	1-565-882-11	o CONNECTOR 10P, MALE
CN224	1-568-934-11	o CONNECTOR 7P, MALE
CN225	1-568-935-11	o CONNECTOR 8P, MALE
CN226	1-565-882-11	o CONNECTOR 10P, MALE
CN260	1-564-209-00	o CONNECTOR, IL-S 10P, MALE
CN262	1-690-104-11	s CABLE, FLAT 64P
CN292	1-564-216-00	o CONNECTOR 5P
CN293	1-564-915-11	o CONNECTOR 7P
CN294	1-564-243-11	o CONNECTOR 6P
PS1	▲ 1-532-840-21	s LINK, IC PRF1250 1.25A

 PC-62 BOARD

Ref. No. or Q'ty	Part No.	SPDescription
1pc	1-640-171-12	o PRINTED CIRCUIT BOARD, PC-62
1pc	3-176-598-02	o SPRING, GROUND
CN934	1-565-038-11	s CONNECTOR, FPC 5P
PH1	8-719-939-05	s PHOTO INTERRUPTER GP1S54
PH2	8-719-939-05	s PHOTO INTERRUPTER GP1S54
PH3	8-719-939-05	s PHOTO INTERRUPTER GP1S54
R1	1-247-825-31	s CARBON 560 5% 1/4W
R2	1-247-825-31	s CARBON 560 5% 1/4W
R3	1-247-825-31	s CARBON 560 5% 1/4W

 PD-56 BOARD

Ref. No. or Q'ty	Part No.	SPDescription
1pc	1-640-162-12	o PRINTED CIRCUIT BOARD, PD-56
CN914	1-506-472-11	s CONNECTOR 7P, MALE
CN915	1-564-001-11	o CONNECTOR 2P, MALE
CN916	1-508-900-00	s CONNECTOR (M) 2P

 PTC-39 BOARD

Ref. No. or Q'ty	Part No.	SPDescription
1pc	1-633-548-13	o PRINTED CIRCUIT BOARD, PTC-39
1pc	2-124-699-02	o HOLDER, SENSOR
C1	1-162-875-11	s CERAMIC 68PF 5% 50V
C2	1-162-875-11	s CERAMIC 68PF 5% 50V
C3	1-126-154-11	s ELECT 47uF 20% 6.3V
C4	1-161-379-00	s CERAMIC 0.01uF 30% 16V
C5	1-161-379-00	s CERAMIC 0.01uF 30% 16V
CN1	1-564-005-11	o CONNECTOR 6P, MALE
DME1	8-745-001-00	s DM-211A
IC1	8-759-145-58	s IC UPC4558C
IC2	8-759-981-64	s IC LM2903P
IC3	8-719-985-75	s PHOTO INTERRUPTER GP1A53HR
IC4	8-719-985-74	s PHOTO INTERRUPTER GP1A52HR
Q1	8-729-900-33	s TRANSISTOR DTC144EF
R1	1-247-895-00	s CARBON 470K 5% 1/4W
R2	1-247-847-31	s CARBON 4.7K 5% 1/4W
R3	1-247-887-00	s CARBON 220K 5% 1/4W
R4	1-249-433-11	s CARBON 22K 5% 1/4W
R5	1-249-433-11	s CARBON 22K 5% 1/4W
R6	1-249-433-11	s CARBON 22K 5% 1/4W
R7	1-247-895-00	s CARBON 470K 5% 1/4W
R8	1-247-847-31	s CARBON 4.7K 5% 1/4W
R9	1-247-887-00	s CARBON 220K 5% 1/4W
R10	1-249-433-11	s CARBON 22K 5% 1/4W
R11	1-249-433-11	s CARBON 22K 5% 1/4W
R12	1-249-433-11	s CARBON 22K 5% 1/4W
R13	1-247-809-31	s CARBON 120 5% 1/4W
RV1	1-228-471-11	s RES. ADJ. CERMET 1K
RV2	1-228-471-11	s RES. ADJ. CERMET 1K

 PTC-42 BOARD

Ref. No. or Q'ty	Part No.	SPDescription
1pc	1-640-168-12	o PRINTED CIRCUIT BOARD, PTC-42
CN924	1-564-014-11	s CONNECTOR 4P, MALE
R1	1-249-409-11	s CARBON 220 5% 1/4W
R2	1-249-409-11	s CARBON 220 5% 1/4W

PTC-49 BOARD

Ref. No. or Q'ty	Part No.	SPDescription
1pc	1-640-164-11	o PRINTED CIRCUIT BOARD, PTC-49
CN901	1-506-488-11	s CONNECTOR 9P, MALE
CN902	1-564-013-11	o CONNECTOR 3P, MALE
CN903	1-506-481-11	s CONNECTOR 2P, MALE
PH1	8-719-939-05	s PHOTO INTERRUPTER GP1S54
PH2	8-719-939-05	s PHOTO INTERRUPTER GP1S54
R1	1-249-409-11	s CARBON 220 5% 1/4W
R2	1-249-409-11	s CARBON 220 5% 1/4W

PTC-54 BOARD

Ref. No. or Q'ty	Part No.	SPDescription
1pc	1-640-163-11	o PRINTED CIRCUIT BOARD, PTC-54
CN904	1-564-013-11	o CONNECTOR 3P, MALE
PH1	8-719-939-05	s PHOTO INTERRUPTER GP1S54

PTC-55 BOARD

Ref. No. or Q'ty	Part No.	SPDescription
1pc	1-640-165-11	o PRINTED CIRCUIT BOARD, PTC-55
CN922	1-564-004-11	o CONNECTOR 5P, MALE
D1	8-719-938-07	s LED GL480, INFRARED
D2	8-719-938-07	s LED GL480, INFRARED
D3	8-719-938-07	s LED GL480, INFRARED
Q1	8-729-903-81	s PHOTO TRANSISTOR PT480
Q2	8-729-903-81	s PHOTO TRANSISTOR PT480
Q3	8-729-903-81	s PHOTO TRANSISTOR PT480

RM-82 BOARD

Ref. No. or Q'ty	Part No.	SPDescription
2pcs	1-640-166-12	o PRINTED CIRCUIT BOARD, RM-82
CN923	1-563-233-11	o CONNECTOR, FPC 13P, FEMALE
CN926	1-506-469-11	s CONNECTOR 4P, MALE
CN927	1-506-468-11	s CONNECTOR 3P, MALE

RM-93A BOARD

Ref. No. or Q'ty	Part No.	SPDescription
1pc	1-640-048-23	o PRINTED CIRCUIT BOARD, RM-93A
C700	1-124-122-11	s ELECT 100uF 20% 50V
C701	1-163-035-00	s CERAMIC, CHIP 0.047uF 50V
C702	1-163-035-00	s CERAMIC, CHIP 0.047uF 50V
CN700	1-506-472-11	s CONNECTOR 7P, MALE
CN705	1-573-566-11	s CONNECTOR, D-SUB 9P, FEMALE
CN710	1-566-765-11	o P.I.N. CONNECTOR 10P, MALE
CN715	1-764-259-11	s CONNECTOR, D-SUB 15P, MALE
CN720	1-508-900-00	s CONNECTOR (M) 2P
IC701	8-759-172-41	s IC L78M09T
IC702	8-759-173-37	s IC L79M09T
R700	1-215-909-11	s METAL 47 5% 3W

RP-57AP BOARD

Ref. No. or Q'ty	Part No.	SPDescription
lpc	A-6727-375-A	o MOUNTED CIRCUIT BOARD, RP-57AP
lpc	3-171-456-02	o SHEET (S), CARD
lpc	3-171-485-02	o GUARD, EDGE
lpc	7-621-759-45	s +PSW, 2.6X6
lpc	4-352-844-01	s PIN, LEAD, COATING
lpc	1-535-894-11	o TAB (PC BOARD)
lpc	3-179-084-01	s LEVER (R), PC BOARD
lpc	3-179-085-01	s LEVER (L), PC BOARD
C11	1-163-033-00	s CERAMIC, CHIP 0.022uF 50V
C12	1-124-584-00	s ELECT 100uF 20% 10V
C13	1-163-227-11	s CERAMIC, CHIP 10PF 50V
C16	1-164-004-11	s CERAMIC 0.1uF 10% 25V
C111	1-163-033-00	s CERAMIC, CHIP 0.022uF 50V
C112	1-124-584-00	s ELECT 100uF 20% 10V
C113	1-163-227-11	s CERAMIC, CHIP 10PF 50V
C116	1-164-004-11	s CERAMIC 0.1uF 10% 25V
C211	1-163-033-00	s CERAMIC, CHIP 0.022uF 50V
C212	1-124-584-00	s ELECT 100uF 20% 10V
C213	1-163-227-11	s CERAMIC, CHIP 10PF 50V
C215	1-164-004-11	s CERAMIC 0.1uF 10% 25V
C216	1-164-004-11	s CERAMIC 0.1uF 10% 25V
C311	1-163-033-00	s CERAMIC, CHIP 0.022uF 50V
C312	1-124-584-00	s ELECT 100uF 20% 10V
C313	1-163-227-11	s CERAMIC, CHIP 10PF 50V
C315	1-164-004-11	s CERAMIC 0.1uF 10% 25V
C316	1-164-004-11	s CERAMIC 0.1uF 10% 25V
C701	1-163-033-00	s CERAMIC, CHIP 0.022uF 50V
C702	1-124-477-11	s ELECT 47uF 20% 16V
C703	1-124-477-11	s ELECT 47uF 20% 16V
C704	1-163-033-00	s CERAMIC, CHIP 0.022uF 50V
C705	1-163-033-00	s CERAMIC, CHIP 0.022uF 50V
C706	1-124-477-11	s ELECT 47uF 20% 16V
C712	1-163-033-00	s CERAMIC, CHIP 0.022uF 50V
C713	1-124-477-11	s ELECT 47uF 20% 16V
C714	1-124-477-11	s ELECT 47uF 20% 16V
C715	1-163-033-00	s CERAMIC, CHIP 0.022uF 50V
C716	1-163-033-00	s CERAMIC, CHIP 0.022uF 50V
C717	1-124-477-11	s ELECT 47uF 20% 16V
C718	1-163-033-00	s CERAMIC, CHIP 0.022uF 50V
C719	1-124-477-11	s ELECT 47uF 20% 16V
C720	1-163-033-00	s CERAMIC, CHIP 0.022uF 50V
C721	1-124-477-11	s ELECT 47uF 20% 16V
C722	1-124-477-11	s ELECT 47uF 20% 16V
C723	1-163-033-00	s CERAMIC, CHIP 0.022uF 50V
C724	1-163-033-00	s CERAMIC, CHIP 0.022uF 50V
C725	1-124-477-11	s ELECT 47uF 20% 16V
C801	1-163-033-00	s CERAMIC, CHIP 0.022uF 50V
C802	1-126-101-11	s ELECT 100uF 20% 16V
C803	1-163-033-00	s CERAMIC, CHIP 0.022uF 50V
C804	1-126-101-11	s ELECT 100uF 20% 16V
C805	1-163-033-00	s CERAMIC, CHIP 0.022uF 50V
C811	1-163-033-00	s CERAMIC, CHIP 0.022uF 50V
C812	1-163-033-00	s CERAMIC, CHIP 0.022uF 50V
C815	1-163-033-00	s CERAMIC, CHIP 0.022uF 50V
CN1	1-506-468-11	o CONNECTOR 3P, MALE
CN2	1-506-468-11	o CONNECTOR 3P, MALE
CN101	1-506-468-11	o CONNECTOR 3P, MALE

(RP-57AP BOARD)

Ref. No. or Q'ty	Part No.	SPDescription
CN102	1-506-468-11	o CONNECTOR 3P, MALE
CN114	1-573-600-21	s CONNECTOR, PHEC 100P, MALE
D701	8-719-123-82	s DIODE 1SS303
D702	8-719-123-82	s DIODE 1SS303
D703	8-719-123-85	s DIODE 1SS304
IC2	1-809-458-11	s HIC (PRE-AMP)
IC102	1-809-458-11	s HIC (PRE-AMP)
IC202	1-809-458-11	s HIC (PRE-AMP)
IC302	1-809-458-11	s HIC (PRE-AMP)
IC701	8-759-701-75	s IC NJM7805FA
IC703	8-759-168-20	s IC NJM78L09A
IC704	8-759-168-20	s IC NJM78L09A
IC705	8-759-701-84	s IC NJM7905FA
IC801	8-752-052-73	s IC CXA1451M
IC811	8-752-052-73	s IC CXA1451M
L701	1-412-533-21	s INDUCTOR 47uH
L703	1-412-533-21	s INDUCTOR 47uH
L704	1-412-533-21	s INDUCTOR 47uH
L801	1-410-482-31	s INDUCTOR 100uH
L802	1-410-482-31	s INDUCTOR 100uH
Q204	8-729-117-72	s TRANSISTOR 2SC4178
Q304	8-729-117-72	s TRANSISTOR 2SC4178
R19	1-216-001-00	s METAL, CHIP 10 5% 1/10W
R20	1-216-683-11	s METAL, CHIP 22K 0.5% 1/10W
R24	1-216-620-11	s METAL, CHIP 51 0.5% 1/10W
R25	1-216-041-00	s METAL, CHIP 470 5% 1/10W
R26	1-216-295-00	s METAL, CHIP 0 5% 1/10W
R28	1-216-025-00	s METAL, CHIP 100 5% 1/10W
R119	1-216-001-00	s METAL, CHIP 10 5% 1/10W
R120	1-216-683-11	s METAL, CHIP 22K 0.5% 1/10W
R124	1-216-620-11	s METAL, CHIP 51 0.5% 1/10W
R125	1-216-041-00	s METAL, CHIP 470 5% 1/10W
R126	1-216-295-00	s METAL, CHIP 0 5% 1/10W
R127	1-216-025-00	s METAL, CHIP 100 5% 1/10W
R219	1-216-001-00	s METAL, CHIP 10 5% 1/10W
R220	1-216-687-11	s METAL, CHIP 33K 0.5% 1/10W
R222	1-216-025-00	s METAL, CHIP 100 5% 1/10W
R223	1-216-049-00	s METAL, CHIP 1K 5% 1/10W
R224	1-216-620-11	s METAL, CHIP 51 0.5% 1/10W
R225	1-216-625-11	s METAL, CHIP 82 0.5% 1/10W
R226	1-216-295-00	s METAL, CHIP 0 5% 1/10W
R228	1-216-025-00	s METAL, CHIP 100 5% 1/10W
R319	1-216-001-00	s METAL, CHIP 10 5% 1/10W
R320	1-216-687-11	s METAL, CHIP 33K 0.5% 1/10W
R322	1-216-025-00	s METAL, CHIP 100 5% 1/10W
R323	1-216-049-00	s METAL, CHIP 1K 5% 1/10W
R324	1-216-620-11	s METAL, CHIP 51 0.5% 1/10W
R325	1-216-625-11	s METAL, CHIP 82 0.5% 1/10W
R326	1-216-295-00	s METAL, CHIP 0 5% 1/10W
R327	1-216-025-00	s METAL, CHIP 100 5% 1/10W
R801	1-216-041-00	s METAL, CHIP 470 5% 1/10W
R802	1-216-625-11	s METAL, CHIP 82 0.5% 1/10W
R811	1-216-041-00	s METAL, CHIP 470 5% 1/10W
R812	1-216-625-11	s METAL, CHIP 82 0.5% 1/10W
R901	1-216-295-00	s METAL, CHIP 0 5% 1/10W
R902	1-216-295-00	s METAL, CHIP 0 5% 1/10W
R903	1-216-295-00	s METAL, CHIP 0 5% 1/10W

(RP-57AP BOARD)

Ref. No. or Q'ty	Part No.	SPDescription
R904	1-216-295-00	s METAL, CHIP 0 5% 1/10W
R905	1-216-295-00	s METAL, CHIP 0 5% 1/10W
R906	1-216-295-00	s METAL, CHIP 0 5% 1/10W
RV4	1-238-804-11	s RES, ADJ, CERMET 50K
RV104	1-238-804-11	s RES, ADJ, CERMET 50K
RV204	1-238-804-11	s RES, ADJ, CERMET 50K
RV304	1-238-804-11	s RES, ADJ, CERMET 50K
T2	1-423-658-11	s TRANSFORMER, RF INPUT
T102	1-423-658-11	s TRANSFORMER, RF INPUT
T202	1-423-657-11	s TRANSFORMER, RF INPUT
T302	1-423-657-11	s TRANSFORMER, RF INPUT
TR2	8-766-000-18	s TRANSISTOR 2SK613-24-T8
TR3	8-766-000-18	s TRANSISTOR 2SK613-24-T8

SE-186 BOARD

Ref. No. or Q'ty	Part No.	SPDescription
2pcs	1-646-129-11	o PRINTED CIRCUIT BOARD, SE-186
2pcs	1-807-683-11	s RESISTOR ELEMENT
C1	1-126-101-11	s ELECT 100uF 20% 16V

SS-48P BOARD

Ref. No. or Q'ty	Part No.	SPDescription
1pc	A-6717-637-A	o MOUNTED CIRCUIT BOARD, SS-48P
1pc	3-171-453-03	o PLATE (L), SHIELD, CARD
1pc	3-171-454-02	o SHEET (L), CARD
1pc	7-621-759-45	s +PSW, 2.6X6
1pc	3-179-084-01	s LEVER (R), PC BOARD
1pc	3-179-085-01	s LEVER (L), PC BOARD
C1	1-163-091-00	s CERAMIC, CHIP 8PF 50V
C2	1-163-091-00	s CERAMIC, CHIP 8PF 50V
C3	1-131-347-00	s TANTALUM 1uF 10% 35V
C4	1-163-033-00	s CERAMIC, CHIP 0.022uF 50V
C5	1-163-033-00	s CERAMIC, CHIP 0.022uF 50V
C6	1-163-033-00	s CERAMIC, CHIP 0.022uF 50V
C7	1-163-033-00	s CERAMIC, CHIP 0.022uF 50V
C9	1-163-033-00	s CERAMIC, CHIP 0.022uF 50V
C10	1-163-033-00	s CERAMIC, CHIP 0.022uF 50V
C11	1-163-033-00	s CERAMIC, CHIP 0.022uF 50V
C12	1-163-033-00	s CERAMIC, CHIP 0.022uF 50V
C14	1-163-033-00	s CERAMIC, CHIP 0.022uF 50V
C15	1-163-033-00	s CERAMIC, CHIP 0.022uF 50V
C101	1-163-033-00	s CERAMIC, CHIP 0.022uF 50V
C102	1-163-251-11	s CERAMIC, CHIP 100PF 5% 50V
C103	1-163-251-11	s CERAMIC, CHIP 100PF 5% 50V
C104	1-163-110-00	s CERAMIC, CHIP 51PF 5% 50V
C105	1-163-110-00	s CERAMIC, CHIP 51PF 5% 50V
C106	1-163-110-00	s CERAMIC, CHIP 51PF 5% 50V
C107	1-163-110-00	s CERAMIC, CHIP 51PF 5% 50V
C108	1-163-110-00	s CERAMIC, CHIP 51PF 5% 50V
C109	1-163-110-00	s CERAMIC, CHIP 51PF 5% 50V
C116	1-163-033-00	s CERAMIC, CHIP 0.022uF 50V
C117	1-163-033-00	s CERAMIC, CHIP 0.022uF 50V
C118	1-163-033-00	s CERAMIC, CHIP 0.022uF 50V
C119	1-163-033-00	s CERAMIC, CHIP 0.022uF 50V
C120	1-163-033-00	s CERAMIC, CHIP 0.022uF 50V
C121	1-163-033-00	s CERAMIC, CHIP 0.022uF 50V
C126	1-163-033-00	s CERAMIC, CHIP 0.022uF 50V
C127	1-163-033-00	s CERAMIC, CHIP 0.022uF 50V
C301	1-163-033-00	s CERAMIC, CHIP 0.022uF 50V
C302	1-163-033-00	s CERAMIC, CHIP 0.022uF 50V
C304	1-163-033-00	s CERAMIC, CHIP 0.022uF 50V
C401	1-163-033-00	s CERAMIC, CHIP 0.022uF 50V
C402	1-163-033-00	s CERAMIC, CHIP 0.022uF 50V
C403	1-163-033-00	s CERAMIC, CHIP 0.022uF 50V
C404	1-163-033-00	s CERAMIC, CHIP 0.022uF 50V
C405	1-163-239-11	s CERAMIC, CHIP 33PF 5% 50V
C406	1-163-239-11	s CERAMIC, CHIP 33PF 5% 50V
C407	1-131-342-00	s TANTALUM 0.15uF 10% 35V
C408	1-163-033-00	s CERAMIC, CHIP 0.022uF 50V
C409	1-163-133-00	s CERAMIC, CHIP 470PF 5% 50V
C410	1-163-235-11	s CERAMIC, CHIP 22PF 5% 50V
C411	1-163-235-11	s CERAMIC, CHIP 22PF 5% 50V
C412	1-163-033-00	s CERAMIC, CHIP 0.022uF 50V
C413	1-163-033-00	s CERAMIC, CHIP 0.022uF 50V
C414	1-124-907-11	s ELECT 10uF 20% 50V
C415	1-163-033-00	s CERAMIC, CHIP 0.022uF 50V
C416	1-163-033-00	s CERAMIC, CHIP 0.022uF 50V
C417	1-163-033-00	s CERAMIC, CHIP 0.022uF 50V
C418	1-163-033-00	s CERAMIC, CHIP 0.022uF 50V
C423	1-124-907-11	s ELECT 10uF 20% 50V

(SS-48P BOARD)

Ref. No. or Q'ty	Part No.	SPDescription
C424	1-124-907-11	s ELECT 10uF 20% 50V
C425	1-163-037-11	s CERAMIC, CHIP 0.022uF 10% 25V
C426	1-163-251-11	s CERAMIC, CHIP 100PF 5% 50V
C427	1-163-137-00	s CERAMIC, CHIP 680PF 5% 50V
C450	1-163-033-00	s CERAMIC, CHIP 0.022uF 50V
C451	1-164-232-11	s CERAMIC 0.01uF 10% 50V
C452	1-164-232-11	s CERAMIC 0.01uF 10% 50V
C453	1-124-907-11	s ELECT 10uF 20% 50V
C454	1-124-141-00	s ELECT 330uF 20% 10V
C456	1-163-251-11	s CERAMIC, CHIP 100PF 5% 50V
C457	1-163-251-11	s CERAMIC, CHIP 100PF 5% 50V
C458	1-163-251-11	s CERAMIC, CHIP 100PF 5% 50V
C459	1-163-135-00	s CERAMIC, CHIP 560PF 5% 50V
C460	1-163-989-11	s CERAMIC, CHIP 0.033uF 10% 25V
C501	1-163-014-00	s CERAMIC, CHIP 0.0027uF 10% 50V
C502	1-131-351-00	s TANTALUM 4.7uF 10% 35V
C503	1-131-345-00	s TANTALUM 0.47uF 10% 35V
C504	1-163-033-00	s CERAMIC, CHIP 0.022uF 50V
C505	1-163-275-11	s CERAMIC, CHIP 0.001uF 5% 50V
C506	1-130-475-00	s MYLAR 0.0022uF 5% 50V
C507	1-163-251-11	s CERAMIC, CHIP 100PF 5% 50V
C508	1-163-237-11	s CERAMIC, CHIP 27PF 5% 50V
C509	1-163-237-11	s CERAMIC, CHIP 27PF 5% 50V
C510	1-163-237-11	s CERAMIC, CHIP 27PF 5% 50V
C511	1-163-237-11	s CERAMIC, CHIP 27PF 5% 50V
C512	1-163-033-00	s CERAMIC, CHIP 0.022uF 50V
C513	1-163-243-11	s CERAMIC, CHIP 47PF 5% 50V
C515	1-163-033-00	s CERAMIC, CHIP 0.022uF 50V
C516	1-163-033-00	s CERAMIC, CHIP 0.022uF 50V
C518	1-163-033-00	s CERAMIC, CHIP 0.022uF 50V
C519	1-163-033-00	s CERAMIC, CHIP 0.022uF 50V
C520	1-163-033-00	s CERAMIC, CHIP 0.022uF 50V
C521	1-163-033-00	s CERAMIC, CHIP 0.022uF 50V
C522	1-163-033-00	s CERAMIC, CHIP 0.022uF 50V
C523	1-163-033-00	s CERAMIC, CHIP 0.022uF 50V
C524	1-163-113-00	s CERAMIC, CHIP 68PF 5% 50V
C601	1-124-477-11	s ELECT 47uF 20% 16V
C602	1-163-033-00	s CERAMIC, CHIP 0.022uF 50V
C603	1-163-033-00	s CERAMIC, CHIP 0.022uF 50V
C604	1-163-033-00	s CERAMIC, CHIP 0.022uF 50V
C605	1-163-033-00	s CERAMIC, CHIP 0.022uF 50V
C606	1-163-033-00	s CERAMIC, CHIP 0.022uF 50V
C607	1-124-477-11	s ELECT 47uF 20% 16V
C608	1-163-033-00	s CERAMIC, CHIP 0.022uF 50V
C609	1-124-477-11	s ELECT 47uF 20% 16V
C610	1-124-477-11	s ELECT 47uF 20% 16V
C611	1-124-477-11	s ELECT 47uF 20% 16V
C612	1-124-477-11	s ELECT 47uF 20% 16V
C613	1-164-232-11	s CERAMIC 0.01uF 10% 50V
C614	1-163-809-11	s CERAMIC, CHIP 0.047uF 10% 25V
C616	1-131-347-00	s TANTALUM 1uF 10% 35V
C617	1-163-809-11	s CERAMIC, CHIP 0.047uF 10% 25V
C619	1-163-275-11	s CERAMIC, CHIP 0.001uF 5% 50V
C620	1-163-275-11	s CERAMIC, CHIP 0.001uF 5% 50V
C621	1-163-275-11	s CERAMIC, CHIP 0.001uF 5% 50V
C622	1-163-275-11	s CERAMIC, CHIP 0.001uF 5% 50V
C623	1-163-275-11	s CERAMIC, CHIP 0.001uF 5% 50V
C624	1-163-275-11	s CERAMIC, CHIP 0.001uF 5% 50V
C625	1-126-157-11	s ELECT 10uF 20% 16V

(SS-48P BOARD)

Ref. No. or Q'ty	Part No.	SPDescription
C626	1-163-275-11	s CERAMIC, CHIP 0.001uF 5% 50V
C627	1-163-033-00	s CERAMIC, CHIP 0.022uF 50V
C628	1-163-227-11	s CERAMIC, CHIP 10PF 50V
C629	1-163-227-11	s CERAMIC, CHIP 10PF 50V
C630	1-163-033-00	s CERAMIC, CHIP 0.022uF 50V
C631	1-163-033-00	s CERAMIC, CHIP 0.022uF 50V
C632	1-163-033-00	s CERAMIC, CHIP 0.022uF 50V
C633	1-163-033-00	s CERAMIC, CHIP 0.022uF 50V
C634	1-163-033-00	s CERAMIC, CHIP 0.022uF 50V
C635	1-163-033-00	s CERAMIC, CHIP 0.022uF 50V
C636	1-163-033-00	s CERAMIC, CHIP 0.022uF 50V
C637	1-163-033-00	s CERAMIC, CHIP 0.022uF 50V
C638	1-163-033-00	s CERAMIC, CHIP 0.022uF 50V
C639	1-163-033-00	s CERAMIC, CHIP 0.022uF 50V
C640	1-163-033-00	s CERAMIC, CHIP 0.022uF 50V
C642	1-163-033-00	s CERAMIC, CHIP 0.022uF 50V
C643	1-163-033-00	s CERAMIC, CHIP 0.022uF 50V
C644	1-163-033-00	s CERAMIC, CHIP 0.022uF 50V
C645	1-163-275-11	s CERAMIC, CHIP 0.001uF 5% 50V
C646	1-164-232-11	s CERAMIC 0.01uF 10% 50V
C647	1-163-033-00	s CERAMIC, CHIP 0.022uF 50V
C648	1-163-033-00	s CERAMIC, CHIP 0.022uF 50V
C649	1-163-275-11	s CERAMIC, CHIP 0.001uF 5% 50V
C650	1-163-033-00	s CERAMIC, CHIP 0.022uF 50V
C701	1-163-229-11	s CERAMIC, CHIP 12PF 5% 50V
C702	1-163-229-11	s CERAMIC, CHIP 12PF 5% 50V
C703	1-163-033-00	s CERAMIC, CHIP 0.022uF 50V
C704	1-163-037-11	s CERAMIC, CHIP 0.022uF 10% 25V
C705	1-163-037-11	s CERAMIC, CHIP 0.022uF 10% 25V
C706	1-163-037-11	s CERAMIC, CHIP 0.022uF 10% 25V
C707	1-163-033-00	s CERAMIC, CHIP 0.022uF 50V
C708	1-163-033-00	s CERAMIC, CHIP 0.022uF 50V
C709	1-163-033-00	s CERAMIC, CHIP 0.022uF 50V
C710	1-163-275-11	s CERAMIC, CHIP 0.001uF 5% 50V
C711	1-163-275-11	s CERAMIC, CHIP 0.001uF 5% 50V
C712	1-163-037-11	s CERAMIC, CHIP 0.022uF 10% 25V
C713	1-163-229-11	s CERAMIC, CHIP 12PF 5% 50V
C714	1-163-229-11	s CERAMIC, CHIP 12PF 5% 50V
C715	1-163-033-00	s CERAMIC, CHIP 0.022uF 50V
C716	1-163-033-00	s CERAMIC, CHIP 0.022uF 50V
C718	1-163-033-00	s CERAMIC, CHIP 0.022uF 50V
C720	1-163-017-00	s CERAMIC, CHIP 0.0047uF 10% 50V
C801	1-163-037-11	s CERAMIC, CHIP 0.022uF 10% 25V
C803	1-163-033-00	s CERAMIC, CHIP 0.022uF 50V
C804	1-163-037-11	s CERAMIC, CHIP 0.022uF 10% 25V
C805	1-163-037-11	s CERAMIC, CHIP 0.022uF 10% 25V
C806	1-163-037-11	s CERAMIC, CHIP 0.022uF 10% 25V
C807	1-163-037-11	s CERAMIC, CHIP 0.022uF 10% 25V
C810	1-164-232-11	s CERAMIC 0.01uF 10% 50V
C811	1-164-232-11	s CERAMIC 0.01uF 10% 50V
C813	1-164-161-11	s CERAMIC 0.0022uF 10% 50V
C814	1-164-161-11	s CERAMIC 0.0022uF 10% 50V
C815	1-163-037-11	s CERAMIC, CHIP 0.022uF 10% 25V
C818	1-163-037-11	s CERAMIC, CHIP 0.022uF 10% 25V
C820	1-124-903-11	s ELECT 1uF 20% 50V
C822	1-163-033-00	s CERAMIC, CHIP 0.022uF 50V
C824	1-163-033-00	s CERAMIC, CHIP 0.022uF 50V
C826	1-163-033-00	s CERAMIC, CHIP 0.022uF 50V

(SS-48P BOARD)

Ref. No. or Q'ty	Part No.	SPDescription
CN1	1-506-484-11	s CONNECTOR 5P, MALE
CN139	1-573-600-21	s CONNECTOR, PHEC (PLUG) 100P, MALE
CN140	1-573-600-21	s CONNECTOR, PHEC (PLUG) 100P, MALE
CN141	1-573-600-21	s CONNECTOR, PHEC (PLUG) 100P, MALE
CNI7	1-526-660-21	s SOCKET, IC 32P
CNI607	1-526-660-21	s SOCKET, IC 32P
COP1	1-565-413-11	o PLUG, SHORTING 2P
COP2	1-565-413-11	o PLUG, SHORTING 2P
COP3	1-565-413-11	o PLUG, SHORTING 2P
COP4	1-565-413-11	o PLUG, SHORTING 2P
COR1	1-691-246-11	o CONNECTOR 12P, MALE
CV401	1-141-390-11	s CAP, TRIMMER 90PF
CV402	1-141-245-00	s TRIMMER, CERAMIC 30PF
D101	8-719-941-23	s DIODE DA204U
D102	8-719-941-23	s DIODE DA204U
D401	8-719-941-23	s DIODE DA204U
D402	8-719-941-23	s DIODE DA204U
D403	8-719-941-23	s DIODE DA204U
D404	8-719-941-23	s DIODE DA204U
D405	8-719-941-23	s DIODE DA204U
D406	8-719-941-23	s DIODE DA204U
D601	8-719-941-23	s DIODE DA204U
D602	8-719-941-23	s DIODE DA204U
D603	8-719-941-23	s DIODE DA204U
D604	8-719-941-23	s DIODE DA204U
D605	8-719-941-23	s DIODE DA204U
D606	8-719-941-23	s DIODE DA204U
D607	8-719-941-23	s DIODE DA204U
D608	8-719-941-23	s DIODE DA204U
D609	8-719-941-23	s DIODE DA204U
D610	8-719-941-23	s DIODE DA204U
D611	8-719-941-23	s DIODE DA204U
D612	8-719-941-23	s DIODE DA204U
D613	8-719-941-23	s DIODE DA204U
D614	8-719-941-23	s DIODE DA204U
D615	8-719-941-23	s DIODE DA204U
D616	8-719-123-82	s DIODE 1SS303
D701	8-719-938-72	s DIODE SB01-05CP
D702	8-719-941-23	s DIODE DA204U
D703	8-719-941-23	s DIODE DA204U
D801	8-719-941-23	s DIODE DA204U
IC1	8-759-151-97	s IC UPD70320GJ-8-5BG
IC2	8-759-926-77	s IC SN74HC541ANS
IC3	8-759-925-74	s IC TC74HC04NS
IC4	8-759-603-32	s IC M51958BL
IC5	8-759-043-34	s IC CXD8310M
IC6	8-752-352-61	s IC MS62256CLL-10FC
IC7	8-759-270-97	s IC C010-PW2000SY-V303
IC8	8-759-925-90	s IC SN74HC74ANS
IC10	8-759-925-85	s IC SN74HC32ANS
IC11	8-759-925-76	s IC SN74HC08ANS
IC15	8-759-925-80	s IC SN74HC14ANS
IC101	8-759-109-04	s IC UPD7201AC
IC102	8-759-009-10	s IC MC14069UBF
IC103	8-759-926-17	s IC SN74HC153ANS
IC104	8-759-925-85	s IC SN74HC32ANS
IC105	8-759-926-30	s IC AM26LS30PC

(SS-48P BOARD)

Ref. No. or Q'ty	Part No.	SPDescription
IC106	8-759-926-32	s IC AM26LS32PC
IC107	8-759-926-30	s IC AM26LS30PC
IC301	8-759-095-41	s IC CXD8176AQ
IC302	8-759-938-68	s IC CXD1095Q
IC303	8-759-054-54	s IC SRM2016M10
IC401	8-759-095-41	s IC CXD8176AQ
IC402	8-759-043-35	s IC CXD8311Q
IC403	8-759-099-99	s IC TMP91C640N-2306
IC404	8-759-009-51	s IC MC14538BF
IC405	8-759-500-93	s IC MB90061-111
IC406	8-759-054-54	s IC SRM2016M10
IC407	8-759-926-77	s IC SN74HC541ANS
IC408	8-759-708-05	s IC NJM78L05A
IC410	8-759-700-43	s IC NJM4558M
IC411	8-759-908-17	s IC TL082CPS
IC412	8-759-700-45	s IC NJM4556M-A
IC413	8-759-700-07	s IC NJM2903M
IC414	8-759-927-46	s IC SN74HC00ANS
IC415	8-759-908-17	s IC TL082CPS
IC501	8-759-944-79	s IC CXD1132Q
IC502	8-759-925-76	s IC SN74HC08ANS
IC504	8-759-925-85	s IC SN74HC32ANS
IC505	8-759-009-51	s IC MC14538BF
IC506	8-759-300-71	s IC HD14053BFP
IC507	8-759-009-02	s IC MC14046BF
IC508	8-759-925-76	s IC SN74HC08ANS
IC510	8-759-926-18	s IC SN74HC157ANS
IC511	8-759-938-68	s IC CXD1095Q
IC514	8-759-927-29	s IC SN74HC04ANS
IC601	8-759-100-94	s IC UPC358G2
IC602	8-759-009-05	s IC MC14051BF
IC603	8-759-100-94	s IC UPC358G2
IC604	8-759-323-88	s IC HD6435328RA00F
IC605	8-759-925-76	s IC SN74HC08ANS
IC606	8-759-925-85	s IC SN74HC32ANS
IC607	8-759-189-01	s IC C010-PW2000SY-V240
IC608	8-759-926-11	s IC SN74HC138ANS
IC609	8-759-926-11	s IC SN74HC138ANS
IC610	8-759-925-79	s IC SN74HC11ANS
IC611	8-759-925-83	s IC SN74HC27ANS
IC612	8-759-054-54	s IC SRM2016M10
IC613	8-759-925-74	s IC TC74HC04NS
IC615	8-759-938-68	s IC CXD1095Q
IC616	8-759-300-71	s IC HD14053BFP
IC618	8-759-926-77	s IC SN74HC541ANS
IC619	8-759-926-77	s IC SN74HC541ANS
IC620	8-759-926-49	s IC SN74HC245ANS
IC621	8-759-300-71	s IC HD14053BFP
IC622	8-759-009-51	s IC MC14538BF
IC701	8-752-343-05	s IC CXD2202Q
IC702	8-759-300-71	s IC HD14053BFP
IC703	8-759-239-23	s IC TC74HC86AF
IC704	8-759-700-07	s IC NJM2903M
IC706	8-759-095-41	s IC CXD8176AQ
IC707	8-759-054-54	s IC SRM2016M10
IC709	8-759-925-76	s IC SN74HC08ANS
IC710	8-752-852-92	s IC CXP80116-891Q
IC711	8-759-100-95	s IC UPC324G2
IC801	8-759-100-95	s IC UPC324G2

(SS-48P BOARD)

Ref. No. or Q'ty	Part No.	SPDescription
IC802	8-759-141-05	s IC UPC4574G2
IC803	8-759-008-67	s IC MC14066BF
IC804	8-759-908-17	s IC TL082CPS
IC805	8-759-710-28	s IC NJM4565M-A
IC806	8-759-009-51	s IC MC14538BF
IC807	8-759-938-68	s IC CXD1095Q
IC808	8-759-908-17	s IC TL082CPS
IC809	8-759-925-90	s IC SN74HC74ANS
IC810	8-759-700-07	s IC NJM2903M
L401	1-410-464-11	s INDUCTOR 3.3uH
L602	1-412-533-21	s INDUCTOR 47uH
L603	1-412-533-21	s INDUCTOR 47uH
Q401	8-729-905-12	s TRANSISTOR DTA144EU
Q402	8-729-117-32	s TRANSISTOR 2SC4177
Q403	8-729-209-07	s TRANSISTOR 2SC4213-B
Q404	8-729-905-12	s TRANSISTOR DTA144EU
Q405	8-729-209-07	s TRANSISTOR 2SC4213-B
Q406	8-729-117-72	s TRANSISTOR 2SC4178
Q407	8-729-117-72	s TRANSISTOR 2SC4178
Q408	8-729-209-07	s TRANSISTOR 2SC4213-B
Q409	8-729-209-07	s TRANSISTOR 2SC4213-B
Q410	8-729-905-18	s TRANSISTOR DTC144EU
Q411	8-729-109-44	s TRANSISTOR 2SK94-X4
Q412	8-729-117-32	s TRANSISTOR 2SC4177
Q604	8-729-106-68	s TRANSISTOR 2SD1615A-GP
Q605	8-729-106-60	s TRANSISTOR 2SB1115A
Q606	8-729-117-72	s TRANSISTOR 2SC4178
Q701	8-729-905-18	s TRANSISTOR DTC144EU
Q702	8-729-905-18	s TRANSISTOR DTC144EU
Q703	8-729-117-32	s TRANSISTOR 2SC4177
Q704	8-729-117-32	s TRANSISTOR 2SC4177
Q705	8-729-117-32	s TRANSISTOR 2SC4177
Q706	8-729-117-32	s TRANSISTOR 2SC4177
Q707	8-729-117-32	s TRANSISTOR 2SC4177
Q708	8-729-905-18	s TRANSISTOR DTC144EU
Q709	8-729-905-18	s TRANSISTOR DTC144EU
Q710	8-729-905-18	s TRANSISTOR DTC144EU
Q711	8-729-905-18	s TRANSISTOR DTC144EU
Q801	8-729-905-18	s TRANSISTOR DTC144EU
Q802	8-729-209-07	s TRANSISTOR 2SC4213-B
Q803	8-729-209-07	s TRANSISTOR 2SC4213-B
Q805	8-729-905-18	s TRANSISTOR DTC144EU
R1	1-216-089-00	s METAL, CHIP 47K 5% 1/10W
R2	1-216-089-00	s METAL, CHIP 47K 5% 1/10W
R3	1-216-089-00	s METAL, CHIP 47K 5% 1/10W
R4	1-216-089-00	s METAL, CHIP 47K 5% 1/10W
R5	1-216-089-00	s METAL, CHIP 47K 5% 1/10W
R6	1-216-089-00	s METAL, CHIP 47K 5% 1/10W
R7	1-216-089-00	s METAL, CHIP 47K 5% 1/10W
R8	1-216-089-00	s METAL, CHIP 47K 5% 1/10W
R9	1-216-089-00	s METAL, CHIP 47K 5% 1/10W
R10	1-216-089-00	s METAL, CHIP 47K 5% 1/10W
R11	1-216-073-00	s METAL, CHIP 10K 5% 1/10W
R12	1-216-073-00	s METAL, CHIP 10K 5% 1/10W
R13	1-216-073-00	s METAL, CHIP 10K 5% 1/10W
R14	1-216-073-00	s METAL, CHIP 10K 5% 1/10W
R15	1-216-073-00	s METAL, CHIP 10K 5% 1/10W
R16	1-216-073-00	s METAL, CHIP 10K 5% 1/10W

(SS-48P BOARD)

Ref. No. or Q'ty	Part No.	SPDescription
R17	1-216-089-00	s METAL, CHIP 47K 5% 1/10W
R18	1-216-089-00	s METAL, CHIP 47K 5% 1/10W
R19	1-216-089-00	s METAL, CHIP 47K 5% 1/10W
R20	1-216-089-00	s METAL, CHIP 47K 5% 1/10W
R21	1-216-089-00	s METAL, CHIP 47K 5% 1/10W
R22	1-216-089-00	s METAL, CHIP 47K 5% 1/10W
R23	1-216-089-00	s METAL, CHIP 47K 5% 1/10W
R24	1-216-089-00	s METAL, CHIP 47K 5% 1/10W
R25	1-216-089-00	s METAL, CHIP 47K 5% 1/10W
R26	1-216-089-00	s METAL, CHIP 47K 5% 1/10W
R27	1-216-089-00	s METAL, CHIP 47K 5% 1/10W
R28	1-216-089-00	s METAL, CHIP 47K 5% 1/10W
R29	1-208-811-11	s METAL 16K 0.5% 1/10W
R30	1-216-688-11	s METAL, CHIP 36K 0.5% 1/10W
R51	1-216-057-00	s METAL, CHIP 2.2K 5% 1/10W
R52	1-216-057-00	s METAL, CHIP 2.2K 5% 1/10W
R53	1-216-057-00	s METAL, CHIP 2.2K 5% 1/10W
R54	1-216-057-00	s METAL, CHIP 2.2K 5% 1/10W
R55	1-216-057-00	s METAL, CHIP 2.2K 5% 1/10W
R56	1-216-057-00	s METAL, CHIP 2.2K 5% 1/10W
R57	1-216-057-00	s METAL, CHIP 2.2K 5% 1/10W
R58	1-216-057-00	s METAL, CHIP 2.2K 5% 1/10W
R59	1-216-089-00	s METAL, CHIP 47K 5% 1/10W
R60	1-216-089-00	s METAL, CHIP 47K 5% 1/10W
R61	1-216-089-00	s METAL, CHIP 47K 5% 1/10W
R62	1-216-089-00	s METAL, CHIP 47K 5% 1/10W
R63	1-216-089-00	s METAL, CHIP 47K 5% 1/10W
R64	1-216-089-00	s METAL, CHIP 47K 5% 1/10W
R65	1-216-049-00	s METAL, CHIP 1K 5% 1/10W
R67	1-216-089-00	s METAL, CHIP 47K 5% 1/10W
R68	1-216-089-00	s METAL, CHIP 47K 5% 1/10W
R69	1-216-089-00	s METAL, CHIP 47K 5% 1/10W
R70	1-216-073-00	s METAL, CHIP 10K 5% 1/10W
R71	1-216-025-00	s METAL, CHIP 100 5% 1/10W
R72	1-216-025-00	s METAL, CHIP 100 5% 1/10W
R73	1-216-089-00	s METAL, CHIP 47K 5% 1/10W
R74	1-216-089-00	s METAL, CHIP 47K 5% 1/10W
R75	1-216-089-00	s METAL, CHIP 47K 5% 1/10W
R101	1-216-073-00	s METAL, CHIP 10K 5% 1/10W
R102	1-216-073-00	s METAL, CHIP 10K 5% 1/10W
R103	1-216-121-00	s METAL, CHIP 1M 5% 1/10W
R104	1-216-057-00	s METAL, CHIP 2.2K 5% 1/10W
R105	1-216-057-00	s METAL, CHIP 2.2K 5% 1/10W
R106	1-216-025-00	s METAL, CHIP 100 5% 1/10W
R107	1-216-073-00	s METAL, CHIP 10K 5% 1/10W
R108	1-216-073-00	s METAL, CHIP 10K 5% 1/10W
R109	1-216-073-00	s METAL, CHIP 10K 5% 1/10W
R111	1-216-089-00	s METAL, CHIP 47K 5% 1/10W
R112	1-216-073-00	s METAL, CHIP 10K 5% 1/10W
R113	1-216-073-00	s METAL, CHIP 10K 5% 1/10W
R114	1-216-089-00	s METAL, CHIP 47K 5% 1/10W
R115	1-216-025-00	s METAL, CHIP 100 5% 1/10W
R116	1-216-025-00	s METAL, CHIP 100 5% 1/10W
R117	1-216-097-00	s METAL, CHIP 100K 5% 1/10W
R118	1-216-077-00	s METAL, CHIP 15K 5% 1/10W
R119	1-216-097-00	s METAL, CHIP 100K 5% 1/10W
R120	1-216-077-00	s METAL, CHIP 15K 5% 1/10W
R121	1-216-097-00	s METAL, CHIP 100K 5% 1/10W
R122	1-216-077-00	s METAL, CHIP 15K 5% 1/10W

(SS-48P BOARD)

Ref. No. or Q'ty	Part No.	SPDescription
R123	1-216-097-00	s METAL, CHIP 100K 5% 1/10W
R124	1-216-077-00	s METAL, CHIP 15K 5% 1/10W
R125	1-216-073-00	s METAL, CHIP 10K 5% 1/10W
R301	1-216-073-00	s METAL, CHIP 10K 5% 1/10W
R302	1-216-089-00	s METAL, CHIP 47K 5% 1/10W
R303	1-216-089-00	s METAL, CHIP 47K 5% 1/10W
R304	1-216-089-00	s METAL, CHIP 47K 5% 1/10W
R305	1-216-089-00	s METAL, CHIP 47K 5% 1/10W
R306	1-216-089-00	s METAL, CHIP 47K 5% 1/10W
R307	1-216-089-00	s METAL, CHIP 47K 5% 1/10W
R308	1-216-089-00	s METAL, CHIP 47K 5% 1/10W
R309	1-216-089-00	s METAL, CHIP 47K 5% 1/10W
R310	1-216-089-00	s METAL, CHIP 47K 5% 1/10W
R311	1-216-089-00	s METAL, CHIP 47K 5% 1/10W
R312	1-216-089-00	s METAL, CHIP 47K 5% 1/10W
R313	1-216-089-00	s METAL, CHIP 47K 5% 1/10W
R314	1-216-089-00	s METAL, CHIP 47K 5% 1/10W
R315	1-216-065-00	s METAL, CHIP 4.7K 5% 1/10W
R316	1-216-065-00	s METAL, CHIP 4.7K 5% 1/10W
R319	1-216-065-00	s METAL, CHIP 4.7K 5% 1/10W
R320	1-216-065-00	s METAL, CHIP 4.7K 5% 1/10W
R321	1-216-065-00	s METAL, CHIP 4.7K 5% 1/10W
R323	1-216-049-00	s METAL, CHIP 1K 5% 1/10W
R324	1-216-049-00	s METAL, CHIP 1K 5% 1/10W
R325	1-216-089-00	s METAL, CHIP 47K 5% 1/10W
R330	1-216-049-00	s METAL, CHIP 1K 5% 1/10W
R333	1-216-049-00	s METAL, CHIP 1K 5% 1/10W
R334	1-216-049-00	s METAL, CHIP 1K 5% 1/10W
R335	1-216-049-00	s METAL, CHIP 1K 5% 1/10W
R336	1-216-049-00	s METAL, CHIP 1K 5% 1/10W
R337	1-216-049-00	s METAL, CHIP 1K 5% 1/10W
R338	1-216-049-00	s METAL, CHIP 1K 5% 1/10W
R339	1-216-049-00	s METAL, CHIP 1K 5% 1/10W
R340	1-216-049-00	s METAL, CHIP 1K 5% 1/10W
R341	1-216-049-00	s METAL, CHIP 1K 5% 1/10W
R342	1-216-049-00	s METAL, CHIP 1K 5% 1/10W
R343	1-216-049-00	s METAL, CHIP 1K 5% 1/10W
R400	1-216-025-00	s METAL, CHIP 100 5% 1/10W
R401	1-216-073-00	s METAL, CHIP 10K 5% 1/10W
R418	1-216-057-00	s METAL, CHIP 2.2K 5% 1/10W
R419	1-216-057-00	s METAL, CHIP 2.2K 5% 1/10W
R420	1-216-057-00	s METAL, CHIP 2.2K 5% 1/10W
R421	1-216-057-00	s METAL, CHIP 2.2K 5% 1/10W
R422	1-216-057-00	s METAL, CHIP 2.2K 5% 1/10W
R423	1-216-057-00	s METAL, CHIP 2.2K 5% 1/10W
R424	1-216-057-00	s METAL, CHIP 2.2K 5% 1/10W
R425	1-216-057-00	s METAL, CHIP 2.2K 5% 1/10W
R426	1-216-089-00	s METAL, CHIP 47K 5% 1/10W
R427	1-216-073-00	s METAL, CHIP 10K 5% 1/10W
R428	1-216-097-00	s METAL, CHIP 100K 5% 1/10W
R429	1-216-053-00	s METAL, CHIP 1.5K 5% 1/10W
R430	1-216-073-00	s METAL, CHIP 10K 5% 1/10W
R431	1-216-089-00	s METAL, CHIP 47K 5% 1/10W
R432	1-216-073-00	s METAL, CHIP 10K 5% 1/10W
R433	1-216-073-00	s METAL, CHIP 10K 5% 1/10W
R434	1-216-109-00	s METAL, CHIP 330K 5% 1/10W
R435	1-216-624-11	s METAL, CHIP 75 0.5% 1/10W
R436	1-216-073-00	s METAL, CHIP 10K 5% 1/10W
R437	1-216-061-00	s METAL, CHIP 3.3K 5% 1/10W

(SS-48P BOARD)

Ref. No. or Q'ty	Part No.	SPDescription
R438	1-216-071-00	s METAL, CHIP 8.2K 5% 1/10W
R439	1-216-049-00	s METAL, CHIP 1K 5% 1/10W
R440	1-216-121-00	s METAL, CHIP 1M 5% 1/10W
R441	1-216-097-00	s METAL, CHIP 100K 5% 1/10W
R442	1-216-097-00	s METAL, CHIP 100K 5% 1/10W
R443	1-216-049-00	s METAL, CHIP 1K 5% 1/10W
R444	1-216-049-00	s METAL, CHIP 1K 5% 1/10W
R445	1-216-089-00	s METAL, CHIP 47K 5% 1/10W
R446	1-216-089-00	s METAL, CHIP 47K 5% 1/10W
R447	1-216-663-11	s METAL, CHIP 3.3K 0.5% 1/10W
R448	1-216-648-11	s METAL, CHIP 750 0.5% 1/10W
R449	1-216-073-00	s METAL, CHIP 10K 5% 1/10W
R450	1-216-659-11	s METAL, CHIP 2.2K 0.5% 1/10W
R451	1-216-659-11	s METAL, CHIP 2.2K 0.5% 1/10W
R452	1-216-699-11	s METAL, CHIP 100K 0.5% 1/10W
R453	1-216-699-11	s METAL, CHIP 100K 0.5% 1/10W
R454	1-216-065-00	s METAL, CHIP 4.7K 5% 1/10W
R456	1-216-691-11	s METAL, CHIP 47K 0.5% 1/10W
R457	1-216-691-11	s METAL, CHIP 47K 0.5% 1/10W
R458	1-216-025-00	s METAL, CHIP 100 5% 1/10W
R459	1-216-089-00	s METAL, CHIP 47K 5% 1/10W
R460	1-216-089-00	s METAL, CHIP 47K 5% 1/10W
R461	1-216-675-11	s METAL, CHIP 10K 0.5% 1/10W
R462	1-216-675-11	s METAL, CHIP 10K 0.5% 1/10W
R463	1-216-675-11	s METAL, CHIP 10K 0.5% 1/10W
R464	1-216-675-11	s METAL, CHIP 10K 0.5% 1/10W
R465	1-216-073-00	s METAL, CHIP 10K 5% 1/10W
R466	1-216-073-00	s METAL, CHIP 10K 5% 1/10W
R467	1-216-073-00	s METAL, CHIP 10K 5% 1/10W
R468	1-216-073-00	s METAL, CHIP 10K 5% 1/10W
R469	1-216-073-00	s METAL, CHIP 10K 5% 1/10W
R470	1-216-073-00	s METAL, CHIP 10K 5% 1/10W
R471	1-216-073-00	s METAL, CHIP 10K 5% 1/10W
R472	1-216-073-00	s METAL, CHIP 10K 5% 1/10W
R473	1-216-073-00	s METAL, CHIP 10K 5% 1/10W
R474	1-216-025-00	s METAL, CHIP 100 5% 1/10W
R475	1-216-073-00	s METAL, CHIP 10K 5% 1/10W
R476	1-216-049-00	s METAL, CHIP 1K 5% 1/10W
R477	1-216-073-00	s METAL, CHIP 10K 5% 1/10W
R478	1-216-033-00	s METAL, CHIP 220 5% 1/10W
R479	1-216-053-00	s METAL, CHIP 1.5K 5% 1/10W
R480	1-216-061-00	s METAL, CHIP 3.3K 5% 1/10W
R481	1-216-073-00	s METAL, CHIP 10K 5% 1/10W
R482	1-216-081-00	s METAL, CHIP 22K 5% 1/10W
R483	1-216-081-00	s METAL, CHIP 22K 5% 1/10W
R484	1-216-079-00	s METAL, CHIP 18K 5% 1/10W
R485	1-216-121-00	s METAL, CHIP 1M 5% 1/10W
R486	1-216-067-00	s METAL, CHIP 5.6K 5% 1/10W
R487	1-216-065-00	s METAL, CHIP 4.7K 5% 1/10W
R488	1-216-113-00	s METAL, CHIP 470K 5% 1/10W
R489	1-216-067-00	s METAL, CHIP 5.6K 5% 1/10W
R490	1-216-065-00	s METAL, CHIP 4.7K 5% 1/10W
R491	1-216-121-00	s METAL, CHIP 1M 5% 1/10W
R492	1-216-081-00	s METAL, CHIP 22K 5% 1/10W
R493	1-216-067-00	s METAL, CHIP 5.6K 5% 1/10W
R494	1-216-067-00	s METAL, CHIP 5.6K 5% 1/10W
R495	1-216-049-00	s METAL, CHIP 1K 5% 1/10W
R496	1-216-121-00	s METAL, CHIP 1M 5% 1/10W
R497	1-216-295-00	s METAL, CHIP 0.5% 1/10W

(SS-48P BOARD)

Ref. No. or Q'ty	Part No.	SPDescription
R498	1-216-073-00	s METAL, CHIP 10K 5% 1/10W
R499	1-216-025-00	s METAL, CHIP 100 5% 1/10W
R501	1-216-089-00	s METAL, CHIP 47K 5% 1/10W
R503	1-216-097-00	s METAL, CHIP 100K 5% 1/10W
R504	1-216-117-00	s METAL, CHIP 680K 5% 1/10W
R507	1-216-097-00	s METAL, CHIP 100K 5% 1/10W
R508	1-216-081-00	s METAL, CHIP 22K 5% 1/10W
R509	1-216-081-00	s METAL, CHIP 22K 5% 1/10W
R510	1-216-689-11	s METAL, CHIP 39K 0.50% 1/10W
R511	1-216-069-00	s METAL, CHIP 6.8K 5% 1/10W
R512	1-216-689-11	s METAL, CHIP 39K 0.50% 1/10W
R513	1-216-049-00	s METAL, CHIP 1K 5% 1/10W
R514	1-216-049-00	s METAL, CHIP 1K 5% 1/10W
R515	1-216-089-00	s METAL, CHIP 47K 5% 1/10W
R516	1-216-073-00	s METAL, CHIP 10K 5% 1/10W
R517	1-216-097-00	s METAL, CHIP 100K 5% 1/10W
R518	1-216-121-00	s METAL, CHIP 1M 5% 1/10W
R519	1-216-033-00	s METAL, CHIP 220 5% 1/10W
R521	1-216-025-00	s METAL, CHIP 100 5% 1/10W
R522	1-216-121-00	s METAL, CHIP 1M 5% 1/10W
R523	1-216-049-00	s METAL, CHIP 1K 5% 1/10W
R524	1-216-049-00	s METAL, CHIP 1K 5% 1/10W
R525	1-216-073-00	s METAL, CHIP 10K 5% 1/10W
R526	1-216-073-00	s METAL, CHIP 10K 5% 1/10W
R527	1-216-689-11	s METAL, CHIP 39K 5% 1/10W
R528	1-216-049-00	s METAL, CHIP 1K 5% 1/10W
R529	1-216-049-00	s METAL, CHIP 1K 5% 1/10W
R530	1-216-049-00	s METAL, CHIP 1K 5% 1/10W
R531	1-216-049-00	s METAL, CHIP 1K 5% 1/10W
R532	1-216-049-00	s METAL, CHIP 1K 5% 1/10W
R533	1-216-025-00	s METAL, CHIP 100 5% 1/10W
R534	1-216-025-00	s METAL, CHIP 100 5% 1/10W
R535	1-216-025-00	s METAL, CHIP 100 5% 1/10W
R536	1-216-025-00	s METAL, CHIP 100 5% 1/10W
R537	1-216-025-00	s METAL, CHIP 100 5% 1/10W
R538	1-216-025-00	s METAL, CHIP 100 5% 1/10W
R539	1-216-025-00	s METAL, CHIP 100 5% 1/10W
R541	1-216-025-00	s METAL, CHIP 100 5% 1/10W
R542	1-216-025-00	s METAL, CHIP 100 5% 1/10W
R543	1-216-089-00	s METAL, CHIP 47K 5% 1/10W
R544	1-216-089-00	s METAL, CHIP 47K 5% 1/10W
R545	1-216-089-00	s METAL, CHIP 47K 5% 1/10W
R546	1-216-089-00	s METAL, CHIP 47K 5% 1/10W
R547	1-216-089-00	s METAL, CHIP 47K 5% 1/10W
R548	1-216-089-00	s METAL, CHIP 47K 5% 1/10W
R549	1-216-089-91	s METAL, CHIP 47K 5% 1/10W
R601	1-216-097-00	s METAL, CHIP 100K 5% 1/10W
R602	1-216-675-11	s METAL, CHIP 10K 0.5% 1/10W
R603	1-216-675-11	s METAL, CHIP 10K 0.5% 1/10W
R604	1-216-097-00	s METAL, CHIP 100K 5% 1/10W
R605	1-216-073-00	s METAL, CHIP 10K 5% 1/10W
R606	1-216-073-00	s METAL, CHIP 10K 5% 1/10W
R607	1-216-073-00	s METAL, CHIP 10K 5% 1/10W
R608	1-216-073-00	s METAL, CHIP 10K 5% 1/10W
R609	1-216-097-00	s METAL, CHIP 100K 5% 1/10W
R610	1-216-097-00	s METAL, CHIP 100K 5% 1/10W
R611	1-216-085-00	s METAL, CHIP 33K 5% 1/10W
R612	1-216-109-00	s METAL, CHIP 330K 5% 1/10W
R613	1-216-085-00	s METAL, CHIP 33K 5% 1/10W

(SS-48P BOARD)

Ref. No. or Q'ty	Part No.	SPDescription
R614	1-216-109-00	s METAL, CHIP 330K 5% 1/10W
R615	1-216-073-00	s METAL, CHIP 10K 5% 1/10W
R616	1-216-073-00	s METAL, CHIP 10K 5% 1/10W
R617	1-216-073-00	s METAL, CHIP 10K 5% 1/10W
R618	1-216-073-00	s METAL, CHIP 10K 5% 1/10W
R619	1-216-073-00	s METAL, CHIP 10K 5% 1/10W
R620	1-216-073-00	s METAL, CHIP 10K 5% 1/10W
R621	1-216-073-00	s METAL, CHIP 10K 5% 1/10W
R622	1-216-073-00	s METAL, CHIP 10K 5% 1/10W
R624	1-216-089-00	s METAL, CHIP 47K 5% 1/10W
R626	1-216-089-00	s METAL, CHIP 47K 5% 1/10W
R627	1-216-073-00	s METAL, CHIP 10K 5% 1/10W
R629	1-216-049-00	s METAL, CHIP 1K 5% 1/10W
R630	1-216-089-00	s METAL, CHIP 47K 5% 1/10W
R631	1-216-089-00	s METAL, CHIP 47K 5% 1/10W
R632	1-216-073-00	s METAL, CHIP 10K 5% 1/10W
R634	1-216-097-00	s METAL, CHIP 100K 5% 1/10W
R635	1-216-097-00	s METAL, CHIP 100K 5% 1/10W
R636	1-216-097-00	s METAL, CHIP 100K 5% 1/10W
R637	1-216-097-00	s METAL, CHIP 100K 5% 1/10W
R638	1-216-097-00	s METAL, CHIP 100K 5% 1/10W
R639	1-216-097-00	s METAL, CHIP 100K 5% 1/10W
R640	1-216-097-00	s METAL, CHIP 100K 5% 1/10W
R641	1-216-097-00	s METAL, CHIP 100K 5% 1/10W
R642	1-216-089-00	s METAL, CHIP 47K 5% 1/10W
R643	1-216-089-00	s METAL, CHIP 47K 5% 1/10W
R644	1-216-089-00	s METAL, CHIP 47K 5% 1/10W
R646	1-216-073-00	s METAL, CHIP 10K 5% 1/10W
R647	1-216-073-00	s METAL, CHIP 10K 5% 1/10W
R648	1-216-049-00	s METAL, CHIP 1K 5% 1/10W
R649	1-216-105-00	s METAL, CHIP 220K 5% 1/10W
R650	1-216-105-00	s METAL, CHIP 220K 5% 1/10W
R651	1-216-085-00	s METAL, CHIP 33K 5% 1/10W
R653	1-216-045-00	s METAL, CHIP 680 5% 1/10W
R654	1-216-045-00	s METAL, CHIP 680 5% 1/10W
R655	1-216-045-00	s METAL, CHIP 680 5% 1/10W
R656	1-216-045-00	s METAL, CHIP 680 5% 1/10W
R657	1-216-089-00	s METAL, CHIP 47K 5% 1/10W
R658	1-216-073-00	s METAL, CHIP 10K 5% 1/10W
R661	1-216-071-00	s METAL, CHIP 8.2K 5% 1/10W
R662	1-216-049-00	s METAL, CHIP 1K 5% 1/10W
R663	1-216-049-00	s METAL, CHIP 1K 5% 1/10W
R664	1-216-029-00	s METAL, CHIP 150 5% 1/10W
R668	1-216-025-00	s METAL, CHIP 100 5% 1/10W
R669	1-216-025-00	s METAL, CHIP 100 5% 1/10W
R670	1-216-089-00	s METAL, CHIP 47K 5% 1/10W
R671	1-216-295-00	s METAL, CHIP 0 5% 1/10W
R672	1-216-097-00	s METAL, CHIP 100K 5% 1/10W
R673	1-216-057-00	s METAL, CHIP 2.2K 5% 1/10W
R674	1-216-057-00	s METAL, CHIP 2.2K 5% 1/10W
R675	1-216-057-00	s METAL, CHIP 2.2K 5% 1/10W
R676	1-216-057-00	s METAL, CHIP 2.2K 5% 1/10W
R677	1-216-057-00	s METAL, CHIP 2.2K 5% 1/10W
R678	1-216-057-00	s METAL, CHIP 2.2K 5% 1/10W
R679	1-216-057-00	s METAL, CHIP 2.2K 5% 1/10W
R680	1-216-057-00	s METAL, CHIP 2.2K 5% 1/10W
R701	1-216-073-00	s METAL, CHIP 10K 5% 1/10W
R702	1-216-073-00	s METAL, CHIP 10K 5% 1/10W
R703	1-216-057-00	s METAL, CHIP 2.2K 5% 1/10W

(SS-48P BOARD)

Ref. No. or Q'ty	Part No.	SPDescription
R823	1-216-049-00	s METAL, CHIP 1K 5% 1/10W
R825	1-216-061-00	s METAL, CHIP 3.3K 5% 1/10W
R826	1-216-097-00	s METAL, CHIP 100K 5% 1/10W
R827	1-216-085-00	s METAL, CHIP 33K 5% 1/10W
R828	1-216-085-00	s METAL, CHIP 33K 5% 1/10W
R829	1-216-049-00	s METAL, CHIP 1K 5% 1/10W
R830	1-216-097-00	s METAL, CHIP 100K 5% 1/10W
R831	1-216-081-00	s METAL, CHIP 22K 5% 1/10W
R832	1-216-105-00	s METAL, CHIP 220K 5% 1/10W
R833	1-216-121-00	s METAL, CHIP 1M 5% 1/10W
R836	1-216-089-00	s METAL, CHIP 47K 5% 1/10W
R837	1-216-073-00	s METAL, CHIP 10K 5% 1/10W
R838	1-216-089-00	s METAL, CHIP 47K 5% 1/10W
R839	1-216-001-00	s METAL, CHIP 10 5% 1/10W
R840	1-216-025-00	s METAL, CHIP 100 5% 1/10W
R841	1-216-061-00	s METAL, CHIP 3.3K 5% 1/10W
R842	1-216-089-00	s METAL, CHIP 47K 5% 1/10W
R843	1-216-089-00	s METAL, CHIP 47K 5% 1/10W
R844	1-216-089-00	s METAL, CHIP 47K 5% 1/10W
R845	1-216-073-00	s METAL, CHIP 10K 5% 1/10W
R846	1-216-049-00	s METAL, CHIP 1K 5% 1/10W
R847	1-216-049-00	s METAL, CHIP 1K 5% 1/10W
R848	1-216-049-00	s METAL, CHIP 1K 5% 1/10W
R849	1-216-049-00	s METAL, CHIP 1K 5% 1/10W
R850	1-216-049-00	s METAL, CHIP 1K 5% 1/10W
R851	1-216-049-00	s METAL, CHIP 1K 5% 1/10W
R852	1-216-049-00	s METAL, CHIP 1K 5% 1/10W
R853	1-216-049-00	s METAL, CHIP 1K 5% 1/10W
R854	1-216-049-00	s METAL, CHIP 1K 5% 1/10W
R855	1-216-025-00	s METAL, CHIP 100 5% 1/10W
R856	1-216-049-00	s METAL, CHIP 1K 5% 1/10W
R857	1-216-049-00	s METAL, CHIP 1K 5% 1/10W
R858	1-216-049-00	s METAL, CHIP 1K 5% 1/10W
R859	1-216-049-00	s METAL, CHIP 1K 5% 1/10W
R860	1-216-049-00	s METAL, CHIP 1K 5% 1/10W
R861	1-216-049-00	s METAL, CHIP 1K 5% 1/10W
R862	1-216-049-00	s METAL, CHIP 1K 5% 1/10W
R863	1-216-049-00	s METAL, CHIP 1K 5% 1/10W
R864	1-216-073-00	s METAL, CHIP 10K 5% 1/10W
R865	1-216-073-00	s METAL, CHIP 10K 5% 1/10W
R866	1-216-073-00	s METAL, CHIP 10K 5% 1/10W
R867	1-216-061-00	s METAL, CHIP 3.3K 5% 1/10W
R868	1-216-061-00	s METAL, CHIP 3.3K 5% 1/10W
R869	1-216-089-00	s METAL, CHIP 47K 5% 1/10W
R870	1-216-089-00	s METAL, CHIP 47K 5% 1/10W
R871	1-216-089-00	s METAL, CHIP 47K 5% 1/10W
R872	1-216-089-00	s METAL, CHIP 47K 5% 1/10W
R873	1-216-089-00	s METAL, CHIP 47K 5% 1/10W
R874	1-216-089-00	s METAL, CHIP 47K 5% 1/10W
R875	1-216-295-00	s METAL, CHIP 0 5% 1/10W
R876	1-216-057-00	s METAL, CHIP 2.2K 5% 1/10W
R877	1-216-057-00	s METAL, CHIP 2.2K 5% 1/10W
R878	1-216-057-00	s METAL, CHIP 2.2K 5% 1/10W
R879	1-216-057-00	s METAL, CHIP 2.2K 5% 1/10W
R880	1-216-057-00	s METAL, CHIP 2.2K 5% 1/10W
R881	1-216-057-00	s METAL, CHIP 2.2K 5% 1/10W
R882	1-216-057-00	s METAL, CHIP 2.2K 5% 1/10W
R883	1-216-057-00	s METAL, CHIP 2.2K 5% 1/10W
R900	1-216-295-00	s METAL, CHIP 0 5% 1/10W

(SS-48P BOARD)

Ref. No. or Q'ty	Part No.	SPDescription
S1	1-553-812-00	s SWITCH, PUSH
S2	1-570-623-11	s SWITCH, DIP 8-CKT
S302	1-553-812-00	s SWITCH, PUSH
S303	1-553-812-00	s SWITCH, PUSH
S304	1-553-812-00	s SWITCH, PUSH
S601	1-570-623-11	s SWITCH, DIP 8-CKT
S602	1-553-812-00	s SWITCH, PUSH
X1	1-577-076-11	s VIBRATOR, CRYSTAL 16.000MHz
X101	1-567-870-11	s VIBRATOR, CERAMIC 614KHz
X401	1-567-132-21	s VIBLATOR, CERAMIC 8.00MHz
X402	1-579-458-11	s VIBRATOR, CRYSTAL 17.734475MHz
X501	1-567-867-11	s VIBRATOR, CRYSTAL 14.500MHz
X601	1-577-121-11	s VIBRATOR, CRYSTAL 20.0MHz
X701	1-577-121-11	s VIBRATOR, CRYSTAL 20.0MHz
X702	1-577-076-11	s VIBRATOR, CRYSTAL 16.000MHz

SW-444A BOARD

Ref. No. or Q'ty	Part No.	SPDescription
1pc	1-640-043-21	o PRINTED CIRCUIT BOARD, SW-444A
1pc	3-171-416-01	o HOLDER, LED
1pc	3-717-672-01	o STOPPER, KY
C1	1-163-037-11	s CERAMIC, CHIP 0.022uF 10% 25V
CN509	1-568-951-11	o PIN, CONNECTOR 2P
CN510	1-568-934-11	o PIN, CONNECTOR 7P
CN511	1-568-951-91	o PIN, CONNECTOR 2P
CN512	1-566-761-11	o PIN, CONNECTOR 6P
CN513	1-506-481-11	s PIN, CONNECTOR 2P
D1	8-719-820-28	s LED TLG256, GRN
D2	8-719-820-28	s LED TLG256, GRN
D3	8-719-820-28	s LED TLG256, GRN
D4	8-719-820-28	s LED TLG256, GRN
D5	8-719-820-28	s LED TLG256, GRN
D6	8-719-820-27	s LED TLY256, GRN
D7	8-719-820-27	s LED TLY256, GRN
R1	1-249-411-11	s CARBON 330 5% 1/4W
R2	1-249-409-11	s CARBON 220 5% 1/4W
R3	1-249-411-11	s CARBON 330 5% 1/4W
R4	1-249-409-11	s CARBON 220 5% 1/4W
R5	1-249-411-11	s CARBON 330 5% 1/4W
SW1	1-516-995-00	s SWITCH, LEVER SLIDE
SW4	1-516-961-00	s SWITCH, LEVER SLIDE

TBC-18P BOARD

Ref. No. or Q'ty	Part No.	SPDescription
1pc	A-6727-378-B	o MOUNTED CIRCUIT BOARD, TBC-18P
1pc	3-171-453-03	o PLATE (L), SHIELD, CARD
1pc	3-171-454-02	o SHEET (L), CARD
1pc	7-621-759-45	s +PSW, 2.6X6
3pcs	1-750-484-11	s BUSBAR
1pc	3-179-084-01	s LEVER (R), PC BOARD
1pc	3-179-085-01	s LEVER (L), PC BOARD
C1	1-126-101-11	s ELECT 100uF 20% 16V
C2	1-126-101-11	s ELECT 100uF 20% 16V
C3	1-126-101-11	s ELECT 100uF 20% 16V
C4	1-126-101-11	s ELECT 100uF 20% 16V
C5	1-126-101-11	s ELECT 100uF 20% 16V
C6	1-126-101-11	s ELECT 100uF 20% 16V
C7	1-126-101-11	s ELECT 100uF 20% 16V
C8	1-126-101-11	s ELECT 100uF 20% 16V
C9	1-163-033-00	s CERAMIC, CHIP 0.022uF 50V
C10	1-163-033-00	s CERAMIC, CHIP 0.022uF 50V
C11	1-126-101-11	s ELECT 100uF 20% 16V
C12	1-126-101-11	s ELECT 100uF 20% 16V
C13	1-126-101-11	s ELECT 100uF 20% 16V
C14	1-126-101-11	s ELECT 100uF 20% 16V
C15	1-126-101-11	s ELECT 100uF 20% 16V
C16	1-126-101-11	s ELECT 100uF 20% 16V
C17	1-163-033-00	s CERAMIC, CHIP 0.022uF 50V
C18	1-126-101-11	s ELECT 100uF 20% 16V
C19	1-126-101-11	s ELECT 100uF 20% 16V
C20	1-126-101-11	s ELECT 100uF 20% 16V
C100	1-163-033-00	s CERAMIC, CHIP 0.022uF 50V
C101	1-124-477-11	s ELECT 47uF 20% 16V
C102	1-163-097-00	s CERAMIC, CHIP 15PF 5% 50V
C103	1-163-097-00	s CERAMIC, CHIP 15PF 5% 50V
C104	1-163-033-00	s CERAMIC, CHIP 0.022uF 50V
C105	1-163-033-00	s CERAMIC, CHIP 0.022uF 50V
C106	1-163-033-00	s CERAMIC, CHIP 0.022uF 50V
C107	1-124-477-11	s ELECT 47uF 20% 16V
C108	1-163-035-00	s CERAMIC, CHIP 0.047uF 50V
C109	1-124-903-11	s ELECT 1uF 20% 50V
C110	1-124-907-11	s ELECT 10uF 20% 50V
C119	1-124-477-11	s ELECT 47uF 20% 16V
C120	1-163-251-11	s CERAMIC, CHIP 100PF 5% 50V
C121	1-163-033-00	s CERAMIC, CHIP 0.022uF 50V
C122	1-124-477-11	s ELECT 47uF 20% 16V
C124	1-163-033-00	s CERAMIC, CHIP 0.022uF 50V
C126	1-163-033-00	s CERAMIC, CHIP 0.022uF 50V
C127	1-163-239-11	s CERAMIC, CHIP 33PF 5% 50V
C128	1-126-176-11	s ELECT 220uF 20% 10V
C129	1-124-477-11	s ELECT 47uF 20% 16V
C130	1-124-477-11	s ELECT 47uF 20% 16V
C131	1-126-101-11	s ELECT 100uF 20% 16V
C132	1-124-907-11	s ELECT 10uF 20% 50V
C200	1-163-033-00	s CERAMIC, CHIP 0.022uF 50V
C201	1-124-477-11	s ELECT 47uF 20% 16V
C202	1-163-097-00	s CERAMIC, CHIP 15PF 5% 50V
C203	1-163-097-00	s CERAMIC, CHIP 15PF 5% 50V
C204	1-163-033-00	s CERAMIC, CHIP 0.022uF 50V
C205	1-163-033-00	s CERAMIC, CHIP 0.022uF 50V
C206	1-163-033-00	s CERAMIC, CHIP 0.022uF 50V
C207	1-124-477-11	s ELECT 47uF 20% 16V

(TBC-18 BOARD)

Ref. No. or Q'ty	Part No.	SPDescription
C208	1-163-035-00	s CERAMIC, CHIP 0.047uF 50V
C209	1-124-903-11	s ELECT 1uF 20% 50V
C210	1-124-907-11	s ELECT 10uF 20% 50V
C219	1-124-477-11	s ELECT 47uF 20% 16V
C221	1-163-033-00	s CERAMIC, CHIP 0.022uF 50V
C222	1-124-477-11	s ELECT 47uF 20% 16V
C224	1-163-033-00	s CERAMIC, CHIP 0.022uF 50V
C225	1-163-239-11	s CERAMIC, CHIP 33PF 5% 50V
C226	1-126-176-11	s ELECT 220uF 20% 10V
C227	1-124-477-11	s ELECT 47uF 20% 16V
C228	1-124-477-11	s ELECT 47uF 20% 16V
C229	1-124-907-11	s ELECT 10uF 20% 50V
C231	1-126-101-11	s ELECT 100uF 20% 16V
C300	1-163-033-00	s CERAMIC, CHIP 0.022uF 50V
C302	1-163-033-00	s CERAMIC, CHIP 0.022uF 50V
C303	1-163-251-11	s CERAMIC, CHIP 100PF 5% 50V
C304	1-163-133-00	s CERAMIC, CHIP 470PF 5% 50V
C305	1-164-004-11	s CERAMIC 0.1uF 10% 25V
C306	1-164-232-11	s CERAMIC 0.01uF 10% 50V
C307	1-163-251-11	s CERAMIC, CHIP 100PF 5% 50V
C308	1-124-903-11	s ELECT 1uF 20% 50V
C309	1-124-903-11	s ELECT 1uF 20% 50V
C310	1-124-927-11	s ELECT 4.7uF 20% 50V
C311	1-164-004-11	s CERAMIC 0.1uF 10% 25V
C312	1-163-251-11	s CERAMIC, CHIP 100PF 5% 50V
C313	1-163-033-00	s CERAMIC, CHIP 0.022uF 50V
C314	1-163-033-00	s CERAMIC, CHIP 0.022uF 50V
C315	1-163-133-00	s CERAMIC, CHIP 470PF 5% 50V
C316	1-163-263-11	s CERAMIC, CHIP 330PF 5% 50V
C318	1-124-477-11	s ELECT 47uF 20% 16V
C319	1-163-033-00	s CERAMIC, CHIP 0.022uF 50V
C320	1-124-477-11	s ELECT 47uF 20% 16V
C321	1-163-033-00	s CERAMIC, CHIP 0.022uF 50V
C322	1-163-251-11	s CERAMIC, CHIP 100PF 5% 50V
C323	1-163-033-00	s CERAMIC, CHIP 0.022uF 50V
C324	1-163-037-11	s CERAMIC, CHIP 0.022uF 10% 25V
C325	1-164-004-11	s CERAMIC 0.1uF 10% 25V
C326	1-163-125-00	s CERAMIC, CHIP 220PF 5% 50V
C327	1-163-243-11	s CERAMIC, CHIP 47PF 5% 50V
C328	1-163-251-11	s CERAMIC, CHIP 100PF 5% 50V
C329	1-164-004-11	s CERAMIC 0.1uF 10% 25V
C330	1-126-101-11	s ELECT 100uF 20% 16V
C331	1-163-033-00	s CERAMIC, CHIP 0.022uF 50V
C333	1-124-907-11	s ELECT 10uF 20% 50V
C334	1-124-925-11	s ELECT 2.2uF 20% 50V
C335	1-164-489-11	s CERAMIC 0.22uF 10% 16V
C336	1-163-809-11	s CERAMIC, CHIP 0.047uF 10% 25V
C337	1-124-927-11	s ELECT 4.7uF 20% 50V
C338	1-164-489-11	s CERAMIC 0.22uF 10% 16V
C339	1-163-033-00	s CERAMIC, CHIP 0.022uF 50V
C340	1-124-477-11	s ELECT 47uF 20% 16V
C341	1-124-477-11	s ELECT 47uF 20% 16V
C342	1-163-033-00	s CERAMIC, CHIP 0.022uF 50V
C344	1-163-009-11	s CERAMIC, CHIP 0.001uF 10% 50V
C345	1-163-033-00	s CERAMIC, CHIP 0.022uF 50V
C346	1-163-033-00	s CERAMIC, CHIP 0.022uF 50V
C347	1-163-033-00	s CERAMIC, CHIP 0.022uF 50V
C348	1-124-477-11	s ELECT 47uF 20% 16V
C349	1-163-033-00	s CERAMIC, CHIP 0.022uF 50V

(TBC-18P BOARD)

Ref. No. or Q' ty	Part No.	SPDescription
C350	1-124-477-11	s ELECT 47uF 20% 16V
C351	1-163-033-00	s CERAMIC, CHIP 0.022uF 50V
C352	1-163-033-00	s CERAMIC, CHIP 0.022uF 50V
C353	1-163-033-00	s CERAMIC, CHIP 0.022uF 50V
C357	1-163-251-11	s CERAMIC, CHIP 100PF 5% 50V
C358	1-124-925-11	s ELECT 2.2uF 20% 50V
C359	1-124-927-11	s ELECT 4.7uF 20% 50V
C360	1-163-033-00	s CERAMIC, CHIP 0.022uF 50V
C361	1-124-477-11	s ELECT 47uF 20% 16V
C362	1-124-477-11	s ELECT 47uF 20% 16V
C363	1-124-477-11	s ELECT 47uF 20% 16V
C364	1-163-033-00	s CERAMIC, CHIP 0.022uF 50V
C365	1-163-033-00	s CERAMIC, CHIP 0.022uF 50V
C366	1-163-033-00	s CERAMIC, CHIP 0.022uF 50V
C371	1-124-477-11	s ELECT 47uF 20% 16V
C372	1-163-033-00	s CERAMIC, CHIP 0.022uF 50V
C373	1-163-033-00	s CERAMIC, CHIP 0.022uF 50V
C374	1-163-033-00	s CERAMIC, CHIP 0.022uF 50V
C375	1-163-243-11	s CERAMIC, CHIP 47PF 5% 50V
C376	1-163-133-00	s CERAMIC, CHIP 470PF 5% 50V
C377	1-163-033-00	s CERAMIC, CHIP 0.022uF 50V
C378	1-163-033-00	s CERAMIC, CHIP 0.022uF 50V
C379	1-126-101-11	s ELECT 100uF 20% 16V
C380	1-164-232-11	s CERAMIC 0.01uF 10% 50V
C381	1-163-033-00	s CERAMIC, CHIP 0.022uF 50V
C382	1-163-033-00	s CERAMIC, CHIP 0.022uF 50V
C383	1-163-033-00	s CERAMIC, CHIP 0.022uF 50V
C384	1-163-033-00	s CERAMIC, CHIP 0.022uF 50V
C385	1-163-037-11	s CERAMIC, CHIP 0.022uF 10% 25V
C400	1-163-033-00	s CERAMIC, CHIP 0.022uF 50V
C401	1-163-033-00	s CERAMIC, CHIP 0.022uF 50V
C402	1-163-245-11	s CERAMIC, CHIP 56PF 5% 50V
C403	1-163-125-00	s CERAMIC, CHIP 220PF 5% 50V
C404	1-163-033-00	s CERAMIC, CHIP 0.022uF 50V
C405	1-164-004-11	s CERAMIC 0.1uF 10% 25V
C406	1-164-232-11	s CERAMIC 0.01uF 10% 50V
C407	1-163-033-00	s CERAMIC, CHIP 0.022uF 50V
C408	1-124-903-11	s ELECT 1uF 20% 50V
C410	1-164-232-11	s CERAMIC 0.01uF 10% 50V
C411	1-164-004-11	s CERAMIC 0.1uF 10% 25V
C412	1-124-477-11	s ELECT 47uF 20% 16V
C414	1-163-033-00	s CERAMIC, CHIP 0.022uF 50V
C415	1-163-263-11	s CERAMIC, CHIP 330PF 5% 50V
C417	1-163-106-00	s CERAMIC, CHIP 36PF 5% 50V
C418	1-163-120-00	s CERAMIC, CHIP 130PF 5% 50V
C419	1-163-263-11	s CERAMIC, CHIP 330PF 5% 50V
C420	1-124-477-11	s ELECT 47uF 20% 16V
C421	1-163-033-00	s CERAMIC, CHIP 0.022uF 50V
C422	1-163-251-11	s CERAMIC, CHIP 100PF 5% 50V
C423	1-163-033-00	s CERAMIC, CHIP 0.022uF 50V
C424	1-163-037-11	s CERAMIC, CHIP 0.022uF 10% 25V
C426	1-163-125-00	s CERAMIC, CHIP 220PF 5% 50V
C427	1-163-243-11	s CERAMIC, CHIP 47PF 5% 50V
C428	1-163-251-11	s CERAMIC, CHIP 100PF 5% 50V
C429	1-164-004-11	s CERAMIC 0.1uF 10% 25V
C430	1-126-101-11	s ELECT 100uF 20% 16V
C431	1-124-907-11	s ELECT 10uF 20% 50V
C432	1-124-925-11	s ELECT 2.2uF 20% 50V
C433	1-164-489-11	s CERAMIC 0.22uF 10% 16V

(TBC-18P BOARD)

Ref. No. or Q' ty	Part No.	SPDescription
C434	1-163-809-11	s CERAMIC, CHIP 0.047uF 10% 25V
C435	1-163-033-00	s CERAMIC, CHIP 0.022uF 50V
C436	1-124-477-11	s ELECT 47uF 20% 16V
C437	1-124-477-11	s ELECT 47uF 20% 16V
C438	1-163-033-00	s CERAMIC, CHIP 0.022uF 50V
C440	1-163-009-11	s CERAMIC, CHIP 0.001uF 10% 50V
C441	1-163-033-00	s CERAMIC, CHIP 0.022uF 50V
C442	1-163-033-00	s CERAMIC, CHIP 0.022uF 50V
C443	1-163-033-00	s CERAMIC, CHIP 0.022uF 50V
C444	1-124-477-11	s ELECT 47uF 20% 16V
C445	1-163-033-00	s CERAMIC, CHIP 0.022uF 50V
C446	1-124-477-11	s ELECT 47uF 20% 16V
C447	1-163-033-00	s CERAMIC, CHIP 0.022uF 50V
C448	1-124-477-11	s ELECT 47uF 20% 16V
C449	1-163-033-00	s CERAMIC, CHIP 0.022uF 50V
C451	1-163-033-00	s CERAMIC, CHIP 0.022uF 50V
C452	1-163-033-00	s CERAMIC, CHIP 0.022uF 50V
C453	1-163-251-11	s CERAMIC, CHIP 100PF 5% 50V
C454	1-124-925-11	s ELECT 2.2uF 20% 50V
C455	1-163-033-00	s CERAMIC, CHIP 0.022uF 50V
C456	1-124-477-11	s ELECT 47uF 20% 16V
C457	1-124-477-11	s ELECT 47uF 20% 16V
C458	1-163-222-11	s CERAMIC, CHIP 5PF 50V
C459	1-163-102-00	s CERAMIC, CHIP 24PF 5% 50V
C461	1-163-243-11	s CERAMIC, CHIP 47PF 5% 50V
C462	1-163-033-00	s CERAMIC, CHIP 0.022uF 50V
C463	1-163-033-00	s CERAMIC, CHIP 0.022uF 50V
C464	1-163-033-00	s CERAMIC, CHIP 0.022uF 50V
C466	1-124-477-11	s ELECT 47uF 20% 16V
C468	1-163-033-00	s CERAMIC, CHIP 0.022uF 50V
C469	1-163-033-00	s CERAMIC, CHIP 0.022uF 50V
C470	1-163-033-00	s CERAMIC, CHIP 0.022uF 50V
C471	1-163-243-11	s CERAMIC, CHIP 47PF 5% 50V
C472	1-163-133-00	s CERAMIC, CHIP 470PF 5% 50V
C473	1-164-232-11	s CERAMIC 0.01uF 10% 50V
C474	1-163-033-00	s CERAMIC, CHIP 0.022uF 50V
C475	1-163-033-00	s CERAMIC, CHIP 0.022uF 50V
C476	1-126-101-11	s ELECT 100uF 20% 16V
C477	1-124-903-11	s ELECT 1uF 20% 50V
C478	1-163-033-00	s CERAMIC, CHIP 0.022uF 50V
C479	1-163-033-00	s CERAMIC, CHIP 0.022uF 50V
C500	1-163-033-00	s CERAMIC, CHIP 0.022uF 50V
C501	1-163-033-00	s CERAMIC, CHIP 0.022uF 50V
C502	1-163-033-00	s CERAMIC, CHIP 0.022uF 50V
C503	1-163-033-00	s CERAMIC, CHIP 0.022uF 50V
C504	1-163-033-00	s CERAMIC, CHIP 0.022uF 50V
C505	1-163-033-00	s CERAMIC, CHIP 0.022uF 50V
C506	1-163-033-00	s CERAMIC, CHIP 0.022uF 50V
C507	1-163-033-00	s CERAMIC, CHIP 0.022uF 50V
C508	1-163-033-00	s CERAMIC, CHIP 0.022uF 50V
C509	1-163-033-00	s CERAMIC, CHIP 0.022uF 50V
C510	1-163-033-00	s CERAMIC, CHIP 0.022uF 50V
C511	1-163-033-00	s CERAMIC, CHIP 0.022uF 50V
C512	1-163-033-00	s CERAMIC, CHIP 0.022uF 50V
C513	1-163-033-00	s CERAMIC, CHIP 0.022uF 50V
C514	1-163-033-00	s CERAMIC, CHIP 0.022uF 50V
C515	1-163-033-00	s CERAMIC, CHIP 0.022uF 50V
C516	1-163-033-00	s CERAMIC, CHIP 0.022uF 50V
C517	1-163-033-00	s CERAMIC, CHIP 0.022uF 50V

(TBC-18P BOARD)

Ref. No. or Q'ty	Part No.	SPDescription
C518	1-164-004-11	s CERAMIC 0.1uF 10% 25V
C519	1-164-004-11	s CERAMIC 0.1uF 10% 25V
C520	1-164-004-11	s CERAMIC 0.1uF 10% 25V
C521	1-163-033-00	s CERAMIC, CHIP 0.022uF 50V
C524	1-163-033-00	s CERAMIC, CHIP 0.022uF 50V
C527	1-164-004-11	s CERAMIC 0.1uF 10% 25V
C528	1-163-033-00	s CERAMIC, CHIP 0.022uF 50V
C529	1-164-004-11	s CERAMIC 0.1uF 10% 25V
C530	1-163-033-00	s CERAMIC, CHIP 0.022uF 50V
C531	1-164-004-11	s CERAMIC 0.1uF 10% 25V
C532	1-163-033-00	s CERAMIC, CHIP 0.022uF 50V
C533	1-163-097-00	s CERAMIC, CHIP 15PF 5% 50V
C534	1-163-033-00	s CERAMIC, CHIP 0.022uF 50V
C535	1-163-033-00	s CERAMIC, CHIP 0.022uF 50V
C536	1-163-033-00	s CERAMIC, CHIP 0.022uF 50V
C537	1-124-477-11	s ELECT 47uF 20% 16V
C538	1-124-477-11	s ELECT 47uF 20% 16V
C540	1-163-033-00	s CERAMIC, CHIP 0.022uF 50V
C541	1-163-033-00	s CERAMIC, CHIP 0.022uF 50V
C542	1-163-033-00	s CERAMIC, CHIP 0.022uF 50V
C543	1-124-477-11	s ELECT 47uF 20% 16V
C545	1-124-477-11	s ELECT 47uF 20% 16V
C546	1-163-033-00	s CERAMIC, CHIP 0.022uF 50V
C547	1-163-033-00	s CERAMIC, CHIP 0.022uF 50V
C548	1-163-033-00	s CERAMIC, CHIP 0.022uF 50V
C549	1-163-125-00	s CERAMIC, CHIP 220PF 5% 50V
C550	1-163-125-00	s CERAMIC, CHIP 220PF 5% 50V
C551	1-163-009-11	s CERAMIC, CHIP 0.001uF 10% 50V
C600	1-164-004-11	s CERAMIC 0.1uF 10% 25V
C603	1-164-004-11	s CERAMIC 0.1uF 10% 25V
C604	1-163-009-11	s CERAMIC, CHIP 0.001uF 10% 50V
C605	1-163-033-00	s CERAMIC, CHIP 0.022uF 50V
C606	1-163-033-00	s CERAMIC, CHIP 0.022uF 50V
C607	1-163-033-00	s CERAMIC, CHIP 0.022uF 50V
C608	1-163-251-11	s CERAMIC, CHIP 100PF 5% 50V
C609	1-163-251-11	s CERAMIC, CHIP 100PF 5% 50V
C610	1-163-033-00	s CERAMIC, CHIP 0.022uF 50V
C611	1-163-037-11	s CERAMIC, CHIP 0.022uF 10% 25V
C612	1-163-809-11	s CERAMIC, CHIP 0.047uF 10% 25V
C614	1-163-033-00	s CERAMIC, CHIP 0.022uF 50V
C615	1-124-907-11	s ELECT 10uF 20% 50V
C616	1-163-033-00	s CERAMIC, CHIP 0.022uF 50V
C617	1-126-962-11	s ELECT 3.3uF 20% 50V
C618	1-126-962-11	s ELECT 3.3uF 20% 50V
C620	1-163-033-00	s CERAMIC, CHIP 0.022uF 50V
C621	1-124-925-11	s ELECT 2.2uF 20% 50V
C622	1-124-907-11	s ELECT 10uF 20% 50V
C623	1-163-125-00	s CERAMIC, CHIP 220PF 5% 50V
C624	1-163-033-00	s CERAMIC, CHIP 0.022uF 50V
C625	1-163-033-00	s CERAMIC, CHIP 0.022uF 50V
C626	1-163-033-00	s CERAMIC, CHIP 0.022uF 50V
C627	1-163-033-00	s CERAMIC, CHIP 0.022uF 50V
C628	1-163-033-00	s CERAMIC, CHIP 0.022uF 50V
C629	1-163-009-11	s CERAMIC, CHIP 0.001uF 10% 50V
C700	1-124-903-11	s ELECT 1uF 20% 50V
C701	1-163-033-00	s CERAMIC, CHIP 0.022uF 50V
C702	1-124-477-11	s ELECT 47uF 20% 16V
C703	1-124-477-11	s ELECT 47uF 20% 16V
C704	1-163-239-11	s CERAMIC, CHIP 33PF 5% 50V

(TBC-18P BOARD)

Ref. No. or Q'ty	Part No.	SPDescription
C705	1-124-903-11	s ELECT 1uF 20% 50V
C706	1-163-235-11	s CERAMIC, CHIP 22PF 5% 50V
C707	1-163-125-00	s CERAMIC, CHIP 220PF 5% 50V
C708	1-163-037-11	s CERAMIC, CHIP 0.022uF 10% 25V
C709	1-124-477-11	s ELECT 47uF 20% 16V
C710	1-163-037-11	s CERAMIC, CHIP 0.022uF 10% 25V
C711	1-163-239-11	s CERAMIC, CHIP 33PF 5% 50V
C712	1-163-125-00	s CERAMIC, CHIP 220PF 5% 50V
C713	1-163-033-00	s CERAMIC, CHIP 0.022uF 50V
C714	1-163-033-00	s CERAMIC, CHIP 0.022uF 50V
C715	1-163-033-00	s CERAMIC, CHIP 0.022uF 50V
C716	1-164-004-11	s CERAMIC 0.1uF 10% 25V
C717	1-124-477-11	s ELECT 47uF 20% 16V
C718	1-163-033-00	s CERAMIC, CHIP 0.022uF 50V
C719	1-163-033-00	s CERAMIC, CHIP 0.022uF 50V
C720	1-163-033-00	s CERAMIC, CHIP 0.022uF 50V
C721	1-163-033-00	s CERAMIC, CHIP 0.022uF 50V
C722	1-124-903-11	s ELECT 1uF 20% 50V
C723	1-124-477-11	s ELECT 47uF 20% 16V
C724	1-124-477-11	s ELECT 47uF 20% 16V
C725	1-163-033-00	s CERAMIC, CHIP 0.022uF 50V
C726	1-163-033-00	s CERAMIC, CHIP 0.022uF 50V
C727	1-163-809-11	s CERAMIC, CHIP 0.047uF 10% 25V
C728	1-130-489-00	s MYLAR 0.033uF 5% 50V
C729	1-163-033-00	s CERAMIC, CHIP 0.022uF 50V
C730	1-163-235-11	s CERAMIC, CHIP 22PF 5% 50V
C731	1-163-033-00	s CERAMIC, CHIP 0.022uF 50V
C732	1-124-477-11	s ELECT 47uF 20% 16V
C733	1-124-907-11	s ELECT 10uF 20% 50V
C734	1-124-907-11	s ELECT 10uF 20% 50V
C735	1-163-033-00	s CERAMIC, CHIP 0.022uF 50V
C736	1-163-033-00	s CERAMIC, CHIP 0.022uF 50V
C737	1-124-477-11	s ELECT 47uF 20% 16V
C738	1-163-033-00	s CERAMIC, CHIP 0.022uF 50V
C739	1-163-125-00	s CERAMIC, CHIP 220PF 5% 50V
C740	1-163-033-00	s CERAMIC, CHIP 0.022uF 50V
C741	1-163-251-11	s CERAMIC, CHIP 100PF 5% 50V
C742	1-164-004-11	s CERAMIC 0.1uF 10% 25V
C743	1-163-033-00	s CERAMIC, CHIP 0.022uF 50V
C744	1-164-004-11	s CERAMIC 0.1uF 10% 25V
C745	1-164-004-11	s CERAMIC 0.1uF 10% 25V
C746	1-163-121-00	s CERAMIC, CHIP 150PF 5% 50V
C747	1-163-033-00	s CERAMIC, CHIP 0.022uF 50V
C748	1-163-033-00	s CERAMIC, CHIP 0.022uF 50V
C749	1-163-033-00	s CERAMIC, CHIP 0.022uF 50V
C750	1-163-009-11	s CERAMIC, CHIP 0.001uF 10% 50V
C751	1-131-347-00	s TANTALUM 1uF 10% 35V
C752	1-163-033-00	s CERAMIC, CHIP 0.022uF 50V
C753	1-163-033-00	s CERAMIC, CHIP 0.022uF 50V
C754	1-163-033-00	s CERAMIC, CHIP 0.022uF 50V
C755	1-164-004-11	s CERAMIC 0.1uF 10% 25V
C756	1-124-477-11	s ELECT 47uF 20% 16V
C757	1-131-363-00	s TANTALUM 4.7uF 10% 15V
C763	1-163-033-00	s CERAMIC, CHIP 0.022uF 50V
C766	1-124-477-11	s ELECT 47uF 20% 16V
C769	1-163-033-00	s CERAMIC, CHIP 0.022uF 50V
C770	1-163-033-00	s CERAMIC, CHIP 0.022uF 50V
C771	1-163-033-00	s CERAMIC, CHIP 0.022uF 50V
C772	1-163-251-11	s CERAMIC, CHIP 100PF 5% 50V

(TBC-18P BOARD)

Ref. No. or Q'ty	Part No.	SPDescription
C773	1-163-033-00	s CERAMIC, CHIP 0.022uF 50V
C774	1-164-004-11	s CERAMIC 0.1uF 10% 25V
C775	1-164-004-11	s CERAMIC 0.1uF 10% 25V
C778	1-163-033-00	s CERAMIC, CHIP 0.022uF 50V
C779	1-163-033-00	s CERAMIC, CHIP 0.022uF 50V
C780	1-164-004-11	s CERAMIC 0.1uF 10% 25V
C781	1-164-004-11	s CERAMIC 0.1uF 10% 25V
C782	1-163-033-00	s CERAMIC, CHIP 0.022uF 50V
C783	1-163-033-00	s CERAMIC, CHIP 0.022uF 50V
C784	1-163-033-00	s CERAMIC, CHIP 0.022uF 50V
C785	1-163-033-00	s CERAMIC, CHIP 0.022uF 50V
C786	1-124-477-11	s ELECT 47uF 20% 16V
C788	1-163-037-11	s CERAMIC, CHIP 0.022uF 10% 25V
C789	1-163-037-11	s CERAMIC, CHIP 0.022uF 10% 25V
C790	1-124-477-11	s ELECT 47uF 20% 16V
C791	1-163-037-11	s CERAMIC, CHIP 0.022uF 10% 25V
C793	1-163-033-00	s CERAMIC, CHIP 0.022uF 50V
C794	1-163-033-00	s CERAMIC, CHIP 0.022uF 50V
C795	1-163-033-00	s CERAMIC, CHIP 0.022uF 50V
C796	1-163-235-11	s CERAMIC, CHIP 22PF 5% 50V
C797	1-163-033-00	s CERAMIC, CHIP 0.022uF 50V
C798	1-163-033-00	s CERAMIC, CHIP 0.022uF 50V
C799	1-163-033-00	s CERAMIC, CHIP 0.022uF 50V
C800	1-163-033-00	s CERAMIC, CHIP 0.022uF 50V
C801	1-163-033-00	s CERAMIC, CHIP 0.022uF 50V
C802	1-124-477-11	s ELECT 47uF 20% 16V
C803	1-163-033-00	s CERAMIC, CHIP 0.022uF 50V
C804	1-124-477-11	s ELECT 47uF 20% 16V
C805	1-124-477-11	s ELECT 47uF 20% 16V
C806	1-124-477-11	s ELECT 47uF 20% 16V
C807	1-124-903-11	s ELECT 1uF 20% 50V
C809	1-164-004-11	s CERAMIC 0.1uF 10% 25V
C810	1-164-232-11	s CERAMIC 0.01uF 10% 50V
C811	1-164-232-11	s CERAMIC 0.01uF 10% 50V
C815	1-163-033-00	s CERAMIC, CHIP 0.022uF 50V
C816	1-124-477-11	s ELECT 47uF 20% 16V
C819	1-163-251-11	s CERAMIC, CHIP 100PF 5% 50V
C820	1-163-125-00	s CERAMIC, CHIP 220PF 5% 50V
C871	1-124-903-11	s ELECT 1uF 20% 50V
CN1	1-564-005-11	o CONNECTOR 6P, MALE
CN2	1-564-005-11	o CONNECTOR 6P, MALE
CN105	1-573-600-21	s CONNECTOR, PHEC 100P, MALE
CN106	1-573-600-21	s CONNECTOR, PHEC 100P, MALE
CP700	1-760-268-11	s VCO, CRYSTAL 17.734475MHz
CP701	1-760-265-11	s VCO, CRYSTAL 13.5MHz
D1	8-719-941-04	s DIODE SB007-03CP
D2	8-719-941-04	s DIODE SB007-03CP
D3	8-719-941-04	s DIODE SB007-03CP
D4	8-719-941-04	s DIODE SB007-03CP
D100	8-719-941-23	s DIODE DA204U
D101	8-719-123-85	s DIODE 1SS304
D200	8-719-941-23	s DIODE DA204U
D300	8-719-123-82	s DIODE 1SS303
D301	8-719-941-23	s DIODE DA204U
D302	8-719-915-30	s DIODE VARICAP FC53M
D303	8-719-915-30	s DIODE VARICAP FC53M
D305	8-719-123-82	s DIODE 1SS303
D306	8-719-105-38	s DIODE RD3.0M-B1

(TBC-18P BOARD)

Ref. No. or Q'ty	Part No.	SPDescription
D307	8-719-123-82	s DIODE 1SS303
D308	8-719-123-85	s DIODE 1SS304
D309	8-719-123-82	s DIODE 1SS303
D402	8-719-941-23	s DIODE DA204U
D403	8-719-915-30	s DIODE VARICAP FC53M
D404	8-719-915-30	s DIODE VARICAP FC53M
D406	8-719-123-82	s DIODE 1SS303
D407	8-719-105-38	s DIODE RD3.0M-B1
D408	8-719-123-82	s DIODE 1SS303
D500	8-719-123-85	s DIODE 1SS304
D501	8-719-123-82	s DIODE 1SS303
D502	8-719-123-82	s DIODE 1SS303
D503	8-719-123-82	s DIODE 1SS303
D504	8-719-123-82	s DIODE 1SS303
D506	8-719-123-82	s DIODE 1SS303
D600	8-719-123-82	s DIODE 1SS303
D601	8-719-123-82	s DIODE 1SS303
D602	8-719-123-82	s DIODE 1SS303
D700	8-719-123-82	s DIODE 1SS303
D701	8-719-123-82	s DIODE 1SS303
D702	8-719-123-82	s DIODE 1SS303
D706	8-719-123-82	s DIODE 1SS303
FL1	1-236-129-11	s ENCAPSULATED COMPONENT
FL2	1-236-129-11	s ENCAPSULATED COMPONENT
FL3	1-236-129-11	s ENCAPSULATED COMPONENT
FL500	1-239-134-21	s FILTER, LOW PASS
FL501	1-239-136-21	s FILTER, LOW PASS
FL502	1-239-136-21	s FILTER, LOW PASS
FL600	1-236-091-11	s FILTER, LOW PASS
FL700	1-236-091-11	s FILTER, LOW PASS
IC1	8-759-701-84	s IC NJM7905FA
IC2	8-759-701-75	s IC NJM7805FA
IC3	8-759-701-75	s IC NJM7805FA
IC4	8-759-701-75	s IC NJM7805FA
IC5	8-759-701-84	s IC NJM7905FA
IC6	8-759-168-20	s IC NJM78L09A
IC7	8-759-168-20	s IC NJM78L09A
IC8	8-759-708-05	s IC NJM78L05A
IC9	8-759-708-05	s IC NJM78L05A
IC100	8-759-030-74	s IC SC14S66FER
IC102	8-759-908-17	s IC TL082CPS
IC103	8-759-908-15	s IC TL431CLP
IC104	8-752-334-55	s IC CXD1175AM
IC105	8-759-702-08	s IC NJM360M
IC200	8-759-030-74	s IC SC14S66FER
IC201	8-759-908-17	s IC TL082CPS
IC203	8-759-908-15	s IC TL431CLP
IC204	8-752-334-55	s IC CXD1175AM
IC300	8-759-700-43	s IC NJM4558M
IC301	8-752-339-03	s IC CXD2207Q
IC302	8-759-700-43	s IC NJM4558M
IC303	8-759-907-81	s IC SN74LS221NS
IC304	8-759-941-17	s IC SN74LS06NS
IC305	8-759-908-17	s IC TL082CPS
IC306	8-759-030-74	s IC SC14S66FER
IC307	8-759-973-82	s IC TLC549IPS
IC308	8-759-991-85	s IC 74F00SJK
IC309	8-759-711-52	s IC NJU8001M

(TBC-18P BOARD)

Ref. No. or Q'ty	Part No.	SPDescription
IC310	8-759-700-43	s IC NJM4558M
IC311	8-759-700-43	s IC NJM4558M
IC312	8-759-941-27	s IC MB4002PF
IC313	8-759-702-08	s IC NJM360M
IC401	8-759-700-43	s IC NJM4558M
IC402	8-752-339-03	s IC CXD2207Q
IC403	8-759-907-81	s IC SN74LS221NS
IC404	8-759-941-17	s IC SN74LS06NS
IC405	8-759-908-17	s IC TL082CPS
IC406	8-759-030-74	s IC SC14S66FER
IC407	8-759-973-82	s IC TLC549IPS
IC408	8-759-991-85	s IC 74F00SJX
IC409	8-759-711-52	s IC NJU8001M
IC410	8-759-700-43	s IC NJM4558M
IC411	8-759-030-74	s IC SC14S66FEL
IC412	8-759-926-24	s IC SN74HC164ANS
IC413	8-759-700-43	s IC NJM4558M
IC414	8-759-941-27	s IC MB4002PF
IC415	8-759-702-08	s IC NJM360M
IC500	8-759-930-50	s IC SN74LS157NS
IC501	8-759-055-71	s IC CXD8313Q
IC502	8-759-055-71	s IC CXD8313Q
IC503	8-752-340-75	s IC CXK1206AM
IC504	8-752-340-75	s IC CXK1206AM
IC505	8-752-340-75	s IC CXK1206AM
IC506	8-752-340-75	s IC CXK1206AM
IC507	8-752-341-32	s IC CXD2209Q
IC508	8-759-513-78	s IC CXD8160Q
IC509	8-759-300-71	s IC HD14053BFP
IC510	8-759-700-43	s IC NJM4558M
IC511	8-759-700-43	s IC NJM4558M
IC512	8-759-700-43	s IC NJM4558M
IC513	8-752-352-34	s IC CXD1171M-1
IC514	8-752-052-77	s IC CXA1450M
IC515	8-752-352-34	s IC CXD1171M-1
IC516	8-752-352-34	s IC CXD1171M-1
IC517	8-752-340-57	s IC CXK1203Q
IC518	8-752-340-57	s IC CXK1203Q
IC601	8-752-334-64	s IC CXD1171M
IC602	8-759-702-08	s IC NJM360M
IC603	8-759-239-23	s IC TC74HC86AF
IC605	8-752-306-51	s IC CX23065A
IC607	8-759-030-74	s IC SC14S66FEL
IC608	8-759-908-17	s IC TL082CPS
IC609	8-759-100-93	s IC UPC393G2
IC610	8-759-239-55	s IC TC74HC123AF
IC611	8-759-925-90	s IC SN74HC74ANS
IC612	8-759-925-90	s IC SN74HC74ANS
IC613	8-759-925-72	s IC SN74HC02ANS
IC700	8-759-300-71	s IC HD14053BFP
IC701	8-759-925-74	s IC SN74HC04ANS
IC702	8-759-908-15	s IC TL431CLP
IC703	8-759-009-05	s IC MC14051BF
IC704	8-752-052-73	s IC CXA1451M
IC705	8-759-700-43	s IC NJM4558M
IC707	8-759-908-17	s IC TL082CPS
IC709	8-759-908-17	s IC TL082CPS
IC710	8-759-105-49	s IC UPC319G2
IC711	8-759-702-08	s IC NJM360M

(TBC-18P BOARD)

Ref. No. or Q'ty	Part No.	SPDescription
IC712	8-759-700-43	s IC NJM4558M
IC713	8-759-908-15	s IC TL431CLP
IC714	8-759-239-55	s IC TC74HC123AF
IC715	8-759-250-81	s IC TC5081AP
IC716	8-759-300-71	s IC HD14053BFP
IC717	8-759-041-53	s IC MC68HC05N4-SC406682
IC718	8-752-335-47	s IC CXD1216M
IC719	8-759-925-90	s IC SN74HC74ANS
IC720	8-759-239-55	s IC TC74HC123AF
IC721	8-759-926-35	s IC SN74HC191NS
IC722	8-759-519-49	s IC CXD8165Q
IC723	8-752-334-64	s IC CXD1171M
IC724	8-752-334-64	s IC CXD1171M
IC725	8-759-702-08	s IC NJM360M
IC726	8-759-300-71	s IC FD14053BFP
IC727	8-752-052-77	s IC CXA1450M
IC728	8-759-980-04	s IC LM311PS
IC729	8-752-052-77	s IC CXA1450M
IC800	8-759-925-76	s IC SN74HC08ANS
IC801	8-759-031-84	s IC TC7S04F
IC802	8-759-031-84	s IC TC7S04F
L1	1-412-533-21	s INDUCTOR 47uH
L2	1-412-533-21	s INDUCTOR 47uH
L3	1-412-533-21	s INDUCTOR 47uH
Q404	8-729-117-32	s TRANSISTOR 2SC4177
Q405	8-729-117-32	s TRANSISTOR 2SC4177
Q406	8-729-117-32	s TRANSISTOR 2SC4177
Q407	8-729-140-63	s TRANSISTOR 2SA1611-M5M6
Q408	8-729-117-32	s TRANSISTOR 2SC4177
Q428	8-729-140-47	s TRANSISTOR 2SC3735-E34
Q500	8-729-117-32	s TRANSISTOR 2SC4177
Q501	8-729-140-63	s TRANSISTOR 2SA1611-M5M6
Q502	8-729-117-32	s TRANSISTOR 2SC4177
Q503	8-729-117-32	s TRANSISTOR 2SC4177
Q600	8-729-905-18	s TRANSISTOR DTC144EU
Q601	8-729-905-18	s TRANSISTOR DTC144EU
Q602	8-729-905-18	s TRANSISTOR DTC144EU
Q700	8-729-117-32	s TRANSISTOR 2SC4177
Q702	8-729-117-32	s TRANSISTOR 2SC4177
Q703	8-729-140-63	s TRANSISTOR 2SA1611-M5M6
Q704	8-729-118-56	s TRANSISTOR 2SK852-X2
Q705	8-729-118-56	s TRANSISTOR 2SK852-X2
Q706	8-729-117-32	s TRANSISTOR 2SC4177
Q707	8-729-117-32	s TRANSISTOR 2SC4177
Q708	8-729-117-32	s TRANSISTOR 2SC4177
Q709	8-729-117-32	s TRANSISTOR 2SC4177
Q714	8-729-117-32	s TRANSISTOR 2SC4177
Q715	8-729-117-32	s TRANSISTOR 2SC4177
Q717	8-729-117-32	s TRANSISTOR 2SC4177
Q718	8-729-117-32	s TRANSISTOR 2SC4177
Q719	8-729-117-32	s TRANSISTOR 2SC4177
R100	1-216-638-11	s METAL, CHIP 300 0.5% 1/10W
R101	1-216-025-00	s METAL, CHIP 100 5% 1/10W
R103	1-216-041-00	s METAL, CHIP 470 5% 1/10W
R104	1-216-629-11	s METAL, CHIP 120 0.5% 1/10W
R105	1-216-049-00	s METAL, CHIP 1K 5% 1/10W
R106	1-216-652-11	s METAL, CHIP 1.1K 0.5% 1/10W

(TBC-18P BOARD)

Ref. No. or Q'ty	Part No.	SPDescription
R107	1-216-652-11 s	METAL, CHIP 1.1K 0.5% 1/10W
R108	1-216-057-00 s	METAL, CHIP 2.2K 5% 1/10W
R109	1-216-025-00 s	METAL, CHIP 100 5% 1/10W
R111	1-216-669-11 s	METAL, CHIP 5.6K 0.5% 1/10W
R112	1-216-049-00 s	METAL, CHIP 1K 5% 1/10W
R113	1-216-017-00 s	METAL, CHIP 47 5% 1/10W
R114	1-216-073-00 s	METAL, CHIP 10K 5% 1/10W
R115	1-216-097-00 s	METAL, CHIP 100K 5% 1/10W
R124	1-216-025-00 s	METAL, CHIP 100 5% 1/10W
R126	1-216-049-00 s	METAL, CHIP 1K 5% 1/10W
R127	1-216-049-00 s	METAL, CHIP 1K 5% 1/10W
R128	1-216-695-11 s	METAL, CHIP 68K 0.5% 1/10W
R129	1-216-659-11 s	METAL, CHIP 2.2K 0.5% 1/10W
R130	1-216-017-00 s	METAL, CHIP 47 5% 1/10W
R131	1-216-295-00 s	METAL, CHIP 0 5% 1/10W
R132	1-216-073-00 s	METAL, CHIP 10K 5% 1/10W
R133	1-216-073-00 s	METAL, CHIP 10K 5% 1/10W
R134	1-216-037-00 s	METAL, CHIP 330 5% 1/10W
R200	1-216-638-11 s	METAL, CHIP 300 0.5% 1/10W
R201	1-216-025-00 s	METAL, CHIP 100 5% 1/10W
R203	1-216-041-00 s	METAL, CHIP 470 5% 1/10W
R204	1-216-635-11 s	METAL, CHIP 220 0.5% 1/10W
R205	1-216-049-00 s	METAL, CHIP 1K 5% 1/10W
R206	1-216-652-11 s	METAL, CHIP 1.1K 0.5% 1/10W
R207	1-216-652-11 s	METAL, CHIP 1.1K 0.5% 1/10W
R208	1-216-057-00 s	METAL, CHIP 2.2K 5% 1/10W
R209	1-216-025-00 s	METAL, CHIP 100 5% 1/10W
R210	1-216-085-00 s	METAL, CHIP 33K 5% 1/10W
R211	1-216-073-00 s	METAL, CHIP 10K 5% 1/10W
R212	1-216-049-00 s	METAL, CHIP 1K 5% 1/10W
R213	1-216-017-00 s	METAL, CHIP 47 5% 1/10W
R214	1-216-073-00 s	METAL, CHIP 10K 5% 1/10W
R215	1-216-097-00 s	METAL, CHIP 100K 5% 1/10W
R224	1-216-025-00 s	METAL, CHIP 100 5% 1/10W
R225	1-216-659-11 s	METAL, CHIP 2.2K 0.5% 1/10W
R226	1-216-017-00 s	METAL, CHIP 47 5% 1/10W
R227	1-216-295-00 s	METAL, CHIP 0 5% 1/10W
R228	1-216-073-00 s	METAL, CHIP 10K 5% 1/10W
R300	1-216-057-00 s	METAL, CHIP 2.2K 5% 1/10W
R301	1-216-675-11 s	METAL, CHIP 10K 0.5% 1/10W
R302	1-216-669-11 s	METAL, CHIP 5.6K 0.5% 1/10W
R303	1-216-041-00 s	METAL, CHIP 470 5% 1/10W
R305	1-216-065-00 s	METAL, CHIP 4.7K 5% 1/10W
R306	1-216-117-00 s	METAL, CHIP 680K 5% 1/10W
R307	1-216-049-00 s	METAL, CHIP 1K 5% 1/10W
R308	1-216-059-00 s	METAL, CHIP 2.7K 5% 1/10W
R309	1-216-025-00 s	METAL, CHIP 100 5% 1/10W
R310	1-216-057-00 s	METAL, CHIP 2.2K 5% 1/10W
R311	1-216-085-00 s	METAL, CHIP 33K 5% 1/10W
R312	1-216-065-00 s	METAL, CHIP 4.7K 5% 1/10W
R313	1-216-049-00 s	METAL, CHIP 1K 5% 1/10W
R314	1-216-061-00 s	METAL, CHIP 3.3K 5% 1/10W
R317	1-216-061-00 s	METAL, CHIP 3.3K 5% 1/10W
R318	1-216-121-00 s	METAL, CHIP 1M 5% 1/10W
R319	1-216-017-00 s	METAL, CHIP 47 5% 1/10W
R320	1-216-695-11 s	METAL, CHIP 68K 0.5% 1/10W
R321	1-216-675-11 s	METAL, CHIP 10K 0.5% 1/10W
R323	1-216-051-00 s	METAL, CHIP 1.2K 5% 1/10W
R325	1-216-668-11 s	METAL, CHIP 5.1K 0.5% 1/10W

(TBC-18P BOARD)

Ref. No. or Q'ty	Part No.	SPDescription
R326	1-216-687-11 s	METAL, CHIP 33K 0.5% 1/10W
R327	1-216-025-00 s	METAL, CHIP 100 5% 1/10W
R329	1-216-667-11 s	METAL, CHIP 4.7K 0.5% 1/10W
R330	1-216-057-00 s	METAL, CHIP 2.2K 5% 1/10W
R331	1-216-033-00 s	METAL, CHIP 220 5% 1/10W
R332	1-216-057-00 s	METAL, CHIP 2.2K 5% 1/10W
R333	1-216-049-00 s	METAL, CHIP 1K 5% 1/10W
R334	1-216-661-11 s	METAL, CHIP 2.7K 0.5% 1/10W
R337	1-216-065-00 s	METAL, CHIP 4.7K 5% 1/10W
R338	1-216-059-00 s	METAL, CHIP 2.7K 5% 1/10W
R339	1-216-049-00 s	METAL, CHIP 1K 5% 1/10W
R340	1-216-049-00 s	METAL, CHIP 1K 5% 1/10W
R341	1-216-089-00 s	METAL, CHIP 47K 5% 1/10W
R342	1-216-069-00 s	METAL, CHIP 6.8K 5% 1/10W
R343	1-216-085-00 s	METAL, CHIP 33K 5% 1/10W
R344	1-216-085-00 s	METAL, CHIP 33K 5% 1/10W
R345	1-208-789-11 s	METAL, CHIP 2K 0.50% 1/10W
R346	1-216-675-11 s	METAL, CHIP 10K 0.5% 1/10W
R347	1-216-081-00 s	METAL, CHIP 22K 5% 1/10W
R348	1-216-085-00 s	METAL, CHIP 33K 5% 1/10W
R349	1-216-081-00 s	METAL, CHIP 22K 5% 1/10W
R350	1-216-097-00 s	METAL, CHIP 100K 5% 1/10W
R351	1-216-057-00 s	METAL, CHIP 2.2K 5% 1/10W
R352	1-216-057-00 s	METAL, CHIP 2.2K 5% 1/10W
R353	1-216-057-00 s	METAL, CHIP 2.2K 5% 1/10W
R354	1-216-085-00 s	METAL, CHIP 33K 5% 1/10W
R355	1-216-073-00 s	METAL, CHIP 10K 5% 1/10W
R356	1-216-061-00 s	METAL, CHIP 3.3K 5% 1/10W
R357	1-216-061-00 s	METAL, CHIP 3.3K 5% 1/10W
R358	1-216-081-00 s	METAL, CHIP 22K 5% 1/10W
R359	1-216-049-00 s	METAL, CHIP 1K 5% 1/10W
R362	1-216-109-00 s	METAL, CHIP 330K 5% 1/10W
R363	1-216-057-00 s	METAL, CHIP 2.2K 5% 1/10W
R364	1-216-695-11 s	METAL, CHIP 68K 0.5% 1/10W
R365	1-216-025-00 s	METAL, CHIP 100 5% 1/10W
R366	1-216-081-00 s	METAL, CHIP 22K 5% 1/10W
R367	1-216-081-00 s	METAL, CHIP 22K 5% 1/10W
R368	1-216-049-00 s	METAL, CHIP 1K 5% 1/10W
R369	1-216-089-00 s	METAL, CHIP 47K 5% 1/10W
R370	1-216-037-00 s	METAL, CHIP 330 5% 1/10W
R371	1-216-073-00 s	METAL, CHIP 10K 5% 1/10W
R372	1-216-041-00 s	METAL, CHIP 470 5% 1/10W
R373	1-216-041-00 s	METAL, CHIP 470 5% 1/10W
R374	1-216-295-00 s	METAL, CHIP 0 5% 1/10W
R375	1-216-033-00 s	METAL, CHIP 220 5% 1/10W
R376	1-216-033-00 s	METAL, CHIP 220 5% 1/10W
R377	1-216-061-00 s	METAL, CHIP 3.3K 5% 1/10W
R378	1-216-097-00 s	METAL, CHIP 100K 5% 1/10W
R380	1-216-073-00 s	METAL, CHIP 10K 5% 1/10W
R381	1-216-097-00 s	METAL, CHIP 100K 5% 1/10W
R382	1-216-057-00 s	METAL, CHIP 2.2K 5% 1/10W
R383	1-216-041-00 s	METAL, CHIP 470 5% 1/10W
R384	1-216-049-00 s	METAL, CHIP 1K 5% 1/10W
R385	1-216-659-11 s	METAL, CHIP 2.2K 0.5% 1/10W
R386	1-216-667-11 s	METAL, CHIP 4.7K 0.5% 1/10W
R387	1-216-025-00 s	METAL, CHIP 100 5% 1/10W
R388	1-216-659-11 s	METAL, CHIP 2.2K 0.5% 1/10W
R389	1-216-073-00 s	METAL, CHIP 10K 5% 1/10W
R391	1-216-017-00 s	METAL, CHIP 47 5% 1/10W

(TBC-18P BOARD)

Ref. No. or Q'ty	Part No.	SPDescription
R392	1-216-017-00	s METAL, CHIP 47 5% 1/10W
R393	1-216-017-00	s METAL, CHIP 47 5% 1/10W
R394	1-216-017-00	s METAL, CHIP 47 5% 1/10W
R395	1-216-033-00	s METAL, CHIP 220 5% 1/10W
R396	1-216-033-00	s METAL, CHIP 220 5% 1/10W
R397	1-216-033-00	s METAL, CHIP 220 5% 1/10W
R403	1-216-033-00	s METAL, CHIP 220 5% 1/10W
R404	1-216-057-00	s METAL, CHIP 2.2K 5% 1/10W
R405	1-216-057-00	s METAL, CHIP 2.2K 5% 1/10W
R407	1-216-041-00	s METAL, CHIP 470 5% 1/10W
R409	1-216-675-11	s METAL, CHIP 10K 0.5% 1/10W
R410	1-216-675-11	s METAL, CHIP 10K 0.5% 1/10W
R411	1-216-065-00	s METAL, CHIP 4.7K 5% 1/10W
R412	1-216-117-00	s METAL, CHIP 680K 5% 1/10W
R413	1-216-081-00	s METAL, CHIP 22K 5% 1/10W
R414	1-216-089-00	s METAL, CHIP 47K 5% 1/10W
R415	1-216-633-11	s METAL, CHIP 180 0.5% 1/10W
R416	1-216-624-11	s METAL, CHIP 75 0.5% 1/10W
R417	1-216-657-11	s METAL, CHIP 1.8K 0.5% 1/10W
R418	1-216-085-00	s METAL, CHIP 33K 5% 1/10W
R419	1-216-065-00	s METAL, CHIP 4.7K 5% 1/10W
R421	1-216-073-00	s METAL, CHIP 10K 5% 1/10W
R422	1-216-085-00	s METAL, CHIP 33K 5% 1/10W
R425	1-216-687-11	s METAL, CHIP 33K 0.5% 1/10W
R426	1-216-121-00	s METAL, CHIP 1M 5% 1/10W
R427	1-216-017-00	s METAL, CHIP 47 5% 1/10W
R428	1-216-675-11	s METAL, CHIP 10K 0.5% 1/10W
R429	1-216-667-11	s METAL, CHIP 4.7K 0.5% 1/10W
R430	1-208-803-11	s METAL, 7.5K 0.50% 1/10W
R431	1-216-049-00	s METAL, CHIP 1K 5% 1/10W
R434	1-216-049-00	s METAL, CHIP 1K 5% 1/10W
R435	1-216-065-00	s METAL, CHIP 4.7K 5% 1/10W
R436	1-216-049-00	s METAL, CHIP 1K 5% 1/10W
R438	1-216-025-00	s METAL, CHIP 100 5% 1/10W
R440	1-216-057-00	s METAL, CHIP 2.2K 5% 1/10W
R442	1-216-049-00	s METAL, CHIP 1K 5% 1/10W
R443	1-216-661-11	s METAL, CHIP 2.7K 0.5% 1/10W
R447	1-216-059-00	s METAL, CHIP 2.7K 5% 1/10W
R448	1-216-049-00	s METAL, CHIP 1K 5% 1/10W
R450	1-216-081-00	s METAL, CHIP 22K 5% 1/10W
R452	1-216-085-00	s METAL, CHIP 33K 5% 1/10W
R453	1-216-085-00	s METAL, CHIP 33K 5% 1/10W
R454	1-208-789-11	s METAL, 2K 0.50% 1/10W
R455	1-216-675-11	s METAL, CHIP 10K 0.5% 1/10W
R456	1-216-081-00	s METAL, CHIP 22K 5% 1/10W
R457	1-216-085-00	s METAL, CHIP 33K 5% 1/10W
R458	1-216-097-00	s METAL, CHIP 100K 5% 1/10W
R459	1-216-057-00	s METAL, CHIP 2.2K 5% 1/10W
R460	1-216-057-00	s METAL, CHIP 2.2K 5% 1/10W
R461	1-216-057-00	s METAL, CHIP 2.2K 5% 1/10W
R462	1-216-073-00	s METAL, CHIP 10K 5% 1/10W
R463	1-216-061-00	s METAL, CHIP 3.3K 5% 1/10W
R464	1-216-081-00	s METAL, CHIP 22K 5% 1/10W
R467	1-216-109-00	s METAL, CHIP 330K 5% 1/10W
R468	1-216-057-00	s METAL, CHIP 2.2K 5% 1/10W
R470	1-216-061-00	s METAL, CHIP 3.3K 5% 1/10W
R471	1-216-037-00	s METAL, CHIP 330 5% 1/10W
R472	1-216-073-00	s METAL, CHIP 10K 5% 1/10W
R473	1-216-041-00	s METAL, CHIP 470 5% 1/10W

(TBC-18P BOARD)

Ref. No. or Q'ty	Part No.	SPDescription
R474	1-216-041-00	s METAL, CHIP 470 5% 1/10W
R475	1-216-659-11	s METAL, CHIP 2.2K 0.5% 1/10W
R476	1-216-667-11	s METAL, CHIP 4.7K 0.5% 1/10W
R477	1-216-025-00	s METAL, CHIP 100 5% 1/10W
R478	1-216-659-11	s METAL, CHIP 2.2K 0.5% 1/10W
R479	1-216-097-00	s METAL, CHIP 100K 5% 1/10W
R481	1-216-073-00	s METAL, CHIP 10K 5% 1/10W
R482	1-216-097-00	s METAL, CHIP 100K 5% 1/10W
R483	1-216-057-00	s METAL, CHIP 2.2K 5% 1/10W
R484	1-216-295-00	s METAL, CHIP 0 5% 1/10W
R485	1-216-049-00	s METAL, CHIP 1K 5% 1/10W
R486	1-216-699-11	s METAL, CHIP 100K 0.5% 1/10W
R487	1-216-073-00	s METAL, CHIP 10K 5% 1/10W
R488	1-216-033-00	s METAL, CHIP 220 5% 1/10W
R489	1-216-033-00	s METAL, CHIP 220 5% 1/10W
R491	1-216-017-00	s METAL, CHIP 47 5% 1/10W
R492	1-216-017-00	s METAL, CHIP 47 5% 1/10W
R493	1-216-017-00	s METAL, CHIP 47 5% 1/10W
R494	1-216-033-00	s METAL, CHIP 220 5% 1/10W
R495	1-216-033-00	s METAL, CHIP 220 5% 1/10W
R496	1-216-033-00	s METAL, CHIP 220 5% 1/10W
R497	1-216-049-00	s METAL, CHIP 1K 5% 1/10W
R498	1-216-089-00	s METAL, CHIP 47K 5% 1/10W
R500	1-216-057-00	s METAL, CHIP 2.2K 5% 1/10W
R501	1-216-057-00	s METAL, CHIP 2.2K 5% 1/10W
R502	1-216-057-00	s METAL, CHIP 2.2K 5% 1/10W
R503	1-216-057-00	s METAL, CHIP 2.2K 5% 1/10W
R504	1-216-057-00	s METAL, CHIP 2.2K 5% 1/10W
R505	1-216-057-00	s METAL, CHIP 2.2K 5% 1/10W
R506	1-216-057-00	s METAL, CHIP 2.2K 5% 1/10W
R507	1-216-057-00	s METAL, CHIP 2.2K 5% 1/10W
R508	1-216-057-00	s METAL, CHIP 2.2K 5% 1/10W
R509	1-216-057-00	s METAL, CHIP 2.2K 5% 1/10W
R510	1-216-295-00	s METAL, CHIP 0 5% 1/10W
R511	1-216-057-00	s METAL, CHIP 2.2K 5% 1/10W
R512	1-216-057-00	s METAL, CHIP 2.2K 5% 1/10W
R514	1-216-057-00	s METAL, CHIP 2.2K 5% 1/10W
R515	1-216-057-00	s METAL, CHIP 2.2K 5% 1/10W
R517	1-216-057-00	s METAL, CHIP 2.2K 5% 1/10W
R518	1-216-057-00	s METAL, CHIP 2.2K 5% 1/10W
R519	1-216-057-00	s METAL, CHIP 2.2K 5% 1/10W
R520	1-216-057-00	s METAL, CHIP 2.2K 5% 1/10W
R521	1-216-057-00	s METAL, CHIP 2.2K 5% 1/10W
R522	1-216-057-00	s METAL, CHIP 2.2K 5% 1/10W
R523	1-216-057-00	s METAL, CHIP 2.2K 5% 1/10W
R527	1-216-295-00	s METAL, CHIP 0 5% 1/10W
R529	1-216-678-11	s METAL, CHIP 13K 0.5% 1/10W
R530	1-216-678-11	s METAL, CHIP 13K 0.5% 1/10W
R531	1-216-659-11	s METAL, CHIP 2.2K 0.5% 1/10W
R532	1-216-659-11	s METAL, CHIP 2.2K 0.5% 1/10W
R533	1-216-661-11	s METAL, CHIP 2.7K 0.5% 1/10W
R534	1-216-661-11	s METAL, CHIP 2.7K 0.5% 1/10W
R535	1-216-675-11	s METAL, CHIP 10K 0.5% 1/10W
R536	1-216-675-11	s METAL, CHIP 10K 0.5% 1/10W
R537	1-216-679-11	s METAL, CHIP 15K 0.5% 1/10W
R538	1-216-678-11	s METAL, CHIP 13K 0.5% 1/10W
R539	1-216-679-11	s METAL, CHIP 15K 0.5% 1/10W
R540	1-216-671-11	s METAL, CHIP 6.8K 0.5% 1/10W
R541	1-216-665-11	s METAL, CHIP 3.9K 0.5% 1/10W

(TBC-18P BOARD)

Ref. No. or Q'ty	Part No.	SPDescription
R542	1-216-679-11	s METAL, CHIP 15K 0.5% 1/10W
R543	1-216-671-11	s METAL, CHIP 6.8K 0.5% 1/10W
R544	1-216-673-11	s METAL, CHIP 8.2K 0.5% 1/10W
R545	1-216-679-11	s METAL, CHIP 15K 0.5% 1/10W
R546	1-216-679-11	s METAL, CHIP 15K 0.5% 1/10W
R547	1-216-677-11	s METAL, CHIP 12K 0.5% 1/10W
R548	1-216-659-11	s METAL, CHIP 2.2K 0.5% 1/10W
R549	1-216-661-11	s METAL, CHIP 2.7K 0.5% 1/10W
R552	1-216-663-11	s METAL, CHIP 3.3K 0.5% 1/10W
R553	1-216-663-11	s METAL, CHIP 3.3K 0.5% 1/10W
R554	1-216-663-11	s METAL, CHIP 3.3K 0.5% 1/10W
R555	1-216-663-11	s METAL, CHIP 3.3K 0.5% 1/10W
R556	1-216-671-11	s METAL, CHIP 6.8K 0.5% 1/10W
R557	1-216-667-11	s METAL, CHIP 4.7K 0.5% 1/10W
R558	1-216-659-11	s METAL, CHIP 2.2K 0.5% 1/10W
R559	1-216-671-11	s METAL, CHIP 6.8K 0.5% 1/10W
R560	1-216-665-11	s METAL, CHIP 3.9K 0.5% 1/10W
R561	1-216-671-11	s METAL, CHIP 6.8K 0.5% 1/10W
R562	1-216-665-11	s METAL, CHIP 3.9K 0.5% 1/10W
R563	1-216-639-11	s METAL, CHIP 330 0.5% 1/10W
R564	1-216-645-11	s METAL, CHIP 560 0.5% 1/10W
R565	1-216-639-11	s METAL, CHIP 330 0.5% 1/10W
R566	1-216-639-11	s METAL, CHIP 330 0.5% 1/10W
R567	1-216-639-11	s METAL, CHIP 330 0.5% 1/10W
R568	1-216-639-11	s METAL, CHIP 330 0.5% 1/10W
R569	1-216-639-11	s METAL, CHIP 330 0.5% 1/10W
R570	1-216-041-00	s METAL, CHIP 470 5% 1/10W
R571	1-216-619-11	s METAL, CHIP 47 0.5% 1/10W
R572	1-216-619-11	s METAL, CHIP 47 0.5% 1/10W
R573	1-216-041-00	s METAL, CHIP 470 5% 1/10W
R574	1-216-619-11	s METAL, CHIP 47 0.5% 1/10W
R575	1-216-041-00	s METAL, CHIP 470 5% 1/10W
R576	1-216-017-00	s METAL, CHIP 47 5% 1/10W
R577	1-216-017-00	s METAL, CHIP 47 5% 1/10W
R578	1-216-017-00	s METAL, CHIP 47 5% 1/10W
R579	1-216-065-00	s METAL, CHIP 4.7K 5% 1/10W
R600	1-216-651-11	s METAL, CHIP 1K 0.5% 1/10W
R601	1-216-663-11	s METAL, CHIP 3.3K 0.5% 1/10W
R602	1-216-659-11	s METAL, CHIP 2.2K 0.5% 1/10W
R603	1-216-644-11	s METAL, CHIP 510 0.5% 1/10W
R604	1-216-644-11	s METAL, CHIP 510 0.5% 1/10W
R605	1-216-049-00	s METAL, CHIP 1K 5% 1/10W
R606	1-216-049-00	s METAL, CHIP 1K 5% 1/10W
R607	1-216-049-00	s METAL, CHIP 1K 5% 1/10W
R610	1-216-097-00	s METAL, CHIP 100K 5% 1/10W
R612	1-216-675-11	s METAL, CHIP 10K 0.5% 1/10W
R613	1-216-683-11	s METAL, CHIP 22K 0.5% 1/10W
R614	1-216-683-11	s METAL, CHIP 22K 0.5% 1/10W
R615	1-216-663-11	s METAL, CHIP 3.3K 0.5% 1/10W
R616	1-216-659-11	s METAL, CHIP 2.2K 0.5% 1/10W
R617	1-216-663-11	s METAL, CHIP 3.3K 0.5% 1/10W
R618	1-216-057-00	s METAL, CHIP 2.2K 5% 1/10W
R619	1-216-085-00	s METAL, CHIP 33K 5% 1/10W
R620	1-216-089-00	s METAL, CHIP 47K 5% 1/10W
R621	1-216-081-00	s METAL, CHIP 22K 5% 1/10W
R622	1-216-057-00	s METAL, CHIP 2.2K 5% 1/10W
R623	1-216-065-00	s METAL, CHIP 4.7K 5% 1/10W
R624	1-216-089-00	s METAL, CHIP 47K 5% 1/10W
R625	1-216-065-00	s METAL, CHIP 4.7K 5% 1/10W

(TBC-18P BOARD)

Ref. No. or Q'ty	Part No.	SPDescription
R626	1-216-065-00	s METAL, CHIP 4.7K 5% 1/10W
R627	1-216-295-00	s METAL, CHIP 0.5% 1/10W
R628	1-216-057-00	s METAL, CHIP 2.2K 5% 1/10W
R629	1-216-073-00	s METAL, CHIP 10K 5% 1/10W
R631	1-216-295-00	s METAL, CHIP 0.5% 1/10W
R632	1-216-089-00	s METAL, CHIP 47K 5% 1/10W
R700	1-216-073-00	s METAL, CHIP 10K 5% 1/10W
R701	1-216-017-00	s METAL, CHIP 47 5% 1/10W
R702	1-216-017-00	s METAL, CHIP 47 5% 1/10W
R703	1-216-049-00	s METAL, CHIP 1K 5% 1/10W
R704	1-216-057-00	s METAL, CHIP 2.2K 5% 1/10W
R705	1-216-655-11	s METAL, CHIP 1.5K 0.5% 1/10W
R712	1-216-675-11	s METAL, CHIP 10K 0.5% 1/10W
R713	1-216-041-00	s METAL, CHIP 470 5% 1/10W
R715	1-216-025-00	s METAL, CHIP 100 5% 1/10W
R716	1-216-049-00	s METAL, CHIP 1K 5% 1/10W
R717	1-216-051-00	s METAL, CHIP 1.2K 5% 1/10W
R718	1-216-651-11	s METAL, CHIP 1K 0.5% 1/10W
R719	1-216-041-00	s METAL, CHIP 470 5% 1/10W
R720	1-216-121-00	s METAL, CHIP 1M 5% 1/10W
R721	1-216-651-11	s METAL, CHIP 1K 0.5% 1/10W
R722	1-216-035-00	s METAL, CHIP 270 5% 1/10W
R723	1-216-057-00	s METAL, CHIP 2.2K 5% 1/10W
R724	1-216-051-00	s METAL, CHIP 1.2K 5% 1/10W
R725	1-216-065-00	s METAL, CHIP 4.7K 5% 1/10W
R726	1-216-035-00	s METAL, CHIP 270 5% 1/10W
R727	1-216-675-11	s METAL, CHIP 10K 0.5% 1/10W
R728	1-216-674-11	s METAL, CHIP 9.1K 0.5% 1/10W
R729	1-216-651-11	s METAL, CHIP 1K 0.5% 1/10W
R730	1-216-121-00	s METAL, CHIP 1M 5% 1/10W
R731	1-216-651-11	s METAL, CHIP 1K 0.5% 1/10W
R732	1-216-121-00	s METAL, CHIP 1M 5% 1/10W
R734	1-216-677-11	s METAL, CHIP 12K 0.5% 1/10W
R735	1-216-655-11	s METAL, CHIP 1.5K 0.5% 1/10W
R736	1-216-025-00	s METAL, CHIP 100 5% 1/10W
R737	1-216-073-00	s METAL, CHIP 10K 5% 1/10W
R738	1-216-017-00	s METAL, CHIP 47 5% 1/10W
R739	1-216-017-00	s METAL, CHIP 47 5% 1/10W
R741	1-216-657-11	s METAL, CHIP 1.8K 0.5% 1/10W
R743	1-216-047-00	s METAL, CHIP 820 5% 1/10W
R745	1-216-657-11	s METAL, CHIP 1.8K 0.5% 1/10W
R747	1-216-121-00	s METAL, CHIP 1M 5% 1/10W
R748	1-216-675-11	s METAL, CHIP 10K 0.5% 1/10W
R749	1-216-624-11	s METAL, CHIP 75 0.5% 1/10W
R750	1-216-668-11	s METAL, CHIP 5.1K 0.5% 1/10W
R751	1-216-081-00	s METAL, CHIP 22K 5% 1/10W
R752	1-216-017-00	s METAL, CHIP 47 5% 1/10W
R753	1-216-683-11	s METAL, CHIP 22K 0.5% 1/10W
R754	1-216-675-11	s METAL, CHIP 10K 0.5% 1/10W
R755	1-216-683-11	s METAL, CHIP 22K 0.5% 1/10W
R756	1-216-025-00	s METAL, CHIP 100 5% 1/10W
R757	1-216-669-11	s METAL, CHIP 5.6K 0.5% 1/10W
R758	1-216-041-00	s METAL, CHIP 470 5% 1/10W
R759	1-208-812-11	s METAL, CHIP 18K 0.50% 1/10W
R760	1-216-121-00	s METAL, CHIP 1M 5% 1/10W
R761	1-216-049-00	s METAL, CHIP 1K 5% 1/10W
R762	1-216-049-00	s METAL, CHIP 1K 5% 1/10W
R763	1-216-049-00	s METAL, CHIP 1K 5% 1/10W
R764	1-216-025-00	s METAL, CHIP 100 5% 1/10W

(TBC-18P BOARD)

Ref. No. or Q'ty	Part No.	SPDescription
R765	1-216-081-00	s METAL, CHIP 22K 5% 1/10W
R766	1-216-049-00	s METAL, CHIP 1K 5% 1/10W
R768	1-216-057-00	s METAL, CHIP 2.2K 5% 1/10W
R769	1-216-675-11	s METAL, CHIP 10K 0.5% 1/10W
R770	1-216-675-11	s METAL, CHIP 10K 0.5% 1/10W
R771	1-216-089-00	s METAL, CHIP 47K 5% 1/10W
R772	1-216-069-00	s METAL, CHIP 6.8K 5% 1/10W
R773	1-216-651-11	s METAL, CHIP 1K 0.5% 1/10W
R774	1-216-663-11	s METAL, CHIP 3.3K 0.5% 1/10W
R775	1-216-049-00	s METAL, CHIP 1K 5% 1/10W
R776	1-216-667-11	s METAL, CHIP 4.7K 0.5% 1/10W
R777	1-216-677-11	s METAL, CHIP 12K 0.5% 1/10W
R778	1-216-057-00	s METAL, CHIP 2.2K 5% 1/10W
R779	1-216-081-00	s METAL, CHIP 22K 5% 1/10W
R780	1-216-073-00	s METAL, CHIP 10K 5% 1/10W
R781	1-216-041-00	s METAL, CHIP 470 5% 1/10W
R782	1-216-687-11	s METAL, CHIP 33K 0.5% 1/10W
R784	1-216-295-00	s METAL, CHIP 0 5% 1/10W
R786	1-216-295-00	s METAL, CHIP 0 5% 1/10W
R787	1-216-049-00	s METAL, CHIP 1K 5% 1/10W
R788	1-216-085-00	s METAL, CHIP 33K 5% 1/10W
R789	1-216-085-00	s METAL, CHIP 33K 5% 1/10W
R790	1-216-057-00	s METAL, CHIP 2.2K 5% 1/10W
R791	1-216-679-11	s METAL, CHIP 15K 0.5% 1/10W
R792	1-216-017-00	s METAL, CHIP 47 5% 1/10W
R793	1-216-663-11	s METAL, CHIP 3.3K 0.5% 1/10W
R794	1-216-663-11	s METAL, CHIP 3.3K 0.5% 1/10W
R796	1-216-017-00	s METAL, CHIP 47 5% 1/10W
R797	1-216-017-00	s METAL, CHIP 47 5% 1/10W
R802	1-216-089-91	s METAL, CHIP 47K 5% 1/10W
R804	1-216-667-11	s METAL, CHIP 4.7K 0.5% 1/10W
R805	1-216-663-11	s METAL, CHIP 3.3K 0.5% 1/10W
R806	1-216-663-11	s METAL, CHIP 3.3K 0.5% 1/10W
R807	1-216-675-11	s METAL, CHIP 10K 0.5% 1/10W
R808	1-216-675-11	s METAL, CHIP 10K 0.5% 1/10W
R809	1-216-635-11	s METAL, CHIP 220 0.5% 1/10W
R810	1-216-635-11	s METAL, CHIP 220 0.5% 1/10W
R811	1-216-675-11	s METAL, CHIP 10K 0.5% 1/10W
R812	1-216-675-11	s METAL, CHIP 10K 0.5% 1/10W
R813	1-216-041-00	s METAL, CHIP 470 5% 1/10W
R814	1-216-041-00	s METAL, CHIP 470 5% 1/10W
R815	1-216-644-11	s METAL, CHIP 510 0.5% 1/10W
R816	1-216-619-11	s METAL, CHIP 47 0.5% 1/10W
R817	1-216-619-11	s METAL, CHIP 47 0.5% 1/10W
R818	1-216-644-11	s METAL, CHIP 510 0.5% 1/10W
R819	1-216-635-11	s METAL, CHIP 220 0.5% 1/10W
R821	1-216-057-00	s METAL, CHIP 2.2K 5% 1/10W
R822	1-216-057-00	s METAL, CHIP 2.2K 5% 1/10W
R823	1-216-057-00	s METAL, CHIP 2.2K 5% 1/10W
R824	1-216-057-00	s METAL, CHIP 2.2K 5% 1/10W
R825	1-216-057-00	s METAL, CHIP 2.2K 5% 1/10W
R826	1-216-041-00	s METAL, CHIP 470 5% 1/10W
R827	1-216-057-00	s METAL, CHIP 2.2K 5% 1/10W
R828	1-216-041-00	s METAL, CHIP 470 5% 1/10W
R829	1-216-041-00	s METAL, CHIP 470 5% 1/10W
R830	1-216-041-00	s METAL, CHIP 470 5% 1/10W
R831	1-216-041-00	s METAL, CHIP 470 5% 1/10W
R832	1-216-041-00	s METAL, CHIP 470 5% 1/10W
R833	1-216-041-00	s METAL, CHIP 470 5% 1/10W

(TBC-18P BOARD)

Ref. No. or Q'ty	Part No.	SPDescription
R834	1-216-041-00	s METAL, CHIP 470 5% 1/10W
R835	1-216-675-11	s METAL, CHIP 10K 0.5% 1/10W
R836	1-216-679-11	s METAL, CHIP 15K 0.5% 1/10W
R837	1-216-671-11	s METAL, CHIP 6.8K 0.5% 1/10W
R838	1-216-097-00	s METAL, CHIP 100K 5% 1/10W
R839	1-216-069-00	s METAL, CHIP 6.8K 5% 1/10W
R840	1-216-061-00	s METAL, CHIP 3.3K 5% 1/10W
R841	1-216-017-00	s METAL, CHIP 47 5% 1/10W
R842	1-216-049-00	s METAL, CHIP 1K 5% 1/10W
R843	1-216-049-00	s METAL, CHIP 1K 5% 1/10W
R844	1-216-049-00	s METAL, CHIP 1K 5% 1/10W
R845	1-216-057-00	s METAL, CHIP 2.2K 5% 1/10W
R846	1-216-101-00	s METAL, CHIP 150K 5% 1/10W
R847	1-216-089-00	s METAL, CHIP 47K 5% 1/10W
R848	1-216-065-00	s METAL, CHIP 4.7K 5% 1/10W
R849	1-216-049-00	s METAL, CHIP 1K 5% 1/10W
R850	1-216-057-00	s METAL, CHIP 2.2K 5% 1/10W
R851	1-216-679-11	s METAL, CHIP 15K 0.5% 1/10W
R852	1-216-057-00	s METAL, CHIP 2.2K 5% 1/10W
R853	1-216-073-00	s METAL, CHIP 10K 5% 1/10W
R854	1-216-089-00	s METAL, CHIP 47K 5% 1/10W
R855	1-216-651-11	s METAL, CHIP 1K 0.5% 1/10W
R856	1-216-045-00	s METAL, CHIP 680 5% 1/10W
R857	1-216-017-00	s METAL, CHIP 47 5% 1/10W
R858	1-216-017-00	s METAL, CHIP 47 5% 1/10W
R859	1-216-085-00	s METAL, CHIP 33K 5% 1/10W
R860	1-216-097-00	s METAL, CHIP 100K 5% 1/10W
R865	1-216-089-00	s METAL, CHIP 47K 5% 1/10W
R866	1-216-041-00	s METAL, CHIP 470 5% 1/10W
R867	1-216-041-00	s METAL, CHIP 470 5% 1/10W
R869	1-216-624-11	s METAL, CHIP 75 0.5% 1/10W
R870	1-216-097-00	s METAL, CHIP 100K 5% 1/10W
R871	1-216-659-11	s METAL, CHIP 2.2K 0.5% 1/10W
R872	1-216-295-00	s METAL, CHIP 0 5% 1/10W
R873	1-216-089-00	s METAL, CHIP 47K 5% 1/10W
R874	1-216-089-00	s METAL, CHIP 47K 5% 1/10W
R875	1-216-057-00	s METAL, CHIP 2.2K 5% 1/10W
R876	1-216-133-00	s METAL, CHIP 3.3M 5% 1/10W
RV100	1-238-796-11	s RES, ADJ, CERMET 100
RV200	1-238-796-11	s RES, ADJ, CERMET 100
RV301	1-238-801-11	s RES, ADJ, CERMET 5K
RV302	1-238-804-11	s RES, ADJ, CERMET 500
RV303	1-238-803-11	s RES, ADJ, CERMET 200
RV307	1-238-801-11	s RES, ADJ, CERMET 5K
RV400	1-238-801-11	s RES, ADJ, CERMET 5K
RV401	1-238-801-11	s RES, ADJ, CERMET 5K
RV402	1-238-804-11	s RES, ADJ, CERMET 500
RV403	1-238-801-11	s RES, ADJ, CERMET 5K
RV500	1-238-786-11	s RES, ADJ, CERMET 5K
RV501	1-238-786-11	s RES, ADJ, CERMET 5K
RV700	1-238-800-11	s RES, ADJ, CERMET 2K
RV701	1-238-801-11	s RES, ADJ, CERMET 5K
RV702	1-238-787-11	s RES, ADJ, CERMET 100
RV703	1-238-787-11	s RES, ADJ, CERMET 100
RV704	1-238-787-11	s RES, ADJ, CERMET 100
RV705	1-238-799-11	s RES, ADJ, CERMET 1K
RV706	1-238-787-11	s RES, ADJ, CERMET 100
RV707	1-238-787-11	s RES, ADJ, CERMET 100

(TBC-18P BOARD)

Ref. No. or Q'ty	Part No.	SPDescription
RV708	1-238-787-11 s	RES. ADJ. CERMET 10K
RV709	1-238-801-11 s	RES. ADJ. CERMET 5K
RV710	1-238-787-11 s	RES. ADJ. CERMET 10K
RV711	1-238-800-11 s	RES. ADJ. CERMET 2K
S700	1-570-623-11 s	SWITCH, DIP 8-CKT

TR-73 BOARD

Ref. No. or Q'ty	Part No.	SPDescription
1pc	1-640-161-11 o	PRINTED CIRCUIT BOARD, TR-73
1pc	3-171-392-01 s	HOLDER, DME
CN920	1-564-014-11 s	CONNECTOR 4P, MALE
SS1	8-745-001-07 s	DM-230-1

VP-33AP BOARD

Ref. No. or Q'ty	Part No.	SPDescription
1pc	A-6727-374-B o	MOUNTED CIRCUIT BOARD, VP-33AP
1pc	3-179-084-01 s	LEVER (R), PC BOARD
1pc	3-179-085-01 s	LEVER (L), PC BOARD
C1	1-163-033-00 s	CERAMIC, CHIP 0.022uF 50V
C2	1-124-477-11 s	ELECT 47uF 20% 16V
C3	1-124-477-11 s	ELECT 47uF 20% 16V
C4	1-124-477-11 s	ELECT 47uF 20% 16V
C5	1-124-477-11 s	ELECT 47uF 20% 16V
C6	1-124-477-11 s	ELECT 47uF 20% 16V
C7	1-124-477-11 s	ELECT 47uF 20% 16V
C8	1-163-033-00 s	CERAMIC, CHIP 0.022uF 50V
C9	1-124-477-11 s	ELECT 47uF 20% 16V
C10	1-163-033-00 s	CERAMIC, CHIP 0.022uF 50V
C11	1-124-477-11 s	ELECT 47uF 20% 16V
C12	1-163-033-00 s	CERAMIC, CHIP 0.022uF 50V
C13	1-131-353-00 s	TANTALUM 10uF 10% 35V
C20	1-135-210-11 s	TANTAL 4.7uF 20% 10V
C21	1-163-033-00 s	CERAMIC, CHIP 0.022uF 50V
C22	1-163-033-00 s	CERAMIC, CHIP 0.022uF 50V
C96	1-102-965-00 s	CERAMIC 39PF 5% 50V
C97	1-102-965-00 s	CERAMIC 39PF 5% 50V
C99	1-107-591-11	CERAMIC 12PF 5% 500V
C102	1-163-033-00 s	CERAMIC, CHIP 0.022uF 50V
C104	1-163-033-00 s	CERAMIC, CHIP 0.022uF 50V
C105	1-163-275-11 s	CERAMIC, CHIP 0.001uF 5% 50V
C111	1-163-033-00 s	CERAMIC, CHIP 0.022uF 50V
C112	1-124-477-11 s	ELECT 47uF 20% 16V
C120	1-163-033-00 s	CERAMIC, CHIP 0.022uF 50V
C121	1-163-033-00 s	CERAMIC, CHIP 0.022uF 50V
C122	1-163-033-00 s	CERAMIC, CHIP 0.022uF 50V
C123	1-163-108-00 s	CERAMIC, CHIP 43PF 5% 50V
C124	1-163-249-11 s	CERAMIC, CHIP 82PF 5% 50V
C125	1-163-108-00 s	CERAMIC, CHIP 43PF 5% 50V
C126	1-163-033-00 s	CERAMIC, CHIP 0.022uF 50V
C127	1-163-033-00 s	CERAMIC, CHIP 0.022uF 50V
C128	1-163-239-11 s	CERAMIC, CHIP 33PF 5% 50V
C129	1-163-251-11 s	CERAMIC, CHIP 100PF 5% 50V
C130	1-163-239-11 s	CERAMIC, CHIP 33PF 5% 50V
C131	1-163-033-00 s	CERAMIC, CHIP 0.022uF 50V
C132	1-163-243-11 s	CERAMIC, CHIP 47PF 5% 50V
C133	1-163-033-00 s	CERAMIC, CHIP 0.022uF 50V
C134	1-163-245-11 s	CERAMIC, CHIP 56PF 5% 50V
C135	1-163-033-00 s	CERAMIC, CHIP 0.022uF 50V
C136	1-163-033-00 s	CERAMIC, CHIP 0.022uF 50V
C137	1-163-033-00 s	CERAMIC, CHIP 0.022uF 50V
C150	1-163-224-11 s	CERAMIC, CHIP 7PF 50V
C154	1-163-239-11 s	CERAMIC, CHIP 33PF 5% 50V
C155	1-163-033-00 s	CERAMIC, CHIP 0.022uF 50V
C161	1-163-033-00 s	CERAMIC, CHIP 0.022uF 50V
C162	1-163-033-00 s	CERAMIC, CHIP 0.022uF 50V
C163	1-163-033-00 s	CERAMIC, CHIP 0.022uF 50V
C164	1-163-033-00 s	CERAMIC, CHIP 0.022uF 50V
C165	1-163-033-00 s	CERAMIC, CHIP 0.022uF 50V
C166	1-163-033-00 s	CERAMIC, CHIP 0.022uF 50V
C167	1-163-033-00 s	CERAMIC, CHIP 0.022uF 50V
C181	1-163-033-00 s	CERAMIC, CHIP 0.022uF 50V
C182	1-163-033-00 s	CERAMIC, CHIP 0.022uF 50V
C183	1-163-033-00 s	CERAMIC, CHIP 0.022uF 50V

VP-33AP BOARD

Ref. No. or Q'ty	Part No.	SPDescription
C184	1-163-033-00	s CERAMIC, CHIP 0.022uF 50V
C185	1-163-033-00	s CERAMIC, CHIP 0.022uF 50V
C186	1-163-033-00	s CERAMIC, CHIP 0.022uF 50V
C187	1-163-033-00	s CERAMIC, CHIP 0.022uF 50V
C188	1-163-243-11	s CERAMIC, CHIP 47PF 5% 50V
C189	1-163-097-00	s CERAMIC, CHIP 15PF 5% 50V
C190	1-163-033-00	s CERAMIC, CHIP 0.022uF 50V
C191	1-163-033-00	s CERAMIC, CHIP 0.022uF 50V
C192	1-163-033-00	s CERAMIC, CHIP 0.022uF 50V
C193	1-163-033-00	s CERAMIC, CHIP 0.022uF 50V
C194	1-163-033-00	s CERAMIC, CHIP 0.022uF 50V
C195	1-163-033-00	s CERAMIC, CHIP 0.022uF 50V
C196	1-124-477-11	s ELECT 47uF 20% 16V
C197	1-163-033-00	s CERAMIC, CHIP 0.022uF 50V
C198	1-124-477-11	s ELECT 47uF 20% 16V
C211	1-163-133-00	s CERAMIC, CHIP 470PF 5% 50V
C212	1-163-033-00	s CERAMIC, CHIP 0.022uF 50V
C213	1-163-033-00	s CERAMIC, CHIP 0.022uF 50V
C214	1-124-477-11	s ELECT 47uF 20% 16V
C215	1-163-033-00	s CERAMIC, CHIP 0.022uF 50V
C216	1-163-033-00	s CERAMIC, CHIP 0.022uF 50V
C217	1-163-241-11	s CERAMIC, CHIP 39PF 5% 50V
C218	1-163-113-00	s CERAMIC, CHIP 68PF 5% 50V
C219	1-163-033-00	s CERAMIC, CHIP 0.022uF 50V
C220	1-163-033-00	s CERAMIC, CHIP 0.022uF 50V
C221	1-163-033-00	s CERAMIC, CHIP 0.022uF 50V
C222	1-163-033-00	s CERAMIC, CHIP 0.022uF 50V
C223	1-163-033-00	s CERAMIC, CHIP 0.022uF 50V
C224	1-163-033-00	s CERAMIC, CHIP 0.022uF 50V
C231	1-163-033-00	s CERAMIC, CHIP 0.022uF 50V
C232	1-163-033-00	s CERAMIC, CHIP 0.022uF 50V
C233	1-124-477-11	s ELECT 47uF 20% 16V
C234	1-124-477-11	s ELECT 47uF 20% 16V
C235	1-163-222-11	s CERAMIC, CHIP 5PF 50V
C236	1-163-097-00	s CERAMIC, CHIP 15PF 5% 50V
C237	1-163-033-00	s CERAMIC, CHIP 0.022uF 50V
C238	1-124-477-11	s ELECT 47uF 20% 16V
C241	1-124-903-11	s ELECT 1uF 20% 50V
C242	1-124-903-11	s ELECT 1uF 20% 50V
C243	1-163-275-11	s CERAMIC, CHIP 0.001uF 5% 50V
C244	1-163-235-11	s CERAMIC, CHIP 22PF 5% 50V
C245	1-163-033-00	s CERAMIC, CHIP 0.022uF 50V
C246	1-163-033-00	s CERAMIC, CHIP 0.022uF 50V
C261	1-163-033-00	s CERAMIC, CHIP 0.022uF 50V
C262	1-163-033-00	s CERAMIC, CHIP 0.022uF 50V
C263	1-163-033-00	s CERAMIC, CHIP 0.022uF 50V
C264	1-163-033-00	s CERAMIC, CHIP 0.022uF 50V
C265	1-163-033-00	s CERAMIC, CHIP 0.022uF 50V
C266	1-163-222-11	s CERAMIC, CHIP 5PF 50V
C267	1-163-222-11	s CERAMIC, CHIP 5PF 50V
C268	1-163-033-00	s CERAMIC, CHIP 0.022uF 50V
C269	1-163-033-00	s CERAMIC, CHIP 0.022uF 50V
C270	1-163-033-00	s CERAMIC, CHIP 0.022uF 50V
C272	1-163-033-00	s CERAMIC, CHIP 0.022uF 50V
C291	1-163-033-00	s CERAMIC, CHIP 0.022uF 50V
C292	1-163-033-00	s CERAMIC, CHIP 0.022uF 50V
C293	1-124-477-11	s ELECT 47uF 20% 16V
C294	1-163-033-00	s CERAMIC, CHIP 0.022uF 50V
C295	1-163-033-00	s CERAMIC, CHIP 0.022uF 50V

(VP-33AP BOARD)

Ref. No. or Q'ty	Part No.	SPDescription
C296	1-162-714-11	s CERAMIC 150PF 1% 50V
C297	1-126-103-11	s ELECT 470uF 20% 16V
C298	1-163-033-00	s CERAMIC, CHIP 0.022uF 50V
C299	1-124-927-11	s ELECT 4.7uF 20% 50V
C300	1-163-235-11	s CERAMIC, CHIP 22PF 5% 50V
C301	1-163-114-00	s CERAMIC, CHIP 75PF 5% 50V
C302	1-163-249-11	s CERAMIC, CHIP 82PF 5% 50V
C303	1-163-130-00	s CERAMIC, CHIP 360PF 5% 50V
C304	1-163-131-00	s CERAMIC, CHIP 390PF 5% 50V
C305	1-163-033-00	s CERAMIC, CHIP 0.022uF 50V
C306	1-163-033-00	s CERAMIC, CHIP 0.022uF 50V
C307	1-163-033-00	s CERAMIC, CHIP 0.022uF 50V
C308	1-124-477-11	s ELECT 47uF 20% 16V
C309	1-163-033-00	s CERAMIC, CHIP 0.022uF 50V
C310	1-124-477-11	s ELECT 47uF 20% 16V
C311	1-163-033-00	s CERAMIC, CHIP 0.022uF 50V
C312	1-163-033-00	s CERAMIC, CHIP 0.022uF 50V
C313	1-163-033-00	s CERAMIC, CHIP 0.022uF 50V
C314	1-163-033-00	s CERAMIC, CHIP 0.022uF 50V
C315	1-163-033-00	s CERAMIC, CHIP 0.022uF 50V
C316	1-163-033-00	s CERAMIC, CHIP 0.022uF 50V
C321	1-163-033-00	s CERAMIC, CHIP 0.022uF 50V
C322	1-163-033-00	s CERAMIC, CHIP 0.022uF 50V
C323	1-163-033-00	s CERAMIC, CHIP 0.022uF 50V
C324	1-126-103-11	s ELECT 470uF 20% 16V
C325	1-163-033-00	s CERAMIC, CHIP 0.022uF 50V
C326	1-163-033-00	s CERAMIC, CHIP 0.022uF 50V
C327	1-163-091-00	s CERAMIC, CHIP 8PF 50V
C328	1-163-033-00	s CERAMIC, CHIP 0.022uF 50V
C329	1-124-119-00	s ELECT 330uF 20% 16V
C330	1-163-033-00	s CERAMIC, CHIP 0.022uF 50V
C331	1-124-119-00	s ELECT 330uF 20% 16V
C340	1-164-695-11	s CERAMIC 0.0022uF 5% 50V
C352	1-163-033-00	s CERAMIC, CHIP 0.022uF 50V
C354	1-163-033-00	s CERAMIC, CHIP 0.022uF 50V
C355	1-163-033-00	s CERAMIC, CHIP 0.022uF 50V
C356	1-126-103-11	s ELECT 470uF 20% 16V
C357	1-126-103-11	s ELECT 470uF 20% 16V
C367	1-163-033-00	s CERAMIC, CHIP 0.022uF 50V
C368	1-127-518-11	s ELECTSOLID 100uF 20% 16V
C369	1-163-033-00	s CERAMIC, CHIP 0.022uF 50V
C370	1-127-518-11	s ELECTSOLID 100uF 20% 16V
C371	1-163-237-11	s CERAMIC, CHIP 27PF 5% 50V
C402	1-163-033-00	s CERAMIC, CHIP 0.022uF 50V
C404	1-163-033-00	s CERAMIC, CHIP 0.022uF 50V
C405	1-163-275-11	s CERAMIC, CHIP 0.001uF 5% 50V
C409	1-163-033-00	s CERAMIC, CHIP 0.022uF 50V
C410	1-124-477-11	s ELECT 47uF 20% 16V
C420	1-163-033-00	s CERAMIC, CHIP 0.022uF 50V
C421	1-163-033-00	s CERAMIC, CHIP 0.022uF 50V
C422	1-163-033-00	s CERAMIC, CHIP 0.022uF 50V
C423	1-163-110-00	s CERAMIC, CHIP 51PF 5% 50V
C424	1-163-251-11	s CERAMIC, CHIP 100PF 5% 50V
C425	1-163-110-00	s CERAMIC, CHIP 51PF 5% 50V
C426	1-163-033-00	s CERAMIC, CHIP 0.022uF 50V
C427	1-163-033-00	s CERAMIC, CHIP 0.022uF 50V
C428	1-163-241-11	s CERAMIC, CHIP 39PF 5% 50V
C429	1-163-253-11	s CERAMIC, CHIP 120PF 5% 50V
C430	1-163-241-11	s CERAMIC, CHIP 39PF 5% 50V

(VP-33AP BOARD)

Ref. No. or Q'ty	Part No.	SPDescription
C431	1-163-033-00	s CERAMIC, CHIP 0.022uF 50V
C432	1-163-135-00	s CERAMIC, CHIP 560PF 5% 50V
C433	1-163-033-00	s CERAMIC, CHIP 0.022uF 50V
C434	1-163-113-00	s CERAMIC, CHIP 68PF 5% 50V
C435	1-163-033-00	s CERAMIC, CHIP 0.022uF 50V
C436	1-163-033-00	s CERAMIC, CHIP 0.022uF 50V
C437	1-163-033-00	s CERAMIC, CHIP 0.022uF 50V
C438	1-163-136-00	s CERAMIC, CHIP 620PF 5% 50V
C450	1-163-257-11	s CERAMIC, CHIP 180PF 5% 50V
C451	1-163-135-00	s CERAMIC, CHIP 560PF 5% 50V
C461	1-163-033-00	s CERAMIC, CHIP 0.022uF 50V
C462	1-163-033-00	s CERAMIC, CHIP 0.022uF 50V
C463	1-163-033-00	s CERAMIC, CHIP 0.022uF 50V
C464	1-163-033-00	s CERAMIC, CHIP 0.022uF 50V
C465	1-163-033-00	s CERAMIC, CHIP 0.022uF 50V
C466	1-163-033-00	s CERAMIC, CHIP 0.022uF 50V
C467	1-163-033-00	s CERAMIC, CHIP 0.022uF 50V
C468	1-163-033-00	s CERAMIC, CHIP 0.022uF 50V
C469	1-163-033-00	s CERAMIC, CHIP 0.022uF 50V
C470	1-163-033-00	s CERAMIC, CHIP 0.022uF 50V
C471	1-163-033-00	s CERAMIC, CHIP 0.022uF 50V
C472	1-163-033-00	s CERAMIC, CHIP 0.022uF 50V
C473	1-124-477-11	s ELECT 47uF 20% 16V
C474	1-163-033-00	s CERAMIC, CHIP 0.022uF 50V
C475	1-124-477-11	s ELECT 47uF 20% 16V
C507	1-163-033-00	s CERAMIC, CHIP 0.022uF 50V
C508	1-163-033-00	s CERAMIC, CHIP 0.022uF 50V
C509	1-163-033-00	s CERAMIC, CHIP 0.022uF 50V
C510	1-124-477-11	s ELECT 47uF 20% 16V
C511	1-163-133-00	s CERAMIC, CHIP 470PF 5% 50V
C512	1-163-033-00	s CERAMIC, CHIP 0.022uF 50V
C513	1-163-033-00	s CERAMIC, CHIP 0.022uF 50V
C514	1-124-477-11	s ELECT 47uF 20% 16V
C515	1-163-033-00	s CERAMIC, CHIP 0.022uF 50V
C516	1-163-033-00	s CERAMIC, CHIP 0.022uF 50V
C517	1-163-243-11	s CERAMIC, CHIP 47PF 5% 50V
C518	1-163-251-11	s CERAMIC, CHIP 100PF 5% 50V
C519	1-163-033-00	s CERAMIC, CHIP 0.022uF 50V
C520	1-163-033-00	s CERAMIC, CHIP 0.022uF 50V
C521	1-163-033-00	s CERAMIC, CHIP 0.022uF 50V
C522	1-163-033-00	s CERAMIC, CHIP 0.022uF 50V
C523	1-163-033-00	s CERAMIC, CHIP 0.022uF 50V
C524	1-163-033-00	s CERAMIC, CHIP 0.022uF 50V
C531	1-163-033-00	s CERAMIC, CHIP 0.022uF 50V
C532	1-163-033-00	s CERAMIC, CHIP 0.022uF 50V
C533	1-124-477-11	s ELECT 47uF 20% 16V
C534	1-124-477-11	s ELECT 47uF 20% 16V
C535	1-163-222-11	s CERAMIC, CHIP 5PF 50V
C536	1-163-097-00	s CERAMIC, CHIP 15PF 5% 50V
C537	1-163-033-00	s CERAMIC, CHIP 0.022uF 50V
C538	1-124-477-11	s ELECT 47uF 20% 16V
C541	1-124-903-11	s ELECT 1uF 20% 50V
C542	1-124-903-11	s ELECT 1uF 20% 50V
C543	1-163-275-11	s CERAMIC, CHIP 0.001uF 5% 50V
C544	1-163-235-11	s CERAMIC, CHIP 22PF 5% 50V
C545	1-163-033-00	s CERAMIC, CHIP 0.022uF 50V
C546	1-163-033-00	s CERAMIC, CHIP 0.022uF 50V
C550	1-163-222-11	s CERAMIC, CHIP 5PF 50V
C561	1-163-033-00	s CERAMIC, CHIP 0.022uF 50V

(VP-33AP BOARD)

Ref. No. or Q'ty	Part No.	SPDescription
C562	1-163-033-00	s CERAMIC, CHIP 0.022uF 50V
C563	1-163-033-00	s CERAMIC, CHIP 0.022uF 50V
C564	1-163-033-00	s CERAMIC, CHIP 0.022uF 50V
C565	1-163-033-00	s CERAMIC, CHIP 0.022uF 50V
C566	1-163-222-11	s CERAMIC, CHIP 5PF 50V
C567	1-163-222-11	s CERAMIC, CHIP 5PF 50V
C568	1-163-033-00	s CERAMIC, CHIP 0.022uF 50V
C569	1-163-033-00	s CERAMIC, CHIP 0.022uF 50V
C571	1-163-033-00	s CERAMIC, CHIP 0.022uF 50V
C591	1-163-033-00	s CERAMIC, CHIP 0.022uF 50V
C592	1-163-033-00	s CERAMIC, CHIP 0.022uF 50V
C593	1-163-033-00	s CERAMIC, CHIP 0.022uF 50V
C594	1-163-033-00	s CERAMIC, CHIP 0.022uF 50V
C595	1-163-033-00	s CERAMIC, CHIP 0.022uF 50V
C596	1-162-714-11	s CERAMIC 150PF 1% 50V
C597	1-126-103-11	s ELECT 470uF 20% 16V
C598	1-163-033-00	s CERAMIC, CHIP 0.022uF 50V
C599	1-124-927-11	s ELECT 4.7uF 20% 50V
C600	1-163-239-11	s CERAMIC, CHIP 33PF 5% 50V
C601	1-163-251-11	s CERAMIC, CHIP 100PF 5% 50V
C602	1-163-033-00	s CERAMIC, CHIP 0.022uF 50V
C603	1-163-033-00	s CERAMIC, CHIP 0.022uF 50V
C604	1-124-477-11	s ELECT 47uF 20% 16V
C621	1-163-033-00	s CERAMIC, CHIP 0.022uF 50V
C622	1-163-033-00	s CERAMIC, CHIP 0.022uF 50V
C623	1-163-033-00	s CERAMIC, CHIP 0.022uF 50V
C624	1-126-103-11	s ELECT 470uF 20% 16V
C625	1-163-033-00	s CERAMIC, CHIP 0.022uF 50V
C626	1-163-033-00	s CERAMIC, CHIP 0.022uF 50V
C627	1-163-222-11	s CERAMIC, CHIP 5PF 50V
C628	1-163-033-00	s CERAMIC, CHIP 0.022uF 50V
C629	1-124-119-00	s ELECT 330uF 20% 16V
C630	1-163-033-00	s CERAMIC, CHIP 0.022uF 50V
C631	1-124-119-00	s ELECT 330uF 20% 16V
C632	1-126-101-11	s ELECT 100uF 20% 16V
C640	1-164-695-11	s CERAMIC 0.0022uF 5% 50V
C652	1-163-033-00	s CERAMIC, CHIP 0.022uF 50V
C654	1-163-033-00	s CERAMIC, CHIP 0.022uF 50V
C655	1-163-033-00	s CERAMIC, CHIP 0.022uF 50V
C656	1-126-103-11	s ELECT 470uF 20% 16V
C657	1-126-103-11	s ELECT 470uF 20% 16V
C667	1-163-033-00	s CERAMIC, CHIP 0.022uF 50V
C668	1-127-518-11	s ELECTSOLID 100uF 20% 16V
C669	1-163-033-00	s CERAMIC, CHIP 0.022uF 50V
C670	1-127-518-11	s ELECTSOLID 100uF 20% 16V
C702	1-163-251-11	s CERAMIC, CHIP 100PF 5% 50V
C703	1-163-033-00	s CERAMIC, CHIP 0.022uF 50V
C704	1-131-353-00	s TANTALUM 10uF 10% 16V
C705	1-131-353-00	s TANTALUM 10uF 10% 16V
C706	1-130-491-00	s MYLAR 0.047uF 5% 50V
C707	1-163-227-11	s CERAMIC, CHIP 10PF 50V
C708	1-163-222-11	s CERAMIC, CHIP 5PF 50V
C709	1-163-033-00	s CERAMIC, CHIP 0.022uF 50V
C710	1-163-033-00	s CERAMIC, CHIP 0.022uF 50V
C711	1-163-227-11	s CERAMIC, CHIP 10PF 50V
C712	1-124-477-11	s ELECT 47uF 20% 16V
C713	1-163-227-11	s CERAMIC, CHIP 10PF 50V
C714	1-131-353-00	s TANTALUM 10uF 10% 16V
C715	1-131-353-00	s TANTALUM 10uF 10% 16V

(VP-33AP BOARD)

Ref. No. or Q'ty	Part No.	SPDescription
C716	1-130-491-00	s MYLAR 0.047uF 5% 50V
C717	1-163-033-00	s CERAMIC, CHIP 0.022uF 50V
C718	1-163-097-00	s CERAMIC, CHIP 15PF 5% 50V
C719	1-163-125-00	s CERAMIC, CHIP 220PF 5% 50V
C721	1-163-243-11	s CERAMIC, CHIP 47PF 5% 50V
C722	1-163-222-11	s CERAMIC, CHIP 5PF 50V
C725	1-131-353-00	s TANTALUM 10uF 10% 16V
C726	1-131-353-00	s TANTALUM 10uF 10% 16V
C727	1-163-033-00	s CERAMIC, CHIP 0.022uF 50V
C728	1-130-491-00	s MYLAR 0.047uF 5% 50V
C729	1-131-353-00	s TANTALUM 10uF 10% 16V
C730	1-131-353-00	s TANTALUM 10uF 10% 16V
C731	1-163-033-00	s CERAMIC, CHIP 0.022uF 50V
C732	1-130-491-00	s MYLAR 0.047uF 5% 50V
C733	1-163-227-11	s CERAMIC, CHIP 10PF 50V
C734	1-163-251-11	s CERAMIC, CHIP 100PF 5% 50V
C735	1-163-121-00	s CERAMIC, CHIP 150PF 5% 50V
C736	1-163-033-00	s CERAMIC, CHIP 0.022uF 50V
C737	1-163-097-00	s CERAMIC, CHIP 15PF 5% 50V
C738	1-163-125-00	s CERAMIC, CHIP 220PF 5% 50V
C739	1-163-033-00	s CERAMIC, CHIP 0.022uF 50V
C740	1-163-033-00	s CERAMIC, CHIP 0.022uF 50V
C741	1-163-243-11	s CERAMIC, CHIP 47PF 5% 50V
C742	1-163-227-11	s CERAMIC, CHIP 10PF 50V
C743	1-163-087-00	s CERAMIC, CHIP 4PF 50V
C744	1-163-033-00	s CERAMIC, CHIP 0.022uF 50V
C745	1-124-477-11	s ELECT 47uF 20% 16V
C746	1-163-033-00	s CERAMIC, CHIP 0.022uF 50V
C747	1-163-239-11	s CERAMIC, CHIP 33PF 5% 50V
C748	1-163-113-00	s CERAMIC, CHIP 68PF 5% 50V
C749	1-163-239-11	s CERAMIC, CHIP 33PF 5% 50V
C750	1-163-033-00	s CERAMIC, CHIP 0.022uF 50V
C751	1-163-239-11	s CERAMIC, CHIP 33PF 5% 50V
C752	1-163-113-00	s CERAMIC, CHIP 68PF 5% 50V
C753	1-163-239-11	s CERAMIC, CHIP 33PF 5% 50V
C754	1-163-033-00	s CERAMIC, CHIP 0.022uF 50V
C755	1-163-033-00	s CERAMIC, CHIP 0.022uF 50V
C756	1-163-033-00	s CERAMIC, CHIP 0.022uF 50V
C757	1-163-033-00	s CERAMIC, CHIP 0.022uF 50V
C759	1-163-251-11	s CERAMIC, CHIP 100PF 5% 50V
C760	1-163-033-00	s CERAMIC, CHIP 0.022uF 50V
C761	1-163-033-00	s CERAMIC, CHIP 0.022uF 50V
C762	1-163-227-11	s CERAMIC, CHIP 10PF 50V
C763	1-163-097-00	s CERAMIC, CHIP 15PF 5% 50V
C764	1-163-243-11	s CERAMIC, CHIP 47PF 5% 50V
C765	1-163-227-11	s CERAMIC, CHIP 10PF 50V
C766	1-163-237-11	s CERAMIC, CHIP 27PF 5% 50V
C767	1-163-097-00	s CERAMIC, CHIP 15PF 5% 50V
C768	1-163-243-11	s CERAMIC, CHIP 47PF 5% 50V
C769	1-163-227-11	s CERAMIC, CHIP 10PF 50V
C770	1-163-237-11	s CERAMIC, CHIP 27PF 5% 50V
C771	1-124-477-11	s ELECT 47uF 20% 16V
C772	1-124-477-11	s ELECT 47uF 20% 16V
C773	1-163-113-00	s CERAMIC, CHIP 68PF 5% 50V
C774	1-163-113-00	s CERAMIC, CHIP 68PF 5% 50V
C780	1-163-227-11	s CERAMIC, CHIP 10PF 50V
C781	1-163-251-11	s CERAMIC, CHIP 100PF 5% 50V
C782	1-163-237-11	s CERAMIC, CHIP 27PF 5% 50V
C790	1-163-227-11	s CERAMIC, CHIP 10PF 50V

(VP-33AP BOARD)

Ref. No. or Q'ty	Part No.	SPDescription
C801	1-163-033-00	s CERAMIC, CHIP 0.022uF 50V
C802	1-163-033-00	s CERAMIC, CHIP 0.022uF 50V
C803	1-163-033-00	s CERAMIC, CHIP 0.022uF 50V
C901	1-124-477-11	s ELECT 47uF 20% 16V
C902	1-163-033-00	s CERAMIC, CHIP 0.022uF 50V
C903	1-124-477-11	s ELECT 47uF 20% 16V
C904	1-163-033-00	s CERAMIC, CHIP 0.022uF 50V
C905	1-124-477-11	s ELECT 47uF 20% 16V
C906	1-163-033-00	s CERAMIC, CHIP 0.022uF 50V
C907	1-124-477-11	s ELECT 47uF 20% 16V
C908	1-163-033-00	s CERAMIC, CHIP 0.022uF 50V
C909	1-163-033-00	s CERAMIC, CHIP 0.022uF 50V
C910	1-163-033-00	s CERAMIC, CHIP 0.022uF 50V
C911	1-163-033-00	s CERAMIC, CHIP 0.022uF 50V
C912	1-163-033-00	s CERAMIC, CHIP 0.022uF 50V
C913	1-163-033-00	s CERAMIC, CHIP 0.022uF 50V
C914	1-163-033-00	s CERAMIC, CHIP 0.022uF 50V
C915	1-163-033-00	s CERAMIC, CHIP 0.022uF 50V
C916	1-163-033-00	s CERAMIC, CHIP 0.022uF 50V
C917	1-163-033-00	s CERAMIC, CHIP 0.022uF 50V
C918	1-163-033-00	s CERAMIC, CHIP 0.022uF 50V
C919	1-163-033-00	s CERAMIC, CHIP 0.022uF 50V
C920	1-163-033-00	s CERAMIC, CHIP 0.022uF 50V
C921	1-163-033-00	s CERAMIC, CHIP 0.022uF 50V
C922	1-163-033-00	s CERAMIC, CHIP 0.022uF 50V
C923	1-163-033-00	s CERAMIC, CHIP 0.022uF 50V
C924	1-163-033-00	s CERAMIC, CHIP 0.022uF 50V
C925	1-163-033-00	s CERAMIC, CHIP 0.022uF 50V
C926	1-124-477-11	s ELECT 47uF 20% 16V
C927	1-124-477-11	s ELECT 47uF 20% 16V
C928	1-163-033-00	s CERAMIC, CHIP 0.022uF 50V
C929	1-124-119-00	s ELECT 330uF 20% 16V
C930	1-163-033-00	s CERAMIC, CHIP 0.022uF 50V
C931	1-124-119-00	s ELECT 330uF 20% 16V
C932	1-163-033-00	s CERAMIC, CHIP 0.022uF 50V
C933	1-163-033-00	s CERAMIC, CHIP 0.022uF 50V
C934	1-163-033-00	s CERAMIC, CHIP 0.022uF 50V
C935	1-163-033-00	s CERAMIC, CHIP 0.022uF 50V
C936	1-124-477-11	s ELECT 47uF 20% 16V
C937	1-163-033-00	s CERAMIC, CHIP 0.022uF 50V
C938	1-124-477-11	s ELECT 47uF 20% 16V
C939	1-163-033-00	s CERAMIC, CHIP 0.022uF 50V
C940	1-124-477-11	s ELECT 47uF 20% 16V
C941	1-163-033-00	s CERAMIC, CHIP 0.022uF 50V
C942	1-124-477-11	s ELECT 47uF 20% 16V
C943	1-163-033-00	s CERAMIC, CHIP 0.022uF 50V
C944	1-163-033-00	s CERAMIC, CHIP 0.022uF 50V
C945	1-163-033-00	s CERAMIC, CHIP 0.022uF 50V
C946	1-163-033-00	s CERAMIC, CHIP 0.022uF 50V
C947	1-124-477-11	s ELECT 47uF 20% 16V
C948	1-124-477-11	s ELECT 47uF 20% 16V
C949	1-163-033-00	s CERAMIC, CHIP 0.022uF 50V
C950	1-163-033-00	s CERAMIC, CHIP 0.022uF 50V
C951	1-163-033-00	s CERAMIC, CHIP 0.022uF 50V
C952	1-163-033-00	s CERAMIC, CHIP 0.022uF 50V
C953	1-163-033-00	s CERAMIC, CHIP 0.022uF 50V
C954	1-124-477-11	s ELECT 47uF 20% 16V
C955	1-163-033-00	s CERAMIC, CHIP 0.022uF 50V
C956	1-163-033-00	s CERAMIC, CHIP 0.022uF 50V

(VP-33AP BOARD)

Ref. No. or Q'ty	Part No.	SPDescription
C957	1-163-033-00	s CERAMIC, CHIP 0.022uF 50V
C958	1-163-033-00	s CERAMIC, CHIP 0.022uF 50V
C959	1-163-033-00	s CERAMIC, CHIP 0.022uF 50V
C960	1-163-033-00	s CERAMIC, CHIP 0.022uF 50V
C961	1-124-477-11	s ELECT 47uF 20% 16V
C962	1-163-033-00	s CERAMIC, CHIP 0.022uF 50V
C963	1-124-477-11	s ELECT 47uF 20% 16V
C964	1-163-033-00	s CERAMIC, CHIP 0.022uF 50V
C965	1-124-477-11	s ELECT 47uF 20% 16V
C966	1-163-033-00	s CERAMIC, CHIP 0.022uF 50V
C967	1-124-477-11	s ELECT 47uF 20% 16V
C968	1-163-033-00	s CERAMIC, CHIP 0.022uF 50V
C969	1-124-477-11	s ELECT 47uF 20% 16V
C970	1-163-033-00	s CERAMIC, CHIP 0.022uF 50V
C971	1-124-477-11	s ELECT 47uF 20% 16V
C972	1-163-033-00	s CERAMIC, CHIP 0.022uF 50V
C973	1-163-033-00	s CERAMIC, CHIP 0.022uF 50V
C974	1-163-033-00	s CERAMIC, CHIP 0.022uF 50V
C975	1-124-477-11	s ELECT 47uF 20% 16V
C976	1-163-033-00	s CERAMIC, CHIP 0.022uF 50V
C977	1-163-033-00	s CERAMIC, CHIP 0.022uF 50V
C978	1-163-033-00	s CERAMIC, CHIP 0.022uF 50V
C979	1-163-033-00	s CERAMIC, CHIP 0.022uF 50V
C980	1-163-033-00	s CERAMIC, CHIP 0.022uF 50V
C981	1-124-477-11	s ELECT 47uF 20% 16V
C982	1-163-033-00	s CERAMIC, CHIP 0.022uF 50V
C983	1-163-033-00	s CERAMIC, CHIP 0.022uF 50V
C984	1-163-033-00	s CERAMIC, CHIP 0.022uF 50V
C985	1-124-477-11	s ELECT 47uF 20% 16V
C991	1-163-033-00	s CERAMIC, CHIP 0.022uF 50V
C992	1-163-033-00	s CERAMIC, CHIP 0.022uF 50V
C993	1-163-033-00	s CERAMIC, CHIP 0.022uF 50V
C994	1-163-033-00	s CERAMIC, CHIP 0.022uF 50V
C995	1-124-477-11	s ELECT 47uF 20% 16V
C1001	1-163-033-00	s CERAMIC, CHIP 0.022uF 50V
C1002	1-163-033-00	s CERAMIC, CHIP 0.022uF 50V
C2001	1-163-033-00	s CERAMIC, CHIP 0.022uF 50V
C2002	1-163-033-00	s CERAMIC, CHIP 0.022uF 50V
C3001	1-163-033-00	s CERAMIC, CHIP 0.022uF 50V
C3002	1-163-033-00	s CERAMIC, CHIP 0.022uF 50V
CN101	1-564-002-11	s CONNECTOR 3P, MALE
CN102	1-564-002-11	s CONNECTOR 3P, MALE
CN103	1-573-600-21	s CONNECTOR, PHEC 100P, MALE
CN104	1-573-600-21	s CONNECTOR, PHEC 100P, MALE
CN203	1-506-467-11	s CONNECTOR 2P, MALE
CN204	1-506-467-11	s CONNECTOR 2P, MALE
CN205	1-506-467-11	s CONNECTOR 2P, MALE
CN401	1-564-002-41	s CONNECTOR 3P, MALE
CN402	1-564-002-41	s CONNECTOR 3P, MALE
CN503	1-506-467-11	s CONNECTOR 2P, MALE
CN504	1-506-467-11	s CONNECTOR 2P, MALE
CN701	1-564-001-11	o CONNECTOR 2P, MALE
CN702	1-564-001-11	o CONNECTOR 2P, MALE
CN703	1-506-469-11	s CONNECTOR 4P, MALE
CN704	1-506-469-11	s CONNECTOR 4P, MALE
CN705	1-506-467-11	s CONNECTOR 2P, MALE
CN801	1-565-479-11	s CONNECTOR, BB 20P
D1	8-719-941-04	s DIODE SB007-03CP

(VP-33AP BOARD)

Ref. No. or Q'ty	Part No.	SPDescription
D201	8-719-123-82	s DIODE 1SS303
D501	8-719-123-82	s DIODE 1SS303
D502	8-719-123-82	s DIODE 1SS303
D701	8-719-123-82	s DIODE 1SS303
D702	8-719-105-38	s DIODE RD3.0M-B1
D703	8-719-123-82	s DIODE 1SS303
D704	8-719-123-82	s DIODE 1SS303
D705	8-719-941-04	s DIODE SB007-03CP
D706	8-719-941-04	s DIODE SB007-03CP
D707	8-719-123-82	s DIODE 1SS303
D708	8-719-123-82	s DIODE 1SS303
D709	8-719-123-82	s DIODE 1SS303
DL101	1-415-674-11	s DELAY LINE 35nS
DL401	1-415-546-11	s DELAY LINE 50nS
FL201	1-239-161-21	s FILTER, LOW PASS
FL202	1-239-133-21	s FILTER, LOW PASS
FL501	1-239-133-21	s FILTER, LOW PASS
FL502	1-239-063-21	s FILTER, LOW PASS
FL701	1-236-070-11	s FILTER, LOW PASS
IC1	8-759-925-74	s IC TC74HC04NS
IC2	8-759-925-74	s IC TC74HC04NS
IC3	8-759-925-72	s IC SN74HC02ANS
IC4	8-759-927-46	s IC SN74HC00ANS
IC5	8-759-925-85	s IC SN74HC32ANS
IC6	8-759-035-93	s IC TC7S32F-TE85L
IC10	8-759-168-20	s IC NJM78L09A
IC11	8-759-701-87	s IC NJM7909FA
IC12	8-759-701-87	s IC NJM7909FA
IC13	8-759-700-07	s IC NJM2903M
IC14	8-759-927-46	s IC SN74HC00ANS
IC101	8-752-052-75	s IC CXA1479Q
IC102	8-759-009-05	s IC MC14051BF
IC103	8-759-300-71	s IC HD14053BFP
IC104	8-759-908-92	s IC TL084CNS
IC105	8-759-908-17	s IC TL082CPS
IC201	8-752-052-48	s IC CXA1370Q
IC202	8-759-300-71	s IC HD14053BFP
IC203	8-759-908-17	s IC TL082CPS
IC204	8-752-052-77	s IC CXA1450M
IC205	8-759-708-05	s IC NJM78L05A
IC206	1-809-332-11	s IC H8D7169C
IC401	8-752-052-75	s IC CXA1479Q
IC402	8-759-009-05	s IC MC14051BF
IC403	8-759-300-71	s IC HD14053BFP
IC404	8-759-908-92	s IC TL084CNS
IC501	8-752-052-48	s IC CXA1370Q
IC502	8-759-300-71	s IC HD14053BFP
IC504	8-752-052-77	s IC CXA1450M
IC506	1-809-332-11	s IC H8D7169C
IC605	8-759-708-05	s IC NJM78L05A
IC701	8-759-908-92	s IC TL084CNS
IC702	8-759-300-71	s IC HD14053BFP
IC703	8-759-927-46	s IC SN74HC00ANS
IC704	8-752-052-73	s IC CXA1451M
IC705	8-752-052-73	s IC CXA1451M
IC706	8-752-052-73	s IC CXA1451M
IC707	8-752-052-73	s IC CXA1451M
IC708	8-759-908-92	s IC TL084CNS

(VP-33AP BOARD)

Ref. No. or Q'ty	Part No.	SPDescription
IC710	8-759-908-92	s IC TL084CNS
IC711	8-759-300-71	s IC HD14053BFP
IC712	8-759-908-92	s IC TL084CNS
IC713	8-759-907-81	s IC SN74LS221NS
IC714	8-759-927-46	s IC SN74HC00ANS
IC715	8-759-906-59	s IC CX22017
IC716	8-752-052-73	s IC CXA1451M
IC717	8-759-702-08	s IC NJM360M
IC718	8-759-907-81	s IC SN74LS221NS
IC719	8-759-925-90	s IC SN74HC74ANS
IC720	8-752-052-73	s IC CXA1451M
IC721	8-752-052-73	s IC CXA1451M
IC722	8-759-927-46	s IC SN74HC00ANS
IC801	8-759-702-08	s IC NJM360M
IC901	8-759-168-20	s IC NJM78L09A
IC902	8-759-701-75	s IC NJM7805FA
IC903	8-759-701-84	s IC NJM7905FA
IC904	8-759-168-20	s IC NJM78L09A
IC905	8-759-708-05	s IC NJM78L05A
IC906	8-759-700-65	s IC NJM79L05A
IC907	8-759-700-65	s IC NJM79L05A
IC908	8-759-700-65	s IC NJM79L05A
L1	1-412-533-21	s INDUCTOR 47uH
L2	1-412-533-21	s INDUCTOR 47uH
L3	1-412-533-21	s INDUCTOR 47uH
L4	1-412-533-21	s INDUCTOR 47uH
L5	1-412-533-21	s INDUCTOR 47uH
L96	1-410-525-11	s INDUCTOR 220uH
L97	1-410-525-11	s INDUCTOR 220uH
L99	1-410-466-41	s INDUCTOR 4.7uH
L101	1-410-482-31	s INDUCTOR 100uH
L121	1-410-466-41	s INDUCTOR 4.7uH
L122	1-410-466-41	s INDUCTOR 4.7uH
L123	1-410-470-11	s INDUCTOR 10uH
L124	1-410-470-11	s INDUCTOR 10uH
L125	1-410-466-41	s INDUCTOR 4.7uH
L181	1-410-473-11	s INDUCTOR 18uH
L182	1-410-466-41	s INDUCTOR 4.7uH
L183	1-410-482-31	s INDUCTOR 100uH
L184	1-410-482-31	s INDUCTOR 100uH
L211	1-410-482-31	s INDUCTOR 100uH
L212	1-408-408-00	s INDUCTOR 8.2uH
L213	1-410-462-11	s INDUCTOR 2.2uH
L231	1-408-427-00	s INDUCTOR 330uH
L232	1-410-482-31	s INDUCTOR 100uH
L261	1-410-471-11	s INDUCTOR 12uH
L291	1-410-468-11	s INDUCTOR 6.8uH
L292	1-408-413-00	s INDUCTOR 22uH
L293	1-408-416-00	s INDUCTOR 39uH
L294	1-410-482-31	s INDUCTOR 100uH
L321	1-410-482-31	s INDUCTOR 100uH
L322	1-410-482-31	s INDUCTOR 100uH
L351	1-410-482-31	s INDUCTOR 100uH
L352	1-410-482-31	s INDUCTOR 100uH
L401	1-410-482-31	s INDUCTOR 100uH
L421	1-410-468-11	s INDUCTOR 6.8uH
L422	1-410-468-11	s INDUCTOR 6.8uH
L423	1-410-470-11	s INDUCTOR 10uH

(VP-33AP BOARD)

Ref. No. or Q'ty	Part No.	SPDescription
L424	1-410-470-11	s INDUCTOR 10uH
L425	1-408-406-00	s INDUCTOR 5.6uH
L450	1-408-429-00	s INDUCTOR 470uH
L451	1-408-429-00	s INDUCTOR 470uH
L461	1-410-482-31	s INDUCTOR 100uH
L462	1-410-482-31	s INDUCTOR 100uH
L511	1-410-482-31	s INDUCTOR 100uH
L512	1-410-470-11	s INDUCTOR 10uH
L513	1-410-462-11	s INDUCTOR 2.2uH
L531	1-408-427-00	s INDUCTOR 330uH
L532	1-410-482-31	s INDUCTOR 100uH
L561	1-410-471-11	s INDUCTOR 12uH
L591	1-408-408-00	s INDUCTOR 8.2uH
L594	1-410-482-31	s INDUCTOR 100uH
L621	1-410-482-31	s INDUCTOR 100uH
L622	1-410-482-31	s INDUCTOR 100uH
L651	1-410-482-31	s INDUCTOR 100uH
L652	1-410-482-31	s INDUCTOR 100uH
L701	1-410-482-31	s INDUCTOR 100uH
L702	1-410-476-11	s INDUCTOR 33uH
L703	1-410-482-31	s INDUCTOR 100uH
L704	1-408-413-00	s INDUCTOR 22uH
L705	1-408-414-00	s INDUCTOR 27uH
L706	1-408-414-00	s INDUCTOR 27uH
L707	1-408-414-00	s INDUCTOR 27uH
L708	1-408-414-00	s INDUCTOR 27uH
L709	1-408-416-00	s INDUCTOR 39uH
L710	1-408-416-00	s INDUCTOR 39uH
L711	1-410-478-11	s INDUCTOR 47uH
L712	1-410-482-31	s INDUCTOR 100uH
L720	1-408-413-00	s INDUCTOR 22uH
L721	1-408-419-00	s INDUCTOR 68uH
L901	1-410-482-31	s INDUCTOR 100uH
L902	1-410-482-31	s INDUCTOR 100uH
L903	1-410-482-31	s INDUCTOR 100uH
L904	1-410-482-31	s INDUCTOR 100uH
L905	1-410-482-31	s INDUCTOR 100uH
L906	1-410-482-31	s INDUCTOR 100uH
L907	1-410-482-31	s INDUCTOR 100uH
L908	1-410-482-31	s INDUCTOR 100uH
L909	1-410-482-31	s INDUCTOR 100uH
L910	1-410-482-31	s INDUCTOR 100uH
L911	1-410-482-31	s INDUCTOR 100uH
L912	1-410-482-31	s INDUCTOR 100uH
L913	1-410-482-31	s INDUCTOR 100uH
L914	1-410-482-31	s INDUCTOR 100uH
L915	1-410-482-31	s INDUCTOR 100uH
L916	1-410-482-31	s INDUCTOR 100uH
L917	1-410-482-31	s INDUCTOR 100uH
L918	1-410-482-31	s INDUCTOR 100uH
L919	1-410-482-31	s INDUCTOR 100uH
L920	1-410-482-31	s INDUCTOR 100uH
L921	1-410-482-31	s INDUCTOR 100uH
Q20	8-729-117-32	s TRANSISTOR 2SC4177
Q99	8-729-901-06	s TRANSISTOR DTA144EK
Q120	8-729-117-32	s TRANSISTOR 2SC4177
Q121	8-729-117-72	s TRANSISTOR 2SC4178
Q122	8-729-117-72	s TRANSISTOR 2SC4178

(VP-33AP BOARD)

Ref. No. or Q'ty	Part No.	SPDescription
Q123	8-729-117-72 s	TRANSISTOR 2SC4178
Q124	8-729-117-72 s	TRANSISTOR 2SC4178
Q125	8-729-117-72 s	TRANSISTOR 2SC4178
Q126	8-729-143-07 s	TRANSISTOR 2SA1610-YY33
Q127	8-729-117-72 s	TRANSISTOR 2SC4178
Q128	8-729-143-07 s	TRANSISTOR 2SA1610-YY33
Q151	8-729-117-72 s	TRANSISTOR 2SC4178
Q161	8-729-117-72 s	TRANSISTOR 2SC4178
Q162	8-729-905-12 s	TRANSISTOR DTA144EU
Q163	8-729-143-07 s	TRANSISTOR 2SA1610-YY33
Q164	8-729-117-72 s	TRANSISTOR 2SC4178
Q165	8-729-905-12 s	TRANSISTOR DTA144EU
Q167	8-729-143-07 s	TRANSISTOR 2SA1610-YY33
Q168	8-729-117-72 s	TRANSISTOR 2SC4178
Q169	8-729-117-72 s	TRANSISTOR 2SC4178
Q181	8-729-117-72 s	TRANSISTOR 2SC4178
Q182	8-729-905-12 s	TRANSISTOR DTA144EU
Q183	8-729-143-07 s	TRANSISTOR 2SA1610-YY33
Q184	8-729-117-72 s	TRANSISTOR 2SC4178
Q185	8-729-905-12 s	TRANSISTOR DTA144EU
Q186	8-729-143-07 s	TRANSISTOR 2SA1610-YY33
Q187	8-729-117-72 s	TRANSISTOR 2SC4178
Q188	8-729-905-12 s	TRANSISTOR DTA144EU
Q189	8-729-143-07 s	TRANSISTOR 2SA1610-YY33
Q190	8-729-117-72 s	TRANSISTOR 2SC4178
Q191	8-729-117-72 s	TRANSISTOR 2SC4178
Q192	8-729-143-07 s	TRANSISTOR 2SA1610-YY33
Q193	8-729-143-07 s	TRANSISTOR 2SA1610-YY33
Q194	8-729-117-72 s	TRANSISTOR 2SC4178
Q201	8-729-905-12 s	TRANSISTOR DTA144EU
Q204	8-729-905-12 s	TRANSISTOR DTA144EU
Q205	8-729-905-12 s	TRANSISTOR DTA144EU
Q211	8-729-117-72 s	TRANSISTOR 2SC4178
Q212	8-729-117-72 s	TRANSISTOR 2SC4178
Q213	8-729-117-72 s	TRANSISTOR 2SC4178
Q214	8-729-117-72 s	TRANSISTOR 2SC4178
Q215	8-729-117-72 s	TRANSISTOR 2SC4178
Q241	8-729-143-07 s	TRANSISTOR 2SA1610-YY33
Q250	8-729-905-18 s	TRANSISTOR DTC144EU
Q252	8-729-905-18 s	TRANSISTOR DTC144EU
Q261	8-729-117-72 s	TRANSISTOR 2SC4178
Q262	8-729-143-07 s	TRANSISTOR 2SA1610-YY33
Q263	8-729-143-07 s	TRANSISTOR 2SA1610-YY33
Q264	8-729-117-72 s	TRANSISTOR 2SC4178
Q265	8-729-143-07 s	TRANSISTOR 2SA1610-YY33
Q266	8-729-143-07 s	TRANSISTOR 2SA1610-YY33
Q270	8-729-905-12 s	TRANSISTOR DTA144EU
Q291	8-729-117-72 s	TRANSISTOR 2SC4178
Q292	8-729-143-07 s	TRANSISTOR 2SA1610-YY33
Q293	8-729-117-72 s	TRANSISTOR 2SC4178
Q294	8-729-143-07 s	TRANSISTOR 2SA1610-YY33
Q321	8-729-117-72 s	TRANSISTOR 2SC4178
Q322	8-729-143-07 s	TRANSISTOR 2SA1610-YY33
Q323	8-729-117-72 s	TRANSISTOR 2SC4178
Q324	8-729-117-72 s	TRANSISTOR 2SC4178
Q325	8-729-117-72 s	TRANSISTOR 2SC4178
Q326	8-729-117-72 s	TRANSISTOR 2SC4178
Q327	8-729-143-07 s	TRANSISTOR 2SA1610-YY33
Q328	8-729-143-07 s	TRANSISTOR 2SA1610-YY33

(VP-33AP BOARD)

Ref. No. or Q'ty	Part No.	SPDescription
Q329	8-729-117-72 s	TRANSISTOR 2SC4178
Q351	8-729-117-72 s	TRANSISTOR 2SC4178
Q352	8-729-143-07 s	TRANSISTOR 2SA1610-YY33
Q420	8-729-117-32 s	TRANSISTOR 2SC4177
Q421	8-729-117-72 s	TRANSISTOR 2SC4178
Q422	8-729-117-72 s	TRANSISTOR 2SC4178
Q423	8-729-117-72 s	TRANSISTOR 2SC4178
Q424	8-729-117-72 s	TRANSISTOR 2SC4178
Q425	8-729-117-72 s	TRANSISTOR 2SC4178
Q426	8-729-143-07 s	TRANSISTOR 2SA1610-YY33
Q427	8-729-117-72 s	TRANSISTOR 2SC4178
Q428	8-729-143-07 s	TRANSISTOR 2SA1610-YY33
Q461	8-729-117-72 s	TRANSISTOR 2SC4178
Q462	8-729-905-12 s	TRANSISTOR DTA144EU
Q463	8-729-143-07 s	TRANSISTOR 2SA1610-YY33
Q464	8-729-117-72 s	TRANSISTOR 2SC4178
Q465	8-729-905-12 s	TRANSISTOR DTA144EU
Q466	8-729-143-07 s	TRANSISTOR 2SA1610-YY33
Q467	8-729-117-72 s	TRANSISTOR 2SC4178
Q468	8-729-117-72 s	TRANSISTOR 2SC4178
Q501	8-729-905-12 s	TRANSISTOR DTA144EU
Q504	8-729-905-12 s	TRANSISTOR DTA144EU
Q505	8-729-905-12 s	TRANSISTOR DTA144EU
Q513	8-729-117-72 s	TRANSISTOR 2SC4178
Q514	8-729-117-72 s	TRANSISTOR 2SC4178
Q515	8-729-117-72 s	TRANSISTOR 2SC4178
Q541	8-729-143-07 s	TRANSISTOR 2SA1610-YY33
Q550	8-729-905-18 s	TRANSISTOR DTC144EU
Q552	8-729-905-18 s	TRANSISTOR DTC144EU
Q561	8-729-117-72 s	TRANSISTOR 2SC4178
Q563	8-729-143-07 s	TRANSISTOR 2SA1610-YY33
Q570	8-729-905-12 s	TRANSISTOR DTA144EU
Q591	8-729-117-72 s	TRANSISTOR 2SC4178
Q592	8-729-143-07 s	TRANSISTOR 2SA1610-YY33
Q621	8-729-117-72 s	TRANSISTOR 2SC4178
Q622	8-729-143-07 s	TRANSISTOR 2SA1610-YY33
Q623	8-729-117-72 s	TRANSISTOR 2SC4178
Q624	8-729-117-72 s	TRANSISTOR 2SC4178
Q625	8-729-117-72 s	TRANSISTOR 2SC4178
Q626	8-729-117-72 s	TRANSISTOR 2SC4178
Q627	8-729-143-07 s	TRANSISTOR 2SA1610-YY33
Q628	8-729-143-07 s	TRANSISTOR 2SA1610-YY33
Q629	8-729-117-72 s	TRANSISTOR 2SC4178
Q651	8-729-117-72 s	TRANSISTOR 2SC4178
Q652	8-729-143-07 s	TRANSISTOR 2SA1610-YY33
Q701	8-729-117-32 s	TRANSISTOR 2SC4177
Q702	8-729-143-14 s	TRANSISTOR 2SC4176-B35
Q703	8-729-143-07 s	TRANSISTOR 2SA1610-YY33
Q704	8-729-143-07 s	TRANSISTOR 2SA1610-YY33
Q705	8-729-143-14 s	TRANSISTOR 2SC4176-B35
Q706	8-729-143-07 s	TRANSISTOR 2SA1610-YY33
Q707	8-729-904-41 s	TRANSISTOR FMY3
Q708	8-729-904-41 s	TRANSISTOR FMY3
Q709	8-729-117-32 s	TRANSISTOR 2SC4177
Q710	8-729-143-14 s	TRANSISTOR 2SC4176-B35
Q711	8-729-117-32 s	TRANSISTOR 2SC4177
Q712	8-729-904-41 s	TRANSISTOR FMY3
Q713	8-729-143-14 s	TRANSISTOR 2SC4176-B35
Q714	8-729-140-63 s	TRANSISTOR 2SA1611-M5M6

(VP-33AP BOARD)

Ref. No. or Q'ty	Part No.	SPDescription
Q715	8-729-117-32	s TRANSISTOR 2SC4177
Q716	8-729-140-63	s TRANSISTOR 2SA1611-M5M6
Q717	8-729-117-32	s TRANSISTOR 2SC4177
Q718	8-729-117-32	s TRANSISTOR 2SC4177
Q719	8-729-117-32	s TRANSISTOR 2SC4177
Q728	8-729-117-32	s TRANSISTOR 2SC4177
Q729	8-729-117-32	s TRANSISTOR 2SC4177
Q730	8-729-117-32	s TRANSISTOR 2SC4177
Q731	8-729-117-32	s TRANSISTOR 2SC4177
Q732	8-729-117-32	s TRANSISTOR 2SC4177
Q733	8-729-117-32	s TRANSISTOR 2SC4177
Q734	8-729-143-14	s TRANSISTOR 2SC4176-B35
Q735	8-729-140-63	s TRANSISTOR 2SA1611-M5M6
Q736	8-729-117-32	s TRANSISTOR 2SC4177
Q737	8-729-140-63	s TRANSISTOR 2SA1611-M5M6
Q738	8-729-117-32	s TRANSISTOR 2SC4177
Q739	8-729-117-32	s TRANSISTOR 2SC4177
Q740	8-729-143-14	s TRANSISTOR 2SC4176-B35
Q741	8-729-117-32	s TRANSISTOR 2SC4177
Q742	8-729-117-32	s TRANSISTOR 2SC4177
Q743	8-729-117-32	s TRANSISTOR 2SC4177
Q746	8-729-117-32	s TRANSISTOR 2SC4177
Q747	8-729-117-32	s TRANSISTOR 2SC4177
Q748	8-729-117-32	s TRANSISTOR 2SC4177
Q749	8-729-117-32	s TRANSISTOR 2SC4177
Q750	8-729-117-32	s TRANSISTOR 2SC4177
Q751	8-729-117-32	s TRANSISTOR 2SC4177
Q752	8-729-117-32	s TRANSISTOR 2SC4177
Q753	8-729-117-32	s TRANSISTOR 2SC4177
Q754	8-729-140-63	s TRANSISTOR 2SA1611-M5M6
Q755	8-729-117-32	s TRANSISTOR 2SC4177
Q756	8-729-117-32	s TRANSISTOR 2SC4177
Q757	8-729-140-63	s TRANSISTOR 2SA1611-M5M6
Q758	8-729-117-32	s TRANSISTOR 2SC4177
Q759	8-729-140-63	s TRANSISTOR 2SA1611-M5M6
Q760	8-729-117-32	s TRANSISTOR 2SC4177
Q761	8-729-117-32	s TRANSISTOR 2SC4177
Q762	8-729-140-63	s TRANSISTOR 2SA1611-M5M6
Q763	8-729-117-32	s TRANSISTOR 2SC4177
Q764	8-729-140-63	s TRANSISTOR 2SA1611-M5M6
Q765	8-729-209-06	s TRANSISTOR 2SC4213-A
Q766	8-729-117-32	s TRANSISTOR 2SC4177
Q767	8-729-140-63	s TRANSISTOR 2SA1611-M5M6
Q768	8-729-905-18	s TRANSISTOR DTC144EU
Q770	8-729-118-56	s TRANSISTOR 2SK852-X2
Q771	8-729-118-56	s TRANSISTOR 2SK852-X2
Q772	8-729-118-56	s TRANSISTOR 2SK852-X2
Q773	8-729-118-56	s TRANSISTOR 2SK852-X2
Q1001	8-729-904-04	s TRANSISTOR FMS2
Q1002	8-729-923-06	s TRANSISTOR FMW8
Q1003	8-729-903-82	s TRANSISTOR FMW2
Q1004	8-729-931-46	s TRANSISTOR FMW7
Q1005	8-729-907-26	s TRANSISTOR IMX110
Q2001	8-729-904-04	s TRANSISTOR FMS2
Q2002	8-729-923-06	s TRANSISTOR FMW8
Q2003	8-729-903-82	s TRANSISTOR FMW2
Q2004	8-729-931-46	s TRANSISTOR FMW7
Q2005	8-729-907-26	s TRANSISTOR IMX110
Q3001	8-729-904-04	s TRANSISTOR FMS2

(VP-33AP BOARD)

Ref. No. or Q'ty	Part No.	SPDescription
Q3002	8-729-923-06	s TRANSISTOR FMW8
Q3003	8-729-903-82	s TRANSISTOR FMW2
Q3004	8-729-931-46	s TRANSISTOR FMW7
Q3005	8-729-907-26	s TRANSISTOR IMX110
R2	1-216-097-00	s METAL, CHIP 100K 5% 1/10W
R3	1-216-097-00	s METAL, CHIP 100K 5% 1/10W
R4	1-216-097-00	s METAL, CHIP 100K 5% 1/10W
R5	1-216-097-00	s METAL, CHIP 100K 5% 1/10W
R7	1-216-049-00	s METAL, CHIP 1K 5% 1/10W
R8	1-216-049-00	s METAL, CHIP 1K 5% 1/10W
R9	1-216-049-00	s METAL, CHIP 1K 5% 1/10W
R10	1-216-049-00	s METAL, CHIP 1K 5% 1/10W
R11	1-216-049-00	s METAL, CHIP 1K 5% 1/10W
R12	1-216-097-00	s METAL, CHIP 100K 5% 1/10W
R13	1-216-097-00	s METAL, CHIP 100K 5% 1/10W
R14	1-216-049-00	s METAL, CHIP 1K 5% 1/10W
R15	1-216-049-00	s METAL, CHIP 1K 5% 1/10W
R16	1-216-049-00	s METAL, CHIP 1K 5% 1/10W
R18	1-216-049-00	s METAL, CHIP 1K 5% 1/10W
R19	1-216-113-00	s METAL, CHIP 470K 5% 1/10W
R22	1-216-025-00	s METAL, CHIP 100 5% 1/10W
R23	1-216-025-00	s METAL, CHIP 100 5% 1/10W
R24	1-216-295-00	s METAL, CHIP 0 5% 1/10W
R30	1-216-049-00	s METAL, CHIP 1K 5% 1/10W
R31	1-216-073-00	s METAL, CHIP 10K 5% 1/10W
R32	1-216-073-00	s METAL, CHIP 10K 5% 1/10W
R33	1-216-073-00	s METAL, CHIP 10K 5% 1/10W
R52	1-216-643-11	s METAL, CHIP 470 0.5% 1/10W
R53	1-216-648-11	s METAL, CHIP 750 0.5% 1/10W
R54	1-216-643-11	s METAL, CHIP 470 0.5% 1/10W
R55	1-216-643-11	s METAL, CHIP 470 0.5% 1/10W
R96	1-215-435-00	s METAL, CHIP 3.9K 1% 1/4W
R97	1-215-440-00	s METAL, CHIP 6.2K 1% 1/4W
R99	1-216-675-11	s METAL, CHIP 10K 0.5% 1/10W
R100	1-216-025-00	s METAL, CHIP 100 5% 1/10W
R101	1-216-073-00	s METAL, CHIP 10K 5% 1/10W
R102	1-216-073-00	s METAL, CHIP 10K 5% 1/10W
R103	1-216-295-00	s METAL, CHIP 0 5% 1/10W
R104	1-216-638-11	s METAL, CHIP 300 0.5% 1/10W
R105	1-216-025-00	s METAL, CHIP 100 5% 1/10W
R106	1-216-025-00	s METAL, CHIP 100 5% 1/10W
R107	1-216-295-00	s METAL, CHIP 0 5% 1/10W
R108	1-216-638-11	s METAL, CHIP 300 0.5% 1/10W
R109	1-216-049-00	s METAL, CHIP 1K 5% 1/10W
R110	1-216-025-00	s METAL, CHIP 100 5% 1/10W
R111	1-216-295-00	s METAL, CHIP 0 5% 1/10W
R112	1-216-025-00	s METAL, CHIP 100 5% 1/10W
R113	1-216-057-00	s METAL, CHIP 2.2K 5% 1/10W
R114	1-216-057-00	s METAL, CHIP 2.2K 5% 1/10W
R115	1-216-025-00	s METAL, CHIP 100 5% 1/10W
R116	1-216-295-00	s METAL, CHIP 0 5% 1/10W
R117	1-216-295-00	s METAL, CHIP 0 5% 1/10W
R118	1-216-025-00	s METAL, CHIP 100 5% 1/10W
R119	1-216-025-00	s METAL, CHIP 100 5% 1/10W
R120	1-216-065-00	s METAL, CHIP 4.7K 5% 1/10W
R121	1-216-025-00	s METAL, CHIP 100 5% 1/10W
R122	1-216-057-00	s METAL, CHIP 2.2K 5% 1/10W
R123	1-216-025-00	s METAL, CHIP 100 5% 1/10W
R124	1-216-025-00	s METAL, CHIP 100 5% 1/10W

(VP-33AP BOARD)

Ref. No. or Q'ty	Part No.	SPDescription
R125	1-216-057-00	s METAL, CHIP 2.2K 5% 1/10W
R126	1-216-638-11	s METAL, CHIP 300 0.5% 1/10W
R127	1-216-638-11	s METAL, CHIP 300 0.5% 1/10W
R128	1-216-025-00	s METAL, CHIP 100 5% 1/10W
R129	1-216-065-00	s METAL, CHIP 4.7K 5% 1/10W
R130	1-216-025-00	s METAL, CHIP 100 5% 1/10W
R131	1-216-025-00	s METAL, CHIP 100 5% 1/10W
R132	1-216-057-00	s METAL, CHIP 2.2K 5% 1/10W
R133	1-216-639-11	s METAL, CHIP 330 0.5% 1/10W
R134	1-216-639-11	s METAL, CHIP 330 0.5% 1/10W
R135	1-216-025-00	s METAL, CHIP 100 5% 1/10W
R136	1-216-065-00	s METAL, CHIP 4.7K 5% 1/10W
R137	1-216-025-00	s METAL, CHIP 100 5% 1/10W
R138	1-216-025-00	s METAL, CHIP 100 5% 1/10W
R139	1-216-057-00	s METAL, CHIP 2.2K 5% 1/10W
R140	1-216-651-11	s METAL, CHIP 1K 0.5% 1/10W
R141	1-216-667-11	s METAL, CHIP 4.7K 0.5% 1/10W
R143	1-216-065-00	s METAL, CHIP 4.7K 5% 1/10W
R144	1-216-025-00	s METAL, CHIP 100 5% 1/10W
R145	1-216-025-00	s METAL, CHIP 100 5% 1/10W
R146	1-216-644-11	s METAL, CHIP 510 0.5% 1/10W
R147	1-216-643-11	s METAL, CHIP 470 0.5% 1/10W
R148	1-216-041-00	s METAL, CHIP 470 5% 1/10W
R149	1-216-025-00	s METAL, CHIP 100 5% 1/10W
R150	1-216-065-00	s METAL, CHIP 4.7K 5% 1/10W
R152	1-216-643-11	s METAL, CHIP 470 0.5% 1/10W
R161	1-216-073-00	s METAL, CHIP 10K 5% 1/10W
R162	1-216-025-00	s METAL, CHIP 100 5% 1/10W
R163	1-216-073-00	s METAL, CHIP 10K 5% 1/10W
R164	1-216-065-00	s METAL, CHIP 4.7K 5% 1/10W
R165	1-216-025-00	s METAL, CHIP 100 5% 1/10W
R166	1-216-073-00	s METAL, CHIP 10K 5% 1/10W
R167	1-216-025-00	s METAL, CHIP 100 5% 1/10W
R168	1-216-073-00	s METAL, CHIP 10K 5% 1/10W
R169	1-216-065-00	s METAL, CHIP 4.7K 5% 1/10W
R170	1-216-025-00	s METAL, CHIP 100 5% 1/10W
R171	1-216-049-00	s METAL, CHIP 1K 5% 1/10W
R172	1-216-635-11	s METAL, CHIP 220 0.5% 1/10W
R173	1-216-037-00	s METAL, CHIP 330 5% 1/10W
R174	1-216-037-00	s METAL, CHIP 330 5% 1/10W
R175	1-216-065-00	s METAL, CHIP 4.7K 5% 1/10W
R176	1-216-065-00	s METAL, CHIP 4.7K 5% 1/10W
R181	1-216-073-00	s METAL, CHIP 10K 5% 1/10W
R182	1-216-025-00	s METAL, CHIP 100 5% 1/10W
R183	1-216-073-00	s METAL, CHIP 10K 5% 1/10W
R184	1-216-065-00	s METAL, CHIP 4.7K 5% 1/10W
R185	1-216-025-00	s METAL, CHIP 100 5% 1/10W
R186	1-216-073-00	s METAL, CHIP 10K 5% 1/10W
R187	1-216-025-00	s METAL, CHIP 100 5% 1/10W
R188	1-216-073-00	s METAL, CHIP 10K 5% 1/10W
R189	1-216-065-00	s METAL, CHIP 4.7K 5% 1/10W
R190	1-216-025-00	s METAL, CHIP 100 5% 1/10W
R191	1-216-073-00	s METAL, CHIP 10K 5% 1/10W
R192	1-216-025-00	s METAL, CHIP 100 5% 1/10W
R193	1-216-073-00	s METAL, CHIP 10K 5% 1/10W
R194	1-216-065-00	s METAL, CHIP 4.7K 5% 1/10W
R195	1-216-025-00	s METAL, CHIP 100 5% 1/10W
R196	1-216-057-00	s METAL, CHIP 2.2K 5% 1/10W
R197	1-216-049-00	s METAL, CHIP 1K 5% 1/10W

(VP-33AP BOARD)

Ref. No. or Q'ty	Part No.	SPDescription
R198	1-216-025-00	s METAL, CHIP 100 5% 1/10W
R199	1-216-057-00	s METAL, CHIP 2.2K 5% 1/10W
R200	1-216-025-00	s METAL, CHIP 100 5% 1/10W
R201	1-216-057-00	s METAL, CHIP 2.2K 5% 1/10W
R202	1-216-041-00	s METAL, CHIP 470 5% 1/10W
R203	1-216-041-00	s METAL, CHIP 470 5% 1/10W
R204	1-216-073-00	s METAL, CHIP 10K 5% 1/10W
R205	1-216-073-00	s METAL, CHIP 10K 5% 1/10W
R206	1-216-065-00	s METAL, CHIP 4.7K 5% 1/10W
R207	1-216-025-00	s METAL, CHIP 100 5% 1/10W
R208	1-216-065-00	s METAL, CHIP 4.7K 5% 1/10W
R209	1-216-025-00	s METAL, CHIP 100 5% 1/10W
R210	1-216-025-00	s METAL, CHIP 100 5% 1/10W
R211	1-216-025-00	s METAL, CHIP 100 5% 1/10W
R212	1-216-025-00	s METAL, CHIP 100 5% 1/10W
R213	1-216-057-00	s METAL, CHIP 2.2K 5% 1/10W
R214	1-216-057-00	s METAL, CHIP 2.2K 5% 1/10W
R215	1-216-037-00	s METAL, CHIP 330 5% 1/10W
R216	1-216-041-00	s METAL, CHIP 470 5% 1/10W
R217	1-216-041-00	s METAL, CHIP 470 5% 1/10W
R218	1-216-063-00	s METAL, CHIP 3.9K 5% 1/10W
R219	1-216-045-00	s METAL, CHIP 680 5% 1/10W
R220	1-216-073-00	s METAL, CHIP 10K 5% 1/10W
R221	1-216-049-00	s METAL, CHIP 1K 5% 1/10W
R222	1-216-039-00	s METAL, CHIP 390 5% 1/10W
R223	1-216-073-00	s METAL, CHIP 10K 5% 1/10W
R224	1-216-037-00	s METAL, CHIP 330 5% 1/10W
R225	1-216-037-00	s METAL, CHIP 330 5% 1/10W
R226	1-216-065-00	s METAL, CHIP 4.7K 5% 1/10W
R227	1-216-065-00	s METAL, CHIP 4.7K 5% 1/10W
R228	1-216-081-00	s METAL, CHIP 22K 5% 1/10W
R231	1-216-077-00	s METAL, CHIP 15K 5% 1/10W
R232	1-216-685-11	s METAL, CHIP 27K 0.5% 1/10W
R233	1-216-073-00	s METAL, CHIP 10K 5% 1/10W
R234	1-216-065-00	s METAL, CHIP 4.7K 5% 1/10W
R235	1-216-037-00	s METAL, CHIP 330 5% 1/10W
R236	1-216-025-00	s METAL, CHIP 100 5% 1/10W
R237	1-216-121-00	s METAL, CHIP 1M 5% 1/10W
R241	1-216-065-00	s METAL, CHIP 4.7K 5% 1/10W
R242	1-216-049-00	s METAL, CHIP 1K 5% 1/10W
R243	1-216-049-00	s METAL, CHIP 1K 5% 1/10W
R244	1-216-097-00	s METAL, CHIP 100K 5% 1/10W
R245	1-216-073-00	s METAL, CHIP 10K 5% 1/10W
R246	1-216-081-00	s METAL, CHIP 22K 5% 1/10W
R247	1-216-081-00	s METAL, CHIP 22K 5% 1/10W
R248	1-216-073-00	s METAL, CHIP 10K 5% 1/10W
R250	1-216-057-00	s METAL, CHIP 2.2K 5% 1/10W
R251	1-216-651-11	s METAL, CHIP 1K 0.5% 1/10W
R252	1-216-675-11	s METAL, CHIP 10K 0.5% 1/10W
R254	1-216-663-11	s METAL, CHIP 3.3K 0.5% 1/10W
R255	1-216-073-00	s METAL, CHIP 10K 5% 1/10W
R256	1-216-073-00	s METAL, CHIP 10K 5% 1/10W
R261	1-216-113-00	s METAL, CHIP 470K 5% 1/10W
R262	1-216-025-00	s METAL, CHIP 100 5% 1/10W
R263	1-216-651-11	s METAL, CHIP 1K 0.5% 1/10W
R264	1-216-653-11	s METAL, CHIP 1.2K 0.5% 1/10W
R265	1-216-671-11	s METAL, CHIP 6.8K 0.5% 1/10W
R266	1-216-671-11	s METAL, CHIP 6.8K 0.5% 1/10W
R267	1-216-073-00	s METAL, CHIP 10K 5% 1/10W

(VP-33AP BOARD)

Ref. No. or Q'ty	Part No.	SPDescription
R268	1-216-025-00	s METAL, CHIP 100 5% 1/10W
R269	1-216-073-00	s METAL, CHIP 10K 5% 1/10W
R270	1-216-065-00	s METAL, CHIP 4.7K 5% 1/10W
R271	1-216-025-00	s METAL, CHIP 100 5% 1/10W
R272	1-216-073-00	s METAL, CHIP 10K 5% 1/10W
R273	1-216-025-00	s METAL, CHIP 100 5% 1/10W
R274	1-216-073-00	s METAL, CHIP 10K 5% 1/10W
R275	1-216-065-00	s METAL, CHIP 4.7K 5% 1/10W
R276	1-216-025-00	s METAL, CHIP 100 5% 1/10W
R282	1-216-057-00	s METAL, CHIP 2.2K 5% 1/10W
R289	1-216-113-00	s METAL, CHIP 470K 5% 1/10W
R290	1-216-025-00	s METAL, CHIP 100 5% 1/10W
R291	1-216-667-11	s METAL, CHIP 4.7K 0.5% 1/10W
R292	1-216-687-11	s METAL, CHIP 33K 0.5% 1/10W
R293	1-216-651-11	s METAL, CHIP 1K 0.5% 1/10W
R294	1-216-638-11	s METAL, CHIP 300 0.5% 1/10W
R295	1-216-665-11	s METAL, CHIP 3.9K 0.5% 1/10W
R296	1-216-671-11	s METAL, CHIP 6.8K 0.5% 1/10W
R297	1-216-689-11	s METAL, CHIP 39K 0.5% 1/10W
R298	1-216-685-11	s METAL, CHIP 27K 0.5% 1/10W
R299	1-216-073-00	s METAL, CHIP 10K 5% 1/10W
R300	1-216-025-00	s METAL, CHIP 100 5% 1/10W
R301	1-216-041-00	s METAL, CHIP 470 5% 1/10W
R302	1-216-638-11	s METAL, CHIP 300 0.5% 1/10W
R303	1-216-037-00	s METAL, CHIP 330 5% 1/10W
R304	1-216-057-00	s METAL, CHIP 2.2K 5% 1/10W
R305	1-216-025-00	s METAL, CHIP 100 5% 1/10W
R306	1-216-041-00	s METAL, CHIP 470 5% 1/10W
R307	1-216-638-11	s METAL, CHIP 300 0.5% 1/10W
R308	1-216-037-00	s METAL, CHIP 330 5% 1/10W
R309	1-216-057-00	s METAL, CHIP 2.2K 5% 1/10W
R310	1-216-695-11	s METAL, CHIP 68K 0.5% 1/10W
R311	1-216-675-11	s METAL, CHIP 10K 0.5% 1/10W
R312	1-216-675-11	s METAL, CHIP 10K 0.5% 1/10W
R313	1-216-675-11	s METAL, CHIP 10K 0.5% 1/10W
R314	1-216-650-11	s METAL, CHIP 910 0.5% 1/10W
R315	1-216-049-00	s METAL, CHIP 1K 5% 1/10W
R316	1-216-675-11	s METAL, CHIP 10K 0.5% 1/10W
R317	1-216-675-11	s METAL, CHIP 10K 0.5% 1/10W
R318	1-216-675-11	s METAL, CHIP 10K 0.5% 1/10W
R319	1-208-789-11	s METAL, CHIP 2K 0.5% 1/10W
R320	1-216-049-00	s METAL, CHIP 1K 5% 1/10W
R321	1-216-025-00	s METAL, CHIP 100 5% 1/10W
R322	1-216-025-00	s METAL, CHIP 100 5% 1/10W
R323	1-216-638-11	s METAL, CHIP 300 0.5% 1/10W
R324	1-216-057-00	s METAL, CHIP 2.2K 5% 1/10W
R325	1-216-638-11	s METAL, CHIP 300 0.5% 1/10W
R326	1-216-025-00	s METAL, CHIP 100 5% 1/10W
R327	1-216-065-00	s METAL, CHIP 4.7K 5% 1/10W
R328	1-216-049-00	s METAL, CHIP 1K 5% 1/10W
R329	1-216-025-00	s METAL, CHIP 100 5% 1/10W
R330	1-216-025-00	s METAL, CHIP 100 5% 1/10W
R331	1-216-025-00	s METAL, CHIP 100 5% 1/10W
R332	1-216-065-00	s METAL, CHIP 4.7K 5% 1/10W
R333	1-216-055-00	s METAL, CHIP 1.8K 5% 1/10W
R334	1-216-025-00	s METAL, CHIP 100 5% 1/10W
R335	1-216-055-00	s METAL, CHIP 1.8K 5% 1/10W
R336	1-216-065-00	s METAL, CHIP 4.7K 5% 1/10W
R337	1-216-639-11	s METAL, CHIP 330 0.5% 1/10W

(VP-33AP BOARD)

Ref. No. or Q'ty	Part No.	SPDescription
R338	1-216-665-11	s METAL, CHIP 3.9K 0.5% 1/10W
R339	1-216-057-00	s METAL, CHIP 2.2K 5% 1/10W
R340	1-216-049-00	s METAL, CHIP 1K 5% 1/10W
R341	1-216-049-00	s METAL, CHIP 1K 5% 1/10W
R342	1-216-073-00	s METAL, CHIP 10K 5% 1/10W
R343	1-216-041-00	s METAL, CHIP 470 5% 1/10W
R344	1-216-667-11	s METAL, CHIP 4.7K 0.5% 1/10W
R351	1-216-025-00	s METAL, CHIP 100 5% 1/10W
R354	1-216-025-00	s METAL, CHIP 100 5% 1/10W
R355	1-216-025-00	s METAL, CHIP 100 5% 1/10W
R356	1-216-643-11	s METAL, CHIP 470 0.5% 1/10W
R358	1-216-057-00	s METAL, CHIP 2.2K 5% 1/10W
R359	1-216-643-11	s METAL, CHIP 470 0.5% 1/10W
R360	1-216-025-00	s METAL, CHIP 100 5% 1/10W
R361	1-216-065-00	s METAL, CHIP 4.7K 5% 1/10W
R362	1-216-049-00	s METAL, CHIP 1K 5% 1/10W
R363	1-216-063-00	s METAL, CHIP 3.9K 5% 1/10W
R364	1-216-049-00	s METAL, CHIP 1K 5% 1/10W
R365	1-216-063-00	s METAL, CHIP 3.9K 5% 1/10W
R368	1-216-664-11	s METAL, CHIP 3.6K 0.5% 1/10W
R390	1-216-049-00	s METAL, CHIP 1K 5% 1/10W
R391	1-216-620-11	s METAL, CHIP 51 0.5% 1/10W
R392	1-216-053-00	s METAL, CHIP 1.5K 5% 1/10W
R395	1-216-089-91	s METAL, CHIP 47K 5% 1/10W
R396	1-216-049-00	s METAL, CHIP 1K 5% 1/10W
R397	1-216-097-00	s METAL, CHIP 100K 5% 1/10W
R400	1-216-025-00	s METAL, CHIP 100 5% 1/10W
R401	1-216-073-00	s METAL, CHIP 10K 5% 1/10W
R402	1-216-073-00	s METAL, CHIP 10K 5% 1/10W
R403	1-216-629-11	s METAL, CHIP 120 0.5% 1/10W
R404	1-216-633-11	s METAL, CHIP 180 0.5% 1/10W
R405	1-216-025-00	s METAL, CHIP 100 5% 1/10W
R406	1-216-025-00	s METAL, CHIP 100 5% 1/10W
R407	1-216-629-11	s METAL, CHIP 120 0.5% 1/10W
R408	1-216-633-11	s METAL, CHIP 180 0.5% 1/10W
R409	1-216-049-00	s METAL, CHIP 1K 5% 1/10W
R410	1-216-295-00	s METAL, CHIP 0 5% 1/10W
R411	1-216-025-00	s METAL, CHIP 100 5% 1/10W
R412	1-216-025-00	s METAL, CHIP 100 5% 1/10W
R413	1-216-057-00	s METAL, CHIP 2.2K 5% 1/10W
R414	1-216-057-00	s METAL, CHIP 2.2K 5% 1/10W
R415	1-216-025-00	s METAL, CHIP 100 5% 1/10W
R418	1-216-025-00	s METAL, CHIP 100 5% 1/10W
R419	1-216-025-00	s METAL, CHIP 100 5% 1/10W
R420	1-216-065-00	s METAL, CHIP 4.7K 5% 1/10W
R421	1-216-025-00	s METAL, CHIP 100 5% 1/10W
R422	1-216-057-00	s METAL, CHIP 2.2K 5% 1/10W
R423	1-216-025-00	s METAL, CHIP 100 5% 1/10W
R424	1-216-025-00	s METAL, CHIP 100 5% 1/10W
R425	1-216-057-00	s METAL, CHIP 2.2K 5% 1/10W
R426	1-216-638-11	s METAL, CHIP 300 0.5% 1/10W
R427	1-216-638-11	s METAL, CHIP 300 0.5% 1/10W
R428	1-216-025-00	s METAL, CHIP 100 5% 1/10W
R429	1-216-065-00	s METAL, CHIP 4.7K 5% 1/10W
R430	1-216-025-00	s METAL, CHIP 100 5% 1/10W
R431	1-216-025-00	s METAL, CHIP 100 5% 1/10W
R432	1-216-057-00	s METAL, CHIP 2.2K 5% 1/10W
R433	1-216-638-11	s METAL, CHIP 300 0.5% 1/10W
R434	1-216-638-11	s METAL, CHIP 300 0.5% 1/10W

(VP-33AP BOARD)

Ref. No. or Q'ty	Part No.	SPDescription
R435	1-216-025-00	s METAL, CHIP 100 5% 1/10W
R436	1-216-065-00	s METAL, CHIP 4.7K 5% 1/10W
R437	1-216-025-00	s METAL, CHIP 100 5% 1/10W
R438	1-216-025-00	s METAL, CHIP 100 5% 1/10W
R439	1-216-057-00	s METAL, CHIP 2.2K 5% 1/10W
R440	1-216-657-11	s METAL, CHIP 1.8K 0.5% 1/10W
R441	1-216-639-11	s METAL, CHIP 330 0.5% 1/10W
R442	1-216-025-00	s METAL, CHIP 100 5% 1/10W
R443	1-216-065-00	s METAL, CHIP 4.7K 5% 1/10W
R444	1-216-651-11	s METAL, CHIP 1K 0.5% 1/10W
R445	1-216-025-00	s METAL, CHIP 100 5% 1/10W
R446	1-216-644-11	s METAL, CHIP 510 0.5% 1/10W
R447	1-216-643-11	s METAL, CHIP 470 0.5% 1/10W
R448	1-216-041-00	s METAL, CHIP 470 5% 1/10W
R449	1-216-025-00	s METAL, CHIP 100 5% 1/10W
R450	1-216-065-00	s METAL, CHIP 4.7K 5% 1/10W
R452	1-216-643-11	s METAL, CHIP 470 0.5% 1/10W
R456	1-216-637-11	s METAL, CHIP 270 0.5% 1/10W
R461	1-216-073-00	s METAL, CHIP 10K 5% 1/10W
R462	1-216-025-00	s METAL, CHIP 100 5% 1/10W
R463	1-216-073-00	s METAL, CHIP 10K 5% 1/10W
R464	1-216-065-00	s METAL, CHIP 4.7K 5% 1/10W
R465	1-216-025-00	s METAL, CHIP 100 5% 1/10W
R466	1-216-073-00	s METAL, CHIP 10K 5% 1/10W
R467	1-216-025-00	s METAL, CHIP 100 5% 1/10W
R468	1-216-073-00	s METAL, CHIP 10K 5% 1/10W
R469	1-216-065-00	s METAL, CHIP 4.7K 5% 1/10W
R470	1-216-025-00	s METAL, CHIP 100 5% 1/10W
R471	1-216-049-00	s METAL, CHIP 1K 5% 1/10W
R472	1-216-635-11	s METAL, CHIP 220 0.5% 1/10W
R473	1-216-037-00	s METAL, CHIP 330 5% 1/10W
R474	1-216-037-00	s METAL, CHIP 330 5% 1/10W
R475	1-216-065-00	s METAL, CHIP 4.7K 5% 1/10W
R476	1-216-065-00	s METAL, CHIP 4.7K 5% 1/10W
R509	1-216-295-00	s METAL, CHIP 0 5% 1/10W
R510	1-216-295-00	s METAL, CHIP 0 5% 1/10W
R511	1-216-025-00	s METAL, CHIP 100 5% 1/10W
R512	1-216-025-00	s METAL, CHIP 100 5% 1/10W
R513	1-216-057-00	s METAL, CHIP 2.2K 5% 1/10W
R514	1-216-057-00	s METAL, CHIP 2.2K 5% 1/10W
R515	1-216-037-00	s METAL, CHIP 330 5% 1/10W
R516	1-216-041-00	s METAL, CHIP 470 5% 1/10W
R517	1-216-041-00	s METAL, CHIP 470 5% 1/10W
R519	1-216-637-11	s METAL, CHIP 270 0.5% 1/10W
R522	1-216-619-11	s METAL, CHIP 47 0.5% 1/10W
R524	1-216-037-00	s METAL, CHIP 330 5% 1/10W
R525	1-216-037-00	s METAL, CHIP 330 5% 1/10W
R526	1-216-065-00	s METAL, CHIP 4.7K 5% 1/10W
R527	1-216-065-00	s METAL, CHIP 4.7K 5% 1/10W
R528	1-216-081-00	s METAL, CHIP 22K 5% 1/10W
R531	1-216-077-00	s METAL, CHIP 15K 5% 1/10W
R532	1-216-685-11	s METAL, CHIP 27K 0.5% 1/10W
R533	1-216-073-00	s METAL, CHIP 10K 5% 1/10W
R534	1-216-065-00	s METAL, CHIP 4.7K 5% 1/10W
R535	1-216-037-00	s METAL, CHIP 330 5% 1/10W
R536	1-216-025-00	s METAL, CHIP 100 5% 1/10W
R537	1-216-121-00	s METAL, CHIP 1M 5% 1/10W
R541	1-216-065-00	s METAL, CHIP 4.7K 5% 1/10W
R542	1-216-049-00	s METAL, CHIP 1K 5% 1/10W

(VP-33AP BOARD)

Ref. No. or Q'ty	Part No.	SPDescription
R543	1-216-049-00	s METAL, CHIP 1K 5% 1/10W
R544	1-216-097-00	s METAL, CHIP 100K 5% 1/10W
R545	1-216-073-00	s METAL, CHIP 10K 5% 1/10W
R551	1-216-651-11	s METAL, CHIP 1K 0.5% 1/10W
R552	1-216-669-11	s METAL, CHIP 5.6K 0.5% 1/10W
R554	1-216-653-11	s METAL, CHIP 1.2K 0.5% 1/10W
R555	1-216-073-00	s METAL, CHIP 10K 5% 1/10W
R556	1-216-073-00	s METAL, CHIP 10K 5% 1/10W
R558	1-216-295-00	s METAL, CHIP 0 5% 1/10W
R561	1-216-113-00	s METAL, CHIP 470K 5% 1/10W
R562	1-216-025-00	s METAL, CHIP 100 5% 1/10W
R563	1-216-651-11	s METAL, CHIP 1K 0.5% 1/10W
R564	1-216-653-11	s METAL, CHIP 1.2K 0.5% 1/10W
R565	1-216-671-11	s METAL, CHIP 6.8K 0.5% 1/10W
R566	1-216-671-11	s METAL, CHIP 6.8K 0.5% 1/10W
R567	1-216-073-00	s METAL, CHIP 10K 5% 1/10W
R568	1-216-025-00	s METAL, CHIP 100 5% 1/10W
R569	1-216-073-00	s METAL, CHIP 10K 5% 1/10W
R570	1-216-065-00	s METAL, CHIP 4.7K 5% 1/10W
R571	1-216-025-00	s METAL, CHIP 100 5% 1/10W
R577	1-216-057-00	s METAL, CHIP 2.2K 5% 1/10W
R588	1-216-675-11	s METAL, CHIP 10K 0.5% 1/10W
R589	1-216-113-00	s METAL, CHIP 470K 5% 1/10W
R590	1-216-025-00	s METAL, CHIP 100 5% 1/10W
R591	1-216-671-11	s METAL, CHIP 6.8K 0.5% 1/10W
R592	1-216-687-11	s METAL, CHIP 33K 0.5% 1/10W
R593	1-216-651-11	s METAL, CHIP 1K 0.5% 1/10W
R594	1-216-639-11	s METAL, CHIP 330 0.5% 1/10W
R595	1-216-665-11	s METAL, CHIP 3.9K 0.5% 1/10W
R596	1-216-669-11	s METAL, CHIP 5.6K 0.5% 1/10W
R597	1-216-689-11	s METAL, CHIP 39K 0.5% 1/10W
R598	1-216-685-11	s METAL, CHIP 27K 0.5% 1/10W
R599	1-216-073-00	s METAL, CHIP 10K 5% 1/10W
R600	1-216-025-00	s METAL, CHIP 100 5% 1/10W
R601	1-216-041-00	s METAL, CHIP 470 5% 1/10W
R602	1-216-638-11	s METAL, CHIP 300 0.5% 1/10W
R603	1-216-037-00	s METAL, CHIP 330 5% 1/10W
R604	1-216-057-00	s METAL, CHIP 2.2K 5% 1/10W
R621	1-216-025-00	s METAL, CHIP 100 5% 1/10W
R622	1-216-025-00	s METAL, CHIP 100 5% 1/10W
R623	1-216-643-11	s METAL, CHIP 470 0.5% 1/10W
R624	1-216-057-00	s METAL, CHIP 2.2K 5% 1/10W
R625	1-216-643-11	s METAL, CHIP 470 0.5% 1/10W
R626	1-216-025-00	s METAL, CHIP 100 5% 1/10W
R627	1-216-065-00	s METAL, CHIP 4.7K 5% 1/10W
R628	1-216-025-00	s METAL, CHIP 100 5% 1/10W
R629	1-216-065-00	s METAL, CHIP 4.7K 5% 1/10W
R630	1-216-055-00	s METAL, CHIP 1.8K 5% 1/10W
R631	1-216-025-00	s METAL, CHIP 100 5% 1/10W
R632	1-216-055-00	s METAL, CHIP 1.8K 5% 1/10W
R633	1-216-065-00	s METAL, CHIP 4.7K 5% 1/10W
R634	1-216-025-00	s METAL, CHIP 100 5% 1/10W
R635	1-216-025-00	s METAL, CHIP 100 5% 1/10W
R636	1-216-646-11	s METAL, CHIP 620 0.5% 1/10W
R637	1-216-673-11	s METAL, CHIP 8.2K 0.5% 1/10W
R638	1-216-057-00	s METAL, CHIP 2.2K 5% 1/10W
R640	1-216-049-00	s METAL, CHIP 1K 5% 1/10W
R641	1-216-049-00	s METAL, CHIP 1K 5% 1/10W
R642	1-216-073-00	s METAL, CHIP 10K 5% 1/10W

(VP-33AP BOARD)

Ref. No. or Q'ty	Part No.	SPDescription
R644	1-216-671-11	s METAL, CHIP 6.8K 0.5% 1/10W
R649	1-208-803-11	s METAL 7.5K 0.5% 1/10W
R651	1-216-025-00	s METAL, CHIP 100 5% 1/10W
R654	1-216-025-00	s METAL, CHIP 100 5% 1/10W
R655	1-216-025-00	s METAL, CHIP 100 5% 1/10W
R656	1-216-639-11	s METAL, CHIP 330 0.5% 1/10W
R658	1-216-057-00	s METAL, CHIP 2.2K 5% 1/10W
R659	1-216-639-11	s METAL, CHIP 330 0.5% 1/10W
R660	1-216-025-00	s METAL, CHIP 100 5% 1/10W
R661	1-216-065-00	s METAL, CHIP 4.7K 5% 1/10W
R690	1-216-049-00	s METAL, CHIP 1K 5% 1/10W
R691	1-216-620-11	s METAL, CHIP 51 0.5% 1/10W
R695	1-216-089-00	s METAL, CHIP 47K 5% 1/10W
R696	1-216-049-00	s METAL, CHIP 1K 5% 1/10W
R697	1-216-097-00	s METAL, CHIP 100K 5% 1/10W
R701	1-216-049-00	s METAL, CHIP 1K 5% 1/10W
R702	1-216-049-00	s METAL, CHIP 1K 5% 1/10W
R703	1-216-049-00	s METAL, CHIP 1K 5% 1/10W
R704	1-216-057-00	s METAL, CHIP 2.2K 5% 1/10W
R705	1-216-057-00	s METAL, CHIP 2.2K 5% 1/10W
R706	1-216-041-00	s METAL, CHIP 470 5% 1/10W
R707	1-216-025-00	s METAL, CHIP 100 5% 1/10W
R708	1-216-653-11	s METAL, CHIP 1.2K 0.5% 1/10W
R709	1-216-653-11	s METAL, CHIP 1.2K 0.5% 1/10W
R710	1-216-657-11	s METAL, CHIP 1.8K 0.5% 1/10W
R711	1-216-685-11	s METAL, CHIP 27K 0.5% 1/10W
R712	1-216-651-11	s METAL, CHIP 1K 0.5% 1/10W
R713	1-216-025-00	s METAL, CHIP 100 5% 1/10W
R714	1-216-065-00	s METAL, CHIP 4.7K 5% 1/10W
R715	1-216-041-00	s METAL, CHIP 470 5% 1/10W
R716	1-216-057-00	s METAL, CHIP 2.2K 5% 1/10W
R717	1-216-057-00	s METAL, CHIP 2.2K 5% 1/10W
R718	1-216-041-00	s METAL, CHIP 470 5% 1/10W
R719	1-216-057-00	s METAL, CHIP 2.2K 5% 1/10W
R720	1-216-057-00	s METAL, CHIP 2.2K 5% 1/10W
R721	1-216-041-00	s METAL, CHIP 470 5% 1/10W
R722	1-216-049-00	s METAL, CHIP 1K 5% 1/10W
R723	1-216-041-00	s METAL, CHIP 470 5% 1/10W
R724	1-216-049-00	s METAL, CHIP 1K 5% 1/10W
R725	1-216-089-00	s METAL, CHIP 47K 5% 1/10W
R726	1-216-073-00	s METAL, CHIP 10K 5% 1/10W
R727	1-216-025-00	s METAL, CHIP 100 5% 1/10W
R728	1-216-025-00	s METAL, CHIP 100 5% 1/10W
R729	1-216-667-11	s METAL, CHIP 4.7K 0.5% 1/10W
R730	1-216-620-11	s METAL, CHIP 51 0.5% 1/10W
R731	1-216-624-11	s METAL, CHIP 75 0.5% 1/10W
R732	1-216-624-11	s METAL, CHIP 75 0.5% 1/10W
R733	1-216-049-00	s METAL, CHIP 1K 5% 1/10W
R734	1-216-121-00	s METAL, CHIP 1M 5% 1/10W
R735	1-216-049-00	s METAL, CHIP 1K 5% 1/10W
R736	1-216-049-00	s METAL, CHIP 1K 5% 1/10W
R737	1-216-073-00	s METAL, CHIP 10K 5% 1/10W
R738	1-216-041-00	s METAL, CHIP 470 5% 1/10W
R739	1-216-057-00	s METAL, CHIP 2.2K 5% 1/10W
R740	1-216-659-11	s METAL, CHIP 2.2K 0.5% 1/10W
R741	1-216-661-11	s METAL, CHIP 2.7K 0.5% 1/10W
R742	1-216-057-00	s METAL, CHIP 2.2K 5% 1/10W
R743	1-216-660-11	s METAL, CHIP 2.4K 0.5% 1/10W
R744	1-216-049-00	s METAL, CHIP 1K 5% 1/10W

(VP-33AP BOARD)

Ref. No. or Q'ty	Part No.	SPDescription
R745	1-216-049-00	s METAL, CHIP 1K 5% 1/10W
R746	1-216-057-00	s METAL, CHIP 2.2K 5% 1/10W
R747	1-216-057-00	s METAL, CHIP 2.2K 5% 1/10W
R748	1-216-057-00	s METAL, CHIP 2.2K 5% 1/10W
R749	1-216-041-00	s METAL, CHIP 470 5% 1/10W
R750	1-216-049-00	s METAL, CHIP 1K 5% 1/10W
R753	1-216-073-00	s METAL, CHIP 10K 5% 1/10W
R754	1-216-065-00	s METAL, CHIP 4.7K 5% 1/10W
R755	1-216-025-00	s METAL, CHIP 100 5% 1/10W
R760	1-216-624-11	s METAL, CHIP 75 0.5% 1/10W
R761	1-216-624-11	s METAL, CHIP 75 0.5% 1/10W
R762	1-216-081-00	s METAL, CHIP 22K 5% 1/10W
R763	1-216-049-00	s METAL, CHIP 1K 5% 1/10W
R764	1-216-065-00	s METAL, CHIP 4.7K 5% 1/10W
R765	1-216-065-00	s METAL, CHIP 4.7K 5% 1/10W
R766	1-216-049-00	s METAL, CHIP 1K 5% 1/10W
R767	1-216-049-00	s METAL, CHIP 1K 5% 1/10W
R768	1-216-081-00	s METAL, CHIP 22K 5% 1/10W
R769	1-216-081-00	s METAL, CHIP 22K 5% 1/10W
R770	1-216-081-00	s METAL, CHIP 22K 5% 1/10W
R771	1-216-049-00	s METAL, CHIP 1K 5% 1/10W
R772	1-216-033-00	s METAL, CHIP 220 5% 1/10W
R773	1-216-049-00	s METAL, CHIP 1K 5% 1/10W
R774	1-216-081-00	s METAL, CHIP 22K 5% 1/10W
R775	1-216-025-00	s METAL, CHIP 100 5% 1/10W
R776	1-216-041-00	s METAL, CHIP 470 5% 1/10W
R777	1-216-025-00	s METAL, CHIP 100 5% 1/10W
R778	1-216-041-00	s METAL, CHIP 470 5% 1/10W
R779	1-216-049-00	s METAL, CHIP 1K 5% 1/10W
R780	1-216-113-00	s METAL, CHIP 470K 5% 1/10W
R781	1-216-049-00	s METAL, CHIP 1K 5% 1/10W
R782	1-216-049-00	s METAL, CHIP 1K 5% 1/10W
R783	1-216-073-00	s METAL, CHIP 10K 5% 1/10W
R784	1-216-049-00	s METAL, CHIP 1K 5% 1/10W
R785	1-216-033-00	s METAL, CHIP 220 5% 1/10W
R786	1-216-033-00	s METAL, CHIP 220 5% 1/10W
R792	1-216-073-00	s METAL, CHIP 10K 5% 1/10W
R796	1-216-097-00	s METAL, CHIP 100K 5% 1/10W
R802	1-216-624-11	s METAL, CHIP 75 0.5% 1/10W
R803	1-216-624-11	s METAL, CHIP 75 0.5% 1/10W
R804	1-216-651-11	s METAL, CHIP 1K 0.5% 1/10W
R805	1-216-025-00	s METAL, CHIP 100 5% 1/10W
R806	1-216-025-00	s METAL, CHIP 100 5% 1/10W
R807	1-216-653-11	s METAL, CHIP 1.2K 0.5% 1/10W
R808	1-216-049-00	s METAL, CHIP 1K 5% 1/10W
R809	1-216-081-00	s METAL, CHIP 22K 5% 1/10W
R810	1-216-049-00	s METAL, CHIP 1K 5% 1/10W
R811	1-216-049-00	s METAL, CHIP 1K 5% 1/10W
R812	1-216-049-00	s METAL, CHIP 1K 5% 1/10W
R813	1-216-057-00	s METAL, CHIP 2.2K 5% 1/10W
R814	1-216-057-00	s METAL, CHIP 2.2K 5% 1/10W
R815	1-216-049-00	s METAL, CHIP 1K 5% 1/10W
R816	1-216-049-00	s METAL, CHIP 1K 5% 1/10W
R817	1-216-049-00	s METAL, CHIP 1K 5% 1/10W
R818	1-216-049-00	s METAL, CHIP 1K 5% 1/10W
R819	1-216-057-00	s METAL, CHIP 2.2K 5% 1/10W
R820	1-216-057-00	s METAL, CHIP 2.2K 5% 1/10W
R821	1-216-049-00	s METAL, CHIP 1K 5% 1/10W
R822	1-216-049-00	s METAL, CHIP 1K 5% 1/10W

(VP-33AP BOARD)

Ref. No. or Q'ty	Part No.	SPDescription
R823	1-216-121-00	s METAL, CHIP 1M 5% 1/10W
R824	1-216-049-00	s METAL, CHIP 1K 5% 1/10W
R825	1-216-049-00	s METAL, CHIP 1K 5% 1/10W
R826	1-216-089-00	s METAL, CHIP 47K 5% 1/10W
R827	1-216-065-00	s METAL, CHIP 4.7K 5% 1/10W
R828	1-216-065-00	s METAL, CHIP 4.7K 5% 1/10W
R829	1-216-073-00	s METAL, CHIP 10K 5% 1/10W
R830	1-216-121-00	s METAL, CHIP 1M 5% 1/10W
R831	1-216-049-00	s METAL, CHIP 1K 5% 1/10W
R832	1-216-049-00	s METAL, CHIP 1K 5% 1/10W
R833	1-216-049-00	s METAL, CHIP 1K 5% 1/10W
R834	1-216-089-00	s METAL, CHIP 47K 5% 1/10W
R835	1-216-065-00	s METAL, CHIP 4.7K 5% 1/10W
R836	1-216-065-00	s METAL, CHIP 4.7K 5% 1/10W
R837	1-216-041-00	s METAL, CHIP 470 5% 1/10W
R838	1-216-041-00	s METAL, CHIP 470 5% 1/10W
R839	1-216-041-00	s METAL, CHIP 470 5% 1/10W
R840	1-216-045-00	s METAL, CHIP 680 5% 1/10W
R841	1-216-097-00	s METAL, CHIP 100K 5% 1/10W
R842	1-216-041-00	s METAL, CHIP 470 5% 1/10W
R843	1-216-049-00	s METAL, CHIP 1K 5% 1/10W
R844	1-216-041-00	s METAL, CHIP 470 5% 1/10W
R845	1-216-049-00	s METAL, CHIP 1K 5% 1/10W
R846	1-216-049-00	s METAL, CHIP 1K 5% 1/10W
R847	1-216-049-00	s METAL, CHIP 1K 5% 1/10W
R848	1-216-057-00	s METAL, CHIP 2.2K 5% 1/10W
R849	1-216-646-11	s METAL, CHIP 620 0.5% 1/10W
R850	1-216-661-11	s METAL, CHIP 2.7K 0.5% 1/10W
R851	1-216-057-00	s METAL, CHIP 2.2K 5% 1/10W
R852	1-216-045-00	s METAL, CHIP 680 5% 1/10W
R853	1-216-045-00	s METAL, CHIP 680 5% 1/10W
R854	1-216-065-00	s METAL, CHIP 4.7K 5% 1/10W
R855	1-216-639-11	s METAL, CHIP 330 0.5% 1/10W
R856	1-216-651-11	s METAL, CHIP 1K 0.5% 1/10W
R857	1-216-049-00	s METAL, CHIP 1K 5% 1/10W
R858	1-216-025-00	s METAL, CHIP 100 5% 1/10W
R859	1-216-025-00	s METAL, CHIP 100 5% 1/10W
R860	1-216-025-00	s METAL, CHIP 100 5% 1/10W
R861	1-216-049-00	s METAL, CHIP 1K 5% 1/10W
R862	1-216-017-00	s METAL, CHIP 47 5% 1/10W
R863	1-216-017-00	s METAL, CHIP 47 5% 1/10W
R864	1-216-624-11	s METAL, CHIP 75 0.5% 1/10W
R865	1-216-089-00	s METAL, CHIP 47K 5% 1/10W
R866	1-216-675-11	s METAL, CHIP 10K 0.5% 1/10W
R867	1-216-682-11	s METAL, CHIP 20K 0.5% 1/10W
R868	1-216-065-00	s METAL, CHIP 4.7K 5% 1/10W
R869	1-216-065-00	s METAL, CHIP 4.7K 5% 1/10W
R870	1-216-049-00	s METAL, CHIP 1K 5% 1/10W
R871	1-216-049-00	s METAL, CHIP 1K 5% 1/10W
R872	1-216-081-00	s METAL, CHIP 22K 5% 1/10W
R873	1-216-081-00	s METAL, CHIP 22K 5% 1/10W
R874	1-216-081-00	s METAL, CHIP 22K 5% 1/10W
R875	1-216-049-00	s METAL, CHIP 1K 5% 1/10W
R876	1-216-295-00	s METAL, CHIP 0 5% 1/10W
R877	1-216-049-00	s METAL, CHIP 1K 5% 1/10W
R878	1-216-081-00	s METAL, CHIP 22K 5% 1/10W
R879	1-216-025-00	s METAL, CHIP 100 5% 1/10W
R880	1-216-049-00	s METAL, CHIP 1K 5% 1/10W
R881	1-216-081-00	s METAL, CHIP 22K 5% 1/10W

(VP-33AP BOARD)

Ref. No. or Q'ty	Part No.	SPDescription
R882	1-216-049-00	s METAL, CHIP 1K 5% 1/10W
R883	1-216-049-00	s METAL, CHIP 1K 5% 1/10W
R884	1-216-025-00	s METAL, CHIP 100 5% 1/10W
R885	1-216-049-00	s METAL, CHIP 1K 5% 1/10W
R886	1-216-049-00	s METAL, CHIP 1K 5% 1/10W
R887	1-216-037-00	s METAL, CHIP 330 5% 1/10W
R888	1-216-049-00	s METAL, CHIP 1K 5% 1/10W
R889	1-216-049-00	s METAL, CHIP 1K 5% 1/10W
R890	1-216-049-00	s METAL, CHIP 1K 5% 1/10W
R891	1-216-025-00	s METAL, CHIP 100 5% 1/10W
R892	1-216-049-00	s METAL, CHIP 1K 5% 1/10W
R893	1-216-049-00	s METAL, CHIP 1K 5% 1/10W
R894	1-216-037-00	s METAL, CHIP 330 5% 1/10W
R895	1-216-049-00	s METAL, CHIP 1K 5% 1/10W
R896	1-216-049-00	s METAL, CHIP 1K 5% 1/10W
R897	1-216-644-11	s METAL, CHIP 510 0.5% 1/10W
R898	1-216-033-00	s METAL, CHIP 220 5% 1/10W
R899	1-216-057-00	s METAL, CHIP 2.2K 5% 1/10W
R901	1-216-073-00	s METAL, CHIP 10K 5% 1/10W
R902	1-216-081-00	s METAL, CHIP 22K 5% 1/10W
R903	1-216-049-00	s METAL, CHIP 1K 5% 1/10W
R904	1-216-049-00	s METAL, CHIP 1K 5% 1/10W
R905	1-216-085-00	s METAL, CHIP 33K 5% 1/10W
R906	1-216-049-00	s METAL, CHIP 1K 5% 1/10W
R908	1-216-089-00	s METAL, CHIP 47K 5% 1/10W
R909	1-216-651-11	s METAL, CHIP 1K 0.5% 1/10W
R910	1-216-049-00	s METAL, CHIP 1K 5% 1/10W
R911	1-216-025-00	s METAL, CHIP 100 5% 1/10W
R912	1-216-049-00	s METAL, CHIP 1K 5% 1/10W
R913	1-216-049-00	s METAL, CHIP 1K 5% 1/10W
R914	1-216-653-11	s METAL, CHIP 1.2K 0.5% 1/10W
R915	1-216-065-00	s METAL, CHIP 4.7K 5% 1/10W
R916	1-216-025-00	s METAL, CHIP 100 5% 1/10W
R917	1-216-049-00	s METAL, CHIP 1K 5% 1/10W
R918	1-216-049-00	s METAL, CHIP 1K 5% 1/10W
R919	1-216-065-00	s METAL, CHIP 4.7K 5% 1/10W
R920	1-216-639-11	s METAL, CHIP 330 0.5% 1/10W
R922	1-216-025-00	s METAL, CHIP 100 5% 1/10W
R923	1-216-065-00	s METAL, CHIP 4.7K 5% 1/10W
R924	1-216-041-00	s METAL, CHIP 470 5% 1/10W
R925	1-216-049-00	s METAL, CHIP 1K 5% 1/10W
R927	1-216-624-11	s METAL, CHIP 75 0.5% 1/10W
R928	1-216-025-00	s METAL, CHIP 100 5% 1/10W
R929	1-216-049-00	s METAL, CHIP 1K 5% 1/10W
R930	1-216-049-00	s METAL, CHIP 1K 5% 1/10W
R931	1-216-653-11	s METAL, CHIP 1.2K 0.5% 1/10W
R932	1-216-065-00	s METAL, CHIP 4.7K 5% 1/10W
R933	1-216-025-00	s METAL, CHIP 100 5% 1/10W
R934	1-216-049-00	s METAL, CHIP 1K 5% 1/10W
R935	1-216-049-00	s METAL, CHIP 1K 5% 1/10W
R936	1-216-065-00	s METAL, CHIP 4.7K 5% 1/10W
R937	1-216-639-11	s METAL, CHIP 330 0.5% 1/10W
R939	1-216-025-00	s METAL, CHIP 100 5% 1/10W
R940	1-216-065-00	s METAL, CHIP 4.7K 5% 1/10W
R941	1-216-041-00	s METAL, CHIP 470 5% 1/10W
R942	1-216-049-00	s METAL, CHIP 1K 5% 1/10W
R944	1-216-624-11	s METAL, CHIP 75 0.5% 1/10W
R945	1-216-081-00	s METAL, CHIP 22K 5% 1/10W
R946	1-216-081-00	s METAL, CHIP 22K 5% 1/10W

(VP-33AP BOARD)

Ref. No. or Q'ty	Part No.	SPDescription
R947	1-216-017-00	s METAL, CHIP 47 5% 1/10W
R948	1-216-057-00	s METAL, CHIP 2.2K 5% 1/10W
R949	1-216-055-00	s METAL, CHIP 1.8K 5% 1/10W
R950	1-216-057-00	s METAL, CHIP 2.2K 5% 1/10W
R951	1-216-055-00	s METAL, CHIP 1.8K 5% 1/10W
R952	1-216-017-00	s METAL, CHIP 47 5% 1/10W
R953	1-216-081-00	s METAL, CHIP 22K 5% 1/10W
R955	1-216-057-00	s METAL, CHIP 2.2K 5% 1/10W
R956	1-216-057-00	s METAL, CHIP 2.2K 5% 1/10W
R960	1-216-025-00	s METAL, CHIP 100 5% 1/10W
R961	1-216-041-00	s METAL, CHIP 470 5% 1/10W
R962	1-216-073-00	s METAL, CHIP 10K 5% 1/10W
R963	1-216-073-00	s METAL, CHIP 10K 5% 1/10W
R964	1-216-097-00	s METAL, CHIP 100K 5% 1/10W
R965	1-216-081-00	s METAL, CHIP 22K 5% 1/10W
R966	1-216-049-00	s METAL, CHIP 1K 5% 1/10W
R967	1-216-081-00	s METAL, CHIP 22K 5% 1/10W
R968	1-216-049-00	s METAL, CHIP 1K 5% 1/10W
R970	1-216-049-00	s METAL, CHIP 1K 5% 1/10W
R971	1-216-033-00	s METAL, CHIP 220 5% 1/10W
R972	1-216-017-00	s METAL, CHIP 47 5% 1/10W
R980	1-216-651-11	s METAL, CHIP 1K 0.5% 1/10W
R981	1-216-025-00	s METAL, CHIP 100 5% 1/10W
R1001	1-216-041-00	s METAL, CHIP 470 5% 1/10W
R1002	1-216-045-00	s METAL, CHIP 680 5% 1/10W
R1003	1-216-077-00	s METAL, CHIP 15K 5% 1/10W
R1004	1-216-017-00	s METAL, CHIP 47 5% 1/10W
R1005	1-216-027-00	s METAL, CHIP 120 5% 1/10W
R2001	1-216-033-00	s METAL, CHIP 220 5% 1/10W
R2002	1-216-045-00	s METAL, CHIP 680 5% 1/10W
R2003	1-216-077-00	s METAL, CHIP 15K 5% 1/10W
R2004	1-216-017-00	s METAL, CHIP 47 5% 1/10W
R2005	1-216-027-00	s METAL, CHIP 120 5% 1/10W
R3001	1-216-033-00	s METAL, CHIP 220 5% 1/10W
R3002	1-216-045-00	s METAL, CHIP 680 5% 1/10W
R3003	1-216-077-00	s METAL, CHIP 15K 5% 1/10W
R3004	1-216-017-00	s METAL, CHIP 47 5% 1/10W
R3005	1-216-027-00	s METAL, CHIP 120 5% 1/10W
RV102	1-241-630-11	s RES, ADJ, CARBON 10K
RV103	1-241-630-11	s RES, ADJ, CARBON 10K
RV106	1-241-630-11	s RES, ADJ, CARBON 10K
RV107	1-241-630-11	s RES, ADJ, CARBON 10K
RV108	1-241-761-11	s RES, ADJ, CARBON 1K
RV109	1-241-761-11	s RES, ADJ, CARBON 1K
RV111	1-241-630-11	s RES, ADJ, CARBON 10K
RV112	1-238-802-11	s RES, ADJ, CERMET 10K
RV113	1-241-630-11	s RES, ADJ, CARBON 10K
RV201	1-241-630-11	s RES, ADJ, CARBON 10K
RV202	1-241-630-11	s RES, ADJ, CARBON 10K
RV203	1-241-630-11	s RES, ADJ, CARBON 10K
RV204	1-238-801-11	s RES, ADJ, CERMET 5K
RV205	1-238-801-11	s RES, ADJ, CERMET 5K
RV206	1-238-802-11	s RES, ADJ, CERMET 10K
RV402	1-241-630-11	s RES, ADJ, CARBON 10K
RV403	1-241-630-11	s RES, ADJ, CARBON 10K
RV406	1-241-630-11	s RES, ADJ, CARBON 10K
RV407	1-241-630-11	s RES, ADJ, CARBON 10K
RV408	1-241-761-11	s RES, ADJ, CARBON 1K

(VP-33AP BOARD)

Ref. No. or Q'ty	Part No.	SPDescription
RV409	1-241-761-11	s RES, ADJ, CARBON 1K
RV412	1-241-630-11	s RES, ADJ, CARBON 10K
RV413	1-241-630-11	s RES, ADJ, CARBON 10K
RV501	1-241-630-11	s RES, ADJ, CARBON 10K
RV502	1-238-802-11	s RES, ADJ, CERMET 10K
RV503	1-241-630-11	s RES, ADJ, CARBON 10K
RV504	1-238-802-11	s RES, ADJ, CERMET 10K
RV505	1-238-802-11	s RES, ADJ, CERMET 10K
RV506	1-241-630-11	s RES, ADJ, CARBON 10K
RV701	1-241-761-11	s RES, ADJ, CARBON 1K
RV703	1-238-799-11	s RES, ADJ, CERMET 1K
RV704	1-238-799-11	s RES, ADJ, CERMET 1K
RV705	1-238-799-11	s RES, ADJ, CERMET 1K
RV706	1-238-799-11	s RES, ADJ, CERMET 1K
RV707	1-238-799-11	s RES, ADJ, CERMET 1K
RV708	1-238-799-11	s RES, ADJ, CERMET 1K
RV709	1-238-798-11	s RES, ADJ, CERMET 500
RV712	1-238-800-11	s RES, ADJ, CERMET 2K
RV713	1-238-019-11	s RES, ADJ, CARBON 47K
RV714	1-238-019-11	s RES, ADJ, CARBON 47K
RV715	1-238-799-11	s RES, ADJ, CERMET 1K
RV716	1-238-799-11	s RES, ADJ, CERMET 1K
RV718	1-238-801-11	s RES, ADJ, CERMET 5K
RV719	1-238-799-11	s RES, ADJ, CERMET 1K
RV720	1-238-019-11	s RES, ADJ, CARBON 47K
RV721	1-241-628-11	s RES, ADJ, CARBON 2.2K
RV722	1-238-799-11	s RES, ADJ, CERMET 1K
RV723	1-241-628-11	s RES, ADJ, CARBON 2.2K
RV724	1-238-799-11	s RES, ADJ, CERMET 1K
RV725	1-241-763-11	s RES, ADJ, CARBON 4.7K
RV726	1-241-763-11	s RES, ADJ, CARBON 4.7K
S101	1-570-857-11	s SWITCH, SLIDE
S401	1-570-857-11	s SWITCH, SLIDE
S701	1-570-857-11	s SWITCH, SLIDE
S702	1-570-857-11	s SWITCH, SLIDE
S703	1-570-857-11	s SWITCH, SLIDE
TH301	1-800-199-00	s THERMISTOR, S-1250
TH601	1-800-199-00	s THERMISTOR, S-1250

VR-116A BOARD

Ref. No. or Q'ty	Part No.	SPDescription
1pc	1-640-039-21	o PRINTED CIRCUIT BOARD, VR-116A
CN400	1-506-483-21	s PIN, CONNECTOR 4P
CN401	1-506-485-11	s PIN, CONNECTOR 6P
CN402	1-506-485-11	s PIN, CONNECTOR 6P
CN405	1-569-345-11	s CONNECTOR, BOARD TO BOARD 21P
CN407	1-564-013-11	o CONNECTOR 3P, MALE
J1	1-507-863-51	s JACK, LARGE TYPE
R5	1-216-671-11	s METAL, CHIP 6.8K 0.5% 1/10W
R6	1-216-663-11	s METAL, CHIP 3.3K 0.5% 1/10W
R7	1-216-671-11	s METAL, CHIP 6.8K 0.5% 1/10W
R8	1-216-663-11	s METAL, CHIP 3.3K 0.5% 1/10W
RV2	1-241-248-11	s RES WITH SW, VAR, CARBON 10K
RV4	1-241-248-11	s RES WITH SW, VAR, CARBON 10K
RV5	1-241-577-11	s RES WITH SW, VAR, CARBON 20K/20K

VR-117A BOARD

Ref. No. or Q'ty	Part No.	SPDescription
1pc	1-640-044-21	o PRINTED CIRCUIT BOARD, VR-117A
C5	1-163-037-11	s CERAMIC, CHIP 0.022uF 10% 25V
C6	1-163-037-11	s CERAMIC, CHIP 0.022uF 10% 25V
CN501	1-568-935-11	o CONNECTOR 8P, MALE
RV1	1-241-578-11	s RES, VAR, CARBON 10K/10K

FRAME

Ref. No. or Q'ty	Part No.	SPDescription
1pc	A-6050-841-A	s HEAD DRUM ASSY, DBH-28A-R
1pc	A-6762-463-A	s UPPER DRUM ASSY, DBR-28-R
1pc	Δ 1-413-675-11	s REGULATOR, SWITCHING
2pcs	1-559-907-11	s WIRE, FLEXIBLE CARD
1pc	1-690-106-11	s WIRE, FLEXIBLE CARD 5P
1pc	1-806-682-71	s SENSOR, CONDENSATION
CN001	Δ 1-580-375-21	o INLET, AC 3P, MALE
CN1F (to AU-150 board)	1-569-196-11	o HOUSING, 3P
	1-569-194-11	o CONTACT, FEMALE AWG24-30
CN1F (to Drum Motor)	1-580-938-11	o HOUSING, 15P
	1-569-191-11	o CONTACT, FEMALE AWG22-26
CN1F (to PTC-39 board)	1-562-151-11	o HOUSING, 6P
	1-564-026-00	o CONTACT, FEMALE AWG26-30
CN1F (to RP-57 board)	1-569-196-11	o HOUSING, 3P
	1-569-194-11	o CONTACT, FEMALE AWG24-30
CN1F (to Switching Reg.)	1-562-285-11	o HOUSING, 4P
	1-562-210-11	o CONTACT, FEMALE AWG18-22
CN2F (to AU-148 board)	1-569-196-11	o HOUSING, 3P
	1-569-194-11	o CONTACT, FEMALE AWG24-30
CN2F (to AU-149 board)	1-569-196-11	o HOUSING, 3P
	1-569-194-11	o CONTACT, FEMALE AWG24-30
CN2F (to AU-150 board)	1-569-202-11	o HOUSING, 9P
	1-569-193-21	o CONTACT, FEMALE AWG24-30
	1-569-191-11	o CONTACT, FEMALE AWG22-26
CN2F (to KY-210 board)	1-562-151-11	o HOUSING, 6P
	1-564-026-11	o CONTACT, FEMALE AWG26-30
CN2F (to RP-57 board)	1-569-196-11	o HOUSING, 3P
	1-569-194-11	o CONTACT, FEMALE AWG24-30
CN2F (to Switching Reg.)	1-562-286-11	o HOUSING, 5P
	1-562-210-11	o CONTACT, FEMALE AWG18-22
CN3F (to Switching Reg.)	1-562-833-11	o HOUSING, 7P
	1-562-210-11	o CONTACT, FEMALE AWG18-22
CN4F (to Switching Reg.)	1-562-287-11	o HOUSING, 6P
	1-562-210-11	o CONTACT, FEMALE AWG18-22
CN101FF (to RP-57 board)	1-569-196-11	o HOUSING, 3P
	1-569-194-11	o CONTACT, FEMALE AWG24-30
CN102F (to RP-57 board)	1-569-196-11	o HOUSING, 3P
	1-569-194-11	o CONTACT, FEMALE AWG24-30

(FRAME)

Ref. No. or Q'ty	Part No.	SPDescription
CN260F	(to MB-322 board)	
	1-562-258-11	o HOUSING, 10P
	1-562-260-11	o CONTACT, IL-S, FRAME AWG24-28
CN292F	(to MB-322 board)	
	1-562-286-11	o HOUSING, 5P
	1-562-210-11	o CONTACT, FEMALE AWG18-22
CN293F	(to MB-322 board)	
	1-562-833-11	o HOUSING, 7P
	1-562-210-11	o CONTACT, FEMALE AWG18-22
CN294F	(to MB-322 board)	
	1-562-287-11	o HOUSING, 6P
	1-562-210-11	o CONTACT, FEMALE AWG18-22
CN300F	(to DR-118 board)	
	1-562-258-11	o HOUSING, 10P
	1-562-260-11	o CONTACT, IL-S, FRAME AWG24-28
CN315F	(to DR-118 board)	
	1-569-196-11	o HOUSING, 3P
	1-569-193-11	o CONTACT, FEMALE
	1-569-191-11	o CONTACT, FEMALE AWG22-26
CN323F	(to DR-118 board)	
	1-569-196-11	o HOUSING, 3P
	1-569-193-11	o CONTACT, FEMALE
	1-569-191-11	o CONTACT, FEMALE AWG22-26
CN360F	(to DR-118 board)	
	1-569-208-11	o HOUSING, 15P
	1-569-193-11	o CONTACT, FEMALE
CN509F	(to SW-444 board)	
	1-569-195-11	o HOUSING, 2P
	1-569-193-11	o CONTACT, FEMALE
CN926F	(to RM-82 board)	
	1-562-149-11	o HOUSING, 4P
	1-564-026-00	o CONTACT, FEMALE AWG26-30
CN935F	(to CL-25 board)	
	1-569-195-11	o HOUSING, 2P
	1-569-193-11	o CONTACT, FEMALE
CN968F	(to Head Drum)	
	1-569-199-11	o HOUSING, 6P
	1-569-194-11	o CONTACT, FEMALE AWG24-30
CN969F	(to Head Drum)	
	1-569-199-11	o HOUSING, 6P
	1-569-194-11	o CONTACT, FEMALE AWG24-30
	1-569-192-11	o CONTACT, FEMALE AWG22-26
CN998F	(to AC-113 board)	
	1-562-285-11	o HOUSING, 4P
	1-562-210-11	o CONTACT, FEMALE AWG18-22
CN999F	(to AC-113 board)	
	1-562-285-11	o HOUSING, 4P
	1-562-210-11	o CONTACT, FEMALE AWG18-22
HO01	8-825-776-21	s HEAD, PS244-2103E "AUDIO/TC"
HO04	8-825-776-41	s HEAD, PS244-21C "CLT"
LO01	1-543-316-31	s HEAD, SENSING
LO02	1-543-316-31	s HEAD, SENSING

(FRAME)

Ref. No. or Q'ty	Part No.	SPDescription
M001	1-541-431-31	s FAN, DC
M002	8-835-179-01	s MOTOR, DC MCB2B15
M003	8-835-179-01	s MOTOR, DC MCB2B15
M004	A-6737-207-A	s RM ASSY "T-REEL"
M005	A-6737-207-A	s RM ASSY "S-REEL"
M006	8-835-179-01	s MOTOR, DC MCB2B15
M007	8-835-445-01	s MOTOR, DC SCV-0301A
ME001	1-520-494-11	s METER, VIDEO LEVEL
ME002	1-520-393-21	s METER, AUDIO LEVEL
ME003	1-520-393-21	s METER, AUDIO LEVEL
PM001	1-454-372-11	s SOLENOIDE PLUNGER
PM002	1-454-417-41	s SOLENOIDE PLUNGER
PM003	1-454-417-41	s SOLENOIDE PLUNGER
PM004	1-454-338-00	s SOLENOIDE PLUNGER
S001	▲ 1-570-117-11	s SWITCH, ROCKER "POWER"

PACKING MATERIALS & SUPPLIED ACCESSORIES

Ref. No. or Q'ty	Part No.	SP Description
1pc	1-555-873-13	o CABLE, REMOTE 9P (RCC-5G) 5m
1pc	Δ 1-590-910-11	s CORD, POWER 3P
1pc	3-173-256-03	o INDIVIDUAL CARTON
1pc	3-701-616-00	s BAG, POLYETHYLENE
1pc	3-701-649-00	s BAG, POLYETHYLENE
1pc	3-721-869-03	o CUSHION (UPPER)
1pc	3-721-870-02	o CUSHION (LOWER)
1pc	3-721-888-01	o SPACER (SIDE)
1pc	3-721-889-01	o SLEEVE (A)
1pc	3-721-890-01	o SLEEVE (B)
1pc	Δ 3-753-961-13	s MANUAL, INSTRUCTION (English)
1pc	3-753-961-42	s MANUAL, INSTRUCTION (French)
1pc	3-753-961-52	s MANUAL, INSTRUCTION (German)
1pc	3-753-961-61	o MANUAL, INSTRUCTION (Italian)
4pcs	7-682-665-09	s SCREW +PSW 4X16

OPTIONAL FIXTURE

Part No.	SP Description
A-6766-389-A	o EXTENTION BOARD (L), EX-286
J-6001-820-A	o DURM ECCENTRICITY GAUGE (3)
J-6001-830-A	o DURM ECCENTRICITY GAUGE (2)
J-6001-840-A	o DURM ECCENTRICITY GAUGE (1)
J-6031-830-A	o MULTI CONNECTOR CABLE (DOBNC)
J-6035-070-A	o EXTENTION TOOL (for PLCC socket)
J-6080-008-A	o CASSETTE REFERENCE PLATE
J-6080-011-A	o REEL TABLE TENSION GAUGE
J-6080-029-A	o ADJUSTMENT MIRROR
J-6080-840-A	o ADJUSTMENT MIRROR
J-6086-570-A	o REFERENCE FLAT PLATE
J-6087-000-A	o DURM ECCENTRICITY GAUGE (5)
J-6320-870-A	o REEL MOTOR SHAFT SLANTNESS CHECK FIXTURE
J-6152-450-A	o WIRE CLEARANCE GAUGE
J-6320-680-A	o REEL TABLE HEIGHT GAUGE
J-6320-880-A	o CASSETTE BASE PLATE (L)
J-6321-500-A	o TAPE GUIDE ADJUSTMENT DRIVER
J-6322-370-A	o TENSION REGULATOR POSITIONING TOOL
J-6325-530-A	o DURM ECCENTRICITY GAUGE (6)
J-6327-850-A	o DIAL TENSION GAUGE (50g)
J-6327-930-A	o TENSION MEASUREMENT TAPE
J-6338-130-A	o EXTENSION BOARD (S), EX-287
2-034-697-00	o CLEANING PIECE
7-661-018-18	o OIL
7-662-001-41	o MOLYTON GREASE, NO. 320 (30g bottle)
7-662-010-04	o GREASE, SGL-505 (20g)
7-700-736-01	o L-SHAPED HEXAGONAL WRENCH (d:1.27mm)
7-700-736-05	o L-SHAPED HEXAGONAL WRENCH (d:1.5mm)
7-700-736-06	o L-SHAPED HEXAGONAL WRENCH (d:0.89mm)
7-732-050-20	o TENSION SCALE (50g full scale)
7-732-050-30	o TENSION SCALE (100g full scale)
8-960-096-51	o ALIGNMENT TAPE, CR2-1B PS
8-960-096-86	o ALIGNMENT TAPE, CR8-1B PS
8-960-096-91	o ALIGNMENT TAPE, CR5-1B PS
8-960-098-44	o ALIGNMENT TAPE, CR5-2A PS
8-960-098-45	o ALIGNMENT TAPE, CR8-1A PS
9-911-053-00	o THICKNESS GAUGE
9-919-573-01	o CLEANING FLUID
STANDARD	TENVELOMETER (T2-H7-UMC)
PRODUCTS	

SWITCHING REGULATOR

NOTE

This Switching Regulator is critical component to safety.
Replace only with same components as specified.

A ASSY

Ref. No. or Q'ty	Part No.	SP Description
1pc	1-640-833-12	o PRINTED CIRCUIT BOARD "SOPS1019A"
12pcs	1-543-060-00	s CORE
1pc	2-430-773-01	s SCREW, M3x6
2pcs	2-434-297-01	o BRACKET (DP-UR17)
1pc	2-625-674-02	o PLATE (1019), GROUND
2pcs	2-625-675-01	s RUBBER (1019), INSULATING
1pc	2-625-676-01	s INSULATOR (IS-1019C)
1pc	2-625-680-01	o HEAT SINK (HS-1019B)
1pc	2-625-681-01	o HEAT SINK (HS-1019A)
7pcs	3-899-248-31	s SCREW (M3x12)
2pcs	4-382-854-11	s SCREW (M3x10), P. SW(+)
1pc	7-685-647-79	s SCREW +BV 3x10, TYPE 2, IT-3
2pcs	7-682-649-09	s SCREW +PS 3x10
C151	1-126-410-11	s ELECT 47uF 99% 400V
C152	1-136-165-00	s FILM 0.1uF 5% 50V
C153	1-124-477-11	s ELECT 47uF 20% 25V
C154	1-136-165-00	s FILM 0.1uF 5% 50V
C155	1-136-165-00	s FILM 0.1uF 5% 50V
C156	1-161-741-00	s CERAMIC 0.001uF 10% 400V
C157	1-136-207-11	s FILM 0.047uF 10% 630V
C158	1-124-478-11	s ELECT 100uF 20% 25V
C159	1-136-346-11	s FILM 0.22uF 10% 250V
C160	1-136-207-11	s FILM 0.047uF 10% 630V
C161	1-136-165-00	s FILM 0.1uF 5% 50V
C162	1-126-410-11	s ELECT 47uF 99% 400V
C163	1-130-471-00	s MYLAR 0.001uF 5% 50V
C201	1-102-228-00	s CERAMIC 470PF 10% 500V
C202	1-128-374-11	s ELECT 1200uF 20% 10V
C203	1-124-604-00	s ELECT 330uF 20% 10V
C204	1-136-165-00	s FILM 0.1uF 5% 50V
C205	1-102-228-00	s CERAMIC 470PF 10% 500V
C206	1-101-821-00	s CERAMIC 0.0022uF 500V
C207	1-101-821-00	s CERAMIC 0.0022uF 500V
C208	1-101-821-00	s CERAMIC 0.0022uF 500V
C209	1-101-821-00	s CERAMIC 0.0022uF 500V
C210	1-128-373-11	s ELECT 1500uF 20% 6.3V
C211	1-128-372-11	s ELECT 470uF 20% 6.3V
C212	1-136-165-00	s FILM 0.1uF 5% 50V
C213	1-102-228-00	s CERAMIC 470PF 10% 500V
C214	1-101-821-00	s CERAMIC 0.0022uF 500V
C215	1-101-821-00	s CERAMIC 0.0022uF 500V
C216	1-128-373-11	s ELECT 1500uF 20% 6.3V
C217	1-128-372-11	s ELECT 470uF 20% 6.3V
C218	1-136-165-00	s FILM 0.1uF 5% 50V
C219	1-130-483-00	s MYLAR 0.01uF 5% 50V
C220	1-124-120-11	s ELECT 220uF 20% 25V
C221	1-124-916-11	s ELECT 22uF 20% 25V
C222	1-130-491-00	s MYLAR 0.047uF 5% 50V
C223	1-130-483-00	s MYLAR 0.01uF 5% 50V
C224	1-136-169-00	s FILM 0.22uF 5% 50V
C225	1-102-244-00	s CERAMIC 220PF 10% 500V
C226	1-102-002-00	s CERAMIC 680PF 10% 500V
C227	1-102-002-00	s CERAMIC 680PF 10% 500V
C228	1-128-142-11	s ELECT 1500uF 20% 25V
C229	1-128-142-11	s ELECT 1500uF 20% 25V
C230	1-136-165-00	s FILM 0.1uF 5% 50V
C231	1-102-228-00	s CERAMIC 470PF 10% 500V
C232	1-101-821-00	s CERAMIC 0.0022uF 500V
C233	1-101-821-00	s CERAMIC 0.0022uF 500V

(A ASSY)

Ref. No. or Q'ty	Part No.	SP Description
C234	1-128-320-11	s ELECT 2200uF 20% 16V
C235	1-128-222-11	s ELECT 330uF 20% 16V
C236	1-136-165-00	s FILM 0.1uF 5% 50V
C237	1-102-228-00	s CERAMIC 470PF 10% 500V
C238	1-101-821-00	s CERAMIC 0.0022uF 500V
C239	1-101-821-00	s CERAMIC 0.0022uF 500V
C240	1-128-141-11	s ELECT 560uF 20% 25V
C241	1-128-375-11	s ELECT 120uF 20% 25V
C242	1-136-165-00	s FILM 0.1uF 5% 50V
C243	1-102-228-00	s CERAMIC 470PF 10% 500V
C244	1-101-821-00	s CERAMIC 0.0022uF 500V
C245	1-101-821-00	s CERAMIC 0.0022uF 500V
C246	1-128-248-11	s ELECT 1000uF 20% 25V
C247	1-128-376-11	s ELECT 220uF 20% 25V
C248	1-136-165-00	s FILM 0.1uF 5% 50V
C249	1-124-120-11	s ELECT 220uF 20% 25V
C250	1-130-483-00	s MYLAR 0.01uF 5% 50V
C251	1-123-382-00	s ELECT 3.3uF 20% 50V
C252	1-124-479-11	s ELECT 330uF 20% 25V
C253	1-136-171-00	s FILM 0.033uF 5% 50V
C254	1-124-477-11	s ELECT 47uF 20% 25V
C255	1-124-916-11	s ELECT 22uF 20% 25V
CN151	1-573-896-11	o SOCKET, CONNECTOR 12P
CN201	1-566-313-11	o PIN, CONNECTOR, 7P
CN202	1-564-216-00	o PIN, CONNECTOR, 5P
CN203	1-564-607-11	o PIN, CONNECTOR, 6P
CN204	1-508-933-00	o POST HEADER, CONNECTOR 2P
D151	8-719-911-19	s DIODE 1SS119
D152	8-719-951-30	s DIODE ERA91-02
D153	8-719-951-30	s DIODE ERA91-02
D154	8-719-200-02	s DIODE 10E-2
D155	8-719-911-19	s DIODE 1SS119
D156	8-719-313-16	s DIODE AU02A
D157	8-719-911-19	s DIODE 1SS119
D158	8-719-911-19	s DIODE 1SS119
D159	8-719-313-16	s DIODE AU02A
D201	8-719-510-39	s DIODE D10LC20U
D202	8-719-210-60	s DIODE F25P040S
D203	8-719-510-12	s DIODE D10SC4M
D204	8-719-510-12	s DIODE D10SC4M
D205	8-719-951-30	s DIODE ERA91-02
D206	8-719-110-16	s DIODE RD10ES-B1
D207	8-719-911-19	s DIODE 1SS119
D208	8-719-109-92	s DIODE RD6.2ES-B1
D209	8-719-911-19	s DIODE 1SS119
D210	8-719-109-75	s DIODE RD4.3ES-B2
D211	8-719-911-19	s DIODE 1SS119
D212	8-719-110-46	s DIODE RD16ES-B3
D213	8-719-911-19	s DIODE 1SS119
D214	8-719-911-19	s DIODE 1SS119
D215	8-719-911-19	s DIODE 1SS119
D216	8-719-510-39	s DIODE D10LC20U
D217	8-719-510-41	s DIODE D10SC9M
D218	8-719-510-72	s DIODE S3L20UF1
D219	8-719-510-39	s DIODE D10LC20U
D220	8-719-110-42	s DIODE RD15ES-B3
D222	8-719-110-57	s DIODE RD22ES-B2
D223	8-719-109-86	s DIODE RD5.1ES-B3

ITCHING REGULATOR

(A ASSY)

Ref. No. or Q'ty	Part No.	SP Description
D224	8-719-911-19	s DIODE 1SS119
D225	8-719-911-19	s DIODE 1SS119
D226	8-719-510-72	s DIODE S3L20UF1
D227	8-719-911-19	s DIODE 1SS119
F151	1-572-889-11	s SWITCH, THERMAL GUARD
F201	1-572-818-11	s SWITCH, THERMAL GUARD
IC151	8-719-820-67	s PHOTO COUPLER TLP634-04-GB-LF2
IC152	8-719-159-90	s PHOTO COUPLER PS2652-P
IC153	8-719-159-90	s PHOTO COUPLER PS2652-P
IC201	8-759-135-80	s IC UPC358C
IC202	8-759-908-15	s IC TL431CLP
IC203	8-759-908-15	s IC TL431CLP
IC204	8-759-605-43	s IC M5231TL
IC205	8-759-632-07	s IC M5237L
IC206	8-759-604-39	s IC M5F78M12L
L151	1-414-013-11	s COIL, CHOKE 2mH
L152	1-424-574-11	s L. F. T
L153	1-424-574-11	s L. F. T
L201	1-414-012-11	s COIL, CHOKE 30uH
L202	1-424-254-31	s COIL, CHOKE (MOLDE) 4.7uH
L203	1-424-254-31	s COIL, CHOKE (MOLDE) 4.7uH
L204	1-424-254-31	s COIL, CHOKE (MOLDE) 4.7uH
L205	1-414-010-11	s COIL, CHOKE 250uH
L206	1-424-255-41	s COIL, CHOKE (MOLDE) 10uH
L207	1-414-011-11	s COIL, CHOKE 140uH
L208	1-424-255-41	s COIL, CHOKE (MOLDE) 10uH
L209	1-414-038-11	s COIL, CHOKE 150uH
L210	1-424-254-31	s COIL, CHOKE (MOLDE) 4.7uH
L211	1-424-255-41	s COIL, CHOKE (MOLDE) 10uH
PS151	1-532-637-00	s LINK, IC
PS201	1-532-637-00	s LINK, IC
Q151	8-729-923-35	s TRANSISTOR 1RFBC40
Q152	8-729-923-35	s TRANSISTOR 1RFBC40
Q201	8-729-900-80	s TRANSISTOR DTC114ES
Q202	8-729-205-02	s TRANSISTOR 2SA1150-Y
Q203	8-729-931-44	s TRANSISTOR 2SA1600
R151	1-215-901-00	s METAL 33K 5% 2W
R152	1-215-903-11	s METAL 68K 5% 2W
R153	1-215-903-11	s METAL 68K 5% 2W
R154	1-249-394-11	s CARBON 12 5% 1/4W
R155	1-249-404-00	s CARBON 82 5% 1/4W
R156	1-249-399-11	s CARBON 33 5% 1/4W
R157	1-249-421-11	s CARBON 2.2K 5% 1/4W
R158	1-249-404-00	s CARBON 82 5% 1/4W
R159	1-215-903-11	s METAL 68K 5% 2W
R160	1-215-903-11	s METAL 68K 5% 2W
R161	1-215-901-00	s METAL 33K 5% 2W
R162	1-249-441-11	s CARBON 100K 5% 1/4W
R163	1-249-394-11	s CARBON 12 5% 1/4W
R164	1-249-407-11	s CARBON 150 5% 1/4W
R165	1-249-404-00	s CARBON 82 5% 1/4W
R166	1-249-441-11	s CARBON 100K 5% 1/4W
R201	1-215-882-00	s METAL 22 5% 2W
R203	1-249-417-11	s CARBON 1K 5% 1/4W
R204	1-215-882-00	s METAL 22 5% 2W
R205	1-215-890-11	s METAL 470 5% 2W
R206	1-215-882-00	s METAL 22 5% 2W

(A ASSY)

Ref. No. or Q'ty	Part No.	SP Description
R209	1-249-427-11	s CARBON 6.8K 5% 1/4W
R210	1-249-417-11	s CARBON 1K 5% 1/4W
R211	1-249-417-11	s CARBON 1K 5% 1/4W
R212	1-249-429-11	s CARBON 10K 5% 1/4W
R213	1-249-425-11	s CARBON 4.7K 5% 1/4W
R214	1-249-425-11	s CARBON 4.7K 5% 1/4W
R215	1-249-413-11	s CARBON 470 5% 1/4W
R216	1-249-433-11	s CARBON 22K 5% 1/4W
R217	1-249-411-11	s CARBON 330 5% 1/4W
R218	1-249-432-11	s CARBON 18K 5% 1/4W
R219	1-249-423-11	s CARBON 3.3K 5% 1/4W
R220	1-249-425-11	s CARBON 4.7K 5% 1/4W
R221	1-249-421-11	s CARBON 2.2K 5% 1/4W
R222	1-249-430-11	s CARBON 12K 5% 1/4W
R223	1-249-422-11	s CARBON 2.7K 5% 1/4W
R224	1-247-891-00	s CARBON 330K 5% 1/4W
R225	1-215-890-11	s METAL 470 5% 2W
R226	1-249-431-11	s CARBON 15K 5% 1/4W
R227	1-249-413-11	s CARBON 470 5% 1/4W
R228	1-249-417-11	s CARBON 1K 5% 1/4W
R229	1-215-882-00	s METAL 22 5% 2W
R231	1-215-882-00	s METAL 22 5% 2W
R232	1-205-657-00	s CEMENT ENCLOSE 150 5% 5W
R233	1-249-423-11	s CARBON 3.3K 5% 1/4W
R234	1-215-882-00	s METAL 22 5% 2W
R235	1-215-890-11	s METAL 470 5% 2W
R236	1-215-882-00	s METAL 22 5% 2W
R237	1-215-890-11	s METAL 470 5% 2W
R238	1-249-409-11	s CARBON 220 5% 1/4W
R239	1-249-411-11	s CARBON 330 5% 1/4W
R240	1-249-433-11	s CARBON 22K 5% 1/4W
R241	1-249-421-11	s CARBON 2.2K 5% 1/4W
R242	1-249-423-11	s CARBON 3.3K 5% 1/4W
R243	1-249-417-11	s CARBON 1K 5% 1/4W
R244	1-249-413-11	s CARBON 470 5% 1/4W
R245	1-249-431-11	s CARBON 15K 5% 1/4W
R246	1-249-417-11	s CARBON 1K 5% 1/4W
R247	1-249-435-11	s CARBON 33K 5% 1/4W
R248	1-249-413-11	s CARBON 470 5% 1/4W
R249	1-249-425-11	s CARBON 4.7K 5% 1/4W
RV201	1-237-499-21	s RES. ADJ. CERMET 500
RV202	1-228-990-00	s RES. ADJ. METAL 1K
T151	1-450-682-12	s TRANSFORMER, CONVERTER
T152	1-424-573-11	s TRANSFORMER, CURRENT
T153	1-424-573-11	s TRANSFORMER, CURRENT
T154	1-450-683-12	s TRANSFORMER, CONVERTER

SWITCHING REGULATOR

B ASSY

Ref. No. or Q'ty	Part No.	SP Description
1pc	1-640-834-12	o PRINTED CIRCUIT BOARD"SOPS1019B"
1pc	2-625-679-01	o HEAT SINK
1pc	2-625-748-01	s RUBBER, RADIATION
1pc	4-382-854-11	s SCREW (M3x10). P. SW(+)
C101	1-162-573-11	s CERAMIC 100PF 10% 400V
C102	1-137-110-11	s FILM 0.47uF 20% 250V
C103	1-136-185-00	s FILM 0.22uF 20% 250V
C104	1-161-742-00	s CERAMIC 0.0022uF 20% 400V
C105	1-161-742-00	s CERAMIC 0.0022uF 20% 400V
C106	1-161-742-00	s CERAMIC 0.0022uF 20% 400V
C107	1-136-206-11	s FILM 0.033uF 10% 630V
C108	1-126-406-11	s ELECT 2.2uF 20% 400V
C109	1-126-803-11	s ELECT 47uF 20% 25V
C110	1-161-742-00	s CERAMIC 0.0022uF 20% 400V
C111	1-125-703-11	s ELECT 680uF 20% 250V
C112	1-125-703-11	s ELECT 680uF 20% 250V
CN101	1-564-215-11	o PIN, CONNECTOR, 4P
CN102	1-564-242-00	o PIN, CONNECTOR, 5P
D101	8-719-510-71	s DIODE D10XB60
D102	8-719-313-16	s DIODE AU02A
D103	8-719-313-16	s DIODE AU02A
D104	8-719-313-16	s DIODE AU02A
D105	8-719-200-02	s DIODE 10E-2
D106	8-719-200-02	s DIODE 10E-2
D107	8-719-911-19	s DIODE 1SS119
D108	8-719-911-19	s DIODE 1SS119
IC101	8-749-922-70	s IC STR-81145A
L101	1-424-582-11	s COIL, AC NORMAL CHOKE
L102	1-424-583-11	s TRANSFORMER, LINE FILTER
L103	1-424-058-11	s L.F.T
PS101	1-532-637-00	s LINK, IC
Q101	8-729-205-02	s TRANSISTOR 2SA1150-Y
R101	1-202-719-00	s SOLID 1M 10% 1/2W
R102	1-217-785-11	s CEMENT (FUSE) 15 5% 5W
R105	1-247-883-00	s CARBON 150K 5% 1/4W
R106	1-247-883-00	s CARBON 150K 5% 1/4W
R107	1-247-883-00	s CARBON 150K 5% 1/4W
R108	1-247-883-00	s CARBON 150K 5% 1/4W
R109	1-260-131-11	s CARBON 470K 5% 1/2W
R110	1-260-131-11	s CARBON 470K 5% 1/2W
RY101	1-515-685-11	s RELAY

C ASSY

Ref. No. or Q'ty	Part No.	SP Description
1pc	1-640-835-11	o PRINTED CIRCUIT BOARD"SOPS1019C"
C181	1-136-165-00	s FILM 0.1uF 5% 50V
C182	1-163-157-00	s FILM 0.022uF 5% 50V
C183	1-124-465-00	s ELECT 0.47uF 20% 50V
C184	1-130-047-00	s FILM 180PF 5% 50V
C185	1-136-165-00	s FILM 0.1uF 5% 50V
C186	1-163-157-00	s FILM 0.022uF 5% 50V
C187	1-163-157-00	s FILM 0.022uF 5% 50V
C188	1-163-157-00	s FILM 0.022uF 5% 50V
C189	1-124-242-00	s ELECT 33uF 20% 25V
C190	1-136-013-11	s FILM 360PF 5% 50V
C191	1-136-165-00	s FILM 0.1uF 5% 50V
C192	1-124-248-00	s ELECT 22uF 20% 25V
C193	1-126-096-11	s ELECT 10uF 20% 25V
D182	8-719-110-16	s DIODE RD10ES-B1
D183	8-719-200-02	s DIODE 10E-2
D184	8-719-110-57	s DIODE RD22ES-B2
D185	8-719-109-85	s DIODE RD5.1ES-B2
IC151	8-759-637-30	s IC M51978P
IC152	8-759-520-23	s IC FA5304P
Q181	8-729-119-78	s TRANSISTOR 2SC2785-HFE
Q182	8-729-900-80	s TRANSISTOR DTC114ES
R181	1-249-421-11	s CARBON 2.2K 5% 1/4W
R182	1-249-433-11	s CARBON 22K 5% 1/4W
R183	1-249-393-11	s CARBON 10 5% 1/4W
R184	1-249-441-11	s CARBON 100K 5% 1/4W
R185	1-249-441-11	s CARBON 100K 5% 1/4W
R186	1-249-433-11	s CARBON 22K 5% 1/4W
R187	1-249-432-11	s CARBON 18K 5% 1/4W
R188	1-249-397-11	s CARBON 22 5% 1/4W
R189	1-249-397-11	s CARBON 22 5% 1/4W
R190	1-249-393-11	s CARBON 10 5% 1/4W
R191	1-249-441-11	s CARBON 100K 5% 1/4W
R192	1-249-405-11	s CARBON 100 5% 1/4W
R193	1-247-895-00	s CARBON 470K 5% 1/4W
R194	1-249-433-11	s CARBON 22K 5% 1/4W
R195	1-247-903-11	s CARBON 1M 5% 1/4W
R196	1-249-427-11	s CARBON 6.8K 5% 1/4W



SECTION 19 CHANGED PARTS

NOTE: The number identified by making with) are matching with each serial numbers.

101) S/N 10151-	107) S/N 12491-
102) S/N 10651-	108) S/N 12851-
103) S/N 11151-	109) S/N 12951-
104) S/N 11481-	110) S/N 13101-
105) S/N 11681-	111) S/N 13316-
106) S/N 12241-	112) S/N 13616-

----- AU-148AP BOARD

OLD) C101 1-163-012-00 s CERAMIC,CHIP 1800PF 10% 50V
108) C101 DELETED
OLD) C102 1-163-012-00 s CERAMIC,CHIP 1800PF 10% 50V
108) C102 DELETED
OLD) C103 1-163-037-11 s CERAMIC,CHIP 0.022uF 10% 25V
108) C103 DELETED

OLD) C120 1-130-493-00 s MYLAR 0.068uF 5% 50V
109) C120 1-130-487-00 s MYLAR 0.022uF 5% 50V
OLD) C139 NOT IN USE
102) C139 1-164-182-11 s CERAMIC,CHIP 3300PF 10% 100V
OLD) D101 8-719-941-23 s DIODE DA204U
108) D101 DELETED

OLD) D102 8-719-941-23 s DIODE DA204U
108) D102 DELETED
OLD) D105 8-719-941-23 s DIODE DA204U
108) D105 DELETED
OLD) IC105 8-759-240-69 s IC TC4069UBP
108) IC105 DELETED

OLD) Q101 8-729-143-07 s TRANSISTOR 2SA1610-Y33
108) Q101 DELETED
OLD) Q102 8-729-143-07 s TRANSISTOR 2SA1610-Y33
108) Q102 DELETED
OLD) R101 1-216-111-00 s METAL,CHIP 390K 5% 1/10W
108) R101 DELETED

OLD) R102 1-216-065-00 s METAL,CHIP 4.7K 5% 1/10W
108) R102 DELETED
OLD) R103 1-216-065-00 s METAL,CHIP 4.7K 5% 1/10W
108) R103 DELETED
OLD) R104 1-216-111-00 s METAL,CHIP 390K 5% 1/10W
108) R104 DELETED

OLD) R105 1-216-065-00 s METAL,CHIP 4.7K 5% 1/10W
108) R105 DELETED
OLD) R106 1-216-065-00 s METAL,CHIP 4.7K 5% 1/10W
108) R106 DELETED
OLD) R107 1-216-089-00 s METAL,CHIP 47K 5% 1/10W
108) R107 DELETED

OLD) R132 1-216-049-00 s METAL,CHIP 1K 5% 1/10W
109) R132 1-216-073-00 s METAL,CHIP 10K 5% 1/10W
OLD) R141 1-215-475-00 s METAL 180K 1% 1/6W
108) R141 DELETED
OLD) R143 1-216-675-11 s METAL,CHIP 10K 0.5% 1/10W
108) R143 1-216-679-11 s METAL,CHIP 15K 0.5% 1/10W

OLD) R144 1-215-493-00 s METAL 1M 1% 1/6W
108) R144 1-215-485-00 s METAL 470K 1% 1/6W
OLD) R147 1-216-695-11 s METAL,CHIP 68K 0.5% 1/10W
108) R147 1-216-692-11 s METAL,CHIP 51K 0.5% 1/10W
OLD) R148 1-215-459-00 s METAL 39K 1% 1/6W
108) R148 1-215-467-00 s METAL 82K 1% 1/6W

(AU-148AP BOARD)

OLD) R161 NOT IN USE
102) R161 1-216-667-11 s METAL,CHIP 4.7K 0.5% 1/10W
OLD) R162 NOT IN USE
102) R162 1-216-667-11 s METAL,CHIP 4.7K 0.5% 1/10W
OLD) R343 NOT IN USE
102) R343 1-216-668-11 s METAL,CHIP 5.1K 0.5% 1/10W

OLD) RY101 1-515-434-00 s RELAY, REED
108) RY101 DELETED
OLD) RY102 1-515-434-00 s RELAY, REED
108) RY102 DELETED

----- AU-149AP BOARD

OLD) C101 1-163-012-00 s CERAMIC,CHIP 1800PF 10% 50V
108) C101 DELETED
OLD) C102 1-163-012-00 s CERAMIC,CHIP 1800PF 10% 50V
108) C102 DELETED
OLD) C103 1-163-037-11 s CERAMIC,CHIP 0.022uF 10% 25V
108) C103 DELETED

OLD) C120 1-130-493-00 s MYLAR 0.068uF 5% 50V
109) C120 1-130-487-00 s MYLAR 0.022uF 5% 50V
OLD) C139 NOT IN USE
102) C139 1-164-182-11 s CERAMIC,CHIP 3300PF 10% 100V
OLD) D101 8-719-941-23 s DIODE DA204U
108) D101 DELETED

OLD) D102 8-719-941-23 s DIODE DA204U
108) D102 DELETED
OLD) D105 8-719-941-23 s DIODE DA204U
108) D105 DELETED
OLD) IC105 8-759-240-69 s IC TC4069UBP
108) IC105 DELETED

OLD) Q101 8-729-143-07 s TRANSISTOR 2SA1610-Y33
108) Q101 DELETED
OLD) Q102 8-729-143-07 s TRANSISTOR 2SA1610-Y33
108) Q102 DELETED
OLD) R101 1-216-111-00 s METAL,CHIP 390K 5% 1/10W
108) R101 DELETED

OLD) R102 1-216-065-00 s METAL,CHIP 4.7K 5% 1/10W
108) R102 DELETED
OLD) R103 1-216-065-00 s METAL,CHIP 4.7K 5% 1/10W
108) R103 DELETED
OLD) R104 1-216-111-00 s METAL,CHIP 390K 5% 1/10W
108) R104 DELETED

OLD) R105 1-216-065-00 s METAL,CHIP 4.7K 5% 1/10W
108) R105 DELETED
OLD) R106 1-216-065-00 s METAL,CHIP 4.7K 5% 1/10W
108) R106 DELETED
OLD) R107 1-216-089-00 s METAL,CHIP 47K 5% 1/10W
108) R107 DELETED

(AU-149AP BOARD)

OLD) R132 1-216-049-00 s METAL,CHIP 1K 5% 1/10W
 109) R132 1-216-073-00 s METAL,CHIP 10K 5% 1/10W
 OLD) R143 1-216-675-11 s METAL,CHIP 10K 0.5% 1/10W
 108) R143 1-216-692-11 s METAL,CHIP 51K 0.5% 1/10W
 OLD) R144 1-215-493-00 s METAL 1M 1% 1/6W
 108) R144 1-215-459-00 s METAL 39K 1% 1/6W

OLD) R148 1-215-467-00 s METAL 82K 1% 1/6W
 108) R148 1-215-477-00 s METAL 220K 1% 1/6W
 OLD) R161 NOT IN USE
 102) R161 1-216-667-11 s METAL,CHIP 4.7K 0.5% 1/10W
 OLD) R162 NOT IN USE
 102) R162 1-216-667-11 s METAL,CHIP 4.7K 0.5% 1/10W

OLD) R343 NOT IN USE
 102) R343 1-216-668-11 s METAL,CHIP 5.1K 0.5% 1/10W
 OLD) RY101 1-515-434-00 s RELAY, REED
 108) RY101 DELETED
 OLD) RY102 1-515-434-00 s RELAY, REED
 108) RY102 DELETED

AU-150A BOARD

OLD) C9 1-163-009-11 s CERAMIC,CHIP 1000PF 10% 50V
 102) C9 DELETED
 OLD) Q211 8-729-905-12 s TRANSISTOR DTA144EU
 102) Q211 DELETED
 OLD) Q212 8-729-905-12 s TRANSISTOR DTA144EU
 102) Q212 DELETED

CP-166A BOARD

OLD) CN9 1-573-590-11 s CONNECTOR CIRCULAR 4P FEMALE
 101) CN9 1-573-590-12 s CONNECTOR CIRCULAR 4P FEMALE

CP-167A BOARD

OLD) C112 1-161-772-11 s CERAMIC 0.1uF 10% 25V
 101) C112 1-163-038-00 s CERAMIC,CHIP 0.1uF 25V
 OLD) C212 1-161-772-11 s CERAMIC 0.1uF 10% 25V
 101) C212 1-163-038-00 s CERAMIC,CHIP 0.1uF 25V
 OLD) C318 1-161-772-11 s CERAMIC 0.1uF 10% 25V
 101) C318 1-163-038-00 s CERAMIC,CHIP 0.1uF 25V

OLD) C319 1-161-772-11 s CERAMIC 0.1uF 10% 25V
 101) C319 1-163-038-00 s CERAMIC,CHIP 0.1uF 25V
 OLD) D103 8-719-911-19 s DIODE 1SS119
 101) D103 8-719-123-82 s DIODE 1SS303
 OLD) D202 8-719-911-19 s DIODE 1SS119
 101) D202 DELETED

OLD) D306 8-719-911-19 s DIODE 1SS119
 101) D306 DELETED
 OLD) D307 8-719-911-19 s DIODE 1SS119
 101) D307 DELETED
 OLD) R132 1-247-903-00 s CARBON 1M 5% 1/4W
 101) R132 1-216-121-00 s METAL,CHIP 1M 5% 1/10W

(CP-167A BOARD)

OLD) R232 1-247-903-00 s CARBON 1M 5% 1/4W
 101) R232 1-216-121-00 s METAL,CHIP 1M 5% 1/10W
 OLD) R337 1-247-903-00 s CARBON 1M 5% 1/4W
 101) R337 1-216-121-00 s METAL,CHIP 1M 5% 1/10W
 OLD) R338 1-247-903-00 s CARBON 1M 5% 1/4W
 101) R338 1-216-121-00 s METAL,CHIP 1M 5% 1/10W

DR-118A BOARD

OLD) C90 1-161-021-11 s CERAMIC 0.047uF 10% 25V
 101) C90 DELETED
 OLD) C103 1-124-120-11 s ELECT 220uF 20% 25V
 108) C103 1-124-478-11 s ELECT 100uF 20% 25V
 OLD) C908 1-124-907-11 s ELECT 10uF 20% 50V
 111) C908 DELETED

OLD) C909 1-124-907-11 s ELECT 10uF 20% 50V
 111) C909 DELETED
 OLD) CN1A 1-506-468-11 s CONNECTOR 3P MALE
 111) CN1A DELETED
 OLD) CN1B 1-506-468-11 s CONNECTOR 3P MALE
 111) CN1B DELETED

OLD) CN2A 1-506-468-11 s CONNECTOR 3P MALE
 102) CN2A DELETED
 OLD) CN2B 1-506-468-11 s CONNECTOR 3P MALE
 102) CN2B DELETED
 OLD) CN3A 1-506-467-11 s CONNECTOR 2P MALE
 111) CN3A DELETED

OLD) CN3B 1-506-467-11 s CONNECTOR 2P MALE
 111) CN3B DELETED
 OLD) CN4A 1-506-468-11 s CONNECTOR 3P MALE
 102) CN4A DELETED
 OLD) CN4B 1-506-468-11 s CONNECTOR 3P MALE
 102) CN4B DELETED

OLD) CN5A 1-506-467-11 s CONNECTOR 2P MALE
 111) CN5A DELETED
 OLD) CN5B 1-506-467-11 s CONNECTOR 2P MALE
 111) CN5B DELETED
 OLD) CN6A 1-506-467-11 s CONNECTOR 2P MALE
 111) CN6A DELETED

OLD) CN6B 1-506-467-11 s CONNECTOR 2P MALE
 111) CN6B DELETED
 OLD) CN7A 1-506-467-11 s CONNECTOR 2P MALE
 111) CN7A DELETED
 OLD) CN7B 1-506-467-11 s CONNECTOR 2P MALE
 111) CN7B DELETED

OLD) CN8A 1-506-468-11 s CONNECTOR 3P MALE
 111) CN8A DELETED
 OLD) CN8B 1-506-468-11 s CONNECTOR 3P MALE
 111) CN8B DELETED
 OLD) CN9A 1-506-467-11 s CONNECTOR 2P MALE
 111) CN9A DELETED

OLD) CN9B 1-506-467-11 s CONNECTOR 2P MALE
 111) CN9B DELETED
 OLD) D311 8-719-911-19 s DIODE 1SS119
 111) D311 8-719-123-85 s DIODE 1SS304
 OLD) D312 8-719-911-19 s DIODE 1SS119
 111) D312 8-719-123-85 s DIODE 1SS304

(DR-118A BOARD)

OLD) IC201 8-759-710-28 s IC NJM4565M-A
 104) IC201 8-759-981-11 s IC NJM4560M
 OLD) IC302 8-759-710-28 s IC NJM4565M-A
 104) IC302 8-759-981-11 s IC NJM4560M
 OLD) IC501 8-759-710-28 s IC NJM4565M-A
 104) IC501 8-759-981-11 s IC NJM4560M

 OLD) IC901 NOT IN USE
 102) IC901 8-759-701-79 s IC NJM7812FA
 OLD) Q808 8-729-209-07 s TRANSISTOR 2SC4213B
 104) Q808 DELETED
 OLD) Q809 8-729-209-07 s TRANSISTOR 2SC4213B
 104) Q809 DELETED

 OLD) Q955 8-729-905-18 s TRANSISTOR DTC144EU
 101) Q955 DELETED
 OLD) R20 1-216-073-00 s METAL, CHIP 10K 5% 1/10W
 105) R20 1-216-089-00 s METAL, CHIP 47K 5% 1/10W
 OLD) R22 1-216-073-00 s METAL, CHIP 10K 5% 1/10W
 105) R22 1-216-089-00 s METAL, CHIP 47K 5% 1/10W

 OLD) R24 1-216-073-00 s METAL, CHIP 10K 5% 1/10W
 105) R24 1-216-089-00 s METAL, CHIP 47K 5% 1/10W
 OLD) R26 1-216-073-00 s METAL, CHIP 10K 5% 1/10W
 105) R26 1-216-089-00 s METAL, CHIP 47K 5% 1/10W
 OLD) R33 NOT IN USE
 102) R33 1-216-073-00 s METAL, CHIP 10K 5% 1/10W

 OLD) R34 NOT IN USE
 102) R34 1-216-073-00 s METAL, CHIP 10K 5% 1/10W
 OLD) R35 NOT IN USE
 102) R35 1-216-073-00 s METAL, CHIP 10K 5% 1/10W
 OLD) R36 NOT IN USE
 102) R36 1-216-073-00 s METAL, CHIP 10K 5% 1/10W

 OLD) R37 NOT IN USE
 102) R37 1-216-073-00 s METAL, CHIP 10K 5% 1/10W
 OLD) R38 NOT IN USE
 102) R38 1-216-073-00 s METAL, CHIP 10K 5% 1/10W
 OLD) R160 1-249-413-11 s CARBON 470 5% 1/4W
 111) R160 1-216-041-00 s METAL, CHIP 470 5% 1/10W

 OLD) R256 1-216-073-00 s METAL, CHIP 10K 5% 1/10W
 108) R256 1-216-683-11 s METAL, CHIP 22K 0.5% 1/10W
 OLD) R257 1-216-081-00 s METAL, CHIP 22K 5% 1/10W
 108) R257 1-216-683-11 s METAL, CHIP 22K 0.5% 1/10W
 OLD) R266 1-216-073-00 s METAL, CHIP 10K 5% 1/10W
 108) R266 1-216-683-11 s METAL, CHIP 22K 0.5% 1/10W

 OLD) R267 1-216-081-00 s METAL, CHIP 22K 5% 1/10W
 108) R267 1-216-683-11 s METAL, CHIP 22K 0.5% 1/10W
 OLD) R276 1-216-073-00 s METAL, CHIP 10K 5% 1/10W
 108) R276 1-216-683-11 s METAL, CHIP 22K 0.5% 1/10W
 OLD) R277 1-216-081-00 s METAL, CHIP 22K 5% 1/10W
 108) R277 1-216-683-11 s METAL, CHIP 22K 0.5% 1/10W

 OLD) R286 1-216-073-00 s METAL, CHIP 10K 5% 1/10W
 108) R286 1-216-683-11 s METAL, CHIP 22K 0.5% 1/10W
 OLD) R287 1-216-081-00 s METAL, CHIP 22K 5% 1/10W
 108) R287 1-216-683-11 s METAL, CHIP 22K 0.5% 1/10W
 OLD) R313 1-216-295-00 s METAL, CHIP 0
 101) R313 DELETED

 OLD) R401 1-216-069-00 s METAL, CHIP 6.8K 5% 1/10W
 108) R401 1-216-670-11 s METAL, CHIP 6.2K 0.5% 1/10W
 OLD) R902 1-217-666-31 s SHORT 0.01 1/6W
 111) R902 DELETED

HC-14C BOARD

OLD) R131 1-249-425-11 s CARBON 4.7K 5% 1/4W
 102) R131 1-216-065-00 s METAL, CHIP 4.7K 5% 1/10W
 OLD) R500 1-216-295-00 s METAL, CHIP 0
 102) R500 DELETED

MA-44A BOARD

OLD) C29 1-161-772-11 s CERAMIC 0.1uF 10% 25V
 102) C29 1-164-004-11 s CERAMIC, CHIP 0.1uF 10% 25V
 OLD) C30 1-161-772-11 s CERAMIC 0.1uF 10% 25V
 102) C30 1-164-004-11 s CERAMIC, CHIP 0.1uF 10% 25V
 OLD) D3 8-719-911-19 s DIODE 1SS119
 102) D3 8-719-123-82 s DIODE 1SS303

 OLD) D4 8-719-911-19 s DIODE 1SS119
 102) D4 DELETED
 OLD) R59 1-247-903-00 s CARBON 1M 5% 1/4W
 102) R59 1-216-121-00 s METAL, CHIP 1M 5% 1/10W
 OLD) R60 1-247-903-00 s CARBON 1M 5% 1/4W
 102) R60 1-216-121-00 s METAL, CHIP 1M 5% 1/10W

 OLD) R61 1-247-903-00 s CARBON 1M 5% 1/4W
 102) R61 1-216-121-00 s METAL, CHIP 1M 5% 1/10W
 OLD) R62 1-247-903-00 s CARBON 1M 5% 1/4W
 102) R62 1-216-121-00 s METAL, CHIP 1M 5% 1/10W

MB-322A BOARD

OLD) C101 NOT IN USE
 105) C101 1-164-004-11 s CERAMIC, CHIP 0.1uF 10% 25V
 OLD) C102 NOT IN USE
 105) C102 1-164-004-11 s CERAMIC, CHIP 0.1uF 10% 25V
 OLD) CN226 1-565-882-11 s CONNECTOR 10P MALE
 109) CN226 DELETED

PD-56 BOARD

OLD) C1 1-162-730-11 s CERAMIC 680PF 1% 50V
 103) C1 DELETED
 OLD) C2 1-162-730-11 s CERAMIC 680PF 1% 50V
 103) C2 DELETED
 OLD) R1 1-249-428-11 s CARBON 8.2K 5% 1/4W
 108) R1 DELETED

 OLD) R2 1-249-428-11 s CARBON 8.2K 5% 1/4W
 108) R2 DELETED

RP-57AP BOARD

OLD) C702 1-126-101-11 s ELECT 100uF 20% 16V
 109) C702 1-124-477-11 s ELECT 47uF 20% 16V
 OLD) C703 1-126-101-11 s ELECT 100uF 20% 16V
 109) C703 1-124-477-11 s ELECT 47uF 20% 16V
 OLD) C706 1-126-101-11 s ELECT 100uF 20% 16V
 109) C706 1-124-477-11 s ELECT 47uF 20% 16V

OLD) C713 1-126-101-11 s ELECT 100uF 20% 16V
 109) C713 1-124-477-11 s ELECT 47uF 20% 16V
 OLD) C714 1-126-101-11 s ELECT 100uF 20% 16V
 109) C714 1-124-477-11 s ELECT 47uF 20% 16V
 OLD) C717 1-126-101-11 s ELECT 100uF 20% 16V
 109) C717 1-124-477-11 s ELECT 47uF 20% 16V

OLD) C719 1-126-101-11 s ELECT 100uF 20% 16V
 109) C719 1-124-477-11 s ELECT 47uF 20% 16V
 OLD) C721 1-126-101-11 s ELECT 100uF 20% 16V
 109) C721 1-124-477-11 s ELECT 47uF 20% 16V
 OLD) C722 1-126-101-11 s ELECT 100uF 20% 16V
 109) C722 1-124-477-11 s ELECT 47uF 20% 16V

OLD) C725 1-126-101-11 s ELECT 100uF 20% 16V
 109) C725 1-124-477-11 s ELECT 47uF 20% 16V

SS-48P BOARD

OLD) C524 1-163-137-00 s CERAMIC, CHIP 680PF 5% 50V
 111) C524 1-163-113-00 s CERAMIC, CHIP 68PF 5% 50V
 OLD) C625 NOT IN USE
 111) C625 1-126-157-11 s ELECT 10uF 20% 16V
 OLD) D801 8-719-941-23 s DIODE DA204U
 103) D801 8-719-800-76 s DIODE 1SS226

OLD) IC6 8-752-337-78 s IC CXK58257AM-10L
 111) IC6 8-759-515-54 s IC MS62256CLL-10FC-EF
 OLD) IC303 8-752-323-63 s IC CXK5816M-10L
 103) IC303 8-759-054-54 s IC SRM2016M10
 OLD) IC406 8-752-323-63 s IC CXK5816M-10L
 103) IC406 8-759-054-54 s IC SRM2016M10

OLD) IC607 8-759-514-41 s IC AM27C010-150DC
 109) IC607 8-759-089-73 s IC C010-PW2000SV220
 OLD) IC612 8-752-323-63 s IC CXK5816M-10L
 103) IC612 8-759-054-54 s IC SRM2016M10
 OLD) IC707 8-752-323-63 s IC CXK5816M-10L
 103) IC707 8-759-054-54 s IC SRM2016M10

OLD) IC707 8-759-054-54 s IC SRM2016M10
 108) IC707 8-752-323-63 s IC CXK5816M-10L
 OLD) O805 8-729-905-18 s TRANSISTOR DTC144EU
 103) O805 8-729-901-01 s TRANSISTOR DTC144EK
 OLD) R484 1-216-073-00 s METAL, CHIP 10K 5% 1/10W
 103) R484 1-216-079-00 s METAL, CHIP 18K 5% 1/10W

OLD) R527 1-216-057-00 s METAL, CHIP 2.2K 5% 1/10W
 103) R527 1-216-065-00 s METAL, CHIP 4.7K 5% 1/10W
 OLD) R527 1-216-065-00 s METAL, CHIP 4.7K 5% 1/10W
 111) R527 1-216-689-11 s METAL, CHIP 39K 0.5% 1/10W
 OLD) R672 NOT IN USE
 103) R672 1-216-097-00 s METAL, CHIP 100K 5% 1/10W

OLD) R831 1-216-061-00 s METAL, CHIP 3.3K 5% 1/10W
 101) R831 1-216-081-00 s METAL, CHIP 22K 5% 1/10W
 OLD) R838 1-216-077-00 s METAL, CHIP 15K 5% 1/10W
 101) R838 1-216-089-00 s METAL, CHIP 47K 5% 1/10W

TBC-18P BOARD

OLD) C387 1-161-053-00 s CERAMIC 0.015uF 10% 50V
 101) C387 1-163-037-11 s CERAMIC, CHIP 0.022uF 10% 25V
 OLD) C549 1-162-718-11 s CERAMIC 220PF 1% 50V
 101) C549 1-163-125-00 s CERAMIC, CHIP 220PF 5% 50V
 OLD) C550 1-162-718-11 s CERAMIC 220PF 1% 50V
 101) C550 1-163-125-00 s CERAMIC, CHIP 220PF 5% 50V

OLD) C796 1-163-097-00 s CERAMIC, CHIP 15PF 5% 50V
 102) C796 1-163-235-11 s CERAMIC, CHIP 22PF 5% 50V
 OLD) C807 NOT IN USE
 107) C807 1-124-903-11 s ELECT 1uF 20% 50V
 OLD) C810 NOT IN USE
 107) C810 1-161-051-00 s CERAMIC 0.01uF 10% 50V

OLD) C811 NOT IN USE
 107) C811 1-161-051-00 s CERAMIC 0.01uF 10% 50V
 OLD) C820 NOT IN USE
 105) C820 1-162-718-11 s CERAMIC 220PF 1% 50V
 OLD) C870 1-124-903-11 s ELECT 1uF 20% 50V
 107) C870 DELETED

OLD) D308 8-719-123-82 s DIODE 1SS303
 102) D308 DELETED
 OLD) D505 8-719-123-82 s DIODE 1SS303
 102) D505 DELETED
 OLD) IC501 8-759-513-77 s IC CXD81520
 105) IC501 8-759-055-71 s IC CXD83130

OLD) IC502 8-759-513-77 s IC CXD81520
 105) IC502 8-759-055-71 s IC CXD83130
 OLD) IC503 8-752-337-41 s IC CXD1206M
 107) IC503 8-752-340-75 s IC CXD1206AM
 OLD) IC504 8-752-337-41 s IC CXD1206M
 107) IC504 8-752-340-75 s IC CXD1206AM

OLD) IC505 8-752-337-41 s IC CXD1206M
 107) IC505 8-752-340-75 s IC CXD1206AM
 OLD) IC506 8-752-337-41 s IC CXD1206M
 107) IC506 8-752-340-75 s IC CXD1206AM
 OLD) IC730 NOT IN USE
 101) IC730 8-759-234-20 s IC TC7S08F

OLD) L3 1-412-533-11 s INDUCTOR 47uH
 104) L3 1-412-533-31 s INDUCTOR 47uH
 OLD) R317 1-216-069-00 s METAL, CHIP 6.8K 5% 1/10W
 107) R317 1-216-061-00 s METAL, CHIP 3.3K 5% 1/10W
 OLD) R352 1-249-421-11 s CARBON 2.2K 5% 1/4W
 101) R352 1-216-057-00 s METAL, CHIP 2.2K 5% 1/10W

OLD) R389 1-249-429-11 s CARBON 10K 5% 1/4W
 101) R389 1-216-073-00 s METAL, CHIP 10K 5% 1/10W
 OLD) R487 1-249-429-11 s CARBON 10K 5% 1/4W
 101) R487 1-216-073-00 s METAL, CHIP 10K 5% 1/10W

VP-33AP BOARD

OLD) C154 1-163-113-00 s CERAMIC,CHIP 68PF 5% 50V
 107) C154 1-163-239-11 s CERAMIC,CHIP 33PF 5% 50V
 OLD) C708 1-163-222-11 s CERAMIC,CHIP 5PF 50V
 106) C708 1-163-227-11 s CERAMIC,CHIP 10PF 0.5PF 50V
 OLD) C766 1-163-097-00 s CERAMIC,CHIP 15PF 5% 50V
 103) C766 1-163-237-11 s CERAMIC,CHIP 27PF 5% 50V

 OLD) C770 1-163-097-00 s CERAMIC,CHIP 15PF 5% 50V
 103) C770 1-163-237-11 s CERAMIC,CHIP 27PF 5% 50V
 OLD) C773 NOT IN USE
 106) C773 1-163-113-00 s CERAMIC,CHIP 68PF 5% 50V
 OLD) C774 NOT IN USE
 106) C774 1-163-113-00 s CERAMIC,CHIP 68PF 5% 50V

 OLD) C790 1-107-202-00 s MICA 10PF 5% 500V
 106) C790 1-163-227-11 s CERAMIC,CHIP 10PF 5% 50V
 OLD) CN205 NOT IN USE
 106) CN205 1-506-467-11 s CONNECTOR 2P MALE
 OLD) CN705 NOT IN USE
 106) CN705 1-506-467-11 s CONNECTOR 2P MALE

 OLD) FL702 1-236-091-11 s FILTER,LOW-PASS
 106) FL702 DELETED
 OLD) L721 NOT IN USE
 106) L721 1-408-419-00 s INDUCTOR 68uH
 OLD) Q202 8-729-905-18 s TRANSISTOR DTC144EU
 106) Q202 DELETED

 OLD) Q262 8-729-143-07 s TRANSISTOR 2SA1610-Y33
 109) Q262 8-729-905-12 s TRANSISTOR DTA144EU
 OLD) Q265 8-729-143-07 s TRANSISTOR 2SA1610-Y33
 109) Q265 8-729-905-12 s TRANSISTOR DTA144EU
 OLD) R103 1-216-625-11 s METAL,CHIP 82 0.5% 1/10W
 101) R103 1-216-295-00 s METAL,CHIP 0

 OLD) R104 1-216-635-11 s METAL,CHIP 220 0.5% 1/10W
 101) R104 1-216-638-11 s METAL,CHIP 300 0.5% 1/10W
 OLD) R107 1-216-625-11 s METAL,CHIP 82 0.5% 1/10W
 101) R107 1-216-295-00 s METAL,CHIP 0
 OLD) R108 1-216-635-11 s METAL,CHIP 220 0.5% 1/10W
 101) R108 1-216-638-11 s METAL,CHIP 300 0.5% 1/10W

 OLD) R141 1-216-651-11 s METAL,CHIP 1K 0.5% 1/10W
 103) R141 1-216-667-11 s METAL,CHIP 4.7K 0.5% 1/10W
 OLD) R229 1-216-073-00 s METAL,CHIP 10K 5% 1/10W
 106) R229 DELETED
 OLD) R254 1-216-671-11 s METAL,CHIP 6.8K 0.5% 1/10W
 107) R254 1-216-663-91 s METAL,CHIP 3.3K 0.5% 1/10W

 OLD) R278 1-216-025-00 s METAL,CHIP 100 5% 1/10W
 103) R278 DELETED
 OLD) R281 1-216-025-00 s METAL,CHIP 100 5% 1/10W
 103) R281 DELETED
 OLD) R337 1-216-638-11 s METAL,CHIP 300 0.5% 1/10W
 109) R337 1-216-639-11 s METAL,CHIP 330 0.5% 1/10W

 OLD) R362 NOT IN USE
 109) R362 1-216-049-00 s METAL,CHIP 1K 5% 1/10W
 OLD) R363 NOT IN USE
 109) R363 1-216-063-00 s METAL,CHIP 3.9K 5% 1/10W
 OLD) R364 NOT IN USE
 109) R364 1-216-049-00 s METAL,CHIP 1K 5% 1/10W

 OLD) R365 NOT IN USE
 109) R365 1-216-063-00 s METAL,CHIP 3.9K 5% 1/10W
 OLD) R368 NOT IN USE
 109) R368 1-216-664-11 s METAL 3.6K 0.5% 1/10W
 OLD) R554 1-216-675-11 s METAL,CHIP 10K 0.5% 1/10W
 101) R554 1-216-653-11 s METAL,CHIP 1.2K 0.5% 1/10W

(VP-33AP BOARD)

OLD) R558 NOT IN USE
 106) R558 1-216-295-00 s METAL,CHIP 0
 OLD) R573 1-216-025-00 s METAL,CHIP 100 5% 1/10W
 103) R573 DELETED
 OLD) R576 1-216-025-00 s METAL,CHIP 100 5% 1/10W
 103) R576 DELETED

 OLD) R636 1-216-645-11 s METAL 560 0.5% 1/10W
 109) R636 1-216-646-11 s METAL 620 0.5% 1/10W
 OLD) R644 1-216-673-11 s METAL,CHIP 8.2K 0.5% 1/10W
 109) R644 1-216-671-11 s METAL,CHIP 6.8K 0.5% 1/10W
 OLD) R649 NOT IN USE
 109) R649 1-216-672-11 s METAL 7.5K 0.5% 1/10W

 OLD) R980 1-215-421-00 s METAL 1K 1% 1/6W
 106) R980 1-216-651-11 s METAL,CHIP 1K 0.5% 1/10W
 OLD) R981 1-247-405-11 s CARBON 100 5% 1/4W
 106) R981 1-216-025-00 s METAL,CHIP 100 5% 1/10W
 OLD) R1001 1-216-041-00 s METAL,CHIP 470 5% 1/10W
 110) R1001 1-216-033-00 s METAL,CHIP 220 5% 1/10W

 OLD) R1001 1-216-033-00 s METAL,CHIP 220 5% 1/10W
 112) R1001 1-216-041-00 s METAL,CHIP 470 5% 1/10W
 OLD) R2001 1-216-041-00 s METAL,CHIP 470 5% 1/10W
 110) R2001 1-216-033-00 s METAL,CHIP 220 5% 1/10W
 OLD) R3001 1-216-041-00 s METAL,CHIP 470 5% 1/10W
 110) R3001 1-216-033-00 s METAL,CHIP 220 5% 1/10W

 OLD) RV112 1-238-016-11 s RES,ADJ CARBON 10K
 103) RV112 1-238-802-11 s RES,ADJ CERMET 10K
 OLD) RV504 1-238-801-11 s RES,ADJ CERMET 5K
 109) RV504 1-238-802-11 s RES,ADJ CERMET 10K
 OLD) RV505 1-238-801-11 s RES,ADJ CERMET 5K
 109) RV505 1-238-802-11 s RES,ADJ CERMET 10K

 OLD) RV719 1-238-012-11 s RES,ADJ CARBON 1K
 103) RV719 1-238-799-11 s RES,ADJ CERMET 1K
 OLD) TH301 NOT IN USE
 109) TH301 1-800-199-11 s THERMISTOR S-1250
 OLD) TH601 NOT IN USE
 109) TH601 1-800-199-11 s THERMISTOR S-1250