

PS-1350/PS-2350



Photo shows PS-2350 (AEP, UK Model)

Wega P3440 637
USA Model : PS-2350
UK Model : PS-1350/2350
AEP Model : PS-2350
E Model : PS-2350
Canada Model : PS-1350

Distinction of the sets
PS-2350 has a lateral weight.
PS-1350 does not.

TURNTABLE SYSTEM

SPECIFICATIONS

TURNTABLE

Platter: 300mm (11 $\frac{3}{4}$ inches), diecast aluminum alloy
Drive System: Belt-drive system
Motor: 4-pole synchronous
Speeds: 33 $\frac{1}{3}$, 45rpm
Wow and Flutter: \pm 0.08% (DIN)
0.06% (WRMS)
S/N Ratio: 63dB (DIN-B)

TONARM

Type: Statically balanced
Pivot to Stylus: 216.6mm (8 $\frac{9}{16}$ inches)
Overall Arm Length: 300mm (11 $\frac{3}{4}$ inches)
Overhang: 16.5mm ($\frac{5}{8}$ inches)
Tracking Force Adjustment Range: 0~3g
Shell Weight: 7.5g
Cartridge Weight Range: 4~12.5g

CARTRIDGE

Type: Moving magnet
Frequency Range: 10Hz~30,000Hz
Channel Separation: 25dB at 1,000Hz

Output Voltage: 3mV at 1kHz, 5cm/sec.

Load Impedance: 50k Ω

Tracking Force: 1.5~2.5g (2g)

Stylus: Sony ND-134G (Conical 0.5mil diamond)

Weight: 5.5g

GENERAL

Power Requirement: 120V ac, 60Hz (USA, Canada Model)
110, 127, 220 or 240V ac selectable
50/60Hz (UK, AEP Model)
100, 120, 220 or 240V ac selectable
50Hz (E Model)

Power Consumption: 18W

Dimensions: 450 (w) x 170 (h) x 380 (d) mm
17 $\frac{3}{4}$ (w) x 6 $\frac{5}{16}$ (h) x 15 (d) inches

Weight: PS-2350 (8.4kg 18lb 7oz (net)
10kg 21lb 15oz (with shipping carton)
PS-1350 (8.7kg 19lb 3oz (net)
10.5kg 23lb 2oz (with shipping carton)

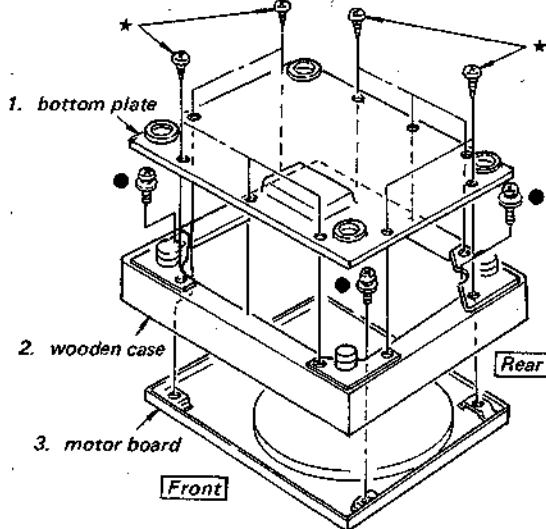
SONY®

SERVICE MANUAL

SECTION 1 DISASSEMBLY AND REPLACEMENT

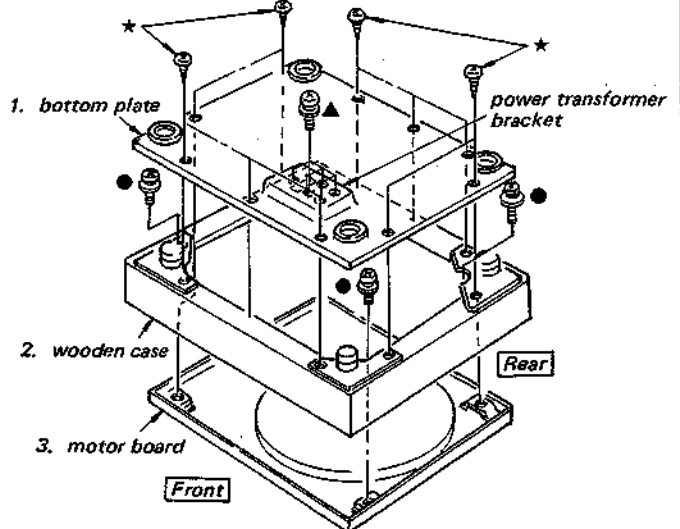
1-1. Bottom Plate, Wooden Case and Motor Board Removal

[For USA, Canada, E Model]



1. Bottom Plate:
Remove ten screws marked * (ø R3.1 x 13, wood).
2. Wooden Case:
 - ① Remove four screws marked • (ø PSW 4 x 25).
 - ② Remove each screw (ø R3.1 x 13, wood) for power cord strain relief and phono cord clamp.
3. Motor Board:
Remove the bottom plate and the wooden case.

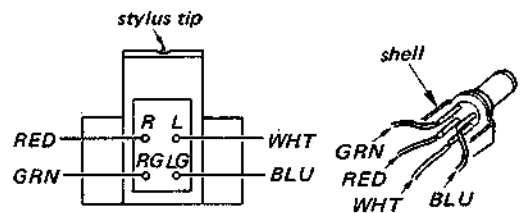
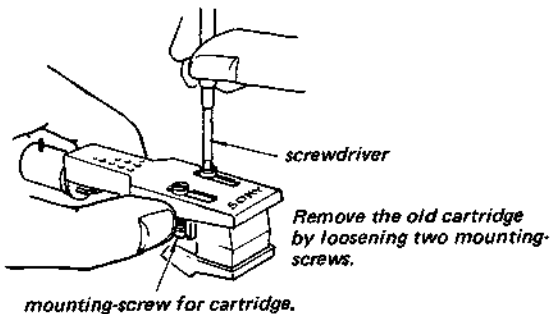
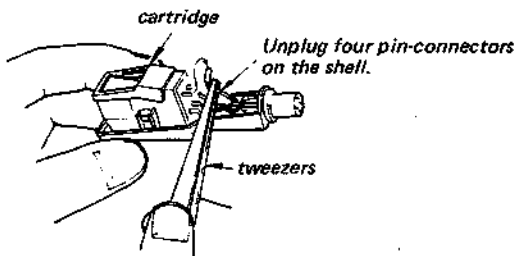
[For UK, AEP Model]



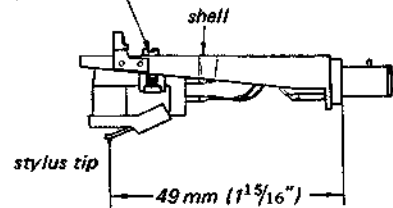
Note: Unplug the power cord.

1. Bottom Plate:
 - ① Remove ten screws marked * (ø R3.1 x 13, wood).
 - ② Remove five screws marked ▲ (ø PSW 3 x 8).
2. Wooden Case:
 - ① Remove four screws marked • (ø PSW 4 x 25).
 - ② Remove two screws (ø R 3.1 x 13, wood) for phono cord clamp.
3. Motor Board:
Remove the bottom plate and the wooden case.

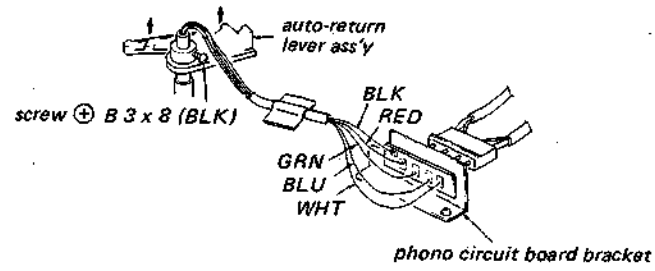
1-5. Cartridge Replacement



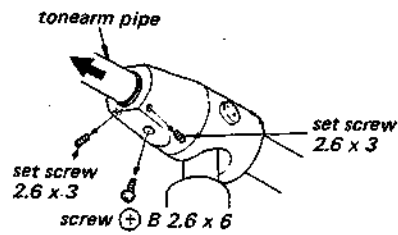
Fasten the screws lightly so that the cartridge can be slid for adjustment.



1-2. Tonearm Pipe Replacement



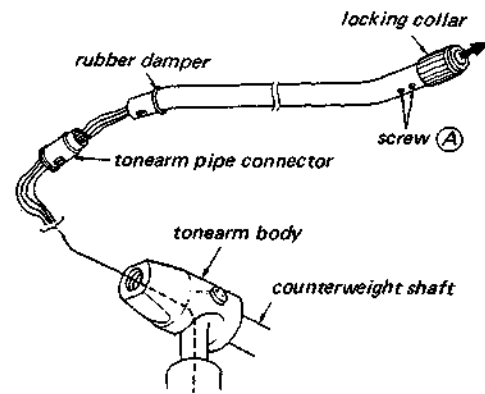
1. Remove the auto-return lever and unsolder five lead wires.
2. Remove the arm lifter.
3. Remove the tonearm pipe shown below.



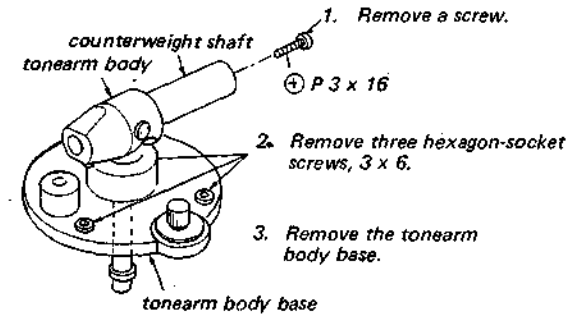
4. Replace the tonearm pipe.

1-3. Locking Collar Replacement

1. Remove two screws marked (A).
2. Replace the locking collar.



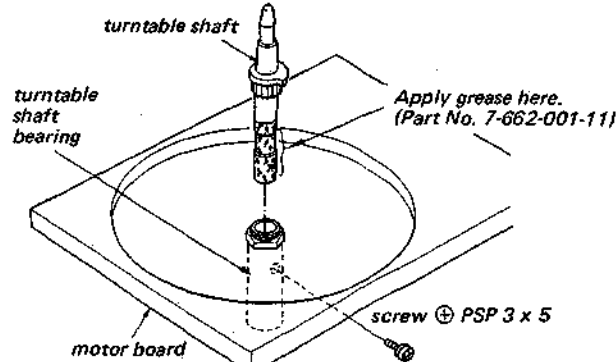
1-4. Tonearm Body Base Removal



[CAUTION]
Do not remove the tonearm body ass'y. The reassembling of tonearm body will result in mechanical troubles.

1-6. Turntable Shaft Removal

Pull out the turntable shaft by removing a screw ⊕ PSP 3 x 5.



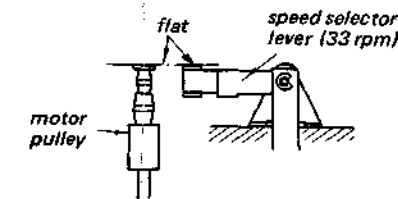
Note: Apply grease on the turntable shaft, when reinstalling it.

1-8. Adaptation to Local Line Frequency

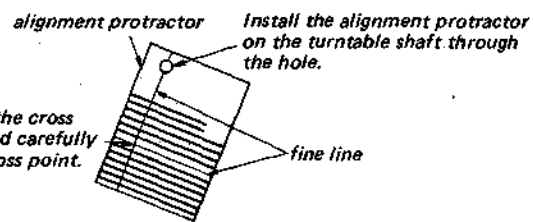
Motor Pulleys	
For 50 Hz	For 60 Hz
[Part No. X-4844-007-1]	[Part No. X-4844-007-2]

Procedure:

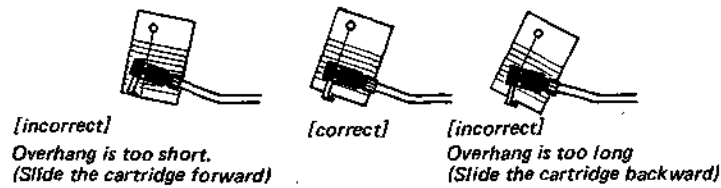
1. Install the replacement pulley, and set the speed selector knob to 33 rpm position.
2. Adjust the height of the motor pulley so that the top of motor pulley is even with the top edge of speed selector lever as shown below.



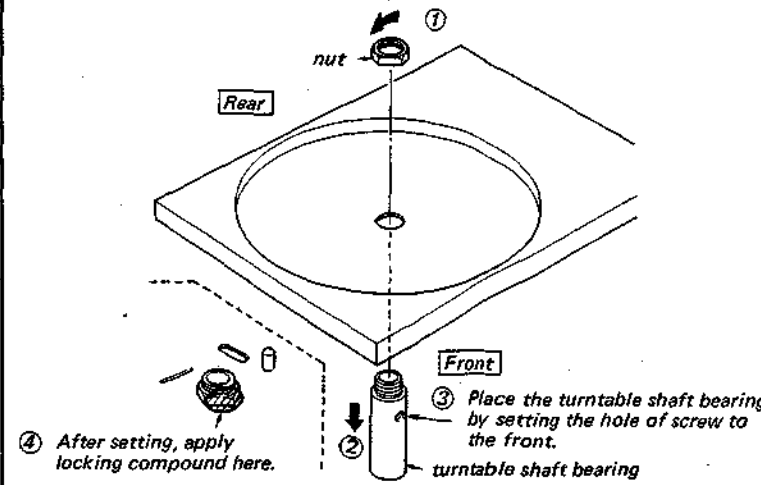
[Overhang Adjustment]



Bring the tonearm above the cross point of two fine lines, and carefully lower the stylus on the cross point.



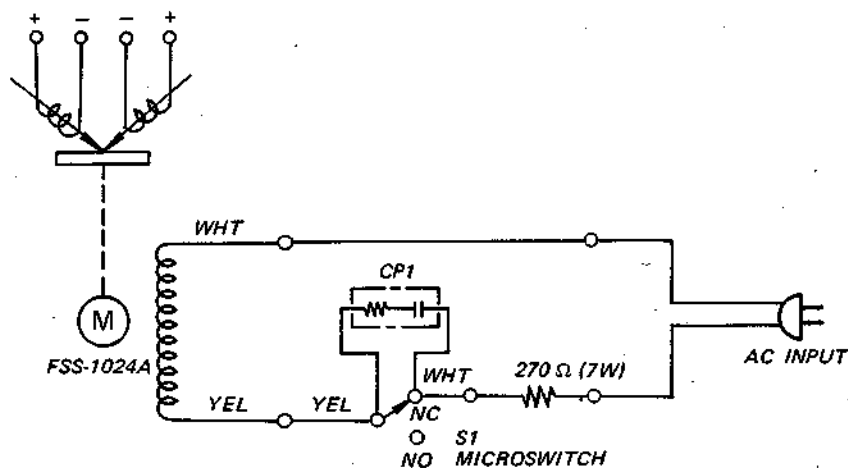
1-7. Turntable Shaft Bearing Replacement



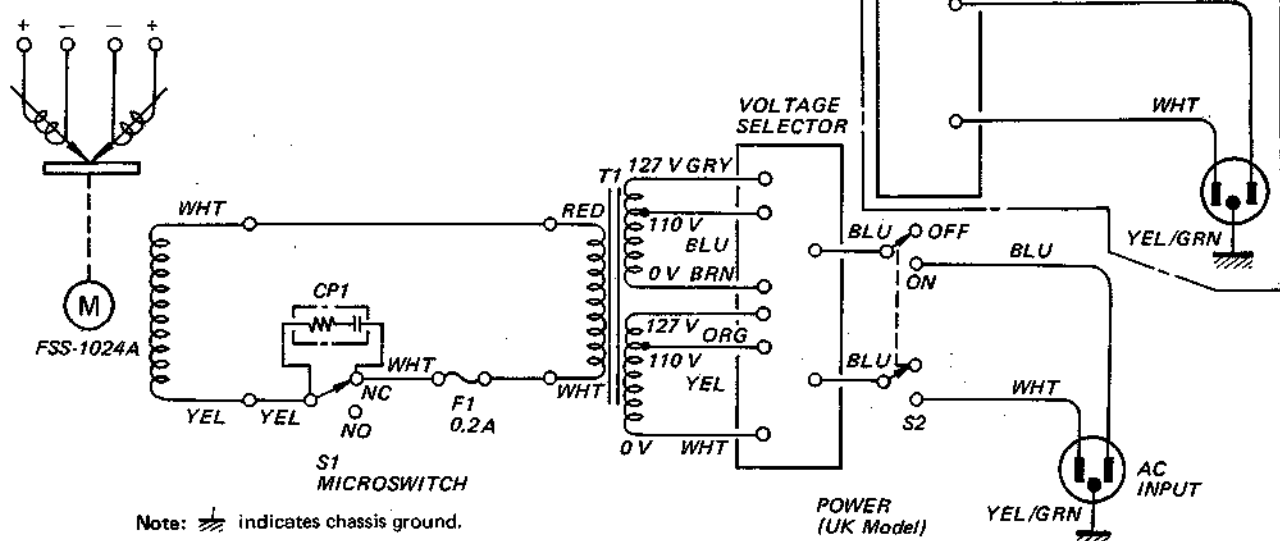
SECTION 2
DIAGRAMS

SCHEMATIC DIAGRAM

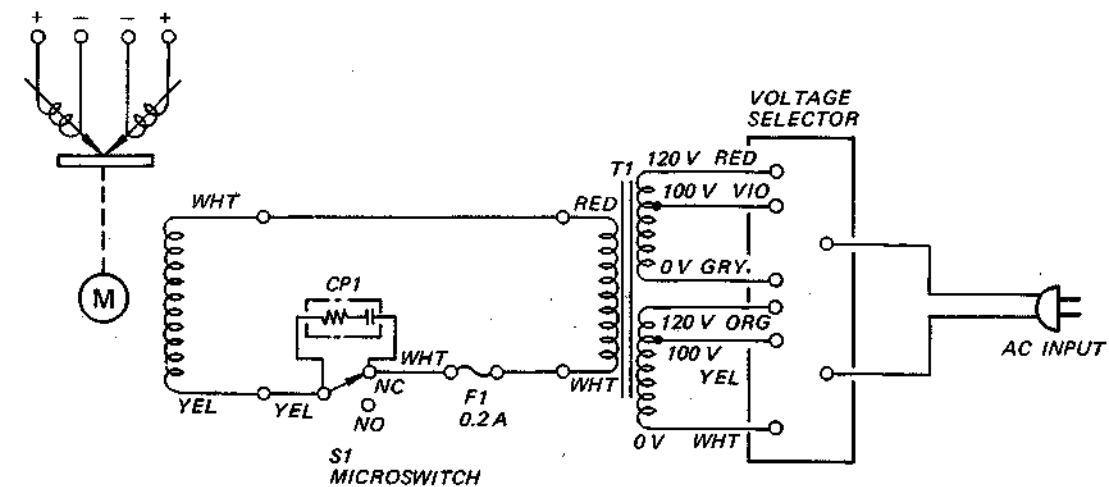
2-1. USA, Canada Model



2-2. UK, AEP Model



2-3. E Model

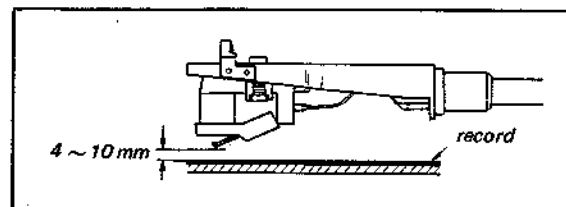


SECTION 3
ADJUSTMENTS

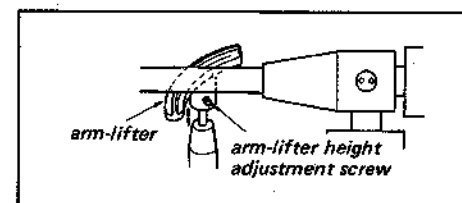
3-1. TONEARM HEIGHT ADJUSTMENT

At Automatic Return Operation

1. When the tonearm automatically returns to its tonearm rest after playing, check to see that the clearance between the stylus tip and the record on the turntable is 4 to 10 mm as shown below.

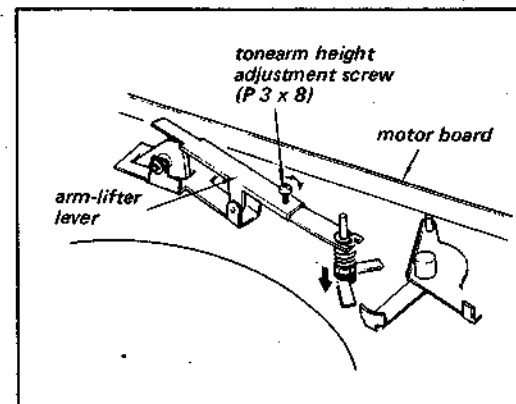


2. If necessary, adjust the height of the arm-lifter by loosening its adjustment screw shown below.



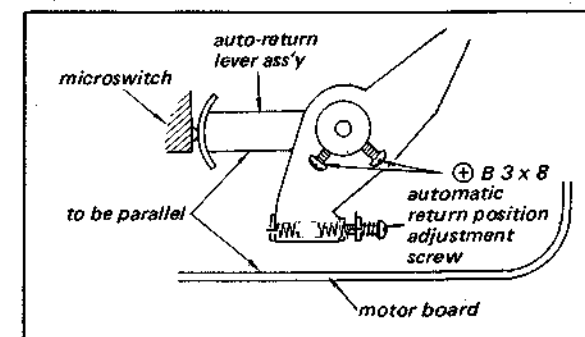
At Manual Cueing Operation

1. Set the cueing lever to "I" position.
2. Confirm that the clearance between the stylus tip and the record on the turntable is 4 to 10 mm.
3. If necessary, adjust the height of the tonearm lifting platform by loosening the tonearm height adjustment screw as shown below.



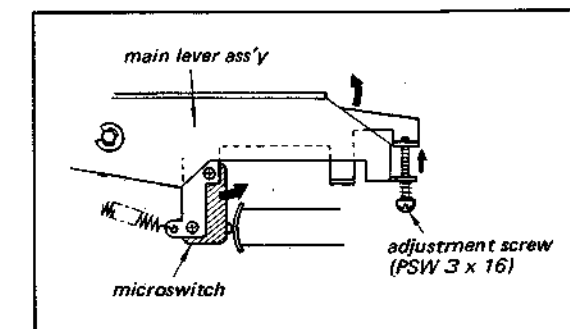
3-2. AUTOMATIC RETURN POSITION ADJUSTMENT

1. Remove the tonearm from its rest.
2. Loosen the allen-head screw, and adjust the tonearm lever so that the auto-return lever ass'y is in parallel to the edge of chassis as shown below.
3. The position where the tonearm starts to return can be adjusted by turning the automatic return position adjustment screw shown below. If the automatic return works too early, turn the adjustment screw clockwise — if too late, turn the screw counterclockwise.



3-3. MICROSWITCH POSITION ADJUSTMENT

1. Place the tonearm on the tonearm rest.
2. Set the microswitch to "OFF" by turning the adjustment screw.

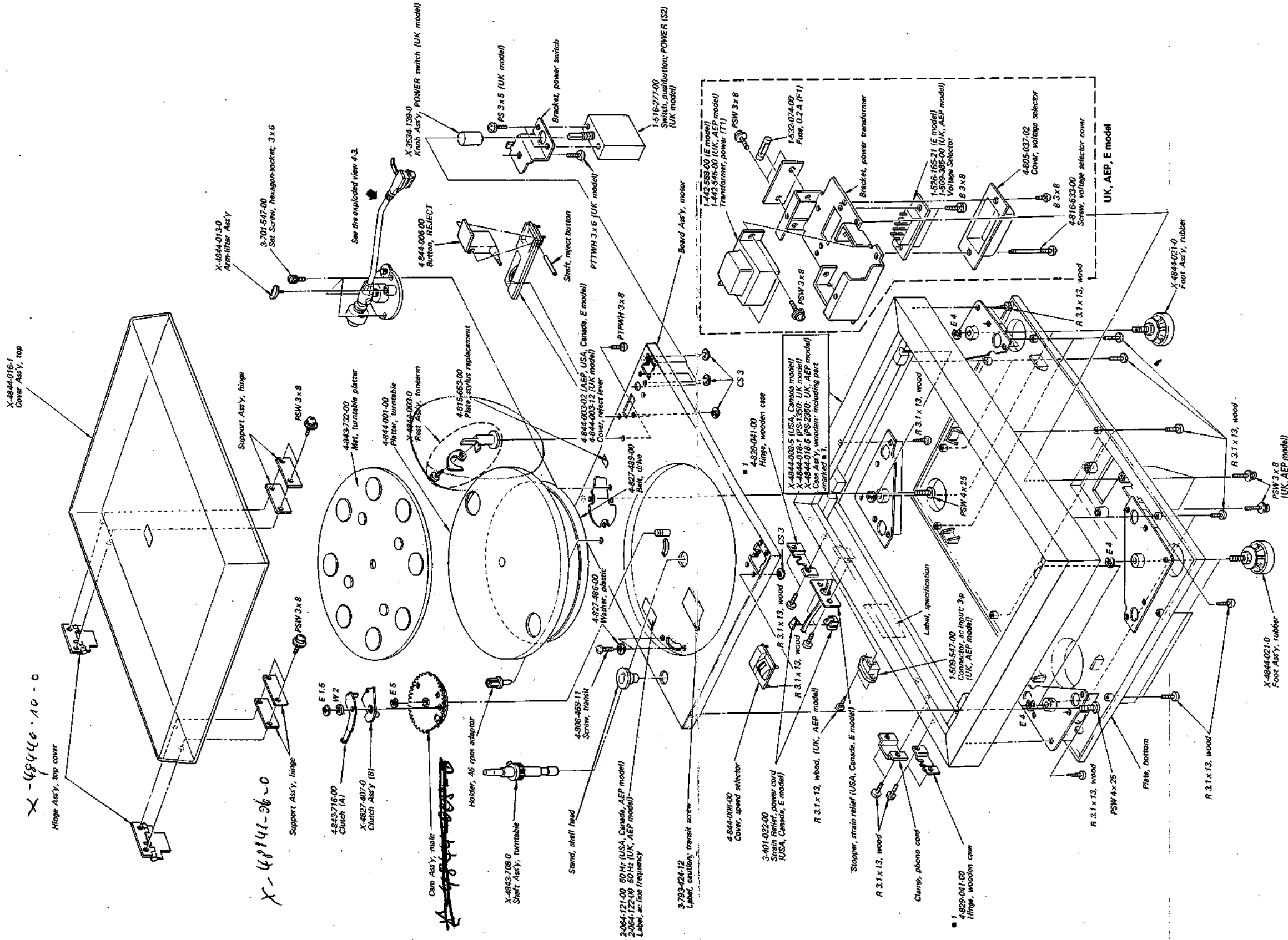


3. When the tonearm is removed from its rest, check to see that the microswitch is "ON".
4. Repeat the above step 2 and 3, if necessary.
5. When the tonearm returns to its rest in automatic return operation, confirm that the microswitch is "OFF".

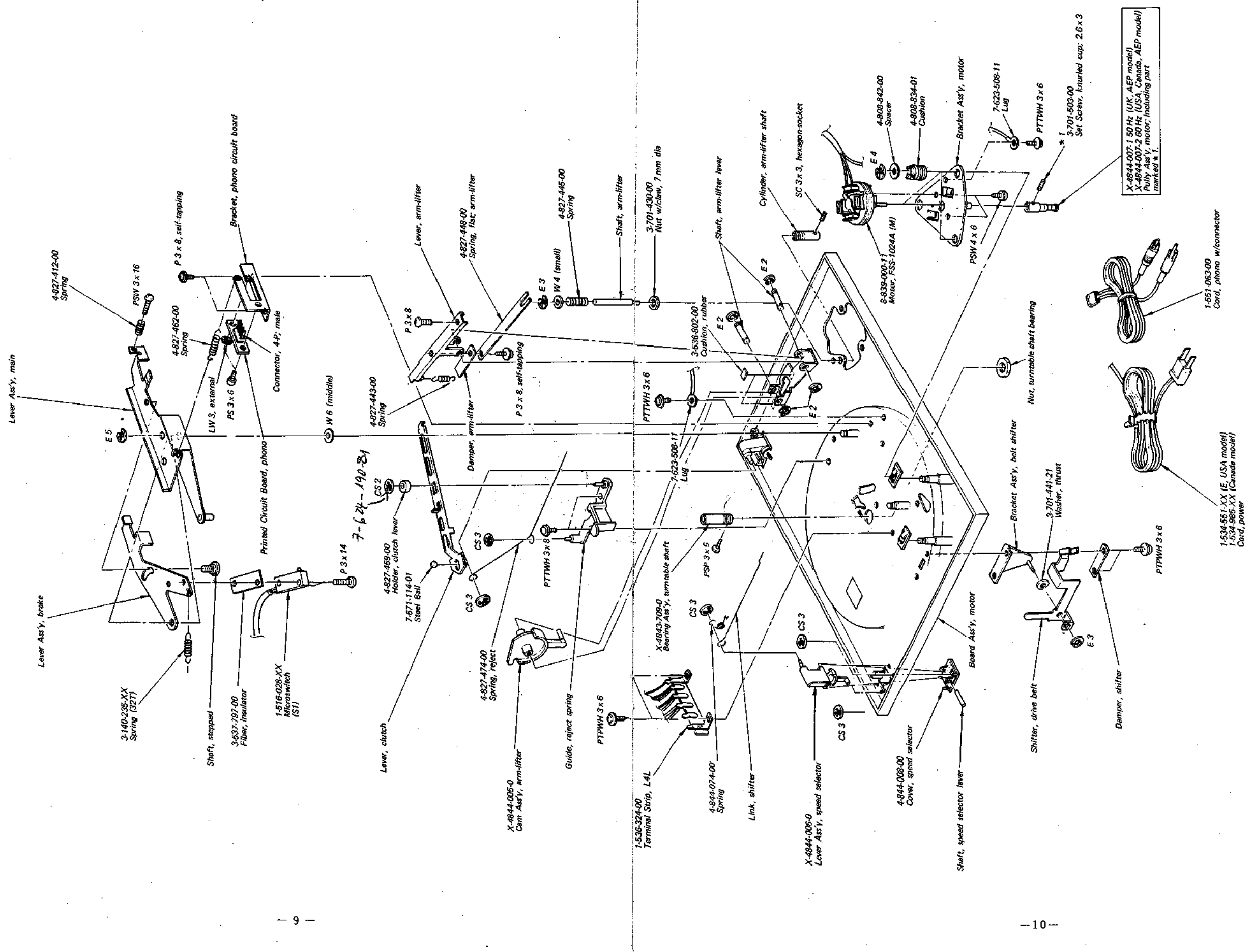
SECTION 4
EXPLODED VIEWS

PS-1350/PS-2350

PS-1350/PS-2350



Note:
 ○ Items with no part number and/or no description are not stocked because they are seldom required for routine service.
 ○ All screws are Phillips (cross recess) type unless otherwise noted.
 (-) = slotted head

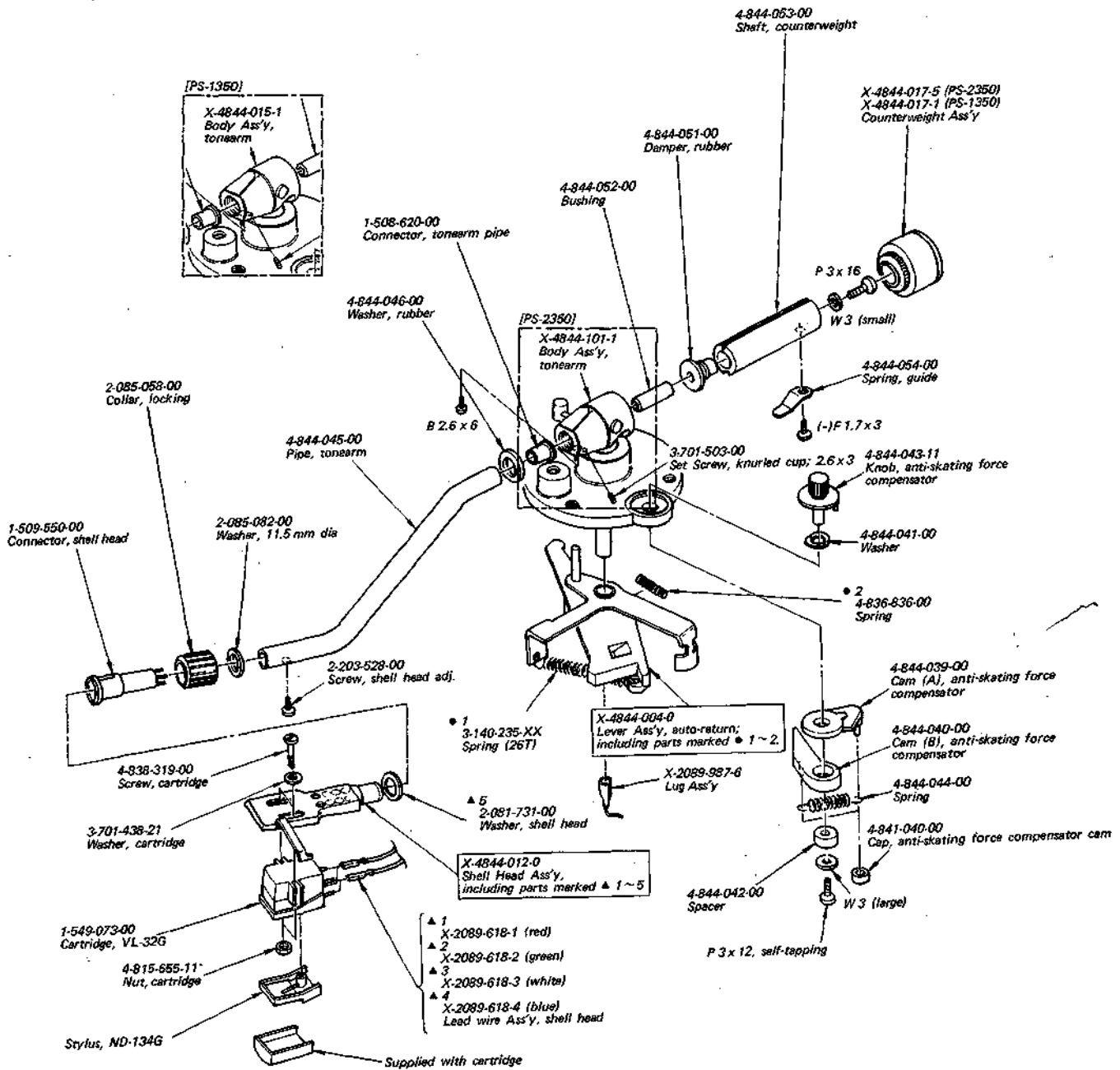


X-4844-007-1 50 Hz (UK, AEP model)
 X-4844-007-2 60 Hz (USA, Canada, AEP model)
 Pulley Ass'y, motor, including part marked * 1.

Note:

- Items with no part number and/or no description are not stocked because they are seldom required for routine service.
- All screws are Phillips (cross recess) type unless otherwise noted.
- (-) = slotted head
- (DOT) shows the number of coils in spring.

4-3.



Note:

- Items with no part number and/or no description are not stocked because they are seldom required for routine service.
- All screws are Phillips (cross recess) type unless otherwise noted.
- (-) = slotted head
- (□)T shows the number of coils in spring.

**SECTION 5
PARTS LIST**

5-1. ELECTRICAL PARTS

<u>Ref. No.</u>	<u>Part No.</u>	<u>Description</u>
CP1	1-101-534-00	Encapsulated Component
F1	1-532-074-00	Fuse, 0.2 A (UK, AEP, E Model)
M	8-839-000-11	Motor, FSS-1024A
S1	1-516-028-XX	Microswitch
S2	1-516-277-00	Switch, pushbutton; POWER (UK Model)
T1	1-442-545-00	Transformer, power (UK, AEP Model)
	1-442-568-00	Transformer, power (E Model)
	1-207-944-11	Resistor, wirewound, 270 Ω ; 7W (USA, Canada Model)

<u>Ref. No.</u>	<u>Part No.</u>	<u>Description</u>
	1-508-620-00	Connector, tonearm pipe
	1-509-385-00	Voltage Selector (UK, AEP Model)
	1-526-165-21	Voltage Selector (E Model)
	1-509-550-00	Connector, shell head
	1-509-547-00	Connector, ac input; 3-p (UK, AEP Model)
	1-534-551-XX	Cord, power (USA, E Model)
	1-534-985-XX	Cord, power (Canada Model)
	1-536-324-00	Terminal Strip, L4L
	1-549-073-00	Cartridge, VL-32G
	1-551-063-00	Cord, phono; w/connector

5-2. ACCESSORIES

<u>Part No.</u>	<u>Description</u>
1-534-819-00	Cord, power; 3 p (UK Model)
2-054-619-00	Washer, cartridge
2-056-532-00	Screw, cartridge
3-701-806-00	Adaptor, manual; 45 rpm
3-780-805-41	Manual, instruction (UK Model)
3-793-395-00	Gauge, overhang adjustment

<u>Part No.</u>	<u>Description</u>
3-793-814-11	Card, caution
3-793-815-11	Card, caution
3-780-806-11	Manual, instruction (AEP, E Model)
3-780-806-21	Manual, instruction (USA Model)
3-780-805-31	Manual, instruction (Canada Model)