

MDS-JB930

SERVICE MANUAL

Self Diagnosis
Supported model

US Model
Canadian Model
AEP Model
UK Model



Photo: Black model

U.S. and foreign patents licensed form Dolby Laboratories Licensing Corporation.

Model Name Using Similar Mechanism	MDS-JE520
MD Mechanism Type	MDM-5D
BU Base Unit Type	MBU-5D
Optical Pick-up Type	KMS-260B/J1N

SPECIFICATIONS

<p>System MiniDisc digital audio system</p> <p>Disc MiniDisc</p> <p>Laser Semiconductor laser ($\lambda = 780 \text{ nm}$) Emission duration: continuous</p> <p>Laser output Less than $44.6 \mu\text{W}^{\circ}$ \circ This output is the value measured at a distance of 200 mm from the objective lens surface on the Optical Pick-up Block with 7 mm aperture.</p> <p>Laser diode Material: GaAlAs</p> <p>Revolutions (CLV) 400 rpm to 900 rpm</p> <p>Error correction ACIRC (Advanced Cross Interleave Reed Solomon Code)</p> <p>Sampling frequency 44.1 kHz</p> <p>Coding ATRAC (Adaptive Transform Acoustic Coding)</p> <p>Modulation system EFM (Eight-to-Fourteen Modulation)</p> <p>Number of channels 2 stereo channels</p> <p>Frequency response 5 to 20,000 Hz $\pm 0.3 \text{ dB}$</p> <p>Signal-to-noise ratio Over 100 dB during playback</p> <p>Wow and flutter Below measurable limit</p> <p>Inputs</p> <p>LINE (ANALOG) IN Jack type: phono Impedance: 47 kilohms Rated input: 500 mVrms Minimum input: 125 mVrms</p>	<p>DIGITAL OPTICAL IN1 Connector type: square optical Impedance: 660 nm (optical wave length)</p> <p>DIGITAL OPTICAL IN2 Connector type: square optical Impedance: 660 nm (optical wave length)</p> <p>DIGITAL COAXIAL IN Jack type: phono Impedance: 75 ohms Rated input: 0.5 Vp-p, $\pm 20\%$</p> <p>Outputs</p> <p>PHONES Jack type: stereo phone Rated output: 28 mW Load impedance: 32 ohms</p> <p>LINE (ANALOG) OUT Jack type: phono Rated output: 2 Vrms (at 50 kilohms) Load impedance: over 10 kilohms</p> <p>DIGITAL OPTICAL OUT Connector type: square optical Rated output: -18 dBm Load impedance: 660 nm (optical wave length)</p> <p>DIGITAL COAXIAL OUT Jack type: phono Rated output: 0.5 Vp-p (at 75 ohms) Load impedance: 75 ohms</p>	<p>General</p> <p>Power requirements U.S.A. and Canadian models: 120 V AC, 60 Hz AEP and UK models: 230 V AC, 50/60 Hz</p> <p>Power consumption 18 W</p> <p>Dimensions (approx.) 430 x 110 x 287 mm (w/h/d) incl. projecting parts and controls</p> <p>Mass (approx.) 5.2 kg</p> <p>Supplied accessories</p> <ul style="list-style-type: none"> • Audio connecting cords (2) • Optical cable (1) • Remote commander (remote) RM-D33M (1) • R6 (size-AA) batteries (2) <p>Design and specifications are subject to change without notice.</p>
--	--	--

MINIDISC DECK



SONY®

SELF-DIAGNOSIS FUNCTION

The self-diagnosis function consists of error codes for customers which are displayed automatically when errors occur, and error codes which show the error history in the test mode during servicing. For details on how to view error codes for the customer, refer to the following box in the instruction manual. For details on how to check error codes during servicing, refer to the following “Procedure for using the Self-Diagnosis Function (Error History Display Mode)”.


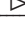











Self-Diagnosis Function

The deck's self-diagnosis function automatically checks the condition of the MD deck when an error occurs, then issues a three-digit code and an error message on the display. If the code and message alternate, find them in the following table and perform the indicated countermeasure. Should the problem persist, consult your nearest Sony dealer.

Three-digit code/Message	Cause/Remedy
C11/Protected	The inserted MD is record-protected. ➔ Take out the MD and close the record-protect slot (page 19).
C13/REC Error	The recording was not made properly. ➔ Set the deck in a stable surface, and repeat the recording procedure. The inserted MD is dirty (with smudges, fingerprints, etc.), scratched, or substandard in quality. ➔ Replace the disc and repeat the recording procedure.
C13/Read Error	The deck could not read the TOC on the MD properly. ➔ Take out the MD and insert it again.
C14/Toc Error	The deck could not read the TOC on the MD properly. ➔ Insert another disc. ➔ If possible, erase all the tracks on the MD (page 35).
C71/Din Unlock	The sporadic appearance of this message is caused by the digital signal being recorded. This will not affect the recording. While recording from a digital component connected through the DIGITAL IN connector, the digital connecting cable was unplugged or the digital component turned off. ➔ Connect the cable or turn the digital component back on.

PROCEDURE FOR USING THE SELF-DIAGNOSIS FUNCTION (ERROR HISTORY DISPLAY MODE)

Note: Perform the self-diagnosis function in the “error history display mode” in the test mode. The following describes the least required procedure. Be careful not to enter other modes by mistake. If you set other modes accidentally, press the MENU/NO button to exit the mode.

1. While pressing the  knob and  button, connect the power plug to the outlet, and release the  knob and  button.
2. Turn the  knob and when “[Service]” is displayed, press the  button.
3. Turn the  knob to display “ERR DP MODE”.
4. Press the  button to sets the error history mode and displays “total rec”.
5. Select the contents to be displayed or executed using the  knob.
6. Press the  knob to display or execute the contents selected.
7. Press the  knob another time returns to step 4.
8. Press the  button to display “ERROR DP MODE” and release the error history mode.
9. To release the test mode, press the  button. The unit sets into the STANDBY state, the disc is ejected, and the test mode ends.

ITEMS OF ERROR HISTORY MODE ITEMS AND CONTENTS

Selecting the Test Mode


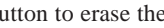
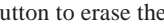
Display	Details of History
total rec	Displays the recording time. Displayed as "r□□□□□h". The displayed time is the total time the laser is set to the high power state. This is about 1/4 of the actual recording time. The time is displayed in decimal digits from 0h to 65535h.
total play	Displays the play time. Displayed as "p□□□□□h". The time displayed is the total actual play time. Pauses are not counted. The time is displayed in decimal digits from 0h to 65535h.
retry err	Displays the total number of retries during recording and number of retry errors during play. Displayed as "r□□ p□□". "r" indicates the retries during recording while "p" indicates the retry errors during play. The number of retries and retry errors are displayed in hexadecimal digits from 00 to FF.
total err	Displays the total number of errors. Displayed as "total □□". The number of errors is displayed in hexadecimal digits from 00 to FF.
err history	Displays the 10 latest errors. Displayed as "0□ E@@". □ indicates the history number. The smaller the number, the more recent is the error. (00 is the latest). @@ indicates the error code. Refer to the following table for the details. The error history can be switched by turning the  knob.
er refresh	Mode which erases the "retry err", "total err", and "err history" histories. When returning the unit to the customer after completing repairs, perform this to erase the past error history. After pressing the  button and "er refresh?" is displayed, press the YES button to erase the history. "Complete!" will be displayed momentarily. Be sure to check the following when this mode has been executed. <ul style="list-style-type: none"> • The data has been erased. • The mechanism operates normally when recording and play are performed.
tm refresh	Mode which erases the "total rec" and "total play" histories. These histories serve as approximate indications of when to replace the optical pick-up. If the optical pickup has been replaced, perform this operation and erase the history. After pressing the  button and "tm refresh?" is displayed, press the YES button to erase the history. "Complete!" will be displayed momentarily. Be sure to check the following when this mode has been executed. <ul style="list-style-type: none"> • The data has been erased. • The mechanism operates normally when recording and play are performed.

Table of Error Codes

Error Code	Details of Error	Error Code	Details of Error
E00	No error	E05	FOK has deviated
E01	Disc error. PTOC cannot be read (DISC ejected)	E06	Cannot focus (Servo has deviated)
		E07	Recording retry
E02	Disc error. UTOC error (DISC not ejected)	E08	Recording retry error
		E09	Playback retry error (Access error)
E03	Loading error		
E04	Address cannot be read (Servo has deviated)	E0A	Playback retry error (C2 error)

SECTION 1 SERVICING NOTES

TABLE OF CONTENTS

SELF-DIAGNOSIS FUNCTION	2
1. SERVICING NOTES	4
2. GENERAL	11
3. DISASSEMBLY	13
4. TEST MODE	17
5. ELECTRICAL ADJUSTMENTS	22
6. DIAGRAMS	
6-1. Block Diagram – SERVO Section –	31
6-2. Block Diagram – MAIN Section –	32
6-3. Note for Printed Wiring Boards and Schematic Diagrams	33
6-4. Printed Wiring Board – BD Board –	35
6-5. Schematic Diagram – BD Board (1/2) –	36
6-6. Schematic Diagram – BD Board (2/2) –	37
6-7. Schematic Diagram – SW Board –	38
6-8. Printed Wiring Board – SW Board –	38
6-9. Schematic Diagram – MAIN (1/3) /BAT Boards –	39
6-10. Schematic Diagram – MAIN Board (2/3) –	40
6-11. Schematic Diagram – MAIN Board (3/3) –	41
6-12. Printed Wiring Board – MAIN Board (Side A) –	42
6-13. Printed Wiring Boards – MAIN Board (Side B), BAT Board –	43
6-14. Printed Wiring Board – AC Board –	44
6-15. Schematic Diagram – AC Board –	45
6-16. Printed Wiring Boards – PANEL Section –	46
6-17. Schematic Diagram – PANEL Section –	47
6-18. IC Pin Function Description	54
7. EXPLODED VIEWS	61
8. ELECTRICAL PARTS LIST	65

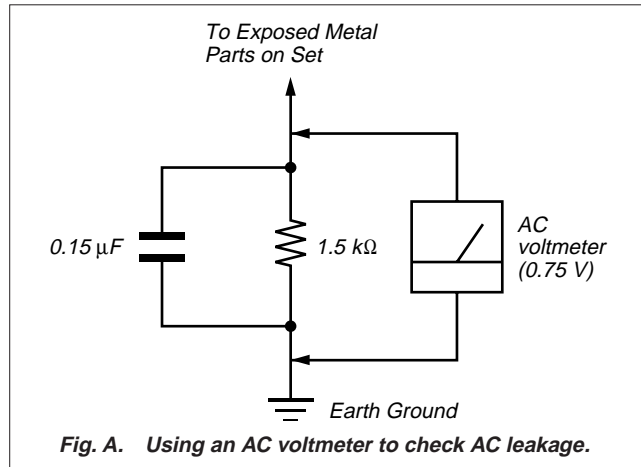
SAFETY CHECK-OUT

After correcting the original service problem, perform the following safety check before releasing the set to the customer: Check the antenna terminals, metal trim, “metallized” knobs, screws, and all other exposed metal parts for AC leakage. Check leakage as described below.

LEAKAGE TEST

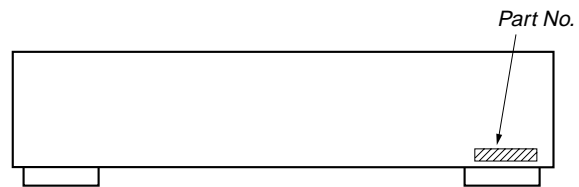
The AC leakage from any exposed metal part to earth ground and from all exposed metal parts to any exposed metal part having a return to chassis, must not exceed 0.5 mA (500 microamperes.). Leakage current can be measured by any one of three methods.

1. A commercial leakage tester, such as the Simpson 229 or RCA WT-540A. Follow the manufacturers’ instructions to use these instruments.
2. A battery-operated AC milliammeter. The Data Precision 245 digital multimeter is suitable for this job.
3. Measuring the voltage drop across a resistor by means of a VOM or battery-operated AC voltmeter. The “limit” indication is 0.75 V, so analog meters must have an accurate low-voltage scale. The Simpson 250 and Sanwa SH-63Trd are examples of a passive VOM that is suitable. Nearly all battery operated digital multimeters that have a 2 V AC range are suitable. (See Fig. A)



MODEL IDENTIFICATION

— BACK PANEL —



Model	Part No.
AEP, UK models	4-998-603-6□
US model	4-998-603-7□
Canadian model	4-998-603-8□

CAUTION

Danger of explosion if battery is incorrectly replaced. Replace only with the same or equivalent type recommended by the manufacturer. Discard used batteries according to the manufacturer's instructions.

ADVARSEL!

Lithiumbatteri-Eksplosionsfare ved fejlagtig håndtering. Udskiftning må kun ske med batteri af samme fabrikat og type. Levér det brugte batteri tilbage til leverandøren.

ADVARSEL

Eksplosjonsfare ved feilaktig skifte av batteri. Benytt samme batteritype eller en tilsvarende type anbefalt av apparatfabrikanten. Brukte batterier kasseres i henhold til fabrikantens instruksjoner.

WARNING

Explosionsfara vid felaktigt batteribyte. Använd samma batterityp eller en likvärdig typ som rekommenderas av apparattillverkaren. Kassera använt batteri enligt gällande föreskrifter.

VAROITUS

Paristo voi räjähtää, jos se on virheellisesti asennettu. Vaihda paristo ainoastaan laitevalmistajan suosittelemaan tyyppiin. Hävitä käytetty paristo valmistajan ohjeiden mukaisesti.

NOTES ON HANDLING THE OPTICAL PICK-UP BLOCK OR BASE UNIT

The laser diode in the optical pick-up block may suffer electrostatic break-down because of the potential difference generated by the charged electrostatic load, etc. on clothing and the human body. During repair, pay attention to electrostatic break-down and also use the procedure in the printed matter which is included in the repair parts. The flexible board is easily damaged and should be handled with care.

NOTES ON LASER DIODE EMISSION CHECK

The laser beam on this model is concentrated so as to be focused on the disc reflective surface by the objective lens in the optical pick-up block. Therefore, when checking the laser diode emission, observe from more than 30 cm away from the objective lens.

SAFETY-RELATED COMPONENT WARNING!!

COMPONENTS IDENTIFIED BY MARK \triangle OR DOTTED LINE WITH MARK \triangle ON THE SCHEMATIC DIAGRAMS AND IN THE PARTS LIST ARE CRITICAL TO SAFE OPERATION. REPLACE THESE COMPONENTS WITH SONY PARTS WHOSE PART NUMBERS APPEAR AS SHOWN IN THIS MANUAL OR IN SUPPLEMENTS PUBLISHED BY SONY.

Laser component in this product is capable of emitting radiation exceeding the limit for Class 1.

CLASS 1 LASER PRODUCT
LUOKAN 1 LASERLAITE
KLASS 1 LASERAPPARAT

This appliance is classified as a CLASS 1 LASER product. The CLASS 1 LASER PRODUCT MARKING is located on the rear exterior.

CAUTION : INVISIBLE LASER RADIATION WHEN OPEN AND INTERLOCKS DEFEATED, AVOID EXPOSURE TO BEAM.
ADVARSEL : USYNLIG LASERSTRÅLING VED ÅBNING NÅR SIKKERHEDSÅFBRYDERE ER UDE AF FUNKTION. UNDGÅ UDSÆTTELSE FOR STRÅLING.
VORSICHT : UNSICHTBARE LASERSTRAHLUNG, WENN ABDECKUNG GEÖFFNET UND SICHERHEITSVERRIEGELUNG ÜBERBRÜCKT. NICHT DEM STRAHL AUSSETZEN.
VARO! : AVATTAESSA JA SUOJALUKITUS OHITETTAESSA OLET ALT-TIINA NÄKYMÄTTÖMÄLLE LASERSÄTEILYLLE. ÄLÄ KATSO SÄTEESEEN.
WARNING : OSYNLIG LASERSTRÅLING NÅR DENNA DEL ÅR ÖPPNAD OCH SPÅRREN ÅR URKOPPLAD. BETRAKTA EJ STRÅLEN.
ADVERSEL : USYNLIG LASERSTRÅLING NÅR DEKSEL ÅPNES OG SIKKERHEDSLÅS BRYTES. UNNGÅ EKSPONERING FOR STRÅLEN.
VIGYAZAT! : A BURKOLAT NYITÁSAKOR LÁTHATATLAN LÉZERSUGÁRVESZÉLY! KERÜLJE A BESUGÁRZÁST!

This caution label is located inside the unit.

CAUTION

Use of controls or adjustments or performance of procedures other than those specified herein may result in hazardous radiation exposure.

Flexible Circuit Board Repairing

- Keep the temperature of the soldering iron around 270 °C during repairing.
- Do not touch the soldering iron on the same conductor of the circuit board (within 3 times).
- Be careful not to apply force on the conductor when soldering or unsoldering.

Notes on chip component replacement

- Never reuse a disconnected chip component.
- Notice that the minus side of a tantalum capacitor may be damaged by heat.

ATTENTION AU COMPOSANT AYANT RAPPORT À LA SÉCURITÉ!

LES COMPOSANTS IDENTIFIÉS PAR UNE MARQUE \triangle SUR LES DIAGRAMMES SCHÉMATIQUES ET LA LISTE DES PIÈCES SONT CRITIQUES POUR LA SÉCURITÉ DE FONCTIONNEMENT. NE REMPLACER CES COMPOSANTS QUE PAR DES PIÈCES SONY DONT LES NUMÉROS SONT DONNÉS DANS CE MANUEL OU DANS LES SUPPLÉMENTS PUBLIÉS PAR SONY.

JIG FOR CHECKING BD BOARD WAVEFORM

The special jig (J-2501-149-A) is useful for checking the waveform of the BD board. The names of terminals and the checking items to be performed are shown as follows.

GND : Ground

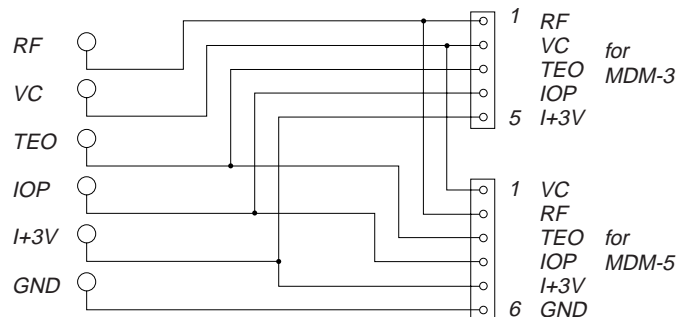
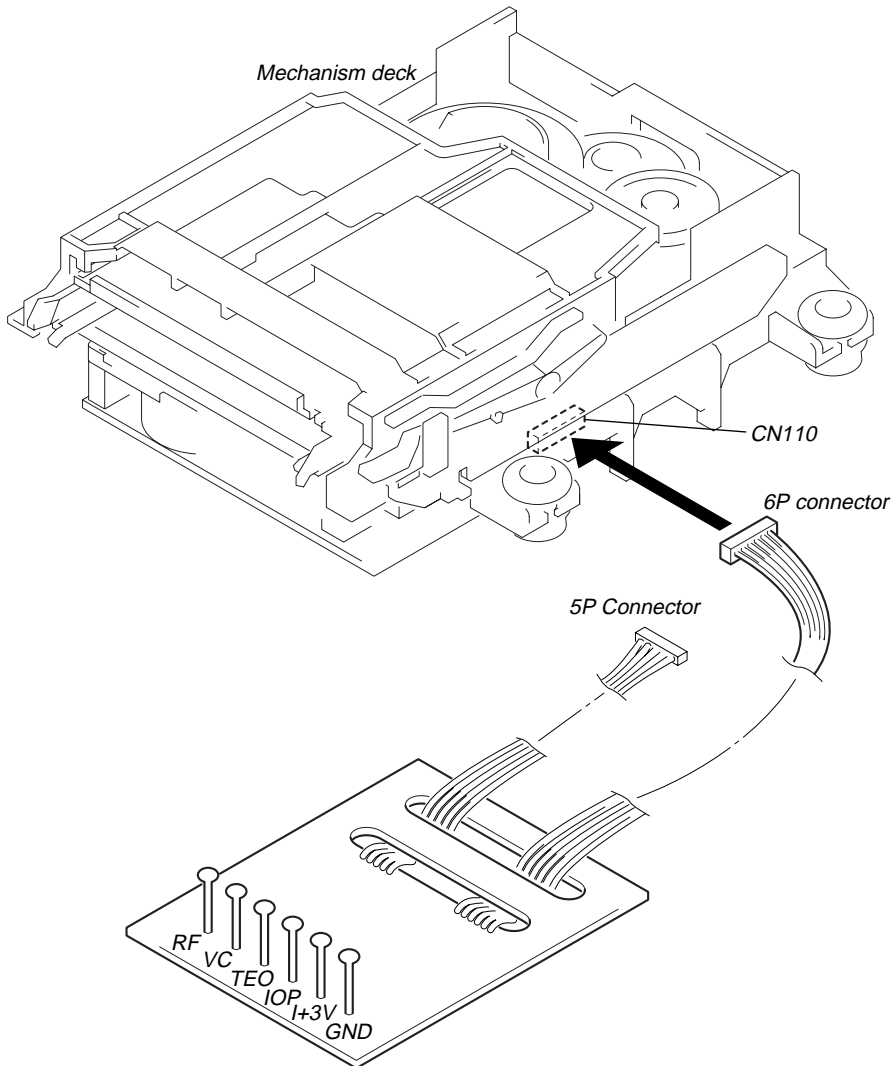
I+3V : For measuring IOP (Check the deterioration of the optical pick-up laser)

IOP : For measuring IOP (Check the deterioration of the optical pick-up laser)

TEO : TRK error signal (Traverse adjustment)

VC : Reference level for checking the signal

RF : RF signal (Check jitter)



IOP DATA RECORDING AND DISPLAY WHEN OPTICAL PICK-UP AND NON-VOLATILE MEMORY (IC171 OF BD BOARD) ARE REPLACED

The IOP value labeled on the optical pick-up can be recorded in the non-volatile memory. By recording the value, it will eliminate the need to look at the value on the optical pick-up label. When replacing the optical pick-up or non-volatile memory (IC171 of BD board), record the IOP value on the optical pick-up according to the following procedure.

Record Procedure:

1. While pressing the **[◀◀ AMS ▶▶]** knob and **[■]** button, connect the power plug to the outlet, and release the **[◀◀ AMS ▶▶]** knob and **[■]** button.
2. Turn the **[◀◀ AMS ▶▶]** knob to display “[Service]”, and press the **[YES]** button.
3. Turn the **[◀◀ AMS ▶▶]** knob to display “lop Write” (C28), and press the **[YES]** button.
4. The display becomes “Ref=@@.@” (@ is an arbitrary number) and the numbers which can be changed will blink.
5. Input the IOP value written on the optical pick-up label.
To select the number : Turn the **[◀◀ AMS ▶▶]** knob.
To select the digit : Press the **[◀◀ AMS ▶▶]** knob.
6. When the **[YES]** button is pressed, the display becomes “Measu=@@.@” (@ is an arbitrary number).
7. As the adjustment results are recorded for the 6 value. Leave it as it is and press the **[YES]** button.
8. “Complete!” will be displayed momentarily. The value will be recorded in the non-volatile memory and the display will become “Top Write”.
9. Press the **[FILTER]** button to complete.

Display Procedure:

1. While pressing the **[◀◀ AMS ▶▶]** knob and **[■]** button, connect the power plug to the outlet, and release the **[◀◀ AMS ▶▶]** knob and **[■]** button.
2. Turn the **[◀◀ AMS ▶▶]** knob to display “[Service]”, and press the **[YES]** button.
3. Turn the **[◀◀ AMS ▶▶]** knob to display “lop Read” (C27).
4. “@@.@/###.#” is displayed and the recorded contents are displayed.
@@.@ : indicates the IOP value on the optical pick-up label.
###.# : indicates the IOP value after adjustment
5. To end, press the **[◀◀ AMS ▶▶]** knob or **[MENU/NO]** button to display “Top Read”. Then press the **[FILTER]** button.

FORCED RESET

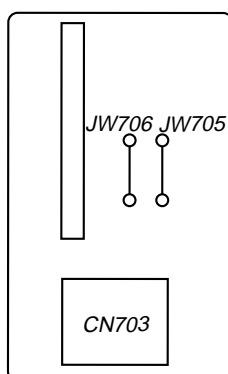
The system microprocessor can be reset in the following procedure.

Use these procedure when the unit cannot be operated normally due to the overrunning of the microprocessor, etc.

Procedure :

Disconnect the power plug, short-circuit jumper wire of JW705 and JW706 (RESET).

– **BAT BOARD** (Component Side) –



CHECKS PRIOR TO PARTS REPLACEMENT AND ADJUSTMENTS

Before performing repairs, perform the following checks to determine the faulty locations up to a certain extent. Details of the procedures are described in “5 Electrical Adjustments”.

	Criteria for Determination (Unsatisfactory if specified value is not satisfied)	Measure if unsatisfactory:
Laser power check (6-2 : See page 24)	<ul style="list-style-type: none"> 0.9 mW power Specified value : 0.84 to 0.92 mW 7.0 mW power Specified value : 6.8 to 7.2 mW 	<ul style="list-style-type: none"> Clean the optical pick-up Adjust again Replace the optical pick-up
	<ul style="list-style-type: none"> lop (at 7mW) Labeled on the optical pickup Iop value \pm 10mA 	<ul style="list-style-type: none"> Replace the optical pick-up
Traverse check (6-3 : See page 24)	<ul style="list-style-type: none"> Traverse waveform Specified value : Below 10% offset 	<ul style="list-style-type: none"> Replace the optical pick-up
Focus bias check (6-4 : See page 25)	<ul style="list-style-type: none"> Error rate check Specified value : For points a, b, and c C1 error : About 200 AD error : Above 00 	<ul style="list-style-type: none"> Replace the optical pick-up
C PLAY check (6-5 : See page 25)	<ul style="list-style-type: none"> Error rate check Specified value: <ol style="list-style-type: none"> When using test disc (MDW-74/AU-1) C1 error : Below 80 AD error : Below 2 When using check disc (TDYS-1) C1 error : Below 50 	<ul style="list-style-type: none"> Replace the optical pick-up
Self-recording/playback check (6-6 : See page 25)	<ul style="list-style-type: none"> CPLAY error rate check Specified value: C1 error : Below 80 AD error : Below 2 	If always unsatisfactory: <ul style="list-style-type: none"> Replace the overwrite head Check for disconnection of the circuits around the overwrite head
		If occasionally unsatisfactory: <ul style="list-style-type: none"> Check if the overwrite head is distorted Check the mechanism around the sled
Temperature compensation offset check (6-1 : See page 24)	<ul style="list-style-type: none"> Unsatisfactory if displayed as T=@@ (##) [NG” NG (@@, ## are both arbitrary numbers) 	<ul style="list-style-type: none"> Check for disconnection of the circuits around D101 (BD board) Check the signals around IC101, IC121, CN102, CN103 (BD board)

Note:

The criteria for determination above is intended merely to determine if satisfactory or not, and does not serve as the specified value for adjustments. When performing adjustments, use the specified values for adjustments.

RETRY CAUSE DISPLAY MODE

- In this test mode, the causes for retry of the unit during recording can be displayed on the fluorescent indicator tube. During playback, the “track mode” for obtaining track information will be set. This is useful for locating the faulty part of the unit.
- The following will be displayed :
 During recording and stop: Retry cause, number of retries, and number of retry errors.
 During playback : Information such as type of disc played, part played, copyright.
 These are displayed in hexadecimal.

Procedure:

- Load a recordable disc whose contents can be erased into the unit.
- Press the **MENU/NO** button. When “Edit Menu” is displayed on the fluorescent indicator tube, turn the **◀◀ AMS ▶▶** knob to display “All Erase?”.
- Press the **YES** button. (Or press the **◀◀ AMS ▶▶** knob)
- When “All Erase??” is displayed on the fluorescent indicator tube, the music calendar number blinks.
- Press the **YES** button to display “Complete!!”, and press the **■** button immediately. Wait for about 15 seconds while pressing the button. (The **◀◀ AMS ▶▶** knob can be pressed instead of the **YES** button for the same results.)
- When the “TOC” displayed on the fluorescent display tube goes off, release the **■** button.
- Press the **REC ●** button to start recording. Then press the **||** button and start recording.
- To check the “track mode”, press the **▷** button to start play.
- To release the test mode, press the **I/⏻** button, and turn OFF the power. When “TOC” disappears, disconnect the power plug from the outlet.

Fig. 1 Reading the Test Mode Display (During recording and stop)

RTs@@c##e**
Fluorescent indicator tube display

@@ : Cause of retry
 ## : Number of retries
 ** : Number of retry errors

Fig. 2 Reading the Test Mode Display (During playback)

@@ ##** \$\$
Fluorescent indicator tube display

@@ : Parts No. (name of area named on TOC)
 ## : Cluster } Address
 ** : Sector }
 \$\$: Track mode (Track information such as copy-right information of each part)

Reading the Retry Cause Display

Hexadecimal	Higher Bits				Lower Bits				Hexa-decimal	Cause of Retry	Occurring conditions
	8	4	2	1	8	4	2	1			
Bit	b7	b6	b5	b4	b3	b2	b1	b0			
Binary	0	0	0	0	0	0	0	1	01	shock	When track jump (shock) is detected
	0	0	0	0	0	0	1	0	02	ader5	When ADER was counted more than five times continuously
	0	0	0	0	0	1	0	0	04	Discontinuous address	When ADIP address is not continuous
	0	0	0	0	1	0	0	0	08	DIN unlock	When DIN unlock is detected
	0	0	0	1	0	0	0	0	10	FCS incorrect	When not in focus
	0	0	1	0	0	0	0	0	20	IVR rec error	When ABCD signal level exceeds the specified range
	0	1	0	0	0	0	0	0	40	CLV unlock	When CLV is unlocked
	1	0	0	0	0	0	0	0	80	Access fault	When access operation is not performed normally

Reading the Display:

Convert the hexadecimal display into binary display. If more than two causes, they will be added.

Example

When 42 is displayed:
 Higher bit: 4 = 0100 → b6
 Lower bit : 2 = 0010 → b1
 In this case, the retry cause is combined of “CLV unlock” and “ader5”.

When A2 is displayed:
 Higher bit: A = 1010 → b7+b5
 Lower bit : 2 = 0010 → b1
 The retry cause in this case is combined of “access fault”, “IVR rec error”, and “ader5”.

Reading the Retry Cause Display

Hexadecimal	Higher Bits				Lower Bits				Hexa- decimal	Details	
	8	4	2	1	8	4	2	1		When 0	When 1
Bit	b7	b6	b5	b4	b3	b2	b1	b0			
Binary	0	0	0	0	0	0	0	1	01	Emphasis OFF	Emphasis ON
	0	0	0	0	0	0	1	0	02	Monaural	Stereo
	0	0	0	0	0	1	0	0	04	This is 2-bit display. Normally 01.	
	0	0	0	0	1	0	0	0	08	01:Normal audio. Others:Invalid	
	0	0	0	1	0	0	0	0	10	Audio (Normal)	Invalid
	0	0	1	0	0	0	0	0	20	Original	Digital copy
	0	1	0	0	0	0	0	0	40	Copyright	No copyright
	1	0	0	0	0	0	0	0	80	Write prohibited	Write allowed

Reading the Display:

Convert the hexadecimal display into binary display. If more than two causes, they will be added.

Example When 84 is displayed:

Higher bit : 8 = 1000 → b7

Lower bit : 4 = 0100 → b2

In this case, as b2 and b7 are 1 and others are 0, it can be determined that the retry cause is combined of “emphasis OFF”, “monaural”, “original”, “copyright exists”, and “write allowed”.

Example When 07 is displayed:

Higher bit : 0 = 1000 → All 0

Lower bit : 7 = 0111 → b0+b1+b2

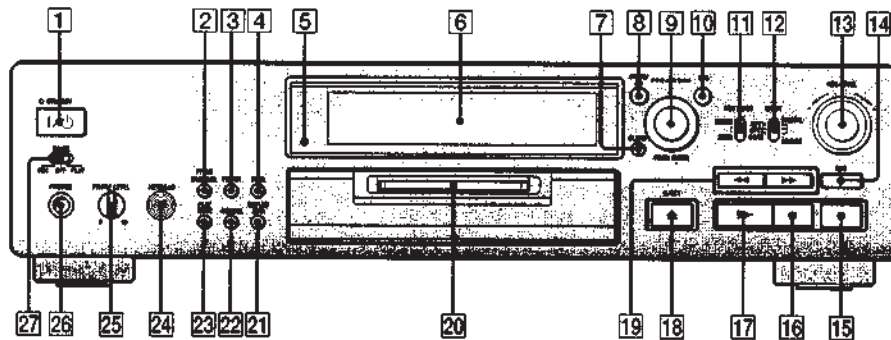
In this case, as b0, b1, and b2 are 1 and others are 0, it can be determined that the retry cause is combined of “emphasis ON”, “stereo”, “original”, “copyright exists”, and “write prohibited”.

Hexadecimal → Binary Conversion Table

Hexadecimal	Binary	Hexadecimal	Binary
0	0000	8	1000
1	0001	9	1001
2	0010	A	1010
3	0011	B	1011
4	0100	C	1100
5	0101	D	1101
6	0110	E	1110
7	0111	F	1111

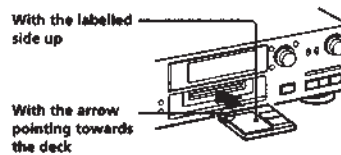
SECTION 2 GENERAL

This section is extracted from instruction manual.



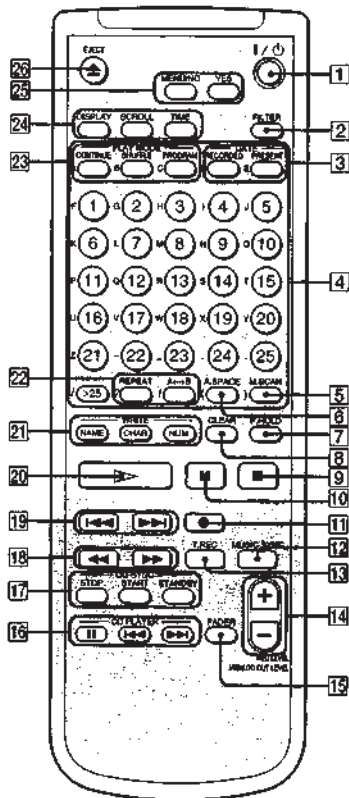
- 1** I/O (power) switch (18, 26, 55, 57)
Press to turn on the deck. When you turn on the deck, the STANDBY indicator turns off. When you press the switch again, the deck turns off and the indicator lights up.
- 2** PITCH CONTROL button (16, 43, 44)
Press to set the MD playback speed (pitch). When you've set the pitch to a value other than "0" (factory setting), the button lights amber during play.
- 3** FILTER button (47)
Press to select the type of the digital filter.
- 4** TIME button (14-16, 20, 25)
Press to display the remaining time.
- 5** Remote sensor (4)
Point the remote towards this sensor (R) for remote operations.
- 6** Display window (8, 14-16, 20, 39, 43)
Shows various information.
- 7** CLEAR button (30, 31, 39)
Press to cancel the selection.
- 8** MENU/NO button (8, 21, 22, 30-42, 45, 49)
Press to display "Edit Menu" or "Setup Menu."
- 9** AMS control (8, 19, 21-23, 26, 27, 30-45, 49)
Turn to locate tracks, set the clock, select the input characters, or select a menu item and a setting value.
- 10** YES button (8, 21, 22, 30-42, 45, 49)
Press to carry out the selected operation.
- 11** REC MODE selector (18)
Use to set the REC MODE to STEREO or MONO.

- 12** INPUT selector (18, 20, 21, 55)
Use to select the input jack (or connector) of the programme source to be recorded.
- 13** REC LEVEL control (20)
Turn to adjust the recording level.
- 14** REC ● button (19, 20, 22, 25, 42)
Press to record on the MD, monitor the input signal, or mark track numbers.
- 15** ■ button (19, 26, 46)
Press to stop play or recording, or cancel the selected operation.
- 16** II button (7, 19, 25, 26)
Press to pause play or recording. Press again to resume play or recording.
- 17** ▷ button (7, 19, 25-27, 29, 30, 46)
Press to start play.
- 18** EJECT ≡ button (19, 20, 26)
Press to eject the MD.
- 19** ◀/▶ buttons (8, 28, 30, 31, 33, 35, 36, 39)
Press to locate a portion within a track, change the contents of a programme, or change the input character.
- 20** MD insertion slot (18, 26)
Insert the MD as illustrated below.



- 21** DISPLAY/CHAR button (14, 15, 20, 30, 39)
• Press when the deck is stopped to display disc information or the contents of a programme.
• Press during recording to display information on the track being recorded.
• Press during play to display information on the current track.
• Press during recording pause to adjust the recording level.
• Press while editing an MD to select the type of characters to be input.
- 22** SCROLL button (16)
Press to scroll the name of a track or MD.
- 23** PLAY MODE button (29, 30, 46)
Press to select Shuffle Play or Programme Play.
- 24** KEYBOARD jack (49)
Connect a keyboard to this jack.
- 25** PHONE LEVEL control (26)
Turn to adjust the volume of the headphones.
- 26** PHONES jack (26)
Connect headphones to this jack.
- 27** TIMER selector (46)
Use to set the timer for recording (REC) or playing (PLAY). Set to OFF to turn off the timer.

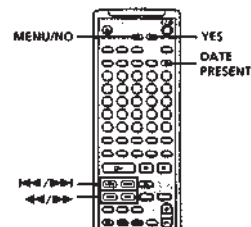
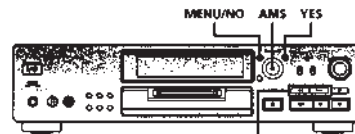
Remote Parts Descriptions



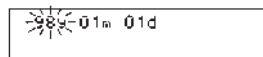
- 1** I/O (power) switch (18, 26, 55, 57)
Press to turn on the deck. When you turn on the deck, the STANDBY indicator on the deck turns off. When you press the switch again, the deck turns off and the indicator lights up.
- 2** FILTER button (47)
Press to select the type of the digital filter.
- 3** DATE PRESENT button (8)
Press to display the current date and time.
DATE RECORDED button (16)
Press to display the recording date and time
- 4** Letter/number buttons (16, 27, 30, 40)
Press to input letters or numbers.
- 5** M.SCAN button (27)
Press to scan a track within a range of six to twenty seconds.
- 6** A.SPACE button (31, 32)
Press to insert a three-second blank space between tracks or to pause play after each track.
- 7** R.HOLD button (15)
Press to turn on or off the Peak Hold Function.
- 8** CLEAR button (30, 31, 40, 41)
Press to cancel the selection.
- 9** ■ button (19, 26, 46)
Press to stop play or recording, or cancel the selected operation.
- 10** ■ button (19, 26)
Press to pause play or recording. Press again to resume play or recording.
- 11** ● button (19, 20, 22, 42)
Press to record on the MD, monitor the input signal, or mark track numbers.
- 12** MUSIC SYNC button (24, 42)
Press to start Music Synchro-recording
- 13** T.REC button (23)
Press to start Time Machine Recording.
- 14** REC LEVEL/ANALOG OUT LEVEL +/- buttons (20, 26)
Press to adjust the recording or analog output level.
- 15** FADER button (44, 45)
Press to perform Fade-in Play/Recording or Fade-out Play/Recording.
- 16** CD PLAYER ■ button (25)
Press to pause the CD play. Press again to resume CD play.
CD PLAYER ◀▶/▶▶ buttons (25)
Press to locate tracks on the CD.
- 17** CD-SYNC STOP button (25)
Press to stop CD Synchro-recording.
CD-SYNC START button (24, 25)
Press to start CD Synchro-recording.
CD-SYNC STANDBY button (24, 25)
Press to enter standby for CD Synchro-recording.
- 18** ◀▶/▶▶ buttons (8, 28-31, 35, 36, 40)
Press to locate a portion within a track, change the contents of a programme, or shift the cursor to the right.
- 19** ◀▶/▶▶ buttons (8, 16, 19, 21, 22, 26, 27, 30-32, 34-38, 40-42, 45, 49)
Press to locate tracks or select a menu item and a setting value.
- 20** ▶▶ button (19, 26, 27, 29, 30, 46)
Press to start play.
- 21** NAME button (40, 41)
Press to add the name or change the name of a track or MD.
CHAR button (40)
Press to select the type of characters to be input.
NUM button (40)
Press to input numbers.
- 22** REPEAT button (28, 29)
Press to play tracks repeatedly.
A→B button (29)
Press to select Repeat A-B Play.
- 23** CONTINUE button (29, 30, 46)
Press to resume normal play.
SHUFFLE button (29, 46)
Press to select Shuffle Play.
PROGRAM button (30, 46)
Press to select Programme Play.
- 24** DISPLAY button (14, 15, 20, 30)
Press to select the information to be displayed in the window.
SCROLL button (16)
Press to scroll the name of a track or MD.
TIME button (14-16, 20, 25)
Press to display the remaining time.
- 25** MENU/NO button (8, 21, 22, 30-38, 40-42, 45, 49)
Press to display "Edit Menu" or "Setup Menu."
YES button (8, 21, 22, 30-38, 40-42, 45, 49)
Press to carry out the selected operation.
- 26** EJECT ■ button (19, 20, 26)
Press to eject the MD.

Setting the Clock

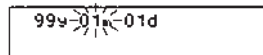
Once you set the MD deck's internal clock, the MD deck will automatically record the date and time of all recordings. When playing a track, you can display the date and time the track was recorded (see page 16).



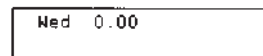
- 1** While the deck is stopped, press MENU/NO twice. "Setup Menu" appears in the display.
- 2** Turn AMS (or press ◀▶/▶▶ repeatedly) until "Clock Set?" appears, then press AMS or YES. The year indication starts flashing.



- 3** Turn AMS (or press ◀▶/▶▶ repeatedly) to enter the current year, then press AMS or YES. The year indication stops flashing, and the month indication starts flashing.



- 4** Repeat step 3 to enter the month, day, hour, and minute.



When you enter the minute, the set date and time appear again followed by "Complete!!", and the clock settings are completed.

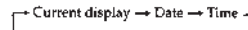
Changing the clock setting(s)

- 1** Do steps 1 and 2 above.
- 2** Press AMS or ◀▶/▶▶ repeatedly until the setting you want to change flashes.
- 3** Turn AMS (or press ◀▶/▶▶ repeatedly) to change the setting, then press AMS or YES.
- 4** To complete the setting, press AMS or ◀▶/▶▶ repeatedly until the minute indication flashes, then press AMS or YES.

Displaying the current date and time

You can display the current date and time any time. Press DATE PRESENT.

Each press of the button changes the display as follows:



For precise date and time stamping of recordings
Reset the time at least once a week.

Note
If the mains lead is disconnected for a long time, the memorized clock settings will disappear and "Initialize" will flash in the display the next time you plug in and turn on the deck. If this happens, reset the clock.

SECTION 3 DISASSEMBLY

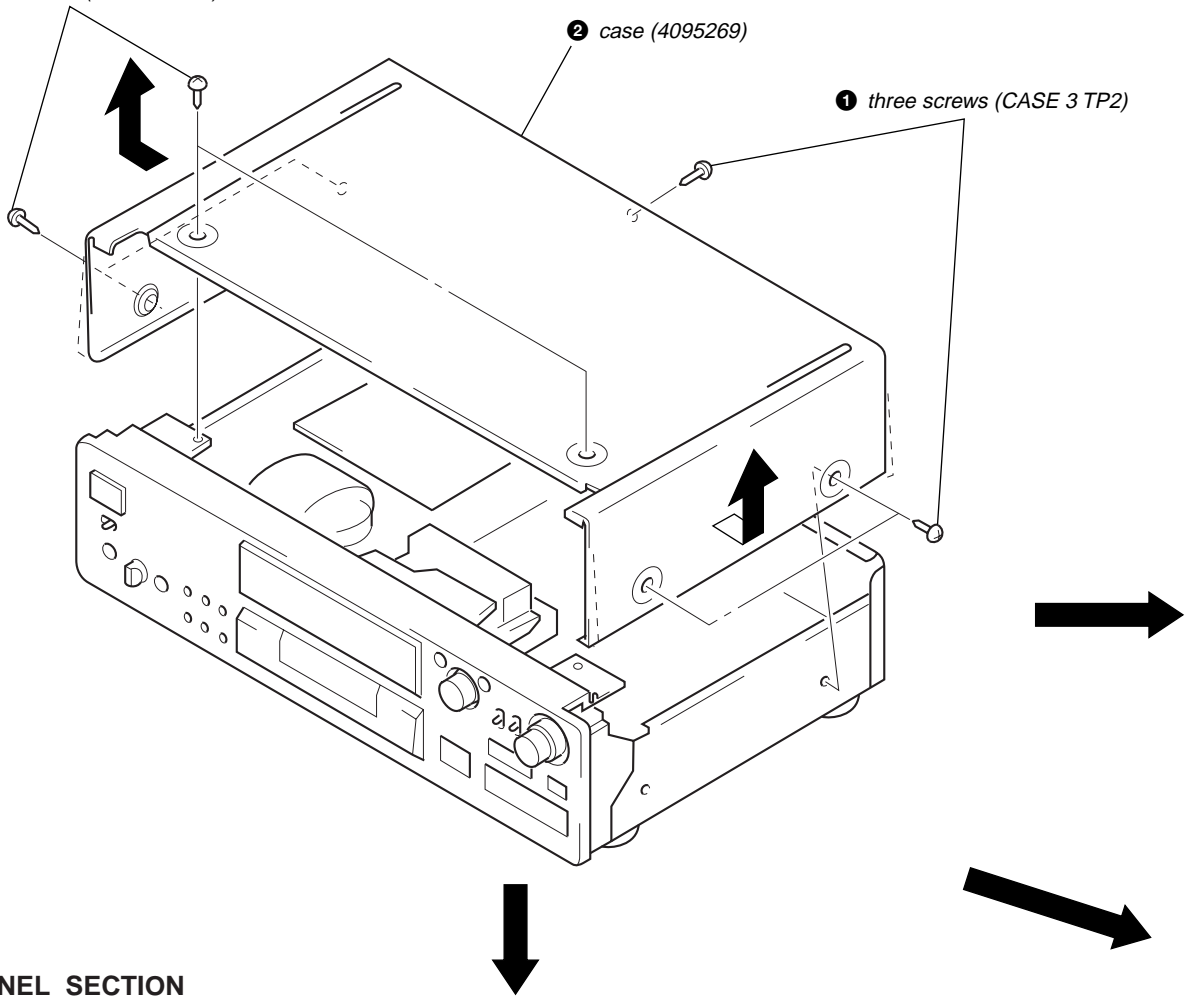
Note: Follow the disassembly procedure in the numerical order given.

CASE (4095269)

① four screws (CASE 3 TP2)

② case (4095269)

① three screws (CASE 3 TP2)



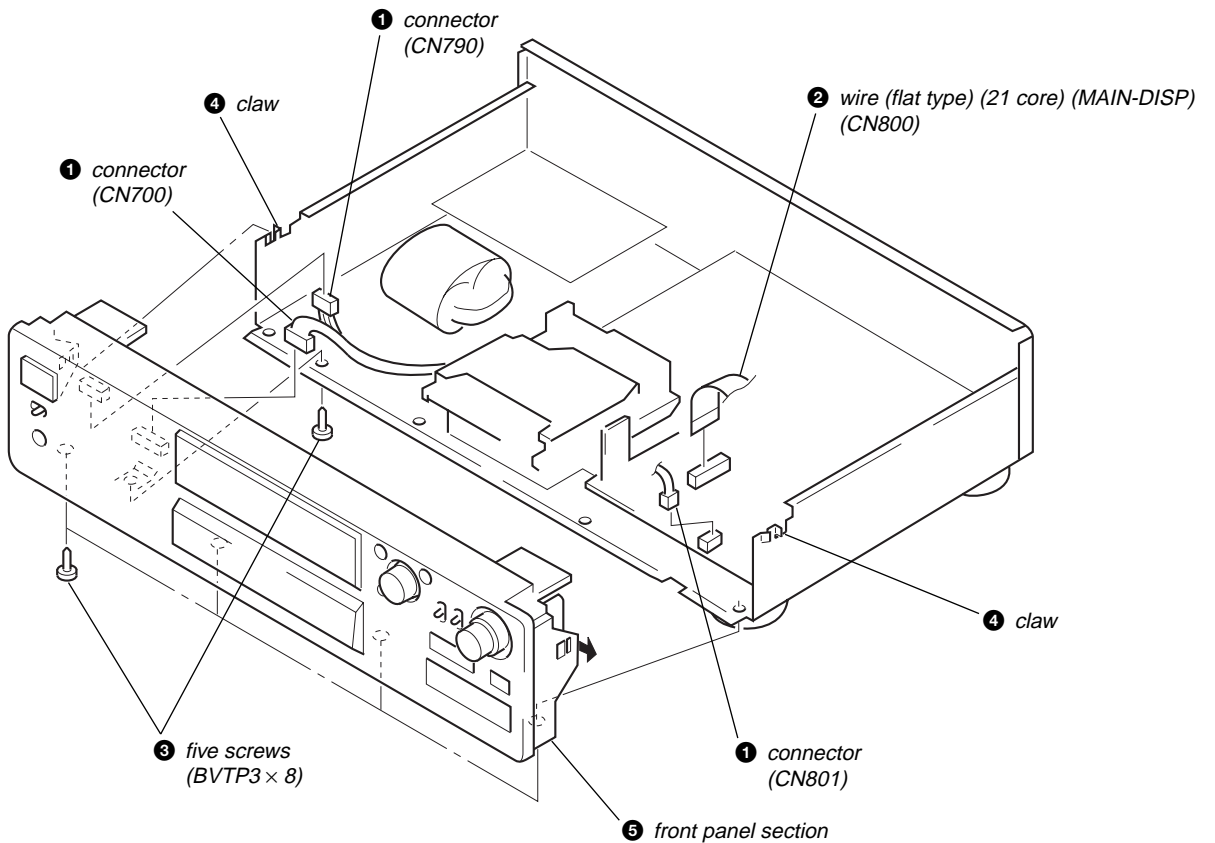
FRONT PANEL SECTION

① connector (CN790)

④ claw

② wire (flat type) (21 core) (MAIN-DISP) (CN800)

① connector (CN700)

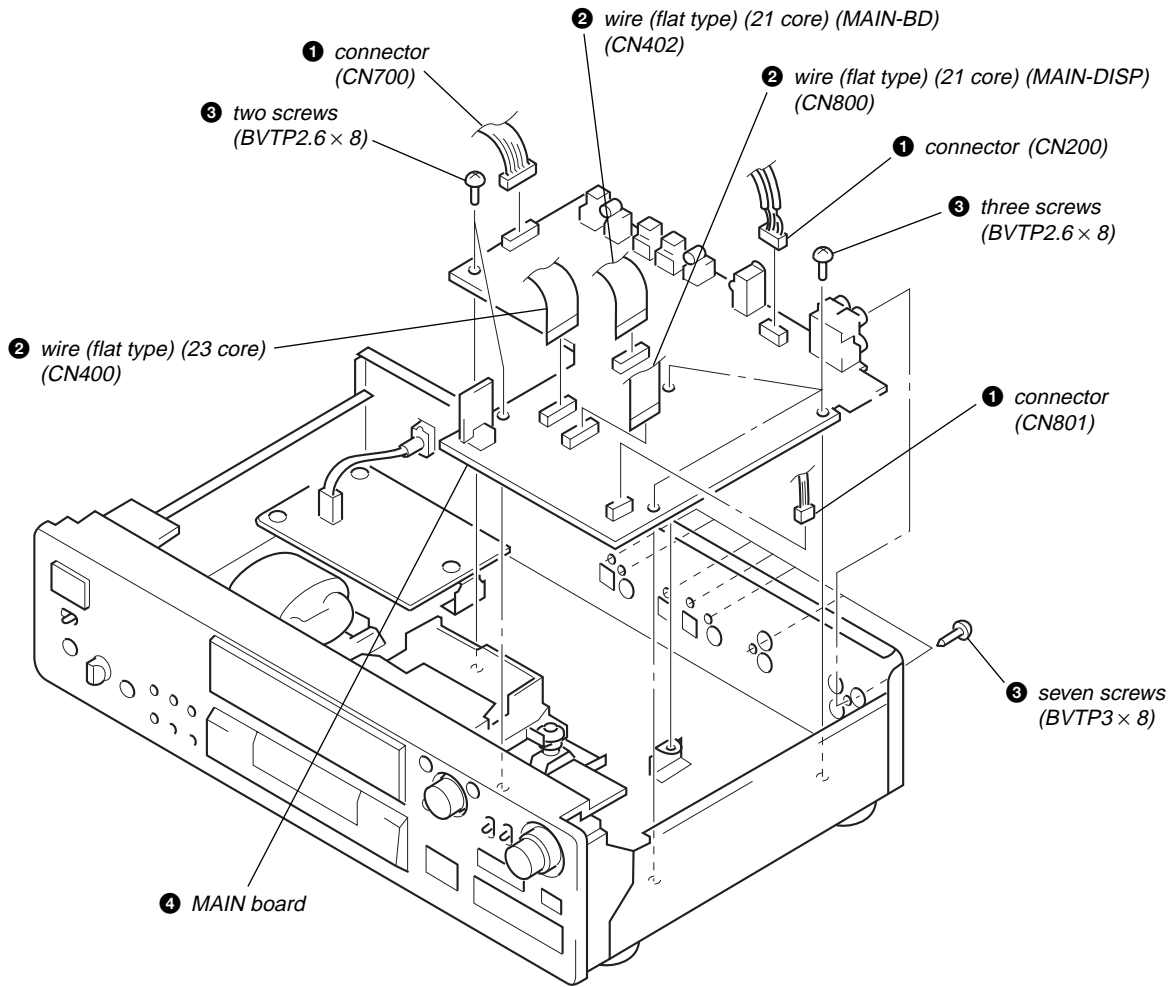


③ five screws (BVTP3 x 8)

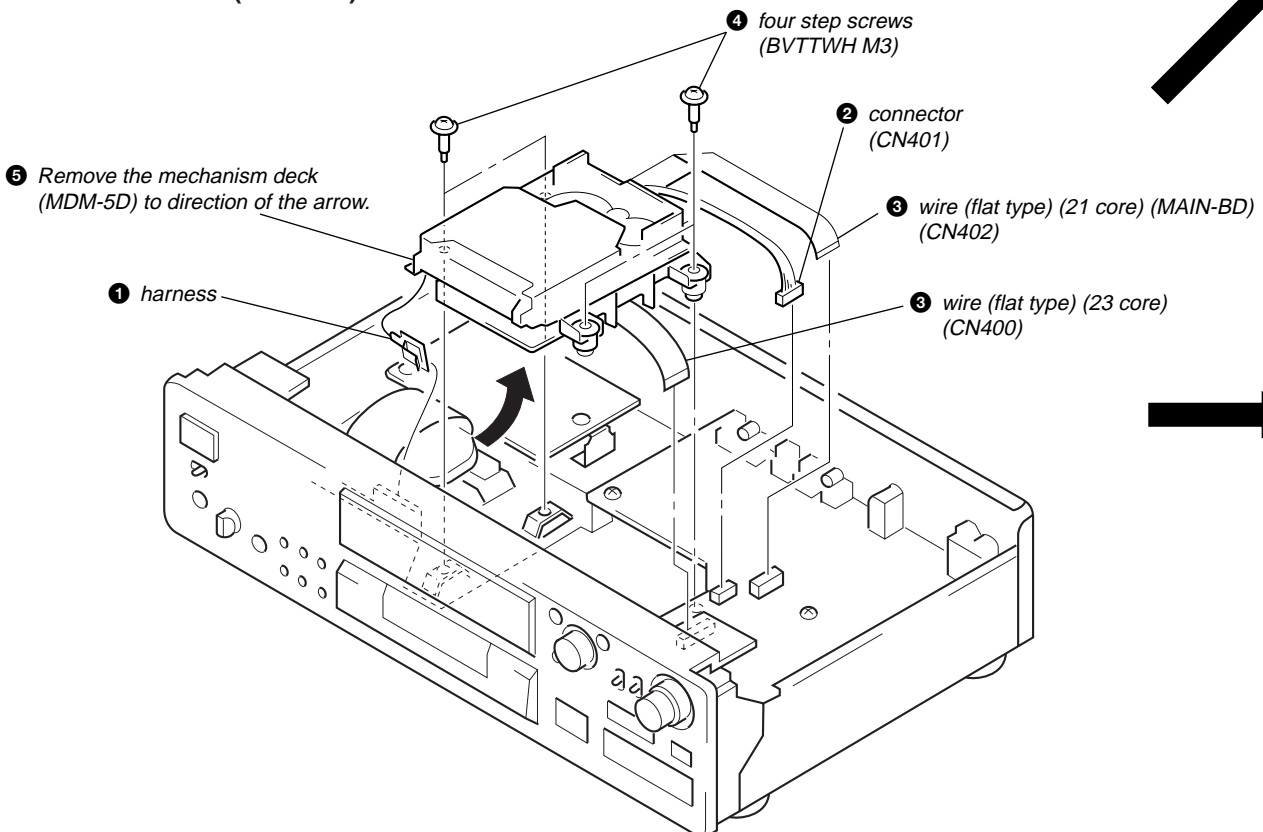
① connector (CN801)

⑤ front panel section

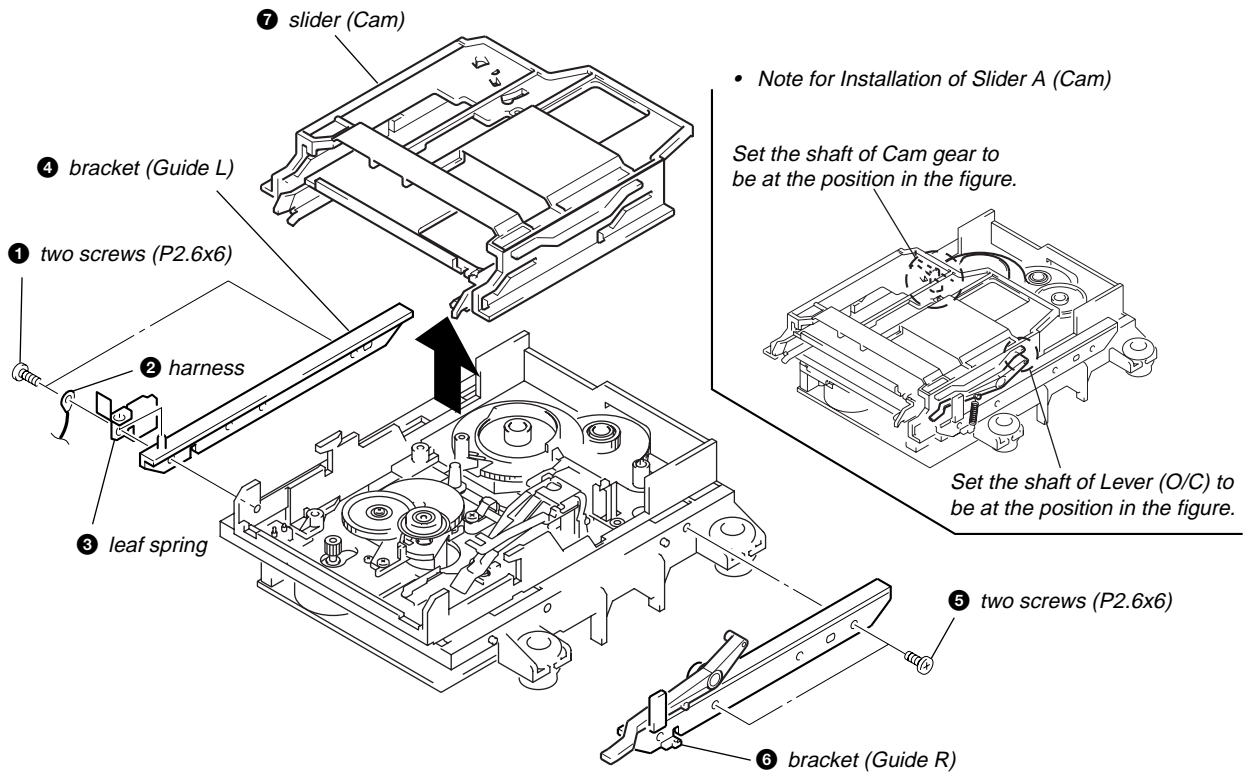
MAIN BOARD



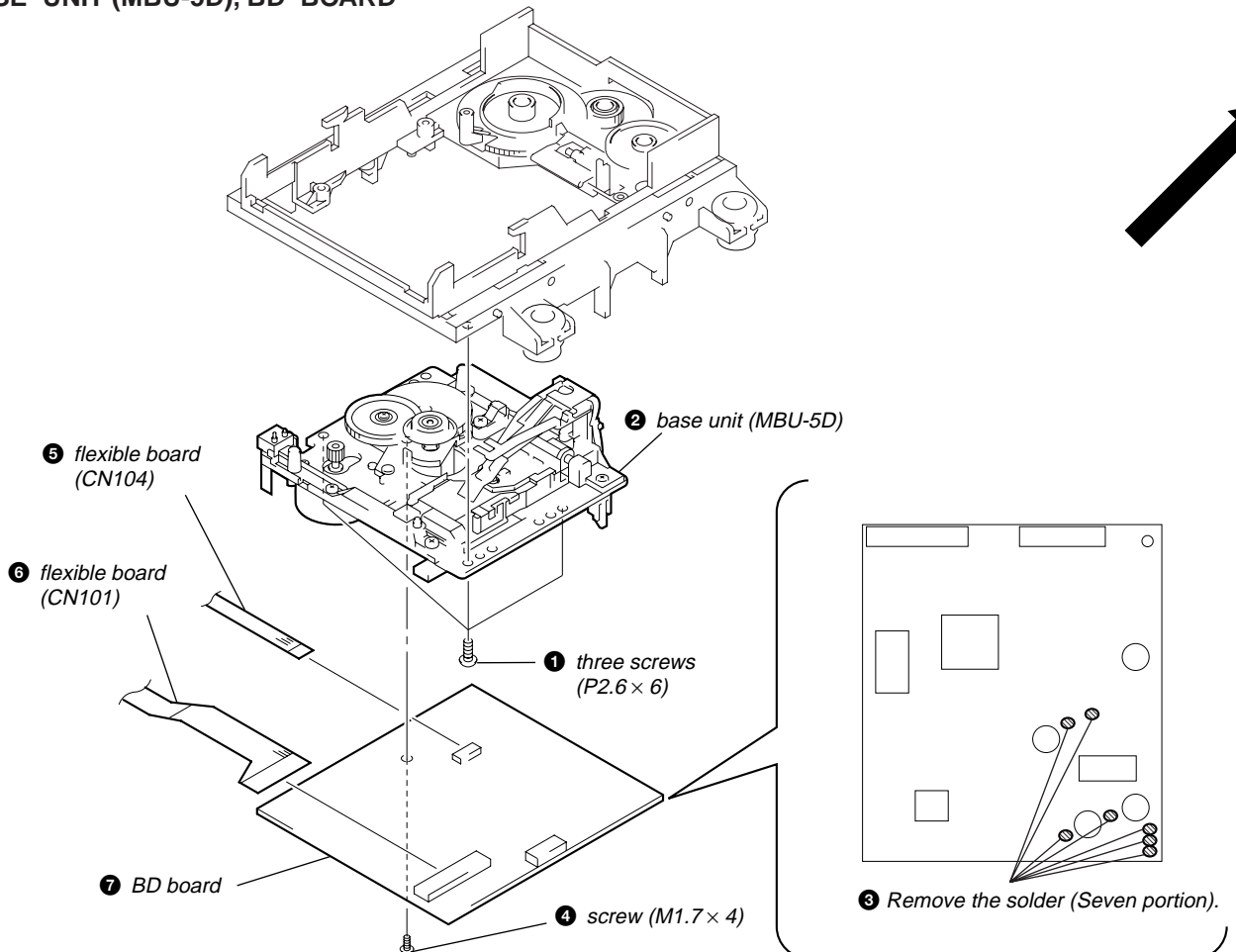
MECHANISM DECK (MDM-5D)



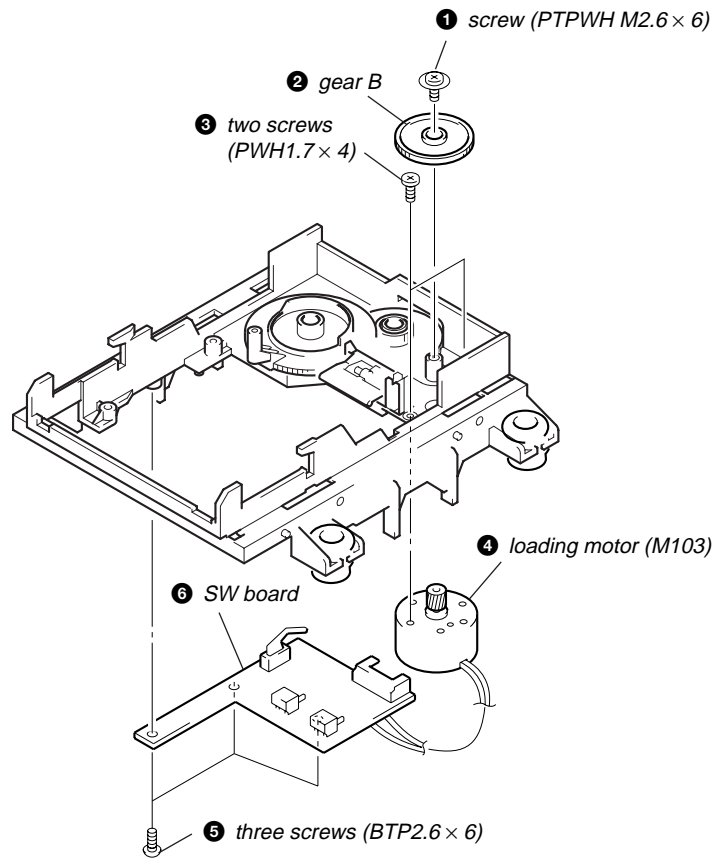
SLIDER (CAM)



BASE UNIT (MBU-5D), BD BOARD



SW BOARD, LOADING MOTOR (M103)



SECTION 4 TEST MODE

1. PRECAUTIONS FOR USE OF TEST MODE

- As loading related operations will be performed regardless of the test mode operations being performed, be sure to check that the disc is stopped before setting and removing it.
Even if the **EJECT** button is pressed while the disc is rotating during continuous playback, continuous recording, etc., the disc will not stop rotating.
Therefore, it will be ejected while rotating.
Be sure to press the **EJECT** button after pressing the **MENU/NO** button and the rotation of disc is stopped.

1-1. Recording laser emission mode and operating buttons

- Continuous recording mode (CREC MODE)
- Laser power check mode (LDPWR CHECK)
- Laser power adjustment mode (LDPWR ADJUS)
- Traverse (MO) check (EF MO CHECK)
- Traverse (MO) adjustment (EF MO ADJUS)
- When pressing the **REC** button.

2. SETTING THE TEST MODE

The following are two methods of entering the test mode.

Procedure 1: While pressing the **AMS** knob and **STOP** button, connect the power plug to an outlet, and release the **AMS** knob and **STOP** button.

When the test mode is set, “[Check]” will be displayed. Turn the **AMS** knob switches between the following four groups; ... ↔ [Check] ↔ [Adjust] ↔ [Service] ↔ [Develop] ↔ ...

Procedure 2: While pressing the **AMS** knob, connect the power plug to the outlet and release the **AMS** knob.
When the test mode is set, “TEMP CHECK” will be displayed. By setting the test mode using this method, only the “Check” group of method 1 can be executed.

3. RELEASING THE TEST MODE

Press the **FILTER** button. The disc is ejected when loaded, and “Standby” display blinks, becomes STANDBY state.

4. BASIC OPERATIONS OF THE TEST MODE

All operations are performed using the **AMS** knob, **YES** button, and **MENU/NO** button.

The functions of these buttons are as follows.

Function name	Function
AMS knob	Changes parameters and modes
YES button	Proceeds onto the next step. Finalizes input.
MENU/NO button	Returns to previous step. Stops operations.

5. SELECTING THE TEST MODE

There are 31 types of test modes as shown below. The groups can be switched by turning the \llcorner AMS \lrcorner knob. After selecting the group to be used, press the **YES** button. After setting a certain group, turn the \llcorner AMS \lrcorner knob switches between these modes. Refer to “Group” in the table for details can be selected.

All items used for servicing can be treated using group S. So be carefully not to enter other groups by mistake.

Display	No.	Contents	Mark	Group (*)
TEMP CHECK	C01	Temperature compensation offset check		C S
LDPWR CHECK	C02	Laser power check		C S
EF MO CHECK	C03	Traverse (MO) check		C S
EF CD CHECK	C04	Traverse (CD) check		C S
FBIAS CHECK	C05	Focus bias check		C S
Scurve CHECK	C06	S letter check	(X)	C
VERIFYMODE	C07	Non-volatile memory check	(X)	C
DETRK CHECK	C08	Detrack check	(X)	C
TEMP ADJUS	C09	Temperature compensation offset adjustment		A S
LDPWR ADJUS	C10	Laser power adjustment		A S
EF MO ADJUS	C11	Traverse (MO) adjustment		A S
EF CD ADJUS	C12	Traverse (CD) adjustment		A S
FBIAS ADJUS	C13	Focus bias adjustment		A S
EEP MODE	C14	Non-volatile memory control	(X) (!)	D
MANUAL CMD	C15	Command transmission	(X)	D
SVDATA READ	C16	Status display	(X)	D
ERR DP MODE	C17	Error history display, clear		S
SLED MOVE	C18	Sled check	(X)	D
ACCESS MODE	C19	Access check	(X)	D
0920 CHECK	C20	Outermost circumference check	(X)	D
HEAD ADJUST	C21	Head position check	(X)	D
CPLAY 2MODE	C22	Same functions as CPLAY MODE	(X)	D
CREC 2MODE	C23	Same functions as CREC MODE	(X)	D
ADJ CLEAR	C24	Initialization of non-volatile memory of adjustment value		A S
AG Set (MO)	C25	Auto gain output level adjustment (MO)		A S
AG Set (CD)	C26	Auto gain output level adjustment (CD)		A S
Iop Read	C27	IOP data display		C S
Iop Write	C28	IOP data write		A S
930 *****	C29	Microprocessing version display		C S
CPLAY MODE	C30	Continuous playback mode		C A S D
CREC MODE	C31	Continuous recording mode		C A S D

Group (*)

C: Check

A: Adjust

S: Service

D: Develop

- For details of each adjustment mode, refer to “5. Electrical Adjustments”.
For details of “ERR DP MODE”, refer to “Self-Diagnosis Function” on page 2.
- If a different mode has been selected by mistake, press the **MENU/NO** button to release that mode.
- Modes with (X) in the Mark column are not used for servicing and therefore are not described in detail. If these modes are set accidentally, press the **MENU/NO** button to release the mode immediately. Be especially careful not to set the modes with (!) as they will overwrite the non-volatile memory and reset it, and as a result, the unit will not operate normally.

5-1. Operating the Continuous Playback Mode

- Entering the continuous playback mode
 - Set the disc in the unit. (Whichever recordable discs or discs for playback only are available.)
 - Turn the [◀◀ AMS ▶▶] knob and display “CPLAY MODE” (C30).
 - Press the [YES] button to change the display to “CPLAY MID”.
 - When access completes, the display changes to “C = [] AD = []”.
Note: The numbers “[]” displayed show you error rates and ADER.
- Changing the parts to be played back
 - Press the [YES] button during continuous playback to change the display as below.



When pressed another time, the parts to be played back can be moved.

- When access completes, the display changes to “C = [] AD = []”.
Note: The numbers “[]” displayed show you error rates and ADER.
- Ending the continuous playback mode
 - Press the [MENU/NO] button. The display will change to “CPLAY MODE”.
 - Press the [EJECT] button and take out the disc.
Note: The playback start addresses for IN, MID, and OUT are as follows.

IN	40h cluster
MID	300h cluster
OUT	700h cluster

5-2. Operating the Continuous Recording Mode (Use only when performing self-recording/playback check.)

- Entering the continuous recording mode
 - Set a recordable disc in the unit.
 - Turn the [◀◀ AMS ▶▶] knob and display “CREC MODE”.
 - Press the [YES] button to change the display to “CREC MID” (C31).
 - When access completes, the display changes to “CREC ([])” and “[REC]” lights up.
Note: The numbers “[]” displayed shows you the recording position addresses.
- Changing the parts to be recorded
 - When the [YES] button is pressed during continuous recording, the display changes as below.



When pressed another time, the parts to be recorded can be changed. “[REC]” goes off.

- When access completes, the display changes to “CREC ([])” and “[REC]” lights up.
Note: The numbers “[]” displayed shows you the recording position addresses.
- Ending the continuous recording mode
 - Press the [MENU/NO] button. The display changes to “CREC MODE” and “[REC]” goes off.
 - Press the [EJECT] button and take out the disc.
Note 1: The recording start addresses for IN, MID, and OUT are as follows.

IN	40h cluster
MID	300h cluster
OUT	700h cluster






Note 2: The [MENU/NO] button can be used to stop recording anytime.
Note 3: Do not perform continuous recording for long periods of time above 5 minutes.
Note 4: During continuous recording, be careful not to apply vibration.

5-3. Non-Volatile Memory Mode (EEP MODE)

This mode reads and writes the contents of the non-volatile memory.

It is not used in servicing. If the unit entered this mode accidentally, press the [MENU/NO] button immediately to release it.

6. FUNCTIONS OF OTHER BUTTONS

Function	Contents
	Sets continuous playback when pressed in the STOP state. When pressed during continuous playback, the tracking servo turns ON/OFF.
	Stops continuous playback and continuous recording.
	The sled moves to the outer circumference only when this is pressed.
	The sled moves to the inner circumference only when this is pressed.
SCROLL	Switches between the pit and groove modes when pressed.
PLAY MODE	Switches the spindle servo mode (CLV-S ↔ CLV-A).
DISPLAY/CHAR	Switches the displayed contents each time the button is pressed
EJECT 	Ejects the disc
FILTER	Releases the test mode

7. TEST MODE DISPLAYS

Each time the **[DISPLAY/CHAR]** button is pressed, the display changes in the following order.

1. Mode display

Displays “TEMP ADJUS”, “CPLAYMODE”, etc.

2. Error rate display

Displays the error rate in the following way.

C = □□□□ AD = □□

C = Indicates the C1 error.

AD = Indicates ADER.

3. Address display

The address is displayed as follows. (MO: recordable disc, CD: playback only disc)
Press the **[SCROLL]** button to switches between the groove display and pit display.

h = □□□□ s = □□□□ (MO pit and CD)

h = □□□□ a = □□□□ (MO groove)

h = Indicates the header address.

s = Indicates the SUBQ address.

a = Indicates the ADIP address.

Note: “-” is displayed when servo is not imposed.

4. Auto gain display (Not used in servicing)

The auto gain is displayed as follows.

AG = □□/□□[□□

5. Detrack check display (Not used in servicing)

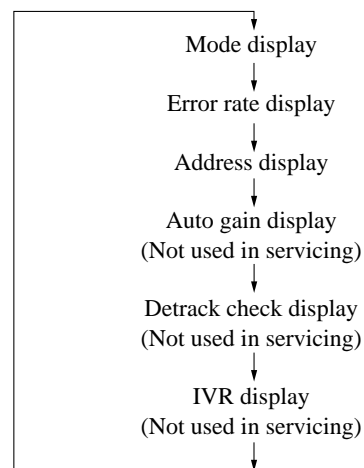
The detrack is displayed as follows.

ADR = □□□□□□

6. IVR display (Not used in servicing)

The IVR is displayed as follows.

[□□][□□][□□



MEANINGS OF OTHER DISPLAYS

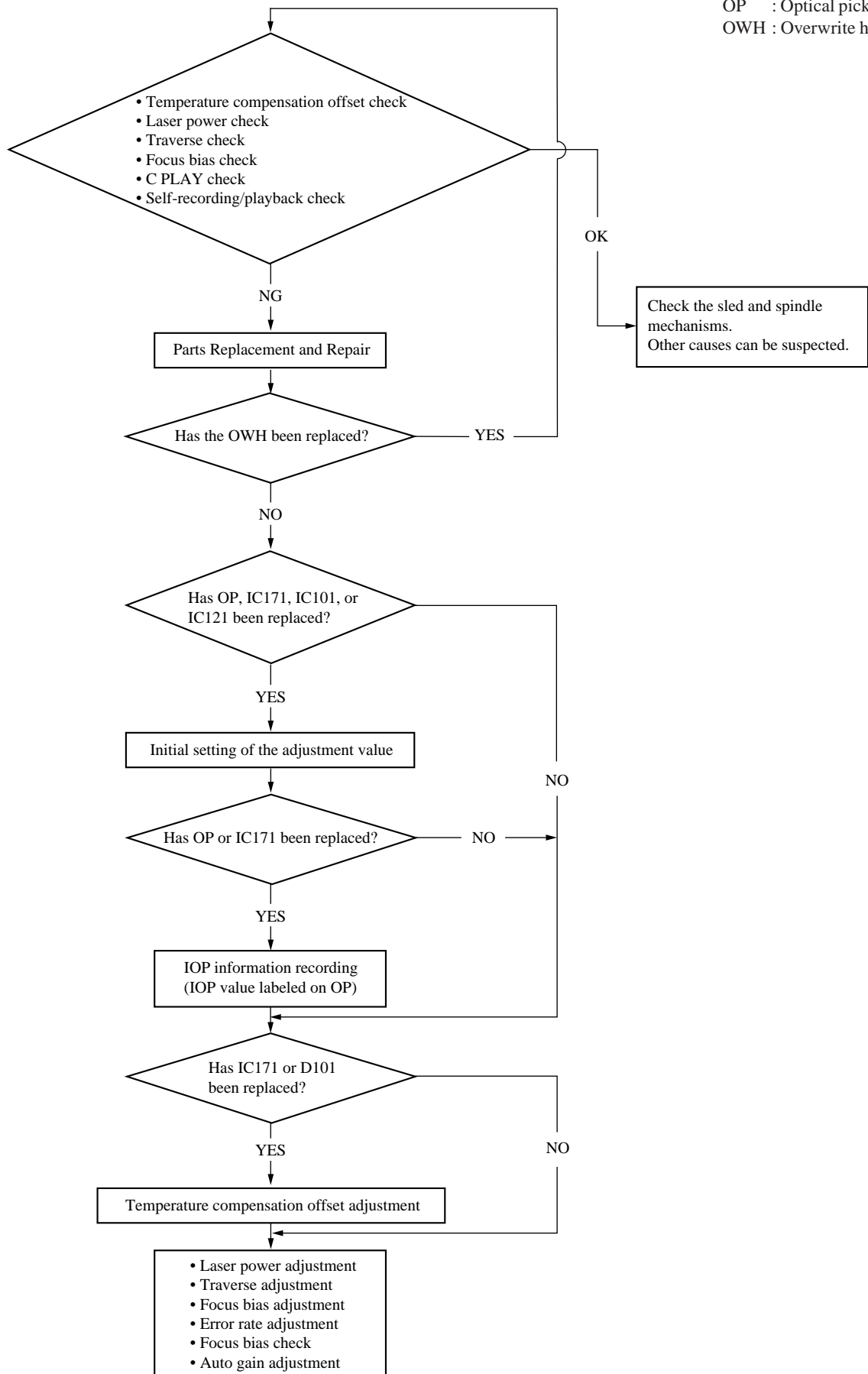
Display	Contents	
	When Lit	When Off
▶	During continuous playback (CLV: ON)	STOP (CLV: OFF)
	Tracking servo OFF	Tracking servo ON
REC	Recording mode ON	Recording mode OFF
SYNC	CLV low speed mode	CLV normal mode
A.SPACE	ABCD adjustment completed	
OVER	Tracking offset cancel ON	Tracking offset cancel OFF
B	Tracking auto gain OK	
A-	Focus auto gain OK	
TRACK	Pit	Groove
DISC	High reflection	Low reflection
SLEEP	CLV-S	CLV-A
MONO	CLV LOCK	CLV UNLOCK

SECTION 5 ELECTRICAL ADJUSTMENTS

1. PARTS REPLACEMENT AND ADJUSTMENT

- Check and adjust the mechanism deck as follows.
The procedure changes according to the part replaced

- Abbreviation
OP : Optical pick-up
OWH : Overwrite head

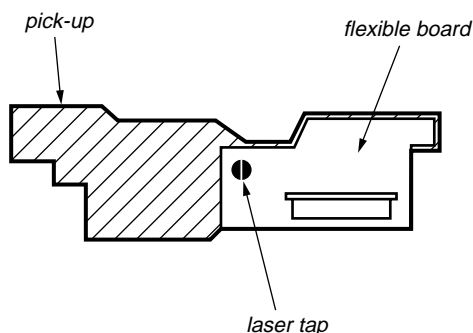


2. PRECAUTIONS FOR CHECKING LASER DIODE EMISSION

To check the emission of the laser diode during adjustments, never view directly from the top as this may lose your eye-sight.

3. PRECAUTIONS FOR USE OF OPTICAL PICK-UP (KMS-260A)

As the laser diode in the optical pick-up is easily damaged by static electricity, solder the laser tap of the flexible board when using it. Before disconnecting the connector, desolder first. Before connecting the connector, be careful not to remove the solder. Also take adequate measures to prevent damage by static electricity. Handle the flexible board with care as it breaks easily.



Optical pick-up flexible board

4. PRECAUTIONS FOR ADJUSTMENTS

- When replacing the following parts, perform the adjustments and checks with ○ in the order shown in the following table.

	Optical Pick-up	BD Board			
		IC171	D101	IC101, IC121	IC192
1. Initial setting of adjustment value	○	○	×	○	×
2. Recording of IOP information (Value on the optical pick-up label)	○	○	×	×	×
3. Temperature compensation offset adjustment	×	○	○	×	×
4. Laser power adjustment	○	○	×	○	○
5. Traverse adjustment	○	○	×	○	×
6. Focus bias adjustment	○	○	×	○	×
7. Error rate check	○	○	×	○	×
8. Auto gain output level adjustment	○	○	×	○	×

- Set the test mode when performing adjustments. After completing the adjustments, release the test mode. Perform the adjustments and checks in “group S” of the test mode.
- Perform the adjustments to be needed in the order shown.

- Use the following tools and measuring devices.
 - Check Disc (MD) TDYS-1 (Part No. 4-963-646-01)
 - Test Disc (MDW-74/AU-1) (Part No. 8-892-341-41)
 - Laser power meter LPM-8001 (Part No. J-2501-046-A) or MD Laser power meter 8010S (Part No. J-2501-145-A)
 - Oscilloscope (Measure after performing CAL of prove)
 - Digital voltmeter
 - Thermometer
 - Jig for checking BD board waveform (Part No. : J-2501-149-A)
- When observing several signals on the oscilloscope, etc., make sure that VC and ground do not connect inside the oscilloscope. (VC and ground will become short-circuited)
- Using the above jig enables the waveform to be checked without the need to solder. (Refer to Servicing Notes on page 6)
- As the disc used will affect the adjustment results, make sure that no dusts nor fingerprints are attached to it.

Laser power meter

When performing laser power checks and adjustment (electrical adjustment), use of the new MD laser power meter 8010S (Part No. J-2501-145-A) instead of the conventional laser power meter is convenient.

It sharply reduces the time and trouble to set the laser power meter sensor onto the objective lens of optical pick-up.

5. CREATING CONTINUOUSLY-RECORDED DISC

* This disc is used in focus bias adjustment and error rate check. The following describes how to create a continuous recording disc.

- Insert a disc (blank disc) commercially available.
- Turn the [◀◀ AMS ▶▶] knob and display “CREC MODE”. (C31)
- Press the [YES] button again to display “CREC MID”. Display “CREC (0300)” and start to recording.
- Complete recording within 5 minutes.
- Press the [MENU/NO] button and stop recording .
- Press the [EJECT] button and remove the disc.

The above has been how to create a continuous recorded data for the focus bias adjustment/check and MO error rate check.

Note :

- Be careful not to apply vibration during continuous recording.

6. CHECK PRIOR TO REPAIRS

These checks are performed before replacing parts according to “approximate specifications” to determine the faulty locations. For details, refer to “Checks Prior to Parts Replacement and Adjustments” (See page 8).

6-1. Temperature Compensation Offset Check

When performing adjustments, set the internal temperature and room temperature of 22 °C to 28 °C.

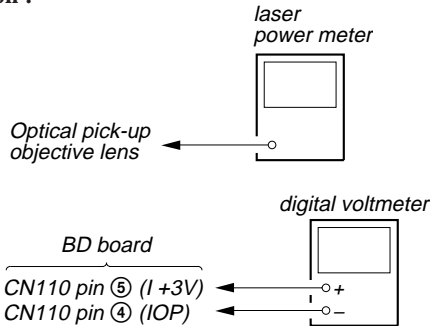
Checking Procedure:

1. Turn the $\llbracket \llcorner \llcorner \text{AMS} \triangleright \triangleright \rrbracket$ knob to display “TEMP CHECK” (C01).
2. Press the $\llbracket \text{YES} \rrbracket$ button.
3. “T=@@ (##) [OK]” should be displayed. If “T=@@ (##) [NG]” is displayed, it means that the results are bad.
(@@ indicates the current value set, and ## indicates the value written in the non-volatile memory)

6-2. Laser Power Check

Before checking, check the IOP value of the optical pick-up.
(Refer to 8. Recording and Displaying IOP Information)

Connection :



Checking Procedure:

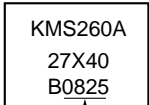
1. Set the laser power meter on the objective lens of the optical pick-up. (When it cannot be set properly, press the $\llbracket \llcorner \llcorner \rrbracket$ button or $\llbracket \triangleright \triangleright \rrbracket$ button to move the optical pick-up)
Connect the digital voltmeter to CN110 pin ⑤ (I+3V) and CN110 pin ④ (IOP) on the BD board.
2. Then, turn the $\llbracket \llcorner \llcorner \text{AMS} \triangleright \triangleright \rrbracket$ knob to display “LDPWR CHECK” (C02).
3. Press the $\llbracket \text{YES} \rrbracket$ button once to display “LD 0.9 mW \$ $\llbracket \llcorner \llcorner \rrbracket$ ”. Check that the reading of the laser power meter become 0.84 to 0.92 mW.
4. Press the $\llbracket \text{YES} \rrbracket$ button once more to display “LD 7.0 mW \$ $\llbracket \llcorner \llcorner \rrbracket$ ”. Check that the reading the laser power meter and digital voltmeter satisfy the specified value.

Specified Value:

Laser power meter reading: 7.0 ± 0.2 mW

Digital voltmeter reading : Value on the optical pick-up label $\pm 10\%$

(Optical pick-up label)



IOP=82.5 mA in this case

IOP (mA) = Digital voltmeter reading (mV)/1 (Ω)

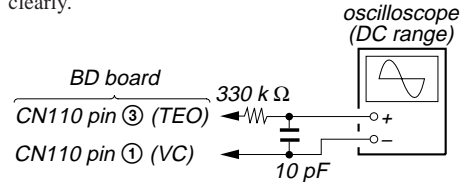
5. Press the $\llbracket \text{MENU/NO} \rrbracket$ button to display “LDPWR CHECK” and stop the laser emission.
(The $\llbracket \text{MENU/NO} \rrbracket$ button is effective at all times to stop the laser emission)

Note 1: After step 4, each time the $\llbracket \text{YES} \rrbracket$ button is pressed, the display will be switched “LD 0.7 mW \$ $\llbracket \llcorner \llcorner \rrbracket$ ”, “LD 6.2 mW \$ $\llbracket \llcorner \llcorner \rrbracket$ ”, and “LD Wp ホセイ \$ $\llbracket \llcorner \llcorner \rrbracket$ ”. Nothing needs to be performed here.

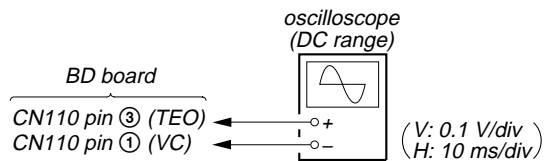
6-3. Traverse Check

Note 1: Data will be erased during MO reading if a recorded disc is used in this adjustment.

Note 2: If the traverse waveform is not clear, connect the oscilloscope as shown in the following figure so that it can be seen more clearly.



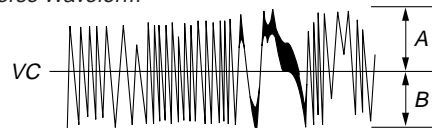
Connection :



Checking Procedure:

1. Connect an oscilloscope to CN110 pin ③ (TEO) and CN110 pin ① (VC) on the BD board.
2. Load a disc (any available on the market). (Refer to Note 1)
3. Press the $\llbracket \triangleright \triangleright \rrbracket$ button to move the optical pick-up outside the pit.
4. Turn the $\llbracket \llcorner \llcorner \text{AMS} \triangleright \triangleright \rrbracket$ knob to display “EF MO CHECK”(C03).
5. Press the $\llbracket \text{YES} \rrbracket$ button to display “EFB = $\llbracket \llcorner \llcorner \rrbracket$ MO-R”.
(Laser power READ power/Focus servo ON/tracking servo OFF/spindle (S) servo ON)
6. Observe the waveform of the oscilloscope, and check that the specified value is satisfied. Do not turn the $\llbracket \llcorner \llcorner \text{AMS} \triangleright \triangleright \rrbracket$ knob.
(Read power traverse checking)

Traverse Waveform

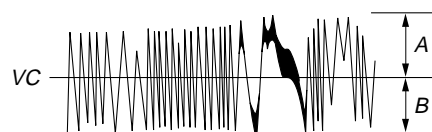


Specified value : Below 10% offset value

$$\text{Offset value (\%)} = \frac{|A - B|}{2(A + B)} \times 100$$

7. Press the $\llbracket \text{YES} \rrbracket$ button to display “EFB = $\llbracket \llcorner \llcorner \rrbracket$ MO-W”.
8. Observe the waveform of the oscilloscope, and check that the specified value is satisfied. Do not turn the $\llbracket \llcorner \llcorner \text{AMS} \triangleright \triangleright \rrbracket$ knob.
(Write power traverse checking)

Traverse Waveform

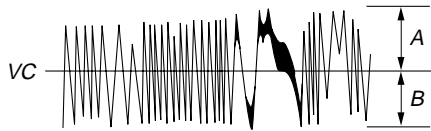


Specified value : Below 10% offset value

$$\text{Offset value (\%)} = \frac{|A - B|}{2(A + B)} \times 100$$

- Press the **[YES]** button to display “EFB = MO-P”. Then, the optical pick-up moves to the pit area automatically and servo is imposed.
- Observe the waveform of the oscilloscope, and check that the specified value is satisfied. Do not turn the **[◀◀ AMS ▶▶]** knob.

Traverse Waveform

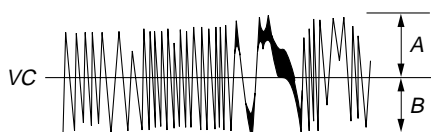


Specified value : Below 10% offset value

$$\text{Offset value (\%)} = \frac{|A - B|}{2(A + B)} \times 100$$

- Press the **[YES]** button to display “EF MO CHECK”. The disc stops rotating automatically.
- Press the **[EJECT**] button and take out the disc.
- Load the check disc (MD) TDYS-1.
- Turn the **[◀◀ AMS ▶▶]** knob and display “EF CD CHECK” (C04).
- Press the **[YES]** button to display “EFB = CD”. Servo is imposed automatically.
- Observe the waveform of the oscilloscope, and check that the specified value is satisfied. Do not turn the **[◀◀ AMS ▶▶]** knob.

Traverse Waveform



Specified value : Below 10% offset value

$$\text{Offset value (\%)} = \frac{|A - B|}{2(A + B)} \times 100$$

- Press the **[YES]** button to display “EF CD CHECK”.
- Press the **[EJECT**] button and take out the check disc.

6-4. Focus Bias Check

Change the focus bias and check the focus tolerance amount.

Checking Procedure :

- Load the test disk (MDW-74/AU-1).
- Turn the **[◀◀ AMS ▶▶]** knob to display “CPLAY MODE” (C30).
- Press the **[YES]** button twice to display “CPLAY MID”.
- Press the **[MENU/NO]** button when “C = AD = ” is displayed.
- Turn the **[◀◀ AMS ▶▶]** knob to display “FBIAS CHECK” (C05).
- Press the **[YES]** button to display “/ c = ”. The first four digits indicate the C1 error rate, the two digits after [/] indicate ADER, and the 2 digits after [c =] indicate the focus bias value. Check that the C1 error is below 50 and ADER is below 2.
- Press the **[YES]** button to display “/ b = ”. Check that the C1 error is about 200 and ADER is below 2.
- Press the **[YES]** button to display “/ a = ”. Check that the C1 error is about 200 and ADER is below 2.
- Press the **[MENU/NO]** button, then press the **[EJECT**] button and take out the test disc.

6-5. C PLAY Checking

MO Error Rate Check

Checking Procedure :

- Load the test disk (MDW-74/AU-1).
- Turn the **[◀◀ AMS ▶▶]** knob to display “CPLAY MODE” (C30).
- Press the **[YES]** button to display “CPLAY MID”.
- The display changes to “C = AD = ”.
- If the C1 error rate is below 80, check that ADER is below 2.
- Press the **[MENU/NO]** button to stop playback, then press the **[EJECT**] button and take out the test disc.

CD Error Rate Check

Checking Procedure :

- Load the check disc (MD) TDYS-1.
- Turn the **[◀◀ AMS ▶▶]** knob to display “CPLAY MODE” (C30).
- Press the **[YES]** button twice to display “CPLAY MID”.
- The display changes to “C = AD = ”.
- Check that the C1 error rate is below 50.
- Press the **[MENU/NO]** button to stop playback, then press the **[EJECT**] button and take out the check disc.

6-6. Self-Recording/playback Check

Prepare a continuous recording disc using the unit to be repaired and check the error rate.

Checking Procedure :

- Load a recordable disc (blank disc).
- Turn the **[◀◀ AMS ▶▶]** knob to display “CREC MODE” (C31).
- Press the **[YES]** button to display “CREC MID”.
- When recording starts, lights up “**REC**” and display “CREC @@@@” (@@@@ is the address).
- About 1 minute later, press the **[MENU/NO]** button to stop continuous recording.
- Turn the **[◀◀ AMS ▶▶]** knob to display “CPLAY MODE” (C30).
- Press the **[YES]** button to display “CPLAY MID”.
- “C = AD = ” will be displayed.
- Check that the C1 error becomes below 80 and the AD error below 2.
- Press the **[MENU/NO]** button to stop playback, then press the **[EJECT**] button and take out the disc.

7. INITIAL SETTING OF ADJUSTMENT VALUE

Note:

Mode which sets the adjustment results recorded in the non-volatile memory to the initial setting value. However the results of the temperature compensation offset adjustment will not change to the initial setting value.

If initial setting is performed, perform all adjustments again excluding the temperature compensation offset adjustment.

For details of the initial setting, refer to "4. Precautions on Adjustments" and execute the initial setting before the adjustment as required.

Setting Procedure :

1. Turn the **[◀◀AMS▶▶]** knob to display "ADJ CLEAR" (C24).
2. Press the **[YES]** button. "Complete!" will be displayed momentarily and initial setting will be executed, after which "ADJ CLEAR" will be displayed.

8. RECORDING AND DISPLAYING THE IOP INFORMATION

The IOP data can be recorded in the non-volatile memory. The IOP value on the optical pick-up label and the IOP value after the adjustment will be recorded. Recording these data eliminates the need to read the label on the optical pick-up.

Recording Procedure :

1. Turn the **[◀◀AMS▶▶]** knob to display "Iop Write" (C28), and press the **[YES]** button.
2. The display becomes Ref=@@.@ (@ is an arbitrary number) and the numbers which can be changed will blink.
3. Input the IOP value on the optical pick-up label.
To select the number : Turn the **[◀◀AMS▶▶]** knob.
To select the digit : Press the **[◀◀AMS▶▶]** knob
4. When the **[YES]** button is pressed, the display becomes "Measu=@@.@." (@ is an arbitrary number).
5. As the adjustment results are recorded for the 6 value. Leave it as it is and press the **[YES]** button.
6. "Complete!" will be displayed momentarily. The value will be recorded in the non-volatile memory and the display will become "Iop Write".

Display Procedure :

1. Turn the **[◀◀AMS▶▶]** knob to display "Iop Read"(C27).
2. "@@.@/##.#" is displayed and the recorded contents are displayed.
@@.@ indicates the IOP value on the optical pick-up label.
##.# indicates the IOP value after adjustment
3. To end, press the **[◀◀AMS▶▶]** button or **[MENU/NO]** button to display "Iop Read".

9. TEMPERATURE COMPENSATION OFFSET ADJUSTMENT

Save the temperature data at that time in the non-volatile memory as 25 °C reference data.

Note :

1. Usually, do not perform this adjustment.
2. Perform this adjustment in an ambient temperature of 22 °C to 28 °C. Perform it immediately after the power is turned on when the internal temperature of the unit is the same as the ambient temperature of 22 °C to 28 °C.
3. When D101 has been replaced, perform this adjustment after the temperature of this part has become the ambient temperature.

Adjusting Procedure :

1. Turn the **[◀◀AMS▶▶]** knob to display "TEMP ADJUS" (C09).
2. Press the **[YES]** button to select the "TEMP ADJUS" mode.
3. "TEMP = [] [OK]" and the current temperature data will be displayed.
4. To save the data, press the **[YES]** button.
When not saving the data, press the **[MENU/NO]** button.
5. When the **[YES]** button is pressed, "TEMP = [] SAVE" will be displayed and turned back to "TEMP ADJUS" display then. When the **[MENU/NO]** button is pressed, "TEMP ADJUS" will be displayed immediately.

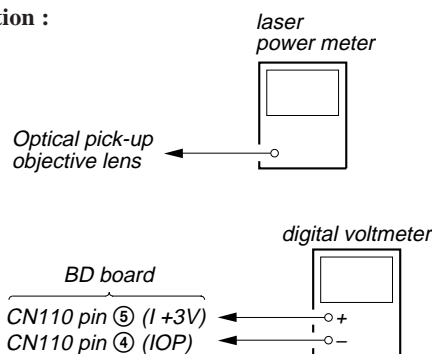
Specified Value :

The "TEMP = []" should be within "E0 - EF", "F0 - FF", "00 - 0F", "10 - 1F" and "20 - 2F".

10. LASER POWER ADJUSTMENT

Check the IOP value of the optical pick-up before adjustments. (Refer to 8. Recording and Displaying IOP Information)

Connection :



Adjusting Procedure :

1. Set the laser power meter on the objective lens of the optical pick-up. (When it cannot be set properly, press the **[◀]** button or **[▶]** button to move the optical pick-up)
Connect the digital voltmeter to CN110 pin ⑤ (I+3V) and CN110 pin ④ (IOP) on the BD board.
2. Turn the **[◀◀AMS▶▶]** knob to display "LDPWR ADJUS" (C10).
(Laser power : For adjustment)
3. Press the **[YES]** button once to display "LD 0.9 mW \$ []".
4. Turn the **[◀◀AMS▶▶]** knob so that the reading of the laser power meter becomes 0.85 to 0.91 mW. Press the **[YES]** button after setting the range knob of the laser power meter, and save the adjustment results. ("LD SAVE \$ []" will be displayed for a moment)
5. Then "LD 7.0 mW \$ []" will be displayed.
6. Turn the **[◀◀AMS▶▶]** knob so that the reading of the laser power meter becomes 6.9 to 7.1 mW, press the **[YES]** button to save it.

Note: Do not perform the emission with 7.0 mW more than 15 seconds continuously.

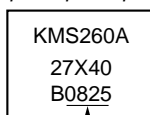
7. Then, turn the $\llbracket \llcorner \llcorner \text{AMS} \triangleright \triangleright \rrbracket$ knob to display “LDPWR CHECK” (C02).
8. Press the $\llbracket \text{YES} \rrbracket$ button once to display “LD 0.9 mW \$ $\square\square\square$ ”. Check that the reading of the laser power meter become 0.85 to 0.91 mW.
9. Press the $\llbracket \text{YES} \rrbracket$ button once more to display “LD 7.0 mW \$ $\square\square\square$ ”. Check that the reading the laser power meter and digital voltmeter satisfy the specified value.
Note down the digital voltmeter reading value.

Specified Value:

Laser power meter reading: 7.0 ± 0.2 mW

Digital voltmeter reading : Value on the optical pick-up label $\pm 10\%$

(Optical pick-up label)



$IOP=82.5$ mA in this case

$$IOP \text{ (mA)} = \text{Digital voltmeter reading (mV)} / 1 \text{ (}\Omega\text{)}$$

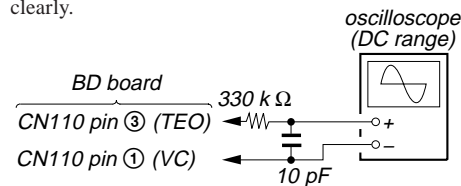
10. Press the $\llbracket \text{MENU/NO} \rrbracket$ button to display “LDPWR CHECK” and stop the laser emission.
(The $\llbracket \text{MENU/NO} \rrbracket$ button is effective at all times to stop the laser emission.)
11. Turn the $\llbracket \llcorner \llcorner \text{AMS} \triangleright \triangleright \rrbracket$ knob to display “Top Write”(C28).
12. Press the $\llbracket \text{YES} \rrbracket$ button. When the display becomes Ref=@@.@ (@ is an arbitrary number), press the $\llbracket \text{YES} \rrbracket$ button to display “Measu=@@.@.” (@ is an arbitrary number).
13. The numbers which can be changed will blink. Input the Iop value noted down at step 9.
To select the number : Turn the $\llbracket \llcorner \llcorner \text{AMS} \triangleright \triangleright \rrbracket$ knob.
To select the digit : Press the $\llbracket \llcorner \llcorner \text{AMS} \triangleright \triangleright \rrbracket$ knob.
14. When the $\llbracket \text{YES} \rrbracket$ button is pressed, “Complete!” will be displayed momentarily. The value will be recorded in the non-volatile memory and the display will become “Top Write”.

Note 1: After step 4, each time the $\llbracket \text{YES} \rrbracket$ button is pressed, the display will be switched “LD 0.7 mW \$ $\square\square\square$ ”, “LD 6.2 mW \$ $\square\square\square$ ”, and “LD Wp ホセイ \$ $\square\square\square$ ”. Nothing needs to be performed here.

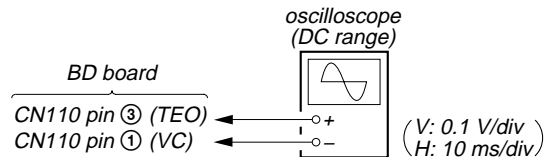
11. TRAVERSE ADJUSTMENT

Note 1:Data will be erased during MO reading if a recorded disc is used in this adjustment.

Note 2:If the traverse waveform is not clear, connect the oscilloscope as shown in the following figure so that it can be seen more clearly.



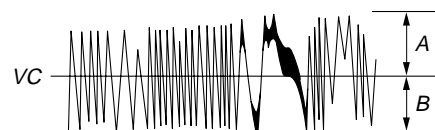
Connection :



Adjusting Procedure :

1. Connect an oscilloscope to CN110 pin ③ (TEO) and CN110 pin ① (VC) on the BD board.
2. Load a disc (any available on the market). (Refer to Note 1)
3. Press the $\llbracket \triangleright \triangleright \rrbracket$ button to move the optical pick-up outside the pit.
4. Turn the $\llbracket \llcorner \llcorner \text{AMS} \triangleright \triangleright \rrbracket$ knob to display “EF MO ADJUS” (C10).
5. Press the $\llbracket \text{YES} \rrbracket$ button to display “EFB = $\square\square$ MO-R”.
(Laser power READ power/Focus servo ON/tracking servo OFF/spindle (S) servo ON)
6. Turn the $\llbracket \llcorner \llcorner \text{AMS} \triangleright \triangleright \rrbracket$ knob so that the waveform of the oscilloscope becomes the specified value.
(When the $\llbracket \llcorner \llcorner \text{AMS} \triangleright \triangleright \rrbracket$ knob is turned, the $\square\square$ of “EFB = $\square\square$ ” changes and the waveform changes.) In this adjustment, waveform varies at intervals of approx. 2%. Adjust the waveform so that the specified value is satisfied as much as possible.
(Read power traverse adjustment)

Traverse Waveform

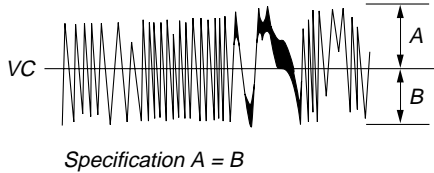


Specification A = B

7. Press the $\llbracket \text{YES} \rrbracket$ button and save the result of adjustment to the non-volatile memory (“EFB = $\square\square$ SAV” will be displayed for a moment. Then “EFB = $\square\square$ MO-W” will be displayed).

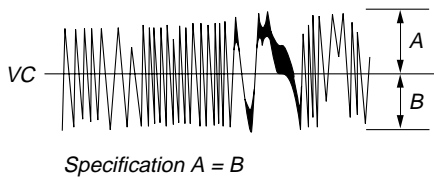
8. Turn the **[[<< AMS >>]]** knob so that the waveform of the oscilloscope becomes the specified value.
(When the **[[<< AMS >>]]** knob is turned, the **[[]]** of “EFB-**[[]]**” changes and the waveform changes.) In this adjustment, waveform varies at intervals of approx. 2%. Adjust the waveform so that the specified value is satisfied as much as possible.
(Write power traverse adjustment)

Traverse Waveform



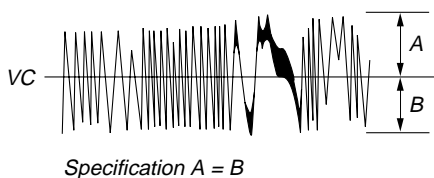
9. Press the **[YES]** button, and save the adjustment results in the non-volatile memory. (“EFB = **[[]]** SAV” will be displayed for a moment)
10. “EFB = **[[]]** MO-P” will be displayed.
The optical pick-up moves to the pit area automatically and servo is imposed.
11. Turn the **[[<< AMS >>]]** knob until the waveform of the oscilloscope moves closer to the specified value.
In this adjustment, waveform varies at intervals of approx. 2%. Adjust the waveform so that the specified value is satisfied as much as possible.

Traverse Waveform



12. Press the **[YES]** button, and save the adjustment results in the non-volatile memory. (“EFB = **[[]]** SAV” will be displayed for a moment.)
Next “EF MO ADJUS” is displayed. The disc stops rotating automatically.
13. Press the **[EJECT]** button and take out the disc.
14. Load the check disc (MD) TDYS-1.
15. Turn the **[[<< AMS >>]]** knob to display “EF CD ADJUS” (C12).
16. Press the **[YES]** button to display “EFB = **[[]]** CD”. Servo is imposed automatically.
17. Turn the **[[<< AMS >>]]** knob so that the waveform of the oscilloscope moves closer to the specified value.
In this adjustment, waveform varies at intervals of approx. 2%. Adjust the waveform so that the specified value is satisfied as much as possible.

Traverse Waveform



18. Press the **[YES]** button, display “EFB = **[[]]** SAV” for a moment and save the adjustment results in the non-volatile memory.
Next “EF CD ADJUS” will be displayed.
19. Press the **[EJECT]** button and take out the disc.

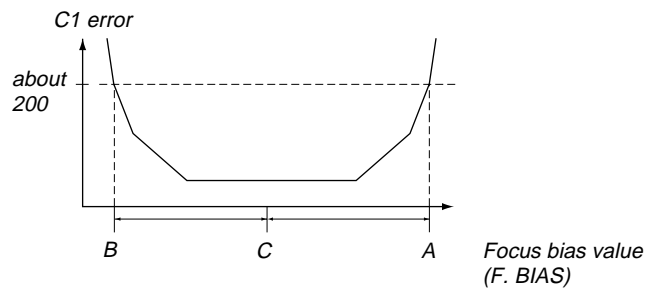
12. FOCUS BIAS ADJUSTMENT

Adjusting Procedure :

1. Load the continuously-recorded disc. (Refer to “5. CREATING CONTINUOUSLY-RECORDED DISC”)
2. Turn the **[[<< AMS >>]]** knob to display “CPLAY MODE” (C29).
3. Press the **[YES]** button to display “CPLAY MID”.
4. Press the **[MENU/NO]** button when “C = **[[]]** AD = **[[]]**” is displayed.
5. Turn the **[[<< AMS >>]]** knob to display “FBIAS ADJUS” (C13).
6. Press the **[YES]** button to display “**[[]]** a = **[[]]**”.
The first four digits indicate the C1 error rate, the two digits after [/] indicate ADER, and the 2 digits after [a =] indicate the focus bias value.
7. Turn the **[[<< AMS >>]]** knob clockwise and find the focus bias value at which the C1 error rate becomes about 200 (Refer to Note 2).
8. Press the **[YES]** button to display “**[[]]** b = **[[]]**”.
9. Turn the **[[<< AMS >>]]** knob counterclockwise and find the focus bias value at which the C1 error rate becomes about 200.
10. Press the **[YES]** button to display “**[[]]** c = **[[]]**”.
11. Check that the C1 error rate is below 50 and ADER is 00. Then press the **[YES]** button.
12. If the “(**[[]]**)” in “**[[]]** - **[[]]** - **[[]]** (**[[]]**)” is above 20, press the **[YES]** button.
If below 20, press the **[MENU/NO]** button and repeat the adjustment from step 2.
13. Press the **[EJECT]** button and take out the disc.

Note 1: The relation between the C1 error and focus bias is as shown in the following figure. Find points A and B in the following figure using the above adjustment. The focal point position C is automatically calculated from points A and B.

Note 2: As the C1 error rate changes, perform the adjustment using the average value.



13. ERROR RATE CHECK

13-1. CD Error Rate Check

Checking Procedure :

1. Load the check disc (MD) TDYS-1.
2. Turn the **[◀◀AMS▶▶]** knob and display “CPLAY MODE” (C30).
3. Press the **[YES]** button twice and display “CPLAY MID”.
4. The display changes to “C = [] AD = []”.
5. Check that the C1 error rate is below 20.
6. Press the **[MENU/NO]** button to stop playback, then press the **[EJECT ⏏]** button and take out the check disc.

13-2. MO Error Rate Check

Checking Procedure :

1. Load the continuously-recorded disc. (Refer to “5. CREATING CONTINUOUSLY-RECORDED DISC”)
2. Turn the **[◀◀AMS▶▶]** knob to display “CPLAY MODE” (C30).
3. Press the **[YES]** button to display “CPLAY MID”.
4. The display changes to “C1 = [] AD = []”.
5. If the C1 error rate is below 50, check that ADER is 00.
6. Press the **[MENU/NO]** button to stop playback, then press the **[EJECT ⏏]** button and take out the test disc.

14. FOCUS BIAS CHECK

Change the focus bias and check the focus tolerance amount.

Checking Procedure :

1. Load the continuously-recorded disc. (Refer to “5. CREATING CONTINUOUSLY-RECORDED DISC”)
2. Turn the **[◀◀AMS▶▶]** knob to display “CPLAY MODE” (C30).
3. Press the **[YES]** button twice to display “CPLAY MID”.
4. Press the **[MENU/NO]** button when “C = [] AD = []” is displayed.
5. Turn the **[◀◀AMS▶▶]** knob to display “FBIAS CHECK” (C05).
6. Press the **[YES]** button to display “[]/[] c = []”.
The first four digits indicate the C1 error rate, the two digits after [/] indicate ADER, and the 2 digits after [c =] indicate the focus bias value.
Check that the C1 error is below 50 and ADER is below 2.
7. Press the **[YES]** button and display “[]/[] b = []”.
Check that the C1 error is about 200 and ADER is below 2.
8. Press the **[YES]** button and display “[]/[] a = []”.
Check that the C1 error is about 200 and ADER is below 2.
9. Press the **[MENU/NO]** button, then press the **[EJECT ⏏]** button and take out the disc.

Note 1: If the C1 error and ADER are above other than the specified value at points A (step 8. in the above) or B (step 7. in the above), the focus bias adjustment may not have been carried out properly. Adjust perform the beginning again.

15. AUTO GAIN CONTROL OUTPUT LEVEL ADJUSTMENT

Be sure to perform this adjustment when the optical pick-up is replaced.

If the adjustment results becomes “Adjust NG!”, the optical pick-up may be faulty or the servo system circuits may be abnormal.

15-1. CD Auto Gain Control Output Level Adjustment

Adjusting Procedure :

1. Load the check disc (MD) TDYS-1.
2. Turn the **[◀◀AMS▶▶]** knob to display “AG Set (CD)” (C26).
3. When the **[YES]** button is pressed, the adjustment will be performed automatically.
“Complete!!” will then be displayed momentarily when the value is recorded in the non-volatile memory, after which the display changes to “AG Set (CD)”.
4. Press the **[EJECT ⏏]** button and take out the check disc.

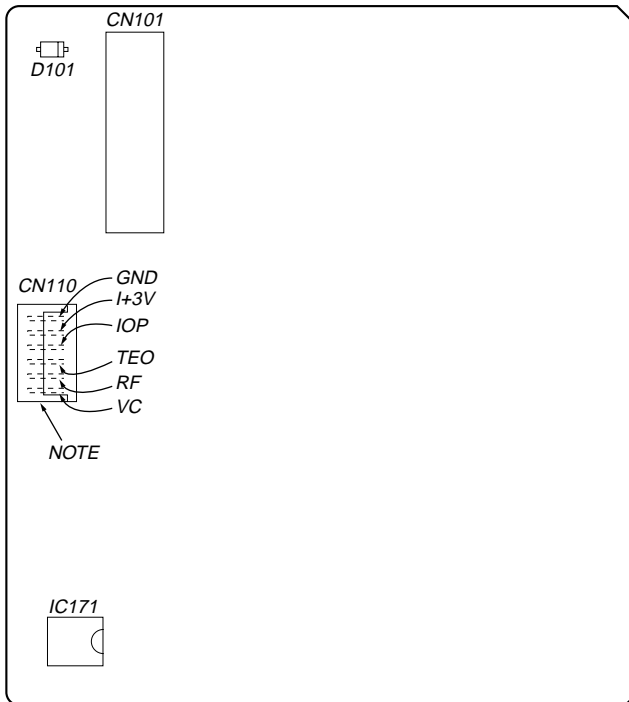
15-2. MO Auto Gain Control Output Level Adjustment

Adjusting Procedure :

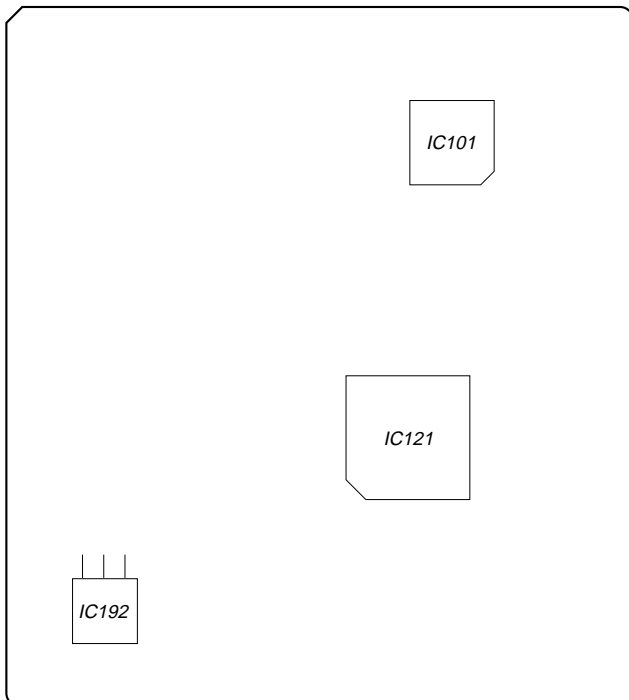
1. Load the test disc (MDW-74/AU-1).
2. Turn the **[◀◀AMS▶▶]** knob to display “AG Set (MO)” (C25).
3. When the **[YES]** button is pressed, the adjustment will be performed automatically.
“Complete!!” will then be displayed momentarily when the value is recorded in the non-volatile memory, after which the display changes to “AG Set (MO)”.
4. Press the **[EJECT ⏏]** button and take out the test disc.

Adjustment Location:

– BD BOARD (Side A) –



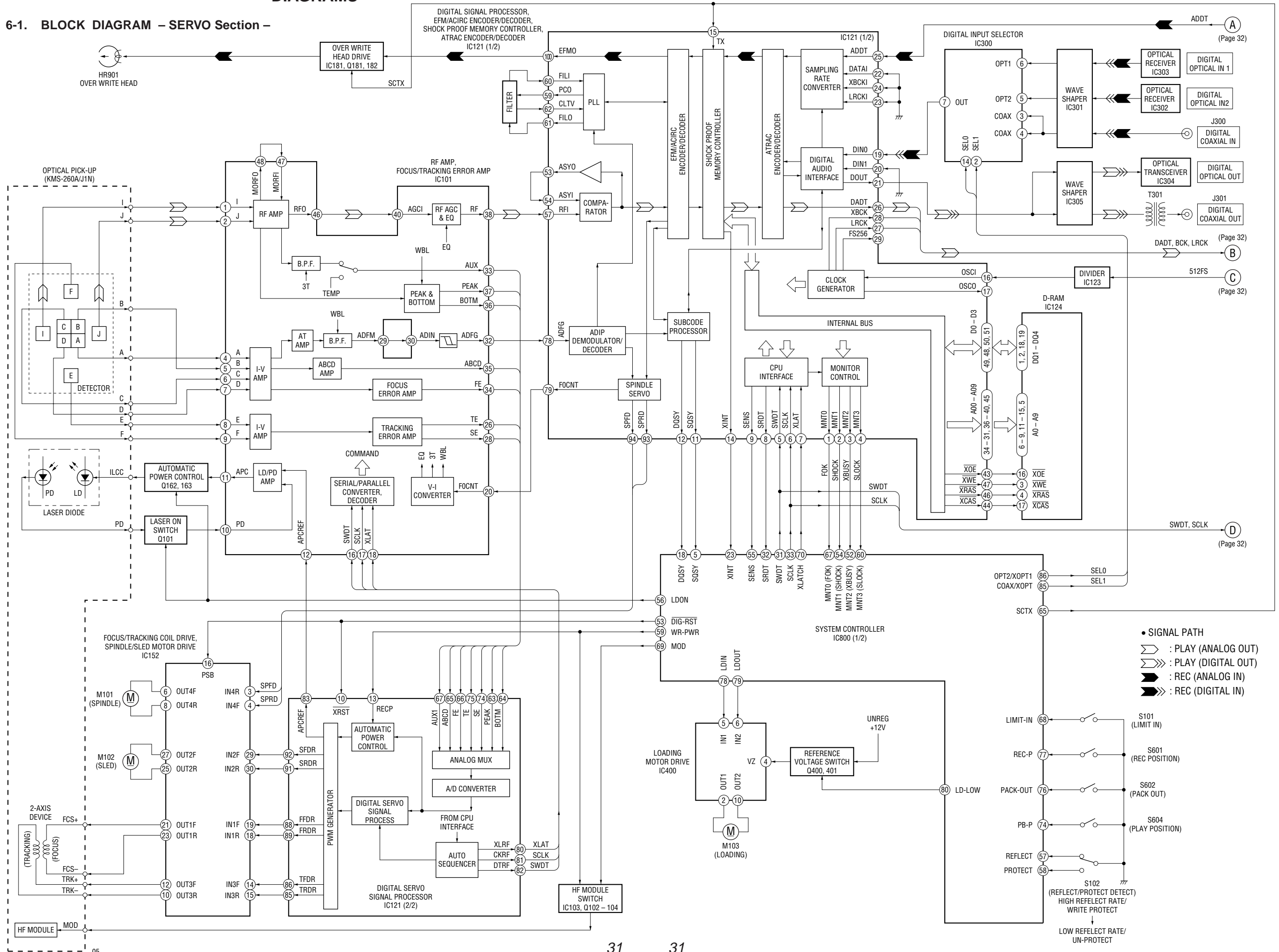
– BD BOARD (Side B) –



Note: It is useful to use the jig for checking the waveform. (Refer to Servicing Notes on page 6)

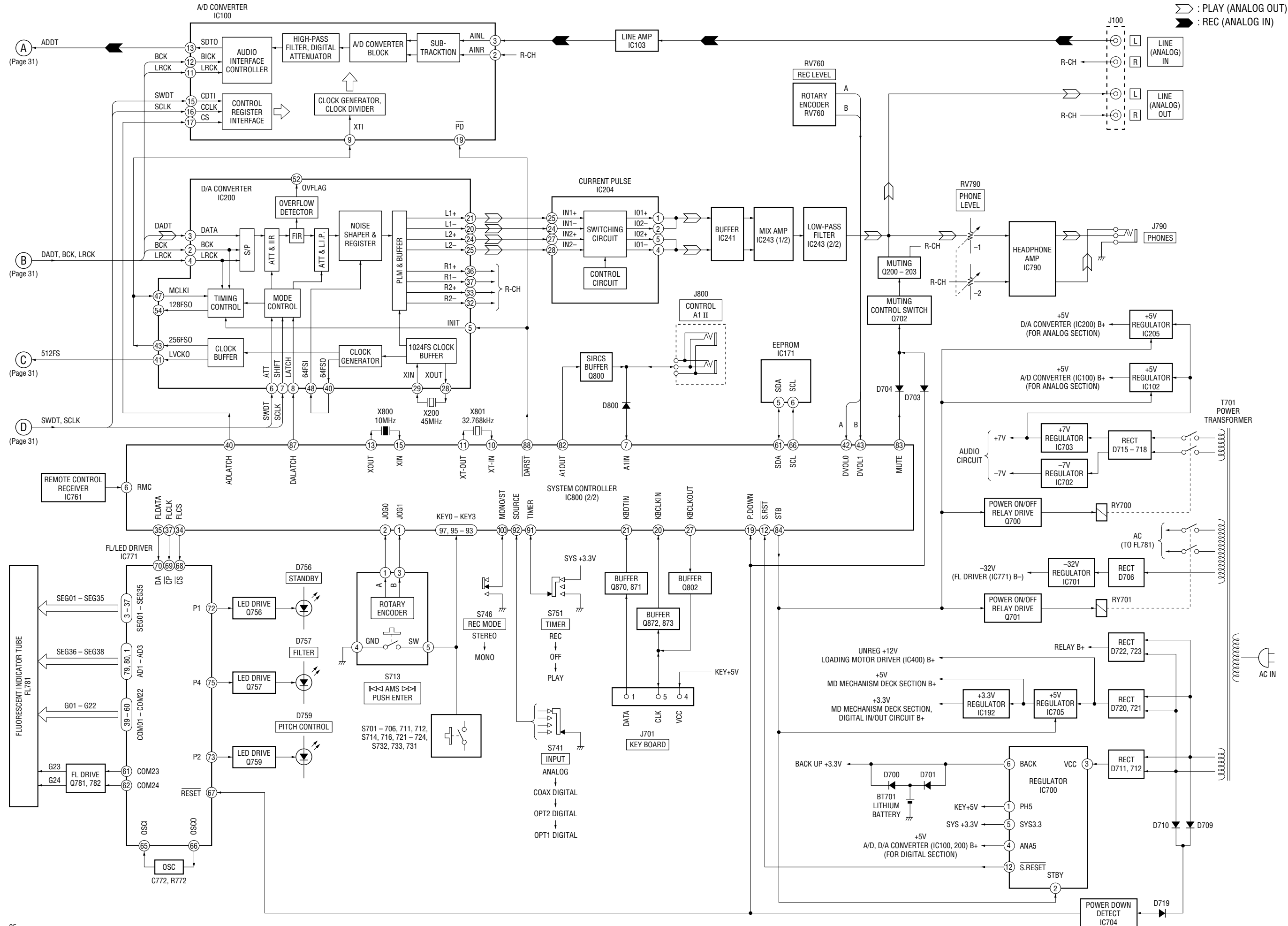
**SECTION 6
DIAGRAMS**

6-1. BLOCK DIAGRAM – SERVO Section –



6-2. BLOCK DIAGRAM - MAIN Section -

• SIGNAL PATH
▷ : PLAY (ANALOG OUT)
◁ : REC (ANALOG IN)



6-3. NOTE FOR PRINTED WIRING BOARDS AND SCHEMATIC DIAGRAMS (In addition to this, the necessary note is printed in each block)

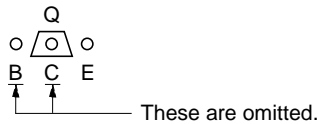
Note on Printed Wiring Board:

- — : parts extracted from the component side.
- : parts extracted from the conductor side.
- : Through hole.
- ▒ : Pattern from the side which enables seeing.

Caution:

Pattern face side: Parts on the pattern face side seen from the pattern face are indicated.
(Side B)
Parts face side: Parts on the parts face side seen from the parts face are indicated.
(Side A)

- Indication of transistor.



- Abbreviation
CND : Canadian model

Note on Schematic Diagram:

- All capacitors are in μF unless otherwise noted. pF : μF 50 WV or less are not indicated except for electrolytics and tantalums.
- All resistors are in Ω and $1/4\text{W}$ or less unless otherwise specified.
- % : indicates tolerance.
- Δ : internal component.
- ▭ : panel designation.

Note:

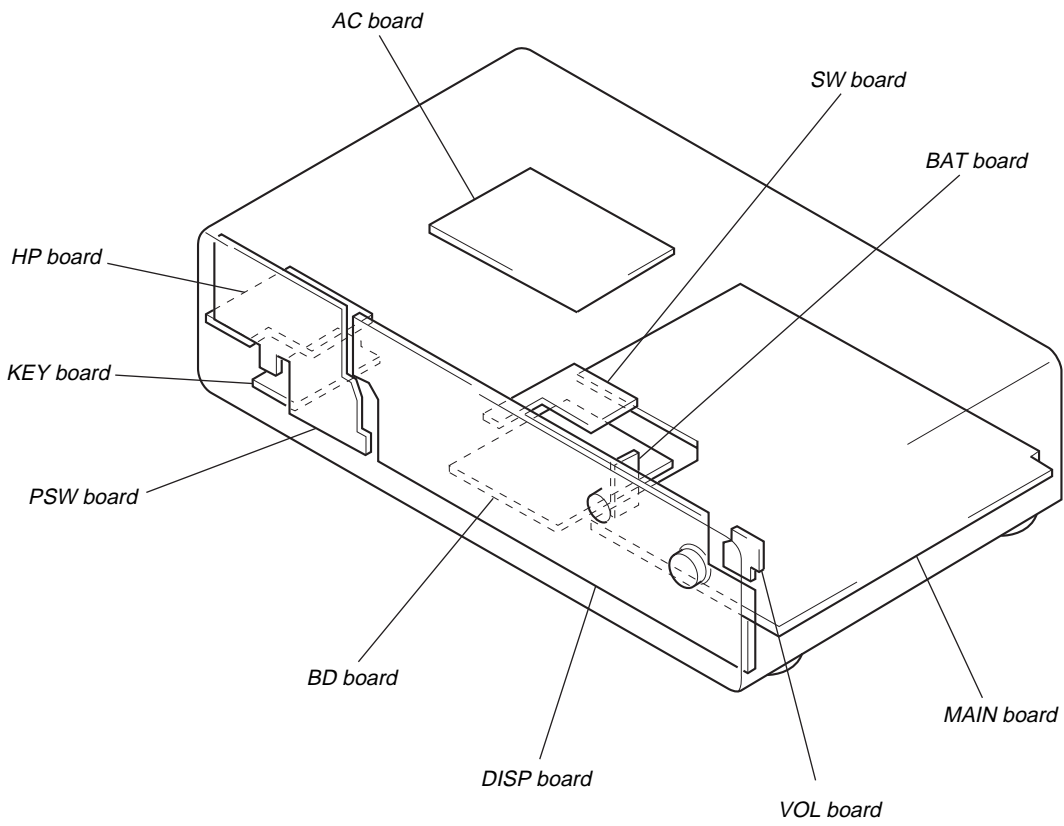
The components identified by mark Δ or dotted line with mark Δ are critical for safety.
Replace only with part number specified.

Note:

Les composants identifiés par une marque Δ sont critiques pour la sécurité.
Ne les remplacer que par une pièce portant le numéro spécifié.

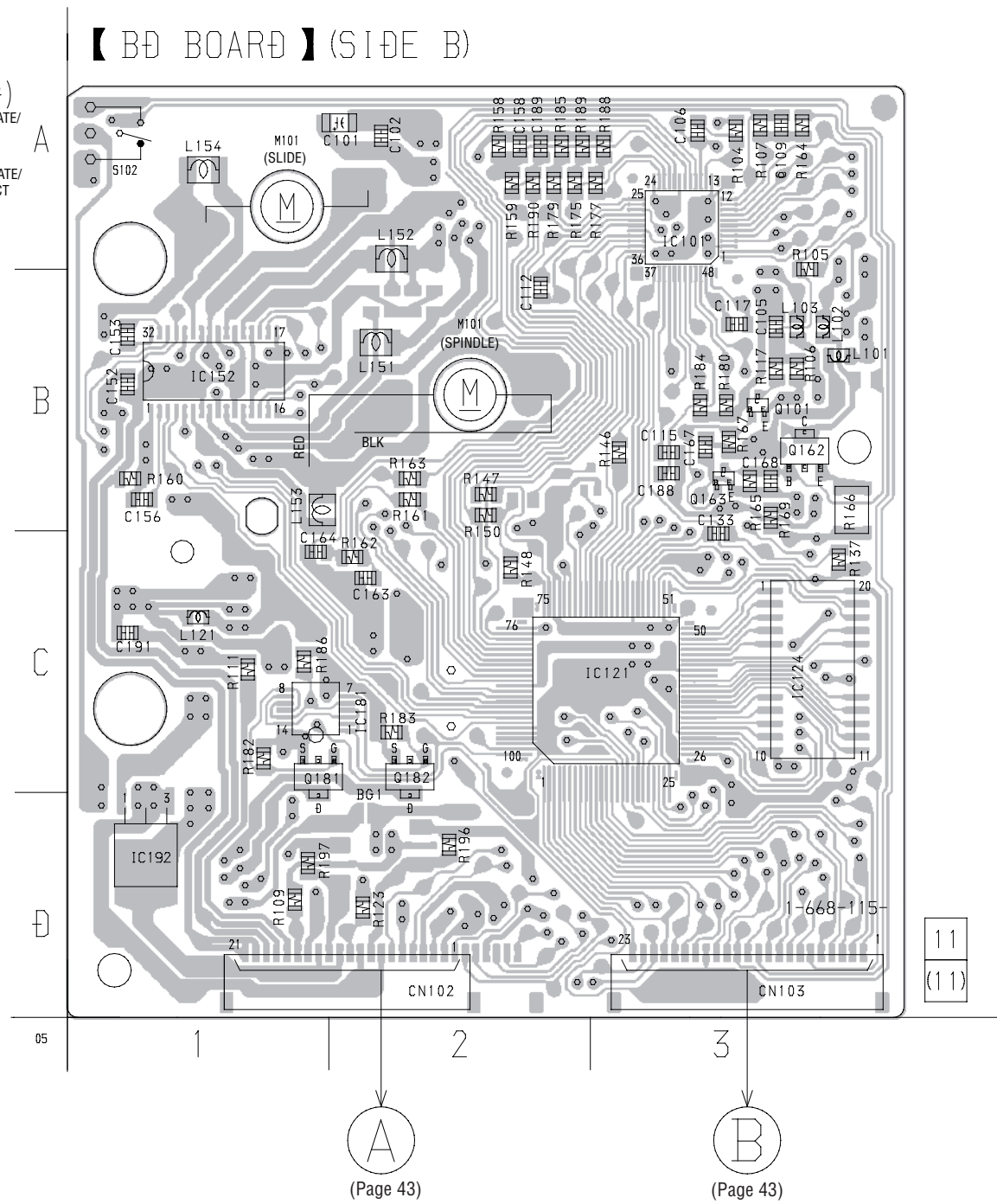
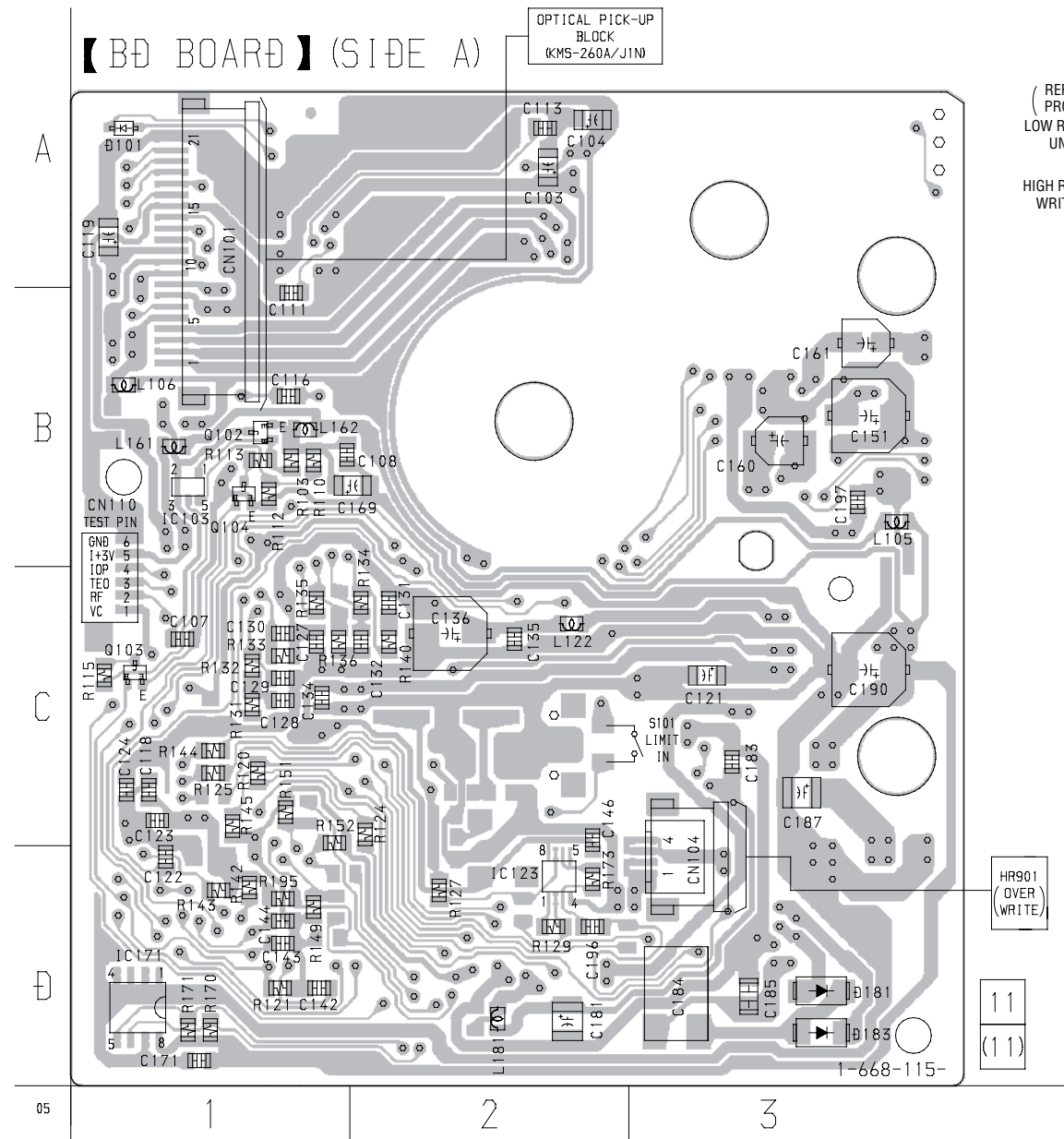
- $\text{B}+$: B+ Line.
- $\text{B}-$: B- Line.
- Voltages are taken with a VOM (Input impedance $10\text{M}\Omega$). Voltage variations may be noted due to normal production tolerances.
- Waveforms are taken with a oscilloscope. Voltage variations may be noted due to normal production tolerances.
- Circled numbers refer to waveforms.
- Signal path.
 - Σ : PLAY (ANALOG OUT)
 - $\Sigma\Sigma$: PLAY (DIGITAL OUT)
 - \blacktriangleright : REC (ANALOG IN)
 - $\blacktriangleright\Sigma$: REC (DIGITAL IN)
- Abbreviation
CND : Canadian model

• **Circuit Boards Location**



6-4. PRINTED WIRING BOARD – BD Board –

• See page 34 for Circuit Boards Location.



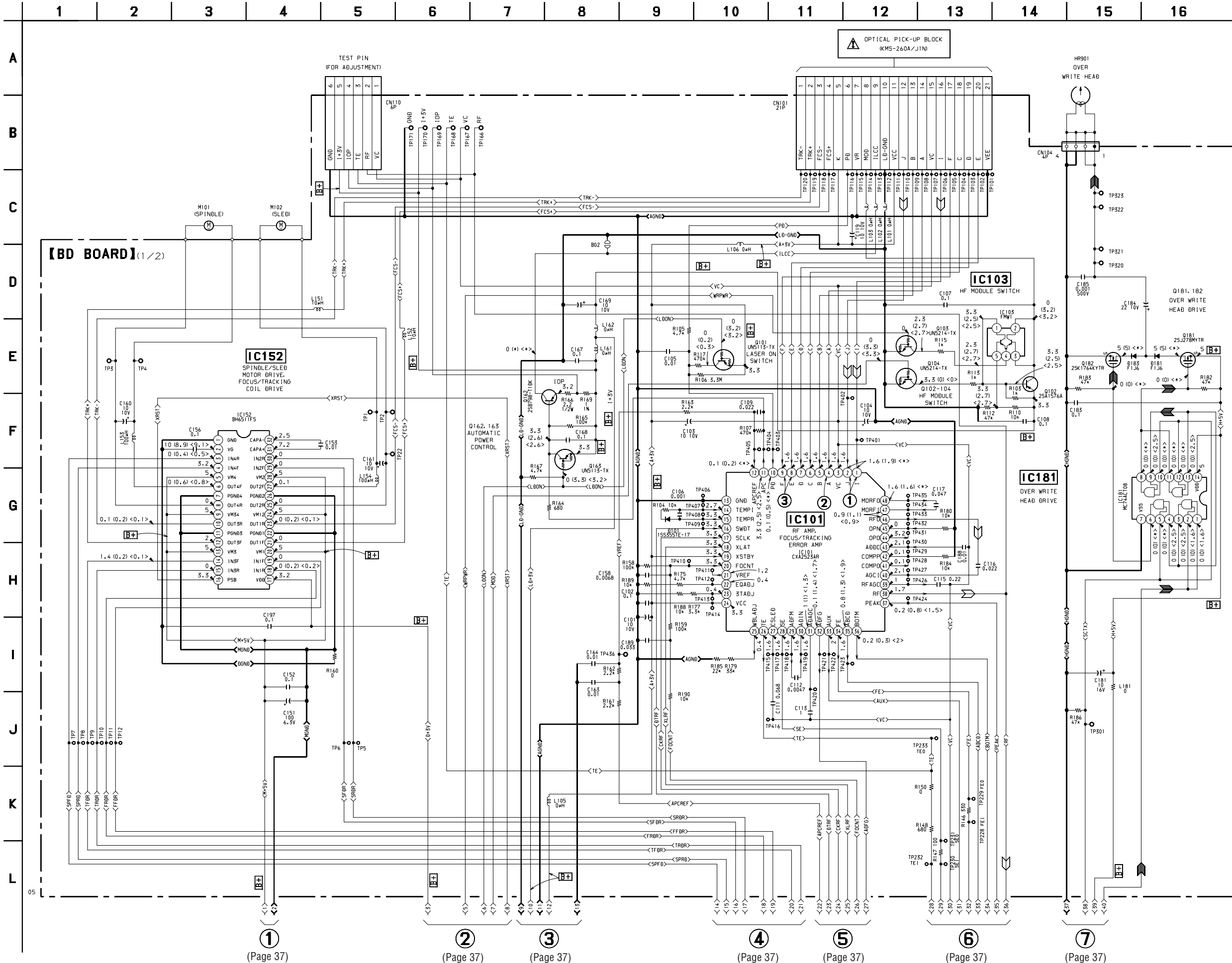
• Semiconductor Location

Ref. No.	Location
D101	A-1
D181	D-3
D183	D-3
IC103	B-1
IC123	D-2
IC171	D-1
Q102	B-1
Q103	C-1
Q104	B-1

• Semiconductor Location

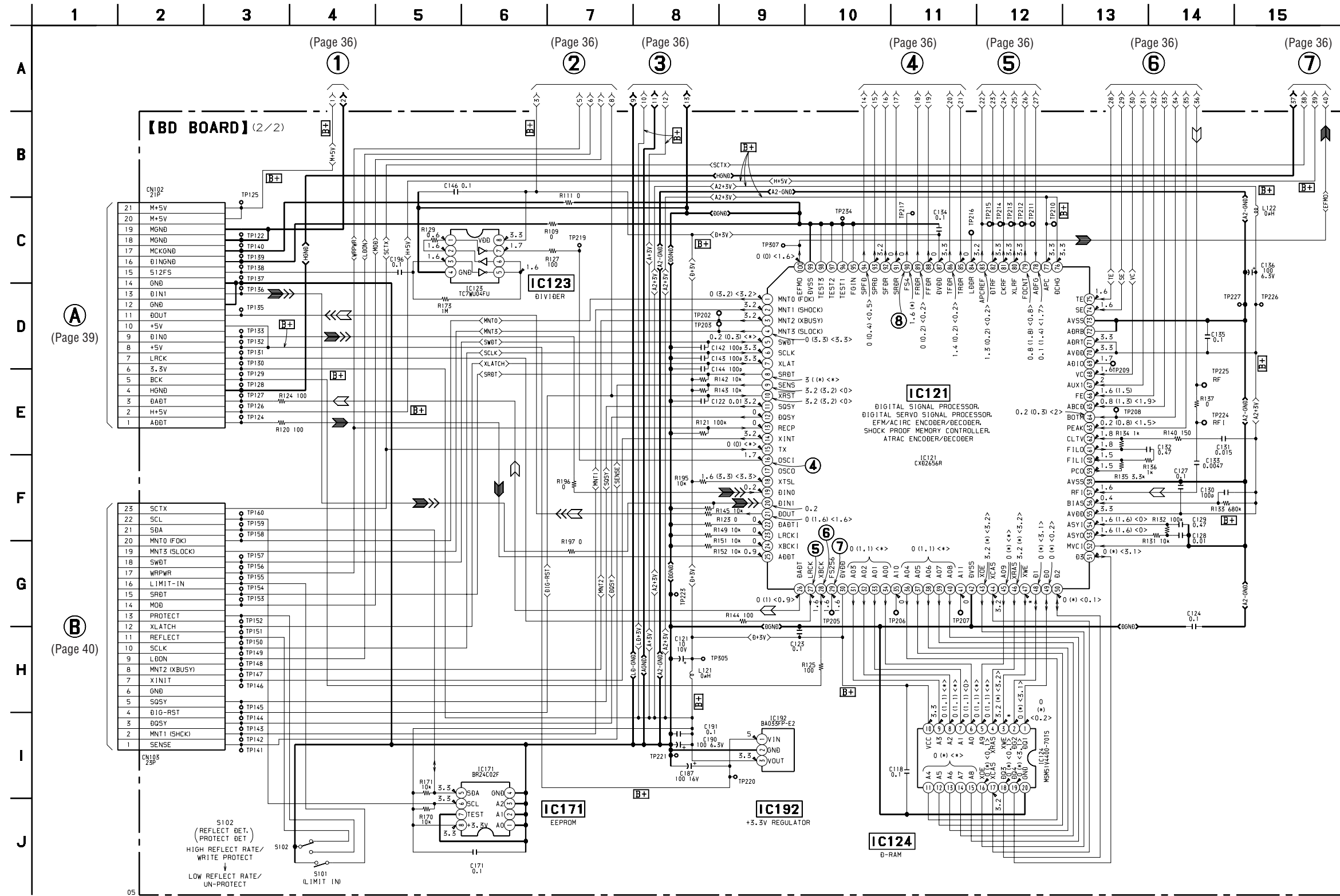
Ref. No.	Location
IC101	A-3
IC121	C-3
IC124	C-3
IC152	B-1
IC181	C-1
IC192	D-1
Q101	B-3
Q162	B-3
Q163	B-3
Q181	C-1
Q182	C-2

6-5. SCHEMATIC DIAGRAM - BD Board (1/2) - • See page 48 for Waveforms. • See page 49 for IC Block Diagrams.



① (Page 37) ② (Page 37) ③ (Page 37) ④ (Page 37) ⑤ (Page 37) ⑥ (Page 37) ⑦ (Page 37)

6-6. SCHEMATIC DIAGRAM – BD Board (2/2) – • See page 48 for Waveforms. • See page 50 for IC Block Diagrams.



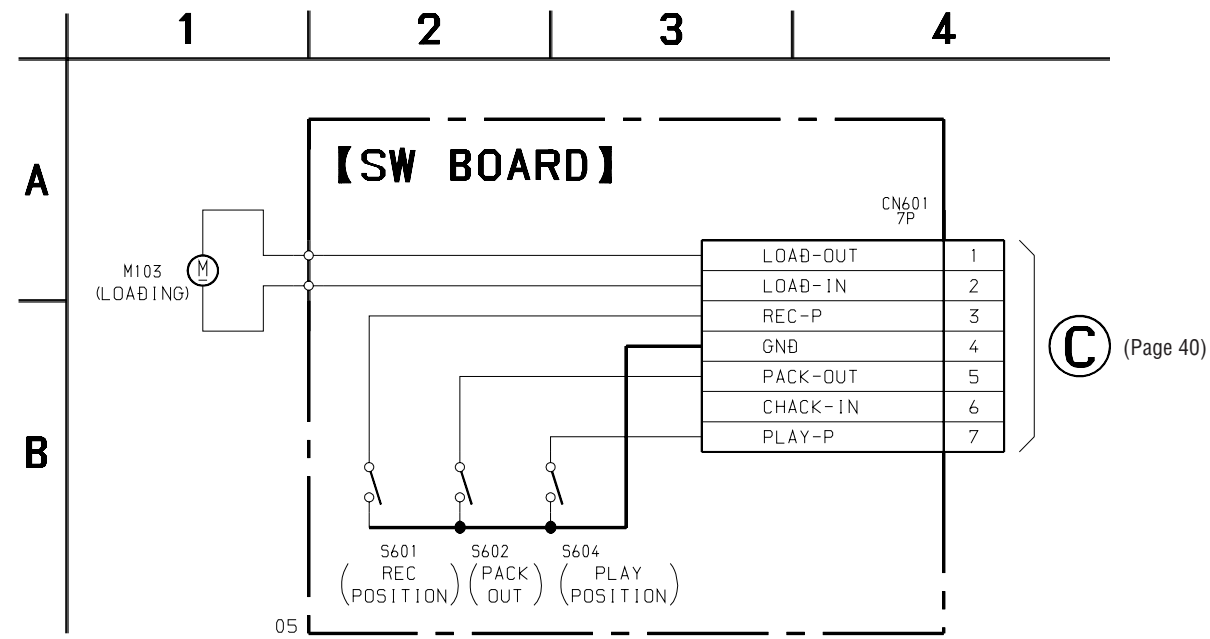
Note on Schematic Diagram:

- Voltages and waveforms are dc with respect to ground under no-signal conditions.
- no mark : STOP
- () : PLAY
- < > : REC
- * : Impossible to measure

The components identified by mark Δ or dotted line with mark Δ are critical for safety. Replace only with part number specified.

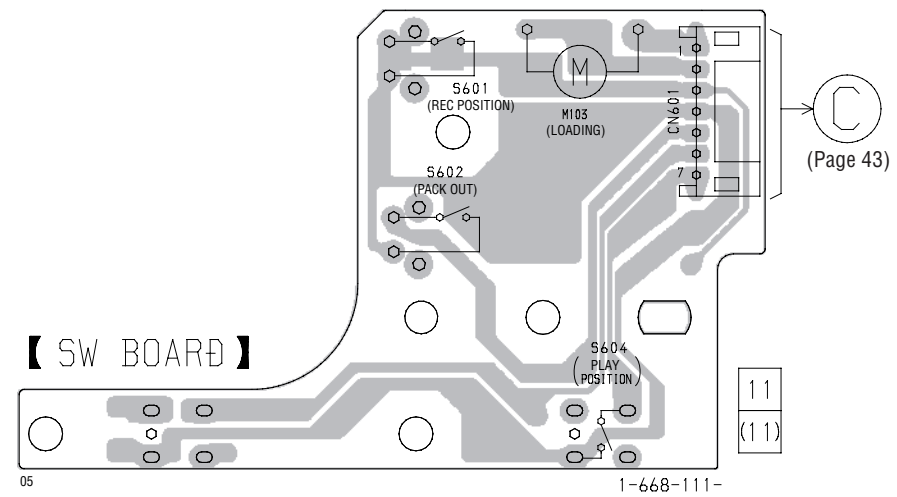
Les composants identifiés par une marque Δ sont critiques pour la sécurité. Ne les remplacer que par une pièce portant le numéro spécifié.

6-7. SCHEMATIC DIAGRAM – SW Board –



6-8. PRINTED WIRING BOARD – SW Board –

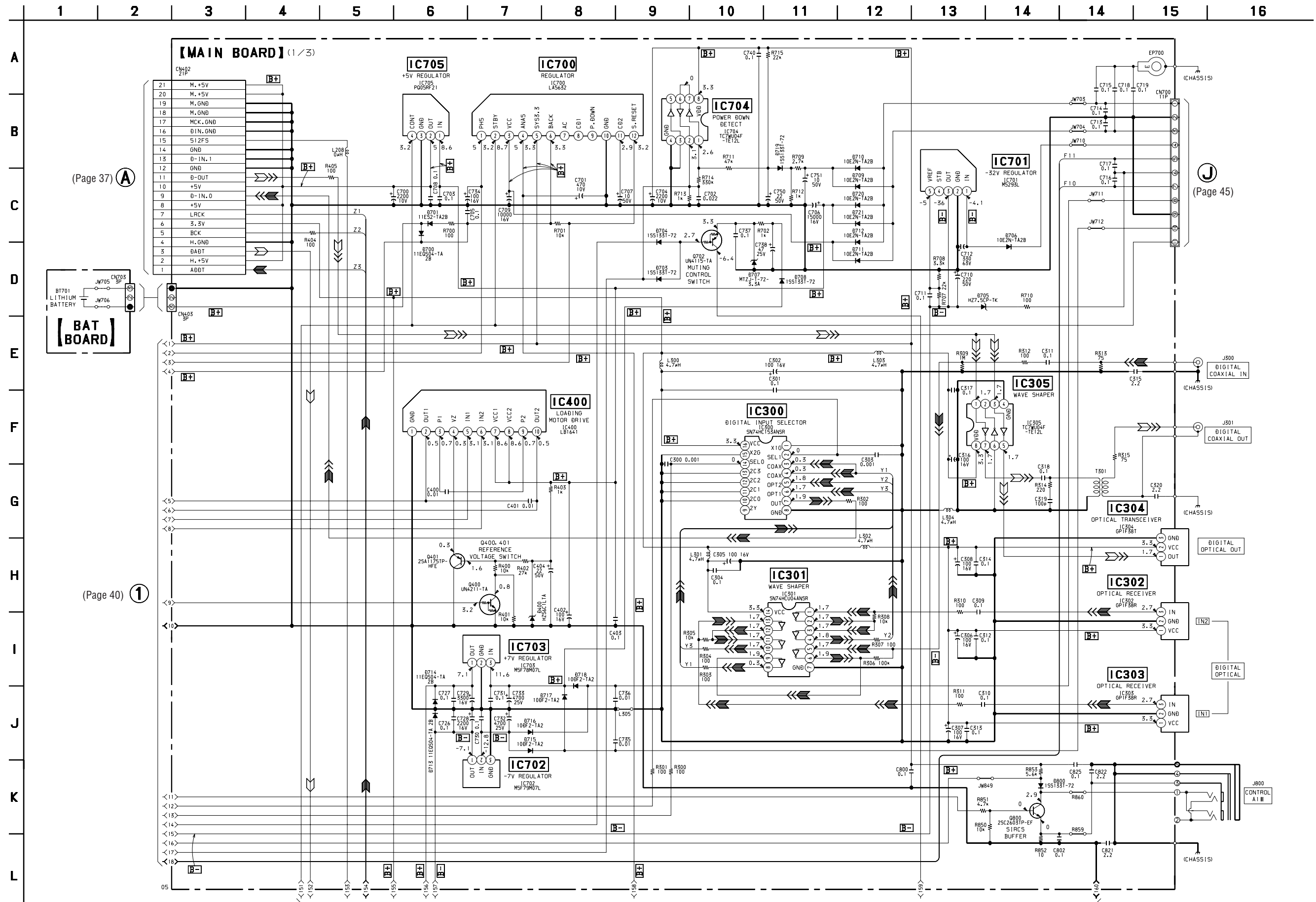
• See page 34 for Circuit Boards Location.



6-9. SCHEMATIC DIAGRAM – MAIN (1/3)/BAT Boards –
• See page 51 for IC Block Diagrams.

Note on Schematic Diagram:

- Voltages and waveforms are dc with respect to ground under no-signal conditions.
- no mark : PLAY



(Page 37) A

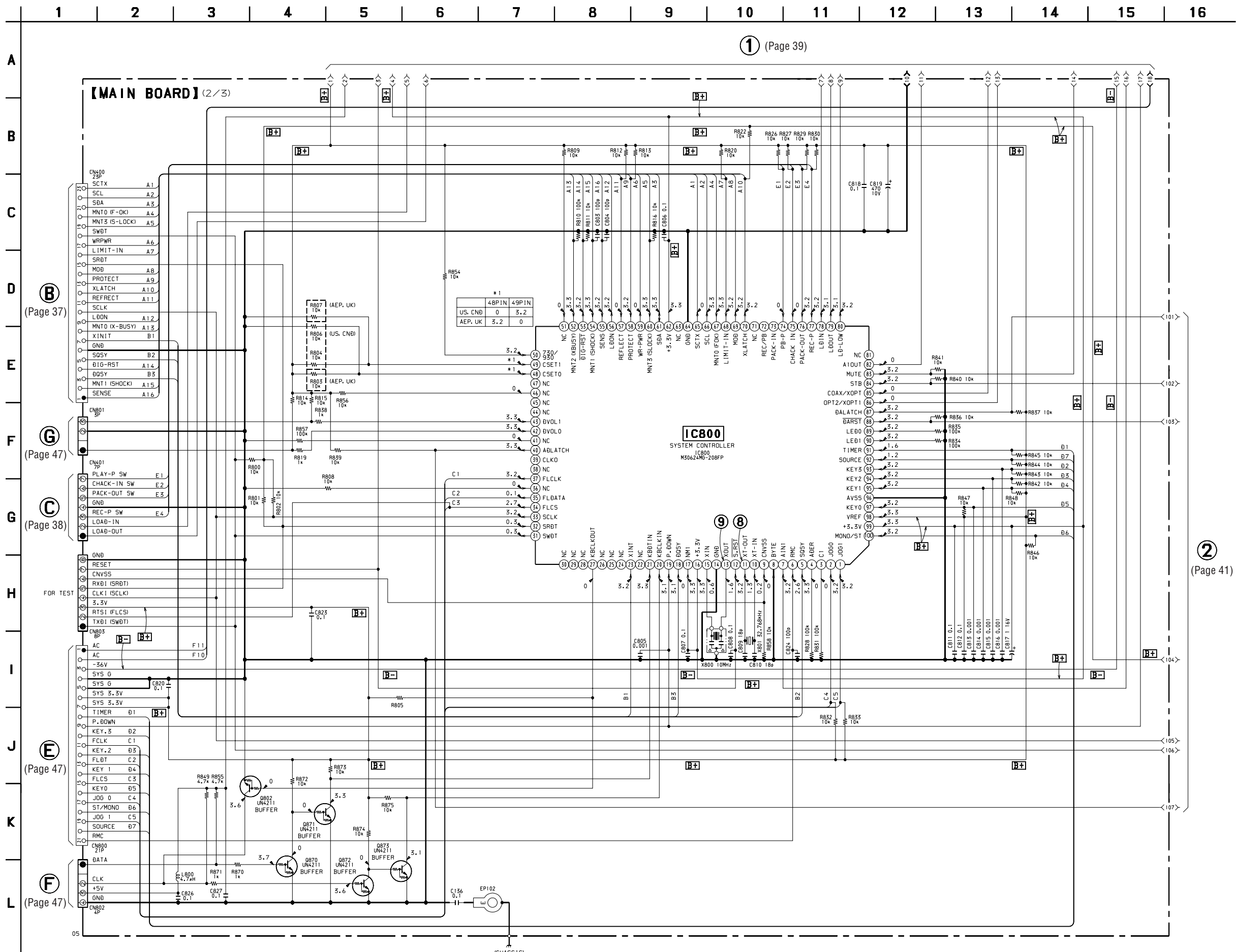
J (Page 45)

(Page 40) 1

3 (Page 41)

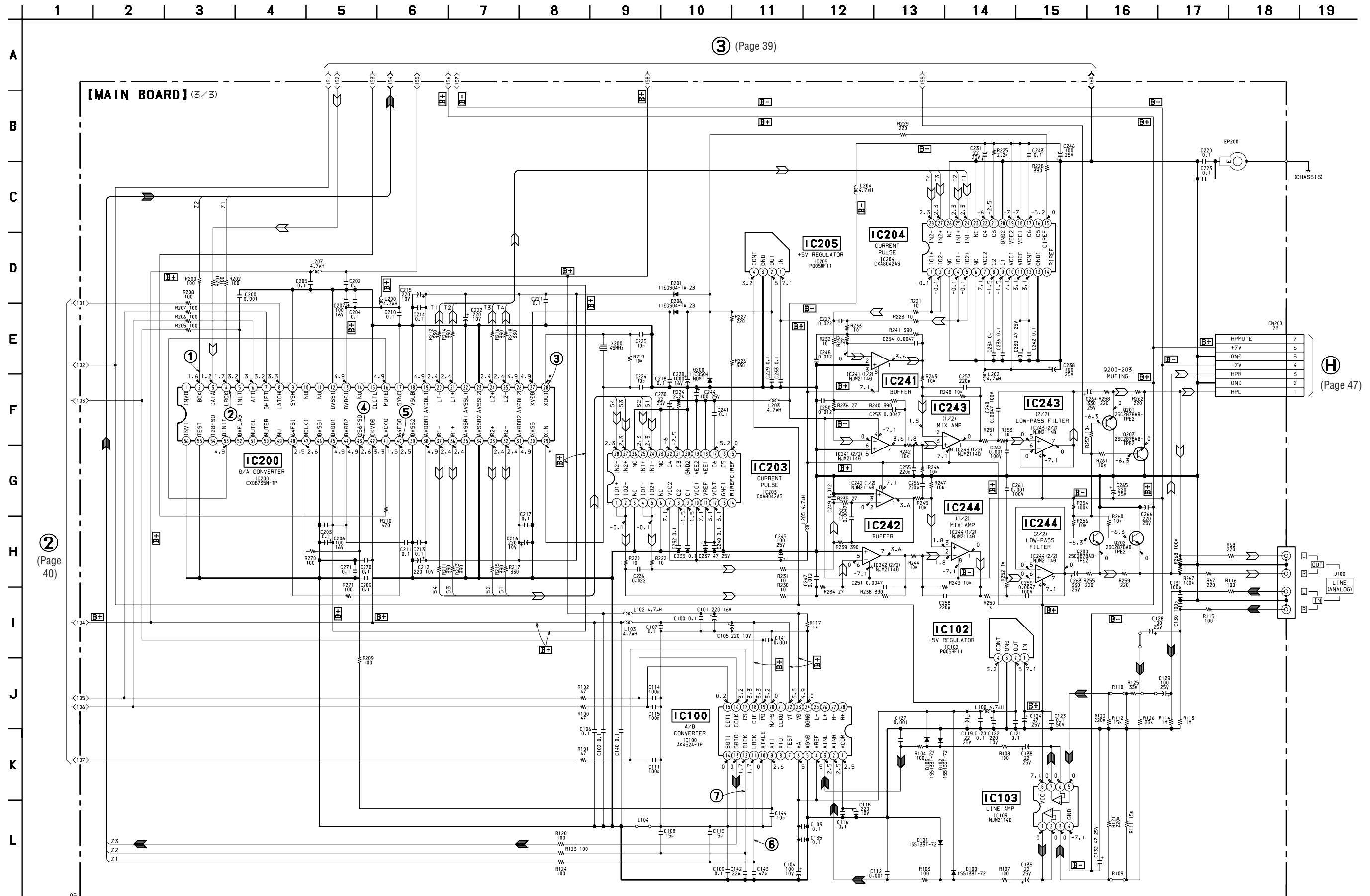
6-10. SCHEMATIC DIAGRAM – MAIN Board (2/3) –
• See page 48 for Waveform.

Note on Schematic Diagram:
• Voltages and waveforms are dc with respect to ground under no-signal conditions.
no mark : PLAY



6-11. SCHEMATIC DIAGRAM – MAIN Board (3/3) –
• See page 48 for Waveforms. • See page 51 for IC Block Diagrams.

Note on Schematic Diagram:
• Voltages and waveforms are dc with respect to ground under no-signal conditions.
no mark : PLAY

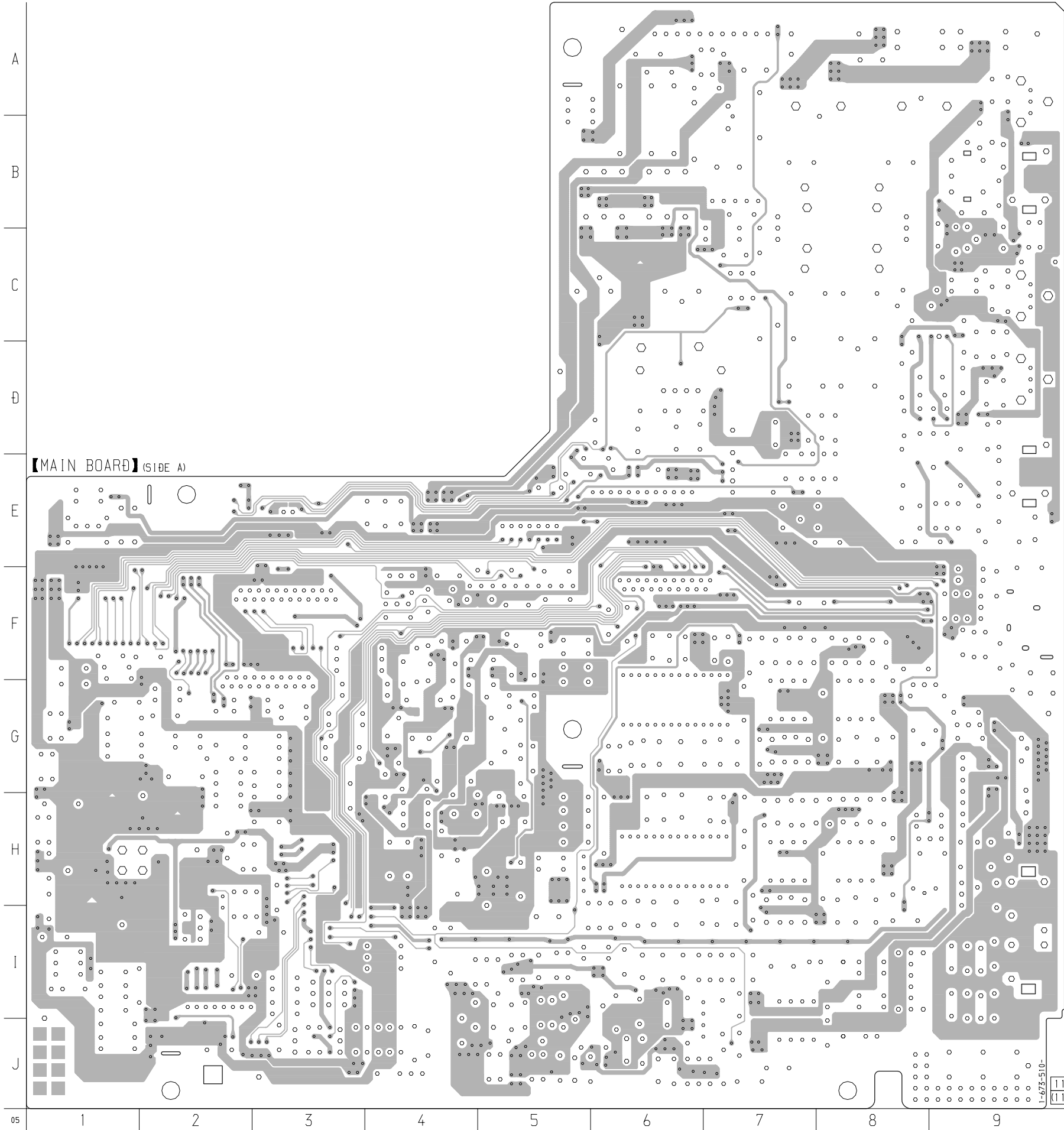


③ (Page 39)

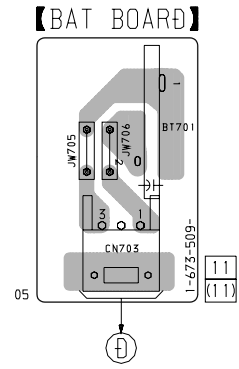
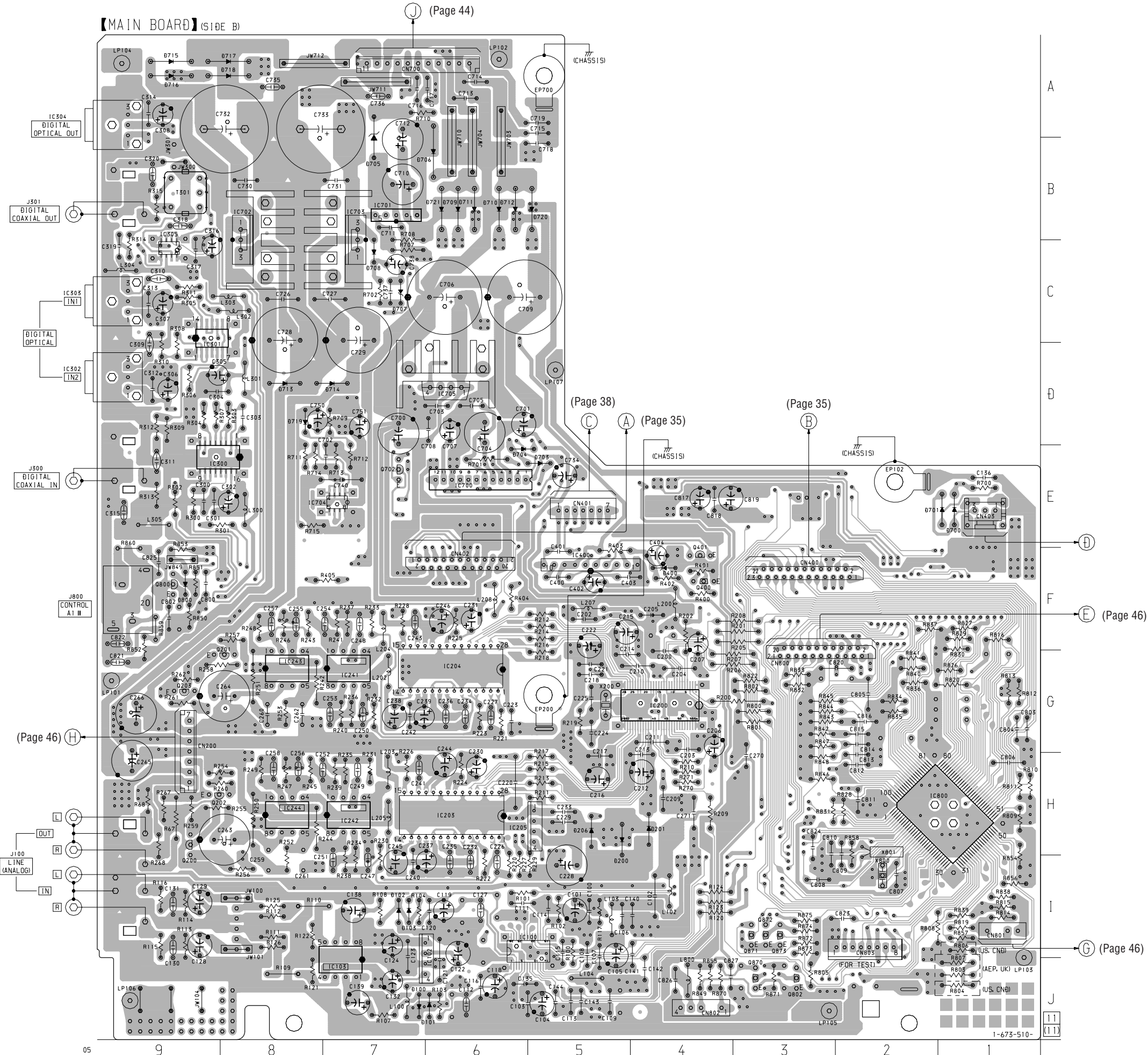
② (Page 40)

④ (Page 47)

6-12. PRINTED WIRING BOARD – MAIN Board (Side A) – • See page 34 for Circuit Boards Location.



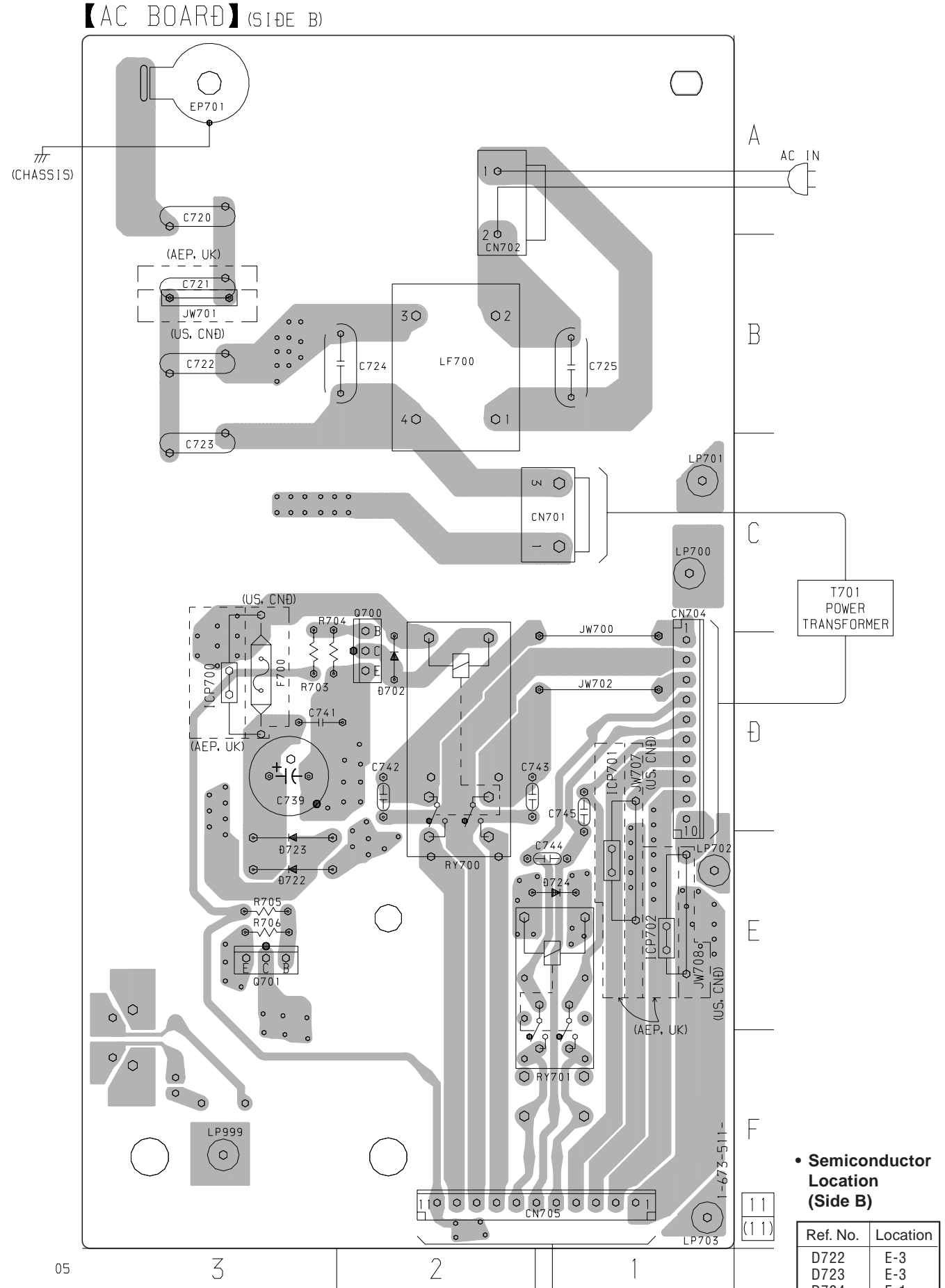
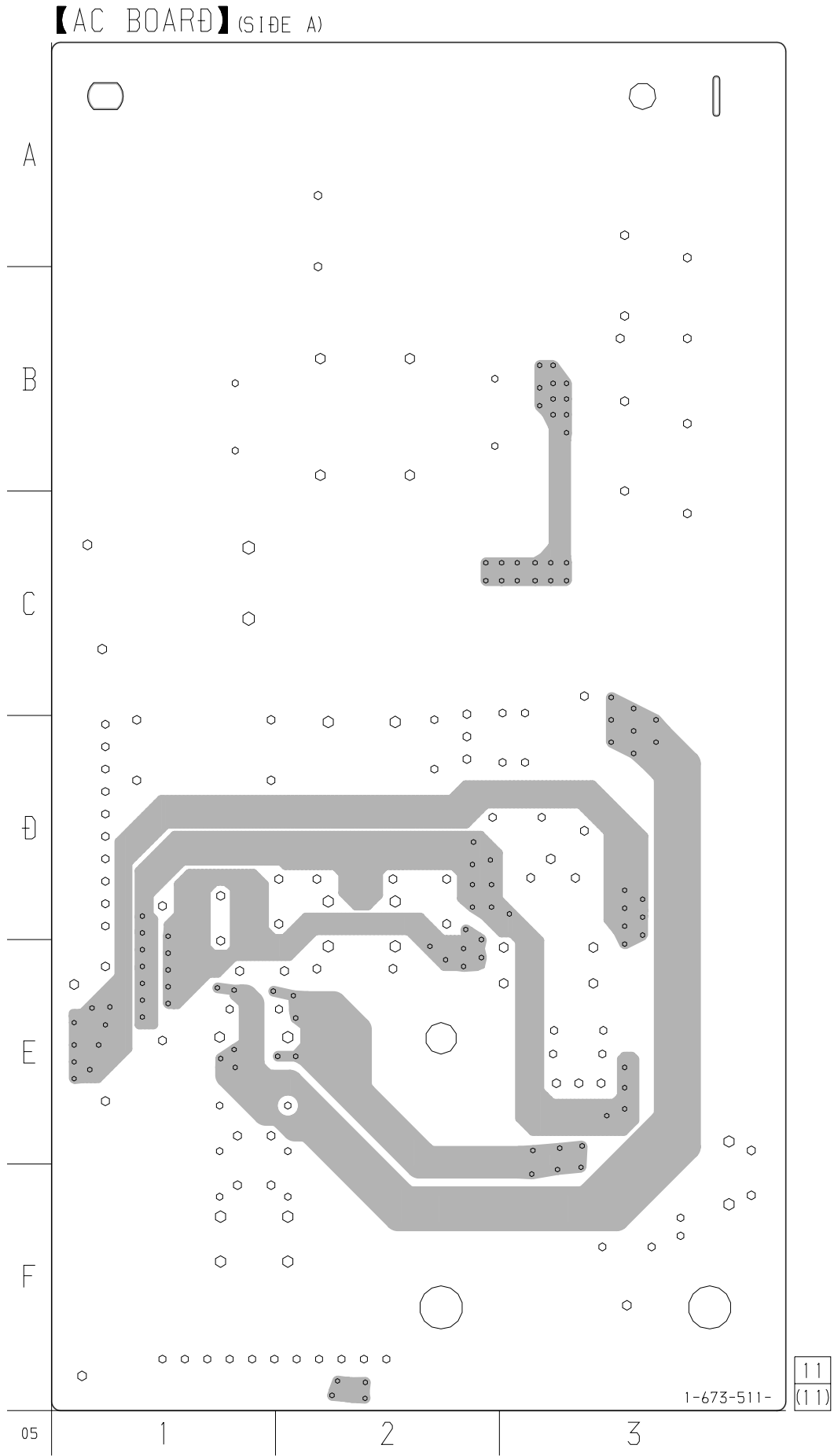
6-13. PRINTED WIRING BOARDS – MAIN Board (Side B), BAT Board – • See page 34 for Circuit Boards Location.



• Semiconductor Location (Side B)

Ref. No.	Location	Ref. No.	Location
D100	J-7	IC203	H-6
D101	J-6	IC204	G-6
D102	I-7	IC205	H-5
D103	I-7	IC241	G-7
D200	H-5	IC242	H-7
D201	H-4	IC243	G-8
D206	H-5	IC244	H-8
D400	F-4	IC300	E-9
D700	E-1	IC301	C-9
D701	E-1	IC302	D-9
D703	E-5	IC303	C-9
D704	E-6	IC304	A-9
D705	B-7	IC305	C-9
D706	B-7	IC400	F-5
D707	C-7	IC700	E-6
D708	C-7	IC701	B-7
D709	B-6	IC702	B-8
D710	B-6	IC703	B-7
D711	B-6	IC704	E-7
D712	B-6	IC705	D-6
D713	D-8	IC800	H-1
D714	D-7		
D715	A-9	Q200	H-9
D716	A-9	Q201	G-8
D717	A-8	Q202	H-9
D718	A-8	Q203	G-9
D719	D-8	Q400	F-4
D720	B-5	Q401	F-4
D721	B-6	Q702	E-7
D800	F-9	Q800	F-9
		Q802	J-3
		Q870	J-3
IC100	I-6	Q871	I-3
IC102	J-6	Q872	I-3
IC103	J-7	Q873	I-3
IC200	G-4		

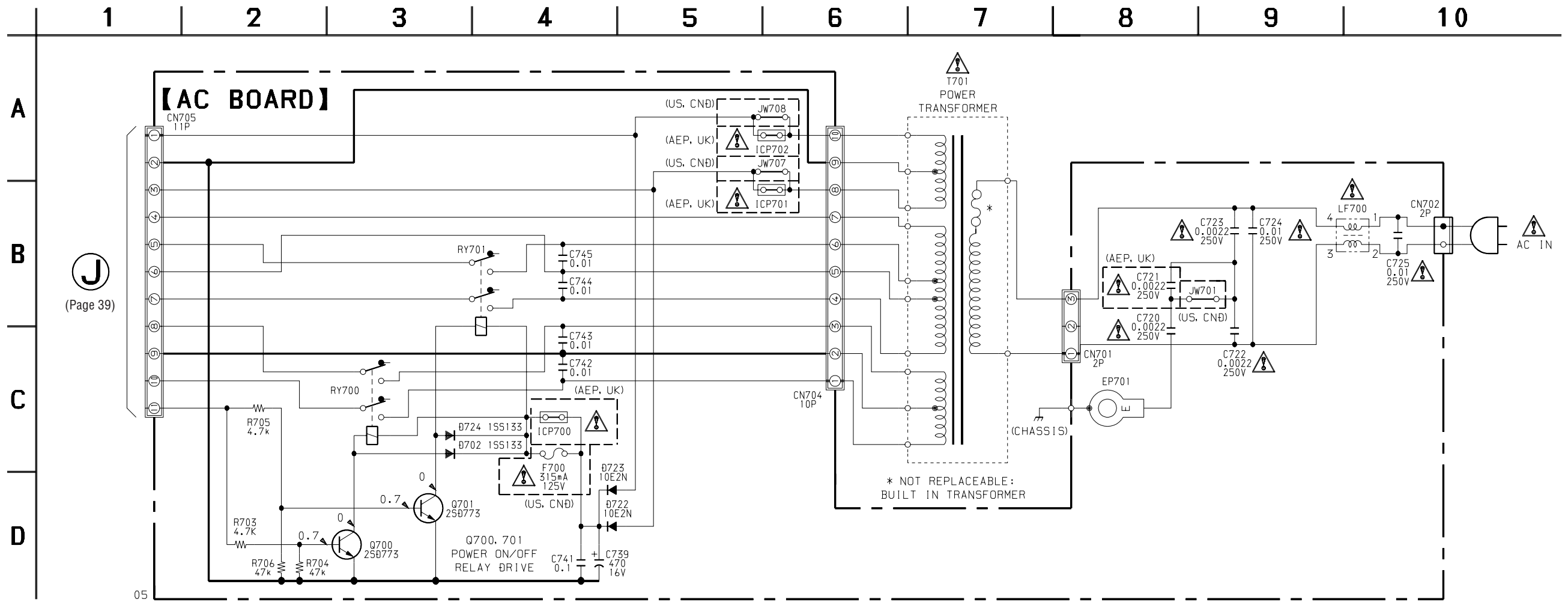
6-14. PRINTED WIRING BOARD – AC Board – • See page 34 for Circuit Boards Location.



• Semiconductor Location (Side B)

Ref. No.	Location
D722	E-3
D723	E-3
D724	E-1
Q700	D-2
Q701	E-3

6-15. SCHEMATIC DIAGRAM – AC Board –

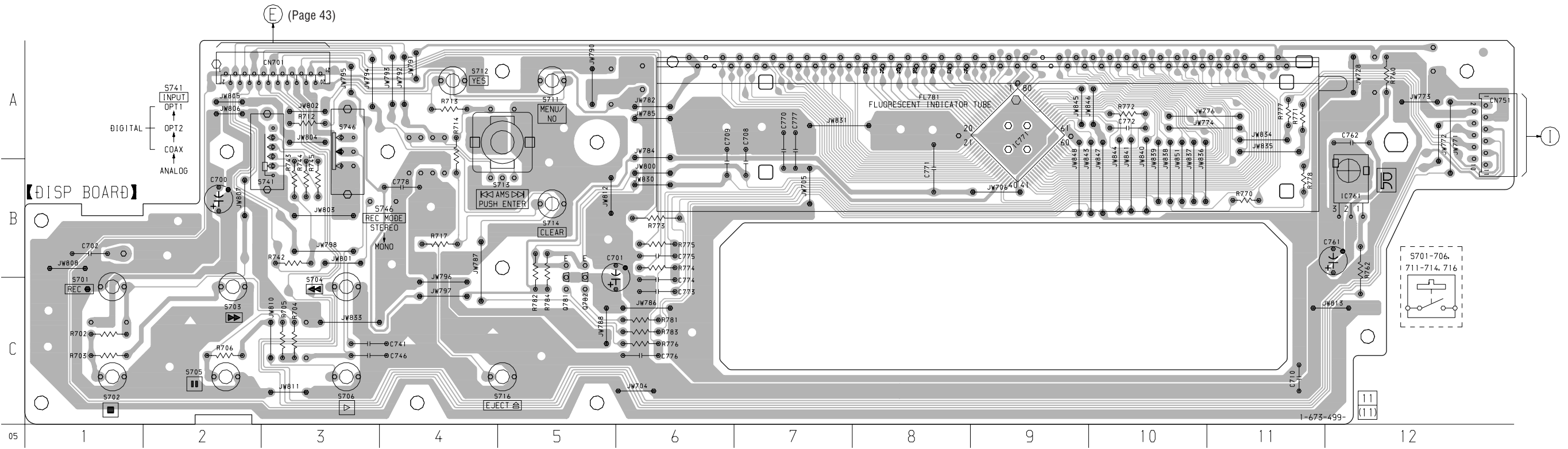


Note on Schematic Diagram:

- Voltages and waveforms are dc with respect to ground under no-signal conditions.
no mark : PLAY

<p>The components identified by mark \triangle or dotted line with mark \triangle are critical for safety. Replace only with part number specified.</p>	<p>Les composants identifiés par une marque \triangle sont critiques pour la sécurité. Ne les remplacer que par une pièce portant le numéro spécifié.</p>
---	--

6-16. PRINTED WIRING BOARDS – PANEL Section – • See page 34 for Circuit Boards Location.

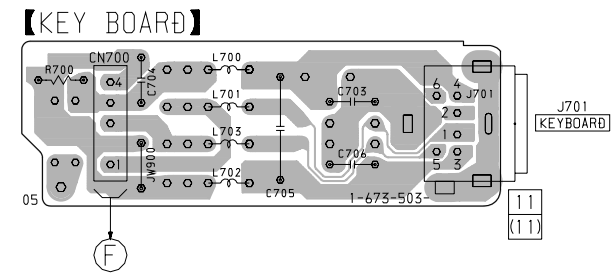
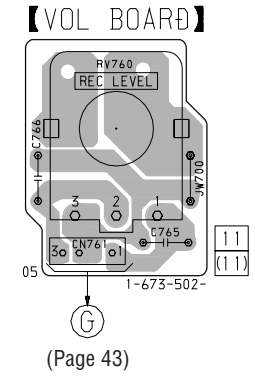
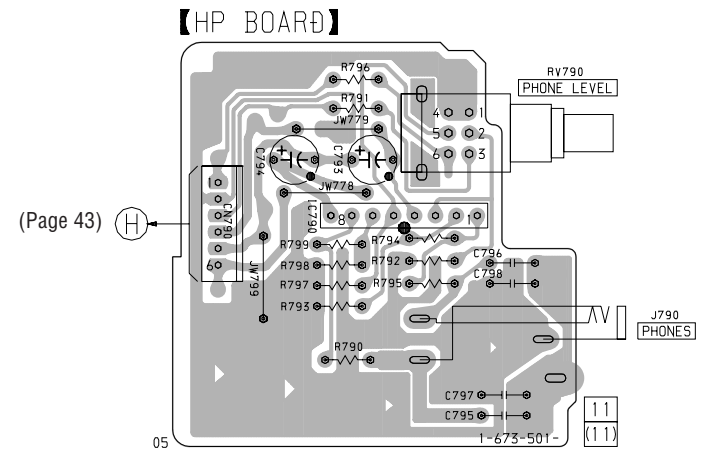
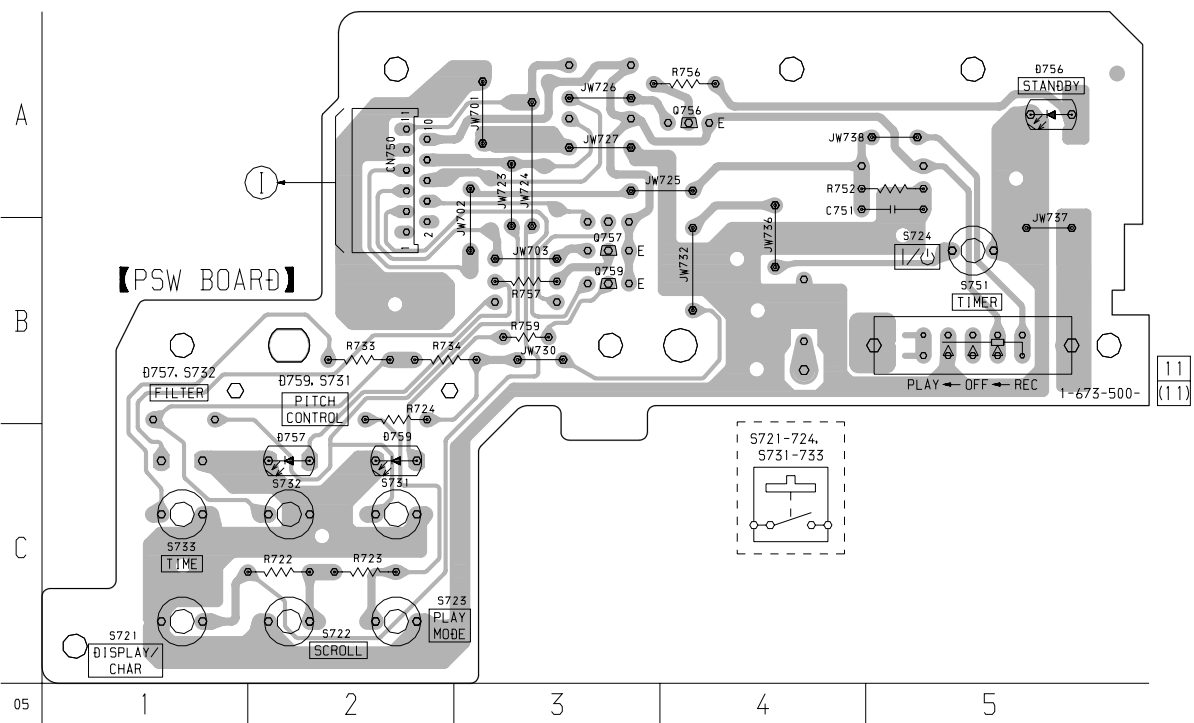


• Semiconductor Location – DISP Board –

Ref. No.	Location
IC761	B-12
IC771	A-9
Q781	C-5
Q782	C-5

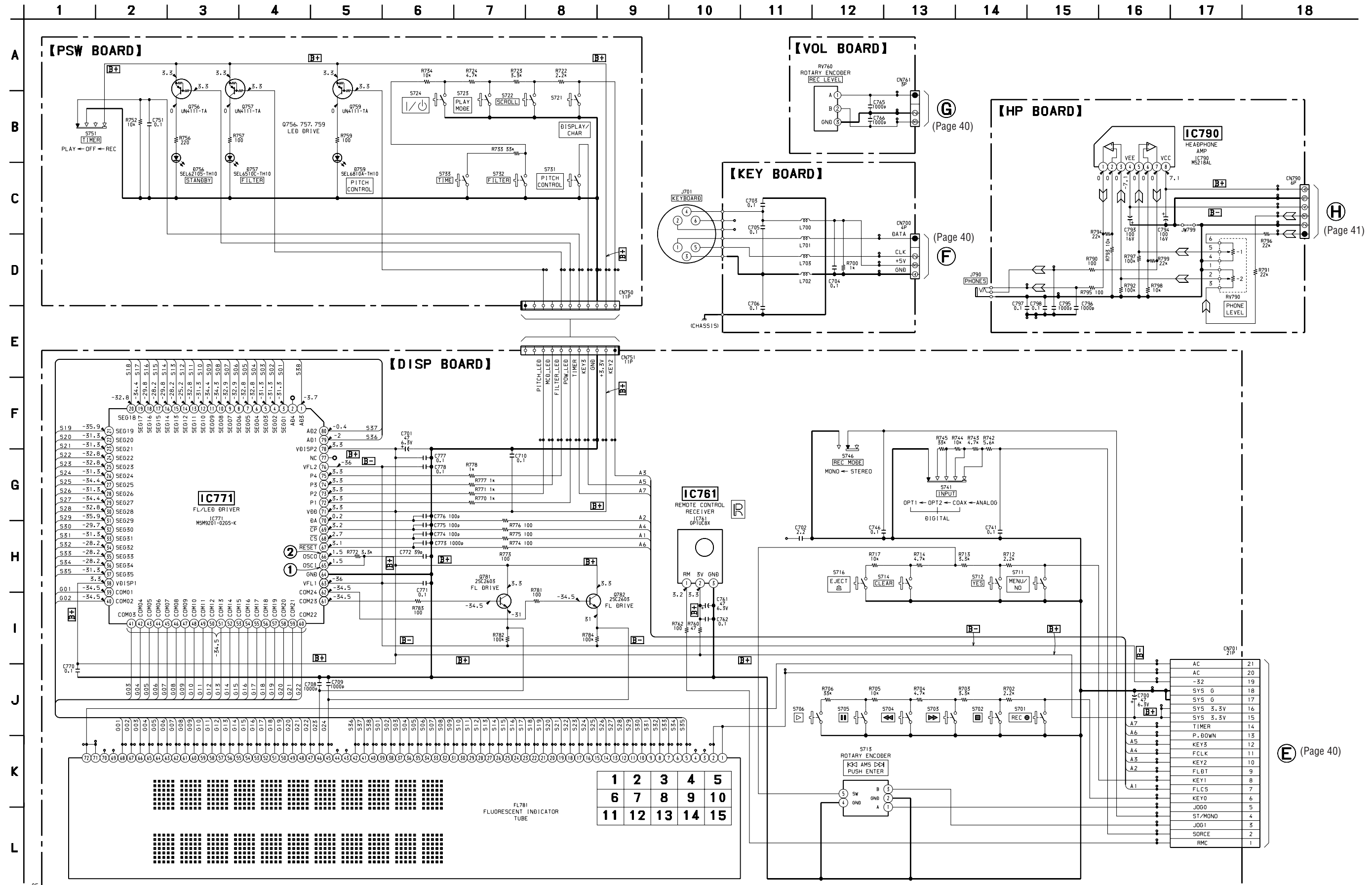
• Semiconductor Location – PSW Board –

Ref. No.	Location
D756	A-5
D757	C-2
D759	C-2



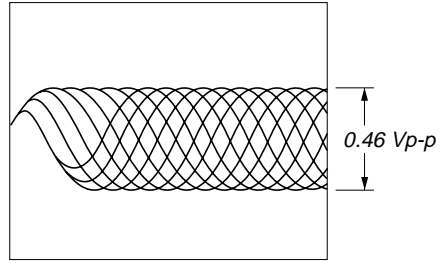
6-17. SCHEMATIC DIAGRAM – PANEL Section –
 • See page 48 for Waveforms.

Note on Schematic Diagram:
 • Voltages and waveforms are dc with respect to ground under no-signal conditions.
 no mark : STOP



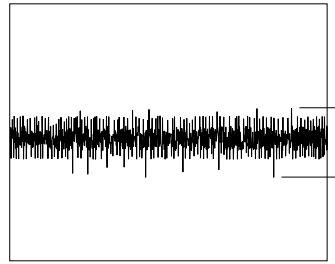
• Waveforms
– BD board –

1 IC101 ①, ② (I, J) (Play mode)



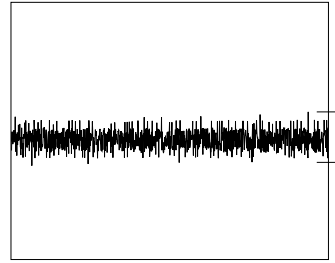
0.46 Vp-p

2 IC101 ④ (A) (Play mode)



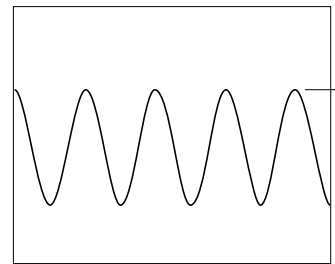
0.1 Vp-p

3 IC101 ⑧, ⑨ (E, F) (Play mode)



0.06 Vp-p

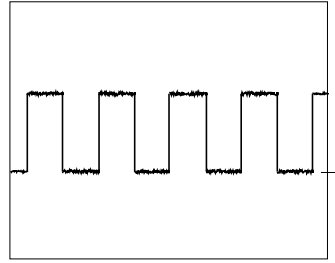
4 IC121 ⑩ (OSI)



3.1 Vp-p

45.158 MHz

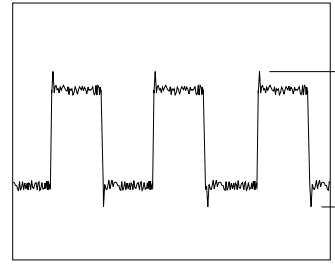
5 IC121 ⑰ (LRCK)



3.2 Vp-p

44.1 kHz

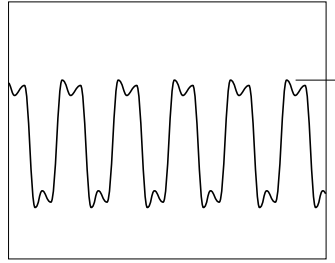
6 IC121 ⑳ (XBCK)



3.8 Vp-p

2.822 MHz

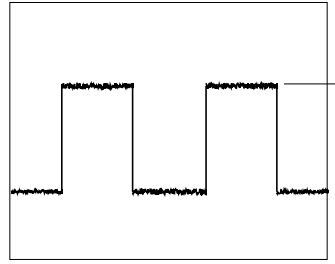
7 IC121 ㉑ (FS256)



3.8 Vp-p

11.29 MHz

8 IC121 ㉒ (FS4)

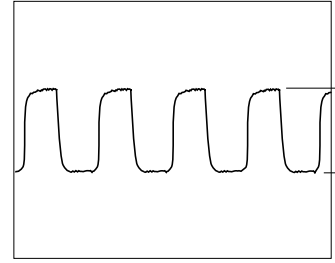


3.2 Vp-p

176.4 kHz

– MAIN board –

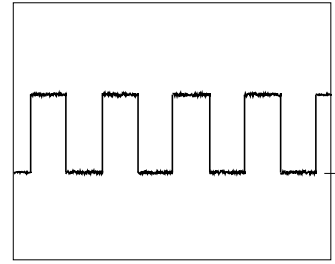
1 IC200 ② (BCK)



3.4 Vp-p

2.8 MHz

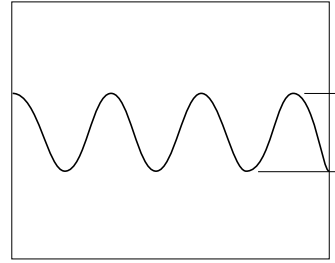
2 IC200 ④ (LRCK)



3.5 Vp-p

43.86 kHz

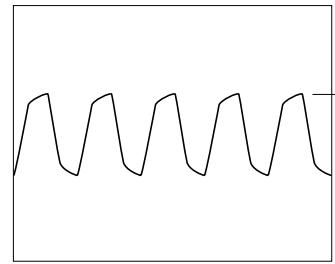
3 IC200 ⑳ (XOUT)



4.9 Vp-p

44.6 MHz

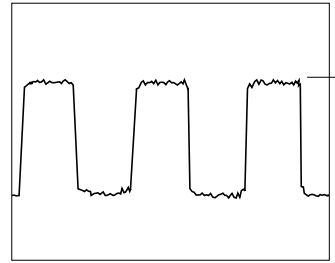
4 IC200 ㉓ (256FSO)



4.6 Vp-p

11.36 MHz

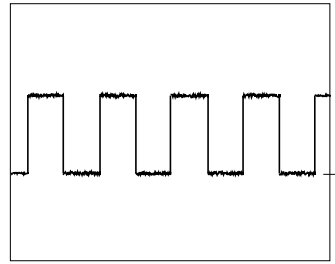
5 IC200 ㉔ (64FSO)



5.1 Vp-p

2.809 MHz

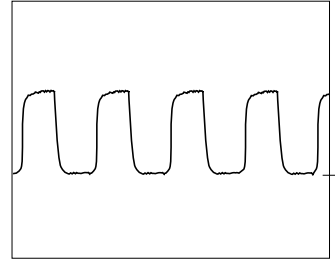
6 IC100 ⑪ (LRCK)



3.6 Vp-p

43.86 kHz

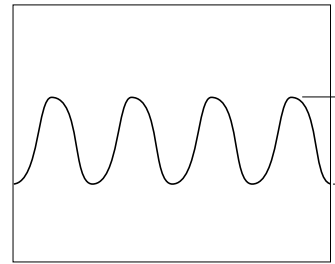
7 IC100 ⑫ (BICK)



3.4 Vp-p

2.841 MHz

8 IC800 ⑪ (XT-OUT)

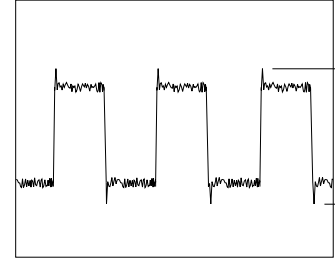


3.5 Vp-p

32.768 kHz

– DISP board –

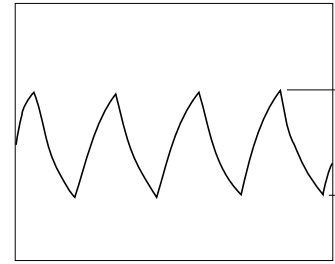
1 IC771 ⑥⑥ (OSCO)



3.6 Vp-p

2.618 MHz

2 IC771 ⑥⑤ (OSCI)

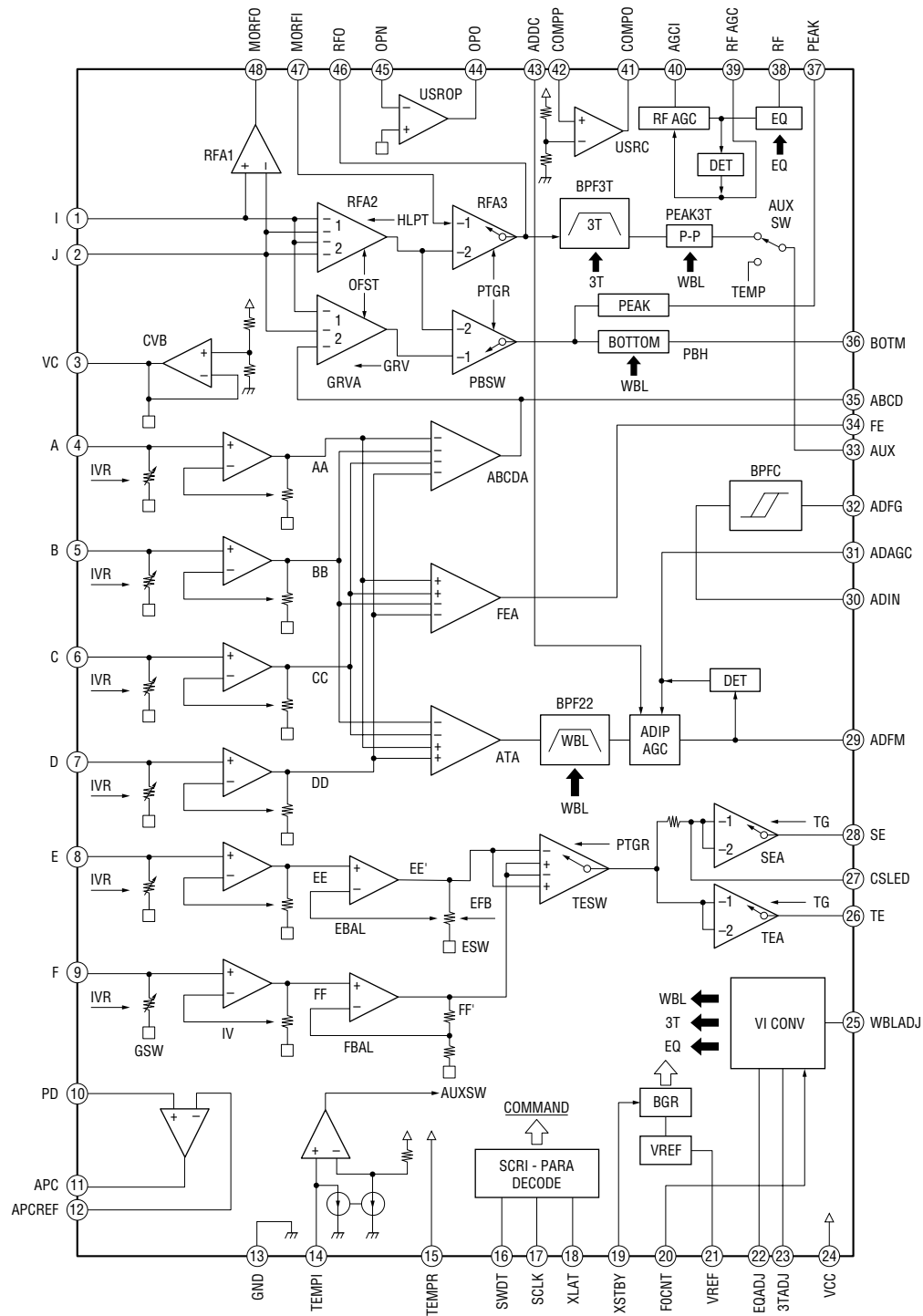


1.6 Vp-p

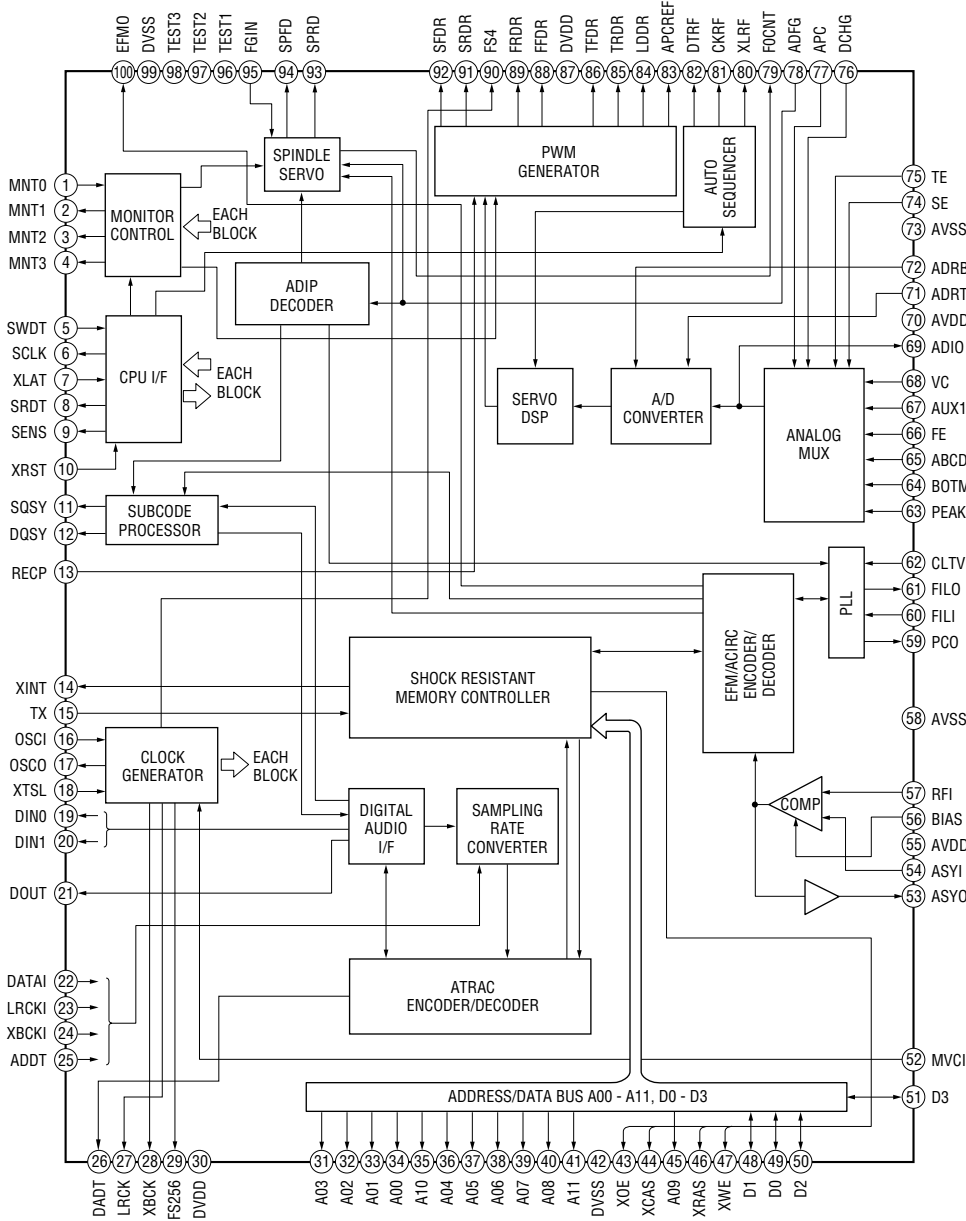
2.1 MHz

• IC Block Diagrams
 – BD Board –

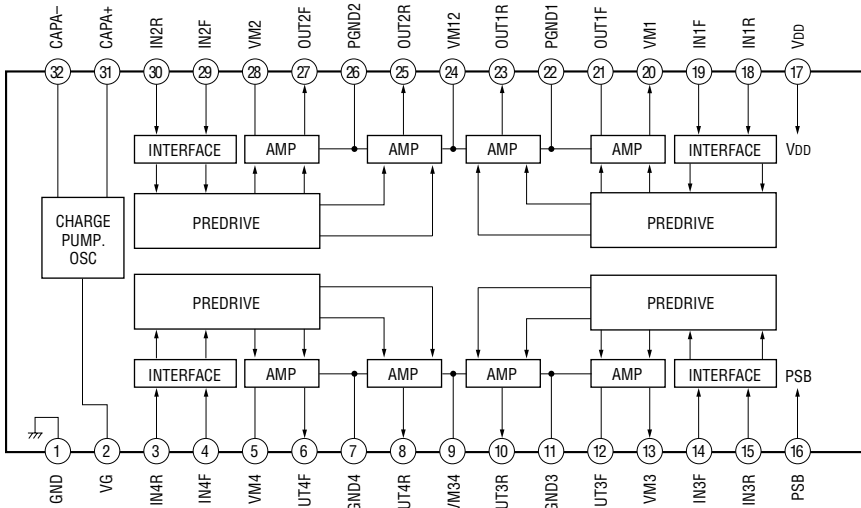
IC101 CXA2523AR



IC121 CXD2656R

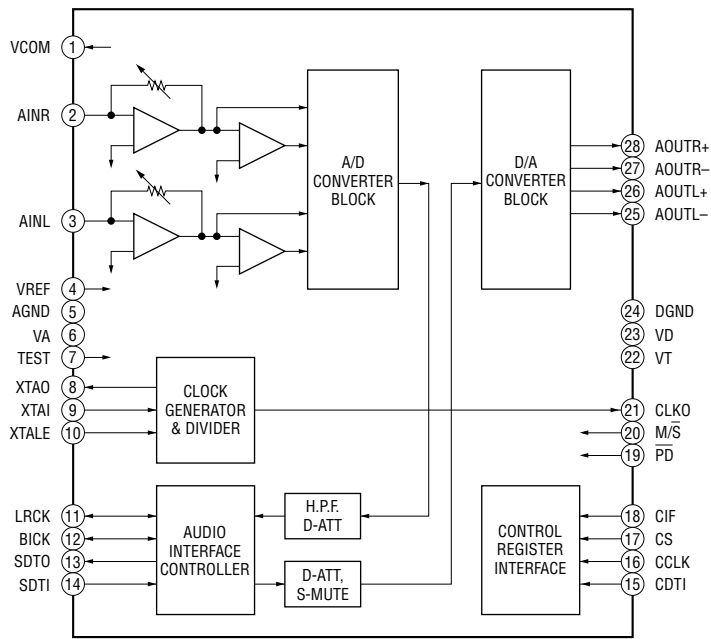


IC152 BH6511FS-E2

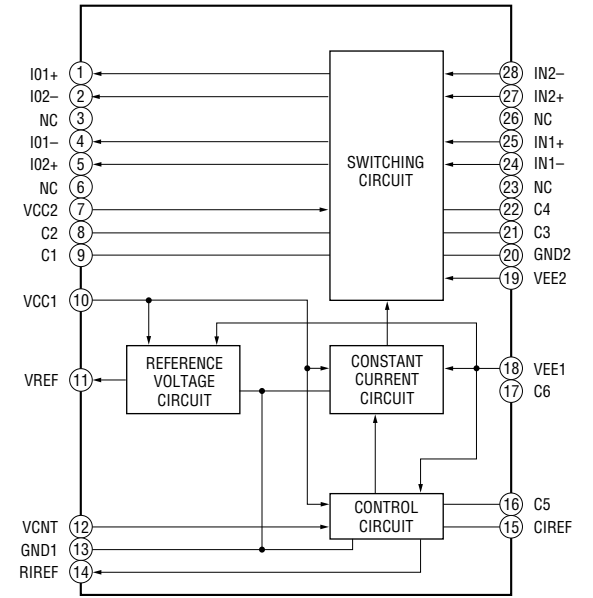


- MAIN Board -

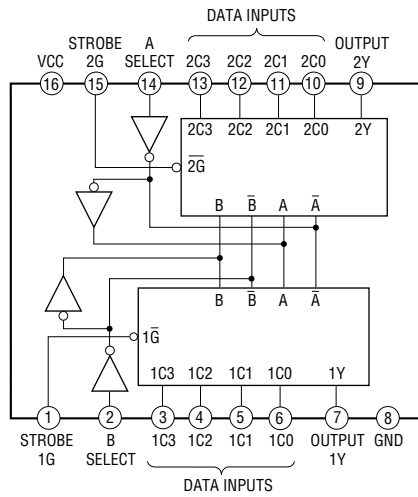
IC100 AK4524-TP



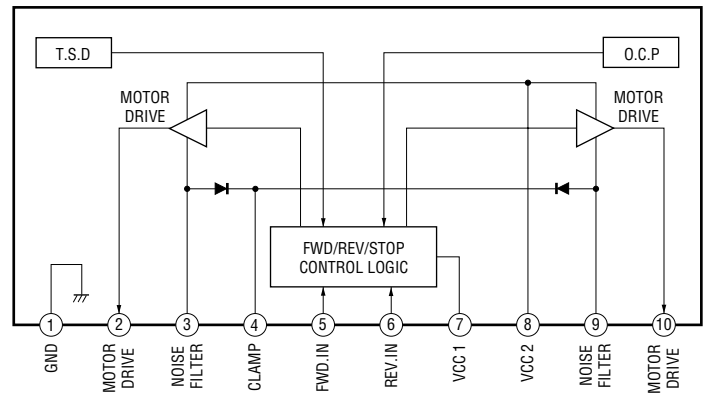
IC203, 204 CXA8042AS



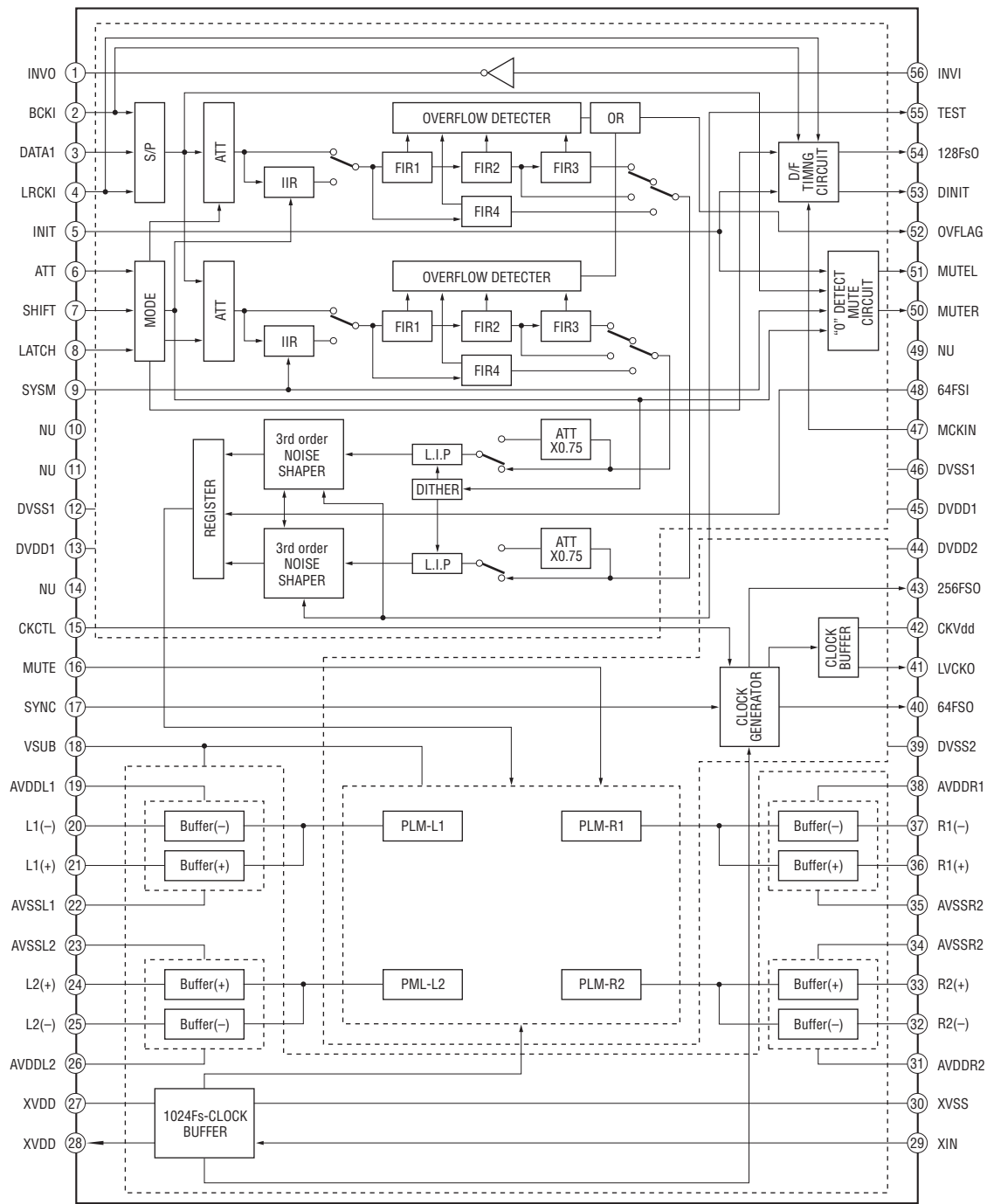
IC300 SN74HC153ANSR



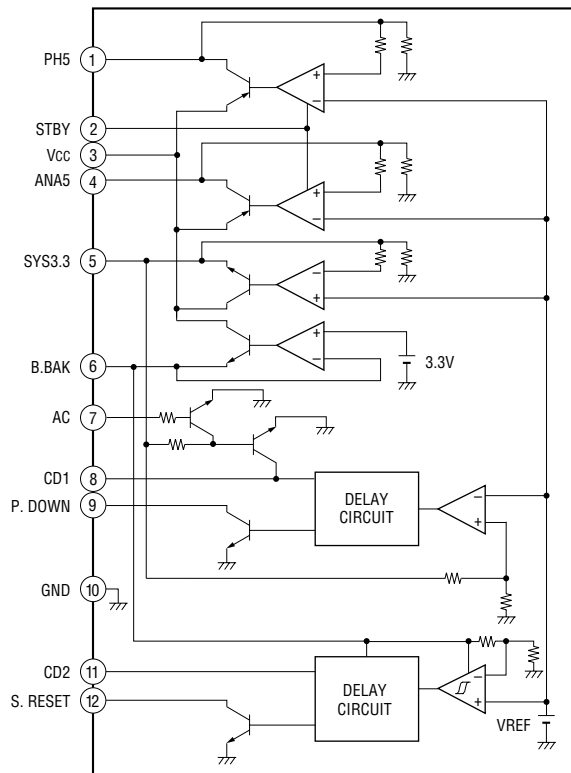
IC400 LB1641



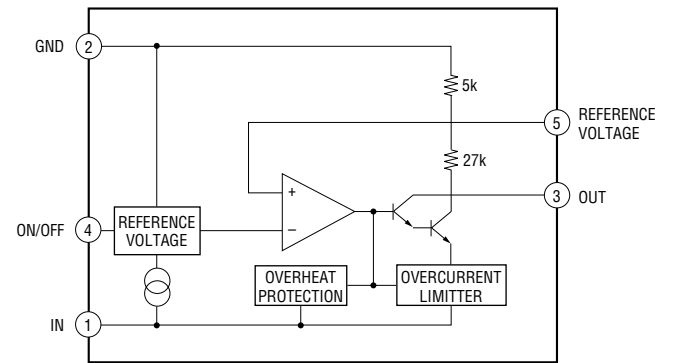
IC200 CXD8735N-TP



IC700 LA5632



IC701 M5293L



6-18. IC PIN FUNCTION DESCRIPTION

• BD BOARD IC101 CXA2523AR (RF AMP, FOCUS/TRACKING ERROR AMP)

Pin No.	Pin Name	I/O	Description
1	I	I	I-V converted RF signal I input from the optical pick-up block detector
2	J	I	I-V converted RF signal J input from the optical pick-up block detector
3	VC	O	Middle point voltage (+1.65V) generation output terminal
4 to 9	A to F	I	Signal input from the optical pick-up detector
10	PD	I	Light amount monitor input from the optical pick-up block laser diode
11	APC	O	Laser amplifier output terminal to the automatic power control circuit
12	APCREF	I	Reference voltage input terminal for setting laser power
13	GND	—	Ground terminal
14	TEMPI	I	Connected to the temperature sensor
15	TEMPR	O	Output terminal for a temperature sensor reference voltage
16	SWDT	I	Writing serial data input from the CXD2656R (IC121)
17	SCLK	I	Serial data transfer clock signal input from the CXD2656R (IC121)
18	XLAT	I	Serial data latch pulse signal input from the CXD2656R (IC121)
19	XSTBY	I	Standby signal input terminal “L”: standby (fixed at “H” in this set)
20	F0CNT	I	Center frequency control voltage input terminal of internal circuit (BPF22, BPF3T, EQ) input from the CXD2656R (IC121)
21	VREF	O	Reference voltage output terminal Not used (open)
22	EQADJ	I	Center frequency setting terminal for the internal circuit (EQ)
23	3TADJ	I	Center frequency setting terminal for the internal circuit (BPF3T)
24	VCC	—	Power supply terminal (+3.3V)
25	WBLADJ	I	Center frequency setting terminal for the internal circuit (BPF22)
26	TE	O	Tracking error signal output to the CXD2656R (IC121)
27	CSLED	I	Connected to the external capacitor for low-pass filter of the sled error signal
28	SE	O	Sled error signal output to the CXD2656R (IC121)
29	ADFM	O	FM signal output of the ADIP
30	ADIN	I	Receives a ADIP FM signal in AC coupling
31	ADAGC	I	Connected to the external capacitor for ADIP AGC
32	ADFG	O	ADIP duplex signal (22.05 kHz \pm 1 kHz) output to the CXD2656R (IC121)
33	AUX	O	Auxiliary signal (I ₃ signal/temperature signal) output to the CXD2656R (IC121)
34	FE	O	Focus error signal output to the CXD2656R (IC121)
35	ABCD	O	Light amount signal (ABCD) output to the CXD2656R (IC121)
36	BOTM	O	Light amount signal (RF/ABCD) bottom hold output to the CXD2656R (IC121)
37	PEAK	O	Light amount signal (RF/ABCD) peak hold output to the CXD2656R (IC121)
38	RF	O	Playback EFM RF signal output to the CXD2656R (IC121)
39	RFAGC	I	Connected to the external capacitor for RF auto gain control circuit
40	AGCI	I	Receives a RF signal in AC coupling
41	COMPO	O	User comparator output terminal Not used (open)
42	COMPP	I	User comparator input terminal Not used (fixed at “L”)
43	ADDC	I	Connected to the external capacitor for cutting the low band of the ADIP amplifier
44	OPO	O	User operational amplifier output terminal Not used (open)
45	OPN	I	User operational amplifier inversion input terminal Not used (fixed at “L”)
46	RFO	O	RF signal output terminal
47	MORFI	I	Receives a MO RF signal in AC coupling
48	MORFO	O	MO RF signal output terminal

• **BD BOARD IC121 CXD2656R**

(DIGITAL SIGNAL PROCESSOR, DIGITAL SERVO PROCESSOR, EFM/ACIRC ENCODER/DECODER, SHOCK PROOF MEMORY CONTROLLER, ATRAC ENCODER/DECODER)

Pin No.	Pin Name	I/O	Description
1	MNT0 (FOK)	O	Focus OK signal output to the system controller (IC800) “H” is output when focus is on (“L”: NG)
2	MNT1 (SHOCK)	O	Track jump detection signal output to the system controller (IC800)
3	MNT2 (XBUSY)	O	Busy monitor signal output to the system controller (IC800)
4	MNT3 (SLOCK)	O	Spindle servo lock status monitor signal output to the system controller (IC800)
5	SWDT	I	Writing serial data signal input from the system controller (IC800)
6	SCLK	I (S)	Serial data transfer clock signal input from the system controller (IC800)
7	XLAT	I (S)	Serial data latch pulse signal input from the system controller (IC800)
8	SRDT	O (3)	Reading serial data signal output to the system controller (IC800)
9	SENS	O (3)	Internal status (SENSE) output to the system controller (IC800)
10	$\overline{\text{XRST}}$	I (S)	Reset signal input from the system controller (IC800) “L”: reset
11	SQSY	O	Subcode Q sync (SCOR) output to the system controller (IC800) “L” is output every 13.3 msec Almost all, “H” is output
12	DQSY	O	Digital In U-bit CD format subcode Q sync (SCOR) output to the system controller (IC800) “L” is output every 13.3 msec Almost all, “H” is output
13	RECP	I	Laser power selection signal input from the system controller (IC800) “L”: playback mode, “H”: recording mode
14	XINT	O	Interrupt status output to the system controller (IC800)
15	TX	I	Recording data output enable signal input from the system controller (IC800) Writing data transmission timing input (Also serves as the magnetic head on/off output)
16	OSCI	I	System clock signal (45.158 MHz) input terminal
17	OSCO	O	System clock signal (512Fs=22.5792 MHz) output terminal Not used (open)
18	XTSL	I	Input terminal for the system clock frequency setting “L”: 45.1584 MHz, “H”: 22.5792 MHz (fixed at “H” in this set)
19	DIN0	I	Digital audio signal input terminal when recording mode (for digital optical input or digital coaxial input)
20	DIN1	I	Digital audio signal input terminal when recording mode Not used (fixed at “L”)
21	DOUT	O	Digital audio signal output terminal when playback mode (for digital optical output or digital coaxial output)
22	DATAI	I	Serial data input terminal Not used (fixed at “L”)
23	LRCKI	I	L/R sampling clock signal (44.1 kHz) input terminal Not used (fixed at “L”)
24	XBCKI	I	Bit clock signal (2.8224 MHz) input terminal Not used (fixed at “L”)
25	ADDT	I	Recording data input from the A/D converter (IC100)
26	DADT	O	Playback data output to the D/A converter (IC200)
27	LRCK	O	L/R sampling clock signal (44.1 kHz) output to the A/D converter (IC100) and D/A converter (IC200)
28	XBCK	O	Bit clock signal (2.8224 MHz) output to the A/D converter (IC100) and D/A converter (IC200)
29	FS256	O	Clock signal (11.2896 MHz) output terminal Not used (open)
30	DVDD	—	Power supply terminal (+3.3V) (digital system)
31 to 34	A03 to A00	O	Address signal output to the D-RAM (IC124)
35	A10	O	Address signal output to the external D-RAM Not used (open)
36 to 40	A04 to A08	O	Address signal output to the D-RAM (IC124)
41	A11	O	Address signal output to the external D-RAM Not used (open)
42	DVSS	—	Ground terminal (digital system)
43	$\overline{\text{XOE}}$	O	Output enable signal output to the D-RAM (IC124) “L” active

* I (S) stands for schmitt input, I (A) for analog input, O (3) for 3-state output, and O (A) for analog output in the column I/O.

Pin No.	Pin Name	I/O	Description
44	$\overline{\text{XCAS}}$	O	Column address strobe signal output to the D-RAM (IC124) "L" active
45	A09	O	Address signal output to the D-RAM (IC124)
46	$\overline{\text{XRAS}}$	O	Row address strobe signal output to the D-RAM (IC124) "L" active
47	$\overline{\text{XWE}}$	O	Write enable signal output to the D-RAM (IC124) "L" active
48	D1	I/O	Two-way data bus with the D-RAM (IC124)
49	D0	I/O	
50	D2	I/O	
51	D3	I/O	
52	MVCI	I (S)	Digital in PLL oscillation input from the external VCO Not used (fixed at "L")
53	ASYO	O	Playback EFM full-swing output terminal
54	ASYI	I (A)	Playback EFM asymmetry comparator voltage input terminal
55	AVDD	—	Power supply terminal (+3.3V) (analog system)
56	BIAS	I (A)	Playback EFM asymmetry circuit constant current input terminal
57	RFI	I (A)	Playback EFM RF signal input from the CXA2523AR (IC101)
58	AVSS	—	Ground terminal (analog system)
59	PCO	O (3)	Phase comparison output for master clock of the recording/playback EFM master PLL
60	FILI	I (A)	Filter input for master clock of the recording/playback master PLL
61	FILO	O (A)	Filter output for master clock of the recording/playback master PLL
62	CLTV	I (A)	Internal VCO control voltage input of the recording/playback master PLL
63	PEAK	I (A)	Light amount signal (RF/ABCD) peak hold input from the CXA2523AR (IC101)
64	BOTM	I (A)	Light amount signal (RF/ABCD) bottom hold input from the CXA2523AR (IC101)
65	ABCD	I (A)	Light amount signal (ABCD) input from the CXA2523AR (IC101)
66	FE	I (A)	Focus error signal input from the CXA2523AR (IC101)
67	AUX1	I (A)	Auxiliary signal (I ₃ signal/temperature signal) input from the CXA2523AR (IC101)
68	VC	I (A)	Middle point voltage (+1.65V) input from the CXA2523AR (IC101)
69	ADIO	O (A)	Monitor output of the A/D converter input signal Not used (open)
70	AVDD	—	Power supply terminal (+3.3V) (analog system)
71	ADRT	I (A)	A/D converter operational range upper limit voltage input terminal (fixed at "H" in this set)
72	ADRB	I (A)	A/D converter operational range lower limit voltage input terminal (fixed at "L" in this set)
73	AVSS	—	Ground terminal (analog system)
74	SE	I (A)	Sled error signal input from the CXA2523AR (IC101)
75	TE	I (A)	Tracking error signal input from the CXA2523AR (IC101)
76	DCHG	I (A)	Connected to the +3.3V power supply
77	APC	I (A)	Error signal input for the laser automatic power control Not used (fixed at "H")
78	ADFG	I (S)	ADIP duplex FM signal (22.05 kHz \pm 1 kHz) input from the CXA2523AR (IC101)
79	F0CNT	O	Filter f0 control signal output to the CXA2523AR (IC101)
80	XLRF	O	Serial data latch pulse signal output to the CXA2523AR (IC101)
81	CKRF	O	Serial data transfer clock signal output to the CXA2523AR (IC101)
82	DTRF	O	Writing serial data output to the CXA2523AR (IC101)
83	APCREF	O	Control signal output to the reference voltage generator circuit for the laser automatic power control
84	LDDR	O	PWM signal output for the laser automatic power control Not used (open)
85	TRDR	O	Tracking servo drive PWM signal (-) output to the BH6511FS (IC152)
86	TFDR	O	Tracking servo drive PWM signal (+) output to the BH6511FS (IC152)
87	DVDD	—	Power supply terminal (+3.3V) (digital system)
88	FFDR	O	Focus servo drive PWM signal (+) output to the BH6511FS (IC152)

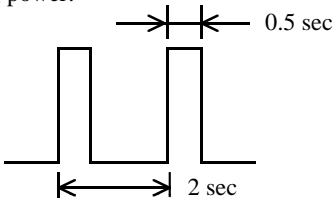
* I (S) stands for schmitt input, I (A) for analog input, O (3) for 3-state output, and O (A) for analog output in the column I/O.

Pin No.	Pin Name	I/O	Description
89	FRDR	O	Focus servo drive PWM signal (-) output to the BH6511FS (IC152)
90	FS4	O	Clock signal (176.4 kHz) output terminal (X'tal system) Not used (open)
91	SRDR	O	Sled servo drive PWM signal (-) output to the BH6511FS (IC152)
92	SFDR	O	Sled servo drive PWM signal (+) output to the BH6511FS (IC152)
93	SPRD	O	Spindle servo drive PWM signal (-) output to the BH6511FS (IC152)
94	SPFD	O	Spindle servo drive PWM signal (+) output to the BH6511FS (IC152)
95	FGIN	I (S)	Input terminal for the test (fixed at "L")
96	TEST1	I	
97	TEST2	I	
98	TEST3	I	
99	DVSS	—	Ground terminal (digital system)
100	EFMO	O	EFM signal output terminal when recording mode

* I (S) stands for schmitt input, I (A) for analog input, O (3) for 3-state output, and O (A) for analog output in the column I/O.

• MAIN BOARD IC800 M30624MG-208FP (SYSTEM CONTROLLER)

Pin No.	Pin Name	I/O	Description
1	JOG1	I	Jog dial pulse input from the rotary encoder (S713 ◀◀◀ AMS ▶▶▶) B phase input
2	JOG0	I	Jog dial pulse input from the rotary encoder (S713 ◀◀◀ AMS ▶▶▶) A phase input
3	C1	O	Monitor output terminal for the test C1 error rate is output when test mode
4	ADER	O	Monitor output terminal for the test ADER is output when test mode
5	SQSY	I	Subcode Q sync (SCOR) input from the CXD2656R (IC121) “L” is input every 13.3 msec Almost all, “H” is input
6	RMC	I	Remote control signal input from the remote control receiver (IC761)
7	AIN1	I	Sirics remote control signal input of the CONTROL A1 II
8	BYTE	I	External data bus line byte selection signal input “L”: 16 bit, “H”: 8 bit (fixed at “L”)
9	CNVSS	—	Ground terminal
10	XT-IN	I	Sub system clock input terminal (32.768 kHz)
11	XT-OUT	O	Sub system clock output terminal (32.768 kHz)
12	<u>S.RST</u>	I	System reset signal input from the LA5632 (IC700) “L”: reset For several hundreds msec. after the power supply rises, “L” is input, then it changes to “H”
13	XOUT	O	Main system clock output terminal (10 MHz)
14	GND	—	Ground terminal
15	XIN	I	Main system clock input terminal (10 MHz)
16	+3.3V	—	Power supply terminal (+3.3V)
17	NMI	I	Non-maskable interrupt input terminal (fixed at “H” in this set)
18	DQSY	I	Digital In U-bit CD format subcode Q sync (SCOR) input from the CXD2656R (IC121) “L” is input every 13.3 msec Almost all, “H” is input
19	P.DOWN	I	Power down detection signal input terminal “L”: power down, normally: “H”
20	KBCLKIN	I	Serial data transfer clock signal input from the key board
21	KBDTIN	I	Serial data input from the key board
22	NC	O	Not used (open)
23	XINT	I	Interrupt status input from the CXD2656R (IC121)
24 to 26	NC	O	Not used (open)
27	KBCLKOUT	O	Serial data transfer clock signal output to the key board
28 to 30	NC	O	Not used (open)
31	SWDT	O	Writing data output to the CXD2656R (IC121), A/D converter (IC100) and D/A converter (IC200)
32	SRDT	I	Reading data input from the CXD2656R (IC121)
33	SCLK	O	Serial clock signal output to the CXD2656R (IC121), A/D converter (IC100) and D/A converter (IC200)
34	FLCS	O	Chip select signal output to the FL/LED driver (IC771)
35	FLDATA	O	Serial data output to the FL/LED driver (IC771)
36	NC	I	Not used (fixed at “L”)
37	FLCLK	O	Serial data transfer clock signal output to the FL/LED driver (IC771)
38	NC	O	Not used (open)
39	CLKO	O	Not used (open)
40	ADLATCH	O	Serial data latch pulse signal output to the A/D converter (IC100)
41	NC	I	Not used (fixed at “L”)
42	DVOL0	I	Jog dial pulse input from the rotary encoder (RV760 REC LEVEL) A phase input
43	DVOL1	I	Jog dial pulse input from the rotary encoder (RV760 REC LEVEL) B phase input
44, 45	NC	O	Not used (open)
46	NC	I	Not used (fixed at “H”)

Pin No.	Pin Name	I/O	Description
47	NC	O	Not used (open)
48	CSET0	I	Destination setting terminal (US, Canadian models: fixed at "L", AEP, UK models: fixed at "H")
49	CSET1	I	Destination setting terminal (US, Canadian models: fixed at "H", AEP, UK models: fixed at "L")
50	730/930	I	Setting terminal for the model (fixed at "H" in this set)
51	NC	I	Not used (fixed at "H")
52	MNT2 (XBUSY)	I	Busy signal input from the CXD2656R (IC121)
53	$\overline{\text{DIG-RST}}$	O	Reset signal output to the CXD2656R (IC121) and BH6511FS (IC152) "L": reset
54	MNT1 (SHOCK)	I	Track jump detection signal input from the CXD2656R (IC121)
55	SENS	I	Internal status (SENSE) input from the CXD2656R (IC121)
56	LDON	O	Laser diode on/off control signal output to the automatic power control circuit "H": laser on
57	REFLECT	I	Detection input from the disc reflection rate detect switch (S102) "L": high reflection rate disc, "H": low reflection rate disc
58	PROTECT	I	Rec-proof claw detect input from the protect detect switch (S102) "H": write protect
59	WR-PWR	O	Laser power select signal output to the CXD2656R (IC121) and HF module switch circuit "L": playback mode, "H": recording mode
60	MNT3 (SLOCK)	I	Spindle servo lock status monitor signal input from the CXD2656R (IC121)
61	SDA	I/O	Two-way data bus with the EEPROM (IC171)
62	+3.3V	—	Power supply terminal (+3.3V)
63	NC	I	Not used (fixed at "L")
64	GND	—	Ground terminal
65	SCTX	O	Recording data output enable signal output to the CXD2656R (IC121) and overwrite head driver (IC181) Writing data transmission timing output (Also serves as the magnetic head on/off output)
66	SCL	O	Clock signal output to the EEPROM (IC171)
67	MNT0 (FOK)	I	Focus OK signal input from the CXD2656R (IC121) "H" is input when focus is on ("L": NG)
68	LIMIT-IN	I	Detection input from the sled limit-in detect switch (S101) The optical pick-up is inner position when "L"
69	MOD	O	Laser modulation select signal output to the HF module switch circuit Stop: "L", Playback power: "H", Recording power: 
70	XLATCH	O	Serial data latch pulse signal output to the CXD2656R (IC121)
71	NC	I	Not used (fixed at "L")
72	REC/PB	I	Not used (fixed at "L")
73	PACK-IN	I	Detection input from the disc detect switch Not used (fixed at "L")
74	PB-P	I	Detection input from the playback position detect switch (S604) "L" active
75	CHACK IN	I	Detection input from the disc chucking-in detect switch "L": chucking Not used (fixed at "H")
76	PACK-OUT	I	Detection input from the loading-out detect switch (S602) "L" at a load-out position, others: "H"
77	REC-P	I	Detection input from the recording position detect switch (S601) "L" active

Pin No.	Pin Name	I/O	Description
78	LDIN	O	Motor control signal output to the loading motor driver (IC400) “L” active *1
79	LDOUT	O	Motor control signal output to the loading motor driver (IC400) “L” active *1
80	LD-LOW	O	Loading motor drive voltage control signal output for the loading motor driver (IC400) “H” active
81	NC	I	Not used (fixed at “L”)
82	A1OUT	O	Sircs remote control signal output of the CONTROL A1 II
83	MUTE	O	Audio line muting on/off control signal output terminal “L”: line muting on
84	STB	O	Strobe signal output to the power supply circuit “L”: standby mode, “H”: power on
85	COAX/XOPT	O	Optical in 1/2 or coaxial in selection signal output to the digital input selector (IC300) “L”: OPT 1/2, “H”: COAXIAL
86	OPT2/XOPT1	O	Optical in 1 or optical in 2 selection signal output to the digital input selector (IC300) “L”: OPT 1, “H”: OPT 2
87	DALATCH	O	Serial data latch pulse signal output to the D/A converter (IC200)
88	DARST	O	Reset signal output to the A/D converter (IC100) and D/A converter (IC200) “L”: reset
89	LED0	O	LED drive signal output terminal Not used (pull down)
90	LED1	O	LED drive signal output terminal Not used (pull down)
91	TIMER	I	TIMER switch (S751) input terminal (A/D input) “L”: PLAY, “H”: REC (OFF: center voltage)
92	SOURCE	I	INPUT switch (S741) input terminal (A/D input)
93	KEY3	I	Key input terminal (A/D input) S731 (PITCH CONTROL key input)
94	KEY2	I	Key input terminal (A/D input) S721 to S724, S732 and S733 (DISPLAY/CHAR, SCROLL, PLAY MODE, I/⏪, FILTER, TIME keys input)
95	KEY1	I	Key input terminal (A/D input) S711 to S714 and S716 (MENU/NO, YES, PUSH ENTER, EJECT ≡ keys input)
96	AVSS	—	Ground terminal
97	KEY0	I	Key input terminal (A/D input) S701 to S706 (REC ●, ■, ►►, ◀◀, II, ▷ keys input)
98	VREF	I	Reference voltage (+3.3V) input terminal (for A/D converter)
99	+3.3V	—	Power supply terminal (+3.3V) (for analog system)
100	MONO/ST	I	REC MODE switch (S746) input terminal “L”: MONO, “H”: STEREO

*1 Loading motor (M103) control

Terminal	Mode	LOADING	EJECT	BRAKE	RUN IDLE
	LDIN (pin ⑧)	“L”	“H”	“L”	“H”
LDOUT (pin ⑨)	“H”	“L”	“L”	“H”	

SECTION 7 EXPLODED VIEWS

NOTE:

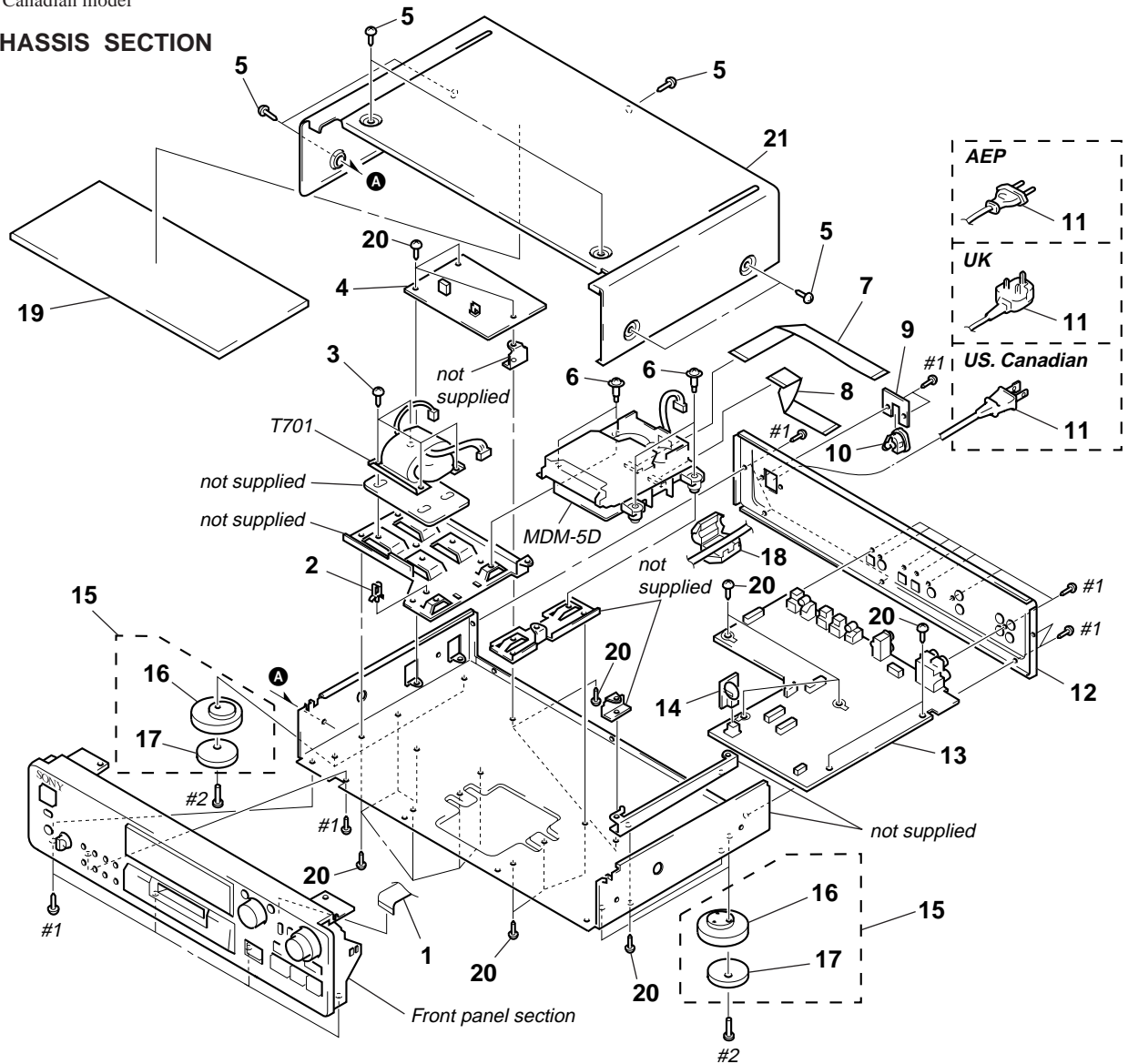
- -XX and -X mean standardized parts, so they may have some difference from the original one.
- Color Indication of Appearance Parts
Example:
KNOB, BALANCE (WHITE) . . . (RED)
 ↑ ↑
 Parts Color Cabinet's Color
- Abbreviation
CND : Canadian model

- Items marked "*" are not stocked since they are seldom required for routine service. Some delay should be anticipated when ordering these items.
- The mechanical parts with no reference number in the exploded views are not supplied.
- Hardware (# mark) list and accessories and packing materials are given in the last of the electrical parts list.

The components identified by mark Δ or dotted line with mark Δ are critical for safety. Replace only with part number specified.

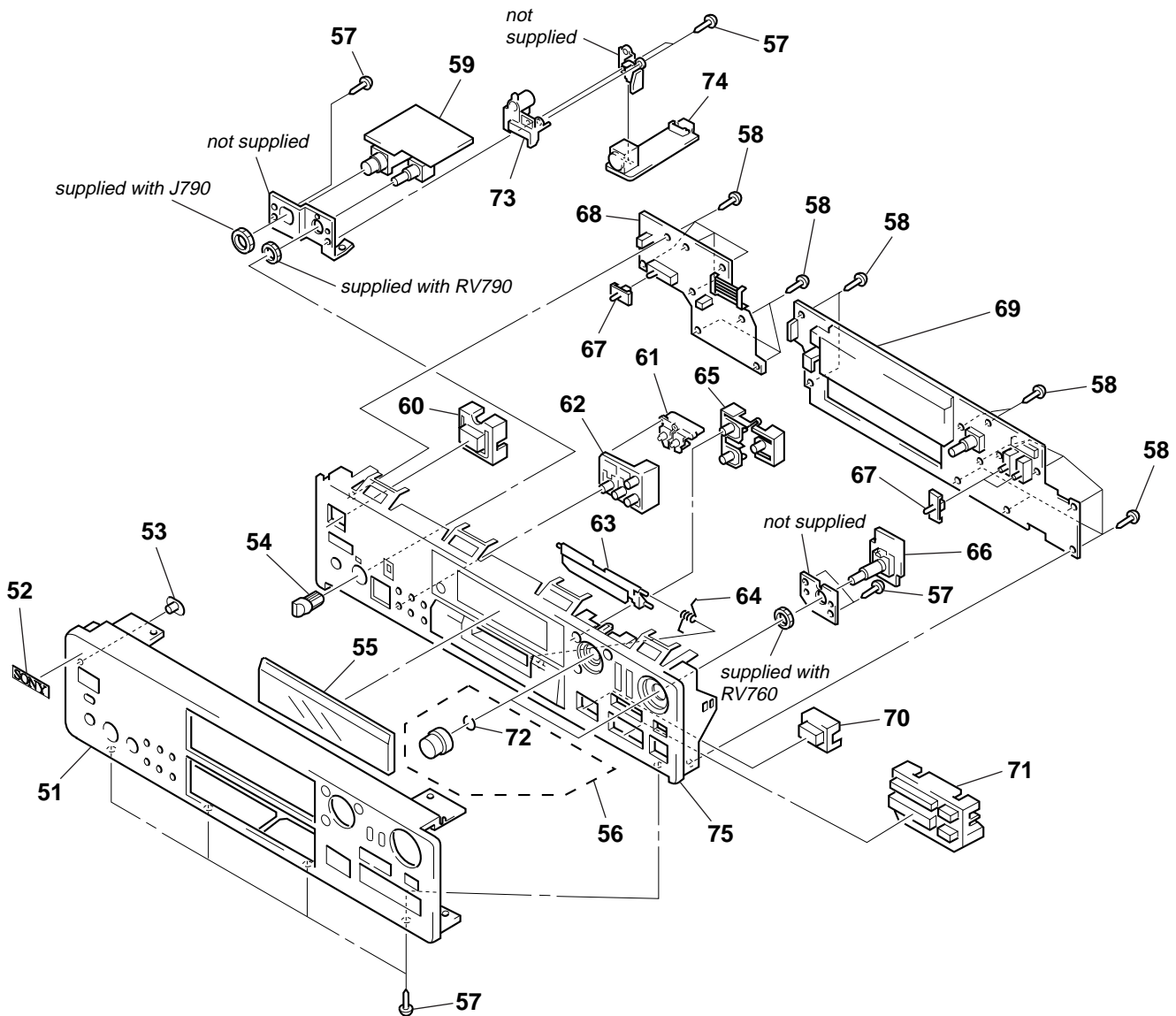
Les composants identifiés par une marque Δ sont critiques pour la sécurité. Ne les remplacer que par une pièce portant le numéro spécifié.

(1) CHASSIS SECTION



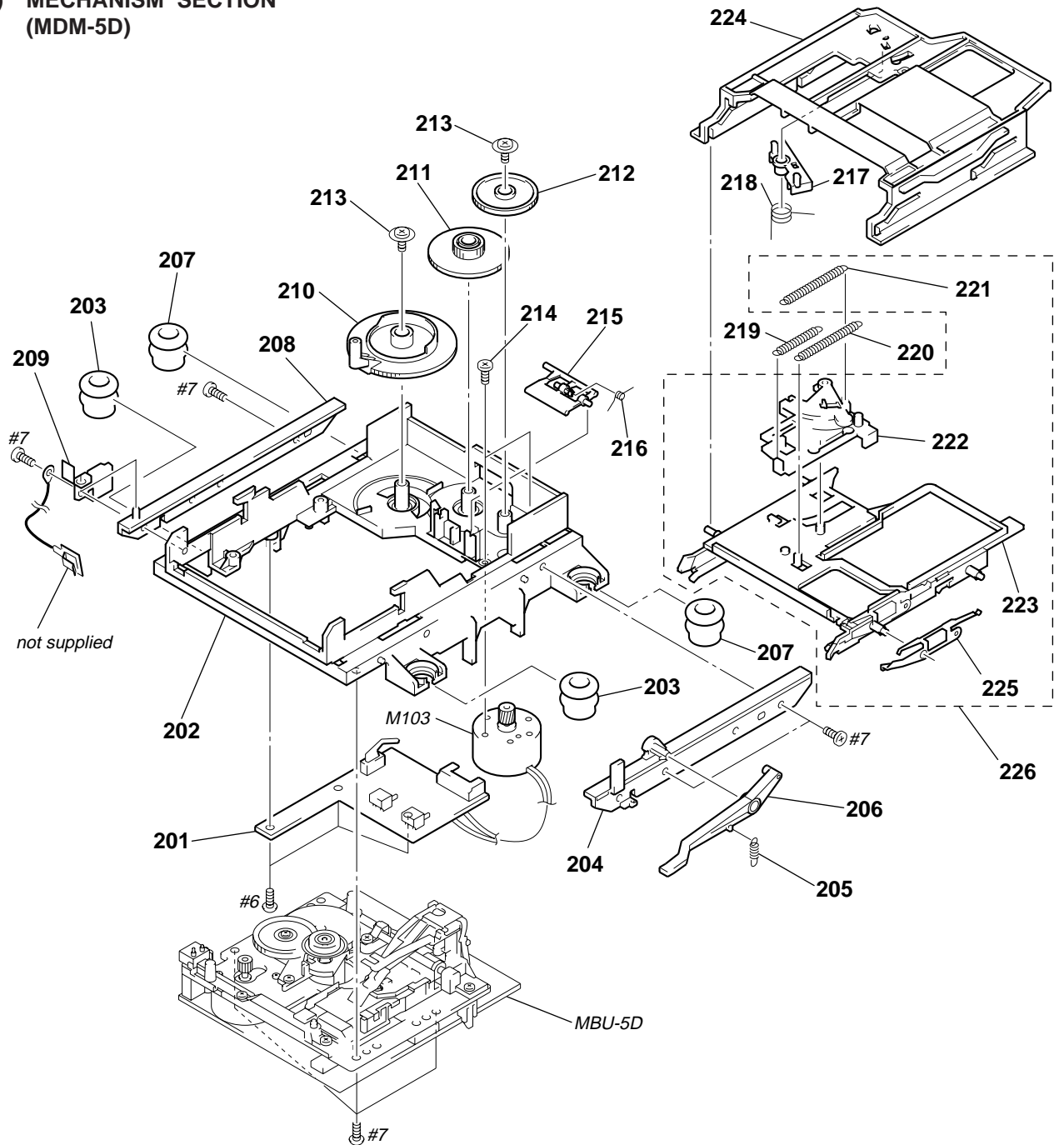
Ref. No.	Part No.	Description	Remark	Ref. No.	Part No.	Description	Remark
1	1-783-185-11	WIRE (FLAT TYPE) (21 CORE) (MAIN-DISP)		* 12	4-998-603-72	PANEL, BACK (US)	
* 2	3-644-407-00	CLIP, AC WIRE E		* 12	4-998-603-82	PANEL, BACK (CND)	
3	3-703-249-01	SCREW, S TIGHT, +PTTWH 3X6		13	A-4724-669-A	MAIN BOARD, COMPLETE (US, CND)	
4	A-4724-665-A	AC BOARD, COMPLETE (US, CND)		13	A-4724-674-A	MAIN BOARD, COMPLETE (AEP, UK)	
4	A-4724-675-A	AC BOARD, COMPLETE (AEP, UK)		14	1-673-509-11	BAT BOARD	
5	4-210-082-01	SCREW (CASE) (UK)		15	X-4949-523-1	FOOT ASSY (F50180S) (AEP, UK)	
5	4-210-291-01	SCREW (CASE 3 TP2) (US, CND, AEP)		16	4-970-123-01	FOOT (F50180S) (US, CND)	
6	4-999-839-01	SCREW (+BVTTWH M3), STEP		17	4-970-124-01	CUSHION (F50180S) (US, CND)	
7	1-783-186-11	WIRE (FLAT TYPE) (21 CORE) (MAIN-BD)		18	1-500-051-11	BEAD, FERRITE (WITH CASE)	
8	1-783-187-11	WIRE (FLAT TYPE) (23 CORE)		19	4-218-995-01	REINFORCEMENT (CASE)	
* 9	4-923-873-01	BRACKET, CORD STOPPER		20	4-951-620-01	SCREW (2.6X8), +BVTP	
10	3-703-244-00	BUSHING (2104), CORD		* 21	4-997-138-02	CASE (4095269) (BLACK)	
Δ 11	1-558-568-21	CORD, POWER (AEP)		* 21	4-997-138-42	CASE (4095269) (SILVER)	
Δ 11	1-559-583-21	CORD, POWER (US, CND)		Δ T701	1-431-880-11	TRANSFORMER, POWER (AEP, UK)	
Δ 11	1-696-586-11	CORD, POWER (UK)		Δ T701	1-431-881-11	TRANSFORMER, POWER (US, CND)	
12	4-998-603-62	PANEL, BACK (AEP, UK)					

(2) FRONT PANEL SECTION



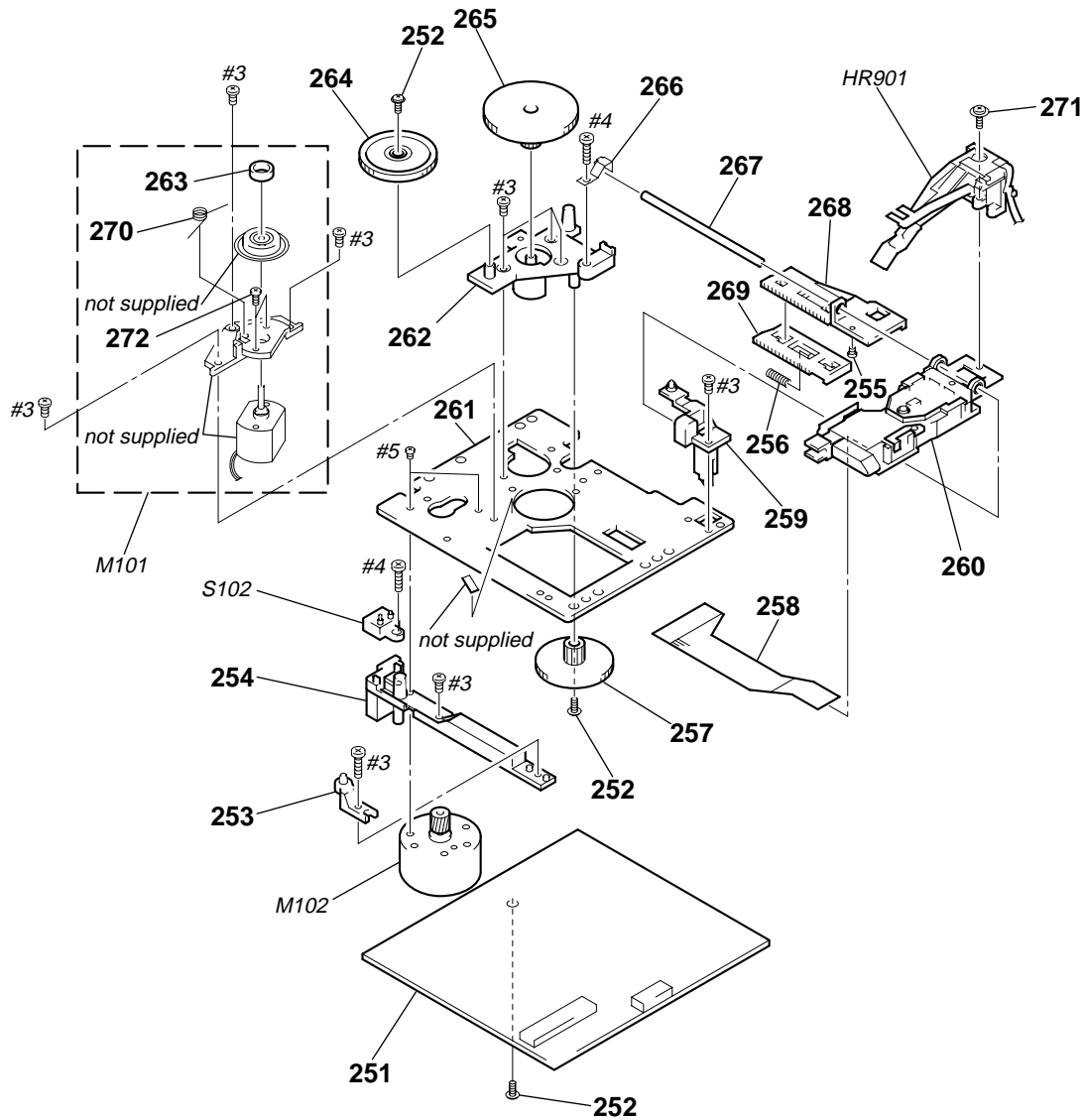
Ref. No.	Part No.	Description	Remark	Ref. No.	Part No.	Description	Remark
51	4-998-590-42	PANEL, FRONT (AEP: BLACK, UK)		63	4-996-690-13	LID (CARTRIDGE)	
51	4-988-590-52	PANEL, FRONT (AEP: SILVER)		64	4-976-593-11	SPRING (LID), TORSION	
51	4-998-590-62	PANEL, FRONT (US, CND)		65	4-998-593-01	BUTTON (EDIT) (BLACK)	
52	4-942-568-41	EMBLEM (NO.5), SONY (BLACK)		65	4-998-593-23	BUTTON (EDIT) (SILVER)	
52	4-942-568-61	EMBLEM (NO.5), SONY (SILVER)		66	1-673-502-11	VOL BOARD	
53	4-998-607-01	INDICATOR (POWER)		67	4-998-595-01	KNOB (SLIDE) (BLACK)	
54	4-950-189-01	KNOB (A) (VOL) (BLACK)		67	4-998-595-23	KNOB (SLIDE) (SILVER)	
54	4-950-189-61	KNOB (A) (VOL) (SILVER)		68	A-4724-662-A	PSW BOARD, COMPLETE (US, CND)	
55	4-998-598-01	WINDOW (DISPLAY)		68	A-4724-670-A	PSW BOARD, COMPLETE (AEP, UK)	
56	A-4672-565-A	KNOB (AMS) ASSY (BLACK)		69	A-4724-661-A	DISP BOARD, COMPLETE (US, CND)	
56	A-4672-755-A	KNOB (AMS) ASSY (SILVER)		69	A-4724-668-A	DISP BOARD, COMPLETE (AEP, UK)	
57	4-951-620-01	SCREW (2.6X8), +BVTP		70	4-998-594-01	BUTTON (EJECT) (BLACK)	
58	3-704-515-21	SCREW (BV/RING)		70	4-998-594-23	BUTTON (EJECT) (SILVER)	
59	1-673-501-11	HP BOARD		71	4-996-689-21	BUTTON (MAIN) (BLACK)	
60	4-998-592-01	BUTTON (POWER) (BLACK)		71	4-996-689-71	BUTTON (MAIN) (SILVER)	
60	4-998-592-23	BUTTON (POWER) (SILVER)		72	3-354-981-01	SPRING (SUS), RING	
61	X-4951-535-1	BUTTON (B9) ASSY (BLACK)		73	4-219-018-01	BRACKET (BR)	
61	X-4951-537-1	BUTTON (S9) ASSY (SILVER)		74	1-673-503-11	KEY BOARD	
62	4-218-388-01	BUTTON (BASE 2) (BLACK)		75	X-4951-290-2	PANEL BASE ASSY (BLACK)	
62	4-218-388-21	BUTTON (BASE 2) (SILVER)		75	X-4951-289-2	PANEL BASE ASSY (SILVER)	

**(3) MECHANISM SECTION
(MDM-5D)**



Ref. No.	Part No.	Description	Remark	Ref. No.	Part No.	Description	Remark
* 201	1-668-111-11	SW BOARD		215	4-996-227-01	LEVER (HEAD)	
* 202	4-996-217-01	CHASSIS		216	4-996-229-01	SPRING (HEAD LEVER), TORSION	
203	4-996-223-01	INSULATOR (F) (BLACK)		217	4-996-212-01	LEVER (LIMITER)	
* 204	4-996-218-01	BRACKET (GUIDE R)		218	4-996-213-01	SPRING (LIMITER), TORSION	
205	4-996-277-01	SPRING (O/C), TENSION		219	4-996-214-01	SPRING (SLIDER), TENSION	
206	4-996-226-01	LEVER (O/C)		220	4-996-216-01	SPRING (HOLDER), TENSION	
207	4-999-347-01	INSULATOR (R) (GREEN)		221	4-210-396-01	SPRING (LOCK), TENSION	
* 208	4-996-225-01	BRACKET (GUIDE L)		222	X-4949-246-1	SLIDER ASSY	
209	4-988-466-21	SPRING (ELECTROSTATIC), LEAF		* 223	X-4949-245-7	HOLDER ASSY	
210	4-996-219-01	GEAR (CAM GEAR)		* 224	4-996-211-01	SLIDER (CAM)	
211	4-996-220-01	GEAR (A)		225	4-998-763-01	SPRING (SHUTTER), LEAF	
212	4-996-221-01	GEAR (B)		226	A-4680-118-1	HOLDER COMPLETE ASSY	
213	4-933-134-01	SCREW (+PTPWH M2.6X6)		M103	X-4949-264-1	MOTOR ASSY, LOADING	
214	4-996-224-01	SCREW (1.7X3), +PWH					

**(4) BASE UNIT SECTION
(MBU-5D)**



<p>The components identified by mark \triangle or dotted line with mark \triangle are critical for safety. Replace only with part number specified.</p>	<p>Les composants identifiés par une marque \triangle sont critiques pour la sécurité. Ne les remplacer que par une pièce portant le numéro spécifié.</p>
---	--

Ref. No.	Part No.	Description	Remark	Ref. No.	Part No.	Description	Remark
251	A-4724-637-A	BD BOARD, COMPLETE		264	4-996-260-01	GEAR (SL-A)	
252	3-372-761-01	SCREW (M1.7), TAPPING		265	4-996-261-01	GEAR (SL-B)	
* 253	4-996-267-01	BASE (BU-D)		266	4-996-264-01	SPRING (SHAFT), LEAF	
* 254	4-996-255-01	BASE (BU-C)		267	4-996-265-01	SHAFT, MAIN	
255	4-900-590-01	SCREW, PRECISION SMALL		268	4-996-256-01	SL (BASE)	
256	4-996-258-01	SPRING, COMPRESSION		269	4-996-257-01	RACK (SL)	
257	4-996-262-01	GEAR (SL-C)		270	4-996-263-01	SPRING (CLV), TORSION	
258	1-667-954-11	FLEXIBLE BOARD		271	4-988-560-01	SCREW (+P 1.7X6)	
* 259	4-210-664-01	BASE (BU-A)		272	4-211-036-01	SCREW (1.7X2.5), +PWH	
\triangle 260	A-4672-541-A	OPTICAL PICK-UP KMS-260B/J1RP		HR901	1-500-502-11	HEAD, OVER WRITE	
* 261	4-996-252-01	CHASSIS, BU		M101	A-4672-475-A	MOTOR ASSY, SPINDLE	
* 262	4-996-254-01	BASE (BU-B)		M102	A-4672-474-A	MOTOR ASSY, SLED	
263	4-967-688-11	MAGNET, ABSORPTION		S102	1-762-148-21	SWITCH, PUSH (2 KEY)	

(REFLECT DET, PROTECT DET)

SECTION 8 ELECTRICAL PARTS LIST

AC
BAT
BD

NOTE:

- Due to standardization, replacements in the parts list may be different from the parts specified in the diagrams or the components used on the set.
- -XX and -X mean standardized parts, so they may have some difference from the original one.
- RESISTORS
All resistors are in ohms.
METAL: Metal-film resistor.
METAL OXIDE: Metal oxide-film resistor.
F: nonflammable
- Abbreviation
CND: Canadian model

- Items marked "*" are not stocked since they are seldom required for routine service. Some delay should be anticipated when ordering these items.
- SEMICONDUCTORS
In each case, u: μ , for example:
uA. . . : μ A. . . uPA. . . : μ PA. . .
uPB. . . : μ PB. . . uPC. . . : μ PC. . .
uPD. . . : μ PD. . .
- CAPACITORS
uF: μ F
- COILS
uH: μ H

The components identified by mark Δ or dotted line with mark Δ are critical for safety. Replace only with part number specified.

Les composants identifiés par une marque Δ sont critiques pour la sécurité. Ne les remplacer que par une pièce portant le numéro spécifié.

When indicating parts by reference number, please include the board.

Ref. No.	Part No.	Description		Remark	Ref. No.	Part No.	Description		Remark
	A-4724-665-A	AC BOARD, COMPLETE (US, CND)					< TRANSISTOR >		
	A-4724-675-A	AC BOARD, COMPLETE (AEP, UK)					< RESISTOR >		

		< CAPACITOR >							
Δ	C720	1-113-920-11 CERAMIC	0.0022uF	20%	250V				
Δ	C721	1-113-920-11 CERAMIC	0.0022uF	20%	250V	R703	1-249-425-11	CARBON	4.7K 5% 1/4W
						R704	1-249-437-11	CARBON	47K 5% 1/4W
Δ	C722	1-113-920-11 CERAMIC	0.0022uF	20%	250V	R705	1-249-425-11	CARBON	4.7K 5% 1/4W
Δ	C723	1-113-920-11 CERAMIC	0.0022uF	20%	250V	R706	1-249-437-11	CARBON	47K 5% 1/4W
Δ	C724	1-113-925-11 CERAMIC	0.01uF	20%	250V				
							< RELAY >		
Δ	C725	1-113-925-11 CERAMIC	0.01uF	20%	250V	R700	1-515-925-11	RELAY	
	C739	1-126-935-11 ELECT	470uF	20%	16V	R701	1-515-787-21	RELAY	
	C741	1-164-159-11 CERAMIC	0.1uF		50V	*****			
	C742	1-136-153-00 FILM	0.01uF	5%	50V		1-673-509-11	BAT BOARD	*****
	C743	1-136-153-00 FILM	0.01uF	5%	50V			< BATTERY >	
	C744	1-136-153-00 FILM	0.01uF	5%	50V				
	C745	1-136-153-00 FILM	0.01uF	5%	50V				
		< CONNECTOR >							
	CN701	1-564-321-00 PIN, CONNECTOR 2P				BT701	1-528-887-11	BATTERY, LITHIUM (SECONDARY)	
*	CN702	1-580-230-11 PIN, CONNECTOR (PC BOARD) 2P						< CONNECTOR >	
*	CN704	1-564-513-11 PLUG, CONNECTOR 10P				* CN703	1-569-499-11	PIN, CONNECTOR 3P	*****
		< DIODE >							
	D702	8-719-911-19 DIODE 1SS133T-72					A-4724-637-A	BD BOARD, COMPLETE	*****
	D722	8-719-200-77 DIODE 10E2N-TA2B						< CAPACITOR >	
	D723	8-719-200-77 DIODE 10E2N-TA2B							
	D724	8-719-911-19 DIODE 1SS133T-72							
		< MICRO FUSE >							
Δ	F700	1-532-771-21 FUSE, MICRO (SECONDARY)	315mA/125V		(US, CND)				
		< IC LINK >							
Δ	ICP700	1-532-834-21 LINK, IC (AEP, UK)				C101	1-125-822-11	TANTALUM	10uF 20% 10V
Δ	ICP701	1-532-844-21 LINK, IC (AEP, UK)				C102	1-163-038-00	CERAMIC CHIP	0.1uF 25V
Δ	ICP702	1-532-844-21 LINK, IC (AEP, UK)				C103	1-125-822-11	TANTALUM	10uF 20% 10V
		< FILTER >				C104	1-125-822-11	TANTALUM	10uF 20% 10V
Δ	LF700	1-424-485-11 FILTER, LINE				C105	1-163-021-11	CERAMIC CHIP	0.01uF 10% 50V
						C106	1-163-275-11	CERAMIC CHIP	0.001uF 5% 50V
						C107	1-163-038-00	CERAMIC CHIP	0.1uF 25V
						C108	1-163-038-00	CERAMIC CHIP	0.1uF 25V
						C109	1-163-037-11	CERAMIC CHIP	0.022uF 10% 25V
						C111	1-164-344-11	CERAMIC CHIP	0.068uF 10% 25V
						C112	1-163-017-00	CERAMIC CHIP	0.0047uF 5% 50V
						C113	1-109-982-11	CERAMIC CHIP	1uF 10% 10V
						C115	1-164-489-11	CERAMIC CHIP	0.22uF 10% 16V
						C116	1-163-037-11	CERAMIC CHIP	0.022uF 10% 25V
						C117	1-163-809-11	CERAMIC CHIP	0.047uF 10% 25V

Ref. No.	Part No.	Description	Remark
C118	1-163-038-00	CERAMIC CHIP 0.1uF	25V
C119	1-125-822-11	TANTALUM 10uF 20%	10V
C121	1-125-822-11	TANTALUM 10uF 20%	10V
C122	1-163-021-11	CERAMIC CHIP 0.01uF 10%	50V
C123	1-163-038-00	CERAMIC CHIP 0.1uF	25V
C124	1-163-038-00	CERAMIC CHIP 0.1uF	25V
C127	1-163-038-00	CERAMIC CHIP 0.1uF	25V
C128	1-163-021-11	CERAMIC CHIP 0.01uF 10%	50V
C129	1-107-823-11	CERAMIC CHIP 0.47uF 10%	16V
C130	1-163-251-11	CERAMIC CHIP 100PF 5%	50V
C131	1-163-023-00	CERAMIC CHIP 0.015uF 5%	50V
C132	1-107-823-11	CERAMIC CHIP 0.47uF 10%	16V
C133	1-163-017-00	CERAMIC CHIP 0.0047uF 5%	50V
C134	1-163-038-00	CERAMIC CHIP 0.1uF	25V
C135	1-163-038-00	CERAMIC CHIP 0.1uF	25V
C136	1-126-206-11	ELECT CHIP 100uF 20%	6.3V
C142	1-163-251-11	CERAMIC CHIP 100PF 5%	50V
C143	1-163-251-11	CERAMIC CHIP 100PF 5%	50V
C144	1-163-251-11	CERAMIC CHIP 100PF 5%	50V
C146	1-163-038-00	CERAMIC CHIP 0.1uF	25V
C151	1-126-206-11	ELECT CHIP 100uF 20%	6.3V
C152	1-163-038-00	CERAMIC CHIP 0.1uF	25V
C153	1-163-021-11	CERAMIC CHIP 0.01uF 10%	50V
C156	1-163-038-00	CERAMIC CHIP 0.1uF	25V
C158	1-163-019-00	CERAMIC CHIP 0.0068uF 10%	50V
C160	1-104-601-11	ELECT CHIP 10uF 20%	10V
C161	1-104-601-11	ELECT CHIP 10uF 20%	10V
C163	1-163-021-11	CERAMIC CHIP 0.01uF 10%	50V
C164	1-163-021-11	CERAMIC CHIP 0.01uF 10%	50V
C167	1-163-038-00	CERAMIC CHIP 0.1uF	25V
C168	1-163-038-00	CERAMIC CHIP 0.1uF	25V
C169	1-125-822-11	TANTALUM 10uF 20%	10V
C171	1-163-038-00	CERAMIC CHIP 0.1uF	25V
C181	1-104-913-11	TANTALUM CHIP 10uF 20%	16V
C183	1-163-038-00	CERAMIC CHIP 0.1uF	25V
C184	1-117-970-11	ELECT CHIP 22uF 20%	10V
C185	1-164-611-11	CERAMIC CHIP 0.001uF 10%	500V
C187	1-104-913-11	TANTALUM CHIP 10uF 20%	16V
C188	1-163-021-11	CERAMIC CHIP 0.01uF 10%	50V
C189	1-163-989-11	CERAMIC CHIP 0.033uF 10%	25V
C190	1-126-206-11	ELECT CHIP 100uF 20%	6.3V
C191	1-163-038-00	CERAMIC CHIP 0.1uF	25V
C196	1-163-038-00	CERAMIC CHIP 0.1uF	25V
C197	1-163-038-00	CERAMIC CHIP 0.1uF	25V
< CONNECTOR >			
CN101	1-569-479-21	CONNECTOR, FPC 21P	
CN102	1-784-833-21	CONNECTOR, FFC (LIF(NON-ZIF)) 21P	
CN103	1-784-834-21	CONNECTOR, FFC (LIF(NON-ZIF)) 23P	
CN104	1-770-687-11	CONNECTOR, FFC/FPC 4P	
CN110	1-695-440-21	PIN, CONNECTOR (PC BOARD) 6P	
< DIODE >			
D101	8-719-988-61	DIODE 1SS355TE-17	
D181	8-719-046-86	DIODE F1J6TP	
D183	8-719-046-86	DIODE F1J6TP	

Ref. No.	Part No.	Description	Remark
< IC/TRANSISTOR >			
IC101	8-752-080-95	IC CXA2523AR	
IC103	8-729-903-10	TRANSISTOR FMW1-T-148	
IC121	8-752-390-16	IC CXD2656R	
IC123	8-759-096-87	IC TC7WU04FU (TE12R)	
IC124	8-759-334-38	IC MSM51V4400-70TS-K	
IC152	8-759-430-25	IC BH6511FS-E2	
IC171	8-759-487-04	IC BR24C02F-E2	
IC181	8-759-481-17	IC MC74ACT08DTR2	
IC192	8-759-460-72	IC BA033FP-E2	
< COIL/FERRITE BEAD/SHORT >			
L101	1-414-813-11	FERRITE 0uH	
L102	1-414-813-11	FERRITE 0uH	
L103	1-414-813-11	FERRITE 0uH	
L105	1-414-813-11	FERRITE 0uH	
L106	1-414-813-11	FERRITE 0uH	
L121	1-414-813-11	FERRITE 0uH	
L122	1-414-813-11	FERRITE 0uH	
L151	1-412-029-11	INDUCTOR CHIP 10uH	
L152	1-412-029-11	INDUCTOR CHIP 10uH	
L153	1-412-032-11	INDUCTOR CHIP 100uH	
L154	1-412-032-11	INDUCTOR CHIP 100uH	
L161	1-414-813-11	FERRITE 0uH	
L162	1-414-813-11	FERRITE 0uH	
L181	1-216-295-91	SHORT 0	
< TRANSISTOR >			
Q101	8-729-028-91	TRANSISTOR RT1P441M-TP-1	
Q102	8-729-026-53	TRANSISTOR 2SA1576A-T106-QR	
Q103	8-729-028-99	TRANSISTOR RN1307-TE85L	
Q103	8-729-028-99	TRANSISTOR DTC114YUT106	
Q104	8-729-028-99	TRANSISTOR RN1307-TE85L	
Q162	8-729-101-07	TRANSISTOR 2SB798-T1DK	
Q163	8-729-028-91	TRANSISTOR DTA144EUA-T106	
Q181	8-729-018-75	FET 2SJ278MYTR	
Q182	8-729-017-65	FET 2SK1764KYTR	
< RESISTOR >			
R103	1-216-049-11	RES, CHIP 1K 5%	1/10W
R104	1-216-073-00	METAL CHIP 10K 5%	1/10W
R105	1-216-065-00	RES, CHIP 4.7K 5%	1/10W
R106	1-216-133-00	METAL CHIP 3.3M 5%	1/10W
R107	1-216-113-00	METAL CHIP 470K 5%	1/10W
R109	1-216-295-00	SHORT 0	
R110	1-216-073-00	METAL CHIP 10K 5%	1/10W
R111	1-216-295-00	SHORT 0	
R112	1-216-089-00	RES, CHIP 47K 5%	1/10W
R113	1-216-049-11	RES, CHIP 1K 5%	1/10W
R115	1-216-049-11	RES, CHIP 1K 5%	1/10W
R117	1-216-113-00	METAL CHIP 470K 5%	1/10W
R120	1-216-025-00	RES, CHIP 100 5%	1/10W
R121	1-216-097-00	RES, CHIP 100K 5%	1/10W
R123	1-216-295-00	SHORT 0	
R124	1-216-025-00	RES, CHIP 100 5%	1/10W
R125	1-216-025-00	RES, CHIP 100 5%	1/10W
R127	1-216-025-00	RES, CHIP 100 5%	1/10W
R129	1-216-295-00	SHORT 0	

Ref. No.	Part No.	Description	Remark	Ref. No.	Part No.	Description	Remark
R131	1-216-073-00	METAL CHIP	10K 5% 1/10W		A-4724-661-A	DISP BOARD, COMPLETE (US, CND)	
R132	1-216-097-00	RES, CHIP	100K 5% 1/10W		A-4724-668-A	DISP BOARD, COMPLETE (AEP, UK)	
R133	1-216-117-00	METAL CHIP	680K 5% 1/10W			*****	
R134	1-216-049-11	RES, CHIP	1K 5% 1/10W		2-389-320-01	CUSHION	
R135	1-216-061-00	METAL CHIP	3.3K 5% 1/10W	*	4-996-686-11	HOLDER (FL)	
R136	1-216-049-11	RES, CHIP	1K 5% 1/10W			< CAPACITOR >	
R137	1-216-295-00	SHORT	0		C700	1-126-154-11 ELECT	47uF 20% 6.3V
R140	1-216-029-00	METAL CHIP	150 5% 1/10W		C701	1-126-154-11 ELECT	47uF 20% 6.3V
R142	1-216-073-00	METAL CHIP	10K 5% 1/10W		C708	1-162-294-31 CERAMIC	0.001uF 10% 50V
R143	1-216-073-00	METAL CHIP	10K 5% 1/10W		C709	1-162-294-31 CERAMIC	0.001uF 10% 50V
R144	1-216-025-00	RES, CHIP	100 5% 1/10W		C710	1-164-159-11 CERAMIC	0.1uF 50V
R145	1-216-073-00	METAL CHIP	10K 5% 1/10W		C741	1-164-159-11 CERAMIC	0.1uF 50V
R146	1-216-037-00	METAL CHIP	330 5% 1/10W		C746	1-164-159-11 CERAMIC	0.1uF 50V
R147	1-216-025-00	RES, CHIP	100 5% 1/10W		C761	1-126-154-11 ELECT	47uF 20% 6.3V
R148	1-216-045-00	METAL CHIP	680 5% 1/10W		C762	1-164-159-11 CERAMIC	0.1uF 50V
R149	1-216-073-00	METAL CHIP	10K 5% 1/10W		C770	1-164-159-11 CERAMIC	0.1uF 50V
R150	1-216-295-00	SHORT	0		C771	1-164-159-11 CERAMIC	0.1uF 50V
R151	1-216-073-00	METAL CHIP	10K 5% 1/10W		C772	1-162-213-31 CERAMIC	39PF 5% 50V
R152	1-216-073-00	METAL CHIP	10K 5% 1/10W		C773	1-162-294-31 CERAMIC	0.001uF 10% 50V
R158	1-216-097-00	RES, CHIP	100K 5% 1/10W		C774	1-162-282-31 CERAMIC	100PF 10% 50V
R159	1-216-097-00	RES, CHIP	100K 5% 1/10W		C775	1-162-282-31 CERAMIC	100PF 10% 50V
R160	1-216-295-00	SHORT	0		C776	1-162-282-31 CERAMIC	100PF 10% 50V
R161	1-216-057-00	METAL CHIP	2.2K 5% 1/10W		C777	1-164-159-11 CERAMIC	0.1uF 50V
R162	1-216-057-00	METAL CHIP	2.2K 5% 1/10W		C778	1-164-159-11 CERAMIC	0.1uF 50V
R163	1-216-057-00	METAL CHIP	2.2K 5% 1/10W			< CONNECTOR >	
R164	1-216-045-00	METAL CHIP	680 5% 1/10W		CN701	1-779-558-11 CONNECTOR, FFC (LIF (NON-ZIF)) 21P	
R165	1-216-097-00	RES, CHIP	100K 5% 1/10W		CN751	1-784-642-11 CONNECTOR, BOARD TO BOARD 11P	
R166	1-220-149-11	RES, CHIP	2.2 10% 1/2W			< FLUORESCENT INDICATOR TUBE >	
R167	1-216-065-00	RES, CHIP	4.7K 5% 1/10W		FL781	1-517-738-11 INDICATOR TUBE, FLUORESCENT	
R169	1-219-724-11	METAL CHIP	1 1% 1/4W			< IC >	
R170	1-216-073-00	METAL CHIP	10K 5% 1/10W		IC761	8-749-013-91 IC GP1UC8X (■)	
R171	1-216-073-00	METAL CHIP	10K 5% 1/10W		IC771	8-759-525-49 IC MSM9201-02GS-K	
R173	1-216-121-00	RES, CHIP	1M 5% 1/10W			< TRANSISTOR >	
R175	1-216-065-00	RES, CHIP	4.7K 5% 1/10W		Q781	8-729-620-05 TRANSISTOR 2SC2603TP-EF	
R177	1-216-061-00	METAL CHIP	3.3K 5% 1/10W		Q782	8-729-620-05 TRANSISTOR 2SC2603TP-EF	
R179	1-216-085-00	METAL CHIP	33K 5% 1/10W			< RESISTOR >	
R180	1-216-073-00	METAL CHIP	10K 5% 1/10W		R702	1-249-421-11 CARBON	2.2K 5% 1/4W
R182	1-216-089-00	RES, CHIP	47K 5% 1/10W		R703	1-247-843-11 CARBON	3.3K 5% 1/4W
R183	1-216-089-00	RES, CHIP	47K 5% 1/10W		R704	1-249-425-11 CARBON	4.7K 5% 1/4W
R184	1-216-073-00	METAL CHIP	10K 5% 1/10W		R705	1-249-429-11 CARBON	10K 5% 1/4W
R185	1-216-081-00	METAL CHIP	22K 5% 1/10W		R706	1-249-435-11 CARBON	33K 5% 1/4W
R186	1-216-089-00	RES, CHIP	47K 5% 1/10W		R712	1-249-421-11 CARBON	2.2K 5% 1/4W
R188	1-216-073-00	METAL CHIP	10K 5% 1/10W		R713	1-247-843-11 CARBON	3.3K 5% 1/4W
R189	1-216-073-00	METAL CHIP	10K 5% 1/10W		R714	1-249-425-11 CARBON	4.7K 5% 1/4W
R190	1-216-073-00	METAL CHIP	10K 5% 1/10W		R717	1-249-429-11 CARBON	10K 5% 1/4W
R195	1-216-073-00	METAL CHIP	10K 5% 1/10W		R742	1-249-426-11 CARBON	5.6K 5% 1/4W
R196	1-216-295-00	SHORT	0		R743	1-249-425-11 CARBON	4.7K 5% 1/4W
R197	1-216-295-00	SHORT	0		R744	1-249-429-11 CARBON	10K 5% 1/4W
		< SWITCH >			R745	1-249-435-11 CARBON	33K 5% 1/4W
S101	1-762-596-21	SWITCH, PUSH (1 KEY) (LIMIT IN)			R760	1-249-401-11 CARBON	47 5% 1/4W
S102	1-762-148-21	SWITCH, PUSH (2 KEY) (REFLECT DET, PROTECT DET)			R762	1-247-807-31 CARBON	100 5% 1/4W

DISP **HP** **KEY** **MAIN**

Ref. No.	Part No.	Description	Remark
R770	1-249-417-11	CARBON 1K 5%	1/4W
R771	1-249-417-11	CARBON 1K 5%	1/4W
R772	1-247-843-11	CARBON 3.3K 5%	1/4W
R773	1-247-807-31	CARBON 100 5%	1/4W
R774	1-247-807-31	CARBON 100 5%	1/4W
R775	1-247-807-31	CARBON 100 5%	1/4W
R776	1-247-807-31	CARBON 100 5%	1/4W
R777	1-249-417-11	CARBON 1K 5%	1/4W
R778	1-249-417-11	CARBON 1K 5%	1/4W
R781	1-247-807-31	CARBON 100 5%	1/4W
R782	1-249-441-11	CARBON 100K 5%	1/4W
R783	1-247-807-31	CARBON 100 5%	1/4W
R784	1-249-441-11	CARBON 100K 5%	1/4W
< SWITCH/ROTARY ENCODER >			
S701	1-762-875-21	SWITCH, KEYBOARD (REC ●)	
S702	1-762-875-21	SWITCH, KEYBOARD (■)	
S703	1-762-875-21	SWITCH, KEYBOARD (▶▶)	
S704	1-762-875-21	SWITCH, KEYBOARD (◀◀)	
S705	1-762-875-21	SWITCH, KEYBOARD (■)	
S706	1-762-875-21	SWITCH, KEYBOARD (▷)	
S711	1-762-875-21	SWITCH, KEYBOARD (YES)	
S712	1-762-875-21	SWITCH, KEYBOARD (MENU/NO)	
S713	1-475-543-11	ENCODER, ROTARY (◀◀◀ AMS ▷▷▷), PUSH ENTER)	
S714	1-762-875-21	SWITCH, KEYBOARD (CLEAR)	
S716	1-762-875-21	SWITCH, KEYBOARD (EJECT ≡)	
S741	1-571-429-11	SWITCH, SLIDE (INPUT)	
S746	1-572-624-11	SWITCH, SLIDE (REC MODE)	

1-673-501-11	HP BOARD	*****	
< CAPACITOR >			
C793	1-126-933-11	ELECT 100uF 20%	16V
C794	1-126-933-11	ELECT 100uF 20%	16V
C795	1-162-294-31	CERAMIC 0.001uF 10%	50V
C796	1-162-294-31	CERAMIC 0.001uF 10%	50V
C797	1-164-159-11	CERAMIC 0.1uF	50V
C798	1-164-159-11	CERAMIC 0.1uF	50V
< CONNECTOR >			
* CN790	1-564-708-11	PIN, CONNECTOR (SMALL TYPE) 6P	
< IC >			
IC790	8-759-634-50	IC M5218AL	
< JACK >			
J790	1-770-904-11	JACK (LARGE TYPE) (PHONES)	
< RESISTOR >			
R790	1-247-807-31	CARBON 100 5%	1/4W
R791	1-249-433-11	CARBON 22K 5%	1/4W
R792	1-249-441-11	CARBON 100K 5%	1/4W
R793	1-249-429-11	CARBON 10K 5%	1/4W
R794	1-249-433-11	CARBON 22K 5%	1/4W

Ref. No.	Part No.	Description	Remark
R795	1-247-807-31	CARBON 100 5%	1/4W
R796	1-249-433-11	CARBON 22K 5%	1/4W
R797	1-249-441-11	CARBON 100K 5%	1/4W
R798	1-249-429-11	CARBON 10K 5%	1/4W
R799	1-249-433-11	CARBON 22K 5%	1/4W
< VARIABLE RESISTOR >			
RV790	1-225-582-11	RES, VAR, CARBON 20K/20K (PHONE LEVEL)	

1-673-503-11	KEY BOARD	*****	
< CAPACITOR >			
C703	1-164-159-11	CERAMIC 0.1uF	50V
C704	1-164-159-11	CERAMIC 0.1uF	50V
C705	1-164-159-11	CERAMIC 0.1uF	50V
C706	1-164-159-11	CERAMIC 0.1uF	50V
< PLUG >			
CN700	1-691-766-11	PLUG (MICRO CONNECTOR) 4P	
< CONNECTOR >			
J701	1-785-945-21	CONNECTOR, DIN (KEYBOARD)	
< FILTER >			
L700	1-424-122-11	FILTER, NOISE	
L701	1-424-122-11	FILTER, NOISE	
L702	1-424-122-11	FILTER, NOISE	
L703	1-424-122-11	FILTER, NOISE	
< RESISTOR >			
R700	1-249-417-11	CARBON 1K 5%	1/4W

A-4724-669-A	MAIN BOARD, COMPLETE (US, CND)		
A-4724-674-A	MAIN BOARD, COMPLETE (AEP, UK)		

7-685-646-79	SCREW +BVTP 3X8 TYPE2 N-S		
< CAPACITOR >			
C100	1-164-159-11	CERAMIC 0.1uF	50V
C101	1-124-995-11	ELECT 220uF 20%	10V
C102	1-164-159-11	CERAMIC 0.1uF	50V
C103	1-164-159-11	CERAMIC 0.1uF	50V
C104	1-124-995-11	ELECT 220uF 20%	10V
C105	1-124-995-11	ELECT 220uF 20%	10V
C106	1-164-159-11	CERAMIC 0.1uF	50V
C107	1-164-159-11	CERAMIC 0.1uF	50V
C108	1-162-203-31	CERAMIC 15PF 5%	50V
C109	1-164-159-11	CERAMIC 0.1uF	50V
C111	1-162-282-31	CERAMIC 100PF 10%	50V
C112	1-130-471-00	MYLAR 0.001uF 5%	50V
C113	1-162-203-31	CERAMIC 15PF 5%	50V
C114	1-162-282-31	CERAMIC 100PF 10%	50V
C115	1-162-282-31	CERAMIC 100PF 10%	50V
C116	1-164-159-11	CERAMIC 0.1uF	50V

Ref. No.	Part No.	Description			Remark	Ref. No.	Part No.	Description			Remark
C118	1-124-995-11	ELECT	220uF	20%	10V	C239	1-126-022-11	ELECT	47uF	20%	25V
C119	1-126-049-11	ELECT	22uF	20%	25V	C240	1-164-159-11	CERAMIC	0.1uF		50V
C120	1-164-159-11	CERAMIC	0.1uF		50V	C241	1-136-165-00	FILM	0.1uF	5%	50V
C121	1-164-159-11	CERAMIC	0.1uF		50V	C242	1-164-159-11	CERAMIC	0.1uF		50V
C122	1-124-995-11	ELECT	220uF	20%	10V	C243	1-136-165-00	FILM	0.1uF	5%	50V
C123	1-164-159-11	CERAMIC	0.1uF		50V	C244	1-126-023-11	ELECT	100uF	20%	25V
C124	1-126-022-11	ELECT	47uF	20%	25V	C245	1-126-023-11	ELECT	100uF	20%	25V
C127	1-130-471-00	MYLAR	0.001uF	5%	50V	C246	1-126-023-11	ELECT	100uF	20%	25V
C128	1-126-023-11	ELECT	100uF	20%	25V	C247	1-136-154-00	FILM	0.012uF	5%	50V
C129	1-126-023-11	ELECT	100uF	20%	25V	C248	1-136-154-00	FILM	0.012uF	5%	50V
C130	1-110-335-11	MYLAR	100PF	5%	50V	C249	1-136-154-00	FILM	0.012uF	5%	50V
C131	1-110-335-11	MYLAR	100PF	5%	50V	C250	1-136-154-00	FILM	0.012uF	5%	50V
C132	1-126-022-11	ELECT	47uF	20%	25V	C251	1-130-479-00	MYLAR	0.0047uF	5%	50V
C135	1-164-159-11	CERAMIC	0.1uF		50V	C252	1-130-479-00	MYLAR	0.0047uF	5%	50V
C136	1-164-159-11	CERAMIC	0.1uF		50V	C253	1-130-479-00	MYLAR	0.0047uF	5%	50V
C138	1-126-049-11	ELECT	22uF	20%	25V	C254	1-130-479-00	MYLAR	0.0047uF	5%	50V
C139	1-126-049-11	ELECT	22uF	20%	25V	C255	1-110-339-11	MYLAR	220PF	5%	50V
C140	1-164-159-11	CERAMIC	0.1uF		50V	C256	1-110-339-11	MYLAR	220PF	5%	50V
C141	1-162-294-31	CERAMIC	0.001uF	10%	50V	C257	1-110-339-11	MYLAR	220PF	5%	50V
C142	1-162-207-31	CERAMIC	22PF	5%	50V	C258	1-110-339-11	MYLAR	220PF	5%	50V
C143	1-162-215-31	CERAMIC	47PF	5%	50V	C259	1-136-818-11	FILM	0.0047uF	5%	100V
C144	1-162-199-31	CERAMIC	10PF	5%	50V	C260	1-136-818-11	FILM	0.0047uF	5%	100V
C200	1-162-294-31	CERAMIC	0.001uF	10%	50V	C261	1-136-814-11	FILM	0.001uF	5%	100V
C202	1-164-159-11	CERAMIC	0.1uF		50V	C262	1-136-814-11	FILM	0.001uF	5%	100V
C203	1-164-159-11	CERAMIC	0.1uF		50V	C263	1-124-914-51	ELECT	330uF	20%	25V
C204	1-164-159-11	CERAMIC	0.1uF		50V	C264	1-124-914-51	ELECT	330uF	20%	25V
C205	1-164-159-11	CERAMIC	0.1uF		50V	C265	1-124-699-11	ELECT	220uF	20%	25V
C206	1-126-933-11	ELECT	100uF	20%	16V	C266	1-124-699-11	ELECT	220uF	20%	25V
C207	1-126-933-11	ELECT	100uF	20%	16V	C270	1-164-159-11	CERAMIC	0.1uF		50V
C209	1-164-159-11	CERAMIC	0.1uF		50V	C271	1-164-159-11	CERAMIC	0.1uF		50V
C210	1-164-159-11	CERAMIC	0.1uF		50V	C300	1-162-294-31	CERAMIC	0.001uF	10%	50V
C211	1-164-159-11	CERAMIC	0.1uF		50V	C301	1-164-159-11	CERAMIC	0.1uF		50V
C212	1-124-995-11	ELECT	220uF	20%	10V	C302	1-126-933-11	ELECT	100uF	20%	16V
C213	1-164-159-11	CERAMIC	0.1uF		50V	C303	1-162-294-31	CERAMIC	0.001uF	10%	50V
C214	1-164-159-11	CERAMIC	0.1uF		50V	C304	1-164-159-11	CERAMIC	0.1uF		50V
C215	1-124-995-11	ELECT	220uF	20%	10V	C305	1-126-933-11	ELECT	100uF	20%	16V
C216	1-124-995-11	ELECT	220uF	20%	10V	C306	1-126-933-11	ELECT	100uF	20%	16V
C217	1-164-159-11	CERAMIC	0.1uF		50V	C307	1-126-933-11	ELECT	100uF	20%	16V
C218	1-164-159-11	CERAMIC	0.1uF		50V	C308	1-126-933-11	ELECT	100uF	20%	16V
C220	1-164-159-11	CERAMIC	0.1uF		50V	C309	1-136-165-00	FILM	0.1uF	5%	50V
C221	1-164-159-11	CERAMIC	0.1uF		50V	C310	1-136-165-00	FILM	0.1uF	5%	50V
C222	1-124-995-11	ELECT	220uF	20%	10V	C311	1-136-165-00	FILM	0.1uF	5%	50V
C223	1-164-159-11	CERAMIC	0.1uF		50V	C312	1-164-159-11	CERAMIC	0.1uF		50V
C224	1-162-199-31	CERAMIC	10PF	5%	50V	C313	1-164-159-11	CERAMIC	0.1uF		50V
C225	1-162-199-31	CERAMIC	10PF	5%	50V	C314	1-164-159-11	CERAMIC	0.1uF		50V
C226	1-136-157-00	FILM	0.022uF	5%	50V	C315	1-104-646-11	CERAMIC	2.2uF	20%	50V
C227	1-136-157-00	FILM	0.022uF	5%	50V	C316	1-126-933-11	ELECT	100uF	20%	16V
C228	1-126-013-11	ELECT	1000uF	20%	16V	C317	1-164-159-11	CERAMIC	0.1uF		50V
C229	1-164-159-11	CERAMIC	0.1uF		50V	C318	1-136-165-00	FILM	0.1uF	5%	50V
C230	1-126-049-11	ELECT	22uF	20%	25V	C319	1-162-282-31	CERAMIC	100PF	10%	50V
C231	1-126-049-11	ELECT	22uF	20%	25V	C320	1-104-646-11	CERAMIC	2.2uF	20%	50V
C232	1-136-165-00	FILM	0.1uF	5%	50V	C400	1-162-306-11	CERAMIC	0.01uF	20%	16V
C233	1-164-159-11	CERAMIC	0.1uF		50V	C401	1-162-306-11	CERAMIC	0.01uF	20%	16V
C234	1-136-165-00	FILM	0.1uF	5%	50V	C402	1-126-933-11	ELECT	100uF	20%	16V
C235	1-136-165-00	FILM	0.1uF	5%	50V	C403	1-164-159-11	CERAMIC	0.1uF		50V
C236	1-136-165-00	FILM	0.1uF	5%	50V	C404	1-126-965-11	ELECT	22uF	20%	50V
C237	1-126-022-11	ELECT	47uF	20%	25V	C700	1-126-927-11	ELECT	2200uF	20%	10V
C238	1-126-023-11	ELECT	100uF	20%	25V						

MAIN

Ref. No.	Part No.	Description			Remark	Ref. No.	Part No.	Description			Remark
C701	1-126-925-11	ELECT	470uF	20%	10V	C824	1-162-282-31	CERAMIC	100PF	10%	50V
C702	1-161-494-00	CERAMIC	0.022uF		25V	C825	1-164-159-11	CERAMIC	0.1uF		50V
C703	1-164-159-11	CERAMIC	0.1uF		50V	C826	1-164-159-11	CERAMIC	0.1uF		50V
C704	1-126-927-11	ELECT	2200uF	20%	10V	C827	1-164-159-11	CERAMIC	0.1uF		50V
C705	1-164-159-11	CERAMIC	0.1uF		50V	< CONNECTOR/PLUG >					
C706	1-117-850-11	ELECT	15000uF	20%	16V	* CN200	1-564-510-11	PLUG, CONNECTOR 7P			
C707	1-126-964-11	ELECT	10uF	20%	50V	CN400	1-779-291-11	CONNECTOR, FFC (LIF (NON-ZIF)) 23P			
C708	1-164-159-11	CERAMIC	0.1uF		50V	* CN401	1-568-934-11	PIN, CONNECTOR 7P			
C709	1-126-939-11	ELECT	10000uF	20%	16V	CN402	1-779-289-11	CONNECTOR, FFC (LIF (NON-ZIF)) 21P			
C710	1-126-969-11	ELECT	220uF	20%	50V	CN403	1-569-490-11	SOCKET, CONNECTOR 3P			
C711	1-164-159-11	CERAMIC	0.1uF		50V	CN700	1-764-334-11	PLUG, CONNECTOR 11P			
C712	1-128-554-11	ELECT	330uF	20%	63V	CN800	1-779-289-11	CONNECTOR, FFC(LIF(NON-ZIF))21P			
C713	1-164-159-11	CERAMIC	0.1uF		50V	CN801	1-691-765-11	PLUG (MICRO CONNECTOR) 3P			
C714	1-164-159-11	CERAMIC	0.1uF		50V	CN802	1-691-766-11	PLUG (MICRO CONNECTOR) 4P			
C715	1-164-159-11	CERAMIC	0.1uF		50V	* CN803	1-568-935-11	PIN, CONNECTOR 8P			
C716	1-164-159-11	CERAMIC	0.1uF		50V	< DIODE >					
C717	1-164-159-11	CERAMIC	0.1uF		50V	D100	8-719-911-19	DIODE 1SS133T-72			
C718	1-164-159-11	CERAMIC	0.1uF		50V	D101	8-719-911-19	DIODE 1SS133T-72			
C719	1-164-159-11	CERAMIC	0.1uF		50V	D102	8-719-911-19	DIODE 1SS133T-72			
C726	1-164-159-11	CERAMIC	0.1uF		50V	D103	8-719-911-19	DIODE 1SS133T-72			
C727	1-164-159-11	CERAMIC	0.1uF		50V	D200	8-719-210-21	DIODE 11EQS04-TA2B			
C728	1-126-234-11	ELECT	2200uF	20%	16V	D201	8-719-210-21	DIODE 11EQS04-TA2B			
C729	1-128-489-11	ELECT	3300uF	20%	16V	D206	8-719-210-21	DIODE 11EQS04-TA2B			
C730	1-164-159-11	CERAMIC	0.1uF		50V	D400	8-719-933-39	DIODE HZS6C1LTA			
C731	1-164-159-11	CERAMIC	0.1uF		50V	D700	8-719-210-21	DIODE 11EQS04-TA2B			
C732	1-115-877-11	ELECT (BLOCK)	4700uF	20%	25V	D701	8-719-200-82	DIODE 11ES2-TA2B			
C733	1-115-877-11	ELECT (BLOCK)	4700uF	20%	25V	D703	8-719-911-19	DIODE 1SS133T-72			
C734	1-126-933-11	ELECT	100uF	20%	16V	D704	8-719-911-19	DIODE 1SS133T-72			
C735	1-136-153-00	FILM	0.01uF	5%	50V	D705	8-719-068-31	DIODE HZ7.5CP-TK			
C736	1-136-153-00	FILM	0.01uF	5%	50V	D706	8-719-200-77	DIODE 10E2N-TA2B			
C737	1-164-159-11	CERAMIC	0.1uF		50V	D707	8-719-983-62	DIODE MTZJ-T-72-3.3A			
C738	1-104-664-11	ELECT	47uF	20%	25V	D708	8-719-911-19	DIODE 1SS133T-72			
C740	1-164-159-11	CERAMIC	0.1uF		50V	D709	8-719-200-77	DIODE 10E2N-TA2B			
C750	1-126-965-11	ELECT	22uF	20%	50V	D710	8-719-200-77	DIODE 10E2N-TA2B			
C751	1-126-964-11	ELECT	10uF	20%	50V	D711	8-719-200-77	DIODE 10E2N-TA2B			
C800	1-164-159-11	CERAMIC	0.1uF		50V	D712	8-719-200-77	DIODE 10E2N-TA2B			
C802	1-164-159-11	CERAMIC	0.1uF		50V	D713	8-719-210-21	DIODE 11EQS04-TA2B			
C803	1-162-282-31	CERAMIC	100PF	10%	50V	D714	8-719-210-21	DIODE 11EQS04-TA2B			
C804	1-162-282-31	CERAMIC	100PF	10%	50V	D715	8-719-911-55	DIODE 10DF2-TA2			
C805	1-162-294-31	CERAMIC	0.001uF	10%	50V	D716	8-719-911-55	DIODE 10DF2-TA2			
C806	1-164-159-11	CERAMIC	0.1uF		50V	D717	8-719-911-55	DIODE 10DF2-TA2			
C807	1-164-159-11	CERAMIC	0.1uF		50V	D718	8-719-911-55	DIODE 10DF2-TA2			
C808	1-164-159-11	CERAMIC	0.1uF		50V	D719	8-719-911-19	DIODE 1SS133T-72			
C809	1-162-205-31	CERAMIC	18PF	5%	50V	D720	8-719-200-77	DIODE 10E2N-TA2B			
C810	1-162-205-31	CERAMIC	18PF	5%	50V	D721	8-719-200-77	DIODE 10E2N-TA2B			
C811	1-164-159-11	CERAMIC	0.1uF		50V	D800	8-719-911-19	DIODE 1SS133T-72			
C812	1-164-159-11	CERAMIC	0.1uF		50V	< GROUND PLATE >					
C813	1-162-294-31	CERAMIC	0.001uF	10%	50V	* EP102	4-870-539-00	PLATE, GROUND			
C814	1-162-294-31	CERAMIC	0.001uF	10%	50V	* EP200	4-870-539-00	PLATE, GROUND			
C815	1-162-294-31	CERAMIC	0.001uF	10%	50V	* EP700	4-870-539-00	PLATE, GROUND			
C816	1-162-294-31	CERAMIC	0.001uF	10%	50V	* EP701	4-870-539-00	PLATE, GROUND			
C817	1-131-347-00	TANTALUM	1uF	10%	35V	< IC >					
C818	1-164-159-11	CERAMIC	0.1uF		50V	IC100	8-759-584-26	IC AK4524-TP			
C819	1-126-925-11	ELECT	470uF	20%	10V	IC102	8-759-069-28	IC PQ05RF11			
C820	1-164-159-11	CERAMIC	0.1uF		50V						
C821	1-104-646-11	CERAMIC	2.2uF	20%	50V						
C822	1-104-646-11	CERAMIC	2.2uF	20%	50V						
C823	1-164-159-11	CERAMIC	0.1uF		50V						

Ref. No.	Part No.	Description	Remark	Ref. No.	Part No.	Description	Remark
IC103	8-759-712-02	IC NJM2114D		Q870	8-729-900-80	TRANSISTOR UN4211-TA	
IC200	8-759-527-07	IC CXD8735N-TP		Q871	8-729-900-80	TRANSISTOR UN4211-TA	
IC203	8-759-371-51	IC CXA8042AS		Q872	8-729-900-80	TRANSISTOR UN4211-TA	
IC204	8-759-371-51	IC CXA8042AS		Q873	8-729-900-80	TRANSISTOR UN4211-TA	
IC205	8-759-069-28	IC PQ05RF11				< RESISTOR >	
IC241	8-759-712-02	IC NJM2114D		R67	1-259-412-11	CARBON 220 5%	1/6W
IC242	8-759-712-02	IC NJM2114D		R68	1-259-412-11	CARBON 220 5%	1/6W
IC243	8-759-712-02	IC NJM2114D		R100	1-259-396-11	CARBON 47 5%	1/6W
IC244	8-759-712-02	IC NJM2114D		R101	1-259-396-11	CARBON 47 5%	1/6W
IC300	8-759-926-17	IC SN74HC153ANSR		R102	1-259-396-11	CARBON 47 5%	1/6W
IC301	8-759-269-92	IC SN74HCU04ANSR		R103	1-259-404-11	CARBON 100 5%	1/6W
IC302	8-749-012-70	IC GP1F38R (DIGITAL OPTICAL IN2)		R104	1-259-404-11	CARBON 100 5%	1/6W
IC303	8-749-012-70	IC GP1F38R (DIGITAL OPTICAL IN1)		R107	1-259-404-11	CARBON 100 5%	1/6W
IC304	8-749-012-69	IC GP1F38T (DIGITAL OPTICAL OUT)		R108	1-259-404-11	CARBON 100 5%	1/6W
IC305	8-759-242-70	IC TC7WU04F-TE12L		R111	1-259-456-11	CARBON 15K 5%	1/6W
IC400	8-759-822-09	IC LB1641		R112	1-259-456-11	CARBON 15K 5%	1/6W
IC700	8-759-525-48	IC LA5632		R113	1-259-500-11	CARBON 1M 5%	1/6W
IC701	8-759-633-42	IC M5293L		R114	1-259-500-11	CARBON 1M 5%	1/6W
IC702	8-759-604-95	IC M5F79M07L		R115	1-259-404-11	CARBON 100 5%	1/6W
IC703	8-759-605-00	IC M5F78M07L		R116	1-259-404-11	CARBON 100 5%	1/6W
IC704	8-759-242-70	IC TC7WU04F-TE12L		R117	1-249-417-11	CARBON 1K 5%	1/4W
IC705	8-759-513-71	IC PQ05RF21		R120	1-247-807-31	CARBON 100 5%	1/4W
IC800	8-759-577-39	IC M30624MG-208FP		R121	1-259-484-11	CARBON 220K 5%	1/6W
		< JACK >		R122	1-259-484-11	CARBON 220K 5%	1/6W
J100	1-784-430-11	JACK, PIN 4P LINE (ANALOG) IN, LINE (ANALOG) OUT		R123	1-247-807-31	CARBON 100 5%	1/4W
J300	1-784-432-11	JACK, PIN 1P (DIGITAL COAXIAL IN)		R124	1-247-807-31	CARBON 100 5%	1/4W
J301	1-784-689-11	JACK, PIN 1P (DIGITAL COAXIAL OUT)		R125	1-259-464-11	CARBON 33K 5%	1/6W
J800	1-779-655-21	JACK (SMALL TYPE) (2 GANG) (CONTROL A1 II)		R126	1-259-464-11	CARBON 33K 5%	1/6W
		< COIL >		R200	1-247-807-31	CARBON 100 5%	1/4W
L100	1-408-599-31	INDUCTOR 4.7uH		R201	1-247-807-31	CARBON 100 5%	1/4W
L102	1-408-599-31	INDUCTOR 4.7uH		R202	1-247-807-31	CARBON 100 5%	1/4W
L103	1-408-599-31	INDUCTOR 4.7uH		R205	1-247-807-31	CARBON 100 5%	1/4W
L200	1-408-599-31	INDUCTOR 4.7uH		R206	1-247-807-31	CARBON 100 5%	1/4W
L202	1-408-599-31	INDUCTOR 4.7uH		R207	1-247-807-31	CARBON 100 5%	1/4W
L203	1-408-599-31	INDUCTOR 4.7uH		R208	1-247-807-31	CARBON 100 5%	1/4W
L204	1-408-599-31	INDUCTOR 4.7uH		R209	1-247-807-31	CARBON 100 5%	1/4W
L205	1-408-599-31	INDUCTOR 4.7uH		R210	1-247-807-31	CARBON 100 5%	1/4W
L207	1-408-599-31	INDUCTOR 4.7uH		R211	1-259-416-11	CARBON 330 5%	1/6W
L300	1-408-599-31	INDUCTOR 4.7uH		R212	1-259-416-11	CARBON 330 5%	1/6W
L301	1-408-599-31	INDUCTOR 4.7uH		R213	1-259-416-11	CARBON 330 5%	1/6W
L302	1-408-599-31	INDUCTOR 4.7uH		R214	1-259-416-11	CARBON 330 5%	1/6W
L303	1-408-599-31	INDUCTOR 4.7uH		R215	1-259-416-11	CARBON 330 5%	1/6W
L304	1-408-599-31	INDUCTOR 4.7uH		R216	1-259-416-11	CARBON 330 5%	1/6W
L800	1-408-599-31	INDUCTOR 4.7uH		R217	1-259-416-11	CARBON 330 5%	1/6W
		< TRANSISTOR >		R218	1-259-416-11	CARBON 330 5%	1/6W
Q200	8-729-231-55	TRANSISTOR 2SC2878AB-TPE2		R219	1-259-452-11	CARBON 10K 5%	1/6W
Q201	8-729-231-55	TRANSISTOR 2SC2878AB-TPE2		R220	1-259-380-11	CARBON 10 5%	1/6W
Q202	8-729-231-55	TRANSISTOR 2SC2878AB-TPE2		R221	1-259-380-11	CARBON 10 5%	1/6W
Q203	8-729-231-55	TRANSISTOR 2SC2878AB-TPE2		R222	1-259-380-11	CARBON 10 5%	1/6W
Q400	8-729-900-80	TRANSISTOR UN4211-TA		R223	1-259-380-11	CARBON 10 5%	1/6W
Q401	8-729-119-76	TRANSISTOR 2SA1175TP-HFE		R224	1-259-436-11	CARBON 2.2K 5%	1/6W
Q702	8-729-422-61	TRANSISTOR UN4115-TA		R225	1-259-436-11	CARBON 2.2K 5%	1/6W
Q800	8-729-620-05	TRANSISTOR 2SC2603TP-EF		R226	1-259-416-11	CARBON 330 5%	1/6W
Q802	8-729-900-80	TRANSISTOR UN4211-TA		R227	1-259-412-11	CARBON 220 5%	1/6W
				R228	1-259-416-11	CARBON 330 5%	1/6W
				R229	1-259-412-11	CARBON 220 5%	1/6W

MAIN

Ref. No.	Part No.	Description			Remark	Ref. No.	Part No.	Description			Remark
R230	1-259-380-11	CARBON	10	5%	1/6W	R405	1-247-807-31	CARBON	100	5%	1/4W
R231	1-259-380-11	CARBON	10	5%	1/6W	R700	1-247-807-31	CARBON	100	5%	1/4W
R232	1-259-380-11	CARBON	10	5%	1/6W	R701	1-249-429-11	CARBON	10K	5%	1/4W
R233	1-259-380-11	CARBON	10	5%	1/6W	R702	1-249-417-11	CARBON	1K	5%	1/4W
R234	1-259-390-11	CARBON	27	5%	1/6W	R707	1-249-433-11	CARBON	22K	5%	1/4W
R235	1-259-390-11	CARBON	27	5%	1/6W	R708	1-247-843-11	CARBON	3.3K	5%	1/4W
R236	1-259-390-11	CARBON	27	5%	1/6W	R709	1-249-422-11	CARBON	2.7K	5%	1/4W
R237	1-259-390-11	CARBON	27	5%	1/6W	R710	1-247-807-31	CARBON	100	5%	1/4W
R238	1-259-418-11	CARBON	390	5%	1/6W	R711	1-249-437-11	CARBON	47K	5%	1/4W
R239	1-259-418-11	CARBON	390	5%	1/6W	R712	1-249-417-11	CARBON	1K	5%	1/4W
R240	1-259-418-11	CARBON	390	5%	1/6W	R713	1-249-417-11	CARBON	1K	5%	1/4W
R241	1-259-418-11	CARBON	390	5%	1/6W	R714	1-247-891-00	CARBON	330K	5%	1/4W
R242	1-259-452-11	CARBON	10K	5%	1/6W	R715	1-249-433-11	CARBON	22K	5%	1/4W
R243	1-259-452-11	CARBON	10K	5%	1/6W	R800	1-249-429-11	CARBON	10K	5%	1/4W
R244	1-259-452-11	CARBON	10K	5%	1/6W	R801	1-249-429-11	CARBON	10K	5%	1/4W
R245	1-259-452-11	CARBON	10K	5%	1/6W	R802	1-249-429-11	CARBON	10K	5%	1/4W
R246	1-259-452-11	CARBON	10K	5%	1/6W	R803	1-249-429-11	CARBON	10K	5%	1/4W (AEP, UK)
R247	1-259-452-11	CARBON	10K	5%	1/6W	R804	1-249-429-11	CARBON	10K	5%	1/4W (US, CND)
R248	1-259-452-11	CARBON	10K	5%	1/6W	R805	1-249-429-11	CARBON	10K	5%	1/4W
R249	1-259-452-11	CARBON	10K	5%	1/6W	R806	1-249-429-11	CARBON	10K	5%	1/4W (US, CND)
R250	1-259-428-11	CARBON	1K	5%	1/6W	R807	1-249-429-11	CARBON	10K	5%	1/4W (AEP, UK)
R251	1-259-428-11	CARBON	1K	5%	1/6W	R808	1-249-429-11	CARBON	10K	5%	1/4W
R252	1-259-428-11	CARBON	1K	5%	1/6W	R809	1-249-429-11	CARBON	10K	5%	1/4W
R253	1-259-428-11	CARBON	1K	5%	1/6W	R810	1-249-441-11	CARBON	100K	5%	1/4W
R254	1-259-476-11	CARBON	100K	5%	1/6W	R811	1-249-429-11	CARBON	10K	5%	1/4W
R255	1-259-412-11	CARBON	220	5%	1/6W	R812	1-249-429-11	CARBON	10K	5%	1/4W
R256	1-259-452-11	CARBON	10K	5%	1/6W	R813	1-249-429-11	CARBON	10K	5%	1/4W
R257	1-259-452-11	CARBON	10K	5%	1/6W	R814	1-249-429-11	CARBON	10K	5%	1/4W
R258	1-259-412-11	CARBON	220	5%	1/6W	R815	1-249-429-11	CARBON	10K	5%	1/4W
R259	1-259-412-11	CARBON	220	5%	1/6W	R816	1-249-429-11	CARBON	10K	5%	1/4W
R260	1-259-452-11	CARBON	10K	5%	1/6W	R819	1-249-417-11	CARBON	1K	5%	1/4W
R261	1-259-452-11	CARBON	10K	5%	1/6W	R820	1-249-429-11	CARBON	10K	5%	1/4W
R262	1-259-412-11	CARBON	220	5%	1/6W	R822	1-249-429-11	CARBON	10K	5%	1/4W
R267	1-259-476-11	CARBON	100K	5%	1/6W	R826	1-249-429-11	CARBON	10K	5%	1/4W
R268	1-259-476-11	CARBON	100K	5%	1/6W	R827	1-249-429-11	CARBON	10K	5%	1/4W
R270	1-247-807-31	CARBON	100	5%	1/4W	R828	1-249-441-11	CARBON	100K	5%	1/4W
R271	1-247-807-31	CARBON	100	5%	1/4W	R829	1-249-429-11	CARBON	10K	5%	1/4W
R300	1-247-807-31	CARBON	100	5%	1/4W	R830	1-249-429-11	CARBON	10K	5%	1/4W
R301	1-247-807-31	CARBON	100	5%	1/4W	R831	1-249-441-11	CARBON	100K	5%	1/4W
R302	1-247-807-31	CARBON	100	5%	1/4W	R832	1-249-429-11	CARBON	10K	5%	1/4W
R303	1-247-807-31	CARBON	100	5%	1/4W	R833	1-249-429-11	CARBON	10K	5%	1/4W
R304	1-247-807-31	CARBON	100	5%	1/4W	R834	1-249-441-11	CARBON	100K	5%	1/4W
R305	1-249-429-11	CARBON	10K	5%	1/4W	R835	1-249-441-11	CARBON	100K	5%	1/4W
R306	1-249-441-11	CARBON	100K	5%	1/4W	R836	1-249-429-11	CARBON	10K	5%	1/4W
R307	1-247-807-31	CARBON	100	5%	1/4W	R837	1-249-429-11	CARBON	10K	5%	1/4W
R308	1-249-429-11	CARBON	10K	5%	1/4W	R838	1-249-417-11	CARBON	1K	5%	1/4W
R309	1-247-903-00	CARBON	1M	5%	1/4W	R839	1-249-429-11	CARBON	10K	5%	1/4W
R310	1-247-807-31	CARBON	100	5%	1/4W	R840	1-249-429-11	CARBON	10K	5%	1/4W
R311	1-247-807-31	CARBON	100	5%	1/4W	R841	1-249-429-11	CARBON	10K	5%	1/4W
R312	1-247-807-31	CARBON	100	5%	1/4W	R842	1-249-429-11	CARBON	10K	5%	1/4W
R313	1-247-804-11	CARBON	75	5%	1/4W	R843	1-249-429-11	CARBON	10K	5%	1/4W
R314	1-249-409-11	CARBON	220	5%	1/4W	R844	1-249-429-11	CARBON	10K	5%	1/4W
R315	1-247-804-11	CARBON	75	5%	1/4W	R845	1-249-429-11	CARBON	10K	5%	1/4W
R400	1-249-429-11	CARBON	10K	5%	1/4W	R846	1-249-429-11	CARBON	10K	5%	1/4W
R401	1-249-429-11	CARBON	10K	5%	1/4W						
R402	1-249-434-11	CARBON	27K	5%	1/4W						
R403	1-249-417-11	CARBON	1K	5%	1/4W						
R404	1-247-807-31	CARBON	100	5%	1/4W						

Ref. No.	Part No.	Description	Remark
R847	1-249-429-11	CARBON 10K 5%	1/4W
R848	1-249-429-11	CARBON 10K 5%	1/4W
R849	1-249-425-11	CARBON 4.7K 5%	1/4W
R850	1-249-429-11	CARBON 10K 5%	1/4W
R851	1-249-425-11	CARBON 4.7K 5%	1/4W
R852	1-249-393-11	CARBON 10 5%	1/4W
R853	1-249-426-11	CARBON 5.6K 5%	1/4W
R854	1-249-429-11	CARBON 10K 5%	1/4W
R855	1-249-425-11	CARBON 4.7K 5%	1/4W
R856	1-249-429-11	CARBON 10K 5%	1/4W
R857	1-249-441-11	CARBON 100K 5%	1/4W
R858	1-249-429-11	CARBON 10K 5%	1/4W
R870	1-249-417-11	CARBON 1K 5%	1/4W
R871	1-249-417-11	CARBON 1K 5%	1/4W
R872	1-249-429-11	CARBON 10K 5%	1/4W
R873	1-249-429-11	CARBON 10K 5%	1/4W
R874	1-249-429-11	CARBON 10K 5%	1/4W
R875	1-249-429-11	CARBON 10K 5%	1/4W
		< COIL >	
T301	1-416-701-11	COIL (WITH CORE)	
		< VIBRATOR >	
X200	1-579-161-11	VIBRATOR, CRYSTAL (45MHz)	
X800	1-781-174-21	VIBRATOR, CERAMIC (10MHz)	
X801	1-567-098-41	VIBRATOR, CRYSTAL (32.768kHz)	

	A-4724-662-A	PSW BOARD, COMPLETE (US, CND)	
	A-4724-670-A	PSW BOARD, COMPLETE (AEP, UK)	

		< CAPACITOR >	
C751	1-164-159-11	CERAMIC 0.1uF	50V
		< CONNECTOR >	
CN750	1-784-641-11	CONNECTOR, BOARD TO BOARD 11P	
		< DIODE >	
D756	8-719-313-43	LED SEL6210S-TH10 (STANDBY)	
D757	8-719-303-02	LED SEL6510C-TH10 (FILTER)	
D759	8-719-313-45	LED SEL6810A-TH10 (PITCH CONTROL)	
		< TRANSISTOR >	
Q756	8-729-422-57	TRANSISTOR UN4111-TA	
Q757	8-729-422-57	TRANSISTOR UN4111-TA	
Q759	8-729-422-57	TRANSISTOR UN4111-TA	
		< RESISTOR >	
R722	1-249-421-11	CARBON 2.2K 5%	1/4W
R723	1-247-843-11	CARBON 3.3K 5%	1/4W
R724	1-249-425-11	CARBON 4.7K 5%	1/4W
R733	1-249-435-11	CARBON 33K 5%	1/4W
R734	1-249-429-11	CARBON 10K 5%	1/4W
R752	1-249-429-11	CARBON 10K 5%	1/4W
R756	1-249-409-11	CARBON 220 5%	1/4W
R757	1-247-807-31	CARBON 100 5%	1/4W

Ref. No.	Part No.	Description	Remark
R759	1-247-807-31	CARBON 100 5%	1/4W
		< SWITCH >	
S721	1-762-875-21	SWITCH, KEYBOARD (DISPLAY/CHAR)	
S722	1-762-875-21	SWITCH, KEYBOARD (SCROLL)	
S723	1-762-875-21	SWITCH, KEYBOARD (PLAY MODE)	
S724	1-762-875-21	SWITCH, KEYBOARD (I/⌂)	
S731	1-762-875-21	SWITCH, KEYBOARD (PITCH CONTROL)	
S732	1-762-875-21	SWITCH, KEYBOARD (FILTER)	
S733	1-762-875-21	SWITCH, KEYBOARD (TIME)	
S751	1-572-625-11	SWITCH, SLIDE (TIMER)	

*	1-668-111-11	SW BOARD	*****
		< CONNECTOR >	
* CN601	1-506-486-11	PIN, CONNECTOR 7P	
		< SWITCH >	
S601	1-572-126-21	SWITCH, PUSH (1 KEY) (REC POSITION)	
S602	1-572-126-21	SWITCH, PUSH (1 KEY) (PACK OUT)	
S604	1-771-264-11	SWITCH, PUSH (DETECTION) (1 KEY)	(PLAY POSITION)

	1-673-502-11	VOL BOARD	*****
		< CAPACITOR >	
C765	1-162-294-31	CERAMIC 0.001uF	10% 50V
C766	1-162-294-31	CERAMIC 0.001uF	10% 50V
		< ROTARY ENCODER >	
RV760	1-418-363-11	ENCODER, ROTARY (REC LEVEL)	

		MISCELLANEOUS	*****
1	1-783-185-11	WIRE (FLAT TYPE) (21 CORE) (MAIN-DISP)	
7	1-783-186-11	WIRE (FLAT TYPE) (21 CORE) (MAIN-BD)	
8	1-783-187-11	WIRE (FLAT TYPE) (23 CORE)	
△ 11	1-558-568-21	CORD, POWER (AEP)	
△ 11	1-559-583-21	CORD, POWER (US, CND)	
△ 11	1-696-586-11	CORD, POWER (UK)	
19	4-218-995-01	REINFORCEMENT (CASE)	
258	1-667-954-11	FLEXIBLE BOARD	
△ 260	8-583-028-02	OPTICAL PICK-UP KMS-260A/J1N	
HR901	1-500-502-11	HEAD, OVER WRITE	
M101	A-4672-475-A	MOTOR ASSY, SPINDLE	
M102	A-4672-474-A	MOTOR ASSY, SLED	
M103	X-4949-264-1	MOTOR ASSY, LOADING	
S102	1-762-148-21	SWITCH, PUSH (2 KEY)	(REFLECT DET, PROTECT DET)
△ T701	1-431-880-11	TRANSFORMER, POWER (AEP, UK)	
△ T701	1-431-881-11	TRANSFORMER, POWER (US, CND)	

The components identified by mark △ or dotted line with △ are critical for safety. Replace only with part number specified.	Les composants identifiés par une marque △ sont critiques pour la sécurité. Ne les remplacer que par une pièce portant le numéro spécifié.
---	--

<u>Ref. No.</u>	<u>Part No.</u>	<u>Description</u>	<u>Remark</u>
		***** HARDWARE LIST *****	
#1	7-685-646-79	SCREW +BVTP 3X8 TYPE2 TT(B)	
#2	7-685-885-09	SCREW +BVTT 4X16 (S)	
#3	7-621-772-20	SCREW +B 2X5	
#4	7-621-772-40	SCREW +B 2X8	
#5	7-627-852-08	SCREW, PRECISION +P 1.7X2.5	
#6	7-685-533-19	SCREW +BTP 2.6X6 TYPE2 N-S	
#7	7-685-133-19	SCREW (DIA. 2.6) (IT3B)	

ACCESSORIES & PACKING MATERIALS

- 1-418-369-11 REMOTE COMMANDER (RM-D33M)
- 1-574-264-11 CORD, OPTICAL PLUG
- 1-590-925-31 CORD, CONNECTION
- 1-777-172-11 CORD, CONNECTION (CND)
- 3-866-712-11 MANUAL, INSTRUCTION (ENGLISH, FRENCH)
(US, CND)

- 3-866-712-21 MANUAL, INSTRUCTION (ENGLISH, FRENCH,
SPANISH, PORTUGUESE) (AEP, UK)
- 3-866-712-31 MANUAL, INSTRUCTION (GERMAN, DUTCH,
SWEDISH, ITALIAN) (AEP, UK)
- 4-983-537-01 COVER, BATTERY (FOR RM-D33M)