

M-7

US Model
Canadian Model
AEP Model
UK Model
E Model

Subject: Circuit and Parts Change

1. Circuit and PC Board Change

- IC101 CX807 → CX20107
- PC Board change
- C-R changes

2. Mechanical Parts Change

No. 1

October, 1985

Rear Cabinet

Part No.	
FORMER	3-309-811-01
	3-309-811-11
	3-309-811-21
NEW	3-309-811-03
	3-309-811-13
	3-309-811-23

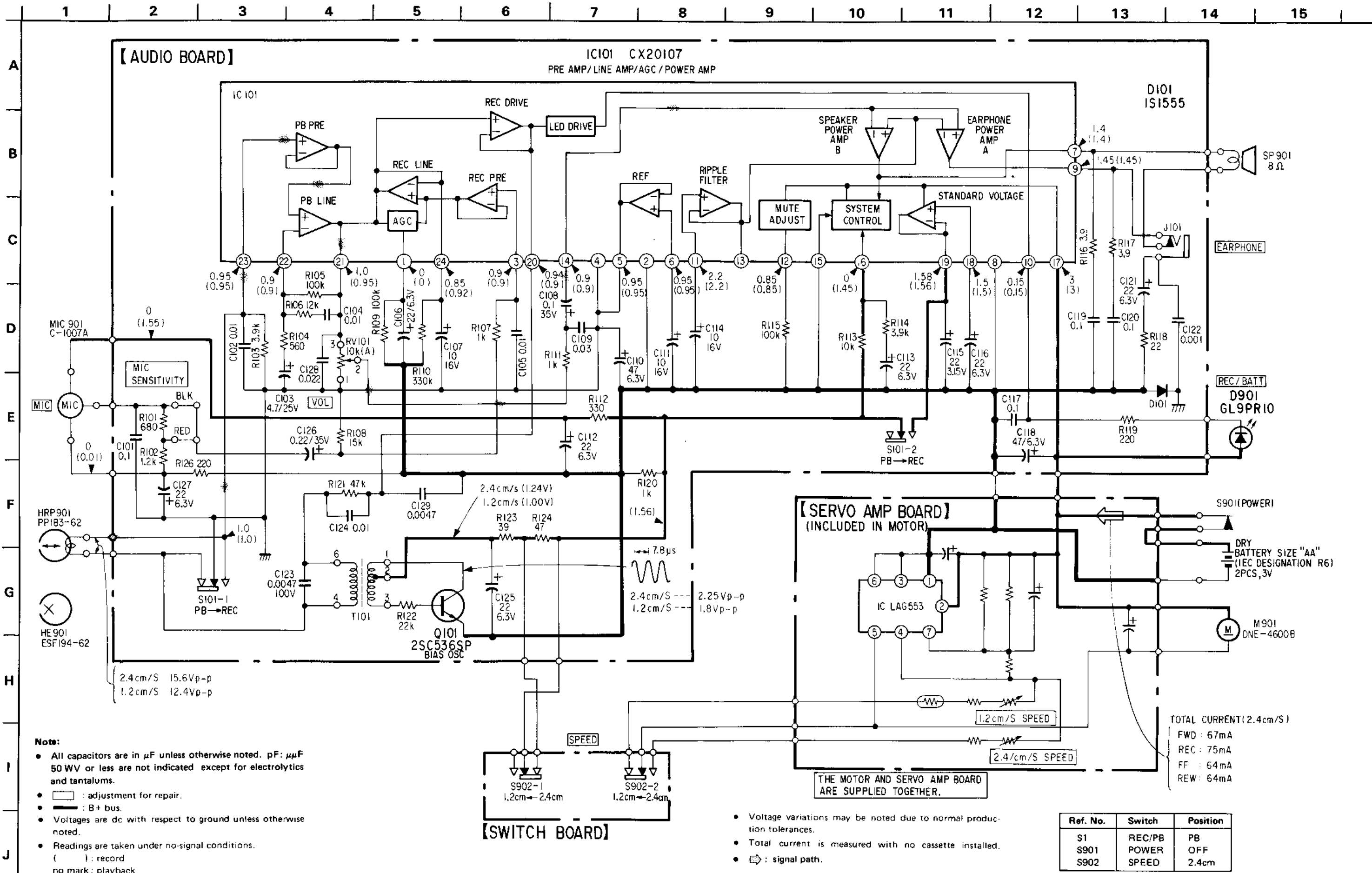
Applicable Serial Number

US model	189,801 and later
Canadian, AEP, UK, E model	184,701 and later

MICROCASSETTE-CORDER
SONY®



TC



ELECTRICAL PARTS LIST

NOTE:

Items marked " * " are not stocked since they are seldom required for routine service. Some delay should be anticipated when ordering these items.
 If there are two or more same circuits in a set such as a stereophonic machine, only typical circuit parts may be indicated and capacitors and resistors in other same circuits may be omitted.

CAPACITORS:

MF:μF, PF:pμF.

RESISTORS

All resistors are in ohms.
 F : nonflammable

COILS

MMH : mH, UH : μH

SEMICONDUCTORS

In each case, U : μ, for example:
 UA...: μA..., UPA...: μPA..., UPC...: μPC,
 UPD...: μPD...

ELECTRICAL PARTS

ELECTRICAL PARTS

Ref.No.	Part No.	Description			
	*1-615-711-11	PC BOARD, AUDIO			
C101	1-163-038-00	CERAMIC CHIP 0.1MF		25V	
C102	1-163-021-00	CERAMIC CHIP 0.01MF	10%	50V	
C103	1-123-616-00	ELECT 4.7MF	20%	25V	
C104	1-163-021-00	CERAMIC CHIP 0.01MF	10%	50V	
C105	1-163-021-00	CERAMIC CHIP 0.01MF	10%	50V	
C106	1-124-222-00	ELECT 22MF	20%	6.3V	
C107	1-123-617-00	ELECT 10MF	20%	16V	
C108	1-131-341-00	TANTALUM 0.1MF	20%	35V	
C109	1-163-810-00	CERAMIC CHIP 0.03MF	10%	25V	
C110	1-123-647-00	ELECT 47MF	20%	6.3V	
C111	1-123-617-00	ELECT 10MF	20%	16V	
C112	1-123-618-00	ELECT 22MF	20%	6.3V	
C113	1-123-618-00	ELECT 22MF	20%	6.3V	
C114	1-123-617-00	ELECT 10MF	20%	16V	
C115	1-131-391-00	TANTALUM 22MF	20%	3.15V	
C116	1-123-618-00	ELECT 22MF	20%	6.3V	
C117	1-163-038-00	CERAMIC CHIP 0.1MF		25V	
C118	1-123-647-00	ELECT 47MF	20%	6.3V	
C119	1-163-038-00	CERAMIC CHIP 0.1MF		25V	
C120	1-163-038-00	CERAMIC CHIP 0.1MF		25V	
C121	1-123-618-00	ELECT 22MF	20%	6.3V	
C122	1-163-141-00	CERAMIC CHIP 0.001MF	10%	50V	
C123	1-108-373-00	MYLAR 0.0047MF	10%	100V	
C124	1-163-021-00	CERAMIC CHIP 0.01MF	10%	50V	
C125	1-123-618-00	ELECT 22MF	20%	6.3V	
C126	1-131-343-00	TANTALUM 0.22MF	20%	35V	
C127	1-123-618-00	ELECT 22MF	20%	6.3V	
C128	1-163-033-00	CERAMIC CHIP 0.022MF	10%	25V	
C129	1-163-017-00	CERAMIC CHIP 0.0047MF	10%	50V	
D101	8-719-815-55	DIODE 1S1555			
IC101	8-752-010-71	IC CX20107			
J101	1-507-720-00	JACK			
JR101	1-216-295-00	METAL CHIP 0	5%	1/10W	
JR102	1-216-295-00	METAL CHIP 0	5%	1/10W	

Ref.No.	Part No.	Description				
Q101	8-729-853-63	TRANSISTOR 2SC536SP-G				
R101	1-216-045-00	METAL CHIP 680	5%	1/10W		
R102	1-216-051-00	METAL CHIP 1.2K	5%	1/10W		
R103	1-216-063-00	METAL CHIP 3.9K	5%	1/10W		
R104	1-216-043-00	METAL CHIP 560	5%	1/10W		
R105	1-216-097-00	METAL CHIP 100K	5%	1/10W		
R106	1-216-075-00	METAL CHIP 12K	5%	1/10W		
R107	1-216-049-00	METAL CHIP 1K	5%	1/10W		
R108	1-216-077-00	METAL CHIP 15K	5%	1/10W		
R109	1-216-097-00	METAL CHIP 100K	5%	1/10W		
R110	1-216-109-00	METAL CHIP 330K	5%	1/10W		
R111	1-216-049-00	METAL CHIP 1K	5%	1/10W		
R112	1-216-037-00	METAL CHIP 330	5%	1/10W		
R113	1-216-073-00	METAL CHIP 10K	5%	1/10W		
R114	1-216-063-00	METAL CHIP 3.9K	5%	1/10W		
R115	1-216-097-00	METAL CHIP 100K	5%	1/10W		
R116	1-216-306-11	METAL CHIP 3.9	5%	1/10W		
R117	1-216-306-11	METAL CHIP 3.9	5%	1/10W		
R118	1-216-009-00	METAL CHIP 22	5%	1/10W		
R119	1-216-033-00	METAL CHIP 220	5%	1/10W		
R120	1-216-049-00	METAL CHIP 1K	5%	1/10W		
R121	1-216-065-00	METAL CHIP 4.7K	5%	1/10W		
R122	1-216-081-00	METAL CHIP 22K	5%	1/10W		
R123	1-216-015-00	METAL CHIP 39	5%	1/10W		
R124	1-216-017-00	METAL CHIP 47	5%	1/10W		
R126	1-216-182-00	METAL CHIP 220	5%	1/8W		
RV101	1-228-121-00	RES, VAR, CARBON 10K				
S101	1-553-223-00	SWITCH, SLIDE				
S902	1-553-601-00	SWITCH, SLIDE				
T101	1-433-207-00	TRANSFORMER, BIAS OSCILLATOR				