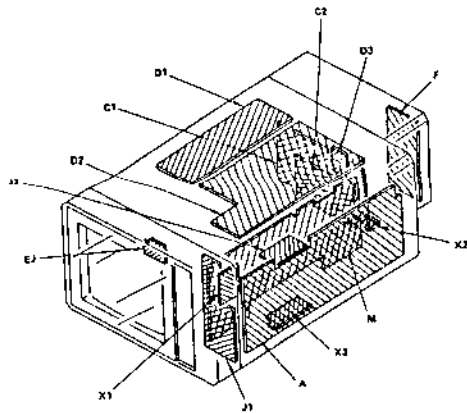
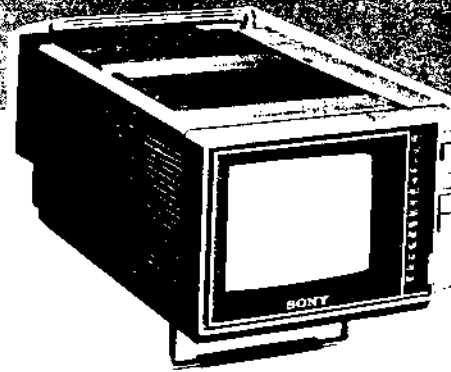


KV-6000BE

AC-133E

UK Model AEP Model
 Chassis No. SCC-449A-A Chassis No. SCC-448A-A

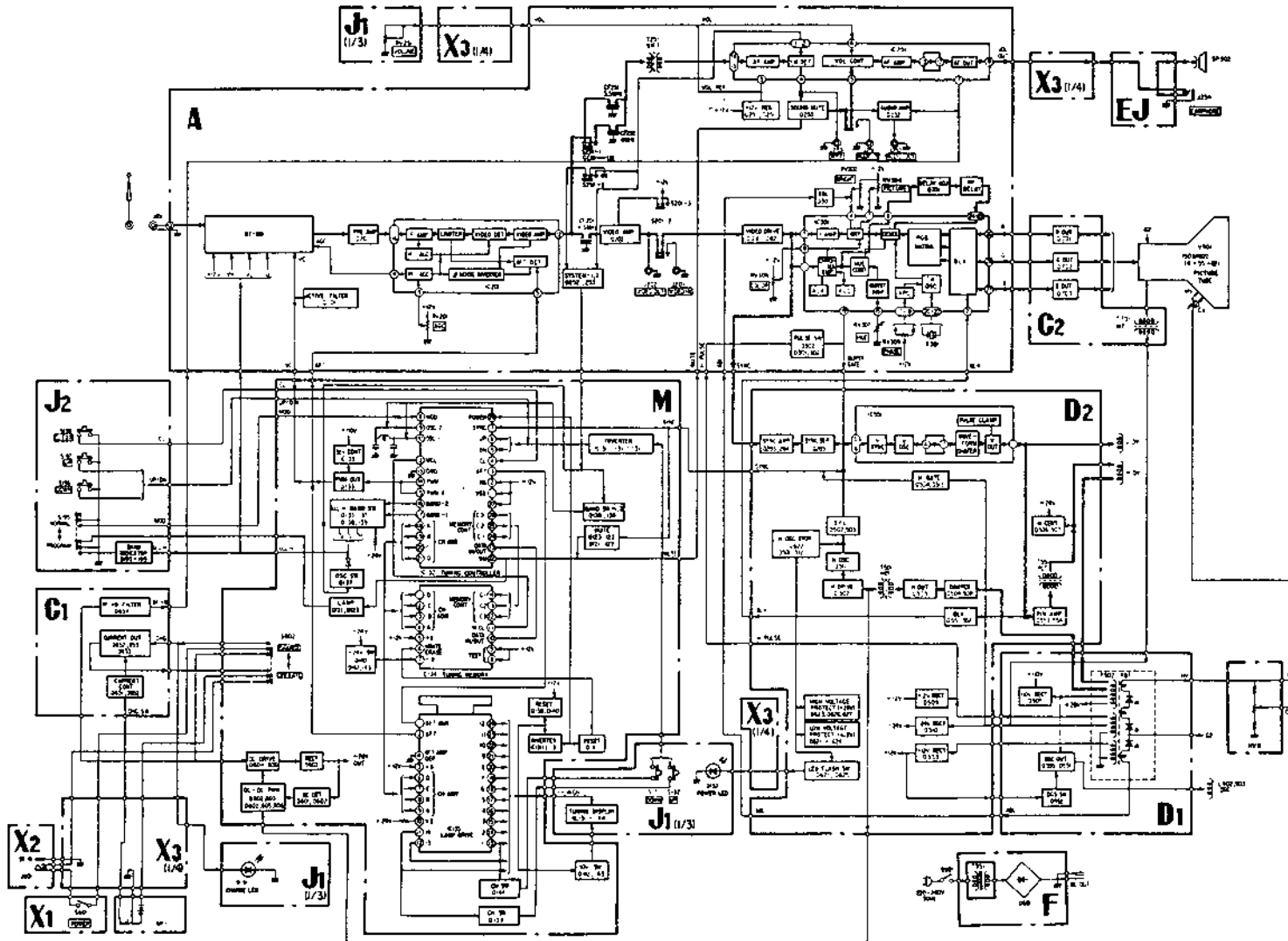


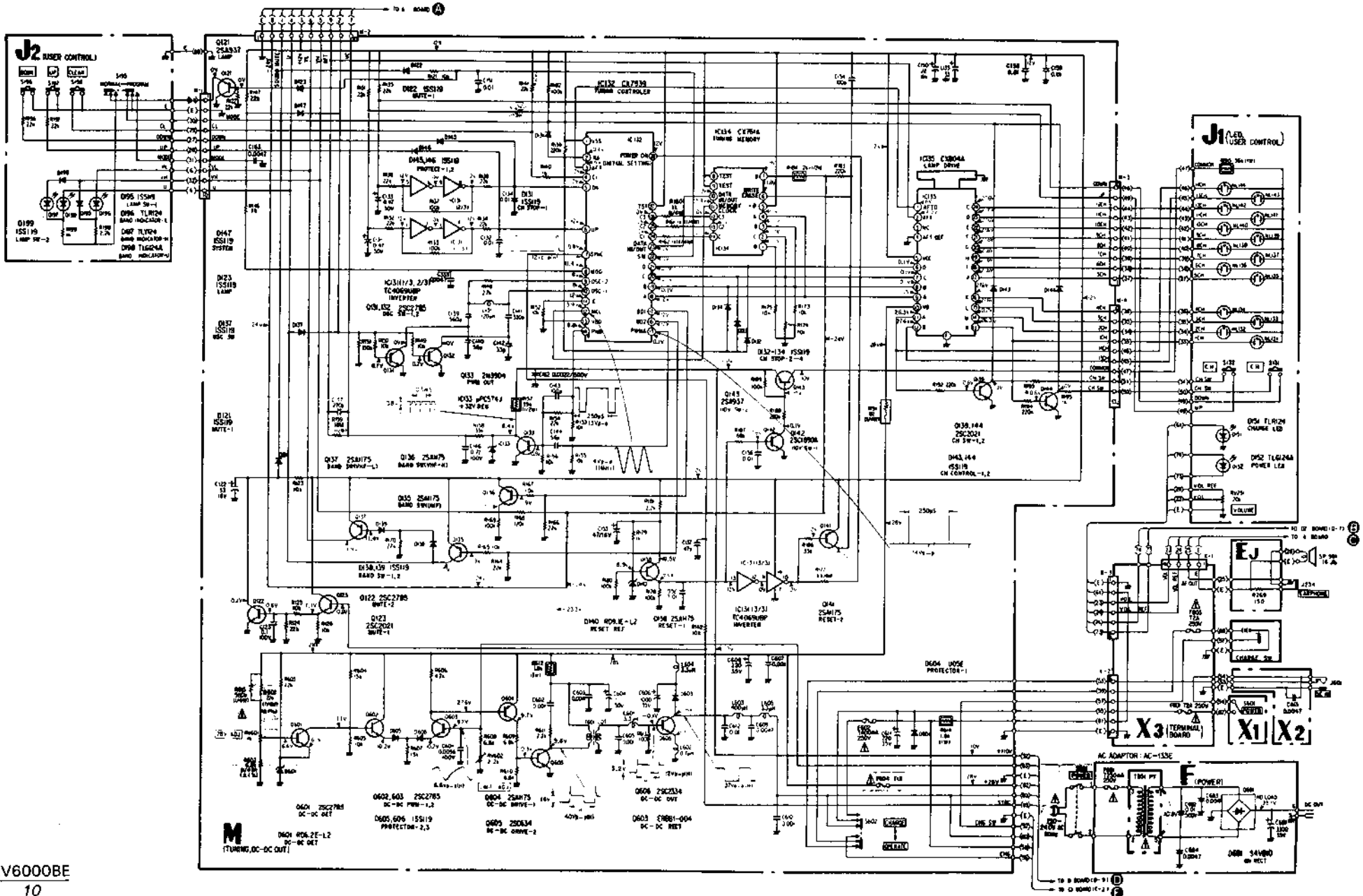
SPECIFICATIONS

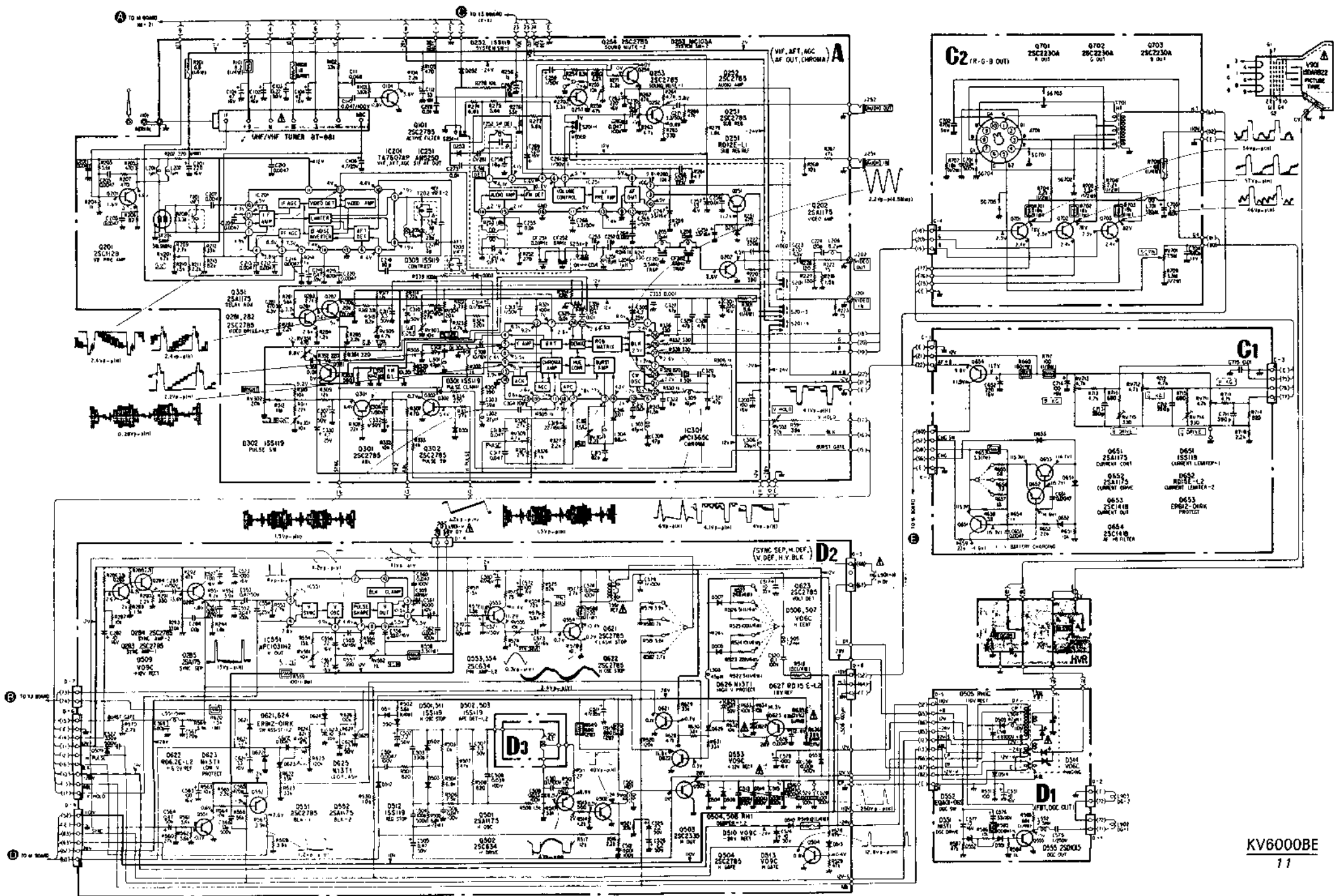
- Television system U.K.: British TV standards
 Republic of Ireland: Irish TV standards
 Western Europe: CCIR system B, G and H
- Colour system PAL
- Channel coverage U.K.: UHF channels B21-68
 Republic of Ireland: VHF channels A-C
 D-J
 Western Europe: VHF channels E2-4
 E5-12
 UHF channels E21-68
- Picture tube Approx. 14.8 cm (6 inches),
 55-degree deflection Trinitron system
 (Approx. 13.0 cm screen measured
 diagonally)
- Aerial Telescopic aerial for VHF and UHF
 75-ohm standard aerial socket for VHF
 and UHF
- Speaker Approx. 7.7 cm (3 inches) dia.

Connector	Signal level	Remarks
VIDEO IN (BNC connector)	1 V (p-p)	75 ohms unbalanced sync negative
VIDEO OUT (BNC connector)		
AUDIO IN (phono jack)	-5 dBs	input impedance 47 kilohms
AUDIO OUT (phono jack)	-0.5 dBs	output impedance 5 kilohms
Earphone (minijack)		for 8-ohm earphone or load impedance 10 kilohms or higher

- Power requirements 220-240 V ac, 50 Hz with supplied AC-133
 ac power adaptor
 12 V dc, with optional Sony NP-1 battery
 pack
- Power consumption 12/24 V car battery with optional Sony
 DCC-16AE car battery cord
 27 W ac with AC-133 ac power adaptor
 18 W dc (in 12-24 V operation)
- Dimensions Approx. 190 x 153 x 298 mm
 (7 1/2 x 6 1/8 x 11 3/4 inches)
 incl. projecting parts and controls
- Weight Approx. 3.9 kg (8 lb 10 oz)
 excl. AC-133, accessories and batteries
- Accessories supplied AC power adaptor AC-133 (1)
 Earphone (1)
- Optional accessories Battery pack NP-1
 Car battery cord DCC-16AE
 AC power adaptor for charging the battery
 pack AC-F1E, AC-F1UB
 Car battery charger CBC-330
 Car aerial VCA-3E, VCA-4E

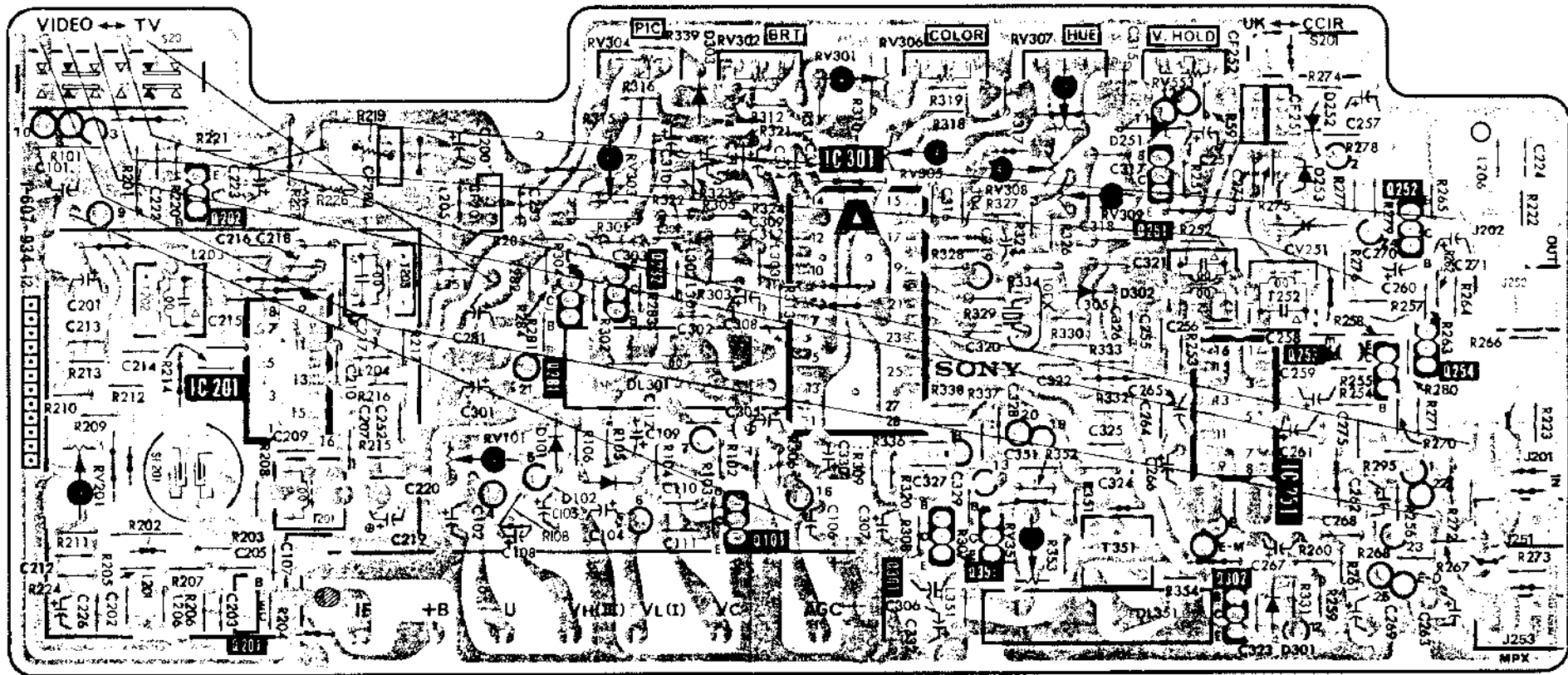






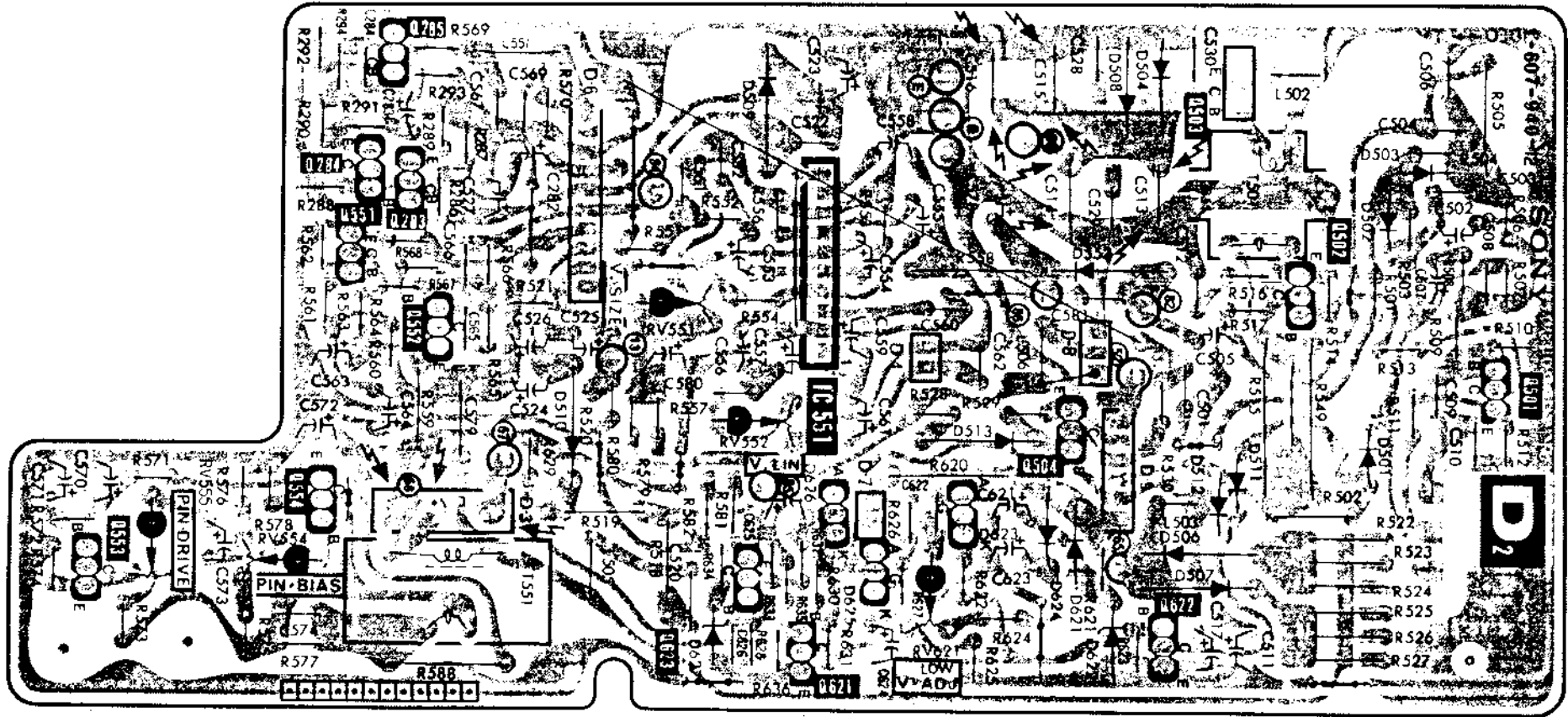
- A Board -

IC	202	IC201	281, 282		IC301		251	252	IC
Q	201			303	101	301	251	253 254	Q
D							302		D
ADJ	RV201		RV303 RV304	RV302	RV301	RV306	RV307	RV553	ADJ
					RV305	RV308	RV309	301	

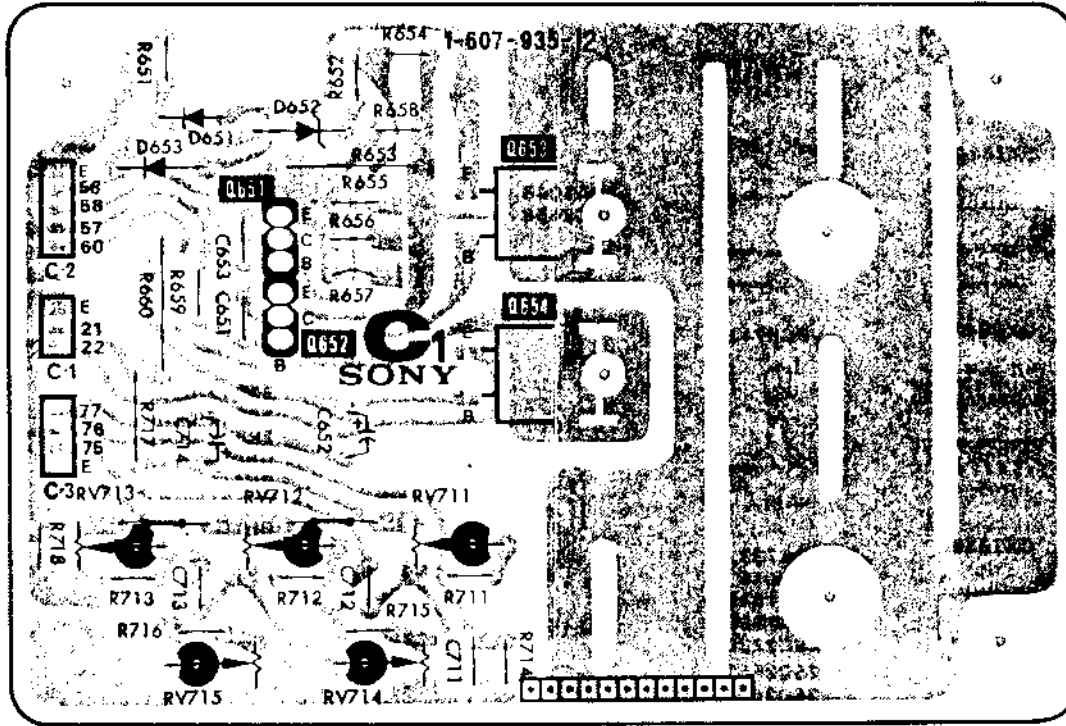


- D2 Board -

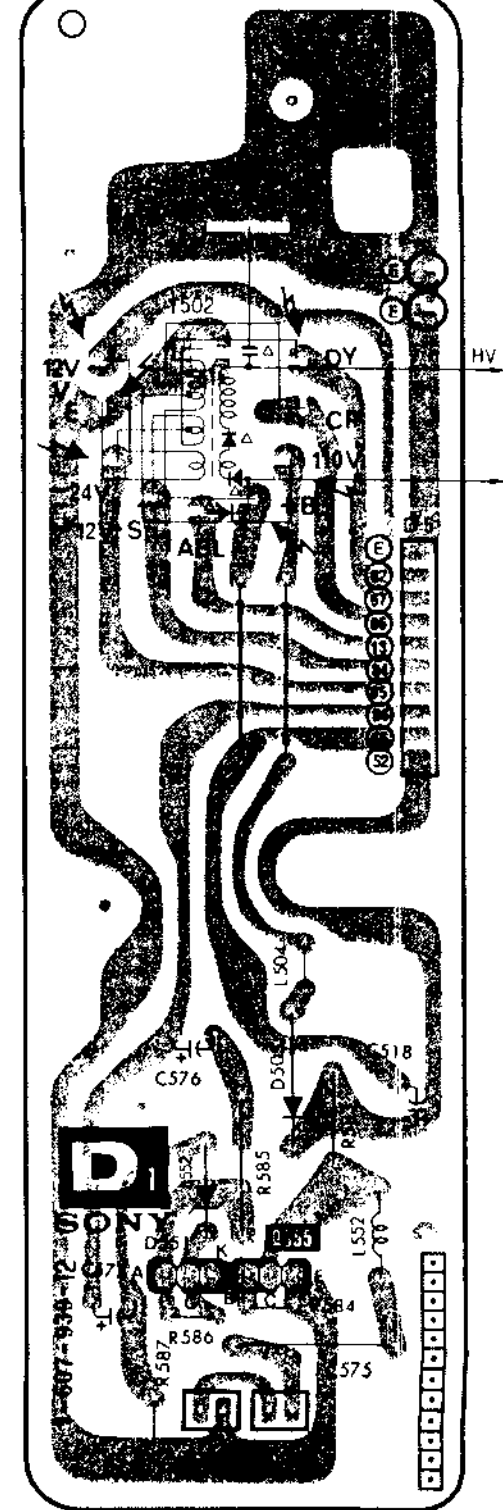
IC	553	285 284 283 554 551 552	IC551	504	503	502	IC		
Q			623 621	622		501	Q		
D		510	509	627	626 625	623 513 553 624,621 622	508 504 506 512 511 507	502 503 501	D
ADJ	RV555	RV554	RV551	RV552		RV621		ADJ	



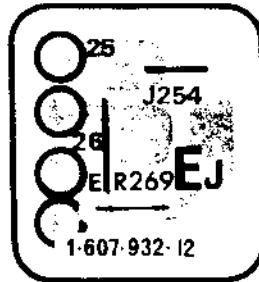
- C1 Board -



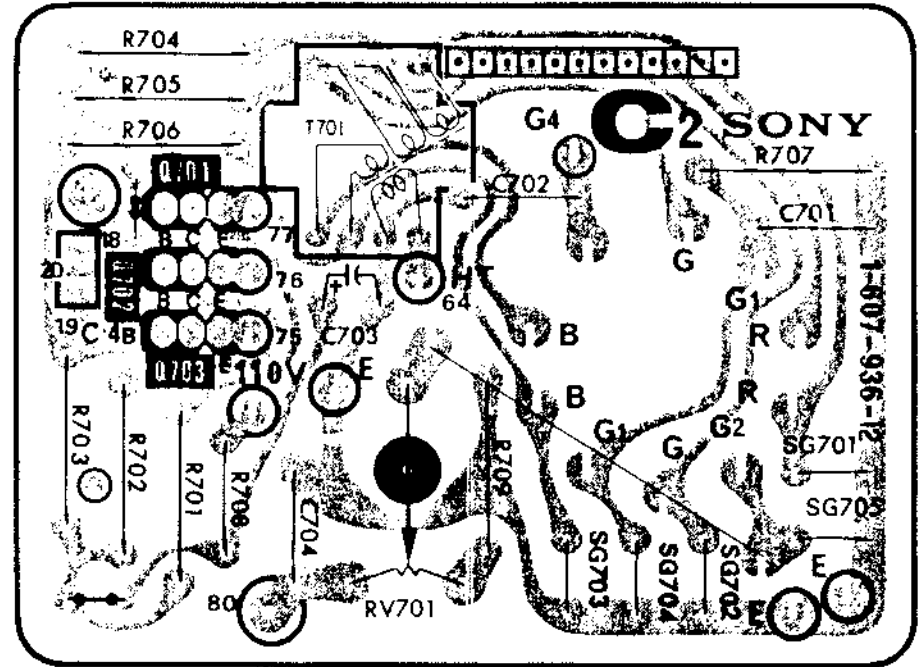
- D1 Board -



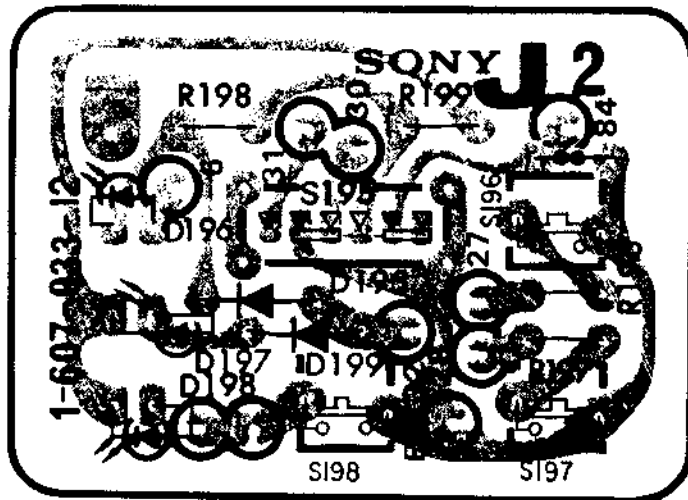
- EJ Board -



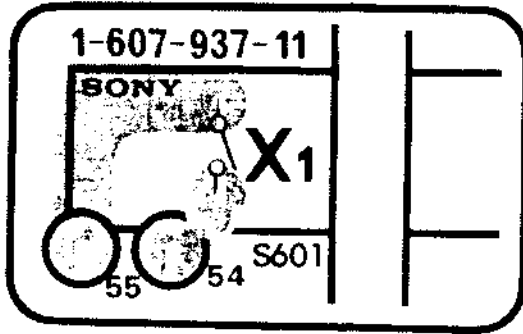
- C2 Board -



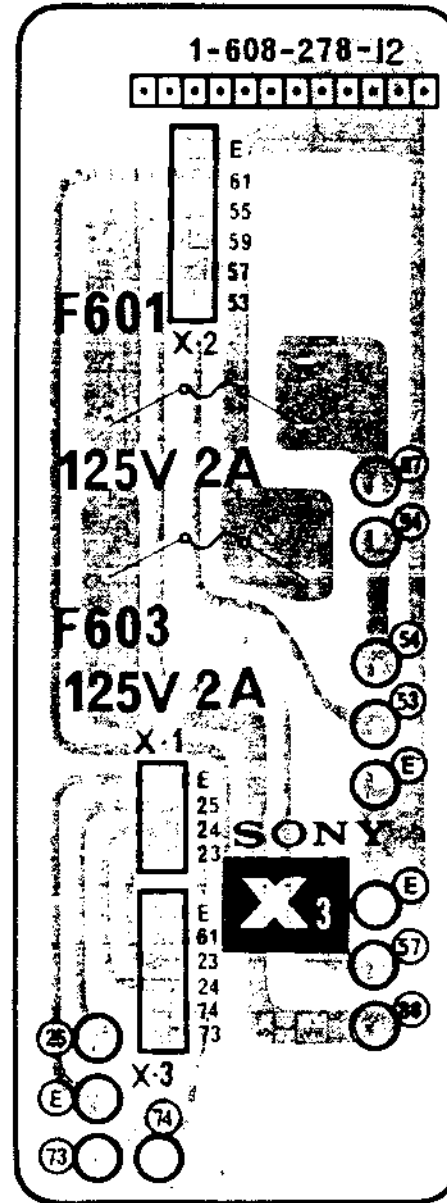
- J2 Board -



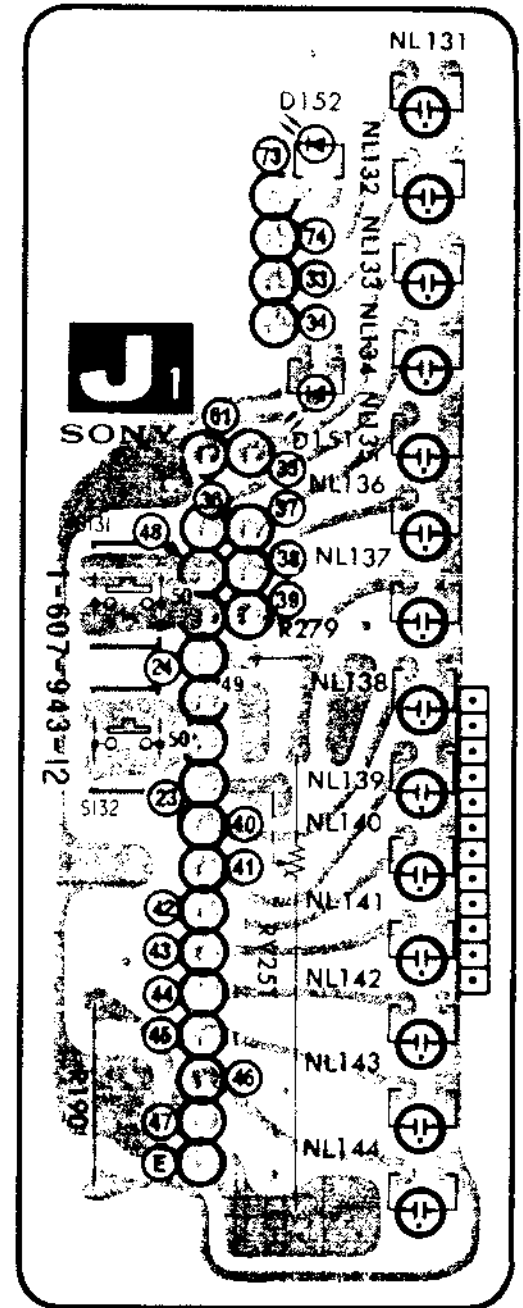
- X1 Board -



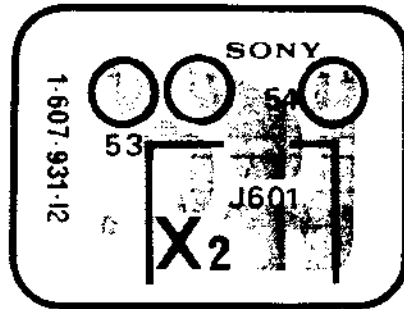
- X3 Board -



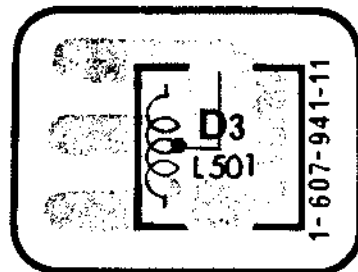
- J1 Board -



- X2 Board -

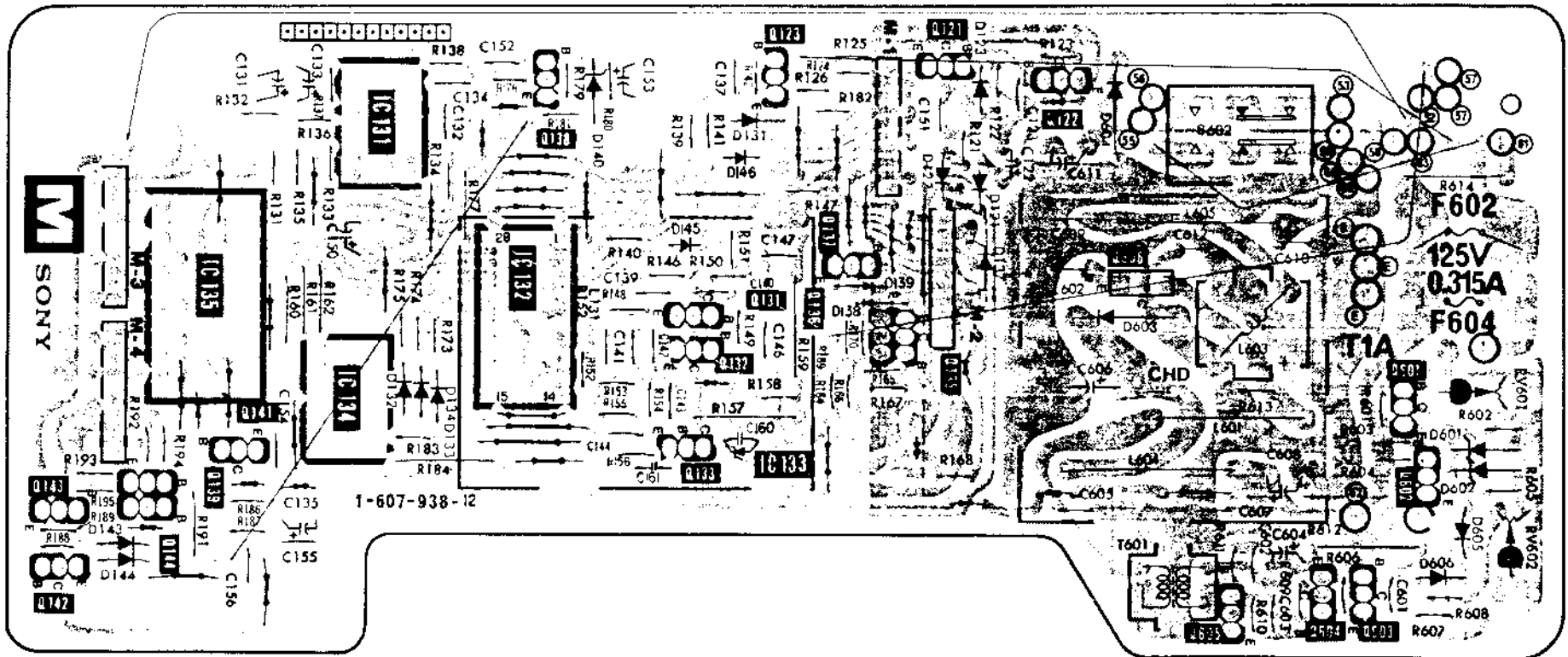


- D3 Board -



- M Board -

Q	143	139	IC135	141	IC134	IC131	IC132	137	606	605	604, 603	601	Q
IC	142	144				138		136				602	IC
D		143				140		131	604			605	D
		144				132, 133, 134		146	603			606	601
ADJ								138					RV601
								139					RV602
								122					ADJ



EXPLODED VIEWS

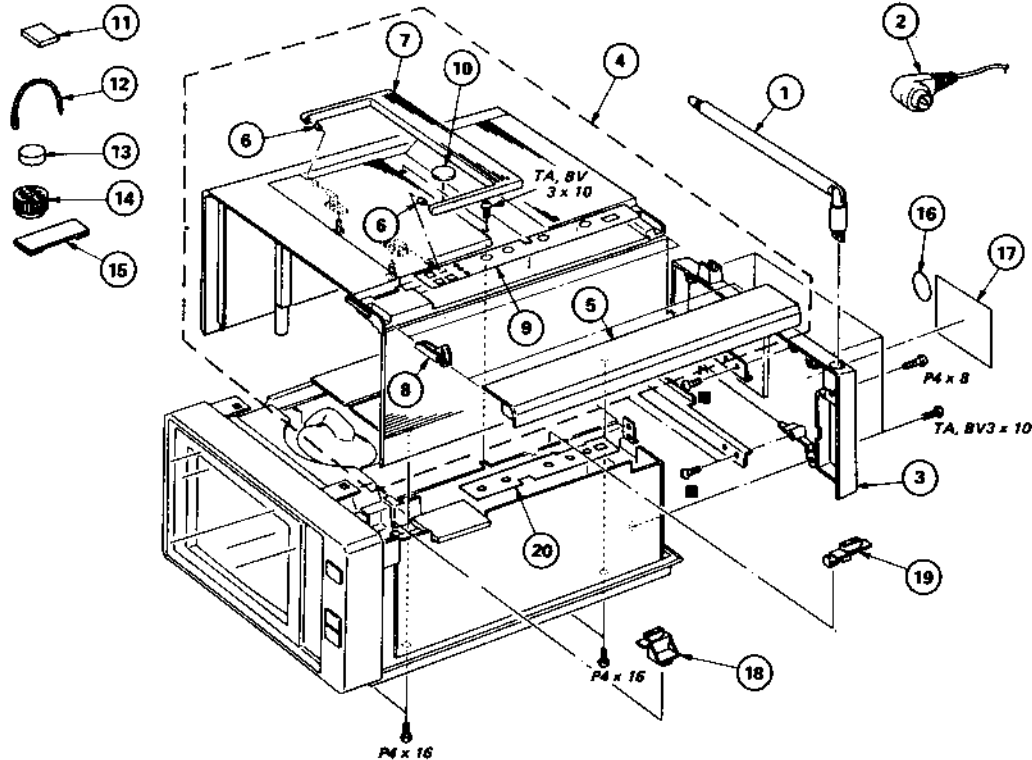
NOTE:

- Items with no part number and no description are not stocked because they are seldom required for routine service.
- The construction parts of an assembled part are indicated with a collation number in the remark column.

- Items marked " & " are not stocked since they are seldom required for routine service. Some delay should be anticipated when ordering these items.

1. CABINET

■: TA, BV3 x 8



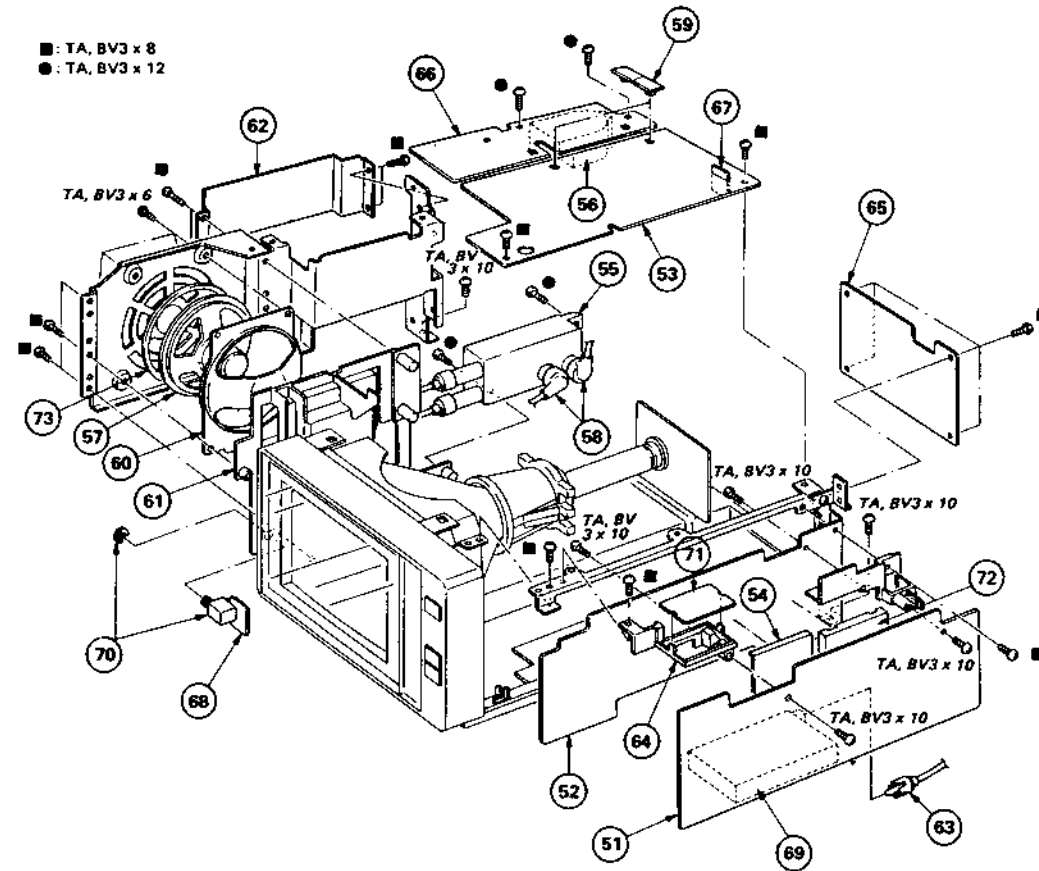
No.	Part No	Description	Remark	No.	Part No	Description	Remark
1	1-501-268-00	ANTENNA, TELESCOPIC		11	1-452-126-11	MAGNET	
2	1-556-565-00	CABLE (PAL-P1M)		12	4-308-870-00	CLIP, LEAD WIRE	
3	4-361-436-11	COVER, REAR		13	1-452-032-00	MAGNET, DISK	
4	X-4362-502-0	CABINET ASSY	5,6,7,8,9,10	14	1-452-094-00	MAGNET, ROTATABLE DISK; 15MM &	
5	X-4361-408-0	LID ASSY, ADJUSTMENT		15	X-4309-608-0	PERMALLOY ASSY, CONVERGENCE	
6	4-361-410-00	SPACER, HANDLE		16	3-701-940-01	LABEL, BEAB	
7	4-361-428-00	HANDLE		17	4-362-504-00	LABEL, MODEL NUMBER	
8	4-361-469-00	ARM, LID, ADJUSTMENT		18	4-361-412-00	KNOB (A), SLIDE SWITCH	
9	4-362-505-00	LABEL, CONTROL		19	4-361-413-00	KNOB (B), SLIDE SWITCH	
10	9-911-840-XX	SPACER, SIDE		20	4-361-487-01	SHEET, VR	

KV6000BE

18

2. CHASSIS

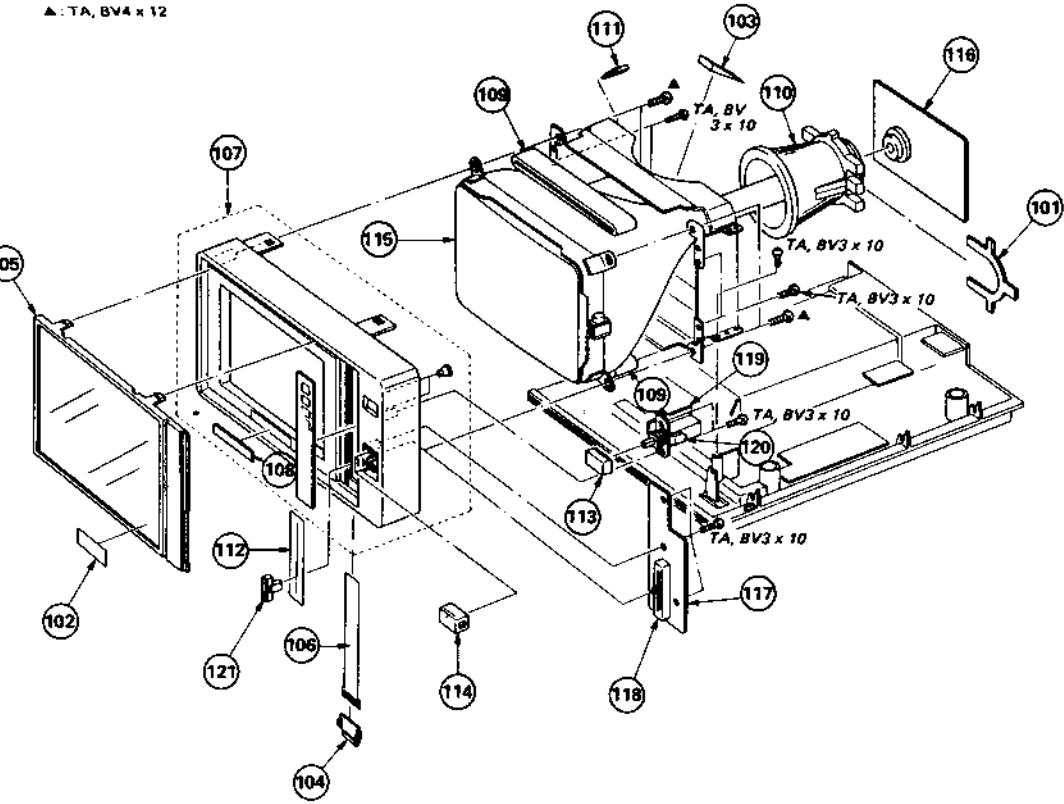
■: TA, BV3 x 8
●: TA, BV3 x 12



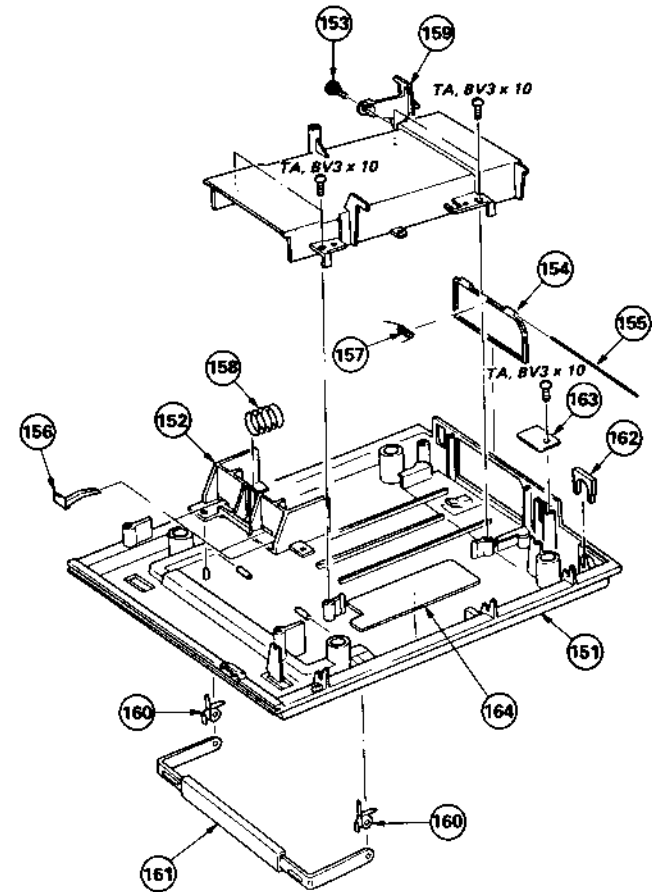
No.	Part No	Description	Remark	No.	Part No	Description	Remark
51	4-A-1295-638-A	A BOARD, COMPLETE	69	63	4-1-556-564-00	CABLE (PAL SOCKET-P1M)	
52	4-A-1301-419-A	M BOARD, COMPLETE		64	4-361-402-00	BRACKET, J2 PC BOARD	
53	4-A-1340-491-A	D2 BOARD, COMPLETE		65	4-1-607-935-00	C1 BOARD	
54	4-361-442-00	LID, BOTTOM, SHIELD CASE, (M) (UK ONLY)		66	4-1-607-939-00	D1 BOARD	
55	1-228-776-00	RESISTOR ASSY, HIGH-VOLTAGE		67	4-1-607-941-00	D3 BOARD	
56	1-439-299-00	TRANSFORMER ASSY, FLYBACK		68	4-1-607-932-00	EJ BOARD	
57	1-502-703-00	SPEAKER		69	1-463-350-31	TUNER, ET (BT-081)	
58	3-705-769-00	CAP, RUBBER		70	1-507-567-00	JACK, EARPHONE	
59	4-313-732-00	CLIP, HINGE, CIRCUIT BOARD		71	4-1-607-933-00	J2 BOARD	
60	4-344-240-00	BRACKET, SPEAKER		72	4-361-438-00	LTD, BOTTOM, SHIELD CASE, POWER(UK ONLY)	
61	4-361-445-00	CLAMP, LEAD, H.V		73	4-344-292-00	SPACER	
62	4-361-455-00	PLATE, SHIELD					

3. BEZEL

▲: TA, BV4 x 12



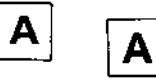
4. CABINET (LOWER)



No.	Part No	Description	Remark	No.	Part No	Description	Remark
101	1-452-192-00	MAGNET, CORRECT BMC		112	▲:4-344-748-00	BLIND, CONTROL	
102	3-701-690-00	LABEL		113	4-361-403-00	PUSH BUTTON (A)	
103	4-309-369-00	SPACER, DEFLECTION YOKE		114	4-361-404-00	PUSH BUTTON (B)	
104	▲:4-361-401-00	LID, INDICATOR		115	▲:8-736-2D1-05	CRT 150ARB22	
105	4-361-426-00	FILTER		116	▲:1-607-936-00	C2 BOARD	
106	4-362-503-00	INDICATOR		117	▲:1-607-943-00	J1 BOARD	
107	1-4362-503-0	BEZEL ASSY		118	1-228-350-00	RES, VAR, SLIDE 20K	
108	▲:3-703-352-00	EMBLEM, SONY	108	119	▲:1-607-937-00	K1 BOARD	
109	1-426-023-21	COIL, DEGAUSS		120	1-554-253-00	SWITCH, PUSH (POWER SWITCH)	
110	▲:1-451-177-21	DEFLECTION YOKE (SY-59E)		121	4-361-405-00	KNOB, SLIDE	
111	4-335-308-00	RETAINER, AC CORD					

No.	Part No	Description	Remark	No.	Part No	Description	Remark
151	x-4362-501-0	CABINET (LOWER) ASSY	152,153,154,155 156,157,158,159 160,161	157	3-669-592-00	SPRING (A), TORSION	
				158	3-669-594-00	SPRING, COMPRESSION	
				159	▲:4-361-415-00	LEVER (B), RELEASE	
152	▲:2-291-529-00	HOLDER, BATTERY		160	▲:4-361-418-00	REINFORCEMENT, STAND	
153	3-486-138-00	SCREW		161	▲:4-361-427-00	STAND	
154	3-669-517-91	LID, BATTERY CASE		162	▲:4-362-502-00	HOLDER, JACK, ANTENNA	
155	▲:3-669-521-00	SHAFT (B)		163	▲:1-607-931-00	X2 BOARD	
156	▲:3-669-526-00	TERMINAL		164	▲:1-608-278-00	X3 BOARD	

ELECTRICAL PARTS LIST



When indicating parts by reference number, please include the board name.

* ->: Due to standardization, interchangeable replacements may be substituted for parts specified in the diagrams.
 * Items marked "A" are not stocked since they are seldom required for routine service. Some delay should be anticipated when ordering these items.

* All variable and adjustable resistors have characteristic curve B, unless otherwise noted.
 CAPACITORS: * MF: μ F, PF: μ PF
 RESISTORS: * All resistors are in ohms
 COILS: * MMH: mH, UH: μ H
 - F: nonflammable

Ref.No	Part No	Description	Remark	Ref.No	Part No	Description	Remark	Ref.No	Part No	Description	Remark
<p>CONNECTOR</p> <p>▲:A-1295-638-A A BOARD, COMPLETE *****</p> <p>▲:1-463-350-31 TUNER, ET (BT-881) 1-536-761-00 TERMINAL BOARD, INPUT/OUTPUT ▲:3-847-723-00 PIN, LEAD ▲:4-336-029-00 PLATE, SHIELD ▲:4-361-439-00 LID, UPPER, SHIELD CASE, VIF ▲:4-361-444-00 CASE (MAIN), SHIELD, VIF</p>				<p>C262 1-123-356-00 ELECT 10MF 20% 16V C263 1-123-321-00 ELECT 220MF 20% 16V C264 1-161-055-00 CERAMIC 0.022MF 10% 50V C265 1-123-380-00 ELECT 1MF 20% 50V C266 1-123-382-00 ELECT 3.3MF 20% 50V</p>				<p>C267 1-123-318-00 ELECT 33MF 20% 16V C268 1-108-385-00 MYLAR 0.047MF 10% 100V C269 1-123-321-00 ELECT 220MF 20% 16V C270 1-123-382-00 ELECT 3.3MF 20% 50V C271 1-123-382-00 ELECT 3.3MF 20% 50V</p>			
<p>CONNECTOR</p> <p>C1 ▲:1-555-925-00 CONNECTOR ASSY (2.0MM) 3P C4 ▲:1-555-926-00 CONNECTOR ASSY (2.0MM) 3P</p>				<p>C273 1-101-004-00 CERAMIC 0.01MF 50V C275 1-101-004-00 CERAMIC 0.01MF 50V C281 1-123-298-00 ELECT 470MF 20% 6.3V C301 1-123-321-00 ELECT 220MF 20% 16V C302 1-102-961-00 CERAMIC 27PF 5% 50V</p>				<p>C303 1-102-965-00 CERAMIC 39PF 5% 50V C304 1-102-947-00 CERAMIC 10PF 5% 50V C305 1-123-328-00 ELECT 4.7MF 20% 25V C306 1-123-380-00 ELECT 1MF 20% 50V C307 1-123-382-00 ELECT 3.3MF 20% 50V</p>			
<p>CAPACITOR</p> <p>C101 1-123-332-00 ELECT 47MF 20% 16V C102 1-123-332-00 ELECT 47MF 20% 16V C103 1-123-651-00 ELECT 0.22MF 20% 50V C104 1-123-332-00 ELECT 47MF 20% 16V C106 1-123-328-00 ELECT 4.7MF 20% 25V</p>				<p>C308 1-123-356-00 ELECT 10MF 20% 16V C309 1-101-880-00 CERAMIC 47PF 5% 50V C310 1-123-380-00 ELECT 1MF 20% 50V C311 1-123-382-00 ELECT 3.3MF 20% 50V C312 1-101-004-00 CERAMIC 0.01MF 50V</p>				<p>C313 1-123-380-00 ELECT 1MF 20% 50V C314 1-131-341-00 TANTALUM 0.1MF 10% 35V C315 1-102-527-00 CERAMIC 82PF 5% 50V C316 1-101-004-00 CERAMIC 0.01MF 50V C317 1-101-006-00 CERAMIC 0.047MF 50V</p>			
<p>C210 1-102-125-00 CERAMIC 0.0047MF 10% 50V C212 1-102-125-00 CERAMIC 0.0047MF 10% 50V C213 1-102-125-00 CERAMIC 0.0047MF 10% 50V C214 1-102-125-00 CERAMIC 0.0047MF 10% 50V C215 1-102-514-00 CERAMIC 22PF 5% 50V</p>				<p>C318 1-101-006-00 CERAMIC 0.047MF 50V C319 1-123-330-00 ELECT 22MF 20% 16V C320 1-102-852-00 CERAMIC 47PF 5% 50V C321 1-102-852-00 CERAMIC 47PF 5% 50V C322 1-102-513-00 CERAMIC 18PF 5% 50V</p>				<p>C324 1-101-004-00 CERAMIC 0.01MF 50V C325 1-101-004-00 CERAMIC 0.01MF 50V C327 1-101-880-00 CERAMIC 47PF 5% 50V C328 1-101-880-00 CERAMIC 47PF 5% 50V C329 1-101-880-00 CERAMIC 47PF 5% 50V</p>			
<p>C216 1-102-936-00 CERAMIC 3PF 0.25PF 50V C217 1-102-936-00 CERAMIC 3PF 0.25PF 50V C218 1-102-508-00 CERAMIC 10PF 0.5PF 50V C219 1-131-345-00 TANTALUM 0.47MF 10% 35V C220 1-102-125-00 CERAMIC 0.0047MF 10% 50V</p>				<p>C330 1-123-328-00 ELECT 4.7MF 20% 25V C332 1-123-380-00 ELECT 1MF 20% 50V C333 1-102-074-00 CERAMIC 0.001MF 10% 50V C351 1-101-004-00 CERAMIC 0.01MF 50V</p>				<p>C330 1-123-328-00 ELECT 4.7MF 20% 25V C332 1-123-380-00 ELECT 1MF 20% 50V C333 1-102-074-00 CERAMIC 0.001MF 10% 50V C351 1-101-004-00 CERAMIC 0.01MF 50V</p>			
<p>C222 1-102-978-00 CERAMIC 220PF 5% 50V C223 1-123-298-00 ELECT 470MF 20% 6.3V C224 1-102-816-00 CERAMIC 120PF 5% 50V C251 1-123-318-00 ELECT 33MF 20% 16V C252 1-102-953-00 CERAMIC 18PF 5% 50V</p>				<p>C334 1-101-004-00 CERAMIC 0.01MF 50V C335 1-101-004-00 CERAMIC 0.01MF 50V C257 1-123-318-00 ELECT 33MF 20% 16V C258 1-102-666-00 CERAMIC 12PF 5% 50V</p>				<p>C334 1-101-004-00 CERAMIC 0.01MF 50V C335 1-101-004-00 CERAMIC 0.01MF 50V C257 1-123-318-00 ELECT 33MF 20% 16V C258 1-102-666-00 CERAMIC 12PF 5% 50V</p>			
<p>C259 1-123-380-00 ELECT 1MF 20% 50V C260 1-108-385-00 MYLAR 0.047MF 10% 100V C261 1-123-380-00 ELECT 1MF 20% 50V</p>				<p>CF201 1-404-134-00 TRAP, CERAMIC (5.5MHZ) CF202 1-409-333-00 TRAP, CERAMIC (8.0MHZ) CF251 1-527-263-00 CERAMIC FILTER (5.5MHZ) CF252 1-527-262-00 CERAMIC FILTER (6.0MHZ)</p>				<p>CF201 1-404-134-00 TRAP, CERAMIC (5.5MHZ) CF202 1-409-333-00 TRAP, CERAMIC (8.0MHZ) CF251 1-527-263-00 CERAMIC FILTER (5.5MHZ) CF252 1-527-262-00 CERAMIC FILTER (6.0MHZ)</p>			
<p>CONNECTOR</p> <p>D6 ▲:1-555-955-00 CONNECTOR ASSY (2.5MM) 9P</p>				<p>DIODE</p> <p>D251 8-719-101-82 DIODE R012E-11 D252 8-719-911-19 DIODE 1SS119 D253 8-719-000-01 DIODE MC103A D301 8-719-911-19 DIODE 1SS119 D302 8-719-911-19 DIODE 1SS119</p>				<p>DELAY LINE</p> <p>DL301 1-415-274-00 DELAY LINE, Y DL351 1-415-122-31 DELAY LINE</p>			
<p>IC</p> <p>IC201 8-759-276-07 IC TA7607AP IC251 8-759-400-01 IC AN5250 IC301 8-759-113-65 IC UPC1365C</p>				<p>COIL</p> <p>L201 1-408-397-00 MICRO INDUCTOR 1UH L202 1-408-397-00 MICRO INDUCTOR 1UH L203 1-408-406-00 MICRO INDUCTOR 5.6UH L204 1-408-397-00 MICRO INDUCTOR 1UH L205 1-408-411-00 MICRO INDUCTOR 150H L206 1-408-408-00 MICRO INDUCTOR 8.2UH L208 1-408-411-00 MICRO INDUCTOR 150H L251 1-408-412-00 MICRO INDUCTOR 180H L301 1-408-417-00 MICRO INDUCTOR 47UH L302 1-408-414-00 MICRO INDUCTOR 27UH L303 1-408-417-00 MICRO INDUCTOR 47UH L304 1-408-419-00 MICRO INDUCTOR 68UH L305 1-408-409-00 MICRO INDUCTOR 10UH L306 1-421-013-00 COIL, (HORIZONTAL CHOKE) 25MH L351 1-408-411-00 MICRO INDUCTOR 12UH</p>				<p>CONNECTOR</p> <p>M2 ▲:1-555-909-00 CONNECTOR ASSY (2.0MM) 10P</p>			
<p>TRANSISTOR</p> <p>Q101 8-729-178-54 TRANSISTOR 2SC2785 Q201 8-765-300-00 TRANSISTOR 2SC2009 Q202 8-729-117-54 TRANSISTOR 2SA1175 Q251 8-729-178-54 TRANSISTOR 2SC2785 Q252 8-729-178-54 TRANSISTOR 2SC2785 Q253 8-729-178-54 TRANSISTOR 2SC2785 Q254 8-729-178-54 TRANSISTOR 2SC2785 Q281 8-729-178-54 TRANSISTOR 2SC2785 Q282 8-729-178-54 TRANSISTOR 2SC2785 Q301 8-729-178-54 TRANSISTOR 2SC2785</p>				<p>RESISTOR</p> <p>R101 1-212-855-00 FUSIBLE 8.2 5% 1/4W F R102 1-247-867-00 CARBON 33K 5% 1/6W R103 1-247-891-00 CARBON 330K 5% 1/6W R104 1-247-839-00 CARBON 2.2K 5% 1/6W R105 1-247-823-00 CARBON 470 5% 1/6W R108 1-212-863-00 FUSIBLE 18 5% 1/4W F R201 1-212-853-00 FUSIBLE 6.8 5% 1/4W F R202 1-246-457-00 CARBON 220 5% 1/4W R203 1-247-849-00 CARBON 5.6K 5% 1/6W R204 1-247-831-00 CARBON 1K 5% 1/6W R205 1-247-823-00 CARBON 470 5% 1/6W R206 1-247-805-00 CARBON 82 5% 1/6W R207 1-247-823-00 CARBON 470 5% 1/6W R208 1-247-843-00 CARBON 3.3K 5% 1/6W R209 1-247-841-00 CARBON 2.7K 5% 1/6W R210 1-247-835-00 CARBON 1.5K 5% 1/6W R211 1-247-839-00 CARBON 2.2K 5% 1/6W R212 1-247-867-00 CARBON 33K 5% 1/6W R213 1-247-877-00 CARBON 82K 5% 1/6W R214 1-247-831-00 CARBON 1K 5% 1/6W R215 1-247-901-00 CARBON 820K 5% 1/6W R216 1-247-831-00 CARBON 1K 5% 1/6W R217 1-247-819-00 CARBON 330 5% 1/6W R219 1-247-835-00 CARBON 1.5K 5% 1/6W R220 1-247-821-00 CARBON 390 5% 1/6W R222 1-247-804-00 CARBON 75 5% 1/6W R223 1-247-804-00 CARBON 75 5% 1/6W R226 1-247-809-00 CARBON 120 5% 1/6W R227 1-247-809-00 CARBON 120 5% 1/6W R251 1-247-823-00 CARBON 470 5% 1/6W R252 1-247-817-00 CARBON 270 5% 1/6W R253 1-247-837-00 CARBON 1.8K 5% 1/6W R254 1-247-843-00 CARBON 3.3K 5% 1/6W R255 1-247-855-00 CARBON 10K 5% 1/6W R256 1-247-831-00 CARBON 1K 5% 1/6W R258 1-247-871-00 CARBON 47K 5% 1/6W R259 1-247-799-00 CARBON 47 5% 1/6W R260 1-247-855-00 CARBON 10K 5% 1/6W R261 1-247-775-00 CARBON 4.7 5% 1/6W R262 1-247-871-00 CARBON 47K 5% 1/6W R263 1-247-847-00 CARBON 4.7K 5% 1/6W R264 1-247-847-00 CARBON 4.7K 5% 1/6W R265 1-247-819-00 CARBON 330 5% 1/6W R266 1-247-871-00 CARBON 47K 5% 1/6W R267 1-247-871-00 CARBON 47K 5% 1/6W R268 1-247-855-00 CARBON 10K 5% 1/6W R270 1-247-843-00 CARBON 3.3K 5% 1/6W R271 1-247-843-00 CARBON 3.3K 5% 1/6W R274 1-247-851-00 CARBON 6.8K 5% 1/6W</p>							
<p>TRIMMER</p> <p>CV251 1-141-181-11 CAP, TRIMMER</p>											

M C1

C1 C2 D1

Ref.No	Part No	Description	Remark
Q605	=>8-729-600-27	TRANSISTOR ZSC634-SF	
Q606	8-729-133-40	TRANSISTOR ZSC2334	
<u>RESISTOR</u>			
R121	1-247-855-00	CARBON 10K 5% 1/6W	
R122	1-247-863-00	CARBON 22K 5% 1/6W	
R123	1-247-855-00	CARBON 10K 5% 1/6W	
R124	1-247-863-00	CARBON 22K 5% 1/6W	
R125	1-247-855-00	CARBON 10K 5% 1/6W	
R126	1-247-855-00	CARBON 10K 5% 1/6W	
R131	1-247-863-00	CARBON 22K 5% 1/6W	
R132	1-247-863-00	CARBON 22K 5% 1/6W	
R133	1-247-879-00	CARBON 100K 5% 1/6W	
R134	1-247-863-00	CARBON 22K 5% 1/6W	
R135	1-247-863-00	CARBON 22K 5% 1/6W	
R136	1-247-863-00	CARBON 22K 5% 1/6W	
R137	1-247-879-00	CARBON 100K 5% 1/6W	
R138	1-247-863-00	CARBON 22K 5% 1/6W	
R139	1-247-887-00	CARBON 220K 5% 1/6W	
R140	1-247-831-00	CARBON 1K 5% 1/6W	
R141	1-247-863-00	CARBON 22K 5% 1/6W	
R142	1-247-855-00	CARBON 10K 5% 1/6W	
R146	1-247-831-00	CARBON 1K 5% 1/6W	
R147	1-247-863-00	CARBON 22K 5% 1/6W	
R148	1-247-841-00	CARBON 2.7K 5% 1/6W	
R149	1-247-855-00	CARBON 10K 5% 1/6W	
R150	1-247-855-00	CARBON 10K 5% 1/6W	
R151	1-247-879-00	CARBON 100K 5% 1/6W	
R152	1-247-855-00	CARBON 10K 5% 1/6W	
R153	1-247-855-00	CARBON 10K 5% 1/6W	
R154	1-247-863-00	CARBON 22K 5% 1/6W	
R155	1-247-855-00	CARBON 10K 5% 1/6W	
R156	1-247-855-00	CARBON 10K 5% 1/6W	
R157	1-211-676-00	CARBON 39K 5% 1/2W F	
R158	1-247-867-00	CARBON 33K 5% 1/6W	
R159	1-202-667-00	COMPOSITION 8.2M 10% 1/2W	
R160	1-246-473-00	CARBON 1K 5% 1/4W	
R161	1-246-473-00	CARBON 1K 5% 1/4W	
R162	1-246-473-00	CARBON 1K 5% 1/4W	
R164	1-247-863-00	CARBON 22K 5% 1/6W	
R165	1-247-855-00	CARBON 10K 5% 1/6W	
R166	1-247-863-00	CARBON 22K 5% 1/6W	
R167	1-247-855-00	CARBON 10K 5% 1/6W	
R168	1-247-881-00	CARBON 120K 5% 1/6W	
R169	1-247-879-00	CARBON 100K 5% 1/6W	
R170	1-247-863-00	CARBON 22K 5% 1/6W	
R173	1-247-855-00	CARBON 10K 5% 1/6W	
R174	1-247-855-00	CARBON 10K 5% 1/6W	
R175	1-247-855-00	CARBON 10K 5% 1/6W	
R177	1-246-473-00	CARBON 1K 5% 1/4W	
R178	1-247-879-00	CARBON 100K 5% 1/6W	
R179	1-247-831-00	CARBON 1K 5% 1/6W	
R180	1-247-879-00	CARBON 100K 5% 1/6W	

Ref.No	Part No	Description	Remark
R181	1-247-839-00	CARBON 2.2K 5% 1/6W	
R182	1-247-879-00	CARBON 100K 5% 1/6W	
R183	1-247-887-00	CARBON 220K 5% 1/6W	
R184	1-211-640-00	CARBON 1.2K 5% 1/2W F	
R186	1-247-967-00	CARBON 33K 5% 1/6W	
R187	1-247-875-00	CARBON 68K 5% 1/6W	
R188	1-247-887-00	CARBON 220K 5% 1/6W	
R189	1-247-879-00	CARBON 100K 5% 1/6W	
R191	1-212-879-00	FUSIBLE 82 5% 1/4W F	
R192	1-247-887-00	CARBON 220K 5% 1/6W	
R193	1-247-831-00	CARBON 1K 5% 1/6W	
R194	1-247-887-00	CARBON 220K 5% 1/6W	
R195	1-247-831-00	CARBON 1K 5% 1/6W	
R601	Δ 1-214-164-00	METAL 22K 1% 1/4W	
R602	Δ 1-214-152-00	METAL 6.8K 1% 1/4W	
R603	1-247-863-00	CARBON 22K 5% 1/6W	
R604	1-247-859-00	CARBON 15K 5% 1/6W	
R605	1-247-855-00	CARBON 10K 5% 1/6W	
R606	1-247-847-00	CARBON 4.7K 5% 1/6W	
R607	1-247-859-00	CARBON 15K 5% 1/6W	
R608	1-247-861-00	CARBON 6.8K 5% 1/6W	
R609	1-247-887-00	CARBON 6.8K 5% 1/6W	
R610	1-247-863-00	CARBON 6.8K 5% 1/6W	
R611	1-247-839-00	CARBON 2.2K 5% 1/6W	
R612	1-213-146-00	METAL 1.8K 5% 1W F	
R613	1-247-807-00	CARBON 100 5% 1/6W	
R614	1-213-146-00	METAL 1.8K 5% 1W F	
R615	Δ 1-247-897-00	CARBON 500K 5% 1/4W	
<u>VARIABLE RESISTOR</u>			
RV601A	1-226-847-00	RES, ADJ, CARBON 1K	
RV602	1-226-848-00	RES, ADJ, CARBON 2.2K	
<u>SWITCH</u>			
S602	1-554-252-00	SWITCH, SLIDE (AC POWER)	
<u>TRANSFORMER</u>			
T601	1-437-081-00	TRANSFORMER, CRT	

Δ:1-607-935-00	C1 BOARD	*****	
4-023-455-00	PIECE, CONTACT		
4-303-203-00	BUSHING		
<u>CONNECTOR</u>			
C1	Δ:1-560-466-00	PIN, CONNECTOR 3P	
C2	Δ:1-560-468-00	PIN, CONNECTOR 5P	
C3	Δ:1-560-467-00	PIN, CONNECTOR 4P	

Ref.No	Part No	Description	Remark
<u>CAPACITOR</u>			
C651	1-102-125-00	CERAMIC 0.0047MF 10% 50V	
C652	1-123-486-00	ELECT 220MF 20% 16V	
C653	1-102-125-00	CERAMIC 0.0047MF 10% 50V	
C711	1-102-113-00	CERAMIC 390PF 10% 50V	
C712	1-102-113-00	CERAMIC 390PF 10% 50V	
C713	1-102-113-00	CERAMIC 390PF 10% 50V	
C714	1-123-333-00	ELECT 100MF 20% 16V	
C715	1-101-004-00	CERAMIC 0.01MF 50V	
<u>DIODE</u>			
D651	8-719-911-19	DIODE ISS119	
D652	8-719-101-89	DIODE RD15E-L2	
D653	=>8-719-300-45	DIODE EM1Z	
<u>TRANSISTOR</u>			
Q651	8-729-117-54	TRANSISTOR 2SA1175	
Q652	8-729-117-54	TRANSISTOR 2SA1175	
Q653	=>8-729-316-16	TRANSISTOR 2SC1061	
Q654	=>8-729-316-16	TRANSISTOR 2SC1061	
<u>RESISTOR</u>			
R651	1-247-859-00	CARBON 15K 5% 1/6W	
R652	1-247-863-00	CARBON 22K 5% 1/6W	
R653	1-212-366-00	METAL 3.3 5% 1W F	
R654	1-247-831-00	CARBON 1K 5% 1/6W	
R655	1-247-803-00	CARBON 68 5% 1/6W	
R656	1-247-795-00	CARBON 33 5% 1/6W	
R657	1-247-786-00	CARBON 13 5% 1/6W	
R658	1-247-795-00	CARBON 33 5% 1/6W	
R659	1-247-863-00	CARBON 22K 5% 1/6W	
R660	1-213-134-00	METAL 180 5% 1W F	
R711	1-247-847-00	CARBON 4.7K 5% 1/6W	
R712	1-247-847-00	CARBON 4.7K 5% 1/6W	
R713	1-247-847-00	CARBON 4.7K 5% 1/6W	
R714	1-247-829-00	CARBON 820 5% 1/6W	
R715	1-247-827-00	CARBON 680 5% 1/6W	
R716	1-247-827-00	CARBON 680 5% 1/6W	
R717	1-211-427-00	CARBON 100 5% 1/6W F	
R718	1-247-839-00	CARBON 2.2K 5% 1/6W	
<u>VARIABLE RESISTOR</u>			
RV711	1-226-850-00	RES, ADJ, CARBON 4.7K	
RV712	1-226-850-00	RES, ADJ, CARBON 4.7K	
RV713	1-226-850-00	RES, ADJ, CARBON 4.7K	
RV714	1-226-845-00	RES, ADJ, CARBON 330	
RV715	1-226-845-00	RES, ADJ, CARBON 330	

Ref.No	Part No	Description	Remark
Δ:1-607-936-00	C2 BOARD	*****	
Δ:3-847-723-00	PIN, LEAD		
<u>CONNECTOR</u>			
C4	Δ:1-560-466-00	PIN, CONNECTOR 3P	
<u>CAPACITOR</u>			
C701	1-102-050-00	CERAMIC 0.01MF	500V
C702	1-161-753-00	CERAMIC 470PF	10% 3KV
C703	1-123-026-00	ELECT 2.2MF	160V
C704	1-102-219-00	CERAMIC 680PF	20% 1KV
<u>JACK</u>			
J701	1-509-545-00	SOCKET, CRT MOLD	
<u>TRANSISTOR</u>			
Q701	8-729-213-11	TRANSISTOR 2SC2230A	
Q702	8-729-213-11	TRANSISTOR 2SC2230A	
Q703	8-729-213-11	TRANSISTOR 2SC2230A	
<u>RESISTOR</u>			
R701	1-213-158-00	METAL 18K 5% 1W F	
R702	1-213-158-00	METAL 18K 5% 1W F	
R703	1-213-158-00	METAL 18K 5% 1W F	
R704	1-202-581-00	COMPOSITION 2.2K 10% 1/2W	
R705	1-202-581-00	COMPOSITION 2.2K 10% 1/2W	
R706	1-202-581-00	COMPOSITION 2.2K 10% 1/2W	
R707	1-202-603-35	COMPOSITION 18K 10% 1/2W	
R708	1-217-397-00	FUSIBLE 68 5% 1/4W F	
R709	1-202-657-35	COMPOSITION 3.3M 10% 1/2W	
<u>VARIABLE RESISTOR</u>			
RV701	1-226-659-21	RES, ADJ, METAL GLAZE 7.5M	
<u>SPARK GAP</u>			
SG701	1-519-063-XX	DISCHARGING GAP	
SG702	1-519-063-XX	DISCHARGING GAP	
SG703	1-519-063-XX	DISCHARGING GAP	
SG704	1-519-063-XX	DISCHARGING GAP	
SG705	1-519-063-XX	DISCHARGING GAP	
<u>TRANSFORMER</u>			
T701	1-442-071-00	TRANSFORMER, HEATER	

Δ:1-607-939-00	D1 BOARD	*****	
<u>CAPACITOR</u>			
C518	1-123-531-51	ELECT 47MF 20% 100V	



Ref.No	Part No	Description	Remark
R275	1-247-849-00	CARBON 5.6K 5% 1/6W	
R276	1-247-867-00	CARBON 33K 5% 1/6W	
R277	1-247-849-00	CARBON 5.6K 5% 1/6W	
R278	1-247-855-00	CARBON 10K 5% 1/6W	
R279	1-247-837-00	CARBON 1.8K 5% 1/6W	
R280	1-247-839-00	CARBON 2.2K 5% 1/6W	
R281	1-247-849-00	CARBON 5.6K 5% 1/6W	
R282	1-247-839-00	CARBON 2.2K 5% 1/6W	
R283	1-247-841-00	CARBON 2.7K 5% 1/6W	
R284	1-247-833-00	CARBON 1.2K 5% 1/6W	
R285	1-247-839-00	CARBON 2.2K 5% 1/6W	
R301	1-212-851-00	FUSIBLE 5.6 5% 1/4W F	
R302	1-247-831-00	CARBON 1K 5% 1/6W	
R303	1-247-831-00	CARBON 1K 5% 1/6W	
R304	1-247-821-00	CARBON 390 5% 1/6W	
R305	1-247-831-00	CARBON 1K 5% 1/6W	
R306	1-247-831-00	CARBON 1K 5% 1/6W	
R307	1-247-823-00	CARBON 470 5% 1/6W	
R308	1-247-863-00	CARBON 22K 5% 1/6W	
R309	1-247-857-00	CARBON 12K 5% 1/6W	
R310	1-247-855-00	CARBON 10K 5% 1/6W	
R311	1-247-863-00	CARBON 22K 5% 1/6W	
R312	1-247-903-00	CARBON 1M 5% 1/6W	
R313	1-247-835-00	CARBON 1.5K 5% 1/6W	
R314	1-247-863-00	CARBON 22K 5% 1/6W	
R315	1-247-865-00	CARBON 27K 5% 1/6W	
R316	1-247-895-00	CARBON 470K 5% 1/6W	
R317	1-247-857-00	CARBON 12K 5% 1/6W	
R318	1-247-853-00	CARBON 8.2K 5% 1/6W	
R319	1-247-867-00	CARBON 33K 5% 1/6W	
R320	1-247-827-00	CARBON 680 5% 1/6W	
R321	1-247-879-00	CARBON 100K 5% 1/6W	
R322	1-247-841-00	CARBON 2.7K 5% 1/6W	
R323	1-247-847-00	CARBON 4.7K 5% 1/6W	
R324	1-247-887-00	CARBON 220K 5% 1/6W	
R325	1-247-865-00	CARBON 27K 5% 1/6W	
R326	1-247-865-00	CARBON 27K 5% 1/6W	
R327	1-247-839-00	CARBON 2.2K 5% 1/6W	
R328	1-247-831-00	CARBON 1K 5% 1/6W	
R329	1-247-829-00	CARBON 820 5% 1/6W	
R330	1-247-831-00	CARBON 1K 5% 1/6W	
R331	1-247-865-00	CARBON 27K 5% 1/6W	
R332	1-247-855-00	CARBON 10K 5% 1/6W	
R333	1-247-831-00	CARBON 1K 5% 1/6W	
R334	1-247-815-00	CARBON 220 5% 1/6W	
R336	1-247-819-00	CARBON 330 5% 1/6W	
R337	1-247-819-00	CARBON 330 5% 1/6W	
R338	1-247-819-00	CARBON 330 5% 1/6W	
R339	1-247-879-00	CARBON 100K 5% 1/6W	
R351	1-247-815-00	CARBON 220 5% 1/6W	
R352	1-247-815-00	CARBON 220 5% 1/6W	
R353	1-247-825-00	CARBON 560 5% 1/6W	
R354	1-247-827-00	CARBON 680 5% 1/6W	

Ref.No	Part No	Description	Remark
R591	1-247-869-00	CARBON 39K 5% 1/6W	
<u>VARIABLE RESISTOR</u>			
RV201	1-226-850-00	RES, ADJ, CARBON 4.7K	
RV301	1-226-851-00	RES, ADJ, CARBON 10K	
RV302	1-228-766-00	RES, VAR, CARBON 20K	
RV303	1-226-851-00	RES, ADJ, CARBON 10K	
RV304	1-228-766-00	RES, VAR, CARBON 20K	
RV305	1-226-850-00	RES, ADJ, CARBON 4.7K	
RV306	1-228-766-00	RES, VAR, CARBON 20K	
RV307	1-226-848-00	RES, ADJ, CARBON 2.2K	
RV309	1-226-850-00	RES, ADJ, CARBON 4.7K	
RV351	1-226-846-00	RES, ADJ, CARBON 470	
RV553	1-228-767-00	RES, VAR, CARBON 30K	
<u>SWITCH</u>			
S201	1-554-335-00	SWITCH, SLIDE	
S251	1-552-821-00	SWITCH, SLIDE	
<u>FILTER</u>			
SF201	1-404-323-00	SAWF (38.9MHZ)	
<u>TRANSFORMER</u>			
T201	1-404-207-00	COIL, VIF	
T202	1-404-378-00	I.F. T	
T203	1-404-378-00	I.F. T	
T251	1-404-097-00	COIL, SIFT	
T252	1-404-122-00	SIFT	
T351	1-404-081-00	TRANSFORMER, DELAY ADJUST	
<u>CONNECTOR</u>			
X1	1-555-920-00	CONNECTOR ASSY (2.0MM) 4P	
<u>CRYSTAL</u>			
X301	1-527-345-00	CRYSTAL, OSC	

▲:A-1301-419-A M BOARD, COMPLETE			

▲:1-556-507-21 CONNECTOR ASSY 10P			
▲:1-533-146-00 HOLDER, FUSE			
▲:3-847-723-00 PIN, LEAD			
▲:4-361-437-00 LID, UPPER, SHIELD CASE, POWER			
▲:4-361-440-00 CASE (MAIN), SHIELD, (M)			
▲:4-361-441-00 LID, UPPER, SHIELD CASE, (M)			
▲:4-361-443-00 CASE (MAIN), SHIELD, POWER			
4-362-510-00 LABEL, RATING, FUSE			
<u>CAPACITOR</u>			
C122	1-123-318-00	ELECT 33MF 20% 16V	

Ref.No	Part No	Description	Remark
C123	1-130-349-00	MYLAR 0.1MF 10% 100V	
C131	1-123-610-00	ELECT 0.47MF 20% 50V	
C132	1-101-004-00	CERAMIC 0.01MF 50V	
C133	1-123-379-00	ELECT 0.47MF 20% 50V	
C134	1-101-004-00	CERAMIC 0.01MF 50V	
C135	1-123-318-00	ELECT 33MF 20% 16V	
C137	1-101-880-00	CERAMIC 47PF 5% 50V	
C139	1-102-115-00	CERAMIC 560PF 10% 50V	
C140	1-101-884-00	CERAMIC 56PF 5% 50V	
C141	1-102-112-00	CERAMIC 330PF 10% 50V	
C142	1-102-963-00	CERAMIC 33PF 5% 50V	
C143	1-102-973-00	CERAMIC 100PF 5% 50V	
C144	1-101-884-00	CERAMIC 56PF 5% 50V	
C146	1-130-350-00	MYLAR 0.22MF 10% 100V	
C147	1-102-980-00	CERAMIC 270PF 5% 50V	
C150	1-123-622-00	ELECT 22MF 20% 16V	
C151	1-101-004-00	CERAMIC 0.01MF 50V	
C152	1-101-004-00	CERAMIC 0.01MF 50V	
C153	1-123-821-00	ELECT 47MF 20% 16V	
C154	1-102-973-00	CERAMIC 100PF 5% 50V	
C156	1-101-004-00	CERAMIC 0.01MF 50V	
C158	1-101-004-00	CERAMIC 0.01MF 50V	
C159	1-101-004-00	CERAMIC 0.01MF 50V	
C162	1-101-821-00	CERAMIC 0.0022MF 500V	
C163	1-102-125-00	CERAMIC 0.0047MF 10% 50V	
C601	1-108-374-00	MYLAR 0.0056MF 10% 100V	
C602	1-102-074-00	CERAMIC 0.001MF 10% 50V	
C603	1-102-125-00	CERAMIC 0.0047MF 10% 50V	
C604	1-123-380-00	ELECT 1MF 20% 50V	
C605	1-102-074-00	CERAMIC 0.001MF 10% 50V	
C606	1-123-508-00	ELECT 1000MF 20% 35V	
C607	1-102-074-00	CERAMIC 0.001MF 10% 50V	
C608	1-123-505-00	ELECT 220MF 20% 35V	
C609	1-102-125-00	CERAMIC 0.0047MF 10% 50V	
C610	1-102-074-00	CERAMIC 0.001MF 10% 50V	
C611	1-123-505-00	ELECT 220MF 20% 35V	
C612	1-101-004-00	CERAMIC 0.01MF 50V	
<u>DIODE</u>			
D121	8-719-911-19	DIODE 1SS119	
D122	8-719-911-19	DIODE 1SS119	
D123	8-719-911-19	DIODE 1SS119	
D131	8-719-911-19	DIODE 1SS119	
D132	8-719-911-19	DIODE 1SS119	
D133	8-719-911-19	DIODE 1SS119	
D134	8-719-911-19	DIODE 1SS119	
D137	8-719-911-19	DIODE 1SS119	
D138	8-719-911-19	DIODE 1SS119	
D139	8-719-911-19	DIODE 1SS119	
D140	8-719-101-73	DIODE R09.1E-L2	
D143	8-719-911-19	DIODE 1SS119	
D144	8-719-911-19	DIODE 1SS119	
D145	8-719-911-19	DIODE 1SS119	

Ref.No	Part No	Description	Remark
D146	8-719-911-19	DIODE 1SS119	
D147	8-719-911-19	DIODE 1SS119	
D601	8-719-101-61	DIODE R06.2E-L2	
D603	8-719-982-04	DIODE ERB81-004	
D604	8-719-911-55	DIODE U05G	
D605	8-719-911-19	DIODE 1SS119	
D606	8-719-911-19	DIODE 1SS119	
<u>FUSE</u>			
F602	1-532-066-00	FUSE, TIME-LAG 400mA 250V	
F604	1-532-078-00	FUSE, TIME-LAG 1A 250V	
<u>IC</u>			
IC131	8-759-240-69	IC TC4069UBP	
IC132	8-759-979-39	IC CX7939	
IC133	8-759-157-40	IC UP627AJ	
IC134	8-757-611-00	IC CX761A	
IC135	8-758-041-00	IC CX804A	
<u>COIL</u>			
L131	1-408-422-00	MICRO INDUCTOR 120UH	
L601	1-407-364-00	COIL, SPOOK CHOKE	
L602	1-407-385-00	COIL, CHOKE	
L603	1-421-378-00	COIL, FERRITE CHOKE	
L604	1-407-780-00	COIL, SPOOK CHOKE	
L605	1-407-780-00	COIL, SPOOK CHOKE	
<u>CONNECTOR</u>			
M1	1-556-507-00	CONNECTOR ASSY, BOARD IN 10P	
M2	1-560-471-00	PIN, CONNECTOR 10P	
M3	1-560-464-00	PIN, CONNECTOR 10P	
M4	1-560-464-00	PIN, CONNECTOR 10P	
<u>TRANSISTOR</u>			
Q121	8-729-993-72	TRANSISTOR 2SA937	
Q122	8-729-178-54	TRANSISTOR 2SC2785	
Q123	8-729-902-11	TRANSISTOR 2SC2021	
Q131	8-729-178-54	TRANSISTOR 2SC2785	
Q132	8-729-178-54	TRANSISTOR 2SC2785	
Q133	8-729-139-04	TRANSISTOR 2N3904	
Q135	8-729-117-54	TRANSISTOR 2SA1175	
Q136	8-729-117-54	TRANSISTOR 2SA1175	
Q137	8-729-117-54	TRANSISTOR 2SA1175	
Q138	8-729-117-54	TRANSISTOR 2SA1175	
Q139	8-729-902-11	TRANSISTOR 2SC2021	
Q141	8-729-117-54	TRANSISTOR 2SA1175	
Q142	8-729-309-08	TRANSISTOR 2SC1890A	
Q143	8-729-993-72	TRANSISTOR 2SA937	
Q144	8-729-902-11	TRANSISTOR 2SC2021	
Q601	8-729-178-54	TRANSISTOR 2SC2785	
Q602	8-729-178-54	TRANSISTOR 2SC2785	
Q603	8-729-178-54	TRANSISTOR 2SC2785	
Q604	8-729-117-54	TRANSISTOR 2SA1175	

Ref.No	Part No	Description	Remark
C531	1-123-356-00	ELECT 10MF	20% 16V
C575	1-130-352-00	MYLAR 1MF	10% 250V
C576	1-123-318-00	ELECT 33MF	20% 16V
C577	1-123-356-00	ELECT 10MF	20% 16V
<u>CONNECTOR</u>			
D1	▲:1-508-916-00	CONNECTOR PIN 2P	
D2	▲:1-508-916-00	CONNECTOR PIN 2P	
D5	▲:1-560-224-00	PLUG, CONNECTOR (2.5MM) 10P	
<u>DIODE</u>			
D505	8-719-300-70	DIODE RH-1C	
D514	→8-719-900-93	DIODE V09C	
D551	8-729-101-31	TRANSISTOR N13T1	
D552	→8-719-931-06	DIODE EQB01-06	
<u>COIL</u>			
L504	1-407-165-XX	MICRO INDUCTOR 47UH	
L552	1-459-109-00	COIL, DUST CORE	
<u>TRANSISTOR</u>			
Q555	8-765-620-00	TRANSISTOR 2SD1015	
<u>RESISTOR</u>			
R531	1-247-807-00	CARBON 100 5%	1/6W
R583	1-246-517-00	CARBON 68K 5%	1/4W
R584	1-247-831-00	CARBON 1K 5%	1/6W
R585	1-213-131-00	METAL 100 5%	1W F
R586	1-247-859-00	CARBON 15K 5%	1/6W
R587	1-247-871-00	CARBON 47K 5%	1/6W

▲:1-607-941-00	D3 BOARD	*****	
<u>COIL</u>			
L501	1-405-760-00	COIL, OSC	

▲:A-1340-491-A	D2 BOARD, COMPLETE	*****	

▲:3-847-723-00	PIN, LEAD		
<u>CAPACITOR</u>			
C282	1-123-356-00	ELECT 10MF	20% 16V
C283	1-123-380-00	ELECT 1MF	20% 50V
C284	1-102-106-00	CERAMIC 100PF	10% 50V
C501	1-108-373-00	MYLAR 0.0047MF	10% 100V
C502	1-123-381-00	ELECT 2.2MF	20% 50V
C503	1-102-820-00	CERAMIC 330PF	5% 50V
C504	1-101-810-00	CERAMIC 100PF	5% 500V

Ref.No	Part No	Description	Remark
C505	1-123-351-00	ELECT 0.47MF	20% 50V
C506	1-108-385-00	MYLAR 0.047MF	10% 100V
C507	1-123-382-00	ELECT 3.3MF	20% 50V
C508	1-108-384-00	MYLAR 0.039MF	10% 100V
C509	1-130-271-00	FILM 0.033MF	5% 100V
C510	1-130-349-00	MYLAR 0.1MF	10% 100V
C511	1-123-603-00	ELECT 47MF	20% 35V
C512	1-108-365-00	MYLAR 0.001MF	10% 100V
C513	▲:1-130-950-00	FILM 0.0041MF	3% 600V
C514	▲:1-130-950-00	FILM 0.0041MF	3% 600V
C515	▲:1-130-950-00	FILM 0.0041MF	3% 600V
C516	▲:1-130-950-00	FILM 0.0041MF	3% 600V
C517	1-123-341-00	ELECT 10MF	20% 35V
C520	1-108-389-00	MYLAR 0.1MF	10% 100V
C522	1-102-030-00	CERAMIC 330PF	10% 500V
C523	1-123-488-00	ELECT 1000MF	20% 16V
C524	1-123-356-00	ELECT 10MF	20% 50V
C525	1-123-381-00	ELECT 2.2MF	20% 50V
C526	1-123-381-00	ELECT 2.2MF	20% 50V
C527	1-123-484-00	ELECT 100MF	20% 16V
C528	1-102-038-00	CERAMIC 0.001MF	500V
C529	1-102-038-00	CERAMIC 0.001MF	500V
C551	1-108-383-00	MYLAR 0.033MF	10% 100V
C552	1-108-385-00	MYLAR 0.047MF	10% 100V
C553	1-123-379-00	ELECT 0.47MF	20% 50V
C554	1-131-498-00	TANTALUM 1MF	10% 25V
C555	1-123-356-00	ELECT 10MF	20% 16V
C556	1-131-373-00	TANTALUM 22MF	10% 18V
C557	1-131-373-00	TANTALUM 22MF	10% 18V
C558	1-123-486-00	ELECT 330MF	20% 16V
C559	1-123-483-00	ELECT 47MF	20% 16V
C560	1-108-385-00	MYLAR 0.047MF	10% 100V
C561	1-123-478-51	ELECT 1000MF	20% 10V
C562	1-108-373-00	MYLAR 0.0047MF	10% 100V
C563	1-123-484-00	ELECT 100MF	20% 16V
C564	1-123-379-00	ELECT 0.47MF	20% 50V
C565	1-102-114-00	CERAMIC 470PF	10% 50V
C566	1-102-233-00	CERAMIC 33PF	10% 500V
C567	1-102-980-00	CERAMIC 270PF	5% 50V
C569	1-102-116-00	CERAMIC 680PF	10% 50V
C570	1-123-382-00	ELECT 3.3MF	20% 50V
C571	1-123-380-00	ELECT 1MF	20% 50V
C572	1-123-484-00	ELECT 100MF	20% 16V
C573	1-123-356-00	ELECT 10MF	20% 16V
C574	1-108-377-00	MYLAR 0.01MF	10% 100V
C578	1-123-488-00	ELECT 1000MF	20% 16V
C579	1-130-351-00	MYLAR 1MF	10% 100V
C580	1-123-483-00	ELECT 47MF	20% 16V
C581	1-102-038-00	CERAMIC 0.001MF	500V
C621	1-123-305-00	ELECT 33MF	20% 10V
C622	1-102-125-00	CERAMIC 0.0047MF	10% 50V
C623	1-123-341-00	ELECT 10MF	20% 35V
C624	1-123-381-00	ELECT 2.2MF	20% 50V

Ref.No	Part No	Description	Remark
C625	1-123-379-00	ELECT 0.47MF	20% 50V
C626	1-102-125-00	CERAMIC 0.0047MF	10% 50V
<u>CONNECTOR</u>			
D3	▲:1-508-765-00	3P PLUG (H)	
D4	▲:1-508-796-00	PIN, CONNECTOR 2P	
D6	▲:1-560-129-00	PLUG, CONNECTOR (2.5MM) 9P	
D7	▲:1-560-290-00	PLUG, CONNECTOR (2.5MM PITCH)	
D8	▲:1-560-123-00	PLUG, CONNECTOR (2.5MM) 3P	
D9	▲:1-560-126-00	PLUG, CONNECTOR (2.5MM PITCH)	
<u>DIODE</u>			
D501	8-719-911-19	DIODE 1SS119	
D502	8-719-911-19	DIODE 1SS119	
D503	8-719-911-19	DIODE 1SS119	
D504	→8-719-300-76	DIODE RH1A	
D506	→8-719-900-93	DIODE V09C	
D507	→8-719-900-93	DIODE V09C	
D508	→8-719-300-76	DIODE RH1A	
D509	8-719-900-93	DIODE V09C	
D510	8-719-900-93	DIODE V09C	
D511	8-719-911-19	DIODE 1SS119	
D512	8-719-911-19	DIODE 1SS119	
D513	8-719-900-93	DIODE V09C	
D553	8-719-900-93	DIODE V09C	
D621	→8-719-300-45	DIODE EM1Z	
D622	8-719-101-61	DIODE RD6.2E-L2	
D623	8-729-101-31	TRANSISTOR N13T1	
D624	→8-719-300-45	DIODE EM1Z	
D625	8-729-101-31	TRANSISTOR N13T1	
D626	8-729-101-31	TRANSISTOR N13T1	
D627	▲:8-719-101-89	DIODE RD15E-L2	
<u>IC</u>			
IC551	→8-759-110-31	IC UPC1031H	
<u>COIL</u>			
L503	1-459-155-00	COIL (WITH CORE) 45MH	
L505	1-407-493-00	MICRO INDUCTOR 1.2MH	
L506	1-407-705-00	MICRO INDUCTOR 100MH	
L551	1-408-160-00	MICRO INDUCTOR 15MH	
<u>TRANSISTOR</u>			
Q283	8-729-178-54	TRANSISTOR 2SC2785	
Q284	8-729-178-54	TRANSISTOR 2SC2785	
Q285	8-729-117-54	TRANSISTOR 2SA1175	
Q501	8-729-117-54	TRANSISTOR 2SA1175	
Q502	→8-729-600-27	TRANSISTOR 2SC634-SP	
Q503	8-729-133-53	TRANSISTOR 2SC2335	
Q504	8-729-178-54	TRANSISTOR 2SC2785	
Q551	8-729-178-54	TRANSISTOR 2SC2785	
Q552	8-729-117-54	TRANSISTOR 2SA1175	
Q553	→8-729-600-27	TRANSISTOR 2SC634-SP	

Ref.No	Part No	Description	Remark
Q554	→8-729-600-27	TRANSISTOR 2SC634-SP	
Q621	8-729-178-54	TRANSISTOR 2SC2785	
Q622	8-729-178-54	TRANSISTOR 2SC2785	
Q623	8-729-178-54	TRANSISTOR 2SC2785	
<u>RESISTOR</u>			
R286	1-247-867-00	CARBON 33K 5%	1/6W
R287	1-247-855-00	CARBON 10K 5%	1/6W
R288	1-247-841-00	CARBON 2.7K 5%	1/6W
R289	1-247-835-00	CARBON 1.5K 5%	1/6W
R290	1-247-839-00	CARBON 2.2K 5%	1/6W
R291	1-247-813-00	CARBON 180 5%	1/6W
R292	1-247-871-00	CARBON 47K 5%	1/6W
R293	1-247-891-00	CARBON 330K 5%	1/6W
R294	1-247-837-00	CARBON 1.8K 5%	1/6W
R501	1-247-829-00	CARBON 820 5%	1/6W
R502	1-246-491-00	CARBON 5.6K 5%	1/4W
R503	1-247-855-00	CARBON 10K 5%	1/6W
R504	1-247-851-00	CARBON 6.8K 5%	1/6W
R505	1-244-893-00	CARBON 6.8K 5%	1/2W
R506	1-247-852-00	CARBON 7.5K 5%	1/6W
R507	1-247-871-00	CARBON 47K 5%	1/6W
R508	1-247-829-00	CARBON 820 5%	1/6W
R509	1-247-835-00	CARBON 1.5K 5%	1/6W
R510	1-247-867-00	CARBON 33K 5%	1/6W
R511	1-247-793-00	CARBON 27 5%	1/6W
R512	1-247-783-00	CARBON 10 5%	1/6W
R513	1-247-825-00	CARBON 560 5%	1/6W
R514	1-247-833-00	CARBON 1.2K 5%	1/6W
R515	1-206-660-00	METAL 680 5%	2W F
R516	1-247-839-00	CARBON 2.2K 5%	1/6W
R517	1-247-857-00	CARBON 12K 5%	1/6W
R518	1-212-861-11	FUSIBLE 15 5%	1/4W F
R519	1-212-859-00	FUSIBLE 12 5%	1/4W F
R520	1-247-881-00	CARBON 120K 5%	1/6W
R521	1-247-866-00	CARBON 30K 5%	1/6W
R522	1-246-442-00	CARBON 51 5%	1/4W
R523	1-246-433-00	CARBON 22 5%	1/4W
R524	1-246-425-00	CARBON 10 5%	1/4W
R525	1-246-449-00	CARBON 100 5%	1/4W
R526	1-246-442-00	CARBON 51 5%	1/4W
R527	1-246-434-00	CARBON 24 5%	1/4W
R528	1-247-871-00	CARBON 47K 5%	1/6W
R529	1-247-871-00	CARBON 47K 5%	1/6W
R530	1-247-855-00	CARBON 10K 5%	1/6W
R549	1-206-660-00	METAL 680 5%	2W F
R551	1-247-853-00	CARBON 8.2K 5%	1/6W
R552	1-247-845-00	CARBON 3.9K 5%	1/6W
R553	1-247-841-00	CARBON 2.7K 5%	1/6W
R554	1-247-859-00	CARBON 15K 5%	1/6W
R556	1-247-895-00	CARBON 470K 5%	1/6W
R557	1-247-821-00	CARBON 390 5%	1/6W
R558	1-212-366-00	METAL 3.3 5%	1W F

Ref.No	Part No	Description	Quantity	Unit	Remark
R559	1-211-427-00	CARBON	100	5%	1/6W F
R560	1-247-841-00	CARBON	2.7K	5%	1/6W
R561	1-247-849-00	CARBON	5.6K	5%	1/6W
R562	1-247-849-00	CARBON	5.6K	5%	1/6W
R563	1-247-855-00	CARBON	10K	5%	1/6W
R564	1-247-855-00	CARBON	10K	5%	1/6W
R565	1-247-839-00	CARBON	2.2K	5%	1/6W
R566	1-247-873-00	CARBON	56K	5%	1/6W
R567	1-247-845-00	CARBON	3.9K	5%	1/6W
R568	1-247-845-00	CARBON	3.9K	5%	1/6W
R569	1-247-845-00	CARBON	3.9K	5%	1/6W
R570	1-247-841-00	CARBON	2.7K	5%	1/6W
R571	1-247-859-00	CARBON	15K	5%	1/6W
R572	1-247-835-00	CARBON	1.5K	5%	1/6W
R573	1-247-804-00	CARBON	75	5%	1/6W
R574	1-247-847-00	CARBON	4.7K	5%	1/6W
R575	1-247-877-00	CARBON	82K	5%	1/6W
R576	1-247-849-00	CARBON	5.6K	5%	1/6W
R577	1-247-841-00	CARBON	2.7K	5%	1/6W
R578	1-247-783-00	CARBON	10	5%	1/6W
R579	1-247-845-00	CARBON	3.9K	5%	1/6W
R580	1-247-838-00	CARBON	2K	5%	1/6W
R581	1-247-849-00	CARBON	5.6K	5%	1/6W
R582	1-247-841-00	CARBON	2.7K	5%	1/6W
R588	1-213-135-00	METAL	220	5%	1W F
R620	1-213-145-00	METAL	1.5K	5%	1W F
R621	1-247-863-00	CARBON	22K	5%	1/6W
R622	1-247-867-00	CARBON	33K	5%	1/6W
R623	1-247-867-00	CARBON	33K	5%	1/6W
R624	1-247-877-00	CARBON	82K	5%	1/6W
R625	1-247-881-00	CARBON	120K	5%	1/6W
R626	1-247-879-00	CARBON	100K	5%	1/6W
R627	1-247-831-00	CARBON	1K	5%	1/6W
R628	1-247-847-00	CARBON	4.7K	5%	1/6W
R629	1-247-867-00	CARBON	33K	5%	1/6W
R630	1-247-867-00	CARBON	33K	5%	1/6W
R631	1-247-867-00	CARBON	33K	5%	1/6W
R632	1-247-855-00	CARBON	10K	5%	1/6W
R633	1-247-879-00	CARBON	100K	5%	1/6W
R634	1-247-859-00	CARBON	15K	5%	1/6W
R635	1-214-171-00	METAL	43K	1%	1/4W
R636	1-214-170-00	METAL	39K	1%	1/4W
<u>VARIABLE RESISTOR</u>					
RV551	1-226-851-00	RES, ADJ, CARBON	10K		
RV552	1-226-847-00	RES, ADJ, CARBON	1K		
RV554	1-226-852-00	RES, ADJ, CARBON	22K		
RV555	1-226-851-00	RES, ADJ, CARBON	10K		
RV621	1-226-853-00	RES, ADJ, CARBON	47K		
<u>TRANSFORMER</u>					
T501	1-437-082-00	HDT			
T551	1-421-552-00	TRANSFORMER, STRAIN CORRECTION			

Ref.No	Part No	Description	Quantity	Unit	Remark
1-607-943-00	J1 BOARD	*****			
1-519-262-21	LAMP, NEON				
3-847-723-00	PIN, LEAD				
4-361-446-00	HOLDER, LED				
<u>DIODE</u>					
D151	8-719-812-41	DIODE TLR124			
D152	8-719-812-43	DIODE TLR124			
<u>RESISTOR</u>					
R190	1-214-598-00	METAL	56K	5%	1W F
<u>VARIABLE RESISTOR</u>					
RV251	1-228-350-00	RES, VAR, SLIDE	20K		
<u>SWITCH</u>					
S131	1-553-640-13	SWITCH, PUSH			
S132	1-553-640-13	SWITCH, PUSH			
<u>J2 BOARD</u>					
1-607-933-00	J2 BOARD	*****			
3-847-723-00	PIN, LEAD				
<u>DIODE</u>					
D195	8-719-911-19	DIODE 1SS119			
D196	8-719-812-41	DIODE TLR124			
D197	8-719-812-42	DIODE TLR124			
D198	8-719-812-43	DIODE TLR124			
D199	8-719-911-19	DIODE 1SS119			
<u>RESISTOR</u>					
R196	1-247-863-00	CARBON	22K	5%	1/6W
R197	1-247-863-00	CARBON	22K	5%	1/6W
R198	1-247-839-00	CARBON	2.2K	5%	1/6W
R199	1-247-831-00	CARBON	1K	5%	1/6W
<u>SWITCH</u>					
S195	1-553-371-00	SWITCH, SLIDE			
S196	1-553-075-00	SWITCH, PUSH			
S197	1-553-075-00	SWITCH, PUSH			
S198	1-553-075-00	SWITCH, PUSH			
<u>EJ BOARD</u>					
1-607-932-00	EJ BOARD	*****			
<u>JACK</u>					
J254	1-507-569-00	JACK, EARPHONE			

Ref.No	Part No	Description	Quantity	Unit	Remark
R269	1-247-811-00	CARBON	150	5%	1/6W
<u>X1 BOARD</u>					
1-607-937-00	X1 BOARD	*****			
S601	1-554-253-00	SWITCH, PUSH (POWER SWITCH)			
<u>X2 BOARD</u>					
1-607-931-00	X2 BOARD	*****			
<u>CAPACITOR</u>					
C613	1-102-125-00	CERAMIC	0.0047MF	10%	50V
<u>JACK</u>					
J6D1	1-507-563-21	JACK, DC			
<u>X3 BOARD</u>					
1-608-278-00	X3 BOARD	*****			
1-533-146-00	HOLDER, FUSE				
3-701-948-17	LABEL, FUSE				
<u>FUSE</u>					
F601	1-532-203-00	FUSE, TIME-LAG	2A		250V
F603	1-532-203-00	FUSE, TIME-LAG	2A		250V
<u>CONNECTOR</u>					
X1	1-560-460-00	PIN, CONNECTOR	4P		
X2	1-560-278-00	PLUG, CONNECTOR	6P		
X3	1-560-462-00	PIN, CONNECTOR	6P		
<u>MISCELLANEOUS</u>					
1-228-776-00	RESISTOR ASSY, HIGH-VOLTAGE				
T502	1-439-299-00	TRANSFORMER ASSY, FLYBACK			
1-451-177-21	DEFLECTION YOKE (SY-59E)				
1-452-126-11	MAGNET				
1-452-192-00	MAGNET, CORRECT BMC				
1-452-032-00	MAGNET, DISK				
1-452-094-00	MAGNET, ROTATABLE DISK;15MM				
1-501-268-00	ANTENNA, TELESCOPIC				
1-555-706-00	CONNECTOR ASSY (2.5MM)	10P			(UK ONLY)
1-555-909-00	CONNECTOR ASSY (2.0MM)	10P			
1-555-914-00	CONNECTOR ASSY (2.0MM)	6P			
1-555-916-00	CONNECTOR ASSY (2.0MM)	5P			
1-555-920-00	CONNECTOR ASSY (2.0MM)	4P			
1-555-961-00	CONNECTOR ASSY (2.5MM)	2P			

Ref.No	Part No	Description	Quantity	Unit	Remark
1-556-323-00	CONNECTOR ASSY (2.5MM)	6P			
1-556-323-00	CONNECTOR ASSY (2.5MM)	6P			
1-556-331-00	CONNECTOR ASSY (2.5MM)	3P			
1-556-564-00	CABLE (PAL SOCKET-PIN)				
1-556-565-00	CABLE (PAL-PIN)				
L902	1-426-023-21	COIL, DEGAUSS			
L903	1-426-023-21	COIL, DEGAUSS			
SP901	1-502-703-00	SPEAKER			
V901	1-8-736-201-05	CRT (150ARB22)			
<u>ACCESSORIES AND PACKING MATERIALS</u>					

<u>Part. No</u> <u>Description</u> <u>Remark</u>					
A-1009-120-A	ADAPTOR (MAIN) COMPLETE ASSY, AC	(UK ONLY)			
A-1009-121-A	ADAPTOR (MAIN) COMPLETE ASSY, AC	(AEP ONLY)			
1-504-059-11	MAGNETIC EARPHONE(ME-20H)				
4-309-407-04	BAG, POLYETHYLENE				
4-361-462-00	CUSHION (UPPER) (ASSY)				
4-361-463-00	CUSHION (LOWER) (ASSY)				
4-362-607-00	INDIVIDUAL CARTON (UK ONLY)				
4-362-609-00	INDIVIDUAL CARTON (AEP ONLY)				
4-493-745-11	MANUAL, INSTRUCTION				
4-493-745-41	MANUAL, INSTRUCTION (AEP ONLY)				
4-493-745-51	MANUAL, INSTRUCTION (AEP ONLY)				

KV-6000BE

AEP Model

Serial No. 804101 and later

UK Model

Serial No. 804001 and later

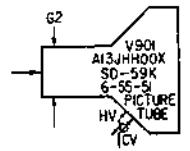
April, 1984

SUPPLEMENT-1

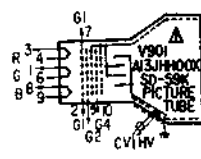
Subject: change of CRT

This supplement updates the service manual to include production change.
File this supplement with the service manual.

3-2. BLOCK DIAGRAM



3-3. SCHEMATIC DIAGRAM



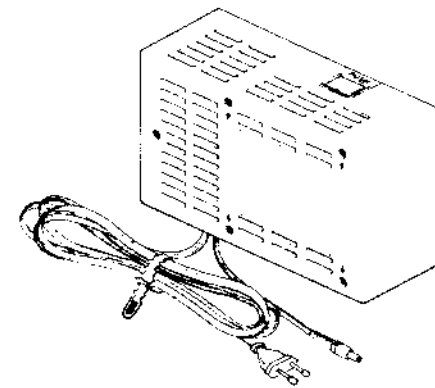
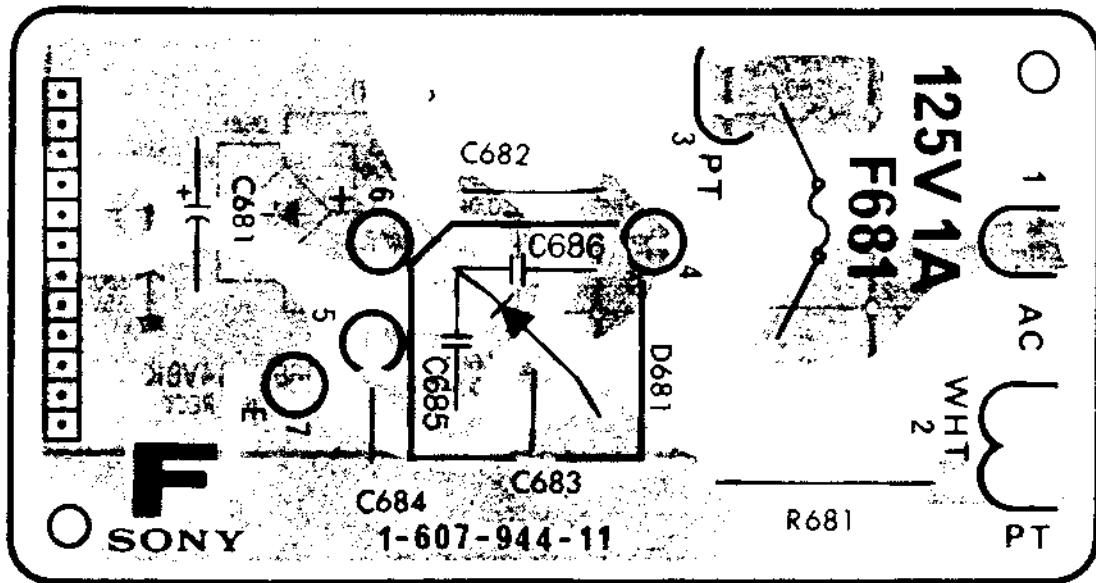
3. BEZEL

Ref. No.	Part No.	Description
115	Δ 8-735-102-05	A13JHH00X SD-59K

ELECTRICAL PARTS LIST

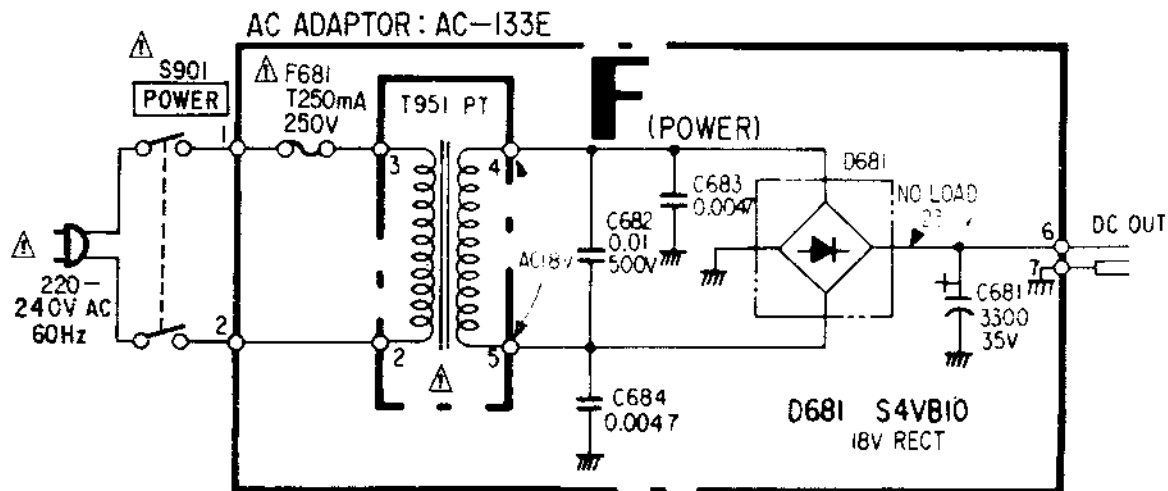
Ref. No.	Part No.	Description
V901	Δ 8-735-102-05	A13JHH00X SD-59K

AC-133E



October, 1982

SPECIFICATIONS



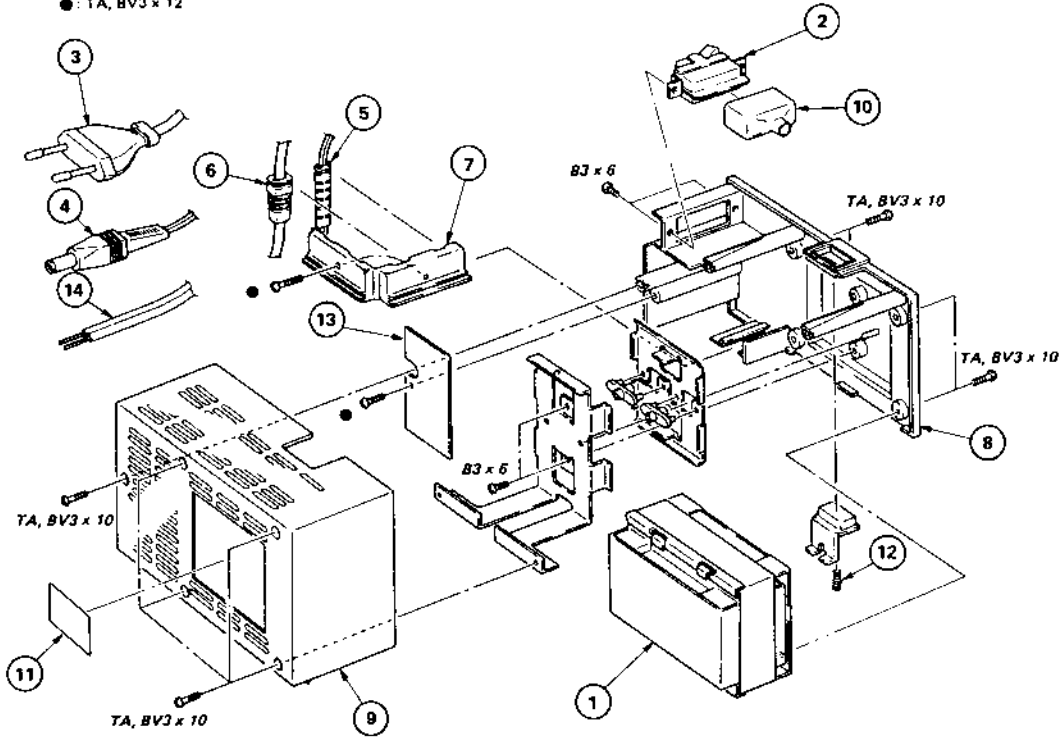
EXPLODED VIEW

NOTE:

- Items with no part number and no description are not stocked because they are seldom required for routine service.
- The construction parts of an assembled part are indicated with a collation number in the remark column.

- Items marked " & " are not stocked since they are seldom required for routine service. Some delay should be anticipated when ordering these items.

● TA, BV3 x 12



No	Part No	Description	Remark	No.	Part No	Description	Remark
1	▲ 1-447-450-00	TRANSFORMER, POWER		8	2-370-326-01	CASE (A), ADAPTOR, AC	
2	▲ 1-516-379-00	SEESAW SWITCH		9	2-370-327-21	CASE (B), ADAPTOR, AC	
3	▲ 1-555-307-21	CORD, WITH PLUG (AEP ONLY)		10	▲ 4-025-191-00	COVER, INSULATING, SWITCH	
4	1-534-777-22	CORD, POWER SUPPLY		11	▲ 4-362-501-00	LABEL, MODEL NUMBER	
5	2-098-510-01	BUSHING, CODE		12	4-812-546-01	SPRING COMPRESSION, (B)	
6	▲ 2-098-513-00	BUSHING (AEP ONLY)		13	▲ 1-607-944-00	F BOARD	
7	▲ 2-245-515-01	BUSHING (UK ONLY)		14	▲ 1-534-817-1X	POWER CORD (UK ONLY)	
	2-245-503-00	CLAMPER, CABLE (AEP ONLY)					
	2-245-517-01	CLAMPER, CABLE (UK ONLY)					

ELECTRICAL PARTS LIST

NOTE:

- All variable and adjustable resistors have characteristic curve B, unless otherwise noted.

CAPACITORS
MF : μ F, PF : μ PF

RESISTORS
• All resistors are in ohms
• F : nonflammable

COILS
• MMH : mH, UH : μ H

- >: Due to standardization, interchangeable replacements may be substituted for parts specified in the diagrams.

- Items marked " & " are not stocked since they are seldom required for routine service. Some delay should be anticipated when ordering these items.

Ref.No	Part No	Description	Remark	Ref.No	Part No	Description	Remark
▲ 1-607-944-00		F BOARD					
▲ 3-701-948-08		LABEL, FUSE					
▲ 3-847-723-00		PIN, LEAD					
CAPACITOR							
C681	1-123-736-00	ELECT	3300MF 20% 35V				
C682	1-102-050-00	CERAMIC	0.01MF 500V				
C683	1-102-125-00	CERAMIC	0.0047MF 10% 50V				
C684	1-102-125-00	CERAMIC	0.0047MF 10% 50V				
DIODE							
D681	▲ 8-719-504-40	DIODE 54VB40					
FUSE							
F681	▲ 1-532-614-00	FUSE, TIME-LAG 250mA 250V					

MISCELLANEOUS							

T951	▲ 1-447-450-00	TRANSFORMER, POWER					
S901	▲ 1-516-379-00	SEESAW SWITCH					
	▲ 1-534-817-1X	POWER CORD (UK ONLY)					
	1-534-777-22	CORD, POWER SUPPLY					
	▲ 1-555-307-21	CORD, WITH PLUG (AEP ONLY)					

ACCESSORIES AND PACKING MATERIALS							

Part.No	Description		Remark				
3-546-434-00	BAG, POLYETHYLEN						