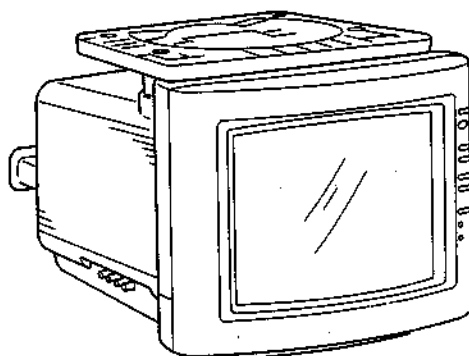


KV-8AD12

RM-793

SERVICE MANUAL

US Model
Chassis No. SCC-E73C-A



This service manual is only for a kitchen holder of KV-8AD12. In case of repair of a TV set itself, Please use the service manual for KV-8AD11/8AD14.

MODELS OF THE SAME SERIES

KV-8AD12	
KV-8AD11/8AD14	

SPECIFICATIONS

Television system	American TV standard, NTSC color	Power requirements	120 V AC, 60 Hz
Channel coverage	VHF channels 2 - 13 UHF channels 14 - 69 CATV channels 1 - 125 (181 total receivable channels)	Power consumption	12/24 V DC AC IN: 41 W max. DC IN: 32 W max.
Picture tube	Trinitron tube 8-inch picture measured diagonally 9-inch picture tube measured diagonally 70-degree deflection	Dimensions	Approx. 239 x 197 x 310 mm (w/t/d) (9½ x 7¾ x 12¼ inches)
Antenna	VHF/UHF telescopic antenna	Weight	Approx. 5.0 kg (11 lb)
Speaker	77mm round (3¼ inches)	Supplied accessories	Remote Commander RM-793 (1) with 2 size AA (R6) batteries AC power cord (1) Telescopic antenna (1) Car battery cord DCC-17AW (1) Brackets for shelf installation (2) M6 x 35 bolts (4) M6 nuts (4)
Inputs	VIDEO IN jacks VIDEO: RCA phono-type 1 Vp-p, 75 ohms AUDIO: RCA phono-type monaural	Optional accessories	Connecting cord VMC-920MS
Output	EXT ANT (Combined CATV/VHF/UHF 75-ohm, F-type) Earphone jack VIDEO OUT jacks VIDEO: RCA phono-type AUDIO: RCA phono-type monaural		

Design and specifications are subject to change without notice.



TRINITRON® COLOR TV
SONY®

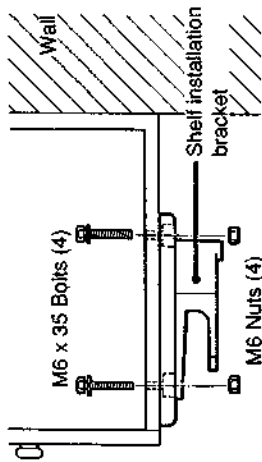
1. GENERAL

Preparing for Use

You can install the TV to a kitchen shelf or cabinet by attaching the shelf installation brackets (supplied) as shown below.

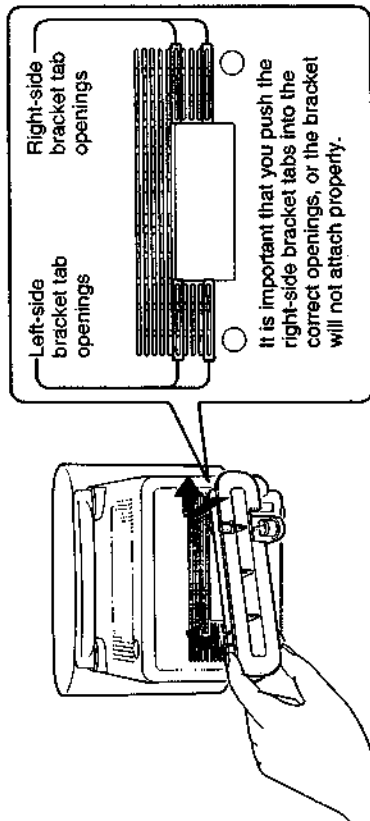
Attaching the TV to a kitchen cabinet

1 Lay the supplied paper pattern on the base of the cabinet (inside or outside), to ensure the proper 135 mm (5½ inches) distance between the wall and the bracket. Drill 4 holes where indicated on the pattern. Attach the shelf installation bracket with the 4 nuts and bolts (supplied) as shown.



2 Before installing the TV, first attach the cord bracket as shown below. The cord bracket is used to store excess length of power cord. Holding the cord bracket as shown, push the right side so that the bracket tabs snap into the correct air vent openings on the right rear of the TV; then slide the bracket to the right. Next, push the left side of the bracket so that the left-side tabs snap into the air vent openings on the left.

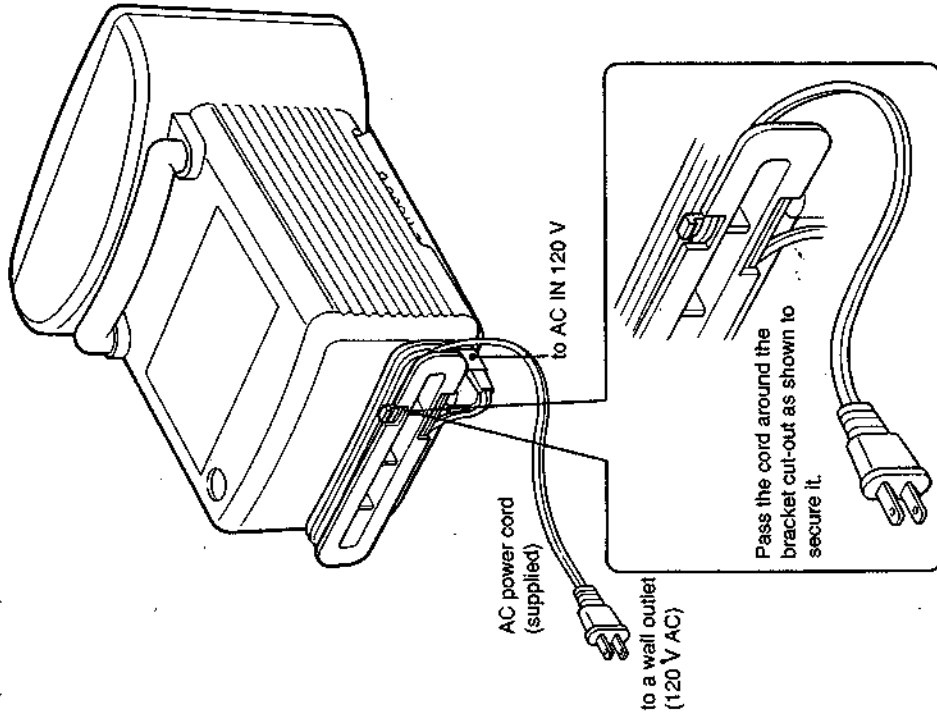
(Rear of TV)



To remove the cord bracket, first pull the left side of the bracket away from the TV. Slide the right side of the bracket to the left; then pull to remove it.

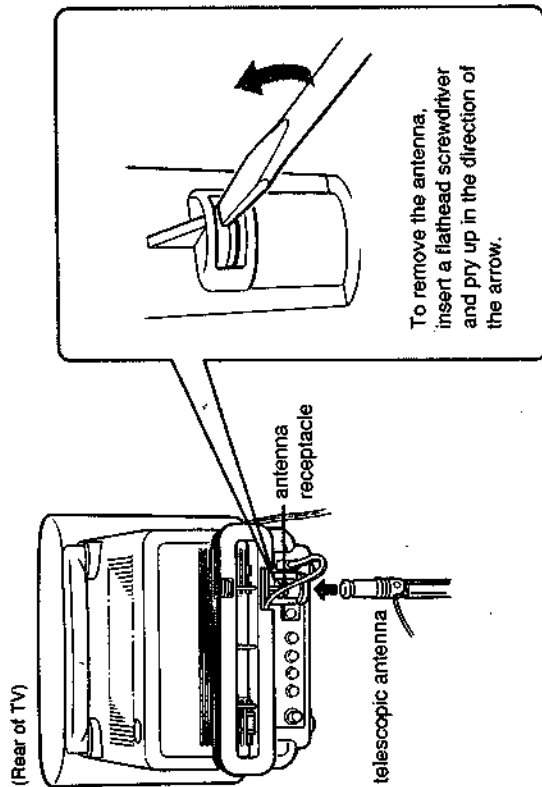
3 Wrap any excess length of power cord around the cord bracket. When using the TV in a kitchen, do not let the cord hang loose, to avoid dangerous contact with heat and fire.

(Rear of TV)

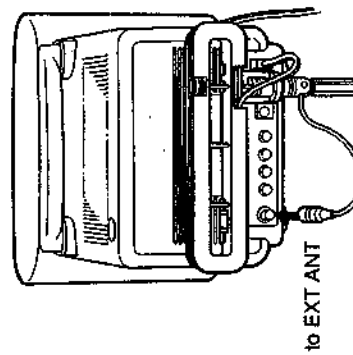


Preparing for Use

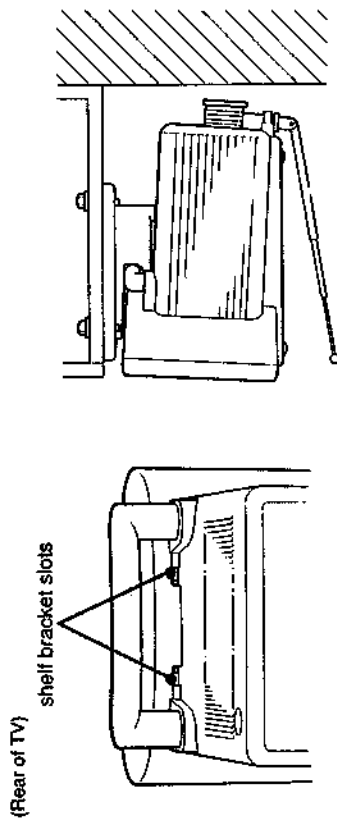
- 4** Connect the supplied telescopic antenna by inserting the antenna base into the bottom of the receptacle on the cord bracket. Twist to ensure a secure fit.



- 5** Attach the antenna connector to the EXT ANT terminal.

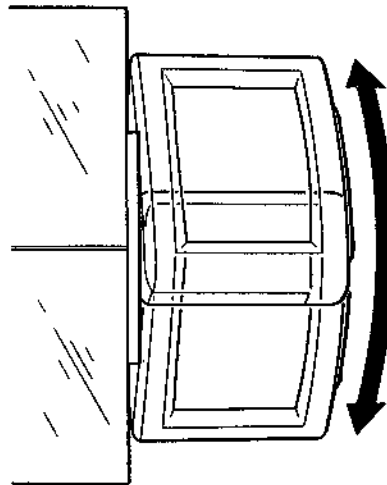


- 6** To attach the TV to the shelf installation bracket, insert the bracket base into the two shelf bracket slots on the TV, pushing until completely inserted.



When you want to detach the TV, pull it toward you to remove the TV from the bracket.

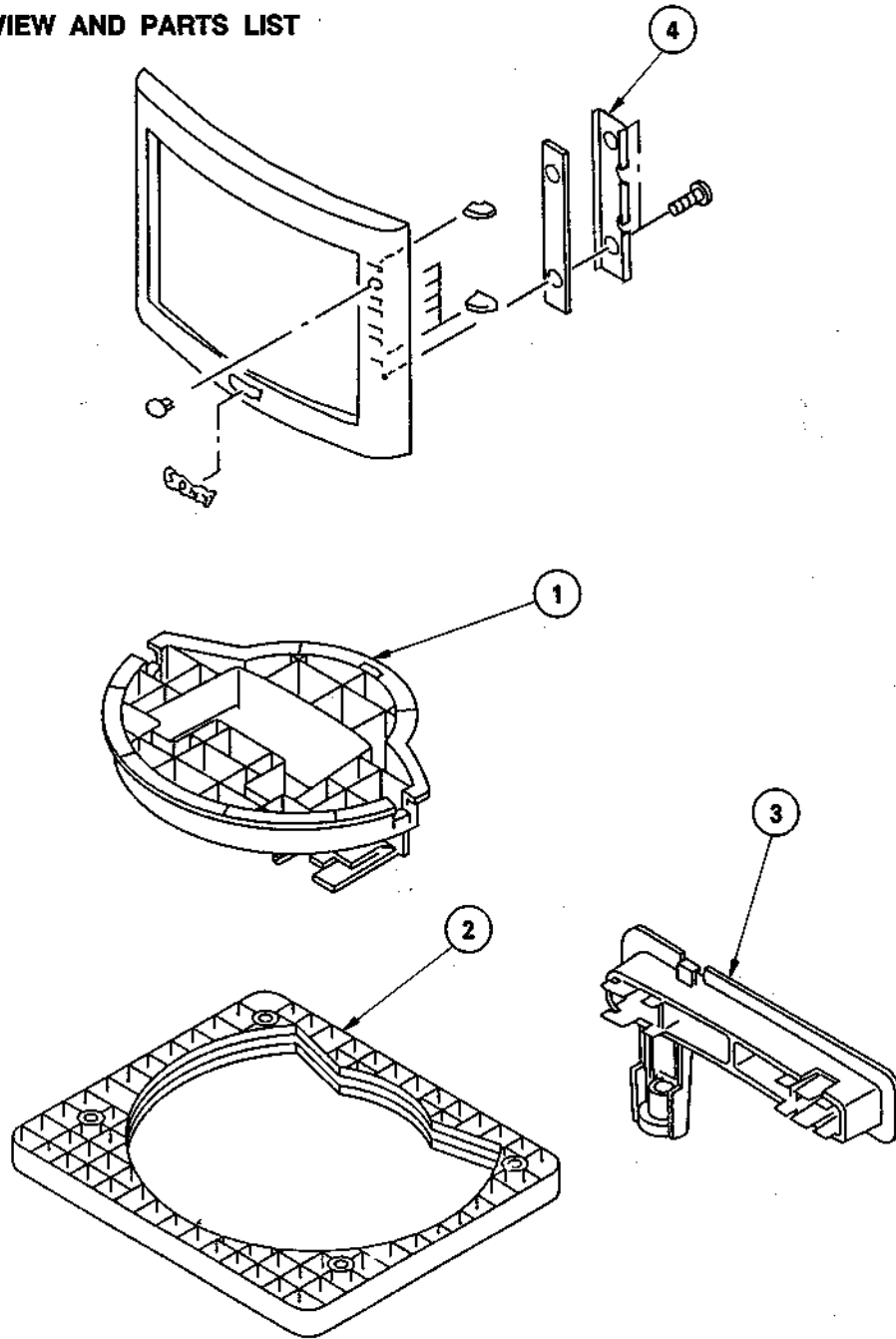
- 7** After installation, the TV can be swiveled 40° in either direction.



The TV will be tilted back slightly, at the same angle as when set on a flat surface, for optimum viewing angle.

CAUTION
To reduce the risk of fire, do not place any heating or cooking appliance beneath the TV.

2. EXPLODED VIEW AND PARTS LIST



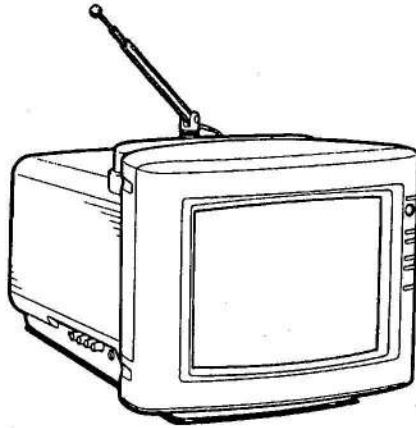
ACCESSORIES AND PACKING MATERIALS

REF. NO.	PART NO.	DESCRIPTION	REMARK	PART NO.	DESCRIPTION	REMARK
1	9-902-252-01	HOLDER-KITCHEN-U		1-465-959-01	REMOTE COMMANDER (RM-793)	
2	9-902-253-01	HOLDER-KITCHEN-B		3-754-700-21	MANUAL, INSTRUCTION	
3	9-902-254-01	HOLDER-ANTENNA		9-901-585-01	CUSHION	
4	9-902-255-01	SHEET-STEAM		9-901-608-01	ROD ANTENNA	
				9-902-256-01	PAPER-PATTERN	
				9-902-257-01	BOLT, HEXAGON	
				9-902-258-01	NUT, HEXAGON	
				*9-902-259-01	PACKING-CASE (SET)	
				*9-902-260-01	PACKING-CASE (BRACKET)	
				*9-902-265-01	PACKING-BAG-B	

KV-8AD11/8AD14

RM-792/793

SERVICE MANUAL



US Model

KV-8AD11
Chassis No. SCC-E73A-A

KV-8AD14
Chassis No. SCC-E73B-A

Canadian Model

KV-8AD11
Chassis No. SCC-E74A-A

MODELS OF THE SAME SERIES

KV-8AD11/8AD14	

SPECIFICATIONS

Television system	American TV standard, NTSC color	Weight	Approx. 5.0 kg (11 lb)
Channel coverage	VHF channels 2 - 13 UHF channels 14 - 69 CATV channels 1 - 125 (181 total receivable channels)	Cabinet color	KV-8AD11: gray KV-8AD14: white
Picture tube	Trinitron tube 8-inch picture measured diagonally 9-inch picture tube measured diagonally 70-degree deflection	Supplied accessories	Remote Commander with 2 size AA (R6) batteries (1) RM-792 (KV-8AD11) RM-793 (KV-8AD14) AC power cord (1) Telescopic antenna (1) Car battery cord DCC-17AW (1)
Antenna	VHF/UHF telescopic antenna	Optional accessories	Connecting cord VCM-920MS
Speaker	77mm round (3 1/8 inches)		
Inputs	VIDEO IN jacks VIDEO: RCA phono-type 1 Vp-p, 75 ohms AUDIO: RCA phono-type monaural EXT ANT (Combined CATV/VHF/UHF 75-ohm, F-type)		
Output	Earphone jack VIDEO OUT jacks VIDEO: RCA phono-type AUDIO: RCA phono-type monaural		
Power requirements	120 V AC, 60 Hz 12/24 V DC		
Power consumption	AC IN: 41 W max. DC IN: 32 W max.		
Dimensions	Approx. 239 x 197 x 310 mm (w/h/d) (9 1/2 x 7 7/8 x 12 1/4 inches)		

Design and specifications are subject to change without notice.

TRINITRON® COLOR TV
SONY®




TABLE OF CONTENTS

<u>Section</u>	<u>Title</u>	<u>Page</u>	<u>Section</u>	<u>Title</u>	<u>Page</u>
1. GENERAL			4. SAFETY RELATED ADJUSTMENTS		21
1-1.	Identifying the Parts	5	5. CIRCUIT ADJUSTMENTS		
1-2.	Preparing for Use	6	5-1.	A Board Adjustments	23
1-3.	Watching TV Programs	9	5-2.	D Board Adjustments	23
1-4.	Adjusting Picture Quality	10	6. DIAGRAMS		
1-5.	Using Other Convenient Features	10	6-1.	Block Diagram	25
1-6.	Connecting Video Equipment	11	6-2.	Circuit Boards Location	28
2. DISASSEMBLY			6-3.	Printed Wiring Boards and Schematic Diagrams	29
2-1.	Cover Removal	13	6-4.	Semiconductors	41
2-2.	Speaker and F Board Removal	13	7. EXPLODED VIEW		42
2-3.	D Board Removal	14	8. ELECTRICAL PARTS LIST		43
2-4.	Service Position	14			
2-5.	Picture Tube Removal	15			
3. SET-UP ADJUSTMENTS					
3-1.	Beam Landing	17			
3-2.	Convergence	18			
3-3.	Focus	20			
3-4.	Screen (G2) and White Balance	20			

CAUTION

SHORT CIRCUIT THE ANODE OF THE PICTURE TUBE AND THE ANODE CAP TO THE METAL CHASSIS, CRT SHIELD, OR CARBON PAINTED ON THE CRT, AFTER REMOVING THE ANODE.


SAFETY-RELATED COMPONENT WARNING !!

COMPONENTS IDENTIFIED BY SHADING AND MARK  ON THE SCHEMATIC DIAGRAMS, EXPLODED VIEWS AND IN THE PARTS LIST ARE CRITICAL TO SAFE OPERATION. REPLACE THESE COMPONENTS WITH SONY PARTS WHOSE PART NUMBERS APPEAR AS SHOWN IN THIS MANUAL OR IN SUPPLEMENTS PUBLISHED BY SONY. CIRCUIT ADJUSTMENTS THAT ARE CRITICAL TO SAFE OPERATION ARE IDENTIFIED IN THIS MANUAL. FOLLOW THESE PROCEDURES WHENEVER CRITICAL COMPONENTS ARE REPLACED OR IMPROPER OPERATION IS SUSPECTED.

ATTENTION

APRES AVOIR DECONNECTE LE CAP DE L'ANODE, COURT-CIRCUITER L'ANODE DU TUBE CATHODIQUE ET CELUI DE L'ANODE DU CAP AU CHASSIS METALLIQUE DE L'APPAREIL, OU AU COUCHE DE CARBONE PEINTE SUR LE TUBE CATHODIQUE OU AU BLINDAGE DU TUBE CATHODIQUE.

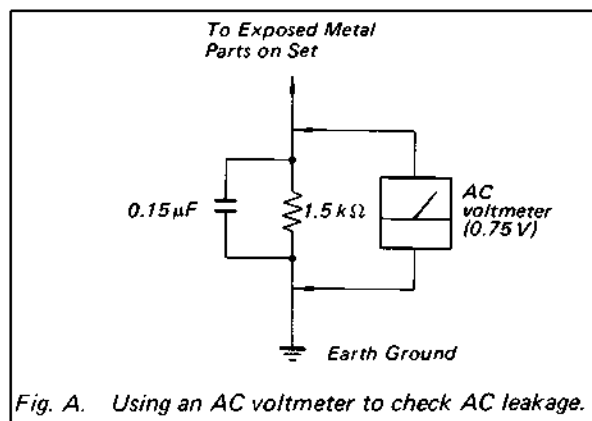
ATTENTION AUX COMPOSANTS RELATIFS À LA SÉCURITÉ!!

LES COMPOSANTS IDENTIFIÉS PAR UNE TRAME ET PAR UNE MARQUE  SUR LES SCHÉMAS DE PRINCIPE, LES VUES EXPLOSÉES ET LES LISTES DE PIÈCES SONT D'UNE IMPORTANCE CRITIQUE POUR LA SÉCURITÉ DU FONCTIONNEMENT. NE LES REMPLACER QUE PAR DES COMPOSANTS SONY DONT LE NUMÉRO DE PIÈCE EST INDIQUÉ DANS LE PRÉSENT MANUEL OU DANS DES SUPPLÉMENTS PUBLIÉS PAR SONY. LES RÉGLAGES DE CIRCUIT DONT L'IMPORTANCE EST CRITIQUE POUR LA SÉCURITÉ DU FONCTIONNEMENT SONT IDENTIFIÉS DANS LE PRÉSENT MANUEL. SUIVRE CES PROCÉDURES LORS DE CHAQUE REMPLACEMENT DE COMPOSANTS CRITIQUES, OU LORSQU'UN MAUVAIS FONCTIONNEMENT EST SUSPECTÉ.

SAFETY CHECK-OUT (US Model Only)

After correcting the original service problem, perform the following safety checks before releasing the set to the customer:

1. Check the area of your repair for unsoldered or poorly-soldered connections. Check the entire board surface for solder splashes and bridges.
2. Check the interboard wiring to ensure that no wires are "pinched" or contact high-wattage resistors.
3. Check that all control knobs, shields, covers, ground straps, and mounting hardware have been replaced. Be absolutely certain that you have replaced all the insulators.
4. Look for unauthorized replacement parts, particularly transistors, that were installed during a previous repair. Point them out to the customer and recommend their replacement.
5. Look for parts which, though functioning, show obvious signs of deterioration. Point them out to the customer and recommend their replacement.
6. Check the line cord for cracks and abrasion. Recommend the replacement of any such line cord to the customer.
7. Check the condition of the monopole antenna (if any).
Make sure the end is not broken off, and has the plastic cap on it. Point out the danger of impalement on a broken antenna to the customer, and recommend the antenna's replacement.
8. Check the B+ and HV to see they are at the values specified. Make sure your instruments are accurate; be suspicious of your HV meter if sets always have low HV.
9. Check the antenna terminals, metal trim, "metallized" knobs, screws, and all other exposed metal parts for AC leakage. Check leakage as described below.



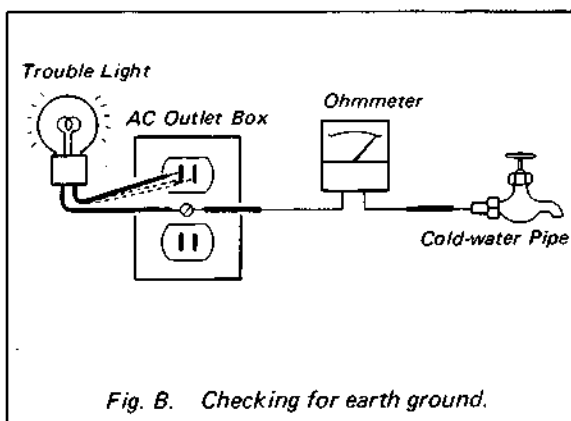
LEAKAGE TEST

The AC leakage from any exposed metal part to earth ground and from all exposed metal parts to any exposed metal part having a return to chassis, must not exceed 0.5 mA (500 microamperes). Leakage current can be measured by any one of three methods.

1. A commercial leakage tester, such as the Simpson 229 or RCA WT-540A. Follow the manufacturers' instructions to use these instruments.
2. A battery-operated AC milliammeter. The Data Precision 245 digital multimeter is suitable for this job.
3. Measuring the voltage drop across a resistor by means of a VOM or battery-operated AC voltmeter. The "limit" indication is 0.75 V, so analog meters must have an accurate low-voltage scale. The Simpson 250 and Sanwa SH-63Trd are examples of a passive VOM that is suitable. Nearly all battery operated digital multimeters that have a 2V AC range are suitable. (See Fig. A)

HOW TO FIND A GOOD EARTH GROUND

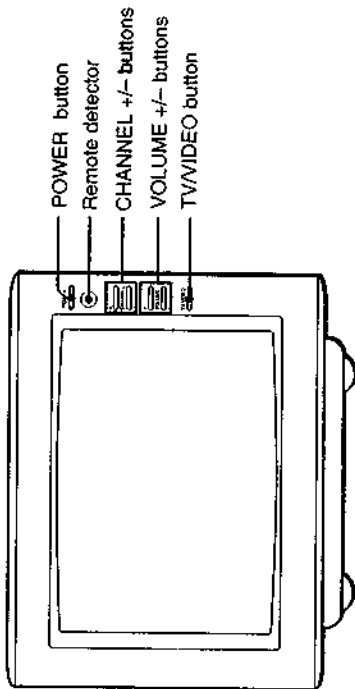
A cold-water pipe is guaranteed earth ground; the cover-plate retaining screw on most AC outlet boxes is also at earth ground. If the retaining screw is to be used as your earth-ground, verify that it is at ground by measuring the resistance between it and a cold-water pipe with an ohmmeter. The reading should be zero ohms. If a cold-water pipe is not accessible, connect a 60-100 watts trouble light (not a neon lamp) between the hot side of the receptacle and the retaining screw. Try both slots, if necessary, to locate the hot side of the line, the lamp should light at normal brilliance if the screw is at ground potential. (See Fig. B)



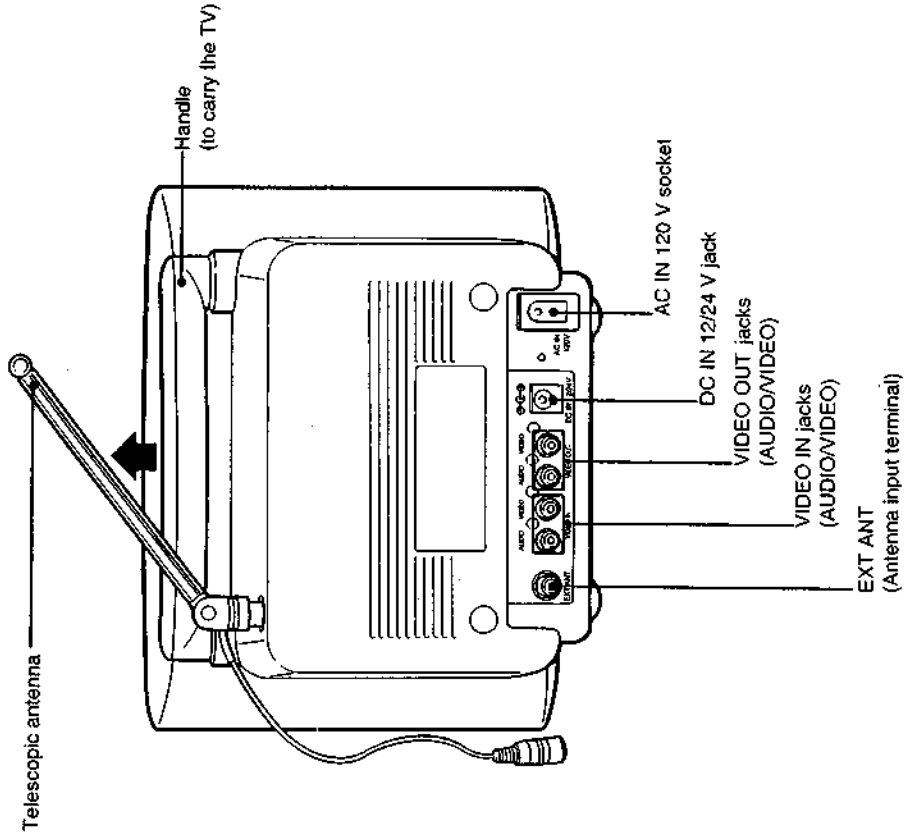
SECTION 1 GENERAL

1-1. IDENTIFYING THE PARTS

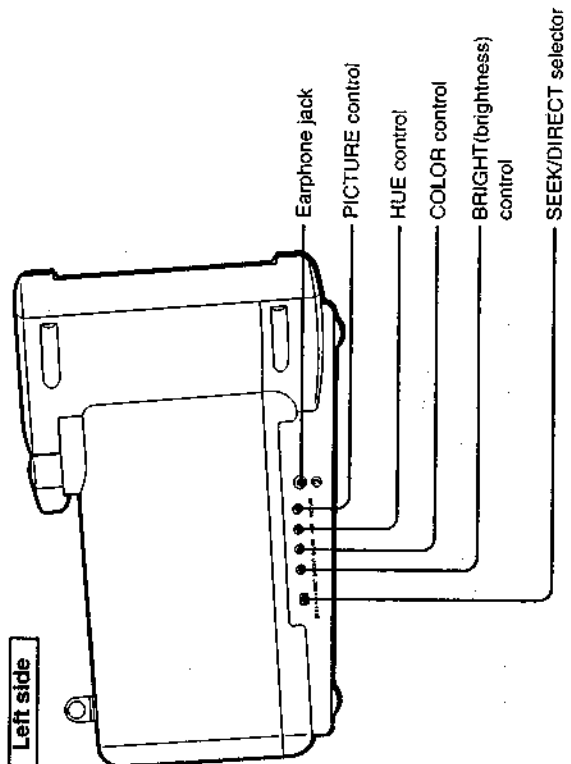
Front



Rear

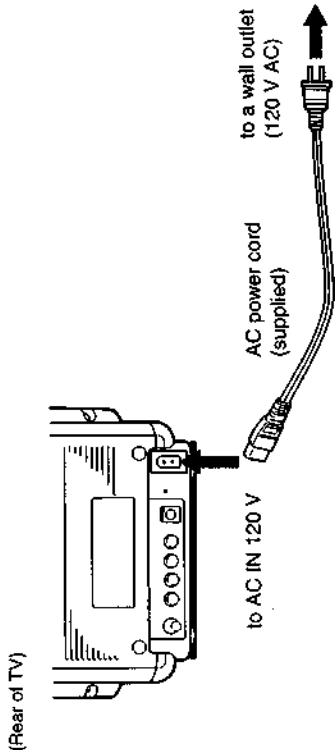


Left side



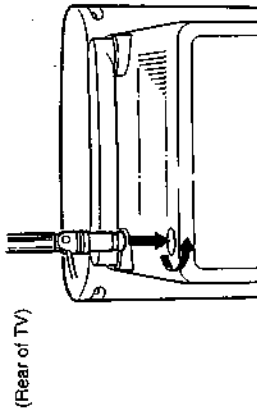
1-2. PREPARING FOR USE

Using house current

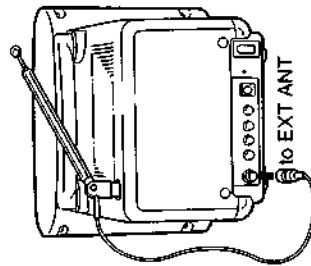


Connecting the supplied telescopic antenna

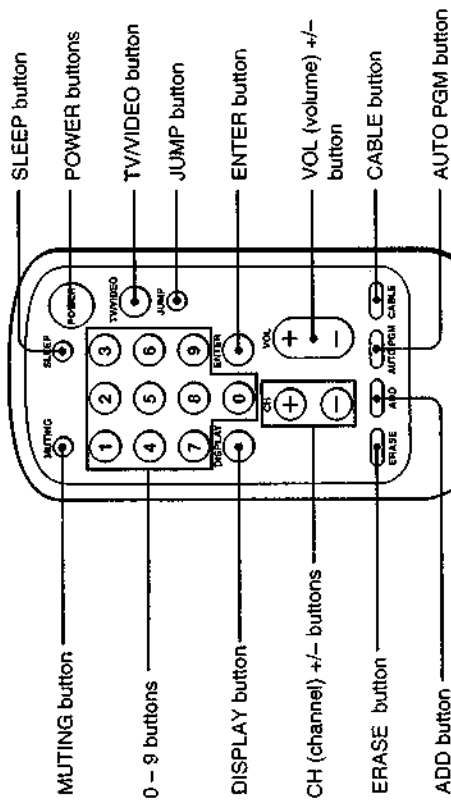
1 Insert the antenna into the receptacle on the TV, and twist to ensure a secure fit.



2 Attach the antenna connector to the EXT ANT terminal.



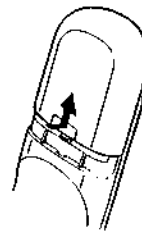
Remote commander



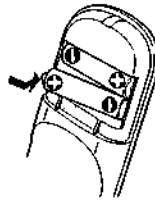
RM-792 (KV-8AD11)
RM-793 (KV-8AD14)

Installing batteries

1 Remove the battery compartment cover.



2 Insert two size AA (R6) batteries in correct polarity; then replace the lid.



Notes

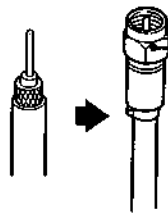
- In normal operation, batteries will last up to half a year. If the TV does not operate properly, the batteries might be exhausted. Replace all with new ones.
- To avoid damage from possible battery leakage, remove the batteries for extended unused periods.
- Be sure that there are no obstructions between the Remote Commander and the TV.
- Operable range is limited.
- If a Remote Commander not recommended is used to operate this TV, or if the supplied Remote Commander is used to operate another TV, the TV may not operate properly.

We recommend connecting VHF/UHF antennas for better picture quality. You can receive cable TV by connecting a cable supplied by your local cable company.

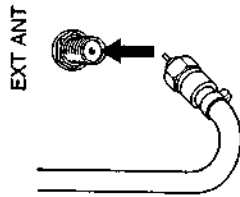
Prepare the antenna end according to your cable type.

Using a VHF, UHF or combination VHF/UHF antenna, or CATV cable

75-ohm coaxial cable (round)



Attach an optional F-type connector

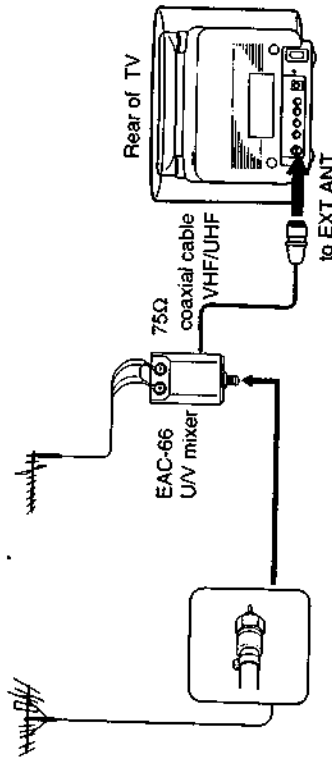


(Rear of TV)

Connecting both VHF and UHF antennas

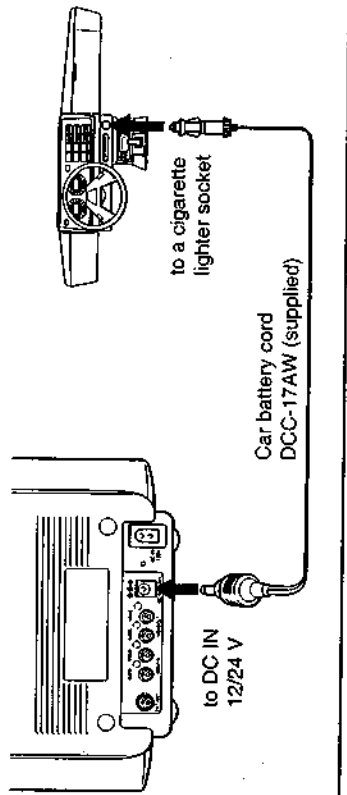
Use the EAC-66 U/V mixer (not supplied).

- 1 Remove the telescopic antenna from the EXT ANT terminal on the TV.
- 2 Prepare the antenna end using the appropriate connector (see the illustration above), and connect the antenna to EXT ANT.



When you use the U/V mixer
Visual and audio interference may occur in the cable TV channels over 37 (W+1).

Using a car battery



Notes

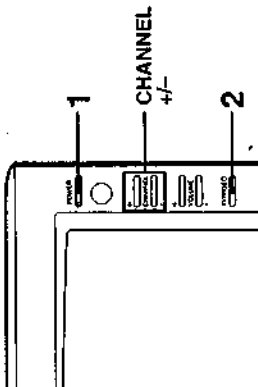
- For car use, the TV is designed for negative ground 12/24 V DC operation only.
- Use only the supplied car battery cord manufactured by Sony. Polarity of the plugs of other manufacturers may be different.
- When you aren't using the TV, remove the car battery cord from the cigarette lighter socket.



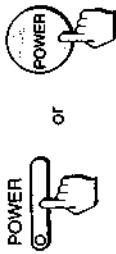
Polarity of the Sony plug

Presetting TV Channels

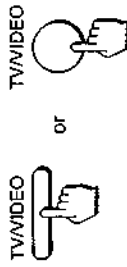
Presetting TV channels automatically



1 Press **POWER** on the TV or the Remote Commander to turn the TV on.

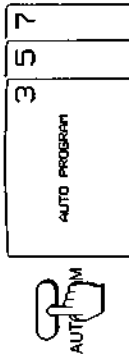


2 Press **TV/VIDEO** on the TV or the Remote Commander so that the TV mode appears.



If "VIDEO" is displayed on the screen, press **TV/VIDEO** on the TV or the Remote Commander again so that a channel number appears.

3 Press **AUTO PGM.**



"AUTO PROGRAM" is displayed on the screen and receivable channels (other than the channels already preset) will be preset in numerical sequence. The channels previously preset remain in the TV's memory.

When no more channels can be found, the programming stops and the lowest numbered channel is displayed.

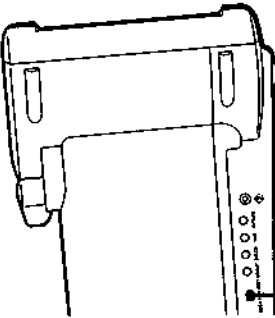
Channels that can be received on this TV:

VHF: 2 - 13
UHF: 14 - 69
Cable: 1 - 125

To check preset channels

Press **CH +/-** on the TV or the Remote Commander.

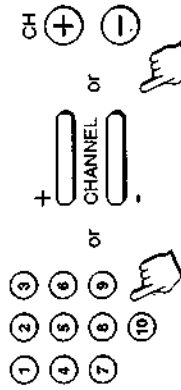
Presetting only desired channels or erasing unnecessary channels



1 Set the **SEEK/DIRECT** selector to **DIRECT**.



2 To select a channel, press the **0 - 9** buttons (to add channels) or **CHANNEL +/-** (to erase channels), then press **ENTER**.



3 Press **ADD** to add channels.



A "+" appears before the number for a moment. This channel has now been added to the channel scan memory.

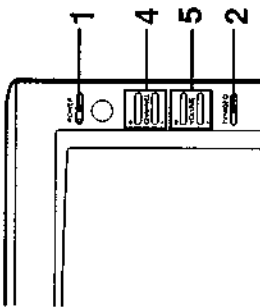
Press **ERASE** to erase channels.



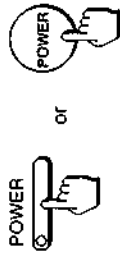
A "-" appears before the number for a moment. This channel has now been erased from the channel scan memory. The next time you press the **CH +/-** buttons, this channel will be skipped.

Repeat steps 1 and 2 to add or erase other channels.

1-3. WATCHING TV PROGRAMS

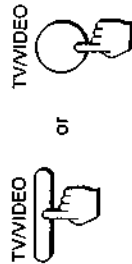


1 Press **POWER** on the TV or the Remote Commander to turn the TV on.



Note
The first time you use the TV, press **POWER** on the TV to turn the power on.

2 Press the **TV/VIDEO** button on the TV or the Remote Commander to select TV mode. (TV and VIDEO modes are selected in sequence.)

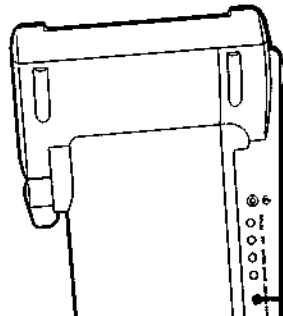
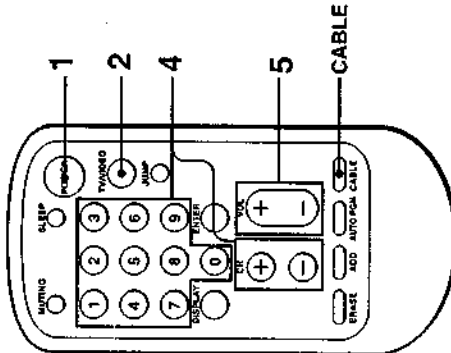


3 Set the **SEEK/DIRECT** selector to choose the method you prefer for selecting channels.

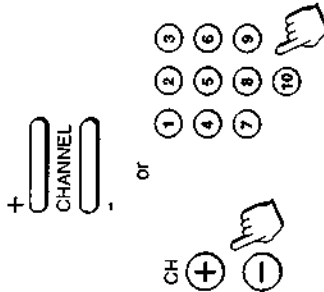


SEEK mode
Press **CHANNEL +/-** on the TV, or **CH +/-** on the Remote Commander to select receivable channels only. (You can also select channels using the 0-9 buttons.) Use **SEEK** mode to improve channel reception while viewing your TV in a car.

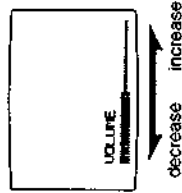
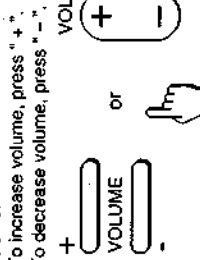
DIRECT mode
Press the 0-9 buttons on the Remote Commander to select a channel directly. (When you press **CHANNEL +/-** or **CH +/-**, non-receiving channels will also be selected.)



4 Press **CHANNEL +/-** on the TV, or press **CH +/-** or 0-9 buttons on the Remote Commander to select the channel you want to watch.



5 Press **VOLUME +/-** on the TV or **VOL +/-** on the Remote Commander to adjust the volume.



To watch cable TV channels
Press **CABLE** (the "C" display will appear) and select channels directly. When you want to watch VHF/UHF channels, press **CABLE** again so that the "C" display disappears.

To turn the TV off.
Press **POWER** on the TV or on the Remote Commander.

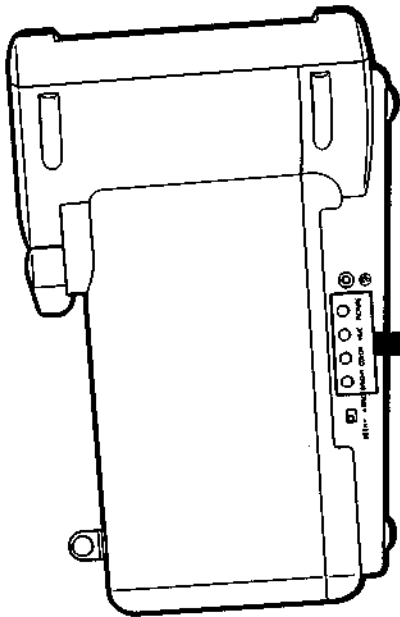
Note
When you erase a VHF or UHF channel, the cable TV channel with the same number is also erased, and vice versa.

Cable TV channel chart*
Cable TV systems use letters or numbers to designate channels. To tune in a channel, refer to the chart below.

Number on this TV	Corresponding cable TV channel
1	A-8
5	A-7
6	A-6
14	A
15	B
16	C
17	D
18	E
19	F
20	G
21	H
22	I
23	J
24	K
25	L
26	M
27	N
28	O
29	P
30	Q
31	R
32	S
33	T
34	U
35	V
36	W
37	W+1
38	W+2
39	W+3
93	W+57
94	W+58
95	A-5
96	A-4
97	A-3
98	A-2
99	A-1
100	W+59
101	W+60
102	W+61
123	W+82
124	W+83
125	W+84

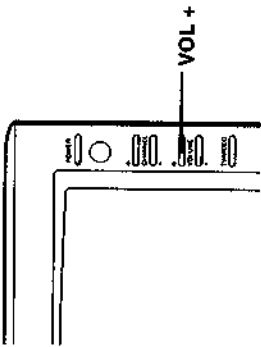
* This designation of cable TV channels conforms to the EIA/NCTA recommendation. Check with your local cable TV company for more complete information on the available channels.

1-4. ADJUSTING PICTURE QUALITY



To increase brightness	To decrease brightness	To increase color intensity	To decrease color intensity	Skin tones become greenish	Skin tones become purplish	To increase picture contrast	To decrease picture contrast
BRIGHT		COLOR		HUE		PICTURE	

1-5. USING OTHER CONVENIENT FEATURES



Muting the sound

Press MUTING to mute the TV sound.

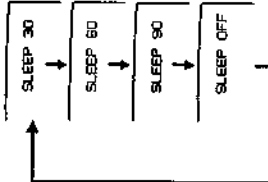


To turn muting off

Press MUTING again, or VOL +.

Setting the sleep timer

Press SLEEP to set the TV to turn off in the amount of time you choose. Each time you press SLEEP, the time increments 30, 60 and 90 are selected in sequence.



The "SLEEP" display (red) will appear 1 minute before the TV turns off.

To turn the sleep timer off

Press SLEEP once more after 90.

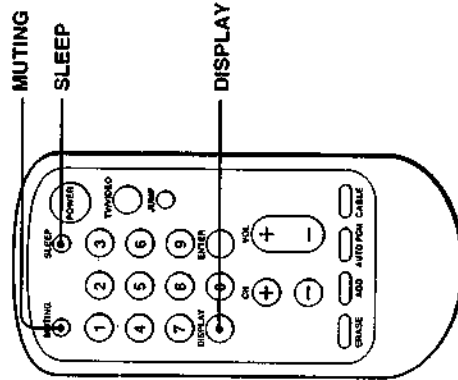
Displaying the input mode

Press DISPLAY. The current input modes (channel, TV/VIDEO) will be displayed on the screen.



To turn the display off

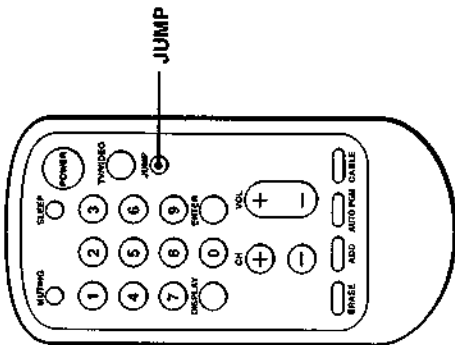
Press DISPLAY again.



1-6. CONNECTING VIDEO EQUIPMENT

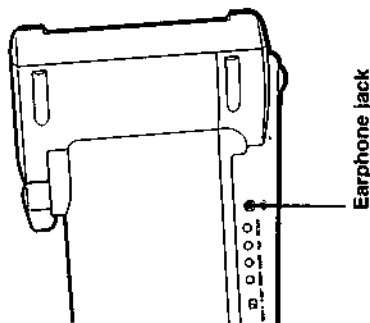
Switching quickly between 2 channels

Press JUMP once to recall the channel you were watching previously; press JUMP again to switch back. Use this feature to keep track of two programs alternately.



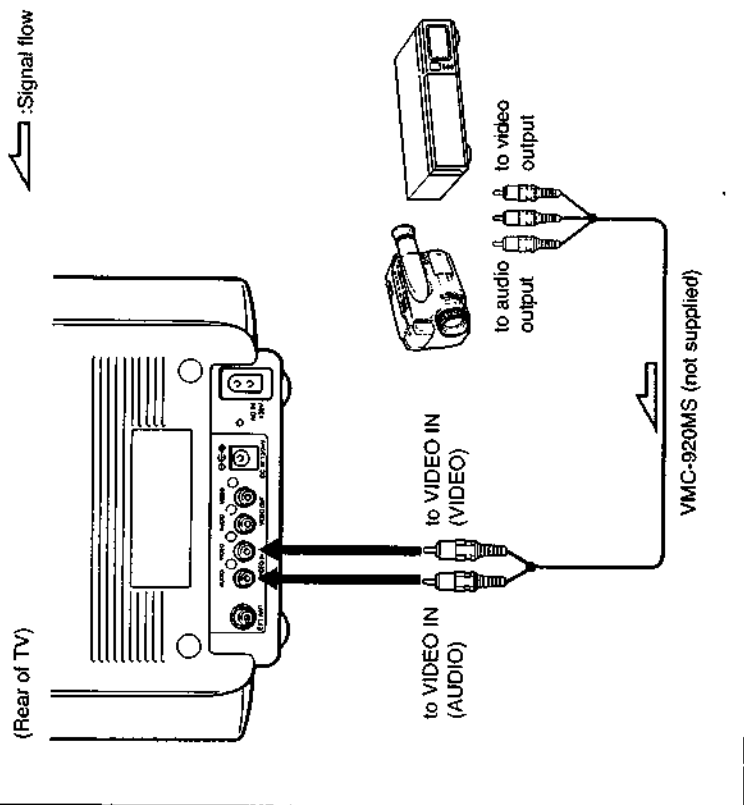
Listening through an earphone

You can listen to the TV's sound through an optional earphone connected to an earphone jack.



Connecting a VCR or 8mm video camera

Before connecting, turn off the power on all equipment.



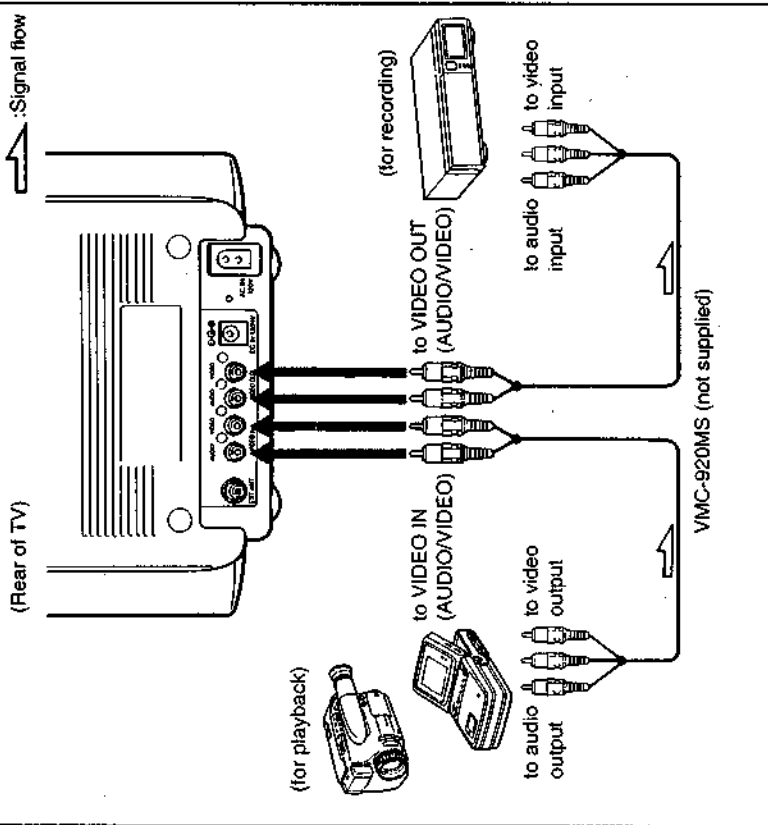
Watching a VCR picture

To return to TV mode
Press the TV/VIDEO button on the TV or the Remote Commander so that a channel number appears on the screen.

1 Turn on the TV.

2 Press the TV/VIDEO button on the TV or the Remote Commander so that "VIDEO" appears on the screen.

Connecting two VCRs for tape editing



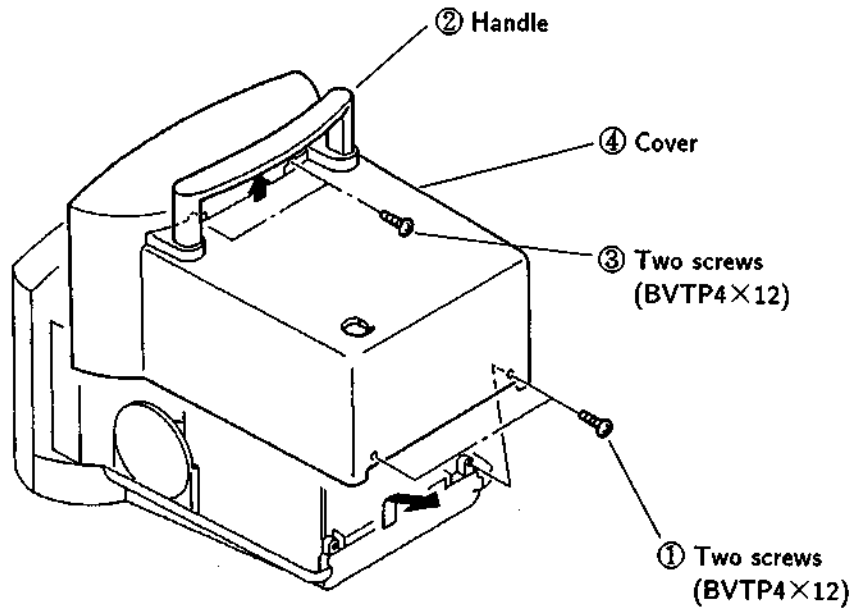
Notes

- Move the VCR away from the TV, if the display or sound is affected.
- For operating instructions, refer to the instruction manual furnished with the VCR.

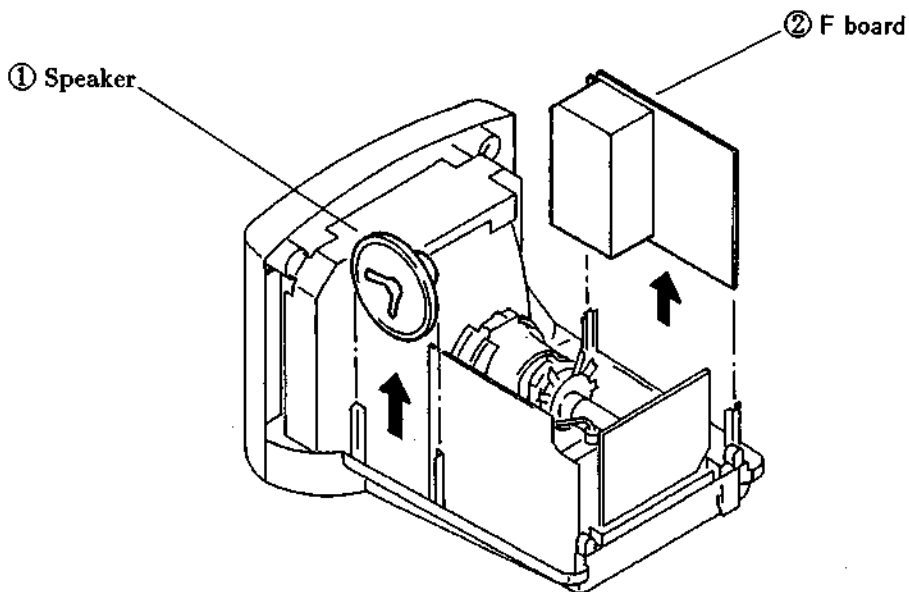
SECTION 2 DISASSEMBLY

2-1. COVER REMOVAL

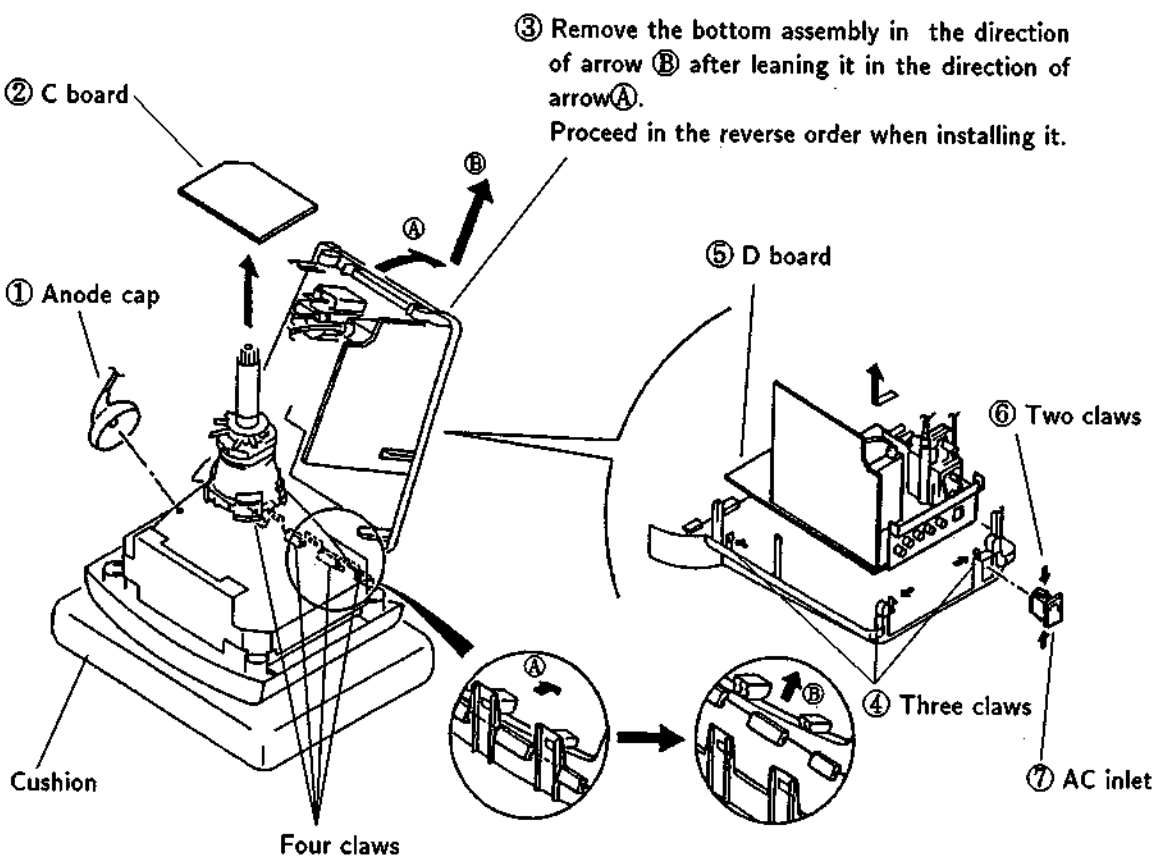
NOTE : Follow the disassembly procedure in the numerical order given.



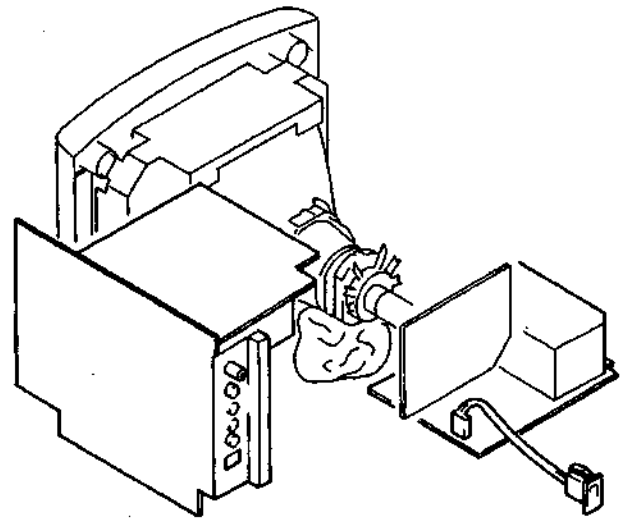
2-2. SPEAKER AND F BOARD REMOVAL



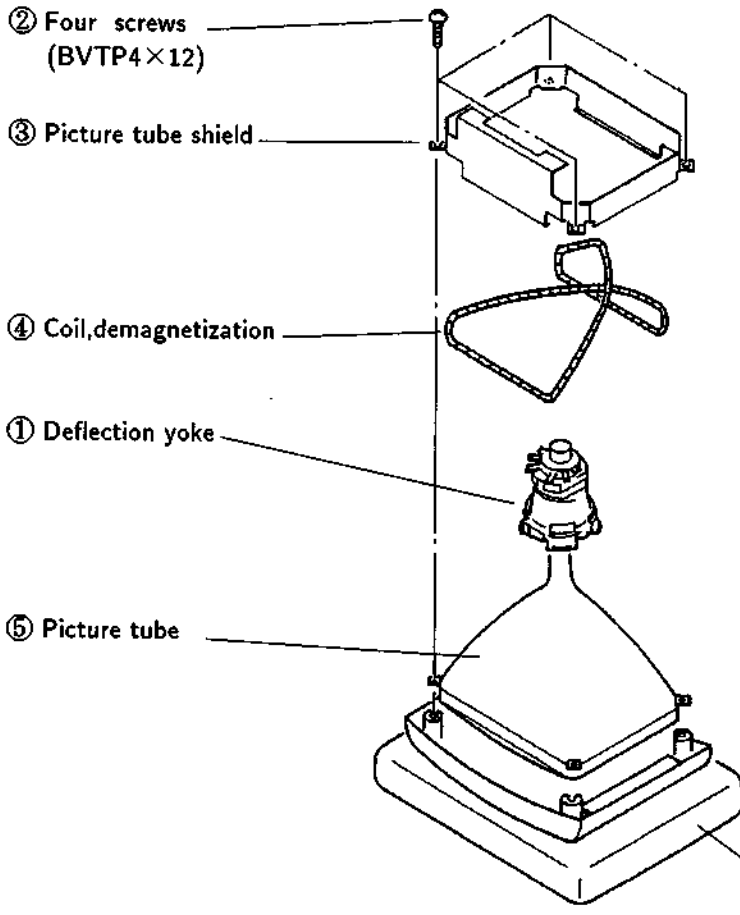
2-3. D BOARD REMOVAL



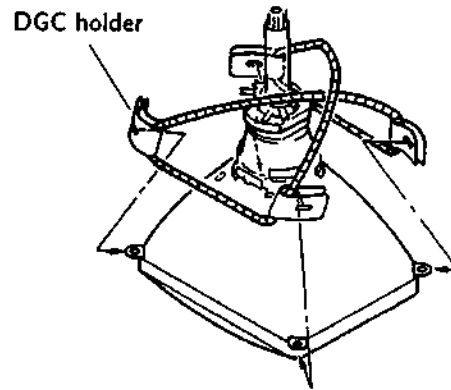
2-4. SERVICE POSITION



2-5. PICTURE TUBE REMOVAL

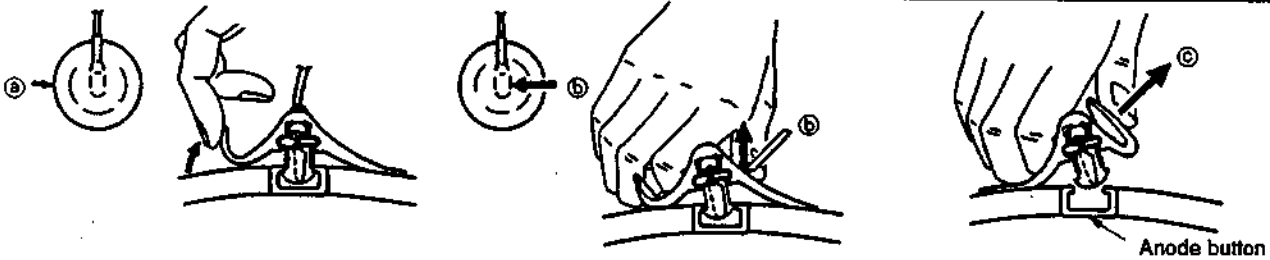


Before replacing the CRT, use the DGC holder for the CRT as shown in the illustration, and wind the DGC.



Note: Short circuit the anode of the picture tube and the anode cap to the metal chassis, CRT shield, or carbon painted on the CRT, after removing the anode.

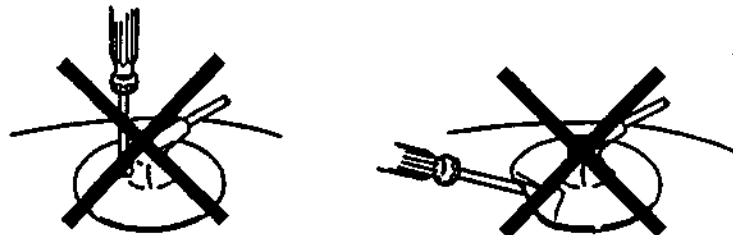
• REMOVAL OF ANODE-CAP • REMOVING PROCEDURES



- ① Turn up one side of the rubber cap in the direction indicated by the arrow ①.
- ② Using a thumb pull up the rubber cap firmly in the direction indicated by the arrow ②.
- ③ When one side of the rubber cap is separated from the anode button, the anode-cap can be removed by turning up the rubber cap and pulling up it in the direction of the arrow ③.

• HOW TO HANDLE AN ANODE-CAP

- ① Don't hurt the surface of anode-caps with sharp shaped material!
- ② Don't press the rubber hardy not to hurt inside of anode-caps!
A material fitting called as shatter-hook terminal is built in the rubber.
- ③ Don't turn the foot of rubber over hardy!
The shatter-hook terminal will stick out or hurt the rubber.



MEMO

A series of horizontal dotted lines for writing.

SECTION 3 SET-UP ADJUSTMENTS

- The following adjustments should be made when a complete realignment is required or a new picture tube is installed.
- These adjustments should be performed with rated power supply voltage unless otherwise noted.

The controls and switch should be set as follows unless otherwise noted :

PICTURE control..... normal
BRIGHTNESS control..... normal

Perform the adjustments in order as follows:

1. Beam Landing
2. Convergence
3. Focus
4. Screen (G 2) and White Balance

Note: Test Equipment Required.

1. Color bar Pattern Generator
2. Degausser
3. DC Power Supply
4. Digital multimeter

Preparation:

- Feed in the white pattern signal.
- Before starting, degauss the entire screen.

3-1. BEAM LANDING

1. Input a raster signal with the pattern generator.
2. Loosen the deflection yoke mounting screw, and set the purity control to the center as shown in Fig.2
3. Turn the raster signal of the pattern generator to green.
4. Move the deflection yoke backward, and adjust with the purity control so that green is in the center and red and blue are at the sides evenly. (Fig.3)
5. Move the deflection yoke forward, and adjust so that the entire screen becomes green. (Fig.1)
6. Switch over the raster signal to red and blue and confirm the condition.
7. When the position of the deflection yoke is determined, tighten it with the deflection yoke mounting screw.
8. When landing at the corner is not right, adjust by using the disk magnets. (Fig.4)

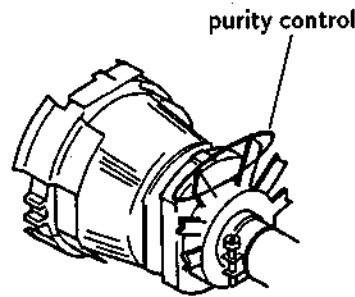


Fig.2

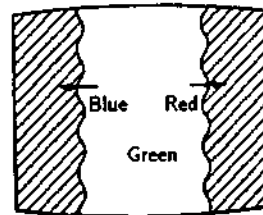


Fig.3

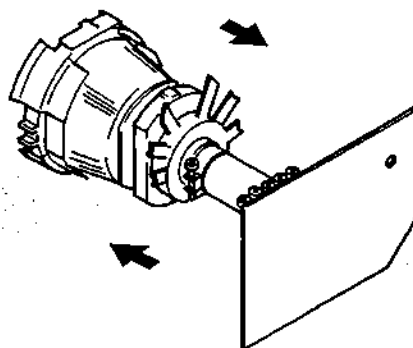


Fig.1

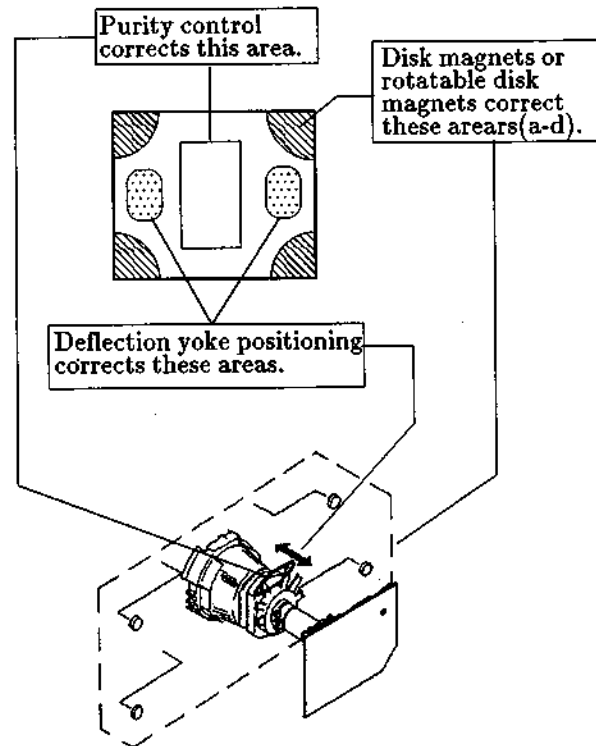


Fig.4

3-2. CONVERGENCE

Preparation:

- Before starting, perform FOCUS, H.SIZE, V.LIN and V.SIZE adjustments.
- Set BRIGHTNESS control to minimum.
- Feed in dot pattern.

(1) Horizontal and Vertical Static Convergence

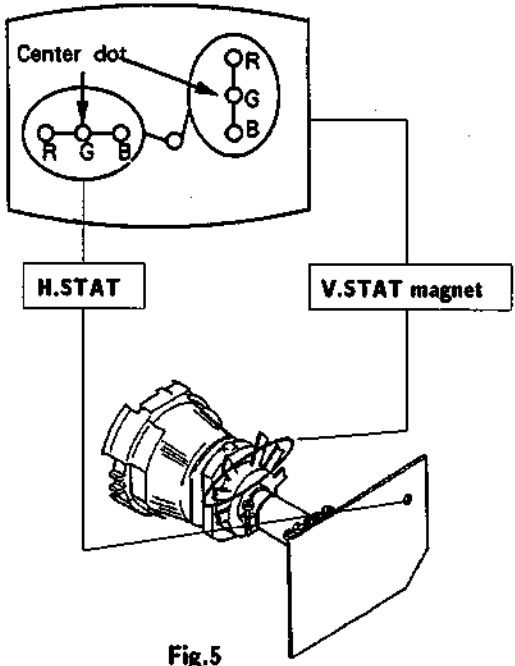
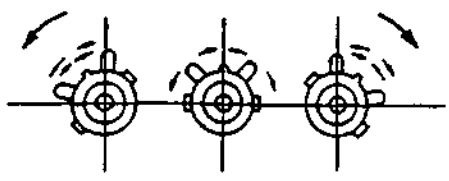
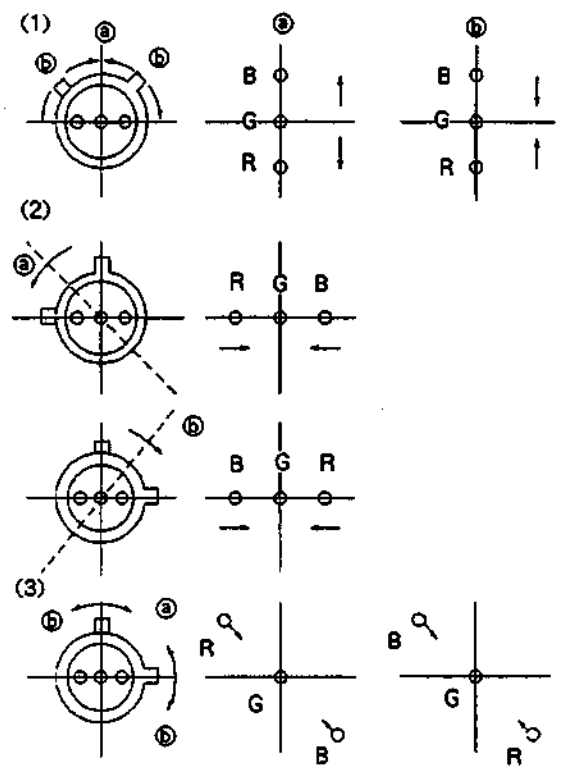


Fig.5

1. Adjust H.STAT VR to converge red, green and blue dots the in center of the screen.(Horizontal movement)
 2. Adjust V. STAT magnet to converge red, green and blue dots in the center of the screen. (Vertical movement)
 3. If the red, green and blue dots do not converge on the center of screen with H.STAT VR, perform horizontal convergence adjustment using H.STAT VR and V.STAT magnet as shown below. (In this case, H.STAT VR and V.STAT magnet effect each other.)
- Tilt the V.STAT magnet and adjust static convergence to open or close the V.STAT magnet.



4. When the V.STAT magnet is moved in the direction of arrow ㉓ and ㉔, red, green and blue dots move as shown below.



* IF the red and green dots do not coincide with blue dot, adjustment with BMC (6-poles) magnet.

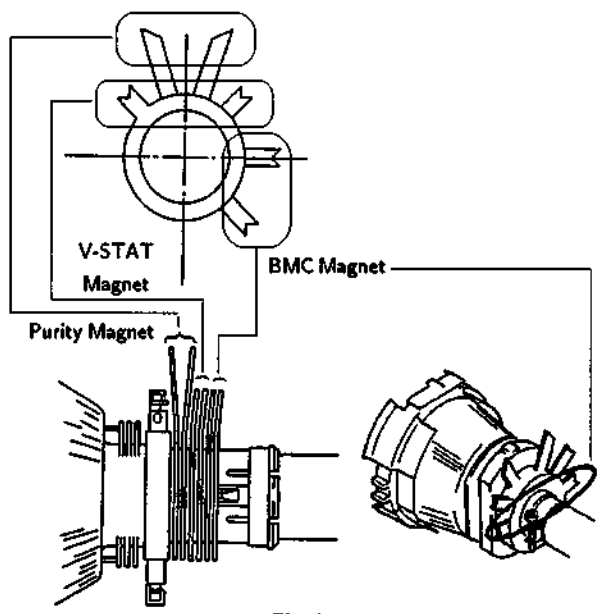
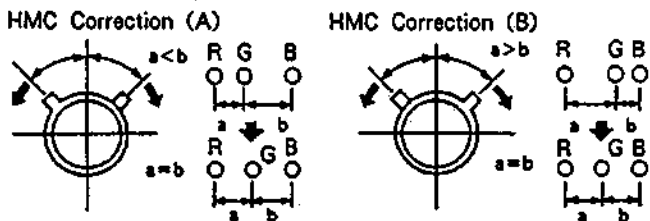


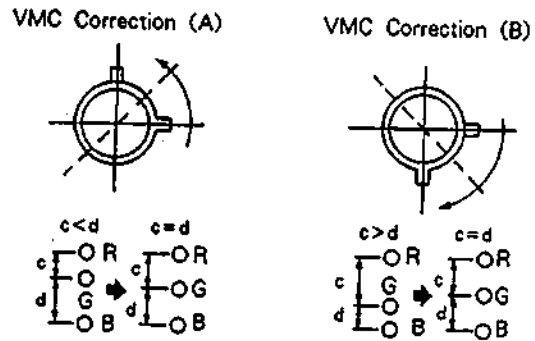
Fig.6

● HMC and VMC correction for BMC (6-pole) magnet.

1. HMC (Horizontal Misconvergence) correction and motion of the Electron Beam with the BMC (6-poles) magnet.



2. VMC (Vertical Misconvergence) correction and motion of the Electron Beam with the BMC (6-poles) magnet.



(2) Dynamic Convergence Adjustment

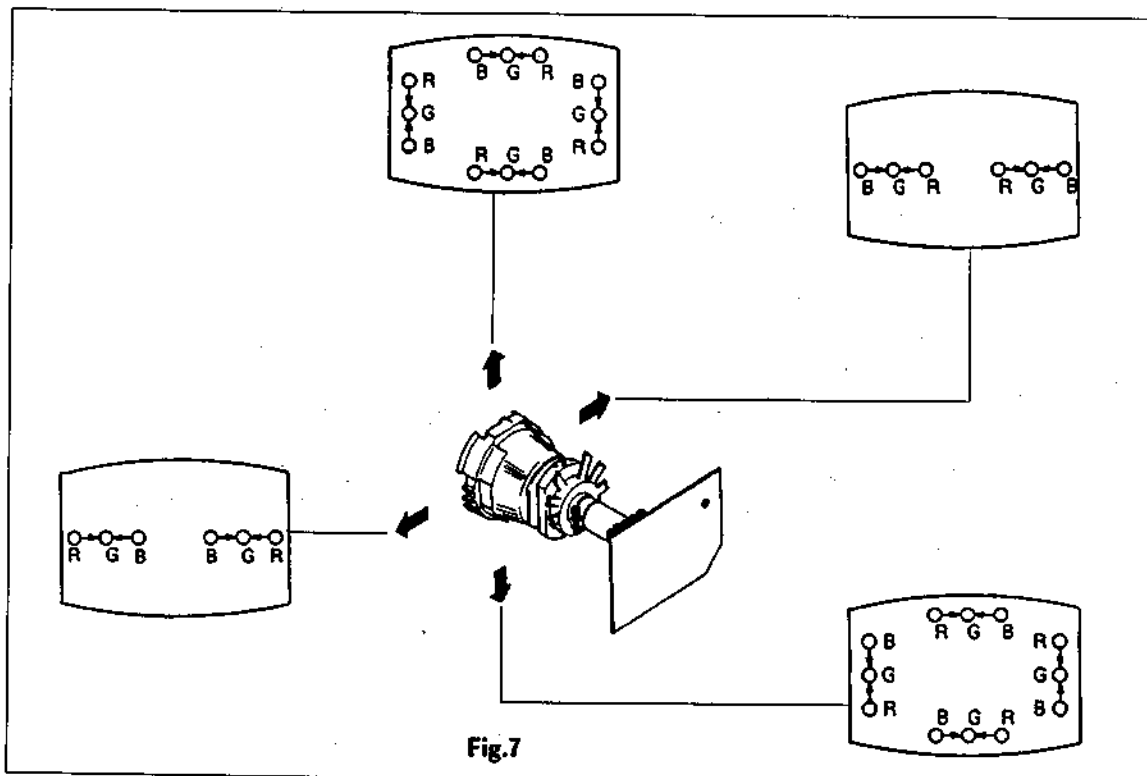
Preparation:

● Before starting perform Horizontal and Vertical static convergence Adjustment.

1. Slightly loosen deflection yoke screw.
2. Remove deflection yoke spacers.

3. Move the deflection yoke for best convergence as shown below.

4. Tighten the deflection yoke screw.
5. Install the deflection yoke spacers.



(3) Screen-corner Convergence

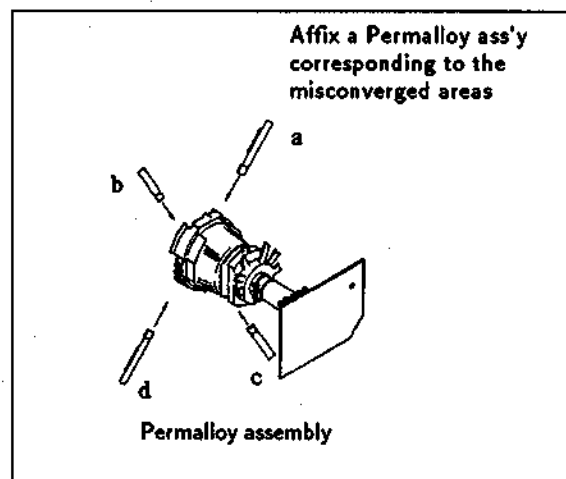
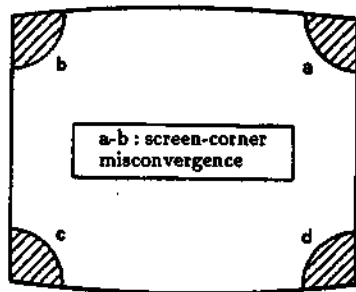
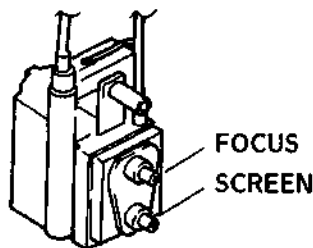


Fig.8

3-3. FOCUS

Adjust FOCUS control (FBT) for best picture.



FRYBACK

Fig.9

3-4. SCREEN(G 2) and WHITE BALANCE

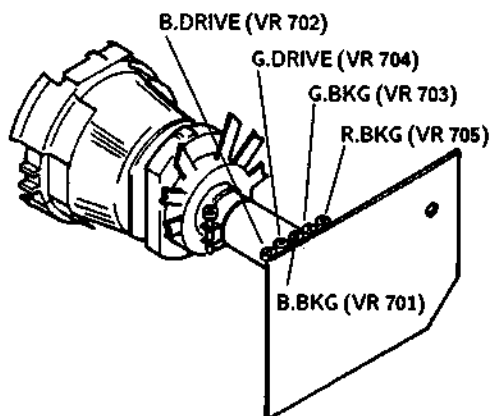


Fig.10

[SCREEN(G2)]

1. Input a dots pattern.
2. Set the PIC, BRT controls at minimum and COLOR control at normal.
3. Adjust BKG VRs (RV 701, RV 703 and RV 705) so that voltages on the red, green and blue cathodes are 100 V dc with an oscilloscope as shown in Fig.11.
4. Observe the screen and adjust SCREEN VR (FBT) to obtain the faintly visible background of dot signal.

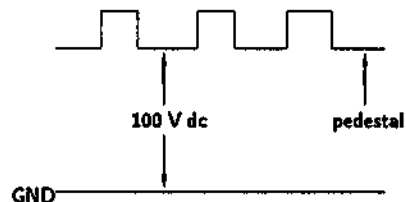


Fig.11

[WHITE BALANCE]

1. Receive a all white signal using a pattern generator.
2. Set the PIC control to minimum and set the BRT control at normal.
3. Adjust BKG controls (VR701, 703, 705)for best white balance.
4. Set the PICTURE control to maximum. Observe the screen and adjust the DRIVE controls (VR 702, 704) for best white balance.
5. Repeat steps 3 and 4.

SECTION 4

SAFETY RELATED ADJUSTMENTS

☒ R879, R840, CONFIRMATION METHOD (HOLD-DOWN CONFIRMATION) AND READJUSTMENT

The following adjustment should be performed when replacing the following components.

(Marked with ☒ on the schematic diagram)

R 240, R 814, R 879, R 840, D 805, C 812, C 825

1. Receive a color bar signal.
2. Set the picture volume and brightness at center click position.
3. Confirm that 16 V DC voltage is output to TP 101 on A board.
4. Next, apply 19.3 V DC external voltage to TP 101 and confirm that it hold down.
5. When step 4 is not satisfied, readjustment should be performed by altering the resistance value of R 879 and R 840. (D board marked with ☒)

☒ R662, VR 651, B+ VOLTAGE CONFIRMATION AND ADJUSTMENT

The following adjustment should be performed when replacing the following components.

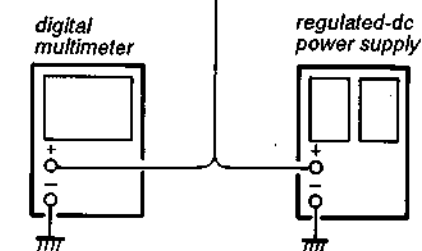
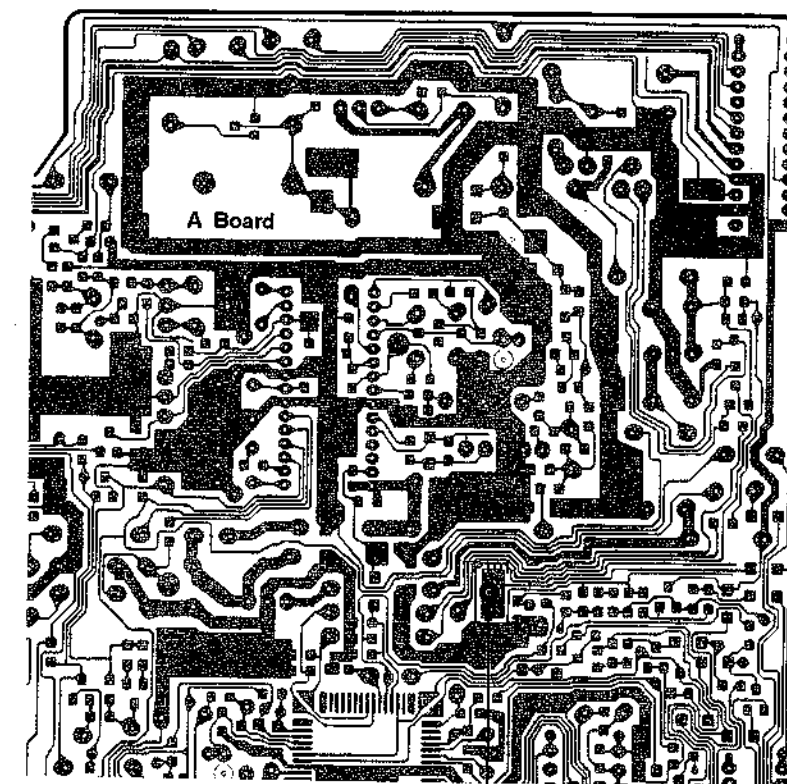
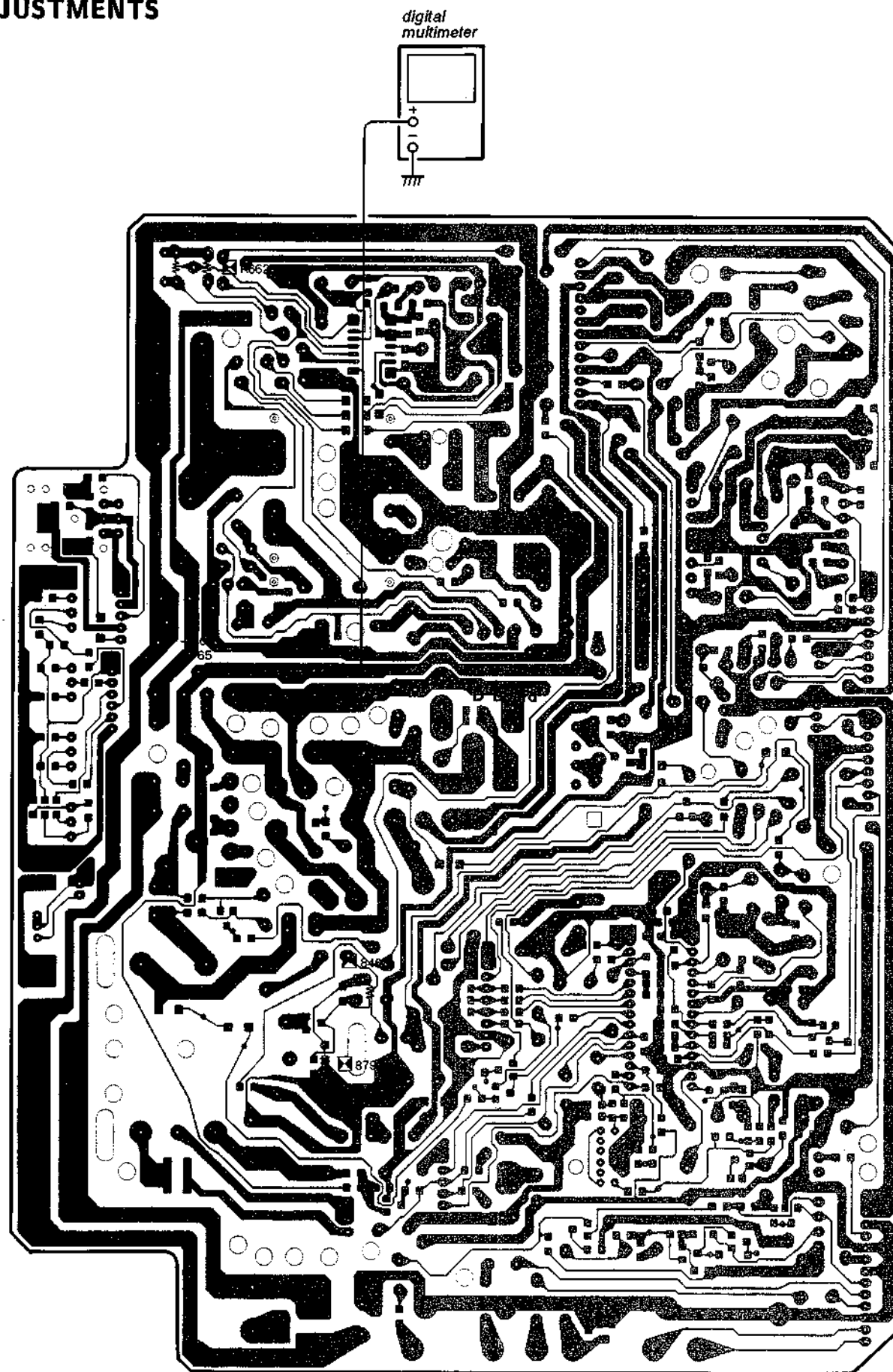
(Marked with ☒ on the schematic diagram)

R 660, R 661, R 662, R 665, VR 651, IC 652

1. Set the power source to 120 V \pm 5% AC.
2. Receive a color bar signal.
3. Set the picture volume and brightness at the center click position.
4. Adjust VR 651 (30 V ADJ), then adjust the +B power source. At this time, confirm that the power is 30.3 \pm 0.1 V DC. (TP 651 on A board)
5. When step 4 is not satisfied, readjustment should be performed by altering the resistance value of R 662 and VR 651. (D board marked with ☒)

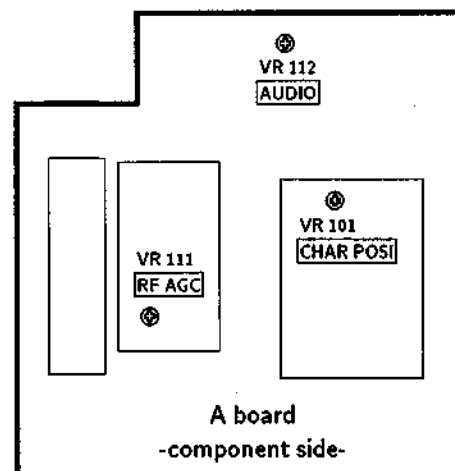
CONFIRMATION AFTER REPLACING FBT

Confirm that 16 V \pm 1 V DC voltage is output to TP 101 when replacing the flyback transformer.



SECTION 5 CIRCUIT ADJUSTMENTS

5-1. A BOARD ADJUSTMENTS

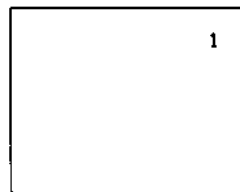


RF AGC ADJUSTMENT (VR 111)

1. Receive an off-air signal.
2. Adjust VR111 so that snow noise and cross-modulation just disappear the picture.

CHANNEL DISPLAY POSITION ADJUSTMENT (VR 101)

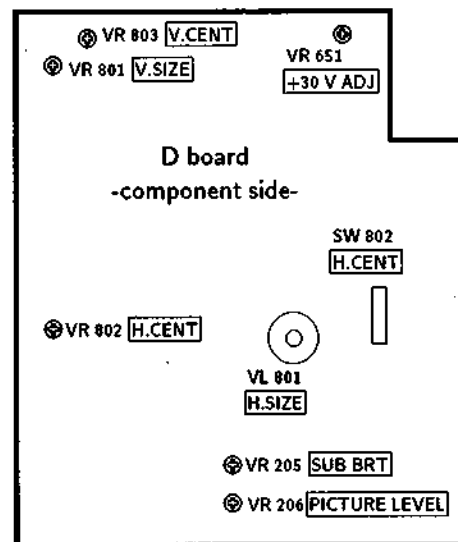
1. Adjust VR101 so that CHANNEL display position comes to the position shown in the figure.



AUDIO ADJUSTMENT (VR 112)

1. Receive a broadcast signal.
2. Adjust VR 112 so that the sound become optimum with minimum distortion.

5-2. D BOARD ADJUSTMENTS



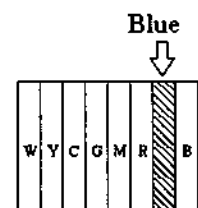
PICTURE LEVEL ADJUSTMENT (VR 206)

1. Receive a color bar signal.
2. Set the picture and brightness VR at center click position.
3. Connect an oscilloscope to the red output on the C board.
4. Adjust VR 206 so that the balance of the black and white level becomes 49 Vp-p.

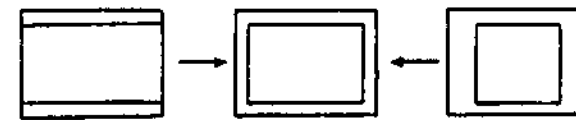


SUB-BRIGHTNESS ADJUSTMENT (VR 205)

1. Receive a color bar signal.
2. Set the picture to MIN and brightness at the center click position.
3. Adjust VR 305 so that the blue section becomes slightly brighter.



VL 801 H.SIZE (HORIZONTAL SIZE)



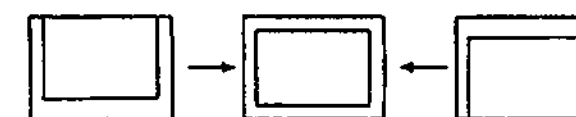
SW802, VR802 H.CENT (HORIZONTAL CENTER)



VR 801 V.SIZE (VERTICAL SIZE)

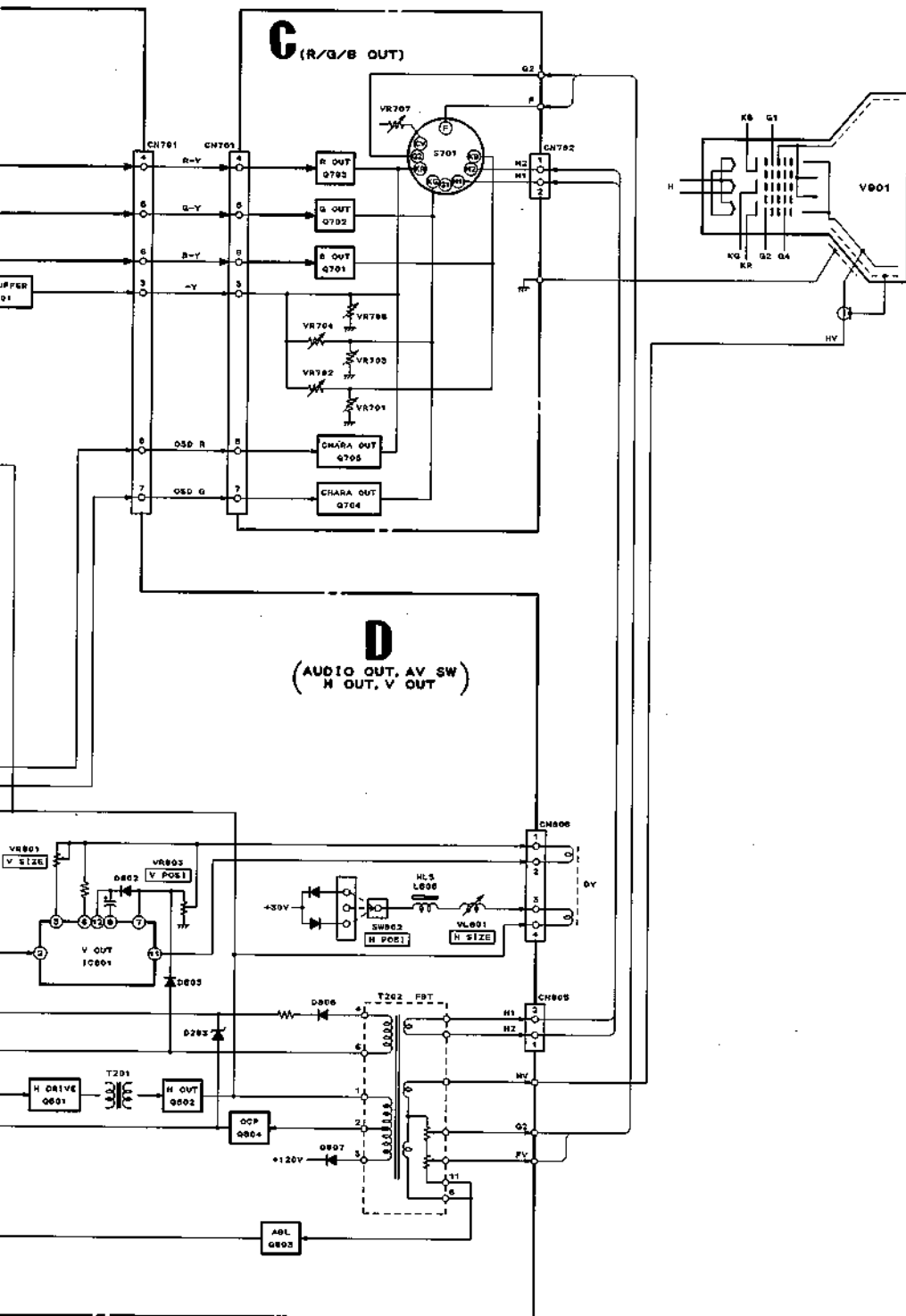


VR 803 V.CENT (VERTICAL CENTER)

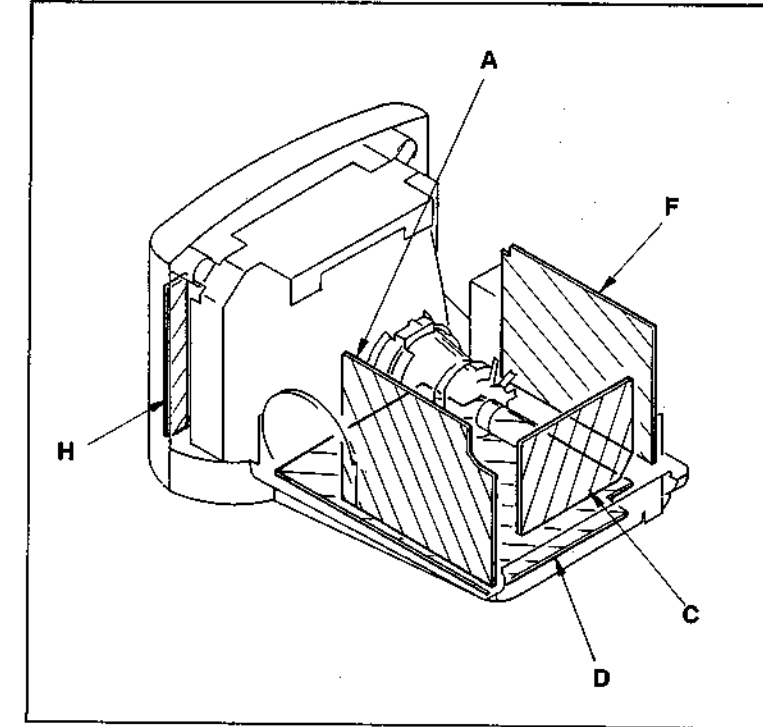


+B ADJUSTMENT (VR 651)

1. Adjust VR 651 (30 V ADJ) so that TP 651 is 30.3 ± 0.1 V DC.





6-2. CIRCUIT BOARDS LOCATION

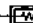










6-3. PRINTED WIRING BOARDS AND SCHEMATIC DIAGRAMS




D AUDIO OUT, AV SW,
H OUT, V OUT

Note: The components identified by shading and mark  are critical for safety. Replace only with part number specified.

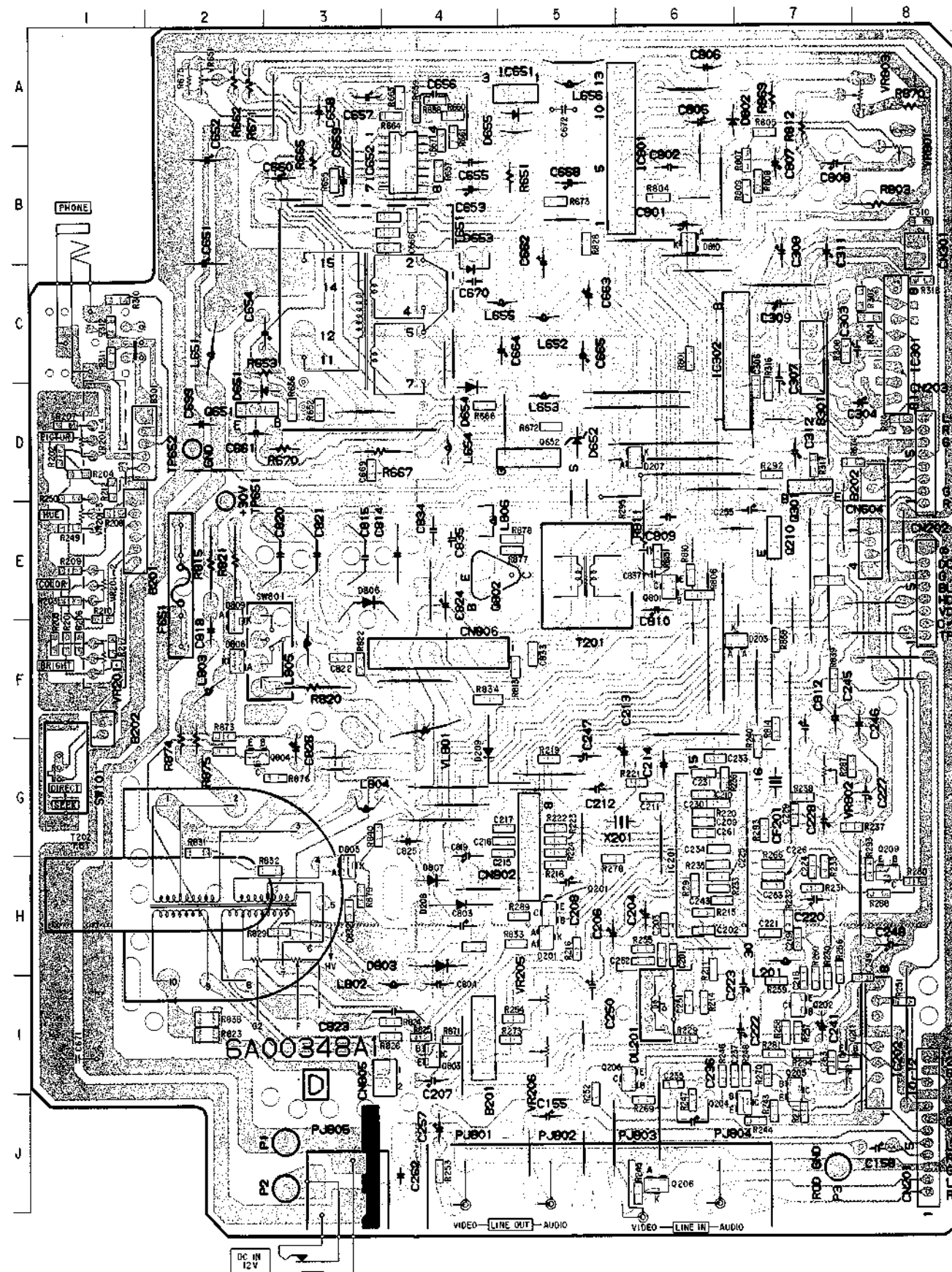
Note: Les composants identifiés par une trame et par une marque  sont d'une importance critique pour la sécurité. Ne les remplacer que par des pièces de numéro spécifié.

- Note:
- All capacitors are in μF unless otherwise noted. pF: μF 50 WV or less are not indicated except for electrolytic and tantalums.
 - All resistors are in ohms. $\text{k}\Omega = 1000\Omega$, $\text{M}\Omega = 1000\text{K}\Omega$
 - All resistors are in ohms, 1/10W unless otherwise noted. $\text{k}\Omega : 1000\Omega$, $\text{M}\Omega : 1000\text{K}\Omega$
 -  : nonflammable resistor.
 -  : internal component.
 -  : panel designation.
 - All variable and adjustable resistors have characteristic curve B, unless otherwise noted.
 -  : primary earth
 - The components identified by  in this manual have been carefully factory-selected for each set in order to satisfy regulations regarding X-ray radiation. Should replacement be required, replace only with the value originally used.
 - When replacing components identified by  mark the necessary adjustments indicated. If results do not meet the specified value, change the component identified by  and repeat the adjustment until the specified value is achieved. (Refer to R840, R879, R862 and VR651 adjustment on page 21 - 22)
- When replacing the part in below table, be sure to perform the related adjustment.

Part replaced ()	Adjustment ()
R240, R814, R840, R879, D805, C812, C825	R840, R879 (HV HOLD DOWN)
R880, R881, R862, R865, VR651, IC652	R862, VR651 (+B MAX)

- Readings are taken with a color-bar signal input.
- no mark: VHF IN
- Readings are taken with a 10M Ω digital multimeter.
- Voltage are dc with respect to ground unless otherwise noted.
- Voltage variations may be noted due to normal production tolerances.
- All voltages are in V.
- Circled numbers are waveform references.
-  : B+ bus.
-  : signal path.
-  : adjustment for repair or semiconductor function.

- D Board -

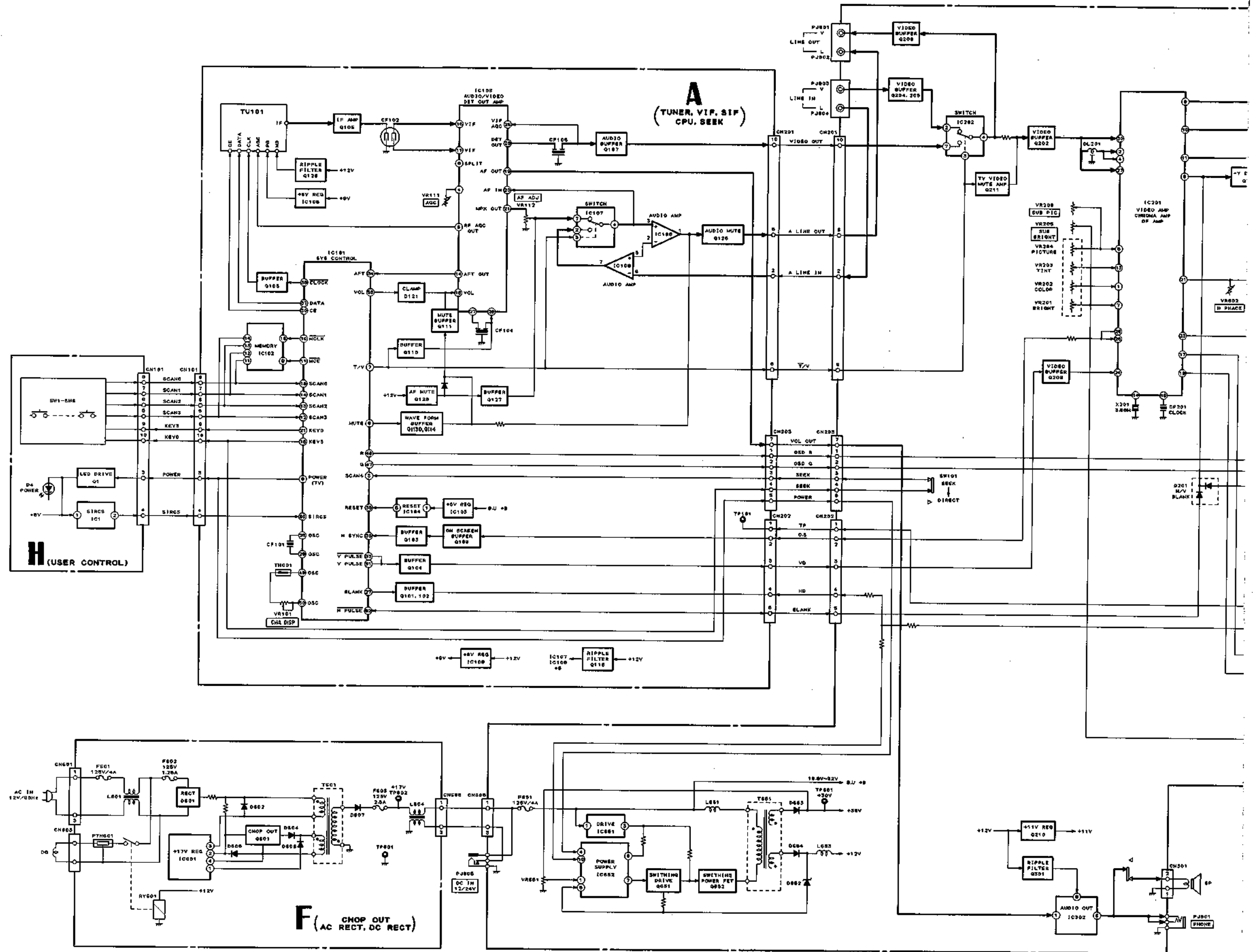


Ø BOARD

IC	VARIABLE
IC201	G-6
202	I-8
302	C-6
651	A-5
652	B-4
801	A-6
VR201	E-1
205	I-5
206	I-5
651	A-2
801	B-8
802	G-7
803	A-8
TRANSISTOR	
Q201	H-5
202	I-7
204	J-7
205	I-7
206	I-6
209	H-8
210	E-7
211	I-7
301	Ø-7
651	Ø-2
652	Ø-5
801	E-6
802	E-4
803	I-4
804	G-2
TEST POINT	
TP651	Ø-2
652	Ø-2
DIODE	
D201	H-5
203	F-7
206	J-6
207	Ø-6
651	Ø-2
652	Ø-5
653	C-4
654	Ø-4
655	A-5
802	A-6
803	H-4
805	H-3
806	E-3
807	H-4
808	F-2
009	F-2
810	B-6

SECTION 6
DIAGRAMS

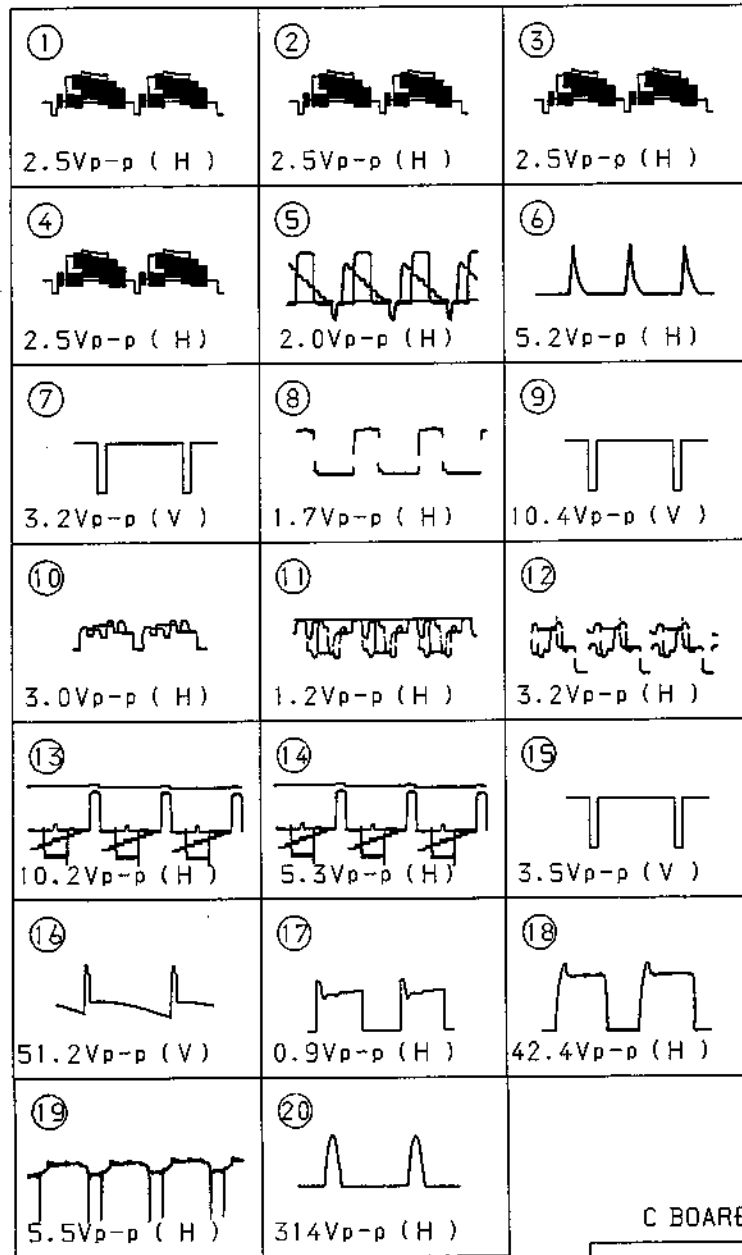
6-1. BLOCK DIAGRAM



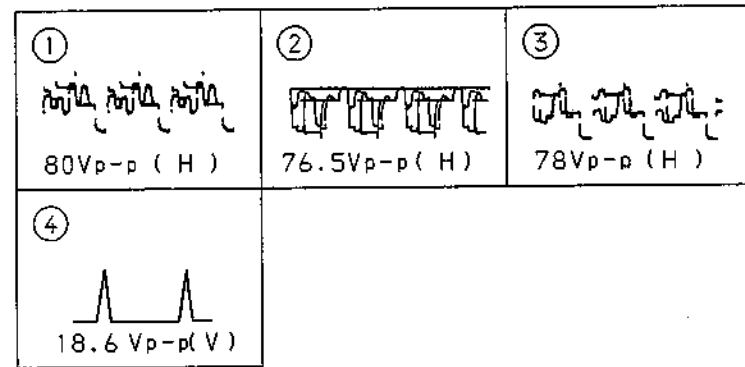
F [CHOP OUT, AC
RECT, DC RECT]

C [RGB-OUT]

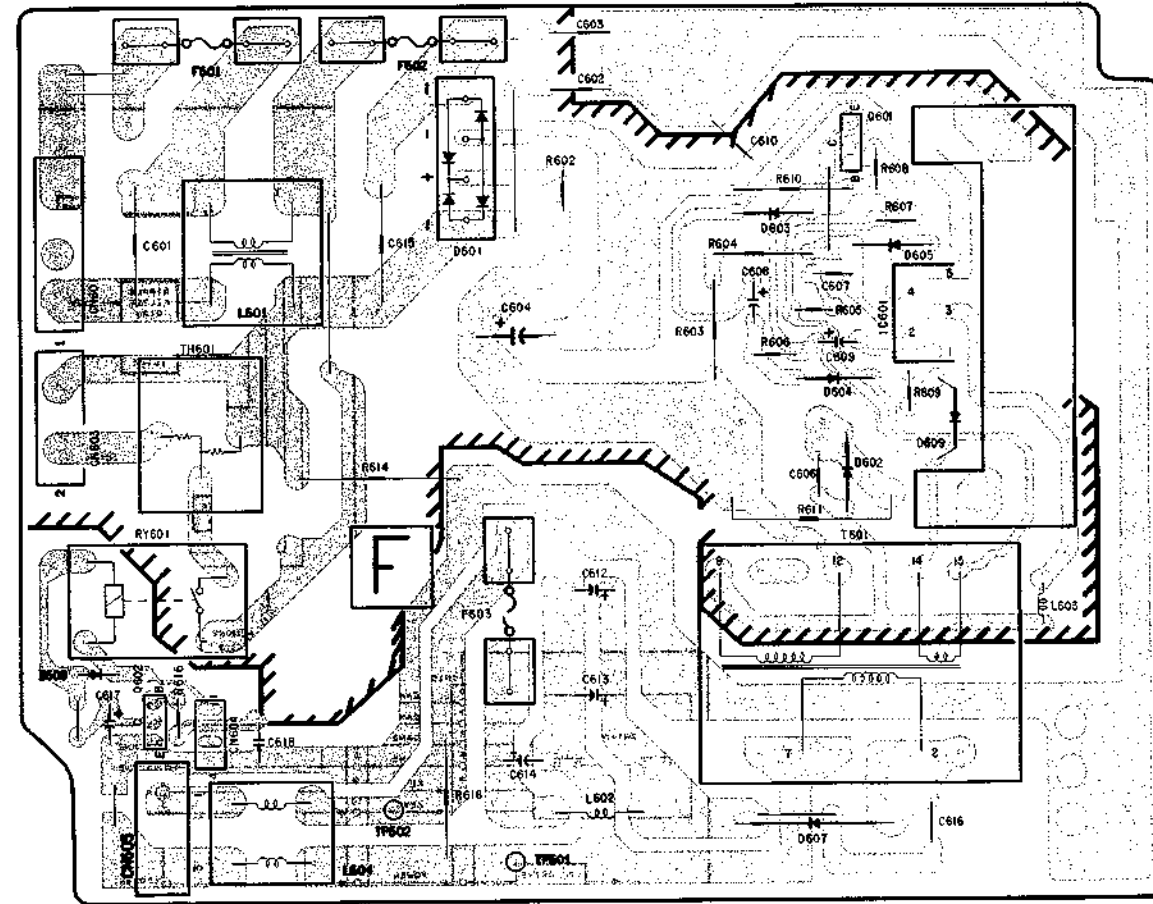
Ø BOARD



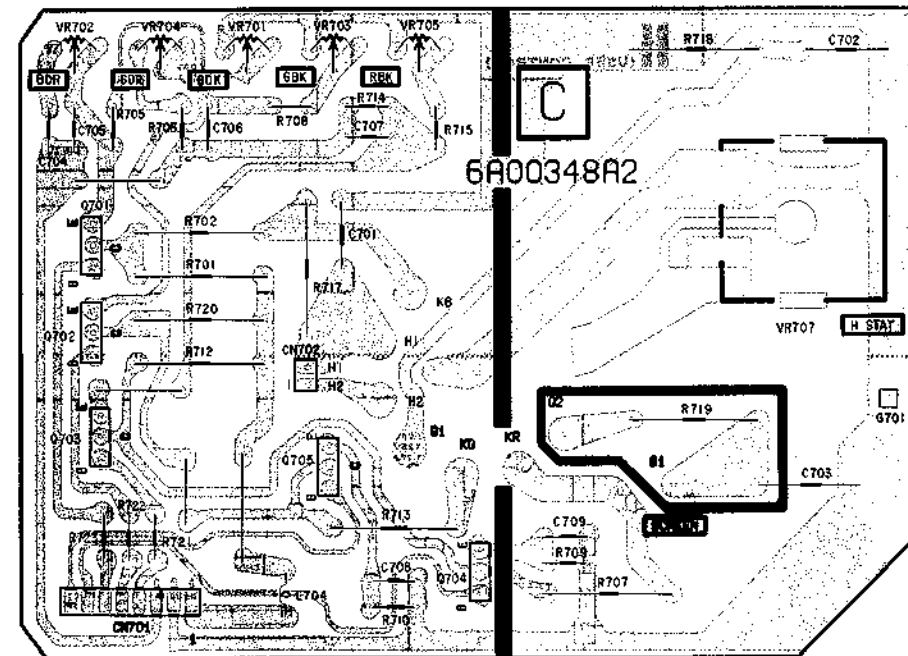
C BOARD

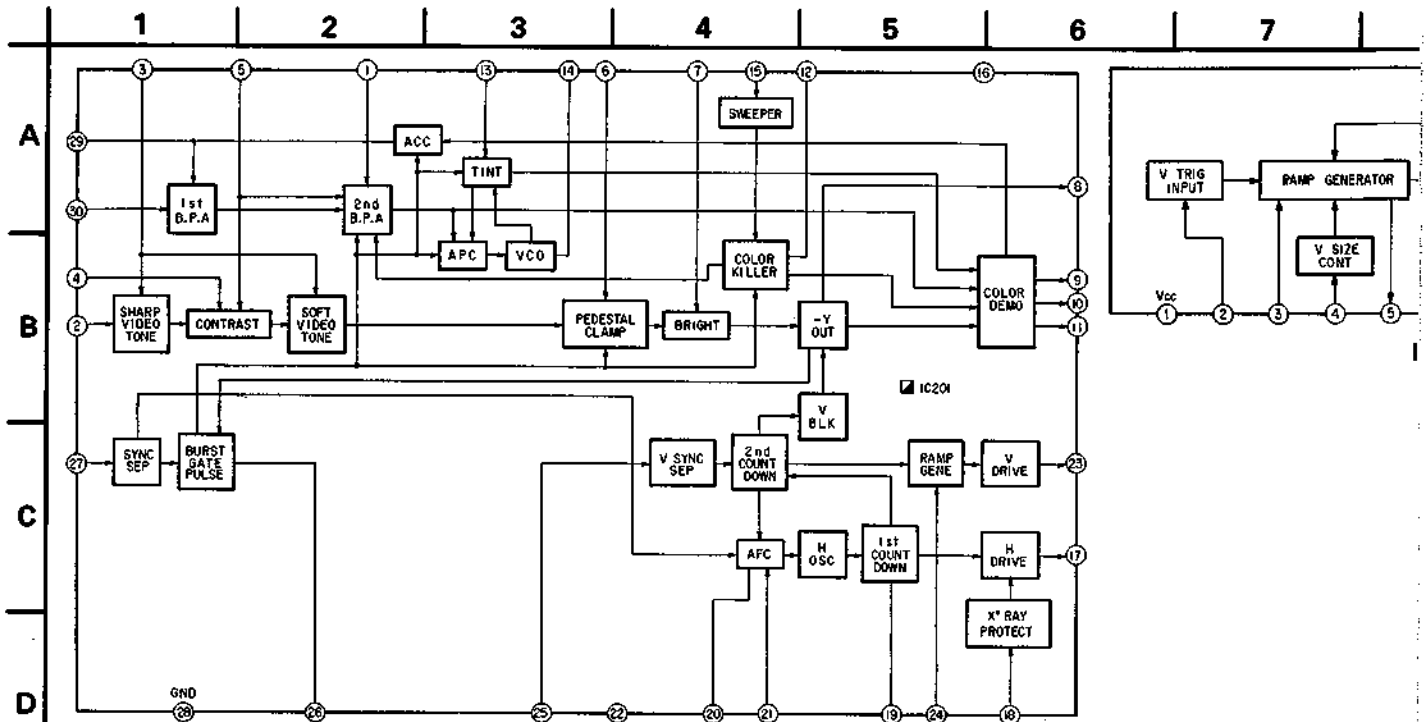


- F Board -



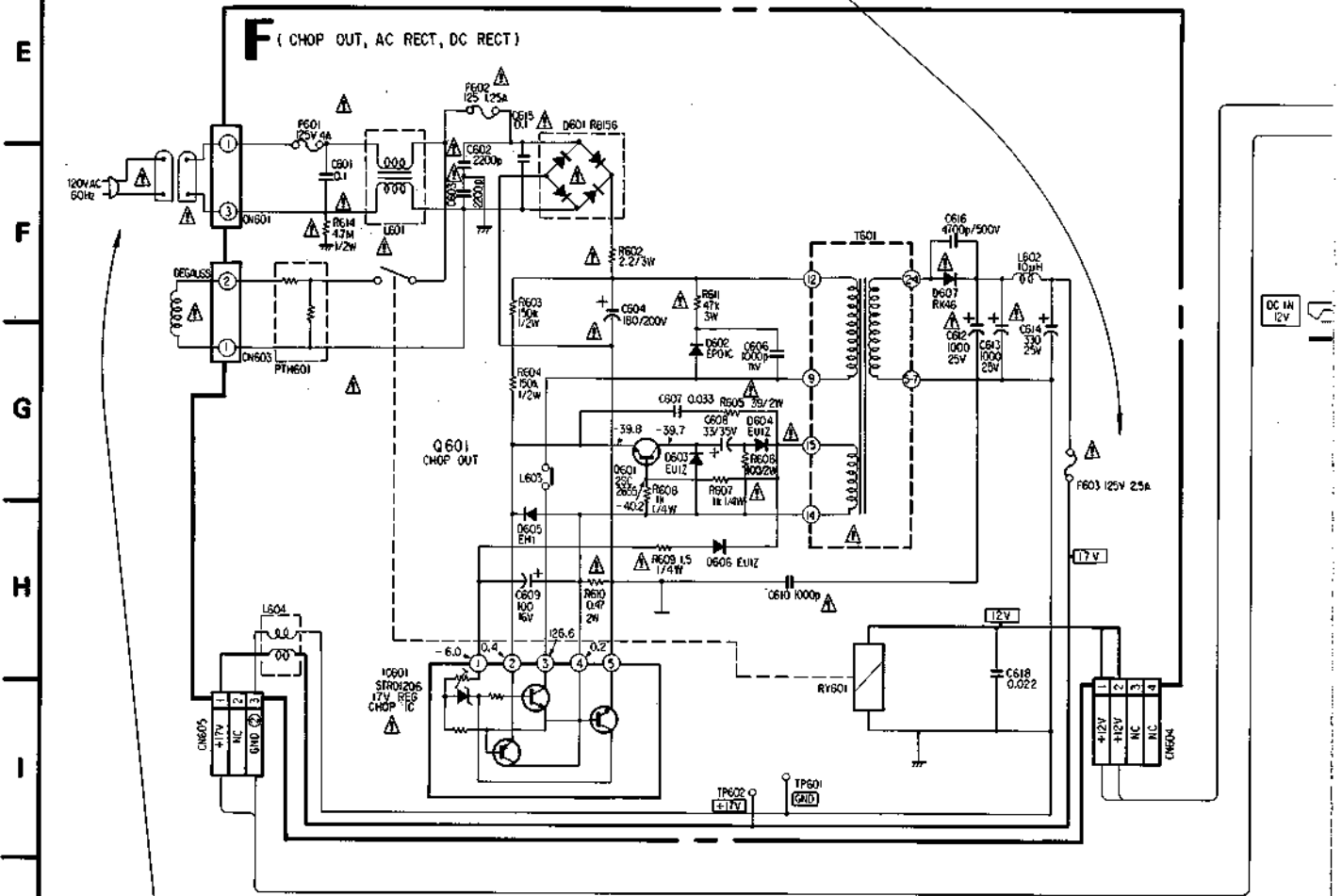
- C Board -





IC201 LA7626

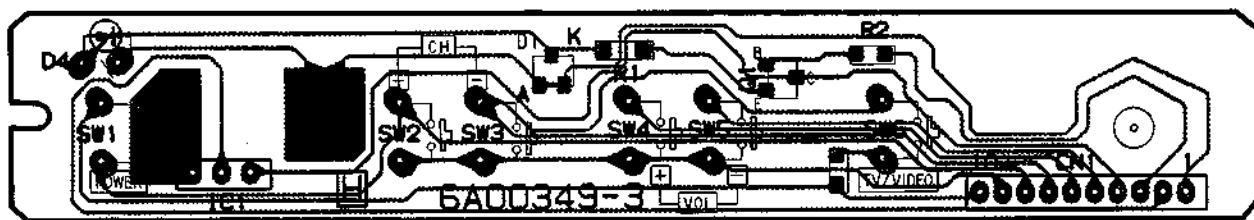
CAUTION
When talking a broken fuse (F603) off, discharge across C614 to avoid shock hazard.



CAUTION
This set is equipped with a polarized ac power cord plug (one blade of the plug is wider than the other). When replacing the ac power code, be sure to connect it with specified part number as shown in this diagram.

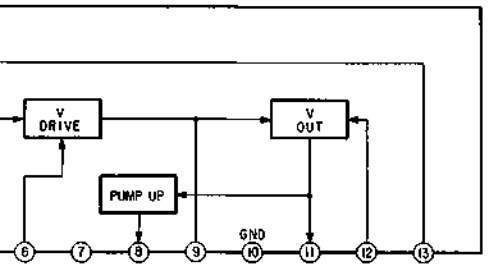
H [USER CONTROL]

- H Board -

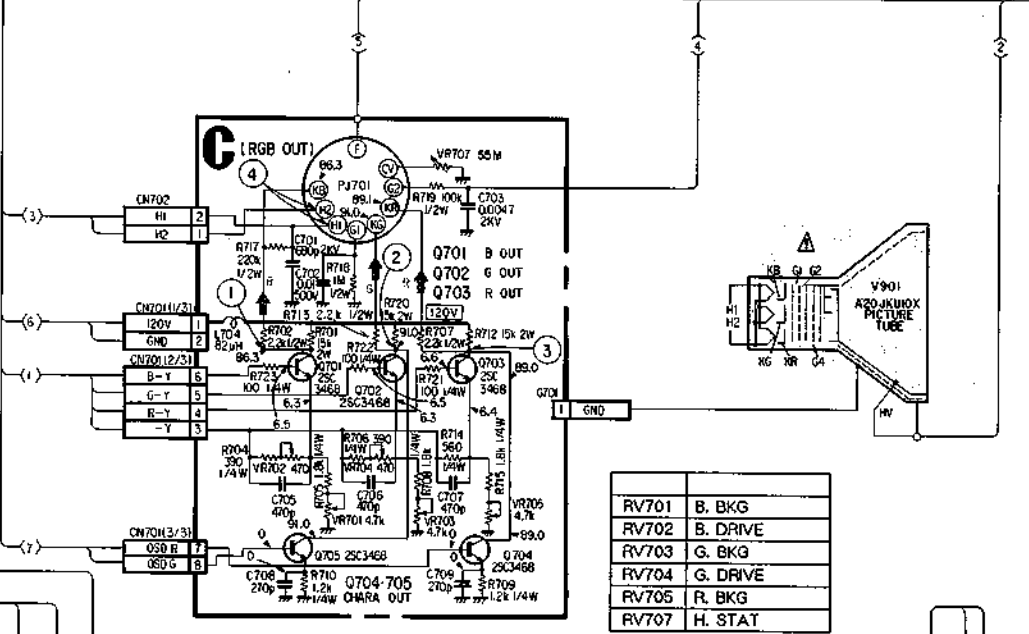


8 9 10 11 12 13 14 15 16 17 18 19 20 21 22

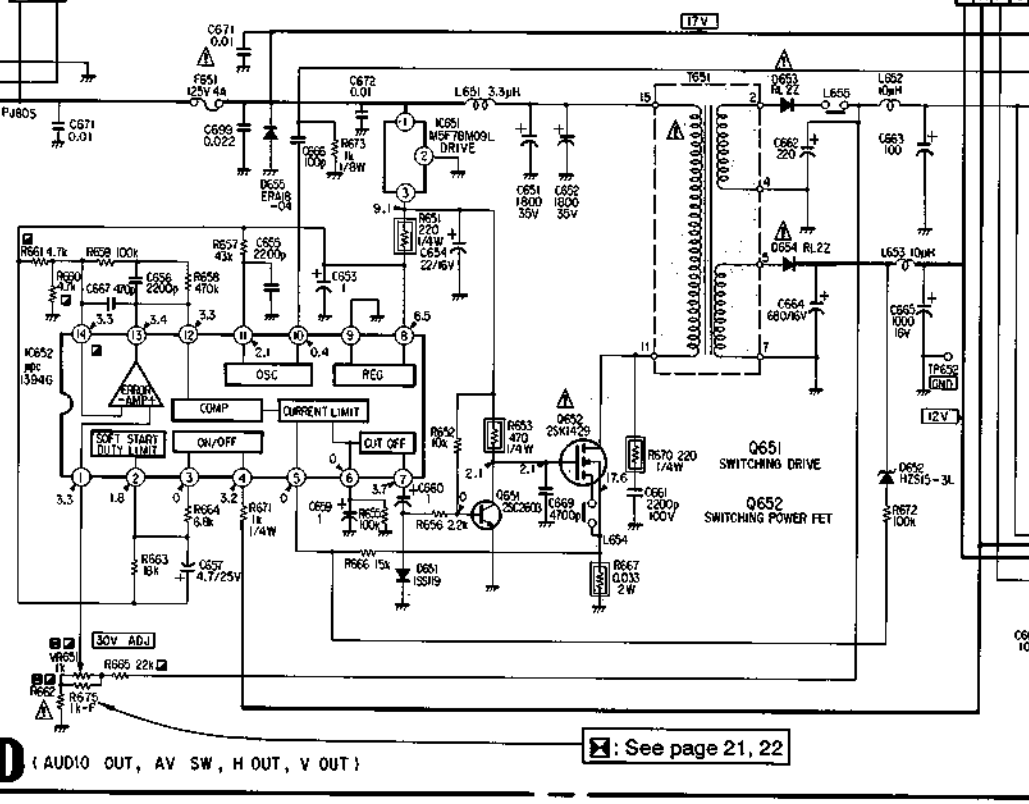
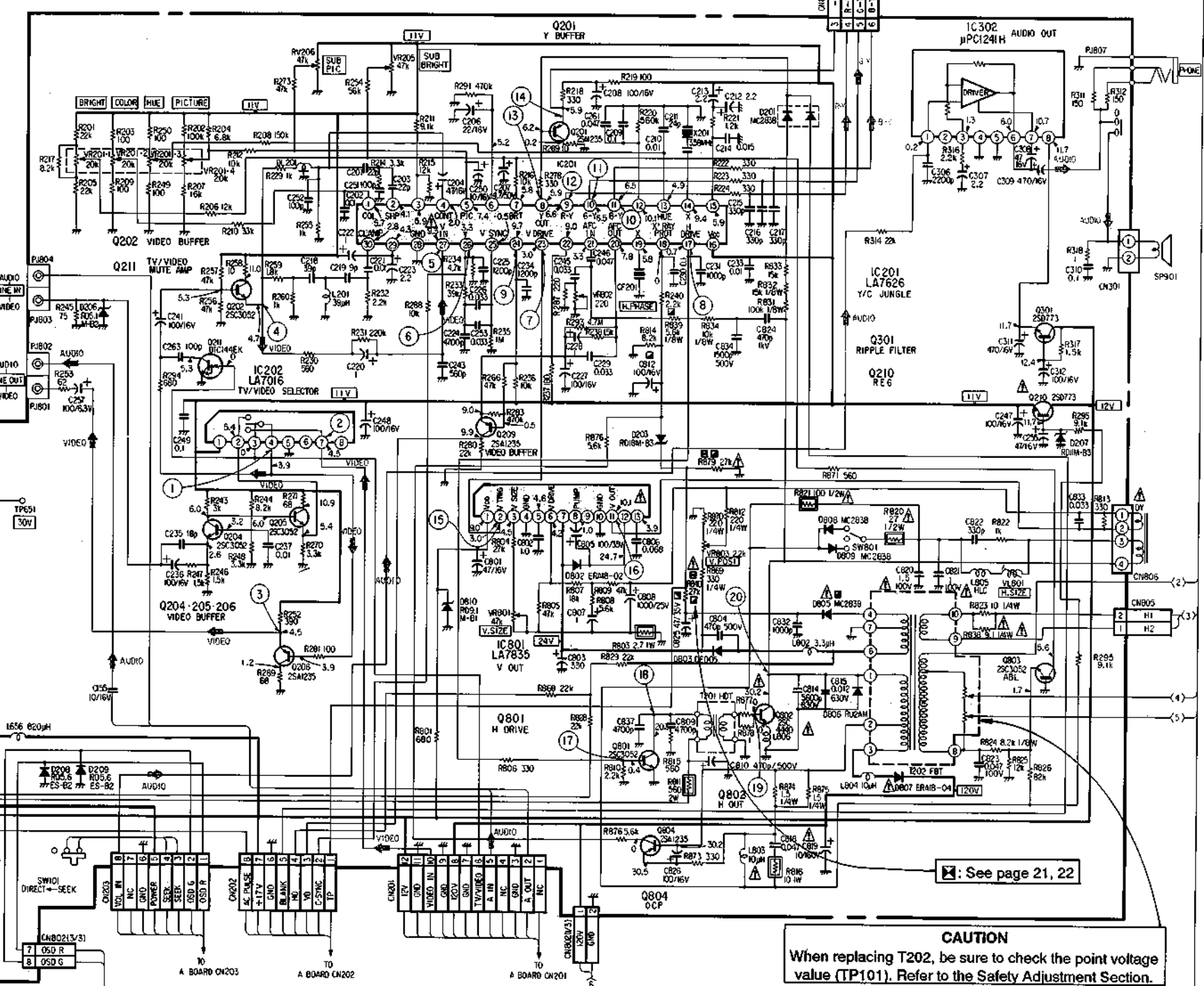
A
B
C
D
E
F
G
H
I
J



C801 LA7835



RV701	B. BKG
RV702	B. DRIVE
RV703	G. BKG
RV704	G. DRIVE
RV705	R. BKG
RV707	H. STAT



D (AUDIO OUT, AV SW, H OUT, V OUT)

See page 21, 22

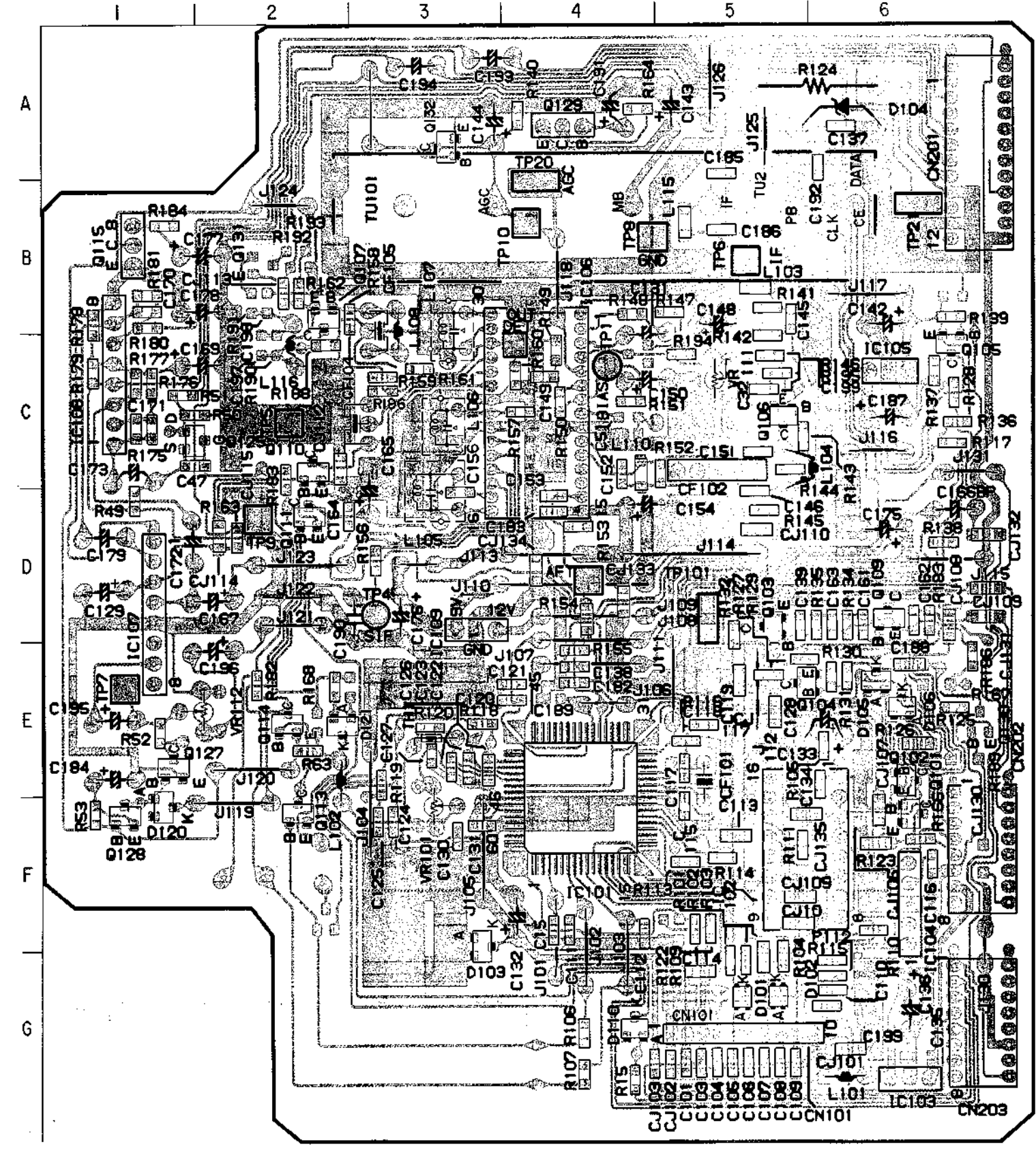
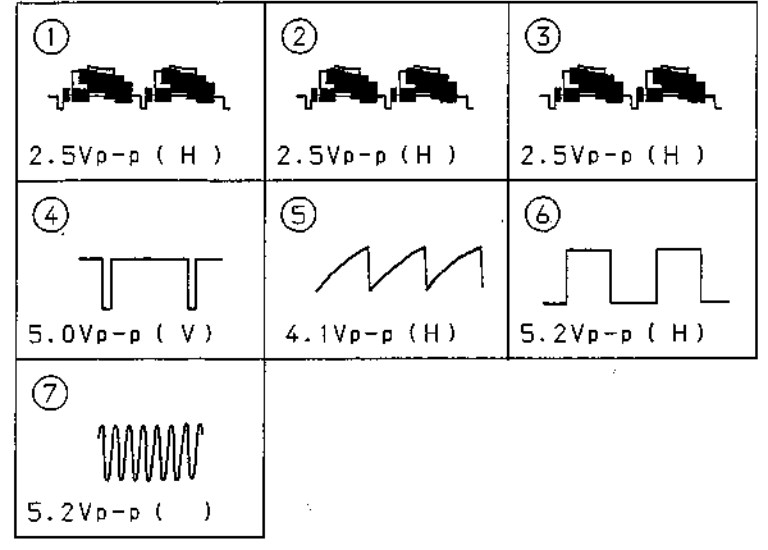
See page 21, 22

CAUTION
When replacing T202, be sure to check the point voltage value (TP101). Refer to the Safety Adjustment Section.

A TUNER, VIF, SIF,
CPU, SEEK

- A Board -

A BOARD

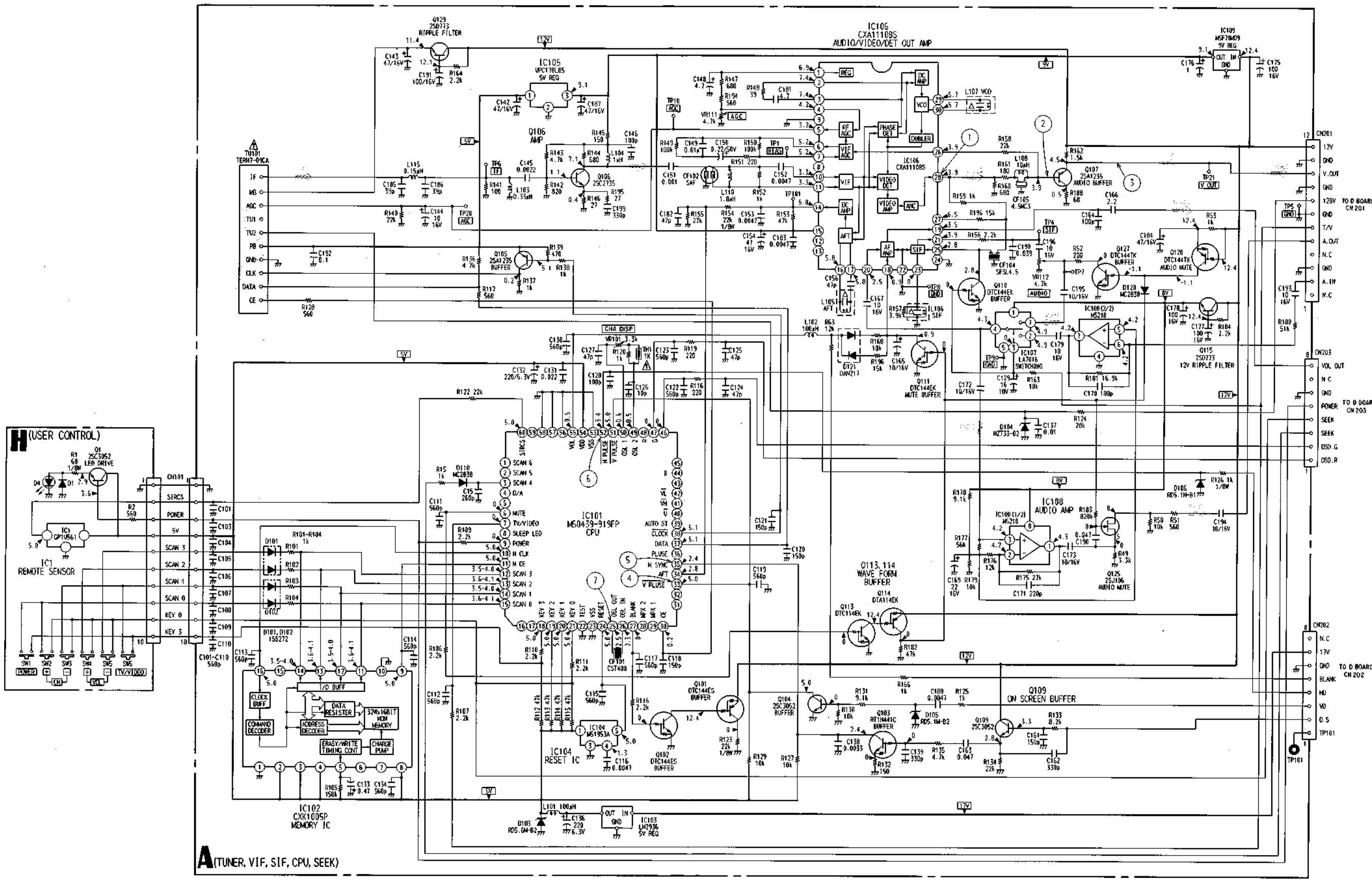


A BOARD

IC		VARIABLE RESISTOR	
IC101	F-4	VR101	F-3
102	F-5	111	C-5
103	G-6	112	E-2
104	F-6		
105	C-6		
106	C-4		
107	B-1		
108	C-1		
109	B-3		
TRANSISTOR		TEST POINT	
Q101	F-6	TP1	C-4
102	E-6	4	B-3
103	B-5	5	C-2
104	E-5	6	B-5
105	C-6	7	E-1
106	C-5	8	B-4
107	B-2	9	B-2
109	B-6	10	B-4
110	C-2	20	A-4
111	B-2	21	B-6
113	F-2	101	B-4
114	E-2		
115	B-1		
125	C-1		
127	E-1		
128	F-1		
129	A-4		
130	E-7		
131	B-2		
132	A-3		
DIODE			
D101	G-5		
102	G-5		
103	F-3		
104	A-6		
105	E-6		
106	E-6		
110	G-4		
120	F-1		
121	E-4		

1 2 3 4 5 6 7 8 9 10 11 12 13 14 15

A
B
C
D
E
F
G
H
I
J

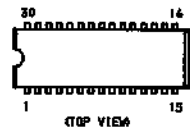


A (TUNER, VIF, SIF, CPU, SEEK)

SECTION 7
EXPLODED VIEW

6-4. SEMICONDUCTORS

CXA1110BS
LA7626



M51953AL

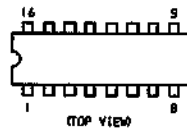


2SA1235
25C2735J-L
25C3052
25C4440
25J106G
DTA114EK
DTC144EK
DTC144TK
RT1N441C

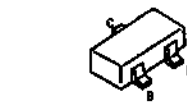
ØFØ05TE



CXK1005P

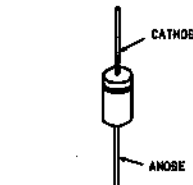


M5F78M09L



EH-1V1
EP01C
ERA18-02
ERA18-04
EU-1Z

25C2603-EF
25C2655
25C3468



LA7016
M5218AL



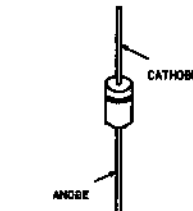
RC78L05A



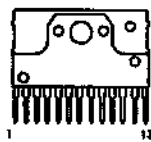
25Ø773



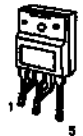
RK-46
RL-2Z
RU-2AM



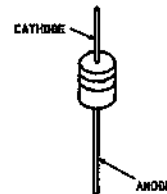
LA7835



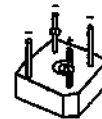
STR-Ø1206



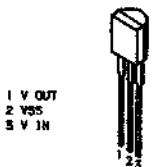
1SS199
HZS15-3L
MC2838



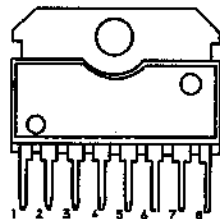
UPC574J



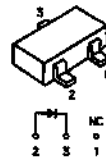
LM2936Z-5.0



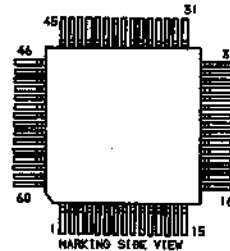
UPC1241H



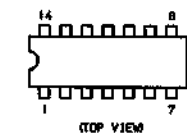
1SS272
ØAN217
RØ5.1M-B2
RØ5.6M-B2
RØ9.1M-B1
RØ11M-B3
RØ18M-B3



M50439-919FP



UPC1394G



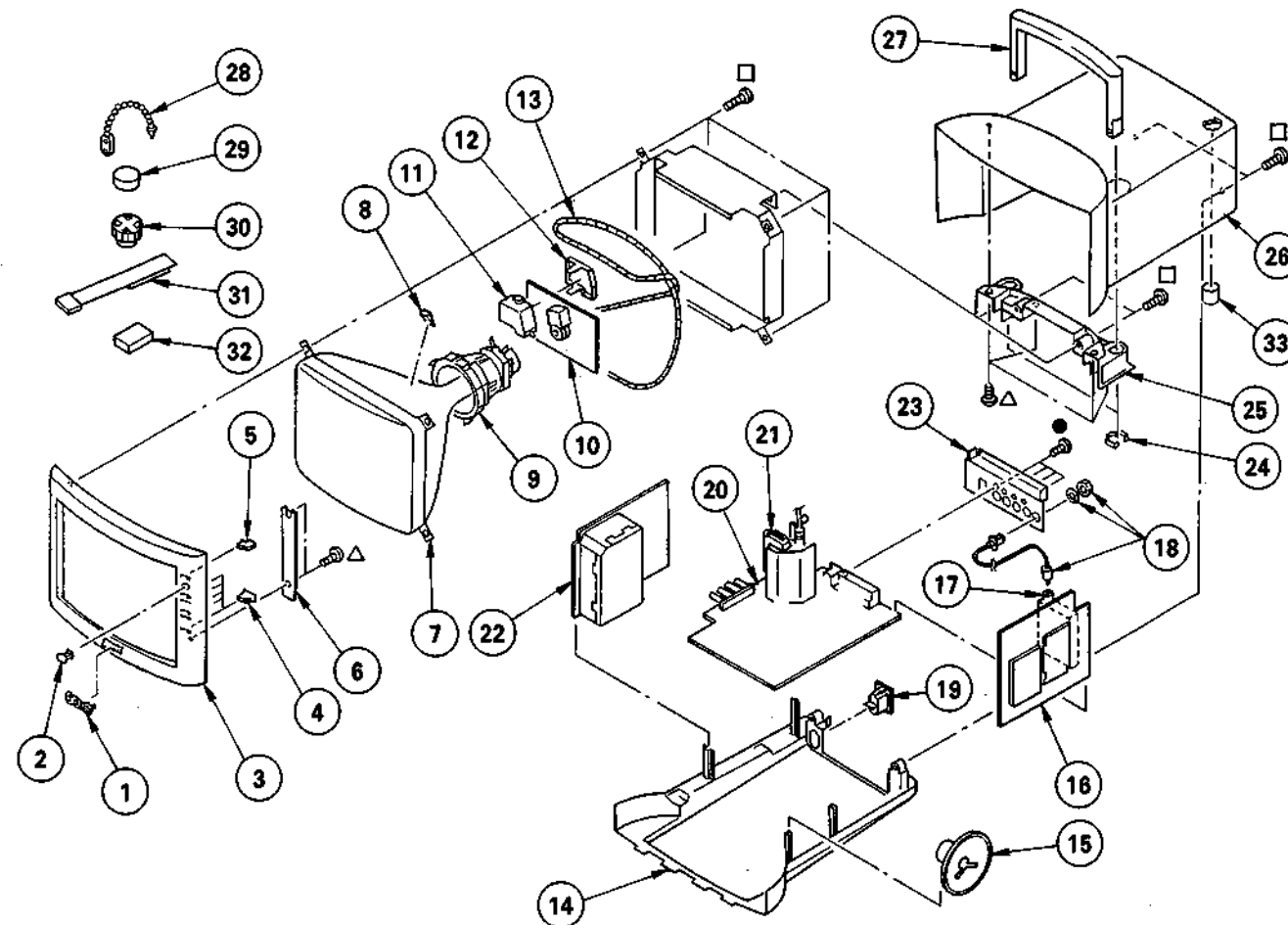
NOTE:

- Items with no part number and no description are not stocked because they are seldom required for routine service.
- The construction parts of an assembled part are indicated with a collation number in the remark column.
- Items marked " * " are not stocked since they are seldom required for routine service. Some delay should be anticipated when ordering these items.

The components identified by shading and mark Δ are critical for safety. Replace only with part number specified.

Les composants identifiés par une trame et une marque Δ sont critiques pour la sécurité. Ne les remplacer que par une pièce portant le numéro spécifié.

- : BVTP3 x 12 7-685-648-79
- △: BVTP3 x 10 7-685-647-79
- : BVTP4 x 12 7-685-661-14



REF. NO.	PART NO.	DESCRIPTION	REMARK	REF. NO.	PART NO.	DESCRIPTION	REMARK
1	3-897-070-01	SONY BADGE NO.5		18	9-901-596-01	COAXIAL CABLE	
2	9-901-575-01	LENS-B8		19	△9-901-595-01	AC-INLET CCT2102-0601R	
3	9-901-568-01	FRONT-PANEL8 (KV-8AD11 ONLY)		20	9-901-611-01	D BOARD, COMPLETE	
	9-901-601-01	FRONT-PANEL8 (KV-8AD14 ONLY)		21	△9-901-523-01	F. B. T MSHIFPS152	
4	9-901-574-01	KNOB-B8 (KV-8AD11 ONLY)		22	9-901-567-01	F BOARD, COMPLETE	
	9-901-	KNOB-B8 (KV-8AD14 ONLY)		23	9-901-576-01	REAR-PANEL (KV-8AD11 ONLY)	
5	9-901-600-01	ASSY-KNOB-A			9-901-604-01	REAR-PANEL (KV-8AD14 ONLY)	
6	9-901-405-01	H BOARD, COMPLETE		24	9-901-573-01	HANDLE-STOPPER	
7	△9-901-598-01	PICTURE TUBE (A20JKU10X)		25	9-901-571-01	HANDLE-HOLDER (KV-8AD11 ONLY)	
8	4-309-369-00	SPACER, DY			9-901-606-01	HANDLE-HOLDER (KV-8AD14 ONLY)	
9	△1-451-265-11	DEFLECTION YOKE (YØ9NDA)		26	9-901-569-01	COVER8 (KV-8AD11 ONLY)	
10	9-901-399-01	C BOARD			9-901-605-01	COVER8 (KV-8AD14 ONLY)	
11	*4-376-133-11	COVER (MAIN), CV VOL		27	9-901-572-01	HANDLE8 (KV-8AD11 ONLY)	
12	*4-376-132-11	COVER (REAR LID), CV VOL			9-901-605-01	HANDLE8 (KV-8AD14 ONLY)	
13	△9-901-599-01	DGC		28	4-308-870-00	CLIP, LEAD WIRE	
14	9-901-570-01	BOTTOM8 (KV-8AD11 ONLY)		29	1-452-032-00	MAGNET, DISK ; 10MM ϕ	
	9-901-603-01	BOTTOM8 (KV-8AD14 ONLY)		30	1-452-094-00	MAGNET, RATATABLE DISK ; 15MM ϕ	
15	9-901-597-01	SPEAKER 8 Ω 2W		31	X-4308-815-0	PERMALLOY ASSY, CONVERGENCE	
16	9-901-390-01	A BOARD, COMPLETE		32	1-452-126-11	MAGNET	
17	△9-901-389-01	TUNER TERH7-ØC9A		33	9-901-577-01	CAP-ANT	

SECTION 8 ELECTRICAL PARTS LIST

A

NOTE:

The components identified by shading and mark **A** are critical for safety. Replace only with part number specified.

Les composants identifiés par une trame et une marque **A** sont critiques pour la sécurité. Ne les remplacer que par une pièce portant le numéro spécifié.

• Items marked "*" are not stocked since they are seldom required for routine service. Some delay should be anticipated when ordering these items.

• All variable and adjustable resistors have characteristic curve B, unless otherwise noted.

RESISTORS

• All resistors are in ohms.
• F: Nonflammable

When indicating parts by reference number, please include the board name.

CAPACITORS

• MF: μF , PF: $\mu\mu F$

COILS

• MMH: mH, UH: μH

• The components identified by **A** in this manual have been carefully factory-selected for each set in order to satisfy regulations regarding X-ray radiation. Should replacement be required, replace only with the value originally used.

REF. NO.	PART NO.	DESCRIPTION	REMARK	REF. NO.	PART NO.	DESCRIPTION	REMARK
9-901-390-01	A BOARD, COMPLETE	*****		C149	1-164-232-11	CERAMIC CHIP 0.01MF	10% 50V
<CAPACITOR>				C150	1-124-464-11	ELECT 0.22MF	20% 50V
C15	1-163-135-00	CERAMIC CHIP 560PF	5% 50V	C151	1-163-009-11	CERAMIC CHIP 1000PF	10% 50V
C47	1-163-037-11	CERAMIC CHIP 0.022MF	10% 25V	C152	1-163-017-00	CERAMIC CHIP 4700PF	10% 50V
C101	1-163-135-00	CERAMIC CHIP 560PF	5% 50V	C153	1-163-017-00	CERAMIC CHIP 4700PF	10% 50V
C103	1-163-135-00	CERAMIC CHIP 560PF	5% 50V	C154	1-126-901-11	ELECT 100MF	20% 16V
C104	1-163-135-00	CERAMIC CHIP 560PF	5% 50V	C156	1-163-109-00	CERAMIC CHIP 47PF	5% 50V
C105	1-163-135-00	CERAMIC CHIP 560PF	5% 50V	C161	1-163-381-11	CERAMIC CHIP 150PF	5% 50V
C106	1-163-135-00	CERAMIC CHIP 560PF	5% 50V	C162	1-163-389-11	CERAMIC CHIP 330PF	5% 50V
C107	1-163-135-00	CERAMIC CHIP 560PF	5% 50V	C163	9-901-364-01	CERAMIC CHIP 0.047MF	50V
C108	1-163-135-00	CERAMIC CHIP 560PF	5% 50V	C164	1-163-377-11	CERAMIC CHIP 100PF	5% 50V
C109	1-163-135-00	CERAMIC CHIP 560PF	5% 50V	C165	1-124-915-11	ELECT 10MF	20% 50V
C110	1-163-135-00	CERAMIC CHIP 560PF	5% 50V	C166	1-124-925-11	ELECT 2.2MF	20% 50V
C111	1-163-135-00	CERAMIC CHIP 560PF	5% 50V	C167	9-901-366-01	ELECT 10MF	16V
C112	1-163-135-00	CERAMIC CHIP 560PF	5% 50V	C169	1-126-233-11	ELECT 22MF	20% 50V
C113	1-163-199-00	CERAMIC CHIP 560PF	5% 50V	C170	1-163-117-00	CERAMIC CHIP 100PF	5% 50V
C114	1-163-199-00	CERAMIC CHIP 560PF	5% 50V	C171	1-163-125-00	CERAMIC CHIP 220PF	5% 50V
C115	1-163-135-00	CERAMIC CHIP 560PF	5% 50V	C172	9-901-366-01	ELECT 10MF	16V
C116	1-163-017-00	CERAMIC CHIP 4700PF	10% 50V	C173	9-901-366-01	ELECT 10MF	16V
C117	1-163-135-00	CERAMIC CHIP 560PF	5% 50V	C175	9-901-365-01	ELECT 100MF	16V
C118	1-163-185-00	CERAMIC CHIP 150PF	5% 50V	C176	1-124-902-00	ELECT 1MF	20% 50V
C119	1-163-199-00	CERAMIC CHIP 560PF	5% 50V	C177	9-901-365-01	ELECT 100MF	16V
C120	1-163-121-00	CERAMIC CHIP 150PF	5% 50V	C178	9-901-365-01	ELECT 100MF	16V
C121	1-163-121-00	CERAMIC CHIP 150PF	5% 50V	C179	9-901-366-01	ELECT 10MF	16V
C122	1-163-199-00	CERAMIC CHIP 560PF	5% 50V	C181	1-124-927-11	ELECT 4.7MF	20% 50V
C123	1-163-199-00	CERAMIC CHIP 560PF	5% 50V	C182	1-163-109-00	CERAMIC CHIP 47PF	5% 50V
C124	1-163-109-00	CERAMIC CHIP 47PF	5% 50V	C183	1-163-018-00	CERAMIC CHIP 5600PF	10% 50V
C125	1-163-109-00	CERAMIC CHIP 47PF	5% 50V	C184	1-126-901-11	ELECT 100MF	20% 16V
C126	1-163-093-00	CERAMIC CHIP 10PF	5% 50V	C185	1-163-241-11	CERAMIC CHIP 39PF	5% 50V
C127	1-163-109-00	CERAMIC CHIP 47PF	5% 50V	C186	1-163-241-11	CERAMIC CHIP 39PF	5% 50V
C128	1-163-181-00	CERAMIC CHIP 100PF	5% 50V	C187	1-126-901-11	ELECT 100MF	20% 16V
C129	1-124-915-11	ELECT 10MF	20% 50V	C188	1-163-055-00	CERAMIC CHIP 4700PF	10% 50V
C130	1-163-135-00	CERAMIC CHIP 560PF	5% 50V	C189	1-163-009-11	CERAMIC CHIP 1000PF	10% 50V
C131	1-163-037-11	CERAMIC CHIP 0.022MF	10% 25V	C190	1-136-160-00	FILM 0.039MF	5% 50V
C132	1-126-923-11	ELECT 220MF	20% 10V	C191	9-901-365-01	ELECT 100MF	16V
C133	1-124-902-00	ELECT 0.47MF	20% 50V	C192	1-164-004-11	CERAMIC CHIP 0.1MF	10% 25V
C134	1-163-135-00	CERAMIC CHIP 560PF	5% 50V	C193	9-901-366-01	ELECT 10MF	16V
C136	1-126-923-11	ELECT 220MF	20% 10V	C194	9-901-366-01	ELECT 10MF	16V
C137	1-164-232-11	CERAMIC CHIP 0.01MF	10% 50V	C195	9-901-366-01	ELECT 10MF	16V
C138	1-164-182-11	CERAMIC CHIP 3300PF	10% 50V	C196	9-901-366-01	ELECT 10MF	16V
C139	1-163-389-11	CERAMIC CHIP 330PF	5% 50V	C199	1-163-129-00	CERAMIC CHIP 330PF	5% 50V
C142	1-126-901-11	ELECT 100MF	20% 16V	<FILTER>			
C143	1-126-901-11	ELECT 100MF	20% 16V	CF101	1-577-082-11	VIBRATOR, CERAMIC	
C144	1-124-915-11	ELECT 10MF	20% 50V	CF102	9-901-367-01	SAW-FILTER SAF45MB702	
C145	1-164-161-11	CERAMIC CHIP 2260PF	10% 50V	CF104	1-577-559-11	FILTER, CERAMIC	
C146	1-163-117-00	CERAMIC CHIP 100PF	5% 50V	CF105	9-900-842-01	TRAP TPS4.5WC3	
C148	1-124-927-11	ELECT 4.7MF	20% 50V				

A

REF. NO.	PART NO.	DESCRIPTION	REMARK	REF. NO.	PART NO.	DESCRIPTION	REMARK
<JUMPER>							
CJ101	9-901-320-01	CHIP-JUMPER CJ 1/8-Z 0-J		L108	9-901-378-01	PEAKING-COIL ELO405RA-100UH TP	
CJ102	9-901-321-01	CHIP-JUMPER CJ 1/10-Z 0-J		L110	9-901-384-01	C-COIL ML322522T 1.8UH	
CJ103	9-901-321-01	CHIP-JUMPER CJ 1/10-Z 0-J		L115	9-901-383-01	C-COIL ML322522T 0.15UH	
CJ104	9-901-320-01	CHIP-JUMPER CJ 1/8-Z 0-J		<TRANSISTOR>			
CJ105	9-901-320-01	CHIP-JUMPER CJ 1/8-Z 0-J		Q101	8-729-901-04	TRANSISTOR DTA114EK	
CJ106	9-901-321-01	CHIP-JUMPER CJ 1/10-Z 0-J		Q102	8-729-901-01	TRANSISTOR DTC144EK	
CJ107	9-901-320-01	CHIP-JUMPER CJ 1/8-Z 0-J		Q103	9-901-385-01	CHIP-TRANSISTOR RT1N441C-T12-A-1	
CJ108	9-901-321-01	CHIP-JUMPER CJ 1/10-Z 0-J		Q104	8-729-230-49	TRANSISTOR 2SC2712-YG	
CJ109	9-901-320-01	CHIP-JUMPER CJ 1/8-Z 0-J		Q105	8-729-600-21	TRANSISTOR 2SA1235-E	
CJ110	9-901-320-01	CHIP-JUMPER CJ 1/8-Z 0-J		Q106	9-901-386-01	CHIP-TRANSISTOR 2SC2735J-L	
CJ111	9-901-320-01	CHIP-JUMPER CJ 1/8-Z 0-J		Q107	8-729-600-21	TRANSISTOR 2SA1235-E	
CJ112	9-901-320-01	CHIP-JUMPER CJ 1/8-Z 0-J		Q109	8-729-230-49	TRANSISTOR 2SC2712-YG	
CJ113	9-901-321-01	CHIP-JUMPER CJ 1/10-Z 0-J		Q110	8-729-901-01	TRANSISTOR DTC144EK	
CJ114	9-901-320-01	CHIP-JUMPER CJ 1/8-Z 0-J		Q111	8-729-901-01	TRANSISTOR DTC144EK	
CJ115	9-901-320-01	CHIP-JUMPER CJ 1/8-Z 0-J		Q113	8-729-901-01	TRANSISTOR DTC144EK	
CJ116	9-901-321-01	CHIP-JUMPER CJ 1/10-Z 0-J		Q114	8-729-901-04	TRANSISTOR DTC144EK	
CJ117	9-901-321-01	CHIP-JUMPER CJ 1/10-Z 0-J		Q115	8-729-140-98	TRANSISTOR 2SD773-34	
CJ130	9-901-320-01	CHIP-JUMPER CJ 1/8-Z 0-J		Q125	9-901-387-01	FET 2SJ106G-TE85L	
CJ131	9-901-320-01	CHIP-JUMPER CJ 1/8-Z 0-J		Q127	8-729-903-30	TRANSISTOR DTC144TK	
CJ133	9-901-320-01	CHIP-JUMPER CJ 1/8-Z 0-J		Q128	8-729-901-04	TRANSISTOR DTA114EK	
CJ134	9-901-320-01	CHIP-JUMPER CJ 1/8-Z 0-J		Q129	8-729-140-98	TRANSISTOR 2SD773-34	
CJ156	9-901-321-01	CHIP-JUMPER CJ 1/10-Z 0-J		Q130	8-729-230-49	TRANSISTOR 2SC2712-YG	
<CONNECTOR>				Q131	8-729-230-49	TRANSISTOR 2SC2712-YG	
CN101	*1-564-712-11	PIN, CONNECTOR (SMALL TYPE) 10P		Q132	8-729-901-01	TRANSISTOR DTC144EK	
CN201	*9-901-370-01	CONNECTOR IL-SDD-12S-S2L2		<RESISTOR>			
CN202	*9-901-369-01	CONNECTOR IL-SDD-8S-S2L2		R15	9-901-337-01	CHIP-RES CR 1.0K	1/10W
CN203	*9-901-369-01	CONNECTOR IL-SDD-8S-S2L2		R49	9-901-340-01	CHIP-RES CR 3.3K	1/10W
<DIODE>				R50	9-901-345-01	CHIP-RES CR 10K	1/10W
D101	8-719-820-13	DIODE 1SS272		R51	9-901-334-01	CHIP-RES CR 560	1/10W
D102	8-719-820-13	DIODE 1SS272		R52	9-901-332-01	CHIP-RES CR 220	1/10W
D103	8-719-105-91	DIODE RD5.6M-B2		R53	9-901-337-01	CHIP-RES CR 1.0K	1/10W
D104	9-901-371-01	DIODE HZT33-02-TE		R63	9-901-346-01	CHIP-RES CR 12K	1/10W
D105	8-719-105-82	DIODE RD5.1M-B2		R101	9-901-337-01	CHIP-RES CR 1.0K	1/10W
D106	8-719-105-82	DIODE RD5.1M-B2		R102	9-901-337-01	CHIP-RES CR 1.0K	1/10W
D110	8-719-000-08	DIODE MC2838		R103	9-901-322-01	CHIP-RES CR 1.0K	1/8W
D120	8-719-000-08	DIODE MC2838		R104	9-901-322-01	CHIP-RES CR 1.0K	1/8W
D121	9-901-372-01	CHIP-DIODE DAN217-T147		R105	9-901-353-01	CHIP-RES CR 150K	1/10W
<IC>				R106	9-901-339-01	CHIP-RES CR 2.2K	1/10W
IC101	9-901-373-01	IC M50439-919FP		R107	9-901-339-01	CHIP-RES CR 2.2K	1/10W
IC102	9-901-374-01	IC CXK1005P		R109	9-901-339-01	CHIP-RES CR 2.2K	1/10W
IC103	9-901-375-01	IC LM29362-5.0		R110	9-901-339-01	CHIP-RES CR 2.2K	1/10W
IC104	9-901-376-01	IC M51953AL		R111	9-901-339-01	CHIP-RES CR 2.2K	1/10W
IC105	8-759-982-21	IC RC78L05A		R112	9-901-350-01	CHIP-RES CR 47K	1/10W
IC106	8-752-035-39	IC CXA1110BS		R113	9-901-350-01	CHIP-RES CR 47K	1/10W
IC107	8-759-800-81	IC LA7016		R114	9-901-350-01	CHIP-RES CR 47K	1/10W
IC108	8-759-634-50	IC MC5218AL		R115	9-901-350-01	CHIP-RES CR 47K	1/10W
IC109	8-759-604-37	IC M5F78M09L		R116	9-901-339-01	CHIP-RES CR 2.2K	1/10W
<COIL>				R117	9-901-334-01	CHIP-RES CR 560	1/10W
L101	9-901-379-01	PEAKING-COIL ELO405RA-100UH TP		R118	9-901-332-01	CHIP-RES CR 220	1/10W
L102	9-901-379-01	PEAKING-COIL ELO405RA-100UH TP		R119	9-901-332-01	CHIP-RES CR 220	1/10W
L103	1-410-738-11	CHIP INDUCTOR		R120	9-901-337-01	CHIP-RES CR 1.0K	1/10W
L104	9-901-377-01	PEAKING-COIL ELO405RA-1UH TP		R122	9-901-339-01	CHIP-RES CR 2.2K	1/10W
L105	9-901-380-01	AFT-COIL 7KL 291XCS-1064NK		R123	9-901-325-01	CHIP-RES CR 22K	1/8W
L106	9-901-381-01	SIF-COIL		R124	1-216-464-11	METAL OXIDE 18K	5% 2W F
L107	9-901-382-01	VCO-COIL		R125	9-901-337-01	CHIP-RES CR 1.0K	1/10W
				R126	9-901-322-01	CHIP-RES CR 1.0K	1/8W
				R127	9-901-345-01	CHIP-RES CR 10K	1/10W
				R128	9-901-334-01	CHIP-RES CR 560	1/10W
				R129	9-901-345-01	CHIP-RES CR 10K	1/10W
				R130	9-901-345-01	CHIP-RES CR 10K	1/10W

The components identified by shading and mark **A** are critical for safety. Replace only with part number specified.

Les composants identifiés par une trame et une marque **A** sont critiques pour la sécurité. Ne les remplacer que par une pièce portant le numéro spécifié.

KV-8AD11/8AD14
RM-792/793

A

C

REF. NO.	PART NO.	DESCRIPTION	REMARK
R131	9-901-344-01	CHIP-RES CR 9.1K	1/10W
R132	9-901-330-01	CHIP-RES CR 150	1/10W
R133	9-901-343-01	CHIP-RES CR 8.2K	1/10W
R134	9-901-348-01	CHIP-RES CR 22K	1/10W
R135	9-901-342-01	CHIP-RES CR 4.7K	1/10W
R136	9-901-342-01	CHIP-RES CR 4.7K	1/10W
R137	9-901-337-01	CHIP-RES CR 1.0K	1/10W
R138	9-901-337-01	CHIP-RES CR 1.0K	1/10W
R139	9-901-333-01	CHIP-RES CR 470	1/10W
R140	9-901-348-01	CHIP-RES CR 22K	1/10W
R141	9-901-329-01	CHIP-RES CR 100	1/10W
R142	9-901-336-01	CHIP-RES CR 820	1/10W
R143	9-901-342-01	CHIP-RES CR 4.7K	1/10W
R144	9-901-335-01	CHIP-RES CR 680	1/10W
R145	9-901-330-01	CHIP-RES CR 150	1/10W
R146	9-901-326-01	CHIP-RES CR 27	1/10W
R147	9-901-335-01	CHIP-RES CR 680	1/10W
R148	9-901-327-01	CHIP-RES CR 39	1/10W
R149	9-901-352-01	CHIP-RES CR 100K	1/10W
R150	9-901-352-01	CHIP-RES CR 100K	1/10W
R151	9-901-332-01	CHIP-RES CR 220	1/10W
R152	9-901-337-01	CHIP-RES CR 1.0K	1/10W
R153	9-901-350-01	CHIP-RES CR 47K	1/10W
R154	9-901-324-01	CHIP-RES CR 22K	1/8W
R155	9-901-349-01	CHIP-RES CR 27K	1/10W
R156	9-901-339-01	CHIP-RES CR 2.2K	1/10W
R157	9-901-341-01	CHIP-RES CR 3.9K	1/10W
R158	9-901-348-01	CHIP-RES CR 22K	1/10W
R159	9-901-337-01	CHIP-RES CR 1.0K	1/10W
R160	9-901-335-01	CHIP-RES CR 680	1/10W
R161	9-901-331-01	CHIP-RES CR 180	1/10W
R162	9-901-338-01	CHIP-RES CR 1.5K	1/10W
R163	9-901-345-01	CHIP-RES CR 10K	1/10W
R164	9-901-339-01	CHIP-RES CR 2.2K	1/10W
R166	9-901-337-01	CHIP-RES CR 1.0K	1/10W
R168	9-901-345-01	CHIP-RES CR 10K	1/10W
R175	9-900-860-01	CHIP-RES 27K	1/10W
R176	9-900-858-01	CHIP-RES 12K	1/10W
R177	9-901-351-01	CHIP-RES CR 56K	1/10W
R178	9-901-355-01	CHIP-RES 9.1K	1/10W
R179	9-900-857-01	CHIP-RES 10K	1/10W
R180	9-900-861-01	CHIP-RES 51K	1/10W
R181	9-900-859-01	CHIP-RES 16.9K	1/10W
R182	9-901-350-01	CHIP-RES CR 47K	1/10W
R183	9-901-354-01	CHIP-RES CR 820K	1/10W
R184	9-901-339-01	CHIP-RES CR 2.2K	1/10W
R186	9-901-334-01	CHIP-RES CR 560	1/10W
R188	9-901-328-01	CHIP-RES CR 68	1/10W
R189	9-901-323-01	CHIP-RES CR 10K	1/8W
R194	9-901-334-01	CHIP-RES CR 560	1/10W
R195	9-901-326-01	CHIP-RES CR 27	1/10W
R196	9-901-347-01	CHIP-RES CR 15K	1/10W

<THERMISTOR>

TH1 **A**9-901-388-01 THERMISTOR ERT-D2FGL-102S

<TUNER>

TU101 **A**9-901-389-01 TUNER TERH7-OC9A

REF. NO.	PART NO.	DESCRIPTION	REMARK
<VARIABLE RESISTOR>			
VR101	9-901-361-01	SEMIFIXED-RES RH0638CN3R 3.3K	
VR111	9-901-363-01	SEMIFIXED-RES RH064JCS3R 4.7K	
VR112	9-901-362-01	SEMIFIXED-RES RH0638CS3R 4.7K	

9-901-399-01 C BOARD			

*4-376-132-11 COVER (REAR LID), CV VOL			
*4-376-133-11 COVER (MAIN), CV VOL			
<CAPACITOR>			
C701	9-901-393-01	CERAMIC 680PF	2KV
C702	1-102-050-00	CERAMIC 10000MF	500V
C703	1-162-114-00	CERAMIC 0.0047MF	10% 2KV
C705	9-901-391-01	CERAMIC 470PF	50V
C706	9-901-391-01	CERAMIC 470PF	50V
C707	9-901-391-01	CERAMIC 470PF	50V
C708	9-901-392-01	CERAMIC 270PF	50V
C709	9-901-392-01	CERAMIC 270PF	50V
<CONNECTOR>			
CN701	*1-564-710-11	PIN, CONNECTOR (SMALL TYPE) 8P	
CN782	*1-564-704-11	PIN, CONNECTOR (SMALL TYPE) 2P	
G701	9-901-394-01	PLUG 003P-2100	
<COIL>			
L704	1-408-420-00	INDUCTOR (EL TYPE)	
<SOCKET>			
PL701	9-901-395-01	PICTURE TUBE SOCKET CTV3309-0102R	
<TRANSISTOR>			
Q701	8-729-803-81	TRANSISTOR 2SC3468-D	
Q702	8-729-803-81	TRANSISTOR 2SC3468-D	
Q703	8-729-803-81	TRANSISTOR 2SC3468-D	
Q704	8-729-803-81	TRANSISTOR 2SC3468-D	
Q705	8-729-803-81	TRANSISTOR 2SC3468-D	
<RESISTOR>			
R473	1-249-405-11	CARBON 100 5% 1/4W	
R701	1-215-899-11	METAL OXIDE 15K 5% 2W	F
R702	1-202-822-00	SOLID 2.2K 5% 1/2W	
R704	1-249-412-11	CARBON 390 5% 1/4W	
R705	1-249-420-11	CARBON 1.8K 5% 1/4W	
R706	1-249-412-11	CARBON 390 5% 1/4W	
R707	1-202-822-00	SOLID 2.2K 5% 1/2W	
R708	1-249-420-11	CARBON 1.8K 5% 1/4W	
R709	1-249-418-11	CARBON 1.2K 5% 1/4W	
R710	1-249-418-11	CARBON 1.2K 5% 1/4W	
R712	1-215-899-11	METAL OXIDE 15K 5% 2W	F
R713	1-202-822-00	SOLID 2.2K 5% 1/2W	
R714	1-249-414-11	CARBON 560 5% 1/4W	
R715	1-249-420-11	CARBON 1.8K 5% 1/4W	
R717	1-202-842-11	SOLID 220K 5% 1/2W	
R718	1-202-719-00	SOLID 1M 5% 1/2W	



Les composants identifiés par une trame et une marque Δ sont critiques pour la sécurité. Ne les remplacer que par une pièce portant le numéro spécifié.

The components identified by shading and mark Δ are critical for safety. Replace only with part number specified.

REF. NO.	PART NO.	DESCRIPTION	REMARK
R719	1-202-838-00	SOLID 100K 5% 1/2W	
R720	1-215-899-11	METAL OXIDE 15K 5% 2W	F
R721	1-249-405-11	CARBON 100 5% 1/4W	
R722	1-249-405-11	CARBON 100 5% 1/4W	
<VARIABLE RESISTOR>			
VR701	9-901-397-01	SEXIFIXED-RES 4.7K	
VR702	9-901-396-01	SEXIFIXED-RES 470	
VR703	9-901-397-01	SEXIFIXED-RES 4.7K	
VR704	9-901-396-01	SEXIFIXED-RES 470	
VR705	9-901-397-01	SEXIFIXED-RES 4.7K	
VR707	9-901-398-01	SEXIFIXED-RES 55M	

9-901-611-01	D BOARD, COMPLETE	*****	
9-901-503-01	FUSE CAP		
9-901-532-01	TAPTITE-P-BR B 3X8		
9-901-533-01	HEAT SINK SHEET TC-30CG (19X24X0.3mm)		
9-901-534-01	SPRING BAND-2		
<CAPACITOR>			
C201	1-163-101-00	CERAMIC CHIP 22PF 5%	50V
C202	1-164-232-11	CERAMIC CHIP 0.01MF	50V
C203	1-163-101-00	CERAMIC CHIP 22PF 5%	50V
C204	9-901-473-01	ELECT 47MF	16V
C206	9-901-472-01	ELECT 22MF	16V
C207	9-901-471-01	ELECT 10MF	16V
C208	9-901-474-01	ELECT 100MF	16V
C209	9-901-466-01	CERAMIC CHIP 0.1MF	50V
C210	1-164-232-11	CERAMIC CHIP 0.01MF	50V
C211	1-163-102-00	CERAMIC CHIP 24PF 5%	50V
C212	1-124-925-11	ELECT 2.2MF 20%	50V
C213	1-124-925-11	ELECT 2.2MF 20%	50V
C214	1-137-371-91	FILM 0.015MF 5%	50V
C215	1-163-003-11	CERAMIC CHIP 330PF 10%	50V
C216	1-163-003-11	CERAMIC CHIP 330PF 10%	50V
C217	1-163-003-11	CERAMIC CHIP 330PF 10%	50V
C218	1-163-107-00	CERAMIC CHIP 39PF 5%	50V
C219	1-163-092-21	CERAMIC CHIP 9PF 0.50PF	50V
C220	9-901-475-01	ELECT 1MF	50V
C221	1-164-232-11	CERAMIC CHIP 0.01MF	50V
C222	9-901-475-01	ELECT 1MF	50V
C223	1-124-925-11	ELECT 2.2MF 20%	50V
C224	1-163-017-00	CERAMIC CHIP 4700PF 10%	50V
C225	1-163-010-11	CERAMIC CHIP 1200PF 10%	50V
C226	9-901-464-01	CERAMIC CHIP 0.033MF	50V
C227	9-901-474-01	ELECT 100MF	16V
C228	9-901-475-01	ELECT 1MF	50V
C229	9-901-464-01	CERAMIC CHIP 0.03MF	50V
C230	9-901-467-01	CERAMIC CHIP 0.1MF	50V
C231	1-163-009-11	CERAMIC CHIP 1000PF 10%	50V
C232	9-901-464-01	CERAMIC CHIP 0.033MF	50V
C233	1-164-232-11	CERAMIC CHIP 0.01MF	50V
C234	1-163-010-11	CERAMIC CHIP 1200PF 10%	50V
C235	1-163-099-00	CERAMIC CHIP 18PF 5%	50V
C236	9-901-474-01	ELECT 100MF	16V
C237	1-164-232-11	CERAMIC CHIP 0.01MF	50V
C241	9-901-474-01	ELECT 100MF	16V
C243	1-163-006-11	CERAMIC CHIP 560PF 10%	50V
C245	1-136-159-00	FILM 0.033MF 5%	50V
C246	1-136-161-00	FILM 0.047MF 5%	50V

REF. NO.	PART NO.	DESCRIPTION	REMARK
C247	9-901-474-01	ELECT 100MF	16V
C248	9-901-474-01	ELECT 100MF	16V
C249	9-901-466-01	CERAMIC CHIP 0.1MF	50V
C250	9-901-471-01	ELECT 10MF	16V
C251	1-163-117-00	CERAMIC CHIP 100PF 5%	50V
C252	1-163-117-00	CERAMIC CHIP 100PF 5%	50V
C253	9-901-464-01	CERAMIC CHIP 0.033MF	50V
C255	9-901-477-01	ELECT 47MF	16V
C257	1-126-933-11	ELECT 100MF 20%	16V
C261	9-901-465-01	CERAMIC CHIP 0.047MF	50V
C262	9-901-470-01	CERAMIC 0.022MF	50V
C263	1-163-109-00	CERAMIC CHIP 47PF 5%	50V
C306	1-164-161-11	CERAMIC CHIP 2200PF 10%	50V
C307	9-901-483-01	ELECT 2.2MF	50V
C308	9-901-477-01	ELECT 47MF	16V
C309	9-901-480-01	ELECT 470MF	16V
C310	1-164-004-11	CERAMIC CHIP 0.1MF 10%	25V
C311	9-901-480-01	ELECT 470MF	16V
C312	9-901-479-01	ELECT 100MF	16V
C568	9-901-469-01	CERAMIC 2200PF	50V
C651	9-901-485-01	ELECT 1800MF	35V
C652	9-901-485-01	ELECT 1800MF	35V
C653	1-124-791-11	ELECT 1MF 20%	50V
C654	9-901-476-01	ELECT 22MF	16V
C655	1-137-366-91	FILM 0.0022MF 5%	50V
C656	9-901-469-01	CERAMIC 2200PF	50V
C657	9-901-476-01	ELECT 22MF	16V
C659	1-124-791-11	ELECT 1MF 20%	50V
C660	1-124-791-11	ELECT 1MF 20%	50V
C661	1-136-230-00	FILM 0.0022MF 5%	100V
C662	9-901-486-01	ELECT 220MF	50V
C663	9-901-478-01	ELECT 100MF	50V
C664	9-901-487-01	ELECT 680MF	16V
C665	1-128-183-11	ELECT 470MF 20%	6.3V
C666	1-163-181-00	CERAMIC CHIP 100PF 5%	50V
C667	1-163-133-00	CERAMIC CHIP 470PF 5%	50V
C668	9-901-478-01	ELECT 100MF	50V
C669	1-163-017-00	CERAMIC CHIP 4700PF 10%	50V
C670	9-900-962-01	CERAMIC 470PF	500V
C801	9-901-477-01	ELECT 47MF	16V
C802	1-136-177-00	FILM 1MF 5%	50V
C803	1-126-970-11	ELECT 330MF 20%	50V
C804	9-900-962-01	CERAMIC 470PF	500V
C805	9-901-481-01	ELECT 100MF	35V
C806	1-136-163-00	FILM 0.068MF 5%	50V
C807	9-901-475-01	ELECT 1MF	50V
C808	1-126-942-11	ELECT 1000MF 20%	25V
C809	1-137-368-91	FILM 0.0047MF 5%	50V
C810	9-901-482-01	ELECT 1MF	50V
C812	9-901-474-01	ELECT 100MF	16V
C813	1-126-970-11	ELECT 330MF 20%	50V
C814	Δ 1-130-062-00	FILM 0.0056MF 10%	630V
C815	Δ 1-129-715-00	FILM 0.012MF 10%	630V
C818	1-136-161-00	FILM 0.047MF 5%	50V
C819	Δ 9-901-484-01	ELECT 10MF	160V
C820	9-900-959-01	FILM 1.2MF	100V
C821	Δ 1-136-351-51	HI-VOLTAGE FILM 1500PF 10%	30KV
C822	1-163-003-11	CERAMIC CHIP 330PF 10%	50V
C823	1-130-857-00	FILM 0.047MF 5%	100V
C824	9-900-966-01	CERAMIC 470PF	1KV
C825	1-124-910-11	ELECT 47MF 20%	35V
C826	9-901-474-01	ELECT 100MF	16V
C832	1-163-009-11	CERAMIC CHIP 1000PF 10%	50V
C833	9-901-464-01	CERAMIC CHIP 0.033MF	50V

The components identified by shading and mark **A** are critical for safety. Replace only with part number specified.

Les composants identifiés par une trame et une marque **A** sont critiques pour la sécurité. Ne les remplacer que par une pièce portant le numéro spécifié.

D

REF. NO.	PART NO.	DESCRIPTION	REMARK
C834	9-900-961-01	CERAMIC 1500PF	500V
C837	1-137-368-91	FILM 0.0047MF 5%	50V
<FILTER>			
CF201	9-900-933-01	CERA-LOCK CSB503F5	
<CONNECTOR>			
B801	*1-564-704-11	PIN, CONNECTOR (SMALL TYPE) 2P	
B802	*1-564-704-11	PIN, CONNECTOR (SMALL TYPE) 2P	
CN201	*9-901-493-01	CONNECTOR IL-SDD-12P-S2T2	
CN202	*9-901-492-01	CONNECTOR IL-SDD-8P-S2T2	
CN203	*9-901-492-01	CONNECTOR IL-SDD-8P-S2T2	
CN301	*1-564-704-11	PIN, CONNECTOR (SMALL TYPE) 2P	
CN601	*1-564-508-11	PLUG, CONNECTOR 5P	
CN802	*1-564-710-11	PIN, CONNECTOR (SMALL TYPE) 8P	
CN805	*1-564-704-11	PIN, CONNECTOR (SMALL TYPE) 2P	
CN806	*9-901-494-01	CONNECTOR RTB-1.5-4P	
P652	*1-564-706-11	PIN, CONNECTOR (SMALL TYPE) 4P	
<DIODE>			
D201	8-719-000-08	DIODE MC2838	
D203	8-719-107-16	DIODE RD18M-B3	
D206	8-719-105-82	DIODE RD5.1M-B2	
D207	8-719-106-63	DIODE RD11M-B3	
D651	8-719-911-19	DIODE 1SS119	
D652	9-901-496-01	ZENER-DIODE HZS15-3L-TB	
D653	A 9-901-499-01	DIODE RLZZ	
D654	A 9-901-499-01	DIODE RLZZ	
D655	9-900-931-01	ZENER-DIODE ERA18-04	
D802	9-900-930-01	ZENER-DIODE ERA18-02	
D803	9-901-500-01	DIODE DFD05TE-BT	
D805	A 8-719-000-08	DIODE MC2838	
D806	8-719-300-33	DIODE RU-3AM	
D807	A 9-900-931-01	ZENER-DIODE ERA18-04	
D808	8-719-000-08	DIODE MC2838	
D809	8-719-000-08	DIODE MC2838	
D810	8-719-106-43	DIODE RD9.1M-B1	
<DELAYLINE>			
DL201	9-901-501-01	DELAYLINE 2541-205	
<FUSE>			
F651	A 9-901-502-01	FUSE 237004 125V 4A	
<IC>			
IC201	A 9-901-504-01	IC LA7626	
IC202	9-901-505-01	IC LA7016	
IC302	8-759-101-77	IC UPC1241H	
IC651	8-759-604-37	IC M5F78M09L	
IC652	9-901-506-01	IC UPC1394G-T2	
IC801	A 9-901-507-01	IC LA7835	
<JUMPER>			
J670	9-901-531-01	CHIP JUMPER 1/8W	
J671	9-901-531-01	CHIP JUMPER 1/8W	
J672	9-901-531-01	CHIP JUMPER 1/8W	

REF. NO.	PART NO.	DESCRIPTION	REMARK
<COIL>			
L201	1-414-031-31	INDUCTOR 390H	
L651	9-901-508-01	CHOKE-COIL TSL1110 3.3UH-K	
L652	1-459-811-11	COIL, CHOKE 10UH	
L653	1-459-811-11	COIL, CHOKE 10UH	
L654	9-901-509-01	NOISE-FILTER Z8503S-01 (TA)	
L655	9-901-509-01	NOISE-FILTER Z8503S-01 (TA)	
L656	1-408-420-00	INDUCTOR (EL TYPE) 82UH	
L802	9-901-511-01	PEAKING-COIL EL0606RA 3.3UH-K	
L803	A 9-900-928-01	COIL FLIIZ 10UH	
L804	1-410-971-11	INDUCTOR 10UH	
L805	A 9-901-513-01	HLC LH11JL41LFZ (WLH-364)	
L806	A 9-901-510-01	NOISE-FILTER F8A04H600VB-00 TP	
VL801	9-901-525-01	H. SIZE-COIL 0296-575	
<JACK>			
PJ801	9-901-514-01	PIN-JACK 01P061-40 (YELLOW)	
PJ802	9-901-515-01	PIN-JACK 01P061-40 (BLACK)	
PJ803	9-901-514-01	PIN-JACK 01P061-40 (YELLOW)	
PJ804	9-901-515-01	PIN-JACK 01P061-40 (BLACK)	
PJ805	9-901-516-01	DC-JACK 01J021-00	
PJ807	9-901-517-01	EARPHONE-JACK HSJ5064-91-442	
<TRANSISTOR>			
B01	8-729-230-49	TRANSISTOR 2SC2712-YG	
B03	8-729-230-49	TRANSISTOR 2SC2712-YG	
Q201	8-729-600-21	TRANSISTOR 2SA1235-E	
Q202	8-729-230-49	TRANSISTOR 2SC2712-YG	
Q204	8-729-230-49	TRANSISTOR 2SC2712-YG	
Q205	8-729-230-49	TRANSISTOR 2SC2712-YG	
Q206	8-729-600-21	TRANSISTOR 2SA1235-E	
Q209	8-729-600-21	TRANSISTOR 2SA1235-E	
Q210	A 8-729-140-98	TRANSISTOR 2SD773-34	
Q211	8-729-901-01	TRANSISTOR DTC144EK	
Q301	8-729-140-98	TRANSISTOR 2SD773-34	
Q651	8-729-119-78	TRANSISTOR 2SC2785-HFE	
Q652	A 9-901-519-01	PET 2SK1429	
Q801	8-729-230-49	TRANSISTOR 2SC2712-YG	
Q802	A 9-901-518-01	TRANSISTOR 2SC4440	
Q803	8-729-230-49	TRANSISTOR 2SC2712-YG	
Q804	8-729-600-21	TRANSISTOR 2SA1235-E	
<RESISTOR>			
R201	9-901-445-01	CHIP-RES CR 22K	1/10W
R202	9-901-448-01	CHIP-RES CR 39K	1/10W
R203	9-901-419-01	CHIP-RES CR 100	1/10W
R204	9-901-442-01	CHIP-RES CR 12K	1/10W
R205	9-901-445-01	CHIP-RES CR 22K	1/10W
R206	9-901-442-01	CHIP-RES CR 12K	1/10W
R207	9-901-442-01	CHIP-RES CR 12K	1/10W
R208	9-901-454-01	CHIP-RES CR 150K	1/10W
R209	9-901-419-01	CHIP-RES CR 100	1/10W
R210	9-901-447-01	CHIP-RES CR 33K	1/10W
R211	9-901-440-01	CHIP-RES CR 9.1K	1/10W
R212	9-901-441-01	CHIP-RES CR 10K	1/10W
R214	9-901-435-01	CHIP-RES CR 3.3K	1/10W
R215	9-901-442-01	CHIP-RES CR 12K	1/10W
R216	9-901-441-01	CHIP-RES CR 10K	1/10W
R217	9-901-439-01	CHIP-RES CR 8.2K	1/10W
R218	9-901-423-01	CHIP-RES CR 330	1/10W

D

Les composants identifiés par une trame et une marque **Δ** sont critiques pour la sécurité. Ne les remplacer que par une pièce portant le numéro spécifié.

The components identified by shading and mark **Δ** are critical for safety. Replace only with part number specified.

REF. NO.	PART NO.	DESCRIPTION	REMARK
R219	9-901-419-01	CHIP-RES CR 100	1/10W
R220	9-901-457-01	CHIP-RES CR 560K	1/10W
R221	9-901-429-01	CHIP-RES CR 1.2K	1/10W
R222	9-901-423-01	CHIP-RES CR 330	1/10W
R223	9-901-423-01	CHIP-RES CR 330	1/10W
R224	9-901-423-01	CHIP-RES CR 330	1/10W
R229	9-901-428-01	CHIP-RES CR 1K	1/10W
R230	9-901-426-01	CHIP-RES CR 560	1/10W
R231	9-901-455-01	CHIP-RES CR 220K	1/10W
R232	9-901-433-01	CHIP-RES CR 2.2K	1/10W
R233	9-901-448-01	CHIP-RES CR 39K	1/10W
R234	9-901-436-01	CHIP-RES CR 4.7K	1/10W
R235	9-901-458-01	CHIP-RES CR 1M	1/10W
R236	9-901-441-01	CHIP-RES CR 10K	1/10W
R237	9-901-421-01	CHIP-RES CR 180	1/10W
R238	9-901-431-01	CHIP-RES CR 1.5K	1/10W
R240	9-901-433-01	CHIP-RES CR 2.2K	1/10W
R243	9-901-434-01	CHIP-RES CR 3K	1/10W
R244	9-901-439-01	CHIP-RES CR 8.2K	1/10W
R245	9-901-418-01	CHIP-RES CR 75	1/10W
R246	9-901-431-01	CHIP-RES CR 1.5K	1/10W
R247	9-901-431-01	CHIP-RES CR 1.5K	1/10W
R248	9-901-435-01	CHIP-RES CR 3.3K	1/10W
R249	9-901-419-01	CHIP-RES CR 100	1/10W
R250	9-901-419-01	CHIP-RES CR 100	1/10W
R251	9-901-417-01	CHIP-RES CR 68	1/10W
R252	9-901-424-01	CHIP-RES CR 390	1/10W
R253	9-901-416-01	CHIP-RES CR 62	1/10W
R254	9-901-451-01	CHIP-RES CR 56K	1/10W
R255	9-901-428-01	CHIP-RES CR 1K	1/10W
R256	9-901-450-01	CHIP-RES CR 47K	1/10W
R257	9-901-450-01	CHIP-RES CR 47K	1/10W
R258	9-901-415-01	CHIP-RES CR 10	1/10W
R259	9-901-432-01	CHIP-RES CR 1.8K	1/10W
R260	9-901-428-01	CHIP-RES CR 1K	1/10W
R262	9-901-433-01	CHIP-RES CR 2.2K	1/10W
R263	9-901-433-01	CHIP-RES CR 2.2K	1/10W
R266	9-901-450-01	CHIP-RES CR 47K	1/10W
R269	9-901-417-01	CHIP-RES CR 68	1/10W
R270	9-901-435-01	CHIP-RES CR 3.3K	1/10W
R271	9-901-417-01	CHIP-RES CR 68	1/10W
R273	9-901-450-01	CHIP-RES CR 47K	1/10W
R278	9-901-423-01	CHIP-RES CR 330	1/10W
R280	9-901-445-01	CHIP-RES CR 22K	1/10W
R281	9-901-419-01	CHIP-RES CR 100	1/10W
R282	9-901-426-01	CHIP-RES CR 560	1/10W
R283	9-901-456-01	CHIP-RES CR 470K	1/10W
R284	9-901-416-01	CHIP-RES CR 62	1/10W
R287	9-901-422-01	CHIP-RES CR 220	1/10W
R288	9-901-441-01	CHIP-RES CR 10K	1/10W
R289	9-901-415-01	CHIP-RES CR 10	1/10W
R291	9-901-456-01	CHIP-RES CR 470K	1/10W
R292	9-901-424-01	CHIP-RES CR 390	1/10W
R293	9-901-459-01	CHIP-RES CR 4.7M	1/10W
R294	9-901-427-01	CHIP-RES CR 680	1/10W
R301	9-901-441-01	CHIP-RES CR 10K	1/10W
R303	9-901-450-01	CHIP-RES CR 47K	1/10W
R304	9-901-450-01	CHIP-RES CR 47K	1/10W
R306	9-901-441-01	CHIP-RES CR 10K	1/10W
R307	9-901-450-01	CHIP-RES CR 47K	1/10W
R308	9-901-450-01	CHIP-RES CR 47K	1/10W
R310	9-901-414-01	CHIP-RES CR 2	1/10W
R311	9-901-420-01	CHIP-RES CR 150	1/10W

REF. NO.	PART NO.	DESCRIPTION	REMARK
R312	9-901-420-01	CHIP-RES CR 150	1/10W
R316	9-901-430-01	CHIP-RES CR 1.3K	1/10W
R317	9-901-426-01	CHIP-RES CR 560	1/10W
R318	9-901-413-01	CHIP-RES CR 1	1/10W
R651	1-247-704-11	CARBON 220	5% 1/4W F
R652	9-901-441-01	CHIP-RES CR 10K	1/10W
R653	1-247-708-11	CARBON 470	5% 1/4W F
R655	9-901-453-01	CHIP-RES CR 100K	1/10W
R656	9-901-433-01	CHIP-RES CR 2.2K	1/10W
R657	9-901-449-01	CHIP-RES CR 43K	1/10W
R658	9-901-456-01	CHIP-RES CR 470K	1/10W
R659	9-901-453-01	CHIP-RES CR 100K	1/10W
R660	9-901-436-01	CHIP-RES CR 4.7K	1/10W
R661	9-901-436-01	CHIP-RES CR 4.7K	1/10W
R662	Δ	METAL	1/4W
R663	9-901-444-01	CHIP-RES CR 18K	1/10W
R664	9-901-438-01	CHIP-RES CR 6.8K	1/10W
R665	1-215-453-00	METAL 22K	1% 1/4W
R666	9-901-443-01	CHIP-RES CR 15K	1/10W
R667	9-901-461-01	R-METAL 0.033	2W
R670	1-247-704-11	CARBON 220	5% 1/4W F
R671	1-249-417-11	CARBON 1K	5% 1/4W
R672	9-901-453-01	CHIP-RES CR 100K	1/10W
R673	9-901-408-01	CHIP-RES CR 1K	1/8W
R674	9-901-428-01	CHIP-RES CR 1K	1/10W
R801	9-901-425-01	CHIP-RES CR 470	1/10W
R803	1-216-354-51	METAL OXIDE 2.7	5% 1W F
R804	9-901-446-01	CHIP-RES CR 27K	1/10W
R805	9-901-450-01	CHIP-RES CR 47K	1/10W
R806	9-901-423-01	CHIP-RES CR 330	1/10W
R807	9-901-444-01	CHIP-RES CR 18K	1/10W
R808	9-901-437-01	CHIP-RES CR 5.6K	1/10W
R809	9-901-450-01	CHIP-RES CR 47K	1/10W
R810	9-901-433-01	CHIP-RES CR 2.2K	1/10W
R811	1-216-455-11	METAL OXIDE 560	5% 2W F
R812	1-249-409-11	CARBON 220	5% 1/4W
R813	9-901-423-01	CHIP-RES CR 330	1/10W
R814	9-901-439-01	CHIP-RES CR 8.2K	1/10W
R815	9-901-426-01	CHIP-RES CR 560	1/10W
R816	1-216-857-11	METAL GLAZE 1M	5% 1/6W
R818	9-901-446-01	CHIP-RES CR 27K	1/10W
R820	Δ 9-900-940-01	R-FUSE 27	1/2W
R821	Δ 9-900-939-01	R-FUSE 100	1/2W
R822	9-901-428-01	CHIP-RES CR 1K	1/10W
R823	Δ 9-901-407-01	CHIP-RES CR 10	1/4W
R824	9-901-410-01	CHIP-RES CR 8.2K	1/8W
R825	9-901-442-01	CHIP-RES CR 12K	1/10W
R826	9-901-452-01	CHIP-RES CR 82K	1/10W
R828	9-901-445-01	CHIP-RES CR 22K	1/10W
R829	9-901-445-01	CHIP-RES CR 22K	1/10W
R831	9-901-412-01	CHIP-RES CR 15K	1/8W
R832	9-901-412-01	CHIP-RES CR 15K	1/8W
R833	9-901-443-01	CHIP-RES CR 15K	1/10W
R834	9-901-411-01	CHIP-RES CR 10K	1/8W
R838	Δ 9-901-406-01	CHIP-RES CR 9.1	1/4W
R839	9-901-409-01	CHIP-RES CR 5.6K	1/8W
R840	Δ	CHIP-RES CR	1/10W
R867	9-901-445-01	CHIP-RES CR 22K	1/10W
R868	9-901-445-01	CHIP-RES CR 22K	1/10W
R869	1-249-411-11	CARBON 330	5% 1/4W
R870	1-249-409-11	CARBON 220	5% 1/4W
R871	9-901-426-01	CHIP-RES CR 560	1/10W
R872	9-901-437-01	CHIP-RES CR 5.6K	1/10W
R873	9-901-423-01	CHIP-RES CR 330	1/10W

• The components identified by **Δ** in this manual have been carefully factory-selected for each set in order to satisfy regulations regarding X-ray radiation. Should replacement be required, replace only with the value originally used.



The components identified by shading and mark **△** are critical for safety. Replace only with part number specified.

Les composants identifiés par une trame et une marque **△** sont critiques pour la sécurité. Ne les remplacer que par une pièce portant le numéro spécifié.

REF. NO.	PART NO.	DESCRIPTION	REMARK
R874	9-901-460-01	R-CARBON 1.5	1/4W
R875	9-901-460-01	R-CARBON 1.5	1/4W
R876	9-901-437-01	CHIP-RES CR 5.6K	1/10W
R877	9-901-413-01	CHIP-RES CR 1	1/10W
R878	9-901-413-01	CHIP-RES CR 1	1/10W
△ R879	△	CHIP-RES CR	1/10W
<SWITCH>			
SW101	9-901-520-01	SLIDE-SW SSSSF1	
SW802	9-901-521-01	LEVER-SW EVQ-ROBL 12	
<TRANSFORMER>			
T201	9-901-522-01	HDT SRW16ES-513V003	
T202	△ 9-901-523-01	F. B. T MSHIPFS152	
T651	△ 9-901-524-01	TRANSFORMER SRW2929ED-533V004	
<VARIABLE RESISTOR>			
VR201	9-901-526-01	VR-BLCK RX09Z4410 (20KBX4)	
VR205	9-901-527-01	SEMIFIXD-RES RH0638CS4R 47K	
VR206	9-901-527-01	SEMIFIXD-RES RH0638CS4R 47K	
△ VR651	△	SEMIFIXD-RES	
VR801	9-901-527-01	SEMIFIXD-RES RH0638CS4R 47K	
VR802	9-901-528-01	SEMIFIXD-RES RH0638C 220	
VR803	9-900-921-01	SEMIFIXD-RES RH064JC 2.2K	
<CRYSTAL>			
X201	1-567-505-11	OSCILLATOR, CRYSTAL	

9-901-567-01	F BOARD, COMPLETE		*****
9-901-555-01	FUSE-CLIP PFC5000-0202		
9-901-556-01	FUSE-CAP TP-109		
9-901-566-01	SPRING-BAND 3		
<CAPACITOR>			
C601	△ 9-901-545-01	C-POLYPROPYLENE LFX 0.1MF-K	250V
C602	△ 1-162-679-11	CERAMIC 2200PF	20% 125V
C603	△ 1-162-679-11	CERAMIC 2200PF	20% 125V
C604	△ 9-901-543-01	ELECT 180MF	200V
C606	△ 9-901-538-01	CERAMIC 470PF	1KV
C607	9-901-539-01	CERAMIC 0.022MF	50V
C608	9-901-544-01	ELECT 33MF	35V
C609	1-126-101-11	ELECT 100MF	20% 16V
C610	△ 1-162-678-11	CERAMIC 1000PF	20% 125V
C612	△ 9-901-541-01	ELECT 1000MF	25V
C613	△ 9-901-541-01	ELECT 1000MF	25V
C614	9-901-542-01	ELECT 330MF	25V
C615	△ 9-901-545-01	C-POLYPROPYLENE 0.1MF	250V
C616	9-901-540-01	CERAMIC 4700PF	500V
C617	1-124-791-11	ELECT 1MF	20% 50V
C618	1-164-081-11	CERAMIC 470PF	10% 50V
<CONNECTOR>			
CN601	9-901-547-01	CONNECTOR RTB-1.5-3P	
CN603	9-901-546-01	CONNECTOR RTB-1.5-2P	
CN604	*1-564-706-11	PIN, CONNECTOR (SMALL TYPE) 4P	

REF. NO.	PART NO.	DESCRIPTION	REMARK
CN605	*1-564-104-00	PIN, CONNECTOR (B3P-VH) 3P	
<DIODE>			
D601	△ 9-901-551-01	DIODE-BRIGE RB156	
D602	9-901-548-01	DIODE EPOIC	
D603	8-719-312-61	DIODE EU-1Z	
D604	△ 8-719-312-62	DIODE EU1ZV1	
D605	9-901-549-01	DIODE EHIY1	
D606	8-719-312-61	DIODE EU-1Z	
D607	△ 9-901-550-01	DIODE RK46 LF-L1 (015-206)	
D608	8-719-911-19	DIODE ISS119	
<FUSE>			
F601	△ 9-901-552-01	FUSE 237004 125V 4A	
F602	△ 9-901-553-01	FUSE 125V 1.25A	
F603	△ 9-901-554-01	FUSE 125V 2.5A	
<IC>			
IC601	△ 9-901-557-01	HIC STR-D1206	
<COIL>			
L601	△ 9-901-559-01	LINE-FILTER TLF12UA 50ZWIRO	
L602	9-901-558-01	CHOKE-COIL TSL1110 10UH	
L603	9-901-560-01	NOISE-FILTER ZBF5030-00TA	
L604	9-901-561-01	DC-LINE-FILTER SH-302	
<TRANSISTOR>			
Q601	8-729-265-52	TRANSISTOR 2SC2655-Y	
Q602	9-901-562-01	TRANSISTOR 2SC2603-34-A-B/F	
<RESISTOR>			
R602	△ 9-901-537-01	R-WIRE BWR 2.2	3W
R603	1-214-917-00	CARBON 150K 5%	1/2W
R604	1-214-917-00	CARBON 150K 5%	1/2W
R605	△ 1-216-448-11	METAL OXIDE 39 5%	2W F
R606	△ 1-215-886-11	METAL OXIDE 100 5%	2W F
R607	9-901-536-01	R-CARBON 1.0K	1/4W
R608	9-901-536-01	R-CARBON 1.0K	1/4W
R609	△ 9-901-535-01	R-CARBON 1.5	1/4W
R610	△ 1-216-365-11	METAL OXIDE 0.47 5%	2W F
R611	△ 1-215-927-11	METAL OXIDE 47K 5%	3W F
R614	△ 1-202-661-11	SOLID 4.7M 5%	1/2W
R616	1-249-429-11	CARBON 10K 5%	1/4W
<RELAY>			
RY601	9-901-563-01	RELAY AJZ32117	
<TRANSFORMER>			
T601	△ 9-901-564-01	TRANSFORMER SRW3333ED-541V016	
<THERMISTOR>			
PTH601	△ 9-901-565-01	THERMISTOR 903P52E080NP14A	

The components identified by **△** in this manual have been carefully factory-selected for each set in order to satisfy regulations regarding X-ray radiation. Should replacement be required, replace only with the value originally used.



Les composants identifiés par une trame et une marque **A** sont critiques pour la sécurité. Ne les remplacer que par une pièce portant le numéro spécifié.

The components identified by shading and mark **A** are critical for safety. Replace only with part number specified.

REF. NO. PART NO. DESCRIPTION REMARK

9-901-405-01 H BOARD, COMPLETE

<DIODE>

D1 8-719-000-08 DIODE MC2838
D4 9-901-403-01 DIODE SLR331MC70F070

<IC>

IC1 9-900-910-01 IC GPIU561

<JUMPER>

J1 9-901-402-01 CHIP-JUMPER CR 1/10W

<TRANSISTOR>

Q1 8-729-230-49 TRANSISTOR 2SC2712-YG

<RESISTOR>

R1 9-901-400-01 CHIP-RES CR 68 1/8W
R2 9-901-401-01 CHIP-RES CR 560 1/10W

<SWITCH>

SW1 1-571-532-21 SWITCH, TACTIL
SW2 1-571-532-21 SWITCH, TACTIL
SW3 1-571-532-21 SWITCH, TACTIL
SW4 1-571-532-21 SWITCH, TACTIL
SW5 1-571-532-21 SWITCH, TACTIL
SW6 1-571-532-21 SWITCH, TACTIL

MISCELLANEOUS

A1-451-265-11 DEFLECTION YOKE (Y09NDA)
1-452-032-00 MAGNET, DISK ; 10MM ϕ
1-452-094-00 MAGNET, RATATABLE DISK ; 15MM ϕ
1-452-126-11 MAGNET
A9-901-595-01 AC-INLET CCT2102-0601R

9-901-596-01 COAXIAL CABLE
9-901-597-01 SPEAKER 8 Ω 2W
A9-901-599-01 DGC
V901 **A**9-901-598-01 PICTURE TUBE (A20JKU10X)

ACCESSORIES & PACKING MATERIALS

REF. NO. PART NO. DESCRIPTION REMARK

1-465-958-11 REMOTE COMANDER (RM-792) (GRAY)
(KV-8AD11 ONLY)
1-465-959-11 REMOTE COMANDER (RM-793)
(WHITE) (KV-8AD14 ONLY)
3-753-903-21 MANUAL, INSTRUCTION (ENGLISH)
3-753-903-31 MANUAL, INSTRUCTION (FRENCH)
*9-901-581-01 PACKING-PLATE
*9-901-582-01 PACKING-CASE (KV-8AD11 ONLY)
*9-901-583-01 PACKING-BAG
*9-901-584-01 PACKING-BAG
*9-901-585-01 CUSHION
9-901-587-01 CAR-BATTERY-CODE
9-901-589-01 ROD ANTENNA (KV-8AD11 ONLY)
A9-901-590-01 AC CORD
*9-901-607-01 PACKING-CASE (KV-8AD14 ONLY)
9-901-608-01 ROD ANTENNA (KV-8AD14 ONLY)
