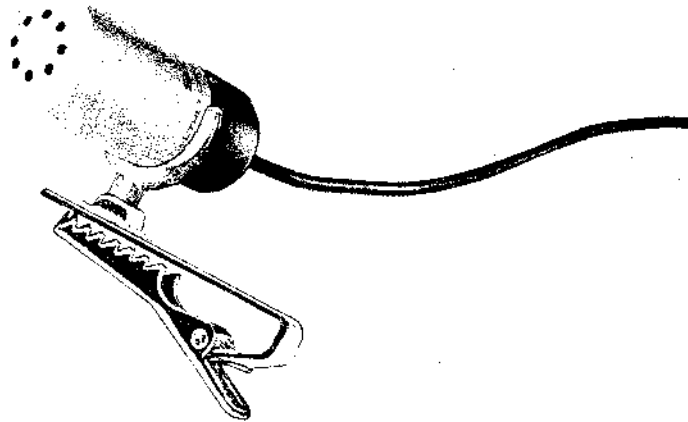


# ECM-16



## SPECIFICATIONS

<b>Type:</b>	Electret condenser microphone
<b>Battery:</b>	Silver oxide battery EVEREADY S-76 MALLORY HS-76 Mercury battery EVEREADY E-675 MALLORY RM-675, W-3
<b>Frequency Response:</b>	50 – 13,000 Hz
<b>Output Level:</b>	Output impedance 250 $\Omega$ or 600 $\Omega$ -57.8 dB (250 $\Omega$ ) (0 dB = 1 V/10 $\mu$ bar) -54.0 dB (600 $\Omega$ )
<b>Directivity:</b>	Omni-directional
<b>Output Impedance:</b>	250 $\Omega$ or 600 $\Omega$
<b>Power Supply:</b>	Normal operating voltage 1.5 V (silver oxide battery) 1.3 V (mercury battery) Minimum operating voltage 1.1 V Current drain approx. 50 $\mu$ A Battery life Silver oxide battery --- more than 4,000 H (EVEREADY S-76)
<b>Noise Level:</b>	S/N ratio better than 46 dB (1,000 Hz, 1 $\mu$ bar) Inherent noise less than 28 dB SPL (0 dB = 2 x 10 <sup>-4</sup> $\mu$ bar) Wind noise less than 28 dB SPL *(1) Induction noise of external magnetic field 5 dB/m gauss *(2)

### Note:

\*(1) Wind noise is the value measured by applying a wind velocity of 6.6 ft/s from all directions to the microphone. The mean value is taken and converted to the equivalent input sound level. (0 dB = 2 x 10<sup>-4</sup>  $\mu$ bar)

\*(2) The external magnetic field induction noise is measured with the microphone placed in the alternating magnetic field of 50 Hz, 1 milligauss. The maximum noise value is taken and then converted to the equivalent input sound level. (0 dB = 2 x 10<sup>-4</sup>  $\mu$ bar)

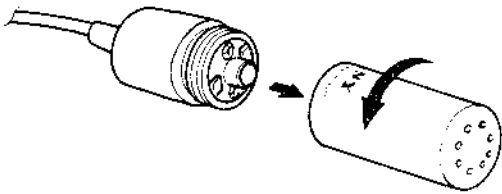
<b>Maximum Sound:</b>	126 dB SPL
<b>Dimensions:</b>	14 mm $\phi$ x 39 mm (9/16" $\phi$ x 1 7/32")
<b>Weight:</b>	31 g (1.08 oz)
<b>note:</b>	mm $\phi$ = mm dia.

**SONY**<sup>®</sup>  
**SERVICE MANUAL**

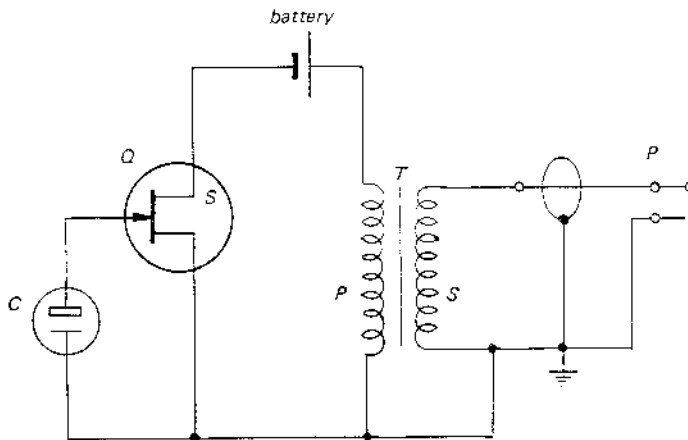
**1. DISASSEMBLY**

**Capsule Removal**

Remove capsule by turning it counterclockwise.



**2. SCHEMATIC DIAGRAM**



C	microphone capsule	omni-directional
Q	FET	included in X-25137-07 Holder Ass'y, bushing
T	transformer, output	
P	cord w/mini plug	

**CAUTION**

Keep this microphone away from extremely high temperature (140° F, 60° C or more). Especially do not place it in cooled automobiles parked in direct sunlight.

3. EXPLODED VIEW

