

SONY.

DIGITAL VIDEOCASSETTE RECORDER

DSR-2000
DSR-2000P

i.LINK/DV INPUT/OUTPUT BOARD

DSBK-190

REMOTE CONTROL PANEL

DSBK-200

SERVICE MANUAL

Volume 2 1st Edition (Revised 1)

DVCAM™

⚠ 警告

このマニュアルは、サービス専用です。

お客様が、このマニュアルに記載された設置や保守、点検、修理などを行うと感電や火災、人身事故につながる可能性があります。

危険をさけるため、サービストレーニングを受けた技術者のみご使用ください。

⚠ WARNING

This manual is intended for qualified service personnel only.

To reduce the risk of electric shock, fire or injury, do not perform any servicing other than that contained in the operating instructions unless you are qualified to do so. Refer all servicing to qualified service personnel.

⚠ WARNUNG

Die Anleitung ist nur für qualifiziertes Fachpersonal bestimmt.

Alle Wartungsarbeiten dürfen nur von qualifiziertem Fachpersonal ausgeführt werden. Um die Gefahr eines elektrischen Schlages, Feuergefahr und Verletzungen zu vermeiden, sind bei Wartungsarbeiten strikt die Angaben in der Anleitung zu befolgen. Andere als die angegebenen Wartungsarbeiten dürfen nur von Personen ausgeführt werden, die eine spezielle Befähigung dazu besitzen.

⚠ AVERTISSEMENT

Ce manuel est destiné uniquement aux personnes compétentes en charge de l'entretien. Afin de réduire les risques de décharge électrique, d'incendie ou de blessure n'effectuer que les réparations indiquées dans le mode d'emploi à moins d'être qualifié pour en effectuer d'autres. Pour toute réparation faire appel à une personne compétente uniquement.

目次 / Table of Contents

このマニュアルについて

本書の目的	5 (J)
関連マニュアル	5 (J)
構成	6 (J)

Manual Structure

Purpose of this manual	5 (E)
Related manuals	5 (E)
Contents	6 (E)

11. Semiconductor Pin Assignments

12. Spare Parts and Optional Fixtures

12-1. 補修部品注意事項	12-1
12-1. Notes on Repair Parts	12-1
12-2. Exploded Views	12-2
12-3. Electrical Parts Lists	12-37
12-4. Packing Materials and Accessories	12-174
12-5. Optional Fixtures	12-175

13. Block Diagrams

Overall	13-2
CC-83	13-3
CC-84	13-3
CC-85	13-3
CP-341	13-2, 3
CP-342/342A	13-2
DU-83	13-3
DU-84	13-2, 3
DU-89	13-2, 3
DY-15	13-3
KY-452	13-3
KY-452A	13-3
MS-64	13-3
SE-521	13-3

SE-522	13-3
SE-538	13-3
SW-11/11P	13-3
SW-17	13-3
VR-259	13-3
VR-260	13-3
APR-45	13-4
DPR-136	13-6
FU-78P	13-14
FU-78R	13-14
IF-763	13-15
CN-1968	13-15
RP-111	13-16
SV-212	13-21
SY-278	13-24
VPR-62/62P	13-27

14. Board Layouts

APR-45	14-2
CC-83	14-6
CC-84	14-6
CC-85	14-6
CN-1863	14-7
CN-1968	14-7
CN-2021	14-7
CN-2022	14-7
CP-341	14-8
CP-342/342A	14-10
DPR-136	14-12
DU-83	14-14
DU-84	14-16
DU-89	14-18
DU-95	14-20
DY-15	14-21
EX-752	14-22
FU-78P	14-23
FU-78R	14-23
HP-99	14-25
IF-763	14-26
IF-778	14-28
KY-452	14-29

KY-452A	14-29
MB-859	14-32
MS-64	14-34
PTC-100	14-37
RP-111	14-38
SE-521	14-42
SE-522	14-42
SE-525	14-42
SE-538	14-42
SV-212	14-44
SW-11/11P	14-46
SW-17	14-47
SY-278	14-48
VPR-62/62P	14-52
VR-259	14-54
VR-260	14-54

15. Schematic Diagrams

APR-45	15-2
CC-83	15-32
CC-84	15-32
CC-85	15-32
CN-1863	15-33
CN-1968	15-33
CP-341	15-34
CP-342/342A	15-36
DPR-136	15-38
DU-83	15-55
DU-84	15-62
DU-89	15-65
DU-95	15-68
DY-15	15-69
EX-752	15-71
FU-78P	15-73
FU-78R	15-73
HP-99	15-78
IF-763	15-79
IF-778	15-84
KY-452	15-85
KY-452A	15-89
MB-859	15-93

MS-64	15-104
PTC-100	15-105
RP-111	15-106
SE-521	15-125
SE-522	15-125
SE-525	15-125
SE-538	15-125
SV-212	15-126
SW-11/11P	15-138
SW-17	15-141
SY-278	15-142
VPR-62/62P	15-151
VR-259	15-169
VR-260	15-169
Frame Wiring	15-170
CN-2021	15-174
CN-2022	15-174

このマニュアルについて

本書の目的

本書は、デジタルビデオカセットレコーダDSR-2000とそのオプション基板であるL.LINK/DV入出力ボードDSBK-190および、リモートコントロールパネルDSBK-200のサービスマニュアルVolume 2です。

本書では、半導体リスト、パーツリスト、ブロックダイアグラム、マウント図、回路図を記載しています。

関連マニュアル

本機には、この「サービスマニュアルVolume 2」のほかに、下記のマニュアルが用意されています。

• 取扱説明書

DSR-2000 (DSR-2000に付属しています)

部品番号：3-867-754-02

DSBK-190 (DSBK-190に付属しています)

部品番号：3-203-674-01

DSBK-200 (DSBK-200に付属しています)

部品番号：3-203-675-01

DSBK-210 (DSBK-210に付属しています)

部品番号：3-205-213-01 (1)

• サービスマニュアル Volume 1 (本機に付属していません)

本機の保守に関する情報と、部品交換および調整などのサービスに関する情報を記載しています。

部品番号：9-955-185-12

• DSBK-210

サービスマニュアル (本機に付属していません)

DSBK-210の保守に関する情報と、部品交換および調整などのサービス情報を記載しています。

部品番号：9-955-267-01

• “Semiconductor Pin Assignments” CD-ROM版 (別途用意)

この“Semiconductor Pin Assignments” CD-ROM版は、B&Pカンパニーの機器に使用されている半導体を検索することができます。

このCD-ROMで検索できない半導体は、その半導体を使用されている機種の手冊に記載されています。手冊には、その機種に使用されているすべての半導体一覧とそのID番号を記載していますので、このCD-ROM版と合わせて使用してください。

部品番号：9-968-546-XX

本書の構成を把握していただくために、全章の概略を以下に説明します。

Section 11 Semiconductor Pin Assignments

使用半導体の外形および、ICについては概略の機能ブロックや、ピン名称を記載しています。

Section 12 Spare Parts and Optional Fixtures

セットの全サービス部品を記載しています。

Section 13 Block Diagrams

各基板の機能や信号の流れを示すブロック図を記載しています。

Section 14 Board Layouts

全プリント基板のパターンとシンボル図を記載しています。

Section 15 Schematic Diagrams

全プリント基板の回路図を記載しています。

Manual Structure

Purpose of this manual

This manual is the Service Manual Volume 2 for the digital videocassette recorder DSR-2000/2000P, the option boards i.LINK/DV Input/Output Board DSBK-190 and optional Remote Control Panel DSBK-200.

This manual contains the semiconductor pin assignments, parts lists, block diagrams, board layouts and schematic diagrams.

Related manuals

In addition to this Service Manual Volume 2, the following manuals are provided.

- **Operation Instructions**

DSR-2000/2000P (Supplied with equipment)

Part number: 3-867-754-12 (English; for UC, CE)

3-867-754-22 (French; for UC, CE)

3-867-754-32 (German; for CE)

3-867-754-42 (Italian; for CE)

DSBK-190 (Supplied with Model DSBK-190)

Part number: 3-203-674-01

DSBK-200 (Supplied with Model DSBK-200)

Part number: 3-203-675-01

DSBK-210 (Supplied with Model DSBK-210)

Part number: 3-205-213-01 (1)

- **Service Manual Volume 1 (Not Supplied with equipment)**

Contains the maintenance information of this equipment and servicing information necessary for parts replacement and adjustments.

Part number: 9-955-186-12

- **DSBK-210**

- **Service Manual (Not Supplied with equipment)**

Contains the maintenance information of the DSBK-210, and servicing information necessary for parts replacement and adjustments.

Part number: 9-955-268-01

- **“Semiconductor Pin Assignments” CD-ROM (Available on request)**

This “Semiconductor Pin Assignments” CD-ROM allows you to search for semiconductors used in B&P Company equipment.

Semiconductors that cannot be searched for on this CD-ROM are listed in the service manual for the corresponding unit. The service manual contains a complete list of all semiconductors and their ID Nos., and thus should be used together with the CD-ROM.

Part number: 9-968-546-XX

Contents

The following is a summary of all the sections for understanding the contents of this manual.

Section 11 Semiconductor Pin Assignments

Shows the external dimensions of the semiconductors used and describes outlines of the function blocks and pin names of the ICs.

Section 12 Spare Parts and Optional Fixtures

Describes the all service parts of the unit.

Section 13 Block Diagrams

Illustrates the block diagrams which show each board function and signal flow.

Section 14 Board Layouts

Shows the board layouts of all circuit boards.

Section 15 Schematic diagrams

Shows the schematic diagrams of all circuit boards.

Section 11

Semiconductor Pin Assignments

The following describes the semiconductor types used in this unit.

For semiconductors marked with page numbers in the index, refer to the corresponding pages in this section.

However, in some cases incompatible types are also listed, therefore, when a part is to be replaced, also refer to the Spare Parts section.

In addition, for semiconductors with ID Nos., refer to the separate CD-ROM titled "Semiconductor Pin Assignments" (Sony Part No. 9-968-546-xx) that allows searching for parts by semiconductor type or ID No.

The semiconductors in the manual or on the CD-ROM are listed by equivalent types. Thus the external view or the index mark indication may differ from the actual type.

Pin assignments and block diagrams are based on the IC manufacturer's data book.

本機に使用されている半導体型名の一覧を下記に示します。索引中、ページが記載されている半導体は、本章の該当ページを参照してください。ただし、互換性のない型名を併記している場合がありますので、部品を交換するときは、Spare Partsの章を参照してください。

また、ID番号が記載されている半導体は、別途発行の "Semiconductor Pin Assignments" CD-ROM版 (ソニー部品番号: 9-968-546-xx)を参照してください。半導体型名またはID番号から検索ができます。

マニュアルまたはCD-ROMに掲載されている半導体は、それぞれの機能を等価的に表わしたものです。

外観やインデックスマークの表示方法が実物と異なる場合があります。

ピン配置およびブロック図はICメーカーのデータブックに従いました。

DIODE	Page or ID No.	DIODE	Page or ID No.
1SR154-400TE-25	DC008-02	MA795-TX	DC001-06
1SS187-TE85L	DC001-05	NSQ03A04	DC007-01
1SS223	DC001-05	NSQ03A04-TE16L	DC007-01
1SS300-TE85L	DC001-02	RB160L-40TE25	DC007-01
1SS301-TE85L	DC001-03	RB717F	DC001-02
1SS302	DC001-01	RB717F-T106	DC001-02
1SS302-TE85L	DC001-01	RD11ES-B2	DA001-02
1SS351-TB	DC001-01	RD11ES-T1B2	DA001-02
DA204U	DC001-01	RD12ES-B2	DA001-02
DA204UT106	DC001-01	RD12ES-T1B2	DA001-02
DAN202U	DC001-03	RD2.2M-B	DA001-04
DAN202UT106	DC001-03	RD2.4M-B	DC001-04
DAN217	DC001-01	RD2.4M-T1B	DC001-04
DAN217-T146	DC001-01	RD4.3UH-T1	DC008-04
DAP202U	DC001-02	RD6.2ES-B2	DA001-02
DAP202UT106	DC001-02	RD6.2ES-T1B	DA001-02
DTZ-TT11-3.3B	DC008-04	RD7.5ES-B1	DA001-02
DTZ5.1B	DC008-04	RD7.5ES-B3	DA001-02
EC11FS4-TE12L	DC007-01	RD7.5ES-T1B1	DA001-02
EC11FS4-TE12L5	DC007-01	RD7.5ES-T1B3	DA001-02
FMP1	DC014-01	RD9.1ES-T1B1	DA001-02
FMP1-T-148	DC014-01	RD9.1ESB1	DA001-02
HSM88WK-TL	DC001-03	RD9.1M-B2	DC001-04
IMN10	DC005-01	RD9.1M-T1B2	DC001-04
IMN10T108	DC005-01	SB007-03CP	DC001-06
KV1470	DC001-13	SB007-03CP-TB	DC001-06
KV1470TL00	DC001-13	SB07-03C	DC001-06
MA141WK	DC001-03	SB07-03C-TB	DC001-06
MA740	11-6	UDZ-TE-17-2.2B	DA001-04
MA740-TX	11-6	UDZ-TE-17-2.2B	DC008-04
		UDZ-TE-17-3.3B	DC008-04
		UDZ-TE-17-5.1B	DC008-04

Index

LED	Page or ID No.	TRANSISTOR	Page or ID No.
CL-150PG-CD	LC001-01	2SK425-T1X15	TC001-05
CL-150PG-CD-T	LC001-01	2SK425-X13	TC001-05
CL-150R-CD	LC001-01	2SK425-X15	TC001-05
CL-150R-CD-T	LC001-01	2SK663	TC001-05
CL-150Y-CD	LC001-01	2SK852-T1X3	TC001-05
CL-150Y-CD-T	LC001-01		
CL-200HR-C-TSL	LC008-04	DTA114EUA	TC001-04
CL-200HR-C-TUL	LC008-04	DTA114EUA-T106	TC001-04
CL-200PG-C-TU	LC008-01	DTA114TUA-T106	TC001-04
CL-200Y-C-TU	LC008-02	DTA123JUA-T106	TC001-04
		DTA144EKA-T146	TC001-04
GL453	LR052-01	DTA144EUA-T106	TC001-04
GL453S	LR052-01	DTC114EUA-T106	TC001-03
		DTC123JUA-T106	TC001-03
		DTC144EKA	TC001-03
		DTC144EKA-T146	TC001-03
		DTC144EUA-T106	TC001-03
		FMS2	TC008-07
		FMS2-T-148	TC008-07
		FMS2A-T148	TC008-07
		FMW1	TC008-04
		FMW1-T-148	TC008-04
		FMW2	TC008-16
		FMW2-T-148	TC008-16
		FMY3	TC008-05
		FMY3-T-148	TC008-05
		IMZ1	TC005-04
		IMZ1T109	TC005-04
		PT483F1	TR037-01
		PT483F1S	TR037-01
		SI4925DY-T1	TC012-02
		SI9434DY-T1	TC012-04
		SI9936DY	TC012-01
		SI9936DY-T1	TC012-01
		UMH11	TC005-08
		UMH11-TN	TC005-08
		UMH2	TC005-08
		UMH2-TN	TC005-08
		UMY1-TR	TC008-08
		UMZ1-TL	TC005-04
		UPA801T-T1/FB	TC005-15
		XP4401-TXE	TC006-11

IC	Page or ID No.	IC	Page or ID No.
AK4324-VF-E2	AK4324-VF-E2	CXD9106R	CXD9106R
AK5352-VF-E2	AK5352-VF-E2	CXD9125R	CXD9125R
AK6417AM-E2	AK6417AM-E2	CXD9129AR	CXD9129R
AK6440AM-E2	AK6440AM-E2	CXD9129R	CXD9129R
AN3834S	AN3834S	CXP912032-206Q	11-7
		CY62256LL-70SNC-T2	CY62256-70SNC-T2
BA10358F-E2	RC4558	CY7C1021BV33-15ZCT	IDT71V016S20Y-TL
BA6285FP-E2	BA6285FP	CY7C199-20VC-T2	CY7C199-45PC
CXA1432M	CXA1432M	HA17431UA	NJM431U
CXA1432M-T4	CXA1432M	HA17431UA-TL	NJM431U
CXA1450M-TH	CXA1450M	HD6415108RF10	HD6415108RVF5
CXA1451M	CXA1451M	HD6437021SC02X	HD6437021C02X
CXA1451M-TH	CXA1451M	HY57V641620HGT-H	TC59S6416BFTL-10
CXA1521M-TH	CXA1521M		
CXA1762Q-T4	CXA1762Q	IDT71V016S15PH-TL	IDT71V016S20Y-TL
CXA2018Q-T4	CXA2018Q-T4	IDT71V016S20PHAU-TL	IDT71V016S20Y-TL
CXA2023R-T4	CXA2023R-T4	IDT71V256SA15PZ-TL	IDT71256L-35TP
CXA3178M-T4	CX22017		
CXA3240TN-T2	CXA3240TN-T2	L78M09T-TL	L78M05T-FA
CXA3241TN-T2	CXA3241TN-T2	LB1857M-TE-L	LB1857M-TE-L
CXA8044Q-T4	CXA8044Q	LM1881M	LM1881N
CXB1341R	CXB1341R	LM1881MX	LM1881N
CXB1342R	CXB1342R	LM2901M	NJM2901N
CXD1171M	CXD1171M	LM2940SX-5.0	UA7805UC
CXD1216M	CXD1216M	LM2990SX-5.0	UA7905UC
CXD1216M-TH	CXD1216M		
CXD2193AR-ER	CXD2193AR	M48Z58Y-70MH1TR	M48Z58Y-70MH1TR
CXD2202Q	CXD2202Q	M66004M6FP-200D	M66004M6FP200D
CXD2208Q	CXD2208Q	M66004M6FP200D	M66004M6FP200D
CXD2302Q-T4	CXD2302Q	M66256GP-E2	M66256FP
CXD2307R-T6	CXD2307R	MB40569PFV-ER	MB40569PFV-ER
CXD2309AQ-T6	CXD2309Q-T6	MB811641642A-100LFN	TC59S6416BFTL-10
CXD2310AR	CXD2310R	MB811643242A-100FN	MB811643242A-100FN
CXD2310AR-T4	CXD2310R	MB88102PFV-G-BND-ER	MB88102PFV-G-BND-ER
CXD2712R	CXD2712R	MB88346BPFV	MB88346APF
CXD2913AQ	CXD2913AQ	MB88346BPFV-EF	MB88346APF
CXD3105R-T6	CXD3105R-T6	MBM29F400BC-70PFTN	MBM29F400TC-90PFTN
CXD3106R	CXD3106R	MC14053BDTR2	MC74HC4053F
CXD3107R	CXD3107R	MN47V77ST1	MN47V77ST1
CXD3107R-T6	CXD3107R		
CXD8161AQ	CXD8161AQ	NJM062M	RC4558
CXD8176AQ	CXD8176AQ	NJM062M-TE2	RC4558
CXD8243AM	CXD8243M	NJM062V(Te2)	RC4558
CXD8243AM-ER	CXD8243M	NJM082BM	RC4558
CXD8280AQ	CXD8280AQ	NJM082BM(Te2)	RC4558
CXD8281Q	CXD8281Q	NJM2060V(Te2)	XRA10324AF
CXD8384Q	CXD8384Q	NJM2068M-D-TE2	RC4558
CXD8385Q	CXD8385Q	NJM2267M	NJM2267M(Te2)
CXD8386AQ	CXD8386AQ	NJM2267M(Te2)	NJM2267M(Te2)
CXD8517Q	CXD8517Q	NJM2901M-TE2	NJM2901N
CXD8608R	CXD8608R	NJM2901V(Te2)	NJM2901N
CXD8621R	CXD8621R	NJM2903M	UA393DC
CXD8630R	CXD8630R	NJM2903M-TE2	UA393DC
CXD8763AR	CXD8763AR	NJM2903V(Te2)	UA393DC
CXD8804Q	CXD8804Q	NJM2904V(Te2)	RC4558
CXD8953Q	CXD8953Q	NJM324V(Te2)	XRA10324AF
CXD8969AR	CXD8969AR	NJM360M	LM360N
CXD9068BR	CXD9068AR	NJM360M-TE2	LM360N

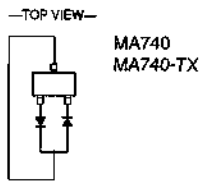
Index

IC	Page or ID No.	IC	Page or ID No.
NJM4556AM	RC4558	TC74VHC125F	MC74HC125N
NJM4556AM-A-TE2	RC4558	TC74VHC125F(EL)	MC74HC125N
NJM4558M-TE2	RC4558	TC74VHC125FT(EL)	MC74HC125N
NJM4558V-TE2	RC4558	TC74VHC138F(EL)	TC74HC138P
NJM4580E	RC4558	TC74VHC138FT(EL)	TC74HC138P
NJM4580E(TE2)	RC4558	TC74VHC14FT(EL)	TC74HC14P
NJM4580E-D	RC4558	TC74VHC157FT(EL)	TC74HC157P
NJM4580E-D-TE2	RC4558	TC74VHC163FT(EL)	TC74HC163P
NJM78L05A	UA78L05AWC	TC74VHC164FT(EL)	TC74HC164P
NJM79L05A	NJM79L03A	TC74VHC175FT(EL)	TC74HC175P
NJU7211U50	S-80250AG-GB	TC74VHC21FT(EL)	TC74HC21P
PQ05SZ5U	PQ05SZ11	TC74VHC245FT(EL)	TC74HC245P
PQ20VZ5U	PQ20VZ5U	TC74VHC27FT(EL)	TC74HC27P
RH5RL50AA-T1	NJU7201U50	TC74VHC32FT(EL)	TC74HC32P
S-80250AG-GB-T1	S-80250AG-GB	TC74VHC541FT(EL)	MC74HC541N
S-80727SL-AQ-T1	S-80727SL-AQ	TC74VHC573FT(EL)	TC74HC573F
S-80742SN-D6-T1	S-80720SN-DH	TC74VHC574FT(EL)	TC74HC574P
S-80745SN-D9-T1	S-80720SN-DH	TC74VHC74FT(EL)	TC74HC74P
S-81230SG-QB-T1	S-81230SG	TC74VHC86FT(EL)	TC74HC86P
S-81350HG-KD	S-81350HG-KD	TC74VHCT04AFT(EL)	TC74HC04P
S-81350HG-KD-T1	S-81350HG-KD	TC74VHCT08AFT(EL)	TC74HC08P
SN74HC377ANS-E20	TC74HC377P	TC74VHCT244AFT(EL)	TC74HC244P
SN74HC377ANSR	TC74HC377P	TC74VHCT245AFT(EL)	TC74HC245P
SN74HCT00ANS-E20	TC74HC00P	TC74VHCT541AF(EL)	MC74HC541N
SN74HCT00ANSR	TC74HC00P	TC74VHCT541AFT(EL)	MC74HC541N
SN74LS123NS	SN74123N	TC74VHCU04FT(EL)	TC74HC04P
SN74LS123NSR	SN74123N	TC7S00FU(TE85R)	TC7S00F
SN74LS221DB-E05	SN74221N	TC7S04FU(TE85R)	TC7S04F
SN74LV04APWR	TC74HC04P	TC7S14F	TC7S14FU
SN74LV125APWR	MC74HC125N	TC7S14F(TE85R)	TC7S14FU
SN74LV245ANSR	TC74HC245P	TC7S14FU(TE85R)	TC7S14FU
SN74LV245APWR	TC74HC245P	TC7S32FU(TE85R)	TC7S32F
SN74LV541APWR	MC74HC541N	TC7S66F	SC14S66F
SN74LVC245ANS-E05	TC74HC245P	TC7S66F(TE85R)	SC14S66F
SN75107ANS-LS	SN75107AN	TC7S66FU	SC14S66F
SN75107ANS-LS-E05	SN75107AN	TC7S86FU(TE85R)	SC14S66F
SN75C1168NS-E05	SN75C1168NS	TC7SET00FU(TE85R)	TC7S00F
SSM-2142SR	SSM-2142S	TC7SET02FU(TE85R)	TC4S01F
TA7809S	NJM78M05FA	TC7SH00FU-TE85R	TC7S00F
TA78L005AP-TPE6	UA78L05AWC	TC7SH04F(TE85R)	TC7S04F
TA79009S	TA79005S	TC7SH04FU	TC7S04F
TA79L005P-TPE6	NJM79L03A	TC7SH04FU-TE85R	TC7S04F
TC4W53FU	TC4W53FU	TC7SH08F-TE85R	TC7S08F
TC4W53FU(TE12R)	TC4W53FU	TC7SH08FU-TE85R	TC7S08F
TC4W66FU(TE12R)	TC4W66F	TC7SH32FU-TE85R	TC7S32F
TC74HC4052AFT(EL)	MC74HC4052N	TC7SHU04FU-TE85R	TC7S04F
TC74HC4053AFT(EL)	MC74HC4053F	TC7ST08FU(TE85R)	TC7S08F
TC74VHC00FT(EL)	TC74HC00P	TC7W02F	TC7W02F
TC74VHC02FT(EL)	TC74HC02P	TC7W02FU(TE12R)	TC7W02F
TC74VHC04FT(EL)	TC74HC04P	TC7W04FU	TC7W04F
TC74VHC08FT(EL)	TC74HC08P	TC7W04FU(TE12R)	TC7W04F
TC74VHC10FT(EL)	TC74HC10P	TC7W08FU	TC7W08F
TC74VHC11FT(EL)	TC74HC11P	TC7W08FU(TE12R)	TC7W08F
TC74VHC123AF(EL)	TC74HC123P	TC7W14FU(TE12R)	TC7W14FU
TC74VHC123AFT(EL)	TC74HC123P	TC7W32FU	TC7W32FU
		TC7W32FU(TE12R)	TC7W32FU
		TC7W53FU(TE12R)	TC4W53FU
		TC7W74F(TE12R)	TC7W74FU
		TC7W74FU	TC7W74FU

IC	Page or ID No.	OTHER	Page or ID No.
TC7W74FU(TE12R)	TC7W74FU	GP2S09-B	MA013-01
TC7WH157FU(TE12R)	11-6	PR-11-C	MA020-01
TC7WH74FU(TR12R)	TC7W74FU	PR-11-C-T	MA020-01
TD62381F	TD62381P	THS124TE85R	MA016-01
TK15420MTL	LT1253CS8	TLP814	MR010-09
TL062CPW	RC4558		
TL062CPWR	RC4558		
TL062CPWR-12	RC4558		
TL064CPW	XRA10324AF		
TL064CPW-E05	XRA10324AF		
TL082CPW-E05	RC4558		
TL084CPW-E20	XRA10324AF		
TL084CPWR	XRA10324AF		
TLC2932IPW-E20	TLC2932IPW		
TLC5733AIPM	TLC5733IPM		
UPC29L05T	UPC78L15T		
UPC4558G2	RC4558		
UPD482445LGW-B10-E2	UPD482445LGW		
UPD78013FYGC-R20-AB8	UPD78013FYGC-R27-AB8		
UPD780204GF-065-3BA	11-8		
UPD78P018FGC-AB8	UPD78P018FGC-AB8		
UPD82014GD-502-LML	UPD82014GD-502-LML		
UPD82094GD-001-LKL	UPD82014GD-502-LML		
XC17S40XLSO20C	11-6		
XC2S150-5PQ208C	XC2S150-5PQ208CES		
XC2S150-5PQ208CES	XC2S150-5PQ208CES		
XC2S50-5PQ208CES	XC2S150-5PQ208CES		
XCS40-3PQ240C	XCS40-3PQ240C		
XCS40XL-4PQ208C	XCS40XL-4PQ208C		

Diode, IC

DIODE

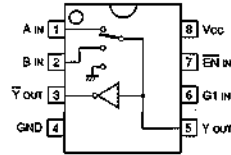


IC

TC7WH157FU(TE12R) (TOSHIBA)

2-CHANNEL MULTIPLEXER

—TOP VIEW—



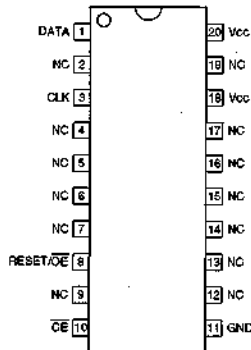
EN	INPUTS		OUTPUTS	
	G1	A	Y	Y
1	x	x	0	1
0	0	0	0	1
0	0	1	1	0
0	1	x	0	1
0	1	x	1	0

0 : LOW LEVEL
1 : HIGH LEVEL
x : DON'T CARE

XC17S40XLSO20C (XILINX)

SERIAL CONFIGURATION PROM

—TOP VIEW—



INPUTS
 CE : CHIP ENABLE
 CLK : CLOCK
 OE : OUTPUT ENABLE
 RESET : RESET

OUTPUT
 DATA : DATA

OTHER
 NC : NO CONNECTION

CXP912032-206Q (SONY)

16-BIT SINGLE CHIP MICROCOMPUTER
—TOP VIEW—

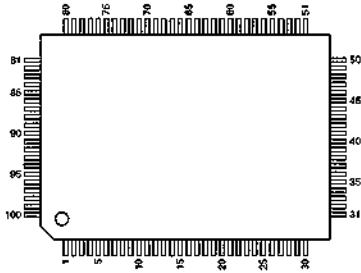


Table with 10 columns: PIN NO., I/O, SIGNAL, PIN NO., I/O, SIGNAL, PIN NO., I/O, SIGNAL, PIN NO., I/O, SIGNAL. It lists 25 pins and their corresponding signals and functions.

INPUTS

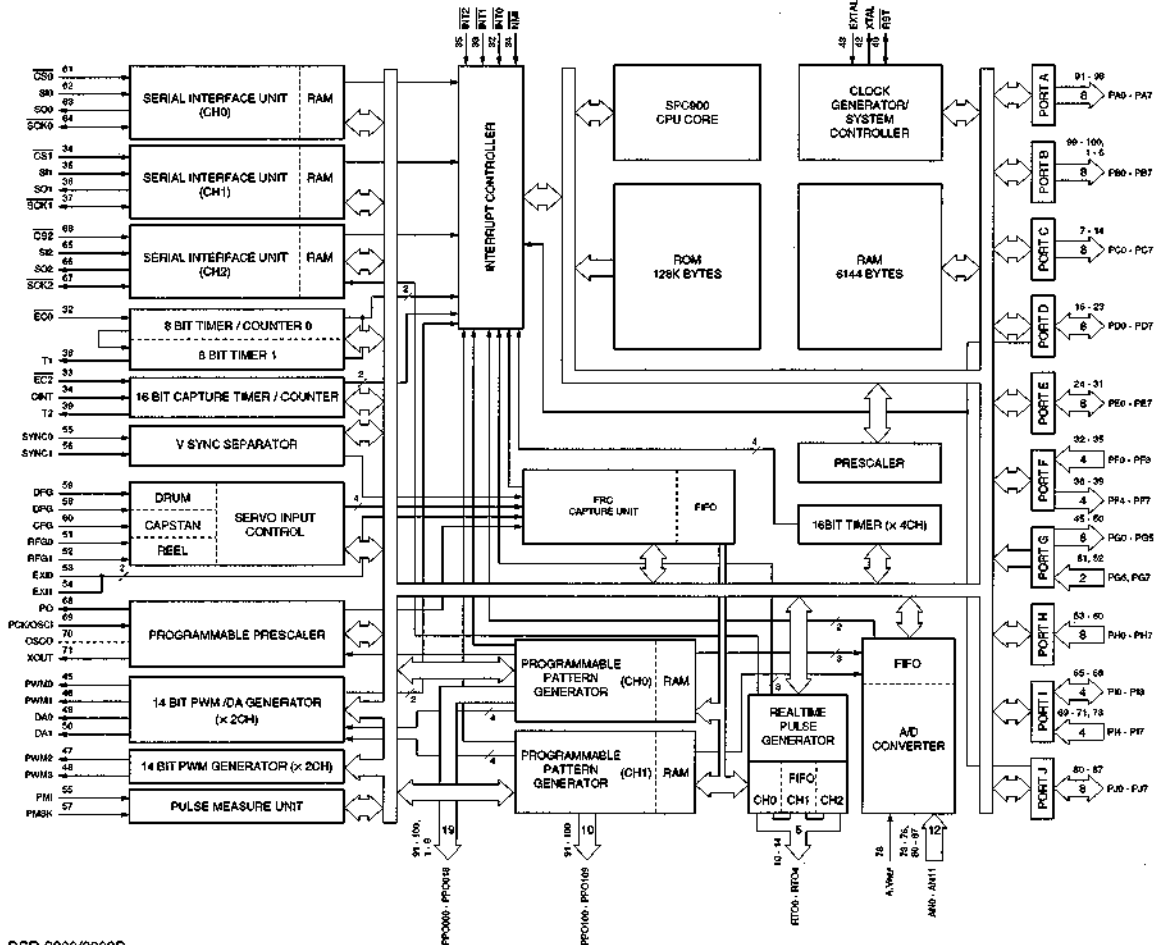
- A.VREF : REFERENCE VOLTAGE FOR A/D CONVERTER
AN0 - AN11 : ANALOG INPUT TO A/D CONVERTER
CFG : CAPSTAN FG INPUT
CNT : EXTERNAL CAPCHER FOR 16-BIT TIMER/COUNTER
CS0 - CS2 : SERIAL CHIP SELECT
DFG, DFG : DRUM FG INPUT
EC0, EC2 : EXTERNAL EVENT TO TIMER/COUNTER
EXI0, EXI1 : EXTERNAL INPUT TO FRC CAPCHER UNIT
EXTAL : CRYSTAL OSCILLATOR FOR SYSTEM CLOCK
INT0 - INT2 : INTERRUPT REQUEST
NMI : NONMASKABLE INTERRUPT REQUEST
OSCI : CRYSTAL OSCILLATOR FOR PRE-SCALER CLOCK OSCILLATION
PCK : PRE-SCALER CLOCK
PF0 - PF3 : PORT F
PG6, PG7 : PORT G
PH0 - PH7 : PORT H
PI4 - PI7 : PORT I
PVI : PULSE INPUT FOR PULSE PERIODICITY MEASUREMENT
PMSK : MASK INPUT FOR PULSE PERIODICITY MEASUREMENT
RF0, RF1 : REEL FG
SI0 - SI2 : SERIAL DATA
SYNG0, SYNG1 : COMPOSITE SYNC

OUTPUTS

- DA0, DA1 : D/A GATE PULSE
OSCO : CRYSTAL OSCILLATOR FOR PRE-SCALER CLOCK OSCILLATION
PA0 - PA7 : PORT A
PB0 - PB7 : PORT B
PC0 - PC7 : PORT C
PF4 - PF7 : PORT F
PG0 - PG6 : PORT G
PO : PRE-SCALER
PP0000 - PP0018 : PROGRAMMABLE PATTERN GENERATOR
PP0100 - PP0109 : PROGRAMMABLE PATTERN GENERATOR
PT00 - PT04 : REALTIME PULSE
PWM0 - PWM9 : 14-BIT PWM OUTPUT
SO0 - SO2 : SERIAL DATA
T1 : 8-BIT TIMER/COUNTER
T2 : 16-BIT CAPCHER TIMER/COUNTER
XCOUT : CLOCK FROM CLOCK GENERATOR OR PRE-SCALER
XTAL : CRYSTAL OSCILLATOR

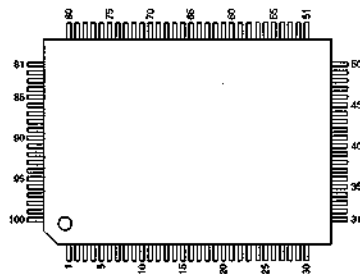
INPUTS/OUTPUTS

- PD0 - PD7 : PORT D
PE0 - PE7 : PORT E
PI0 - PI3 : PORT I
PJO - PJ7 : PORT J
RST : SYSTEM RESET
SCK0 - SCK2 : SERIAL CLOCK



UPD780204GF-065-3BA (NEC)

8-BIT MICROCOMPUTER
—TOP VIEW—



PIN NO.	I/O	SIGNAL	PIN NO.	I/O	SIGNAL	PIN NO.	I/O	SIGNAL	PIN NO.	I/O	SIGNAL
1	—	Vcc	26	IO	P17/AN17	51	IO	P123/FP48	76	O	P92/FP23
2	IO	P37	27	IO	P16/AN16	52	IO	P122/FP47	77	O	P91/FP22
3	IO	P36/BUZ	28	IO	P15/AN15	53	IO	P121/FP46	78	O	P90/FP21
4	IO	P35/PCL	29	IO	P14/AN14	54	IO	P120/FP45	79	—	VLOAD
5	IO	P34/TI2	30	IO	P13/AN13	55	IO	P117/FP44	80	O	P87/FP20
6	IO	P33/TI1	31	IO	P12/AN12	56	IO	P116/FP43	81	O	P86/FP19
7	IO	P32/TC2	32	IO	P11/AN11	57	IO	P115/FP42	82	O	P85/FP18
8	IO	P31/TC1	33	IO	P10/AN10	58	IO	P114/FP41	83	O	P84/FP17
9	IO	P30/TC0	34	—	AVcc	59	IO	P113/FP40	84	O	P83/FP16
10	I	RESET	35	I	AVREF	60	IO	P112/FP39	85	O	P82/FP15
11	—	X2	38	IO	P03/INTP3	61	IO	P111/FP38	86	O	P81/FP14
12	I	X1	37	IO	P02/INTP2	62	IO	P110/FP37	87	O	P80/FP13
13	—	IC	36	IO	P01/INTP1	63	IO	P107/FP36	88	O	FP12
14	—	XT2	38	I	P00/INTP0/T0	64	IO	P106/FP35	89	O	FP11
15	I	P04/XT1	40	—	GND	65	IO	P105/FP34	90	O	FP10
16	—	Vcc	41	IO	P74	66	IO	P104/FP33	91	O	FP9
17	IO	P27/SCK0	42	IO	P73	67	IO	P103/FP32	92	O	FP8
18	IO	P26/S00/SB1	43	IO	P72	68	IO	P102/FP31	93	O	FP7
19	IO	P25/S40/SB0	44	IO	P71	69	IO	P101/FP30	94	O	FP6
20	IO	P24/BUSY	45	IO	P70	70	IO	P100/FP29	95	O	FP5
21	IO	P23/STB	46	—	Vcc	71	O	P97/FP28	96	O	FP4
22	IO	P22/SCK1	47	IO	P127/FP28	72	O	P96/FP27	97	O	FP3
23	IO	P21/SO1	48	IO	P126/FP28	73	O	P95/FP26	98	O	FP2
24	IO	P20/SI1	49	IO	P125/FP28	74	O	P94/FP25	99	O	FP1
25	—	A.GND	50	IO	P124/FP49	75	O	P93/FP24	100	O	FP0

INPUTS

- AN10 - AN17 : A/D CONVERTER ANALOG INPUT
- AVREF : A/D CONVERTER REFERENCE VOLTAGE
- BUSY : AUTOMATIC TRANSFER/RECEIVE BUSY INPUT
- INTP0 - INTP3 : INTERNAL FROM PERIPHERALS 0 - 3
- P00, P04 : PORT 0
- RESET : RESET
- SI0, SI1 : SERIAL DATA
- TI0 - TI2 : TIMER
- X1 : CRYSTAL FOR MAIN SYSTEM CLOCK
- XT1 : CRYSTAL FOR SUB SYSTEM CLOCK

OUTPUTS

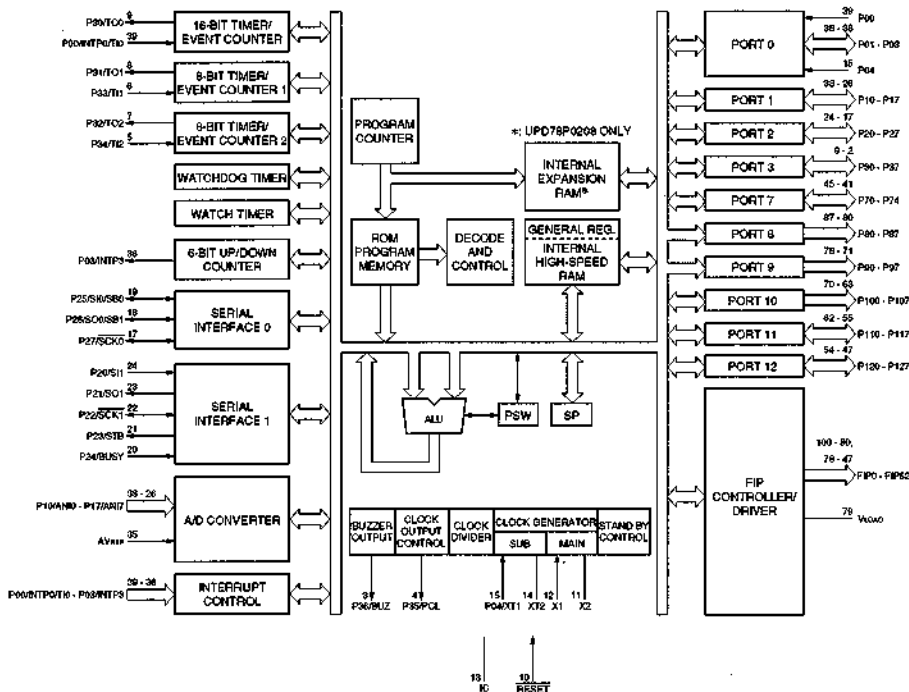
- BUZ : BUZZER
- FIPO - FIP52 : FLUORESCENT INDICATOR PANEL CONTROLLER/DRIVER
- P80 - P87 : PORT 8
- P90 - P97 : PORT 9
- PCL : PROGRAMMABLE CLOCK
- SO0, SO1 : SERIAL CLOCK
- STB : STROBE
- TC0 : TIMER (16-BIT)
- TC1, TC2 : TIMER (8-BIT)

INPUTS/OUTPUTS

- P01 - P03 : PORT 0
- P10 - P17 : PORT 1
- P20 - P27 : PORT 2
- P30 - P37 : PORT 3
- P70 - P74 : PORT 7
- P100 - P107 : PORT 10
- P110 - P117 : PORT 11
- P120 - P127 : PORT 12
- SB0, SB1 : SERIAL BUS
- SCK0, SCK1 : SERIAL CLOCK

OTHERS

- IC : INTERNAL CONNECTION
- VLOAD : NEGATIVE POWER SUPPLY
- X2 : CRYSTAL FOR MAIN SYSTEM CLOCK
- XT2 : CRYSTAL FOR SUB SYSTEM CLOCK



Section 12

Spare Parts and Optional Fixtures

12-1. Notes on Repair Parts

1. Safety Related Components Warning

WARNING

Components marked \triangle are critical to safe operation. Therefore, specified parts should be used in the case of replacement.

2. Standardization of Parts

Some repair parts supplied by Sony differ from those used for the unit. These are because of parts commonality and improvement.

Parts list has the present standardized repair parts.

3. Stock of Parts

Parts marked with "o" at SP (Supply Code) column of the spare parts list may not be stocked. Therefore, the delivery date will be delayed.

4. Harness

Harnesses with no part number are not registered as spare parts.

In need of repair, get components shown in the list and repair using them.

5. Destination Representation

The part indicated "For J/UC/CE" in the spare parts list is used in the unit written below.

For J: The part is used in a unit for Japan.

For UC: The part is used in a unit for the U.S.A. and Canada.

For CE: The part is used in a unit for regions except the above countries.

12-1. 補修部品注意事項

1. 安全重要部品

△警告

△印のついた部品は安全性を維持するために重要な部品です。したがって、交換する時は必ず指定の部品を使ってください。

2. 部品の共通化

ソニーから供給する補修用部品は、セットに使われているものと異なることがあります。

これは部品の共通化、改良等によるものです。

部品表には現時点での共通化された補修用部品が記載されています。

3. 部品の在庫

部品表のSP (Supply code) 欄に"o"で示される部品は在庫していないことがあり、納期が長くなる場合があります。

4. ハーネス

部品番号の記載されていないハーネスは、サービス部品として登録されていません。

これらは、リストに展開されているコンポーネント部品で補修してください。

5. 仕向区分の表記

部品表中、下記表示のある部品は、その仕向で使用している部品です。

For J: 日本向けモデルに使用

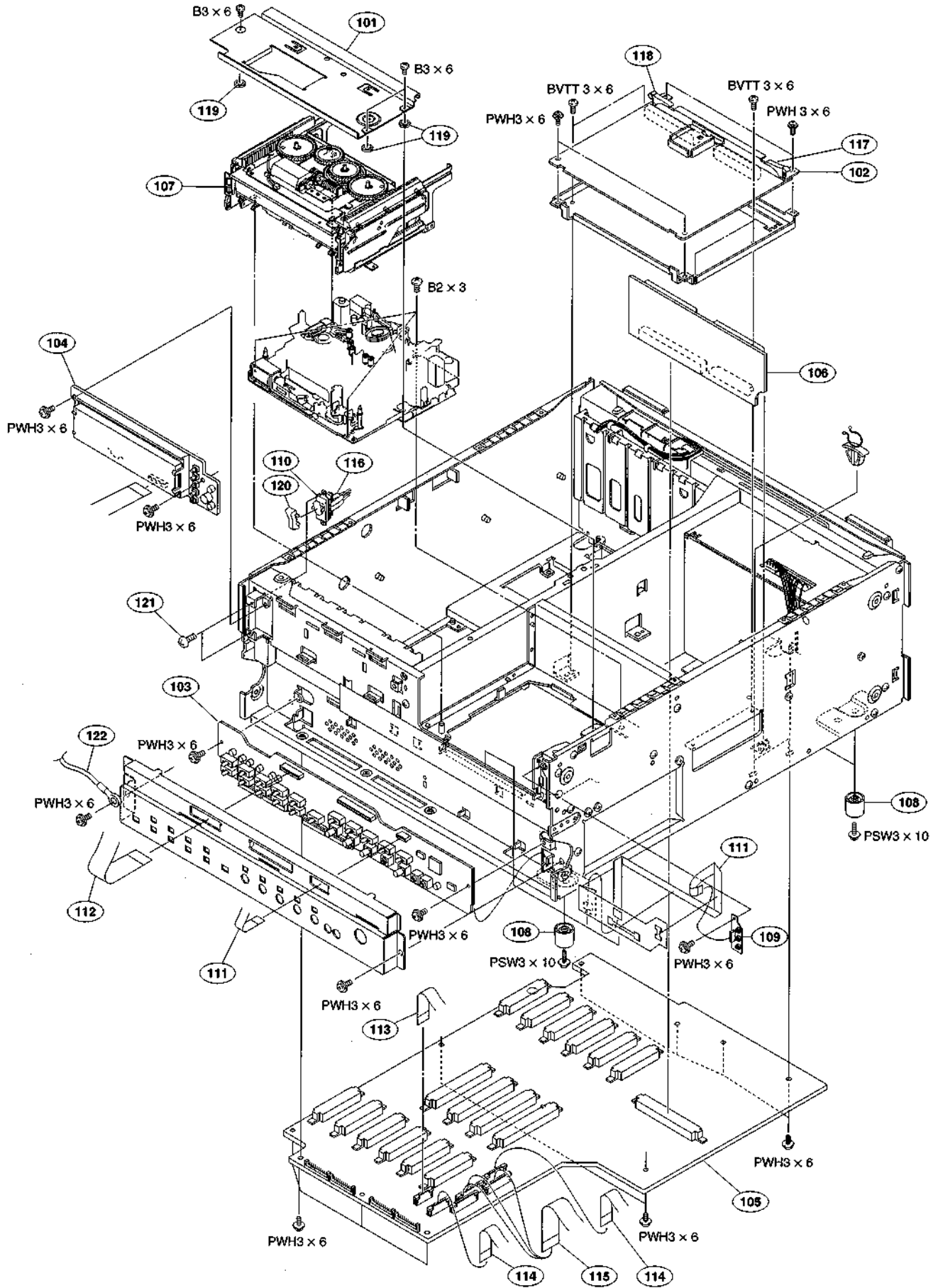
For UC: USAおよびカナダ向けモデルに使用

For CE: 上記以外向けモデルに使用

Panel Block and Switching Regurator

No.	Part No.	SP Description
1	A-8279-211-C	o PLATE ASSY, TOP
	A-8279-211-D	o PLATE ASSY, TOP (for CE)
2	X-3605-650-2	o HINGE(L) ASSY
3	X-3605-651-2	o HINGE(R) ASSY
4	X-3605-760-2	o PLATE ASSY, BOTTM
5	▲ 1-468-436-12	s REGULATOR, SWITCHING
6	1-960-087-11	o HARNESS, SUB (DC POWER 1)
7	1-960-090-11	o HARNESS, SUB (DC POWER 2)
8	3-623-439-01	o PLATE, SIDE
9	3-680-316-11	o NUT (M4), STOPPER
10	3-688-102-01	o SPACER, M4
11	3-703-108-01	s SCREW +BV3x6, S TIGHT
12	3-733-690-01	s SCREW +B4x6
13	1-500-082-11	s CLAMP, SLEEVE FERRITE (for PAL)

Overall Assembly and Boards

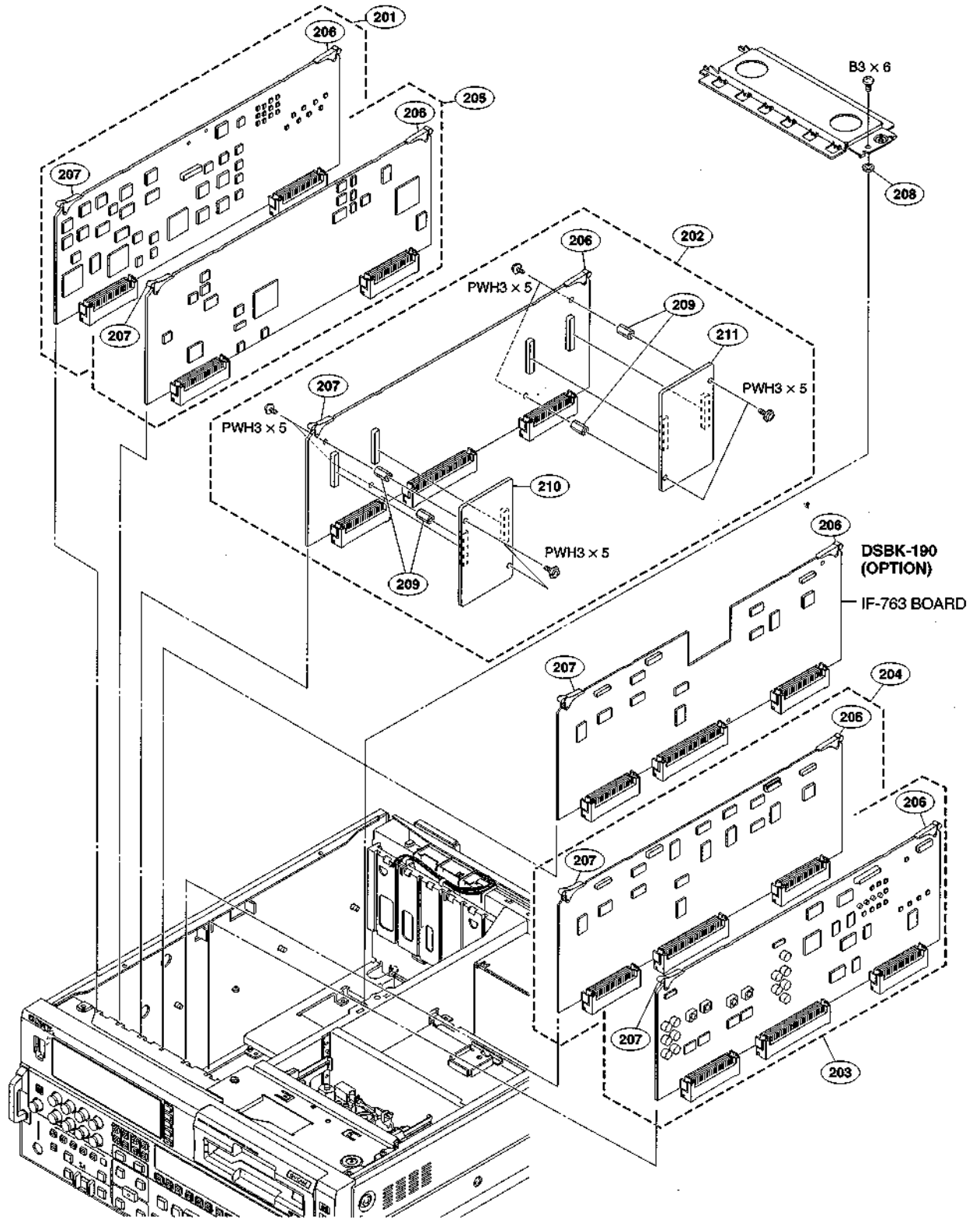


Overall Assembly and Boards

No.	Part No.	SP Description
101	A-8279-212-B	o RETAINER ASSY,CASSETTE COMPART
102	A-8323-475-A	s MOUNTED CIRCUIT BOARD, RP-111
103	A-8323-477-A	o MOUNTED CIRCUIT BOARD, SW-11(for J,UC)
	A-8323-478-A	o MOUNTED CIRCUIT BOARD, SW-11P(for CE)
104	A-8323-493-A	o MOUNTED CIRCUIT BOARD, DY-15
105	A-8323-494-A	o MOUNTED CIRCUIT BOARD, MB-859
106	A-8323-516-A	o MOUNTED CIRCUIT BOARD, EX-752
107	A-8324-829-A	s CASSETTE COMPARTMENT ASSY
108	X-3678-708-3	s FOOT,ASSY
109	1-675-557-11	o PRINTED WIRING BOARD, SW-17
110	Δ 1-762-953-11	s SWITCH, POWER
111	1-791-706-11	o WIRE, FLAT TYPE (7CORE)
112	1-791-707-11	o WIRE, FLAT TYPE (20CORE)
113	1-791-708-11	o WIRE, FLAT TYPE (18CORE)
114	1-791-709-11	o WIRE, FLAT TYPE (22CORE)
115	1-791-710-11	o WIRE, FLAT TYPE (30CORE)
116	1-960-086-11	o HARNESS, SUB (AC SW)
117	3-179-084-01	s LEVER (R),PRINTED C.BOARD
118	3-179-085-01	s LEVER (L),PRINTED C.BOARD
119	3-669-596-01	s WASHER,2.3
120	3-688-814-31	s CAP, SWITCH
121	3-703-108-01	s SCREW +BV3x6, S TIGHT
122	1-960-619-11	o SUB HARNESS (KYGND) (for CE) (Serial No.400301 and higher)

Card Rack Block

Serial No. 301311- : J
Serial No. 101241- : UC
Serial No. 401551- : CE

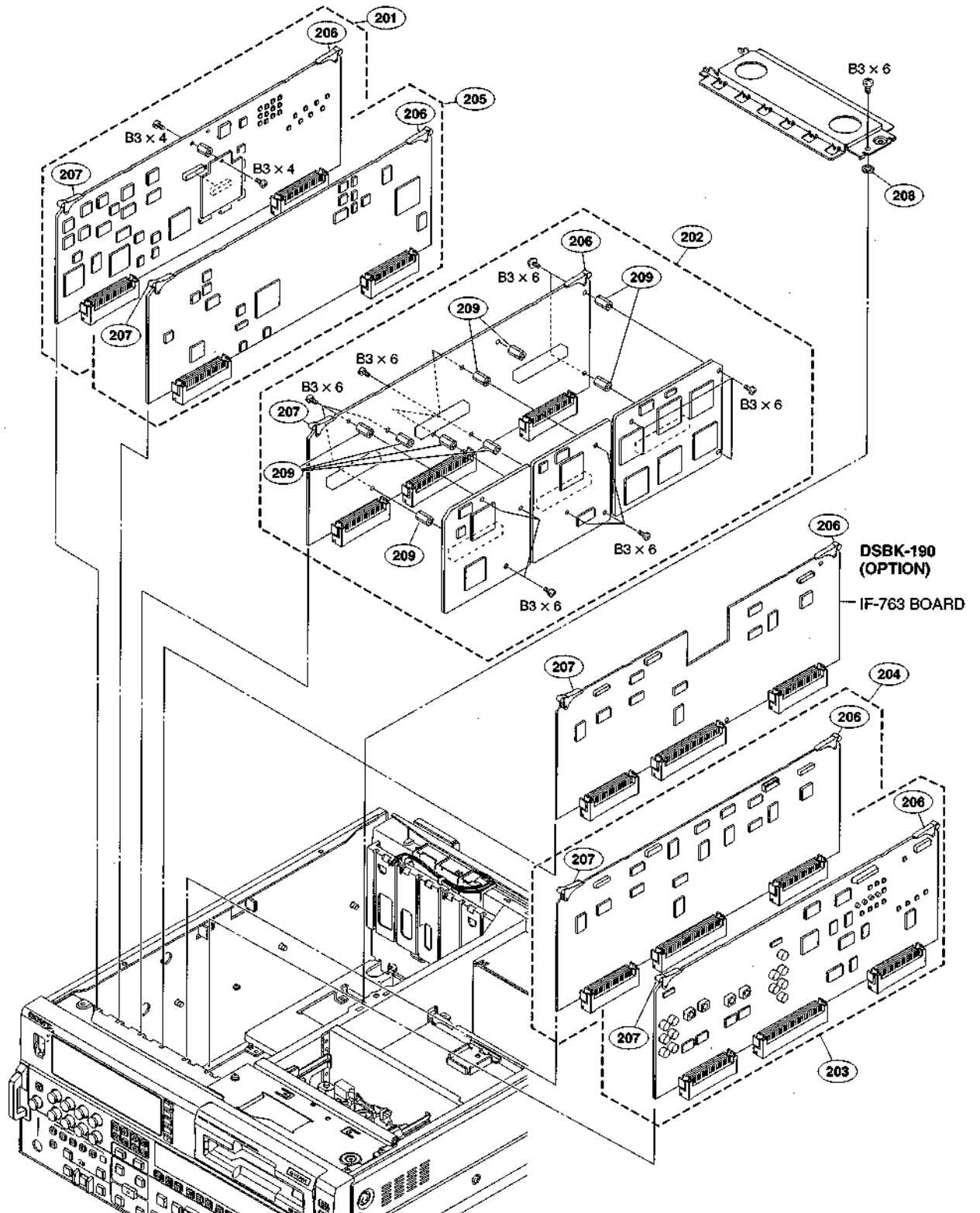


Card Rack Block

No.	Part No.	SP Description
201	A-8323-473-B	s MOUNTED CIRCUIT BOARD, APR-45
202	A-8323-474-B	s MOUNTED CIRCUIT BOARD, DPR-136
203	A-8323-476-A	o MOUNTED CIRCUIT BOARD, SV-212
204	A-8323-479-A	s MOUNTED CIRCUIT BOARD, SY-278
205	A-8323-487-A	s MOUNTED CIRCUIT BOARD, VPR-62(for J,UC)
	A-8323-488-A	s MOUNTED CIRCUIT BOARD, VPR-62P(for CB)
206	3-179-084-01	s LEVER(R), PRINTED C. BOARD
207	3-179-085-01	s LEVER(L), PRINTED C. BOARD
208	3-669-596-01	s WASHER, 2.3
209	2-280-622-11	o SUPPORT (M3), HEXAGON
210	A-8326-492-A	o MOUNTED CIRCUIT BOARD, FU-78R
211	A-8326-493-A	o MOUNTED CIRCUIT BOARD, FU-78P

Card Rack Block

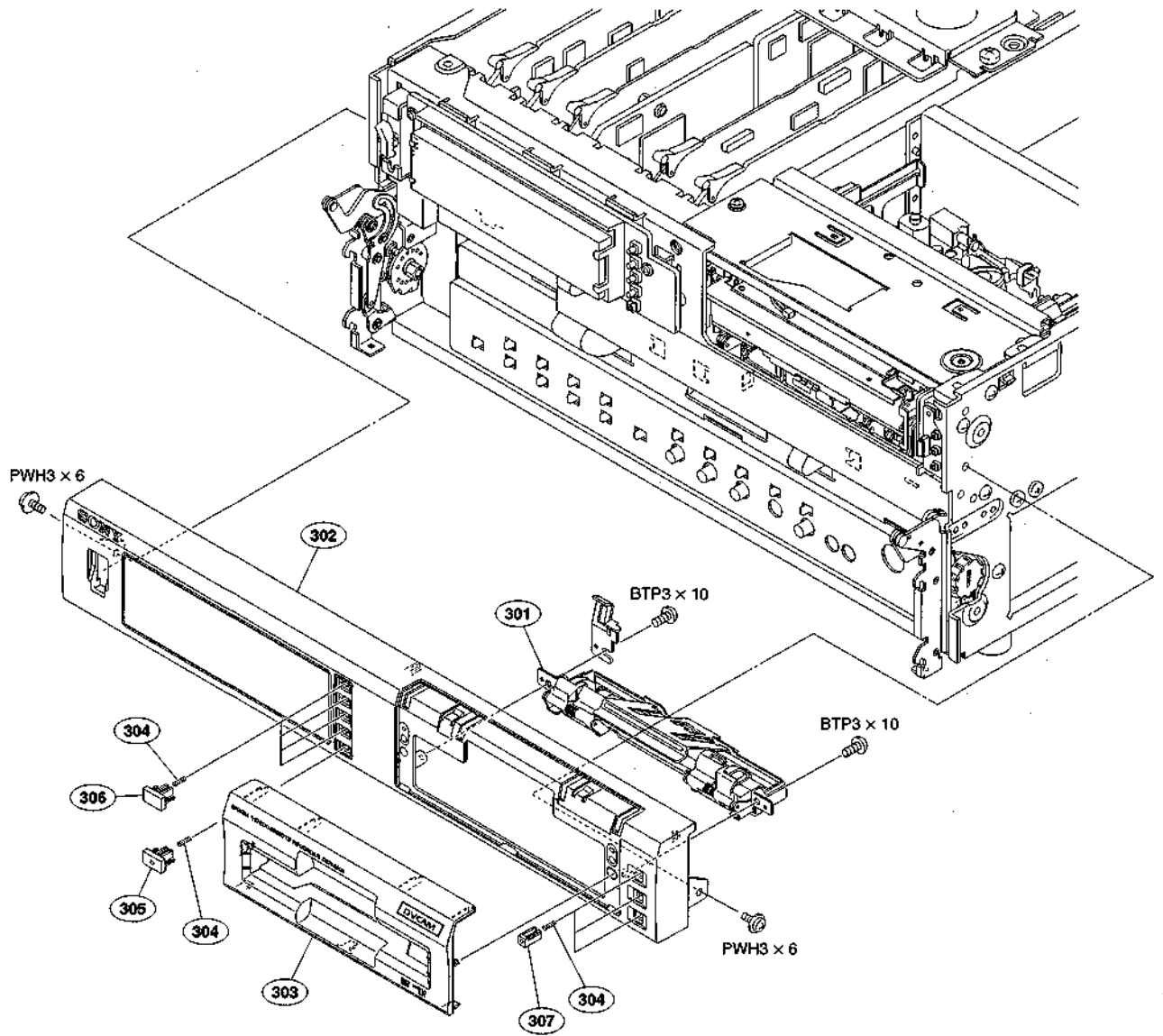
Serial No. 300001-301310: J
Serial No. 100001-101240: UC
Serial No. 400001-401550: CE



Card Rack Block

No.	Part No.	SP Description
201	A-8323-473-A	s MOUNTED CIRCUIT BOARD, APR-45
202	A-8323-474-A	s MOUNTED CIRCUIT BOARD, DPR-136
203	A-8323-476-A	o MOUNTED CIRCUIT BOARD, SV-212
204	A-8323-479-A	s MOUNTED CIRCUIT BOARD, SY-278
205	A-8323-487-A	s MOUNTED CIRCUIT BOARD, VPR-62(for J,UC)
	A-8323-488-A	s MOUNTED CIRCUIT BOARD, VPR-62P(for CE)
206	3-179-084-01	s LEVER(R),PRINTED C,BOARD
207	3-179-085-01	s LEVER(L),PRINTED C.BOARD
208	3-669-596-01	s WASHER,2.3
209	4-360-293-01	o SPACER,BOSS

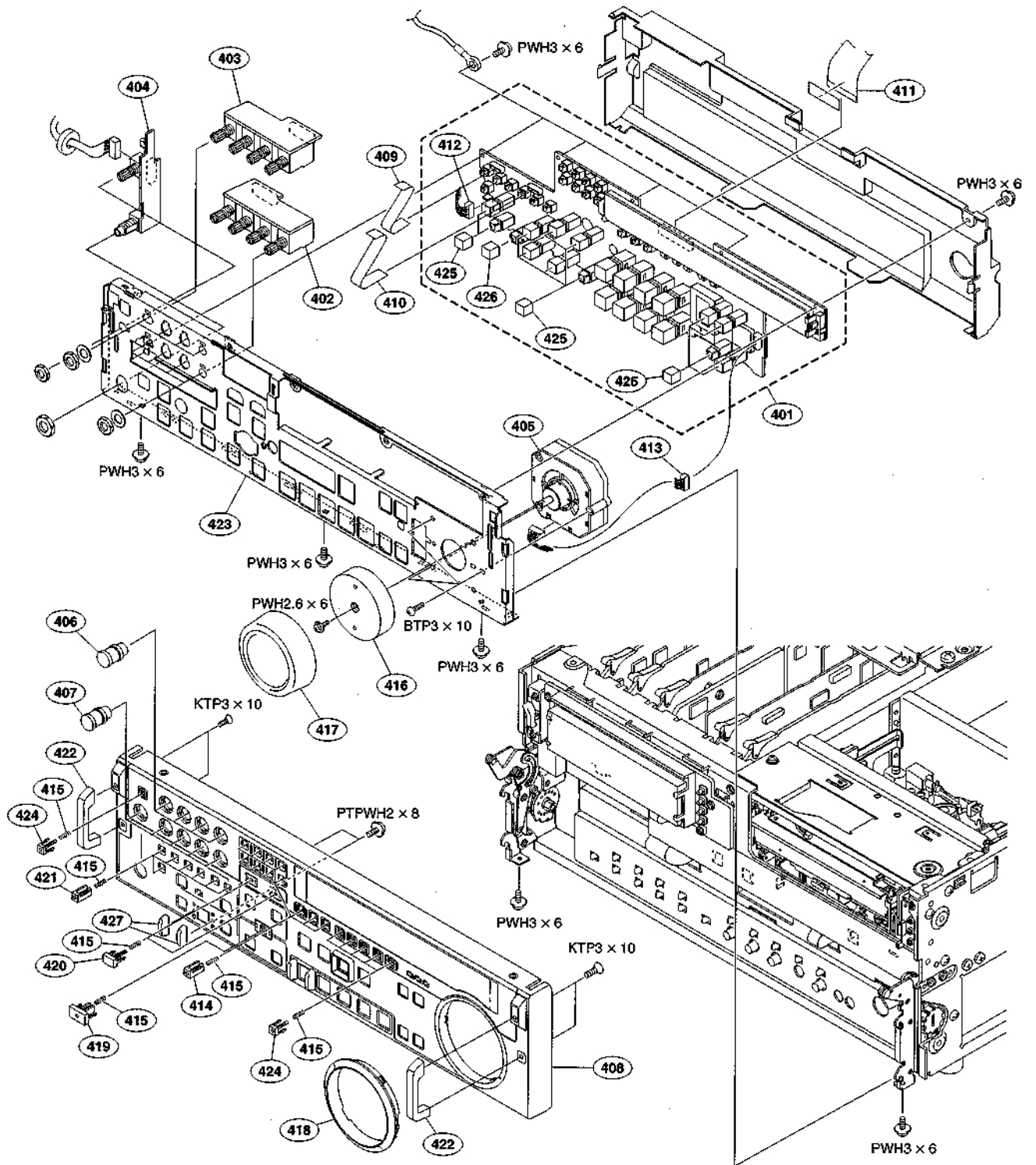
Front Panel Assembly



Front Panel Assembly

No.	Part No.	SP Description
301	A-8323-717-E	s GUIDE ASSY, CASSETTE
302	X-3605-654-6	s PANEL SUB ASSY, FRONT
303	X-3605-655-4	s COVER ASSY, FRONT (for J, UC)
	X-3605-658-4	s COVER P ASSY, FRONT (for CB)
304	3-611-769-01	s SPRING, COMPRESSION
305	3-623-400-02	s KEYPAD(5X9), LIFT
306	3-623-402-02	s TOP 5X9, KEY
307	3-623-404-02	s TOP 6X6, KEY

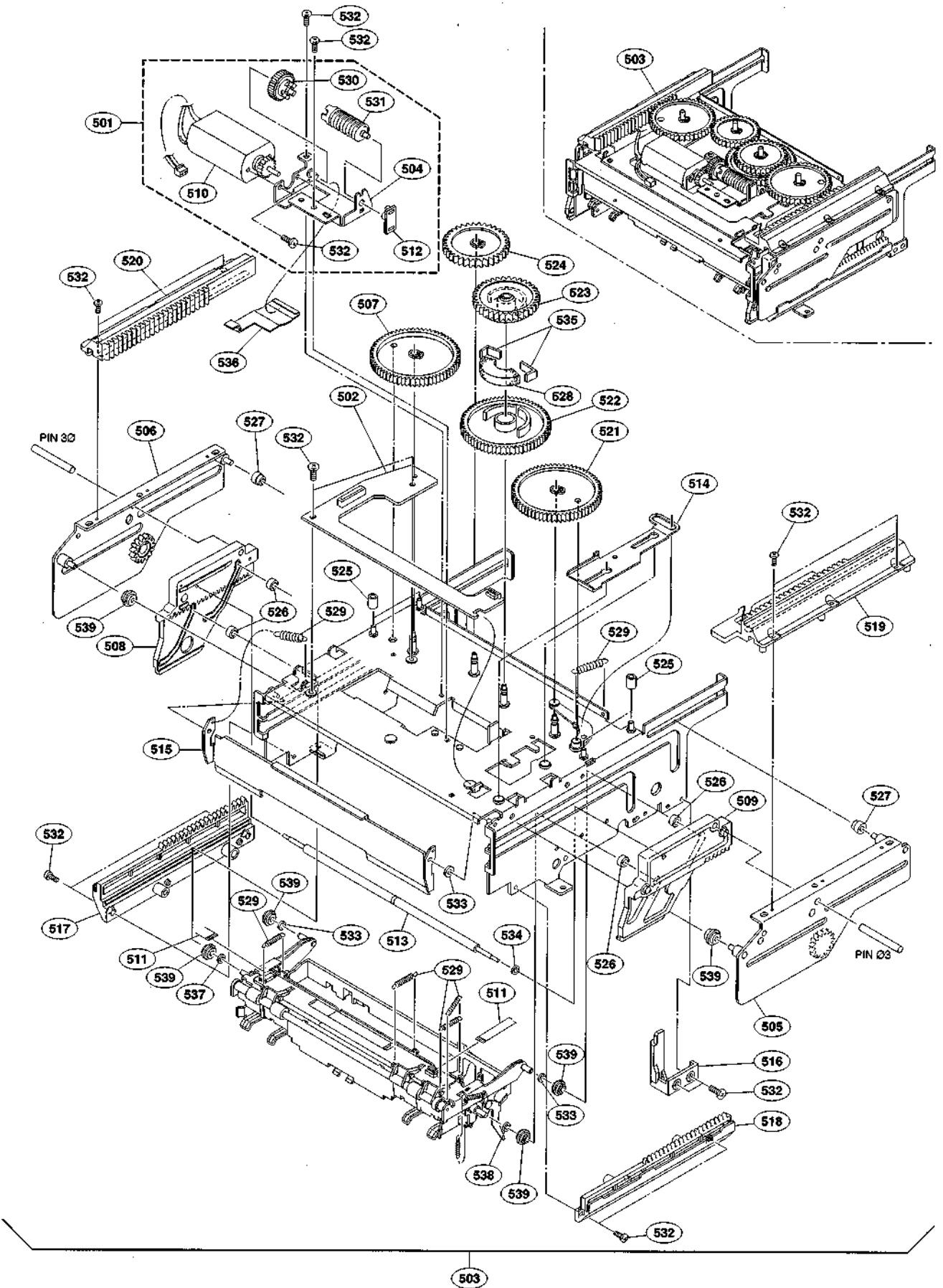
Control Panel Assembly



Control Panel Assembly

No.	Part No.	SP Description
401	A-8323-492-A	o MOUNTED CIRCUIT BOARD, KY-452
402	A-8323-511-A	o MOUNTED CIRCUIT BOARD, VR-259
403	A-8323-512-A	o MOUNTED CIRCUIT BOARD, VR-260
404	A-8323-513-A	o MOUNTED CIRCUIT BOARD, HP-99
405	A-8323-665-C	s DIAL ASSY, SEARCH
406	X-3167-824-1	o KNOB ASSY (R), VOL
407	X-3167-825-1	o KNOB ASSY (P), VOL
408	X-3605-652-8	s PANEL SUB ASSY, CONTROL
409	1-791-704-11	o WIRE, FLAT TYPE (6CORE)
410	1-791-705-11	o WIRE, FLAT TYPE (6CORE)
411	1-791-711-11	o WIRE, FLAT TYPE (34CORE)
412	1-960-088-11	o HARNESS, SUB (KYHP)
413	1-960-089-11	o HARNESS, SUB (KYJOG)
414	3-180-822-05	s KEY TOP 6X6, USE
415	3-611-769-01	s SPRING, COMPRESSION
416	3-623-384-02	s KNOB, DIAL
417	3-623-385-03	s COVER, DIAL
418	3-623-397-02	o ESCUTCHEON, DIAL
419	3-623-398-02	s KEY TOP (9X16)
420	3-623-403-02	s TOP 7X11, KEY
421	3-623-404-02	s TOP 6X6, KEY
422	3-623-407-01	s HANDLE
423	3-623-421-02	o FRAME, CONTROL
424	3-696-774-02	s TOP KEY 6X6
425	3-708-877-01	s CAP
426	3-708-933-01	s CAP
427	3-717-380-21	o GUARD, REC

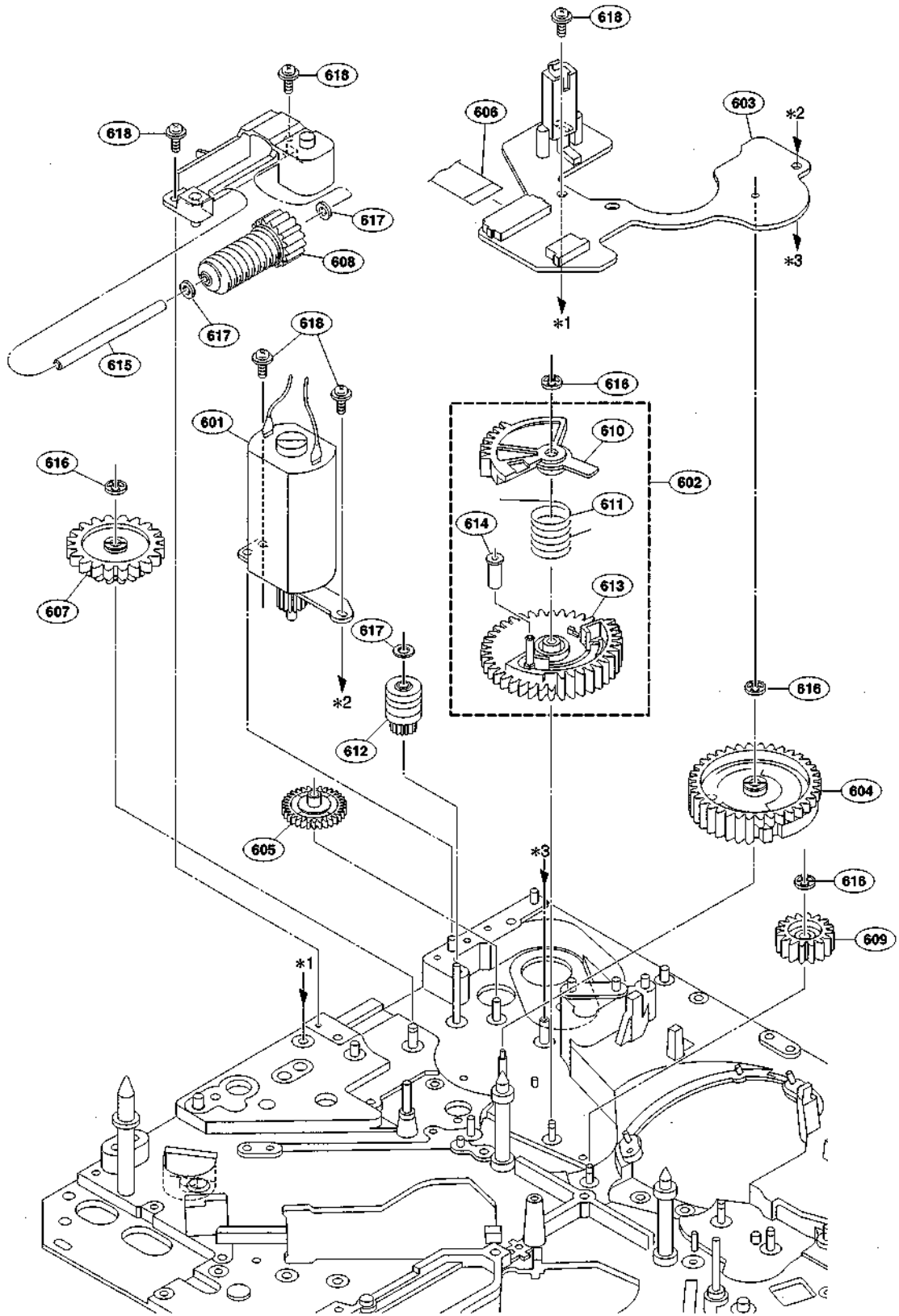
Cassette Compartment Assembly



Cassette Compartment Assembly

No.	Part No.	SP Description
501	A-8279-216-C	o GEAR ASSY,MOTOR
502	A-8323-497-A	o MOUNTED CIRCUIT BOARD, CC-83
503	A-8324-829-A	s CASSETTE COMPARTMENT ASSY
504	X-3605-643-2	o BRACKET ASSY,MOTOR
505	X-3605-645-1	o PLATE AR ASSY,RACK
506	X-3605-646-1	o PLATE AL ASSY,RACK
507	X-3605-647-1	o GEAR (L) ASSY,DRIVING
508	X-3605-648-2	o RACK BML ASSY
509	X-3605-649-2	o RACK BMR ASSY
510	X-3605-661-2	s MOTOR ASSY
511	1-718-102-11	o FLEXIBLE PRINTED WIRING BOARD, ZZ-1137
512	3-623-426-01	o BEARING
513	3-623-576-03	o SHAFT,LIMIT
514	3-623-577-01	o SLIDER,TS
515	3-623-578-03	o LID,TS
516	3-623-579-01	o SLIDER,LID
517	3-623-580-02	o RACK CL
518	3-623-581-02	o RACK CR
519	3-623-582-02	o RACK AR
520	3-623-583-02	o RACK AL
521	3-623-584-02	o GEAR (R), DRIVING
522	3-623-585-03	o WHEEL,WORM
523	3-623-586-02	o GEAR,LIMITER
524	3-623-587-01	o GEAR,RELAY
525	3-623-588-01	o ROLLER,FT
526	3-623-589-01	o ROLLER ,ST
527	3-623-590-01	o ROLLER,AP
528	3-623-591-02	o RUBBER,LIMITER
529	3-623-592-01	s SPRING,EXTENSION
530	3-623-659-01	o GEAR B
531	3-623-660-01	o GEAR,WORM
532	3-624-231-01	s SCREW M2,SPECIAL
533	3-701-437-21	s WASHER,PLASTIC (2.1X0.5)
534	3-626-802-01	o RING (5.5X2.7X1.4),0
535	3-626-803-01	o PLATE, LIMITER
536	3-625-807-01	o COVER, G
537	3-701-437-11	s WASHER
538	3-701-437-21	s WASHER
539	3-604-535-11	o ROLLER, FLANGE, C

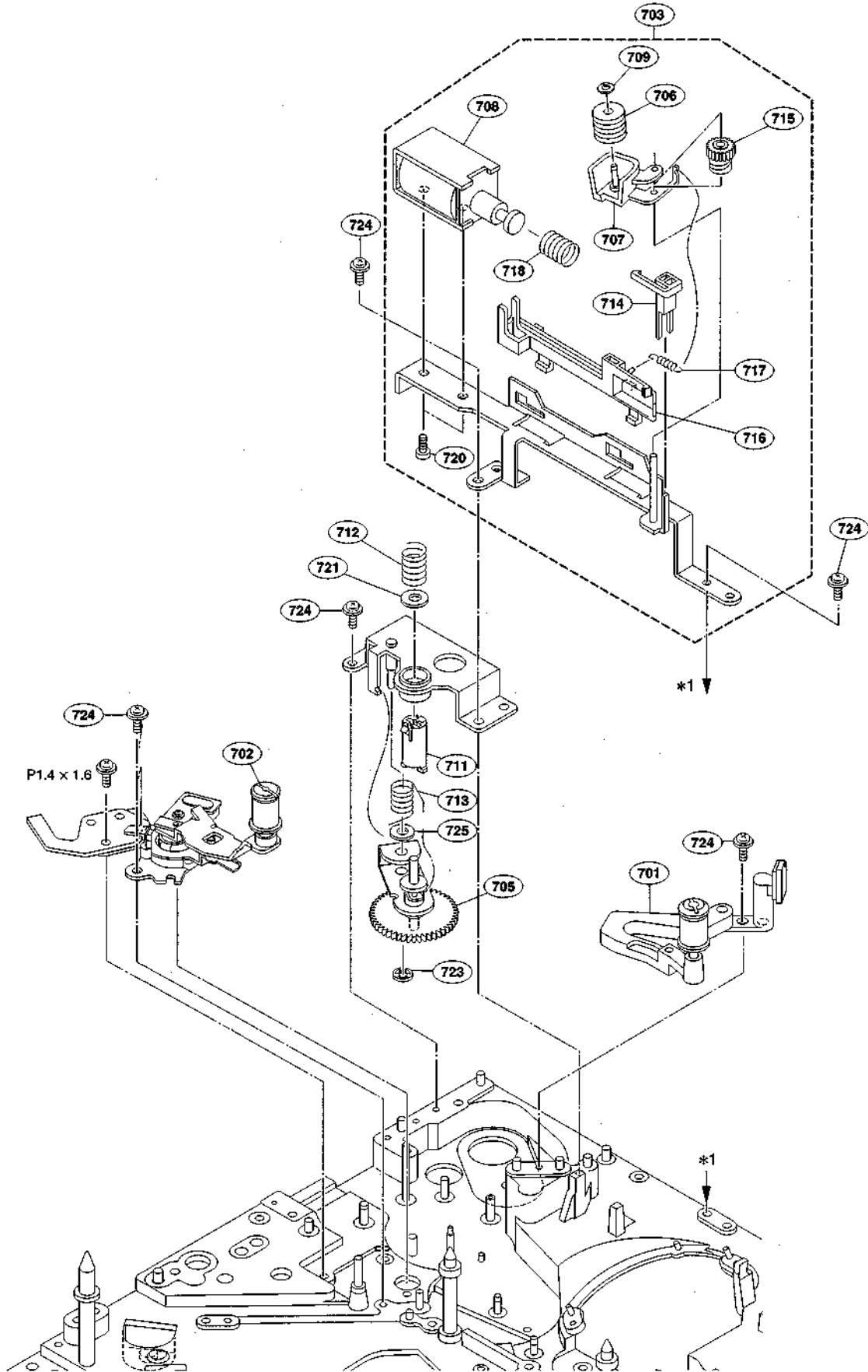
Gears and SE-521 Board



Gears and SE-521 Board

No.	Part No.	SP Description
601	A-8279-202-B	s MOTOR ASSY,LD
602	A-8279-205-B	o GEAR ASSY,NO.3
603	A-8323-518-A	s MOUNTED CIRCUIT BOARD, SE-521
604	X-3604-970-5	s GEAR ASSY,MODE
605	X-3605-638-1	o GEAR ASSY,FG
606	1-791-714-11	o CABLE, FLEXIBLE FLAT (15CORE)
607	3-614-479-02	o NO.1 GEAR
608	3-614-481-02	o WORM(2)
609	3-614-485-01	o NO.4 GEAR
610	3-614-570-03	o GEAR, LIMITTER,TR
611	3-614-663-02	s SPRING,TR LIMITTER
612	3-623-451-01	o GEAR,WORM,LD
613	3-623-534-02	o NO.3 GEAR
614	3-623-535-01	o SLEEVE
615	3-623-702-01	o SHAFT,WORM
616	3-669-465-01	s WASHER(1.5), STOPPER
617	3-701-437-01	s WASHER PLASTIC (2.1X0.14)
618	3-729-013-41	s SCREW,WASHERHEAD(+P)

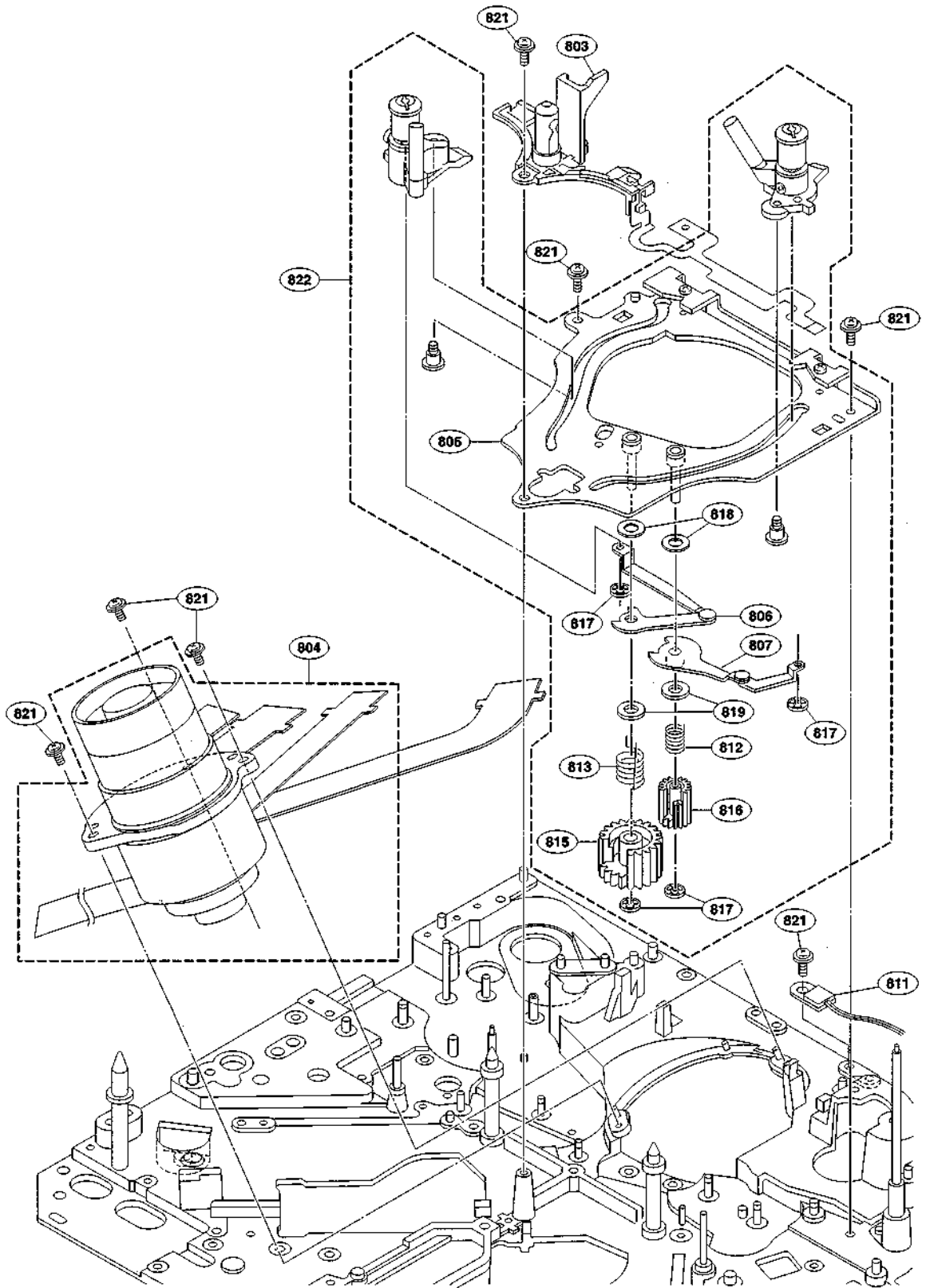
Tension Regulator and Head Cleaner Assembly



Tension Regurator and Head Cleaner Assembly

No.	Part No.	SP Description
701	A-8279-399-C	o ARM ASSY,TG1
702	A-8323-655-F	s REGULATOR ASSY, TENSION
703	A-8323-782-B	o CLEANER ASSY, HEAD
705	X-3605-620-2	o GEAR ASSY,ME
706	X-3605-665-1	s ROLLER ASSY,HC
707	X-3605-898-1	s ARM ASSY,ROLLER
708	1-454-942-31	s SOLENOID, PLUNGER
709	3-349-859-31	s WASHER
711	3-623-497-01	o COVER,ME
712	3-623-498-01	s SPRING(ME), COMPRESSION
713	3-623-499-02	s SPRING,ME
714	3-623-771-01	o HOLDER,CAM,HC
715	3-623-774-01	o ROLLER,CAM,HC
716	3-623-775-01	o SLIDER,HC
717	3-623-780-01	o SPRING,PRESS,HC
718	3-623-781-02	o SPRING,RELEASE,HC
720	3-669-607-01	s SCREW, 4PSW (SMALL ROUND)2.6
721	3-701-443-11	s WASHER, PLASTIC (5.2X0.25)
723	3-726-829-01	s WASHER, STOPPER
724	3-729-013-41	s SCREW,WASHERHEAD(+P)
725	3-701-439-01	s WASHER

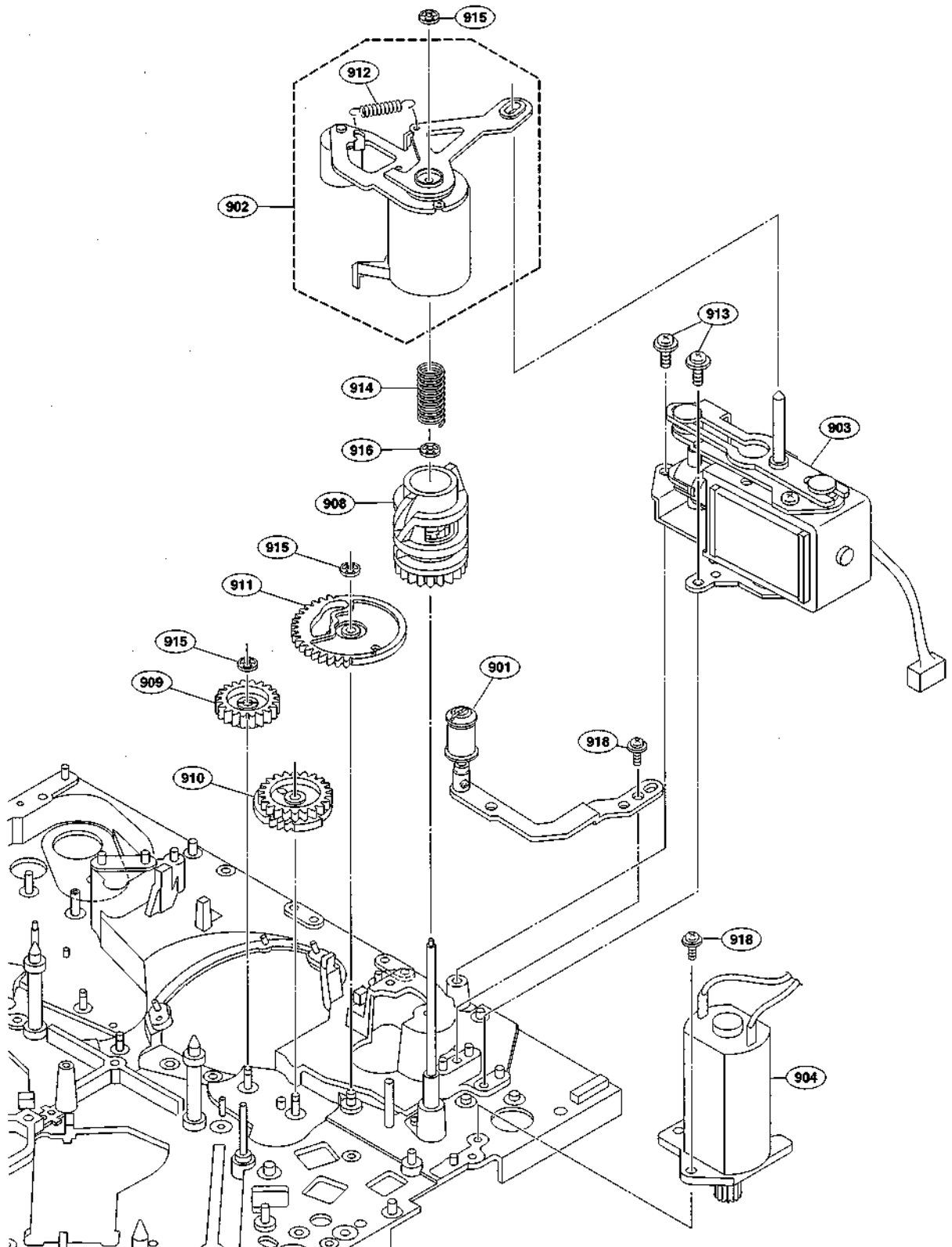
Drum and Rail Assembly



Drum and Rail Assembly

No.	Part No.	SP Description
803	A-8323-662-A	s HOLDER ASSY, LED
804	A-8323-775-A	s DRUM ASSY, DEH-16A-R
805	X-3604-945-3	o SUB ASSY, RAIL
806	X-3604-946-3	o LINK ASSY(L), THREADING
807	X-3604-947-2	o LINK(R)ASSY, THREADING
811	1-803-490-11	s SENSOR, DEW CONDENSATION
812	3-614-593-01	s SPRING(R), LD
813	3-614-594-01	s SPRING(L), LD
814	3-614-602-01	o SHAFT, RAIL
815	3-614-609-01	o GEAR(L), THREADING
816	3-614-610-02	o GEAR(R), THREADING
817	3-669-465-01	s WASHER(1.5), STOPPER
818	3-701-438-11	s WASHER PLASTIC (2.6X0.25)
819	3-701-441-21	s WASHER PLASTIC (4.1X0.5)
821	3-729-013-41	s SCREW, WASHERHEAD(+P)
822	A-8320-101-C	o RAIL ASSY

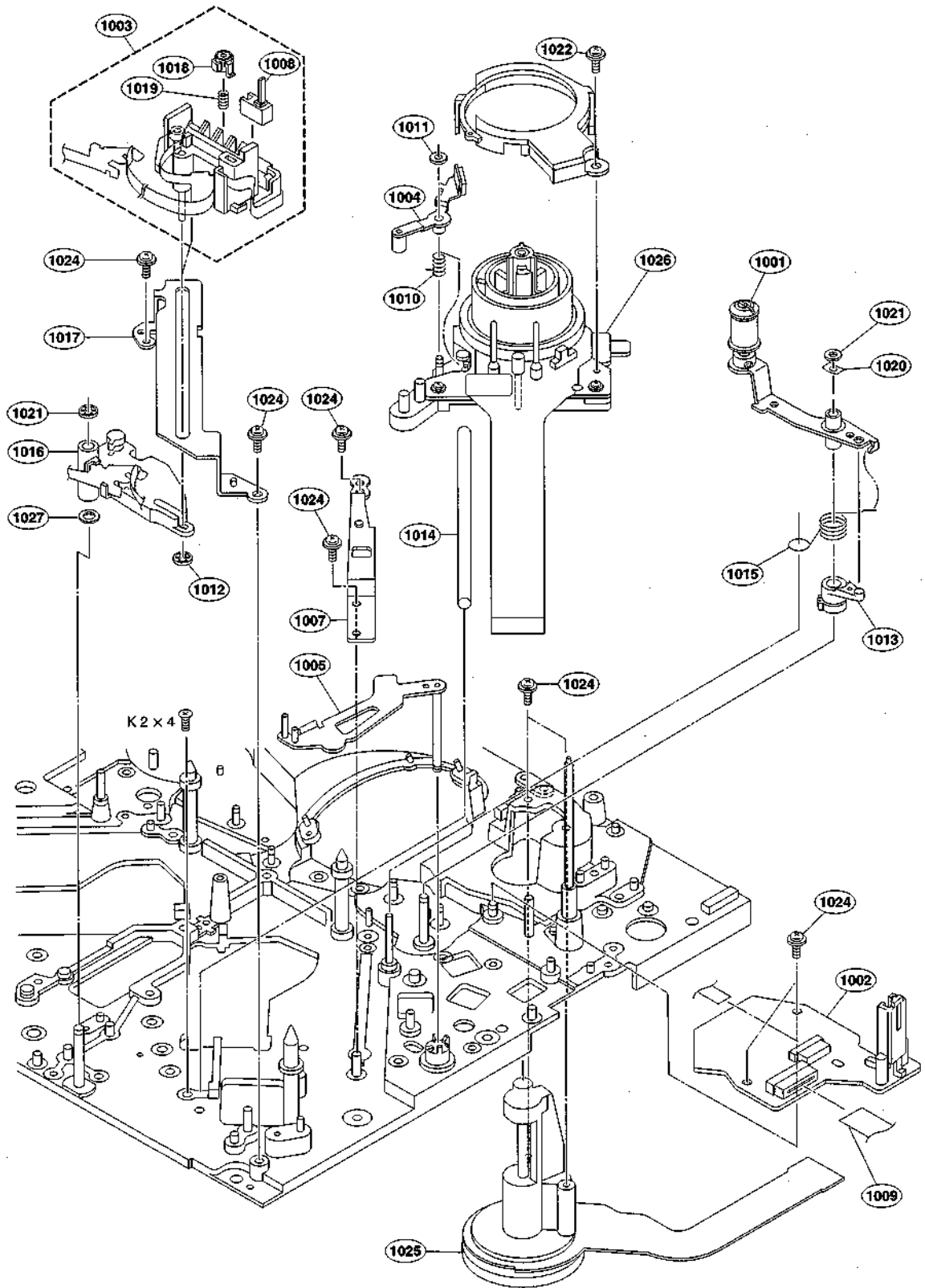
Pinch Solenoid and Pinch Limiter Assembly



Pinch Solenoid and Pinch Limiter Assembly

No.	Part No.	SP Description
901	A-8279-400-B	o ARM ASSY, TG8
902	A-8279-201-E	s LIMITTER ASSY, PINCH
903	A-8279-203-B	s SOLENOID ASSY, PINCH
904	A-8279-204-A	s MOTOR ASSY, RS
908	3-614-478-01	o CAM, ELEVATOR
909	3-614-484-01	o NO. 5 GEAR
910	3-614-548-02	o NO. 6 GEAR
911	3-614-661-01	o NO. 7 GEAR
912	3-623-508-01	s SPRING, PRESS, PINCH
914	3-624-818-01	s SPRING, PL
915	3-669-465-01	s WASHER(1.5), STOPPER
916	3-669-596-01	s WASHER, 2.3
918	3-729-013-41	s SCREW, WASHERHEAD(+P)

MIC Assembly and T Reel, Capstan Motors



MIC Assembly and T Reel, Capstan Motors

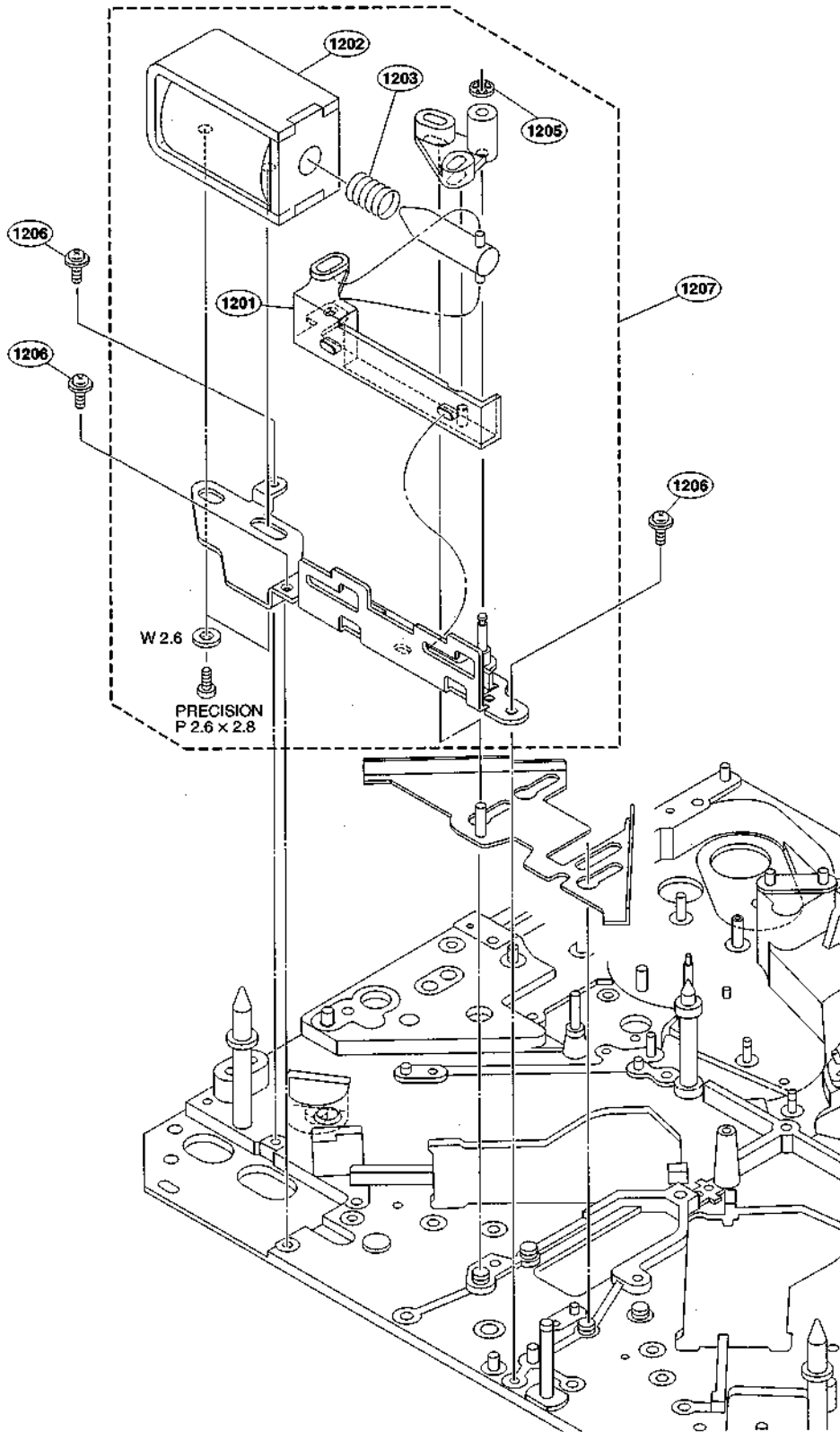
No.	Part No.	SP Description
1001	A-8279-026-D	o ARM ASSY,T DRAWER
1002	A-8323-519-A	s MOUNTED CIRCUIT BOARD, SE-522
1003	A-8323-659-B	s HOLDER SUB ASSY, MIC
1004	A-8324-480-A	s ASSY(T), BRAKE
1005	X-3605-630-4	o STOPPER(M) ASSY, MIC
1007	X-3605-635-1	o RETAINER(T1) ASSY,RMP
1008	1-762-551-11	s SWITCH, PUSH
1009	1-791-714-11	o CABLE, FLEXIBLE FLAT (15CORE)
1010	3-203-453-01	s SPRING(T), BRAKE
1011	3-321-813-01	s WASHER, COTTER POLYETHYLENE
1012	3-559-408-11	s WASHER, POLYETHYLENE, DIA.1.2
1013	3-614-549-03	o T GEAR
1014	3-623-447-01	o SHAFT(T),SLID
1015	3-623-455-01	s SPRING,T
1016	3-623-475-02	o ARM(1),MIC
1017	3-623-476-02	o RAIL,MIC
1018	3-623-477-02	o PLATE,CN PUSH
1019	3-623-478-01	s SPRING,CN COMPRESSION
1020	3-625-948-01	o WASHER, SPRING
1021	3-669-465-01	s WASHER(1.5), STOPPER
1022	3-703-502-31	s SCREW, M1.4X3
1024	3-729-013-41	s SCREW,WASHERHEAD(+P)
1025	8-835-619-51	s MOTOR, DC SCD16A/J-RP
1026	8-835-636-51	s MOTOR, DC SRD14A/J-RP
1027	3-701-437-01	s WASHER PLASTIC (2.1X0.14)

RLR Assembly and S Reel Motor

No.	Part No.	SP Description
1101	A-8324-481-A	s ASSY(S), BRAKE
1102	X-3605-615-3	o ARM(S) ASSY,RLR
1103	X-3605-616-5	o ARM(M) ASSY,RLR
1104	X-3605-617-2	o ARM ASSY,S PUSH
1105	X-3605-619-4	o ROLLER ASSY,S
1106	X-3605-633-1	o RETAINER(S1) ASSY,RMP
1107	3-203-452-01	s SPRING(S), BRAKE
1108	3-321-813-01	s WASHER, COTTER POLYETHYLENE
1109	3-623-446-01	o SHAFT(S), SLID
1110	3-623-450-01	s SPRING,MIC
1111	3-623-483-01	s SPRING(S2),RLR
1112	3-623-484-01	s SPRING(ML),RLR
1113	3-623-495-04	o HOLDER,S ROLLER
1114	3-623-575-01	s SPRING,S PUSH
1115	3-701-436-11	s WASHER (1.6X0.25)
1116	3-703-502-31	s SCREW, M1.4X3
1117	3-726-829-01	s WASHER, STOPPER
1118	3-729-013-41	s SCREW,WASHERHEAD(+P)
1119	8-835-637-51	s MOTOR, DC SRD15A/J-RP
1120	3-669-465-01	s WASHER (1.5), STOPPER
1121	3-623-449-03	o PLATE, L PUSH
1122	A-8323-660-E	o RLR ASSY

Brake Assembly

Serial No. 301041- : J
Serial No. 100911- : UC
Serial No. 401551- : CE

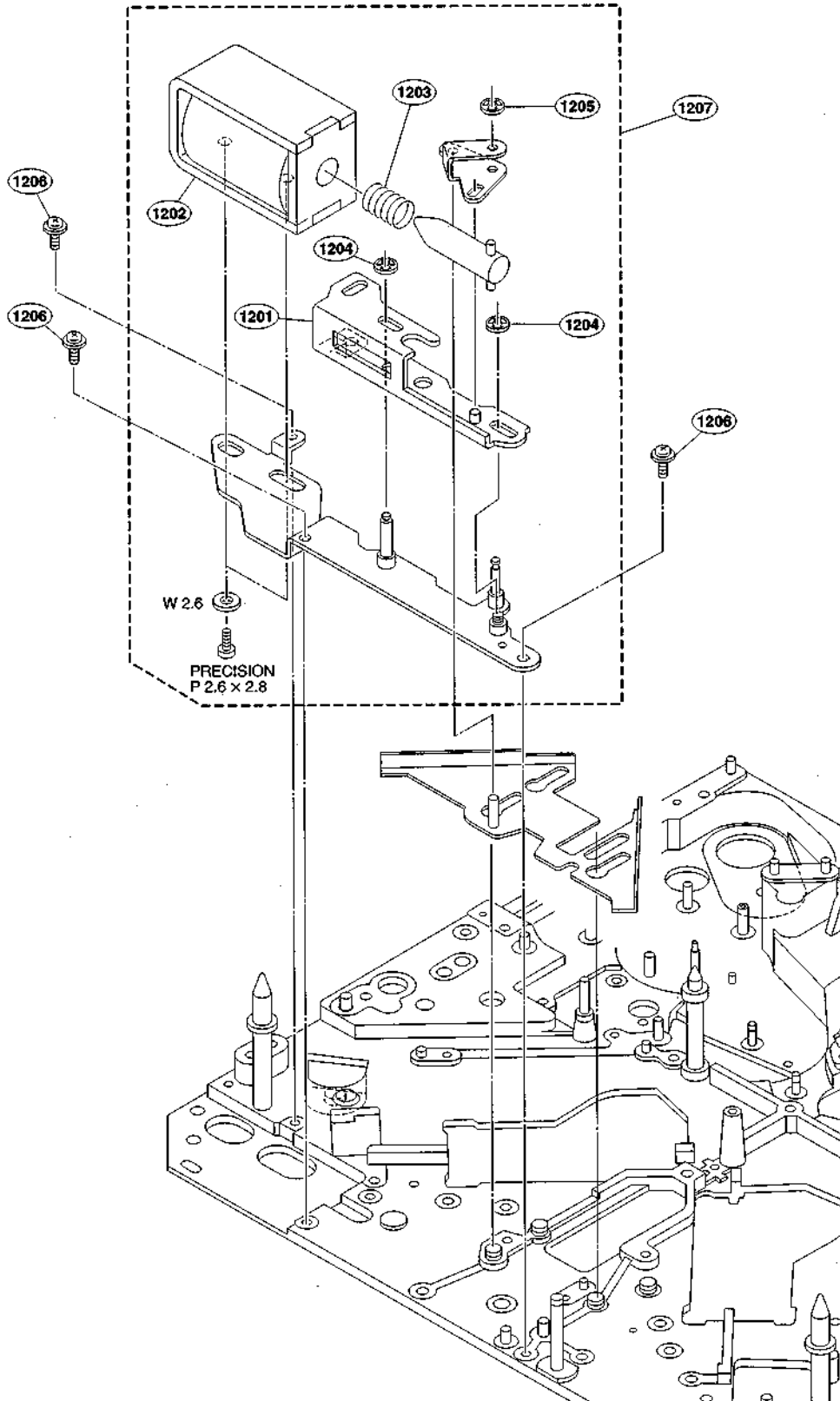


Brake Assembly

No.	Part No.	SP Description
1201	3-629-565-01	o SLIDER, BR
1202	1-454-930-21	s SOLENOID, PLUNGER
1203	3-623-520-01	s SPRING, COMPRESSION
1204	3-669-465-01	s WASHER (1.5), STOPPER
1205	3-726-829-01	s WASHER, STOPPER
1206	3-729-013-41	s SCREW, WASHERHEAD (+P)
1207	A-8323-663-C	o BRAKE ASSY

Brake Assembly

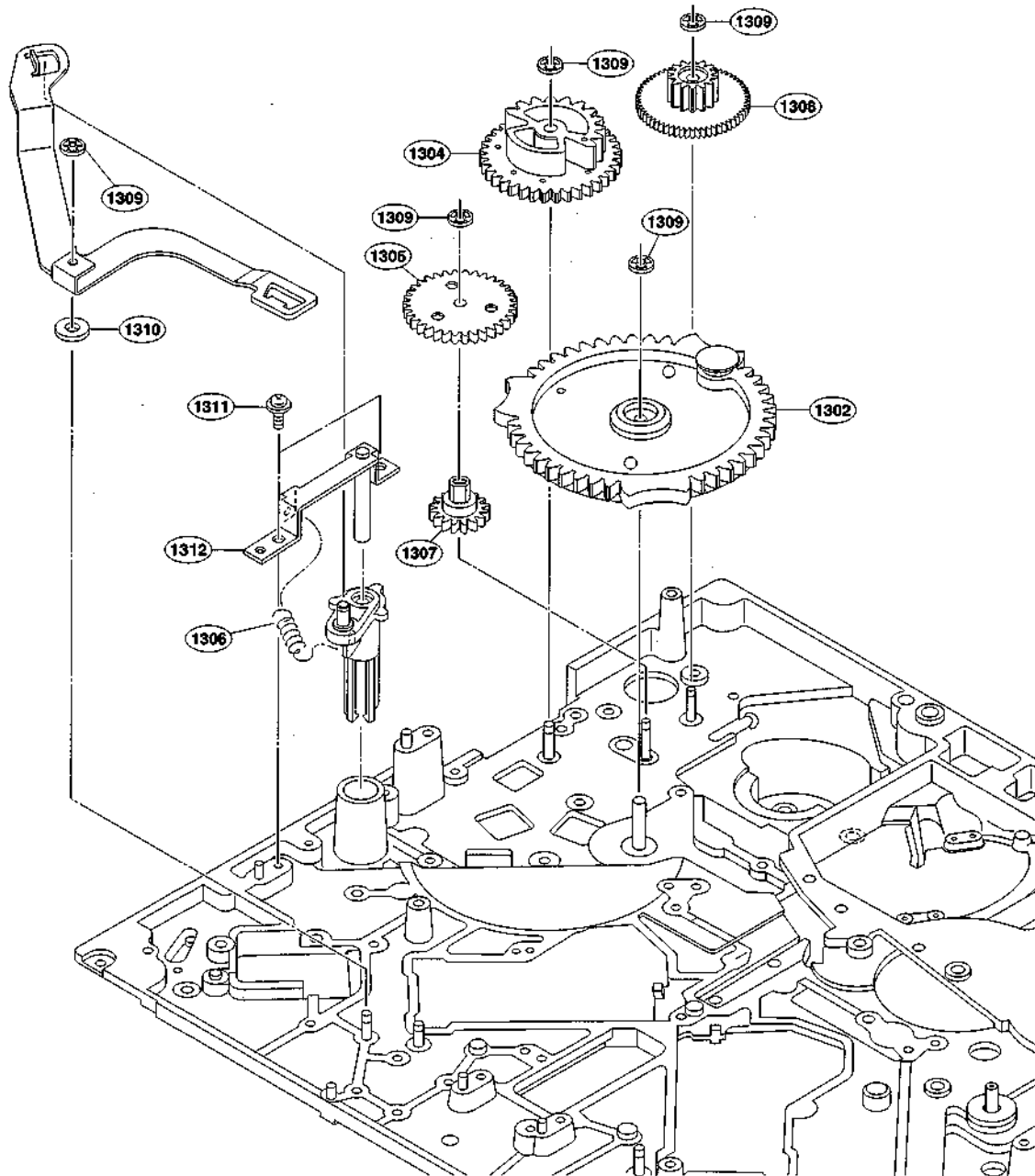
Serial No. 300001-301040: J
Serial No. 100001-100910: UC
Serial No. 400001-401551: CE



Brake Assembly

No.	Part No.	SP Description
1201	X-3605-625-1	o SLIDER ASSY, BR
1202	1-454-930-11	s SOLENOID, PLUNGER
1203	3-623-520-01	s SPRING, COMPRESSION
1204	3-669-465-01	s WASHER(1.5), STOPPER
1205	3-726-829-01	s WASHER, STOPPER
1206	3-729-013-41	s SCREW, WASHERHEAD(+P)
1207	A-8323-663-A	o BRAKE ASSY

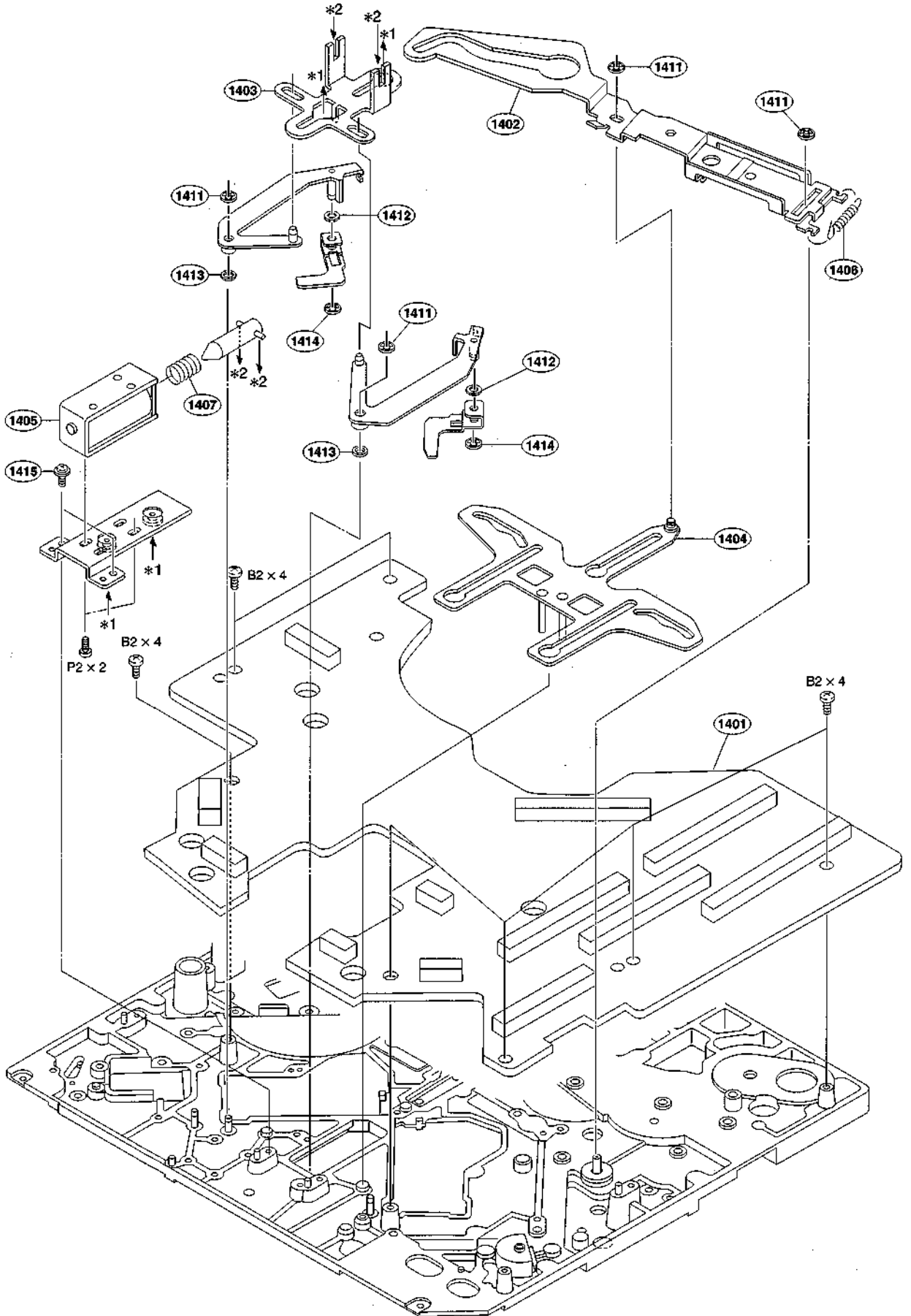
Gears and MIC Drive Assembly



Gears and MIC Drive Assembly

No.	Part No.	SP Description
1302	X-3605-631-1	o GEAR ASSY,R SHIFT
1304	X-3605-636-1	o GEAR (C) ASSY
1305	3-623-444-01	o GEAR B1
1306	3-623-445-02	s SPRING(MIC),EXTENSION
1307	3-623-453-01	o GEAR B
1308	3-623-454-02	o GEAR A
1309	3-669-465-01	s WASHER(1.5), STOPPER
1310	3-701-437-01	s WASHER PLASTIC (2.1X0.14)
1311	3-729-013-41	s SCREW,WASHERHEAD(+P)
1312	X-3605-639-3	o HOLDER ASSY, M

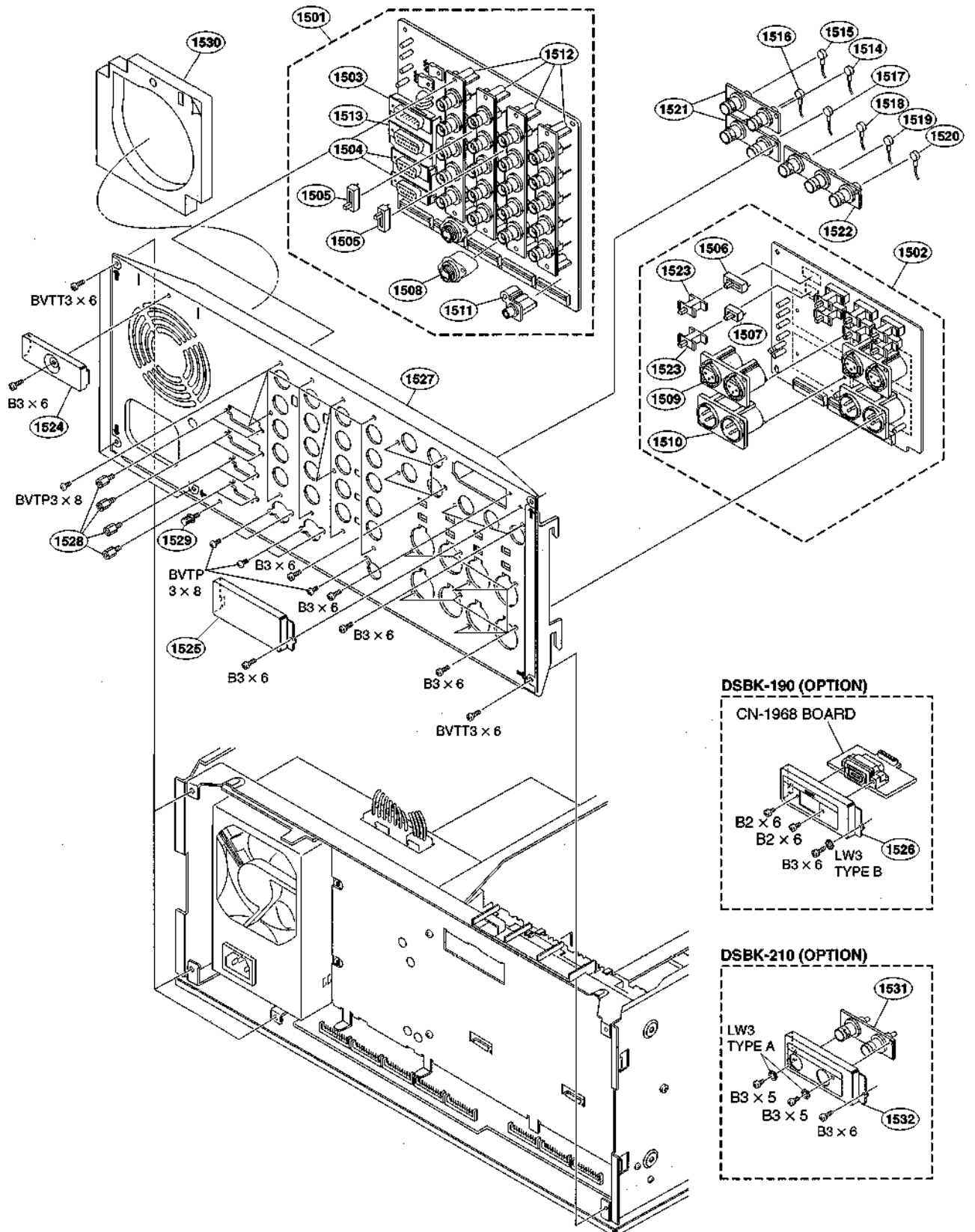
M Stopper (T), (S) Assembly



M Stopper (T), (S) Assembly

No.	Part No.	SP Description
1401	A-8323-565-A	o MOUNTED CIRCUIT BOARD, MS-64
1402	X-3605-610-3	o ARM(A) ASSY,RS
1403	3-629-490-01	o SLIDER, MS
1404	X-3605-637-3	o PLATE(A) ASSY,RS
1405	1-454-932-11	s SOLENOID, PLUNGER
1406	3-614-541-01	s SPRING,EXTENSION
1407	3-614-543-01	o SPRING,COMPRESSION
1411	3-669-465-01	s WASHER(1.5), STOPPER
1412	3-701-436-01	s WASHER (1.6)
1413	3-701-437-01	s WASHER PLASTIC (2.1X0.14)
1414	3-726-829-01	s WASHER,STOPPER
1415	3-729-013-41	s SCREW,WASHERHEAD(+P)

Rear Panel Block



Rear Panel Block

No.	Part No.	SP Description
1501	A-8323-489-A	o MOUNTED CIRCUIT BOARD, CP-341
1502	A-8323-490-A	o MOUNTED CIRCUIT BOARD, CP-342(for UC,CE)
	A-8323-491-A	o MOUNTED CIRCUIT BOARD, CP-342A(for J)
1503	1-568-674-11	o CONNECTOR, D-SUB 15P
1504	1-568-676-11	o CONNECTOR, D-SUB 15P
1505	1-570-157-51	s SWITCH, SLIDE
1506	1-572-042-11	s SWITCH, SLIDE (2-4-3)
1507	1-572-992-11	s SWITCH, SLIDE (2-2-3)
1508	1-573-590-22	s CONNECTOR, (S)
1509	1-750-785-21	s CONNECTOR, (XLR TYPE) 3P (for UC,CE)
	1-750-786-21	s CONNECTOR, (XLR TYPE) 3P (for J)
1510	1-750-786-21	s CONNECTOR, (XLR TYPE) 3P (for UC,CE)
	1-750-785-21	s CONNECTOR, (XLR TYPE) 3P (for J)
1511	1-766-596-11	s JUCK, PIN 1P
1512	1-778-665-11	s CONNECTOR, BNC (RECEPTACLE)
1513	1-784-599-11	s CONNECTOR, D-SUB 15P
1514	1-791-715-12	o CABLE ASSMBLY, COAXIAL
1515	1-791-716-12	o CABLE ASSMBLY, COAXIAL
1516	1-791-717-11	o CABLE ASSMBLY, COAXIAL
1517	1-791-718-12	o CABLE ASSMBLY, COAXIAL
1518	1-791-719-11	o CABLE ASSMBLY, COAXIAL
1519	1-791-720-11	o CABLE ASSMBLY, COAXIAL
1520	1-791-721-11	o CABLE ASSMBLY, COAXIAL
1521	1-793-815-11	o CONVERTER, COAXIAL CONNECTOR
1522	1-793-816-11	o CONVERTER, COAXIAL CONNECTOR
1523	3-171-450-01	o ADAPTER SW
1524	3-623-396-01	o BRACKET,COVER, TOP
1525	3-623-441-01	o COVER,OPTION
1526	3-623-441-13	o COVER,OPTION (DSBK-190)
1527	3-623-653-04	o PANEL,REAR (for UC)
	3-623-653-14	o PANEL,REAR (for CE)
	3-623-653-24	o PANEL,REAR (for J)
1528	3-673-910-31	s SCREW, CONNECTOR
1529	4-947-010-01	s SCREW,FEEDER FIXED
1530	3-629-834-01	o PACKING, DUCT, RADIATION
1531	1-793-815-11	o CONVERTER, COAXIAL CONNECTOR
1532	3-623-441-23	o COVER, OPTION (DSBK-210)

No.	Part No.	SP Description
1601	A-8279-277-D	o PANEL ASSY, CONTROL
1602	A-8323-665-C	s DIAL ASSY, SEARCH
1603	A-8324-145-A	o MOUNTED CIRCUIT BOARD, IF-778
1604	A-8324-694-A	o MOUNTED CIRCUIT BOARD, KY-452A (for J, SY)
1605	1-960-089-11	o HARNESS, SUB (KYJOG)
1606	1-960-326-11	o HARNESS, SUB (KYIF)
1607	3-180-822-05	s KEY TOP 6x6, USE
1608	3-611-769-01	s SPRING, COMPRESSION
1609	3-623-384-02	s KNOB, DIAL
1610	3-623-385-03	s COVER, DIAL
1611	3-623-397-02	o ESCUTCHEON, DIAL
1612	3-623-398-02	s KEY TOP (9x16)
1613	3-623-403-02	s TOP 7x11, KEY
1614	3-623-404-02	s TOP 6x6, KEY
1615	3-623-421-02	o FRAME, CONTROL
1616	3-623-422-12	o COVER, KY
1617	3-696-774-02	s TOP KEY 6x6
1618	3-708-877-01	s CAP
1619	3-708-933-01	s CAP
1620	3-717-380-21	o GUARD, REC
1621	4-360-293-00	o SPACER, BOSS
1622	4-812-134-11	s RIVET
1623	1-792-642-11	s CORD, CONNECTION

Screws and Washers

Part No.	SP Description
7-621-591-00	s SCREW +K 2X4 (EP-FE/ZNBK/CM2)
7-621-772-18	s SCREW +B M2X4 (EP-FE/CU,NI,CR)
7-623-924-01	s WASHER, PLASTIC (3X0.5)
7-624-104-04	s STOP RING, E-2
7-624-105-04	s RING, E2.3 (STEEL)
7-624-106-04	s RING, RETAINING, E (3MM)
7-624-108-04	s RING, RETAINING; E-TYPE 4 (STEEL)
7-626-302-21	s SPRING PIN 2.5X12 (STEEL)
7-627-551-47	s SCREW +P1.4X1.4 (EP-FE/CU,NI,CR)
7-627-553-17	s SCREW +P2X2 (EP-FE/CU,NI,CR)
7-627-553-37	s SCREW +P2X3 (EP-FE/CU,NI,CR)
7-627-556-07	s SCREW +P2.6X2.8 (EP-FE/CU,NI,CR)
7-627-556-08	s SCREW +P2.6X2.8 (EP-FE/ZNBK/CM2)
7-671-155-01	s STEEL BALL (3 DIA)
7-682-547-04	s SCREW +B3X6 (EP-FE/CU,NI,CR)
7-682-547-09	s SCREW +B3X6 (EP-FE/ZNBK/CM2)
7-682-550-09	s SCREW +B3X12 (EP-FE/ZNBK/CM2)
7-682-560-04	o SCREW +B4X6 (EP-FE/CU,NI,CR)
7-682-902-21	s SCREW +PWH 2.6X6 (EP-FE/ZN/CM2)
7-682-903-11	s SCREW +PWH 3X6 (EP-FE/ZN/CM2)
7-682-903-19	s SCREW +PWH 3X6 (EP-FE/ZNBK/CM2)
7-682-949-01	s SCREW +PSW 3X10 (EP-FE/ZN/CM2)
7-685-105-19	s SCREW +PTP2X6 (EP-FE/ZNBK/CM2)
7-685-247-19	s SCREW +KTP 3X10 (EP-FE/ZNBK/CM2)
7-685-547-19	s SCREW +BTP 3X10 (EP-FE/ZNBK/CM2)
7-685-646-79	s SCREW +BVTP 3X8 (EP-FE/ZNBK/CM2)
7-685-871-01	s SCREW BVTP 3X6 (EP-FE/ZN/CM2)
7-688-002-03	s WASHER 2.6 (EP-CU/NI) (SMALL)

12-3. Electrical Parts Lists

APR-45 BOARD(DSR-2000/2000P) SUFFIX -14

Ref. No. or Q'ty	Part No.	SP Description
1pc	A-8323-473-B	s MOUNTED CIRCUIT BOARD, APR-45
C7	1-126-396-11	s CAPACITOR, ELECT 47MF/16V(CHIP)
C8	1-126-396-11	s CAPACITOR, ELECT 47MF/16V(CHIP)
C9	1-126-396-11	s CAPACITOR, ELECT 47MF/16V(CHIP)
C10	1-126-396-11	s CAPACITOR, ELECT 47MF/16V(CHIP)
C19	1-162-923-11	s CAPACITOR, CERAMIC 47PF/50V CH
C20	1-162-923-11	s CAPACITOR, CERAMIC 47PF/50V CH
C21	1-162-923-11	s CAPACITOR, CERAMIC 47PF/50V CH
C22	1-162-923-11	s CAPACITOR, CERAMIC 47PF/50V CH
C43	1-126-395-11	s CAPACITOR, ELECT 22MF/16V(CHIP)
C44	1-126-395-11	s CAPACITOR, ELECT 22MF/16V(CHIP)
C45	1-162-927-11	s CAPACITOR, CERAMIC 100PF/50V CH
C46	1-162-923-11	s CAPACITOR, CERAMIC 47PF/50V CH
C47	1-162-927-11	s CAPACITOR, CERAMIC 100PF/50V CH
C48	1-162-923-11	s CAPACITOR, CERAMIC 47PF/50V CH
C49	1-107-826-11	s CAPACITOR, CHIP CERAMIC 0.1MF
C50	1-107-826-11	s CAPACITOR, CHIP CERAMIC 0.1MF
C51	1-107-826-11	s CAPACITOR, CHIP CERAMIC 0.1MF
C52	1-107-826-11	s CAPACITOR, CHIP CERAMIC 0.1MF
C53	1-104-851-11	s CAPACITOR, TANTALUM 10MF/10V
C54	1-104-851-11	s CAPACITOR, TANTALUM 10MF/10V
C55	1-126-394-11	s CAPACITOR, ELECT 10MF/16V(CHIP)
C56	1-126-394-11	s CAPACITOR, ELECT 10MF/16V(CHIP)
C57	1-126-394-11	s CAPACITOR, ELECT 10MF/16V(CHIP)
C58	1-126-394-11	s CAPACITOR, ELECT 10MF/16V(CHIP)
C59	1-104-851-11	s CAPACITOR, TANTALUM 10MF/10V
C60	1-107-826-11	s CAPACITOR, CHIP CERAMIC 0.1MF
C61	1-162-966-11	s CAPACITOR, CERAMIC 2200PF/50V B
C62	1-104-851-11	s CAPACITOR, TANTALUM 10MF/10V
C63	1-107-826-11	s CAPACITOR, CHIP CERAMIC 0.1MF
C64	1-163-145-00	s CAPACITOR, CHIP CERAMIC 1500PF
C65	1-163-145-00	s CAPACITOR, CHIP CERAMIC 1500PF
C66	1-162-966-11	s CAPACITOR, CERAMIC 2200PF/50V B
C67	1-107-826-11	s CAPACITOR, CHIP CERAMIC 0.1MF
C68	1-107-826-11	s CAPACITOR, CHIP CERAMIC 0.1MF
C69	1-107-826-11	s CAPACITOR, CHIP CERAMIC 0.1MF
C70	1-104-851-11	s CAPACITOR, TANTALUM 10MF/10V
C107	1-126-396-11	s CAPACITOR, ELECT 47MF/16V(CHIP)
C108	1-126-396-11	s CAPACITOR, ELECT 47MF/16V(CHIP)
C109	1-126-396-11	s CAPACITOR, ELECT 47MF/16V(CHIP)
C110	1-126-396-11	s CAPACITOR, ELECT 47MF/16V(CHIP)
C119	1-162-923-11	s CAPACITOR, CERAMIC 47PF/50V CH
C120	1-162-923-11	s CAPACITOR, CERAMIC 47PF/50V CH
C121	1-162-923-11	s CAPACITOR, CERAMIC 47PF/50V CH
C122	1-162-923-11	s CAPACITOR, CERAMIC 47PF/50V CH
C143	1-126-395-11	s CAPACITOR, ELECT 22MF/16V(CHIP)
C144	1-126-395-11	s CAPACITOR, ELECT 22MF/16V(CHIP)
C145	1-162-927-11	s CAPACITOR, CERAMIC 100PF/50V CH
C146	1-162-923-11	s CAPACITOR, CERAMIC 47PF/50V CH
C147	1-162-927-11	s CAPACITOR, CERAMIC 100PF/50V CH
C148	1-162-923-11	s CAPACITOR, CERAMIC 47PF/50V CH
C149	1-107-826-11	s CAPACITOR, CHIP CERAMIC 0.1MF
C150	1-107-826-11	s CAPACITOR, CHIP CERAMIC 0.1MF
C151	1-107-826-11	s CAPACITOR, CHIP CERAMIC 0.1MF
C152	1-107-826-11	s CAPACITOR, CHIP CERAMIC 0.1MF
C153	1-104-851-11	s CAPACITOR, TANTALUM 10MF/10V
C154	1-104-851-11	s CAPACITOR, TANTALUM 10MF/10V
C155	1-126-394-11	s CAPACITOR, ELECT 10MF/16V(CHIP)

(APR-45 BOARD(DSR-2000/2000P) SUFFIX -14)

Ref. No. or Q'ty	Part No.	SP Description
C156	1-126-394-11	s CAPACITOR, ELECT 10MF/16V(CHIP)
C157	1-126-394-11	s CAPACITOR, ELECT 10MF/16V(CHIP)
C158	1-126-394-11	s CAPACITOR, ELECT 10MF/16V(CHIP)
C159	1-104-851-11	s CAPACITOR, TANTALUM 10MF/10V
C160	1-107-826-11	s CAPACITOR, CHIP CERAMIC 0.1MF
C161	1-162-966-11	s CAPACITOR, CERAMIC 2200PF/50V B
C162	1-104-851-11	s CAPACITOR, TANTALUM 10MF/10V
C163	1-107-826-11	s CAPACITOR, CHIP CERAMIC 0.1MF
C164	1-163-145-00	s CAPACITOR, CHIP CERAMIC 1500PF
C165	1-163-145-00	s CAPACITOR, CHIP CERAMIC 1500PF
C166	1-162-966-11	s CAPACITOR, CERAMIC 2200PF/50V B
C167	1-107-826-11	s CAPACITOR, CHIP CERAMIC 0.1MF
C168	1-107-826-11	s CAPACITOR, CHIP CERAMIC 0.1MF
C169	1-107-826-11	s CAPACITOR, CHIP CERAMIC 0.1MF
C170	1-104-851-11	s CAPACITOR, TANTALUM 10MF/10V
C201	1-104-851-11	s CAPACITOR, TANTALUM 10MF/10V
C202	1-104-851-11	s CAPACITOR, TANTALUM 10MF/10V
C203	1-107-826-11	s CAPACITOR, CHIP CERAMIC 0.1MF
C204	1-107-826-11	s CAPACITOR, CHIP CERAMIC 0.1MF
C205	1-107-826-11	s CAPACITOR, CHIP CERAMIC 0.1MF
C206	1-107-826-11	s CAPACITOR, CHIP CERAMIC 0.1MF
C207	1-104-851-11	s CAPACITOR, TANTALUM 10MF/10V
C208	1-104-851-11	s CAPACITOR, TANTALUM 10MF/10V
C209	1-107-826-11	s CAPACITOR, CHIP CERAMIC 0.1MF
C210	1-107-826-11	s CAPACITOR, CHIP CERAMIC 0.1MF
C211	1-126-394-11	s CAPACITOR, ELECT 10MF/16V(CHIP)
C212	1-126-394-11	s CAPACITOR, ELECT 10MF/16V(CHIP)
C213	1-126-394-11	s CAPACITOR, ELECT 10MF/16V(CHIP)
C214	1-126-394-11	s CAPACITOR, ELECT 10MF/16V(CHIP)
C215	1-126-394-11	s CAPACITOR, ELECT 10MF/16V(CHIP)
C216	1-126-394-11	s CAPACITOR, ELECT 10MF/16V(CHIP)
C217	1-126-394-11	s CAPACITOR, ELECT 10MF/16V(CHIP)
C218	1-126-394-11	s CAPACITOR, ELECT 10MF/16V(CHIP)
C219	1-162-927-11	s CAPACITOR, CERAMIC 100PF/50V CH
C220	1-162-927-11	s CAPACITOR, CERAMIC 100PF/50V CH
C221	1-162-927-11	s CAPACITOR, CERAMIC 100PF/50V CH
C222	1-162-927-11	s CAPACITOR, CERAMIC 100PF/50V CH
C223	1-162-927-11	s CAPACITOR, CERAMIC 100PF/50V CH
C224	1-162-927-11	s CAPACITOR, CERAMIC 100PF/50V CH
C225	1-162-927-11	s CAPACITOR, CERAMIC 100PF/50V CH
C226	1-162-927-11	s CAPACITOR, CERAMIC 100PF/50V CH
C227	1-164-227-11	s CAPACITOR, CERAMIC 0.022MF/25V
C228	1-164-227-11	s CAPACITOR, CERAMIC 0.022MF/25V
C229	1-164-227-11	s CAPACITOR, CERAMIC 0.022MF/25V
C230	1-164-227-11	s CAPACITOR, CERAMIC 0.022MF/25V
C231	1-164-227-11	s CAPACITOR, CERAMIC 0.022MF/25V
C232	1-164-227-11	s CAPACITOR, CERAMIC 0.022MF/25V
C233	1-164-227-11	s CAPACITOR, CERAMIC 0.022MF/25V
C234	1-164-227-11	s CAPACITOR, CERAMIC 0.022MF/25V
C243	1-126-395-11	s CAPACITOR, ELECT 22MF/16V(CHIP)
C244	1-126-395-11	s CAPACITOR, ELECT 22MF/16V(CHIP)
C245	1-126-395-11	s CAPACITOR, ELECT 22MF/16V(CHIP)
C246	1-126-395-11	s CAPACITOR, ELECT 22MF/16V(CHIP)
C247	1-162-927-11	s CAPACITOR, CERAMIC 100PF/50V CH
C248	1-162-927-11	s CAPACITOR, CERAMIC 100PF/50V CH
C249	1-162-927-11	s CAPACITOR, CERAMIC 100PF/50V CH
C250	1-162-927-11	s CAPACITOR, CERAMIC 100PF/50V CH
C251	1-162-927-11	s CAPACITOR, CERAMIC 100PF/50V CH
C252	1-162-927-11	s CAPACITOR, CERAMIC 100PF/50V CH

(APR-45 BOARD(DSR-2000/2000P) SUFFIX -14)

Ref. No. or Q'ty	Part No.	SP Description
C466	1-107-826-11	s CAPACITOR,CHIP CERAMIC 0.1MF
C467	1-107-826-11	s CAPACITOR,CHIP CERAMIC 0.1MF
C468	1-107-826-11	s CAPACITOR,CHIP CERAMIC 0.1MF
C469	1-107-826-11	s CAPACITOR,CHIP CERAMIC 0.1MF
C473	1-107-826-11	s CAPACITOR,CHIP CERAMIC 0.1MF
C474	1-107-826-11	s CAPACITOR,CHIP CERAMIC 0.1MF
C475	1-107-826-11	s CAPACITOR,CHIP CERAMIC 0.1MF
C476	1-107-826-11	s CAPACITOR,CHIP CERAMIC 0.1MF
C477	1-107-826-11	s CAPACITOR,CHIP CERAMIC 0.1MF
C478	1-107-826-11	s CAPACITOR,CHIP CERAMIC 0.1MF
C479	1-107-826-11	s CAPACITOR,CHIP CERAMIC 0.1MF
C480	1-107-826-11	s CAPACITOR,CHIP CERAMIC 0.1MF
C481	1-107-826-11	s CAPACITOR,CHIP CERAMIC 0.1MF
C519	1-107-826-11	s CAPACITOR,CHIP CERAMIC 0.1MF
C520	1-107-826-11	s CAPACITOR,CHIP CERAMIC 0.1MF
C523	1-107-826-11	s CAPACITOR,CHIP CERAMIC 0.1MF
C524	1-107-826-11	s CAPACITOR,CHIP CERAMIC 0.1MF
C525	1-126-396-11	s CAPACITOR,ELECT 47MF/16V(CHIP)
C526	1-126-396-11	s CAPACITOR,ELECT 47MF/16V(CHIP)
C527	1-128-416-11	s CAPACITOR ELECT 100MF/16V(105C)
C529	1-107-826-11	s CAPACITOR,CHIP CERAMIC 0.1MF
C536	1-107-826-11	s CAPACITOR,CHIP CERAMIC 0.1MF
C538	1-107-826-11	s CAPACITOR,CHIP CERAMIC 0.1MF
C543	1-107-826-11	s CAPACITOR,CHIP CERAMIC 0.1MF
C601	1-164-227-11	s CAPACITOR,CERAMIC 0.022MF/25V
C602	1-164-227-11	s CAPACITOR,CERAMIC 0.022MF/25V
C603	1-126-394-11	s CAPACITOR,ELECT 10MF/16V(CHIP)
C604	1-126-394-11	s CAPACITOR,ELECT 10MF/16V(CHIP)
C605	1-104-852-11	s CAPACITOR,TANTALUM 22MF/10V
C606	1-164-227-11	s CAPACITOR,CERAMIC 0.022MF/25V
C607	1-164-227-11	s CAPACITOR,CERAMIC 0.022MF/25V
C608	1-164-227-11	s CAPACITOR,CERAMIC 0.022MF/25V
C609	1-164-227-11	s CAPACITOR,CERAMIC 0.022MF/25V
C610	1-107-826-11	s CAPACITOR,CHIP CERAMIC 0.1MF
C611	1-107-826-11	s CAPACITOR,CHIP CERAMIC 0.1MF
C612	1-162-970-11	s CAPACITOR CERAMIC 0.01MF/25V B
C613	1-126-395-11	s CAPACITOR,ELECT 22MF/16V(CHIP)
C614	1-126-395-11	s CAPACITOR,ELECT 22MF/16V(CHIP)
C615	1-104-852-11	s CAPACITOR,TANTALUM 22MF/10V
C651	1-164-315-11	s CAPACITOR,CERAMIC 470PF/50V CH
C701	1-104-851-11	s CAPACITOR,TANTALUM 10MF/10V
C702	1-104-851-11	s CAPACITOR,TANTALUM 10MF/10V
C703	1-107-826-11	s CAPACITOR,CHIP CERAMIC 0.1MF
C704	1-107-826-11	s CAPACITOR,CHIP CERAMIC 0.1MF
C705	1-107-826-11	s CAPACITOR,CHIP CERAMIC 0.1MF
C706	1-104-851-11	s CAPACITOR,TANTALUM 10MF/10V
C707	1-107-826-11	s CAPACITOR,CHIP CERAMIC 0.1MF
C708	1-107-826-11	s CAPACITOR,CHIP CERAMIC 0.1MF
C709	1-104-852-11	s CAPACITOR,TANTALUM 22MF/10V
C710	1-107-826-11	s CAPACITOR,CHIP CERAMIC 0.1MF
C711	1-109-982-11	s CAPACITOR,CHIP CERAMIC 1MF/10V
C712	1-107-826-11	s CAPACITOR,CHIP CERAMIC 0.1MF
C713	1-107-826-11	s CAPACITOR,CHIP CERAMIC 0.1MF
C714	1-107-826-11	s CAPACITOR,CHIP CERAMIC 0.1MF
C715	1-107-826-11	s CAPACITOR,CHIP CERAMIC 0.1MF
C716	1-104-852-11	s CAPACITOR,TANTALUM 22MF/10V
C717	1-107-826-11	s CAPACITOR,CHIP CERAMIC 0.1MF
C718	1-107-826-11	s CAPACITOR,CHIP CERAMIC 0.1MF
C719	1-107-826-11	s CAPACITOR,CHIP CERAMIC 0.1MF

(APR-45 BOARD(DSR-2000/2000P) SUFFIX -14)

Ref. No. or Q'ty	Part No.	SP Description
C720	1-162-923-11	s CAPACITOR,CERAMIC 47PF/50V CH
C721	1-107-826-11	s CAPACITOR,CHIP CERAMIC 0.1MF
C722	1-107-826-11	s CAPACITOR,CHIP CERAMIC 0.1MF
C723	1-109-982-11	s CAPACITOR,CHIP CERAMIC 1MF/10V
C724	1-107-826-11	s CAPACITOR,CHIP CERAMIC 0.1MF
C725	1-107-826-11	s CAPACITOR,CHIP CERAMIC 0.1MF
C726	1-162-915-11	s CAPACITOR,CERAMIC 10PF/50V CH
C727	1-107-826-11	s CAPACITOR,CHIP CERAMIC 0.1MF
C728	1-107-826-11	s CAPACITOR,CHIP CERAMIC 0.1MF
C729	1-104-851-11	s CAPACITOR,TANTALUM 10MF/10V
C730	1-107-826-11	s CAPACITOR,CHIP CERAMIC 0.1MF
C731	1-104-851-11	s CAPACITOR,TANTALUM 10MF/10V
C732	1-107-826-11	s CAPACITOR,CHIP CERAMIC 0.1MF
C733	1-104-851-11	s CAPACITOR,TANTALUM 10MF/10V
C738	1-107-826-11	s CAPACITOR,CHIP CERAMIC 0.1MF
C739	1-107-826-11	s CAPACITOR,CHIP CERAMIC 0.1MF
C740	1-107-826-11	s CAPACITOR,CHIP CERAMIC 0.1MF
C741	1-107-826-11	s CAPACITOR,CHIP CERAMIC 0.1MF
C742	1-107-826-11	s CAPACITOR,CHIP CERAMIC 0.1MF
C743	1-107-826-11	s CAPACITOR,CHIP CERAMIC 0.1MF
C744	1-107-826-11	s CAPACITOR,CHIP CERAMIC 0.1MF
C751	1-107-826-11	s CAPACITOR,CHIP CERAMIC 0.1MF
C756	1-107-826-11	s CAPACITOR,CHIP CERAMIC 0.1MF
C757	1-107-826-11	s CAPACITOR,CHIP CERAMIC 0.1MF
C758	1-107-826-11	s CAPACITOR,CHIP CERAMIC 0.1MF
C759	1-107-826-11	s CAPACITOR,CHIP CERAMIC 0.1MF
C760	1-107-826-11	s CAPACITOR,CHIP CERAMIC 0.1MF
C761	1-104-851-11	s CAPACITOR,TANTALUM 10MF/10V
C762	1-104-851-11	s CAPACITOR,TANTALUM 10MF/10V
C763	1-107-826-11	s CAPACITOR,CHIP CERAMIC 0.1MF
C764	1-107-826-11	s CAPACITOR,CHIP CERAMIC 0.1MF
C765	1-107-826-11	s CAPACITOR,CHIP CERAMIC 0.1MF
C766	1-107-826-11	s CAPACITOR,CHIP CERAMIC 0.1MF
C767	1-107-826-11	s CAPACITOR,CHIP CERAMIC 0.1MF
C768	1-107-826-11	s CAPACITOR,CHIP CERAMIC 0.1MF
C769	1-107-826-11	s CAPACITOR,CHIP CERAMIC 0.1MF
C770	1-107-826-11	s CAPACITOR,CHIP CERAMIC 0.1MF
C771	1-107-826-11	s CAPACITOR,CHIP CERAMIC 0.1MF
C772	1-107-826-11	s CAPACITOR,CHIP CERAMIC 0.1MF
C773	1-107-826-11	s CAPACITOR,CHIP CERAMIC 0.1MF
C774	1-162-915-11	s CAPACITOR,CERAMIC 10PF/50V CH
C775	1-107-826-11	s CAPACITOR,CHIP CERAMIC 0.1MF
C776	1-107-826-11	s CAPACITOR,CHIP CERAMIC 0.1MF
C777	1-162-911-11	s CAPACITOR,CERAMIC 6PF/50V 1608
C778	1-107-826-11	s CAPACITOR,CHIP CERAMIC 0.1MF
C779	1-107-826-11	s CAPACITOR,CHIP CERAMIC 0.1MF
C780	1-107-826-11	s CAPACITOR,CHIP CERAMIC 0.1MF
C781	1-107-826-11	s CAPACITOR,CHIP CERAMIC 0.1MF
C782	1-104-851-11	s CAPACITOR,TANTALUM 10MF/10V
C783	1-107-826-11	s CAPACITOR,CHIP CERAMIC 0.1MF
C784	1-162-907-11	s CAPACITOR,CERAMIC 2PF/50V(CK)
C786	1-107-826-11	s CAPACITOR,CHIP CERAMIC 0.1MF
C801	1-126-394-11	s CAPACITOR,ELECT 10MF/16V(CHIP)
C802	1-126-394-11	s CAPACITOR,ELECT 10MF/16V(CHIP)
C803	1-107-826-11	s CAPACITOR,CHIP CERAMIC 0.1MF
C804	1-107-826-11	s CAPACITOR,CHIP CERAMIC 0.1MF
C805	1-126-395-11	s CAPACITOR,ELECT 22MF/16V(CHIP)
C806	1-107-826-11	s CAPACITOR,CHIP CERAMIC 0.1MF
C807	1-107-826-11	s CAPACITOR,CHIP CERAMIC 0.1MF

(APR-45 BOARD(DSR-2000/2000P) SUFFIX -14)

Ref. No. or Q'ty	Part No.	SP	Description
C808	1-135-259-11	s	CAPACITOR,TANTALUM 10MF/6.3V
C809	1-107-826-11	s	CAPACITOR,CHIP CERAMIC 0.1MF
C810	1-107-826-11	s	CAPACITOR,CHIP CERAMIC 0.1MF
C811	1-126-395-11	s	CAPACITOR,ELECT 22MF/16V(CHIP)
C812	1-109-982-11	s	CAPACITOR,CHIP CERAMIC 1MF/10V
C813	1-107-826-11	s	CAPACITOR,CHIP CERAMIC 0.1MF
C814	1-107-826-11	s	CAPACITOR,CHIP CERAMIC 0.1MF
C815	1-107-826-11	s	CAPACITOR,CHIP CERAMIC 0.1MF
C816	1-107-826-11	s	CAPACITOR,CHIP CERAMIC 0.1MF
C817	1-107-826-11	s	CAPACITOR,CHIP CERAMIC 0.1MF
C818	1-126-395-11	s	CAPACITOR,ELECT 22MF/16V(CHIP)
C819	1-107-826-11	s	CAPACITOR,CHIP CERAMIC 0.1MF
C820	1-107-826-11	s	CAPACITOR,CHIP CERAMIC 0.1MF
C821	1-107-826-11	s	CAPACITOR,CHIP CERAMIC 0.1MF
C822	1-162-923-11	s	CAPACITOR,CERAMIC 47PF/50V CH
C823	1-107-826-11	s	CAPACITOR,CHIP CERAMIC 0.1MF
C824	1-107-826-11	s	CAPACITOR,CHIP CERAMIC 0.1MF
C825	1-109-982-11	s	CAPACITOR,CHIP CERAMIC 1MF/10V
C826	1-107-826-11	s	CAPACITOR,CHIP CERAMIC 0.1MF
C827	1-107-826-11	s	CAPACITOR,CHIP CERAMIC 0.1MF
C828	1-107-826-11	s	CAPACITOR,CHIP CERAMIC 0.1MF
C829	1-162-915-11	s	CAPACITOR,CERAMIC 10PF/50V CH
C830	1-107-826-11	s	CAPACITOR,CHIP CERAMIC 0.1MF
C831	1-107-826-11	s	CAPACITOR,CHIP CERAMIC 0.1MF
C832	1-126-394-11	s	CAPACITOR,ELECT 10MF/16V(CHIP)
C833	1-107-826-11	s	CAPACITOR,CHIP CERAMIC 0.1MF
C834	1-126-394-11	s	CAPACITOR,ELECT 10MF/16V(CHIP)
C835	1-107-826-11	s	CAPACITOR,CHIP CERAMIC 0.1MF
C836	1-107-826-11	s	CAPACITOR,CHIP CERAMIC 0.1MF
C838	1-107-826-11	s	CAPACITOR,CHIP CERAMIC 0.1MF
C839	1-126-394-11	s	CAPACITOR,ELECT 10MF/16V(CHIP)
C840	1-107-826-11	s	CAPACITOR,CHIP CERAMIC 0.1MF
C841	1-107-826-11	s	CAPACITOR,CHIP CERAMIC 0.1MF
C842	1-107-826-11	s	CAPACITOR,CHIP CERAMIC 0.1MF
C843	1-126-394-11	s	CAPACITOR,ELECT 10MF/16V(CHIP)
C844	1-162-907-11	s	CAPACITOR,CERAMIC 2PF/50V(CK)
C912	1-107-826-11	s	CAPACITOR,CHIP CERAMIC 0.1MF
C913	1-107-826-11	s	CAPACITOR,CHIP CERAMIC 0.1MF
C952	1-107-826-11	s	CAPACITOR,CHIP CERAMIC 0.1MF
C953	1-107-826-11	s	CAPACITOR,CHIP CERAMIC 0.1MF
C1201	1-162-923-11	s	CAPACITOR,CERAMIC 47PF/50V CH
C1202	1-128-416-11	s	CAPACITOR ELECT 100MF/16V(105C
C1203	1-126-396-11	s	CAPACITOR,ELECT 47MF/16V(CHIP)
C1204	1-126-395-11	s	CAPACITOR,ELECT 22MF/16V(CHIP)
C1205	1-128-416-11	s	CAPACITOR ELECT 100MF/16V(105C
C1206	1-104-851-11	s	CAPACITOR,TANTALUM 10MF/10V
C1207	1-107-826-11	s	CAPACITOR,CHIP CERAMIC 0.1MF
C1208	1-107-826-11	s	CAPACITOR,CHIP CERAMIC 0.1MF
C1209	1-104-851-11	s	CAPACITOR,TANTALUM 10MF/10V
C1210	1-107-826-11	s	CAPACITOR,CHIP CERAMIC 0.1MF
C1211	1-126-394-11	s	CAPACITOR,ELECT 10MF/16V(CHIP)
C1212	1-126-394-11	s	CAPACITOR,ELECT 10MF/16V(CHIP)
C1213	1-126-394-11	s	CAPACITOR,ELECT 10MF/16V(CHIP)
C1214	1-126-394-11	s	CAPACITOR,ELECT 10MF/16V(CHIP)
C1215	1-162-927-11	s	CAPACITOR,CERAMIC 100PF/50V CH
C1216	1-162-927-11	s	CAPACITOR,CERAMIC 100PF/50V CH
C1217	1-162-927-11	s	CAPACITOR,CERAMIC 100PF/50V CH
C1218	1-162-927-11	s	CAPACITOR,CERAMIC 100PF/50V CH
C1250	1-107-826-11	s	CAPACITOR,CHIP CERAMIC 0.1MF

(APR-45 BOARD(DSR-2000/2000P) SUFFIX -14)

Ref. No. or Q'ty	Part No.	SP	Description
C1251	1-107-826-11	s	CAPACITOR,CHIP CERAMIC 0.1MF
C1252	1-107-826-11	s	CAPACITOR,CHIP CERAMIC 0.1MF
C1253	1-107-826-11	s	CAPACITOR,CHIP CERAMIC 0.1MF
C1254	1-126-396-11	s	CAPACITOR,ELECT 47MF/16V(CHIP)
C1255	1-107-826-11	s	CAPACITOR,CHIP CERAMIC 0.1MF
C1256	1-107-826-11	s	CAPACITOR,CHIP CERAMIC 0.1MF
C1257	1-107-826-11	s	CAPACITOR,CHIP CERAMIC 0.1MF
C1258	1-107-826-11	s	CAPACITOR,CHIP CERAMIC 0.1MF
C1259	1-128-964-11	s	CAPACITOR,TANTALUM 100MF/6.3V
C1261	1-126-396-11	s	CAPACITOR,ELECT 47MF/16V(CHIP)
C1262	1-107-826-11	s	CAPACITOR,CHIP CERAMIC 0.1MF
C1263	1-107-826-11	s	CAPACITOR,CHIP CERAMIC 0.1MF
C1264	1-107-826-11	s	CAPACITOR,CHIP CERAMIC 0.1MF
C1265	1-109-982-11	s	CAPACITOR,CHIP CERAMIC 1MF/10V
C1266	1-104-851-11	s	CAPACITOR,TANTALUM 10MF/10V
C1267	1-107-826-11	s	CAPACITOR,CHIP CERAMIC 0.1MF
C1268	1-107-826-11	s	CAPACITOR,CHIP CERAMIC 0.1MF
C1269	1-107-826-11	s	CAPACITOR,CHIP CERAMIC 0.1MF
C1270	1-107-826-11	s	CAPACITOR,CHIP CERAMIC 0.1MF
C1271	1-107-826-11	s	CAPACITOR,CHIP CERAMIC 0.1MF
C1272	1-162-927-11	s	CAPACITOR,CERAMIC 100PF/50V CH
C1273	1-107-826-11	s	CAPACITOR,CHIP CERAMIC 0.1MF
C1274	1-107-826-11	s	CAPACITOR,CHIP CERAMIC 0.1MF
C1275	1-164-217-11	s	CAPACITOR,CERAMIC 150PF/50V CH
C1276	1-164-217-11	s	CAPACITOR,CERAMIC 150PF/50V CH
C1277	1-107-826-11	s	CAPACITOR,CHIP CERAMIC 0.1MF
C1278	1-107-826-11	s	CAPACITOR,CHIP CERAMIC 0.1MF
C1279	1-107-826-11	s	CAPACITOR,CHIP CERAMIC 0.1MF
C1280	1-107-826-11	s	CAPACITOR,CHIP CERAMIC 0.1MF
C1281	1-107-826-11	s	CAPACITOR,CHIP CERAMIC 0.1MF
C1282	1-107-826-11	s	CAPACITOR,CHIP CERAMIC 0.1MF
C1283	1-107-826-11	s	CAPACITOR,CHIP CERAMIC 0.1MF
C1284	1-107-826-11	s	CAPACITOR,CHIP CERAMIC 0.1MF
C1285	1-107-826-11	s	CAPACITOR,CHIP CERAMIC 0.1MF
C1286	1-107-826-11	s	CAPACITOR,CHIP CERAMIC 0.1MF
C1287	1-107-826-11	s	CAPACITOR,CHIP CERAMIC 0.1MF
C1288	1-107-826-11	s	CAPACITOR,CHIP CERAMIC 0.1MF
C1289	1-107-826-11	s	CAPACITOR,CHIP CERAMIC 0.1MF
C1510	1-126-394-11	s	CAPACITOR,ELECT 10MF/16V(CHIP)
C1511	1-126-394-11	s	CAPACITOR,ELECT 10MF/16V(CHIP)
C1512	1-107-826-11	s	CAPACITOR,CHIP CERAMIC 0.1MF
C1513	1-107-826-11	s	CAPACITOR,CHIP CERAMIC 0.1MF
C1514	1-126-395-11	s	CAPACITOR,ELECT 22MF/16V(CHIP)
C1515	1-107-826-11	s	CAPACITOR,CHIP CERAMIC 0.1MF
C1516	1-107-826-11	s	CAPACITOR,CHIP CERAMIC 0.1MF
C1517	1-107-826-11	s	CAPACITOR,CHIP CERAMIC 0.1MF
C1518	1-107-826-11	s	CAPACITOR,CHIP CERAMIC 0.1MF
C1519	1-135-259-11	s	CAPACITOR,TANTALUM 10MF/6.3V
C1520	1-107-826-11	s	CAPACITOR,CHIP CERAMIC 0.1MF
C1521	1-126-394-11	s	CAPACITOR,ELECT 10MF/16V(CHIP)
C1522	1-126-394-11	s	CAPACITOR,ELECT 10MF/16V(CHIP)
C1523	1-107-826-11	s	CAPACITOR,CHIP CERAMIC 0.1MF
C1524	1-107-826-11	s	CAPACITOR,CHIP CERAMIC 0.1MF
C1525	1-107-826-11	s	CAPACITOR,CHIP CERAMIC 0.1MF
C1526	1-107-826-11	s	CAPACITOR,CHIP CERAMIC 0.1MF
C1527	1-107-826-11	s	CAPACITOR,CHIP CERAMIC 0.1MF
C1528	1-107-826-11	s	CAPACITOR,CHIP CERAMIC 0.1MF
C1529	1-107-826-11	s	CAPACITOR,CHIP CERAMIC 0.1MF
C1530	1-107-826-11	s	CAPACITOR,CHIP CERAMIC 0.1MF

Ref. No. or Q'ty	Part No.	SP Description
C1531	1-107-826-11	s CAPACITOR,CHIP CERAMIC 0.1MF
C1532	1-107-826-11	s CAPACITOR,CHIP CERAMIC 0.1MF
C1533	1-107-826-11	s CAPACITOR,CHIP CERAMIC 0.1MF
C1534	1-107-826-11	s CAPACITOR,CHIP CERAMIC 0.1MF
C1535	1-107-826-11	s CAPACITOR,CHIP CERAMIC 0.1MF
C1536	1-162-915-11	s CAPACITOR,CERAMIC 10PF/50V CH
C1537	1-107-826-11	s CAPACITOR,CHIP CERAMIC 0.1MF
C1538	1-126-394-11	s CAPACITOR,ELECT 10MF/16V(CHIP)
C1539	1-162-911-11	s CAPACITOR,CERAMIC 6PF/50V 1608
C1540	1-107-826-11	s CAPACITOR,CHIP CERAMIC 0.1MF
C1541	1-107-826-11	s CAPACITOR,CHIP CERAMIC 0.1MF
C1542	1-107-826-11	s CAPACITOR,CHIP CERAMIC 0.1MF
C1543	1-107-826-11	s CAPACITOR,CHIP CERAMIC 0.1MF
C1544	1-107-826-11	s CAPACITOR,CHIP CERAMIC 0.1MF
C1545	1-107-826-11	s CAPACITOR,CHIP CERAMIC 0.1MF
C1546	1-107-826-11	s CAPACITOR,CHIP CERAMIC 0.1MF
C1547	1-126-394-11	s CAPACITOR,ELECT 10MF/16V(CHIP)
C1548	1-107-826-11	s CAPACITOR,CHIP CERAMIC 0.1MF
C1549	1-162-907-11	s CAPACITOR,CERAMIC 2PF/50V(CK)
C1550	1-162-907-11	s CAPACITOR,CERAMIC 2PF/50V(CK)
C1560	1-126-394-11	s CAPACITOR,ELECT 10MF/16V(CHIP)
C1561	1-126-394-11	s CAPACITOR,ELECT 10MF/16V(CHIP)
C1562	1-107-826-11	s CAPACITOR,CHIP CERAMIC 0.1MF
C1563	1-107-826-11	s CAPACITOR,CHIP CERAMIC 0.1MF
C1564	1-126-395-11	s CAPACITOR,ELECT 22MF/16V(CHIP)
C1565	1-107-826-11	s CAPACITOR,CHIP CERAMIC 0.1MF
C1566	1-107-826-11	s CAPACITOR,CHIP CERAMIC 0.1MF
C1567	1-107-826-11	s CAPACITOR,CHIP CERAMIC 0.1MF
C1568	1-107-826-11	s CAPACITOR,CHIP CERAMIC 0.1MF
C1569	1-135-259-11	s CAPACITOR,TANTALUM 10MF/6.3V
C1570	1-107-826-11	s CAPACITOR,CHIP CERAMIC 0.1MF
C1571	1-126-394-11	s CAPACITOR,ELECT 10MF/16V(CHIP)
C1572	1-126-394-11	s CAPACITOR,ELECT 10MF/16V(CHIP)
C1573	1-107-826-11	s CAPACITOR,CHIP CERAMIC 0.1MF
C1574	1-107-826-11	s CAPACITOR,CHIP CERAMIC 0.1MF
C1575	1-107-826-11	s CAPACITOR,CHIP CERAMIC 0.1MF
C1576	1-107-826-11	s CAPACITOR,CHIP CERAMIC 0.1MF
C1577	1-107-826-11	s CAPACITOR,CHIP CERAMIC 0.1MF
C1578	1-107-826-11	s CAPACITOR,CHIP CERAMIC 0.1MF
C1579	1-107-826-11	s CAPACITOR,CHIP CERAMIC 0.1MF
C1580	1-107-826-11	s CAPACITOR,CHIP CERAMIC 0.1MF
C1581	1-107-826-11	s CAPACITOR,CHIP CERAMIC 0.1MF
C1582	1-107-826-11	s CAPACITOR,CHIP CERAMIC 0.1MF
C1583	1-107-826-11	s CAPACITOR,CHIP CERAMIC 0.1MF
C1584	1-107-826-11	s CAPACITOR,CHIP CERAMIC 0.1MF
C1585	1-107-826-11	s CAPACITOR,CHIP CERAMIC 0.1MF
C1586	1-162-915-11	s CAPACITOR,CERAMIC 10PF/50V CH
C1587	1-107-826-11	s CAPACITOR,CHIP CERAMIC 0.1MF
C1588	1-126-394-11	s CAPACITOR,ELECT 10MF/16V(CHIP)
C1589	1-162-911-11	s CAPACITOR,CERAMIC 6PF/50V 1608
C1590	1-107-826-11	s CAPACITOR,CHIP CERAMIC 0.1MF
C1591	1-107-826-11	s CAPACITOR,CHIP CERAMIC 0.1MF
C1592	1-107-826-11	s CAPACITOR,CHIP CERAMIC 0.1MF
C1593	1-107-826-11	s CAPACITOR,CHIP CERAMIC 0.1MF
C1594	1-126-394-11	s CAPACITOR,ELECT 10MF/16V(CHIP)
C1595	1-107-826-11	s CAPACITOR,CHIP CERAMIC 0.1MF
C1596	1-162-907-11	s CAPACITOR,CERAMIC 2PF/50V(CK)
C1700	1-128-393-11	s CAPACITOR,ELECT 100MF/10V
C1701	1-107-826-11	s CAPACITOR,CHIP CERAMIC 0.1MF

Ref. No. or Q'ty	Part No.	SP Description
C1702	1-107-826-11	s CAPACITOR,CHIP CERAMIC 0.1MF
C1703	1-107-826-11	s CAPACITOR,CHIP CERAMIC 0.1MF
C1704	1-126-396-11	s CAPACITOR,ELECT 47MF/16V(CHIP)
C1705	1-107-826-11	s CAPACITOR,CHIP CERAMIC 0.1MF
C1706	1-107-826-11	s CAPACITOR,CHIP CERAMIC 0.1MF
C1707	1-107-826-11	s CAPACITOR,CHIP CERAMIC 0.1MF
C1708	1-107-826-11	s CAPACITOR,CHIP CERAMIC 0.1MF
C1709	1-107-826-11	s CAPACITOR,CHIP CERAMIC 0.1MF
C1710	1-107-826-11	s CAPACITOR,CHIP CERAMIC 0.1MF
C1711	1-107-826-11	s CAPACITOR,CHIP CERAMIC 0.1MF
C1712	1-126-396-11	s CAPACITOR,ELECT 47MF/16V(CHIP)
C1713	1-107-826-11	s CAPACITOR,CHIP CERAMIC 0.1MF
CN701	1-764-243-11	o CONNECTOR (COAXIAL)
CN751	1-764-243-11	o CONNECTOR (COAXIAL)
CN801	1-764-243-11	o CONNECTOR (COAXIAL)
CN802	1-764-243-11	o CONNECTOR (COAXIAL)
CN1501	1-764-243-11	o CONNECTOR (COAXIAL)
CN1502	1-764-243-11	o CONNECTOR (COAXIAL)
CN1551	1-764-243-11	o CONNECTOR (COAXIAL)
CN1700	1-770-677-11	o CONNECTOR,BOARD TO BOARD 50P
D2	8-719-941-09	s DIODE DAP202U
D3	8-719-941-09	s DIODE DAP202U
D57	8-719-951-22	s DIODE 1M10
D61	8-719-041-39	s DIODE KV1470 (5MA)
D102	8-719-941-09	s DIODE DAP202U
D103	8-719-941-09	s DIODE DAP202U
D301	8-719-041-39	s DIODE KV1470 (5MA)
D351	8-719-041-39	s DIODE KV1470 (5MA)
D601	8-719-029-63	s DIODE RD4.3UH-T1
D602	8-719-029-63	s DIODE RD4.3UH-T1
D603	8-719-029-63	s DIODE RD4.3UH-T1
D801	8-719-987-43	s LED CL-150PG-CD
D1501	8-719-989-22	s LED CL-150R-CD
D1551	8-719-989-22	s LED CL-150R-CD
D1700	8-719-987-43	s LED CL-150PG-CD
FB701	1-543-644-11	s BEAD, FERRITE (CHIP)
FB702	1-543-644-11	s BEAD, FERRITE (CHIP)
FB703	1-543-644-11	s BEAD, FERRITE (CHIP)
FB751	1-543-644-11	s BEAD, FERRITE (CHIP)
FB752	1-543-644-11	s BEAD, FERRITE (CHIP)
FB753	1-543-644-11	s BEAD, FERRITE (CHIP)
FB754	1-543-644-11	s BEAD, FERRITE (CHIP)
FB802	1-543-644-11	s BEAD, FERRITE (CHIP)
FB803	1-543-644-11	s BEAD, FERRITE (CHIP)
FB805	1-543-644-11	s BEAD, FERRITE (CHIP)
FB806	1-543-644-11	s BEAD, FERRITE (CHIP)
FB807	1-543-644-11	s BEAD, FERRITE (CHIP)
FB808	1-543-644-11	s BEAD, FERRITE (CHIP)
FB809	1-543-644-11	s BEAD, FERRITE (CHIP)
FB1501	1-543-644-11	s BEAD, FERRITE (CHIP)
FB1503	1-543-644-11	s BEAD, FERRITE (CHIP)
FB1504	1-543-644-11	s BEAD, FERRITE (CHIP)
FB1505	1-543-644-11	s BEAD, FERRITE (CHIP)
FB1506	1-543-644-11	s BEAD, FERRITE (CHIP)
FB1551	1-543-644-11	s BEAD, FERRITE (CHIP)
FB1553	1-543-644-11	s BEAD, FERRITE (CHIP)
FB1554	1-543-644-11	s BEAD, FERRITE (CHIP)
FB1555	1-543-644-11	s BEAD, FERRITE (CHIP)

(APR-45 BOARD(DSR-2000/2000P) SUFFIX -14)

Ref. No. or Q'ty	Part No.	SP Description
FL901	1-233-674-21	s FILTER, EMI
FL902	1-233-674-21	s FILTER, EMI
IC7	8-759-394-76	s IC NJM2068M-D (TE2)
IC8	8-759-394-76	s IC NJM2068M-D (TE2)
IC16	8-759-833-99	s IC MC74HC4052ADTR2
IC17	8-759-833-99	s IC MC74HC4052ADTR2
IC18	8-759-711-85	s IC NJM4580E-D
IC19	8-759-711-85	s IC NJM4580E-D
IC20	8-759-462-08	s IC AK5352-VF (E2)
IC51	8-759-711-85	s IC NJM4580E-D
IC55	8-759-711-85	s IC NJM4580E-D
IC56	8-759-711-85	s IC NJM4580E-D
IC61	8-759-650-01	s IC CXD9125R
IC62	6-700-128-01	s IC XC2S150-5P0208C
IC63	8-759-490-41	s IC TC74VHCT541AFT(EL)
IC64	8-749-017-21	s IC SI-3025LS-TL
IC65	8-759-702-02	s IC NJM062M
IC66	8-759-362-16	s IC CXD2913AQ
IC67	8-729-039-85	s IC UPC29L05T
IC68	8-759-082-58	s IC TC7W08FU
IC69	8-759-426-24	s IC TC7ST08FU(TB85R)
IC70	8-759-524-50	s IC TC74VHC541FT(EL)
IC72	8-759-490-41	s IC TC74VHCT541AFT(EL)
IC73	8-759-490-41	s IC TC74VHCT541AFT(EL)
IC74	8-759-490-41	s IC TC74VHCT541AFT(EL)
IC107	8-759-394-76	s IC NJM2068M-D (TE2)
IC108	8-759-394-76	s IC NJM2068M-D (TE2)
IC116	8-759-833-99	s IC MC74HC4052ADTR2
IC117	8-759-833-99	s IC MC74HC4052ADTR2
IC118	8-759-711-85	s IC NJM4580E-D
IC119	8-759-711-85	s IC NJM4580E-D
IC120	8-759-462-08	s IC AK5352-VF (E2)
IC201	8-759-536-23	s IC AK4324-VF-E2
IC202	8-759-536-23	s IC AK4324-VF-E2
IC203	8-759-711-85	s IC NJM4580E-D
IC204	8-759-711-85	s IC NJM4580E-D
IC205	8-759-711-85	s IC NJM4580E-D
IC206	8-759-711-85	s IC NJM4580E-D
IC207	8-759-833-99	s IC MC74HC4052ADTR2
IC208	8-759-833-99	s IC MC74HC4052ADTR2
IC209	8-759-833-99	s IC MC74HC4052ADTR2
IC210	8-759-833-99	s IC MC74HC4052ADTR2
IC211	8-759-711-85	s IC NJM4580E-D
IC212	8-759-711-85	s IC NJM4580E-D
IC213	8-759-711-85	s IC NJM4580E-D
IC214	8-759-711-85	s IC NJM4580E-D
IC215	8-759-833-99	s IC MC74HC4052ADTR2
IC216	8-759-833-99	s IC MC74HC4052ADTR2
IC217	8-759-833-99	s IC MC74HC4052ADTR2
IC218	8-759-833-99	s IC MC74HC4052ADTR2
IC305	8-759-362-16	s IC CXD2913AQ
IC306	8-759-702-02	s IC NJM062M
IC307	8-729-039-85	s IC UPC29L05T
IC314	8-759-326-71	s IC CXD8517Q
IC315	8-759-326-71	s IC CXD8517Q
IC316	8-759-523-84	s IC TC74VHC14FT (EL)
IC317	8-759-426-24	s IC TC7ST08FU(TB85R)
IC353	8-759-702-02	s IC NJM062M

(APR-45 BOARD(DSR-2000/2000P) SUFFIX -14)

Ref. No. or Q'ty	Part No.	SP Description
IC354	8-759-362-16	s IC CXD2913AQ
IC355	8-729-039-85	s IC UPC29L05T
IC356	8-759-524-50	s IC TC74VHC541FT(EL)
IC357	8-759-490-41	s IC TC74VHCT541AFT(EL)
IC401	8-759-549-20	s IC SN74LV541APWR
IC402	8-759-523-94	s IC TC74VHC32FT(EL)
IC403	8-752-391-87	s IC CXD2712R
IC405	8-759-573-65	s IC IDT71V016S20PHAU-TL
IC406	8-752-391-87	s IC CXD2712R
IC407	8-752-391-87	s IC CXD2712R
IC409	8-759-573-65	s IC IDT71V016S20PHAU-TL
IC410	8-752-391-87	s IC CXD2712R
IC412	8-759-196-96	s IC TC7SH08FU (TB85R)
IC413	8-759-196-96	s IC TC7SH08FU (TB85R)
IC414	8-759-196-96	s IC TC7SH08FU (TB85R)
IC415	8-759-196-96	s IC TC7SH08FU (TB85R)
IC452	8-759-490-41	s IC TC74VHCT541AFT(EL)
IC456	8-759-524-50	s IC TC74VHC541FT(EL)
IC457	8-759-326-71	s IC CXD8517Q
IC458	8-759-326-71	s IC CXD8517Q
IC463	8-759-326-71	s IC CXD8517Q
IC464	8-759-326-71	s IC CXD8517Q
IC469	8-759-326-71	s IC CXD8517Q
IC470	8-759-326-71	s IC CXD8517Q
IC471	8-759-490-41	s IC TC74VHCT541AFT(EL)
IC472	8-759-549-20	s IC SN74LV541APWR
IC503	8-759-490-41	s IC TC74VHCT541AFT(EL)
IC504	8-759-679-36	s IC TC7WT125FU(TB12R)
IC507	8-759-180-86	s IC TC7W74F-TB12L
IC510	8-759-669-75	s IC TLC2932IPWR
IC511	8-759-669-75	s IC TLC2932IPWR
IC601	8-759-324-03	s IC HA17431UA(TL)
IC602	8-759-710-78	s IC NJM082BM
IC603	8-759-710-78	s IC NJM082BM
IC651	8-759-679-36	s IC TC7WT125FU(TB12R)
IC701	8-759-259-77	s IC PQ20V25U
IC702	8-752-078-34	s IC CXB1342R
IC705	8-759-490-41	s IC TC74VHCT541AFT(EL)
IC706	8-759-524-50	s IC TC74VHC541FT(EL)
IC707	8-759-524-50	s IC TC74VHC541FT(EL)
IC708	8-759-524-50	s IC TC74VHC541FT(EL)
IC709	8-759-271-86	s IC TC7SH04FU
IC710	8-759-196-96	s IC TC7SH08FU (TB85R)
IC711	8-759-271-86	s IC TC7SH04FU
IC712	8-759-447-77	s IC TC7WH74FU (TB12R)
IC751	8-759-524-50	s IC TC74VHC541FT(EL)
IC753	8-752-078-32	s IC CXB1341R
IC754	8-759-524-50	s IC TC74VHC541FT(EL)
IC801	8-759-324-03	s IC HA17431UA(TL)
IC802	8-752-078-34	s IC CXB1342R
IC911	8-759-524-50	s IC TC74VHC541FT(EL)
IC912	8-759-524-50	s IC TC74VHC541FT(EL)
IC913	8-759-447-77	s IC TC7WH74FU (TB12R)
IC914	8-759-547-54	s IC TC7SET00FU(TB85R)
IC952	8-759-524-50	s IC TC74VHC541FT(EL)
IC953	8-759-524-50	s IC TC74VHC541FT(EL)
IC954	8-759-447-77	s IC TC7WH74FU (TB12R)
IC1201	8-759-536-23	s IC AK4324-VF-E2
IC1507	8-759-324-03	s IC HA17431UA(TL)

(APR-45 BOARD(DSR-2000/2000P) SUFFIX -14)

Ref. No. or Q'ty	Part No.	SP Description
IC1508	8-752-078-32	s IC CXB1341R
IC1557	8-759-324-03	s IC HA17431UA(TL)
IC1558	8-752-078-32	s IC CXB1341R
IC1701	8-759-537-83	s IC M8M29F400BC-70PFTN
IC1702	8-759-655-86	o IC XC9536VQ44-DSR2000-DPR-V10
L61	1-414-398-11	s INDUCTOR (SMD) 10UH
L63	1-414-398-11	s INDUCTOR (SMD) 10UH
L301	1-414-398-11	s INDUCTOR (SMD) 10UH
L303	1-414-398-11	s INDUCTOR (SMD) 10UH
L401	1-414-398-11	s INDUCTOR (SMD) 10UH
L402	1-414-398-11	s INDUCTOR (SMD) 10UH
L403	1-414-398-11	s INDUCTOR (SMD) 10UH
L404	1-414-398-11	s INDUCTOR (SMD) 10UH
L451	1-412-939-11	s INDUCTOR 1.0UH (2520)
L452	1-412-939-11	s INDUCTOR 1.0UH (2520)
L453	1-412-939-11	s INDUCTOR 1.0UH (2520)
L454	1-412-939-11	s INDUCTOR 1.0UH (2520)
L455	1-412-939-11	s INDUCTOR 1.0UH (2520)
L456	1-412-939-11	s INDUCTOR 1.0UH (2520)
L501	1-414-398-11	s INDUCTOR (SMD) 10UH
L502	1-414-398-11	s INDUCTOR (SMD) 10UH
L507	1-414-398-11	s INDUCTOR (SMD) 10UH
L601	1-424-643-11	s COIL, CHOKE 10UH
L602	1-424-643-11	s COIL, CHOKE 10UH
L701	1-410-797-11	s CHIP INDUCTOR 0.015UH (3225)
L702	1-412-939-11	s INDUCTOR 1.0UH (2520)
L801	1-410-797-11	s CHIP INDUCTOR 0.015UH (3225)
L1700	1-414-398-11	s INDUCTOR (SMD) 10UH
L1701	1-414-398-11	s INDUCTOR (SMD) 10UH
LV61	1-411-984-11	s COIL, VARIABLE
LV301	1-411-984-11	s COIL, VARIABLE
LV351	1-411-984-11	s COIL, VARIABLE
PS701	1-533-282-21	s CIRCUIT PROTECTOR 2A (3225)
PS702	1-533-282-21	s CIRCUIT PROTECTOR 2A (3225)
Q51	8-729-209-07	s TRANSISTOR 2SC4213-B
Q53	8-729-141-48	s TRANSISTOR 2SB624-BV345
Q54	8-729-029-14	s TRANSISTOR DTC144EUA-T106
Q55	8-729-110-92	s TRANSISTOR 2SK425-X13
Q601	8-729-020-94	s TRANSISTOR 2SA1314C-TE12L
Q602	8-729-808-42	s TRANSISTOR 2SD1624-T
Q603	8-729-141-48	s TRANSISTOR 2SB624-BV345
Q651	8-729-029-14	s TRANSISTOR DTC144EUA-T106
Q652	8-729-029-14	s TRANSISTOR DTC144EUA-T106
Q751	8-729-105-68	s TRANSISTOR 2SC3356-K
Q752	8-729-105-68	s TRANSISTOR 2SC3356-K
Q753	8-729-105-68	s TRANSISTOR 2SC3356-K
Q801	8-729-807-51	s TRANSISTOR 2SD1623-S
Q802	8-729-029-14	s TRANSISTOR DTC144EUA-T106
Q803	8-729-028-91	s TRANSISTOR DTA144EUA-T106
Q804	8-729-105-68	s TRANSISTOR 2SC3356-K
Q805	8-729-105-68	s TRANSISTOR 2SC3356-K
Q806	8-729-105-68	s TRANSISTOR 2SC3356-K
Q807	8-729-029-14	s TRANSISTOR DTC144EUA-T106
Q1501	8-729-807-51	s TRANSISTOR 2SD1623-S
Q1502	8-729-029-14	s TRANSISTOR DTC144EUA-T106
Q1503	8-729-028-91	s TRANSISTOR DTA144EUA-T106
Q1504	8-729-028-91	s TRANSISTOR DTA144EUA-T106
Q1505	8-729-105-68	s TRANSISTOR 2SC3356-K

(APR-45 BOARD(DSR-2000/2000P) SUFFIX -14)

Ref. No. or Q'ty	Part No.	SP Description
Q1506	8-729-105-68	s TRANSISTOR 2SC3356-K
Q1507	8-729-105-68	s TRANSISTOR 2SC3356-K
Q1508	8-729-105-68	s TRANSISTOR 2SC3356-K
Q1551	8-729-807-51	s TRANSISTOR 2SD1623-S
Q1552	8-729-029-14	s TRANSISTOR DTC144EUA-T106
Q1553	8-729-028-91	s TRANSISTOR DTA144EUA-T106
Q1554	8-729-028-91	s TRANSISTOR DTA144EUA-T106
Q1555	8-729-105-68	s TRANSISTOR 2SC3356-K
Q1556	8-729-105-68	s TRANSISTOR 2SC3356-K
Q1557	8-729-105-68	s TRANSISTOR 2SC3356-K
Q1700	8-729-028-91	s TRANSISTOR DTA144EUA-T106
Q1701	8-729-029-14	s TRANSISTOR DTC144EUA-T106
Q1702	8-729-029-14	s TRANSISTOR DTC144EUA-T106
R1	1-216-864-11	s CONDUCTOR, CHIP (1608)
R2	1-218-855-11	s RESISTOR,CHIP 2.2K 1/16W(1608)
R3	1-216-864-11	s CONDUCTOR, CHIP (1608)
R4	1-218-855-11	s RESISTOR,CHIP 2.2K 1/16W(1608)
R5	1-218-855-11	s RESISTOR,CHIP 2.2K 1/16W(1608)
R6	1-218-855-11	s RESISTOR,CHIP 2.2K 1/16W(1608)
R41	1-218-855-11	s RESISTOR,CHIP 2.2K 1/16W(1608)
R42	1-218-855-11	s RESISTOR,CHIP 2.2K 1/16W(1608)
R43	1-218-855-11	s RESISTOR,CHIP 2.2K 1/16W(1608)
R44	1-218-855-11	s RESISTOR,CHIP 2.2K 1/16W(1608)
R99	1-218-843-11	s RESISTOR,CHIP 680 1/16W (1608)
R101	1-216-864-11	s CONDUCTOR, CHIP (1608)
R103	1-216-864-11	s CONDUCTOR, CHIP (1608)
R105	1-218-855-11	s RESISTOR,CHIP 2.2K 1/16W(1608)
R106	1-218-855-11	s RESISTOR,CHIP 2.2K 1/16W(1608)
R109	1-218-855-11	s RESISTOR,CHIP 2.2K 1/16W(1608)
R110	1-218-855-11	s RESISTOR,CHIP 2.2K 1/16W(1608)
R141	1-218-855-11	s RESISTOR,CHIP 2.2K 1/16W(1608)
R142	1-218-855-11	s RESISTOR,CHIP 2.2K 1/16W(1608)
R143	1-218-855-11	s RESISTOR,CHIP 2.2K 1/16W(1608)
R144	1-218-855-11	s RESISTOR,CHIP 2.2K 1/16W(1608)
R199	1-218-843-11	s RESISTOR,CHIP 680 1/16W (1608)
R201	1-211-969-11	s RESISTOR,CHIP 10 1/16W (1608)
R202	1-211-969-11	s RESISTOR,CHIP 10 1/16W (1608)
R205	1-218-880-11	s RESISTOR,CHIP 24K 1/16W (1608)
R206	1-218-880-11	s RESISTOR,CHIP 24K 1/16W (1608)
R207	1-218-880-11	s RESISTOR,CHIP 24K 1/16W (1608)
R208	1-218-880-11	s RESISTOR,CHIP 24K 1/16W (1608)
R209	1-218-881-11	s RESISTOR,CHIP 27K 1/16W(1608)
R210	1-218-881-11	s RESISTOR,CHIP 27K 1/16W(1608)
R211	1-218-881-11	s RESISTOR,CHIP 27K 1/16W(1608)
R212	1-218-881-11	s RESISTOR,CHIP 27K 1/16W(1608)
R213	1-218-880-11	s RESISTOR,CHIP 24K 1/16W (1608)
R214	1-218-880-11	s RESISTOR,CHIP 24K 1/16W (1608)
R215	1-218-880-11	s RESISTOR,CHIP 24K 1/16W (1608)
R216	1-218-880-11	s RESISTOR,CHIP 24K 1/16W (1608)
R217	1-218-881-11	s RESISTOR,CHIP 27K 1/16W(1608)
R218	1-218-881-11	s RESISTOR,CHIP 27K 1/16W(1608)
R219	1-218-881-11	s RESISTOR,CHIP 27K 1/16W(1608)
R220	1-218-881-11	s RESISTOR,CHIP 27K 1/16W(1608)
R221	1-216-864-11	s CONDUCTOR, CHIP (1608)
R222	1-216-864-11	s CONDUCTOR, CHIP (1608)
R223	1-216-864-11	s CONDUCTOR, CHIP (1608)
R224	1-216-864-11	s CONDUCTOR, CHIP (1608)
R225	1-216-864-11	s CONDUCTOR, CHIP (1608)

(APR-45 BOARD(DSR-2000/2000P) SUFFIX -14)

Ref. No. or Q'ty	Part No.	SP Description
R431	1-216-864-11	s CONDUCTOR, CHIP (1608)
R432	1-216-833-11	s RESISTOR,CHIP 10K 1/16W (1608)
R433	1-216-833-11	s RESISTOR,CHIP 10K 1/16W (1608)
R434	1-216-801-11	s RESISTOR,CHIP 22 1/16W (1608)
R435	1-216-801-11	s RESISTOR,CHIP 22 1/16W (1608)
R436	1-216-864-11	s CONDUCTOR, CHIP (1608)
R438	1-216-845-11	s RESISTOR,CHIP 100K 1/16W(1608)
R439	1-216-864-11	s CONDUCTOR, CHIP (1608)
R440	1-216-864-11	s CONDUCTOR, CHIP (1608)
R441	1-216-845-11	s RESISTOR,CHIP 100K 1/16W(1608)
R443	1-216-864-11	s CONDUCTOR, CHIP (1608)
R444	1-216-864-11	s CONDUCTOR, CHIP (1608)
R445	1-216-864-11	s CONDUCTOR, CHIP (1608)
R446	1-216-833-11	s RESISTOR,CHIP 10K 1/16W (1608)
R447	1-216-845-11	s RESISTOR,CHIP 100K 1/16W(1608)
R448	1-216-864-11	s CONDUCTOR, CHIP (1608)
R449	1-216-864-11	s CONDUCTOR, CHIP (1608)
R450	1-216-845-11	s RESISTOR,CHIP 100K 1/16W(1608)
R451	1-216-864-11	s CONDUCTOR, CHIP (1608)
R452	1-216-864-11	s CONDUCTOR, CHIP (1608)
R453	1-216-864-11	s CONDUCTOR, CHIP (1608)
R455	1-216-833-11	s RESISTOR,CHIP 10K 1/16W (1608)
R456	1-216-833-11	s RESISTOR,CHIP 10K 1/16W (1608)
R457	1-216-801-11	s RESISTOR,CHIP 22 1/16W (1608)
R458	1-216-801-11	s RESISTOR,CHIP 22 1/16W (1608)
R459	1-216-801-11	s RESISTOR,CHIP 22 1/16W (1608)
R460	1-216-801-11	s RESISTOR,CHIP 22 1/16W (1608)
R461	1-216-801-11	s RESISTOR,CHIP 22 1/16W (1608)
R462	1-216-801-11	s RESISTOR,CHIP 22 1/16W (1608)
R463	1-216-801-11	s RESISTOR,CHIP 22 1/16W (1608)
R464	1-216-801-11	s RESISTOR,CHIP 22 1/16W (1608)
R465	1-216-801-11	s RESISTOR,CHIP 22 1/16W (1608)
R466	1-216-801-11	s RESISTOR,CHIP 22 1/16W (1608)
R472	1-216-864-11	s CONDUCTOR, CHIP (1608)
R473	1-216-864-11	s CONDUCTOR, CHIP (1608)
R482	1-216-801-11	s RESISTOR,CHIP 22 1/16W (1608)
R483	1-216-801-11	s RESISTOR,CHIP 22 1/16W (1608)
R489	1-216-833-11	s RESISTOR,CHIP 10K 1/16W (1608)
R490	1-216-833-11	s RESISTOR,CHIP 10K 1/16W (1608)
R491	1-216-833-11	s RESISTOR,CHIP 10K 1/16W (1608)
R492	1-216-833-11	s RESISTOR,CHIP 10K 1/16W (1608)
R493	1-216-833-11	s RESISTOR,CHIP 10K 1/16W (1608)
R494	1-216-833-11	s RESISTOR,CHIP 10K 1/16W (1608)
R501	1-216-809-11	s RESISTOR,CHIP 100 1/16W 1608
R502	1-216-864-11	s CONDUCTOR, CHIP (1608)
R503	1-216-864-11	s CONDUCTOR, CHIP (1608)
R504	1-216-797-11	s RESISTOR,CHIP 10 1/16W 1608
R506	1-216-797-11	s RESISTOR,CHIP 10 1/16W 1608
R508	1-216-829-11	s RESISTOR,CHIP 4.7K 1/16W(1608)
R509	1-216-809-11	s RESISTOR,CHIP 100 1/16W 1608
R510	1-216-809-11	s RESISTOR,CHIP 100 1/16W 1608
R511	1-216-809-11	s RESISTOR,CHIP 100 1/16W 1608
R512	1-216-809-11	s RESISTOR,CHIP 100 1/16W 1608
R514	1-216-864-11	s CONDUCTOR, CHIP (1608)
R538	1-218-875-11	s RESISTOR,CHIP 15K 1/16W (1608)
R539	1-218-875-11	s RESISTOR,CHIP 15K 1/16W (1608)
R546	1-218-853-11	s RESISTOR,CHIP 1.8K 1/16W(1608)
R547	1-218-834-11	s RESISTOR,CHIP 300 1/16W (1608)
R548	1-218-853-11	s RESISTOR,CHIP 1.8K 1/16W(1608)

(APR-45 BOARD(DSR-2000/2000P) SUFFIX -14)

Ref. No. or Q'ty	Part No.	SP Description
R549	1-218-834-11	s RESISTOR,CHIP 300 1/16W (1608)
R553	1-216-864-11	s CONDUCTOR, CHIP (1608)
R554	1-216-864-11	s CONDUCTOR, CHIP (1608)
R562	1-216-805-11	s RESISTOR,CHIP 47 1/16W 1608
R563	1-216-805-11	s RESISTOR,CHIP 47 1/16W 1608
R601	1-218-853-11	s RESISTOR,CHIP 1.8K 1/16W(1608)
R602	1-218-879-11	s RESISTOR,CHIP 22K 1/16W (1608)
R603	1-218-879-11	s RESISTOR,CHIP 22K 1/16W (1608)
R604	1-216-864-11	s CONDUCTOR, CHIP (1608)
R605	1-218-879-11	s RESISTOR,CHIP 22K 1/16W (1608)
R606	1-218-879-11	s RESISTOR,CHIP 22K 1/16W (1608)
R607	1-218-847-11	s RESISTOR,CHIP 1K 1/16W (1608)
R608	1-218-887-11	s RESISTOR,CHIP 47K 1/16W (1608)
R609	1-218-887-11	s RESISTOR,CHIP 47K 1/16W (1608)
R651	1-216-809-11	s RESISTOR,CHIP 100 1/16W 1608
R652	1-216-809-11	s RESISTOR,CHIP 100 1/16W 1608
R653	1-216-833-11	s RESISTOR,CHIP 10K 1/16W (1608)
R654	1-216-833-11	s RESISTOR,CHIP 10K 1/16W (1608)
R655	1-216-841-11	s RESISTOR,CHIP 47K 1/16W 1608
R667	1-216-841-11	s RESISTOR,CHIP 47K 1/16W 1608
R668	1-216-821-11	s RESISTOR,CHIP 1.0K 1/16W(1608)
R669	1-216-809-11	s RESISTOR,CHIP 100 1/16W 1608
R670	1-216-809-11	s RESISTOR,CHIP 100 1/16W 1608
R701	1-218-851-11	s RESISTOR,CHIP 1.5K 1/16W(1608)
R702	1-218-846-11	s RESISTOR,CHIP 910 1/16W (1608)
R703	1-216-825-11	s RESISTOR,CHIP 2.2K 1/16W 1608
R704	1-218-873-11	s RESISTOR,CHIP 12K 1/16W (1608)
R705	1-216-821-11	s RESISTOR,CHIP 1.0K 1/16W(1608)
R706	1-216-821-11	s RESISTOR,CHIP 1.0K 1/16W(1608)
R707	1-211-990-11	s RESISTOR,CHIP 75 1/16W (1608)
R708	1-216-825-11	s RESISTOR,CHIP 2.2K 1/16W 1608
R709	1-216-857-11	s RESISTOR,CHIP 1M 1/16W(1608)
R710	1-216-815-11	s RESISTOR,CHIP 330 1/16W 1608
R711	1-216-825-11	s RESISTOR,CHIP 2.2K 1/16W 1608
R712	1-211-990-11	s RESISTOR,CHIP 75 1/16W (1608)
R713	1-211-990-11	s RESISTOR,CHIP 75 1/16W (1608)
R714	1-216-821-11	s RESISTOR,CHIP 1.0K 1/16W(1608)
R715	1-216-809-11	s RESISTOR,CHIP 100 1/16W 1608
R717	1-216-864-11	s CONDUCTOR, CHIP (1608)
R718	1-216-809-11	s RESISTOR,CHIP 100 1/16W 1608
R719	1-216-809-11	s RESISTOR,CHIP 100 1/16W 1608
R720	1-216-809-11	s RESISTOR,CHIP 100 1/16W 1608
R721	1-216-801-11	s RESISTOR,CHIP 22 1/16W (1608)
R722	1-218-823-11	s RESISTOR,CHIP 100 1/16W (1608)
R723	1-218-823-11	s RESISTOR,CHIP 100 1/16W (1608)
R724	1-218-823-11	s RESISTOR,CHIP 100 1/16W (1608)
R725	1-216-801-11	s RESISTOR,CHIP 22 1/16W (1608)
R726	1-216-864-11	s CONDUCTOR, CHIP (1608)
R729	1-216-864-11	s CONDUCTOR, CHIP (1608)
R730	1-211-977-11	s RESISTOR,CHIP 22 1/16W (1608)
R731	1-216-841-11	s RESISTOR,CHIP 47K 1/16W 1608
R751	1-216-809-11	s RESISTOR,CHIP 100 1/16W 1608
R752	1-216-809-11	s RESISTOR,CHIP 100 1/16W 1608
R753	1-216-809-11	s RESISTOR,CHIP 100 1/16W 1608
R754	1-216-809-11	s RESISTOR,CHIP 100 1/16W 1608
R755	1-216-809-11	s RESISTOR,CHIP 100 1/16W 1608
R756	1-216-809-11	s RESISTOR,CHIP 100 1/16W 1608
R757	1-216-809-11	s RESISTOR,CHIP 100 1/16W 1608
R758	1-216-809-11	s RESISTOR,CHIP 100 1/16W 1608

(APR-45 BOARD(DSR-2000/2000P) SUFFIX -14)

Ref. No. or Q'ty	Part No.	SP Description
R759	1-216-864-11	s CONDUCTOR, CHIP (1608)
R760	1-216-864-11	s CONDUCTOR, CHIP (1608)
R761	1-216-864-11	s CONDUCTOR, CHIP (1608)
R762	1-216-821-11	s RESISTOR,CHIP 1.0K 1/16W(1608)
R763	1-216-825-11	s RESISTOR,CHIP 2.2K 1/16W 1608
R764	1-218-873-11	s RESISTOR,CHIP 12K 1/16W (1608)
R765	1-218-873-11	s RESISTOR,CHIP 12K 1/16W (1608)
R766	1-218-873-11	s RESISTOR,CHIP 12K 1/16W (1608)
R767	1-216-821-11	s RESISTOR,CHIP 1.0K 1/16W(1608)
R768	1-216-825-11	s RESISTOR,CHIP 2.2K 1/16W 1608
R769	1-216-825-11	s RESISTOR,CHIP 2.2K 1/16W 1608
R770	1-218-833-11	s RESISTOR,CHIP 270 1/16W (1608)
R771	1-218-833-11	s RESISTOR,CHIP 270 1/16W (1608)
R772	1-216-805-11	s RESISTOR,CHIP 47 1/16W 1608
R773	1-216-805-11	s RESISTOR,CHIP 47 1/16W 1608
R774	1-216-821-11	s RESISTOR,CHIP 1.0K 1/16W(1608)
R775	1-216-820-11	s RESISTOR, CHIP 820 1/16W 1608
R776	1-208-754-11	s RESISTOR,CHIP 68 1/10W (2012)
R777	1-218-829-11	s RESISTOR,CHIP 180 1/16W (1608)
R778	1-211-961-11	s RESISTOR,CHIP 24 1/10W (2012)
R779	1-211-967-11	s RESISTOR,CHIP 43 1/10W (2125)
R780	1-208-754-11	s RESISTOR,CHIP 68 1/10W (2012)
R781	1-211-961-11	s RESISTOR,CHIP 24 1/10W (2012)
R782	1-208-774-11	s RESISTOR,CHIP 470 1/10W (2012)
R783	1-216-805-11	s RESISTOR,CHIP 47 1/16W 1608
R784	1-216-805-11	s RESISTOR,CHIP 47 1/16W 1608
R785	1-208-762-11	s RESISTOR,CHIP 150 1/10W (2012)
R786	1-208-754-11	s RESISTOR,CHIP 68 1/10W (2012)
R787	1-216-821-11	s RESISTOR,CHIP 1.0K 1/16W(1608)
R788	1-216-801-11	s RESISTOR,CHIP 22 1/16W (1608)
R789	1-216-801-11	s RESISTOR,CHIP 22 1/16W (1608)
R790	1-216-864-11	s CONDUCTOR, CHIP (1608)
R801	1-216-821-11	s RESISTOR,CHIP 1.0K 1/16W(1608)
R802	1-220-259-11	s RESISTOR, CHIP 150 1/4W (3225)
R803	1-211-985-11	s RESISTOR,CHIP 47 1/16W (1608)
R804	1-218-852-11	s RESISTOR,CHIP 1.6K 1/16W(1608)
R805	1-218-864-11	s RESISTOR,CHIP 5.1K 1/16W(1608)
R806	1-218-839-11	s RESISTOR,CHIP 470 1/16W (1608)
R807	1-218-855-11	s RESISTOR,CHIP 2.2K 1/16W(1608)
R808	1-216-864-11	s CONDUCTOR, CHIP (1608)
R809	1-218-873-11	s RESISTOR,CHIP 12K 1/16W (1608)
R810	1-218-847-11	s RESISTOR, CHIP 1K 1/16W (1608)
R811	1-218-847-11	s RESISTOR, CHIP 1K 1/16W (1608)
R812	1-211-990-11	s RESISTOR,CHIP 75 1/16W (1608)
R813	1-218-847-11	s RESISTOR, CHIP 1K 1/16W (1608)
R814	1-218-831-11	s RESISTOR, CHIP 220 1/16W(1608)
R815	1-218-855-11	s RESISTOR,CHIP 2.2K 1/16W(1608)
R816	1-216-864-11	s CONDUCTOR, CHIP (1608)
R817	1-211-990-11	s RESISTOR,CHIP 75 1/16W (1608)
R818	1-211-990-11	s RESISTOR,CHIP 75 1/16W (1608)
R819	1-216-857-11	s RESISTOR,CHIP 1M 1/16W(1608)
R820	1-218-855-11	s RESISTOR,CHIP 2.2K 1/16W(1608)
R822	1-211-990-11	s RESISTOR,CHIP 75 1/16W (1608)
R823	1-211-990-11	s RESISTOR,CHIP 75 1/16W (1608)
R824	1-216-864-11	s CONDUCTOR, CHIP (1608)
R825	1-218-847-11	s RESISTOR, CHIP 1K 1/16W (1608)
R826	1-216-797-11	s RESISTOR,CHIP 10 1/16W 1608
R827	1-216-797-11	s RESISTOR,CHIP 10 1/16W 1608
R828	1-216-797-11	s RESISTOR,CHIP 10 1/16W 1608

(APR-45 BOARD(DSR-2000/2000P) SUFFIX -14)

Ref. No. or Q'ty	Part No.	SP Description
R829	1-216-797-11	s RESISTOR,CHIP 10 1/16W 1608
R830	1-216-814-11	s RESISTOR,CHIP 270 1/16W 1608
R831	1-216-814-11	s RESISTOR,CHIP 270 1/16W 1608
R832	1-211-961-11	s RESISTOR,CHIP 24 1/10W (2012)
R833	1-208-754-11	s RESISTOR,CHIP 68 1/10W (2012)
R834	1-208-754-11	s RESISTOR,CHIP 68 1/10W (2012)
R835	1-211-961-11	s RESISTOR,CHIP 24 1/10W (2012)
R836	1-208-755-11	s RESISTOR,CHIP 75 1/10W (2012)
R837	1-216-805-11	s RESISTOR,CHIP 47 1/16W 1608
R838	1-208-762-11	s RESISTOR,CHIP 150 1/10W (2012)
R839	1-208-754-11	s RESISTOR,CHIP 68 1/10W (2012)
R840	1-216-821-11	s RESISTOR,CHIP 1.0K 1/16W(1608)
R841	1-216-864-11	s CONDUCTOR, CHIP (1608)
R842	1-216-805-11	s RESISTOR,CHIP 47 1/16W 1608
R846	1-216-833-11	s RESISTOR,CHIP 10K 1/16W (1608)
R848	1-208-778-11	s RESISTOR,CHIP 680 1/10W (2012)
R913	1-216-801-11	s RESISTOR,CHIP 22 1/16W (1608)
R953	1-216-864-11	s CONDUCTOR, CHIP (1608)
R955	1-216-809-11	s RESISTOR,CHIP 100 1/16W 1608
R956	1-216-809-11	s RESISTOR,CHIP 100 1/16W 1608
R980	1-216-864-11	s CONDUCTOR, CHIP (1608)
R1001	1-218-843-11	s RESISTOR,CHIP 680 1/16W (1608)
R1002	1-218-857-11	s RESISTOR,CHIP 2.7K 1/16W(1608)
R1003	1-218-857-11	s RESISTOR,CHIP 2.7K 1/16W(1608)
R1004	1-218-875-11	s RESISTOR,CHIP 15K 1/16W (1608)
R1005	1-218-875-11	s RESISTOR,CHIP 15K 1/16W (1608)
R1006	1-218-868-11	s RESISTOR,CHIP 7.5K 1/16W(1608)
R1007	1-218-717-11	s RESISTOR,CHIP 11K 1/16W (1608)
R1008	1-218-875-11	s RESISTOR,CHIP 15K 1/16W (1608)
R1009	1-218-875-11	s RESISTOR,CHIP 15K 1/16W (1608)
R1010	1-218-868-11	s RESISTOR,CHIP 7.5K 1/16W(1608)
R1011	1-218-717-11	s RESISTOR,CHIP 11K 1/16W (1608)
R1012	1-218-861-11	s RESISTOR,CHIP 3.9K 1/16W(1608)
R1013	1-218-457-11	s RESISTOR,CHIP 910 1/16W (1608)
R1014	1-218-861-11	s RESISTOR,CHIP 3.9K 1/16W(1608)
R1015	1-218-457-11	s RESISTOR,CHIP 910 1/16W (1608)
R1016	1-218-871-11	s RESISTOR,CHIP 10K 1/16W (1608)
R1017	1-218-871-11	s RESISTOR,CHIP 10K 1/16W (1608)
R1018	1-218-871-11	s RESISTOR,CHIP 10K 1/16W (1608)
R1019	1-218-871-11	s RESISTOR,CHIP 10K 1/16W (1608)
R1020	1-218-871-11	s RESISTOR,CHIP 10K 1/16W (1608)
R1021	1-218-871-11	s RESISTOR,CHIP 10K 1/16W (1608)
R1022	1-218-887-11	s RESISTOR,CHIP 47K 1/16W (1608)
R1023	1-218-882-11	s RESISTOR, CHIP 30K 1/16W(1608)
R1024	1-218-887-11	s RESISTOR,CHIP 47K 1/16W (1608)
R1025	1-218-882-11	s RESISTOR, CHIP 30K 1/16W(1608)
R1026	1-218-887-11	s RESISTOR,CHIP 47K 1/16W (1608)
R1027	1-218-887-11	s RESISTOR,CHIP 47K 1/16W (1608)
R1028	1-218-887-11	s RESISTOR,CHIP 47K 1/16W (1608)
R1029	1-218-887-11	s RESISTOR,CHIP 47K 1/16W (1608)
R1030	1-218-823-11	s RESISTOR,CHIP 100 1/16W (1608)
R1031	1-218-823-11	s RESISTOR,CHIP 100 1/16W (1608)
R1032	1-218-823-11	s RESISTOR,CHIP 100 1/16W (1608)
R1033	1-218-823-11	s RESISTOR,CHIP 100 1/16W (1608)
R1034	1-216-864-11	s CONDUCTOR, CHIP (1608)
R1037	1-216-797-11	s RESISTOR,CHIP 10 1/16W 1608
R1101	1-218-843-11	s RESISTOR,CHIP 680 1/16W (1608)
R1102	1-218-857-11	s RESISTOR,CHIP 2.7K 1/16W(1608)
R1103	1-218-857-11	s RESISTOR,CHIP 2.7K 1/16W(1608)

(APR-45 BOARD(DSR-2000/2000P) SUFFIX -14)

Ref. No. or Q'ty	Part No.	SP Description
R1104	1-218-875-11	s RESISTOR,CHIP 15K 1/16W (1608)
R1105	1-218-875-11	s RESISTOR,CHIP 15K 1/16W (1608)
R1106	1-218-868-11	s RESISTOR,CHIP 7.5K 1/16W(1608)
R1107	1-218-717-11	s RESISTOR,CHIP 11K 1/16W (1608)
R1108	1-218-875-11	s RESISTOR,CHIP 15K 1/16W (1608)
R1109	1-218-875-11	s RESISTOR,CHIP 15K 1/16W (1608)
R1110	1-218-868-11	s RESISTOR,CHIP 7.5K 1/16W(1608)
R1111	1-218-717-11	s RESISTOR,CHIP 11K 1/16W (1608)
R1112	1-218-861-11	s RESISTOR,CHIP 3.9K 1/16W(1608)
R1113	1-218-457-11	s RESISTOR,CHIP 910 1/16W (1608)
R1114	1-218-861-11	s RESISTOR,CHIP 3.9K 1/16W(1608)
R1115	1-218-457-11	s RESISTOR,CHIP 910 1/16W (1608)
R1116	1-218-871-11	s RESISTOR,CHIP 10K 1/16W (1608)
R1117	1-218-871-11	s RESISTOR,CHIP 10K 1/16W (1608)
R1118	1-218-871-11	s RESISTOR,CHIP 10K 1/16W (1608)
R1119	1-218-871-11	s RESISTOR,CHIP 10K 1/16W (1608)
R1120	1-218-871-11	s RESISTOR,CHIP 10K 1/16W (1608)
R1121	1-218-871-11	s RESISTOR,CHIP 10K 1/16W (1608)
R1122	1-218-887-11	s RESISTOR,CHIP 47K 1/16W (1608)
R1123	1-218-882-11	s RESISTOR, CHIP 30K 1/16W(1608)
R1124	1-218-887-11	s RESISTOR,CHIP 47K 1/16W (1608)
R1125	1-218-882-11	s RESISTOR, CHIP 30K 1/16W(1608)
R1126	1-218-887-11	s RESISTOR,CHIP 47K 1/16W (1608)
R1127	1-218-887-11	s RESISTOR,CHIP 47K 1/16W (1608)
R1128	1-218-887-11	s RESISTOR,CHIP 47K 1/16W (1608)
R1129	1-218-887-11	s RESISTOR,CHIP 47K 1/16W (1608)
R1130	1-218-823-11	s RESISTOR,CHIP 100 1/16W (1608)
R1131	1-218-823-11	s RESISTOR,CHIP 100 1/16W (1608)
R1132	1-218-823-11	s RESISTOR,CHIP 100 1/16W (1608)
R1133	1-218-823-11	s RESISTOR,CHIP 100 1/16W (1608)
R1134	1-216-864-11	s CONDUCTOR, CHIP (1608)
R1137	1-216-797-11	s RESISTOR,CHIP 10 1/16W 1608
R1139	1-218-823-11	s RESISTOR,CHIP 100 1/16W (1608)
R1140	1-218-823-11	s RESISTOR,CHIP 100 1/16W (1608)
R1141	1-218-823-11	s RESISTOR,CHIP 100 1/16W (1608)
R1142	1-216-809-11	s RESISTOR,CHIP 100 1/16W 1608
R1143	1-218-823-11	s RESISTOR,CHIP 100 1/16W (1608)
R1144	1-218-823-11	s RESISTOR,CHIP 100 1/16W (1608)
R1145	1-218-823-11	s RESISTOR,CHIP 100 1/16W (1608)
R1146	1-216-809-11	s RESISTOR,CHIP 100 1/16W 1608
R1201	1-211-969-11	s RESISTOR,CHIP 10 1/16W (1608)
R1203	1-218-880-11	s RESISTOR,CHIP 24K 1/16W (1608)
R1204	1-218-880-11	s RESISTOR,CHIP 24K 1/16W (1608)
R1205	1-218-881-11	s RESISTOR, CHIP 27K 1/16W(1608)
R1206	1-218-881-11	s RESISTOR, CHIP 27K 1/16W(1608)
R1207	1-218-880-11	s RESISTOR,CHIP 24K 1/16W (1608)
R1208	1-218-880-11	s RESISTOR,CHIP 24K 1/16W (1608)
R1209	1-218-881-11	s RESISTOR, CHIP 27K 1/16W(1608)
R1210	1-218-881-11	s RESISTOR, CHIP 27K 1/16W(1608)
R1217	1-216-864-11	s CONDUCTOR, CHIP (1608)
R1219	1-218-864-11	s RESISTOR,CHIP 5.1K 1/16W(1608)
R1221	1-216-845-11	s RESISTOR,CHIP 100K 1/16W(1608)
R1222	1-216-817-11	s RESISTOR,CHIP 470 1/16W 1608
R1223	1-216-828-11	s RESISTOR, CHIP 3.9K 1/16W 1608
R1225	1-216-809-11	s RESISTOR,CHIP 100 1/16W 1608
R1226	1-216-813-11	s RESISTOR, CHIP 220 1/16W 1608
R1227	1-216-813-11	s RESISTOR, CHIP 220 1/16W 1608
R1229	1-216-813-11	s RESISTOR, CHIP 220 1/16W 1608
R1230	1-216-828-11	s RESISTOR, CHIP 3.9K 1/16W 1608

(APR-45 BOARD(DSR-2000/2000P) SUFFIX -14)

Ref. No. or Q'ty	Part No.	SP Description
R1231	1-218-871-11	s RESISTOR,CHIP 10K 1/16W (1608)
R1232	1-218-871-11	s RESISTOR,CHIP 10K 1/16W (1608)
R1251	1-216-797-11	s RESISTOR,CHIP 10 1/16W 1608
R1252	1-216-864-11	s CONDUCTOR, CHIP (1608)
R1254	1-216-801-11	s RESISTOR,CHIP 22 1/16W (1608)
R1255	1-216-801-11	s RESISTOR,CHIP 22 1/16W (1608)
R1256	1-216-809-11	s RESISTOR,CHIP 100 1/16W 1608
R1258	1-216-797-11	s RESISTOR,CHIP 10 1/16W 1608
R1259	1-216-797-11	s RESISTOR,CHIP 10 1/16W 1608
R1261	1-216-797-11	s RESISTOR,CHIP 10 1/16W 1608
R1262	1-216-797-11	s RESISTOR,CHIP 10 1/16W 1608
R1266	1-216-801-11	s RESISTOR,CHIP 22 1/16W (1608)
R1267	1-216-801-11	s RESISTOR,CHIP 22 1/16W (1608)
R1268	1-216-801-11	s RESISTOR,CHIP 22 1/16W (1608)
R1269	1-216-801-11	s RESISTOR,CHIP 22 1/16W (1608)
R1270	1-216-801-11	s RESISTOR,CHIP 22 1/16W (1608)
R1271	1-216-809-11	s RESISTOR,CHIP 100 1/16W 1608
R1273	1-216-838-11	s RESISTOR CHIP 27K 1/16W(1608)
R1274	1-216-839-11	s RESISTOR,CHIP 33K 1/16W 1608
R1275	1-216-841-11	s RESISTOR, CHIP 47K 1/16W 1608
R1276	1-216-829-11	s RESISTOR,CHIP 4.7K 1/16W(1608)
R1277	1-216-841-11	s RESISTOR, CHIP 47K 1/16W 1608
R1278	1-216-835-11	s RESISTOR,CHIP 15K 1/16W
R1279	1-216-841-11	s RESISTOR, CHIP 47K 1/16W 1608
R1280	1-216-805-11	s RESISTOR,CHIP 47 1/16W 1608
R1281	1-216-805-11	s RESISTOR,CHIP 47 1/16W 1608
R1282	1-216-801-11	s RESISTOR,CHIP 22 1/16W (1608)
R1283	1-216-841-11	s RESISTOR, CHIP 47K 1/16W 1608
R1284	1-216-841-11	s RESISTOR, CHIP 47K 1/16W 1608
R1285	1-216-864-11	s CONDUCTOR, CHIP (1608)
R1286	1-216-797-11	s RESISTOR,CHIP 10 1/16W 1608
R1287	1-216-797-11	s RESISTOR,CHIP 10 1/16W 1608
R1290	1-216-797-11	s RESISTOR,CHIP 10 1/16W 1608
R1291	1-216-797-11	s RESISTOR,CHIP 10 1/16W 1608
R1292	1-216-797-11	s RESISTOR,CHIP 10 1/16W 1608
R1294	1-216-801-11	s RESISTOR,CHIP 22 1/16W (1608)
R1295	1-216-801-11	s RESISTOR,CHIP 22 1/16W (1608)
R1299	1-216-833-11	s RESISTOR,CHIP 10K 1/16W (1608)
R1300	1-216-833-11	s RESISTOR,CHIP 10K 1/16W (1608)
R1301	1-216-833-11	s RESISTOR,CHIP 10K 1/16W (1608)
R1302	1-216-833-11	s RESISTOR,CHIP 10K 1/16W (1608)
R1304	1-216-864-11	s CONDUCTOR, CHIP (1608)
R1354	1-216-801-11	s RESISTOR,CHIP 22 1/16W (1608)
R1355	1-216-801-11	s RESISTOR,CHIP 22 1/16W (1608)
R1356	1-216-801-11	s RESISTOR,CHIP 22 1/16W (1608)
R1358	1-216-801-11	s RESISTOR,CHIP 22 1/16W (1608)
R1359	1-216-801-11	s RESISTOR,CHIP 22 1/16W (1608)
R1360	1-216-801-11	s RESISTOR,CHIP 22 1/16W (1608)
R1402	1-216-801-11	s RESISTOR,CHIP 22 1/16W (1608)
R1403	1-216-801-11	s RESISTOR,CHIP 22 1/16W (1608)
R1404	1-216-801-11	s RESISTOR,CHIP 22 1/16W (1608)
R1405	1-216-801-11	s RESISTOR,CHIP 22 1/16W (1608)
R1406	1-216-833-11	s RESISTOR,CHIP 10K 1/16W (1608)
R1407	1-216-845-11	s RESISTOR,CHIP 100K 1/16W(1608)
R1408	1-216-845-11	s RESISTOR,CHIP 100K 1/16W(1608)
R1409	1-216-833-11	s RESISTOR,CHIP 10K 1/16W (1608)
R1410	1-216-845-11	s RESISTOR,CHIP 100K 1/16W(1608)
R1411	1-216-845-11	s RESISTOR,CHIP 100K 1/16W(1608)
R1412	1-216-801-11	s RESISTOR,CHIP 22 1/16W (1608)

(APR-45 BOARD(DSR-2000/2000P) SUFFIX -14)

Ref. No. or Q'ty	Part No.	SP Description
R1413	1-216-801-11	s RESISTOR,CHIP 22 1/16W (1608)
R1414	1-216-801-11	s RESISTOR,CHIP 22 1/16W (1608)
R1415	1-216-801-11	s RESISTOR,CHIP 22 1/16W (1608)
R1501	1-220-259-11	s RESISTOR,CHIP 150 1/4W (3225)
R1502	1-211-985-11	s RESISTOR,CHIP 47 1/16W (1608)
R1503	1-216-821-11	s RESISTOR,CHIP 1.0K 1/16W(1608)
R1504	1-218-852-11	s RESISTOR,CHIP 1.6K 1/16W(1608)
R1505	1-218-864-11	s RESISTOR,CHIP 5.1K 1/16W(1608)
R1506	1-216-817-11	s RESISTOR,CHIP 470 1/16W 1608
R1507	1-216-864-11	s CONDUCTOR, CHIP (1608)
R1508	1-218-855-11	s RESISTOR,CHIP 2.2K 1/16W(1608)
R1509	1-218-873-11	s RESISTOR,CHIP 12K 1/16W (1608)
R1510	1-218-875-11	s RESISTOR,CHIP 15K 1/16W (1608)
R1511	1-218-875-11	s RESISTOR,CHIP 15K 1/16W (1608)
R1512	1-218-847-11	s RESISTOR,CHIP 1K 1/16W (1608)
R1513	1-218-847-11	s RESISTOR,CHIP 1K 1/16W (1608)
R1514	1-218-855-11	s RESISTOR,CHIP 2.2K 1/16W(1608)
R1515	1-218-855-11	s RESISTOR,CHIP 2.2K 1/16W(1608)
R1516	1-216-864-11	s CONDUCTOR, CHIP (1608)
R1517	1-211-985-11	s RESISTOR,CHIP 47 1/16W (1608)
R1518	1-218-847-11	s RESISTOR,CHIP 1K 1/16W (1608)
R1519	1-216-864-11	s CONDUCTOR, CHIP (1608)
R1520	1-218-845-11	s RESISTOR,CHIP 820 1/16W (1608)
R1522	1-218-833-11	s RESISTOR,CHIP 270 1/16W (1608)
R1523	1-218-833-11	s RESISTOR,CHIP 270 1/16W (1608)
R1524	1-216-809-11	s RESISTOR,CHIP 100 1/16W 1608
R1525	1-211-985-11	s RESISTOR,CHIP 47 1/16W (1608)
R1526	1-208-754-11	s RESISTOR,CHIP 68 1/10W (2012)
R1527	1-218-829-11	s RESISTOR,CHIP 180 1/16W (1608)
R1528	1-211-961-11	s RESISTOR,CHIP 24 1/10W (2012)
R1529	1-211-967-11	s RESISTOR,CHIP 43 1/10W (2125)
R1530	1-208-754-11	s RESISTOR,CHIP 68 1/10W (2012)
R1531	1-211-961-11	s RESISTOR,CHIP 24 1/10W (2012)
R1532	1-208-774-11	s RESISTOR,CHIP 470 1/10W (2012)
R1533	1-211-985-11	s RESISTOR,CHIP 47 1/16W (1608)
R1534	1-211-985-11	s RESISTOR,CHIP 47 1/16W (1608)
R1535	1-211-985-11	s RESISTOR,CHIP 47 1/16W (1608)
R1536	1-208-762-11	s RESISTOR,CHIP 150 1/10W (2012)
R1537	1-208-762-11	s RESISTOR,CHIP 150 1/10W (2012)
R1538	1-216-864-11	s CONDUCTOR, CHIP (1608)
R1539	1-218-847-11	s RESISTOR,CHIP 1K 1/16W (1608)
R1540	1-208-754-11	s RESISTOR,CHIP 68 1/10W (2012)
R1541	1-208-754-11	s RESISTOR,CHIP 68 1/10W (2012)
R1542	1-218-847-11	s RESISTOR,CHIP 1K 1/16W (1608)
R1543	1-216-829-11	s RESISTOR,CHIP 4.7K 1/16W(1608)
R1551	1-220-259-11	s RESISTOR,CHIP 150 1/4W (3225)
R1552	1-211-985-11	s RESISTOR,CHIP 47 1/16W (1608)
R1553	1-218-852-11	s RESISTOR,CHIP 1.6K 1/16W(1608)
R1554	1-218-864-11	s RESISTOR,CHIP 5.1K 1/16W(1608)
R1555	1-216-817-11	s RESISTOR,CHIP 470 1/16W 1608
R1556	1-216-864-11	s CONDUCTOR, CHIP (1608)
R1557	1-218-855-11	s RESISTOR,CHIP 2.2K 1/16W(1608)
R1558	1-218-873-11	s RESISTOR,CHIP 12K 1/16W (1608)
R1559	1-218-875-11	s RESISTOR,CHIP 15K 1/16W (1608)
R1560	1-218-875-11	s RESISTOR,CHIP 15K 1/16W (1608)
R1561	1-218-847-11	s RESISTOR,CHIP 1K 1/16W (1608)
R1562	1-218-847-11	s RESISTOR,CHIP 1K 1/16W (1608)
R1563	1-218-855-11	s RESISTOR,CHIP 2.2K 1/16W(1608)
R1564	1-218-855-11	s RESISTOR,CHIP 2.2K 1/16W(1608)

(APR-45 BOARD(DSR-2000/2000P) SUFFIX -14)

Ref. No. or Q'ty	Part No.	SP Description
R1565	1-216-864-11	s CONDUCTOR, CHIP (1608)
R1566	1-211-985-11	s RESISTOR,CHIP 47 1/16W (1608)
R1567	1-218-847-11	s RESISTOR,CHIP 1K 1/16W (1608)
R1568	1-216-864-11	s CONDUCTOR, CHIP (1608)
R1569	1-218-845-11	s RESISTOR,CHIP 820 1/16W (1608)
R1571	1-218-833-11	s RESISTOR,CHIP 270 1/16W (1608)
R1572	1-218-833-11	s RESISTOR,CHIP 270 1/16W (1608)
R1573	1-216-809-11	s RESISTOR,CHIP 100 1/16W 1608
R1574	1-211-985-11	s RESISTOR,CHIP 47 1/16W (1608)
R1575	1-208-754-11	s RESISTOR,CHIP 68 1/10W (2012)
R1576	1-218-829-11	s RESISTOR,CHIP 180 1/16W (1608)
R1577	1-211-961-11	s RESISTOR,CHIP 24 1/10W (2012)
R1578	1-211-967-11	s RESISTOR,CHIP 43 1/10W (2125)
R1579	1-208-754-11	s RESISTOR,CHIP 68 1/10W (2012)
R1580	1-211-961-11	s RESISTOR,CHIP 24 1/10W (2012)
R1581	1-208-774-11	s RESISTOR,CHIP 470 1/10W (2012)
R1582	1-211-985-11	s RESISTOR,CHIP 47 1/16W (1608)
R1583	1-211-985-11	s RESISTOR,CHIP 47 1/16W (1608)
R1584	1-208-762-11	s RESISTOR,CHIP 150 1/10W (2012)
R1585	1-216-864-11	s CONDUCTOR, CHIP (1608)
R1586	1-218-847-11	s RESISTOR,CHIP 1K 1/16W (1608)
R1587	1-208-754-11	s RESISTOR,CHIP 68 1/10W (2012)
R1588	1-216-829-11	s RESISTOR,CHIP 4.7K 1/16W(1608)
R1589	1-216-864-11	s CONDUCTOR, CHIP (1608)
R1590	1-216-864-11	s CONDUCTOR, CHIP (1608)
R1700	1-216-833-11	s RESISTOR,CHIP 10K 1/16W (1608)
R1701	1-216-833-11	s RESISTOR,CHIP 10K 1/16W (1608)
R1702	1-216-833-11	s RESISTOR,CHIP 10K 1/16W (1608)
R1703	1-216-833-11	s RESISTOR,CHIP 10K 1/16W (1608)
R1704	1-216-833-11	s RESISTOR,CHIP 10K 1/16W (1608)
R1705	1-216-833-11	s RESISTOR,CHIP 10K 1/16W (1608)
R1706	1-216-833-11	s RESISTOR,CHIP 10K 1/16W (1608)
R1707	1-208-778-11	s RESISTOR,CHIP 680 1/10W (2012)
R1715	1-216-864-11	s CONDUCTOR, CHIP (1608)
R1716	1-216-864-11	s CONDUCTOR, CHIP (1608)
R1717	1-216-801-11	s RESISTOR,CHIP 22 1/16W (1608)
R1718	1-216-864-11	s CONDUCTOR, CHIP (1608)
RB51	1-239-409-11	s RESISTOR NETWORK 47 (1608)
RB201	1-239-409-11	s RESISTOR NETWORK 47 (1608)
RB202	1-239-409-11	s RESISTOR NETWORK 47 (1608)
RB301	1-239-412-11	s NETWORK, RESISTOR 100 (1608)
RB653	1-239-412-11	s NETWORK, RESISTOR 100 (1608)
RB701	1-239-412-11	s NETWORK, RESISTOR 100 (1608)
RB702	1-239-412-11	s NETWORK, RESISTOR 100 (1608)
RB703	1-239-412-11	s NETWORK, RESISTOR 100 (1608)
RB704	1-239-412-11	s NETWORK, RESISTOR 100 (1608)
RB705	1-239-412-11	s NETWORK, RESISTOR 100 (1608)
RB751	1-239-412-11	s NETWORK, RESISTOR 100 (1608)
RB752	1-239-412-11	s NETWORK, RESISTOR 100 (1608)
RB753	1-239-412-11	s NETWORK, RESISTOR 100 (1608)
RB801	1-239-412-11	s NETWORK, RESISTOR 100 (1608)
RB802	1-239-412-11	s NETWORK, RESISTOR 100 (1608)
RB803	1-239-412-11	s NETWORK, RESISTOR 100 (1608)
RB951	1-239-412-11	s NETWORK, RESISTOR 100 (1608)
RB953	1-239-412-11	s NETWORK, RESISTOR 100 (1608)
RB954	1-239-412-11	s NETWORK, RESISTOR 100 (1608)
RB956	1-239-412-11	s NETWORK, RESISTOR 100 (1608)
RB957	1-239-412-11	s NETWORK, RESISTOR 100 (1608)

Ref. No. or Q'ty	Part No.	SP Description
RB1503	1-239-412-11	s NETWORK, RESISTOR 100 (1608)
RB1504	1-239-412-11	s NETWORK, RESISTOR 100 (1608)
RB1505	1-239-412-11	s NETWORK, RESISTOR 100 (1608)
RB1553	1-239-412-11	s NETWORK, RESISTOR 100 (1608)
RB1554	1-239-412-11	s NETWORK, RESISTOR 100 (1608)
RB1555	1-239-412-11	s NETWORK, RESISTOR 100 (1608)
RV1	1-237-034-11	s RESISTOR, ADJ, CERMET 2K
RV4	1-237-034-11	s RESISTOR, ADJ, CERMET 2K
RV101	1-237-034-11	s RESISTOR, ADJ, CERMET 2K
RV104	1-237-034-11	s RESISTOR, ADJ, CERMET 2K
RV201	1-237-034-11	s RESISTOR, ADJ, CERMET 2K
RV202	1-237-034-11	s RESISTOR, ADJ, CERMET 2K
RV203	1-237-034-11	s RESISTOR, ADJ, CERMET 2K
RV204	1-237-034-11	s RESISTOR, ADJ, CERMET 2K
RV701	1-237-034-11	s RESISTOR, ADJ, CERMET 2K
RV751	1-237-034-11	s RESISTOR, ADJ, CERMET 2K
RV801	1-237-034-11	s RESISTOR, ADJ, CERMET 2K
RV1501	1-237-034-11	s RESISTOR, ADJ, CERMET 2K
RV1551	1-237-034-11	s RESISTOR, ADJ, CERMET 2K
X401	1-781-655-11	s OSCILLATOR, CRYSTAL

- *1: Board No. suffix 11
- *2: Board No. suffix 12 -
- *a: Lot No. 907
- *b: Lot No. 908 -
- *c: Lot No. 907 - 909
- *d: Lot No. 910 -
- *e: Lot No. 907 - 912
- *f: Lot No. 001 -

Ref. No. or Q'ty	Part No.	SP Description
1pc	A-8323-473-A	s MOUNTED CIRCUIT BOARD, APR-45
1pc	3-179-084-01	s LEVER (R), PRINTED C, BOARD
1pc	3-179-085-01	s LEVER (L), PRINTED C. BOARD
C7	1-126-396-11	s CAPACITOR, ELECT 47MF/16V (CHIP)
C8	1-126-396-11	s CAPACITOR, ELECT 47MF/16V (CHIP)
C9	1-126-396-11	s CAPACITOR, ELECT 47MF/16V (CHIP)
C10	1-126-396-11	s CAPACITOR, ELECT 47MF/16V (CHIP)
C19	1-162-923-11	s CAPACITOR, CERAMIC 47PF/50V CH
C20	1-162-923-11	s CAPACITOR, CERAMIC 47PF/50V CH
C21	1-162-923-11	s CAPACITOR, CERAMIC 47PF/50V CH
C22	1-162-923-11	s CAPACITOR, CERAMIC 47PF/50V CH
C43	1-126-395-11	s CAPACITOR, ELECT 22MF/16V (CHIP)
C44	1-126-395-11	s CAPACITOR, ELECT 22MF/16V (CHIP)
C45	1-162-927-11	s CAPACITOR, CERAMIC 100PF/50V CH
C46	1-162-923-11	s CAPACITOR, CERAMIC 47PF/50V CH
C47	1-162-927-11	s CAPACITOR, CERAMIC 100PF/50V CH
C48	1-162-923-11	s CAPACITOR, CERAMIC 47PF/50V CH
C49	1-164-156-11	s CAPACITOR, CERAMIC 0.1MF/25V F
C50	1-164-156-11	s CAPACITOR, CERAMIC 0.1MF/25V F
C51	1-164-156-11	s CAPACITOR, CERAMIC 0.1MF/25V F
C52	1-164-156-11	s CAPACITOR, CERAMIC 0.1MF/25V F
C53	1-104-851-11	s CAPACITOR, TANTALUM 10MF/10V
C54	1-104-851-11	s CAPACITOR, TANTALUM 10MF/10V
C55	1-126-394-11	s CAPACITOR, ELECT 10MF/16V (CHIP)
C56	1-126-394-11	s CAPACITOR, ELECT 10MF/16V (CHIP)
C57	1-126-394-11	s CAPACITOR, ELECT 10MF/16V (CHIP)
C58	1-126-394-11	s CAPACITOR, ELECT 10MF/16V (CHIP)
C59	1-104-851-11	s CAPACITOR, TANTALUM 10MF/10V
C60	1-164-156-11	s CAPACITOR, CERAMIC 0.1MF/25V F
C61	1-162-966-11	s CAPACITOR, CERAMIC 2200PF/50V B
C62	1-104-851-11	s CAPACITOR, TANTALUM 10MF/10V
C63	1-164-156-11	s CAPACITOR, CERAMIC 0.1MF/25V F
C64	1-163-145-00	s CAPACITOR, CHIP CERAMIC 1500PF
C65	1-163-145-00	s CAPACITOR, CHIP CERAMIC 1500PF
C66	1-162-966-11	s CAPACITOR, CERAMIC 2200PF/50V B
C67	1-164-156-11	s CAPACITOR, CERAMIC 0.1MF/25V F
C68	1-164-156-11	s CAPACITOR, CERAMIC 0.1MF/25V F
C69	1-164-156-11	s CAPACITOR, CERAMIC 0.1MF/25V F
C70	1-104-851-11	s CAPACITOR, TANTALUM 10MF/10V
C107	1-126-396-11	s CAPACITOR, ELECT 47MF/16V (CHIP)
C108	1-126-396-11	s CAPACITOR, ELECT 47MF/16V (CHIP)
C109	1-126-396-11	s CAPACITOR, ELECT 47MF/16V (CHIP)
C110	1-126-396-11	s CAPACITOR, ELECT 47MF/16V (CHIP)
C119	1-162-923-11	s CAPACITOR, CERAMIC 47PF/50V CH
C120	1-162-923-11	s CAPACITOR, CERAMIC 47PF/50V CH
C121	1-162-923-11	s CAPACITOR, CERAMIC 47PF/50V CH
C122	1-162-923-11	s CAPACITOR, CERAMIC 47PF/50V CH
C143	1-126-395-11	s CAPACITOR, ELECT 22MF/16V (CHIP)

(APR-45 BOARD(DSR-2000/2000P) SUFFIX -11, -12)

Ref. No. or Q'ty	Part No.	SP Description
C782	1-104-851-11	s CAPACITOR,TANTALUM 10MF/10V
C783	1-164-156-11	s CAPACITOR,CERAMIC 0.1MF/25V F
C784	1-162-907-11	s CAPACITOR,CERAMIC 2PF/50V(CK)
C785	1-107-826-11	s CAPACITOR,CHIP CERAMIC 0.1MF
C786	*2 1-107-826-11	s CAPACITOR,CHIP CERAMIC 0.1MF
C801	1-126-394-11	s CAPACITOR,ELECT 10MF/16V(CHIP)
C802	1-126-394-11	s CAPACITOR,ELECT 10MF/16V(CHIP)
C803	1-107-826-11	s CAPACITOR,CHIP CERAMIC 0.1MF
C804	1-107-826-11	s CAPACITOR,CHIP CERAMIC 0.1MF
C805	1-126-395-11	s CAPACITOR,ELECT 22MF/16V(CHIP)
C806	1-107-826-11	s CAPACITOR,CHIP CERAMIC 0.1MF
C807	1-107-826-11	s CAPACITOR,CHIP CERAMIC 0.1MF
C808	1-135-259-11	s CAPACITOR TANTALUM 10MF/6.3VF
C809	1-107-826-11	s CAPACITOR,CHIP CERAMIC 0.1MF
C810	1-107-826-11	s CAPACITOR,CHIP CERAMIC 0.1MF
C811	1-126-395-11	s CAPACITOR,ELECT 22MF/16V(CHIP)
C812	1-109-982-11	s CAPACITOR,CHIP CERAMIC 1MF/10V
C813	1-107-826-11	s CAPACITOR,CHIP CERAMIC 0.1MF
C814	1-107-826-11	s CAPACITOR,CHIP CERAMIC 0.1MF
C815	1-107-826-11	s CAPACITOR,CHIP CERAMIC 0.1MF
C816	1-107-826-11	s CAPACITOR,CHIP CERAMIC 0.1MF
C817	1-107-826-11	s CAPACITOR,CHIP CERAMIC 0.1MF
C818	1-126-395-11	s CAPACITOR,ELECT 22MF/16V(CHIP)
C819	1-107-826-11	s CAPACITOR,CHIP CERAMIC 0.1MF
C820	1-107-826-11	s CAPACITOR,CHIP CERAMIC 0.1MF
C821	1-107-826-11	s CAPACITOR,CHIP CERAMIC 0.1MF
C822	1-162-923-11	s CAPACITOR,CERAMIC 47PF/50V CH
C823	1-107-826-11	s CAPACITOR,CHIP CERAMIC 0.1MF
C824	1-107-826-11	s CAPACITOR,CHIP CERAMIC 0.1MF
C825	1-109-982-11	s CAPACITOR,CHIP CERAMIC 1MF/10V
C826	1-107-826-11	s CAPACITOR,CHIP CERAMIC 0.1MF
C827	1-107-826-11	s CAPACITOR,CHIP CERAMIC 0.1MF
C828	1-107-826-11	s CAPACITOR,CHIP CERAMIC 0.1MF
C829	1-162-915-11	s CAPACITOR,CERAMIC 10PF/50V CH
C830	1-107-826-11	s CAPACITOR,CHIP CERAMIC 0.1MF
C831	1-107-826-11	s CAPACITOR,CHIP CERAMIC 0.1MF
C832	1-126-394-11	s CAPACITOR,ELECT 10MF/16V(CHIP)
C833	1-107-826-11	s CAPACITOR,CHIP CERAMIC 0.1MF
C834	1-126-394-11	s CAPACITOR,ELECT 10MF/16V(CHIP)
C835	1-107-826-11	s CAPACITOR,CHIP CERAMIC 0.1MF
C836	1-107-826-11	s CAPACITOR,CHIP CERAMIC 0.1MF
C838	1-107-826-11	s CAPACITOR,CHIP CERAMIC 0.1MF
C839	1-126-394-11	s CAPACITOR,ELECT 10MF/16V(CHIP)
C840	1-164-156-11	s CAPACITOR,CERAMIC 0.1MF/25V F
C841	1-164-156-11	s CAPACITOR,CERAMIC 0.1MF/25V F
C842	1-164-156-11	s CAPACITOR,CERAMIC 0.1MF/25V F
C843	1-126-394-11	s CAPACITOR,ELECT 10MF/16V(CHIP)
C844	1-162-907-11	s CAPACITOR,CERAMIC 2PF/50V(CK)
C845	1-107-826-11	s CAPACITOR,CHIP CERAMIC 0.1MF
C846	1-107-826-11	s CAPACITOR,CHIP CERAMIC 0.1MF
C847	1-107-826-11	s CAPACITOR,CHIP CERAMIC 0.1MF
C848	1-107-826-11	s CAPACITOR,CHIP CERAMIC 0.1MF
C849	1-107-826-11	s CAPACITOR,CHIP CERAMIC 0.1MF
C850	1-107-826-11	s CAPACITOR,CHIP CERAMIC 0.1MF
C851	1-107-826-11	s CAPACITOR,CHIP CERAMIC 0.1MF
C852	1-107-826-11	s CAPACITOR,CHIP CERAMIC 0.1MF
C853	1-107-826-11	s CAPACITOR,CHIP CERAMIC 0.1MF
C854	1-107-826-11	s CAPACITOR,CHIP CERAMIC 0.1MF
C901	1-164-156-11	s CAPACITOR,CERAMIC 0.1MF/25V F

(APR-45 BOARD(DSR-2000/2000P) SUFFIX -11, -12)

Ref. No. or Q'ty	Part No.	SP Description
C902	1-107-826-11	s CAPACITOR,CHIP CERAMIC 0.1MF
C904	1-107-826-11	s CAPACITOR,CHIP CERAMIC 0.1MF
C905	1-107-826-11	s CAPACITOR,CHIP CERAMIC 0.1MF
C906	1-107-826-11	s CAPACITOR,CHIP CERAMIC 0.1MF
C907	1-107-826-11	s CAPACITOR,CHIP CERAMIC 0.1MF
C908	1-107-826-11	s CAPACITOR,CHIP CERAMIC 0.1MF
C909	1-107-826-11	s CAPACITOR,CHIP CERAMIC 0.1MF
C910	1-115-416-11	s CAPACITOR,CERAMIC 1000PF/25V
C911	1-107-826-11	s CAPACITOR,CHIP CERAMIC 0.1MF
C912	1-107-826-11	s CAPACITOR,CHIP CERAMIC 0.1MF
C913	1-107-826-11	s CAPACITOR,CHIP CERAMIC 0.1MF
C914	1-107-826-11	s CAPACITOR,CHIP CERAMIC 0.1MF
C915	1-107-826-11	s CAPACITOR,CHIP CERAMIC 0.1MF
C916	1-107-826-11	s CAPACITOR,CHIP CERAMIC 0.1MF
C917	1-164-156-11	s CAPACITOR,CERAMIC 0.1MF/25V F
C952	1-107-826-11	s CAPACITOR,CHIP CERAMIC 0.1MF
C953	1-107-826-11	s CAPACITOR,CHIP CERAMIC 0.1MF
C954	1-107-826-11	s CAPACITOR,CHIP CERAMIC 0.1MF
C957	1-107-826-11	s CAPACITOR,CHIP CERAMIC 0.1MF
C958	1-115-416-11	s CAPACITOR,CERAMIC 1000PF/25V
C962	1-107-826-11	s CAPACITOR,CHIP CERAMIC 0.1MF
C963	1-107-826-11	s CAPACITOR,CHIP CERAMIC 0.1MF
C964	1-107-826-11	s CAPACITOR,CHIP CERAMIC 0.1MF
C965	1-107-826-11	s CAPACITOR,CHIP CERAMIC 0.1MF
C966	1-107-826-11	s CAPACITOR,CHIP CERAMIC 0.1MF
C1201	1-162-923-11	s CAPACITOR,CERAMIC 47PF/50V CH
C1202	*2 1-128-416-11	s CAPACITOR,ELECT 100MF/16V
	*1 1-126-933-11	s CAPACITOR,ELECT 100MF/16V
C1203	1-126-396-11	s CAPACITOR,ELECT 47MF/16V(CHIP)
C1204	1-126-395-11	s CAPACITOR,ELECT 22MF/16V(CHIP)
C1205	*2 1-128-416-11	s CAPACITOR,ELECT 100MF/16V
	*1 1-126-933-11	s CAPACITOR,ELECT 100MF/16V
C1206	1-104-851-11	s CAPACITOR,TANTALUM 10MF/10V
C1207	1-164-156-11	s CAPACITOR,CERAMIC 0.1MF/25V F
C1208	1-164-156-11	s CAPACITOR,CERAMIC 0.1MF/25V F
C1209	1-104-851-11	s CAPACITOR,TANTALUM 10MF/10V
C1210	1-164-156-11	s CAPACITOR,CERAMIC 0.1MF/25V F
C1211	1-126-394-11	s CAPACITOR,ELECT 10MF/16V(CHIP)
C1212	1-126-394-11	s CAPACITOR,ELECT 10MF/16V(CHIP)
C1213	1-126-394-11	s CAPACITOR,ELECT 10MF/16V(CHIP)
C1214	1-126-394-11	s CAPACITOR,ELECT 10MF/16V(CHIP)
C1215	1-162-927-11	s CAPACITOR,CERAMIC 100PF/50V CH
C1216	1-162-927-11	s CAPACITOR,CERAMIC 100PF/50V CH
C1217	1-162-927-11	s CAPACITOR,CERAMIC 100PF/50V CH
C1218	1-162-927-11	s CAPACITOR,CERAMIC 100PF/50V CH
C1251	1-164-156-11	s CAPACITOR,CERAMIC 0.1MF/25V F
C1252	1-164-156-11	s CAPACITOR,CERAMIC 0.1MF/25V F
C1253	1-164-156-11	s CAPACITOR,CERAMIC 0.1MF/25V F
C1254	1-126-396-11	s CAPACITOR,ELECT 47MF/16V(CHIP)
C1255	1-164-156-11	s CAPACITOR,CERAMIC 0.1MF/25V F
C1256	1-164-156-11	s CAPACITOR,CERAMIC 0.1MF/25V F
C1257	1-164-156-11	s CAPACITOR,CERAMIC 0.1MF/25V F
C1258	*2 1-164-156-11	s CAPACITOR,CERAMIC 0.1MF/25V F
C1259	*2 1-164-156-11	s CAPACITOR,CERAMIC 0.1MF/25V F
C1260	*2 1-164-156-11	s CAPACITOR,CERAMIC 0.1MF/25V F
C1261	1-126-396-11	s CAPACITOR,ELECT 47MF/16V(CHIP)
C1262	1-164-156-11	s CAPACITOR,CERAMIC 0.1MF/25V F
C1264	1-164-156-11	s CAPACITOR,CERAMIC 0.1MF/25V F
C1265	1-109-982-11	s CAPACITOR,CHIP CERAMIC 1MF/10V

(APR-45 BOARD(DSR-2000/2000P) SUFFIX -11, -12)

Ref. No. or Q'ty	Part No.	SP Description
CN61	*1 1-770-678-11	o CONNECTOR, BOARD TO BOARD 50P
CN701	1-764-243-11	o CONNECTOR (COAXIAL)
CN751	1-764-243-11	o CONNECTOR (COAXIAL)
CN801	1-764-243-11	o CONNECTOR (COAXIAL)
CN802	1-764-243-11	o CONNECTOR (COAXIAL)
CN1501	1-764-243-11	o CONNECTOR (COAXIAL)
CN1502	1-764-243-11	o CONNECTOR (COAXIAL)
CN1551	1-764-243-11	o CONNECTOR (COAXIAL)
D2	8-719-941-09	s DIODE DAP202U
D3	8-719-941-09	s DIODE DAP202U
D57	8-719-951-22	s DIODE IMN10
D61	8-719-041-39	s DIODE KV1470 (SMA)
D102	8-719-941-09	s DIODE DAP202U
D103	8-719-941-09	s DIODE DAP202U
D301	8-719-041-39	s DIODE KV1470 (SMA)
D351	8-719-041-39	s DIODE KV1470 (SMA)
D501	8-719-404-35	s DIODE MA141WK
D502	8-719-024-81	s DIODE 1SS300-TE85L
D503	8-719-404-35	s DIODE MA141WK
D504	8-719-024-81	s DIODE 1SS300-TE85L
D505	8-719-404-35	s DIODE MA141WK
D506	8-719-024-81	s DIODE 1SS300-TE85L
D601	8-719-029-63	s ZENER DIODE RD4.3UH-T1
D602	8-719-029-63	s ZENER DIODE RD4.3UH-T1
D603	8-719-029-63	s ZENER DIODE RD4.3UH-T1
D701	8-719-989-22	s LED CL-150R-CD
D801	8-719-987-43	s LED CL-150PG-CD
D802	8-719-987-43	s LED CL-150PG-CD
D803	8-719-987-41	s LED CL-150Y-CD
D804	8-719-989-22	s LED CL-150R-CD
D805	8-719-989-22	s LED CL-150R-CD
D806	8-719-989-22	s LED CL-150R-CD
D901	8-719-989-22	s LED CL-150R-CD
D902	8-719-989-22	s LED CL-150R-CD
D903	8-719-947-01	s DIODE FMP1
D904	8-719-820-41	s DIODE 1SS302
D951	8-719-820-41	s DIODE 1SS302
D1501	8-719-989-22	s LED CL-150R-CD
D1551	8-719-989-22	s LED CL-150R-CD
FB501	1-543-644-11	s BEAD, FERRITE (CHIP)
FB502	1-543-644-11	s BEAD, FERRITE (CHIP)
FB701	1-543-644-11	s BEAD, FERRITE (CHIP)
FB702	1-543-644-11	s BEAD, FERRITE (CHIP)
FB703	1-543-644-11	s BEAD, FERRITE (CHIP)
FB751	1-543-644-11	s BEAD, FERRITE (CHIP)
FB752	1-543-644-11	s BEAD, FERRITE (CHIP)
FB753	1-543-644-11	s BEAD, FERRITE (CHIP)
FB754	1-543-644-11	s BEAD, FERRITE (CHIP)
FB802	1-543-644-11	s BEAD, FERRITE (CHIP)
FB803	1-543-644-11	s BEAD, FERRITE (CHIP)
FB805	1-543-644-11	s BEAD, FERRITE (CHIP)
FB806	1-543-644-11	s BEAD, FERRITE (CHIP)
FB807	1-543-644-11	s BEAD, FERRITE (CHIP)
FB808	1-543-644-11	s BEAD, FERRITE (CHIP)
FB809	1-543-644-11	s BEAD, FERRITE (CHIP)
FB1501	1-543-644-11	s BEAD, FERRITE (CHIP)
FB1503	1-543-644-11	s BEAD, FERRITE (CHIP)

(APR-45 BOARD(DSR-2000/2000P) SUFFIX -11, -12)

Ref. No. or Q'ty	Part No.	SP Description
FB1504	1-543-644-11	s BEAD, FERRITE (CHIP)
FB1505	1-543-644-11	s BEAD, FERRITE (CHIP)
FB1506	1-543-644-11	s BEAD, FERRITE (CHIP)
FB1551	1-543-644-11	s BEAD, FERRITE (CHIP)
FB1553	1-543-644-11	s BEAD, FERRITE (CHIP)
FB1554	1-543-644-11	s BEAD, FERRITE (CHIP)
FB1555	1-543-644-11	s BEAD, FERRITE (CHIP)
FL901	1-233-674-21	s FILTER, EMI
FL902	1-233-674-21	s FILTER, EMI
IC7	8-759-394-76	s IC NJM2068M-D (TE2)
IC8	8-759-394-76	s IC NJM2068M-D (TE2)
IC16	8-759-523-01	s IC TC74HC4052AFT (EL)
IC17	8-759-523-01	s IC TC74HC4052AFT (EL)
IC18	8-759-711-85	s IC NJM4580E-D
IC19	8-759-711-85	s IC NJM4580E-D
IC20	8-759-462-08	s IC AK5352-VF (E2)
IC51	8-759-711-85	s IC NJM4580E-D
IC55	8-759-711-85	s IC NJM4580E-D
IC56	8-759-711-85	s IC NJM4580E-D
IC61	*2 8-759-650-01	s IC CXD9125R
IC63	8-759-490-41	s IC TC74VHCT541AFT (EL)
IC64	8-759-599-17	s IC XC17840XLSO20C
IC65	8-759-702-02	s IC NJM062M
IC66	8-759-362-16	s IC CXD2913AQ
IC67	8-729-039-85	s IC UPC29L05T
IC68	8-759-082-58	s IC TC7W08FU
IC69	8-759-426-24	s IC TC78T08FU (TE85R)
IC70	*2 8-759-524-50	s IC TC74VHC541FT (EL)
IC71	*2 8-759-524-50	s IC TC74VHC541FT (EL)
IC72	8-759-490-41	s IC TC74VHCT541AFT (EL)
IC73	8-759-490-41	s IC TC74VHCT541AFT (EL)
IC74	8-759-490-41	s IC TC74VHCT541AFT (EL)
IC75	*2 8-759-524-50	s IC TC74VHC541FT (EL)
IC107	8-759-394-76	s IC NJM2068M-D (TE2)
IC108	8-759-394-76	s IC NJM2068M-D (TE2)
IC116	8-759-523-01	s IC TC74HC4052AFT (EL)
IC117	8-759-523-01	s IC TC74HC4052AFT (EL)
IC118	8-759-711-85	s IC NJM4580E-D
IC119	8-759-711-85	s IC NJM4580E-D
IC120	8-759-462-08	s IC AK5352-VF (E2)
IC201	8-759-536-23	s IC AK4324-VF-E2
IC202	8-759-536-23	s IC AK4324-VF-E2
IC203	8-759-711-85	s IC NJM4580E-D
IC204	8-759-711-85	s IC NJM4580E-D
IC205	8-759-711-85	s IC NJM4580E-D
IC206	8-759-711-85	s IC NJM4580E-D
IC207	8-759-523-01	s IC TC74HC4052AFT (EL)
IC208	8-759-523-01	s IC TC74HC4052AFT (EL)
IC209	8-759-523-01	s IC TC74HC4052AFT (EL)
IC210	8-759-523-01	s IC TC74HC4052AFT (EL)
IC211	8-759-711-85	s IC NJM4580E-D
IC212	8-759-711-85	s IC NJM4580E-D
IC213	8-759-711-85	s IC NJM4580E-D
IC214	8-759-711-85	s IC NJM4580E-D
IC215	8-759-523-01	s IC TC74HC4052AFT (EL)
IC216	8-759-523-01	s IC TC74HC4052AFT (EL)
IC217	8-759-523-01	s IC TC74HC4052AFT (EL)
IC218	8-759-523-01	s IC TC74HC4052AFT (EL)

(APR-45 BOARD(DSR-2000/2000P) SUFFIX -11, -12)

Ref. No. or Q'ty	Part No.	SP Description
IC301	8-759-196-96	s IC TC7SH08FU (TE85R)
IC302	8-759-429-28	s IC CXD8630R
IC304	8-759-491-46	s IC TC74VHCT04AFT (EL)
IC305	8-759-362-16	s IC CXD2913AQ
IC306	8-759-702-02	s IC NJM062M
IC307	8-729-039-85	s IC UPC29L05T
IC308	8-759-523-79	s IC TC74VHC02FT
IC309	8-759-523-95	s IC TC74VHC74FT (EL)
IC310	8-759-902-88	s IC SN74LS123NS
IC311	8-759-523-79	s IC TC74VHC02FT
IC312	8-759-524-19	s IC TC74VHC164FT (EL)
IC313	8-759-524-19	s IC TC74VHC164FT (EL)
IC314	8-759-326-71	s IC CXD8517Q
IC315	8-759-326-71	s IC CXD8517Q
IC316	8-759-523-84	s IC TC74VHC14FT (EL)
IC317	8-759-426-24	s IC TC7ST08FU(TE85R)
IC352	8-759-429-28	s IC CXD8630R
IC353	8-759-702-02	s IC NJM062M
IC354	8-759-362-16	s IC CXD2913AQ
IC355	8-729-039-85	s IC UPC29L05T
IC356	8-759-524-50	s IC TC74VHC541FT(EL)
IC357	8-759-490-41	s IC TC74VHCT541AFT (EL)
IC401	8-759-549-20	s IC SN74LV541APWR
IC402	8-759-523-94	s IC TC74VHC32FT (EL)
IC403	8-752-391-87	s IC CXD2712R
IC405	8-759-645-48	s IC IDT71V016S15PH-TL
IC406	8-752-391-87	s IC CXD2712R
IC407	8-752-391-87	s IC CXD2712R
IC409	8-759-645-48	s IC IDT71V016S15PH-TL
IC410	8-752-391-87	s IC CXD2712R
IC411	8-759-490-41	s IC TC74VHCT541AFT (EL)
IC412	8-759-196-96	s IC TC7SH08FU (TE85R)
IC413	8-759-196-96	s IC TC7SH08FU (TE85R)
IC414	8-759-196-96	s IC TC7SH08FU (TE85R)
IC415	8-759-196-96	s IC TC7SH08FU (TE85R)
IC451	8-759-523-79	s IC TC74VHC02FT
IC452	8-759-523-79	s IC TC74VHC02FT
IC453	8-759-902-88	s IC SN74LS123NS
IC454	8-759-523-95	s IC TC74VHC74FT (EL)
IC455	8-759-524-19	s IC TC74VHC164FT (EL)
IC456	8-759-524-50	s IC TC74VHC541FT (EL)
IC457	8-759-326-71	s IC CXD8517Q
IC458	8-759-326-71	s IC CXD8517Q
IC459	8-759-523-79	s IC TC74VHC02FT
IC460	8-759-902-88	s IC SN74LS123NS
IC461	8-759-523-95	s IC TC74VHC74FT (EL)
IC462	8-759-524-19	s IC TC74VHC164FT (EL)
IC463	8-759-326-71	s IC CXD8517Q
IC464	8-759-326-71	s IC CXD8517Q
IC465	8-759-523-79	s IC TC74VHC02FT
IC466	8-759-902-88	s IC SN74LS123NS
IC467	8-759-523-95	s IC TC74VHC74FT (EL)
IC468	8-759-524-19	s IC TC74VHC164FT (EL)
IC469	8-759-326-71	s IC CXD8517Q
IC470	8-759-326-71	s IC CXD8517Q
IC471	8-759-490-41	s IC TC74VHCT541AFT (EL)
IC472	8-759-549-20	s IC SN74LV541APWR
IC501	8-759-549-15	s IC SN74LV245APWR
IC502	8-759-479-32	s IC SN75C1168NS (B05)

(APR-45 BOARD(DSR-2000/2000P) SUFFIX -11, -12)

Ref. No. or Q'ty	Part No.	SP Description
IC503	8-759-523-94	s IC TC74VHC32FT (EL)
IC504	8-759-185-75	s IC TC74VHC123AF (EL)
IC505	8-759-590-19	s IC CXD9068ER
IC506	8-759-481-08	s IC TC7SET02FU (TE85R)
IC507	8-759-180-84	s IC TC7W74F
IC508	8-759-426-24	s IC TC7ST08FU(TE85R)
IC509	8-759-524-18	s IC TC74VHC163FT(EL)
IC510	*f 8-759-669-75	s IC TLC2932IPWR
	*e 8-759-295-09	s IC TLC2932IPW
IC511	*f 8-759-669-75	s IC TLC2932IPWR
	*e 8-759-295-09	s IC TLC2932IPW
IC512	8-759-549-20	s IC SN74LV541APWR
IC513	8-759-524-18	s IC TC74VHC163FT(EL)
IC514	8-759-549-20	s IC SN74LV541APWR
IC515	8-759-447-77	s IC TC7WH74FU (TR12R)
IC516	8-759-481-08	s IC TC7SET02FU (TE85R)
IC517	8-759-426-24	s IC TC7ST08FU(TE85R)
IC518	8-759-524-18	s IC TC74VHC163FT(EL)
IC519	8-759-524-18	s IC TC74VHC163FT(EL)
IC520	8-759-447-77	s IC TC7WH74FU (TR12R)
IC521	8-759-549-20	s IC SN74LV541APWR
IC522	8-759-549-20	s IC SN74LV541APWR
IC601	8-759-324-03	s IC HA17431UA(TL)
IC602	8-759-710-78	s IC NJM082BM
IC603	8-759-710-78	s IC NJM082BM
IC651	*d 8-759-664-35	s IC UPD78011FGC-594
	*c 8-759-370-19	o IC UPD78P018FGC-AB
IC652	8-759-491-51	s IC TC74VHCT245AFT (EL)
IC653	8-759-524-28	s IC TC74VHC245FT (EL)
IC654	8-759-524-07	s IC TC74VHC138FT (EL)
IC655	8-759-524-07	s IC TC74VHC138FT (EL)
IC656	8-759-393-39	s IC SN74LVC245ANS (B05)
IC657	8-759-524-51	s IC TC74VHC573FT (EL)
IC659	8-759-082-59	s IC TC7W32FU
IC660	8-759-523-81	s IC TC74VHC08FT (EL)
IC701	8-759-259-77	s IC PQ20VZ5U
IC702	8-752-078-34	s IC CXB1342R
IC703	8-759-369-93	s IC CXD8969AR
IC705	8-759-490-41	s IC TC74VHCT541AFT (EL)
IC706	8-759-524-50	s IC TC74VHC541FT (EL)
IC707	8-759-524-50	s IC TC74VHC541FT (EL)
IC708	8-759-524-50	s IC TC74VHC541FT (EL)
IC709	8-759-271-86	s IC TC7SH04FU
IC710	8-759-196-96	s IC TC7SH08FU (TE85R)
IC711	8-759-271-86	s IC TC7SH04FU
IC712	8-759-447-77	s IC TC7WH74FU (TR12R)
IC751	8-759-524-50	s IC TC74VHC541FT (EL)
IC752	8-759-369-93	s IC CXD8969AR
IC753	8-752-078-32	s IC CXB1341R
IC754	8-759-271-86	s IC TC7SH04FU
IC755	*2 8-759-271-86	s IC TC7SH04FU
IC801	8-759-324-03	s IC HA17431UA(TL)
IC802	8-752-078-34	s IC CXB1342R
IC803	8-759-490-41	s IC TC74VHCT541AFT (EL)
IC804	8-759-490-41	s IC TC74VHCT541AFT (EL)
IC805	8-759-271-86	s IC TC7SH04FU
IC806	8-759-344-84	s IC CXD8953Q
IC807	8-759-082-57	s IC TC7W04FU
IC808	8-759-082-57	s IC TC7W04FU

(APR-45 BOARD(DSR-2000/2000P) SUFFIX -11, -12)

Ref. No. or Q'ty	Part No.	SP Description
IC901	8-759-523-94	s IC TC74VHC32FT(EL)
IC902	8-759-524-18	s IC TC74VHC163FT(EL)
IC903	8-759-242-78	s IC TC7W02P
IC904	8-759-172-72	s IC CXD8386AQ
IC905	*b 8-759-196-97	s IC TC7SH32FU(TE85R)
	*a 8-759-271-86	s IC TC7SH04FU
IC906	8-759-491-46	s IC TC74VHCT04AFT (EL)
IC907	8-759-289-69	s IC CXD8280AQ
IC908	8-759-523-97	s IC TC74VHC123AFT(EL)
IC909	8-759-523-97	s IC TC74VHC123AFT(EL)
IC910	8-759-523-81	s IC TC74VHC08FT(EL)
IC911	8-759-524-50	s IC TC74VHC541FT(EL)
IC912	8-759-524-50	s IC TC74VHC541FT(EL)
IC913	8-759-277-63	s IC TC7W14FU (TE12R)
IC914	8-759-196-96	s IC TC7SH08FU (TE85R)
IC951	8-759-271-86	s IC TC7SH04FU
IC952	8-759-524-50	s IC TC74VHC541FT(EL)
IC953	8-759-524-52	s IC TC74VHC574FT(EL)
IC954	8-759-524-52	s IC TC74VHC574FT(EL)
IC955	8-759-523-84	s IC TC74VHC14FT (EL)
IC959	8-759-524-18	s IC TC74VHC163FT(EL)
IC960	8-759-523-94	s IC TC74VHC32FT(EL)
IC961	8-759-519-12	s IC CXD8281Q
IC962	8-759-172-73	s IC CXD8385Q
IC1201	8-759-536-23	s IC AK4324-VF-E2
IC1501	8-759-344-84	s IC CXD8953Q
IC1502	8-759-524-50	s IC TC74VHC541FT(EL)
IC1503	8-759-524-50	s IC TC74VHC541FT(EL)
IC1504	8-759-524-50	s IC TC74VHC541FT(EL)
IC1505	8-759-524-50	s IC TC74VHC541FT(EL)
IC1506	8-759-058-58	s IC TC7S04FU-TE85R
IC1507	8-759-324-03	s IC HA17431UA(TL)
IC1508	8-752-078-32	s IC CXB1341R
IC1551	8-759-344-84	s IC CXD8953Q
IC1552	8-759-524-50	s IC TC74VHC541FT(EL)
IC1553	8-759-524-50	s IC TC74VHC541FT(EL)
IC1554	8-759-524-50	s IC TC74VHC541FT(EL)
IC1555	8-759-524-50	s IC TC74VHC541FT(EL)
IC1556	8-759-058-58	s IC TC7S04FU-TE85R
IC1557	8-759-324-03	s IC HA17431UA(TL)
IC1558	8-752-078-32	s IC CXB1341R
L61	1-414-398-11	s INDUCTOR (SMD) 10UH
L63	1-414-398-11	s INDUCTOR (SMD) 10UH
L301	1-414-398-11	s INDUCTOR (SMD) 10UH
L302	1-414-398-11	s INDUCTOR (SMD) 10UH
L303	1-414-398-11	s INDUCTOR (SMD) 10UH
L351	1-414-398-11	s INDUCTOR (SMD) 10UH
L401	1-414-398-11	s INDUCTOR (SMD) 10UH
L402	1-414-398-11	s INDUCTOR (SMD) 10UH
L403	1-414-398-11	s INDUCTOR (SMD) 10UH
L404	1-414-398-11	s INDUCTOR (SMD) 10UH
L451	1-412-939-11	s INDUCTOR 1.0UH (2520)
L452	1-412-939-11	s INDUCTOR 1.0UH (2520)
L453	1-412-939-11	s INDUCTOR 1.0UH (2520)
L454	1-412-939-11	s INDUCTOR 1.0UH (2520)
L455	1-412-939-11	s INDUCTOR 1.0UH (2520)
L456	1-412-939-11	s INDUCTOR 1.0UH (2520)
L501	1-414-398-11	s INDUCTOR (SMD) 10UH
L502	1-414-398-11	s INDUCTOR (SMD) 10UH

(APR-45 BOARD(DSR-2000/2000P) SUFFIX -11, -12)

Ref. No. or Q'ty	Part No.	SP Description
L505	1-414-398-11	s INDUCTOR (SMD) 10UH
L506	1-414-398-11	s INDUCTOR (SMD) 10UH
L507	1-414-398-11	s INDUCTOR (SMD) 10UH
L601	1-424-643-11	s COIL, CHOKE 10UH
L602	1-424-643-11	s COIL, CHOKE 10UH
L701	1-410-797-11	s CHIP INDUCTOR 0.015UH (3225)
L702	1-412-939-11	s INDUCTOR 1.0UH (2520)
L703	1-412-939-11	s INDUCTOR 1.0UH (2520)
L751	1-412-939-11	s INDUCTOR 1.0UH (2520)
L801	1-410-797-11	s CHIP INDUCTOR 0.015UH (3225)
LV61	1-411-984-11	s COIL, VARIABLE
LV301	1-411-984-11	s COIL, VARIABLE
LV351	1-411-984-11	s COIL, VARIABLE
PS701	Δ 1-533-282-21	s CIRCUIT PROTECTOR 2A (3225)
PS702	Δ 1-533-282-21	s CIRCUIT PROTECTOR 2A (3225)
Q51	8-729-209-07	s TRANSISTOR 2SC4213-B
Q53	8-729-141-48	s TRANSISTOR 2SB624-BV345
Q54	8-729-029-14	s TRANSISTOR DTC144EUA-T106
Q55	8-729-110-92	s TRANSISTOR 2SK425-X13
Q601	8-729-020-94	s TRANSISTOR 2SA1314C-TE12L
Q602	8-729-808-42	s TRANSISTOR 2SD1624-T
Q603	8-729-141-48	s TRANSISTOR 2SB624-BV345
Q651	8-729-029-14	s TRANSISTOR DTC144EUA-T106
Q652	8-729-029-14	s TRANSISTOR DTC144EUA-T106
Q653	8-729-028-91	s TRANSISTOR DTA144EUA-T106
Q654	8-729-029-14	s TRANSISTOR DTC144EUA-T106
Q751	8-729-105-68	s TRANSISTOR 2SC3356-K
Q752	8-729-105-68	s TRANSISTOR 2SC3356-K
Q753	8-729-105-68	s TRANSISTOR 2SC3356-K
Q801	8-729-807-51	s TRANSISTOR 2SD1623-S
Q802	8-729-029-14	s TRANSISTOR DTC144EUA-T106
Q803	8-729-028-91	s TRANSISTOR DTA144EUA-T106
Q804	8-729-105-68	s TRANSISTOR 2SC3356-K
Q805	8-729-105-68	s TRANSISTOR 2SC3356-K
Q806	8-729-105-68	s TRANSISTOR 2SC3356-K
Q901	8-729-028-91	s TRANSISTOR DTA144EUA-T106
Q902	8-729-028-73	s TRANSISTOR DTA114EUA-T106
Q951	8-729-029-14	s TRANSISTOR DTC144EUA-T106
Q952	8-729-029-14	s TRANSISTOR DTC144EUA-T106
Q1501	8-729-807-51	s TRANSISTOR 2SD1623-S
Q1502	8-729-029-14	s TRANSISTOR DTC144EUA-T106
Q1503	8-729-028-91	s TRANSISTOR DTA144EUA-T106
Q1504	8-729-028-91	s TRANSISTOR DTA144EUA-T106
Q1505	8-729-105-68	s TRANSISTOR 2SC3356-K
Q1506	8-729-105-68	s TRANSISTOR 2SC3356-K
Q1507	8-729-105-68	s TRANSISTOR 2SC3356-K
Q1508	8-729-105-68	s TRANSISTOR 2SC3356-K
Q1551	8-729-807-51	s TRANSISTOR 2SD1623-S
Q1552	8-729-029-14	s TRANSISTOR DTC144EUA-T106
Q1553	8-729-028-91	s TRANSISTOR DTA144EUA-T106
Q1554	8-729-028-91	s TRANSISTOR DTA144EUA-T106
Q1555	8-729-105-68	s TRANSISTOR 2SC3356-K
Q1556	8-729-105-68	s TRANSISTOR 2SC3356-K
Q1557	8-729-105-68	s TRANSISTOR 2SC3356-K
R1	1-216-864-11	s RESISTOR,CHIP 0 1/16W (1608)
R2	1-218-855-11	s RESISTOR,CHIP 2.2K 1/16W(1608)
R3	1-216-864-11	s RESISTOR,CHIP 0 1/16W (1608)
R4	1-218-855-11	s RESISTOR,CHIP 2.2K 1/16W(1608)

(APR-45 BOARD(DSR-2000/2000P) SUFFIX -11, -12)

Ref. No. or Q'ty	Part No.	SP Description
R322	1-218-879-11	s RESISTOR,CHIP 22K 1/16W (1608)
R327	1-216-805-11	s RESISTOR,CHIP 47 1/16W 1608
R328	1-216-805-11	s RESISTOR,CHIP 47 1/16W 1608
R329	1-216-805-11	s RESISTOR,CHIP 47 1/16W 1608
R330	1-218-863-11	s RESISTOR,CHIP 4.7K 1/16W(1608)
R331	1-218-863-11	s RESISTOR,CHIP 4.7K 1/16W(1608)
R381	*2 1-216-801-11	s RESISTOR,CHIP 22 1/16W (1608)
R382	1-211-977-11	s RESISTOR,CHIP 22 1/16W (1608)
R389	1-218-873-11	s RESISTOR,CHIP 12K 1/16W (1608)
R390	1-218-875-11	s RESISTOR,CHIP 15K 1/16W (1608)
R391	1-218-887-11	s RESISTOR,CHIP 47K 1/16W (1608)
R392	1-218-863-11	s RESISTOR,CHIP 4.7K 1/16W(1608)
R394	1-218-887-11	s RESISTOR,CHIP 47K 1/16W (1608)
R395	1-218-875-11	s RESISTOR,CHIP 15K 1/16W (1608)
R396	1-218-887-11	s RESISTOR,CHIP 47K 1/16W (1608)
R397	1-218-887-11	s RESISTOR,CHIP 47K 1/16W (1608)
R398	1-218-887-11	s RESISTOR,CHIP 47K 1/16W (1608)
R401	1-216-833-11	s RESISTOR,CHIP 10K 1/16W 1608
R402	1-216-801-11	s RESISTOR,CHIP 22 1/16W 1608
R403	1-216-801-11	s RESISTOR,CHIP 22 1/16W 1608
R404	1-216-801-11	s RESISTOR,CHIP 22 1/16W 1608
R405	1-216-801-11	s RESISTOR,CHIP 22 1/16W 1608
R406	1-216-864-11	s RESISTOR,CHIP 0 1/16W (1608)
R407	1-216-801-11	s RESISTOR,CHIP 22 1/16W 1608
R408	1-216-801-11	s RESISTOR,CHIP 22 1/16W 1608
R409	1-216-801-11	s RESISTOR,CHIP 22 1/16W 1608
R410	1-216-864-11	s RESISTOR,CHIP 0 1/16W (1608)
R411	1-216-864-11	s RESISTOR,CHIP 0 1/16W (1608)
R412	1-216-864-11	s RESISTOR,CHIP 0 1/16W (1608)
R413	1-216-864-11	s RESISTOR,CHIP 0 1/16W (1608)
R414	1-216-801-11	s RESISTOR,CHIP 22 1/16W 1608
R415	1-216-845-11	s RESISTOR,CHIP 100K 1/16W(1608)
R416	1-216-864-11	s RESISTOR,CHIP 0 1/16W (1608)
R417	1-216-864-11	s RESISTOR,CHIP 0 1/16W (1608)
R418	1-216-845-11	s RESISTOR,CHIP 100K 1/16W(1608)
R419	1-216-864-11	s RESISTOR,CHIP 0 1/16W (1608)
R420	1-216-864-11	s RESISTOR,CHIP 0 1/16W (1608)
R421	1-216-864-11	s RESISTOR,CHIP 0 1/16W (1608)
R422	1-216-864-11	s RESISTOR,CHIP 0 1/16W (1608)
R423	1-216-833-11	s RESISTOR,CHIP 10K 1/16W 1608
R424	1-216-845-11	s RESISTOR,CHIP 100K 1/16W(1608)
R425	1-216-864-11	s RESISTOR,CHIP 0 1/16W (1608)
R426	1-216-864-11	s RESISTOR,CHIP 0 1/16W (1608)
R427	1-216-845-11	s RESISTOR,CHIP 100K 1/16W(1608)
R428	1-216-864-11	s RESISTOR,CHIP 0 1/16W (1608)
R429	1-216-864-11	s RESISTOR,CHIP 0 1/16W (1608)
R430	1-216-864-11	s RESISTOR,CHIP 0 1/16W (1608)
R431	1-216-864-11	s RESISTOR,CHIP 0 1/16W (1608)
R432	1-216-833-11	s RESISTOR,CHIP 10K 1/16W 1608
R433	1-216-833-11	s RESISTOR,CHIP 10K 1/16W 1608
R434	1-216-801-11	s RESISTOR,CHIP 22 1/16W 1608
R435	1-216-801-11	s RESISTOR,CHIP 22 1/16W 1608
R436	1-216-864-11	s RESISTOR,CHIP 0 1/16W (1608)
R437	1-216-864-11	s RESISTOR,CHIP 0 1/16W (1608)
R438	1-216-845-11	s RESISTOR,CHIP 100K 1/16W(1608)
R439	1-216-864-11	s RESISTOR,CHIP 0 1/16W (1608)
R440	1-216-864-11	s RESISTOR,CHIP 0 1/16W (1608)
R441	1-216-845-11	s RESISTOR,CHIP 100K 1/16W(1608)
R442	1-216-864-11	s RESISTOR,CHIP 0 1/16W (1608)

(APR-45 BOARD(DSR-2000/2000P) SUFFIX -11, -12)

Ref. No. or Q'ty	Part No.	SP Description
R443	1-216-864-11	s RESISTOR,CHIP 0 1/16W (1608)
R444	1-216-864-11	s RESISTOR,CHIP 0 1/16W (1608)
R445	1-216-864-11	s RESISTOR,CHIP 0 1/16W (1608)
R446	1-216-833-11	s RESISTOR,CHIP 10K 1/16W 1608
R447	1-216-845-11	s RESISTOR,CHIP 100K 1/16W(1608)
R448	1-216-864-11	s RESISTOR,CHIP 0 1/16W (1608)
R449	1-216-864-11	s RESISTOR,CHIP 0 1/16W (1608)
R450	1-216-845-11	s RESISTOR,CHIP 100K 1/16W(1608)
R451	1-216-864-11	s RESISTOR,CHIP 0 1/16W (1608)
R452	1-216-864-11	s RESISTOR,CHIP 0 1/16W (1608)
R453	1-216-864-11	s RESISTOR,CHIP 0 1/16W (1608)
R454	1-216-864-11	s RESISTOR,CHIP 0 1/16W (1608)
R455	1-216-833-11	s RESISTOR,CHIP 10K 1/16W 1608
R456	1-216-833-11	s RESISTOR,CHIP 10K 1/16W 1608
R457	1-216-801-11	s RESISTOR,CHIP 22 1/16W 1608
R458	1-216-801-11	s RESISTOR,CHIP 22 1/16W 1608
R459	1-216-801-11	s RESISTOR,CHIP 22 1/16W 1608
R460	1-216-801-11	s RESISTOR,CHIP 22 1/16W 1608
R461	1-216-801-11	s RESISTOR,CHIP 22 1/16W 1608
R462	1-216-801-11	s RESISTOR,CHIP 22 1/16W 1608
R463	1-216-801-11	s RESISTOR,CHIP 22 1/16W 1608
R464	1-216-801-11	s RESISTOR,CHIP 22 1/16W 1608
R465	1-216-801-11	s RESISTOR,CHIP 22 1/16W 1608
R466	1-216-801-11	s RESISTOR,CHIP 22 1/16W 1608
R467	1-216-821-11	s RESISTOR,CHIP 1.0K 1/16W(1608)
R468	1-216-850-11	s RESISTOR,CHIP 270K 1/16W 1608
R470	1-216-837-11	s RESISTOR,CHIP 22K 1/16W 1608
R471	1-216-864-11	s RESISTOR,CHIP 0 1/16W (1608)
R472	1-216-864-11	s RESISTOR,CHIP 0 1/16W (1608)
R473	1-216-864-11	s RESISTOR,CHIP 0 1/16W (1608)
R474	1-216-821-11	s RESISTOR,CHIP 1.0K 1/16W(1608)
R475	1-216-850-11	s RESISTOR,CHIP 270K 1/16W 1608
R477	1-216-837-11	s RESISTOR,CHIP 22K 1/16W 1608
R478	1-216-821-11	s RESISTOR,CHIP 1.0K 1/16W(1608)
R479	1-216-850-11	s RESISTOR,CHIP 270K 1/16W 1608
R481	1-216-837-11	s RESISTOR,CHIP 22K 1/16W 1608
R482	1-216-801-11	s RESISTOR,CHIP 22 1/16W 1608
R483	1-216-801-11	s RESISTOR,CHIP 22 1/16W 1608
R484	1-216-833-11	s RESISTOR,CHIP 10K 1/16W 1608
R485	1-216-833-11	s RESISTOR,CHIP 10K 1/16W 1608
R486	1-216-833-11	s RESISTOR,CHIP 10K 1/16W 1608
R489	1-216-833-11	s RESISTOR,CHIP 10K 1/16W 1608
R490	1-216-833-11	s RESISTOR,CHIP 10K 1/16W 1608
R491	1-216-833-11	s RESISTOR,CHIP 10K 1/16W 1608
R492	1-216-833-11	s RESISTOR,CHIP 10K 1/16W 1608
R493	1-216-833-11	s RESISTOR,CHIP 10K 1/16W 1608
R494	1-216-833-11	s RESISTOR,CHIP 10K 1/16W 1608
R501	1-216-809-11	s RESISTOR,CHIP 100 1/16W 1608
R502	1-216-864-11	s RESISTOR,CHIP 0 1/16W (1608)
R503	1-216-864-11	s RESISTOR,CHIP 0 1/16W (1608)
R504	1-216-797-11	s RESISTOR,CHIP 10 1/16W 1608
R506	1-216-797-11	s RESISTOR,CHIP 10 1/16W 1608
R508	1-216-829-11	s RESISTOR,CHIP 4.7K 1/16W 1608
R515	1-216-864-11	s RESISTOR,CHIP 0 1/16W (1608)
R538	1-218-875-11	s RESISTOR,CHIP 15K 1/16W (1608)
R539	1-218-875-11	s RESISTOR,CHIP 15K 1/16W (1608)
R546	1-218-853-11	s RESISTOR,CHIP 1.8K 1/16W(1608)
R547	1-218-834-11	s RESISTOR,CHIP 300 1/16W (1608)
R548	1-218-853-11	s RESISTOR,CHIP 1.8K 1/16W(1608)

(APR-45 BOARD(DSR-2000/2000P) SUFFIX -11, -12)

Ref. No. or Q'ty	Part No.	SP Description
R549	1-218-834-11	s RESISTOR,CHIP 300 1/16W (1608)
R553	1-216-864-11	s RESISTOR,CHIP 0 1/16W (1608)
R554	1-216-864-11	s RESISTOR,CHIP 0 1/16W (1608)
R560	1-216-809-11	s RESISTOR,CHIP 100 1/16W 1608
R561	1-216-809-11	s RESISTOR,CHIP 100 1/16W 1608
R562	1-216-805-11	s RESISTOR,CHIP 47 1/16W 1608
R563	1-216-805-11	s RESISTOR,CHIP 47 1/16W 1608
R564	1-216-801-11	s RESISTOR,CHIP 22 1/16W 1608
R565	1-216-801-11	s RESISTOR,CHIP 22 1/16W 1608
R566	1-216-864-11	s RESISTOR,CHIP 0 1/16W (1608)
R567	1-216-864-11	s RESISTOR,CHIP 0 1/16W (1608)
R568	1-216-864-11	s RESISTOR,CHIP 0 1/16W (1608)
R569	1-216-864-11	s RESISTOR,CHIP 0 1/16W (1608)
R572	1-211-977-11	s RESISTOR,CHIP 22 1/16W (1608)
R573	1-211-977-11	s RESISTOR,CHIP 22 1/16W (1608)
R574	1-216-845-11	s RESISTOR,CHIP 100K 1/16W(1608)
R575	1-216-845-11	s RESISTOR,CHIP 100K 1/16W(1608)
R601	1-218-853-11	s RESISTOR,CHIP 1.8K 1/16W(1608)
R602	1-218-879-11	s RESISTOR,CHIP 22K 1/16W (1608)
R603	1-218-879-11	s RESISTOR,CHIP 22K 1/16W (1608)
R604	1-216-864-11	s RESISTOR,CHIP 0 1/16W (1608)
R605	1-218-879-11	s RESISTOR,CHIP 22K 1/16W (1608)
R606	1-218-879-11	s RESISTOR,CHIP 22K 1/16W (1608)
R607	1-218-847-11	s RESISTOR,CHIP 1K 1/16W (1608)
R608	1-218-887-11	s RESISTOR,CHIP 47K 1/16W (1608)
R609	1-218-887-11	s RESISTOR,CHIP 47K 1/16W (1608)
R651	1-216-809-11	s RESISTOR,CHIP 100 1/16W 1608
R652	1-216-809-11	s RESISTOR,CHIP 100 1/16W 1608
R653	1-216-833-11	s RESISTOR,CHIP 10K 1/16W 1608
R654	1-216-833-11	s RESISTOR,CHIP 10K 1/16W 1608
R655	1-216-841-11	s RESISTOR,CHIP 47K 1/16W 1608
R656	1-216-833-11	s RESISTOR,CHIP 10K 1/16W 1608
R657	1-216-833-11	s RESISTOR,CHIP 10K 1/16W 1608
R658	1-216-821-11	s RESISTOR,CHIP 1.0K 1/16W(1608)
R659	1-216-821-11	s RESISTOR,CHIP 1.0K 1/16W(1608)
R660	1-216-833-11	s RESISTOR,CHIP 10K 1/16W 1608
R661	1-216-864-11	s RESISTOR,CHIP 0 1/16W (1608)
R663	1-216-833-11	s RESISTOR,CHIP 10K 1/16W 1608
R664	1-216-833-11	s RESISTOR,CHIP 10K 1/16W 1608
R665	1-216-845-11	s RESISTOR,CHIP 100K 1/16W(1608)
R666	1-216-833-11	s RESISTOR,CHIP 10K 1/16W 1608
R701	1-218-851-11	s RESISTOR,CHIP 1.5K 1/16W(1608)
R702	1-218-846-11	s RESISTOR,CHIP 910 1/16W (1608)
R703	1-216-825-11	s RESISTOR,CHIP 2.2K 1/16W 1608
R704	1-218-873-11	s RESISTOR,CHIP 12K 1/16W (1608)
R705	1-216-821-11	s RESISTOR,CHIP 1.0K 1/16W(1608)
R706	1-216-821-11	s RESISTOR,CHIP 1.0K 1/16W(1608)
R707	1-211-990-11	s RESISTOR,CHIP 75 1/16W (1608)
R708	1-216-825-11	s RESISTOR,CHIP 2.2K 1/16W 1608
R709	1-216-857-11	s RESISTOR,CHIP 1.0M 1/16W 1608
R710	1-216-815-11	s RESISTOR,CHIP 330 1/16W 1608
R711	1-216-825-11	s RESISTOR,CHIP 2.2K 1/16W 1608
R712	1-211-990-11	s RESISTOR,CHIP 75 1/16W (1608)
R713	1-211-990-11	s RESISTOR,CHIP 75 1/16W (1608)
R714	1-216-821-11	s RESISTOR,CHIP 1.0K 1/16W(1608)
R715	1-216-809-11	s RESISTOR,CHIP 100 1/16W 1608
R716	1-216-821-11	s RESISTOR,CHIP 1.0K 1/16W(1608)
R717	1-216-864-11	s RESISTOR,CHIP 0 1/16W (1608)
R718	1-216-809-11	s RESISTOR,CHIP 100 1/16W 1608

(APR-45 BOARD(DSR-2000/2000P) SUFFIX -11, -12)

Ref. No. or Q'ty	Part No.	SP Description
R719	1-216-809-11	s RESISTOR,CHIP 100 1/16W 1608
R720	1-216-809-11	s RESISTOR,CHIP 100 1/16W 1608
R721	1-216-801-11	s RESISTOR,CHIP 22 1/16W 1608
R722	1-218-823-11	s RESISTOR,CHIP 100 1/16W (1608)
R723	1-218-823-11	s RESISTOR,CHIP 100 1/16W (1608)
R724	1-218-823-11	s RESISTOR,CHIP 100 1/16W (1608)
R725	1-216-801-11	s RESISTOR,CHIP 22 1/16W 1608
R726	1-216-864-11	s RESISTOR,CHIP 0 1/16W (1608)
R727	1-216-801-11	s RESISTOR,CHIP 22 1/16W 1608
R728	1-216-801-11	s RESISTOR,CHIP 22 1/16W 1608
R729	1-216-864-11	s RESISTOR,CHIP 0 1/16W (1608)
R730	1-211-977-11	s RESISTOR,CHIP 22 1/16W (1608)
R731	1-216-841-11	s RESISTOR,CHIP 47K 1/16W 1608
R732	*2 1-216-296-91	s CONDUCTOR,CHIP
R733	*2 1-216-296-91	s CONDUCTOR,CHIP
R751	1-216-809-11	s RESISTOR,CHIP 100 1/16W 1608
R752	1-216-809-11	s RESISTOR,CHIP 100 1/16W 1608
R753	1-216-809-11	s RESISTOR,CHIP 100 1/16W 1608
R754	1-216-809-11	s RESISTOR,CHIP 100 1/16W 1608
R755	1-216-809-11	s RESISTOR,CHIP 100 1/16W 1608
R756	1-216-809-11	s RESISTOR,CHIP 100 1/16W 1608
R757	1-216-809-11	s RESISTOR,CHIP 100 1/16W 1608
R758	1-216-809-11	s RESISTOR,CHIP 100 1/16W 1608
R759	1-216-864-11	s RESISTOR,CHIP 0 1/16W (1608)
R760	1-216-864-11	s RESISTOR,CHIP 0 1/16W (1608)
R761	1-216-864-11	s RESISTOR,CHIP 0 1/16W (1608)
R762	1-216-821-11	s RESISTOR,CHIP 1.0K 1/16W(1608)
R763	1-216-825-11	s RESISTOR,CHIP 2.2K 1/16W 1608
R764	1-218-873-11	s RESISTOR,CHIP 12K 1/16W (1608)
R765	1-218-873-11	s RESISTOR,CHIP 12K 1/16W (1608)
R766	1-218-873-11	s RESISTOR,CHIP 12K 1/16W (1608)
R767	1-216-821-11	s RESISTOR,CHIP 1.0K 1/16W(1608)
R768	1-216-825-11	s RESISTOR,CHIP 2.2K 1/16W 1608
R769	1-216-825-11	s RESISTOR,CHIP 2.2K 1/16W 1608
R770	1-218-833-11	s RESISTOR,CHIP 270 1/16W (1608)
R771	1-218-833-11	s RESISTOR,CHIP 270 1/16W (1608)
R772	1-216-805-11	s RESISTOR,CHIP 47 1/16W 1608
R773	1-216-805-11	s RESISTOR,CHIP 47 1/16W 1608
R774	1-216-821-11	s RESISTOR,CHIP 1.0K 1/16W(1608)
R775	1-216-820-11	s RESISTOR,CHIP 820 1/16W 1608
R776	1-208-754-11	s RESISTOR,CHIP 68 1/10W (2012)
R777	1-218-829-11	s RESISTOR,CHIP 180 1/16W (1608)
R778	1-211-960-11	s RESISTOR,CHIP 22 1/10W (2012)
R779	1-211-967-11	s RESISTOR,CHIP 43 1/10W (2125)
R780	1-208-754-11	s RESISTOR,CHIP 68 1/10W (2012)
R781	1-211-960-11	s RESISTOR,CHIP 22 1/10W (2012)
R782	1-208-774-11	s RESISTOR,CHIP 470 1/10W (2012)
R783	1-216-805-11	s RESISTOR,CHIP 47 1/16W 1608
R784	1-216-805-11	s RESISTOR,CHIP 47 1/16W 1608
R785	1-208-762-11	s RESISTOR,CHIP 150 1/10W (2012)
R786	1-208-754-11	s RESISTOR,CHIP 68 1/10W (2012)
R787	1-216-821-11	s RESISTOR,CHIP 1.0K 1/16W(1608)
R788	*2 1-216-801-11	s RESISTOR,CHIP 22 1/16W 1608
R789	*2 1-216-801-11	s RESISTOR,CHIP 22 1/16W 1608
R801	1-216-821-11	s RESISTOR,CHIP 1.0K 1/16W(1608)
R802	1-220-259-11	s RESISTOR,CHIP 150 1/4W (3225)
R803	1-211-985-11	s RESISTOR,CHIP 47 1/16W (1608)
R804	1-218-852-11	s RESISTOR,CHIP 1.6K 1/16W(1608)
R805	1-218-864-11	s RESISTOR,CHIP 5.1K 1/16W(1608)

(APR-45 BOARD(DSR-2000/2000P) SUFFIX -11, -12)

Ref. No. or Q'ty	Part No.	SP Description
R806	1-218-839-11	s RESISTOR,CHIP 470 1/16W (1608)
R807	1-218-855-11	s RESISTOR,CHIP 2.2K 1/16W(1608)
R808	1-216-864-11	s RESISTOR,CHIP 0 1/16W (1608)
R809	1-218-873-11	s RESISTOR,CHIP 12K 1/16W (1608)
R810	1-218-847-11	s RESISTOR, CHIP 1K 1/16W (1608)
R811	1-218-847-11	s RESISTOR, CHIP 1K 1/16W (1608)
R812	1-211-990-11	s RESISTOR,CHIP 75 1/16W (1608)
R813	1-218-847-11	s RESISTOR, CHIP 1K 1/16W (1608)
R814	1-218-831-11	s RESISTOR, CHIP 220 1/16W(1608)
R815	1-218-855-11	s RESISTOR,CHIP 2.2K 1/16W(1608)
R816	1-216-864-11	s RESISTOR,CHIP 0 1/16W (1608)
R817	1-211-990-11	s RESISTOR,CHIP 75 1/16W (1608)
R818	1-211-990-11	s RESISTOR,CHIP 75 1/16W (1608)
R819	1-216-857-11	s RESISTOR, CHIP 1.0M 1/16W 1608
R820	1-218-855-11	s RESISTOR,CHIP 2.2K 1/16W(1608)
R822	1-211-990-11	s RESISTOR,CHIP 75 1/16W (1608)
R823	1-211-990-11	s RESISTOR,CHIP 75 1/16W (1608)
R824	1-216-864-11	s RESISTOR,CHIP 0 1/16W (1608)
R825	1-218-847-11	s RESISTOR, CHIP 1K 1/16W (1608)
R826	1-216-797-11	s RESISTOR,CHIP 10 1/16W 1608
R827	1-216-797-11	s RESISTOR,CHIP 10 1/16W 1608
R828	1-216-797-11	s RESISTOR,CHIP 10 1/16W 1608
R829	1-216-797-11	s RESISTOR,CHIP 10 1/16W 1608
R830	1-216-814-11	s RESISTOR,CHIP 270 1/16W 1608
R831	1-216-814-11	s RESISTOR,CHIP 270 1/16W 1608
R832	1-211-960-11	s RESISTOR,CHIP 22 1/10W (2012)
R833	1-208-754-11	s RESISTOR,CHIP 68 1/10W (2012)
R834	1-208-754-11	s RESISTOR,CHIP 68 1/10W (2012)
R835	1-211-960-11	s RESISTOR,CHIP 22 1/10W (2012)
R836	1-208-755-11	s RESISTOR,CHIP 75 1/10W (2012)
R837	1-216-805-11	s RESISTOR,CHIP 47 1/16W 1608
R838	1-208-762-11	s RESISTOR,CHIP 150 1/10W (2012)
R839	1-208-754-11	s RESISTOR,CHIP 68 1/10W (2012)
R840	1-216-821-11	s RESISTOR,CHIP 1.0K 1/16W(1608)
R841	1-216-809-11	s RESISTOR,CHIP 100 1/16W 1608
R842	1-216-809-11	s RESISTOR,CHIP 100 1/16W 1608
R843	1-216-809-11	s RESISTOR,CHIP 100 1/16W 1608
R846	1-211-985-11	s RESISTOR,CHIP 47 1/16W (1608)
R847	1-216-864-11	s RESISTOR,CHIP 0 1/16W (1608)
R848	1-208-778-11	s RESISTOR,CHIP 680 1/10W (2012)
R849	1-208-778-11	s RESISTOR,CHIP 680 1/10W (2012)
R850	1-208-778-11	s RESISTOR,CHIP 680 1/10W (2012)
R851	1-208-778-11	s RESISTOR,CHIP 680 1/10W (2012)
R852	1-208-778-11	s RESISTOR,CHIP 680 1/10W (2012)
R853	1-208-778-11	s RESISTOR,CHIP 680 1/10W (2012)
R902	1-216-833-11	s RESISTOR,CHIP 10K 1/16W 1608
R903	1-216-805-11	s RESISTOR,CHIP 47 1/16W 1608
R904	1-216-819-11	s RESISTOR,CHIP 680 1/16W 1608
R905	1-216-864-11	s RESISTOR,CHIP 0 1/16W (1608)
R906	1-216-854-11	s RESISTOR, CHIP 560K 1/16W 1608
R907	1-216-854-11	s RESISTOR, CHIP 560K 1/16W 1608
R908	1-216-854-11	s RESISTOR, CHIP 560K 1/16W 1608
R909	1-216-854-11	s RESISTOR, CHIP 560K 1/16W 1608
R910	1-216-817-11	s RESISTOR,CHIP 470 1/16W 1608
R911	1-216-851-11	s RESISTOR,CHIP 330K 1/16W 1608
R913	1-216-801-11	s RESISTOR,CHIP 22 1/16W 1608
R951	1-216-809-11	s RESISTOR,CHIP 100 1/16W 1608
R952	1-216-803-11	s RESISTOR,CHIP 33 1/16W 1608
R953	1-216-864-11	s RESISTOR,CHIP 0 1/16W (1608)

(APR-45 BOARD(DSR-2000/2000P) SUFFIX -11, -12)

Ref. No. or Q'ty	Part No.	SP Description
R955	1-216-809-11	s RESISTOR,CHIP 100 1/16W 1608
R956	1-216-809-11	s RESISTOR,CHIP 100 1/16W 1608
R959	1-216-809-11	s RESISTOR,CHIP 100 1/16W 1608
R961	1-216-864-11	s RESISTOR,CHIP 0 1/16W (1608)
R962	1-216-833-11	s RESISTOR,CHIP 10K 1/16W 1608
R963	1-216-851-11	s RESISTOR,CHIP 330K 1/16W 1608
R969	1-216-833-11	s RESISTOR,CHIP 10K 1/16W 1608
R973	1-216-821-11	s RESISTOR,CHIP 1.0K 1/16W(1608)
R974	1-216-821-11	s RESISTOR,CHIP 1.0K 1/16W(1608)
R977	1-216-864-11	s RESISTOR,CHIP 0 1/16W (1608)
R978	1-216-801-11	s RESISTOR,CHIP 22 1/16W 1608
R979	1-216-845-11	s RESISTOR,CHIP 100K 1/16W(1608)
R980	*2 1-216-805-11	s RESISTOR,CHIP 47 1/16W 1608
R1001	1-218-843-11	s RESISTOR,CHIP 680 1/16W (1608)
R1002	1-218-857-11	s RESISTOR,CHIP 2.7K 1/16W(1608)
R1003	1-218-857-11	s RESISTOR,CHIP 2.7K 1/16W(1608)
R1004	1-218-875-11	s RESISTOR,CHIP 15K 1/16W (1608)
R1005	1-218-875-11	s RESISTOR,CHIP 15K 1/16W (1608)
R1006	1-218-868-11	s RESISTOR,CHIP 7.5K 1/16W(1608)
R1007	1-218-717-11	s RESISTOR,CHIP 11K 1/16W (1608)
R1008	1-218-875-11	s RESISTOR,CHIP 15K 1/16W (1608)
R1009	1-218-875-11	s RESISTOR,CHIP 15K 1/16W (1608)
R1010	1-218-868-11	s RESISTOR,CHIP 7.5K 1/16W(1608)
R1011	1-218-717-11	s RESISTOR,CHIP 11K 1/16W (1608)
R1012	1-218-861-11	s RESISTOR,CHIP 3.9K 1/16W(1608)
R1013	1-218-457-11	s RESISTOR,CHIP 910 1/16W (1608)
R1014	1-218-861-11	s RESISTOR,CHIP 3.9K 1/16W(1608)
R1015	1-218-457-11	s RESISTOR,CHIP 910 1/16W (1608)
R1016	1-218-871-11	s RESISTOR,CHIP 10K 1/16W (1608)
R1017	1-218-871-11	s RESISTOR,CHIP 10K 1/16W (1608)
R1018	1-218-871-11	s RESISTOR,CHIP 10K 1/16W (1608)
R1019	1-218-871-11	s RESISTOR,CHIP 10K 1/16W (1608)
R1020	1-218-871-11	s RESISTOR,CHIP 10K 1/16W (1608)
R1021	1-218-871-11	s RESISTOR,CHIP 10K 1/16W (1608)
R1022	1-218-887-11	s RESISTOR,CHIP 47K 1/16W (1608)
R1023	1-218-882-11	s RESISTOR, CHIP 30K 1/16W(1608)
R1024	1-218-887-11	s RESISTOR,CHIP 47K 1/16W (1608)
R1025	1-218-882-11	s RESISTOR, CHIP 30K 1/16W(1608)
R1026	1-218-887-11	s RESISTOR,CHIP 47K 1/16W (1608)
R1027	1-218-887-11	s RESISTOR,CHIP 47K 1/16W (1608)
R1028	1-218-887-11	s RESISTOR,CHIP 47K 1/16W (1608)
R1029	1-218-887-11	s RESISTOR,CHIP 47K 1/16W (1608)
R1030	1-218-823-11	s RESISTOR,CHIP 100 1/16W (1608)
R1031	1-218-823-11	s RESISTOR,CHIP 100 1/16W (1608)
R1032	1-218-823-11	s RESISTOR,CHIP 100 1/16W (1608)
R1033	1-218-823-11	s RESISTOR,CHIP 100 1/16W (1608)
R1034	1-216-864-11	s RESISTOR,CHIP 0 1/16W (1608)
R1037	1-216-797-11	s RESISTOR,CHIP 10 1/16W 1608
R1101	1-218-843-11	s RESISTOR,CHIP 680 1/16W (1608)
R1102	1-218-857-11	s RESISTOR,CHIP 2.7K 1/16W(1608)
R1103	1-218-857-11	s RESISTOR,CHIP 2.7K 1/16W(1608)
R1104	1-218-875-11	s RESISTOR,CHIP 15K 1/16W (1608)
R1105	1-218-875-11	s RESISTOR,CHIP 15K 1/16W (1608)
R1106	1-218-868-11	s RESISTOR,CHIP 7.5K 1/16W(1608)
R1107	1-218-717-11	s RESISTOR,CHIP 11K 1/16W (1608)
R1108	1-218-875-11	s RESISTOR,CHIP 15K 1/16W (1608)
R1109	1-218-875-11	s RESISTOR,CHIP 15K 1/16W (1608)
R1110	1-218-868-11	s RESISTOR,CHIP 7.5K 1/16W(1608)
R1111	1-218-717-11	s RESISTOR,CHIP 11K 1/16W (1608)

(APR-45 BOARD(DSR-2000/2000P) SUFFIX -11, -12)

Ref. No. or Q'ty	Part No.	SP Description
R1112	1-218-861-11	s RESISTOR,CHIP 3.9K 1/16W(1608)
R1113	1-218-457-11	s RESISTOR,CHIP 910 1/16W (1608)
R1114	1-218-861-11	s RESISTOR,CHIP 3.9K 1/16W(1608)
R1115	1-218-457-11	s RESISTOR,CHIP 910 1/16W (1608)
R1116	1-218-871-11	s RESISTOR,CHIP 10K 1/16W (1608)
R1117	1-218-871-11	s RESISTOR,CHIP 10K 1/16W (1608)
R1118	1-218-871-11	s RESISTOR,CHIP 10K 1/16W (1608)
R1119	1-218-871-11	s RESISTOR,CHIP 10K 1/16W (1608)
R1120	1-218-871-11	s RESISTOR,CHIP 10K 1/16W (1608)
R1121	1-218-871-11	s RESISTOR,CHIP 10K 1/16W (1608)
R1122	1-218-887-11	s RESISTOR,CHIP 47K 1/16W (1608)
R1123	1-218-882-11	s RESISTOR,CHIP 30K 1/16W(1608)
R1124	1-218-887-11	s RESISTOR,CHIP 47K 1/16W (1608)
R1125	1-218-882-11	s RESISTOR,CHIP 30K 1/16W(1608)
R1126	1-218-887-11	s RESISTOR,CHIP 47K 1/16W (1608)
R1127	1-218-887-11	s RESISTOR,CHIP 47K 1/16W (1608)
R1128	1-218-887-11	s RESISTOR,CHIP 47K 1/16W (1608)
R1129	1-218-887-11	s RESISTOR,CHIP 47K 1/16W (1608)
R1130	1-218-823-11	s RESISTOR,CHIP 100 1/16W (1608)
R1131	1-218-823-11	s RESISTOR,CHIP 100 1/16W (1608)
R1132	1-218-823-11	s RESISTOR,CHIP 100 1/16W (1608)
R1133	1-218-823-11	s RESISTOR,CHIP 100 1/16W (1608)
R1134	1-216-864-11	s RESISTOR,CHIP 0 1/16W (1608)
R1137	1-216-797-11	s RESISTOR,CHIP 10 1/16W 1608
R1139	1-218-823-11	s RESISTOR,CHIP 100 1/16W (1608)
R1140	1-218-823-11	s RESISTOR,CHIP 100 1/16W (1608)
R1141	1-218-823-11	s RESISTOR,CHIP 100 1/16W (1608)
R1142	1-216-809-11	s RESISTOR,CHIP 100 1/16W 1608
R1143	1-218-823-11	s RESISTOR,CHIP 100 1/16W (1608)
R1144	1-218-823-11	s RESISTOR,CHIP 100 1/16W (1608)
R1145	1-218-823-11	s RESISTOR,CHIP 100 1/16W (1608)
R1146	1-216-809-11	s RESISTOR,CHIP 100 1/16W 1608
R1201	1-211-969-11	s RESISTOR,CHIP 10 1/16W (1608)
R1203	1-218-880-11	s RESISTOR,CHIP 24K 1/16W (1608)
R1204	1-218-880-11	s RESISTOR,CHIP 24K 1/16W (1608)
R1205	1-218-881-11	s RESISTOR,CHIP 27K 1/16W(1608)
R1206	1-218-881-11	s RESISTOR,CHIP 27K 1/16W(1608)
R1207	1-218-880-11	s RESISTOR,CHIP 24K 1/16W (1608)
R1208	1-218-880-11	s RESISTOR,CHIP 24K 1/16W (1608)
R1209	1-218-881-11	s RESISTOR,CHIP 27K 1/16W(1608)
R1210	1-218-881-11	s RESISTOR,CHIP 27K 1/16W(1608)
R1217	1-216-864-11	s RESISTOR,CHIP 0 1/16W (1608)
R1219	1-218-864-11	s RESISTOR,CHIP 5.1K 1/16W(1608)
R1221	1-216-845-11	s RESISTOR,CHIP 100K 1/16W(1608)
R1222	1-216-817-11	s RESISTOR,CHIP 470 1/16W 1608
R1223	1-216-828-11	s RESISTOR,CHIP 3.9K 1/16W 1608
R1225	1-216-809-11	s RESISTOR,CHIP 100 1/16W 1608
R1226	1-216-813-11	s RESISTOR,CHIP 220 1/16W 1608
R1227	1-216-813-11	s RESISTOR,CHIP 220 1/16W 1608
R1229	1-216-813-11	s RESISTOR,CHIP 220 1/16W 1608
R1230	1-216-828-11	s RESISTOR,CHIP 3.9K 1/16W 1608
R1231	1-218-871-11	s RESISTOR,CHIP 10K 1/16W (1608)
R1232	1-218-871-11	s RESISTOR,CHIP 10K 1/16W (1608)
R1251	1-216-797-11	s RESISTOR,CHIP 10 1/16W 1608
R1252	1-216-833-11	s RESISTOR,CHIP 10K 1/16W 1608
R1253	1-216-797-11	s RESISTOR,CHIP 10 1/16W 1608
R1254	1-216-801-11	s RESISTOR,CHIP 22 1/16W 1608
R1255	1-216-801-11	s RESISTOR,CHIP 22 1/16W 1608
R1256	1-216-809-11	s RESISTOR,CHIP 100 1/16W 1608

(APR-45 BOARD(DSR-2000/2000P) SUFFIX -11, -12)

Ref. No. or Q'ty	Part No.	SP Description
R1257	1-216-797-11	s RESISTOR,CHIP 10 1/16W 1608
R1258	1-216-797-11	s RESISTOR,CHIP 10 1/16W 1608
R1259	1-216-797-11	s RESISTOR,CHIP 10 1/16W 1608
R1260	1-216-797-11	s RESISTOR,CHIP 10 1/16W 1608
R1261	1-216-797-11	s RESISTOR,CHIP 10 1/16W 1608
R1262	1-216-797-11	s RESISTOR,CHIP 10 1/16W 1608
R1263	1-216-797-11	s RESISTOR,CHIP 10 1/16W 1608
R1264	1-216-797-11	s RESISTOR,CHIP 10 1/16W 1608
R1265	1-216-797-11	s RESISTOR,CHIP 10 1/16W 1608
R1266	1-216-801-11	s RESISTOR,CHIP 22 1/16W 1608
R1267	1-216-801-11	s RESISTOR,CHIP 22 1/16W 1608
R1268	1-216-801-11	s RESISTOR,CHIP 22 1/16W 1608
R1269	1-216-801-11	s RESISTOR,CHIP 22 1/16W 1608
R1270	1-216-801-11	s RESISTOR,CHIP 22 1/16W 1608
R1271	1-216-809-11	s RESISTOR,CHIP 100 1/16W 1608
R1272	1-216-797-11	s RESISTOR,CHIP 10 1/16W 1608
R1273	1-216-838-11	s RESISTOR,CHIP 27K 1/16W(1608)
R1274	1-216-839-11	s RESISTOR,CHIP 33K 1/16W 1608
R1275	1-216-841-11	s RESISTOR,CHIP 47K 1/16W 1608
R1276	1-216-829-11	s RESISTOR,CHIP 4.7K 1/16W 1608
R1277	1-216-841-11	s RESISTOR,CHIP 47K 1/16W 1608
R1278	1-216-835-11	s RESISTOR,CHIP 15K 1/16W
R1279	1-216-841-11	s RESISTOR,CHIP 47K 1/16W 1608
R1280	1-216-805-11	s RESISTOR,CHIP 47 1/16W 1608
R1281	1-216-805-11	s RESISTOR,CHIP 47 1/16W 1608
R1282	1-216-801-11	s RESISTOR,CHIP 22 1/16W 1608
R1283	1-216-841-11	s RESISTOR,CHIP 47K 1/16W 1608
R1284	1-216-841-11	s RESISTOR,CHIP 47K 1/16W 1608
R1285	1-216-864-11	s RESISTOR,CHIP 0 1/16W (1608)
R1286	1-216-797-11	s RESISTOR,CHIP 10 1/16W 1608
R1287	1-216-797-11	s RESISTOR,CHIP 10 1/16W 1608
R1288	1-216-797-11	s RESISTOR,CHIP 10 1/16W 1608
R1289	1-216-797-11	s RESISTOR,CHIP 10 1/16W 1608
R1290	1-216-797-11	s RESISTOR,CHIP 10 1/16W 1608
R1291	1-216-797-11	s RESISTOR,CHIP 10 1/16W 1608
R1292	1-216-797-11	s RESISTOR,CHIP 10 1/16W 1608
R1293	1-216-797-11	s RESISTOR,CHIP 10 1/16W 1608
R1294	1-216-801-11	s RESISTOR,CHIP 22 1/16W 1608
R1295	1-216-801-11	s RESISTOR,CHIP 22 1/16W 1608
R1296	1-216-797-11	s RESISTOR,CHIP 10 1/16W 1608
R1297	1-216-797-11	s RESISTOR,CHIP 10 1/16W 1608
R1298	*2 1-216-864-11	s RESISTOR,CHIP 0 1/16W (1608)
R1299	1-216-833-11	s RESISTOR,CHIP 10K 1/16W 1608
R1300	1-216-833-11	s RESISTOR,CHIP 10K 1/16W 1608
R1301	1-216-833-11	s RESISTOR,CHIP 10K 1/16W 1608
R1302	1-216-833-11	s RESISTOR,CHIP 10K 1/16W 1608
R1303	1-216-797-11	s RESISTOR,CHIP 10 1/16W 1608
R1304	1-216-833-11	s RESISTOR,CHIP 10K 1/16W 1608
R1305	1-216-833-11	s RESISTOR,CHIP 10K 1/16W 1608
R1306	1-216-833-11	s RESISTOR,CHIP 10K 1/16W 1608
R1354	1-216-801-11	s RESISTOR,CHIP 22 1/16W 1608
R1355	1-216-801-11	s RESISTOR,CHIP 22 1/16W 1608
R1356	1-216-801-11	s RESISTOR,CHIP 22 1/16W 1608
R1357	1-216-801-11	s RESISTOR,CHIP 22 1/16W 1608
R1358	1-216-801-11	s RESISTOR,CHIP 22 1/16W 1608
R1359	1-216-801-11	s RESISTOR,CHIP 22 1/16W 1608
R1360	1-216-801-11	s RESISTOR,CHIP 22 1/16W 1608
R1361	1-216-801-11	s RESISTOR,CHIP 22 1/16W 1608
R1401	1-216-864-11	s RESISTOR,CHIP 0 1/16W (1608)

(APR-45 BOARD(DSR-2000/2000P) SUFFIX -11, -12)

Ref. No. or Q'ty	Part No.	SP Description
R1402	1-216-801-11	s RESISTOR,CHIP 22 1/16W 1608
R1403	1-216-801-11	s RESISTOR,CHIP 22 1/16W 1608
R1404	1-216-801-11	s RESISTOR,CHIP 22 1/16W 1608
R1405	1-216-801-11	s RESISTOR,CHIP 22 1/16W 1608
R1406	1-216-833-11	s RESISTOR,CHIP 10K 1/16W 1608
R1407	1-216-845-11	s RESISTOR,CHIP 100K 1/16W(1608)
R1408	1-216-845-11	s RESISTOR,CHIP 100K 1/16W(1608)
R1409	1-216-833-11	s RESISTOR,CHIP 10K 1/16W 1608
R1410	1-216-845-11	s RESISTOR,CHIP 100K 1/16W(1608)
R1411	1-216-845-11	s RESISTOR,CHIP 100K 1/16W(1608)
R1412	1-216-801-11	s RESISTOR,CHIP 22 1/16W 1608
R1413	1-216-801-11	s RESISTOR,CHIP 22 1/16W 1608
R1414	1-216-801-11	s RESISTOR,CHIP 22 1/16W 1608
R1415 *2	1-216-801-11	s RESISTOR,CHIP 22 1/16W 1608
R1501	1-220-259-11	s RESISTOR, CHIP 150 1/4W (3225)
R1502	1-211-985-11	s RESISTOR,CHIP 47 1/16W (1608)
R1503	1-216-821-11	s RESISTOR,CHIP 1.0K 1/16W(1608)
R1504	1-218-852-11	s RESISTOR,CHIP 1.6K 1/16W(1608)
R1505	1-218-864-11	s RESISTOR,CHIP 5.1K 1/16W(1608)
R1506	1-216-817-11	s RESISTOR,CHIP 470 1/16W 1608
R1507	1-216-864-11	s RESISTOR,CHIP 0 1/16W (1608)
R1508	1-218-855-11	s RESISTOR,CHIP 2.2K 1/16W(1608)
R1509	1-218-873-11	s RESISTOR,CHIP 12K 1/16W (1608)
R1510	1-218-875-11	s RESISTOR,CHIP 15K 1/16W (1608)
R1511	1-218-875-11	s RESISTOR,CHIP 15K 1/16W (1608)
R1512	1-218-847-11	s RESISTOR, CHIP 1K 1/16W (1608)
R1513	1-218-847-11	s RESISTOR, CHIP 1K 1/16W (1608)
R1514	1-218-855-11	s RESISTOR,CHIP 2.2K 1/16W(1608)
R1515	1-218-855-11	s RESISTOR,CHIP 2.2K 1/16W(1608)
R1516	1-216-864-11	s RESISTOR,CHIP 0 1/16W (1608)
R1517	1-211-985-11	s RESISTOR,CHIP 47 1/16W (1608)
R1518	1-218-847-11	s RESISTOR, CHIP 1K 1/16W (1608)
R1519	1-216-864-11	s RESISTOR,CHIP 0 1/16W (1608)
R1520	1-218-845-11	s RESISTOR,CHIP 820 1/16W (1608)
R1522	1-218-833-11	s RESISTOR,CHIP 270 1/16W (1608)
R1523	1-218-833-11	s RESISTOR,CHIP 270 1/16W (1608)
R1524	1-216-809-11	s RESISTOR,CHIP 100 1/16W 1608
R1525	1-211-985-11	s RESISTOR,CHIP 47 1/16W (1608)
R1526	1-208-754-11	s RESISTOR,CHIP 68 1/10W (2012)
R1527	1-218-829-11	s RESISTOR,CHIP 180 1/16W (1608)
R1528	1-211-960-11	s RESISTOR,CHIP 22 1/10W (2012)
R1529	1-211-967-11	s RESISTOR,CHIP 43 1/10W (2125)
R1530	1-208-754-11	s RESISTOR,CHIP 68 1/10W (2012)
R1531	1-211-960-11	s RESISTOR,CHIP 22 1/10W (2012)
R1532	1-208-774-11	s RESISTOR,CHIP 470 1/10W (2012)
R1533	1-211-985-11	s RESISTOR,CHIP 47 1/16W (1608)
R1534	1-211-985-11	s RESISTOR,CHIP 47 1/16W (1608)
R1535	1-211-985-11	s RESISTOR,CHIP 47 1/16W (1608)
R1536	1-208-762-11	s RESISTOR,CHIP 150 1/10W (2012)
R1537	1-208-762-11	s RESISTOR,CHIP 150 1/10W (2012)
R1538	1-216-864-11	s RESISTOR,CHIP 0 1/16W (1608)
R1539	1-218-847-11	s RESISTOR,CHIP 1K 1/16W (1608)
R1540	1-208-754-11	s RESISTOR,CHIP 68 1/10W (2012)
R1541	1-208-754-11	s RESISTOR,CHIP 68 1/10W (2012)
R1542	1-218-847-11	s RESISTOR,CHIP 1K 1/16W (1608)
R1543 *2	1-216-829-11	s RESISTOR,CHIP 4.7K 1/16W (1608)
*1	1-249-425-11	s RES,CARBON 4.7K 1/4W SMALL
R1551	1-220-259-11	s RESISTOR, CHIP 150 1/4W (3225)
R1552	1-211-985-11	s RESISTOR,CHIP 47 1/16W (1608)

(APR-45 BOARD(DSR-2000/2000P) SUFFIX -11, -12)

Ref. No. or Q'ty	Part No.	SP Description
R1553	1-218-852-11	s RESISTOR,CHIP 1.6K 1/16W(1608)
R1554	1-218-864-11	s RESISTOR,CHIP 5.1K 1/16W(1608)
R1555	1-216-817-11	s RESISTOR,CHIP 470 1/16W 1608
R1556	1-216-864-11	s RESISTOR,CHIP 0 1/16W (1608)
R1557	1-218-855-11	s RESISTOR,CHIP 2.2K 1/16W(1608)
R1558	1-218-873-11	s RESISTOR,CHIP 12K 1/16W (1608)
R1559	1-218-875-11	s RESISTOR,CHIP 15K 1/16W (1608)
R1560	1-218-875-11	s RESISTOR,CHIP 15K 1/16W (1608)
R1561	1-218-847-11	s RESISTOR, CHIP 1K 1/16W (1608)
R1562	1-218-847-11	s RESISTOR, CHIP 1K 1/16W (1608)
R1563	1-218-855-11	s RESISTOR,CHIP 2.2K 1/16W(1608)
R1564	1-218-855-11	s RESISTOR,CHIP 2.2K 1/16W(1608)
R1565	1-216-864-11	s RESISTOR,CHIP 0 1/16W (1608)
R1566	1-211-985-11	s RESISTOR,CHIP 47 1/16W (1608)
R1567	1-218-847-11	s RESISTOR, CHIP 1K 1/16W (1608)
R1568	1-216-864-11	s RESISTOR,CHIP 0 1/16W (1608)
R1569	1-218-845-11	s RESISTOR,CHIP 820 1/16W (1608)
R1571	1-218-833-11	s RESISTOR,CHIP 270 1/16W (1608)
R1572	1-218-833-11	s RESISTOR,CHIP 270 1/16W (1608)
R1573	1-216-809-11	s RESISTOR,CHIP 100 1/16W 1608
R1574	1-211-985-11	s RESISTOR,CHIP 47 1/16W (1608)
R1575	1-208-754-11	s RESISTOR,CHIP 68 1/10W (2012)
R1576	1-218-829-11	s RESISTOR,CHIP 180 1/16W (1608)
R1577	1-211-960-11	s RESISTOR,CHIP 22 1/10W (2012)
R1578	1-211-967-11	s RESISTOR,CHIP 43 1/10W (2125)
R1579	1-208-754-11	s RESISTOR,CHIP 68 1/10W (2012)
R1580	1-211-960-11	s RESISTOR,CHIP 22 1/10W (2012)
R1581	1-208-774-11	s RESISTOR,CHIP 470 1/10W (2012)
R1582	1-211-985-11	s RESISTOR,CHIP 47 1/16W (1608)
R1583	1-211-985-11	s RESISTOR,CHIP 47 1/16W (1608)
R1584	1-208-762-11	s RESISTOR,CHIP 150 1/10W (2012)
R1585	1-216-864-11	s RESISTOR,CHIP 0 1/16W (1608)
R1586	1-218-847-11	s RESISTOR,CHIP 1K 1/16W (1608)
R1587	1-208-754-11	s RESISTOR,CHIP 68 1/10W (2012)
R1588 *2	1-216-829-11	s RESISTOR,CHIP 4.7K 1/16W 1608
RB51	1-239-409-11	s RESISTOR NETWORK 47 (1608)
RB201	1-239-409-11	s RESISTOR NETWORK 47 (1608)
RB202	1-239-409-11	s RESISTOR NETWORK 47 (1608)
RB301	1-239-412-11	s NETWORK, RESISTOR 100 (1608)
RB501	1-239-998-11	s RESISTOR,CHIP NETWORK 100
RB502	1-239-998-11	s RESISTOR, CHIP NETWORK 100
RB651	1-239-389-11	s RESISTOR,NETWORK 47K (1608)
RB652	1-236-904-11	s RESISTOR NETWORK 1K (1608)
RB653	1-239-412-11	s NETWORK, RESISTOR 100 (1608)
RB701	1-239-412-11	s NETWORK, RESISTOR 100 (1608)
RB702	1-239-412-11	s NETWORK, RESISTOR 100 (1608)
RB703	1-239-412-11	s NETWORK, RESISTOR 100 (1608)
RB704	1-239-412-11	s NETWORK, RESISTOR 100 (1608)
RB705	1-239-412-11	s NETWORK, RESISTOR 100 (1608)
RB751	1-239-412-11	s NETWORK, RESISTOR 100 (1608)
RB752	1-239-412-11	s NETWORK, RESISTOR 100 (1608)
RB753	1-239-412-11	s NETWORK, RESISTOR 100 (1608)
RB801	1-239-409-11	s RESISTOR NETWORK 47 (1608)
RB802	1-239-412-11	s NETWORK, RESISTOR 100 (1608)
RB803	1-239-412-11	s NETWORK, RESISTOR 100 (1608)
RB804	1-239-309-11	s RESISTOR ARRAY,CHIP 100K
RB805	1-239-309-11	s RESISTOR ARRAY,CHIP 100K
RB951	1-239-412-11	s NETWORK, RESISTOR 100 (1608)
RB952	1-239-412-11	s NETWORK, RESISTOR 100 (1608)

(APR-45 BOARD(DSR-2000/2000P) SUFFIX -11, -12)

Ref. No. or Q'ty	Part No.	SP Description
RB953	1-239-412-11	s NETWORK, RESISTOR 100 (1608)
RB954	1-239-412-11	s NETWORK, RESISTOR 100 (1608)
RB956	1-239-412-11	s NETWORK, RESISTOR 100 (1608)
RB957	1-239-412-11	s NETWORK, RESISTOR 100 (1608)
RB958	1-239-412-11	s NETWORK, RESISTOR 100 (1608)
RB959	1-239-412-11	s NETWORK, RESISTOR 100 (1608)
RB960	1-239-412-11	s NETWORK, RESISTOR 100 (1608)
RB961	1-233-936-11	s RESISTOR, NETWORK 10 (1608)
RB962	1-233-936-11	s RESISTOR, NETWORK 10 (1608)
RB963	1-233-936-11	s RESISTOR, NETWORK 10 (1608)
RB1501	1-239-309-11	s RESISTOR ARRAY, CHIP 100K
RB1502	1-239-309-11	s RESISTOR ARRAY, CHIP 100K
RB1503	1-239-412-11	s NETWORK, RESISTOR 100 (1608)
RB1504	1-239-412-11	s NETWORK, RESISTOR 100 (1608)
RB1505	1-239-412-11	s NETWORK, RESISTOR 100 (1608)
RB1551	1-239-309-11	s RESISTOR ARRAY, CHIP 100K
RB1552	1-239-309-11	s RESISTOR ARRAY, CHIP 100K
RB1553	1-239-412-11	s NETWORK, RESISTOR 100 (1608)
RB1554	1-239-412-11	s NETWORK, RESISTOR 100 (1608)
RB1555	1-239-412-11	s NETWORK, RESISTOR 100 (1608)
RV1	1-237-034-11	s RESISTOR, ADJ, CERMET 2K
RV4	1-237-034-11	s RESISTOR, ADJ, CERMET 2K
RV101	1-237-034-11	s RESISTOR, ADJ, CERMET 2K
RV104	1-237-034-11	s RESISTOR, ADJ, CERMET 2K
RV201	1-237-034-11	s RESISTOR, ADJ, CERMET 2K
RV202	1-237-034-11	s RESISTOR, ADJ, CERMET 2K
RV203	1-237-034-11	s RESISTOR, ADJ, CERMET 2K
RV204	1-237-034-11	s RESISTOR, ADJ, CERMET 2K
RV701	1-237-034-11	s RESISTOR, ADJ, CERMET 2K
RV751	1-237-034-11	s RESISTOR, ADJ, CERMET 2K
RV801	1-237-034-11	s RESISTOR, ADJ, CERMET 2K
RV1501	1-237-034-11	s RESISTOR, ADJ, CERMET 2K
RV1551	1-237-034-11	s RESISTOR, ADJ, CERMET 2K
X401	1-781-655-11	s OSCILLATOR, CRYSTAL
X651	1-767-464-11	s VIBRATOR, CRYSTAL

CC-83 BOARD(DSR-2000/2000P)

Ref. No. or Q'ty	Part No.	SP Description
1pc	A-8323-497-A	o MOUNTED CIRCUIT BOARD, CC-83
C1	1-164-156-11	s CAPACITOR, CERAMIC 0.1MF/25V F
CN1	1-770-300-21	o HOUSING, CONNECTOR 18P
CN2	1-793-720-11	o CONNECTOR, FPC/FPC (ZIF) 10P
CN3	1-695-479-11	o PIN, CONNECTOR (PC BOARD) 2P
PH1	8-719-988-15	s PHOTO REFLECTOR PR-11-C
PH2	8-719-988-15	s PHOTO REFLECTOR PR-11-C
PH3	8-719-988-15	s PHOTO REFLECTOR PR-11-C

CC-84 BOARD(DSR-2000/2000P)

Ref. No. or Q'ty	Part No.	SP Description
CN4	1-785-508-11	o CONNECTOR, FPC/FPC (ZIF) 10P
R1	1-216-825-11	s RESISTOR, CHIP 2.2K 1/16W 1608
R2	1-216-833-11	s RESISTOR, CHIP 10K 1/16W 1608
R3	1-216-825-11	s RESISTOR, CHIP 2.2K 1/16W 1608
R4	1-216-833-11	s RESISTOR, CHIP 10K 1/16W 1608
R5	1-216-825-11	s RESISTOR, CHIP 2.2K 1/16W 1608
R6	1-216-833-11	s RESISTOR, CHIP 10K 1/16W 1608

CC-85 BOARD(DSR-2000/2000P)

Ref. No. or Q'ty	Part No.	SP Description
PH1	8-719-988-15	s PHOTO REFLECTOR PR-11-C
PH2	8-719-988-15	s PHOTO REFLECTOR PR-11-C
PH3	8-719-988-15	s PHOTO REFLECTOR PR-11-C
PH4	8-719-988-15	s PHOTO REFLECTOR PR-11-C
R1	1-216-821-11	s RESISTOR, CHIP 1.0K 1/16W(1608)
R2	1-216-818-11	s RESISTOR, CHIP 560 1/16W 1608

CN-1968 BOARD(DSBK-190)

Ref. No. or Q'ty	Part No.	SP Description
1pc	3-623-441-13	o COVER, OPTION
2pcs	7-621-772-20	s SCREW +B 2X5 (EP-FE/ZNEK/CM2)
1pc	7-621-771-06	s SCREW +B2X5 (EP-FE/CU, NI, CR)
CN1	1-793-304-12	s SQUARE-BUILT CONNECTOR (1394)
CN2	1-573-806-21	s PIN, CONNECTOR (6P) (SMD) (1.5MM)

*1: Board No. suffix 12 -

Ref. No. or Q'ty	Part No.	SP Description	Ref. No. or Q'ty	Part No.	SP Description
1pc	A-8323-489-A	o MOUNTED CIRCUIT BOARD, CP-341	CN602	1-691-739-11	o CONNECTOR,BOARD TO BOARD 14P
C107	1-126-933-11	s CAPACITOR,ELECT 100MF/16V	CN603	1-691-739-11	o CONNECTOR,BOARD TO BOARD 14P
C108	1-126-933-11	s CAPACITOR,ELECT 100MF/16V	CN604	1-691-739-11	o CONNECTOR,BOARD TO BOARD 14P
C110	1-163-809-11	s CAPACITOR,CHIP CERAMIC 0.047MF	CN605	1-691-739-11	o CONNECTOR,BOARD TO BOARD 14P
C111	1-163-809-11	s CAPACITOR,CHIP CERAMIC 0.047MF	D103	8-719-024-81	s DIODE 1SS300-TE85L
C112	1-126-964-11	s CAPACITOR, ELECT 10MF/50V	D301	8-719-941-23	s DIODE DA204U
C113	1-163-809-11	s CAPACITOR,CHIP CERAMIC 0.047MF	D302	8-719-941-23	s DIODE DA204U
C115	1-163-809-11	s CAPACITOR,CHIP CERAMIC 0.047MF	D303	8-719-941-23	s DIODE DA204U
C116	1-163-809-11	s CAPACITOR,CHIP CERAMIC 0.047MF	D304	8-719-941-23	s DIODE DA204U
C117	1-163-809-11	s CAPACITOR,CHIP CERAMIC 0.047MF	FL101	1-239-896-12	s FILTER, EMI (SMD)
C118	1-104-664-11	s CAPACITOR, ELECT 47MF/25V	FL102	1-239-896-12	s FILTER, EMI (SMD)
C119	1-104-664-11	s CAPACITOR, ELECT 47MF/25V	FL103	1-239-896-12	s FILTER, EMI (SMD)
C121	1-163-809-11	s CAPACITOR,CHIP CERAMIC 0.047MF	FL104	1-239-896-12	s FILTER, EMI (SMD)
C201	1-163-809-11	s CAPACITOR,CHIP CERAMIC 0.047MF	FL105	1-239-896-12	s FILTER, EMI (SMD)
C202	1-104-664-11	s CAPACITOR, ELECT 47MF/25V	FL106	1-239-895-11	s FILTER, EMI (SMD)
C203	1-163-809-11	s CAPACITOR,CHIP CERAMIC 0.047MF	FL107	1-239-896-12	s FILTER, EMI (SMD)
C204	1-104-664-11	s CAPACITOR, ELECT 47MF/25V	FL108	1-239-896-12	s FILTER, EMI (SMD)
C205	1-126-948-11	s CAPACITOR,ELECT 100MF/35V	FL109	1-239-896-12	s FILTER, EMI (SMD)
C206	1-163-038-91	s CAPACITOR, CERAMIC 0.1MF/25V	FL110	1-239-896-12	s FILTER, EMI (SMD)
C207	*1 1-163-809-11	s CAPACITOR,CHIP CERAMIC 0.047MF	FL111	1-239-896-12	s FILTER, EMI (SMD)
C301	1-163-275-11	s CAPACITOR CERAMIC 1000PF/50V	FL112	1-239-896-12	s FILTER, EMI (SMD)
C302	1-163-275-11	s CAPACITOR CERAMIC 1000PF/50V	FL113	1-239-896-12	s FILTER, EMI (SMD)
C303	1-104-760-11	s CAPACITOR CERAMIC 0.047MF/50V	FL114	1-239-896-12	s FILTER, EMI (SMD)
C304	1-104-760-11	s CAPACITOR CERAMIC 0.047MF/50V	FL115	1-239-896-12	s FILTER, EMI (SMD)
C307	1-115-339-11	s CAPACITOR,CERAMIC 0.1MF/50V	FL116	1-239-895-11	s FILTER, EMI (SMD)
C308	1-115-339-11	s CAPACITOR,CERAMIC 0.1MF/50V	FL117	1-239-895-11	s FILTER, EMI (SMD)
C309	1-163-220-11	s CAPACITOR, CHIP CERAMIC 3.0PF	FL201	1-239-896-12	s FILTER, EMI (SMD)
C310	1-163-220-11	s CAPACITOR, CHIP CERAMIC 3.0PF	FL202	1-239-896-12	s FILTER, EMI (SMD)
C311	1-163-113-00	s CAPACITOR,CHIP CERAMIC 68PF/50	FL203	1-239-896-12	s FILTER, EMI (SMD)
C312	1-163-113-00	s CAPACITOR,CHIP CERAMIC 68PF/50	FL204	1-239-896-12	s FILTER, EMI (SMD)
C313	1-109-982-11	s CAPACITOR,CHIP CERAMIC 1MF/10V	FL205	1-239-896-12	s FILTER, EMI (SMD)
C314	1-109-982-11	s CAPACITOR,CHIP CERAMIC 1MF/10V	FL206	1-239-896-12	s FILTER, EMI (SMD)
C315	1-126-964-11	s CAPACITOR, ELECT 10MF/50V	FL207	1-239-896-12	s FILTER, EMI (SMD)
C316	1-126-964-11	s CAPACITOR, ELECT 10MF/50V	FL208	1-239-896-12	s FILTER, EMI (SMD)
C317	1-115-339-11	s CAPACITOR,CERAMIC 0.1MF/50V	FL209	1-239-896-12	s FILTER, EMI (SMD)
C318	1-115-339-11	s CAPACITOR,CERAMIC 0.1MF/50V	FL210	1-239-896-12	s FILTER, EMI (SMD)
C319	1-109-982-11	s CAPACITOR,CHIP CERAMIC 1MF/10V	FL211	1-239-896-12	s FILTER, EMI (SMD)
C320	1-115-339-11	s CAPACITOR,CERAMIC 0.1MF/50V	FL212	*1 1-239-896-12	s FILTER, EMI (SMD)
C321	1-109-982-11	s CAPACITOR,CHIP CERAMIC 1MF/10V	FL213	*1 1-239-896-12	s FILTER, EMI (SMD)
C322	1-115-339-11	s CAPACITOR,CERAMIC 0.1MF/50V	FL214	*1 1-239-896-12	s FILTER, EMI (SMD)
C323	1-126-966-11	s CAPACITOR,ELECT 33MF/50V	FL215	*1 1-239-896-12	s FILTER, EMI (SMD)
C324	1-126-966-11	s CAPACITOR,ELECT 33MF/50V	FL216	*1 1-239-896-12	s FILTER, EMI (SMD)
C325	1-115-339-11	s CAPACITOR,CERAMIC 0.1MF/50V	FL217	*1 1-239-896-12	s FILTER, EMI (SMD)
CN1	1-778-665-11	s CONNECTOR, BNC (RECEPTACLE)	FL218	*1 1-239-896-12	s FILTER, EMI (SMD)
CN2	1-778-665-11	s CONNECTOR, BNC (RECEPTACLE)	IC102	8-759-708-05	s IC NJM78L05A
CN3	1-778-665-11	s CONNECTOR, BNC (RECEPTACLE)	IC103	8-759-700-65	s IC NJM79L05A
CN4	1-778-665-11	s CONNECTOR, BNC (RECEPTACLE)	IC201	8-759-245-82	s IC TA79009S
CN5	1-573-590-22	s CONNECTOR, (S) TERMINAL 4P	IC202	8-759-701-59	s IC NJM78M09PA
CN6	1-573-590-22	s CONNECTOR, (S) TERMINAL 4P	IC301	8-759-055-67	s IC SN75107ANG-LS
CN7	1-766-596-11	s JACK, PIN 1P	IC302	8-759-268-96	s IC SN74HCT00ANS (E20)
CN8	1-568-674-11	o CONNECTOR,D-SUB 15P	IC304	8-759-177-02	s IC NJM2267M
CN9	1-784-599-11	o CONNECTOR, D-SUB 15P	IC305	8-759-177-02	s IC NJM2267M
CN10	1-568-676-11	o CONNECTOR,D-SUB 9P	L301	1-412-279-31	s CHIP INDUCTOR 270UH (3225)
CN11	1-568-676-11	o CONNECTOR,D-SUB 9P	L302	1-412-279-31	s CHIP INDUCTOR 270UH (3225)
CN601	1-691-739-11	o CONNECTOR,BOARD TO BOARD 14P	L303	1-410-378-11	s INDUCTOR,CHIP 5.6UH (3225)
			L304	1-410-378-11	s INDUCTOR,CHIP 5.6UH (3225)
			L305	1-410-377-31	s INDUCTOR,CHIP 4.7UH (3225)
			L306	1-410-377-31	s INDUCTOR,CHIP 4.7UH (3225)

(CP-341 BOARD(DSR-2000/2000P))

Ref. No. or Q'ty	Part No.	SP	Description
L307	1-410-377-31	s	INDUCTOR,CHIP 4.7UH (3225)
L308	1-410-377-31	s	INDUCTOR,CHIP 4.7UH (3225)
LF201	1-233-510-11	o	FILTER, DC LINE
Q101	8-729-117-32	s	TRANSISTOR 2SC4177
Q102	8-729-907-46	s	TRANSISTOR IMZ1
Q103	8-729-904-41	s	TRANSISTOR FMY3
R115	1-208-755-11	s	RESISTOR,CHIP 75 1/10W (2012)
R116	1-208-755-11	s	RESISTOR,CHIP 75 1/10W (2012)
R119	1-208-810-11	s	RESISTOR,CHIP 15K 1/10W (2012)
R120	1-208-810-11	s	RESISTOR,CHIP 15K 1/10W (2012)
R121	1-208-758-11	s	RESISTOR,CHIP 100 1/10W (2012)
R122	1-208-758-11	s	RESISTOR,CHIP 100 1/10W (2012)
R123	1-208-756-11	s	RESISTOR,CHIP 82 1/10W (2012)
R124	1-208-756-11	s	RESISTOR,CHIP 82 1/10W (2012)
R125	1-208-814-11	s	RESISTOR,CHIP 22K 1/10W (2012)
R126	1-208-778-11	s	RESISTOR,CHIP 680 1/10W (2012)
R127	1-208-802-11	s	RESISTOR,CHIP 6.8K 1/10W(2012)
R128	1-211-960-11	s	RESISTOR,CHIP 22 1/10W (2012)
R129	1-208-812-11	s	RESISTOR,CHIP 18K 1/10W (2012)
R130	1-208-756-11	s	RESISTOR,CHIP 82 1/10W (2012)
R131	1-208-756-11	s	RESISTOR,CHIP 82 1/10W (2012)
R132	1-208-756-11	s	RESISTOR,CHIP 82 1/10W (2012)
R133	1-208-792-11	s	RESISTOR,CHIP 2.7K 1/10W(2012)
R134	1-208-778-11	s	RESISTOR,CHIP 680 1/10W (2012)
R135	1-211-960-11	s	RESISTOR,CHIP 22 1/10W (2012)
R301	1-208-752-11	s	RESISTOR,CHIP 56 1/10W (2012)
R302	1-208-752-11	s	RESISTOR,CHIP 56 1/10W (2012)
R303	1-208-755-11	s	RESISTOR,CHIP 75 1/10W (2012)
R304	1-208-755-11	s	RESISTOR,CHIP 75 1/10W (2012)
R305	1-211-963-11	s	RESISTOR,CHIP 30 1/10W (2012)
R306	1-211-963-11	s	RESISTOR,CHIP 30 1/10W (2012)
R307	1-208-764-11	s	RESISTOR,CHIP 180 1/10W (2012)
R308	1-208-764-11	s	RESISTOR,CHIP 180 1/10W (2012)
R309	1-208-758-11	s	RESISTOR,CHIP 100 1/10W (2012)
R310	1-208-758-11	s	RESISTOR,CHIP 100 1/10W (2012)
R311	1-208-769-11	s	RESISTOR,CHIP 300 1/10W (2012)
R312	1-208-769-11	s	RESISTOR,CHIP 300 1/10W (2012)
R313	1-208-758-11	s	RESISTOR,CHIP 100 1/10W (2012)
R314	1-208-758-11	s	RESISTOR,CHIP 100 1/10W (2012)
R315	1-208-758-11	s	RESISTOR,CHIP 100 1/10W (2012)
R316	1-208-758-11	s	RESISTOR,CHIP 100 1/10W (2012)
R317	1-211-960-11	s	RESISTOR,CHIP 22 1/10W (2012)
R318	1-211-960-11	s	RESISTOR,CHIP 22 1/10W (2012)
R319	1-216-603-11	s	RESISTOR,CHIP 10 1/10W(2012)
R320	1-216-603-11	s	RESISTOR,CHIP 10 1/10W(2012)
R321	1-208-782-11	s	RESISTOR,CHIP 1K 1/10W (2012)
R322	1-208-782-11	s	RESISTOR,CHIP 1K 1/10W (2012)
R323	1-208-783-11	s	RESISTOR,CHIP 1.1K 1/10W(2012)
R324	1-208-783-11	s	RESISTOR,CHIP 1.1K 1/10W(2012)
R325	1-208-780-11	s	RESISTOR,CHIP 820 1/10W (2012)
R326	1-208-780-11	s	RESISTOR,CHIP 820 1/10W (2012)
R327	1-208-773-11	s	RESISTOR,CHIP 430 1/10W (2012)
R328	1-208-773-11	s	RESISTOR,CHIP 430 1/10W (2012)
R329	1-208-782-11	s	RESISTOR,CHIP 1K 1/10W (2012)
R330	1-208-782-11	s	RESISTOR,CHIP 1K 1/10W (2012)
R331	1-208-755-11	s	RESISTOR,CHIP 75 1/10W (2012)
R332	1-208-755-11	s	RESISTOR,CHIP 75 1/10W (2012)

(CP-341 BOARD(DSR-2000/2000P))

Ref. No. or Q'ty	Part No.	SP	Description
S101	1-570-157-51	s	SWITCH,SLIDE (1-1-3)
S102	1-570-157-51	s	SWITCH,SLIDE (1-1-3)
THP201	1-803-314-11	s	THERMISTOR, POSITIVE

CP-342 BOARD(DSR-2000/2000P(UC/CE))

(CP-342 BOARD(DSR-2000/2000P(UC/CE)))

*1: Board No. suffix 11
 *2: Board No. suffix 12 -

Ref. No. or Q'ty	Part No.	SP Description
1pc	A-8323-490-A	o MOUNTED CIRCUIT BOARD, CP-342
C1	1-163-133-00	s CAPACITOR,CHIP CERAMIC 470PF
C2	1-163-133-00	s CAPACITOR,CHIP CERAMIC 470PF
C3	1-163-133-00	s CAPACITOR,CHIP CERAMIC 470PF
C4	1-163-133-00	s CAPACITOR,CHIP CERAMIC 470PF
C5	1-163-133-00	s CAPACITOR,CHIP CERAMIC 470PF
C6	1-163-133-00	s CAPACITOR,CHIP CERAMIC 470PF
C7	1-163-133-00	s CAPACITOR,CHIP CERAMIC 470PF
C8	1-163-133-00	s CAPACITOR,CHIP CERAMIC 470PF
C13	1-163-133-00	s CAPACITOR,CHIP CERAMIC 470PF
C14	1-163-133-00	s CAPACITOR,CHIP CERAMIC 470PF
C15	1-163-133-00	s CAPACITOR,CHIP CERAMIC 470PF
C16	1-163-133-00	s CAPACITOR,CHIP CERAMIC 470PF
C17	1-163-133-00	s CAPACITOR,CHIP CERAMIC 470PF
C18	1-163-133-00	s CAPACITOR,CHIP CERAMIC 470PF
C19	1-163-133-00	s CAPACITOR,CHIP CERAMIC 470PF
C20	1-163-133-00	s CAPACITOR,CHIP CERAMIC 470PF
C21	1-126-964-11	s CAPACITOR, ELECT 10MF/50V
C22	1-126-964-11	s CAPACITOR, ELECT 10MF/50V
C23	1-126-964-11	s CAPACITOR, ELECT 10MF/50V
C24	1-126-964-11	s CAPACITOR, ELECT 10MF/50V
C25	1-126-964-11	s CAPACITOR, ELECT 10MF/50V
C26	1-126-964-11	s CAPACITOR, ELECT 10MF/50V
C27	1-126-964-11	s CAPACITOR, ELECT 10MF/50V
C28	1-126-964-11	s CAPACITOR, ELECT 10MF/50V
C29	1-163-243-11	s CAPACITOR CHIP CERAMIC 47PF/50
C30	1-163-243-11	s CAPACITOR CHIP CERAMIC 47PF/50
C31	1-163-243-11	s CAPACITOR CHIP CERAMIC 47PF/50
C32	1-163-243-11	s CAPACITOR CHIP CERAMIC 47PF/50
C33	1-163-243-11	s CAPACITOR CHIP CERAMIC 47PF/50
C34	1-163-243-11	s CAPACITOR CHIP CERAMIC 47PF/50
C35	1-163-243-11	s CAPACITOR CHIP CERAMIC 47PF/50
C36	1-163-243-11	s CAPACITOR CHIP CERAMIC 47PF/50
C37	1-163-037-11	s CAPACITOR,CHIP CERAMIC 0.022MF
C38	1-163-037-11	s CAPACITOR,CHIP CERAMIC 0.022MF
C39	1-163-037-11	s CAPACITOR,CHIP CERAMIC 0.022MF
C40	1-163-037-11	s CAPACITOR,CHIP CERAMIC 0.022MF
C41	1-126-933-11	s CAPACITOR,ELECT 100MF/16V
C42	1-126-933-11	s CAPACITOR,ELECT 100MF/16V
C43	1-126-933-11	s CAPACITOR,ELECT 100MF/16V
C44	1-126-933-11	s CAPACITOR,ELECT 100MF/16V
C45	1-126-933-11	s CAPACITOR,ELECT 100MF/16V
C46	1-126-933-11	s CAPACITOR,ELECT 100MF/16V
C47	1-126-933-11	s CAPACITOR,ELECT 100MF/16V
C48	1-126-933-11	s CAPACITOR,ELECT 100MF/16V
C201	1-126-933-11	s CAPACITOR,ELECT 100MF/16V
C202	1-126-933-11	s CAPACITOR,ELECT 100MF/16V
C203	1-126-933-11	s CAPACITOR,ELECT 100MF/16V
C204	1-163-243-11	s CAPACITOR CHIP CERAMIC 47PF/50
C205	1-163-243-11	s CAPACITOR CHIP CERAMIC 47PF/50
C206	1-163-243-11	s CAPACITOR CHIP CERAMIC 47PF/50
C207	1-163-243-11	s CAPACITOR CHIP CERAMIC 47PF/50
C208	1-163-243-11	s CAPACITOR CHIP CERAMIC 47PF/50
C209	1-163-243-11	s CAPACITOR CHIP CERAMIC 47PF/50
C210	1-163-243-11	s CAPACITOR CHIP CERAMIC 47PF/50

Ref. No. or Q'ty	Part No.	SP Description
C211	1-163-243-11	s CAPACITOR CHIP CERAMIC 47PF/50
C212	1-163-251-11	s CAPACITOR CERAMIC 100PF/50V
C213	1-163-251-11	s CAPACITOR CERAMIC 100PF/50V
C214	1-163-251-11	s CAPACITOR CERAMIC 100PF/50V
C215	1-163-251-11	s CAPACITOR CERAMIC 100PF/50V
C216	1-126-934-11	s CAPACITOR,ELECT 220MF/16V
C217	1-126-934-11	s CAPACITOR,ELECT 220MF/16V
C218	1-126-934-11	s CAPACITOR,ELECT 220MF/16V
C219	1-126-934-11	s CAPACITOR,ELECT 220MF/16V
C220	1-126-934-11	s CAPACITOR,ELECT 220MF/16V
C221	1-126-934-11	s CAPACITOR,ELECT 220MF/16V
C222	1-126-934-11	s CAPACITOR,ELECT 220MF/16V
C223	1-126-934-11	s CAPACITOR,ELECT 220MF/16V
CN1	1-750-786-21	s CONNECTOR (XLR TYPE) 3P
CN2	1-750-786-21	s CONNECTOR (XLR TYPE) 3P
CN3	1-750-785-21	s CONNECTOR (XLR TYPE) 3P
CN4	1-750-785-21	s CONNECTOR (XLR TYPE) 3P
CN606	1-691-739-11	o CONNECTOR,BOARD TO BOARD 14P
CN607	1-691-739-11	o CONNECTOR,BOARD TO BOARD 14P
CN608	1-691-739-11	o CONNECTOR,BOARD TO BOARD 14P
D1	8-719-820-41	s DIODE 1SS302
D2	8-719-820-41	s DIODE 1SS302
D3	8-719-820-41	s DIODE 1SS302
D4	8-719-820-41	s DIODE 1SS302
D5	8-719-820-41	s DIODE 1SS302
D6	8-719-820-41	s DIODE 1SS302
D7	8-719-820-41	s DIODE 1SS302
D8	8-719-820-41	s DIODE 1SS302
D202	8-719-820-41	s DIODE 1SS302
D203	8-719-820-41	s DIODE 1SS302
D204	8-719-820-41	s DIODE 1SS302
D205	8-719-820-41	s DIODE 1SS302
D206	8-719-820-41	s DIODE 1SS302
D207	8-719-820-41	s DIODE 1SS302
D208	8-719-820-41	s DIODE 1SS302
D209	8-719-820-41	s DIODE 1SS302
D210	8-719-820-41	s DIODE 1SS302
D211	8-719-820-41	s DIODE 1SS302
FL201	1-239-895-11	s FILTER, EMI (SMD)
FL202	1-239-895-11	s FILTER, EMI (SMD)
FL203	1-239-895-11	s FILTER, EMI (SMD)
FL204	1-239-895-11	s FILTER, EMI (SMD)
FL205	1-239-895-11	s FILTER, EMI (SMD)
FL206	1-239-895-11	s FILTER, EMI (SMD)
FL207	1-239-895-11	s FILTER, EMI (SMD)
FL208	1-239-895-11	s FILTER, EMI (SMD)
IC1	*2 8-759-835-17	s IC NJM4580E (TE2)
	*1 8-759-711-82	s IC NJM4580E
IC2	*2 8-759-835-17	s IC NJM4580E (TE2)
	*1 8-759-711-82	s IC NJM4580E
IC3	*2 8-759-835-17	s IC NJM4580E (TE2)
	*1 8-759-711-82	s IC NJM4580E
IC4	*2 8-759-835-17	s IC NJM4580E (TE2)
	*1 8-759-711-82	s IC NJM4580E
IC201	8-759-281-24	s IC SSM-2142S (R)
IC202	8-759-281-24	s IC SSM-2142S (R)
IC203	8-759-281-24	s IC SSM-2142S (R)
IC204	8-759-281-24	s IC SSM-2142S (R)

(CP-342 BOARD(DSR-2000/2000P(UC/CE)))

Ref. No. or Q'ty	Part No.	SP Description
IC205 *2	8-759-835-17	s IC NJM4580E (TE2)
	*1 8-759-711-82	s IC NJM4580E
IC206 *2	8-759-835-17	s IC NJM4580E (TE2)
	*1 8-759-711-82	s IC NJM4580E
L1	1-410-380-31	s INDUCTOR,CHIP 8.2UH (3225)
L2	1-410-380-31	s INDUCTOR,CHIP 8.2UH (3225)
L3	1-410-380-31	s INDUCTOR,CHIP 8.2UH (3225)
L4	1-410-380-31	s INDUCTOR,CHIP 8.2UH (3225)
L5	1-410-380-31	s INDUCTOR,CHIP 8.2UH (3225)
L6	1-410-380-31	s INDUCTOR,CHIP 8.2UH (3225)
L7	1-410-380-31	s INDUCTOR,CHIP 8.2UH (3225)
L8	1-410-380-31	s INDUCTOR,CHIP 8.2UH (3225)
L201	1-414-398-11	s INDUCTOR (SMD) 10UH
L202	1-414-398-11	s INDUCTOR (SMD) 10UH
L203	1-414-398-11	s INDUCTOR (SMD) 10UH
L204	1-414-398-11	s INDUCTOR (SMD) 10UH
L205	1-414-398-11	s INDUCTOR (SMD) 10UH
L206	1-414-398-11	s INDUCTOR (SMD) 10UH
Q1	8-729-020-93	s TRANSISTOR 2SC2982C-TE12L
Q2	8-729-106-60	s TRANSISTOR 2SB1115A
Q3	8-729-020-93	s TRANSISTOR 2SC2982C-TE12L
Q4	8-729-106-60	s TRANSISTOR 2SB1115A
Q201	8-729-029-14	s TRANSISTOR DTC144EUA-T106
Q202	8-729-110-92	s TRANSISTOR 2SK425-X13
Q203	8-729-209-07	s TRANSISTOR 2SC4213-B
Q204	8-729-209-07	s TRANSISTOR 2SC4213-B
Q205	8-729-209-07	s TRANSISTOR 2SC4213-B
Q206	8-729-209-07	s TRANSISTOR 2SC4213-B
Q207	8-729-141-48	s TRANSISTOR 2SB624-BV345
Q208	8-729-110-94	s TRANSISTOR 2SK425-X15 (0.2W)
Q209	8-729-110-94	s TRANSISTOR 2SK425-X15 (0.2W)
Q210	8-729-110-94	s TRANSISTOR 2SK425-X15 (0.2W)
Q211	8-729-110-94	s TRANSISTOR 2SK425-X15 (0.2W)
Q212	8-729-209-07	s TRANSISTOR 2SC4213-B
Q213	8-729-209-07	s TRANSISTOR 2SC4213-B
Q214	8-729-209-07	s TRANSISTOR 2SC4213-B
Q215	8-729-209-07	s TRANSISTOR 2SC4213-B
Q216	8-729-209-07	s TRANSISTOR 2SC4213-B
Q217	8-729-209-07	s TRANSISTOR 2SC4213-B
Q218	8-729-209-07	s TRANSISTOR 2SC4213-B
Q219	8-729-209-07	s TRANSISTOR 2SC4213-B
R5	1-216-295-91	s RESISTOR,CHIP 0 (1/10W)
R6	1-216-295-91	s RESISTOR,CHIP 0 (1/10W)
R7	1-216-295-91	s RESISTOR,CHIP 0 (1/10W)
R8	1-216-295-91	s RESISTOR,CHIP 0 (1/10W)
R10	1-216-295-91	s RESISTOR,CHIP 0 (1/10W)
R12	1-216-295-91	s RESISTOR,CHIP 0 (1/10W)
R14	1-216-295-91	s RESISTOR,CHIP 0 (1/10W)
R16	1-216-295-91	s RESISTOR,CHIP 0 (1/10W)
R17	1-208-760-11	s RESISTOR,CHIP 120 1/10W (2012)
R18	1-208-760-11	s RESISTOR,CHIP 120 1/10W (2012)
R19	1-208-760-11	s RESISTOR,CHIP 120 1/10W (2012)
R20	1-208-760-11	s RESISTOR,CHIP 120 1/10W (2012)
R21	1-208-777-11	s RESISTOR,CHIP 620 1/10W (2012)
R22	1-208-777-11	s RESISTOR,CHIP 620 1/10W (2012)
R23	1-208-777-11	s RESISTOR,CHIP 620 1/10W (2012)
R24	1-208-777-11	s RESISTOR,CHIP 620 1/10W (2012)
R25	1-208-800-11	s RESISTOR,CHIP 5.6K 1/10W(2012)

(CP-342 BOARD(DSR-2000/2000P(UC/CE)))

Ref. No. or Q'ty	Part No.	SP Description
R26	1-208-800-11	s RESISTOR,CHIP 5.6K 1/10W(2012)
R27	1-208-800-11	s RESISTOR,CHIP 5.6K 1/10W(2012)
R28	1-208-800-11	s RESISTOR,CHIP 5.6K 1/10W(2012)
R29	1-208-800-11	s RESISTOR,CHIP 5.6K 1/10W(2012)
R30	1-208-800-11	s RESISTOR,CHIP 5.6K 1/10W(2012)
R31	1-208-800-11	s RESISTOR,CHIP 5.6K 1/10W(2012)
R32	1-208-800-11	s RESISTOR,CHIP 5.6K 1/10W(2012)
R33	1-216-295-91	s RESISTOR,CHIP 0 (1/10W)
R34	1-216-295-91	s RESISTOR,CHIP 0 (1/10W)
R35	1-216-295-91	s RESISTOR,CHIP 0 (1/10W)
R36	1-216-295-91	s RESISTOR,CHIP 0 (1/10W)
R37	1-216-295-91	s RESISTOR,CHIP 0 (1/10W)
R38	1-216-295-91	s RESISTOR,CHIP 0 (1/10W)
R39	1-216-295-91	s RESISTOR,CHIP 0 (1/10W)
R40	1-216-295-91	s RESISTOR,CHIP 0 (1/10W)
R41	1-208-778-11	s RESISTOR,CHIP 680 1/10W (2012)
R42	1-208-778-11	s RESISTOR,CHIP 680 1/10W (2012)
R43	1-208-778-11	s RESISTOR,CHIP 680 1/10W (2012)
R44	1-208-778-11	s RESISTOR,CHIP 680 1/10W (2012)
R45	1-208-778-11	s RESISTOR,CHIP 680 1/10W (2012)
R46	1-208-778-11	s RESISTOR,CHIP 680 1/10W (2012)
R47	1-208-778-11	s RESISTOR,CHIP 680 1/10W (2012)
R48	1-208-778-11	s RESISTOR,CHIP 680 1/10W (2012)
R49	1-208-764-11	s RESISTOR,CHIP 180 1/10W (2012)
R50	1-208-764-11	s RESISTOR,CHIP 180 1/10W (2012)
R51	1-208-764-11	s RESISTOR,CHIP 180 1/10W (2012)
R52	1-208-764-11	s RESISTOR,CHIP 180 1/10W (2012)
R53	1-208-764-11	s RESISTOR,CHIP 180 1/10W (2012)
R54	1-208-764-11	s RESISTOR,CHIP 180 1/10W (2012)
R55	1-208-764-11	s RESISTOR,CHIP 180 1/10W (2012)
R56	1-208-764-11	s RESISTOR,CHIP 180 1/10W (2012)
R57	1-211-963-11	s RESISTOR,CHIP 30 1/10W (2012)
R58	1-211-963-11	s RESISTOR,CHIP 30 1/10W (2012)
R59	1-211-963-11	s RESISTOR,CHIP 30 1/10W (2012)
R60	1-211-963-11	s RESISTOR,CHIP 30 1/10W (2012)
R61	1-211-963-11	s RESISTOR,CHIP 30 1/10W (2012)
R62	1-211-963-11	s RESISTOR,CHIP 30 1/10W (2012)
R63	1-211-963-11	s RESISTOR,CHIP 30 1/10W (2012)
R64	1-211-963-11	s RESISTOR,CHIP 30 1/10W (2012)
R65	1-211-959-11	s RESISTOR,CHIP 20 1/10W (2125)
R66	1-208-768-11	s RESISTOR,CHIP 270 1/10W (2012)
R67	1-208-768-11	s RESISTOR,CHIP 270 1/10W (2012)
R68	1-211-959-11	s RESISTOR,CHIP 20 1/10W (2125)
R69	1-211-959-11	s RESISTOR,CHIP 20 1/10W (2125)
R70	1-208-768-11	s RESISTOR,CHIP 270 1/10W (2012)
R71	1-208-768-11	s RESISTOR,CHIP 270 1/10W (2012)
R72	1-211-959-11	s RESISTOR,CHIP 20 1/10W (2125)
R73	1-211-959-11	s RESISTOR,CHIP 20 1/10W (2125)
R74	1-208-768-11	s RESISTOR,CHIP 270 1/10W (2012)
R75	1-208-768-11	s RESISTOR,CHIP 270 1/10W (2012)
R76	1-211-959-11	s RESISTOR,CHIP 20 1/10W (2125)
R77	1-211-959-11	s RESISTOR,CHIP 20 1/10W (2125)
R78	1-208-768-11	s RESISTOR,CHIP 270 1/10W (2012)
R79	1-208-768-11	s RESISTOR,CHIP 270 1/10W (2012)
R80	1-211-959-11	s RESISTOR,CHIP 20 1/10W (2125)
R81	1-208-830-11	s RESISTOR,CHIP 100K 1/10W(2012)
R82	1-208-830-11	s RESISTOR,CHIP 100K 1/10W(2012)
R83	1-208-830-11	s RESISTOR,CHIP 100K 1/10W(2012)
R84	1-208-830-11	s RESISTOR,CHIP 100K 1/10W(2012)

(CP-342 BOARD(DSR-2000/2000P(UC/CE)))

Ref. No. or Q'ty	Part No.	SP Description
R85	1-208-796-11	s RESISTOR,CHIP 3.9K 1/10W(2012)
R86	1-216-063-91	s RESISTOR,CHIP 3.9K 1/10W(2125)
R87	1-216-063-91	s RESISTOR,CHIP 3.9K 1/10W(2125)
R88	1-208-796-11	s RESISTOR,CHIP 3.9K 1/10W(2012)
R89	1-208-818-11	s RESISTOR,CHIP 33K 1/10W (2012)
R90	1-208-818-11	s RESISTOR,CHIP 33K 1/10W (2012)
R91	1-208-818-11	s RESISTOR,CHIP 33K 1/10W (2012)
R92	1-208-818-11	s RESISTOR,CHIP 33K 1/10W (2012)
R93	1-208-818-11	s RESISTOR,CHIP 33K 1/10W (2012)
R94	1-208-818-11	s RESISTOR,CHIP 33K 1/10W (2012)
R95	1-208-818-11	s RESISTOR,CHIP 33K 1/10W (2012)
R96	1-208-818-11	s RESISTOR,CHIP 33K 1/10W (2012)
R97	1-208-794-11	s RESISTOR,CHIP 3.3K 1/10W(2012)
R98	1-208-794-11	s RESISTOR,CHIP 3.3K 1/10W(2012)
R99	1-208-794-11	s RESISTOR,CHIP 3.3K 1/10W(2012)
R100	1-208-794-11	s RESISTOR,CHIP 3.3K 1/10W(2012)
R101	1-208-794-11	s RESISTOR,CHIP 3.3K 1/10W(2012)
R102	1-208-794-11	s RESISTOR,CHIP 3.3K 1/10W(2012)
R103	1-208-794-11	s RESISTOR,CHIP 3.3K 1/10W(2012)
R104	1-208-794-11	s RESISTOR,CHIP 3.3K 1/10W(2012)
R105	1-216-295-91	s RESISTOR, CHIP 0 (1/10W)
R106	1-216-295-91	s RESISTOR, CHIP 0 (1/10W)
R107	1-216-295-91	s RESISTOR, CHIP 0 (1/10W)
R108	1-216-295-91	s RESISTOR, CHIP 0 (1/10W)
R109	1-216-295-91	s RESISTOR, CHIP 0 (1/10W)
R110	1-216-295-91	s RESISTOR, CHIP 0 (1/10W)
R111	1-216-295-91	s RESISTOR, CHIP 0 (1/10W)
R112	1-216-295-91	s RESISTOR, CHIP 0 (1/10W)
R113	1-208-784-11	s RESISTOR,CHIP 1.2K 1/10W(2012)
R114	1-208-784-11	s RESISTOR,CHIP 1.2K 1/10W(2012)
R115	1-208-784-11	s RESISTOR,CHIP 1.2K 1/10W(2012)
R116	1-208-784-11	s RESISTOR,CHIP 1.2K 1/10W(2012)
R201	1-216-041-00	s RESISTOR,CHIP 470 1/10W(2012)
R202	1-208-769-11	s RESISTOR,CHIP 300 1/10W (2012)
R203	1-208-769-11	s RESISTOR,CHIP 300 1/10W (2012)
R204	1-208-769-11	s RESISTOR,CHIP 300 1/10W (2012)
R205	1-208-769-11	s RESISTOR,CHIP 300 1/10W (2012)
R206	1-216-025-91	s RESISTOR,CHIP 100 1/10W(2125)
R207	1-208-795-11	s RESISTOR,CHIP 3.6K 1/10W(2125)
R208	1-208-795-11	s RESISTOR,CHIP 3.6K 1/10W(2125)
R209	1-208-795-11	s RESISTOR,CHIP 3.6K 1/10W(2125)
R210	1-208-795-11	s RESISTOR,CHIP 3.6K 1/10W(2125)
R211	1-208-796-11	s RESISTOR,CHIP 3.9K 1/10W(2012)
R212	1-208-796-11	s RESISTOR,CHIP 3.9K 1/10W(2012)
R213	1-208-796-11	s RESISTOR,CHIP 3.9K 1/10W(2012)
R214	1-208-796-11	s RESISTOR,CHIP 3.9K 1/10W(2012)
R215	1-208-796-11	s RESISTOR,CHIP 3.9K 1/10W(2012)
R216	1-208-796-11	s RESISTOR,CHIP 3.9K 1/10W(2012)
R217	1-208-796-11	s RESISTOR,CHIP 3.9K 1/10W(2012)
R218	1-208-796-11	s RESISTOR,CHIP 3.9K 1/10W(2012)
R219	1-216-063-91	s RESISTOR,CHIP 3.9K 1/10W(2125)
R220	1-208-807-11	s RESISTOR,CHIP 11K 1/10W (2125)
R221	1-208-807-11	s RESISTOR,CHIP 11K 1/10W (2125)
R222	1-208-807-11	s RESISTOR,CHIP 11K 1/10W (2125)
R223	1-208-807-11	s RESISTOR,CHIP 11K 1/10W (2125)
R224	1-208-807-11	s RESISTOR,CHIP 11K 1/10W (2125)
R225	1-208-807-11	s RESISTOR,CHIP 11K 1/10W (2125)
R226	1-208-807-11	s RESISTOR,CHIP 11K 1/10W (2125)
R227	1-208-807-11	s RESISTOR,CHIP 11K 1/10W (2125)

(CP-342 BOARD(DSR-2000/2000P(UC/CE)))

Ref. No. or Q'ty	Part No.	SP Description
R228	1-216-013-00	s RESISTOR,CHIP 33 1/10W(2012)
R229	1-216-013-00	s RESISTOR,CHIP 33 1/10W(2012)
R230	1-216-013-00	s RESISTOR,CHIP 33 1/10W(2012)
R231	1-216-013-00	s RESISTOR,CHIP 33 1/10W(2012)
R232	1-216-013-00	s RESISTOR,CHIP 33 1/10W(2012)
R233	1-216-013-00	s RESISTOR,CHIP 33 1/10W(2012)
R234	1-216-013-00	s RESISTOR,CHIP 33 1/10W(2012)
R235	1-216-013-00	s RESISTOR,CHIP 33 1/10W(2012)
R236	1-208-806-11	s RESISTOR,CHIP 10K 1/10W (2012)
R237	1-208-806-11	s RESISTOR,CHIP 10K 1/10W (2012)
R238	1-208-806-11	s RESISTOR,CHIP 10K 1/10W (2012)
R239	1-208-806-11	s RESISTOR,CHIP 10K 1/10W (2012)
R240	1-208-806-11	s RESISTOR,CHIP 10K 1/10W (2012)
R241	1-208-806-11	s RESISTOR,CHIP 10K 1/10W (2012)
R242	1-208-806-11	s RESISTOR,CHIP 10K 1/10W (2012)
R243	1-208-806-11	s RESISTOR,CHIP 10K 1/10W (2012)
R244	1-216-295-91	s RESISTOR, CHIP 0 (1/10W)
R246	1-216-295-91	s RESISTOR, CHIP 0 (1/10W)
R248	1-216-295-91	s RESISTOR, CHIP 0 (1/10W)
R250	1-216-295-91	s RESISTOR, CHIP 0 (1/10W)
R256	1-216-295-91	s RESISTOR, CHIP 0 (1/10W)
R257	1-216-295-91	s RESISTOR, CHIP 0 (1/10W)
R258	1-216-295-91	s RESISTOR, CHIP 0 (1/10W)
R259	1-216-295-91	s RESISTOR, CHIP 0 (1/10W)
S1	1-572-042-11	s SWITCH,SLIDE (2-4-3)
S2	1-572-042-11	s SWITCH,SLIDE (2-4-3)
S3	1-572-042-11	s SWITCH,SLIDE (2-4-3)
S4	1-572-042-11	s SWITCH,SLIDE (2-4-3)
S5	1-572-992-11	s SWITCH, SLIDE (2-2-3)
S6	1-572-992-11	s SWITCH, SLIDE (2-2-3)
S7	1-572-992-11	s SWITCH, SLIDE (2-2-3)
S8	1-572-992-11	s SWITCH, SLIDE (2-2-3)

 CP-342A BOARD(DSR-2000(J))

*1: Board No. suffix 11
 *2: Board No. suffix 12 -

Ref. No. or Q'ty	Part No.	SP Description
1pc	A-8323-491-A	o MOUNTED CIRCUIT BOARD, CP-342A
C5	1-163-133-00	s CAPACITOR, CHIP CERAMIC 470PF
C6	1-163-133-00	s CAPACITOR, CHIP CERAMIC 470PF
C7	1-163-133-00	s CAPACITOR, CHIP CERAMIC 470PF
C8	1-163-133-00	s CAPACITOR, CHIP CERAMIC 470PF
C9	1-163-133-00	s CAPACITOR, CHIP CERAMIC 470PF
C10	1-163-133-00	s CAPACITOR, CHIP CERAMIC 470PF
C11	1-163-133-00	s CAPACITOR, CHIP CERAMIC 470PF
C12	1-163-133-00	s CAPACITOR, CHIP CERAMIC 470PF
C13	1-163-133-00	s CAPACITOR, CHIP CERAMIC 470PF
C14	1-163-133-00	s CAPACITOR, CHIP CERAMIC 470PF
C15	1-163-133-00	s CAPACITOR, CHIP CERAMIC 470PF
C16	1-163-133-00	s CAPACITOR, CHIP CERAMIC 470PF
C17	1-163-133-00	s CAPACITOR, CHIP CERAMIC 470PF
C18	1-163-133-00	s CAPACITOR, CHIP CERAMIC 470PF
C19	1-163-133-00	s CAPACITOR, CHIP CERAMIC 470PF
C20	1-163-133-00	s CAPACITOR, CHIP CERAMIC 470PF
C21	1-126-964-11	s CAPACITOR, ELECT 10MF/50V
C22	1-126-964-11	s CAPACITOR, ELECT 10MF/50V
C23	1-126-964-11	s CAPACITOR, ELECT 10MF/50V
C24	1-126-964-11	s CAPACITOR, ELECT 10MF/50V
C25	1-126-964-11	s CAPACITOR, ELECT 10MF/50V
C26	1-126-964-11	s CAPACITOR, ELECT 10MF/50V
C27	1-126-964-11	s CAPACITOR, ELECT 10MF/50V
C28	1-126-964-11	s CAPACITOR, ELECT 10MF/50V
C29	1-163-243-11	s CAPACITOR CHIP CERAMIC 47PF/50
C30	1-163-243-11	s CAPACITOR CHIP CERAMIC 47PF/50
C31	1-163-243-11	s CAPACITOR CHIP CERAMIC 47PF/50
C32	1-163-243-11	s CAPACITOR CHIP CERAMIC 47PF/50
C33	1-163-243-11	s CAPACITOR CHIP CERAMIC 47PF/50
C34	1-163-243-11	s CAPACITOR CHIP CERAMIC 47PF/50
C35	1-163-243-11	s CAPACITOR CHIP CERAMIC 47PF/50
C36	1-163-243-11	s CAPACITOR CHIP CERAMIC 47PF/50
C37	1-163-037-11	s CAPACITOR, CHIP CERAMIC 0.022MF
C38	1-163-037-11	s CAPACITOR, CHIP CERAMIC 0.022MF
C39	1-163-037-11	s CAPACITOR, CHIP CERAMIC 0.022MF
C40	1-163-037-11	s CAPACITOR, CHIP CERAMIC 0.022MF
C41	1-126-933-11	s CAPACITOR, ELECT 100MF/16V
C42	1-126-933-11	s CAPACITOR, ELECT 100MF/16V
C43	1-126-933-11	s CAPACITOR, ELECT 100MF/16V
C44	1-126-933-11	s CAPACITOR, ELECT 100MF/16V
C45	1-126-933-11	s CAPACITOR, ELECT 100MF/16V
C46	1-126-933-11	s CAPACITOR, ELECT 100MF/16V
C47	1-126-933-11	s CAPACITOR, ELECT 100MF/16V
C48	1-126-933-11	s CAPACITOR, ELECT 100MF/16V
C201	1-126-933-11	s CAPACITOR, ELECT 100MF/16V
C202	1-126-933-11	s CAPACITOR, ELECT 100MF/16V
C203	1-126-933-11	s CAPACITOR, ELECT 100MF/16V
C204	1-163-243-11	s CAPACITOR CHIP CERAMIC 47PF/50
C205	1-163-243-11	s CAPACITOR CHIP CERAMIC 47PF/50
C206	1-163-243-11	s CAPACITOR CHIP CERAMIC 47PF/50
C207	1-163-243-11	s CAPACITOR CHIP CERAMIC 47PF/50
C208	1-163-243-11	s CAPACITOR CHIP CERAMIC 47PF/50
C209	1-163-243-11	s CAPACITOR CHIP CERAMIC 47PF/50
C210	1-163-243-11	s CAPACITOR CHIP CERAMIC 47PF/50

(CP-342A BOARD(DSR-2000(J)))

Ref. No. or Q'ty	Part No.	SP Description
C211	1-163-243-11	s CAPACITOR CHIP CERAMIC 47PF/50
C212	1-163-251-11	s CAPACITOR CERAMIC 100PF/50V
C213	1-163-251-11	s CAPACITOR CERAMIC 100PF/50V
C214	1-163-251-11	s CAPACITOR CERAMIC 100PF/50V
C215	1-163-251-11	s CAPACITOR CERAMIC 100PF/50V
C216	1-126-934-11	s CAPACITOR, ELECT 220MF/16V
C217	1-126-934-11	s CAPACITOR, ELECT 220MF/16V
C218	1-126-934-11	s CAPACITOR, ELECT 220MF/16V
C219	1-126-934-11	s CAPACITOR, ELECT 220MF/16V
C220	1-126-934-11	s CAPACITOR, ELECT 220MF/16V
C221	1-126-934-11	s CAPACITOR, ELECT 220MF/16V
C222	1-126-934-11	s CAPACITOR, ELECT 220MF/16V
C223	1-126-934-11	s CAPACITOR, ELECT 220MF/16V
CN1	1-750-785-21	s CONNECTOR (XLR TYPE) 3P
CN2	1-750-785-21	s CONNECTOR (XLR TYPE) 3P
CN3	1-750-786-21	s CONNECTOR (XLR TYPE) 3P
CN4	1-750-786-21	s CONNECTOR (XLR TYPE) 3P
CN606	1-691-739-11	o CONNECTOR, BOARD TO BOARD 14P
CN607	1-691-739-11	o CONNECTOR, BOARD TO BOARD 14P
CN608	1-691-739-11	o CONNECTOR, BOARD TO BOARD 14P
D1	8-719-820-41	s DIODE 1SS302
D2	8-719-820-41	s DIODE 1SS302
D3	8-719-820-41	s DIODE 1SS302
D4	8-719-820-41	s DIODE 1SS302
D5	8-719-820-41	s DIODE 1SS302
D6	8-719-820-41	s DIODE 1SS302
D7	8-719-820-41	s DIODE 1SS302
D8	8-719-820-41	s DIODE 1SS302
D202	8-719-820-41	s DIODE 1SS302
D203	8-719-820-41	s DIODE 1SS302
D204	8-719-820-41	s DIODE 1SS302
D205	8-719-820-41	s DIODE 1SS302
D206	8-719-820-41	s DIODE 1SS302
D207	8-719-820-41	s DIODE 1SS302
D208	8-719-820-41	s DIODE 1SS302
D209	8-719-820-41	s DIODE 1SS302
D210	8-719-820-41	s DIODE 1SS302
D211	8-719-820-41	s DIODE 1SS302
FL201	1-239-895-11	s FILTER, EMI (SMD)
FL202	1-239-895-11	s FILTER, EMI (SMD)
FL203	1-239-895-11	s FILTER, EMI (SMD)
FL204	1-239-895-11	s FILTER, EMI (SMD)
FL205	1-239-895-11	s FILTER, EMI (SMD)
FL206	1-239-895-11	s FILTER, EMI (SMD)
FL207	1-239-895-11	s FILTER, EMI (SMD)
FL208	1-239-895-11	s FILTER, EMI (SMD)
IC1	*2 8-759-835-17	s IC NJM4580E (TE2)
	*1 8-759-711-82	s IC NJM4580E
IC2	*2 8-759-835-17	s IC NJM4580E (TE2)
	*1 8-759-711-82	s IC NJM4580E
IC3	*2 8-759-835-17	s IC NJM4580E (TE2)
	*1 8-759-711-82	s IC NJM4580E
IC4	*2 8-759-835-17	s IC NJM4580E (TE2)
	*1 8-759-711-82	s IC NJM4580E
IC201	8-759-281-24	s IC SSM-2142S (R)
IC202	8-759-281-24	s IC SSM-2142S (R)
IC203	8-759-281-24	s IC SSM-2142S (R)
IC204	8-759-281-24	s IC SSM-2142S (R)

(CP-342A BOARD(DSR-2000(J)))

Ref. No. or Q'ty	Part No.	SP Description
IC205 *2	8-759-835-17	s IC NJM4580E (TE2)
*1	8-759-711-82	s IC NJM4580E
IC206 *2	8-759-835-17	s IC NJM4580E (TE2)
*1	8-759-711-82	s IC NJM4580E
L1	1-410-380-31	s INDUCTOR,CHIP 8.2UH (3225)
L2	1-410-380-31	s INDUCTOR,CHIP 8.2UH (3225)
L3	1-410-380-31	s INDUCTOR,CHIP 8.2UH (3225)
L4	1-410-380-31	s INDUCTOR,CHIP 8.2UH (3225)
L5	1-410-380-31	s INDUCTOR,CHIP 8.2UH (3225)
L6	1-410-380-31	s INDUCTOR,CHIP 8.2UH (3225)
L7	1-410-380-31	s INDUCTOR,CHIP 8.2UH (3225)
L8	1-410-380-31	s INDUCTOR,CHIP 8.2UH (3225)
L201	1-414-398-11	s INDUCTOR (SMD) 10UH
L202	1-414-398-11	s INDUCTOR (SMD) 10UH
L203	1-414-398-11	s INDUCTOR (SMD) 10UH
L204	1-414-398-11	s INDUCTOR (SMD) 10UH
L205	1-414-398-11	s INDUCTOR (SMD) 10UH
L206	1-414-398-11	s INDUCTOR (SMD) 10UH
Q1	8-729-020-93	s TRANSISTOR 2SC2982C-TE12L
Q2	8-729-106-60	s TRANSISTOR 2SB1115A
Q3	8-729-020-93	s TRANSISTOR 2SC2982C-TE12L
Q4	8-729-106-60	s TRANSISTOR 2SB1115A
Q201	8-729-029-14	s TRANSISTOR DTC144EUA-T106
Q202	8-729-110-92	s TRANSISTOR 2SK425-X13
Q203	8-729-209-07	s TRANSISTOR 2SC4213-B
Q204	8-729-209-07	s TRANSISTOR 2SC4213-B
Q205	8-729-209-07	s TRANSISTOR 2SC4213-B
Q206	8-729-209-07	s TRANSISTOR 2SC4213-B
Q207	8-729-141-48	s TRANSISTOR 2SB624-BV345
Q208	8-729-110-94	s TRANSISTOR 2SK425-X15 (0.2W)
Q209	8-729-110-94	s TRANSISTOR 2SK425-X15 (0.2W)
Q210	8-729-110-94	s TRANSISTOR 2SK425-X15 (0.2W)
Q211	8-729-110-94	s TRANSISTOR 2SK425-X15 (0.2W)
Q212	8-729-209-07	s TRANSISTOR 2SC4213-B
Q213	8-729-209-07	s TRANSISTOR 2SC4213-B
Q214	8-729-209-07	s TRANSISTOR 2SC4213-B
Q215	8-729-209-07	s TRANSISTOR 2SC4213-B
Q216	8-729-209-07	s TRANSISTOR 2SC4213-B
Q217	8-729-209-07	s TRANSISTOR 2SC4213-B
Q218	8-729-209-07	s TRANSISTOR 2SC4213-B
Q219	8-729-209-07	s TRANSISTOR 2SC4213-B
R1	1-216-295-91	s RESISTOR,CHIP 0 (1/10W)
R2	1-216-295-91	s RESISTOR,CHIP 0 (1/10W)
R3	1-216-295-91	s RESISTOR,CHIP 0 (1/10W)
R4	1-216-295-91	s RESISTOR,CHIP 0 (1/10W)
R9	1-216-295-91	s RESISTOR,CHIP 0 (1/10W)
R11	1-216-295-91	s RESISTOR,CHIP 0 (1/10W)
R13	1-216-295-91	s RESISTOR,CHIP 0 (1/10W)
R15	1-216-295-91	s RESISTOR,CHIP 0 (1/10W)
R17	1-208-760-11	s RESISTOR,CHIP 120 1/10W (2012)
R18	1-208-760-11	s RESISTOR,CHIP 120 1/10W (2012)
R19	1-208-760-11	s RESISTOR,CHIP 120 1/10W (2012)
R20	1-208-760-11	s RESISTOR,CHIP 120 1/10W (2012)
R21	1-208-777-11	s RESISTOR,CHIP 620 1/10W (2012)
R22	1-208-777-11	s RESISTOR,CHIP 620 1/10W (2012)
R23	1-208-777-11	s RESISTOR,CHIP 620 1/10W (2012)
R24	1-208-777-11	s RESISTOR,CHIP 620 1/10W (2012)
R25	1-208-800-11	s RESISTOR,CHIP 5.6K 1/10W(2012)

(CP-342A BOARD(DSR-2000(J)))

Ref. No. or Q'ty	Part No.	SP Description
R26	1-208-800-11	s RESISTOR,CHIP 5.6K 1/10W(2012)
R27	1-208-800-11	s RESISTOR,CHIP 5.6K 1/10W(2012)
R28	1-208-800-11	s RESISTOR,CHIP 5.6K 1/10W(2012)
R29	1-208-800-11	s RESISTOR,CHIP 5.6K 1/10W(2012)
R30	1-208-800-11	s RESISTOR,CHIP 5.6K 1/10W(2012)
R31	1-208-800-11	s RESISTOR,CHIP 5.6K 1/10W(2012)
R32	1-208-800-11	s RESISTOR,CHIP 5.6K 1/10W(2012)
R33	1-216-295-91	s RESISTOR,CHIP 0 (1/10W)
R34	1-216-295-91	s RESISTOR,CHIP 0 (1/10W)
R35	1-216-295-91	s RESISTOR,CHIP 0 (1/10W)
R36	1-216-295-91	s RESISTOR,CHIP 0 (1/10W)
R37	1-216-295-91	s RESISTOR,CHIP 0 (1/10W)
R38	1-216-295-91	s RESISTOR,CHIP 0 (1/10W)
R39	1-216-295-91	s RESISTOR,CHIP 0 (1/10W)
R40	1-216-295-91	s RESISTOR,CHIP 0 (1/10W)
R41	1-208-778-11	s RESISTOR,CHIP 680 1/10W (2012)
R42	1-208-778-11	s RESISTOR,CHIP 680 1/10W (2012)
R43	1-208-778-11	s RESISTOR,CHIP 680 1/10W (2012)
R44	1-208-778-11	s RESISTOR,CHIP 680 1/10W (2012)
R45	1-208-778-11	s RESISTOR,CHIP 680 1/10W (2012)
R46	1-208-778-11	s RESISTOR,CHIP 680 1/10W (2012)
R47	1-208-778-11	s RESISTOR,CHIP 680 1/10W (2012)
R48	1-208-778-11	s RESISTOR,CHIP 680 1/10W (2012)
R49	1-208-764-11	s RESISTOR,CHIP 180 1/10W (2012)
R50	1-208-764-11	s RESISTOR,CHIP 180 1/10W (2012)
R51	1-208-764-11	s RESISTOR,CHIP 180 1/10W (2012)
R52	1-208-764-11	s RESISTOR,CHIP 180 1/10W (2012)
R53	1-208-764-11	s RESISTOR,CHIP 180 1/10W (2012)
R54	1-208-764-11	s RESISTOR,CHIP 180 1/10W (2012)
R55	1-208-764-11	s RESISTOR,CHIP 180 1/10W (2012)
R56	1-208-764-11	s RESISTOR,CHIP 180 1/10W (2012)
R57	1-211-963-11	s RESISTOR,CHIP 30 1/10W (2012)
R58	1-211-963-11	s RESISTOR,CHIP 30 1/10W (2012)
R59	1-211-963-11	s RESISTOR,CHIP 30 1/10W (2012)
R60	1-211-963-11	s RESISTOR,CHIP 30 1/10W (2012)
R61	1-211-963-11	s RESISTOR,CHIP 30 1/10W (2012)
R62	1-211-963-11	s RESISTOR,CHIP 30 1/10W (2012)
R63	1-211-963-11	s RESISTOR,CHIP 30 1/10W (2012)
R64	1-211-963-11	s RESISTOR,CHIP 30 1/10W (2012)
R65	1-211-959-11	s RESISTOR,CHIP 20 1/10W (2125)
R66	1-208-768-11	s RESISTOR,CHIP 270 1/10W (2012)
R67	1-208-768-11	s RESISTOR,CHIP 270 1/10W (2012)
R68	1-211-959-11	s RESISTOR,CHIP 20 1/10W (2125)
R69	1-211-959-11	s RESISTOR,CHIP 20 1/10W (2125)
R70	1-208-768-11	s RESISTOR,CHIP 270 1/10W (2012)
R71	1-208-768-11	s RESISTOR,CHIP 270 1/10W (2012)
R72	1-211-959-11	s RESISTOR,CHIP 20 1/10W (2125)
R73	1-211-959-11	s RESISTOR,CHIP 20 1/10W (2125)
R74	1-208-768-11	s RESISTOR,CHIP 270 1/10W (2012)
R75	1-208-768-11	s RESISTOR,CHIP 270 1/10W (2012)
R76	1-211-959-11	s RESISTOR,CHIP 20 1/10W (2125)
R77	1-211-959-11	s RESISTOR,CHIP 20 1/10W (2125)
R78	1-208-768-11	s RESISTOR,CHIP 270 1/10W (2012)
R79	1-208-768-11	s RESISTOR,CHIP 270 1/10W (2012)
R80	1-211-959-11	s RESISTOR,CHIP 20 1/10W (2125)
R81	1-208-830-11	s RESISTOR,CHIP 100K 1/10W(2012)
R82	1-208-830-11	s RESISTOR,CHIP 100K 1/10W(2012)
R83	1-208-830-11	s RESISTOR,CHIP 100K 1/10W(2012)
R84	1-208-830-11	s RESISTOR,CHIP 100K 1/10W(2012)

(CP-342A BOARD(DSR-2000(J)))

Ref. No. or Q'ty	Part No.	SP Description
R85	1-208-796-11	s RESISTOR,CHIP 3.9K 1/10W(2012)
R86	1-216-063-91	s RESISTOR,CHIP 3.9K 1/10W(2125)
R87	1-216-063-91	s RESISTOR,CHIP 3.9K 1/10W(2125)
R88	1-208-796-11	s RESISTOR,CHIP 3.9K 1/10W(2012)
R89	1-208-818-11	s RESISTOR,CHIP 33K 1/10W (2012)
R90	1-208-818-11	s RESISTOR,CHIP 33K 1/10W (2012)
R91	1-208-818-11	s RESISTOR,CHIP 33K 1/10W (2012)
R92	1-208-818-11	s RESISTOR,CHIP 33K 1/10W (2012)
R93	1-208-818-11	s RESISTOR,CHIP 33K 1/10W (2012)
R94	1-208-818-11	s RESISTOR,CHIP 33K 1/10W (2012)
R95	1-208-818-11	s RESISTOR,CHIP 33K 1/10W (2012)
R96	1-208-818-11	s RESISTOR,CHIP 33K 1/10W (2012)
R97	1-208-794-11	s RESISTOR,CHIP 3.3K 1/10W(2012)
R98	1-208-794-11	s RESISTOR,CHIP 3.3K 1/10W(2012)
R99	1-208-794-11	s RESISTOR,CHIP 3.3K 1/10W(2012)
R100	1-208-794-11	s RESISTOR,CHIP 3.3K 1/10W(2012)
R101	1-208-794-11	s RESISTOR,CHIP 3.3K 1/10W(2012)
R102	1-208-794-11	s RESISTOR,CHIP 3.3K 1/10W(2012)
R103	1-208-794-11	s RESISTOR,CHIP 3.3K 1/10W(2012)
R104	1-208-794-11	s RESISTOR,CHIP 3.3K 1/10W(2012)
R105	1-216-295-91	s RESISTOR, CHIP 0 (1/10W)
R106	1-216-295-91	s RESISTOR, CHIP 0 (1/10W)
R107	1-216-295-91	s RESISTOR, CHIP 0 (1/10W)
R108	1-216-295-91	s RESISTOR, CHIP 0 (1/10W)
R109	1-216-295-91	s RESISTOR, CHIP 0 (1/10W)
R110	1-216-295-91	s RESISTOR, CHIP 0 (1/10W)
R111	1-216-295-91	s RESISTOR, CHIP 0 (1/10W)
R112	1-216-295-91	s RESISTOR, CHIP 0 (1/10W)
R113	1-208-784-11	s RESISTOR,CHIP 1.2K 1/10W(2012)
R114	1-208-784-11	s RESISTOR,CHIP 1.2K 1/10W(2012)
R115	1-208-784-11	s RESISTOR,CHIP 1.2K 1/10W(2012)
R116	1-208-784-11	s RESISTOR,CHIP 1.2K 1/10W(2012)
R201	1-216-041-00	s RESISTOR, CHIP 470 1/10W(2012)
R202	1-208-769-11	s RESISTOR,CHIP 300 1/10W (2012)
R203	1-208-769-11	s RESISTOR,CHIP 300 1/10W (2012)
R204	1-208-769-11	s RESISTOR,CHIP 300 1/10W (2012)
R205	1-208-769-11	s RESISTOR,CHIP 300 1/10W (2012)
R206	1-216-025-91	s RESISTOR,CHIP 100 1/10W(2125)
R207	1-208-795-11	s RESISTOR,CHIP 3.6K 1/10W(2125)
R208	1-208-795-11	s RESISTOR,CHIP 3.6K 1/10W(2125)
R209	1-208-795-11	s RESISTOR,CHIP 3.6K 1/10W(2125)
R210	1-208-795-11	s RESISTOR,CHIP 3.6K 1/10W(2125)
R211	1-208-796-11	s RESISTOR,CHIP 3.9K 1/10W(2012)
R212	1-208-796-11	s RESISTOR,CHIP 3.9K 1/10W(2012)
R213	1-208-796-11	s RESISTOR,CHIP 3.9K 1/10W(2012)
R214	1-208-796-11	s RESISTOR,CHIP 3.9K 1/10W(2012)
R215	1-208-796-11	s RESISTOR,CHIP 3.9K 1/10W(2012)
R216	1-208-796-11	s RESISTOR,CHIP 3.9K 1/10W(2012)
R217	1-208-796-11	s RESISTOR,CHIP 3.9K 1/10W(2012)
R218	1-208-796-11	s RESISTOR,CHIP 3.9K 1/10W(2012)
R219	1-216-063-91	s RESISTOR,CHIP 3.9K 1/10W(2125)
R220	1-208-807-11	s RESISTOR,CHIP 11K 1/10W (2125)
R221	1-208-807-11	s RESISTOR,CHIP 11K 1/10W (2125)
R222	1-208-807-11	s RESISTOR,CHIP 11K 1/10W (2125)
R223	1-208-807-11	s RESISTOR,CHIP 11K 1/10W (2125)
R224	1-208-807-11	s RESISTOR,CHIP 11K 1/10W (2125)
R225	1-208-807-11	s RESISTOR,CHIP 11K 1/10W (2125)
R226	1-208-807-11	s RESISTOR,CHIP 11K 1/10W (2125)
R227	1-208-807-11	s RESISTOR,CHIP 11K 1/10W (2125)

(CP-342A BOARD(DSR-2000(J)))

Ref. No. or Q'ty	Part No.	SP Description
R228	1-216-013-00	s RESISTOR,CHIP 33 1/10W(2012)
R229	1-216-013-00	s RESISTOR,CHIP 33 1/10W(2012)
R230	1-216-013-00	s RESISTOR,CHIP 33 1/10W(2012)
R231	1-216-013-00	s RESISTOR,CHIP 33 1/10W(2012)
R232	1-216-013-00	s RESISTOR,CHIP 33 1/10W(2012)
R233	1-216-013-00	s RESISTOR,CHIP 33 1/10W(2012)
R234	1-216-013-00	s RESISTOR,CHIP 33 1/10W(2012)
R235	1-216-013-00	s RESISTOR,CHIP 33 1/10W(2012)
R236	1-208-806-11	s RESISTOR,CHIP 10K 1/10W (2012)
R237	1-208-806-11	s RESISTOR,CHIP 10K 1/10W (2012)
R238	1-208-806-11	s RESISTOR,CHIP 10K 1/10W (2012)
R239	1-208-806-11	s RESISTOR,CHIP 10K 1/10W (2012)
R240	1-208-806-11	s RESISTOR,CHIP 10K 1/10W (2012)
R241	1-208-806-11	s RESISTOR,CHIP 10K 1/10W (2012)
R242	1-208-806-11	s RESISTOR,CHIP 10K 1/10W (2012)
R243	1-208-806-11	s RESISTOR,CHIP 10K 1/10W (2012)
R245	1-216-295-91	s RESISTOR, CHIP 0 (1/10W)
R247	1-216-295-91	s RESISTOR, CHIP 0 (1/10W)
R249	1-216-295-91	s RESISTOR, CHIP 0 (1/10W)
R251	1-216-295-91	s RESISTOR, CHIP 0 (1/10W)
R252	1-216-295-91	s RESISTOR, CHIP 0 (1/10W)
R253	1-216-295-91	s RESISTOR, CHIP 0 (1/10W)
R254	1-216-295-91	s RESISTOR, CHIP 0 (1/10W)
R255	1-216-295-91	s RESISTOR, CHIP 0 (1/10W)
S1	1-572-042-11	s SWITCH,SLIDE (2-4-3)
S2	1-572-042-11	s SWITCH,SLIDE (2-4-3)
S3	1-572-042-11	s SWITCH,SLIDE (2-4-3)
S4	1-572-042-11	s SWITCH,SLIDE (2-4-3)
S5	1-572-992-11	s SWITCH, SLIDE (2-2-3)
S6	1-572-992-11	s SWITCH, SLIDE (2-2-3)
S7	1-572-992-11	s SWITCH, SLIDE (2-2-3)
S8	1-572-992-11	s SWITCH, SLIDE (2-2-3)

DPR-136 BOARD(DSR-2000/2000P) SUFFIX -16

Ref. No. or Q'ty	Part No.	SP Description
1pc	A-8323-474-B	s MOUNTED CIRCUIT BOARD, DPR-136
C1	1-164-156-11	s CAPACITOR, CERAMIC 0.1MF/25V F
C2	1-164-156-11	s CAPACITOR, CERAMIC 0.1MF/25V F
C3	1-126-394-11	s CAPACITOR, ELECT 10MF/16V(CHIP)
C4	1-164-156-11	s CAPACITOR, CERAMIC 0.1MF/25V F
C5	1-164-156-11	s CAPACITOR, CERAMIC 0.1MF/25V F
C70	1-164-156-11	s CAPACITOR, CERAMIC 0.1MF/25V F
C71	1-164-156-11	s CAPACITOR, CERAMIC 0.1MF/25V F
C72	1-164-156-11	s CAPACITOR, CERAMIC 0.1MF/25V F
C73	1-126-394-11	s CAPACITOR, ELECT 10MF/16V(CHIP)
C74	1-164-156-11	s CAPACITOR, CERAMIC 0.1MF/25V F
C75	1-126-394-11	s CAPACITOR, ELECT 10MF/16V(CHIP)
C76	1-164-156-11	s CAPACITOR, CERAMIC 0.1MF/25V F
C77	1-164-156-11	s CAPACITOR, CERAMIC 0.1MF/25V F
C100	1-164-156-11	s CAPACITOR, CERAMIC 0.1MF/25V F
C101	1-164-156-11	s CAPACITOR, CERAMIC 0.1MF/25V F
C102	1-126-394-11	s CAPACITOR, ELECT 10MF/16V(CHIP)
C103	1-164-156-11	s CAPACITOR, CERAMIC 0.1MF/25V F
C104	1-164-156-11	s CAPACITOR, CERAMIC 0.1MF/25V F
C105	1-164-156-11	s CAPACITOR, CERAMIC 0.1MF/25V F
C106	1-164-156-11	s CAPACITOR, CERAMIC 0.1MF/25V F
C107	1-126-394-11	s CAPACITOR, ELECT 10MF/16V(CHIP)
C108	1-164-156-11	s CAPACITOR, CERAMIC 0.1MF/25V F
C109	1-164-156-11	s CAPACITOR, CERAMIC 0.1MF/25V F
C200	1-126-394-11	s CAPACITOR, ELECT 220MF/10V
C201	1-164-156-11	s CAPACITOR, CERAMIC 0.1MF/25V F
C202	1-164-156-11	s CAPACITOR, CERAMIC 0.1MF/25V F
C203	1-164-156-11	s CAPACITOR, CERAMIC 0.1MF/25V F
C204	1-164-156-11	s CAPACITOR, CERAMIC 0.1MF/25V F
C205	1-126-392-11	s CAPACITOR, CHIP ELECT100MF/6.3V
C206	1-164-156-11	s CAPACITOR, CERAMIC 0.1MF/25V F
C207	1-164-156-11	s CAPACITOR, CERAMIC 0.1MF/25V F
C208	1-164-156-11	s CAPACITOR, CERAMIC 0.1MF/25V F
C209	1-164-156-11	s CAPACITOR, CERAMIC 0.1MF/25V F
C210	1-164-156-11	s CAPACITOR, CERAMIC 0.1MF/25V F
C211	1-164-156-11	s CAPACITOR, CERAMIC 0.1MF/25V F
C250	1-164-156-11	s CAPACITOR, CERAMIC 0.1MF/25V F
C251	1-164-156-11	s CAPACITOR, CERAMIC 0.1MF/25V F
C252	1-164-156-11	s CAPACITOR, CERAMIC 0.1MF/25V F
C253	1-164-156-11	s CAPACITOR, CERAMIC 0.1MF/25V F
C254	1-164-156-11	s CAPACITOR, CERAMIC 0.1MF/25V F
C255	1-164-156-11	s CAPACITOR, CERAMIC 0.1MF/25V F
C256	1-164-156-11	s CAPACITOR, CERAMIC 0.1MF/25V F
C257	1-164-156-11	s CAPACITOR, CERAMIC 0.1MF/25V F
C258	1-164-156-11	s CAPACITOR, CERAMIC 0.1MF/25V F
C259	1-126-394-11	s CAPACITOR, ELECT 10MF/16V(CHIP)
C260	1-126-394-11	s CAPACITOR, ELECT 10MF/16V(CHIP)
C300	1-164-156-11	s CAPACITOR, CERAMIC 0.1MF/25V F
C301	1-164-156-11	s CAPACITOR, CERAMIC 0.1MF/25V F
C302	1-164-156-11	s CAPACITOR, CERAMIC 0.1MF/25V F
C303	1-164-156-11	s CAPACITOR, CERAMIC 0.1MF/25V F
C304	1-164-156-11	s CAPACITOR, CERAMIC 0.1MF/25V F
C305	1-126-394-11	s CAPACITOR, ELECT 10MF/16V(CHIP)
C306	1-164-156-11	s CAPACITOR, CERAMIC 0.1MF/25V F
C307	1-164-156-11	s CAPACITOR, CERAMIC 0.1MF/25V F
C352	1-164-156-11	s CAPACITOR, CERAMIC 0.1MF/25V F
C353	1-164-156-11	s CAPACITOR, CERAMIC 0.1MF/25V F
C354	1-164-156-11	s CAPACITOR, CERAMIC 0.1MF/25V F

(DPR-136 BOARD(DSR-2000/2000P) SUFFIX -16)

Ref. No. or Q'ty	Part No.	SP Description
C355	1-164-156-11	s CAPACITOR, CERAMIC 0.1MF/25V F
C356	1-164-156-11	s CAPACITOR, CERAMIC 0.1MF/25V F
C357	1-126-394-11	s CAPACITOR, ELECT 10MF/16V(CHIP)
C358	1-164-156-11	s CAPACITOR, CERAMIC 0.1MF/25V F
C359	1-164-156-11	s CAPACITOR, CERAMIC 0.1MF/25V F
C400	1-164-156-11	s CAPACITOR, CERAMIC 0.1MF/25V F
C401	1-164-156-11	s CAPACITOR, CERAMIC 0.1MF/25V F
C402	1-164-156-11	s CAPACITOR, CERAMIC 0.1MF/25V F
C403	1-164-156-11	s CAPACITOR, CERAMIC 0.1MF/25V F
C404	1-164-156-11	s CAPACITOR, CERAMIC 0.1MF/25V F
C405	1-126-394-11	s CAPACITOR, ELECT 10MF/16V(CHIP)
C406	1-164-156-11	s CAPACITOR, CERAMIC 0.1MF/25V F
C407	1-164-156-11	s CAPACITOR, CERAMIC 0.1MF/25V F
C408	1-164-156-11	s CAPACITOR, CERAMIC 0.1MF/25V F
C500	1-162-917-11	s CAPACITOR, CERAMIC 15PF/50V CH
C501	1-164-156-11	s CAPACITOR, CERAMIC 0.1MF/25V F
C502	1-162-917-11	s CAPACITOR, CERAMIC 15PF/50V CH
C503	1-164-156-11	s CAPACITOR, CERAMIC 0.1MF/25V F
C504	1-164-156-11	s CAPACITOR, CERAMIC 0.1MF/25V F
C505	1-126-394-11	s CAPACITOR, ELECT 10MF/16V(CHIP)
C506	1-164-156-11	s CAPACITOR, CERAMIC 0.1MF/25V F
C507	1-126-394-11	s CAPACITOR, ELECT 10MF/16V(CHIP)
C508	1-162-964-11	s CAPACITOR, CERAMIC 1000PF/50V B
C509	1-162-964-11	s CAPACITOR, CERAMIC 1000PF/50V B
C510	1-162-964-11	s CAPACITOR, CERAMIC 1000PF/50V B
C511	1-165-176-11	s CAPACITOR, CERAMIC 47000PF/16V
C512	1-164-156-11	s CAPACITOR, CERAMIC 0.1MF/25V F
C513	1-164-156-11	s CAPACITOR, CERAMIC 0.1MF/25V F
C514	1-164-505-11	s CAPACITOR, CHIP CERAMIC 2.2MF
C515	1-164-156-11	s CAPACITOR, CERAMIC 0.1MF/25V F
C516	1-126-394-11	s CAPACITOR, ELECT 10MF/16V(CHIP)
C517	1-162-927-11	s CAPACITOR, CERAMIC 100PF/50V CH
C518	1-162-964-11	s CAPACITOR, CERAMIC 1000PF/50V B
C519	1-162-964-11	s CAPACITOR, CERAMIC 1000PF/50V B
C520	1-162-964-11	s CAPACITOR, CERAMIC 1000PF/50V B
C521	1-165-176-11	s CAPACITOR, CERAMIC 47000PF/16V
C522	1-164-505-11	s CAPACITOR, CHIP CERAMIC 2.2MF
C523	1-164-156-11	s CAPACITOR, CERAMIC 0.1MF/25V F
C524	1-164-156-11	s CAPACITOR, CERAMIC 0.1MF/25V F
C525	1-164-156-11	s CAPACITOR, CERAMIC 0.1MF/25V F
C526	1-164-156-11	s CAPACITOR, CERAMIC 0.1MF/25V F
C527	1-164-156-11	s CAPACITOR, CERAMIC 0.1MF/25V F
C528	1-164-156-11	s CAPACITOR, CERAMIC 0.1MF/25V F
C529	1-126-394-11	s CAPACITOR, ELECT 10MF/16V(CHIP)
C530	1-164-156-11	s CAPACITOR, CERAMIC 0.1MF/25V F
C531	1-164-156-11	s CAPACITOR, CERAMIC 0.1MF/25V F
C532	1-164-156-11	s CAPACITOR, CERAMIC 0.1MF/25V F
C533	1-126-394-11	s CAPACITOR, ELECT 10MF/16V(CHIP)
C534	1-115-156-11	s CAPACITOR, CERAMIC 1MF/10V(1608
C535	1-164-156-11	s CAPACITOR, CERAMIC 0.1MF/25V F
C536	1-164-156-11	s CAPACITOR, CERAMIC 0.1MF/25V F
C537	1-164-156-11	s CAPACITOR, CERAMIC 0.1MF/25V F
C538	1-162-927-11	s CAPACITOR, CERAMIC 100PF/50V CH
C539	1-126-394-11	s CAPACITOR, ELECT 10MF/16V(CHIP)
C540	1-164-217-11	s CAPACITOR, CERAMIC 150PF/50V CH
C541	1-164-217-11	s CAPACITOR, CERAMIC 150PF/50V CH
C542	1-164-156-11	s CAPACITOR, CERAMIC 0.1MF/25V F
C543	1-164-156-11	s CAPACITOR, CERAMIC 0.1MF/25V F
C544	1-164-156-11	s CAPACITOR, CERAMIC 0.1MF/25V F

(DPR-136 BOARD(DSR-2000/2000P) SUFFIX -16)

Ref. No. or Q'ty	Part No.	SP Description
C545	1-164-156-11	s CAPACITOR,CERAMIC 0.1MF/25V F
C546	1-126-394-11	s CAPACITOR,ELECT 10MF/16V(CHIP)
C547	1-164-156-11	s CAPACITOR,CERAMIC 0.1MF/25V F
C548	1-164-156-11	s CAPACITOR,CERAMIC 0.1MF/25V F
C549	1-164-156-11	s CAPACITOR,CERAMIC 0.1MF/25V F
C550	1-164-156-11	s CAPACITOR,CERAMIC 0.1MF/25V F
C551	1-164-156-11	s CAPACITOR,CERAMIC 0.1MF/25V F
C552	1-164-156-11	s CAPACITOR,CERAMIC 0.1MF/25V F
C553	1-126-394-11	s CAPACITOR,ELECT 10MF/16V(CHIP)
C554	1-126-394-11	s CAPACITOR,ELECT 10MF/16V(CHIP)
C555	1-115-156-11	s CAPACITOR,CERAMIC 1MF/10V(1608
C556	1-164-156-11	s CAPACITOR,CERAMIC 0.1MF/25V F
C557	1-164-156-11	s CAPACITOR,CERAMIC 0.1MF/25V F
C558	1-162-927-11	s CAPACITOR,CERAMIC 100PF/50V CH
C559	1-164-217-11	s CAPACITOR,CERAMIC 150PF/50V CH
C560	1-164-217-11	s CAPACITOR,CERAMIC 150PF/50V CH
C561	1-164-156-11	s CAPACITOR,CERAMIC 0.1MF/25V F
C562	1-164-156-11	s CAPACITOR,CERAMIC 0.1MF/25V F
C563	1-162-964-11	s CAPACITOR,CERAMIC 1000PF/50V B
C564	1-162-927-11	s CAPACITOR,CERAMIC 100PF/50V CH
C565	1-162-964-11	s CAPACITOR,CERAMIC 1000PF/50V B
C566	1-164-156-11	s CAPACITOR,CERAMIC 0.1MF/25V F
C567	1-162-964-11	s CAPACITOR,CERAMIC 1000PF/50V B
C568	1-165-176-11	s CAPACITOR,CERAMIC 47000PF/16V
C569	1-164-505-11	s CAPACITOR,CHIP CERAMIC 2.2MF
C570	1-164-156-11	s CAPACITOR,CERAMIC 0.1MF/25V F
C571	1-164-156-11	s CAPACITOR,CERAMIC 0.1MF/25V F
C572	1-164-156-11	s CAPACITOR,CERAMIC 0.1MF/25V F
C573	1-164-156-11	s CAPACITOR,CERAMIC 0.1MF/25V F
C574	1-126-394-11	s CAPACITOR,ELECT 10MF/16V(CHIP)
C600	1-164-156-11	s CAPACITOR,CERAMIC 0.1MF/25V F
C601	1-164-156-11	s CAPACITOR,CERAMIC 0.1MF/25V F
C602	1-164-230-11	s CAPACITOR,CERAMIC 220PF/50V
C603	1-164-230-11	s CAPACITOR,CERAMIC 220PF/50V
C604	1-164-230-11	s CAPACITOR,CERAMIC 220PF/50V
C605	1-164-156-11	s CAPACITOR,CERAMIC 0.1MF/25V F
C606	1-164-156-11	s CAPACITOR,CERAMIC 0.1MF/25V F
C607	1-164-230-11	s CAPACITOR,CERAMIC 220PF/50V
C608	1-164-156-11	s CAPACITOR,CERAMIC 0.1MF/25V F
C609	1-126-392-11	s CAPACITOR,CHIP ELECT100MF/6.3V
C610	1-164-156-11	s CAPACITOR,CERAMIC 0.1MF/25V F
C611	1-164-156-11	s CAPACITOR,CERAMIC 0.1MF/25V F
C612	1-164-156-11	s CAPACITOR,CERAMIC 0.1MF/25V F
C613	1-164-156-11	s CAPACITOR,CERAMIC 0.1MF/25V F
C614	1-164-156-11	s CAPACITOR,CERAMIC 0.1MF/25V F
C615	1-164-156-11	s CAPACITOR,CERAMIC 0.1MF/25V F
C616	1-164-156-11	s CAPACITOR,CERAMIC 0.1MF/25V F
C617	1-164-156-11	s CAPACITOR,CERAMIC 0.1MF/25V F
C618	1-126-394-11	s CAPACITOR,ELECT 10MF/16V(CHIP)
C619	1-126-392-11	s CAPACITOR,CHIP ELECT100MF/6.3V
C620	1-126-392-11	s CAPACITOR,CHIP ELECT100MF/6.3V
C621	1-126-392-11	s CAPACITOR,CHIP ELECT100MF/6.3V
C622	1-126-392-11	s CAPACITOR,CHIP ELECT100MF/6.3V
C623	1-126-394-11	s CAPACITOR,ELECT 10MF/16V(CHIP)
C624	1-126-394-11	s CAPACITOR,ELECT 10MF/16V(CHIP)
C625	1-164-156-11	s CAPACITOR,CERAMIC 0.1MF/25V F
C626	1-164-156-11	s CAPACITOR,CERAMIC 0.1MF/25V F
C627	1-164-156-11	s CAPACITOR,CERAMIC 0.1MF/25V F
C628	1-164-156-11	s CAPACITOR,CERAMIC 0.1MF/25V F

(DPR-136 BOARD(DSR-2000/2000P) SUFFIX -16)

Ref. No. or Q'ty	Part No.	SP Description
C629	1-164-156-11	s CAPACITOR,CERAMIC 0.1MF/25V F
C630	1-164-156-11	s CAPACITOR,CERAMIC 0.1MF/25V F
C631	1-164-156-11	s CAPACITOR,CERAMIC 0.1MF/25V F
C632	1-164-156-11	s CAPACITOR,CERAMIC 0.1MF/25V F
C633	1-126-394-11	s CAPACITOR,ELECT 10MF/16V(CHIP)
C634	1-164-156-11	s CAPACITOR,CERAMIC 0.1MF/25V F
C650	1-164-156-11	s CAPACITOR,CERAMIC 0.1MF/25V F
C651	1-164-156-11	s CAPACITOR,CERAMIC 0.1MF/25V F
C652	1-128-394-11	s CAPACITOR,ELECT 220MF/10V
C653	1-164-156-11	s CAPACITOR,CERAMIC 0.1MF/25V F
C654	1-164-156-11	s CAPACITOR,CERAMIC 0.1MF/25V F
C655	1-164-156-11	s CAPACITOR,CERAMIC 0.1MF/25V F
C656	1-164-156-11	s CAPACITOR,CERAMIC 0.1MF/25V F
C657	1-126-392-11	s CAPACITOR,CHIP ELECT100MF/6.3V
C658	1-164-156-11	s CAPACITOR,CERAMIC 0.1MF/25V F
C659	1-164-156-11	s CAPACITOR,CERAMIC 0.1MF/25V F
C660	1-164-156-11	s CAPACITOR,CERAMIC 0.1MF/25V F
C661	1-164-156-11	s CAPACITOR,CERAMIC 0.1MF/25V F
C662	1-164-156-11	s CAPACITOR,CERAMIC 0.1MF/25V F
C663	1-164-156-11	s CAPACITOR,CERAMIC 0.1MF/25V F
C700	1-164-156-11	s CAPACITOR,CERAMIC 0.1MF/25V F
C701	1-164-156-11	s CAPACITOR,CERAMIC 0.1MF/25V F
C702	1-164-156-11	s CAPACITOR,CERAMIC 0.1MF/25V F
C703	1-164-156-11	s CAPACITOR,CERAMIC 0.1MF/25V F
C704	1-164-156-11	s CAPACITOR,CERAMIC 0.1MF/25V F
C705	1-126-392-11	s CAPACITOR,CHIP ELECT100MF/6.3V
C706	1-164-156-11	s CAPACITOR,CERAMIC 0.1MF/25V F
C707	1-164-156-11	s CAPACITOR,CERAMIC 0.1MF/25V F
C708	1-128-394-11	s CAPACITOR,ELECT 220MF/10V
C709	1-164-156-11	s CAPACITOR,CERAMIC 0.1MF/25V F
C710	1-164-156-11	s CAPACITOR,CERAMIC 0.1MF/25V F
C711	1-164-156-11	s CAPACITOR,CERAMIC 0.1MF/25V F
C712	1-164-156-11	s CAPACITOR,CERAMIC 0.1MF/25V F
C713	1-164-156-11	s CAPACITOR,CERAMIC 0.1MF/25V F
C714	1-164-156-11	s CAPACITOR,CERAMIC 0.1MF/25V F
C715	1-164-156-11	s CAPACITOR,CERAMIC 0.1MF/25V F
C716	1-164-156-11	s CAPACITOR,CERAMIC 0.1MF/25V F
C717	1-164-156-11	s CAPACITOR,CERAMIC 0.1MF/25V F
CN106	1-778-262-12	o CONNECTOR, BOARD TO BOARD 148P
CN450	1-778-003-11	o CONNECTOR, BOARD TO BOARD 80P
CN451	1-778-003-11	o CONNECTOR, BOARD TO BOARD 80P
CN600	1-580-789-21	o PIN,CONNECTOR (SMD) 6P
CN601	1-760-388-11	o CONNECTOR PIN (SMD) 9 PIN
CN602	1-760-388-11	o CONNECTOR PIN (SMD) 9 PIN
CN603	1-770-677-11	o CONNECTOR,BOARD TO BOARD 50P
CN604	1-770-677-11	o CONNECTOR,BOARD TO BOARD 50P
D500	8-719-041-39	s DIODE KV1470 (5MA)
D501	8-719-027-95	s DIODE HSM88WK
D502	8-719-041-39	s DIODE KV1470 (5MA)
D503	8-719-027-95	s DIODE HSM88WK
D504	8-719-041-39	s DIODE KV1470 (5MA)
D505	8-719-041-39	s DIODE KV1470 (5MA)
D508	8-719-041-39	s DIODE KV1470 (5MA)
D509	8-719-027-95	s DIODE HSM88WK
IC1	8-759-663-14	s IC CXD9129AR
IC100	8-759-679-78	s IC CXD9127R
IC101	8-759-679-78	s IC CXD9127R
IC250	8-759-549-15	s IC SN74LV245APWR

(DPR-136 BOARD(DSR-2000/2000P) SUFFIX -16)

Ref. No. or Q'ty	Part No.	SP Description
IC251	8-759-549-15	s IC SN74LV245APWR
IC252	8-759-647-49	s IC AL422B-TEL
IC253	8-759-647-49	s IC AL422B-TEL
IC254	8-759-490-41	s IC TC74VHCT541AFT(EL)
IC255	8-759-549-15	s IC SN74LV245APWR
IC256	8-759-490-41	s IC TC74VHCT541AFT(EL)
IC257	8-759-549-15	s IC SN74LV245APWR
IC258	8-759-549-15	s IC SN74LV245APWR
IC300	8-759-474-69	s IC UPD82094GD-001-LKL
IC301	8-759-337-30	s IC UPD482445LW-B10-E2
IC350	8-759-474-69	s IC UPD82094GD-001-LKL
IC351	8-759-337-30	s IC UPD482445LW-B10-E2
IC400	8-759-474-69	s IC UPD82094GD-001-LKL
IC401	8-759-337-30	s IC UPD482445LW-B10-E2
IC402	8-759-549-15	s IC SN74LV245APWR
IC500	8-759-549-15	s IC SN74LV245APWR
IC501	8-759-490-41	s IC TC74VHCT541AFT(EL)
IC502	8-759-549-15	s IC SN74LV245APWR
IC503	8-759-490-41	s IC TC74VHCT541AFT(EL)
IC504	8-759-362-16	s IC CXD2913AQ
IC505	8-752-378-75	s IC CXD3106R
IC506	8-729-039-85	s IC UPC29L05T
IC507	8-759-702-02	s IC NJM062M
IC508	8-759-362-16	s IC CXD2913AQ
IC509	8-759-490-41	s IC TC74VHCT541AFT(EL)
IC510	8-759-490-41	s IC TC74VHCT541AFT(EL)
IC511	8-729-039-85	s IC UPC29L05T
IC512	8-759-702-02	s IC NJM062M
IC513	8-752-378-75	s IC CXD3106R
IC514	8-759-271-88	s IC TC7SHU04FU
IC515	8-759-196-96	s IC TC7SH08FU (TE85R)
IC516	8-759-196-96	s IC TC7SH08FU (TE85R)
IC517	8-759-549-15	s IC SN74LV245APWR
IC518	8-759-271-86	s IC TC7SH04FU
IC519	8-759-546-74	s IC TC7WH157FU(TE12R)
IC520	8-759-271-86	s IC TC7SH04FU
IC600	8-759-549-15	s IC SN74LV245APWR
IC601	8-759-549-15	s IC SN74LV245APWR
IC602	8-759-549-15	s IC SN74LV245APWR
IC603	8-759-549-15	s IC SN74LV245APWR
IC604	8-759-549-15	s IC SN74LV245APWR
IC605	8-759-549-15	s IC SN74LV245APWR
IC606	8-759-537-83	s IC M9M29F400BC-70PFTN
IC607	8-759-655-86	o IC XC9536VQ44-DSR2000-DPR-V10
IC608	8-759-537-83	s IC M9M29F400BC-70PFTN
IC609	8-759-655-86	o IC XC9536VQ44-DSR2000-DPR-V10
IC650	8-759-837-54	s IC HY57V641620HGT-H
IC700	8-759-549-15	s IC SN74LV245APWR
IC701	8-759-549-15	s IC SN74LV245APWR
IC702	8-759-549-15	s IC SN74LV245APWR
IC703	8-749-017-21	s IC SI-3025LS-TL
IC705	8-759-837-54	s IC HY57V641620HGT-H
L1	1-414-398-11	s INDUCTOR (SMD) 10UH
L70	1-414-398-11	s INDUCTOR (SMD) 10UH
L71	1-414-398-11	s INDUCTOR (SMD) 10UH
L100	1-414-398-11	s INDUCTOR (SMD) 10UH
L101	1-414-398-11	s INDUCTOR (SMD) 10UH
L200	1-414-398-11	s INDUCTOR (SMD) 10UH

(DPR-136 BOARD(DSR-2000/2000P) SUFFIX -16)

Ref. No. or Q'ty	Part No.	SP Description
L250	1-414-398-11	s INDUCTOR (SMD) 10UH
L251	1-414-398-11	s INDUCTOR (SMD) 10UH
L300	1-414-398-11	s INDUCTOR (SMD) 10UH
L350	1-414-398-11	s INDUCTOR (SMD) 10UH
L400	1-414-398-11	s INDUCTOR (SMD) 10UH
L500	1-414-398-11	s INDUCTOR (SMD) 10UH
L501	1-414-398-11	s INDUCTOR (SMD) 10UH
L502	1-412-182-11	s MICRO INDUCTOR 5.6UH
L503	1-412-173-11	s MICRO INDUCTOR 0.82UH
L504	1-414-398-11	s INDUCTOR (SMD) 10UH
L505	1-414-398-11	s INDUCTOR (SMD) 10UH
L507	1-412-173-11	s MICRO INDUCTOR 0.82UH
L508	1-414-398-11	s INDUCTOR (SMD) 10UH
L509	1-414-398-11	s INDUCTOR (SMD) 10UH
L600	1-414-398-11	s INDUCTOR (SMD) 10UH
L601	1-414-398-11	s INDUCTOR (SMD) 10UH
L602	1-414-398-11	s INDUCTOR (SMD) 10UH
L650	1-414-398-11	s INDUCTOR (SMD) 10UH
L700	1-414-398-11	s INDUCTOR (SMD) 10UH
LV500	1-411-984-11	s COIL, VARIABLE
LV501	1-411-984-11	s COIL, VARIABLE
PS600	1-533-282-21	s CIRCUIT PROTECTOR 2A (3225)
PS601	1-533-282-21	s CIRCUIT PROTECTOR 2A (3225)
PS602	1-533-282-21	s CIRCUIT PROTECTOR 2A (3225)
PS603	1-533-282-21	s CIRCUIT PROTECTOR 2A (3225)
PS604	1-533-282-21	s CIRCUIT PROTECTOR 2A (3225)
PS605	1-533-282-21	s CIRCUIT PROTECTOR 2A (3225)
Q600	8-729-117-32	s TRANSISTOR 2SC4177
Q601	8-729-117-32	s TRANSISTOR 2SC4177
Q602	8-729-029-14	s TRANSISTOR DTC144EUA-T106
Q603	8-729-029-14	s TRANSISTOR DTC144EUA-T106
Q604	8-729-029-14	s TRANSISTOR DTC144EUA-T106
Q605	8-729-029-14	s TRANSISTOR DTC144EUA-T106
Q606	8-729-029-14	s TRANSISTOR DTC144EUA-T106
Q607	8-729-029-14	s TRANSISTOR DTC144EUA-T106
Q608	8-729-029-14	s TRANSISTOR DTC144EUA-T106
R1	1-216-801-11	s RESISTOR,CHIP 22 1/16W (1608)
R2	1-216-801-11	s RESISTOR,CHIP 22 1/16W (1608)
R3	1-216-801-11	s RESISTOR,CHIP 22 1/16W (1608)
R4	1-216-801-11	s RESISTOR,CHIP 22 1/16W (1608)
R5	1-216-801-11	s RESISTOR,CHIP 22 1/16W (1608)
R6	1-216-801-11	s RESISTOR,CHIP 22 1/16W (1608)
R7	1-216-809-11	s RESISTOR,CHIP 100 1/16W 1608
R8	1-216-801-11	s RESISTOR,CHIP 22 1/16W (1608)
R9	1-216-809-11	s RESISTOR,CHIP 100 1/16W 1608
R10	1-216-801-11	s RESISTOR,CHIP 22 1/16W (1608)
R11	1-216-809-11	s RESISTOR,CHIP 100 1/16W 1608
R12	1-216-809-11	s RESISTOR,CHIP 100 1/16W 1608
R13	1-216-809-11	s RESISTOR,CHIP 100 1/16W 1608
R14	1-216-809-11	s RESISTOR,CHIP 100 1/16W 1608
R15	1-216-809-11	s RESISTOR,CHIP 100 1/16W 1608
R16	1-216-809-11	s RESISTOR,CHIP 100 1/16W 1608
R17	1-216-809-11	s RESISTOR,CHIP 100 1/16W 1608
R18	1-216-809-11	s RESISTOR,CHIP 100 1/16W 1608
R19	1-216-809-11	s RESISTOR,CHIP 100 1/16W 1608
R20	1-216-809-11	s RESISTOR,CHIP 100 1/16W 1608
R21	1-216-809-11	s RESISTOR,CHIP 100 1/16W 1608

(DPR-136 BOARD(DSR-2000/2000P) SUFFIX -16)

Ref. No. or Q'ty	Part No.	SP Description
R312	1-216-809-11	s RESISTOR,CHIP 100 1/16W 1608
R350	1-216-809-11	s RESISTOR,CHIP 100 1/16W 1608
R351	1-216-809-11	s RESISTOR,CHIP 100 1/16W 1608
R352	1-216-809-11	s RESISTOR,CHIP 100 1/16W 1608
R353	1-216-801-11	s RESISTOR,CHIP 22 1/16W (1608)
R354	1-216-801-11	s RESISTOR,CHIP 22 1/16W (1608)
R355	1-216-801-11	s RESISTOR,CHIP 22 1/16W (1608)
R356	1-216-801-11	s RESISTOR,CHIP 22 1/16W (1608)
R357	1-216-801-11	s RESISTOR,CHIP 22 1/16W (1608)
R358	1-216-801-11	s RESISTOR,CHIP 22 1/16W (1608)
R359	1-216-801-11	s RESISTOR,CHIP 22 1/16W (1608)
R360	1-216-801-11	s RESISTOR,CHIP 22 1/16W (1608)
R361	1-216-801-11	s RESISTOR,CHIP 22 1/16W (1608)
R362	1-216-801-11	s RESISTOR,CHIP 22 1/16W (1608)
R363	1-216-801-11	s RESISTOR,CHIP 22 1/16W (1608)
R364	1-216-809-11	s RESISTOR,CHIP 100 1/16W 1608
R365	1-216-809-11	s RESISTOR,CHIP 100 1/16W 1608
R366	1-216-809-11	s RESISTOR,CHIP 100 1/16W 1608
R367	1-216-845-11	s RESISTOR,CHIP 100K 1/16W(1608)
R368	1-216-845-11	s RESISTOR,CHIP 100K 1/16W(1608)
R369	1-216-864-11	s CONDUCTOR, CHIP (1608)
R400	1-216-845-11	s RESISTOR,CHIP 100K 1/16W(1608)
R401	1-216-845-11	s RESISTOR,CHIP 100K 1/16W(1608)
R402	1-216-864-11	s CONDUCTOR, CHIP (1608)
R404	1-216-809-11	s RESISTOR,CHIP 100 1/16W 1608
R405	1-216-809-11	s RESISTOR,CHIP 100 1/16W 1608
R406	1-216-864-11	s CONDUCTOR, CHIP (1608)
R407	1-216-864-11	s CONDUCTOR, CHIP (1608)
R408	1-216-864-11	s CONDUCTOR, CHIP (1608)
R411	1-216-864-11	s CONDUCTOR, CHIP (1608)
R412	1-216-864-11	s CONDUCTOR, CHIP (1608)
R413	1-216-864-11	s CONDUCTOR, CHIP (1608)
R454	1-216-864-11	s CONDUCTOR, CHIP (1608)
R460	1-216-845-11	s RESISTOR,CHIP 100K 1/16W(1608)
R461	1-216-845-11	s RESISTOR,CHIP 100K 1/16W(1608)
R501	1-216-864-11	s CONDUCTOR, CHIP (1608)
R502	1-216-833-11	s RESISTOR,CHIP 10K 1/16W (1608)
R503	1-216-833-11	s RESISTOR,CHIP 10K 1/16W (1608)
R504	1-216-829-11	s RESISTOR,CHIP 4.7K 1/16W(1608)
R505	1-216-805-11	s RESISTOR,CHIP 47 1/16W 1608
R506	1-216-815-11	s RESISTOR,CHIP 330 1/16W 1608
R507	1-216-833-11	s RESISTOR,CHIP 10K 1/16W (1608)
R508	1-216-833-11	s RESISTOR,CHIP 10K 1/16W (1608)
R509	1-216-829-11	s RESISTOR,CHIP 4.7K 1/16W(1608)
R510	1-216-805-11	s RESISTOR,CHIP 47 1/16W 1608
R511	1-216-864-11	s CONDUCTOR, CHIP (1608)
R512	1-216-845-11	s RESISTOR,CHIP 100K 1/16W(1608)
R513	1-216-817-11	s RESISTOR,CHIP 470 1/16W 1608
R514	1-216-845-11	s RESISTOR,CHIP 100K 1/16W(1608)
R515	1-216-864-11	s CONDUCTOR, CHIP (1608)
R516	1-216-853-11	s RESISTOR,CHIP 470K 1/16W(1608)
R517	1-216-838-11	s RESISTOR CHIP 27K 1/16W(1608)
R518	1-216-839-11	s RESISTOR,CHIP 33K 1/16W 1608
R519	1-216-841-11	s RESISTOR, CHIP 47K 1/16W 1608
R520	1-216-864-11	s CONDUCTOR, CHIP (1608)
R521	1-216-841-11	s RESISTOR, CHIP 47K 1/16W 1608
R522	1-216-841-11	s RESISTOR, CHIP 47K 1/16W 1608
R524	1-216-835-11	s RESISTOR,CHIP 15K 1/16W
R525	1-216-841-11	s RESISTOR, CHIP 47K 1/16W 1608

(DPR-136 BOARD(DSR-2000/2000P) SUFFIX -16)

Ref. No. or Q'ty	Part No.	SP Description
R526	1-216-809-11	s RESISTOR,CHIP 100 1/16W 1608
R527	1-216-809-11	s RESISTOR,CHIP 100 1/16W 1608
R528	1-216-809-11	s RESISTOR,CHIP 100 1/16W 1608
R529	1-216-853-11	s RESISTOR,CHIP 470K 1/16W(1608)
R530	1-216-838-11	s RESISTOR CHIP 27K 1/16W(1608)
R531	1-216-839-11	s RESISTOR,CHIP 33K 1/16W 1608
R532	1-216-841-11	s RESISTOR, CHIP 47K 1/16W 1608
R533	1-216-864-11	s CONDUCTOR, CHIP (1608)
R534	1-216-841-11	s RESISTOR, CHIP 47K 1/16W 1608
R535	1-216-841-11	s RESISTOR, CHIP 47K 1/16W 1608
R537	1-216-835-11	s RESISTOR,CHIP 15K 1/16W
R538	1-216-841-11	s RESISTOR, CHIP 47K 1/16W 1608
R539	1-216-864-11	s CONDUCTOR, CHIP (1608)
R540	1-216-864-11	s CONDUCTOR, CHIP (1608)
R541	1-216-864-11	s CONDUCTOR, CHIP (1608)
R543	1-216-864-11	s CONDUCTOR, CHIP (1608)
R544	1-216-833-11	s RESISTOR,CHIP 10K 1/16W (1608)
R545	1-216-833-11	s RESISTOR,CHIP 10K 1/16W (1608)
R546	1-216-829-11	s RESISTOR,CHIP 4.7K 1/16W(1608)
R547	1-216-805-11	s RESISTOR,CHIP 47 1/16W 1608
R548	1-216-817-11	s RESISTOR,CHIP 470 1/16W 1608
R549	1-216-845-11	s RESISTOR,CHIP 100K 1/16W(1608)
R550	1-216-864-11	s CONDUCTOR, CHIP (1608)
R551	1-216-845-11	s RESISTOR,CHIP 100K 1/16W(1608)
R552	1-216-864-11	s CONDUCTOR, CHIP (1608)
R553	1-216-809-11	s RESISTOR,CHIP 100 1/16W 1608
R554	1-216-809-11	s RESISTOR,CHIP 100 1/16W 1608
R555	1-216-857-11	s RESISTOR,CHIP 1M 1/16W(1608)
R556	1-216-809-11	s RESISTOR,CHIP 100 1/16W 1608
R558	1-216-864-11	s CONDUCTOR, CHIP (1608)
R559	1-216-857-11	s RESISTOR,CHIP 1M 1/16W(1608)
R560	1-216-857-11	s RESISTOR,CHIP 1M 1/16W(1608)
R600	1-216-809-11	s RESISTOR,CHIP 100 1/16W 1608
R601	1-216-809-11	s RESISTOR,CHIP 100 1/16W 1608
R602	1-216-833-11	s RESISTOR,CHIP 10K 1/16W (1608)
R603	1-216-845-11	s RESISTOR,CHIP 100K 1/16W(1608)
R604	1-216-833-11	s RESISTOR,CHIP 10K 1/16W (1608)
R605	1-216-833-11	s RESISTOR,CHIP 10K 1/16W (1608)
R606	1-216-845-11	s RESISTOR,CHIP 100K 1/16W(1608)
R607	1-216-833-11	s RESISTOR,CHIP 10K 1/16W (1608)
R608	1-216-833-11	s RESISTOR,CHIP 10K 1/16W (1608)
R609	1-216-833-11	s RESISTOR,CHIP 10K 1/16W (1608)
R610	1-216-845-11	s RESISTOR,CHIP 100K 1/16W(1608)
R611	1-216-845-11	s RESISTOR,CHIP 100K 1/16W(1608)
R612	1-216-833-11	s RESISTOR,CHIP 10K 1/16W (1608)
R613	1-216-833-11	s RESISTOR,CHIP 10K 1/16W (1608)
R614	1-216-833-11	s RESISTOR,CHIP 10K 1/16W (1608)
R615	1-216-833-11	s RESISTOR,CHIP 10K 1/16W (1608)
R616	1-216-833-11	s RESISTOR,CHIP 10K 1/16W (1608)
R617	1-216-833-11	s RESISTOR,CHIP 10K 1/16W (1608)
R618	1-216-833-11	s RESISTOR,CHIP 10K 1/16W (1608)
R619	1-216-833-11	s RESISTOR,CHIP 10K 1/16W (1608)
R650	1-216-864-11	s CONDUCTOR, CHIP (1608)
R651	1-216-864-11	s CONDUCTOR, CHIP (1608)
R652	1-216-833-11	s RESISTOR,CHIP 10K 1/16W (1608)
R653	1-216-845-11	s RESISTOR,CHIP 100K 1/16W(1608)
R654	1-216-864-11	s CONDUCTOR, CHIP (1608)
R655	1-216-864-11	s CONDUCTOR, CHIP (1608)
R656	1-216-864-11	s CONDUCTOR, CHIP (1608)

(DPR-136 BOARD(DSR-2000/2000P) SUFFIX -16)

Ref. No. or Q'ty	Part No.	SP Description
R657	1-216-864-11	s CONDUCTOR, CHIP (1608)
R700	1-216-809-11	s RESISTOR,CHIP 100 1/16W 1608
R701	1-216-801-11	s RESISTOR,CHIP 22 1/16W (1608)
R702	1-216-801-11	s RESISTOR,CHIP 22 1/16W (1608)
R703	1-216-801-11	s RESISTOR,CHIP 22 1/16W (1608)
R704	1-216-801-11	s RESISTOR,CHIP 22 1/16W (1608)
R705	1-216-801-11	s RESISTOR,CHIP 22 1/16W (1608)
R706	1-216-801-11	s RESISTOR,CHIP 22 1/16W (1608)
R707	1-216-801-11	s RESISTOR,CHIP 22 1/16W (1608)
R708	1-216-801-11	s RESISTOR,CHIP 22 1/16W (1608)
R709	1-216-801-11	s RESISTOR,CHIP 22 1/16W (1608)
R710	1-216-801-11	s RESISTOR,CHIP 22 1/16W (1608)
R711	1-216-801-11	s RESISTOR,CHIP 22 1/16W (1608)
R712	1-216-845-11	s RESISTOR,CHIP 100K 1/16W(1608)
R713	1-216-833-11	s RESISTOR,CHIP 10K 1/16W (1608)
R714	1-216-864-11	s CONDUCTOR, CHIP (1608)
R715	1-216-864-11	s CONDUCTOR, CHIP (1608)
R716	1-216-864-11	s CONDUCTOR, CHIP (1608)
R800	1-216-809-11	s RESISTOR,CHIP 100 1/16W 1608
R801	1-216-809-11	s RESISTOR,CHIP 100 1/16W 1608
R802	1-216-809-11	s RESISTOR,CHIP 100 1/16W 1608
R803	1-216-809-11	s RESISTOR,CHIP 100 1/16W 1608
R804	1-216-809-11	s RESISTOR,CHIP 100 1/16W 1608
R805	1-216-809-11	s RESISTOR,CHIP 100 1/16W 1608
R806	1-216-809-11	s RESISTOR,CHIP 100 1/16W 1608
R807	1-216-809-11	s RESISTOR,CHIP 100 1/16W 1608
R808	1-216-809-11	s RESISTOR,CHIP 100 1/16W 1608
R809	1-216-809-11	s RESISTOR,CHIP 100 1/16W 1608
R810	1-216-809-11	s RESISTOR,CHIP 100 1/16W 1608
R811	1-216-809-11	s RESISTOR,CHIP 100 1/16W 1608
R812	1-216-809-11	s RESISTOR,CHIP 100 1/16W 1608
R813	1-216-809-11	s RESISTOR,CHIP 100 1/16W 1608
R814	1-216-809-11	s RESISTOR,CHIP 100 1/16W 1608
R815	1-216-809-11	s RESISTOR,CHIP 100 1/16W 1608
R816	1-216-809-11	s RESISTOR,CHIP 100 1/16W 1608
R817	1-216-809-11	s RESISTOR,CHIP 100 1/16W 1608
R818	1-216-809-11	s RESISTOR,CHIP 100 1/16W 1608
R819	1-216-809-11	s RESISTOR,CHIP 100 1/16W 1608
R820	1-216-809-11	s RESISTOR,CHIP 100 1/16W 1608
R821	1-216-809-11	s RESISTOR,CHIP 100 1/16W 1608
R822	1-216-809-11	s RESISTOR,CHIP 100 1/16W 1608
R823	1-216-809-11	s RESISTOR,CHIP 100 1/16W 1608
R824	1-216-809-11	s RESISTOR,CHIP 100 1/16W 1608
R825	1-216-809-11	s RESISTOR,CHIP 100 1/16W 1608
R826	1-216-809-11	s RESISTOR,CHIP 100 1/16W 1608
R827	1-216-809-11	s RESISTOR,CHIP 100 1/16W 1608
R828	1-216-809-11	s RESISTOR,CHIP 100 1/16W 1608
R829	1-216-809-11	s RESISTOR,CHIP 100 1/16W 1608
R830	1-216-809-11	s RESISTOR,CHIP 100 1/16W 1608
R831	1-216-809-11	s RESISTOR,CHIP 100 1/16W 1608
R832	1-216-833-11	s RESISTOR,CHIP 10K 1/16W (1608)
R833	1-216-809-11	s RESISTOR,CHIP 100 1/16W 1608
R834	1-216-809-11	s RESISTOR,CHIP 100 1/16W 1608
R835	1-216-809-11	s RESISTOR,CHIP 100 1/16W 1608
R836	1-216-809-11	s RESISTOR,CHIP 100 1/16W 1608
R837	1-216-809-11	s RESISTOR,CHIP 100 1/16W 1608
R838	1-216-809-11	s RESISTOR,CHIP 100 1/16W 1608
R839	1-216-809-11	s RESISTOR,CHIP 100 1/16W 1608
R840	1-216-809-11	s RESISTOR,CHIP 100 1/16W 1608

(DPR-136 BOARD(DSR-2000/2000P) SUFFIX -16)

Ref. No. or Q'ty	Part No.	SP Description
R841	1-216-809-11	s RESISTOR,CHIP 100 1/16W 1608
R842	1-216-809-11	s RESISTOR,CHIP 100 1/16W 1608
R843	1-216-809-11	s RESISTOR,CHIP 100 1/16W 1608
R844	1-216-801-11	s RESISTOR,CHIP 22 1/16W (1608)
R845	1-216-801-11	s RESISTOR,CHIP 22 1/16W (1608)
R847	1-216-801-11	s RESISTOR,CHIP 22 1/16W (1608)
R848	1-216-801-11	s RESISTOR,CHIP 22 1/16W (1608)
R849	1-216-801-11	s RESISTOR,CHIP 22 1/16W (1608)
R850	1-216-801-11	s RESISTOR,CHIP 22 1/16W (1608)
R851	1-216-801-11	s RESISTOR,CHIP 22 1/16W (1608)
R852	1-216-801-11	s RESISTOR,CHIP 22 1/16W (1608)
R853	1-216-801-11	s RESISTOR,CHIP 22 1/16W (1608)
R854	1-216-801-11	s RESISTOR,CHIP 22 1/16W (1608)
R855	1-216-864-11	s CONDUCTOR, CHIP (1608)
X500	1-767-449-11	s VIBRATOR, CRYSTAL

- *1: Board No. suffix 12
- *2: Board No. suffix 12 - 13
- *3: Board No. suffix 13
- *4: Board No. suffix 13 -
- *5: Board No. suffix 14 -

- *a: Lot No. 907 - 910
- *b: Lot No. 911 -
- *c: Lot No. 0C3 -

Ref. No. or Q'ty	Part No.	SP Description
1pc	A-8323-474-A	s MOUNTED CIRCUIT BOARD, DPR-136
9pcs	4-360-293-00	o SPACER, BOSS
18pcs	7-682-547-04	s SCREW #B3X6 (EP-PB/CU, NI, CR)
1pc	3-179-084-01	s LEVER (R), PRINTED C. BOARD
1pc	3-179-085-01	s LEVER (L), PRINTED C. BOARD
C1	1-163-038-91	s CAPACITOR, CERAMIC 0.1MF/25V
C2	1-163-038-91	s CAPACITOR, CERAMIC 0.1MF/25V
C3	1-126-394-11	s CAPACITOR, ELECT 10MF/16V(CHIP)
C4	1-163-038-91	s CAPACITOR, CERAMIC 0.1MF/25V
C5	1-163-038-91	s CAPACITOR, CERAMIC 0.1MF/25V
C6	1-163-038-91	s CAPACITOR, CERAMIC 0.1MF/25V
C7	1-163-038-91	s CAPACITOR, CERAMIC 0.1MF/25V
C8	1-163-038-91	s CAPACITOR, CERAMIC 0.1MF/25V
C70	1-163-038-91	s CAPACITOR, CERAMIC 0.1MF/25V
C71	1-163-038-91	s CAPACITOR, CERAMIC 0.1MF/25V
C72	1-163-038-91	s CAPACITOR, CERAMIC 0.1MF/25V
C73	1-126-394-11	s CAPACITOR, ELECT 10MF/16V(CHIP)
C74	1-163-038-91	s CAPACITOR, CERAMIC 0.1MF/25V
C75	1-126-394-11	s CAPACITOR, ELECT 10MF/16V(CHIP)
C76	1-163-038-91	s CAPACITOR, CERAMIC 0.1MF/25V
C77	1-163-038-91	s CAPACITOR, CERAMIC 0.1MF/25V
C100	1-163-038-91	s CAPACITOR, CERAMIC 0.1MF/25V
C101	1-163-038-91	s CAPACITOR, CERAMIC 0.1MF/25V
C102	1-126-394-11	s CAPACITOR, ELECT 10MF/16V(CHIP)
C103	1-163-038-91	s CAPACITOR, CERAMIC 0.1MF/25V
C104	1-163-038-91	s CAPACITOR, CERAMIC 0.1MF/25V
C105	1-163-038-91	s CAPACITOR, CERAMIC 0.1MF/25V
C106	1-163-038-91	s CAPACITOR, CERAMIC 0.1MF/25V
C107	1-126-394-11	s CAPACITOR, ELECT 10MF/16V(CHIP)
C108	1-163-038-91	s CAPACITOR, CERAMIC 0.1MF/25V
C109	1-163-038-91	s CAPACITOR, CERAMIC 0.1MF/25V
C200	1-163-038-91	s CAPACITOR, CERAMIC 0.1MF/25V
C201	1-163-038-91	s CAPACITOR, CERAMIC 0.1MF/25V
C202	1-163-038-91	s CAPACITOR, CERAMIC 0.1MF/25V
C203	1-163-038-91	s CAPACITOR, CERAMIC 0.1MF/25V
C204	1-163-038-91	s CAPACITOR, CERAMIC 0.1MF/25V
C205	1-163-038-91	s CAPACITOR, CERAMIC 0.1MF/25V
C206	1-163-038-91	s CAPACITOR, CERAMIC 0.1MF/25V
C207	1-163-038-91	s CAPACITOR, CERAMIC 0.1MF/25V
C208	1-163-038-91	s CAPACITOR, CERAMIC 0.1MF/25V
C209	1-163-038-91	s CAPACITOR, CERAMIC 0.1MF/25V
C210	1-163-038-91	s CAPACITOR, CERAMIC 0.1MF/25V
C211	1-163-038-91	s CAPACITOR, CERAMIC 0.1MF/25V
C212	1-163-038-91	s CAPACITOR, CERAMIC 0.1MF/25V
C213	1-163-038-91	s CAPACITOR, CERAMIC 0.1MF/25V
C214	1-163-038-91	s CAPACITOR, CERAMIC 0.1MF/25V
C215	1-163-038-91	s CAPACITOR, CERAMIC 0.1MF/25V
C216	1-163-038-91	s CAPACITOR, CERAMIC 0.1MF/25V
C217	1-126-394-11	s CAPACITOR, ELECT 10MF/16V(CHIP)
C250	1-163-038-91	s CAPACITOR, CERAMIC 0.1MF/25V

Ref. No. or Q'ty	Part No.	SP Description
C251	1-163-038-91	s CAPACITOR, CERAMIC 0.1MF/25V
C252	1-163-038-91	s CAPACITOR, CERAMIC 0.1MF/25V
C253	1-163-038-91	s CAPACITOR, CERAMIC 0.1MF/25V
C254	1-163-038-91	s CAPACITOR, CERAMIC 0.1MF/25V
C255	1-163-038-91	s CAPACITOR, CERAMIC 0.1MF/25V
C256	1-163-038-91	s CAPACITOR, CERAMIC 0.1MF/25V
C257	1-126-394-11	s CAPACITOR, ELECT 10MF/16V(CHIP)
C258	1-163-038-91	s CAPACITOR, CERAMIC 0.1MF/25V
C259	1-163-038-91	s CAPACITOR, CERAMIC 0.1MF/25V
C260	1-163-038-91	s CAPACITOR, CERAMIC 0.1MF/25V
C261	1-163-038-91	s CAPACITOR, CERAMIC 0.1MF/25V
C262	1-163-038-91	s CAPACITOR, CERAMIC 0.1MF/25V
C263	1-163-038-91	s CAPACITOR, CERAMIC 0.1MF/25V
C264	1-126-394-11	s CAPACITOR, ELECT 10MF/16V(CHIP)
C265	1-163-038-91	s CAPACITOR, CERAMIC 0.1MF/25V
C266	1-163-038-91	s CAPACITOR, CERAMIC 0.1MF/25V
C267	1-163-038-91	s CAPACITOR, CERAMIC 0.1MF/25V
C268	1-163-038-91	s CAPACITOR, CERAMIC 0.1MF/25V
C269	1-163-038-91	s CAPACITOR, CERAMIC 0.1MF/25V
C270	1-163-038-91	s CAPACITOR, CERAMIC 0.1MF/25V
C271	1-126-394-11	s CAPACITOR, ELECT 10MF/16V(CHIP)
C300	1-163-038-91	s CAPACITOR, CERAMIC 0.1MF/25V
C301	1-163-038-91	s CAPACITOR, CERAMIC 0.1MF/25V
C302	1-163-038-91	s CAPACITOR, CERAMIC 0.1MF/25V
C303	1-163-038-91	s CAPACITOR, CERAMIC 0.1MF/25V
C304	1-163-038-91	s CAPACITOR, CERAMIC 0.1MF/25V
C305	1-126-394-11	s CAPACITOR, ELECT 10MF/16V(CHIP)
C306	1-163-038-91	s CAPACITOR, CERAMIC 0.1MF/25V
C307	1-163-038-91	s CAPACITOR, CERAMIC 0.1MF/25V
C350	1-163-038-91	s CAPACITOR, CERAMIC 0.1MF/25V
C351	1-163-038-91	s CAPACITOR, CERAMIC 0.1MF/25V
C352	1-163-038-91	s CAPACITOR, CERAMIC 0.1MF/25V
C353	1-163-038-91	s CAPACITOR, CERAMIC 0.1MF/25V
C354	1-163-038-91	s CAPACITOR, CERAMIC 0.1MF/25V
C355	1-163-038-91	s CAPACITOR, CERAMIC 0.1MF/25V
C356	1-163-038-91	s CAPACITOR, CERAMIC 0.1MF/25V
C357	1-126-394-11	s CAPACITOR, ELECT 10MF/16V(CHIP)
C358	1-163-038-91	s CAPACITOR, CERAMIC 0.1MF/25V
C359	1-163-038-91	s CAPACITOR, CERAMIC 0.1MF/25V
C400	1-163-038-91	s CAPACITOR, CERAMIC 0.1MF/25V
C401	1-163-038-91	s CAPACITOR, CERAMIC 0.1MF/25V
C402	1-163-038-91	s CAPACITOR, CERAMIC 0.1MF/25V
C403	1-163-038-91	s CAPACITOR, CERAMIC 0.1MF/25V
C404	1-163-038-91	s CAPACITOR, CERAMIC 0.1MF/25V
C405	1-126-394-11	s CAPACITOR, ELECT 10MF/16V(CHIP)
C406	1-163-038-91	s CAPACITOR, CERAMIC 0.1MF/25V
C407	1-163-038-91	s CAPACITOR, CERAMIC 0.1MF/25V
C408	*4 1-163-038-91	s CAPACITOR, CERAMIC 0.1MF/25V
C450	1-163-038-91	s CAPACITOR, CERAMIC 0.1MF/25V
C451	1-163-038-91	s CAPACITOR, CERAMIC 0.1MF/25V
C452	1-163-038-91	s CAPACITOR, CERAMIC 0.1MF/25V
C453	1-163-038-91	s CAPACITOR, CERAMIC 0.1MF/25V
C454	1-163-038-91	s CAPACITOR, CERAMIC 0.1MF/25V
C455	1-163-038-91	s CAPACITOR, CERAMIC 0.1MF/25V
C456	1-163-038-91	s CAPACITOR, CERAMIC 0.1MF/25V
C457	1-163-038-91	s CAPACITOR, CERAMIC 0.1MF/25V
C458	1-163-038-91	s CAPACITOR, CERAMIC 0.1MF/25V
C459	1-163-038-91	s CAPACITOR, CERAMIC 0.1MF/25V
C460	1-163-038-91	s CAPACITOR, CERAMIC 0.1MF/25V

(DPR-136 BOARD(DSR-2000/2000P) SUFFIX -11 through -14)

Ref. No. or Q'ty	Part No.	SP Description
C461	1-163-038-91	s CAPACITOR, CERAMIC 0.1MF/25V
C462	1-163-038-91	s CAPACITOR, CERAMIC 0.1MF/25V
C463	1-163-038-91	s CAPACITOR, CERAMIC 0.1MF/25V
C464	1-163-038-91	s CAPACITOR, CERAMIC 0.1MF/25V
C465	1-163-038-91	s CAPACITOR, CERAMIC 0.1MF/25V
C466	1-163-038-91	s CAPACITOR, CERAMIC 0.1MF/25V
C467	1-163-038-91	s CAPACITOR, CERAMIC 0.1MF/25V
C468	1-163-038-91	s CAPACITOR, CERAMIC 0.1MF/25V
C469	1-163-038-91	s CAPACITOR, CERAMIC 0.1MF/25V
C470	1-163-038-91	s CAPACITOR, CERAMIC 0.1MF/25V
C471	1-163-038-91	s CAPACITOR, CERAMIC 0.1MF/25V
C472	1-163-038-91	s CAPACITOR, CERAMIC 0.1MF/25V
C473	1-126-392-11	s CAPACITOR,CHIP ELECT100MF/6.3V
C474	1-163-038-91	s CAPACITOR, CERAMIC 0.1MF/25V
C475	1-163-038-91	s CAPACITOR, CERAMIC 0.1MF/25V
C500	1-163-038-91	s CAPACITOR, CERAMIC 0.1MF/25V
C501	1-163-038-91	s CAPACITOR, CERAMIC 0.1MF/25V
C502	1-163-038-91	s CAPACITOR, CERAMIC 0.1MF/25V
C503	1-163-009-11	s CAPACITOR, CERAMIC 1000PF/50V
C504	1-163-009-11	s CAPACITOR, CERAMIC 1000PF/50V
C505	1-163-038-91	s CAPACITOR, CERAMIC 0.1MF/25V
C506	1-163-009-11	s CAPACITOR, CERAMIC 1000PF/50V
C507	1-104-760-11	s CAPACITOR CERAMIC 0.047MF/50V
C508	1-164-505-11	s CAPACITOR,CHIP CERAMIC 2.2MF
C509	1-163-009-11	s CAPACITOR, CERAMIC 1000PF/50V
C510	1-163-009-11	s CAPACITOR, CERAMIC 1000PF/50V
C511	1-163-009-11	s CAPACITOR, CERAMIC 1000PF/50V
C512	1-104-760-11	s CAPACITOR CERAMIC 0.047MF/50V
C513	1-164-505-11	s CAPACITOR,CHIP CERAMIC 2.2MF
C514	*4 1-163-038-91	s CAPACITOR, CERAMIC 0.1MF/25V
C515	1-163-038-91	s CAPACITOR, CERAMIC 0.1MF/25V
C516	1-163-038-91	s CAPACITOR, CERAMIC 0.1MF/25V
C517	1-163-038-91	s CAPACITOR, CERAMIC 0.1MF/25V
C518	1-163-038-91	s CAPACITOR, CERAMIC 0.1MF/25V
C519	1-163-038-91	s CAPACITOR, CERAMIC 0.1MF/25V
C520	1-163-038-91	s CAPACITOR, CERAMIC 0.1MF/25V
C521	1-126-394-11	s CAPACITOR, ELECT 10MF/16V(CHIP)
C522	1-164-346-11	s CAPACITOR CHIP CERAMIC 1MF/16V
C523	1-163-038-91	s CAPACITOR, CERAMIC 0.1MF/25V
C524	1-163-038-91	s CAPACITOR, CERAMIC 0.1MF/25V
C525	1-163-251-11	s CAPACITOR CERAMIC 100PF/50V
C526	1-163-255-91	s CAPACITOR,CHIP CERAMIC 150PF
C527	1-163-255-91	s CAPACITOR,CHIP CERAMIC 150PF
C528	1-163-038-91	s CAPACITOR, CERAMIC 0.1MF/25V
C529	1-163-038-91	s CAPACITOR, CERAMIC 0.1MF/25V
C530	1-163-038-91	s CAPACITOR, CERAMIC 0.1MF/25V
C531	1-163-038-91	s CAPACITOR, CERAMIC 0.1MF/25V
C532	1-163-038-91	s CAPACITOR, CERAMIC 0.1MF/25V
C533	1-163-038-91	s CAPACITOR, CERAMIC 0.1MF/25V
C534	1-163-038-91	s CAPACITOR, CERAMIC 0.1MF/25V
C535	1-163-038-91	s CAPACITOR, CERAMIC 0.1MF/25V
C536	1-163-038-91	s CAPACITOR, CERAMIC 0.1MF/25V
C537	1-163-038-91	s CAPACITOR, CERAMIC 0.1MF/25V
C538	1-163-038-91	s CAPACITOR, CERAMIC 0.1MF/25V
C539	1-163-038-91	s CAPACITOR, CERAMIC 0.1MF/25V
C540	1-163-038-91	s CAPACITOR, CERAMIC 0.1MF/25V
C541	1-163-038-91	s CAPACITOR, CERAMIC 0.1MF/25V
C542	1-126-394-11	s CAPACITOR,ELECT 10MF/16V(CHIP)
C543	1-164-346-11	s CAPACITOR CHIP CERAMIC 1MF/16V

(DPR-136 BOARD(DSR-2000/2000P) SUFFIX -11 through -14)

Ref. No. or Q'ty	Part No.	SP Description
C544	1-163-038-91	s CAPACITOR, CERAMIC 0.1MF/25V
C545	1-163-038-91	s CAPACITOR, CERAMIC 0.1MF/25V
C546	1-163-251-11	s CAPACITOR CERAMIC 100PF/50V
C547	1-163-255-91	s CAPACITOR,CHIP CERAMIC 150PF
C548	1-163-255-91	s CAPACITOR,CHIP CERAMIC 150PF
C549	1-163-038-91	s CAPACITOR, CERAMIC 0.1MF/25V
C550	1-163-038-91	s CAPACITOR, CERAMIC 0.1MF/25V
C551	*1 1-163-009-11	s CAPACITOR, CERAMIC 1000PF/50V
C552	*1 1-163-009-11	s CAPACITOR, CERAMIC 1000PF/50V
C553	*1 1-163-009-11	s CAPACITOR, CERAMIC 1000PF/50V
C554	*1 1-104-760-11	s CAPACITOR CERAMIC 0.047MF/50V
C555	*1 1-164-505-11	s CAPACITOR,CHIP CERAMIC 2.2MF
C556	1-163-009-11	s CAPACITOR, CERAMIC 1000PF/50V
C557	1-163-009-11	s CAPACITOR, CERAMIC 1000PF/50V
C558	1-163-009-11	s CAPACITOR, CERAMIC 1000PF/50V
C559	1-104-760-11	s CAPACITOR CERAMIC 0.047MF/50V
C560	1-164-505-11	s CAPACITOR,CHIP CERAMIC 2.2MF
C562	1-163-038-91	s CAPACITOR, CERAMIC 0.1MF/25V
C563	1-163-038-91	s CAPACITOR, CERAMIC 0.1MF/25V
C564	1-163-038-91	s CAPACITOR, CERAMIC 0.1MF/25V
C565	1-163-038-91	s CAPACITOR, CERAMIC 0.1MF/25V
C566	1-163-231-11	s CAPACITOR,CHIP CERAMIC15PF/50V
C567	1-163-231-11	s CAPACITOR,CHIP CERAMIC15PF/50V
C568	1-163-038-91	s CAPACITOR, CERAMIC 0.1MF/25V
C569	1-126-394-11	s CAPACITOR,ELECT 10MF/16V(CHIP)
C570	1-163-038-91	s CAPACITOR, CERAMIC 0.1MF/25V
C571	1-163-038-91	s CAPACITOR, CERAMIC 0.1MF/25V
C572	1-163-259-91	s CAPACITOR,CHIP CERAMIC 220PF
C573	1-163-259-91	s CAPACITOR,CHIP CERAMIC 220PF
C574	1-163-259-91	s CAPACITOR,CHIP CERAMIC 220PF
C575	1-163-038-91	s CAPACITOR, CERAMIC 0.1MF/25V
C576	1-163-038-91	s CAPACITOR, CERAMIC 0.1MF/25V
C577	1-163-259-91	s CAPACITOR,CHIP CERAMIC 220PF
C578	1-163-038-91	s CAPACITOR, CERAMIC 0.1MF/25V
C579	1-163-038-91	s CAPACITOR, CERAMIC 0.1MF/25V
C580	1-163-038-91	s CAPACITOR, CERAMIC 0.1MF/25V
C581	1-126-392-11	s CAPACITOR,CHIP ELECT100MF/6.3V
C582	1-126-392-11	s CAPACITOR,CHIP ELECT100MF/6.3V
C583	1-126-392-11	s CAPACITOR,CHIP ELECT100MF/6.3V
C584	1-126-392-11	s CAPACITOR,CHIP ELECT100MF/6.3V
C585	1-126-394-11	s CAPACITOR,ELECT 10MF/16V(CHIP)
C586	1-126-394-11	s CAPACITOR,ELECT 10MF/16V(CHIP)
C587	1-163-038-91	s CAPACITOR, CERAMIC 0.1MF/25V
C588	1-163-038-91	s CAPACITOR, CERAMIC 0.1MF/25V
C589	1-163-038-91	s CAPACITOR, CERAMIC 0.1MF/25V
C590	1-163-038-91	s CAPACITOR, CERAMIC 0.1MF/25V
C591	1-163-038-91	s CAPACITOR, CERAMIC 0.1MF/25V
C592	1-163-038-91	s CAPACITOR, CERAMIC 0.1MF/25V
C593	1-163-038-91	s CAPACITOR, CERAMIC 0.1MF/25V
C594	1-163-038-91	s CAPACITOR, CERAMIC 0.1MF/25V
C595	1-126-392-11	s CAPACITOR,CHIP ELECT100MF/6.3V
C596	1-126-394-11	s CAPACITOR,ELECT 10MF/16V(CHIP)
C600	1-163-038-91	s CAPACITOR, CERAMIC 0.1MF/25V
C601	1-163-038-91	s CAPACITOR, CERAMIC 0.1MF/25V
C602	1-163-038-91	s CAPACITOR, CERAMIC 0.1MF/25V
C603	1-163-038-91	s CAPACITOR, CERAMIC 0.1MF/25V
C604	1-163-038-91	s CAPACITOR, CERAMIC 0.1MF/25V
C605	1-163-038-91	s CAPACITOR, CERAMIC 0.1MF/25V
C606	1-163-038-91	s CAPACITOR, CERAMIC 0.1MF/25V

(DPR-136 BOARD(DSR-2000/2000P) SUFFIX -11 through -14)

Ref. No. or Q'ty	Part No.	SP Description
C607	1-163-038-91	s CAPACITOR, CERAMIC 0.1MF/25V
C608	1-163-038-91	s CAPACITOR, CERAMIC 0.1MF/25V
C609	1-126-394-11	s CAPACITOR, ELECT 10MF/16V(CHIP)
C610	1-163-038-91	s CAPACITOR, CERAMIC 0.1MF/25V
C611	1-163-038-91	s CAPACITOR, CERAMIC 0.1MF/25V
C612	1-163-038-91	s CAPACITOR, CERAMIC 0.1MF/25V
C613	1-163-038-91	s CAPACITOR, CERAMIC 0.1MF/25V
C614	1-163-038-91	s CAPACITOR, CERAMIC 0.1MF/25V
C615	1-163-038-91	s CAPACITOR, CERAMIC 0.1MF/25V
C616	1-163-038-91	s CAPACITOR, CERAMIC 0.1MF/25V
C617	1-163-038-91	s CAPACITOR, CERAMIC 0.1MF/25V
C618	1-163-038-91	s CAPACITOR, CERAMIC 0.1MF/25V
C619	1-126-394-11	s CAPACITOR, ELECT 10MF/16V(CHIP)
C650	1-163-038-91	s CAPACITOR, CERAMIC 0.1MF/25V
C651	1-163-038-91	s CAPACITOR, CERAMIC 0.1MF/25V
C652	1-163-038-91	s CAPACITOR, CERAMIC 0.1MF/25V
C653	1-163-038-91	s CAPACITOR, CERAMIC 0.1MF/25V
C654	1-163-038-91	s CAPACITOR, CERAMIC 0.1MF/25V
C655	1-163-038-91	s CAPACITOR, CERAMIC 0.1MF/25V
C656	1-163-038-91	s CAPACITOR, CERAMIC 0.1MF/25V
C657	1-163-038-91	s CAPACITOR, CERAMIC 0.1MF/25V
C658	1-163-038-91	s CAPACITOR, CERAMIC 0.1MF/25V
C659	1-163-038-91	s CAPACITOR, CERAMIC 0.1MF/25V
C660	1-126-392-11	s CAPACITOR, CHIP ELECT100MF/6.3V
C661	1-163-038-91	s CAPACITOR, CERAMIC 0.1MF/25V
C662	1-163-038-91	s CAPACITOR, CERAMIC 0.1MF/25V
C700	1-163-038-91	s CAPACITOR, CERAMIC 0.1MF/25V
C701	1-163-038-91	s CAPACITOR, CERAMIC 0.1MF/25V
C702	1-163-038-91	s CAPACITOR, CERAMIC 0.1MF/25V
C703	1-126-392-11	s CAPACITOR, CHIP ELECT100MF/6.3V
C704	1-163-038-91	s CAPACITOR, CERAMIC 0.1MF/25V
C705	1-163-038-91	s CAPACITOR, CERAMIC 0.1MF/25V
C706	1-163-038-91	s CAPACITOR, CERAMIC 0.1MF/25V
C707	1-163-038-91	s CAPACITOR, CERAMIC 0.1MF/25V
C708	1-163-038-91	s CAPACITOR, CERAMIC 0.1MF/25V
C709	1-126-392-11	s CAPACITOR, CHIP ELECT100MF/6.3V
C710	1-163-038-91	s CAPACITOR, CERAMIC 0.1MF/25V
C711	1-163-038-91	s CAPACITOR, CERAMIC 0.1MF/25V
C750	1-163-038-91	s CAPACITOR, CERAMIC 0.1MF/25V
C751	1-163-038-91	s CAPACITOR, CERAMIC 0.1MF/25V
C752	1-163-038-91	s CAPACITOR, CERAMIC 0.1MF/25V
C753	1-126-392-11	s CAPACITOR, CHIP ELECT100MF/6.3V
C754	1-163-038-91	s CAPACITOR, CERAMIC 0.1MF/25V
C755	1-163-038-91	s CAPACITOR, CERAMIC 0.1MF/25V
C756	1-163-038-91	s CAPACITOR, CERAMIC 0.1MF/25V
C757	1-163-038-91	s CAPACITOR, CERAMIC 0.1MF/25V
C758	1-163-038-91	s CAPACITOR, CERAMIC 0.1MF/25V
C759	1-126-392-11	s CAPACITOR, CHIP ELECT100MF/6.3V
C760	1-163-038-91	s CAPACITOR, CERAMIC 0.1MF/25V
C761	1-163-038-91	s CAPACITOR, CERAMIC 0.1MF/25V
C850	1-126-394-11	s CAPACITOR, ELECT 10MF/16V(CHIP)
C851	1-126-394-11	s CAPACITOR, ELECT 10MF/16V(CHIP)
C852	1-126-394-11	s CAPACITOR, ELECT 10MF/16V(CHIP)
C853	1-126-394-11	s CAPACITOR, ELECT 10MF/16V(CHIP)
C854	1-126-394-11	s CAPACITOR, ELECT 10MF/16V(CHIP)
C855	1-126-394-11	s CAPACITOR, ELECT 10MF/16V(CHIP)
C856	*4 1-163-251-11	s CAPACITOR, CERAMIC 100PF/50V
C857	*4 1-163-251-11	s CAPACITOR, CERAMIC 100PF/50V
C858	*4 1-163-038-91	s CAPACITOR, CERAMIC 0.1MF/25V

(DPR-136 BOARD(DSR-2000/2000P) SUFFIX -11 through -14)

Ref. No. or Q'ty	Part No.	SP Description
C859	*5 1-163-038-91	s CAPACITOR, CERAMIC 0.1MF/25V
C860	*5 1-126-394-11	s CAPACITOR, ELECT 10MF/16V(CHIP)
C900	*4 1-163-038-91	s CAPACITOR, CERAMIC 0.1MF/25V
C901	*4 1-163-038-91	s CAPACITOR, CERAMIC 0.1MF/25V
C902	*4 1-163-038-91	s CAPACITOR, CERAMIC 0.1MF/25V
C903	*4 1-163-038-91	s CAPACITOR, CERAMIC 0.1MF/25V
C904	*4 1-163-038-91	s CAPACITOR, CERAMIC 0.1MF/25V
C905	*4 1-163-038-91	s CAPACITOR, CERAMIC 0.1MF/25V
CN106	1-778-262-12	o CONNECTOR, BOARD TO BOARD 148P
CN570	1-580-789-21	o PIN, CONNECTOR (SMD)
CN571	1-760-388-11	o CONNECTOR PIN (SMD)
CN572	1-760-388-11	o CONNECTOR PIN (SMD)
CN573	1-770-677-11	o CONNECTOR, BOARD TO BOARD 50P
D500	8-719-041-39	s DIODE KV1470 (5MA)
D501	8-719-027-95	s DIODE HSM88WK
D502	8-719-041-39	s DIODE KV1470 (5MA)
D503	8-719-027-95	s DIODE HSM88WK
D504	8-719-041-39	s DIODE KV1470 (5MA)
D505	8-719-041-39	s DIODE KV1470 (5MA)
D506	*1 8-719-041-39	s DIODE KV1470 (5MA)
D507	*1 8-719-027-95	s DIODE HSM88WK
D508	8-719-041-39	s DIODE KV1470 (5MA)
D509	8-719-027-95	s DIODE HSM88WK
E800	*4 1-535-877-22	o CHIP, CHECKER
E801	*4 1-535-877-22	o CHIP, CHECKER
E802	*4 1-535-877-22	o CHIP, CHECKER
E803	*4 1-535-877-22	o CHIP, CHECKER
E804	*4 1-535-877-22	o CHIP, CHECKER
IC1	8-759-663-14	s IC CXD9129AR
IC100	*5 8-759-679-78	s IC CXD9127R
IC101	*5 8-759-679-78	s IC CXD9127R
IC200	8-759-426-26	s IC CXD8608R
IC201	8-759-426-26	s IC CXD8608R
IC202	8-759-426-26	s IC CXD8608R
IC203	8-759-426-26	s IC CXD8608R
IC250	8-759-548-77	s IC SN74LV245ANSR
IC251	8-759-567-07	s IC CXD8763AR
IC252	8-759-548-77	s IC SN74LV245ANSR
IC253	8-759-422-80	s IC MN47V77ST1
IC254	8-759-422-80	s IC MN47V77ST1
IC255	8-759-567-07	s IC CXD8763AR
IC256	8-759-491-41	s IC TC74VHCT541AF(EL)
IC257	8-759-548-77	s IC SN74LV245ANSR
IC258	8-759-491-41	s IC TC74VHCT541AF(EL)
IC259	8-759-548-77	s IC SN74LV245ANSR
IC260	8-759-548-77	s IC SN74LV245ANSR
IC300	8-759-525-63	s IC UPD82014GD-502-LML
IC301	8-759-433-17	s IC UPD482445LG4-B10-9MH-E2-HDC
IC350	8-759-525-63	s IC UPD82014GD-502-LML
IC353	8-759-433-17	s IC UPD482445LG4-B10-9MH-E2-HDC
IC400	8-759-525-63	s IC UPD82014GD-502-LML
IC401	8-759-433-17	s IC UPD482445LG4-B10-9MH-E2-HDC
IC402	*4 8-759-548-77	s IC SN74LV245ANSR
IC450	8-759-426-26	s IC CXD8608R
IC451	8-759-548-77	s IC SN74LV245ANSR
IC452	8-759-548-77	s IC SN74LV245ANSR
IC453	8-759-426-26	s IC CXD8608R
IC454	8-759-548-77	s IC SN74LV245ANSR

Ref. No. or Q'ty	Part No.	SP Description
IC455	8-759-548-77	s IC SN74LV245ANSR
IC456	8-759-426-26	s IC CXD8608R
IC457	8-759-548-77	s IC SN74LV245ANSR
IC458	8-759-548-77	s IC SN74LV245ANSR
IC459	8-759-426-26	s IC CXD8608R
IC460	8-759-548-77	s IC SN74LV245ANSR
IC461	8-759-548-77	s IC SN74LV245ANSR
IC500	8-759-548-77	s IC SN74LV245ANSR
IC501	8-759-491-41	s IC TC74VHCT541AF(EL)
IC502	8-759-548-77	s IC SN74LV245ANSR
IC503	8-759-491-41	s IC TC74VHCT541AF(EL)
IC504	8-759-362-16	s IC CXD2913AQ
IC505	8-752-378-75	s IC CXD3106R
IC506	8-729-039-85	s IC UPC29L05T
IC507	8-759-702-02	s IC NJM062M
IC508	8-759-362-16	s IC CXD2913AQ
IC509	8-759-491-41	s IC TC74VHCT541AF(EL)
IC510	8-759-491-41	s IC TC74VHCT541AF(EL)
IC511	8-729-039-85	s IC UPC29L05T
IC512	8-759-702-02	s IC NJM062M
IC513	8-752-378-75	s IC CXD3106R
IC514	8-759-271-88	s IC TC7SH04FU
IC515	*4 8-759-196-96	s IC TC7SH08FU-TE85R
IC516	*4 8-759-196-96	s IC TC7SH08FU-TE85R
IC517	*5 8-759-548-77	s IC SN74LV245ANSR
IC570	8-759-548-77	s IC SN74LV245ANSR
IC571	8-759-548-77	s IC SN74LV245ANSR
IC572	8-759-548-77	s IC SN74LV245ANSR
IC573	8-759-548-77	s IC SN74LV245ANSR
IC574	8-759-548-77	s IC SN74LV245ANSR
IC575	8-759-548-77	s IC SN74LV245ANSR
IC576	8-759-548-77	s IC SN74LV245ANSR
IC577	8-759-537-83	s IC M929P400BC-70PFTN
IC578	8-759-655-86	o IC XC9536VQ44-DSR2000-DPR-V10
IC600	8-752-379-31	s IC CXD3107R
IC601	8-752-379-31	s IC CXD3107R
IC602	8-752-379-31	s IC CXD3107R
IC603	8-752-379-31	s IC CXD3107R
IC650	8-759-589-36	s IC MB81F641642C-103LFN-B
IC651	8-759-548-77	s IC SN74LV245ANSR
IC652	8-759-548-77	s IC SN74LV245ANSR
IC653	8-759-548-77	s IC SN74LV245ANSR
IC654	8-759-589-36	s IC MB81F641642C-103LFN-B
L1	1-414-398-11	s INDUCTOR (SMD) 10UH
L70	1-414-398-11	s INDUCTOR (SMD) 10UH
L71	1-414-398-11	s INDUCTOR (SMD) 10UH
L100	1-414-398-11	s INDUCTOR (SMD) 10UH
L101	1-414-398-11	s INDUCTOR (SMD) 10UH
L200	1-414-398-11	s INDUCTOR (SMD) 10UH
L250	1-414-398-11	s INDUCTOR (SMD) 10UH
L251	1-414-398-11	s INDUCTOR (SMD) 10UH
L252	1-414-398-11	s INDUCTOR (SMD) 10UH
L300	1-414-398-11	s INDUCTOR (SMD) 10UH
L350	1-414-398-11	s INDUCTOR (SMD) 10UH
L400	1-414-398-11	s INDUCTOR (SMD) 10UH
L450	1-414-398-11	s INDUCTOR (SMD) 10UH
L500	1-414-398-11	s INDUCTOR (SMD) 10UH
L501	1-414-398-11	s INDUCTOR (SMD) 10UH
L502	1-412-182-11	s MICRO INDUCTOR 5.6UH

Ref. No. or Q'ty	Part No.	SP Description
L503	1-412-173-11	s MICRO INDUCTOR 0.82UH
L504	1-414-398-11	s INDUCTOR (SMD) 10UH
L505	1-414-398-11	s INDUCTOR (SMD) 10UH
L506	*1 1-412-182-11	s MICRO INDUCTOR 5.6UH
L507	1-412-173-11	s MICRO INDUCTOR 0.82UH
L508	1-414-398-11	s INDUCTOR (SMD) 10UH
L509	1-414-398-11	s INDUCTOR (SMD) 10UH
L571	1-414-398-11	s INDUCTOR (SMD) 10UH
L572	1-414-398-11	s INDUCTOR (SMD) 10UH
L600	1-414-398-11	s INDUCTOR (SMD) 10UH
L601	1-414-398-11	s INDUCTOR (SMD) 10UH
L650	1-414-398-11	s INDUCTOR (SMD) 10UH
L700	1-414-398-11	s INDUCTOR (SMD) 10UH
L701	1-414-398-11	s INDUCTOR (SMD) 10UH
L750	1-414-398-11	s INDUCTOR (SMD) 10UH
L751	1-414-398-11	s INDUCTOR (SMD) 10UH
LV500	1-411-984-11	s COIL, VARIABLE
LV501	1-411-984-11	s COIL, VARIABLE
P8570	Δ 1-533-282-21	s CIRCUIT PROTECTOR 2A (3225)
P8571	Δ 1-533-282-21	s CIRCUIT PROTECTOR 2A (3225)
P8572	Δ 1-533-282-21	s CIRCUIT PROTECTOR 2A (3225)
P8573	Δ 1-533-282-21	s CIRCUIT PROTECTOR 2A (3225)
P8574	Δ 1-533-282-21	s CIRCUIT PROTECTOR 2A (3225)
P8575	Δ 1-533-282-21	s CIRCUIT PROTECTOR 2A (3225)
Q570	8-729-029-14	s TRANSISTOR DTC144EUA-T106
Q571	8-729-117-32	s TRANSISTOR 2SC4177
Q572	8-729-117-32	s TRANSISTOR 2SC4177
Q573	8-729-029-14	s TRANSISTOR DTC144EUA-T106
Q574	*2 8-729-029-14	s TRANSISTOR DTC144EUA-T106
Q575	8-729-029-14	s TRANSISTOR DTC144EUA-T106
Q576	8-729-029-14	s TRANSISTOR DTC144EUA-T106
Q577	8-729-029-14	s TRANSISTOR DTC144EUA-T106
Q578	8-729-029-14	s TRANSISTOR DTC144EUA-T106
Q579	8-729-029-14	s TRANSISTOR DTC144EUA-T106
Q580	*2 8-729-029-14	s TRANSISTOR DTC144EUA-T106
Q581	8-729-029-14	s TRANSISTOR DTC144EUA-T106
Q582	8-729-029-14	s TRANSISTOR DTC144EUA-T106
Q583	8-729-029-14	s TRANSISTOR DTC144EUA-T106
R1	1-216-025-91	s RESISTOR,CHIP 100 1/10W(2125)
R2	1-216-025-91	s RESISTOR,CHIP 100 1/10W(2125)
R3	1-216-025-91	s RESISTOR,CHIP 100 1/10W(2125)
R4	1-216-025-91	s RESISTOR,CHIP 100 1/10W(2125)
R5	1-216-025-91	s RESISTOR,CHIP 100 1/10W(2125)
R6	1-216-025-91	s RESISTOR,CHIP 100 1/10W(2125)
R7	1-216-025-91	s RESISTOR,CHIP 100 1/10W(2125)
R8	1-216-025-91	s RESISTOR,CHIP 100 1/10W(2125)
R9	1-216-025-91	s RESISTOR,CHIP 100 1/10W(2125)
R10	1-216-009-00	s RESISTOR,CHIP 22 1/10W(2125)
R11	1-216-009-00	s RESISTOR,CHIP 22 1/10W(2125)
R12	1-216-009-00	s RESISTOR,CHIP 22 1/10W(2125)
R13	1-216-009-00	s RESISTOR,CHIP 22 1/10W(2125)
R14	1-216-009-00	s RESISTOR,CHIP 22 1/10W(2125)
R15	1-216-009-00	s RESISTOR,CHIP 22 1/10W(2125)
R16	1-216-009-00	s RESISTOR,CHIP 22 1/10W(2125)
R17	1-216-025-91	s RESISTOR,CHIP 100 1/10W(2125)
R18	1-216-009-00	s RESISTOR,CHIP 22 1/10W(2125)

(DPR-136 BOARD(DSR-2000/2000P) SUFFIX -11 through -14)

Ref. No. or Q'ty	Part No.	SP Description
R277	1-216-025-91	s RESISTOR,CHIP 100 1/10W(2125)
R278	1-216-025-91	s RESISTOR,CHIP 100 1/10W(2125)
R279	1-216-025-91	s RESISTOR,CHIP 100 1/10W(2125)
R280	1-216-025-91	s RESISTOR,CHIP 100 1/10W(2125)
R281	1-216-025-91	s RESISTOR,CHIP 100 1/10W(2125)
R282	1-216-025-91	s RESISTOR,CHIP 100 1/10W(2125)
R283	1-216-025-91	s RESISTOR,CHIP 100 1/10W(2125)
R284	1-216-025-91	s RESISTOR,CHIP 100 1/10W(2125)
R285	1-216-025-91	s RESISTOR,CHIP 100 1/10W(2125)
R286	1-216-025-91	s RESISTOR,CHIP 100 1/10W(2125)
R287	1-216-025-91	s RESISTOR,CHIP 100 1/10W(2125)
R288	1-216-025-91	s RESISTOR,CHIP 100 1/10W(2125)
R289	1-216-025-91	s RESISTOR,CHIP 100 1/10W(2125)
R290	1-216-025-91	s RESISTOR,CHIP 100 1/10W(2125)
R291	1-216-025-91	s RESISTOR,CHIP 100 1/10W(2125)
R292	1-216-025-91	s RESISTOR,CHIP 100 1/10W(2125)
R293	1-216-097-91	s RESISTOR,CHIP 100K 1/10W(2012)
R295	1-216-295-91	s RESISTOR,CHIP 0 (1/10W)
R297	1-216-295-91	s RESISTOR,CHIP 0 (1/10W)
R298	1-216-009-00	s RESISTOR,CHIP 22 1/10W(2125)
R299	1-216-009-00	s RESISTOR,CHIP 22 1/10W(2125)
R300	1-216-025-91	s RESISTOR,CHIP 100 1/10W(2125)
R301	1-216-025-91	s RESISTOR,CHIP 100 1/10W(2125)
R302	1-216-025-91	s RESISTOR,CHIP 100 1/10W(2125)
R303	1-216-295-91	s RESISTOR,CHIP 0 (1/10W)
R304	1-216-097-91	s RESISTOR,CHIP 100K 1/10W(2012)
R305	1-216-097-91	s RESISTOR,CHIP 100K 1/10W(2012)
R306	1-216-295-91	s RESISTOR,CHIP 0 (1/10W)
R307	1-216-025-91	s RESISTOR,CHIP 100 1/10W(2125)
R308	1-216-025-91	s RESISTOR,CHIP 100 1/10W(2125)
R309	1-216-025-91	s RESISTOR,CHIP 100 1/10W(2125)
R310	1-216-025-91	s RESISTOR,CHIP 100 1/10W(2125)
R311	1-216-025-91	s RESISTOR,CHIP 100 1/10W(2125)
R312	1-216-025-91	s RESISTOR,CHIP 100 1/10W(2125)
R350	1-216-025-91	s RESISTOR,CHIP 100 1/10W(2125)
R351	1-216-025-91	s RESISTOR,CHIP 100 1/10W(2125)
R352	1-216-025-91	s RESISTOR,CHIP 100 1/10W(2125)
R353	1-216-009-00	s RESISTOR,CHIP 22 1/10W(2125)
R354	1-216-009-00	s RESISTOR,CHIP 22 1/10W(2125)
R355	1-216-009-00	s RESISTOR,CHIP 22 1/10W(2125)
R356	1-216-009-00	s RESISTOR,CHIP 22 1/10W(2125)
R357	1-216-009-00	s RESISTOR,CHIP 22 1/10W(2125)
R358	1-216-009-00	s RESISTOR,CHIP 22 1/10W(2125)
R359	1-216-009-00	s RESISTOR,CHIP 22 1/10W(2125)
R360	1-216-009-00	s RESISTOR,CHIP 22 1/10W(2125)
R361	1-216-009-00	s RESISTOR,CHIP 22 1/10W(2125)
R362	1-216-009-00	s RESISTOR,CHIP 22 1/10W(2125)
R363	1-216-009-00	s RESISTOR,CHIP 22 1/10W(2125)
R364	1-216-025-91	s RESISTOR,CHIP 100 1/10W(2125)
R365	1-216-025-91	s RESISTOR,CHIP 100 1/10W(2125)
R366	1-216-025-91	s RESISTOR,CHIP 100 1/10W(2125)
R367	1-216-097-91	s RESISTOR,CHIP 100K 1/10W(2012)
R368	1-216-097-91	s RESISTOR,CHIP 100K 1/10W(2012)
R369	1-216-295-91	s RESISTOR,CHIP 0 (1/10W)
R400	1-216-097-91	s RESISTOR,CHIP 100K 1/10W(2012)
R401	1-216-097-91	s RESISTOR,CHIP 100K 1/10W(2012)
R402	1-216-295-91	s RESISTOR,CHIP 0 (1/10W)
R403	1-216-295-91	s RESISTOR,CHIP 0 (1/10W)
R404	1-216-025-91	s RESISTOR,CHIP 100 1/10W(2125)

(DPR-136 BOARD(DSR-2000/2000P) SUFFIX -11 through -14)

Ref. No. or Q'ty	Part No.	SP Description
R405	1-216-025-91	s RESISTOR,CHIP 100 1/10W(2125)
R406	*4 1-216-295-91	s RESISTOR,CHIP 0 (1/10W)
R407	*4 1-216-295-91	s RESISTOR,CHIP 0 (1/10W)
R408	*3 1-216-295-91	s RESISTOR,CHIP 0 (1/10W)
R409	*3 1-216-295-91	s RESISTOR,CHIP 0 (1/10W)
R410	*3 1-216-295-91	s RESISTOR,CHIP 0 (1/10W)
R411	*4 1-216-295-91	s RESISTOR,CHIP 0 (1/10W)
R412	*4 1-216-295-91	s RESISTOR,CHIP 0 (1/10W)
R413	*4 1-216-295-91	s RESISTOR,CHIP 0 (1/10W)
R450	1-216-295-91	s RESISTOR,CHIP 0 (1/10W)
R501	1-216-295-91	s RESISTOR,CHIP 0 (1/10W)
R502	1-216-073-00	s RESISTOR,CHIP 10K 1/10W(2012)
R503	1-216-073-00	s RESISTOR,CHIP 10K 1/10W(2012)
R504	1-216-065-91	s RESISTOR,CHIP 4.7K (2012)
R505	1-216-017-91	s RESISTOR,CHIP 47 1/10W(2012)
R506	1-216-037-00	s RESISTOR,CHIP 330 1/10W(2012)
R507	1-216-073-00	s RESISTOR,CHIP 10K 1/10W(2012)
R508	1-216-073-00	s RESISTOR,CHIP 10K 1/10W(2012)
R509	1-216-065-91	s RESISTOR,CHIP 4.7K (2012)
R510	1-216-017-91	s RESISTOR,CHIP 47 1/10W(2012)
R511	1-216-295-91	s RESISTOR,CHIP 0 (1/10W)
R512	1-216-097-91	s RESISTOR,CHIP 100K 1/10W(2012)
R513	1-216-041-00	s RESISTOR,CHIP 470 1/10W(2012)
R514	1-216-097-91	s RESISTOR,CHIP 100K 1/10W(2012)
R515	*4 1-216-295-91	s RESISTOR,CHIP 0 (1/10W)
R516	1-216-089-91	s RESISTOR,CHIP 47K
R517	1-216-083-00	s RESISTOR,CHIP 27K 1/10W(2012)
R518	1-216-085-00	s RESISTOR,CHIP 33K 1/10W(2012)
R519	1-216-089-91	s RESISTOR,CHIP 47K
R520	1-216-295-91	s RESISTOR,CHIP 0 (1/10W)
R521	1-216-065-91	s RESISTOR,CHIP 4.7K (2012)
R522	1-216-089-91	s RESISTOR,CHIP 47K
R524	1-216-077-00	s RESISTOR,CHIP 15K 1/10W(2012)
R525	1-216-089-91	s RESISTOR,CHIP 47K
R526	1-216-025-91	s RESISTOR,CHIP 100 1/10W(2125)
R527	1-216-025-91	s RESISTOR,CHIP 100 1/10W(2125)
R528	1-216-025-91	s RESISTOR,CHIP 100 1/10W(2125)
R529	1-216-089-91	s RESISTOR,CHIP 47K
R530	1-216-083-00	s RESISTOR,CHIP 27K 1/10W(2012)
R531	1-216-085-00	s RESISTOR,CHIP 33K 1/10W(2012)
R532	1-216-089-91	s RESISTOR,CHIP 47K
R533	1-216-295-91	s RESISTOR,CHIP 0 (1/10W)
R534	1-216-065-91	s RESISTOR,CHIP 4.7K (2012)
R535	1-216-089-91	s RESISTOR,CHIP 47K
R537	1-216-077-00	s RESISTOR,CHIP 15K 1/10W(2012)
R538	1-216-089-91	s RESISTOR,CHIP 47K
R539	*4 1-216-295-91	s RESISTOR,CHIP 0 (1/10W)
	*1 1-216-073-00	s RESISTOR,CHIP 10K 1/10W(2012)
R540	*4 1-216-295-91	s RESISTOR,CHIP 0 (1/10W)
	*1 1-216-073-00	s RESISTOR,CHIP 10K 1/10W(2012)
R541	*1 1-216-065-91	s RESISTOR,CHIP 4.7K (2012)
R542	*1 1-216-017-91	s RESISTOR,CHIP 47 1/10W(2012)
R543	*1 1-216-037-00	s RESISTOR,CHIP 330 1/10W(2012)
R544	1-216-073-00	s RESISTOR,CHIP 10K 1/10W(2012)
R545	1-216-073-00	s RESISTOR,CHIP 10K 1/10W(2012)
R546	1-216-065-91	s RESISTOR,CHIP 4.7K (2012)
R547	1-216-017-91	s RESISTOR,CHIP 47 1/10W(2012)
R548	1-216-041-00	s RESISTOR,CHIP 470 1/10W(2012)
R549	1-216-097-91	s RESISTOR,CHIP 100K 1/10W(2012)

(DPR-136 BOARD(DSR-2000/2000P) SUFFIX -11 through -14)

Ref. No. or Q'ty	Part No.	SP	Description
R840	1-216-025-91	s	RESISTOR,CHIP 100 1/10W(2125)
R841	1-216-025-91	s	RESISTOR,CHIP 100 1/10W(2125)
R842	1-216-025-91	s	RESISTOR,CHIP 100 1/10W(2125)
R843	1-216-025-91	s	RESISTOR,CHIP 100 1/10W(2125)
R844	*5 1-216-009-00	s	RESISTOR,CHIP 22 1/10W(2125)
R845	*5 1-216-009-00	s	RESISTOR,CHIP 22 1/10W(2125)
R846	*5 1-216-009-00	s	RESISTOR,CHIP 22 1/10W(2125)
R847	*5 1-216-009-00	s	RESISTOR,CHIP 22 1/10W(2125)
R848	*5 1-216-009-00	s	RESISTOR,CHIP 22 1/10W(2125)
R849	*5 1-216-009-00	s	RESISTOR,CHIP 22 1/10W(2125)
R850	*5 1-216-009-00	s	RESISTOR,CHIP 22 1/10W(2125)
R851	*5 1-216-009-00	s	RESISTOR,CHIP 22 1/10W(2125)
R852	*5 1-216-009-00	s	RESISTOR,CHIP 22 1/10W(2125)
R853	*5 1-216-009-00	s	RESISTOR,CHIP 22 1/10W(2125)
R854	*5 1-216-009-00	s	RESISTOR,CHIP 22 1/10W(2125)
R855	*5 1-216-295-91	s	RESISTOR,CHIP 0 (1/10W)
R900	*4 1-216-295-91	s	RESISTOR,CHIP 0 (1/10W)
R901	*4 1-216-295-91	s	RESISTOR,CHIP 0 (1/10W)
R902	*4 1-216-295-91	s	RESISTOR,CHIP 0 (1/10W)
R903	*4 1-216-295-91	s	RESISTOR,CHIP 0 (1/10W)
R904	*4 1-216-295-91	s	RESISTOR,CHIP 0 (1/10W)
R905	*4 1-216-295-91	s	RESISTOR,CHIP 0 (1/10W)
R906	*4 1-216-295-91	s	RESISTOR,CHIP 0 (1/10W)
R907	*4 1-216-295-91	s	RESISTOR,CHIP 0 (1/10W)
R908	*4 1-216-295-91	s	RESISTOR,CHIP 0 (1/10W)
R909	*4 1-216-295-91	s	RESISTOR,CHIP 0 (1/10W)
R910	*4 1-216-295-91	s	RESISTOR,CHIP 0 (1/10W)
R911	*4 1-216-295-91	s	RESISTOR,CHIP 0 (1/10W)
R912	*4 1-216-295-91	s	RESISTOR,CHIP 0 (1/10W)
R913	*4 1-216-295-91	s	RESISTOR,CHIP 0 (1/10W)
R914	*4 1-216-295-91	s	RESISTOR,CHIP 0 (1/10W)
R915	*4 1-216-295-91	s	RESISTOR,CHIP 0 (1/10W)
R916	*4 1-216-295-91	s	RESISTOR,CHIP 0 (1/10W)
R917	*4 1-216-295-91	s	RESISTOR,CHIP 0 (1/10W)
R918	*4 1-216-295-91	s	RESISTOR,CHIP 0 (1/10W)
R919	*4 1-216-295-91	s	RESISTOR,CHIP 0 (1/10W)
R920	*4 1-216-295-91	s	RESISTOR,CHIP 0 (1/10W)
R921	*4 1-216-295-91	s	RESISTOR,CHIP 0 (1/10W)
R922	*4 1-216-295-91	s	RESISTOR,CHIP 0 (1/10W)
R923	*4 1-216-295-91	s	RESISTOR,CHIP 0 (1/10W)
X500	1-767-449-11	s	VIBRATOR, CRYSTAL

DU-83 BOARD(DSR-2000/2000P)

Ref. No. or Q'ty	Part No.	SP	Description
C2	1-163-038-91	s	CAPACITOR, CERAMIC 0.1MF/25V
C3	1-163-038-91	s	CAPACITOR, CERAMIC 0.1MF/25V
C4	1-163-038-91	s	CAPACITOR, CERAMIC 0.1MF/25V
C5	1-126-392-11	s	CAPACITOR,CHIP ELECT100MF/6.3V
C6	1-163-038-91	s	CAPACITOR, CERAMIC 0.1MF/25V
C7	1-163-038-91	s	CAPACITOR, CERAMIC 0.1MF/25V
C8	1-163-038-91	s	CAPACITOR, CERAMIC 0.1MF/25V
C9	1-163-038-91	s	CAPACITOR, CERAMIC 0.1MF/25V
C30	1-163-038-91	s	CAPACITOR, CERAMIC 0.1MF/25V
C31	1-163-038-91	s	CAPACITOR, CERAMIC 0.1MF/25V
C32	1-163-038-91	s	CAPACITOR, CERAMIC 0.1MF/25V
C33	1-163-038-91	s	CAPACITOR, CERAMIC 0.1MF/25V
C34	1-126-392-11	s	CAPACITOR,CHIP ELECT100MF/6.3V
C35	1-163-038-91	s	CAPACITOR, CERAMIC 0.1MF/25V
C36	1-163-038-91	s	CAPACITOR, CERAMIC 0.1MF/25V
C37	1-163-038-91	s	CAPACITOR, CERAMIC 0.1MF/25V
C38	1-163-038-91	s	CAPACITOR, CERAMIC 0.1MF/25V
C39	1-163-038-91	s	CAPACITOR, CERAMIC 0.1MF/25V
C40	1-126-392-11	s	CAPACITOR,CHIP ELECT100MF/6.3V
C41	1-163-038-91	s	CAPACITOR, CERAMIC 0.1MF/25V
C42	1-163-038-91	s	CAPACITOR, CERAMIC 0.1MF/25V
C70	1-163-038-91	s	CAPACITOR, CERAMIC 0.1MF/25V
C71	1-163-038-91	s	CAPACITOR, CERAMIC 0.1MF/25V
C72	1-163-038-91	s	CAPACITOR, CERAMIC 0.1MF/25V
C73	1-126-392-11	s	CAPACITOR,CHIP ELECT100MF/6.3V
C74	1-163-038-91	s	CAPACITOR, CERAMIC 0.1MF/25V
C75	1-163-038-91	s	CAPACITOR, CERAMIC 0.1MF/25V
C76	1-163-038-91	s	CAPACITOR, CERAMIC 0.1MF/25V
C77	1-163-038-91	s	CAPACITOR, CERAMIC 0.1MF/25V
C78	1-163-038-91	s	CAPACITOR, CERAMIC 0.1MF/25V
C79	1-126-392-11	s	CAPACITOR,CHIP ELECT100MF/6.3V
C80	1-163-038-91	s	CAPACITOR, CERAMIC 0.1MF/25V
C81	1-163-038-91	s	CAPACITOR, CERAMIC 0.1MF/25V
C90	1-163-038-91	s	CAPACITOR, CERAMIC 0.1MF/25V
C91	1-163-038-91	s	CAPACITOR, CERAMIC 0.1MF/25V
C92	1-163-038-91	s	CAPACITOR, CERAMIC 0.1MF/25V
C93	1-126-392-11	s	CAPACITOR,CHIP ELECT100MF/6.3V
C94	1-163-038-91	s	CAPACITOR, CERAMIC 0.1MF/25V
C95	1-163-038-91	s	CAPACITOR, CERAMIC 0.1MF/25V
C96	1-163-038-91	s	CAPACITOR, CERAMIC 0.1MF/25V
C97	1-163-038-91	s	CAPACITOR, CERAMIC 0.1MF/25V
C110	1-163-038-91	s	CAPACITOR, CERAMIC 0.1MF/25V
C111	1-163-038-91	s	CAPACITOR, CERAMIC 0.1MF/25V
C112	1-163-038-91	s	CAPACITOR, CERAMIC 0.1MF/25V
C113	1-163-038-91	s	CAPACITOR, CERAMIC 0.1MF/25V
C114	1-126-392-11	s	CAPACITOR,CHIP ELECT100MF/6.3V
C115	1-163-038-91	s	CAPACITOR, CERAMIC 0.1MF/25V
C116	1-163-038-91	s	CAPACITOR, CERAMIC 0.1MF/25V
C117	1-163-038-91	s	CAPACITOR, CERAMIC 0.1MF/25V
C118	1-163-038-91	s	CAPACITOR, CERAMIC 0.1MF/25V
C119	1-163-038-91	s	CAPACITOR, CERAMIC 0.1MF/25V
C120	1-126-392-11	s	CAPACITOR,CHIP ELECT100MF/6.3V
C121	1-163-038-91	s	CAPACITOR, CERAMIC 0.1MF/25V
C122	1-163-038-91	s	CAPACITOR, CERAMIC 0.1MF/25V
C150	1-163-038-91	s	CAPACITOR, CERAMIC 0.1MF/25V
C151	1-163-038-91	s	CAPACITOR, CERAMIC 0.1MF/25V
C152	1-163-038-91	s	CAPACITOR, CERAMIC 0.1MF/25V
C153	1-126-392-11	s	CAPACITOR,CHIP ELECT100MF/6.3V
C154	1-163-038-91	s	CAPACITOR, CERAMIC 0.1MF/25V

(DU-83 BOARD(DSR-2000/2000P))

Ref. No. or Q'ty	Part No.	SP Description
C155	1-163-038-91	s CAPACITOR, CERAMIC 0.1MF/25V
C156	1-163-038-91	s CAPACITOR, CERAMIC 0.1MF/25V
C157	1-163-038-91	s CAPACITOR, CERAMIC 0.1MF/25V
C158	1-163-038-91	s CAPACITOR, CERAMIC 0.1MF/25V
C159	1-126-392-11	s CAPACITOR,CHIP ELECT100MF/6.3V
C160	1-163-038-91	s CAPACITOR, CERAMIC 0.1MF/25V
C161	1-163-038-91	s CAPACITOR, CERAMIC 0.1MF/25V
C200	1-163-038-91	s CAPACITOR, CERAMIC 0.1MF/25V
C201	1-163-038-91	s CAPACITOR, CERAMIC 0.1MF/25V
C202	1-163-038-91	s CAPACITOR, CERAMIC 0.1MF/25V
C203	1-126-394-11	s CAPACITOR,ELECT 10MF/16V(CHIP)
CN200	1-770-677-11	o CONNECTOR,BOARD TO BOARD 50P
CN201	1-784-088-11	o CONNECTOR, BOARD TO BOARD 140P
IC3	8-759-529-45	s IC IDT71V256SA15PZ-TL
IC4	8-759-529-45	s IC IDT71V256SA15PZ-TL
IC31	8-759-529-45	s IC IDT71V256SA15PZ-TL
IC91	8-759-529-45	s IC IDT71V256SA15PZ-TL
IC92	8-759-529-45	s IC IDT71V256SA15PZ-TL
IC111	8-759-529-45	s IC IDT71V256SA15PZ-TL
IC200	8-759-537-83	s IC MEM29F400BC-70PFTN
IC201	8-759-655-86	o IC XC9536VQ44-DSR2000-DPR-V10
IC202	8-759-548-77	s IC SN74LV245ANSR
L2	1-414-398-11	s INDUCTOR (SMD) 10UH
L31	1-414-398-11	s INDUCTOR (SMD) 10UH
L32	1-414-398-11	s INDUCTOR (SMD) 10UH
L70	1-414-398-11	s INDUCTOR (SMD) 10UH
L71	1-414-398-11	s INDUCTOR (SMD) 10UH
L90	1-414-398-11	s INDUCTOR (SMD) 10UH
L111	1-414-398-11	s INDUCTOR (SMD) 10UH
L112	1-414-398-11	s INDUCTOR (SMD) 10UH
L150	1-414-398-11	s INDUCTOR (SMD) 10UH
L151	1-414-398-11	s INDUCTOR (SMD) 10UH
L200	1-414-398-11	s INDUCTOR (SMD) 10UH
R200	1-216-073-00	s RESISTOR,CHIP 10K 1/10W(2012)
R201	1-216-073-00	s RESISTOR,CHIP 10K 1/10W(2012)
R202	1-216-073-00	s RESISTOR,CHIP 10K 1/10W(2012)
R203	1-216-073-00	s RESISTOR,CHIP 10K 1/10W(2012)
R204	1-216-073-00	s RESISTOR,CHIP 10K 1/10W(2012)
R205	1-216-295-91	s RESISTOR, CHIP 0 (1/10W)
R206	1-216-295-91	s RESISTOR, CHIP 0 (1/10W)
R207	1-216-295-91	s RESISTOR, CHIP 0 (1/10W)
R208	1-216-295-91	s RESISTOR, CHIP 0 (1/10W)

(DU-84 BOARD(DSR-2000/2000P))

*a: Lot No. 907
*b: Lot No. 908 -

Ref. No. or Q'ty	Part No.	SP Description
C1	1-163-038-91	s CAPACITOR, CERAMIC 0.1MF/25V
C2	1-163-038-91	s CAPACITOR, CERAMIC 0.1MF/25V
C3	1-163-038-91	s CAPACITOR, CERAMIC 0.1MF/25V
C4	1-126-394-11	s CAPACITOR,ELECT 10MF/16V(CHIP)
C50	1-163-038-91	s CAPACITOR, CERAMIC 0.1MF/25V
C51	1-163-038-91	s CAPACITOR, CERAMIC 0.1MF/25V
C52	1-163-038-91	s CAPACITOR, CERAMIC 0.1MF/25V
C53	1-163-038-91	s CAPACITOR, CERAMIC 0.1MF/25V
C54	1-163-038-91	s CAPACITOR, CERAMIC 0.1MF/25V
C55	1-163-038-91	s CAPACITOR, CERAMIC 0.1MF/25V
C56	1-126-392-11	s CAPACITOR,CHIP ELECT100MF/6.3V
C57	1-126-392-11	s CAPACITOR,CHIP ELECT100MF/6.3V
C58	1-163-038-91	s CAPACITOR, CERAMIC 0.1MF/25V
C59	1-163-038-91	s CAPACITOR, CERAMIC 0.1MF/25V
C60	1-163-038-91	s CAPACITOR, CERAMIC 0.1MF/25V
C61	1-163-038-91	s CAPACITOR, CERAMIC 0.1MF/25V
C62	1-163-038-91	s CAPACITOR, CERAMIC 0.1MF/25V
C63	1-163-038-91	s CAPACITOR, CERAMIC 0.1MF/25V
C64	1-126-392-11	s CAPACITOR,CHIP ELECT100MF/6.3V
C100	1-163-038-91	s CAPACITOR, CERAMIC 0.1MF/25V
C101	1-163-038-91	s CAPACITOR, CERAMIC 0.1MF/25V
C102	1-163-038-91	s CAPACITOR, CERAMIC 0.1MF/25V
C103	1-163-038-91	s CAPACITOR, CERAMIC 0.1MF/25V
C104	1-163-038-91	s CAPACITOR, CERAMIC 0.1MF/25V
C105	1-163-038-91	s CAPACITOR, CERAMIC 0.1MF/25V
C106	1-126-392-11	s CAPACITOR,CHIP ELECT100MF/6.3V
C107	1-126-392-11	s CAPACITOR,CHIP ELECT100MF/6.3V
C108	1-163-038-91	s CAPACITOR, CERAMIC 0.1MF/25V
C109	1-163-038-91	s CAPACITOR, CERAMIC 0.1MF/25V
C110	1-163-038-91	s CAPACITOR, CERAMIC 0.1MF/25V
C111	1-163-038-91	s CAPACITOR, CERAMIC 0.1MF/25V
C112	1-163-038-91	s CAPACITOR, CERAMIC 0.1MF/25V
C113	1-163-038-91	s CAPACITOR, CERAMIC 0.1MF/25V
C114	1-163-038-91	s CAPACITOR, CERAMIC 0.1MF/25V
C115	1-126-392-11	s CAPACITOR,CHIP ELECT100MF/6.3V
C116	1-163-038-91	s CAPACITOR, CERAMIC 0.1MF/25V
C117	1-163-038-91	s CAPACITOR, CERAMIC 0.1MF/25V
CN1	1-784-088-11	o CONNECTOR, BOARD TO BOARD 140P
CN2	1-770-677-11	o CONNECTOR,BOARD TO BOARD 50P
IC1	8-759-537-83	s IC MEM29F400BC-70PFTN
IC2	8-759-655-86	o IC XC9536VQ44-DSR2000-DPR-V10
IC3	8-759-548-77	s IC SN74LV245ANSR
IC52	8-759-559-40	s IC MB811643242A-100FN
L1	1-414-398-11	s INDUCTOR (SMD) 10UH
L50	1-414-398-11	s INDUCTOR (SMD) 10UH
L51	1-414-398-11	s INDUCTOR (SMD) 10UH
L52	1-414-398-11	s INDUCTOR (SMD) 10UH
L100	1-414-398-11	s INDUCTOR (SMD) 10UH
L101	1-414-398-11	s INDUCTOR (SMD) 10UH
L102	1-414-398-11	s INDUCTOR (SMD) 10UH
R1	1-216-073-00	s RESISTOR,CHIP 10K 1/10W(2012)
R2	1-216-073-00	s RESISTOR,CHIP 10K 1/10W(2012)
R3	1-216-073-00	s RESISTOR,CHIP 10K 1/10W(2012)
R4	1-216-073-00	s RESISTOR,CHIP 10K 1/10W(2012)

(DU-84 BOARD(DSR-2000/2000P))

Ref. No. or Q'ty	Part No.	SP Description
R5	1-216-009-00	s RESISTOR,CHIP 22 1/10W(2125)
R6	*b 1-216-295-91	s CONDUCTOR,CHIP(2012)
	*a 1-216-009-00	s RESISTOR,CHIP 22 1/10W(2125)
R7	*b 1-216-295-91	s CONDUCTOR,CHIP(2012)
	*a 1-216-009-00	s RESISTOR,CHIP 22 1/10W(2125)

DU-89 BOARD(DSR-2000/2000P)

Ref. No. or Q'ty	Part No.	SP Description
C1	1-163-038-91	s CAPACITOR, CERAMIC 0.1MF/25V
C2	1-163-038-91	s CAPACITOR, CERAMIC 0.1MF/25V
C3	1-163-038-91	s CAPACITOR, CERAMIC 0.1MF/25V
C4	1-126-394-11	s CAPACITOR,ELECT 10MF/16V(CHIP)
C50	1-163-038-91	s CAPACITOR, CERAMIC 0.1MF/25V
C51	1-163-038-91	s CAPACITOR, CERAMIC 0.1MF/25V
C52	1-163-038-91	s CAPACITOR, CERAMIC 0.1MF/25V
C53	1-163-038-91	s CAPACITOR, CERAMIC 0.1MF/25V
C54	1-163-038-91	s CAPACITOR, CERAMIC 0.1MF/25V
C55	1-163-038-91	s CAPACITOR, CERAMIC 0.1MF/25V
C56	1-126-392-11	s CAPACITOR,CHIP ELECT100MF/6.3V
C57	1-126-392-11	s CAPACITOR,CHIP ELECT100MF/6.3V
C58	1-163-038-91	s CAPACITOR, CERAMIC 0.1MF/25V
C59	1-163-038-91	s CAPACITOR, CERAMIC 0.1MF/25V
C60	1-163-038-91	s CAPACITOR, CERAMIC 0.1MF/25V
C61	1-163-038-91	s CAPACITOR, CERAMIC 0.1MF/25V
C62	1-163-038-91	s CAPACITOR, CERAMIC 0.1MF/25V
C63	1-163-038-91	s CAPACITOR, CERAMIC 0.1MF/25V
C64	1-163-038-91	s CAPACITOR, CERAMIC 0.1MF/25V
C65	1-163-038-91	s CAPACITOR, CERAMIC 0.1MF/25V
C66	1-163-038-91	s CAPACITOR, CERAMIC 0.1MF/25V
C67	1-126-392-11	s CAPACITOR,CHIP ELECT100MF/6.3V
C68	1-163-038-91	s CAPACITOR, CERAMIC 0.1MF/25V
C69	1-163-038-91	s CAPACITOR, CERAMIC 0.1MF/25V
C70	1-126-392-11	s CAPACITOR,CHIP ELECT100MF/6.3V
C100	1-163-038-91	s CAPACITOR, CERAMIC 0.1MF/25V
C101	1-163-038-91	s CAPACITOR, CERAMIC 0.1MF/25V
C102	1-163-038-91	s CAPACITOR, CERAMIC 0.1MF/25V
C103	1-163-038-91	s CAPACITOR, CERAMIC 0.1MF/25V
C104	1-163-038-91	s CAPACITOR, CERAMIC 0.1MF/25V
C105	1-163-038-91	s CAPACITOR, CERAMIC 0.1MF/25V
C106	1-126-392-11	s CAPACITOR,CHIP ELECT100MF/6.3V
C107	1-126-392-11	s CAPACITOR,CHIP ELECT100MF/6.3V
C108	1-163-038-91	s CAPACITOR, CERAMIC 0.1MF/25V
C109	1-163-038-91	s CAPACITOR, CERAMIC 0.1MF/25V
C110	1-163-038-91	s CAPACITOR, CERAMIC 0.1MF/25V
C111	1-163-038-91	s CAPACITOR, CERAMIC 0.1MF/25V
C112	1-163-038-91	s CAPACITOR, CERAMIC 0.1MF/25V
C113	1-163-038-91	s CAPACITOR, CERAMIC 0.1MF/25V
C114	1-163-038-91	s CAPACITOR, CERAMIC 0.1MF/25V
C115	1-126-392-11	s CAPACITOR,CHIP ELECT100MF/6.3V
C116	1-163-038-91	s CAPACITOR, CERAMIC 0.1MF/25V
C117	1-163-038-91	s CAPACITOR, CERAMIC 0.1MF/25V
CN1	1-784-088-11	o CONNECTOR, BOARD TO BOARD 140P
CN2	1-770-677-11	o CONNECTOR,BOARD TO BOARD 50P
IC1	8-759-537-83	s IC MEM29F400BC-70PFTN
IC2	8-759-655-86	o IC XC9536VQ44-DSR2000-DPR-V10
IC3	8-759-548-77	s IC SN74LV245ANSR
IC53	8-759-559-40	s IC MB811643242A-100FN
L1	1-414-398-11	s INDUCTOR (SMD) 10UH
L50	1-414-398-11	s INDUCTOR (SMD) 10UH
L51	1-414-398-11	s INDUCTOR (SMD) 10UH
L52	1-414-398-11	s INDUCTOR (SMD) 10UH
L53	1-414-398-11	s INDUCTOR (SMD) 10UH
L100	1-414-398-11	s INDUCTOR (SMD) 10UH
L101	1-414-398-11	s INDUCTOR (SMD) 10UH
L102	1-414-398-11	s INDUCTOR (SMD) 10UH

(DU-89 BOARD(DSR-2000/2000P))

Ref. No. or Q'ty	Part No.	SP Description
R1	1-216-073-00	s RESISTOR,CHIP 10K 1/10W(2012)
R2	1-216-073-00	s RESISTOR,CHIP 10K 1/10W(2012)
R3	1-216-073-00	s RESISTOR,CHIP 10K 1/10W(2012)
R4	1-216-073-00	s RESISTOR,CHIP 10K 1/10W(2012)
R5	1-216-295-91	s RESISTOR, CHIP 0 (1/10W)
R6	1-216-295-91	s RESISTOR, CHIP 0 (1/10W)
R7	1-216-295-91	s RESISTOR, CHIP 0 (1/10W)

DY-15 BOARD(DSR-2000/2000P)

Ref. No. or Q'ty	Part No.	SP Description
lpc	A-8323-493-A	o MOUNTED CIRCUIT BOARD, DY-15
C101	1-126-396-11	s CAPACITOR,ELECT 47MF/16V(CHIP)
C102	1-126-396-11	s CAPACITOR,ELECT 47MF/16V(CHIP)
C103	1-163-133-00	s CAPACITOR,CHIP CERAMIC 470PF
C104	1-126-393-11	s CAPACITOR ELECT 33MF/10V(CHIP)
C105	1-165-319-11	s CAPACITOR,CERAMIC 0.1MF/50V
C106	1-165-319-11	s CAPACITOR,CERAMIC 0.1MF/50V
C107	1-128-399-11	s CAPACITOR ELECT 330MF/16V(CHIP)
C108	1-128-399-11	s CAPACITOR ELECT 330MF/16V(CHIP)
C109	1-163-019-00	s CAPACITOR,CHIP CERAMIC 6800PF
C110	1-128-405-11	s CAPACITOR.ELECT 22MF/50V(CHIP)
C111	1-128-405-11	s CAPACITOR.ELECT 22MF/50V(CHIP)
C112	1-128-405-11	s CAPACITOR.ELECT 22MF/50V(CHIP)
C113	1-128-405-11	s CAPACITOR.ELECT 22MF/50V(CHIP)
C114	1-128-405-11	s CAPACITOR.ELECT 22MF/50V(CHIP)
C201	1-163-251-11	s CAPACITOR CERAMIC 100PF/50V
C202	1-163-251-11	s CAPACITOR CERAMIC 100PF/50V
C203	1-163-251-11	s CAPACITOR CERAMIC 100PF/50V
C204	1-163-251-11	s CAPACITOR CERAMIC 100PF/50V
C205	1-163-251-11	s CAPACITOR CERAMIC 100PF/50V
C206	1-163-251-11	s CAPACITOR CERAMIC 100PF/50V
C207	1-163-251-11	s CAPACITOR CERAMIC 100PF/50V
C208	1-163-251-11	s CAPACITOR CERAMIC 100PF/50V
C209	1-163-251-11	s CAPACITOR CERAMIC 100PF/50V
C210	1-163-251-11	s CAPACITOR CERAMIC 100PF/50V
C211	1-163-251-11	s CAPACITOR CERAMIC 100PF/50V
C212	1-163-251-11	s CAPACITOR CERAMIC 100PF/50V
C213	1-163-251-11	s CAPACITOR CERAMIC 100PF/50V
C214	1-163-251-11	s CAPACITOR CERAMIC 100PF/50V
C215	1-163-251-11	s CAPACITOR CERAMIC 100PF/50V
C216	1-163-251-11	s CAPACITOR CERAMIC 100PF/50V
C217	1-163-251-11	s CAPACITOR CERAMIC 100PF/50V
C218	1-163-251-11	s CAPACITOR CERAMIC 100PF/50V
C219	1-163-251-11	s CAPACITOR CERAMIC 100PF/50V
C220	1-163-251-11	s CAPACITOR CERAMIC 100PF/50V
C221	1-163-251-11	s CAPACITOR CERAMIC 100PF/50V
C222	1-163-251-11	s CAPACITOR CERAMIC 100PF/50V
C223	1-163-251-11	s CAPACITOR CERAMIC 100PF/50V
C224	1-163-251-11	s CAPACITOR CERAMIC 100PF/50V
C225	1-163-251-11	s CAPACITOR CERAMIC 100PF/50V
C226	1-163-251-11	s CAPACITOR CERAMIC 100PF/50V
C227	1-163-251-11	s CAPACITOR CERAMIC 100PF/50V
C228	1-163-251-11	s CAPACITOR CERAMIC 100PF/50V
C229	1-163-251-11	s CAPACITOR CERAMIC 100PF/50V
C230	1-163-251-11	s CAPACITOR CERAMIC 100PF/50V
C231	1-163-251-11	s CAPACITOR CERAMIC 100PF/50V
C232	1-163-251-11	s CAPACITOR CERAMIC 100PF/50V
C233	1-163-251-11	s CAPACITOR CERAMIC 100PF/50V
C234	1-163-251-11	s CAPACITOR CERAMIC 100PF/50V
C235	1-163-251-11	s CAPACITOR CERAMIC 100PF/50V
C236	1-163-251-11	s CAPACITOR CERAMIC 100PF/50V
C237	1-163-251-11	s CAPACITOR CERAMIC 100PF/50V
C238	1-163-251-11	s CAPACITOR CERAMIC 100PF/50V
C239	1-163-251-11	s CAPACITOR CERAMIC 100PF/50V
C240	1-163-251-11	s CAPACITOR CERAMIC 100PF/50V
CN720	1-764-162-11	o CONNECTOR, FPC 20P
D101	8-719-110-02	s DIODE RD7.5ES-B1

(DY-15 BOARD(DSR-2000/2000P))

Ref. No. or Q'ty	Part No.	SP Description
D102	8-719-110-12	s DIODE RD9.1ES-B1
D103	8-719-108-24	s DIODE 1SS223
D104	8-719-110-12	s DIODE RD9.1ES-B1
D105	8-719-110-12	s DIODE RD9.1ES-B1
D106	8-719-051-03	s DIODE EC11FS4-TE12L5
D107	8-719-109-93	s DIODE RD6.2ES-B2
FI02	▲ 1-533-950-11	s FUSE, CHIP
IC101	8-759-350-99	s IC M66004M6FP200D
L101	1-406-824-11	s COIL, CHOKE 22UH
L102	1-412-963-11	s INDUCTOR 100UH (2520)
L103	1-406-824-11	s COIL, CHOKE 22UH
Q101	8-729-230-49	s TRANSISTOR 2SC2712-YG
Q102	8-729-202-37	s TRANSISTOR 2SC3303-Y
Q201	8-729-106-68	s TRANSISTOR 2SD1615A-GP
Q202	8-729-216-22	s TRANSISTOR 2SA1162-G
Q203	8-729-019-87	s TRANSISTOR 2SC3392-6-TB
Q204	8-729-216-22	s TRANSISTOR 2SA1162-G
Q205	8-729-019-87	s TRANSISTOR 2SC3392-6-TB
Q206	8-729-216-22	s TRANSISTOR 2SA1162-G
Q207	8-729-019-87	s TRANSISTOR 2SC3392-6-TB
Q208	8-729-216-22	s TRANSISTOR 2SA1162-G
Q209	8-729-019-87	s TRANSISTOR 2SC3392-6-TB
Q210	8-729-216-22	s TRANSISTOR 2SA1162-G
Q211	8-729-019-87	s TRANSISTOR 2SC3392-6-TB
Q212	8-729-216-22	s TRANSISTOR 2SA1162-G
Q213	8-729-019-87	s TRANSISTOR 2SC3392-6-TB
Q214	8-729-216-22	s TRANSISTOR 2SA1162-G
Q215	8-729-019-87	s TRANSISTOR 2SC3392-6-TB
Q216	8-729-216-22	s TRANSISTOR 2SA1162-G
Q217	8-729-019-87	s TRANSISTOR 2SC3392-6-TB
Q218	8-729-216-22	s TRANSISTOR 2SA1162-G
Q219	8-729-019-87	s TRANSISTOR 2SC3392-6-TB
Q220	8-729-216-22	s TRANSISTOR 2SA1162-G
Q221	8-729-019-87	s TRANSISTOR 2SC3392-6-TB
Q222	8-729-216-22	s TRANSISTOR 2SA1162-G
Q223	8-729-019-87	s TRANSISTOR 2SC3392-6-TB
Q224	8-729-216-22	s TRANSISTOR 2SA1162-G
Q225	8-729-019-87	s TRANSISTOR 2SC3392-6-TB
Q226	8-729-216-22	s TRANSISTOR 2SA1162-G
Q227	8-729-019-87	s TRANSISTOR 2SC3392-6-TB
Q228	8-729-216-22	s TRANSISTOR 2SA1162-G
Q229	8-729-019-87	s TRANSISTOR 2SC3392-6-TB
Q230	8-729-216-22	s TRANSISTOR 2SA1162-G
Q231	8-729-019-87	s TRANSISTOR 2SC3392-6-TB
Q232	8-729-216-22	s TRANSISTOR 2SA1162-G
Q233	8-729-019-87	s TRANSISTOR 2SC3392-6-TB
Q234	8-729-216-22	s TRANSISTOR 2SA1162-G
Q235	8-729-019-87	s TRANSISTOR 2SC3392-6-TB
Q236	8-729-216-22	s TRANSISTOR 2SA1162-G
Q237	8-729-019-87	s TRANSISTOR 2SC3392-6-TB
Q238	8-729-216-22	s TRANSISTOR 2SA1162-G
Q239	8-729-019-87	s TRANSISTOR 2SC3392-6-TB
Q240	8-729-216-22	s TRANSISTOR 2SA1162-G
Q241	8-729-019-87	s TRANSISTOR 2SC3392-6-TB
Q242	8-729-216-22	s TRANSISTOR 2SA1162-G
Q243	8-729-019-87	s TRANSISTOR 2SC3392-6-TB

(DY-15 BOARD(DSR-2000/2000P))

Ref. No. or Q'ty	Part No.	SP Description
Q244	8-729-216-22	s TRANSISTOR 2SA1162-G
Q245	8-729-019-87	s TRANSISTOR 2SC3392-6-TB
Q246	8-729-216-22	s TRANSISTOR 2SA1162-G
Q247	8-729-019-87	s TRANSISTOR 2SC3392-6-TB
Q248	8-729-216-22	s TRANSISTOR 2SA1162-G
Q249	8-729-019-87	s TRANSISTOR 2SC3392-6-TB
Q250	8-729-216-22	s TRANSISTOR 2SA1162-G
Q251	8-729-019-87	s TRANSISTOR 2SC3392-6-TB
Q252	8-729-216-22	s TRANSISTOR 2SA1162-G
Q253	8-729-019-87	s TRANSISTOR 2SC3392-6-TB
Q254	8-729-216-22	s TRANSISTOR 2SA1162-G
Q255	8-729-019-87	s TRANSISTOR 2SC3392-6-TB
Q256	8-729-216-22	s TRANSISTOR 2SA1162-G
Q257	8-729-019-87	s TRANSISTOR 2SC3392-6-TB
Q258	8-729-216-22	s TRANSISTOR 2SA1162-G
Q259	8-729-019-87	s TRANSISTOR 2SC3392-6-TB
Q260	8-729-216-22	s TRANSISTOR 2SA1162-G
Q261	8-729-019-87	s TRANSISTOR 2SC3392-6-TB
Q262	8-729-216-22	s TRANSISTOR 2SA1162-G
Q263	8-729-019-87	s TRANSISTOR 2SC3392-6-TB
Q264	8-729-216-22	s TRANSISTOR 2SA1162-G
Q265	8-729-019-87	s TRANSISTOR 2SC3392-6-TB
Q266	8-729-216-22	s TRANSISTOR 2SA1162-G
Q267	8-729-019-87	s TRANSISTOR 2SC3392-6-TB
Q268	8-729-216-22	s TRANSISTOR 2SA1162-G
Q269	8-729-019-87	s TRANSISTOR 2SC3392-6-TB
Q270	8-729-216-22	s TRANSISTOR 2SA1162-G
Q271	8-729-019-87	s TRANSISTOR 2SC3392-6-TB
Q272	8-729-216-22	s TRANSISTOR 2SA1162-G
Q273	8-729-019-87	s TRANSISTOR 2SC3392-6-TB
Q274	8-729-216-22	s TRANSISTOR 2SA1162-G
Q275	8-729-019-87	s TRANSISTOR 2SC3392-6-TB
Q276	8-729-216-22	s TRANSISTOR 2SA1162-G
Q277	8-729-019-87	s TRANSISTOR 2SC3392-6-TB
Q278	8-729-216-22	s TRANSISTOR 2SA1162-G
Q279	8-729-019-87	s TRANSISTOR 2SC3392-6-TB
Q280	8-729-216-22	s TRANSISTOR 2SA1162-G
R101	1-216-049-91	s RESISTOR,CHIP 1K 1/10W(2125)
R110	1-216-049-91	s RESISTOR,CHIP 1K 1/10W(2125)
R111	1-216-037-00	s RESISTOR,CHIP 330 1/10W(2012)
R112	1-216-043-91	s RESISTOR,CHIP 560 1/10W(2125)
R113	1-216-021-00	s RESISTOR,CHIP 68 1/10W(2012)
R115	1-216-093-00	s RESISTOR,CHIP 68K 1/10W(2012)
R116	1-216-295-91	s RESISTOR,CHIP 0 (1/10W)
R201	1-216-025-91	s RESISTOR,CHIP 100 1/10W(2125)
R202	1-216-025-91	s RESISTOR,CHIP 100 1/10W(2125)
R203	1-216-025-91	s RESISTOR,CHIP 100 1/10W(2125)
R204	1-216-025-91	s RESISTOR,CHIP 100 1/10W(2125)
R205	1-216-025-91	s RESISTOR,CHIP 100 1/10W(2125)
R206	1-216-025-91	s RESISTOR,CHIP 100 1/10W(2125)
R207	1-216-025-91	s RESISTOR,CHIP 100 1/10W(2125)
R208	1-216-025-91	s RESISTOR,CHIP 100 1/10W(2125)
R209	1-216-025-91	s RESISTOR,CHIP 100 1/10W(2125)
R210	1-216-025-91	s RESISTOR,CHIP 100 1/10W(2125)
R211	1-216-025-91	s RESISTOR,CHIP 100 1/10W(2125)
R212	1-216-025-91	s RESISTOR,CHIP 100 1/10W(2125)
R213	1-216-025-91	s RESISTOR,CHIP 100 1/10W(2125)
R214	1-216-025-91	s RESISTOR,CHIP 100 1/10W(2125)

(DY-15 BOARD(DSR-2000/2000P))

Ref. No. or Q'ty	Part No.	SP Description
R215	1-216-025-91	s RESISTOR,CHIP 100 1/10W(2125)
R216	1-216-025-91	s RESISTOR,CHIP 100 1/10W(2125)
R217	1-216-025-91	s RESISTOR,CHIP 100 1/10W(2125)
R218	1-216-025-91	s RESISTOR,CHIP 100 1/10W(2125)
R219	1-216-025-91	s RESISTOR,CHIP 100 1/10W(2125)
R220	1-216-025-91	s RESISTOR,CHIP 100 1/10W(2125)
R221	1-216-025-91	s RESISTOR,CHIP 100 1/10W(2125)
R222	1-216-025-91	s RESISTOR,CHIP 100 1/10W(2125)
R223	1-216-025-91	s RESISTOR,CHIP 100 1/10W(2125)
R224	1-216-025-91	s RESISTOR,CHIP 100 1/10W(2125)
R225	1-216-025-91	s RESISTOR,CHIP 100 1/10W(2125)
R226	1-216-025-91	s RESISTOR,CHIP 100 1/10W(2125)
R227	1-216-025-91	s RESISTOR,CHIP 100 1/10W(2125)
R228	1-216-025-91	s RESISTOR,CHIP 100 1/10W(2125)
R229	1-216-025-91	s RESISTOR,CHIP 100 1/10W(2125)
R230	1-216-025-91	s RESISTOR,CHIP 100 1/10W(2125)
R231	1-216-025-91	s RESISTOR,CHIP 100 1/10W(2125)
R232	1-216-025-91	s RESISTOR,CHIP 100 1/10W(2125)
R233	1-216-025-91	s RESISTOR,CHIP 100 1/10W(2125)
R234	1-216-025-91	s RESISTOR,CHIP 100 1/10W(2125)
R235	1-216-025-91	s RESISTOR,CHIP 100 1/10W(2125)
R236	1-216-025-91	s RESISTOR,CHIP 100 1/10W(2125)
R237	1-216-025-91	s RESISTOR,CHIP 100 1/10W(2125)
R238	1-216-025-91	s RESISTOR,CHIP 100 1/10W(2125)
R239	1-216-025-91	s RESISTOR,CHIP 100 1/10W(2125)
R240	1-216-025-91	s RESISTOR,CHIP 100 1/10W(2125)
RB101	1-239-389-11	s RESISTOR,NETWORK 47K (1608)
S101	1-692-537-21	s SWITCH, TACTILE (WITH LIGHT)
S102	1-692-538-11	s SWITCH, TACTIL
S103	1-692-538-11	s SWITCH, TACTIL
S104	1-692-538-11	s SWITCH, TACTIL
S105	1-692-538-11	s SWITCH, TACTIL
T1	1-435-185-11	s TRANSFORMER, CONVERTER

EX-752 BOARD(DSR-2000/2000P)

Ref. No. or Q'ty	Part No.	SP Description
1pc	A-8323-516-A	o MOUNTED CIRCUIT BOARD, EX-752
CN300	1-778-262-12	o CONNECTOR, BOARD TO BOARD 148P
CN303	1-563-766-11	o RECEPTACLE,MULTI CONNECTOR 30P
E301	1-535-881-21	o TERMINAL, TP (AUTO INSERTION)

FU-78P BOARD(DSR-2000/2000P)

Ref. No. or Q'ty	Part No.	SP Description
1pc	A-8326-493-A	o MOUNTED CIRCUIT BOARD, FU-78P
C1	1-104-851-11	s CAPACITOR,TANTALUM 10MF/10V
C2	1-107-826-11	s CAPACITOR,CHIP CERAMIC 0.1MF
C3	1-107-826-11	s CAPACITOR,CHIP CERAMIC 0.1MF
C4	1-107-826-11	s CAPACITOR,CHIP CERAMIC 0.1MF
C5	1-107-826-11	s CAPACITOR,CHIP CERAMIC 0.1MF
C6	1-107-826-11	s CAPACITOR,CHIP CERAMIC 0.1MF
C7	1-107-826-11	s CAPACITOR,CHIP CERAMIC 0.1MF
C8	1-107-826-11	s CAPACITOR,CHIP CERAMIC 0.1MF
C9	1-107-826-11	s CAPACITOR,CHIP CERAMIC 0.1MF
C10	1-107-826-11	s CAPACITOR,CHIP CERAMIC 0.1MF
C11	1-107-826-11	s CAPACITOR,CHIP CERAMIC 0.1MF
C12	1-107-826-11	s CAPACITOR,CHIP CERAMIC 0.1MF
C13	1-107-826-11	s CAPACITOR,CHIP CERAMIC 0.1MF
C14	1-107-826-11	s CAPACITOR,CHIP CERAMIC 0.1MF
C15	1-107-826-11	s CAPACITOR,CHIP CERAMIC 0.1MF
C16	1-107-826-11	s CAPACITOR,CHIP CERAMIC 0.1MF
C17	1-128-964-11	s CAPACITOR,TANTALUM 100MF/6.3V
C18	1-107-826-11	s CAPACITOR,CHIP CERAMIC 0.1MF
C19	1-107-826-11	s CAPACITOR,CHIP CERAMIC 0.1MF
C20	1-107-826-11	s CAPACITOR,CHIP CERAMIC 0.1MF
C21	1-107-826-11	s CAPACITOR,CHIP CERAMIC 0.1MF
C22	1-104-851-11	s CAPACITOR,TANTALUM 10MF/10V
C23	1-107-826-11	s CAPACITOR,CHIP CERAMIC 0.1MF
C24	1-107-826-11	s CAPACITOR,CHIP CERAMIC 0.1MF
C25	1-107-826-11	s CAPACITOR,CHIP CERAMIC 0.1MF
C26	1-107-826-11	s CAPACITOR,CHIP CERAMIC 0.1MF
C27	1-107-826-11	s CAPACITOR,CHIP CERAMIC 0.1MF
C28	1-107-826-11	s CAPACITOR,CHIP CERAMIC 0.1MF
C29	1-107-826-11	s CAPACITOR,CHIP CERAMIC 0.1MF
C30	1-107-826-11	s CAPACITOR,CHIP CERAMIC 0.1MF
C31	1-107-826-11	s CAPACITOR,CHIP CERAMIC 0.1MF
C32	1-107-826-11	s CAPACITOR,CHIP CERAMIC 0.1MF
C33	1-107-826-11	s CAPACITOR,CHIP CERAMIC 0.1MF
C34	1-107-826-11	s CAPACITOR,CHIP CERAMIC 0.1MF
C35	1-107-826-11	s CAPACITOR,CHIP CERAMIC 0.1MF
C36	1-107-826-11	s CAPACITOR,CHIP CERAMIC 0.1MF
C37	1-107-826-11	s CAPACITOR,CHIP CERAMIC 0.1MF
C38	1-107-826-11	s CAPACITOR,CHIP CERAMIC 0.1MF
C39	1-107-826-11	s CAPACITOR,CHIP CERAMIC 0.1MF
C40	1-107-826-11	s CAPACITOR,CHIP CERAMIC 0.1MF
C41	1-107-826-11	s CAPACITOR,CHIP CERAMIC 0.1MF
C42	1-107-826-11	s CAPACITOR,CHIP CERAMIC 0.1MF
C43	1-107-826-11	s CAPACITOR,CHIP CERAMIC 0.1MF
C44	1-107-826-11	s CAPACITOR,CHIP CERAMIC 0.1MF
C45	1-107-826-11	s CAPACITOR,CHIP CERAMIC 0.1MF
C46	1-107-826-11	s CAPACITOR,CHIP CERAMIC 0.1MF
C47	1-107-826-11	s CAPACITOR,CHIP CERAMIC 0.1MF
C48	1-107-826-11	s CAPACITOR,CHIP CERAMIC 0.1MF
C49	1-107-826-11	s CAPACITOR,CHIP CERAMIC 0.1MF
C50	1-107-826-11	s CAPACITOR,CHIP CERAMIC 0.1MF
C51	1-104-851-11	s CAPACITOR,TANTALUM 10MF/10V
C52	1-107-826-11	s CAPACITOR,CHIP CERAMIC 0.1MF
C53	1-107-826-11	s CAPACITOR,CHIP CERAMIC 0.1MF
C54	1-107-826-11	s CAPACITOR,CHIP CERAMIC 0.1MF
C55	1-107-826-11	s CAPACITOR,CHIP CERAMIC 0.1MF
C56	1-107-826-11	s CAPACITOR,CHIP CERAMIC 0.1MF
C57	1-107-826-11	s CAPACITOR,CHIP CERAMIC 0.1MF

{FU-78P BOARD(DSR-2000/2000P)}

Ref. No. or Q'ty	Part No.	SP Description
C58	1-107-826-11	s CAPACITOR,CHIP CERAMIC 0.1MF
C59	1-107-826-11	s CAPACITOR,CHIP CERAMIC 0.1MF
C60	1-107-826-11	s CAPACITOR,CHIP CERAMIC 0.1MF
C61	1-107-826-11	s CAPACITOR,CHIP CERAMIC 0.1MF
C62	1-107-826-11	s CAPACITOR,CHIP CERAMIC 0.1MF
C63	1-107-826-11	s CAPACITOR,CHIP CERAMIC 0.1MF
C64	1-107-826-11	s CAPACITOR,CHIP CERAMIC 0.1MF
C65	1-107-826-11	s CAPACITOR,CHIP CERAMIC 0.1MF
C66	1-107-826-11	s CAPACITOR,CHIP CERAMIC 0.1MF
C67	1-107-826-11	s CAPACITOR,CHIP CERAMIC 0.1MF
C68	1-107-826-11	s CAPACITOR,CHIP CERAMIC 0.1MF
C69	1-107-826-11	s CAPACITOR,CHIP CERAMIC 0.1MF
C70	1-107-826-11	s CAPACITOR,CHIP CERAMIC 0.1MF
C71	1-107-826-11	s CAPACITOR,CHIP CERAMIC 0.1MF
C72	1-107-826-11	s CAPACITOR,CHIP CERAMIC 0.1MF
C73	1-107-826-11	s CAPACITOR,CHIP CERAMIC 0.1MF
C74	1-107-826-11	s CAPACITOR,CHIP CERAMIC 0.1MF
C75	1-107-826-11	s CAPACITOR,CHIP CERAMIC 0.1MF
C76	1-107-826-11	s CAPACITOR,CHIP CERAMIC 0.1MF
C77	1-107-826-11	s CAPACITOR,CHIP CERAMIC 0.1MF
C78	1-107-826-11	s CAPACITOR,CHIP CERAMIC 0.1MF
C79	1-107-826-11	s CAPACITOR,CHIP CERAMIC 0.1MF
C80	1-107-826-11	s CAPACITOR,CHIP CERAMIC 0.1MF
C81	1-107-826-11	s CAPACITOR,CHIP CERAMIC 0.1MF
C82	1-107-826-11	s CAPACITOR,CHIP CERAMIC 0.1MF
C83	1-107-826-11	s CAPACITOR,CHIP CERAMIC 0.1MF
C84	1-107-826-11	s CAPACITOR,CHIP CERAMIC 0.1MF
C85	1-107-826-11	s CAPACITOR,CHIP CERAMIC 0.1MF
C86	1-107-826-11	s CAPACITOR,CHIP CERAMIC 0.1MF
C87	1-107-826-11	s CAPACITOR,CHIP CERAMIC 0.1MF
C88	1-107-826-11	s CAPACITOR,CHIP CERAMIC 0.1MF
C89	1-107-826-11	s CAPACITOR,CHIP CERAMIC 0.1MF
C90	1-107-826-11	s CAPACITOR,CHIP CERAMIC 0.1MF
C91	1-104-851-11	s CAPACITOR,TANTALUM 10MF/10V
C94	1-162-919-11	s CAPACITOR,CERAMIC 22PF/50V CH
CN11	1-778-003-11	o CONNECTOR, BOARD TO BOARD 80P
CN12	1-778-003-11	o CONNECTOR, BOARD TO BOARD 80P
IC1	8-759-567-07	s IC CXD8763AR
IC2	8-749-017-21	s IC SI-3025LS-TL
IC6	8-759-713-79	s IC MB81F643242C-10FN
IC7	8-759-426-26	s IC CXD8608R
IC8	8-759-426-26	s IC CXD8608R
IC9	8-759-426-26	s IC CXD8608R
IC10	8-759-426-26	s IC CXD8608R
L1	1-414-398-11	s INDUCTOR (SMD) 10UH
L2	1-414-398-11	s INDUCTOR (SMD) 10UH
L3	1-414-398-11	s INDUCTOR (SMD) 10UH
L4	1-414-398-11	s INDUCTOR (SMD) 10UH
R1	1-216-841-11	s RESISTOR, CHIP 47K 1/16W 1608
R2	1-216-841-11	s RESISTOR, CHIP 47K 1/16W 1608
R3	1-216-864-11	s CONDUCTOR, CHIP (1608)
R4	1-216-864-11	s CONDUCTOR, CHIP (1608)
R6	1-216-864-11	s CONDUCTOR, CHIP (1608)
R7	1-216-864-11	s CONDUCTOR, CHIP (1608)
R8	1-216-864-11	s CONDUCTOR, CHIP (1608)
R9	1-216-864-11	s CONDUCTOR, CHIP (1608)
R11	1-216-864-11	s CONDUCTOR, CHIP (1608)
R13	1-216-864-11	s CONDUCTOR, CHIP (1608)

{FU-78P BOARD(DSR-2000/2000P)}

Ref. No. or Q'ty	Part No.	SP Description
R14	1-216-864-11	s CONDUCTOR, CHIP (1608)
R15	1-216-864-11	s CONDUCTOR, CHIP (1608)
R17	1-216-864-11	s CONDUCTOR, CHIP (1608)
R18	1-216-864-11	s CONDUCTOR, CHIP (1608)
R19	1-216-864-11	s CONDUCTOR, CHIP (1608)
R20	1-216-864-11	s CONDUCTOR, CHIP (1608)
R21	1-216-864-11	s CONDUCTOR, CHIP (1608)
R22	1-216-864-11	s CONDUCTOR, CHIP (1608)
R24	1-216-864-11	s CONDUCTOR, CHIP (1608)
R29	1-216-864-11	s CONDUCTOR, CHIP (1608)
R30	1-216-864-11	s CONDUCTOR, CHIP (1608)
R31	1-216-829-11	s RESISTOR,CHIP 4.7K 1/16W(1608)
R32	1-216-829-11	s RESISTOR,CHIP 4.7K 1/16W(1608)
R34	1-216-864-11	s CONDUCTOR, CHIP (1608)
RB1	1-239-389-11	s RESISTOR,NETWORK 47K (1608)
RB2	1-239-389-11	s RESISTOR,NETWORK 47K (1608)
RB3	1-239-389-11	s RESISTOR,NETWORK 47K (1608)
RB4	1-239-389-11	s RESISTOR,NETWORK 47K (1608)

FU-78R BOARD(DSR-2000/2000P)

Ref. No. or Q'ty	Part No.	SP Description
1pc	A-8326-492-A	o MOUNTED CIRCUIT BOARD, FU-78R
C1	1-104-851-11	s CAPACITOR, TANTALUM 10MF/10V
C2	1-107-826-11	s CAPACITOR, CHIP CERAMIC 0.1MF
C3	1-107-826-11	s CAPACITOR, CHIP CERAMIC 0.1MF
C4	1-107-826-11	s CAPACITOR, CHIP CERAMIC 0.1MF
C5	1-107-826-11	s CAPACITOR, CHIP CERAMIC 0.1MF
C6	1-107-826-11	s CAPACITOR, CHIP CERAMIC 0.1MF
C7	1-107-826-11	s CAPACITOR, CHIP CERAMIC 0.1MF
C8	1-107-826-11	s CAPACITOR, CHIP CERAMIC 0.1MF
C9	1-107-826-11	s CAPACITOR, CHIP CERAMIC 0.1MF
C10	1-107-826-11	s CAPACITOR, CHIP CERAMIC 0.1MF
C11	1-107-826-11	s CAPACITOR, CHIP CERAMIC 0.1MF
C12	1-107-826-11	s CAPACITOR, CHIP CERAMIC 0.1MF
C13	1-107-826-11	s CAPACITOR, CHIP CERAMIC 0.1MF
C14	1-107-826-11	s CAPACITOR, CHIP CERAMIC 0.1MF
C15	1-107-826-11	s CAPACITOR, CHIP CERAMIC 0.1MF
C16	1-107-826-11	s CAPACITOR, CHIP CERAMIC 0.1MF
C17	1-128-964-11	s CAPACITOR, TANTALUM 100MF/6.3V
C18	1-107-826-11	s CAPACITOR, CHIP CERAMIC 0.1MF
C19	1-107-826-11	s CAPACITOR, CHIP CERAMIC 0.1MF
C20	1-107-826-11	s CAPACITOR, CHIP CERAMIC 0.1MF
C21	1-107-826-11	s CAPACITOR, CHIP CERAMIC 0.1MF
C22	1-104-851-11	s CAPACITOR, TANTALUM 10MF/10V
C23	1-107-826-11	s CAPACITOR, CHIP CERAMIC 0.1MF
C24	1-107-826-11	s CAPACITOR, CHIP CERAMIC 0.1MF
C25	1-107-826-11	s CAPACITOR, CHIP CERAMIC 0.1MF
C26	1-107-826-11	s CAPACITOR, CHIP CERAMIC 0.1MF
C27	1-107-826-11	s CAPACITOR, CHIP CERAMIC 0.1MF
C28	1-107-826-11	s CAPACITOR, CHIP CERAMIC 0.1MF
C29	1-107-826-11	s CAPACITOR, CHIP CERAMIC 0.1MF
C30	1-107-826-11	s CAPACITOR, CHIP CERAMIC 0.1MF
C31	1-107-826-11	s CAPACITOR, CHIP CERAMIC 0.1MF
C32	1-107-826-11	s CAPACITOR, CHIP CERAMIC 0.1MF
C33	1-107-826-11	s CAPACITOR, CHIP CERAMIC 0.1MF
C34	1-107-826-11	s CAPACITOR, CHIP CERAMIC 0.1MF
C35	1-107-826-11	s CAPACITOR, CHIP CERAMIC 0.1MF
C36	1-107-826-11	s CAPACITOR, CHIP CERAMIC 0.1MF
C37	1-107-826-11	s CAPACITOR, CHIP CERAMIC 0.1MF
C38	1-107-826-11	s CAPACITOR, CHIP CERAMIC 0.1MF
C39	1-107-826-11	s CAPACITOR, CHIP CERAMIC 0.1MF
C40	1-107-826-11	s CAPACITOR, CHIP CERAMIC 0.1MF
C41	1-107-826-11	s CAPACITOR, CHIP CERAMIC 0.1MF
C42	1-107-826-11	s CAPACITOR, CHIP CERAMIC 0.1MF
C43	1-107-826-11	s CAPACITOR, CHIP CERAMIC 0.1MF
C44	1-107-826-11	s CAPACITOR, CHIP CERAMIC 0.1MF
C45	1-107-826-11	s CAPACITOR, CHIP CERAMIC 0.1MF
C46	1-107-826-11	s CAPACITOR, CHIP CERAMIC 0.1MF
C47	1-107-826-11	s CAPACITOR, CHIP CERAMIC 0.1MF
C48	1-107-826-11	s CAPACITOR, CHIP CERAMIC 0.1MF
C49	1-107-826-11	s CAPACITOR, CHIP CERAMIC 0.1MF
C50	1-107-826-11	s CAPACITOR, CHIP CERAMIC 0.1MF
C51	1-104-851-11	s CAPACITOR, TANTALUM 10MF/10V
C52	1-107-826-11	s CAPACITOR, CHIP CERAMIC 0.1MF
C53	1-107-826-11	s CAPACITOR, CHIP CERAMIC 0.1MF
C54	1-107-826-11	s CAPACITOR, CHIP CERAMIC 0.1MF
C55	1-107-826-11	s CAPACITOR, CHIP CERAMIC 0.1MF
C56	1-107-826-11	s CAPACITOR, CHIP CERAMIC 0.1MF
C57	1-107-826-11	s CAPACITOR, CHIP CERAMIC 0.1MF

(FU-78R BOARD(DSR-2000/2000P))

Ref. No. or Q'ty	Part No.	SP Description
C58	1-107-826-11	s CAPACITOR, CHIP CERAMIC 0.1MF
C59	1-107-826-11	s CAPACITOR, CHIP CERAMIC 0.1MF
C60	1-107-826-11	s CAPACITOR, CHIP CERAMIC 0.1MF
C61	1-107-826-11	s CAPACITOR, CHIP CERAMIC 0.1MF
C62	1-107-826-11	s CAPACITOR, CHIP CERAMIC 0.1MF
C63	1-107-826-11	s CAPACITOR, CHIP CERAMIC 0.1MF
C64	1-107-826-11	s CAPACITOR, CHIP CERAMIC 0.1MF
C65	1-107-826-11	s CAPACITOR, CHIP CERAMIC 0.1MF
C66	1-107-826-11	s CAPACITOR, CHIP CERAMIC 0.1MF
C67	1-107-826-11	s CAPACITOR, CHIP CERAMIC 0.1MF
C68	1-107-826-11	s CAPACITOR, CHIP CERAMIC 0.1MF
C69	1-107-826-11	s CAPACITOR, CHIP CERAMIC 0.1MF
C70	1-107-826-11	s CAPACITOR, CHIP CERAMIC 0.1MF
C71	1-107-826-11	s CAPACITOR, CHIP CERAMIC 0.1MF
C72	1-107-826-11	s CAPACITOR, CHIP CERAMIC 0.1MF
C73	1-107-826-11	s CAPACITOR, CHIP CERAMIC 0.1MF
C74	1-107-826-11	s CAPACITOR, CHIP CERAMIC 0.1MF
C75	1-107-826-11	s CAPACITOR, CHIP CERAMIC 0.1MF
C76	1-107-826-11	s CAPACITOR, CHIP CERAMIC 0.1MF
C77	1-107-826-11	s CAPACITOR, CHIP CERAMIC 0.1MF
C78	1-107-826-11	s CAPACITOR, CHIP CERAMIC 0.1MF
C79	1-107-826-11	s CAPACITOR, CHIP CERAMIC 0.1MF
C80	1-107-826-11	s CAPACITOR, CHIP CERAMIC 0.1MF
C81	1-107-826-11	s CAPACITOR, CHIP CERAMIC 0.1MF
C82	1-107-826-11	s CAPACITOR, CHIP CERAMIC 0.1MF
C83	1-107-826-11	s CAPACITOR, CHIP CERAMIC 0.1MF
C84	1-107-826-11	s CAPACITOR, CHIP CERAMIC 0.1MF
C85	1-107-826-11	s CAPACITOR, CHIP CERAMIC 0.1MF
C86	1-107-826-11	s CAPACITOR, CHIP CERAMIC 0.1MF
C87	1-107-826-11	s CAPACITOR, CHIP CERAMIC 0.1MF
C88	1-107-826-11	s CAPACITOR, CHIP CERAMIC 0.1MF
C89	1-107-826-11	s CAPACITOR, CHIP CERAMIC 0.1MF
C90	1-107-826-11	s CAPACITOR, CHIP CERAMIC 0.1MF
C91	1-104-851-11	s CAPACITOR, TANTALUM 10MF/10V
C94	1-162-919-11	s CAPACITOR, CERAMIC 22PF/50V CH
IC1	8-759-567-07	s IC CXD8763AR
IC2	8-749-017-21	s IC SI-3025LS-TL
IC6	8-759-713-79	s IC MB81F643242C-10FN
IC7	8-759-426-26	s IC CXD8608R
IC8	8-759-426-26	s IC CXD8608R
IC9	8-759-426-26	s IC CXD8608R
IC10	8-759-426-26	s IC CXD8608R
L1	1-414-398-11	s INDUCTOR (SMD) 10UH
L2	1-414-398-11	s INDUCTOR (SMD) 10UH
L3	1-414-398-11	s INDUCTOR (SMD) 10UH
L4	1-414-398-11	s INDUCTOR (SMD) 10UH
R1	1-216-841-11	s RESISTOR, CHIP 47K 1/16W 1608
R2	1-216-841-11	s RESISTOR, CHIP 47K 1/16W 1608
R3	1-216-864-11	s CONDUCTOR, CHIP (1608)
R4	1-216-864-11	s CONDUCTOR, CHIP (1608)
R5	1-216-864-11	s CONDUCTOR, CHIP (1608)
R6	1-216-864-11	s CONDUCTOR, CHIP (1608)
R7	1-216-864-11	s CONDUCTOR, CHIP (1608)
R8	1-216-864-11	s CONDUCTOR, CHIP (1608)
R9	1-216-864-11	s CONDUCTOR, CHIP (1608)
R10	1-216-864-11	s CONDUCTOR, CHIP (1608)
R12	1-216-864-11	s CONDUCTOR, CHIP (1608)
R14	1-216-864-11	s CONDUCTOR, CHIP (1608)

(FU-78R BOARD(DSR-2000/2000P))

Ref. No. or Q'ty	Part No.	SP Description
R15	1-216-864-11	s CONDUCTOR, CHIP (1608)
R16	1-216-864-11	s CONDUCTOR, CHIP (1608)
R18	1-216-864-11	s CONDUCTOR, CHIP (1608)
R19	1-216-864-11	s CONDUCTOR, CHIP (1608)
R20	1-216-864-11	s CONDUCTOR, CHIP (1608)
R21	1-216-864-11	s CONDUCTOR, CHIP (1608)
R22	1-216-864-11	s CONDUCTOR, CHIP (1608)
R23	1-216-864-11	s CONDUCTOR, CHIP (1608)
R25	1-216-864-11	s CONDUCTOR, CHIP (1608)
R27	1-216-864-11	s CONDUCTOR, CHIP (1608)
R28	1-216-864-11	s CONDUCTOR, CHIP (1608)
R31	1-216-829-11	s RESISTOR,CHIP 4.7K 1/16W(1608)
R32	1-216-829-11	s RESISTOR,CHIP 4.7K 1/16W(1608)
R35	1-216-864-11	s CONDUCTOR, CHIP (1608)
RB1	1-239-389-11	s RESISTOR,NETWORK 47K (1608)
RB2	1-239-389-11	s RESISTOR,NETWORK 47K (1608)
RB3	1-239-389-11	s RESISTOR,NETWORK 47K (1608)
RB4	1-239-389-11	s RESISTOR,NETWORK 47K (1608)

HP-99 BOARD(DSR-2000/2000P)

Ref. No. or Q'ty	Part No.	SP Description
1pc	A-8323-513-A	o MOUNTED CIRCUIT BOARD, HP-99
C1	1-163-038-91	s CAPACITOR, CERAMIC 0.1MF/25V
C2	1-163-038-91	s CAPACITOR, CERAMIC 0.1MF/25V
C4	1-163-251-11	s CAPACITOR CERAMIC 100PF/50V
C5	1-163-251-11	s CAPACITOR CERAMIC 100PF/50V
C6	1-163-251-11	s CAPACITOR CERAMIC 100PF/50V
C7	1-163-251-11	s CAPACITOR CERAMIC 100PF/50V
C8	1-126-392-11	s CAPACITOR,CHIP ELECT100MF/6.3V
C9	1-126-392-11	s CAPACITOR,CHIP ELECT100MF/6.3V
C10	1-163-809-11	s CAPACITOR,CHIP CERAMIC 0.047MF
C11	1-163-809-11	s CAPACITOR,CHIP CERAMIC 0.047MF
C12	1-163-038-91	s CAPACITOR, CERAMIC 0.1MF/25V
C13	1-126-391-11	s CAPACITOR ELECT 47MF/6.3V(105)
C14	1-126-391-11	s CAPACITOR ELECT 47MF/6.3V(105)
C15	1-126-391-11	s CAPACITOR ELECT 47MF/6.3V(105)
C16	1-126-391-11	s CAPACITOR ELECT 47MF/6.3V(105)
C17	1-163-038-91	s CAPACITOR, CERAMIC 0.1MF/25V
C18	1-163-038-91	s CAPACITOR, CERAMIC 0.1MF/25V
CN1	1-565-327-11	s JACK, LARGE TYPE (6.3MM)
CN2	1-506-488-11	s PIN,CONNECTOR 9P
IC1	8-759-369-73	s IC NJM4556AM
Q1	8-729-029-14	s TRANSISTOR DTC144EUA-T106
Q2	8-729-141-48	s TRANSISTOR 2SB624-BV345
Q5	8-729-209-07	s TRANSISTOR 2SC4213-B
Q6	8-729-209-07	s TRANSISTOR 2SC4213-B
Q8	8-729-028-91	s TRANSISTOR DTA144EUA-T106
Q9	8-729-029-14	s TRANSISTOR DTC144EUA-T106
Q10	8-729-028-91	s TRANSISTOR DTA144EUA-T106
Q11	8-729-808-42	s TRANSISTOR 2SD1624-T
R1	1-208-802-11	s RESISTOR,CHIP 6.8K 1/10W(2012)
R2	1-208-802-11	s RESISTOR,CHIP 6.8K 1/10W(2012)
R5	1-208-802-11	s RESISTOR,CHIP 6.8K 1/10W(2012)
R6	1-208-802-11	s RESISTOR,CHIP 6.8K 1/10W(2012)
R7	1-208-810-11	s RESISTOR,CHIP 15K 1/10W (2012)
R8	1-208-818-11	s RESISTOR,CHIP 33K 1/10W (2012)
R9	1-208-818-11	s RESISTOR,CHIP 33K 1/10W (2012)
R10	1-208-818-11	s RESISTOR,CHIP 33K 1/10W (2012)
R11	1-208-818-11	s RESISTOR,CHIP 33K 1/10W (2012)
R12	1-216-097-91	s RESISTOR,CHIP 100K 1/10W(2012)
R13	1-211-966-11	s RESISTOR,CHIP 39 1/10W (2125)
R14	1-211-964-11	s RESISTOR,CHIP 33 1/10W (2012)
R15	1-211-966-11	s RESISTOR,CHIP 39 1/10W (2125)
R16	1-211-964-11	s RESISTOR,CHIP 33 1/10W (2012)
R17	1-216-073-00	s RESISTOR,CHIP 10K 1/10W(2012)
R18	1-208-806-11	s RESISTOR,CHIP 10K 1/10W (2012)
R19	1-208-798-11	s RESISTOR,CHIP 4.7K 1/10W(2012)
RV1	1-241-577-11	s VAR, CARBON 20K/20K
S1	1-554-088-00	s SWITCH,KEY BOARD

 IF-763 BOARD(DSBK-190)

(IF-763 BOARD(DSBK-190))

*1: Board No. suffix 11
 *2: Board No. suffix 12 -

*a: Lot No. 909 - 911

Ref. No. or Q'ty	Part No.	SP Description	Ref. No. or Q'ty	Part No.	SP Description
1pc	3-179-084-01	s LEVER(R), PRINTED C. BOARD	C403	1-164-156-11	s CAPACITOR, CERAMIC 0.1MF/25V F
1pc	3-179-085-01	s LEVER(L), PRINTED C. BOARD	C404	1-126-390-11	s CAPACITOR ELECT 22MF/6.3V(105)
1pc	8-759-655-86	s IC XC9536VQ44-DSR2000-DPR-V10	C405	1-164-156-11	s CAPACITOR, CERAMIC 0.1MF/25V F
C1	1-164-156-11	s CAPACITOR, CERAMIC 0.1MF/25V F	C406	1-164-156-11	s CAPACITOR, CERAMIC 0.1MF/25V F
C2	1-126-401-11	s CAPACITOR, ELECT 1MF/50V(CHIP)	C407	1-162-919-11	s CAPACITOR, CERAMIC 22PF/50V CH
C3	1-164-156-11	s CAPACITOR, CERAMIC 0.1MF/25V F	C408	1-162-919-11	s CAPACITOR, CERAMIC 22PF/50V CH
C4	1-164-156-11	s CAPACITOR, CERAMIC 0.1MF/25V F	C409	1-115-156-11	s CAPACITOR, 1MF/10V (1608)
C5	1-164-156-11	s CAPACITOR, CERAMIC 0.1MF/25V F	C410	1-164-230-11	s CAPACITOR, CERAMIC 220PF/50V
C6	1-126-391-11	s CAPACITOR ELECT 47MF/6.3V(105)	C411	1-164-156-11	s CAPACITOR, CERAMIC 0.1MF/25V F
C7	1-162-915-11	s CAPACITOR, CERAMIC 10PF/50V CH	C412	1-126-391-11	s CAPACITOR ELECT 47MF/6.3V(105)
C8	1-162-915-11	s CAPACITOR, CERAMIC 10PF/50V CH	C413	1-164-156-11	s CAPACITOR, CERAMIC 0.1MF/25V F
C9	1-164-156-11	s CAPACITOR, CERAMIC 0.1MF/25V F	C414	1-164-156-11	s CAPACITOR, CERAMIC 0.1MF/25V F
C10	1-164-230-11	s CAPACITOR, CERAMIC 220PF/50V	C415	1-164-156-11	s CAPACITOR, CERAMIC 0.1MF/25V F
C11	1-164-156-11	s CAPACITOR, CERAMIC 0.1MF/25V F	CN1	1-764-095-11	o PIN, CONNECTOR (PC BOARD) 10P
C12	1-164-156-11	s CAPACITOR, CERAMIC 0.1MF/25V F	CN202	1-778-262-12	o CONNECTOR, BOARD TO BOARD 148P
C13	1-164-156-11	s CAPACITOR, CERAMIC 0.1MF/25V F	CN302	1-770-677-11	o CONNECTOR, BOARD TO BOARD 50P
C14	1-135-212-21	s CAPACITOR TANTALUM 2.2MF/35V	CN401	1-580-789-21	o PIN, CONNECTOR (SMD)
C15	1-164-156-11	s CAPACITOR, CERAMIC 0.1MF/25V F	D1	8-719-938-72	s DIODE SB01-05CP (RECTI)
C201	1-164-156-11	s CAPACITOR, CERAMIC 0.1MF/25V F	D2	8-719-941-86	s DIODE DAN202U
C202	1-164-156-11	s CAPACITOR, CERAMIC 0.1MF/25V F	D303	8-719-041-39	s DIODE KV1470 (SMA)
C203	1-164-156-11	s CAPACITOR, CERAMIC 0.1MF/25V F	D304	8-719-027-95	s DIODE HSM88WK
C204	1-164-156-11	s CAPACITOR, CERAMIC 0.1MF/25V F	IC1	8-759-445-93	s IC AK6440AM (E2)
C205	1-164-156-11	s CAPACITOR, CERAMIC 0.1MF/25V F	IC2	8-759-586-82	s IC HD64F3048VTF8-DSEK140-V104
C206	1-164-156-11	s CAPACITOR, CERAMIC 0.1MF/25V F	IC3	8-759-524-27	s IC TC74VHC244FT(EL)
C207	1-164-156-11	s CAPACITOR, CERAMIC 0.1MF/25V F	IC4	8-759-196-96	s IC TC7SH08FU (TE85R)
C208	1-164-156-11	s CAPACITOR, CERAMIC 0.1MF/25V F	IC5	8-759-196-96	s IC TC7SH08FU (TE85R)
C209	1-164-156-11	s CAPACITOR, CERAMIC 0.1MF/25V F	IC6	8-759-058-58	s IC TC7S04FU-TE85R
C210	1-126-391-11	s CAPACITOR ELECT 47MF/6.3V(105)	IC7	8-759-257-96	s IC TC7S14FU (TE85R)
C211	1-164-156-11	s CAPACITOR, CERAMIC 0.1MF/25V F	IC8	8-759-387-54	s IC S-80727-SN-DQ-T1
C306	1-162-964-11	s CAPACITOR, CERAMIC 1000PF/50V B	IC9	8-759-534-96	s IC SN74AHCT125PW-E05
C307	1-164-156-11	s CAPACITOR, CERAMIC 0.1MF/25V F	IC201	8-759-837-54	s IC HY57V641620HGT-H
C308	1-162-964-11	s CAPACITOR, CERAMIC 1000PF/50V B	IC202	8-759-548-77	s IC SN74LV245ANSR
C309	1-162-964-11	s CAPACITOR, CERAMIC 1000PF/50V B	IC203	8-759-548-77	s IC SN74LV245ANSR
C310	1-165-176-11	s CAPACITOR, CERAMIC 47000PF/16V	IC204	8-759-548-77	s IC SN74LV245ANSR
C311	1-164-505-11	s CAPACITOR, CHIP CERAMIC 2.2MF	IC301	8-752-378-75	s IC CXD3106R
C317	1-164-156-11	s CAPACITOR, CERAMIC 0.1MF/25V F	IC303	8-759-537-83	s IC NBM29F400BC-70PFTN
C318	1-164-156-11	s CAPACITOR, CERAMIC 0.1MF/25V F	IC304	8-759-657-92	s IC TA48M03F (TE16L)
C319	1-164-156-11	s CAPACITOR, CERAMIC 0.1MF/25V F	IC305	8-759-655-86	s IC XC9536VQ44-DSR2000-DPR-V10
C320	1-164-156-11	s CAPACITOR, CERAMIC 0.1MF/25V F	IC401	8-759-432-00	s IC TSB11LV01PT-TEB
C321	*2 1-126-393-11	s CAPACITOR, ELECT 33MF/10V(CHIP)	IC402	8-759-430-56	s IC CKD2194AR-TEB
	*1 1-126-394-11	s CAPACITOR, ELECT 10MF/16V(CHIP)	L1	1-412-939-11	s INDUCTOR 1.0UH (2520)
C322	*2 1-126-393-11	s CAPACITOR, ELECT 33MF/10V(CHIP)	L201	1-414-398-11	s INDUCTOR (SMD) 10UH
	*1 1-126-394-11	s CAPACITOR, ELECT 10MF/16V(CHIP)	L302	1-412-173-11	s MICRO INDUCTOR 0.82UH
C323	1-164-156-11	s CAPACITOR, CERAMIC 0.1MF/25V F	L304	1-414-398-11	s INDUCTOR (SMD) 10UH
C324	1-164-156-11	s CAPACITOR, CERAMIC 0.1MF/25V F	L306	1-406-824-11	s COIL, CHOK 22UH
C325	1-164-156-11	s CAPACITOR, CERAMIC 0.1MF/25V F	L401	1-412-939-11	s INDUCTOR 1.0UH (2520)
C326	1-162-917-11	s CAPACITOR, CERAMIC 15PF/50V CH	L402	1-412-939-11	s INDUCTOR 1.0UH (2520)
C327	1-162-917-11	s CAPACITOR, CERAMIC 15PF/50V CH	L403	1-412-939-11	s INDUCTOR 1.0UH (2520)
C328	*2 1-126-393-11	s CAPACITOR, ELECT 33MF/10V(CHIP)	PS302	Δ 1-576-123-21	s CIRCUIT PROTECTOR 0.8A(IC LINK)
	*1 1-126-394-11	s CAPACITOR, ELECT 10MF/16V(CHIP)	Q302	8-729-117-32	s TRANSISTOR 2SC4177
C329	1-164-156-11	s CAPACITOR, CERAMIC 0.1MF/25V F	Q304	8-729-029-14	s TRANSISTOR DTC144EUA-T106
C330	1-126-391-11	s CAPACITOR ELECT 47MF/6.3V(105)	Q305	8-729-029-14	s TRANSISTOR DTC144EUA-T106
C331	1-164-156-11	s CAPACITOR, CERAMIC 0.1MF/25V F			
C332	1-164-156-11	s CAPACITOR, CERAMIC 0.1MF/25V F			

(IF-763 BOARD(DSBK-190))

Ref. No. or Q'ty	Part No.	SP	Description
R1	1-216-834-11	s	RESISTOR,CHIP 12K 1/16W 1608
R2	1-216-809-11	s	RESISTOR,CHIP 100 1/16W 1608
R3	1-216-809-11	s	RESISTOR,CHIP 100 1/16W 1608
R4	1-216-841-11	s	RESISTOR,CHIP 47K 1/16W 1608
R5	1-216-841-11	s	RESISTOR,CHIP 47K 1/16W 1608
R6	1-216-841-11	s	RESISTOR,CHIP 47K 1/16W 1608
R8	1-216-841-11	s	RESISTOR,CHIP 47K 1/16W 1608
R10	1-216-841-11	s	RESISTOR,CHIP 47K 1/16W 1608
R11	1-216-841-11	s	RESISTOR,CHIP 47K 1/16W 1608
R12	1-216-841-11	s	RESISTOR,CHIP 47K 1/16W 1608
R13	1-218-840-11	s	RESISTOR,CHIP 510 1/16W (1608)
R14	1-216-834-11	s	RESISTOR,CHIP 12K 1/16W 1608
R17	1-216-841-11	s	RESISTOR,CHIP 47K 1/16W 1608
R18	1-216-841-11	s	RESISTOR,CHIP 47K 1/16W 1608
R19	1-216-809-11	s	RESISTOR,CHIP 100 1/16W 1608
R20	1-216-841-11	s	RESISTOR,CHIP 47K 1/16W 1608
R21	1-216-841-11	s	RESISTOR,CHIP 47K 1/16W 1608
R22	1-216-809-11	s	RESISTOR,CHIP 100 1/16W 1608
R23	1-216-845-11	s	RESISTOR,CHIP 100K 1/16W(1608)
R26	1-216-864-11	s	RESISTOR,CHIP 0 1/16W (1608)
R201	*a 1-216-809-11	s	RESISTOR,CHIP 100 1/16W 1608
R203	1-216-809-11	s	RESISTOR,CHIP 100 1/16W 1608
R204	1-216-801-11	s	RESISTOR,CHIP 22 1/16W 1608
R205	1-216-801-11	s	RESISTOR,CHIP 22 1/16W 1608
R206	1-216-801-11	s	RESISTOR,CHIP 22 1/16W 1608
R207	1-216-801-11	s	RESISTOR,CHIP 22 1/16W 1608
R208	1-216-801-11	s	RESISTOR,CHIP 22 1/16W 1608
R209	1-216-801-11	s	RESISTOR,CHIP 22 1/16W 1608
R210	1-216-801-11	s	RESISTOR,CHIP 22 1/16W 1608
R211	1-216-801-11	s	RESISTOR,CHIP 22 1/16W 1608
R212	1-216-864-11	s	RESISTOR,CHIP 0 1/16W (1608)
R213	1-216-864-11	s	RESISTOR,CHIP 0 1/16W (1608)
R214	1-216-864-11	s	RESISTOR,CHIP 0 1/16W (1608)
R215	1-216-864-11	s	RESISTOR,CHIP 0 1/16W (1608)
R216	1-216-864-11	s	RESISTOR,CHIP 0 1/16W (1608)
R217	1-216-864-11	s	RESISTOR,CHIP 0 1/16W (1608)
R218	1-216-864-11	s	RESISTOR,CHIP 0 1/16W (1608)
R219	1-216-864-11	s	RESISTOR,CHIP 0 1/16W (1608)
R220	1-216-864-11	s	RESISTOR,CHIP 0 1/16W (1608)
R221	1-216-864-11	s	RESISTOR,CHIP 0 1/16W (1608)
R222	1-216-864-11	s	RESISTOR,CHIP 0 1/16W (1608)
R223	1-216-864-11	s	RESISTOR,CHIP 0 1/16W (1608)
R224	1-216-864-11	s	RESISTOR,CHIP 0 1/16W (1608)
R225	1-216-864-11	s	RESISTOR,CHIP 0 1/16W (1608)
R306	1-216-833-11	s	RESISTOR,CHIP 10K 1/16W 1608
R307	1-216-833-11	s	RESISTOR,CHIP 10K 1/16W 1608
R308	1-216-829-11	s	RESISTOR,CHIP 4.7K 1/16W 1608
R309	1-216-805-11	s	RESISTOR,CHIP 47 1/16W 1608
R310	1-216-817-11	s	RESISTOR,CHIP 470 1/16W 1608
R311	1-216-845-11	s	RESISTOR,CHIP 100K 1/16W(1608)
R312	*1 1-216-864-11	s	RESISTOR,CHIP 0 1/16W (1608)
R313	1-216-845-11	s	RESISTOR,CHIP 100K 1/16W(1608)
R314	1-216-833-11	s	RESISTOR,CHIP 10K 1/16W 1608
R315	*1 1-216-864-11	s	RESISTOR,CHIP 0 1/16W (1608)
R320	1-216-809-11	s	RESISTOR,CHIP 100 1/16W 1608
R321	1-216-833-11	s	RESISTOR,CHIP 10K 1/16W 1608
R322	1-216-833-11	s	RESISTOR,CHIP 10K 1/16W 1608
R323	1-216-833-11	s	RESISTOR,CHIP 10K 1/16W 1608
R324	1-216-833-11	s	RESISTOR,CHIP 10K 1/16W 1608

(IF-763 BOARD(DSBK-190))

Ref. No. or Q'ty	Part No.	SP	Description
R325	1-216-833-11	s	RESISTOR,CHIP 10K 1/16W 1608
R328	1-216-864-11	s	RESISTOR,CHIP 0 1/16W (1608)
R329	1-216-809-11	s	RESISTOR,CHIP 100 1/16W 1608
R330	1-216-864-11	s	RESISTOR,CHIP 0 1/16W (1608)
R331	*2 1-216-821-11	s	RESISTOR,CHIP 1.0K 1/16W(1608)
R401	1-216-833-11	s	RESISTOR,CHIP 10K 1/16W 1608
R402	1-216-833-11	s	RESISTOR,CHIP 10K 1/16W 1608
R403	1-216-833-11	s	RESISTOR,CHIP 10K 1/16W 1608
R404	1-218-873-11	s	RESISTOR,CHIP 12K 1/16W (1608)
R405	1-216-857-11	s	RESISTOR,CHIP 1.0M 1/16W 1608
R406	1-218-873-11	s	RESISTOR,CHIP 12K 1/16W (1608)
R407	1-216-833-11	s	RESISTOR,CHIP 10K 1/16W 1608
R408	1-216-833-11	s	RESISTOR,CHIP 10K 1/16W 1608
R409	1-211-987-11	s	RESISTOR,CHIP 56 1/16W (1608)
R410	1-211-987-11	s	RESISTOR,CHIP 56 1/16W (1608)
R411	1-211-987-11	s	RESISTOR,CHIP 56 1/16W (1608)
R412	1-211-987-11	s	RESISTOR,CHIP 56 1/16W (1608)
R413	1-216-821-11	s	RESISTOR,CHIP 1.0K 1/16W(1608)
R414	1-216-845-11	s	RESISTOR,CHIP 100K 1/16W(1608)
R415	1-216-833-11	s	RESISTOR,CHIP 10K 1/16W 1608
R416	1-216-833-11	s	RESISTOR,CHIP 10K 1/16W 1608
R417	1-216-845-11	s	RESISTOR,CHIP 100K 1/16W(1608)
R418	1-216-845-11	s	RESISTOR,CHIP 100K 1/16W(1608)
RB1	1-239-389-11	s	RESISTOR,NETWORK 47K (1608)
RB2	1-239-310-11	s	RESISTOR ARRAY, CHIP 220K
X1	1-767-636-11	s	VIBRATOR, CRYSTAL
X301	1-767-449-11	s	VIBRATOR, CRYSTAL
X401	1-579-922-11	s	VIBRATOR, CERAMIC (CHIP TYPE)

 IF-778 BOARD(DSBK-200)

Ref. No. or Q'ty	Part No.	SP Description
1pc	A-8324-145-A	o MOUNTED CIRCUIT BOARD, IF-778
C1	1-124-589-11	s CAPACITOR,ELECT 47MF/16V
C2	1-124-229-00	s CAPACITOR,ELECT 33MF/10V
C3	1-163-038-91	s CAPACITOR, CERAMIC 0.1MF/25V
C4	1-163-038-91	s CAPACITOR, CERAMIC 0.1MF/25V
CN1	1-564-695-21	o CONNECTOR,RIBBON CABLE 16P
CN2	1-564-009-11	o PIN,CONNECTOR 10P
F1	Δ 1-533-950-11	s FUSE, CHIP
FL1	1-236-058-11	s FILTER, EMI
FL2	1-236-058-11	s FILTER, EMI
FL3	1-236-058-11	s FILTER, EMI
FL4	1-236-058-11	s FILTER, EMI
FL5	1-236-058-11	s FILTER, EMI
FL6	1-236-058-11	s FILTER, EMI
FL7	1-236-058-11	s FILTER, EMI
FL8	1-236-058-11	s FILTER, EMI
IC1	8-749-930-52	s IC SI-3052V
LF1	1-421-773-11	s FILTER,NOISE REMOVAL
R5	1-216-065-91	s RESISTOR,CHIP 4.7K (2012)

 KY-452 BOARD(DSR-2000/2000P)

- *1: Board No. suffix 11
- *2: Board No. suffix 13 -
- *3: Board No. suffix 13
- *4: Board No. suffix 11 - 13
- *5: Board No. suffix 14 -
- *a: Lot No. 907 - 908

Ref. No. or Q'ty	Part No.	SP Description
1pc	A-8323-492-A	o MOUNTED CIRCUIT BOARD, KY-452
1pc	3-708-877-01	s CAP (PC)
1pc	3-708-933-01	s CAP (PC)
C2	1-163-038-91	s CAPACITOR, CERAMIC 0.1MF/25V
C3	1-126-396-11	s CAPACITOR,ELECT 47MF/16V(CHIP)
C7	1-163-257-11	s CAPACITOR CERAMIC 180PF/50V
C8	1-163-257-11	s CAPACITOR CERAMIC 180PF/50V
C9	1-163-257-11	s CAPACITOR CERAMIC 180PF/50V
C10	1-163-257-11	s CAPACITOR CERAMIC 180PF/50V
C11	*2 1-163-038-91	s CAPACITOR, CERAMIC 0.1MF/25V
C12	1-163-038-91	s CAPACITOR, CERAMIC 0.1MF/25V
C15	1-163-133-00	s CAPACITOR,CHIP CERAMIC 470PF
C16	1-163-038-91	s CAPACITOR, CERAMIC 0.1MF/25V
C17	1-128-393-11	s CAPACITOR,ELECT 100MF/10V
C18	1-163-038-91	s CAPACITOR, CERAMIC 0.1MF/25V
C19	1-163-038-91	s CAPACITOR, CERAMIC 0.1MF/25V
C20	1-163-038-91	s CAPACITOR, CERAMIC 0.1MF/25V
C21	1-163-133-00	s CAPACITOR,CHIP CERAMIC 470PF
C22	1-126-393-11	s CAPACITOR ELECT 33MF/10V(CHIP)
C23	1-163-038-91	s CAPACITOR, CERAMIC 0.1MF/25V
C24	*2 1-163-038-91	s CAPACITOR, CERAMIC 0.1MF/25V
C25	*2 1-163-038-91	s CAPACITOR, CERAMIC 0.1MF/25V
C26	*5 1-163-038-91	s CAPACITOR, CERAMIC 0.1MF/25V
	*2 1-161-485-00	s CAPACITOR, CERAMIC 0.1MF/50V
C27	*5 1-163-038-91	s CAPACITOR, CERAMIC 0.1MF/25V
	*2 1-164-156-11	s CAPACITOR, CERAMIC 0.1MF/25V F
C28	*5 1-163-038-91	s CAPACITOR, CERAMIC 0.1MF/25V
	*2 1-164-156-11	s CAPACITOR, CERAMIC 0.1MF/25V F
C29	*5 1-163-038-91	s CAPACITOR, CERAMIC 0.1MF/25V
	*2 1-164-156-11	s CAPACITOR, CERAMIC 0.1MF/25V F
C30	*5 1-163-038-91	s CAPACITOR, CERAMIC 0.1MF/25V
	*2 1-164-156-11	s CAPACITOR, CERAMIC 0.1MF/25V F
C31	*5 1-163-038-91	s CAPACITOR, CERAMIC 0.1MF/25V
	*2 1-164-156-11	s CAPACITOR, CERAMIC 0.1MF/25V F
C201	1-163-038-91	s CAPACITOR, CERAMIC 0.1MF/25V
C301	1-126-394-11	s CAPACITOR,ELECT 10MF/16V(CHIP)
C302	1-126-394-11	s CAPACITOR,ELECT 10MF/16V(CHIP)
C303	1-126-394-11	s CAPACITOR,ELECT 10MF/16V(CHIP)
C304	1-126-394-11	s CAPACITOR,ELECT 10MF/16V(CHIP)
C305	1-126-394-11	s CAPACITOR,ELECT 10MF/16V(CHIP)
C306	1-126-394-11	s CAPACITOR,ELECT 10MF/16V(CHIP)
C307	1-126-394-11	s CAPACITOR,ELECT 10MF/16V(CHIP)
C308	1-126-394-11	s CAPACITOR,ELECT 10MF/16V(CHIP)
C309	1-126-394-11	s CAPACITOR,ELECT 10MF/16V(CHIP)
C310	1-126-394-11	s CAPACITOR,ELECT 10MF/16V(CHIP)
C311	1-126-394-11	s CAPACITOR,ELECT 10MF/16V(CHIP)
C312	1-126-394-11	s CAPACITOR,ELECT 10MF/16V(CHIP)
C313	1-126-394-11	s CAPACITOR,ELECT 10MF/16V(CHIP)
C314	1-126-394-11	s CAPACITOR,ELECT 10MF/16V(CHIP)
C315	1-126-394-11	s CAPACITOR,ELECT 10MF/16V(CHIP)
C316	1-126-394-11	s CAPACITOR,ELECT 10MF/16V(CHIP)
C317	1-126-394-11	s CAPACITOR,ELECT 10MF/16V(CHIP)

(KY-452 BOARD(DSR-2000/2000P))

Ref. No. or Q'ty	Part No.	SP Description
C318	1-126-394-11	s CAPACITOR, ELECT 10MF/16V(CHIP)
C319	1-126-394-11	s CAPACITOR, ELECT 10MF/16V(CHIP)
C320	1-126-394-11	s CAPACITOR, ELECT 10MF/16V(CHIP)
C321	1-126-394-11	s CAPACITOR, ELECT 10MF/16V(CHIP)
C322	1-126-394-11	s CAPACITOR, ELECT 10MF/16V(CHIP)
C323	1-126-394-11	s CAPACITOR, ELECT 10MF/16V(CHIP)
C324	1-126-394-11	s CAPACITOR, ELECT 10MF/16V(CHIP)
C325	1-126-394-11	s CAPACITOR, ELECT 10MF/16V(CHIP)
C326	1-126-394-11	s CAPACITOR, ELECT 10MF/16V(CHIP)
C327	1-126-394-11	s CAPACITOR, ELECT 10MF/16V(CHIP)
C328	1-126-394-11	s CAPACITOR, ELECT 10MF/16V(CHIP)
C329	1-126-394-11	s CAPACITOR, ELECT 10MF/16V(CHIP)
C330	1-126-394-11	s CAPACITOR, ELECT 10MF/16V(CHIP)
C331	1-126-394-11	s CAPACITOR, ELECT 10MF/16V(CHIP)
C333	1-126-394-11	s CAPACITOR, ELECT 10MF/16V(CHIP)
C334	1-126-394-11	s CAPACITOR, ELECT 10MF/16V(CHIP)
C335	1-126-394-11	s CAPACITOR, ELECT 10MF/16V(CHIP)
C336	1-163-038-91	s CAPACITOR, CERAMIC 0.1MF/25V
C337	1-126-394-11	s CAPACITOR, ELECT 10MF/16V(CHIP)
C338	1-126-394-11	s CAPACITOR, ELECT 10MF/16V(CHIP)
C339	1-126-394-11	s CAPACITOR, ELECT 10MF/16V(CHIP)
C340	1-126-394-11	s CAPACITOR, ELECT 10MF/16V(CHIP)
C341	1-126-394-11	s CAPACITOR, ELECT 10MF/16V(CHIP)
C342	1-126-394-11	s CAPACITOR, ELECT 10MF/16V(CHIP)
C343	1-126-394-11	s CAPACITOR, ELECT 10MF/16V(CHIP)
C344	1-126-394-11	s CAPACITOR, ELECT 10MF/16V(CHIP)
C345	1-126-394-11	s CAPACITOR, ELECT 10MF/16V(CHIP)
C346	1-126-394-11	s CAPACITOR, ELECT 10MF/16V(CHIP)
C347	1-126-394-11	s CAPACITOR, ELECT 10MF/16V(CHIP)
C501	1-163-251-11	s CAPACITOR CERAMIC 100PF/50V
C502	1-163-251-11	s CAPACITOR CERAMIC 100PF/50V
C503	1-163-251-11	s CAPACITOR CERAMIC 100PF/50V
C504	1-163-251-11	s CAPACITOR CERAMIC 100PF/50V
C505	1-163-251-11	s CAPACITOR CERAMIC 100PF/50V
C506	1-163-251-11	s CAPACITOR CERAMIC 100PF/50V
C507	1-163-251-11	s CAPACITOR CERAMIC 100PF/50V
C508	1-163-251-11	s CAPACITOR CERAMIC 100PF/50V
C509	1-163-251-11	s CAPACITOR CERAMIC 100PF/50V
C510	1-163-251-11	s CAPACITOR CERAMIC 100PF/50V
C511	1-163-251-11	s CAPACITOR CERAMIC 100PF/50V
C512	1-163-251-11	s CAPACITOR CERAMIC 100PF/50V
C513	1-163-251-11	s CAPACITOR CERAMIC 100PF/50V
C514	1-163-251-11	s CAPACITOR CERAMIC 100PF/50V
C515	1-163-251-11	s CAPACITOR CERAMIC 100PF/50V
C516	1-163-251-11	s CAPACITOR CERAMIC 100PF/50V
C517	1-163-251-11	s CAPACITOR CERAMIC 100PF/50V
C518	1-163-251-11	s CAPACITOR CERAMIC 100PF/50V
C519	1-163-251-11	s CAPACITOR CERAMIC 100PF/50V
C520	1-163-251-11	s CAPACITOR CERAMIC 100PF/50V
C521	1-163-251-11	s CAPACITOR CERAMIC 100PF/50V
C522	1-163-251-11	s CAPACITOR CERAMIC 100PF/50V
C523	1-163-251-11	s CAPACITOR CERAMIC 100PF/50V
C524	1-163-251-11	s CAPACITOR CERAMIC 100PF/50V
C525	1-163-251-11	s CAPACITOR CERAMIC 100PF/50V
C526	1-163-251-11	s CAPACITOR CERAMIC 100PF/50V
C527	1-163-251-11	s CAPACITOR CERAMIC 100PF/50V
C528	1-163-251-11	s CAPACITOR CERAMIC 100PF/50V
C529	1-163-251-11	s CAPACITOR CERAMIC 100PF/50V
C530	1-163-251-11	s CAPACITOR CERAMIC 100PF/50V
C531	1-163-251-11	s CAPACITOR CERAMIC 100PF/50V

(KY-452 BOARD(DSR-2000/2000P))

Ref. No. or Q'ty	Part No.	SP Description
C532	1-163-251-11	s CAPACITOR CERAMIC 100PF/50V
C533	1-163-251-11	s CAPACITOR CERAMIC 100PF/50V
C534	1-163-251-11	s CAPACITOR CERAMIC 100PF/50V
C535	1-163-251-11	s CAPACITOR CERAMIC 100PF/50V
C536	1-163-251-11	s CAPACITOR CERAMIC 100PF/50V
C537	1-163-251-11	s CAPACITOR CERAMIC 100PF/50V
C538	1-163-251-11	s CAPACITOR CERAMIC 100PF/50V
C539	1-163-251-11	s CAPACITOR CERAMIC 100PF/50V
C540	1-163-251-11	s CAPACITOR CERAMIC 100PF/50V
C541	1-163-251-11	s CAPACITOR CERAMIC 100PF/50V
C542	1-163-251-11	s CAPACITOR CERAMIC 100PF/50V
C543	1-163-251-11	s CAPACITOR CERAMIC 100PF/50V
C544	1-163-251-11	s CAPACITOR CERAMIC 100PF/50V
C545	1-163-251-11	s CAPACITOR CERAMIC 100PF/50V
C546	1-163-251-11	s CAPACITOR CERAMIC 100PF/50V
C547	1-163-251-11	s CAPACITOR CERAMIC 100PF/50V
C548	1-163-251-11	s CAPACITOR CERAMIC 100PF/50V
C549	1-163-251-11	s CAPACITOR CERAMIC 100PF/50V
C550	1-163-251-11	s CAPACITOR CERAMIC 100PF/50V
C551	1-128-399-11	s CAPACITOR ELECT 330MF/16V(CHIP)
C552	1-163-021-91	s CAPACITOR, CERAMIC 0.01MF/50V
C553	1-128-405-11	s CAPACITOR, ELECT 22MF/50V(CHIP)
C554	*2 1-128-405-11	s CAPACITOR, ELECT 22MF/50V(CHIP)
C555	*2 1-128-405-11	s CAPACITOR, ELECT 22MF/50V(CHIP)
CN710	1-563-018-11	o CONNECTOR, F.P.C 34P
CN711	1-564-005-11	o PIN, CONNECTOR 6P
CN712	1-506-474-11	s PIN, CONNECTOR 9P
CN713	1-691-395-11	s CONNECTOR, FPC 6P
CN714	1-691-395-11	s CONNECTOR, FPC 6P
D201	8-719-024-81	s DIODE 1SS300-TE85L
D202	8-719-024-81	s DIODE 1SS300-TE85L
D203	8-719-024-81	s DIODE 1SS300-TE85L
D204	8-719-024-81	s DIODE 1SS300-TE85L
D205	8-719-024-81	s DIODE 1SS300-TE85L
D206	8-719-024-81	s DIODE 1SS300-TE85L
D207	8-719-024-81	s DIODE 1SS300-TE85L
D208	8-719-024-81	s DIODE 1SS300-TE85L
D209	8-719-024-81	s DIODE 1SS300-TE85L
D210	8-719-024-81	s DIODE 1SS300-TE85L
D211	8-719-024-81	s DIODE 1SS300-TE85L
D212	8-719-024-81	s DIODE 1SS300-TE85L
D213	8-719-024-81	s DIODE 1SS300-TE85L
D215	8-719-024-81	s DIODE 1SS300-TE85L
D216	8-719-024-81	s DIODE 1SS300-TE85L
D217	8-719-024-81	s DIODE 1SS300-TE85L
D218	8-719-024-81	s DIODE 1SS300-TE85L
D219	8-719-024-81	s DIODE 1SS300-TE85L
D221	8-719-024-81	s DIODE 1SS300-TE85L
D222	8-719-024-81	s DIODE 1SS300-TE85L
D223	8-719-024-81	s DIODE 1SS300-TE85L
D224	8-719-024-81	s DIODE 1SS300-TE85L
D225	8-719-024-81	s DIODE 1SS300-TE85L
D226	8-719-024-81	s DIODE 1SS300-TE85L
D227	8-719-024-81	s DIODE 1SS300-TE85L
D301	8-719-989-53	s LED CL-200HR-C-TSL
D302	8-719-061-59	s LED CL-200PG-C-TU
D303	8-719-061-58	s LED CL-200Y-C-TU
D304	8-719-989-53	s LED CL-200HR-C-TSL
D501	8-719-110-02	s DIODE RD7.5ES-B1

(KY-452 BOARD(DSR-2000/2000P))

Ref. No. or Q'ty	Part No.	SP Description
D502	8-719-110-22	s DIODE RD11ES-B2
D503	8-719-108-24	s DIODE 1SS223
D504	8-719-110-22	s DIODE RD11ES-B2
D505	8-719-110-22	s DIODE RD11ES-B2
D506	8-719-033-28	s DIODE EC11FS4-TB12
D507	8-719-110-04	s DIODE RD7.5ES-B3
F1	Δ 1-533-950-11	s FUSE, CHIP
IC1	8-759-664-61	o IC XC9536VQ44-DSR2000-JOG-V101
IC2	8-759-327-80	s IC S-80745SN-D9-T1
IC3	8-759-186-44	s IC TC74VHC125F
IC5	8-759-664-34	s IC UPD780204GF-065-3BA
IC6	8-759-271-86	s IC TC7SH04FU
IC201	8-759-186-47	s IC TC74VHC138F
IC301	8-759-051-53	s IC TD62381F
L1	1-406-823-11	s COIL, CHOKE 10UH
L4	1-406-824-11	s COIL, CHOKE 22UH
ND501	1-517-922-11	o INDICATOR TUBE, FLUORESCENT
PS2	Δ 1-576-259-11	s LINK, IC 0.6A (3225)
Q201	8-729-028-81	s TRANSISTOR DTA123JUA-T106
Q202	8-729-028-81	s TRANSISTOR DTA123JUA-T106
Q203	8-729-028-81	s TRANSISTOR DTA123JUA-T106
Q204	8-729-028-81	s TRANSISTOR DTA123JUA-T106
Q205	8-729-028-81	s TRANSISTOR DTA123JUA-T106
Q206	8-729-028-81	s TRANSISTOR DTA123JUA-T106
Q207	8-729-028-81	s TRANSISTOR DTA123JUA-T106
Q301	8-729-029-04	s TRANSISTOR DTC123JUA-T106
Q302	8-729-140-63	s TRANSISTOR 2SA1611-M5M6
Q303	8-729-028-74	s TRANSISTOR DTA114TUA-T106
Q304	8-729-028-74	s TRANSISTOR DTA114TUA-T106
Q305	8-729-028-74	s TRANSISTOR DTA114TUA-T106
Q306	8-729-028-74	s TRANSISTOR DTA114TUA-T106
Q307	8-729-028-74	s TRANSISTOR DTA114TUA-T106
Q308	8-729-029-04	s TRANSISTOR DTC123JUA-T106
Q309	8-729-117-32	s TRANSISTOR 2SC4177
Q310	8-729-117-32	s TRANSISTOR 2SC4177
Q311	8-729-117-32	s TRANSISTOR 2SC4177
Q312	8-729-117-32	s TRANSISTOR 2SC4177
Q313	8-729-117-32	s TRANSISTOR 2SC4177
Q314	8-729-140-63	s TRANSISTOR 2SA1611-M5M6
Q315	8-729-028-74	s TRANSISTOR DTA114TUA-T106
Q316	8-729-028-74	s TRANSISTOR DTA114TUA-T106
Q317	8-729-028-74	s TRANSISTOR DTA114TUA-T106
Q318	8-729-028-74	s TRANSISTOR DTA114TUA-T106
Q319	8-729-028-74	s TRANSISTOR DTA114TUA-T106
Q320	8-729-029-04	s TRANSISTOR DTC123JUA-T106
Q321	8-729-117-32	s TRANSISTOR 2SC4177
Q322	8-729-117-32	s TRANSISTOR 2SC4177
Q323	8-729-117-32	s TRANSISTOR 2SC4177
Q324	8-729-117-32	s TRANSISTOR 2SC4177
Q325	8-729-117-32	s TRANSISTOR 2SC4177
Q326	8-729-140-63	s TRANSISTOR 2SA1611-M5M6
Q327	8-729-028-74	s TRANSISTOR DTA114TUA-T106
Q328	8-729-028-74	s TRANSISTOR DTA114TUA-T106
Q329	8-729-028-74	s TRANSISTOR DTA114TUA-T106
Q330	8-729-028-74	s TRANSISTOR DTA114TUA-T106

(KY-452 BOARD(DSR-2000/2000P))

Ref. No. or Q'ty	Part No.	SP Description
Q331	8-729-028-74	s TRANSISTOR DTA114TUA-T106
Q332	8-729-029-04	s TRANSISTOR DTC123JUA-T106
Q333	8-729-117-32	s TRANSISTOR 2SC4177
Q334	8-729-117-32	s TRANSISTOR 2SC4177
Q335	8-729-117-32	s TRANSISTOR 2SC4177
Q336	8-729-117-32	s TRANSISTOR 2SC4177
Q337	8-729-117-32	s TRANSISTOR 2SC4177
Q338	8-729-140-63	s TRANSISTOR 2SA1611-M5M6
Q339	8-729-028-74	s TRANSISTOR DTA114TUA-T106
Q340	8-729-028-74	s TRANSISTOR DTA114TUA-T106
Q341	8-729-028-74	s TRANSISTOR DTA114TUA-T106
Q342	8-729-028-74	s TRANSISTOR DTA114TUA-T106
Q343	8-729-028-74	s TRANSISTOR DTA114TUA-T106
Q344	8-729-029-04	s TRANSISTOR DTC123JUA-T106
Q345	8-729-117-32	s TRANSISTOR 2SC4177
Q346	8-729-117-32	s TRANSISTOR 2SC4177
Q347	8-729-117-32	s TRANSISTOR 2SC4177
Q348	8-729-117-32	s TRANSISTOR 2SC4177
Q349	8-729-117-32	s TRANSISTOR 2SC4177
Q350	8-729-140-63	s TRANSISTOR 2SA1611-M5M6
Q351	8-729-028-74	s TRANSISTOR DTA114TUA-T106
Q352	8-729-028-74	s TRANSISTOR DTA114TUA-T106
Q353	8-729-028-74	s TRANSISTOR DTA114TUA-T106
Q354	8-729-029-04	s TRANSISTOR DTC123JUA-T106
Q355	8-729-117-32	s TRANSISTOR 2SC4177
Q356	8-729-117-32	s TRANSISTOR 2SC4177
Q357	8-729-117-32	s TRANSISTOR 2SC4177
Q358	8-729-140-63	s TRANSISTOR 2SA1611-M5M6
Q359	8-729-028-74	s TRANSISTOR DTA114TUA-T106
Q360	8-729-028-74	s TRANSISTOR DTA114TUA-T106
Q361	8-729-028-74	s TRANSISTOR DTA114TUA-T106
Q362	8-729-029-04	s TRANSISTOR DTC123JUA-T106
Q363	8-729-117-32	s TRANSISTOR 2SC4177
Q364	8-729-117-32	s TRANSISTOR 2SC4177
Q365	8-729-117-32	s TRANSISTOR 2SC4177
Q366	8-729-140-63	s TRANSISTOR 2SA1611-M5M6
Q367	8-729-028-74	s TRANSISTOR DTA114TUA-T106
Q368	8-729-028-74	s TRANSISTOR DTA114TUA-T106
Q369	8-729-028-74	s TRANSISTOR DTA114TUA-T106
Q370	8-729-028-74	s TRANSISTOR DTA114TUA-T106
Q371	8-729-029-04	s TRANSISTOR DTC123JUA-T106
Q372	8-729-117-32	s TRANSISTOR 2SC4177
Q373	8-729-117-32	s TRANSISTOR 2SC4177
Q374	8-729-117-32	s TRANSISTOR 2SC4177
Q375	8-729-117-32	s TRANSISTOR 2SC4177
Q376	8-729-140-63	s TRANSISTOR 2SA1611-M5M6
Q377	8-729-028-74	s TRANSISTOR DTA114TUA-T106
Q379	8-729-028-74	s TRANSISTOR DTA114TUA-T106
Q380	8-729-028-74	s TRANSISTOR DTA114TUA-T106
Q381	8-729-028-74	s TRANSISTOR DTA114TUA-T106
Q382	8-729-117-32	s TRANSISTOR 2SC4177
Q384	8-729-117-32	s TRANSISTOR 2SC4177
Q385	8-729-117-32	s TRANSISTOR 2SC4177
Q386	8-729-117-32	s TRANSISTOR 2SC4177
Q387	8-729-028-74	s TRANSISTOR DTA114TUA-T106
Q388	8-729-028-74	s TRANSISTOR DTA114TUA-T106
Q389	8-729-028-74	s TRANSISTOR DTA114TUA-T106
Q390	8-729-028-74	s TRANSISTOR DTA114TUA-T106
Q391	8-729-028-74	s TRANSISTOR DTA114TUA-T106

(KY-452 BOARD(DSR-2000/2000P))

Ref. No. or Q'ty	Part No.	SP Description
RB301	1-239-304-11	s RESISTOR ARRAY, CHIP 2.2K
S1	1-692-892-11	s SWITCH, TACTILE (WITH LIGHT)
S2	1-692-891-21	s SWITCH, TACTILE (WITH LIGHT)
S3	1-692-537-11	s SWITCH, TACTILE (WITH LIGHT)
S4	1-692-890-11	s SWITCH, TACTILE
S5	1-692-994-11	s SWITCH, TACTILE (ILLUMINATED)
S6	1-692-892-21	s SWITCH, TACTILE (WITH LIGHT)
S7	1-692-890-11	s SWITCH, TACTILE
S8	1-692-537-11	s SWITCH, TACTILE (WITH LIGHT)
S9	1-692-994-11	s SWITCH, TACTILE (ILLUMINATED)
S10	1-692-994-11	s SWITCH, TACTILE (ILLUMINATED)
S11	1-692-890-41	s SWITCH, TACTILE (WITH LIGHT)
S12	1-692-537-21	s SWITCH, TACTILE (WITH LIGHT)
S13	1-692-537-11	s SWITCH, TACTILE (WITH LIGHT)
S14	1-762-132-11	s SWITCH, TACTILE (ILLUMINATED)
S15	1-692-994-11	s SWITCH, TACTILE (ILLUMINATED)
S16	1-692-890-31	s SWITCH, TACTILE (WITH LIGHT)
S17	1-692-537-21	s SWITCH, TACTILE (WITH LIGHT)
S18	1-692-537-11	s SWITCH, TACTILE (WITH LIGHT)
S19	1-692-994-11	s SWITCH, TACTILE (ILLUMINATED)
S20	1-692-994-11	s SWITCH, TACTILE (ILLUMINATED)
S25	1-571-977-11	s SWITCH, TACTIL
S26	1-571-977-11	s SWITCH, TACTIL
S27	1-571-977-11	s SWITCH, TACTIL
S28	1-571-977-11	s SWITCH, TACTIL
S29	1-571-977-11	s SWITCH, TACTIL
S30	1-571-977-11	s SWITCH, TACTIL
S31	1-571-977-11	s SWITCH, TACTIL
S32	1-692-890-21	s SWITCH, TACTILE (WITH LIGHT)
S33	1-692-537-11	s SWITCH, TACTILE (WITH LIGHT)
S34	1-692-994-11	s SWITCH, TACTILE (ILLUMINATED)
S35	1-692-994-11	s SWITCH, TACTILE (ILLUMINATED)
S36	1-692-537-11	s SWITCH, TACTILE (WITH LIGHT)
S37	1-692-994-11	s SWITCH, TACTILE (ILLUMINATED)
S38	1-692-537-11	s SWITCH, TACTILE (WITH LIGHT)
S39	1-692-994-11	s SWITCH, TACTILE (ILLUMINATED)
S40	1-692-994-11	s SWITCH, TACTILE (ILLUMINATED)
S41	1-692-890-11	s SWITCH, TACTILE
S42	1-692-537-21	s SWITCH, TACTILE (WITH LIGHT)
S43	1-692-994-11	s SWITCH, TACTILE (ILLUMINATED)
S44	1-692-537-11	s SWITCH, TACTILE (WITH LIGHT)
S45	1-692-537-11	s SWITCH, TACTILE (WITH LIGHT)
S46	1-692-537-11	s SWITCH, TACTILE (WITH LIGHT)
S47	1-692-537-11	s SWITCH, TACTILE (WITH LIGHT)
S48	1-692-537-11	s SWITCH, TACTILE (WITH LIGHT)
S49	1-692-537-11	s SWITCH, TACTILE (WITH LIGHT)
S50	1-692-537-11	s SWITCH, TACTILE (WITH LIGHT)
S51	1-692-537-11	s SWITCH, TACTILE (WITH LIGHT)
S52	1-692-537-11	s SWITCH, TACTILE (WITH LIGHT)
T501	1-435-186-11	s TRANSFORMER, CONVERTER
X1	1-767-460-21	s OSCILLATOR, CERAMIC

KY-452A BOARD(DSBK-200)

*1: Board No. suffix 13
*2: Board No. suffix 14 -

Ref. No. or Q'ty	Part No.	SP Description
1pc	A-8324-694-A	o MOUNTED CIRCUIT BOARD, KY-452A
1pc	3-708-877-01	s CAP (PC)
1pc	3-708-933-01	s CAP (PC)
C2	1-163-038-91	s CAPACITOR, CERAMIC 0.1MF/25V
C3	1-126-396-11	s CAPACITOR, ELECT 47MF/16V(CHIP)
C7	1-163-257-11	s CAPACITOR CERAMIC 180PF/50V
C8	1-163-257-11	s CAPACITOR CERAMIC 180PF/50V
C9	1-163-257-11	s CAPACITOR CERAMIC 180PF/50V
C10	1-163-257-11	s CAPACITOR CERAMIC 180PF/50V
C11	1-163-038-91	s CAPACITOR, CERAMIC 0.1MF/25V
C12	1-163-038-91	s CAPACITOR, CERAMIC 0.1MF/25V
C15	1-163-133-00	s CAPACITOR,CHIP CERAMIC 470PF
C16	1-163-038-91	s CAPACITOR, CERAMIC 0.1MF/25V
C17	1-128-393-11	s CAPACITOR,ELECT 100MF/10V
C18	1-163-038-91	s CAPACITOR, CERAMIC 0.1MF/25V
C19	1-163-038-91	s CAPACITOR, CERAMIC 0.1MF/25V
C20	1-163-038-91	s CAPACITOR, CERAMIC 0.1MF/25V
C21	1-163-133-00	s CAPACITOR,CHIP CERAMIC 470PF
C22	1-126-393-11	s CAPACITOR ELECT 33MF/10V(CHIP)
C23	1-163-038-91	s CAPACITOR, CERAMIC 0.1MF/25V
C24	*2 1-163-038-91	s CAPACITOR, CERAMIC 0.1MF/25V
C25	*2 1-163-038-91	s CAPACITOR, CERAMIC 0.1MF/25V
C26	*2 1-163-038-91	s CAPACITOR, CERAMIC 0.1MF/25V
C27	*2 1-163-038-91	s CAPACITOR, CERAMIC 0.1MF/25V
C28	*2 1-163-038-91	s CAPACITOR, CERAMIC 0.1MF/25V
C29	*2 1-163-038-91	s CAPACITOR, CERAMIC 0.1MF/25V
C30	*2 1-163-038-91	s CAPACITOR, CERAMIC 0.1MF/25V
C31	*2 1-163-038-91	s CAPACITOR, CERAMIC 0.1MF/25V
C201	1-163-038-91	s CAPACITOR, CERAMIC 0.1MF/25V
C301	1-126-394-11	s CAPACITOR, ELECT 10MF/16V(CHIP)
C302	1-126-394-11	s CAPACITOR, ELECT 10MF/16V(CHIP)
C303	1-126-394-11	s CAPACITOR, ELECT 10MF/16V(CHIP)
C304	1-126-394-11	s CAPACITOR, ELECT 10MF/16V(CHIP)
C305	1-126-394-11	s CAPACITOR, ELECT 10MF/16V(CHIP)
C306	1-126-394-11	s CAPACITOR, ELECT 10MF/16V(CHIP)
C307	1-126-394-11	s CAPACITOR, ELECT 10MF/16V(CHIP)
C308	1-126-394-11	s CAPACITOR, ELECT 10MF/16V(CHIP)
C309	1-126-394-11	s CAPACITOR, ELECT 10MF/16V(CHIP)
C310	1-126-394-11	s CAPACITOR, ELECT 10MF/16V(CHIP)
C311	1-126-394-11	s CAPACITOR, ELECT 10MF/16V(CHIP)
C312	1-126-394-11	s CAPACITOR, ELECT 10MF/16V(CHIP)
C313	1-126-394-11	s CAPACITOR, ELECT 10MF/16V(CHIP)
C314	1-126-394-11	s CAPACITOR, ELECT 10MF/16V(CHIP)
C315	1-126-394-11	s CAPACITOR, ELECT 10MF/16V(CHIP)
C316	1-126-394-11	s CAPACITOR, ELECT 10MF/16V(CHIP)
C317	1-126-394-11	s CAPACITOR, ELECT 10MF/16V(CHIP)
C318	1-126-394-11	s CAPACITOR, ELECT 10MF/16V(CHIP)
C319	1-126-394-11	s CAPACITOR, ELECT 10MF/16V(CHIP)
C320	1-126-394-11	s CAPACITOR, ELECT 10MF/16V(CHIP)
C321	1-126-394-11	s CAPACITOR, ELECT 10MF/16V(CHIP)
C322	1-126-394-11	s CAPACITOR, ELECT 10MF/16V(CHIP)
C323	1-126-394-11	s CAPACITOR, ELECT 10MF/16V(CHIP)
C324	1-126-394-11	s CAPACITOR, ELECT 10MF/16V(CHIP)
C325	1-126-394-11	s CAPACITOR, ELECT 10MF/16V(CHIP)
C326	1-126-394-11	s CAPACITOR, ELECT 10MF/16V(CHIP)

(KY-452A BOARD(DSBK-200))

Ref. No. or Q'ty	Part No.	SP	Description
C327	1-126-394-11	s	CAPACITOR, ELECT 10MF/16V(CHIP)
C328	1-126-394-11	s	CAPACITOR, ELECT 10MF/16V(CHIP)
C329	1-126-394-11	s	CAPACITOR, ELECT 10MF/16V(CHIP)
C330	1-126-394-11	s	CAPACITOR, ELECT 10MF/16V(CHIP)
C331	1-126-394-11	s	CAPACITOR, ELECT 10MF/16V(CHIP)
C333	1-126-394-11	s	CAPACITOR, ELECT 10MF/16V(CHIP)
C334	1-126-394-11	s	CAPACITOR, ELECT 10MF/16V(CHIP)
C335	1-126-394-11	s	CAPACITOR, ELECT 10MF/16V(CHIP)
C336	1-163-038-91	s	CAPACITOR, CERAMIC 0.1MF/25V
C337	1-126-394-11	s	CAPACITOR, ELECT 10MF/16V(CHIP)
C338	1-126-394-11	s	CAPACITOR, ELECT 10MF/16V(CHIP)
C339	1-126-394-11	s	CAPACITOR, ELECT 10MF/16V(CHIP)
C341	1-126-394-11	s	CAPACITOR, ELECT 10MF/16V(CHIP)
C501	1-163-251-11	s	CAPACITOR CERAMIC 100PF/50V
C502	1-163-251-11	s	CAPACITOR CERAMIC 100PF/50V
C503	1-163-251-11	s	CAPACITOR CERAMIC 100PF/50V
C504	1-163-251-11	s	CAPACITOR CERAMIC 100PF/50V
C505	1-163-251-11	s	CAPACITOR CERAMIC 100PF/50V
C506	1-163-251-11	s	CAPACITOR CERAMIC 100PF/50V
C507	1-163-251-11	s	CAPACITOR CERAMIC 100PF/50V
C508	1-163-251-11	s	CAPACITOR CERAMIC 100PF/50V
C509	1-163-251-11	s	CAPACITOR CERAMIC 100PF/50V
C510	1-163-251-11	s	CAPACITOR CERAMIC 100PF/50V
C511	1-163-251-11	s	CAPACITOR CERAMIC 100PF/50V
C512	1-163-251-11	s	CAPACITOR CERAMIC 100PF/50V
C513	1-163-251-11	s	CAPACITOR CERAMIC 100PF/50V
C514	1-163-251-11	s	CAPACITOR CERAMIC 100PF/50V
C515	1-163-251-11	s	CAPACITOR CERAMIC 100PF/50V
C516	1-163-251-11	s	CAPACITOR CERAMIC 100PF/50V
C517	1-163-251-11	s	CAPACITOR CERAMIC 100PF/50V
C518	1-163-251-11	s	CAPACITOR CERAMIC 100PF/50V
C519	1-163-251-11	s	CAPACITOR CERAMIC 100PF/50V
C520	1-163-251-11	s	CAPACITOR CERAMIC 100PF/50V
C521	1-163-251-11	s	CAPACITOR CERAMIC 100PF/50V
C522	1-163-251-11	s	CAPACITOR CERAMIC 100PF/50V
C523	1-163-251-11	s	CAPACITOR CERAMIC 100PF/50V
C524	1-163-251-11	s	CAPACITOR CERAMIC 100PF/50V
C525	1-163-251-11	s	CAPACITOR CERAMIC 100PF/50V
C526	1-163-251-11	s	CAPACITOR CERAMIC 100PF/50V
C527	1-163-251-11	s	CAPACITOR CERAMIC 100PF/50V
C528	1-163-251-11	s	CAPACITOR CERAMIC 100PF/50V
C529	1-163-251-11	s	CAPACITOR CERAMIC 100PF/50V
C530	1-163-251-11	s	CAPACITOR CERAMIC 100PF/50V
C531	1-163-251-11	s	CAPACITOR CERAMIC 100PF/50V
C532	1-163-251-11	s	CAPACITOR CERAMIC 100PF/50V
C533	1-163-251-11	s	CAPACITOR CERAMIC 100PF/50V
C534	1-163-251-11	s	CAPACITOR CERAMIC 100PF/50V
C535	1-163-251-11	s	CAPACITOR CERAMIC 100PF/50V
C536	1-163-251-11	s	CAPACITOR CERAMIC 100PF/50V
C537	1-163-251-11	s	CAPACITOR CERAMIC 100PF/50V
C538	1-163-251-11	s	CAPACITOR CERAMIC 100PF/50V
C539	1-163-251-11	s	CAPACITOR CERAMIC 100PF/50V
C540	1-163-251-11	s	CAPACITOR CERAMIC 100PF/50V
C541	1-163-251-11	s	CAPACITOR CERAMIC 100PF/50V
C542	1-163-251-11	s	CAPACITOR CERAMIC 100PF/50V
C543	1-163-251-11	s	CAPACITOR CERAMIC 100PF/50V
C544	1-163-251-11	s	CAPACITOR CERAMIC 100PF/50V
C545	1-163-251-11	s	CAPACITOR CERAMIC 100PF/50V
C546	1-163-251-11	s	CAPACITOR CERAMIC 100PF/50V

(KY-452A BOARD(DSBK-200))

Ref. No. or Q'ty	Part No.	SP	Description
C547	1-163-251-11	s	CAPACITOR CERAMIC 100PF/50V
C548	1-163-251-11	s	CAPACITOR CERAMIC 100PF/50V
C549	1-163-251-11	s	CAPACITOR CERAMIC 100PF/50V
C550	1-163-251-11	s	CAPACITOR CERAMIC 100PF/50V
C551	1-128-399-11	s	CAPACITOR ELECT 330MF/16V(CHIP)
C552	1-163-021-91	s	CAPACITOR, CERAMIC 0.01MF/50V
C553	1-128-405-11	s	CAPACITOR, ELECT 22MF/50V(CHIP)
CN711	1-564-005-11	o	PIN, CONNECTOR 6P
CN715	1-506-489-11	s	PIN,CONNECTOR 10P
D201	8-719-024-81	s	DIODE 1SS300-TE85L
D202	8-719-024-81	s	DIODE 1SS300-TE85L
D203	8-719-024-81	s	DIODE 1SS300-TE85L
D204	8-719-024-81	s	DIODE 1SS300-TE85L
D205	8-719-024-81	s	DIODE 1SS300-TE85L
D206	8-719-024-81	s	DIODE 1SS300-TE85L
D207	8-719-024-81	s	DIODE 1SS300-TE85L
D208	8-719-024-81	s	DIODE 1SS300-TE85L
D209	8-719-024-81	s	DIODE 1SS300-TE85L
D210	8-719-024-81	s	DIODE 1SS300-TE85L
D211	8-719-024-81	s	DIODE 1SS300-TE85L
D212	8-719-024-81	s	DIODE 1SS300-TE85L
D213	8-719-024-81	s	DIODE 1SS300-TE85L
D215	8-719-024-81	s	DIODE 1SS300-TE85L
D216	8-719-024-81	s	DIODE 1SS300-TE85L
D217	8-719-024-81	s	DIODE 1SS300-TE85L
D218	8-719-024-81	s	DIODE 1SS300-TE85L
D219	8-719-024-81	s	DIODE 1SS300-TE85L
D221	8-719-024-81	s	DIODE 1SS300-TE85L
D222	8-719-024-81	s	DIODE 1SS300-TE85L
D223	8-719-024-81	s	DIODE 1SS300-TE85L
D224	*1 8-719-024-81	s	DIODE 1SS300-TE85L
D301	8-719-989-53	s	LED CL-200HR-C-TSL
D302	8-719-061-59	s	LED CL-200PG-C-TU
D303	8-719-061-58	s	LED CL-200Y-C-TU
D304	8-719-989-53	s	LED CL-200HR-C-TSL
D501	8-719-110-02	s	DIODE RD7.5ES-B1
D502	8-719-110-22	s	DIODE RD11ES-B2
D503	8-719-108-24	s	DIODE 1SS223
D504	8-719-110-22	s	DIODE RD11ES-B2
D505	8-719-110-22	s	DIODE RD11ES-B2
D506	8-719-033-28	s	DIODE EC11FS4-TE12
D507	8-719-110-04	s	DIODE RD7.5ES-B3
F1	Δ 1-533-950-11	s	FUSE, CHIP
IC1	8-759-655-86	s	IC XC9536VQ44-DSR2000-DPR-V10
IC2	8-759-327-80	s	IC S-80745SN-D9-T1
IC3	8-759-186-44	s	IC TC74VHC125F
IC5	8-759-664-34	s	UPD780208GF
IC6	8-759-271-86	s	IC TC7SH04FU
IC201	8-759-186-47	s	IC TC74VHC138F
IC301	8-759-051-53	s	IC TD62381F
L1	1-406-823-11	s	COIL, CHOKE 10UH
L4	1-406-824-11	s	COIL, CHOKE 22UH
ND501	1-517-922-11	o	INDICATOR TUBE, FLUORESCENT
PS2	Δ 1-576-259-11	s	LINK, IC 0.6A (3225)

(KY-452A BOARD(DSEK-200))

Ref. No. or Q'ty	Part No.	SP	Description
Q520	8-729-216-22	s	TRANSISTOR 2SA1162-G
Q521	8-729-019-87	s	TRANSISTOR 2SC3392-6-TB
Q522	8-729-216-22	s	TRANSISTOR 2SA1162-G
Q523	8-729-019-87	s	TRANSISTOR 2SC3392-6-TB
Q524	8-729-216-22	s	TRANSISTOR 2SA1162-G
Q525	8-729-019-87	s	TRANSISTOR 2SC3392-6-TB
Q526	8-729-216-22	s	TRANSISTOR 2SA1162-G
Q527	8-729-019-87	s	TRANSISTOR 2SC3392-6-TB
Q528	8-729-216-22	s	TRANSISTOR 2SA1162-G
Q529	8-729-019-87	s	TRANSISTOR 2SC3392-6-TB
Q530	8-729-216-22	s	TRANSISTOR 2SA1162-G
Q531	8-729-019-87	s	TRANSISTOR 2SC3392-6-TB
Q532	8-729-216-22	s	TRANSISTOR 2SA1162-G
Q533	8-729-019-87	s	TRANSISTOR 2SC3392-6-TB
Q534	8-729-216-22	s	TRANSISTOR 2SA1162-G
Q535	8-729-019-87	s	TRANSISTOR 2SC3392-6-TB
Q536	8-729-216-22	s	TRANSISTOR 2SA1162-G
Q537	8-729-019-87	s	TRANSISTOR 2SC3392-6-TB
Q538	8-729-216-22	s	TRANSISTOR 2SA1162-G
Q539	8-729-019-87	s	TRANSISTOR 2SC3392-6-TB
Q540	8-729-216-22	s	TRANSISTOR 2SA1162-G
Q541	8-729-019-87	s	TRANSISTOR 2SC3392-6-TB
Q542	8-729-216-22	s	TRANSISTOR 2SA1162-G
Q543	8-729-019-87	s	TRANSISTOR 2SC3392-6-TB
Q544	8-729-216-22	s	TRANSISTOR 2SA1162-G
Q545	8-729-019-87	s	TRANSISTOR 2SC3392-6-TB
Q546	8-729-216-22	s	TRANSISTOR 2SA1162-G
Q547	8-729-019-87	s	TRANSISTOR 2SC3392-6-TB
Q548	8-729-216-22	s	TRANSISTOR 2SA1162-G
Q549	8-729-019-87	s	TRANSISTOR 2SC3392-6-TB
Q550	8-729-216-22	s	TRANSISTOR 2SA1162-G
Q551	8-729-019-87	s	TRANSISTOR 2SC3392-6-TB
Q552	8-729-216-22	s	TRANSISTOR 2SA1162-G
Q553	8-729-019-87	s	TRANSISTOR 2SC3392-6-TB
Q554	8-729-216-22	s	TRANSISTOR 2SA1162-G
Q555	8-729-019-87	s	TRANSISTOR 2SC3392-6-TB
Q556	8-729-216-22	s	TRANSISTOR 2SA1162-G
Q557	8-729-019-87	s	TRANSISTOR 2SC3392-6-TB
Q558	8-729-216-22	s	TRANSISTOR 2SA1162-G
Q559	8-729-019-87	s	TRANSISTOR 2SC3392-6-TB
Q560	8-729-216-22	s	TRANSISTOR 2SA1162-G
Q561	8-729-019-87	s	TRANSISTOR 2SC3392-6-TB
Q562	8-729-216-22	s	TRANSISTOR 2SA1162-G
Q563	8-729-019-87	s	TRANSISTOR 2SC3392-6-TB
Q564	8-729-216-22	s	TRANSISTOR 2SA1162-G
Q565	8-729-019-87	s	TRANSISTOR 2SC3392-6-TB
Q566	8-729-216-22	s	TRANSISTOR 2SA1162-G
Q567	8-729-019-87	s	TRANSISTOR 2SC3392-6-TB
Q568	8-729-216-22	s	TRANSISTOR 2SA1162-G
Q569	8-729-019-87	s	TRANSISTOR 2SC3392-6-TB
Q570	8-729-216-22	s	TRANSISTOR 2SA1162-G
Q571	8-729-019-87	s	TRANSISTOR 2SC3392-6-TB
Q572	8-729-216-22	s	TRANSISTOR 2SA1162-G
Q573	8-729-019-87	s	TRANSISTOR 2SC3392-6-TB
Q574	8-729-216-22	s	TRANSISTOR 2SA1162-G
Q575	8-729-019-87	s	TRANSISTOR 2SC3392-6-TB
Q576	8-729-216-22	s	TRANSISTOR 2SA1162-G
Q577	8-729-019-87	s	TRANSISTOR 2SC3392-6-TB
Q578	8-729-216-22	s	TRANSISTOR 2SA1162-G

(KY-452A BOARD(DSEK-200))

Ref. No. or Q'ty	Part No.	SP	Description
Q579	8-729-019-87	s	TRANSISTOR 2SC3392-6-TB
Q580	8-729-216-22	s	TRANSISTOR 2SA1162-G
Q581	8-729-019-87	s	TRANSISTOR 2SC3392-6-TB
Q582	8-729-216-22	s	TRANSISTOR 2SA1162-G
Q583	8-729-019-87	s	TRANSISTOR 2SC3392-6-TB
Q584	8-729-216-22	s	TRANSISTOR 2SA1162-G
Q585	8-729-019-87	s	TRANSISTOR 2SC3392-6-TB
Q586	8-729-216-22	s	TRANSISTOR 2SA1162-G
Q587	8-729-019-87	s	TRANSISTOR 2SC3392-6-TB
Q588	8-729-216-22	s	TRANSISTOR 2SA1162-G
Q589	8-729-019-87	s	TRANSISTOR 2SC3392-6-TB
Q590	8-729-216-22	s	TRANSISTOR 2SA1162-G
Q591	8-729-019-87	s	TRANSISTOR 2SC3392-6-TB
Q592	8-729-216-22	s	TRANSISTOR 2SA1162-G
Q593	8-729-019-87	s	TRANSISTOR 2SC3392-6-TB
Q594	8-729-216-22	s	TRANSISTOR 2SA1162-G
Q595	8-729-019-87	s	TRANSISTOR 2SC3392-6-TB
Q596	8-729-216-22	s	TRANSISTOR 2SA1162-G
Q597	8-729-019-87	s	TRANSISTOR 2SC3392-6-TB
Q598	8-729-216-22	s	TRANSISTOR 2SA1162-G
Q599	8-729-019-87	s	TRANSISTOR 2SC3392-6-TB
Q600	8-729-216-22	s	TRANSISTOR 2SA1162-G
Q601	8-729-230-49	s	TRANSISTOR 2SC2712-YG
Q602	8-729-202-37	s	TRANSISTOR 2SC3303-Y
R2	1-216-025-91	s	RESISTOR,CHIP 100 1/10W(2125)
R3	1-216-025-91	s	RESISTOR,CHIP 100 1/10W(2125)
R4	1-216-025-91	s	RESISTOR,CHIP 100 1/10W(2125)
R5	1-216-025-91	s	RESISTOR,CHIP 100 1/10W(2125)
R6	1-216-089-91	s	RESISTOR,CHIP 47K
R7	*2 1-216-089-91	s	RESISTOR,CHIP 47K
R8	*2 1-216-089-91	s	RESISTOR,CHIP 47K
R10	1-216-089-91	s	RESISTOR,CHIP 47K
R11	1-216-049-91	s	RESISTOR,CHIP 1K 1/10W(2125)
R22	*1 1-216-089-91	s	RESISTOR,CHIP 47K
R25	1-216-049-91	s	RESISTOR,CHIP 1K 1/10W(2125)
R27	1-216-089-91	s	RESISTOR,CHIP 47K
R28	1-216-089-91	s	RESISTOR,CHIP 47K
R33	1-216-025-91	s	RESISTOR,CHIP 100 1/10W(2125)
R34	1-216-025-91	s	RESISTOR,CHIP 100 1/10W(2125)
R35	*2 1-216-089-91	s	RESISTOR,CHIP 47K
R305	1-216-057-00	s	RESISTOR CHIP 2.2K 1/10W(2012)
R306	1-216-057-00	s	RESISTOR CHIP 2.2K 1/10W(2012)
R308	1-216-057-00	s	RESISTOR CHIP 2.2K 1/10W(2012)
R309	1-216-057-00	s	RESISTOR CHIP 2.2K 1/10W(2012)
R310	1-216-057-00	s	RESISTOR CHIP 2.2K 1/10W(2012)
R311	1-216-057-00	s	RESISTOR CHIP 2.2K 1/10W(2012)
R312	1-216-057-00	s	RESISTOR CHIP 2.2K 1/10W(2012)
R313	1-216-057-00	s	RESISTOR CHIP 2.2K 1/10W(2012)
R314	1-216-057-00	s	RESISTOR CHIP 2.2K 1/10W(2012)
R315	1-216-057-00	s	RESISTOR CHIP 2.2K 1/10W(2012)
R316	1-216-057-00	s	RESISTOR CHIP 2.2K 1/10W(2012)
R317	1-216-057-00	s	RESISTOR CHIP 2.2K 1/10W(2012)
R318	1-216-057-00	s	RESISTOR CHIP 2.2K 1/10W(2012)
R319	1-216-057-00	s	RESISTOR CHIP 2.2K 1/10W(2012)
R320	1-218-478-11	s	RESISTOR,CHIP 330 1/4W (3225)
R321	1-220-262-11	s	RESISTOR CHIP 680 1/4W (3225)
R322	1-216-049-91	s	RESISTOR,CHIP 1K 1/10W(2125)
R323	1-218-478-11	s	RESISTOR,CHIP 330 1/4W (3225)
R324	1-218-478-11	s	RESISTOR,CHIP 330 1/4W (3225)

(KY-452A BOARD(DSBK-200))

Ref. No. or Q'ty	Part No.	SP Description
R508	1-216-025-91	s RESISTOR,CHIP 100 1/10W(2125)
R509	1-216-025-91	s RESISTOR,CHIP 100 1/10W(2125)
R510	1-216-025-91	s RESISTOR,CHIP 100 1/10W(2125)
R511	1-216-025-91	s RESISTOR,CHIP 100 1/10W(2125)
R512	1-216-025-91	s RESISTOR,CHIP 100 1/10W(2125)
R513	1-216-025-91	s RESISTOR,CHIP 100 1/10W(2125)
R514	1-216-025-91	s RESISTOR,CHIP 100 1/10W(2125)
R515	1-216-025-91	s RESISTOR,CHIP 100 1/10W(2125)
R516	1-216-025-91	s RESISTOR,CHIP 100 1/10W(2125)
R517	1-216-025-91	s RESISTOR,CHIP 100 1/10W(2125)
R518	1-216-025-91	s RESISTOR,CHIP 100 1/10W(2125)
R519	1-216-025-91	s RESISTOR,CHIP 100 1/10W(2125)
R520	1-216-025-91	s RESISTOR,CHIP 100 1/10W(2125)
R521	1-216-025-91	s RESISTOR,CHIP 100 1/10W(2125)
R522	1-216-025-91	s RESISTOR,CHIP 100 1/10W(2125)
R523	1-216-025-91	s RESISTOR,CHIP 100 1/10W(2125)
R524	1-216-025-91	s RESISTOR,CHIP 100 1/10W(2125)
R525	1-216-025-91	s RESISTOR,CHIP 100 1/10W(2125)
R526	1-216-025-91	s RESISTOR,CHIP 100 1/10W(2125)
R527	1-216-025-91	s RESISTOR,CHIP 100 1/10W(2125)
R528	1-216-025-91	s RESISTOR,CHIP 100 1/10W(2125)
R529	1-216-025-91	s RESISTOR,CHIP 100 1/10W(2125)
R530	1-216-025-91	s RESISTOR,CHIP 100 1/10W(2125)
R531	1-216-025-91	s RESISTOR,CHIP 100 1/10W(2125)
R532	1-216-025-91	s RESISTOR,CHIP 100 1/10W(2125)
R533	1-216-025-91	s RESISTOR,CHIP 100 1/10W(2125)
R534	1-216-025-91	s RESISTOR,CHIP 100 1/10W(2125)
R535	1-216-025-91	s RESISTOR,CHIP 100 1/10W(2125)
R536	1-216-025-91	s RESISTOR,CHIP 100 1/10W(2125)
R537	1-216-025-91	s RESISTOR,CHIP 100 1/10W(2125)
R538	1-216-025-91	s RESISTOR,CHIP 100 1/10W(2125)
R539	1-216-025-91	s RESISTOR,CHIP 100 1/10W(2125)
R540	1-216-025-91	s RESISTOR,CHIP 100 1/10W(2125)
R541	1-216-025-91	s RESISTOR,CHIP 100 1/10W(2125)
R542	1-216-025-91	s RESISTOR,CHIP 100 1/10W(2125)
R543	1-216-025-91	s RESISTOR,CHIP 100 1/10W(2125)
R544	1-216-025-91	s RESISTOR,CHIP 100 1/10W(2125)
R545	1-216-025-91	s RESISTOR,CHIP 100 1/10W(2125)
R546	1-216-025-91	s RESISTOR,CHIP 100 1/10W(2125)
R547	1-216-025-91	s RESISTOR,CHIP 100 1/10W(2125)
R548	1-216-025-91	s RESISTOR,CHIP 100 1/10W(2125)
R549	1-216-025-91	s RESISTOR,CHIP 100 1/10W(2125)
R550	1-216-025-91	s RESISTOR,CHIP 100 1/10W(2125)
R551	1-216-049-91	s RESISTOR,CHIP 1K 1/10W(2125)
R552	1-216-025-91	s RESISTOR,CHIP 100 1/10W(2125)
R553	1-216-049-91	s RESISTOR,CHIP 1K 1/10W(2125)
R554	1-216-033-00	s RESISTOR,CHIP 220 1/10W(2012)
R555	1-208-823-11	s RESISTOR,CHIP 51K 1/10W (2125)
R557	1-216-093-00	s RESISTOR,CHIP 68K 1/10W(2012)
RB1	1-236-904-11	s RESISTOR NETWORK 1K (1608)
RB2	1-236-908-11	s RESISTOR,NETWORK 10K (3216)
RB3	*1 1-239-389-11	s RESISTOR,NETWORK 47K (1608)
RB4	1-239-389-11	s RESISTOR,NETWORK 47K (1608)
RB14	1-239-308-11	s RESISTOR ARRAY,CHIP 47K
RB15	1-239-308-11	s RESISTOR ARRAY,CHIP 47K
RB16	1-239-308-11	s RESISTOR ARRAY,CHIP 47K
RB17	1-239-308-11	s RESISTOR ARRAY,CHIP 47K
RB18	1-239-308-11	s RESISTOR ARRAY,CHIP 47K
RB201	1-239-306-11	s RESISTOR ARRAY,CHIP 10K

(KY-452A BOARD(DSBK-200))

Ref. No. or Q'ty	Part No.	SP Description
RB301	1-239-304-11	s RESISTOR ARRAY, CHIP 2.2K
S1	1-692-892-11	s SWITCH, TACTILE (WITH LIGHT)
S2	1-692-891-21	s SWITCH, TACTILE (WITH LIGHT)
S3	1-692-537-11	s SWITCH, TACTILE (WITH LIGHT)
S4	1-692-890-11	s SWITCH, TACTILE
S5	1-692-994-11	s SWITCH, TACTILE (ILLUMINATED)
S6	1-692-892-21	s SWITCH, TACTILE (WITH LIGHT)
S7	1-692-890-11	s SWITCH, TACTILE
S8	1-692-537-11	s SWITCH, TACTILE (WITH LIGHT)
S9	1-692-994-11	s SWITCH, TACTILE (ILLUMINATED)
S10	1-692-994-11	s SWITCH, TACTILE (ILLUMINATED)
S11	1-692-890-41	s SWITCH, TACTILE (WITH LIGHT)
S12	1-692-537-21	s SWITCH, TACTILE (WITH LIGHT)
S13	1-692-537-11	s SWITCH, TACTILE (WITH LIGHT)
S14	1-762-132-11	s SWITCH, TACTILE (ILLUMINATED)
S15	1-692-994-11	s SWITCH, TACTILE (ILLUMINATED)
S16	1-692-890-31	s SWITCH, TACTILE (WITH LIGHT)
S17	1-692-537-21	s SWITCH, TACTILE (WITH LIGHT)
S18	1-692-537-11	s SWITCH, TACTILE (WITH LIGHT)
S19	1-692-994-11	s SWITCH, TACTILE (ILLUMINATED)
S20	1-692-994-11	s SWITCH, TACTILE (ILLUMINATED)
S25	1-571-977-11	s SWITCH,TACTIL
S26	1-571-977-11	s SWITCH,TACTIL
S27	1-571-977-11	s SWITCH,TACTIL
S28	1-571-977-11	s SWITCH,TACTIL
S29	1-571-977-11	s SWITCH,TACTIL
S30	1-571-977-11	s SWITCH,TACTIL
S31	1-571-977-11	s SWITCH,TACTIL
S32	1-692-890-21	s SWITCH, TACTILE (WITH LIGHT)
S33	1-692-537-11	s SWITCH, TACTILE (WITH LIGHT)
S34	1-692-994-11	s SWITCH, TACTILE (ILLUMINATED)
S35	1-692-994-11	s SWITCH, TACTILE (ILLUMINATED)
S36	1-692-537-11	s SWITCH, TACTILE (WITH LIGHT)
S37	1-692-994-11	s SWITCH, TACTILE (ILLUMINATED)
S38	1-692-537-11	s SWITCH, TACTILE (WITH LIGHT)
S39	1-692-994-11	s SWITCH, TACTILE (ILLUMINATED)
S40	1-692-994-11	s SWITCH, TACTILE (ILLUMINATED)
S41	1-692-890-11	s SWITCH, TACTILE
S42	1-692-537-21	s SWITCH, TACTILE (WITH LIGHT)
S43	1-692-994-11	s SWITCH, TACTILE (ILLUMINATED)
S44	1-692-537-11	s SWITCH, TACTILE (WITH LIGHT)
S46	1-692-537-21	s SWITCH, TACTILE (WITH LIGHT)
TS01	1-435-186-11	s TRANSFORMER, CONVERTER
X1	1-767-460-21	s OSCILLATOR, CERAMIC

MB-859 BOARD(DSR-2000/2000P)

Ref. No. or Q'ty	Part No.	SP Description
1pc	A-8323-494-A	o MOUNTED CIRCUIT BOARD, MB-859
CN106	1-778-259-11	o CONNECTOR, BOARD TO BOARD 148P
CN111	1-778-259-11	o CONNECTOR, BOARD TO BOARD 148P
CN114	1-778-259-11	o CONNECTOR, BOARD TO BOARD 148P
CN202	1-778-259-11	o CONNECTOR, BOARD TO BOARD 148P
CN300	1-778-259-11	o CONNECTOR, BOARD TO BOARD 148P
CN500	1-565-913-11	s SOCKET, CONNECTOR 22P
CN501	1-565-913-11	s SOCKET, CONNECTOR 22P
CN502	1-565-473-11	o HOUSING, CONNECTOR 30P
CN503	1-565-473-11	o HOUSING, CONNECTOR 30P
CN504	1-565-473-11	o HOUSING, CONNECTOR 30P
CN505	1-565-681-11	s SOCKET, CONNECTOR 18P
CN601	1-691-740-11	o CONNECTOR, BOARD TO BOARD 14P
CN602	1-691-740-11	o CONNECTOR, BOARD TO BOARD 14P
CN603	1-691-740-11	o CONNECTOR, BOARD TO BOARD 14P
CN604	1-691-740-11	o CONNECTOR, BOARD TO BOARD 14P
CN605	1-691-740-11	o CONNECTOR, BOARD TO BOARD 14P
CN606	1-691-740-11	o CONNECTOR, BOARD TO BOARD 14P
CN607	1-691-740-11	o CONNECTOR, BOARD TO BOARD 14P
CN608	1-691-740-11	o CONNECTOR, BOARD TO BOARD 14P
CN701	1-691-740-11	o CONNECTOR, BOARD TO BOARD 14P
CN702	1-691-740-11	o CONNECTOR, BOARD TO BOARD 14P
CN703	1-691-740-11	o CONNECTOR, BOARD TO BOARD 14P
CN704	1-691-740-11	o CONNECTOR, BOARD TO BOARD 14P
CN901	1-779-092-11	s PIN, CONNECTOR (PC BOARD) 10P
CN902	1-580-838-11	o PIN, CONNECTOR (PC BOARD) 4P

MS-64 BOARD(DSR-2000/2000P)

Ref. No. or Q'ty	Part No.	SP Description
1pc	A-8323-565-A	o MOUNTED CIRCUIT BOARD, MS-64
C1	1-162-970-11	s CAPACITOR CERAMIC 0.01MF/25V B
C2	1-162-970-11	s CAPACITOR CERAMIC 0.01MF/25V B
C3	1-164-218-11	s CAPACITOR, CERAMIC 180PF/50V CH
C4	1-164-218-11	s CAPACITOR, CERAMIC 180PF/50V CH
C5	1-164-156-11	s CAPACITOR, CERAMIC 0.1MF/25V F
C6	1-164-156-11	s CAPACITOR, CERAMIC 0.1MF/25V F
C7	1-164-156-11	s CAPACITOR, CERAMIC 0.1MF/25V F
C8	1-126-390-11	s CAPACITOR ELBCT 22MF/6.3V(105)
C9	1-162-970-11	s CAPACITOR CERAMIC 0.01MF/25V B
C10	1-162-970-11	s CAPACITOR CERAMIC 0.01MF/25V B
C11	1-162-923-11	s CAPACITOR, CERAMIC 47PF/50V CH
C12	1-162-923-11	s CAPACITOR, CERAMIC 47PF/50V CH
C13	1-164-156-11	s CAPACITOR, CERAMIC 0.1MF/25V F
C14	1-162-927-11	s CAPACITOR, CERAMIC 100PF/50V CH
C15	1-162-959-11	s CAPACITOR, CERAMIC 330PF/50V SL
C16	1-164-156-11	s CAPACITOR, CERAMIC 0.1MF/25V F
C17	1-162-968-11	s CAPACITOR, CERAMIC 4700PF/50V B
C18	1-164-677-11	s CAPACITOR, CERAMIC 0.033M/16V(B)
C19	1-135-177-21	s CAPACITOR TANTALUM 1MF/25V
C20	1-135-259-11	s CAPACITOR TANTALUM 10MF/6.3VF
C21	1-164-156-11	s CAPACITOR, CERAMIC 0.1MF/25V F
C22	1-164-315-11	s CAPACITOR, CERAMIC 470PF/50V CH
C23	1-164-156-11	s CAPACITOR, CERAMIC 0.1MF/25V F
C24	1-162-970-11	s CAPACITOR CERAMIC 0.01MF/25V B
C25	1-162-970-11	s CAPACITOR CERAMIC 0.01MF/25V B
C26	1-162-923-11	s CAPACITOR, CERAMIC 47PF/50V CH
C27	1-162-923-11	s CAPACITOR, CERAMIC 47PF/50V CH
C28	1-164-156-11	s CAPACITOR, CERAMIC 0.1MF/25V F
C29	1-164-156-11	s CAPACITOR, CERAMIC 0.1MF/25V F
C30	1-164-156-11	s CAPACITOR, CERAMIC 0.1MF/25V F
C31	1-164-156-11	s CAPACITOR, CERAMIC 0.1MF/25V F
C32	1-164-156-11	s CAPACITOR, CERAMIC 0.1MF/25V F
C33	1-164-156-11	s CAPACITOR, CERAMIC 0.1MF/25V F
C34	1-164-156-11	s CAPACITOR, CERAMIC 0.1MF/25V F
C35	1-164-156-11	s CAPACITOR, CERAMIC 0.1MF/25V F
C36	1-164-156-11	s CAPACITOR, CERAMIC 0.1MF/25V F
C37	1-164-156-11	s CAPACITOR, CERAMIC 0.1MF/25V F
C38	1-164-156-11	s CAPACITOR, CERAMIC 0.1MF/25V F
C39	1-164-156-11	s CAPACITOR, CERAMIC 0.1MF/25V F
C40	1-164-156-11	s CAPACITOR, CERAMIC 0.1MF/25V F
CN1	1-778-648-11	o CONNECTOR, FFC (ZIP) 20P
CN2	1-764-078-11	s PIN, CONNECTOR (PC BOARD) 3P
CN3	1-695-320-21	o PIN, CONNECTOR (1.5MM) SMD 2P
CN4	1-778-647-11	o CONNECTOR, FFC (ZIP) 15P
CN5	1-695-480-21	o PIN, CONNECTOR (PC BOARD) 2P
CN6	1-778-648-11	o CONNECTOR, FFC (ZIP) 20P
CN7	1-766-432-21	o HOUSING, CONNECTOR 6P
CN8	1-764-078-11	s PIN, CONNECTOR (PC BOARD) 3P
CN9	1-764-078-11	s PIN, CONNECTOR (PC BOARD) 3P
CN10	1-750-840-21	s HOUSING, CONNECTOR 15P
CN11	1-778-648-11	o CONNECTOR, FFC (ZIP) 20P
CN12	1-764-078-11	s PIN, CONNECTOR (PC BOARD) 3P
CN13	1-778-647-11	o CONNECTOR, FFC (ZIP) 15P
CN19	1-695-480-21	o PIN, CONNECTOR (PC BOARD) 2P
CN500	1-784-979-11	s HOUSING, CONNECTOR 22P
CN501	1-784-979-11	s HOUSING, CONNECTOR 22P
CN502	1-766-431-21	o HOUSING, CONNECTOR 30P

(MS-64 BOARD(DSR-2000/2000P))

Ref. No. or Q'ty	Part No.	SP Description
CN503	1-766-431-21	o HOUSING, CONNECTOR 30P
CN504	1-766-431-21	o HOUSING, CONNECTOR 30P
D1	8-719-941-86	s DIODE DAN202U
IC1	8-759-338-95	s IC NJM2903V (TE2)
IC2	8-759-444-87	s IC NJM324V (TE2)
IC3	8-759-278-58	s IC NJM4558V (TE2)
IC4	8-759-278-58	s IC NJM4558V (TE2)
IC5	8-759-278-58	s IC NJM4558V (TE2)
IC6	8-759-593-47	s IC AK6417AM-E2
IC7	8-759-337-40	s IC NJM2904V(TE2)
R1	1-216-812-11	s RESISTOR,CHIP 180 1/16W 1608
R2	1-218-863-11	s RESISTOR,CHIP 4.7K 1/16W(1608)
R3	1-218-863-11	s RESISTOR,CHIP 4.7K 1/16W(1608)
R4	1-218-863-11	s RESISTOR,CHIP 4.7K 1/16W(1608)
R5	1-218-863-11	s RESISTOR,CHIP 4.7K 1/16W(1608)
R6	1-216-821-11	s RESISTOR,CHIP 1.0K 1/16W(1608)
R7	1-216-821-11	s RESISTOR,CHIP 1.0K 1/16W(1608)
R8	1-216-839-11	s RESISTOR,CHIP 33K 1/16W 1608
R9	1-216-839-11	s RESISTOR,CHIP 33K 1/16W 1608
R10	1-216-817-11	s RESISTOR,CHIP 470 1/16W 1608
R11	1-216-817-11	s RESISTOR,CHIP 470 1/16W 1608
R12	1-216-850-11	s RESISTOR,CHIP 270K 1/16W 1608
R13	1-216-845-11	s RESISTOR,CHIP 100K 1/16W(1608)
R14	1-216-811-11	s RESISTOR,CHIP 150 1/16W 1608
R15	1-216-809-11	s RESISTOR,CHIP 100 1/16W 1608
R16	1-218-863-11	s RESISTOR,CHIP 4.7K 1/16W(1608)
R17	1-218-863-11	s RESISTOR,CHIP 4.7K 1/16W(1608)
R18	1-218-863-11	s RESISTOR,CHIP 4.7K 1/16W(1608)
R19	1-218-863-11	s RESISTOR,CHIP 4.7K 1/16W(1608)
R20	1-216-821-11	s RESISTOR,CHIP 1.0K 1/16W(1608)
R21	1-216-821-11	s RESISTOR,CHIP 1.0K 1/16W(1608)
R22	1-216-821-11	s RESISTOR,CHIP 1.0K 1/16W(1608)
R23	1-216-821-11	s RESISTOR,CHIP 1.0K 1/16W(1608)
R24	1-216-829-11	s RESISTOR,CHIP 4.7K 1/16W 1608
R25	1-216-829-11	s RESISTOR,CHIP 4.7K 1/16W 1608
R26	1-216-842-11	s RESISTOR,CHIP 56K 1/16W(1608)
R27	1-216-842-11	s RESISTOR,CHIP 56K 1/16W(1608)
R28	1-216-845-11	s RESISTOR,CHIP 100K 1/16W(1608)
R29	1-216-845-11	s RESISTOR,CHIP 100K 1/16W(1608)
R30	1-216-843-11	s RESISTOR,CHIP 68K 1/16W (1608)
R31	1-216-827-11	s RESISTOR,CHIP 3.3K 1/16W 1608
R32	1-216-833-11	s RESISTOR,CHIP 10K 1/16W 1608
R33	1-216-833-11	s RESISTOR,CHIP 10K 1/16W 1608
R34	1-216-850-11	s RESISTOR,CHIP 270K 1/16W 1608
R35	1-216-845-11	s RESISTOR,CHIP 100K 1/16W(1608)
R36	1-216-829-11	s RESISTOR,CHIP 4.7K 1/16W 1608
R37	1-216-833-11	s RESISTOR,CHIP 10K 1/16W 1608
R38	1-216-842-11	s RESISTOR,CHIP 56K 1/16W(1608)
R39	1-216-853-11	s RESISTOR,CHIP 470K 1/16W(1608)
R40	1-216-853-11	s RESISTOR,CHIP 470K 1/16W(1608)
R41	1-216-817-11	s RESISTOR,CHIP 470 1/16W 1608
R42	1-216-817-11	s RESISTOR,CHIP 470 1/16W 1608
R43	1-218-863-11	s RESISTOR,CHIP 4.7K 1/16W(1608)
R44	1-218-863-11	s RESISTOR,CHIP 4.7K 1/16W(1608)
R45	1-218-863-11	s RESISTOR,CHIP 4.7K 1/16W(1608)
R46	1-218-863-11	s RESISTOR,CHIP 4.7K 1/16W(1608)
R47	1-216-821-11	s RESISTOR,CHIP 1.0K 1/16W(1608)

(MS-64 BOARD(DSR-2000/2000P))

Ref. No. or Q'ty	Part No.	SP Description
R48	1-216-821-11	s RESISTOR,CHIP 1.0K 1/16W(1608)
R49	1-216-842-11	s RESISTOR,CHIP 56K 1/16W(1608)
R50	1-216-842-11	s RESISTOR,CHIP 56K 1/16W(1608)
R51	1-218-847-11	s RESISTOR,CHIP 1K 1/16W (1608)
R52	1-218-847-11	s RESISTOR,CHIP 1K 1/16W (1608)
R53	1-218-863-11	s RESISTOR,CHIP 4.7K 1/16W(1608)
R54	1-218-863-11	s RESISTOR,CHIP 4.7K 1/16W(1608)
R55	1-218-903-11	s RESISTOR,CHIP 220K 1/16W(1608)
R56	1-218-887-11	s RESISTOR,CHIP 47K 1/16W (1608)
R58	1-218-849-11	s RESISTOR,CHIP 1.2K 1/16W(1608)
R59	1-218-861-11	s RESISTOR,CHIP 3.9K 1/16W(1608)
R60	1-218-903-11	s RESISTOR,CHIP 220K 1/16W(1608)
R61	1-216-864-11	s RESISTOR,CHIP 0 1/16W (1608)

PTC-100 BOARD(DSR-2000/2000P,DSBK-200)

Ref. No. or Q'ty	Part No.	SP Description
C1	1-126-157-11	s CAPACITOR, ELECT 10MF/16V (105)
C2	1-163-038-91	s CAPACITOR, CERAMIC 0.1MF/25V
C5	1-163-021-91	s CAPACITOR, CERAMIC 0.01MF/50V
C6	1-163-021-91	s CAPACITOR, CERAMIC 0.01MF/50V
C7	1-163-021-91	s CAPACITOR, CERAMIC 0.01MF/50V
C8	1-163-021-91	s CAPACITOR, CERAMIC 0.01MF/50V
C12	1-163-038-91	s CAPACITOR, CERAMIC 0.1MF/25V
CN1	1-564-005-11	o PIN, CONNECTOR 6P
IC2	8-759-981-61	s IC LM2901M
PH4	8-749-925-01	s PHOTO INTERRUPTER SPI-235-18
R1	1-208-774-11	s RESISTOR, CHIP 470 1/10W (2012)
R2	1-208-774-11	s RESISTOR, CHIP 470 1/10W (2012)
R5	1-208-822-11	s RESISTOR, CHIP 47K 1/10W (2012)
R6	1-208-806-11	s RESISTOR, CHIP 10K 1/10W (2012)
R7	1-208-806-11	s RESISTOR, CHIP 10K 1/10W (2012)
R8	1-208-822-11	s RESISTOR, CHIP 47K 1/10W (2012)
R11	1-208-806-11	s RESISTOR, CHIP 10K 1/10W (2012)
R12	1-208-806-11	s RESISTOR, CHIP 10K 1/10W (2012)
R14	1-208-806-11	s RESISTOR, CHIP 10K 1/10W (2012)
R15	1-208-814-11	s RESISTOR, CHIP 22K 1/10W (2012)
R17	1-208-814-11	s RESISTOR, CHIP 22K 1/10W (2012)
R18	1-208-806-11	s RESISTOR, CHIP 10K 1/10W (2012)
R20	1-208-806-11	s RESISTOR, CHIP 10K 1/10W (2012)
R22	1-208-806-11	s RESISTOR, CHIP 10K 1/10W (2012)
R23	1-208-814-11	s RESISTOR, CHIP 22K 1/10W (2012)
R24	1-208-806-11	s RESISTOR, CHIP 10K 1/10W (2012)
R27	1-208-830-11	s RESISTOR, CHIP 100K 1/10W(2012)
R28	1-208-830-11	s RESISTOR, CHIP 100K 1/10W(2012)
R29	1-208-830-11	s RESISTOR, CHIP 100K 1/10W(2012)
R30	1-208-830-11	s RESISTOR, CHIP 100K 1/10W(2012)
R31	1-208-806-11	s RESISTOR, CHIP 10K 1/10W (2012)
R32	1-208-806-11	s RESISTOR, CHIP 10K 1/10W (2012)
R33	1-208-806-11	s RESISTOR, CHIP 10K 1/10W (2012)
R34	1-208-806-11	s RESISTOR, CHIP 10K 1/10W (2012)
R35	1-208-774-11	s RESISTOR, CHIP 470 1/10W (2012)
R36	1-208-806-11	s RESISTOR, CHIP 10K 1/10W (2012)
R37	1-208-806-11	s RESISTOR, CHIP 10K 1/10W (2012)
R38	1-208-774-11	s RESISTOR, CHIP 470 1/10W (2012)
R39	1-208-806-11	s RESISTOR, CHIP 10K 1/10W (2012)
R40	1-208-806-11	s RESISTOR, CHIP 10K 1/10W (2012)

RP-111 BOARD(DSR-2000/2000P)

*a: Lot No. 908 - 911

Ref. No. or Q'ty	Part No.	SP Description
1pc	A-8323-475-A	s MOUNTED CIRCUIT BOARD, RP-111
1pc	3-179-084-01	s LEVER (R), PRINTED C. BOARD
1pc	3-179-085-01	s LEVER (L), PRINTED C. BOARD
1pc	7-682-903-11	s SCREW +PMH 3X6 (EP-FE/ZN/CM2)
C1	1-164-156-11	s CAPACITOR, CERAMIC 0.1MF/25V F
C2	1-164-156-11	s CAPACITOR, CERAMIC 0.1MF/25V F
C3	1-164-156-11	s CAPACITOR, CERAMIC 0.1MF/25V F
C4	1-164-156-11	s CAPACITOR, CERAMIC 0.1MF/25V F
C5	1-164-156-11	s CAPACITOR, CERAMIC 0.1MF/25V F
C6	1-164-156-11	s CAPACITOR, CERAMIC 0.1MF/25V F
C7	1-164-156-11	s CAPACITOR, CERAMIC 0.1MF/25V F
C8	1-164-156-11	s CAPACITOR, CERAMIC 0.1MF/25V F
C9	1-164-156-11	s CAPACITOR, CERAMIC 0.1MF/25V F
C10	1-104-851-11	s CAPACITOR, TANTALUM 10MF/10V
C11	1-104-851-11	s CAPACITOR, TANTALUM 10MF/10V
C12	1-164-156-11	s CAPACITOR, CERAMIC 0.1MF/25V F
C13	1-164-156-11	s CAPACITOR, CERAMIC 0.1MF/25V F
C14	1-164-156-11	s CAPACITOR, CERAMIC 0.1MF/25V F
C15	1-164-156-11	s CAPACITOR, CERAMIC 0.1MF/25V F
C16	1-164-156-11	s CAPACITOR, CERAMIC 0.1MF/25V F
C17	1-164-156-11	s CAPACITOR, CERAMIC 0.1MF/25V F
C18	1-115-416-11	s CAPACITOR, CERAMIC 1000PF/25V
C19	1-115-416-11	s CAPACITOR, CERAMIC 1000PF/25V
C20	1-115-416-11	s CAPACITOR, CERAMIC 1000PF/25V
C21	1-162-970-11	s CAPACITOR CERAMIC 0.01MF/25V B
C22	1-115-416-11	s CAPACITOR, CERAMIC 1000PF/25V
C23	1-135-145-11	s CAPACITOR TANTALUM 0.47MF/35V
C24	1-115-416-11	s CAPACITOR, CERAMIC 1000PF/25V
C25	1-162-970-11	s CAPACITOR CERAMIC 0.01MF/25V B
C26	1-135-145-11	s CAPACITOR TANTALUM 0.47MF/35V
C27	1-115-416-11	s CAPACITOR, CERAMIC 1000PF/25V
C28	1-113-985-11	s CAPACITOR, TANTALUM 10MF/20V
C29	1-164-156-11	s CAPACITOR, CERAMIC 0.1MF/25V F
C30	1-164-156-11	s CAPACITOR, CERAMIC 0.1MF/25V F
C31	1-104-851-11	s CAPACITOR, TANTALUM 10MF/10V
C32	1-164-156-11	s CAPACITOR, CERAMIC 0.1MF/25V F
C33	1-164-156-11	s CAPACITOR, CERAMIC 0.1MF/25V F
C34	1-164-156-11	s CAPACITOR, CERAMIC 0.1MF/25V F
C35	1-104-851-11	s CAPACITOR, TANTALUM 10MF/10V
C36	1-164-156-11	s CAPACITOR, CERAMIC 0.1MF/25V F
C37	1-164-156-11	s CAPACITOR, CERAMIC 0.1MF/25V F
C38	1-164-156-11	s CAPACITOR, CERAMIC 0.1MF/25V F
C39	1-162-970-11	s CAPACITOR CERAMIC 0.01MF/25V B
C40	1-115-416-11	s CAPACITOR, CERAMIC 1000PF/25V
C41	1-115-416-11	s CAPACITOR, CERAMIC 1000PF/25V
C42	1-162-970-11	s CAPACITOR CERAMIC 0.01MF/25V B
C43	1-135-145-11	s CAPACITOR TANTALUM 0.47MF/35V
C44	1-115-416-11	s CAPACITOR, CERAMIC 1000PF/25V
C45	1-164-156-11	s CAPACITOR, CERAMIC 0.1MF/25V F
C46	1-104-851-11	s CAPACITOR, TANTALUM 10MF/10V
C47	1-164-156-11	s CAPACITOR, CERAMIC 0.1MF/25V F
C48	1-164-156-11	s CAPACITOR, CERAMIC 0.1MF/25V F
C49	1-164-156-11	s CAPACITOR, CERAMIC 0.1MF/25V F
C50	1-164-156-11	s CAPACITOR, CERAMIC 0.1MF/25V F
C51	1-104-851-11	s CAPACITOR, TANTALUM 10MF/10V
C52	1-104-851-11	s CAPACITOR, TANTALUM 10MF/10V

(RP-111 BOARD(DSR-2000/2000P))

Ref. No. or Q'ty	Part No.	SP Description
C614	1-162-970-11	s CAPACITOR,CERAMIC 0.01MF/25V B
C615	1-162-970-11	s CAPACITOR,CERAMIC 0.01MF/25V B
C616	1-162-970-11	s CAPACITOR,CERAMIC 0.01MF/25V B
C617	1-162-970-11	s CAPACITOR,CERAMIC 0.01MF/25V B
C618	1-164-156-11	s CAPACITOR,CERAMIC 0.1MF/25V F
C619	1-162-970-11	s CAPACITOR,CERAMIC 0.01MF/25V B
C620	1-162-970-11	s CAPACITOR,CERAMIC 0.01MF/25V B
C621	1-115-416-11	s CAPACITOR,CERAMIC 1000PF/25V
C623	1-162-923-11	s CAPACITOR,CERAMIC 47PF/50V CH
C624	1-164-156-11	s CAPACITOR,CERAMIC 0.1MF/25V F
C625	1-164-315-11	s CAPACITOR,CERAMIC 470PF/50V CH
C626	1-164-217-11	s CAPACITOR,CERAMIC 150PF/50V CH
C627	1-164-217-11	s CAPACITOR,CERAMIC 150PF/50V CH
C628	1-162-970-11	s CAPACITOR,CERAMIC 0.01MF/25V B
C629	1-162-970-11	s CAPACITOR,CERAMIC 0.01MF/25V B
C630	1-164-156-11	s CAPACITOR,CERAMIC 0.1MF/25V F
C631	1-162-964-11	s CAPACITOR,CERAMIC 1000PF/50V B
C632	1-162-970-11	s CAPACITOR,CERAMIC 0.01MF/25V B
C633	1-162-964-11	s CAPACITOR,CERAMIC 1000PF/50V B
C634	1-162-970-11	s CAPACITOR,CERAMIC 0.01MF/25V B
C635	1-162-924-11	s CAPACITOR,CERAMIC 56PF/50V CH
C636	1-162-970-11	s CAPACITOR,CERAMIC 0.01MF/25V B
C637	1-162-964-11	s CAPACITOR,CERAMIC 1000PF/50V B
C638	1-162-964-11	s CAPACITOR,CERAMIC 1000PF/50V B
C639	1-162-970-11	s CAPACITOR,CERAMIC 0.01MF/25V B
C640	1-162-970-11	s CAPACITOR,CERAMIC 0.01MF/25V B
C641	1-113-985-11	s CAPACITOR,TANTALUM 10MF/20V
C642	1-164-156-11	s CAPACITOR,CERAMIC 0.1MF/25V F
C643	1-164-156-11	s CAPACITOR,CERAMIC 0.1MF/25V F
C644	1-104-851-11	s CAPACITOR,TANTALUM 10MF/10V
C645	1-115-416-11	s CAPACITOR,CERAMIC 1000PF/25V
C646	1-162-970-11	s CAPACITOR,CERAMIC 0.01MF/25V B
C647	1-162-923-11	s CAPACITOR,CERAMIC 47PF/50V CH
C648	1-162-923-11	s CAPACITOR,CERAMIC 47PF/50V CH
C649	1-162-970-11	s CAPACITOR,CERAMIC 0.01MF/25V B
C650	1-162-966-11	s CAPACITOR,CERAMIC 2200PF/50V B
C651	1-162-970-11	s CAPACITOR,CERAMIC 0.01MF/25V B
C652	1-162-966-11	s CAPACITOR,CERAMIC 2200PF/50V B
C653	1-162-970-11	s CAPACITOR,CERAMIC 0.01MF/25V B
C654	1-162-967-11	s CAPACITOR,CERAMIC 3300PF/50V B
C655	1-162-967-11	s CAPACITOR,CERAMIC 3300PF/50V B
C656	1-162-964-11	s CAPACITOR,CERAMIC 1000PF/50V B
C657	1-162-927-11	s CAPACITOR,CERAMIC 100PF/50V CH
C658	1-164-156-11	s CAPACITOR,CERAMIC 0.1MF/25V F
C661	1-164-156-11	s CAPACITOR,CERAMIC 0.1MF/25V F
C662	1-164-156-11	s CAPACITOR,CERAMIC 0.1MF/25V F
C663	1-164-156-11	s CAPACITOR,CERAMIC 0.1MF/25V F
C664	1-107-826-11	s CAPACITOR,CHIP CERAMIC 0.1MF
C665	1-107-826-11	s CAPACITOR,CHIP CERAMIC 0.1MF
C667	1-164-156-11	s CAPACITOR,CERAMIC 0.1MF/25V F
C668	1-107-826-11	s CAPACITOR,CHIP CERAMIC 0.1MF
C669	1-107-826-11	s CAPACITOR,CHIP CERAMIC 0.1MF
C675	1-107-826-11	s CAPACITOR,CHIP CERAMIC 0.1MF
C676	1-107-826-11	s CAPACITOR,CHIP CERAMIC 0.1MF
C677	1-107-826-11	s CAPACITOR,CHIP CERAMIC 0.1MF
C701	1-164-156-11	s CAPACITOR,CERAMIC 0.1MF/25V F
C702	1-164-156-11	s CAPACITOR,CERAMIC 0.1MF/25V F
C703	1-104-851-11	s CAPACITOR,TANTALUM 10MF/10V
C704	1-164-156-11	s CAPACITOR,CERAMIC 0.1MF/25V F

(RP-111 BOARD(DSR-2000/2000P))

Ref. No. or Q'ty	Part No.	SP Description
C705	1-113-985-11	s CAPACITOR,TANTALUM 10MF/20V
C706	1-164-156-11	s CAPACITOR,CERAMIC 0.1MF/25V F
C707	1-113-985-11	s CAPACITOR,TANTALUM 10MF/20V
C708	1-164-156-11	s CAPACITOR,CERAMIC 0.1MF/25V F
C709	1-164-156-11	s CAPACITOR,CERAMIC 0.1MF/25V F
C710	1-104-851-11	s CAPACITOR,TANTALUM 10MF/10V
C711	1-164-156-11	s CAPACITOR,CERAMIC 0.1MF/25V F
C712	1-104-851-11	s CAPACITOR,TANTALUM 10MF/10V
C713	1-162-970-11	s CAPACITOR,CERAMIC 0.01MF/25V B
C714	1-162-970-11	s CAPACITOR,CERAMIC 0.01MF/25V B
C715	1-162-970-11	s CAPACITOR,CERAMIC 0.01MF/25V B
C716	1-162-970-11	s CAPACITOR,CERAMIC 0.01MF/25V B
C717	1-162-970-11	s CAPACITOR,CERAMIC 0.01MF/25V B
C718	1-164-156-11	s CAPACITOR,CERAMIC 0.1MF/25V F
C719	1-162-970-11	s CAPACITOR,CERAMIC 0.01MF/25V B
C720	1-162-970-11	s CAPACITOR,CERAMIC 0.01MF/25V B
C721	1-115-416-11	s CAPACITOR,CERAMIC 1000PF/25V
C723	1-162-923-11	s CAPACITOR,CERAMIC 47PF/50V CH
C724	1-164-156-11	s CAPACITOR,CERAMIC 0.1MF/25V F
C725	1-164-315-11	s CAPACITOR,CERAMIC 470PF/50V CH
C726	1-164-217-11	s CAPACITOR,CERAMIC 150PF/50V CH
C727	1-164-156-11	s CAPACITOR,CERAMIC 0.1MF/25V F
C728	1-164-217-11	s CAPACITOR,CERAMIC 150PF/50V CH
C729	1-162-970-11	s CAPACITOR,CERAMIC 0.01MF/25V B
C730	1-162-970-11	s CAPACITOR,CERAMIC 0.01MF/25V B
C731	1-164-156-11	s CAPACITOR,CERAMIC 0.1MF/25V F
C732	1-162-964-11	s CAPACITOR,CERAMIC 1000PF/50V B
C733	1-162-970-11	s CAPACITOR,CERAMIC 0.01MF/25V B
C734	1-162-964-11	s CAPACITOR,CERAMIC 1000PF/50V B
C735	1-162-970-11	s CAPACITOR,CERAMIC 0.01MF/25V B
C736	1-162-924-11	s CAPACITOR,CERAMIC 56PF/50V CH
C737	1-162-970-11	s CAPACITOR,CERAMIC 0.01MF/25V B
C738	1-162-964-11	s CAPACITOR,CERAMIC 1000PF/50V B
C739	1-162-964-11	s CAPACITOR,CERAMIC 1000PF/50V B
C740	1-162-970-11	s CAPACITOR,CERAMIC 0.01MF/25V B
C741	1-162-970-11	s CAPACITOR,CERAMIC 0.01MF/25V B
C742	1-113-985-11	s CAPACITOR,TANTALUM 10MF/20V
C743	1-164-156-11	s CAPACITOR,CERAMIC 0.1MF/25V F
C744	1-164-156-11	s CAPACITOR,CERAMIC 0.1MF/25V F
C745	1-104-851-11	s CAPACITOR,TANTALUM 10MF/10V
C746	1-115-416-11	s CAPACITOR,CERAMIC 1000PF/25V
C747	1-162-970-11	s CAPACITOR,CERAMIC 0.01MF/25V B
C748	1-162-923-11	s CAPACITOR,CERAMIC 47PF/50V CH
C749	1-162-923-11	s CAPACITOR,CERAMIC 47PF/50V CH
C750	1-162-970-11	s CAPACITOR,CERAMIC 0.01MF/25V B
C751	1-162-966-11	s CAPACITOR,CERAMIC 2200PF/50V B
C752	1-162-970-11	s CAPACITOR,CERAMIC 0.01MF/25V B
C753	1-162-966-11	s CAPACITOR,CERAMIC 2200PF/50V B
C754	1-162-970-11	s CAPACITOR,CERAMIC 0.01MF/25V B
C755	1-162-967-11	s CAPACITOR,CERAMIC 3300PF/50V B
C756	1-162-967-11	s CAPACITOR,CERAMIC 3300PF/50V B
C757	1-162-964-11	s CAPACITOR,CERAMIC 1000PF/50V B
C758	1-162-927-11	s CAPACITOR,CERAMIC 100PF/50V CH
C759	1-164-156-11	s CAPACITOR,CERAMIC 0.1MF/25V F
C762	1-164-156-11	s CAPACITOR,CERAMIC 0.1MF/25V F
C763	1-164-156-11	s CAPACITOR,CERAMIC 0.1MF/25V F
C764	1-107-826-11	s CAPACITOR,CHIP CERAMIC 0.1MF
C765	1-107-826-11	s CAPACITOR,CHIP CERAMIC 0.1MF
C767	1-162-970-11	s CAPACITOR,CERAMIC 0.01MF/25V B

(RP-111 BOARD(DSR-2000/2000P))

Ref. No. or Q'ty	Part No.	SP Description
C958	1-162-970-11	s CAPACITOR,CERAMIC 0.01MF/25V B
C959	1-162-970-11	s CAPACITOR,CERAMIC 0.01MF/25V B
C960	1-162-970-11	s CAPACITOR,CERAMIC 0.01MF/25V B
C961	1-113-985-11	s CAPACITOR,TANTALUM 10MF/20V
C962	1-164-156-11	s CAPACITOR,CERAMIC 0.1MF/25V F
C963	1-162-966-11	s CAPACITOR,CERAMIC 2200PF/50V B
C964	1-162-927-11	s CAPACITOR,CERAMIC 100PF/50V CH
C965	1-164-230-11	s CAPACITOR,CERAMIC 220PF/50V
C966	1-164-230-11	s CAPACITOR,CERAMIC 220PF/50V
C967	1-162-970-11	s CAPACITOR,CERAMIC 0.01MF/25V B
C968	1-162-927-11	s CAPACITOR,CERAMIC 100PF/50V CH
C969	1-115-416-11	s CAPACITOR,CERAMIC 1000PF/25V
C970	1-164-156-11	s CAPACITOR,CERAMIC 0.1MF/25V F
C971	1-162-970-11	s CAPACITOR,CERAMIC 0.01MF/25V B
C972	1-162-970-11	s CAPACITOR,CERAMIC 0.01MF/25V B
C973	1-104-851-11	s CAPACITOR,TANTALUM 10MF/10V
C974	1-164-156-11	s CAPACITOR,CERAMIC 0.1MF/25V F
C975	1-162-970-11	s CAPACITOR,CERAMIC 0.01MF/25V B
C976	1-162-970-11	s CAPACITOR,CERAMIC 0.01MF/25V B
C977	1-162-970-11	s CAPACITOR,CERAMIC 0.01MF/25V B
C978	1-104-851-11	s CAPACITOR,TANTALUM 10MF/10V
C979	1-164-156-11	s CAPACITOR,CERAMIC 0.1MF/25V F
C981	1-164-156-11	s CAPACITOR,CERAMIC 0.1MF/25V F
C982	1-164-156-11	s CAPACITOR,CERAMIC 0.1MF/25V F
C983	1-164-156-11	s CAPACITOR,CERAMIC 0.1MF/25V F
C984	1-164-156-11	s CAPACITOR,CERAMIC 0.1MF/25V F
C985	1-164-156-11	s CAPACITOR,CERAMIC 0.1MF/25V F
C986	1-164-156-11	s CAPACITOR,CERAMIC 0.1MF/25V F
C987	1-164-156-11	s CAPACITOR,CERAMIC 0.1MF/25V F
C988	1-104-851-11	s CAPACITOR,TANTALUM 10MF/10V
C989	1-164-156-11	s CAPACITOR,CERAMIC 0.1MF/25V F
CN1	1-565-771-11	s CONNECTOR,FPC(21F) 12P
CN2	1-568-164-11	s CONNECTOR,FPC 8P
CN3	1-565-771-11	s CONNECTOR,FPC(21F) 12P
CN4	1-565-771-11	s CONNECTOR,FPC(21F) 12P
CN302	1-794-047-11	o CONNECTOR, BOARD TO BOARD 80P
CN401	1-764-243-11	o CONNECTOR (COAXIAL)
CN501	1-764-243-11	o CONNECTOR (COAXIAL)
CN601	1-764-243-11	o CONNECTOR (COAXIAL)
CN701	1-764-243-11	o CONNECTOR (COAXIAL)
D1	8-719-027-95	s DIODE HSM88WK
D2	8-719-027-95	s DIODE HSM88WK
D3	8-719-041-39	s DIODE KV1470 (5MA)
D4	8-719-041-39	s DIODE KV1470 (5MA)
D5	8-719-027-95	s DIODE HSM88WK
D6	8-719-041-39	s DIODE KV1470 (5MA)
D101	8-719-052-27	s DIODE 1SS351-TB
D151	8-719-052-27	s DIODE 1SS351-TB
DL403	1-411-274-21	s DELAY LINE, LC (23NS)
DL503	1-411-274-21	s DELAY LINE, LC (23NS)
DL603	1-411-274-21	s DELAY LINE, LC (23NS)
DL703	1-411-274-21	s DELAY LINE, LC (23NS)
FL401	1-234-484-21	s FILTER, LOW PASS
FL501	1-234-484-21	s FILTER, LOW PASS
FL601	1-234-484-21	s FILTER, LOW PASS
FL701	1-234-484-21	s FILTER, LOW PASS
FL941	1-233-351-21	s FILTER, BAND PASS

(RP-111 BOARD(DSR-2000/2000P))

Ref. No. or Q'ty	Part No.	SP Description
FL942	1-233-350-21	s FILTER, BAND PASS
FL943	1-233-351-21	s FILTER, BAND PASS
FL944	1-233-350-21	s FILTER, BAND PASS
IC1	8-752-386-38	s IC CXD3105R (T6)
IC2	8-752-386-38	s IC CXD3105R (T6)
IC3	8-759-523-95	s IC TC74VHC74FT(EL)
IC4	8-759-058-54	s IC TC7800FU-TB85R
IC5	8-752-386-38	s IC CXD3105R (T6)
IC6	8-752-073-50	s IC CXA2018Q
IC7	8-759-524-50	s IC TC74VHC541FT(EL)
IC8	8-759-524-50	s IC TC74VHC541FT(EL)
IC9	8-759-196-97	s IC TC7SH32FU (TB85R)
IC10	8-759-196-97	s IC TC7SH32FU (TB85R)
IC101	8-752-073-50	s IC CXA2018Q
IC102	8-752-085-28	s IC CXA3241TN-T2
IC103	8-752-085-28	s IC CXA3241TN-T2
IC104	8-752-085-27	s IC CXA3240TN-T2
IC105	8-752-085-28	s IC CXA3241TN-T2
IC151	8-752-073-50	s IC CXA2018Q
IC152	8-752-085-28	s IC CXA3241TN-T2
IC153	8-752-085-28	s IC CXA3241TN-T2
IC154	8-752-085-27	s IC CXA3240TN-T2
IC155	8-752-085-28	s IC CXA3241TN-T2
IC201	8-752-085-28	s IC CXA3241TN-T2
IC202	8-752-085-28	s IC CXA3241TN-T2
IC203	8-752-085-27	s IC CXA3240TN-T2
IC204	8-759-523-94	s IC TC74VHC32FT(EL)
IC205	8-752-085-28	s IC CXA3241TN-T2
IC206	8-752-085-27	s IC CXA3240TN-T2
IC207	8-759-548-97	s IC SN74LV04APWR
IC208	8-752-085-28	s IC CXA3241TN-T2
IC251	8-752-085-28	s IC CXA3241TN-T2
IC252	8-752-085-28	s IC CXA3241TN-T2
IC253	8-752-085-27	s IC CXA3240TN-T2
IC255	8-752-085-28	s IC CXA3241TN-T2
IC256	8-752-085-27	s IC CXA3240TN-T2
IC257	8-759-523-94	s IC TC74VHC32FT(EL)
IC301	8-752-085-28	s IC CXA3241TN-T2
IC302	8-752-085-28	s IC CXA3241TN-T2
IC303	8-752-085-27	s IC CXA3240TN-T2
IC304	8-759-523-94	s IC TC74VHC32FT(EL)
IC305	8-752-085-28	s IC CXA3241TN-T2
IC306	8-752-085-27	s IC CXA3240TN-T2
IC307	8-759-548-97	s IC SN74LV04APWR
IC308	8-752-085-28	s IC CXA3241TN-T2
IC351	8-752-085-28	s IC CXA3241TN-T2
IC352	8-752-085-28	s IC CXA3241TN-T2
IC353	8-752-085-27	s IC CXA3240TN-T2
IC355	8-752-085-28	s IC CXA3241TN-T2
IC356	8-752-085-27	s IC CXA3240TN-T2
IC401	8-752-371-18	s IC CXD2302Q
IC402	8-752-074-59	s IC CXA2023R
IC403	8-752-070-12	s IC CXA1762Q
IC404	8-759-524-50	s IC TC74VHC541FT(EL)
IC405	8-759-523-81	s IC TC74VHC08FT(EL)
IC406	8-759-523-96	s IC TC74VHC86FT (EL)
IC501	8-752-371-18	s IC CXD2302Q
IC502	8-752-074-59	s IC CXA2023R

(RP-111 BOARD(DSR-2000/2000P))

Ref. No. or Q'ty	Part No.	SP Description
IC503	8-752-070-12	s IC CXA1762Q
IC504	8-759-524-50	s IC TC74VHC541FT(EL)
IC601	8-752-371-18	s IC CXD2302Q
IC602	8-752-074-59	s IC CXA2023R
IC603	8-752-070-12	s IC CXA1762Q
IC604	8-759-524-50	s IC TC74VHC541FT(EL)
IC605	8-759-523-94	s IC TC74VHC32FT(EL)
IC701	8-752-371-18	s IC CXD2302Q
IC702	8-752-074-59	s IC CXA2023R
IC703	8-752-070-12	s IC CXA1762Q
IC704	8-759-524-50	s IC TC74VHC541FT(EL)
IC801	8-759-524-50	s IC TC74VHC541FT(EL)
IC802	8-752-386-38	s IC CXD3105R (T6)
IC803	8-759-523-94	s IC TC74VHC32FT(EL)
IC804	8-759-524-50	s IC TC74VHC541FT(EL)
IC805	8-759-524-50	s IC TC74VHC541FT(EL)
IC806	8-759-058-54	s IC TC7800FU-TE85R
IC807	8-759-524-50	s IC TC74VHC541FT(EL)
IC808	8-752-386-38	s IC CXD3105R (T6)
IC809	8-759-524-50	s IC TC74VHC541FT(EL)
IC810	8-759-058-54	s IC TC7800FU-TE85R
IC851	8-759-524-50	s IC TC74VHC541FT(EL)
IC852	8-752-386-38	s IC CXD3105R (T6)
IC853	8-759-524-50	s IC TC74VHC541FT(EL)
IC854	8-759-524-50	s IC TC74VHC541FT(EL)
IC855	8-752-386-38	s IC CXD3105R (T6)
IC856	8-759-524-50	s IC TC74VHC541FT(EL)
IC857	8-759-524-50	s IC TC74VHC541FT(EL)
IC901	8-759-491-47	s IC TC74VHC08FT(EL)
IC902	8-759-523-02	s IC TC74HC4053AFT(EL)
IC903	8-759-523-02	s IC TC74HC4053AFT(EL)
IC904	8-759-259-77	s IC PQ20VZ5U
IC905	8-759-064-36	s IC MB88346BPFV
IC906	8-759-259-77	s IC PQ20VZ5U
IC907	8-759-064-36	s IC MB88346BPFV
IC909	8-759-259-77	s IC PQ20VZ5U
IC910	8-759-182-84	s IC PQ05SZ5U
IC911	8-759-064-36	s IC MB88346BPFV
IC912	8-759-523-02	s IC TC74HC4053AFT(EL)
IC913	8-759-064-36	s IC MB88346BPFV
IC914	8-759-182-84	s IC PQ05SZ5U
IC916	8-759-445-93	s IC AK6440AM (E2)
IC941	8-759-523-78	s IC TC74VHC00FT(EL)
IC942	8-759-327-00	s IC CXA8044Q (T4)
IC943	8-759-062-66	s IC TC7866F
IC944	8-759-523-02	s IC TC74HC4053AFT(EL)
IC945	8-759-491-47	s IC TC74VHC08FT(EL)
IC946	8-759-327-01	s IC NJM062V-TE2
IC947	8-759-327-00	s IC CXA8044Q (T4)
IC948	8-759-062-66	s IC TC7866F
IC949	8-759-327-01	s IC NJM062V-TE2
IC950	8-759-548-97	s IC SN74LV04APWR
L1	1-414-398-11	s INDUCTOR (SMD) 10UH
L2	1-414-398-11	s INDUCTOR (SMD) 10UH
L3	1-414-398-11	s INDUCTOR (SMD) 10UH
L4	1-412-936-11	s INDUCTOR CHIP 0.56UH (2520)
L5	1-412-936-11	s INDUCTOR CHIP 0.56UH (2520)
L6	1-414-398-11	s INDUCTOR (SMD) 10UH

(RP-111 BOARD(DSR-2000/2000P))

Ref. No. or Q'ty	Part No.	SP Description
L7	1-414-398-11	s INDUCTOR (SMD) 10UH
L8	1-414-398-11	s INDUCTOR (SMD) 10UH
L9	1-412-936-11	s INDUCTOR CHIP 0.56UH (2520)
L10	1-414-398-11	s INDUCTOR (SMD) 10UH
L11	1-414-398-11	s INDUCTOR (SMD) 10UH
L101	1-414-398-11	s INDUCTOR (SMD) 10UH
L102	1-414-398-11	s INDUCTOR (SMD) 10UH
L103	1-414-397-11	s INDUCTOR (SMD) 6.8UH
L151	1-414-398-11	s INDUCTOR (SMD) 10UH
L152	1-414-398-11	s INDUCTOR (SMD) 10UH
L153	1-414-397-11	s INDUCTOR (SMD) 6.8UH
L201	1-414-397-11	s INDUCTOR (SMD) 6.8UH
L202	1-414-398-11	s INDUCTOR (SMD) 10UH
L251	1-414-397-11	s INDUCTOR (SMD) 6.8UH
L301	1-414-397-11	s INDUCTOR (SMD) 6.8UH
L302	1-414-398-11	s INDUCTOR (SMD) 10UH
L351	1-414-397-11	s INDUCTOR (SMD) 6.8UH
L401	1-414-398-11	s INDUCTOR (SMD) 10UH
L402	1-414-398-11	s INDUCTOR (SMD) 10UH
L403	1-414-398-11	s INDUCTOR (SMD) 10UH
L404	1-414-398-11	s INDUCTOR (SMD) 10UH
L405	1-414-398-11	s INDUCTOR (SMD) 10UH
L406	1-414-398-11	s INDUCTOR (SMD) 10UH
L407	1-414-398-11	s INDUCTOR (SMD) 10UH
L408	1-410-657-21	s CHIP INDUCTOR 180UH (3225)
L409	1-410-393-11	s CHIP INDUCTOR 100UH (3225)
L501	1-414-398-11	s INDUCTOR (SMD) 10UH
L502	1-414-398-11	s INDUCTOR (SMD) 10UH
L503	1-414-398-11	s INDUCTOR (SMD) 10UH
L504	1-414-398-11	s INDUCTOR (SMD) 10UH
L505	1-414-398-11	s INDUCTOR (SMD) 10UH
L506	1-414-398-11	s INDUCTOR (SMD) 10UH
L507	1-414-398-11	s INDUCTOR (SMD) 10UH
L508	1-410-657-21	s CHIP INDUCTOR 180UH (3225)
L509	1-410-393-11	s CHIP INDUCTOR 100UH (3225)
L601	1-414-398-11	s INDUCTOR (SMD) 10UH
L602	1-414-398-11	s INDUCTOR (SMD) 10UH
L603	1-414-398-11	s INDUCTOR (SMD) 10UH
L604	1-414-398-11	s INDUCTOR (SMD) 10UH
L605	1-414-398-11	s INDUCTOR (SMD) 10UH
L606	1-414-398-11	s INDUCTOR (SMD) 10UH
L607	1-414-398-11	s INDUCTOR (SMD) 10UH
L608	1-410-657-21	s CHIP INDUCTOR 180UH (3225)
L609	1-410-656-11	s CHIP INDUCTOR 150UH (3225)
L701	1-414-398-11	s INDUCTOR (SMD) 10UH
L702	1-414-398-11	s INDUCTOR (SMD) 10UH
L703	1-414-398-11	s INDUCTOR (SMD) 10UH
L704	1-414-398-11	s INDUCTOR (SMD) 10UH
L705	1-414-398-11	s INDUCTOR (SMD) 10UH
L706	1-414-398-11	s INDUCTOR (SMD) 10UH
L707	1-414-398-11	s INDUCTOR (SMD) 10UH
L708	1-410-657-21	s CHIP INDUCTOR 180UH (3225)
L709	1-410-656-11	s CHIP INDUCTOR 150UH (3225)
L801	1-414-398-11	s INDUCTOR (SMD) 10UH
L802	1-414-398-11	s INDUCTOR (SMD) 10UH
L803	1-414-398-11	s INDUCTOR (SMD) 10UH
L805	1-414-398-11	s INDUCTOR (SMD) 10UH
L806	1-414-398-11	s INDUCTOR (SMD) 10UH
L851	1-414-398-11	s INDUCTOR (SMD) 10UH

(RP-111 BOARD(DSR-2000/2000P))

Ref. No. or Q'ty	Part No.	SP Description
L852	1-414-398-11	s INDUCTOR (SMD) 10UH
L854	1-414-398-11	s INDUCTOR (SMD) 10UH
L855	1-414-398-11	s INDUCTOR (SMD) 10UH
L857	1-414-398-11	s INDUCTOR (SMD) 10UH
L901	1-414-398-11	s INDUCTOR (SMD) 10UH
L902	1-424-673-11	s COIL, CHOKE 4.7UH
L903	1-424-673-11	s COIL, CHOKE 4.7UH
L941	1-414-398-11	s INDUCTOR (SMD) 10UH
L942	1-412-282-41	s INDUCTOR INDUCTOR 470UH (3225)
L943	1-414-398-11	s INDUCTOR (SMD) 10UH
L944	1-412-282-41	s INDUCTOR INDUCTOR 470UH (3225)
L981	1-414-398-11	s INDUCTOR (SMD) 10UH
PS901	▲ 1-533-282-21	s CIRCUIT PROTECTOR 2A (3225)
PS903	▲ 1-533-282-21	s CIRCUIT PROTECTOR 2A (3225)
Q1	1-801-806-11	s TRANSISTOR DTC144EAK
Q102	8-729-143-46	s TRANSISTOR 2SC3356-R24
Q152	8-729-143-46	s TRANSISTOR 2SC3356-R24
Q202	8-729-143-46	s TRANSISTOR 2SC3356-R24
Q302	8-729-143-46	s TRANSISTOR 2SC3356-R24
Q401	8-729-039-79	s TRANSISTOR 2SA1813-TL
Q402	8-729-905-35	s TRANSISTOR 2SC4081-R
Q403	8-729-905-35	s TRANSISTOR 2SC4081-R
Q404	8-729-905-35	s TRANSISTOR 2SC4081-R
Q405	1-801-806-11	s TRANSISTOR DTC144EAK
Q406	1-801-806-11	s TRANSISTOR DTC144EAK
Q407	8-729-905-23	s TRANSISTOR 2SA1576-R
Q408	8-729-905-35	s TRANSISTOR 2SC4081-R
Q409	8-729-041-82	s TRANSISTOR UPA801T-T1/FB
Q410	8-729-041-82	s TRANSISTOR UPA801T-T1/FB
Q501	8-729-039-79	s TRANSISTOR 2SA1813-TL
Q502	8-729-905-35	s TRANSISTOR 2SC4081-R
Q503	8-729-905-35	s TRANSISTOR 2SC4081-R
Q504	8-729-905-35	s TRANSISTOR 2SC4081-R
Q505	1-801-806-11	s TRANSISTOR DTC144EAK
Q506	1-801-806-11	s TRANSISTOR DTC144EAK
Q507	8-729-905-23	s TRANSISTOR 2SA1576-R
Q508	8-729-905-35	s TRANSISTOR 2SC4081-R
Q509	8-729-041-82	s TRANSISTOR UPA801T-T1/FB
Q510	8-729-041-82	s TRANSISTOR UPA801T-T1/FB
Q601	8-729-039-79	s TRANSISTOR 2SA1813-TL
Q602	8-729-905-35	s TRANSISTOR 2SC4081-R
Q603	8-729-905-35	s TRANSISTOR 2SC4081-R
Q604	8-729-905-35	s TRANSISTOR 2SC4081-R
Q605	1-801-806-11	s TRANSISTOR DTC144EAK
Q606	1-801-806-11	s TRANSISTOR DTC144EAK
Q607	8-729-905-23	s TRANSISTOR 2SA1576-R
Q608	8-729-905-35	s TRANSISTOR 2SC4081-R
Q609	8-729-041-82	s TRANSISTOR UPA801T-T1/FB
Q610	8-729-041-82	s TRANSISTOR UPA801T-T1/FB
Q701	8-729-039-79	s TRANSISTOR 2SA1813-TL
Q702	8-729-905-35	s TRANSISTOR 2SC4081-R
Q703	8-729-905-35	s TRANSISTOR 2SC4081-R
Q704	8-729-905-35	s TRANSISTOR 2SC4081-R
Q705	1-801-806-11	s TRANSISTOR DTC144EAK
Q706	1-801-806-11	s TRANSISTOR DTC144EAK
Q707	8-729-905-23	s TRANSISTOR 2SA1576-R
Q708	8-729-905-35	s TRANSISTOR 2SC4081-R
Q709	8-729-041-82	s TRANSISTOR UPA801T-T1/FB

(RP-111 BOARD(DSR-2000/2000P))

Ref. No. or Q'ty	Part No.	SP Description
Q710	8-729-041-82	s TRANSISTOR UPA801T-T1/FB
Q941	8-729-905-35	s TRANSISTOR 2SC4081-R
Q942	8-729-905-35	s TRANSISTOR 2SC4081-R
Q943	1-801-806-11	s TRANSISTOR DTC144EAK
Q944	8-729-905-35	s TRANSISTOR 2SC4081-R
Q945	8-729-905-35	s TRANSISTOR 2SC4081-R
Q946	1-801-806-11	s TRANSISTOR DTC144EAK
R1	1-216-801-11	s RESISTOR,CHIP 22 1/16W 1608
R2	1-216-864-11	s RESISTOR,CHIP 0 1/16W (1608)
R3	1-216-864-11	s RESISTOR,CHIP 0 1/16W (1608)
R4	1-216-864-11	s RESISTOR,CHIP 0 1/16W (1608)
R5	1-216-864-11	s RESISTOR,CHIP 0 1/16W (1608)
R6	1-216-801-11	s RESISTOR,CHIP 22 1/16W 1608
R7	1-216-809-11	s RESISTOR,CHIP 100 1/16W 1608
R8	1-216-809-11	s RESISTOR,CHIP 100 1/16W 1608
R9	1-216-833-11	s RESISTOR,CHIP 10K 1/16W 1608
R10	1-216-809-11	s RESISTOR,CHIP 100 1/16W 1608
R11	1-216-864-11	s RESISTOR,CHIP 0 1/16W (1608)
R12	1-216-833-11	s RESISTOR,CHIP 10K 1/16W 1608
R13	1-216-837-11	s RESISTOR,CHIP 22K 1/16W 1608
R14	1-216-864-11	s RESISTOR,CHIP 0 1/16W (1608)
R15	1-216-864-11	s RESISTOR,CHIP 0 1/16W (1608)
R16	1-216-864-11	s RESISTOR,CHIP 0 1/16W (1608)
R17	1-216-864-11	s RESISTOR,CHIP 0 1/16W (1608)
R18	1-216-864-11	s RESISTOR,CHIP 0 1/16W (1608)
R19	1-216-809-11	s RESISTOR,CHIP 100 1/16W 1608
R20	1-216-845-11	s RESISTOR,CHIP 100K 1/16W(1608)
R21	1-216-814-11	s RESISTOR,CHIP 270 1/16W 1608
R22	1-216-864-11	s RESISTOR,CHIP 0 1/16W (1608)
R23	1-216-864-11	s RESISTOR,CHIP 0 1/16W (1608)
R24	1-216-864-11	s RESISTOR,CHIP 0 1/16W (1608)
R25	1-218-887-11	s RESISTOR,CHIP 47K 1/16W (1608)
R26	1-218-887-11	s RESISTOR,CHIP 47K 1/16W (1608)
R27	1-218-887-11	s RESISTOR,CHIP 47K 1/16W (1608)
R28	1-216-809-11	s RESISTOR,CHIP 100 1/16W 1608
R29	1-216-845-11	s RESISTOR,CHIP 100K 1/16W(1608)
R30	1-218-887-11	s RESISTOR,CHIP 47K 1/16W (1608)
R31	1-218-855-11	s RESISTOR,CHIP 2.2K 1/16W(1608)
R32	1-216-814-11	s RESISTOR,CHIP 270 1/16W 1608
R33	1-216-864-11	s RESISTOR,CHIP 0 1/16W (1608)
R34	1-216-809-11	s RESISTOR,CHIP 100 1/16W 1608
R35	1-218-855-11	s RESISTOR,CHIP 2.2K 1/16W(1608)
R36	1-216-801-11	s RESISTOR,CHIP 22 1/16W 1608
R37	1-216-864-11	s RESISTOR,CHIP 0 1/16W (1608)
R38	1-216-801-11	s RESISTOR,CHIP 22 1/16W 1608
R39	1-216-809-11	s RESISTOR,CHIP 100 1/16W 1608
R40	1-216-833-11	s RESISTOR,CHIP 10K 1/16W 1608
R41	1-216-864-11	s RESISTOR,CHIP 0 1/16W (1608)
R42	1-216-864-11	s RESISTOR,CHIP 0 1/16W (1608)
R43	1-216-864-11	s RESISTOR,CHIP 0 1/16W (1608)
R44	1-216-864-11	s RESISTOR,CHIP 0 1/16W (1608)
R45	1-216-809-11	s RESISTOR,CHIP 100 1/16W 1608
R46	1-216-864-11	s RESISTOR,CHIP 0 1/16W (1608)
R47	1-218-867-11	s RESISTOR,CHIP 6.8K 1/16W(1608)
R48	1-216-864-11	s RESISTOR,CHIP 0 1/16W (1608)
R49	1-218-887-11	s RESISTOR,CHIP 47K 1/16W (1608)
R50	1-216-845-11	s RESISTOR,CHIP 100K 1/16W(1608)
R51	1-216-809-11	s RESISTOR,CHIP 100 1/16W 1608

(RP-111 BOARD(DSR-2000/2000P))

Ref. No. or Q'ty	Part No.	SP Description
R52	1-218-887-11	s RESISTOR,CHIP 47K 1/16W (1608)
R53	1-216-814-11	s RESISTOR,CHIP 270 1/16W 1608
R54	1-216-864-11	s RESISTOR,CHIP 0 1/16W (1608)
R55	1-216-809-11	s RESISTOR,CHIP 100 1/16W 1608
R57	1-218-855-11	s RESISTOR,CHIP 2.2K 1/16W(1608)
R58	1-218-871-11	s RESISTOR,CHIP 10K 1/16W (1608)
R59	1-218-895-11	s RESISTOR,CHIP 100K 1/16W(1608)
R60	1-218-871-11	s RESISTOR,CHIP 10K 1/16W (1608)
R61	1-218-895-11	s RESISTOR,CHIP 100K 1/16W(1608)
R62	1-216-833-11	s RESISTOR,CHIP 10K 1/16W 1608
R63	1-216-833-11	s RESISTOR,CHIP 10K 1/16W 1608
R66	1-216-864-11	s RESISTOR,CHIP 0 1/16W (1608)
R67	*a 1-216-864-11	s RESISTOR,CHIP 0 1/16W (1608)
R101	1-218-871-11	s RESISTOR,CHIP 10K 1/16W (1608)
R102	1-218-835-11	s RESISTOR,CHIP 330 1/16W (1608)
R103	1-218-837-11	s RESISTOR,CHIP 390 1/16W (1608)
R104	1-216-834-11	s RESISTOR,CHIP 12K 1/16W 1608
R105	1-216-829-11	s RESISTOR,CHIP 4.7K 1/16W 1608
R106	1-218-867-11	s RESISTOR,CHIP 6.8K 1/16W(1608)
R107	1-216-864-11	s RESISTOR,CHIP 0 1/16W (1608)
R108	1-216-809-11	s RESISTOR,CHIP 100 1/16W 1608
R109	1-218-879-11	s RESISTOR,CHIP 22K 1/16W (1608)
R110	1-218-853-11	s RESISTOR,CHIP 1.8K 1/16W(1608)
R111	1-218-867-11	s RESISTOR,CHIP 6.8K 1/16W(1608)
R112	1-216-809-11	s RESISTOR,CHIP 100 1/16W 1608
R113	1-216-805-11	s RESISTOR,CHIP 47 1/16W 1608
R114	1-218-855-11	s RESISTOR,CHIP 2.2K 1/16W(1608)
R115	1-216-805-11	s RESISTOR,CHIP 47 1/16W 1608
R116	1-216-795-11	s RESISTOR,CHIP 6.8 1/16W(1608)
R117	1-216-797-11	s RESISTOR,CHIP 10 1/16W 1608
R118	1-218-827-11	s RESISTOR,CHIP 150 1/16W (1608)
R119	1-216-797-11	s RESISTOR,CHIP 10 1/16W 1608
R121	1-216-797-11	s RESISTOR,CHIP 10 1/16W 1608
R122	1-218-827-11	s RESISTOR,CHIP 150 1/16W (1608)
R123	1-216-797-11	s RESISTOR,CHIP 10 1/16W 1608
R124	1-216-835-11	s RESISTOR,CHIP 15K 1/16W
R125	1-216-835-11	s RESISTOR,CHIP 15K 1/16W
R128	1-218-855-11	s RESISTOR,CHIP 2.2K 1/16W(1608)
R130	1-216-864-11	s RESISTOR,CHIP 0 1/16W (1608)
R131	1-211-985-11	s RESISTOR,CHIP 47 1/16W (1608)
R132	1-211-985-11	s RESISTOR,CHIP 47 1/16W (1608)
R134	1-211-985-11	s RESISTOR,CHIP 47 1/16W (1608)
R135	1-216-821-11	s RESISTOR,CHIP 1.0K 1/16W(1608)
R137	1-216-805-11	s RESISTOR,CHIP 47 1/16W 1608
R138	1-218-860-11	s RESISTOR,CHIP 3.6K 1/16W(1608)
R139	1-216-805-11	s RESISTOR,CHIP 47 1/16W 1608
R140	1-216-805-11	s RESISTOR,CHIP 47 1/16W 1608
R141	1-211-985-11	s RESISTOR,CHIP 47 1/16W (1608)
R142	1-216-794-11	s RESISTOR,CHIP 5.6 1/16W 1608
R143	1-218-843-11	s RESISTOR,CHIP 680 1/16W (1608)
R144	1-216-817-11	s RESISTOR,CHIP 470 1/16W 1608
R145	1-218-865-11	s RESISTOR,CHIP 5.6K 1/16W(1608)
R146	1-216-864-11	s RESISTOR,CHIP 0 1/16W (1608)
R147	1-216-864-11	s RESISTOR,CHIP 0 1/16W (1608)
R148	1-218-823-11	s RESISTOR,CHIP 100 1/16W (1608)
R149	1-216-833-11	s RESISTOR,CHIP 10K 1/16W 1608
R150	1-216-833-11	s RESISTOR,CHIP 10K 1/16W 1608
R151	1-218-871-11	s RESISTOR,CHIP 10K 1/16W (1608)
R152	1-218-835-11	s RESISTOR,CHIP 330 1/16W (1608)

(RP-111 BOARD(DSR-2000/2000P))

Ref. No. or Q'ty	Part No.	SP Description
R153	1-218-837-11	s RESISTOR,CHIP 390 1/16W (1608)
R154	1-216-834-11	s RESISTOR,CHIP 12K 1/16W 1608
R155	1-216-829-11	s RESISTOR,CHIP 4.7K 1/16W 1608
R156	1-218-867-11	s RESISTOR,CHIP 6.8K 1/16W(1608)
R157	1-216-864-11	s RESISTOR,CHIP 0 1/16W (1608)
R158	1-216-809-11	s RESISTOR,CHIP 100 1/16W 1608
R159	1-218-879-11	s RESISTOR,CHIP 22K 1/16W (1608)
R160	1-218-853-11	s RESISTOR,CHIP 1.8K 1/16W(1608)
R161	1-218-867-11	s RESISTOR,CHIP 6.8K 1/16W(1608)
R162	1-216-809-11	s RESISTOR,CHIP 100 1/16W 1608
R163	1-216-805-11	s RESISTOR,CHIP 47 1/16W 1608
R164	1-218-855-11	s RESISTOR,CHIP 2.2K 1/16W(1608)
R165	1-216-805-11	s RESISTOR,CHIP 47 1/16W 1608
R166	1-216-795-11	s RESISTOR,CHIP 6.8 1/16W(1608)
R167	1-216-797-11	s RESISTOR,CHIP 10 1/16W 1608
R168	1-218-827-11	s RESISTOR,CHIP 150 1/16W (1608)
R169	1-216-797-11	s RESISTOR,CHIP 10 1/16W 1608
R171	1-216-797-11	s RESISTOR,CHIP 10 1/16W 1608
R172	1-218-827-11	s RESISTOR,CHIP 150 1/16W (1608)
R173	1-216-797-11	s RESISTOR,CHIP 10 1/16W 1608
R174	1-216-835-11	s RESISTOR,CHIP 15K 1/16W
R175	1-216-835-11	s RESISTOR,CHIP 15K 1/16W
R178	1-218-855-11	s RESISTOR,CHIP 2.2K 1/16W(1608)
R180	1-216-864-11	s RESISTOR,CHIP 0 1/16W (1608)
R181	1-211-985-11	s RESISTOR,CHIP 47 1/16W (1608)
R182	1-211-985-11	s RESISTOR,CHIP 47 1/16W (1608)
R184	1-211-985-11	s RESISTOR,CHIP 47 1/16W (1608)
R185	1-216-821-11	s RESISTOR,CHIP 1.0K 1/16W(1608)
R187	1-216-805-11	s RESISTOR,CHIP 47 1/16W 1608
R188	1-218-860-11	s RESISTOR,CHIP 3.6K 1/16W(1608)
R189	1-216-805-11	s RESISTOR,CHIP 47 1/16W 1608
R190	1-216-805-11	s RESISTOR,CHIP 47 1/16W 1608
R191	1-211-985-11	s RESISTOR,CHIP 47 1/16W (1608)
R192	1-216-794-11	s RESISTOR,CHIP 5.6 1/16W 1608
R193	1-218-843-11	s RESISTOR,CHIP 680 1/16W (1608)
R194	1-216-817-11	s RESISTOR,CHIP 470 1/16W 1608
R195	1-218-865-11	s RESISTOR,CHIP 5.6K 1/16W(1608)
R196	1-216-864-11	s RESISTOR,CHIP 0 1/16W (1608)
R197	1-218-855-11	s RESISTOR,CHIP 2.2K 1/16W(1608)
R198	1-218-855-11	s RESISTOR,CHIP 2.2K 1/16W(1608)
R199	1-218-823-11	s RESISTOR,CHIP 100 1/16W (1608)
R201	1-218-855-11	s RESISTOR,CHIP 2.2K 1/16W(1608)
R202	1-216-805-11	s RESISTOR,CHIP 47 1/16W 1608
R203	1-211-985-11	s RESISTOR,CHIP 47 1/16W (1608)
R204	1-216-805-11	s RESISTOR,CHIP 47 1/16W 1608
R205	1-216-864-11	s RESISTOR,CHIP 0 1/16W (1608)
R206	1-216-805-11	s RESISTOR,CHIP 47 1/16W 1608
R207	1-216-795-11	s RESISTOR,CHIP 6.8 1/16W(1608)
R208	1-216-797-11	s RESISTOR,CHIP 10 1/16W 1608
R209	1-218-827-11	s RESISTOR,CHIP 150 1/16W (1608)
R210	1-211-969-11	s RESISTOR,CHIP 10 1/16W (1608)
R212	1-216-797-11	s RESISTOR,CHIP 10 1/16W 1608
R213	1-218-827-11	s RESISTOR,CHIP 150 1/16W (1608)
R214	1-211-969-11	s RESISTOR,CHIP 10 1/16W (1608)
R215	1-216-835-11	s RESISTOR,CHIP 15K 1/16W
R216	1-216-835-11	s RESISTOR,CHIP 15K 1/16W
R219	1-218-855-11	s RESISTOR,CHIP 2.2K 1/16W(1608)
R220	1-216-864-11	s RESISTOR,CHIP 0 1/16W (1608)
R223	1-211-985-11	s RESISTOR,CHIP 47 1/16W (1608)

(RP-111 BOARD(DSR-2000/2000P))

Ref. No. or Q'ty	Part No.	SP Description
R402	1-216-853-11	s RESISTOR,CHIP 470K 1/16W(1608)
R403	1-216-853-11	s RESISTOR,CHIP 470K 1/16W(1608)
R404	1-218-880-11	s RESISTOR,CHIP 24K 1/16W (1608)
R405	1-218-880-11	s RESISTOR,CHIP 24K 1/16W (1608)
R406	1-216-841-11	s RESISTOR, CHIP 47K 1/16W 1608
R407	1-218-878-11	s RESISTOR,CHIP 20K 1/16W (1608)
R408	1-218-879-11	s RESISTOR,CHIP 22K 1/16W (1608)
R409	1-218-832-11	s RESISTOR,CHIP 240 1/16W (1608)
R410	1-218-832-11	s RESISTOR,CHIP 240 1/16W (1608)
R411	1-218-849-11	s RESISTOR,CHIP 1.2K 1/16W(1608)
R412	1-218-871-11	s RESISTOR,CHIP 10K 1/16W (1608)
R413	1-216-809-11	s RESISTOR,CHIP 100 1/16W 1608
R414	1-218-863-11	s RESISTOR,CHIP 4.7K 1/16W(1608)
R415	1-216-864-11	s RESISTOR,CHIP 0 1/16W (1608)
R416	1-218-864-11	s RESISTOR,CHIP 5.1K 1/16W(1608)
R417	1-216-835-11	s RESISTOR,CHIP 15K 1/16W
R418	1-218-847-11	s RESISTOR, CHIP 1K 1/16W (1608)
R419	1-218-835-11	s RESISTOR,CHIP 330 1/16W (1608)
R420	1-216-864-11	s RESISTOR,CHIP 0 1/16W (1608)
R421	1-216-864-11	s RESISTOR,CHIP 0 1/16W (1608)
R422	1-218-879-11	s RESISTOR,CHIP 22K 1/16W (1608)
R423	1-218-880-11	s RESISTOR,CHIP 24K 1/16W (1608)
R424	1-218-835-11	s RESISTOR,CHIP 330 1/16W (1608)
R425	1-218-871-11	s RESISTOR,CHIP 10K 1/16W (1608)
R426	1-218-839-11	s RESISTOR,CHIP 470 1/16W (1608)
R427	1-218-863-11	s RESISTOR,CHIP 4.7K 1/16W(1608)
R428	1-218-875-11	s RESISTOR,CHIP 15K 1/16W (1608)
R429	1-218-837-11	s RESISTOR,CHIP 390 1/16W (1608)
R430	1-216-809-11	s RESISTOR,CHIP 100 1/16W 1608
R431	1-216-809-11	s RESISTOR,CHIP 100 1/16W 1608
R432	1-218-837-11	s RESISTOR,CHIP 390 1/16W (1608)
R433	1-216-821-11	s RESISTOR,CHIP 1.0K 1/16W(1608)
R434	1-216-809-11	s RESISTOR,CHIP 100 1/16W 1608
R435	1-216-810-11	s RESISTOR, CHIP 120 1/16W 1608
R436	1-216-810-11	s RESISTOR, CHIP 120 1/16W 1608
R437	1-218-867-11	s RESISTOR,CHIP 6.8K 1/16W(1608)
R438	1-216-817-11	s RESISTOR,CHIP 470 1/16W 1608
R439	1-216-821-11	s RESISTOR,CHIP 1.0K 1/16W(1608)
R440	1-218-871-11	s RESISTOR,CHIP 10K 1/16W (1608)
R441	1-218-835-11	s RESISTOR,CHIP 330 1/16W (1608)
R442	1-218-835-11	s RESISTOR,CHIP 330 1/16W (1608)
R444	1-218-823-11	s RESISTOR,CHIP 100 1/16W (1608)
R445	1-216-809-11	s RESISTOR,CHIP 100 1/16W 1608
R446	1-216-829-11	s RESISTOR, CHIP 4.7K 1/16W 1608
R447	1-216-829-11	s RESISTOR, CHIP 4.7K 1/16W 1608
R448	1-216-809-11	s RESISTOR,CHIP 100 1/16W 1608
R449	1-216-805-11	s RESISTOR,CHIP 47 1/16W 1608
R450	1-218-839-11	s RESISTOR,CHIP 470 1/16W (1608)
R451	1-216-805-11	s RESISTOR,CHIP 47 1/16W 1608
R452	1-216-817-11	s RESISTOR,CHIP 470 1/16W 1608
R453	1-216-809-11	s RESISTOR,CHIP 100 1/16W 1608
R454	1-216-864-11	s RESISTOR,CHIP 0 1/16W (1608)
R455	1-218-875-11	s RESISTOR,CHIP 15K 1/16W (1608)
R456	1-211-973-11	s RESISTOR,CHIP 15 1/16W (1608)
R457	1-216-864-11	s RESISTOR,CHIP 0 1/16W (1608)
R458	1-216-864-11	s RESISTOR,CHIP 0 1/16W (1608)
R459	1-216-805-11	s RESISTOR,CHIP 47 1/16W 1608
R475	1-216-829-11	s RESISTOR, CHIP 4.7K 1/16W 1608
R476	1-216-829-11	s RESISTOR, CHIP 4.7K 1/16W 1608

(RP-111 BOARD(DSR-2000/2000P))

Ref. No. or Q'ty	Part No.	SP Description
R477	1-216-809-11	s RESISTOR,CHIP 100 1/16W 1608
R478	1-216-805-11	s RESISTOR,CHIP 47 1/16W 1608
R479	1-218-839-11	s RESISTOR,CHIP 470 1/16W (1608)
R480	1-211-989-11	s RESISTOR,CHIP 68 1/16W (1608)
R501	1-216-805-11	s RESISTOR,CHIP 47 1/16W 1608
R502	1-216-853-11	s RESISTOR,CHIP 470K 1/16W(1608)
R503	1-216-853-11	s RESISTOR,CHIP 470K 1/16W(1608)
R504	1-218-880-11	s RESISTOR,CHIP 24K 1/16W (1608)
R505	1-218-880-11	s RESISTOR,CHIP 24K 1/16W (1608)
R506	1-216-841-11	s RESISTOR, CHIP 47K 1/16W 1608
R507	1-218-878-11	s RESISTOR,CHIP 20K 1/16W (1608)
R508	1-218-879-11	s RESISTOR,CHIP 22K 1/16W (1608)
R509	1-218-832-11	s RESISTOR,CHIP 240 1/16W (1608)
R510	1-218-832-11	s RESISTOR,CHIP 240 1/16W (1608)
R511	1-218-849-11	s RESISTOR,CHIP 1.2K 1/16W(1608)
R512	1-218-871-11	s RESISTOR,CHIP 10K 1/16W (1608)
R513	1-216-809-11	s RESISTOR,CHIP 100 1/16W 1608
R514	1-218-863-11	s RESISTOR,CHIP 4.7K 1/16W(1608)
R515	1-216-864-11	s RESISTOR,CHIP 0 1/16W (1608)
R516	1-218-864-11	s RESISTOR,CHIP 5.1K 1/16W(1608)
R517	1-216-835-11	s RESISTOR,CHIP 15K 1/16W
R518	1-218-847-11	s RESISTOR, CHIP 1K 1/16W (1608)
R519	1-218-835-11	s RESISTOR,CHIP 330 1/16W (1608)
R520	1-216-864-11	s RESISTOR,CHIP 0 1/16W (1608)
R521	1-216-864-11	s RESISTOR,CHIP 0 1/16W (1608)
R522	1-218-879-11	s RESISTOR,CHIP 22K 1/16W (1608)
R523	1-218-880-11	s RESISTOR,CHIP 24K 1/16W (1608)
R524	1-218-835-11	s RESISTOR,CHIP 330 1/16W (1608)
R525	1-218-871-11	s RESISTOR,CHIP 10K 1/16W (1608)
R526	1-218-839-11	s RESISTOR,CHIP 470 1/16W (1608)
R527	1-218-863-11	s RESISTOR,CHIP 4.7K 1/16W(1608)
R528	1-218-875-11	s RESISTOR,CHIP 15K 1/16W (1608)
R529	1-218-837-11	s RESISTOR,CHIP 390 1/16W (1608)
R530	1-218-823-11	s RESISTOR,CHIP 100 1/16W (1608)
R531	1-218-823-11	s RESISTOR,CHIP 100 1/16W (1608)
R532	1-218-837-11	s RESISTOR,CHIP 390 1/16W (1608)
R533	1-216-821-11	s RESISTOR,CHIP 1.0K 1/16W(1608)
R534	1-216-809-11	s RESISTOR,CHIP 100 1/16W 1608
R535	1-216-810-11	s RESISTOR, CHIP 120 1/16W 1608
R536	1-216-810-11	s RESISTOR, CHIP 120 1/16W 1608
R537	1-218-867-11	s RESISTOR,CHIP 6.8K 1/16W(1608)
R538	1-216-817-11	s RESISTOR,CHIP 470 1/16W 1608
R539	1-216-821-11	s RESISTOR,CHIP 1.0K 1/16W(1608)
R540	1-218-871-11	s RESISTOR,CHIP 10K 1/16W (1608)
R541	1-218-835-11	s RESISTOR,CHIP 330 1/16W (1608)
R542	1-218-835-11	s RESISTOR,CHIP 330 1/16W (1608)
R544	1-218-823-11	s RESISTOR,CHIP 100 1/16W (1608)
R545	1-216-809-11	s RESISTOR,CHIP 100 1/16W 1608
R546	1-216-829-11	s RESISTOR, CHIP 4.7K 1/16W 1608
R547	1-216-829-11	s RESISTOR, CHIP 4.7K 1/16W 1608
R548	1-216-809-11	s RESISTOR,CHIP 100 1/16W 1608
R549	1-216-805-11	s RESISTOR,CHIP 47 1/16W 1608
R550	1-218-839-11	s RESISTOR,CHIP 470 1/16W (1608)
R551	1-216-805-11	s RESISTOR,CHIP 47 1/16W 1608
R552	1-216-817-11	s RESISTOR,CHIP 470 1/16W 1608
R553	1-216-809-11	s RESISTOR,CHIP 100 1/16W 1608
R554	1-216-864-11	s RESISTOR,CHIP 0 1/16W (1608)
R555	1-218-875-11	s RESISTOR,CHIP 15K 1/16W (1608)
R556	1-211-973-11	s RESISTOR,CHIP 15 1/16W (1608)

(RP-111 BOARD(DSR-2000/2000P))

Ref. No. or Q'ty	Part No.	SP Description
R557	1-216-864-11	s RESISTOR,CHIP 0 1/16W (1608)
R558	1-216-864-11	s RESISTOR,CHIP 0 1/16W (1608)
R559	1-216-805-11	s RESISTOR,CHIP 47 1/16W 1608
R575	1-216-829-11	s RESISTOR,CHIP 4.7K 1/16W 1608
R576	1-216-829-11	s RESISTOR,CHIP 4.7K 1/16W 1608
R577	1-216-809-11	s RESISTOR,CHIP 100 1/16W 1608
R578	1-216-805-11	s RESISTOR,CHIP 47 1/16W 1608
R579	1-218-839-11	s RESISTOR,CHIP 470 1/16W (1608)
R580	1-211-989-11	s RESISTOR,CHIP 68 1/16W (1608)
R601	1-216-805-11	s RESISTOR,CHIP 47 1/16W 1608
R602	1-216-853-11	s RESISTOR,CHIP 470K 1/16W(1608)
R603	1-216-853-11	s RESISTOR,CHIP 470K 1/16W(1608)
R604	1-218-880-11	s RESISTOR,CHIP 24K 1/16W (1608)
R605	1-218-880-11	s RESISTOR,CHIP 24K 1/16W (1608)
R606	1-216-841-11	s RESISTOR,CHIP 47K 1/16W 1608
R607	1-218-878-11	s RESISTOR,CHIP 20K 1/16W (1608)
R608	1-218-879-11	s RESISTOR,CHIP 22K 1/16W (1608)
R609	1-218-832-11	s RESISTOR,CHIP 240 1/16W (1608)
R610	1-218-832-11	s RESISTOR,CHIP 240 1/16W (1608)
R611	1-216-864-11	s RESISTOR,CHIP 0 1/16W (1608)
R612	1-216-864-11	s RESISTOR,CHIP 0 1/16W (1608)
R613	1-218-849-11	s RESISTOR,CHIP 1.2K 1/16W(1608)
R614	1-218-871-11	s RESISTOR,CHIP 10K 1/16W (1608)
R615	1-218-863-11	s RESISTOR,CHIP 4.7K 1/16W(1608)
R616	1-218-863-11	s RESISTOR,CHIP 4.7K 1/16W(1608)
R617	1-218-864-11	s RESISTOR,CHIP 5.1K 1/16W(1608)
R618	1-218-864-11	s RESISTOR,CHIP 5.1K 1/16W(1608)
R619	1-216-864-11	s RESISTOR,CHIP 0 1/16W (1608)
R620	1-216-835-11	s RESISTOR,CHIP 15K 1/16W
R621	1-218-846-11	s RESISTOR,CHIP 910 1/16W (1608)
R622	1-218-835-11	s RESISTOR,CHIP 330 1/16W (1608)
R623	1-216-864-11	s RESISTOR,CHIP 0 1/16W (1608)
R624	1-216-809-11	s RESISTOR,CHIP 100 1/16W 1608
R625	1-218-879-11	s RESISTOR,CHIP 22K 1/16W (1608)
R626	1-218-880-11	s RESISTOR,CHIP 24K 1/16W (1608)
R627	1-218-835-11	s RESISTOR,CHIP 330 1/16W (1608)
R628	1-218-871-11	s RESISTOR,CHIP 10K 1/16W (1608)
R629	1-218-839-11	s RESISTOR,CHIP 470 1/16W (1608)
R630	1-218-863-11	s RESISTOR,CHIP 4.7K 1/16W(1608)
R631	1-218-875-11	s RESISTOR,CHIP 15K 1/16W (1608)
R632	1-218-837-11	s RESISTOR,CHIP 390 1/16W (1608)
R633	1-216-809-11	s RESISTOR,CHIP 100 1/16W 1608
R634	1-216-809-11	s RESISTOR,CHIP 100 1/16W 1608
R635	1-218-837-11	s RESISTOR,CHIP 390 1/16W (1608)
R636	1-216-821-11	s RESISTOR,CHIP 1.0K 1/16W(1608)
R637	1-216-814-11	s RESISTOR,CHIP 270 1/16W 1608
R638	1-216-810-11	s RESISTOR,CHIP 120 1/16W 1608
R639	1-216-810-11	s RESISTOR,CHIP 120 1/16W 1608
R640	1-218-867-11	s RESISTOR,CHIP 6.8K 1/16W(1608)
R641	1-216-817-11	s RESISTOR,CHIP 470 1/16W 1608
R642	1-216-821-11	s RESISTOR,CHIP 1.0K 1/16W(1608)
R643	1-218-871-11	s RESISTOR,CHIP 10K 1/16W (1608)
R644	1-218-835-11	s RESISTOR,CHIP 330 1/16W (1608)
R645	1-218-835-11	s RESISTOR,CHIP 330 1/16W (1608)
R647	1-218-823-11	s RESISTOR,CHIP 100 1/16W (1608)
R648	1-216-829-11	s RESISTOR,CHIP 4.7K 1/16W 1608
R649	1-216-829-11	s RESISTOR,CHIP 4.7K 1/16W 1608
R650	1-216-809-11	s RESISTOR,CHIP 100 1/16W 1608
R651	1-216-805-11	s RESISTOR,CHIP 47 1/16W 1608

(RP-111 BOARD(DSR-2000/2000P))

Ref. No. or Q'ty	Part No.	SP Description
R652	1-218-839-11	s RESISTOR,CHIP 470 1/16W (1608)
R653	1-216-805-11	s RESISTOR,CHIP 47 1/16W 1608
R654	1-216-817-11	s RESISTOR,CHIP 470 1/16W 1608
R655	1-216-809-11	s RESISTOR,CHIP 100 1/16W 1608
R656	1-216-809-11	s RESISTOR,CHIP 100 1/16W 1608
R657	1-216-864-11	s RESISTOR,CHIP 0 1/16W (1608)
R658	1-218-875-11	s RESISTOR,CHIP 15K 1/16W (1608)
R659	1-211-973-11	s RESISTOR,CHIP 15 1/16W (1608)
R660	1-211-973-11	s RESISTOR,CHIP 15 1/16W (1608)
R661	1-218-875-11	s RESISTOR,CHIP 15K 1/16W (1608)
R663	1-216-805-11	s RESISTOR,CHIP 47 1/16W 1608
R675	1-216-829-11	s RESISTOR,CHIP 4.7K 1/16W 1608
R676	1-216-829-11	s RESISTOR,CHIP 4.7K 1/16W 1608
R677	1-216-809-11	s RESISTOR,CHIP 100 1/16W 1608
R678	1-216-805-11	s RESISTOR,CHIP 47 1/16W 1608
R679	1-218-839-11	s RESISTOR,CHIP 470 1/16W (1608)
R680	1-211-989-11	s RESISTOR,CHIP 68 1/16W (1608)
R701	1-216-805-11	s RESISTOR,CHIP 47 1/16W 1608
R702	1-216-853-11	s RESISTOR,CHIP 470K 1/16W(1608)
R703	1-216-853-11	s RESISTOR,CHIP 470K 1/16W(1608)
R704	1-218-880-11	s RESISTOR,CHIP 24K 1/16W (1608)
R705	1-218-880-11	s RESISTOR,CHIP 24K 1/16W (1608)
R706	1-216-841-11	s RESISTOR,CHIP 47K 1/16W 1608
R707	1-218-878-11	s RESISTOR,CHIP 20K 1/16W (1608)
R708	1-218-879-11	s RESISTOR,CHIP 22K 1/16W (1608)
R709	1-218-832-11	s RESISTOR,CHIP 240 1/16W (1608)
R710	1-218-832-11	s RESISTOR,CHIP 240 1/16W (1608)
R711	1-216-864-11	s RESISTOR,CHIP 0 1/16W (1608)
R712	1-216-864-11	s RESISTOR,CHIP 0 1/16W (1608)
R713	1-218-849-11	s RESISTOR,CHIP 1.2K 1/16W(1608)
R714	1-218-871-11	s RESISTOR,CHIP 10K 1/16W (1608)
R715	1-218-863-11	s RESISTOR,CHIP 4.7K 1/16W(1608)
R716	1-218-863-11	s RESISTOR,CHIP 4.7K 1/16W(1608)
R717	1-218-864-11	s RESISTOR,CHIP 5.1K 1/16W(1608)
R718	1-218-864-11	s RESISTOR,CHIP 5.1K 1/16W(1608)
R719	1-216-864-11	s RESISTOR,CHIP 0 1/16W (1608)
R720	1-216-835-11	s RESISTOR,CHIP 15K 1/16W
R721	1-218-846-11	s RESISTOR,CHIP 910 1/16W (1608)
R722	1-218-835-11	s RESISTOR,CHIP 330 1/16W (1608)
R724	1-216-809-11	s RESISTOR,CHIP 100 1/16W 1608
R725	1-218-879-11	s RESISTOR,CHIP 22K 1/16W (1608)
R726	1-218-880-11	s RESISTOR,CHIP 24K 1/16W (1608)
R727	1-218-835-11	s RESISTOR,CHIP 330 1/16W (1608)
R728	1-218-871-11	s RESISTOR,CHIP 10K 1/16W (1608)
R729	1-218-839-11	s RESISTOR,CHIP 470 1/16W (1608)
R730	1-218-863-11	s RESISTOR,CHIP 4.7K 1/16W(1608)
R731	1-218-875-11	s RESISTOR,CHIP 15K 1/16W (1608)
R732	1-218-837-11	s RESISTOR,CHIP 390 1/16W (1608)
R733	1-216-809-11	s RESISTOR,CHIP 100 1/16W 1608
R734	1-216-809-11	s RESISTOR,CHIP 100 1/16W 1608
R735	1-218-837-11	s RESISTOR,CHIP 390 1/16W (1608)
R736	1-216-821-11	s RESISTOR,CHIP 1.0K 1/16W(1608)
R737	1-216-814-11	s RESISTOR,CHIP 270 1/16W 1608
R738	1-216-810-11	s RESISTOR,CHIP 120 1/16W 1608
R739	1-216-810-11	s RESISTOR,CHIP 120 1/16W 1608
R740	1-218-867-11	s RESISTOR,CHIP 6.8K 1/16W(1608)
R741	1-216-817-11	s RESISTOR,CHIP 470 1/16W 1608
R742	1-216-821-11	s RESISTOR,CHIP 1.0K 1/16W(1608)
R743	1-218-871-11	s RESISTOR,CHIP 10K 1/16W (1608)

(RP-111 BOARD(DSR-2000/2000P))

Ref. No. or Q'ty	Part No.	SP Description
R744	1-218-835-11	s RESISTOR,CHIP 330 1/16W (1608)
R745	1-218-835-11	s RESISTOR,CHIP 330 1/16W (1608)
R747	1-218-823-11	s RESISTOR,CHIP 100 1/16W (1608)
R748	1-216-829-11	s RESISTOR, CHIP 4.7K 1/16W 1608
R749	1-216-829-11	s RESISTOR, CHIP 4.7K 1/16W 1608
R750	1-216-809-11	s RESISTOR,CHIP 100 1/16W 1608
R751	1-216-805-11	s RESISTOR,CHIP 47 1/16W 1608
R752	1-218-839-11	s RESISTOR,CHIP 470 1/16W (1608)
R753	1-216-805-11	s RESISTOR,CHIP 47 1/16W 1608
R754	1-216-817-11	s RESISTOR,CHIP 470 1/16W 1608
R755	1-216-809-11	s RESISTOR,CHIP 100 1/16W 1608
R756	1-216-809-11	s RESISTOR,CHIP 100 1/16W 1608
R758	1-216-864-11	s RESISTOR,CHIP 0 1/16W (1608)
R759	1-218-875-11	s RESISTOR,CHIP 15K 1/16W (1608)
R760	1-211-973-11	s RESISTOR,CHIP 15 1/16W (1608)
R761	1-211-973-11	s RESISTOR,CHIP 15 1/16W (1608)
R762	1-218-875-11	s RESISTOR,CHIP 15K 1/16W (1608)
R763	1-216-805-11	s RESISTOR,CHIP 47 1/16W 1608
R775	1-216-829-11	s RESISTOR, CHIP 4.7K 1/16W 1608
R776	1-216-829-11	s RESISTOR, CHIP 4.7K 1/16W 1608
R777	1-216-809-11	s RESISTOR,CHIP 100 1/16W 1608
R778	1-216-805-11	s RESISTOR,CHIP 47 1/16W 1608
R779	1-218-839-11	s RESISTOR,CHIP 470 1/16W (1608)
R780	1-211-989-11	s RESISTOR,CHIP 68 1/16W (1608)
R801	1-216-864-11	s RESISTOR,CHIP 0 1/16W (1608)
R802	1-216-809-11	s RESISTOR,CHIP 100 1/16W 1608
R803	1-216-809-11	s RESISTOR,CHIP 100 1/16W 1608
R804	1-216-809-11	s RESISTOR,CHIP 100 1/16W 1608
R805	1-216-864-11	s RESISTOR,CHIP 0 1/16W (1608)
R806	1-216-864-11	s RESISTOR,CHIP 0 1/16W (1608)
R807	1-216-809-11	s RESISTOR,CHIP 100 1/16W 1608
R808	1-216-809-11	s RESISTOR,CHIP 100 1/16W 1608
R809	1-216-864-11	s RESISTOR,CHIP 0 1/16W (1608)
R810	1-216-837-11	s RESISTOR,CHIP 22K 1/16W 1608
R811	1-216-864-11	s RESISTOR,CHIP 0 1/16W (1608)
R812	1-218-823-11	s RESISTOR,CHIP 100 1/16W (1608)
R814	1-216-845-11	s RESISTOR,CHIP 100K 1/16W(1608)
R821	1-216-837-11	s RESISTOR,CHIP 22K 1/16W 1608
R822	1-216-837-11	s RESISTOR,CHIP 22K 1/16W 1608
R823	1-216-864-11	s RESISTOR,CHIP 0 1/16W (1608)
R824	1-216-809-11	s RESISTOR,CHIP 100 1/16W 1608
R825	1-216-809-11	s RESISTOR,CHIP 100 1/16W 1608
R826	1-216-864-11	s RESISTOR,CHIP 0 1/16W (1608)
R827	1-216-837-11	s RESISTOR,CHIP 22K 1/16W 1608
R828	1-216-864-11	s RESISTOR,CHIP 0 1/16W (1608)
R831	1-216-845-11	s RESISTOR,CHIP 100K 1/16W(1608)
R837	1-216-864-11	s RESISTOR,CHIP 0 1/16W (1608)
R838	1-216-864-11	s RESISTOR,CHIP 0 1/16W (1608)
R839	1-216-864-11	s RESISTOR,CHIP 0 1/16W (1608)
R840	1-216-864-11	s RESISTOR,CHIP 0 1/16W (1608)
R841	1-216-864-11	s RESISTOR,CHIP 0 1/16W (1608)
R842	1-216-864-11	s RESISTOR,CHIP 0 1/16W (1608)
R851	1-216-809-11	s RESISTOR,CHIP 100 1/16W 1608
R852	1-216-809-11	s RESISTOR,CHIP 100 1/16W 1608
R853	1-216-809-11	s RESISTOR,CHIP 100 1/16W 1608
R854	1-216-809-11	s RESISTOR,CHIP 100 1/16W 1608
R855	1-216-809-11	s RESISTOR,CHIP 100 1/16W 1608
R857	1-216-864-11	s RESISTOR,CHIP 0 1/16W (1608)
R858	1-216-864-11	s RESISTOR,CHIP 0 1/16W (1608)

(RP-111 BOARD(DSR-2000/2000P))

Ref. No. or Q'ty	Part No.	SP Description
R859	1-216-837-11	s RESISTOR,CHIP 22K 1/16W 1608
R860	1-216-837-11	s RESISTOR,CHIP 22K 1/16W 1608
R861	1-216-845-11	s RESISTOR,CHIP 100K 1/16W(1608)
R862	1-216-864-11	s RESISTOR,CHIP 0 1/16W (1608)
R863	1-216-864-11	s RESISTOR,CHIP 0 1/16W (1608)
R864	1-216-864-11	s RESISTOR,CHIP 0 1/16W (1608)
R865	1-216-864-11	s RESISTOR,CHIP 0 1/16W (1608)
R866	1-216-864-11	s RESISTOR,CHIP 0 1/16W (1608)
R867	1-216-809-11	s RESISTOR,CHIP 100 1/16W 1608
R868	1-216-809-11	s RESISTOR,CHIP 100 1/16W 1608
R869	1-216-809-11	s RESISTOR,CHIP 100 1/16W 1608
R870	1-216-809-11	s RESISTOR,CHIP 100 1/16W 1608
R871	1-216-809-11	s RESISTOR,CHIP 100 1/16W 1608
R872	1-216-864-11	s RESISTOR,CHIP 0 1/16W (1608)
R873	1-216-864-11	s RESISTOR,CHIP 0 1/16W (1608)
R874	1-216-864-11	s RESISTOR,CHIP 0 1/16W (1608)
R876	1-216-845-11	s RESISTOR,CHIP 100K 1/16W(1608)
R901	1-218-851-11	s RESISTOR,CHIP 1.5K 1/16W(1608)
R902	1-218-847-11	s RESISTOR, CHIP 1K 1/16W (1608)
R903	1-218-851-11	s RESISTOR,CHIP 1.5K 1/16W(1608)
R904	1-218-847-11	s RESISTOR, CHIP 1K 1/16W (1608)
R905	1-216-845-11	s RESISTOR,CHIP 100K 1/16W(1608)
R906	1-218-851-11	s RESISTOR,CHIP 1.5K 1/16W(1608)
R907	1-218-847-11	s RESISTOR, CHIP 1K 1/16W (1608)
R923	1-218-823-11	s RESISTOR,CHIP 100 1/16W (1608)
R924	1-218-823-11	s RESISTOR,CHIP 100 1/16W (1608)
R925	1-218-823-11	s RESISTOR,CHIP 100 1/16W (1608)
R926	1-218-823-11	s RESISTOR,CHIP 100 1/16W (1608)
R927	1-218-823-11	s RESISTOR,CHIP 100 1/16W (1608)
R928	1-218-823-11	s RESISTOR,CHIP 100 1/16W (1608)
R929	1-218-823-11	s RESISTOR,CHIP 100 1/16W (1608)
R930	1-218-823-11	s RESISTOR,CHIP 100 1/16W (1608)
R931	1-216-864-11	s RESISTOR,CHIP 0 1/16W (1608)
R932	1-216-864-11	s RESISTOR,CHIP 0 1/16W (1608)
R933	1-216-864-11	s RESISTOR,CHIP 0 1/16W (1608)
R934	1-216-864-11	s RESISTOR,CHIP 0 1/16W (1608)
R940	1-216-864-11	s RESISTOR,CHIP 0 1/16W (1608)
R941	1-216-845-11	s RESISTOR,CHIP 100K 1/16W(1608)
R942	1-216-845-11	s RESISTOR,CHIP 100K 1/16W(1608)
R943	1-216-837-11	s RESISTOR,CHIP 22K 1/16W 1608
R944	1-216-837-11	s RESISTOR,CHIP 22K 1/16W 1608
R945	1-216-843-11	s RESISTOR,CHIP 68K 1/16W (1608)
R946	1-216-839-11	s RESISTOR,CHIP 33K 1/16W 1608
R947	1-216-817-11	s RESISTOR,CHIP 470 1/16W 1608
R948	1-216-839-11	s RESISTOR,CHIP 33K 1/16W 1608
R949	1-216-833-11	s RESISTOR,CHIP 10K 1/16W 1608
R950	1-216-832-11	s RESISTOR,CHIP 8.2K 1/16W 1608
R951	1-216-833-11	s RESISTOR,CHIP 10K 1/16W 1608
R952	1-216-833-11	s RESISTOR,CHIP 10K 1/16W 1608
R953	1-216-821-11	s RESISTOR,CHIP 1.0K 1/16W(1608)
R954	1-216-833-11	s RESISTOR,CHIP 10K 1/16W 1608
R955	1-218-855-11	s RESISTOR,CHIP 2.2K 1/16W(1608)
R956	1-218-855-11	s RESISTOR,CHIP 2.2K 1/16W(1608)
R957	1-216-833-11	s RESISTOR,CHIP 10K 1/16W 1608
R958	1-216-834-11	s RESISTOR,CHIP 12K 1/16W 1608
R959	1-216-833-11	s RESISTOR,CHIP 10K 1/16W 1608
R960	1-216-834-11	s RESISTOR,CHIP 12K 1/16W 1608
R961	1-216-833-11	s RESISTOR,CHIP 10K 1/16W 1608
R962	1-218-847-11	s RESISTOR, CHIP 1K 1/16W (1608)

(RP-111 BOARD(DSR-2000/2000P))

Ref. No. or Q'ty	Part No.	SP Description
R964	1-218-871-11	s RESISTOR,CHIP 10K 1/16W (1608)
R965	1-216-833-11	s RESISTOR,CHIP 10K 1/16W 1608
R966	1-218-879-11	s RESISTOR,CHIP 22K 1/16W (1608)
R967	1-216-821-11	s RESISTOR,CHIP 1.0K 1/16W(1608)
R968	1-218-847-11	s RESISTOR, CHIP 1K 1/16W (1608)
R969	1-216-833-11	s RESISTOR,CHIP 10K 1/16W 1608
R970	1-216-843-11	s RESISTOR,CHIP 68K 1/16W (1608)
R971	1-216-839-11	s RESISTOR,CHIP 33K 1/16W 1608
R972	1-216-809-11	s RESISTOR,CHIP 100 1/16W 1608
R973	1-216-817-11	s RESISTOR,CHIP 470 1/16W 1608
R974	1-216-839-11	s RESISTOR,CHIP 33K 1/16W 1608
R975	1-216-833-11	s RESISTOR,CHIP 10K 1/16W 1608
R976	1-216-832-11	s RESISTOR,CHIP 8.2K 1/16W 1608
R977	1-216-833-11	s RESISTOR,CHIP 10K 1/16W 1608
R978	1-216-833-11	s RESISTOR,CHIP 10K 1/16W 1608
R979	1-216-821-11	s RESISTOR,CHIP 1.0K 1/16W(1608)
R980	1-216-833-11	s RESISTOR,CHIP 10K 1/16W 1608
R981	1-218-855-11	s RESISTOR,CHIP 2.2K 1/16W(1608)
R982	1-218-855-11	s RESISTOR,CHIP 2.2K 1/16W(1608)
R983	1-216-833-11	s RESISTOR,CHIP 10K 1/16W 1608
R984	1-216-834-11	s RESISTOR,CHIP 12K 1/16W 1608
R985	1-216-833-11	s RESISTOR,CHIP 10K 1/16W 1608
R986	1-216-834-11	s RESISTOR,CHIP 12K 1/16W 1608
R987	1-216-833-11	s RESISTOR,CHIP 10K 1/16W 1608
R988	1-218-847-11	s RESISTOR, CHIP 1K 1/16W (1608)
R990	1-218-871-11	s RESISTOR,CHIP 10K 1/16W (1608)
R991	1-216-833-11	s RESISTOR,CHIP 10K 1/16W 1608
R992	1-218-879-11	s RESISTOR,CHIP 22K 1/16W (1608)
R993	1-216-821-11	s RESISTOR,CHIP 1.0K 1/16W(1608)
R994	1-218-847-11	s RESISTOR, CHIP 1K 1/16W (1608)
R995	1-216-833-11	s RESISTOR,CHIP 10K 1/16W 1608
R996	1-216-821-11	s RESISTOR,CHIP 1.0K 1/16W(1608)
R997	1-216-864-11	s RESISTOR,CHIP 0 1/16W (1608)
R998	1-218-823-11	s RESISTOR,CHIP 100 1/16W (1608)
R999	1-218-823-11	s RESISTOR,CHIP 100 1/16W (1608)
R1000	1-216-845-11	s RESISTOR,CHIP 100K 1/16W(1608)
R1001	1-211-981-11	s RESISTOR,CHIP 33 1/16W (1608)
R1002	1-211-981-11	s RESISTOR,CHIP 33 1/16W (1608)
R1004	1-216-864-11	s RESISTOR,CHIP 0 1/16W (1608)
R1012	1-216-864-11	s RESISTOR,CHIP 0 1/16W (1608)
R1013	1-216-864-11	s RESISTOR,CHIP 0 1/16W (1608)
R1014	1-216-864-11	s RESISTOR,CHIP 0 1/16W (1608)
R1015	1-216-864-11	s RESISTOR,CHIP 0 1/16W (1608)
R1016	1-216-864-11	s RESISTOR,CHIP 0 1/16W (1608)
R1017	1-216-864-11	s RESISTOR,CHIP 0 1/16W (1608)
R1018	1-216-864-11	s RESISTOR,CHIP 0 1/16W (1608)
R1019	1-216-864-11	s RESISTOR,CHIP 0 1/16W (1608)
R1024	1-216-864-11	s RESISTOR,CHIP 0 1/16W (1608)
RB1	1-239-621-11	s NETWORK RESISTOR 22 (1608)
RB2	1-239-621-11	s NETWORK RESISTOR 22 (1608)
RB3	1-236-907-11	s RESISTOR BLOCK 100K (1608)
RB4	1-236-907-11	s RESISTOR BLOCK 100K (1608)
RB801	1-239-711-11	s NETWORK, RESISTOR 0 (1608)
RB802	1-239-711-11	s NETWORK, RESISTOR 0 (1608)
RB803	1-236-904-11	s RESISTOR NETWORK 1K (1608)
RB804	1-236-904-11	s RESISTOR NETWORK 1K (1608)
RB805	1-236-904-11	s RESISTOR NETWORK 1K (1608)
RB806	1-236-904-11	s RESISTOR NETWORK 1K (1608)

(RP-111 BOARD(DSR-2000/2000P))

Ref. No. or Q'ty	Part No.	SP Description
RB851	1-239-711-11	s NETWORK, RESISTOR 0 (1608)
RB852	1-239-711-11	s NETWORK, RESISTOR 0 (1608)
RB853	1-239-711-11	s NETWORK, RESISTOR 0 (1608)
RB854	1-239-711-11	s NETWORK, RESISTOR 0 (1608)
RB855	1-239-711-11	s NETWORK, RESISTOR 0 (1608)
RB856	1-239-711-11	s NETWORK, RESISTOR 0 (1608)
RB857	1-236-904-11	s RESISTOR NETWORK 1K (1608)
RB858	1-236-904-11	s RESISTOR NETWORK 1K (1608)
RB859	1-236-904-11	s RESISTOR NETWORK 1K (1608)
RB860	1-236-904-11	s RESISTOR NETWORK 1K (1608)
RB901	1-239-412-11	s NETWORK, RESISTOR 100 (1608)
RB902	1-239-412-11	s NETWORK, RESISTOR 100 (1608)
RB903	1-239-412-11	s NETWORK, RESISTOR 100 (1608)
RB945	1-239-412-11	s NETWORK, RESISTOR 100 (1608)
RB981	1-239-416-11	s NETWORK,RESISTOR 220 (1608)
RB982	1-239-416-11	s NETWORK,RESISTOR 220 (1608)
RB983	1-239-416-11	s NETWORK,RESISTOR 220 (1608)
RB984	1-239-416-11	s NETWORK,RESISTOR 220 (1608)
RB985	1-239-416-11	s NETWORK,RESISTOR 220 (1608)
RB986	1-239-416-11	s NETWORK,RESISTOR 220 (1608)
RB987	1-239-416-11	s NETWORK,RESISTOR 220 (1608)
RB988	1-239-416-11	s NETWORK,RESISTOR 220 (1608)
S941	1-692-535-11	s SWITCH DIP (4P)
S942	1-692-535-11	s SWITCH DIP (4P)

SB-521 BOARD(DSR-2000/2000P)

Ref. No. or Q'ty	Part No.	SP Description
1pc	A-8323-518-A	s MOUNTED CIRCUIT BOARD, SB-521
CN3	1-784-405-21	s CONNECTOR, FFC/FPC (ZIF) 5P
CN4	1-785-840-21	o CONNECTOR, FFC (ZIF) 15P
PH1	8-719-988-15	s PHOTO REFLECTOR PR-11-C
PH2	8-719-988-15	s PHOTO REFLECTOR PR-11-C
PH3	8-719-988-15	s PHOTO REFLECTOR PR-11-C
Q1	8-729-926-31	s PHOTO TRANSISTOR PT483F1S

SB-522 BOARD(DSR-2000/2000P)

Ref. No. or Q'ty	Part No.	SP Description
1pc	A-8323-519-A	s MOUNTED CIRCUIT BOARD, SB-522
CN2	1-784-405-21	s CONNECTOR, FFC/FPC (ZIF) 5P
CN3	1-785-840-21	o CONNECTOR, FFC (ZIF) 15P
PH1	8-719-939-11	s PHOTO SENSOR GP2S09B
PH2	8-719-939-11	s PHOTO SENSOR GP2S09B
PH3	8-719-939-11	s PHOTO SENSOR GP2S09B
PH4	8-719-988-15	s PHOTO REFLECTOR PR-11-C
Q1	8-729-926-31	s PHOTO TRANSISTOR PT483F1S
TH1	1-804-378-11	s THERMISTOR

SV-212 BOARD(DSR-2000/2000P)

Ref. No. or Q'ty	Part No.	SP Description
1pc	A-8323-476-A	o MOUNTED CIRCUIT BOARD, SV-212
1pc	3-179-084-01	s LEVER (R), PRINTED C. BOARD
1pc	3-179-085-01	s LEVER (L), PRINTED C. BOARD
C101	1-164-156-11	s CAPACITOR, CERAMIC 0.1MF/25V F
C102	1-162-964-11	s CAPACITOR, CERAMIC 1000PF/50V B
C103	1-126-396-11	s CAPACITOR, ELECT 47MF/16V (CHIP)
C104	1-162-964-11	s CAPACITOR, CERAMIC 1000PF/50V B
C105	1-165-176-11	s CAPACITOR, CERAMIC 47000PF/16V
C106	1-164-227-11	s CAPACITOR, CERAMIC 0.022MF/25V
C107	1-162-966-11	s CAPACITOR, CERAMIC 2200PF/50V B
C108	1-162-964-11	s CAPACITOR, CERAMIC 1000PF/50V B
C109	1-162-918-11	s CAPACITOR, CERAMIC 18PF/50V CH
C110	1-162-920-11	s CAPACITOR, CERAMIC 27PF/50V CH
C111	1-164-227-11	s CAPACITOR, CERAMIC 0.022MF/25V
C112	1-164-227-11	s CAPACITOR, CERAMIC 0.022MF/25V
C113	1-164-156-11	s CAPACITOR, CERAMIC 0.1MF/25V F
C114	1-164-156-11	s CAPACITOR, CERAMIC 0.1MF/25V F
C115	1-164-156-11	s CAPACITOR, CERAMIC 0.1MF/25V F
C116	1-164-156-11	s CAPACITOR, CERAMIC 0.1MF/25V F
C117	1-164-156-11	s CAPACITOR, CERAMIC 0.1MF/25V F
C120	1-164-156-11	s CAPACITOR, CERAMIC 0.1MF/25V F
C121	1-164-156-11	s CAPACITOR, CERAMIC 0.1MF/25V F
C122	1-164-156-11	s CAPACITOR, CERAMIC 0.1MF/25V F
C123	1-164-156-11	s CAPACITOR, CERAMIC 0.1MF/25V F
C124	1-164-156-11	s CAPACITOR, CERAMIC 0.1MF/25V F
C125	1-164-156-11	s CAPACITOR, CERAMIC 0.1MF/25V F
C126	1-164-156-11	s CAPACITOR, CERAMIC 0.1MF/25V F
C127	1-164-156-11	s CAPACITOR, CERAMIC 0.1MF/25V F
C128	1-164-156-11	s CAPACITOR, CERAMIC 0.1MF/25V F
C129	1-164-156-11	s CAPACITOR, CERAMIC 0.1MF/25V F
C130	1-164-156-11	s CAPACITOR, CERAMIC 0.1MF/25V F
C132	1-164-156-11	s CAPACITOR, CERAMIC 0.1MF/25V F
C133	1-164-156-11	s CAPACITOR, CERAMIC 0.1MF/25V F
C134	1-164-156-11	s CAPACITOR, CERAMIC 0.1MF/25V F
C135	1-164-156-11	s CAPACITOR, CERAMIC 0.1MF/25V F
C136	1-164-156-11	s CAPACITOR, CERAMIC 0.1MF/25V F
C137	1-164-156-11	s CAPACITOR, CERAMIC 0.1MF/25V F
C138	1-164-156-11	s CAPACITOR, CERAMIC 0.1MF/25V F
C139	1-164-156-11	s CAPACITOR, CERAMIC 0.1MF/25V F
C140	1-164-156-11	s CAPACITOR, CERAMIC 0.1MF/25V F
C141	1-164-156-11	s CAPACITOR, CERAMIC 0.1MF/25V F
C142	1-164-156-11	s CAPACITOR, CERAMIC 0.1MF/25V F
C143	1-164-156-11	s CAPACITOR, CERAMIC 0.1MF/25V F
C200	1-164-156-11	s CAPACITOR, CERAMIC 0.1MF/25V F
C201	1-162-927-11	s CAPACITOR, CERAMIC 100PF/50V CH
C202	1-164-156-11	s CAPACITOR, CERAMIC 0.1MF/25V F
C203	1-162-964-11	s CAPACITOR, CERAMIC 1000PF/50V B
C204	1-162-920-11	s CAPACITOR, CERAMIC 27PF/50V CH
C205	1-162-920-11	s CAPACITOR, CERAMIC 27PF/50V CH
C209	1-162-966-11	s CAPACITOR, CERAMIC 2200PF/50V B
C210	1-162-966-11	s CAPACITOR, CERAMIC 2200PF/50V B
C211	1-164-156-11	s CAPACITOR, CERAMIC 0.1MF/25V F
C212	1-164-156-11	s CAPACITOR, CERAMIC 0.1MF/25V F
C213	1-164-156-11	s CAPACITOR, CERAMIC 0.1MF/25V F
C216	1-164-156-11	s CAPACITOR, CERAMIC 0.1MF/25V F
C217	1-164-156-11	s CAPACITOR, CERAMIC 0.1MF/25V F
C218	1-164-156-11	s CAPACITOR, CERAMIC 0.1MF/25V F
C219	1-164-156-11	s CAPACITOR, CERAMIC 0.1MF/25V F

(SV-212 BOARD(DSR-2000/2000P))

Ref. No. or Q'ty	Part No.	SP Description
C220	1-164-156-11	s CAPACITOR, CERAMIC 0.1MF/25V F
C301	1-162-964-11	s CAPACITOR, CERAMIC 1000PF/50V B
C302	1-162-964-11	s CAPACITOR, CERAMIC 1000PF/50V B
C303	1-162-964-11	s CAPACITOR, CERAMIC 1000PF/50V B
C304	1-162-964-11	s CAPACITOR, CERAMIC 1000PF/50V B
C305	1-162-964-11	s CAPACITOR, CERAMIC 1000PF/50V B
C306	1-162-964-11	s CAPACITOR, CERAMIC 1000PF/50V B
C307	1-162-964-11	s CAPACITOR, CERAMIC 1000PF/50V B
C308	1-162-964-11	s CAPACITOR, CERAMIC 1000PF/50V B
C309	1-162-964-11	s CAPACITOR, CERAMIC 1000PF/50V B
C310	1-162-964-11	s CAPACITOR, CERAMIC 1000PF/50V B
C311	1-164-156-11	s CAPACITOR, CERAMIC 0.1MF/25V F
C312	1-162-919-11	s CAPACITOR, CERAMIC 22PF/50V CH
C313	1-162-919-11	s CAPACITOR, CERAMIC 22PF/50V CH
C314	1-162-964-11	s CAPACITOR, CERAMIC 1000PF/50V B
C315	1-164-156-11	s CAPACITOR, CERAMIC 0.1MF/25V F
C316	1-126-401-11	s CAPACITOR, ELECT 1MF/50V (CHIP)
C317	1-164-156-11	s CAPACITOR, CERAMIC 0.1MF/25V F
C318	1-164-156-11	s CAPACITOR, CERAMIC 0.1MF/25V F
C319	1-164-156-11	s CAPACITOR, CERAMIC 0.1MF/25V F
C320	1-162-968-11	s CAPACITOR, CERAMIC 4700PF/50V B
C321	1-164-156-11	s CAPACITOR, CERAMIC 0.1MF/25V F
C322	1-164-156-11	s CAPACITOR, CERAMIC 0.1MF/25V F
C323	1-164-156-11	s CAPACITOR, CERAMIC 0.1MF/25V F
C401	1-164-156-11	s CAPACITOR, CERAMIC 0.1MF/25V F
C402	1-164-156-11	s CAPACITOR, CERAMIC 0.1MF/25V F
C403	1-164-156-11	s CAPACITOR, CERAMIC 0.1MF/25V F
C404	1-164-156-11	s CAPACITOR, CERAMIC 0.1MF/25V F
C500	1-109-892-11	s CAPACITOR ERECT 47MF/25V(105C)
C501	1-162-970-11	s CAPACITOR CERAMIC 0.01MF/25V B
C502	1-162-964-11	s CAPACITOR, CERAMIC 1000PF/50V B
C503	1-164-315-11	s CAPACITOR, CERAMIC 470PF/50V CH
C504	1-162-970-11	s CAPACITOR CERAMIC 0.01MF/25V B
C505	1-162-968-11	s CAPACITOR, CERAMIC 4700PF/50V B
C506	1-162-925-11	s CAPACITOR, CERAMIC 68PF/50V CH
C507	1-162-925-11	s CAPACITOR, CERAMIC 68PF/50V CH
C508	1-164-156-11	s CAPACITOR, CERAMIC 0.1MF/25V F
C509	1-126-394-11	s CAPACITOR, ELECT 10MF/16V (CHIP)
C510	1-162-922-11	s CAPACITOR, CERAMIC 39PF/50V CH
C511	1-165-176-11	s CAPACITOR, CERAMIC 47000PF/16V
C512	1-162-968-11	s CAPACITOR, CERAMIC 4700PF/50V B
C513	1-164-227-11	s CAPACITOR, CERAMIC 0.022MF/25V
C514	1-162-969-11	s CAPACITOR, CERAMIC 6800PF/25V B
C515	1-162-967-11	s CAPACITOR, CERAMIC 3300PF/50V B
C516	1-162-967-11	s CAPACITOR, CERAMIC 3300PF/50V B
C517	1-162-924-11	s CAPACITOR, CERAMIC 56PF/50V CH
C518	1-162-969-11	s CAPACITOR, CERAMIC 6800PF/25V B
C519	1-162-969-11	s CAPACITOR, CERAMIC 6800PF/25V B
C520	1-162-964-11	s CAPACITOR, CERAMIC 1000PF/50V B
C521	1-162-967-11	s CAPACITOR, CERAMIC 3300PF/50V B
C522	1-162-964-11	s CAPACITOR, CERAMIC 1000PF/50V B
C523	1-162-967-11	s CAPACITOR, CERAMIC 3300PF/50V B
C524	1-109-892-11	s CAPACITOR ERECT 47MF/25V(105C)
C525	1-162-964-11	s CAPACITOR, CERAMIC 1000PF/50V B
C526	1-162-968-11	s CAPACITOR, CERAMIC 4700PF/50V B
C527	1-162-964-11	s CAPACITOR, CERAMIC 1000PF/50V B
C528	1-109-892-11	s CAPACITOR ERECT 47MF/25V(105C)
C529	1-162-968-11	s CAPACITOR, CERAMIC 4700PF/50V B
C530	1-164-156-11	s CAPACITOR, CERAMIC 0.1MF/25V F

(SV-212 BOARD(DSR-2000/2000P))

Ref. No. or Q'ty	Part No.	SP Description
C734	1-164-156-11	s CAPACITOR, CERAMIC 0.1MF/25V F
C735	1-164-156-11	s CAPACITOR, CERAMIC 0.1MF/25V F
C736	1-164-156-11	s CAPACITOR, CERAMIC 0.1MF/25V F
C737	1-164-156-11	s CAPACITOR, CERAMIC 0.1MF/25V F
C738	1-164-156-11	s CAPACITOR, CERAMIC 0.1MF/25V F
C739	1-164-156-11	s CAPACITOR, CERAMIC 0.1MF/25V F
C740	1-164-156-11	s CAPACITOR, CERAMIC 0.1MF/25V F
C741	1-164-156-11	s CAPACITOR, CERAMIC 0.1MF/25V F
C742	1-164-156-11	s CAPACITOR, CERAMIC 0.1MF/25V F
C743	1-164-156-11	s CAPACITOR, CERAMIC 0.1MF/25V F
C744	1-164-156-11	s CAPACITOR, CERAMIC 0.1MF/25V F
C801	1-126-397-11	s CAPACITOR, ELECT 33MF/25V(CHIP)
C802	1-126-395-11	s CAPACITOR, ELECT 22MF/16V(CHIP)
C803	1-126-394-11	s CAPACITOR, ELECT 10MF/16V(CHIP)
C804	1-126-395-11	s CAPACITOR, ELECT 22MF/16V(CHIP)
C805	1-126-394-11	s CAPACITOR, ELECT 10MF/16V(CHIP)
C806	1-126-395-11	s CAPACITOR, ELECT 22MF/16V(CHIP)
C807	1-162-970-11	s CAPACITOR, CERAMIC 0.01MF/25V B
C808	1-162-967-11	s CAPACITOR, CERAMIC 3300PF/50V B
C809	1-162-967-11	s CAPACITOR, CERAMIC 3300PF/50V B
C810	1-162-967-11	s CAPACITOR, CERAMIC 3300PF/50V B
C811	1-162-967-11	s CAPACITOR, CERAMIC 3300PF/50V B
C812	1-107-778-11	s CAPACITOR, ELECT 470MF/16V CHIP
C815	1-164-156-11	s CAPACITOR, CERAMIC 0.1MF/25V F
C816	1-164-156-11	s CAPACITOR, CERAMIC 0.1MF/25V F
C818	1-164-156-11	s CAPACITOR, CERAMIC 0.1MF/25V F
C819	1-164-156-11	s CAPACITOR, CERAMIC 0.1MF/25V F
C820	1-164-156-11	s CAPACITOR, CERAMIC 0.1MF/25V F
C821	1-162-969-11	s CAPACITOR, CERAMIC 6800PF/25V B
C822	1-162-969-11	s CAPACITOR, CERAMIC 6800PF/25V B
C823	1-164-156-11	s CAPACITOR, CERAMIC 0.1MF/25V F
C824	1-164-156-11	s CAPACITOR, CERAMIC 0.1MF/25V F
C825	1-107-778-11	s CAPACITOR, ELECT 470MF/16V CHIP
C826	1-107-778-11	s CAPACITOR, ELECT 470MF/16V CHIP
C827	1-107-778-11	s CAPACITOR, ELECT 470MF/16V CHIP
C828	1-107-778-11	s CAPACITOR, ELECT 470MF/16V CHIP
C829	1-107-778-11	s CAPACITOR, ELECT 470MF/16V CHIP
C830	1-107-778-11	s CAPACITOR, ELECT 470MF/16V CHIP
C831	1-107-778-11	s CAPACITOR, ELECT 470MF/16V CHIP
C832	1-107-778-11	s CAPACITOR, ELECT 470MF/16V CHIP
C833	1-107-778-11	s CAPACITOR, ELECT 470MF/16V CHIP
C834	1-107-778-11	s CAPACITOR, ELECT 470MF/16V CHIP
C835	1-107-778-11	s CAPACITOR, ELECT 470MF/16V CHIP
C836	1-107-778-11	s CAPACITOR, ELECT 470MF/16V CHIP
CN1	1-569-775-21	o PIN, CONNECTOR 5P
CN2	1-770-677-11	o CONNECTOR, BOARD TO BOARD 50P
CN114	1-778-262-12	o CONNECTOR, BOARD TO BOARD 148P
D101	8-719-941-23	s DIODE DA204U
D102	8-719-941-86	s DIODE DAN202U
D103	8-719-941-09	s DIODE DAP202U
D401	8-719-941-86	s DIODE DAN202U
D402	8-719-941-86	s DIODE DAN202U
D403	8-719-941-86	s DIODE DAN202U
D404	8-719-941-86	s DIODE DAN202U
D405	8-719-941-09	s DIODE DAP202U
D406	8-719-941-09	s DIODE DAP202U
D407	8-719-941-09	s DIODE DAP202U
D408	8-719-941-09	s DIODE DAP202U

(SV-212 BOARD(DSR-2000/2000P))

Ref. No. or Q'ty	Part No.	SP Description
D409	8-719-941-86	s DIODE DAN202U
D410	8-719-941-86	s DIODE DAN202U
D411	8-719-941-86	s DIODE DAN202U
D412	8-719-941-86	s DIODE DAN202U
D413	8-719-941-09	s DIODE DAP202U
D414	8-719-941-09	s DIODE DAP202U
D415	8-719-941-09	s DIODE DAP202U
D416	8-719-941-09	s DIODE DAP202U
D417	8-719-941-86	s DIODE DAN202U
D418	8-719-941-86	s DIODE DAN202U
D419	8-719-941-86	s DIODE DAN202U
D420	8-719-941-86	s DIODE DAN202U
D421	8-719-941-09	s DIODE DAP202U
D422	8-719-941-09	s DIODE DAP202U
D423	8-719-941-09	s DIODE DAP202U
D424	8-719-941-09	s DIODE DAP202U
D425	8-719-941-86	s DIODE DAN202U
D426	8-719-941-86	s DIODE DAN202U
D427	8-719-941-86	s DIODE DAN202U
D428	8-719-941-86	s DIODE DAN202U
D429	8-719-941-09	s DIODE DAP202U
D430	8-719-941-09	s DIODE DAP202U
D431	8-719-941-09	s DIODE DAP202U
D432	8-719-941-09	s DIODE DAP202U
D500	8-719-980-38	s DIODE SB07-03C (RECTI)
D501	8-719-941-09	s DIODE DAP202U
D502	8-719-048-43	s DIODE MA795
D503	8-719-980-38	s DIODE SB07-03C (RECTI)
D504	8-719-980-38	s DIODE SB07-03C (RECTI)
D505	8-719-980-38	s DIODE SB07-03C (RECTI)
D650	8-719-048-43	s DIODE MA795
D651	8-719-980-38	s DIODE SB07-03C (RECTI)
D652	8-719-980-38	s DIODE SB07-03C (RECTI)
D653	8-719-980-38	s DIODE SB07-03C (RECTI)
D654	8-719-980-38	s DIODE SB07-03C (RECTI)
D655	8-719-980-38	s DIODE SB07-03C (RECTI)
D656	8-719-980-38	s DIODE SB07-03C (RECTI)
D657	8-719-980-38	s DIODE SB07-03C (RECTI)
D658	8-719-980-38	s DIODE SB07-03C (RECTI)
D659	8-719-980-38	s DIODE SB07-03C (RECTI)
D660	8-719-980-38	s DIODE SB07-03C (RECTI)
D661	8-719-980-38	s DIODE SB07-03C (RECTI)
D662	8-719-980-38	s DIODE SB07-03C (RECTI)
D663	8-719-980-38	s DIODE SB07-03C (RECTI)
D664	8-719-980-38	s DIODE SB07-03C (RECTI)
D701	8-719-105-28	s DIODE RD2.4M-B
D702	8-719-105-28	s DIODE RD2.4M-B
D703	8-719-053-18	s DIODE LSR154-400TE-25
D801	8-719-941-86	s DIODE DAN202U
D802	8-719-941-86	s DIODE DAN202U
D803	8-719-048-98	s DIODE RB160L-40TE25
D804	8-719-048-98	s DIODE RB160L-40TE25
D805	8-719-048-98	s DIODE RB160L-40TE25
D806	8-719-106-44	s DIODE RD9.1M-B2
D807	8-719-941-86	s DIODE DAN202U
D808	8-719-941-86	s DIODE DAN202U
D810	8-719-048-98	s DIODE RB160L-40TE25
D811	8-719-048-98	s DIODE RB160L-40TE25
D812	8-719-048-98	s DIODE RB160L-40TE25

(SV-212 BOARD(DSR-2000/2000P))

Ref. No. or Q'ty	Part No.	SP Description
D813	8-719-048-98	s DIODE RB160L-40TE25
D814	8-719-106-44	s DIODE RD9.1M-B2
D815	8-719-048-98	s DIODE RB160L-40TE25
D816	8-719-048-98	s DIODE RB160L-40TE25
D818	8-719-048-98	s DIODE RB160L-40TE25
F1	▲ 1-576-401-21	s FUSE (SMD)
F2	▲ 1-576-401-21	s FUSE (SMD)
IC101	8-759-278-58	s IC NJM4558V (TE2)
IC102	8-759-491-50	s IC TC74VHCT244AFT(EL)
IC103	8-759-523-79	s IC TC74VHC02FT
IC104	8-759-523-84	s IC TC74VHC14FT (EL)
IC105	8-759-510-71	s IC BA10358F-E2
IC106	8-759-523-93	s IC TC74VHC27FT (EL)
IC107	8-759-523-84	s IC TC74VHC14FT (EL)
IC108	8-759-491-46	s IC TC74VHCT04AFT (EL)
IC109	8-759-523-93	s IC TC74VHC27FT (EL)
IC111	8-759-523-81	s IC TC74VHC08FT(EL)
IC112	8-759-523-94	s IC TC74VHC32FT(EL)
IC114	8-759-523-83	s IC TC74VHC11FT(EL)
IC116	8-759-523-82	s IC TC74VHC10FT (EL)
IC118	8-759-497-29	s IC LC35256DM-70-TLM
IC119	8-759-537-83	s IC NBM29F400BC-70PFTN
IC120	8-759-497-29	s IC LC35256DM-70-TLM
IC121	8-759-523-83	s IC TC74VHC11FT(EL)
IC123	8-759-348-69	s IC HD6415108RF10
IC128	8-759-524-28	s IC TC74VHC245FT(EL)
IC129	8-759-524-28	s IC TC74VHC245FT(EL)
IC130	8-759-524-28	s IC TC74VHC245FT(EL)
IC200	8-759-523-02	s IC TC74HC4053AFT(EL)
IC204	8-759-524-07	s IC TC74VHC138FT(EL)
IC205	8-752-343-05	s IC CXD2202Q
IC206	8-759-497-29	s IC LC35256DM-70-TLM
IC207	8-759-175-56	s IC CXD8804Q
IC209	8-759-175-56	s IC CXD8804Q
IC210	8-759-497-29	s IC LC35256DM-70-TLM
IC211	8-759-491-50	s IC TC74VHCT244AFT(EL)
IC213	8-759-524-50	s IC TC74VHC541FT(EL)
IC214	8-759-523-84	s IC TC74VHC14FT (EL)
IC215	8-759-524-50	s IC TC74VHC541FT(EL)
IC301	8-752-903-83	s IC CXP912032-206Q
IC302	8-759-338-95	s IC NJM2903V (TE2)
IC303	8-759-198-61	s IC S-80727SL-AQ-T1
IC304	8-759-196-96	s IC TC7SH08FU (TE85R)
IC305	8-759-058-58	s IC TC7S04FU-TE85R
IC401	8-759-523-01	s IC TC74HC4052AFT(EL)
IC402	8-759-523-01	s IC TC74HC4052AFT(EL)
IC403	8-759-523-01	s IC TC74HC4052AFT(EL)
IC404	8-759-523-01	s IC TC74HC4052AFT(EL)
IC501	8-759-064-36	s IC MB88346BPFV
IC502	8-759-338-95	s IC NJM2903V (TE2)
IC503	8-759-466-53	s IC NJM2060V(TE2)
IC504	8-759-510-71	s IC BA10358F-E2
IC505	8-759-523-02	s IC TC74HC4053AFT(EL)
IC506	8-759-273-87	s IC NJM2901V (TE2)
IC508	8-759-523-96	s IC TC74VHC86FT (EL)
IC510	8-759-273-87	s IC NJM2901V (TE2)
IC511	8-759-444-87	s IC NJM324V (TE2)
IC512	8-759-399-64	s IC LB1857M-TE-L

(SV-212 BOARD(DSR-2000/2000P))

Ref. No. or Q'ty	Part No.	SP Description
IC513	8-759-399-64	s IC LB1857M-TE-L
IC514	8-759-510-71	s IC BA10358F-E2
IC515	8-759-510-71	s IC BA10358F-E2
IC650	8-759-523-02	s IC TC74HC4053AFT(EL)
IC651	8-759-338-95	s IC NJM2903V (TE2)
IC652	8-759-466-53	s IC NJM2060V(TE2)
IC653	8-759-523-02	s IC TC74HC4053AFT(EL)
IC654	8-759-444-87	s IC NJM324V (TE2)
IC655	8-759-273-87	s IC NJM2901V (TE2)
IC660	8-759-444-87	s IC NJM324V (TE2)
IC663	8-759-559-74	s IC AN3834S
IC664	8-759-559-74	s IC AN3834S
IC665	8-759-276-89	s IC BA6285FP (E2)
IC666	8-759-444-87	s IC NJM324V (TE2)
IC667	8-759-444-87	s IC NJM324V (TE2)
IC801	8-759-442-54	s IC RH5RL50AA-T1
IC805	8-759-276-89	s IC BA6285FP (E2)
IC806	8-759-276-89	s IC BA6285FP (E2)
IC807	8-759-491-50	s IC TC74VHCT244AFT(EL)
L500	1-414-696-21	s INDUCTOR (POWER) 330UH
L501	1-414-696-21	s INDUCTOR (POWER) 330UH
L650	1-414-696-21	s INDUCTOR (POWER) 330UH
L651	1-414-696-21	s INDUCTOR (POWER) 330UH
L801	1-406-824-11	s COIL, CHOKE 22UH
L802	1-406-824-11	s COIL, CHOKE 22UH
L803	1-406-824-11	s COIL, CHOKE 22UH
L804	1-406-824-11	s COIL, CHOKE 22UH
PS802	▲ 1-576-123-21	s CIRCUIT PROTECTOR 0.8A(IC LINK)
PS803	▲ 1-576-123-21	s CIRCUIT PROTECTOR 0.8A(IC LINK)
PS804	▲ 1-576-123-21	s CIRCUIT PROTECTOR 0.8A(IC LINK)
PS805	▲ 1-576-123-21	s CIRCUIT PROTECTOR 0.8A(IC LINK)
Q401	8-729-907-00	s TRANSISTOR DTC114EU
Q500	8-729-930-44	s TRANSISTOR UMY1-TR
Q501	6-550-001-01	s TRANSISTOR UMH11NTN
Q502	8-729-930-44	s TRANSISTOR UMY1-TR
Q650	6-550-001-01	s TRANSISTOR UMH11NTN
Q651	6-550-001-01	s TRANSISTOR UMH11NTN
Q652	8-729-930-44	s TRANSISTOR UMY1-TR
Q653	8-729-930-44	s TRANSISTOR UMY1-TR
Q654	8-729-047-61	s TRANSISTOR SI4925DY-T1
Q655	8-729-047-61	s TRANSISTOR SI4925DY-T1
Q801	8-729-930-13	s TRANSISTOR UMH2
Q802	8-729-930-44	s TRANSISTOR UMY1-TR
Q803	8-729-034-98	s TRANSISTOR SI9434DY-T1
Q804	8-729-028-91	s TRANSISTOR DTA144EUA-T106
Q805	8-729-029-14	s TRANSISTOR DTC144EUA-T106
Q806	8-729-927-59	s TRANSISTOR UMZ1
Q807	8-729-927-59	s TRANSISTOR UMZ1
Q808	8-729-024-50	s TRANSISTOR SI9936DY
Q809	8-729-024-50	s TRANSISTOR SI9936DY
Q810	8-729-024-50	s TRANSISTOR SI9936DY
Q811	8-729-024-50	s TRANSISTOR SI9936DY
Q812	8-729-034-98	s TRANSISTOR SI9434DY-T1
Q813	8-729-202-05	s TRANSISTOR 2SC2873-0
Q814	8-729-202-05	s TRANSISTOR 2SC2873-0
R104	1-216-841-11	s RESISTOR, CHIP 47K 1/16W 1608
R105	1-216-845-11	s RESISTOR,CHIP 100K 1/16W(1608)
R106	1-218-871-11	s RESISTOR,CHIP 10K 1/16W (1608)

(SV-212 BOARD(DSR-2000/2000P))

Ref. No. or Q'ty	Part No.	SP Description
R107	1-218-871-11	s RESISTOR,CHIP 10K 1/16W (1608)
R108	1-216-839-11	s RESISTOR,CHIP 33K 1/16W 1608
R109	1-218-881-11	s RESISTOR, CHIP 27K 1/16W(1608)
R110	1-216-839-11	s RESISTOR,CHIP 33K 1/16W 1608
R111	1-218-881-11	s RESISTOR, CHIP 27K 1/16W(1608)
R112	1-216-839-11	s RESISTOR,CHIP 33K 1/16W 1608
R113	1-216-845-11	s RESISTOR,CHIP 100K 1/16W(1608)
R114	1-216-845-11	s RESISTOR,CHIP 100K 1/16W(1608)
R115	1-216-817-11	s RESISTOR,CHIP 470 1/16W 1608
R116	1-216-817-11	s RESISTOR,CHIP 470 1/16W 1608
R117	1-216-809-11	s RESISTOR,CHIP 100 1/16W 1608
R118	1-218-895-11	s RESISTOR,CHIP 100K 1/16W(1608)
R119	1-218-891-11	s RESISTOR,CHIP 68K 1/16W (1608)
R120	1-216-845-11	s RESISTOR,CHIP 100K 1/16W(1608)
R121	1-216-841-11	s RESISTOR, CHIP 47K 1/16W 1608
R122	1-216-805-11	s RESISTOR,CHIP 47 1/16W 1608
R124	1-216-837-11	s RESISTOR,CHIP 22K 1/16W 1608
R125	1-216-837-11	s RESISTOR,CHIP 22K 1/16W 1608
R126	1-218-883-11	s RESISTOR,CHIP 33K 1/16W (1608)
R127	1-216-841-11	s RESISTOR, CHIP 47K 1/16W 1608
R128	1-216-849-11	s RESISTOR,CHIP 220K 1/16W 1608
R129	1-216-809-11	s RESISTOR,CHIP 100 1/16W 1608
R130	1-216-821-11	s RESISTOR,CHIP 1.0K 1/16W(1608)
R131	1-216-837-11	s RESISTOR,CHIP 22K 1/16W 1608
R132	1-218-907-11	s RESISTOR,CHIP 330K 1/16W(1608)
R135	1-216-833-11	s RESISTOR,CHIP 10K 1/16W 1608
R136	1-216-849-11	s RESISTOR,CHIP 220K 1/16W 1608
R137	1-216-821-11	s RESISTOR,CHIP 1.0K 1/16W(1608)
R138	1-216-809-11	s RESISTOR,CHIP 100 1/16W 1608
R139	1-216-833-11	s RESISTOR,CHIP 10K 1/16W 1608
R140	1-216-833-11	s RESISTOR,CHIP 10K 1/16W 1608
R141	1-216-821-11	s RESISTOR,CHIP 1.0K 1/16W(1608)
R148	1-216-821-11	s RESISTOR,CHIP 1.0K 1/16W(1608)
R149	1-216-805-11	s RESISTOR,CHIP 47 1/16W 1608
R150	1-216-805-11	s RESISTOR,CHIP 47 1/16W 1608
R151	1-216-849-11	s RESISTOR,CHIP 220K 1/16W 1608
R152	1-216-849-11	s RESISTOR,CHIP 220K 1/16W 1608
R154	1-216-829-11	s RESISTOR, CHIP 4.7K 1/16W 1608
R155	1-216-829-11	s RESISTOR, CHIP 4.7K 1/16W 1608
R157	1-216-821-11	s RESISTOR,CHIP 1.0K 1/16W(1608)
R158	1-216-845-11	s RESISTOR,CHIP 100K 1/16W(1608)
R159	1-216-821-11	s RESISTOR,CHIP 1.0K 1/16W(1608)
R160	1-216-821-11	s RESISTOR,CHIP 1.0K 1/16W(1608)
R161	1-216-841-11	s RESISTOR, CHIP 47K 1/16W 1608
R162	1-216-845-11	s RESISTOR,CHIP 100K 1/16W(1608)
R163	1-216-845-11	s RESISTOR,CHIP 100K 1/16W(1608)
R164	1-216-845-11	s RESISTOR,CHIP 100K 1/16W(1608)
R165	1-216-849-11	s RESISTOR,CHIP 220K 1/16W 1608
R166	1-216-841-11	s RESISTOR, CHIP 47K 1/16W 1608
R167	1-216-841-11	s RESISTOR, CHIP 47K 1/16W 1608
R168	1-216-805-11	s RESISTOR,CHIP 47 1/16W 1608
R169	1-216-805-11	s RESISTOR,CHIP 47 1/16W 1608
R170	1-216-805-11	s RESISTOR,CHIP 47 1/16W 1608
R171	1-216-864-11	s RESISTOR,CHIP 0 1/16W (1608)
R172	1-216-805-11	s RESISTOR,CHIP 47 1/16W 1608
R173	1-216-840-11	s RESISTOR,CHIP 39K 1/16W 1608
R175	1-216-833-11	s RESISTOR,CHIP 10K 1/16W 1608
R176	1-218-903-11	s RESISTOR,CHIP 220K 1/16W(1608)
R177	1-218-871-11	s RESISTOR,CHIP 10K 1/16W (1608)

(SV-212 BOARD(DSR-2000/2000P))

Ref. No. or Q'ty	Part No.	SP Description
R178	1-218-883-11	s RESISTOR,CHIP 33K 1/16W (1608)
R179	1-218-891-11	s RESISTOR,CHIP 68K 1/16W (1608)
R180	1-218-871-11	s RESISTOR,CHIP 10K 1/16W (1608)
R201	1-216-838-11	s RESISTOR CHIP 27K 1/16W(1608)
R202	1-216-845-11	s RESISTOR,CHIP 100K 1/16W(1608)
R203	1-216-845-11	s RESISTOR,CHIP 100K 1/16W(1608)
R204	1-216-845-11	s RESISTOR,CHIP 100K 1/16W(1608)
R205	1-216-817-11	s RESISTOR,CHIP 470 1/16W 1608
R206	1-216-845-11	s RESISTOR,CHIP 100K 1/16W(1608)
R207	1-216-845-11	s RESISTOR,CHIP 100K 1/16W(1608)
R208	1-216-845-11	s RESISTOR,CHIP 100K 1/16W(1608)
R209	1-216-845-11	s RESISTOR,CHIP 100K 1/16W(1608)
R210	1-216-845-11	s RESISTOR,CHIP 100K 1/16W(1608)
R211	1-216-849-11	s RESISTOR,CHIP 220K 1/16W 1608
R212	1-216-815-11	s RESISTOR,CHIP 330 1/16W 1608
R213	1-216-849-11	s RESISTOR,CHIP 220K 1/16W 1608
R217	1-216-845-11	s RESISTOR,CHIP 100K 1/16W(1608)
R218	1-216-845-11	s RESISTOR,CHIP 100K 1/16W(1608)
R219	1-216-809-11	s RESISTOR,CHIP 100 1/16W 1608
R220	1-216-805-11	s RESISTOR,CHIP 47 1/16W 1608
R221	1-216-837-11	s RESISTOR,CHIP 22K 1/16W 1608
R226	1-216-864-11	s RESISTOR,CHIP 0 1/16W (1608)
R229	1-216-805-11	s RESISTOR,CHIP 47 1/16W 1608
R230	1-216-809-11	s RESISTOR,CHIP 100 1/16W 1608
R231	1-216-837-11	s RESISTOR,CHIP 22K 1/16W 1608
R234	1-216-805-11	s RESISTOR,CHIP 47 1/16W 1608
R235	1-216-845-11	s RESISTOR,CHIP 100K 1/16W(1608)
R301	1-216-817-11	s RESISTOR,CHIP 470 1/16W 1608
R302	1-216-817-11	s RESISTOR,CHIP 470 1/16W 1608
R303	1-218-863-11	s RESISTOR,CHIP 4.7K 1/16W(1608)
R304	1-218-843-11	s RESISTOR,CHIP 680 1/16W (1608)
R305	1-218-863-11	s RESISTOR,CHIP 4.7K 1/16W(1608)
R306	1-216-827-11	s RESISTOR, CHIP 3.3K 1/16W 1608
R307	1-216-827-11	s RESISTOR, CHIP 3.3K 1/16W 1608
R308	1-216-845-11	s RESISTOR,CHIP 100K 1/16W(1608)
R309	1-216-845-11	s RESISTOR,CHIP 100K 1/16W(1608)
R310	1-216-837-11	s RESISTOR,CHIP 22K 1/16W 1608
R311	1-216-833-11	s RESISTOR,CHIP 10K 1/16W 1608
R312	1-216-833-11	s RESISTOR,CHIP 10K 1/16W 1608
R313	1-216-833-11	s RESISTOR,CHIP 10K 1/16W 1608
R314	1-216-809-11	s RESISTOR,CHIP 100 1/16W 1608
R315	1-216-857-11	s RESISTOR,CHIP 1.0M 1/16W 1608
R316	1-216-849-11	s RESISTOR,CHIP 220K 1/16W 1608
R317	1-216-809-11	s RESISTOR,CHIP 100 1/16W 1608
R318	1-216-845-11	s RESISTOR,CHIP 100K 1/16W(1608)
R319	1-216-845-11	s RESISTOR,CHIP 100K 1/16W(1608)
R324	1-216-845-11	s RESISTOR,CHIP 100K 1/16W(1608)
R325	1-216-837-11	s RESISTOR,CHIP 22K 1/16W 1608
R328	1-216-837-11	s RESISTOR,CHIP 22K 1/16W 1608
R402	1-216-817-11	s RESISTOR,CHIP 470 1/16W 1608
R403	1-216-841-11	s RESISTOR, CHIP 47K 1/16W 1608
R404	1-216-849-11	s RESISTOR,CHIP 220K 1/16W 1608
R405	1-216-808-11	s RESISTOR,CHIP 82 1/16W 1608
R406	1-216-817-11	s RESISTOR,CHIP 470 1/16W 1608
R407	1-218-859-11	s RESISTOR,CHIP 3.3K 1/16W(1608)
R408	1-218-847-11	s RESISTOR, CHIP 1K 1/16W (1608)
R409	1-216-817-11	s RESISTOR,CHIP 470 1/16W 1608
R410	1-216-841-11	s RESISTOR, CHIP 47K 1/16W 1608
R411	1-218-882-11	s RESISTOR, CHIP 30K 1/16W(1608)

(SV-212 BOARD(DSR-2000/2000P))

Ref. No. or Q'ty	Part No.	SP Description
R412	1-216-833-11	s RESISTOR,CHIP 10K 1/16W 1608
R413	1-216-841-11	s RESISTOR, CHIP 47K 1/16W 1608
R414	1-216-817-11	s RESISTOR,CHIP 470 1/16W 1608
R415	1-216-841-11	s RESISTOR, CHIP 47K 1/16W 1608
R416	1-216-841-11	s RESISTOR, CHIP 47K 1/16W 1608
R500	1-216-833-11	s RESISTOR,CHIP 10K 1/16W 1608
R501	1-216-849-11	s RESISTOR,CHIP 220K 1/16W 1608
R502	1-216-849-11	s RESISTOR,CHIP 220K 1/16W 1608
R503	1-218-891-11	s RESISTOR,CHIP 68K 1/16W (1608)
R504	1-218-891-11	s RESISTOR,CHIP 68K 1/16W (1608)
R505	1-216-833-11	s RESISTOR,CHIP 10K 1/16W 1608
R506	1-216-833-11	s RESISTOR,CHIP 10K 1/16W 1608
R507	1-216-833-11	s RESISTOR,CHIP 10K 1/16W 1608
R508	1-216-853-11	s RESISTOR,CHIP 470K 1/16W(1608)
R509	1-218-891-11	s RESISTOR,CHIP 68K 1/16W (1608)
R510	1-218-891-11	s RESISTOR,CHIP 68K 1/16W (1608)
R511	1-218-891-11	s RESISTOR,CHIP 68K 1/16W (1608)
R512	1-218-891-11	s RESISTOR,CHIP 68K 1/16W (1608)
R513	1-216-841-11	s RESISTOR, CHIP 47K 1/16W 1608
R514	1-216-839-11	s RESISTOR,CHIP 33K 1/16W 1608
R515	1-216-826-11	s RESISTOR,CHIP 2.7K 1/16W 1608
R516	1-218-907-11	s RESISTOR,CHIP 330K 1/16W(1608)
R517	1-218-903-11	s RESISTOR,CHIP 220K 1/16W(1608)
R518	1-216-821-11	s RESISTOR,CHIP 1.0K 1/16W(1608)
R519	1-216-839-11	s RESISTOR,CHIP 33K 1/16W 1608
R520	1-216-825-11	s RESISTOR,CHIP 2.2K 1/16W 1608
R521	1-216-845-11	s RESISTOR,CHIP 100K 1/16W(1608)
R522	1-216-845-11	s RESISTOR,CHIP 100K 1/16W(1608)
R523	1-216-837-11	s RESISTOR,CHIP 22K 1/16W 1608
R524	1-216-837-11	s RESISTOR,CHIP 22K 1/16W 1608
R525	1-216-833-11	s RESISTOR,CHIP 10K 1/16W 1608
R526	1-216-833-11	s RESISTOR,CHIP 10K 1/16W 1608
R527	1-216-833-11	s RESISTOR,CHIP 10K 1/16W 1608
R528	1-216-833-11	s RESISTOR,CHIP 10K 1/16W 1608
R529	1-216-833-11	s RESISTOR,CHIP 10K 1/16W 1608
R530	1-216-833-11	s RESISTOR,CHIP 10K 1/16W 1608
R531	1-216-853-11	s RESISTOR,CHIP 470K 1/16W(1608)
R532	1-216-837-11	s RESISTOR,CHIP 22K 1/16W 1608
R533	1-216-853-11	s RESISTOR,CHIP 470K 1/16W(1608)
R534	1-216-853-11	s RESISTOR,CHIP 470K 1/16W(1608)
R535	1-216-839-11	s RESISTOR,CHIP 33K 1/16W 1608
R536	1-216-839-11	s RESISTOR,CHIP 33K 1/16W 1608
R537	1-216-839-11	s RESISTOR,CHIP 33K 1/16W 1608
R538	1-216-839-11	s RESISTOR,CHIP 33K 1/16W 1608
R539	1-216-841-11	s RESISTOR, CHIP 47K 1/16W 1608
R540	1-216-825-11	s RESISTOR,CHIP 2.2K 1/16W 1608
R541	1-216-825-11	s RESISTOR,CHIP 2.2K 1/16W 1608
R542	1-216-825-11	s RESISTOR,CHIP 2.2K 1/16W 1608
R543	1-216-841-11	s RESISTOR, CHIP 47K 1/16W 1608
R544	1-216-853-11	s RESISTOR,CHIP 470K 1/16W(1608)
R545	1-216-837-11	s RESISTOR,CHIP 22K 1/16W 1608
R546	1-216-837-11	s RESISTOR,CHIP 22K 1/16W 1608
R547	1-216-837-11	s RESISTOR,CHIP 22K 1/16W 1608
R548	1-216-837-11	s RESISTOR,CHIP 22K 1/16W 1608
R549	1-216-845-11	s RESISTOR,CHIP 100K 1/16W(1608)
R550	1-216-849-11	s RESISTOR,CHIP 220K 1/16W 1608
R551	1-216-833-11	s RESISTOR,CHIP 10K 1/16W 1608
R552	1-216-849-11	s RESISTOR,CHIP 220K 1/16W 1608
R553	1-216-833-11	s RESISTOR,CHIP 10K 1/16W 1608

(SV-212 BOARD(DSR-2000/2000P))

Ref. No. or Q'ty	Part No.	SP Description
R554	1-216-853-11	s RESISTOR,CHIP 470K 1/16W(1608)
R555	1-216-853-11	s RESISTOR,CHIP 470K 1/16W(1608)
R556	1-216-840-11	s RESISTOR,CHIP 39K 1/16W 1608
R557	1-216-837-11	s RESISTOR,CHIP 22K 1/16W 1608
R558	1-216-840-11	s RESISTOR,CHIP 39K 1/16W 1608
R559	1-216-837-11	s RESISTOR,CHIP 22K 1/16W 1608
R560	1-216-829-11	s RESISTOR, CHIP 4.7K 1/16W 1608
R561	1-216-829-11	s RESISTOR, CHIP 4.7K 1/16W 1608
R562	1-216-854-11	s RESISTOR, CHIP 560K 1/16W 1608
R563	1-216-831-11	s RESISTOR,CHIP 6.8K 1/16W(1608)
R564	1-216-843-11	s RESISTOR,CHIP 68K 1/16W (1608)
R565	1-216-831-11	s RESISTOR,CHIP 6.8K 1/16W(1608)
R566	1-216-843-11	s RESISTOR,CHIP 68K 1/16W (1608)
R567	1-216-829-11	s RESISTOR, CHIP 4.7K 1/16W 1608
R568	1-216-829-11	s RESISTOR, CHIP 4.7K 1/16W 1608
R569	1-216-829-11	s RESISTOR, CHIP 4.7K 1/16W 1608
R570	1-216-841-11	s RESISTOR, CHIP 47K 1/16W 1608
R571	1-216-845-11	s RESISTOR,CHIP 100K 1/16W(1608)
R572	1-216-849-11	s RESISTOR,CHIP 220K 1/16W 1608
R573	1-216-833-11	s RESISTOR,CHIP 10K 1/16W 1608
R574	1-216-833-11	s RESISTOR,CHIP 10K 1/16W 1608
R575	1-216-833-11	s RESISTOR,CHIP 10K 1/16W 1608
R576	1-216-845-11	s RESISTOR,CHIP 100K 1/16W(1608)
R577	1-216-839-11	s RESISTOR,CHIP 33K 1/16W 1608
R578	1-216-809-11	s RESISTOR,CHIP 100 1/16W 1608
R579	1-216-833-11	s RESISTOR,CHIP 10K 1/16W 1608
R580	1-216-849-11	s RESISTOR,CHIP 220K 1/16W 1608
R581	1-216-833-11	s RESISTOR,CHIP 10K 1/16W 1608
R582	1-216-839-11	s RESISTOR,CHIP 33K 1/16W 1608
R583	1-216-809-11	s RESISTOR,CHIP 100 1/16W 1608
R584	1-216-821-11	s RESISTOR,CHIP 1.0K 1/16W(1608)
R585	1-216-821-11	s RESISTOR,CHIP 1.0K 1/16W(1608)
R586	1-216-833-11	s RESISTOR,CHIP 10K 1/16W 1608
R587	1-216-849-11	s RESISTOR,CHIP 220K 1/16W 1608
R588	1-211-737-11	s RESISTOR 0.47 1/4W (3225)
R589	1-211-737-11	s RESISTOR 0.47 1/4W (3225)
R590	1-216-849-11	s RESISTOR,CHIP 220K 1/16W 1608
R591	1-216-841-11	s RESISTOR, CHIP 47K 1/16W 1608
R592	1-216-841-11	s RESISTOR, CHIP 47K 1/16W 1608
R593	1-216-833-11	s RESISTOR,CHIP 10K 1/16W 1608
R594	1-211-737-11	s RESISTOR 0.47 1/4W (3225)
R595	1-211-737-11	s RESISTOR 0.47 1/4W (3225)
R596	1-216-842-11	s RESISTOR,CHIP 56K 1/16W(1608)
R597	1-216-842-11	s RESISTOR,CHIP 56K 1/16W(1608)
R650	1-216-842-11	s RESISTOR,CHIP 56K 1/16W(1608)
R651	1-216-849-11	s RESISTOR,CHIP 220K 1/16W 1608
R652	1-216-849-11	s RESISTOR,CHIP 220K 1/16W 1608
R653	1-216-838-11	s RESISTOR,CHIP 27K 1/16W(1608)
R654	1-216-842-11	s RESISTOR,CHIP 56K 1/16W(1608)
R655	1-216-829-11	s RESISTOR, CHIP 4.7K 1/16W 1608
R656	1-216-833-11	s RESISTOR,CHIP 10K 1/16W 1608
R657	1-216-833-11	s RESISTOR,CHIP 10K 1/16W 1608
R658	1-216-853-11	s RESISTOR,CHIP 470K 1/16W(1608)
R659	1-216-838-11	s RESISTOR CHIP 27K 1/16W(1608)
R660	1-216-841-11	s RESISTOR, CHIP 47K 1/16W 1608
R661	1-216-826-11	s RESISTOR,CHIP 2.7K 1/16W 1608
R662	1-216-825-11	s RESISTOR,CHIP 2.2K 1/16W 1608
R663	1-218-891-11	s RESISTOR,CHIP 68K 1/16W (1608)
R664	1-218-891-11	s RESISTOR,CHIP 68K 1/16W (1608)

(SV-212 BOARD(DSR-2000/2000P))

Ref. No. or Q'ty	Part No.	SP	Description
R665	1-218-891-11	s	RESISTOR,CHIP 68K 1/16W (1608)
R666	1-218-891-11	s	RESISTOR,CHIP 68K 1/16W (1608)
R667	1-216-837-11	s	RESISTOR,CHIP 22K 1/16W 1608
R668	1-216-837-11	s	RESISTOR,CHIP 22K 1/16W 1608
R669	1-218-891-11	s	RESISTOR,CHIP 68K 1/16W (1608)
R670	1-218-891-11	s	RESISTOR,CHIP 68K 1/16W (1608)
R671	1-218-891-11	s	RESISTOR,CHIP 68K 1/16W (1608)
R672	1-218-891-11	s	RESISTOR,CHIP 68K 1/16W (1608)
R673	1-218-891-11	s	RESISTOR,CHIP 68K 1/16W (1608)
R674	1-218-891-11	s	RESISTOR,CHIP 68K 1/16W (1608)
R675	1-218-891-11	s	RESISTOR,CHIP 68K 1/16W (1608)
R676	1-218-891-11	s	RESISTOR,CHIP 68K 1/16W (1608)
R677	1-216-837-11	s	RESISTOR,CHIP 22K 1/16W 1608
R678	1-216-839-11	s	RESISTOR,CHIP 33K 1/16W 1608
R679	1-216-839-11	s	RESISTOR,CHIP 33K 1/16W 1608
R680	1-216-839-11	s	RESISTOR,CHIP 33K 1/16W 1608
R681	1-216-839-11	s	RESISTOR,CHIP 33K 1/16W 1608
R682	1-216-843-11	s	RESISTOR,CHIP 68K 1/16W (1608)
R683	1-216-839-11	s	RESISTOR,CHIP 33K 1/16W 1608
R684	1-216-843-11	s	RESISTOR,CHIP 68K 1/16W (1608)
R685	1-216-843-11	s	RESISTOR,CHIP 68K 1/16W (1608)
R686	1-216-843-11	s	RESISTOR,CHIP 68K 1/16W (1608)
R687	1-216-837-11	s	RESISTOR,CHIP 22K 1/16W 1608
R688	1-216-839-11	s	RESISTOR,CHIP 33K 1/16W 1608
R689	1-216-839-11	s	RESISTOR,CHIP 33K 1/16W 1608
R690	1-216-833-11	s	RESISTOR,CHIP 10K 1/16W 1608
R691	1-216-833-11	s	RESISTOR,CHIP 10K 1/16W 1608
R692	1-216-833-11	s	RESISTOR,CHIP 10K 1/16W 1608
R693	1-216-833-11	s	RESISTOR,CHIP 10K 1/16W 1608
R694	1-216-833-11	s	RESISTOR,CHIP 10K 1/16W 1608
R695	1-216-833-11	s	RESISTOR,CHIP 10K 1/16W 1608
R696	1-216-833-11	s	RESISTOR,CHIP 10K 1/16W 1608
R697	1-216-833-11	s	RESISTOR,CHIP 10K 1/16W 1608
R698	1-216-841-11	s	RESISTOR,CHIP 47K 1/16W 1608
R699	1-216-853-11	s	RESISTOR,CHIP 470K 1/16W(1608)
R700	1-216-853-11	s	RESISTOR,CHIP 470K 1/16W(1608)
R701	1-216-853-11	s	RESISTOR,CHIP 470K 1/16W(1608)
R702	1-216-853-11	s	RESISTOR,CHIP 470K 1/16W(1608)
R703	1-216-841-11	s	RESISTOR,CHIP 47K 1/16W 1608
R704	1-216-841-11	s	RESISTOR,CHIP 47K 1/16W 1608
R705	1-216-845-11	s	RESISTOR,CHIP 100K 1/16W(1608)
R706	1-216-842-11	s	RESISTOR,CHIP 56K 1/16W(1608)
R707	1-216-825-11	s	RESISTOR,CHIP 2.2K 1/16W 1608
R708	1-216-825-11	s	RESISTOR,CHIP 2.2K 1/16W 1608
R709	1-216-825-11	s	RESISTOR,CHIP 2.2K 1/16W 1608
R710	1-216-825-11	s	RESISTOR,CHIP 2.2K 1/16W 1608
R711	1-216-842-11	s	RESISTOR,CHIP 56K 1/16W(1608)
R712	1-216-842-11	s	RESISTOR,CHIP 56K 1/16W(1608)
R713	1-216-842-11	s	RESISTOR,CHIP 56K 1/16W(1608)
R714	1-216-842-11	s	RESISTOR,CHIP 56K 1/16W(1608)
R715	1-216-825-11	s	RESISTOR,CHIP 2.2K 1/16W 1608
R716	1-216-825-11	s	RESISTOR,CHIP 2.2K 1/16W 1608
R717	1-216-841-11	s	RESISTOR,CHIP 47K 1/16W 1608
R718	1-216-849-11	s	RESISTOR,CHIP 220K 1/16W 1608
R719	1-216-841-11	s	RESISTOR,CHIP 47K 1/16W 1608
R720	1-216-849-11	s	RESISTOR,CHIP 220K 1/16W 1608
R721	1-216-838-11	s	RESISTOR,CHIP 27K 1/16W(1608)
R722	1-216-838-11	s	RESISTOR,CHIP 27K 1/16W(1608)
R723	1-216-840-11	s	RESISTOR,CHIP 39K 1/16W 1608

(SV-212 BOARD(DSR-2000/2000P))

Ref. No. or Q'ty	Part No.	SP	Description
R724	1-216-837-11	s	RESISTOR,CHIP 22K 1/16W 1608
R725	1-216-840-11	s	RESISTOR,CHIP 39K 1/16W 1608
R726	1-216-837-11	s	RESISTOR,CHIP 22K 1/16W 1608
R727	1-216-831-11	s	RESISTOR,CHIP 6.8K 1/16W(1608)
R728	1-216-843-11	s	RESISTOR,CHIP 68K 1/16W (1608)
R729	1-216-849-11	s	RESISTOR,CHIP 220K 1/16W 1608
R730	1-216-831-11	s	RESISTOR,CHIP 6.8K 1/16W(1608)
R731	1-216-843-11	s	RESISTOR,CHIP 68K 1/16W (1608)
R732	1-216-849-11	s	RESISTOR,CHIP 220K 1/16W 1608
R733	1-216-829-11	s	RESISTOR,CHIP 4.7K 1/16W 1608
R734	1-216-829-11	s	RESISTOR,CHIP 4.7K 1/16W 1608
R735	1-216-849-11	s	RESISTOR,CHIP 220K 1/16W 1608
R736	1-216-845-11	s	RESISTOR,CHIP 100K 1/16W(1608)
R737	1-216-849-11	s	RESISTOR,CHIP 220K 1/16W 1608
R738	1-216-833-11	s	RESISTOR,CHIP 10K 1/16W 1608
R739	1-216-833-11	s	RESISTOR,CHIP 10K 1/16W 1608
R740	1-216-845-11	s	RESISTOR,CHIP 100K 1/16W(1608)
R741	1-216-821-11	s	RESISTOR,CHIP 1.0K 1/16W(1608)
R742	1-216-821-11	s	RESISTOR,CHIP 1.0K 1/16W(1608)
R743	1-216-847-11	s	RESISTOR,CHIP 150K 1/16W 1608
R744	1-216-849-11	s	RESISTOR,CHIP 220K 1/16W 1608
R745	1-216-833-11	s	RESISTOR,CHIP 10K 1/16W 1608
R746	1-216-833-11	s	RESISTOR,CHIP 10K 1/16W 1608
R747	1-216-809-11	s	RESISTOR,CHIP 100 1/16W 1608
R748	1-216-845-11	s	RESISTOR,CHIP 100K 1/16W(1608)
R749	1-216-809-11	s	RESISTOR,CHIP 100 1/16W 1608
R750	1-216-833-11	s	RESISTOR,CHIP 10K 1/16W 1608
R751	1-216-849-11	s	RESISTOR,CHIP 220K 1/16W 1608
R752	1-216-847-11	s	RESISTOR,CHIP 150K 1/16W 1608
R753	1-216-845-11	s	RESISTOR,CHIP 100K 1/16W(1608)
R754	1-216-833-11	s	RESISTOR,CHIP 10K 1/16W 1608
R755	1-216-821-11	s	RESISTOR,CHIP 1.0K 1/16W(1608)
R756	1-216-821-11	s	RESISTOR,CHIP 1.0K 1/16W(1608)
R757	1-220-149-11	s	RESISTOR,CHIP 2.2 1/2W (4532)
R758	1-220-149-11	s	RESISTOR,CHIP 2.2 1/2W (4532)
R759	1-220-149-11	s	RESISTOR,CHIP 2.2 1/2W (4532)
R760	1-220-149-11	s	RESISTOR,CHIP 2.2 1/2W (4532)
R761	1-211-737-11	s	RESISTOR 0.47 1/4W (3225)
R762	1-211-737-11	s	RESISTOR 0.47 1/4W (3225)
R763	1-216-834-11	s	RESISTOR,CHIP 12K 1/16W 1608
R764	1-216-834-11	s	RESISTOR,CHIP 12K 1/16W 1608
R765	1-220-244-11	s	RESISTOR CHIP 33 1/4W (3225)
R766	1-216-841-11	s	RESISTOR,CHIP 47K 1/16W 1608
R767	1-220-244-11	s	RESISTOR CHIP 33 1/4W (3225)
R768	1-216-841-11	s	RESISTOR,CHIP 47K 1/16W 1608
R769	1-220-244-11	s	RESISTOR CHIP 33 1/4W (3225)
R770	1-220-244-11	s	RESISTOR CHIP 33 1/4W (3225)
R771	1-220-244-11	s	RESISTOR CHIP 33 1/4W (3225)
R772	1-220-244-11	s	RESISTOR CHIP 33 1/4W (3225)
R775	1-216-849-11	s	RESISTOR,CHIP 220K 1/16W 1608
R776	1-216-833-11	s	RESISTOR,CHIP 10K 1/16W 1608
R777	1-216-849-11	s	RESISTOR,CHIP 220K 1/16W 1608
R778	1-216-833-11	s	RESISTOR,CHIP 10K 1/16W 1608
R779	1-216-817-11	s	RESISTOR,CHIP 470 1/16W 1608
R780	1-216-817-11	s	RESISTOR,CHIP 470 1/16W 1608
R801	1-216-833-11	s	RESISTOR,CHIP 10K 1/16W 1608
R802	1-216-845-11	s	RESISTOR,CHIP 100K 1/16W(1608)
R803	1-216-833-11	s	RESISTOR,CHIP 10K 1/16W 1608
R804	1-216-834-11	s	RESISTOR,CHIP 12K 1/16W 1608

(SV-212 BOARD(DSR-2000/2000P))

Ref. No. or Q'ty	Part No.	SP Description
RB306	1-239-412-11	s NETWORK, RESISTOR 100 (1608)
RB307	1-239-412-11	s NETWORK, RESISTOR 100 (1608)
RB308	1-239-412-11	s NETWORK, RESISTOR 100 (1608)
RB309	1-239-412-11	s NETWORK, RESISTOR 100 (1608)
RB310	1-239-412-11	s NETWORK, RESISTOR 100 (1608)
RB311	1-239-412-11	s NETWORK, RESISTOR 100 (1608)
RB312	1-239-412-11	s NETWORK, RESISTOR 100 (1608)
RB313	1-236-907-11	s RESISTOR BLOCK 100K (1608)
RB402	1-236-908-11	s RESISTOR, NETWORK 10K (3216)
RB403	1-236-908-11	s RESISTOR, NETWORK 10K (3216)
RB404	1-236-908-11	s RESISTOR, NETWORK 10K (3216)
RB405	1-239-389-11	s RESISTOR, NETWORK 47K (1608)
RB406	1-239-389-11	s RESISTOR, NETWORK 47K (1608)
RB407	1-236-908-11	s RESISTOR, NETWORK 10K (3216)
RB408	1-239-389-11	s RESISTOR, NETWORK 47K (1608)
RB409	1-239-389-11	s RESISTOR, NETWORK 47K (1608)
S101	1-692-536-11	s SWITCH DIP (8P)
X101	1-579-996-21	s VIBRATOR, CERAMIC
X201	1-579-996-21	s VIBRATOR, CERAMIC
X301	1-579-996-21	s VIBRATOR, CERAMIC

SW-11 BOARD(DSR-2000)

*1: Board No. suffix 12 - 13
*2: Board No. suffix 14 -

Ref. No. or Q'ty	Part No.	SP Description
ipc	A-8323-477-A	o MOUNTED CIRCUIT BOARD, SW-11
C101	1-162-927-11	s CAPACITOR, CERAMIC 100PF/50V CH
C102	1-162-927-11	s CAPACITOR, CERAMIC 100PF/50V CH
C103	1-162-927-11	s CAPACITOR, CERAMIC 100PF/50V CH
C104	1-162-927-11	s CAPACITOR, CERAMIC 100PF/50V CH
C105	1-162-927-11	s CAPACITOR, CERAMIC 100PF/50V CH
C106	1-164-227-11	s CAPACITOR, CERAMIC 0.022MF/25V
C107	1-164-227-11	s CAPACITOR, CERAMIC 0.022MF/25V
C108	1-164-227-11	s CAPACITOR, CERAMIC 0.022MF/25V
C109	1-164-227-11	s CAPACITOR, CERAMIC 0.022MF/25V
C110	1-164-227-11	s CAPACITOR, CERAMIC 0.022MF/25V
C111	1-164-227-11	s CAPACITOR, CERAMIC 0.022MF/25V
C112	1-162-927-11	s CAPACITOR, CERAMIC 100PF/50V CH
C113	1-162-927-11	s CAPACITOR, CERAMIC 100PF/50V CH
C114	1-162-927-11	s CAPACITOR, CERAMIC 100PF/50V CH
C115	1-162-927-11	s CAPACITOR, CERAMIC 100PF/50V CH
C116	1-162-927-11	s CAPACITOR, CERAMIC 100PF/50V CH
C117	1-164-156-11	s CAPACITOR, CERAMIC 0.1MF/25V F
C118	1-126-393-11	s CAPACITOR ELECT 33MF/10V(CHIP)
C119	1-126-393-11	s CAPACITOR ELECT 33MF/10V(CHIP)
C120	1-126-393-11	s CAPACITOR ELECT 33MF/10V(CHIP)
C121	1-164-227-11	s CAPACITOR, CERAMIC 0.022MF/25V
C122	1-164-227-11	s CAPACITOR, CERAMIC 0.022MF/25V
C123	*2 1-164-156-11	s CAPACITOR, CERAMIC 0.1MF/25V F
C124	1-164-156-11	s CAPACITOR, CERAMIC 0.1MF/25V F
C125	1-126-393-11	s CAPACITOR ELECT 33MF/10V(CHIP)
C126	1-126-393-11	s CAPACITOR ELECT 33MF/10V(CHIP)
C127	1-164-227-11	s CAPACITOR, CERAMIC 0.022MF/25V
C128	1-164-227-11	s CAPACITOR, CERAMIC 0.022MF/25V
C129	1-115-416-11	s CAPACITOR, CERAMIC 1000PF/25V
C130	1-115-416-11	s CAPACITOR, CERAMIC 1000PF/25V
C131	1-115-416-11	s CAPACITOR, CERAMIC 1000PF/25V
C132	1-115-416-11	s CAPACITOR, CERAMIC 1000PF/25V
C133	1-115-416-11	s CAPACITOR, CERAMIC 1000PF/25V
C134	1-164-156-11	s CAPACITOR, CERAMIC 0.1MF/25V F
C135	*2 1-164-156-11	s CAPACITOR, CERAMIC 0.1MF/25V F
C136	*2 1-164-156-11	s CAPACITOR, CERAMIC 0.1MF/25V F
C137	*2 1-164-156-11	s CAPACITOR, CERAMIC 0.1MF/25V F
C138	*2 1-164-156-11	s CAPACITOR, CERAMIC 0.1MF/25V F
C139	*2 1-164-156-11	s CAPACITOR, CERAMIC 0.1MF/25V F
C140	*2 1-164-156-11	s CAPACITOR, CERAMIC 0.1MF/25V F
C141	*2 1-164-156-11	s CAPACITOR, CERAMIC 0.1MF/25V F
C201	1-164-315-11	s CAPACITOR, CERAMIC 470PF/50V CH
C202	1-164-156-11	s CAPACITOR, CERAMIC 0.1MF/25V F
C203	1-126-393-11	s CAPACITOR ELECT 33MF/10V(CHIP)
C204	1-164-156-11	s CAPACITOR, CERAMIC 0.1MF/25V F
C205	1-164-156-11	s CAPACITOR, CERAMIC 0.1MF/25V F
C209	1-164-156-11	s CAPACITOR, CERAMIC 0.1MF/25V F
C210	1-164-156-11	s CAPACITOR, CERAMIC 0.1MF/25V F
C211	*2 1-162-927-11	s CAPACITOR, CERAMIC 100PF/50V CH
C301	1-115-416-11	s CAPACITOR, CERAMIC 1000PF/25V
C302	1-115-416-11	s CAPACITOR, CERAMIC 1000PF/25V
C303	1-115-416-11	s CAPACITOR, CERAMIC 1000PF/25V
C304	1-115-416-11	s CAPACITOR, CERAMIC 1000PF/25V
C305	1-115-416-11	s CAPACITOR, CERAMIC 1000PF/25V

(SW-11 BOARD(DSR-2000))

Ref. No. or Q'ty	Part No.	SP Description
C306	1-115-416-11	s CAPACITOR,CERAMIC 1000PF/25V
C307	1-115-416-11	s CAPACITOR,CERAMIC 1000PF/25V
C308	1-115-416-11	s CAPACITOR,CERAMIC 1000PF/25V
C309	1-164-156-11	s CAPACITOR,CERAMIC 0.1MF/25V F
C310	1-164-156-11	s CAPACITOR,CERAMIC 0.1MF/25V F
C311	*2 1-164-156-11	s CAPACITOR,CERAMIC 0.1MF/25V F
C312	*2 1-164-156-11	s CAPACITOR,CERAMIC 0.1MF/25V F
C313	*2 1-162-927-11	s CAPACITOR,CERAMIC 100PF/50V CH
C314	*2 1-162-927-11	s CAPACITOR,CERAMIC 100PF/50V CH
C315	*2 1-164-156-11	s CAPACITOR,CERAMIC 0.1MF/25V F
C316	*2 1-164-156-11	s CAPACITOR,CERAMIC 0.1MF/25V F
C317	*2 1-115-416-11	s CAPACITOR,CERAMIC 1000PF/25V
C318	*2 1-164-156-11	s CAPACITOR,CERAMIC 0.1MF/25V F
CN701	1-691-739-11	o CONNECTOR,BOARD TO BOARD 14P
CN702	1-691-739-11	o CONNECTOR,BOARD TO BOARD 14P
CN703	1-691-739-11	o CONNECTOR,BOARD TO BOARD 14P
CN704	1-691-739-11	o CONNECTOR,BOARD TO BOARD 14P
CN710	1-562-717-11	o SOCKET,CONNECTOR 34P
CN720	1-764-162-11	o CONNECTOR, FPC 20P
CN730	1-793-719-11	o CONNECTOR, FPC (DIP TYPE) 7P
D201	8-719-024-81	s DIODE 1SS300-TE85L
D202	8-719-941-23	s DIODE DA204U
D203	8-719-941-23	s DIODE DA204U
D204	8-719-941-23	s DIODE DA204U
D301	8-719-028-74	s DIODE NSQ03A04
IC101	8-759-180-19	s IC NJU7211U50-TE1
IC102	8-759-441-31	s IC MCL4053BDTR2
IC103	8-759-441-31	s IC MCL4053BDTR2
IC104	8-759-248-78	s IC MB88102PFV-G-BND-ER
IC105	8-759-444-87	s IC NJM324V (TE2)
IC106	8-759-444-87	s IC NJM324V (TE2)
IC107	8-759-444-87	s IC NJM324V (TE2)
IC108	8-729-039-85	s IC UPC29L05T
IC201	8-759-338-75	s IC S-80742SN-D6-T1
IC202	8-759-530-30	s IC TC74VHC04FT (EL)
IC203	8-759-524-04	s IC TC74VHC125FT (EL)
IC204	8-759-664-36	s IC UPD78013FYGC-R20-AB8
IC301	8-759-248-78	s IC MB88102PFV-G-BND-ER
L101	1-406-824-11	s COIL, CHOKE 22UH
L102	*2 1-410-377-31	s INDUCTOR,CHIP 4.7UH (3225)
L103	*2 1-410-377-31	s INDUCTOR,CHIP 4.7UH (3225)
L201	*2 1-410-377-31	s INDUCTOR,CHIP 4.7UH (3225)
	*1 1-410-385-11	s CHIP INDUCTOR 22UH (3225)
L202	*2 1-410-377-31	s INDUCTOR,CHIP 4.7UH (3225)
	*1 1-410-381-11	s CHIP INDUCTOR 10UH (3225)
L203	*2 1-410-377-31	s INDUCTOR,CHIP 4.7UH (3225)
L301	*2 1-410-377-31	s INDUCTOR,CHIP 4.7UH (3225)
PS101	Δ 1-532-637-00	s LINK, IC (1.0A)
PS102	Δ 1-532-605-00	s CIRCUIT PROTECTOR (0.4A)
PS103	Δ 1-532-605-00	s CIRCUIT PROTECTOR (0.4A)
Q201	8-729-028-73	s TRANSISTOR DTA114EUA-T106
Q202	8-729-028-73	s TRANSISTOR DTA114EUA-T106
Q203	8-729-028-91	s TRANSISTOR DTA144EUA-T106
Q204	8-729-028-91	s TRANSISTOR DTA144EUA-T106
Q205	8-729-028-73	s TRANSISTOR DTA114EUA-T106
Q206	8-729-427-70	s TRANSISTOR XP4401
Q207	8-729-140-63	s TRANSISTOR 2SA1611-M5M6

(SW-11 BOARD(DSR-2000))

Ref. No. or Q'ty	Part No.	SP Description
Q208	8-729-028-73	s TRANSISTOR DTA114EUA-T106
R101	1-216-845-11	s RESISTOR,CHIP 100K 1/16W(1608)
R102	1-216-845-11	s RESISTOR,CHIP 100K 1/16W(1608)
R103	1-216-845-11	s RESISTOR,CHIP 100K 1/16W(1608)
R104	1-216-845-11	s RESISTOR,CHIP 100K 1/16W(1608)
R105	1-216-845-11	s RESISTOR,CHIP 100K 1/16W(1608)
R106	1-218-871-11	s RESISTOR,CHIP 10K 1/16W (1608)
R107	1-218-871-11	s RESISTOR,CHIP 10K 1/16W (1608)
R108	1-218-871-11	s RESISTOR,CHIP 10K 1/16W (1608)
R109	1-218-871-11	s RESISTOR,CHIP 10K 1/16W (1608)
R110	1-218-871-11	s RESISTOR,CHIP 10K 1/16W (1608)
R111	1-218-871-11	s RESISTOR,CHIP 10K 1/16W (1608)
R112	1-218-871-11	s RESISTOR,CHIP 10K 1/16W (1608)
R113	1-218-871-11	s RESISTOR,CHIP 10K 1/16W (1608)
R114	1-218-871-11	s RESISTOR,CHIP 10K 1/16W (1608)
R115	1-218-871-11	s RESISTOR,CHIP 10K 1/16W (1608)
R117	1-216-825-11	s RESISTOR,CHIP 2.2K 1/16W 1608
R118	1-216-825-11	s RESISTOR,CHIP 2.2K 1/16W 1608
R119	1-216-817-11	s RESISTOR,CHIP 470 1/16W 1608
R120	1-216-841-11	s RESISTOR,CHIP 47K 1/16W 1608
R121	1-216-825-11	s RESISTOR,CHIP 2.2K 1/16W 1608
R122	1-216-825-11	s RESISTOR,CHIP 2.2K 1/16W 1608
R123	1-216-825-11	s RESISTOR,CHIP 2.2K 1/16W 1608
R124	1-216-825-11	s RESISTOR,CHIP 2.2K 1/16W 1608
R125	1-216-825-11	s RESISTOR,CHIP 2.2K 1/16W 1608
R126	*2 1-216-809-11	s RESISTOR,CHIP 100 1/16W 1608
R127	*2 1-216-809-11	s RESISTOR,CHIP 100 1/16W 1608
R128	*2 1-216-809-11	s RESISTOR,CHIP 100 1/16W 1608
R129	*2 1-216-809-11	s RESISTOR,CHIP 100 1/16W 1608
R130	*2 1-216-809-11	s RESISTOR,CHIP 100 1/16W 1608
R201	1-216-857-11	s RESISTOR,CHIP 1.0M 1/16W 1608
R202	1-216-841-11	s RESISTOR,CHIP 47K 1/16W 1608
R203	1-216-841-11	s RESISTOR,CHIP 47K 1/16W 1608
R204	1-216-813-11	s RESISTOR,CHIP 220 1/16W 1608
R205	1-216-821-11	s RESISTOR,CHIP 1.0K 1/16W(1608)
R206	1-216-841-11	s RESISTOR,CHIP 47K 1/16W 1608
R207	1-216-841-11	s RESISTOR,CHIP 47K 1/16W 1608
R211	1-216-841-11	s RESISTOR,CHIP 47K 1/16W 1608
R212	1-216-841-11	s RESISTOR,CHIP 47K 1/16W 1608
R213	1-216-841-11	s RESISTOR,CHIP 47K 1/16W 1608
R215	1-216-821-11	s RESISTOR,CHIP 1.0K 1/16W(1608)
R216	1-216-821-11	s RESISTOR,CHIP 1.0K 1/16W(1608)
R217	1-216-821-11	s RESISTOR,CHIP 1.0K 1/16W(1608)
R218	1-216-809-11	s RESISTOR,CHIP 100 1/16W 1608
R219	1-216-809-11	s RESISTOR,CHIP 100 1/16W 1608
R220	1-216-841-11	s RESISTOR,CHIP 47K 1/16W 1608
R221	1-216-827-11	s RESISTOR,CHIP 3.3K 1/16W 1608
R222	1-216-827-11	s RESISTOR,CHIP 3.3K 1/16W 1608
R223	1-216-823-11	s RESISTOR,CHIP 1.5K 1/16W
R224	1-216-830-11	s RESISTOR,CHIP 5.6K 1/16W 1608
R225	1-216-829-11	s RESISTOR,CHIP 4.7K 1/16W 1608
R226	1-216-791-11	s RESISTOR,CHIP 3.3 1/16W 1608
R227	1-216-825-11	s RESISTOR,CHIP 2.2K 1/16W 1608
R228	1-216-827-11	s RESISTOR,CHIP 3.3K 1/16W 1608
R229	1-216-815-11	s RESISTOR,CHIP 330 1/16W 1608
R230	1-216-815-11	s RESISTOR,CHIP 330 1/16W 1608
R231	1-216-815-11	s RESISTOR,CHIP 330 1/16W 1608
R232	1-216-815-11	s RESISTOR,CHIP 330 1/16W 1608

(SW-11 BOARD(DSR-2000))

Ref. No. or Q'ty	Part No.	SP	Description
R235	*2 1-216-809-11	s	RESISTOR,CHIP 100 1/16W 1608
	*1 1-216-864-11	s	RESISTOR,CHIP 0 1/16W (1608)
R236	1-216-821-11	s	RESISTOR,CHIP 1.0K 1/16W(1608)
R237	1-216-821-11	s	RESISTOR,CHIP 1.0K 1/16W(1608)
R238	*2 1-216-809-11	s	RESISTOR,CHIP 100 1/16W 1608
R239	*2 1-216-809-11	s	RESISTOR,CHIP 100 1/16W 1608
R240	*2 1-216-809-11	s	RESISTOR,CHIP 100 1/16W 1608
R241	*2 1-216-809-11	s	RESISTOR,CHIP 100 1/16W 1608
R242	*2 1-216-809-11	s	RESISTOR,CHIP 100 1/16W 1608
R243	*2 1-216-809-11	s	RESISTOR,CHIP 100 1/16W 1608
R301	*2 1-216-809-11	s	RESISTOR,CHIP 100 1/16W 1608
R302	*2 1-216-809-11	s	RESISTOR,CHIP 100 1/16W 1608
RB101	1-239-389-11	s	RESISTOR,NETWORK 47K (1608)
RB201	1-239-308-11	s	RESISTOR ARRAY,CHIP 47K
RB202	1-239-308-11	s	RESISTOR ARRAY,CHIP 47K
RB203	1-239-308-11	s	RESISTOR ARRAY,CHIP 47K
RB204	1-239-389-11	s	RESISTOR,NETWORK 47K (1608)
RB205	1-236-904-11	s	RESISTOR NETWORK 1K (1608)
RB206	1-236-904-11	s	RESISTOR NETWORK 1K (1608)
RB301	1-239-426-11	s	NETWORK RESISTOR 2.2K (1608)
RB302	1-239-426-11	s	NETWORK RESISTOR 2.2K (1608)
RV106	1-241-856-11	s	RESISTOR, VAR, CARBON 500K
RV107	1-237-695-11	s	RESISTOR,VAR,CARBON 5K
RV108	1-241-856-11	s	RESISTOR, VAR, CARBON 500K
RV109	1-241-856-11	s	RESISTOR, VAR, CARBON 500K
RV110	1-237-695-11	s	RESISTOR,VAR,CARBON 5K
RV111	1-241-856-11	s	RESISTOR, VAR, CARBON 500K
RV112	1-237-695-11	s	RESISTOR,VAR,CARBON 5K
S103	1-571-427-11	s	SWITCH,SLIDE (1-1-2)
S105	1-571-427-11	s	SWITCH,SLIDE (1-1-2)
S106	1-571-427-11	s	SWITCH,SLIDE (1-1-2)
S107	1-571-427-11	s	SWITCH,SLIDE (1-1-2)
S108	1-571-427-11	s	SWITCH,SLIDE (1-1-2)
S109	1-571-427-11	s	SWITCH,SLIDE (1-1-2)
S110	1-571-427-11	s	SWITCH,SLIDE (1-1-2)
S111	1-571-427-11	s	SWITCH,SLIDE (1-1-2)
S112	1-571-427-11	s	SWITCH,SLIDE (1-1-2)
S113	1-571-427-11	s	SWITCH,SLIDE (1-1-2)
S114	1-571-427-11	s	SWITCH,SLIDE (1-1-2)
S116	1-771-122-11	s	SWITCH, SLIDE
S117	1-771-122-11	s	SWITCH, SLIDE
S118	1-571-427-11	s	SWITCH,SLIDE (1-1-2)
S119	1-571-427-11	s	SWITCH,SLIDE (1-1-2)
X201	1-781-174-21	s	VIBRATOR, CERAMIC (10.000MHZ)

SW-11P BOARD(DSR-2000P)

*1: Board No. suffix 12 - 13
*2: Board No. suffix 14 -

Ref. No. or Q'ty	Part No.	SP	Description
ipc	A-8323-478-A	o	MOUNTED CIRCUIT BOARD, SW-11P
C101	1-162-927-11	s	CAPACITOR,CERAMIC 100PF/50V CH
C102	1-162-927-11	s	CAPACITOR,CERAMIC 100PF/50V CH
C103	1-162-927-11	s	CAPACITOR,CERAMIC 100PF/50V CH
C104	1-162-927-11	s	CAPACITOR,CERAMIC 100PF/50V CH
C105	1-162-927-11	s	CAPACITOR,CERAMIC 100PF/50V CH
C106	1-164-227-11	s	CAPACITOR,CERAMIC 0.022MF/25V
C107	1-164-227-11	s	CAPACITOR,CERAMIC 0.022MF/25V
C108	1-164-227-11	s	CAPACITOR,CERAMIC 0.022MF/25V
C109	1-164-227-11	s	CAPACITOR,CERAMIC 0.022MF/25V
C110	1-164-227-11	s	CAPACITOR,CERAMIC 0.022MF/25V
C111	1-164-227-11	s	CAPACITOR,CERAMIC 0.022MF/25V
C112	1-162-927-11	s	CAPACITOR,CERAMIC 100PF/50V CH
C113	1-162-927-11	s	CAPACITOR,CERAMIC 100PF/50V CH
C114	1-162-927-11	s	CAPACITOR,CERAMIC 100PF/50V CH
C115	1-162-927-11	s	CAPACITOR,CERAMIC 100PF/50V CH
C116	1-162-927-11	s	CAPACITOR,CERAMIC 100PF/50V CH
C117	1-164-156-11	s	CAPACITOR,CERAMIC 0.1MF/25V F
C118	1-126-393-11	s	CAPACITOR ELECT 33MF/10V(CHIP)
C119	1-126-393-11	s	CAPACITOR ELECT 33MF/10V(CHIP)
C120	1-126-393-11	s	CAPACITOR ELECT 33MF/10V(CHIP)
C121	1-164-227-11	s	CAPACITOR,CERAMIC 0.022MF/25V
C122	1-164-227-11	s	CAPACITOR,CERAMIC 0.022MF/25V
C123	*2 1-164-156-11	s	CAPACITOR,CERAMIC 0.1MF/25V F
C124	1-164-156-11	s	CAPACITOR,CERAMIC 0.1MF/25V F
C125	1-126-393-11	s	CAPACITOR ELECT 33MF/10V(CHIP)
C126	1-126-393-11	s	CAPACITOR ELECT 33MF/10V(CHIP)
C127	1-164-227-11	s	CAPACITOR,CERAMIC 0.022MF/25V
C128	1-164-227-11	s	CAPACITOR,CERAMIC 0.022MF/25V
C129	1-115-416-11	s	CAPACITOR,CERAMIC 1000PF/25V
C130	1-115-416-11	s	CAPACITOR,CERAMIC 1000PF/25V
C131	1-115-416-11	s	CAPACITOR,CERAMIC 1000PF/25V
C132	1-115-416-11	s	CAPACITOR,CERAMIC 1000PF/25V
C133	1-115-416-11	s	CAPACITOR,CERAMIC 1000PF/25V
C134	1-164-156-11	s	CAPACITOR,CERAMIC 0.1MF/25V F
C135	*2 1-164-156-11	s	CAPACITOR,CERAMIC 0.1MF/25V F
C136	*2 1-164-156-11	s	CAPACITOR,CERAMIC 0.1MF/25V F
C137	*2 1-164-156-11	s	CAPACITOR,CERAMIC 0.1MF/25V F
C138	*2 1-164-156-11	s	CAPACITOR,CERAMIC 0.1MF/25V F
C139	*2 1-164-156-11	s	CAPACITOR,CERAMIC 0.1MF/25V F
C140	*2 1-164-156-11	s	CAPACITOR,CERAMIC 0.1MF/25V F
C141	*2 1-164-156-11	s	CAPACITOR,CERAMIC 0.1MF/25V F
C201	1-164-315-11	s	CAPACITOR,CERAMIC 470PF/50V CH
C202	1-164-156-11	s	CAPACITOR,CERAMIC 0.1MF/25V F
C203	1-126-393-11	s	CAPACITOR ELECT 33MF/10V(CHIP)
C204	1-164-156-11	s	CAPACITOR,CERAMIC 0.1MF/25V F
C205	1-164-156-11	s	CAPACITOR,CERAMIC 0.1MF/25V F
C209	1-164-156-11	s	CAPACITOR,CERAMIC 0.1MF/25V F
C210	1-164-156-11	s	CAPACITOR,CERAMIC 0.1MF/25V F
C211	*2 1-162-927-11	s	CAPACITOR,CERAMIC 100PF/50V CH
C301	1-115-416-11	s	CAPACITOR,CERAMIC 1000PF/25V
C302	1-115-416-11	s	CAPACITOR,CERAMIC 1000PF/25V
C303	1-115-416-11	s	CAPACITOR,CERAMIC 1000PF/25V
C304	1-115-416-11	s	CAPACITOR,CERAMIC 1000PF/25V
C305	1-115-416-11	s	CAPACITOR,CERAMIC 1000PF/25V

(SW-11P BOARD(DSR-2000P))

Ref. No. or Q'ty	Part No.	SP Description
C306	1-115-416-11	s CAPACITOR,CERAMIC 1000PF/25V
C307	1-115-416-11	s CAPACITOR,CERAMIC 1000PF/25V
C308	1-115-416-11	s CAPACITOR,CERAMIC 1000PF/25V
C309	1-164-156-11	s CAPACITOR,CERAMIC 0.1MF/25V F
C310	1-164-156-11	s CAPACITOR,CERAMIC 0.1MF/25V F
C311	*2 1-164-156-11	s CAPACITOR,CERAMIC 0.1MF/25V F
C312	*2 1-164-156-11	s CAPACITOR,CERAMIC 0.1MF/25V F
C313	*2 1-162-927-11	s CAPACITOR,CERAMIC 100PF/50V CH
C314	*2 1-162-927-11	s CAPACITOR,CERAMIC 100PF/50V CH
C315	*2 1-164-156-11	s CAPACITOR,CERAMIC 0.1MF/25V F
C316	*2 1-164-156-11	s CAPACITOR,CERAMIC 0.1MF/25V F
C317	*2 1-115-416-11	s CAPACITOR,CERAMIC 1000PF/25V
C318	*2 1-164-156-11	s CAPACITOR,CERAMIC 0.1MF/25V F
CN701	1-691-739-11	o CONNECTOR,BOARD TO BOARD 14P
CN702	1-691-739-11	o CONNECTOR,BOARD TO BOARD 14P
CN703	1-691-739-11	o CONNECTOR,BOARD TO BOARD 14P
CN704	1-691-739-11	o CONNECTOR,BOARD TO BOARD 14P
CN710	1-562-717-11	o SOCKET,CONNECTOR 34P
CN720	1-764-162-11	o CONNECTOR, FPC 20P
CN730	1-793-719-11	o CONNECTOR, FPC (DIP TYPE) 7P
D201	8-719-024-81	s DIODE 1SS300-TE85L
D202	8-719-941-23	s DIODE DA204U
D203	8-719-941-23	s DIODE DA204U
D204	8-719-941-23	s DIODE DA204U
D301	8-719-028-74	s DIODE NSQ03A04
IC101	8-759-180-19	s IC NJU7211U50-TE1
IC102	8-759-441-31	s IC MC14053BDTR2
IC103	8-759-441-31	s IC MC14053BDTR2
IC104	8-759-248-78	s IC MB88102PFV-G-BND-ER
IC105	8-759-444-87	s IC NJM324V (TE2)
IC106	8-759-444-87	s IC NJM324V (TE2)
IC107	8-759-444-87	s IC NJM324V (TE2)
IC108	8-729-039-85	s IC UPC29L05T
IC201	8-759-338-75	s IC S-80742SM-D6-T1
IC202	8-759-530-30	s IC TC74VHC04FT (EL)
IC203	8-759-524-04	s IC TC74VHC125FT (EL)
IC204	8-759-664-36	s IC UPD78013FYG-C-R20-AB8
IC301	8-759-248-78	s IC MB88102PFV-G-BND-ER
L101	1-406-824-11	s COIL, CHOKO 22UH
L102	*2 1-410-377-31	s INDUCTOR,CHIP 4.7UH (3225)
L103	*2 1-410-377-31	s INDUCTOR,CHIP 4.7UH (3225)
L201	*2 1-410-377-31	s INDUCTOR,CHIP 4.7UH (3225)
	*1 1-410-385-11	s CHIP INDUCTOR 22UH (3225)
L202	*2 1-410-377-31	s INDUCTOR,CHIP 4.7UH (3225)
	*1 1-410-381-11	s CHIP INDUCTOR 10UH (3225)
L203	*2 1-410-377-31	s INDUCTOR,CHIP 4.7UH (3225)
L301	*2 1-410-377-31	s INDUCTOR,CHIP 4.7UH (3225)
PS101	Δ 1-532-637-00	s LINK, IC (1.0A)
PS102	Δ 1-532-605-00	s CIRCUIT PROTECTOR (0.4A)
PS103	Δ 1-532-605-00	s CIRCUIT PROTECTOR (0.4A)
Q201	8-729-028-73	s TRANSISTOR DTA114EUA-T106
Q202	8-729-028-73	s TRANSISTOR DTA114EUA-T106
Q203	8-729-028-91	s TRANSISTOR DTA144EUA-T106
Q204	8-729-028-91	s TRANSISTOR DTA144EUA-T106
Q205	8-729-028-73	s TRANSISTOR DTA114EUA-T106
Q206	8-729-427-70	s TRANSISTOR XP4401
Q207	8-729-140-63	s TRANSISTOR 2SA1611-M5M6

(SW-11P BOARD(DSR-2000P))

Ref. No. or Q'ty	Part No.	SP Description
Q208	8-729-028-73	s TRANSISTOR DTA114EUA-T106
R101	1-216-845-11	s RESISTOR,CHIP 100K 1/16W(1608)
R102	1-216-845-11	s RESISTOR,CHIP 100K 1/16W(1608)
R103	1-216-845-11	s RESISTOR,CHIP 100K 1/16W(1608)
R104	1-216-845-11	s RESISTOR,CHIP 100K 1/16W(1608)
R105	1-216-845-11	s RESISTOR,CHIP 100K 1/16W(1608)
R106	1-218-871-11	s RESISTOR,CHIP 10K 1/16W (1608)
R107	1-218-871-11	s RESISTOR,CHIP 10K 1/16W (1608)
R108	1-218-871-11	s RESISTOR,CHIP 10K 1/16W (1608)
R109	1-218-871-11	s RESISTOR,CHIP 10K 1/16W (1608)
R110	1-218-871-11	s RESISTOR,CHIP 10K 1/16W (1608)
R111	1-218-871-11	s RESISTOR,CHIP 10K 1/16W (1608)
R112	1-218-871-11	s RESISTOR,CHIP 10K 1/16W (1608)
R113	1-218-871-11	s RESISTOR,CHIP 10K 1/16W (1608)
R114	1-218-871-11	s RESISTOR,CHIP 10K 1/16W (1608)
R115	1-218-871-11	s RESISTOR,CHIP 10K 1/16W (1608)
R117	1-216-825-11	s RESISTOR,CHIP 2.2K 1/16W 1608
R118	1-216-825-11	s RESISTOR,CHIP 2.2K 1/16W 1608
R119	1-216-817-11	s RESISTOR,CHIP 470 1/16W 1608
R120	1-216-841-11	s RESISTOR,CHIP 47K 1/16W 1608
R121	1-216-825-11	s RESISTOR,CHIP 2.2K 1/16W 1608
R122	1-216-825-11	s RESISTOR,CHIP 2.2K 1/16W 1608
R123	1-216-825-11	s RESISTOR,CHIP 2.2K 1/16W 1608
R124	1-216-825-11	s RESISTOR,CHIP 2.2K 1/16W 1608
R125	1-216-825-11	s RESISTOR,CHIP 2.2K 1/16W 1608
R126	*2 1-216-809-11	s RESISTOR,CHIP 100 1/16W 1608
R127	*2 1-216-809-11	s RESISTOR,CHIP 100 1/16W 1608
R128	*2 1-216-809-11	s RESISTOR,CHIP 100 1/16W 1608
R129	*2 1-216-809-11	s RESISTOR,CHIP 100 1/16W 1608
R130	*2 1-216-809-11	s RESISTOR,CHIP 100 1/16W 1608
R201	1-216-857-11	s RESISTOR,CHIP 1.0M 1/16W 1608
R202	1-216-841-11	s RESISTOR,CHIP 47K 1/16W 1608
R203	1-216-841-11	s RESISTOR,CHIP 47K 1/16W 1608
R204	1-216-813-11	s RESISTOR,CHIP 220 1/16W 1608
R205	1-216-821-11	s RESISTOR,CHIP 1.0K 1/16W(1608)
R206	1-216-841-11	s RESISTOR,CHIP 47K 1/16W 1608
R207	1-216-841-11	s RESISTOR,CHIP 47K 1/16W 1608
R211	1-216-841-11	s RESISTOR,CHIP 47K 1/16W 1608
R212	1-216-841-11	s RESISTOR,CHIP 47K 1/16W 1608
R213	1-216-841-11	s RESISTOR,CHIP 47K 1/16W 1608
R215	1-216-821-11	s RESISTOR,CHIP 1.0K 1/16W(1608)
R216	1-216-821-11	s RESISTOR,CHIP 1.0K 1/16W(1608)
R217	1-216-821-11	s RESISTOR,CHIP 1.0K 1/16W(1608)
R218	1-216-809-11	s RESISTOR,CHIP 100 1/16W 1608
R219	1-216-809-11	s RESISTOR,CHIP 100 1/16W 1608
R220	1-216-841-11	s RESISTOR,CHIP 47K 1/16W 1608
R221	1-216-827-11	s RESISTOR,CHIP 3.3K 1/16W 1608
R222	1-216-827-11	s RESISTOR,CHIP 3.3K 1/16W 1608
R223	1-216-823-11	s RESISTOR,CHIP 1.5K 1/16W
R224	1-216-830-11	s RESISTOR,CHIP 5.6K 1/16W 1608
R225	1-216-829-11	s RESISTOR,CHIP 4.7K 1/16W 1608
R226	1-216-791-11	s RESISTOR,CHIP 3.3 1/16W 1608
R227	1-216-825-11	s RESISTOR,CHIP 2.2K 1/16W 1608
R228	1-216-827-11	s RESISTOR,CHIP 3.3K 1/16W 1608
R229	1-216-815-11	s RESISTOR,CHIP 330 1/16W 1608
R230	1-216-815-11	s RESISTOR,CHIP 330 1/16W 1608
R231	1-216-815-11	s RESISTOR,CHIP 330 1/16W 1608
R232	1-216-815-11	s RESISTOR,CHIP 330 1/16W 1608

(SW-11P BOARD(DSR-2000P))

Ref. No. or Q'ty	Part No.	SP	Description
R235	*2 1-216-809-11	s	RESISTOR,CHIP 100 1/16W 1608
	*1 1-216-864-11	s	RESISTOR,CHIP 0 1/16W (1608)
R236	1-216-821-11	s	RESISTOR,CHIP 1.0K 1/16W(1608)
R237	1-216-821-11	s	RESISTOR,CHIP 1.0K 1/16W(1608)
R238	*2 1-216-809-11	s	RESISTOR,CHIP 100 1/16W 1608
R239	*2 1-216-809-11	s	RESISTOR,CHIP 100 1/16W 1608
R240	*2 1-216-809-11	s	RESISTOR,CHIP 100 1/16W 1608
R241	*2 1-216-809-11	s	RESISTOR,CHIP 100 1/16W 1608
R242	*2 1-216-809-11	s	RESISTOR,CHIP 100 1/16W 1608
R243	*2 1-216-809-11	s	RESISTOR,CHIP 100 1/16W 1608
R301	*2 1-216-809-11	s	RESISTOR,CHIP 100 1/16W 1608
R302	*2 1-216-809-11	s	RESISTOR,CHIP 100 1/16W 1608
RB101	1-239-389-11	s	RESISTOR,NETWORK 47K (1608)
RB201	1-239-308-11	s	RESISTOR ARRAY,CHIP 47K
RB202	1-239-308-11	s	RESISTOR ARRAY,CHIP 47K
RB203	1-239-308-11	s	RESISTOR ARRAY,CHIP 47K
RB204	1-239-389-11	s	RESISTOR,NETWORK 47K (1608)
RB205	1-236-904-11	s	RESISTOR NETWORK 1K (1608)
RB206	1-236-904-11	s	RESISTOR NETWORK 1K (1608)
RB301	1-239-426-11	s	NETWORK RESISTOR 2.2K (1608)
RB302	1-239-426-11	s	NETWORK RESISTOR 2.2K (1608)
RV106	1-241-856-11	s	RESISTOR,VAR, CARBON 500K
RV107	1-237-695-11	s	RESISTOR,VAR,CARBON 5K
RV108	1-241-856-11	s	RESISTOR,VAR, CARBON 500K
RV109	1-241-856-11	s	RESISTOR,VAR, CARBON 500K
RV110	1-237-695-11	s	RESISTOR,VAR,CARBON 5K
RV111	1-241-856-11	s	RESISTOR,VAR, CARBON 500K
RV112	1-237-695-11	s	RESISTOR,VAR,CARBON 5K
S103	1-571-427-11	s	SWITCH,SLIDE (1-1-2)
S105	1-571-427-11	s	SWITCH,SLIDE (1-1-2)
S106	1-571-427-11	s	SWITCH,SLIDE (1-1-2)
S107	1-571-427-11	s	SWITCH,SLIDE (1-1-2)
S109	1-571-427-11	s	SWITCH,SLIDE (1-1-2)
S110	1-571-427-11	s	SWITCH,SLIDE (1-1-2)
S111	1-571-427-11	s	SWITCH,SLIDE (1-1-2)
S112	1-571-427-11	s	SWITCH,SLIDE (1-1-2)
S113	1-571-427-11	s	SWITCH,SLIDE (1-1-2)
S114	1-571-427-11	s	SWITCH,SLIDE (1-1-2)
S116	1-771-122-11	s	SWITCH, SLIDE
S117	1-771-122-11	s	SWITCH, SLIDE
S118	1-571-427-11	s	SWITCH,SLIDE (1-1-2)
S119	1-571-427-11	s	SWITCH,SLIDE (1-1-2)
X201	1-781-174-21	s	VIBRATOR, CERAMIC (10.000MHZ)

SW-17 BOARD(DSR-2000/2000P)

Ref. No. or Q'ty	Part No.	SP	Description
1pc	1-675-557-11	o	PRINTED WIRING BOARD, SW-17
CN730	1-793-719-11	o	CONNECTOR, FPC (DIP TYPE) 7P
S1	1-692-537-11	s	SWITCH, TACTILE (WITH LIGHT)
S2	1-692-537-21	s	SWITCH, TACTILE (WITH LIGHT)
S3	1-692-537-21	s	SWITCH, TACTILE (WITH LIGHT)

SY-278 BOARD(DSR-2000/2000P)

*1: Board No. suffix 11 - 12
*2: Board No. suffix 13 -

*a: Lot No. 907
*b: Lot No. 908 -

Ref. No. or Q'ty	Part No.	SP	Description
1pc	A-8323-479-A	s	MOUNTED CIRCUIT BOARD, SY-278
1pc	3-179-084-01	s	LEVER(R), PRINTED C. BOARD
1pc	3-179-085-01	s	LEVER(L), PRINTED C. BOARD
1pc	1-528-749-11	s	BATTERY, MOLD TYPE (LITHIUM)
C103	1-164-156-11	s	CAPACITOR, CERAMIC 0.1MF/25V F
C104	1-164-156-11	s	CAPACITOR, CERAMIC 0.1MF/25V F
C105	1-126-395-11	s	CAPACITOR, ELECT 22MF/16V (CHIP)
C106	*2 1-128-416-11	s	CAPACITOR, ELECT 100MF/16V (105C)
	*1 1-126-396-11	s	CAPACITOR, ELECT 47MF/16V (CHIP)
C107	*2 1-128-416-11	s	CAPACITOR, ELECT 100MF/16V (105C)
	*1 1-126-395-11	s	CAPACITOR, ELECT 22MF/16V (CHIP)
C108	1-164-156-11	s	CAPACITOR, CERAMIC 0.1MF/25V F
C109	1-164-156-11	s	CAPACITOR, CERAMIC 0.1MF/25V F
C110	1-164-156-11	s	CAPACITOR, CERAMIC 0.1MF/25V F
C111	*2 1-164-156-11	s	CAPACITOR, CERAMIC 0.1MF/25V F
C112	*2 1-164-156-11	s	CAPACITOR, CERAMIC 0.1MF/25V F
C113	*2 1-164-156-11	s	CAPACITOR, CERAMIC 0.1MF/25V F
C114	1-164-156-11	s	CAPACITOR, CERAMIC 0.1MF/25V F
C115	1-164-156-11	s	CAPACITOR, CERAMIC 0.1MF/25V F
C116	1-164-156-11	s	CAPACITOR, CERAMIC 0.1MF/25V F
C117	1-164-156-11	s	CAPACITOR, CERAMIC 0.1MF/25V F
C118	1-162-915-11	s	CAPACITOR, CERAMIC 10PF/50V CH
C119	1-162-915-11	s	CAPACITOR, CERAMIC 10PF/50V CH
C120	1-164-156-11	s	CAPACITOR, CERAMIC 0.1MF/25V F
C121	1-126-396-11	s	CAPACITOR, ELECT 47MF/16V (CHIP)
C122	1-164-156-11	s	CAPACITOR, CERAMIC 0.1MF/25V F
C123	1-164-156-11	s	CAPACITOR, CERAMIC 0.1MF/25V F
C124	1-135-212-21	s	CAPACITOR TANTALUM 2.2MF/35V
C125	1-164-156-11	s	CAPACITOR, CERAMIC 0.1MF/25V F
C126	1-164-156-11	s	CAPACITOR, CERAMIC 0.1MF/25V F
C127	1-164-156-11	s	CAPACITOR, CERAMIC 0.1MF/25V F
C130	1-164-156-11	s	CAPACITOR, CERAMIC 0.1MF/25V F
C131	1-164-156-11	s	CAPACITOR, CERAMIC 0.1MF/25V F
C132	1-164-156-11	s	CAPACITOR, CERAMIC 0.1MF/25V F
C133	1-164-156-11	s	CAPACITOR, CERAMIC 0.1MF/25V F
C134	1-164-156-11	s	CAPACITOR, CERAMIC 0.1MF/25V F
C135	1-164-156-11	s	CAPACITOR, CERAMIC 0.1MF/25V F
C136	1-164-156-11	s	CAPACITOR, CERAMIC 0.1MF/25V F
C137	1-164-156-11	s	CAPACITOR, CERAMIC 0.1MF/25V F
C138	1-164-156-11	s	CAPACITOR, CERAMIC 0.1MF/25V F
C201	1-164-156-11	s	CAPACITOR, CERAMIC 0.1MF/25V F
C202	1-164-156-11	s	CAPACITOR, CERAMIC 0.1MF/25V F
C203	1-164-156-11	s	CAPACITOR, CERAMIC 0.1MF/25V F
C204	1-164-156-11	s	CAPACITOR, CERAMIC 0.1MF/25V F
C205	1-164-156-11	s	CAPACITOR, CERAMIC 0.1MF/25V F
C206	1-164-156-11	s	CAPACITOR, CERAMIC 0.1MF/25V F
C207	1-164-156-11	s	CAPACITOR, CERAMIC 0.1MF/25V F
C208	1-164-156-11	s	CAPACITOR, CERAMIC 0.1MF/25V F
C209	1-164-156-11	s	CAPACITOR, CERAMIC 0.1MF/25V F
C210	1-164-156-11	s	CAPACITOR, CERAMIC 0.1MF/25V F
C211	1-164-156-11	s	CAPACITOR, CERAMIC 0.1MF/25V F
C212	1-164-156-11	s	CAPACITOR, CERAMIC 0.1MF/25V F
C301	1-162-962-11	s	CAPACITOR, CERAMIC 470PF/50V (B)

(SY-278 BOARD(DSR-2000/2000P))

Ref. No. or Q'ty	Part No.	SP Description
C302	1-126-396-11	s CAPACITOR, ELECT 47MF/16V(CHIP)
C303	1-164-156-11	s CAPACITOR, CERAMIC 0.1MF/25V F
C304	1-164-156-11	s CAPACITOR, CERAMIC 0.1MF/25V F
C305	1-164-156-11	s CAPACITOR, CERAMIC 0.1MF/25V F
C306	1-164-156-11	s CAPACITOR, CERAMIC 0.1MF/25V F
C307	1-164-156-11	s CAPACITOR, CERAMIC 0.1MF/25V F
C308	1-162-915-11	s CAPACITOR, CERAMIC 10PF/50V CH
C309	1-162-915-11	s CAPACITOR, CERAMIC 10PF/50V CH
C310	1-164-156-11	s CAPACITOR, CERAMIC 0.1MF/25V F
C311	1-164-156-11	s CAPACITOR, CERAMIC 0.1MF/25V F
C312	1-164-156-11	s CAPACITOR, CERAMIC 0.1MF/25V F
C313	1-164-156-11	s CAPACITOR, CERAMIC 0.1MF/25V F
C314	1-164-156-11	s CAPACITOR, CERAMIC 0.1MF/25V F
C315	1-164-156-11	s CAPACITOR, CERAMIC 0.1MF/25V F
C316	1-164-156-11	s CAPACITOR, CERAMIC 0.1MF/25V F
C317	1-164-156-11	s CAPACITOR, CERAMIC 0.1MF/25V F
C318	1-164-156-11	s CAPACITOR, CERAMIC 0.1MF/25V F
C319	1-164-156-11	s CAPACITOR, CERAMIC 0.1MF/25V F
C320	1-164-156-11	s CAPACITOR, CERAMIC 0.1MF/25V F
C321	1-164-156-11	s CAPACITOR, CERAMIC 0.1MF/25V F
C322	1-164-156-11	s CAPACITOR, CERAMIC 0.1MF/25V F
C323	*2 1-164-156-11	s CAPACITOR, CERAMIC 0.1MF/25V F
C324	1-164-156-11	s CAPACITOR, CERAMIC 0.1MF/25V F
C325	1-164-156-11	s CAPACITOR, CERAMIC 0.1MF/25V F
C326	*2 1-164-156-11	s CAPACITOR, CERAMIC 0.1MF/25V F
C401	1-164-156-11	s CAPACITOR, CERAMIC 0.1MF/25V F
C402	1-164-156-11	s CAPACITOR, CERAMIC 0.1MF/25V F
C403	*2 1-164-156-11	s CAPACITOR, CERAMIC 0.1MF/25V F
C404	1-164-156-11	s CAPACITOR, CERAMIC 0.1MF/25V F
C405	1-164-156-11	s CAPACITOR, CERAMIC 0.1MF/25V F
C406	1-164-156-11	s CAPACITOR, CERAMIC 0.1MF/25V F
C407	1-164-156-11	s CAPACITOR, CERAMIC 0.1MF/25V F
C408	1-164-156-11	s CAPACITOR, CERAMIC 0.1MF/25V F
C409	1-164-156-11	s CAPACITOR, CERAMIC 0.1MF/25V F
C410	1-164-156-11	s CAPACITOR, CERAMIC 0.1MF/25V F
C411	1-164-156-11	s CAPACITOR, CERAMIC 0.1MF/25V F
C501	1-126-405-11	s CAPACITOR, ELECT 10MF/50V(CHIP)
C502	1-126-405-11	s CAPACITOR, ELECT 10MF/50V(CHIP)
C503	1-162-964-11	s CAPACITOR, CERAMIC 1000PF/50V B
C504	1-162-995-11	s CAPACITOR, CERAMIC 0.022MF/50V
C505	1-162-970-11	s CAPACITOR CERAMIC 0.01MF/25V B
C506	1-162-927-11	s CAPACITOR, CERAMIC 100PF/50V CH
C507	1-162-995-11	s CAPACITOR, CERAMIC 0.022MF/50V
C508	1-162-919-11	s CAPACITOR, CERAMIC 22PF/50V CH
C509	1-162-919-11	s CAPACITOR, CERAMIC 22PF/50V CH
C510	1-162-995-11	s CAPACITOR, CERAMIC 0.022MF/50V
C511	1-162-962-11	s CAPACITOR, CERAMIC 470PF/50V(B)
C512	1-164-156-11	s CAPACITOR, CERAMIC 0.1MF/25V F
C513	1-164-156-11	s CAPACITOR, CERAMIC 0.1MF/25V F
C514	1-164-156-11	s CAPACITOR, CERAMIC 0.1MF/25V F
C515	1-164-156-11	s CAPACITOR, CERAMIC 0.1MF/25V F
C516	1-164-156-11	s CAPACITOR, CERAMIC 0.1MF/25V F
C517	1-164-156-11	s CAPACITOR, CERAMIC 0.1MF/25V F
C518	1-164-156-11	s CAPACITOR, CERAMIC 0.1MF/25V F
C519	*2 1-115-670-11	s CAPACITOR, ELECT 220MF/35V(CHIP)
CN1	1-770-677-11	o CONNECTOR, BOARD TO BOARD 50P
CN2	1-770-677-11	o CONNECTOR, BOARD TO BOARD 50P
CN111	1-778-262-12	o CONNECTOR, BOARD TO BOARD 148P
CN113	1-695-223-21	o PIN, CONNECTOR (SMD) 10P

(SY-278 BOARD(DSR-2000/2000P))

Ref. No. or Q'ty	Part No.	SP Description
D501	8-719-987-69	s DIODE DAN217
D502	8-719-987-69	s DIODE DAN217
D503	8-719-987-69	s DIODE DAN217
D504	8-719-987-69	s DIODE DAN217
D505	8-719-987-69	s DIODE DAN217
D506	8-719-987-69	s DIODE DAN217
IC101	8-759-525-99	s IC HD6437021SC02X
IC102	8-759-537-83	s IC MBM29F400BC-70PFTN
IC103	8-759-524-50	s IC TC74VHC541FT(EL)
IC104	8-759-491-50	s IC TC74VHCT244AFT(EL)
IC105	8-759-479-32	s IC SN75C1168NS (E05)
IC106	8-759-479-32	s IC SN75C1168NS (E05)
IC107	8-759-549-01	s IC SN74LV125APWR
IC108	8-759-549-01	s IC SN74LV125APWR
IC109	8-759-549-01	s IC SN74LV125APWR
IC110	8-759-524-07	s IC TC74VHC138FT(EL)
IC111	8-759-524-07	s IC TC74VHC138FT(EL)
IC114	8-759-523-94	s IC TC74VHC32FT(EL)
IC115	8-759-394-05	s IC TC7SH08F-TE85R
IC116	8-759-327-80	s IC S-80745SN-D9-T1
IC117	8-759-457-20	s IC CY7C199-20VC-T2
IC118	8-759-457-20	s IC CY7C199-20VC-T2
IC119	8-759-084-79	s IC TC7S14F
IC120	8-759-491-46	s IC TC74VHCT04AFT (EL)
IC202	8-759-524-07	s IC TC74VHC138FT(EL)
IC203	8-759-549-15	s IC SN74LV245APWR
IC204	8-759-549-15	s IC SN74LV245APWR
IC205	8-759-549-15	s IC SN74LV245APWR
IC206	8-759-523-92	s IC TC74VHC21FT(EL)
IC207	8-759-497-29	s IC LC35256DM-70-TLM
IC208	8-759-095-41	s IC CXD8176AQ
IC209	8-759-095-41	s IC CXD8176AQ
IC210	8-759-270-56	s IC SN74HC377ANS (E20)
IC211	8-759-524-50	s IC TC74VHC541FT(EL)
IC212	6-700-517-01	s IC M48Z58Y-70MHITRS
IC213	8-759-497-29	s IC LC35256DM-70-TLM
IC214	8-759-524-50	s IC TC74VHC541FT(EL)
IC301	8-759-525-99	s IC HD6437021SC02X
IC302	8-759-537-83	s IC MBM29F400BC-70PFTN
IC303	8-759-095-41	s IC CXD8176AQ
IC304	8-759-524-07	s IC TC74VHC138FT(EL)
IC305	8-759-523-94	s IC TC74VHC32FT(EL)
IC306	8-759-523-94	s IC TC74VHC32FT(EL)
IC307	8-759-394-05	s IC TC7SH08F-TE85R
IC308	8-759-524-07	s IC TC74VHC138FT(EL)
IC309	8-759-497-29	s IC LC35256DM-70-TLM
IC312	8-759-524-07	s IC TC74VHC138FT(EL)
IC313	8-759-457-20	s IC CY7C199-20VC-T2
IC314	8-759-457-20	s IC CY7C199-20VC-T2
IC315	8-759-524-07	s IC TC74VHC138FT(EL)
IC316	8-759-549-15	s IC SN74LV245APWR
IC317	8-759-549-15	s IC SN74LV245APWR
IC318	8-759-549-15	s IC SN74LV245APWR
IC401	8-759-491-51	s IC TC74VHCT245AFT(EL)
IC402	8-759-524-07	s IC TC74VHC138FT(EL)
IC403	8-759-549-15	s IC SN74LV245APWR
IC404	*2 8-759-524-22	s IC TC74VHC175FT(EL)
IC405	8-759-490-41	s IC TC74VHCT541AFT(EL)

(SY-278 BOARD(DSR-2000/2000P))

Ref. No. or Q'ty	Part No.	SP Description
IC406	8-759-524-50	s IC TC74VHC541FT(EL)
IC407	8-759-271-86	s IC TC7SH04FU
IC408	8-759-270-56	s IC SN74HC377ANS (E20)
IC409	8-759-524-22	s IC TC74VHC175FT(EL)
IC410	8-759-523-94	s IC TC74VHC32FT(EL)
IC411	8-759-524-50	s IC TC74VHC541FT(EL)
IC504	8-759-523-94	s IC TC74VHC32FT(EL)
IC505	8-759-369-73	s IC NJM4556AM
IC506	8-759-100-96	s IC UPC4558G2
IC507	8-759-700-07	s IC NJM2903M
IC508	8-759-175-77	s IC CXD8384Q
IC509	8-759-524-22	s IC TC74VHC175FT(EL)
IC510	8-759-523-94	s IC TC74VHC32FT(EL)
L101	1-406-824-11	s COIL, CHOKe 22UH
L102	1-412-955-11	s INDUCTOR 22UH (2520)
PS101	Δ 1-576-259-11	s LINK, IC 0.6A (3225)
PS102	Δ 1-576-124-11	s LINK IC 1A (3225)
PS103	Δ 1-576-259-11	s LINK, IC 0.6A (3225)
Q101	8-729-117-32	s TRANSISTOR 2SC4177
Q501	8-729-027-38	s TRANSISTOR DTA144EAK-T146
Q502	8-729-027-38	s TRANSISTOR DTA144EAK-T146
Q503	8-729-422-44	s TRANSISTOR 2SK663
Q504	8-729-422-44	s TRANSISTOR 2SK663
R104	1-220-258-11	s RESISTOR, CHIP 100 1/4W (3225)
R105	1-216-833-11	s RESISTOR, CHIP 10K 1/16W 1608
R106	1-216-833-11	s RESISTOR, CHIP 10K 1/16W 1608
R107	*b 1-216-833-11	s RESISTOR, CHIP 10K 1/16W 1608
	*a 1-216-845-11	s RESISTOR, CHIP 100K 1/16W(1608)
R108	1-216-841-11	s RESISTOR, CHIP 47K 1/16W 1608
R109	1-216-833-11	s RESISTOR, CHIP 10K 1/16W 1608
R110	1-216-833-11	s RESISTOR, CHIP 10K 1/16W 1608
R111	1-216-821-11	s RESISTOR, CHIP 1.0K 1/16W(1608)
R113	1-216-805-11	s RESISTOR, CHIP 47 1/16W 1608
R121	1-216-845-11	s RESISTOR, CHIP 100K 1/16W(1608)
R137	1-216-841-11	s RESISTOR, CHIP 47K 1/16W 1608
R139	1-216-845-11	s RESISTOR, CHIP 100K 1/16W(1608)
R140	1-216-801-11	s RESISTOR, CHIP 22 1/16W 1608
R142	1-216-845-11	s RESISTOR, CHIP 100K 1/16W(1608)
R143	1-216-833-11	s RESISTOR, CHIP 10K 1/16W 1608
R147	1-216-845-11	s RESISTOR, CHIP 100K 1/16W(1608)
R148	1-216-809-11	s RESISTOR, CHIP 100 1/16W 1608
R149	1-216-805-11	s RESISTOR, CHIP 47 1/16W 1608
R150	1-216-805-11	s RESISTOR, CHIP 47 1/16W 1608
R201	1-216-801-11	s RESISTOR, CHIP 22 1/16W 1608
R202	1-216-801-11	s RESISTOR, CHIP 22 1/16W 1608
R203	1-216-801-11	s RESISTOR, CHIP 22 1/16W 1608
R204	1-216-805-11	s RESISTOR, CHIP 47 1/16W 1608
R205	1-216-805-11	s RESISTOR, CHIP 47 1/16W 1608
R206	1-216-805-11	s RESISTOR, CHIP 47 1/16W 1608
R207	1-216-805-11	s RESISTOR, CHIP 47 1/16W 1608
R208	1-216-805-11	s RESISTOR, CHIP 47 1/16W 1608
R209	1-216-805-11	s RESISTOR, CHIP 47 1/16W 1608
R210	1-216-805-11	s RESISTOR, CHIP 47 1/16W 1608
R211	1-216-864-11	s RESISTOR, CHIP 0 1/16W (1608)
R212	1-216-805-11	s RESISTOR, CHIP 47 1/16W 1608
R213	1-216-805-11	s RESISTOR, CHIP 47 1/16W 1608
R214	1-216-845-11	s RESISTOR, CHIP 100K 1/16W(1608)
R215	1-216-805-11	s RESISTOR, CHIP 47 1/16W 1608

(SY-278 BOARD(DSR-2000/2000P))

Ref. No. or Q'ty	Part No.	SP Description
R216	1-216-805-11	s RESISTOR, CHIP 47 1/16W 1608
R217	*2 1-216-805-11	s RESISTOR, CHIP 47 1/16W 1608
	*1 1-216-864-11	s RESISTOR, CHIP 0 1/16W (1608)
R218	*2 1-216-805-11	s RESISTOR, CHIP 47 1/16W 1608
	*1 1-216-864-11	s RESISTOR, CHIP 0 1/16W (1608)
R219	*2 1-216-805-11	s RESISTOR, CHIP 47 1/16W 1608
	*1 1-216-864-11	s RESISTOR, CHIP 0 1/16W (1608)
R220	*2 1-216-805-11	s RESISTOR, CHIP 47 1/16W 1608
R221	*2 1-216-805-11	s RESISTOR, CHIP 47 1/16W 1608
R222	*2 1-216-805-11	s RESISTOR, CHIP 47 1/16W 1608
R301	1-216-841-11	s RESISTOR, CHIP 47K 1/16W 1608
R302	1-216-821-11	s RESISTOR, CHIP 1.0K 1/16W(1608)
R303	1-216-849-11	s RESISTOR, CHIP 220K 1/16W 1608
R304	1-216-849-11	s RESISTOR, CHIP 220K 1/16W 1608
R305	1-216-809-11	s RESISTOR, CHIP 100 1/16W 1608
R306	1-216-809-11	s RESISTOR, CHIP 100 1/16W 1608
R308	1-216-801-11	s RESISTOR, CHIP 22 1/16W 1608
R309	*b 1-216-833-11	s RESISTOR, CHIP 10K 1/16W 1608
	*a 1-216-864-11	s RESISTOR, CHIP 0 1/16W (1608)
R310	1-216-841-11	s RESISTOR, CHIP 47K 1/16W 1608
R313	1-216-864-11	s RESISTOR, CHIP 0 1/16W (1608)
R314	1-216-801-11	s RESISTOR, CHIP 22 1/16W 1608
R315	1-216-801-11	s RESISTOR, CHIP 22 1/16W 1608
R316	1-216-849-11	s RESISTOR, CHIP 220K 1/16W 1608
R317	1-216-849-11	s RESISTOR, CHIP 220K 1/16W 1608
R320	1-216-801-11	s RESISTOR, CHIP 22 1/16W 1608
R321	1-216-801-11	s RESISTOR, CHIP 22 1/16W 1608
R322	1-216-833-11	s RESISTOR, CHIP 10K 1/16W 1608
R323	1-216-833-11	s RESISTOR, CHIP 10K 1/16W 1608
R324	1-216-805-11	s RESISTOR, CHIP 47 1/16W 1608
R325	1-216-805-11	s RESISTOR, CHIP 47 1/16W 1608
R326	1-216-841-11	s RESISTOR, CHIP 47K 1/16W 1608
R327	1-216-841-11	s RESISTOR, CHIP 47K 1/16W 1608
R328	1-216-845-11	s RESISTOR, CHIP 100K 1/16W(1608)
R330	1-216-805-11	s RESISTOR, CHIP 47 1/16W 1608
R334	1-216-864-11	s RESISTOR, CHIP 0 1/16W (1608)
R335	1-216-805-11	s RESISTOR, CHIP 47 1/16W 1608
R336	1-216-845-11	s RESISTOR, CHIP 100K 1/16W(1608)
R337	1-216-845-11	s RESISTOR, CHIP 100K 1/16W(1608)
R338	1-216-805-11	s RESISTOR, CHIP 47 1/16W 1608
R401	1-216-864-11	s RESISTOR, CHIP 0 1/16W (1608)
R402	1-216-864-11	s RESISTOR, CHIP 0 1/16W (1608)
R403	1-216-864-11	s RESISTOR, CHIP 0 1/16W (1608)
R404	1-216-864-11	s RESISTOR, CHIP 0 1/16W (1608)
R405	1-216-864-11	s RESISTOR, CHIP 0 1/16W (1608)
R406	1-216-864-11	s RESISTOR, CHIP 0 1/16W (1608)
R407	1-216-864-11	s RESISTOR, CHIP 0 1/16W (1608)
R408	1-216-864-11	s RESISTOR, CHIP 0 1/16W (1608)
R409	1-216-864-11	s RESISTOR, CHIP 0 1/16W (1608)
R410	*2 1-216-864-11	s RESISTOR, CHIP 0 1/16W (1608)
R411	*2 1-216-864-11	s RESISTOR, CHIP 0 1/16W (1608)
R501	1-218-859-11	s RESISTOR, CHIP 3.3K 1/16W(1608)
R502	1-218-844-11	s RESISTOR, CHIP 750 1/16W (1608)
R503	1-216-841-11	s RESISTOR, CHIP 47K 1/16W 1608
R504	1-218-887-11	s RESISTOR, CHIP 47K 1/16W (1608)
R505	1-218-887-11	s RESISTOR, CHIP 47K 1/16W (1608)
R506	1-218-855-11	s RESISTOR, CHIP 2.2K 1/16W(1608)
R507	1-218-855-11	s RESISTOR, CHIP 2.2K 1/16W(1608)
R508	1-211-990-11	s RESISTOR, CHIP 75 1/16W (1608)

(SY-278 BOARD(DSR-2000/2000P))

Ref. No. or Q'ty	Part No.	SP Description
R509	1-218-895-11	s RESISTOR,CHIP 100K 1/16W(1608)
R510	1-216-837-11	s RESISTOR,CHIP 22K 1/16W 1608
R511	1-216-832-11	s RESISTOR,CHIP 8.2K 1/16W 1608
R512	1-216-837-11	s RESISTOR,CHIP 22K 1/16W 1608
R513	1-216-827-11	s RESISTOR, CHIP 3.3K 1/16W 1608
R514	1-218-895-11	s RESISTOR,CHIP 100K 1/16W(1608)
R515	1-216-857-11	s RESISTOR, CHIP 1.0M 1/16W 1608
R516	1-216-857-11	s RESISTOR, CHIP 1.0M 1/16W 1608
R517	1-216-821-11	s RESISTOR,CHIP 1.0K 1/16W(1608)
R518	1-216-857-11	s RESISTOR, CHIP 1.0M 1/16W 1608
R519	1-216-857-11	s RESISTOR, CHIP 1.0M 1/16W 1608
R520	1-216-829-11	s RESISTOR, CHIP 4.7K 1/16W 1608
R521	1-216-845-11	s RESISTOR,CHIP 100K 1/16W(1608)
R522	1-216-829-11	s RESISTOR, CHIP 4.7K 1/16W 1608
R523	1-216-829-11	s RESISTOR, CHIP 4.7K 1/16W 1608
R524	1-216-830-11	s RESISTOR,CHIP 5.6K 1/16W 1608
R525	1-216-829-11	s RESISTOR, CHIP 4.7K 1/16W 1608
R526	1-216-857-11	s RESISTOR, CHIP 1.0M 1/16W 1608
R527	1-216-815-11	s RESISTOR,CHIP 330 1/16W 1608
R528	1-216-821-11	s RESISTOR,CHIP 1.0K 1/16W(1608)
R529	1-216-801-11	s RESISTOR,CHIP 22 1/16W 1608
R530	1-216-801-11	s RESISTOR,CHIP 22 1/16W 1608
R531	1-216-801-11	s RESISTOR,CHIP 22 1/16W 1608
R532	1-216-801-11	s RESISTOR,CHIP 22 1/16W 1608
R533	1-216-801-11	s RESISTOR,CHIP 22 1/16W 1608
R534	*2 1-216-833-11	s RESISTOR,CHIP 10K 1/16W (1608)
R801	1-216-864-11	s RESISTOR,CHIP 0 1/16W (1608)
R805	1-216-864-11	s RESISTOR,CHIP 0 1/16W (1608)
R806	1-216-864-11	s RESISTOR,CHIP 0 1/16W (1608)
R807	1-216-864-11	s RESISTOR,CHIP 0 1/16W (1608)
R808	1-216-864-11	s RESISTOR,CHIP 0 1/16W (1608)
R919	1-216-809-11	s RESISTOR,CHIP 100 1/16W 1608
R920	1-216-809-11	s RESISTOR,CHIP 100 1/16W 1608
R921	1-216-833-11	s RESISTOR,CHIP 10K 1/16W 1608
R922	1-216-833-11	s RESISTOR,CHIP 10K 1/16W 1608
RB101	1-236-906-11	s RESISTOR, NETWORK 15K (1608)
RB102	1-236-907-11	s RESISTOR BLOCK 100K (1608)
RB103	1-239-444-11	s NETWORK,RESISTOR 220K (1608)
RB107	1-239-309-11	s RESISTOR ARRAY,CHIP 100K
RB108	1-239-309-11	s RESISTOR ARRAY,CHIP 100K
RB109	1-239-310-11	s RESISTOR ARRAY, CHIP 220K
RB110	1-239-621-11	s NETWORK RESISTOR 22 (1608)
RB111	1-239-621-11	s NETWORK RESISTOR 22 (1608)
RB112	1-239-621-11	s NETWORK RESISTOR 22 (1608)
RB113	1-239-621-11	s NETWORK RESISTOR 22 (1608)
RB114	1-239-621-11	s NETWORK RESISTOR 22 (1608)
RB115	1-239-621-11	s NETWORK RESISTOR 22 (1608)
RB116	1-239-621-11	s NETWORK RESISTOR 22 (1608)
RB117	1-239-621-11	s NETWORK RESISTOR 22 (1608)
RB118	1-239-621-11	s NETWORK RESISTOR 22 (1608)
RB119	1-239-621-11	s NETWORK RESISTOR 22 (1608)
RB120	1-239-621-11	s NETWORK RESISTOR 22 (1608)
RB121	1-239-621-11	s NETWORK RESISTOR 22 (1608)
RB122	1-239-621-11	s NETWORK RESISTOR 22 (1608)
RB123	1-239-621-11	s NETWORK RESISTOR 22 (1608)
RB124	1-239-621-11	s NETWORK RESISTOR 22 (1608)
RB125	1-239-621-11	s NETWORK RESISTOR 22 (1608)
RB126	1-239-621-11	s NETWORK RESISTOR 22 (1608)
RB127	1-239-621-11	s NETWORK RESISTOR 22 (1608)

(SY-278 BOARD(DSR-2000/2000P))

Ref. No. or Q'ty	Part No.	SP Description
RB128	1-239-621-11	s NETWORK RESISTOR 22 (1608)
RB129	1-239-621-11	s NETWORK RESISTOR 22 (1608)
RB130	1-239-621-11	s NETWORK RESISTOR 22 (1608)
RB131	1-239-621-11	s NETWORK RESISTOR 22 (1608)
RB201	1-239-621-11	s NETWORK RESISTOR 22 (1608)
RB202	1-239-621-11	s NETWORK RESISTOR 22 (1608)
RB203	1-239-621-11	s NETWORK RESISTOR 22 (1608)
RB204	1-239-621-11	s NETWORK RESISTOR 22 (1608)
RB205	1-239-621-11	s NETWORK RESISTOR 22 (1608)
RB206	1-239-621-11	s NETWORK RESISTOR 22 (1608)
RB207	1-239-621-11	s NETWORK RESISTOR 22 (1608)
RB208	1-239-621-11	s NETWORK RESISTOR 22 (1608)
RB209	1-239-409-11	s RESISTOR NETWORK 47 (1608)
RB210	1-239-409-11	s RESISTOR NETWORK 47 (1608)
RB211	1-239-409-11	s RESISTOR NETWORK 47 (1608)
RB212	1-239-409-11	s RESISTOR NETWORK 47 (1608)
RB213	1-239-409-11	s RESISTOR NETWORK 47 (1608)
RB214	1-239-409-11	s RESISTOR NETWORK 47 (1608)
RB215	1-239-310-11	s RESISTOR ARRAY, CHIP 220K
RB216	1-239-409-11	s RESISTOR NETWORK 47 (1608)
RB217	1-239-409-11	s RESISTOR NETWORK 47 (1608)
RB218	1-239-409-11	s RESISTOR NETWORK 47 (1608)
RB219	1-239-409-11	s RESISTOR NETWORK 47 (1608)
RB220	1-239-409-11	s RESISTOR NETWORK 47 (1608)
RB221	1-239-409-11	s RESISTOR NETWORK 47 (1608)
RB222	1-239-409-11	s RESISTOR NETWORK 47 (1608)
RB223	1-239-409-11	s RESISTOR NETWORK 47 (1608)
RB224	1-239-409-11	s RESISTOR NETWORK 47 (1608)
RB225	1-239-409-11	s RESISTOR NETWORK 47 (1608)
RB226	1-239-409-11	s RESISTOR NETWORK 47 (1608)
RB227	1-239-409-11	s RESISTOR NETWORK 47 (1608)
RB228	1-239-409-11	s RESISTOR NETWORK 47 (1608)
RB229	1-239-409-11	s RESISTOR NETWORK 47 (1608)
RB230	1-239-409-11	s RESISTOR NETWORK 47 (1608)
RB231	1-239-711-11	s NETWORK, RESISTOR 0 (1608)
RB232	1-239-711-11	s NETWORK, RESISTOR 0 (1608)
RB233	1-239-711-11	s NETWORK, RESISTOR 0 (1608)
RB234	1-239-310-11	s RESISTOR ARRAY, CHIP 220K
RB235	*2 1-239-409-11	s RESISTOR,NETWORK 47 (1608)
RB236	*2 1-239-409-11	s RESISTOR,NETWORK 47 (1608)
RB237	*2 1-239-409-11	s RESISTOR,NETWORK 47 (1608)
RB238	*2 1-239-409-11	s RESISTOR,NETWORK 47 (1608)
RB239	*2 1-239-409-11	s RESISTOR,NETWORK 47 (1608)
RB301	1-236-907-11	s RESISTOR BLOCK 100K (1608)
RB302	1-239-309-11	s RESISTOR ARRAY,CHIP 100K
RB305	1-239-621-11	s NETWORK RESISTOR 22 (1608)
RB306	1-239-621-11	s NETWORK RESISTOR 22 (1608)
RB307	1-239-621-11	s NETWORK RESISTOR 22 (1608)
RB308	1-239-621-11	s NETWORK RESISTOR 22 (1608)
RB309	1-239-621-11	s NETWORK RESISTOR 22 (1608)
RB310	1-239-621-11	s NETWORK RESISTOR 22 (1608)
RB311	1-239-621-11	s NETWORK RESISTOR 22 (1608)
RB312	1-239-621-11	s NETWORK RESISTOR 22 (1608)
RB313	1-239-621-11	s NETWORK RESISTOR 22 (1608)
RB314	1-239-621-11	s NETWORK RESISTOR 22 (1608)
RB315	1-239-621-11	s NETWORK RESISTOR 22 (1608)
RB316	1-239-621-11	s NETWORK RESISTOR 22 (1608)
RB317	1-239-621-11	s NETWORK RESISTOR 22 (1608)
RB318	1-239-621-11	s NETWORK RESISTOR 22 (1608)

(SY-278 BOARD(DSR-2000/2000P))

Ref. No. or Q'ty	Part No.	SP Description
RB319	1-239-621-11	s NETWORK RESISTOR 22 (1608)
RB320	1-239-621-11	s NETWORK RESISTOR 22 (1608)
RB321	1-239-409-11	s RESISTOR NETWORK 47 (1608)
RB322	1-239-409-11	s RESISTOR NETWORK 47 (1608)
RB323	1-239-409-11	s RESISTOR NETWORK 47 (1608)
RB324	1-239-409-11	s RESISTOR NETWORK 47 (1608)
RB325	1-239-409-11	s RESISTOR NETWORK 47 (1608)
RB326	1-239-409-11	s RESISTOR NETWORK 47 (1608)
RB327	1-239-621-11	s NETWORK RESISTOR 22 (1608)
RB328	1-239-621-11	s NETWORK RESISTOR 22 (1608)
RB329	1-239-621-11	s NETWORK RESISTOR 22 (1608)
RB330	1-239-409-11	s RESISTOR NETWORK 47 (1608)
RB331	1-239-409-11	s RESISTOR NETWORK 47 (1608)
RB332	1-239-309-11	s RESISTOR ARRAY,CHIP 100K
RB333	1-239-309-11	s RESISTOR ARRAY,CHIP 100K
RB334	1-239-309-11	s RESISTOR ARRAY,CHIP 100K
RB335	1-239-409-11	s RESISTOR NETWORK 47 (1608)
RB336	1-239-621-11	s NETWORK RESISTOR 22 (1608)
RB337	1-239-621-11	s NETWORK RESISTOR 22 (1608)
RB338	1-239-621-11	s NETWORK RESISTOR 22 (1608)
RB339	1-239-621-11	s NETWORK RESISTOR 22 (1608)
RB340	1-239-621-11	s NETWORK RESISTOR 22 (1608)
RB341	1-239-621-11	s NETWORK RESISTOR 22 (1608)
RB342	1-239-621-11	s NETWORK RESISTOR 22 (1608)
RB343	1-239-621-11	s NETWORK RESISTOR 22 (1608)
RB344	1-239-621-11	s NETWORK RESISTOR 22 (1608)
RB345	1-239-621-11	s NETWORK RESISTOR 22 (1608)
RB346	1-239-621-11	s NETWORK RESISTOR 22 (1608)
RB347	1-239-621-11	s NETWORK RESISTOR 22 (1608)
RB401	1-239-308-11	s RESISTOR ARRAY,CHIP 47K
RB402	1-239-309-11	s RESISTOR ARRAY,CHIP 100K
RB403	1-239-711-11	s NETWORK, RESISTOR 0 (1608)
RB404	*2 1-239-621-11	s NETWORK RESISTOR 22 (1608)
RB405	*2 1-239-621-11	s NETWORK RESISTOR 22 (1608)
RB406	*2 1-239-621-11	s NETWORK RESISTOR 22 (1608)
RB407	*2 1-239-621-11	s NETWORK RESISTOR 22 (1608)
RB501	1-239-621-11	s NETWORK RESISTOR 22 (1608)
RB502	1-239-621-11	s NETWORK RESISTOR 22 (1608)
RB503	1-239-621-11	s NETWORK RESISTOR 22 (1608)
RB904	1-239-412-11	s NETWORK, RESISTOR 100 (1608)
S101	1-572-473-11	s SWITCH, TACTIL
S201	1-692-536-11	s SWITCH DIP (8P)
X101	1-767-559-11	s VIBRATOR, CRYSTAL
X301	1-579-996-21	s VIBRATOR, CERAMIC
X501	1-579-993-21	s VIBRATOR, CERAMIC

VPR-62 BOARD(DSR-2000)

- *1: Board No. suffix 11
- *2: Board No. suffix 12 -
- *3: Board No. suffix 11 - 12
- *4: Board No. suffix 12
- *5: Board No. suffix 14 -
- *a: Lot No. 002 -
- *b: Lot No. 907 - 912
- *c: Lot No. 001 -

Ref. No. or Q'ty	Part No.	SP Description
1pc	A-8323-487-A	s MOUNTED CIRCUIT BOARD,VPR-62
1pc	3-179-085-01	s LEVER(L),PRINTED C.BOARD
1pc	3-179-084-01	s LEVER(R),PRINTED C.BOARD
C1	1-126-396-11	s CAPACITOR,ELECT 47MF/16V(CHIP)
C2	1-126-396-11	s CAPACITOR,ELECT 47MF/16V(CHIP)
C3	1-126-392-11	s CAPACITOR,CHIP ELECT100MF/6.3V
C4	1-126-396-11	s CAPACITOR,ELECT 47MF/16V(CHIP)
C5	1-126-392-11	s CAPACITOR,CHIP ELECT100MF/6.3V
C6	1-126-392-11	s CAPACITOR,CHIP ELECT100MF/6.3V
C7	1-164-227-11	s CAPACITOR,CERAMIC 0.022MF/25V
C8	1-164-227-11	s CAPACITOR,CERAMIC 0.022MF/25V
C9	1-164-227-11	s CAPACITOR,CERAMIC 0.022MF/25V
C10	1-164-227-11	s CAPACITOR,CERAMIC 0.022MF/25V
C11	1-164-227-11	s CAPACITOR,CERAMIC 0.022MF/25V
C12	1-107-826-11	s CAPACITOR,CHIP CERAMIC 0.1MF
C13	1-164-227-11	s CAPACITOR,CERAMIC 0.022MF/25V
C14	1-164-227-11	s CAPACITOR,CERAMIC 0.022MF/25V
C15	1-164-227-11	s CAPACITOR,CERAMIC 0.022MF/25V
C16	1-164-227-11	s CAPACITOR,CERAMIC 0.022MF/25V
C17	1-126-392-11	s CAPACITOR,CHIP ELECT100MF/6.3V
C18	1-126-392-11	s CAPACITOR,CHIP ELECT100MF/6.3V
C19	1-107-826-11	s CAPACITOR,CHIP CERAMIC 0.1MF
C20	1-126-392-11	s CAPACITOR,CHIP ELECT100MF/6.3V
C21	1-126-392-11	s CAPACITOR,CHIP ELECT100MF/6.3V
C22	1-164-227-11	s CAPACITOR,CERAMIC 0.022MF/25V
C23	1-164-227-11	s CAPACITOR,CERAMIC 0.022MF/25V
C24	1-164-227-11	s CAPACITOR,CERAMIC 0.022MF/25V
C25	1-164-227-11	s CAPACITOR,CERAMIC 0.022MF/25V
C26	1-164-227-11	s CAPACITOR,CERAMIC 0.022MF/25V
C27	1-164-227-11	s CAPACITOR,CERAMIC 0.022MF/25V
C28	1-126-396-11	s CAPACITOR,ELECT 47MF/16V(CHIP)
C29	1-126-396-11	s CAPACITOR,ELECT 47MF/16V(CHIP)
C30	1-126-392-11	s CAPACITOR,CHIP ELECT100MF/6.3V
C31	1-126-392-11	s CAPACITOR,CHIP ELECT100MF/6.3V
C32	1-126-392-11	s CAPACITOR,CHIP ELECT100MF/6.3V
C33	1-126-392-11	s CAPACITOR,CHIP ELECT100MF/6.3V
C34	1-107-826-11	s CAPACITOR,CHIP CERAMIC 0.1MF
C35	1-107-826-11	s CAPACITOR,CHIP CERAMIC 0.1MF
C36	1-126-391-11	s CAPACITOR ELECT 47MF/6.3V(105)
C37	1-126-391-11	s CAPACITOR ELECT 47MF/6.3V(105)
C38	1-164-227-11	s CAPACITOR,CERAMIC 0.022MF/25V
C39	1-126-396-11	s CAPACITOR,ELECT 47MF/16V(CHIP)
C101	1-126-392-11	s CAPACITOR,CHIP ELECT100MF/6.3V
C102	1-126-392-11	s CAPACITOR,CHIP ELECT100MF/6.3V
C103	1-164-227-11	s CAPACITOR,CERAMIC 0.022MF/25V
C104	1-164-227-11	s CAPACITOR,CERAMIC 0.022MF/25V
C105	1-107-826-11	s CAPACITOR,CHIP CERAMIC 0.1MF
C106	1-162-964-11	s CAPACITOR,CERAMIC 1000PF/50V B
C107	1-126-396-11	s CAPACITOR,ELECT 47MF/16V(CHIP)

(VPR-62 BOARD(DSR-2000))

Ref. No. or Q'ty	Part No.	SP Description
C108	1-164-227-11	s CAPACITOR,CERAMIC 0.022MF/25V
C109	1-164-227-11	s CAPACITOR,CERAMIC 0.022MF/25V
C110	1-126-392-11	s CAPACITOR,CHIP ELECT100MF/6.3V
C111	1-126-392-11	s CAPACITOR,CHIP ELECT100MF/6.3V
C112	1-164-227-11	s CAPACITOR,CERAMIC 0.022MF/25V
C113	1-164-227-11	s CAPACITOR,CERAMIC 0.022MF/25V
C114	1-126-396-11	s CAPACITOR,ELECT 47MF/16V(CHIP)
C115	1-164-227-11	s CAPACITOR,CERAMIC 0.022MF/25V
C116	1-164-227-11	s CAPACITOR,CERAMIC 0.022MF/25V
C117	1-164-227-11	s CAPACITOR,CERAMIC 0.022MF/25V
C118	1-164-227-11	s CAPACITOR,CERAMIC 0.022MF/25V
C119	1-164-227-11	s CAPACITOR,CERAMIC 0.022MF/25V
C120	1-126-392-11	s CAPACITOR,CHIP ELECT100MF/6.3V
C121	1-164-227-11	s CAPACITOR,CERAMIC 0.022MF/25V
C122	1-164-227-11	s CAPACITOR,CERAMIC 0.022MF/25V
C123	1-126-396-11	s CAPACITOR,ELECT 47MF/16V(CHIP)
C124	1-164-227-11	s CAPACITOR,CERAMIC 0.022MF/25V
C125	1-164-227-11	s CAPACITOR,CERAMIC 0.022MF/25V
C126	1-126-396-11	s CAPACITOR,ELECT 47MF/16V(CHIP)
C127	1-126-396-11	s CAPACITOR,ELECT 47MF/16V(CHIP)
C128	1-162-921-11	s CAPACITOR,CERAMIC 33PF/50V CH
C129	1-107-826-11	s CAPACITOR,CHIP CERAMIC 0.1MF
C130	1-164-227-11	s CAPACITOR,CERAMIC 0.022MF/25V
C131	1-164-227-11	s CAPACITOR,CERAMIC 0.022MF/25V
C132	1-164-227-11	s CAPACITOR,CERAMIC 0.022MF/25V
C133	1-164-227-11	s CAPACITOR,CERAMIC 0.022MF/25V
C134	1-164-227-11	s CAPACITOR,CERAMIC 0.022MF/25V
C135	1-110-569-11	s CAPACITOR CHIP TANTAL47MF/6.3V
C137	1-110-569-11	s CAPACITOR CHIP TANTAL47MF/6.3V
C138	1-107-826-11	s CAPACITOR,CHIP CERAMIC 0.1MF
C139	1-104-851-11	s CAPACITOR,TANTALUM 10MF/10V
C140	1-164-227-11	s CAPACITOR,CERAMIC 0.022MF/25V
C141	*5 1-107-826-11	s CAPACITOR,CHIP CERAMIC 0.1MF
C200	1-164-227-11	s CAPACITOR,CERAMIC 0.022MF/25V
C201	1-126-392-11	s CAPACITOR,CHIP ELECT100MF/6.3V
C202	1-162-921-11	s CAPACITOR,CERAMIC 33PF/50V CH
C203	1-164-227-11	s CAPACITOR,CERAMIC 0.022MF/25V
C204	1-164-227-11	s CAPACITOR,CERAMIC 0.022MF/25V
C205	1-164-227-11	s CAPACITOR,CERAMIC 0.022MF/25V
C206	1-164-227-11	s CAPACITOR,CERAMIC 0.022MF/25V
C207	1-164-227-11	s CAPACITOR,CERAMIC 0.022MF/25V
C208	1-164-227-11	s CAPACITOR,CERAMIC 0.022MF/25V
C209	1-164-227-11	s CAPACITOR,CERAMIC 0.022MF/25V
C210	1-164-227-11	s CAPACITOR,CERAMIC 0.022MF/25V
C211	1-164-227-11	s CAPACITOR,CERAMIC 0.022MF/25V
C212	1-164-227-11	s CAPACITOR,CERAMIC 0.022MF/25V
C213	1-164-227-11	s CAPACITOR,CERAMIC 0.022MF/25V
C217	1-164-227-11	s CAPACITOR,CERAMIC 0.022MF/25V
C218	1-164-227-11	s CAPACITOR,CERAMIC 0.022MF/25V
C219	1-126-392-11	s CAPACITOR,CHIP ELECT100MF/6.3V
C220	1-164-227-11	s CAPACITOR,CERAMIC 0.022MF/25V
C221	1-164-227-11	s CAPACITOR,CERAMIC 0.022MF/25V
C222	1-164-227-11	s CAPACITOR,CERAMIC 0.022MF/25V
C223	1-164-227-11	s CAPACITOR,CERAMIC 0.022MF/25V
C224	1-164-227-11	s CAPACITOR,CERAMIC 0.022MF/25V
C226	1-164-227-11	s CAPACITOR,CERAMIC 0.022MF/25V
C227	1-126-392-11	s CAPACITOR,CHIP ELECT100MF/6.3V
C228	1-107-826-11	s CAPACITOR,CHIP CERAMIC 0.1MF
C229	1-164-227-11	s CAPACITOR,CERAMIC 0.022MF/25V

(VPR-62 BOARD(DSR-2000))

Ref. No. or Q'ty	Part No.	SP Description
C230	1-107-826-11	s CAPACITOR,CHIP CERAMIC 0.1MF
C231	1-164-227-11	s CAPACITOR,CERAMIC 0.022MF/25V
C232	1-107-826-11	s CAPACITOR,CHIP CERAMIC 0.1MF
C233	1-164-227-11	s CAPACITOR,CERAMIC 0.022MF/25V
C234	1-107-826-11	s CAPACITOR,CHIP CERAMIC 0.1MF
C235	1-164-227-11	s CAPACITOR,CERAMIC 0.022MF/25V
C236	1-164-227-11	s CAPACITOR,CERAMIC 0.022MF/25V
C237	1-164-227-11	s CAPACITOR,CERAMIC 0.022MF/25V
C238	1-162-927-11	s CAPACITOR,CERAMIC 100PF/50V CH
C239	1-162-927-11	s CAPACITOR,CERAMIC 100PF/50V CH
C240	1-162-927-11	s CAPACITOR,CERAMIC 100PF/50V CH
C241	1-126-392-11	s CAPACITOR,CHIP ELECT100MF/6.3V
C242	1-126-392-11	s CAPACITOR,CHIP ELECT100MF/6.3V
C243	1-164-227-11	s CAPACITOR,CERAMIC 0.022MF/25V
C244	1-164-227-11	s CAPACITOR,CERAMIC 0.022MF/25V
C245	1-164-227-11	s CAPACITOR,CERAMIC 0.022MF/25V
C246	1-164-227-11	s CAPACITOR,CERAMIC 0.022MF/25V
C247	1-164-227-11	s CAPACITOR,CERAMIC 0.022MF/25V
C248	1-164-227-11	s CAPACITOR,CERAMIC 0.022MF/25V
C249	1-164-227-11	s CAPACITOR,CERAMIC 0.022MF/25V
C250	1-164-227-11	s CAPACITOR,CERAMIC 0.022MF/25V
C252	1-107-826-11	s CAPACITOR,CHIP CERAMIC 0.1MF
C253	*2 1-126-392-11	s CAPACITOR,CHIP ELECT100MF/6.3V
	*1 1-124-584-00	s CAPACITOR,ELECT 100MF/10V
C300	1-126-392-11	s CAPACITOR,CHIP ELECT100MF/6.3V
C301	1-126-392-11	s CAPACITOR,CHIP ELECT100MF/6.3V
C302	1-164-227-11	s CAPACITOR,CERAMIC 0.022MF/25V
C303	1-164-227-11	s CAPACITOR,CERAMIC 0.022MF/25V
C304	1-126-396-11	s CAPACITOR,ELECT 47MF/16V(CHIP)
C305	1-162-926-11	s CAPACITOR,CERAMIC 82PF/50V CH
C306	1-164-227-11	s CAPACITOR,CERAMIC 0.022MF/25V
C307	1-164-227-11	s CAPACITOR,CERAMIC 0.022MF/25V
C308	1-164-227-11	s CAPACITOR,CERAMIC 0.022MF/25V
C309	1-162-919-11	s CAPACITOR,CERAMIC 22PF/50V CH
C310	1-162-925-11	s CAPACITOR,CERAMIC 68PF/50V CH
C311	1-104-851-11	s CAPACITOR,TANTALUM 10MF/10V
C312	1-107-826-11	s CAPACITOR,CHIP CERAMIC 0.1MF
C313	1-164-227-11	s CAPACITOR,CERAMIC 0.022MF/25V
C314	1-164-227-11	s CAPACITOR,CERAMIC 0.022MF/25V
C315	1-164-227-11	s CAPACITOR,CERAMIC 0.022MF/25V
C316	1-126-392-11	s CAPACITOR,CHIP ELECT100MF/6.3V
C317	1-126-392-11	s CAPACITOR,CHIP ELECT100MF/6.3V
C318	1-162-959-11	s CAPACITOR,CERAMIC 330PF/50V SL
C319	1-162-921-11	s CAPACITOR,CERAMIC 33PF/50V CH
C320	1-164-217-11	s CAPACITOR,CERAMIC 150PF/50V CH
C321	1-164-227-11	s CAPACITOR,CERAMIC 0.022MF/25V
C322	1-164-227-11	s CAPACITOR,CERAMIC 0.022MF/25V
C323	1-107-826-11	s CAPACITOR,CHIP CERAMIC 0.1MF
C324	1-107-826-11	s CAPACITOR,CHIP CERAMIC 0.1MF
C325	1-164-227-11	s CAPACITOR,CERAMIC 0.022MF/25V
C326	1-126-392-11	s CAPACITOR,CHIP ELECT100MF/6.3V
C327	1-164-227-11	s CAPACITOR,CERAMIC 0.022MF/25V
C328	1-164-227-11	s CAPACITOR,CERAMIC 0.022MF/25V
C329	1-164-227-11	s CAPACITOR,CERAMIC 0.022MF/25V
C330	1-164-227-11	s CAPACITOR,CERAMIC 0.022MF/25V
C331	1-164-227-11	s CAPACITOR,CERAMIC 0.022MF/25V
C332	1-164-315-11	s CAPACITOR,CERAMIC 470PF/50V CH
C333	1-162-968-11	s CAPACITOR,CERAMIC 4700PF/50V B
C334	1-162-968-11	s CAPACITOR,CERAMIC 4700PF/50V B

(VPR-62 BOARD(DSR-2000))

Ref. No. or Q'ty	Part No.	SP	Description
C335	1-164-227-11	s	CAPACITOR, CERAMIC 0.022MF/25V
C336	1-164-227-11	s	CAPACITOR, CERAMIC 0.022MF/25V
C337	1-164-227-11	s	CAPACITOR, CERAMIC 0.022MF/25V
C338	1-126-392-11	s	CAPACITOR, CHIP ELECT100MF/6.3V
C339	1-164-217-11	s	CAPACITOR, CERAMIC 150PF/50V CH
C340	1-164-227-11	s	CAPACITOR, CERAMIC 0.022MF/25V
C341	1-107-826-11	s	CAPACITOR, CHIP CERAMIC 0.1MF
C342	1-162-919-11	s	CAPACITOR, CERAMIC 22PF/50V CH
C343	1-162-921-11	s	CAPACITOR, CERAMIC 33PF/50V CH
C344	1-126-392-11	s	CAPACITOR, CHIP ELECT100MF/6.3V
C345	1-164-227-11	s	CAPACITOR, CERAMIC 0.022MF/25V
C346	1-126-392-11	s	CAPACITOR, CHIP ELECT100MF/6.3V
C347	1-164-217-11	s	CAPACITOR, CERAMIC 150PF/50V CH
C348	1-164-227-11	s	CAPACITOR, CERAMIC 0.022MF/25V
C349	1-107-826-11	s	CAPACITOR, CHIP CERAMIC 0.1MF
C351	1-107-826-11	s	CAPACITOR, CHIP CERAMIC 0.1MF
C352	1-162-922-11	s	CAPACITOR, CERAMIC 39PF/50V CH
C354	1-164-227-11	s	CAPACITOR, CERAMIC 0.022MF/25V
C355	1-126-392-11	s	CAPACITOR, CHIP ELECT100MF/6.3V
C356	1-162-959-11	s	CAPACITOR, CERAMIC 330PF/50V SL
C359	1-164-227-11	s	CAPACITOR, CERAMIC 0.022MF/25V
C360	1-126-392-11	s	CAPACITOR, CHIP ELECT100MF/6.3V
C361	1-164-227-11	s	CAPACITOR, CERAMIC 0.022MF/25V
C362	1-162-968-11	s	CAPACITOR, CERAMIC 4700PF/50V B
C363	1-126-392-11	s	CAPACITOR, CHIP ELECT100MF/6.3V
C364	1-164-227-11	s	CAPACITOR, CERAMIC 0.022MF/25V
C365	1-164-227-11	s	CAPACITOR, CERAMIC 0.022MF/25V
C366	1-164-227-11	s	CAPACITOR, CERAMIC 0.022MF/25V
C367	1-164-227-11	s	CAPACITOR, CERAMIC 0.022MF/25V
C400	1-164-227-11	s	CAPACITOR, CERAMIC 0.022MF/25V
C401	1-164-227-11	s	CAPACITOR, CERAMIC 0.022MF/25V
C402	1-126-396-11	s	CAPACITOR, ELECT 47MF/16V(CHIP)
C403	1-126-392-11	s	CAPACITOR, CHIP ELECT100MF/6.3V
C404	1-126-392-11	s	CAPACITOR, CHIP ELECT100MF/6.3V
C405	1-126-392-11	s	CAPACITOR, CHIP ELECT100MF/6.3V
C406	1-126-392-11	s	CAPACITOR, CHIP ELECT100MF/6.3V
C407	1-126-392-11	s	CAPACITOR, CHIP ELECT100MF/6.3V
C408	1-164-227-11	s	CAPACITOR, CERAMIC 0.022MF/25V
C409	1-164-227-11	s	CAPACITOR, CERAMIC 0.022MF/25V
C410	1-164-227-11	s	CAPACITOR, CERAMIC 0.022MF/25V
C411	1-164-227-11	s	CAPACITOR, CERAMIC 0.022MF/25V
C412	1-164-227-11	s	CAPACITOR, CERAMIC 0.022MF/25V
C413	1-164-227-11	s	CAPACITOR, CERAMIC 0.022MF/25V
C414	1-162-921-11	s	CAPACITOR, CERAMIC 33PF/50V CH
C415	1-162-921-11	s	CAPACITOR, CERAMIC 33PF/50V CH
C416	1-162-921-11	s	CAPACITOR, CERAMIC 33PF/50V CH
C419	1-162-921-11	s	CAPACITOR, CERAMIC 33PF/50V CH
C420	1-162-921-11	s	CAPACITOR, CERAMIC 33PF/50V CH
C421	1-164-227-11	s	CAPACITOR, CERAMIC 0.022MF/25V
C422	1-164-227-11	s	CAPACITOR, CERAMIC 0.022MF/25V
C425	1-164-227-11	s	CAPACITOR, CERAMIC 0.022MF/25V
C426	1-164-227-11	s	CAPACITOR, CERAMIC 0.022MF/25V
C427	1-126-392-11	s	CAPACITOR, CHIP ELECT100MF/6.3V
C428	1-126-392-11	s	CAPACITOR, CHIP ELECT100MF/6.3V
C429	1-107-826-11	s	CAPACITOR, CHIP CERAMIC 0.1MF
C430	1-162-964-11	s	CAPACITOR, CERAMIC 1000PF/50V B
C431	1-164-227-11	s	CAPACITOR, CERAMIC 0.022MF/25V
C432	1-164-227-11	s	CAPACITOR, CERAMIC 0.022MF/25V
C433	1-164-227-11	s	CAPACITOR, CERAMIC 0.022MF/25V

(VPR-62 BOARD(DSR-2000))

Ref. No. or Q'ty	Part No.	SP	Description
C434	1-165-176-11	s	CAPACITOR, CERAMIC 47000PF/16V
C435	1-162-917-11	s	CAPACITOR, CERAMIC 15PF/50V CH
C436	1-164-227-11	s	CAPACITOR, CERAMIC 0.022MF/25V
C437	1-164-227-11	s	CAPACITOR, CERAMIC 0.022MF/25V
C438	1-164-227-11	s	CAPACITOR, CERAMIC 0.022MF/25V
C439	1-164-227-11	s	CAPACITOR, CERAMIC 0.022MF/25V
C440	1-126-391-11	s	CAPACITOR ELECT 47MF/6.3V(105)
C441	1-126-391-11	s	CAPACITOR ELECT 47MF/6.3V(105)
C442	1-126-391-11	s	CAPACITOR ELECT 47MF/6.3V(105)
C443	1-126-391-11	s	CAPACITOR ELECT 47MF/6.3V(105)
C444	1-107-826-11	s	CAPACITOR, CHIP CERAMIC 0.1MF
C446	1-107-826-11	s	CAPACITOR, CHIP CERAMIC 0.1MF
C447	1-107-826-11	s	CAPACITOR, CHIP CERAMIC 0.1MF
C448	1-126-392-11	s	CAPACITOR, CHIP ELECT100MF/6.3V
C449	1-164-227-11	s	CAPACITOR, CERAMIC 0.022MF/25V
C450	1-107-826-11	s	CAPACITOR, CHIP CERAMIC 0.1MF
C451	1-107-826-11	s	CAPACITOR, CHIP CERAMIC 0.1MF
C452	1-107-826-11	s	CAPACITOR, CHIP CERAMIC 0.1MF
C453	1-107-826-11	s	CAPACITOR, CHIP CERAMIC 0.1MF
C455	1-107-826-11	s	CAPACITOR, CHIP CERAMIC 0.1MF
C456	1-126-391-11	s	CAPACITOR ELECT 47MF/6.3V(105)
C458	1-107-826-11	s	CAPACITOR, CHIP CERAMIC 0.1MF
C459	1-126-391-11	s	CAPACITOR ELECT 47MF/6.3V(105)
C460	1-126-391-11	s	CAPACITOR ELECT 47MF/6.3V(105)
C461	1-107-826-11	s	CAPACITOR, CHIP CERAMIC 0.1MF
C462	1-164-227-11	s	CAPACITOR, CERAMIC 0.022MF/25V
C463	1-107-826-11	s	CAPACITOR, CHIP CERAMIC 0.1MF
C464	1-162-915-11	s	CAPACITOR, CERAMIC 10PF/50V CH
C465	1-107-826-11	s	CAPACITOR, CHIP CERAMIC 0.1MF
C466	1-107-826-11	s	CAPACITOR, CHIP CERAMIC 0.1MF
C467	1-107-826-11	s	CAPACITOR, CHIP CERAMIC 0.1MF
C468	1-107-826-11	s	CAPACITOR, CHIP CERAMIC 0.1MF
C470	1-107-826-11	s	CAPACITOR, CHIP CERAMIC 0.1MF
C471	1-107-826-11	s	CAPACITOR, CHIP CERAMIC 0.1MF
C472	1-107-826-11	s	CAPACITOR, CHIP CERAMIC 0.1MF
C473	1-107-826-11	s	CAPACITOR, CHIP CERAMIC 0.1MF
C475	1-107-826-11	s	CAPACITOR, CHIP CERAMIC 0.1MF
C476	1-107-826-11	s	CAPACITOR, CHIP CERAMIC 0.1MF
C477	1-107-826-11	s	CAPACITOR, CHIP CERAMIC 0.1MF
C478	1-126-392-11	s	CAPACITOR, CHIP ELECT100MF/6.3V
C479	1-126-392-11	s	CAPACITOR, CHIP ELECT100MF/6.3V
C480	1-107-826-11	s	CAPACITOR, CHIP CERAMIC 0.1MF
C481	1-107-826-11	s	CAPACITOR, CHIP CERAMIC 0.1MF
C482	1-107-826-11	s	CAPACITOR, CHIP CERAMIC 0.1MF
C483	1-107-826-11	s	CAPACITOR, CHIP CERAMIC 0.1MF
C484	1-107-826-11	s	CAPACITOR, CHIP CERAMIC 0.1MF
C485	1-107-826-11	s	CAPACITOR, CHIP CERAMIC 0.1MF
C486	1-107-826-11	s	CAPACITOR, CHIP CERAMIC 0.1MF
C487	1-162-915-11	s	CAPACITOR, CERAMIC 10PF/50V CH
C488	1-162-915-11	s	CAPACITOR, CERAMIC 10PF/50V CH
C501	1-107-826-11	s	CAPACITOR, CHIP CERAMIC 0.1MF
C502	1-107-826-11	s	CAPACITOR, CHIP CERAMIC 0.1MF
C503	1-107-826-11	s	CAPACITOR, CHIP CERAMIC 0.1MF
C504	1-107-826-11	s	CAPACITOR, CHIP CERAMIC 0.1MF
C505	1-107-826-11	s	CAPACITOR, CHIP CERAMIC 0.1MF
C507	1-126-392-11	s	CAPACITOR, CHIP ELECT100MF/6.3V
C509	1-126-401-11	s	CAPACITOR, ELECT 1MF/50V(CHIP)
C510	1-107-826-11	s	CAPACITOR, CHIP CERAMIC 0.1MF
C511	1-115-467-11	s	CAPACITOR CERAMIC 0.22MF/10V B

(VPR-62 BOARD(DSR-2000))

Ref. No. or Q'ty	Part No.	SP Description
C512	1-107-826-11	s CAPACITOR,CHIP CERAMIC 0.1MF
C513	1-162-964-11	s CAPACITOR,CERAMIC 1000PF/50V B
C514	1-107-826-11	s CAPACITOR,CHIP CERAMIC 0.1MF
C515	1-107-826-11	s CAPACITOR,CHIP CERAMIC 0.1MF
C516	1-115-467-11	s CAPACITOR,CERAMIC 0.22MF/10V B
C517	1-115-467-11	s CAPACITOR,CERAMIC 0.22MF/10V B
C518	1-115-414-11	s CAPACITOR,CHIP CERAMIC 820PF
C519	1-115-467-11	s CAPACITOR,CERAMIC 0.22MF/10V B
C520	1-107-826-11	s CAPACITOR,CHIP CERAMIC 0.1MF
C521	1-162-927-11	s CAPACITOR,CERAMIC 100PF/50V CH
C522	1-115-467-11	s CAPACITOR,CERAMIC 0.22MF/10V B
C523	1-162-964-11	s CAPACITOR,CERAMIC 1000PF/50V B
C524	1-107-826-11	s CAPACITOR,CHIP CERAMIC 0.1MF
C525	1-107-826-11	s CAPACITOR,CHIP CERAMIC 0.1MF
C526	1-107-826-11	s CAPACITOR,CHIP CERAMIC 0.1MF
C527	1-107-826-11	s CAPACITOR,CHIP CERAMIC 0.1MF
C528	1-126-392-11	s CAPACITOR,CHIP ELECT100MF/6.3V
C529	1-126-392-11	s CAPACITOR,CHIP ELECT100MF/6.3V
C530	1-162-926-11	s CAPACITOR,CERAMIC 82PF/50V CH
C531	1-164-392-11	s CAPACITOR,CERAMIC 390PF/50V CH
C532	1-162-964-11	s CAPACITOR,CERAMIC 1000PF/50V B
C533	1-126-392-11	s CAPACITOR,CHIP ELECT100MF/6.3V
C534	1-164-227-11	s CAPACITOR,CERAMIC 0.022MF/25V
C535	1-126-394-11	s CAPACITOR,ELECT 10MF/16V(CHIP)
C536	1-107-826-11	s CAPACITOR,CHIP CERAMIC 0.1MF
C537	1-126-391-11	s CAPACITOR,ELECT 47MF/6.3V(105)
C538	1-162-970-11	s CAPACITOR,CERAMIC 0.01MF/25V B
C539	1-126-401-11	s CAPACITOR,ELECT 1MF/50V(CHIP)
C540	1-126-401-11	s CAPACITOR,ELECT 1MF/50V(CHIP)
C542	1-162-970-11	s CAPACITOR,CERAMIC 0.01MF/25V B
C543	1-162-970-11	s CAPACITOR,CERAMIC 0.01MF/25V B
C544	1-164-315-11	s CAPACITOR,CERAMIC 470PF/50V CH
C545	1-162-967-11	s CAPACITOR,CERAMIC 3300PF/50V B
C546	1-162-967-11	s CAPACITOR,CERAMIC 3300PF/50V B
C547	1-104-912-11	s CAPACITOR,TANTALUM 3.3MF/16V
C548	1-162-911-11	s CAPACITOR,CERAMIC 6PF/50V 1608
C549	1-162-920-11	s CAPACITOR,CERAMIC 27PF/50V CH
C550	1-107-826-11	s CAPACITOR,CHIP CERAMIC 0.1MF
C551	1-162-970-11	s CAPACITOR,CERAMIC 0.01MF/25V B
C552	1-162-927-11	s CAPACITOR,CERAMIC 100PF/50V CH
C553	1-107-826-11	s CAPACITOR,CHIP CERAMIC 0.1MF
C554	1-126-391-11	s CAPACITOR,ELECT 47MF/6.3V(105)
C555	1-164-227-11	s CAPACITOR,CERAMIC 0.022MF/25V
C601	1-164-227-11	s CAPACITOR,CERAMIC 0.022MF/25V
C602	1-162-919-11	s CAPACITOR,CERAMIC 22PF/50V CH
C603	1-164-227-11	s CAPACITOR,CERAMIC 0.022MF/25V
C604	1-164-227-11	s CAPACITOR,CERAMIC 0.022MF/25V
C605	1-164-227-11	s CAPACITOR,CERAMIC 0.022MF/25V
C606	1-107-826-11	s CAPACITOR,CHIP CERAMIC 0.1MF
C607	1-107-826-11	s CAPACITOR,CHIP CERAMIC 0.1MF
C608	1-162-964-11	s CAPACITOR,CERAMIC 1000PF/50V B
C609	1-162-964-11	s CAPACITOR,CERAMIC 1000PF/50V B
C610	1-107-826-11	s CAPACITOR,CHIP CERAMIC 0.1MF
C611	1-107-826-11	s CAPACITOR,CHIP CERAMIC 0.1MF
C612	1-164-227-11	s CAPACITOR,CERAMIC 0.022MF/25V
C613	1-164-227-11	s CAPACITOR,CERAMIC 0.022MF/25V
C614	1-164-227-11	s CAPACITOR,CERAMIC 0.022MF/25V
C615	1-164-227-11	s CAPACITOR,CERAMIC 0.022MF/25V
C616	1-107-826-11	s CAPACITOR,CHIP CERAMIC 0.1MF

(VPR-62 BOARD(DSR-2000))

Ref. No. or Q'ty	Part No.	SP Description
C617	1-162-964-11	s CAPACITOR,CERAMIC 1000PF/50V B
C618	1-164-227-11	s CAPACITOR,CERAMIC 0.022MF/25V
C619	1-126-392-11	s CAPACITOR,CHIP ELECT100MF/6.3V
C620	1-107-826-11	s CAPACITOR,CHIP CERAMIC 0.1MF
C621	1-164-227-11	s CAPACITOR,CERAMIC 0.022MF/25V
C622	1-164-227-11	s CAPACITOR,CERAMIC 0.022MF/25V
C623	1-164-227-11	s CAPACITOR,CERAMIC 0.022MF/25V
C624	1-164-227-11	s CAPACITOR,CERAMIC 0.022MF/25V
C625	1-126-391-11	s CAPACITOR,ELECT 47MF/6.3V(105)
C626	1-126-391-11	s CAPACITOR,ELECT 47MF/6.3V(105)
C627	1-164-227-11	s CAPACITOR,CERAMIC 0.022MF/25V
C628	1-164-227-11	s CAPACITOR,CERAMIC 0.022MF/25V
C629	1-164-227-11	s CAPACITOR,CERAMIC 0.022MF/25V
C630	1-164-227-11	s CAPACITOR,CERAMIC 0.022MF/25V
C631	1-164-227-11	s CAPACITOR,CERAMIC 0.022MF/25V
C632	1-164-227-11	s CAPACITOR,CERAMIC 0.022MF/25V
C633	1-126-392-11	s CAPACITOR,CHIP ELECT100MF/6.3V
C634	1-126-392-11	s CAPACITOR,CHIP ELECT100MF/6.3V
C635	1-107-826-11	s CAPACITOR,CHIP CERAMIC 0.1MF
C636	1-164-227-11	s CAPACITOR,CERAMIC 0.022MF/25V
C637	1-126-392-11	s CAPACITOR,CHIP ELECT100MF/6.3V
C638	1-126-391-11	s CAPACITOR,ELECT 47MF/6.3V(105)
C639	1-164-227-11	s CAPACITOR,CERAMIC 0.022MF/25V
C640	1-107-826-11	s CAPACITOR,CHIP CERAMIC 0.1MF
C641	1-164-227-11	s CAPACITOR,CERAMIC 0.022MF/25V
C642	1-107-826-11	s CAPACITOR,CHIP CERAMIC 0.1MF
C643	1-107-826-11	s CAPACITOR,CHIP CERAMIC 0.1MF
C644	1-164-227-11	s CAPACITOR,CERAMIC 0.022MF/25V
C645	1-164-227-11	s CAPACITOR,CERAMIC 0.022MF/25V
C646	1-126-392-11	s CAPACITOR,CHIP ELECT100MF/6.3V
C647	1-164-227-11	s CAPACITOR,CERAMIC 0.022MF/25V
C648	1-164-227-11	s CAPACITOR,CERAMIC 0.022MF/25V
C649	1-164-227-11	s CAPACITOR,CERAMIC 0.022MF/25V
C650	1-164-227-11	s CAPACITOR,CERAMIC 0.022MF/25V
C651	1-135-210-11	s CAPACITOR,TANTAL 4.7MF/10V
C652	1-164-227-11	s CAPACITOR,CERAMIC 0.022MF/25V
C653	1-126-392-11	s CAPACITOR,CHIP ELECT100MF/6.3V
C654	1-126-396-11	s CAPACITOR,ELECT 47MF/16V(CHIP)
C655	1-164-227-11	s CAPACITOR,CERAMIC 0.022MF/25V
C656	1-164-227-11	s CAPACITOR,CERAMIC 0.022MF/25V
C657	1-162-917-11	s CAPACITOR,CERAMIC 15PF/50V CH
C658	1-162-923-11	s CAPACITOR,CERAMIC 47PF/50V CH
C659	1-162-921-11	s CAPACITOR,CERAMIC 33PF/50V CH
C660	1-162-919-11	s CAPACITOR,CERAMIC 22PF/50V CH
C662	1-164-227-11	s CAPACITOR,CERAMIC 0.022MF/25V
C663	1-164-227-11	s CAPACITOR,CERAMIC 0.022MF/25V
C664	1-164-227-11	s CAPACITOR,CERAMIC 0.022MF/25V
C665	1-162-917-11	s CAPACITOR,CERAMIC 15PF/50V CH
C666	1-164-227-11	s CAPACITOR,CERAMIC 0.022MF/25V
C667	1-162-923-11	s CAPACITOR,CERAMIC 47PF/50V CH
C668	1-162-921-11	s CAPACITOR,CERAMIC 33PF/50V CH
C669	1-162-919-11	s CAPACITOR,CERAMIC 22PF/50V CH
C671	1-107-826-11	s CAPACITOR,CHIP CERAMIC 0.1MF
C672	1-107-826-11	s CAPACITOR,CHIP CERAMIC 0.1MF
C673	1-107-826-11	s CAPACITOR,CHIP CERAMIC 0.1MF
C674	*2 1-162-964-11	s CAPACITOR,CERAMIC 1000PF/50V B
	*1 1-107-826-11	s CAPACITOR,CHIP CERAMIC 0.1MF
C675	1-107-826-11	s CAPACITOR,CHIP CERAMIC 0.1MF
C676	1-126-392-11	s CAPACITOR,CHIP ELECT100MF/6.3V

(VPR-62 BOARD(DSR-2000))

Ref. No. or Q'ty	Part No.	SP	Description
C677	1-126-392-11	s	CAPACITOR,CHIP ELECT100MF/6.3V
C678	*2 1-107-826-11	s	CAPACITOR,CHIP CERAMIC 0.1MF
C679	*5 1-107-826-11	s	CAPACITOR,CHIP CERAMIC 0.1MF
C680	*5 1-107-826-11	s	CAPACITOR,CHIP CERAMIC 0.1MF
C681	*5 1-107-826-11	s	CAPACITOR,CHIP CERAMIC 0.1MF
C701	1-126-392-11	s	CAPACITOR,CHIP ELECT100MF/6.3V
C702	1-126-392-11	s	CAPACITOR,CHIP ELECT100MF/6.3V
C703	1-162-915-11	s	CAPACITOR,CERAMIC 10PF/50V CH
C704	1-164-227-11	s	CAPACITOR,CERAMIC 0.022MF/25V
C705	1-164-227-11	s	CAPACITOR,CERAMIC 0.022MF/25V
C706	1-164-227-11	s	CAPACITOR,CERAMIC 0.022MF/25V
C707	1-164-227-11	s	CAPACITOR,CERAMIC 0.022MF/25V
C708	1-164-227-11	s	CAPACITOR,CERAMIC 0.022MF/25V
C709	1-162-927-11	s	CAPACITOR,CERAMIC 100PF/50V CH
C710	1-164-227-11	s	CAPACITOR,CERAMIC 0.022MF/25V
C711	1-164-227-11	s	CAPACITOR,CERAMIC 0.022MF/25V
C712	1-135-177-21	s	CAPACITOR TANTALUM 1MF/25V
C713	1-135-177-21	s	CAPACITOR TANTALUM 1MF/25V
C714	1-164-383-11	s	CAPACITOR,CERAMIC 110PF/50V CH
C715	1-135-177-21	s	CAPACITOR TANTALUM 1MF/25V
C716	1-135-177-21	s	CAPACITOR TANTALUM 1MF/25V
C717	1-164-227-11	s	CAPACITOR,CERAMIC 0.022MF/25V
C718	1-164-227-11	s	CAPACITOR,CERAMIC 0.022MF/25V
C719	1-126-392-11	s	CAPACITOR,CHIP ELECT100MF/6.3V
C720	1-164-227-11	s	CAPACITOR,CERAMIC 0.022MF/25V
C721	1-164-227-11	s	CAPACITOR,CERAMIC 0.022MF/25V
C722	1-164-227-11	s	CAPACITOR,CERAMIC 0.022MF/25V
C723	1-165-176-11	s	CAPACITOR,CERAMIC 47000PF/16V
C724	1-165-176-11	s	CAPACITOR,CERAMIC 47000PF/16V
C725	1-164-227-11	s	CAPACITOR,CERAMIC 0.022MF/25V
C726	1-162-917-11	s	CAPACITOR,CERAMIC 15PF/50V CH
C727	1-162-915-11	s	CAPACITOR,CERAMIC 10PF/50V CH
C728	1-164-230-11	s	CAPACITOR,CERAMIC 220PF/50V
C729	1-164-227-11	s	CAPACITOR,CERAMIC 0.022MF/25V
C730	1-126-392-11	s	CAPACITOR,CHIP ELECT100MF/6.3V
C731	1-164-227-11	s	CAPACITOR,CERAMIC 0.022MF/25V
C732	1-164-227-11	s	CAPACITOR,CERAMIC 0.022MF/25V
C733	1-164-227-11	s	CAPACITOR,CERAMIC 0.022MF/25V
C734	1-126-396-11	s	CAPACITOR,ELECT 47MF/16V(CHIP)
C735	1-164-227-11	s	CAPACITOR,CERAMIC 0.022MF/25V
C736	1-164-227-11	s	CAPACITOR,CERAMIC 0.022MF/25V
C737	1-164-227-11	s	CAPACITOR,CERAMIC 0.022MF/25V
C738	1-164-227-11	s	CAPACITOR,CERAMIC 0.022MF/25V
C739	1-164-227-11	s	CAPACITOR,CERAMIC 0.022MF/25V
C740	1-164-227-11	s	CAPACITOR,CERAMIC 0.022MF/25V
C741	1-162-923-11	s	CAPACITOR,CERAMIC 47PF/50V CH
C742	1-162-920-11	s	CAPACITOR,CERAMIC 27PF/50V CH
C743	1-162-920-11	s	CAPACITOR,CERAMIC 27PF/50V CH
C744	1-162-915-11	s	CAPACITOR,CERAMIC 10PF/50V CH
C745	1-162-924-11	s	CAPACITOR,CERAMIC 56PF/50V CH
C746	1-162-924-11	s	CAPACITOR,CERAMIC 56PF/50V CH
C747	1-162-920-11	s	CAPACITOR,CERAMIC 27PF/50V CH
C748	1-162-920-11	s	CAPACITOR,CERAMIC 27PF/50V CH
C749	1-164-227-11	s	CAPACITOR,CERAMIC 0.022MF/25V
C750	1-164-227-11	s	CAPACITOR,CERAMIC 0.022MF/25V
C751	1-164-227-11	s	CAPACITOR,CERAMIC 0.022MF/25V
C752	1-164-227-11	s	CAPACITOR,CERAMIC 0.022MF/25V
C753	1-162-912-11	s	CAPACITOR,CERAMIC 7PF/50V 1608
C755	1-107-826-11	s	CAPACITOR,CHIP CERAMIC 0.1MF

(VPR-62 BOARD(DSR-2000))

Ref. No. or Q'ty	Part No.	SP	Description
C756	1-164-227-11	s	CAPACITOR,CERAMIC 0.022MF/25V
C757	1-164-227-11	s	CAPACITOR,CERAMIC 0.022MF/25V
C758	1-164-227-11	s	CAPACITOR,CERAMIC 0.022MF/25V
C759	1-164-227-11	s	CAPACITOR,CERAMIC 0.022MF/25V
C760	1-164-227-11	s	CAPACITOR,CERAMIC 0.022MF/25V
C761	1-164-227-11	s	CAPACITOR,CERAMIC 0.022MF/25V
C762	1-107-826-11	s	CAPACITOR,CHIP CERAMIC 0.1MF
C801	1-126-392-11	s	CAPACITOR,CHIP ELECT100MF/6.3V
C802	1-164-227-11	s	CAPACITOR,CERAMIC 0.022MF/25V
C803	1-126-392-11	s	CAPACITOR,CHIP ELECT100MF/6.3V
C804	1-164-227-11	s	CAPACITOR,CERAMIC 0.022MF/25V
C805	1-164-227-11	s	CAPACITOR,CERAMIC 0.022MF/25V
C806	1-162-925-11	s	CAPACITOR,CERAMIC 68PF/50V CH
C807	1-164-227-11	s	CAPACITOR,CERAMIC 0.022MF/25V
C808	1-164-227-11	s	CAPACITOR,CERAMIC 0.022MF/25V
C809	1-164-227-11	s	CAPACITOR,CERAMIC 0.022MF/25V
C810	1-164-227-11	s	CAPACITOR,CERAMIC 0.022MF/25V
C811	1-164-227-11	s	CAPACITOR,CERAMIC 0.022MF/25V
C812	1-164-227-11	s	CAPACITOR,CERAMIC 0.022MF/25V
C813	1-164-227-11	s	CAPACITOR,CERAMIC 0.022MF/25V
C814	1-111-253-11	s	CAPACITOR TANTALUM 100MF/6.3V
C815	1-162-915-11	s	CAPACITOR,CERAMIC 10PF/50V CH
C816	1-126-396-11	s	CAPACITOR,ELECT 47MF/16V(CHIP)
C817	1-164-227-11	s	CAPACITOR,CERAMIC 0.022MF/25V
C818	1-164-227-11	s	CAPACITOR,CERAMIC 0.022MF/25V
C819	1-162-916-11	s	CAPACITOR,CERAMIC 12PF/50V CH
C820	1-164-227-11	s	CAPACITOR,CERAMIC 0.022MF/25V
C821	1-126-392-11	s	CAPACITOR,CHIP ELECT100MF/6.3V
C822	1-164-227-11	s	CAPACITOR,CERAMIC 0.022MF/25V
C823	1-164-227-11	s	CAPACITOR,CERAMIC 0.022MF/25V
C824	1-164-227-11	s	CAPACITOR,CERAMIC 0.022MF/25V
C825	1-164-227-11	s	CAPACITOR,CERAMIC 0.022MF/25V
C826	1-164-227-11	s	CAPACITOR,CERAMIC 0.022MF/25V
C827	1-164-227-11	s	CAPACITOR,CERAMIC 0.022MF/25V
C828	1-164-227-11	s	CAPACITOR,CERAMIC 0.022MF/25V
C829	1-162-917-11	s	CAPACITOR,CERAMIC 15PF/50V CH
C830	1-164-384-11	s	CAPACITOR CERAMIC 130PF/50V CH
C831	1-104-851-11	s	CAPACITOR,TANTALUM 10MF/10V
C832	1-104-851-11	s	CAPACITOR,TANTALUM 10MF/10V
C833	1-165-176-11	s	CAPACITOR,CERAMIC 47000PF/16V
C834	1-164-227-11	s	CAPACITOR,CERAMIC 0.022MF/25V
C835	1-162-915-11	s	CAPACITOR,CERAMIC 10PF/50V CH
C836	1-164-227-11	s	CAPACITOR,CERAMIC 0.022MF/25V
C837	1-162-923-11	s	CAPACITOR,CERAMIC 47PF/50V CH
C838	1-162-915-11	s	CAPACITOR,CERAMIC 10PF/50V CH
C839	1-164-227-11	s	CAPACITOR,CERAMIC 0.022MF/25V
C840	1-162-923-11	s	CAPACITOR,CERAMIC 47PF/50V CH
C841	1-162-910-11	s	CAPACITOR,CERAMIC 5PF/50V 1608
C842	1-164-227-11	s	CAPACITOR,CERAMIC 0.022MF/25V
C843	1-164-227-11	s	CAPACITOR,CERAMIC 0.022MF/25V
C844	1-164-217-11	s	CAPACITOR,CERAMIC 150PF/50V CH
C901	1-107-826-11	s	CAPACITOR,CHIP CERAMIC 0.1MF
C902	1-162-921-11	s	CAPACITOR,CERAMIC 33PF/50V CH
C903	1-107-826-11	s	CAPACITOR,CHIP CERAMIC 0.1MF
C905	1-107-826-11	s	CAPACITOR,CHIP CERAMIC 0.1MF
C908	1-126-396-11	s	CAPACITOR,ELECT 47MF/16V(CHIP)
C910	1-162-919-11	s	CAPACITOR,CERAMIC 22PF/50V CH
C911	1-164-217-11	s	CAPACITOR,CERAMIC 150PF/50V CH
C912	1-107-826-11	s	CAPACITOR,CHIP CERAMIC 0.1MF

(VPR-62 BOARD(DSR-2000))

Ref. No. or Q'ty	Part No.	SP Description
C913	1-107-826-11	s CAPACITOR,CHIP CERAMIC 0.1MF
C914	1-126-396-11	s CAPACITOR,ELECT 47MF/16V(CHIP)
C915	1-164-227-11	s CAPACITOR,CERAMIC 0.022MF/25V
C916	1-162-970-11	s CAPACITOR CERAMIC 0.01MF/25V B
C917	1-162-921-11	s CAPACITOR,CERAMIC 33PF/50V CH
C918	1-164-227-11	s CAPACITOR,CERAMIC 0.022MF/25V
C919	1-164-230-11	s CAPACITOR,CERAMIC 220PF/50V
C920	1-164-227-11	s CAPACITOR,CERAMIC 0.022MF/25V
C921	1-164-227-11	s CAPACITOR,CERAMIC 0.022MF/25V
C922	1-107-826-11	s CAPACITOR,CHIP CERAMIC 0.1MF
C923	1-126-396-11	s CAPACITOR,ELECT 47MF/16V(CHIP)
C924	1-126-392-11	s CAPACITOR,CHIP ELECT100MF/6.3V
C925	1-164-227-11	s CAPACITOR,CERAMIC 0.022MF/25V
C926	1-107-826-11	s CAPACITOR,CHIP CERAMIC 0.1MF
C927	1-164-227-11	s CAPACITOR,CERAMIC 0.022MF/25V
C928	1-162-921-11	s CAPACITOR,CERAMIC 33PF/50V CH
C929	1-107-826-11	s CAPACITOR,CHIP CERAMIC 0.1MF
C930	1-107-826-11	s CAPACITOR,CHIP CERAMIC 0.1MF
C931	1-107-826-11	s CAPACITOR,CHIP CERAMIC 0.1MF
C932	1-164-227-11	s CAPACITOR,CERAMIC 0.022MF/25V
C933	1-126-392-11	s CAPACITOR,CHIP ELECT100MF/6.3V
C934	1-107-826-11	s CAPACITOR,CHIP CERAMIC 0.1MF
C935	1-107-826-11	s CAPACITOR,CHIP CERAMIC 0.1MF
C936	1-164-217-11	s CAPACITOR,CERAMIC 150PF/50V CH
C937	1-164-227-11	s CAPACITOR,CERAMIC 0.022MF/25V
C938	1-126-392-11	s CAPACITOR,CHIP ELECT100MF/6.3V
C940	1-162-970-11	s CAPACITOR CERAMIC 0.01MF/25V B
C941	1-107-826-11	s CAPACITOR,CHIP CERAMIC 0.1MF
C942	1-126-392-11	s CAPACITOR,CHIP ELECT100MF/6.3V
C1001	1-164-227-11	s CAPACITOR,CERAMIC 0.022MF/25V
C1002	1-164-227-11	s CAPACITOR,CERAMIC 0.022MF/25V
C1003	1-126-392-11	s CAPACITOR,CHIP ELECT100MF/6.3V
C1004	1-126-392-11	s CAPACITOR,CHIP ELECT100MF/6.3V
C1005	1-164-227-11	s CAPACITOR,CERAMIC 0.022MF/25V
C1006	1-162-920-11	s CAPACITOR,CERAMIC 27PF/50V CH
C1007	1-162-924-11	s CAPACITOR,CERAMIC 56PF/50V CH
C1008	1-162-920-11	s CAPACITOR,CERAMIC 27PF/50V CH
C1009	1-164-227-11	s CAPACITOR,CERAMIC 0.022MF/25V
C1010	1-164-227-11	s CAPACITOR,CERAMIC 0.022MF/25V
C1011	1-164-227-11	s CAPACITOR,CERAMIC 0.022MF/25V
C1012	1-164-227-11	s CAPACITOR,CERAMIC 0.022MF/25V
C1013	1-164-227-11	s CAPACITOR,CERAMIC 0.022MF/25V
C1014	1-162-964-11	s CAPACITOR,CERAMIC 1000PF/50V B
C1015	1-135-177-21	s CAPACITOR TANTALUM 1MF/25V
C1016	1-162-970-11	s CAPACITOR CERAMIC 0.01MF/25V B
C1017	1-135-210-11	s CAPACITOR TANTAL 4.7MF/10V
C1018	1-162-970-11	s CAPACITOR CERAMIC 0.01MF/25V B
C1019	1-164-227-11	s CAPACITOR,CERAMIC 0.022MF/25V
C1020	1-107-826-11	s CAPACITOR,CHIP CERAMIC 0.1MF
C1021	1-126-392-11	s CAPACITOR,CHIP ELECT100MF/6.3V
C1022	1-164-227-11	s CAPACITOR,CERAMIC 0.022MF/25V
C1023	1-164-227-11	s CAPACITOR,CERAMIC 0.022MF/25V
C1024	1-126-392-11	s CAPACITOR,CHIP ELECT100MF/6.3V
C1025	1-164-227-11	s CAPACITOR,CERAMIC 0.022MF/25V
C1026	1-164-227-11	s CAPACITOR,CERAMIC 0.022MF/25V
C1027	*3 1-107-826-11	s CAPACITOR,CHIP CERAMIC 0.1MF
C1028	*3 1-107-826-11	s CAPACITOR,CHIP CERAMIC 0.1MF
C1029	*3 1-107-826-11	s CAPACITOR,CHIP CERAMIC 0.1MF

(VPR-62 BOARD(DSR-2000))

Ref. No. or Q'ty	Part No.	SP Description
C1030	*2 1-126-392-11	s CAPACITOR,CHIP ELECT100MF/6.3V
	*1 1-126-396-11	s CAPACITOR,ELECT 47MF/16V(CHIP)
C1031	1-107-826-11	s CAPACITOR,CHIP CERAMIC 0.1MF
C1032	*3 1-107-826-11	s CAPACITOR,CHIP CERAMIC 0.1MF
C1035	*1 1-107-826-11	s CAPACITOR,CHIP CERAMIC 0.1MF
C1036	*1 1-107-826-11	s CAPACITOR,CHIP CERAMIC 0.1MF
C1037	1-107-826-11	s CAPACITOR,CHIP CERAMIC 0.1MF
C1038	1-107-826-11	s CAPACITOR,CHIP CERAMIC 0.1MF
C1039	1-107-826-11	s CAPACITOR,CHIP CERAMIC 0.1MF
C1040	*1 1-107-826-11	s CAPACITOR,CHIP CERAMIC 0.1MF
C1041	1-126-392-11	s CAPACITOR,CHIP ELECT100MF/6.3V
C1042	1-164-227-11	s CAPACITOR,CERAMIC 0.022MF/25V
C1043	*1 1-164-227-11	s CAPACITOR,CERAMIC 0.022MF/25V
C1045	1-164-227-11	s CAPACITOR,CERAMIC 0.022MF/25V
C1046	*1 1-164-227-11	s CAPACITOR,CERAMIC 0.022MF/25V
C1047	1-164-227-11	s CAPACITOR,CERAMIC 0.022MF/25V
C1048	1-164-227-11	s CAPACITOR,CERAMIC 0.022MF/25V
C1049	1-164-227-11	s CAPACITOR,CERAMIC 0.022MF/25V
C1050	1-164-227-11	s CAPACITOR,CERAMIC 0.022MF/25V
C1051	1-164-227-11	s CAPACITOR,CERAMIC 0.022MF/25V
C1052	1-164-227-11	s CAPACITOR,CERAMIC 0.022MF/25V
C1053	1-126-392-11	s CAPACITOR,CHIP ELECT100MF/6.3V
C1054	1-164-227-11	s CAPACITOR,CERAMIC 0.022MF/25V
C1055	1-164-227-11	s CAPACITOR,CERAMIC 0.022MF/25V
C1056	1-164-227-11	s CAPACITOR,CERAMIC 0.022MF/25V
C1057	*1 1-164-227-11	s CAPACITOR,CERAMIC 0.022MF/25V
C1058	1-126-392-11	s CAPACITOR,CHIP ELECT100MF/6.3V
C1059	1-126-392-11	s CAPACITOR,CHIP ELECT100MF/6.3V
C1060	1-126-392-11	s CAPACITOR,CHIP ELECT100MF/6.3V
C1061	1-164-227-11	s CAPACITOR,CERAMIC 0.022MF/25V
C1062	1-164-227-11	s CAPACITOR,CERAMIC 0.022MF/25V
C1063	1-164-227-11	s CAPACITOR,CERAMIC 0.022MF/25V
C1064	1-164-227-11	s CAPACITOR,CERAMIC 0.022MF/25V
C1065	1-164-227-11	s CAPACITOR,CERAMIC 0.022MF/25V
C1066	*3 1-107-826-11	s CAPACITOR,CHIP CERAMIC 0.1MF
C1067	1-164-227-11	s CAPACITOR,CERAMIC 0.022MF/25V
C1068	1-164-227-11	s CAPACITOR,CERAMIC 0.022MF/25V
C1069	1-107-826-11	s CAPACITOR,CHIP CERAMIC 0.1MF
C1070	1-107-826-11	s CAPACITOR,CHIP CERAMIC 0.1MF
C1071	1-107-826-11	s CAPACITOR,CHIP CERAMIC 0.1MF
C1072	1-135-179-21	s CAPACITOR,TANTALUM 2.2MF/16V
C1073	1-165-176-11	s CAPACITOR,CERAMIC 47000PF/16V
C1074	1-107-826-11	s CAPACITOR,CHIP CERAMIC 0.1MF
C1075	1-107-826-11	s CAPACITOR,CHIP CERAMIC 0.1MF
C1076	1-162-964-11	s CAPACITOR,CERAMIC 1000PF/50V B
C1077	1-162-964-11	s CAPACITOR,CERAMIC 1000PF/50V B
C1078	1-162-964-11	s CAPACITOR,CERAMIC 1000PF/50V B
C1079	1-107-826-11	s CAPACITOR,CHIP CERAMIC 0.1MF
C1080	*2 1-135-177-21	s CAPACITOR TANTALUM 1MF/25V
C1081	*2 1-107-826-11	s CAPACITOR,CHIP CERAMIC 0.1MF
C1082	*2 1-107-826-11	s CAPACITOR,CHIP CERAMIC 0.1MF
C1083	*2 1-107-826-11	s CAPACITOR,CHIP CERAMIC 0.1MF
C1084	*2 1-107-826-11	s CAPACITOR,CHIP CERAMIC 0.1MF
C1085	*2 1-107-826-11	s CAPACITOR,CHIP CERAMIC 0.1MF
C1086	*2 1-107-826-11	s CAPACITOR,CHIP CERAMIC 0.1MF
CT500	1-141-322-11	s CAPACITOR,VAR, TRIMMER
D1	8-719-941-04	s DIODE SB007-03CP
D2	8-719-941-04	s DIODE SB007-03CP

(VPR-62 BOARD(DSR-2000))

Ref. No. or Q'ty	Part No.	SP	Description
D3	8-719-941-04	s	DIODE SB007-03CP
D4	8-719-941-04	s	DIODE SB007-03CP
D5	8-719-941-04	s	DIODE SB007-03CP
D6	8-719-941-04	s	DIODE SB007-03CP
D101	8-719-941-23	s	DIODE DA204U
D102	8-719-024-81	s	DIODE 1SS300-TE85L
D104	8-719-989-08	s	DIODE RB717F
D200	8-719-941-04	s	DIODE SB007-03CP
D201	8-719-024-81	s	DIODE 1SS300-TE85L
D300	8-719-041-39	s	DIODE KV1470 (5MA)
D302	8-719-024-81	s	DIODE 1SS300-TE85L
D303	8-719-941-23	s	DIODE DA204U
D304	8-719-941-23	s	DIODE DA204U
D306	8-719-941-23	s	DIODE DA204U
D400	8-719-941-23	s	DIODE DA204U
D401	8-719-045-99	s	DIODE RD2.2M-B
D402	8-719-045-99	s	DIODE RD2.2M-B
D403	8-719-941-04	s	DIODE SB007-03CP
D501	8-719-024-81	s	DIODE 1SS300-TE85L
D502	8-719-041-39	s	DIODE KV1470 (5MA)
D503	8-719-978-04	s	DIODE DTZ-TT11-3.3B
D601	8-719-024-81	s	DIODE 1SS300-TE85L
D801	8-719-976-99	s	DIODE DTZ5.1B
D802	8-719-024-81	s	DIODE 1SS300-TE85L
D900	8-719-941-23	s	DIODE DA204U
D901	8-719-941-23	s	DIODE DA204U
D1000 *1	8-719-987-43	s	LED CL-150PG-CD
D1001	8-719-941-23	s	DIODE DA204U
D1002	8-719-041-39	s	DIODE KV1470 (5MA)
D1003	8-719-027-95	s	DIODE HSM88WK
D1004 *2	8-719-404-35	s	DIODE MA141WK
FB200	1-543-309-21	s	BEAD, FERRITE
FB400	1-543-309-21	s	BEAD, FERRITE
FL1	1-233-674-21	s	FILTER, EMI
FL2	1-233-674-21	s	FILTER, EMI
FL100	1-233-614-11	s	FILTER, LOW PASS
FL200	1-233-614-11	s	FILTER, LOW PASS
FL201	1-233-598-11	s	FILTER, LOW PASS
FL202	1-233-598-11	s	FILTER, LOW PASS
FL601	1-233-614-11	s	FILTER, LOW PASS
FL602	1-233-598-11	s	FILTER, LOW PASS
FL603	1-233-598-11	s	FILTER, LOW PASS
FL701	1-239-771-11	s	FILTER, LOW PASS
IC1	8-759-172-41	s	IC L78M09T-TL
IC2	8-759-172-41	s	IC L78M09T-TL
IC3	8-759-539-90	s	IC LM2940SX-5.0
IC4	8-759-539-90	s	IC LM2940SX-5.0
IC5	8-759-539-89	s	IC LM2990SX-5.0
IC6	8-759-539-89	s	IC LM2990SX-5.0
IC7	8-759-549-20	s	IC SN74LV541APWR
IC8	8-759-549-20	s	IC SN74LV541APWR
IC9	8-759-490-41	s	IC TC74VHCT541AFT(EL)
IC10	8-759-549-20	s	IC SN74LV541APWR
IC101	8-759-082-61	s	IC TC4W53FU
IC102	8-759-058-64	s	IC TC7S32FU-TE85R
IC103	8-759-082-61	s	IC TC4W53FU
IC104	8-759-082-61	s	IC TC4W53FU

(VPR-62 BOARD(DSR-2000))

Ref. No. or Q'ty	Part No.	SP	Description
IC105 *c	8-759-669-73	s	IC TL082CPWR
*b	8-759-359-66	s	IC TL082CPW (E05)
IC200	8-759-387-83	s	IC MB40569PFV-ER
IC201	8-759-456-03	s	IC M66256GP (E2)
IC202	8-759-456-03	s	IC M66256GP (E2)
IC203	8-759-456-03	s	IC M66256GP (E2)
IC204	8-759-513-76	s	IC CXD8161AQ
IC205	8-759-058-58	s	IC TC7S04FU-TE85R
IC206	8-759-058-64	s	IC TC7S32FU-TE85R
IC207	8-752-363-60	s	IC CXD2307R-T4
IC208 *c	8-759-669-73	s	IC TL082CPWR
*b	8-759-359-66	s	IC TL082CPW (E05)
IC209	8-752-052-73	s	IC CXA1451M
IC210	8-752-052-73	s	IC CXA1451M
IC211	8-752-052-73	s	IC CXA1451M
IC300	8-752-339-04	s	IC CXD2208Q
IC301	8-759-058-58	s	IC TC7S04FU-TE85R
IC302	8-759-184-64	s	IC TC4W66FU
IC303 *c	8-759-669-72	s	IC TL064CPWR
*b	8-759-076-06	s	IC TL064CPW
IC304 *c	8-759-669-73	s	IC TL082CPWR
*b	8-759-359-66	s	IC TL082CPW (E05)
IC305 *c	8-759-669-45	s	IC TL062CPWR-12
*b	8-759-173-16	s	IC TL062CPW
IC306	8-759-058-58	s	IC TC7S04FU-TE85R
IC307	8-759-082-60	s	IC TC7S66FU
IC308	8-759-520-55	s	IC CXD8243AM
IC309	8-759-058-58	s	IC TC7S04FU-TE85R
IC310	8-759-082-60	s	IC TC7S66FU
IC400	8-759-523-01	s	IC TC74HC4052AFT(EL)
IC401	8-759-490-41	s	IC TC74VHCT541AFT(EL)
IC402 *c	8-759-669-74	s	IC TL084CPWR-12
*b	8-759-287-54	s	IC TL084CPW (E20)
IC403	8-759-640-14	s	IC TK15420MTL
IC404	8-759-082-61	s	IC TC4W53FU
IC405	8-759-523-95	s	IC TC74VHC74FT(EL)
IC406	8-759-324-03	s	IC HA17431UA(TL)
IC407	8-759-324-03	s	IC HA17431UA(TL)
IC408	8-759-447-90	s	IC TLC5733AIPM
IC409	8-752-376-32	s	IC CXD2310AR
IC410	8-759-198-63	s	IC S-81230SG-QB-T1
IC411	8-759-549-20	s	IC SN74LV541APWR
IC412	8-759-549-20	s	IC SN74LV541APWR
IC413	8-759-549-20	s	IC SN74LV541APWR
IC414	8-759-196-97	s	IC TC7SH32FU (TE85R)
IC415	8-759-196-97	s	IC TC7SH32FU (TE85R)
IC416	8-759-196-96	s	IC TC7SH08FU (TE85R)
IC500	8-759-549-20	s	IC SN74LV541APWR
IC503	8-759-524-07	s	IC TC74VHC138FT(EL)
IC504	8-759-564-49	s	IC TC7W53FU-TE12R
IC505	8-759-271-86	s	IC TC7SH04FU
IC508	8-759-523-97	s	IC TC74VHC123AFT(EL)
IC509	8-759-987-27	s	IC LM1881M
IC510	8-759-196-12	s	IC SN74LS221DB
IC511	8-759-523-95	s	IC TC74VHC74FT(EL)
IC512	8-759-082-57	s	IC TC7W04FU
IC513	8-759-196-12	s	IC SN74LS221DB
IC514	8-759-196-97	s	IC TC7SH32FU (TE85R)
IC515	8-759-530-05	s	IC TC4053BFT (EL.N)
IC516	8-759-083-94	s	IC TC7W74FU

(VPR-62 BOARD(DSR-2000))

Ref. No. or Q'ty	Part No.	SP	Description
IC517	8-759-523-97	s	IC TC74VHC123AFT(EL)
IC518	8-759-082-61	s	IC TC4W53FU
IC519	8-759-271-86	s	IC TC7SH04FU
IC520	8-759-196-96	s	IC TC7SH08FU (TE85R)
IC522	8-759-196-93	s	IC TC7SH00FU-TE85R
IC523	8-759-198-63	s	IC S-81230SG-QB-T1
IC524	8-759-524-19	s	IC TC74VHC164FT(EL)
IC525	8-759-343-09	s	IC CXD2193AR-ER
IC526	8-759-490-41	s	IC TC74VHC541AFT(EL)
IC601	8-759-278-58	s	IC NJM4558V (TE2)
IC603	8-759-278-58	s	IC NJM4558V (TE2)
IC604	8-759-278-58	s	IC NJM4558V (TE2)
IC605	*5 8-759-524-50	s	IC TC74VHC541FT(EL)
IC606	*5 8-759-497-44	s	IC TC7WH125FU (TE12R)
IC607	*5 8-759-447-77	s	IC TC7WH74FU (TE12R)
IC608	8-759-198-63	s	IC S-81230SG-QB-T1
IC609	8-752-363-60	s	IC CXD2307R-T4
IC610	8-752-052-82	s	IC CXA1432M
IC611	8-759-640-14	s	IC TK15420MTL
IC612	8-759-524-10	s	IC TC74VHC157FT (EL)
IC613	*2 8-759-196-97	s	IC TC7SH32FU (TE85R)
IC701	8-752-054-80	s	IC CXA1521M
IC702	8-752-054-80	s	IC CXA1521M
IC703	8-759-196-12	s	IC SN74LS221DB
IC704	*c 8-759-669-74	s	IC TL084CPWR-12
	*b 8-759-287-54	s	IC TL084CPW (E20)
IC705	8-759-082-61	s	IC TC4W53FU
IC706	8-759-082-61	s	IC TC4W53FU
IC707	*c 8-759-669-73	s	IC TL082CPWR
	*b 8-759-359-66	s	IC TL082CPW (E05)
IC708	8-752-090-56	s	IC CXA3178M-T4
IC709	8-752-061-02	s	IC CXA1450M
IC801	8-752-052-73	s	IC CXA1451M
IC802	8-759-640-14	s	IC TK15420MTL
IC803	8-759-082-61	s	IC TC4W53FU
IC804	8-752-052-73	s	IC CXA1451M
IC805	8-759-082-59	s	IC TC7W32FU
IC806	*c 8-759-669-74	s	IC TL084CPWR-12
	*b 8-759-287-54	s	IC TL084CPW (E20)
IC807	8-759-082-61	s	IC TC4W53FU
IC808	8-752-052-73	s	IC CXA1451M
IC901	8-759-082-57	s	IC TC7W04FU
IC903	8-759-523-02	s	IC TC74HC4053AFT(EL)
IC904	8-752-061-02	s	IC CXA1450M
IC905	*c 8-759-669-45	s	IC TL062CPWR-12
	*b 8-759-173-16	s	IC TL062CPW
IC906	*c 8-759-669-72	s	IC TL064CPWR-12
	*b 8-759-076-06	s	IC TL064CPW
IC907	8-752-052-73	s	IC CXA1451M
IC908	8-759-278-58	s	IC NJM4558V (TE2)
IC909	8-759-324-03	s	IC HA17431UA(TL)
IC910	8-759-987-27	s	IC LM1881M
IC911	8-759-248-78	s	IC MB88102PFV-G-BND-ER
IC912	8-759-523-97	s	IC TC74VHC123AFT(EL)
IC1001	8-759-082-61	s	IC TC4W53FU
IC1002	8-759-702-08	s	IC NJM360M
IC1003	8-752-335-47	s	IC CXD1216M
IC1004	8-759-523-02	s	IC TC74HC4053AFT(EL)
IC1005	8-759-058-58	s	IC TC7S04FU-TE85R
IC1006	8-759-271-86	s	IC TC7SH04FU

(VPR-62 BOARD(DSR-2000))

Ref. No. or Q'ty	Part No.	SP	Description
IC1008	8-752-414-92	s	IC CXD2309AQ-T6
IC1009*1	8-752-334-64	s	IC CXD1171M
IC1010	8-759-702-08	s	IC NJM360M
IC1011	8-759-271-88	s	IC TC7SH004FU
IC1012	8-759-271-86	s	IC TC7SH04FU
IC1111*a	8-759-681-40	s	IC CXD9128AR
	*2 8-759-650-00	s	IC CXD9128R
IC1112*2	8-759-196-93	s	IC TC7SH00FU-TE85R
L1	1-414-400-11	s	INDUCTOR, 22UH
L2	1-424-641-11	s	COIL,CHOKE (SHIELD)
L3	1-424-641-11	s	COIL,CHOKE (SHIELD)
L4	1-414-400-11	s	INDUCTOR, 22UH
L5	1-414-400-11	s	INDUCTOR, 22UH
L6	1-414-400-11	s	INDUCTOR, 22UH
L7	1-414-400-11	s	INDUCTOR, 22UH
L8	1-414-400-11	s	INDUCTOR, 22UH
L101	1-414-398-11	s	INDUCTOR (SMD) 10UH
L102	1-414-398-11	s	INDUCTOR (SMD) 10UH
L103	1-414-398-11	s	INDUCTOR (SMD) 10UH
L200	1-414-394-11	s	INDUCTOR (SMD) 2.2UH
L201	1-414-398-11	s	INDUCTOR (SMD) 10UH
L202	1-410-373-31	s	CHIP INDUCTOR 2.2UH (3225)
L203	1-410-373-31	s	CHIP INDUCTOR 2.2UH (3225)
L204	1-410-373-31	s	CHIP INDUCTOR 2.2UH (3225)
L205	1-414-398-11	s	INDUCTOR (SMD) 10UH
L206	1-414-398-11	s	INDUCTOR (SMD) 10UH
L301	1-414-401-11	s	INDUCTOR (SMD) 33UH
L302	1-414-395-11	s	INDUCTOR (SMD) 3.3UH
L303	1-414-398-11	s	INDUCTOR (SMD) 10UH
L304	1-414-398-11	s	INDUCTOR (SMD) 10UH
L305	1-414-402-11	s	INDUCTOR (SMD) 47UH
L306	1-410-378-11	s	INDUCTOR,CHIP 5.6UH (3225)
L307	1-414-404-11	s	INDUCTOR (SMD) 100UH
L308	1-414-398-11	s	INDUCTOR (SMD) 10UH
L309	1-414-404-11	s	INDUCTOR (SMD) 100UH
L310	1-414-404-11	s	INDUCTOR (SMD) 100UH
L311	1-414-404-11	s	INDUCTOR (SMD) 100UH
L312	1-414-398-11	s	INDUCTOR (SMD) 10UH
L313	1-414-398-11	s	INDUCTOR (SMD) 10UH
L400	1-414-398-11	s	INDUCTOR (SMD) 10UH
L401	1-414-398-11	s	INDUCTOR (SMD) 10UH
L402	1-414-398-11	s	INDUCTOR (SMD) 10UH
L403	1-414-398-11	s	INDUCTOR (SMD) 10UH
L500	1-414-400-11	s	INDUCTOR, 22UH
L501	1-414-400-11	s	INDUCTOR, 22UH
L502	1-410-390-11	s	CHIP INDUCTOR 56UH (3225)
L503	1-410-655-31	s	INDUCTOR,CHIP 120UH (3225)
L504	1-414-398-11	s	INDUCTOR (SMD) 10UH
L506	1-414-398-11	s	INDUCTOR (SMD) 10UH
L601	1-414-400-11	s	INDUCTOR, 22UH
L602	1-414-400-11	s	INDUCTOR, 22UH
L603	1-414-400-11	s	INDUCTOR, 22UH
L604	1-414-400-11	s	INDUCTOR, 22UH
L605	1-414-400-11	s	INDUCTOR, 22UH
L606	1-414-400-11	s	INDUCTOR, 22UH
L607	1-414-398-11	s	INDUCTOR (SMD) 10UH
L608	1-414-398-11	s	INDUCTOR (SMD) 10UH
L609	1-414-400-11	s	INDUCTOR, 22UH

(VPR-62 BOARD(DSR-2000))

Ref. No. or Q'ty	Part No.	SP Description
L610	1-414-401-11	s INDUCTOR (SMD) 33UH
L611	1-414-400-11	s INDUCTOR, 22UH
L612	1-414-400-11	s INDUCTOR, 22UH
L613	1-414-401-11	s INDUCTOR (SMD) 33UH
L701	1-414-400-11	s INDUCTOR, 22UH
L702	1-414-400-11	s INDUCTOR, 22UH
L703	1-414-404-11	s INDUCTOR (SMD) 100UH
L704	1-414-400-11	s INDUCTOR, 22UH
L705	1-414-402-11	s INDUCTOR (SMD) 47UH
L706	1-414-402-11	s INDUCTOR (SMD) 47UH
L707	1-414-402-11	s INDUCTOR (SMD) 47UH
L708	1-414-402-11	s INDUCTOR (SMD) 47UH
L709	1-414-400-11	s INDUCTOR, 22UH
L801	1-414-400-11	s INDUCTOR, 22UH
L802	1-414-400-11	s INDUCTOR, 22UH
L803	1-414-400-11	s INDUCTOR, 22UH
L804	1-414-403-11	s INDUCTOR, 68UH
L805	1-414-402-11	s INDUCTOR (SMD) 47UH
L806	1-414-401-11	s INDUCTOR (SMD) 33UH
L901	1-414-403-11	s INDUCTOR, 68UH
L902	1-414-404-11	s INDUCTOR (SMD) 100UH
L903	1-414-403-11	s INDUCTOR, 68UH
L904	1-414-400-11	s INDUCTOR, 22UH
L905	1-414-400-11	s INDUCTOR, 22UH
L906	1-414-400-11	s INDUCTOR, 22UH
L907	1-414-400-11	s INDUCTOR, 22UH
L1001	1-414-400-11	s INDUCTOR, 22UH
L1002	1-414-400-11	s INDUCTOR, 22UH
L1003	1-414-402-11	s INDUCTOR (SMD) 47UH
L1004	1-414-402-11	s INDUCTOR (SMD) 47UH
L1005	1-414-400-11	s INDUCTOR, 22UH
L1006	1-414-400-11	s INDUCTOR, 22UH
L1007	1-414-398-11	s INDUCTOR (SMD) 10UH
L1008	*2 1-410-374-11	s INDUCTOR,CHIP 2.7UH
L1009	*1 1-414-395-11	s INDUCTOR (SMD) 3.3UH
L1009	1-414-400-11	s INDUCTOR, 22UH
L1010	1-414-400-11	s INDUCTOR, 22UH
L1011	1-414-400-11	s INDUCTOR, 22UH
L1012	1-414-400-11	s INDUCTOR, 22UH
L1013	1-414-400-11	s INDUCTOR, 22UH
L1014	1-414-400-11	s INDUCTOR, 22UH
LV505	1-411-275-21	s COIL, VARIABLE
PS1	Δ 1-576-124-11	s LINK IC 1A (3225)
PS2	Δ 1-533-282-21	s CIRCUIT PROTECTOR 2A (3225)
PS3	Δ 1-533-282-21	s CIRCUIT PROTECTOR 2A (3225)
PS4	Δ 1-533-282-21	s CIRCUIT PROTECTOR 2A (3225)
PS5	Δ 1-576-124-11	s LINK IC 1A (3225)
Q101	8-729-907-46	s TRANSISTOR IMZ1
Q102	8-729-903-10	s TRANSISTOR FMW1
Q103	8-729-117-32	s TRANSISTOR 2SC4177
Q104	8-729-140-63	s TRANSISTOR 2SA1611-M5M6
Q105	8-729-140-63	s TRANSISTOR 2SA1611-M5M6
Q106	8-729-117-32	s TRANSISTOR 2SC4177
Q107	8-729-117-32	s TRANSISTOR 2SC4177
Q108	*5 8-729-026-56	s TRANSISTOR FMS2A-T148
	*3 8-729-904-04	s TRANSISTOR FMS2
Q109	8-729-140-63	s TRANSISTOR 2SA1611-M5M6
Q110	8-729-117-72	s TRANSISTOR 2SC4178

(VPR-62 BOARD(DSR-2000))

Ref. No. or Q'ty	Part No.	SP Description
Q111	8-729-907-46	s TRANSISTOR IMZ1
Q112	8-729-907-46	s TRANSISTOR IMZ1
Q113	8-729-117-72	s TRANSISTOR 2SC4178
Q114	8-729-117-32	s TRANSISTOR 2SC4177
Q115	8-729-117-72	s TRANSISTOR 2SC4178
Q116	*5 8-729-026-56	s TRANSISTOR FMS2A-T148
	*3 8-729-904-04	s TRANSISTOR FMS2
Q200	8-729-029-14	s TRANSISTOR DTC144EUA-T106
Q201	8-729-117-32	s TRANSISTOR 2SC4177
Q202	8-729-117-32	s TRANSISTOR 2SC4177
Q203	8-729-117-32	s TRANSISTOR 2SC4177
Q300	8-729-029-14	s TRANSISTOR DTC144EUA-T106
Q301	8-729-140-63	s TRANSISTOR 2SA1611-M5M6
Q302	8-729-117-32	s TRANSISTOR 2SC4177
Q303	8-729-117-32	s TRANSISTOR 2SC4177
Q304	8-729-117-32	s TRANSISTOR 2SC4177
Q305	8-729-140-63	s TRANSISTOR 2SA1611-M5M6
Q306	8-729-140-63	s TRANSISTOR 2SA1611-M5M6
Q307	8-729-140-63	s TRANSISTOR 2SA1611-M5M6
Q308	8-729-117-32	s TRANSISTOR 2SC4177
Q309	8-729-117-32	s TRANSISTOR 2SC4177
Q310	8-729-140-63	s TRANSISTOR 2SA1611-M5M6
Q311	8-729-029-14	s TRANSISTOR DTC144EUA-T106
Q312	8-729-140-63	s TRANSISTOR 2SA1611-M5M6
Q313	8-729-140-63	s TRANSISTOR 2SA1611-M5M6
Q315	8-729-140-63	s TRANSISTOR 2SA1611-M5M6
Q400	8-729-117-72	s TRANSISTOR 2SC4178
Q401	8-729-117-32	s TRANSISTOR 2SC4177
Q402	8-729-117-32	s TRANSISTOR 2SC4177
Q403	8-729-117-32	s TRANSISTOR 2SC4177
Q404	8-729-117-32	s TRANSISTOR 2SC4177
Q405	8-729-117-72	s TRANSISTOR 2SC4178
Q406	8-729-117-32	s TRANSISTOR 2SC4177
Q407	8-729-117-72	s TRANSISTOR 2SC4178
Q408	8-729-422-44	s TRANSISTOR 2SK663
Q409	8-729-422-44	s TRANSISTOR 2SK663
Q410	8-729-422-44	s TRANSISTOR 2SK663
Q411	8-729-422-44	s TRANSISTOR 2SK663
Q412	8-729-140-63	s TRANSISTOR 2SA1611-M5M6
Q413	8-729-140-63	s TRANSISTOR 2SA1611-M5M6
Q414	8-729-140-63	s TRANSISTOR 2SA1611-M5M6
Q415	8-729-117-32	s TRANSISTOR 2SC4177
Q416	8-729-117-32	s TRANSISTOR 2SC4177
Q417	8-729-117-72	s TRANSISTOR 2SC4178
Q418	8-729-117-72	s TRANSISTOR 2SC4178
Q419	8-729-117-72	s TRANSISTOR 2SC4178
Q420	8-729-117-72	s TRANSISTOR 2SC4178
Q421	8-729-140-63	s TRANSISTOR 2SA1611-M5M6
Q422	8-729-140-63	s TRANSISTOR 2SA1611-M5M6
Q501	8-729-117-32	s TRANSISTOR 2SC4177
Q502	8-729-117-32	s TRANSISTOR 2SC4177
Q503	8-729-140-63	s TRANSISTOR 2SA1611-M5M6
Q504	8-729-140-63	s TRANSISTOR 2SA1611-M5M6
Q601	8-729-117-32	s TRANSISTOR 2SC4177
Q602	8-729-117-32	s TRANSISTOR 2SC4177
Q603	8-729-140-63	s TRANSISTOR 2SA1611-M5M6
Q604	8-729-140-63	s TRANSISTOR 2SA1611-M5M6
Q605	8-729-117-32	s TRANSISTOR 2SC4177
Q606	8-729-140-63	s TRANSISTOR 2SA1611-M5M6

(VPR-62 BOARD(DSR-2000))

Ref. No. or Q'ty	Part No.	SP	Description
Q607	8-729-117-32	s	TRANSISTOR 2SC4177
Q608	8-729-117-32	s	TRANSISTOR 2SC4177
Q609	8-729-422-44	s	TRANSISTOR 2SK663
Q610	8-729-422-44	s	TRANSISTOR 2SK663
Q611	8-729-140-63	s	TRANSISTOR 2SA1611-M5M6
Q612	8-729-117-32	s	TRANSISTOR 2SC4177
Q613	8-729-140-63	s	TRANSISTOR 2SA1611-M5M6
Q614	8-729-117-32	s	TRANSISTOR 2SC4177
Q615	8-729-117-32	s	TRANSISTOR 2SC4177
Q616	8-729-422-44	s	TRANSISTOR 2SK663
Q617	8-729-422-44	s	TRANSISTOR 2SK663
Q618	8-729-140-63	s	TRANSISTOR 2SA1611-M5M6
Q619	8-729-029-14	s	TRANSISTOR DTC144EUA-T106
Q701	8-729-143-14	s	TRANSISTOR 2SC4176-B35
Q702	8-729-140-63	s	TRANSISTOR 2SA1611-M5M6
Q703	8-729-117-32	s	TRANSISTOR 2SC4177
Q704	8-729-140-63	s	TRANSISTOR 2SA1611-M5M6
Q705	8-729-117-32	s	TRANSISTOR 2SC4177
Q706	8-729-117-32	s	TRANSISTOR 2SC4177
Q707	8-729-117-32	s	TRANSISTOR 2SC4177
Q708	8-729-117-32	s	TRANSISTOR 2SC4177
Q709	8-729-117-32	s	TRANSISTOR 2SC4177
Q710	8-729-117-32	s	TRANSISTOR 2SC4177
Q711	8-729-143-14	s	TRANSISTOR 2SC4176-B35
Q712	8-729-903-82	s	TRANSISTOR FMW2
Q713	8-729-903-82	s	TRANSISTOR FMW2
Q801	8-729-904-41	s	TRANSISTOR FMY3
Q802	8-729-117-32	s	TRANSISTOR 2SC4177
Q803	8-729-143-14	s	TRANSISTOR 2SC4176-B35
Q804	8-729-117-32	s	TRANSISTOR 2SC4177
Q805	8-729-904-41	s	TRANSISTOR FMY3
Q806	8-729-143-14	s	TRANSISTOR 2SC4176-B35
Q807	8-729-140-63	s	TRANSISTOR 2SA1611-M5M6
Q808	8-729-117-32	s	TRANSISTOR 2SC4177
Q809	8-729-140-63	s	TRANSISTOR 2SA1611-M5M6
Q810	8-729-117-32	s	TRANSISTOR 2SC4177
Q811	8-729-117-32	s	TRANSISTOR 2SC4177
Q903	8-729-117-32	s	TRANSISTOR 2SC4177
Q905	8-729-117-32	s	TRANSISTOR 2SC4177
Q906	8-729-117-32	s	TRANSISTOR 2SC4177
Q907	8-729-904-41	s	TRANSISTOR FMY3
Q908	8-729-117-32	s	TRANSISTOR 2SC4177
Q909	8-729-117-32	s	TRANSISTOR 2SC4177
Q1001	8-729-117-32	s	TRANSISTOR 2SC4177
Q1002	8-729-117-32	s	TRANSISTOR 2SC4177
Q1003	8-729-029-14	s	TRANSISTOR DTC144EUA-T106
Q1004	*3 8-729-029-14	s	TRANSISTOR DTC144EUA-T106
Q1005	8-729-117-32	s	TRANSISTOR 2SC4177
Q1006	8-729-117-32	s	TRANSISTOR 2SC4177
Q1007	8-729-117-32	s	TRANSISTOR 2SC4177
Q1008	*1 8-729-117-32	s	TRANSISTOR 2SC4177
Q1009	8-729-029-14	s	TRANSISTOR DTC144EUA-T106
Q1010	8-729-140-63	s	TRANSISTOR 2SA1611-M5M6
Q1011	8-729-140-63	s	TRANSISTOR 2SA1611-M5M6
R1	1-216-833-11	s	RESISTOR,CHIP 10K 1/16W 1608
R2	*1 1-216-833-11	s	RESISTOR,CHIP 10K 1/16W 1608
R3	1-216-833-11	s	RESISTOR,CHIP 10K 1/16W 1608
R4	1-216-833-11	s	RESISTOR,CHIP 10K 1/16W 1608
R6	1-216-864-11	s	RESISTOR,CHIP 0 1/16W (1608)

(VPR-62 BOARD(DSR-2000))

Ref. No. or Q'ty	Part No.	SP	Description
R7	1-216-864-11	s	RESISTOR,CHIP 0 1/16W (1608)
R8	1-216-864-11	s	RESISTOR,CHIP 0 1/16W (1608)
R9	*2 1-216-864-11	s	RESISTOR,CHIP 0 1/16W (1608)
R10	*2 1-216-864-11	s	RESISTOR,CHIP 0 1/16W (1608)
R11	*2 1-216-864-11	s	RESISTOR,CHIP 0 1/16W (1608)
R12	*4 1-216-296-91	s	CONDUCTOR,CHIP (3216)
R13	*4 1-216-296-91	s	CONDUCTOR,CHIP (3216)
R14	*4 1-216-296-91	s	CONDUCTOR,CHIP (3216)
R15	*4 1-216-296-91	s	CONDUCTOR,CHIP (3216)
R16	*4 1-216-296-91	s	CONDUCTOR,CHIP (3216)
R101	1-216-845-11	s	RESISTOR,CHIP 100K 1/16W(1608)
R102	1-218-847-11	s	RESISTOR,CHIP 1K 1/16W (1608)
R103	1-218-847-11	s	RESISTOR,CHIP 1K 1/16W (1608)
R104	1-216-826-11	s	RESISTOR,CHIP 2.7K 1/16W 1608
R106	1-216-845-11	s	RESISTOR,CHIP 100K 1/16W(1608)
R107	1-216-833-11	s	RESISTOR,CHIP 10K 1/16W 1608
R108	1-216-833-11	s	RESISTOR,CHIP 10K 1/16W 1608
R109	1-216-829-11	s	RESISTOR,CHIP 4.7K 1/16W 1608
R110	1-216-809-11	s	RESISTOR,CHIP 100 1/16W 1608
R111	1-218-847-11	s	RESISTOR,CHIP 1K 1/16W (1608)
R112	1-218-823-11	s	RESISTOR,CHIP 100 1/16W (1608)
R113	1-218-847-11	s	RESISTOR,CHIP 1K 1/16W (1608)
R114	1-216-826-11	s	RESISTOR,CHIP 2.7K 1/16W 1608
R115	1-216-821-11	s	RESISTOR,CHIP 1.0K 1/16W(1608)
R116	1-216-809-11	s	RESISTOR,CHIP 100 1/16W 1608
R117	1-218-847-11	s	RESISTOR,CHIP 1K 1/16W (1608)
R118	1-216-826-11	s	RESISTOR,CHIP 2.7K 1/16W 1608
R119	1-216-809-11	s	RESISTOR,CHIP 100 1/16W 1608
R120	1-218-847-11	s	RESISTOR,CHIP 1K 1/16W (1608)
R121	1-218-847-11	s	RESISTOR,CHIP 1K 1/16W (1608)
R122	1-218-823-11	s	RESISTOR,CHIP 100 1/16W (1608)
R123	1-216-825-11	s	RESISTOR,CHIP 2.2K 1/16W 1608
R124	1-216-821-11	s	RESISTOR,CHIP 1.0K 1/16W(1608)
R125	1-216-819-11	s	RESISTOR,CHIP 680 1/16W 1608
R126	1-218-835-11	s	RESISTOR,CHIP 330 1/16W (1608)
R127	1-218-835-11	s	RESISTOR,CHIP 330 1/16W (1608)
R128	1-216-819-11	s	RESISTOR,CHIP 680 1/16W 1608
R129	1-218-847-11	s	RESISTOR,CHIP 1K 1/16W (1608)
R130	1-218-847-11	s	RESISTOR,CHIP 1K 1/16W (1608)
R131	1-216-809-11	s	RESISTOR,CHIP 100 1/16W 1608
R132	1-216-809-11	s	RESISTOR,CHIP 100 1/16W 1608
R133	1-216-821-11	s	RESISTOR,CHIP 1.0K 1/16W(1608)
R134	1-216-821-11	s	RESISTOR,CHIP 1.0K 1/16W(1608)
R135	1-216-821-11	s	RESISTOR,CHIP 1.0K 1/16W(1608)
R136	1-216-821-11	s	RESISTOR,CHIP 1.0K 1/16W(1608)
R137	1-218-837-11	s	RESISTOR,CHIP 390 1/16W (1608)
R138	1-216-825-11	s	RESISTOR,CHIP 2.2K 1/16W 1608
R139	1-216-815-11	s	RESISTOR,CHIP 330 1/16W 1608
R140	1-216-829-11	s	RESISTOR,CHIP 4.7K 1/16W 1608
R141	1-216-821-11	s	RESISTOR,CHIP 1.0K 1/16W(1608)
R142	1-216-829-11	s	RESISTOR,CHIP 4.7K 1/16W 1608
R143	1-216-825-11	s	RESISTOR,CHIP 2.2K 1/16W 1608
R144	1-216-809-11	s	RESISTOR,CHIP 100 1/16W 1608
R145	1-216-829-11	s	RESISTOR,CHIP 4.7K 1/16W 1608
R146	1-216-821-11	s	RESISTOR,CHIP 1.0K 1/16W(1608)
R147	1-216-857-11	s	RESISTOR,CHIP 1.0M 1/16W 1608
R148	1-216-825-11	s	RESISTOR,CHIP 2.2K 1/16W 1608
R149	1-216-829-11	s	RESISTOR,CHIP 4.7K 1/16W 1608
R150	1-216-821-11	s	RESISTOR,CHIP 1.0K 1/16W(1608)

(VPR-62 BOARD(DSR-2000))

Ref. No. or Q'ty	Part No.	SP	Description
R151	1-218-847-11	s	RESISTOR, CHIP 1K 1/16W (1608)
R201	1-216-805-11	s	RESISTOR, CHIP 47 1/16W 1608
R203	1-216-833-11	s	RESISTOR, CHIP 10K 1/16W 1608
R204	1-216-833-11	s	RESISTOR, CHIP 10K 1/16W 1608
R205	1-216-841-11	s	RESISTOR, CHIP 47K 1/16W 1608
R206	1-218-859-11	s	RESISTOR, CHIP 3.3K 1/16W(1608)
R207	1-218-859-11	s	RESISTOR, CHIP 3.3K 1/16W(1608)
R208	1-218-859-11	s	RESISTOR, CHIP 3.3K 1/16W(1608)
R209	1-216-837-11	s	RESISTOR, CHIP 22K 1/16W 1608
R210	1-216-829-11	s	RESISTOR, CHIP 4.7K 1/16W 1608
R211	1-216-833-11	s	RESISTOR, CHIP 10K 1/16W 1608
R212	1-216-839-11	s	RESISTOR, CHIP 33K 1/16W 1608
R213	1-216-832-11	s	RESISTOR, CHIP 8.2K 1/16W 1608
R214	1-218-883-11	s	RESISTOR, CHIP 33K 1/16W (1608)
R216	1-218-879-11	s	RESISTOR, CHIP 22K 1/16W (1608)
R217	1-218-863-11	s	RESISTOR, CHIP 4.7K 1/16W(1608)
R218	1-218-831-11	s	RESISTOR, CHIP 220 1/16W(1608)
R219	1-218-831-11	s	RESISTOR, CHIP 220 1/16W(1608)
R220	1-218-831-11	s	RESISTOR, CHIP 220 1/16W(1608)
R221	1-218-831-11	s	RESISTOR, CHIP 220 1/16W(1608)
R222	1-218-831-11	s	RESISTOR, CHIP 220 1/16W(1608)
R223	1-218-831-11	s	RESISTOR, CHIP 220 1/16W(1608)
R224	1-216-821-11	s	RESISTOR, CHIP 1.0K 1/16W(1608)
R225	1-216-821-11	s	RESISTOR, CHIP 1.0K 1/16W(1608)
R226	1-216-821-11	s	RESISTOR, CHIP 1.0K 1/16W(1608)
R227	1-218-835-11	s	RESISTOR, CHIP 330 1/16W (1608)
R229	1-218-835-11	s	RESISTOR, CHIP 330 1/16W (1608)
R230	1-218-835-11	s	RESISTOR, CHIP 330 1/16W (1608)
R231	1-218-835-11	s	RESISTOR, CHIP 330 1/16W (1608)
R232	1-218-835-11	s	RESISTOR, CHIP 330 1/16W (1608)
R233	1-218-835-11	s	RESISTOR, CHIP 330 1/16W (1608)
R235	*2 1-216-864-11	s	RESISTOR, CHIP 0 1/16W (1608)
R236	*2 1-216-864-11	s	RESISTOR, CHIP 0 1/16W (1608)
R237	*2 1-216-864-11	s	RESISTOR, CHIP 0 1/16W (1608)
R238	*2 1-216-864-11	s	RESISTOR, CHIP 0 1/16W (1608)
R239	*2 1-216-864-11	s	RESISTOR, CHIP 0 1/16W (1608)
R240	*2 1-216-864-11	s	RESISTOR, CHIP 0 1/16W (1608)
R241	*2 1-216-864-11	s	RESISTOR, CHIP 0 1/16W (1608)
R300	1-216-833-11	s	RESISTOR, CHIP 10K 1/16W 1608
R301	1-216-833-11	s	RESISTOR, CHIP 10K 1/16W 1608
R302	1-216-821-11	s	RESISTOR, CHIP 1.0K 1/16W(1608)
R303	1-218-849-11	s	RESISTOR, CHIP 1.2K 1/16W(1608)
R304	1-216-825-11	s	RESISTOR, CHIP 2.2K 1/16W 1608
R305	1-216-825-11	s	RESISTOR, CHIP 2.2K 1/16W 1608
R306	1-216-825-11	s	RESISTOR, CHIP 2.2K 1/16W 1608
R307	1-216-833-11	s	RESISTOR, CHIP 10K 1/16W 1608
R308	1-216-833-11	s	RESISTOR, CHIP 10K 1/16W 1608
R309	1-216-821-11	s	RESISTOR, CHIP 1.0K 1/16W(1608)
R310	1-216-821-11	s	RESISTOR, CHIP 1.0K 1/16W(1608)
R311	1-216-821-11	s	RESISTOR, CHIP 1.0K 1/16W(1608)
R312	1-216-821-11	s	RESISTOR, CHIP 1.0K 1/16W(1608)
R313	1-216-845-11	s	RESISTOR, CHIP 100K 1/16W(1608)
R314	1-216-809-11	s	RESISTOR, CHIP 100 1/16W 1608
R315	1-216-821-11	s	RESISTOR, CHIP 1.0K 1/16W(1608)
R316	1-216-829-11	s	RESISTOR, CHIP 4.7K 1/16W 1608
R317	1-216-821-11	s	RESISTOR, CHIP 1.0K 1/16W(1608)
R318	1-218-842-11	s	RESISTOR, CHIP 620 1/16W (1608)
R319	1-216-825-11	s	RESISTOR, CHIP 2.2K 1/16W 1608
R320	1-216-825-11	s	RESISTOR, CHIP 2.2K 1/16W 1608

(VPR-62 BOARD(DSR-2000))

Ref. No. or Q'ty	Part No.	SP	Description
R321	1-216-819-11	s	RESISTOR, CHIP 680 1/16W 1608
R322	1-216-829-11	s	RESISTOR, CHIP 4.7K 1/16W 1608
R323	1-216-857-11	s	RESISTOR, CHIP 1.0M 1/16W 1608
R324	1-216-855-11	s	RESISTOR, CHIP 680K 1/16W 1608
R325	1-216-855-11	s	RESISTOR, CHIP 680K 1/16W 1608
R326	1-218-863-11	s	RESISTOR, CHIP 4.7K 1/16W(1608)
R327	1-216-833-11	s	RESISTOR, CHIP 10K 1/16W 1608
R329	1-218-895-11	s	RESISTOR, CHIP 100K 1/16W(1608)
R330	1-218-863-11	s	RESISTOR, CHIP 4.7K 1/16W(1608)
R331	1-216-841-11	s	RESISTOR, CHIP 47K 1/16W 1608
R332	1-216-841-11	s	RESISTOR, CHIP 47K 1/16W 1608
R333	1-216-839-11	s	RESISTOR, CHIP 33K 1/16W 1608
R334	1-216-839-11	s	RESISTOR, CHIP 33K 1/16W 1608
R335	1-216-821-11	s	RESISTOR, CHIP 1.0K 1/16W(1608)
R336	1-218-903-11	s	RESISTOR, CHIP 220K 1/16W(1608)
R337	1-216-829-11	s	RESISTOR, CHIP 4.7K 1/16W 1608
R338	1-216-821-11	s	RESISTOR, CHIP 1.0K 1/16W(1608)
R339	1-218-866-11	s	RESISTOR, CHIP 6.2K 1/16W(1608)
R340	1-218-830-11	s	RESISTOR, CHIP 200 1/16W (1608)
R341	1-218-859-11	s	RESISTOR, CHIP 3.3K 1/16W(1608)
R342	1-218-863-11	s	RESISTOR, CHIP 4.7K 1/16W(1608)
R343	1-216-809-11	s	RESISTOR, CHIP 100 1/16W 1608
R344	1-216-839-11	s	RESISTOR, CHIP 33K 1/16W 1608
R345	1-216-829-11	s	RESISTOR, CHIP 4.7K 1/16W 1608
R346	1-216-855-11	s	RESISTOR, CHIP 680K 1/16W 1608
R348	1-216-845-11	s	RESISTOR, CHIP 100K 1/16W(1608)
R349	1-216-845-11	s	RESISTOR, CHIP 100K 1/16W(1608)
R350	1-216-805-11	s	RESISTOR, CHIP 47 1/16W 1608
R351	1-216-803-11	s	RESISTOR, CHIP 33 1/16W 1608
R355	1-216-821-11	s	RESISTOR, CHIP 1.0K 1/16W(1608)
R356	1-216-863-11	s	RESISTOR, CHIP 3.3M 1/16W 1608
R357	1-218-871-11	s	RESISTOR, CHIP 10K 1/16W (1608)
R358	1-218-871-11	s	RESISTOR, CHIP 10K 1/16W (1608)
R359	1-216-809-11	s	RESISTOR, CHIP 100 1/16W 1608
R360	1-216-821-11	s	RESISTOR, CHIP 1.0K 1/16W(1608)
R368	1-216-805-11	s	RESISTOR, CHIP 47 1/16W 1608
R369	1-216-805-11	s	RESISTOR, CHIP 47 1/16W 1608
R400	1-216-821-11	s	RESISTOR, CHIP 1.0K 1/16W(1608)
R401	1-218-835-11	s	RESISTOR, CHIP 330 1/16W (1608)
R402	1-216-821-11	s	RESISTOR, CHIP 1.0K 1/16W(1608)
R403	1-216-821-11	s	RESISTOR, CHIP 1.0K 1/16W(1608)
R404	1-216-821-11	s	RESISTOR, CHIP 1.0K 1/16W(1608)
R405	1-216-821-11	s	RESISTOR, CHIP 1.0K 1/16W(1608)
R406	1-216-829-11	s	RESISTOR, CHIP 4.7K 1/16W 1608
R407	1-216-829-11	s	RESISTOR, CHIP 4.7K 1/16W 1608
R408	1-216-815-11	s	RESISTOR, CHIP 330 1/16W 1608
R409	1-216-815-11	s	RESISTOR, CHIP 330 1/16W 1608
R410	1-218-855-11	s	RESISTOR, CHIP 2.2K 1/16W(1608)
R411	1-216-815-11	s	RESISTOR, CHIP 330 1/16W 1608
R412	1-216-829-11	s	RESISTOR, CHIP 4.7K 1/16W 1608
R413	1-216-809-11	s	RESISTOR, CHIP 100 1/16W 1608
R414	1-216-821-11	s	RESISTOR, CHIP 1.0K 1/16W(1608)
R415	1-216-829-11	s	RESISTOR, CHIP 4.7K 1/16W 1608
R416	1-216-809-11	s	RESISTOR, CHIP 100 1/16W 1608
R417	1-216-809-11	s	RESISTOR, CHIP 100 1/16W 1608
R418	1-216-809-11	s	RESISTOR, CHIP 100 1/16W 1608
R419	1-216-821-11	s	RESISTOR, CHIP 1.0K 1/16W(1608)
R420	1-216-825-11	s	RESISTOR, CHIP 2.2K 1/16W 1608
R421	1-216-825-11	s	RESISTOR, CHIP 2.2K 1/16W 1608

(VPR-62 BOARD(DSR-2000))

Ref. No. or Q'ty	Part No.	SP	Description
R422	1-218-835-11	s	RESISTOR,CHIP 330 1/16W (1608)
R423	1-216-821-11	s	RESISTOR,CHIP 1.0K 1/16W(1608)
R424	1-218-835-11	s	RESISTOR,CHIP 330 1/16W (1608)
R425	1-216-821-11	s	RESISTOR,CHIP 1.0K 1/16W(1608)
R426	1-218-852-11	s	RESISTOR,CHIP 1.6K 1/16W(1608)
R427	1-218-847-11	s	RESISTOR, CHIP 1K 1/16W (1608)
R428	1-218-852-11	s	RESISTOR,CHIP 1.6K 1/16W(1608)
R429	1-218-847-11	s	RESISTOR, CHIP 1K 1/16W (1608)
R430	1-218-858-11	s	RESISTOR, CHIP 3K 1/16W (1608)
R431	1-218-858-11	s	RESISTOR, CHIP 3K 1/16W (1608)
R432	1-216-845-11	s	RESISTOR,CHIP 100K 1/16W(1608)
R433	1-216-857-11	s	RESISTOR, CHIP 1.0M 1/16W 1608
R434	1-218-855-11	s	RESISTOR,CHIP 2.2K 1/16W(1608)
R435	1-216-809-11	s	RESISTOR,CHIP 100 1/16W 1608
R436	1-216-825-11	s	RESISTOR,CHIP 2.2K 1/16W 1608
R437	1-216-809-11	s	RESISTOR,CHIP 100 1/16W 1608
R438	1-216-821-11	s	RESISTOR,CHIP 1.0K 1/16W(1608)
R439	1-216-821-11	s	RESISTOR,CHIP 1.0K 1/16W(1608)
R440	1-218-863-11	s	RESISTOR,CHIP 4.7K 1/16W(1608)
R441	1-218-859-11	s	RESISTOR,CHIP 3.3K 1/16W(1608)
R442	1-216-809-11	s	RESISTOR,CHIP 100 1/16W 1608
R443	1-216-833-11	s	RESISTOR,CHIP 10K 1/16W 1608
R444	1-218-849-11	s	RESISTOR,CHIP 1.2K 1/16W(1608)
R445	1-218-849-11	s	RESISTOR,CHIP 1.2K 1/16W(1608)
R446	1-216-809-11	s	RESISTOR,CHIP 100 1/16W 1608
R447	1-218-878-11	s	RESISTOR,CHIP 20K 1/16W (1608)
R448	1-218-878-11	s	RESISTOR,CHIP 20K 1/16W (1608)
R449	1-216-809-11	s	RESISTOR,CHIP 100 1/16W 1608
R450	1-218-873-11	s	RESISTOR,CHIP 12K 1/16W (1608)
R451	1-218-878-11	s	RESISTOR,CHIP 20K 1/16W (1608)
R452	1-216-809-11	s	RESISTOR,CHIP 100 1/16W 1608
R453	1-216-809-11	s	RESISTOR,CHIP 100 1/16W 1608
R454	1-218-849-11	s	RESISTOR,CHIP 1.2K 1/16W(1608)
R455	*5 1-216-864-11	s	RESISTOR,CHIP 0 1/16W (1608)
R456	*5 1-216-864-11	s	RESISTOR,CHIP 0 1/16W (1608)
R474	1-216-803-11	s	RESISTOR,CHIP 33 1/16W 1608
R475	1-216-864-11	s	RESISTOR,CHIP 0 1/16W (1608)
R476	1-216-864-11	s	RESISTOR,CHIP 0 1/16W (1608)
R477	1-216-864-11	s	RESISTOR,CHIP 0 1/16W (1608)
R479	1-216-803-11	s	RESISTOR,CHIP 33 1/16W 1608
R480	1-216-804-11	s	RESISTOR,CHIP 39 1/16W 1608
R483	*2 1-216-864-11	s	RESISTOR,CHIP 0 1/16W (1608)
R501	*2 1-216-864-11	s	RESISTOR,CHIP 0 1/16W (1608)
R502	1-216-864-11	s	RESISTOR,CHIP 0 1/16W (1608)
R504	1-216-864-11	s	RESISTOR,CHIP 0 1/16W (1608)
R507	1-216-864-11	s	RESISTOR,CHIP 0 1/16W (1608)
R516	1-216-826-11	s	RESISTOR,CHIP 2.7K 1/16W 1608
R521	1-216-845-11	s	RESISTOR,CHIP 100K 1/16W(1608)
R523	1-216-830-11	s	RESISTOR,CHIP 5.6K 1/16W 1608
R524	1-216-848-11	s	RESISTOR,CHIP 180K 1/16 (1608)
R525	1-216-821-11	s	RESISTOR,CHIP 1.0K 1/16W(1608)
R526	1-216-829-11	s	RESISTOR, CHIP 4.7K 1/16W 1608
R527	1-216-855-11	s	RESISTOR, CHIP 680K 1/16W 1608
R528	1-216-848-11	s	RESISTOR,CHIP 180K 1/16 (1608)
R529	1-216-834-11	s	RESISTOR,CHIP 12K 1/16W 1608
R530	1-216-837-11	s	RESISTOR,CHIP 22K 1/16W 1608
R531	1-216-833-11	s	RESISTOR,CHIP 10K 1/16W 1608
R532	1-216-833-11	s	RESISTOR,CHIP 10K 1/16W 1608
R533	1-218-892-11	s	RESISTOR,CHIP 75K 1/16W (1608)

(VPR-62 BOARD(DSR-2000))

Ref. No. or Q'ty	Part No.	SP	Description
R534	1-216-853-11	s	RESISTOR,CHIP 470K 1/16W(1608)
R535	1-216-853-11	s	RESISTOR,CHIP 470K 1/16W(1608)
R536	1-218-889-11	s	RESISTOR,CHIP 56K 1/16W(1608)
R538	1-216-837-11	s	RESISTOR,CHIP 22K 1/16W 1608
R539	1-216-817-11	s	RESISTOR,CHIP 470 1/16W 1608
R540	1-216-821-11	s	RESISTOR,CHIP 1.0K 1/16W(1608)
R541	1-216-817-11	s	RESISTOR,CHIP 470 1/16W 1608
R542	1-216-821-11	s	RESISTOR,CHIP 1.0K 1/16W(1608)
R543	1-216-829-11	s	RESISTOR, CHIP 4.7K 1/16W 1608
R544	1-216-814-11	s	RESISTOR,CHIP 270 1/16W 1608
R545	1-216-829-11	s	RESISTOR, CHIP 4.7K 1/16W 1608
R546	1-216-864-11	s	RESISTOR,CHIP 0 1/16W (1608)
R547	1-216-864-11	s	RESISTOR,CHIP 0 1/16W (1608)
R549	1-216-829-11	s	RESISTOR,CHIP 4.7K 1/16W 1608
R550	1-216-814-11	s	RESISTOR,CHIP 270 1/16W 1608
R551	1-216-829-11	s	RESISTOR, CHIP 4.7K 1/16W 1608
R552	1-216-839-11	s	RESISTOR,CHIP 33K 1/16W 1608
R553	1-216-839-11	s	RESISTOR,CHIP 33K 1/16W 1608
R554	1-216-864-11	s	RESISTOR,CHIP 0 1/16W (1608)
R556	1-216-864-11	s	RESISTOR,CHIP 0 1/16W (1608)
R557	1-216-855-11	s	RESISTOR, CHIP 680K 1/16W 1608
R558	1-216-839-11	s	RESISTOR,CHIP 33K 1/16W 1608
R559	1-216-839-11	s	RESISTOR,CHIP 33K 1/16W 1608
R560	1-216-805-11	s	RESISTOR,CHIP 47 1/16W 1608
R561	1-216-864-11	s	RESISTOR,CHIP 0 1/16W (1608)
R562	1-216-864-11	s	RESISTOR,CHIP 0 1/16W (1608)
R563	1-216-839-11	s	RESISTOR,CHIP 33K 1/16W 1608
R564	1-216-821-11	s	RESISTOR,CHIP 1.0K 1/16W(1608)
R565	1-216-833-11	s	RESISTOR,CHIP 10K 1/16W 1608
R568	1-216-864-11	s	RESISTOR,CHIP 0 1/16W (1608)
R569	1-216-864-11	s	RESISTOR,CHIP 0 1/16W (1608)
R570	1-216-839-11	s	RESISTOR,CHIP 33K 1/16W 1608
R572	1-216-803-11	s	RESISTOR,CHIP 33 1/16W 1608
R573	1-216-803-11	s	RESISTOR,CHIP 33 1/16W 1608
R574	1-216-803-11	s	RESISTOR,CHIP 33 1/16W 1608
R575	1-216-803-11	s	RESISTOR,CHIP 33 1/16W 1608
R576	1-216-803-11	s	RESISTOR,CHIP 33 1/16W 1608
R601	1-216-864-11	s	RESISTOR,CHIP 0 1/16W (1608)
R602	1-216-817-11	s	RESISTOR,CHIP 470 1/16W 1608
R603	1-218-863-11	s	RESISTOR,CHIP 4.7K 1/16W(1608)
R604	1-216-833-11	s	RESISTOR,CHIP 10K 1/16W 1608
R605	1-218-861-11	s	RESISTOR,CHIP 3.9K 1/16W(1608)
R606	1-216-833-11	s	RESISTOR,CHIP 10K 1/16W 1608
R607	1-218-871-11	s	RESISTOR,CHIP 10K 1/16W (1608)
R608	1-218-848-11	s	RESISTOR,CHIP 1.1K 1/16W(1608)
R609	1-218-864-11	s	RESISTOR,CHIP 5.1K 1/16W(1608)
R610	1-218-864-11	s	RESISTOR,CHIP 5.1K 1/16W(1608)
R611	1-216-822-11	s	RESISTOR, CHIP 1.2K 1/16W 1608
R612	1-216-822-11	s	RESISTOR, CHIP 1.2K 1/16W 1608
R613	1-218-871-11	s	RESISTOR,CHIP 10K 1/16W (1608)
R614	1-216-833-11	s	RESISTOR,CHIP 10K 1/16W 1608
R615	1-216-825-11	s	RESISTOR,CHIP 2.2K 1/16W 1608
R616	1-216-828-11	s	RESISTOR, CHIP 3.9K 1/16W 1608
R617	1-218-871-11	s	RESISTOR,CHIP 10K 1/16W (1608)
R618	1-216-839-11	s	RESISTOR,CHIP 33K 1/16W 1608
R619	1-216-833-11	s	RESISTOR,CHIP 10K 1/16W 1608
R620	1-216-833-11	s	RESISTOR,CHIP 10K 1/16W 1608
R621	1-216-839-11	s	RESISTOR,CHIP 33K 1/16W 1608
R622	1-216-857-11	s	RESISTOR, CHIP 1.0M 1/16W 1608

(VPR-62 BOARD(DSR-2000))

Ref. No. or Q'ty	Part No.	SP Description
R623	1-216-857-11	s RESISTOR, CHIP 1.0M 1/16W 1608
R624	1-216-839-11	s RESISTOR,CHIP 33K 1/16W 1608
R625	1-216-839-11	s RESISTOR,CHIP 33K 1/16W 1608
R626	1-216-823-11	s RESISTOR, CHIP 1.5K 1/16W
R627	1-216-823-11	s RESISTOR, CHIP 1.5K 1/16W
R628	1-218-871-11	s RESISTOR,CHIP 10K 1/16W (1608)
R629	1-216-833-11	s RESISTOR,CHIP 10K 1/16W 1608
R630	1-216-837-11	s RESISTOR,CHIP 22K 1/16W 1608
R631	1-216-857-11	s RESISTOR, CHIP 1.0M 1/16W 1608
R632	1-216-839-11	s RESISTOR,CHIP 33K 1/16W 1608
R633	1-216-805-11	s RESISTOR,CHIP 47 1/16W 1608
R634	1-216-805-11	s RESISTOR,CHIP 47 1/16W 1608
R635	1-216-805-11	s RESISTOR,CHIP 47 1/16W 1608
R636	1-218-857-11	s RESISTOR,CHIP 2.7K 1/16W(1608)
R637	1-218-882-11	s RESISTOR, CHIP 30K 1/16W(1608)
R638	1-218-874-11	s RESISTOR,CHIP 13K 1/16W (1608)
R639	1-218-835-11	s RESISTOR,CHIP 330 1/16W (1608)
R640	1-218-835-11	s RESISTOR,CHIP 330 1/16W (1608)
R641	1-218-835-11	s RESISTOR,CHIP 330 1/16W (1608)
R642	1-218-835-11	s RESISTOR,CHIP 330 1/16W (1608)
R643	1-218-835-11	s RESISTOR,CHIP 330 1/16W (1608)
R644	1-218-835-11	s RESISTOR,CHIP 330 1/16W (1608)
R645	1-216-821-11	s RESISTOR,CHIP 1.0K 1/16W(1608)
R646	1-216-821-11	s RESISTOR,CHIP 1.0K 1/16W(1608)
R647	1-216-821-11	s RESISTOR,CHIP 1.0K 1/16W(1608)
R648	1-216-821-11	s RESISTOR,CHIP 1.0K 1/16W(1608)
R649	1-216-809-11	s RESISTOR,CHIP 100 1/16W 1608
R650	1-216-821-11	s RESISTOR,CHIP 1.0K 1/16W(1608)
R651	1-216-821-11	s RESISTOR,CHIP 1.0K 1/16W(1608)
R652	1-218-849-11	s RESISTOR,CHIP 1.2K 1/16W(1608)
R653	1-216-829-11	s RESISTOR, CHIP 4.7K 1/16W 1608
R654	1-216-809-11	s RESISTOR,CHIP 100 1/16W 1608
R655	1-216-821-11	s RESISTOR,CHIP 1.0K 1/16W(1608)
R656	1-216-821-11	s RESISTOR,CHIP 1.0K 1/16W(1608)
R657	1-216-821-11	s RESISTOR,CHIP 1.0K 1/16W(1608)
R658	1-218-835-11	s RESISTOR,CHIP 330 1/16W (1608)
R659	1-216-809-11	s RESISTOR,CHIP 100 1/16W 1608
R660	1-216-829-11	s RESISTOR, CHIP 4.7K 1/16W 1608
R661	1-216-864-11	s RESISTOR,CHIP 0 1/16W (1608)
R662	1-218-841-11	s RESISTOR,CHIP 560 1/16W (1608)
R663	1-218-840-11	s RESISTOR,CHIP 510 1/16W (1608)
R664	1-218-840-11	s RESISTOR,CHIP 510 1/16W (1608)
R665	1-211-990-11	s RESISTOR,CHIP 75 1/16W (1608)
R666	1-216-809-11	s RESISTOR,CHIP 100 1/16W 1608
R667	1-216-821-11	s RESISTOR,CHIP 1.0K 1/16W(1608)
R668	1-216-821-11	s RESISTOR,CHIP 1.0K 1/16W(1608)
R669	1-218-849-11	s RESISTOR,CHIP 1.2K 1/16W(1608)
R670	1-216-829-11	s RESISTOR, CHIP 4.7K 1/16W 1608
R671	1-216-809-11	s RESISTOR,CHIP 100 1/16W 1608
R672	1-216-821-11	s RESISTOR,CHIP 1.0K 1/16W(1608)
R673	1-216-821-11	s RESISTOR,CHIP 1.0K 1/16W(1608)
R674	1-216-821-11	s RESISTOR,CHIP 1.0K 1/16W(1608)
R675	1-218-835-11	s RESISTOR,CHIP 330 1/16W (1608)
R676	1-216-809-11	s RESISTOR,CHIP 100 1/16W 1608
R677	1-216-829-11	s RESISTOR, CHIP 4.7K 1/16W 1608
R678	1-216-864-11	s RESISTOR,CHIP 0 1/16W (1608)
R679	1-218-841-11	s RESISTOR,CHIP 560 1/16W (1608)
R680	1-218-840-11	s RESISTOR,CHIP 510 1/16W (1608)
R681	1-218-840-11	s RESISTOR,CHIP 510 1/16W (1608)

(VPR-62 BOARD(DSR-2000))

Ref. No. or Q'ty	Part No.	SP Description
R682	1-211-990-11	s RESISTOR,CHIP 75 1/16W (1608)
R683	1-216-839-11	s RESISTOR,CHIP 33K 1/16W 1608
R684	*2 1-216-864-11	s RESISTOR,CHIP 0 1/16W (1608)
R685	*2 1-216-805-11	s RESISTOR,CHIP 47 1/16W 1608
R686	*2 1-216-805-11	s RESISTOR,CHIP 47 1/16W 1608
R687	*2 1-216-805-11	s RESISTOR,CHIP 47 1/16W 1608
R688	*2 1-216-805-11	s RESISTOR,CHIP 47 1/16W 1608
R689	*2 1-216-805-11	s RESISTOR,CHIP 47 1/16W 1608
R690	*2 1-216-805-11	s RESISTOR,CHIP 47 1/16W 1608
R701	1-218-847-11	s RESISTOR, CHIP 1K 1/16W (1608)
R702	1-216-841-11	s RESISTOR, CHIP 47K 1/16W 1608
R703	1-218-847-11	s RESISTOR, CHIP 1K 1/16W (1608)
R704	1-218-839-11	s RESISTOR,CHIP 470 1/16W (1608)
R705	1-218-835-11	s RESISTOR,CHIP 330 1/16W (1608)
R706	1-218-864-11	s RESISTOR,CHIP 5.1K 1/16W(1608)
R707	1-216-834-11	s RESISTOR,CHIP 12K 1/16W 1608
R708	1-216-837-11	s RESISTOR,CHIP 22K 1/16W 1608
R709	1-216-834-11	s RESISTOR,CHIP 12K 1/16W 1608
R710	1-216-837-11	s RESISTOR,CHIP 22K 1/16W 1608
R712	1-216-857-11	s RESISTOR, CHIP 1.0M 1/16W 1608
R713	1-216-857-11	s RESISTOR, CHIP 1.0M 1/16W 1608
R714	1-216-821-11	s RESISTOR,CHIP 1.0K 1/16W(1608)
R715	1-216-821-11	s RESISTOR,CHIP 1.0K 1/16W(1608)
R716	1-218-883-11	s RESISTOR,CHIP 33K 1/16W (1608)
R717	1-216-821-11	s RESISTOR,CHIP 1.0K 1/16W(1608)
R718	1-216-841-11	s RESISTOR, CHIP 47K 1/16W 1608
R719	1-216-821-11	s RESISTOR,CHIP 1.0K 1/16W(1608)
R720	1-216-841-11	s RESISTOR, CHIP 47K 1/16W 1608
R721	1-216-821-11	s RESISTOR,CHIP 1.0K 1/16W(1608)
R722	1-216-821-11	s RESISTOR,CHIP 1.0K 1/16W(1608)
R723	1-216-829-11	s RESISTOR, CHIP 4.7K 1/16W 1608
R724	1-216-829-11	s RESISTOR, CHIP 4.7K 1/16W 1608
R725	1-216-821-11	s RESISTOR,CHIP 1.0K 1/16W(1608)
R726	1-216-821-11	s RESISTOR,CHIP 1.0K 1/16W(1608)
R727	1-216-821-11	s RESISTOR,CHIP 1.0K 1/16W(1608)
R728	1-216-837-11	s RESISTOR,CHIP 22K 1/16W 1608
R729	1-216-833-11	s RESISTOR,CHIP 10K 1/16W 1608
R730	1-216-821-11	s RESISTOR,CHIP 1.0K 1/16W(1608)
R731	1-216-837-11	s RESISTOR,CHIP 22K 1/16W 1608
R732	1-216-809-11	s RESISTOR,CHIP 100 1/16W 1608
R733	1-218-858-11	s RESISTOR, CHIP 3K 1/16W (1608)
R734	1-216-825-11	s RESISTOR,CHIP 2.2K 1/16W 1608
R735	1-216-825-11	s RESISTOR,CHIP 2.2K 1/16W 1608
R736	1-216-845-11	s RESISTOR,CHIP 100K 1/16W(1608)
R737	1-216-821-11	s RESISTOR,CHIP 1.0K 1/16W(1608)
R738	1-216-821-11	s RESISTOR,CHIP 1.0K 1/16W(1608)
R739	1-216-821-11	s RESISTOR,CHIP 1.0K 1/16W(1608)
R740	1-216-821-11	s RESISTOR,CHIP 1.0K 1/16W(1608)
R741	1-216-821-11	s RESISTOR,CHIP 1.0K 1/16W(1608)
R742	1-216-815-11	s RESISTOR,CHIP 330 1/16W 1608
R743	1-216-815-11	s RESISTOR,CHIP 330 1/16W 1608
R744	1-216-821-11	s RESISTOR,CHIP 1.0K 1/16W(1608)
R745	1-216-821-11	s RESISTOR,CHIP 1.0K 1/16W(1608)
R746	1-216-821-11	s RESISTOR,CHIP 1.0K 1/16W(1608)
R747	1-216-821-11	s RESISTOR,CHIP 1.0K 1/16W(1608)
R748	1-216-821-11	s RESISTOR,CHIP 1.0K 1/16W(1608)
R749	1-216-825-11	s RESISTOR,CHIP 2.2K 1/16W 1608
R750	1-218-843-11	s RESISTOR,CHIP 680 1/16W (1608)
R751	1-218-862-11	s RESISTOR,CHIP 4.3K 1/16W(1608)

(VPR-62 BOARD(DSR-2000))

Ref. No. or Q'ty	Part No.	SP Description
R753	1-218-857-11	s RESISTOR,CHIP 2.7K 1/16W(1608)
R754	1-216-825-11	s RESISTOR,CHIP 2.2K 1/16W 1608
R755	1-216-825-11	s RESISTOR,CHIP 2.2K 1/16W 1608
R756	1-216-825-11	s RESISTOR,CHIP 2.2K 1/16W 1608
R757	1-216-805-11	s RESISTOR,CHIP 47 1/16W 1608
R758	1-216-833-11	s RESISTOR,CHIP 10K 1/16W 1608
R759	1-216-825-11	s RESISTOR,CHIP 2.2K 1/16W 1608
R760	1-216-825-11	s RESISTOR,CHIP 2.2K 1/16W 1608
R761	1-216-829-11	s RESISTOR,CHIP 4.7K 1/16W 1608
R762	1-216-829-11	s RESISTOR,CHIP 4.7K 1/16W 1608
R801	1-216-809-11	s RESISTOR,CHIP 100 1/16W 1608
R802	1-216-825-11	s RESISTOR,CHIP 2.2K 1/16W 1608
R803	1-216-825-11	s RESISTOR,CHIP 2.2K 1/16W 1608
R804	1-218-839-11	s RESISTOR,CHIP 470 1/16W (1608)
R805	1-218-849-11	s RESISTOR,CHIP 1.2K 1/16W(1608)
R806	1-218-837-11	s RESISTOR,CHIP 390 1/16W (1608)
R807	1-218-841-11	s RESISTOR,CHIP 560 1/16W (1608)
R808	1-218-840-11	s RESISTOR,CHIP 510 1/16W (1608)
R809	1-218-840-11	s RESISTOR,CHIP 510 1/16W (1608)
R810	1-211-990-11	s RESISTOR,CHIP 75 1/16W (1608)
R811	1-216-837-11	s RESISTOR,CHIP 22K 1/16W 1608
R812	1-216-844-11	s RESISTOR,CHIP 82K 1/16W 1608
R813	1-211-990-11	s RESISTOR,CHIP 75 1/16W (1608)
R814	1-211-990-11	s RESISTOR,CHIP 75 1/16W (1608)
R815	1-216-833-11	s RESISTOR,CHIP 10K 1/16W 1608
R816	1-218-871-11	s RESISTOR,CHIP 10K 1/16W (1608)
R817	1-216-809-11	s RESISTOR,CHIP 100 1/16W 1608
R818	1-216-821-11	s RESISTOR,CHIP 1.0K 1/16W(1608)
R819	1-218-847-11	s RESISTOR,CHIP 1K 1/16W (1608)
R820	1-218-849-11	s RESISTOR,CHIP 1.2K 1/16W(1608)
R821	1-218-847-11	s RESISTOR,CHIP 1K 1/16W (1608)
R822	1-216-825-11	s RESISTOR,CHIP 2.2K 1/16W 1608
R823	1-216-821-11	s RESISTOR,CHIP 1.0K 1/16W(1608)
R824	1-216-821-11	s RESISTOR,CHIP 1.0K 1/16W(1608)
R825	1-216-823-11	s RESISTOR,CHIP 1.5K 1/16W
R826	1-216-825-11	s RESISTOR,CHIP 2.2K 1/16W 1608
R827	1-216-825-11	s RESISTOR,CHIP 2.2K 1/16W 1608
R828	1-218-839-11	s RESISTOR,CHIP 470 1/16W (1608)
R829	1-218-853-11	s RESISTOR,CHIP 1.8K 1/16W(1608)
R830	1-211-990-11	s RESISTOR,CHIP 75 1/16W (1608)
R831	1-211-990-11	s RESISTOR,CHIP 75 1/16W (1608)
R832	1-216-829-11	s RESISTOR,CHIP 4.7K 1/16W 1608
R833	1-216-829-11	s RESISTOR,CHIP 4.7K 1/16W 1608
R834	1-216-821-11	s RESISTOR,CHIP 1.0K 1/16W(1608)
R835	1-216-813-11	s RESISTOR,CHIP 220 1/16W 1608
R836	1-216-821-11	s RESISTOR,CHIP 1.0K 1/16W(1608)
R837	1-216-821-11	s RESISTOR,CHIP 1.0K 1/16W(1608)
R838	1-216-837-11	s RESISTOR,CHIP 22K 1/16W 1608
R839	1-216-821-11	s RESISTOR,CHIP 1.0K 1/16W(1608)
R840	1-216-829-11	s RESISTOR,CHIP 4.7K 1/16W 1608
R841	1-216-809-11	s RESISTOR,CHIP 100 1/16W 1608
R842	1-216-819-11	s RESISTOR,CHIP 680 1/16W 1608
R843	1-216-809-11	s RESISTOR,CHIP 100 1/16W 1608
R844	1-216-819-11	s RESISTOR,CHIP 680 1/16W 1608
R845	1-216-853-11	s RESISTOR,CHIP 470K 1/16W(1608)
R846	1-216-821-11	s RESISTOR,CHIP 1.0K 1/16W(1608)
R847	1-216-821-11	s RESISTOR,CHIP 1.0K 1/16W(1608)
R848	1-216-821-11	s RESISTOR,CHIP 1.0K 1/16W(1608)
R849	1-216-825-11	s RESISTOR,CHIP 2.2K 1/16W 1608

(VPR-62 BOARD(DSR-2000))

Ref. No. or Q'ty	Part No.	SP Description
R850	1-216-833-11	s RESISTOR,CHIP 10K 1/16W 1608
R851	1-216-823-11	s RESISTOR,CHIP 1.5K 1/16W
R852	1-216-817-11	s RESISTOR,CHIP 470 1/16W 1608
R853	1-216-817-11	s RESISTOR,CHIP 470 1/16W 1608
R854	1-216-833-11	s RESISTOR,CHIP 10K 1/16W 1608
R855	1-218-863-11	s RESISTOR,CHIP 4.7K 1/16W(1608)
R856	1-218-847-11	s RESISTOR,CHIP 1K 1/16W (1608)
R857	1-218-849-11	s RESISTOR,CHIP 1.2K 1/16W(1608)
R858	1-216-821-11	s RESISTOR,CHIP 1.0K 1/16W(1608)
R859	1-211-990-11	s RESISTOR,CHIP 75 1/16W (1608)
R860	1-216-845-11	s RESISTOR,CHIP 100K 1/16W(1608)
R861	1-216-837-11	s RESISTOR,CHIP 22K 1/16W 1608
R866	*2 1-218-841-11	s RESISTOR,CHIP 560 1/16W (1608)
R902	*1 1-218-847-11	s RESISTOR,CHIP 1K 1/16W (1608)
R903	1-216-841-11	s RESISTOR,CHIP 47K 1/16W 1608
R903	1-216-841-11	s RESISTOR,CHIP 47K 1/16W 1608
R906	1-218-857-11	s RESISTOR,CHIP 2.7K 1/16W(1608)
R907	1-216-833-11	s RESISTOR,CHIP 10K 1/16W 1608
R916	1-218-875-11	s RESISTOR,CHIP 15K 1/16W (1608)
R917	1-218-873-11	s RESISTOR,CHIP 12K 1/16W (1608)
R920	1-216-821-11	s RESISTOR,CHIP 1.0K 1/16W(1608)
R921	1-216-864-11	s RESISTOR,CHIP 0 1/16W (1608)
R922	1-216-864-11	s RESISTOR,CHIP 0 1/16W (1608)
R923	1-216-833-11	s RESISTOR,CHIP 10K 1/16W 1608
R924	1-216-817-11	s RESISTOR,CHIP 470 1/16W 1608
R927	1-216-821-11	s RESISTOR,CHIP 1.0K 1/16W(1608)
R931	1-216-864-11	s RESISTOR,CHIP 0 1/16W (1608)
R932	1-218-847-11	s RESISTOR,CHIP 1K 1/16W (1608)
R933	1-218-847-11	s RESISTOR,CHIP 1K 1/16W (1608)
R934	1-216-825-11	s RESISTOR,CHIP 2.2K 1/16W 1608
R935	1-218-851-11	s RESISTOR,CHIP 1.5K 1/16W(1608)
R936	1-218-851-11	s RESISTOR,CHIP 1.5K 1/16W(1608)
R937	1-216-833-11	s RESISTOR,CHIP 10K 1/16W 1608
R938	1-216-805-11	s RESISTOR,CHIP 47 1/16W 1608
R939	1-216-825-11	s RESISTOR,CHIP 2.2K 1/16W 1608
R940	1-216-826-11	s RESISTOR,CHIP 2.7K 1/16W 1608
R941	1-216-826-11	s RESISTOR,CHIP 2.7K 1/16W 1608
R942	1-216-864-11	s RESISTOR,CHIP 0 1/16W (1608)
R943	1-216-820-11	s RESISTOR,CHIP 820 1/16W 1608
R944	1-218-871-11	s RESISTOR,CHIP 10K 1/16W (1608)
R945	1-218-873-11	s RESISTOR,CHIP 12K 1/16W (1608)
R946	1-218-879-11	s RESISTOR,CHIP 22K 1/16W (1608)
R947	1-218-869-11	s RESISTOR,CHIP 8.2K 1/16W(1608)
R948	1-211-990-11	s RESISTOR,CHIP 75 1/16W (1608)
R949	1-216-826-11	s RESISTOR,CHIP 2.7K 1/16W 1608
R950	1-218-883-11	s RESISTOR,CHIP 33K 1/16W (1608)
R951	1-216-821-11	s RESISTOR,CHIP 1.0K 1/16W(1608)
R952	1-218-885-11	s RESISTOR,CHIP 39K 1/16W (1608)
R953	1-216-821-11	s RESISTOR,CHIP 1.0K 1/16W(1608)
R954	1-216-837-11	s RESISTOR,CHIP 22K 1/16W 1608
R955	1-216-855-11	s RESISTOR,CHIP 680K 1/16W 1608
R956	1-216-864-11	s RESISTOR,CHIP 0 1/16W (1608)
R957	1-216-817-11	s RESISTOR,CHIP 470 1/16W 1608
R958	1-216-821-11	s RESISTOR,CHIP 1.0K 1/16W(1608)
R959	1-216-826-11	s RESISTOR,CHIP 2.7K 1/16W 1608
R960	1-218-883-11	s RESISTOR,CHIP 33K 1/16W (1608)
R962	1-216-845-11	s RESISTOR,CHIP 100K 1/16W(1608)
R964	1-216-809-11	s RESISTOR,CHIP 100 1/16W 1608
R965	1-218-868-11	s RESISTOR,CHIP 7.5K 1/16W(1608)

(VPR-62 BOARD(DSR-2000))

Ref. No. or Q'ty	Part No.	SP	Description
R966	1-218-868-11	s	RESISTOR,CHIP 7.5K 1/16W(1608)
R967	1-218-873-11	s	RESISTOR,CHIP 12K 1/16W (1608)
R968	1-218-873-11	s	RESISTOR,CHIP 12K 1/16W (1608)
R1000	*2 1-216-829-11	s	RESISTOR, CHIP 4.7K 1/16W 1608
R1001	1-216-821-11	s	RESISTOR,CHIP 1.0K 1/16W(1608)
R1002	1-216-821-11	s	RESISTOR,CHIP 1.0K 1/16W(1608)
R1003	1-216-815-11	s	RESISTOR,CHIP 330 1/16W 1608
R1004	1-216-821-11	s	RESISTOR,CHIP 1.0K 1/16W(1608)
R1005	1-216-821-11	s	RESISTOR,CHIP 1.0K 1/16W(1608)
R1006	1-216-843-11	s	RESISTOR,CHIP 68K 1/16W (1608)
R1007	1-216-821-11	s	RESISTOR,CHIP 1.0K 1/16W(1608)
R1008	1-216-845-11	s	RESISTOR,CHIP 100K 1/16W(1608)
R1010	1-216-845-11	s	RESISTOR,CHIP 100K 1/16W(1608)
R1012	1-216-829-11	s	RESISTOR, CHIP 4.7K 1/16W 1608
R1013	1-216-821-11	s	RESISTOR,CHIP 1.0K 1/16W(1608)
R1014	1-216-833-11	s	RESISTOR,CHIP 10K 1/16W 1608
R1015	1-216-833-11	s	RESISTOR,CHIP 10K 1/16W 1608
R1016	*3 1-216-829-11	s	RESISTOR, CHIP 4.7K 1/16W 1608
R1017	1-216-839-11	s	RESISTOR,CHIP 33K 1/16W 1608
R1019	1-216-833-11	s	RESISTOR,CHIP 10K 1/16W 1608
R1020	1-216-833-11	s	RESISTOR,CHIP 10K 1/16W 1608
R1021	1-216-833-11	s	RESISTOR,CHIP 10K 1/16W 1608
R1022	1-216-829-11	s	RESISTOR, CHIP 4.7K 1/16W 1608
R1023	1-216-839-11	s	RESISTOR,CHIP 33K 1/16W 1608
R1024	1-216-839-11	s	RESISTOR,CHIP 33K 1/16W 1608
R1025	1-216-864-11	s	RESISTOR,CHIP 0 1/16W (1608)
R1026	1-216-864-11	s	RESISTOR,CHIP 0 1/16W (1608)
R1027	*5 1-216-864-11	s	RESISTOR,CHIP 0 1/16W (1608)
	*1 1-216-864-11	s	RESISTOR,CHIP 0 1/16W (1608)
R1028	*1 1-216-864-11	s	RESISTOR,CHIP 0 1/16W (1608)
R1029	*5 1-216-864-11	s	RESISTOR,CHIP 0 1/16W (1608)
R1030	*3 1-216-825-11	s	RESISTOR,CHIP 2.2K 1/16W 1608
R1035	1-216-864-11	s	RESISTOR,CHIP 0 1/16W (1608)
R1039	1-218-849-11	s	RESISTOR,CHIP 1.2K 1/16W(1608)
R1040	*1 1-218-863-11	s	RESISTOR,CHIP 4.7K 1/16W (1608)
R1041	1-211-990-11	s	RESISTOR,CHIP 75 1/16W (1608)
R1042	1-211-990-11	s	RESISTOR,CHIP 75 1/16W (1608)
R1043	1-218-861-11	s	RESISTOR,CHIP 3.9K 1/16W(1608)
R1044	*1 1-218-861-11	s	RESISTOR,CHIP 3.9K 1/16W(1608)
R1045	1-211-990-11	s	RESISTOR,CHIP 75 1/16W (1608)
R1046	1-218-873-11	s	RESISTOR,CHIP 12K 1/16W (1608)
R1047	*1 1-218-834-11	s	RESISTOR,CHIP 300 1/16W (1608)
R1048	*1 1-218-873-11	s	RESISTOR,CHIP 12K 1/16W (1608)
R1049	1-216-817-11	s	RESISTOR,CHIP 470 1/16W 1608
R1050	1-216-864-11	s	RESISTOR,CHIP 0 1/16W (1608)
R1051	1-216-817-11	s	RESISTOR,CHIP 470 1/16W 1608
R1052	1-216-864-11	s	RESISTOR,CHIP 0 1/16W (1608)
R1053	1-216-817-11	s	RESISTOR,CHIP 470 1/16W 1608
R1054	*1 1-216-817-11	s	RESISTOR,CHIP 470 1/16W 1608
R1055	1-211-985-11	s	RESISTOR,CHIP 47 1/16W (1608)
R1057	1-211-985-11	s	RESISTOR,CHIP 47 1/16W (1608)
R1058	1-211-985-11	s	RESISTOR,CHIP 47 1/16W (1608)
R1065	*1 1-216-864-11	s	RESISTOR,CHIP 0 1/16W (1608)
R1068	*1 1-216-864-11	s	RESISTOR,CHIP 0 1/16W (1608)
R1069	1-216-864-11	s	RESISTOR,CHIP 0 1/16W (1608)
R1071	1-216-864-11	s	RESISTOR,CHIP 0 1/16W (1608)
R1080	1-216-821-11	s	RESISTOR,CHIP 1.0K 1/16W(1608)
R1081	1-216-864-11	s	RESISTOR,CHIP 0 1/16W (1608)
R1082	1-216-864-11	s	RESISTOR,CHIP 0 1/16W (1608)

(VPR-62 BOARD(DSR-2000))

Ref. No. or Q'ty	Part No.	SP	Description
R1083	*1 1-218-871-11	s	RESISTOR,CHIP 10K 1/16W (1608)
R1084	*1 1-218-843-11	s	RESISTOR,CHIP 680 1/16W (1608)
R1085	*3 1-216-864-11	s	RESISTOR,CHIP 0 1/16W (1608)
R1086	*1 1-216-829-11	s	RESISTOR,CHIP 4.7K 1/16W (1608)
R1087	1-216-864-11	s	RESISTOR,CHIP 0 1/16W (1608)
R1088	1-216-864-11	s	RESISTOR,CHIP 0 1/16W (1608)
R1090	1-216-843-11	s	RESISTOR,CHIP 68K 1/16W (1608)
R1091	1-216-821-11	s	RESISTOR,CHIP 1.0K 1/16W(1608)
R1092	1-216-821-11	s	RESISTOR,CHIP 1.0K 1/16W(1608)
R1093	1-216-833-11	s	RESISTOR,CHIP 10K 1/16W 1608
R1094	1-216-833-11	s	RESISTOR,CHIP 10K 1/16W 1608
R1095	1-216-817-11	s	RESISTOR,CHIP 470 1/16W 1608
R1096	1-216-805-11	s	RESISTOR,CHIP 47 1/16W 1608
R1097	1-216-829-11	s	RESISTOR, CHIP 4.7K 1/16W 1608
R1098	1-216-864-11	s	RESISTOR,CHIP 0 1/16W (1608)
R1099	1-216-833-11	s	RESISTOR,CHIP 10K 1/16W 1608
R1100	1-216-833-11	s	RESISTOR,CHIP 10K 1/16W 1608
R1101	*2 1-211-985-11	s	RESISTOR,CHIP 47 1/16W (1608)
R1102	*2 1-216-829-11	s	RESISTOR, CHIP 4.7K 1/16W 1608
R1103	*2 1-216-829-11	s	RESISTOR, CHIP 4.7K 1/16W 1608
R1104	*2 1-216-864-11	s	RESISTOR,CHIP 0 1/16W (1608)
R1107	*4 1-216-864-11	s	RESISTOR,CHIP 0 1/16W (1608)
R1201	*2 1-216-864-11	s	RESISTOR,CHIP 0 1/16W (1608)
RB4	*2 1-239-711-11	s	NETWORK, RESISTOR 0 (1608)
	*1 1-239-390-11	s	RESISTOR,NETWORK 33 (1608)
RB5	*2 1-239-711-11	s	NETWORK, RESISTOR 0 (1608)
	*1 1-239-390-11	s	RESISTOR,NETWORK 33 (1608)
RB6	*2 1-239-711-11	s	NETWORK, RESISTOR 0 (1608)
	*1 1-239-390-11	s	RESISTOR,NETWORK 33 (1608)
RB7	*2 1-239-711-11	s	NETWORK, RESISTOR 0 (1608)
	*1 1-239-390-11	s	RESISTOR,NETWORK 33 (1608)
RB201	1-239-412-11	s	NETWORK, RESISTOR 100 (1608)
RB202	1-239-412-11	s	NETWORK, RESISTOR 100 (1608)
RB203	1-239-412-11	s	NETWORK, RESISTOR 100 (1608)
RB204	1-239-412-11	s	NETWORK, RESISTOR 100 (1608)
RB205	1-239-412-11	s	NETWORK, RESISTOR 100 (1608)
RB206	1-236-908-11	s	RESISTOR,NETWORK 10K (3216)
RB207	1-236-908-11	s	RESISTOR,NETWORK 10K (3216)
RB301	1-236-904-11	s	RESISTOR NETWORK 1K (1608)
RB401	1-239-390-11	s	RESISTOR,NETWORK 33 (1608)
RB402	1-239-390-11	s	RESISTOR,NETWORK 33 (1608)
RB403	1-239-390-11	s	RESISTOR,NETWORK 33 (1608)
RB404	1-239-390-11	s	RESISTOR,NETWORK 33 (1608)
RB405	1-239-390-11	s	RESISTOR,NETWORK 33 (1608)
RB601	*2 1-239-409-11	s	RESISTOR NETWORK 47 (1608)
RB602	*2 1-239-409-11	s	RESISTOR NETWORK 47 (1608)
RB603	*2 1-239-409-11	s	RESISTOR NETWORK 47 (1608)
RB604	*2 1-239-409-11	s	RESISTOR NETWORK 47 (1608)
RB605	*2 1-239-409-11	s	RESISTOR NETWORK 47 (1608)
RB606	*2 1-239-409-11	s	RESISTOR NETWORK 47 (1608)
RB1001	1-236-907-11	s	RESISTOR BLOCK 100K (1608)
RB1002	1-239-412-11	s	NETWORK, RESISTOR 100 (1608)
RV101	1-225-785-21	s	RES, ADJ, CERMET 100
RV103	1-225-787-21	s	RES, ADJ, CERMET 500
RV200	1-225-809-21	s	RES, ADJ, CERMET 5K
RV201	1-225-810-21	s	RES, ADJ, CERMET 10K
RV202	1-225-809-21	s	RES, ADJ, CERMET 5K
RV300	1-225-789-21	s	RES, ADJ, CERMET 2K
RV400	1-225-787-21	s	RES, ADJ, CERMET 500

(VPR-62 BOARD(DSR-2000))

Ref. No. or Q'ty	Part No.	SP	Description
RV401	1-225-787-21	s	RES, ADJ, CERMET 500
RV402	1-225-787-21	s	RES, ADJ, CERMET 500
RV403	1-225-788-21	s	RES, ADJ, CERMET 1K
RV404	1-225-789-21	s	RES, ADJ, CERMET 2K
RV405	1-225-789-21	s	RES, ADJ, CERMET 2K
RV406	1-225-789-21	s	RES, ADJ, CERMET 2K
RV407	1-225-789-21	s	RES, ADJ, CERMET 2K
RV408	1-225-789-21	s	RES, ADJ, CERMET 2K
RV409	1-225-789-21	s	RES, ADJ, CERMET 2K
RV500	1-225-810-21	s	RES, ADJ, CERMET 10K
RV601	1-225-809-21	s	RES, ADJ, CERMET 5K
RV602	1-225-809-21	s	RES, ADJ, CERMET 5K
RV603	1-225-807-21	s	RES, ADJ, CERMET 2K
RV604	1-225-789-21	s	RES, ADJ, CERMET 2K
RV605	1-225-785-21	s	RES, ADJ, CERMET 100
RV606	1-225-789-21	s	RES, ADJ, CERMET 2K
RV607	1-225-785-21	s	RES, ADJ, CERMET 100
RV701	1-225-809-21	s	RES, ADJ, CERMET 5K
RV702	1-225-809-21	s	RES, ADJ, CERMET 5K
RV703	1-225-813-21	s	RES, ADJ, CERMET 50K
RV704	1-225-813-21	s	RES, ADJ, CERMET 50K
RV705	1-225-789-21	s	RES, ADJ, CERMET 2K
RV801	1-225-787-21	s	RES, ADJ, CERMET 500
RV802	1-225-785-21	s	RES, ADJ, CERMET 100
RV803	1-225-787-21	s	RES, ADJ, CERMET 500
RV804	1-225-788-21	s	RES, ADJ, CERMET 1K
RV805	1-225-788-21	s	RES, ADJ, CERMET 1K
RV806	1-225-785-21	s	RES, ADJ, CERMET 100
RV901	1-225-791-21	s	RES, ADJ, CERMET 5K
RV902	1-225-810-21	s	RES, ADJ, CERMET 10K
RV903	1-225-810-21	s	RES, ADJ, CERMET 10K
RV904	1-225-789-21	s	RES, ADJ, CERMET 2K
RV906	1-225-788-21	s	RES, ADJ, CERMET 1K
RV1001	1-225-792-21	s	RES, ADJ, CERMET 10K
RV1002	1-225-792-21	s	RES, ADJ, CERMET 10K
S200	1-571-275-31	s	SWITCH, SLIDE (1-1-2)
THP701	1-809-352-11	s	THERMISTOR, NTC
X300	1-760-109-21	s	VIBRATOR, CRYSTAL
X301	1-767-617-11	s	OSCILLATOR, CRYSTAL
X601	1-781-123-21	s	OSCILLATOR, CRYSTAL
X602	1-781-123-21	s	OSCILLATOR, CRYSTAL
X603	1-781-123-21	s	OSCILLATOR, CRYSTAL
X1001	1-767-617-11	s	OSCILLATOR, CRYSTAL
X1002	1-767-695-21	s	OSCILLATOR, CRYSTAL

VPR-62P BOARD(DSR-2000P)

- *1: Board No. suffix 11
- *2: Board No. suffix 12 -
- *3: Board No. suffix 11 - 12
- *4: Board No. suffix 12
- *5: Board No. suffix 14 -
- *a: Lot No. 002 -
- *b: Lot No. 907 - 912
- *c: Lot No. 001 -

Ref. No. or Q'ty	Part No.	SP	Description
1pc	A-8323-488-A	s	MOUNTED CIRCUIT BOARD, VPR-62P
1pc	3-179-085-01	s	LEVER(L), PRINTED C. BOARD
1pc	3-179-084-01	s	LEVER(R), PRINTED C. BOARD
C1	1-126-396-11	s	CAPACITOR, ELECT 47MF/16V(CHIP)
C2	1-126-396-11	s	CAPACITOR, ELECT 47MF/16V(CHIP)
C3	1-126-392-11	s	CAPACITOR, CHIP ELECT100MF/6.3V
C4	1-126-396-11	s	CAPACITOR, ELECT 47MF/16V(CHIP)
C5	1-126-392-11	s	CAPACITOR, CHIP ELECT100MF/6.3V
C6	1-126-392-11	s	CAPACITOR, CHIP ELECT100MF/6.3V
C7	1-164-227-11	s	CAPACITOR, CERAMIC 0.022MF/25V
C8	1-164-227-11	s	CAPACITOR, CERAMIC 0.022MF/25V
C9	1-164-227-11	s	CAPACITOR, CERAMIC 0.022MF/25V
C10	1-164-227-11	s	CAPACITOR, CERAMIC 0.022MF/25V
C11	1-164-227-11	s	CAPACITOR, CERAMIC 0.022MF/25V
C12	1-107-826-11	s	CAPACITOR, CHIP CERAMIC 0.1MF
C13	1-164-227-11	s	CAPACITOR, CERAMIC 0.022MF/25V
C14	1-164-227-11	s	CAPACITOR, CERAMIC 0.022MF/25V
C15	1-164-227-11	s	CAPACITOR, CERAMIC 0.022MF/25V
C16	1-164-227-11	s	CAPACITOR, CERAMIC 0.022MF/25V
C17	1-126-392-11	s	CAPACITOR, CHIP ELECT100MF/6.3V
C18	1-126-392-11	s	CAPACITOR, CHIP ELECT100MF/6.3V
C19	1-107-826-11	s	CAPACITOR, CHIP CERAMIC 0.1MF
C20	1-126-392-11	s	CAPACITOR, CHIP ELECT100MF/6.3V
C21	1-126-392-11	s	CAPACITOR, CHIP ELECT100MF/6.3V
C22	1-164-227-11	s	CAPACITOR, CERAMIC 0.022MF/25V
C23	1-164-227-11	s	CAPACITOR, CERAMIC 0.022MF/25V
C24	1-164-227-11	s	CAPACITOR, CERAMIC 0.022MF/25V
C25	1-164-227-11	s	CAPACITOR, CERAMIC 0.022MF/25V
C26	1-164-227-11	s	CAPACITOR, CERAMIC 0.022MF/25V
C27	1-164-227-11	s	CAPACITOR, CERAMIC 0.022MF/25V
C28	1-126-396-11	s	CAPACITOR, ELECT 47MF/16V(CHIP)
C29	1-126-396-11	s	CAPACITOR, ELECT 47MF/16V(CHIP)
C30	1-126-392-11	s	CAPACITOR, CHIP ELECT100MF/6.3V
C31	1-126-392-11	s	CAPACITOR, CHIP ELECT100MF/6.3V
C32	1-126-392-11	s	CAPACITOR, CHIP ELECT100MF/6.3V
C33	1-126-392-11	s	CAPACITOR, CHIP ELECT100MF/6.3V
C34	1-107-826-11	s	CAPACITOR, CHIP CERAMIC 0.1MF
C35	1-107-826-11	s	CAPACITOR, CHIP CERAMIC 0.1MF
C36	1-126-391-11	s	CAPACITOR ELECT 47MF/6.3V(105)
C37	1-126-391-11	s	CAPACITOR ELECT 47MF/6.3V(105)
C38	1-164-227-11	s	CAPACITOR, CERAMIC 0.022MF/25V
C39	1-126-396-11	s	CAPACITOR, ELECT 47MF/16V(CHIP)
C101	1-126-392-11	s	CAPACITOR, CHIP ELECT100MF/6.3V
C102	1-126-392-11	s	CAPACITOR, CHIP ELECT100MF/6.3V
C103	1-164-227-11	s	CAPACITOR, CERAMIC 0.022MF/25V
C104	1-164-227-11	s	CAPACITOR, CERAMIC 0.022MF/25V
C105	1-107-826-11	s	CAPACITOR, CHIP CERAMIC 0.1MF
C107	1-126-396-11	s	CAPACITOR, ELECT 47MF/16V(CHIP)
C108	1-164-227-11	s	CAPACITOR, CERAMIC 0.022MF/25V

(VPR-62P BOARD(DSR-2000P))

Ref. No. or Q'ty	Part No.	SP	Description
C109	1-164-227-11	s	CAPACITOR,CERAMIC 0.022MF/25V
C110	1-126-392-11	s	CAPACITOR,CHIP ELECT100MF/6.3V
C111	1-126-392-11	s	CAPACITOR,CHIP ELECT100MF/6.3V
C112	1-164-227-11	s	CAPACITOR,CERAMIC 0.022MF/25V
C113	1-164-227-11	s	CAPACITOR,CERAMIC 0.022MF/25V
C114	1-126-396-11	s	CAPACITOR,ELECT 47MF/16V(CHIP)
C115	1-164-227-11	s	CAPACITOR,CERAMIC 0.022MF/25V
C116	1-164-227-11	s	CAPACITOR,CERAMIC 0.022MF/25V
C117	1-164-227-11	s	CAPACITOR,CERAMIC 0.022MF/25V
C118	1-164-227-11	s	CAPACITOR,CERAMIC 0.022MF/25V
C119	1-164-227-11	s	CAPACITOR,CERAMIC 0.022MF/25V
C120	1-126-392-11	s	CAPACITOR,CHIP ELECT100MF/6.3V
C121	1-164-227-11	s	CAPACITOR,CERAMIC 0.022MF/25V
C122	1-164-227-11	s	CAPACITOR,CERAMIC 0.022MF/25V
C123	1-126-396-11	s	CAPACITOR,ELECT 47MF/16V(CHIP)
C124	1-164-227-11	s	CAPACITOR,CERAMIC 0.022MF/25V
C125	1-164-227-11	s	CAPACITOR,CERAMIC 0.022MF/25V
C126	1-126-396-11	s	CAPACITOR,ELECT 47MF/16V(CHIP)
C127	1-126-396-11	s	CAPACITOR,ELECT 47MF/16V(CHIP)
C128	1-162-921-11	s	CAPACITOR,CERAMIC 33PF/50V CH
C129	1-107-826-11	s	CAPACITOR,CHIP CERAMIC 0.1MF
C130	1-164-227-11	s	CAPACITOR,CERAMIC 0.022MF/25V
C131	1-164-227-11	s	CAPACITOR,CERAMIC 0.022MF/25V
C132	1-164-227-11	s	CAPACITOR,CERAMIC 0.022MF/25V
C133	1-164-227-11	s	CAPACITOR,CERAMIC 0.022MF/25V
C134	1-164-227-11	s	CAPACITOR,CERAMIC 0.022MF/25V
C135	1-110-569-11	s	CAPACITOR CHIP TANTAL47MF/6.3V
C137	1-110-569-11	s	CAPACITOR CHIP TANTAL47MF/6.3V
C138	1-107-826-11	s	CAPACITOR,CHIP CERAMIC 0.1MF
C139	1-104-851-11	s	CAPACITOR,TANTALUM 10MF/10V
C140	1-164-227-11	s	CAPACITOR,CERAMIC 0.022MF/25V
C141	*5 1-107-826-11	s	CAPACITOR,CHIP CERAMIC 0.1MF
C200	1-164-227-11	s	CAPACITOR,CERAMIC 0.022MF/25V
C201	1-126-392-11	s	CAPACITOR,CHIP ELECT100MF/6.3V
C202	1-162-921-11	s	CAPACITOR,CERAMIC 33PF/50V CH
C203	1-164-227-11	s	CAPACITOR,CERAMIC 0.022MF/25V
C204	1-164-227-11	s	CAPACITOR,CERAMIC 0.022MF/25V
C205	1-164-227-11	s	CAPACITOR,CERAMIC 0.022MF/25V
C206	1-164-227-11	s	CAPACITOR,CERAMIC 0.022MF/25V
C207	1-164-227-11	s	CAPACITOR,CERAMIC 0.022MF/25V
C208	1-164-227-11	s	CAPACITOR,CERAMIC 0.022MF/25V
C209	1-164-227-11	s	CAPACITOR,CERAMIC 0.022MF/25V
C210	1-164-227-11	s	CAPACITOR,CERAMIC 0.022MF/25V
C211	1-164-227-11	s	CAPACITOR,CERAMIC 0.022MF/25V
C212	1-164-227-11	s	CAPACITOR,CERAMIC 0.022MF/25V
C213	1-164-227-11	s	CAPACITOR,CERAMIC 0.022MF/25V
C217	1-164-227-11	s	CAPACITOR,CERAMIC 0.022MF/25V
C218	1-164-227-11	s	CAPACITOR,CERAMIC 0.022MF/25V
C219	1-126-392-11	s	CAPACITOR,CHIP ELECT100MF/6.3V
C220	1-164-227-11	s	CAPACITOR,CERAMIC 0.022MF/25V
C221	1-164-227-11	s	CAPACITOR,CERAMIC 0.022MF/25V
C222	1-164-227-11	s	CAPACITOR,CERAMIC 0.022MF/25V
C223	1-164-227-11	s	CAPACITOR,CERAMIC 0.022MF/25V
C224	1-164-227-11	s	CAPACITOR,CERAMIC 0.022MF/25V
C226	1-164-227-11	s	CAPACITOR,CERAMIC 0.022MF/25V
C227	1-126-392-11	s	CAPACITOR,CHIP ELECT100MF/6.3V
C228	1-107-826-11	s	CAPACITOR,CHIP CERAMIC 0.1MF
C229	1-164-227-11	s	CAPACITOR,CERAMIC 0.022MF/25V
C230	1-107-826-11	s	CAPACITOR,CHIP CERAMIC 0.1MF

(VPR-62P BOARD(DSR-2000P))

Ref. No. or Q'ty	Part No.	SP	Description
C231	1-164-227-11	s	CAPACITOR,CERAMIC 0.022MF/25V
C232	1-107-826-11	s	CAPACITOR,CHIP CERAMIC 0.1MF
C233	1-164-227-11	s	CAPACITOR,CERAMIC 0.022MF/25V
C234	1-107-826-11	s	CAPACITOR,CHIP CERAMIC 0.1MF
C235	1-164-227-11	s	CAPACITOR,CERAMIC 0.022MF/25V
C236	1-164-227-11	s	CAPACITOR,CERAMIC 0.022MF/25V
C237	1-164-227-11	s	CAPACITOR,CERAMIC 0.022MF/25V
C238	1-162-927-11	s	CAPACITOR,CERAMIC 100PF/50V CH
C239	1-162-927-11	s	CAPACITOR,CERAMIC 100PF/50V CH
C240	1-162-927-11	s	CAPACITOR,CERAMIC 100PF/50V CH
C241	1-126-392-11	s	CAPACITOR,CHIP ELECT100MF/6.3V
C242	1-126-392-11	s	CAPACITOR,CHIP ELECT100MF/6.3V
C243	1-164-227-11	s	CAPACITOR,CERAMIC 0.022MF/25V
C244	1-164-227-11	s	CAPACITOR,CERAMIC 0.022MF/25V
C245	1-164-227-11	s	CAPACITOR,CERAMIC 0.022MF/25V
C246	1-164-227-11	s	CAPACITOR,CERAMIC 0.022MF/25V
C247	1-164-227-11	s	CAPACITOR,CERAMIC 0.022MF/25V
C248	1-164-227-11	s	CAPACITOR,CERAMIC 0.022MF/25V
C249	1-164-227-11	s	CAPACITOR,CERAMIC 0.022MF/25V
C250	1-164-227-11	s	CAPACITOR,CERAMIC 0.022MF/25V
C252	1-107-826-11	s	CAPACITOR,CHIP CERAMIC 0.1MF
C253	*2 1-126-392-11	s	CAPACITOR,CHIP ELECT100MF/6.3V
*1	1-124-584-00	s	CAPACITOR,ELECT 100MF/10V
C300	1-126-392-11	s	CAPACITOR,CHIP ELECT100MF/6.3V
C301	1-126-392-11	s	CAPACITOR,CHIP ELECT100MF/6.3V
C302	1-164-227-11	s	CAPACITOR,CERAMIC 0.022MF/25V
C303	1-164-227-11	s	CAPACITOR,CERAMIC 0.022MF/25V
C304	1-126-396-11	s	CAPACITOR,ELECT 47MF/16V(CHIP)
C305	1-162-926-11	s	CAPACITOR,CERAMIC 82PF/50V CH
C306	1-164-227-11	s	CAPACITOR,CERAMIC 0.022MF/25V
C307	1-164-227-11	s	CAPACITOR,CERAMIC 0.022MF/25V
C308	1-164-227-11	s	CAPACITOR,CERAMIC 0.022MF/25V
C309	1-162-919-11	s	CAPACITOR,CERAMIC 22PF/50V CH
C310	1-162-919-11	s	CAPACITOR,CERAMIC 22PF/50V CH
C311	1-104-851-11	s	CAPACITOR,TANTALUM 10MF/10V
C312	1-107-826-11	s	CAPACITOR,CHIP CERAMIC 0.1MF
C313	1-164-227-11	s	CAPACITOR,CERAMIC 0.022MF/25V
C314	1-164-227-11	s	CAPACITOR,CERAMIC 0.022MF/25V
C315	1-164-227-11	s	CAPACITOR,CERAMIC 0.022MF/25V
C316	1-126-392-11	s	CAPACITOR,CHIP ELECT100MF/6.3V
C317	1-126-392-11	s	CAPACITOR,CHIP ELECT100MF/6.3V
C318	1-164-230-11	s	CAPACITOR,CERAMIC 220PF/50V
C319	1-162-921-11	s	CAPACITOR,CERAMIC 33PF/50V CH
C320	1-164-217-11	s	CAPACITOR,CERAMIC 150PF/50V CH
C321	1-164-227-11	s	CAPACITOR,CERAMIC 0.022MF/25V
C322	1-164-227-11	s	CAPACITOR,CERAMIC 0.022MF/25V
C323	1-107-826-11	s	CAPACITOR,CHIP CERAMIC 0.1MF
C324	1-107-826-11	s	CAPACITOR,CHIP CERAMIC 0.1MF
C325	1-164-227-11	s	CAPACITOR,CERAMIC 0.022MF/25V
C326	1-126-392-11	s	CAPACITOR,CHIP ELECT100MF/6.3V
C327	1-164-227-11	s	CAPACITOR,CERAMIC 0.022MF/25V
C328	1-164-227-11	s	CAPACITOR,CERAMIC 0.022MF/25V
C329	1-164-227-11	s	CAPACITOR,CERAMIC 0.022MF/25V
C330	1-164-227-11	s	CAPACITOR,CERAMIC 0.022MF/25V
C331	1-164-227-11	s	CAPACITOR,CERAMIC 0.022MF/25V
C332	1-164-315-11	s	CAPACITOR,CERAMIC 470PF/50V CH
C333	1-162-968-11	s	CAPACITOR,CERAMIC 4700PF/50V B
C334	1-162-968-11	s	CAPACITOR,CERAMIC 4700PF/50V B
C335	1-164-227-11	s	CAPACITOR,CERAMIC 0.022MF/25V

(VPR-62P BOARD(DSR-2000P))

Ref. No. or Q'ty	Part No.	SP Description
C336	1-164-227-11	s CAPACITOR,CERAMIC 0.022MF/25V
C337	1-164-227-11	s CAPACITOR,CERAMIC 0.022MF/25V
C338	1-126-392-11	s CAPACITOR,CHIP ELECT100MF/6.3V
C339	1-164-217-11	s CAPACITOR,CERAMIC 150PF/50V CH
C340	1-164-227-11	s CAPACITOR,CERAMIC 0.022MF/25V
C341	1-107-826-11	s CAPACITOR,CHIP CERAMIC 0.1MF
C342	1-162-919-11	s CAPACITOR,CERAMIC 22PF/50V CH
C343	1-162-921-11	s CAPACITOR,CERAMIC 33PF/50V CH
C344	1-126-392-11	s CAPACITOR,CHIP ELECT100MF/6.3V
C345	1-164-227-11	s CAPACITOR,CERAMIC 0.022MF/25V
C346	1-126-392-11	s CAPACITOR,CHIP ELECT100MF/6.3V
C347	1-164-217-11	s CAPACITOR,CERAMIC 150PF/50V CH
C348	1-164-227-11	s CAPACITOR,CERAMIC 0.022MF/25V
C349	1-107-826-11	s CAPACITOR,CHIP CERAMIC 0.1MF
C351	1-107-826-11	s CAPACITOR,CHIP CERAMIC 0.1MF
C352	1-162-922-11	s CAPACITOR,CERAMIC 39PF/50V CH
C354	1-164-227-11	s CAPACITOR,CERAMIC 0.022MF/25V
C355	1-126-392-11	s CAPACITOR,CHIP ELECT100MF/6.3V
C356	1-162-959-11	s CAPACITOR,CERAMIC 330PF/50V SL
C359	1-164-227-11	s CAPACITOR,CERAMIC 0.022MF/25V
C360	1-126-392-11	s CAPACITOR,CHIP ELECT100MF/6.3V
C361	1-164-227-11	s CAPACITOR,CERAMIC 0.022MF/25V
C362	1-162-968-11	s CAPACITOR,CERAMIC 4700PF/50V B
C363	1-126-392-11	s CAPACITOR,CHIP ELECT100MF/6.3V
C364	1-164-227-11	s CAPACITOR,CERAMIC 0.022MF/25V
C365	1-164-227-11	s CAPACITOR,CERAMIC 0.022MF/25V
C366	1-164-227-11	s CAPACITOR,CERAMIC 0.022MF/25V
C367	1-164-227-11	s CAPACITOR,CERAMIC 0.022MF/25V
C400	1-164-227-11	s CAPACITOR,CERAMIC 0.022MF/25V
C401	1-164-227-11	s CAPACITOR,CERAMIC 0.022MF/25V
C402	1-126-396-11	s CAPACITOR,ELECT 47MF/16V(CHIP)
C403	1-126-392-11	s CAPACITOR,CHIP ELECT100MF/6.3V
C404	1-126-392-11	s CAPACITOR,CHIP ELECT100MF/6.3V
C405	1-126-392-11	s CAPACITOR,CHIP ELECT100MF/6.3V
C406	1-126-392-11	s CAPACITOR,CHIP ELECT100MF/6.3V
C407	1-126-392-11	s CAPACITOR,CHIP ELECT100MF/6.3V
C408	1-164-227-11	s CAPACITOR,CERAMIC 0.022MF/25V
C409	1-164-227-11	s CAPACITOR,CERAMIC 0.022MF/25V
C410	1-164-227-11	s CAPACITOR,CERAMIC 0.022MF/25V
C411	1-164-227-11	s CAPACITOR,CERAMIC 0.022MF/25V
C412	1-164-227-11	s CAPACITOR,CERAMIC 0.022MF/25V
C413	1-164-227-11	s CAPACITOR,CERAMIC 0.022MF/25V
C414	1-162-921-11	s CAPACITOR,CERAMIC 33PF/50V CH
C415	1-162-919-11	s CAPACITOR,CERAMIC 22PF/50V CH
C416	1-162-919-11	s CAPACITOR,CERAMIC 22PF/50V CH
C419	1-162-921-11	s CAPACITOR,CERAMIC 33PF/50V CH
C420	1-162-921-11	s CAPACITOR,CERAMIC 33PF/50V CH
C421	1-164-227-11	s CAPACITOR,CERAMIC 0.022MF/25V
C422	1-164-227-11	s CAPACITOR,CERAMIC 0.022MF/25V
C425	1-164-227-11	s CAPACITOR,CERAMIC 0.022MF/25V
C426	1-164-227-11	s CAPACITOR,CERAMIC 0.022MF/25V
C427	1-126-392-11	s CAPACITOR,CHIP ELECT100MF/6.3V
C428	1-126-392-11	s CAPACITOR,CHIP ELECT100MF/6.3V
C429	1-107-826-11	s CAPACITOR,CHIP CERAMIC 0.1MF
C430	1-162-964-11	s CAPACITOR,CERAMIC 1000PF/50V B
C431	1-164-227-11	s CAPACITOR,CERAMIC 0.022MF/25V
C432	1-164-227-11	s CAPACITOR,CERAMIC 0.022MF/25V
C433	1-164-227-11	s CAPACITOR,CERAMIC 0.022MF/25V
C434	1-165-176-11	s CAPACITOR,CERAMIC 47000PF/16V

(VPR-62P BOARD(DSR-2000P))

Ref. No. or Q'ty	Part No.	SP Description
C435	1-162-917-11	s CAPACITOR,CERAMIC 15PF/50V CH
C436	1-164-227-11	s CAPACITOR,CERAMIC 0.022MF/25V
C437	1-164-227-11	s CAPACITOR,CERAMIC 0.022MF/25V
C438	1-164-227-11	s CAPACITOR,CERAMIC 0.022MF/25V
C439	1-164-227-11	s CAPACITOR,CERAMIC 0.022MF/25V
C440	1-126-391-11	s CAPACITOR ELECT 47MF/6.3V(105)
C441	1-126-391-11	s CAPACITOR ELECT 47MF/6.3V(105)
C442	1-126-391-11	s CAPACITOR ELECT 47MF/6.3V(105)
C443	1-126-391-11	s CAPACITOR ELECT 47MF/6.3V(105)
C444	1-107-826-11	s CAPACITOR,CHIP CERAMIC 0.1MF
C446	1-107-826-11	s CAPACITOR,CHIP CERAMIC 0.1MF
C447	1-107-826-11	s CAPACITOR,CHIP CERAMIC 0.1MF
C448	1-126-392-11	s CAPACITOR,CHIP ELECT100MF/6.3V
C449	1-164-227-11	s CAPACITOR,CERAMIC 0.022MF/25V
C450	1-107-826-11	s CAPACITOR,CHIP CERAMIC 0.1MF
C451	1-107-826-11	s CAPACITOR,CHIP CERAMIC 0.1MF
C452	1-107-826-11	s CAPACITOR,CHIP CERAMIC 0.1MF
C453	1-107-826-11	s CAPACITOR,CHIP CERAMIC 0.1MF
C455	1-107-826-11	s CAPACITOR,CHIP CERAMIC 0.1MF
C456	1-126-391-11	s CAPACITOR ELECT 47MF/6.3V(105)
C458	1-107-826-11	s CAPACITOR,CHIP CERAMIC 0.1MF
C459	1-126-391-11	s CAPACITOR ELECT 47MF/6.3V(105)
C460	1-126-391-11	s CAPACITOR ELECT 47MF/6.3V(105)
C461	1-107-826-11	s CAPACITOR,CHIP CERAMIC 0.1MF
C462	1-164-227-11	s CAPACITOR,CERAMIC 0.022MF/25V
C463	1-107-826-11	s CAPACITOR,CHIP CERAMIC 0.1MF
C464	1-162-915-11	s CAPACITOR,CERAMIC 10PF/50V CH
C465	1-107-826-11	s CAPACITOR,CHIP CERAMIC 0.1MF
C466	1-107-826-11	s CAPACITOR,CHIP CERAMIC 0.1MF
C467	1-107-826-11	s CAPACITOR,CHIP CERAMIC 0.1MF
C468	1-107-826-11	s CAPACITOR,CHIP CERAMIC 0.1MF
C470	1-107-826-11	s CAPACITOR,CHIP CERAMIC 0.1MF
C471	1-107-826-11	s CAPACITOR,CHIP CERAMIC 0.1MF
C472	1-107-826-11	s CAPACITOR,CHIP CERAMIC 0.1MF
C473	1-107-826-11	s CAPACITOR,CHIP CERAMIC 0.1MF
C475	1-107-826-11	s CAPACITOR,CHIP CERAMIC 0.1MF
C476	1-107-826-11	s CAPACITOR,CHIP CERAMIC 0.1MF
C477	1-107-826-11	s CAPACITOR,CHIP CERAMIC 0.1MF
C478	1-126-392-11	s CAPACITOR,CHIP ELECT100MF/6.3V
C479	1-126-392-11	s CAPACITOR,CHIP ELECT100MF/6.3V
C480	1-107-826-11	s CAPACITOR,CHIP CERAMIC 0.1MF
C481	1-107-826-11	s CAPACITOR,CHIP CERAMIC 0.1MF
C482	1-107-826-11	s CAPACITOR,CHIP CERAMIC 0.1MF
C483	1-107-826-11	s CAPACITOR,CHIP CERAMIC 0.1MF
C484	1-107-826-11	s CAPACITOR,CHIP CERAMIC 0.1MF
C485	1-107-826-11	s CAPACITOR,CHIP CERAMIC 0.1MF
C486	1-107-826-11	s CAPACITOR,CHIP CERAMIC 0.1MF
C487	1-162-915-11	s CAPACITOR,CERAMIC 10PF/50V CH
C488	1-162-915-11	s CAPACITOR,CERAMIC 10PF/50V CH
C501	1-107-826-11	s CAPACITOR,CHIP CERAMIC 0.1MF
C502	1-107-826-11	s CAPACITOR,CHIP CERAMIC 0.1MF
C503	1-107-826-11	s CAPACITOR,CHIP CERAMIC 0.1MF
C504	1-107-826-11	s CAPACITOR,CHIP CERAMIC 0.1MF
C505	1-107-826-11	s CAPACITOR,CHIP CERAMIC 0.1MF
C507	1-126-392-11	s CAPACITOR,CHIP ELECT100MF/6.3V
C509	1-126-401-11	s CAPACITOR, ELECT 1MF/50V(CHIP)
C510	1-107-826-11	s CAPACITOR,CHIP CERAMIC 0.1MF
C511	1-115-467-11	s CAPACITOR CERAMIC 0.22MF/10V B
C512	1-107-826-11	s CAPACITOR,CHIP CERAMIC 0.1MF

(VPR-62P BOARD(DSR-2000P))

Ref. No. or Q'ty	Part No.	SP Description
C513	1-162-964-11	s CAPACITOR,CERAMIC 1000PF/50V B
C514	1-107-826-11	s CAPACITOR,CHIP CERAMIC 0.1MF
C515	1-107-826-11	s CAPACITOR,CHIP CERAMIC 0.1MF
C516	1-115-467-11	s CAPACITOR CERAMIC 0.22MF/10V B
C517	1-115-467-11	s CAPACITOR CERAMIC 0.22MF/10V B
C518	1-115-414-11	s CAPACITOR,CHIP CERAMIC 820PF
C519	1-115-467-11	s CAPACITOR CERAMIC 0.22MF/10V B
C520	1-107-826-11	s CAPACITOR,CHIP CERAMIC 0.1MF
C521	1-162-927-11	s CAPACITOR,CERAMIC 100PF/50V CH
C522	1-115-467-11	s CAPACITOR CERAMIC 0.22MF/10V B
C523	1-162-964-11	s CAPACITOR,CERAMIC 1000PF/50V B
C524	1-107-826-11	s CAPACITOR,CHIP CERAMIC 0.1MF
C525	1-107-826-11	s CAPACITOR,CHIP CERAMIC 0.1MF
C526	1-107-826-11	s CAPACITOR,CHIP CERAMIC 0.1MF
C527	1-107-826-11	s CAPACITOR,CHIP CERAMIC 0.1MF
C528	1-126-392-11	s CAPACITOR,CHIP ELECT100MF/6.3V
C529	1-126-392-11	s CAPACITOR,CHIP ELECT100MF/6.3V
C530	1-162-926-11	s CAPACITOR,CERAMIC 82PF/50V CH
C531	1-164-392-11	s CAPACITOR CERAMIC 390PF/50V CH
C532	1-162-964-11	s CAPACITOR,CERAMIC 1000PF/50V B
C533	1-126-392-11	s CAPACITOR,CHIP ELECT100MF/6.3V
C534	1-164-227-11	s CAPACITOR,CERAMIC 0.022MF/25V
C535	1-126-394-11	s CAPACITOR,ELECT 10MF/16V(CHIP)
C536	1-107-826-11	s CAPACITOR,CHIP CERAMIC 0.1MF
C537	1-126-391-11	s CAPACITOR ELECT 47MF/6.3V(105)
C538	1-162-970-11	s CAPACITOR CERAMIC 0.01MF/25V B
C539	1-126-401-11	s CAPACITOR, ELECT 1MF/50V(CHIP)
C540	1-126-401-11	s CAPACITOR, ELECT 1MF/50V(CHIP)
C542	1-162-970-11	s CAPACITOR CERAMIC 0.01MF/25V B
C543	1-162-970-11	s CAPACITOR CERAMIC 0.01MF/25V B
C544	1-164-315-11	s CAPACITOR,CERAMIC 470PF/50V CH
C545	1-162-967-11	s CAPACITOR,CERAMIC 3300PF/50V B
C546	1-162-967-11	s CAPACITOR,CERAMIC 3300PF/50V B
C547	1-104-912-11	s CAPACITOR TANTALUM 3.3MF/16V
C548	1-162-911-11	s CAPACITOR,CERAMIC 6PF/50V 1608
C549	1-162-920-11	s CAPACITOR,CERAMIC 27PF/50V CH
C550	1-107-826-11	s CAPACITOR,CHIP CERAMIC 0.1MF
C551	1-162-970-11	s CAPACITOR CERAMIC 0.01MF/25V B
C552	1-162-927-11	s CAPACITOR,CERAMIC 100PF/50V CH
C553	1-107-826-11	s CAPACITOR,CHIP CERAMIC 0.1MF
C554	1-126-391-11	s CAPACITOR ELECT 47MF/6.3V(105)
C555	1-164-227-11	s CAPACITOR,CERAMIC 0.022MF/25V
C601	1-164-227-11	s CAPACITOR,CERAMIC 0.022MF/25V
C602	1-162-919-11	s CAPACITOR,CERAMIC 22PF/50V CH
C603	1-164-227-11	s CAPACITOR,CERAMIC 0.022MF/25V
C604	1-164-227-11	s CAPACITOR,CERAMIC 0.022MF/25V
C605	1-164-227-11	s CAPACITOR,CERAMIC 0.022MF/25V
C606	1-107-826-11	s CAPACITOR,CHIP CERAMIC 0.1MF
C607	1-107-826-11	s CAPACITOR,CHIP CERAMIC 0.1MF
C608	1-162-964-11	s CAPACITOR,CERAMIC 1000PF/50V B
C609	1-162-964-11	s CAPACITOR,CERAMIC 1000PF/50V B
C610	1-107-826-11	s CAPACITOR,CHIP CERAMIC 0.1MF
C611	1-107-826-11	s CAPACITOR,CHIP CERAMIC 0.1MF
C612	1-164-227-11	s CAPACITOR,CERAMIC 0.022MF/25V
C613	1-164-227-11	s CAPACITOR,CERAMIC 0.022MF/25V
C614	1-164-227-11	s CAPACITOR,CERAMIC 0.022MF/25V
C615	1-164-227-11	s CAPACITOR,CERAMIC 0.022MF/25V
C616	1-107-826-11	s CAPACITOR,CHIP CERAMIC 0.1MF
C617	1-162-964-11	s CAPACITOR,CERAMIC 1000PF/50V B

(VPR-62P BOARD(DSR-2000P))

Ref. No. or Q'ty	Part No.	SP Description
C618	1-164-227-11	s CAPACITOR,CERAMIC 0.022MF/25V
C619	1-126-392-11	s CAPACITOR,CHIP ELECT100MF/6.3V
C620	1-107-826-11	s CAPACITOR,CHIP CERAMIC 0.1MF
C621	1-164-227-11	s CAPACITOR,CERAMIC 0.022MF/25V
C622	1-164-227-11	s CAPACITOR,CERAMIC 0.022MF/25V
C623	1-164-227-11	s CAPACITOR,CERAMIC 0.022MF/25V
C624	1-164-227-11	s CAPACITOR,CERAMIC 0.022MF/25V
C625	1-126-391-11	s CAPACITOR ELECT 47MF/6.3V(105)
C626	1-126-391-11	s CAPACITOR ELECT 47MF/6.3V(105)
C627	1-164-227-11	s CAPACITOR,CERAMIC 0.022MF/25V
C628	1-164-227-11	s CAPACITOR,CERAMIC 0.022MF/25V
C629	1-164-227-11	s CAPACITOR,CERAMIC 0.022MF/25V
C630	1-164-227-11	s CAPACITOR,CERAMIC 0.022MF/25V
C631	1-164-227-11	s CAPACITOR,CERAMIC 0.022MF/25V
C632	1-164-227-11	s CAPACITOR,CERAMIC 0.022MF/25V
C633	1-126-392-11	s CAPACITOR,CHIP ELECT100MF/6.3V
C634	1-126-392-11	s CAPACITOR,CHIP ELECT100MF/6.3V
C635	1-107-826-11	s CAPACITOR,CHIP CERAMIC 0.1MF
C636	1-164-227-11	s CAPACITOR,CERAMIC 0.022MF/25V
C637	1-126-392-11	s CAPACITOR,CHIP ELECT100MF/6.3V
C638	1-126-391-11	s CAPACITOR ELECT 47MF/6.3V(105)
C639	1-164-227-11	s CAPACITOR,CERAMIC 0.022MF/25V
C640	1-107-826-11	s CAPACITOR,CHIP CERAMIC 0.1MF
C641	1-164-227-11	s CAPACITOR,CERAMIC 0.022MF/25V
C642	1-107-826-11	s CAPACITOR,CHIP CERAMIC 0.1MF
C643	1-107-826-11	s CAPACITOR,CHIP CERAMIC 0.1MF
C644	1-164-227-11	s CAPACITOR,CERAMIC 0.022MF/25V
C645	1-164-227-11	s CAPACITOR,CERAMIC 0.022MF/25V
C646	1-126-392-11	s CAPACITOR,CHIP ELECT100MF/6.3V
C647	1-164-227-11	s CAPACITOR,CERAMIC 0.022MF/25V
C648	1-164-227-11	s CAPACITOR,CERAMIC 0.022MF/25V
C649	1-164-227-11	s CAPACITOR,CERAMIC 0.022MF/25V
C650	1-164-227-11	s CAPACITOR,CERAMIC 0.022MF/25V
C651	1-135-210-11	s CAPACITOR TANTAL 4.7MF/10V
C652	1-164-227-11	s CAPACITOR,CERAMIC 0.022MF/25V
C653	1-126-392-11	s CAPACITOR,CHIP ELECT100MF/6.3V
C654	1-126-396-11	s CAPACITOR,ELECT 47MF/16V(CHIP)
C655	1-164-227-11	s CAPACITOR,CERAMIC 0.022MF/25V
C656	1-164-227-11	s CAPACITOR,CERAMIC 0.022MF/25V
C657	1-162-917-11	s CAPACITOR,CERAMIC 15PF/50V CH
C658	1-162-923-11	s CAPACITOR,CERAMIC 47PF/50V CH
C659	1-162-921-11	s CAPACITOR,CERAMIC 33PF/50V CH
C660	1-162-920-11	s CAPACITOR,CERAMIC 27PF/50V CH
C662	1-164-227-11	s CAPACITOR,CERAMIC 0.022MF/25V
C663	1-164-227-11	s CAPACITOR,CERAMIC 0.022MF/25V
C664	1-164-227-11	s CAPACITOR,CERAMIC 0.022MF/25V
C665	1-162-917-11	s CAPACITOR,CERAMIC 15PF/50V CH
C666	1-164-227-11	s CAPACITOR,CERAMIC 0.022MF/25V
C667	1-162-923-11	s CAPACITOR,CERAMIC 47PF/50V CH
C668	1-162-921-11	s CAPACITOR,CERAMIC 33PF/50V CH
C669	1-162-920-11	s CAPACITOR,CERAMIC 27PF/50V CH
C671	1-107-826-11	s CAPACITOR,CHIP CERAMIC 0.1MF
C672	1-107-826-11	s CAPACITOR,CHIP CERAMIC 0.1MF
C673	1-107-826-11	s CAPACITOR,CHIP CERAMIC 0.1MF
C674	*2 1-162-964-11	s CAPACITOR,CERAMIC 1000PF/50V B
	*1 1-107-826-11	s CAPACITOR,CHIP CERAMIC 0.1MF
C675	1-107-826-11	s CAPACITOR,CHIP CERAMIC 0.1MF
C676	1-126-392-11	s CAPACITOR,CHIP ELECT100MF/6.3V
C677	1-126-392-11	s CAPACITOR,CHIP ELECT100MF/6.3V

(VPR-62P BOARD(DSR-2000P))

Ref. No. or Q'ty	Part No.	SP	Description
C678	*2 1-107-826-11	s	CAPACITOR,CHIP CERAMIC 0.1MF
C701	1-126-392-11	s	CAPACITOR,CHIP ELECT100MF/6.3V
C702	1-126-392-11	s	CAPACITOR,CHIP ELECT100MF/6.3V
C703	1-162-915-11	s	CAPACITOR,CERAMIC 10PF/50V CH
C704	1-164-227-11	s	CAPACITOR,CERAMIC 0.022MF/25V
C705	1-164-227-11	s	CAPACITOR,CERAMIC 0.022MF/25V
C706	1-164-227-11	s	CAPACITOR,CERAMIC 0.022MF/25V
C707	1-164-227-11	s	CAPACITOR,CERAMIC 0.022MF/25V
C708	1-164-227-11	s	CAPACITOR,CERAMIC 0.022MF/25V
C709	1-162-927-11	s	CAPACITOR,CERAMIC 100PF/50V CH
C710	1-164-227-11	s	CAPACITOR,CERAMIC 0.022MF/25V
C711	1-164-227-11	s	CAPACITOR,CERAMIC 0.022MF/25V
C712	1-135-177-21	s	CAPACITOR TANTALUM 1MF/25V
C713	1-135-177-21	s	CAPACITOR TANTALUM 1MF/25V
C714	1-164-217-11	s	CAPACITOR,CERAMIC 150PF/50V CH
C715	1-135-177-21	s	CAPACITOR TANTALUM 1MF/25V
C716	1-135-177-21	s	CAPACITOR TANTALUM 1MF/25V
C717	1-164-227-11	s	CAPACITOR,CERAMIC 0.022MF/25V
C718	1-164-227-11	s	CAPACITOR,CERAMIC 0.022MF/25V
C719	1-126-392-11	s	CAPACITOR,CHIP ELECT100MF/6.3V
C720	1-164-227-11	s	CAPACITOR,CERAMIC 0.022MF/25V
C721	1-164-227-11	s	CAPACITOR,CERAMIC 0.022MF/25V
C722	1-164-227-11	s	CAPACITOR,CERAMIC 0.022MF/25V
C723	1-165-176-11	s	CAPACITOR,CERAMIC 47000PF/16V
C724	1-165-176-11	s	CAPACITOR,CERAMIC 47000PF/16V
C725	1-164-227-11	s	CAPACITOR,CERAMIC 0.022MF/25V
C726	1-162-917-11	s	CAPACITOR,CERAMIC 15PF/50V CH
C727	1-162-915-11	s	CAPACITOR,CERAMIC 10PF/50V CH
C728	1-164-230-11	s	CAPACITOR,CERAMIC 220PF/50V
C729	1-164-227-11	s	CAPACITOR,CERAMIC 0.022MF/25V
C730	1-126-392-11	s	CAPACITOR,CHIP ELECT100MF/6.3V
C731	1-164-227-11	s	CAPACITOR,CERAMIC 0.022MF/25V
C732	1-164-227-11	s	CAPACITOR,CERAMIC 0.022MF/25V
C733	1-164-227-11	s	CAPACITOR,CERAMIC 0.022MF/25V
C734	1-126-396-11	s	CAPACITOR,ELECT 47MF/16V(CHIP)
C735	1-164-227-11	s	CAPACITOR,CERAMIC 0.022MF/25V
C736	1-164-227-11	s	CAPACITOR,CERAMIC 0.022MF/25V
C737	1-164-227-11	s	CAPACITOR,CERAMIC 0.022MF/25V
C738	1-164-227-11	s	CAPACITOR,CERAMIC 0.022MF/25V
C739	1-164-227-11	s	CAPACITOR,CERAMIC 0.022MF/25V
C740	1-164-227-11	s	CAPACITOR,CERAMIC 0.022MF/25V
C741	1-162-923-11	s	CAPACITOR,CERAMIC 47PF/50V CH
C742	1-162-921-11	s	CAPACITOR,CERAMIC 33PF/50V CH
C743	1-162-921-11	s	CAPACITOR,CERAMIC 33PF/50V CH
C744	1-162-915-11	s	CAPACITOR,CERAMIC 10PF/50V CH
C745	1-162-925-11	s	CAPACITOR,CERAMIC 68PF/50V CH
C746	1-162-925-11	s	CAPACITOR,CERAMIC 68PF/50V CH
C747	1-162-921-11	s	CAPACITOR,CERAMIC 33PF/50V CH
C748	1-162-921-11	s	CAPACITOR,CERAMIC 33PF/50V CH
C749	1-164-227-11	s	CAPACITOR,CERAMIC 0.022MF/25V
C750	1-164-227-11	s	CAPACITOR,CERAMIC 0.022MF/25V
C751	1-164-227-11	s	CAPACITOR,CERAMIC 0.022MF/25V
C752	1-164-227-11	s	CAPACITOR,CERAMIC 0.022MF/25V
C753	1-162-909-11	s	CAPACITOR,CERAMIC 4.0PF/50V CH
C754	1-162-915-11	s	CAPACITOR,CERAMIC 10PF/50V CH
C755	1-107-826-11	s	CAPACITOR,CHIP CERAMIC 0.1MF
C756	1-164-227-11	s	CAPACITOR,CERAMIC 0.022MF/25V
C757	1-164-227-11	s	CAPACITOR,CERAMIC 0.022MF/25V
C758	1-164-227-11	s	CAPACITOR,CERAMIC 0.022MF/25V

(VPR-62P BOARD(DSR-2000P))

Ref. No. or Q'ty	Part No.	SP	Description
C759	1-164-227-11	s	CAPACITOR,CERAMIC 0.022MF/25V
C760	1-164-227-11	s	CAPACITOR,CERAMIC 0.022MF/25V
C761	1-164-227-11	s	CAPACITOR,CERAMIC 0.022MF/25V
C762	1-107-826-11	s	CAPACITOR,CHIP CERAMIC 0.1MF
C801	1-126-392-11	s	CAPACITOR,CHIP ELECT100MF/6.3V
C802	1-164-227-11	s	CAPACITOR,CERAMIC 0.022MF/25V
C803	1-126-392-11	s	CAPACITOR,CHIP ELECT100MF/6.3V
C804	1-164-227-11	s	CAPACITOR,CERAMIC 0.022MF/25V
C805	1-164-227-11	s	CAPACITOR,CERAMIC 0.022MF/25V
C806	1-162-925-11	s	CAPACITOR,CERAMIC 68PF/50V CH
C807	1-164-227-11	s	CAPACITOR,CERAMIC 0.022MF/25V
C808	1-164-227-11	s	CAPACITOR,CERAMIC 0.022MF/25V
C809	1-164-227-11	s	CAPACITOR,CERAMIC 0.022MF/25V
C810	1-164-227-11	s	CAPACITOR,CERAMIC 0.022MF/25V
C811	1-164-227-11	s	CAPACITOR,CERAMIC 0.022MF/25V
C812	1-164-227-11	s	CAPACITOR,CERAMIC 0.022MF/25V
C813	1-164-227-11	s	CAPACITOR,CERAMIC 0.022MF/25V
C814	1-111-253-11	s	CAPACITOR TANTALUM 100MF/6.3V
C815	1-162-915-11	s	CAPACITOR,CERAMIC 10PF/50V CH
C816	1-126-396-11	s	CAPACITOR,ELECT 47MF/16V(CHIP)
C817	1-164-227-11	s	CAPACITOR,CERAMIC 0.022MF/25V
C818	1-164-227-11	s	CAPACITOR,CERAMIC 0.022MF/25V
C819	1-162-916-11	s	CAPACITOR,CERAMIC 12PF/50V CH
C820	1-164-227-11	s	CAPACITOR,CERAMIC 0.022MF/25V
C821	1-126-392-11	s	CAPACITOR,CHIP ELECT100MF/6.3V
C822	1-164-227-11	s	CAPACITOR,CERAMIC 0.022MF/25V
C823	1-164-227-11	s	CAPACITOR,CERAMIC 0.022MF/25V
C824	1-164-227-11	s	CAPACITOR,CERAMIC 0.022MF/25V
C825	1-164-227-11	s	CAPACITOR,CERAMIC 0.022MF/25V
C826	1-164-227-11	s	CAPACITOR,CERAMIC 0.022MF/25V
C827	1-164-227-11	s	CAPACITOR,CERAMIC 0.022MF/25V
C828	1-164-227-11	s	CAPACITOR,CERAMIC 0.022MF/25V
C829	1-162-917-11	s	CAPACITOR,CERAMIC 15PF/50V CH
C830	1-164-230-11	s	CAPACITOR,CERAMIC 220PF/50V
C831	1-104-851-11	s	CAPACITOR,TANTALUM 10MF/10V
C832	1-104-851-11	s	CAPACITOR,TANTALUM 10MF/10V
C833	1-165-176-11	s	CAPACITOR,CERAMIC 47000PF/16V
C834	1-164-227-11	s	CAPACITOR,CERAMIC 0.022MF/25V
C835	1-162-915-11	s	CAPACITOR,CERAMIC 10PF/50V CH
C836	1-164-227-11	s	CAPACITOR,CERAMIC 0.022MF/25V
C837	1-162-920-11	s	CAPACITOR,CERAMIC 27PF/50V CH
C838	1-162-915-11	s	CAPACITOR,CERAMIC 10PF/50V CH
C839	1-164-227-11	s	CAPACITOR,CERAMIC 0.022MF/25V
C840	1-162-923-11	s	CAPACITOR,CERAMIC 47PF/50V CH
C841	1-162-910-11	s	CAPACITOR,CERAMIC 5PF/50V 1608
C842	1-164-227-11	s	CAPACITOR,CERAMIC 0.022MF/25V
C843	1-164-227-11	s	CAPACITOR,CERAMIC 0.022MF/25V
C844	1-164-217-11	s	CAPACITOR,CERAMIC 150PF/50V CH
C901	1-107-826-11	s	CAPACITOR,CHIP CERAMIC 0.1MF
C902	1-162-921-11	s	CAPACITOR,CERAMIC 33PF/50V CH
C903	1-107-826-11	s	CAPACITOR,CHIP CERAMIC 0.1MF
C905	1-107-826-11	s	CAPACITOR,CHIP CERAMIC 0.1MF
C908	1-126-396-11	s	CAPACITOR,ELECT 47MF/16V(CHIP)
C910	1-162-919-11	s	CAPACITOR,CERAMIC 22PF/50V CH
C911	1-164-230-11	s	CAPACITOR,CERAMIC 220PF/50V
C912	1-107-826-11	s	CAPACITOR,CHIP CERAMIC 0.1MF
C913	1-107-826-11	s	CAPACITOR,CHIP CERAMIC 0.1MF
C914	1-126-396-11	s	CAPACITOR,ELECT 47MF/16V(CHIP)
C915	1-164-227-11	s	CAPACITOR,CERAMIC 0.022MF/25V

(VPR-62P BOARD(DSR-2000P))

Ref. No. or Q'ty	Part No.	SP	Description
C916	1-162-970-11	s	CAPACITOR,CERAMIC 0.01MF/25V B
C917	1-162-921-11	s	CAPACITOR,CERAMIC 33PF/50V CH
C918	1-164-227-11	s	CAPACITOR,CERAMIC 0.022MF/25V
C919	1-164-230-11	s	CAPACITOR,CERAMIC 220PF/50V
C920	1-164-227-11	s	CAPACITOR,CERAMIC 0.022MF/25V
C921	1-164-227-11	s	CAPACITOR,CERAMIC 0.022MF/25V
C922	1-107-826-11	s	CAPACITOR,CHIP CERAMIC 0.1MF
C923	1-126-396-11	s	CAPACITOR,ELECT 47MF/16V(CHIP)
C924	1-126-392-11	s	CAPACITOR,CHIP ELECT100MF/6.3V
C925	1-164-227-11	s	CAPACITOR,CERAMIC 0.022MF/25V
C926	1-107-826-11	s	CAPACITOR,CHIP CERAMIC 0.1MF
C927	1-164-227-11	s	CAPACITOR,CERAMIC 0.022MF/25V
C928	1-162-919-11	s	CAPACITOR,CERAMIC 22PF/50V CH
C929	1-107-826-11	s	CAPACITOR,CHIP CERAMIC 0.1MF
C930	1-107-826-11	s	CAPACITOR,CHIP CERAMIC 0.1MF
C931	1-107-826-11	s	CAPACITOR,CHIP CERAMIC 0.1MF
C932	1-164-227-11	s	CAPACITOR,CERAMIC 0.022MF/25V
C933	1-126-392-11	s	CAPACITOR,CHIP ELECT100MF/6.3V
C934	1-107-826-11	s	CAPACITOR,CHIP CERAMIC 0.1MF
C935	1-107-826-11	s	CAPACITOR,CHIP CERAMIC 0.1MF
C936	1-164-217-11	s	CAPACITOR,CERAMIC 150PF/50V CH
C937	1-164-227-11	s	CAPACITOR,CERAMIC 0.022MF/25V
C938	1-126-392-11	s	CAPACITOR,CHIP ELECT100MF/6.3V
C940	1-162-970-11	s	CAPACITOR,CERAMIC 0.01MF/25V B
C941	1-107-826-11	s	CAPACITOR,CHIP CERAMIC 0.1MF
C942	1-126-392-11	s	CAPACITOR,CHIP ELECT100MF/6.3V
C1001	1-164-227-11	s	CAPACITOR,CERAMIC 0.022MF/25V
C1002	1-164-227-11	s	CAPACITOR,CERAMIC 0.022MF/25V
C1003	1-126-392-11	s	CAPACITOR,CHIP ELECT100MF/6.3V
C1004	1-126-392-11	s	CAPACITOR,CHIP ELECT100MF/6.3V
C1005	1-164-227-11	s	CAPACITOR,CERAMIC 0.022MF/25V
C1006	1-162-921-11	s	CAPACITOR,CERAMIC 33PF/50V CH
C1007	1-162-925-11	s	CAPACITOR,CERAMIC 68PF/50V CH
C1008	1-162-921-11	s	CAPACITOR,CERAMIC 33PF/50V CH
C1009	1-164-227-11	s	CAPACITOR,CERAMIC 0.022MF/25V
C1010	1-164-227-11	s	CAPACITOR,CERAMIC 0.022MF/25V
C1011	1-164-227-11	s	CAPACITOR,CERAMIC 0.022MF/25V
C1012	1-164-227-11	s	CAPACITOR,CERAMIC 0.022MF/25V
C1013	1-164-227-11	s	CAPACITOR,CERAMIC 0.022MF/25V
C1014	1-162-964-11	s	CAPACITOR,CERAMIC 1000PF/50V B
C1015	1-135-177-21	s	CAPACITOR TANTALUM 1MF/25V
C1016	1-162-970-11	s	CAPACITOR,CERAMIC 0.01MF/25V B
C1017	1-135-210-11	s	CAPACITOR TANTAL 4.7MF/10V
C1018	1-162-970-11	s	CAPACITOR,CERAMIC 0.01MF/25V B
C1019	1-164-227-11	s	CAPACITOR,CERAMIC 0.022MF/25V
C1020	1-107-826-11	s	CAPACITOR,CHIP CERAMIC 0.1MF
C1021	1-126-392-11	s	CAPACITOR,CHIP ELECT100MF/6.3V
C1022	1-164-227-11	s	CAPACITOR,CERAMIC 0.022MF/25V
C1023	1-164-227-11	s	CAPACITOR,CERAMIC 0.022MF/25V
C1024	1-126-392-11	s	CAPACITOR,CHIP ELECT100MF/6.3V
C1025	1-164-227-11	s	CAPACITOR,CERAMIC 0.022MF/25V
C1026	1-164-227-11	s	CAPACITOR,CERAMIC 0.022MF/25V
C1027	*3 1-107-826-11	s	CAPACITOR,CHIP CERAMIC 0.1MF
C1028	*3 1-107-826-11	s	CAPACITOR,CHIP CERAMIC 0.1MF
C1029	*3 1-107-826-11	s	CAPACITOR,CHIP CERAMIC 0.1MF
C1030	*2 1-126-392-11	s	CAPACITOR,CHIP ELECT100MF/6.3V
	*1 1-126-396-11	s	CAPACITOR,ELECT 47MF/16V(CHIP)
C1031	1-107-826-11	s	CAPACITOR,CHIP CERAMIC 0.1MF
C1032	*3 1-107-826-11	s	CAPACITOR,CHIP CERAMIC 0.1MF

(VPR-62P BOARD(DSR-2000P))

Ref. No. or Q'ty	Part No.	SP	Description
C1033	*5 1-107-826-11	s	CAPACITOR,CHIP CERAMIC 0.1MF
C1035	*5 1-107-826-11	s	CAPACITOR,CHIP CERAMIC 0.1MF
	*1 1-107-826-11	s	CAPACITOR,CHIP CERAMIC 0.1MF
C1036	*1 1-107-826-11	s	CAPACITOR,CHIP CERAMIC 0.1MF
C1037	1-107-826-11	s	CAPACITOR,CHIP CERAMIC 0.1MF
C1038	1-107-826-11	s	CAPACITOR,CHIP CERAMIC 0.1MF
C1039	1-107-826-11	s	CAPACITOR,CHIP CERAMIC 0.1MF
C1040	*1 1-107-826-11	s	CAPACITOR,CHIP CERAMIC 0.1MF
C1041	1-126-392-11	s	CAPACITOR,CHIP ELECT100MF/6.3V
C1042	1-164-227-11	s	CAPACITOR,CERAMIC 0.022MF/25V
C1043	*1 1-164-227-11	s	CAPACITOR,CERAMIC 0.022MF/25V
C1045	1-164-227-11	s	CAPACITOR,CERAMIC 0.022MF/25V
C1046	*1 1-164-227-11	s	CAPACITOR,CERAMIC 0.022MF/25V
C1047	1-164-227-11	s	CAPACITOR,CERAMIC 0.022MF/25V
C1048	1-164-227-11	s	CAPACITOR,CERAMIC 0.022MF/25V
C1049	1-164-227-11	s	CAPACITOR,CERAMIC 0.022MF/25V
C1050	1-164-227-11	s	CAPACITOR,CERAMIC 0.022MF/25V
C1051	1-164-227-11	s	CAPACITOR,CERAMIC 0.022MF/25V
C1052	1-164-227-11	s	CAPACITOR,CERAMIC 0.022MF/25V
C1053	1-126-392-11	s	CAPACITOR,CHIP ELECT100MF/6.3V
C1054	1-164-227-11	s	CAPACITOR,CERAMIC 0.022MF/25V
C1055	1-164-227-11	s	CAPACITOR,CERAMIC 0.022MF/25V
C1056	1-164-227-11	s	CAPACITOR,CERAMIC 0.022MF/25V
C1057	*1 1-164-227-11	s	CAPACITOR,CERAMIC 0.022MF/25V
C1058	1-126-392-11	s	CAPACITOR,CHIP ELECT100MF/6.3V
C1059	1-126-392-11	s	CAPACITOR,CHIP ELECT100MF/6.3V
C1060	1-126-392-11	s	CAPACITOR,CHIP ELECT100MF/6.3V
C1061	1-164-227-11	s	CAPACITOR,CERAMIC 0.022MF/25V
C1062	1-164-227-11	s	CAPACITOR,CERAMIC 0.022MF/25V
C1063	1-164-227-11	s	CAPACITOR,CERAMIC 0.022MF/25V
C1064	1-164-227-11	s	CAPACITOR,CERAMIC 0.022MF/25V
C1065	1-164-227-11	s	CAPACITOR,CERAMIC 0.022MF/25V
C1066	*3 1-107-826-11	s	CAPACITOR,CHIP CERAMIC 0.1MF
C1067	1-164-227-11	s	CAPACITOR,CERAMIC 0.022MF/25V
C1068	1-164-227-11	s	CAPACITOR,CERAMIC 0.022MF/25V
C1069	1-107-826-11	s	CAPACITOR,CHIP CERAMIC 0.1MF
C1070	1-107-826-11	s	CAPACITOR,CHIP CERAMIC 0.1MF
C1071	1-107-826-11	s	CAPACITOR,CHIP CERAMIC 0.1MF
C1072	1-135-179-21	s	CAPACITOR,TANTALUM 2.2MF/16V
C1073	1-165-176-11	s	CAPACITOR,CERAMIC 47000PF/16V
C1074	1-107-826-11	s	CAPACITOR,CHIP CERAMIC 0.1MF
C1075	1-107-826-11	s	CAPACITOR,CHIP CERAMIC 0.1MF
C1076	1-162-964-11	s	CAPACITOR,CERAMIC 1000PF/50V B
C1077	1-162-964-11	s	CAPACITOR,CERAMIC 1000PF/50V B
C1078	1-162-964-11	s	CAPACITOR,CERAMIC 1000PF/50V B
C1079	1-107-826-11	s	CAPACITOR,CHIP CERAMIC 0.1MF
C1080	*2 1-135-177-21	s	CAPACITOR TANTALUM 1MF/25V
C1081	*2 1-107-826-11	s	CAPACITOR,CHIP CERAMIC 0.1MF
C1082	*2 1-107-826-11	s	CAPACITOR,CHIP CERAMIC 0.1MF
C1083	*2 1-107-826-11	s	CAPACITOR,CHIP CERAMIC 0.1MF
C1084	*2 1-107-826-11	s	CAPACITOR,CHIP CERAMIC 0.1MF
C1085	*2 1-107-826-11	s	CAPACITOR,CHIP CERAMIC 0.1MF
C1086	*2 1-107-826-11	s	CAPACITOR,CHIP CERAMIC 0.1MF
CT500	1-141-322-11	s	CAPACITOR,VAR,TRIMMER
D1	8-719-941-04	s	DIODE SB007-03CP
D2	8-719-941-04	s	DIODE SB007-03CP
D3	8-719-941-04	s	DIODE SB007-03CP
D4	8-719-941-04	s	DIODE SB007-03CP

(VPR-62P BOARD(DSR-2000P))

Ref. No. or Q'ty	Part No.	SP Description
D5	8-719-941-04	s DIODE SB007-03CP
D6	8-719-941-04	s DIODE SB007-03CP
D102	8-719-024-81	s DIODE 1SS300-TE85L
D104	8-719-989-08	s DIODE RB717F
D200	8-719-941-04	s DIODE SB007-03CP
D201	8-719-024-81	s DIODE 1SS300-TE85L
D300	8-719-041-39	s DIODE KV1470 (5MA)
D301	8-719-941-23	s DIODE DA204U
D302	8-719-024-81	s DIODE 1SS300-TE85L
D303	8-719-941-23	s DIODE DA204U
D304	8-719-941-23	s DIODE DA204U
D306	8-719-941-23	s DIODE DA204U
D400	8-719-941-23	s DIODE DA204U
D401	8-719-045-99	s DIODE RD2.2M-B
D402	8-719-045-99	s DIODE RD2.2M-B
D403	8-719-941-04	s DIODE SB007-03CP
D501	8-719-024-81	s DIODE 1SS300-TE85L
D502	8-719-041-39	s DIODE KV1470 (5MA)
D503	8-719-978-04	s DIODE DTZ-TT11-3.3B
D601	8-719-024-81	s DIODE 1SS300-TE85L
D801	8-719-976-99	s DIODE DTZ5.1B
D802	8-719-024-81	s DIODE 1SS300-TE85L
D900	8-719-941-23	s DIODE DA204U
D901	8-719-941-23	s DIODE DA204U
D1000 *1	8-719-987-43	s LED CL-150PG-CD
D1001	8-719-941-23	s DIODE DA204U
D1002	8-719-041-39	s DIODE KV1470 (5MA)
D1003	8-719-027-95	s DIODE HSM88WK
D1004 *2	8-719-404-35	s DIODE MA141WK
FB200	1-543-309-21	s BEAD,FERRITE
FB400	1-543-309-21	s BEAD,FERRITE
FL1	1-233-674-21	s FILTER, EMI
FL2	1-233-674-21	s FILTER, EMI
FL100	1-233-614-11	s FILTER, LOW PASS
FL200	1-233-614-11	s FILTER, LOW PASS
FL201	1-233-599-11	s FILTER, LOW PASS
FL202	1-233-599-11	s FILTER, LOW PASS
FL601	1-233-614-11	s FILTER, LOW PASS
FL602	1-233-599-11	s FILTER, LOW PASS
FL603	1-233-599-11	s FILTER, LOW PASS
FL701	1-239-771-11	s FILTER, LOW PASS
IC1	8-759-172-41	s IC L78M09T-TL
IC2	8-759-172-41	s IC L78M09T-TL
IC3	8-759-539-90	s IC LM2940SX-5.0
IC4	8-759-539-90	s IC LM2940SX-5.0
IC5	8-759-539-89	s IC LM2990SX-5.0
IC6	8-759-539-89	s IC LM2990SX-5.0
IC7	8-759-549-20	s IC SN74LV541APWR
IC8	8-759-549-20	s IC SN74LV541APWR
IC9	8-759-490-41	s IC TC74VHCT541AFT(EL)
IC10	8-759-549-20	s IC SN74LV541APWR
IC101	8-759-082-61	s IC TC4W53FU
IC102	8-759-058-64	s IC TC7S32FU-TE85R
IC103	8-759-082-61	s IC TC4W53FU
IC104	8-759-082-61	s IC TC4W53FU
IC105 *c	8-759-669-73	s IC TL082CPWR
*b	8-759-359-66	s IC TL082CPW (E05)
IC200	8-759-387-83	s IC MB40569PFV-RR

(VPR-62P BOARD(DSR-2000P))

Ref. No. or Q'ty	Part No.	SP Description
IC201	8-759-456-03	s IC M66256GP (E2)
IC202	8-759-456-03	s IC M66256GP (E2)
IC203	8-759-456-03	s IC M66256GP (E2)
IC204	8-759-513-76	s IC CXD8161AQ
IC205	8-759-058-58	s IC TC7S04FU-TE85R
IC206	8-759-058-64	s IC TC7S32FU-TE85R
IC207	8-752-363-60	s IC CXD2307R-T4
IC208 *c	8-759-669-73	s IC TL082CPWR
*b	8-759-359-66	s IC TL082CPW (E05)
IC209	8-752-052-73	s IC CXA1451M
IC210	8-752-052-73	s IC CXA1451M
IC211	8-752-052-73	s IC CXA1451M
IC300	8-752-339-04	s IC CXD2208Q
IC301	8-759-058-58	s IC TC7S04FU-TE85R
IC302	8-759-184-64	s IC TC4W66FU
IC303 *c	8-759-669-72	s IC TL064CPWR
*b	8-759-076-06	s IC TL064CPW
IC304 *c	8-759-669-73	s IC TL082CPWR
*b	8-759-359-66	s IC TL082CPW (E05)
IC305 *c	8-759-669-45	s IC TL062CPWR-12
*b	8-759-173-16	s IC TL062CPW
IC306	8-759-058-58	s IC TC7S04FU-TE85R
IC307	8-759-082-60	s IC TC7S66FU
IC308	8-759-520-55	s IC CXD8243AM
IC309	8-759-058-58	s IC TC7S04FU-TE85R
IC310	8-759-082-60	s IC TC7S66FU
IC400	8-759-523-01	s IC TC74HC4052AFT(EL)
IC401	8-759-490-41	s IC TC74VHCT541AFT(EL)
IC402 *c	8-759-669-74	s IC TL084CPWR-12
*b	8-759-287-54	s IC TL084CPW (E20)
IC403	8-759-640-14	s IC TK15420MTL
IC404	8-759-082-61	s IC TC4W53FU
IC405	8-759-523-95	s IC TC74VHC74FT(EL)
IC406	8-759-324-03	s IC HA17431UA(TL)
IC407	8-759-324-03	s IC HA17431UA(TL)
IC408	8-759-447-90	s IC TLC5733AIPM
IC409	8-752-376-32	s IC CXD2310AR
IC410	8-759-198-63	s IC S-81230SG-QB-T1
IC411	8-759-549-20	s IC SN74LV541APWR
IC412	8-759-549-20	s IC SN74LV541APWR
IC413	8-759-549-20	s IC SN74LV541APWR
IC414	8-759-196-97	s IC TC7SH32FU (TE85R)
IC415	8-759-196-97	s IC TC7SH32FU (TE85R)
IC416	8-759-196-96	s IC TC7SH08FU (TE85R)
IC500	8-759-549-20	s IC SN74LV541APWR
IC503	8-759-524-07	s IC TC74VHCL138FT(EL)
IC504	8-759-564-49	s IC TC7W53FU-TE12R
IC505	8-759-271-86	s IC TC7SH04FU
IC508	8-759-523-97	s IC TC74VHCL123AFT(EL)
IC509	8-759-987-27	s IC LM1881M
IC510	8-759-196-12	s IC SN74LS221DB
IC511	8-759-523-95	s IC TC74VHC74FT(EL)
IC512	8-759-082-57	s IC TC7W04FU
IC513	8-759-196-12	s IC SN74LS221DB
IC514	8-759-196-97	s IC TC7SH32FU (TE85R)
IC515	8-759-530-05	s IC TC4053BFT (EL.N)
IC516	8-759-083-94	s IC TC7W74FU
IC517	8-759-523-97	s IC TC74VHCL123AFT(EL)
IC518	8-759-082-61	s IC TC4W53FU
IC519	8-759-271-86	s IC TC7SH04FU

(VPR-62P BOARD(DSR-2000P))

Ref. No. or Q'ty	Part No.	SP	Description
IC520	8-759-196-96	s	IC TC7SH08FU (TE85R)
IC522	8-759-196-93	s	IC TC7SH00FU-TE85R
IC523	8-759-198-63	s	IC S-81230SG-QB-T1
IC524	8-759-524-19	s	IC TC74VHC164PT(EL)
IC525	8-759-343-09	s	IC CXD2193AR-ER
IC526	8-759-490-41	s	IC TC74VHCT541AFT(EL)
IC601	8-759-278-58	s	IC NJM4558V (TE2)
IC603	8-759-278-58	s	IC NJM4558V (TE2)
IC604	8-759-278-58	s	IC NJM4558V (TE2)
IC608	8-759-198-63	s	IC S-81230SG-QB-T1
IC609	8-752-363-60	s	IC CXD2307R-T4
IC610	8-752-052-82	s	IC CXA1432M
IC611	8-759-640-14	s	IC TK15420MTL
IC612	8-759-524-10	s	IC TC74VHC157PT(EL)
IC613	*2 8-759-196-97	s	IC TC7SH32FU (TE85R)
IC701	8-752-054-80	s	IC CXA1521M
IC702	8-752-054-80	s	IC CXA1521M
IC703	8-759-196-12	s	IC SN74LS221DB
IC704	*c 8-759-669-74	s	IC TL084CPWR-12
	*b 8-759-287-54	s	IC TL084CPW (E20)
IC705	8-759-082-61	s	IC TC4W53FU
IC706	8-759-082-61	s	IC TC4W53FU
IC707	*c 8-759-669-73	s	IC TL082CPWR
	*b 8-759-359-66	s	IC TL082CPW (E05)
IC708	8-752-090-56	s	IC CXA3178M-T4
IC709	8-752-061-02	s	IC CXA1450M
IC801	8-752-052-73	s	IC CXA1451M
IC802	8-759-640-14	s	IC TK15420MTL
IC803	8-759-082-61	s	IC TC4W53FU
IC804	8-752-052-73	s	IC CXA1451M
IC805	8-759-082-59	s	IC TC7W32FU
IC806	*c 8-759-669-74	s	IC TL084CPWR-12
	*b 8-759-287-54	s	IC TL084CPW (E20)
IC807	8-759-082-61	s	IC TC4W53FU
IC808	8-752-052-73	s	IC CXA1451M
IC901	8-759-082-57	s	IC TC7W04FU
IC903	8-759-523-02	s	IC TC74HC4053AFT(EL)
IC904	8-752-061-02	s	IC CXA1450M
IC905	*c 8-759-669-45	s	IC TL062CPWR-12
	*b 8-759-173-16	s	IC TL062CPW
IC906	*c 8-759-669-72	s	IC TL064CPWR-12
	*b 8-759-076-06	s	IC TL064CPW
IC907	8-752-052-73	s	IC CXA1451M
IC908	8-759-278-58	s	IC NJM4558V (TE2)
IC909	8-759-324-03	s	IC HA17431UA(TL)
IC910	8-759-987-27	s	IC LM1881M
IC911	8-759-248-78	s	IC MB88102PFV-G-BND-ER
IC912	8-759-523-97	s	IC TC74VHC123AFT(EL)
IC1001	8-759-082-61	s	IC TC4W53FU
IC1002	8-759-702-08	s	IC NJM360M
IC1003	8-752-335-47	s	IC CXD1216M
IC1004	8-759-523-02	s	IC TC74HC4053AFT(EL)
IC1005	8-759-058-58	s	IC TC7S04FU-TE85R
IC1006	8-759-271-86	s	IC TC7SH04FU
IC1008	8-752-414-92	s	IC CXD2309AQ-T6
IC1009*5	8-759-196-93	s	IC TC7SH00FU-TE85R
	*1 8-752-334-64	s	IC CXD1171M
IC1010	8-759-702-08	s	IC NJM360M
IC1011	8-759-271-88	s	IC TC7SHU04FU
IC1012	8-759-271-86	s	IC TC7SH04FU

(VPR-62P BOARD(DSR-2000P))

Ref. No. or Q'ty	Part No.	SP	Description
IC1014*5	8-759-196-93	s	IC TC7SH00FU-TE85R
IC1111*a	8-759-681-40	s	IC CXD9128AR
	*2 8-759-650-00	s	IC CXD9128R
IC1112*2	8-759-196-93	s	IC TC7SH00FU-TE85R
L1	1-414-400-11	s	INDUCTOR, 22UH
L2	1-424-641-11	s	COIL,CHOKE (SHIELD)
L3	1-424-641-11	s	COIL,CHOKE (SHIELD)
L4	1-414-400-11	s	INDUCTOR, 22UH
L5	1-414-400-11	s	INDUCTOR, 22UH
L6	1-414-400-11	s	INDUCTOR, 22UH
L7	1-414-400-11	s	INDUCTOR, 22UH
L8	1-414-400-11	s	INDUCTOR, 22UH
L101	1-414-398-11	s	INDUCTOR (SMD) 10UH
L102	1-414-398-11	s	INDUCTOR (SMD) 10UH
L103	1-414-398-11	s	INDUCTOR (SMD) 10UH
L200	1-414-394-11	s	INDUCTOR (SMD) 2.2UH
L201	1-414-398-11	s	INDUCTOR (SMD) 10UH
L202	1-410-372-21	s	CHIP INDUCTOR 1.8UH (3225)
L203	1-410-372-21	s	CHIP INDUCTOR 1.8UH (3225)
L204	1-410-372-21	s	CHIP INDUCTOR 1.8UH (3225)
L205	1-414-398-11	s	INDUCTOR (SMD) 10UH
L206	1-414-398-11	s	INDUCTOR (SMD) 10UH
L301	1-414-401-11	s	INDUCTOR (SMD) 33UH
L302	1-414-395-11	s	INDUCTOR (SMD) 3.3UH
L303	1-414-398-11	s	INDUCTOR (SMD) 10UH
L304	1-414-398-11	s	INDUCTOR (SMD) 10UH
L305	1-414-401-11	s	INDUCTOR (SMD) 33UH
L306	1-410-378-11	s	INDUCTOR,CHIP 5.6UH (3225)
L307	1-414-404-11	s	INDUCTOR (SMD) 100UH
L308	1-414-398-11	s	INDUCTOR (SMD) 10UH
L309	1-414-404-11	s	INDUCTOR (SMD) 100UH
L310	1-414-404-11	s	INDUCTOR (SMD) 100UH
L311	1-414-404-11	s	INDUCTOR (SMD) 100UH
L312	1-414-398-11	s	INDUCTOR (SMD) 10UH
L313	1-414-398-11	s	INDUCTOR (SMD) 10UH
L400	1-414-398-11	s	INDUCTOR (SMD) 10UH
L401	1-414-398-11	s	INDUCTOR (SMD) 10UH
L402	1-414-398-11	s	INDUCTOR (SMD) 10UH
L403	1-414-398-11	s	INDUCTOR (SMD) 10UH
L500	1-414-400-11	s	INDUCTOR, 22UH
L501	1-414-400-11	s	INDUCTOR, 22UH
L502	1-410-390-11	s	CHIP INDUCTOR 56UH (3225)
L503	1-410-655-31	s	INDUCTOR,CHIP 120UH (3225)
L504	1-414-398-11	s	INDUCTOR (SMD) 10UH
L506	1-414-398-11	s	INDUCTOR (SMD) 10UH
L601	1-414-400-11	s	INDUCTOR, 22UH
L602	1-414-400-11	s	INDUCTOR, 22UH
L603	1-414-400-11	s	INDUCTOR, 22UH
L604	1-414-400-11	s	INDUCTOR, 22UH
L605	1-414-400-11	s	INDUCTOR, 22UH
L606	1-414-400-11	s	INDUCTOR, 22UH
L607	1-414-398-11	s	INDUCTOR (SMD) 10UH
L608	1-414-398-11	s	INDUCTOR (SMD) 10UH
L609	1-414-400-11	s	INDUCTOR, 22UH
L610	1-414-401-11	s	INDUCTOR (SMD) 33UH
L611	1-414-400-11	s	INDUCTOR, 22UH
L612	1-414-400-11	s	INDUCTOR, 22UH
L613	1-414-401-11	s	INDUCTOR (SMD) 33UH
L701	1-414-400-11	s	INDUCTOR, 22UH

(VPR-62P BOARD(DSR-2000P))

Ref. No. or Q'ty	Part No.	SP Description
L702	1-414-400-11	s INDUCTOR, 22UH
L703	1-414-404-11	s INDUCTOR (SMD) 100UH
L704	1-414-400-11	s INDUCTOR, 22UH
L705	1-410-386-11	s CHIP INDUCTOR 27UH (3225)
L706	1-410-386-11	s CHIP INDUCTOR 27UH (3225)
L707	1-410-386-11	s CHIP INDUCTOR 27UH (3225)
L708	1-410-386-11	s CHIP INDUCTOR 27UH (3225)
L709	1-414-400-11	s INDUCTOR, 22UH
L710	1-414-400-11	s INDUCTOR, 22UH
L801	1-414-400-11	s INDUCTOR, 22UH
L802	1-414-400-11	s INDUCTOR, 22UH
L803	1-414-400-11	s INDUCTOR, 22UH
L804	1-414-404-11	s INDUCTOR (SMD) 100UH
L805	1-414-402-11	s INDUCTOR (SMD) 47UH
L806	1-414-401-11	s INDUCTOR (SMD) 33UH
L901	1-410-392-11	s CHIP INDUCTOR 82UH (3225)
L902	1-414-404-11	s INDUCTOR (SMD) 100UH
L903	1-414-403-11	s INDUCTOR, 68UH
L904	1-414-400-11	s INDUCTOR, 22UH
L905	1-414-400-11	s INDUCTOR, 22UH
L906	1-414-400-11	s INDUCTOR, 22UH
L907	1-414-400-11	s INDUCTOR, 22UH
L1001	1-414-400-11	s INDUCTOR, 22UH
L1002	1-414-400-11	s INDUCTOR, 22UH
L1003	1-410-386-11	s CHIP INDUCTOR 27UH (3225)
L1004	1-410-386-11	s CHIP INDUCTOR 27UH (3225)
L1005	1-414-400-11	s INDUCTOR, 22UH
L1006	1-414-400-11	s INDUCTOR, 22UH
L1007	1-414-398-11	s INDUCTOR (SMD) 10UH
L1008	*2 1-410-374-11	s INDUCTOR, CHIP 2.7UH
	*1 1-414-395-11	s INDUCTOR (SMD) 3.3UH
L1009	1-414-400-11	s INDUCTOR, 22UH
L1010	1-414-400-11	s INDUCTOR, 22UH
L1011	1-414-400-11	s INDUCTOR, 22UH
L1012	1-414-400-11	s INDUCTOR, 22UH
L1013	1-414-400-11	s INDUCTOR, 22UH
L1014	*2 1-414-400-11	s INDUCTOR, 22UH
LV505	1-411-275-21	s COIL, VARIABLE
PS1	Δ 1-576-124-11	s LINK IC 1A (3225)
PS2	Δ 1-533-282-21	s CIRCUIT PROTECTOR 2A (3225)
PS3	Δ 1-533-282-21	s CIRCUIT PROTECTOR 2A (3225)
PS4	Δ 1-533-282-21	s CIRCUIT PROTECTOR 2A (3225)
PS5	Δ 1-576-124-11	s LINK IC 1A (3225)
Q101	8-729-907-46	s TRANSISTOR IMZ1
Q103	8-729-117-32	s TRANSISTOR 2SC4177
Q104	8-729-140-63	s TRANSISTOR 2SA1611-M5M6
Q105	8-729-140-63	s TRANSISTOR 2SA1611-M5M6
Q106	8-729-117-32	s TRANSISTOR 2SC4177
Q107	8-729-117-32	s TRANSISTOR 2SC4177
Q108	*5 8-729-026-56	s TRANSISTOR FMS2A-T148
	*3 8-729-904-04	s TRANSISTOR FMS2
Q109	8-729-140-63	s TRANSISTOR 2SA1611-M5M6
Q110	8-729-117-72	s TRANSISTOR 2SC4178
Q111	8-729-907-46	s TRANSISTOR IMZ1
Q112	8-729-907-46	s TRANSISTOR IMZ1
Q113	8-729-117-72	s TRANSISTOR 2SC4178
Q114	8-729-117-32	s TRANSISTOR 2SC4177
Q115	8-729-117-72	s TRANSISTOR 2SC4178

(VPR-62P BOARD(DSR-2000P))

Ref. No. or Q'ty	Part No.	SP Description
Q116	*5 8-729-026-56	s TRANSISTOR FMS2A-T148
	*3 8-729-904-04	s TRANSISTOR FMS2
Q200	8-729-029-14	s TRANSISTOR DTC144EUA-T106
Q201	8-729-117-32	s TRANSISTOR 2SC4177
Q202	8-729-117-32	s TRANSISTOR 2SC4177
Q203	8-729-117-32	s TRANSISTOR 2SC4177
Q300	8-729-029-14	s TRANSISTOR DTC144EUA-T106
Q301	8-729-140-63	s TRANSISTOR 2SA1611-M5M6
Q302	8-729-117-32	s TRANSISTOR 2SC4177
Q303	8-729-117-32	s TRANSISTOR 2SC4177
Q304	8-729-117-32	s TRANSISTOR 2SC4177
Q305	8-729-140-63	s TRANSISTOR 2SA1611-M5M6
Q306	8-729-140-63	s TRANSISTOR 2SA1611-M5M6
Q307	8-729-140-63	s TRANSISTOR 2SA1611-M5M6
Q308	8-729-117-32	s TRANSISTOR 2SC4177
Q309	8-729-117-32	s TRANSISTOR 2SC4177
Q310	8-729-140-63	s TRANSISTOR 2SA1611-M5M6
Q311	8-729-029-14	s TRANSISTOR DTC144EUA-T106
Q312	8-729-140-63	s TRANSISTOR 2SA1611-M5M6
Q313	8-729-140-63	s TRANSISTOR 2SA1611-M5M6
Q315	8-729-140-63	s TRANSISTOR 2SA1611-M5M6
Q400	8-729-117-72	s TRANSISTOR 2SC4178
Q401	8-729-117-32	s TRANSISTOR 2SC4177
Q402	8-729-117-32	s TRANSISTOR 2SC4177
Q403	8-729-117-32	s TRANSISTOR 2SC4177
Q404	8-729-117-32	s TRANSISTOR 2SC4177
Q405	8-729-117-72	s TRANSISTOR 2SC4178
Q406	8-729-117-32	s TRANSISTOR 2SC4177
Q407	8-729-117-72	s TRANSISTOR 2SC4178
Q408	8-729-422-44	s TRANSISTOR 2SK663
Q409	8-729-422-44	s TRANSISTOR 2SK663
Q410	8-729-422-44	s TRANSISTOR 2SK663
Q411	8-729-422-44	s TRANSISTOR 2SK663
Q412	8-729-140-63	s TRANSISTOR 2SA1611-M5M6
Q413	8-729-140-63	s TRANSISTOR 2SA1611-M5M6
Q414	8-729-140-63	s TRANSISTOR 2SA1611-M5M6
Q415	8-729-117-32	s TRANSISTOR 2SC4177
Q416	8-729-117-32	s TRANSISTOR 2SC4177
Q417	8-729-117-72	s TRANSISTOR 2SC4178
Q418	8-729-117-72	s TRANSISTOR 2SC4178
Q419	8-729-117-72	s TRANSISTOR 2SC4178
Q420	8-729-117-72	s TRANSISTOR 2SC4178
Q421	8-729-140-63	s TRANSISTOR 2SA1611-M5M6
Q422	8-729-140-63	s TRANSISTOR 2SA1611-M5M6
Q501	8-729-117-32	s TRANSISTOR 2SC4177
Q502	8-729-117-32	s TRANSISTOR 2SC4177
Q503	8-729-140-63	s TRANSISTOR 2SA1611-M5M6
Q504	8-729-140-63	s TRANSISTOR 2SA1611-M5M6
Q601	8-729-117-32	s TRANSISTOR 2SC4177
Q602	8-729-117-32	s TRANSISTOR 2SC4177
Q603	8-729-140-63	s TRANSISTOR 2SA1611-M5M6
Q604	8-729-140-63	s TRANSISTOR 2SA1611-M5M6
Q605	8-729-117-32	s TRANSISTOR 2SC4177
Q606	8-729-140-63	s TRANSISTOR 2SA1611-M5M6
Q607	8-729-117-32	s TRANSISTOR 2SC4177
Q608	8-729-117-32	s TRANSISTOR 2SC4177
Q609	8-729-422-44	s TRANSISTOR 2SK663
Q610	8-729-422-44	s TRANSISTOR 2SK663
Q611	8-729-140-63	s TRANSISTOR 2SA1611-M5M6

(VPR-62P BOARD(DSR-2000P))

Ref. No. or Q'ty	Part No.	SP	Description
Q612	8-729-117-32	s	TRANSISTOR 2SC4177
Q613	8-729-140-63	s	TRANSISTOR 2SA1611-M5M6
Q614	8-729-117-32	s	TRANSISTOR 2SC4177
Q615	8-729-117-32	s	TRANSISTOR 2SC4177
Q616	8-729-422-44	s	TRANSISTOR 2SK663
Q617	8-729-422-44	s	TRANSISTOR 2SK663
Q618	8-729-140-63	s	TRANSISTOR 2SA1611-M5M6
Q619	8-729-029-14	s	TRANSISTOR DTC144EUA-T106
Q701	8-729-143-14	s	TRANSISTOR 2SC4176-B35
Q702	8-729-140-63	s	TRANSISTOR 2SA1611-M5M6
Q703	8-729-117-32	s	TRANSISTOR 2SC4177
Q704	8-729-140-63	s	TRANSISTOR 2SA1611-M5M6
Q705	8-729-117-32	s	TRANSISTOR 2SC4177
Q706	8-729-117-32	s	TRANSISTOR 2SC4177
Q707	8-729-117-32	s	TRANSISTOR 2SC4177
Q708	8-729-117-32	s	TRANSISTOR 2SC4177
Q709	8-729-117-32	s	TRANSISTOR 2SC4177
Q710	8-729-117-32	s	TRANSISTOR 2SC4177
Q711	8-729-143-14	s	TRANSISTOR 2SC4176-B35
Q712	8-729-903-82	s	TRANSISTOR FMW2
Q713	8-729-903-82	s	TRANSISTOR FMW2
Q801	8-729-904-41	s	TRANSISTOR FMY3
Q802	8-729-117-32	s	TRANSISTOR 2SC4177
Q803	8-729-143-14	s	TRANSISTOR 2SC4176-B35
Q804	8-729-117-32	s	TRANSISTOR 2SC4177
Q805	8-729-904-41	s	TRANSISTOR FMY3
Q806	8-729-143-14	s	TRANSISTOR 2SC4176-B35
Q807	8-729-140-63	s	TRANSISTOR 2SA1611-M5M6
Q808	8-729-117-32	s	TRANSISTOR 2SC4177
Q809	8-729-140-63	s	TRANSISTOR 2SA1611-M5M6
Q810	8-729-117-32	s	TRANSISTOR 2SC4177
Q811	8-729-117-32	s	TRANSISTOR 2SC4177
Q903	8-729-117-32	s	TRANSISTOR 2SC4177
Q905	8-729-117-32	s	TRANSISTOR 2SC4177
Q906	8-729-117-32	s	TRANSISTOR 2SC4177
Q907	8-729-904-41	s	TRANSISTOR FMY3
Q908	8-729-117-32	s	TRANSISTOR 2SC4177
Q909	8-729-117-32	s	TRANSISTOR 2SC4177
Q1001	8-729-117-32	s	TRANSISTOR 2SC4177
Q1002	8-729-117-32	s	TRANSISTOR 2SC4177
Q1003	8-729-029-14	s	TRANSISTOR DTC144EUA-T106
Q1004	*3 8-729-029-14	s	TRANSISTOR DTC144EUA-T106
Q1005	8-729-117-32	s	TRANSISTOR 2SC4177
Q1006	8-729-117-32	s	TRANSISTOR 2SC4177
Q1007	8-729-117-32	s	TRANSISTOR 2SC4177
Q1008	*1 8-729-117-32	s	TRANSISTOR 2SC4177
Q1009	8-729-029-14	s	TRANSISTOR DTC144EUA-T106
Q1010	8-729-140-63	s	TRANSISTOR 2SA1611-M5M6
Q1011	8-729-140-63	s	TRANSISTOR 2SA1611-M5M6
R1	1-216-833-11	s	RESISTOR,CHIP 10K 1/16W 1608
R2	*1 1-216-833-11	s	RESISTOR,CHIP 10K 1/16W 1608
R3	1-216-833-11	s	RESISTOR,CHIP 10K 1/16W 1608
R4	1-216-833-11	s	RESISTOR,CHIP 10K 1/16W 1608
R6	1-216-864-11	s	RESISTOR,CHIP 0 1/16W (1608)
R7	1-216-864-11	s	RESISTOR,CHIP 0 1/16W (1608)
R8	1-216-864-11	s	RESISTOR,CHIP 0 1/16W (1608)
R9	*2 1-216-864-11	s	RESISTOR,CHIP 0 1/16W (1608)
R10	*2 1-216-864-11	s	RESISTOR,CHIP 0 1/16W (1608)
R11	*2 1-216-864-11	s	RESISTOR,CHIP 0 1/16W (1608)

(VPR-62P BOARD(DSR-2000P))

Ref. No. or Q'ty	Part No.	SP	Description
R12	*4 1-216-296-91	s	CONDUCTOR,CHIP (3216)
R13	*4 1-216-296-91	s	CONDUCTOR,CHIP (3216)
R14	*4 1-216-296-91	s	CONDUCTOR,CHIP (3216)
R15	*4 1-216-296-91	s	CONDUCTOR,CHIP (3216)
R16	*4 1-216-296-91	s	CONDUCTOR,CHIP (3216)
R101	1-216-845-11	s	RESISTOR,CHIP 100K 1/16W(1608)
R102	1-218-847-11	s	RESISTOR, CHIP 1K 1/16W (1608)
R103	1-218-847-11	s	RESISTOR, CHIP 1K 1/16W (1608)
R104	1-216-826-11	s	RESISTOR,CHIP 2.7K 1/16W 1608
R109	1-216-829-11	s	RESISTOR, CHIP 4.7K 1/16W 1608
R110	1-216-809-11	s	RESISTOR,CHIP 100 1/16W 1608
R111	1-218-847-11	s	RESISTOR, CHIP 1K 1/16W (1608)
R112	1-218-823-11	s	RESISTOR,CHIP 100 1/16W (1608)
R113	1-218-847-11	s	RESISTOR, CHIP 1K 1/16W (1608)
R114	1-216-826-11	s	RESISTOR,CHIP 2.7K 1/16W 1608
R115	1-216-821-11	s	RESISTOR,CHIP 1.0K 1/16W(1608)
R116	1-216-809-11	s	RESISTOR,CHIP 100 1/16W 1608
R117	1-218-847-11	s	RESISTOR, CHIP 1K 1/16W (1608)
R118	1-216-826-11	s	RESISTOR,CHIP 2.7K 1/16W 1608
R119	1-216-809-11	s	RESISTOR,CHIP 100 1/16W 1608
R120	1-218-847-11	s	RESISTOR, CHIP 1K 1/16W (1608)
R121	1-218-847-11	s	RESISTOR, CHIP 1K 1/16W (1608)
R122	1-218-823-11	s	RESISTOR,CHIP 100 1/16W (1608)
R123	1-216-825-11	s	RESISTOR,CHIP 2.2K 1/16W 1608
R124	1-216-821-11	s	RESISTOR,CHIP 1.0K 1/16W(1608)
R125	1-216-819-11	s	RESISTOR,CHIP 680 1/16W 1608
R126	1-218-835-11	s	RESISTOR,CHIP 330 1/16W (1608)
R127	1-218-835-11	s	RESISTOR,CHIP 330 1/16W (1608)
R128	1-216-819-11	s	RESISTOR,CHIP 680 1/16W 1608
R129	1-218-847-11	s	RESISTOR, CHIP 1K 1/16W (1608)
R130	1-218-847-11	s	RESISTOR, CHIP 1K 1/16W (1608)
R131	1-216-809-11	s	RESISTOR,CHIP 100 1/16W 1608
R132	1-216-809-11	s	RESISTOR,CHIP 100 1/16W 1608
R133	1-216-821-11	s	RESISTOR,CHIP 1.0K 1/16W(1608)
R134	1-216-821-11	s	RESISTOR,CHIP 1.0K 1/16W(1608)
R135	1-216-821-11	s	RESISTOR,CHIP 1.0K 1/16W(1608)
R136	1-216-821-11	s	RESISTOR,CHIP 1.0K 1/16W(1608)
R137	1-218-837-11	s	RESISTOR,CHIP 390 1/16W (1608)
R138	1-216-825-11	s	RESISTOR,CHIP 2.2K 1/16W 1608
R139	1-216-815-11	s	RESISTOR,CHIP 330 1/16W 1608
R140	1-216-829-11	s	RESISTOR, CHIP 4.7K 1/16W 1608
R141	1-216-821-11	s	RESISTOR,CHIP 1.0K 1/16W(1608)
R142	1-216-829-11	s	RESISTOR, CHIP 4.7K 1/16W 1608
R143	1-216-825-11	s	RESISTOR,CHIP 2.2K 1/16W 1608
R144	1-216-809-11	s	RESISTOR,CHIP 100 1/16W 1608
R145	1-216-829-11	s	RESISTOR, CHIP 4.7K 1/16W 1608
R146	1-216-821-11	s	RESISTOR,CHIP 1.0K 1/16W(1608)
R147	1-216-857-11	s	RESISTOR, CHIP 1.0M 1/16W 1608
R148	1-216-825-11	s	RESISTOR,CHIP 2.2K 1/16W 1608
R149	1-216-829-11	s	RESISTOR, CHIP 4.7K 1/16W 1608
R150	1-216-821-11	s	RESISTOR,CHIP 1.0K 1/16W(1608)
R151	1-218-847-11	s	RESISTOR, CHIP 1K 1/16W (1608)
R201	1-216-805-11	s	RESISTOR,CHIP 47 1/16W 1608
R203	1-216-833-11	s	RESISTOR,CHIP 10K 1/16W 1608
R204	1-216-833-11	s	RESISTOR,CHIP 10K 1/16W 1608
R205	1-216-841-11	s	RESISTOR, CHIP 47K 1/16W 1608
R206	1-218-859-11	s	RESISTOR,CHIP 3.3K 1/16W(1608)
R207	1-218-859-11	s	RESISTOR,CHIP 3.3K 1/16W(1608)
R208	1-218-859-11	s	RESISTOR,CHIP 3.3K 1/16W(1608)

(VPR-62P BOARD(DSR-2000P))

Ref. No. or Q'ty	Part No.	SP Description
R209	1-216-837-11	s RESISTOR,CHIP 22K 1/16W 1608
R210	1-216-829-11	s RESISTOR, CHIP 4.7K 1/16W 1608
R211	1-216-833-11	s RESISTOR,CHIP 10K 1/16W 1608
R212	1-216-839-11	s RESISTOR,CHIP 33K 1/16W 1608
R213	1-216-832-11	s RESISTOR,CHIP 8.2K 1/16W 1608
R214	1-218-883-11	s RESISTOR,CHIP 33K 1/16W (1608)
R216	1-218-879-11	s RESISTOR,CHIP 22K 1/16W (1608)
R217	1-218-863-11	s RESISTOR,CHIP 4.7K 1/16W(1608)
R218	1-218-831-11	s RESISTOR, CHIP 220 1/16W(1608)
R219	1-218-831-11	s RESISTOR, CHIP 220 1/16W(1608)
R220	1-218-831-11	s RESISTOR, CHIP 220 1/16W(1608)
R221	1-218-831-11	s RESISTOR, CHIP 220 1/16W(1608)
R222	1-218-831-11	s RESISTOR, CHIP 220 1/16W(1608)
R223	1-218-831-11	s RESISTOR, CHIP 220 1/16W(1608)
R224	1-216-821-11	s RESISTOR,CHIP 1.0K 1/16W(1608)
R225	1-216-821-11	s RESISTOR,CHIP 1.0K 1/16W(1608)
R226	1-216-821-11	s RESISTOR,CHIP 1.0K 1/16W(1608)
R227	1-218-835-11	s RESISTOR,CHIP 330 1/16W (1608)
R229	1-218-835-11	s RESISTOR,CHIP 330 1/16W (1608)
R230	1-218-835-11	s RESISTOR,CHIP 330 1/16W (1608)
R231	1-218-835-11	s RESISTOR,CHIP 330 1/16W (1608)
R232	1-218-835-11	s RESISTOR,CHIP 330 1/16W (1608)
R233	1-218-835-11	s RESISTOR,CHIP 330 1/16W (1608)
R235	*2 1-216-864-11	s RESISTOR,CHIP 0 1/16W (1608)
R236	*2 1-216-864-11	s RESISTOR,CHIP 0 1/16W (1608)
R237	*2 1-216-864-11	s RESISTOR,CHIP 0 1/16W (1608)
R238	*2 1-216-864-11	s RESISTOR,CHIP 0 1/16W (1608)
R239	*2 1-216-864-11	s RESISTOR,CHIP 0 1/16W (1608)
R240	*2 1-216-864-11	s RESISTOR,CHIP 0 1/16W (1608)
R241	*2 1-216-864-11	s RESISTOR,CHIP 0 1/16W (1608)
R300	1-216-833-11	s RESISTOR,CHIP 10K 1/16W 1608
R301	1-216-833-11	s RESISTOR,CHIP 10K 1/16W 1608
R302	1-216-821-11	s RESISTOR,CHIP 1.0K 1/16W(1608)
R303	1-218-849-11	s RESISTOR,CHIP 1.2K 1/16W(1608)
R304	1-216-825-11	s RESISTOR,CHIP 2.2K 1/16W 1608
R305	1-216-825-11	s RESISTOR,CHIP 2.2K 1/16W 1608
R306	1-216-825-11	s RESISTOR,CHIP 2.2K 1/16W 1608
R307	1-216-833-11	s RESISTOR,CHIP 10K 1/16W 1608
R308	1-216-833-11	s RESISTOR,CHIP 10K 1/16W 1608
R309	1-216-821-11	s RESISTOR,CHIP 1.0K 1/16W(1608)
R310	1-216-821-11	s RESISTOR,CHIP 1.0K 1/16W(1608)
R311	1-216-821-11	s RESISTOR,CHIP 1.0K 1/16W(1608)
R312	1-216-821-11	s RESISTOR,CHIP 1.0K 1/16W(1608)
R313	1-216-845-11	s RESISTOR,CHIP 100K 1/16W(1608)
R314	1-216-809-11	s RESISTOR,CHIP 100 1/16W 1608
R315	1-216-821-11	s RESISTOR,CHIP 1.0K 1/16W(1608)
R316	1-216-829-11	s RESISTOR, CHIP 4.7K 1/16W 1608
R317	1-216-821-11	s RESISTOR,CHIP 1.0K 1/16W(1608)
R318	1-218-842-11	s RESISTOR,CHIP 620 1/16W (1608)
R319	1-216-825-11	s RESISTOR,CHIP 2.2K 1/16W 1608
R320	1-216-825-11	s RESISTOR,CHIP 2.2K 1/16W 1608
R321	1-216-819-11	s RESISTOR,CHIP 680 1/16W 1608
R322	1-216-829-11	s RESISTOR, CHIP 4.7K 1/16W 1608
R323	1-216-857-11	s RESISTOR, CHIP 1.0M 1/16W 1608
R324	1-216-855-11	s RESISTOR, CHIP 680K 1/16W 1608
R325	1-216-855-11	s RESISTOR, CHIP 680K 1/16W 1608
R326	1-218-863-11	s RESISTOR,CHIP 4.7K 1/16W(1608)
R327	1-216-833-11	s RESISTOR,CHIP 10K 1/16W 1608
R328	1-218-907-11	s RESISTOR,CHIP 330K 1/16W(1608)

(VPR-62P BOARD(DSR-2000P))

Ref. No. or Q'ty	Part No.	SP Description
R329	1-218-907-11	s RESISTOR,CHIP 330K 1/16W(1608)
R330	1-218-863-11	s RESISTOR,CHIP 4.7K 1/16W(1608)
R331	1-216-841-11	s RESISTOR, CHIP 47K 1/16W 1608
R332	1-216-841-11	s RESISTOR, CHIP 47K 1/16W 1608
R333	1-216-839-11	s RESISTOR,CHIP 33K 1/16W 1608
R334	1-216-839-11	s RESISTOR,CHIP 33K 1/16W 1608
R335	1-216-821-11	s RESISTOR,CHIP 1.0K 1/16W(1608)
R336	1-218-903-11	s RESISTOR,CHIP 220K 1/16W(1608)
R337	1-216-829-11	s RESISTOR, CHIP 4.7K 1/16W 1608
R338	1-216-821-11	s RESISTOR,CHIP 1.0K 1/16W(1608)
R339	1-218-866-11	s RESISTOR,CHIP 6.2K 1/16W(1608)
R340	1-218-830-11	s RESISTOR,CHIP 200 1/16W (1608)
R341	1-218-859-11	s RESISTOR,CHIP 3.3K 1/16W(1608)
R342	1-218-863-11	s RESISTOR,CHIP 4.7K 1/16W(1608)
R343	1-216-809-11	s RESISTOR,CHIP 100 1/16W 1608
R344	1-216-839-11	s RESISTOR,CHIP 33K 1/16W 1608
R345	1-216-829-11	s RESISTOR, CHIP 4.7K 1/16W 1608
R346	1-216-855-11	s RESISTOR, CHIP 680K 1/16W 1608
R348	1-216-845-11	s RESISTOR,CHIP 100K 1/16W(1608)
R349	1-216-845-11	s RESISTOR,CHIP 100K 1/16W(1608)
R350	1-216-805-11	s RESISTOR,CHIP 47 1/16W 1608
R351	1-216-803-11	s RESISTOR,CHIP 33 1/16W 1608
R355	1-216-821-11	s RESISTOR,CHIP 1.0K 1/16W(1608)
R356	1-216-863-11	s RESISTOR,CHIP 3.3M 1/16W 1608
R357	1-218-871-11	s RESISTOR,CHIP 10K 1/16W (1608)
R358	1-218-871-11	s RESISTOR,CHIP 10K 1/16W (1608)
R359	1-216-809-11	s RESISTOR,CHIP 100 1/16W 1608
R360	1-216-821-11	s RESISTOR,CHIP 1.0K 1/16W(1608)
R362	1-216-864-11	s RESISTOR,CHIP 0 1/16W (1608)
R363	1-216-864-11	s RESISTOR,CHIP 0 1/16W (1608)
R368	1-216-805-11	s RESISTOR,CHIP 47 1/16W 1608
R369	1-216-805-11	s RESISTOR,CHIP 47 1/16W 1608
R400	1-216-821-11	s RESISTOR,CHIP 1.0K 1/16W(1608)
R401	1-218-835-11	s RESISTOR,CHIP 330 1/16W (1608)
R402	1-216-821-11	s RESISTOR,CHIP 1.0K 1/16W(1608)
R403	1-216-821-11	s RESISTOR,CHIP 1.0K 1/16W(1608)
R404	1-216-821-11	s RESISTOR,CHIP 1.0K 1/16W(1608)
R405	1-216-821-11	s RESISTOR,CHIP 1.0K 1/16W(1608)
R406	1-216-829-11	s RESISTOR, CHIP 4.7K 1/16W 1608
R407	1-216-829-11	s RESISTOR, CHIP 4.7K 1/16W 1608
R408	1-216-815-11	s RESISTOR,CHIP 330 1/16W 1608
R409	1-216-815-11	s RESISTOR,CHIP 330 1/16W 1608
R410	1-218-855-11	s RESISTOR,CHIP 2.2K 1/16W(1608)
R411	1-216-815-11	s RESISTOR,CHIP 330 1/16W 1608
R412	1-216-829-11	s RESISTOR, CHIP 4.7K 1/16W 1608
R413	1-216-809-11	s RESISTOR,CHIP 100 1/16W 1608
R414	1-216-821-11	s RESISTOR,CHIP 1.0K 1/16W(1608)
R415	1-216-829-11	s RESISTOR, CHIP 4.7K 1/16W 1608
R416	1-216-809-11	s RESISTOR,CHIP 100 1/16W 1608
R417	1-216-809-11	s RESISTOR,CHIP 100 1/16W 1608
R418	1-216-809-11	s RESISTOR,CHIP 100 1/16W 1608
R419	1-216-821-11	s RESISTOR,CHIP 1.0K 1/16W(1608)
R420	1-216-825-11	s RESISTOR,CHIP 2.2K 1/16W 1608
R421	1-216-825-11	s RESISTOR,CHIP 2.2K 1/16W 1608
R422	1-218-835-11	s RESISTOR,CHIP 330 1/16W (1608)
R423	1-216-821-11	s RESISTOR,CHIP 1.0K 1/16W(1608)
R424	1-218-835-11	s RESISTOR,CHIP 330 1/16W (1608)
R425	1-216-821-11	s RESISTOR,CHIP 1.0K 1/16W(1608)
R426	1-218-852-11	s RESISTOR,CHIP 1.6K 1/16W(1608)

(VPR-62P BOARD(DSR-2000P))

Ref. No. or Q'ty	Part No.	SP	Description
R427	1-218-847-11	s	RESISTOR, CHIP 1K 1/16W (1608)
R428	1-218-852-11	s	RESISTOR, CHIP 1.6K 1/16W(1608)
R429	1-218-847-11	s	RESISTOR, CHIP 1K 1/16W (1608)
R430	1-218-858-11	s	RESISTOR, CHIP 3K 1/16W (1608)
R431	1-218-858-11	s	RESISTOR, CHIP 3K 1/16W (1608)
R432	1-216-845-11	s	RESISTOR,CHIP 100K 1/16W(1608)
R433	1-216-857-11	s	RESISTOR, CHIP 1.0M 1/16W 1608
R434	1-218-855-11	s	RESISTOR,CHIP 2.2K 1/16W(1608)
R435	1-216-809-11	s	RESISTOR,CHIP 100 1/16W 1608
R436	1-216-825-11	s	RESISTOR,CHIP 2.2K 1/16W 1608
R437	1-216-809-11	s	RESISTOR,CHIP 100 1/16W 1608
R438	1-216-821-11	s	RESISTOR,CHIP 1.0K 1/16W(1608)
R439	1-216-821-11	s	RESISTOR,CHIP 1.0K 1/16W(1608)
R440	1-218-863-11	s	RESISTOR,CHIP 4.7K 1/16W(1608)
R441	1-218-859-11	s	RESISTOR,CHIP 3.3K 1/16W(1608)
R442	1-216-809-11	s	RESISTOR,CHIP 100 1/16W 1608
R443	1-216-833-11	s	RESISTOR,CHIP 10K 1/16W 1608
R444	1-218-849-11	s	RESISTOR,CHIP 1.2K 1/16W(1608)
R445	1-218-849-11	s	RESISTOR,CHIP 1.2K 1/16W(1608)
R446	1-216-809-11	s	RESISTOR,CHIP 100 1/16W 1608
R447	1-218-878-11	s	RESISTOR,CHIP 20K 1/16W (1608)
R448	1-218-878-11	s	RESISTOR,CHIP 20K 1/16W (1608)
R449	1-216-809-11	s	RESISTOR,CHIP 100 1/16W 1608
R450	1-218-873-11	s	RESISTOR,CHIP 12K 1/16W (1608)
R451	1-218-878-11	s	RESISTOR,CHIP 20K 1/16W (1608)
R452	1-216-809-11	s	RESISTOR,CHIP 100 1/16W 1608
R453	1-216-809-11	s	RESISTOR,CHIP 100 1/16W 1608
R454	1-218-849-11	s	RESISTOR,CHIP 1.2K 1/16W(1608)
R455	*5 1-216-864-11	s	RESISTOR,CHIP 0 1/16W (1608)
R456	*5 1-216-864-11	s	RESISTOR,CHIP 0 1/16W (1608)
R474	1-216-803-11	s	RESISTOR,CHIP 33 1/16W 1608
R475	1-216-864-11	s	RESISTOR,CHIP 0 1/16W (1608)
R476	1-216-864-11	s	RESISTOR,CHIP 0 1/16W (1608)
R477	1-216-864-11	s	RESISTOR,CHIP 0 1/16W (1608)
R479	1-216-803-11	s	RESISTOR,CHIP 33 1/16W 1608
R480	1-216-804-11	s	RESISTOR,CHIP 39 1/16W 1608
R483	*2 1-216-864-11	s	RESISTOR,CHIP 0 1/16W (1608)
R501	*2 1-216-864-11	s	RESISTOR,CHIP 0 1/16W (1608)
R502	1-216-864-11	s	RESISTOR,CHIP 0 1/16W (1608)
R504	1-216-864-11	s	RESISTOR,CHIP 0 1/16W (1608)
R507	1-216-864-11	s	RESISTOR,CHIP 0 1/16W (1608)
R516	1-216-826-11	s	RESISTOR,CHIP 2.7K 1/16W 1608
R521	1-216-845-11	s	RESISTOR,CHIP 100K 1/16W(1608)
R523	1-216-830-11	s	RESISTOR,CHIP 5.6K 1/16W 1608
R524	1-216-848-11	s	RESISTOR,CHIP 180K 1/16 (1608)
R525	1-216-821-11	s	RESISTOR,CHIP 1.0K 1/16W(1608)
R526	1-216-829-11	s	RESISTOR, CHIP 4.7K 1/16W 1608
R527	1-216-855-11	s	RESISTOR, CHIP 680K 1/16W 1608
R528	1-216-848-11	s	RESISTOR,CHIP 180K 1/16 (1608)
R529	1-216-834-11	s	RESISTOR,CHIP 12K 1/16W 1608
R530	1-216-837-11	s	RESISTOR,CHIP 22K 1/16W 1608
R531	1-216-833-11	s	RESISTOR,CHIP 10K 1/16W 1608
R532	1-216-833-11	s	RESISTOR,CHIP 10K 1/16W 1608
R533	1-218-892-11	s	RESISTOR,CHIP 75K 1/16W (1608)
R534	1-216-853-11	s	RESISTOR,CHIP 470K 1/16W(1608)
R535	1-216-853-11	s	RESISTOR,CHIP 470K 1/16W(1608)
R536	1-218-889-11	s	RESISTOR,CHIP 56K 1/16W(1608)
R538	1-216-837-11	s	RESISTOR,CHIP 22K 1/16W 1608
R539	1-216-817-11	s	RESISTOR,CHIP 470 1/16W 1608

(VPR-62P BOARD(DSR-2000P))

Ref. No. or Q'ty	Part No.	SP	Description
R540	1-216-821-11	s	RESISTOR,CHIP 1.0K 1/16W(1608)
R541	1-216-817-11	s	RESISTOR,CHIP 470 1/16W 1608
R542	1-216-821-11	s	RESISTOR,CHIP 1.0K 1/16W(1608)
R543	1-216-829-11	s	RESISTOR, CHIP 4.7K 1/16W 1608
R544	1-216-814-11	s	RESISTOR,CHIP 270 1/16W 1608
R545	1-216-829-11	s	RESISTOR, CHIP 4.7K 1/16W 1608
R546	1-216-864-11	s	RESISTOR,CHIP 0 1/16W (1608)
R548	1-216-864-11	s	RESISTOR,CHIP 0 1/16W (1608)
R549	1-216-829-11	s	RESISTOR, CHIP 4.7K 1/16W 1608
R550	1-216-814-11	s	RESISTOR,CHIP 270 1/16W 1608
R551	1-216-829-11	s	RESISTOR, CHIP 4.7K 1/16W 1608
R552	1-216-839-11	s	RESISTOR,CHIP 33K 1/16W 1608
R553	1-216-839-11	s	RESISTOR,CHIP 33K 1/16W 1608
R554	1-216-864-11	s	RESISTOR,CHIP 0 1/16W (1608)
R556	1-216-864-11	s	RESISTOR,CHIP 0 1/16W (1608)
R557	1-216-855-11	s	RESISTOR, CHIP 680K 1/16W 1608
R558	1-216-839-11	s	RESISTOR,CHIP 33K 1/16W 1608
R559	1-216-839-11	s	RESISTOR,CHIP 33K 1/16W 1608
R560	1-216-805-11	s	RESISTOR,CHIP 47 1/16W 1608
R561	1-216-864-11	s	RESISTOR,CHIP 0 1/16W (1608)
R562	1-216-864-11	s	RESISTOR,CHIP 0 1/16W (1608)
R563	1-216-839-11	s	RESISTOR,CHIP 33K 1/16W 1608
R564	1-216-821-11	s	RESISTOR,CHIP 1.0K 1/16W(1608)
R565	1-216-833-11	s	RESISTOR,CHIP 10K 1/16W 1608
R568	1-216-864-11	s	RESISTOR,CHIP 0 1/16W (1608)
R569	1-216-864-11	s	RESISTOR,CHIP 0 1/16W (1608)
R570	1-216-839-11	s	RESISTOR,CHIP 33K 1/16W 1608
R572	1-216-803-11	s	RESISTOR,CHIP 33 1/16W 1608
R573	1-216-803-11	s	RESISTOR,CHIP 33 1/16W 1608
R574	1-216-803-11	s	RESISTOR,CHIP 33 1/16W 1608
R575	1-216-803-11	s	RESISTOR,CHIP 33 1/16W 1608
R576	1-216-803-11	s	RESISTOR,CHIP 33 1/16W 1608
R601	1-216-864-11	s	RESISTOR,CHIP 0 1/16W (1608)
R602	1-216-817-11	s	RESISTOR,CHIP 470 1/16W 1608
R603	1-218-863-11	s	RESISTOR,CHIP 4.7K 1/16W(1608)
R604	1-216-833-11	s	RESISTOR,CHIP 10K 1/16W 1608
R605	1-218-861-11	s	RESISTOR,CHIP 3.9K 1/16W(1608)
R606	1-216-833-11	s	RESISTOR,CHIP 10K 1/16W 1608
R607	1-218-871-11	s	RESISTOR,CHIP 10K 1/16W (1608)
R608	1-218-848-11	s	RESISTOR,CHIP 1.1K 1/16W(1608)
R609	1-218-864-11	s	RESISTOR,CHIP 5.1K 1/16W(1608)
R610	1-218-864-11	s	RESISTOR,CHIP 5.1K 1/16W(1608)
R611	1-216-822-11	s	RESISTOR, CHIP 1.2K 1/16W 1608
R612	1-216-822-11	s	RESISTOR, CHIP 1.2K 1/16W 1608
R613	1-218-871-11	s	RESISTOR,CHIP 10K 1/16W (1608)
R614	1-216-833-11	s	RESISTOR,CHIP 10K 1/16W 1608
R615	1-216-825-11	s	RESISTOR,CHIP 2.2K 1/16W 1608
R616	1-216-828-11	s	RESISTOR, CHIP 3.9K 1/16W 1608
R617	1-218-871-11	s	RESISTOR,CHIP 10K 1/16W (1608)
R618	1-216-839-11	s	RESISTOR,CHIP 33K 1/16W 1608
R619	1-216-833-11	s	RESISTOR,CHIP 10K 1/16W 1608
R620	1-216-833-11	s	RESISTOR,CHIP 10K 1/16W 1608
R621	1-216-839-11	s	RESISTOR,CHIP 33K 1/16W 1608
R622	1-216-857-11	s	RESISTOR, CHIP 1.0M 1/16W 1608
R623	1-216-857-11	s	RESISTOR, CHIP 1.0M 1/16W 1608
R624	1-216-839-11	s	RESISTOR,CHIP 33K 1/16W 1608
R625	1-216-839-11	s	RESISTOR,CHIP 33K 1/16W 1608
R626	1-216-823-11	s	RESISTOR, CHIP 1.5K 1/16W
R627	1-216-823-11	s	RESISTOR, CHIP 1.5K 1/16W

(VPR-62P BOARD(DSR-2000P))

Ref. No. or Q'ty	Part No.	SP Description
R628	1-218-871-11	s RESISTOR,CHIP 10K 1/16W (1608)
R629	1-216-833-11	s RESISTOR,CHIP 10K 1/16W 1608
R630	1-216-837-11	s RESISTOR,CHIP 22K 1/16W 1608
R631	1-216-857-11	s RESISTOR, CHIP 1.0M 1/16W 1608
R632	1-216-839-11	s RESISTOR,CHIP 33K 1/16W 1608
R633	1-216-805-11	s RESISTOR,CHIP 47 1/16W 1608
R634	1-216-805-11	s RESISTOR,CHIP 47 1/16W 1608
R635	1-216-805-11	s RESISTOR,CHIP 47 1/16W 1608
R636	1-218-857-11	s RESISTOR,CHIP 2.7K 1/16W(1608)
R637	1-218-882-11	s RESISTOR, CHIP 30K 1/16W(1608)
R638	1-218-874-11	s RESISTOR,CHIP 13K 1/16W (1608)
R639	1-218-835-11	s RESISTOR,CHIP 330 1/16W (1608)
R640	1-218-835-11	s RESISTOR,CHIP 330 1/16W (1608)
R641	1-218-835-11	s RESISTOR,CHIP 330 1/16W (1608)
R642	1-218-835-11	s RESISTOR,CHIP 330 1/16W (1608)
R643	1-218-835-11	s RESISTOR,CHIP 330 1/16W (1608)
R644	1-218-835-11	s RESISTOR,CHIP 330 1/16W (1608)
R645	1-216-821-11	s RESISTOR,CHIP 1.0K 1/16W(1608)
R646	1-216-821-11	s RESISTOR,CHIP 1.0K 1/16W(1608)
R647	1-216-821-11	s RESISTOR,CHIP 1.0K 1/16W(1608)
R648	1-216-821-11	s RESISTOR,CHIP 1.0K 1/16W(1608)
R649	1-216-809-11	s RESISTOR,CHIP 100 1/16W 1608
R650	1-216-821-11	s RESISTOR,CHIP 1.0K 1/16W(1608)
R651	1-216-821-11	s RESISTOR,CHIP 1.0K 1/16W(1608)
R652	1-218-849-11	s RESISTOR,CHIP 1.2K 1/16W(1608)
R653	1-216-829-11	s RESISTOR, CHIP 4.7K 1/16W 1608
R654	1-216-809-11	s RESISTOR,CHIP 100 1/16W 1608
R655	1-216-821-11	s RESISTOR,CHIP 1.0K 1/16W(1608)
R656	1-216-821-11	s RESISTOR,CHIP 1.0K 1/16W(1608)
R657	1-216-821-11	s RESISTOR,CHIP 1.0K 1/16W(1608)
R658	1-218-835-11	s RESISTOR,CHIP 330 1/16W (1608)
R659	1-216-809-11	s RESISTOR,CHIP 100 1/16W 1608
R660	1-216-829-11	s RESISTOR, CHIP 4.7K 1/16W 1608
R661	1-218-829-11	s RESISTOR,CHIP 180 1/16W (1608)
R662	1-218-836-11	s RESISTOR,CHIP 360 1/16W (1608)
R663	1-218-840-11	s RESISTOR,CHIP 510 1/16W (1608)
R664	1-218-840-11	s RESISTOR,CHIP 510 1/16W (1608)
R665	1-211-990-11	s RESISTOR,CHIP 75 1/16W (1608)
R666	1-216-809-11	s RESISTOR,CHIP 100 1/16W 1608
R667	1-216-821-11	s RESISTOR,CHIP 1.0K 1/16W(1608)
R668	1-216-821-11	s RESISTOR,CHIP 1.0K 1/16W(1608)
R669	1-218-849-11	s RESISTOR,CHIP 1.2K 1/16W(1608)
R670	1-216-829-11	s RESISTOR, CHIP 4.7K 1/16W 1608
R671	1-216-809-11	s RESISTOR,CHIP 100 1/16W 1608
R672	1-216-821-11	s RESISTOR,CHIP 1.0K 1/16W(1608)
R673	1-216-821-11	s RESISTOR,CHIP 1.0K 1/16W(1608)
R674	1-216-821-11	s RESISTOR,CHIP 1.0K 1/16W(1608)
R675	1-218-835-11	s RESISTOR,CHIP 330 1/16W (1608)
R676	1-216-809-11	s RESISTOR,CHIP 100 1/16W 1608
R677	1-216-829-11	s RESISTOR, CHIP 4.7K 1/16W 1608
R678	1-218-829-11	s RESISTOR,CHIP 180 1/16W (1608)
R679	1-218-836-11	s RESISTOR,CHIP 360 1/16W (1608)
R680	1-218-840-11	s RESISTOR,CHIP 510 1/16W (1608)
R681	1-218-840-11	s RESISTOR,CHIP 510 1/16W (1608)
R682	1-211-990-11	s RESISTOR,CHIP 75 1/16W (1608)
R683	1-216-839-11	s RESISTOR,CHIP 33K 1/16W 1608
R684	*2 1-216-864-11	s RESISTOR,CHIP 0 1/16W (1608)
R685	*2 1-216-805-11	s RESISTOR,CHIP 47 1/16W 1608
R686	*2 1-216-805-11	s RESISTOR,CHIP 47 1/16W 1608

(VPR-62P BOARD(DSR-2000P))

Ref. No. or Q'ty	Part No.	SP Description
R687	*2 1-216-805-11	s RESISTOR,CHIP 47 1/16W 1608
R688	*2 1-216-805-11	s RESISTOR,CHIP 47 1/16W 1608
R689	*2 1-216-805-11	s RESISTOR,CHIP 47 1/16W 1608
R690	*2 1-216-805-11	s RESISTOR,CHIP 47 1/16W 1608
R691	*5 1-216-864-11	s RESISTOR,CHIP 0 1/16W (1608)
R701	1-218-847-11	s RESISTOR, CHIP 1K 1/16W (1608)
R702	1-216-841-11	s RESISTOR, CHIP 47K 1/16W 1608
R703	1-218-847-11	s RESISTOR, CHIP 1K 1/16W (1608)
R704	1-218-839-11	s RESISTOR,CHIP 470 1/16W (1608)
R705	1-218-835-11	s RESISTOR,CHIP 330 1/16W (1608)
R706	1-218-871-11	s RESISTOR,CHIP 10K 1/16W (1608)
R707	1-216-834-11	s RESISTOR,CHIP 12K 1/16W 1608
R708	1-216-837-11	s RESISTOR,CHIP 22K 1/16W 1608
R709	1-216-834-11	s RESISTOR,CHIP 12K 1/16W 1608
R710	1-216-837-11	s RESISTOR,CHIP 22K 1/16W 1608
R712	1-216-857-11	s RESISTOR, CHIP 1.0M 1/16W 1608
R713	1-216-857-11	s RESISTOR, CHIP 1.0M 1/16W 1608
R714	1-216-821-11	s RESISTOR,CHIP 1.0K 1/16W(1608)
R715	1-216-821-11	s RESISTOR,CHIP 1.0K 1/16W(1608)
R716	1-218-878-11	s RESISTOR,CHIP 20K 1/16W (1608)
R717	1-216-821-11	s RESISTOR,CHIP 1.0K 1/16W(1608)
R718	1-216-841-11	s RESISTOR, CHIP 47K 1/16W 1608
R719	1-216-821-11	s RESISTOR,CHIP 1.0K 1/16W(1608)
R720	1-216-841-11	s RESISTOR, CHIP 47K 1/16W 1608
R721	1-216-821-11	s RESISTOR,CHIP 1.0K 1/16W(1608)
R722	1-216-821-11	s RESISTOR,CHIP 1.0K 1/16W(1608)
R723	1-216-829-11	s RESISTOR, CHIP 4.7K 1/16W 1608
R724	1-216-829-11	s RESISTOR, CHIP 4.7K 1/16W 1608
R725	1-216-821-11	s RESISTOR,CHIP 1.0K 1/16W(1608)
R726	1-216-821-11	s RESISTOR,CHIP 1.0K 1/16W(1608)
R727	1-216-821-11	s RESISTOR,CHIP 1.0K 1/16W(1608)
R728	1-216-837-11	s RESISTOR,CHIP 22K 1/16W 1608
R729	1-216-833-11	s RESISTOR,CHIP 10K 1/16W 1608
R730	1-216-821-11	s RESISTOR,CHIP 1.0K 1/16W(1608)
R731	1-216-837-11	s RESISTOR,CHIP 22K 1/16W 1608
R732	1-216-809-11	s RESISTOR,CHIP 100 1/16W 1608
R733	1-218-858-11	s RESISTOR, CHIP 3K 1/16W (1608)
R734	1-216-825-11	s RESISTOR,CHIP 2.2K 1/16W 1608
R735	1-216-825-11	s RESISTOR,CHIP 2.2K 1/16W 1608
R736	1-216-845-11	s RESISTOR,CHIP 100K 1/16W(1608)
R737	1-216-821-11	s RESISTOR,CHIP 1.0K 1/16W(1608)
R738	1-216-821-11	s RESISTOR,CHIP 1.0K 1/16W(1608)
R739	1-216-821-11	s RESISTOR,CHIP 1.0K 1/16W(1608)
R740	1-216-821-11	s RESISTOR,CHIP 1.0K 1/16W(1608)
R741	1-216-821-11	s RESISTOR,CHIP 1.0K 1/16W(1608)
R742	1-216-815-11	s RESISTOR,CHIP 330 1/16W 1608
R743	1-216-815-11	s RESISTOR,CHIP 330 1/16W 1608
R744	1-216-821-11	s RESISTOR,CHIP 1.0K 1/16W(1608)
R745	1-216-821-11	s RESISTOR,CHIP 1.0K 1/16W(1608)
R746	1-216-821-11	s RESISTOR,CHIP 1.0K 1/16W(1608)
R747	1-216-821-11	s RESISTOR,CHIP 1.0K 1/16W(1608)
R748	1-216-821-11	s RESISTOR,CHIP 1.0K 1/16W(1608)
R749	1-216-825-11	s RESISTOR,CHIP 2.2K 1/16W 1608
R750	1-218-843-11	s RESISTOR,CHIP 680 1/16W (1608)
R751	1-218-862-11	s RESISTOR,CHIP 4.3K 1/16W(1608)
R752	1-216-821-11	s RESISTOR,CHIP 1.0K 1/16W(1608)
R753	1-218-857-11	s RESISTOR,CHIP 2.7K 1/16W(1608)
R754	1-216-825-11	s RESISTOR,CHIP 2.2K 1/16W 1608
R755	1-216-825-11	s RESISTOR,CHIP 2.2K 1/16W 1608

(VPR-62P BOARD(DSR-2000P))

Ref. No. or Q'ty	Part No.	SP Description
R756	1-216-825-11	s RESISTOR,CHIP 2.2K 1/16W 1608
R757	1-216-805-11	s RESISTOR,CHIP 47 1/16W 1608
R758	1-216-833-11	s RESISTOR,CHIP 10K 1/16W 1608
R759	1-216-825-11	s RESISTOR,CHIP 2.2K 1/16W 1608
R760	1-216-825-11	s RESISTOR,CHIP 2.2K 1/16W 1608
R761	1-216-829-11	s RESISTOR, CHIP 4.7K 1/16W 1608
R762	1-216-829-11	s RESISTOR, CHIP 4.7K 1/16W 1608
R801	1-216-809-11	s RESISTOR,CHIP 100 1/16W 1608
R802	1-216-825-11	s RESISTOR,CHIP 2.2K 1/16W 1608
R803	1-216-825-11	s RESISTOR,CHIP 2.2K 1/16W 1608
R804	1-218-839-11	s RESISTOR,CHIP 470 1/16W (1608)
R805	1-218-849-11	s RESISTOR,CHIP 1.2K 1/16W(1608)
R806	1-218-837-11	s RESISTOR,CHIP 390 1/16W (1608)
R807	1-218-841-11	s RESISTOR,CHIP 560 1/16W (1608)
R808	1-218-840-11	s RESISTOR,CHIP 510 1/16W (1608)
R809	1-218-840-11	s RESISTOR,CHIP 510 1/16W (1608)
R810	1-211-990-11	s RESISTOR,CHIP 75 1/16W (1608)
R811	1-216-837-11	s RESISTOR,CHIP 22K 1/16W 1608
R812	1-216-844-11	s RESISTOR,CHIP 82K 1/16W 1608
R813	1-211-990-11	s RESISTOR,CHIP 75 1/16W (1608)
R814	1-211-990-11	s RESISTOR,CHIP 75 1/16W (1608)
R815	1-216-833-11	s RESISTOR,CHIP 10K 1/16W 1608
R816	1-218-871-11	s RESISTOR,CHIP 10K 1/16W (1608)
R817	1-216-809-11	s RESISTOR,CHIP 100 1/16W 1608
R818	1-216-821-11	s RESISTOR,CHIP 1.0K 1/16W(1608)
R819	1-218-847-11	s RESISTOR, CHIP 1K 1/16W (1608)
R820	1-218-849-11	s RESISTOR,CHIP 1.2K 1/16W(1608)
R821	1-218-847-11	s RESISTOR,CHIP 1K 1/16W (1608)
R822	1-216-825-11	s RESISTOR,CHIP 2.2K 1/16W 1608
R823	1-216-821-11	s RESISTOR,CHIP 1.0K 1/16W(1608)
R824	1-216-821-11	s RESISTOR,CHIP 1.0K 1/16W(1608)
R825	1-216-823-11	s RESISTOR, CHIP 1.5K 1/16W
R826	1-216-825-11	s RESISTOR,CHIP 2.2K 1/16W 1608
R827	1-216-825-11	s RESISTOR,CHIP 2.2K 1/16W 1608
R828	1-218-839-11	s RESISTOR,CHIP 470 1/16W (1608)
R829	1-218-853-11	s RESISTOR,CHIP 1.8K 1/16W(1608)
R830	1-211-990-11	s RESISTOR,CHIP 75 1/16W (1608)
R831	1-211-990-11	s RESISTOR,CHIP 75 1/16W (1608)
R832	1-216-829-11	s RESISTOR, CHIP 4.7K 1/16W 1608
R833	1-216-829-11	s RESISTOR, CHIP 4.7K 1/16W 1608
R834	1-216-821-11	s RESISTOR,CHIP 1.0K 1/16W(1608)
R835	1-216-813-11	s RESISTOR, CHIP 220 1/16W 1608
R836	1-216-821-11	s RESISTOR,CHIP 1.0K 1/16W(1608)
R837	1-216-821-11	s RESISTOR,CHIP 1.0K 1/16W(1608)
R838	1-216-837-11	s RESISTOR,CHIP 22K 1/16W 1608
R839	1-216-821-11	s RESISTOR,CHIP 1.0K 1/16W(1608)
R840	1-216-829-11	s RESISTOR, CHIP 4.7K 1/16W 1608
R841	1-216-809-11	s RESISTOR,CHIP 100 1/16W 1608
R842	1-216-819-11	s RESISTOR,CHIP 680 1/16W 1608
R843	1-216-809-11	s RESISTOR,CHIP 100 1/16W 1608
R844	1-216-819-11	s RESISTOR,CHIP 680 1/16W 1608
R845	1-216-853-11	s RESISTOR,CHIP 470K 1/16W(1608)
R846	1-216-821-11	s RESISTOR,CHIP 1.0K 1/16W(1608)
R847	1-216-821-11	s RESISTOR,CHIP 1.0K 1/16W(1608)
R848	1-216-821-11	s RESISTOR,CHIP 1.0K 1/16W(1608)
R849	1-216-825-11	s RESISTOR,CHIP 2.2K 1/16W 1608
R850	1-216-833-11	s RESISTOR,CHIP 10K 1/16W 1608
R851	1-216-823-11	s RESISTOR, CHIP 1.5K 1/16W
R852	1-216-817-11	s RESISTOR,CHIP 470 1/16W 1608

(VPR-62P BOARD(DSR-2000P))

Ref. No. or Q'ty	Part No.	SP Description
R853	1-216-817-11	s RESISTOR,CHIP 470 1/16W 1608
R854	1-216-833-11	s RESISTOR,CHIP 10K 1/16W 1608
R855	1-218-863-11	s RESISTOR,CHIP 4.7K 1/16W(1608)
R856	1-218-847-11	s RESISTOR, CHIP 1K 1/16W (1608)
R857	1-218-849-11	s RESISTOR,CHIP 1.2K 1/16W(1608)
R858	1-216-821-11	s RESISTOR,CHIP 1.0K 1/16W(1608)
R859	1-211-990-11	s RESISTOR,CHIP 75 1/16W (1608)
R860	1-216-845-11	s RESISTOR,CHIP 100K 1/16W(1608)
R861	1-216-837-11	s RESISTOR,CHIP 22K 1/16W 1608
R866	*2 1-218-841-11	s RESISTOR,CHIP 560 1/16W (1608)
	*1 1-218-847-11	s RESISTOR, CHIP 1K 1/16W (1608)
R902	1-216-841-11	s RESISTOR, CHIP 47K 1/16W 1608
R903	1-216-841-11	s RESISTOR, CHIP 47K 1/16W 1608
R906	1-218-851-11	s RESISTOR,CHIP 1.5K 1/16W(1608)
R907	1-216-833-11	s RESISTOR,CHIP 10K 1/16W 1608
R911	1-216-833-11	s RESISTOR,CHIP 10K 1/16W 1608
R916	1-218-867-11	s RESISTOR,CHIP 6.8K 1/16W(1608)
R917	1-218-873-11	s RESISTOR,CHIP 12K 1/16W (1608)
R920	1-216-821-11	s RESISTOR,CHIP 1.0K 1/16W(1608)
R921	1-216-864-11	s RESISTOR,CHIP 0 1/16W (1608)
R922	1-216-864-11	s RESISTOR,CHIP 0 1/16W (1608)
R923	1-216-833-11	s RESISTOR,CHIP 10K 1/16W 1608
R924	1-216-817-11	s RESISTOR,CHIP 470 1/16W 1608
R927	1-216-821-11	s RESISTOR,CHIP 1.0K 1/16W(1608)
R931	1-216-864-11	s RESISTOR,CHIP 0 1/16W (1608)
R932	1-218-847-11	s RESISTOR, CHIP 1K 1/16W (1608)
R933	1-218-847-11	s RESISTOR, CHIP 1K 1/16W (1608)
R934	1-216-825-11	s RESISTOR,CHIP 2.2K 1/16W 1608
R935	1-218-851-11	s RESISTOR,CHIP 1.5K 1/16W(1608)
R936	1-218-851-11	s RESISTOR,CHIP 1.5K 1/16W(1608)
R937	1-216-833-11	s RESISTOR,CHIP 10K 1/16W 1608
R938	1-216-805-11	s RESISTOR,CHIP 47 1/16W 1608
R939	1-216-825-11	s RESISTOR,CHIP 2.2K 1/16W 1608
R940	1-216-826-11	s RESISTOR,CHIP 2.7K 1/16W 1608
R941	1-216-826-11	s RESISTOR,CHIP 2.7K 1/16W 1608
R942	1-216-864-11	s RESISTOR,CHIP 0 1/16W (1608)
R943	1-216-820-11	s RESISTOR, CHIP 820 1/16W 1608
R944	1-218-871-11	s RESISTOR,CHIP 10K 1/16W (1608)
R945	1-218-873-11	s RESISTOR,CHIP 12K 1/16W (1608)
R946	1-218-879-11	s RESISTOR,CHIP 22K 1/16W (1608)
R947	1-218-869-11	s RESISTOR,CHIP 8.2K 1/16W(1608)
R948	1-211-990-11	s RESISTOR,CHIP 75 1/16W (1608)
R949	1-216-826-11	s RESISTOR,CHIP 2.7K 1/16W 1608
R950	1-218-883-11	s RESISTOR,CHIP 33K 1/16W (1608)
R951	1-216-821-11	s RESISTOR,CHIP 1.0K 1/16W(1608)
R952	1-218-885-11	s RESISTOR,CHIP 39K 1/16W (1608)
R953	1-216-821-11	s RESISTOR,CHIP 1.0K 1/16W(1608)
R954	1-216-837-11	s RESISTOR,CHIP 22K 1/16W 1608
R955	1-216-855-11	s RESISTOR,CHIP 680K 1/16W 1608
R956	1-216-864-11	s RESISTOR,CHIP 0 1/16W (1608)
R957	1-216-817-11	s RESISTOR,CHIP 470 1/16W 1608
R958	1-216-821-11	s RESISTOR,CHIP 1.0K 1/16W(1608)
R959	1-216-826-11	s RESISTOR,CHIP 2.7K 1/16W 1608
R960	1-218-883-11	s RESISTOR,CHIP 33K 1/16W (1608)
R962	1-216-845-11	s RESISTOR,CHIP 100K 1/16W(1608)
R964	1-216-809-11	s RESISTOR,CHIP 100 1/16W 1608
R965	1-218-868-11	s RESISTOR,CHIP 7.5K 1/16W(1608)
R966	1-218-868-11	s RESISTOR,CHIP 7.5K 1/16W(1608)
R967	1-218-873-11	s RESISTOR,CHIP 12K 1/16W (1608)

(VPR-62P BOARD(DSR-2000P))

Ref. No. or Q'ty	Part No.	SP Description
R968	1-218-873-11	s RESISTOR,CHIP 12K 1/16W (1608)
R1000 *2	1-216-829-11	s RESISTOR, CHIP 4.7K 1/16W 1608
R1001	1-216-821-11	s RESISTOR,CHIP 1.0K 1/16W(1608)
R1002	1-216-821-11	s RESISTOR,CHIP 1.0K 1/16W(1608)
R1003	1-216-815-11	s RESISTOR,CHIP 330 1/16W 1608
R1004	1-216-821-11	s RESISTOR,CHIP 1.0K 1/16W(1608)
R1005	1-216-821-11	s RESISTOR,CHIP 1.0K 1/16W(1608)
R1006	1-216-843-11	s RESISTOR,CHIP 68K 1/16W (1608)
R1007	1-216-821-11	s RESISTOR,CHIP 1.0K 1/16W(1608)
R1009	1-216-864-11	s RESISTOR,CHIP 0 1/16W (1608)
R1011	1-216-864-11	s RESISTOR,CHIP 0 1/16W (1608)
R1012	1-216-829-11	s RESISTOR, CHIP 4.7K 1/16W 1608
R1013	1-216-821-11	s RESISTOR,CHIP 1.0K 1/16W(1608)
R1014	1-216-833-11	s RESISTOR,CHIP 10K 1/16W 1608
R1015	1-216-833-11	s RESISTOR,CHIP 10K 1/16W 1608
R1016 *3	1-216-829-11	s RESISTOR, CHIP 4.7K 1/16W 1608
R1017	1-216-839-11	s RESISTOR,CHIP 33K 1/16W 1608
R1019	1-216-833-11	s RESISTOR,CHIP 10K 1/16W 1608
R1020	1-216-833-11	s RESISTOR,CHIP 10K 1/16W 1608
R1021	1-216-833-11	s RESISTOR,CHIP 10K 1/16W 1608
R1022	1-216-829-11	s RESISTOR, CHIP 4.7K 1/16W 1608
R1023	1-216-839-11	s RESISTOR,CHIP 33K 1/16W 1608
R1024	1-216-839-11	s RESISTOR,CHIP 33K 1/16W 1608
R1025	1-216-864-11	s RESISTOR,CHIP 0 1/16W (1608)
R1026	1-216-864-11	s RESISTOR,CHIP 0 1/16W (1608)
R1027 *1	1-216-864-11	s RESISTOR,CHIP 0 1/16W (1608)
R1028 *1	1-216-864-11	s RESISTOR,CHIP 0 1/16W (1608)
R1029 *5	1-216-864-11	s RESISTOR,CHIP 0 1/16W (1608)
R1030 *3	1-216-825-11	s RESISTOR,CHIP 2.2K 1/16W 1608
R1035	1-216-864-11	s RESISTOR,CHIP 0 1/16W (1608)
R1039	1-218-848-11	s RESISTOR,CHIP 1.1K 1/16W(1608)
R1040 *1	1-218-863-11	s RESISTOR,CHIP 4.7K 1/16W(1608)
R1041	1-211-990-11	s RESISTOR,CHIP 75 1/16W (1608)
R1042	1-211-990-11	s RESISTOR,CHIP 75 1/16W (1608)
R1043	1-218-861-11	s RESISTOR,CHIP 3.9K 1/16W(1608)
R1044 *1	1-218-861-11	s RESISTOR,CHIP 3.9K 1/16W(1608)
R1045	1-211-990-11	s RESISTOR,CHIP 75 1/16W (1608)
R1046	1-218-873-11	s RESISTOR,CHIP 12K 1/16W (1608)
R1047 *1	1-218-834-11	s RESISTOR,CHIP 300 1/16W (1608)
R1048 *1	1-218-873-11	s RESISTOR,CHIP 12K 1/16W (1608)
R1049	1-216-817-11	s RESISTOR,CHIP 470 1/16W 1608
R1050	1-216-809-11	s RESISTOR,CHIP 100 1/16W 1608
R1051	1-216-817-11	s RESISTOR,CHIP 470 1/16W 1608
R1052	1-216-864-11	s RESISTOR,CHIP 0 1/16W (1608)
R1053	1-216-817-11	s RESISTOR,CHIP 470 1/16W 1608
R1054 *1	1-216-817-11	s RESISTOR,CHIP 470 1/16W 1608
R1055	1-211-985-11	s RESISTOR,CHIP 47 1/16W (1608)
R1057	1-211-985-11	s RESISTOR,CHIP 47 1/16W (1608)
R1058	1-211-985-11	s RESISTOR,CHIP 47 1/16W (1608)
R1065 *1	1-216-864-11	s RESISTOR,CHIP 0 1/16W (1608)
R1068 *1	1-216-864-11	s RESISTOR,CHIP 0 1/16W (1608)
R1069	1-216-864-11	s RESISTOR,CHIP 0 1/16W (1608)
R1071	1-216-864-11	s RESISTOR,CHIP 0 1/16W (1608)
R1080	1-216-821-11	s RESISTOR,CHIP 1.0K 1/16W(1608)
R1081	1-216-864-11	s RESISTOR,CHIP 0 1/16W (1608)
R1082	1-216-864-11	s RESISTOR,CHIP 0 1/16W (1608)
R1083 *1	1-218-871-11	s RESISTOR,CHIP 10K 1/16(1608)
R1084 *1	1-218-843-11	s RESISTOR,CHIP 680 1/16W (1608)
R1085 *3	1-216-864-11	s RESISTOR,CHIP 0 1/16W (1608)

(VPR-62P BOARD(DSR-2000P))

Ref. No. or Q'ty	Part No.	SP Description
R1086 *1	1-216-829-11	s RESISTOR,CHIP 4.7K 1/16W 1608
R1087	1-216-864-11	s RESISTOR,CHIP 0 1/16W (1608)
R1088	1-216-864-11	s RESISTOR,CHIP 0 1/16W (1608)
R1090	1-216-843-11	s RESISTOR,CHIP 68K 1/16W (1608)
R1091	1-216-821-11	s RESISTOR,CHIP 1.0K 1/16W(1608)
R1092	1-216-821-11	s RESISTOR,CHIP 1.0K 1/16W(1608)
R1093	1-216-833-11	s RESISTOR,CHIP 10K 1/16W 1608
R1094	1-216-833-11	s RESISTOR,CHIP 10K 1/16W 1608
R1095	1-216-817-11	s RESISTOR,CHIP 470 1/16W 1608
R1096	1-216-805-11	s RESISTOR,CHIP 47 1/16W 1608
R1097	1-216-829-11	s RESISTOR, CHIP 4.7K 1/16W 1608
R1098	1-216-864-11	s RESISTOR,CHIP 0 1/16W (1608)
R1099	1-216-833-11	s RESISTOR,CHIP 10K 1/16W 1608
R1100	1-216-833-11	s RESISTOR,CHIP 10K 1/16W 1608
R1101 *2	1-211-985-11	s RESISTOR,CHIP 47 1/16W (1608)
R1102 *2	1-216-829-11	s RESISTOR, CHIP 4.7K 1/16W 1608
R1103 *2	1-216-829-11	s RESISTOR, CHIP 4.7K 1/16W 1608
R1104 *2	1-216-864-11	s RESISTOR,CHIP 0 1/16W (1608)
R1107 *4	1-216-864-11	s RESISTOR,CHIP 0 1/16W (1608)
R1201 *2	1-216-864-11	s RESISTOR,CHIP 0 1/16W (1608)
RB4	*2 1-239-711-11	s NETWORK, RESISTOR 0 (1608)
	*1 1-239-390-11	s RESISTOR,NETWORK 33 (1608)
RB5	*2 1-239-711-11	s NETWORK, RESISTOR 0 (1608)
	*1 1-239-390-11	s RESISTOR,NETWORK 33 (1608)
RB6	*2 1-239-711-11	s NETWORK, RESISTOR 0 (1608)
	*1 1-239-390-11	s RESISTOR,NETWORK 33 (1608)
RB7	*2 1-239-711-11	s NETWORK, RESISTOR 0 (1608)
	*1 1-239-390-11	s RESISTOR,NETWORK 33 (1608)
RB201	1-239-412-11	s NETWORK, RESISTOR 100 (1608)
RB202	1-239-412-11	s NETWORK, RESISTOR 100 (1608)
RB203	1-239-412-11	s NETWORK, RESISTOR 100 (1608)
RB204	1-239-412-11	s NETWORK, RESISTOR 100 (1608)
RB205	1-239-412-11	s NETWORK, RESISTOR 100 (1608)
RB206	1-236-908-11	s RESISTOR,NETWORK 10K (3216)
RB207	1-236-908-11	s RESISTOR,NETWORK 10K (3216)
RB301	1-236-904-11	s RESISTOR NETWORK 1K (1608)
RB401	1-239-390-11	s RESISTOR,NETWORK 33 (1608)
RB402	1-239-390-11	s RESISTOR,NETWORK 33 (1608)
RB403	1-239-390-11	s RESISTOR,NETWORK 33 (1608)
RB404	1-239-390-11	s RESISTOR,NETWORK 33 (1608)
RB405	1-239-390-11	s RESISTOR,NETWORK 33 (1608)
RB601	1-239-409-11	s RESISTOR NETWORK 47 (1608)
RB602	1-239-409-11	s RESISTOR NETWORK 47 (1608)
RB603	1-239-409-11	s RESISTOR NETWORK 47 (1608)
RB604	1-239-409-11	s RESISTOR NETWORK 47 (1608)
RB605	1-239-409-11	s RESISTOR NETWORK 47 (1608)
RB606	1-239-409-11	s RESISTOR NETWORK 47 (1608)
RB1001	1-236-907-11	s RESISTOR BLOCK 100K (1608)
RB1002	1-239-412-11	s NETWORK, RESISTOR 100 (1608)
RV101	1-225-785-21	s RES, ADJ, CERMET 100
RV103	1-225-787-21	s RES, ADJ, CERMET 500
RV200	1-225-809-21	s RES, ADJ, CERMET 5K
RV201	1-225-810-21	s RES, ADJ, CERMET 10K
RV202	1-225-809-21	s RES, ADJ, CERMET 5K
RV300	1-225-789-21	s RES, ADJ, CERMET 2K
RV400	1-225-787-21	s RES, ADJ, CERMET 500
RV401	1-225-787-21	s RES, ADJ, CERMET 500
RV402	1-225-787-21	s RES, ADJ, CERMET 500
RV403	1-225-788-21	s RES, ADJ, CERMET 1K

(VPR-62P BOARD(DSR-2000P))

Ref. No. or Q'ty	Part No.	SP	Description
RV404	1-225-789-21	s RES, ADJ,	CERMET 2K
RV405	1-225-789-21	s RES, ADJ,	CERMET 2K
RV406	1-225-789-21	s RES, ADJ,	CERMET 2K
RV407	1-225-789-21	s RES, ADJ,	CERMET 2K
RV408	1-225-789-21	s RES, ADJ,	CERMET 2K
RV409	1-225-789-21	s RES, ADJ,	CERMET 2K
RV500	1-225-810-21	s RES, ADJ,	CERMET 10K
RV601	1-225-809-21	s RES, ADJ,	CERMET 5K
RV602	1-225-809-21	s RES, ADJ,	CERMET 5K
RV603	1-225-807-21	s RES, ADJ,	CERMET 2K
RV604	1-225-789-21	s RES, ADJ,	CERMET 2K
RV605	1-225-785-21	s RES, ADJ,	CERMET 100
RV606	1-225-789-21	s RES, ADJ,	CERMET 2K
RV607	1-225-785-21	s RES, ADJ,	CERMET 100
RV701	1-225-809-21	s RES, ADJ,	CERMET 5K
RV702	1-225-809-21	s RES, ADJ,	CERMET 5K
RV703	1-225-813-21	s RES, ADJ,	CERMET 50K
RV704	1-225-813-21	s RES, ADJ,	CERMET 50K
RV705	1-225-789-21	s RES, ADJ,	CERMET 2K
RV801	1-225-787-21	s RES, ADJ,	CERMET 500
RV802	1-225-785-21	s RES, ADJ,	CERMET 100
RV803	1-225-787-21	s RES, ADJ,	CERMET 500
RV804	1-225-788-21	s RES, ADJ,	CERMET 1K
RV805	1-225-788-21	s RES, ADJ,	CERMET 1K
RV806	1-225-785-21	s RES, ADJ,	CERMET 100
RV901	1-225-791-21	s RES, ADJ,	CERMET 5K
RV902	1-225-810-21	s RES, ADJ,	CERMET 10K
RV903	1-225-810-21	s RES, ADJ,	CERMET 10K
RV904	1-225-789-21	s RES, ADJ,	CERMET 2K
RV906	1-225-788-21	s RES, ADJ,	CERMET 1K
RV1001	1-225-792-21	s RES, ADJ,	CERMET 10K
RV1002	1-225-792-21	s RES, ADJ,	CERMET 10K
S200	1-571-275-31	s SWITCH,SLIDE (1-1-2)	
THP701	1-809-352-11	s THERMISTOR,NTC	
THP901	1-809-352-11	s THERMISTOR,NTC	
X300	1-760-183-21	s VIBRATOR, CRYSTAL	
X301	1-767-619-11	s OSCILLATOR, CRYSTAL	
X601	1-781-123-21	s OSCILLATOR, CRYSTAL	
X602	1-781-123-21	s OSCILLATOR, CRYSTAL	
X603	1-781-123-21	s OSCILLATOR, CRYSTAL	
X1001	1-767-619-11	s OSCILLATOR, CRYSTAL	
X1002	1-767-695-21	s OSCILLATOR, CRYSTAL	

VR-259 BOARD(DSR-2000/2000P)

Ref. No. or Q'ty	Part No.	SP	Description
ipc	A-8323-511-A	o	MOUNTED CIRCUIT BOARD, VR-259
C1	1-165-319-11	s	CAPACITOR,CERAMIC 0.1MF/50V
CN1	1-691-395-11	s	CONNECTOR,FPC 6P
R1	1-216-295-91	s	RESISTOR, CHIP 0 (1/10W)
R4	1-216-295-91	s	RESISTOR, CHIP 0 (1/10W)
R5	1-208-802-11	s	RESISTOR,CHIP 6.8K 1/10W(2012)
R6	1-208-802-11	s	RESISTOR,CHIP 6.8K 1/10W(2012)
R7	1-208-802-11	s	RESISTOR,CHIP 6.8K 1/10W(2012)
R8	1-208-802-11	s	RESISTOR,CHIP 6.8K 1/10W(2012)
R9	1-208-802-11	s	RESISTOR,CHIP 6.8K 1/10W(2012)
R10	1-208-802-11	s	RESISTOR,CHIP 6.8K 1/10W(2012)
R11	1-208-802-11	s	RESISTOR,CHIP 6.8K 1/10W(2012)
R12	1-208-802-11	s	RESISTOR,CHIP 6.8K 1/10W(2012)
RV1	1-241-249-11	s	RESISTOR, VAR, CARBON 10K
RV2	1-241-249-11	s	RESISTOR, VAR, CARBON 10K
RV3	1-241-249-11	s	RESISTOR, VAR, CARBON 10K
RV4	1-241-249-11	s	RESISTOR, VAR, CARBON 10K

VR-260 BOARD(DSR-2000/2000P)

Ref. No. or Q'ty	Part No.	SP	Description
ipc	A-8323-512-A	o	MOUNTED CIRCUIT BOARD, VR-260
C1	1-165-319-11	s	CAPACITOR,CERAMIC 0.1MF/50V
CN1	1-691-395-11	s	CONNECTOR,FPC 6P
R1	1-216-295-91	s	RESISTOR, CHIP 0 (1/10W)
R4	1-216-295-91	s	RESISTOR, CHIP 0 (1/10W)
R5	1-208-802-11	s	RESISTOR,CHIP 6.8K 1/10W(2012)
R6	1-208-802-11	s	RESISTOR,CHIP 6.8K 1/10W(2012)
R7	1-208-802-11	s	RESISTOR,CHIP 6.8K 1/10W(2012)
R8	1-208-802-11	s	RESISTOR,CHIP 6.8K 1/10W(2012)
R9	1-208-802-11	s	RESISTOR,CHIP 6.8K 1/10W(2012)
R10	1-208-802-11	s	RESISTOR,CHIP 6.8K 1/10W(2012)
R11	1-208-802-11	s	RESISTOR,CHIP 6.8K 1/10W(2012)
R12	1-208-802-11	s	RESISTOR,CHIP 6.8K 1/10W(2012)
RV1	1-241-249-11	s	RESISTOR, VAR, CARBON 10K
RV2	1-241-249-11	s	RESISTOR, VAR, CARBON 10K
RV3	1-241-249-11	s	RESISTOR, VAR, CARBON 10K
RV4	1-241-249-11	s	RESISTOR, VAR, CARBON 10K

 FRAME(DSR-2000/2000P)

部品番号が記載されていないハーネスは、サービス部品として登録されていません。
 これらは、リストに展開されているコンポーネント部品で補修してください。

Harnesses with no part number are not registered as spare parts.
 In need of repair, get components shown in the list and repair using them.

Ref. No. or Q'ty	Part No.	SP Description
HN001	1-960-088-11	○ HARNESS, SUB (KYHP) (FROM CN2/HP-99 BOARD TO CN712/KY-452 BOARD)
HN002	1-791-704-11	○ WIRE, FLAT TYPE (6CORE) (FROM CN1/VR-260 BOARD TO CN713/KY-452 BOARD)
HN003	1-791-705-11	○ WIRE, FLAT TYPE (6CORE) (FROM CN1/VR-259 BOARD TO CN714/KY-452 BOARD)
HN004	1-960-089-11	○ HARNESS, SUB (KYJOG) (FROM CN1/PTC-100 BOARD TO CN711/KY-452 BOARD)
HN005	1-791-711-11	○ WIRE, FLAT TYPE (34CORE) (FROM CN710/KY-452 BOARD TO CN710/SW-11 BOARD)
HN006	1-791-706-11	○ WIRE, FLAT TYPE (7CORE) (FROM CN730/SW-17 BOARD TO CN730/SW-11 BOARD)
HN007	1-791-707-11	○ WIRE, FLAT TYPE (20CORE) (FROM CN720/DY-15 BOARD TO CN720/SW-11 BOARD)
HN008	1-791-709-11	○ WIRE, FLAT TYPE (22CORE) (FROM CN500/MB-859 BOARD TO CN500/MS-64 BOARD)
HN009	1-791-709-11	○ WIRE, FLAT TYPE (22CORE) (FROM CN501/MB-859 BOARD TO CN501/MS-64 BOARD)
HN010	1-791-710-11	○ WIRE, FLAT TYPE (30CORE) (FROM CN502/MB-859 BOARD TO CN502/MS-64 BOARD)
HN011	1-791-710-11	○ WIRE, FLAT TYPE (30CORE) (FROM CN503/MS-64 BOARD TO CN503/MB-859 BOARD)
HN012	1-791-710-11	○ WIRE, FLAT TYPE (30CORE) (FROM CN504/MS-64 BOARD TO CN504/MB-859 BOARD)
HN013	1-791-715-12	○ CABLE ASSEMBLY, COAXIAL
HN014	1-791-717-11	○ CABLE ASSEMBLY, COAXIAL
HN015	1-791-718-12	○ CABLE ASSEMBLY, COAXIAL
HN016	1-791-719-11	○ CABLE ASSEMBLY, COAXIAL
HN017	1-791-720-11	○ CABLE ASSEMBLY, COAXIAL
HN018	1-791-721-11	○ CABLE ASSEMBLY, COAXIAL
HN019	1-791-716-12	○ CABLE ASSEMBLY, COAXIAL
HN020	1-791-708-11	○ WIRE, FLAT TYPE (18CORE) (FROM CN505/MB-859 BOARD TO CN1/CC-83 BOARD)
HN021	1-960-087-11	○ HARNESS, SUB (DC POWER 1) (TO CN901/MB-859 BOARD)
	1pc	1-563-888-11 s HOUSING, CONNECTOR 10P
	10pcs	1-562-210-11 s CONTACT, CONNECTOR (TO CN202/SW-REG)
	1pc	1-563-888-11 s HOUSING, CONNECTOR 10P
	10pcs	1-562-210-11 s CONTACT, CONNECTOR

(FRAME(DSR-2000/2000P))

Ref. No. or Q'ty	Part No.	SP Description
HN022	1-960-090-11	○ HARNESS, SUB (DC POWER 2) (TO CN902/MB-859 BOARD)
	1pc	1-562-285-11 ○ HOUSING, CONNECTOR 4P
	4pcs	1-562-210-11 s CONTACT, CONNECTOR (TO CN201/SW-REG)
	1pc	1-562-285-11 ○ HOUSING, CONNECTOR 4P
	4pcs	1-562-210-11 s CONTACT, CONNECTOR
HN023	1-791-714-11	○ CABLE, FLEXIBLE FLAT (15CORE) (FROM CN13/MS-64 BOARD TO CN4/SE-521 BOARD)
HN024	1-791-714-11	○ CABLE, FLEXIBLE FLAT (15CORE) (FROM CN4/MS-64 BOARD TO CN3/SE-522 BOARD)
HN025	- - -	HARNESS, SUB (CAS) (FROM CN3/CC-83 BOARD TO MOTOR/M1)
	1pc	1-764-192-11 ○ HOUSING, CONNECTOR 2P
	2pcs	1-695-215-11 ○ TERMINAL, SOLDERLESS 1P
HN026	1-960-086-12	○ HARNESS, SUB (AC SW) (FROM CN101/SW-REG TO POWER SW)
	1pc	1-794-319-11 ○ HOUSING, CONNECTOR 7P
	4pcs	1-562-210-11 s CONTACT, CONNECTOR
	1pc	△ 1-762-953-11 s SWITCH, POWER
HN027	1-959-130-11	○ HARNESS, SUB (RS) (FROM REEL SHIFT MOTOR/M3 TO CN5/MS-64 BOARD)
HN028	1-959-130-11	○ HARNESS, SUB (RS) (FROM CN19/MS-64 BOARD TO LOADING MOTOR/M7)
M1	X-360-566-12	s MOTOR ASSY "MOTOR"
M2	8-835-619-51	s MOTOR, DC SCD16A/J-RP "CAPSTAN MOTOR"
M3	A-8279-204-A	s MOTOR ASSY, RS "REEL SHIFT MOTOR"
M4	8-835-636-51	s MOTOR, DC SRD14A/J-N "T-REEL MOTOR"
M5	A-8323-775-A	s DEH-16A-R "DRUM ASSEMBLY"
M6	8-835-637-51	s MOTOR, DC SRD15A/J-N "S-REEL MOTOR"
M7	A-8279-202-A	s MOTOR ASSY, LD "LOADING MOTOR"
SE1	8-719-988-19	s PHOTO REFLECTOR PR-11-C-T "CASSECOM SENSOR'S"
SE2	8-719-988-19	s PHOTO REFLECTOR PR-11-C-T "CASSECOM SENSOR'S"
SE3	8-719-988-19	s PHOTO REFLECTOR PR-11-C-T "CASSECOM SENSOR'S"
SE4	8-719-988-19	s PHOTO REFLECTOR PR-11-C-T "LOADING SENSOR'S"
SE5	8-719-988-19	s PHOTO REFLECTOR PR-11-C-T "LOADING SENSOR'S"
SE6	8-719-988-19	s PHOTO REFLECTOR PR-11-C-T "LOADING SENSOR'S"
SE7	8-729-921-53	s PHOTO TRANSISTOR PT483F1 "END SENSOR"
SE8	8-729-921-53	s PHOTO TRANSISTOR PT483F1 "TOP SENSOR"
SE9	8-719-939-11	s PHOTO INTERRUPTER GP2S09-B "REEL POSITION SENSOR'S"
SE10	8-719-988-19	s PHOTO REFLECTOR PR-11-C-T "REEL POSITION SENSOR'S"
SE11	8-719-939-11	s PHOTO INTERRUPTER GP2S09-B "REEL POSITION SENSOR'S"
SE12	8-719-939-11	s PHOTO INTERRUPTER GP2S09-B "REEL POSITION SENSOR'S"

12-4. Packing Materials and Accessories

(FRAME(DSR-2000/2000P))

Ref. No. or Q'ty	Part No.	SP	Description
SE13	1-801-596-21	s	THERMISTOR "THERMO SENSOR"
SE14	1-572-288-21	s	SWITCH, PUSH "CASSETTE SIZE SENSOR'S"
SE15	1-572-288-21	s	SWITCH, PUSH "CASSETTE SIZE SENSOR'S"
SE16	1-572-288-21	s	SWITCH, PUSH "CASSETTE SIZE SENSOR'S"
SE17	1-803-490-11	s	SENSOR, DEW CONDENSATION "DEW SENSOR"
SE18	8-719-988-19	s	PHOTO REFLECTOR PR-11-C-T "CASSETTE IN SENSOR'S"
SE19	8-719-988-19	s	PHOTO REFLECTOR PR-11-C-T "CASSETTE IN SENSOR'S"
SE20	8-719-988-19	s	PHOTO REFLECTOR PR-11-C-T "CASSETTE IN SENSOR'S"
SE21	8-719-988-19	s	PHOTO REFLECTOR PR-11-C-T "CASSETTE IN SENSOR'S"
SE22	A-8323-659-A	s	HOLDER SUB ASSY, MIC "MIC SENSOR"
PM1	1-454-931-12	s	SOLENOID, PLUNGER "PINCH SOL"
PM2	1-454-932-11	s	SOLENOID, PLUNGER "M-STOP SOL"
PM3	1-454-930-11	s	SOLENOID, PLUNGER "R-BRAKE SOL"
PM4	1-454-942-11	s	SOLENOID, PLUNGER "HC SOL"
1pc	1-793-815-11	o	CONVERTER, COAXIAL CONNECTOR "SDTI (QSDI)"
1pc	1-793-815-11	o	CONVERTER, COAXIAL CONNECTOR "SDI INPUT"
1pc	1-793-816-11	o	CONVERTER, COAXIAL CONNECTOR "SDI OUTPUT"
1pc	Δ 1-468-436-12	s	REGULATOR, SWITCHING "SW-REG"

FRAME (DSBK-190)

Ref. No. or Q'ty	Part No.	SP	Description
HN029	1-960-280-11	o	HARNESS, SUB (ISCN) (TO CN401/IF-763 BOARD)
1pc	1-565-978-11	o	HOUSING, CONNECTOR 6P
6pcs	1-565-977-11	s	TERMINAL, SOLDERLESS (TO CN1/CN-1968 BOARD)
1pc	1-565-978-11	o	HOUSING, CONNECTOR 6P
6pcs	1-565-977-11	s	TERMINAL, SOLDERLESS

FRAME (DSBK-200)

Ref. No. or Q'ty	Part No.	SP	Description
HN030	1-960-326-11	o	HARNESS, SUB (KYIF) (FROM CN2/IF-778 BOARD TO CN715/KY-452A BOARD)
HN031	1-960-089-11	o	HARNESS, SUB (KYJOG) (FROM CN711/KY-452A BOARD TO CN1/PTC-100 BOARD)

PACKING MATERIALS & SUPPLIED ACCESSORIES (DSR-2000/2000P)

Ref. No. or Q'ty	Part No.	SP	Description
1pc	Δ 1-791-047-11	s	CORD SET, POWER (for J model)
1pc	Δ 1-551-812-11	s	CORD, POWER (for UC model)
1pc	Δ 1-782-929-11	s	CORD, POWER (BS 3P) (for CE model)
1pc	3-704-355-01	o	SHEET (STADARD), PROTECTION
1pc	3-858-617-02	s	INSTRUCTION (WF)
1pc	3-867-754-02	s	OPERATING INSTRUCTIONS (Japanese: for J model)
1pc	3-867-754-12	s	OPERATING INSTRUCTIONS (English: for UC/CE model)
1pc	3-867-754-22	s	OPERATING INSTRUCTIONS (French: for UC/CE model)
1pc	3-867-754-32	s	OPERATING INSTRUCTIONS (German: for CE model)
1pc	3-867-754-42	s	OPERATING INSTRUCTIONS (Italian: for CE model)

PACKING MATERIALS & SUPPLIED ACCESSORIES (DSBK-190)

Ref. No. or Q'ty	Part No.	SP	Description
1pc	1-782-408-21	s	CORD, CONNECTION
1pc	1-791-184-11	o	CORD, CONNECTION (IEBE 1394)
1pc	1-960-280-11	o	HARNESS, SUB (ISCN)
1pc	3-203-674-01	s	MANUAL, INSTRUCTION
1pc	7-623-422-07	s	LN3, TYPE B
1pc	7-682-547-04	s	SCREW +B 3x6

PACKING MATERIALS & SUPPLIED ACCESSORIES (DSBK-200)

Ref. No. or Q'ty	Part No.	SP	Description
1pc	1-543-798-11	s	FILTER, CLAMP (FERRITE CORE)
1pc	1-792-642-11	s	CORD, CONNECTION
1pc	3-203-675-01	s	MANUAL, INSTRUCTION

12-5. Optional Fixtures

Part No. SP Description

J-6080-029-A s MIRROR (SMALL ROUND TYPE 12MM)

J-6082-231-A o TOOL, WASHER BRACKET (1.5)

J-6082-232-A o TOOL, WASHER BRACKET (1.2)

J-6082-233-A o TOOL, WASHER BRACKET (0.8)

J-6082-234-A o TOOL, WASHER REMOVER (A)

J-6082-236-A o REMOVABLE SET, WASHER

J-6082-362-A s TAPE GUIDE DRIVER 2

J-6082-373-A o DV TORQUE CASSETTE

J-6325-110-A o BIT FOR TORQUE DRIVER (M1.4)

J-6325-380-A o BIT FOR TORQUE DRIVER (M2)

J-6325-400-A o TORQUE DRIVER (3KG)

J-6443-710-A o BRAKE TORQUE GAUGE (CCW) 200G-CM

J-6443-720-A o BRAKE TORQUE GAUGE (CW) 200G-CM

J-6444-610-B o PATH ADJUSTMENT BOARD, DJ-461

J-6444-930-A o EXTENSION BOARD, DJ-493

3-184-527-01 s CLOTH, CLEANING (145MMX145MM)

7-432-114-11 s THREE BOND-1401B

7-662-001-39 o GREASE, SG-941 (20G)

8-967-999-02 o TAPE, ALIGNMENT XH2-1A2 (N&P)

8-967-999-22 o TAPE, ALIGNMENT XH5-1A2 (NTSC)

8-967-999-26 o TAPE, ALIGNMENT XH5-1A2 (PAL)

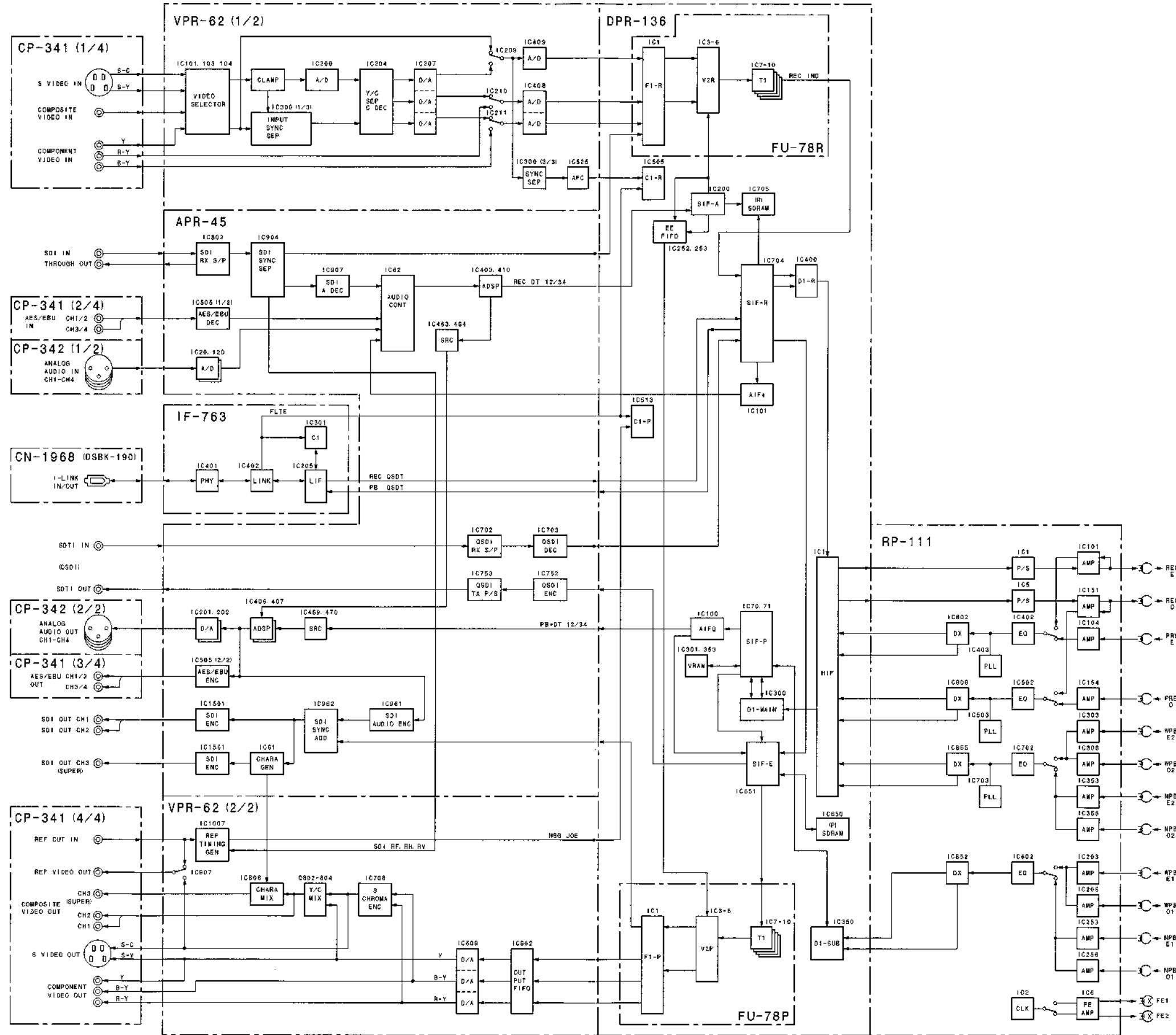
8-967-999-31 o TAPE, ALIGNMENT XH4-1A (NTSC)

9-919-573-01 s HEAD CLEANING LIQUID

Section 13 Block Diagrams

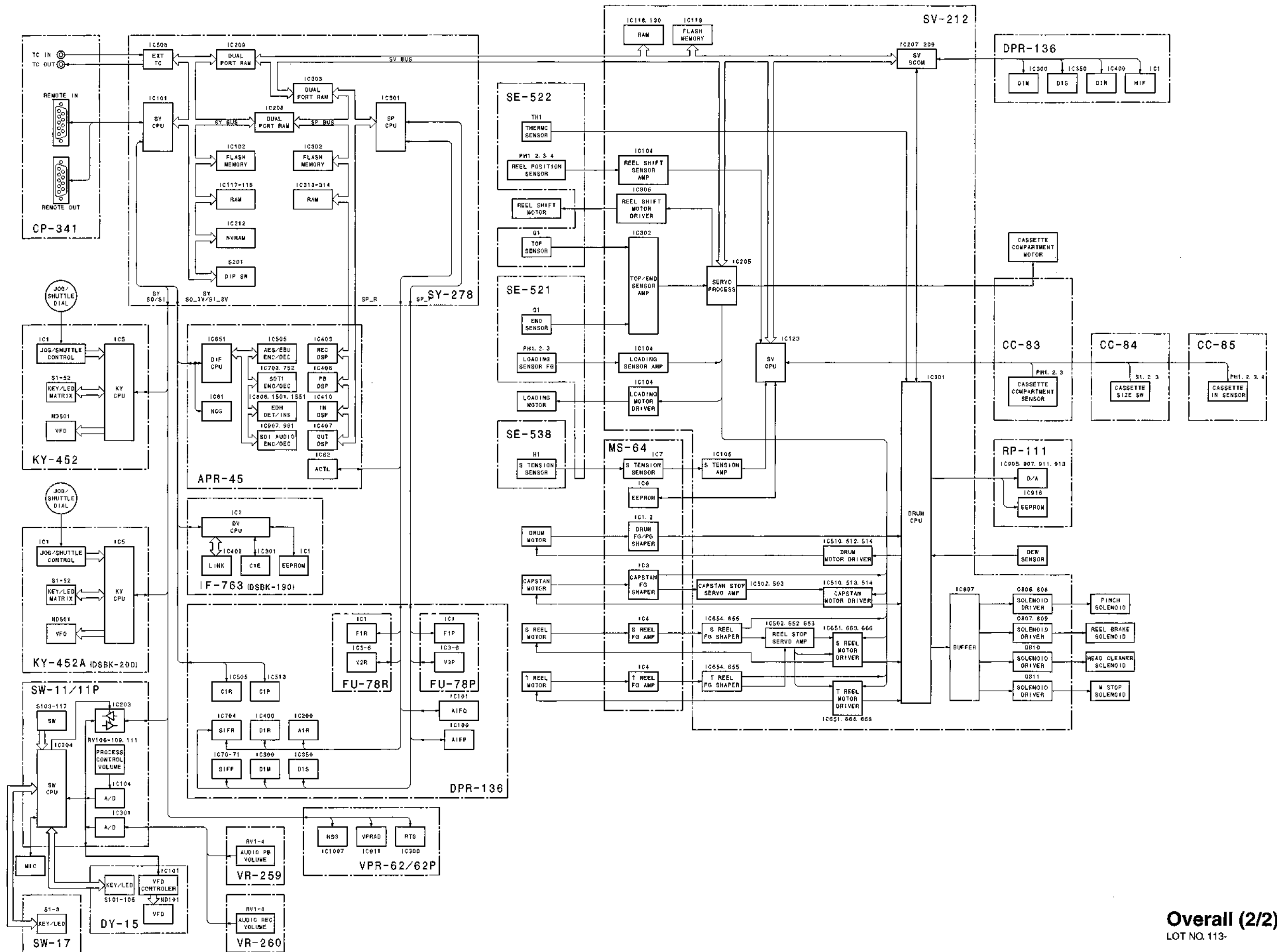
Index

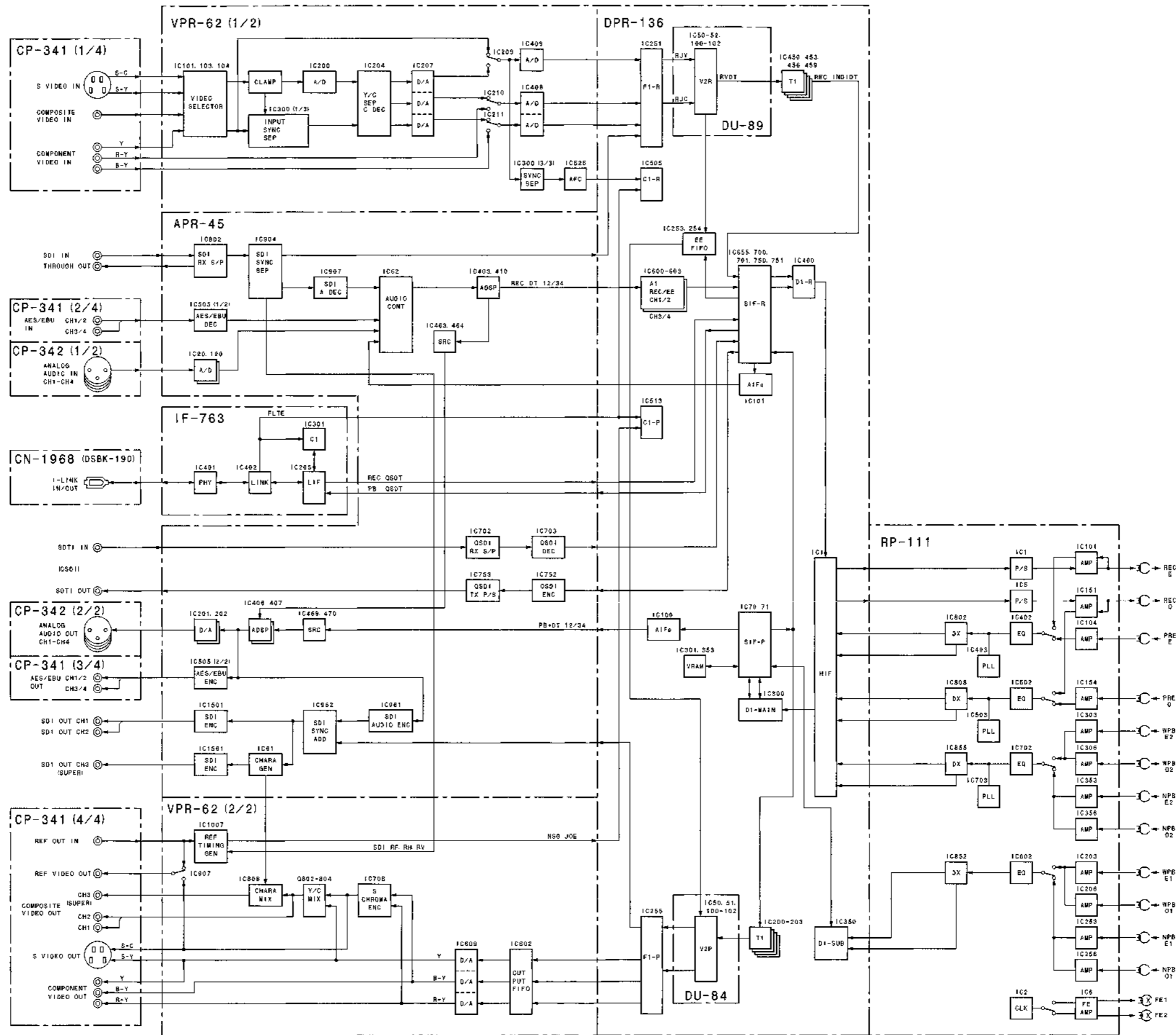
Board Name	Circuit Configuration	Page
Overall	—	13-2
APR-45	Audio process	13-4
CC-83	Cassette compartment mode detection/intermediate board	13-3
CC-84	Cassette compartment cassette type detection	13-3
CC-85	Cassette compartment cassette in detection	13-3
CN-1863	Sensor input/output board	—
CN-1968	i.LINK connector board (Option: DSBK-190)	13-15
CN-2021	Intermediate board between CC-84 and CC-83	—
CN-2022	Intermediate board between CC-85 and CC-84	—
CP-341	Video/remote interface	13-2, 3
CP-342/342A	Audio interface	13-2
DPR-136	Digital process	13-6
DU-83	Digital process	13-3
DU-84	Digital process	13-2, 3
DU-89	Digital process	13-2, 3
DU-95	SDI character generator	—
DY-15	Fluorescent display board/audio meter/input - output selection	13-3
EX-752	Intermediate board	—
FU-78P	Digital process (PB)	13-14
FU-78R	Digital process (REC)	13-14
HP-99	Headphone interface	—
IF-763	i.LINK interface board (Option: DSBK-190)	13-15
IF-778	Operation panel intermediate board (Option: DSBK-200)	—
KY-452	Operation panel	13-3
KY-452A	Operation panel board (Option: DSBK-200)	13-3
MB-859	Mother board	—
MS-64	Servo/mechanism control	13-3
PTC-100	Search dial sensor	—
RP-111	RF REC/PB, ATF detection	13-16
SE-521	Mode sensor/tape end sensor/loading motor FG sensor	13-3
SE-522	Tape top sensor/reel position sensor (Mini/M/Standard)	13-3
SE-525	LED signal board	—
SE-538	Tension sensor	13-3
SV-212	Servo/mechanism control	13-21
SW-11/11P	Switch	13-3
SW-17	Remote switch	13-3
SY-278	System control	13-24
VPR-62/62P	Analog video input - output process/reference	13-27
VR-259	Audio PB volume control	13-3
VR-260	Audio REC volume control	13-3



13-2 (b)

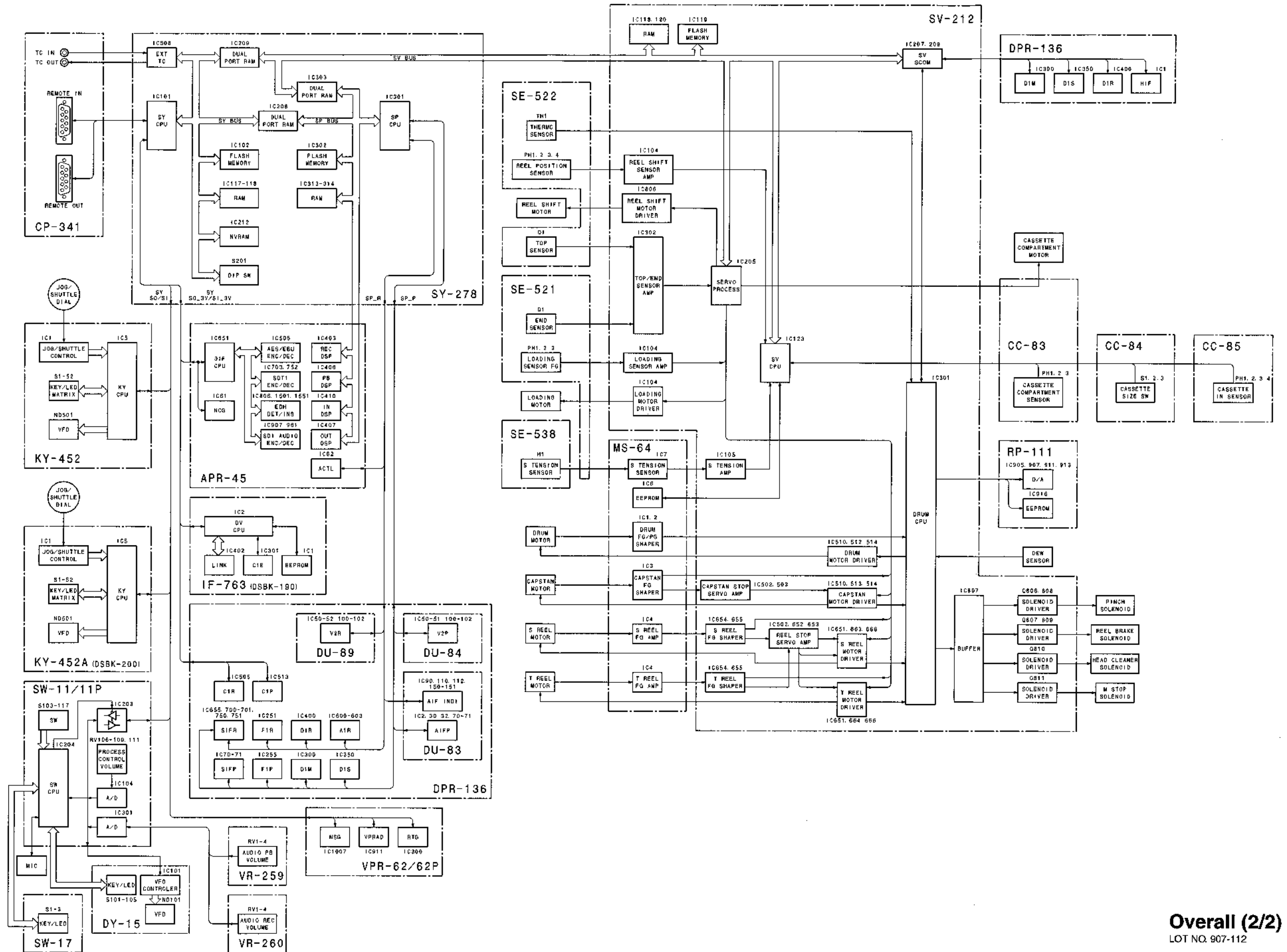
13-2 (b)

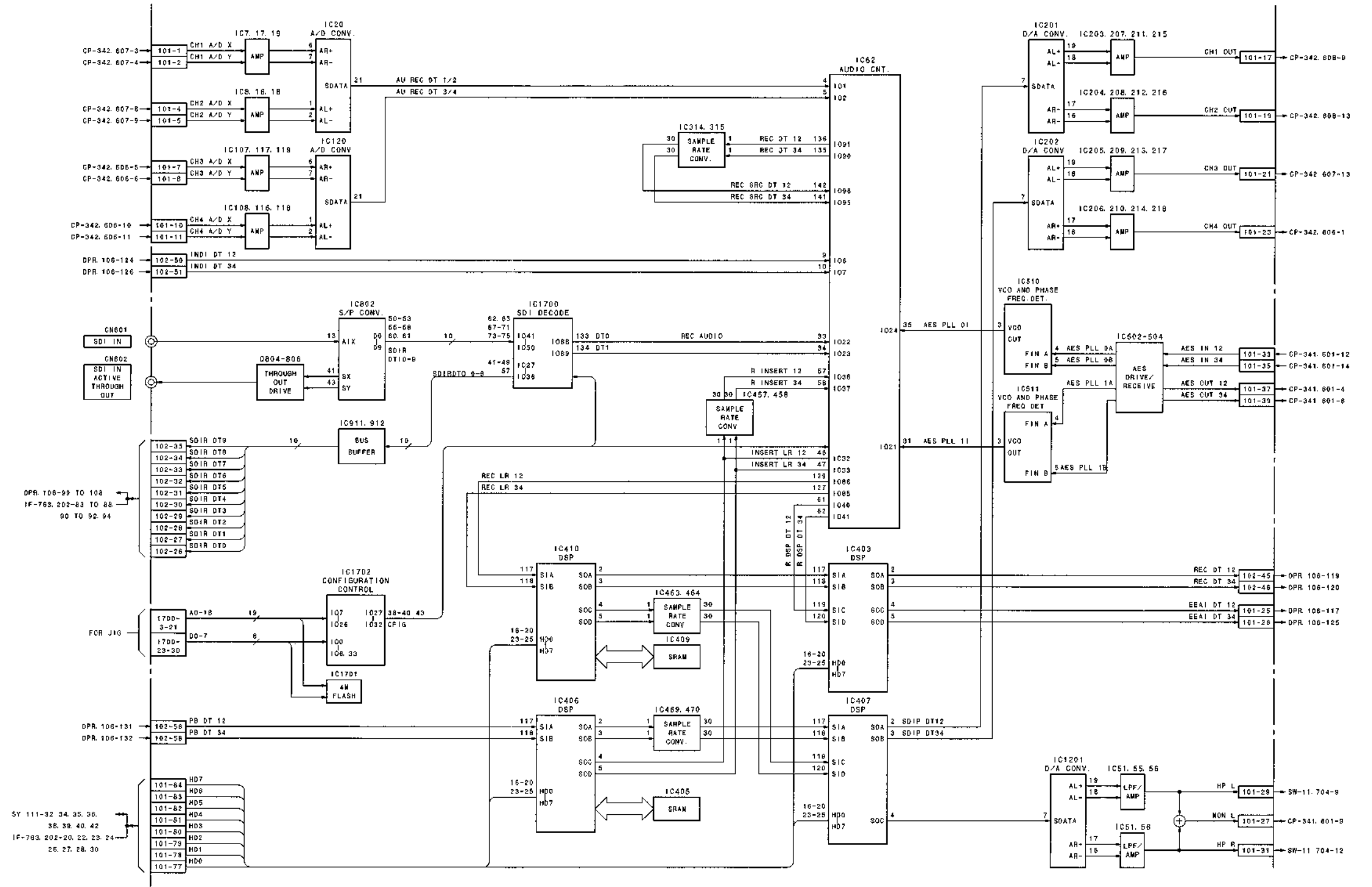


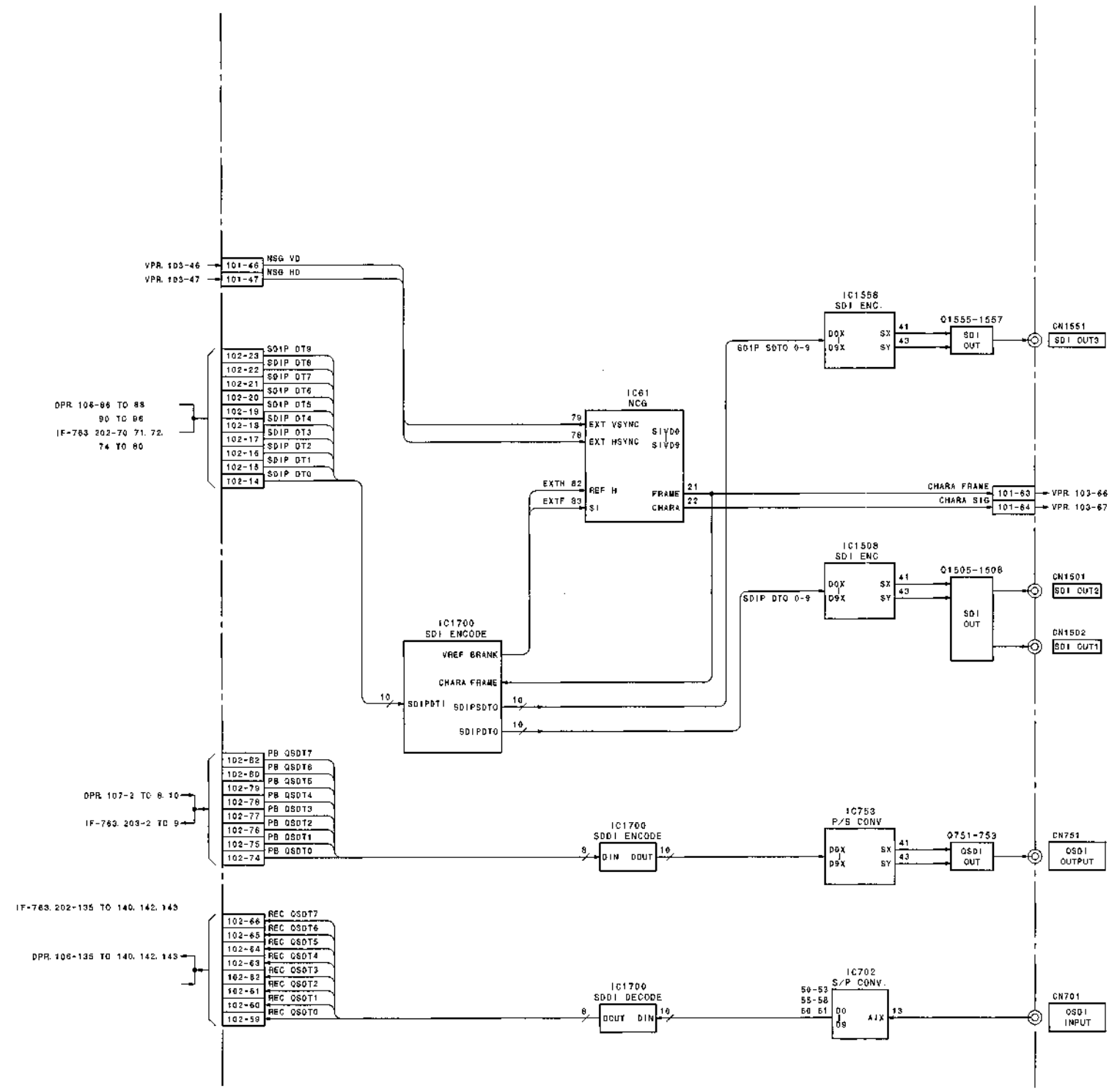


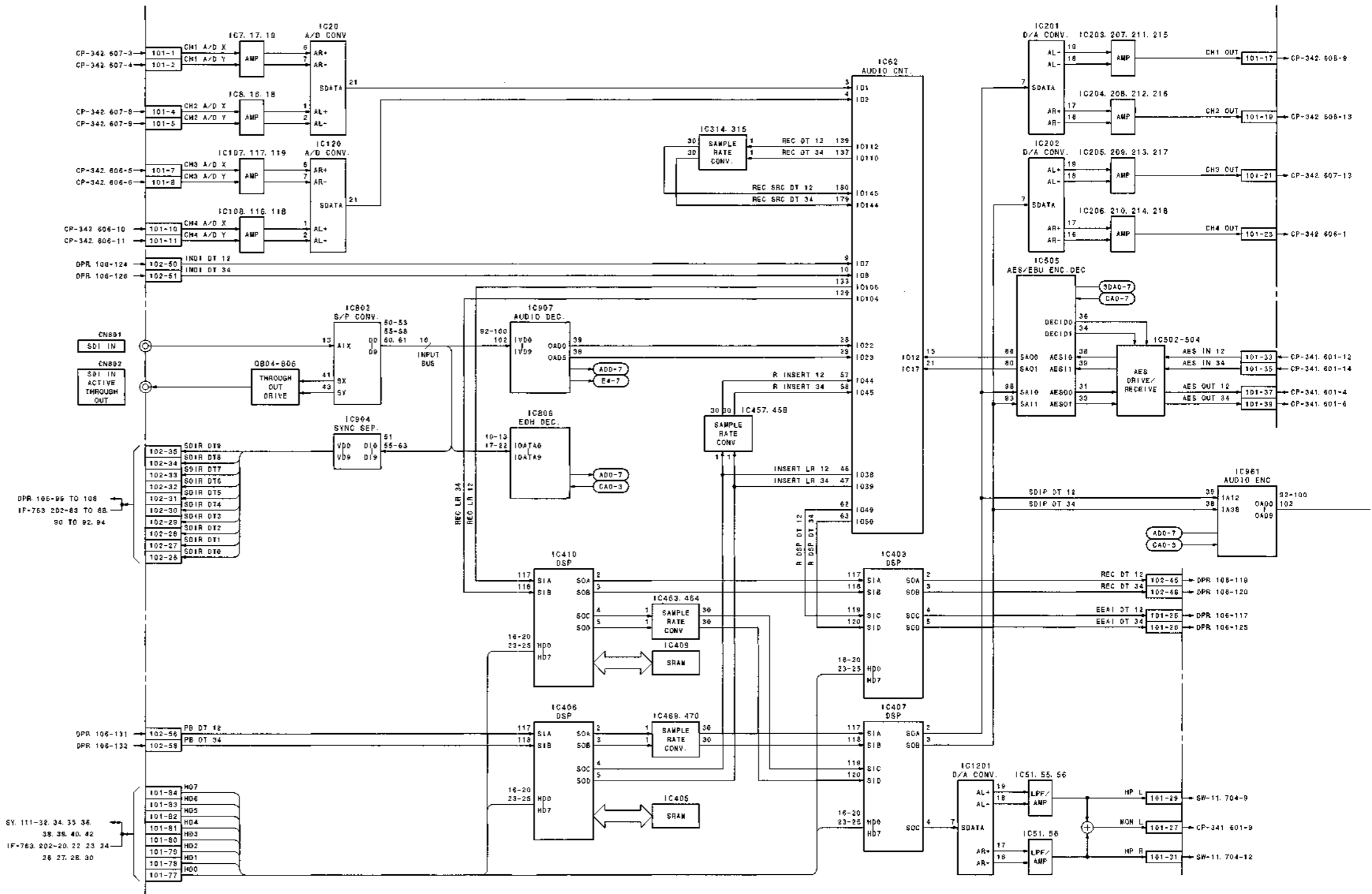
13-2 (a)

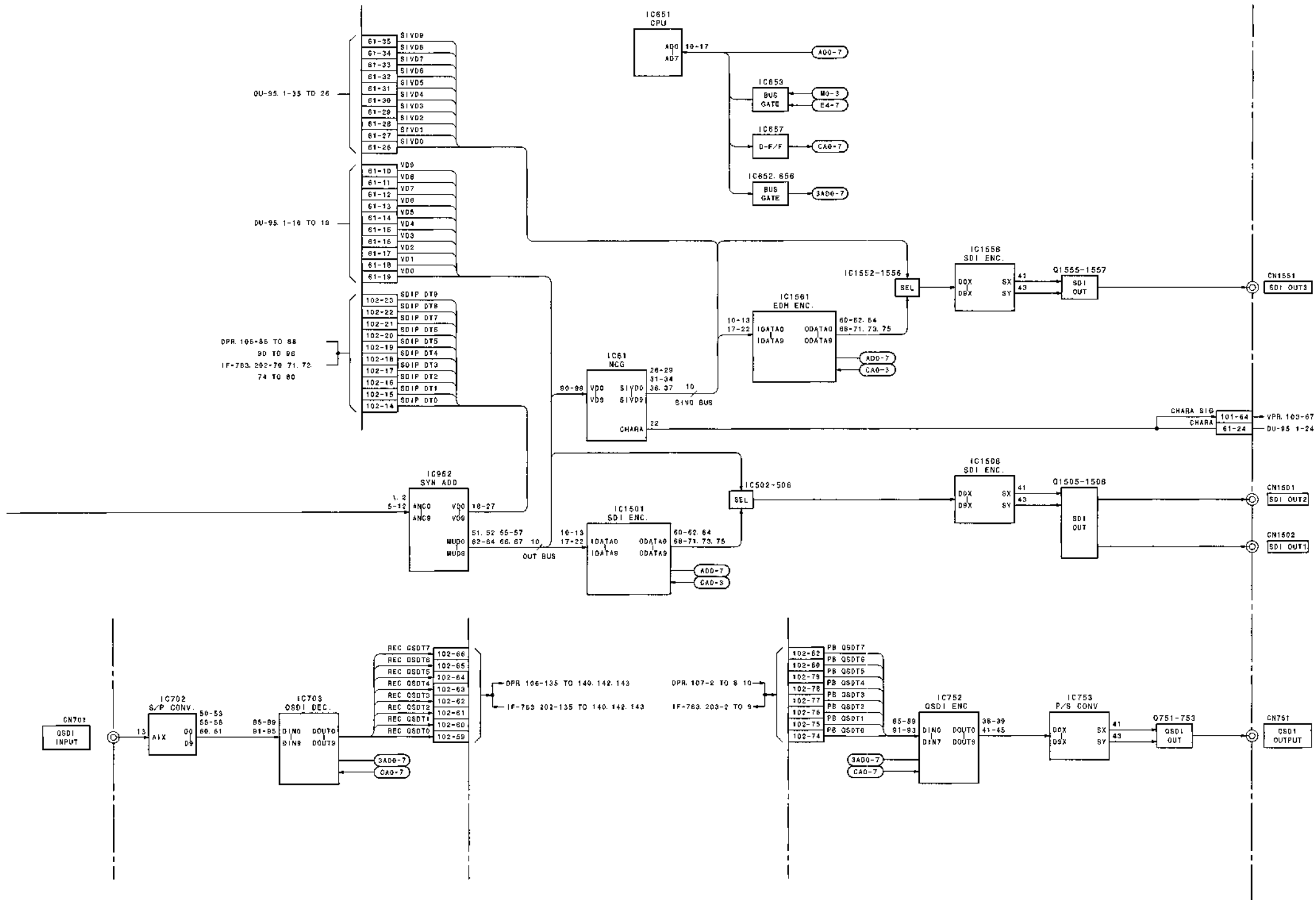
13-2 (a)

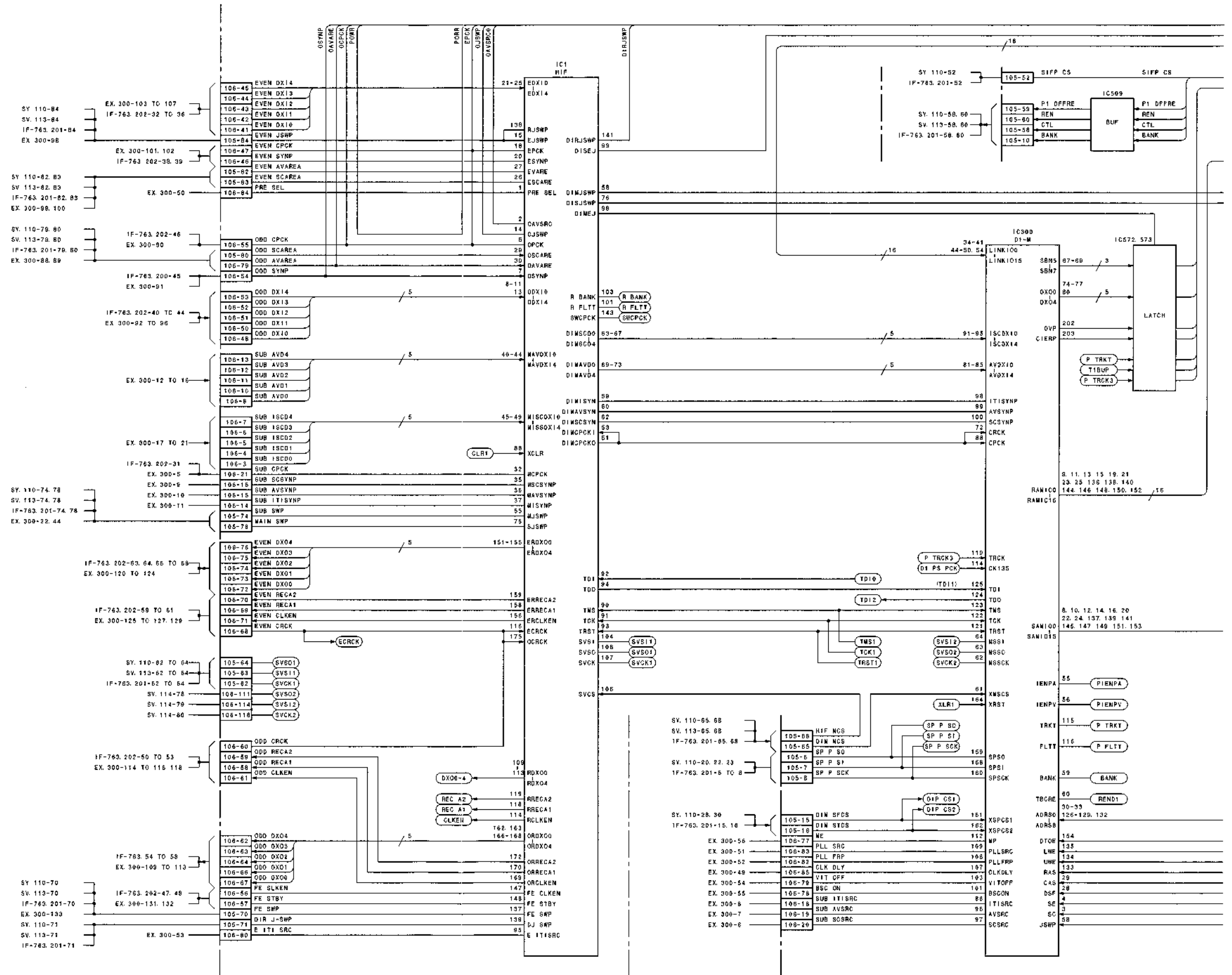


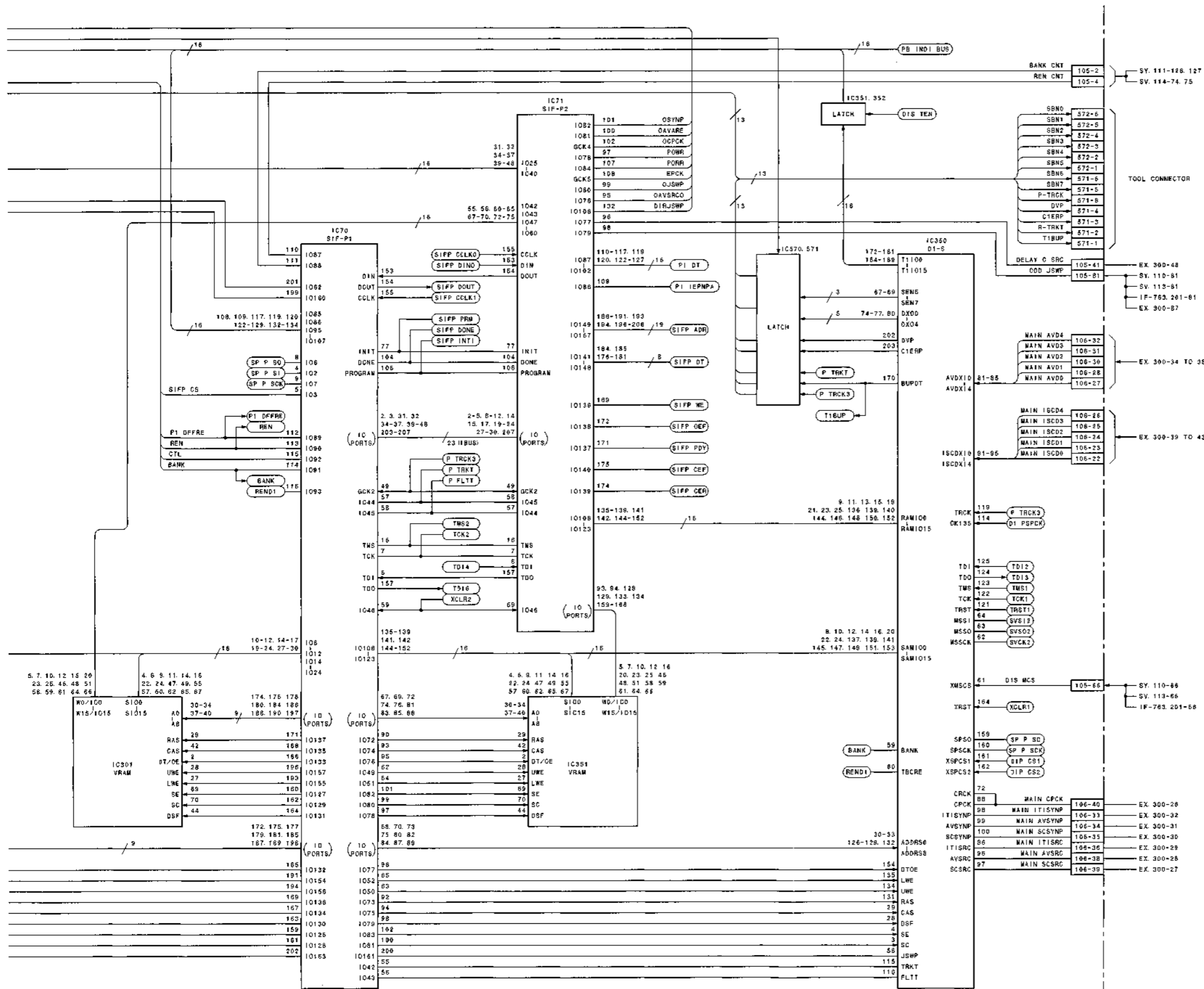


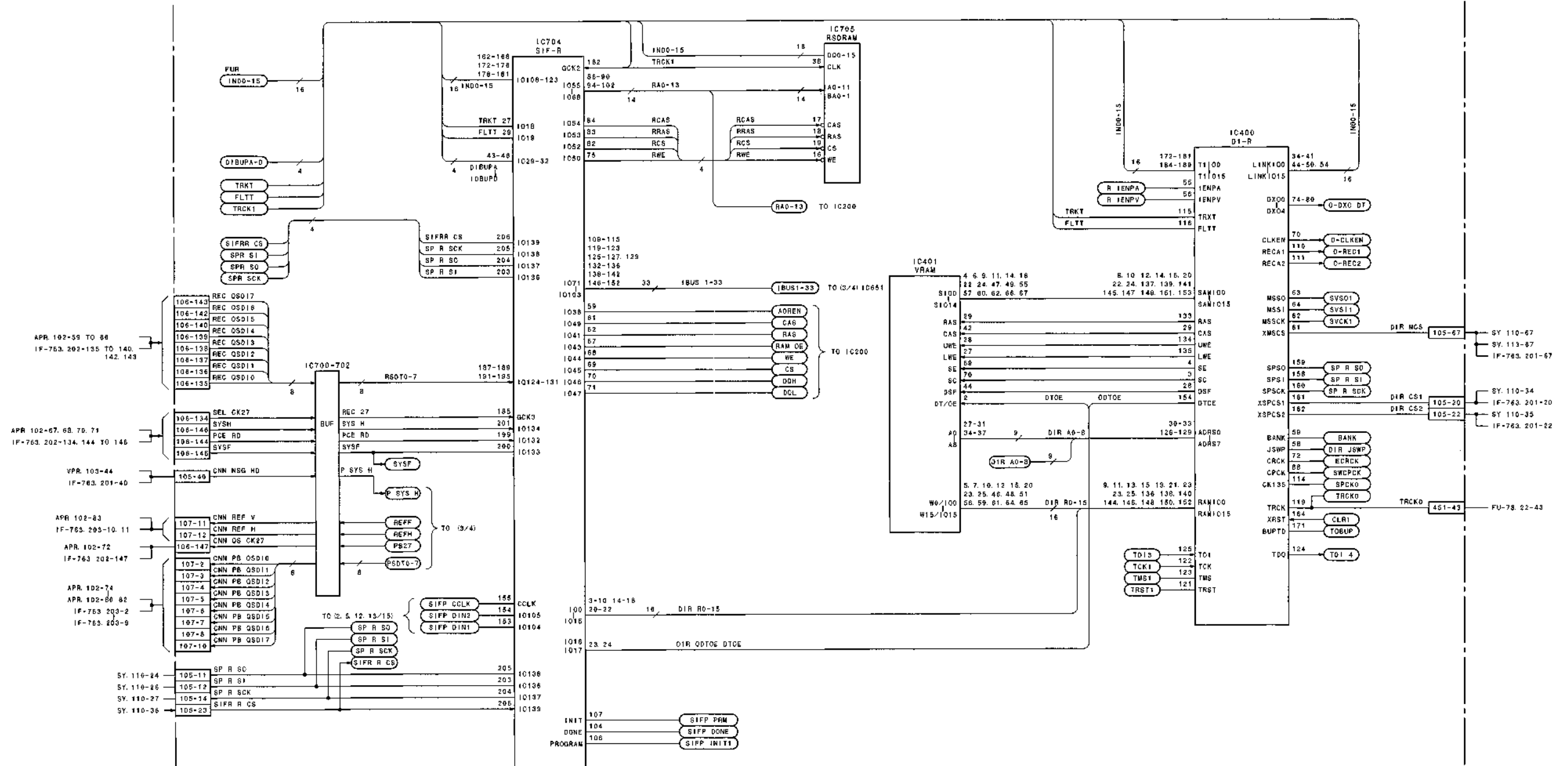


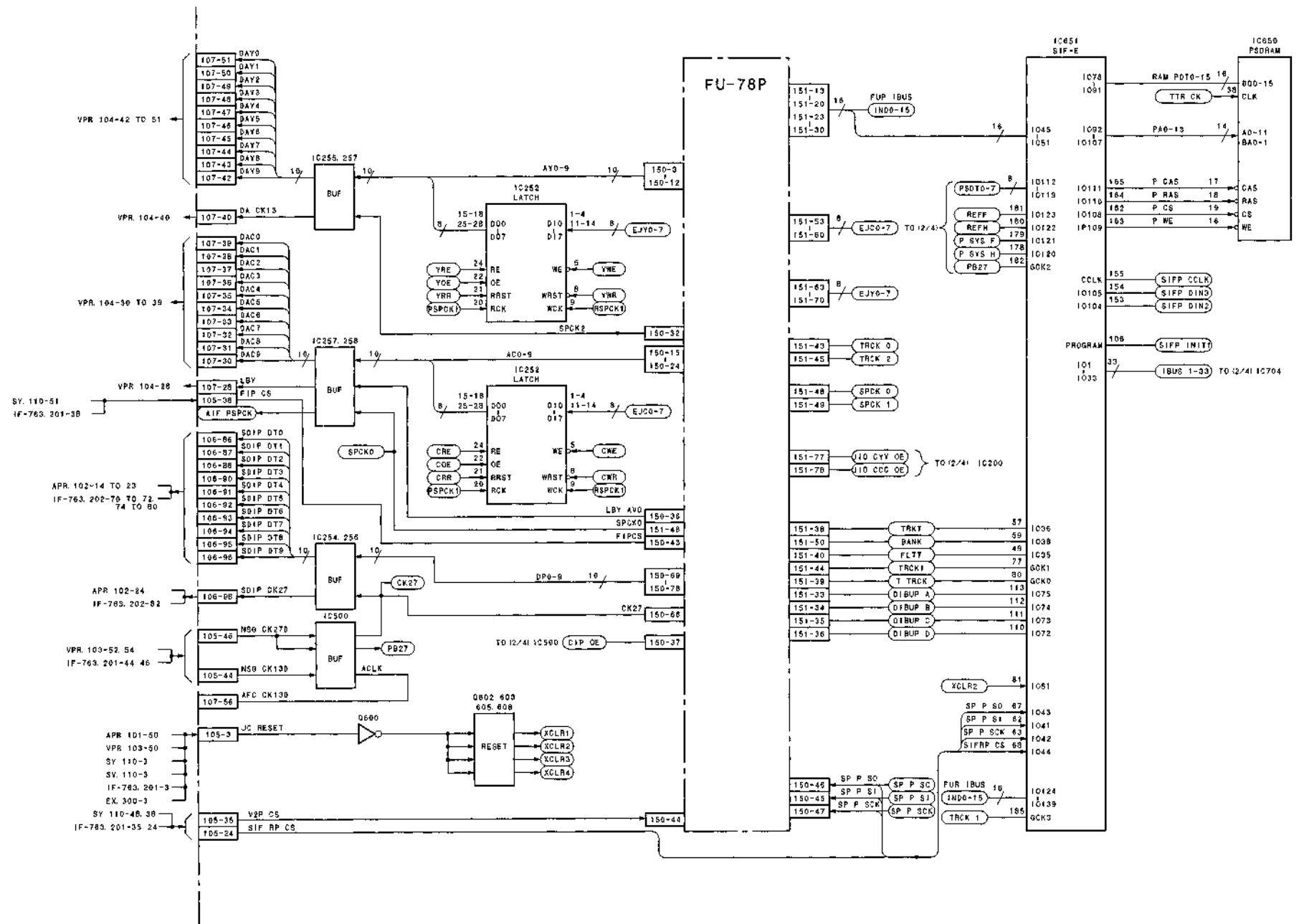


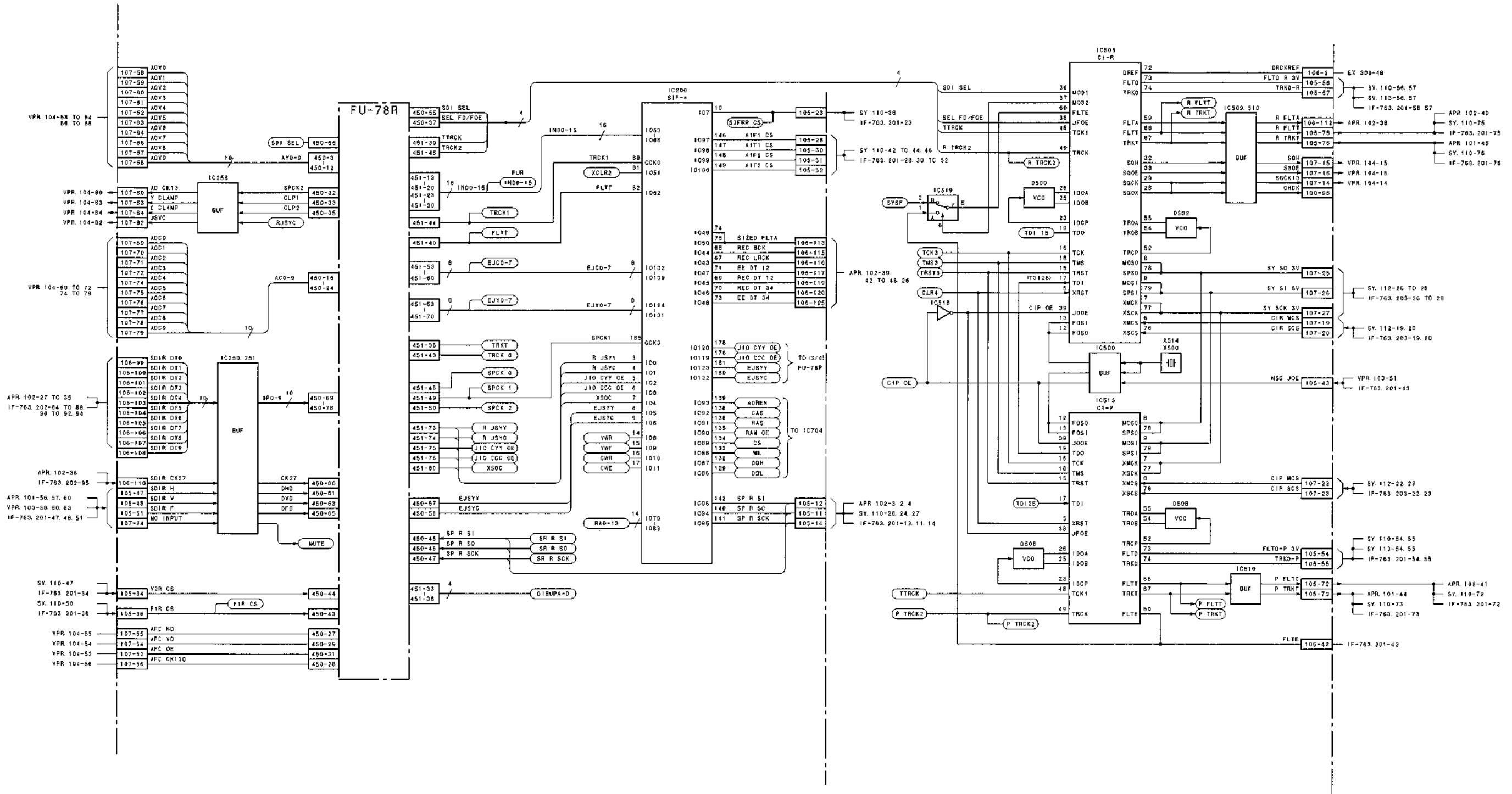


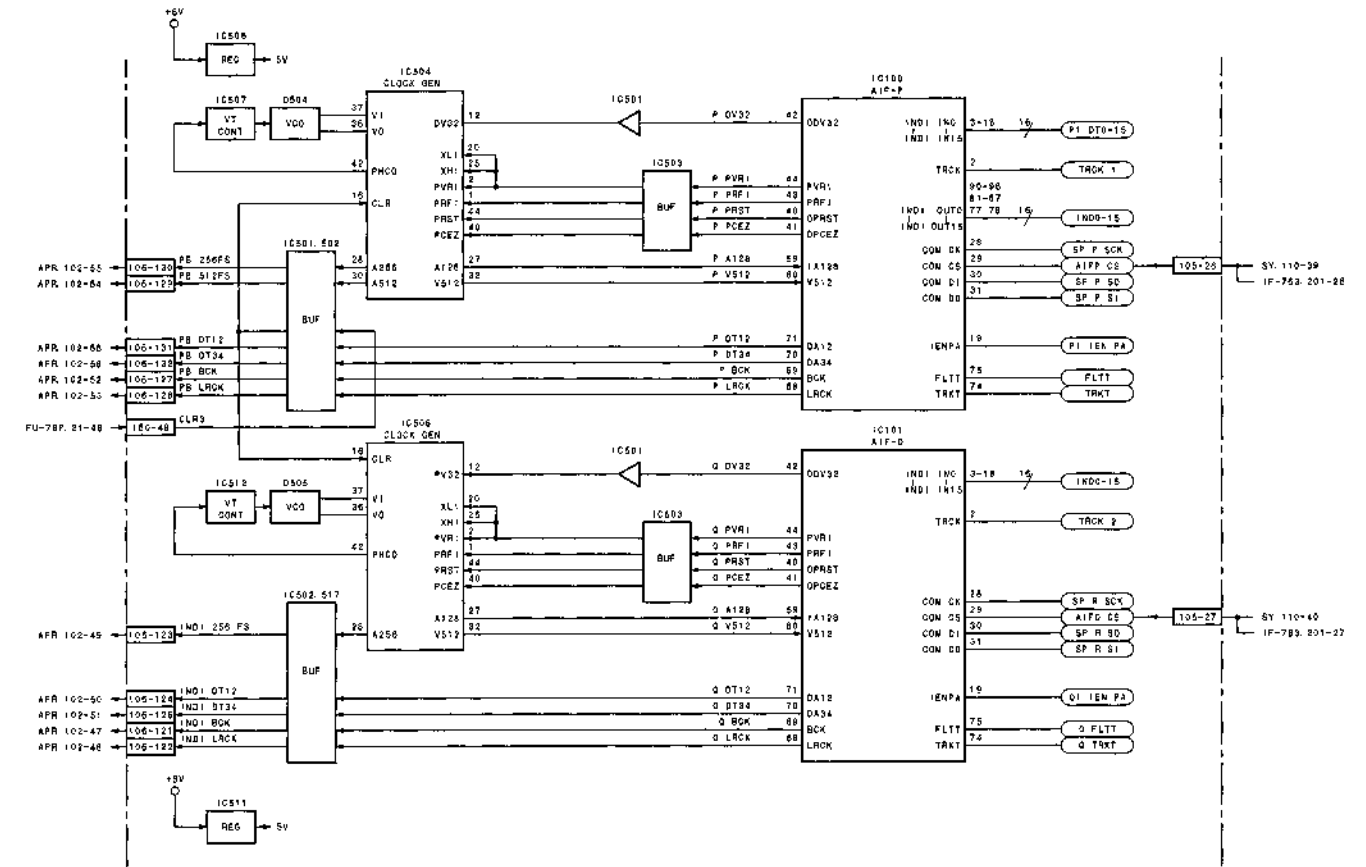
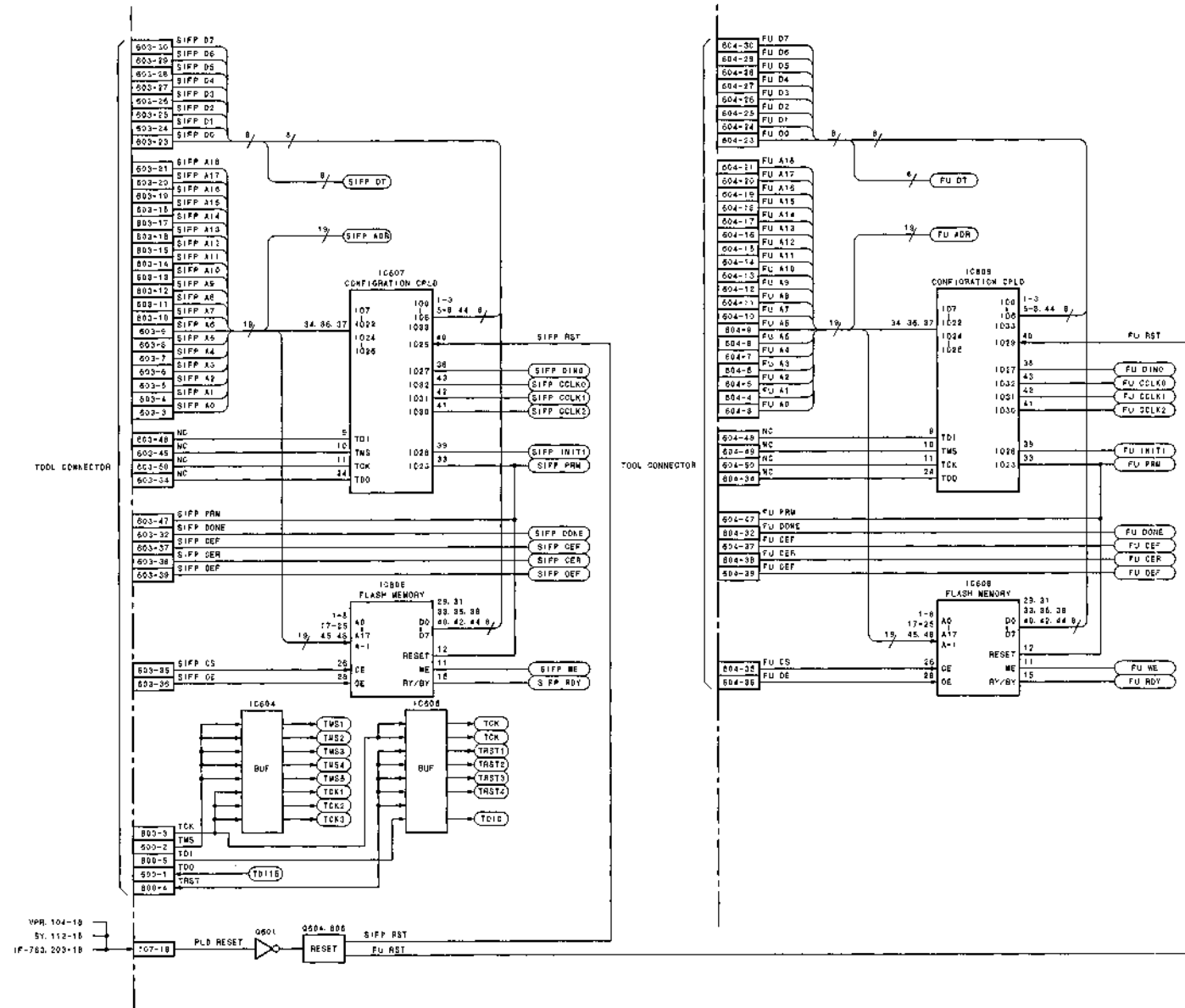


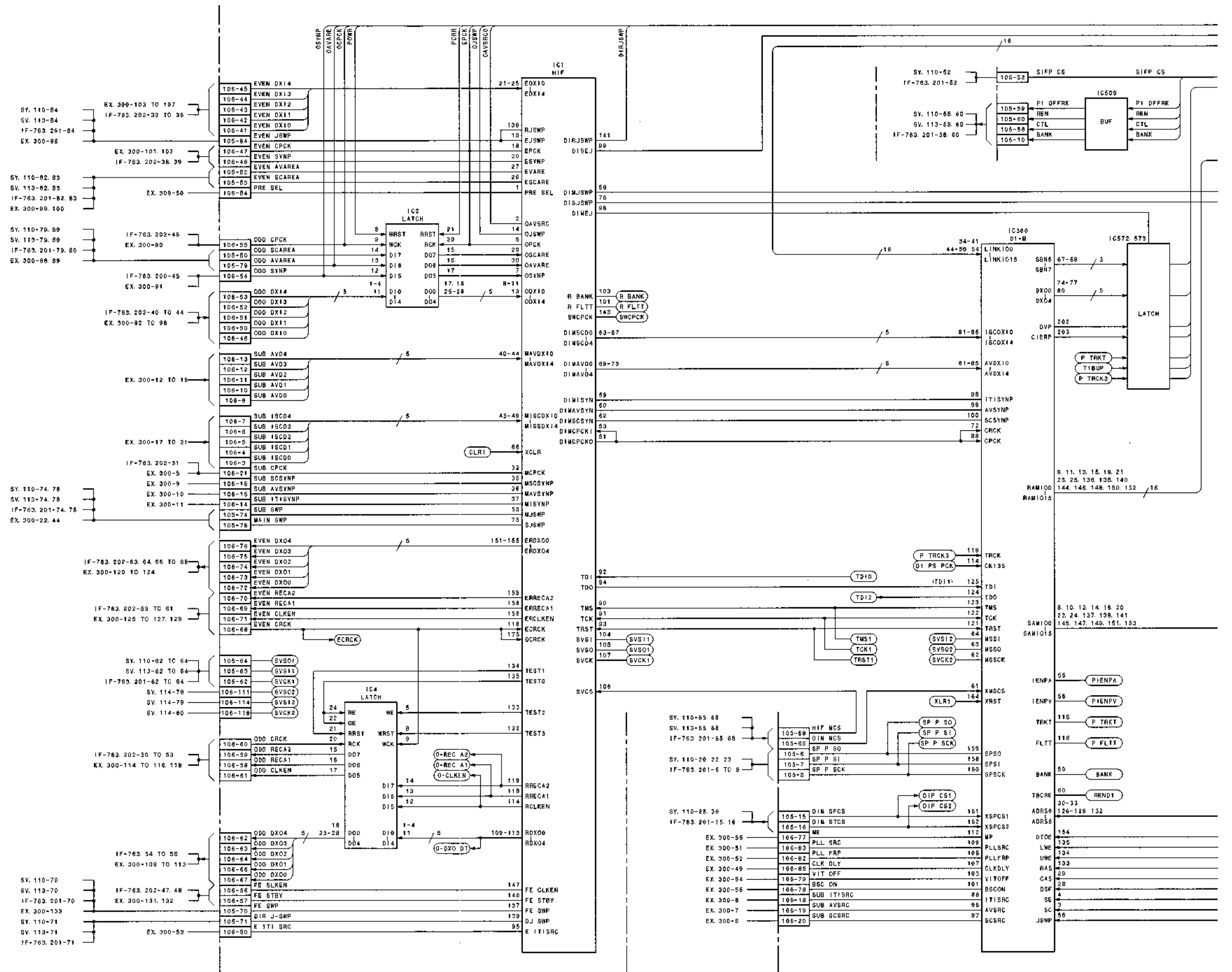


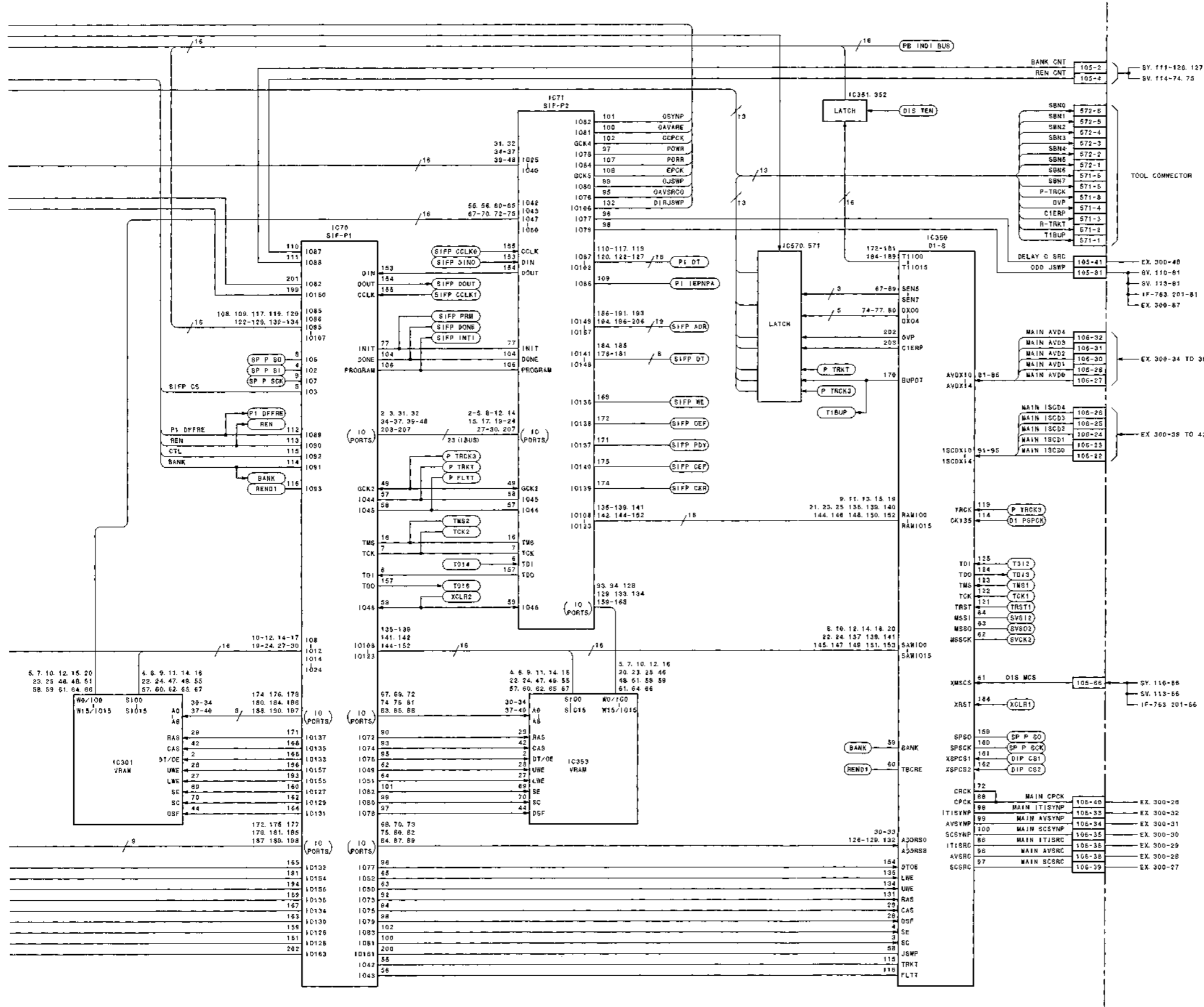


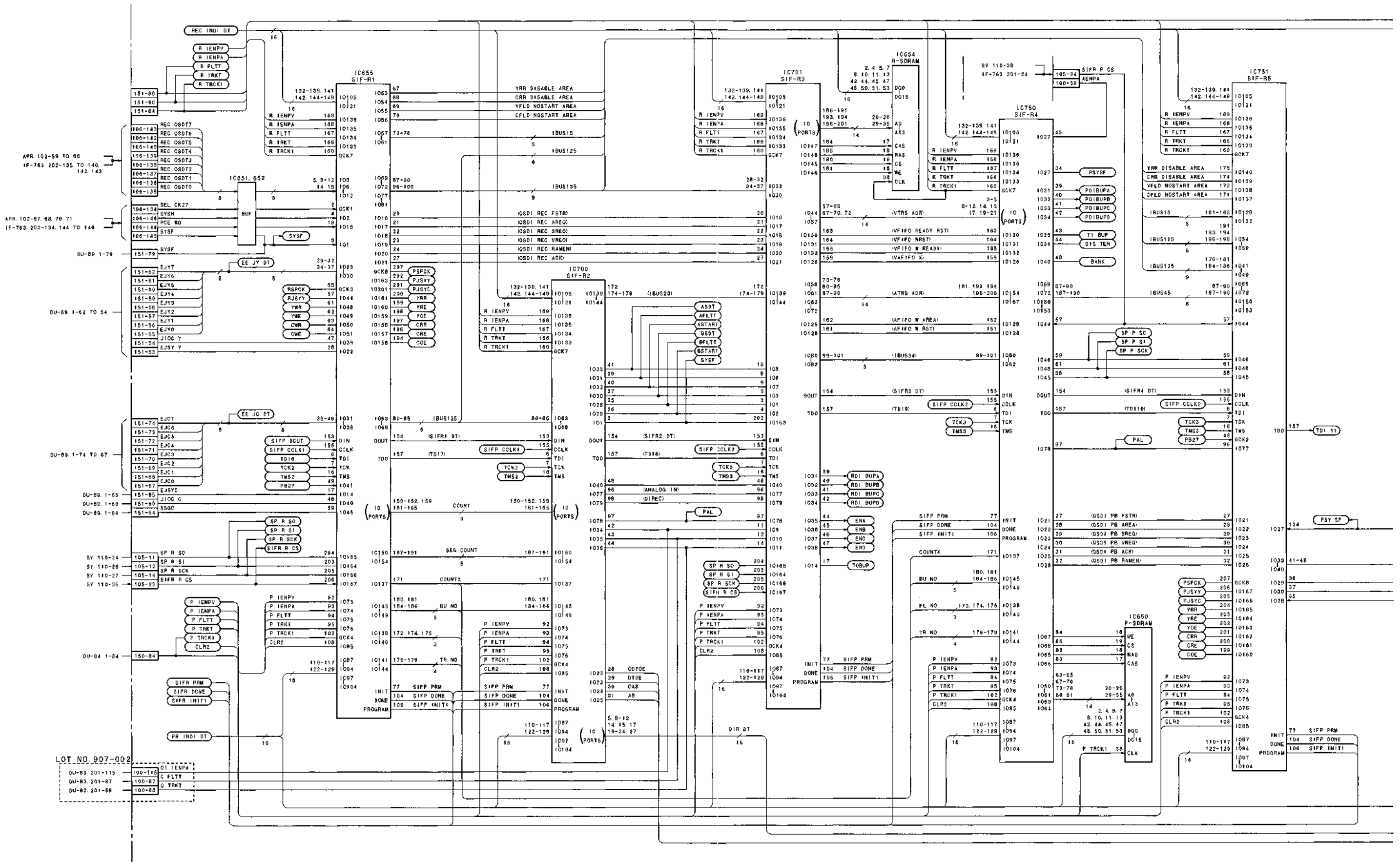






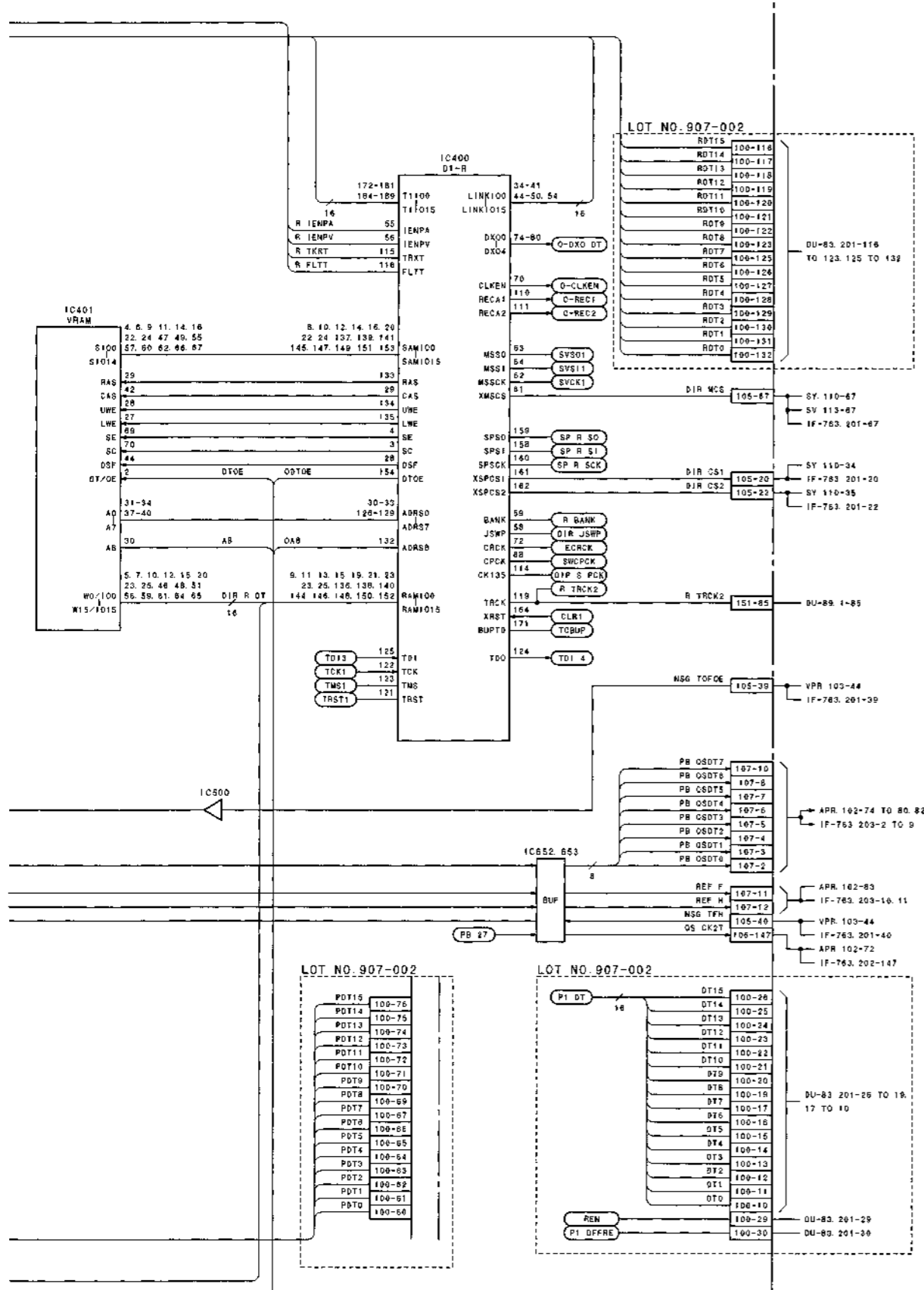




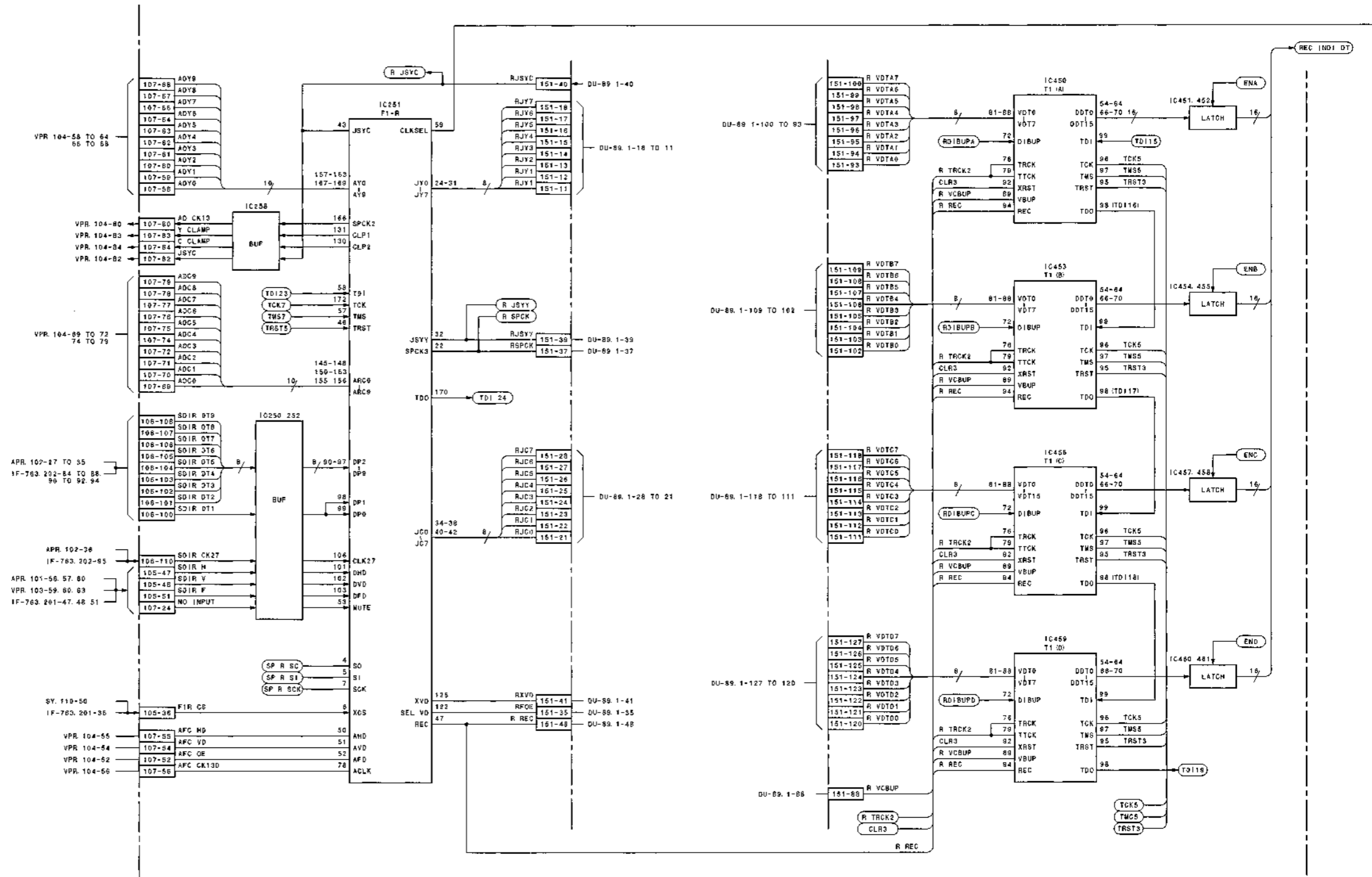


LOT NO. 907-002

DU-83 201-115
DU-83 201-87
DU-83 201-88

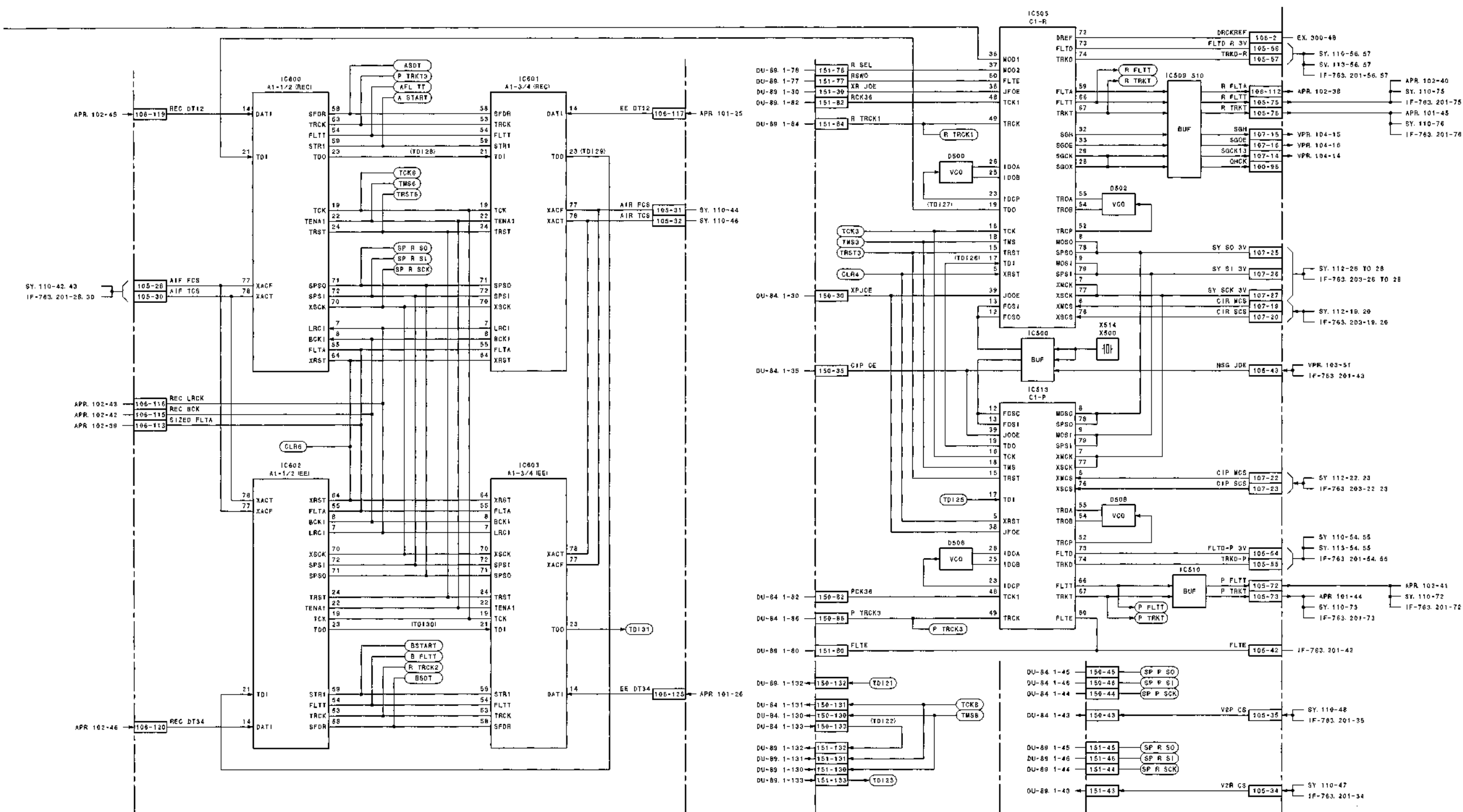


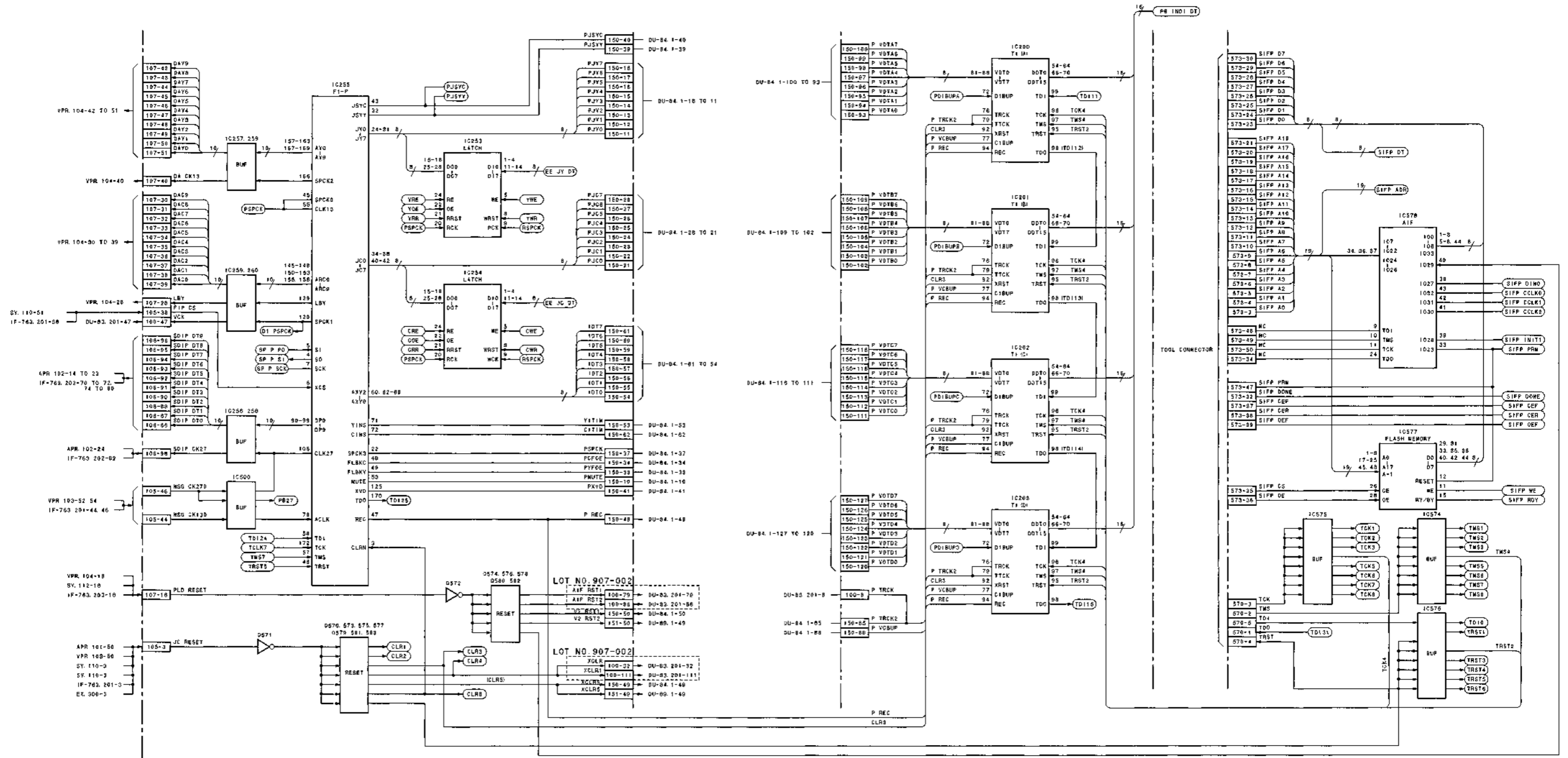
Digital process
DPR-136 (2/4)
LOT NO. 907-112

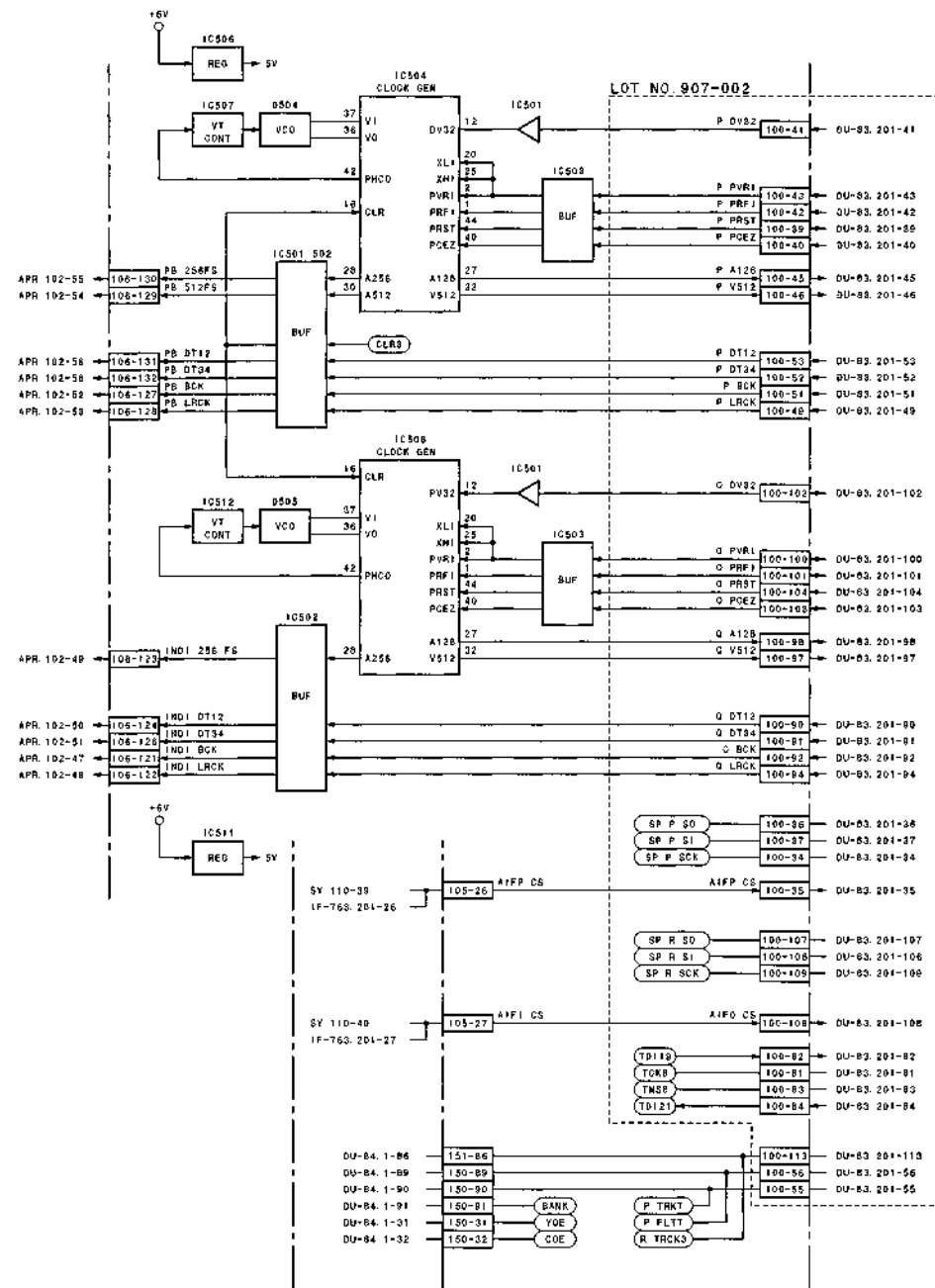


13-10 (a)

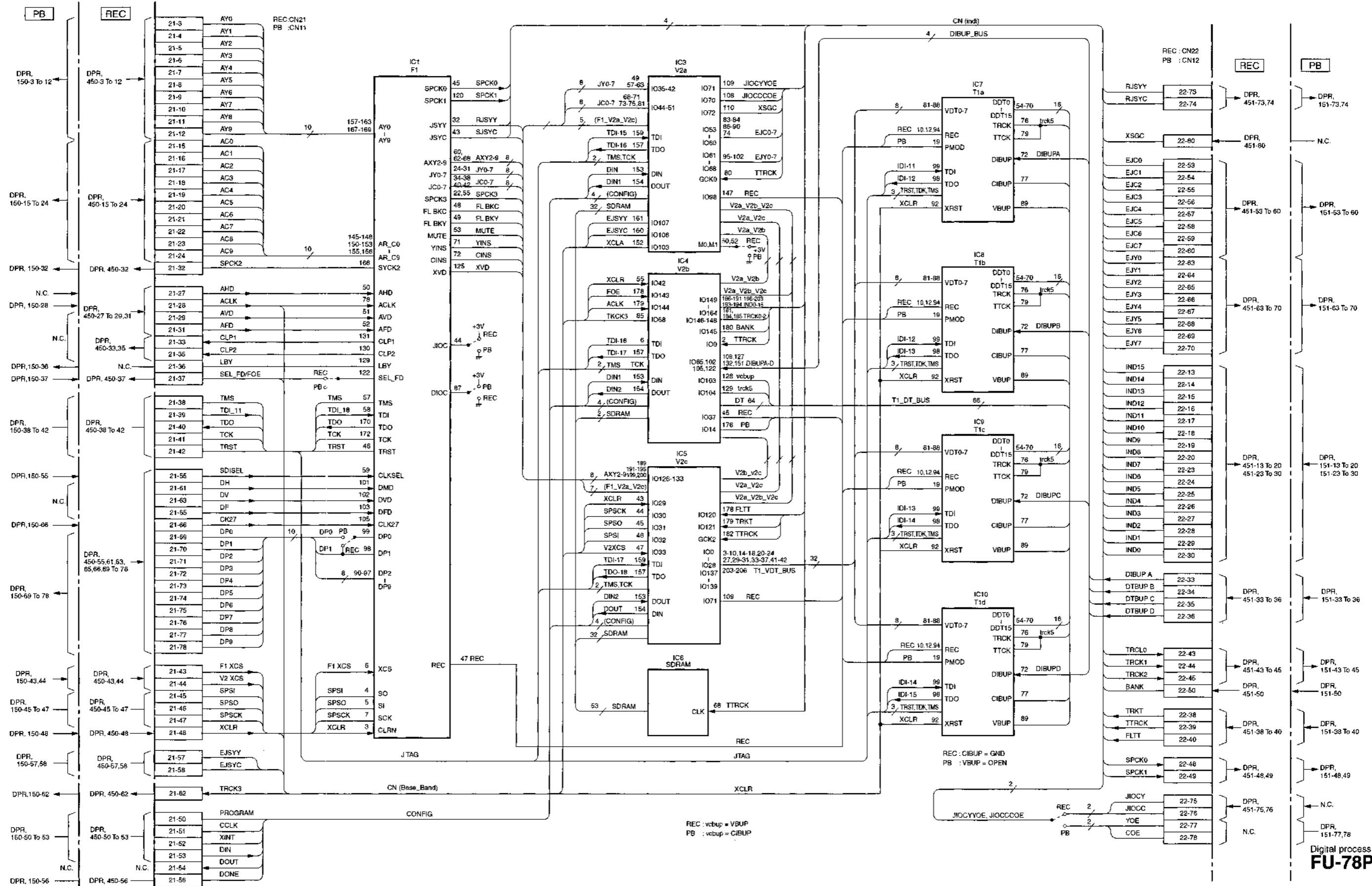
13-10 (a)



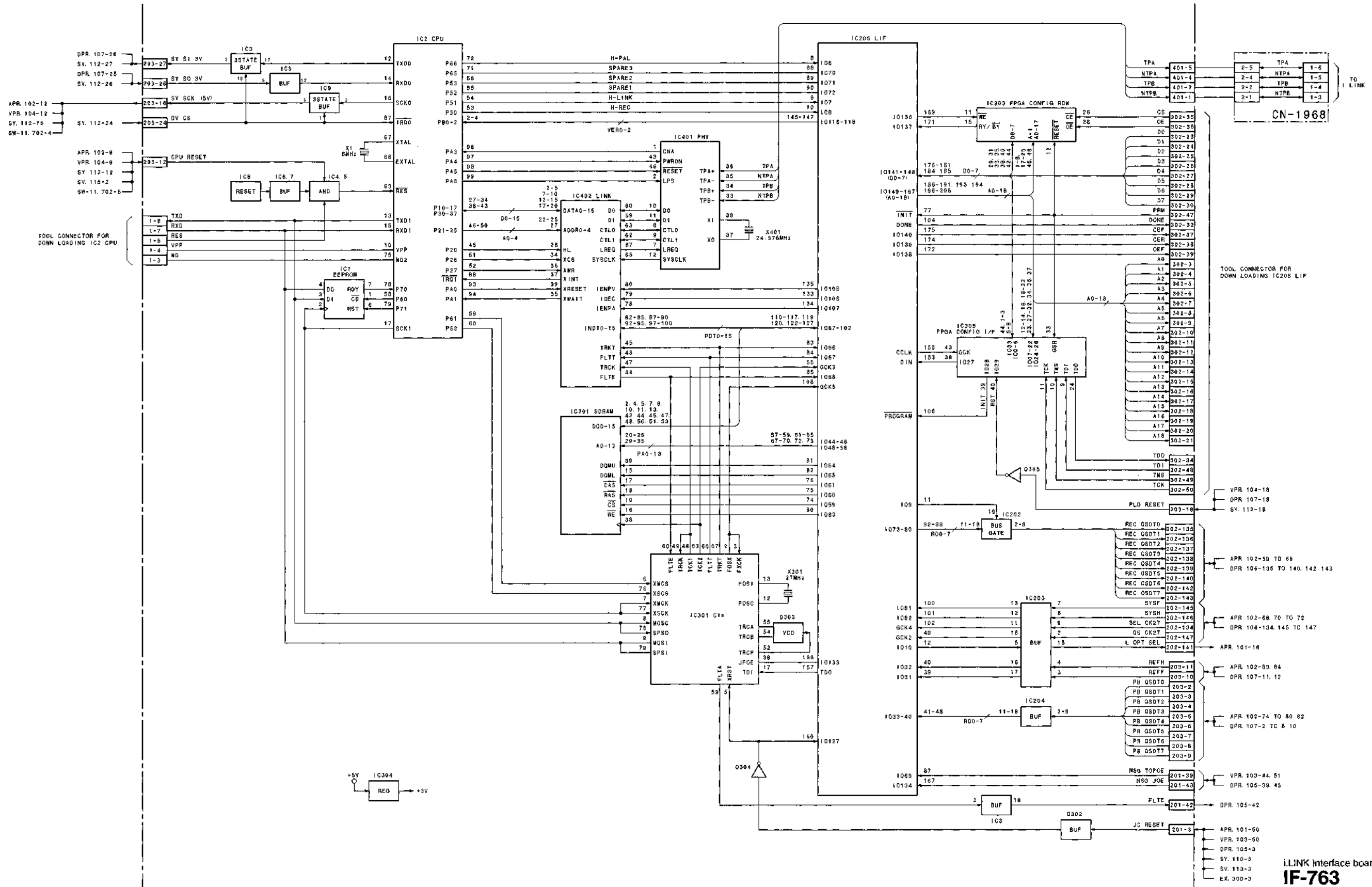




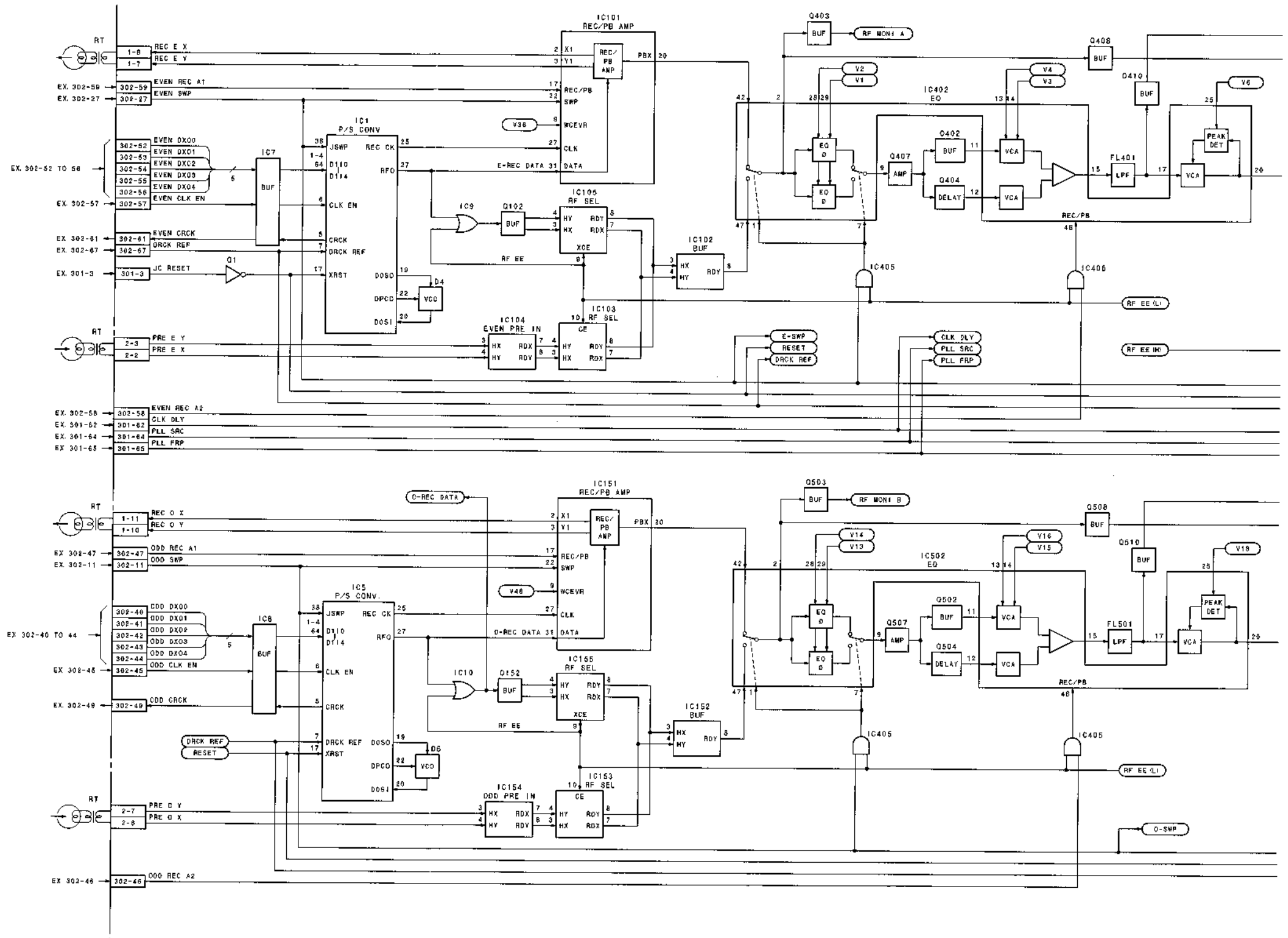
FU-78P/78R FU-78P/78R

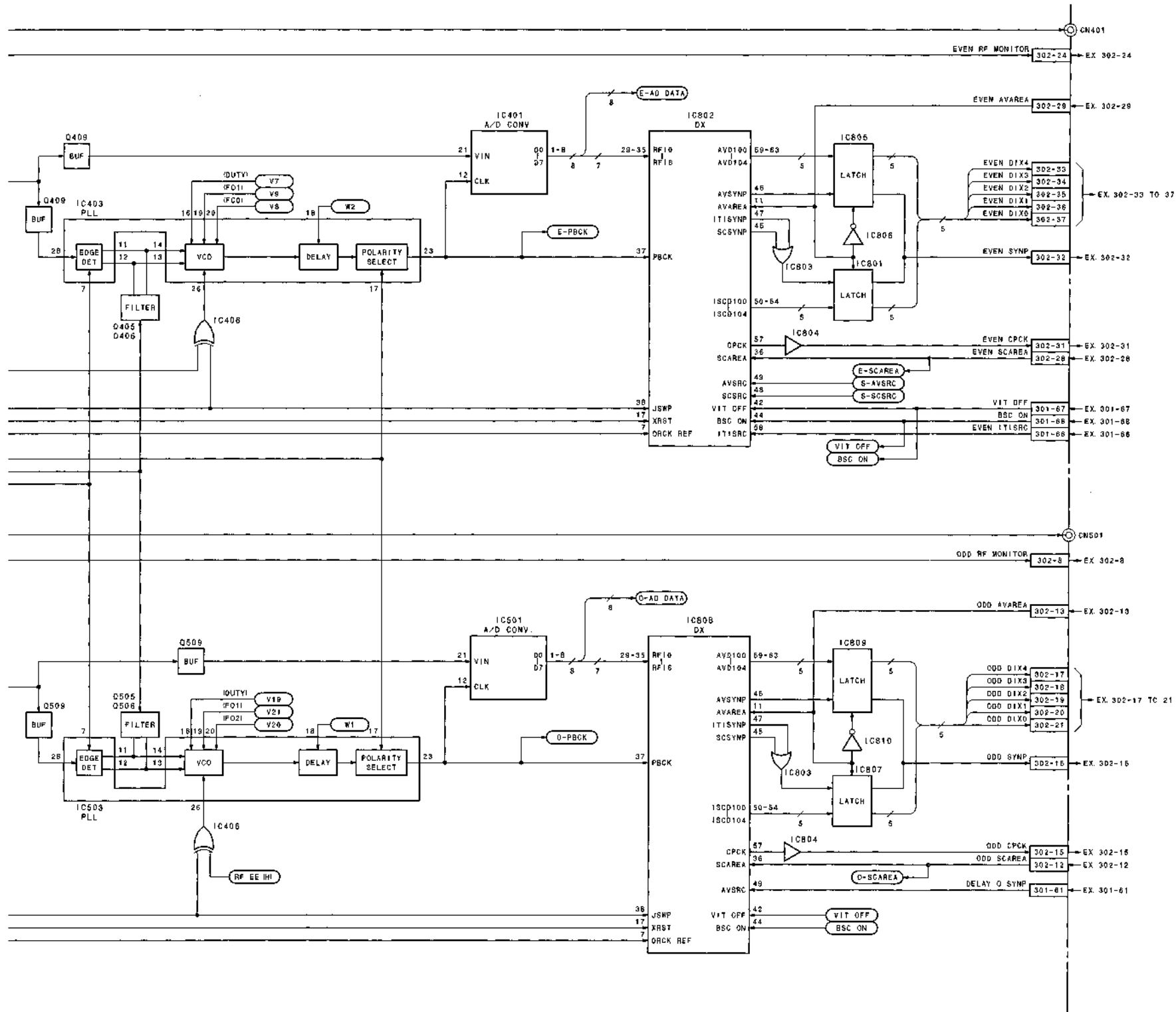


IF-763 IF-763

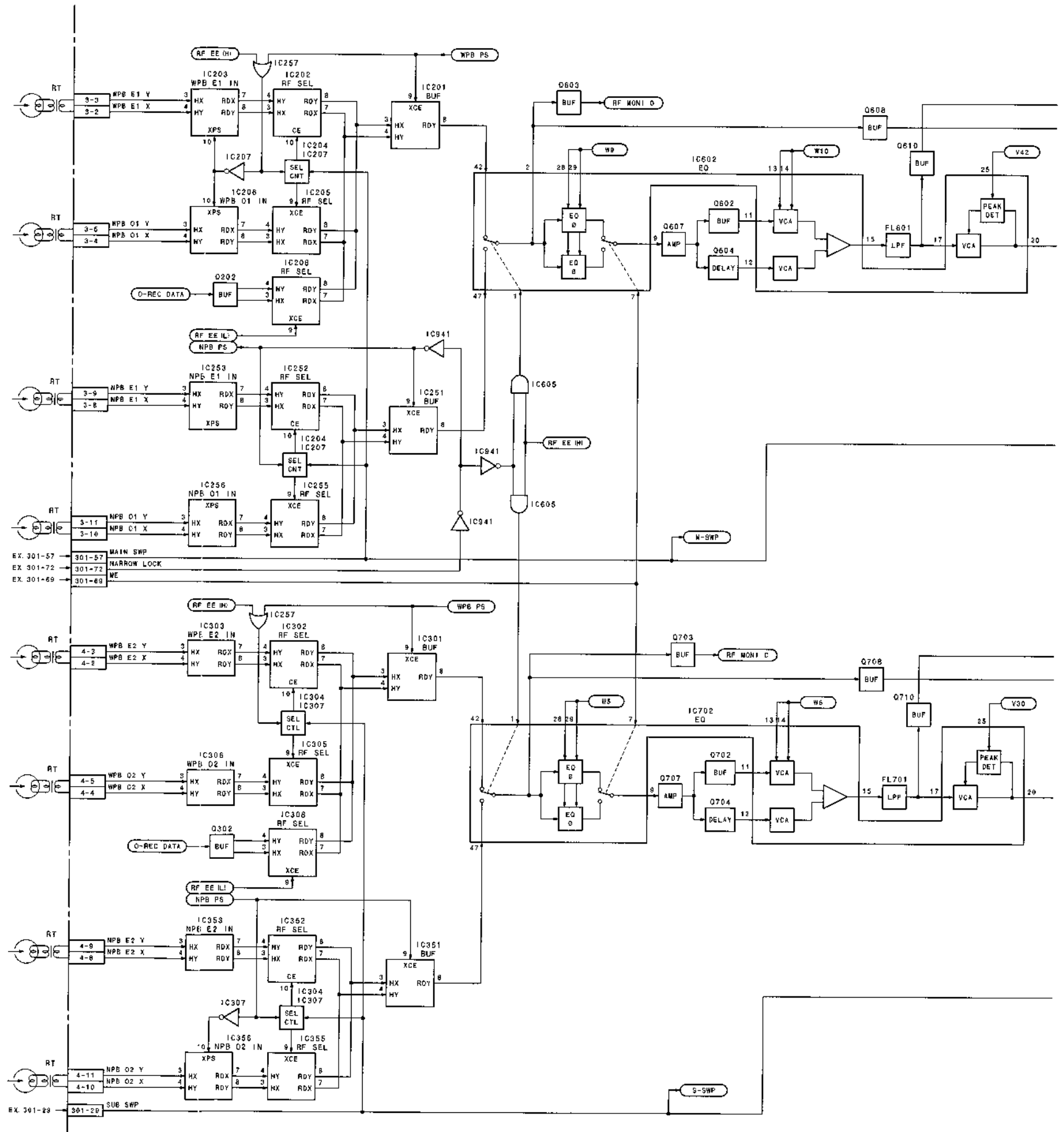


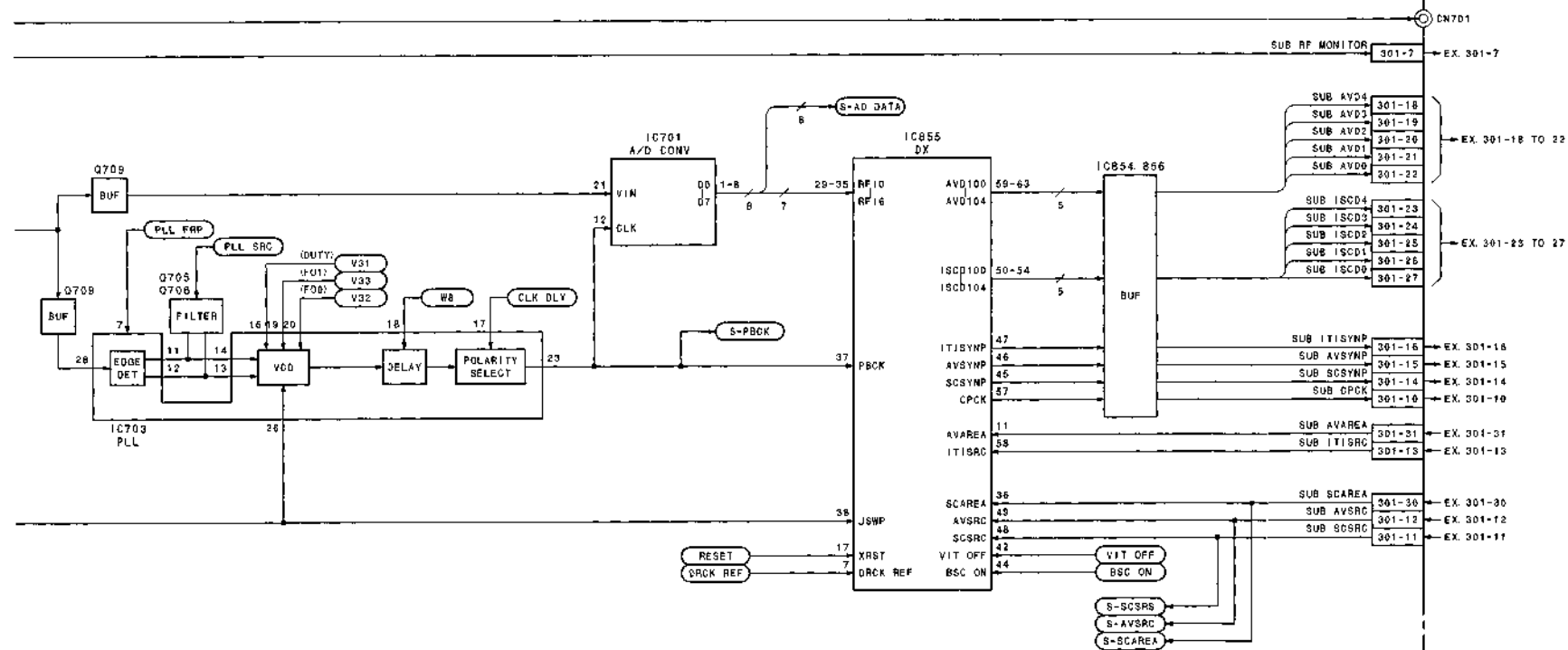
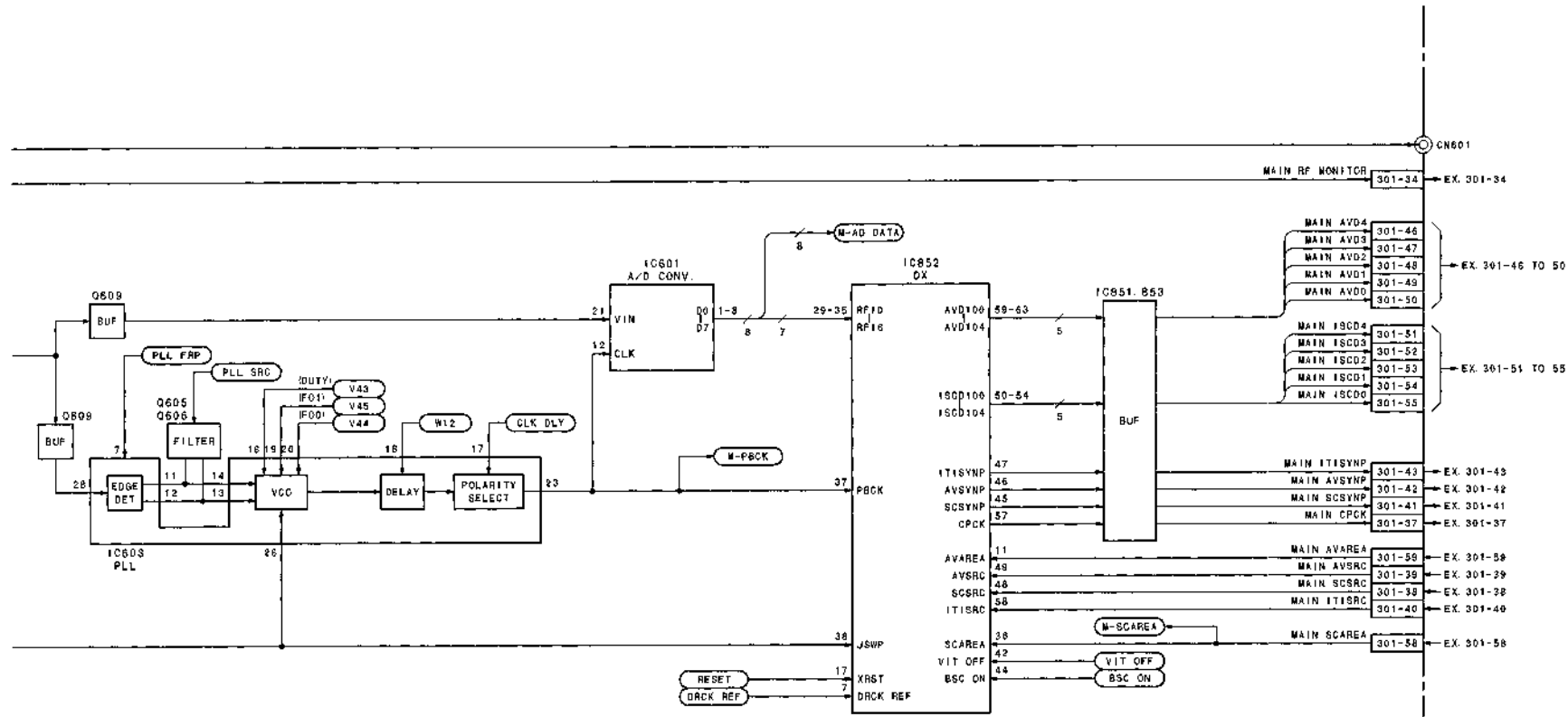
i.LINK interface board (Option: DSBK-190)
IF-763
 FOR DSBK-190
 LOT NO. 909

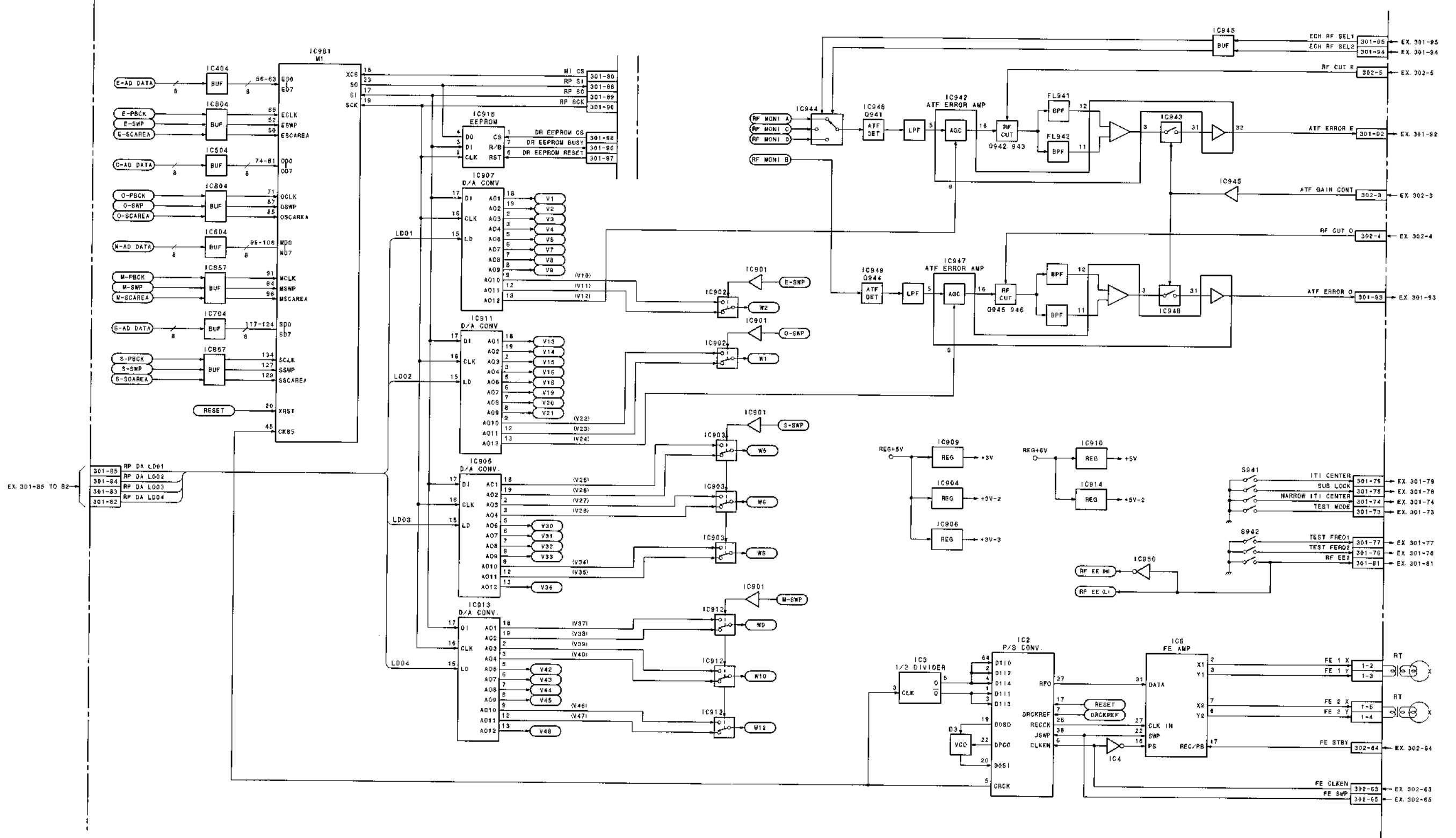




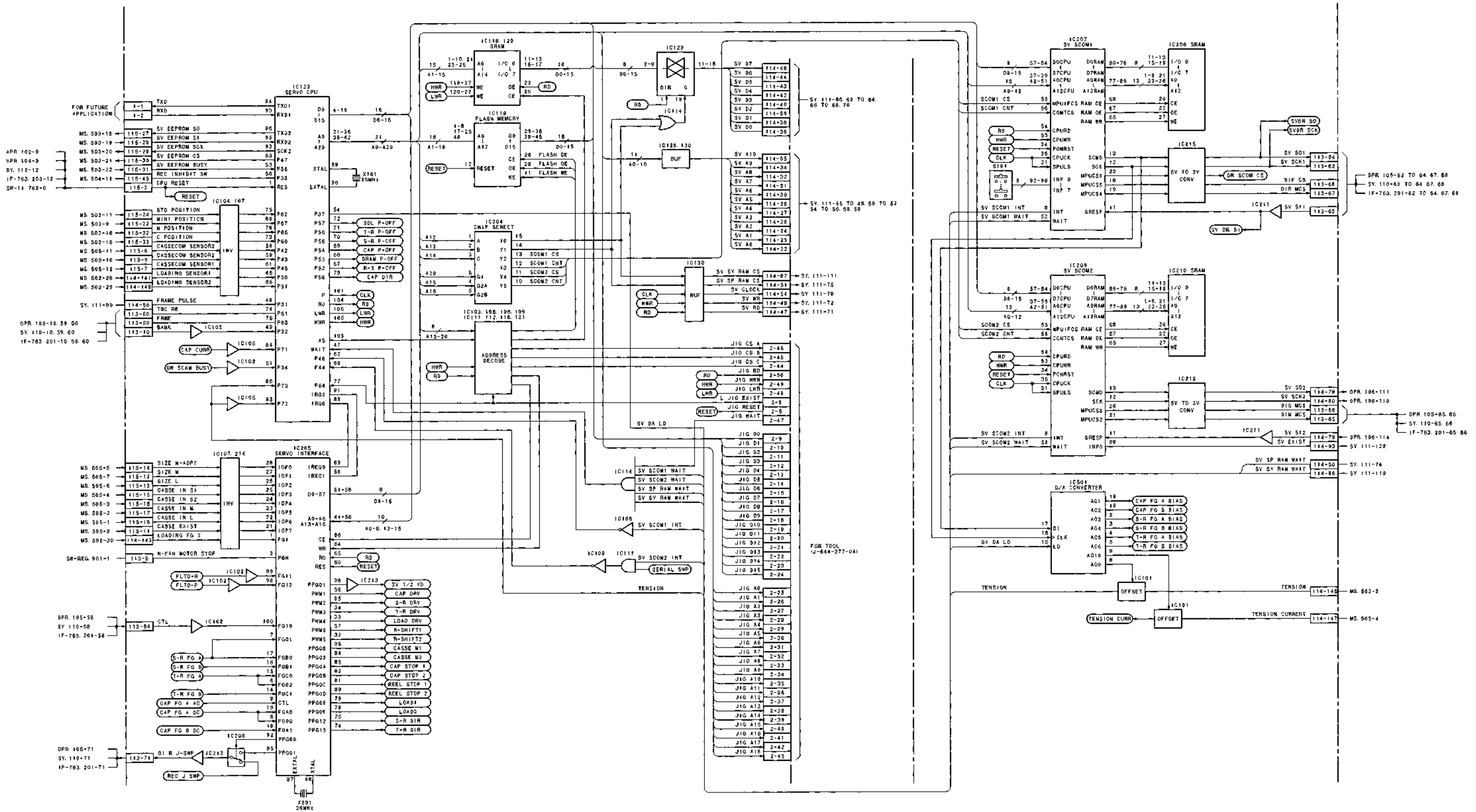
RF REC/PB, ATF detection
RP-111 (1/3)
 LOT NO. 907-



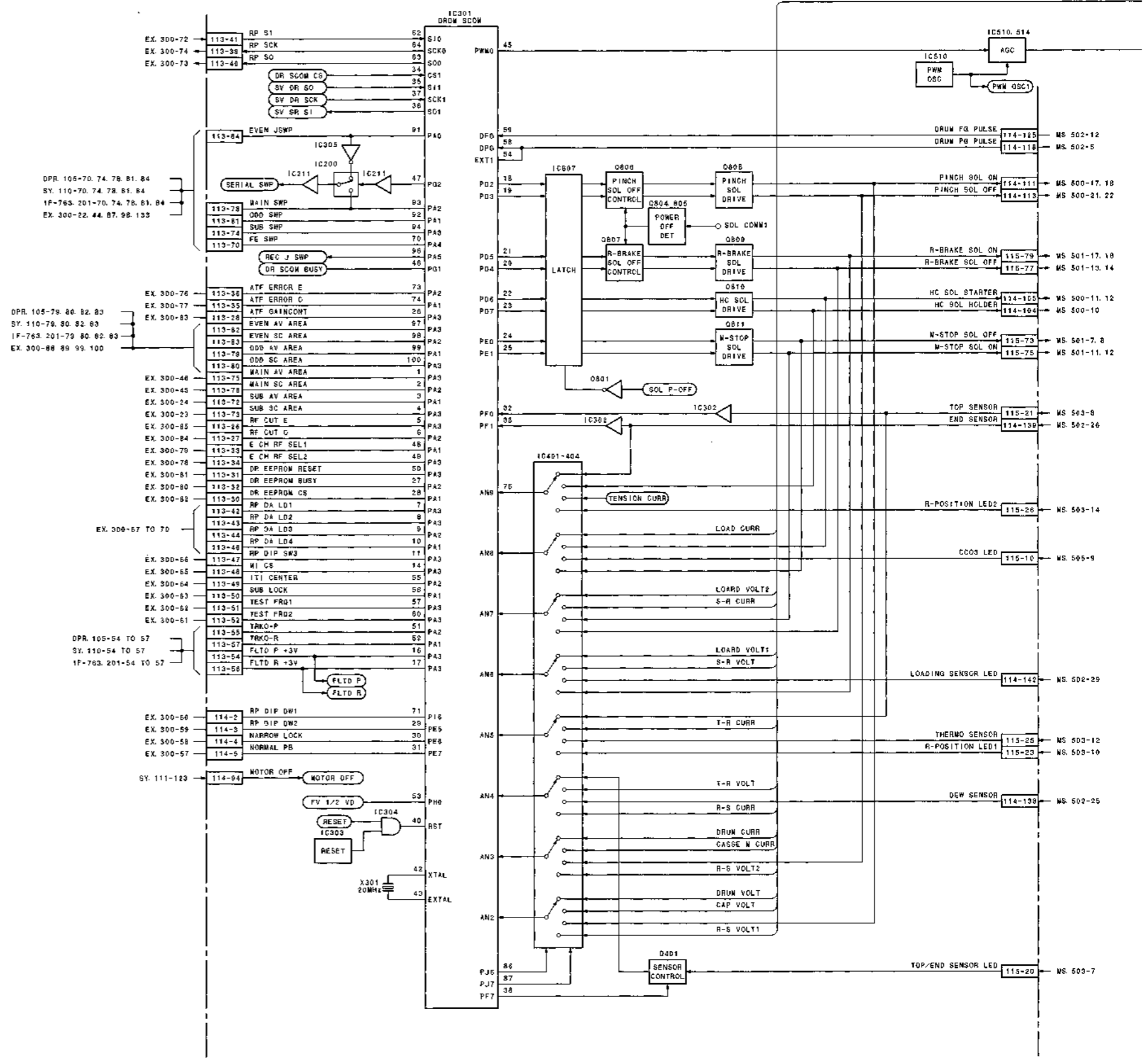


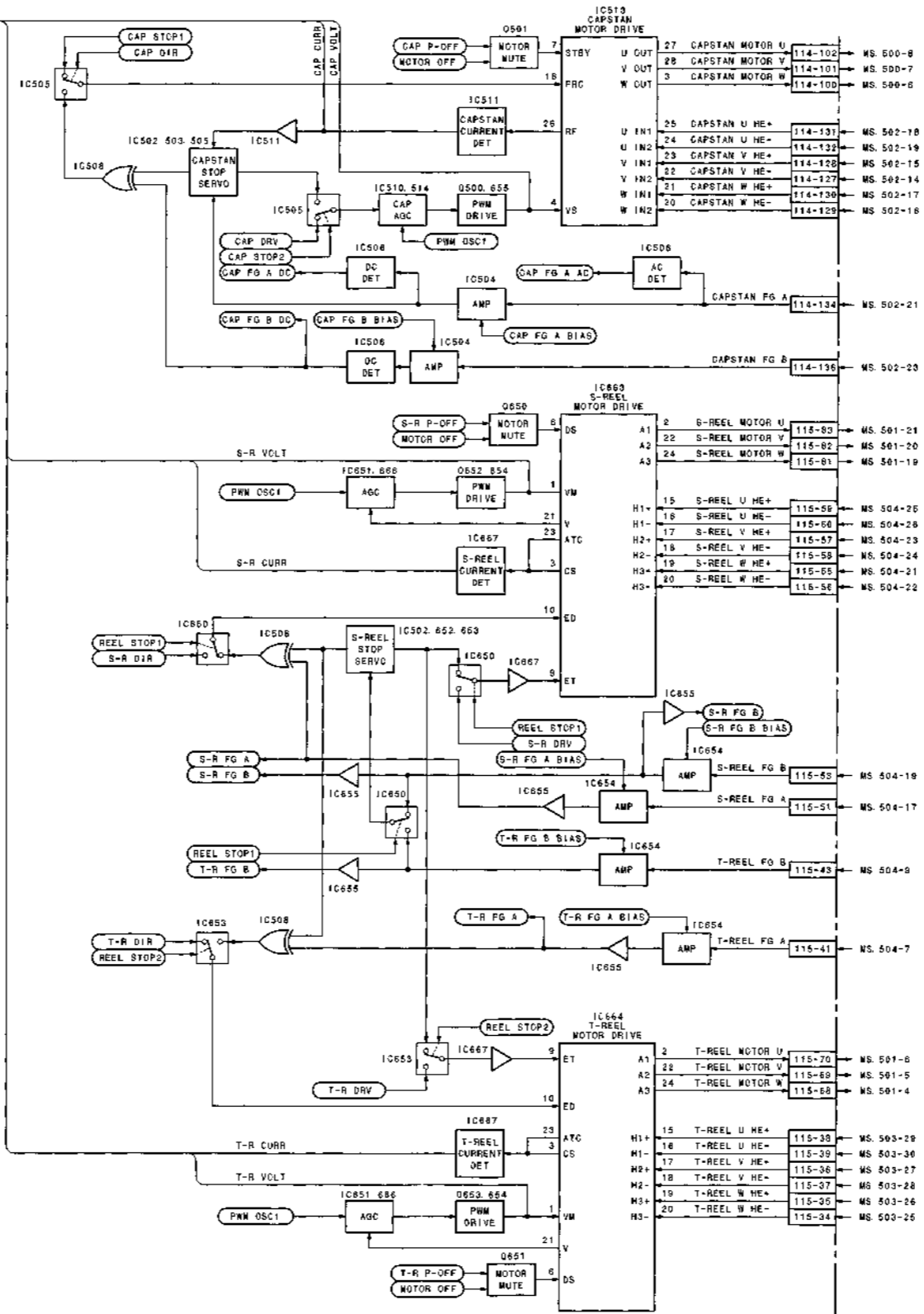
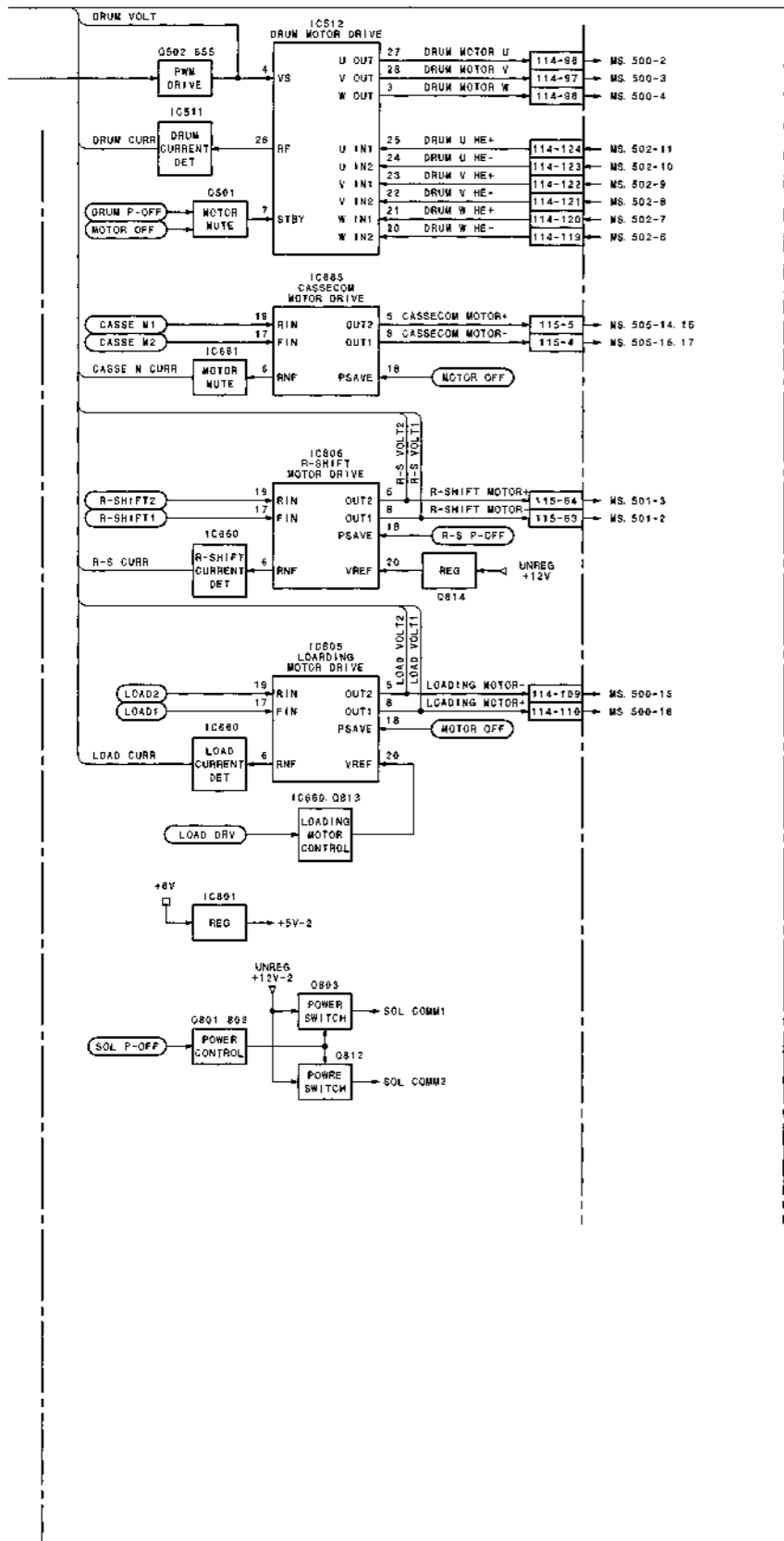


RF REC/PB, ATF detection
RP-111 (3/3)
 LOT NO. 907-

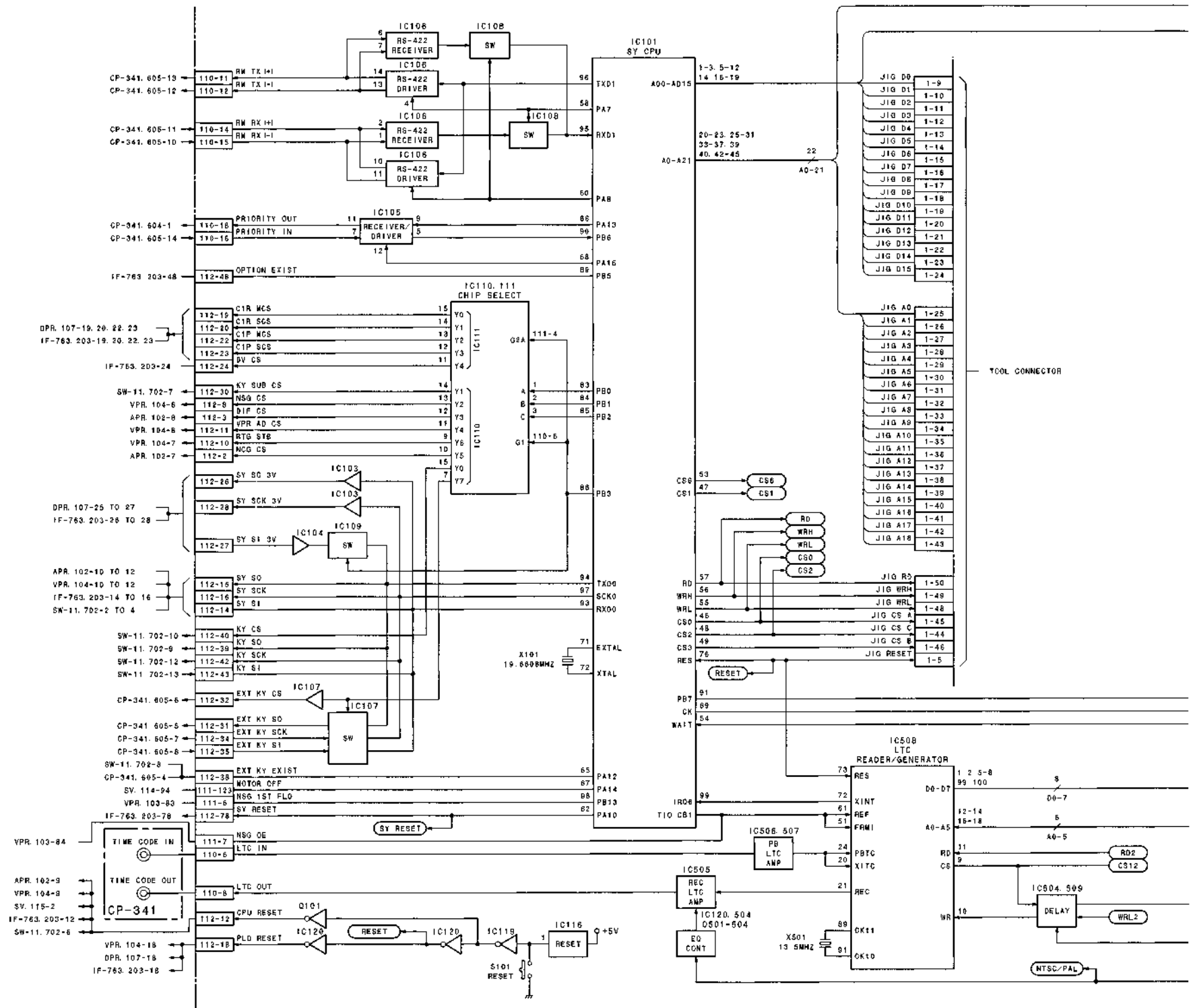


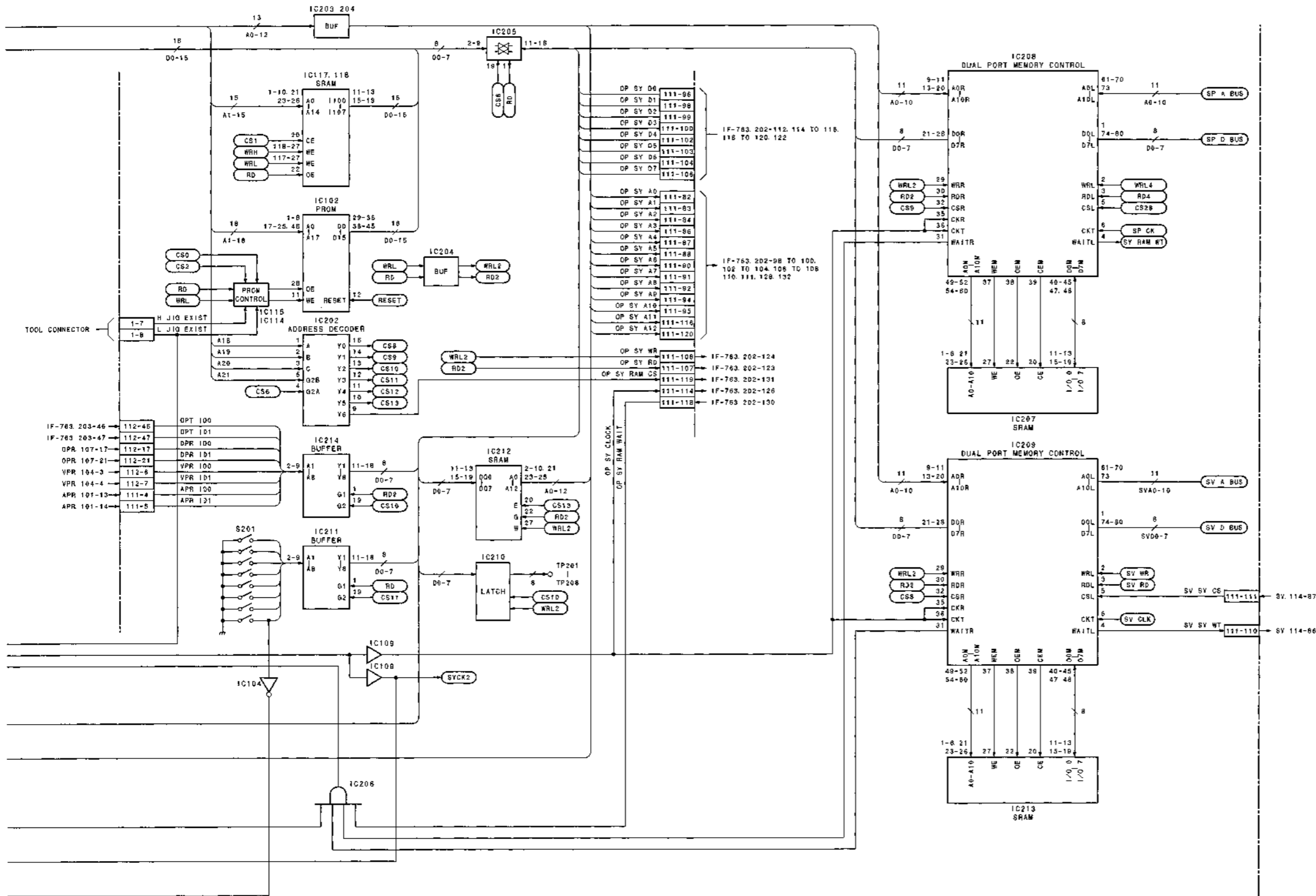
Servo/mechanism control
SV-212 (1/2)
 LOT NO. 907-

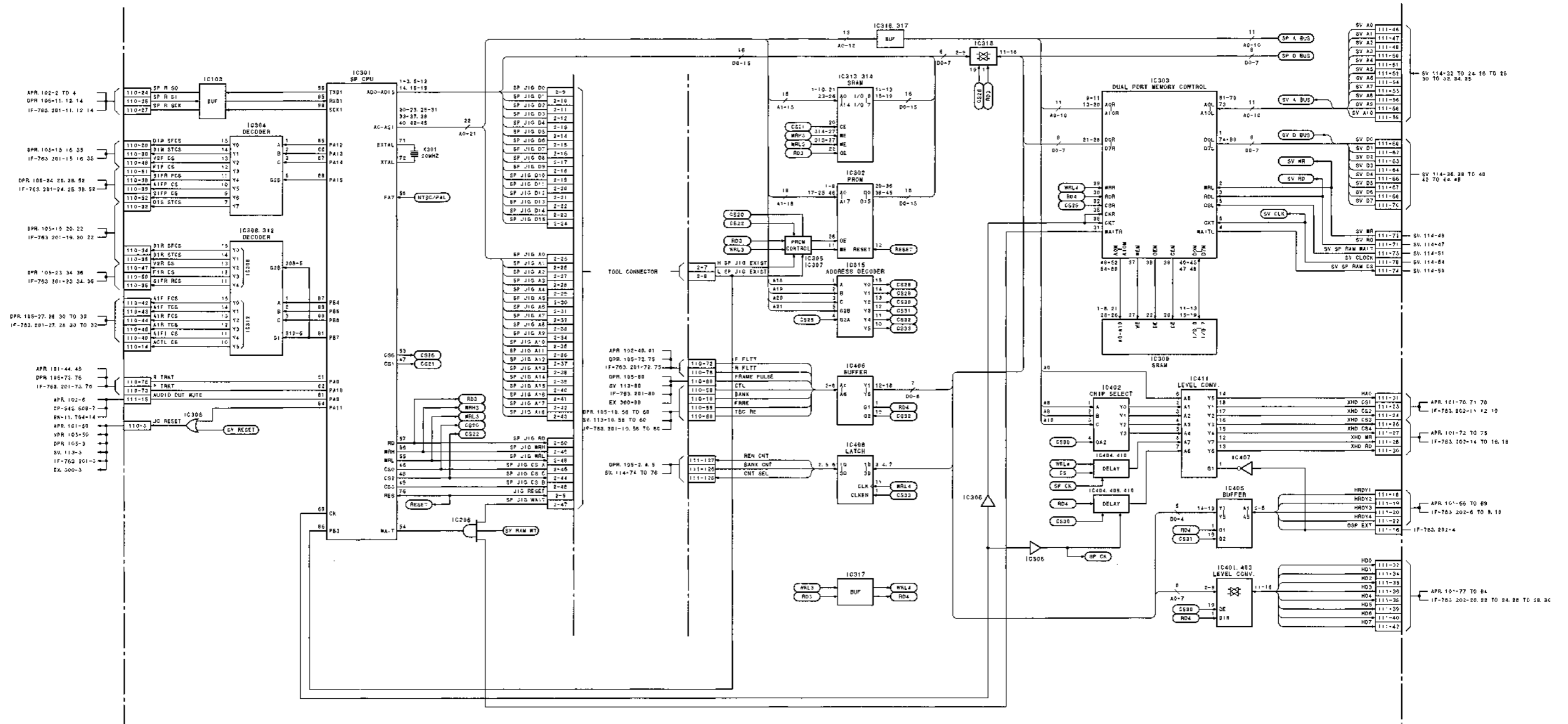


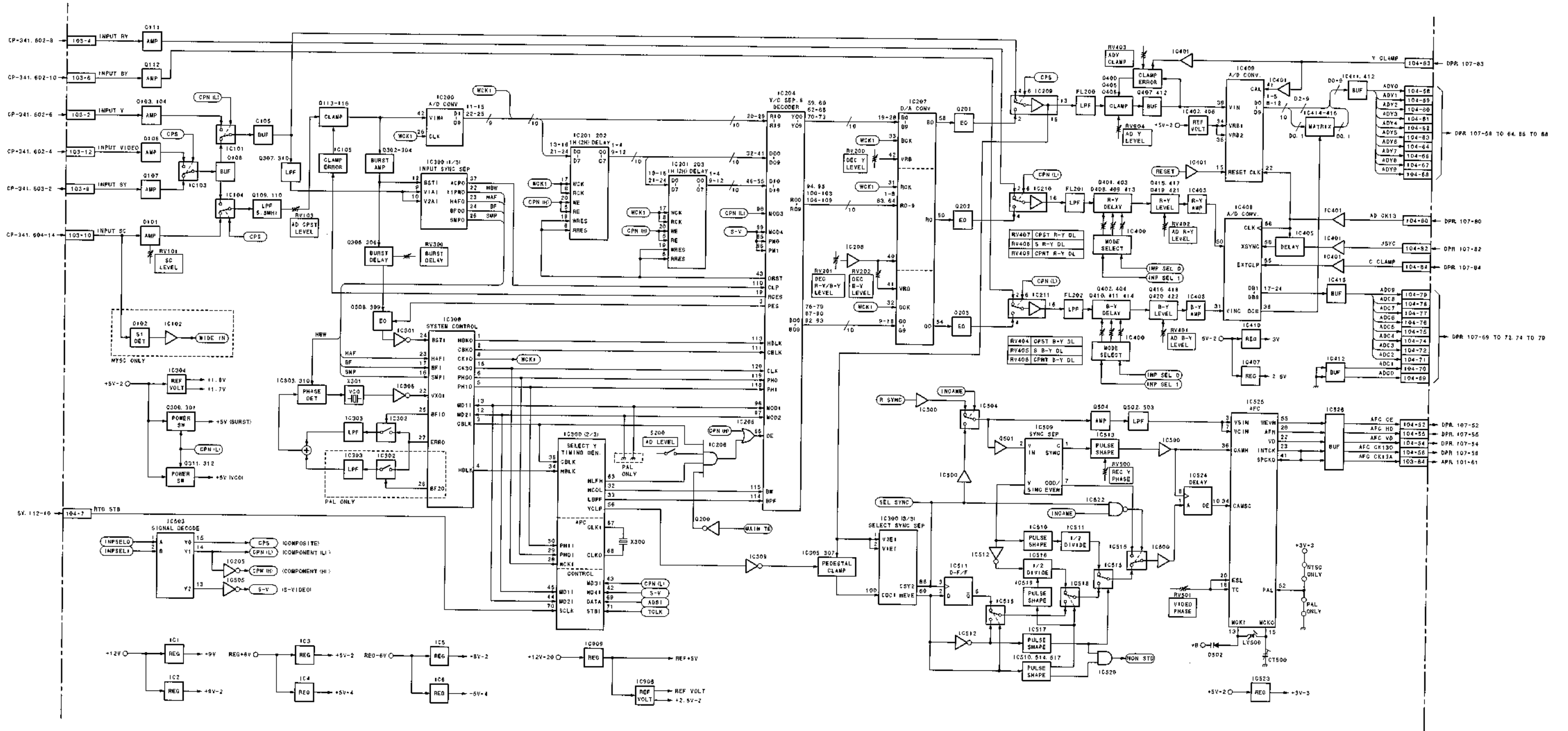


Servo/mechanism control
SV-212 (2/2)
 LOT NO. 907-

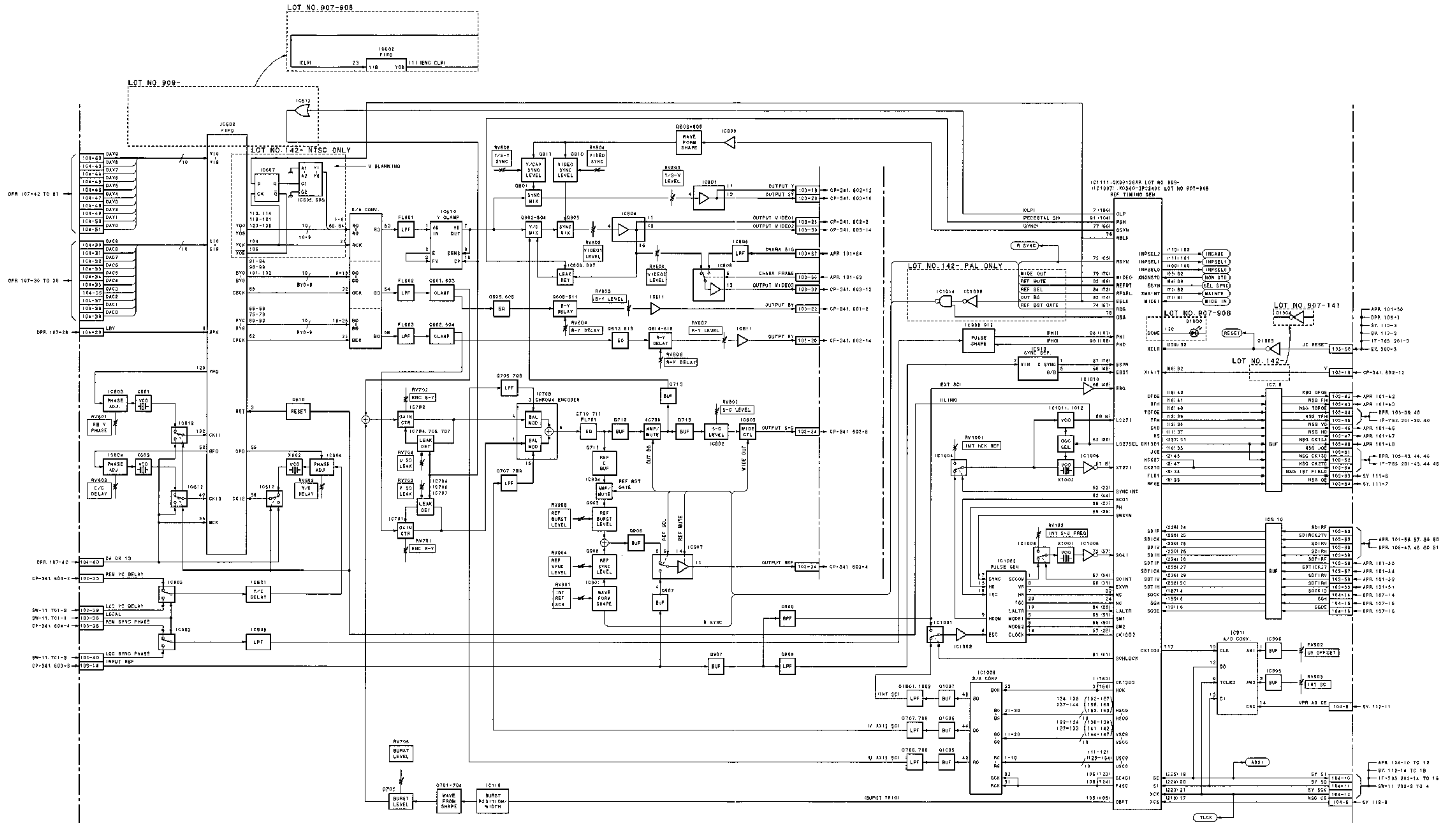








Analog video input - output process/reference
VPR-62/62P (1/2)
 LOT NO. 907-



Analog video input - output process/reference
VPR-62/62P (2/2)
LOT NO. 907-

Section 14 Board Layouts

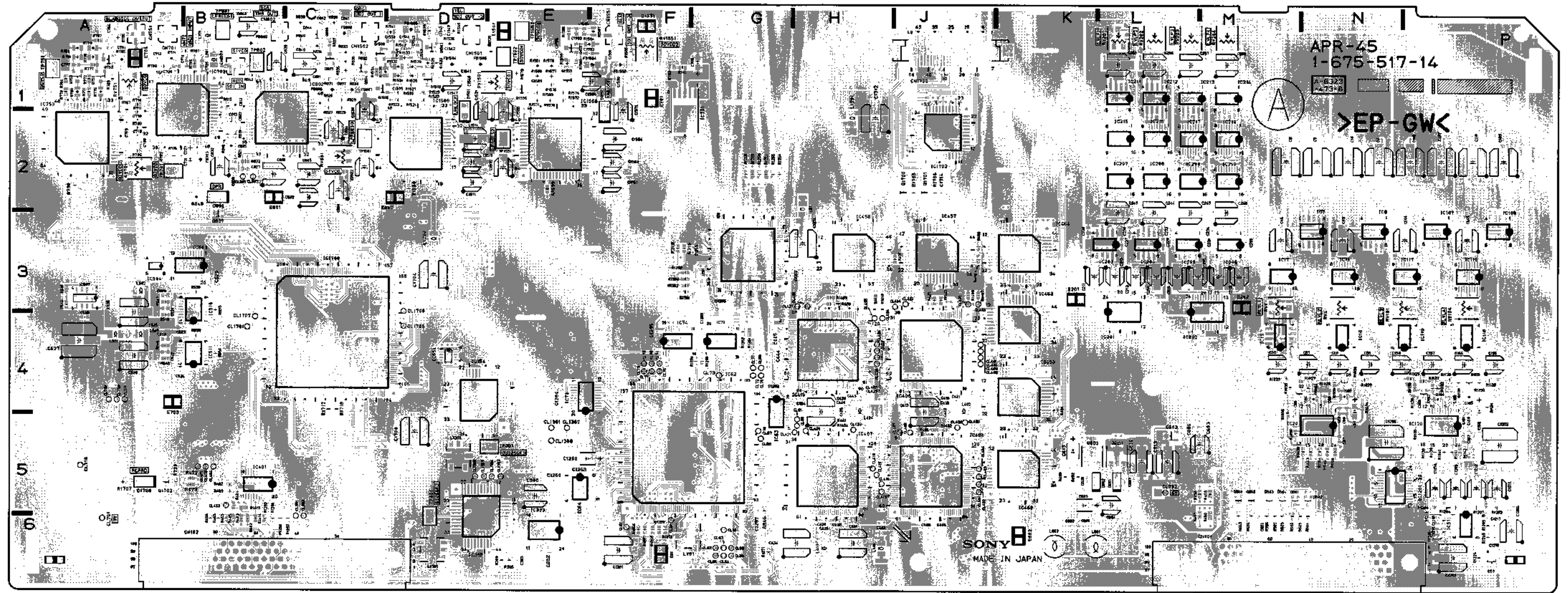
Index

Board Name	Circuit Configuration	Page
APR-45	Audio process	14-2
CC-83	Cassette compartment mode detection/intermediate board	14-6
CC-84	Cassette compartment cassette type detection	14-6
CC-85	Cassette compartment cassette in detection	14-6
CN-1863	Sensor input/output board	14-7
CN-1968	i.LINK connector board (Option: DSBK-190)	14-7
CN-2021	Intermediate board between CC-84 and CC-83	14-7
CN-2022	Intermediate board between CC-85 and CC-84	14-7
CP-341	Video/remote interface	14-8
CP-342/342A	Audio interface	14-10
DPR-136	Digital process	14-12
DU-83	Digital process	14-14
DU-84	Digital process	14-16
DU-89	Digital process	14-18
DU-95	SDI character generator	14-20
DY-15	Fluorescent display board/audio meter/input - output selection	14-21
EX-752	Intermediate board	14-22
FU-78P	Digital process (PB)	14-23
FU-78R	Digital process (REC)	14-23
HP-99	Headphone interface	14-25
IF-763	i.LINK interface board (Option: DSBK-190)	14-26
IF-778	Operation panel intermediate board (Option: DSBK-200)	14-28
KY-452	Operation panel	14-29
KY-452A	Operation panel board (Option: DSBK-200)	14-29
MB-859	Mother board	14-32
MS-64	Servo/mechanism control	14-34
PTC-100	Search dial sensor	14-37
RP-111	RF REC/PB, ATF detection	14-38
SE-521	Mode sensor/tape end sensor/loading motor FG sensor	14-42
SE-522	Tape top sensor/reel position sensor (Mini/M/Standard)	14-42
SE-525	LED signal board	14-42
SE-538	Tension sensor	14-42
SV-212	Servo/mechanism control	14-44
SW-11/11P	Switch	14-46
SW-17	Remote switch	14-47
SY-278	System control	14-48
VPR-62/62P	Analog video input - output process/reference	14-52
VR-259	Audio PB volume control	14-54
VR-260	Audio REC volume control	14-54

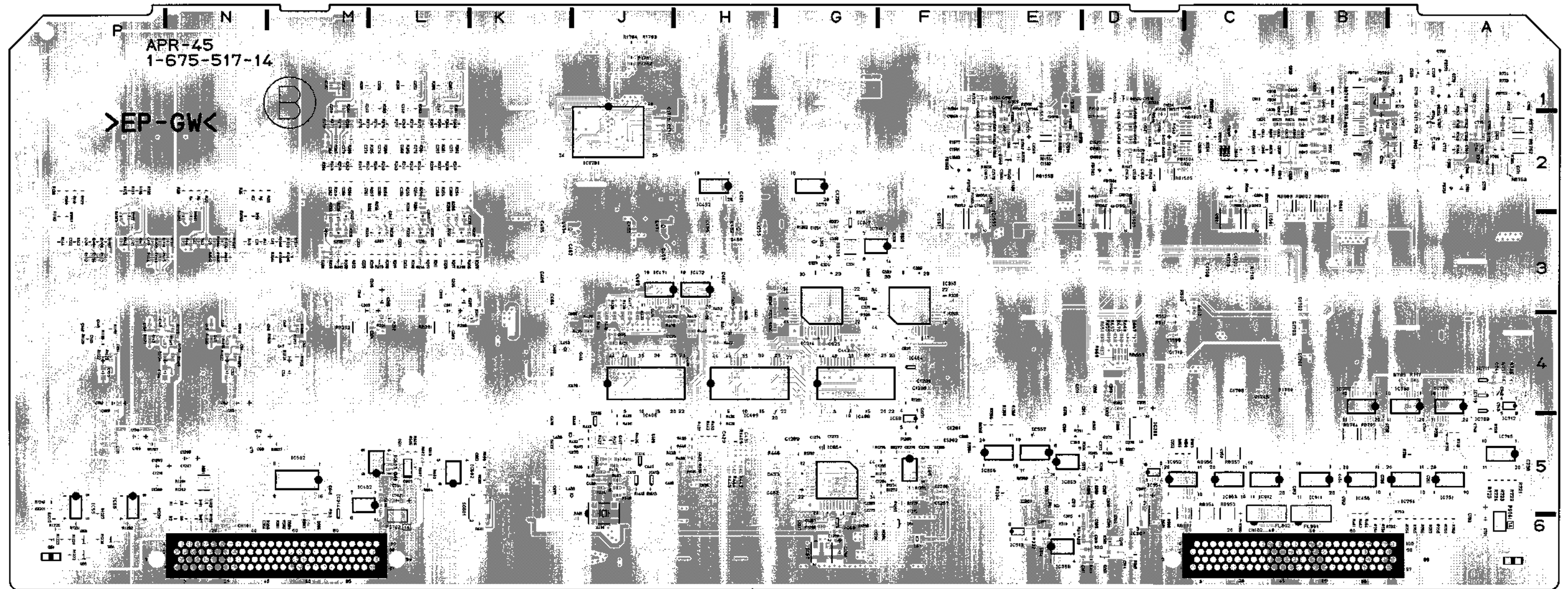
APR-45 (1-675-517-14)

Table with multiple columns containing alphanumeric codes and identifiers, organized in a grid-like structure. Includes various alphanumeric strings such as C7, N2, C219, *K3, C374, *D4, C602, K6, C807, *C2, C1283, G4, C1707, *C3, CN701, A1, IC69, *G6, IC911, *B5, R7, *N6, R265, *L2, R431, *J4, R706, A2, R830, C1, R1135, P5, R1414, B6, R1707, A5, etc.

*:B SIDE



APR-45 -A SIDE-
SUFFIX: -14

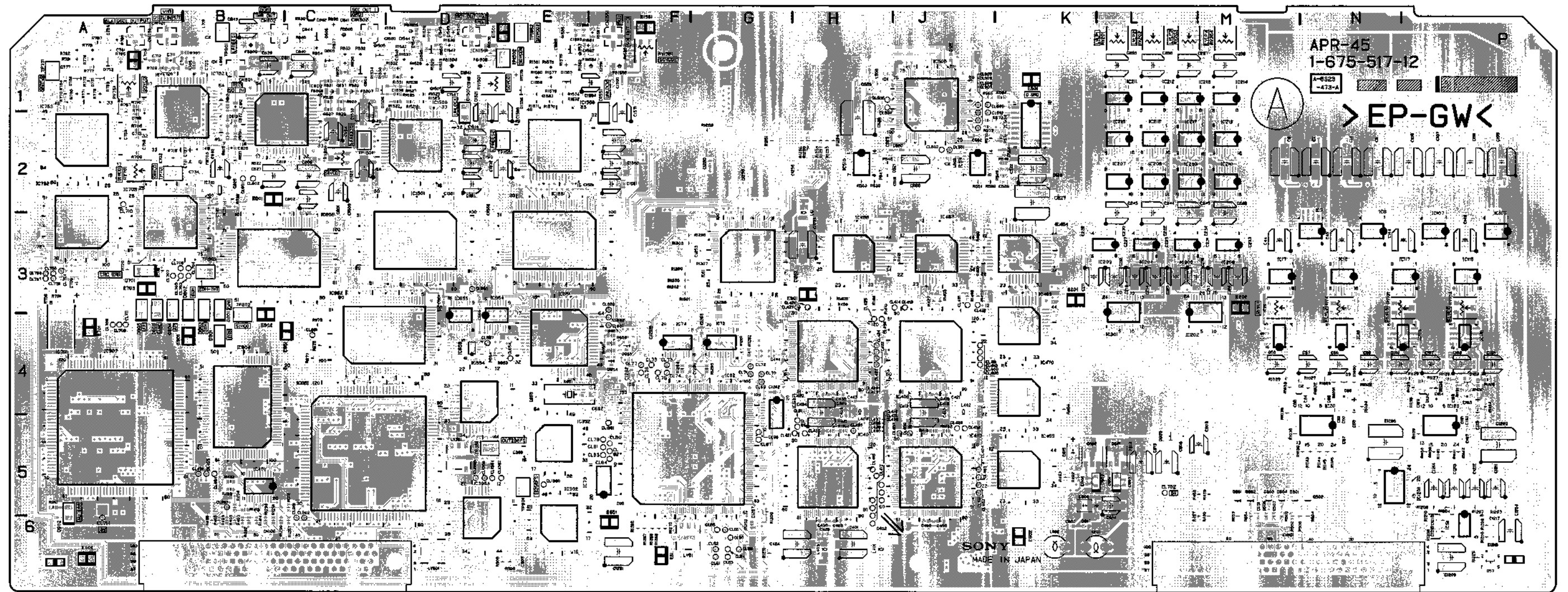


APR-45 -B SIDE-
SUFFIX: -14

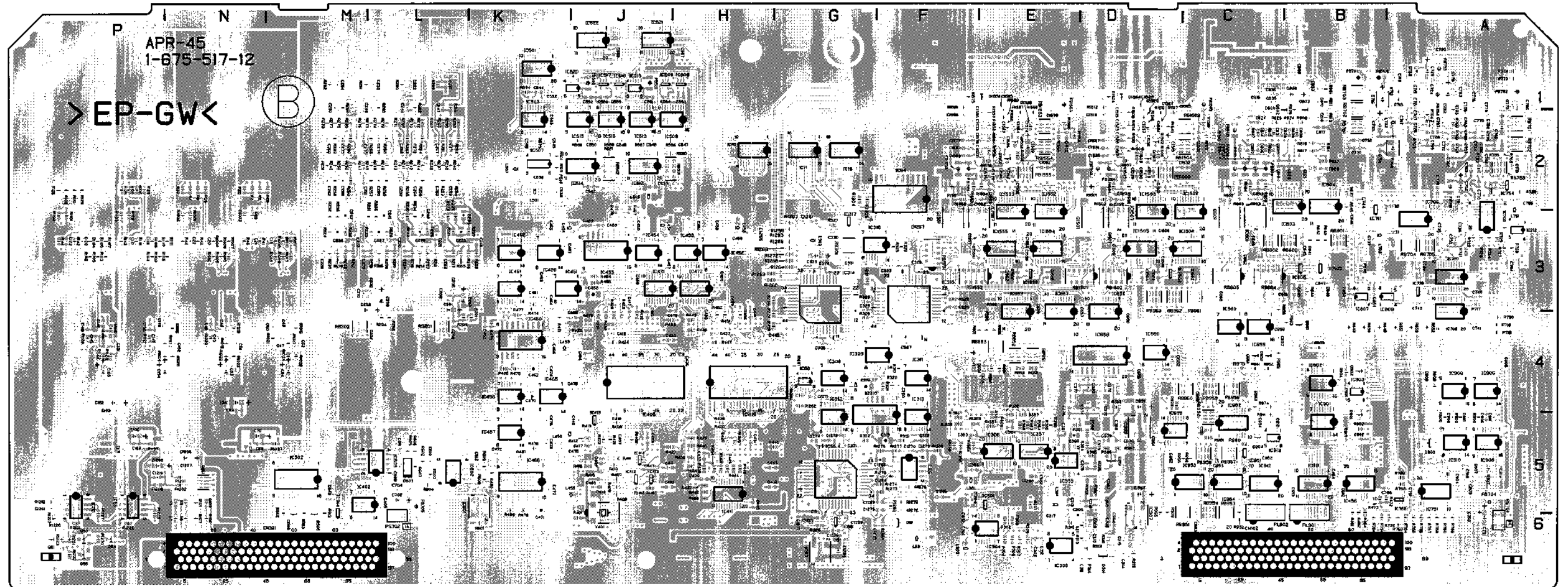
APR-45 (1-675-517-12)

Table with 40 columns and 40 rows of alphanumeric data, including identifiers like C7, N2, C219, *K3, C367, *D5, C480, *H4, C729, *A1, C841, C1, C1286, *F5, C1590, F1, CL701, A6, FB703, B2, IC313, *F4, IC752, A3, Q55, *P6, R222, *L3, R322, *G5, R464, *B5, R705, B1, R827, C1, etc.

R1037	*M5	R1273	*F5	R1535	D1	RV1	M3
R1038	N5	R1274	*F5	R1536	D1	RV4	N3
R1101	*P3	R1275	*F5	R1537	D1	RV101	P3
R1102	*P3	R1276	*F5	R1538	E1	RV104	P3
R1103	*P3	R1277	*F5	R1539	D1	RV201	L1
R1104	*P3	R1278	*F5	R1540	D1	RV202	L1
R1105	*P3	R1279	*F5	R1541	D1	RV203	L1
R1106	*P3	R1280	*G4	R1542	D1	RV204	M1
R1107	*P3	R1281	*G4	R1543	*D2	RV701	A2
R1108	*P3	R1282	*G4	R1551	*F2	RV751	A1
R1109	*P3	R1283	*F5	R1552	*F2	RV801	C2
R1110	*P3	R1284	*F6	R1553	*F2	RV1501	E1
R1111	*N3	R1285	*F5	R1554	*E2	RV1551	F1
R1112	*P3	R1286	*G6	R1555	*E2		
R1113	*P3	R1287	C6	R1556	*E2	TP301	E5
R1114	*P3	R1288	*G3	R1557	*E2	TP351	E5
R1115	*N3	R1289	*G3	R1558	*E2	TP701	A2
R1116	*P4	R1290	B6	R1559	*E2	TP751	A1
R1117	*N4	R1291	B6	R1560	*E2	TP801	B1
R1118	*P4	R1292	B6	R1561	*F1	TP802	B4
R1119	*N4	R1293	*G3	R1562	*E2	TP803	B3
R1120	*P4	R1294	F4	R1563	*E2	TP1501	C2
R1121	*P4	R1295	G4	R1564	*E2	TP1502	E1
R1122	*P4	R1296	*G3	R1565	*E2	TP1551	E2
R1123	*P4	R1297	*G3	R1566	*E2	TP1552	E1
R1124	*N4	R1298	F3	R1567	*E2		
R1125	*N4	R1299	F3	R1568	*E2	X401	*J5
R1126	P4	R1300	F3	R1569	*E2	X651	E4
R1127	P4	R1301	F3	R1570	E1		
R1128	P4	R1302	F3	R1571	E1	*:B SIDE	
R1129	P4	R1303	F3	R1572	E1		
R1130	P4	R1304	*G2	R1573	*F1		
R1131	P4	R1305	*G2	R1574	E1		
R1132	P4	R1306	G5	R1575	E1		
R1133	P4	R1307	G3	R1576	E1		
R1134	P4	R1354	*F5	R1577	E1		
R1135	P5	R1355	*F5	R1578	E1		
R1136	P4	R1356	*F5	R1579	E1		
R1137	*P5	R1357	*E5	R1580	E1		
R1138	P5	R1358	*F5	R1581	E1		
R1139	P5	R1359	*F5	R1582	E1		
R1140	P5	R1360	*E5	R1583	E1		
R1141	P5	R1361	*F5	R1584	E1		
R1142	P5	R1401	*H5	R1585	F1		
R1143	N5	R1402	J5	R1586	E1		
R1144	N5	R1403	J3	R1587	F1		
R1145	N5	R1404	H5	R1588	*E2		
R1146	N5	R1405	H3				
R1201	*N5	R1406	*J5	RB51	*N5		
R1202	*N5	R1407	J3	RB201	*L4		
R1203	P5	R1408	J3	RB202	*M4		
R1204	P5	R1409	*H5	RB301	*G3		
R1205	P6	R1410	H3	RB501	*J2		
R1206	P6	R1411	H3	RB502	*J2		
R1207	P5	R1412	*J5	RB651	*E4		
R1208	P5	R1413	*J5	RB652	*E4		
R1209	P6	R1414	B6	RB653	*E4		
R1210	P6	R1415	B5	RB701	*B2		
R1217	*P6	R1501	*D2	RB702	*B2		
R1219	*P5	R1502	*D2	RB703	*B1		
R1221	*P6	R1503	*D2	RB704	*A3		
R1222	*P6	R1504	*D2	RB705	*A3		
R1223	*P6	R1505	*D2	RB751	*A2		
R1225	P6	R1506	*D2	RB752	*A2		
R1226	*P6	R1507	*D2	RB753	*A2		
R1227	*P5	R1508	*D2	RB801	*B3		
R1229	*P5	R1509	*D2	RB802	*C3		
R1230	*P6	R1510	*C2	RB803	*B3		
R1231	*P6	R1511	*C2	RB804	*C3		
R1232	*P6	R1512	*D1	RB805	*C3		
R1251	G2	R1513	*D2	RB951	*C5		
R1252	G6	R1514	*D2	RB952	*C5		
R1253	G2	R1515	*D2	RB953	*C5		
R1254	H2	R1516	*D2	RB954	*C5		
R1255	H2	R1517	*D2	RB956	*C5		
R1256	H2	R1518	*D2	RB957	*C5		
R1257	H2	R1519	*C2	RB958	*C4		
R1258	H2	R1520	*D2	RB959	*C4		
R1259	H2	R1521	D1	RB960	*C4		
R1260	*H3	R1522	D1	RB961	*C3		
R1261	G4	R1523	D1	RB962	*D3		
R1262	G4	R1524	*D1	RB963	*D3		
R1263	*H3	R1525	D1	RB1501	*E3		
R1264	*G3	R1526	D1	RB1502	*D3		
R1265	*G3	R1527	D1	RB1503	*C2		
R1266	F6	R1528	D1	RB1504	*C2		
R1267	F6	R1529	D1	RB1505	*D2		
R1268	F6	R1530	C1	RB1551	*F3		
R1269	F6	R1531	D1	RB1552	*F3		
R1270	F6	R1532	D1	RB1553	*E2		
R1271	G6	R1533	D1	RB1554	*E2		
R1272	*G3	R1534	C1	RB1555	*E2		



APR-45 -A SIDE-
SUFFIX: -12



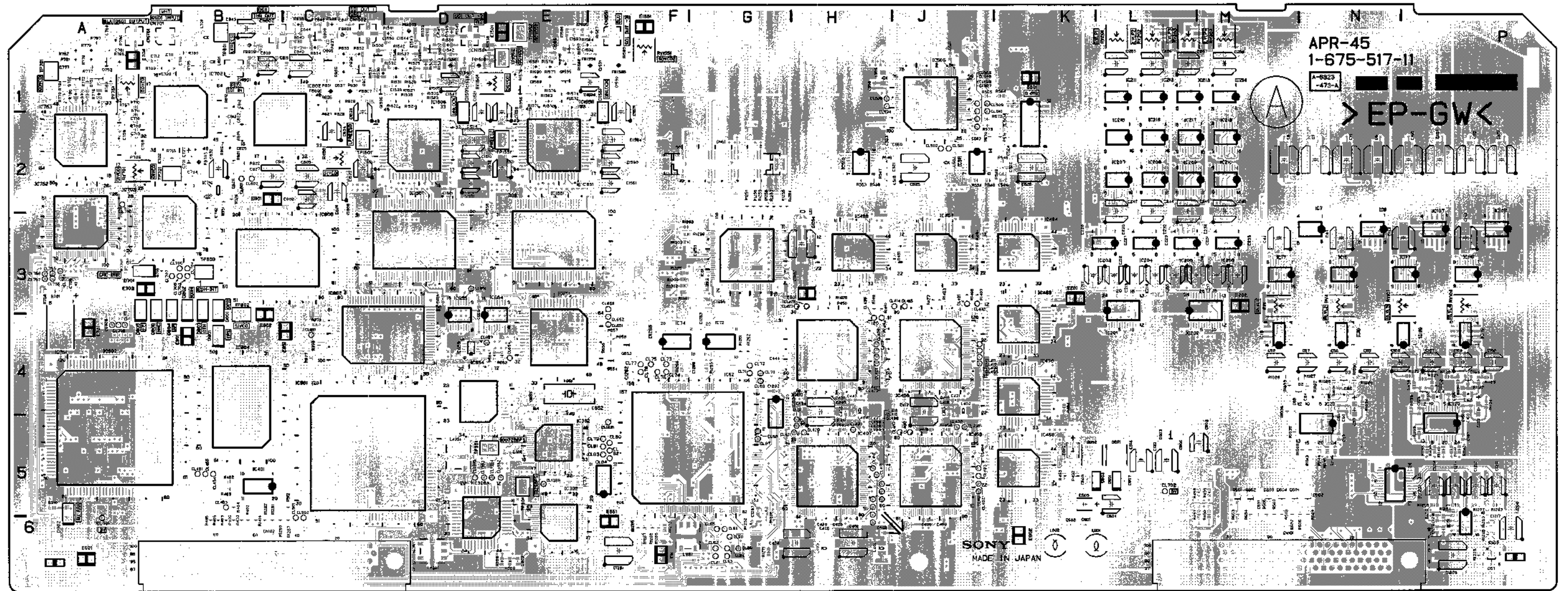
APR-45 -B SIDE-
SUFFIX: -12

APR-45 (1-675-517-11)

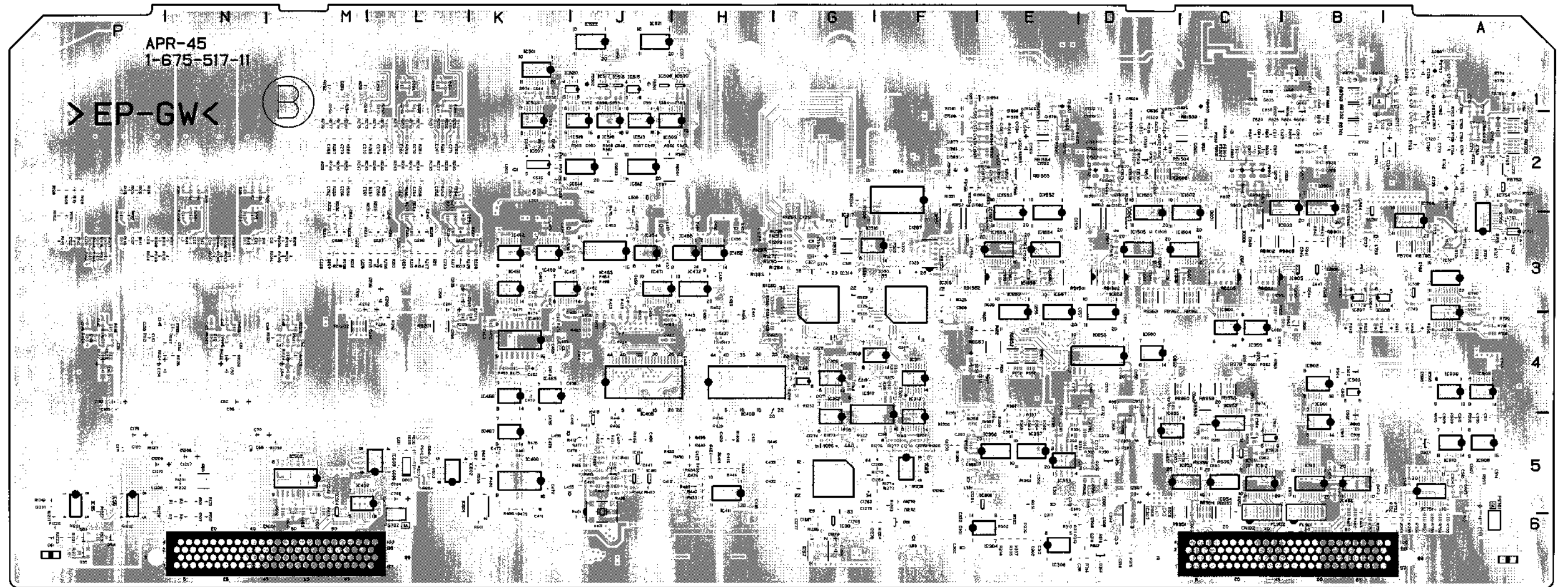
Table with 40 columns and 40 rows of alphanumeric data, including identifiers like C7, N2, C219, *K3, C367, *D5, C480, *H4, C731, B2, C844, C1, C1506, *D3, CL61, G6, CL709, A4, FB803, *C2, IC402, *L5, IC902, *B4, Q803, *B2, R235, *L3, R383, *E5, R477, *K4, R718, *A4, R842, *B3, etc.

R1115	*N3	R1289	*G3	R1561	*F1	TP802	B4
R1116	*P4	R1290	B6	R1562	*E2	TP803	B3
R1117	*N4	R1291	B6	R1563	*E2	TP1501	C2
R1118	*P4	R1292	B6	R1564	*E2	TP1502	E1
R1119	*N4	R1293	*G3	R1565	*E2	TP1551	E2
R1120	*P4	R1294	F4	R1566	*E2	TP1552	E1
R1121	*P4	R1295	G4	R1567	*E2		
R1122	*P4	R1296	*G3	R1568	*E2	X401	*J5
R1123	*P4	R1297	*G3	R1569	*E2	X651	E4
R1124	*N4	R1298	F3	R1570	E1		
R1125	*N4	R1299	F3	R1571	E1		
R1126	P4	R1300	F3	R1572	E1		
R1127	P4	R1301	F3	R1573	*F1		
R1128	P4	R1302	F3	R1574	E1		
R1129	P4	R1303	F3	R1575	E1		
R1130	P4	R1304	*G2	R1576	E1		
R1131	P4	R1305	*G2	R1577	E1		
R1132	P4	R1306	G5	R1578	E1		
R1133	P4	R1354	*F5	R1579	E1		
R1134	P4	R1355	*F5	R1580	E1		
R1135	P5	R1356	*F5	R1581	E1		
R1136	P4	R1357	*E5	R1582	E1		
R1137	*P5	R1358	*F5	R1583	E1		
R1138	P5	R1359	*F5	R1584	E1		
R1139	P5	R1360	*E5	R1585	F1		
R1140	P5	R1361	*F5	R1586	E1		
R1141	P5	R1401	*H5	R1587	F1		
R1142	P5	R1402	J5				
R1143	N5	R1403	J3	RB51	*N5		
R1144	N5	R1404	H5	RB201	*L4		
R1145	N5	R1405	H3	RB202	*M4		
R1146	N5	R1406	*J5	RB301	*G3		
R1201	*N5	R1407	J3	RB501	*J2		
R1202	*N5	R1408	J3	RB502	*J2		
R1203	P5	R1409	*H5	RB651	*E4		
R1204	P5	R1410	H3	RB652	*E4		
R1205	P6	R1411	H3	RB653	*E4		
R1206	P6	R1412	*J5	RB701	*E2		
R1207	P5	R1413	*J5	RB702	*E2		
R1208	E5	R1414	B6	RB703	*B1		
R1209	P6	R1501	*D2	RB704	*A3		
R1210	P6	R1502	*D2	RB705	*A3		
R1217	*P6	R1503	*D2	RB751	*A2		
R1219	*P5	R1504	*D2	RB752	*A2		
R1221	*P6	R1505	*D2	RB753	*A2		
R1222	*P6	R1506	*D2	RB801	*B3		
R1223	*P6	R1507	*D2	RB802	*C3		
R1225	P6	R1508	*D2	RB803	*B3		
R1226	*P6	R1509	*D2	RB804	*C3		
R1227	*P5	R1510	*C2	RB805	*C3		
R1229	*P5	R1511	*C2	RB951	*C5		
R1230	*P6	R1512	*D1	RB952	*C5		
R1231	*P6	R1513	*D2	RB953	*C5		
R1232	*P6	R1514	*D2	RB954	*C5		
R1251	G2	R1515	*D2	RB956	*C5		
R1252	G6	R1516	*D2	RB957	*C5		
R1253	F3	R1517	*D2	RB958	*C4		
R1254	G2	R1518	*D2	RB959	*C4		
R1255	G2	R1519	*C2	RB960	*C4		
R1256	G2	R1520	*D2	RB961	*C3		
R1257	G2	R1521	D1	RB962	*D3		
R1258	G2	R1522	D1	RB963	*D3		
R1259	G2	R1523	D1	RB1501	*E3		
R1260	*H3	R1524	*D1	RB1502	*D3		
R1261	G4	R1525	D1	RB1503	*C2		
R1262	G4	R1526	D1	RB1504	*C2		
R1263	*H3	R1527	D1	RB1505	*D2		
R1264	*G3	R1528	D1	RB1551	*F3		
R1265	*G3	R1529	D1	RB1552	*F3		
R1266	F6	R1530	C1	RB1553	*E2		
R1267	F6	R1531	D1	RB1554	*E2		
R1268	F6	R1532	D1	RB1555	*E2		
R1269	F6	R1533	D1				
R1270	F6	R1534	C1	RV1	M3		
R1271	G6	R1535	D1	RV4	N3		
R1272	*G3	R1536	D1	RV101	P3		
R1273	*F5	R1537	D1	RV104	P3		
R1274	*F5	R1538	E1	RV201	L1		
R1275	*F5	R1539	D1	RV202	L1		
R1276	*F5	R1540	D1	RV203	L1		
R1277	*F5	R1541	D1	RV204	M1		
R1278	*F5	R1542	D1	RV701	A2		
R1279	*F5	R1551	*F2	RV751	A1		
R1280	*G4	R1552	*F2	RV801	C2		
R1281	*G4	R1553	*F2	RV1501	E1		
R1282	*G4	R1554	*E2	RV1551	F1		
R1283	*F5	R1555	*E2				
R1284	*F6	R1556	*E2	TP301	E5		
R1285	*F5	R1557	*E2	TP351	E5		
R1286	*G6	R1558	*E2	TP701	A2		
R1287	C6	R1559	*E2	TP751	A1		
R1288	*G3	R1560	*E2	TP801	B1		

*:B SIDE



APR-45 -A SIDE-
SUFFIX: -11

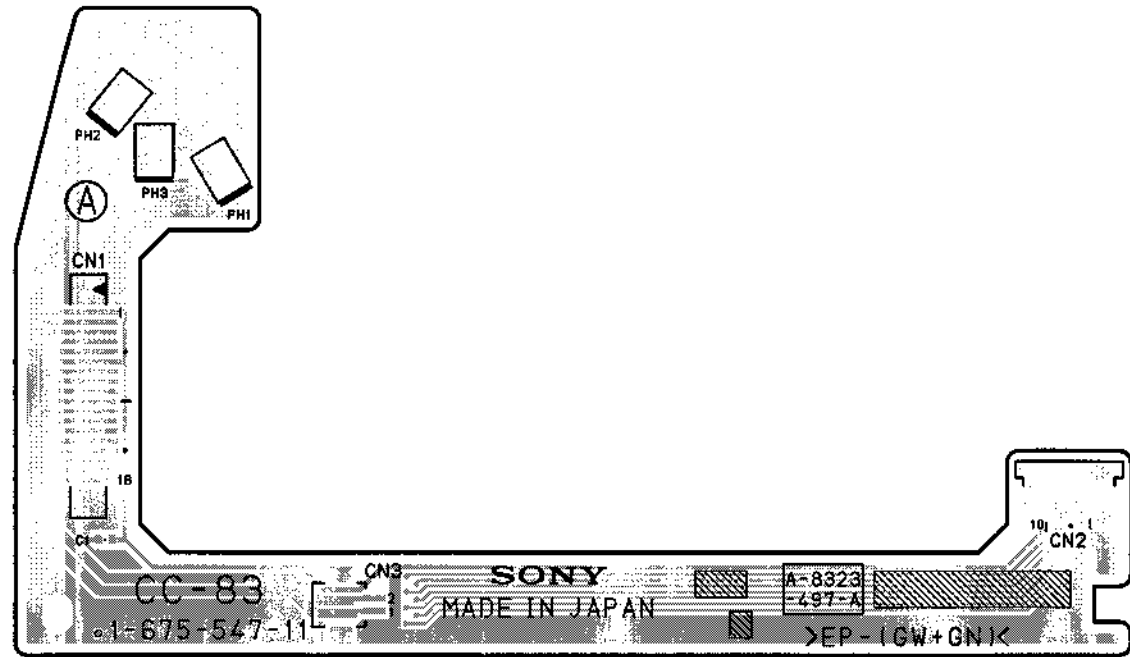


APR-45
1-675-517-11

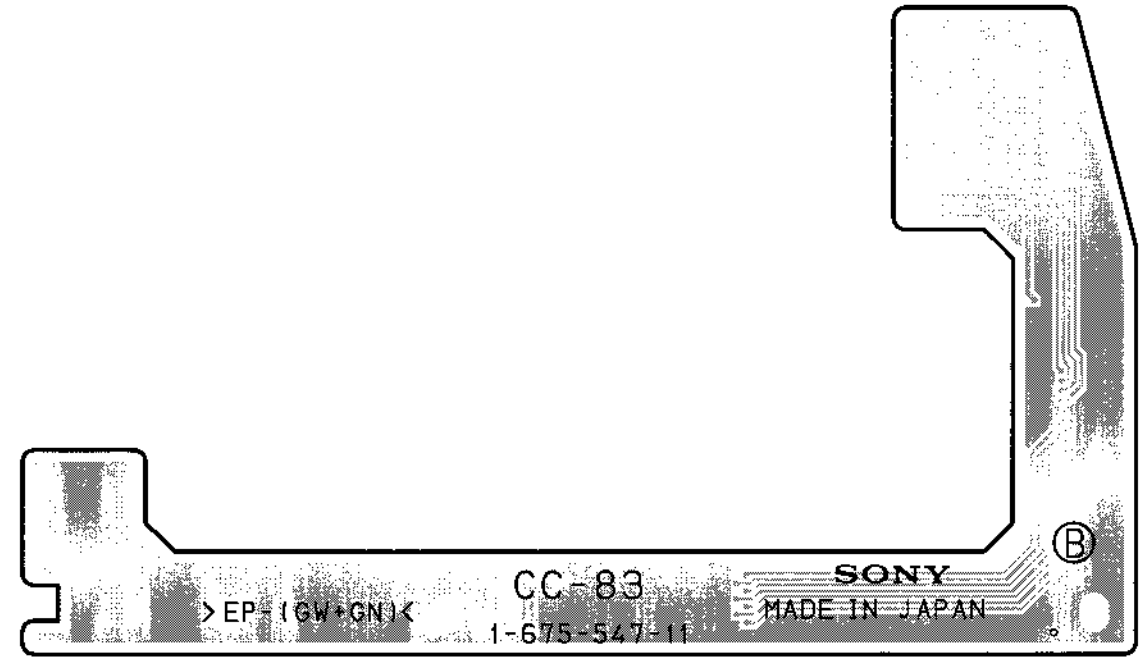
>EP-GW<

B

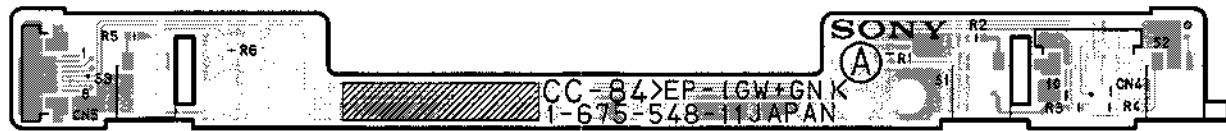
APR-45 -B SIDE-
SUFFIX: -11



CC-83 -A SIDE-
SUFFIX: -11



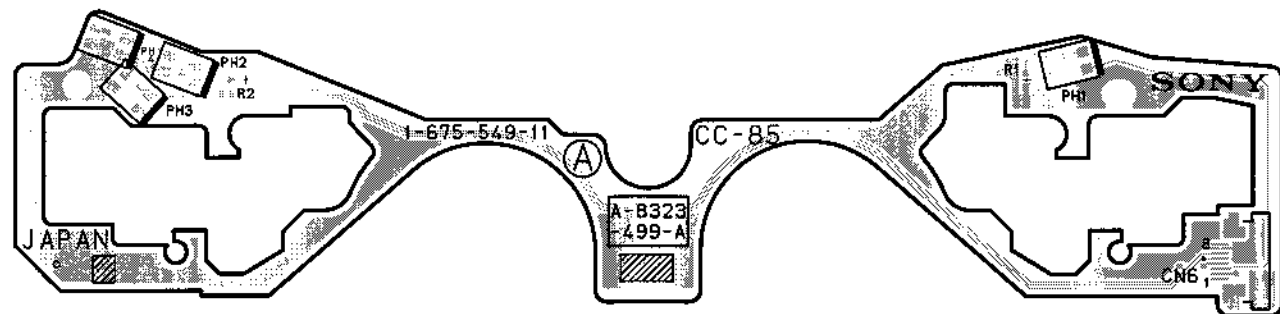
CC-83 -B SIDE-
SUFFIX: -11



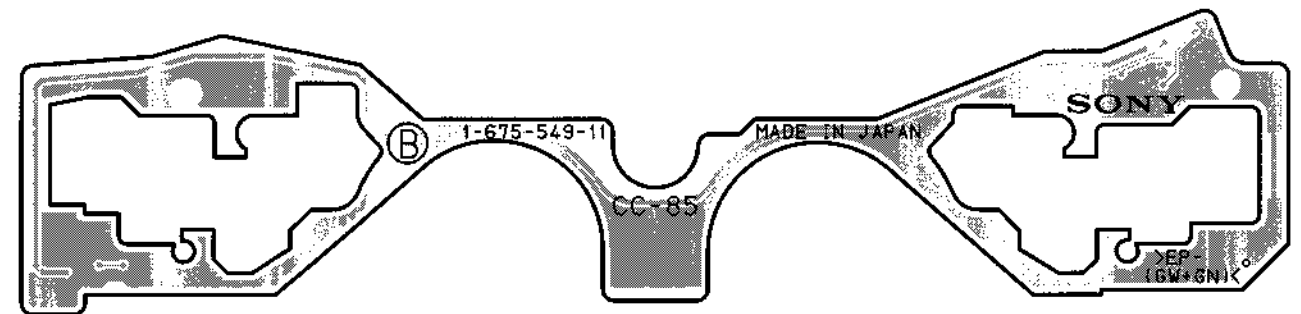
CC-84 -A SIDE-
SUFFIX: -11



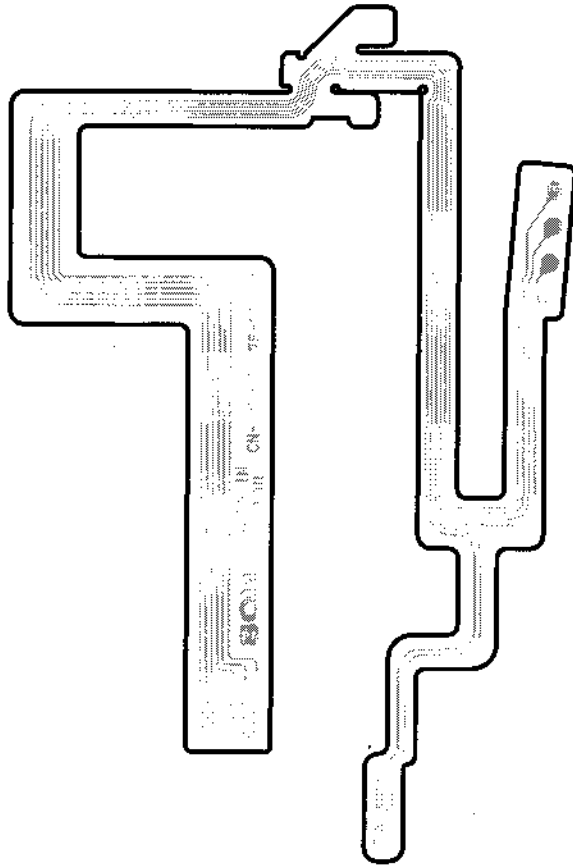
CC-84 -B SIDE-
SUFFIX: -11



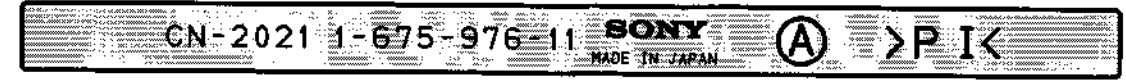
CC-85 -A SIDE-
SUFFIX: -11



CC-85 -B SIDE-
SUFFIX: -11



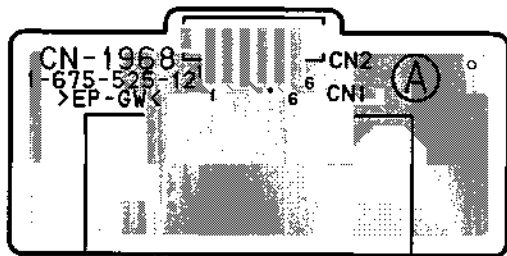
CN-1863 -A SIDE-
SUFFIX: -11



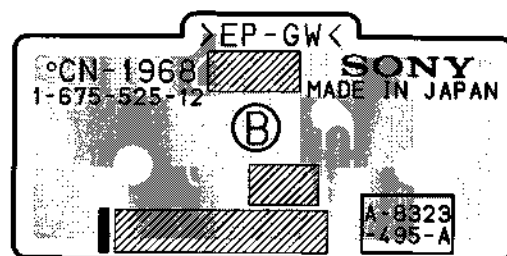
CN-2021 -A SIDE-
SUFFIX: -11



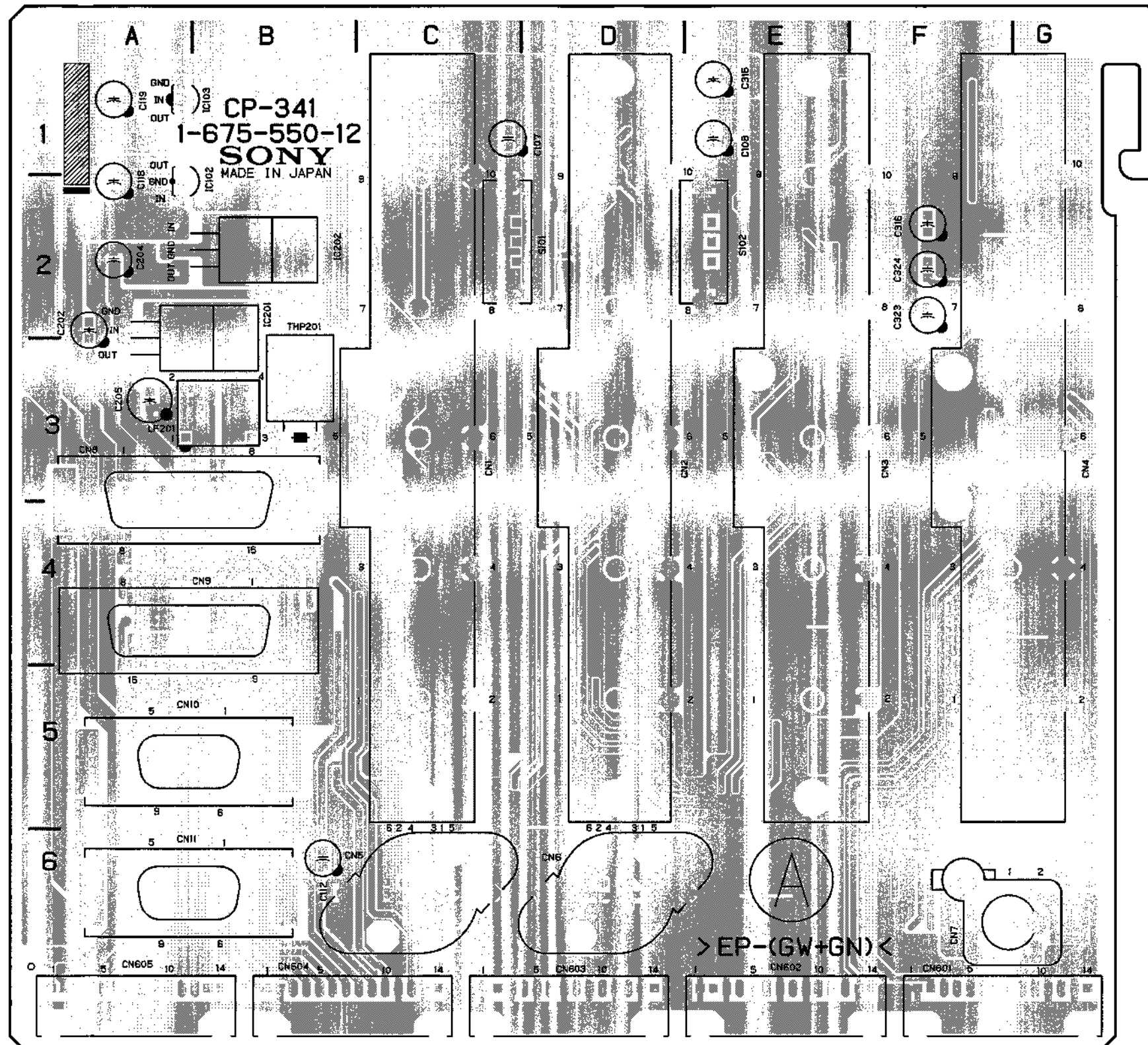
CN-2022 -A SIDE-
SUFFIX: -11



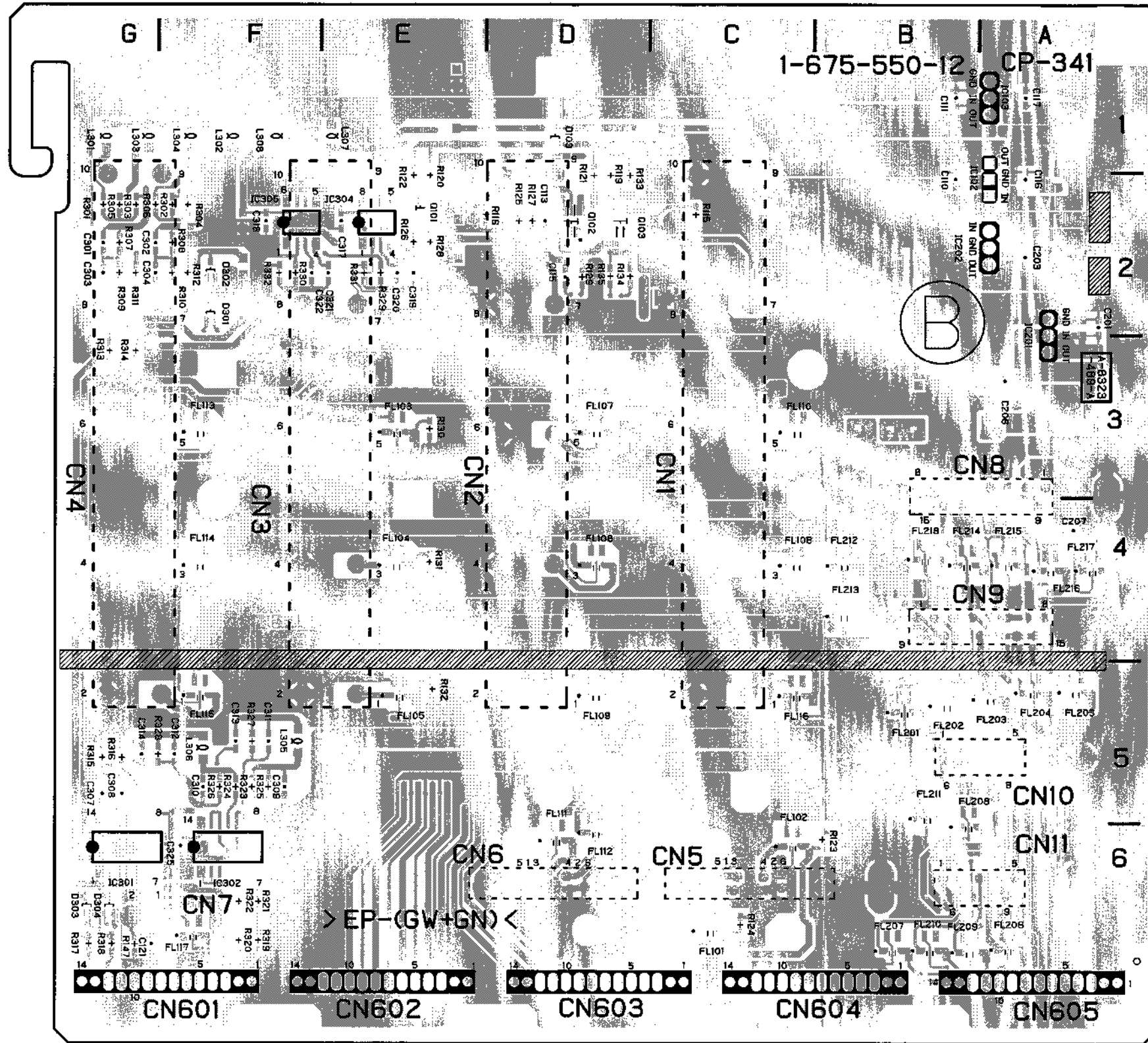
CN-1968 -A SIDE-
SUFFIX: -11, 12
FOR DSBK-190



CN-1968 -B SIDE-
SUFFIX: -11, 12
FOR DSBK-190



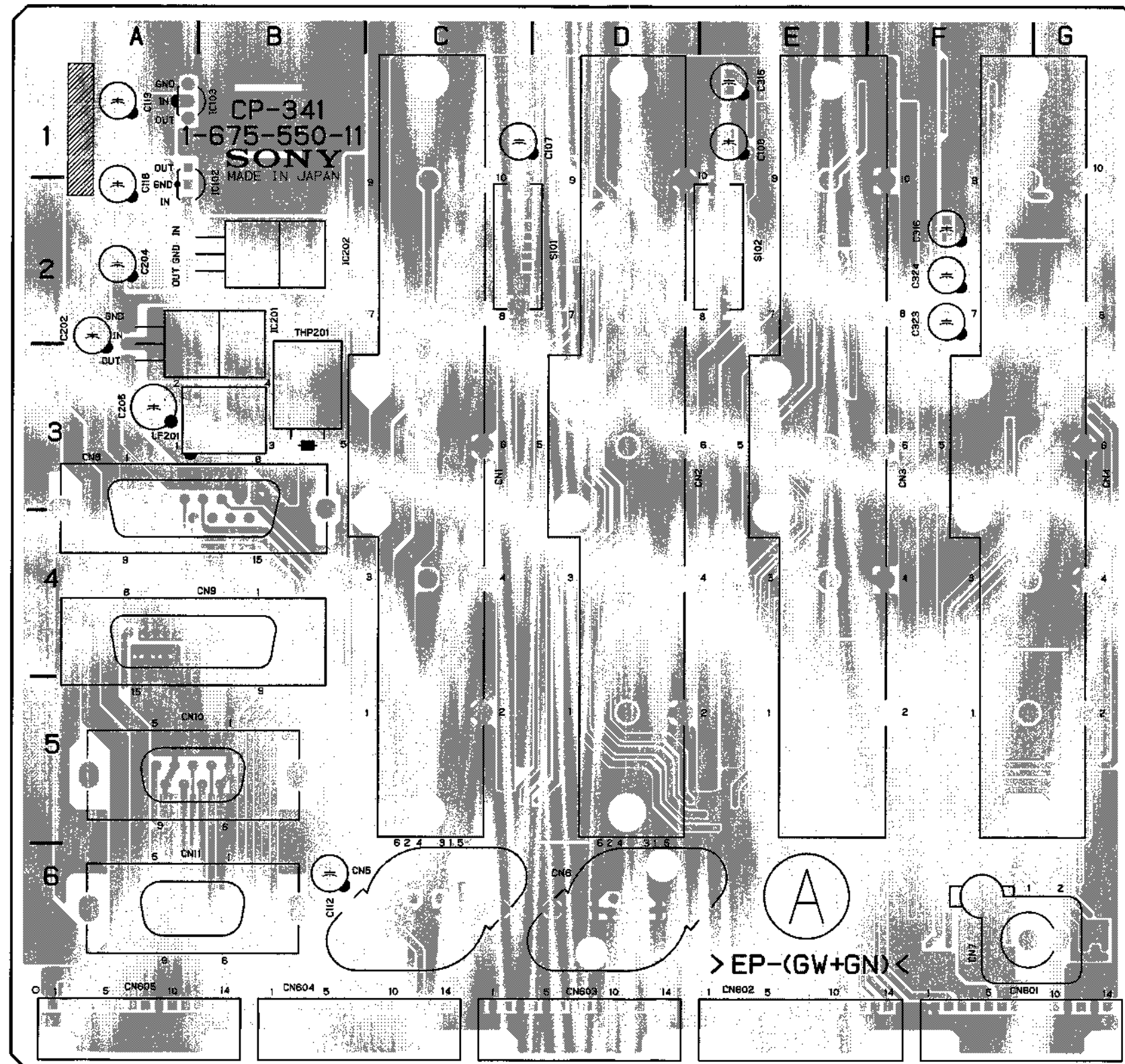
CP-341 -A SIDE-
SUFFIX: -12



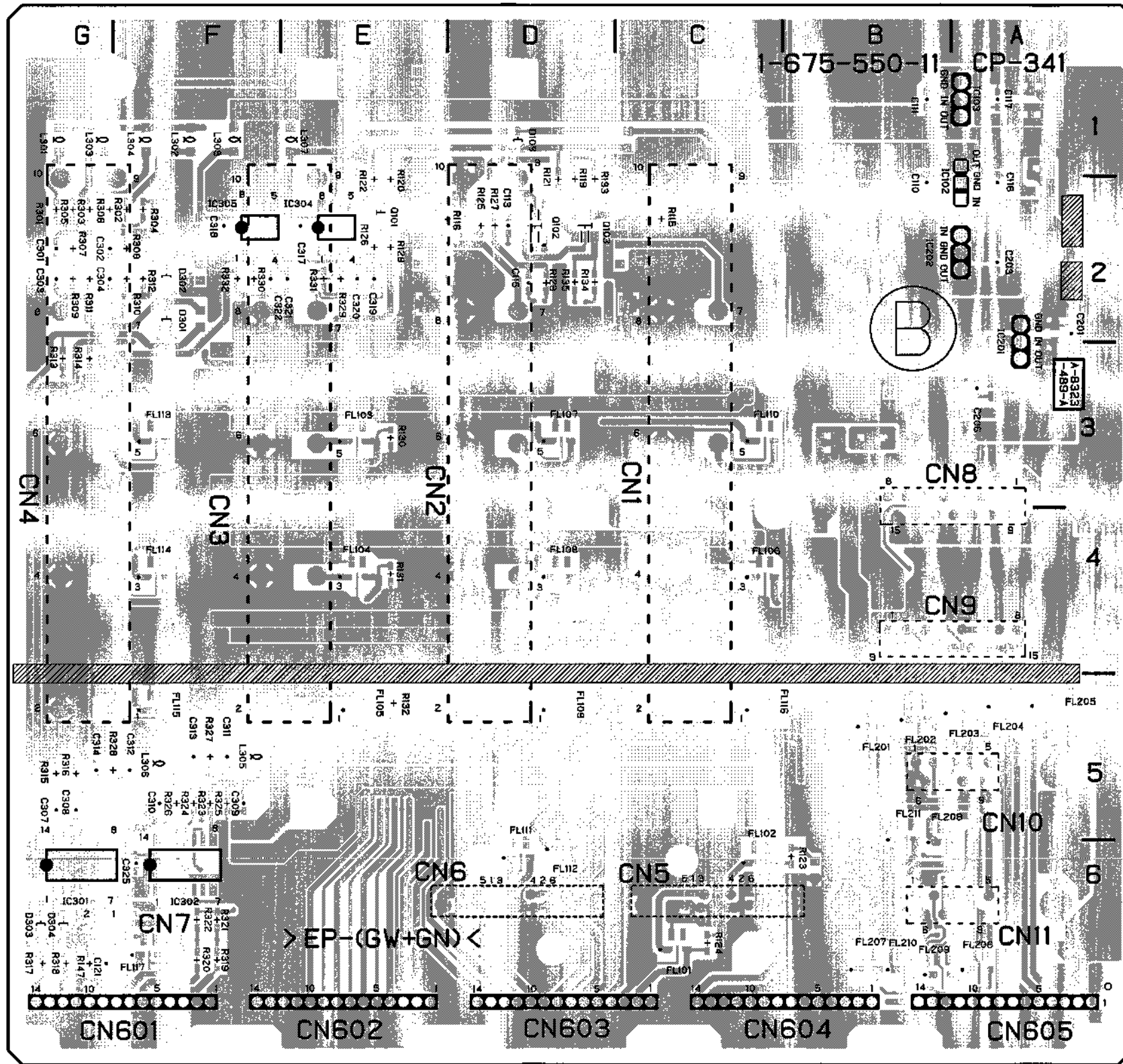
CP-341 (1-675-550-12)

C107	C1	FL210	*B6
C108	E1	FL211	*B5
C110	*B2	FL212	*B4
C111	*B1	FL213	*B4
C112	B6	FL214	*B4
C113	*D2	FL215	*A4
C115	*D2	FL216	*A4
C116	*A2	FL217	*A4
C117	*A1	FL218	*B4
C118	A2		
C119	A1	IC102	A2
C121	*G6	IC103	A1
C201	*A2	IC301	*G6
C202	A2	IC302	*F6
C203	*A2	IC304	*E2
C204	A2	IC305	*F2
C205	A3		
C206	*A3	L301	*G1
C207	*A4	L302	*F1
C301	*G2	L303	*G1
C302	*G2	L304	*F1
C303	*G2	L305	*F5
C304	*G2	L306	*F5
C307	*G5	L307	*E1
C308	*G5	L308	*F1
C309	*F5		
C310	*F5	LF201	B3
C311	*F5		
C312	*F5	Q101	*E2
C313	*F5	Q102	*D2
C314	*G5	Q103	*D2
C315	E1		
C316	F2	R115	*C2
C317	*E2	R116	*D2
C318	*F2	R119	*D2
C319	*E2	R120	*E2
C320	*E2	R121	*D2
C321	*E2	R122	*E2
C322	*F2	R123	*B6
C323	F2	R124	*C6
C324	F2	R125	*D2
C325	*F6	R126	*E2
		R127	*D2
CN1	C3	R128	*E2
CN2	D3	R129	*D2
CN3	E3	R130	*E3
CN4	G3	R131	*E4
CN5	C6	R132	*E5
CN6	D6	R133	*D2
CN7	F6	R134	*D2
CN8	A3	R135	*D2
CN9	A4	R147	*G6
CN10	A5	R301	*G2
CN11	A6	R302	*F2
CN601	F6	R303	*G2
CN602	E6	R304	*F2
CN603	D6	R305	*G2
CN604	B6	R306	*G2
CN605	A6	R307	*G2
		R308	*F2
		R309	*G2
D103	*D1	R310	*F2
D301	*F2	R311	*G2
D302	*F2	R312	*F2
D303	*G6	R313	*G3
D304	*G6	R314	*G3
		R315	*G5
FL101	*C6	R316	*G5
FL102	*C6	R317	*G6
FL103	*E3	R318	*G6
FL104	*E4	R319	*G6
FL105	*E5	R320	*F6
FL106	*C4	R321	*F6
FL107	*D3	R322	*F6
FL108	*D4	R323	*F5
FL109	*D5	R324	*F5
FL110	*C3	R325	*F5
FL111	*D6	R326	*F5
FL112	*D6	R327	*F5
FL113	*F3	R328	*F5
FL114	*F4	R329	*E2
FL115	*F5	R330	*F2
FL116	*C5	R331	*E2
FL117	*F6	R332	*F2
FL201	*B5		
FL202	*B5		
FL203	*A5	S101	C2
FL204	*A5	S102	E2
FL205	*A5		
FL206	*A6		
FL207	*B6		
FL208	*B5		
FL209	*B6		

CP-341 -B SIDE-
SUFFIX: -12



CP-341 -A SIDE-
SUFFIX: -11

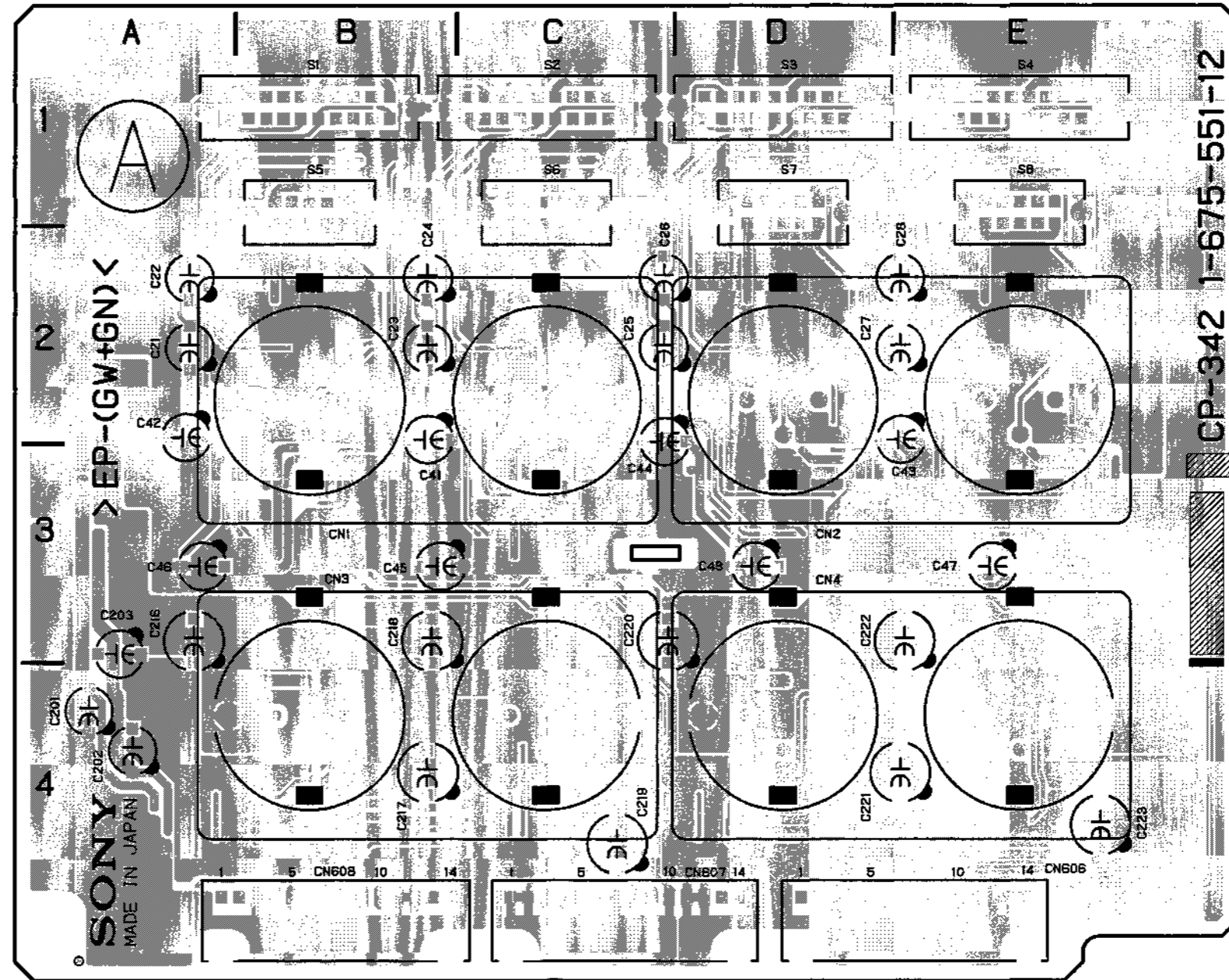


CP-341 (1-675-550-11)

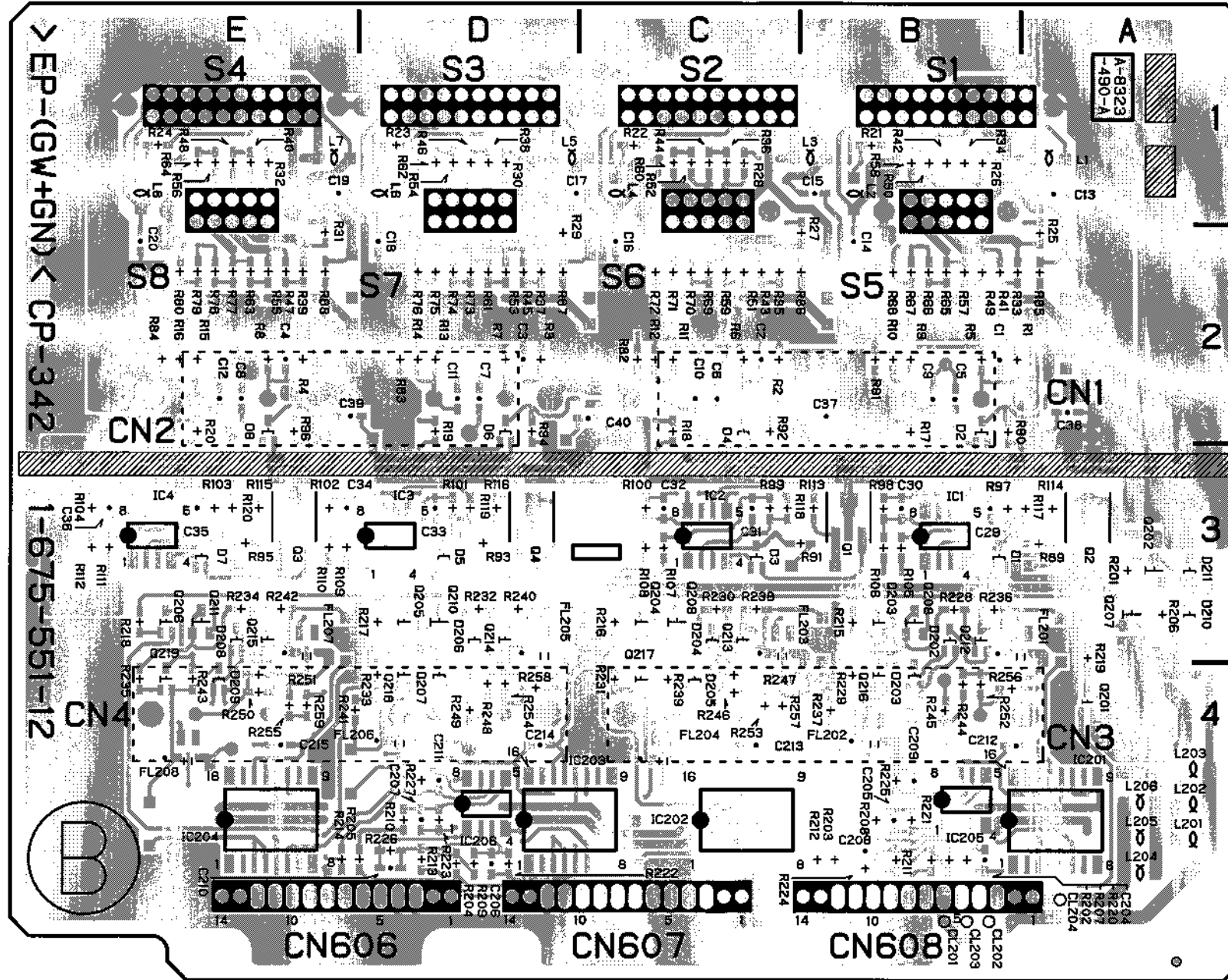
C107	C1	FL211	*B5
C108	E1		
C110	*B2	IC102	A2
C111	*B1	IC103	A1
C112	B6	IC201	A2
C113	*D2	IC202	A2
C115	*D2	IC301	*G6
C116	*A2	IC302	*F6
C117	*A1	IC304	*E2
C118	A2	IC305	*F2
C119	A1		
C121	*G6	L301	*G1
C201	*A2	L302	*F1
C202	A2	L303	*G1
C203	*A2	L304	*F1
C204	A2	L305	*F5
C205	A3	L306	*F5
C206	*A3	L307	*E1
C301	*G2	L308	*F1
C302	*G2		
C303	*G2	LF201	B3
C304	*G2		
C307	*G5	Q101	*E2
C308	*G5	Q102	*D2
C309	*F5	Q103	*D2
C310	*F5		
C311	*F5	R115	*C2
C312	*F5	R116	*D2
C313	*F5	R119	*D2
C314	*G5	R120	*E2
C315	E1	R121	*D2
C316	F2	R122	*E2
C317	*E2	R123	*B6
C318	*F2	R124	*C6
C319	*E2	R125	*D2
C320	*E2	R126	*E2
C321	*E2	R127	*D2
C322	*F2	R128	*E2
C323	F2	R129	*D2
C324	F2	R130	*E3
C325	*F6	R131	*E4
		R132	*E5
		R133	*D2
CN1	C3	R134	*D2
CN2	D3	R135	*D2
CN3	E3	R147	*G6
CN4	G3	R301	*G2
CN5	C6	R302	*F2
CN6	D6	R303	*G2
CN7	F6	R304	*F2
CN8	A3	R305	*G2
CN9	A4	R306	*G2
CN10	A5	R307	*G2
CN11	A6	R308	*F2
CN601	F6	R309	*G2
CN602	B6	R310	*F2
CN603	D6	R311	*G2
CN604	B6	R312	*F2
CN605	A6	R313	*G3
		R314	*G3
D103	*D1	R315	*G5
D301	*F2	R316	*G5
D302	*F2	R317	*G6
D303	*G6	R318	*G6
D304	*G6	R319	*F6
		R320	*F6
FL101	*C6	R321	*F6
FL102	*C6	R322	*F6
FL103	*E3	R323	*F5
FL104	*E4	R324	*F5
FL105	*E5	R325	*F5
FL106	*C4	R326	*F5
FL107	*D3	R327	*F5
FL108	*D4	R328	*F5
FL109	*D5	R329	*E2
FL110	*C3	R330	*F2
FL111	*D6	R331	*E2
FL112	*D6	R332	*F2
FL113	*F3	R333	*E2
FL114	*F4		
FL115	*F5	S101	C2
FL116	*C5	S102	E2
FL117	*P6		
FL201	*B5	THP201	B3
FL202	*B5		
FL203	*A5		
FL204	*A5		
FL205	*A5		
FL206	*A6		
FL207	*B6		
FL208	*B5		
FL209	*B6		
FL210	*B6		

CP-341 -B SIDE-
SUFFIX: -11

*:B SIDE



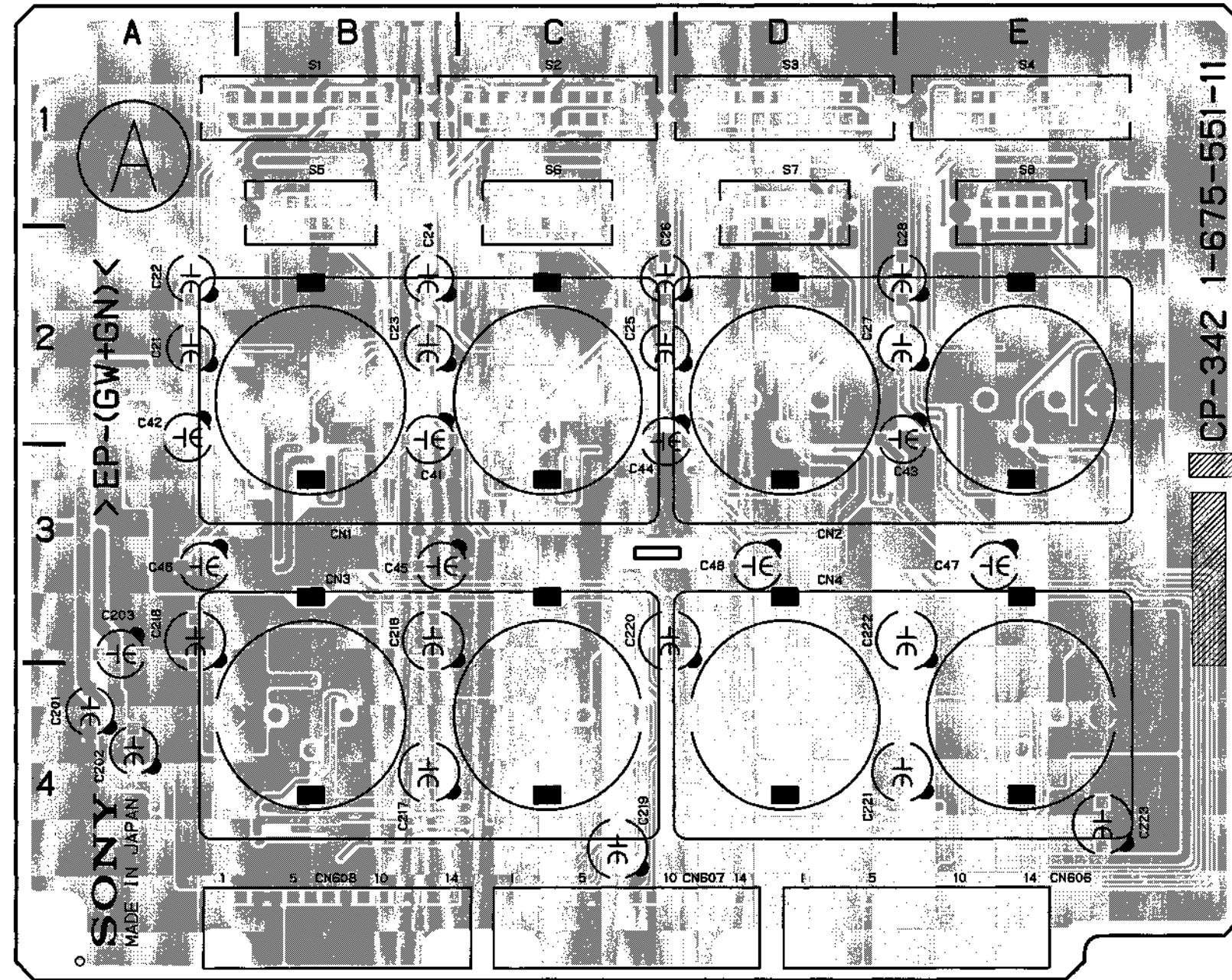
CP-342 -A SIDE-
SUFFIX: -12



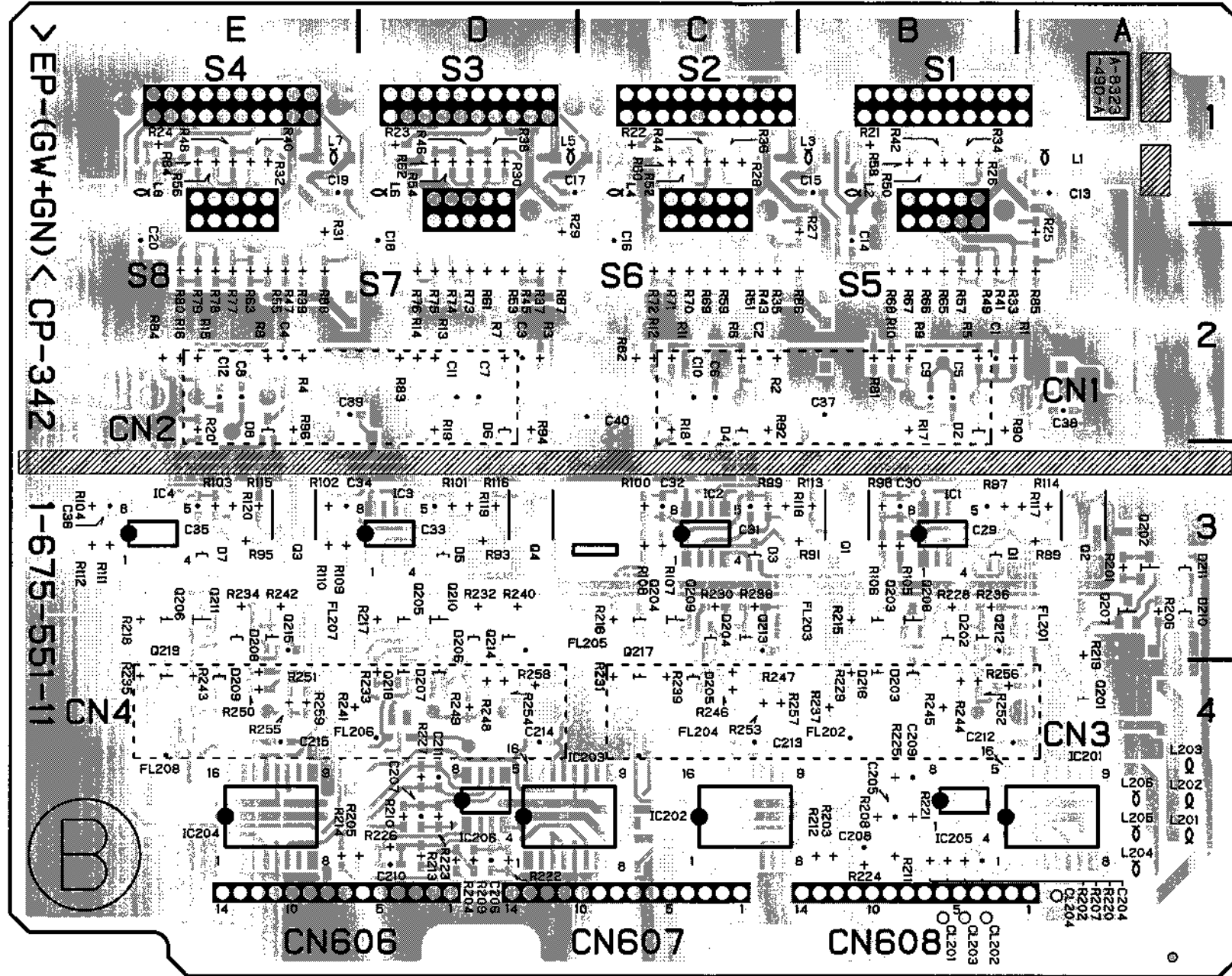
CP-342 -B SIDE-
SUFFIX: -12

C1	*B2	D8	*E2	R22	*C1	R114	*A3
C2	*C2	D202	*B3	R23	*D1	R115	*B3
C3	*D2	D203	*B4	R24	*E1	R116	*D3
C4	*E2	D204	*C3	R25	*A2	R117	*A3
C5	*B2	D205	*C4	R26	*B1	R118	*C3
C6	*C2	D206	*D3	R27	*B2	R119	*D3
C7	*D2	D207	*D4	R28	*C1	R120	*E3
C8	*E2	D208	*E3	R29	*D2	R201	*A3
C9	*B2	D209	*E4	R30	*D1	R202	*B4
C10	*C2	D210	*A3	R31	*E2	R203	*B4
C11	*D2	D211	*A3	R32	*E1	R204	*D4
C12	*E2			R33	*B2	R205	*D4
C13	*A1	FL201	*A3	R34	*B1	R206	*A3
C14	*B2	FL202	*B4	R35	*C2	R207	*B4
C15	*B1	FL203	*C3	R36	*C1	R208	*B4
C16	*C2	FL204	*C4	R37	*D2	R209	*D4
C17	*D1	FL205	*D3	R38	*D1	R210	*D4
C18	*D2	FL206	*D4	R39	*E2	R211	*B4
C19	*E1	FL207	*E3	R40	*E1	R212	*B4
C20	*E2	FL208	*E4	R41	*E2	R213	*D4
C21	A2			R42	*B1	R214	*B4
C22	A2	IC1	*B3	R43	*C2	R215	*B3
C23	B2	IC2	*C3	R44	*C1	R216	*C3
C24	B2	IC3	*D3	R45	*D2	R217	*C3
C25	C2	IC4	*B3	R46	*D1	R218	*E3
C26	C2	IC201	*B4	R47	*E2	R219	*A3
C27	E2	IC202	*C4	R48	*E1	R220	*B4
C28	E2	IC203	*D4	R49	*B2	R221	*B4
C29	*B3	IC204	*E4	R50	*B1	R222	*D4
C30	*B3	IC205	*B4	R51	*C2	R223	*D4
C31	*C3	IC206	*D4	R52	*C1	R224	*B4
C32	*C3			R53	*D2	R225	*B4
C33	*D3	L1	*A1	R54	*D1	R226	*D4
C34	*E3	L2	*B1	R55	*E2	R227	*D4
C35	*E3	L3	*B1	R56	*E1	R228	*B3
C36	*E3	L4	*C1	R57	*E2	R229	*B4
C37	*E2	L5	*D1	R58	*B1	R230	*C3
C38	*A2	L6	*D1	R59	*C2	R231	*C4
C39	*E2	L7	*B1	R60	*C1	R232	*D3
C40	*C2	L8	*E1	R61	*D2	R233	*D4
C41	B2	L201	*A4	R62	*D1	R234	*E3
C42	A2	L202	*A4	R63	*E2	R235	*E4
C43	E2	L203	*A4	R64	*B1	R236	*B3
C44	C2	L204	*A4	R65	*B2	R237	*B4
C45	B3	L205	*A4	R66	*B2	R238	*C3
C46	A3	L206	*A4	R67	*B2	R239	*C4
C47	B3			R68	*E2	R240	*D3
C48	D3	Q1	*B3	R69	*C2	R241	*E4
C201	A4	Q2	*A3	R70	*C2	R242	*E3
C202	A4	Q3	*B3	R71	*C2	R243	*E4
C203	A3	Q4	*D3	R72	*C2	R244	*B4
C204	*B4	Q201	*A4	R73	*D2	R245	*B4
C205	*B4	Q202	*A3	R74	*D2	R246	*C4
C206	*D4	Q203	*B3	R75	*D2	R247	*C4
C207	*D4	Q204	*C3	R76	*D2	R248	*D4
C208	*B4	Q205	*D3	R77	*E2	R249	*D4
C209	*B4	Q206	*B3	R78	*E2	R250	*B4
C210	*D4	Q207	*A3	R79	*E2	R251	*E4
C211	*D4	Q208	*B3	R80	*E2	R252	*B4
C212	*B4	Q209	*C3	R81	*B2	R253	*C4
C213	*C4	Q210	*D3	R82	*C2	R254	*D4
C214	*D4	Q211	*E3	R83	*D2	R255	*E4
C215	*B4	Q212	*B3	R84	*E2	R256	*B4
C216	A3	Q213	*C3	R85	*A2	R257	*C4
C217	B4	Q214	*D3	R86	*B2	R258	*D4
C218	B3	Q215	*E3	R87	*D2	R259	*E4
C219	C4	Q216	*B4	R88	*E2		
C220	C3	Q217	*C4	R89	*A3	S1	B1
C221	E4	Q218	*D4	R90	*B2	S2	C1
C222	E3	Q219	*B4	R91	*B3	S3	D1
C223	B4			R92	*C2	S4	E1
				R93	*D3	S5	B1
CL201	*B4	R1	*B2	R94	*D2	S6	C1
CL202	*B4	R2	*C2	R95	*E3	S7	D1
CL203	*B4	R3	*D2	R96	*E2	S8	B1
CL204	*A4	R4	*E2	R97	*B3		
		R5	*B2	R98	*B3		
		R6	*C2	R99	*C3		
CN1	B2	R7	*D2	R100	*C3		
CN2	E2	R8	*B2	R101	*D3		
CN3	B4	R9	*B2	R102	*E3		
CN4	B4	R10	*B2	R103	*E3		
CN606	E4	R11	*C2	R104	*E3		
CN607	C4	R12	*C2	R105	*B3		
CN608	B4	R13	*D2	R106	*B3		
		R14	*D2	R107	*C3		
D1	*B3	R15	*E2	R108	*C3		
D2	*E2	R16	*E2	R109	*E3		
D3	*C3	R17	*B2	R110	*E3		
D4	*C2	R18	*C2	R111	*E3		
D5	*D3	R19	*D2	R112	*E3		
D6	*D2	R20	*E2	R113	*B3		
D7	*E3	R21	*B1				

*:B SIDE



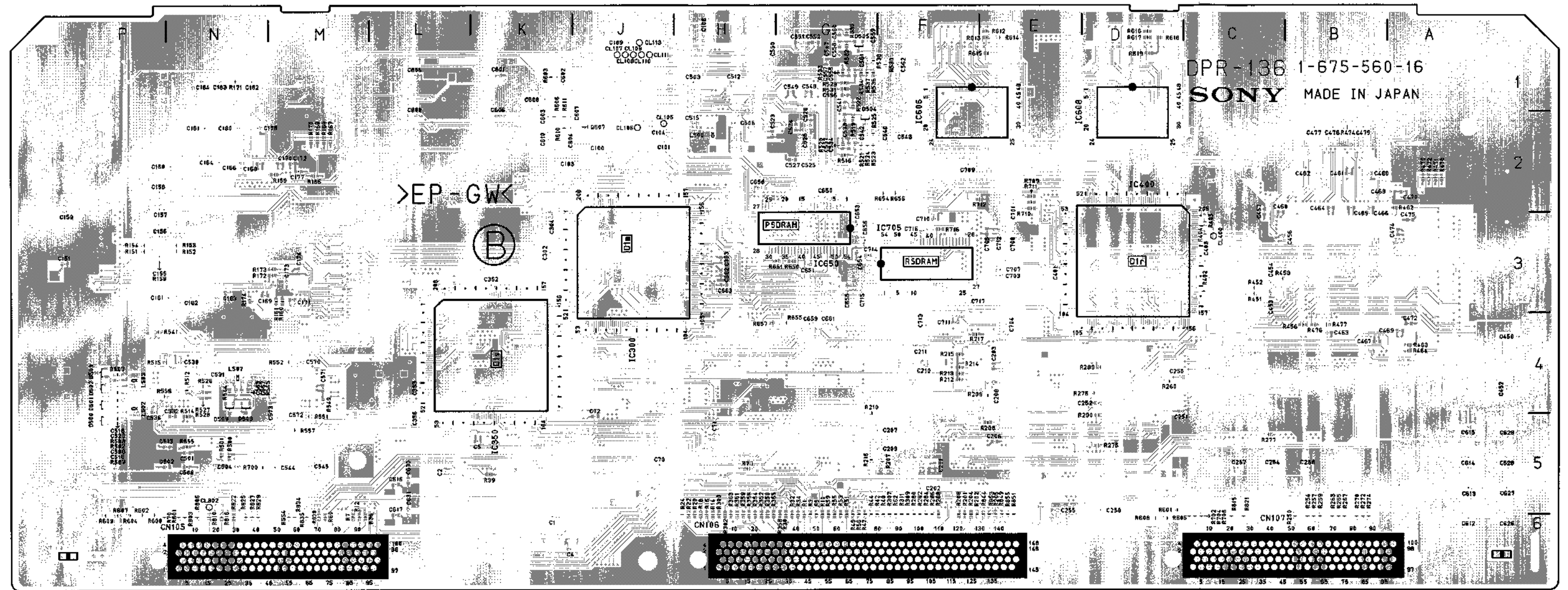
CP-342 -A SIDE-
SUFFIX: -11



CP-342 -B SIDE-
SUFFIX: -11

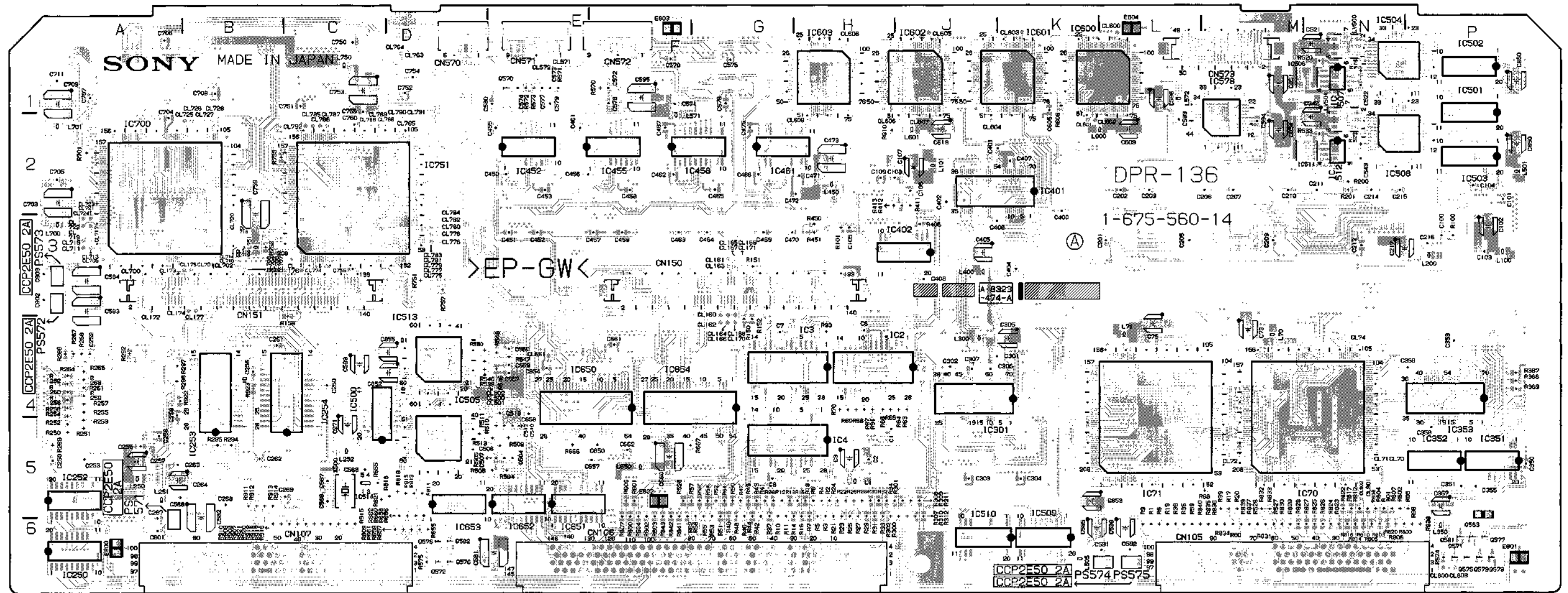
C1	*B2	D8	*E2	R22	*C1	R114	*A3
C2	*C2	D202	*B3	R23	*D1	R115	*E3
C3	*D2	D203	*B4	R24	*E1	R116	*D3
C4	*E2	D204	*C3	R25	*A2	R117	*A3
C5	*B2	D205	*C4	R26	*B1	R118	*C3
C6	*C2	D206	*D3	R27	*B2	R119	*D3
C7	*D2	D207	*D4	R28	*C1	R120	*E3
C8	*E2	D208	*E3	R29	*D2	R201	*A3
C9	*B2	D209	*E4	R30	*D1	R202	*B4
C10	*C2	D210	*A3	R31	*E2	R203	*B4
C11	*D2	D211	*A3	R32	*E1	R204	*D4
C12	*E2			R33	*E2	R205	*D4
C13	*A1	FL201	*A3	R34	*B1	R206	*A3
C14	*B2	FL202	*B4	R35	*C2	R207	*B4
C15	*B1	FL203	*C3	R36	*C1	R208	*B4
C16	*C2	FL204	*C4	R37	*D2	R209	*D4
C17	*D1	FL205	*D3	R38	*D1	R210	*D4
C18	*D2	FL206	*D4	R39	*E2	R211	*B4
C19	*E1	FL207	*E3	R40	*E1	R212	*B4
C20	*E2	FL208	*E4	R41	*B2	R213	*D4
C21	A2			R42	*B1	R214	*D4
C22	A2	IC1	*B3	R43	*C2	R215	*B3
C23	B2	IC2	*C3	R44	*C1	R216	*C3
C24	B2	IC3	*D3	R45	*D2	R217	*D3
C25	C2	IC4	*E3	R46	*D1	R218	*E3
C26	C2	IC201	*B4	R47	*E2	R219	*A3
C27	E2	IC202	*C4	R48	*E1	R220	*B4
C28	E2	IC203	*D4	R49	*B2	R221	*B4
C29	*B3	IC204	*E4	R50	*B1	R222	*D4
C30	*B3	IC205	*B4	R51	*C2	R223	*D4
C31	*C3	IC206	*D4	R52	*C1	R224	*B4
C32	*C3			R53	*D2	R225	*B4
C33	*D3	L1	*A1	R54	*D1	R226	*D4
C34	*E3	L2	*B1	R55	*E2	R227	*D4
C35	*E3	L3	*B1	R56	*E1	R228	*B3
C36	*E3	L4	*C1	R57	*B2	R229	*B4
C37	*E2	L5	*D1	R58	*B1	R230	*C3
C38	*A2	L6	*D1	R59	*C2	R231	*C4
C39	*E2	L7	*E1	R60	*C1	R232	*D3
C40	*C2	L8	*E1	R61	*D2	R233	*D4
C41	B2	L201	*A4	R62	*D1	R234	*E3
C42	A2	L202	*A4	R63	*E2	R235	*B4
C43	E2	L203	*A4	R64	*E1	R236	*B3
C44	C2	L204	*A4	R65	*B2	R237	*B4
C45	B3	L205	*A4	R66	*B2	R238	*C3
C46	A3	L206	*A4	R67	*B2	R239	*C4
C47	E3			R68	*B2	R240	*D3
C48	D3	Q1	*B3	R69	*C2	R241	*B4
C201	A4	Q2	*A3	R70	*C2	R242	*B3
C202	A4	Q3	*E3	R71	*C2	R243	*E4
C203	A3	Q4	*D3	R72	*C2	R244	*B4
C204	*B4	Q201	*A4	R73	*D2	R245	*B4
C205	*B4	Q202	*A3	R74	*D2	R246	*C4
C206	*D4	Q203	*B3	R75	*D2	R247	*C4
C207	*D4	Q204	*C3	R76	*D2	R248	*D4
C208	*B4	Q205	*D3	R77	*E2	R249	*D4
C209	*B4	Q206	*E3	R78	*E2	R250	*E4
C210	*D4	Q207	*A3	R79	*E2	R251	*B4
C211	*D4	Q208	*B3	R80	*E2	R252	*B4
C212	*B4	Q209	*C3	R81	*E2	R253	*C4
C213	*C4	Q210	*D3	R82	*C2	R254	*D4
C214	*D4	Q211	*E3	R83	*D2	R255	*B4
C215	*B4	Q212	*B3	R84	*E2	R256	*B4
C216	A3	Q213	*C3	R85	*A2	R257	*C4
C217	B4	Q214	*D3	R86	*B2	R258	*D4
C218	B3	Q215	*E3	R87	*D2	R259	*E4
C219	C4	Q216	*B4	R88	*E2		
C220	C3	Q217	*C4	R89	*A3	S1	B1
C221	E4	Q218	*D4	R90	*B2	S2	C1
C222	E3	Q219	*E4	R91	*B3	S3	D1
C223	E4			R92	*C2	S4	E1
				R93	*D3	S5	B1
CL201	*B4	R1	*B2	R94	*D2	S6	C1
CL202	*B4	R2	*C2	R95	*D3	S7	D1
CL203	*B4	R3	*D2	R96	*E2	S8	E1
CL204	*A4	R4	*E2	R97	*B3		
		R5	*B2	R98	*B3		
		R6	*C2	R99	*C3		
CN1	B2	R7	*D2	R100	*C3		
CN2	E2	R8	*E2	R101	*D3		
CN3	B4	R9	*B2	R102	*E3		
CN4	B4	R10	*B2	R103	*E3		
CN606	E4	R11	*C2	R104	*E3		
CN607	C4	R12	*C2	R105	*B3		
CN608	B4	R13	*D2	R106	*B3		
		R14	*D2	R107	*C3		
D1	*B3	R15	*E2	R108	*C3		
D2	*B2	R16	*E2	R109	*E3		
D3	*C3	R17	*B2	R110	*E3		
D4	*C2	R18	*C2	R111	*E3		
D5	*D3	R19	*D2	R112	*E3		
D6	*D2	R20	*E2	R113	*B3		
D7	*E3	R21	*B1				

*: B SIDE



DPR-136 -B SIDE-
SUFFIX: -16

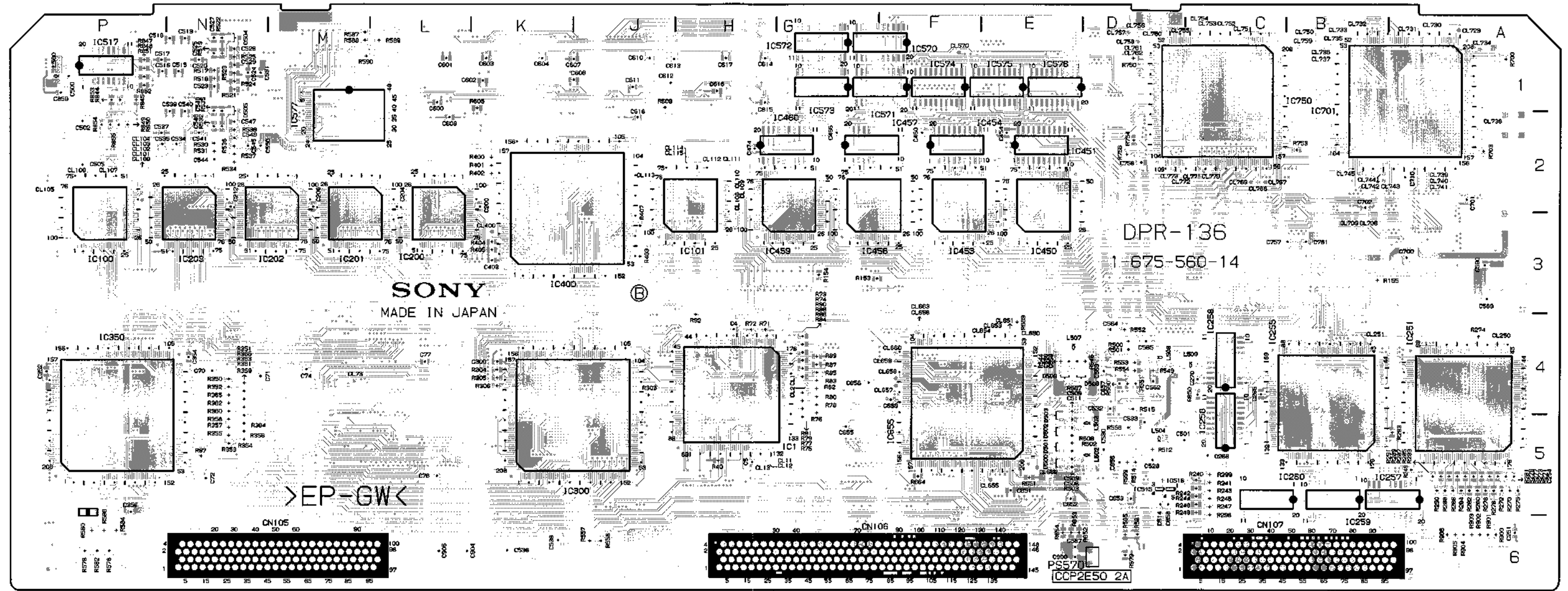
R17	H5	R45	G5	R155	M1	R207	*F5	R269	B6	R306	H2	R401	C4	R470	*A2	R520	*G2	R548	N4	R615	*E1	R714	F2	R824	N6	R853	*E5
R18	*H5	R46	G5	R156	P3	R208	*E5	R270	*B6	R307	*F5	R402	*C3	R471	*A2	R521	*G2	R549	*M4	R616	*D1	R715	F2	R825	*N6	R854	E5
R19	H5	R47	*G5	R157	P3	R209	*E4	R271	B6	R308	F5	R403	*C3	R472	*A2	R522	*G1	R550	N4	R617	*D1	R716	*F3	R826	N6	R855	*E5
R20	*H5	R48	G5	R158	*P3	R210	*G4	R272	*B6	R309	*F5	R404	*C3	R473	*A2	R523	*G2	R551	*M5	R618	*D1	R717	*F4	R827	*N6		
R21	H5	R49	*G5	R159	*M2	R211	*F4	R273	B6	R310	F5	R405	D2	R474	*B2	R524	*G2	R552	*M4	R619	*D1	R718	N6	R828	N6	X500	N5
R22	*H5	R50	G5	R160	*M3	R212	*F4	R274	*B6	R311	*F5	R406	E2	R475	A2	R525	*G2	R553	M6	R620	*G3	R719	*N6	R829	*N6		
R23	H5	R51	*G5	R161	*M3	R213	*F4	R275	*D5	R312	F5	R407	E2	R476	*B4	R526	*N4	R554	*M6	R621	*G3	R720	N6	R830	N6		*:B SIDE
R24	*H5	R52	G5	R162	M2	R214	*F4	R276	*D4	R313	*H5	R408	D2	R477	*B4	R527	*N4	R555	*N5	R622	G4	R721	*N6	R831	M6		
R25	H5	R53	*G5	R163	M2	R215	*G5	R277	*C5	R314	H5	R409	D2	R478	*N5	R528	*N4	R556	*P4	R623	G4	R722	N6	R832	M6		
R26	M6	R54	G5	R164	M2	R216	*B6	R278	F5	R315	*H5	R410	D2	R479	*N5	R529	*G1	R557	*M5	R624	*F2	R723	N6	R833	M6		
R27	M6	R55	*G5	R165	M2	R217	B6	R279	F5	R316	H5	R411	D2	R480	*P4	R530	*F1	R558	M5	R625	*G4	R724	*N6	R834	*M6		
R28	M6	R56	*G5	R166	*M2	R218	B6	R280	*F5	R317	*M5	R412	C3	R481	*P5	R531	*G1	R559	N5	R626	*F2	R725	N6	R835	*M6		
R29	G5	R57	G5	R167	*M2	R219	B6	R281	F5	R318	H5	R413	D2	R482	*P4	R532	*G1	R560	N5	R627	*H4	R726	N6	R836	M6		
R30	*G5	R58	G5	R168	*M2	R220	*B6	R282	*F5	R319	*H5	R414	*C3	R483	*P5	R533	*G1	R561	*P5	R628	G4	R727	C6	R837	M6		
R31	G5	R59	*G5	R169	*M2	R221	B6	R283	F5	R320	H5	R415	*C3	R484	*P5	R534	*G1	R562	*D5	R629	*N5	R728	*N6	R838	M6		
R32	*G5	R60	*M6	R170	*M2	R222	B6	R284	*F5	R321	*G5	R416	A2	R485	*P4	R535	*G1	R563	*P5	R630	C6	R729	C6	R839	*M6		
R33	G5	R61	M6	R171	*N1	R223	*B6	R285	F5	R322	*H5	R417	C3	R486	*P4	R536	*G1	R564	*K1	R631	*C6	R730	N6	R840	M6		
R34	*G5	R62	*F5	R172	*M3	R224	B6	R286	*F5	R323	H5	R418	*B4	R487	*P4	R537	*G1	R565	*P5	R632	*C6	R731	C6	R841	F5		
R35	M6	R70	*P6	R173	*M3	R225	*B6	R287	F5	R324	*H5	R419	B4	R488	*P4	R538	*G1	R566	*D6	R633	*C6	R732	N6	R842	F5		
R36	*M6	R71	P6	R174	*N3	R226	*D4	R288	*F5	R325	H5	R420	A4	R489	*P4	R539	N4	R567	*K2	R634	*C6	R733	*C6	R843	F5		
R37	N6	R72	J5	R175	M2	R227	B6	R289	*D4	R326	*H5	R421	A4	R490	*P4	R540	N4	R568	*P5	R635	*C6	R734	*C6	R844	*E5		
R38	F5	R73	*H5	R176	F5	R228	B6	R290	*D5	R327	H5	R422	A4	R491	*P4	R541	*P4	R569	*D6	R636	*C6	R735	N6	R845	E5		
R39	*K5	R100	J2	R201	*F5	R263	*B6	R300	*H5	R365	*H5	R464	*A4	R514	*N5	R542	N5	R609	*P5	R708	C6	R818	C6	R847	E5		
R40	*F5	R101	J1	R202	*F5	R264	B6	R301	H5	R366	G5	R465	A2	R515	*N4	R543	N5	R610	*K2	R709	*E2	R819	C6	R848	E5		
R41	F5	R151	*P3	R203	E5	R265	*B6	R302	*H5	R367	K3	R466	A2	R516	*G2	R544	*N4	R611	*K2	R710	*E2	R820	N6	R849	*E5		
R42	*F5	R152	*N3	R204	*F5	R266	B6	R303	J4	R368	K3	R467	A2	R517	F2	R545	*N4	R612	*E1	R711	*E2	R821	*C6	R850	E5		
R43	F5	R153	*N3	R205	*E5	R267	*B6	R304	H2	R369	K3	R468	A2	R518	G2	R546	N4	R613	*E1	R712	*E2	R822	*N6	R851	*E5		
R44	*G5	R154	*P3	R206	*F5	R268	B6	R305	H2	R400	C3	R469	A3	R519	*G2	R547	N4	R614	*E1	R713	*E2	R823	N6	R852	E5		



DPR-136 -A SIDE-
SUFFIX: -14

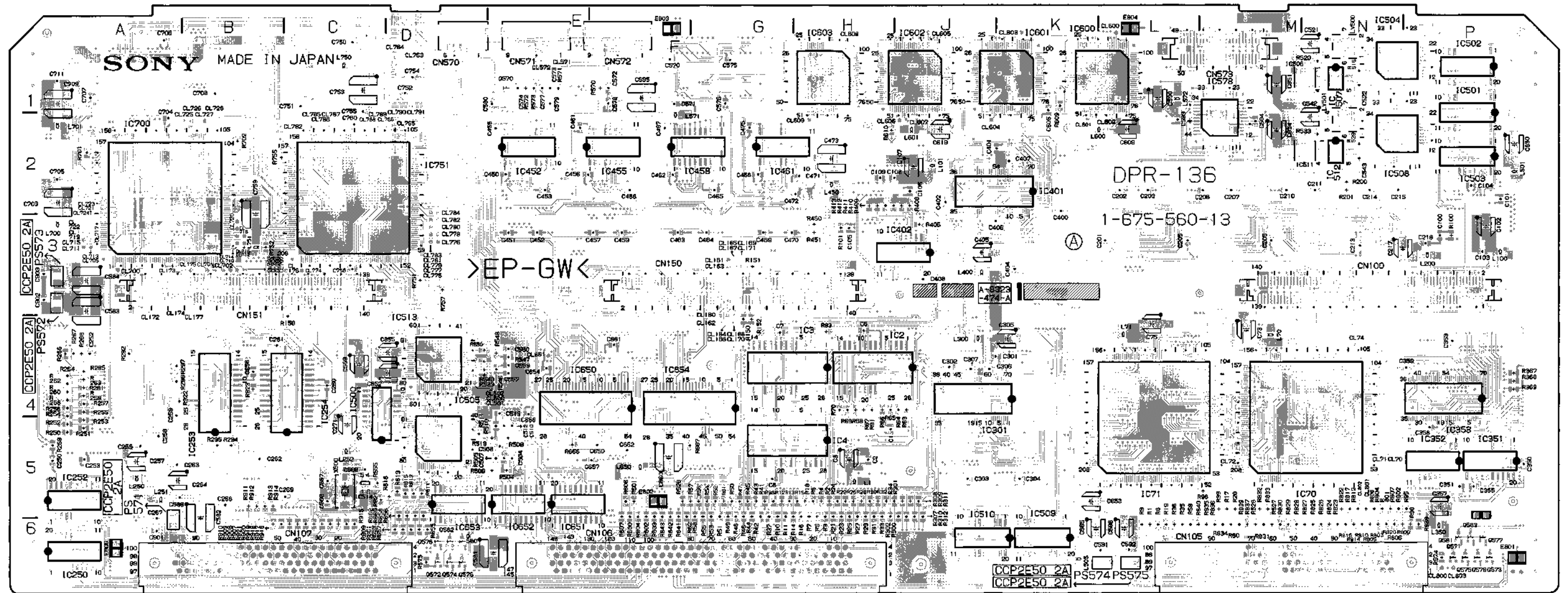
DPR-136 (1-675-560-14)

C1	H5	C202	L2	C262	B5	C400	K2	C469	G3	C521	N1	C549	*N2	C583	A3	C614	*H1	C709	A1	C902	A3	CL113	*J2	CL571	B1	CL703	B3	CL731	*A1	CL763	D1	CL791	D2	E802	F5
C2	H5	C203	L2	C263	A5	C401	K2	C470	G3	C522	N1	C550	*N2	C584	A3	C615	*H1	C710	*A2	C903	A3	CL114	*H2	CL572	B1	CL704	B3	CL732	*B1	CL764	D1	CL792	C2	E803	F1
C3	H5	C204	*L2	C264	A5	C402	J2	C471	H2	C523	*N1	C556	*E4	C585	K6	C616	*H1	C711	A1	C904	*L6	CL115	*H2	CL600	L1	CL705	A3	CL733	*B1	CL765	D2	CL800	P6	E804	L1
C4	*H4	C205	L3	C265	*C4	C403	*K3	C472	H2	C524	*N1	C557	*E4	C586	L6	C617	*H1	C750	C1	C905	*L6	CL160	G4	CL601	K2	CL706	B3	CL734	*A1	CL766	D2	CL801	N5		
C5	*H5	C206	M2	C266	*C5	C404	K3	C473	H2	C525	*N1	C558	*E4	C587	*E6	C618	*J2	C751	C1			CL161	G3	CL602	K2	CL707	B3	CL735	*B1	CL767	*C2	CL802	N5	IC1	*H4
C6	H4	C207	M2	C267	A6	C405	J3	C474	*H2	C526	*N1	C559	*E4	C588	A5	C619	J2	C752	D1	CL1	*G4	CL162	G4	CL603	K1	CL708	*B3	CL736	*B1	CL768	*C2	CL803	P6	IC2	J4
C7	G4	C208	*M2	C268	B5	C406	J3	C475	G2	C527	*N1	C560	*E4	C589	*A3	C650	F5	C753	C1	CL2	*G4	CL163	G3	CL604	J2	CL709	*B3	CL737	*B1	CL769	*C2	IC3	H4		
C8	G5	C209	M3	C269	C5	C407	K2	C500	*P1	C528	*D5	C562	*D4	C590	*A3	C651	*B5	C754	D1	CL11	*H5	CL164	G4	CL605	J1	CL710	B3	CL738	*A2	CL770	*C2	CN105	M6	IC4	H5
C70	*N4	C210	M2	C270	*C4	C408	J3	C501	*C5	C529	*N1	C563	*D4	C591	L6	C652	*E5	C755	C1	CL12	*H5	CL165	G3	CL606	J2	CL711	A3	CL739	*A2	CL771	*C2	CN106	G6	IC70	N5
C71	*N4	C211	N2	C271	C5	C450	E2	C502	*P2	C530	*D5	C564	*D4	C592	L6	C653	*D5	C756	C3	CL13	*H5	CL166	G4	CL607	J2	CL712	B3	CL740	*A2	CL772	*D2	CN107	B6	IC71	L5
C72	*N5	C212	*N2	C272	*K4	C451	E3	C503	*E5	C531	*N1	C565	*D4	C593	L2	C654	E4	C757	*B3	CL14	*H5	CL167	G3	CL608	H1	CL713	A3	CL741	*A2	CL773	*D2	CN150	G3	IC100	*P3
C73	M4	C213	N3	C301	J4	C452	E3	C504	E5	C532	*D4	C566	C5	C594	M2	C655	*G5	C758	*D2	CL15	*H5	CL168	G4	CL609	H2	CL714	B3	CL742	*B2	CL774	C3	CN151	B3	IC101	*H2
C74	*M4	C214	N2	C302	J4	C453	E2	C505	*P2	C533	*D5	C567	C5	C595	P1	C656	*G4	C759	B3	CL16	*H5	CL169	G3	CL610	H1	CL715	A3	CL743	*B2	CL775	D3	CN570	D1	IC200	*L3
C75	L4	C215	N2	C303	J5	C454	*E2	C506	*E5	C534	*N2	C568	C5	C596	L1	C657	F5	C760	C2	CL17	*M4	CL170	G4	CL651	*E4	CL716	B3	CL744	*B2	CL776	D3	CN571	E1	IC201	*M3
C76	*L5	C216	P3	C304	K5	C455	E2	C507	E5	C535	*P2	C569	C4	C600	*L1	C658	E4	C761	*B3	CL18	*M4	CL171	G3	CL652	*E4	CL717	A3	CL745	*B2	CL777	D3	CN572	F1	IC202	*M3
C77	*L4	C217	N3	C305	K4	C456	E2	C508	E5	C536	*K6	C570	F1	C601	*L1	C659	*F4	C850	P2	CL100	*P2	CL172	A3	CL654	*B4	CL718	B3	CL750	*B1	CL778	D3	CN573	M1	IC203	*N3
C100	P3	C250	A5	C306	J4	C457	F3	C509	*E5	C537	*P2	C571	F1	C602	*K1	C660	F5	C851	M1	CL101	*P2	CL173	B3	CL655	*B5	CL719	A3	CL751	*C1	CL779	D3	D500	*E5	IC250	A6
C101	P2	C251	*A6	C307	J4	C458	F2	C510	E5	C538	*K6	C572	F1	C603	*K1	C661	F4	C852	D4	CL102	*P2	CL174	B3	CL656	*F4	CL720	B3	CL752	*C1	CL780	D3	D501	*E5	IC251	*A4
C102	P3	C252	A4	C350	P5	C459	F3	C511	*E5	C539	*N2	C573	E1	C604	*K1	C662	F5	C853	K5	CL103	*P2	CL175	B3	CL657	*F4	CL721	A3	CL753	*C1	CL781	D3	D502	*E5	IC252	A5
C103	P3	C253	A5	C351	P5	C460	*F2	C512	E5	C540	*N2	C574	E1	C605	K1	C700	*A3	C854	M2	CL104	*P2	CL176	C3	CL658	*F4	CL722	A3	CL754	*C1	CL782	D3	D503	*E5	IC253	B5
C104	P2	C254	*A5	C352	*P4	C461	E2	C513	E4	C541	*N2	C575	G1	C606	*J1	C701	*A2	C855	D4	CL105	*P2	CL177	B3	CL659	*F4	CL723	A3	CL755	*C1	CL783	D2	D504	*E5	IC254	C5
C105	H3	C255	A5	C353	P4	C462	F2	C514	*D5	C542	N2	C576	G1	C607	*J1	C702	*B2	C856	*D5	CL106	*P2	CL250	*A4	CL660	*F4	CL724	A3	CL756	*D1	CL784	D2	D505	*E5	IC255	*B4
C106	J2	C256	B4	C354	*N4	C463	F3	C515	*N1	C543	N2	C577	E1	C608	*L2	C703	A2	C857	*D4	CL107	*P2	CL251	*B4	CL661	E4	CL725	B2	CL757	*D1	CL785	C2	D506	*E5	IC256	*C5
C107	J2	C257	A5	C355	P5	C464	G3	C516	*P1	C544	*N2	C578	F1	C609	L2	C704	A2	C858	*D5	CL108	*H2	CL400	*K3	CL662	*E5	CL726	B2	CL758	*D1	CL786	C2	D507	*E4	IC257	*A5
C108	H2	C258	A5	C356	*P5	C465	G2	C517	*P1	C545	*N2	C579	E1	C610	*J1	C705	A2	C859	*P1	CL109	*H2	CL500	D4	CL663	*F4	CL727	B2	CL759	*B1	CL787	C2	D508	*E4	IC258	*C4
C109	H2	C259	A4	C357	P5	C466	*G2	C518	*N1	C546	*N2	C580	E1	C611	*J1	C706	A1	C860	P1	CL110	*H2	CL501	D4	CL664	*F4	CL728	B2	CL760	*D1	CL788	C2	D509	*E4	IC259	*B5
C200	*K2	C260	C4	C358	P5	C467	F2	C519	*N1	C547	*N2	C581	E6	C612	*J1	C707	A1	C900	*E6	CL111	*H2	CL502	D4	CL701	B3	CL729	*A1	CL761	*D1	CL789	C2	E800	A6	IC260	*B5
C201	L3	C261	B4	C359	P4	C468	G2	C520	*N1	C548	*N2	C582	B6	C613	*J1	C708	B1	C901	A6	CL112	*H2	CL570	*F1	CL702	B3	CL730	*A1	CL762	*D1	CL790	D2	E801	P6	IC300	*J5



DPR-136 - B SIDE-
SUFFIX: -14

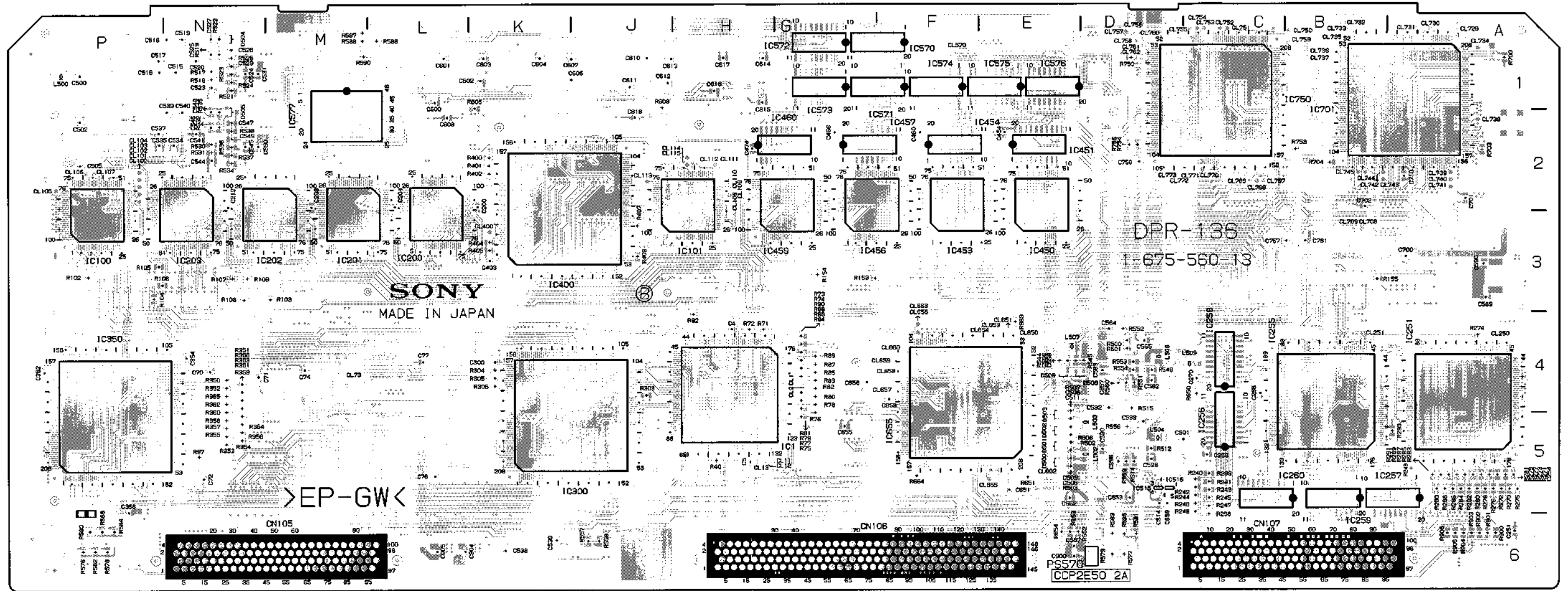
IC301	K4	IC508	N2	IC655	*F4	L571	F2	Q579	P6	R24	H5	R52	G5	R80	*G4	R201	N2	R267	A4	R295	E5	R360	*N4	R505	E5	R533	N2	R573	E1	R651	*B5	R801	N5	R829	M6	R902	*A6
IC350	*P5	IC509	K6	IC700	A2	L572	L1	Q581	P6	R25	H5	R53	G5	R81	*G4	R240	*C5	R268	A4	R296	A4	R361	*N4	R506	E5	R534	*N2	R574	P6	R652	*E6	R802	N5	R830	M6	R903	*A6
IC351	P5	IC510	K6	IC701	*A1	L600	L2	Q582	D6	R26	H5	R54	G5	R82	*G4	R241	*C5	R269	A5	R297	A4	R362	*N4	R507	*E4	R535	*N2	R575	D6	R653	*E6	R803	N6	R831	M6	R904	*A6
IC352	P5	IC511	N2	IC750	*C1	L601	J2	Q583	P6	R27	H5	R55	G5	R83	*G4	R242	*C5	R270	*A5	R298	*C6	R363	*N4	R508	*E5	R536	*N2	R576	*P6	R654	*E6	R804	N5	R832	M5	R905	*A6
IC353	P4	IC512	N2	IC751	C2	L650	F5			R28	H5	R56	G5	R84	*G4	R243	*C5	R271	*A5	R299	*C6	R364	*N5	R509	E5	R537	*N2	R578	*P6	R655	D6	R805	N6	R833	M5	R906	*A6
IC400	*K2	IC513	D4			L700	A3	R1	L6	R29	H5	R57	F5	R85	*G4	R244	*C5	R272	*A5	R300	J5	R365	*N4	R510	E5	R538	*N2	R579	*D6	R656	D5	R806	N6	R834	M6	R907	C6
IC401	K2	IC514	C5	L1	H5	L701	A2	R2	H5	R30	H5	R58	G5	R86	*G4	R245	*C5	R273	*A5	R301	H5	R366	*N4	R511	D5	R539	D4	R580	*P6	R657	D6	R807	N5	R835	M6	R908	C6
IC402	J3	IC515	*D5	L70	M4	L750	C1	R3	H5	R31	H5	R59	L6	R87	*G4	R246	*C5	R274	*A4	R302	H5	R367	P4	R512	*D5	R540	D4	R581	*D6	R658	D5	R808	N5	R836	M6	R909	B6
IC450	*E2	IC516	*D5	L71	L4	L751	B3	R4	H5	R32	H5	R60	M6	R88	*G4	R247	*C5	R275	*A5	R303	*J4	R368	P4	R513	E5	R544	*E4	R582	*P6	R659	D6	R809	D6	R837	M6	R910	B6
IC451	*E2	IC517	*P1	L100	P3			R5	H5	R33	H5	R61	G5	R89	*G4	R248	*C5	R276	*A5	R304	*K4	R369	P4	R514	*D5	R545	*D4	R584	*P6	R660	D5	R810	N6	R838	P6	R911	B5
IC452	E2	IC570	*F1	L101	J2	LV500	N1	R6	H5	R34	H5	R62	F5	R90	*G4	R249	*A5	R277	*A5	R305	*K4	R400	*K2	R515	*D4	R546	E4	R585	*D6	R661	D6	R811	D5	R839	M6	R912	B5
IC453	*F2	IC571	*F1	L200	P3	LV501	N2	R7	H5	R35	L6	R63	J4	R91	H4	R250	A5	R278	*A5	R306	*K4	R401	*K2	R516	N1	R547	E4	R586	*P6	R662	D5	R812	N5	R840	L6	R913	B5
IC454	*F2	IC572	*G1	L250	A5			R8	L6	R36	L6	R64	J4	R92	*H4	R251	A5	R279	*A5	R307	J5	R402	*K2	R517	*N1	R548	E4	R587	*M1	R664	*F5	R813	D5	R841	F5	R914	B5
IC455	F2	IC573	*G1	L251	A5	PS570	*D6	R9	L6	R37	G5	R65	H4	R93	H4	R252	A5	R280	*A5	R308	J5	R403	*J3	R518	*N1	R549	*D4	R588	*M1	R666	E5	R814	N6	R842	F5	R915	C6
IC456	*G2	IC574	*F1	L252	C5	PS571	A6	R10	G5	R38	G5	R66	H4	R95	P5	R253	A5	R281	*A5	R309	J5	R404	*K3	R519	*N1	R550	D4	R589	*L1	R667	F5	R815	D5	R843	F5	R916	C6
IC457	*G2	IC575	*E1	L300	J4	PS572	A3	R11	G5	R39	M5	R67	H4	R96	P6	R254	A4	R282	*A5	R310	J5	R405	*K3	R520	N1	R551	*D4	R590	*M1	R669	*E4	R816	N6	R844	*F1	R917	C6
IC458	F2	IC576	*E1	L350	P6	PS573	A3	R12	G5	R40	*H5	R68	H4	R97	*N5	R255	A4	R283	*A5	R311	J5	R406	J3	R521	*N1	R552	*D4	R600	F5	R700	*A1	R817	N5	R845	*F1	R918	C6
IC459	*G2	IC577	*M1	L400	J3	PS574	L6	R13	G5	R41	G5	R69	H4	R98	M5	R256	A4	R284	*A5	R312	J5	R407	*J3	R522	*N1	R553	*D4	R601	F5	R701	A2	R818	D5	R847	*F1	R919	C6
IC460	*H2	IC578	M2	L450	H2	PS575	L6	R14	G5	R42	G5	R70	H4	R100	P3	R257	A4	R285	*A5	R350	*N4	R411	J2	R523	*N1	R554	*D4	R602	F5	R703	*A2	R819	D5	R848	*F1	R920	C6
IC461	G2	IC600	L1	L500	*P1			R15	H5	R43	G5	R71	*H4	R101	H3	R258	A4	R286	*A5	R351	*N4	R412	J2	R524	*N1	R555	C5	R603	F5	R750	*D1	R820	N6	R849	*P2	R921	C6
IC500	D5	IC601	K1	L501	P2	Q570	E1	R16	H5	R44	G5	R72	*H4	R150	G4	R259	A4	R287	*A5	R352	*N4	R413	H2	R525	*N1	R556	*D5	R604	F5	R751	D3	R821	C5	R850	*P2	R922	A4
IC501	P1	IC602	J1	L502	*D5	Q571	P6	R17	M5	R45	G5	R73	*G4	R151	G3	R260	A4	R288	*A5	R353	*N5	R450	H3	R526	F5	R557	*J6	R605	*K1	R752	B3	R822	N5	R851	*P1	R923	B4
IC502	P1	IC603	H1	L503	*D5	Q572	D6	R18	H5	R46	G5	R74	*G4	R152	G4	R261	A4	R289	*A5	R354	*N5	R451	H3	R527	M6	R558	*J6	R606	F5	R753	*B2	R823	N6	R852	*P1		
IC503	P2	IC604	F4	L504	*D5	Q573	P6	R19	L6	R47	G5	R75	*G5	R153	*G3	R262	A4	R290	*A5	R355	*N5	R500	*D4	R528	M6	R559	*D5	R607	F5	R754	*D2	R824	N6	R853	*P1	X500	C5
IC504	N1	IC651	E6	L505	K6	Q575	P6	R20	M5	R48	G5	R76	*G4	R154	*G3	R263	A4	R291	*A5	R356	*N5	R501	*D4	R529	N2	R560	*D4	R608	*J1	R755	B2	R825	N6	R854	*P2		
IC505	D5	IC652	E6	L507	*B4	Q576	D6	R21	H5	R49	G5	R77	*G4	R155	*B3	R264	A4	R292	A4	R357	*N5	R502	*B5	R530	*N2	R570	F1	R609	K1	R756	*D2	R826	N6	R855	*P2		
IC506	N1	IC653	D6	L508	*D4	Q577	P6	R22	H5	R50	G5	R78	*G4	R156	C4	R265	A4	R293	*A5	R358	*N5	R503	*B5	R531	*N2	R571	E1	R610	H2	R757	D3	R827	N6	R900	*A6		
IC507	N1	IC654	G4	L509	*C4	Q578	D6	R23	H5	R51	G5	R79	*G4	R200	N2	R266	A4	R294	B5	R359	*N5	R504	E5	R532	*N2	R572	E1	R650	*C4	R800	N6	R828	M6	R901	*A6		



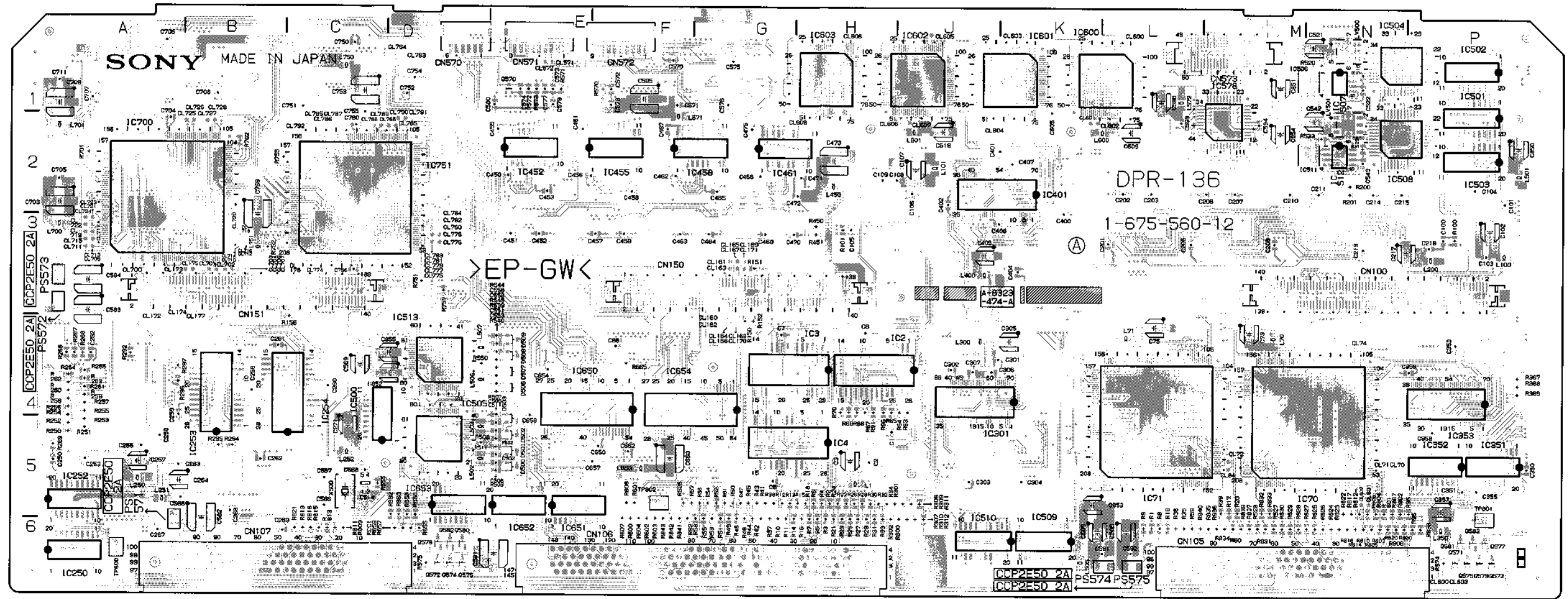
DPR-136 -A SIDE-
SUFFIX: -13

DPR-136 (1-675-560-13)

C1	H5	C202	L2	C262	B5	C400	K2	C469	G3	C521	N1	C549	*N2	C583	A3	C614	*H1	C709	A1	C904	*L6	CL115	*H2	CL600	L1	CL705	A3	CL733	*B1	CL765	D2	CL800	P6	B803	F1		
C2	H5	C203	L2	C263	A5	C401	K2	C470	G3	C522	N1	C550	*N2	C584	A3	C615	*H1	C710	*A2	C905	*L6	CL116	G4	CL601	K2	CL706	B3	CL734	*A1	CL766	D2	CL801	N5	E804	L1		
C3	H5	C204	*L2	C264	A5	C402	J2	C471	H2	C523	*N1	C556	*E4	C585	K6	C616	*H1	C711	A1			CL117	G3	CL602	K2	CL707	B3	CL735	*B1	CL767	*C2	CL802	N5				
C4	*H4	C205	L3	C265	*C4	C403	*K3	C472	H2	C524	*N1	C557	E4	C586	L6	C617	*H1	C750	C1	CL1	*G4	CL162	G4	CL603	K1	CL708	*B3	CL736	*B1	CL768	*C2	CL803	P6	IC1	*H4		
C5	*H5	C206	M2	C266	*C5	C404	K3	C473	H2	C525	*N1	C558	*E4	C587	*E6	C618	*J2	C751	C1	CL2	*G4	CL163	G3	CL604	J2	CL709	*B3	CL737	*B1	CL769	*C2			IC2	J4		
C6	H4	C207	M2	C267	A6	C405	J3	C474	*H2	C526	*N1	C559	E4	C588	A5	C619	J2	C752	D1	CL11	*H5	CL164	G4	CL605	J1	CL710	B3	CL738	*A2	CL770	*C2	CN100	N3	IC3	H4		
C7	G4	C208	*M2	C268	B5	C406	J3	C475	G2	C527	*N1	C560	E4	C589	*A3	C650	F5	C753	C1	CL12	*H5	CL165	G3	CL606	J2	CL711	A3	CL739	*A2	CL771	*C2	CN105	M6	IC4	H5		
C8	G5	C209	M3	C269	C5	C407	K2	C500	*F1	C528	*D5	C562	*D4	C590	*A3	C651	*E5	C754	D1	CL13	*H5	CL166	G4	CL607	J2	CL712	B3	CL740	*A2	CL772	*D2	CN106	G6	IC70	N5		
C70	*N4	C210	M2	C270	*C4	C408	J3	C501	*C5	C529	*N1	C563	*D4	C591	L6	C652	*E5	C755	C1	CL70	N5	CL167	G3	CL608	H1	CL713	A3	CL741	*A2	CL773	*D2	CN107	B6	IC71	L5		
C71	*N4	C211	N2	C271	C5	C450	E2	C502	*P2	C530	*D5	C564	*D4	C592	L6	C653	*D5	C756	C3	CL71	N5	CL168	G4	CL609	H2	CL714	B3	CL742	*B2	CL774	C3	CN150	G3	IC100	*P3		
C72	*N5	C212	*N2	C300	*K4	C451	E3	C503	*E5	C531	*N1	C565	*D4	C593	L2	C654	E4	C757	*B3	CL72	M5	CL169	G3	CL650	*E4	CL715	A3	CL743	*B2	CL775	D3	CN151	B3	IC101	*H2		
C73	M4	C213	N3	C301	J4	C452	E3	C504	E5	C532	*D4	C566	C5	C594	M2	C655	*G5	C758	*D2	CL73	*M4	CL170	G4	CL651	*B4	CL716	B3	CL744	*B2	CL776	D3	CN570	D1	IC200	*L3		
C74	*M4	C214	N2	C302	J4	C453	E2	C505	*P2	C533	*D5	C567	C5	C595	F1	C656	*G4	C759	B3	CL74	N4	CL171	G3	CL652	*B4	CL717	A3	CL745	*B2	CL777	D3	CN571	E1	IC201	*M3		
C75	L4	C215	N2	C303	J5	C454	*E2	C506	*E5	C534	*N2	C568	C5	C596	L1	C657	F5	C760	C2	CL100	*P2	CL172	A3	CL654	*B4	CL718	B3	CL750	*B1	CL778	D3	CN572	F1	IC202	*M3		
C76	*L5	C216	P3	C304	K5	C455	E2	C507	E5	C535	*P2	C569	C4	C600	*L1	C658	E4	C761	*B3	CL101	*P2	CL173	B3	CL655	*E5	CL719	A3	CL751	*C1	CL779	D3	CN573	M1	IC203	*N3		
C77	*L4	C217	N3	C305	K4	C456	E2	C508	E5	C536	*K6	C570	F1	C601	*L1	C659	*F4	C850	P2	CL102	*P2	CL174	B3	CL656	*F4	CL720	B3	CL752	*C1	CL780	D3			IC250	A6		
C100	P3	C250	A5	C306	J4	C457	F3	C509	*E5	C537	*P2	C571	F1	C602	*K1	C660	F5	C851	M1	CL103	*P2	CL175	B3	CL657	*F4	CL721	A3	CL753	*C1	CL781	D3	D500	*E5	IC251	*A4		
C101	P2	C251	*A6	C307	J4	C458	F2	C510	E5	C538	*K6	C572	F1	C603	*K1	C661	F4	C852	D4	CL104	*P2	CL176	C3	CL658	*F4	CL722	A3	CL754	*C1	CL782	D3	D501	*E5	IC252	A5		
C102	P3	C252	A4	C350	P5	C459	F3	C511	*E5	C539	*N2	C573	E1	C604	*K1	C662	F5	C853	K5	CL105	*P2	CL177	B3	CL659	*F4	CL723	A3	CL755	*C1	CL783	D2	D502	*E5	IC253	B5		
C103	P3	C253	A5	C351	P5	C460	*F2	C512	E5	C540	*N2	C574	E1	C605	K1	C700	*A3	C854	M2	CL106	*P2	CL250	*A4	CL660	*F4	CL724	A3	CL756	*D1	CL784	D2	D503	*E5	IC254	C5		
C104	P2	C254	*A5	C352	*P4	C461	E2	C513	H4	C541	*N2	C575	G1	C606	*J1	C701	*A2	C855	D4	CL107	*P2	CL251	*B4	CL661	E4	CL725	B2	CL757	*D1	CL785	C2	D504	*N1	IC255	*B4		
C105	H3	C255	A5	C353	P4	C462	F2	C514	*D5	C542	N2	C576	G1	C607	*J1	C702	*B2	C856	*D5	CL108	*H2	CL400	*K3	CL662	*E5	CL726	B2	CL758	*D1	CL786	C2	D505	*N2	IC256	*C5		
C106	J2	C256	B4	C354	*N4	C463	F3	C515	*N1	C543	N2	C577	E1	C608	*L2	C703	A2	C857	*D4	CL109	*H2	CL500	D4	CL663	*F4	CL727	B2	CL759	*B1	CL787	C2	D508	*E4	IC257	*A5		
C107	J2	C257	A5	C355	P5	C464	G3	C516	*P1	C544	N2	C578	F1	C609	L2	C704	A2	C858	*D5	CL110	*H2	CL501	D4	CL664	*A3	CL728	B2	CL760	*D1	CL788	C2	D509	*E4	IC258	*C4		
C108	H2	C258	A5	C356	*P5	C465	G2	C517	*P1	C545	*N2	C579	E1	C610	*J1	C705	A2	C900	*B6	CL111	*H2	CL502	D4	CL665	*A3	CL701	B3	CL729	*A1	CL761	*D1	CL789	C2			IC259	*B5
C109	H2	C259	A4	C357	P5	C466	*G2	C518	*N1	C546	*N2	C580	E1	C611	*J1	C706	A1	C901	A6	CL112	*H2	CL570	*P1	CL666	*A3	CL702	B3	CL730	*A1	CL762	*D1	CL790	D2	E800	A6	IC260	*B5
C200	*K2	C260	C4	C358	P5	C467	F2	C519	*N1	C547	*N2	C581	E6	C612	*J1	C707	A1	C902	A3	CL113	*J2	CL571	E1	CL667	*A3	CL703	B3	CL731	*A1	CL763	D1	CL791	D2	E801	P6	IC300	*J5
C201	L3	C261	B4	C359	P4	C468	G2	C520	*N1	C548	*N2	C582	B6	C613	*J1	C708	B1	C903	A3	CL114	*H2	CL572	E1	CL668	*A3	CL704	B3	CL732	*B1	CL764	D1	CL792	C2	E802	F5	IC301	K4



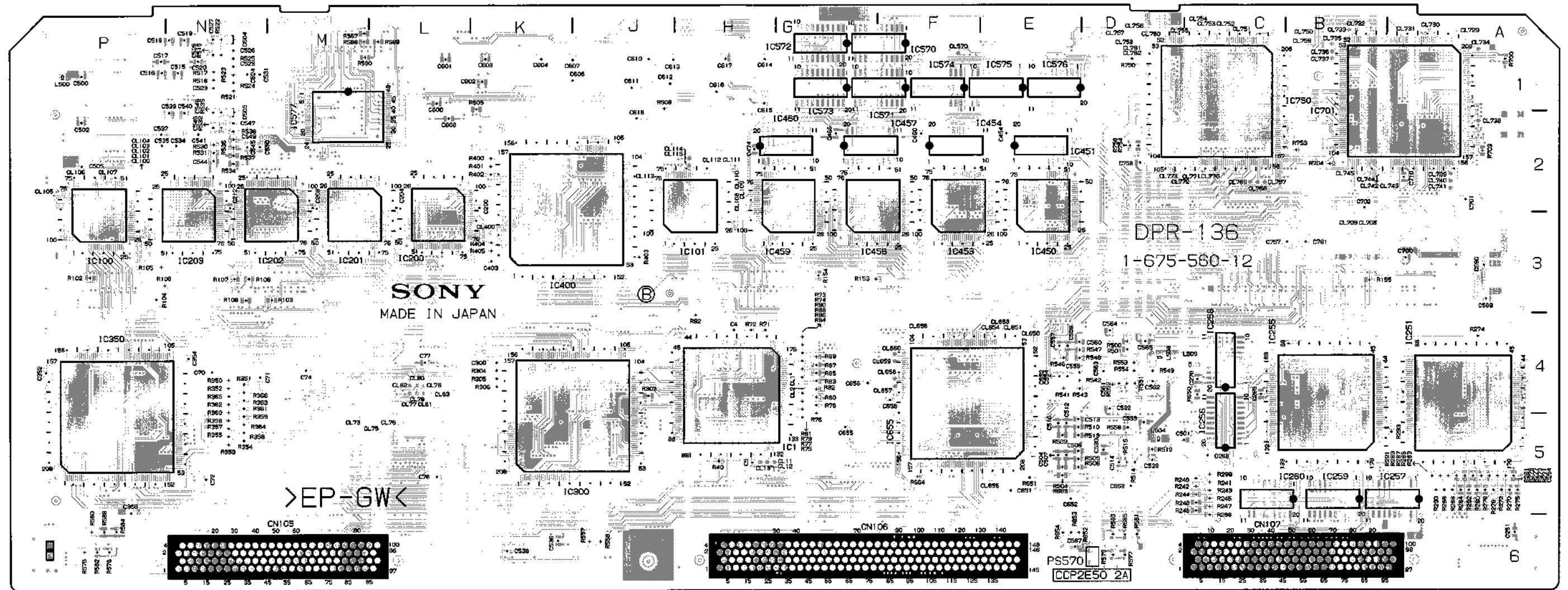
IC350	*P5	IC509	K6	IC701	*A1	L600	L2	Q580	D6	R24	H5	R52	G5	R80	*G4	R150	G4	R259	A4	R287	*A5	R352	*N4	R410	H2	R522	*N1	R553	*D4	R590	*M1	R669	*B4	R814	N6	R842	F5
IC351	P5	IC510	K6	IC750	*C1	L601	J2	Q581	P6	R25	H5	R53	G5	R81	*G4	R151	G3	R260	A4	R288	*A5	R353	*N5	R411	H2	R523	*N1	R554	*D4	R600	F5	R700	*A1	R815	D5	R843	F5
IC352	P5	IC511	N2	IC751	C2	L650	F5	Q582	D6	R26	H5	R54	G5	R82	*G4	R152	G4	R261	A4	R289	*A5	R354	*N5	R412	H2	R524	*N1	R555	C5	R601	F5	R701	A2	R816	N6	R900	*A6
IC353	P4	IC512	N2			L700	A3	Q583	P6	R27	H5	R55	G5	R83	*G4	R153	*G3	R262	A4	R290	*A5	R355	*N5	R413	H2	R525	*N1	R556	*D5	R602	F5	R702	B2	R817	N5	R901	*A6
IC400	*K2	IC513	D4	L1	H5	L701	A2			R28	H5	R56	G5	R84	*G4	R154	*G3	R263	A4	R291	*A5	R356	*N5	R450	H3	R526	F5	R557	*J6	R603	F5	R703	*A2	R818	D5	R902	*A6
IC401	K2	IC514	C5	L70	M4	L750	C1	R1	L6	R29	H5	R57	F5	R85	*G4	R155	*B3	R264	A4	R292	A4	R357	*N5	R451	H3	R527	M6	R558	*J6	R604	F5	R704	*B1	R819	D5	R903	*A6
IC402	J3	IC515	*D5	L71	L4	L751	B3	R2	H5	R30	H5	R58	G5	R86	*G4	R156	C4	R265	A4	R293	*A5	R358	*N5	R500	*D4	R528	M6	R559	*D5	R605	*K1	R750	*D1	R820	N6	R904	*A6
IC450	*E2	IC516	*D5	L100	P3			R3	H5	R31	H5	R59	L6	R87	*G4	R200	N2	R266	A4	R294	B5	R359	*N5	R501	*D4	R529	N2	R560	*D4	R606	F5	R751	D3	R821	C5	R905	*A6
IC451	*E2	IC570	*F1	L101	J2	LV500	N1	R4	H5	R32	H5	R60	M6	R88	*G4	R201	N2	R267	A4	R295	B5	R360	*N4	R502	*E5	R530	*N2	R570	F1	R607	F5	R752	B3	R822	N5	R906	*A6
IC452	E2	IC571	*F1	L200	P3	LV501	N2	R5	H5	R33	H5	R61	G5	R89	*G4	R240	*C5	R268	A4	R296	A4	R361	*N4	R503	*E5	R531	*N2	R571	E1	R608	*J1	R753	*B2	R823	N6	R907	C6
IC453	*F2	IC572	*G1	L250	A5			R6	H5	R34	H5	R62	F5	R90	*G4	R241	*C5	R269	A5	R297	A4	R362	*N4	R504	E5	R532	*N2	R572	E1	R609	K1	R754	*D2	R824	N6	R908	C6
IC454	*F2	IC573	*G1	L251	A5	PS570	*D6	R7	H5	R35	L6	R63	J4	R91	H4	R242	*C5	R270	*A5	R298	*C6	R363	*N4	R505	E5	R533	N2	R573	E1	R610	H2	R755	B2	R825	N6	R909	B6
IC455	*F2	IC574	*F1	L252	C5	PS571	A6	R8	L6	R36	L6	R64	J4	R92	*H4	R243	*C5	R271	*A5	R299	*C5	R364	*N5	R506	E5	R534	*N2	R574	P6	R650	*C4	R756	*D2	R826	N6	R910	B6
IC456	*G2	IC575	*E1	L300	J4	PS572	A3	R9	L6	R37	G5	R65	H4	R93	H4	R244	*C5	R272	*A5	R300	J5	R365	*N4	R507	*E4	R535	*N2	R575	D6	R651	*E5	R757	D3	R827	N6	R911	B5
IC457	*G2	IC576	*E1	L350	P6	PS573	A3	R10	G5	R38	G5	R66	H4	R95	P5	R245	*C5	R273	*A5	R301	H5	R366	*N4	R508	*E5	R536	*N2	R576	*P6	R652	*B6	R800	N6	R828	M6	R912	B5
IC458	F2	IC577	*M1	L400	J3	PS574	L6	R11	G5	R39	M5	R67	H4	R96	P6	R246	*C5	R274	*A4	R302	H5	R367	P4	R509	E5	R537	*N2	R577	*D6	R653	*B6	R801	N5	R829	M6	R913	B5
IC459	*G2	IC578	M2	L450	H2	PS575	L6	R12	G5	R40	*H5	R68	H4	R97	*M5	R247	*C5	R275	*A5	R303	*J4	R368	P4	R510	E5	R538	*N2	R578	*P6	R654	*B6	R802	N5	R830	M6	R914	E5
IC460	*H2	IC600	L1	L500	*P1			R13	G5	R41	G5	R69	H4	R98	M5	R248	*C5	R276	*A5	R304	*K4	R369	P4	R511	D5	R539	D4	R579	*D6	R655	D6	R803	N6	R831	M6	R915	C6
IC461	G2	IC601	K1	L501	P2	Q570	E1	R14	G5	R42	G5	R70	H4	R100	P3	R249	*A5	R277	*A5	R305	*K4	R400	*K2	R512	*D5	R540	D4	R580	*P6	R656	D5	R804	N5	R832	M5	R916	C6
IC500	D5	IC602	J1	L502	*D5	Q571	P6	R15	H5	R43	G5	R71	*H4	R101	H3	R250	A5	R278	*A5	R306	*K4	R401	*K2	R513	E5	R544	*E4	R581	*D6	R657	D6	R805	N6	R833	M5	R917	C6
IC501	P1	IC603	H1	L503	*D5	Q572	D6	R16	H5	R44	G5	R72	*H4	R102	*P3	R251	A5	R279	*A5	R307	J5	R402	*K2	R514	*D5	R545	*D4	R582	*P6	R658	D5	R806	N6	R834	M6	R918	C6
IC502	P1	IC650	F4	L504	*D5	Q573	P6	R17	M5	R45	G5	R73	*G4	R103	*M3	R252	A5	R280	*A5	R308	J5	R403	*J3	R515	*D4	R546	E4	R583	*D6	R659	D6	R807	N5	R835	M6	R919	C6
IC503	E2	IC651	E6	L505	K6	Q574	D6	R18	H5	R46	G5	R74	*G4	R104	*P3	R253	A5	R281	*A5	R309	J5	R404	*K3	R516	N1	R547	E4	R584	*P6	R660	D5	R808	N5	R836	M6	R920	C6
IC504	N1	IC652	E6	L507	*B4	Q575	P6	R19	L6	R47	C5	R75	*G5	R105	*P3	R254	A4	R282	*A5	R310	J5	R405	*K3	R517	*N1	R548	E4	R585	*D6	R661	D6	R809	D6	R837	M6	R921	C6
IC505	D5	IC653	D6	L508	*D4	Q576	D6	R20	M5	R48	G5	R76	*G4	R106	*P3	R255	A4	R283	*A5	R311	J5	R406	*J3	R518	*N1	R549	E4	R586	*P6	R662	D5	R810	N6	R838	P6	R922	A4
IC506	N1	IC654	G4	L509	*C4	Q577	P6	R21	H5	R49	G5	R77	*G4	R107	*N3	R256	A4	R284	*A5	R312	J5	R407	*J3	R519	*N1	R550	D4	R587	*M1	R664	*F5	R811	D5	R839	M6	R923	B4
IC507	N1	IC655	*F4	L571	F2	Q578	D6	R22	H5	R50	G5	R78	*G4	R108	*N3	R257	A4	R285	*A5	R350	*N4	R408	J2	R520	N1	R551	*D4	R588	*M1	R666	E5	R812	N5	R840	L6	R924	B4
IC508	N2	IC700	A2	L572	L1	Q579	P6	R23	H5	R51	G5	R79	*G4	R109	*N3	R258	A4	R286	*A5	R351	*N4	R409	J2	R521	N1	R552	*D4	R589	*L1	R667	F5	R813	D5	R841	F5	X500	C5



DPR-136 -A SIDE-
SUFFIX: -12

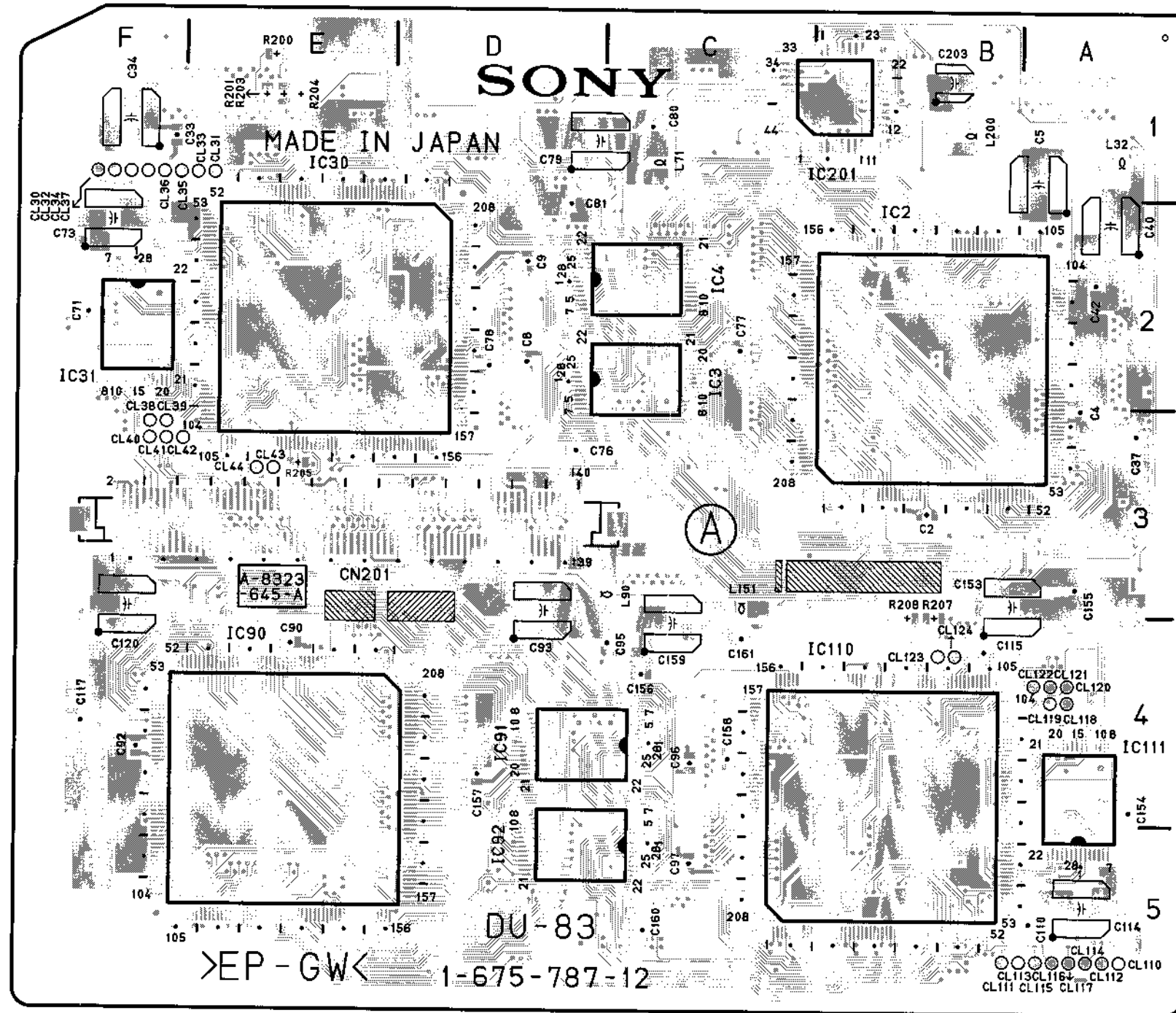
DPR-136 (1-675-560-12)

C1	H5	C202	L2	C262	B5	C400	K2	C470	G3	C522	N1	C550	*N2	C578	F1	C609	L2	C704	A2	CL2	*G4	CL109	*H2	CL572	E1	CL707	B3	CL735	*B1	CL767	*C2	CL802	N5	IC4	H5
C2	H5	C203	L2	C263	A5	C401	K2	C471	H2	C523	*N1	C551	E4	C579	E1	C610	*J1	C705	A2	CL11	*H5	CL110	*H2	CL600	L1	CL708	*B3	CL736	*B1	CL768	*C2	CL803	P6	IC70	N5
C3	H5	C204	*L2	C264	A5	C402	J2	C472	H2	C524	*N1	C552	*E4	C580	E1	C611	*J1	C706	A1	CL12	*H5	CL111	*H2	CL601	K2	CL709	*B3	CL737	*B1	CL769	*C2	CL800	P6	IC71	L5
C4	*H4	C205	L3	C265	*C4	C403	*K3	C473	H2	C525	*N1	C553	E4	C581	B6	C612	*J1	C707	A1	CL13	*H5	CL112	*H2	CL602	K2	CL710	B3	CL738	*A2	CL770	*C2	CN100	N3	IC100	*P3
C5	*H5	C206	M2	C266	*C5	C404	K3	C474	*H2	C526	*N1	C554	*B4	C582	B6	C613	*J1	C708	B1	CL14	*H5	CL113	*J2	CL603	K1	CL711	A3	CL739	*A2	CL771	*C2	CN105	M6	IC101	*H2
C6	H4	C207	M2	C267	A6	C405	J3	C475	G2	C527	*N1	C555	*E4	C583	A3	C614	*H1	C709	A1	CL15	*H5	CL114	*H2	CL604	J2	CL712	B3	CL740	*A2	CL772	*D2	CN106	G6	IC200	*L3
C7	G4	C208	*M2	C268	B5	C406	J3	C500	*P1	C528	*D5	C556	E4	C584	A3	C615	*H1	C710	*A2	CL16	*H5	CL115	*H2	CL605	J1	CL713	A3	CL741	*A2	CL773	*D2	CN107	B6	IC201	*M3
C8	G5	C209	M3	C269	B6	C407	K2	C501	*C5	C529	*N1	C557	*E4	C585	K6	C616	*H1	C711	A1	CL17	*M5	CL116	*H2	CL606	J2	CL714	B3	CL742	*B2	CL774	C3	CN150	G3	IC202	*M3
C70	*N4	C210	M2	C270	*C4	C450	E2	C502	*P2	C530	*D5	C558	E4	C586	L6	C617	*H1	C750	C1	CL18	*H5	CL117	*H2	CL607	J2	CL715	A3	CL743	*B2	CL775	D3	CN151	B3	IC203	*N3
C71	*N4	C211	N2	C271	C5	C451	E3	C503	B5	C531	*N1	C559	*E4	C587	*B6	C618	*J2	C751	C1	CL19	*H5	CL118	*H2	CL608	H1	CL716	B3	CL744	*B2	CL776	D3	CN570	D1	IC250	A6
C72	*N5	C212	*N2	C300	*K4	C452	E3	C504	*E5	C532	*D4	C560	*E4	C588	A5	C619	J2	C752	D1	CL20	*H5	CL119	*H2	CL609	H2	CL717	A3	CL745	*B2	CL777	D3	CN571	E1	IC251	*A4
C73	M4	C213	N3	C301	J4	C453	E2	C505	*P2	C533	*D5	C561	*D4	C589	*A3	C620	F5	C753	C1	CL21	*H5	CL120	*H2	CL610	H1	CL718	B3	CL746	*B2	CL778	D3	CN572	F1	IC252	A5
C74	*M4	C214	N2	C302	J4	C454	*E2	C506	B5	C534	*N2	C562	*D4	C590	*A3	C621	*E5	C754	D1	CL22	*H5	CL121	*H2	CL611	*E4	CL719	A3	CL747	*B2	CL779	D3	CN573	M1	IC253	B5
C75	L4	C215	N2	C303	J5	C455	E2	C507	*E5	C535	*P2	C563	*D4	C591	L6	C622	*E5	C755	C1	CL23	*H5	CL122	*H2	CL612	*E4	CL720	B3	CL748	*B2	CL780	D3	IC254	C5		
C76	*L5	C216	P3	C304	K5	C456	E2	C508	*E5	C536	*K6	C564	*D4	C592	L6	C623	*D5	C756	C3	CL24	*H5	CL123	*H2	CL613	*E4	CL721	A3	CL749	*B2	CL781	D3	D500	E5	IC255	*B4
C77	*L4	C217	N3	C305	K4	C457	F3	C509	E5	C537	*P2	C565	*D4	C593	L2	C624	E4	C757	*B3	CL25	*H5	CL124	*H2	CL614	*E4	CL722	A3	CL750	*B1	CL782	D3	D501	E5	IC256	*C5
C100	P3	C250	A5	C306	J4	C458	F2	C510	*E5	C538	*K6	C566	C5	C594	M2	C625	*G5	C758	*D2	CL26	*H5	CL125	*H2	CL615	*E4	CL723	A3	CL751	*C1	CL783	D2	D502	E5	IC257	*A5
C101	P2	C251	*A6	C307	J4	C459	F3	C511	E5	C539	*N2	C567	C5	C595	F1	C626	*G4	C759	B3	CL27	*H5	CL126	*H2	CL616	*E4	CL724	A3	CL752	*D1	CL784	D2	D503	E5	IC258	*C4
C102	P3	C252	A4	C350	P5	C460	*P2	C512	*E5	C540	*N2	C568	C5	C596	L1	C627	F5	C760	C2	CL28	*H5	CL127	*H2	CL617	*E4	CL725	B2	CL753	*D1	CL785	C2	D504	*N1	IC259	*B5
C103	P3	C253	A5	C351	P5	C461	B2	C513	*E5	C541	*N2	C569	C4	C600	*L1	C628	E4	C761	*B3	CL29	*H5	CL128	*H2	CL618	*E4	CL726	B2	CL754	*D1	CL786	C2	D505	*N2	IC260	*B5
C104	P2	C254	*A5	C352	*P4	C462	F2	C514	*D5	C542	N2	C570	F1	C601	*L1	C629	*F4	C850	F2	CL30	*H5	CL129	*H2	CL619	*E4	CL727	B2	CL755	*B1	CL787	C2	D506	E4	IC300	*J5
C105	H3	C255	A5	C353	*P4	C463	F3	C515	*N1	C543	N2	C571	F1	C602	*K1	C630	E4	C851	M1	CL31	*H5	CL130	*H2	CL620	*E4	CL728	B2	CL756	*D1	CL788	C2	D507	E4	IC301	K4
C106	J2	C256	B4	C354	*N4	C464	G3	C516	*P1	C544	*N2	C572	F1	C603	*K1	C631	P4	C852	D4	CL32	*H5	CL131	*H2	CL621	*E4	CL729	*A1	CL757	*D1	CL789	C2	D508	E4	IC350	*P5
C107	J2	C257	A5	C355	P5	C465	G2	C517	*P1	C545	*N2	C573	E1	C604	*K1	C632	F5	C853	K5	CL33	*H5	CL132	*H2	CL622	*E4	CL730	*A1	CL758	*D1	CL790	D2	D509	E4	IC351	P5
C108	H2	C258	A5	C356	*P5	C466	*G2	C518	*N1	C546	*N2	C574	E1	C605	K1	C633	F5	C854	M2	CL34	*H5	CL133	*H2	CL623	*E4	CL731	*A1	CL759	*D1	CL791	D2	IC352	P5		
C109	H2	C259	A4	C357	P5	C467	F2	C519	*N1	C547	*N2	C575	G1	C606	*J1	C634	F5	C855	D4	CL35	*H5	CL134	*H2	CL624	*E4	CL732	*B1	CL760	*D1	CL792	C2	IC1	*H4	IC353	P4
C200	*K2	C260	C4	C358	P5	C468	G2	C520	*N1	C548	*N2	C576	G1	C607	*J1	C635	F5	C856	D4	CL36	*H5	CL135	*H2	CL625	*E4	CL733	*B1	CL761	*D1	CL793	C2	IC2	J4	IC400	*K2
C201	L3	C261	B4	C359	P4	C469	G3	C521	N1	C549	*N2	C577	E1	C608	*L2	C703	A2	CL1	*G4	CL108	*H2	CL571	E1	CL706	B3	CL734	*A1	CL766	D2	CL801	N5	IC3	H4	IC401	K2

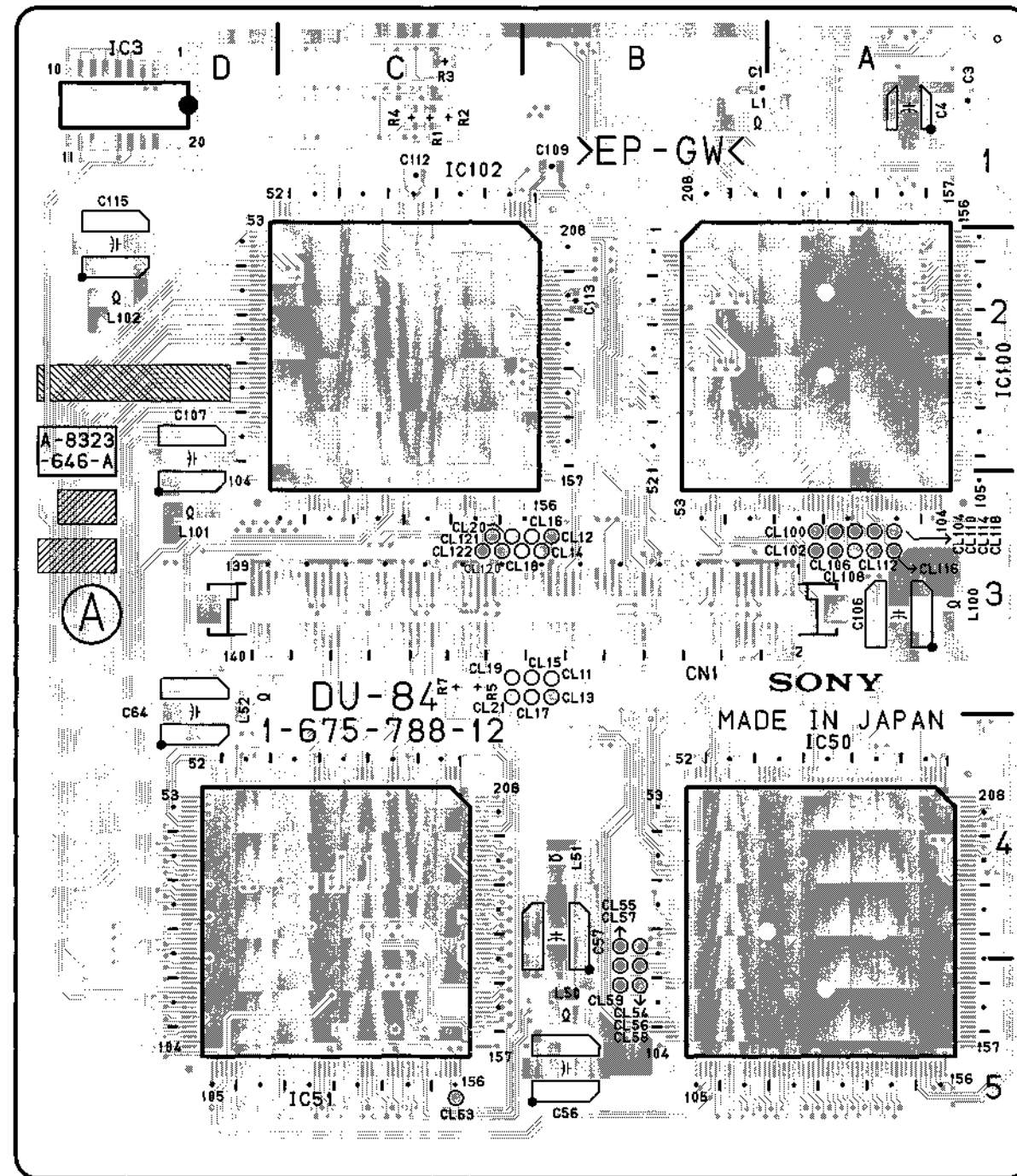


DPR-136 -B SIDE-
SUFFIX: -12

IC450	*E2	IC571	*F1	L200	P3	LV500	N1	R4	H5	R32	H5	R60	M6	R88	*G4	R242	*C5	R271	*A5	R299	*C5	R364	*N5	R514	*D5	R542	*B4	R581	*D6	R659	D6	R808	N5	R836	M6	
IC451	*E2	IC572	*G1	L250	A5	LV501	N2	R5	H5	R33	H5	R61	G5	R89	*G4	R243	*C5	R272	*A5	R300	J5	R365	*N4	R515	*D5	R543	*B4	R582	*P6	R660	D5	R809	C6	R837	M6	
IC452	E2	IC573	*G1	L251	A5			R6	H5	R34	H5	R62	P5	R90	*G4	R244	*C5	R273	*A5	R301	H5	R366	*N4	R516	N1	R544	E4	R583	*D6	R661	D6	R810	N6	R838	P6	
IC453	*F2	IC574	*F1	L252	C5	PS570	*D6	R7	H5	R35	L6	R63	J4	R91	H4	R245	*C5	R274	*A4	R302	H5	R367	P4	R517	*N1	R545	B4	R584	*P6	R662	D5	R811	C6	R839	M6	
IC454	*F2	IC575	*E1	L300	J4	PS571	A6	R8	L6	R36	L6	R64	J4	R92	*H4	R246	*C5	R275	*A5	R303	*J4	R368	P4	R518	*N1	R546	*B4	R585	*D6	R663	*E5	R812	N5	R840	L6	
IC455	F2	IC576	*E1	L350	P6	PS572	A3	R9	L6	R37	G5	R65	H4	R95	P5	R247	*C5	R276	*A5	R304	*K4	R369	P4	R519	*N1	R547	*E4	R586	*P6	R664	*P5	R813	C6	R841	F5	
IC456	*G2	IC577	*M1	L400	J3	PS573	A3	R10	G5	R38	G5	R66	H4	R96	P6	R248	*C5	R277	*A5	R305	*K4	R400	*K2	R520	N1	R548	*E4	R587	*M1	R665	F4	R814	N6	R842	F5	
IC457	*G2	IC578	M2	L450	H2	PS574	L6	R11	G5	R39	M5	R67	H4	R100	P3	R250	A5	R278	*A5	R306	*K4	R401	*K2	R521	*N1	R549	*D4	R588	*M1	R700	*A1	R815	C6	R843	F5	
IC458	F2	IC600	L1	L500	*P1	PS575	L6	R12	G5	R40	*H5	R68	H4	R101	H3	R251	A5	R279	*A5	R307	J5	R402	*K2	R522	*N1	R550	D4	R589	*L1	R701	A2	R816	N6			
IC459	*G2	IC601	K1	L501	P2			R13	G5	R41	G5	R69	H4	R102	*P3	R252	A5	R280	*A5	R308	J5	R403	*J3	R523	*N1	R551	*D4	R590	*M1	R702	B2	R817	M5	TP800	A6	
IC460	*H2	IC602	J1	L502	D5	Q570	E1	R14	G5	R42	G5	R70	H4	R103	*M3	R253	A5	R281	*A5	R309	J5	R404	*K3	R524	*N1	R552	*D4	R600	F5	R703	*A2	R818	C6	TP801	P5	
IC461	G2	IC603	H1	L503	D5	Q571	P6	R15	H5	R43	G5	R71	*H4	R104	*P3	R254	A4	R282	*A5	R310	J5	R405	*K3	R525	*N1	R553	*D4	R601	F5	R704	*B2	R819	C6	TP802	F5	
IC500	D5	IC650	F4	L504	*D5	Q572	D6	R16	H5	R44	G5	R72	*H4	R105	*P3	R255	A4	R283	*A5	R311	J5	R450	H3	R526	F5	R554	*D4	R602	F5	R750	*D1	R820	N6			
IC501	P1	IC651	B6	L505	K6	Q573	P6	R17	M5	R45	G5	R73	*G4	R106	*P3	R256	A4	R284	*A5	R312	J5	R451	H3	R527	M6	R555	C5	R603	F5	R751	D3	R821	C6	X500	C5	
IC502	P2	IC652	E6	L506	D4	Q574	D6	R18	H5	R46	G5	R74	*G4	R107	*N3	R257	A4	R285	*A5	R350	*N4	R500	*D4	R528	M6	R556	*D5	R604	F5	R752	B3	R822	N5			
IC503	P1	IC653	D6	L507	D4	Q575	P6	R19	L6	R47	G5	R75	*G5	R108	*N3	R258	A4	R286	*A5	R351	*N4	R501	*D4	R529	N2	R557	*J6	R605	*K1	R753	*B2	R823	N6			
IC504	N1	IC654	G4	L508	*D4	Q576	D6	R20	M5	R48	G5	R76	*G4	R109	*N3	R259	A4	R287	*A5	R352	*N4	R502	E5	R530	*N2	R558	*J6	R606	F5	R754	*D2	R824	N6			
IC505	D5	IC655	*F4	L509	*C4	Q577	P6	R21	H5	R49	G5	R77	*G4	R150	G4	R260	A4	R288	*A5	R353	*N5	R503	E5	R531	*N2	R570	F1	R607	F5	R755	B2	R825	N6			
IC506	N1	IC700	A2	L571	F2	Q578	D6	R22	H5	R50	G5	R78	*G4	R151	G3	R261	A4	R289	*A5	R354	*N5	R504	*E5	R532	*N2	R571	E1	R608	*J1	R756	*D2	R826	N6			
IC507	N1	IC701	*A1	L572	L1	Q579	P6	R23	H5	R51	G5	R79	*G4	R152	G4	R262	A4	R290	*A5	R355	*N5	R505	*E5	R533	N2	R572	E1	R650	*C4	R757	D3	R827	N6			
IC508	N2	IC750	*C1	L600	L2	Q580	D6	R24	H5	R52	G5	R80	*G4	R153	*G3	R263	A4	R291	*A5	R356	*N5	R506	*E5	R534	*N2	R573	E1	R651	*B5	R800	N6	R828	M6			
IC509	K6	IC751	C2	L601	J2	Q581	P6	R25	H5	R53	G5	R81	*G4	R154	*G3	R264	A4	R292	A4	R357	*N5	R507	E4	R535	*N2	R574	P6	R652	*E6	R801	N5	R829	M6			
IC510	K6			L650	F5	Q582	D6	R26	H5	R54	G5	R82	*G4	R155	*B3	R265	A4	R293	*A5	R358	*N5	R508	E5	R536	*N2	R575	D6	R653	*E6	R802	N5	R830	M6			
IC511	N2	L1	H5	L700	A3	Q583	P6	R27	H5	R55	G5	R83	*G4	R156	C4	R266	A4	R294	B5	R359	*N5	R509	*E5	R537	*N2	R576	*P6	R654	*B6	R803	N6	R831	M6			
IC512	N2	L70	M4	L701	A2			R28	H5	R56	G5	R84	*G4	R200	N2	R267	A4	R295	B5	R360	*N4	R510	*E5	R538	*N2	R577	*D6	R655	D6	R804	N5	R832	M5			
IC513	D4	L71	L4	L750	C1		R1	L6	R29	H5	R57	F5	R85	*G4	R201	N2	R268	A4	R296	A4	R361	*N4	R511	D5	R539	E4	R656	D5	R805	N6	R833	M5				
IC514	C5	L100	P3	L751	B3		R2	H5	R30	H5	R58	G5	R86	*G4	R240	N2	R269	A5	R297	A4	R362	*N4	R512	*D5	R540	E4	R657	D6	R806	N6	R834	M6				
IC570	*F1	L101	J2				R3	H5	R31	H5	R59	L6	R87	*G4	R241	*C5	R270	*A5	R298	*C6	R363	*N4	R513	*E5	R541	*E4	R580	*P6	R658	D5	R807	N5	R835	M6		

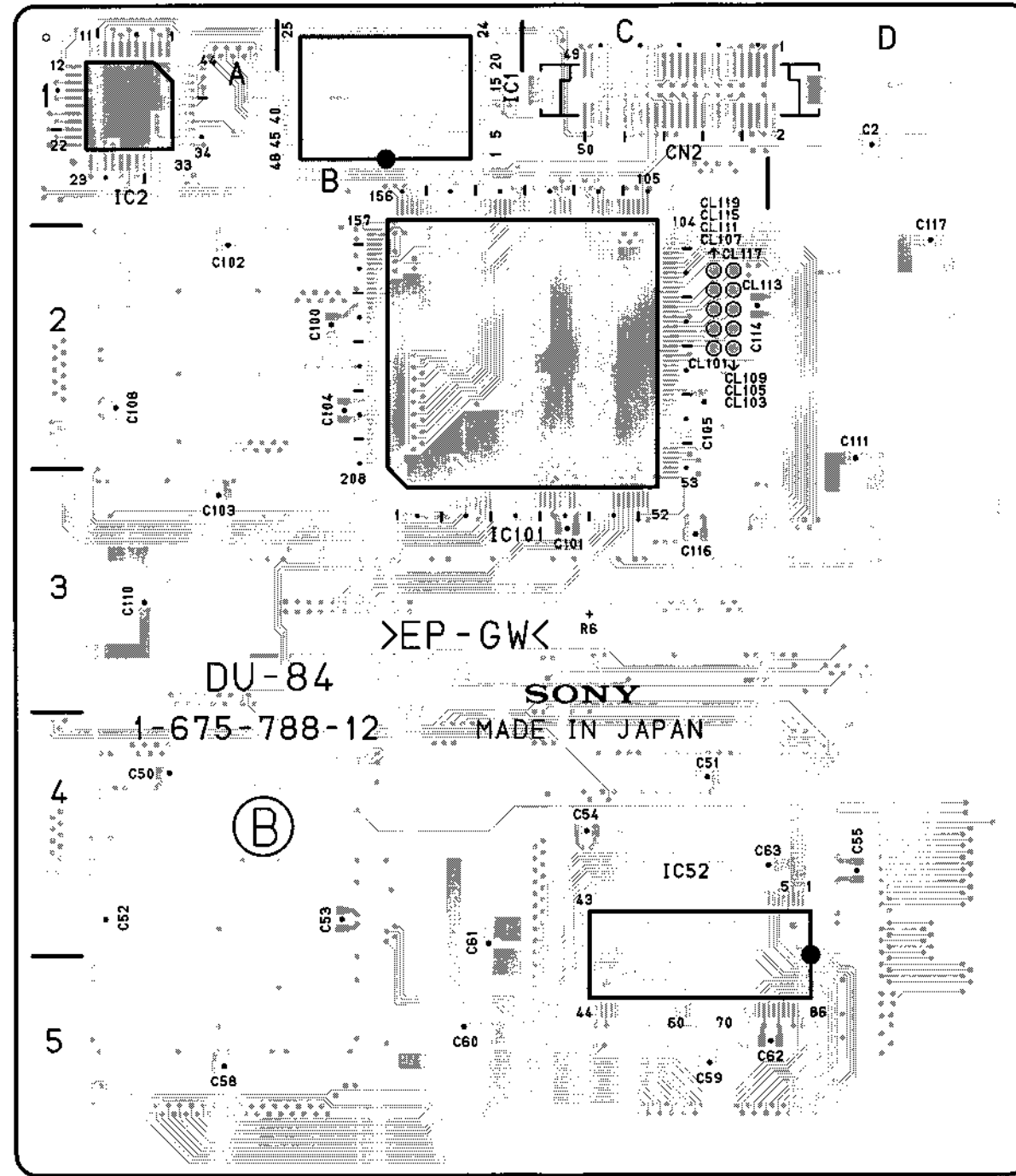


DU-83 -A SIDE-
SUFFIX: -12



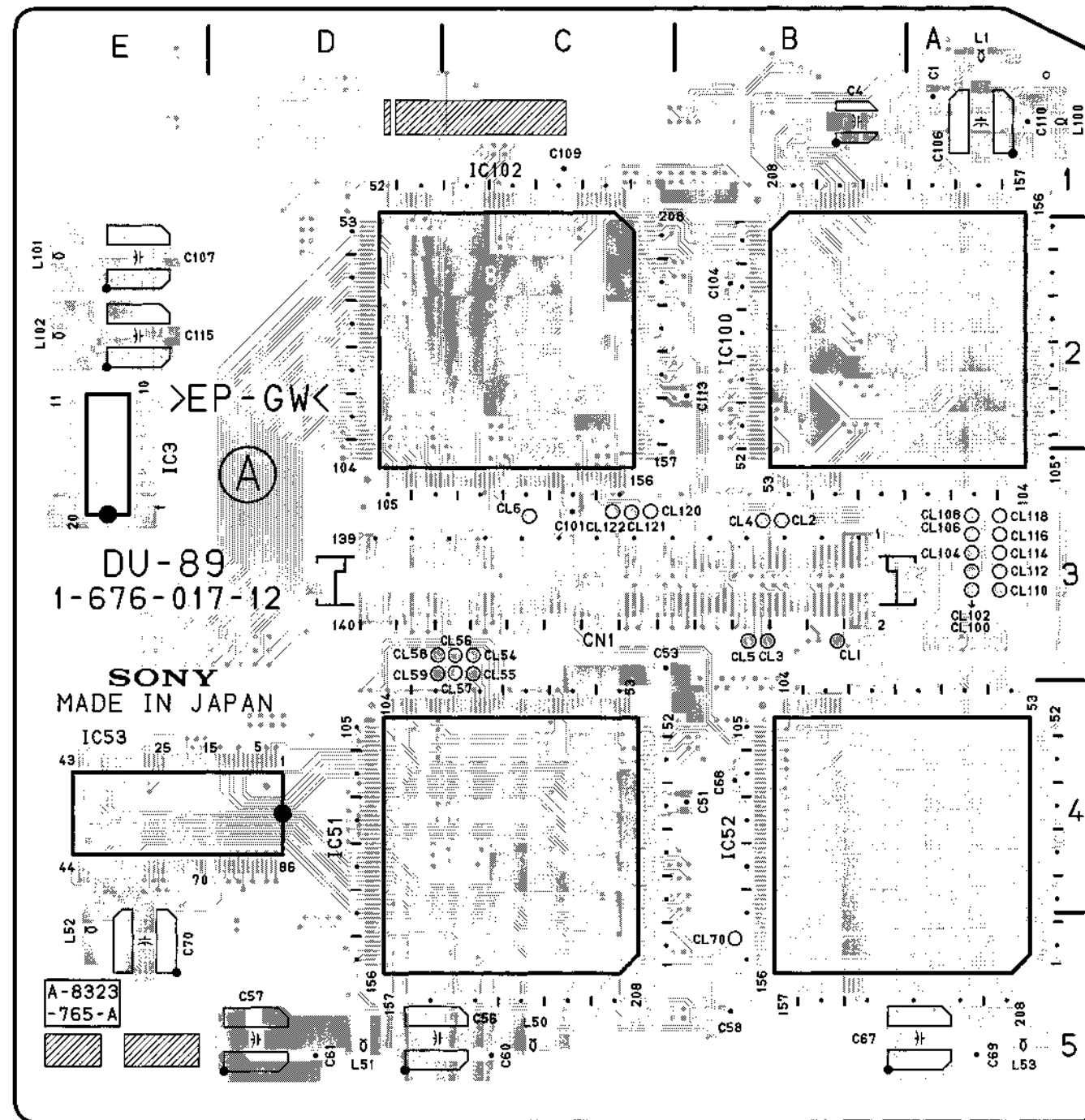
DU-84 -A SIDE-
SUFFIX: -12

DU-84 (1-675-788-12)

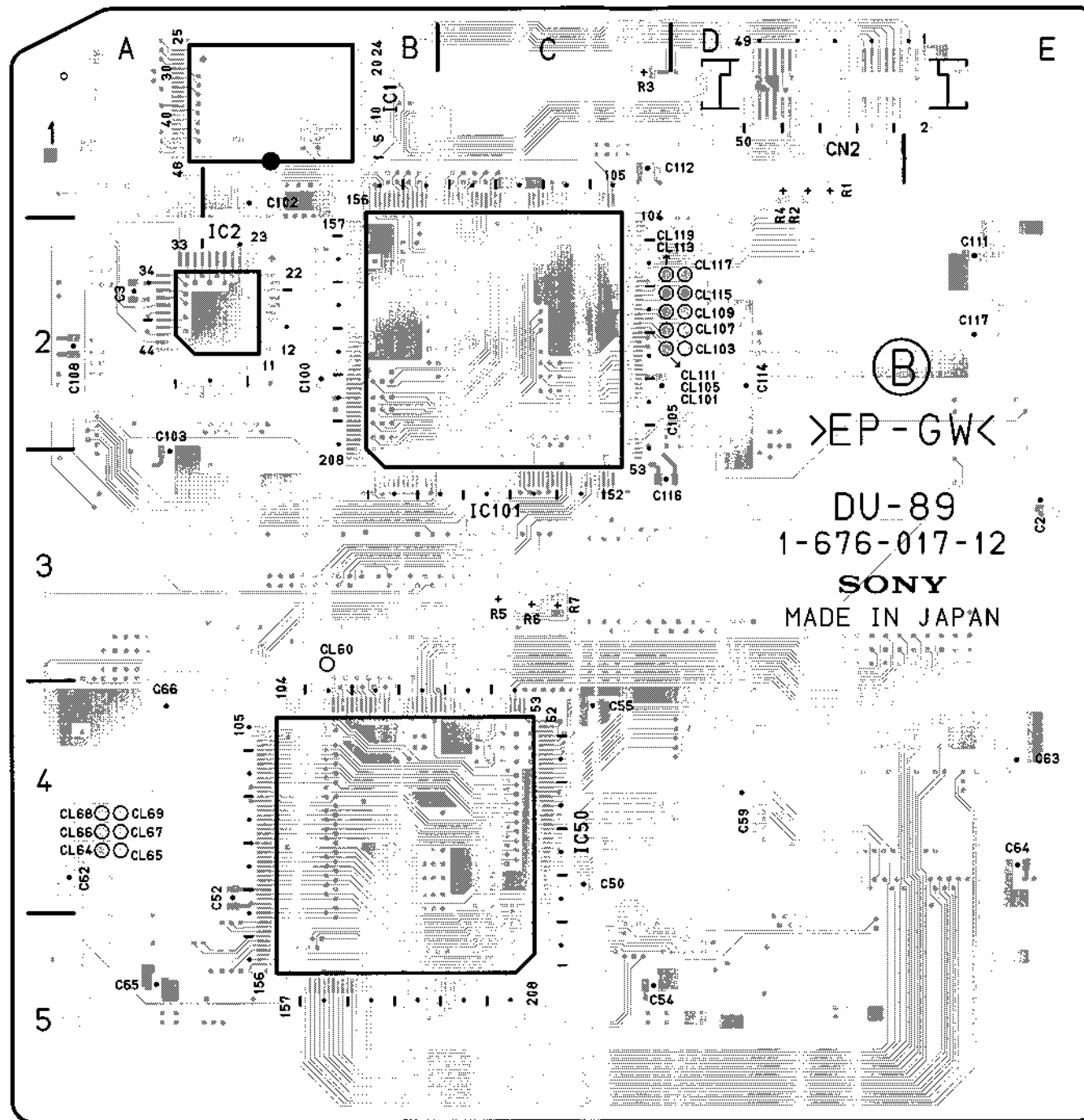


DU-84 -B SIDE-
SUFFIX: -12

C1	B1	L1	B1
C2	*D1	L50	B5
C3	A1	L51	B4
C4	A1	L52	D3
C50	*A4	L100	A3
C51	*C4	L101	D3
C52	*A4	L102	D2
C53	*B4		
C54	*C4	R1	C1
C55	*D4	R2	C1
C56	B5	R3	C1
C57	B4	R4	C1
C58	*A5	R5	C3
C59	*C5	R7	C3
C60	*B5	R6	*C3
C61	*B4		
C62	*D5		
C63	*C4		
C64	D3		
C100	*B2		
C101	*C3		
C102	*A2		
C103	*A3		
C104	*B2		
C105	*C2		
C106	A3		
C107	D2		
C108	*A2		
C109	B1		
C110	*A3		
C111	*D2		
C112	C1		
C113	B2		
C114	*C2		
C115	D2		
C116	*C3		
C117	*D2		
CL11	B3		
CL12	B3		
CL13	B3		
CL14	B3		
CL15	B3		
CL16	B3		
CL17	B3		
CL18	B3		
CL19	C3		
CL20	C3		
CL21	C3		
CL54	B4		
CL55	B4		
CL56	B5		
CL57	B5		
CL58	B5		
CL59	B5		
CL63	C5		
CL100	A3		
CL101	*C2		
CL102	A3		
CL103	*C2		
CL104	A3		
CL105	*C2		
CL106	A3		
CL107	*C2		
CL108	A3		
CL109	*C2		
CL110	A3		
CL111	*C2		
CL112	A3		
CL113	*C2		
CL114	A3		
CL115	*C2		
CL116	A3		
CL117	*C2		
CL118	A3		
CL119	*C2		
CL120	C3		
CL121	C3		
CL122	C3		
CN1	B3		
CN2	*C1		
IC1	*B1		
IC2	*A1		
IC3	D1		
IC50	A4		
IC51	C4		
IC52	*D4		
IC101	*B2		
IC100	A2		
IC102	C2		



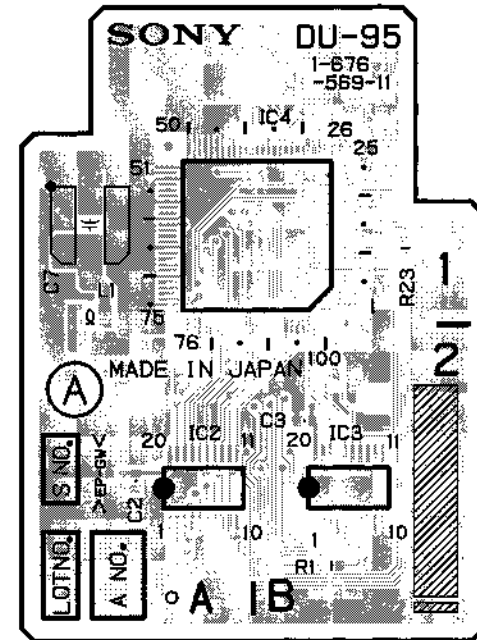
DU-89 -A SIDE-
SUFFIX: -12



DU-89 (1-676-017-12)

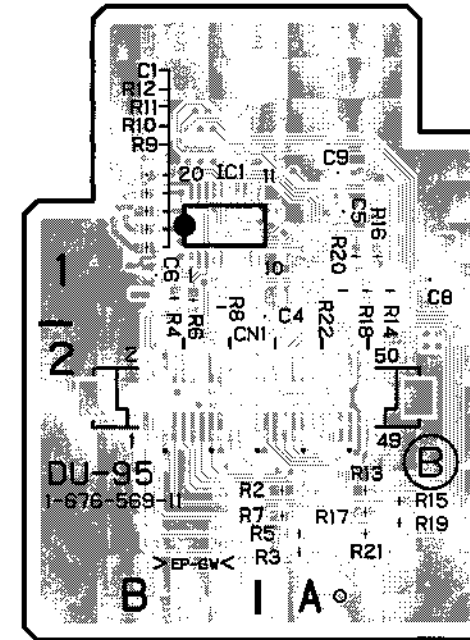
C1	A1	IC2	*B2
C2	*E3	IC3	E3
C3	*A2	IC50	*B4
C4	B1	IC51	C4
C50	*C4	IC52	B4
C51	B4	IC53	D4
C52	*B4	IC100	E2
C53	C3	IC101	*C2
C54	*C5	IC102	C2
C55	*C4		
C56	D5	L1	A1
C57	D5	L50	C5
C58	E5	L51	D5
C59	*D4	L52	E5
C60	C5	L53	A5
C61	D5	L100	A1
C62	*A4	L101	E2
C63	*E4	L102	E2
C64	*E4		
C65	*A5	R1	*D1
C66	*A4	R2	*D1
C67	A5	R3	*C1
C68	B4	R4	*D1
C69	A5	R5	*C3
C70	E5	R6	*C3
C100	*B2	R7	*C3
C101	C3		
C102	*B1		
C103	*A3		
C104	B2		
C105	*C2		
C106	A1		
C107	E2		
C108	*A2		
C109	C1		
C110	A1		
C111	*E2		
C112	*C1		
C113	B2		
C114	*D2		
C115	E2		
C116	*C3		
C117	*E2		
CL1	B3		
CL2	B3		
CL3	B3		
CL4	B3		
CL5	B3		
CL6	C3		
CL54	C3		
CL55	C3		
CL56	C3		
CL57	C3		
CL58	D3		
CL59	D3		
CL60	*B3		
CL64	*A4		
CL65	*A4		
CL66	*A4		
CL67	*A4		
CL68	*A4		
CL69	*A4		
CL70	B5		
CL100	A3		
CL101	*C2		
CL102	A3		
CL103	*D2		
CL104	A3		
CL105	*C2		
CL106	A3		
CL107	*D2		
CL108	A3		
CL109	*D2		
CL110	A3		
CL111	*C2		
CL112	A3		
CL113	*C2		
CL114	A3		
CL115	*D2		
CL116	A3		
CL117	*D2		
CL118	A3		
CL119	*C2		
CL120	C3		
CL121	C3		
CL122	C3		
CN1	C3		
CN2	*D1		
IC1	*B1		

*: B SIDE



DSR-2000 (UC) : S/N 10001 through 100290
 DSR-2000 (J) : S/N 30001 through 300240
 DSR-2000P (CE) : S/N 40001 through 400300

DU-95 -A SIDE-
 SUFFIX: -11

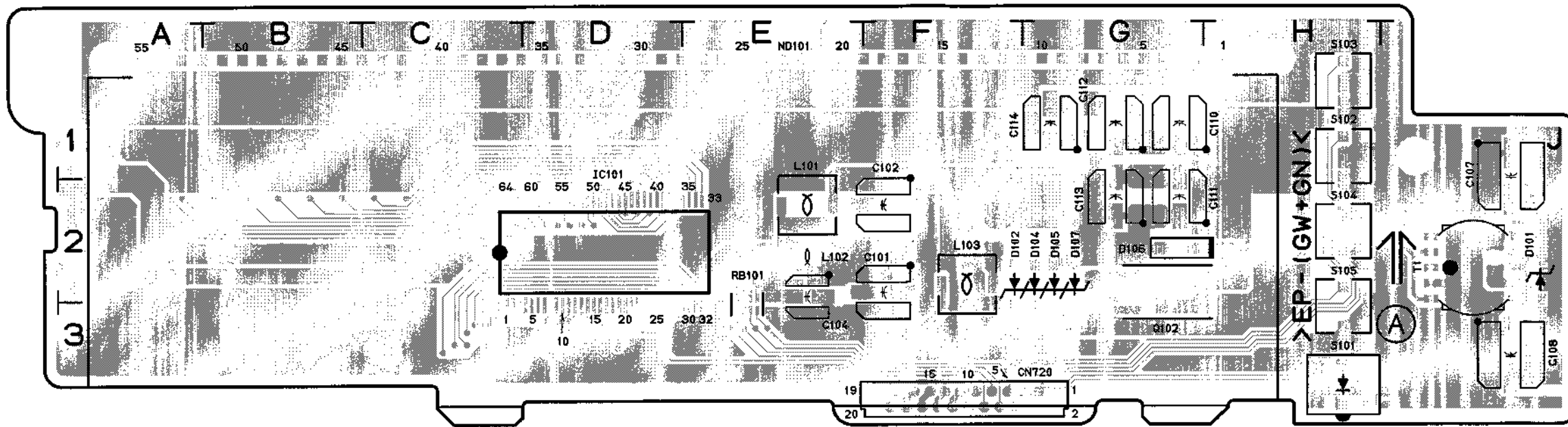


DU-95 -B SIDE-
 SUFFIX: -11

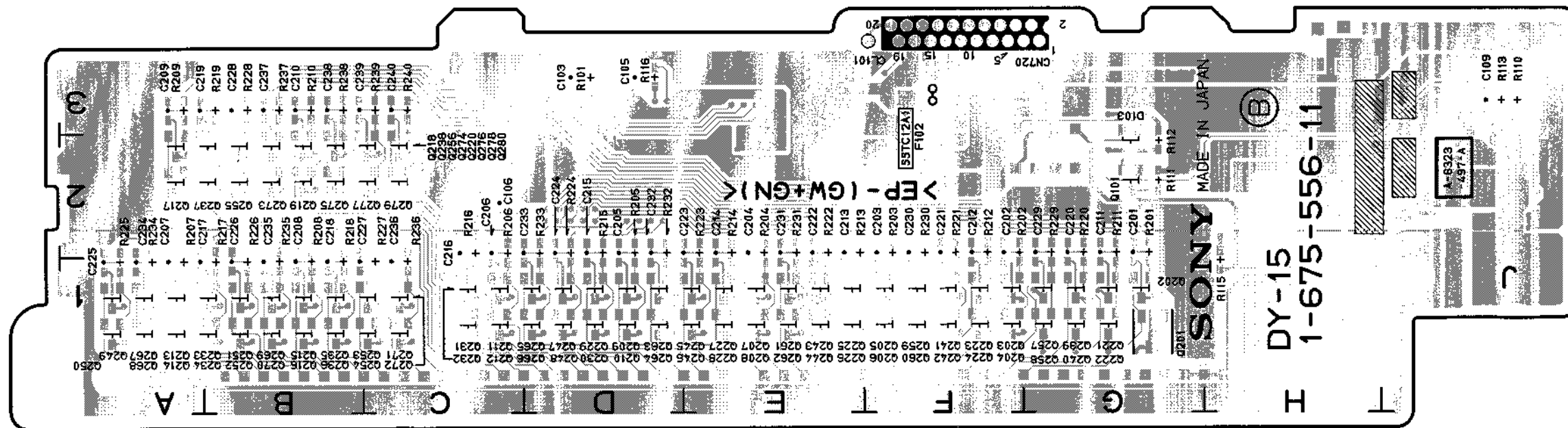
DU-95 (1-676-569-11)

C1	*B1
C2	A2
C3	B2
C4	*A1
C5	*A1
C6	*B1
C7	A1
C8	*A1
C9	*A1
CN1	*A2
IC1	*B1
IC2	A2
IC3	B2
IC4	B1
L1	A1
R1	B2
R2	*A2
R3	*A2
R4	*B1
R5	*A2
R6	*B1
R7	*A2
R8	*B1
R9	*B1
R10	*B1
R11	*B1
R12	*B1
R13	*A2
R14	*A1
R15	*A2
R16	*A1
R17	*A2
R18	*A1
R19	*A2
R20	*A1
R21	*A2
R22	*A1
R23	B1

*:B SIDE



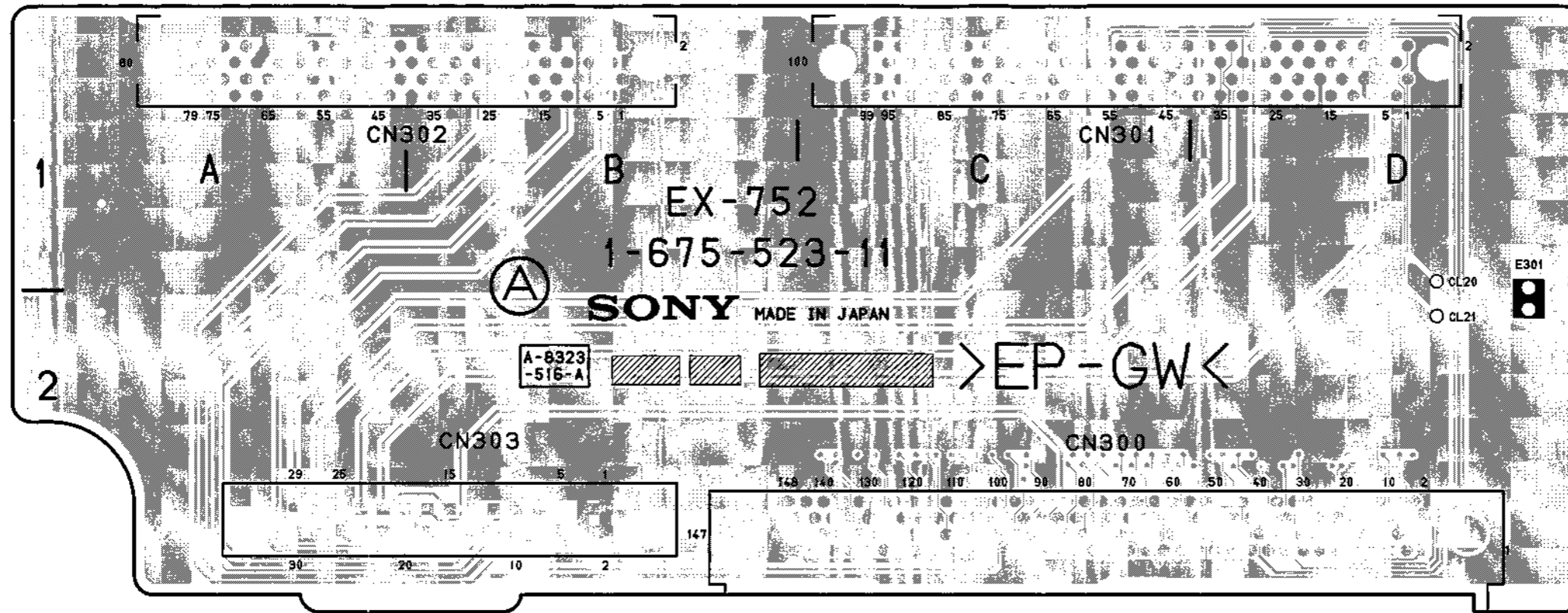
DY-15 -A SIDE-
SUFFIX: -11



DY-15 -B SIDE-
SUFFIX: -11

C101	F2	Q214	*A1	R218	*B1
C102	F2	Q215	*B1	R219	*B3
C103	*D3	Q216	*B1	R220	*G2
C104	E2	Q217	*A2	R221	*F2
C105	*D3	Q218	*A2	R222	*E2
C106	*C2	Q219	*B2	R223	*E2
C107	J1	Q220	*B2	R224	*D2
C108	J3	Q221	*G1	R225	*A1
C109	*J3	Q222	*G1	R226	*B1
C110	G1	Q223	*F1	R227	*C1
C111	G2	Q224	*F1	R228	*B3
C112	G1	Q225	*E1	R229	*G2
C113	G2	Q226	*E1	R230	*F2
C114	G1	Q227	*E1	R231	*E2
C201	*G2	Q228	*E1	R232	*D2
C202	*F2	Q229	*D1	R233	*D2
C203	*F2	Q230	*D1	R234	*A1
C204	*E2	Q231	*C1	R235	*B1
C205	*D2	Q232	*C1	R236	*C1
C206	*C2	Q233	*B1	R237	*B3
C207	*A1	Q234	*B1	R238	*B3
C208	*B1	Q235	*B1	R239	*C3
C209	*A3	Q236	*B1	R240	*C3
C210	*B3	Q237	*B2		
C211	*G2	Q238	*B2	RB101	E3
C212	*F2	Q239	*G1		
C213	*E2	Q240	*G1	S101	H3
C214	*E2	Q241	*F1	S102	H1
C215	*D2	Q242	*F1	S103	H1
C216	*C2	Q243	*E1	S104	H2
C217	*A1	Q244	*E1	S105	H3
C218	*B1	Q245	*E1		
C219	*A3	Q246	*E1	T1	J2
C220	*G2	Q247	*D1		
C221	*F2	Q248	*D1		
C222	*E2	Q249	*A1		
C223	*D2	Q250	*A1		
C224	*D2	Q251	*B1		
C225	*A1	Q252	*B1		
C226	*B1	Q253	*C1		
C227	*B1	Q254	*C1		
C228	*B3	Q255	*B2		
C229	*G2	Q256	*B2		
C230	*F2	Q257	*G1		
C231	*E2	Q258	*G1		
C232	*D2	Q259	*F1		
C233	*C2	Q260	*F1		
C234	*A1	Q261	*E1		
C235	*B1	Q262	*E1		
C236	*C1	Q263	*D1		
C237	*B3	Q264	*D1		
C238	*B3	Q265	*D1		
C239	*B3	Q266	*D1		
C240	*C3	Q267	*A1		
		Q268	*A1		
CL101	*F3	Q269	*B1		
		Q270	*B1		
CN720	F3	Q271	*C1		
		Q272	*C1		
D101	J2	Q273	*B2		
D102	F2	Q274	*B2		
D103	*G2	Q275	*B2		
D104	G2	Q276	*B2		
D105	G2	Q277	*C2		
D106	G2	Q278	*C2		
D107	G2	Q279	*C2		
		Q280	*C2		
F102	*F3				
		R101	*D3		
IC101	C3	R110	*J3		
		R111	*G2		
L101	E2	R112	*G2		
L102	E2	R113	*J3		
L103	F2	R115	*H1		
		R116	*D3		
ND101	E1	R201	*G2		
		R202	*F2		
Q101	*G2	R203	*F2		
Q102	G2	R204	*E2		
Q201	*G1	R205	*D2		
Q202	*G1	R206	*C2		
Q203	*F1	R207	*A1		
Q204	*F1	R208	*B1		
Q205	*F1	R209	*A3		
Q206	*F1	R210	*B3		
Q207	*E1	R211	*G2		
Q208	*E1	R212	*F2		
Q209	*D1	R213	*E2		
Q210	*D1	R214	*E2		
Q211	*C1	R215	*D2		
Q212	*C1	R216	*C2		
Q213	*A1	R217	*B1		

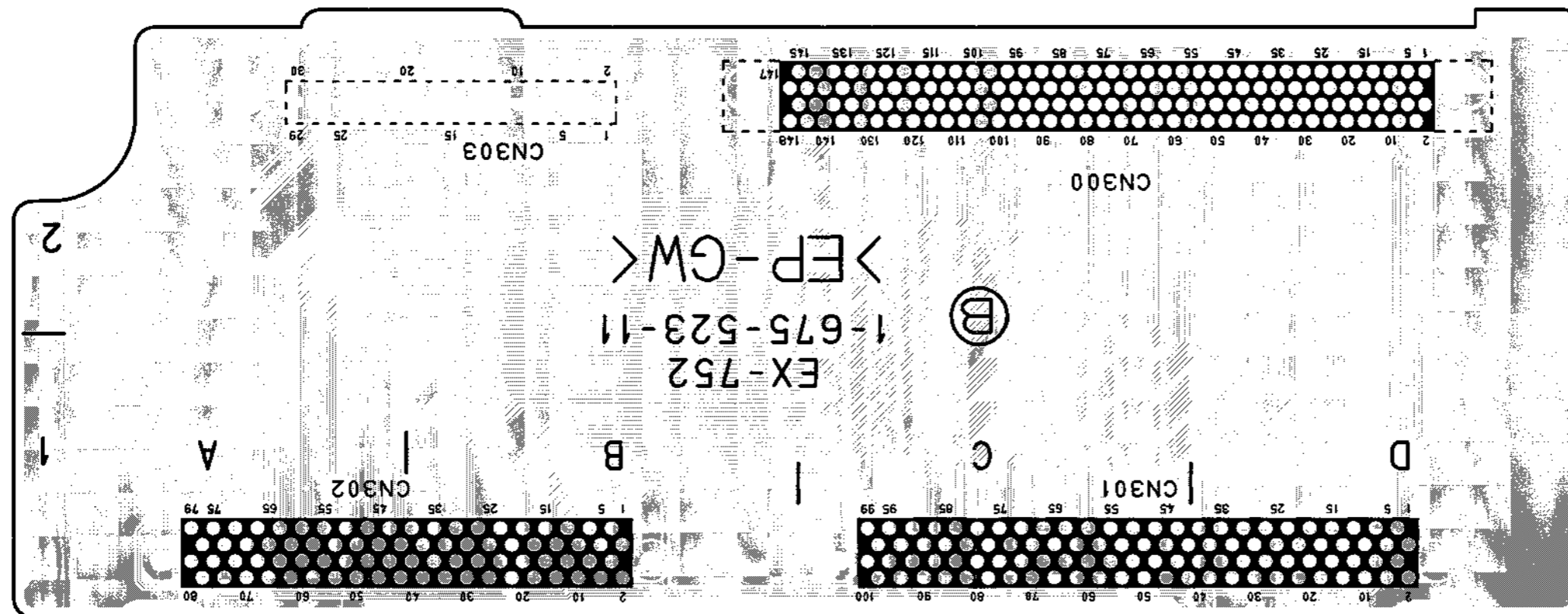
*:B SIDE



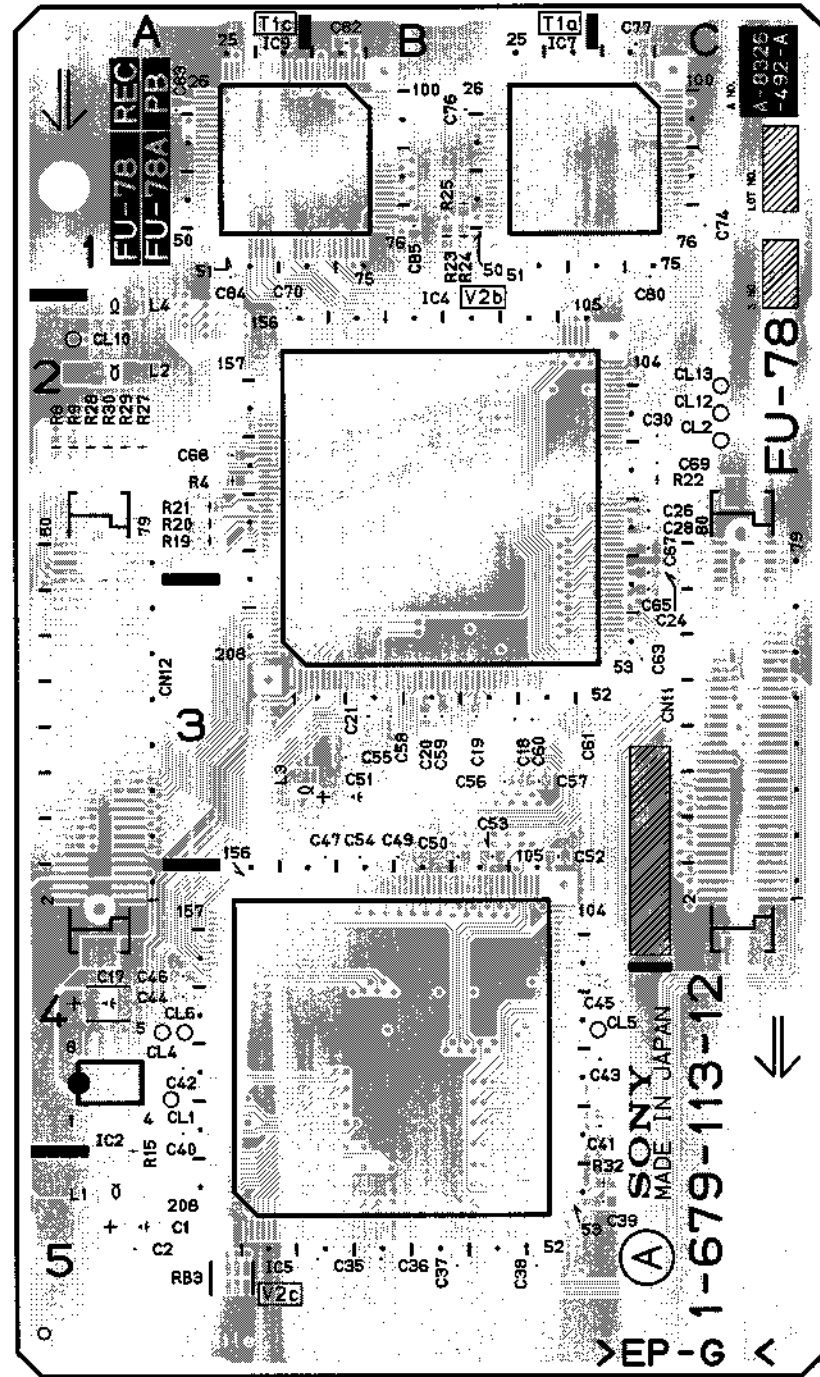
EX-752 (1-675-523-11)

CL20	D1
CL21	D2
CN300	C2
CN301	C1
CN302	A1
CN303	B2
E301	D2

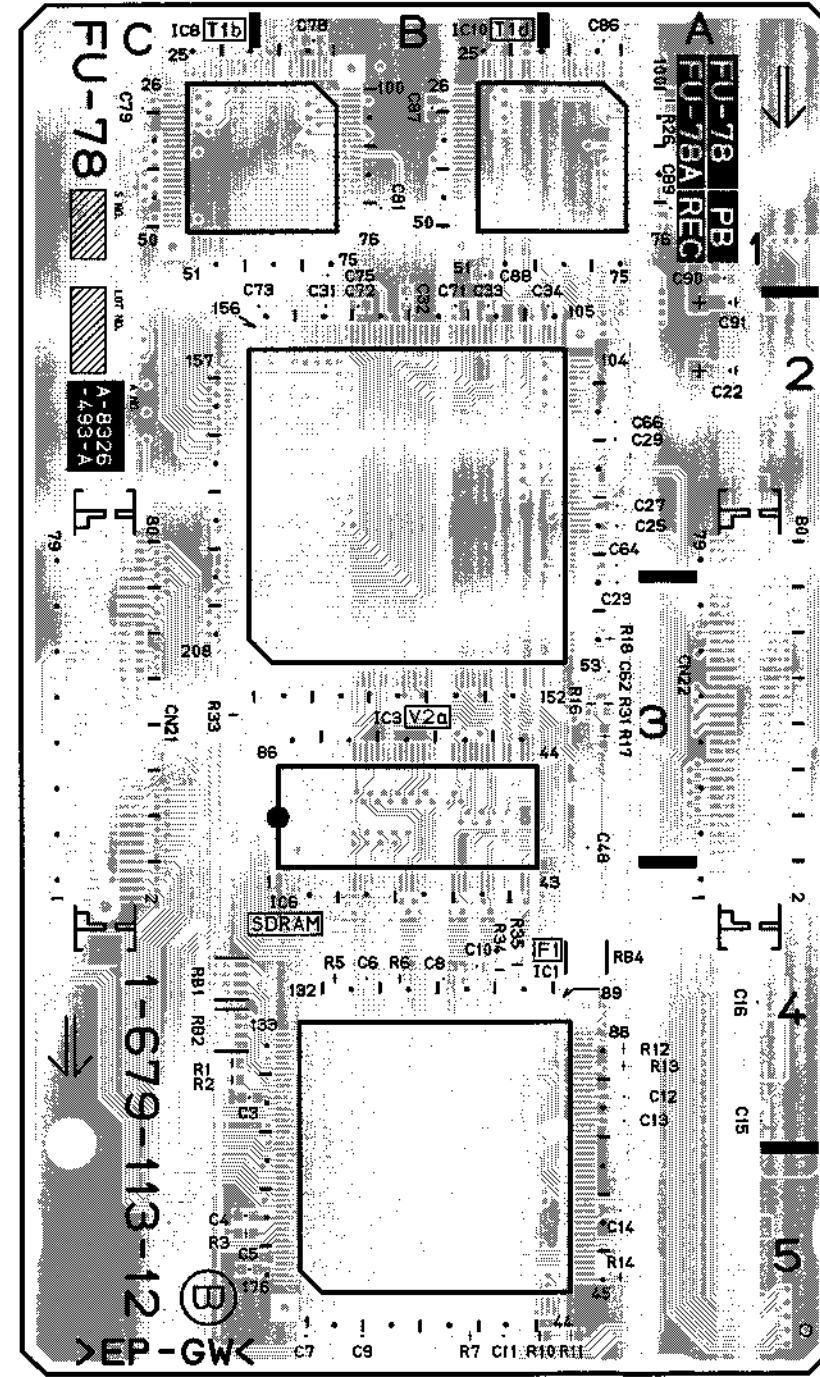
EX-752 -A SIDE-
SUFFIX: -11



EX-752 -B SIDE-
SUFFIX: -11



FU-78P/78R -A SIDE-
SUFFIX: -12



FU-78P/78R -B SIDE-
SUFFIX: -12

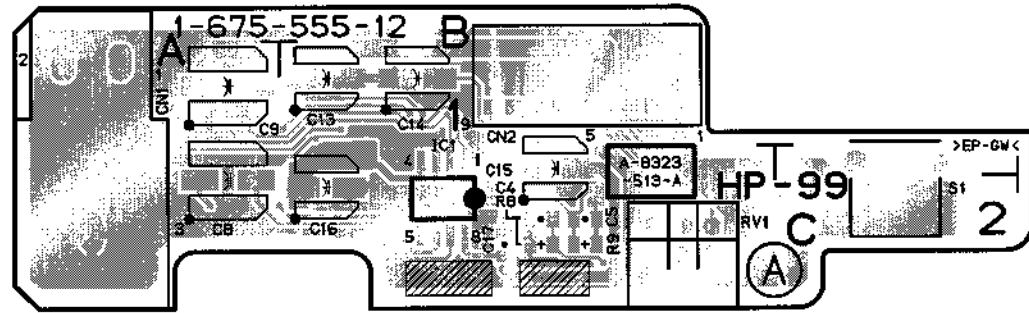
C1	A5	CL1	A4
C2	A5	CL2	C2
C3	*C4	CL4	A4
C4	*C5	CL5	C4
C5	*C5	CL6	A4
C6	*B4	CL10	A2
C7	*B5	CL12	C2
C8	*B4	CL13	C2
C9	*B5		
C10	*B4	CN11	C3
C11	*B5	CN12	A3
C12	*A4	CN21	*C3
C13	*A4	CN22	*A3
C14	*A5		
C15	*A4	IC1	*B5
C16	*A4	IC2	A4
C17	A4	IC3	*B2
C18	B3	IC4	B2
C19	B3	IC5	B4
C20	B3	IC6	*B4
C21	B3	IC7	B1
C22	*A2	IC8	*B1
C23	*A3	IC9	A1
C24	C2	IC10	*A1
C25	*A2		
C26	C2	L1	A5
C27	*A2	L2	A2
C28	C2	L3	A3
C29	*A2	L4	A2
C30	C2		
C31	*B2	R1	*C4
C32	*B2	R2	*C4
C33	*B2	R3	*C5
C34	*A2	R4	A2
C35	B5	R5	*B4
C36	B5	R6	*B4
C37	B5	R7	*B5
C38	B5	R8	A2
C39	C5	R9	A2
C40	A4	R10	*B5
C41	C4	R11	*A5
C42	A4	R12	*A4
C43	C4	R13	*A4
C44	A4	R14	*A5
C45	C4	R15	A4
C46	A4	R16	*A3
C47	B3	R17	*A3
C48	*A3	R18	*A3
C49	B3	R19	A2
C50	B3	R20	A2
C51	B3	R21	A2
C52	B3	R22	C2
C53	B3	R23	B1
C54	B3	R24	B1
C55	B3	R25	B1
C56	B3	R26	*A1
C57	B3	R27	A2
C58	B3	R28	A2
C59	B3	R29	A2
C60	B3	R30	A2
C61	B3	R31	*A3
C62	*A3	R32	C5
C63	C3	R33	*C3
C64	*A2	R34	*B4
C65	C3	R35	*B4
C66	*A2		
C67	C2	RB1	*C4
C68	A2	RB2	*C4
C69	C2	RB3	A5
C70	A2	RB4	*A4
C71	*B2		
C72	*B2		
C73	*B2		
C74	C1		
C75	*B1		
C76	B1		
C77	C1		
C78	*B1		
C79	*C1		
C80	C1		
C81	*B1		
C82	B1		
C83	A1		
C84	A1		
C85	B1		
C86	*A1		
C87	*B1		
C88	*B1		
C89	*A1		
C90	*A1		
C91	*A2		

*: B SIDE

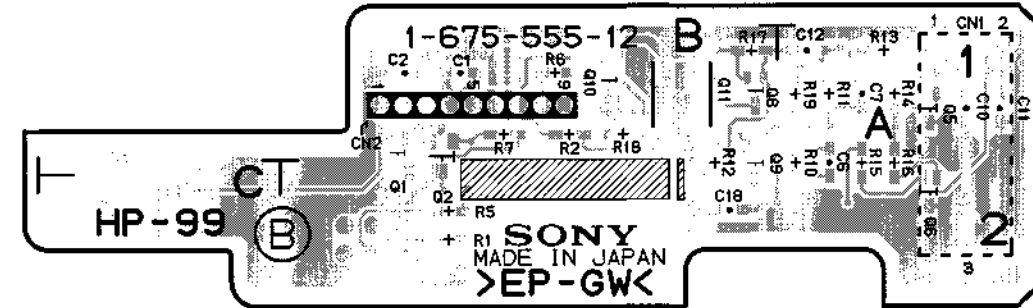
HP-99 (1-675-555-12)

C1	*B1	R1	*B2
C2	*B1	R2	*B1
C4	B2	R5	*B2
C5	B2	R6	*B1
C6	*A1	R7	*B1
C7	*A1	R8	B2
C8	A2	R9	B2
C9	A1	R10	*A1
C10	*A1	R11	*A1
C11	*A1	R12	*B1
C12	*A1	R13	*A1
C13	B1	R14	*A1
C14	B1	R15	*A1
C15	B1	R16	*A1
C16	B2	R17	*B1
C17	B2	R18	*B1
C18	*B2	R19	*A1
CN1	A1	RV1	B2
CN2	B1		
IC1	B1	S1	C2
Q1	*B1		
Q2	*B1		
Q5	*A1		
Q6	*A2		
Q8	*B1		
Q9	*B1		
Q10	*B1		
Q11	*B1		

*:B SIDE



HP-99 -A SIDE-
SUFFIX: -12

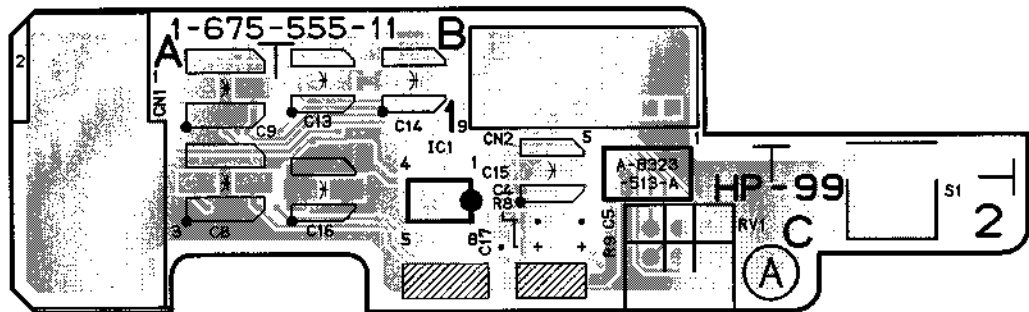


HP-99 -B SIDE-
SUFFIX: -12

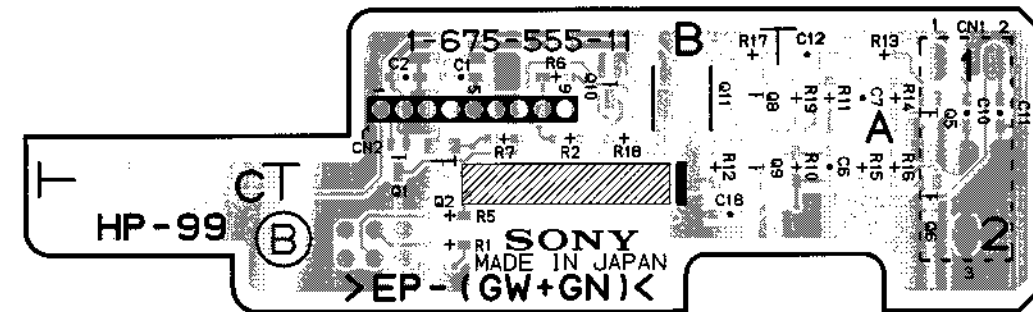
HP-99 (1-675-555-11)

C1	*B1	R1	*B2
C2	*B1	R2	*B1
C4	B2	R5	*B2
C5	B2	R6	*B1
C6	*A1	R7	*B1
C7	*A1	R8	B2
C8	A2	R9	B2
C9	A1	R10	*A1
C10	*A1	R11	*A1
C11	*A1	R12	*B1
C12	*A1	R13	*A1
C13	B1	R14	*A1
C14	B1	R15	*A1
C15	B1	R16	*A1
C16	B2	R17	*B1
C17	B2	R18	*B1
C18	*B2	R19	*A1
CN1	A1	RV1	B2
CN2	B1		
IC1	B1	S1	C2
Q1	*B1		
Q2	*B1		
Q5	*A1		
Q6	*A2		
Q8	*B1		
Q9	*B1		
Q10	*B1		
Q11	*B1		

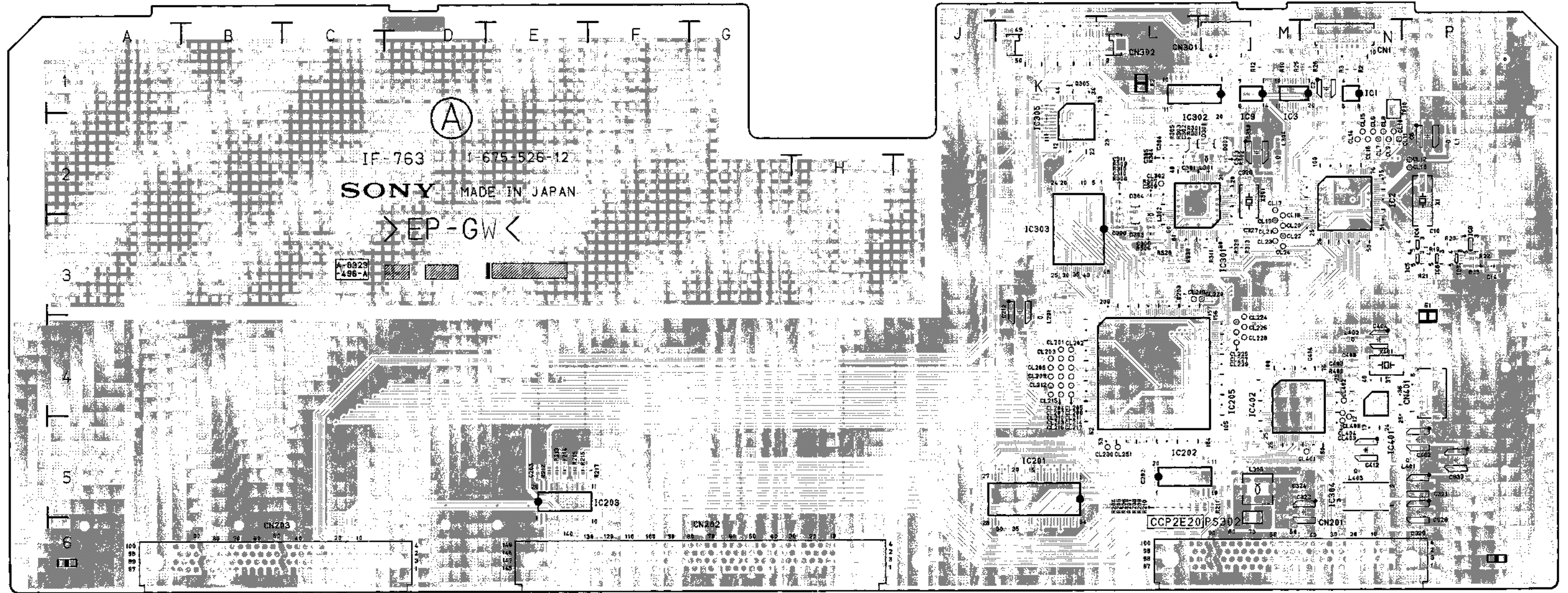
*:B SIDE



HP-99 -A SIDE-
SUFFIX: -11



HP-99 -B SIDE-
SUFFIX: -11

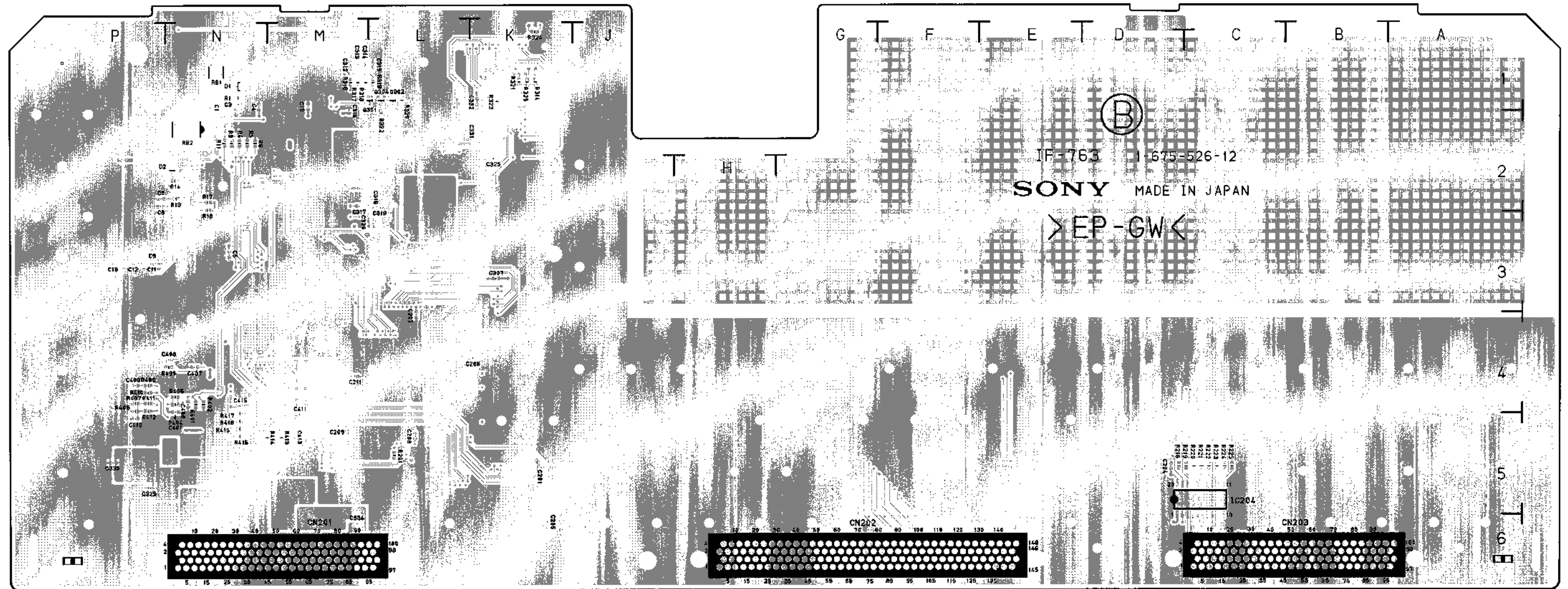


IF-763 -A SIDE-
SUFFIX: -12
FOR DSBK-190

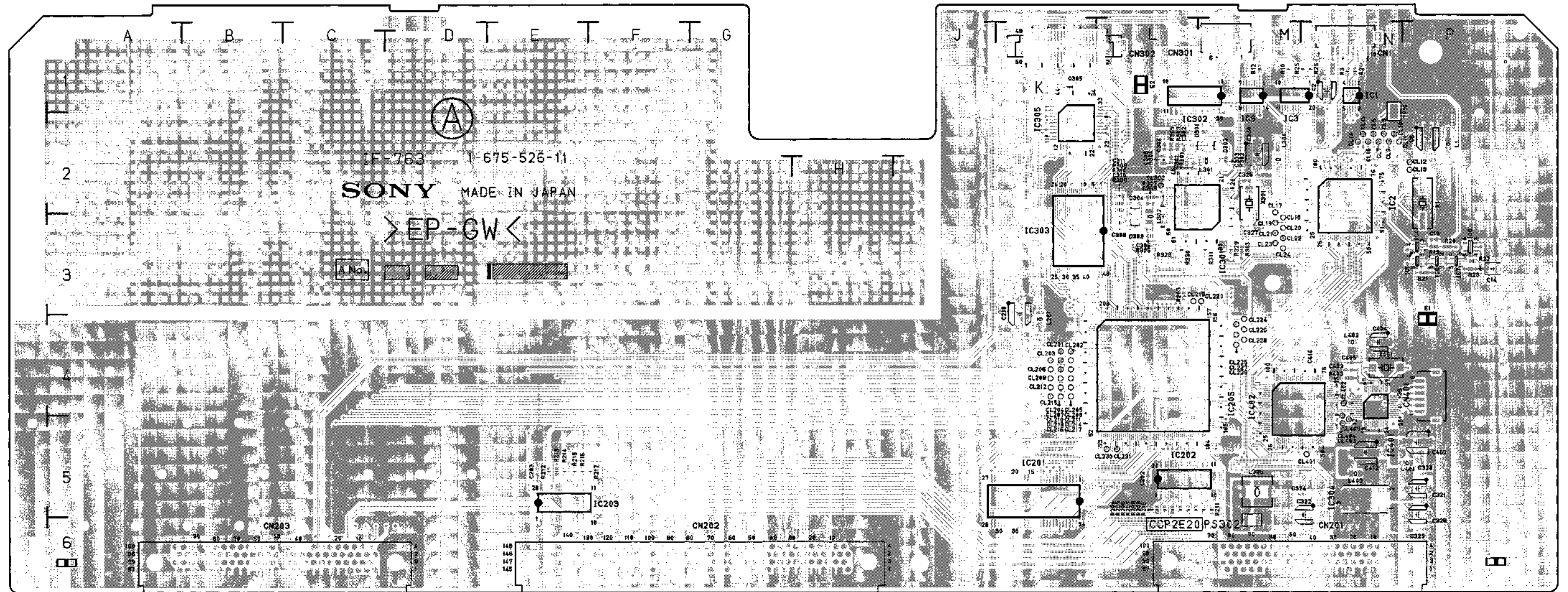
IF-763 (1-675-526-12)

C1	*N1	C207	*L4	C317	*M2	C403	N4	CL13	P2	CL210	K4	CL403	N5	IC1	N1	L1	P2	R5	*N2	R206	L5	R302	M2	R325	*K1	R417	*N4
C2	N1	C208	*L5	C318	*L2	C404	N4	CL14	N2	CL211	K4	CL404	N5	IC2	N2	L201	K4	R6	*N2	R207	L5	R303	L2	R328	L3	R418	*N5
C3	*N1	C209	*M5	C319	*L2	C405	N4	CL15	N2	CL212	K4	CL405	N5	IC3	N1	L301	M2	R8	*N2	R208	L5	R304	L2	R329	M3		
C4	*N1	C210	K4	C320	*L3	C406	*N4	CL16	N2	CL213	K4			IC4	P3	L302	L3	R10	M1	R209	L5	R305	L2	R330	L3	RB1	*N1
C5	*N3	C211	*M4	C321	P5	C407	*N4	CL17	M3	CL214	K4	CN1	N1	IC5	P3	L304	M2	R11	*N2	R210	M5	R306	L3	R331	L2	RB2	*N2
C6	P2	C301	L2	C322	N5	C408	*N4	CL18	M3	CL215	K4	CN201	M6	IC6	P3	L306	M5	R12	M1	R211	M5	R307	L2	R401	*N4		
C7	*P2	C302	L2	C323	*P5	C409	*P4	CL19	M3	CL216	K4	CN202	G6	IC7	P3	L401	P5	R13	*N2	R212	E5	R308	L3	R402	*N4	TP10	N2
C8	*P2	C303	M2	C324	M5	C410	*P5	CL20	M3	CL217	K4	CN203	B6	IC8	P3	L402	N4	R14	*N2	R213	E5	R309	L2	R403	N4		
C9	*P3	C304	L2	C325	*K2	C411	*M5	CL21	M3	CL219	L3	CN301	M1	IC9	M1	L403	N5	R17	*N2	R214	E5	R310	L2	R404	*N4	X1	P2
C10	P3	C305	L2	C326	M2	C412	N5	CL22	M3	CL220	M3	CN302	K1	IC201	K5			R18	*N2	R215	E5	R311	M3	R405	*N4	X301	M2
C11	*P3	C306	L3	C327	M3	C413	*M5	CL23	M3	CL224	M4	CN401	P4	IC202	L5	PS302	M6	R19	P3	R216	E5	R313	M3	R406	*N4	X401	N4
C12	*P3	C307	*K3	C328	P5	C414	N4	CL24	M3	CL225	M4			IC203	E6			R20	P3	R217	F5	R314	*K1	R407	*P4		
C13	*P3	C308	L3	C329	P6	C415	*N4	CL201	K4	CL226	M4	D1	*N1	IC204	*D6	Q301	*L1	R21	P3	R218	*D5	R316	*M1	R408	*P4		
C14	P3	C309	L2	C330	M2			CL202	K4	CL227	M4	D2	*N2	IC205	L4	Q302	*L1	R22	P3	R219	*C5	R317	*M1	R409	*P4		
C15	*M1	C310	L3	C331	*L2	CL6	N2	CL203	K4	CL228	M4	D301	L2	IC301	L2	Q304	*L1	R23	P3	R220	*C5	R318	*M1	R410	*P4		
C201	*K5	C311	L2	C332	*K1	CL7	N2	CL204	K4	CL229	M4	D302	M2	IC302	M1	Q305	K1	R25	N1	R221	*C5	R319	*L1	R411	*P4		
C202	L5	C312	*M1	C333	P5	CL8	N2	CL205	K4	CL230	L5	D303	L3	IC303	L2			R26	N1	R222	*C5	R320	*L1	R412	*P4		
C203	E5	C313	*M1	C334	*M6	CL9	N2	CL206	K4	CL231	L5	D304	L2	IC304	N5	R1	*N1	R201	*L5	R223	*C5	R321	*K1	R413	*M5		
C204	*D5	C314	*M1	C335	*P5	CL10	N2	CL207	K4	CL302	L2			IC305	K2	R2	N1	R203	L3	R224	*C5	R322	*L2	R414	*N5		
C205	*K6	C315	*L1	C401	*N4	CL11	N2	CL208	K4	CL401	N5	E1	P4	IC401	N4	R3	N1	R204	L5	R225	*C5	R323	*K1	R415	*N5		
C206	*K4	C316	*M1	C402	P5	CL12	P2	CL209	K4	CL402	N4	E2	L1	IC402	M4	R4	*N2	R205	L5	R301	L2	R324	*K1	R416	*N5		

*:B SIDE



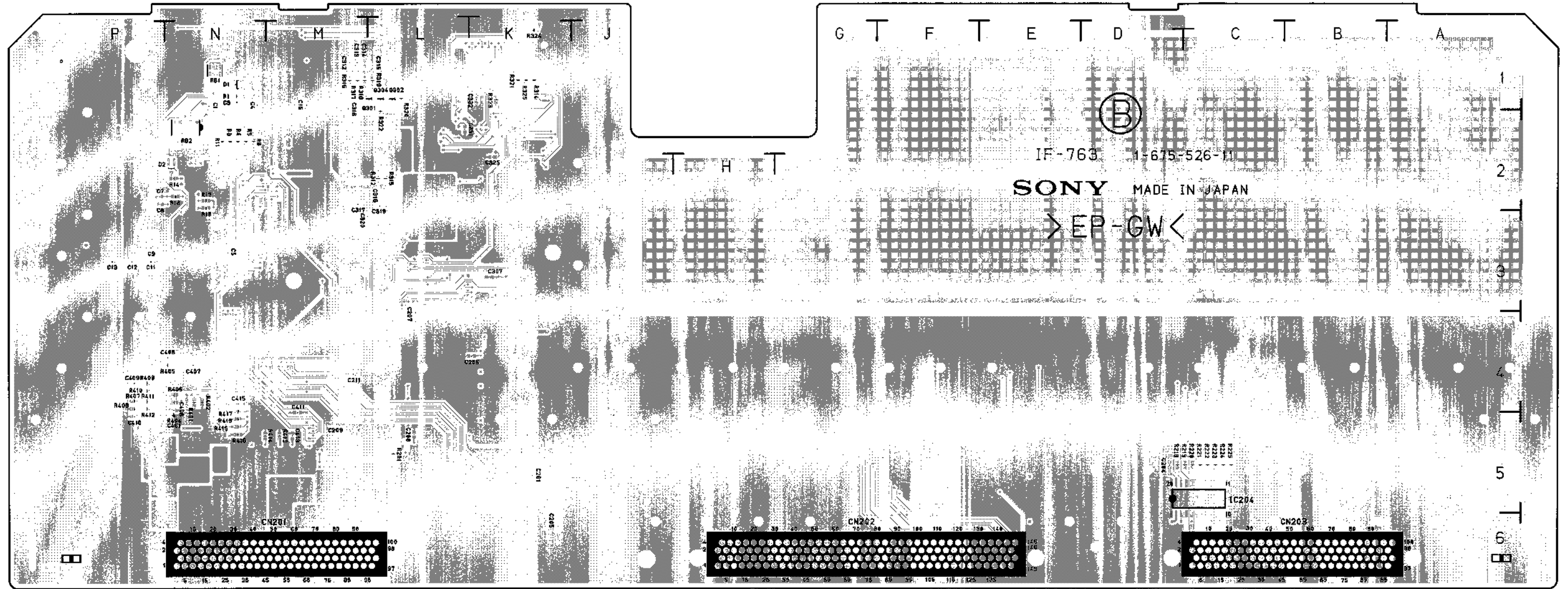
IF-763 -B SIDE-
SUFFIX: -12
FOR DSBK-190



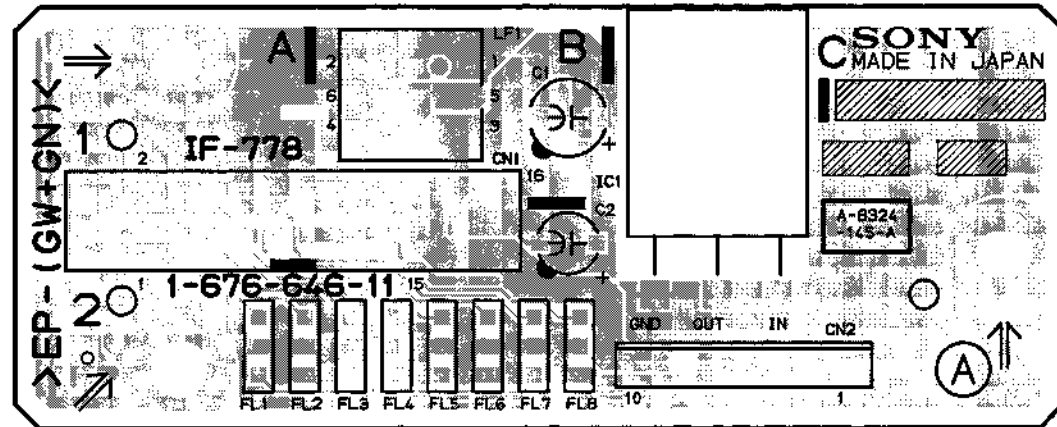
IF-763 -A SIDE-
SUFFIX: -11
FOR DSBK-190

IF-763 (1-675-526-11)

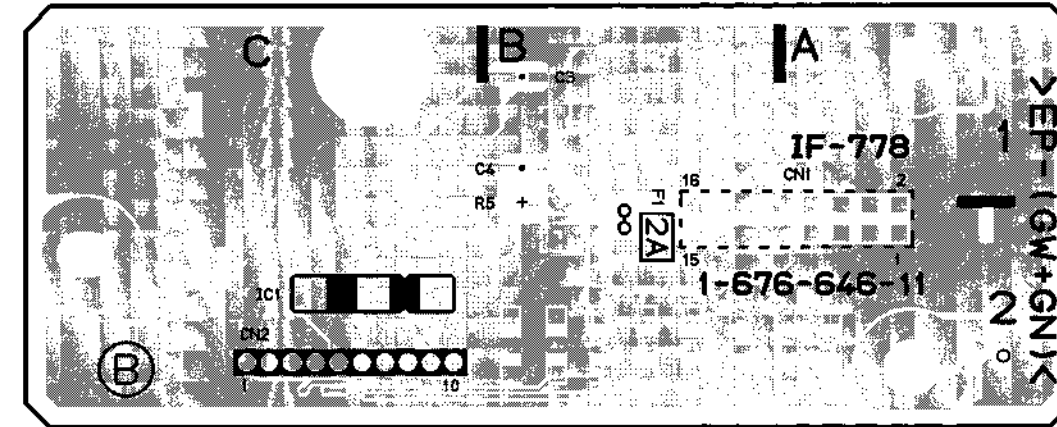
C1	*N1	C207	*L4	C317	*M2	C406	*N4	CL16	N2	CL213	K4	CN1	N1	IC4	P3	L301	M2	R8	*N2	R208	L5	R304	L2	R325	*K1	R418	*N5
C2	N1	C208	*L5	C318	*L2	C407	*N4	CL17	M3	CL214	K4	CN201	M6	IC5	P3	L302	L3	R10	M1	R209	L5	R305	L2	R328	L3		
C3	*N1	C209	*M5	C319	*L2	C408	*N4	CL18	M3	CL215	K4	CN202	G6	IC6	P3	L304	M2	R11	*N2	R210	M5	R306	L3	R329	M3	RB1	*N1
C4	*N1	C210	K4	C320	*L3	C409	*P4	CL19	M3	CL216	K4	CN203	B6	IC7	P3	L306	M5	R12	M1	R211	M5	R307	L2	R330	L3	RB2	*N2
C5	*N3	C211	*M4	C321	P5	C410	*P5	CL20	M3	CL217	K4	CN301	M1	IC8	P3	L401	P5	R13	*N2	R212	E5	R308	L3	R401	*N4		
C6	P2	C301	L2	C322	N5	C411	*M5	CL21	M3	CL219	L3	IC9	M1	IC9	M1	L402	N4	R14	*N2	R213	E5	R309	L2	R402	*N4	TP10	N2
C7	*P2	C302	L2	C323	P5	C412	N5	CL22	M3	CL220	M3	CN401	P4	IC201	K5	L403	M5	R17	*N2	R214	E5	R310	L2	R403	N4		
C8	*P2	C303	M2	C324	M5	C413	*M5	CL23	M3	CL224	M4			IC202	L5			R18	*N2	R215	E5	R311	M3	R404	*N4	X1	P2
C9	*P3	C304	L2	C325	*K2	C414	N4	CL24	M3	CL225	M4	D1	*N1	IC203	E6	PS302	M6	R19	P3	R216	E5	R312	*L2	R405	*N4	X301	M2
C10	P3	C305	L2	C326	M2	C415	*N4	CL201	K4	CL226	M4	D2	*N2	IC204	*D6			R20	P3	R217	F5	R313	M3	R406	*N4	X401	N4
C11	*P3	C306	L3	C327	M3			CL202	K4	CL227	M4	D301	L2	IC205	L4	Q301	*L1	R21	P3	R218	*D5	R314	*K1	R407	*P4		
C12	*P3	C307	*K3	C328	P5	CL6	N2	CL203	K4	CL228	M4	D302	M2	IC301	L2	Q302	*L1	R22	P3	R219	*C5	R315	*L2	R408	*P4		
C13	*P3	C308	L3	C329	P6	CL7	N2	CL204	K4	CL229	M4	D303	L3	IC302	M1	Q304	*L1	R23	P3	R220	*C5	R316	*M1	R409	*P4		
C14	P3	C309	L2	C330	M2	CL8	N2	CL205	K4	CL230	L5	D304	L2	IC303	L2	Q305	K1	R25	N1	R221	*C5	R317	*M1	R410	*P4		
C15	*M1	C310	L3	C331	*L2	CL9	N2	CL206	K4	CL231	L5			IC304	N5			R26	N1	R222	*C5	R318	*M1	R411	*P4		
C201	*K5	C311	L2	C332	*K1	CL10	N2	CL207	K4	CL302	L2	E1	P4	IC305	K2	R1	*N1	R201	*L5	R223	*C5	R319	*L1	R412	*P4		
C202	L5	C312	*M1	C401	*N4	CL11	N2	CL208	K4	CL401	N5	E2	L1	IC401	N4	R2	N1	R203	L3	R224	*C5	R320	*L1	R413	*M5		
C203	E5	C313	*M1	C402	P5	CL12	P2	CL209	K4	CL402	N4			IC402	M4	R3	N1	R204	L5	R225	*C5	R321	*R1	R414	*N5		
C204	*D5	C314	*M1	C403	N4	CL13	P2	CL210	K4	CL403	N5	IC1	N1			R4	*N2	R205	L5	R301	L2	R322	*L2	R415	*N5		
C205	*K6	C315	*L1	C404	N4	CL14	N2	CL211	K4	CL404	N5	IC2	N2	L1	P2	R5	*N2	R206	L5	R302	M2	R323	*K1	R416	*N5		
C206	*K4	C316	*M1	C405	N4	CL15	N2	CL212	K4	CL405	N5	IC3	N1	L201	K4	R6	*N2	R207	L5	R303	L2	R324	*K1	R417	*N4		



IF-763 -B SIDE-
SUFFIX: -11
FOR DSBK-190



IF-778 -A SIDE-
 SUFFIX: -11
 FOR DSBK-200

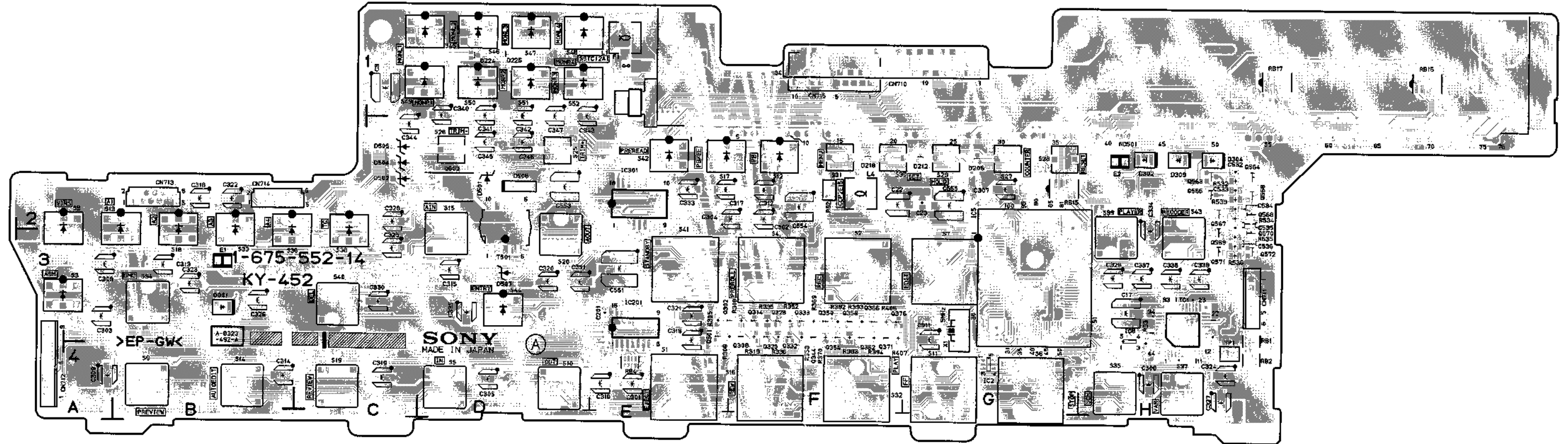


IF-778 -B SIDE-
 SUFFIX: -11
 FOR DSBK-200

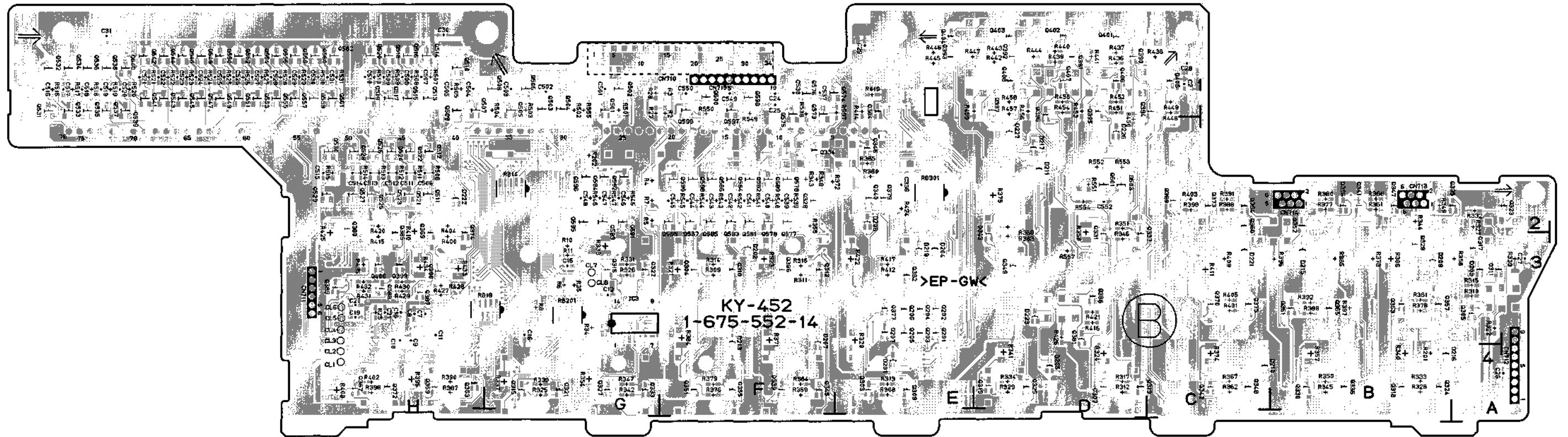
IF-778 (1-676-646-11)

C1	B1
C2	B2
C3	*B1
C4	*B1
CN1	A2
CN2	C2
F1	*B2
FL1	A2
FL2	A2
FL3	B2
FL4	B2
FL5	B2
FL6	B2
FL7	B2
FL8	B2
IC1	C2
LFI	B1
R5	*B1
SL1	A1
SL2	A2
SL3	C2

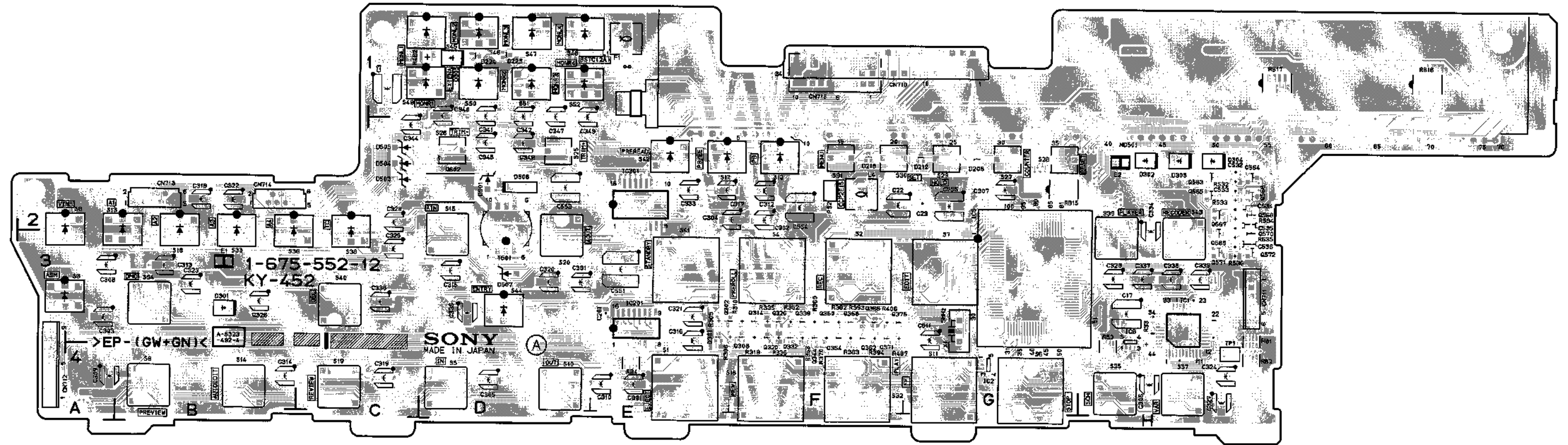
*:B SIDE



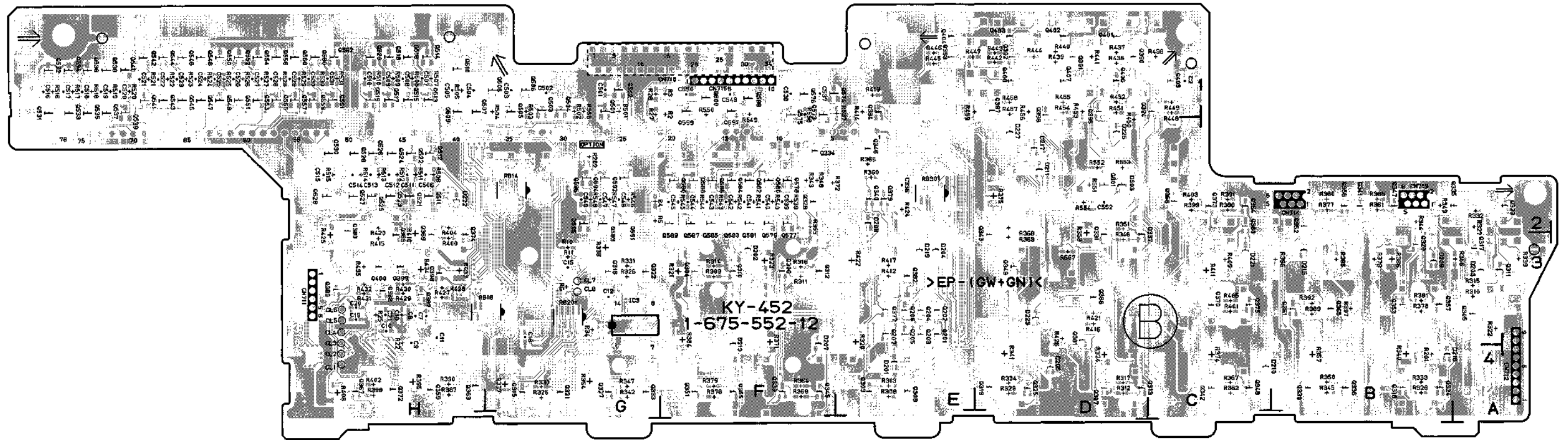
KY-452/452A -A SIDE-
SUFFIX: -13, 14
KY-452: FOR DSR-2000/2000P
KY-452A: FOR DSBK-200



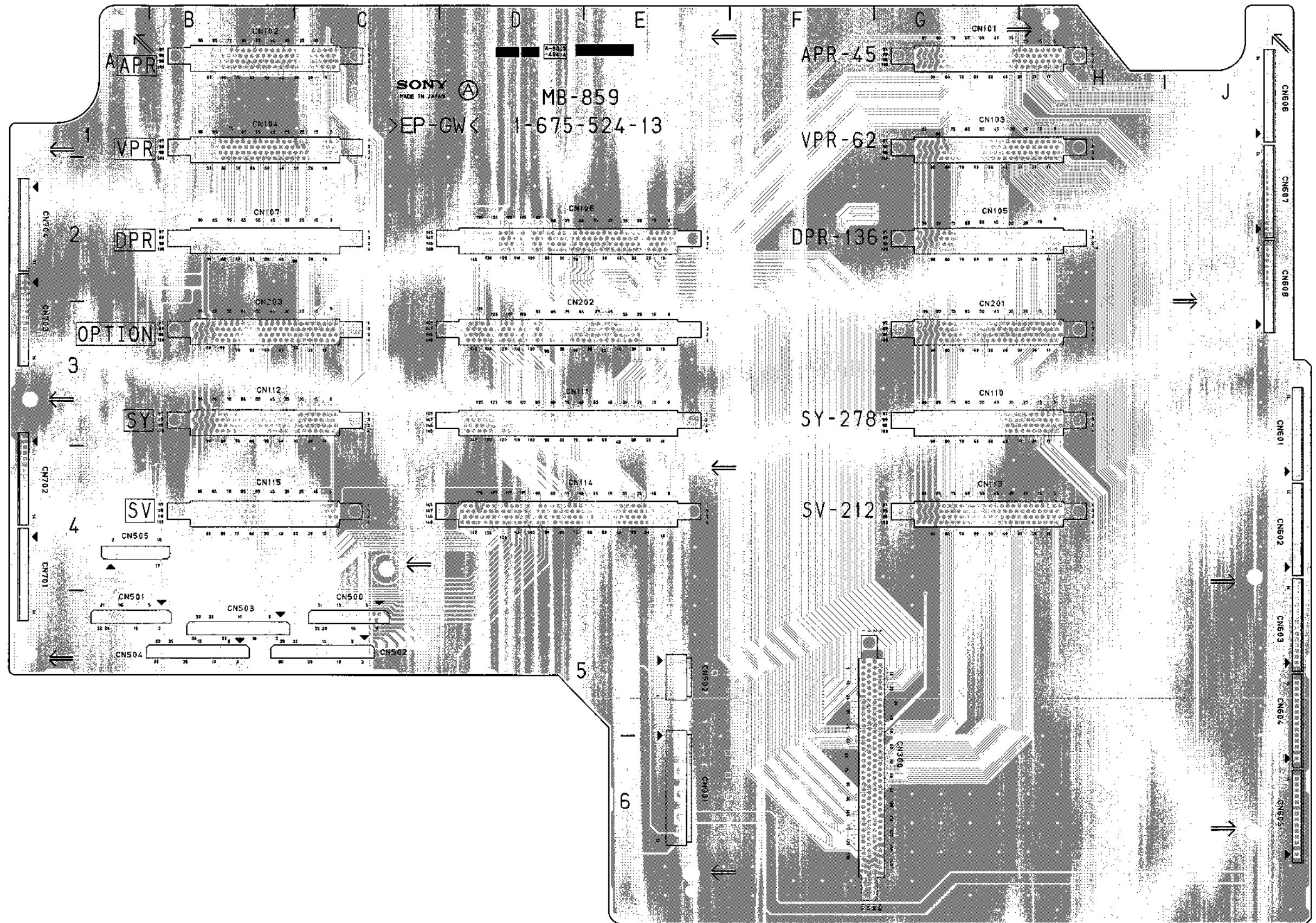
KY-452/452A -B SIDE-
SUFFIX: -13, 14
KY-452: FOR DSR-2000/2000P
KY-452A: FOR DSBK-200



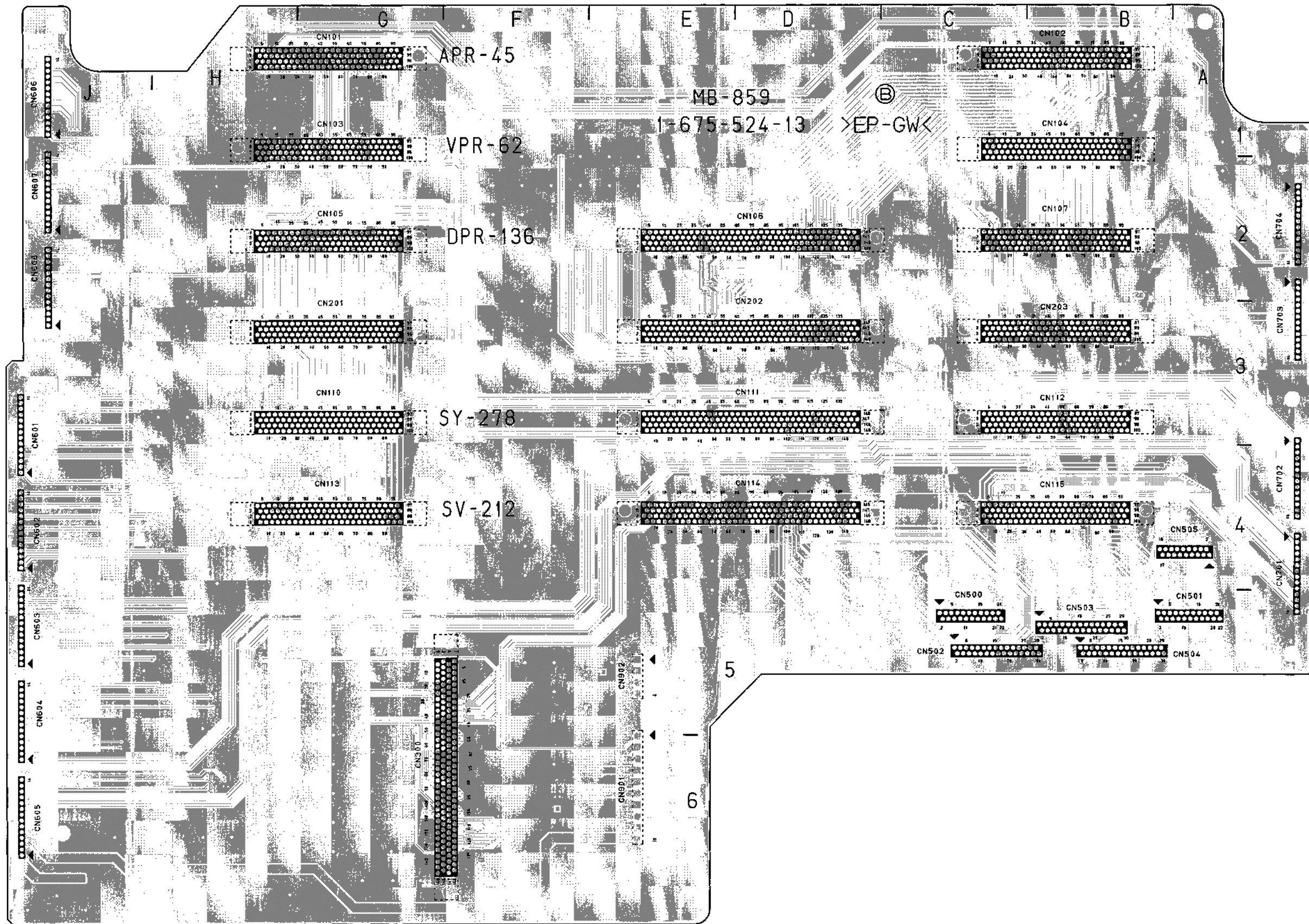
KY-452/452A -A SIDE-
SUFFIX: -12
KY-452: FOR DSR-2000/2000P
KY-452A: FOR DSBK-200



KY-452/452A -B SIDE-
SUFFIX: -12
KY-452: FOR DSR-2000/2000P
KY-452A: FOR DSBK-200

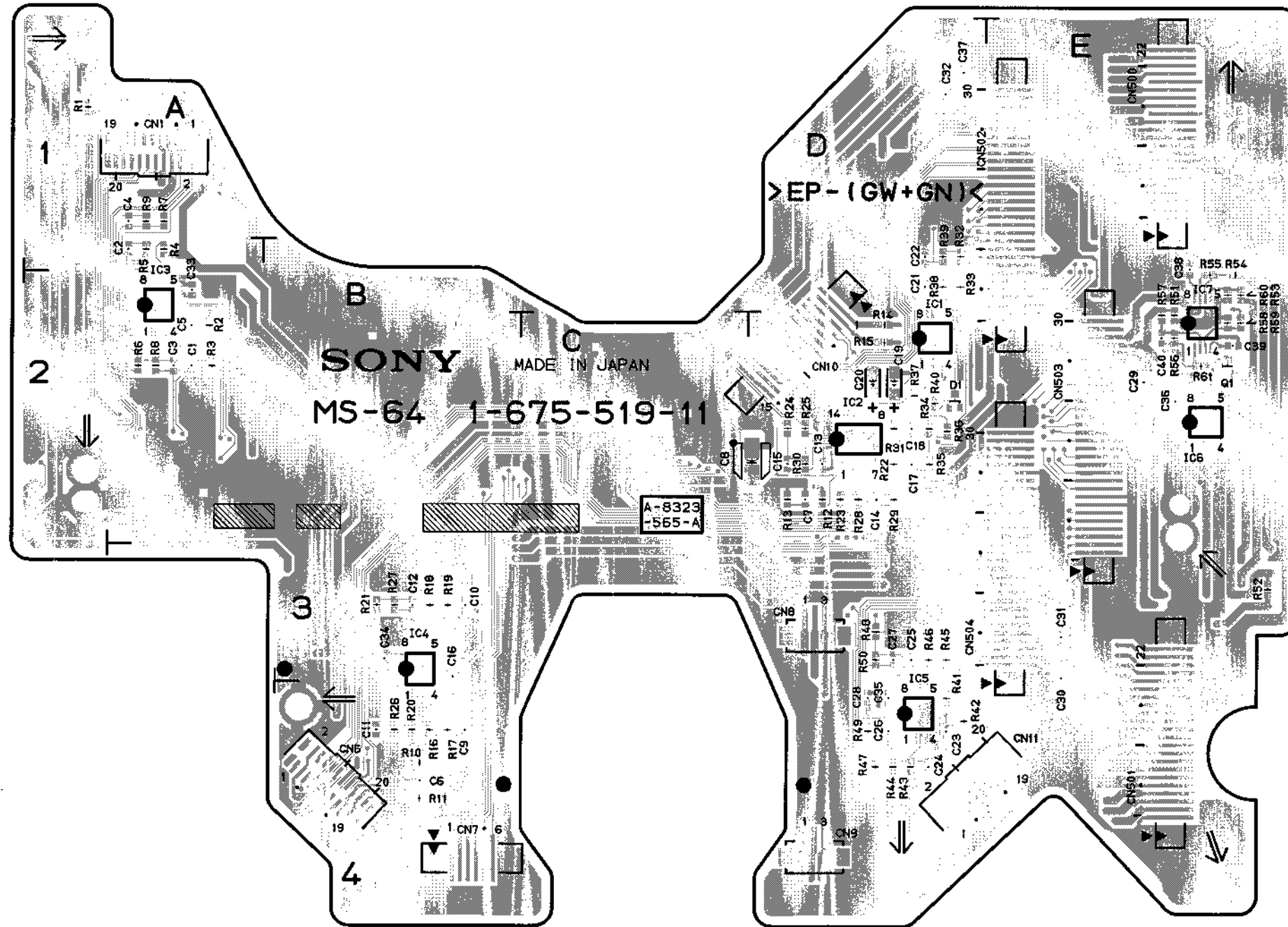


MB-859 -A SIDE-
SUFFIX: -11, 12, 13

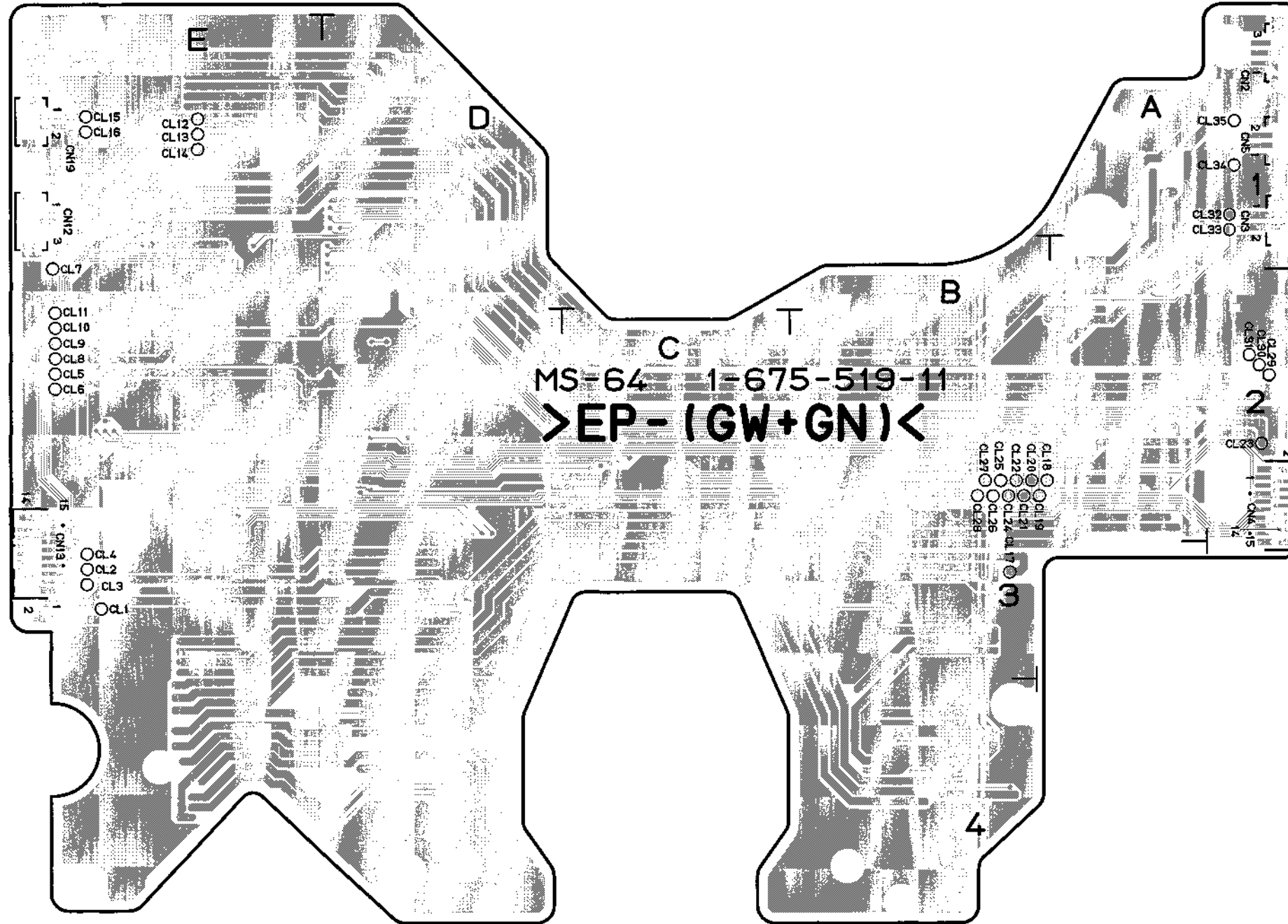


- CN101 G1
- CN102 B1
- CN103 G1
- CN104 B1
- CN105 G2
- CN106 D2
- CN107 B2
- CN110 G3
- CN111 D3
- CN112 B3
- CN113 G4
- CN114 D4
- CN115 B4
- CN201 G3
- CN202 D3
- CN203 B3
- CN300 F6
- CN500 C5
- CN501 A5
- CN502 C5
- CN503 B5
- CN504 B5
- CN505 A4
- CN601 J3
- CN602 J4
- CN603 J5
- CN604 J5
- CN605 J6
- CN606 J1
- CN607 J2
- CN608 J2
- CN701 A4
- CN702 A4
- CN703 A3
- CN704 A2
- CN901 E5
- CN902 E5

MB-859 -B SIDE-
SUFFIX: -11, 12, 13



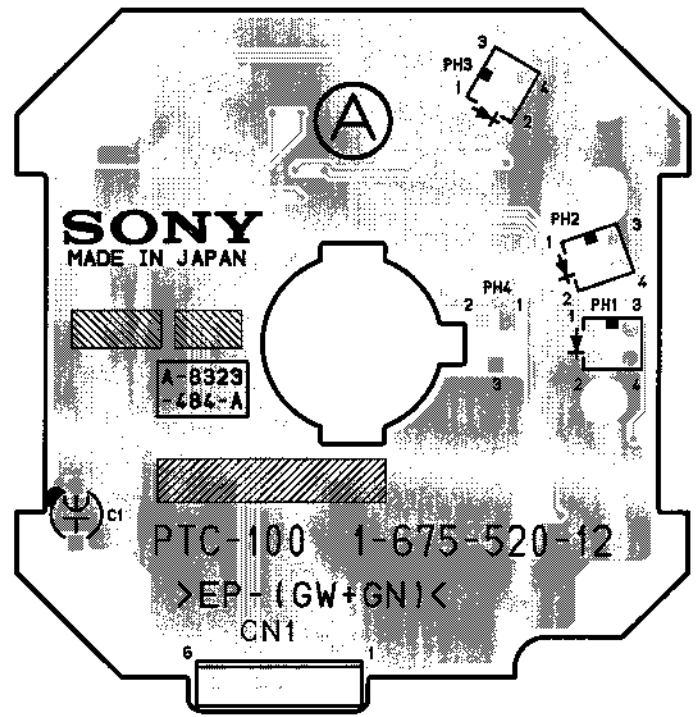
MS-64 -A SIDE-
SUFFIX: -11



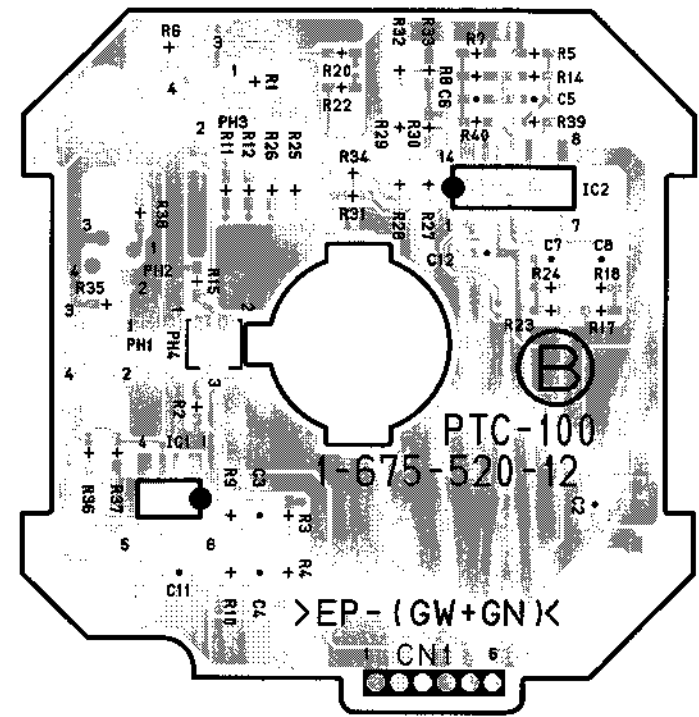
MS-64 (1-675-519-11)

C1	A2	CN501	E4
C2	A1	CN502	E1
C3	A2	CN503	E2
C4	A1	CN504	E3
C5	A2		
C6	B4	D1	D2
C7	D2		
C8	D2	IC1	D2
C9	B4	IC2	D2
C10	B3	IC3	A2
C11	B4	IC4	B4
C12	B3	IC5	D4
C13	D2	IC6	E2
C14	D2	IC7	E2
C15	D2		
C16	B3	Q1	E2
C17	D2		
C18	D2	R1	A1
C19	D2	R2	A2
C20	D2	R3	A2
C21	D2	R4	A1
C22	D1	R5	A1
C23	D4	R6	A2
C24	D4	R7	A1
C25	D3	R8	A2
C26	D4	R9	A1
C27	D3	R10	B4
C28	D4	R11	B4
C29	E2	R12	D2
C30	E3	R13	D2
C31	E3	R14	D2
C32	D1	R15	D2
C33	A2	R16	B4
C34	B3	R17	B4
C35	D4	R18	E3
C36	E2	R19	B3
C37	D1	R20	B4
C38	E1	R21	B3
C39	E2	R22	D2
C40	E2	R23	D2
		R24	D2
CL1	*E3	R25	D2
CL2	*E3	R26	B4
CL3	*E3	R27	B3
CL4	*E3	R28	D2
CL5	*E2	R29	D2
CL6	*E2	R30	D2
CL7	*E1	R31	D2
CL8	*E2	R32	D1
CL9	*E2	R33	D2
CL10	*E2	R34	D2
CL11	*E2	R35	D2
CL12	*E1	R36	D2
CL13	*E1	R37	D2
CL14	*E1	R38	D2
CL15	*E1	R39	D1
CL16	*E1	R40	D2
CL17	*B3	R41	D4
CL18	*B2	R42	D4
CL19	*B2	R43	D4
CL20	*B2	R44	D4
CL21	*B2	R45	D3
CL22	*B2	R46	D3
CL23	*A2	R47	D4
CL24	*B2	R48	D3
CL25	*B2	R49	D4
CL26	*B2	R50	D3
CL27	*B2	R51	E2
CL28	*B2	R52	E3
CL29	*A2	R53	E2
CL30	*A2	R54	E2
CL31	*A2	R55	E2
CL32	*A1	R56	E2
CL33	*A1	R57	E2
CL34	*A1	R58	E2
CL35	*A1	R59	E2
		R60	E2
		R61	E2
CN1	A1		
CN2	*A1		
CN3	*A1		
CN4	*A2		
CN5	*A1		
CN6	B4		
CN7	B4		
CN8	D3		
CN9	D4		
CN10	D2		
CN11	D4		
CN12	*E1		
CN13	*E3		
CN19	*E1		
CN500	E1		

MS-64 -B SIDE-
SUFFIX: -11



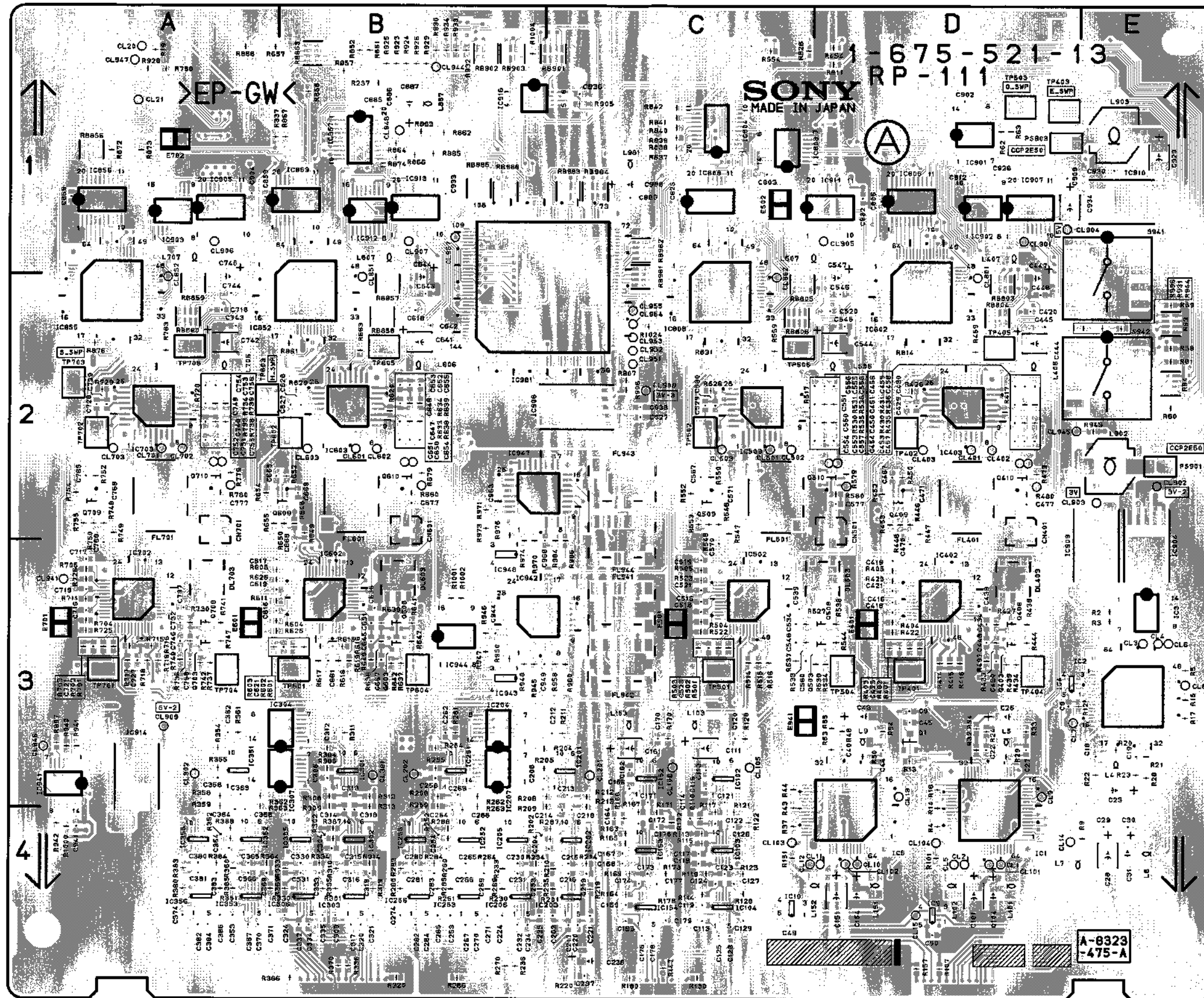
PTC-100 -A SIDE-
 SUFFIX: -12, 13
 FOR DSR-2000/2000P
 FOR DSBK-200



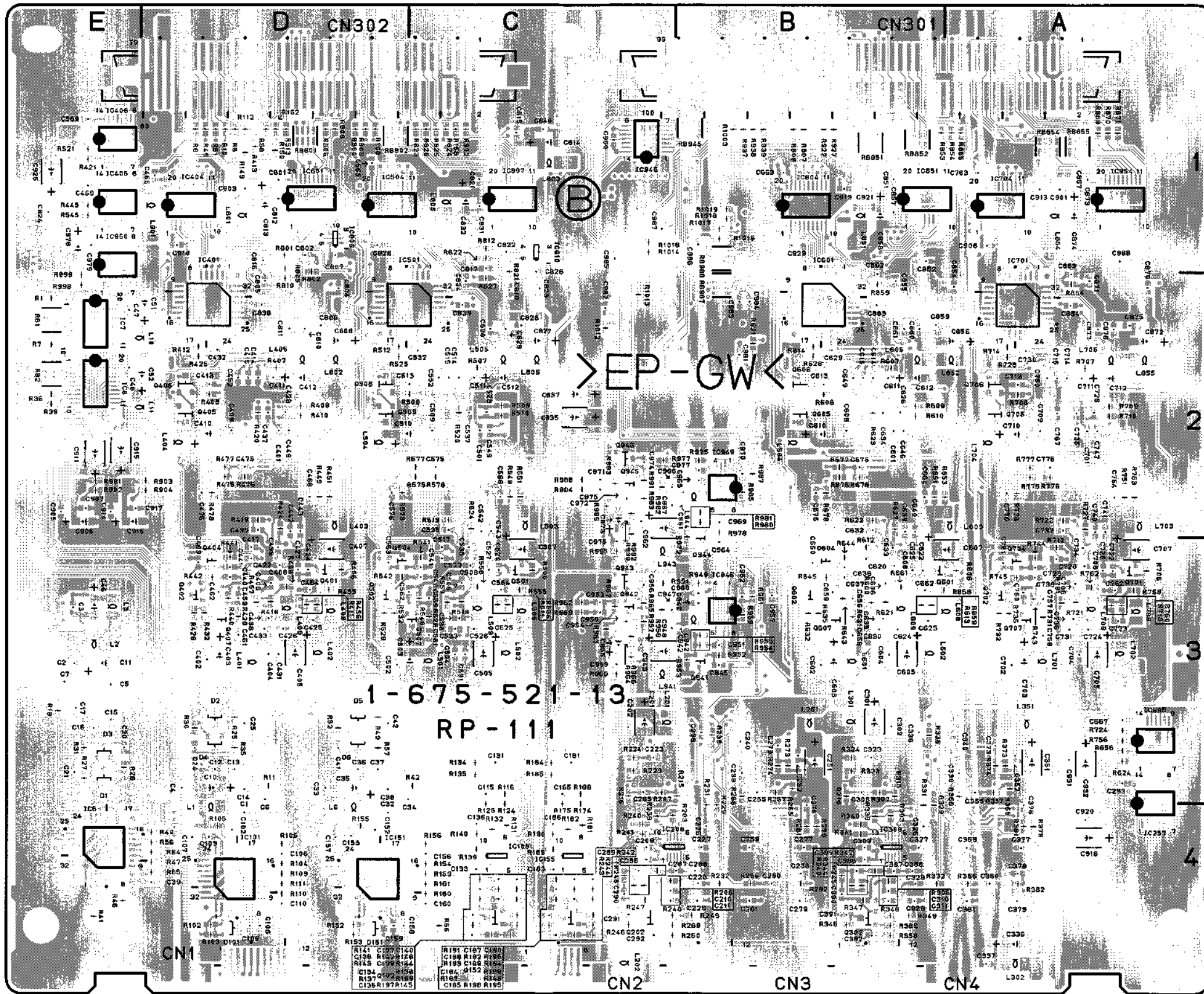
PTC-100 -B SIDE-
 SUFFIX: -12, 13
 FOR DSR-2000/2000P
 FOR DSBK-200

Table with 40 columns and 153 rows of alphanumeric data. Each row contains a sequence of alphanumeric characters, often starting with a row number (e.g., C1, C2, C3) and followed by a series of alphanumeric strings separated by spaces. The data appears to be a list of identifiers or codes.

R859	*B2	R991	*C2
R860	*A2	R992	*C2
R861	B2	R993	*C2
R862	B1	R994	*C2
R863	B1	R995	*C3
R864	B1	R996	E2
R865	B1	R997	A3
R866	B1	R998	*E2
R867	B1	R999	*E2
R868	A1	R1000	A4
R869	*A1	R1001	B3
R870	*A1	R1002	B3
R871	*A1	R1003	*B1
R872	A1	R1004	B1
R873	A1	R1012	*C2
R874	E1	R1013	*C2
R876	A2	R1014	*C1
R901	*E2	R1015	*B1
R902	*E2	R1016	*C1
R903	*D2	R1017	*B1
R904	*D2	R1018	*B1
R905	C1	R1019	*B1
R906	C2	R1024	C2
R907	C2		
R921	*B2	RE1	*E2
R922	*B1	RE2	*E2
R923	B1	RE3	E2
R924	B1	RE4	E2
R925	B1	RE801	*D1
R926	E1	RE802	*D1
R927	*B1	RE803	D2
R928	A1	RE804	D2
R929	B1	RE805	C2
R930	B1	RE806	C2
R931	E2	RE851	*B1
R932	B1	RE852	*B1
R933	B1	RE853	B1
R934	B1	RE854	*A1
R937	*B1	RE855	*A1
R938	*B1	RE856	A1
R939	*B1	RE857	B2
R940	A3	RE858	B2
R941	A3	RE859	A2
R942	A4	RE860	A2
R943	E2	RE901	C1
R944	E2	RE902	B1
R945	B3	RE903	B1
R946	B3	RE945	*B1
R947	B3	RE981	C2
R948	B3	RE982	C1
R949	*B3	RE983	C1
R950	B3	RE984	C1
R951	*C3	RE985	B1
R952	*B3	RE986	B1
R953	*B3	RE987	*B2
R954	*B3	RE988	*B1
R955	*B3		
R956	*C3	S941	E2
R957	*C3	S942	E2
R958	C3		
R959	*B3	TP401	D3
R960	C3	TP402	D2
R961	*B3	TP403	D1
R962	*C3	TP404	D3
R963	*C3	TP405	D2
R964	*C3	TP501	C3
R965	*C3	TP502	C2
R966	*C3	TP503	D1
R967	*C3	TP504	D3
R968	*C3	TP505	C2
R969	*C3	TP601	B3
R970	B3	TP602	B2
R971	B2	TP603	A2
R972	*C1	TP604	B3
R973	B2	TP605	B2
R974	B3	TP701	A3
R975	*B2	TP702	A2
R976	B2	TP703	A2
R977	*C2	TP704	A3
R978	*B2	TP705	A2
R979	*B2		
R980	*B2	*:B SIDE	
R981	*B2		
R982	*C2		
R983	*C2		
R984	C3		
R985	*B2		
R986	C3		
R987	*B2		
R988	*C2		
R989	*C2		
R990	*C2		



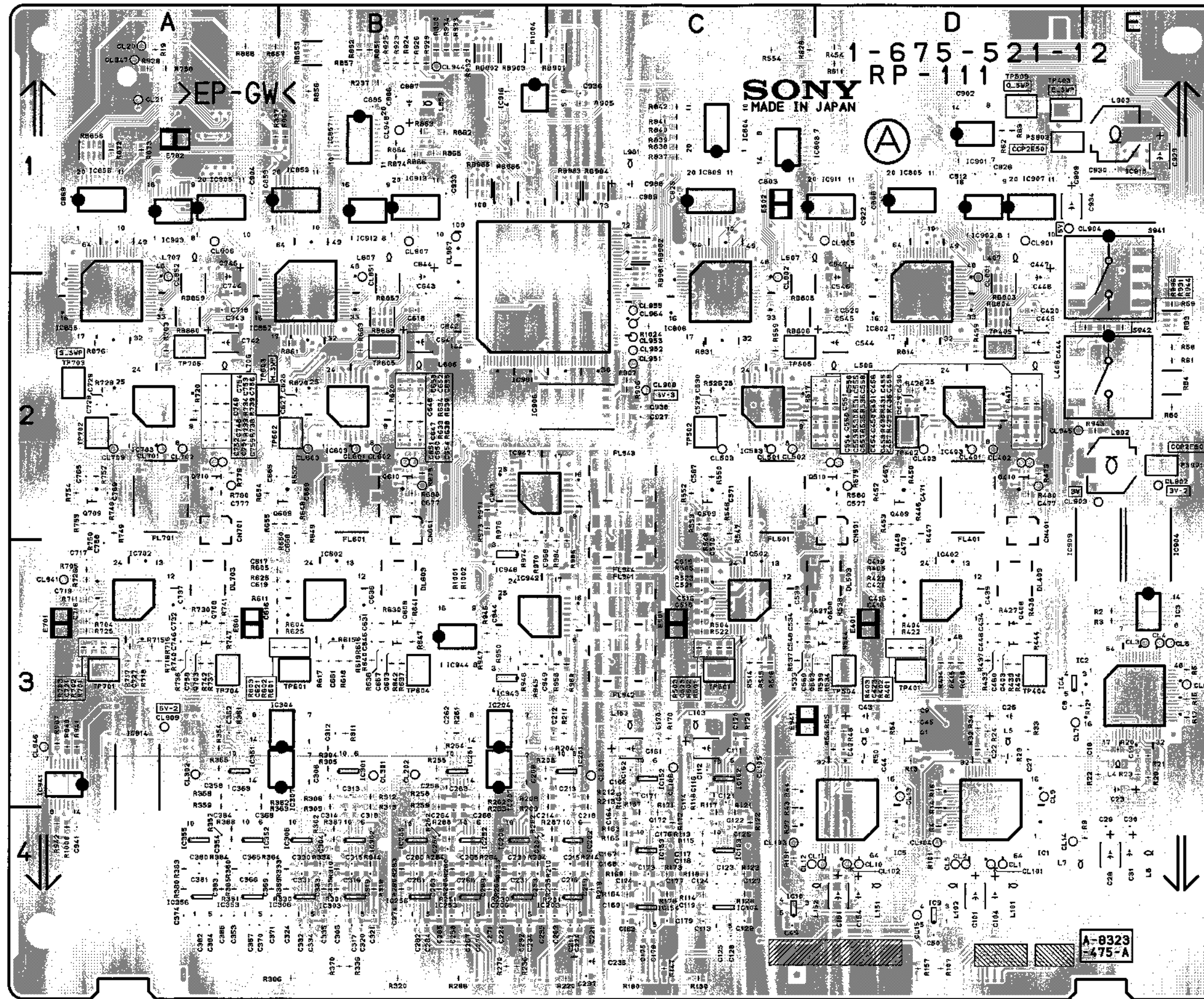
RP-111 -A SIDE-
SUFFIX: -13



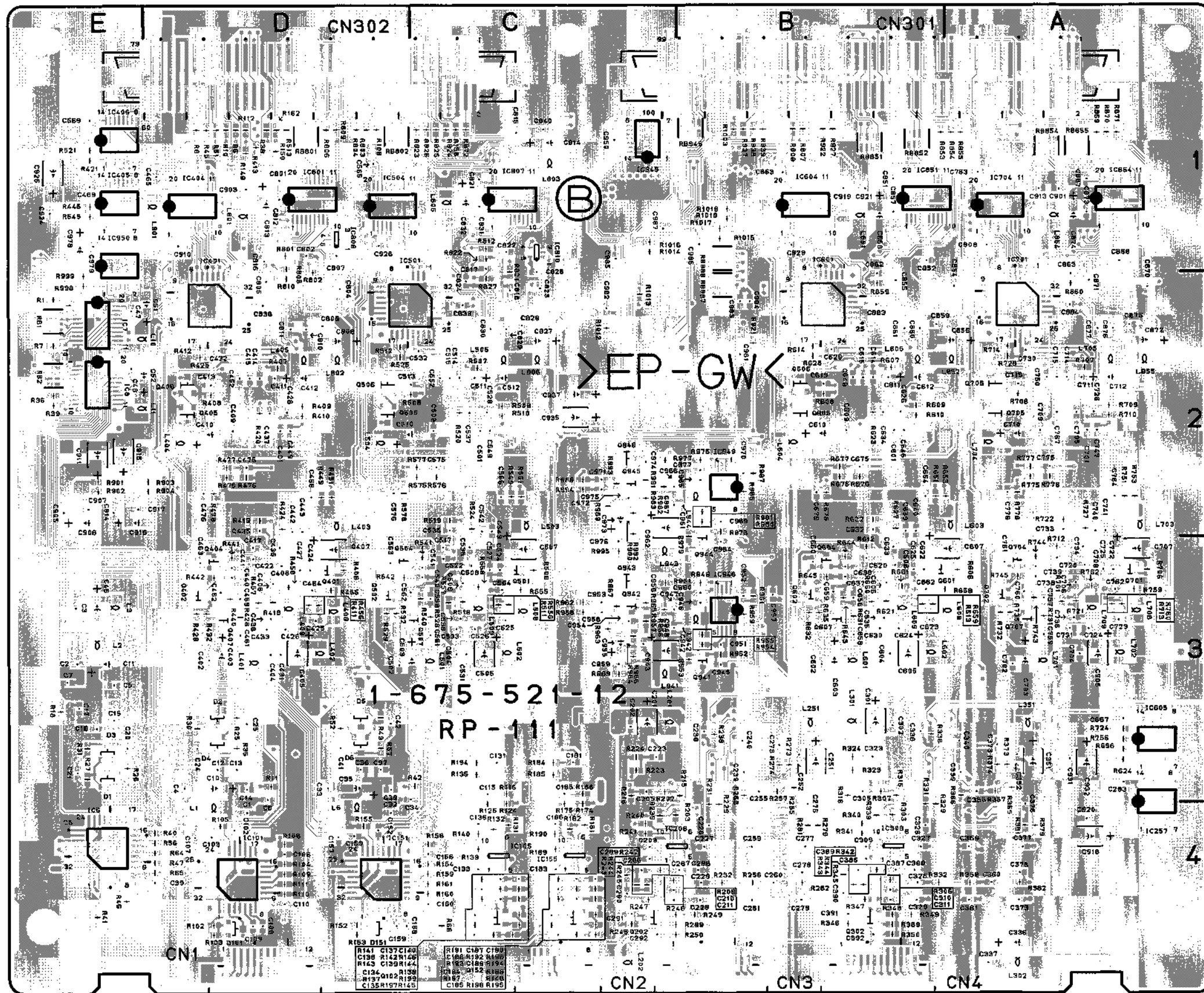
RP-111 -B SIDE-
SUFFIX: -13

Table with 40 columns and 153 rows of alphanumeric data. Each row contains a sequence of alphanumeric characters, often including asterisks, representing a data set or code list.

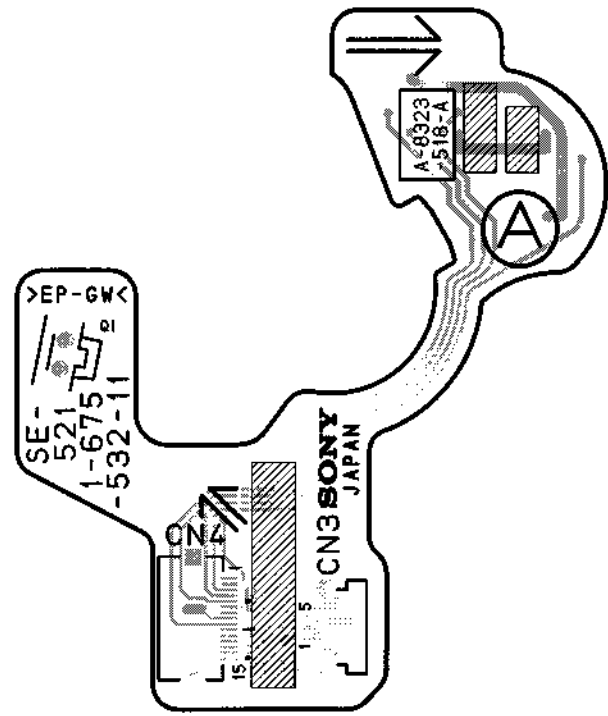
R859 *E2 R991 *C2
R860 *A2 R992 *C2
R861 B2 R993 *C2
R862 B1 R994 *C2
R863 B1 R995 *C3
R864 B1 R996 E2
R865 B1 R997 A3
R866 B1 R998 *E2
R867 B1 R999 *E2
R868 A1 R1000 A4
R869 *A1 R1001 B3
R870 *A1 R1002 B3
R871 *A1 R1003 *B1
R872 A1 R1004 B1
R873 A1 R1012 *C2
R874 B1 R1013 *C2
R876 A2 R1014 *C1
R901 *E2 R1015 *B1
R902 *E2 R1016 *C1
R903 *D2 R1017 *B1
R904 *D2 R1018 *B1
R905 C1 R1019 *B1
R906 C2 R1024 C2
R907 C2
R921 *B2 RB1 *E2
R922 *B1 RB2 *E2
R923 B1 RB3 E2
R924 B1 RB4 E2
R925 B1 RB801 *D1
R926 B1 RB802 *D1
R927 *B1 RB803 D2
R928 A1 RB804 D2
R929 B1 RB805 C2
R930 B1 RB806 C2
R931 E2 RB851 *B1
R932 B1 RB852 *B1
R933 B1 RB853 B1
R934 B1 RB854 *A1
R937 *B1 RB855 *A1
R938 *B1 RB856 A1
R939 *B1 RB857 B2
R940 A3 RB858 B2
R941 A3 RB859 A2
R942 A4 RB860 A2
R943 E2 RB901 C1
R944 E2 RB902 B1
R945 B3 RB903 B1
R946 B3 RB945 *B1
R947 B3 RB981 C2
R948 B3 RB982 C1
R949 *B3 RB983 C1
R950 B3 RB984 C1
R951 *C3 RB985 B1
R952 *B3 RB986 B1
R953 *B3 RB987 *B2
R954 *B3 RB988 *B1
R955 *B3
R956 *C3 S941 E2
R957 *C3 S942 E2
R958 C3
R959 *B3 TP401 D3
R960 C3 TP402 D2
R961 *B3 TP403 D1
R962 *C3 TP404 D3
R963 *C3 TP405 D2
R964 *C3 TP501 C3
R965 *C3 TP502 C2
R966 *C3 TP503 D1
R967 *C3 TP504 D3
R968 *C3 TP505 C2
R969 *C3 TP601 B3
R970 B3 TP602 B2
R971 B2 TP603 A2
R972 *C1 TP604 B3
R973 B2 TP605 B2
R974 B3 TP701 A3
R975 *B2 TP702 A2
R976 B2 TP703 A2
R977 *C2 TP704 A3
R978 *B2 TP705 A2
R979 *B2
R980 *B2 *:B SIDE
R981 *B2
R982 *C2
R983 *C2
R984 C3
R985 *B2
R986 C3
R987 *B2
R988 *C2
R989 *C2
R990 *C2



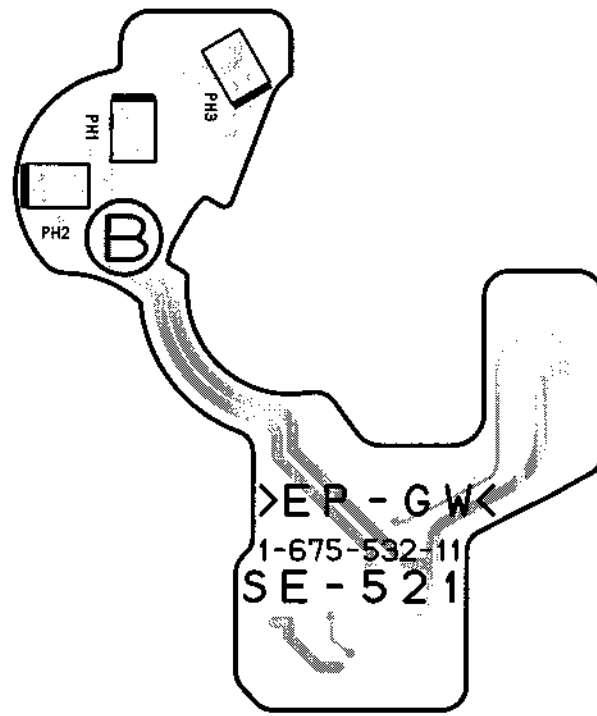
RP-111 -A SIDE-
SUFFIX: -12



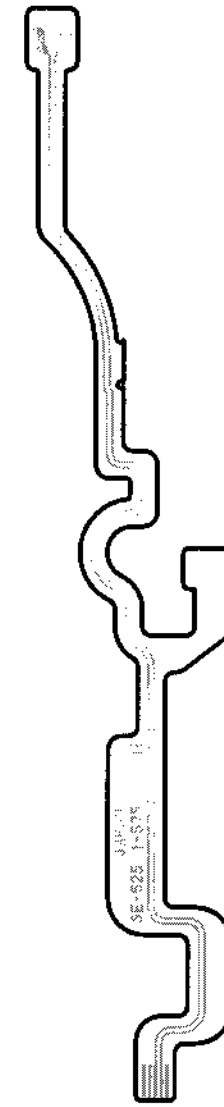
RP-111 -B SIDE-
SUFFIX: -12



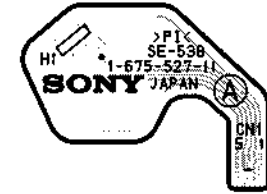
SE-521 -A SIDE-
SUFFIX: -11



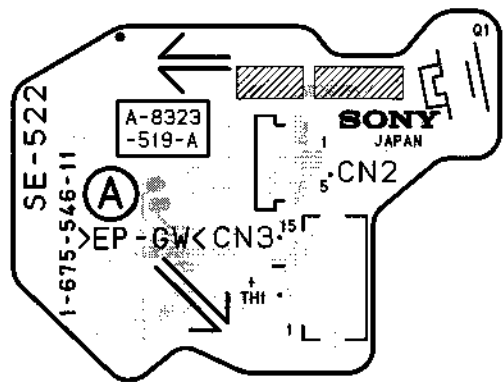
SE-521 -B SIDE-
SUFFIX: -11



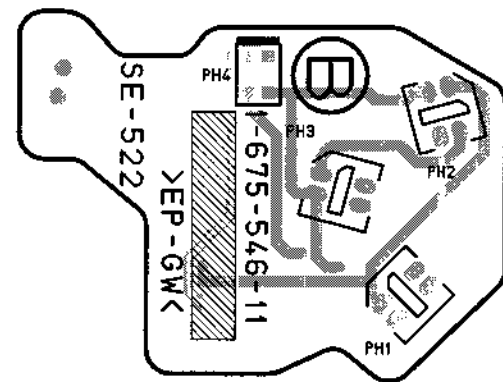
SE-525 -A SIDE-
SUFFIX: -11



SE-538 -A SIDE-
SUFFIX: -11

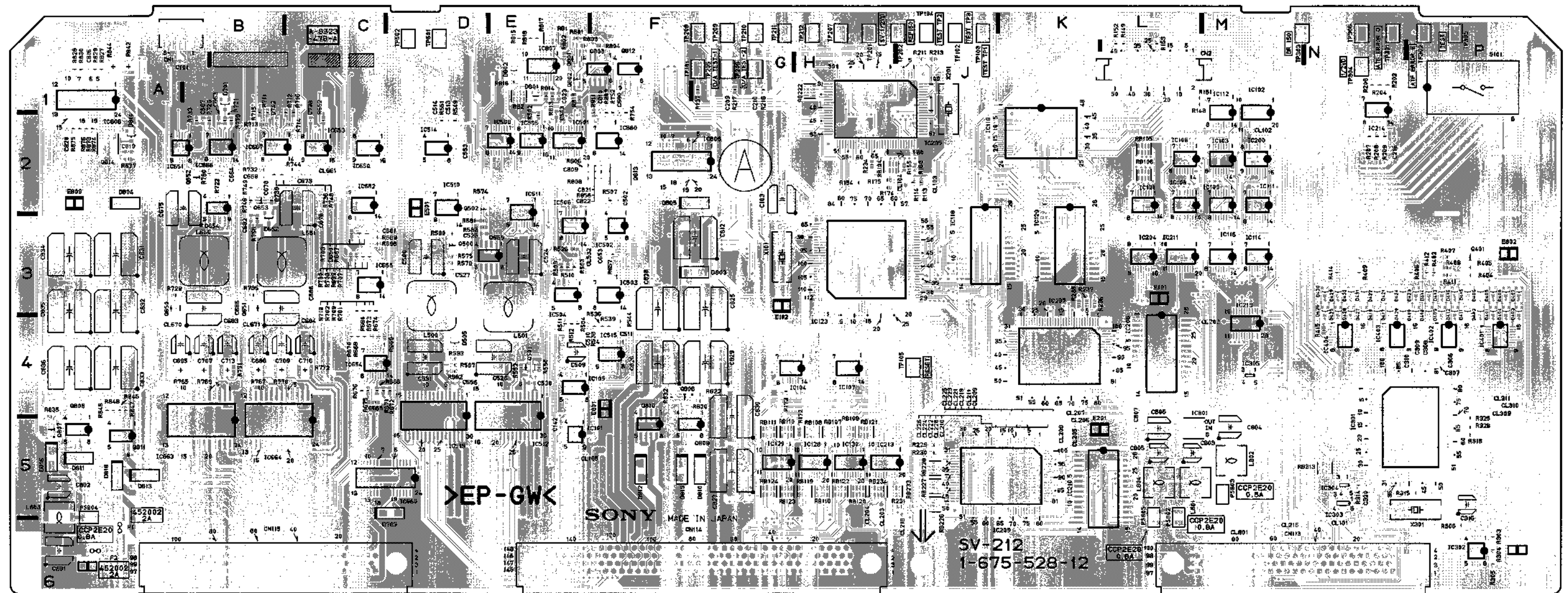


SE-522 -A SIDE-
SUFFIX: -11

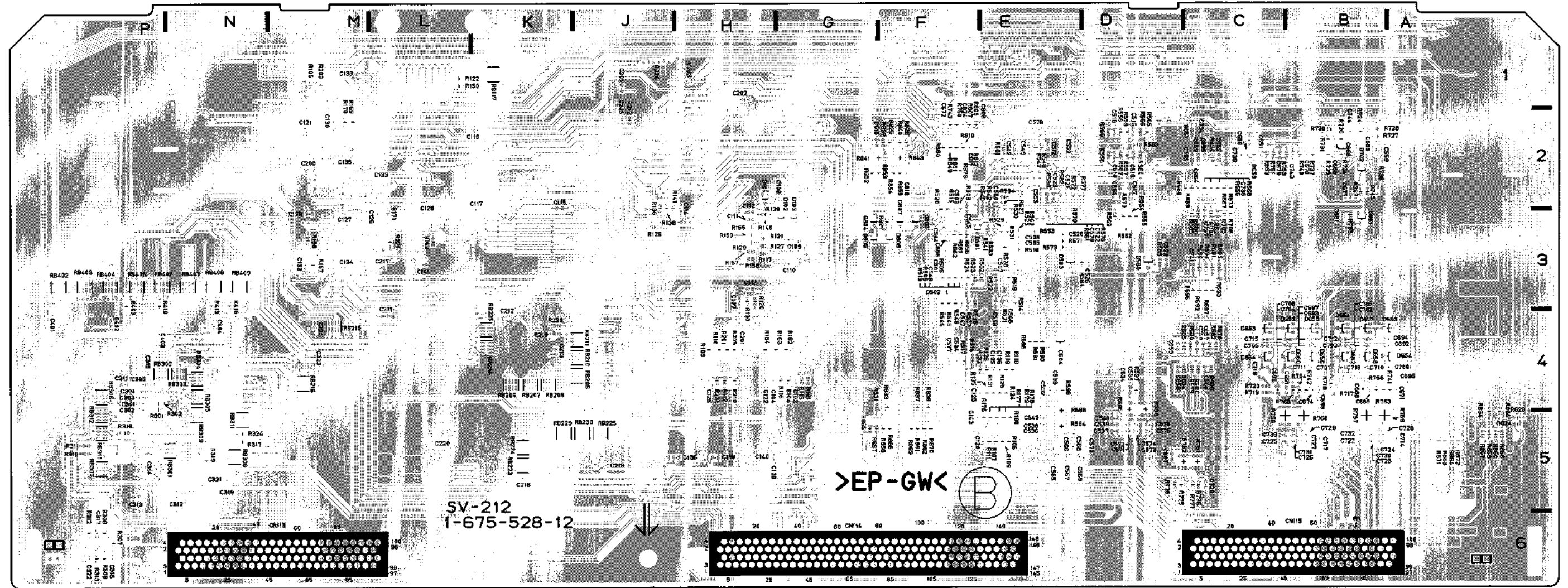


SE-522 -B SIDE-
SUFFIX: -11

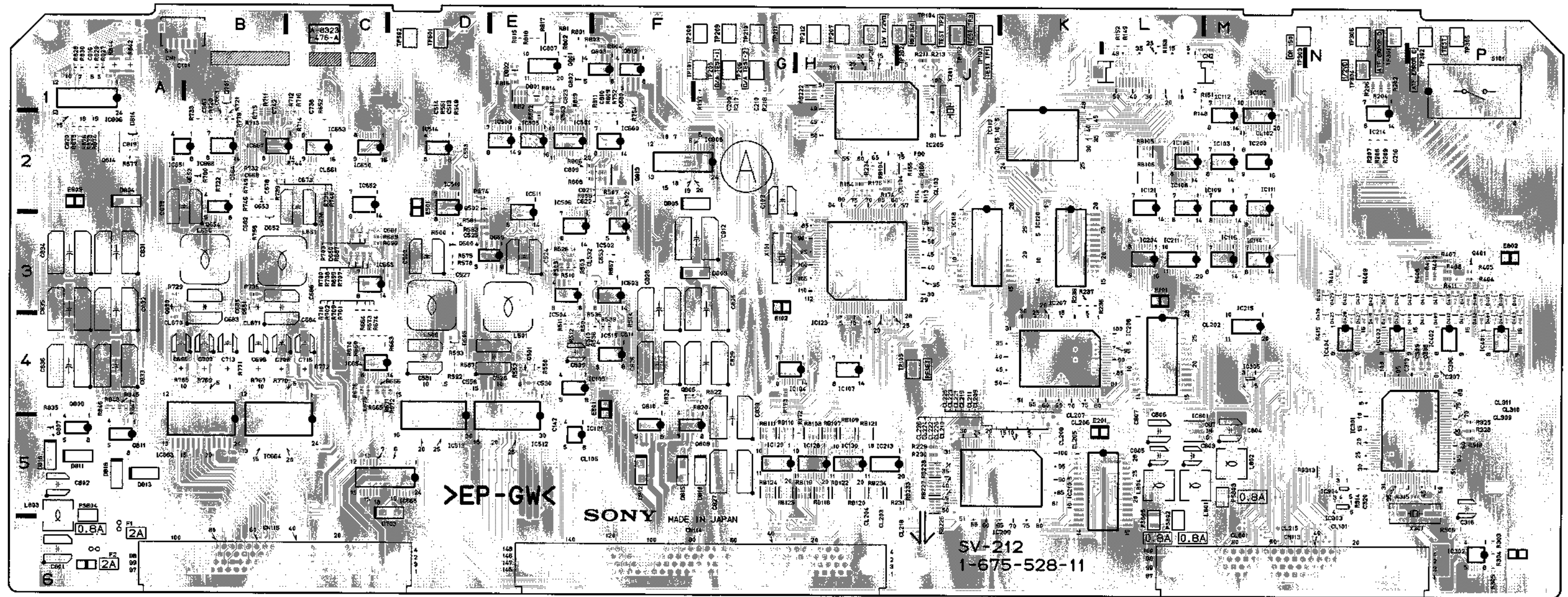
Table with multiple columns and rows containing alphanumeric codes and identifiers. Includes a '*:B SIDE' label on the right side of the table.



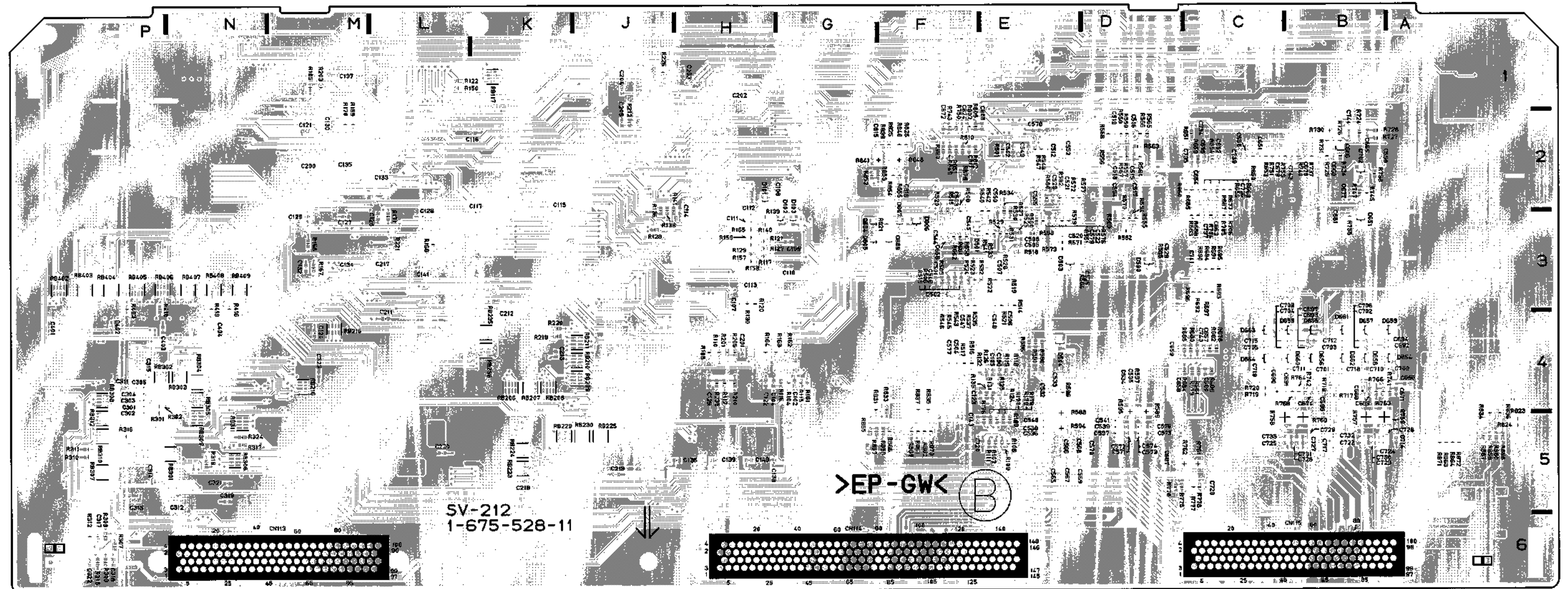
SV-212 -A SIDE-
SUFFIX: -12



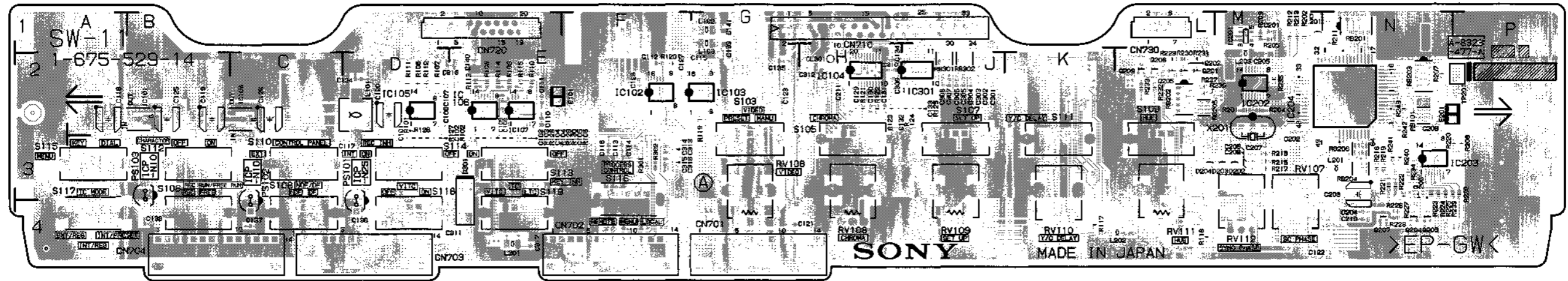
SV-212 -B SIDE-
SUFFIX: -12



SV-212 -A SIDE-
SUFFIX: -11



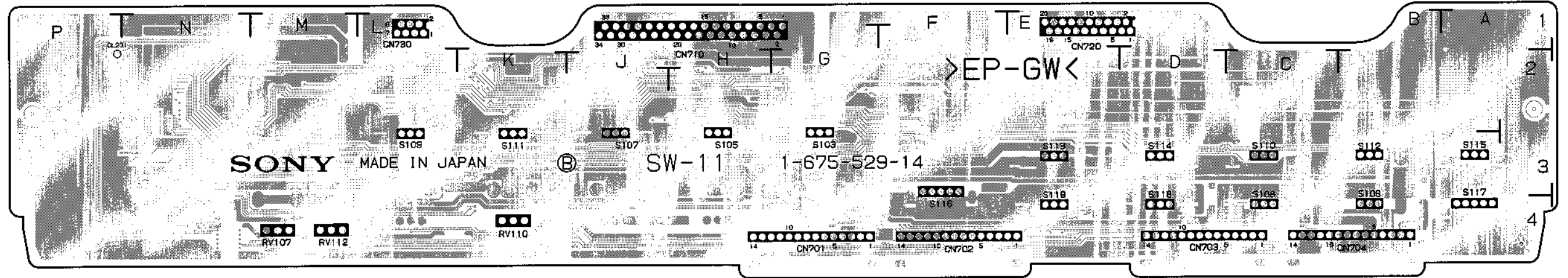
SV-212 -B SIDE-
SUFFIX: -11



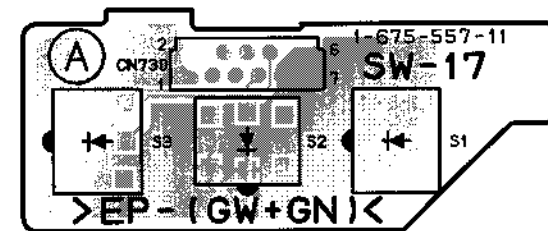
SW-11 -A SIDE-
SUFFIX: -14

SW-11 (1-675-529-14)

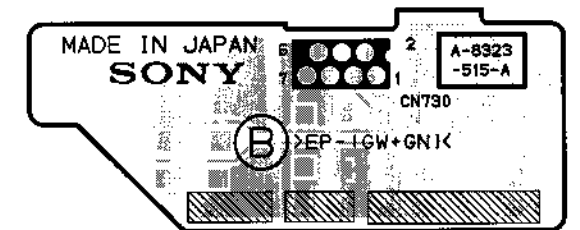
C101	D3	C202	M2	D203	M3	R101	D3	R218	N3	RV109	J4
C102	D3	C203	N3	D204	L3	R102	D3	R219	N3	RV110	K4
C103	E3	C204	N4	D301	E4	R103	E3	R220	F3	RV111	L4
C104	E3	C205	M2			R104	E3	R221	N3	RV112	M4
C105	E3	C206	M3	E101	E2	R105	E3	R222	N3		
C106	D2	C207	M3	E201	P2	R106	D2	R223	N3	S103	G3
C107	D2	C208	M3			R107	D2	R224	N3	S105	H3
C108	E2	C209	N3	IC101	B2	R108	E2	R225	N3	S106	B4
C109	E2	C210	N4	IC102	F2	R109	E2	R226	N4	S107	J3
C110	E2	C211	H2	IC103	G2	R110	E2	R227	N3	S108	C4
C111	E2	C301	J2	IC104	H2	R111	D2	R228	N4	S109	L3
C112	F2	C302	J2	IC105	D2	R112	D2	R229	L2	S110	C3
C113	F3	C303	J2	IC106	E2	R113	E2	R230	L2	S111	K3
C114	F3	C304	J2	IC107	E2	R114	E2	R231	L2	S112	B3
C115	G2	C305	J2	IC108	C2	R115	E2	R232	L2	S113	E3
C116	F3	C306	J2	IC201	M1	R117	K4	R233	L2	S114	D3
C117	D3	C307	J2	IC202	M2	R118	L4	R234	N3	S115	A3
C118	A2	C308	J2	IC203	N3	R119	G2	R235	M2	S116	F3
C119	B2	C309	H2	IC204	N2	R120	F2	R236	L2	S117	A4
C120	D2	C310	H2	IC301	J2	R121	H2	R237	L2	S118	D4
C121	G4	C311	E4			R122	H2	R238	P3	S119	E4
C122	M4	C312	H2	L101	D2	R123	H2	R239	P3		
C123	G2	C313	F3	L102	G1	R124	J2	R240	N3	TP201	P2
C124	D2	C314	F3	L103	G1	R125	J2	R241	N3		
C125	B2	C315	F3	L201	N3	R126	D3	R242	N2	X201	M2
C126	C2	C316	F3	L202	L4	R127	D3	R243	N2		
C127	F2	C317	E4	L203	M2	R128	E3	R301	F3		
C128	F2	C318	E2	L301	E4	R129	E3	R302	F3		
C129	H2					R130	E3				
C130	H2	CL201	*P1	PS101	D4	R201	M2	RB101	N2		
C131	H2	CL301	H2	PS102	C4	R202	M1	RB201	N1		
C132	H2			PS103	B3	R203	M1	RB202	L2		
C133	J2	CN701	G4			R204	M2	RB203	N2		
C134	H2	CN702	F4	Q201	L2	R205	M1	RB204	N3		
C135	G2	CN703	D4	Q202	L2	R206	F3	RB205	L2		
C136	D4	CN704	B4	Q203	N4	R207	N2	RB206	N3		
C137	C4	CN710	H1	Q204	N4	R211	N1	RB301	J2		
C138	B4	CN720	E1	Q205	L2	R212	M1	RB302	J2		
C139	G1	CN730	L1	Q206	N3	R213	M1				
C140	E2			Q207	N4	R215	M3	RV106	G4		
C141	G1	D201	M1	Q208	L2	R216	M3	RV107	M4		
C201	M1	D202	M3	Q209	L2	R217	M3	RV108	H4		



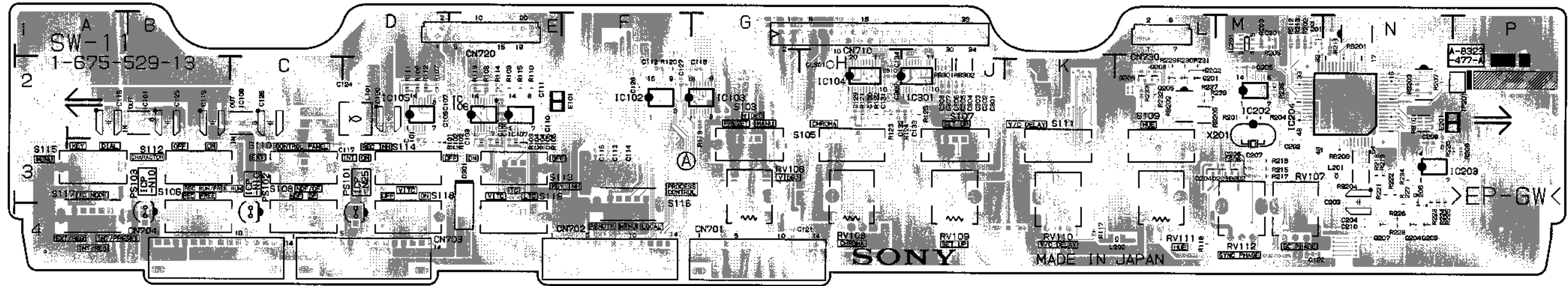
SW-11 -B SIDE-
SUFFIX: -14



SW-17 -A SIDE-
SUFFIX: -11



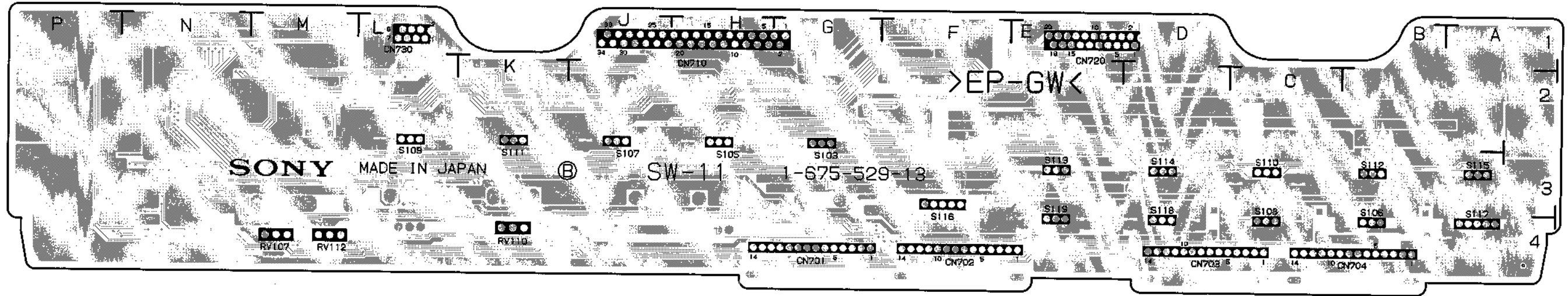
SW-17 -B SIDE-
SUFFIX: -11



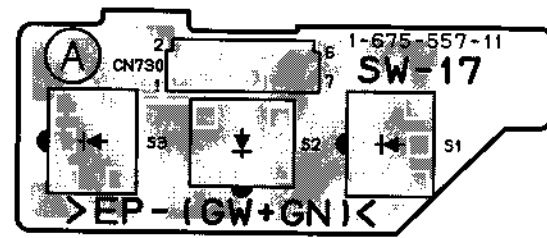
SW-11 -A SIDE-
SUFFIX: -13

SW-11 (1-675-529-13)

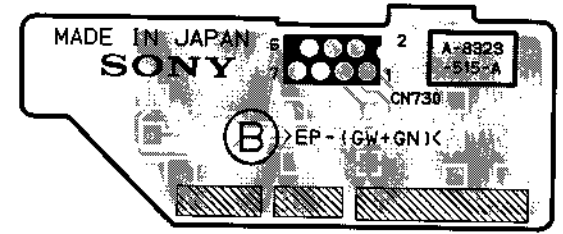
C101	D3	C210	N4	IC204	N2	R123	H2	RB205	L2
C102	D3	C301	J2	IC301	J2	R124	J2	RB206	N3
C103	E3	C302	J2			R125	J2	RB301	J2
C104	E3	C303	J2	L101	D2	R201	M2	RB302	J2
C105	E3	C304	J2	L201	N3	R202	M1		
C106	D2	C305	J2	L202	L4	R203	M1	RV106	G4
C107	D2	C306	J2			R204	M2	RV107	M4
C108	E2	C307	J2	PS101	D4	R205	M1	RV108	H4
C109	E2	C308	J2	PS102	C4	R206	P3	RV109	J4
C110	E2	C309	H2	PS103	B4	R207	N2	RV110	K4
C111	E2	C310	H2			R211	N1	RV111	L4
C112	F2			Q201	L2	R212	M1	RV112	M4
C113	F3	CL301	H2	Q202	L2	R213	M1		
C114	F3			Q203	N4	R215	M3	S103	G3
C115	G2	CN701	G4	Q204	N4	R216	M3	S105	H3
C116	F3	CN702	F4	Q205	L2	R217	M3	S106	B4
C117	D3	CN703	D4	Q206	N3	R218	N3	S107	J3
C118	A2	CN704	B4	Q207	N4	R219	N3	S108	C4
C119	B2	CN710	H1	Q208	L2	R220	P3	S109	L3
C120	D2	CN720	E1	Q209	L2	R221	N3	S110	C3
C121	G4	CN730	L1			R222	N3	S111	K3
C122	M4			R101	D3	R223	N3	S112	B3
C124	D2	D201	M1	R102	D3	R224	N3	S113	E3
C125	B2	D202	M3	R103	E3	R225	N3	S114	D3
C126	C2	D203	M3	R104	E3	R226	N4	S115	A3
C127	F2	D204	L3	R105	E3	R227	N3	S116	P3
C128	F2	D301	E4	R106	D2	R228	N4	S117	A4
C129	H2			R107	D2	R229	L2	S118	D4
C130	H2	E101	E2	R108	E2	R230	L2	S119	B4
C131	H2	E201	P2	R109	E2	R231	L2		
C132	H2			R110	B2	R232	L2	TP201	P2
C133	J2	IC101	B2	R111	D2	R233	L2		
C134	H2	IC102	F2	R112	D2	R234	N3	X201	M2
C201	M1	IC103	G2	R113	E2	R235	M2		
C202	M2	IC104	H2	R114	E2	R236	L2		
C203	N3	IC105	D2	R115	E2	R237	L2		
C204	N4	IC106	E2	R117	K4				
C205	M2	IC107	E2	R118	L4	RB101	N2		
C206	M3	IC108	C2	R119	G2	RB201	N1		
C207	M3	IC201	M1	R120	F2	RB202	L2		
C208	M3	IC202	M2	R121	H2	RB203	N2		
C209	N3	IC203	N3	R122	H2	RB204	N3		



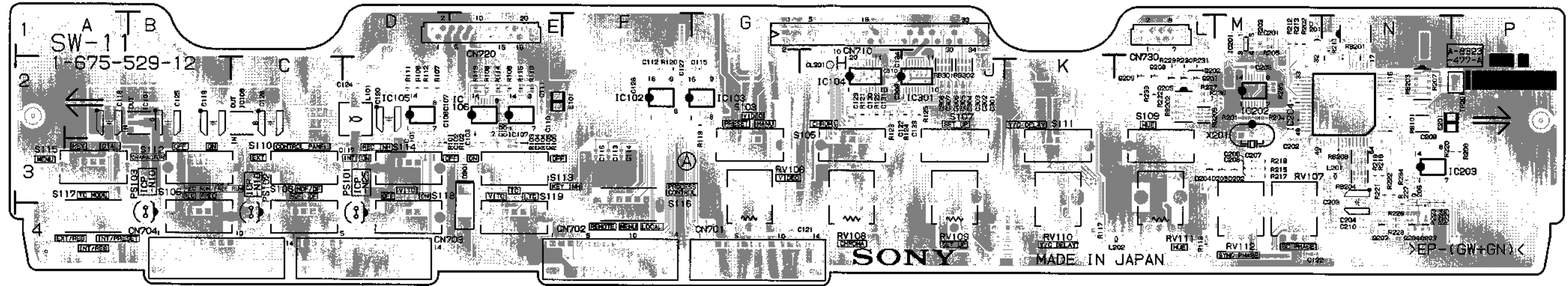
SW-11 -B SIDE-
SUFFIX: -13



SW-17 -A SIDE-
SUFFIX: -11



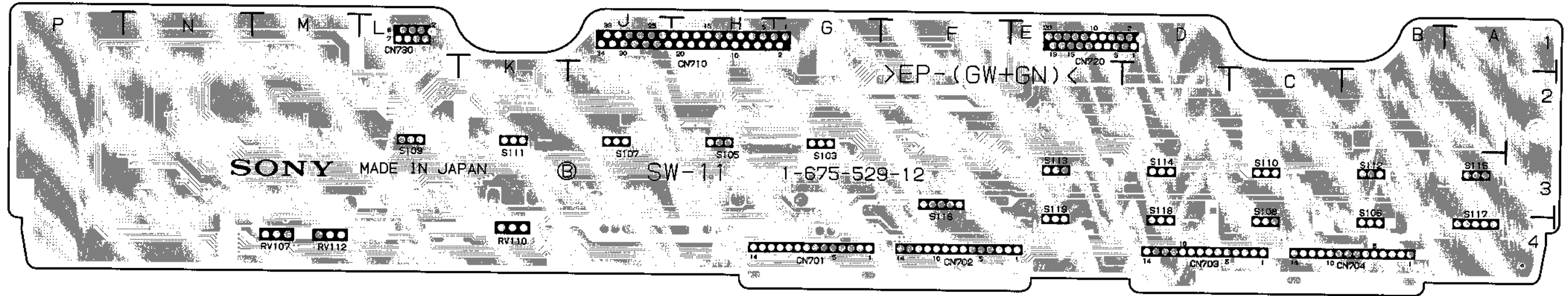
SW-17 -B SIDE-
SUFFIX: -11



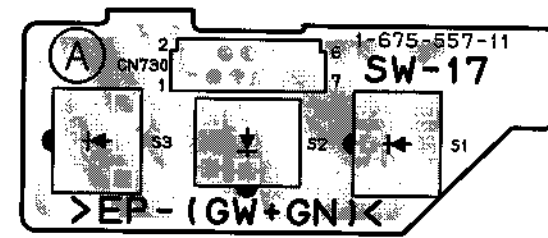
SW-11 -A SIDE-
SUFFIX: -12

SW-11 (1-675-529-12)

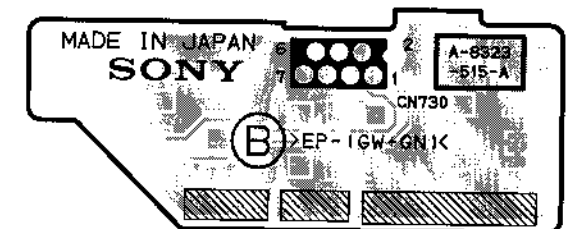
C101	D3	C210	N4	IC204	N2	R123	H2	RB205	L2
C102	D3	C301	J2	IC301	J2	R124	J2	RB206	N3
C103	E3	C302	J2			R125	J2	RB301	J2
C104	E3	C303	J2	L101	D2	R201	M2	RB302	J2
C105	E3	C304	J2	L201	N3	R202	M1		
C106	D2	C305	J2	L202	L4	R203	M1	RV106	G4
C107	D2	C306	J2			R204	M2	RV107	M4
C108	E2	C307	J2	PS101	D4	R205	M1	RV108	H4
C109	E2	C308	J2	PS102	C4	R206	P3	RV109	J4
C110	E2	C309	H2	PS103	B4	R207	N2	RV110	K4
C111	E2	C310	H2			R211	N1	RV111	L4
C112	F2			Q201	L2	R212	M1	RV112	M4
C113	F3	CL301	H2	Q202	L2	R213	M1		
C114	F3			Q203	N4	R215	M3	S103	G3
C115	G2	CN701	G4	Q204	N4	R216	M3	S105	H3
C116	F3	CN702	F4	Q205	L2	R217	M3	S106	B4
C117	D3	CN703	D4	Q206	N3	R218	N3	S107	J3
C118	A2	CN704	B4	Q207	N4	R219	N3	S108	C4
C119	B2	CN710	H1	Q208	L2	R220	P3	S109	L3
C120	D2	CN720	E1	Q209	L2	R221	N3	S110	C3
C121	G4	CN730	L1			R222	N3	S111	K3
C122	M4					R223	N3	S112	B3
C124	D2	D201	M1	R101	D3	R224	N3	S113	E3
C125	E2	D202	M3	R102	D3	R225	N3	S114	D3
C126	C2	D203	M3	R103	E3	R226	N4	S115	A3
C127	F2	D204	L3	R104	E3	R227	N3	S116	F3
C128	F2	D301	E4	R105	E3	R228	N4	S117	A4
C129	H2			R106	D2	R229	L2	S118	D4
C130	H2	E101	E2	R107	D2	R230	L2	S119	E4
C131	H2	E201	F2	R108	E2	R231	L2		
C132	H2			R109	E2	R232	L2	TP201	P2
C133	J2	IC101	E2	R110	E2	R233	L2		
C134	H2	IC102	F2	R111	D2	R234	N3	X201	M2
C201	M1	IC103	G2	R112	D2	R235	M2		
C202	M2	IC104	H2	R113	E2	R236	L2		
C203	N3	IC105	D2	R114	E2	R237	L2		
C204	N4	IC106	E2	R115	E2				
C205	M2	IC107	E2	R116	L4	RB101	N2		
C206	M3	IC108	C2	R117	G2	RB201	M1		
C207	M3	IC201	M1	R118	F2	RB202	L2		
C208	M3	IC202	M2	R119	H2	RB203	N2		
C209	N3	IC203	N3	R120	H2	RB204	N3		



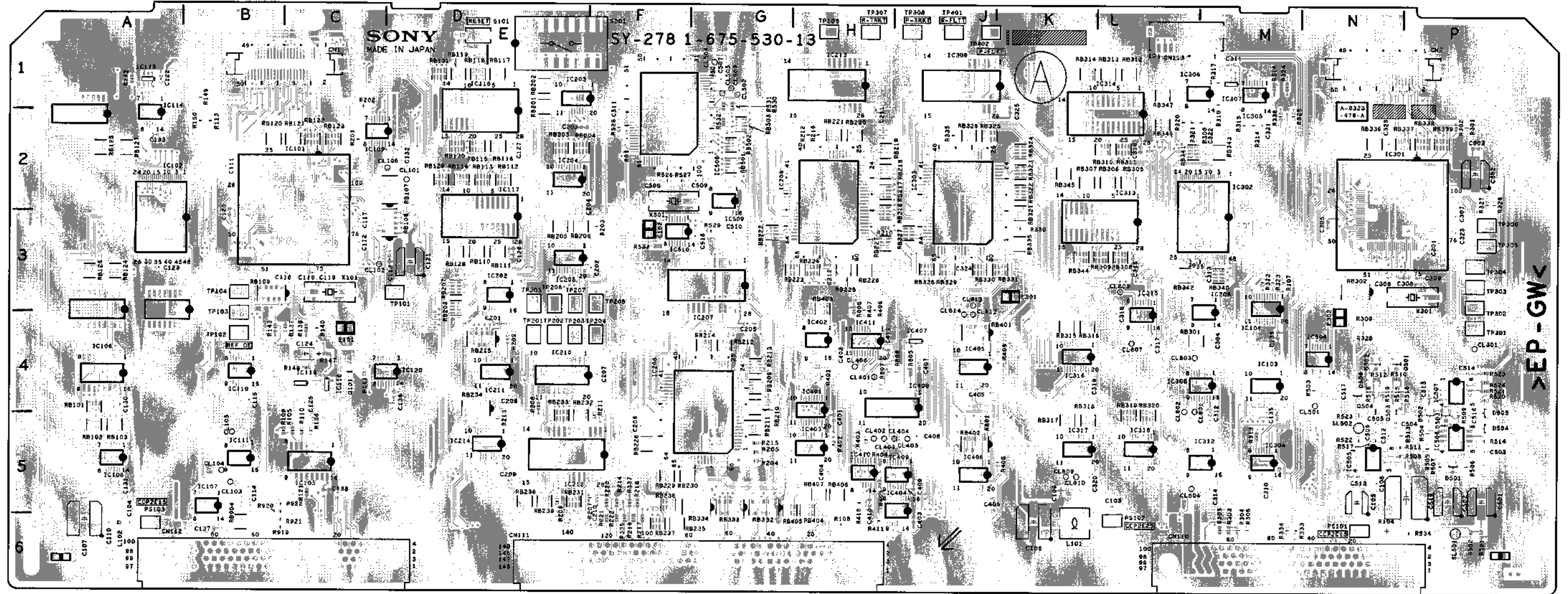
SW-11 -B SIDE-
SUFFIX: -12



SW-17 -A SIDE-
SUFFIX: -11



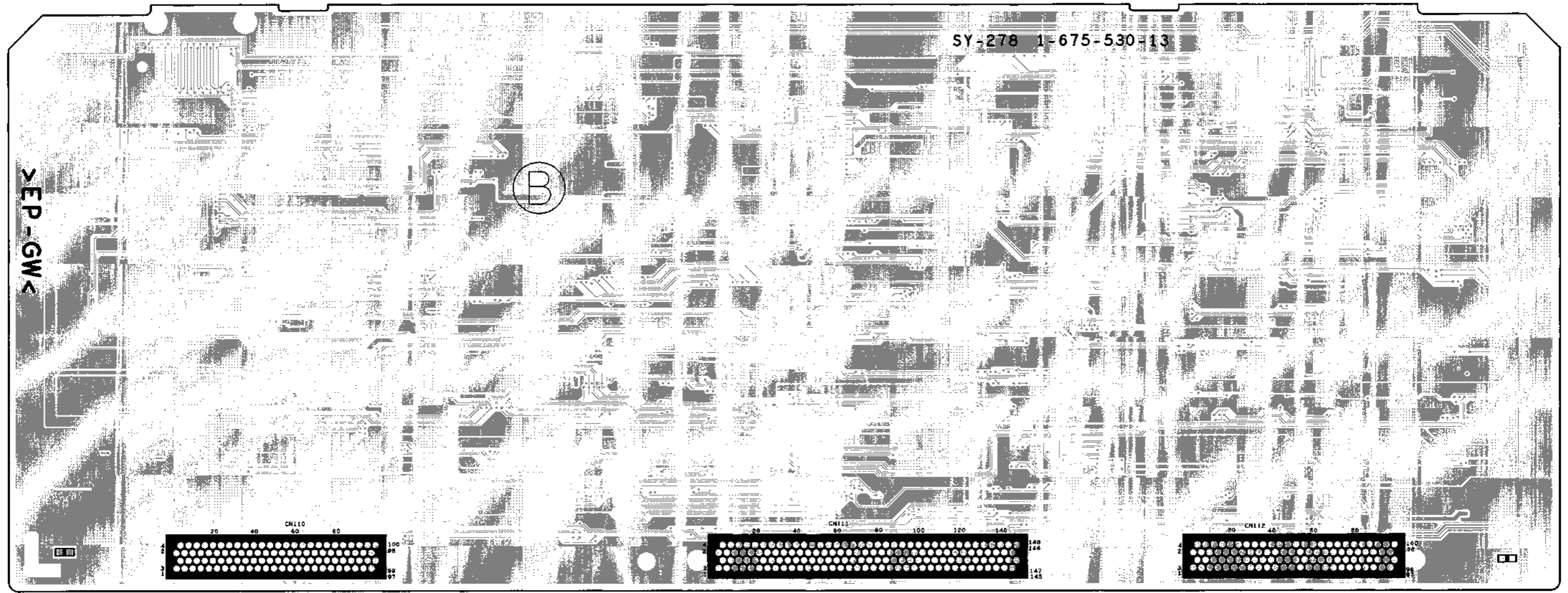
SW-17 -B SIDE-
SUFFIX: -11



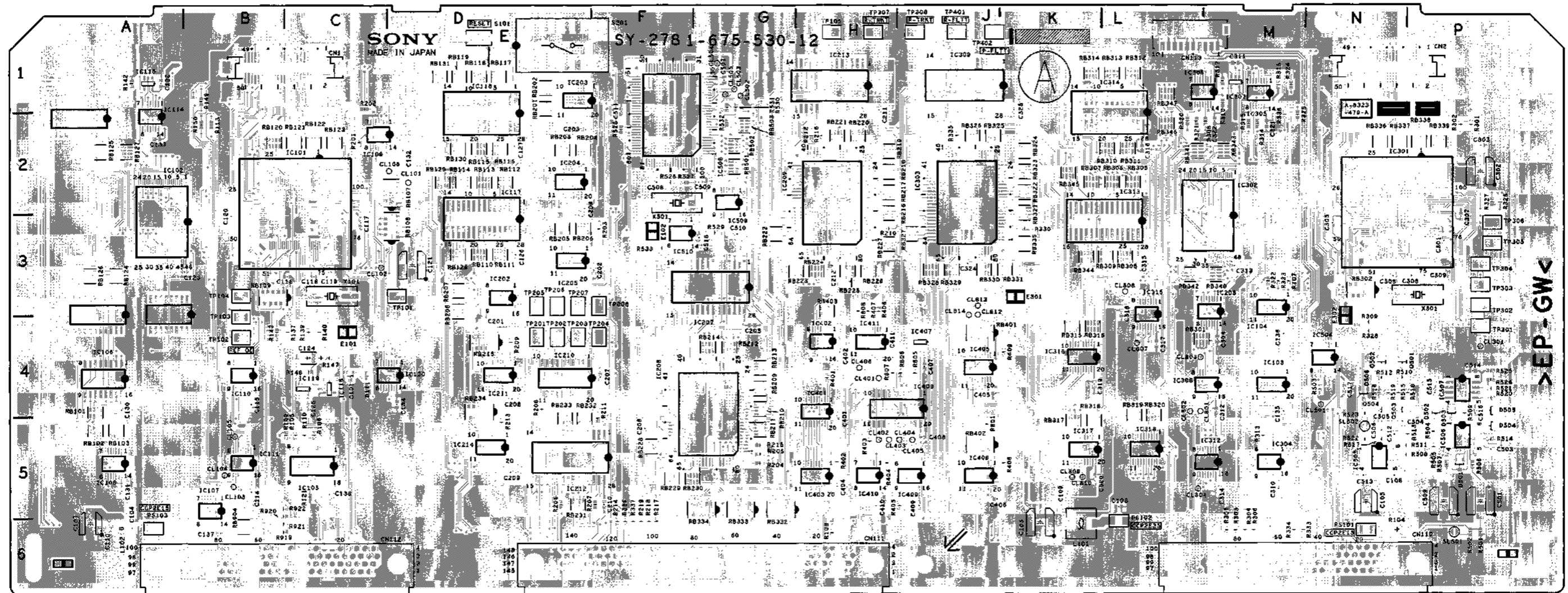
SY-278 -A SIDE-
SUFFIX: -13

SY-278 (1-675-530-13)

C103	L5	C134	D4	C313	M3	C505	N5	CL501	N4	D506	N4	IC206	M3	IC405	J4	R105	C5	R212	H2	R324	M1	R507	P5	R805	J4	RB124	A3	RB227	G3	RB314	K1	RB343	M2	TP202	E4
C104	A6	C135	M4	C314	M5	C506	N5	CL502	G1			IC207	G3	IC406	J5	R106	C5	R213	E5	R325	M2	R508	N5	R806	J4	RB125	A2	RB223	H3	RB315	K4	RB344	K3	TP203	E4
C105	N5	C136	M4	C315	L3	C507	G1	CL503	G1	E101	C4	IC208	G4	IC407	J4	R107	M3	R214	F5	R326	P2	R509	P4	R807	H4	RB126	A3	RB224	H3	RB316	K4	RB345	K2	TP204	F4
C106	K6	C137	B6	C316	L2	C508	F2	CL504	G1	E102	F3	IC209	H2	IC408	J4	R108	H6	R215	G5	R327	P2	R510	N4	R808	H3	RB127	A3	RB225	H3	RB317	K5	RB346	L2	TP205	E3
C107	A6	C138	C5	C317	L4	C509	G2	CL505	G1	E301	K3	IC210	E4	IC409	J5	R109	C5	R216	H2	R328	N4	R511	N5	R919	B6	RB128	D2	RB226	H3	RB318	K5	RB347	L1	TP206	E3
C108	N5	C201	E4	C318	L3	C510	G3	CL801	L4	E302	N4	IC211	E4	IC410	H5	R110	C5	R217	F6	R330	K3	R512	N4	R920	B5	RB129	D2	RB227	H3	RB319	L4	RB401	J4	TP207	E3
C109	K5	C202	F3	C319	K4	C511	F1	CL802	L4			IC212	F5	IC411	H4	R111	C4	R218	F5	R333	M6	R513	N5	R921	B6	RB130	D2	RB228	F5	RB320	L4	RB402	J5	TP208	F3
C110	A6	C203	E2	C320	K5	C512	N5	CL803	L4	IC101	C2	IC213	H1	IC504	N4	R113	B2	R219	F6	R334	M6	R514	P5	R922	B5	RB131	D1	RB229	F5	RB321	K2	RB403	H3	TP301	P4
C111	B2	C204	E2	C321	M2	C513	N5	CL804	L5	IC102	B2	IC214	E5	IC505	N5	R121	C5	R220	F5	R335	J2	R515	N4			RB201	E1	RB230	F5	RB322	K2	RB404	H5	TP302	P3
C112	C3	C205	G4	C322	M2	C514	P4	CL807	L4	IC103	M4	IC301	N2	IC506	P5	R137	C4	R221	F6	R336	F6	R516	N4	RB101	A4	RB202	E1	RB231	E5	RB323	K2	RB405	G5	TP303	P3
C113	D3	C206	F5	C323	P3	C515	P4	CL808	L3	IC104	M3	IC302	M2	IC507	P4	R139	C4	R222	F6	R337	F5	R517	N5	RB102	A5	RB203	E2	RB232	E5	RB324	K2	RB406	H5	TP304	P3
C114	B5	C207	F4	C324	J3	C516	P4	CL809	K5	IC105	C5	IC303	J2	IC508	F2	R140	C4	R301	P2	R338	M2	R518	N4	RB103	A5	RB204	E2	RB233	E5	RB325	J2	RB407	H5	TP305	P3
C115	B4	C208	E4	C325	K1	C517	N4	CL810	K5	IC106	A4	IC304	M5	IC509	G2	R142	A1	R302	P2	R401	H4	R519	N4	RB107	D2	RB205	E3	RB234	D4	RB326	J2	RB501	G2	TP306	P3
C116	C3	C209	E5	C326	N2	C518	G3	CL812	J4	IC107	B5	IC305	M1	IC510	F3	R143	B4	R303	M6	R402	H5	R520	P4	RB108	D3	RB206	E3	RB235	F6	RB327	J3	RB502	G2	TP307	H1
C117	C3	C210	F5	C401	H5	C519	P5	CL813	J3	IC108	A5	IC306	M1			R147	C4	R304	M6	R403	H5	R521	N4	RB109	B3	RB207	D3	RB236	F5	RB328	J3	RB503	G2	TP308	J1
C118	C3	C211	H1	C402	H4			CL814	J4	IC109	C2	IC307	M1	L101	K6	R148	C4	R305	M6	R404	H5	R522	N5	RB110	D3	RB208	D3	RB237	F6	RB329	J3	RB904	B6	TP401	J1
C119	C3	C212	H3	C403	J6	CL101	D2			IC110	B4	IC308	M4	L102	A6	R149	B1	R306	M6	R405	H5	R523	N4	RB111	E3	RB209	G4	RB238	E5	RB330	J3			TP402	J1
C120	B3	C301	P3	C404	H5	CL102	C3	CN1	B1	IC111	B5	IC309	J1			R150	B2	R308	M2	R406	H3	R524	P4	RB112	E2	RB210	G4	RB239	E5	RB331	K3	S101	D1		
C121	D3	C302	F2	C405	J4	CL103	B5	CN2	N1	IC114	A1	IC312	M5	PS101	N6	R201	C2	R309	N4	R407	H3	R525	P4	RB113	D2	RB211	G5	RB301	L4	RB332	G5	S201	E1	X101	C3
C122	A1	C303	P2	C406	J5	CL104	B5	CN110	M6	IC115	A1	IC313	L2	PS102	L6	R202	C1	R310	M1	R408	K5	R526	F2	RB114	D2	RB212	G4	RB302	N3	RB333	G5			X301	P3
C123	A3	C304	M4	C407	J4	CL105	B5	CN111	G6	IC116	C4	IC314	L1	PS103	A6	R203	F3	R313	M5	R409	K4	R527	F2	RB115	D2	RB213	G4	RB305	L2	RB334	G5	SL501	P6	X501	F2
C124	C4	C305	N3	C408	J5	CL106	D2	CN112	B6	IC117	E2	IC315	L3			R204	G5	R314	M2	R410	H5	R528	F2	RB116	B2	RB214	G4	RB306	L2	RB335	K3	SL502	N5		
C125	C4	C306	N3	C409	J5	CL301	P4	CN113	L1	IC118	E1	IC316	K4	Q101	C4	R205	G5	R315	M2	R411	H6	R529	G3	RB117	E1	RB215	D4	RB307	K2	RB336	N2				
C126	E3	C307	P3	C410	H5	CL401	H4			IC119	C4	IC317	K5	Q501	N4	R206	E5	R316	M1	R501	P6	R530	G1	RB118	D1	RB216	H2	RB308	L3	RB337	N2	TP101	D3		
C127	E2	C308	P3	C411	H4	CL402	H5	D501	P5	IC120	D4	IC318	L5	Q502	N4	R207	F5	R317	M1	R502	P6	R531	G1	RB119	D1	RB217	H2	RB309	L3	RB338	P2	TP102	B4		
C130	A4	C309	P3	C501	P5	CL403	H5	D502	P4	IC202	E3	IC401	H4	Q503	N4	R208	E4	R320	L2	R503	N4	R532	G2	RB120	B2	RB218	H2	RB310	L2	RB339	M2	TP103	B4		
C131	A5	C310	M5	C502	P5	CL404	J5	D503	P4	IC203	E1	IC402	H4	Q504	N4	R209	B4	R321	L2	R504	P5	R533	F3	RB121	C2	RB219	H2	RB311	L2	RB340	M3	TP104	B3		
C132	D2	C311	M1	C503	P5	CL405	J5	D504	P5	IC204	E2	IC403	H5			R210	H3	R322	M3	R505	P5	R534	P6	RB122	C2	RB220	H2	RB312	L1	RB341	L2	TP105	H1		
C133	A2	C312	M4	C504	N5	CL406	H4	D505	P4	IC205	E3	IC404	J5	R104	N6	R211	F5	R323	M3	R506	P5	R801	J5	RB123	C2	RB221	H2	RB313	L1	RB342	L3	TP201	E4		



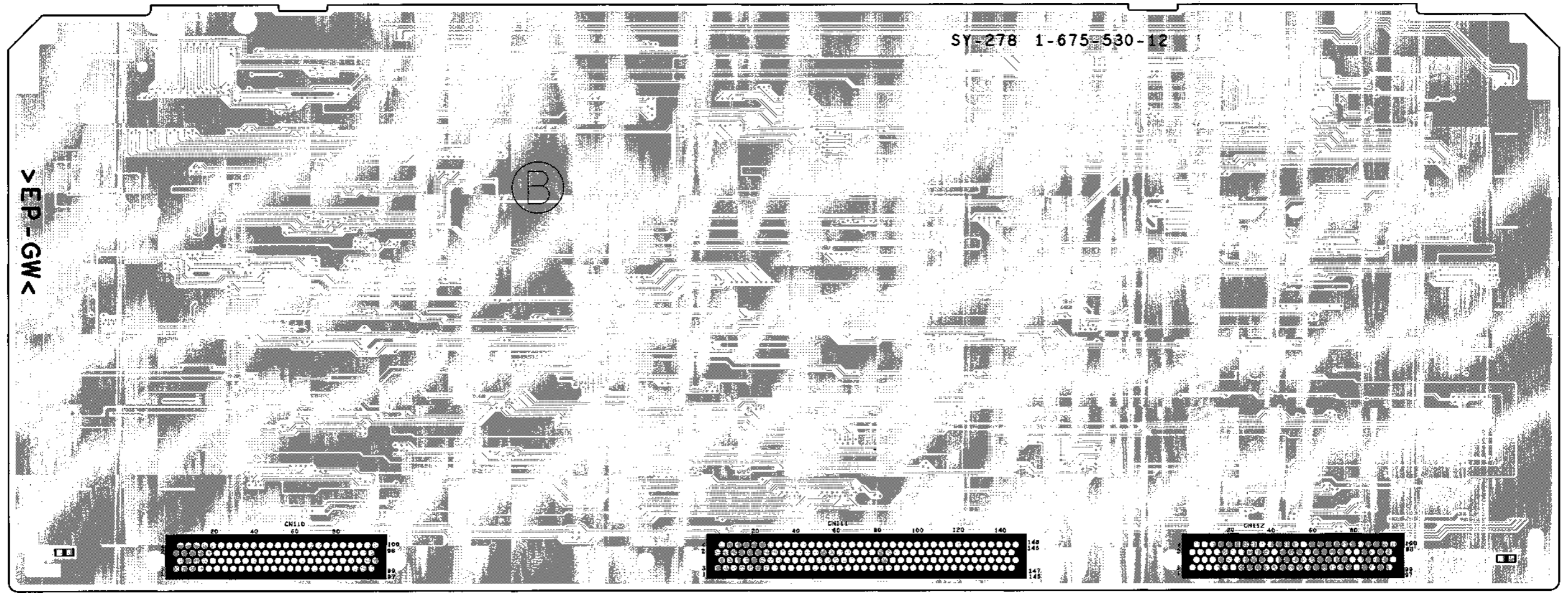
SY-278 -B SIDE-
SUFFIX: -13



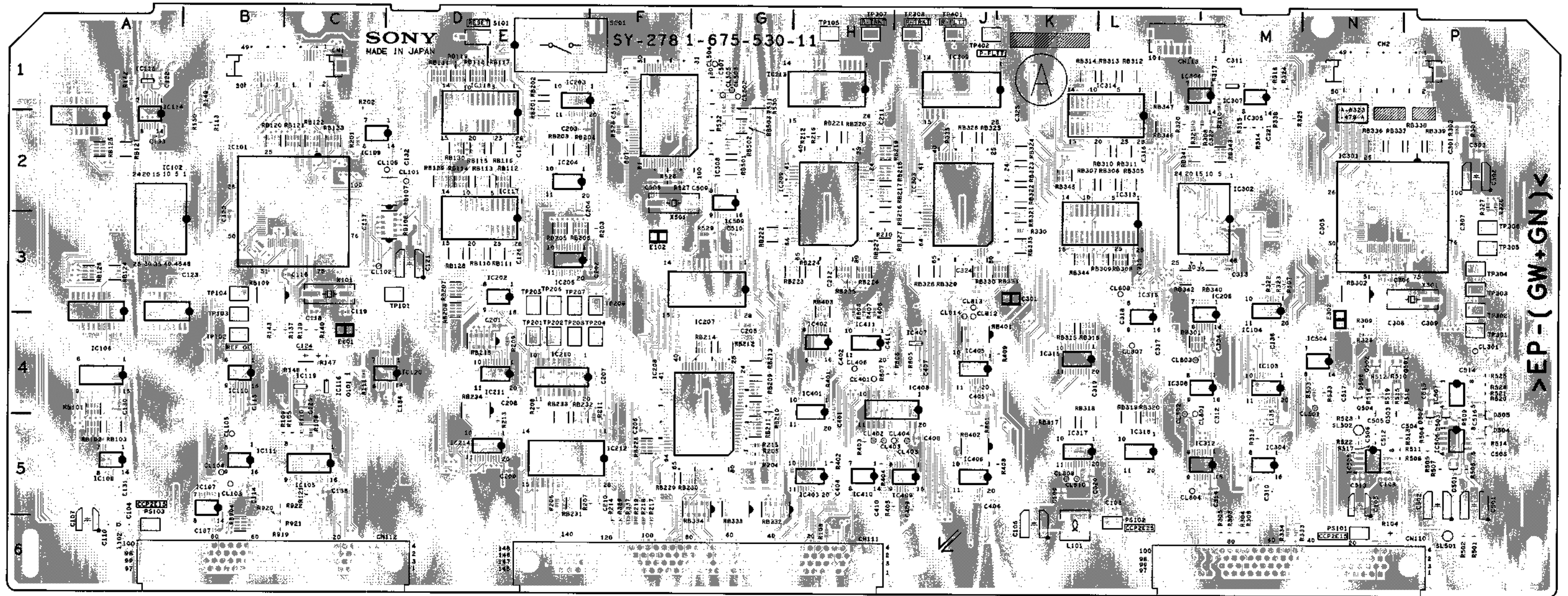
SY-278 -A SIDE-
SUFFIX: -12

SY-278 (1-675-530-12)

C103	L5	C136	M4	C314	M5	C508	F2	CL504	G1	E101	C4	IC207	G3	IC406	J5	R105	C5	R211	F5	R325	M2	R509	P4	R807	H4	RB125	A2	RE222	G3	RB318	K5	RB346	L2	TP208	F3
C104	A6	C137	B6	C315	L3	C509	G2	CL505	G1	E102	F3	IC208	G4	IC407	J4	R106	C5	R212	H2	R326	P2	R510	N4	R808	H3	RB126	A3	RE223	H3	RB319	L4	RB347	L1	TP209	F4
C105	NS	C138	C5	C316	L2	C510	G3	CL801	L4	E301	K3	IC209	H2	IC408	J4	R107	M3	R213	E5	R327	P2	R511	N5	R919	B6	RB127	A2	RE224	H3	RB320	L4	RB401	J4	TP302	P3
C106	K6	C201	E4	C317	L4	C511	P1	CL802	L4	E302	N4	IC210	E4	IC409	J5	R108	H6	R214	F6	R328	N4	R512	N4	R920	B5	RB128	D3	RE225	H3	RB321	K2	RB402	J5	TP303	P3
C107	A6	C202	F3	C318	L3	C512	N5	CL803	L4	IC211	E4	IC211	E4	IC410	H5	R109	C5	R215	G5	R330	K3	R513	N5	R921	B6	RB129	D2	RE226	H3	RB322	K2	RB403	H3	TP304	P3
C108	NS	C203	E2	C319	K4	C513	N5	CL804	L5	IC101	C2	IC212	F5	IC411	H4	R110	C5	R216	H2	R333	M6	R514	P5	R922	B5	RB130	D2	RE227	H3	RB323	K2	RB501	G2	TP305	F3
C109	K5	C204	E2	C320	K5	C514	P4	CL807	L4	IC102	E2	IC213	H1	IC504	N4	R111	C4	R217	F6	R334	M6	R515	N4	RB131	D1	RE228	F5	RB324	K2	RB502	G2	TP306	P3		
C110	A6	C205	G4	C321	M2	C515	P4	CL808	L3	IC103	M4	IC214	E5	IC505	N5	R113	B2	R218	F6	R335	J2	R516	N4	RB101	A4	RE201	E1	RE229	F5	RB325	J2	RB503	G2	TP307	H1
C114	B5	C206	F5	C322	M2	C516	P4	CL809	K5	IC104	M3	IC301	N2	IC506	P5	R121	C5	R219	F6	R336	P6	R517	N5	RB102	A5	RE202	E1	RE230	F5	RB326	J2	RB904	B6	TP308	J1
C115	B4	C207	P4	C324	J3	C517	N4	CL810	K5	IC105	C5	IC302	M2	IC507	P4	R137	C4	R301	P2	R337	F6	R518	N4	RB103	A5	RE203	E2	RE231	E5	RB327	J3	TP401	J1		
C116	C3	C208	E4	C325	K1	C518	G3	CL812	J4	IC106	A4	IC303	J2	IC508	F2	R139	C4	R302	P2	R338	M2	R519	N4	RB107	D2	RE204	E2	RE232	E5	RB328	J3	S101	D1	TP402	J1
C117	C3	C209	E5	C401	H5			CL813	J4	IC107	B5	IC304	M5	IC509	G2	R140	C4	R303	M6	R401	H4	R520	P4	RB108	D3	RE205	E3	RE233	E5	RB329	J3	S201	E1		
C118	C3	C210	F5	C402	H4	CL101	D2	CL814	J4	IC108	A5	IC305	M1	IC510	F3	R142	A1	R304	M6	R402	H5	R521	P4	RB109	B3	RE206	E3	RE234	D4	RB330	J3			X101	C3
C119	C3	C211	H1	C404	H5	CL102	C3			IC109	C2	IC306	M1			R143	B4	R305	M6	R403	H5	R522	N5	RB110	D3	RE207	D3	RE235	L4	RB331	K3	SL501	P6	X301	P3
C120	B3	C212	H3	C405	J4	CL103	B5	CN1	B1	IC110	B4	IC307	M1	L101	K6	R147	C4	R306	M6	R404	H5	R523	N4	RB111	E3	RE208	D3	RE236	N3	RB332	G5	SL502	N5	X501	F2
C121	D3	C301	P3	C406	J5	CL104	B5	CN2	N1	IC111	B5	IC308	M4	L102	A6	R148	C4	R308	M2	R405	J5	R524	P4	RB112	E2	RE209	G4	RE237	L2	RB333	G5				
C122	A1	C302	P2	C407	J4	CL105	B5	CN110	M6	IC114	A1	IC309	J1			R149	B1	R309	N4	R406	H3	R525	P4	RB113	D2	RE210	G4	RE238	L2	RB334	G5	TP101	D3		
C123	B3	C303	P2	C408	J5	CL106	D2	CN111	G6	IC115	A1	IC312	M5	PS101	N6	R150	B2	R310	M1	R407	H3	R526	F2	RB114	D2	RE211	G5	RE239	K2	RB335	K3	TP102	E4		
C124	C4	C304	M4	C409	J5	CL301	P4	CN112	B6	IC116	C4	IC313	L2	PS102	L6	R201	C2	R313	M5	R408	K5	R527	F2	RB115	D2	RE212	G4	RE240	L3	RB336	N2	TP103	E4		
C125	C4	C305	N3	C410	H5	CL401	H4	CN113	L1	IC117	E2	IC314	L1	PS103	A6	R202	C1	R314	M2	R409	K4	R528	F2	RB116	E2	RE213	G4	RE241	L3	RB337	N2	TP104	B3		
C126	E3	C306	N3	C411	H4	CL402	H5			IC118	E1	IC315	L3			R203	F3	R315	M2	R501	P6	R529	G3	RB117	E1	RE214	G4	RE242	L2	RB338	P2	TP105	H1		
C127	E2	C307	P3	C501	P5	CL403	H5	D501	P5	IC119	C4	IC316	K4	Q101	C4	R204	G5	R316	M1	R502	P6	R530	G1	RB118	D1	RE215	D4	RE243	L2	RB339	P2	TP201	E4		
C130	A4	C308	P3	C502	P5	CL404	J5	D502	P4	IC120	D4	IC317	K5	Q501	N4	R205	G5	R317	M1	R503	N4	R531	G1	RB119	D1	RE216	H2	RE244	L1	RB340	M3	TP202	E4		
C131	A5	C309	P3	C503	P5	CL405	J5	D503	P4	IC202	E3	IC318	L5	Q502	N4	R206	B5	R320	L2	R504	P5	R532	G2	RB120	B2	RE217	H2	RE245	L1	RB341	L2	TP203	E4		
C132	D2	C310	M5	C504	N5	CL406	H4	D504	P5	IC203	E1	IC401	H4	Q503	N4	R207	F5	R321	L2	R505	P5	R533	F3	RB121	C2	RE218	H2	RE246	K1	RB342	L3	TP204	F4		
C133	A2	C311	M1	C505	N5	CL501	N4	D505	P4	IC204	E2	IC402	H4	Q504	N4	R208	E4	R322	M3	R506	P5	R801	J5	RB122	C2	RE219	H2	RE247	M2	RB343	M2	TP205	E3		
C134	D4	C312	M4	C506	N5	CL502	G1	D506	N4	IC205	E3	IC403	H5			R209	E4	R323	M3	R507	P5	R805	J4	RB123	C2	RE220	H2	RE248	K3	RB344	K3	TP206	E3		
C135	M4	C313	M3	C507	G1	CL503	G1			IC206	M3	IC405	J4	R104	N6	R210	H3	R324	M1	R508	N5	R806	J4	RB124	A3	RE221	H2	RE249	K2	RB345	K2	TP207	E3		



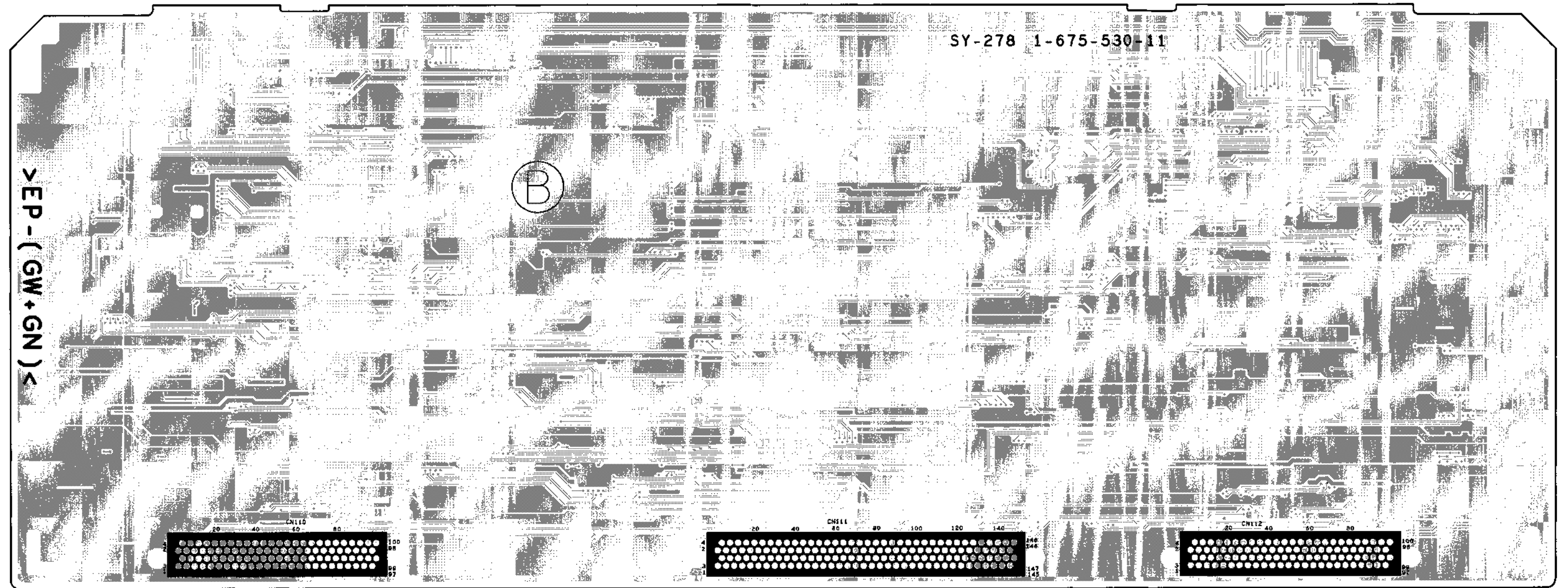
SY-278 -B SIDE-
SUFFIX: -12



SY-278 -A SIDE-
SUFFIX: -11

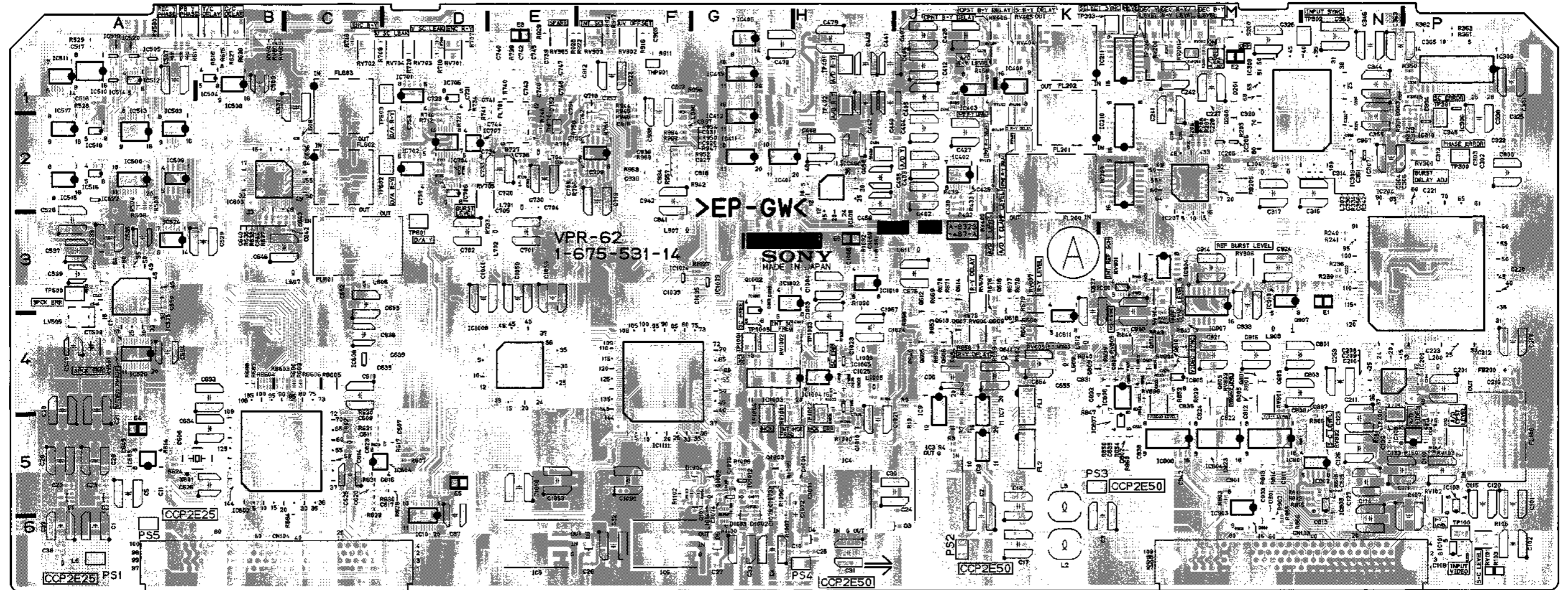
SY-278 (1-675-530-11)

C103	L5	C136	M4	C314	M5	C508	F2	CL505	G1	E102	F3	IC208	G4	IC407	J4	R107	M3	R213	E5	R327	P2	R511	N5	R919	B6	RB127	A2	RB224	H3	RB320	L4	RB401	J4	TP302	P3				
C104	A6	C137	B6	C315	L3	C509	G2	CL801	L4	E301	K3	IC209	H2	IC408	J4	R108	H6	R214	F6	R328	N4	R512	N4	R920	B5	RB128	D3	RB225	H3	RB321	K2	RB402	J5	TP303	P3				
C105	N5	C138	C5	C316	L2	C510	G3	CL802	L4	E302	N4	IC210	E4	IC409	J5	R109	C5	R215	G5	R330	K3	R513	N5	R921	B6	RB129	D2	RB226	H3	RB322	K2	RB403	H3	TP304	P3				
C106	K6	C201	E4	C317	L4	C511	F1	CL803	L4			IC211	E4	IC410	H5	R110	C5	R216	H2	R333	M6	R514	P5	R922	B5	RB130	D2	RB227	H3	RB323	K2	RB501	G2	TP305	P3				
C107	A6	C202	F3	C318	L3	C512	N5	CL804	L5	IC101	C2	IC212	F5	IC411	H4	R111	C4	R217	F6	R334	M6	R515	N4			RB131	D1	RB228	F5	RB324	K2	RB502	G2	TP306	P3				
C108	N5	C203	E2	C319	K4	C513	N5	CL807	L4	IC102	B2	IC213	H1	IC504	N4	R113	B2	R218	F6	R335	J2	R516	N4	RB101	A4	RB201	E1	RB229	F5	RB325	J2	RB503	G2	TP307	H1				
C109	K5	C204	E2	C320	K5	C514	P4	CL808	L3	IC103	M4	IC214	E5	IC505	N5	R121	C5	R219	F6	R336	F6	R517	N5	RB102	A5	RB202	E1	RB230	F5	RB326	J2	RB904	B6	TP308	J1				
C110	A6	C205	G4	C321	M2	C515	P4	CL809	K5	IC104	M3	IC215	N2	IC506	P5	R137	C4	R301	P2	R337	F6	R518	N4	RB103	A5	RB203	E2	RB231	E5	RB327	J3			TP401	J1				
C114	B5	C206	F5	C322	M2	C516	P4	CL810	K5	IC105	C5	IC302	M2	IC507	P4	R139	C4	R302	P2	R338	M2	R519	N4	RB107	D2	RB204	E2	RB232	E5	RB328	J3	S101	D1	TP402	J1				
C115	B4	C207	F4	C324	J3	C517	N4	CL812	J4	IC106	A4	IC303	J2	IC508	F2	R140	C4	R303	M6	R401	H4	R520	P4	RB108	D3	RB205	E3	RB233	E5	RB329	J3								
C116	C3	C208	E4	C325	K1			CL813	J3	IC107	B5	IC304	M5	IC509	G2	R142	A1	R304	M6	R402	H5	R521	P4	RB109	B3	RB206	E3	RB234	D4	RB330	J3								
C117	C3	C209	E5	C401	H5	CL101	D2	CL814	J4	IC108	A5	IC305	M1			R143	B4	R305	M6	R403	H5	R522	N5	RB110	D3	RB207	D3	RB235	L4	RB331	K3	SL501	P6	X101	C3				
C118	C3	C210	F5	C402	H4	CL102	C3			IC109	C2	IC306	M1	L101	K6	R147	C4	R306	M6	R404	H5	R523	N4	RB111	E3	RB208	D3	RB236	N3	RB332	G5	SL502	N5	X301	P3				
C119	C3	C211	H1	C404	H5	CL103	B5	CN1	B1	IC110	B4	IC307	M1	L102	A6	R148	C4	R308	M2	R405	J5	R524	P4	RB112	E2	RB209	G4	RB237	J3	RB333	G5								
C120	B3	C212	H3	C405	J4	CL104	B5	CN2	N1	IC111	B5	IC308	M4			R149	B1	R309	N4	R406	H3	R525	P4	RB113	D2	RB210	G4	RB238	L2	RB334	G5	TP101	D3						
C121	D3	C301	P2	C406	J5	CL105	B5	CN110	M6	IC114	A1	IC309	J1	PS101	N6	R150	B2	R310	M1	R407	H3	R526	F2	RB114	D2	RB211	G5	RB239	K2	RB335	K3	TP102	B4						
C122	A1	C302	P2	C407	J4	CL106	D2	CN111	G6	IC115	A1	IC310	M5	PS102	L6	R201	C2	R313	M5	R408	K5	R527	F2	RB115	D2	RB212	G4	RB240	L3	RB336	N2	TP103	B4						
C123	B3	C303	P2	C408	J5	CL301	P4	CN112	B6	IC116	E4	IC311	L2	PS103	A6	R202	C1	R314	M2	R409	K4	R528	F2	RB116	E2	RB213	G4	RB241	L3	RB337	N2	TP104	B3						
C124	C4	C304	M4	C409	J5	CL401	H4	CN113	L1	IC117	E2	IC314	L1			R203	F3	R315	M2	R401	P6	R529	G3	RB117	E1	RB214	G4	RB242	L2	RB338	P2	TP105	H1						
C125	C4	C305	N3	C410	H5	CL402	H5			IC118	E1	IC315	L3	Q101	C4	R204	G5	R316	M1	R502	P6	R530	G1	RB118	D1	RB215	H4	RB243	L2	RB339	P2	TP201	E4						
C126	E3	C306	N3	C411	H4	CL403	H5	D501	F5	IC119	C4	IC316	K4	Q501	N4	R205	G5	R317	M1	R503	N4	R531	G1	RB119	D1	RB216	H2	RB244	L1	RB340	M3	TP202	E4						
C127	E2	C307	P3	C501	P5	CL404	J5	D502	P4	IC120	D4	IC317	K5	Q502	N4	R206	E5	R320	L2	R504	P5	R532	G2	RB120	B2	RB217	H2	RB245	L1	RB341	L2	TP203	E4						
C130	A4	C308	N3	C502	P5	CL405	J5	D503	P4	IC202	E3	IC318	L5	Q503	N4	R207	F5	R321	L2	R505	P5	R533	N4	RB121	C2	RB218	H2	RB246	K1	RB342	L3	TP204	F4						
C131	A5	C309	P3	C503	P5	CL406	H4	D504	P5	IC203	E1	IC401	H4	Q504	N4	R208	E4	R322	M3	R506	P5	R534	N4	RB122	C2	RB219	H2	RB247	K2	RB343	M2	TP205	E3						
C132	D2	C310	M5	C504	N5	CL501	N4	D505	P4	IC204	E2	IC402	H4			R209	E4	R323	M3	R507	P5	R805	J4	RB123	C2	RB220	H2	RB316	K4	RB344	K3	TP206	E3						
C133	A2	C311	M1	C505	N5	CL502	G1	D506	N4	IC205	E3	IC403	H5			R210	H3	R324	M1	R508	N5	R806	J4	RB124	A3	RB221	H2	RB317	K5	RB345	K2	TP207	E3						
C134	D4	C312	M4	C506	N5	CL503	G1			IC206	M3	IC405	J4			R211	F5	R325	M2	R509	P4	R807	H4	RB125	A2	RB222	G3	RB318	K5	RB346	L2	TP208	F3						
C135	M4	C313	M3	C507	G1	CL504	G1	E101	C4	IC207	G3	IC406	J5			R212	H2	R326	P2	R510	N4	R808	H3	RB126	A3	RB223	H3	RB319	L4	RB347	L1	TP301	P4						



SY-278 -B SIDE-
SUFFIX: -11

R1015 *G4 RV402 K2
 R1017 *H4 RV403 J2
 R1018 *H4 RV404 K1
 R1019 *H4 RV405 K1
 R1020 *G4 RV406 K1
 R1021 *G4 RV407 K2
 R1022 H4 RV408 K2
 R1023 *H4 RV409 K2
 R1024 *H4 RV500 A1
 R1025 H4 RV501 A4
 R1026 H4 RV601 A1
 R1027 G3 RV602 B1
 R1028 *F4 RV603 B1
 R1029 *F4 RV604 J4
 R1035 *G4 RV605 K4
 R1039 *E4 RV606 J3
 R1041 *E4 RV607 K3
 R1042 *E4 RV701 D1
 R1043 *E4 RV702 C1
 R1045 *E4 RV703 D1
 R1046 *E4 RV704 D1
 R1049 *E4 RV705 D2
 R1050 *E4 RV801 M4
 R1051 *E3 RV802 N5
 R1052 *D4 RV803 M4
 R1053 *D4 RV804 L4
 R1055 *E3 RV805 L4
 R1057 *E4 RV806 L4
 R1058 *D4 RV901 L3
 R1069 *G4 RV902 F1
 R1070 *E4 RV903 F1
 R1071 *E4 RV904 L3
 R1080 *G3 RV905 E1
 R1081 *F5 RV906 M3
 R1082 *E4 RV1001 G4
 R1087 *G5 RV1002 G4
 R1088 *G5
 R1090 H3 S200 M1
 R1091 H3
 R1092 H3 THP200 L1
 R1093 H5 THP701 E2
 R1094 G5 THP901 F1
 R1095 G5
 R1096 G5 TP100 P6
 R1097 G5 TP200 NS
 R1098 G5 TP300 P2
 R1099 G5 TP301 P2
 R1100 G6 TP302 N1
 R1101 H4 TP303 L1
 R1102 F5 TP304 L1
 R1103 G5 TP400 H2
 R1104 *F3 TP401 H1
 R1105 H4 TP402 H1
 R1108 *G4 TP500 A3
 R1109 *G4 TP601 D3
 R1201 *F4 TP602 D2
 TP603 D1
 RB4 *K4 TP1001 G4
 RB5 *K5 TP1002 H4
 RB6 *K5 TP1003 H4
 RB7 *K5 TP1004 G4
 RB201 *P2 TP1005 G4
 RB202 *P3
 RB203 *P3 X300 *M2
 RB204 *P2 X301 *P2
 RB205 *P2 X601 B5
 RB206 M2 X602 *C5
 RB207 *M2 X603 *C5
 RB301 *M2 X1001 *H4
 RB401 *G2 X1002 *H4
 RB402 *G2
 RB403 *G2 *:B SIDE
 RB404 *G1
 RB405 *G1
 RB601 *B4
 RB602 *B4
 RB603 B4
 RB604 B4
 RB605 C4
 RB606 C4
 RB1001 *D5
 RB1002 *D5
 RV101 P6
 RV102 P5
 RV103 P5
 RV200 L1
 RV201 L1
 RV202 M1
 RV300 P2
 RV400 J2
 RV401 K1



VPR-62/62P -A SIDE-
SUFFIX: -14



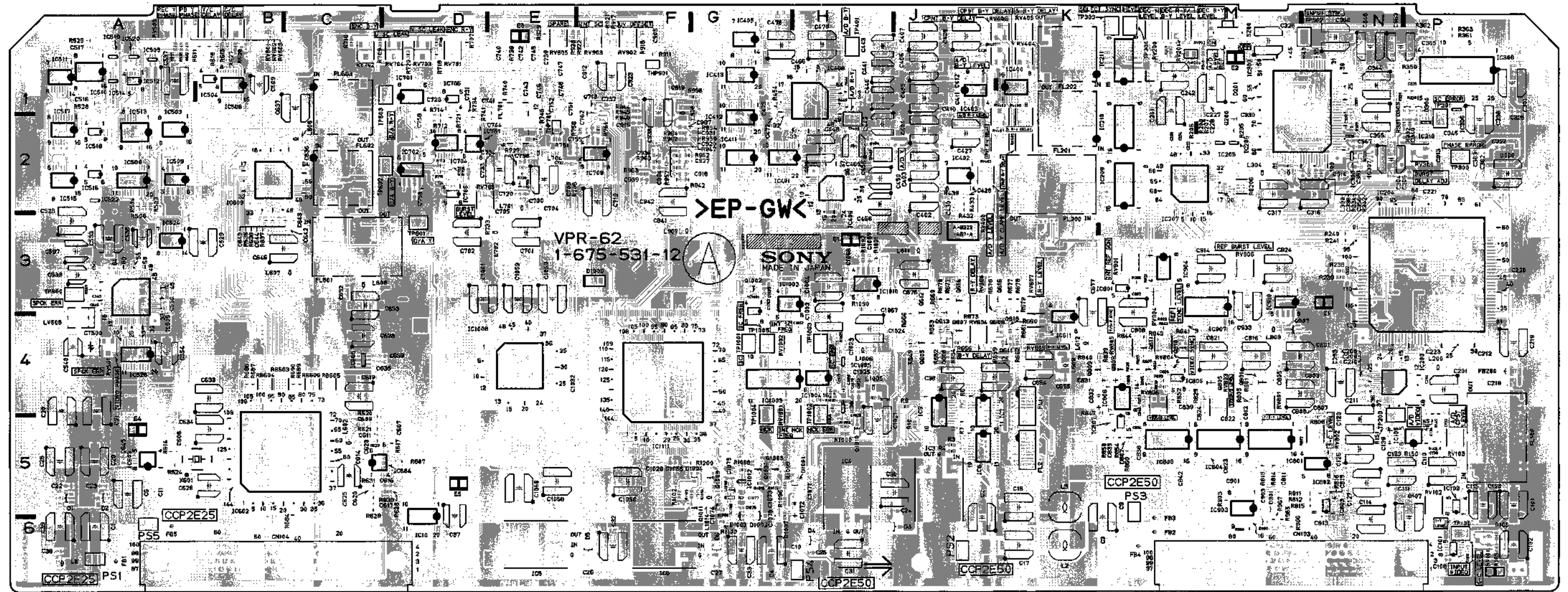
VPR-62/62P -B SIDE-
SUFFIX: -14

VPR-62/62P VPR-62/62P

VPR-62/62P (1-675-531-12)

Table with 40 columns and 40 rows of alphanumeric data. Columns include alphanumeric codes and asterisk-prefixed alphanumeric codes. Rows correspond to alphanumeric codes C01 through C212.

R1003	*F3	RB603	B4
R1004	*G3	RB604	B4
R1005	*G3	RB605	C4
R1006	*G3	RB606	C4
R1007	*H3	RB1001	*D5
R1008	*G4	RB1002	*D5
R1009	*G4		
R1010	*G4	RV101	P6
R1011	*G4	RV102	P5
R1012	G5	RV103	P5
R1013	*H4	RV200	L1
R1014	*G4	RV201	L1
R1015	*G4	RV202	M1
R1016	G5	RV300	P2
R1017	*H4	RV400	J2
R1018	*H4	RV401	K1
R1019	*H4	RV402	K2
R1020	*G4	RV403	J2
R1021	*G4	RV404	K1
R1022	H4	RV405	K1
R1023	*H4	RV406	K1
R1024	*H4	RV407	K2
R1025	H4	RV408	K2
R1026	H4	RV409	K2
R1030	*G4	RV500	A1
R1035	*G4	RV501	A4
R1039	*E4	RV601	A1
R1041	*E4	RV602	B1
R1042	*E4	RV603	B1
R1043	*E4	RV604	J4
R1045	*E4	RV605	K4
R1046	*E4	RV606	J3
R1049	*E4	RV607	K3
R1050	*E4	RV701	D1
R1051	*E3	RV702	C1
R1052	*D4	RV703	D1
R1053	*D4	RV704	D1
R1055	*E3	RV705	D2
R1057	*E4	RV801	M4
R1058	*D4	RV802	N5
R1069	*G4	RV803	M4
R1070	*E4	RV804	L4
R1071	*E4	RV805	L4
R1080	*G3	RV806	L4
R1081	*F5	RV901	L3
R1082	*E4	RV902	F1
R1084	*F3	RV903	F1
R1085	*F3	RV904	L3
R1086	*G4	RV905	E1
R1087	*G5	RV906	M3
R1088	*G5	RV1001	G4
R1090	H3	RV1002	G4
R1091	H3		
R1092	H3	S200	M1
R1093	H5		
R1094	G5	THP200	L1
R1095	G5	THP701	E2
R1096	G5	THP901	F1
R1097	G5		
R1098	G5	TP100	P6
R1099	G5	TP200	N5
R1100	G6	TP300	P2
R1101	H4	TP301	P2
R1102	P5	TP302	N1
R1103	G5	TP303	L1
R1104	*F3	TP304	L1
R1105	H4	TP400	H2
R1107	*G4	TP401	H1
R1108	*G4	TP402	H2
R1109	*G4	TP500	A3
R1200	F5	TP601	D3
R1201	*F4	TP602	D2
		TP603	D1
RB4	*K4	TP1001	G4
RB5	*K5	TP1002	H4
RB6	*K5	TP1003	H4
RB7	*K5	TP1004	G4
RB201	*P2	TP1005	G4
RB202	*P3		
RB203	*P3	X300	*M2
RB204	*P2	X301	*P2
RB205	*P2	X601	B5
RB206	M2	X602	*C5
RB207	*M2	X603	*C5
RB301	*M2	X1001	*H4
RB401	*G2	X1002	*H4
RB402	*G2		
RB403	*G2	*:B SIDE	
RB404	*G1		
RB405	*G1		
RB601	*B4		
RB602	*B4		

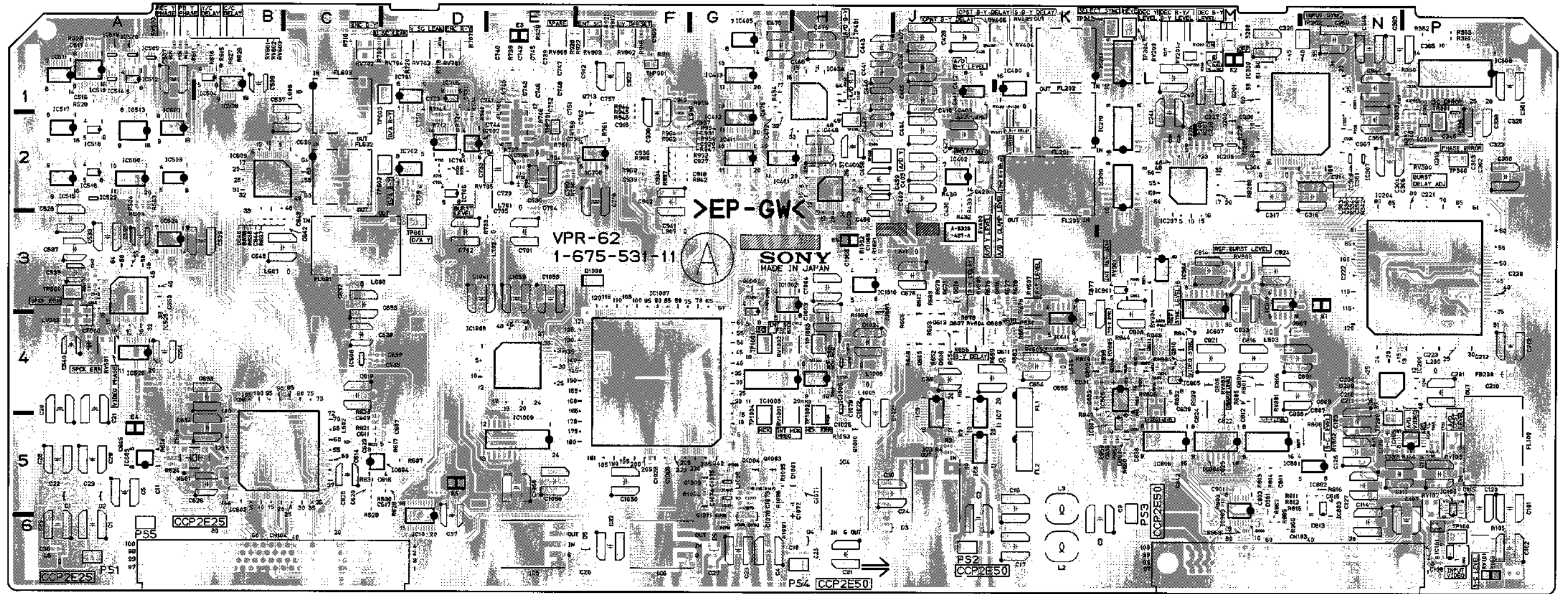


VPR-62/62P -A SIDE-
SUFFIX: -12

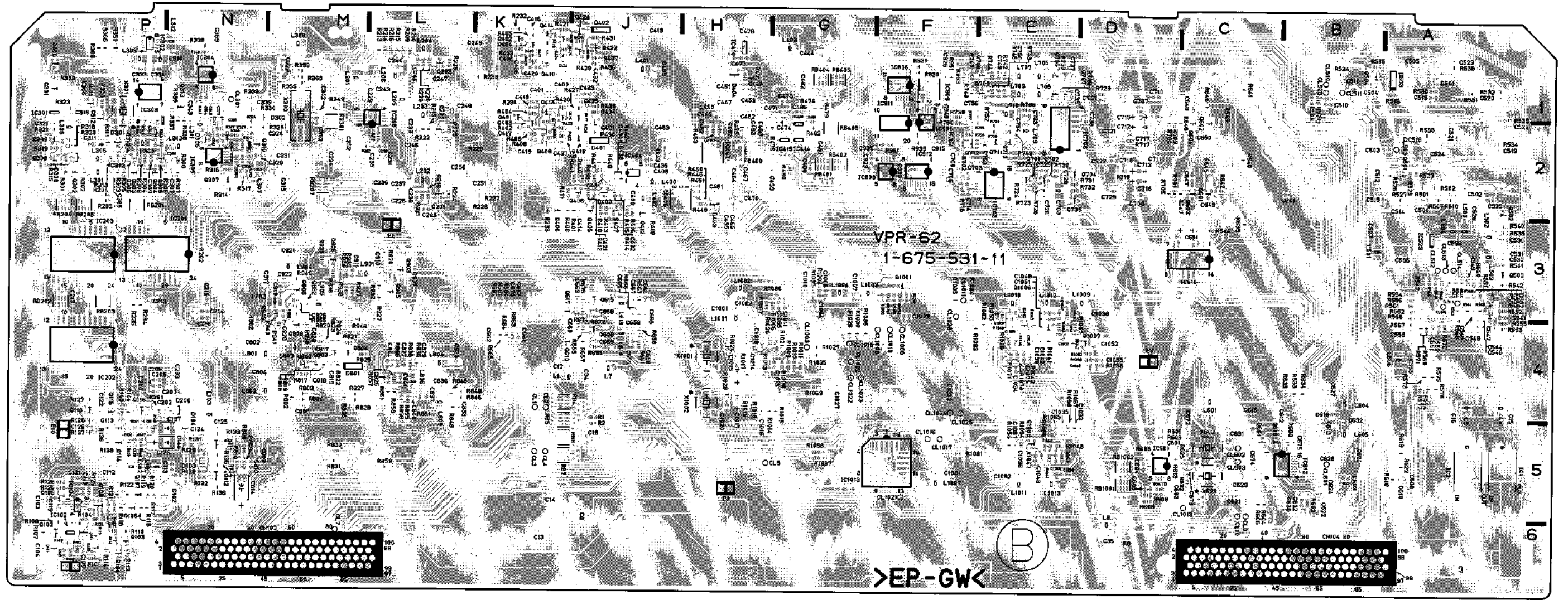


VPR-62/62P -B SIDE-
SUFFIX: -12

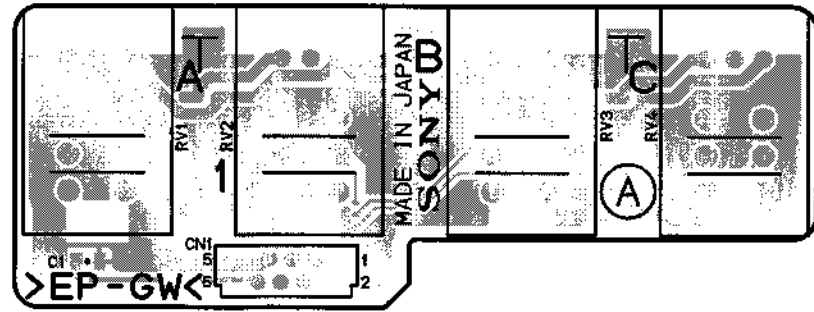
R1030	*G4	RV604	J4
R1035	*G4	RV605	K4
R1039	*E4	RV606	J3
R1040	*E5	RV607	K3
R1041	*E4	RV701	D1
R1042	*E4	RV702	C1
R1043	*E4	RV703	D1
R1044	*E5	RV704	D1
R1045	*E4	RV705	D2
R1046	*E4	RV801	M4
R1047	*E5	RV802	N5
R1048	*E5	RV803	M4
R1049	*E4	RV804	L4
R1050	*E4	RV805	L4
R1051	*E3	RV806	L4
R1052	*D4	RV901	L3
R1053	*D4	RV902	F1
R1054	*E5	RV903	F1
R1055	*E3	RV904	L3
R1056	*E5	RV905	E1
R1057	*E4	RV906	M3
R1058	*D4	RV1001	G4
R1065	*E5	RV1002	G4
R1066	*E5		
R1067	*E5	S200	M1
R1068	*E5		
R1069	*G4	THP200	L1
R1070	*E4	THP701	E2
R1071	*E4	THP901	F1
R1080	*G3		
R1081	*F5	TP100	P6
R1082	*E4	TP200	N5
R1083	*E4	TP300	P2
R1084	*F3	TP301	P2
R1085	*F3	TP302	N1
R1086	*G4	TP303	L1
R1087	*G5	TP304	L1
R1088	*G5	TP400	H2
R1090	H3	TP401	H1
R1091	H3	TP402	H2
R1092	H3	TP500	A3
R1093	H5	TP601	D3
R1094	G5	TP602	D2
R1095	G5	TP603	D1
R1096	G5	TP1001	G4
R1097	G5	TP1002	H4
R1098	G5	TP1003	H4
R1099	G5	TP1004	G4
R1100	G6		
RB4	*K4	X300	*M2
RB5	*K5	X301	*P2
RB6	*K5	X601	B5
RB7	*K5	X602	*C5
RB201	*P2	X603	*C5
RB202	*P3	X1001	*H4
RB203	*P3	X1002	*H4
RB204	*P2		
RB205	*P2		
RB206	M2		
RB207	*M2		
RB301	*M2		
RB401	*G2		
RB402	*G2		
RB403	*G2		
RB404	*G1		
RB405	*G1		
RB1001	*D5		
RB1002	*D5		
RV101	P6		
RV102	P5		
RV103	P5		
RV200	L1		
RV201	L1		
RV202	M1		
RV300	P2		
RV400	J2		
RV401	K1		
RV402	K2		
RV403	J2		
RV404	K1		
RV405	K1		
RV406	K1		
RV407	K2		
RV408	K2		
RV409	K2		
RV500	A1		
RV501	A4		
RV601	A1		
RV602	B1		
RV603	B1		



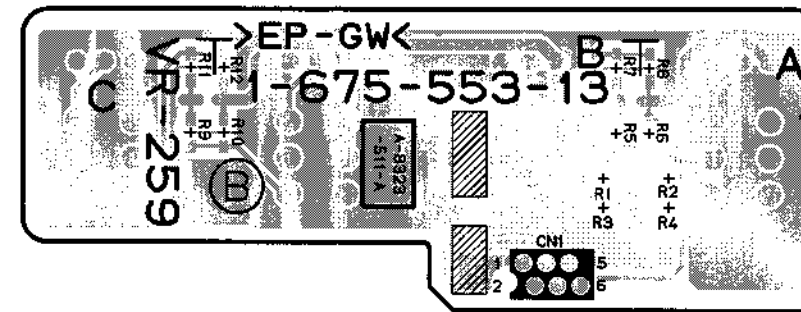
VPR-62/62P -A SIDE-
SUFFIX: -11



VPR-62/62P -B SIDE-
SUFFIX: -11



VR-259 -A SIDE-
SUFFIX: -13

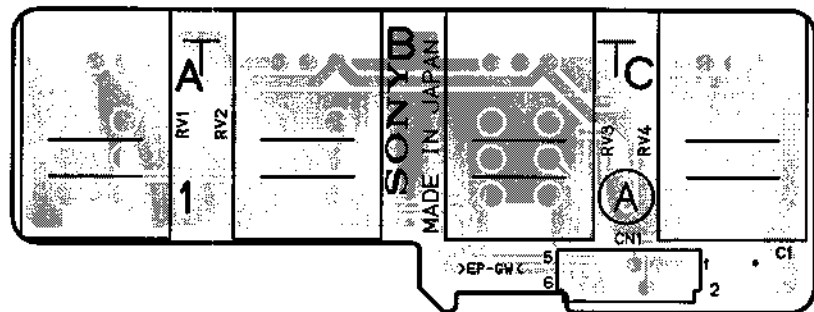


VR-259 -B SIDE-
SUFFIX: -13

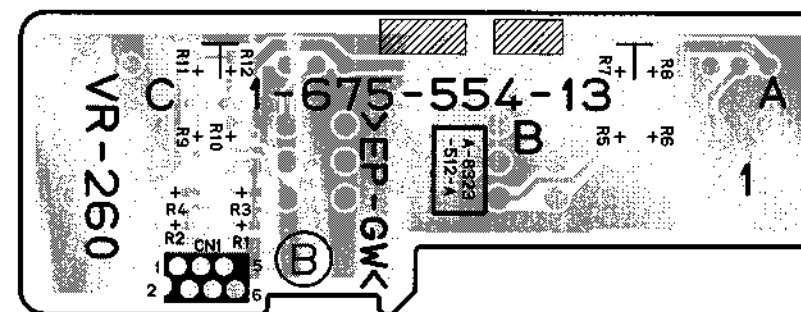
VR-259 (1-675-553-13)

C1	A1
CN1	A1
R1	*A1
R2	*A1
R3	*A1
R4	*A1
R5	*A1
R6	*A1
R7	*A1
R8	*A1
R9	*A1
R10	*A1
R11	*A1
R12	*A1
RV1	A1
RV2	A1
RV3	A1
RV4	A1

*:B SIDE



VR-260 -A SIDE-
SUFFIX: -13



VR-260 -B SIDE-
SUFFIX: -13

VR-260 (1-675-554-13)

C1	A1
CN1	A1
R1	*A1
R2	*A1
R3	*A1
R4	*A1
R5	*A1
R6	*A1
R7	*A1
R8	*A1
R9	*A1
R10	*A1
R11	*A1
R12	*A1
RV1	A1
RV2	A1
RV3	A1
RV4	A1

*:B SIDE

Section 15 Schematic Diagrams

Index

Board Name	Circuit Configuration	Page
APR-45	Audio process	15-2
CC-83	Cassette compartment mode detection/intermediate board	15-32
CC-84	Cassette compartment cassette type detection	15-32
CC-85	Cassette compartment cassette in detection	15-32
CN-1863	Sensor input/output board	15-33
CN-1968	i.LINK connector board (Option: DSBK-190)	15-33
CN-2021	Intermediate board between CC-84 and CC-83	15-174
CN-2022	Intermediate board between CC-85 and CC-84	15-174
CP-341	Video/remote interface	15-34
CP-342/342A	Audio interface	15-36
DPR-136	Digital process	15-38
DU-83	Digital process	15-55
DU-84	Digital process	15-62
DU-89	Digital process	15-65
DU-95	SDI character generator	15-68
DY-15	Fluorescent display board/audio meter/input - output selection	15-69
EX-752	Intermediate board	15-71
FU-78P	Digital process (PB)	15-73
FU-78R	Digital process (REC)	15-73
HP-99	Headphone interface	15-78
IF-763	i.LINK interface board (Option: DSBK-190)	15-79
IF-778	Operation panel intermediate board (Option: DSBK-200)	15-84
KY-452	Operation panel	15-85
KY-452A	Operation panel board (Option: DSBK-200)	15-89
MB-859	Mother board	15-93
MS-64	Servo/mechanism control	15-104
PTC-100	Search dial sensor	15-105
RP-111	RF REC/PB, ATF detection	15-106
SE-521	Mode sensor/tape end sensor/loading motor FG sensor	15-125
SE-522	Tape top sensor/reel position sensor (Mini/M/Standard)	15-125
SE-525	LED signal board	15-125
SE-538	Tension sensor	15-125
SV-212	Servo/mechanism control	15-126
SW-11/11P	Switch	15-138
SW-17	Remote switch	15-141
SY-278	System control	15-142
VPR-62/62P	Analog video input - output process/reference	15-151
VR-259	Audio PB volume control	15-169
VR-260	Audio REC volume control	15-169
Frame Wiring	—	15-170

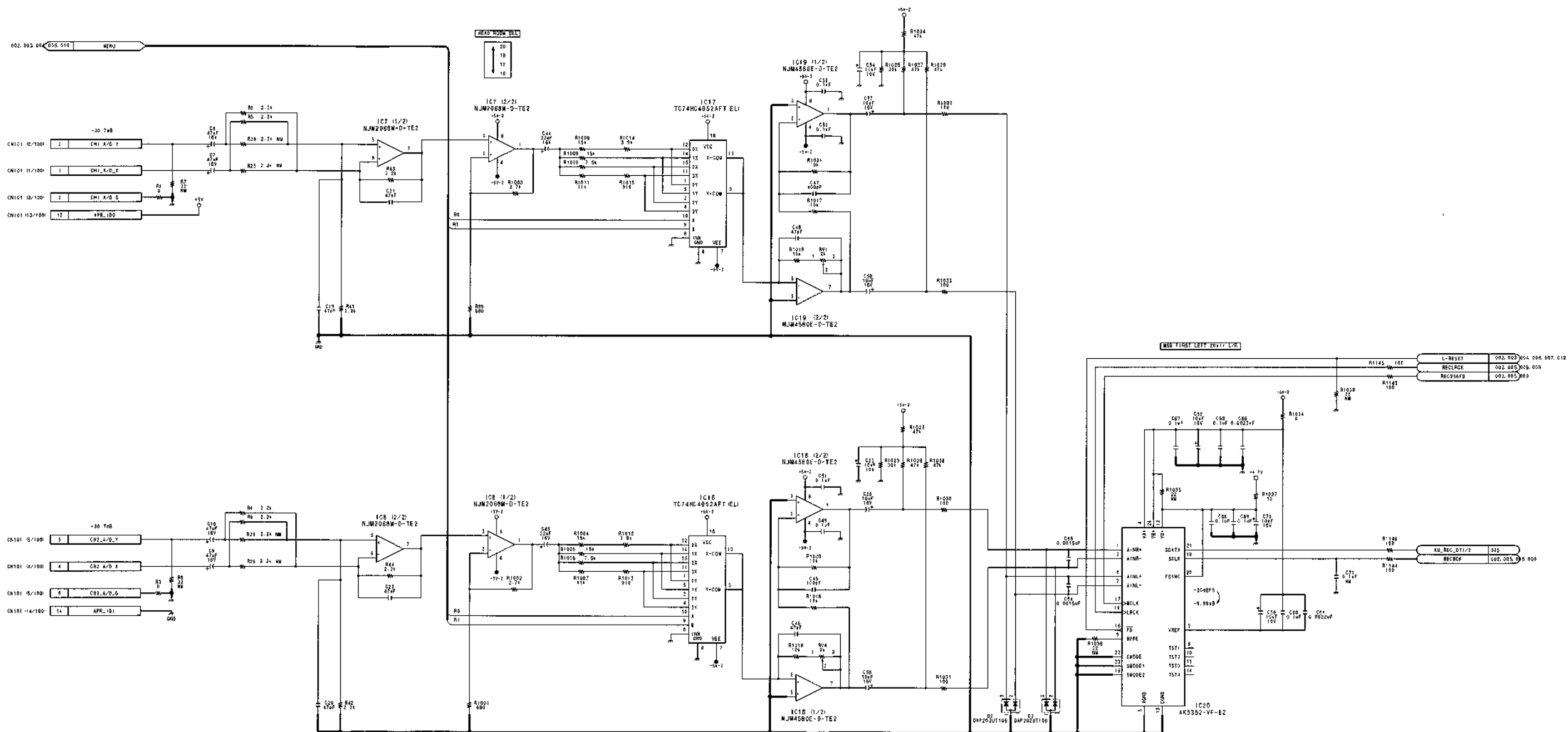
1

2

3

4

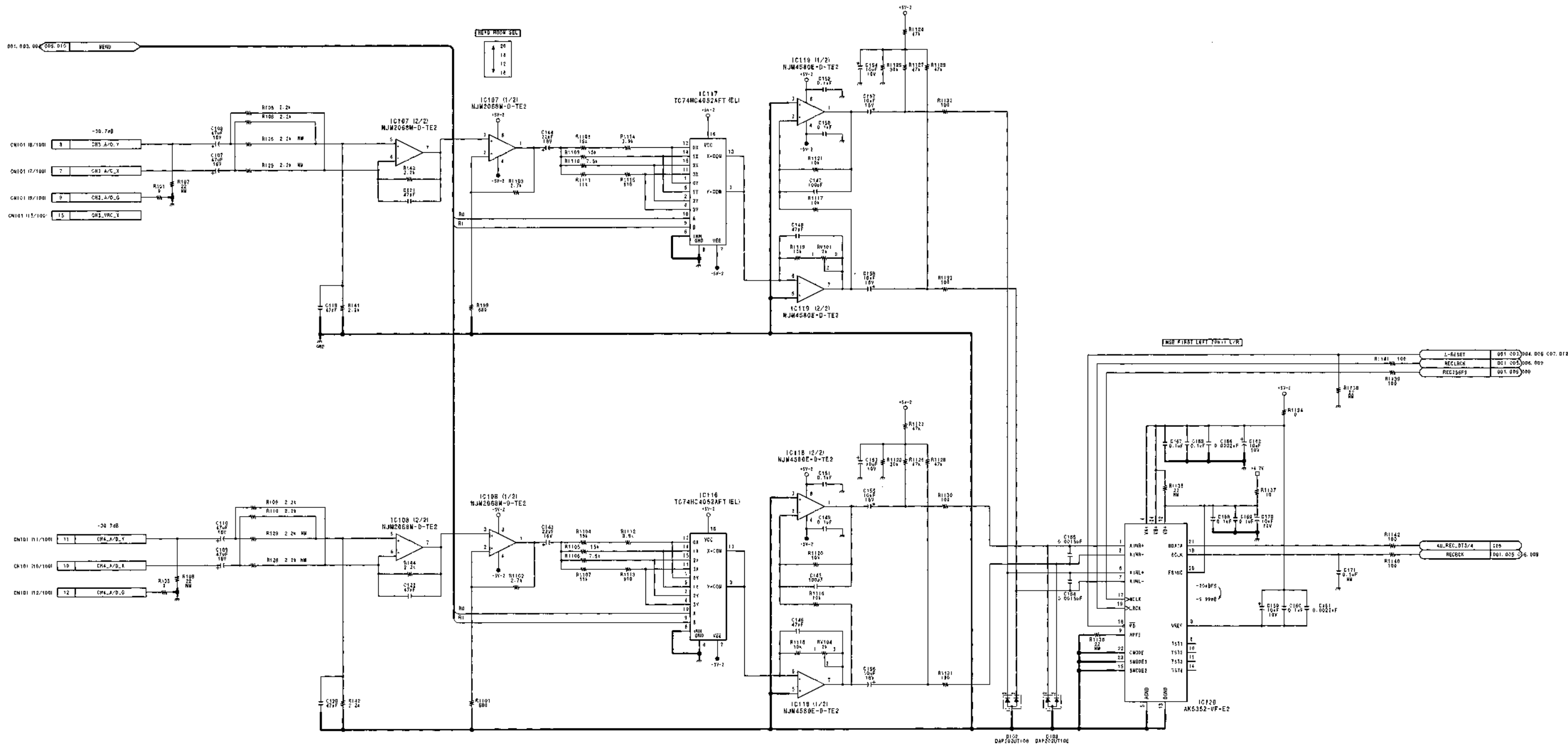
5



Audio process
APR-45 (1/17)
 BOARD NO. 1-675-517-14
 LOT NO. 134-
 DSR-2000_APR-45_014_1

15-2 (b) 15-2 (b)

A B C D E F G H



Audio process
APR-45 (2/17)
 BOARD NO. 1-675-517-14
 LOT NO. 134-
 DSR-2000_APPR-45_014_2

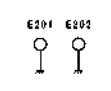
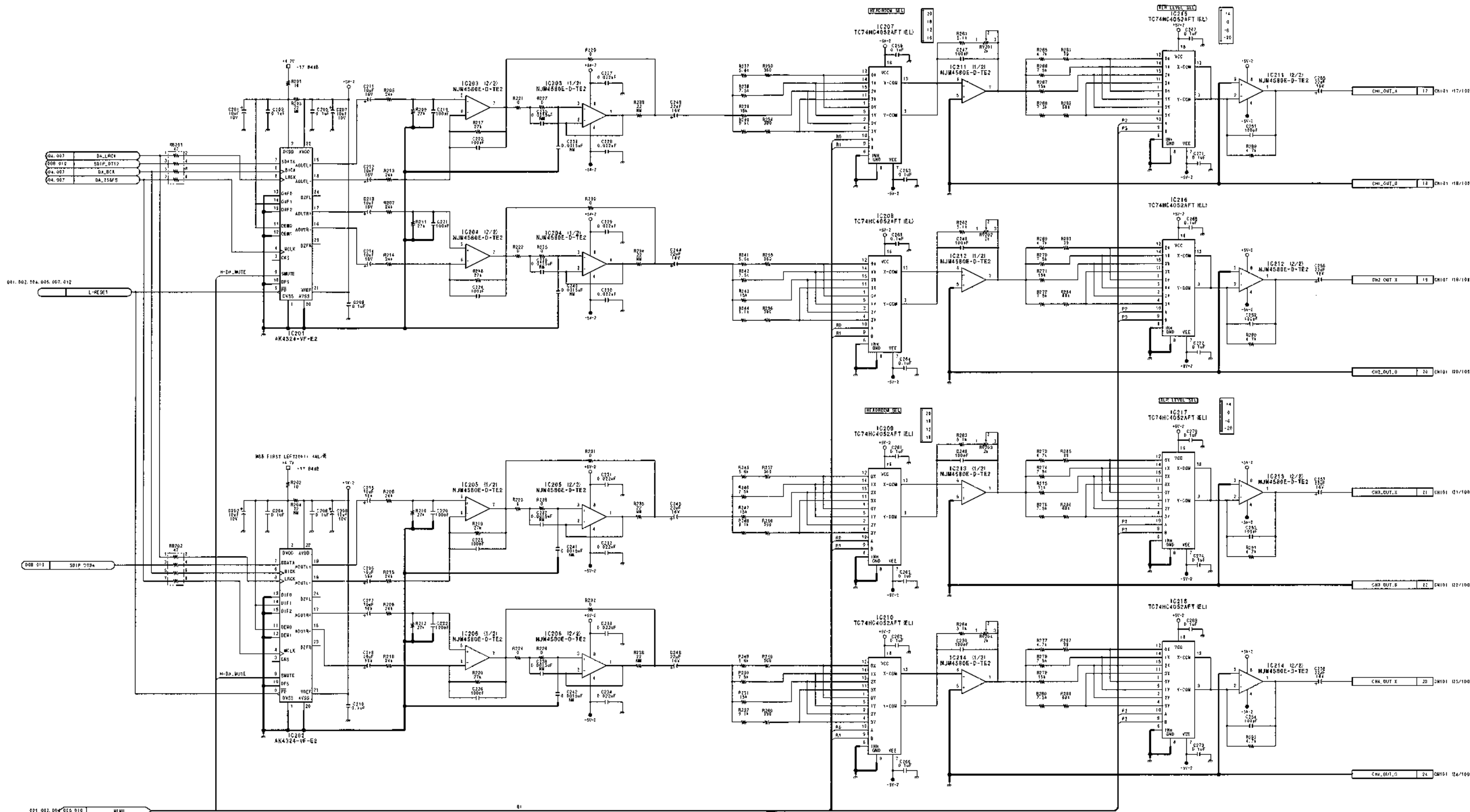
1

2

3

4

5



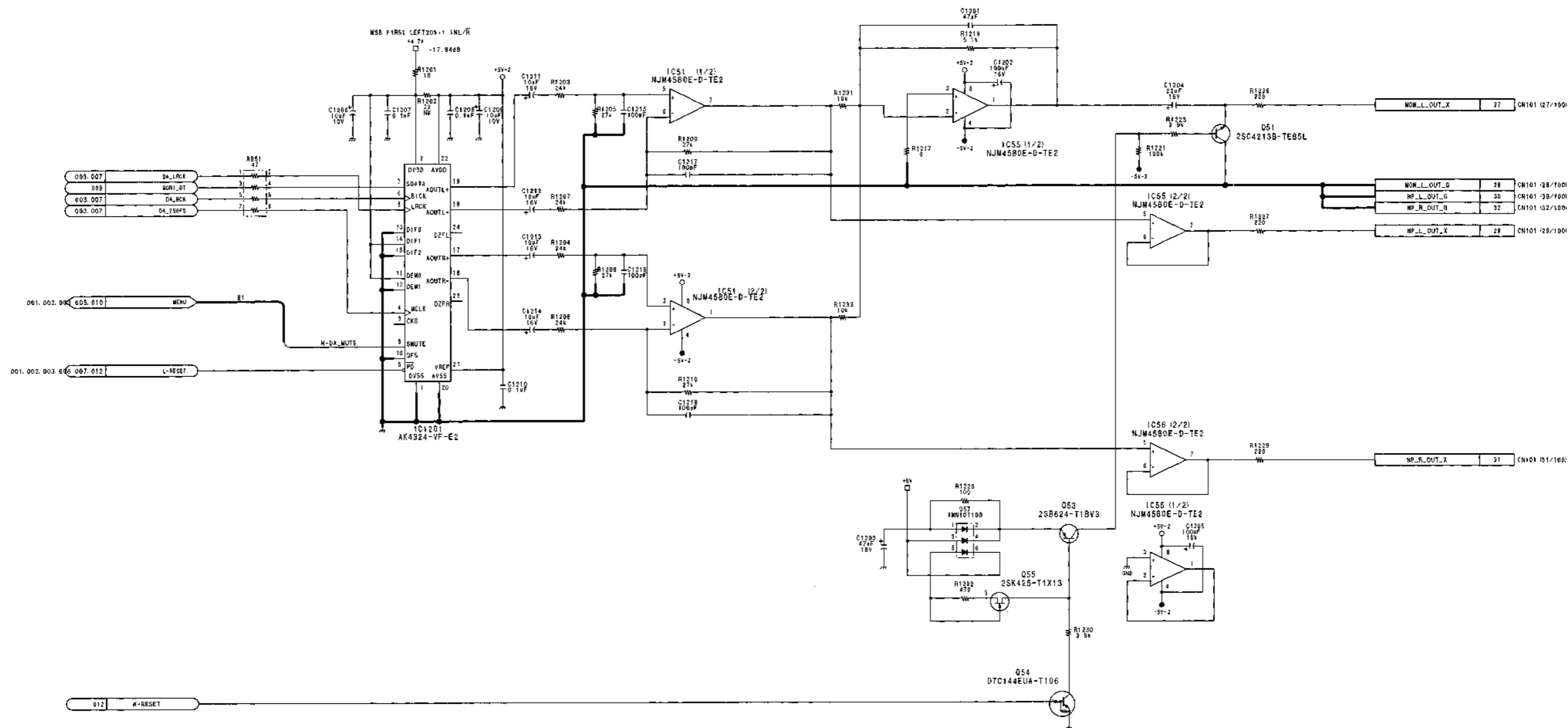
Audio process
APR-45 (3/17)
 BOARD NO. 1-675-517-14
 LOT NO. 134-
 DSR-2000_APR-45_014_3

15-4 (b)

15-4 (b)

DSR-2000/2000P

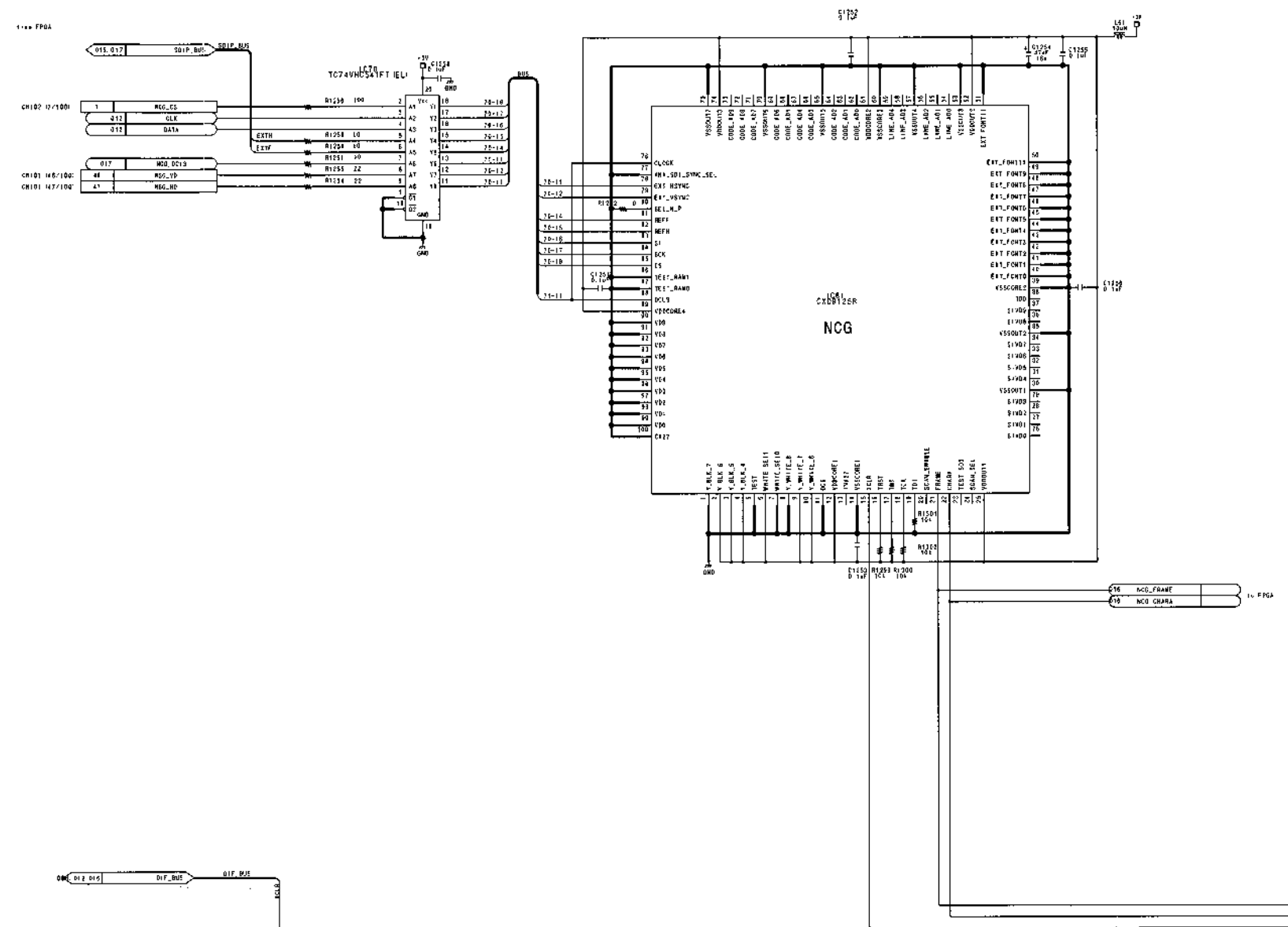
A | B | C | D | E | F | G | H



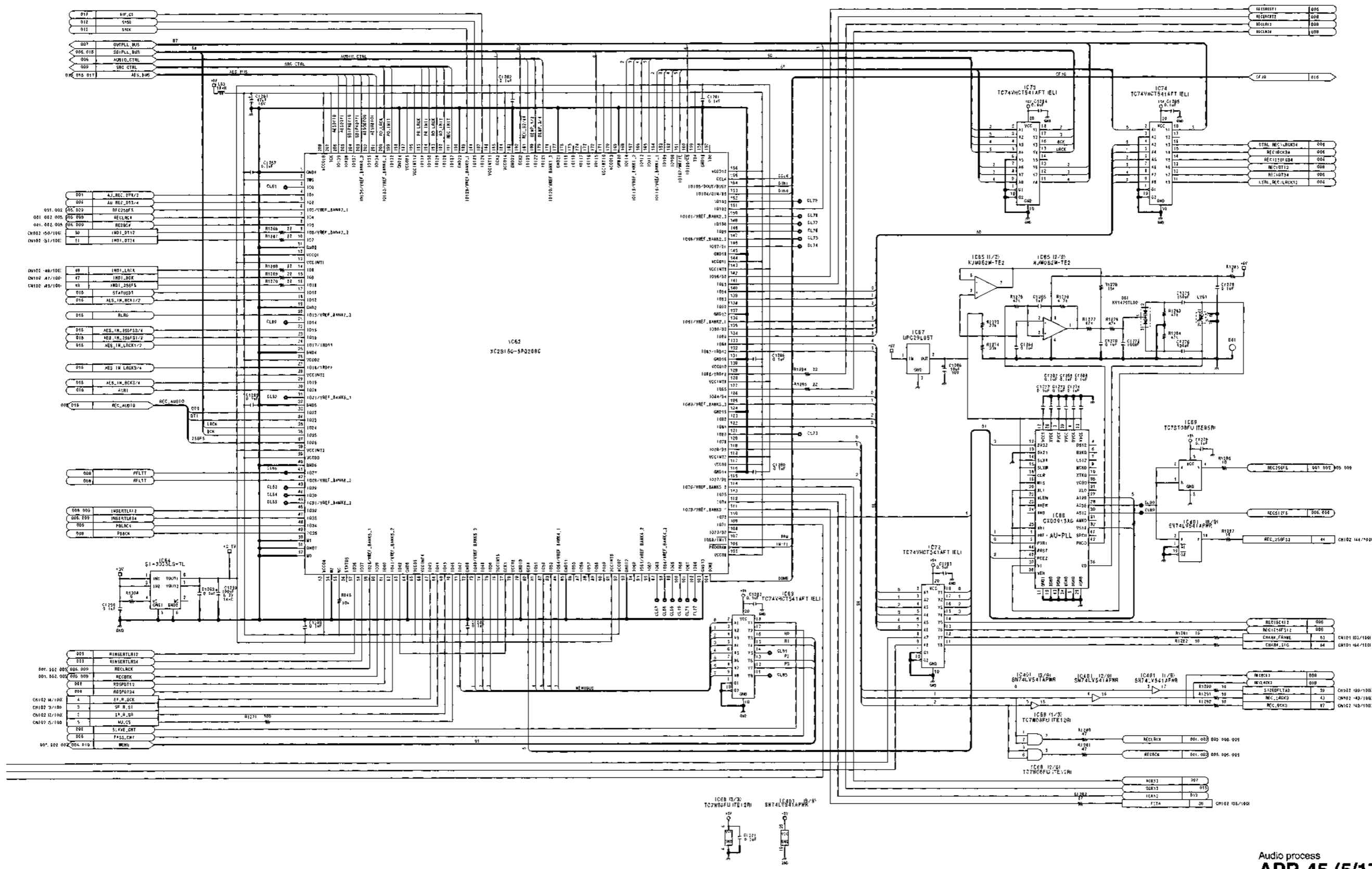
1
2
3
4
5

Audio process
APR-45 (4/17)
 BOARD NO. 1-675-517-14
 LOT NO. 134
 DSR-2000_APR-45_014_4

1
2
3
4
5

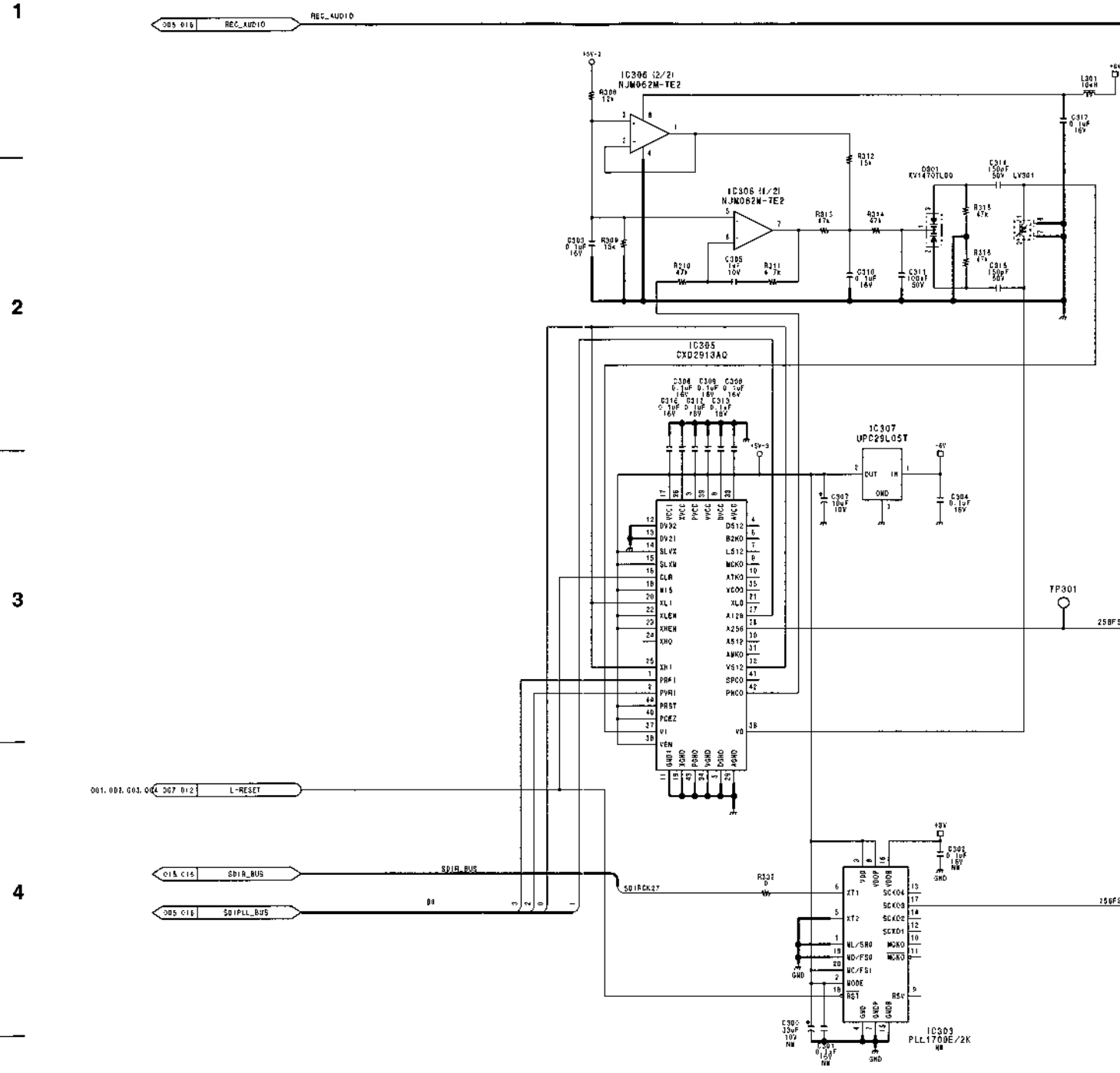


Note
In Lots #907 and #908, the DU-95 board had been mounted on the APR-45 board as a piggyback board. However, from Lot #909, the APR-45 board includes the circuits correspond to the DU-95 board.

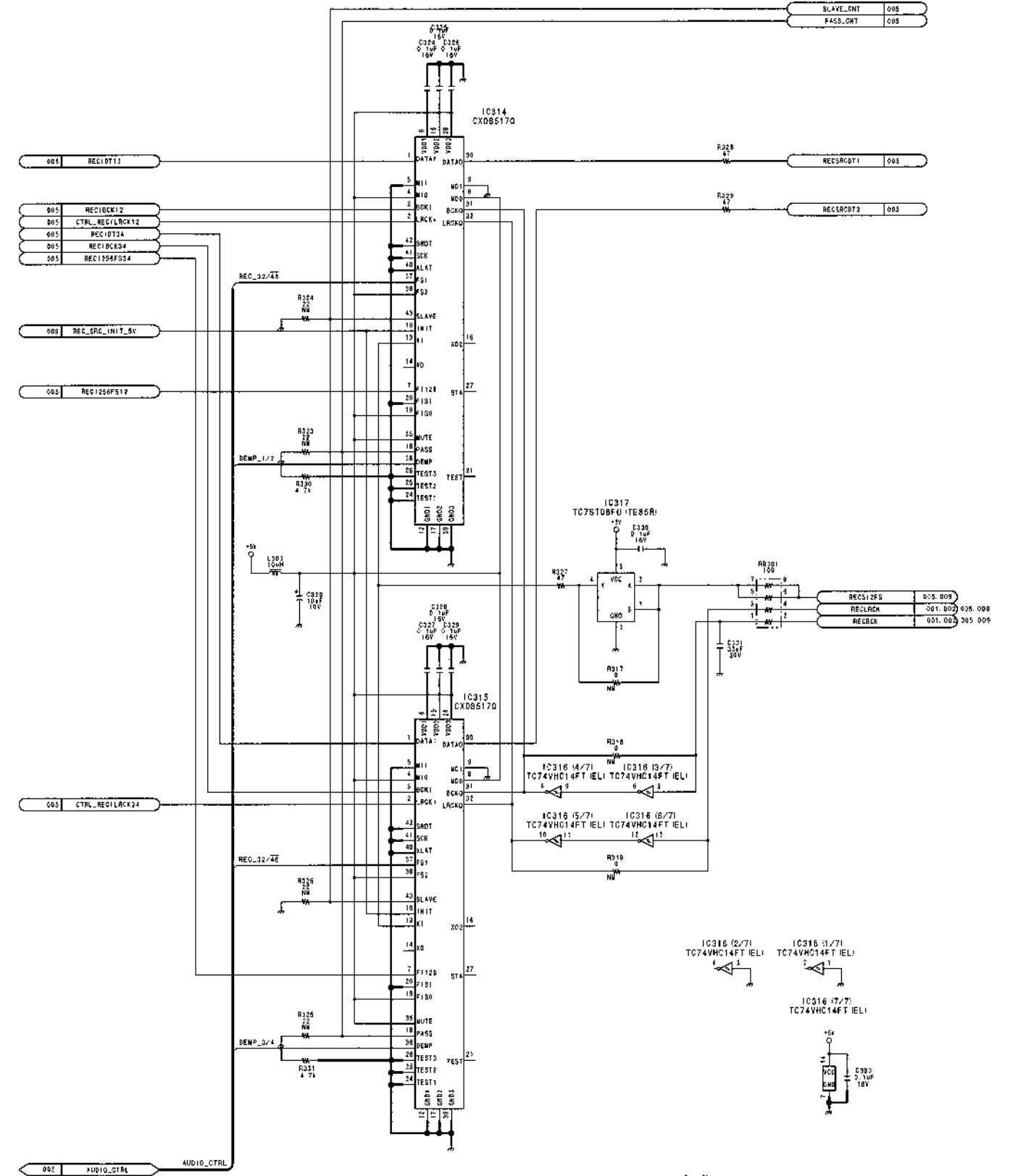


1
2
3
4
5

Audio process
APR-45 (5/17)
 BOARD NO. 1-675-517-14
 LOT NO. 134-
 DSR-2000-APR-45_014_5

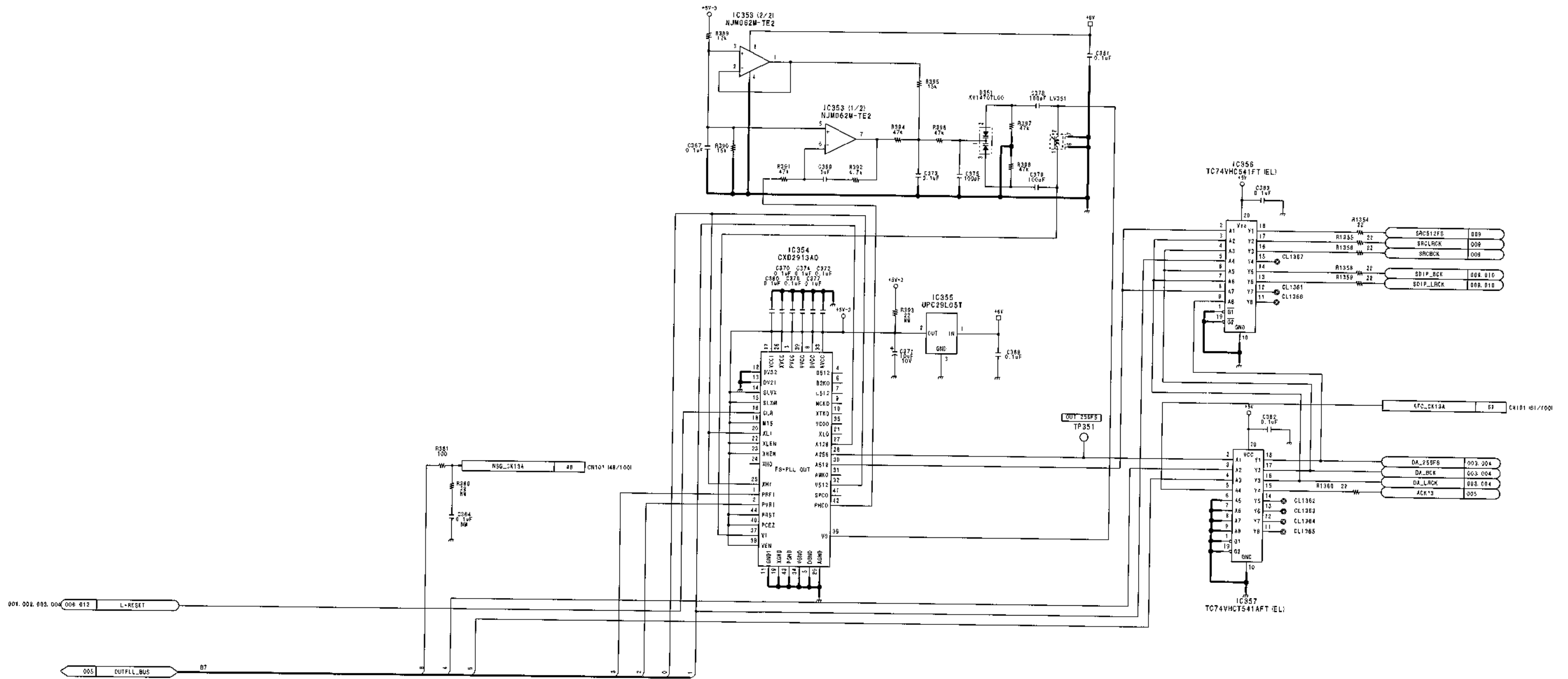


15-8 (b)



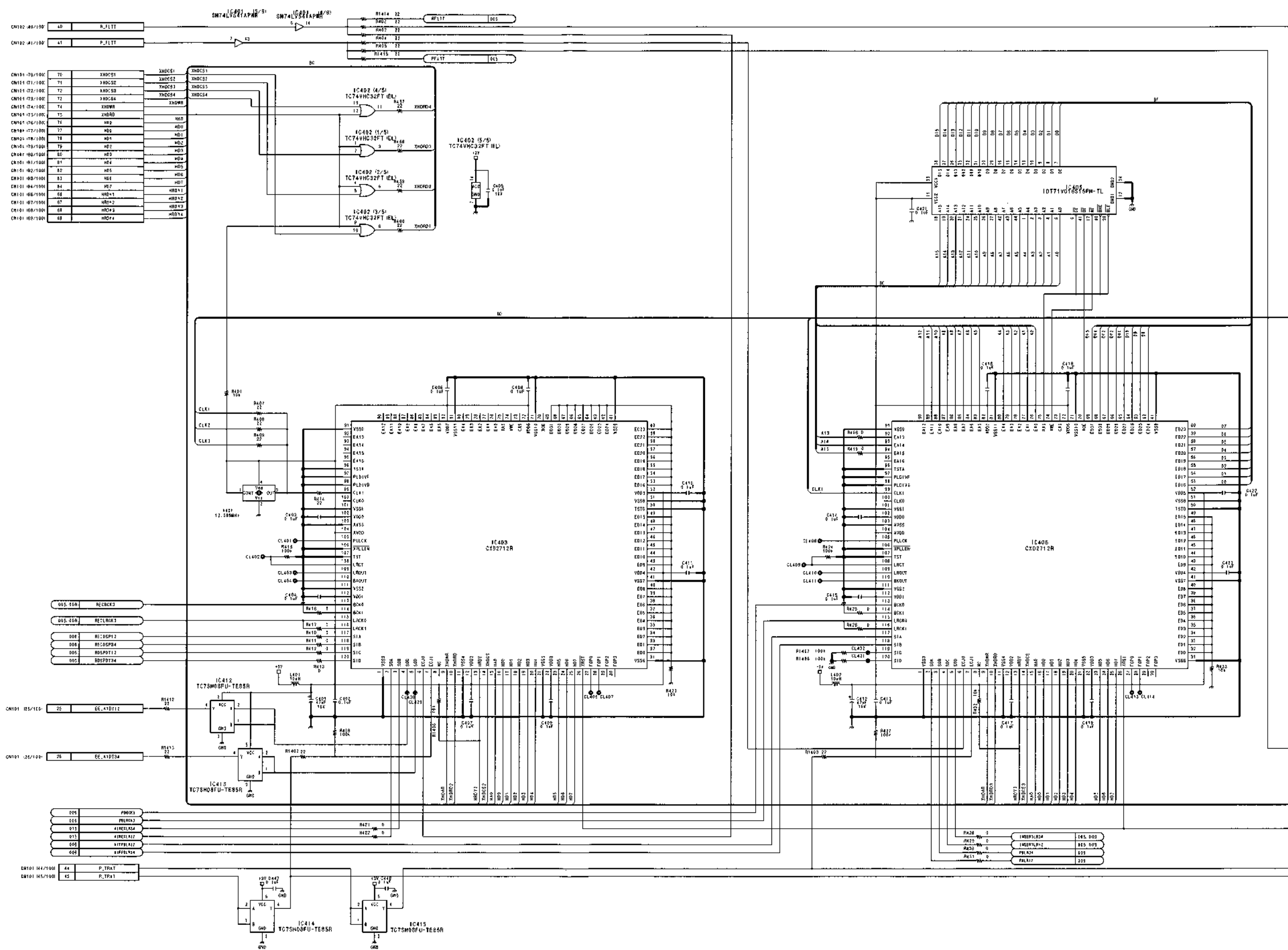
15-8 (b)

Audio process
APR-45 (6/17)
 BOARD NO. 1-675-517-14
 LOT NO. 134-
 DSR-2000_APR-45_014_6



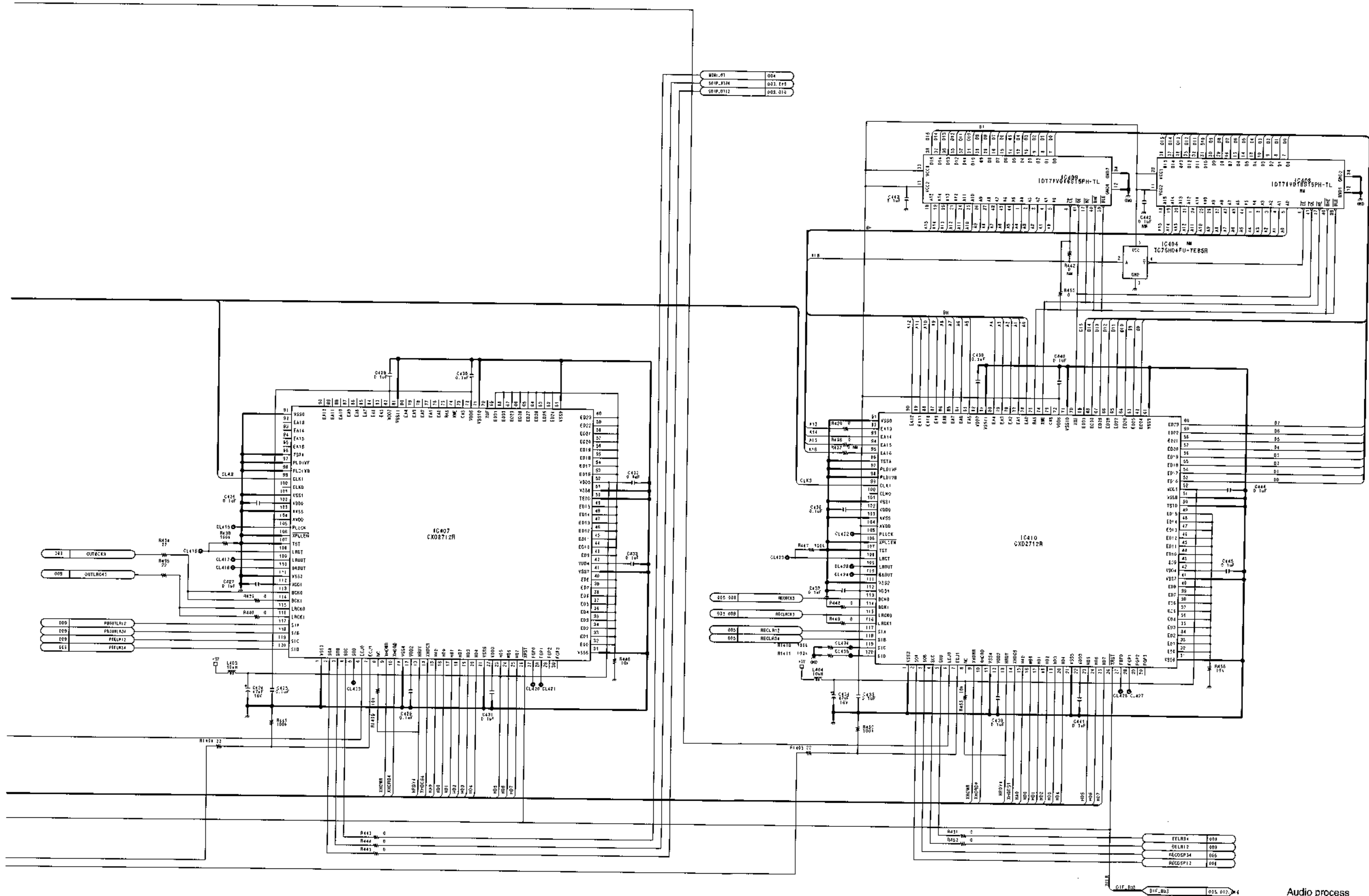
1
2
3
4
5

1
2
3
4
5



15-10 (b) 15-10 (b)

A B C D E F G H



Audio process
APR-45 (8/17)
 BOARD NO. 1-675-517-14
 LOT NO. 134-
 DSR-2000-APR-45_014_8

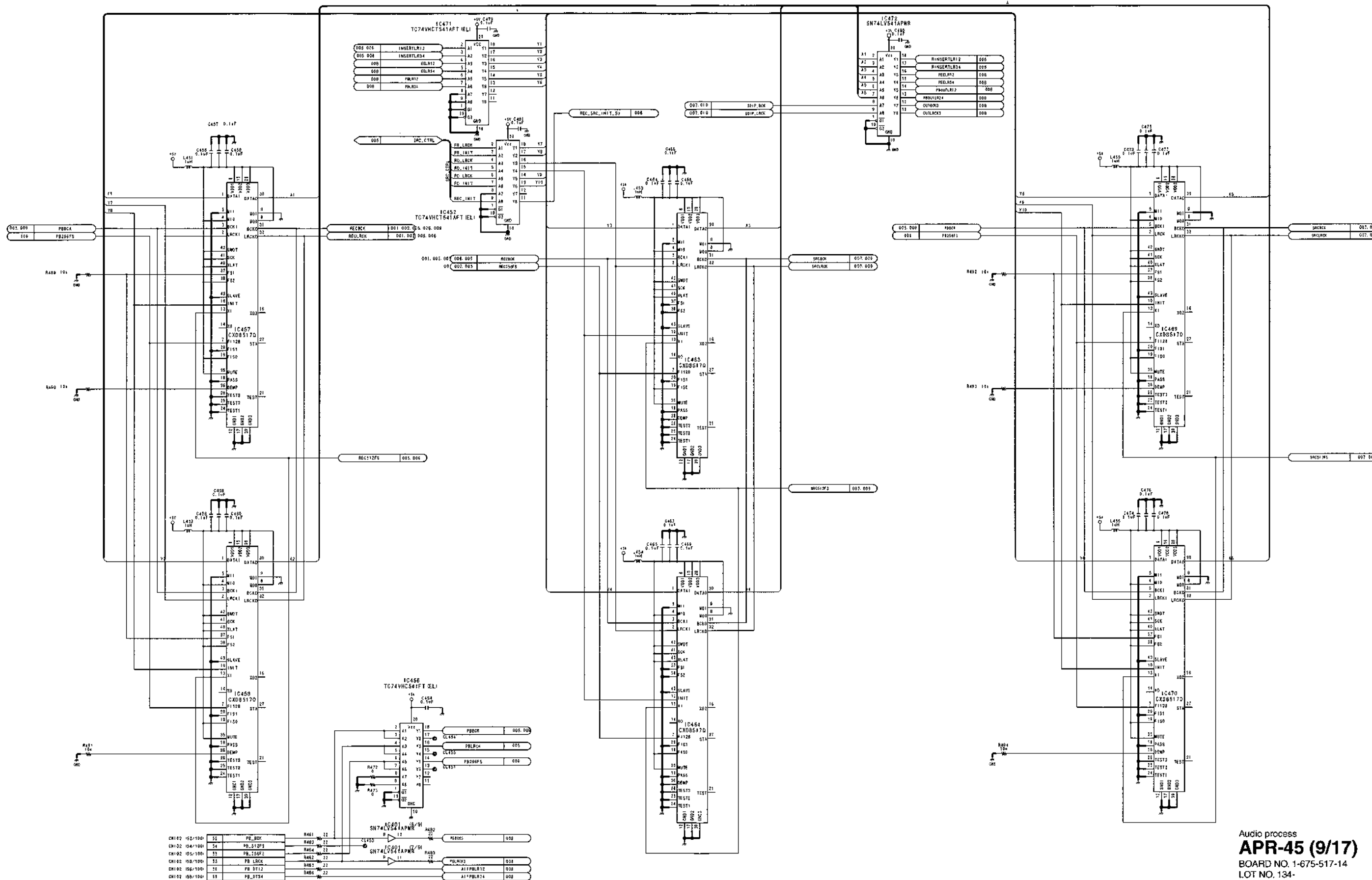
1

2

3

4

5



15-12 (b)

15-12 (b)

Audio process
APR-45 (9/17)
 BOARD NO. 1-675-517-14
 LOT NO. 134-
 DSR-2000_APR-45_014_9

DSR-2000/2000P

A

B

C

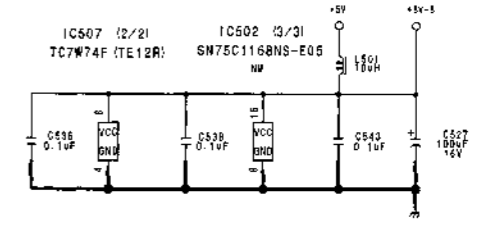
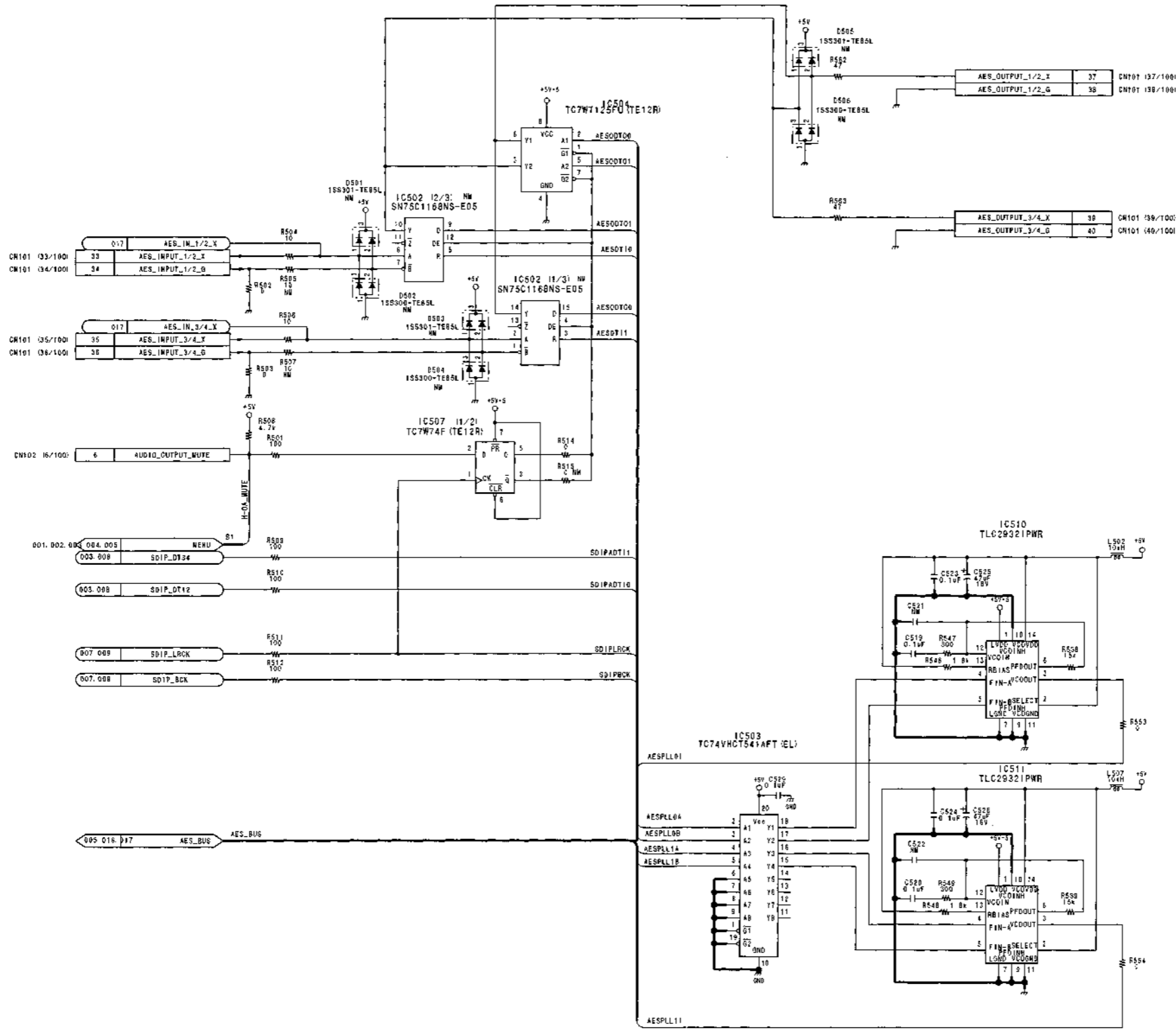
D

E

F

G

H



Audio process
APR-45 (10/17)
 BOARD NO. 1-675-517-14
 LOT NO. 134-
 DSR-2000_APR-45_014_10

1
2
3
4
5

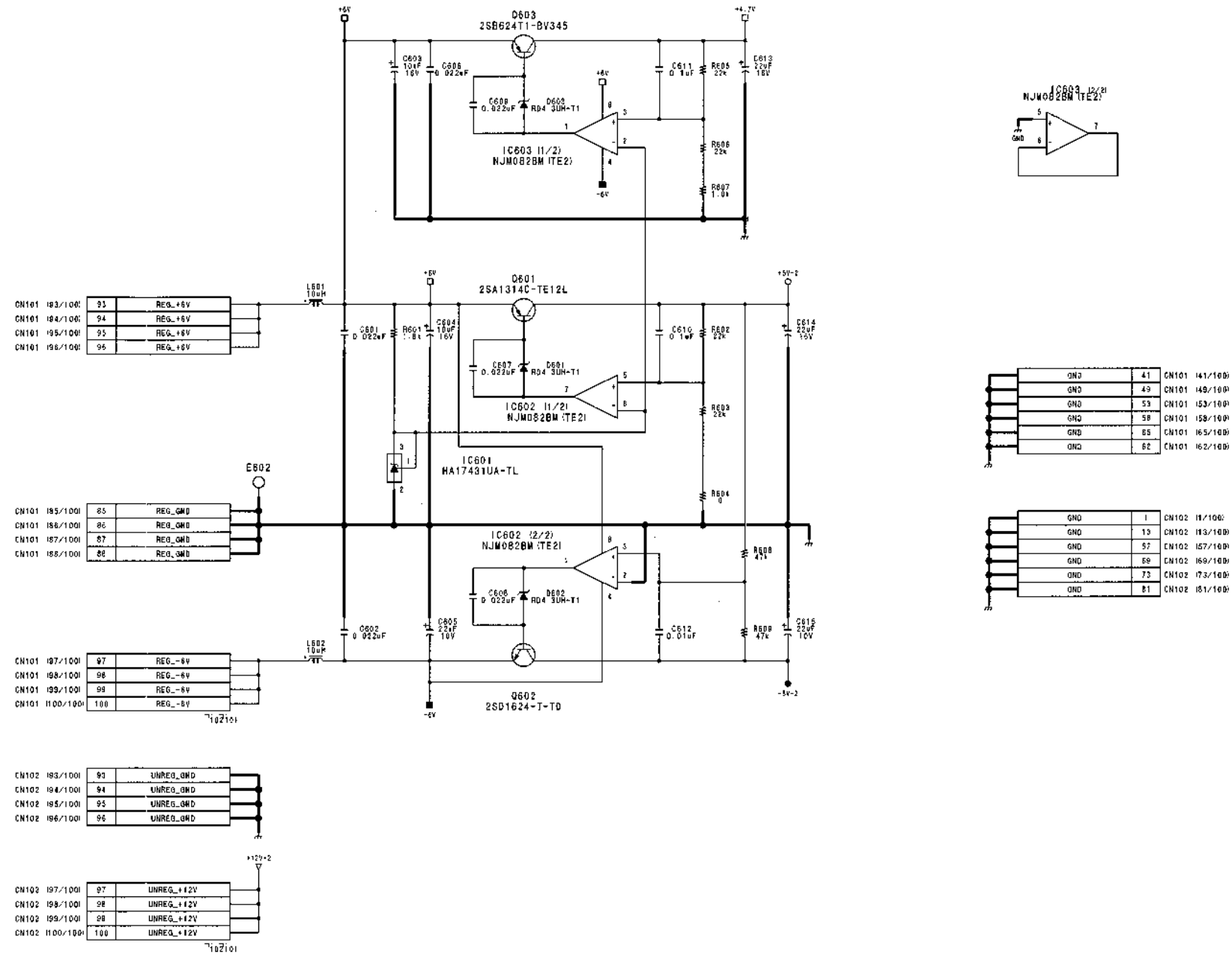
1

2

3

4

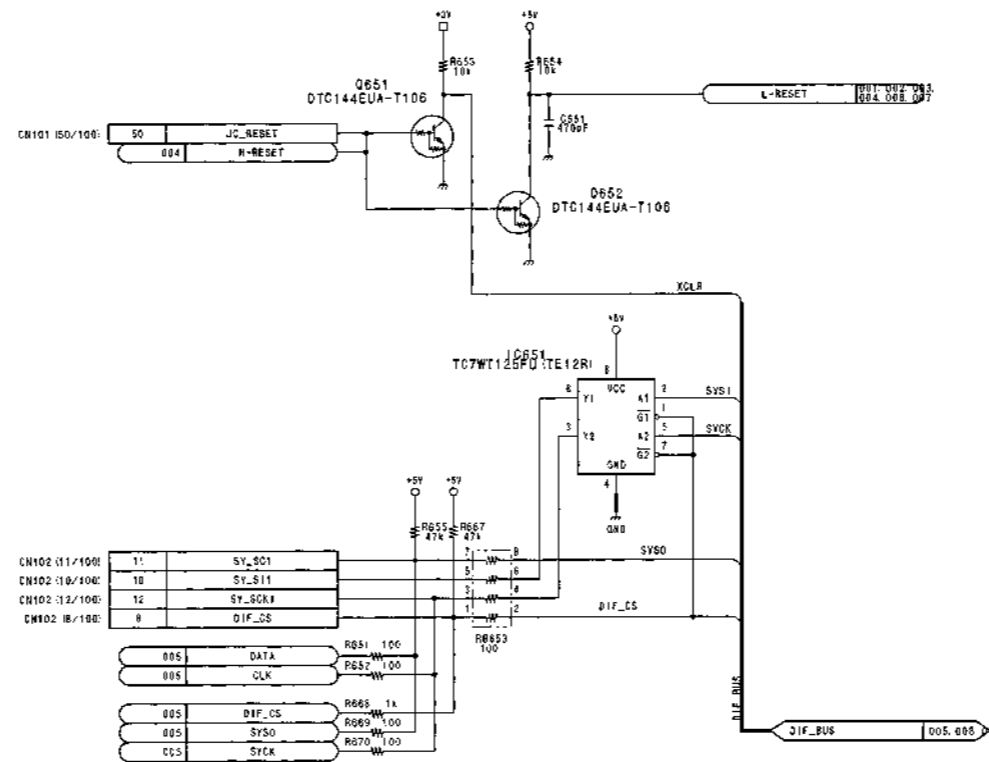
5



Audio process
APR-45 (11/17)
 BOARD NO. 1-675-517-14
 LOT NO. 134-
 DSR-2000_APR-45_014_11

15-14 (b) 15-14 (b)

A | B | C | D | E | F | G | H



1

2

3

4

5

Audio process
APR-45 (12/17)
 BOARD NO. 1-675-517-14
 LOT NO. 134-
 DSR-2000_APR-45_014_12

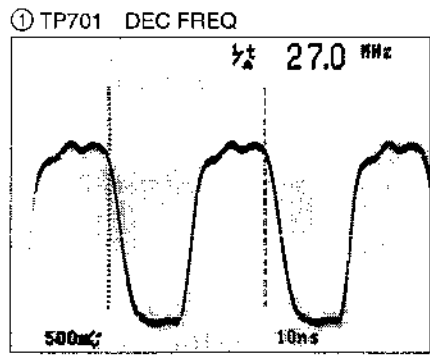
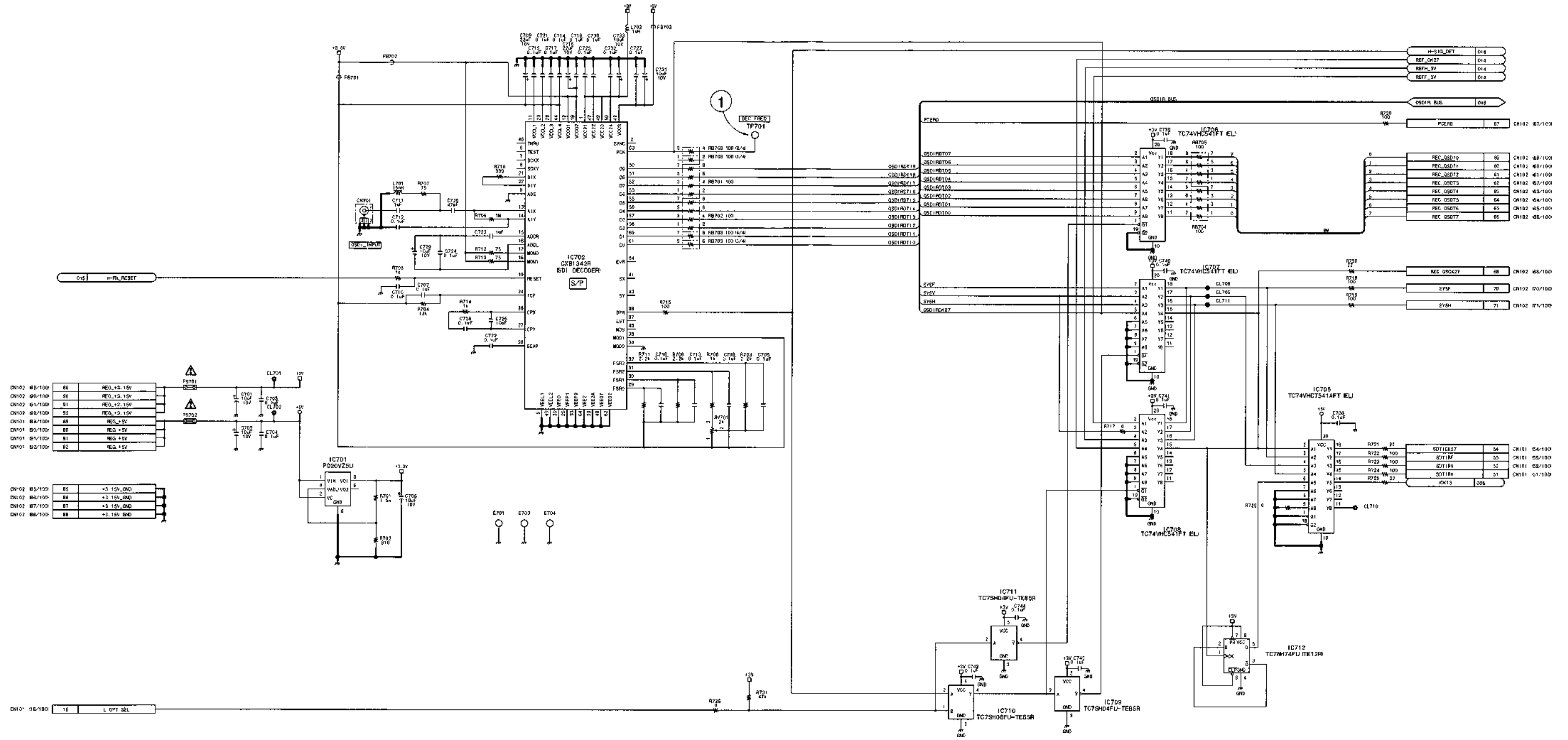
1

2

3

4

5



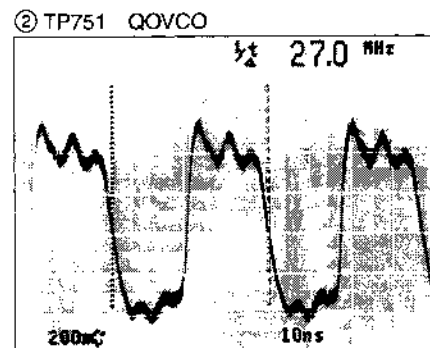
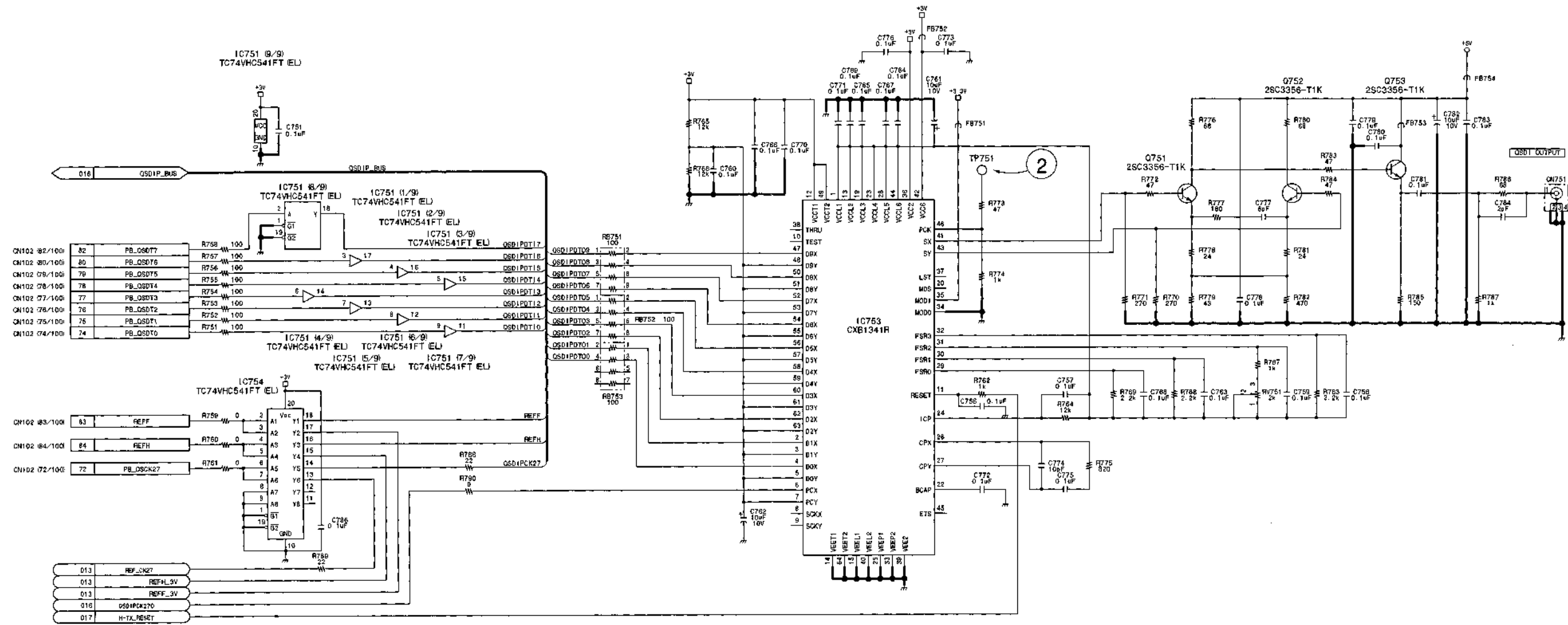
Audio process
APR-45 (13/17)
 BOARD NO. 1-675-517-14
 LOT NO. 134-
 DSR-2000_APR-45_014_13

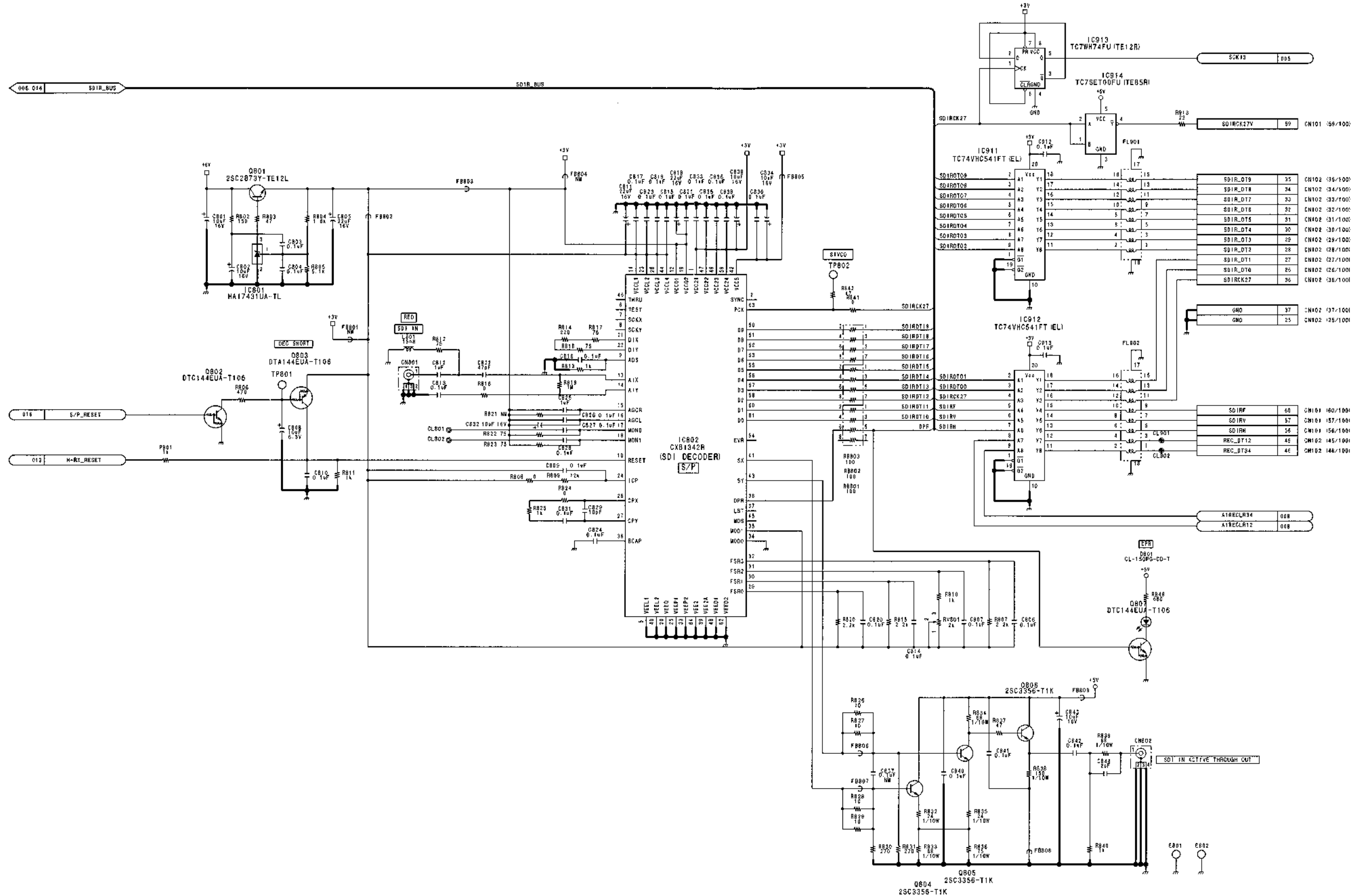
15-16 (b)

15-16 (b)

DSR-2000/2000P

A | B | C | D | E | F | G | H





1

2

3

4

5

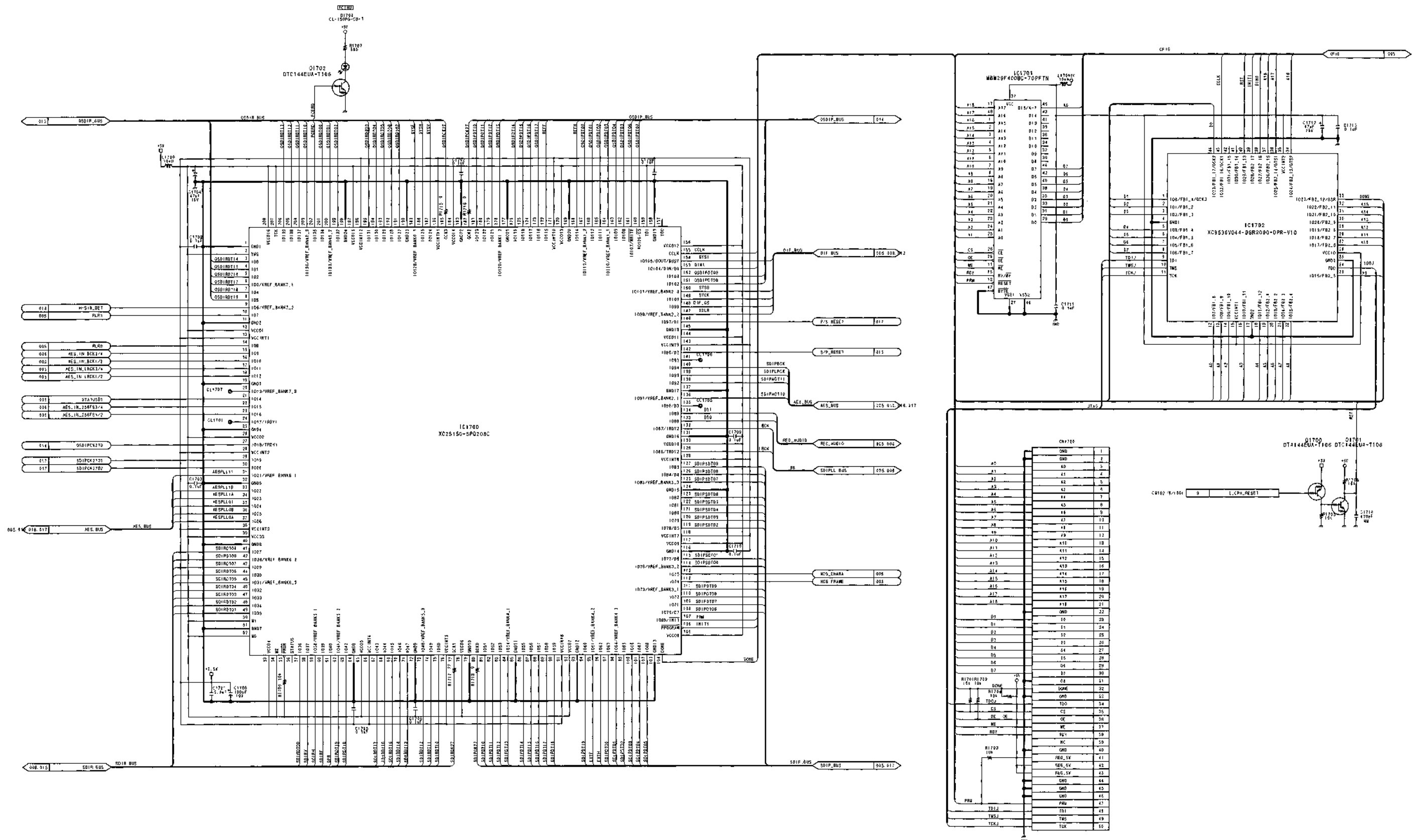
Audio process
APR-45 (15/17)
 BOARD NO. 1-675-517-14
 LOT NO. 134-
 DSR-2000_APR-45_014_15

15-18 (b)

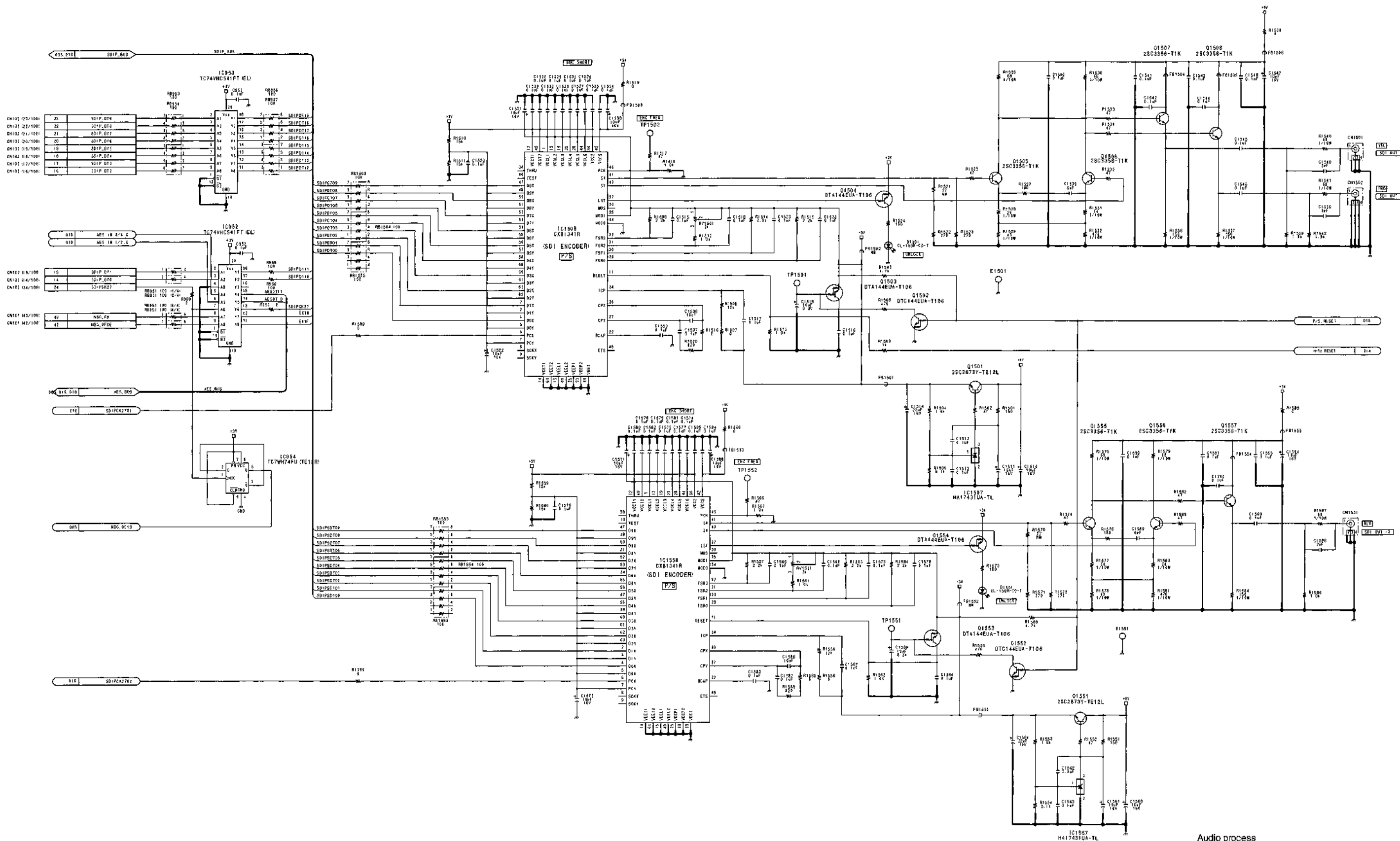
15-18 (b)

DSR-2000/2000P

A | B | C | D | E | F | G | H

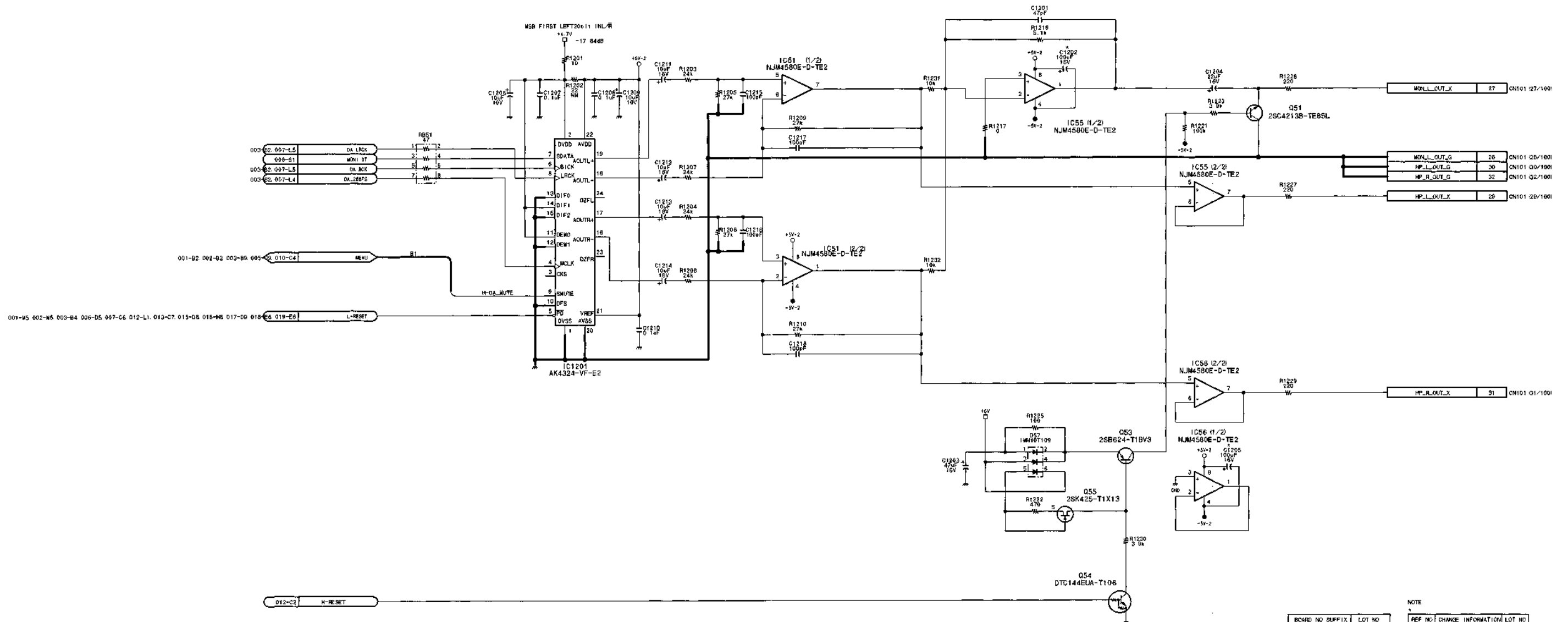


Audio process
APR-45 (16/17)
 BOARD NO. 1-675-517-14
 LOT NO. 134
 DSR-2000_APR-45_014_16



1
2
3
4
5

Audio process
APR-45 (17/17)
 BOARD NO. 1-675-517-14
 LOT NO. 134-
 DSR-2000_APR-45_014_17



NOTE

BOARD NO	SUFFIX	LOT NO	REF. NO.	CHANGE	INFORMATION	LOT NO.
11		907-908	C1202			
12		909-133	C1205	100uF	ADD	909-

Audio process
APR-45 (4/19)
 BOARD NO. 1-675-517-11, 12
 LOT NO. 907-0B1
 DSR-2000_APR-45_C12_4

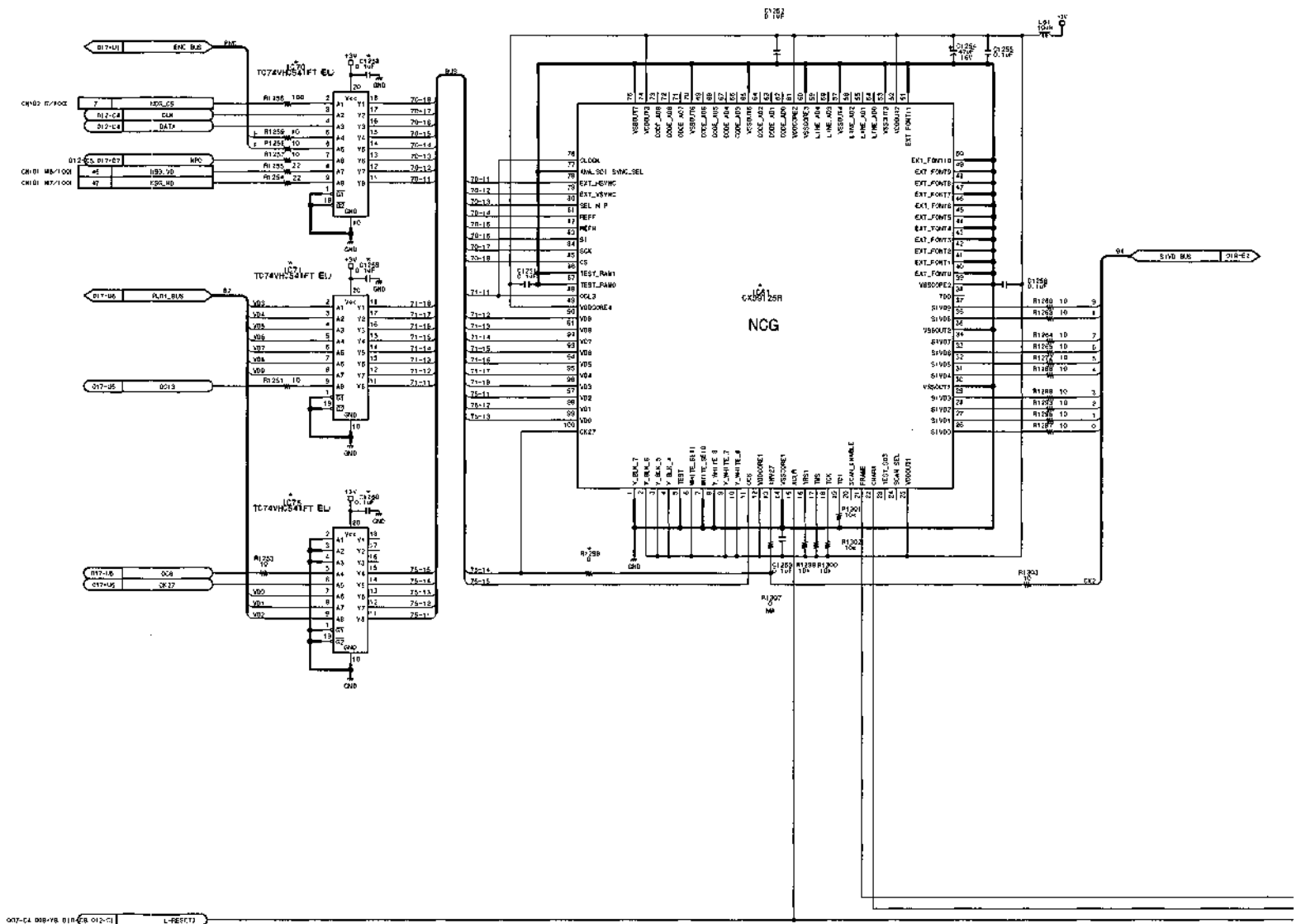
1

2

3

4

5



Note
 In Lots #907 and #908, the DU-95 board had been mounted on the APR-45 board as a piggyback board. However, from Lot #909, the APR-45 board includes the circuits correspond to the DU-95 board.

15-6 (a)

15-6 (a)

A

B

C

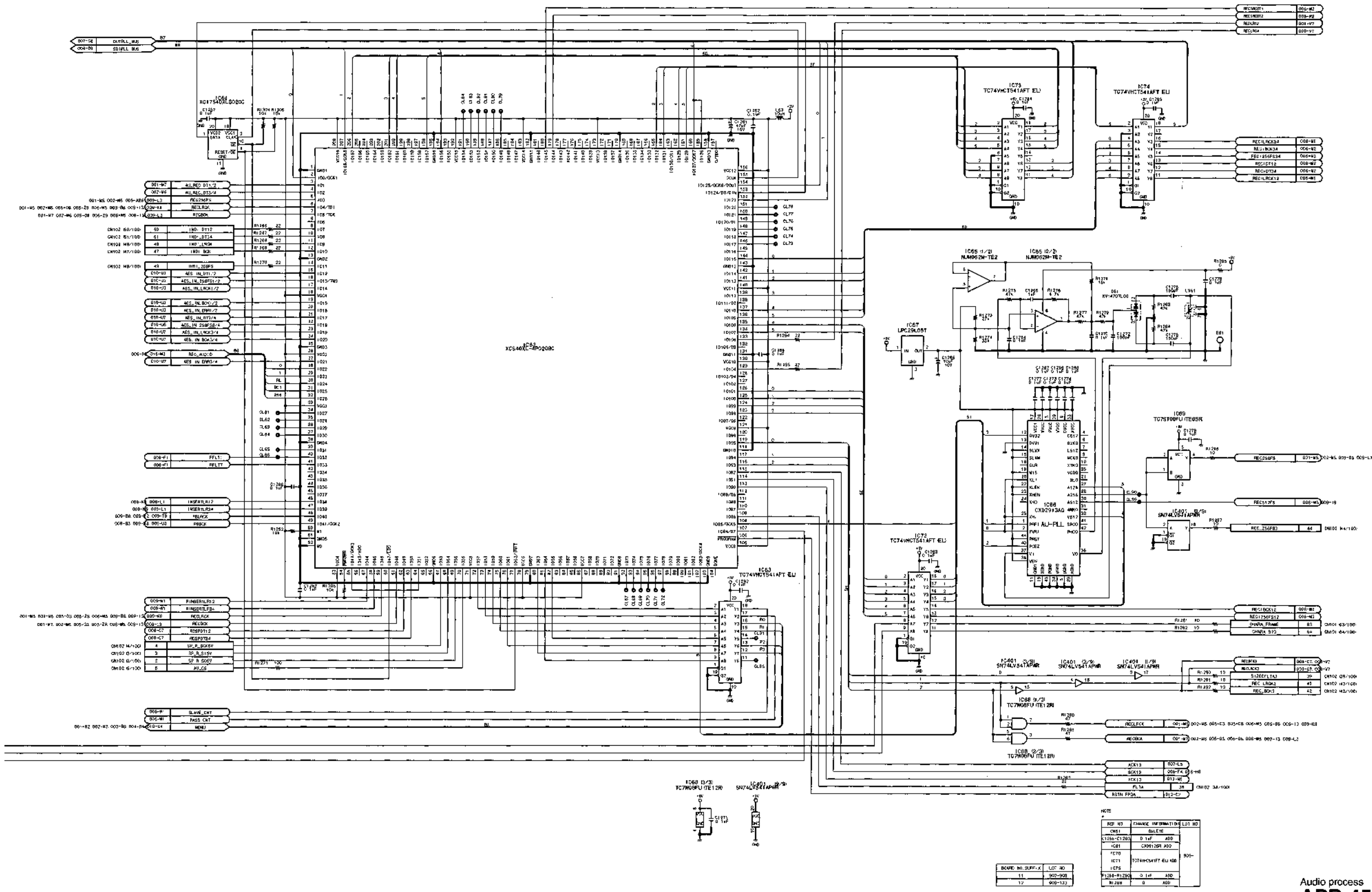
D

E

F

G

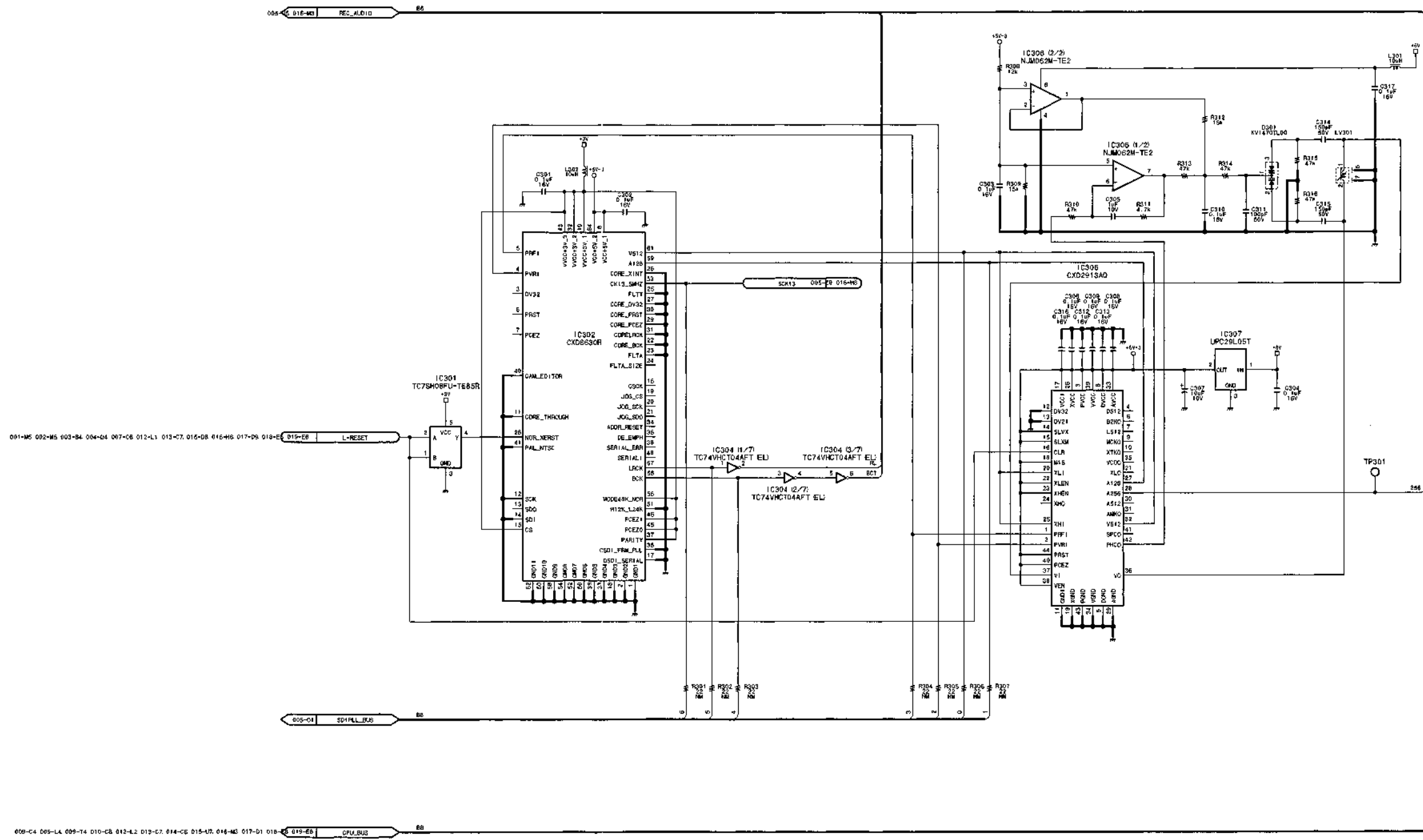
H



1
2
3
4
5

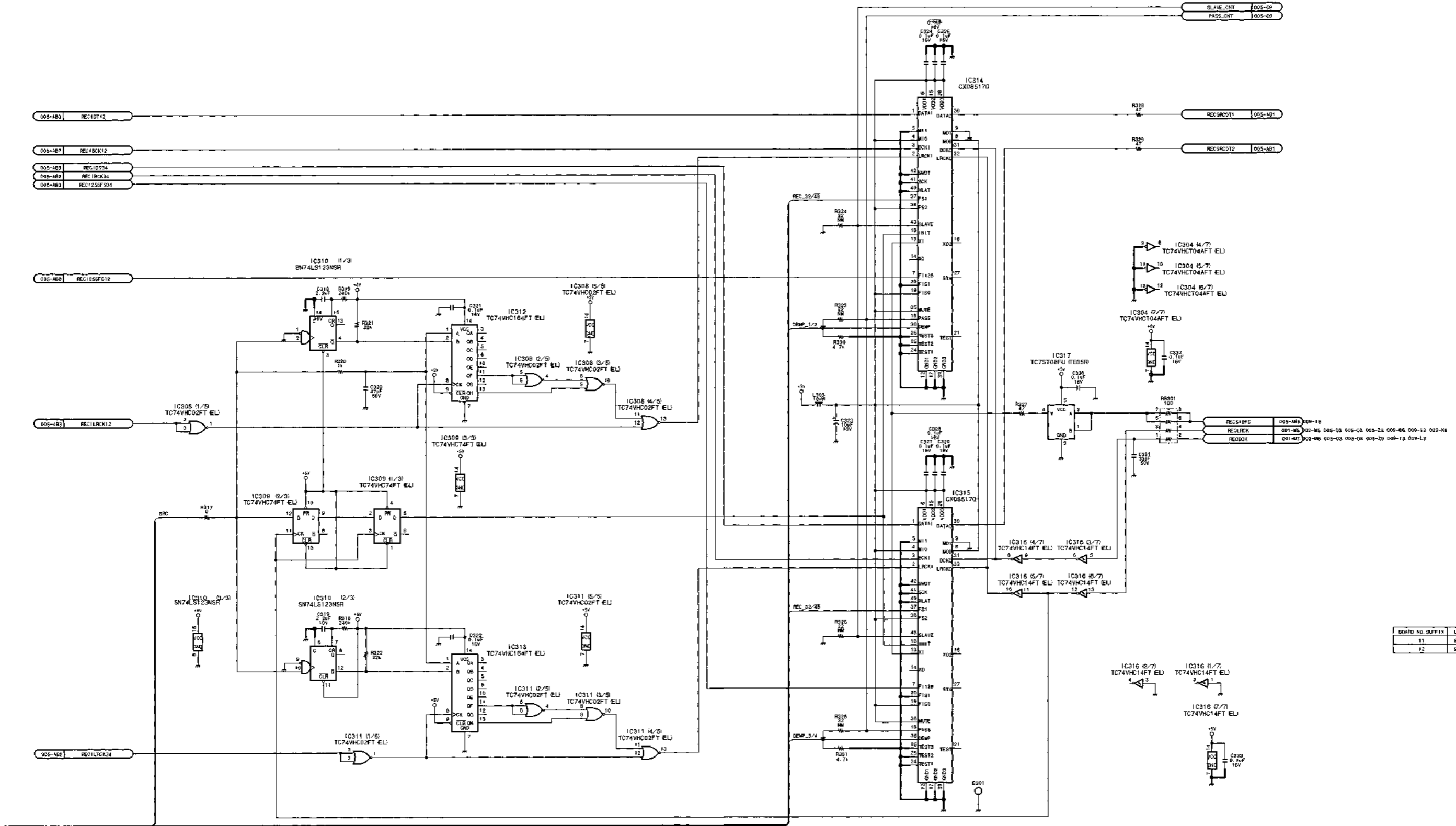
I | J | K | L | M | N | O | P

1
2
3
4
5



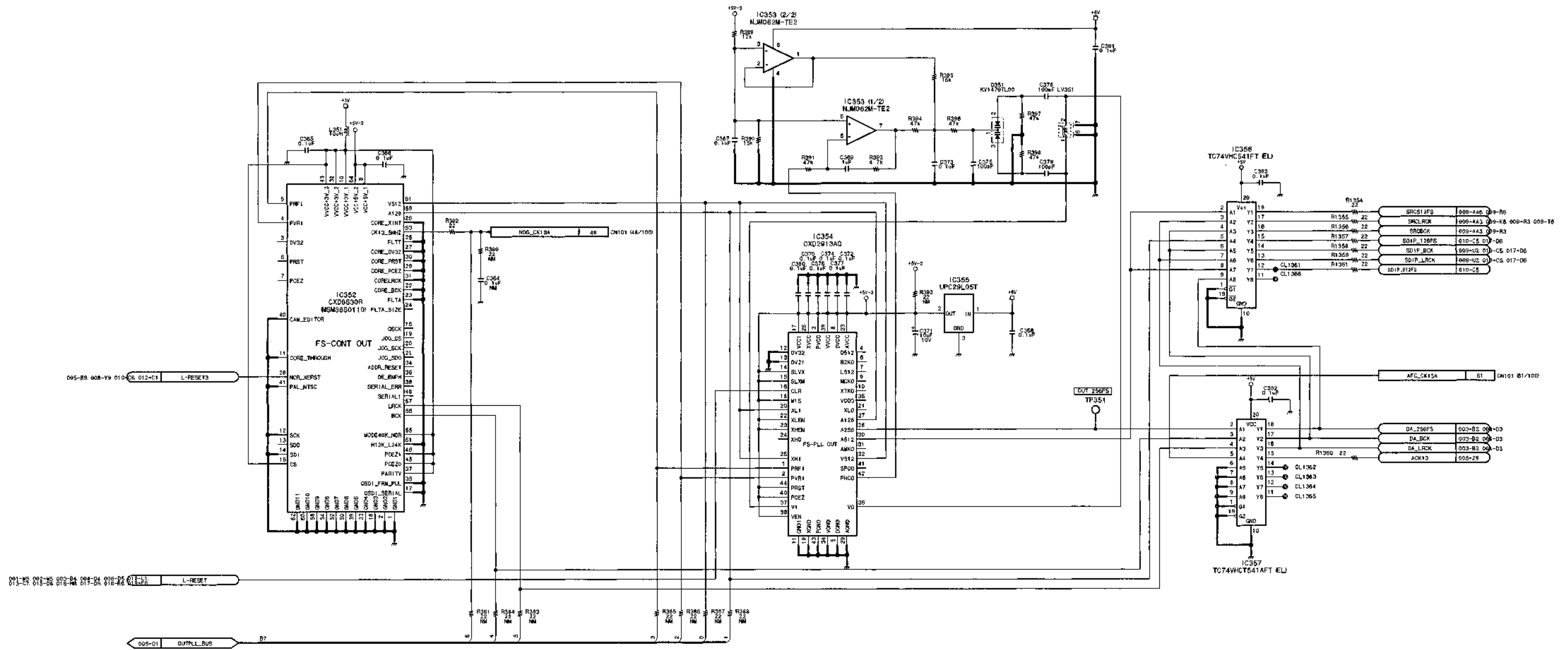
15-8 (a) 15-8 (a)

A | B | C | D | E | F | G | H



BOARD NO. SUFFIX	LOT NO.
11	907-908
12	909-132

Audio process
APR-45 (6/19)
 BOARD NO. 1-675-517-11, 12
 LOT NO. 907-0B1
 DSR-2000_APR-45_C12_6



BOARD NO	SUFFIX	LOT NO
11		907-008
12		909-133

Audio process
APR-45 (7/19)
 BOARD NO. 1-675-517-11, 12
 LOT NO. 907-008
 DSR-2000_APR-45_C12_7

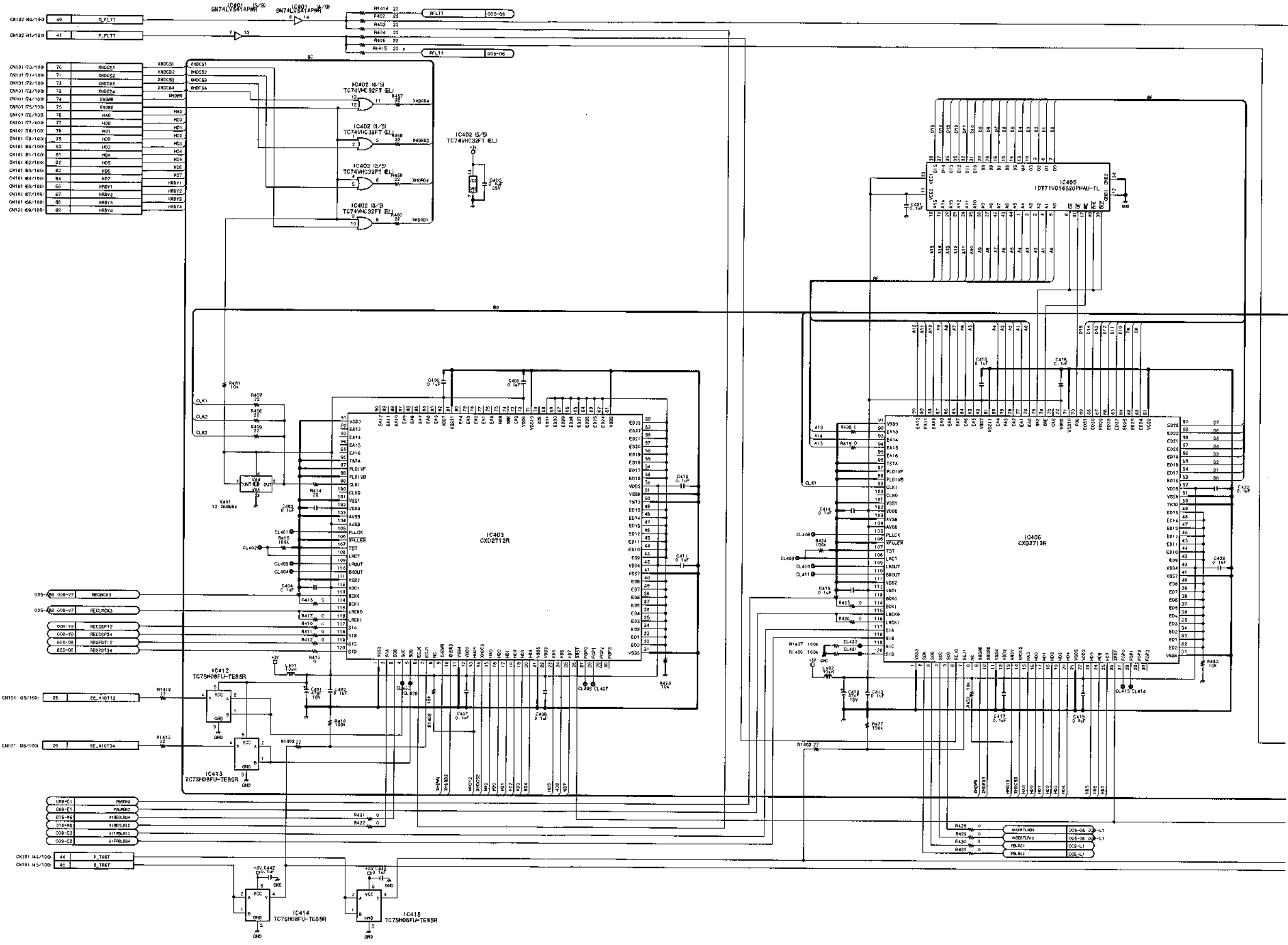
1

2

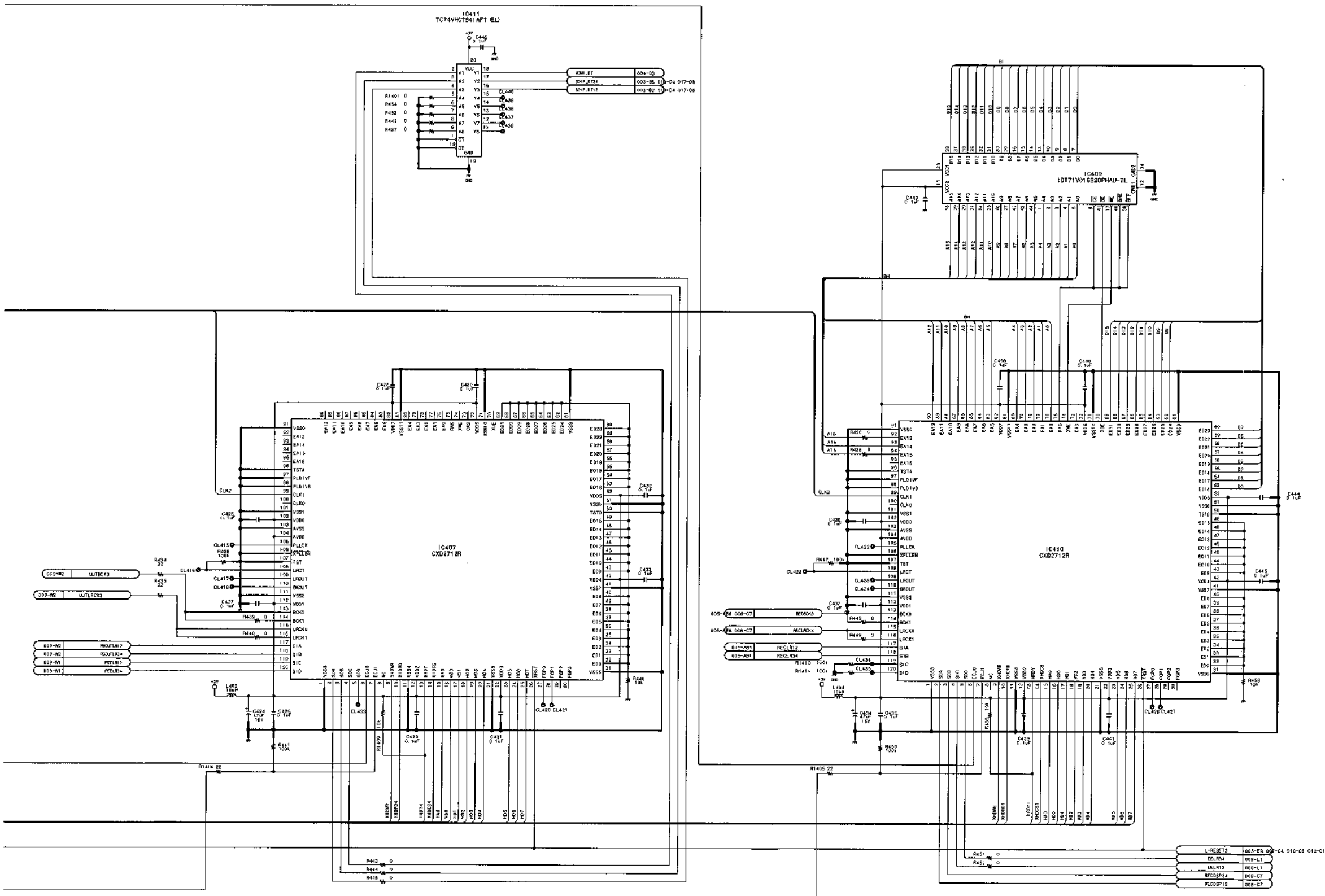
3

4

5



15-12 (a) 15-12 (a)



BOARD NO	SUFFIX	LOT NO
11		907-808
12		909-183

REF NO	CHANGE INFORMATION	LOT NO
AT115	21	ACC 999-

Audio process
APR-45 (8/19)
 BOARD NO. 1-675-617-11, 12
 LOT NO. 907-0B1
 DSR-2000_APR-45_C12_8

1
2
3
4
5

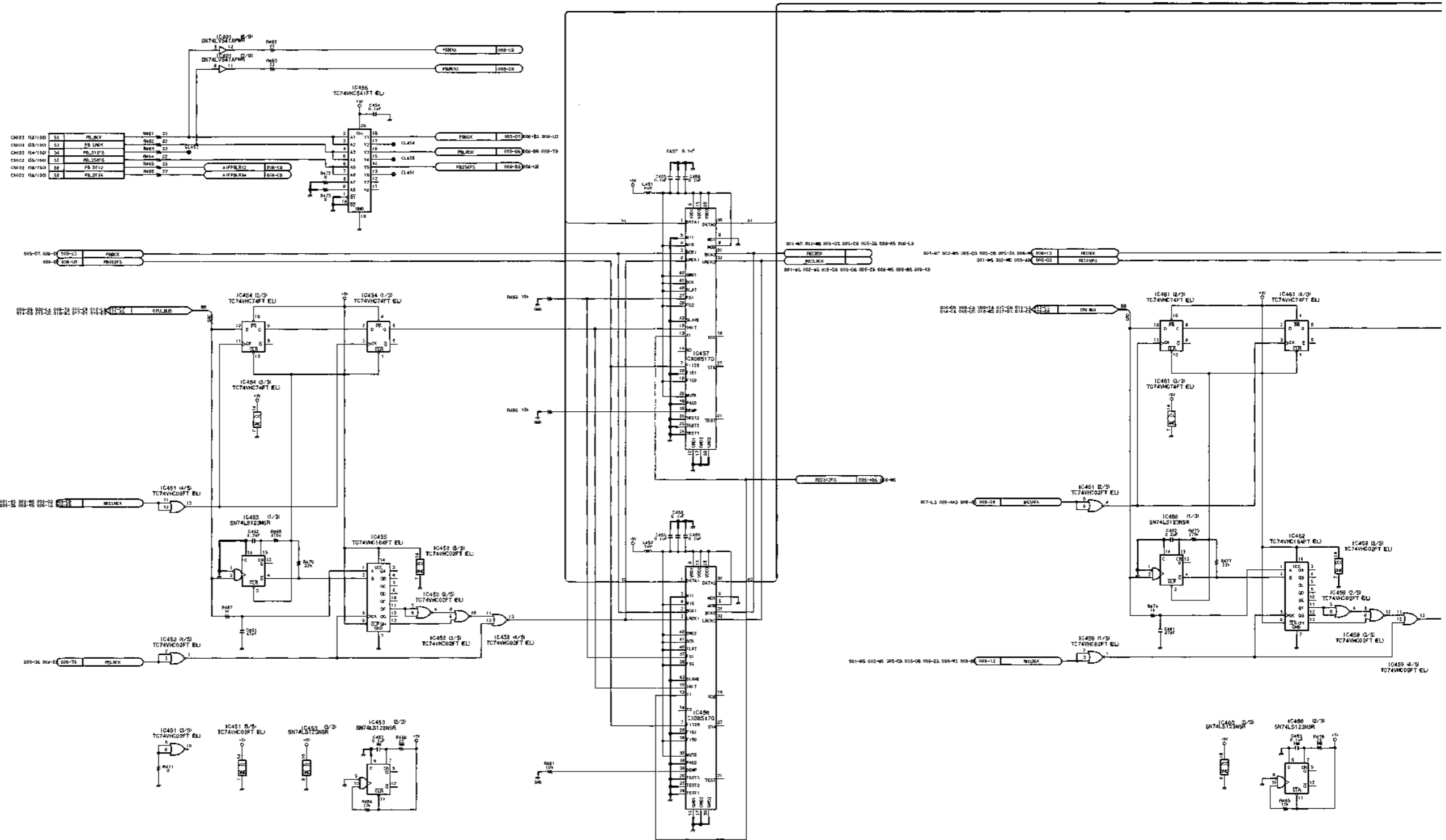
1

2

3

4

5



15-14 (a)

15-14 (a)

A

B

C

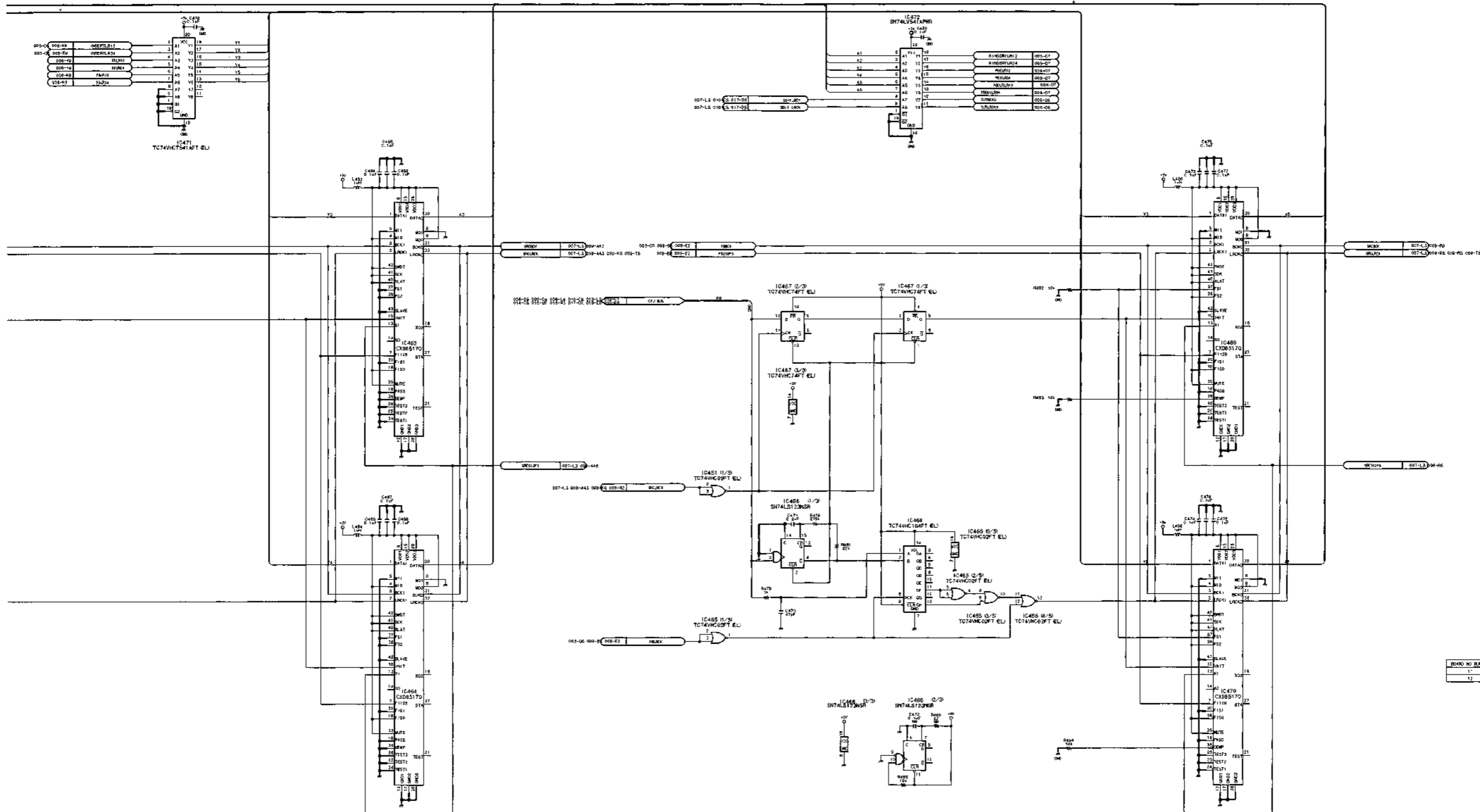
D

E

F

G

H



Audio process
APR-45 (9/19)
 BOARD NO. 1-675-517-11, 12
 LOT NO. 907-0B1
 DSR-2000_APR-45_C12_9

1
2
3
4
5

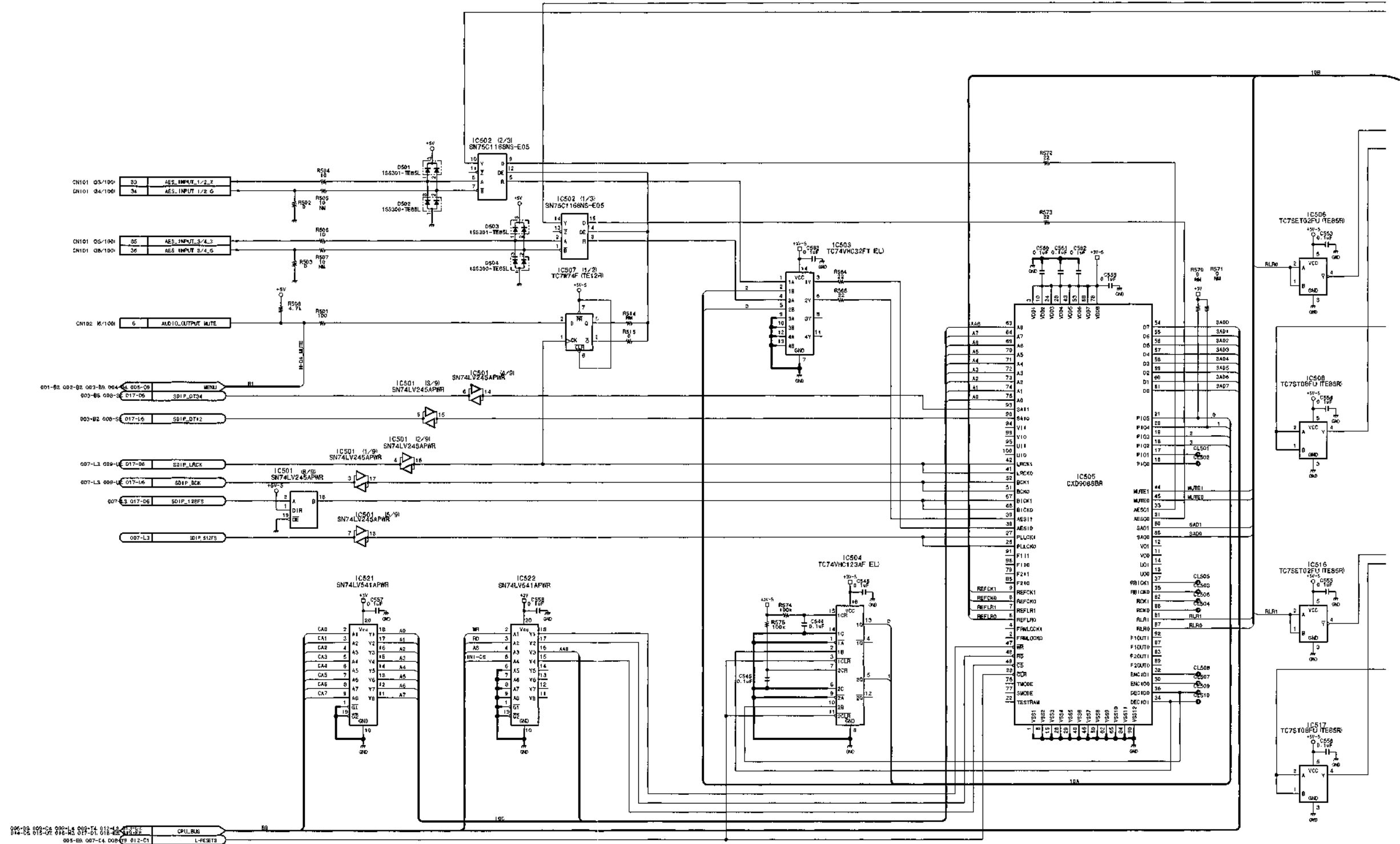
1

2

3

4

5



15-16 (a)

15-16 (a)

A

B

C

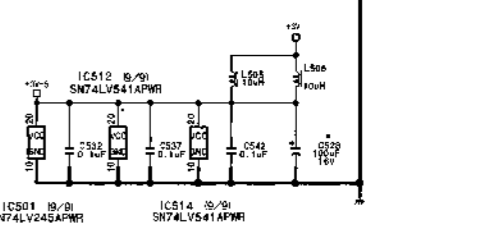
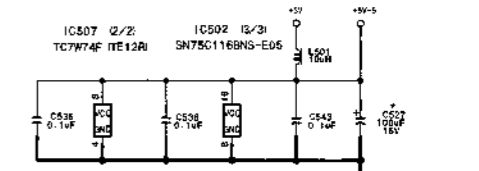
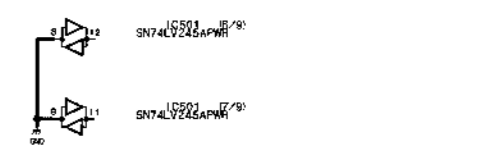
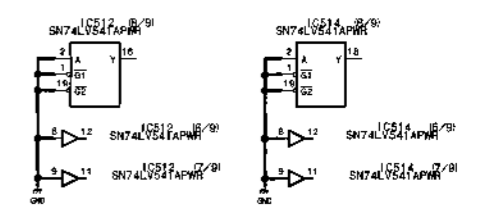
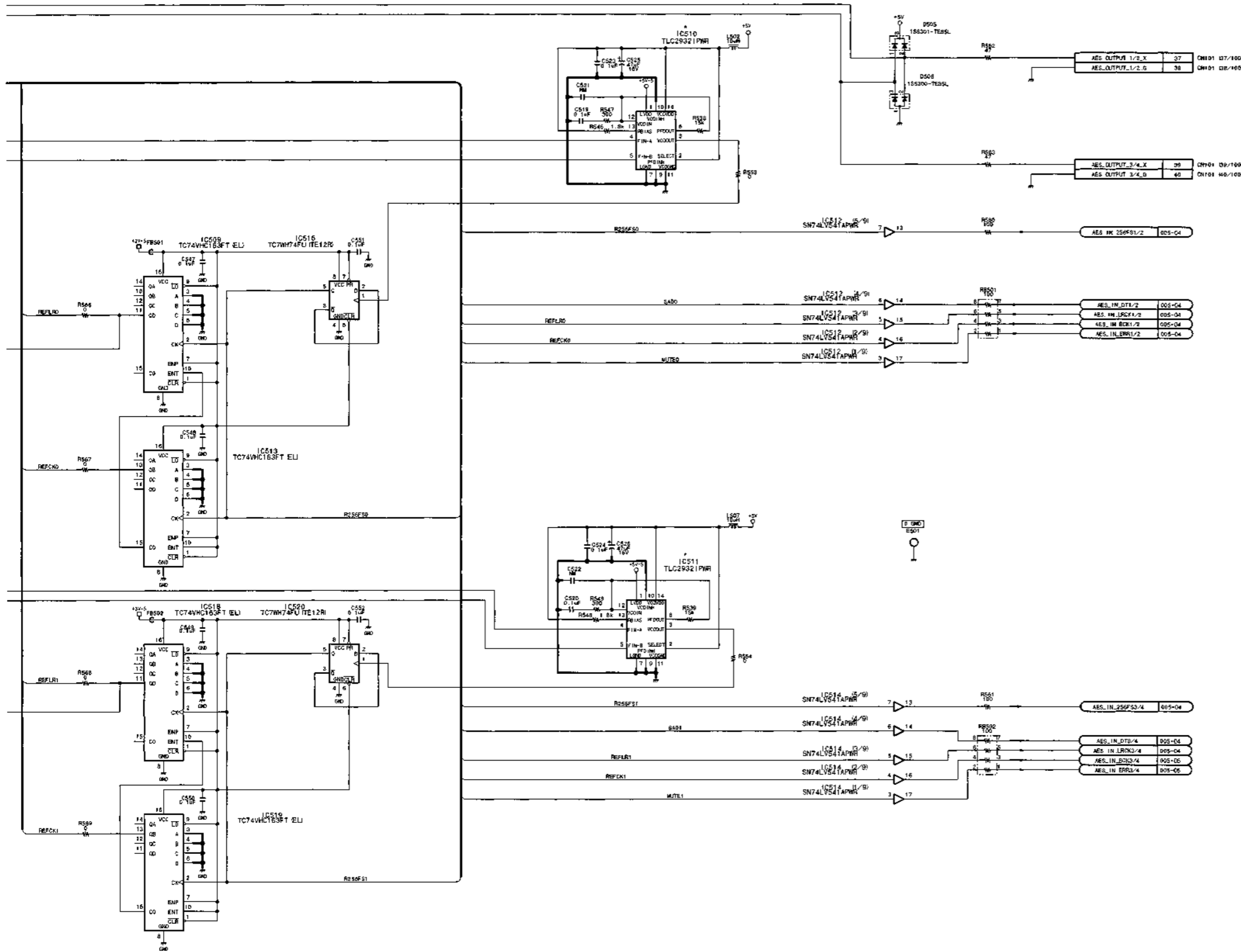
D

E

F

G

H



NOTE

REF NO	CHANGE	INFORMATION	LOT NO.
C527	100UF	ADO	B08-
C528	TLC29321PWR-E09		001-
IC511	TLC29321PWR		001-

BOARD NO	SUFFIX	LOT NO.
11		907-908
12		909-103

1

2

3

4

5

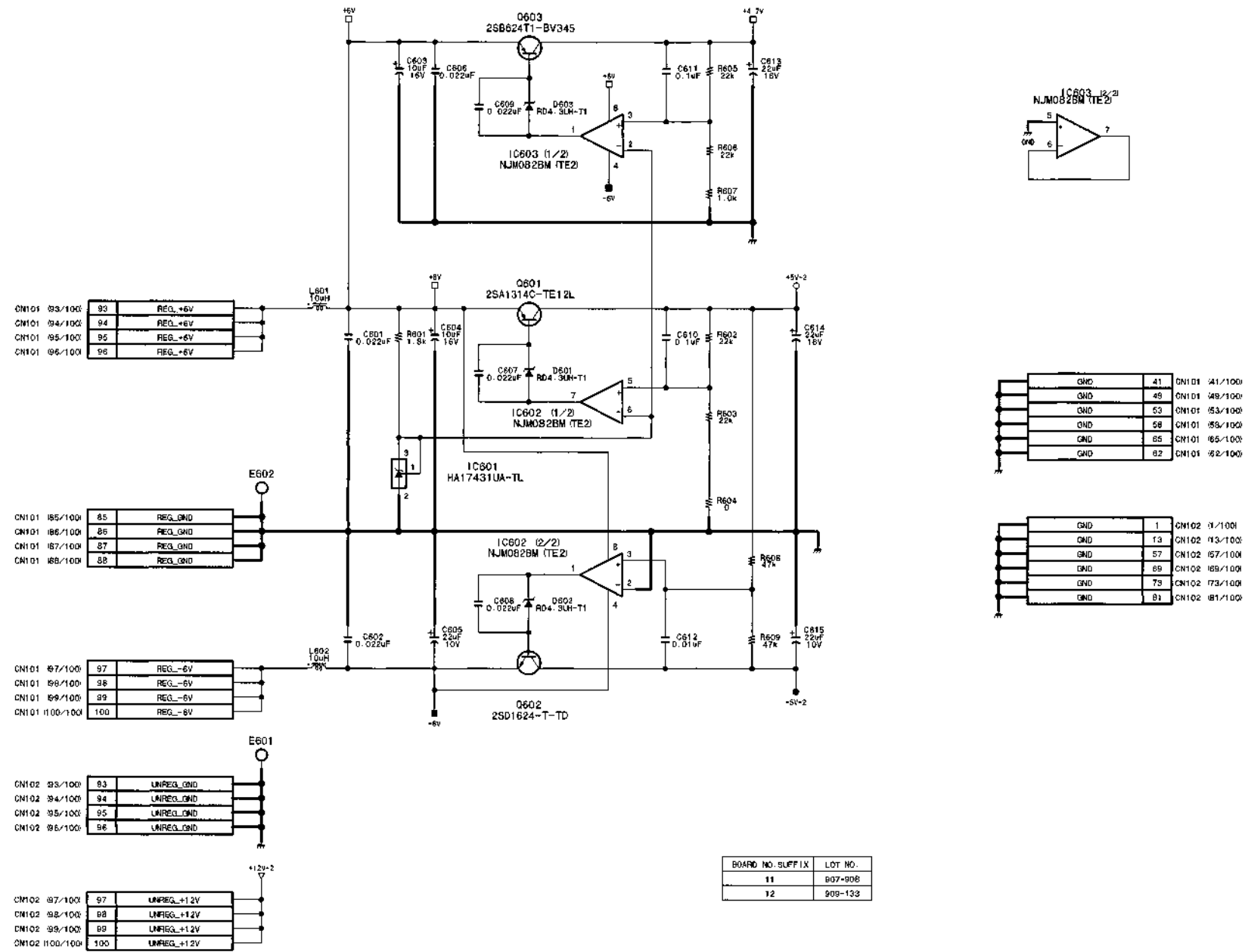
1

2

3

4

5



15-18 (a)

15-18 (a)

A

B

C

D

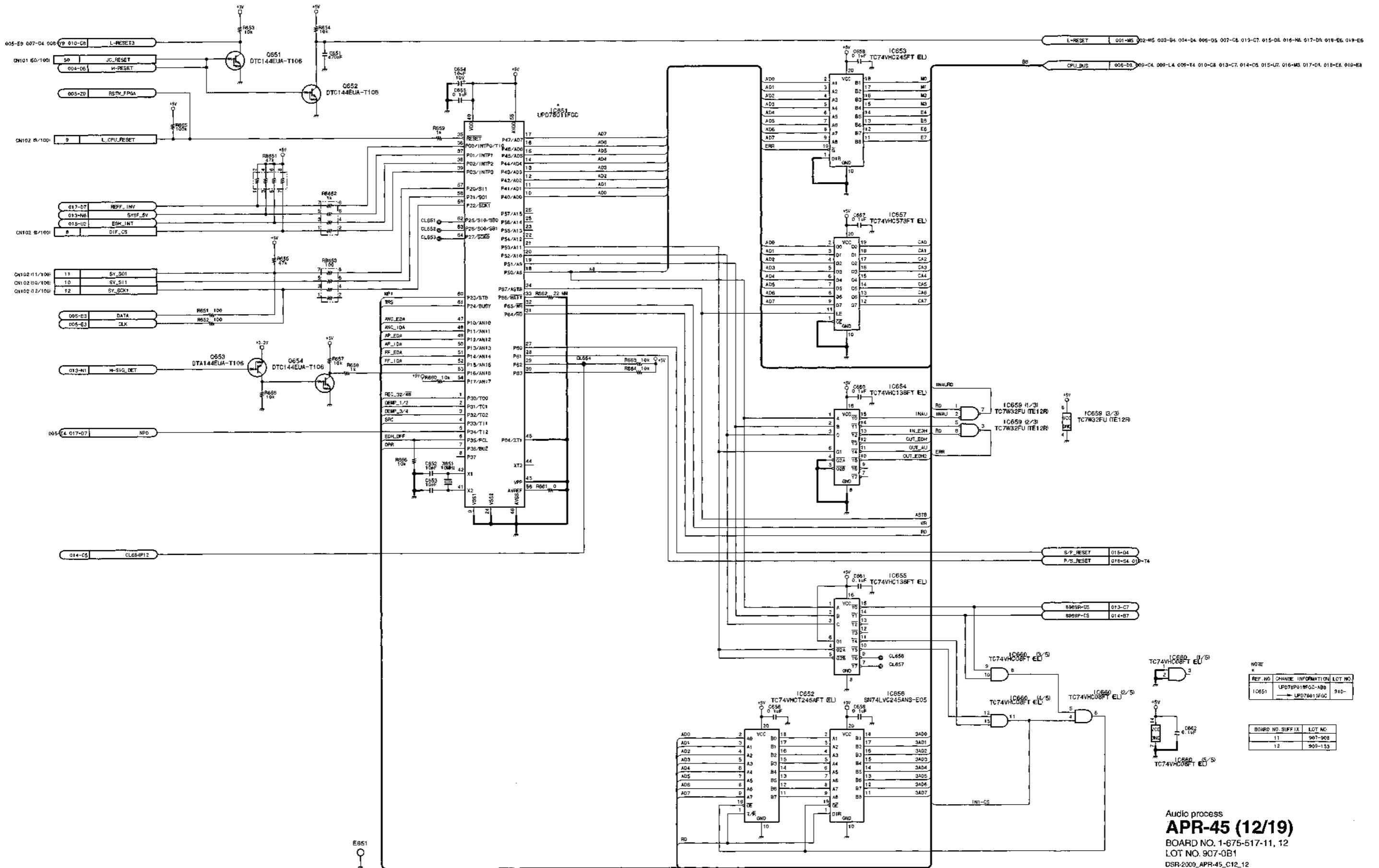
E

F

G

H

Audio process
APR-45 (11/19)
 BOARD NO. 1-675-517-11, 12
 LOT NO. 907-0B1
 DSR-2000_APR-45_C12_11



NOTE

REF. NO.	CHANGE INFORMATION	LOT NO.
10851	LPD7801JFGC-ABB	910-
	LPD7801JFGC	

BOARD NO. SUFF. IX.	LOT NO.
11	907-908
12	909-133

Audio process
APR-45 (12/19)
 BOARD NO. 1-675-517-11, 12
 LOT NO. 907-0B1
 DSR-2000_APR-45_C12_12

15-19 (a) 15-19 (a)

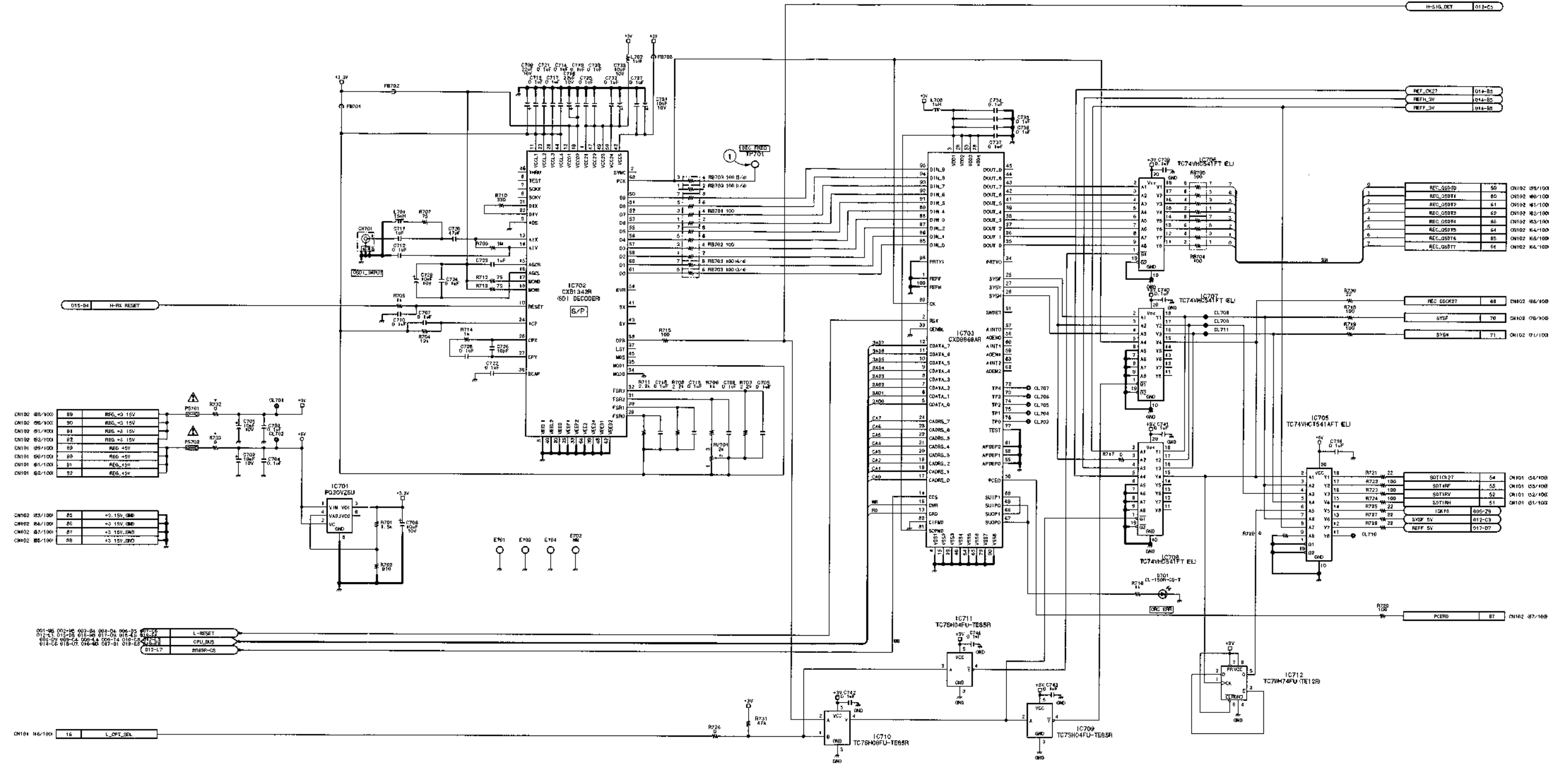
1

2

3

4

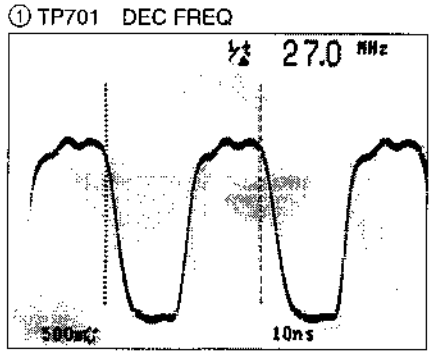
5



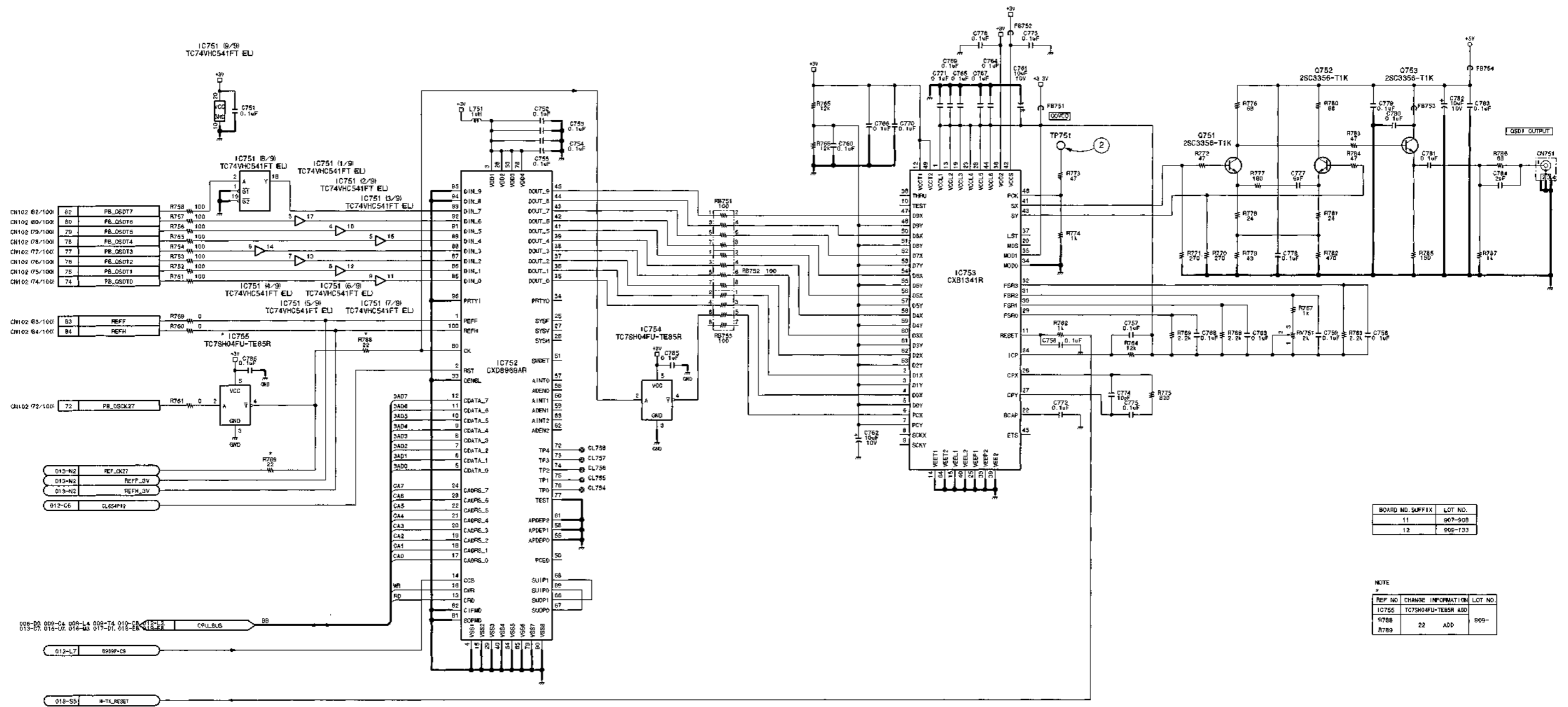
CH102 08/100	89	REG. +0.15V
CH102 09/100	90	REG. +0.15V
CH102 01/100	81	REG. +0.15V
CH102 02/100	82	REG. +0.15V
CH101 09/100	89	REG. +5V
CH101 00/100	80	REG. +5V
CH101 01/100	81	REG. +5V
CH101 02/100	82	REG. +5V
CH102 05/100	85	+3.15V_GND
CH102 06/100	86	+3.15V_GND
CH102 07/100	87	+3.15V_GND
CH102 08/100	88	+3.15V_GND

001-06	002-06	003-06	004-06	005-06	006-06	007-06	008-06	009-06	010-06	011-06	012-06	013-06	014-06	015-06	016-06	017-06	018-06	019-06	020-06
L-RESET																			
CPU_BUSY																			
MEMM_CS																			
012-07																			

CH101 06/100	10	L_OPT_SEL
--------------	----	-----------



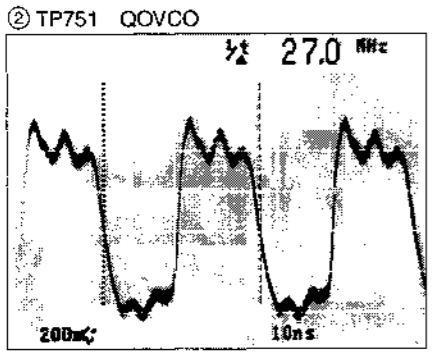
REF. NO.	CHANGE INFORMATION	LOT NO.
E702		
F804	DELETE	
F805		
F808	ADD	
F809		



BOARD NO. SUFFIX	LOT NO.
11	907-908
12	909-133

NOTE

REF. NO.	CHANGE INFORMATION	LOT NO.
IC755	TC7SH04FU-TE85R ASD	909-
R788	22 ADD	
R789		



Audio process
APR-45 (14/19)
 BOARD NO. 1-675-517-11, 12
 LOT NO. 907-0B1
 DSR-2000_APR-45_C12_14

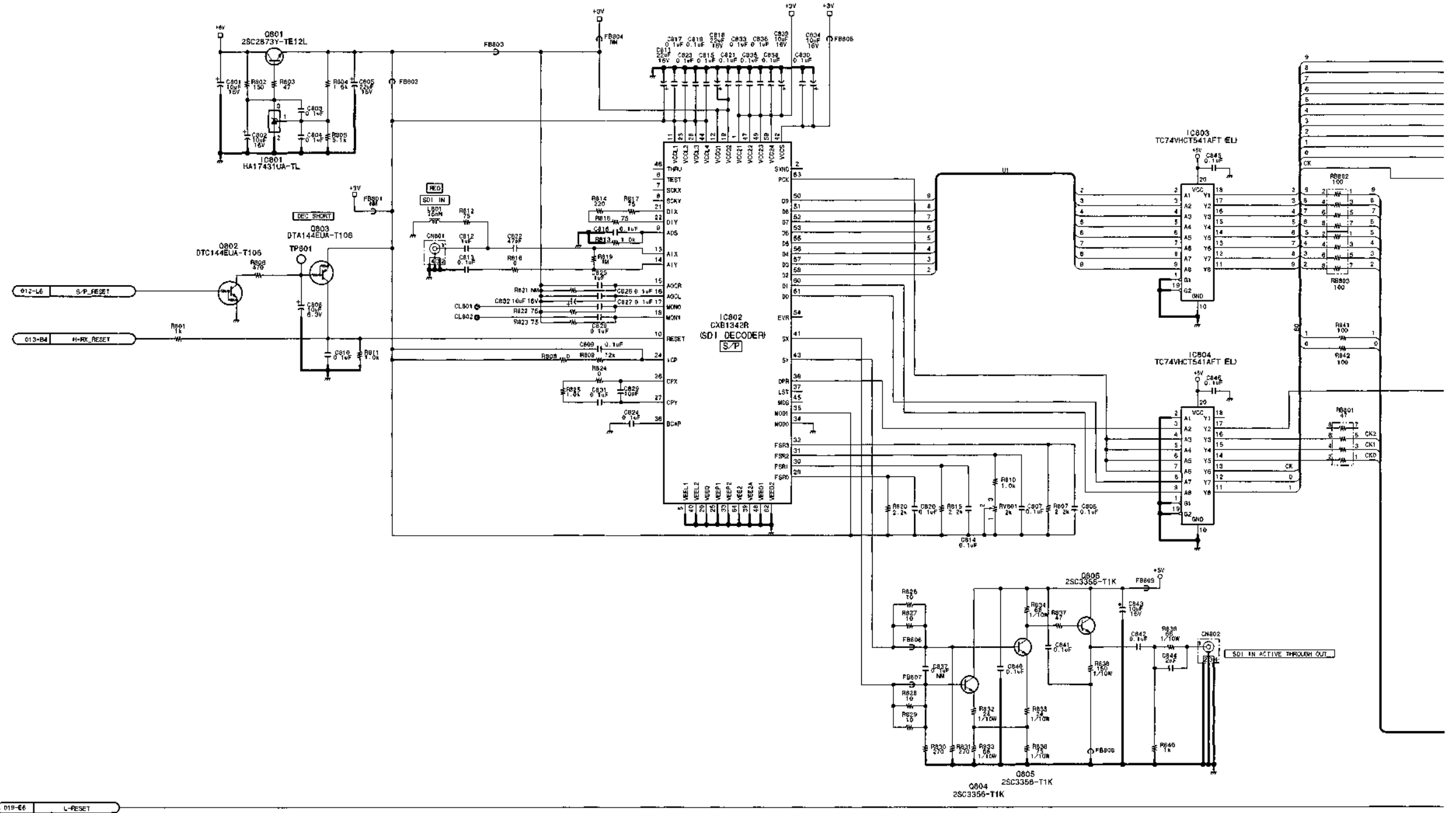
1

2

3

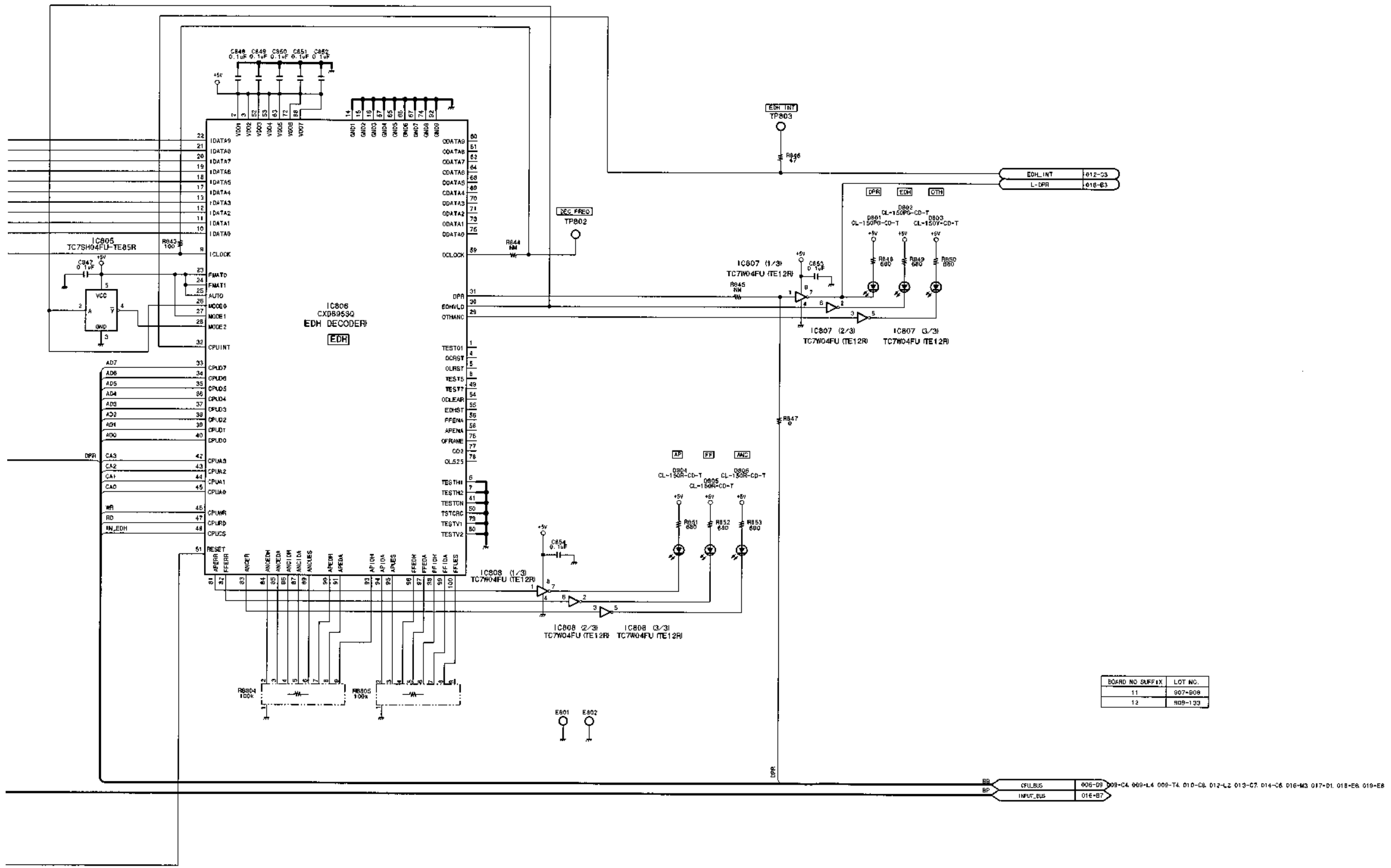
4

5

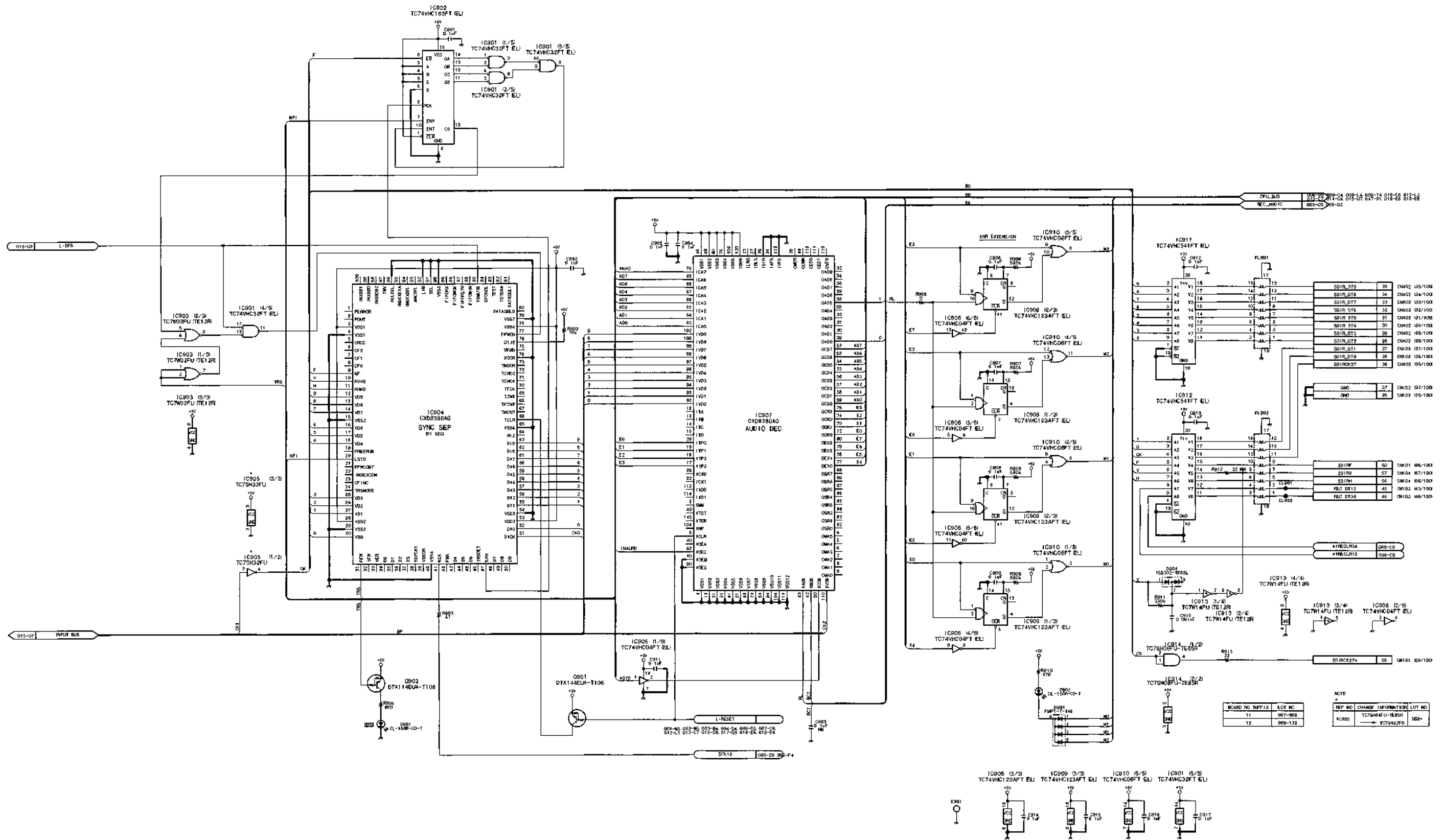


15-22 (a)

15-22 (a)



1
2
3
4
5



1
2
3
4
5

BOARD NO.	DIFF. I.X.	LOC. NO.
11	907-908	
12	909-102	

REF. NO.	CHANGE INFORMATION	LOT NO.
IC905	TC74VHC04FT-TE88R	506-
IC906	TC74VHC04FT	506-

NOTE
 * BOARD NO. DIFF. I.X. LOC. NO.
 REF. NO. CHANGE INFORMATION LOT NO.
 IC905 TC74VHC04FT-TE88R 506-
 IC906 TC74VHC04FT 506-

IC908 12/31 TC74VHC123AFT ELU
 IC909 12/31 TC74VHC123AFT ELU
 IC910 12/31 TC74VHC08FT ELU
 IC911 12/31 TC74VHC123AFT ELU
 IC912 12/31 TC74VHC123AFT ELU
 IC913 12/31 TC74VHC123AFT ELU
 IC914 12/31 TC74VHC123AFT ELU
 IC915 12/31 TC74VHC123AFT ELU
 IC916 12/31 TC74VHC123AFT ELU
 IC917 12/31 TC74VHC123AFT ELU
 IC918 12/31 TC74VHC123AFT ELU
 IC919 12/31 TC74VHC123AFT ELU
 IC920 12/31 TC74VHC123AFT ELU
 IC921 12/31 TC74VHC123AFT ELU
 IC922 12/31 TC74VHC123AFT ELU
 IC923 12/31 TC74VHC123AFT ELU
 IC924 12/31 TC74VHC123AFT ELU
 IC925 12/31 TC74VHC123AFT ELU
 IC926 12/31 TC74VHC123AFT ELU
 IC927 12/31 TC74VHC123AFT ELU
 IC928 12/31 TC74VHC123AFT ELU
 IC929 12/31 TC74VHC123AFT ELU
 IC930 12/31 TC74VHC123AFT ELU
 IC931 12/31 TC74VHC123AFT ELU
 IC932 12/31 TC74VHC123AFT ELU



Audio process
APR-45 (16/19)
 BOARD NO. 1-675-517-11, 12
 LOT NO. 907-0B1
 DSR-2000-APR-45-C12_16

006-D6 009-C4 009-L4 009-T4 010-D8 012-L2 013-C7 014-C6 015-U7 016-H3 018-E6 018-E8 CPU_BUS

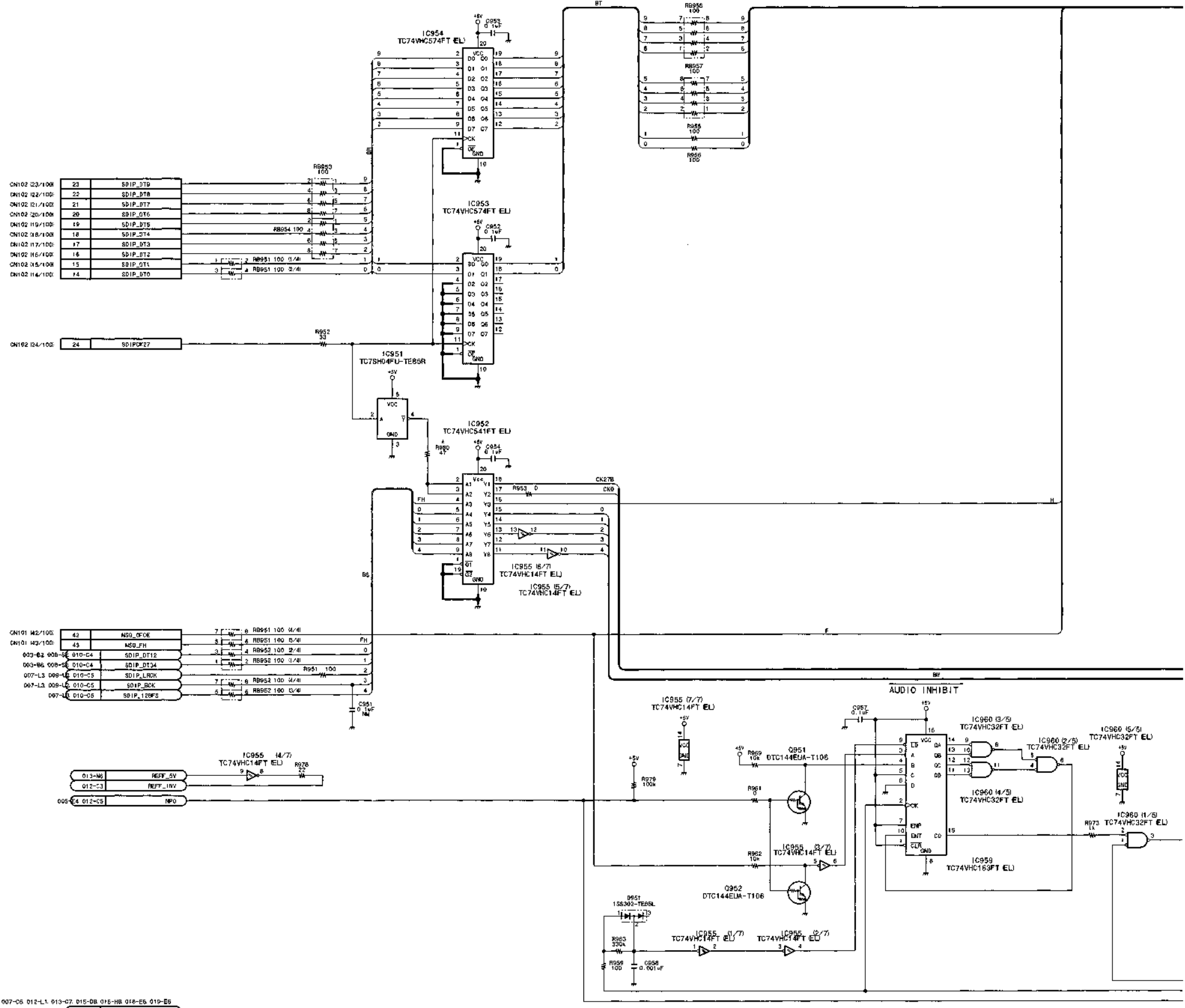
1

2

3

4

5



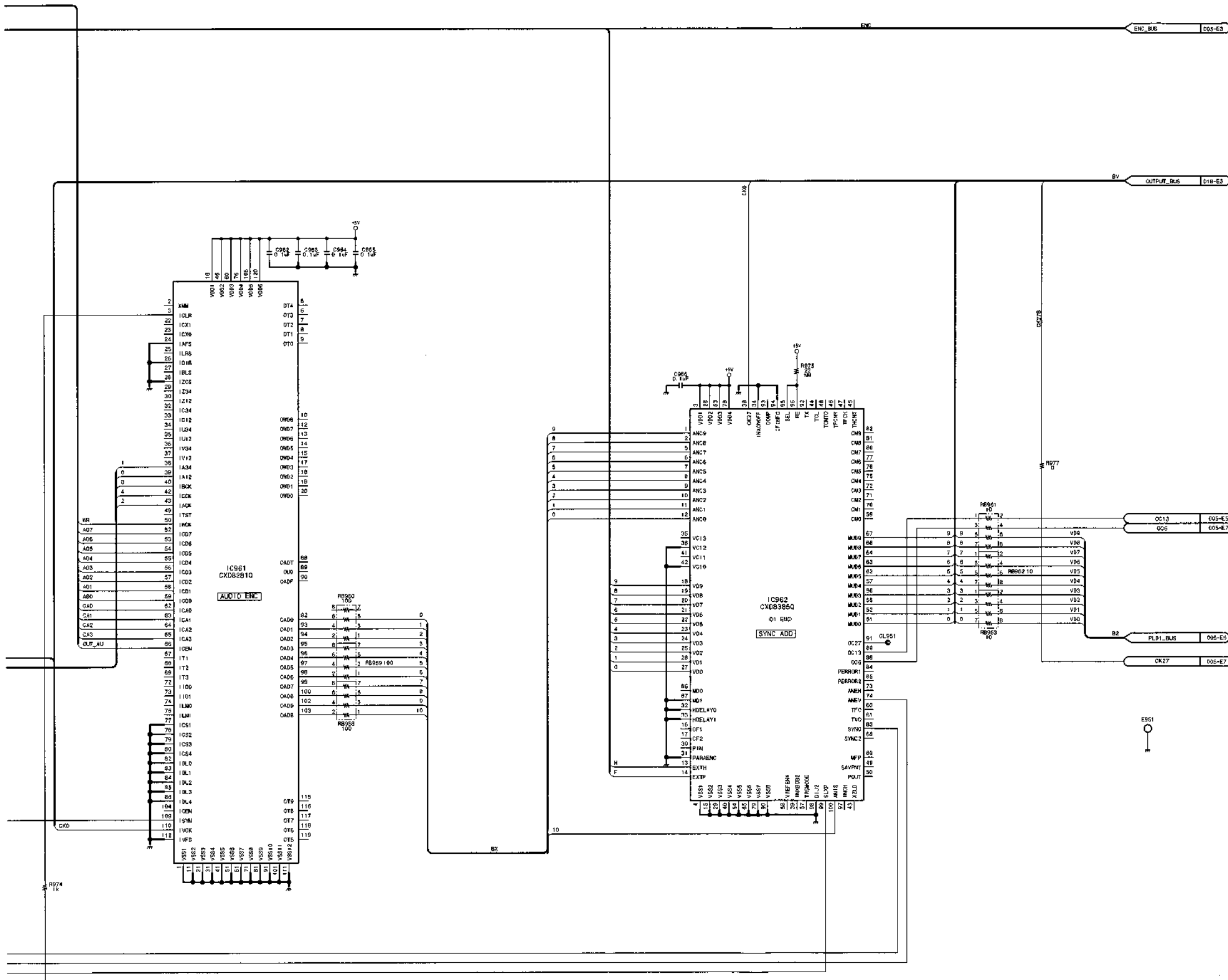
001-M5 002-M5 003-D4 004-D4 005-P5 007-C6 012-L1 013-C7 015-DB 016-HB 018-E6 019-E8 L-RESET

15-26 (a)

15-26 (a)

DSR-2000/2000P

A | B | C | D | E | F | G | H



BOARD NO	SUFF. IX	LOT NO
11		907-908
12		909-133

REF NO	CHANGE INFORMATION	LOT NO.
R080	47 ABO	909-

Audio process
APR-45 (17/19)
 BOARD NO. 1-675-517-11, 12
 LOT NO. 907-0B1
 DSR-2000_APR-45_C12_17

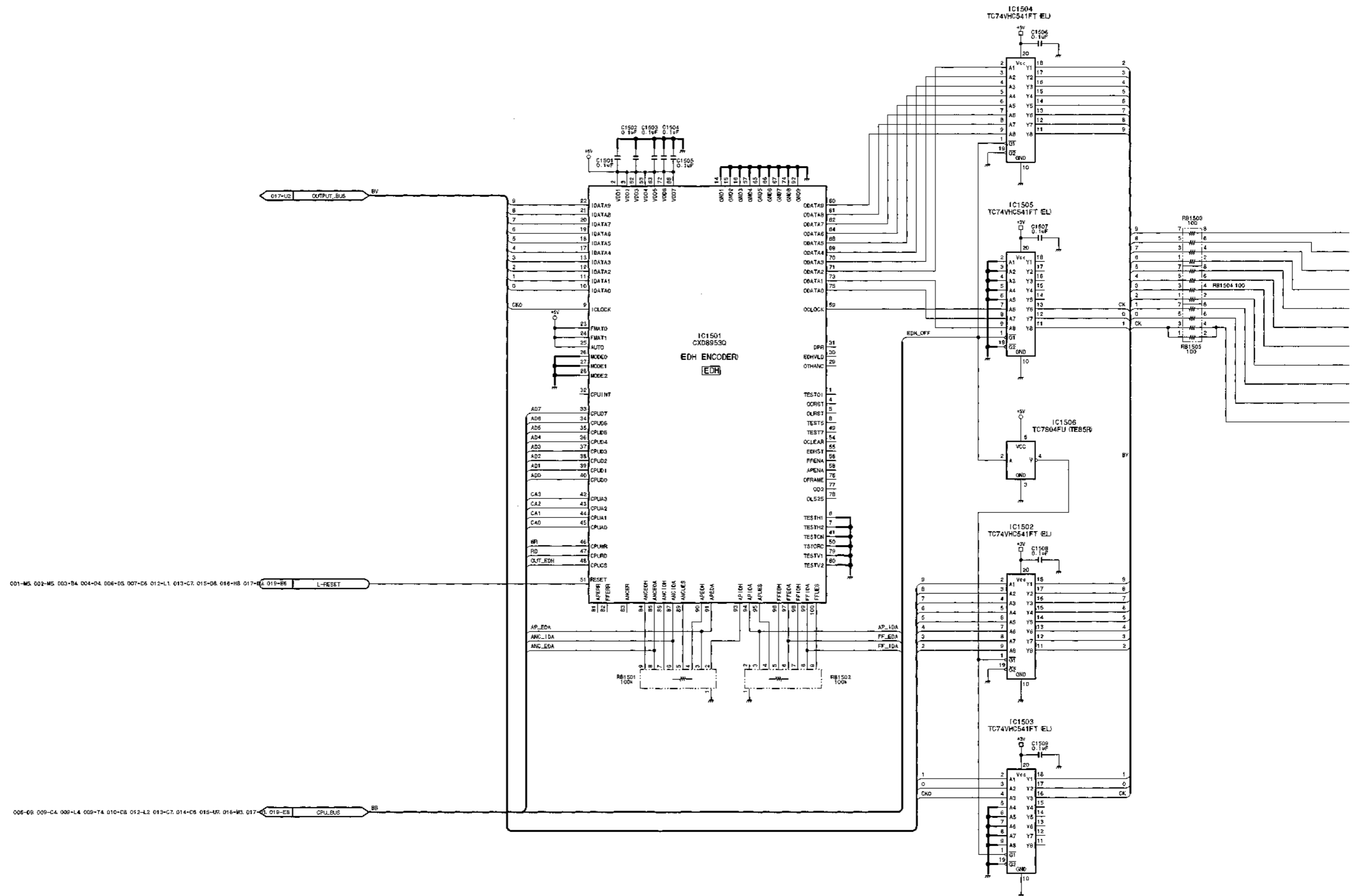
1

2

3

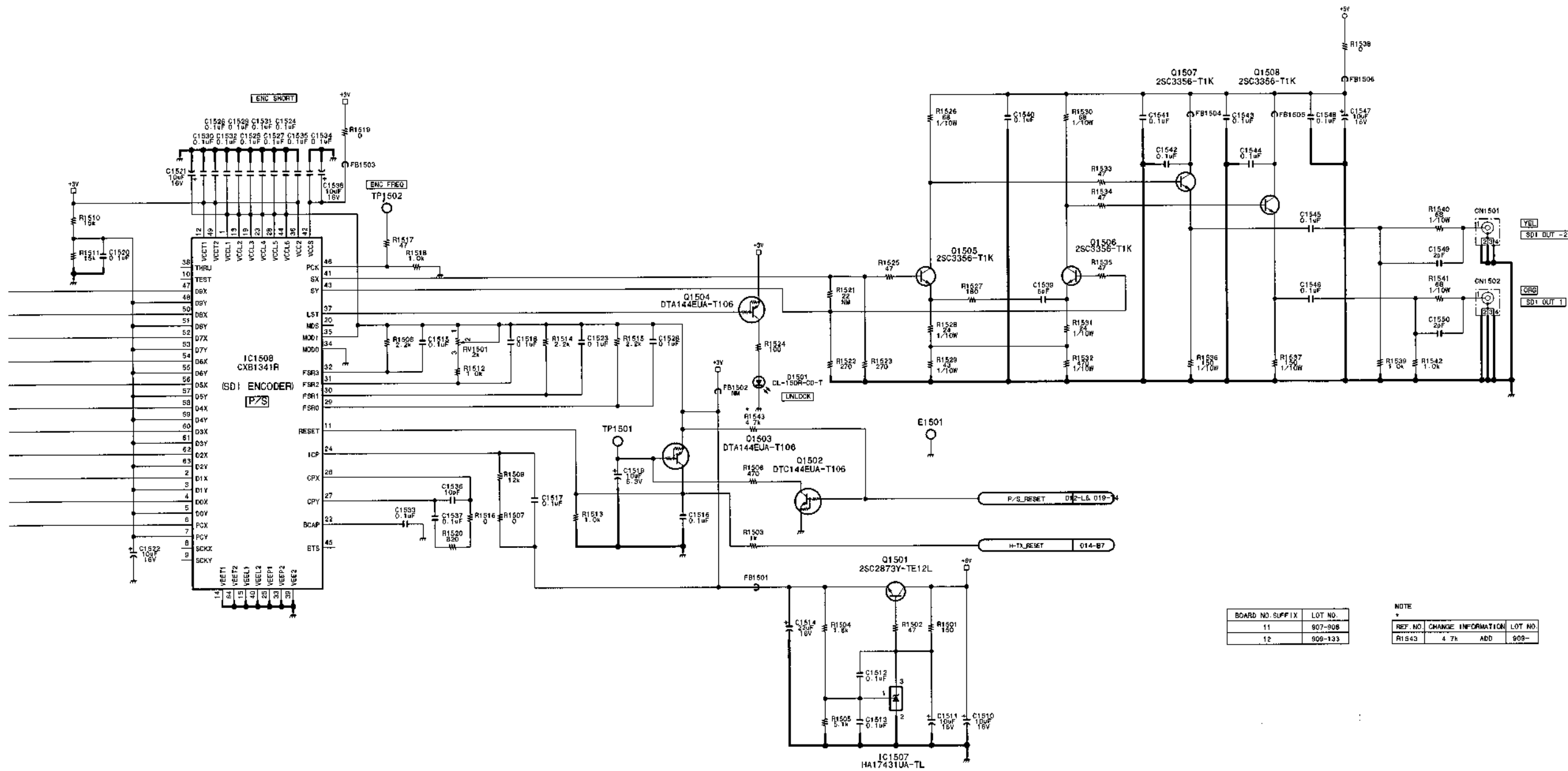
4

5



15-28 (a)

15-28 (a)



BOARD NO. SUFFIX	LOT NO.
11	907-908
12	909-132

NOTE			
REF. NO.	CHANGE INFORMATION	LOT NO.	
R1543	4.7k ADD	909-	

1
2
3
4
5

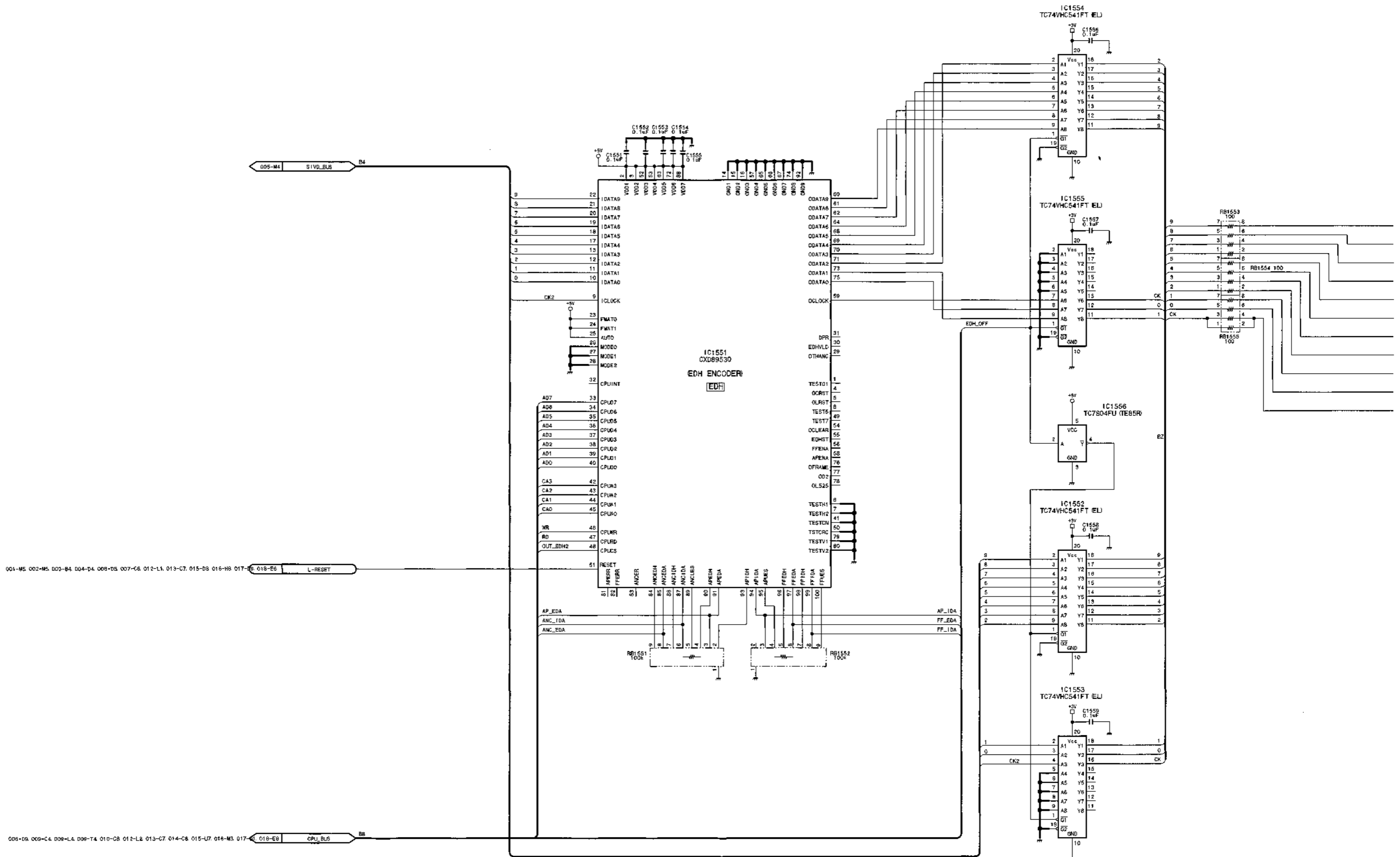
1

2

3

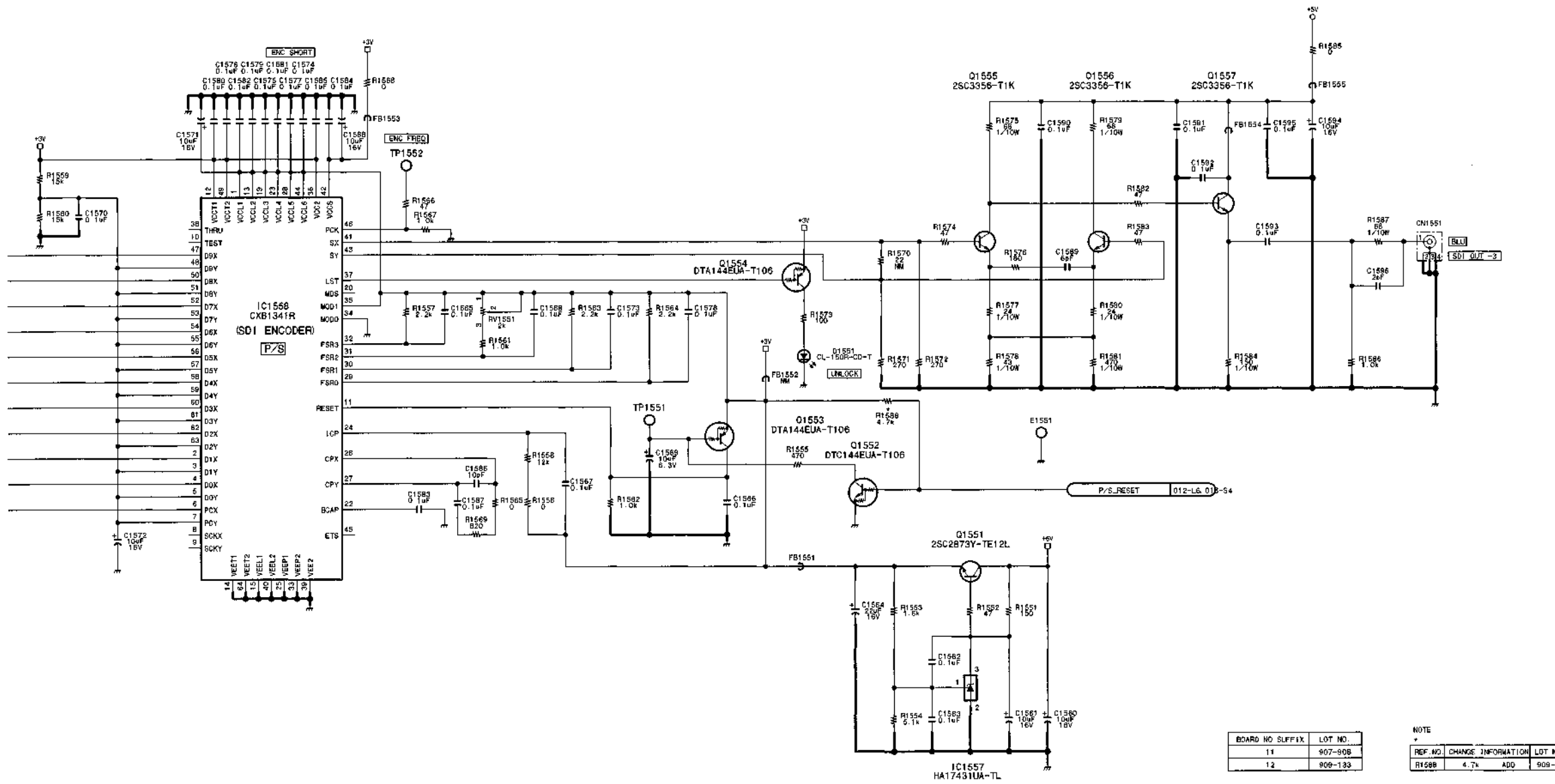
4

5



15-30 (a)

15-30 (a)



BOARD NO	SUFFIX	LOT NO.
11		907-908
12		909-133

REF. NO.	CHANGE INFORMATION	LOT NO.
R1588	4.7k ADD	908-

NOTE

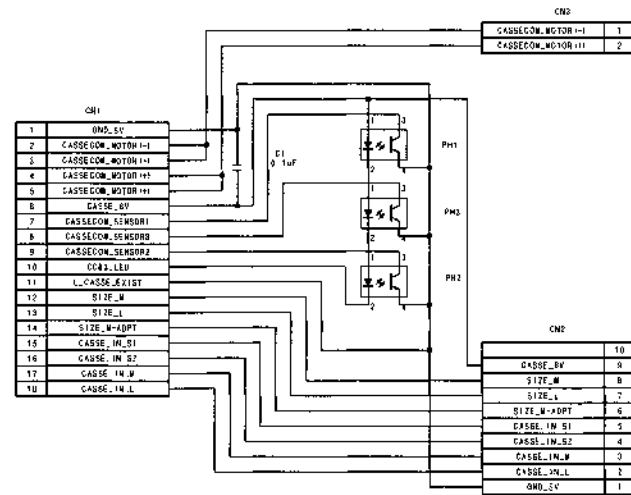
1

2

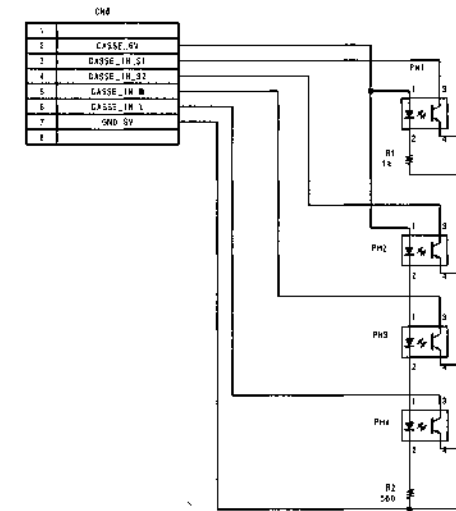
3

4

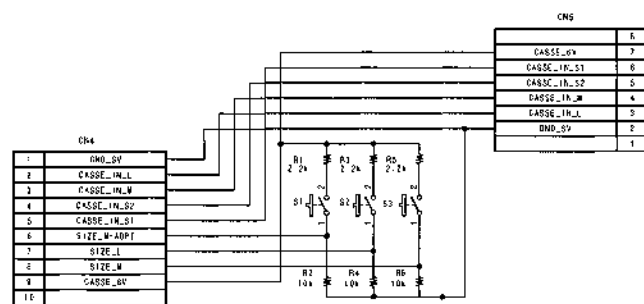
5



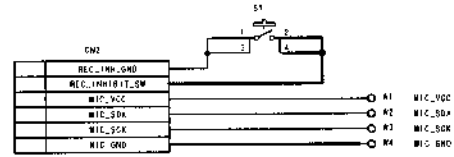
Cassette compartment mode detection/intermediate board
CC-83
 BOARD NO. 1-675-547-11
 LOT NO. 907-
 DSR-2000_CC-83_C11_1



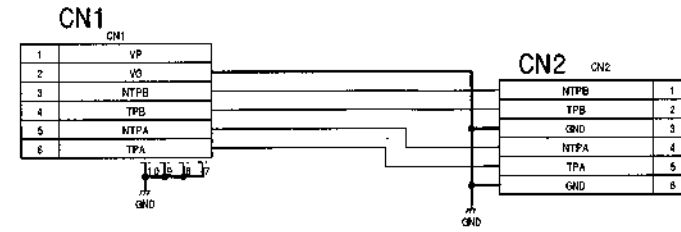
Cassette compartment cassette in detection
CC-85
 BOARD NO. 1-675-549-11
 LOT NO. 907-
 DSR-2000_CC-85_C11_1



Cassette compartment cassette type detection
CC-84
 BOARD NO. 1-675-548-11
 LOT NO. 907-
 DSR-2000_CC-84_C11_1



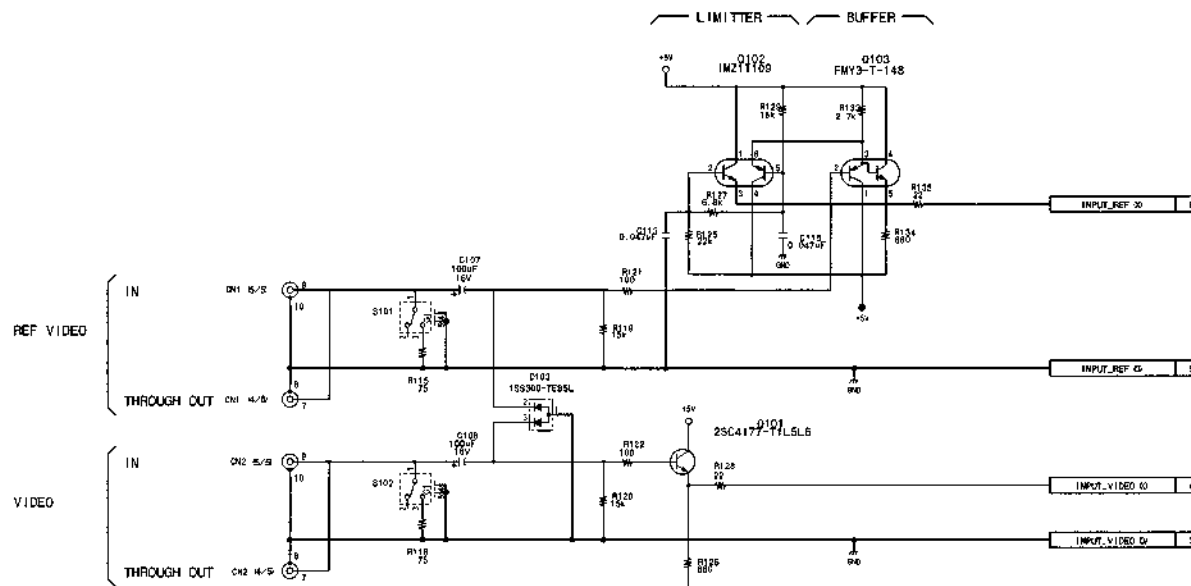
Sensor input/output board
CN-1863
 BOARD NO. 1-675-518-11
 LOT NO. 907-
 DSR-2000_CN-1863_C11_1



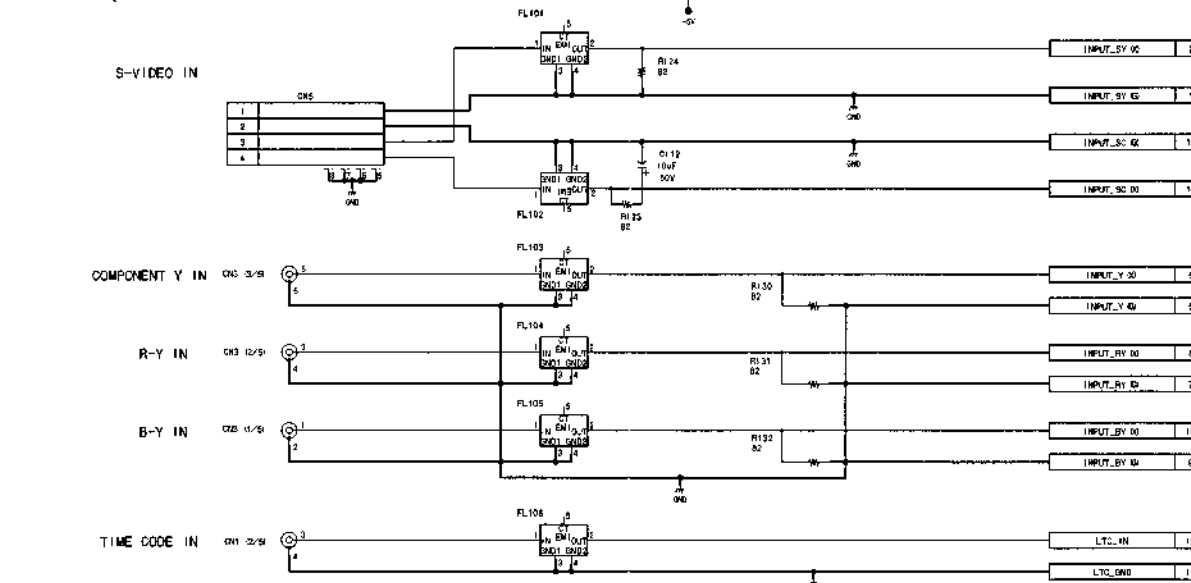
BOARD NO.	SUFFIX	LOT NO.
11		000-012
12		001-

i.LINK connector board (Option: DSBK-190)
CN-1968
 BOARD NO. 1-675-525-11, 12
 LOT NO. 909-
 FOR DSBK-190
 DSBK-190_CN-1968_012_1

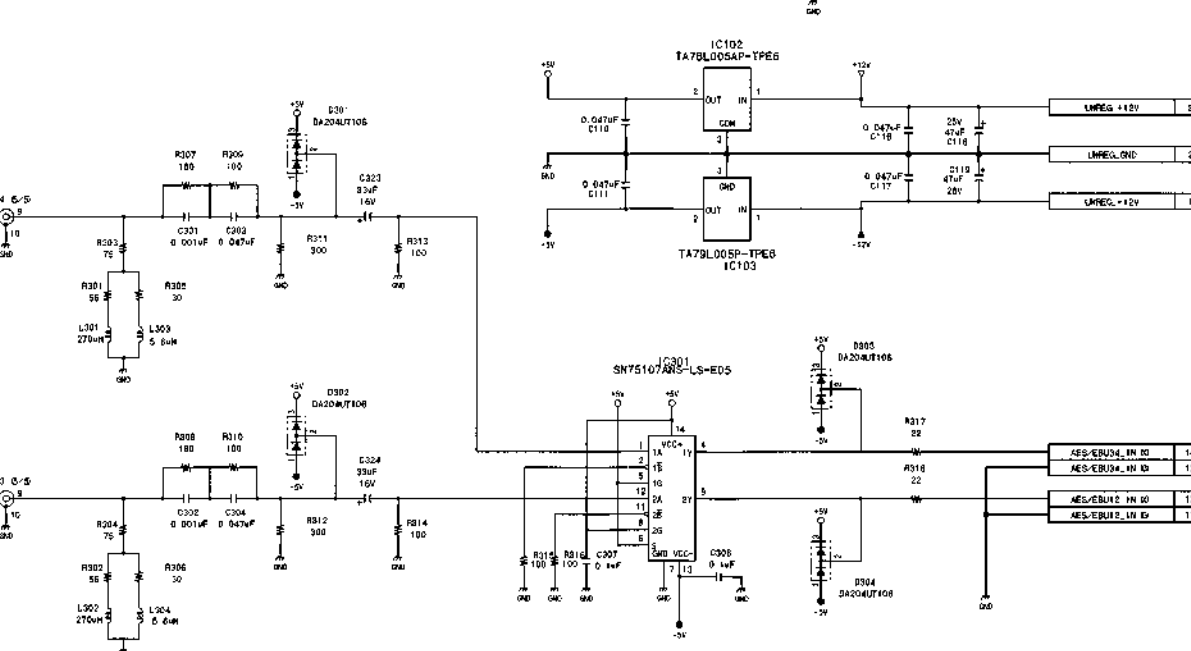
1



2



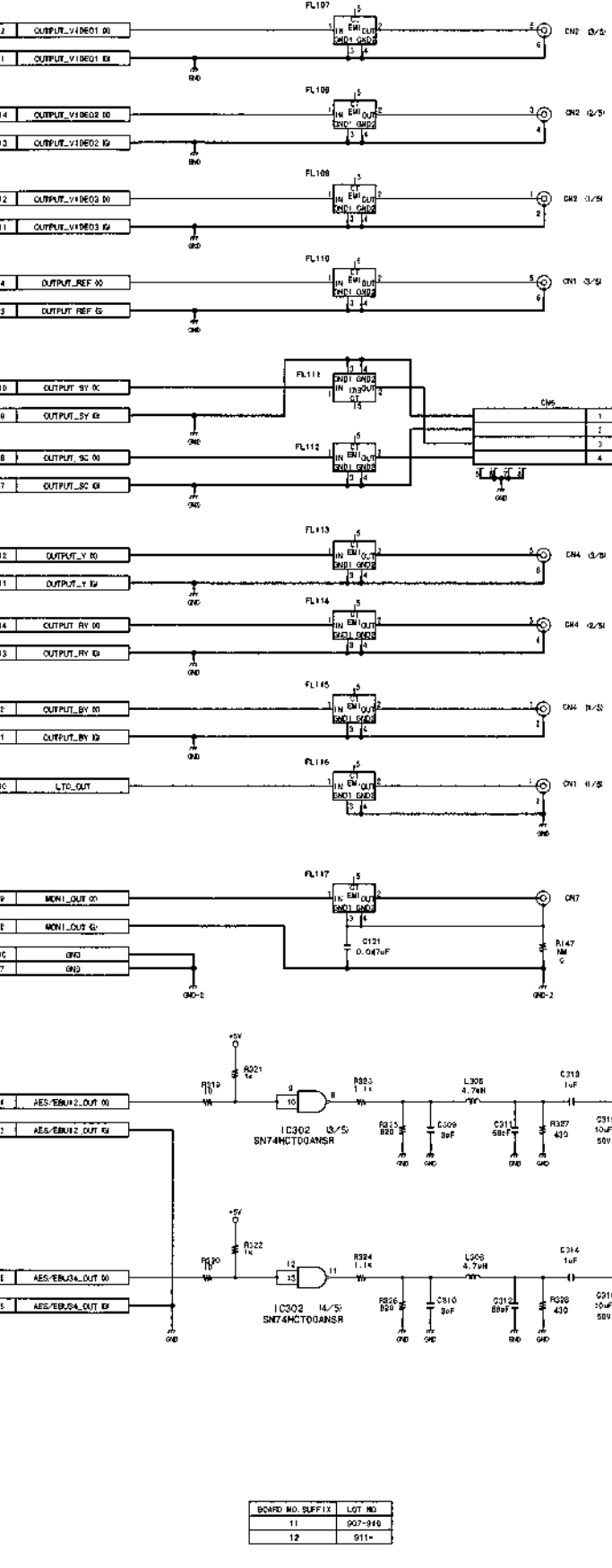
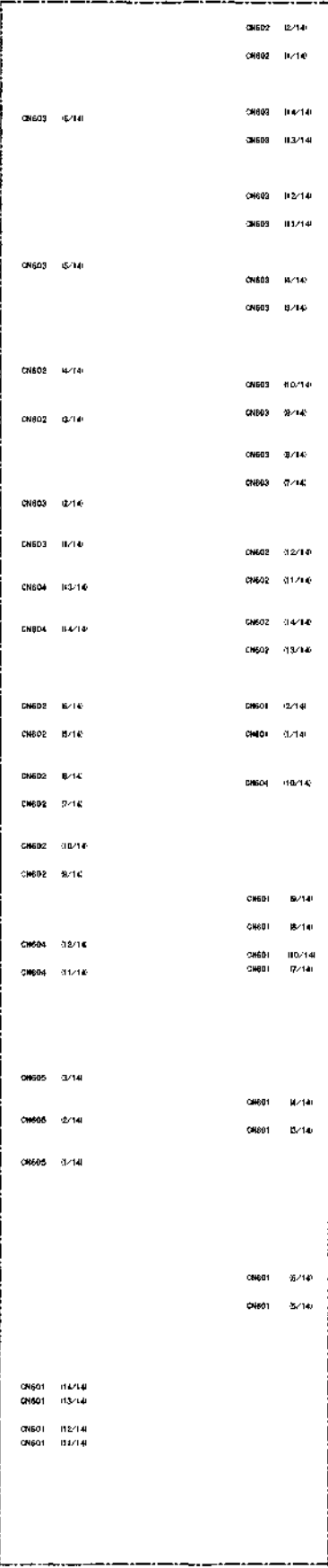
3



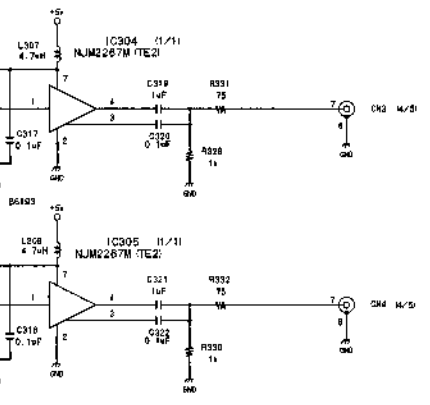
4



5

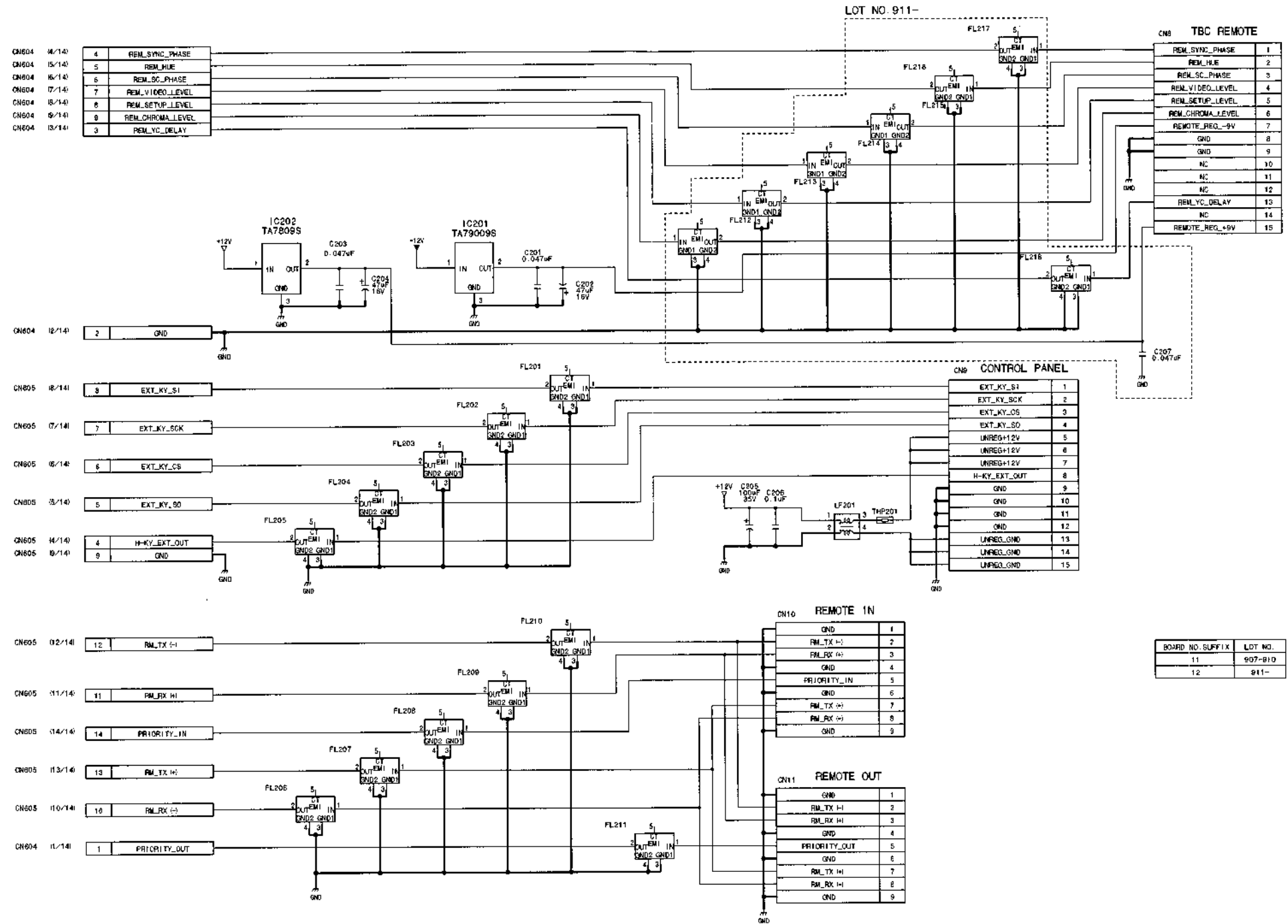


VIDEO OUT 1
VIDEO OUT 2
VIDEO OUT 3
REF OUT
S-VIDEO OUT
COMPONENT Y OUT
R-Y OUT
B-Y OUT
TIME CODE OUT
MONITOR OUT

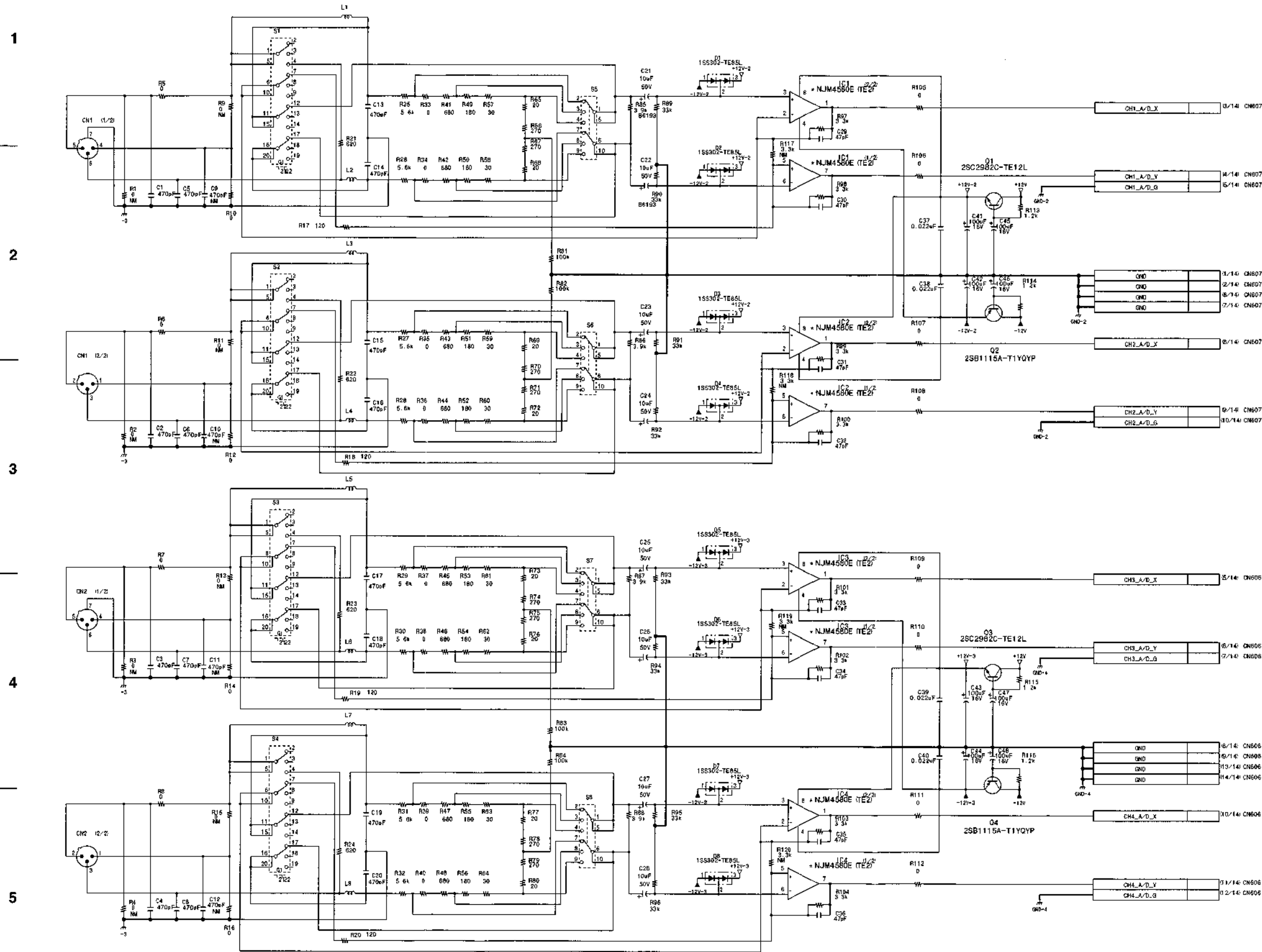


Video/remote interface
CP-341 (1/2)
BOARD NO. 1-675-550-11, 12
LOT NO. 907-
DSR-2000_CP-341_012_1

BOARD NO.	DIFFIX	LOT NO.
11	907-946	
12	911-	



Video/remote interface
CP-341 (2/2)
 BOARD NO. 1-675-550-11, 12
 LOT NO. 907-
 DSR-2000_CP-341_012_2



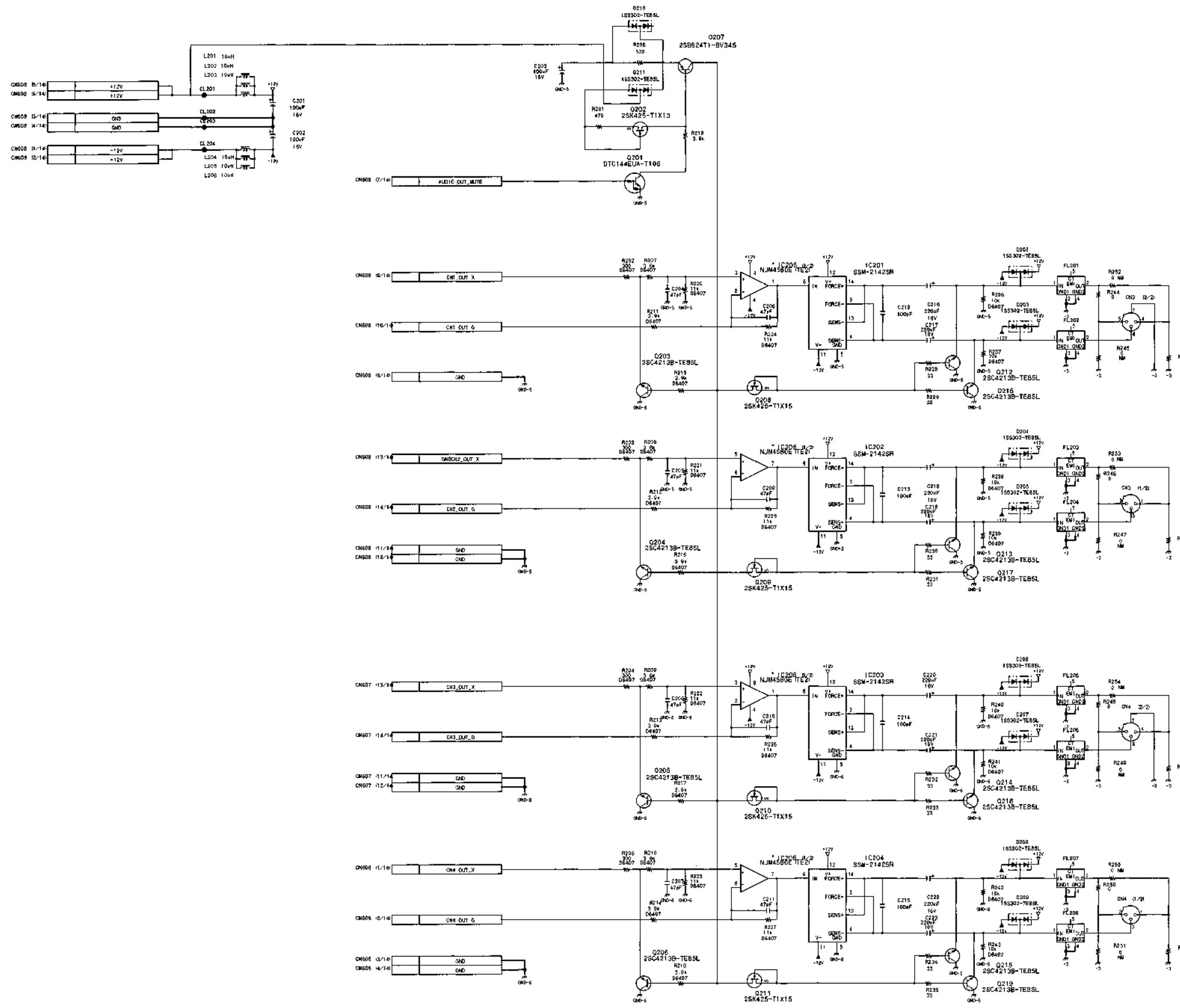
#	NTSC	PAL	J
C1	470pF 50V CH	470pF 50V CH	NM
C2	470pF 50V CH	470pF 50V CH	NM
C3	470pF 50V CH	470pF 50V CH	NM
C4	470pF 50V CH	470pF 50V CH	NM
C9	NM	NM	470pF 50V CH
C10	NM	NM	470pF 50V CH
C11	NM	NM	470pF 50V CH
C12	NM	NM	470pF 50V CH
CW1	3 175078621	3 175078621	175078621
CW2	3 175078621	3 175078621	175078621
R1	NM	NM	0 ---
R2	NM	NM	0 ---
R3	NM	NM	0 ---
R4	NM	NM	0 ---
R5	0 ---	0 ---	NM
R6	0 ---	0 ---	NM
R7	0 ---	0 ---	NM
R8	0 ---	0 ---	NM
R9	NM	NM	0 ---
R10	0 ---	0 ---	NM
R11	NM	NM	0 ---
R12	0 ---	0 ---	NM
R13	NM	NM	0 ---
R14	0 ---	0 ---	NM
R15	NM	NM	0 ---
R16	0 ---	0 ---	NM

NOTE
 REF NO CHANGE INFORMATION LOT NO
 IC1-IC4 NJM4580E NJM4580E TE2 911-

BOARD NO. SUFFIX	LOT NO
11	907-910
12	911-

Audio Interface
CP-342/342A (1/2)
 BOARD NO. 1-675-551-11, 12
 LOT NO. 907-
 DSR-2000_CP-342_012_1

CP-342/342A (2/2) CP-342/342A (2/2)



#	HTSC	PAL	J
C1	470pF	470pF	MM
C2	470pF	470pF	MM
C3	470pF	470pF	MM
C4	470pF	470pF	MM
C9	MM	MM	470pF
C10	MM	MM	470pF
C11	MM	MM	470pF
C12	MM	MM	470pF
CH1	75078621	75078621	75078621
CH2	75078621	75078621	75078621
R1	MM	MM	0
R2	MM	MM	0
R3	MM	MM	0
R4	MM	MM	0
R5	0	0	MM
R6	0	0	MM
R7	0	0	MM
R8	0	0	MM
R9	MM	MM	0
R10	0	0	MM
R11	MM	MM	0
R12	0	0	MM
R13	MM	MM	0
R14	0	0	MM
R15	MM	MM	0
R16	0	0	MM

NOTE

REF. NO.	CHANGE INFORMATION	LOT NO.
IC205	MM4580E	911-
IC206	MM4580E	911-

BOND NO.	SUFFIX	LOT NO.
11		907-910
12		911-

Audio interface
CP-342/342A (2/2)
 BOARD NO. 1-675-551-11, 12
 LOT NO. 907-
 DSR-2000_CP-342_D12_2

DSR-2000 (UC) : S/N 101241 and Higher
DSR-2000 (J) : S/N 301311 and Higher
DSR-2000P (CE) : S/N 401551 and Higher

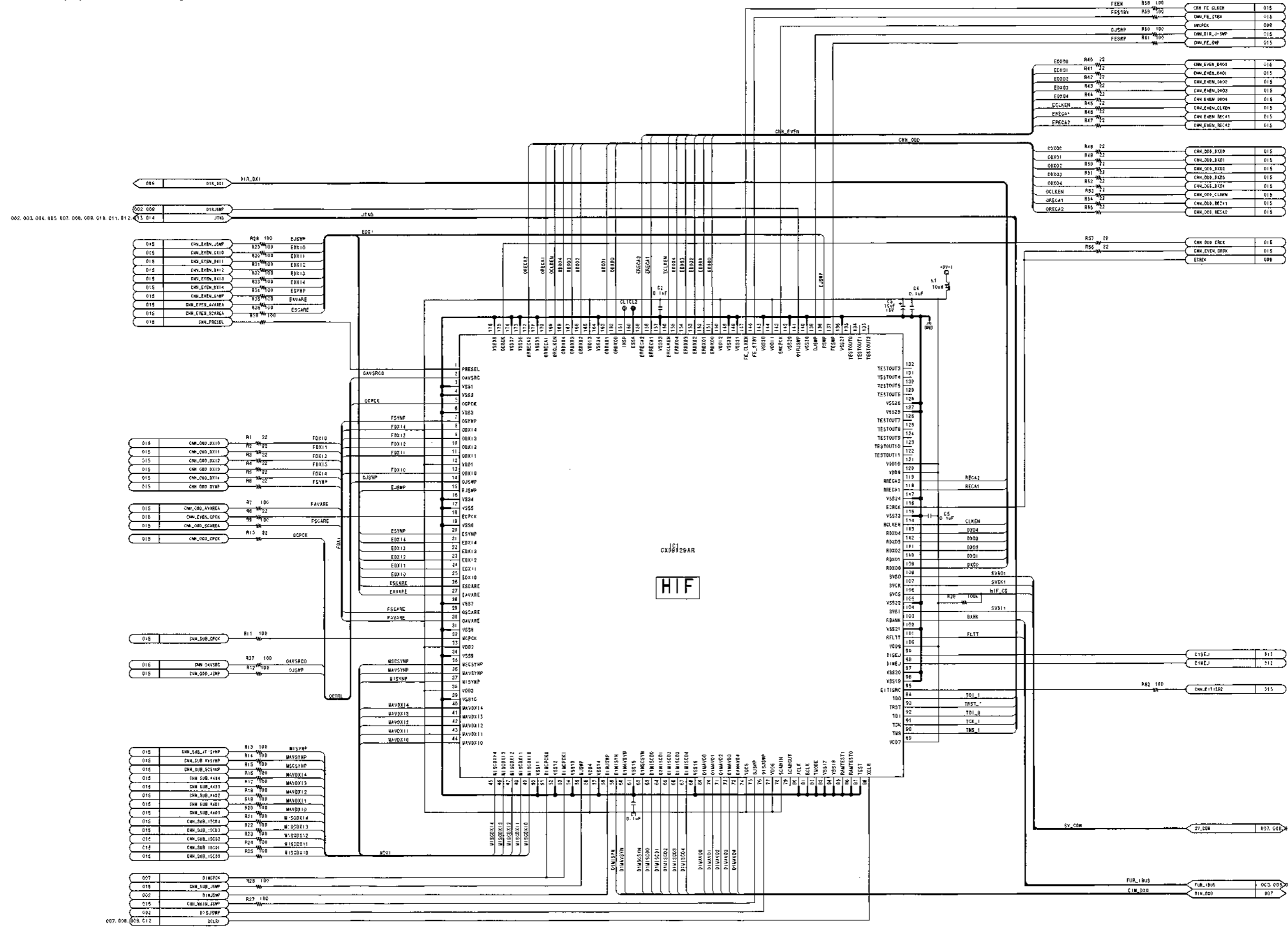
1

2

3

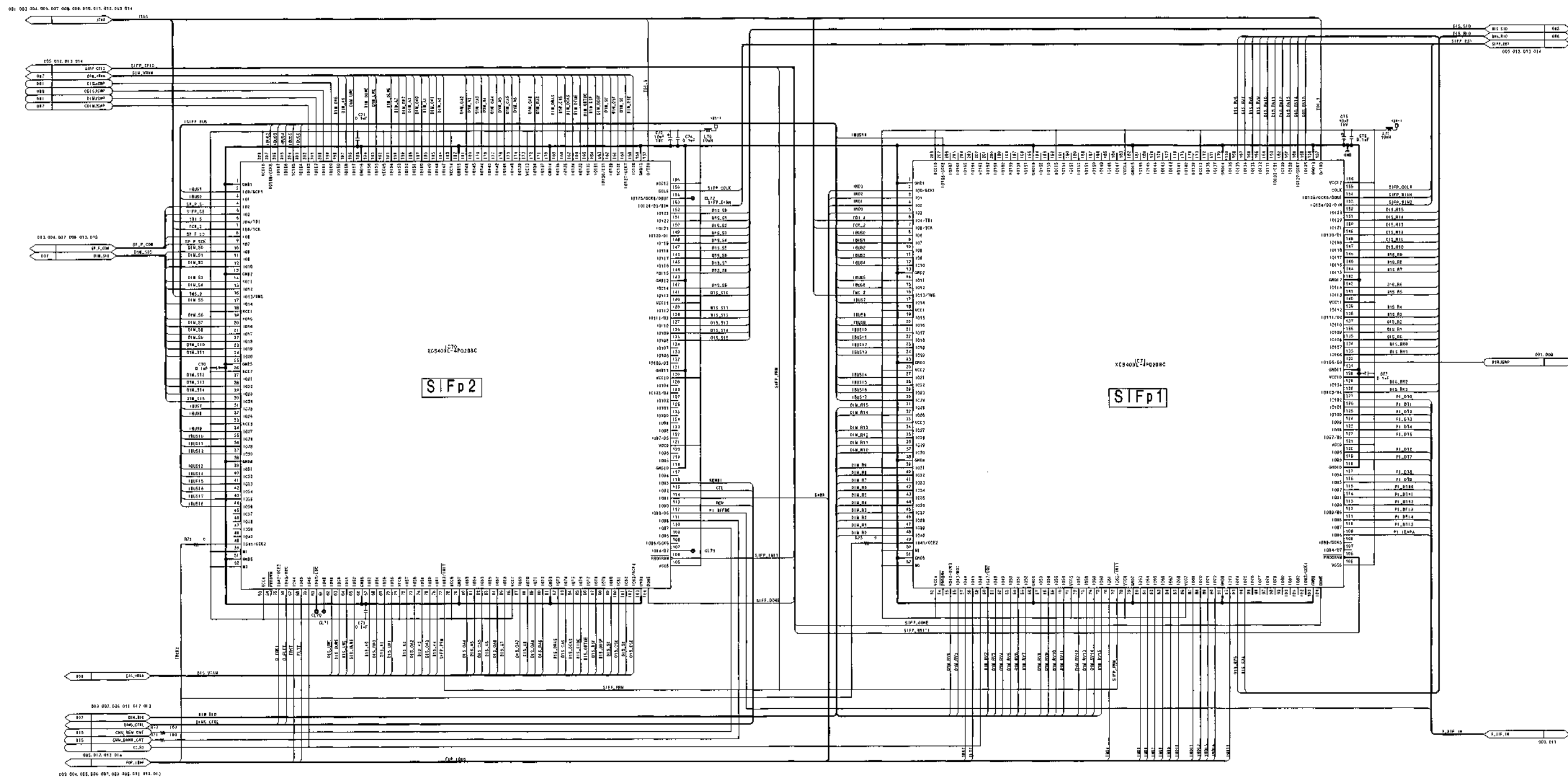
4

5



Digital process
DPR-136 (1/15)
BOARD NO. 1-675-560-16
LOT NO. 113
DSR-2000_DPR-136_016_1

DSR-2000 (UC) : S/N 101241 and Higher
DSR-2000 (J) : S/N 301311 and Higher
DSR-2000P (CE) : S/N 401551 and Higher



Digital process
DPR-136 (2/15)
BOARD NO. 1-675-560-16
LOT NO. 113-
DSR-2000 DPR-136_016_2

DSR-2000 (UC) : S/N 101241 and Higher
 DSR-2000 (J) : S/N 301311 and Higher
 DSR-2000P (CE) : S/N 401551 and Higher

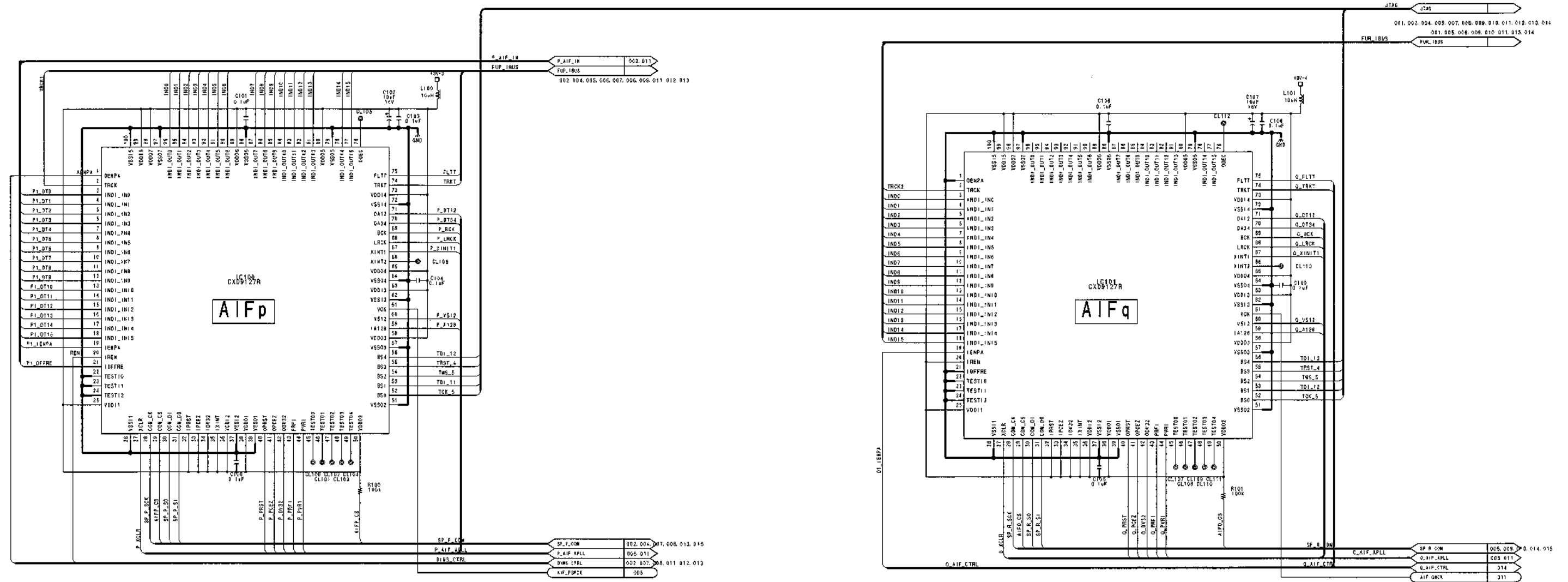
1

2

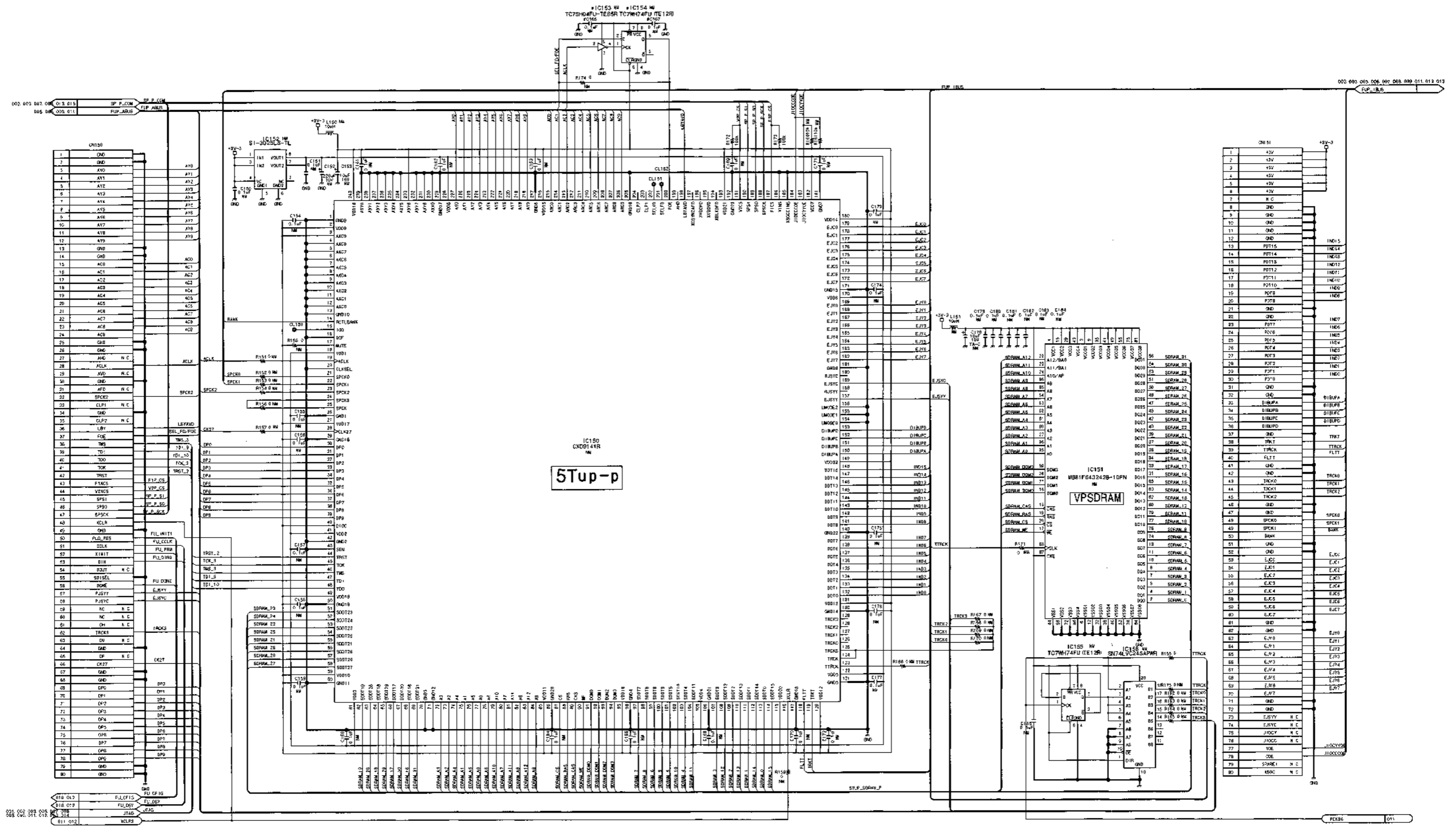
3

4

5

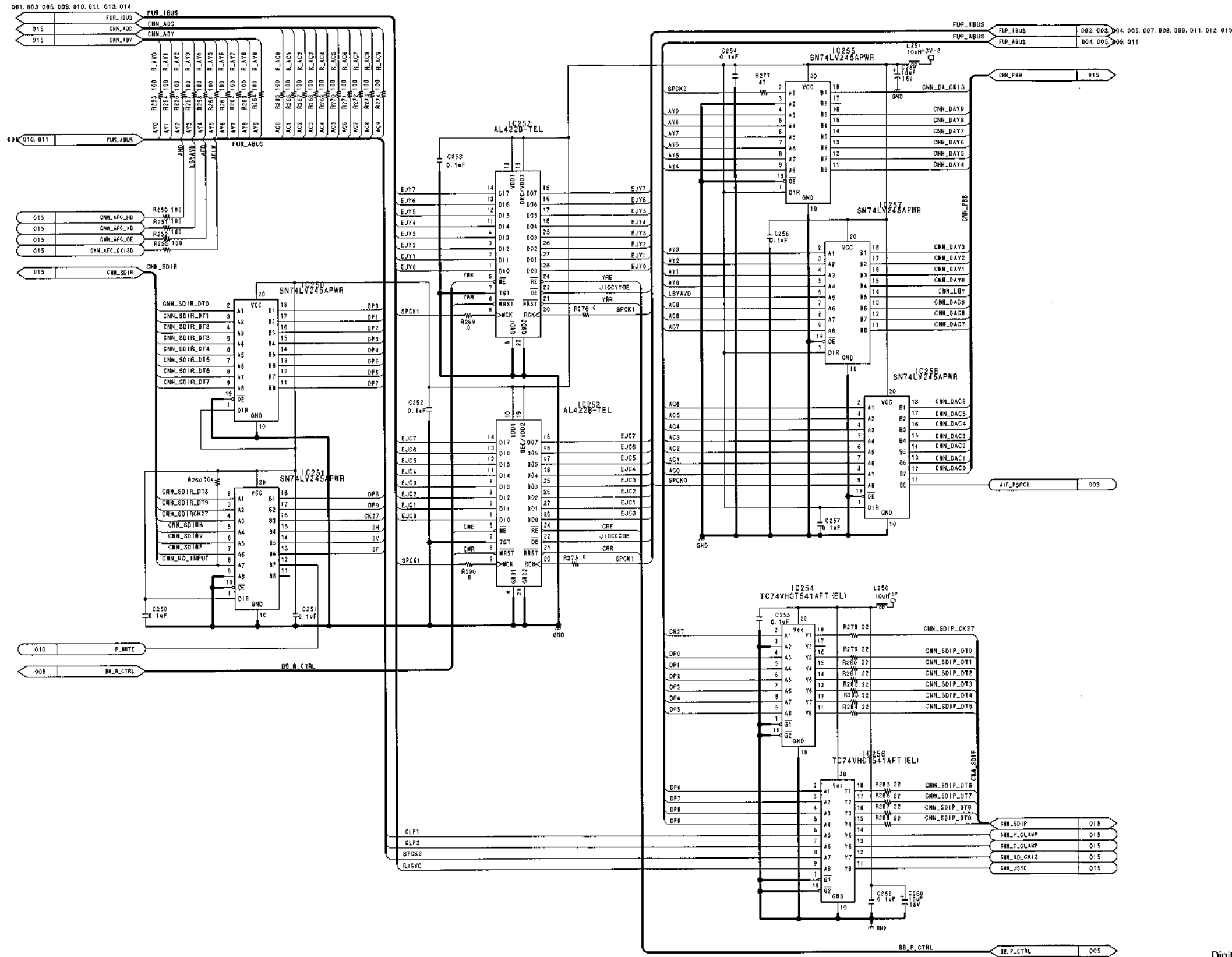


DSR-2000 (UC) : S/N 101241 and Higher
DSR-2000 (J) : S/N 301311 and Higher
DSR-2000P (CE) : S/N 401551 and Higher



Digital process
DPR-136 (4/15)
BOARD NO. 1-675-560-16
LOT NO. 113-
DSR-2000 DPR-136_016_4

DSR-2000 (UC) : S/N 101241 and Higher
 DSR-2000 (J) : S/N 301311 and Higher
 DSR-2000P (CE) : S/N 401551 and Higher



Digital process
DPR-136 (6/15)
 BOARD NO. 1-675-560-18
 LOT NO. 113-
 DSR-2000_DPR-136_016_6

DSR-2000 (UC) : S/N 101241 and Higher
 DSR-2000 (J) : S/N 301311 and Higher
 DSR-2000P (CE) : S/N 401551 and Higher

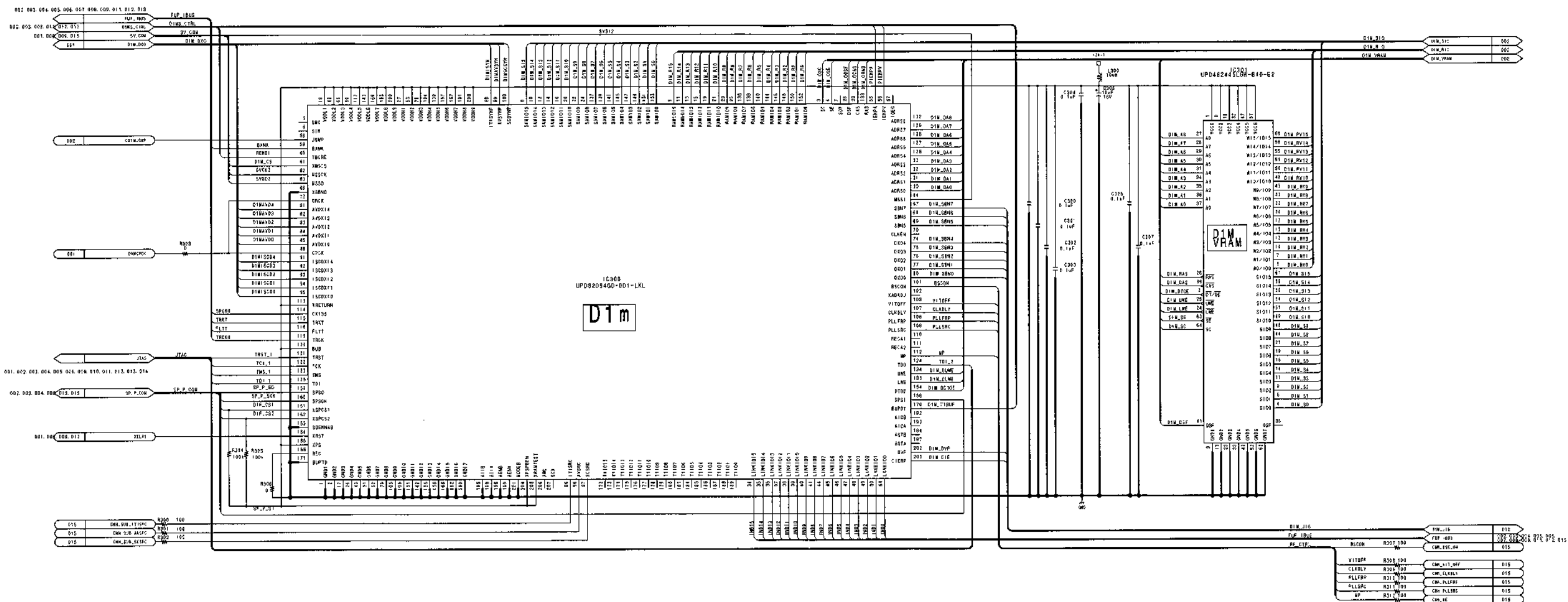
1

2

3

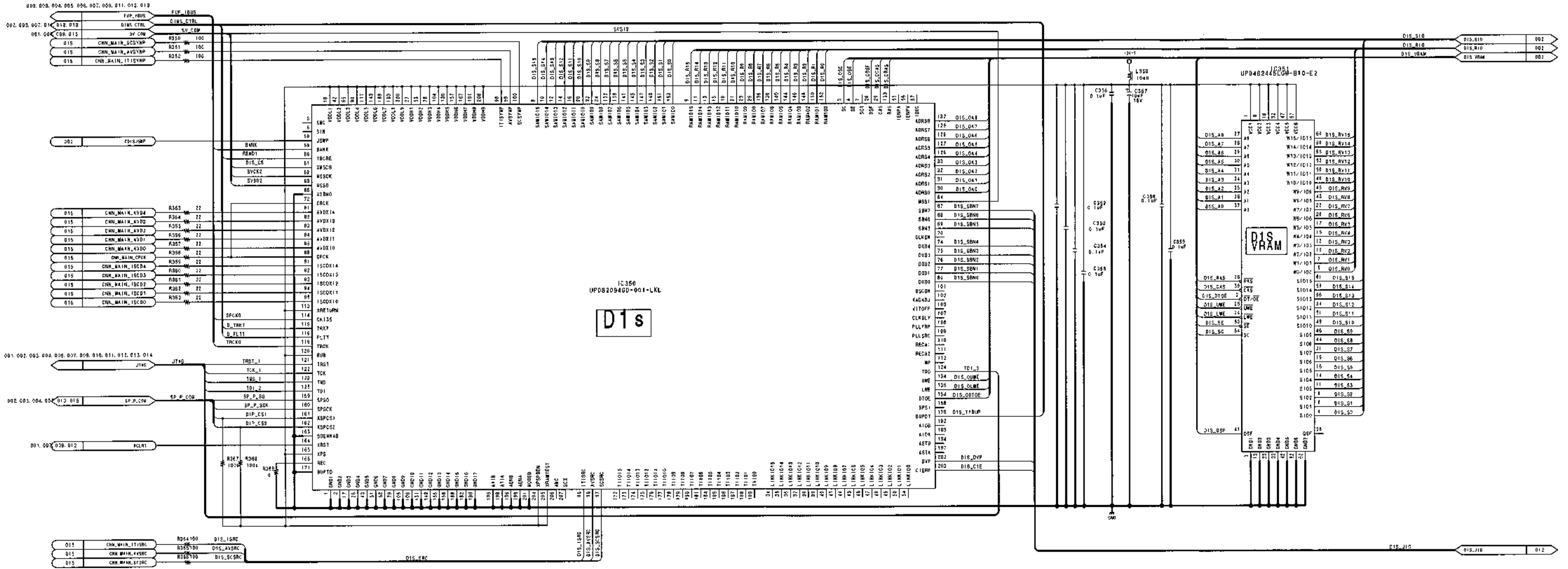
4

5



Digital process
DPR-136 (7/15)
 BOARD NO. 1-675-560-16
 LOT NO. 113-
 DSR-2000_DPR-136_016_7

DSR-2000 (UC) : S/N 101241 and Higher
 DSR-2000 (J) : S/N 301311 and Higher
 DSR-2000P (CE) : S/N 401551 and Higher



DSR-2000 (UC) : S/N 101241 and Higher
DSR-2000 (J) : S/N 301311 and Higher
DSR-2000P (CE) : S/N 401551 and Higher

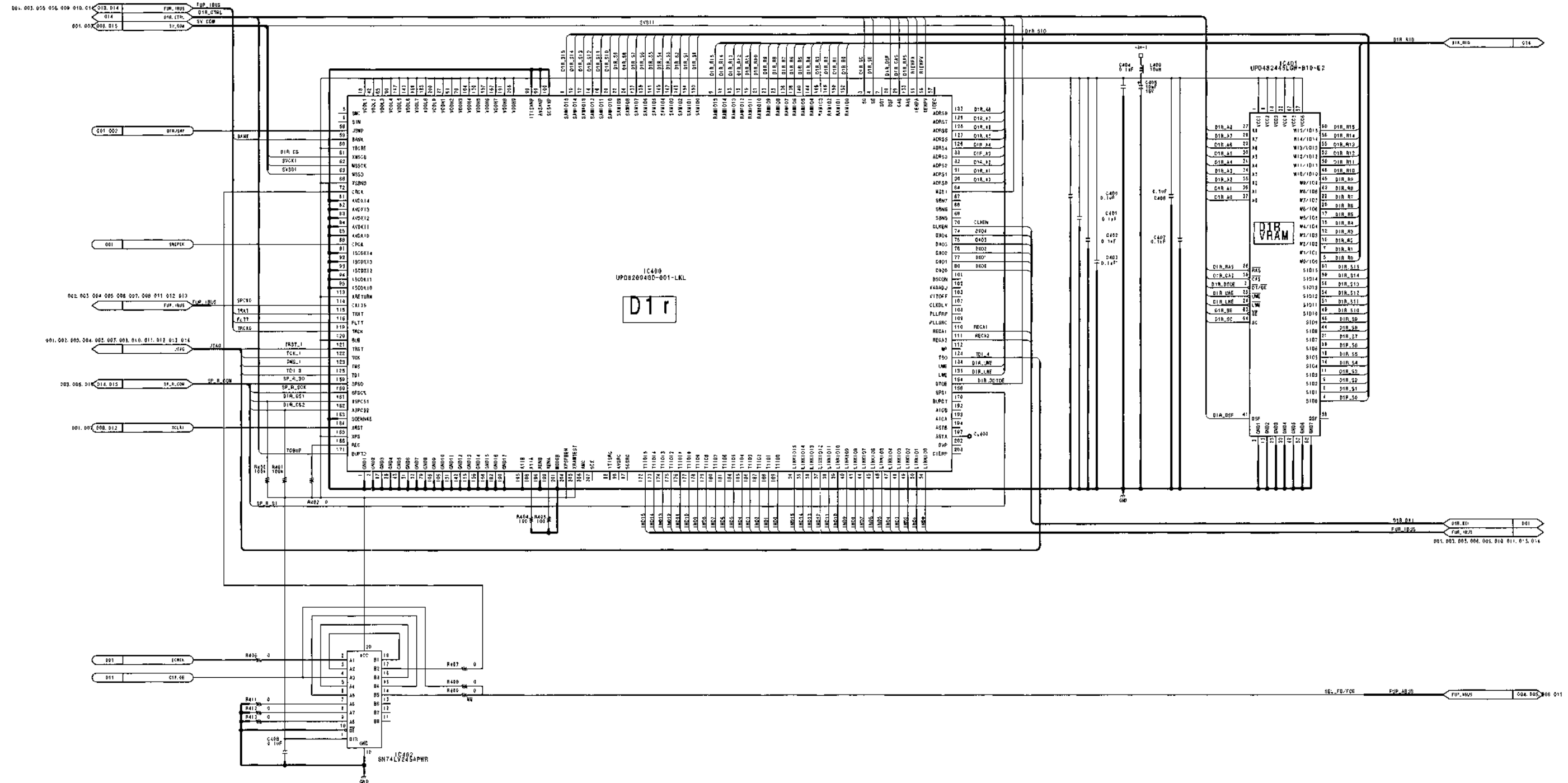
1

2

3

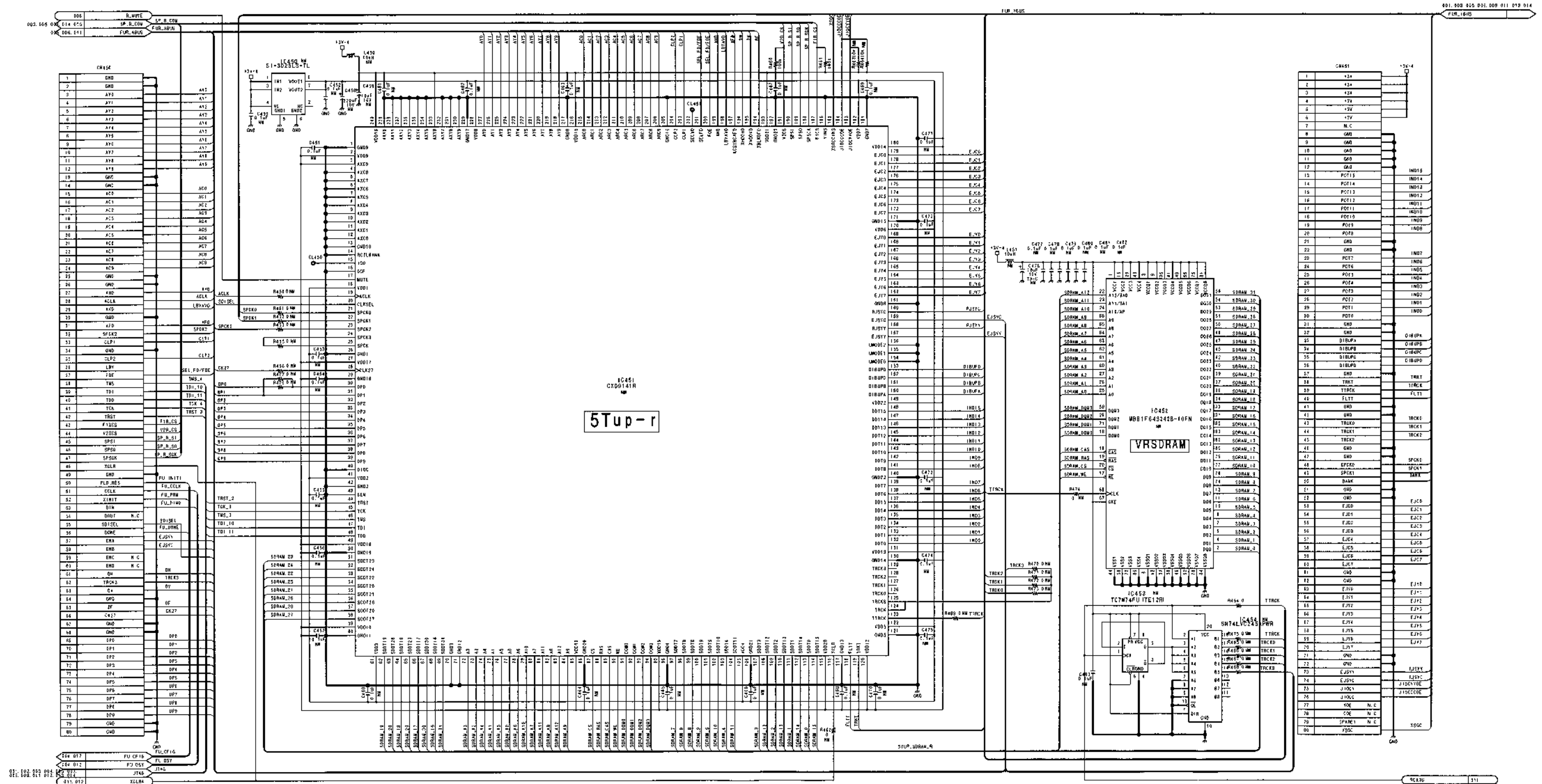
4

5



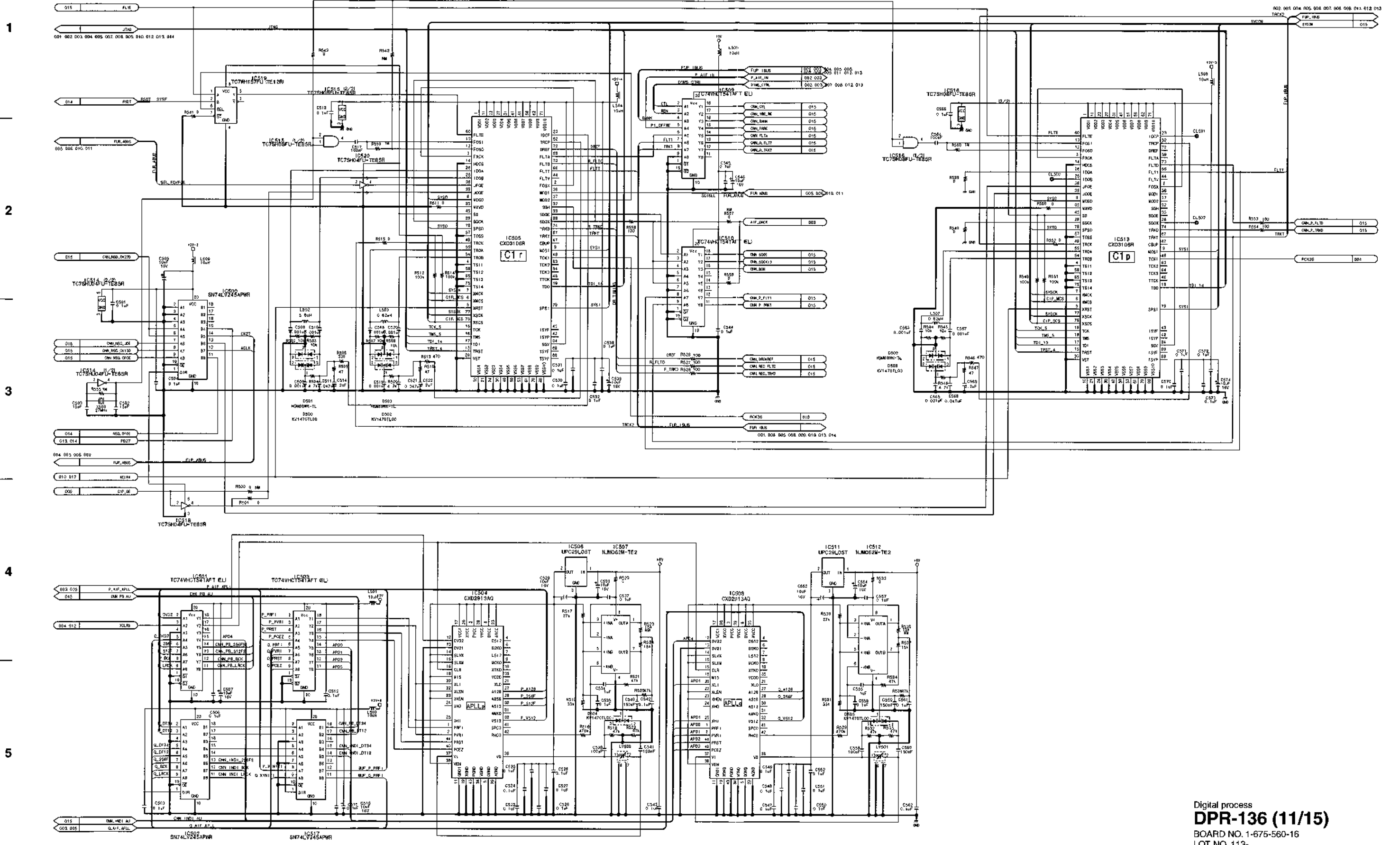
Digital process
DPR-136 (9/15)
BOARD NO. 1-675-560-16
LOT NO. 113-
DSR-2000_DPR-136_016_9

DSR-2000 (UC) : S/N 101241 and Higher
DSR-2000 (J) : S/N 301311 and Higher
DSR-2000P (CE) : S/N 401551 and Higher



Digital process
DPR-136 (10/15)
BOARD NO. 1-675-560-18
LOT NO. 113-
DSR-2000_DPR-136_016_10

DSR-2000 (UC) : S/N 101241 and Higher
DSR-2000 (J) : S/N 301311 and Higher
DSR-2000P (CE) : S/N 401551 and Higher



1

2

3

4

5

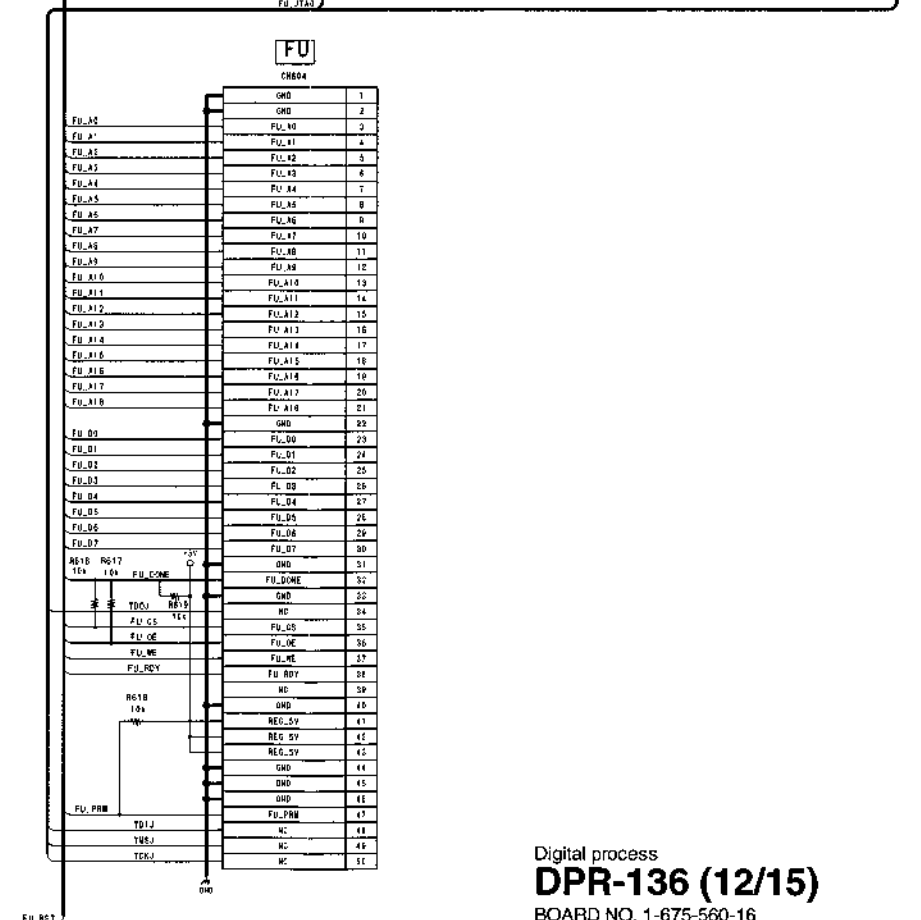
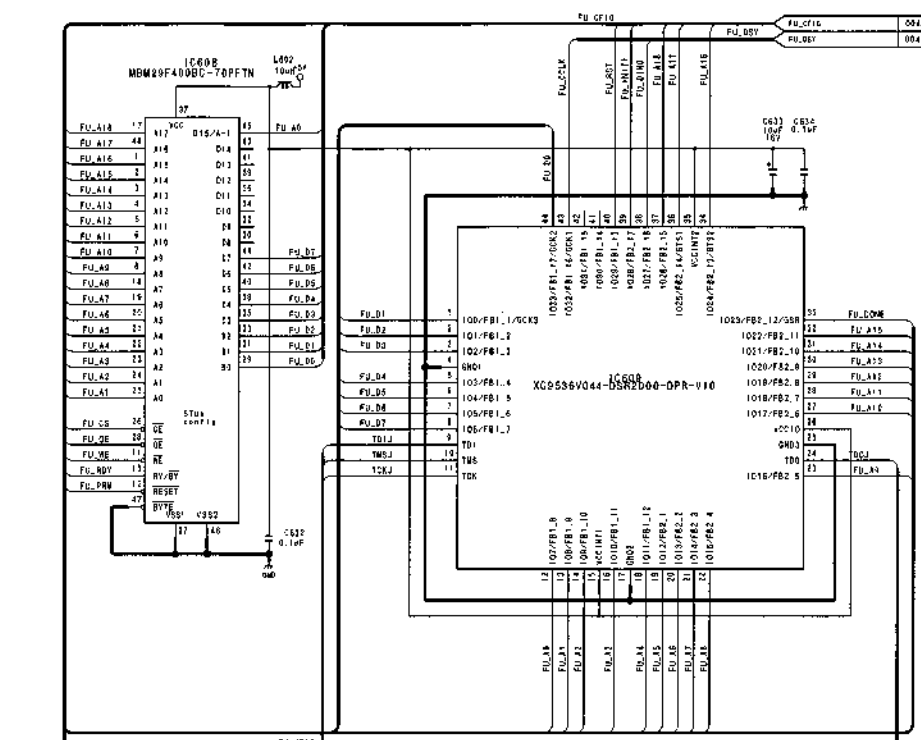
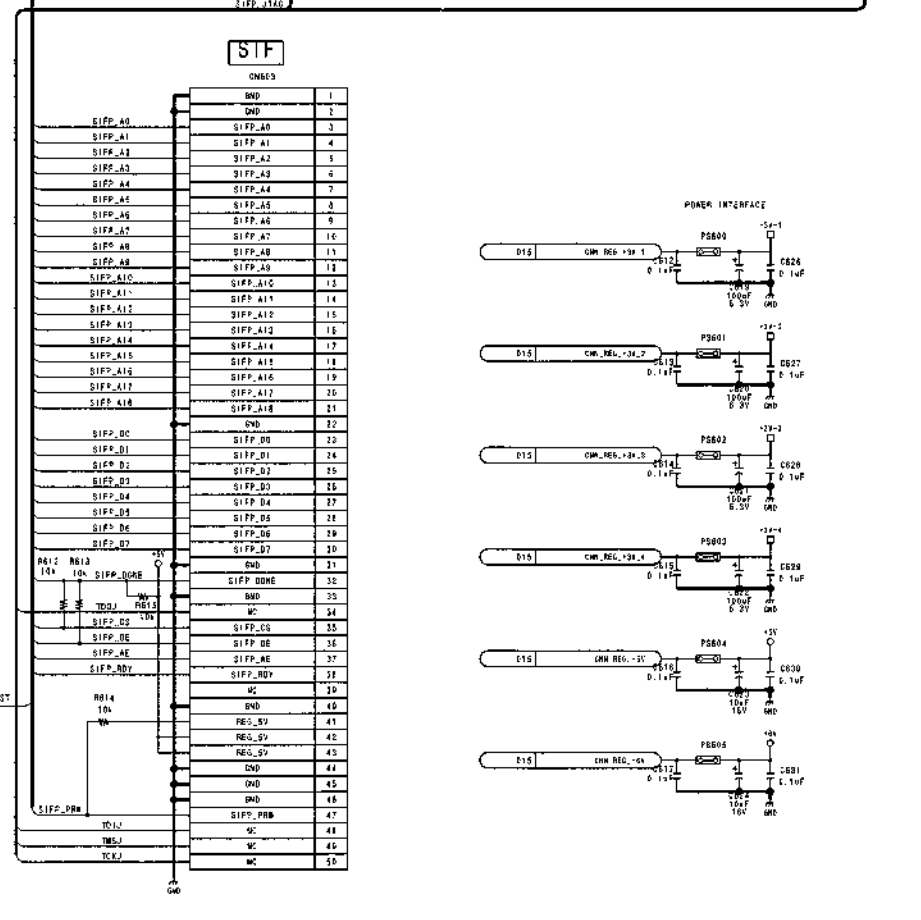
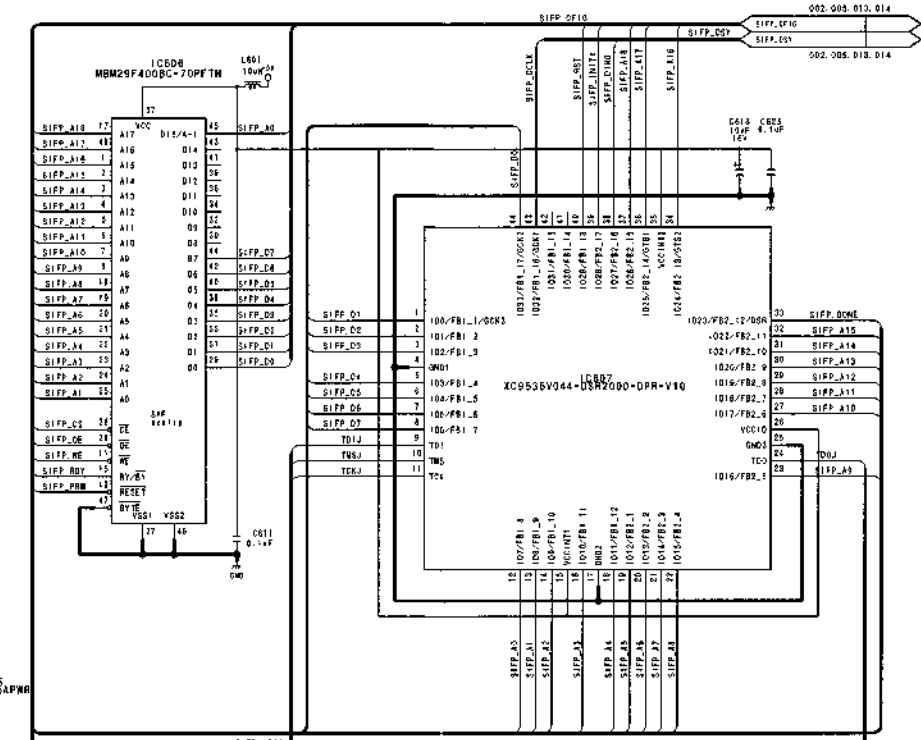
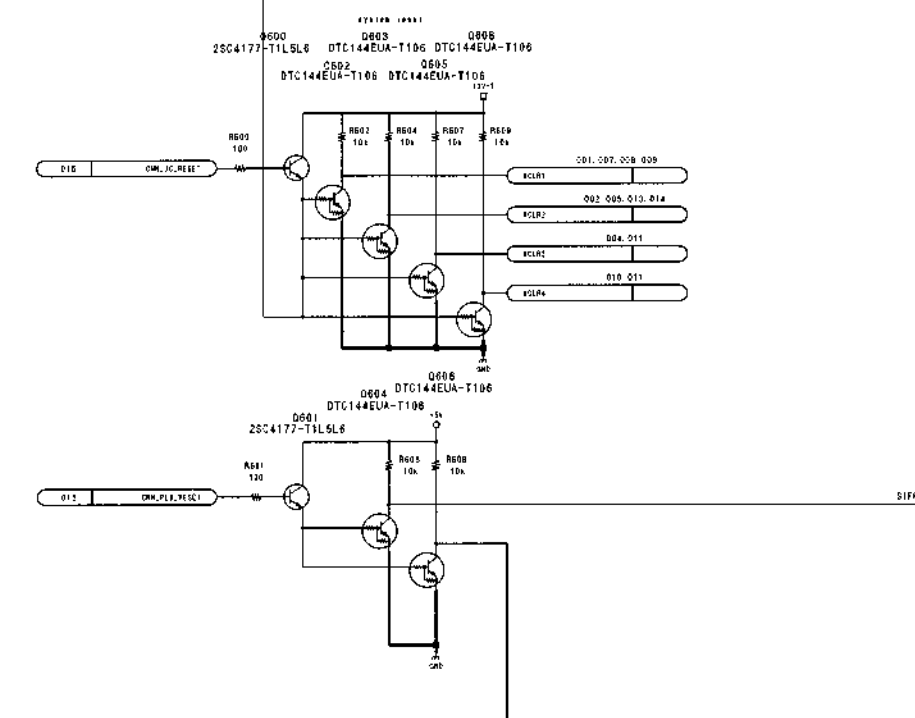
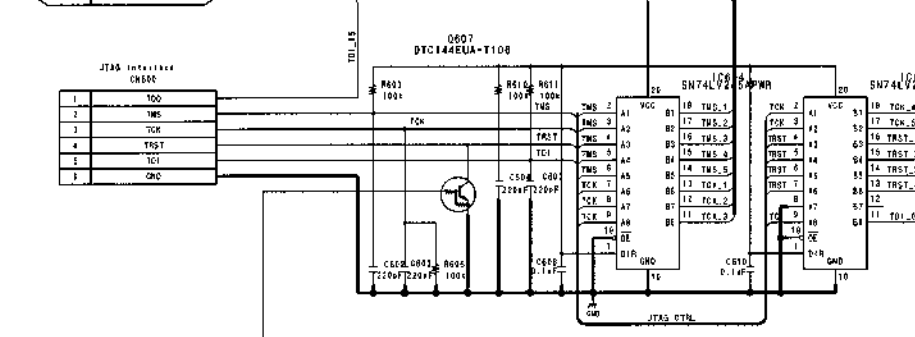
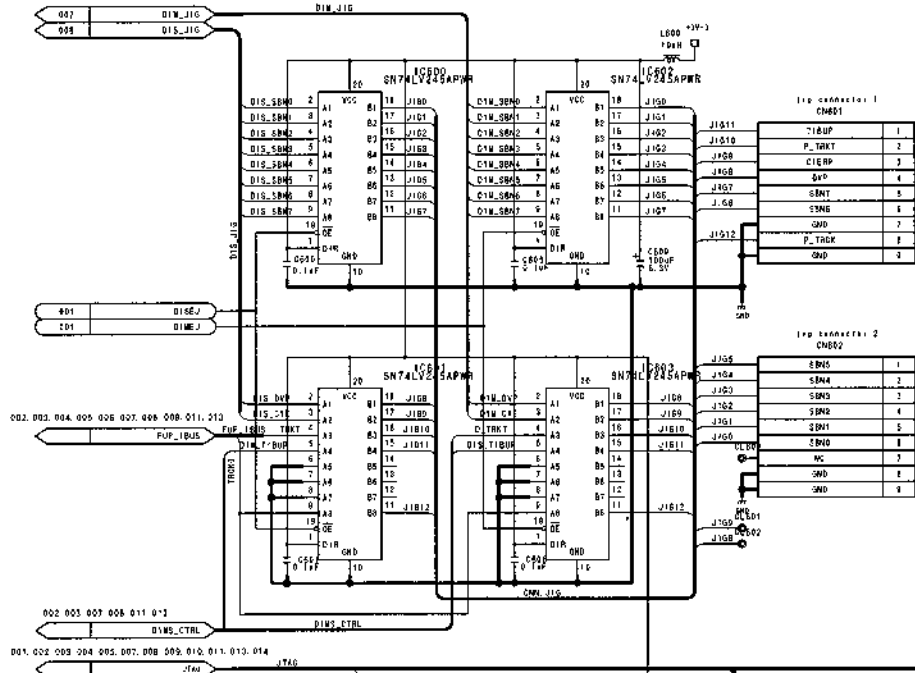
A B C D E F G H

Digital process
DPR-136 (11/15)
BOARD NO. 1-675-560-16
LOT NO. 113-
DSR-2000_DPR-136_016_11

15-48 (c) 15-48 (c)

DSR-2000/2000P

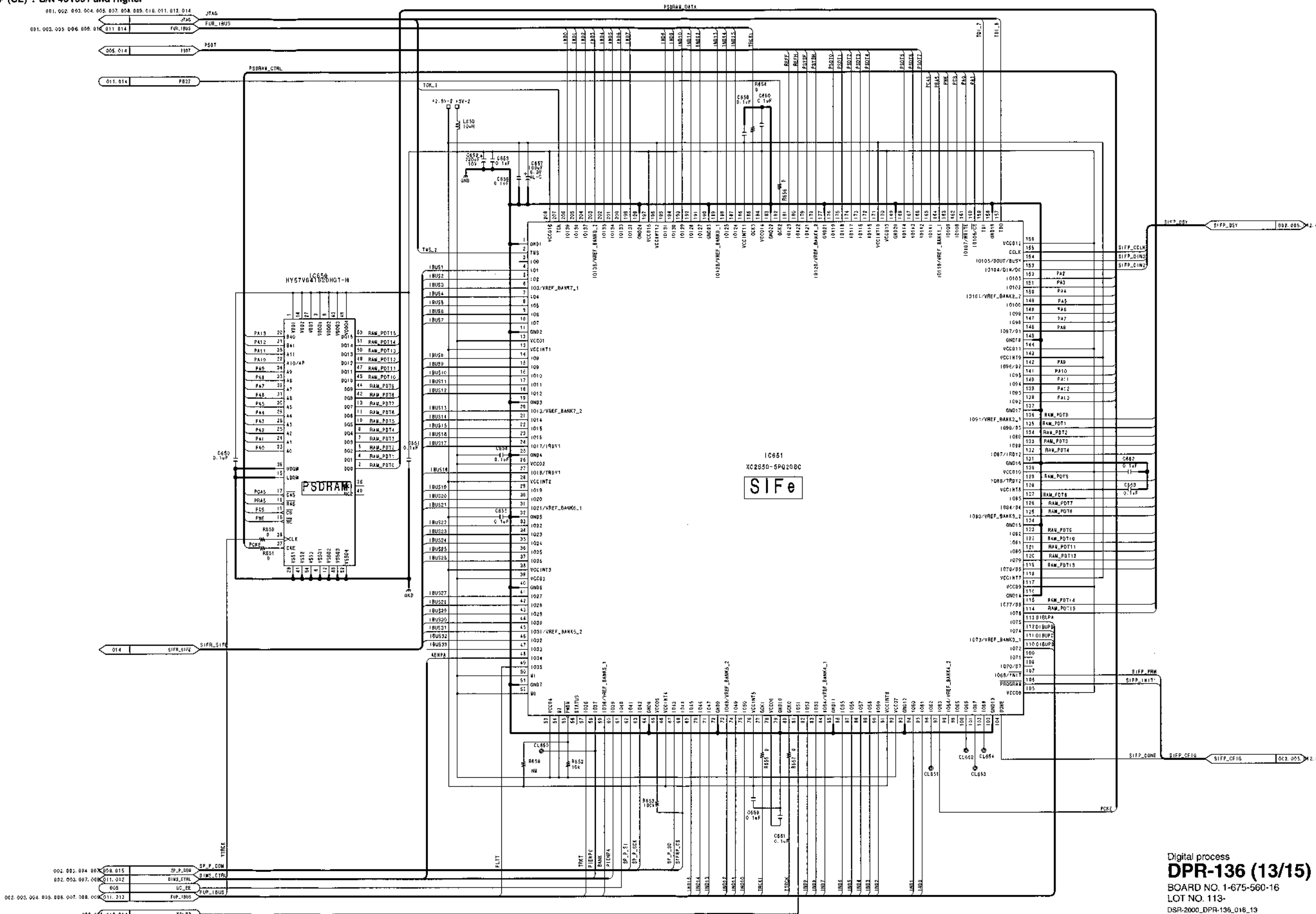
DSR-2000 (UC) : S/N 101241 and Higher
 DSR-2000 (J) : S/N 301311 and Higher
 DSR-2000P (CE) : S/N 401551 and Higher



SIF	
Signal	Pin
SIFP_A0	1
SIFP_A1	2
SIFP_A2	3
SIFP_A3	4
SIFP_A4	5
SIFP_A5	6
SIFP_A6	7
SIFP_A7	8
SIFP_A8	9
SIFP_A9	10
SIFP_A10	11
SIFP_A11	12
SIFP_A12	13
SIFP_A13	14
SIFP_A14	15
SIFP_A15	16
SIFP_A16	17
SIFP_A17	18
SIFP_A18	19
SIFP_A19	20
SIFP_A20	21
SIFP_A21	22
SIFP_A22	23
SIFP_A23	24
SIFP_A24	25
SIFP_A25	26
SIFP_A26	27
SIFP_A27	28
SIFP_A28	29
SIFP_A29	30
SIFP_A30	31
SIFP_A31	32
SIFP_A32	33
SIFP_A33	34
SIFP_A34	35
SIFP_A35	36
SIFP_A36	37
SIFP_A37	38
SIFP_A38	39
SIFP_A39	40
SIFP_A40	41
SIFP_A41	42
SIFP_A42	43
SIFP_A43	44
SIFP_A44	45
SIFP_A45	46
SIFP_A46	47
SIFP_A47	48
SIFP_A48	49
SIFP_A49	50

FU	
Signal	Pin
FU_A0	1
FU_A1	2
FU_A2	3
FU_A3	4
FU_A4	5
FU_A5	6
FU_A6	7
FU_A7	8
FU_A8	9
FU_A9	10
FU_A10	11
FU_A11	12
FU_A12	13
FU_A13	14
FU_A14	15
FU_A15	16
FU_A16	17
FU_A17	18
FU_A18	19
FU_A19	20
FU_A20	21
FU_A21	22
FU_A22	23
FU_A23	24
FU_A24	25
FU_A25	26
FU_A26	27
FU_A27	28
FU_A28	29
FU_A29	30
FU_A30	31
FU_A31	32
FU_A32	33
FU_A33	34
FU_A34	35
FU_A35	36
FU_A36	37
FU_A37	38
FU_A38	39
FU_A39	40
FU_A40	41
FU_A41	42
FU_A42	43
FU_A43	44
FU_A44	45
FU_A45	46
FU_A46	47
FU_A47	48
FU_A48	49
FU_A49	50

DSR-2000 (UC) : S/N 101241 and Higher
 DSR-2000 (J) : S/N 301311 and Higher
 DSR-2000P (CE) : S/N 401551 and Higher

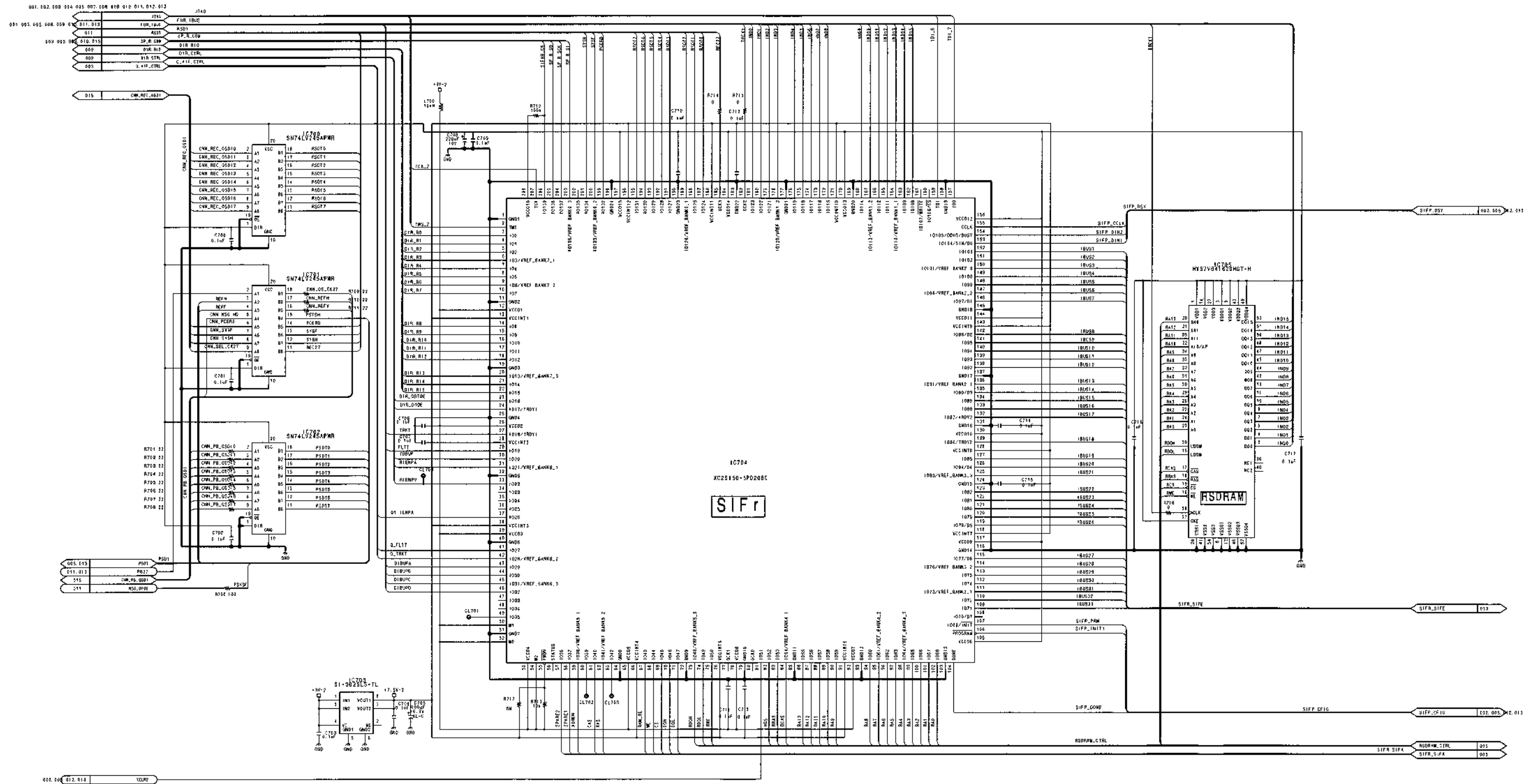


Digital process
DPR-136 (13/15)
 BOARD NO. 1-675-560-16
 LOT NO. 113-
 DSR-2000_DPR-136_016_13

15-50 (c) 15-50 (c)

A | B | C | D | E | F | G | H

DSR-2000 (UC) : S/N 101241 and Higher
DSR-2000 (J) : S/N 301311 and Higher
DSR-2000P (CE) : S/N 401551 and Higher



Digital process
DPR-136 (14/15)
BOARD NO. 1-675-560-16
LOT NO. 113-
DSR-2000_DPR-136_016_14

DSR-2000 (UC) : S/N 101241 and Higher
 DSR-2000 (J) : S/N 301311 and Higher
 DSR-2000P (CE) : S/N 401551 and Higher

1

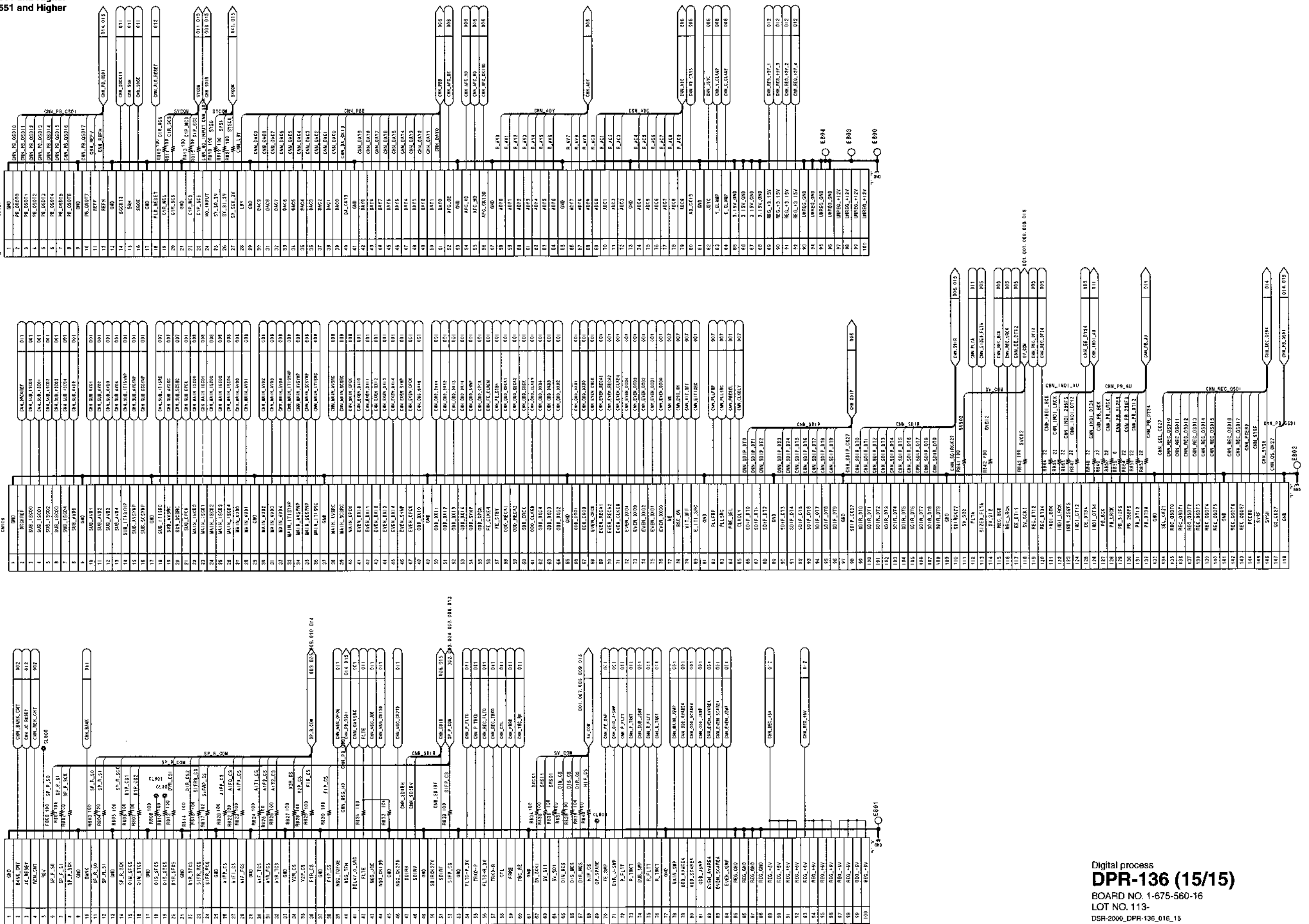
2

3

4

5

A B C D E F G H



Digital process
DSR-136 (15/15)
 BOARD NO. 1-675-560-16
 LOT NO. 113-
 DSR-2000_DPR-136_016_15

DSR-2000 (UC) : S/N 100291 through 101240
DSR-2000 (J) : S/N 300241 through 301310
DSR-2000P (CE) : S/N 400301 through 401550

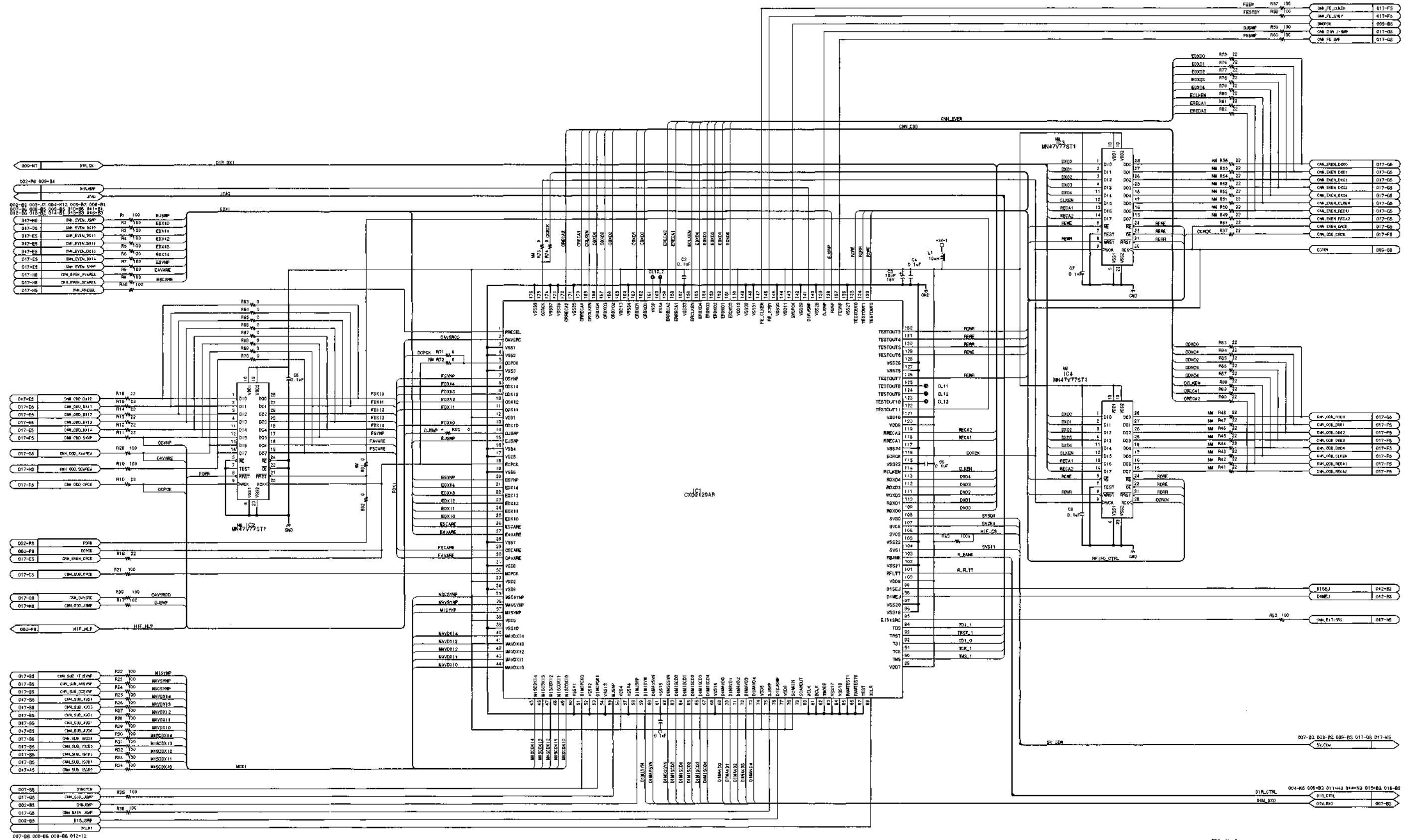
1

2

3

4

5



Digital process
DPR-136 (1/17)
BOARD NO. 1-675-560-12, 13, 14
LOT NO. 909-112
DSR-2000_DPR-136_014_1

BOARD NO.	SUFFIX	LOT NO.
12		909
13		910-900
14		909-112

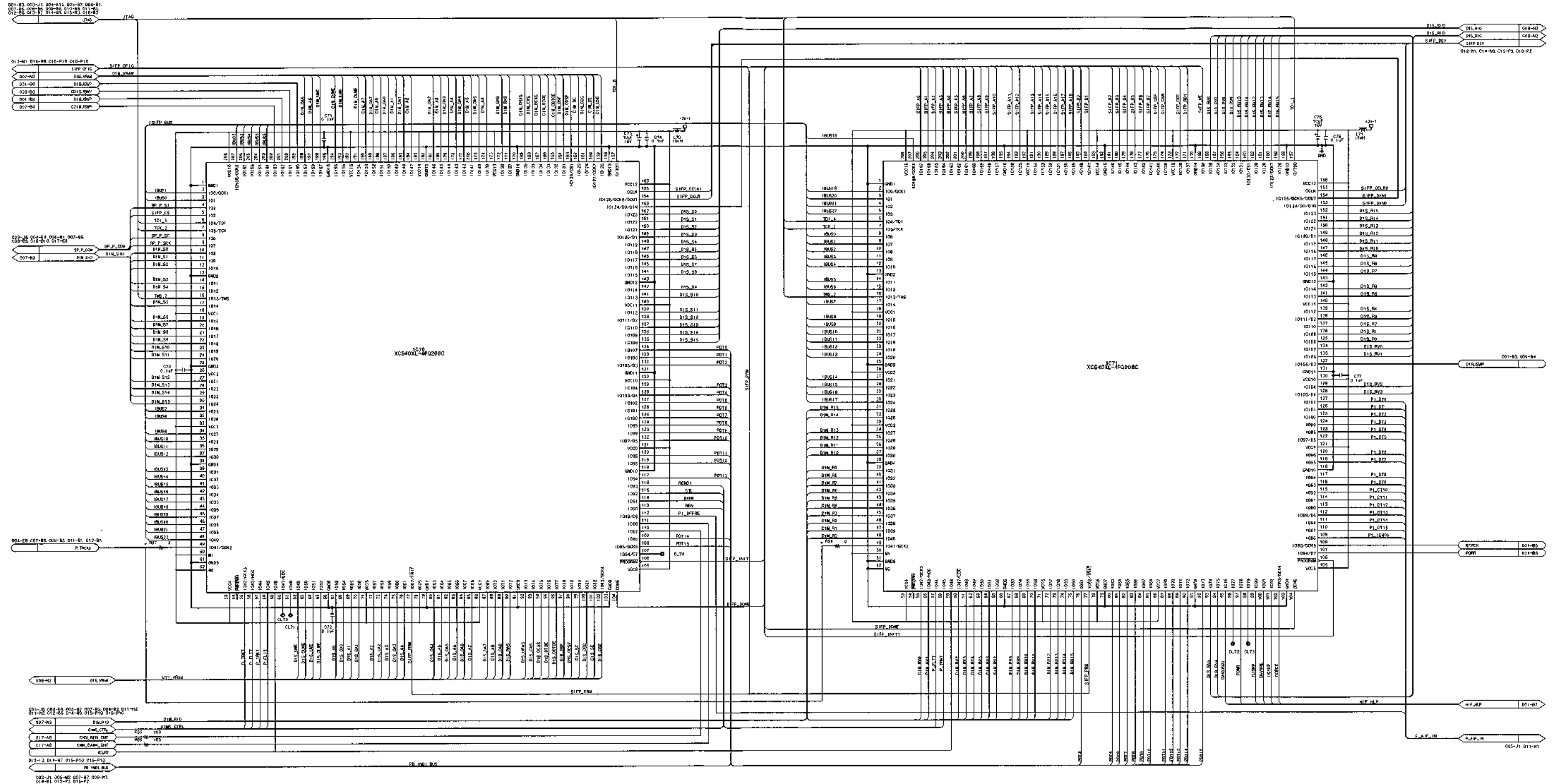
REF. NO.	CHANGE INFORMATION	LOT NO.	
R02	0	ADD	940

15-38 (b)

15-38 (b)

DSR-2000/2000P

DSR-2000 (UC) : S/N 100291 through 101240
 DSR-2000 (J) : S/N 300241 through 301310
 DSR-2000P (CE) : S/N 400301 through 401550

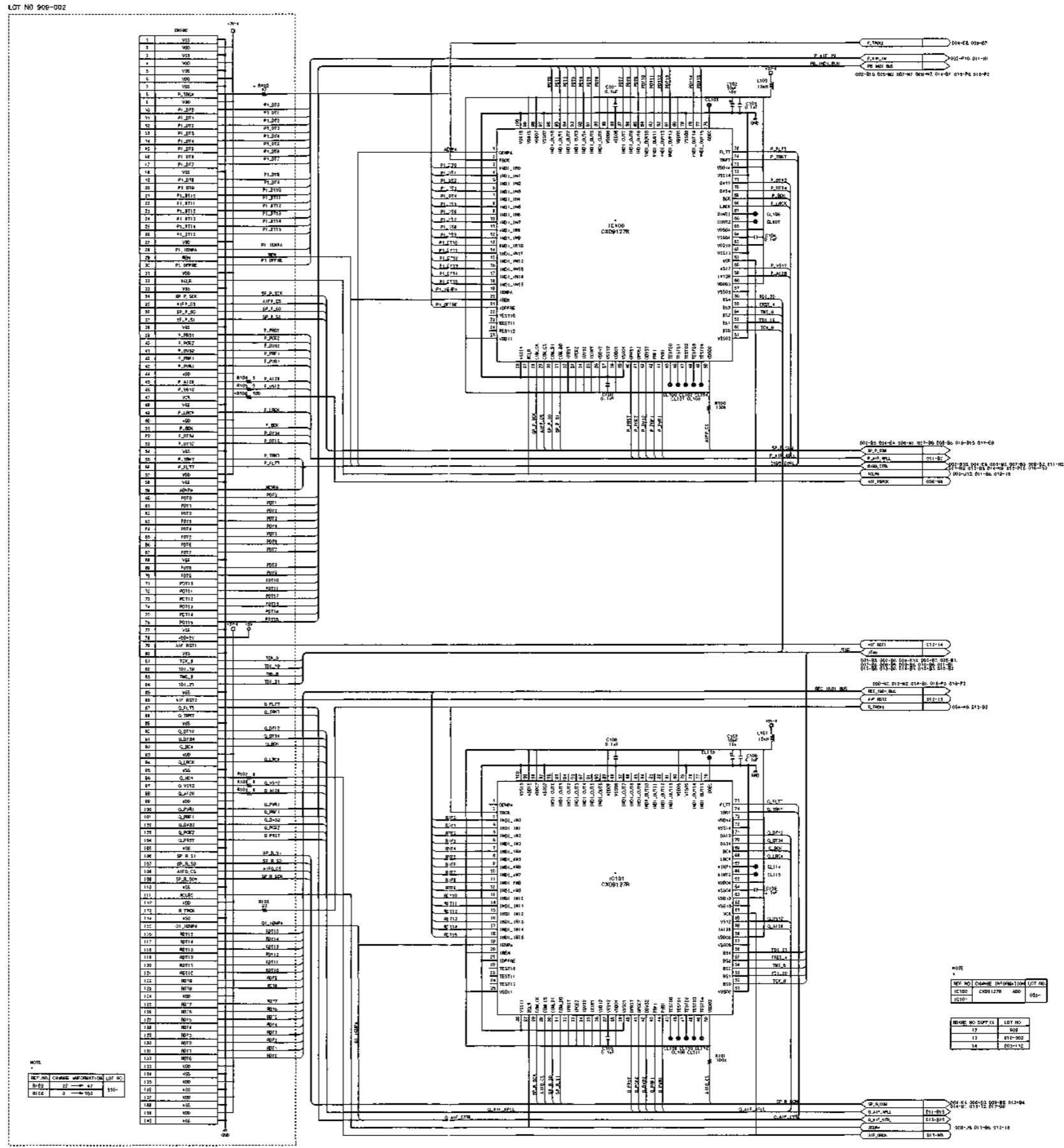


COMP. NO.	SUFFIX	LOT NO.
12	000	300
13	010-002	300
14	002-112	310-

REF. NO.	CHANGE INFORMATION	LOT NO.
REV. 3	ADD	310-
REV. 4	ADD	310-

Digital process
DPR-136 (2/17)
 BOARD NO. 1-675-560-12, 13, 14
 LOT NO. 909-112
 DSR-2000_DPR-136_D14_2

DSR-2000 (UC) : S/N 100291 through 101240
 DSR-2000 (J) : S/N 300241 through 301310
 DSR-2000P (CE) : S/N 400301 through 401550

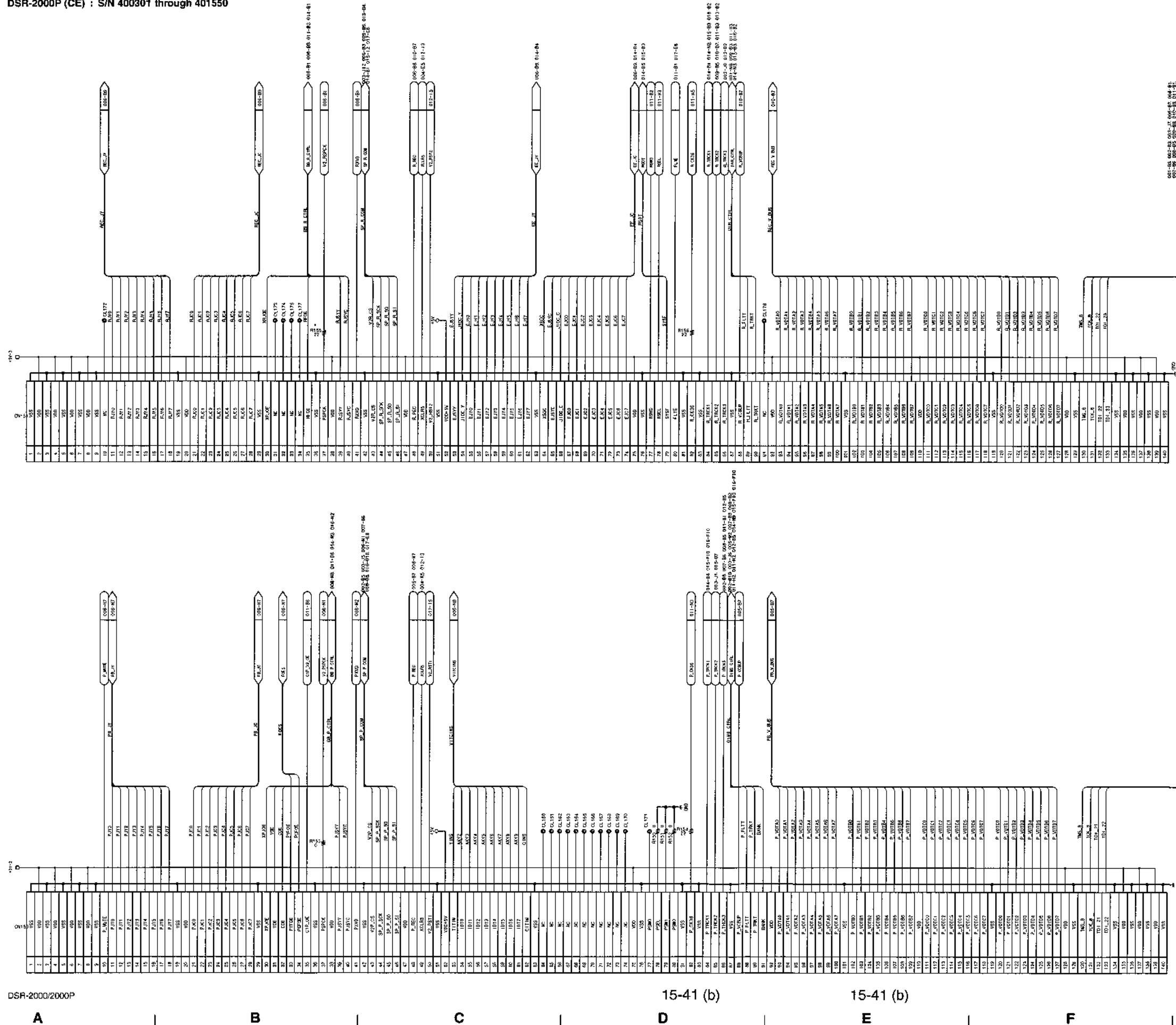


15-40 (b)

15-40 (b)

Digital process
DPR-136 (3/17)
 BOARD NO. 1-675-560-12, 13, 14
 LOT NO. 909-112
 DSR-2000_DPR-136_014_3

DSR-2000 (UC) : S/N 100291 through 101240
 DSR-2000 (J) : S/N 300241 through 301310
 DSR-2000P (CE) : S/N 400301 through 401550



DSR-2000/2000P

15-41 (b)

15-41 (b)

BOARD NO.	SHFT #X	LOT NO.
12		900
13		910-002
14		900-112

REF. NO.	CHANGE	INFORMATION	LOT NO.
R155	400	22	911-

Digital process
DPR-136 (4/17)
 BOARD NO. 1-675-560-12, 13, 14
 LOT NO. 909-112
 DSR-2000_DPR-136_014_4

1
2
3
4
5

DSR-2000 (UC) : S/N 100291 through 101240
 DSR-2000 (J) : S/N 300241 through 301310
 DSR-2000P (CE) : S/N 400301 through 401550

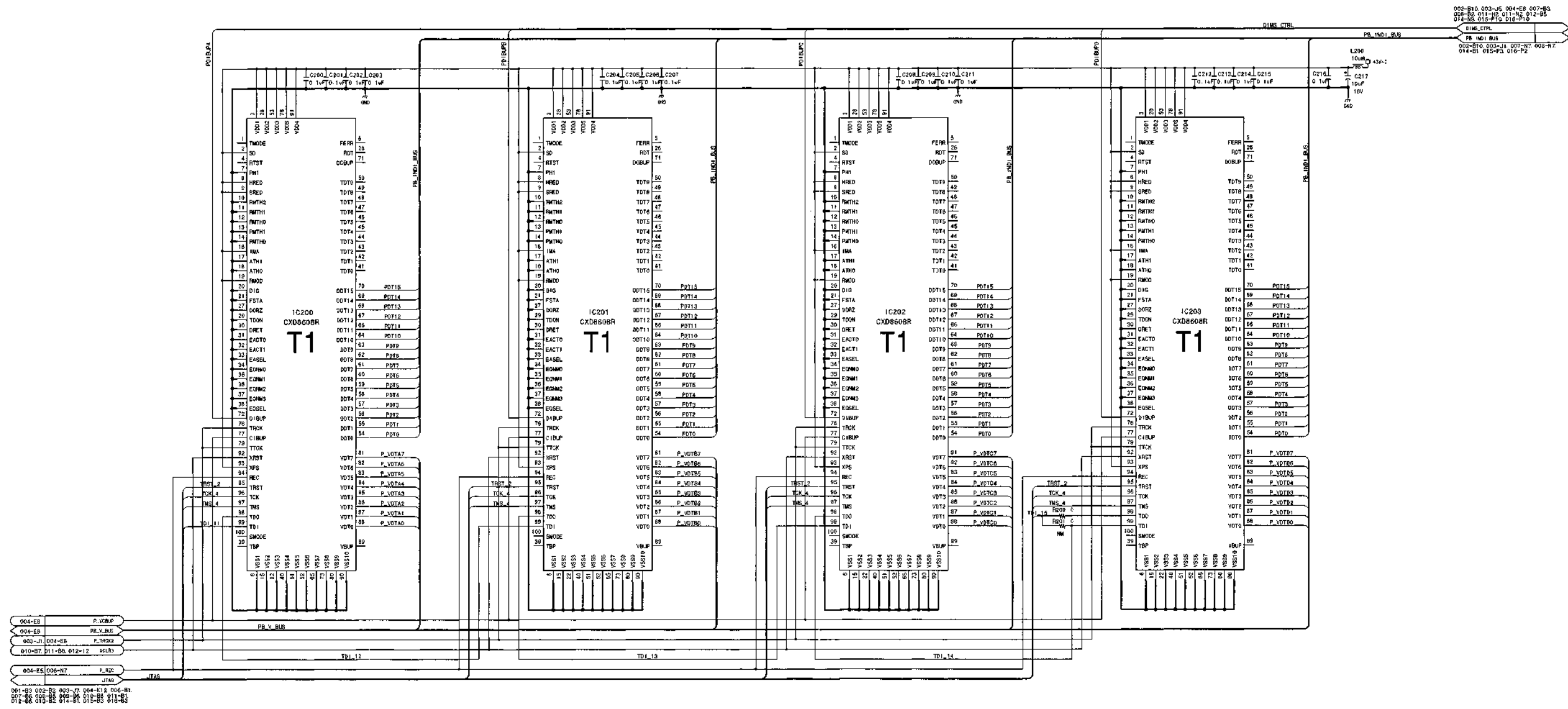
1

2

3

4

5



003-B10, 003-J5, 004-EB, 007-B3
 008-B2, 011-B0, 011-B2, 012-B5
 014-B5, 015-P10, 016-P10
 016-CTR
 PB_IND_BUS
 002-B10, 003-J1, 007-C17, 008-B7
 014-B1, 015-P3, 016-P2

004-EB P_VDRP
 004-EB PE_V_BUS
 002-J1 004-EB P_TRM2
 010-BT, 011-B0, 012-12, 013-B3
 004-ES, 008-N7, P_REC, JTAG
 001-B3, 002-B3, 003-B7, 004-11, 006-B1
 007-B5, 008-B5, 009-B7, 010-B5, 011-B1
 012-B5, 013-B2, 014-B1, 015-B5, 016-B3

BOARD NO. SUFFIX	LOT NO.
12	909
13	916-002
14	003-112

Digital process
DPR-136 (5/17)
 BOARD NO. 1-675-560-12, 13, 14
 LOT NO. 909-112
 DSR-2000_DPR-136_014_5

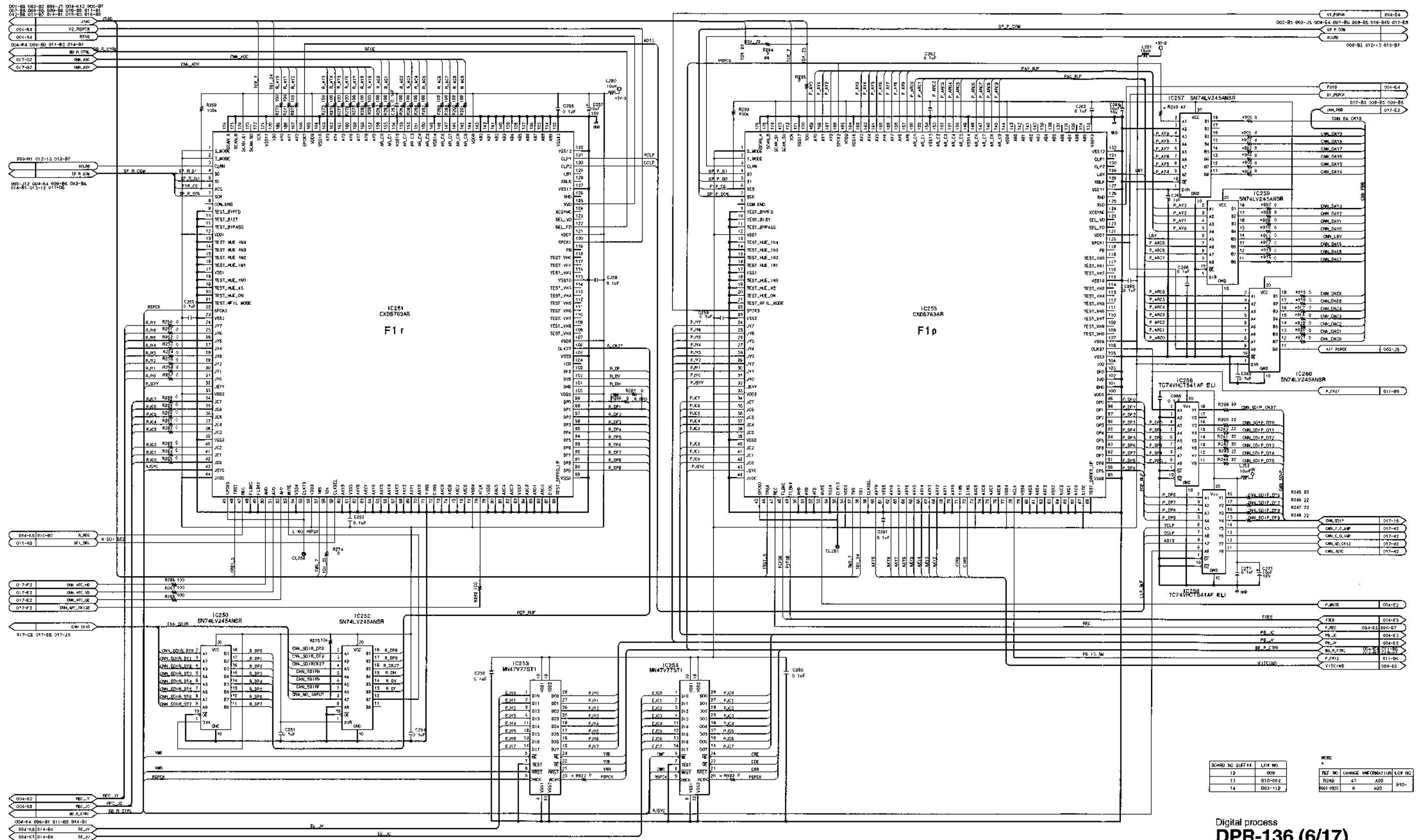
15-42 (b)

15-42 (b)

DSR-2000/2000P

A | B | C | D | E | F | G | H

DSR-2000 (UC) : S/N 100291 through 101240
 DSR-2000 (J) : S/N 300241 through 301310
 DSR-2000P (CE) : S/N 400301 through 401550

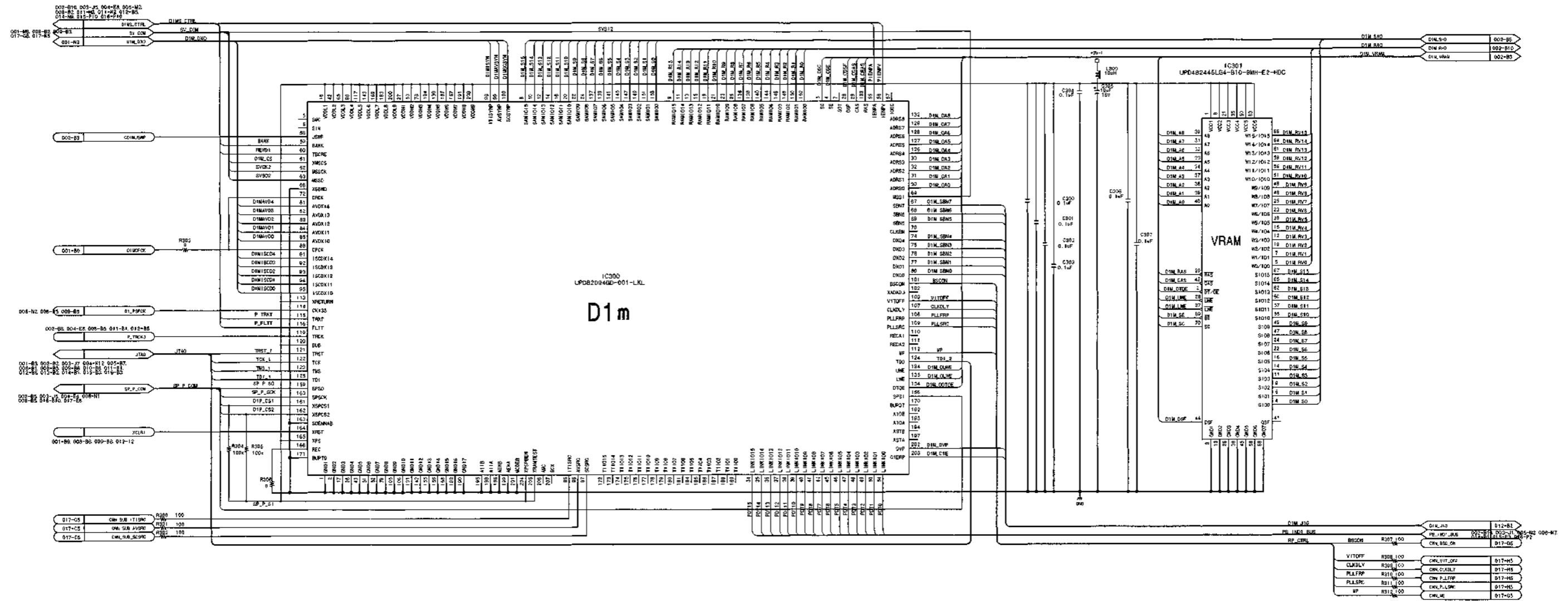


BOARD NO	SUFFIX	LOT NO	REF NO	CHANGE INFORMATION	LOF NO
12		009			
13		010-002			
14		003-112			

Digital process
DPR-136 (6/17)
 BOARD NO. 1-675-560-12, 13, 14
 LOT NO. 909-112
 DSR-2000 DPR-136_014_6

DSR-2000 (UC) : S/N 100291 through 101240
 DSR-2000 (J) : S/N 300241 through 301310
 DSR-2000P (CE) : S/N 400301 through 401550

1



2

3

4

5

BOARD NO. SUFFIX	LOT NO.
12	009
13	910-902
14	009-112

Digital process
DP-136 (7/17)
 BOARD NO. 1-675-560-12, 13, 14
 LOT NO. 909-112
 DSR-2000_DP-136_014_7

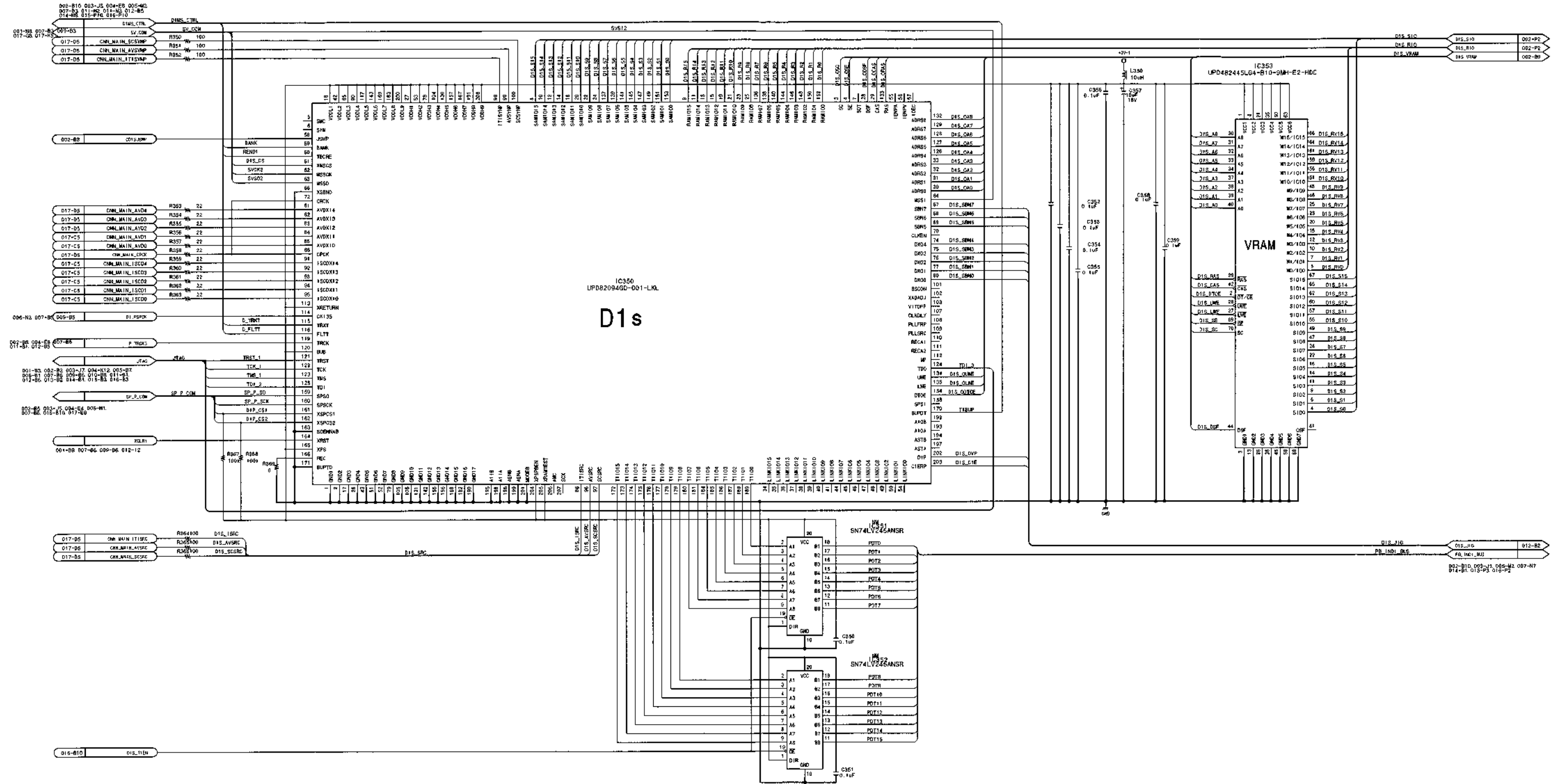
15-44 (b)

15-44 (b)

DSR-2000/2000P

A | B | C | D | E | F | G | H

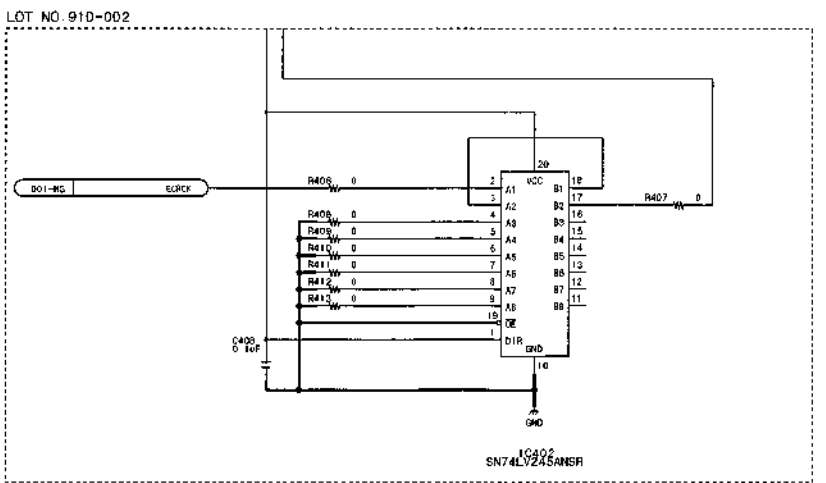
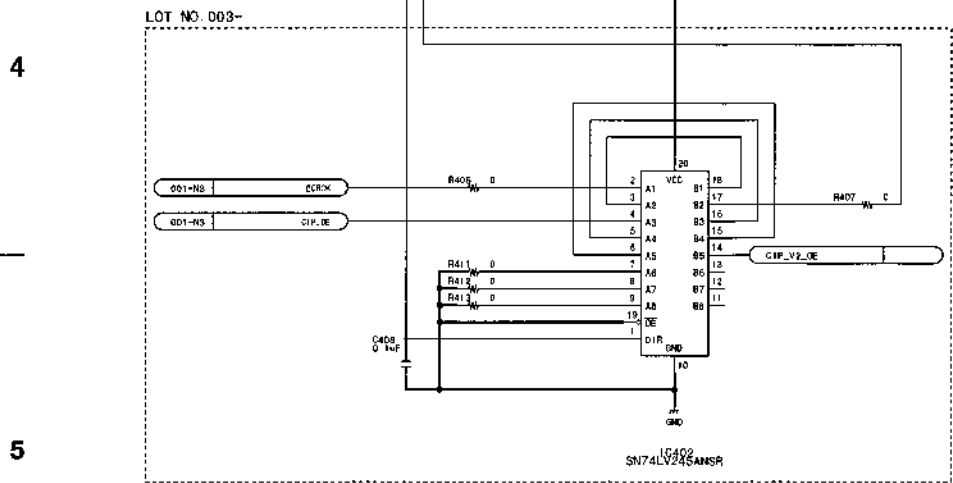
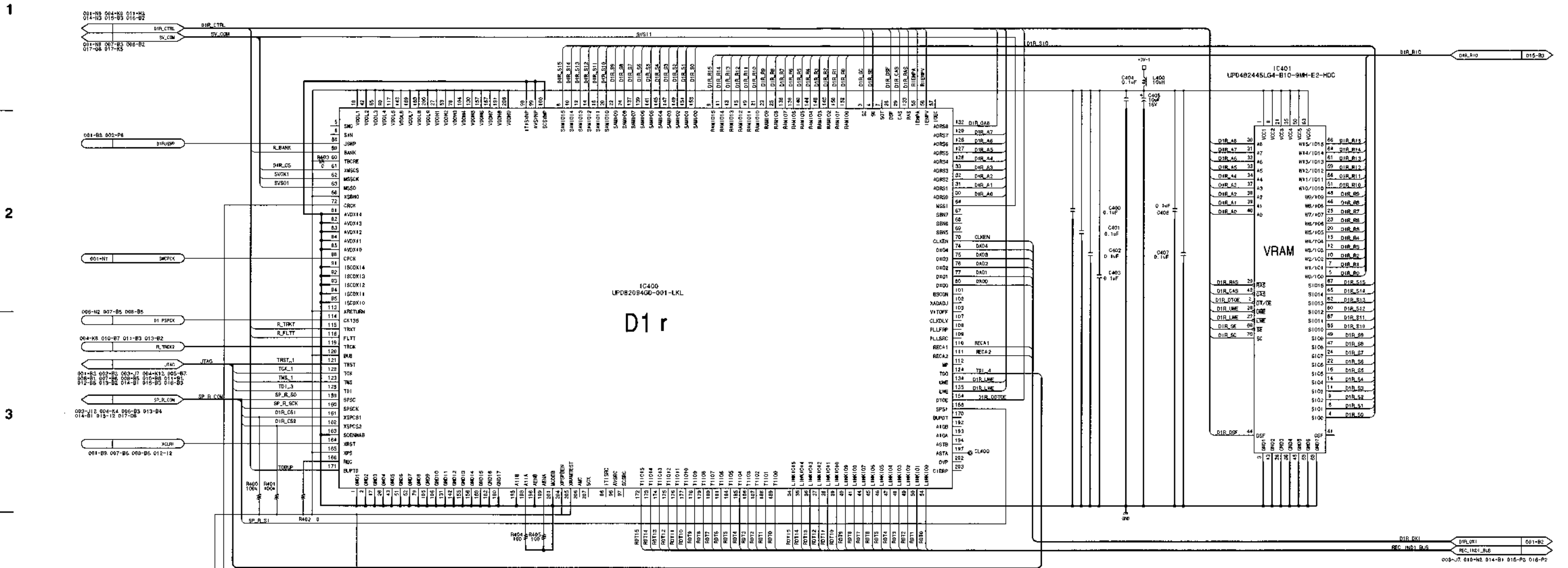
DSR-2000 (UC) : S/N 100291 through 101240
DSR-2000 (J) : S/N 300241 through 301310
DSR-2000P (CE) : S/N 400301 through 401550



BOARD NO. (AFFIX)	LOT NO.
12	909
13	916-002
14	909-112

Digital process
DPR-136 (8/17)
BOARD NO. 1-675-560-12, 13, 14
LOT NO. 909-112
DSR-2000_DPR-136_014_8

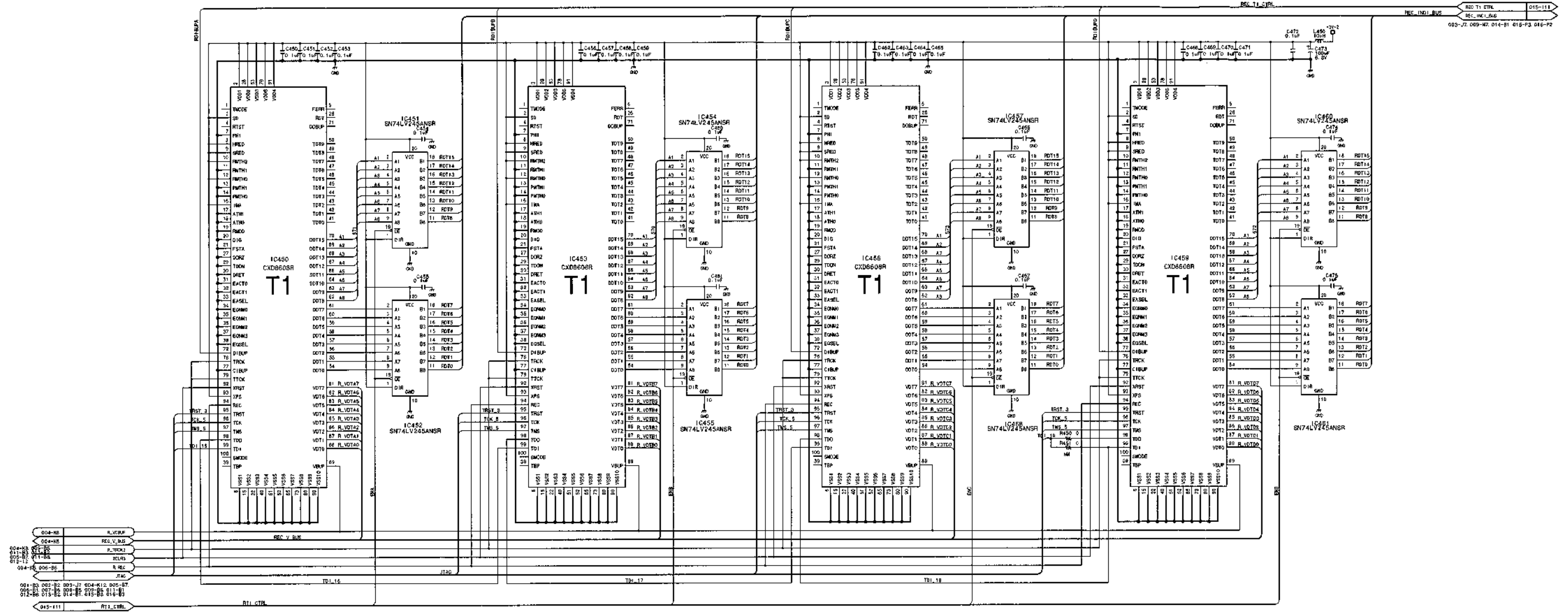
DSR-2000 (UC) : S/N 100291 through 101240
 DSR-2000 (J) : S/N 300241 through 301310
 DSR-2000P (CE) : S/N 400301 through 401550



BOARD NO	SUFFIX	LOT NO
12		909
13		916-902
14		003-112

Digital process
DPR-136 (9/17)
 BOARD NO. 1-675-560-12, 13, 14
 LOT NO. 909-112
 DSR-2000 DPR-136_014_9

DSR-2000 (UC) : S/N 100291 through 101240
 DSR-2000 (J) : S/N 300241 through 301310
 DSR-2000P (CE) : S/N 400301 through 401550



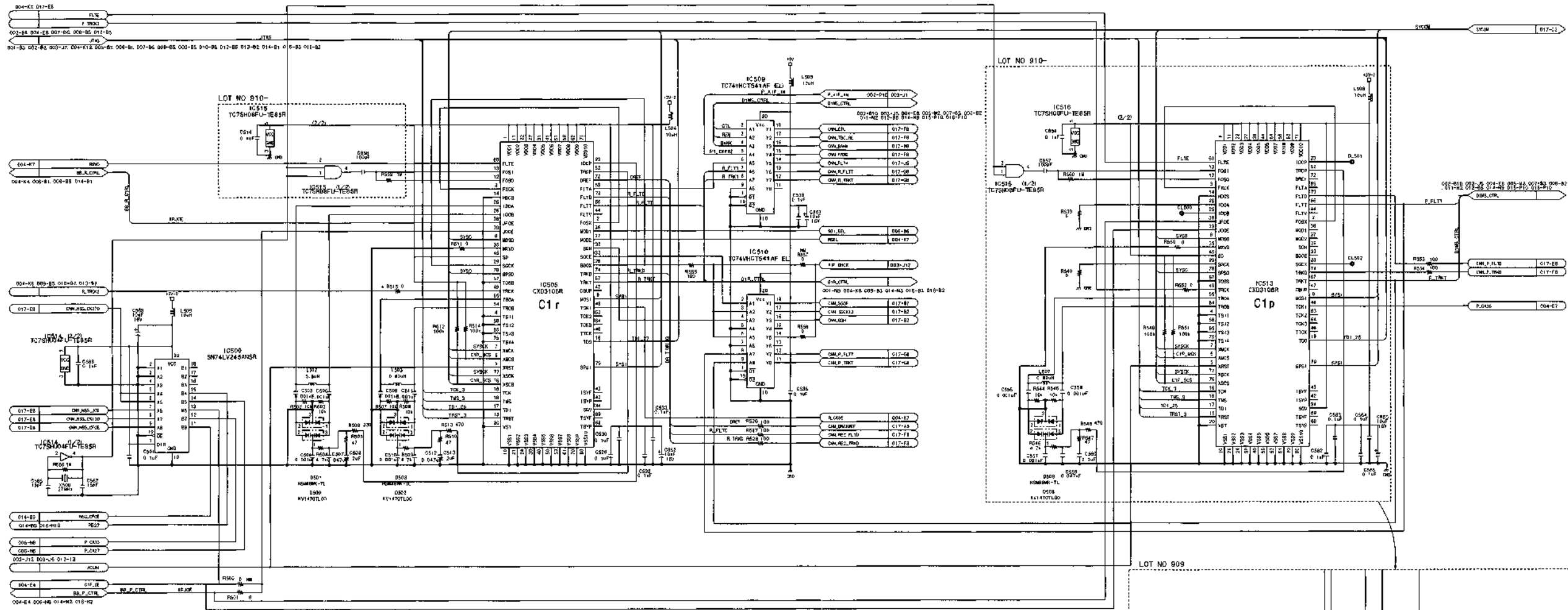
004-08 R_VCRP
 004-09 REG_V_BUS
 004-10 R_TRCK1
 004-11 KLR1
 004-12 R_REC
 004-13 J16
 004-14 R11_CTRL

BOARD NO. SUFFIX	LOT NO.
12	399
13	810-002
14	003-412

Digital process
DPR-136 (10/17)
 BOARD NO. 1-675-560-12, 13, 14
 LOT NO. 909-112
 DSR-2000_DPR-136_014_10

DSR-2000 (UC) : S/N 100291 through 101240
 DSR-2000 (J) : S/N 300241 through 301310
 DSR-2000P (CE) : S/N 400301 through 401550

1

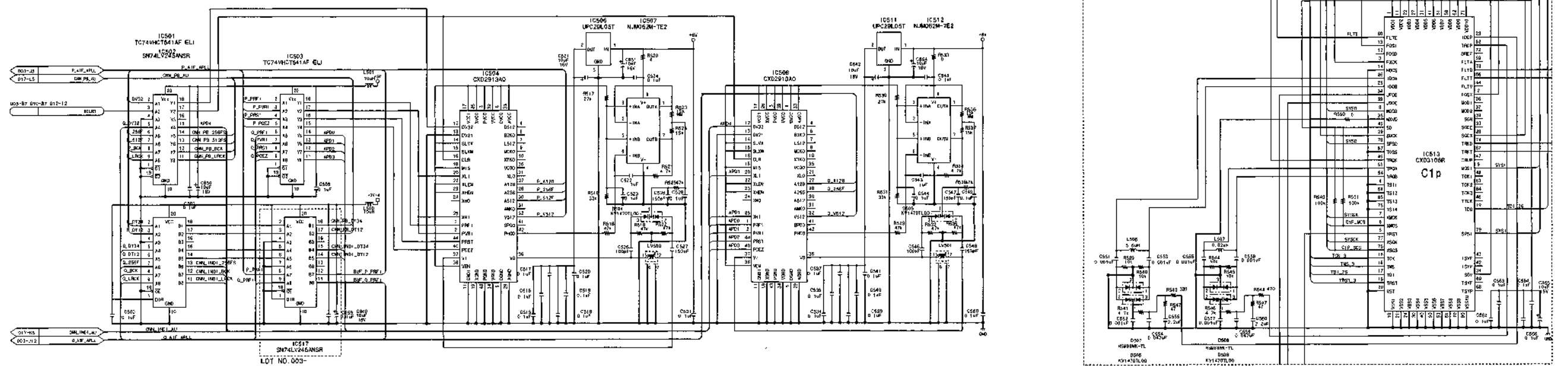


2

3

4

5

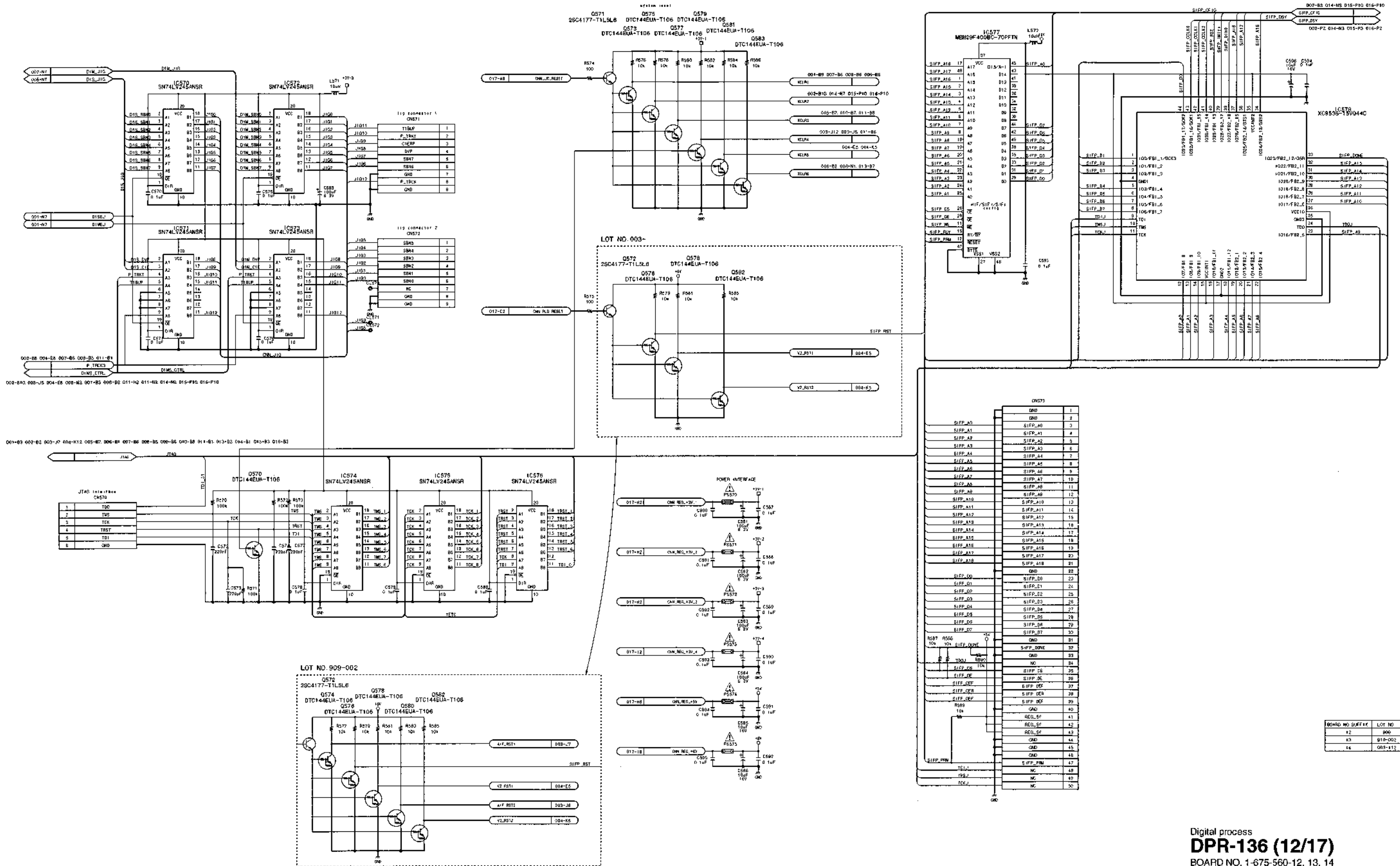


BOARD NO. (REF. 1)	LOT NO.	DATE
12	909	
13	910	
14	909-112	

Digital process
DPR-136 (11/17)
 BOARD NO. 1-675-560-12, 13, 14
 LOT NO. 909-112
 DSR-2000, DPR-136_014_11

DSR-2000 (UC) : S/N 100291 through 101240
 DSR-2000 (J) : S/N 300241 through 301310
 DSR-2000P (CE) : S/N 400301 through 401550

FPGA CONTROLLER LVT



1
2
3
4
5

BOARD NO. SUFFIX	LOT NO.
12	800
13	919-002
14	081-112

DPR-136 (13/17) DPR-136 (13/17)

DSR-2000 (JC) : S/N 100291 through 101240
 DSR-2000 (J) : S/N 300241 through 301310
 DSR-2000P (CE) : S/N 400301 through 401550

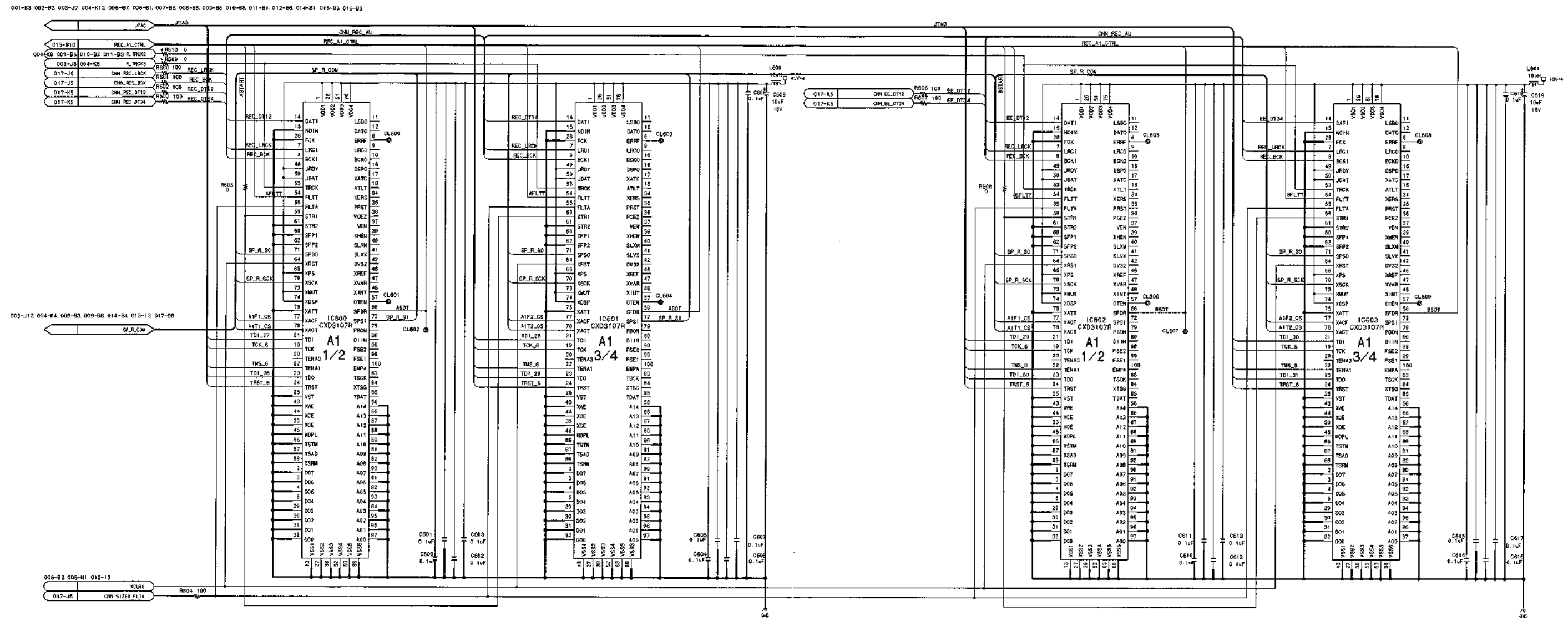
1

2

3

4

5



BOARD NO. SUFFIX	LOT NO.	REF. NO.	CHANGE INFORMATION	LOT NO.
12	909			
13	910-902			
14	005-112			

REF. NO.	CHANGE INFORMATION	LOT NO.
R609	ADD	910-
R610	ADD	910-

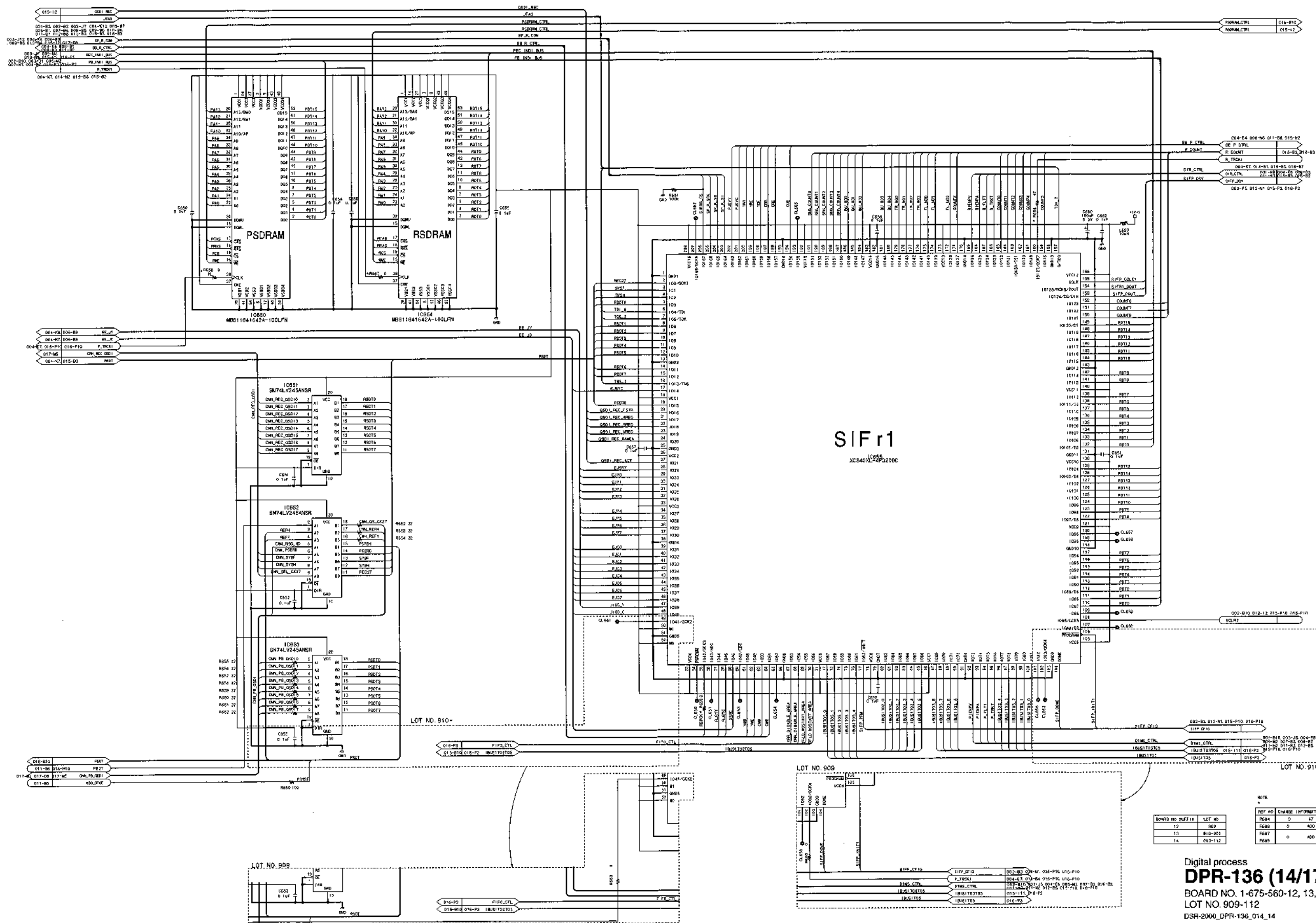
Digital process
DPR-136 (13/17)
 BOARD NO. 1-675-560-12, 13, 14
 LOT NO. 909-112
 DSR-2000_DPR-136_014_13

15-50 (b)

15-50 (b)

A | B | C | D | E | F | G | H

DSR-2000 (UC) : S/N 100291 through 101240
 DSR-2000 (J) : S/N 300241 through 301310
 DSR-2000P (CE) : S/N 400301 through 401550

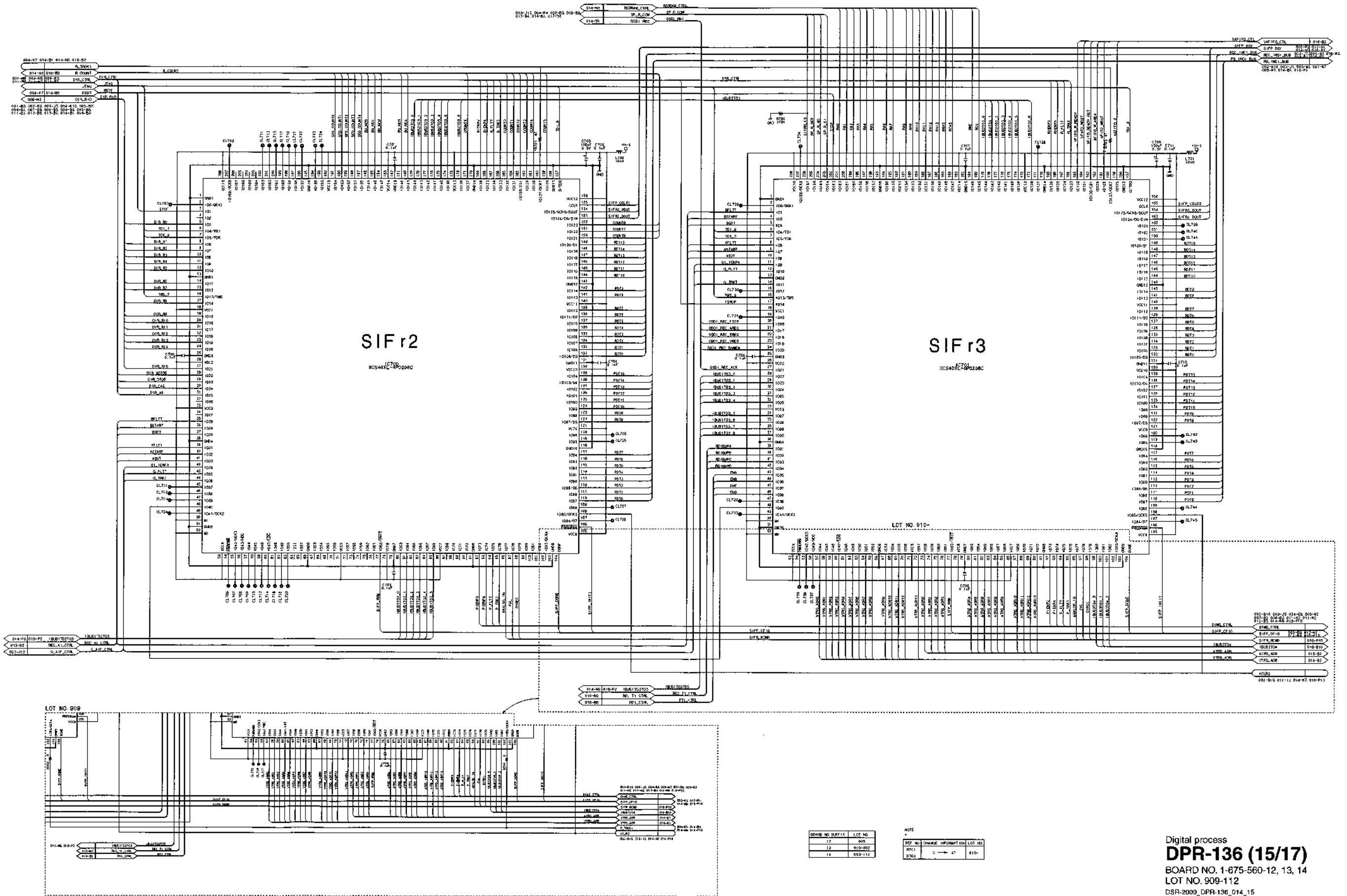


REF ID	CHANGE INFORMATION	LOT NO
F264	5	47
F268	9	400
F267	0	400
F269	0	400

Digital process
DPR-136 (14/17)
 BOARD NO. 1-675-560-12, 13, 14
 LOT NO. 909-112
 DSR-2000_DPR-136_014_14

DSR-2000 (JC) : S/N 100291 through 101240
 DSR-2000 (J) : S/N 300241 through 301310
 DSR-2000P (CE) : S/N 400301 through 401550

1
2
3
4
5



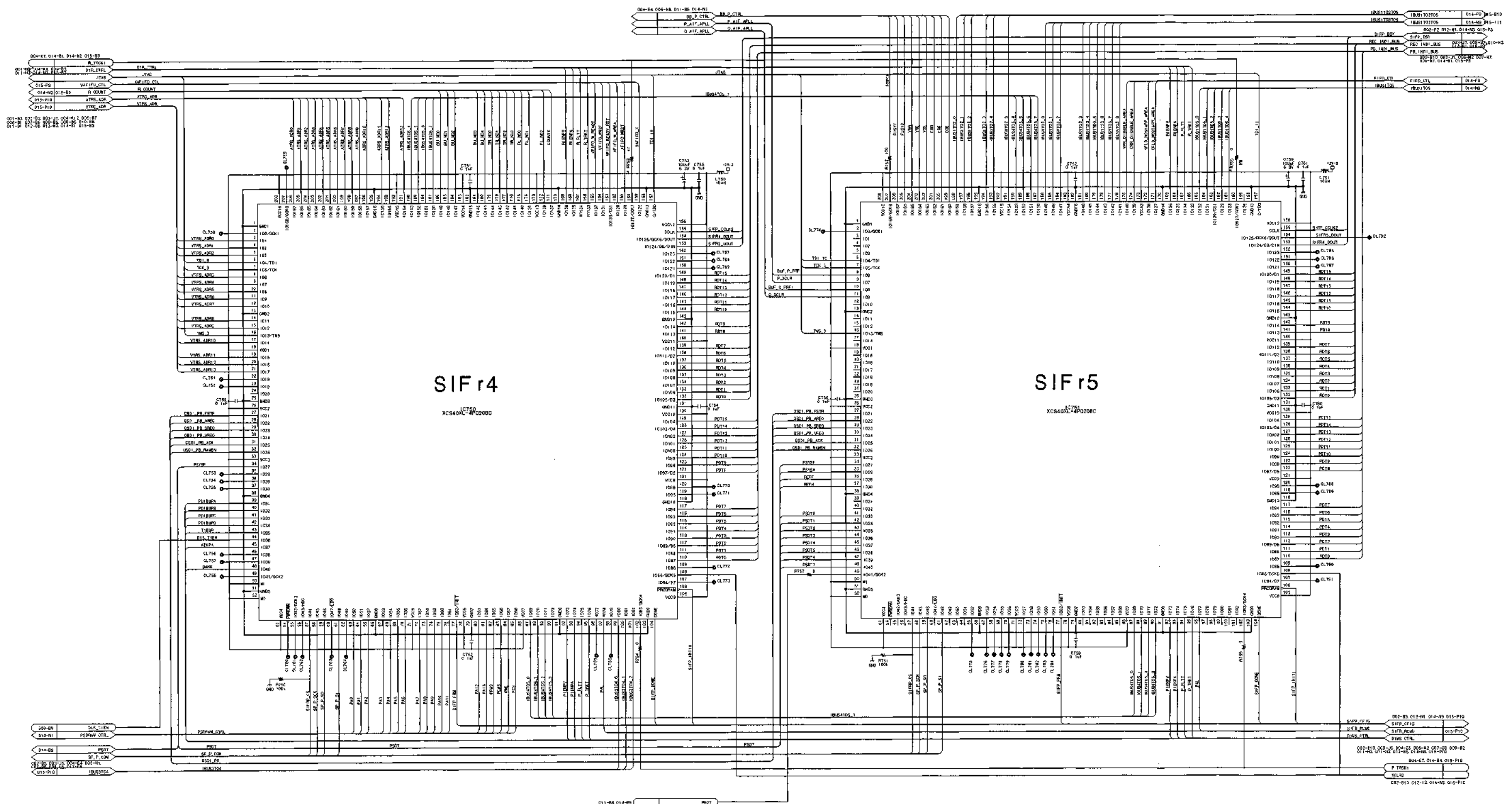
BOARD NO.	SERIAL	LOT NO.
12	008	009-112
13	009	009-112
14	010	009-112

NOTE
 BOARD NO. CHANGE INFORMATION LOT NO.

Digital process
DPR-136 (15/17)
 BOARD NO. 1-675-560-12, 13, 14
 LOT NO. 909-112
 DSR-2000_DPR-136_014_15

A B C D E F G H

DSR-2000 (UC) : S/N 100291 through 101240
 DSR-2000 (J) : S/N 300241 through 301310
 DSR-2000P (CE) : S/N 400301 through 401550



BOARD NO.	REV.	LOT NO.
12	31C-002	31
14	003-112	31

NOTE:
 * REF. IN CHANGES INFORMATION LOT NO.
 * REV. 2 DELETED

Digital process
DPR-136 (16/17)
 BOARD NO. 1-675-560-12, 13, 14
 LOT NO. 909-112
 DSR-2000 DPR-136_014_16

1
2
3
4
5

DSR-2000 (UC) : S/N 100291 through 101240
 DSR-2000 (J) : S/N 300241 through 301310
 DSR-2000P (CE) : S/N 400301 through 401550

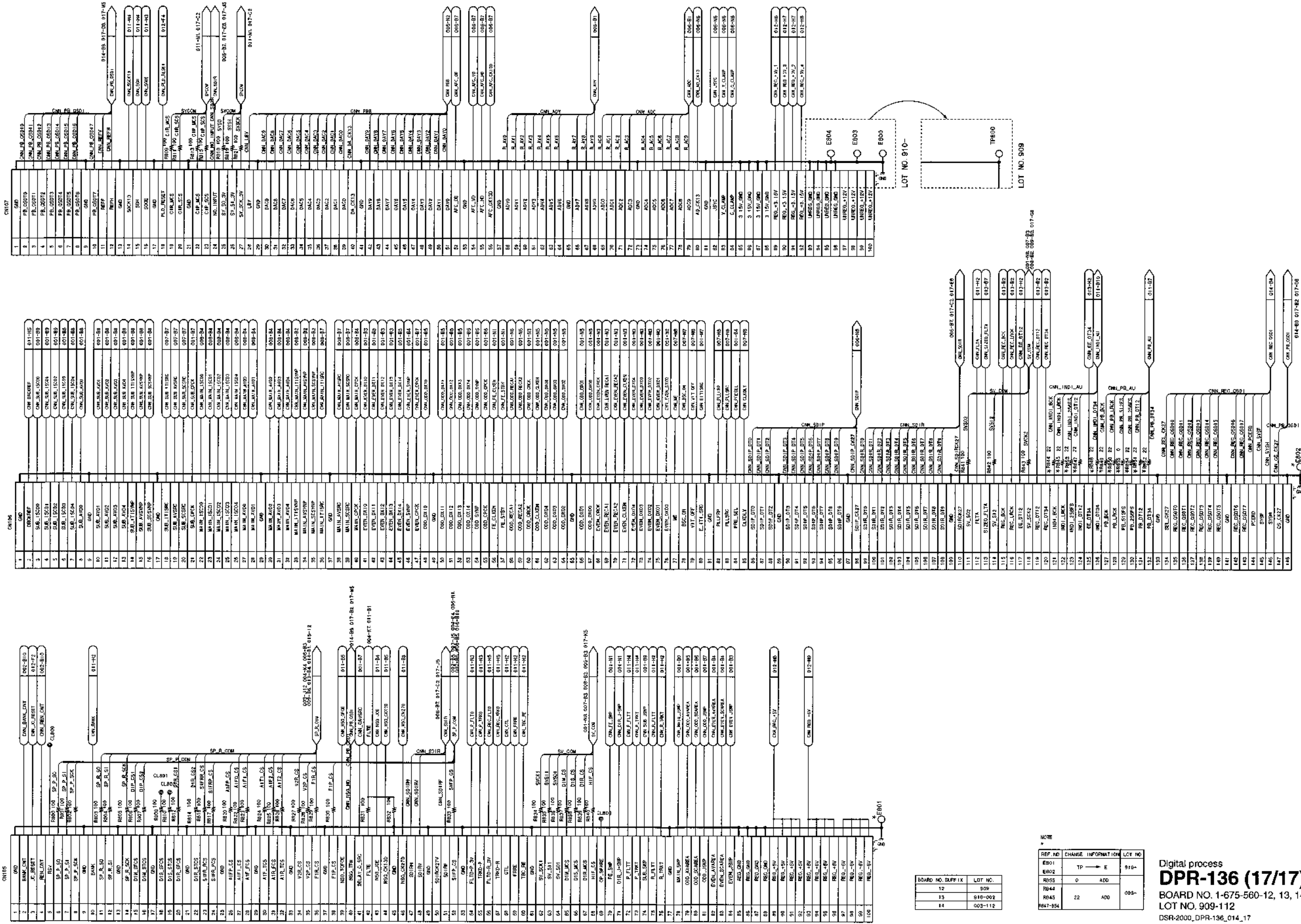
1

2

3

4

5



NOTE

REF. NO.	CHANGE INFORMATION	LOT NO.
E801	TP → E	910-
E802		
R855	0 ADO	009-
R844		
R845	22 ADO	
R847-R854		

Digital process
DPR-136 (17/17)
 BOARD NO. 1-675-560-12, 13, 14
 LOT NO. 909-112
 DSR-2000, DPR-136, 014_17

15-54 (b) 15-54 (b)

A B C D E F G H

DSR-2000 (UC) : S/N 100001 through 100290
DSR-2000 (J) : S/N 300001 through 300240
DSR-2000P (CE) : S/N 400001 through 400300

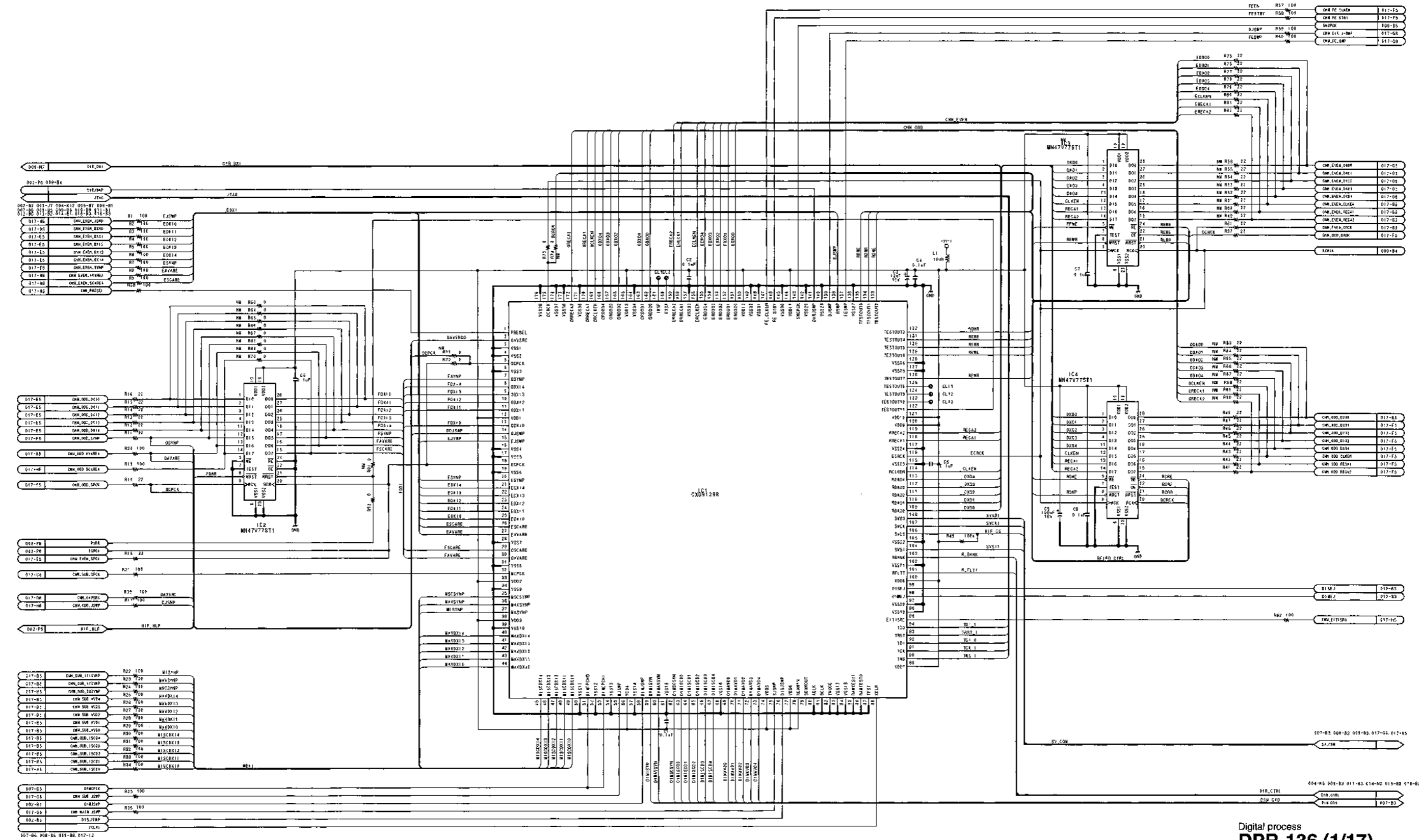
1

2

3

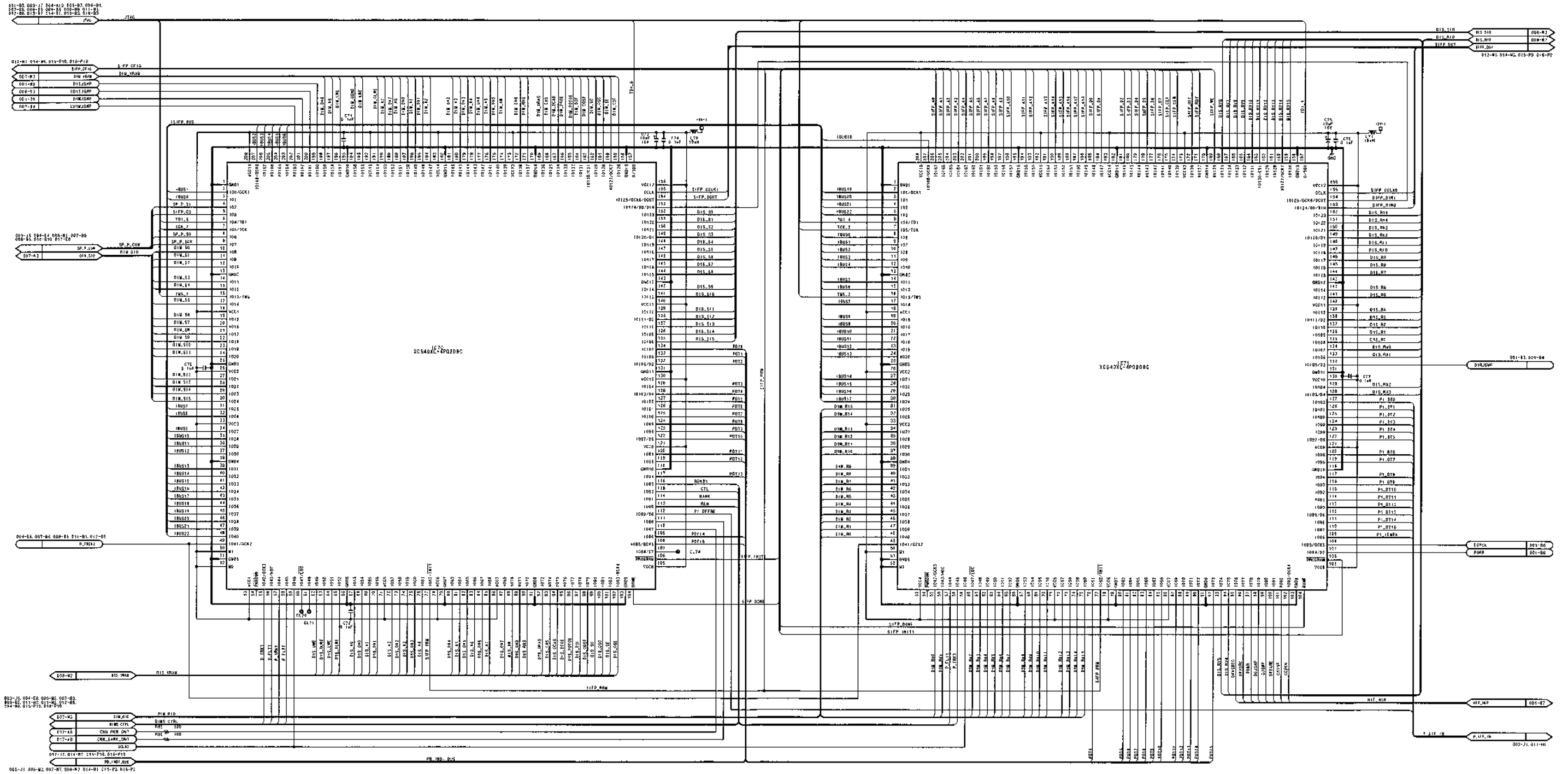
4

5



Digital process
DPR-136 (1/17)
BOARD NO. 1-675-560-12
LOT NO. 907-908
DSR-2000_DPR-136_C12_1

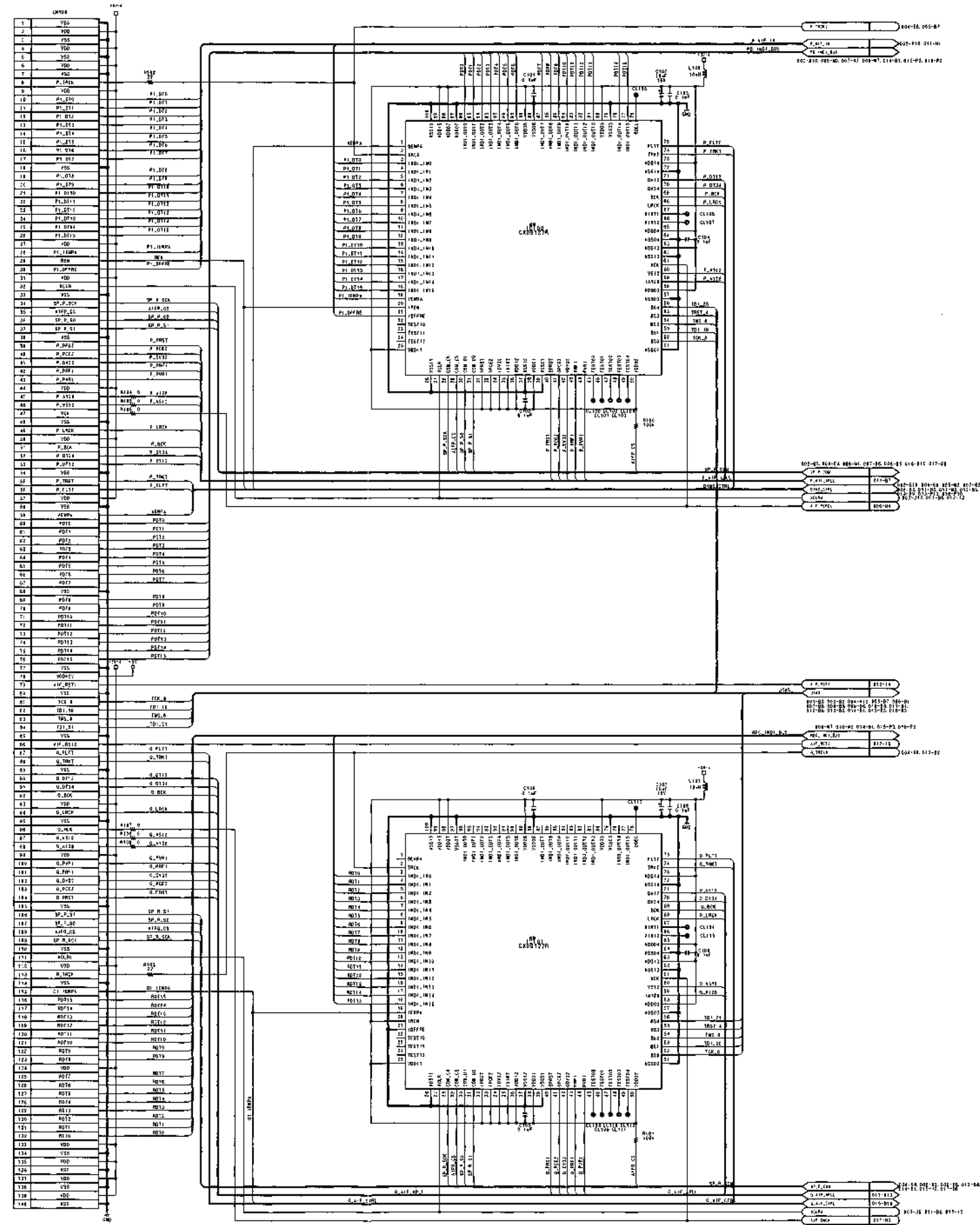
DSR-2000 (UC) : S/N 100001 through 100290
DSR-2000 (J) : S/N 300001 through 300240
DSR-2000P (CE) : S/N 400001 through 400300



Digital process
DPR-136 (2/17)
BOARD NO. 1-675-560-12
LOT NO. 907-908
DSR-2000_DPR-136_C12_2

DSR-2000 (UC) : S/N 100001 through 100290
 DSR-2000 (J) : S/N 300001 through 300240
 DSR-2000P (CE) : S/N 400001 through 400300

1
 2
 3
 4
 5



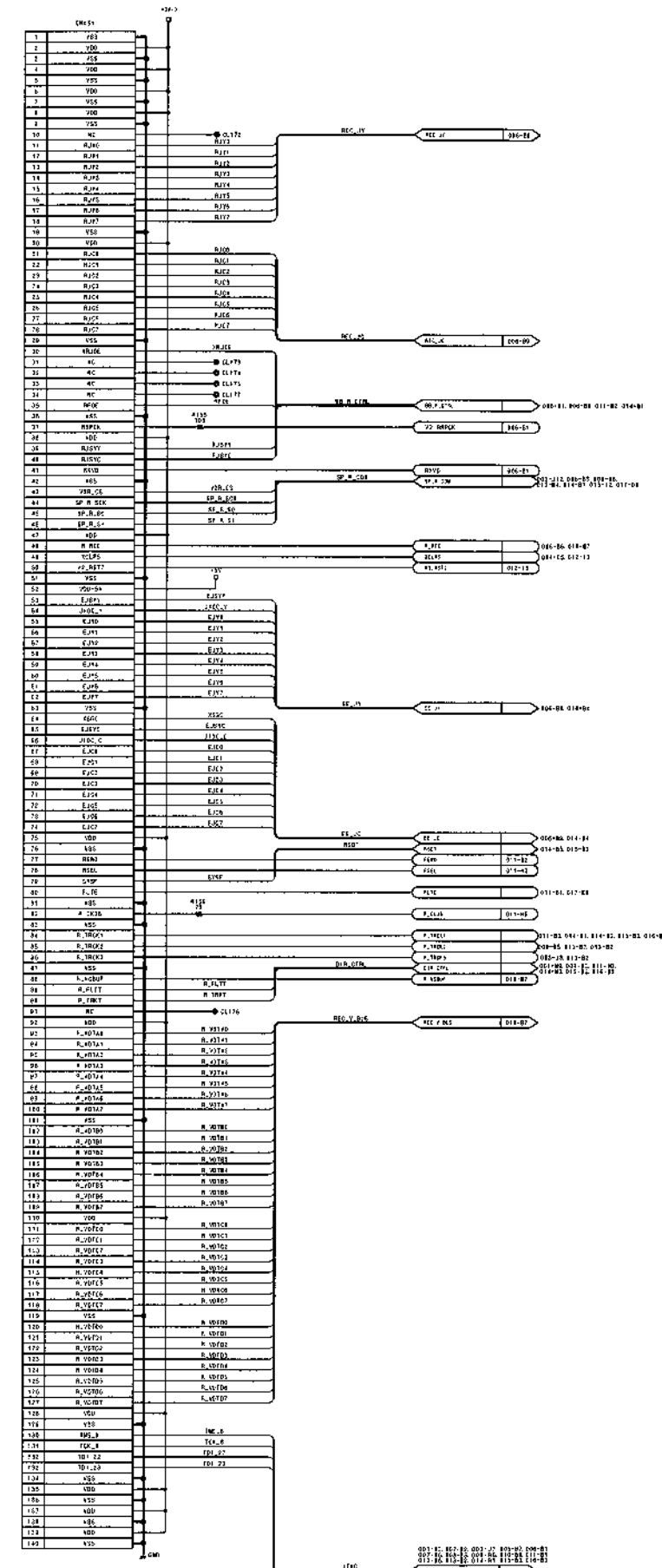
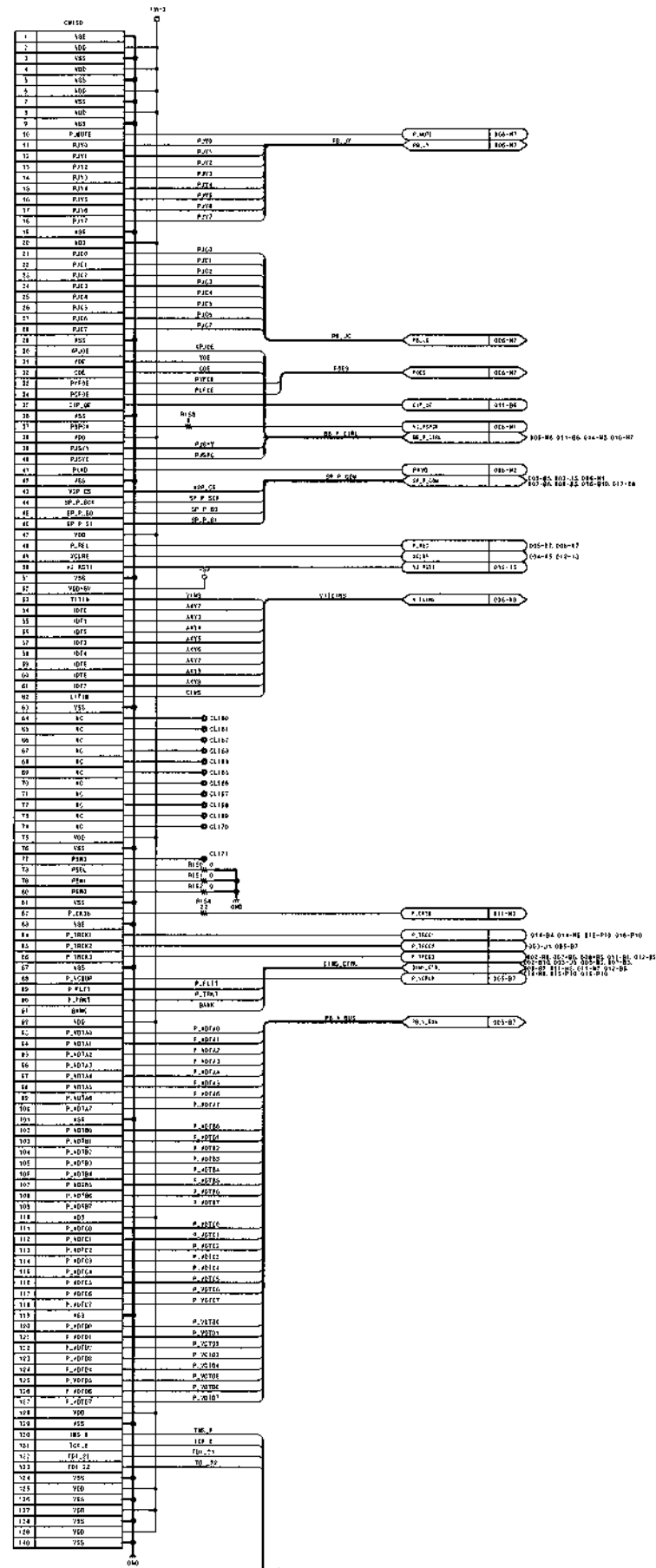
15-40 (a)

15-40 (b)

Digital process
DPR-136 (3/17)
 BOARD NO. 1-675-560-12
 LOT NO. 907-908
 DSR-2000_DPR-136_C12_3

A | B | C | D | E | F | G | H

DSR-2000 (UC) : S/N 100001 through 100290
DSR-2000 (J) : S/N 300001 through 300240
DSR-2000P (CE) : S/N 400001 through 400300



Digital process
DPR-136 (4/17)
BOARD NO. 1-675-560-12
LOT NO. 907-908
DSR-2000_DPR-136_C12_4

DSR-2000 (UC) : S/N 100001 through 100290
DSR-2000 (J) : S/N 300001 through 300240
DSR-2000P (CE) : S/N 400001 through 400300

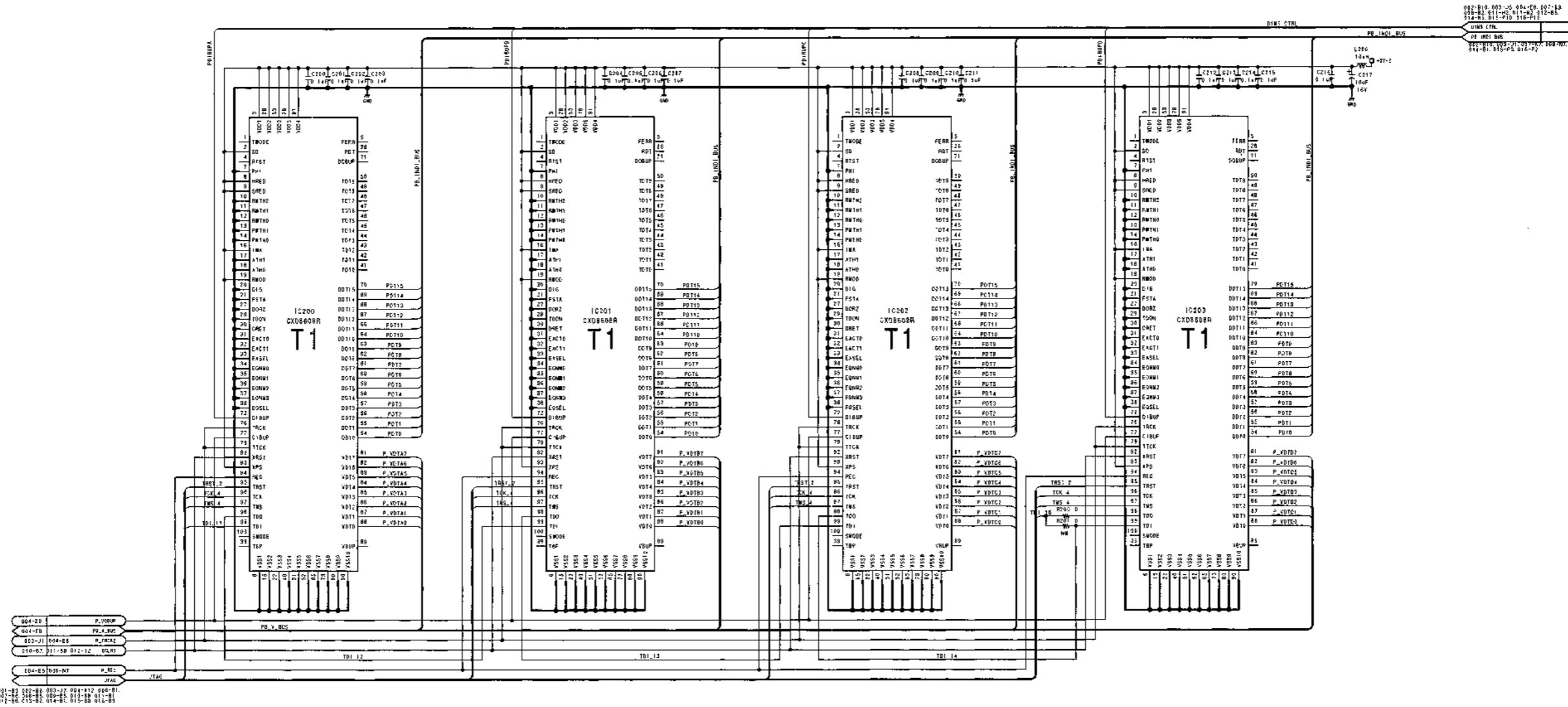
1

2

3

4

5



Digital process
DPR-136 (5/17)
BOARD NO. 1-675-560-12
LOT NO. 907-908
DSR-2000_DPR-136_C12_5

15-42 (a)

15-42 (a)

A

B

C

D

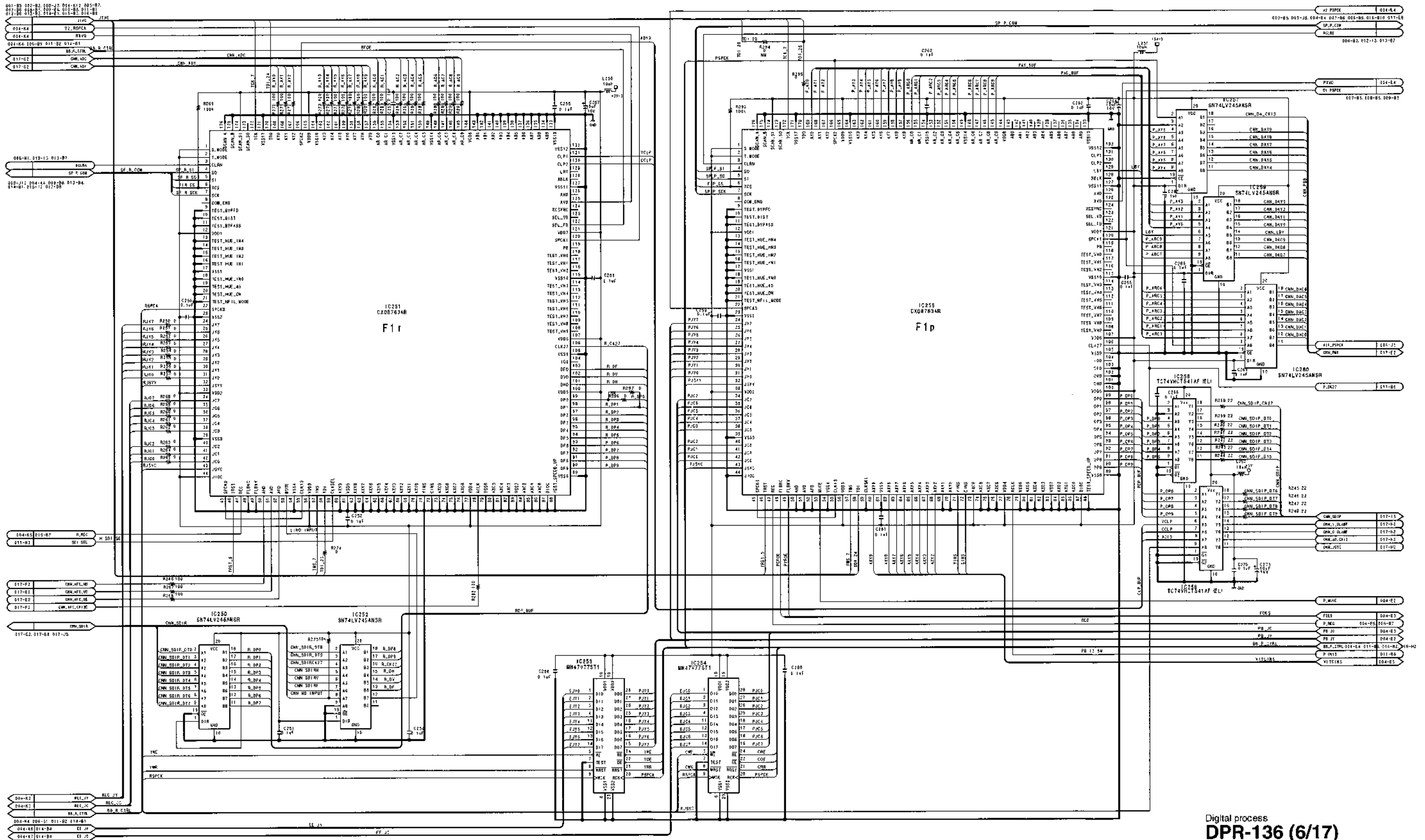
E

F

G

H

DSR-2000 (UC) : S/N 100001 through 100290
DSR-2000 (J) : S/N 300001 through 300240
DSR-2000P (CE) : S/N 400001 through 400300



Digital process
DPR-136 (6/17)
BOARD NO. 1-675-560-12
LOT NO. 907-908
DSR-2000_DPR-136_C12_6

DSR-2000 (UC) : S/N 100001 through 100290
DSR-2000 (J) : S/N 300001 through 300240
DSR-2000P (CE) : S/N 400001 through 400300

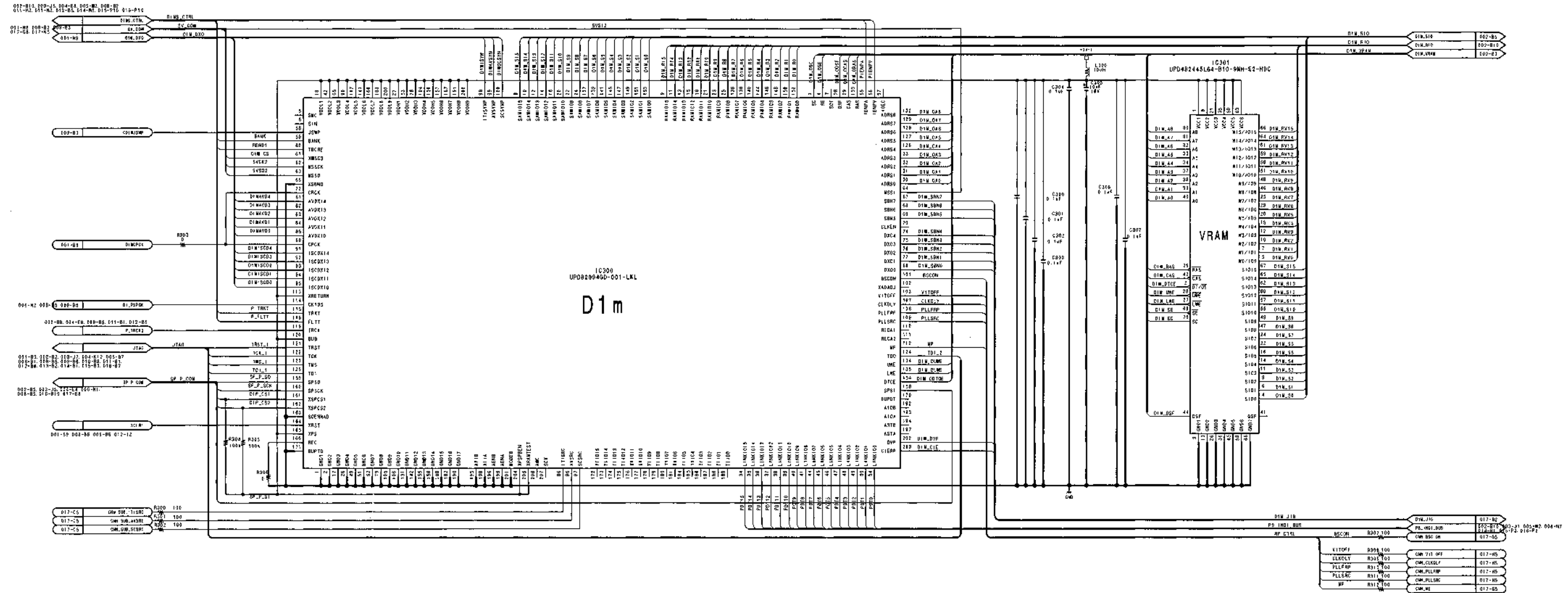
1

2

3

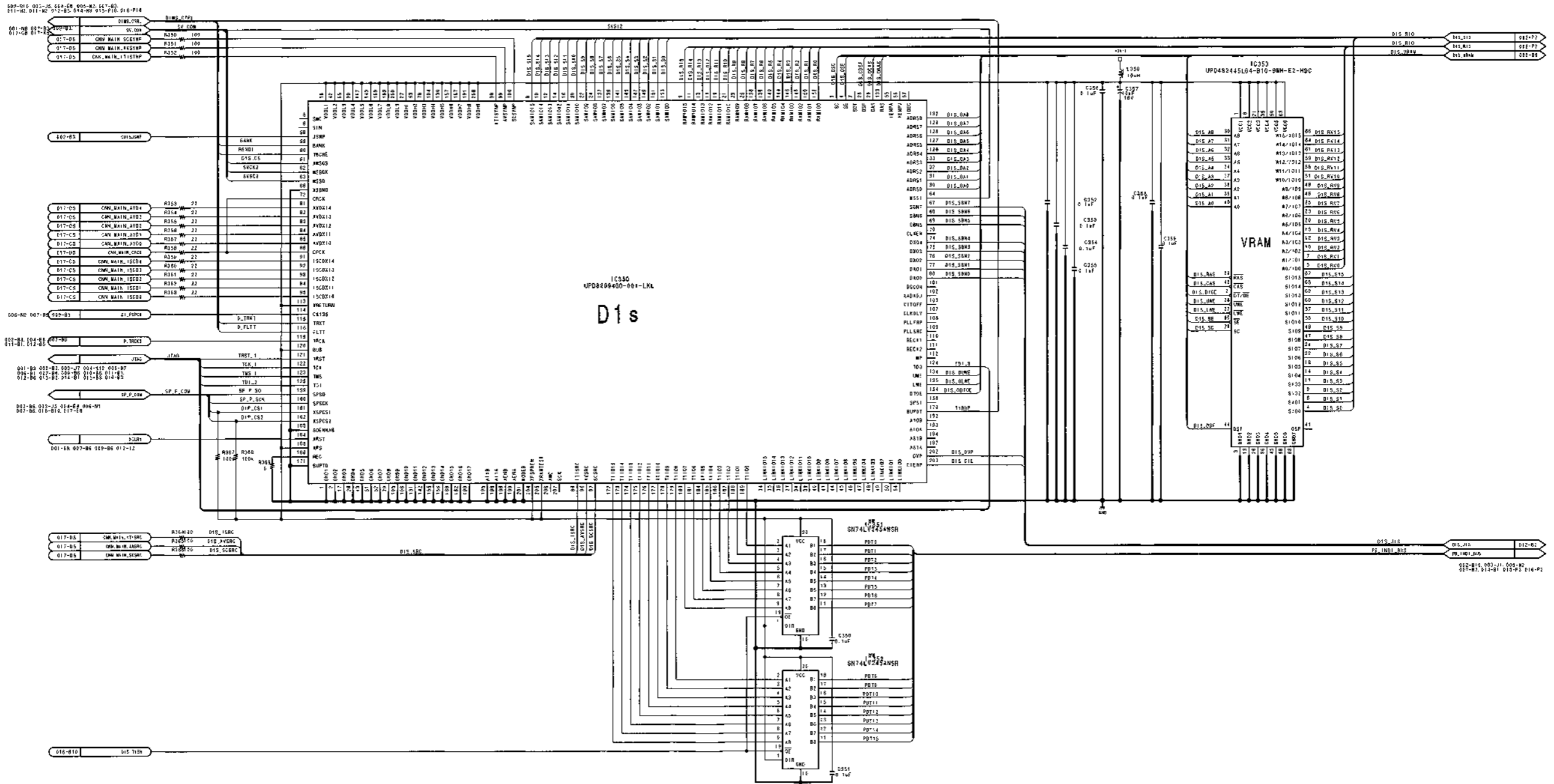
4

5



Digital process
DPR-136 (7/17)
BOARD NO. 1-675-560-12
LOT NO. 907-908
DSR-2000_DPR-136_C12_7

DSR-2000 (UC) : S/N 100001 through 100290
DSR-2000 (J) : S/N 300001 through 300240
DSR-2000P (CE) : S/N 400001 through 400300



Digital process
DPR-136 (8/17)
BOARD NO. 1-675-560-12
LOT NO. 907-908
DSR-2000_DPR-136_C12_8

DSR-2000 (UC) : S/N 100001 through 100290
DSR-2000 (J) : S/N 300001 through 300240
DSR-2000P (CE) : S/N 400001 through 400300

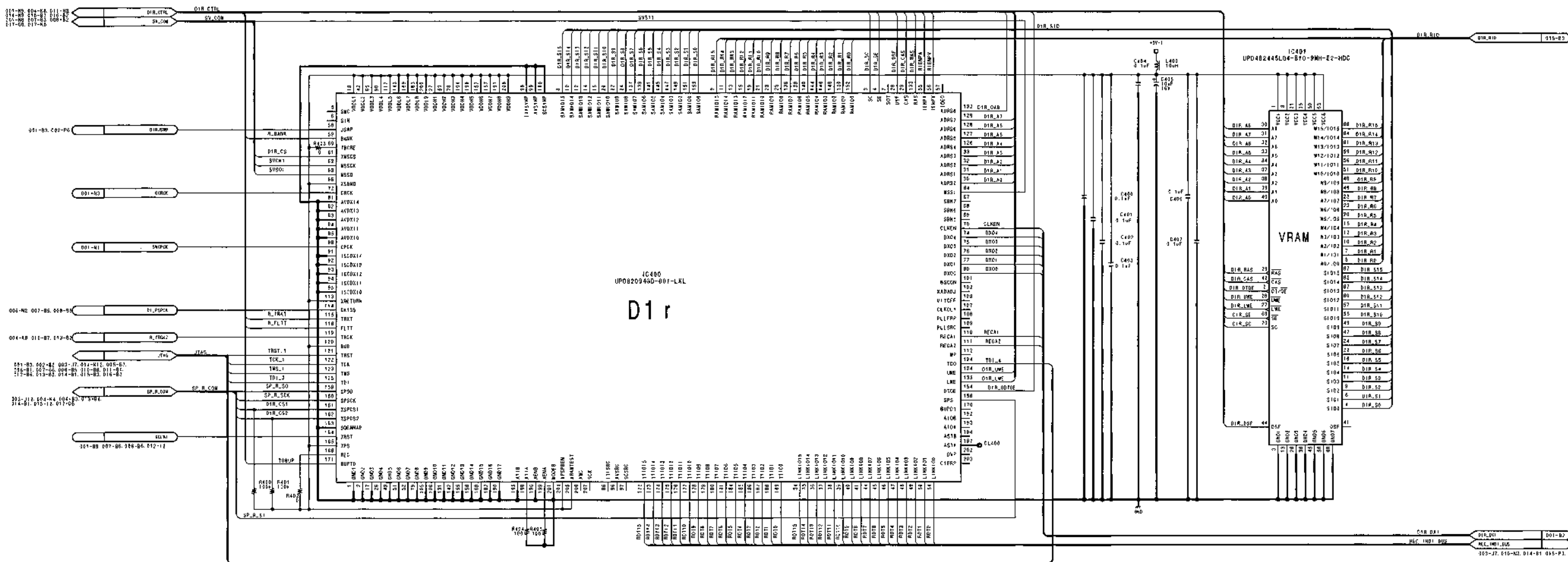
1

2

3

4

5



Digital process
DPR-136 (9/17)
BOARD NO. 1-675-560-12
LOT NO. 907-908
DSR-2000_DPR-136_C12_9

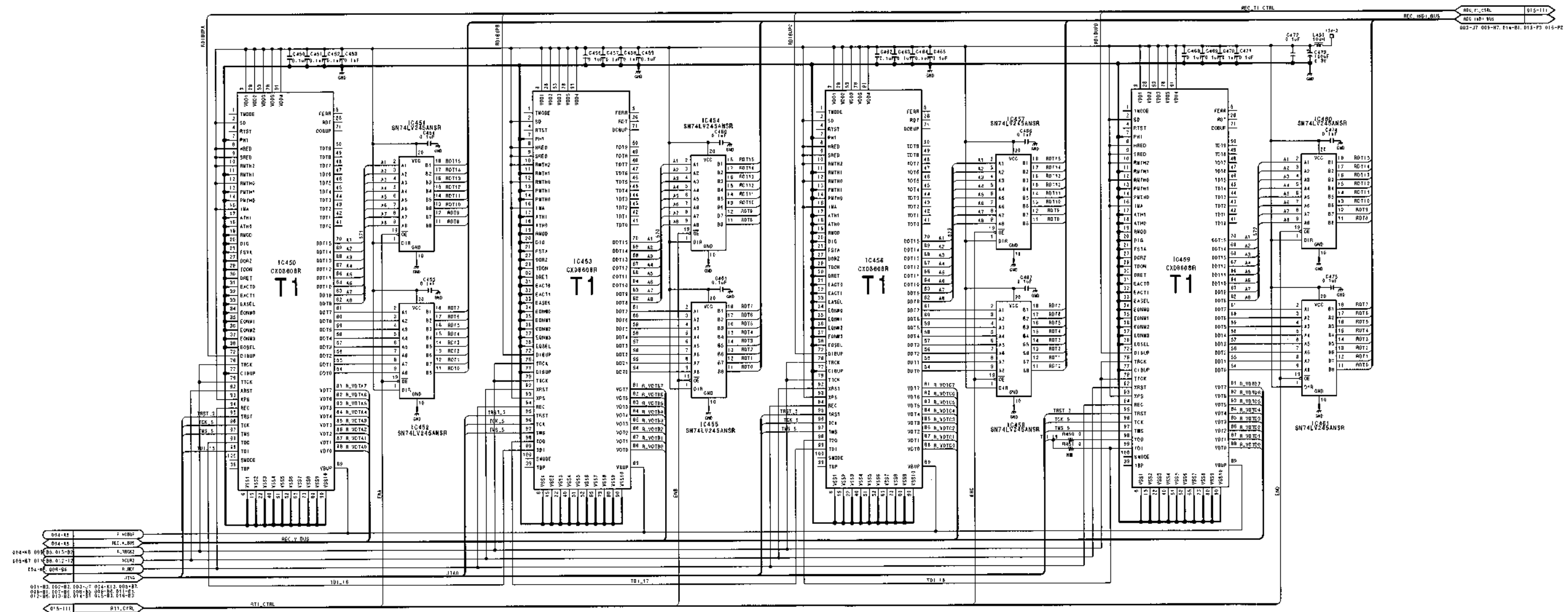
15-46 (a)

15-46 (a)

DSR-2000/2000P

A | B | C | D | E | F | G | H

DSR-2000 (UC) : S/N 100001 through 100290
 DSR-2000 (J) : S/N 300001 through 300240
 DSR-2000P (CE) : S/N 400001 through 400300



004-82 7 VREF
 004-83 REC_A_BUS
 004-84 005-015-03 K_WG2
 004-87 01-00-012-10 HCR2
 004-88 004-06 R_WY
 001-82, 002-82, 003-7, 004-813, 005-01
 008-01, 009-01, 010-01, 011-01, 012-01
 013-01, 014-01, 015-01, 016-01, 017-01, 018-01

Digital process
DPR-136 (10/17)
 BOARD NO. 1-675-560-12
 LOT NO. 907-908
 DSR-2000_DPR-136_C12_10

1
 2
 3
 4
 5

DSR-2000 (UC) : S/N 100001 through 100290
DSR-2000 (J) : S/N 300001 through 300240
DSR-2000P (CE) : S/N 400001 through 400300

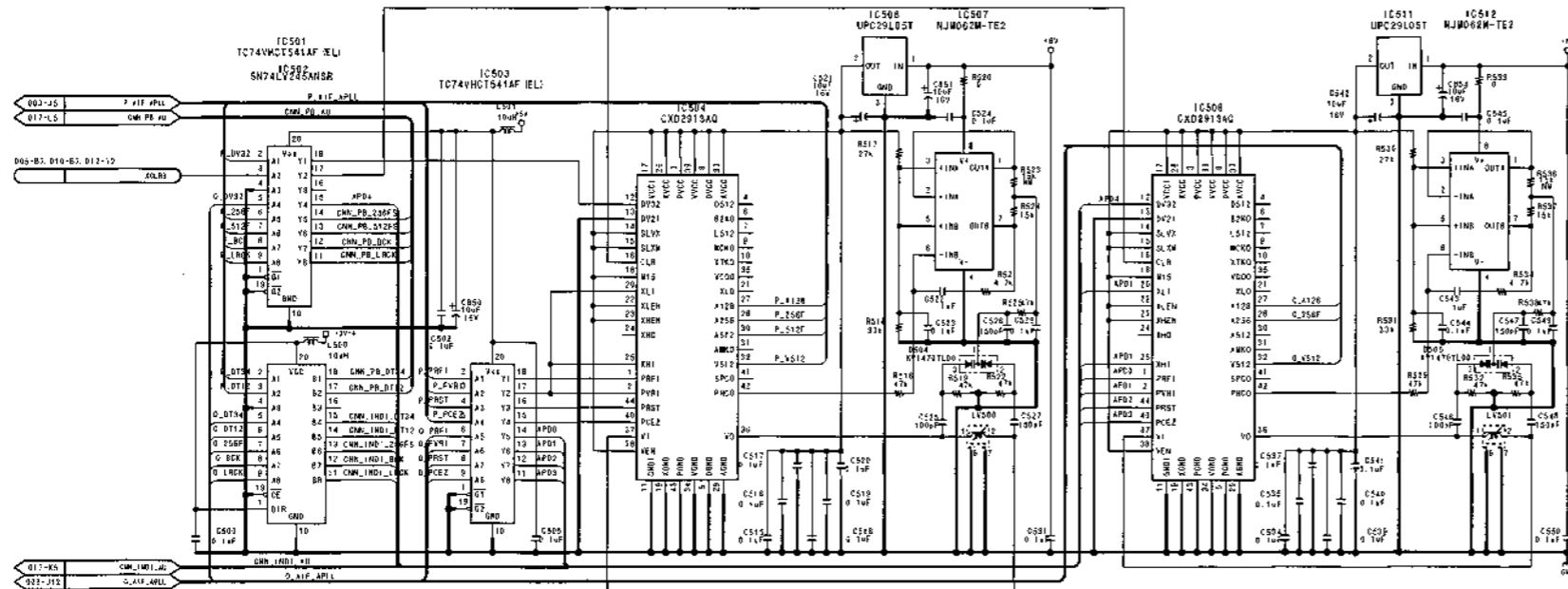
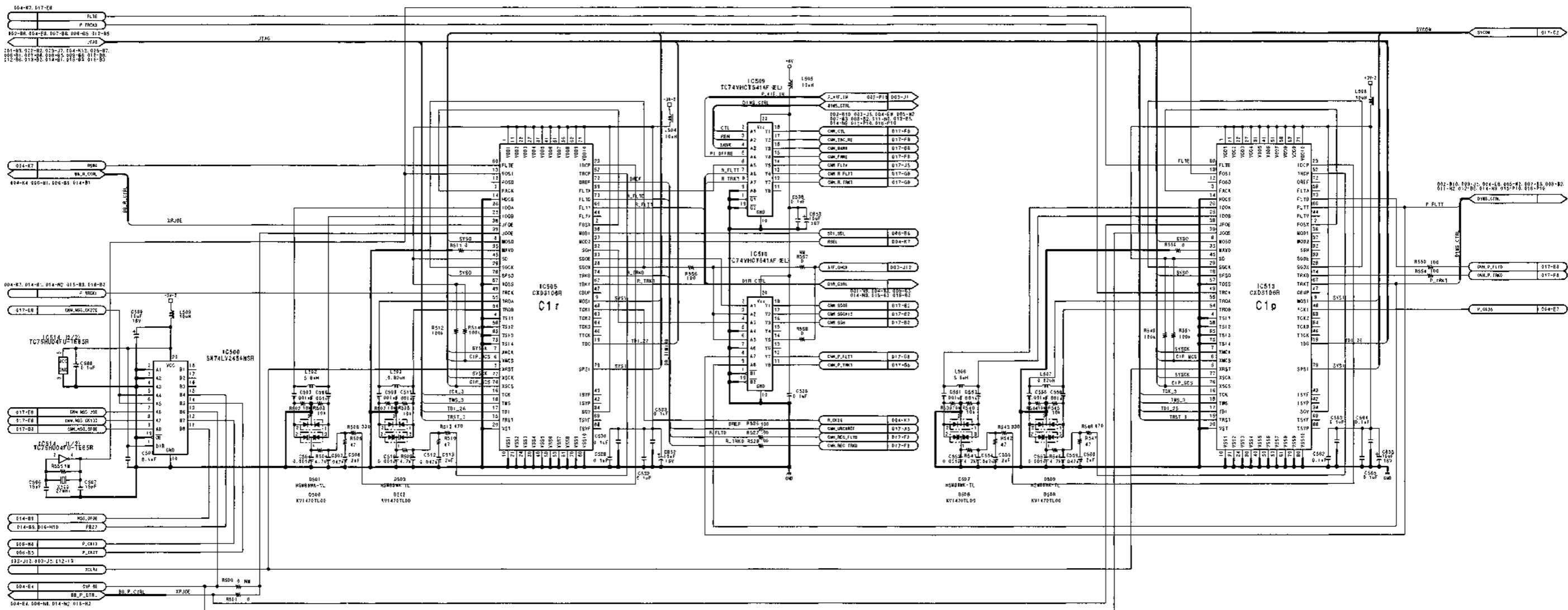
1

2

3

4

5



15-48 (a)

15-48 (a)

Digital process
DPR-136 (11/17)
BOARD NO. 1-675-560-12
LOT NO. 907-908
DSR-2000_DPR-136_C12_11

A

B

C

D

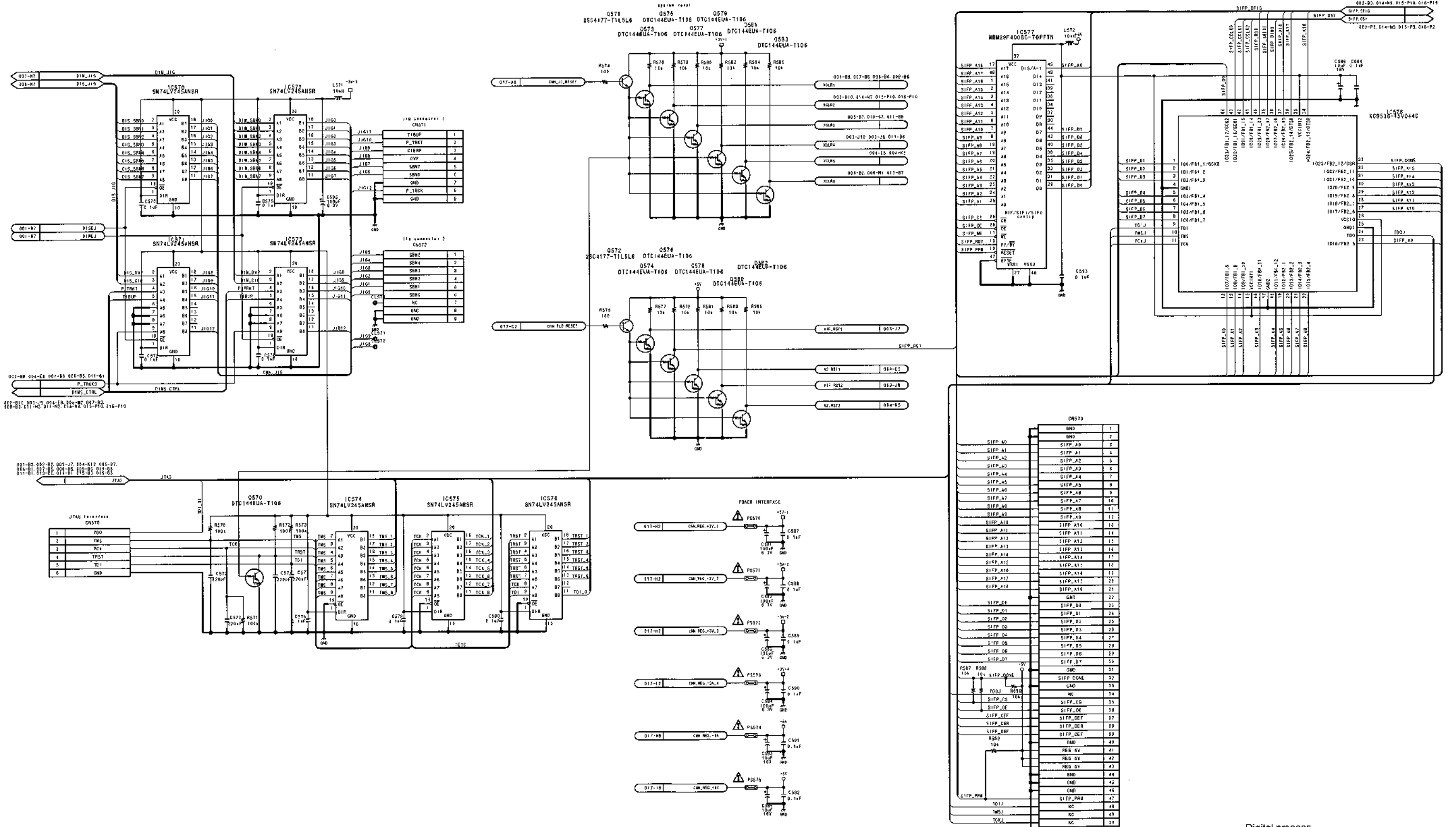
E

F

G

H

DSR-2000 (JC) : S/N 100001 through 100290
 DSR-2000 (J) : S/N 300001 through 300240
 DSR-2000P (CE) : S/N 400001 through 400300



Digital process
DPR-136 (12/17)
 BOARD NO. 1-675-560-12
 LOT NO. 907-908
 DSR-2000_DPR-136_C12_12

DSR-2000 (UC) : S/N 100001 through 100290
DSR-2000 (J) : S/N 300001 through 300240
DSR-2000P (CE) : S/N 400001 through 400300

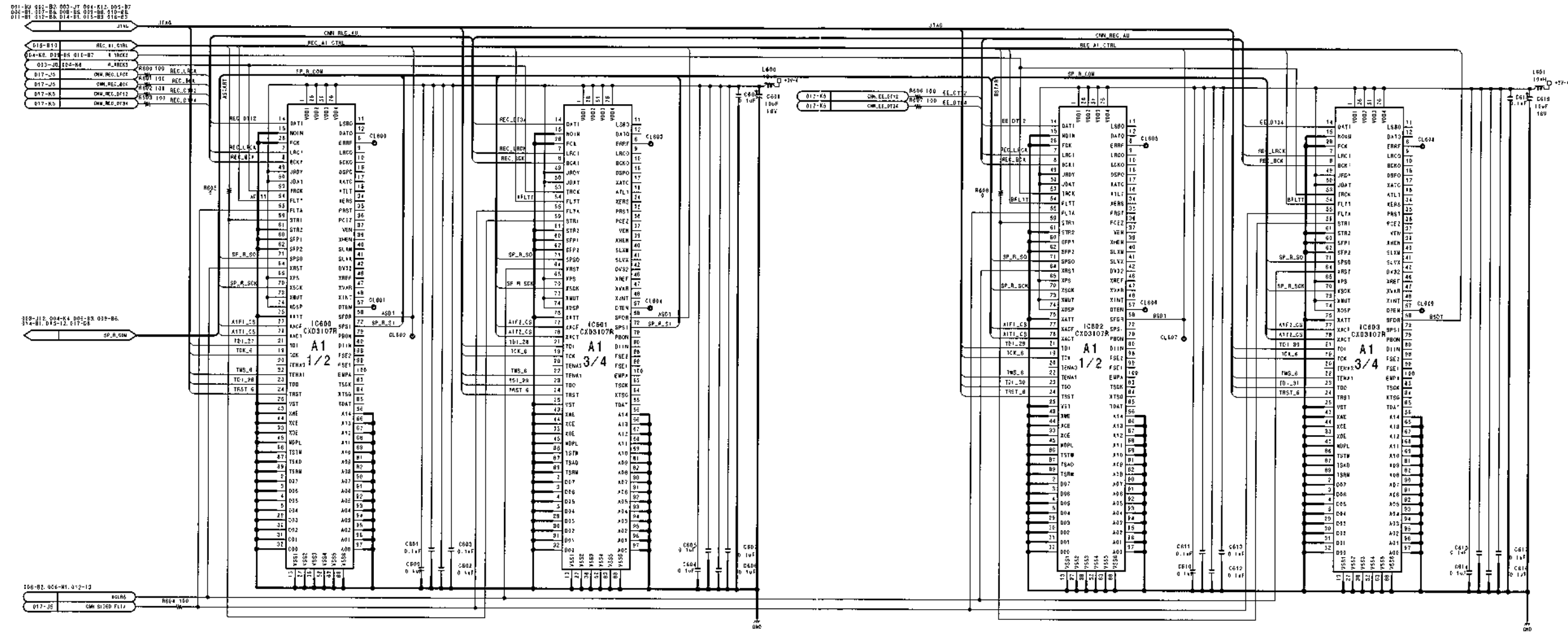
1

2

3

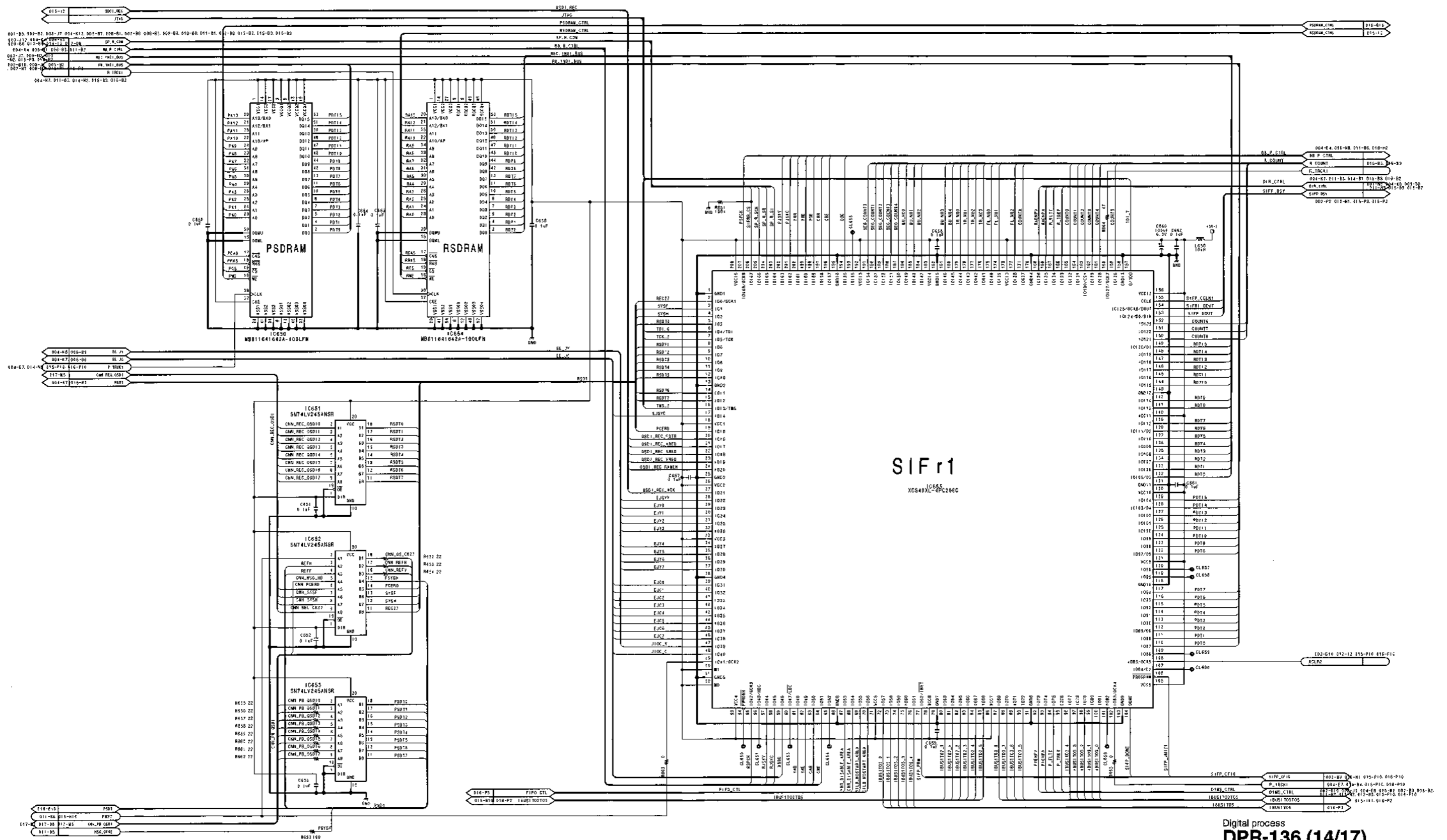
4

5



Digital process
DPR-136 (13/17)
BOARD NO. 1-675-560-12
LOT NO. 907-908
DSR-2000_DPR-136_C12_13

DSR-2000 (UC) : S/N 100001 through 100290
DSR-2000 (J) : S/N 300001 through 300240
DSR-2000P (CE) : S/N 400001 through 400300



Digital process
DPR-136 (14/17)
BOARD NO. 1-675-560-12
LOT NO. 907-908
DSR-2000_DPR-136_C12_14

DSR-2000 (UC) : S/N 100001 through 100290
DSR-2000 (J) : S/N 300001 through 300240
DSR-2000P (CE) : S/N 400001 through 400300

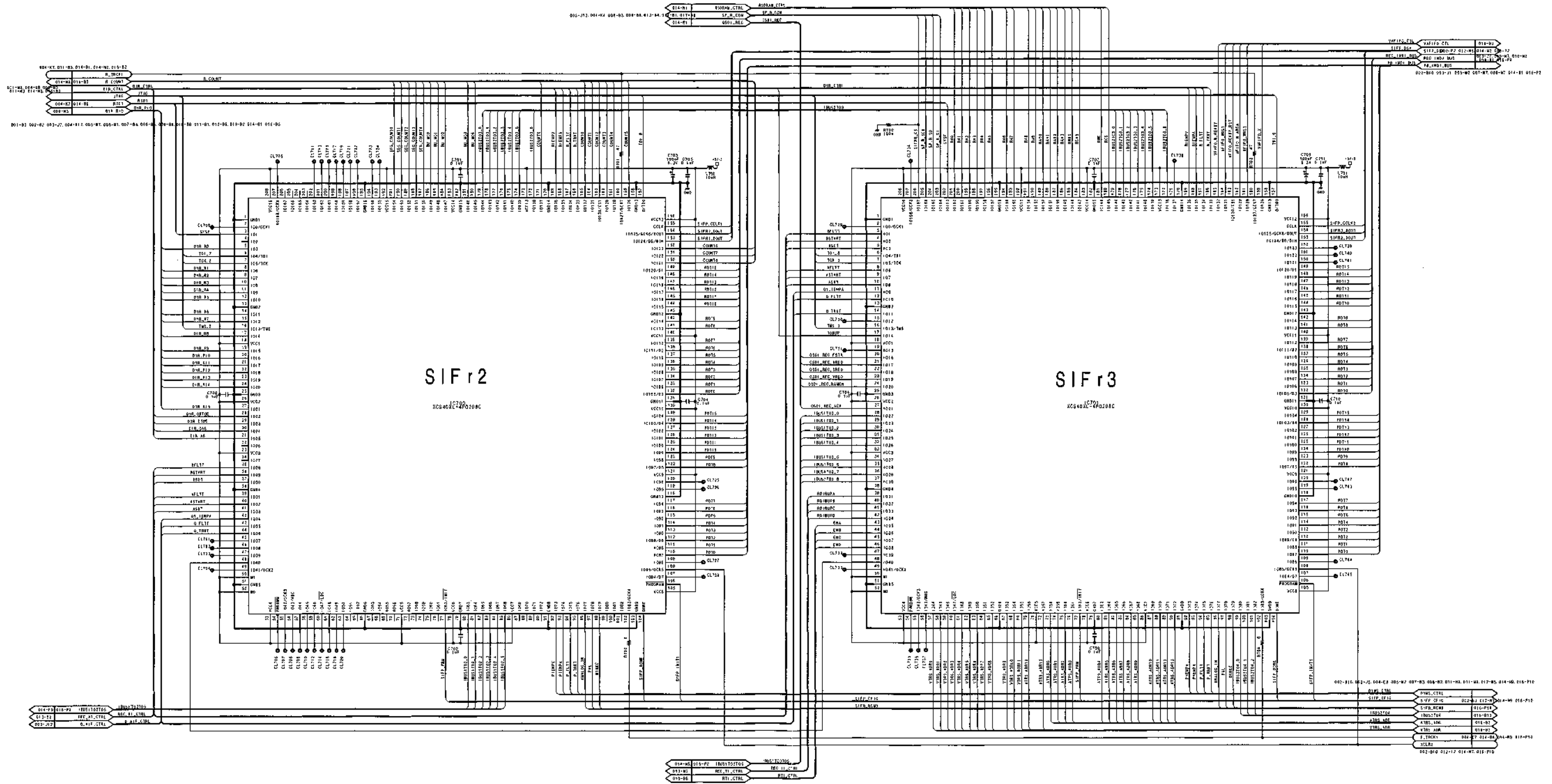
1

2

3

4

5



A

B

C

D

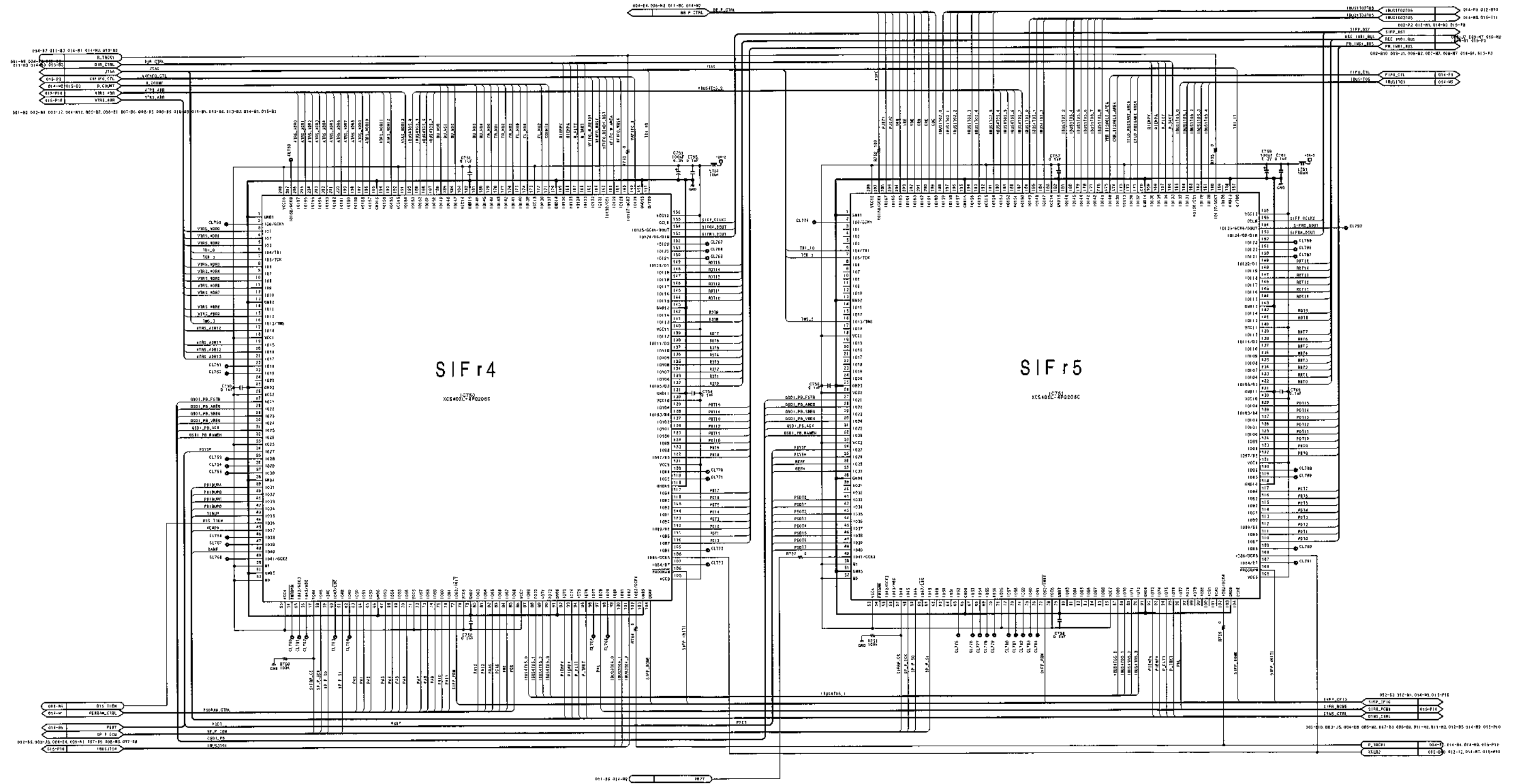
E

F

G

H

DSR-2000 (UC) : S/N 100001 through 100290
DSR-2000 (J) : S/N 300001 through 300240
DSR-2000P (CE) : S/N 400001 through 400300



Digital process
DPR-136 (16/17)
BOARD NO. 1-675-560-12
LOT NO. 907-908
DSR-2000_DPR-136_C12_16

DSR-2000 (UC) : S/N 100001 through 100290
 DSR-2000 (J) : S/N 300001 through 300240
 DSR-2000P (CE) : S/N 400001 through 400300

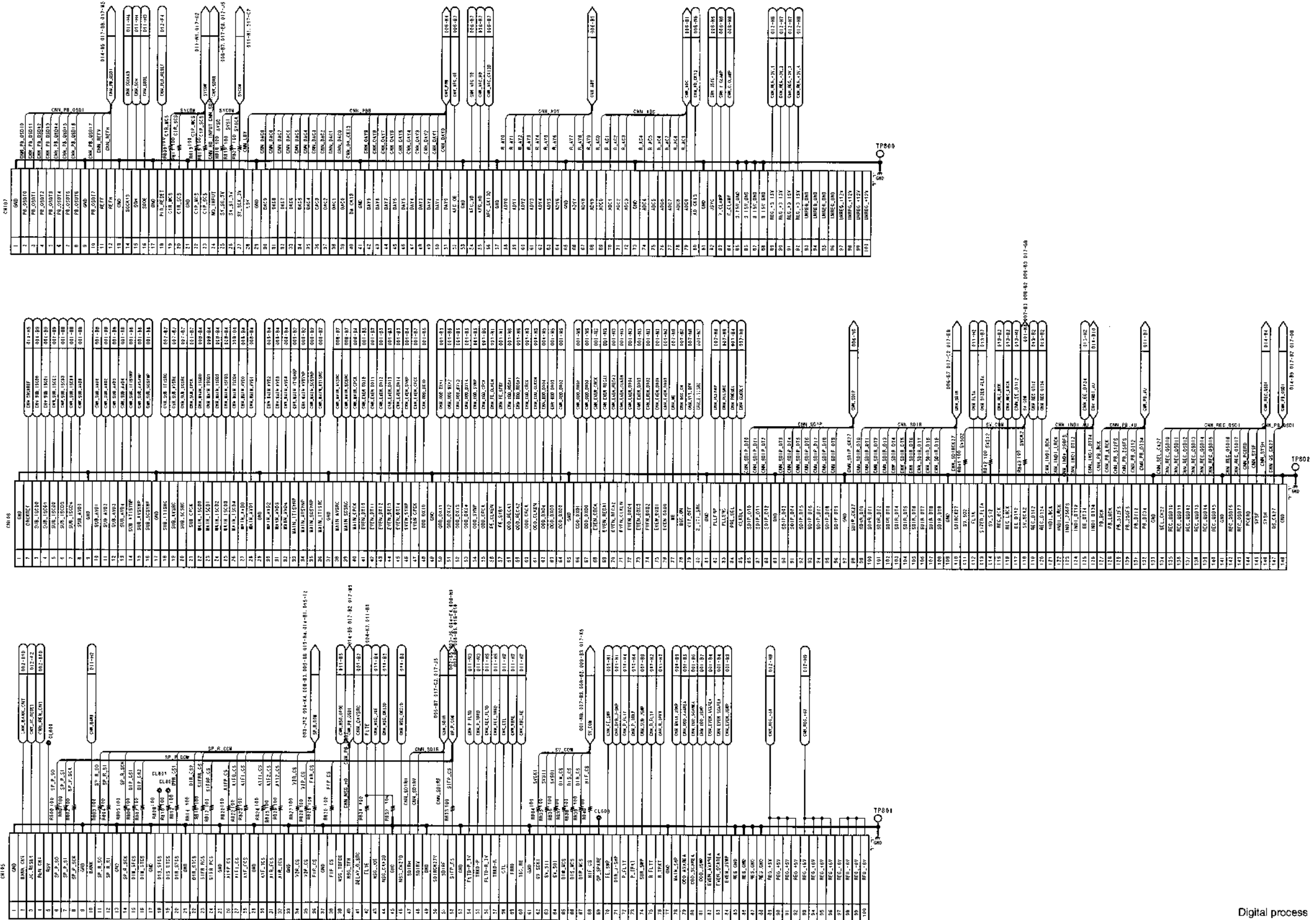
1

2

3

4

5

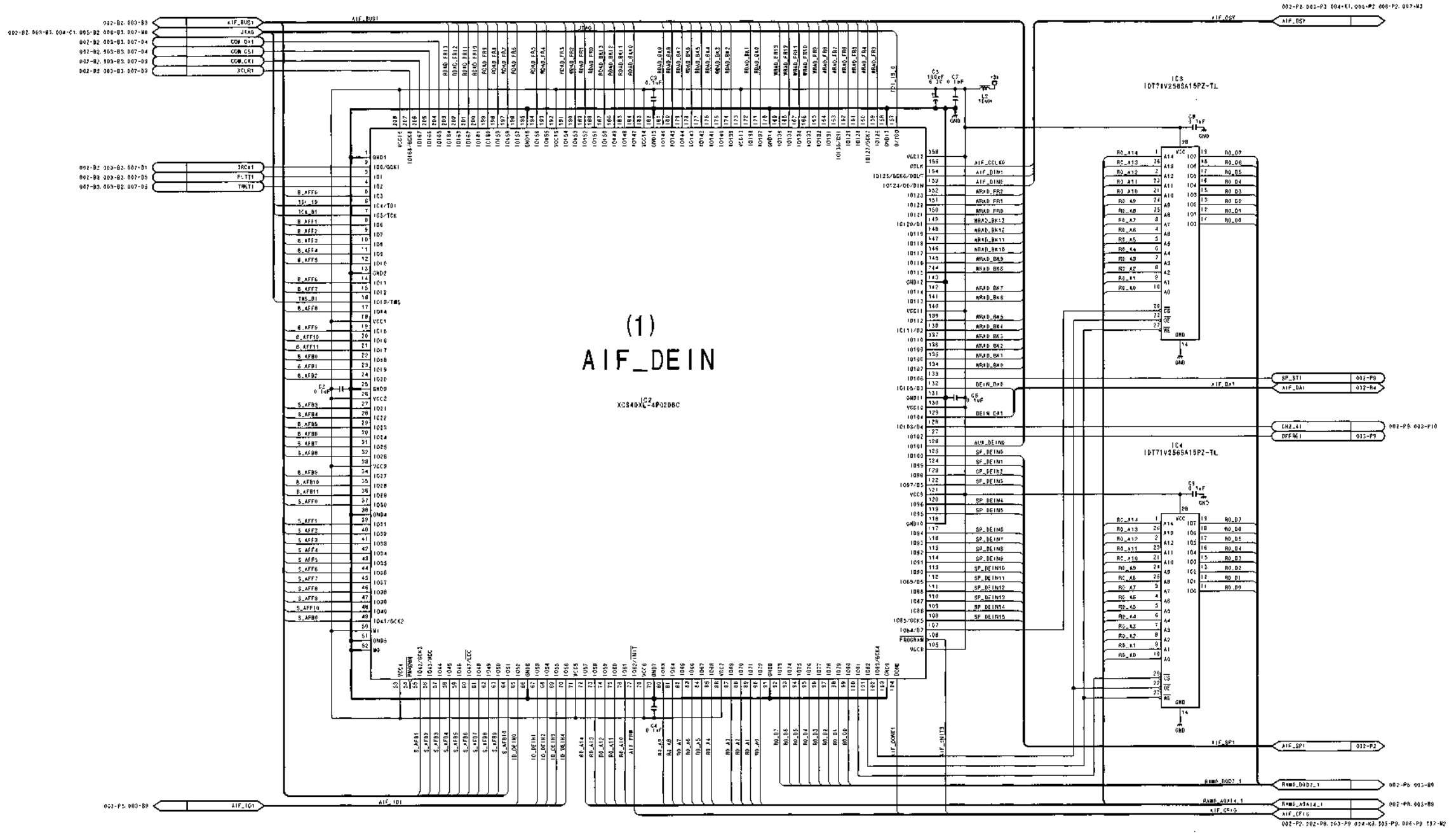


15-54 (a)

15-54 (a)

Digital process
DPR-136 (17/17)
 BOARD NO. 1-675-560-12
 LOT NO. 907-908
 DSR-2000_DPR-136_C12_17

DSR-2000 (UC) : S/N 100001 through 100910
DSR-2000 (J) : S/N 300001 through 301040
DSR-2000P (CE) : S/N 400001 through 401550



Digital process
DU-83 (1/7)
BOARD NO. 1-675-787-11, 12
LOT NO. 907-002
DSR-2000-DU-83_C12_1

DSR-2000 (UC) : S/N 100001 through 100910
DSR-2000 (J) : S/N 300001 through 301040
DSR-2000P (CE) : S/N 400001 through 401550

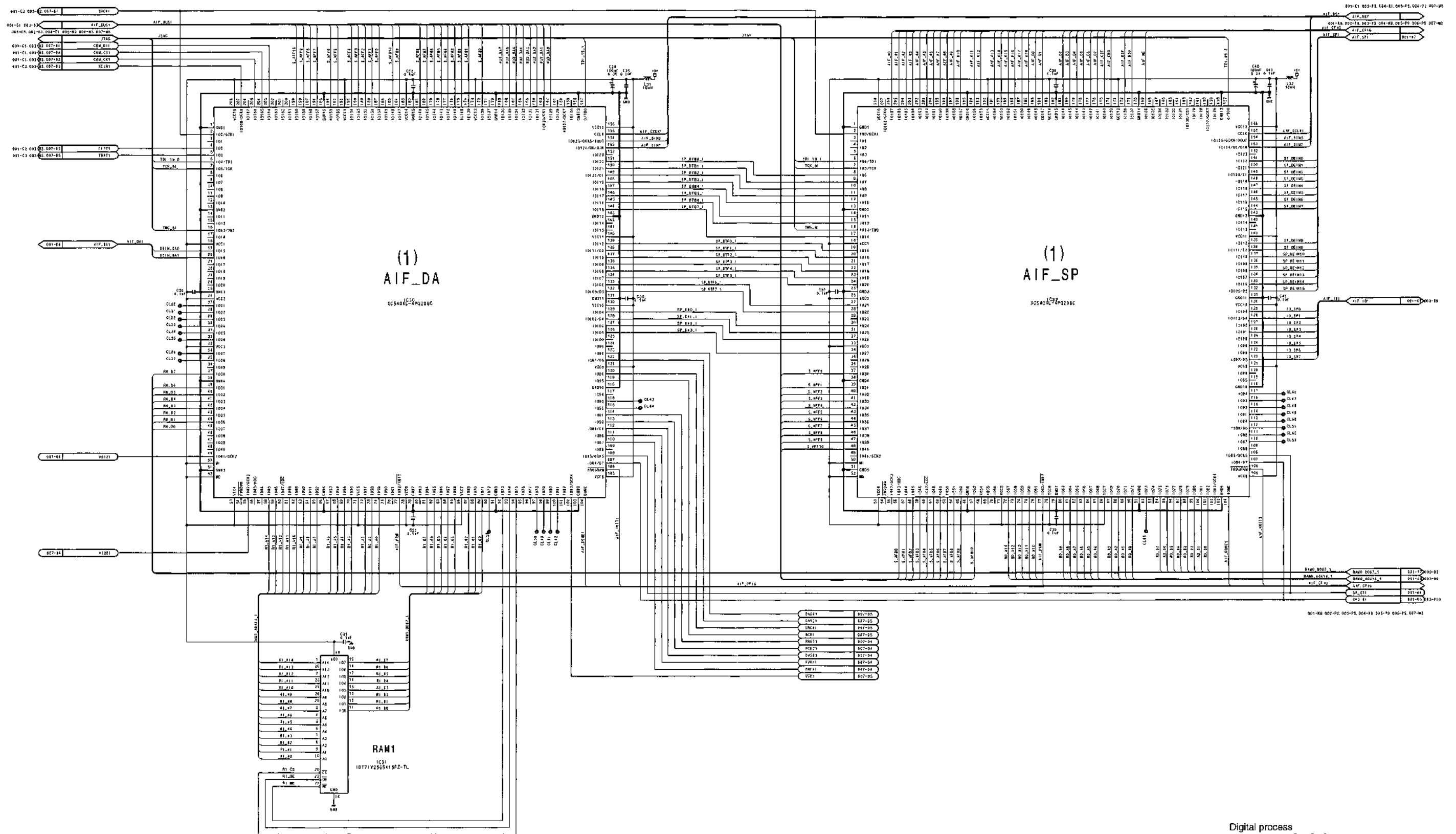
1

2

3

4

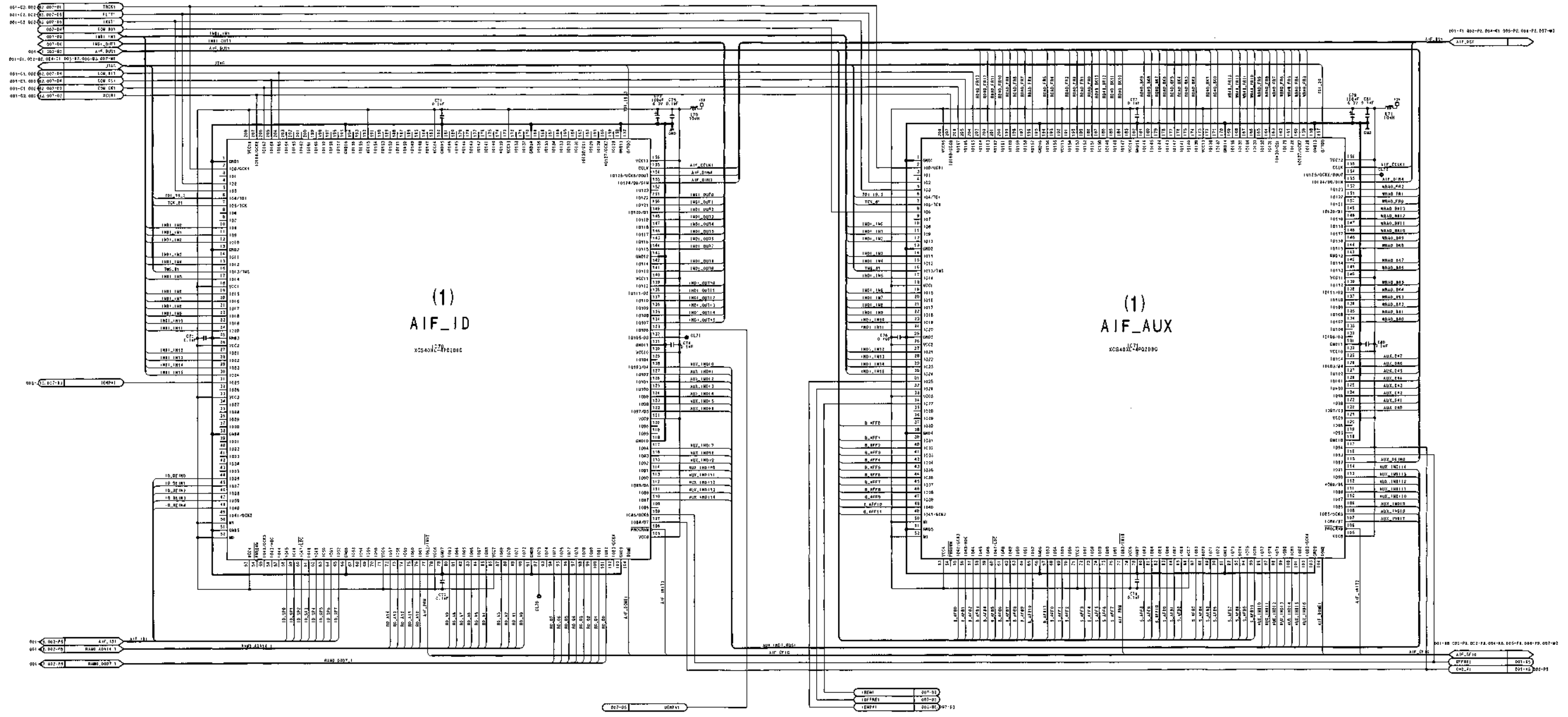
5



Digital process
DU-83 (2/7)
BOARD NO. 1-675-787-11, 12
LOT NO. 907-002
DSR-2000_DU-83_C12_2

A | B | C | D | E | F | G | H

DSR-2000 (UC) : S/N 100001 through 100910
DSR-2000 (J) : S/N 300001 through 301040
DSR-2000P (CE) : S/N 400001 through 401550



Digital process
DU-83 (3/7)
BOARD NO. 1-675-787-11, 12
LOT NO. 907-002
DSR-2000_DU-83_C12_3

1

2

3

4

5

DSR-2000 (UC) : S/N 100001 through 100910
 DSR-2000 (J) : S/N 300001 through 301040
 DSR-2000P (CE) : S/N 400001 through 401550

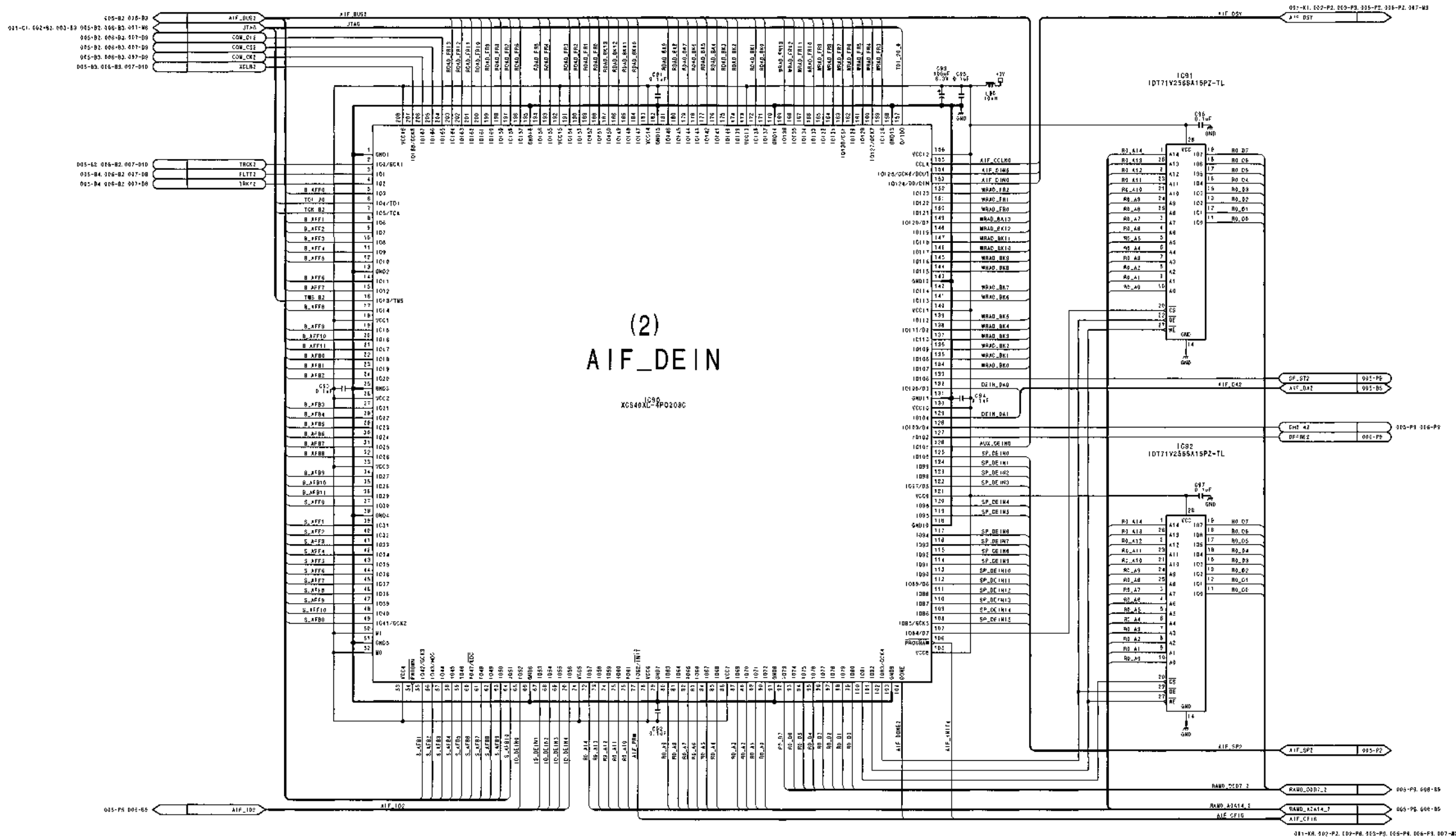
1

2

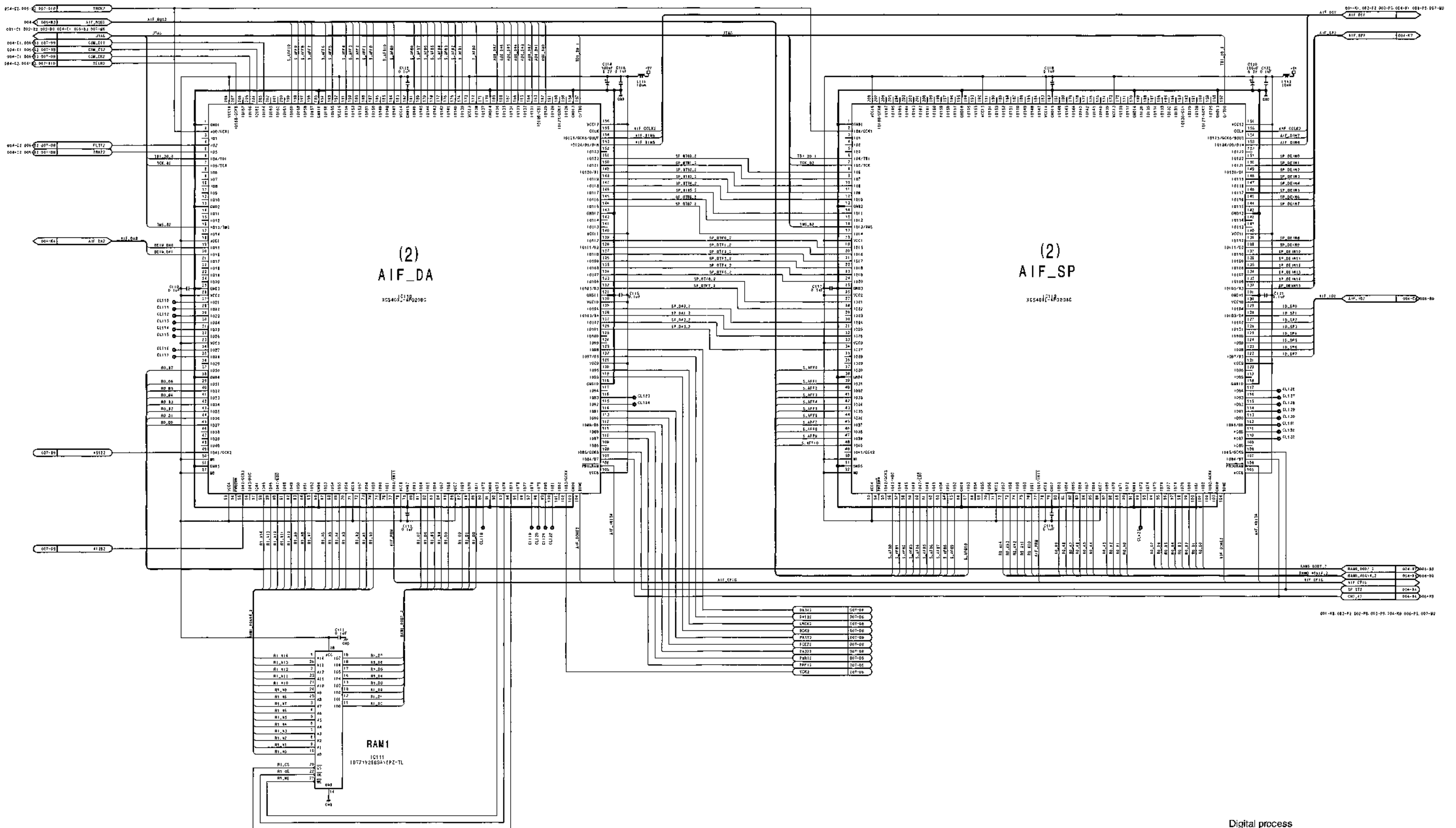
3

4

5



DSR-2000 (UC) : S/N 100001 through 100910
DSR-2000 (J) : S/N 300001 through 301040
DSR-2000P (CE) : S/N 400001 through 401550



Digital process
DU-83 (5/7)
BOARD NO. 1-675-787-11, 12
LOT NO. 907-002
DSR-2000_DU-83_C12_5

DSR-2000 (UC) : S/N 100001 through 100910
DSR-2000 (J) : S/N 300001 through 301040
DSR-2000P (CE) : S/N 400001 through 401550

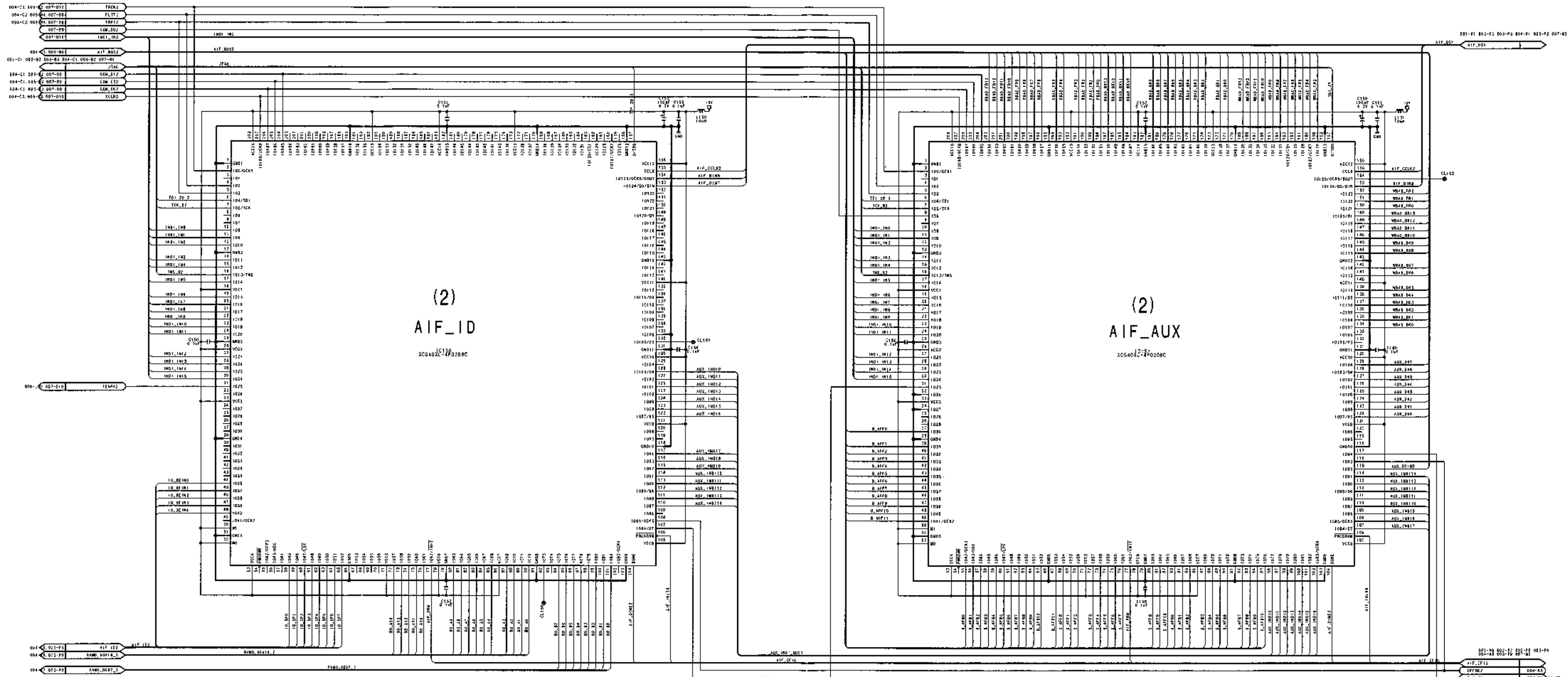
1

2

3

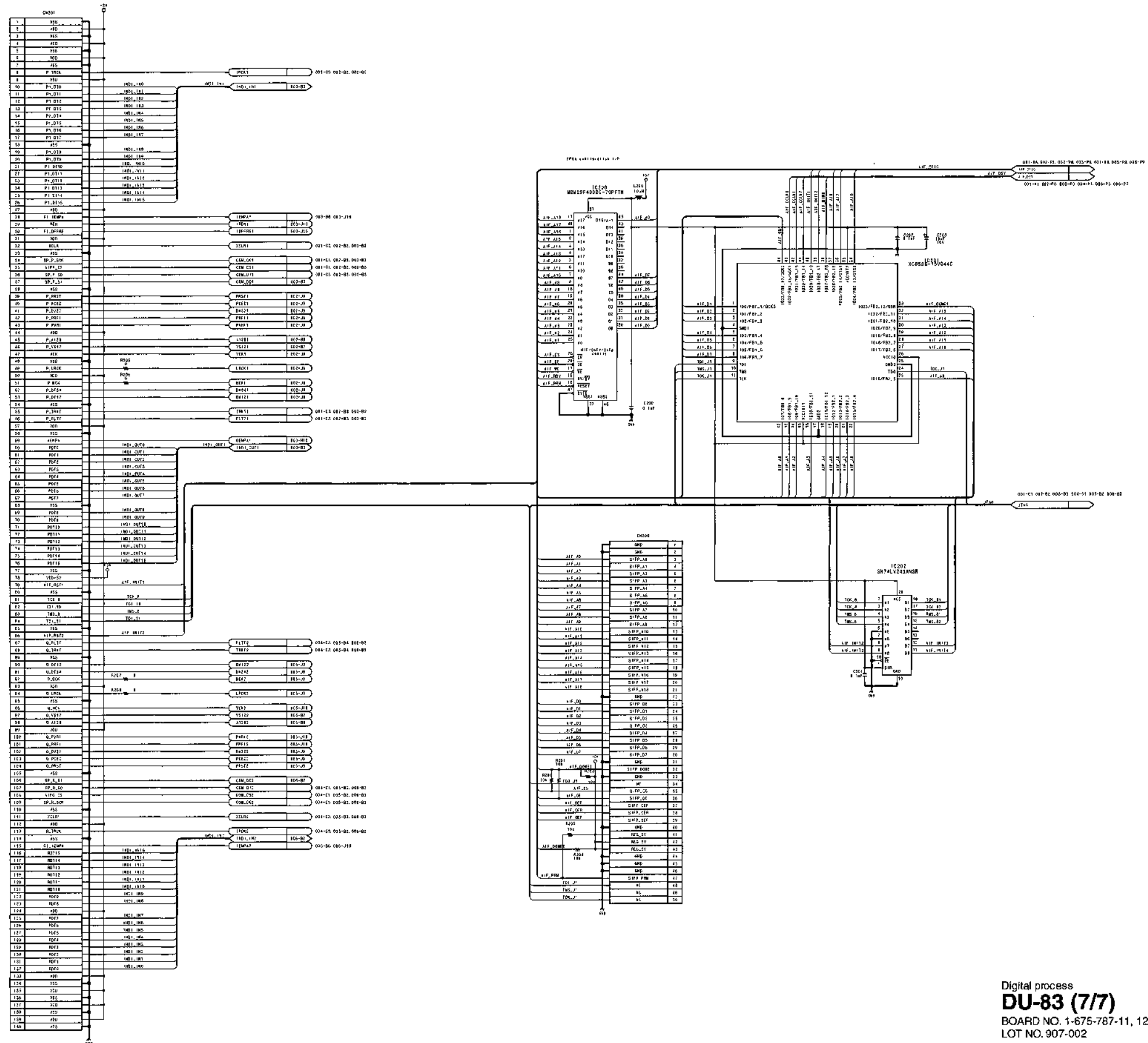
4

5



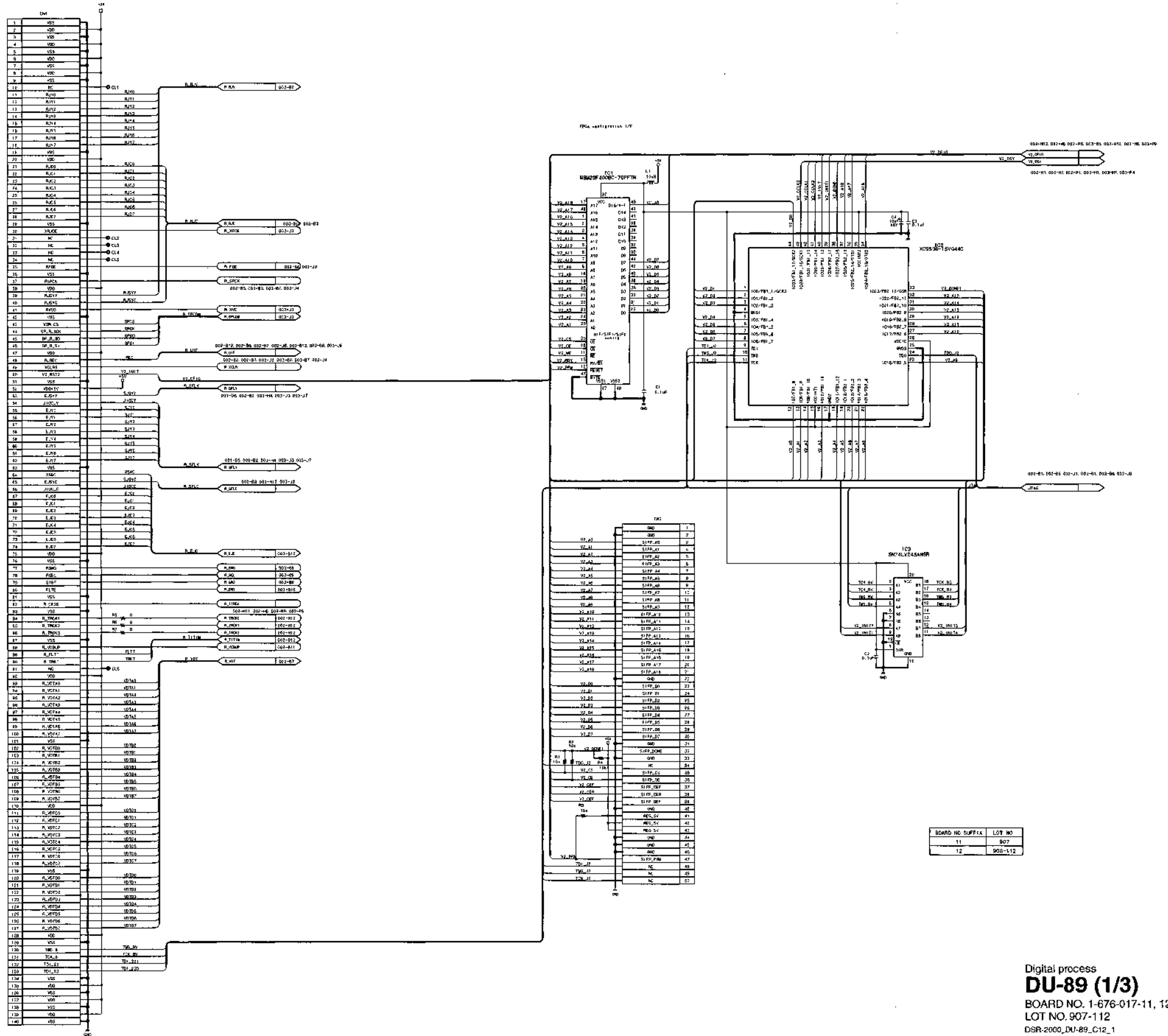
Digital process
DU-83 (6/7)
BOARD NO. 1-675-787-11, 12
LOT NO. 907-002
DSR-2000_DU-83_C12_6

DSR-2000 (UC) : S/N 100001 through 100910
 DSR-2000 (J) : S/N 300001 through 301040
 DSR-2000P (CE) : S/N 400001 through 401550



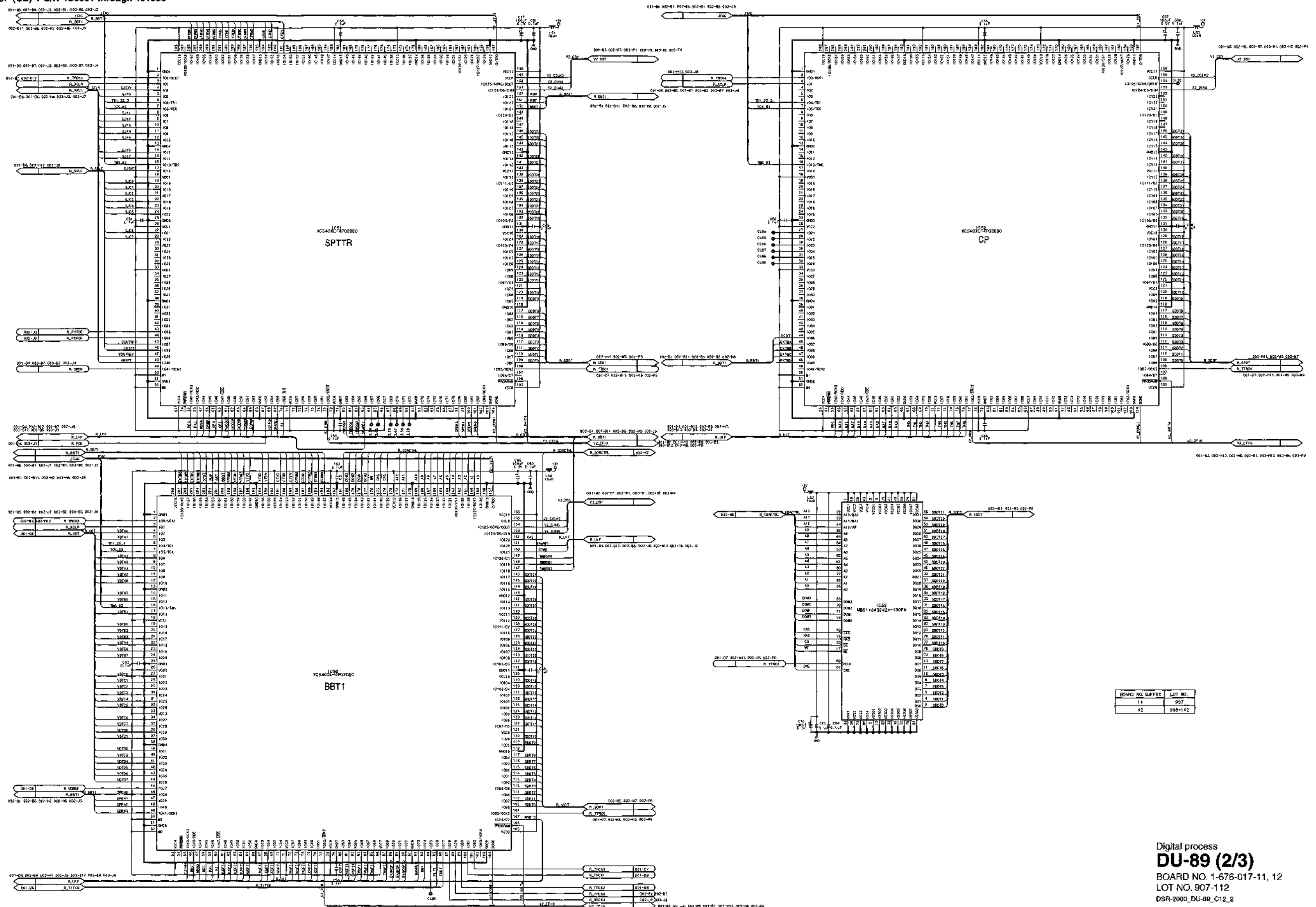
Digital process
DU-83 (7/7)
 BOARD NO. 1-675-787-11, 12
 LOT NO. 907-002
 DSR-2000_DU-83_C12_7

DSR-2000 (UC) : S/N 100001 through 101240
 DSR-2000 (J) : S/N 300001 through 301330
 DSR-2000P (CE) : S/N 400001 through 401550



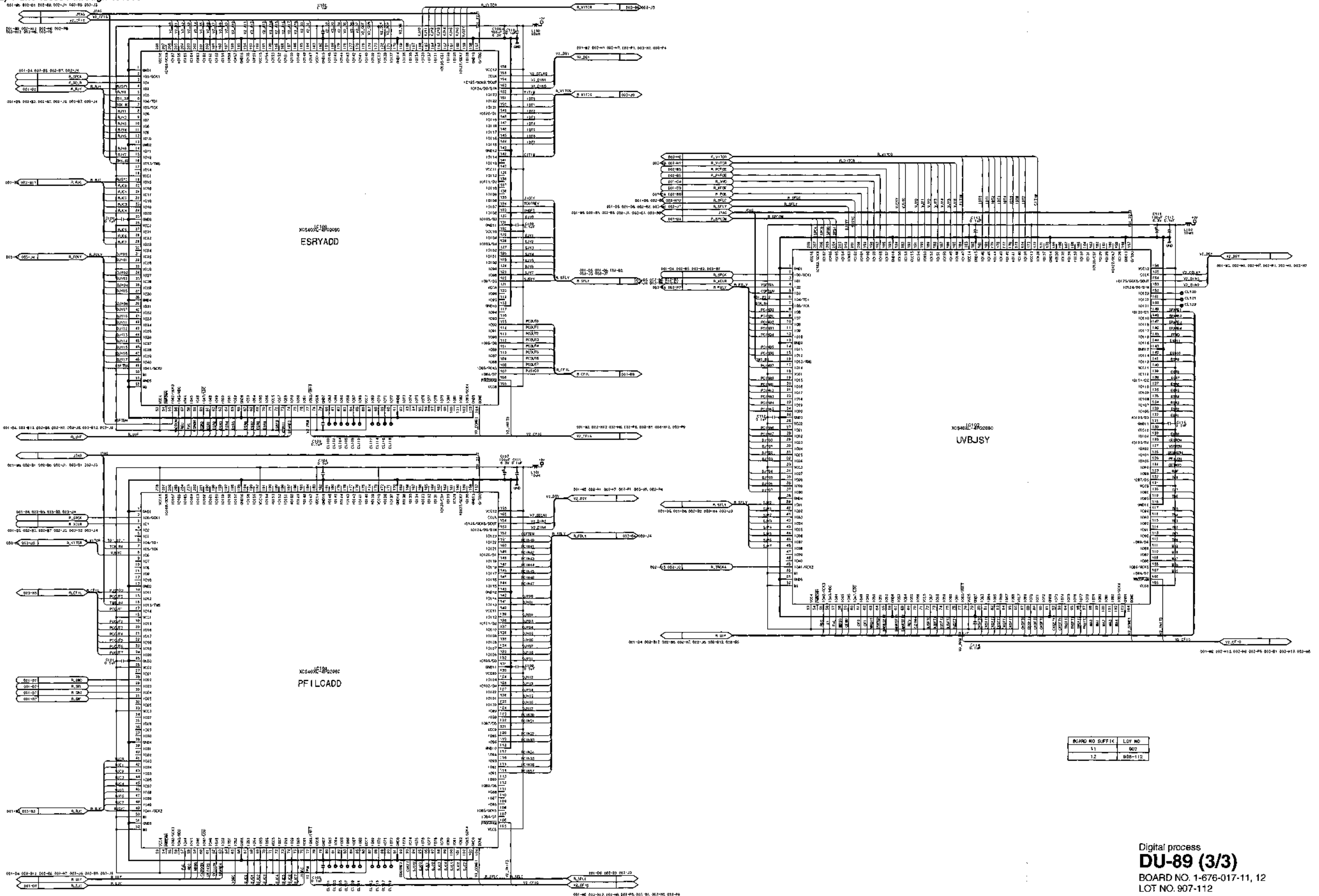
DSR-2000 (UC) : S/N 100001 through 101240
 DSR-2000 (J) : S/N 300001 through 301330
 DSR-2000P (CE) : S/N 400001 through 401550

1
 2
 3
 4
 5



Digital process
DU-89 (2/3)
 BOARD NO. 1-676-017-11, 12
 LOT NO. 907-112
 DSR-2000_DU_89_C12_2

DSR-2000 (UC) : S/N 100001 through 101240
 DSR-2000 (J) : S/N 300001 through 301330
 DSR-2000P (CE) : S/N 400001 through 401550



DSR-2000 (UC) : S/N 100001 through 100290
 DSR-2000 (J) : S/N 300001 through 300240
 DSR-2000P (CE) : S/N 400001 through 400300

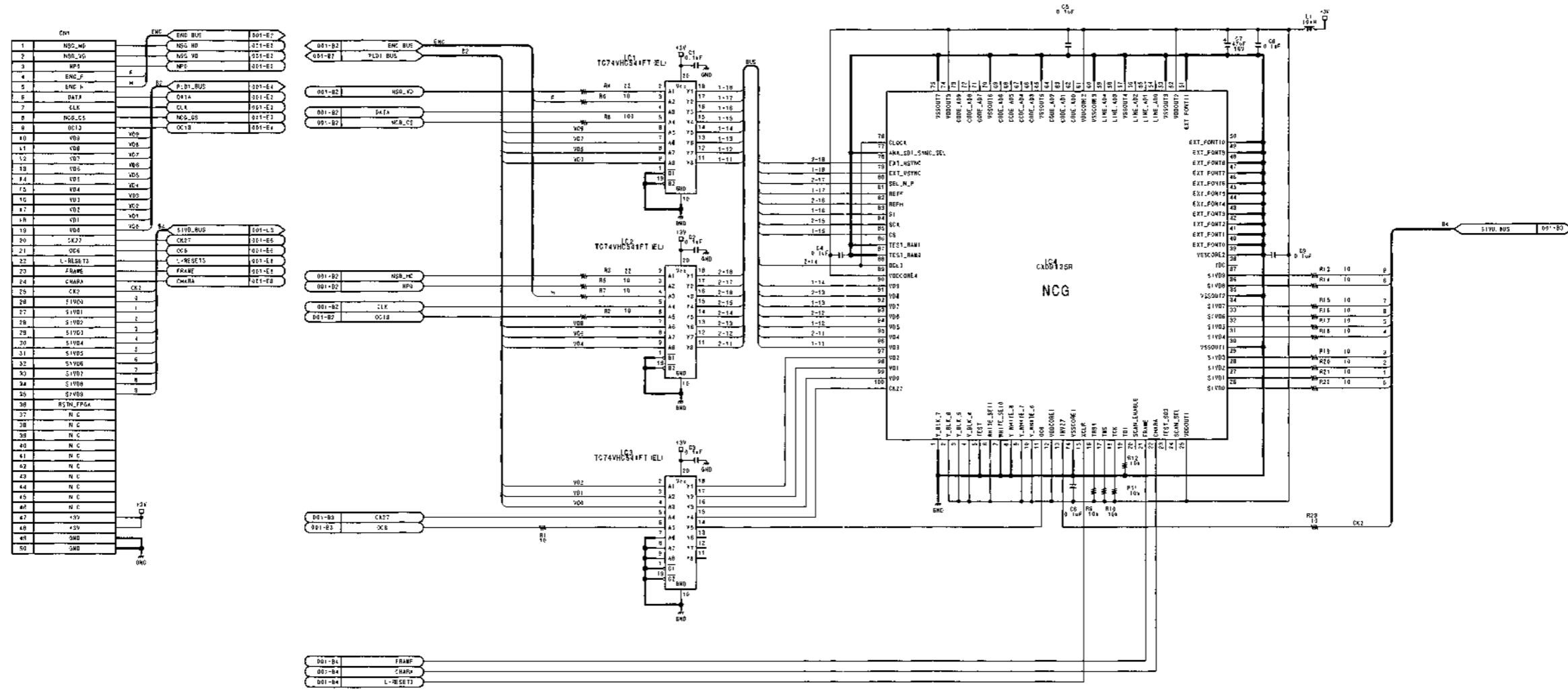
1

2

3

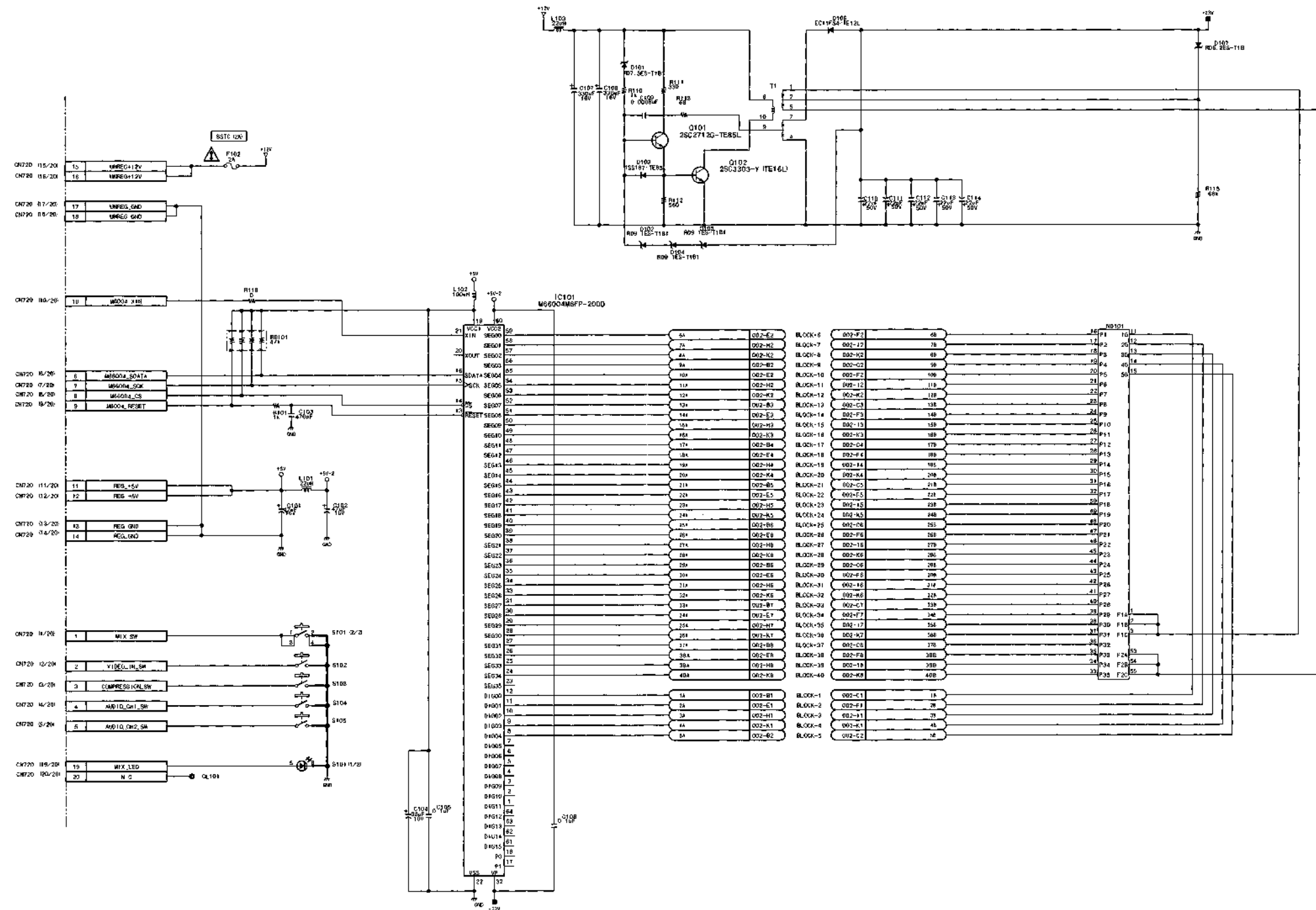
4

5



SDI character generator
DU-95
 BOARD NO. 1-676-569-11
 LOT NO. 907-908
 DSR-2000_DU-95_C11_1

DY-15 (1/2) DY-15 (1/2)



Fluorescent display board/audio meter/input - output selection
DY-15 (1/2)
 BOARD NO. 1-675-556-11, 12
 LOT NO. 907-
 DSR-2000_DY-15_C11_1

1
2
3
4
5

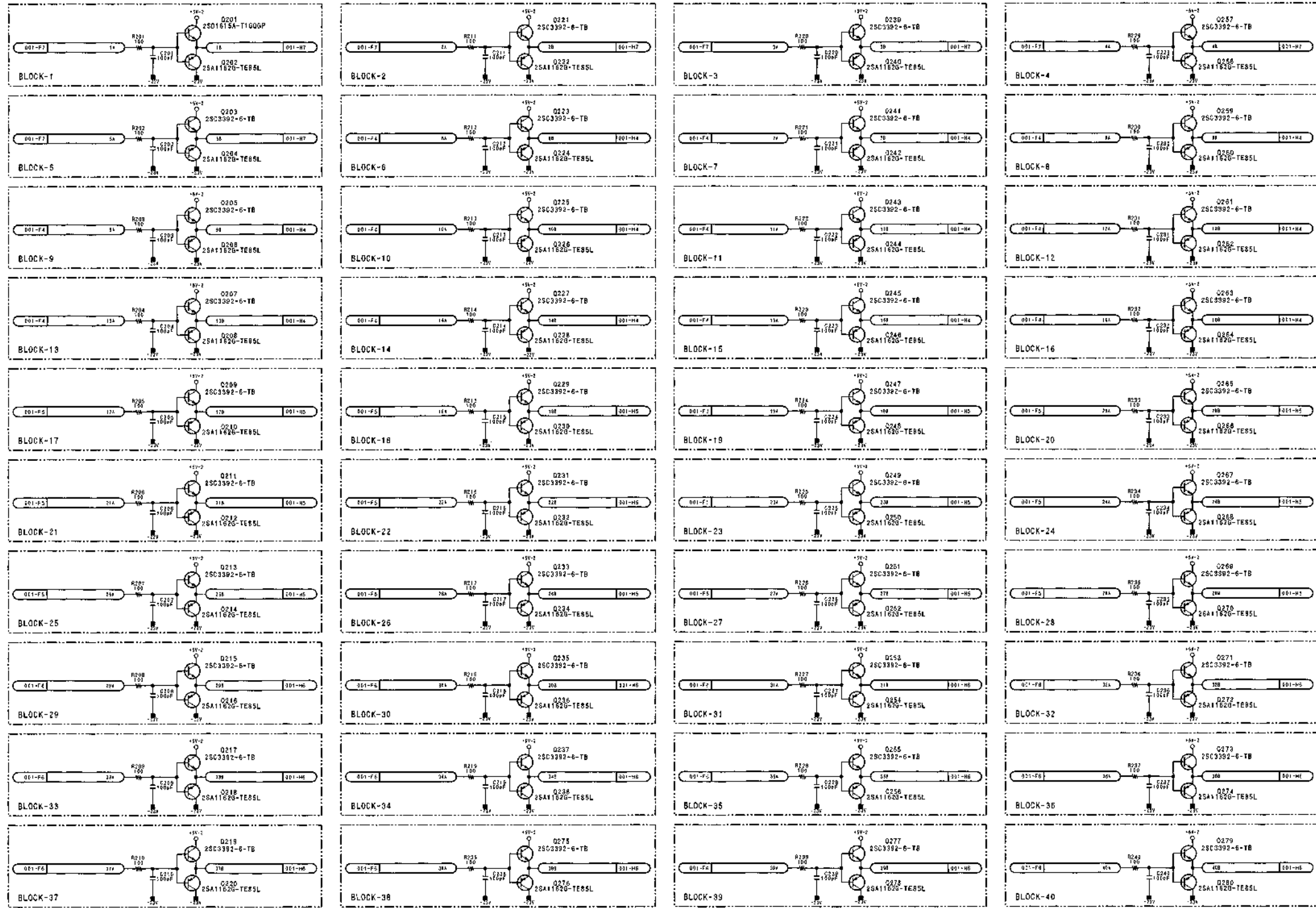
1

2

3

4

5



Fluorescent display board/audio meter/input - output selection
DY-15 (2/2)
 BOARD NO. 1-675-556-11, 12
 LOT NO. 907-
 DSR-2000_DY-15_C11_2

15-70

15-70

A

B

C

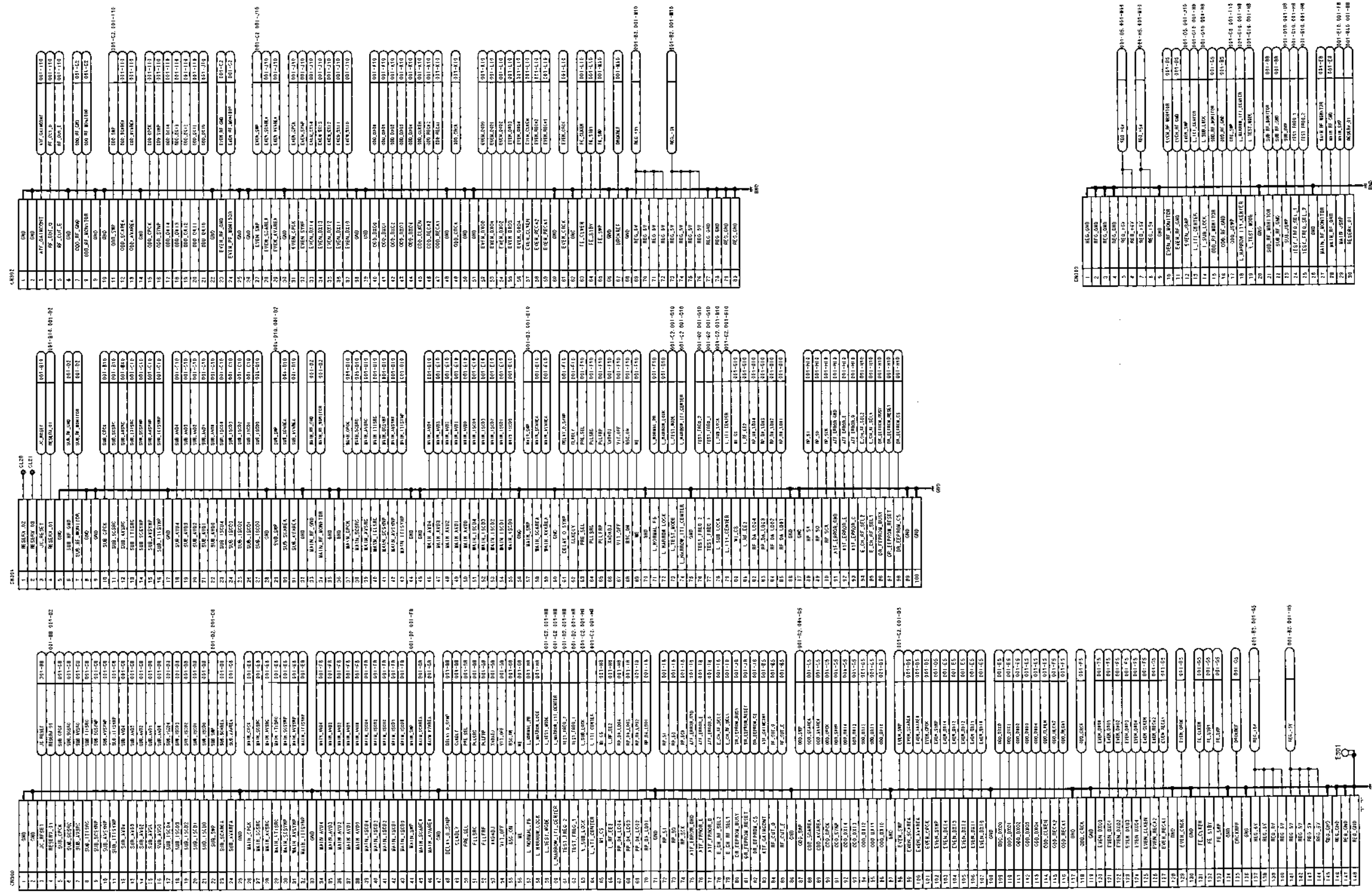
D

E

F

G

H



1

2

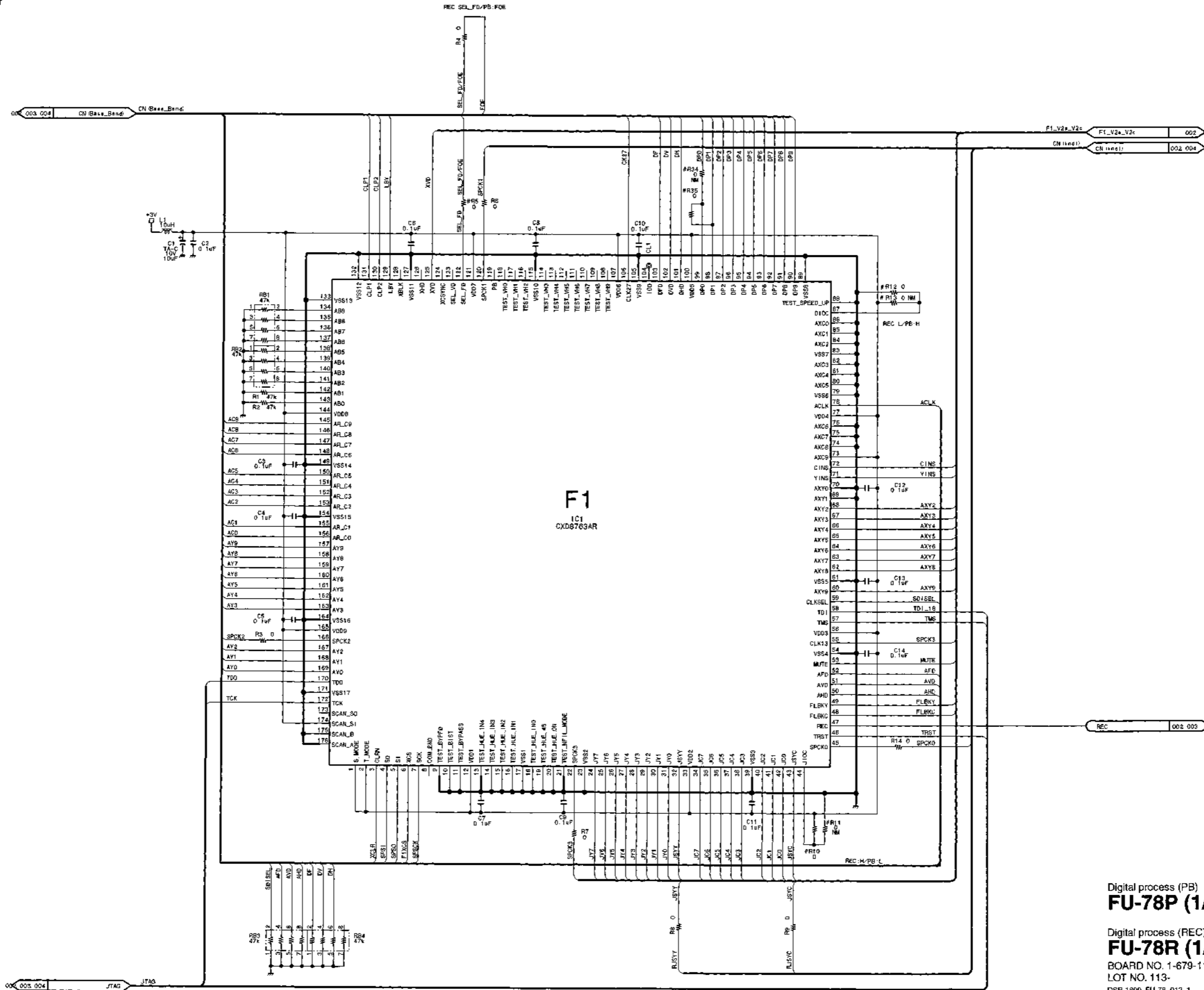
3

4

5

FU-78P/78R (1/4) FU-78P/78R (1/4)

DSR-2000 (UC) : S/N 101241 and Higher
 DSR-2000 (J) : S/N 301311 and Higher
 DSR-2000P (CE) : S/N 401551 and Higher



Digital process (PB)
FU-78P (1/4)
 Digital process (REC)
FU-78R (1/4)
 BOARD NO. 1-679-113-12
 LOT NO. 113-
 DSR-1806_FU-78_012_1

1
2
3
4
5

FU-78P/78R (2/4) FU-78P/78R (2/4)

DSR-2000 (UC) : S/N 101241 and Higher
 DSR-2000 (J) : S/N 301311 and Higher
 DSR-2000P (CE) : S/N 401551 and Higher

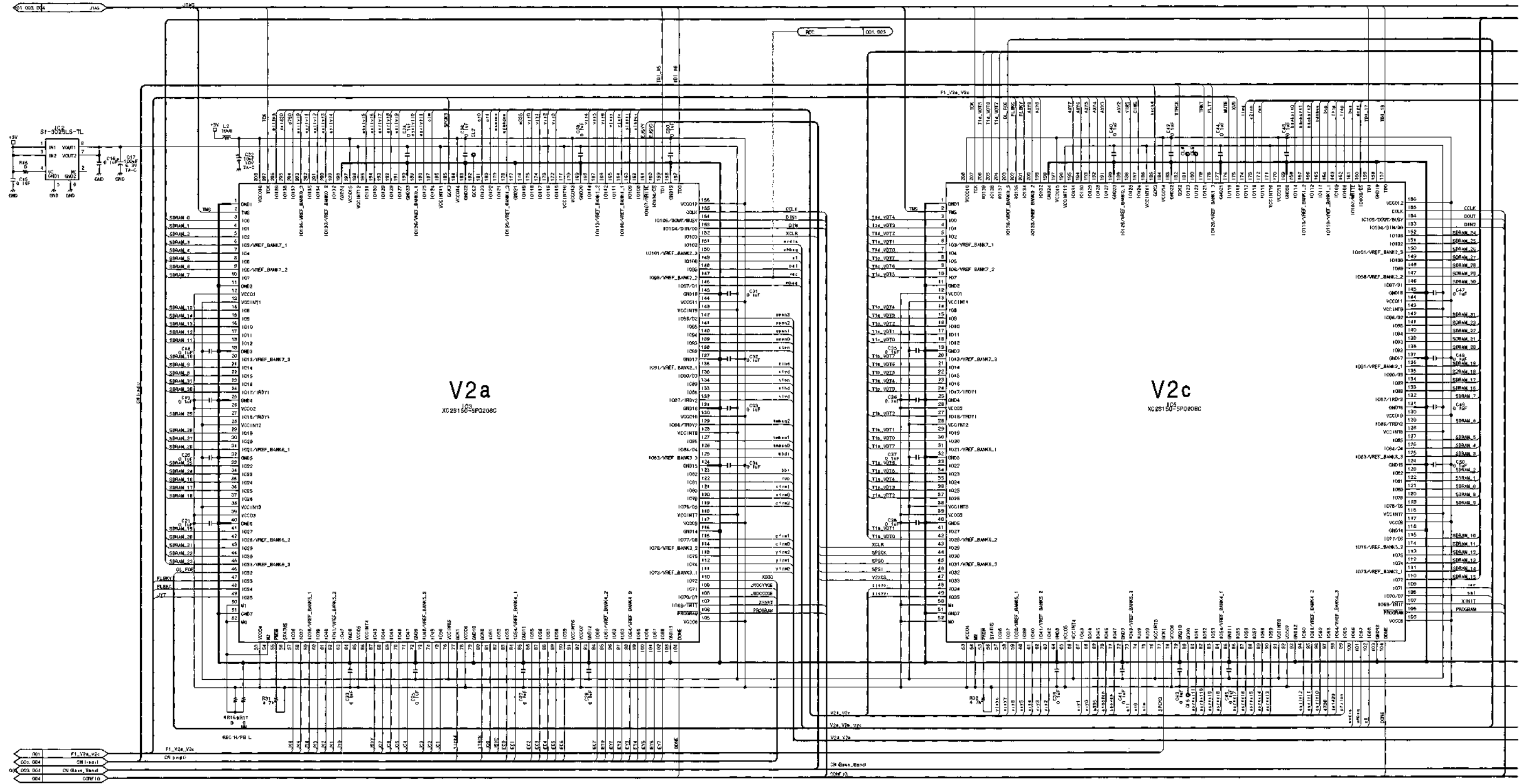
1

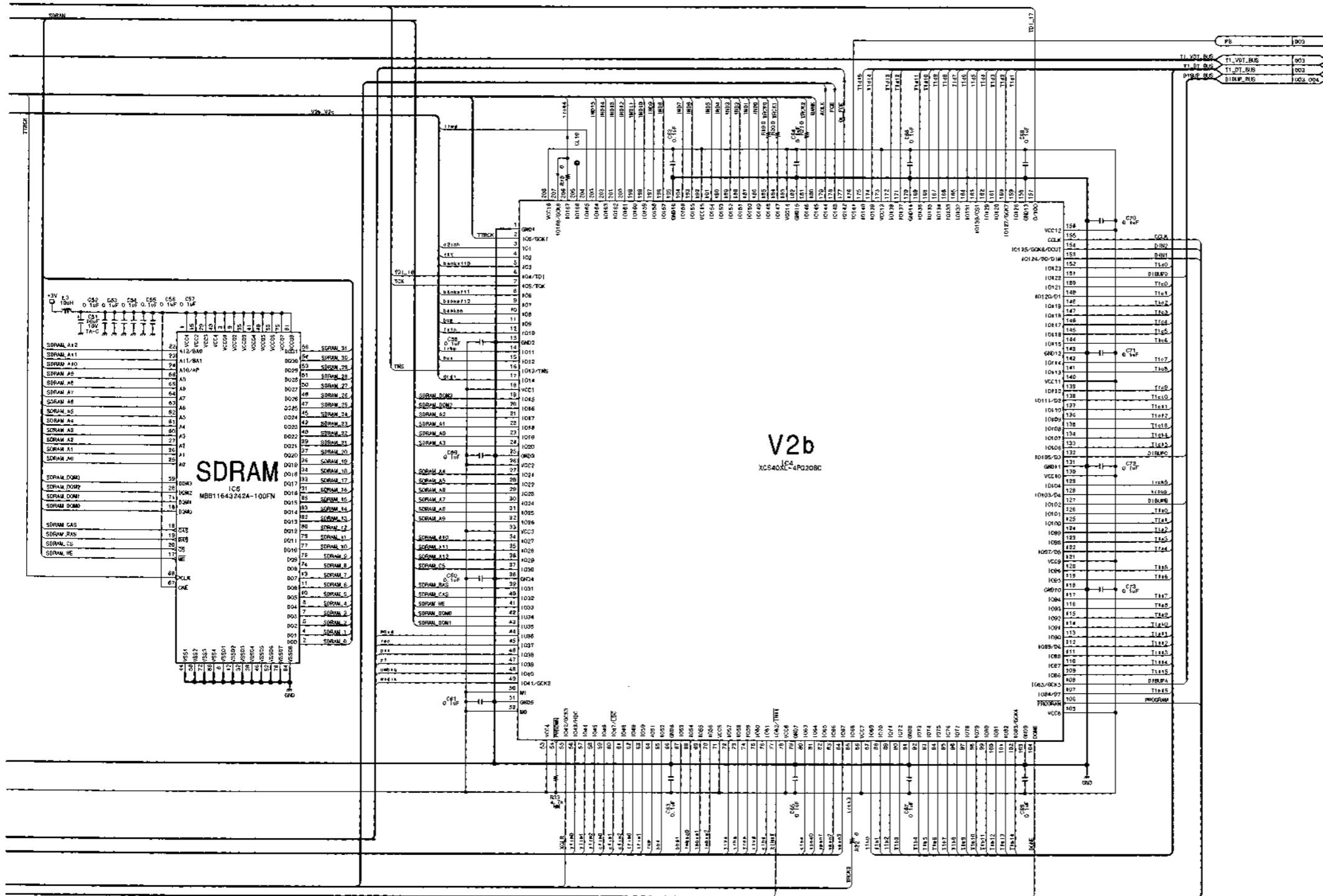
2

3

4

5





Digital process (PB)
FU-78P (2/4)

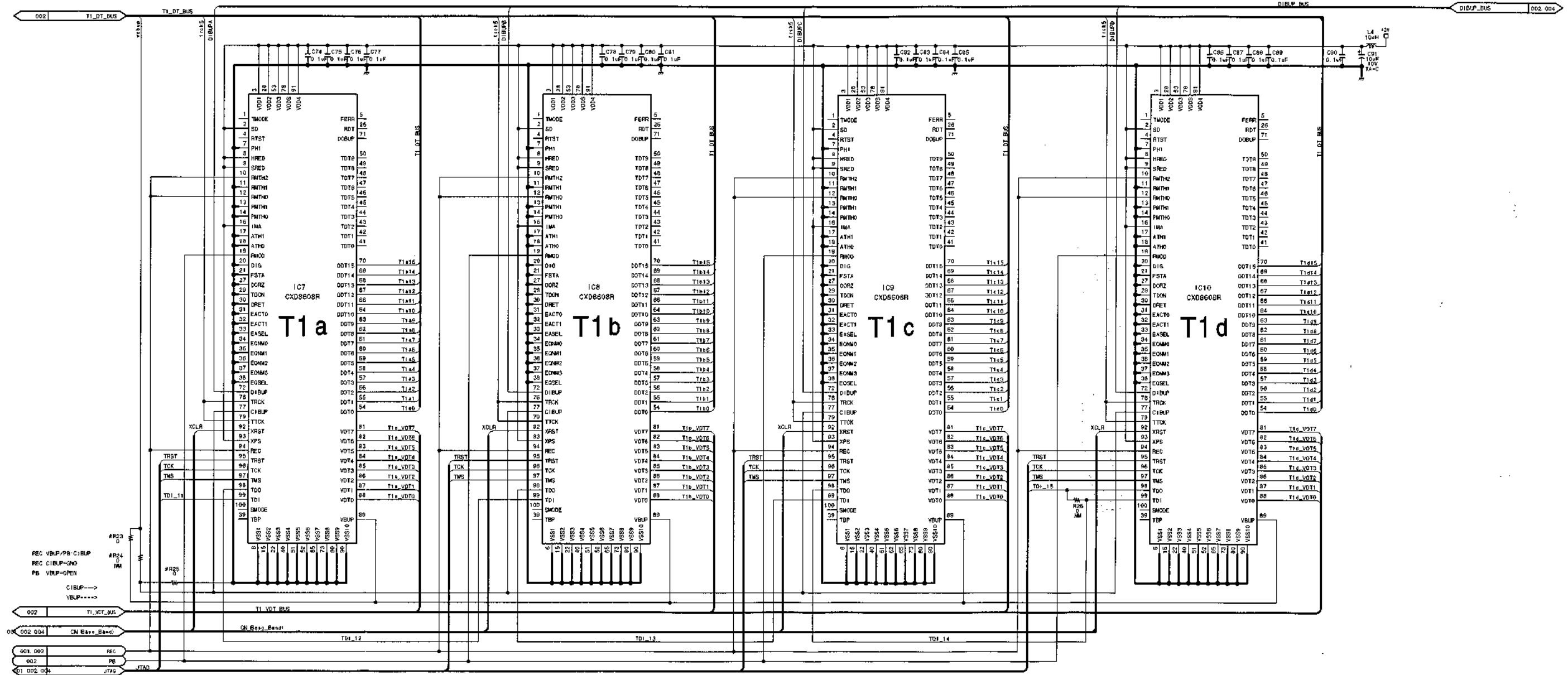
Digital process (REC)
FU-78R (2/4)

BOARD NO. 1-679-113-12
LOT NO. 113-
DSR-1800_FU-78_012_2

1
2
3
4
5

FU-78P/78R (3/4) FU-78P/78R (3/4)

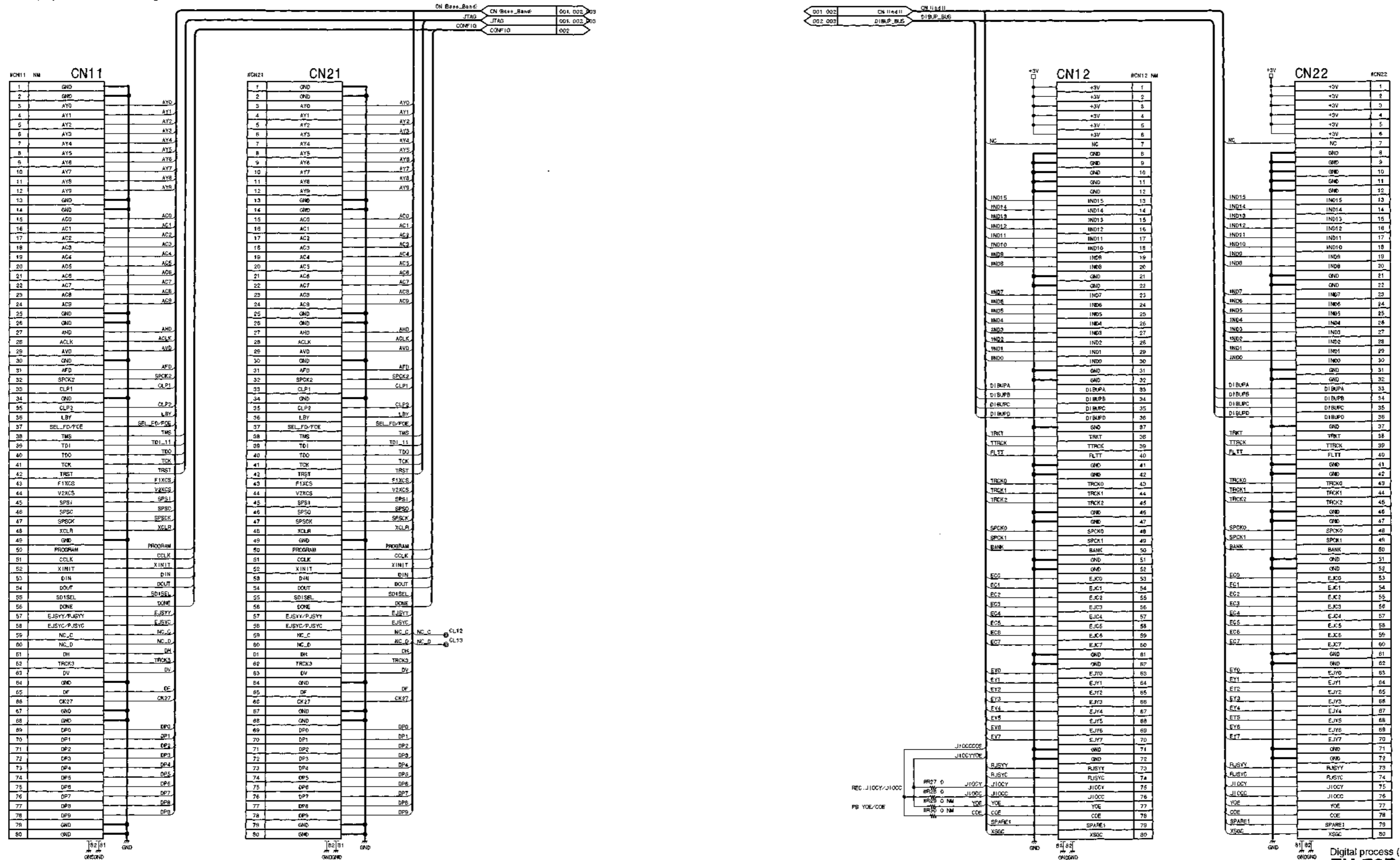
DSR-2000 (UC) : S/N 101241 and Higher
 DSR-2000 (J) : S/N 301311 and Higher
 DSR-2000P (CE) : S/N 401551 and Higher



Digital process (PB)
FU-78P (3/4)
 Digital process (REC)
FU-78R (3/4)
 BOARD NO. 1-679-113-12
 LOT NO. 113-
 DSR-1800_FU-78_012_3

FU-78P/78R (4/4) FU-78P/78R (4/4)

DSR-2000 (UC) : S/N 101241 and Higher
 DSR-2000 (J) : S/N 301311 and Higher
 DSR-2000P (CE) : S/N 401551 and Higher



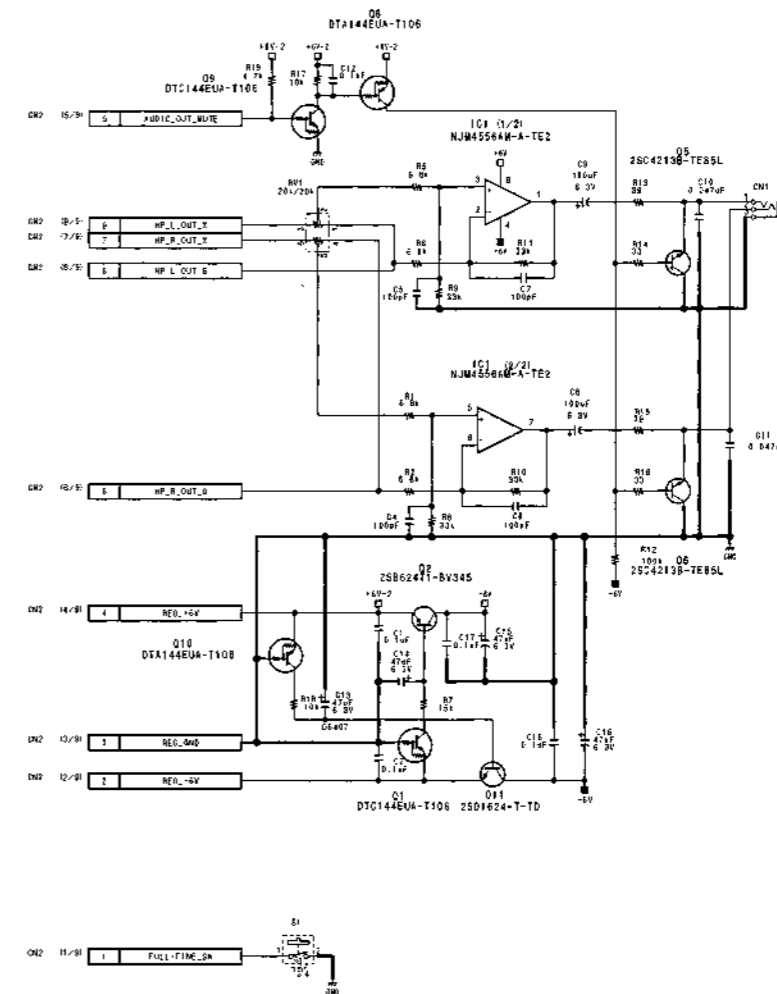
1

2

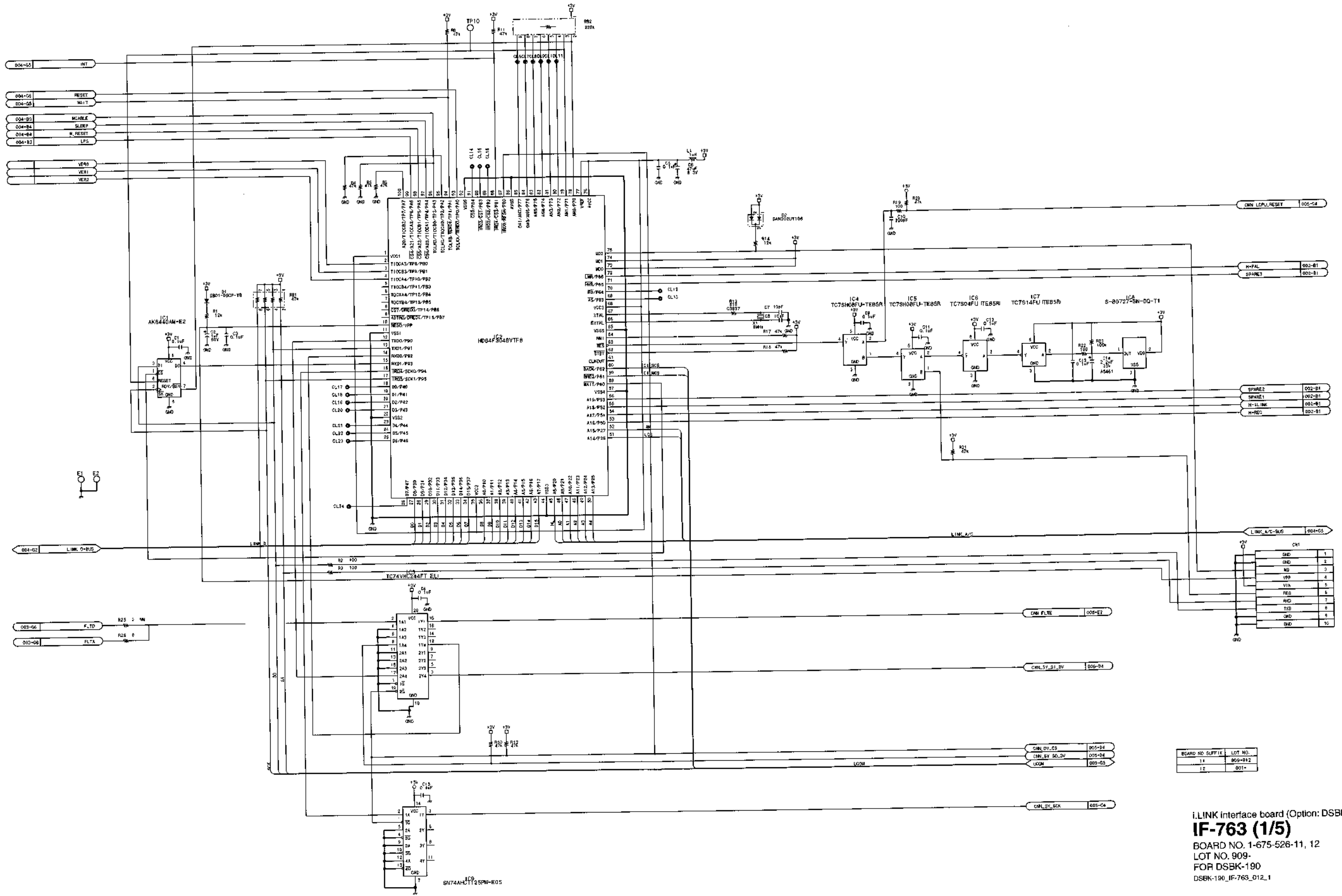
3

4

5



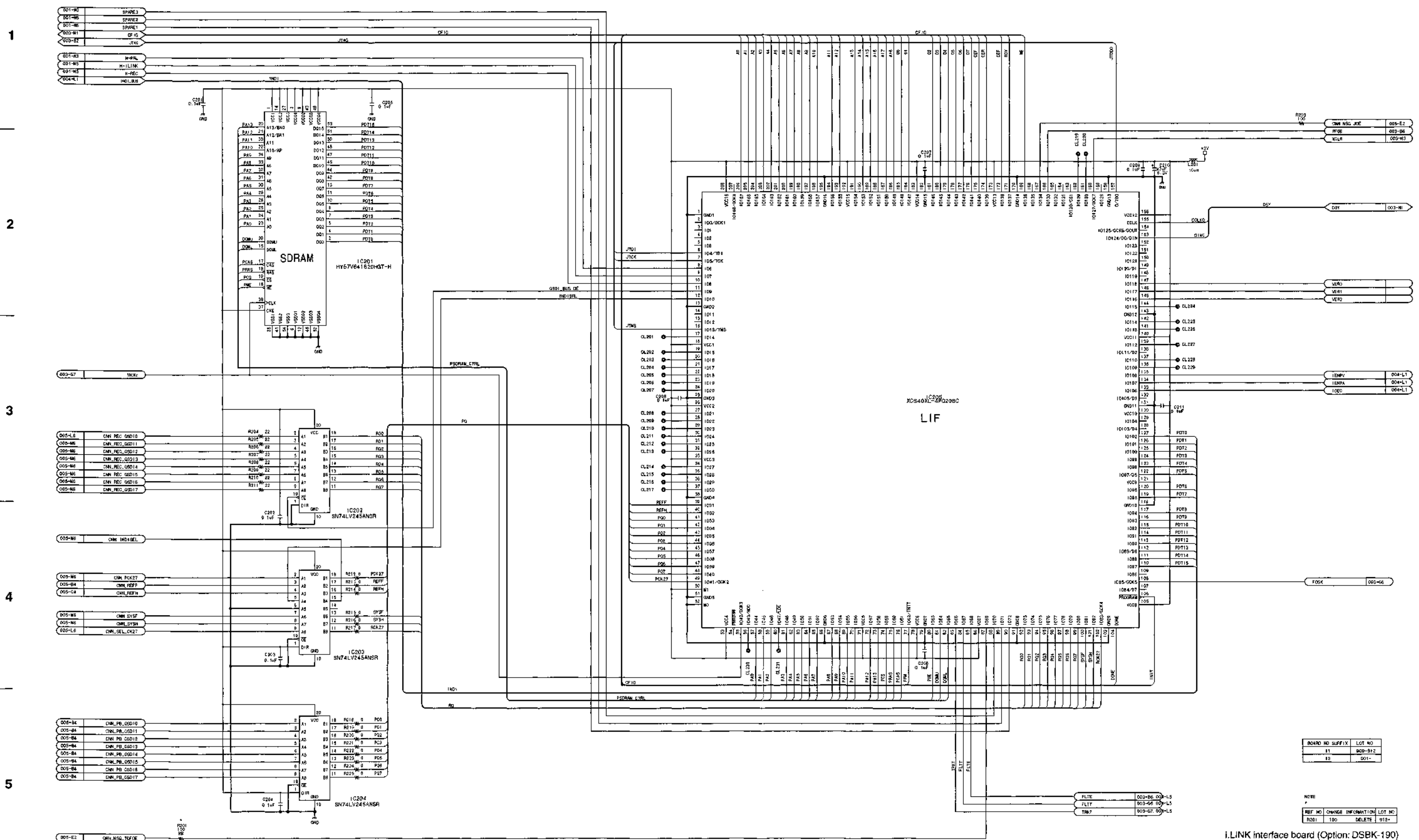
Headphone interface
HP-99
 BOARD NO. 1-675-555-11, 12
 LOT NO. 907-
 DSR-2000_HP-99_C12_1



BOARD NO. SUFFIX	LOT NO.
1*	809-812
1E	801*

i.LINK interface board (Option: DSBK-190)
IF-763 (1/5)
 BOARD NO. 1-675-526-11, 12
 LOT NO. 909-
 FOR DSBK-190
 DSBK-190_IF-763_012_1

IF-763 (2/5) IF-763 (2/5)



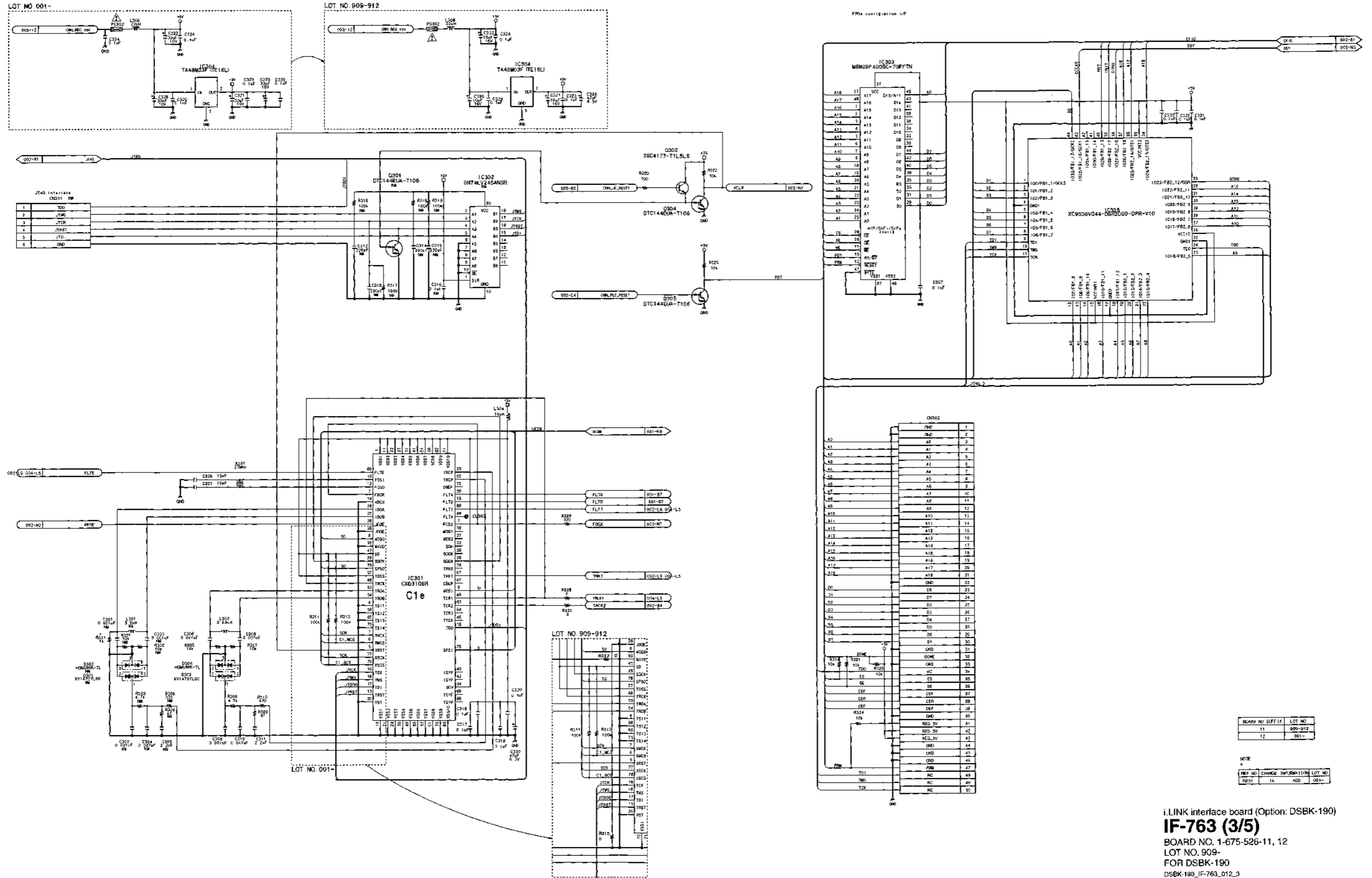
BOARD NO SUFFIX	LOT NO
11	009-392
12	001-

REF NO	CHANGE INFORMATION	LOT NO
R201	180 DELETE	018-

i.LINK interface board (Option: DSBK-190)
IF-763 (2/5)
 BOARD NO. 1-675-526-11, 12
 LOT NO. 009-
 FOR DSBK-190
 DSBK-190_IF-763_012_2

15-80

15-80



i.LINK interface board (Option: DSBK-190)
IF-763 (3/5)
 BOARD NO. 1-675-526-11, 12
 LOT NO. 909-
 FOR DSBK-190
 DSBK-190_IF-763_012_3

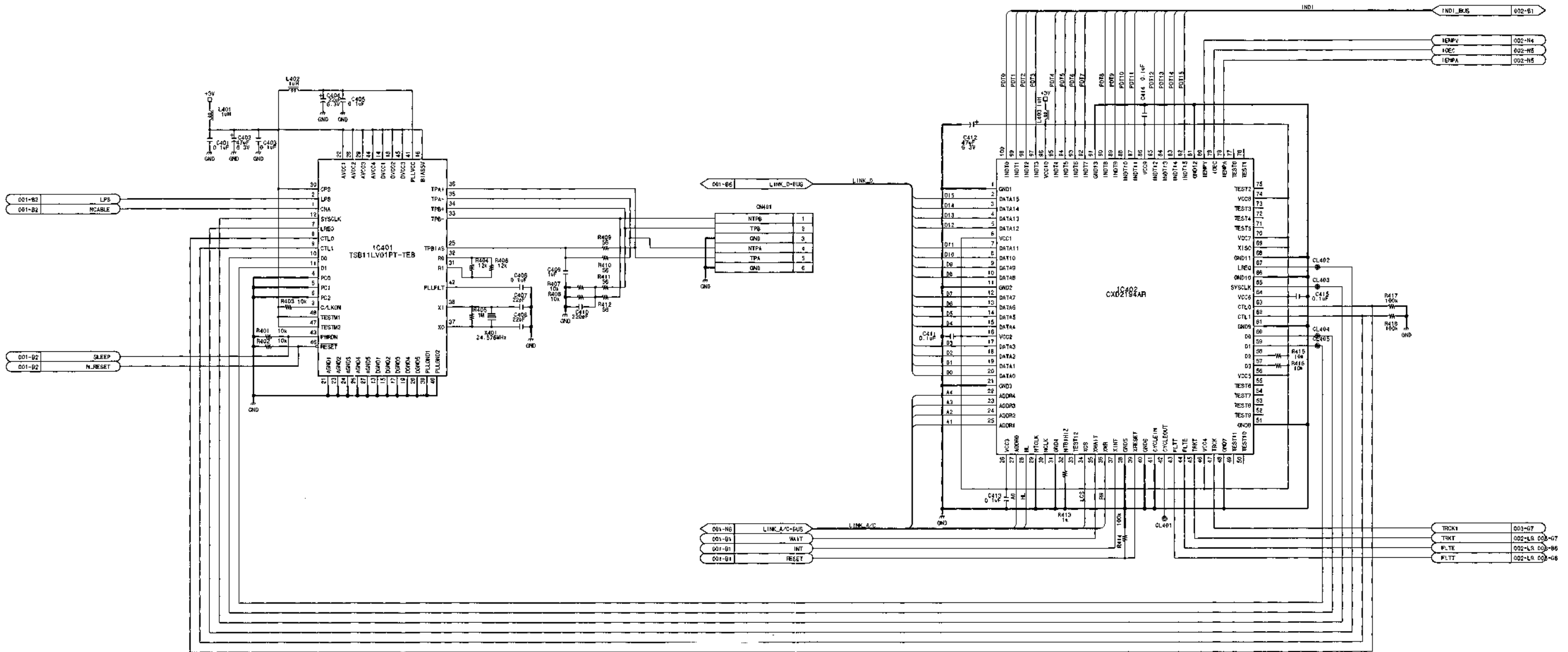
1

2

3

4

5



BOARD NO SUFFIX	LOT NO
11	909-012
12	801-

i.LINK interface board (Option: DSBK-190)
IF-763 (4/5)
 BOARD NO. 1-675-526-11, 12
 LOT NO. 909-
 FOR DSBK-190
 DSBK-190_IF-763_012_4

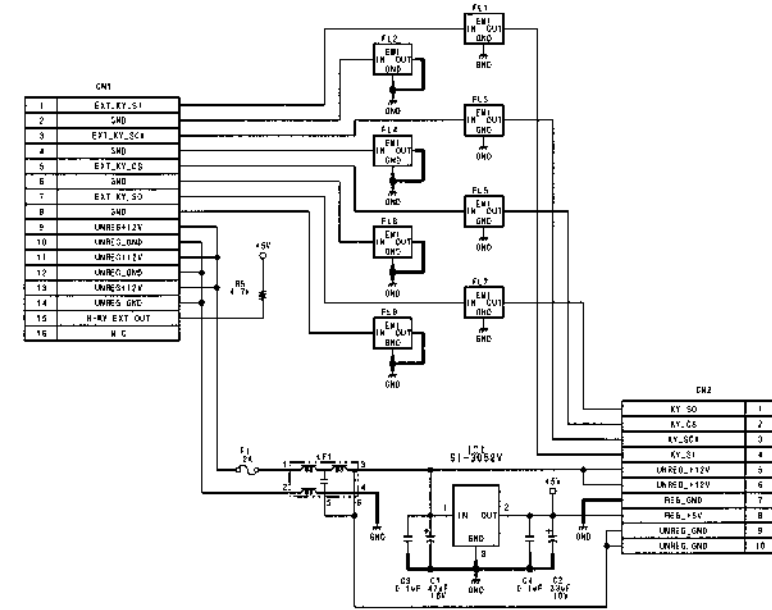
1

2

3

4

5



Operation panel intermediate board (Option: DSBK-200)

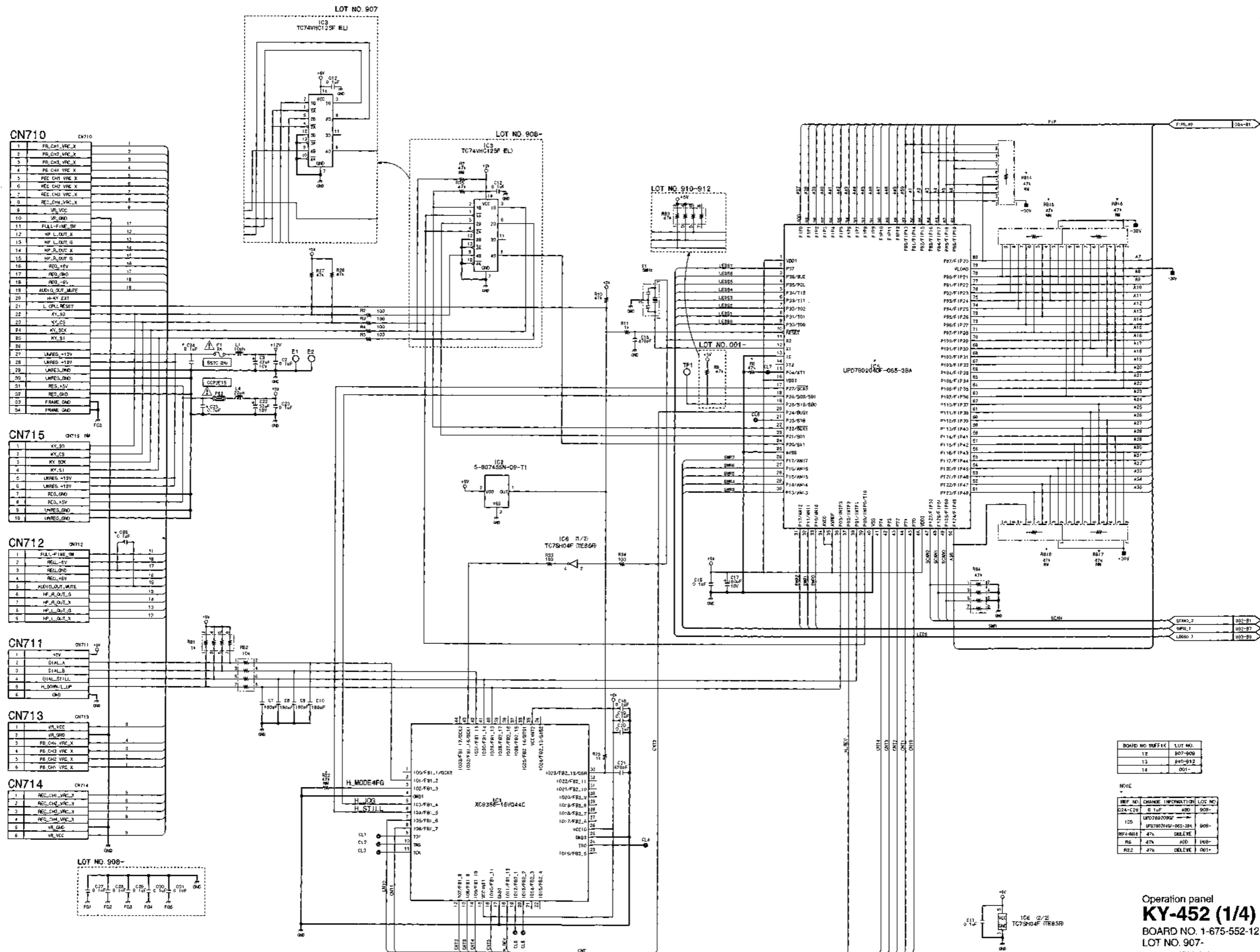
IF-778

BOARD NO. 1-676-646-11

LOT NO. 910-

FOR DSBK-200

DSBK-200_IF-778_C11_1



BOARD NO. SUFFIX	LOT NO.
12	907-908
13	910-912
14	001-

NOTE
 REF. NO. CHANGE INFORMATION LOT NO.
 S24-C29 0 1uF ADD 908-
 125 UPD78020000F-065-3BA 908-
 894-899 47k DELETE 908-
 89 47k ADD 908-
 892 47k DELETE 001-

Operation panel
KY-452 (1/4)
 BOARD NO. 1-675-552-12, 13, 14
 LOT NO. 907-
 DSR-2000_KY452_014_1

KY-452 (2/4) KY-452 (2/4)

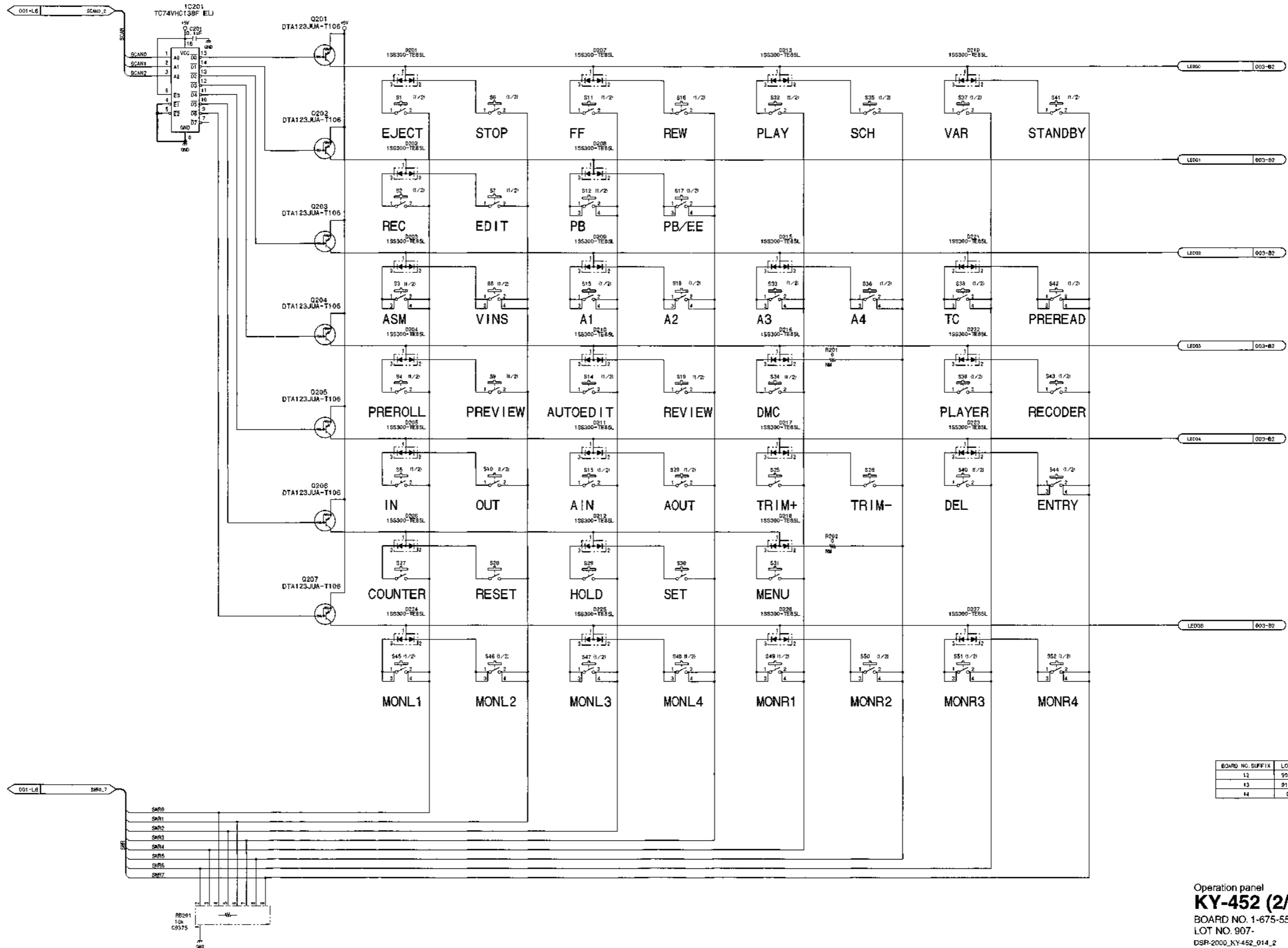
1

2

3

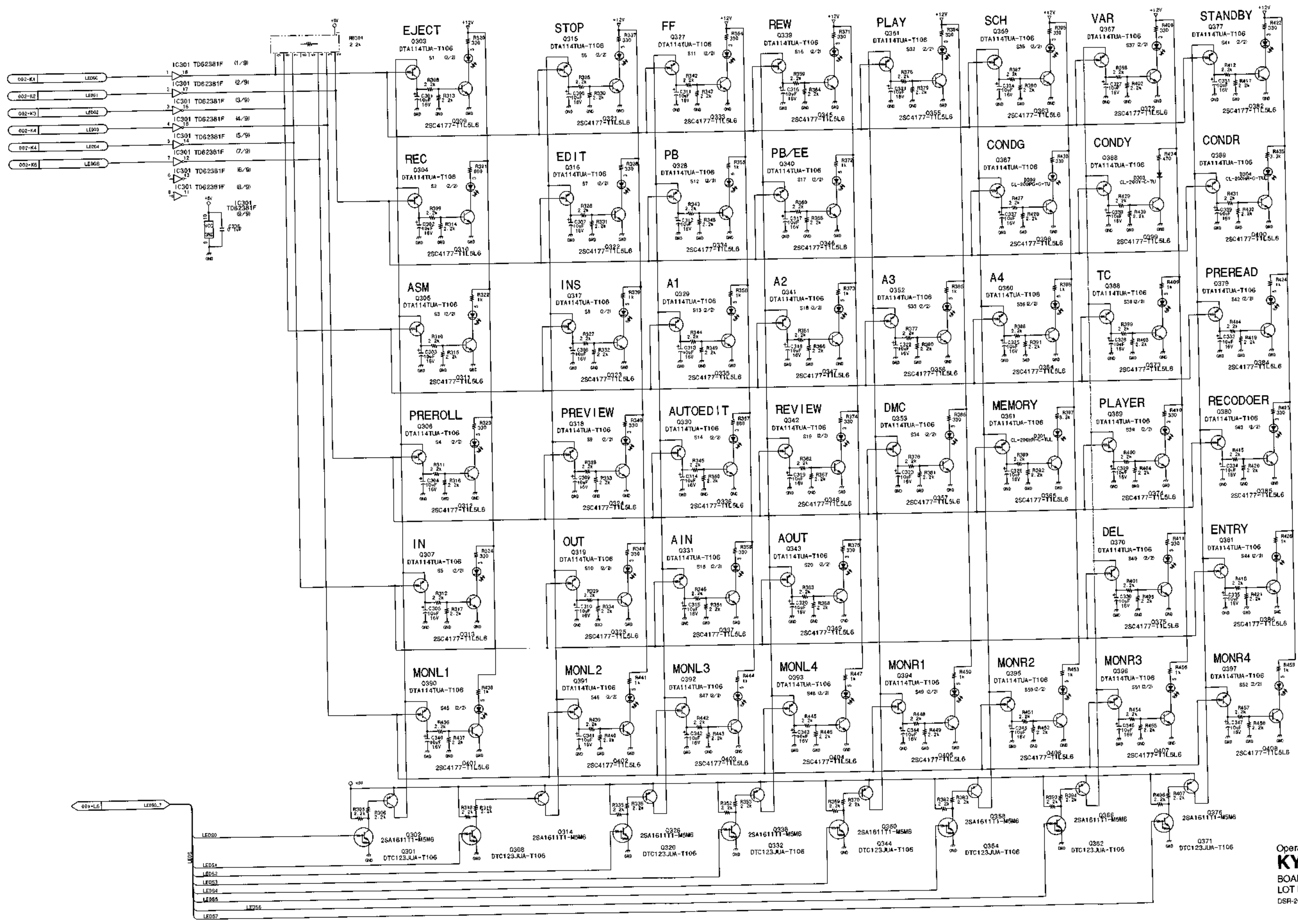
4

5



Operation panel
KY-452 (2/4)
 BOARD NO. 1-675-552-12, 13, 14
 LOT NO. 907-
 DSR-2000_KY-452_014_2

KY-452 (3/4) KY-452 (3/4)



BOARD NO. SUFF. IX	LOT NO.
12	907-909
13	910-912
14	001-

Operation panel
KY-452 (3/4)
 BOARD NO. 1-675-552-12, 13, 14
 LOT NO. 907-
 DSR-2000_KY-452_014_3

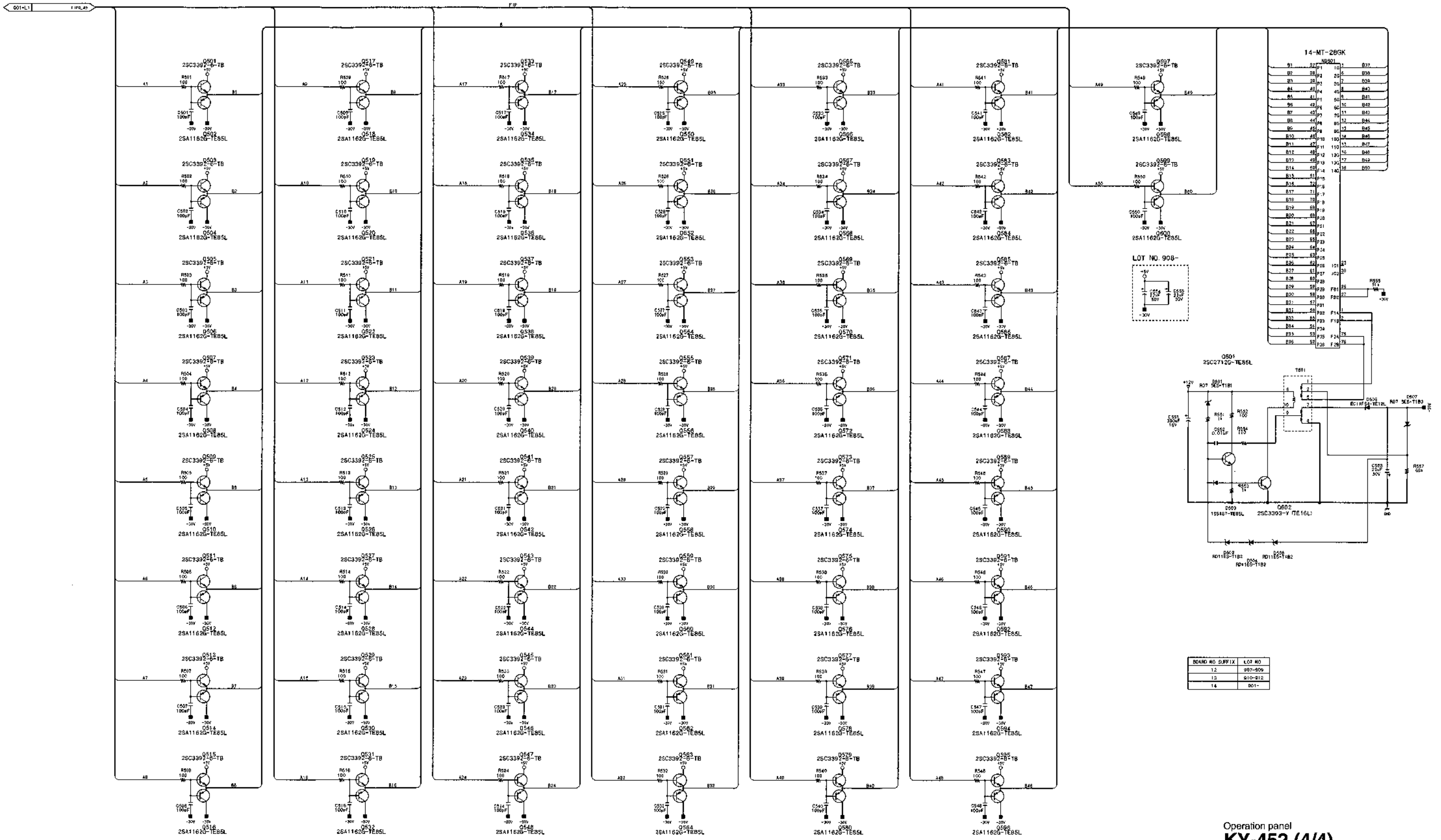
1

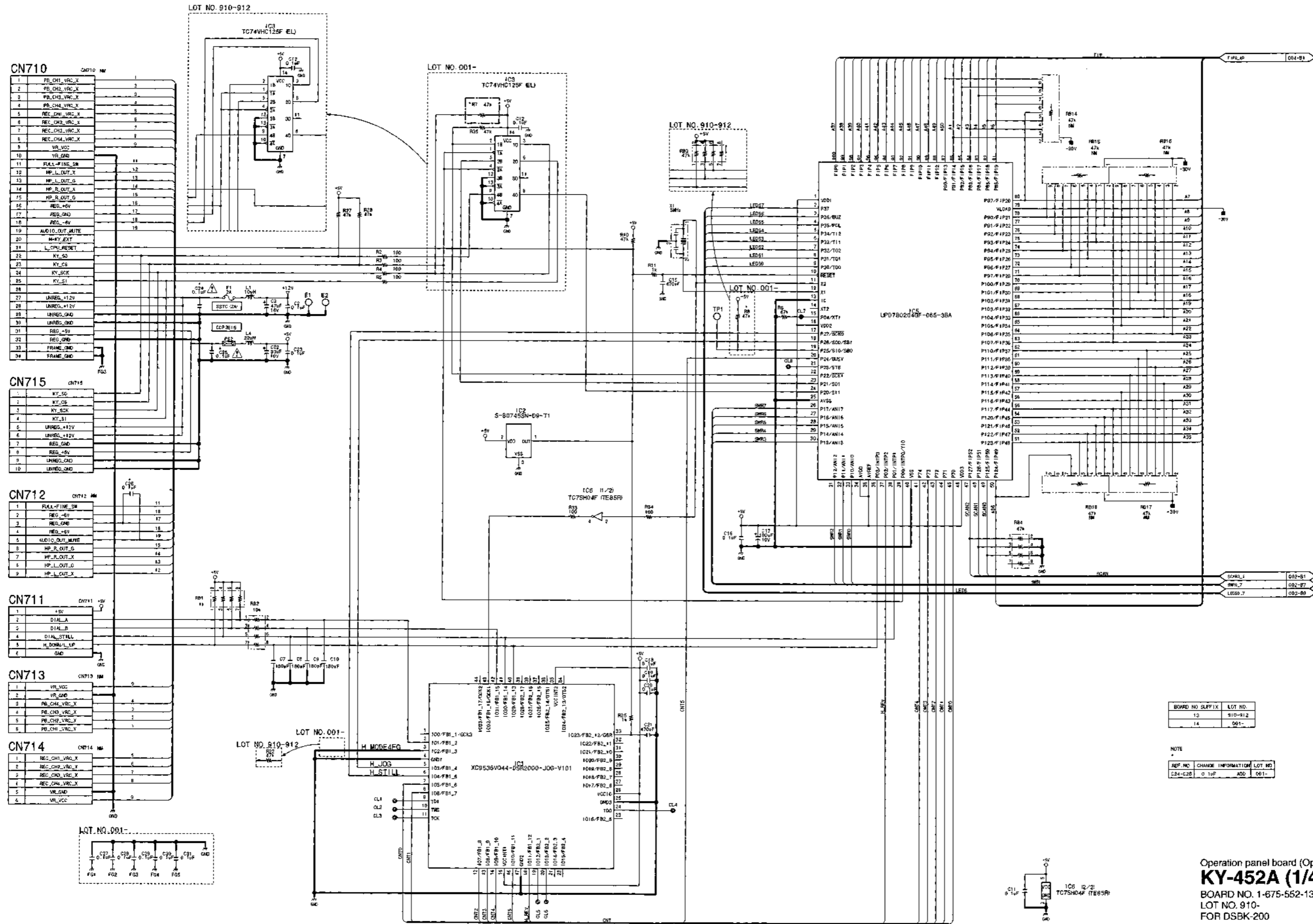
2

3

4

5





1
2
3
4
5

Operation panel board (Option: DSBK-200)
KY-452A (1/4)
 BOARD NO. 1-675-552-13, 14
 LOT NO. 910-912
 FOR DSBK-200
 DSBK-200_KY-452A_014_1

KY-452A (2/4) KY-452A (2/4)

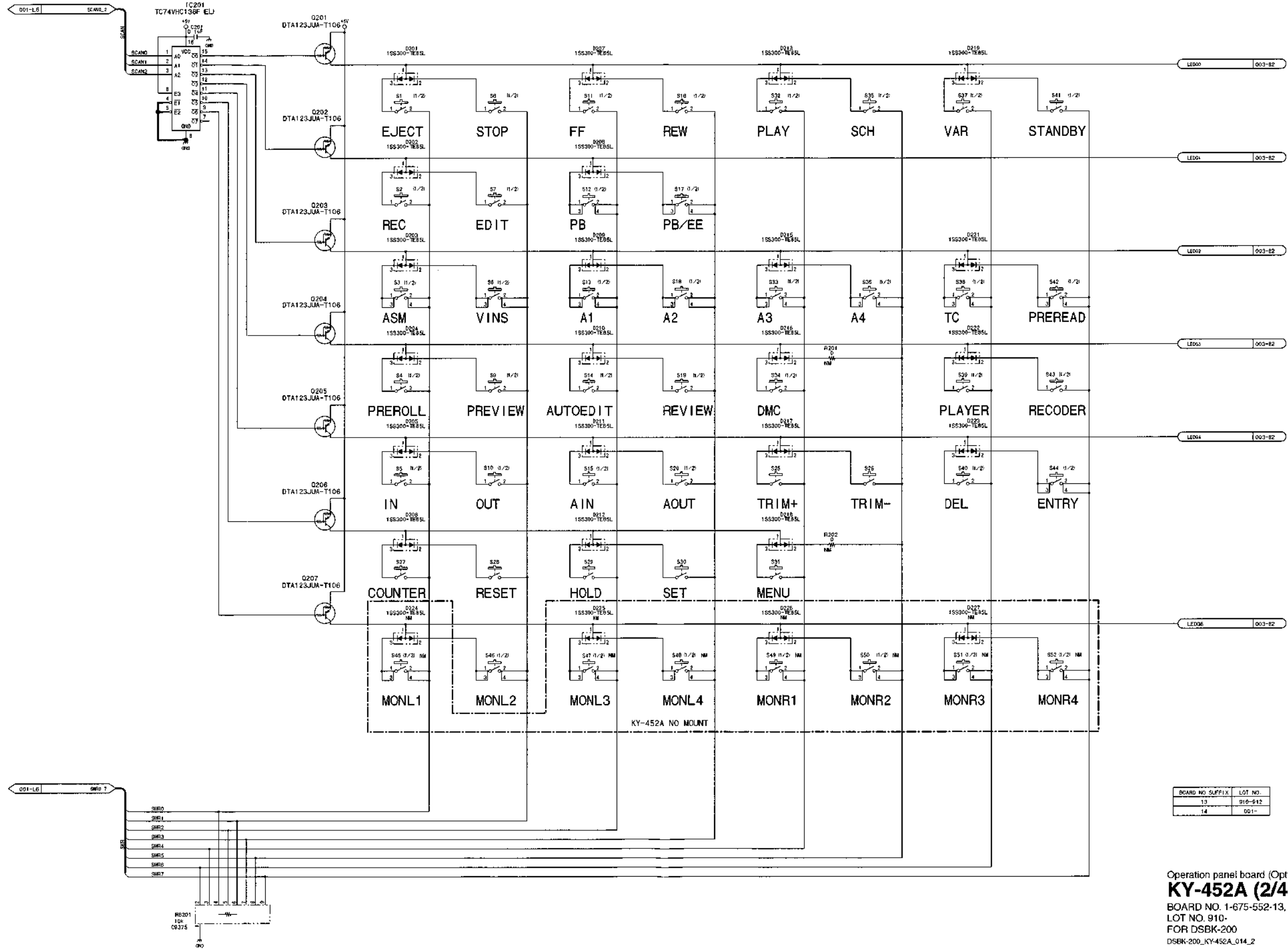
1

2

3

4

5



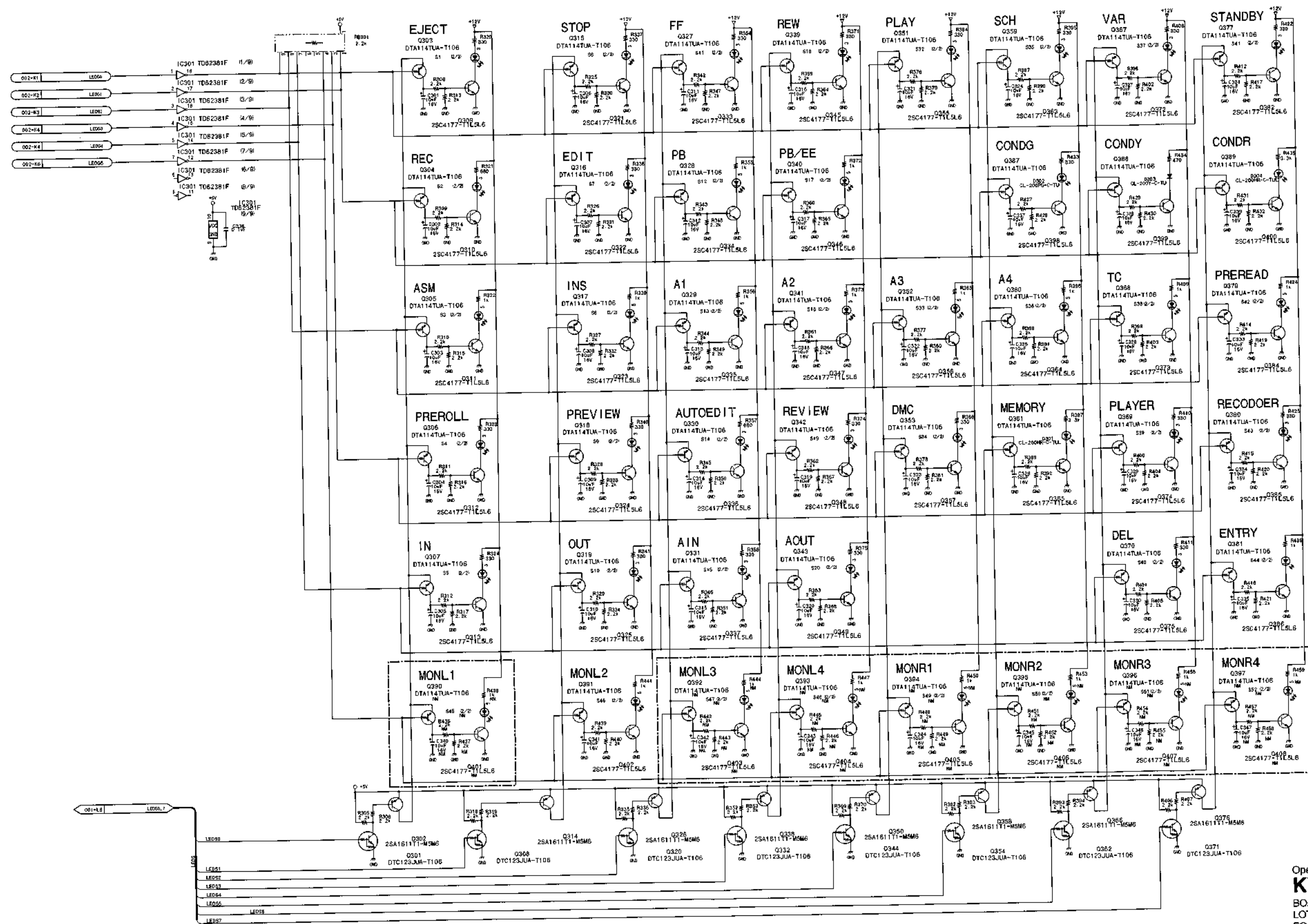
BOARD NO. SUFFIX	LOT NO.
13	910-212
14	001-

Operation panel board (Option: DSBK-200)
KY-452A (2/4)
 BOARD NO. 1-675-552-13, 14
 LOT NO. 910-
 FOR DSBK-200
 DSBK-200_KY-452A_014_2

15-90

15-90

A | B | C | D | E | F | G | H



KY-452A NO MOUNT

BOARD NO. SUFFIX	LOT NO.
13	910-912
14	901*

Operation panel board (Option: DSBK-200)
KY-452A (3/4)
 BOARD NO. 1-675-552-13, 14
 LOT NO. 910-
 FOR DSBK-200
 DSBK-200_KY-452A_014_3

KY-452A (4/4) KY-452A (4/4)

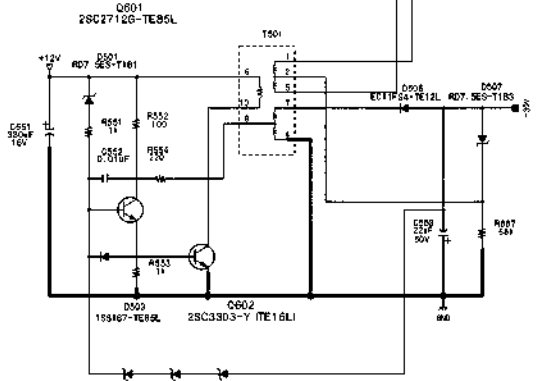
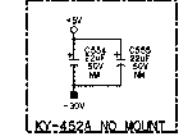
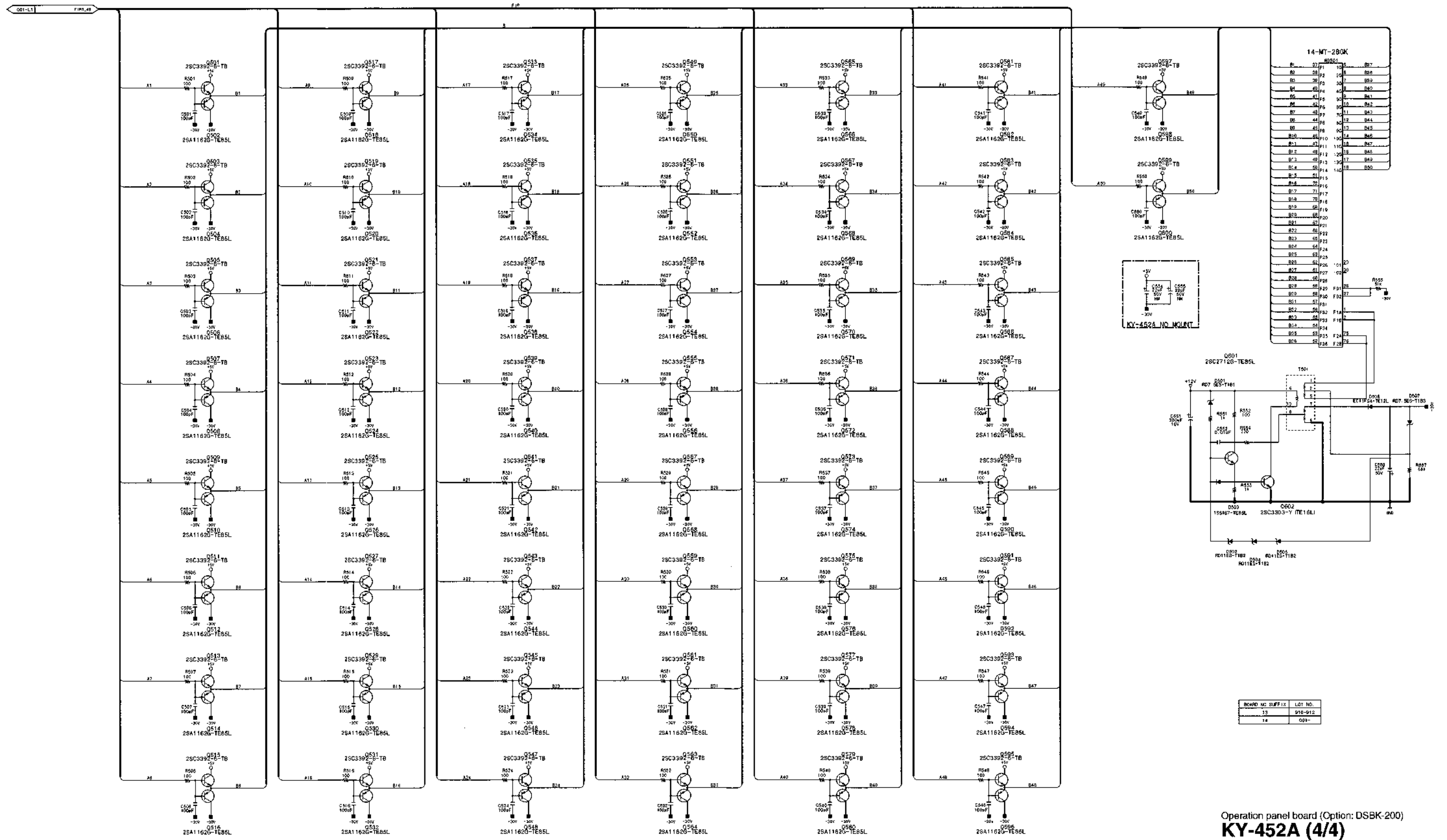
1

2

3

4

5



BOARD NO	REV	LOT NO.
13	1	010-912
14	1	001-

Operation panel board (Option: DSBK-200)
KY-452A (4/4)
 BOARD NO. 1-675-552-13, 14
 LOT NO. 910-
 FOR DSBK-200
 DSBK-200_KY-452A_014_4

A | B | C | D | E | F | G | H

APR-45 CN101

Table for connector APR-45 CN101, listing 25 pins and their functions such as CH1_A_D_X, CH1_A_D_Y, CH1_A_D_G, etc.

VPR-62 CN104

Table for connector VPR-62 CN104, listing 25 pins and their functions such as GND, DAY0, AFG_OE, AD06, etc.

DPR-136 CN106

Table for connector DPR-136 CN106, listing 147 pins and their functions such as GND, SUB_1SCD0, SUB_1SCD1, etc.

CN300

Table for connector CN300, listing 147 pins and their functions such as GND, JC_RESET, SUB_CPCX, etc.

APR-45 CN102

Table for connector APR-45 CN102, listing 25 pins and their functions such as GND, SDIR_D0, INDI_DT34, PB_OS0T2, etc.

DPR-136 CN105

Table for connector DPR-136 CN105, listing 25 pins and their functions such as GND, AIFP_CS, SDIF, RLTRKT, etc.

VPR-62 CN103

Table for connector VPR-62 CN103, listing 25 pins and their functions such as INPUT_Y_G, OUTPUT_SY_X, INPUT_V_X, etc.

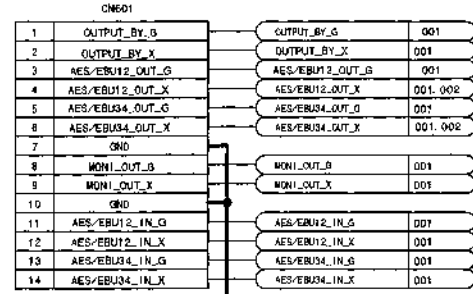
DPR-136 CN107

Table for connector DPR-136 CN107, listing 25 pins and their functions such as GND, SY_S1_3V, DAY0, AFG_OE, etc.

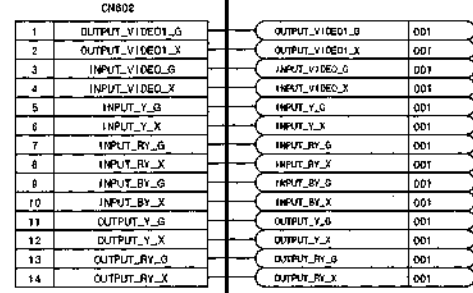
Small table with columns BOARD NO. SUFFIX and LOT NO., listing values like 11, 12, 13 and 907-910, 911-999, 099-.

Mother board MB-859 (1/7) BOARD NO. 1-675-524-11, 12, 13 LOT NO. 907- DSR-2000_MB-859_013_1

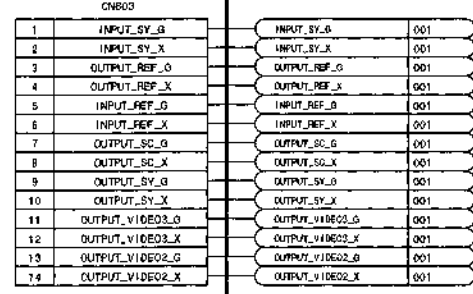
CP-341 CN-601



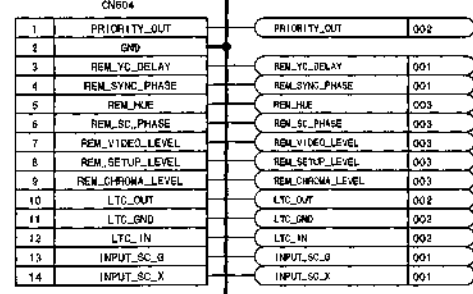
CP-341 CN-602



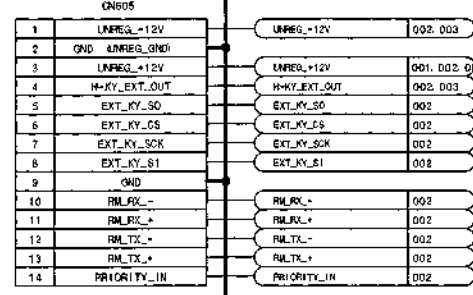
CP-341 CN-603



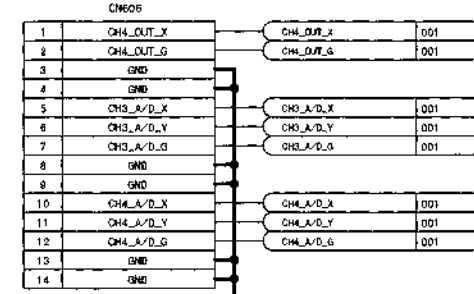
CP-341 CN-604



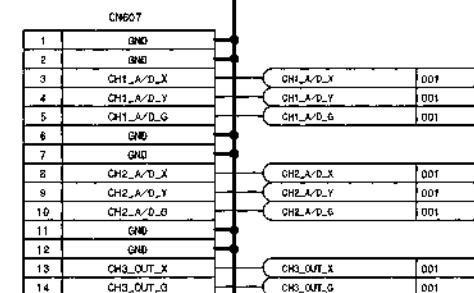
CP-341 CN-605



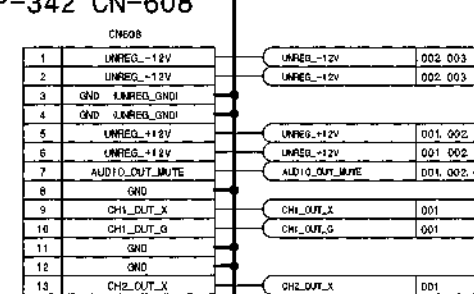
CP-342 CN-606



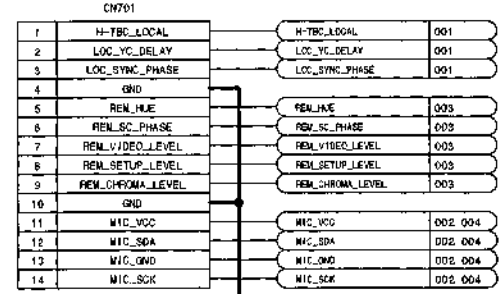
CP-342 CN-607



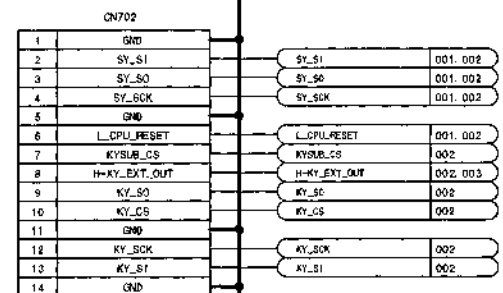
CP-342 CN-608



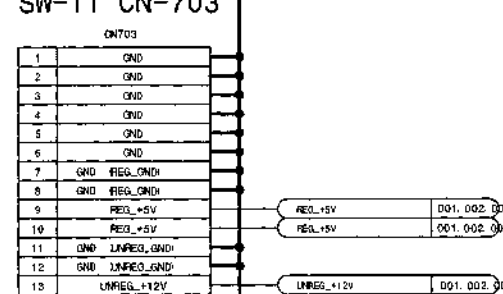
SW-11 CN-701



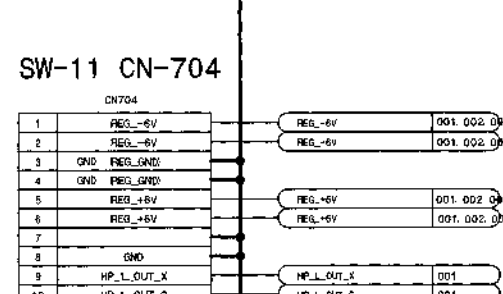
SW-11 CN-702



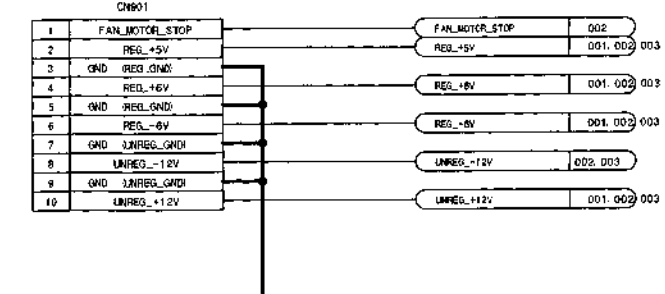
SW-11 CN-703



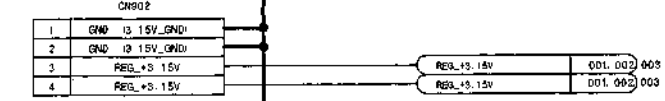
SW-11 CN-704



SW-REG CN-901



SW-REG CN-902



BOARD NO. SUFFIX	LOT NO.
11	907-910
12	911-912
13	093-

Mother board
MB-859 (3/7)
 BOARD NO. 1-675-524-11, 12, 13
 LOT NO. 907-
 DSR-2000_MB-859_013_3

1
2
3
4
5

MS-64 CN502

CN502	
1	GND_SV
2	REG+5V_SV
3	5V-2
4	GND_SV
5	DRUM_PG
6	DRUM_W_HE_-
7	DRUM_W_HE_+
8	DRUM_V_HE_-
9	DRUM_V_HE_+
10	DRUM_U_HE_-
11	DRUM_U_HE_+
12	DRUM_PG
13	GND_SV
14	CAPSTAN_V_HE_-
15	CAPSTAN_V_HE_+
16	CAPSTAN_W_HE_-
17	CAPSTAN_W_HE_+
18	CAPSTAN_U_HE_-
19	CAPSTAN_U_HE_+
20	GND_SV
21	CAPSTAN_PG_A
22	GND_SV
23	CAPSTAN_PG_B
24	GND_SV
25	DEW_SENSOR_X
26	END_SENSOR_X
27	LOADING_SENSOR2_X
28	LOADING_SENSOR1_X
29	LOADING_SENSOR_LED
30	LOADING_PG_X

MS-64 CN503

CN503	
1	GND_SV
2	GND_SV
3	TENSION
4	TENSION_CURRENT
5	REG_-5V_SV
6	GND_SV
7	TOP_END_SENSOR_LED
8	TOP_SENSOR_X
9	MINI_POSITION_X
10	R-POSITION_LED1
11	STD_POSITION_X
12	THERMO_SENSOR_X
13	GND_SV
14	R-POSITION_LED2
15	C-POSITION_X
16	M-POSITION_X
17	GND_SV
18	SV_EEPROM_S0
19	SV_EEPROM_S1
20	SV_EEPROM_S2
21	SV_EEPROM_CS
22	SV_EEPROM_BUSY
23	GND_SV
24	GND_SV
25	T-REEL_W_HE_-
26	T-REEL_W_HE_+
27	T-REEL_V_HE_+
28	T-REEL_V_HE_-
29	T-REEL_U_HE_+
30	T-REEL_U_HE_-

MS-64 CN504

CN504	
1	NC
2	NC
3	NC
4	NC
5	NC
6	GND_SV
7	T-REEL_PG_A
8	GND_SV
9	T-REEL_PG_B
10	GND_SV
11	REC_INK_SW
12	MTC_VCC
13	MTC_SDA
14	MTC_GND
15	MTC_SCK
16	GND_SV
17	S-REEL_PG_A
18	GND_SV
19	S-REEL_PG_B
20	GND_SV
21	S-REEL_W_HE_+
22	S-REEL_W_HE_-
23	S-REEL_V_HE_+
24	S-REEL_V_HE_-
25	S-REEL_U_HE_+
26	S-REEL_U_HE_-
27	REG+5V_SV
28	REG+5V_SV
29	REG+3.15V_SV
30	GND_SV

MS-64 CN505

CN505	
1	CASSE_IN_L
2	CASSE_IN_M
3	CASSE_IN_S2
4	CASSE_IN_S1
5	SIZE_M-ADPT
6	GND_SV
7	SIZE_L
8	SIZE_M
9	L-CASSE_EXIST
10	CC83_LED
11	GND_SV
12	CASSECOM_SENSOR2_X
13	CASSECOM_SENSOR3_X
14	CASSECOM_SENSOR1_X
15	CASSE_SV
16	CASSECOM_MOTOR_+
17	CASSECOM_MOTOR_-
18	GND_SV

MS-64 CN501

CN501	
1	GND_SV
2	R-SHIFT_MOTOR_-
3	R-SHIFT_MOTOR_+
4	T-REEL_MOTOR_W
5	T-REEL_MOTOR_V
6	T-REEL_MOTOR_U
7	M-STOP_SOL_ON
8	M-STOP_SOL_OFF
9	M-STOP_SOL_COMMON
10	M-STOP_SOL_COMMON
11	M-STOP_SOL_OFF
12	M-STOP_SOL_ON
13	R-BRAKE_SOL_ON
14	R-BRAKE_SOL_OFF
15	R-BRAKE_SOL_COMMON
16	R-BRAKE_SOL_COMMON
17	R-BRAKE_SOL_ON
18	R-BRAKE_SOL_OFF
19	S-REEL_MOTOR_W
20	S-REEL_MOTOR_V
21	S-REEL_MOTOR_U
22	GND_SV

MS-64 CN500

CN500	
1	GND_SV
2	DRUM_MOTOR_U
3	DRUM_MOTOR_V
4	DRUM_MOTOR_W
5	GND_SV
6	CAPSTAN_MOTOR_W
7	CAPSTAN_MOTOR_V
8	CAPSTAN_MOTOR_U
9	GND_SV
10	HC_SOL_HOLDER
11	HC_SOL_STARTER
12	HC_SOL_STARTER
13	HC_SOL_COMMON
14	HC_SOL_COMMON
15	LOADING_MOTOR_-
16	LOADING_MOTOR_+
17	PINCH_SOL_ON
18	PINCH_SOL_ON
19	PINCH_SOL_COMMON
20	PINCH_SOL_COMMON
21	PINCH_SOL_OFF
22	PINCH_SOL_OFF

BOARD NO. SUFFIX	LOT NO.
11	907-910
12	911-992
13	093-

Mother board
MB-859 (4/7)
 BOARD NO. 1-675-524-11, 12, 13
 LOT NO. 907-
 DSR-2000_MB-859_013_4

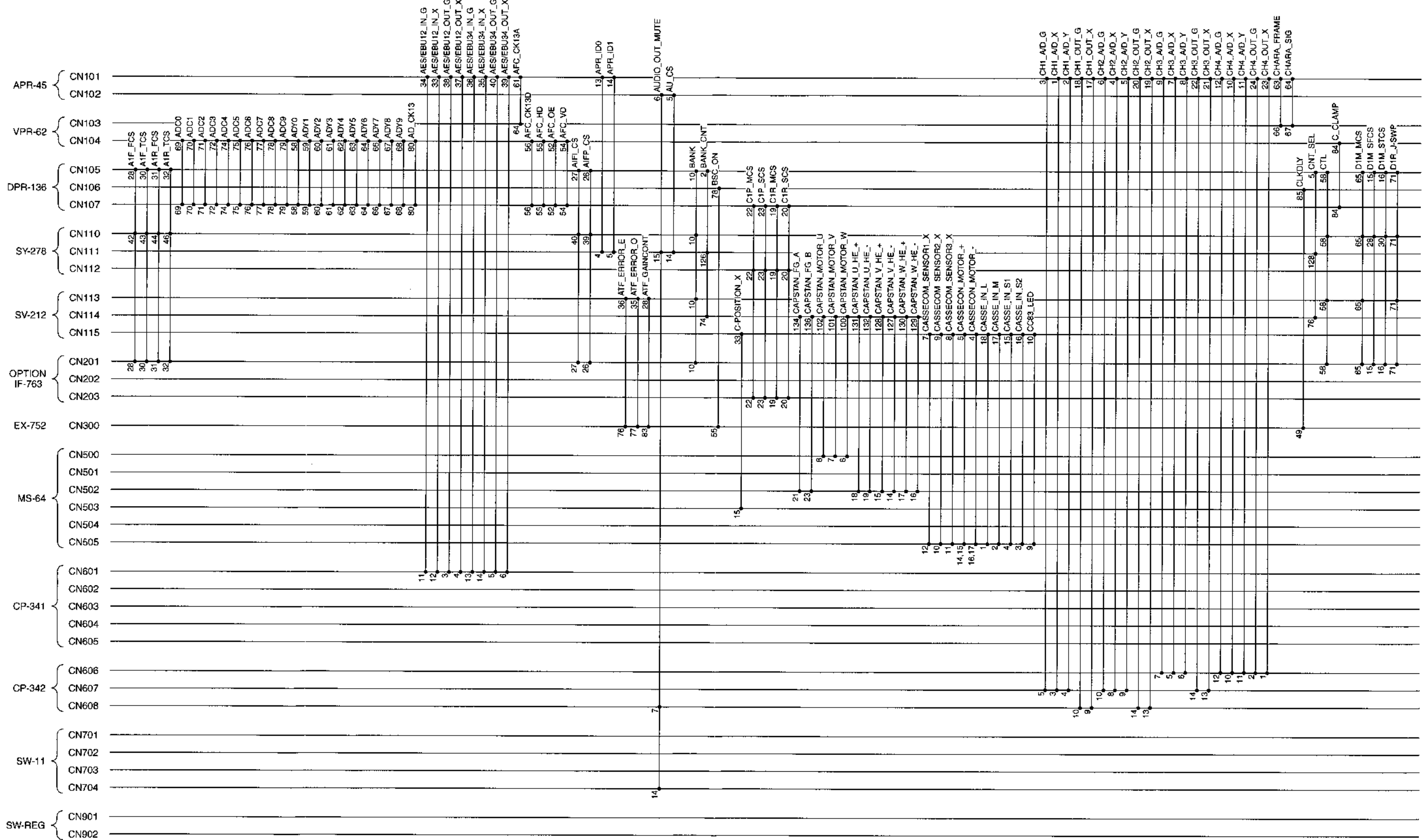
1

2

3

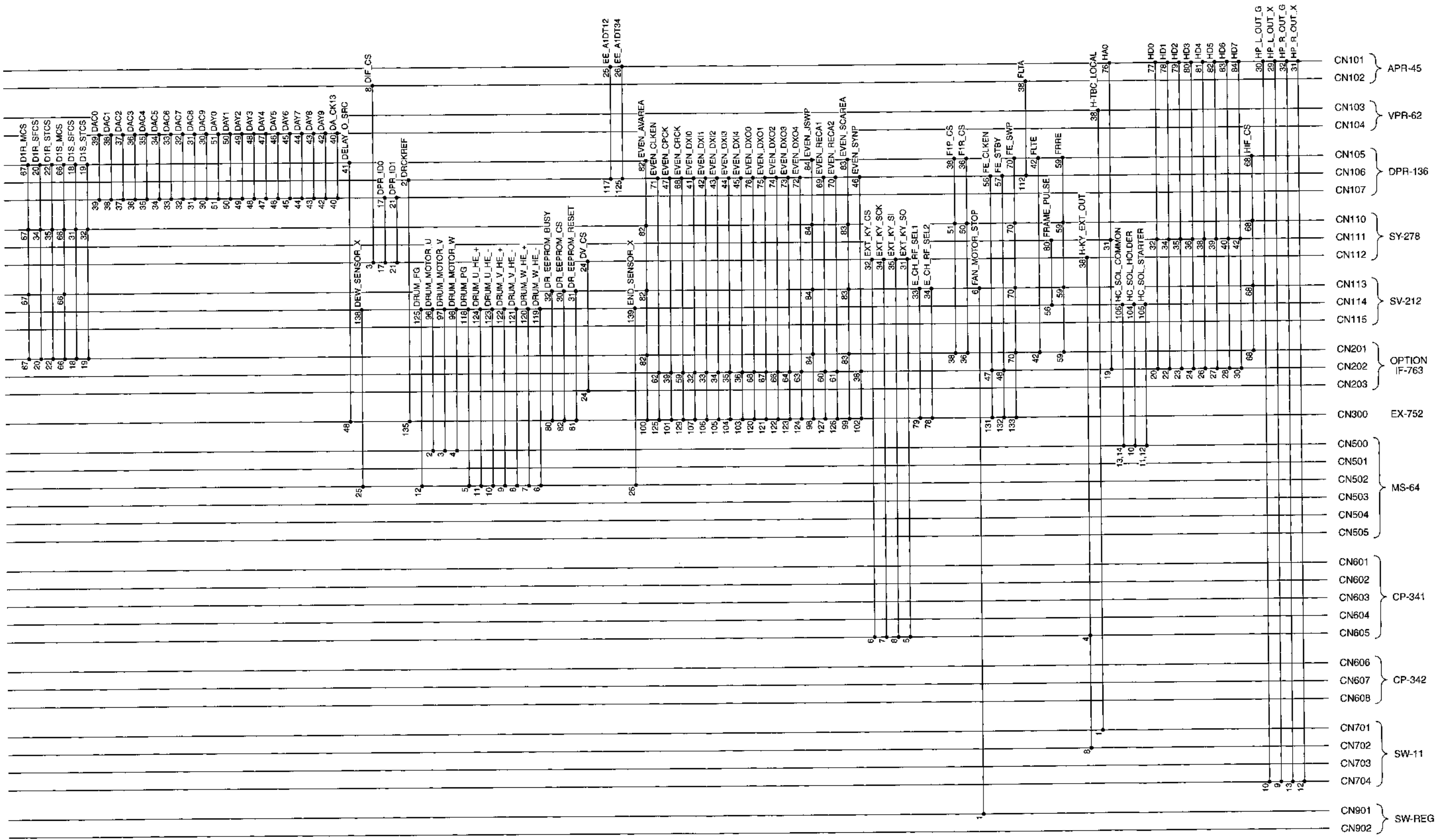
4

5



INDEX | A | B | C | D

A | B | C | D | E | F | G | H



1
2
3
4
5

E F H

BOARD NO.	SUFFIX	LOT NO.
11		907-910
12		911-999
13		999-

INDEX
Mother board
MB-859 (5/7)
BOARD NO. 1-675-524-11, 12, 13
LOT NO. 907-

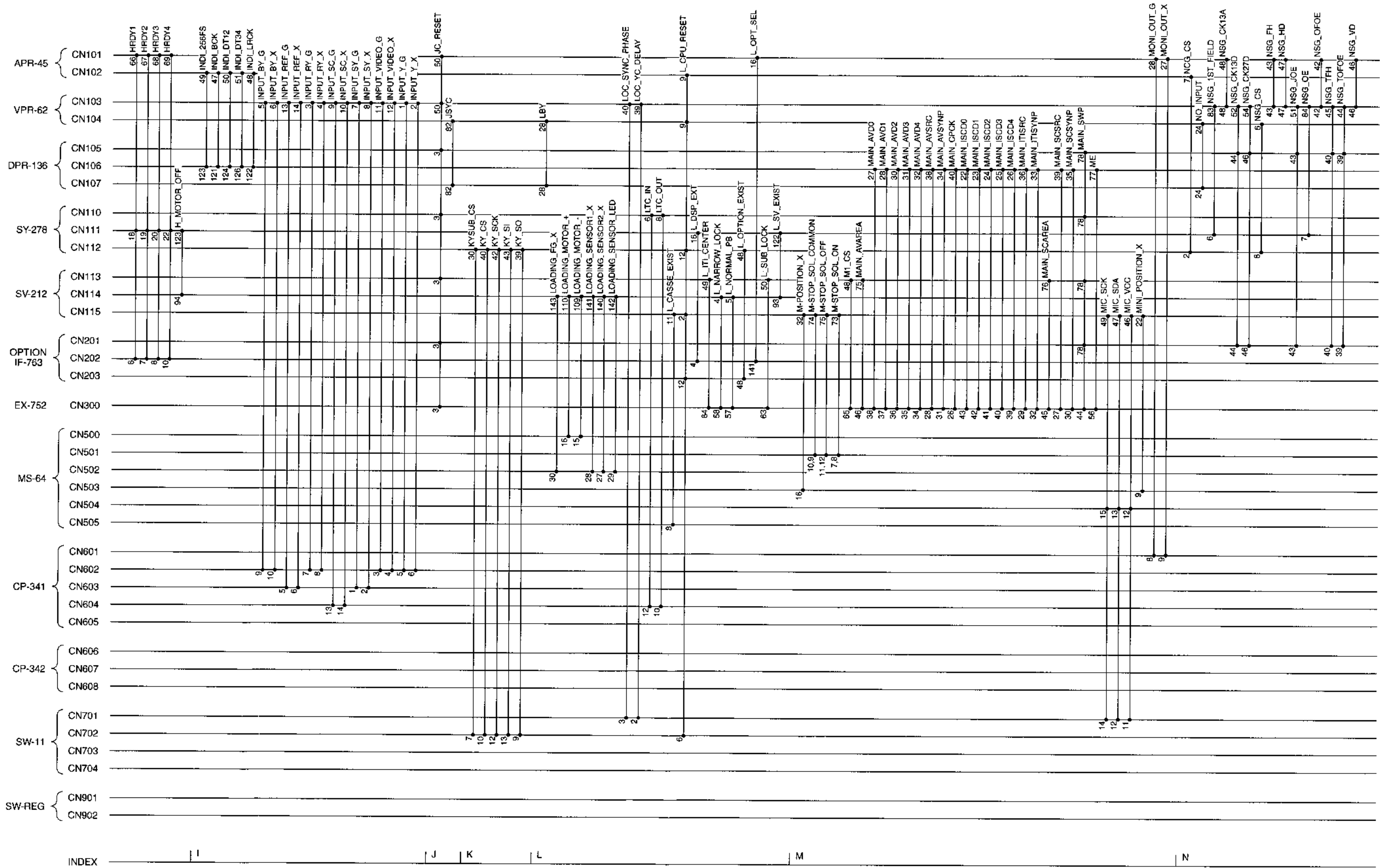
1

2

3

4

5



INDEX I J K L M N

A

B

C

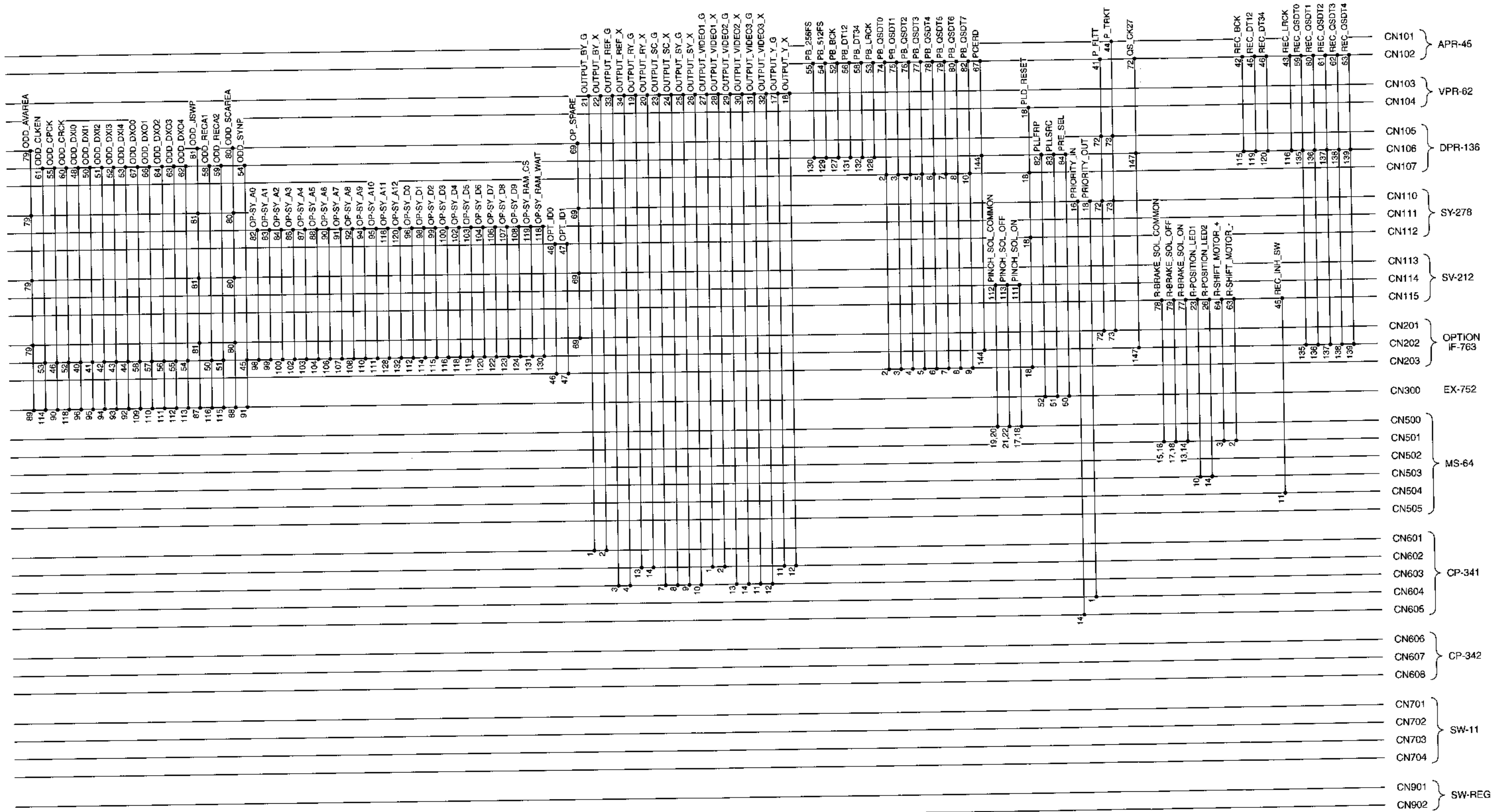
D

E

F

G

H



BOARD NO	SUFFIX	LOT NO
11		907-010
12		911-092
13		093-

Mother board
MB-859 (6/7)
 BOARD NO. 1-675-524-11, 12, 13
 LOT NO. 907-

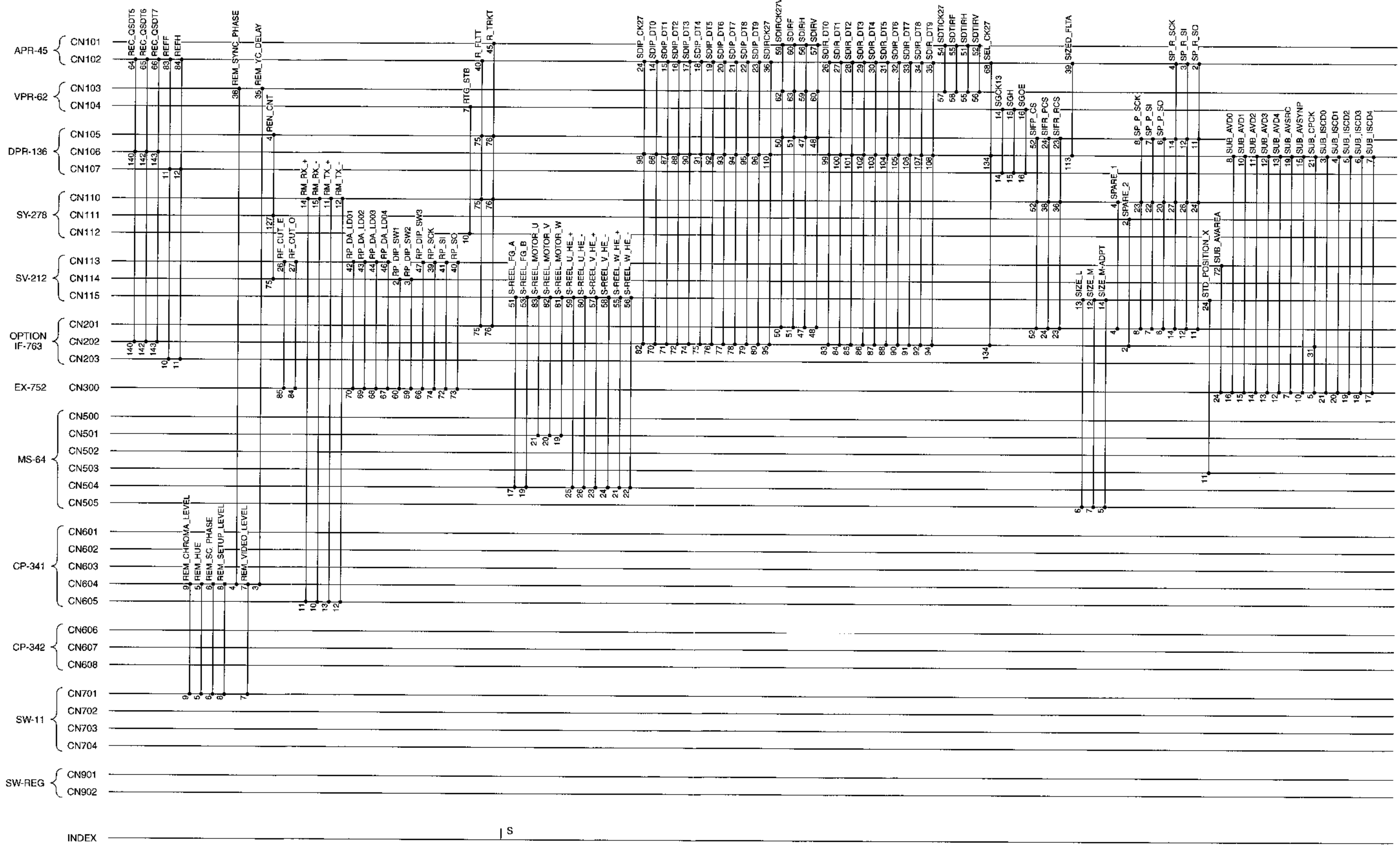
1

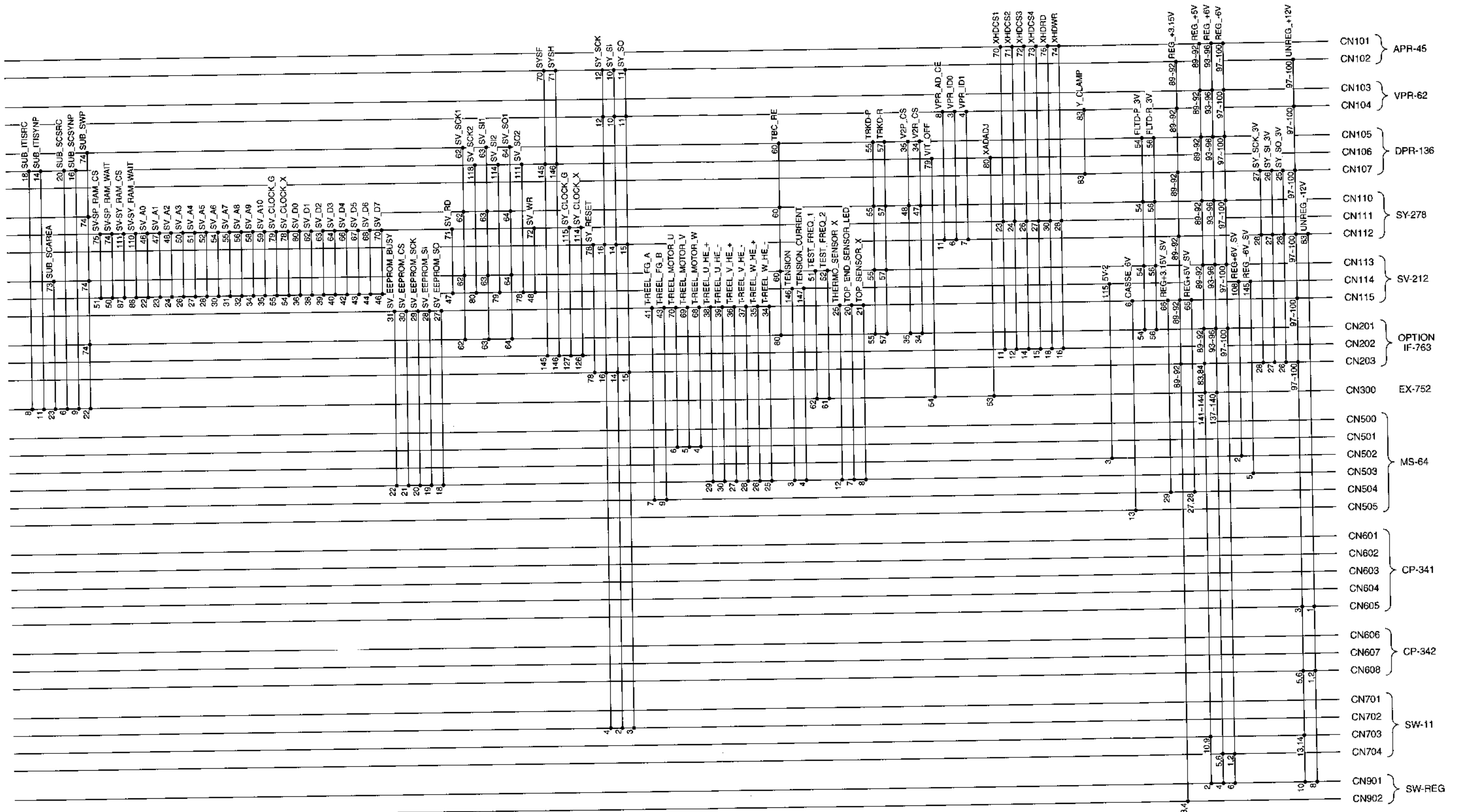
2

3

4

5



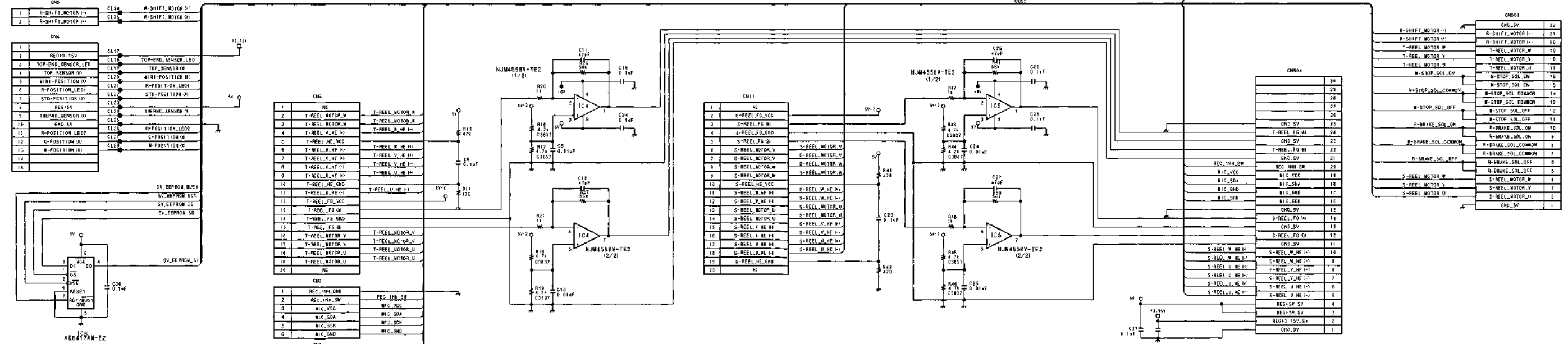
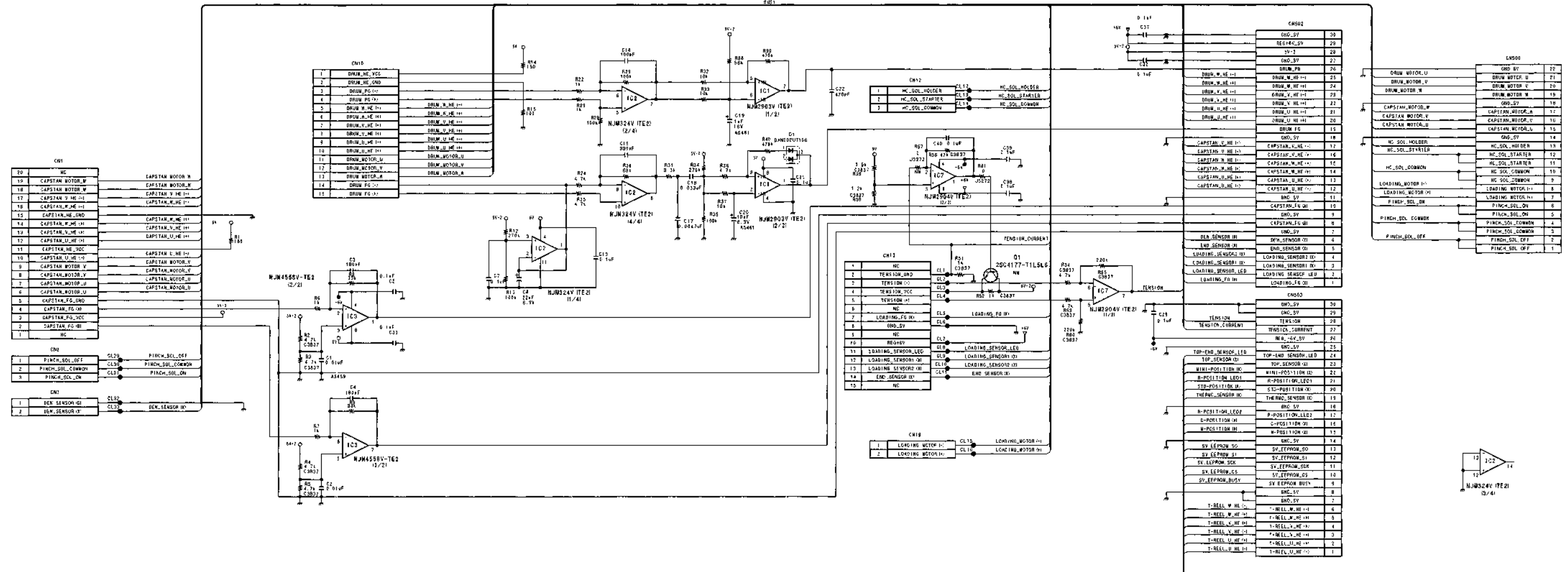


BOARD NO SUFFIX	LOT NO
11	907-910
12	911-992
13	093-

INDEX

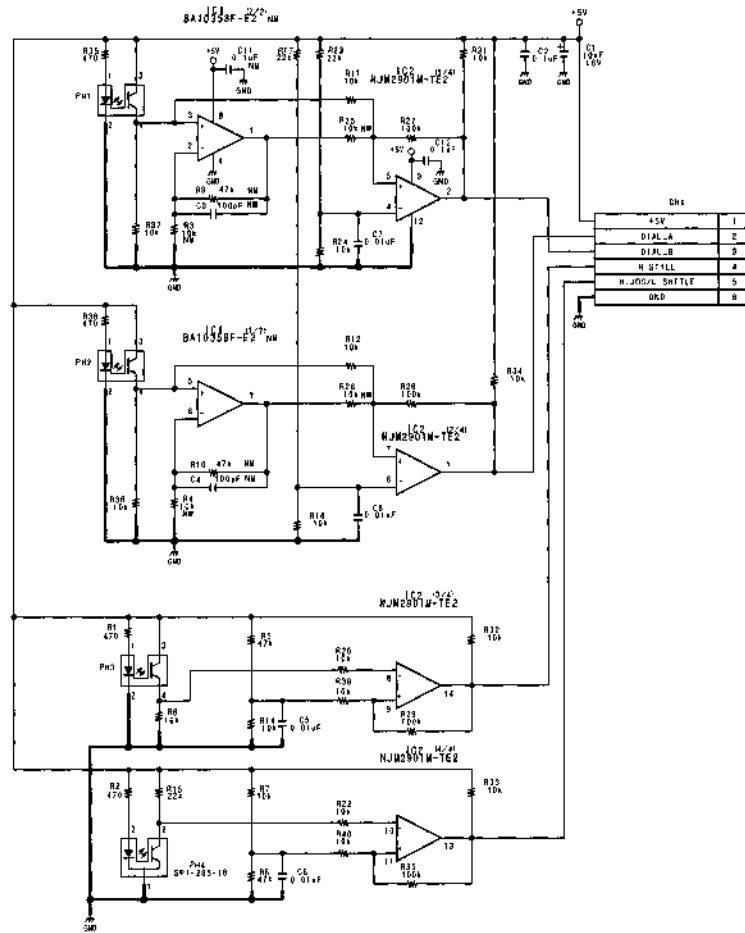
Mother board
MB-859 (7/7)
 BOARD NO. 1-675-524-11, 12, 13
 LOT NO. 907-

1
2
3
4
5



A B C D E F G H

Servo/mechanism control
MS-64
 BOARD NO. 1-675-519-11
 LOT NO. 907-
 DSR-2000_MS-64_C11.1



Search dial sensor
PTC-100
 BOARD NO. 1-675-520-12, 13
 FOR DSR-2000/2000P: LOT NO. 907-
 FOR DSBK-200: LOT NO. 910-
 DSR-2000_PTC-100_C12_1

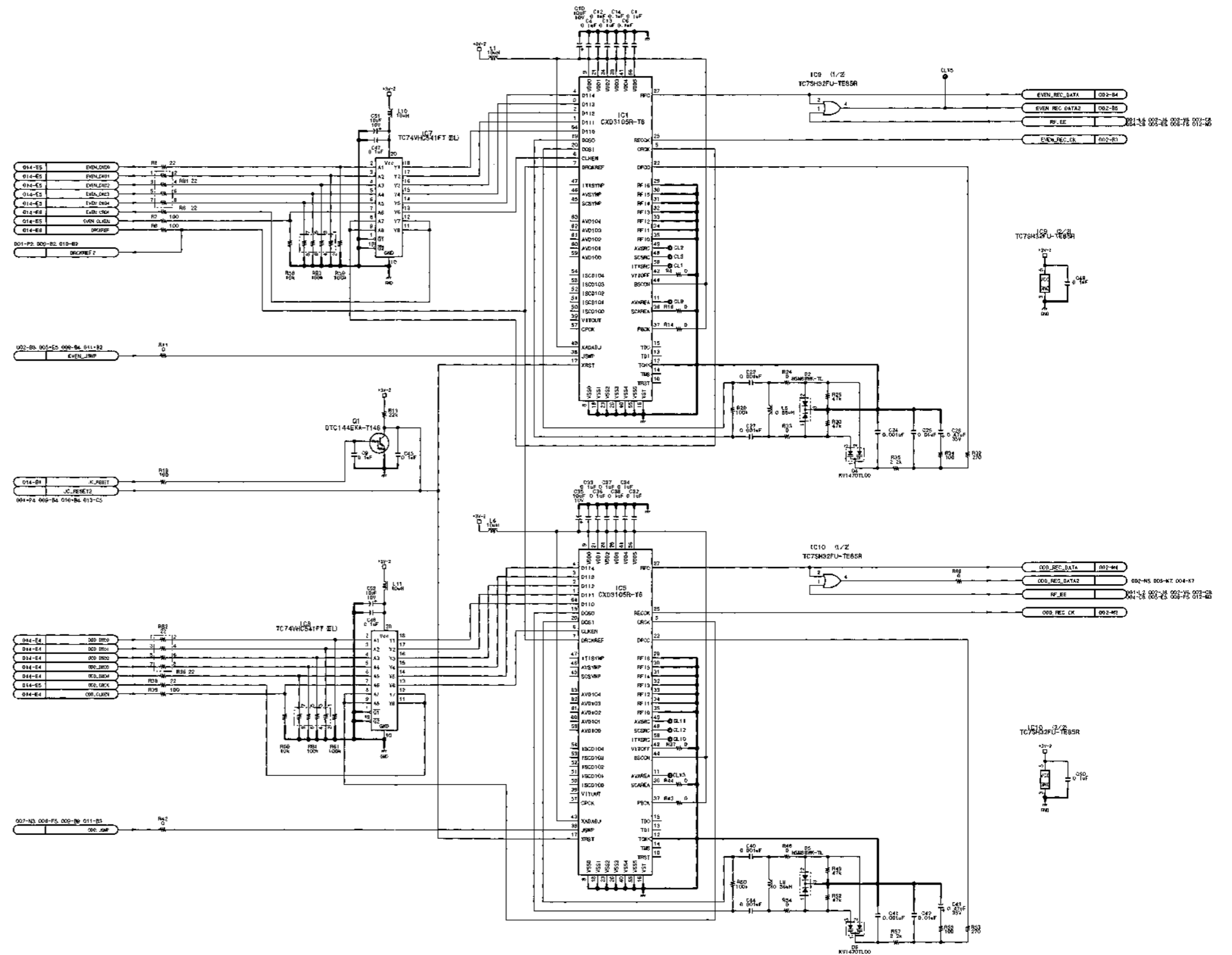
1

2

3

4

5



A

B

C

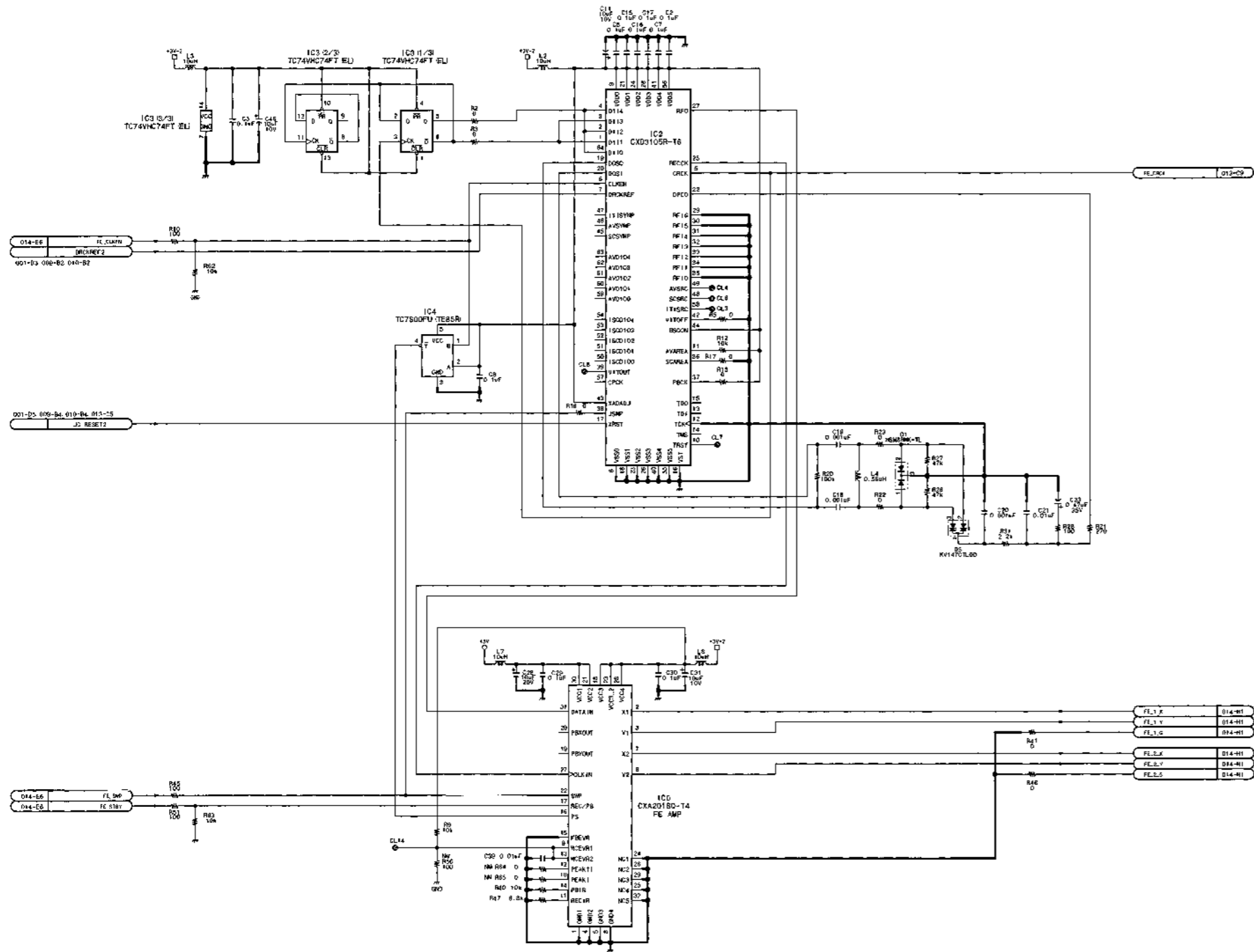
D

E

F

G

H



BOARD NO. SUFFIX	LOT NO.
T1	907
T2	908-911
T3	912-

RF REC/PB, ATF detection
RP-111 (1/14)
 BOARD NO. 1-675-521-11, 12, 13
 LOT NO. 907-
 DSR-2000_RP-111_C12.1

1
2
3
4
5

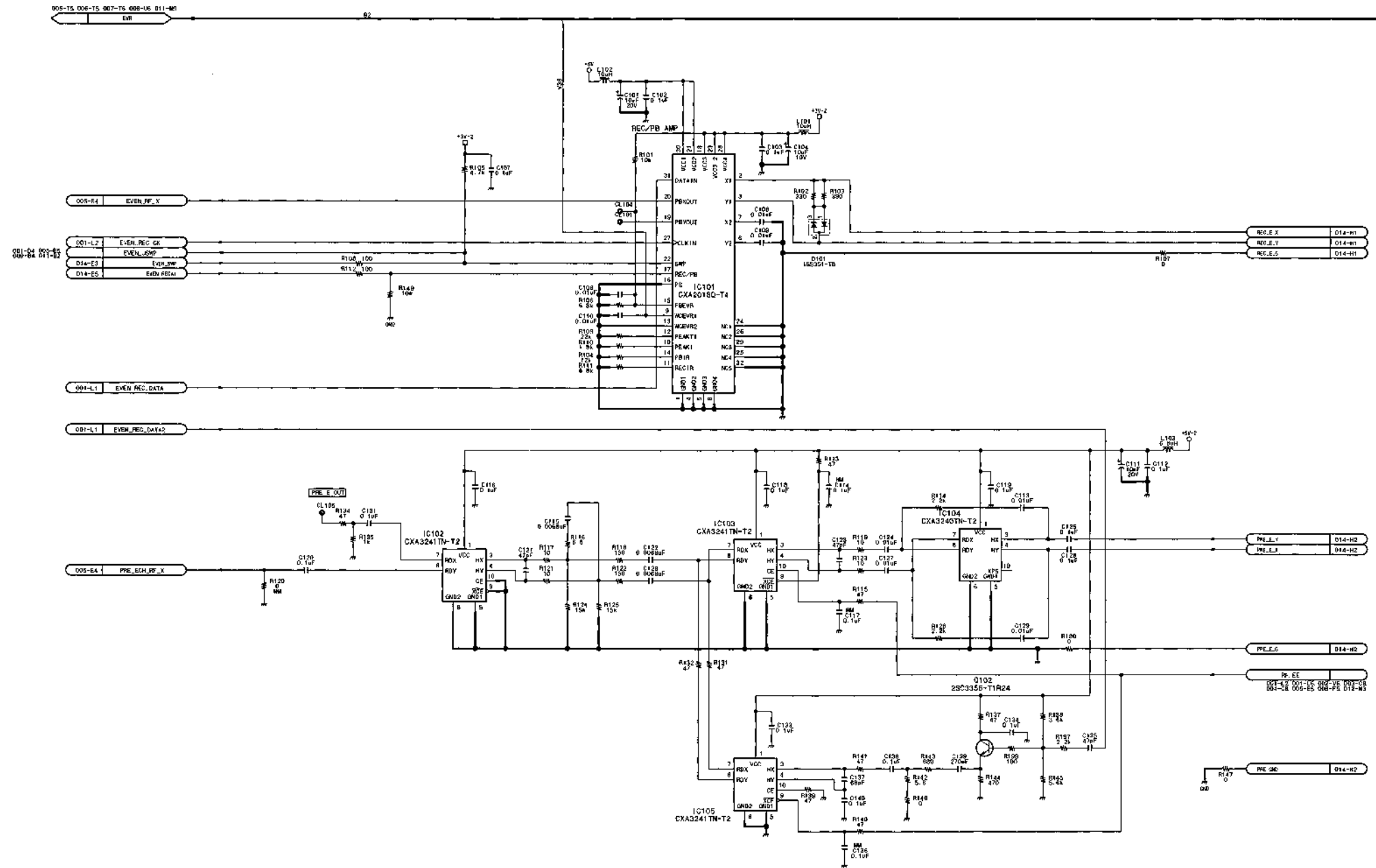
1

2

3

4

5



A

B

C

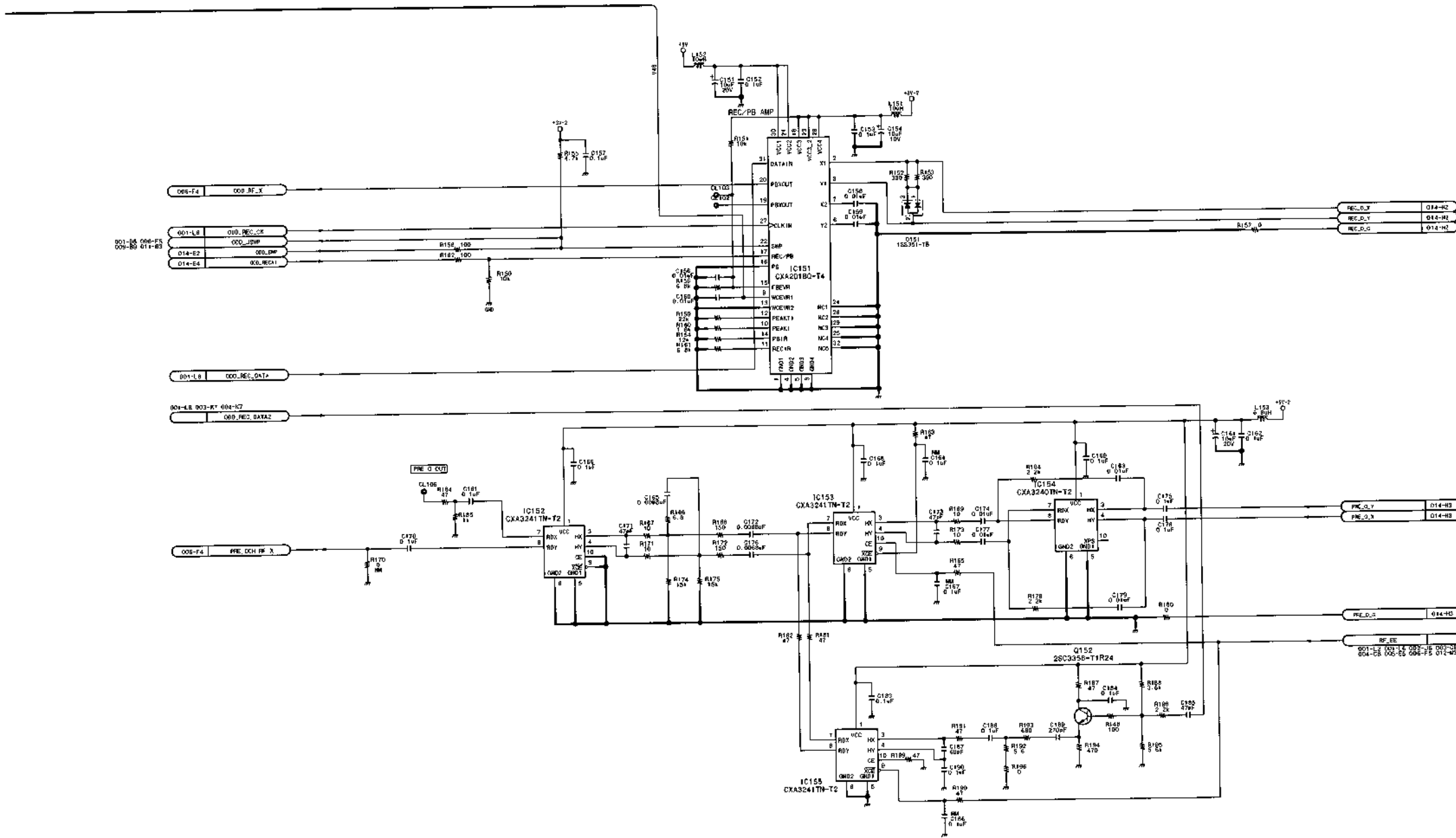
D

E

F

G

H



BOARD NO. SUFFIX	LOT NO.
11	907
12	908-911
13	912-

RF REC/PB, ATF detection
RP-111 (2/14)
 BOARD NO. 1-675-521-11, 12, 13
 LOT NO. 907-
 DSR-2000_RP-111_C12_2

1

2

3

4

5

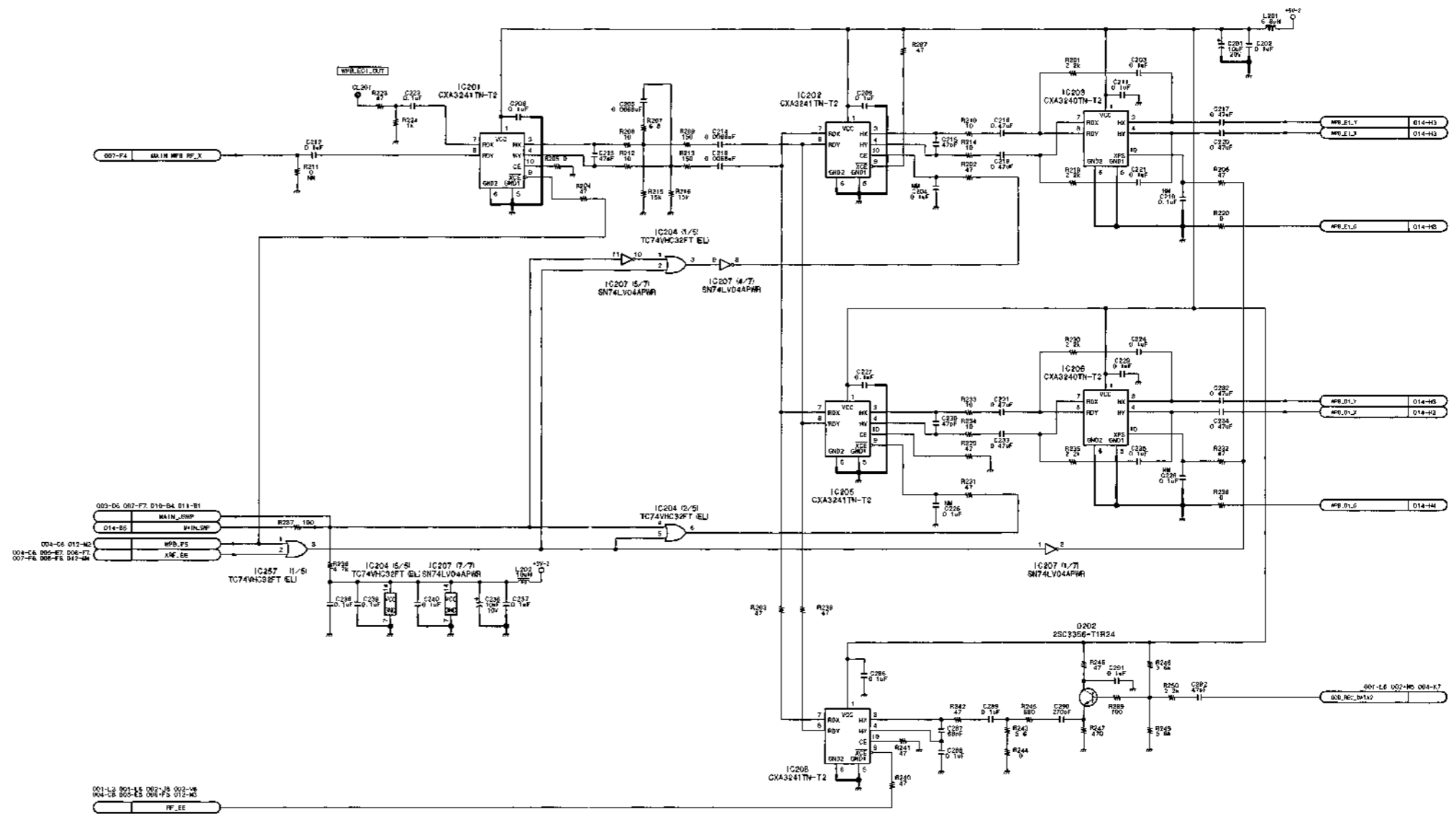
1

2

3

4

5



A

B

C

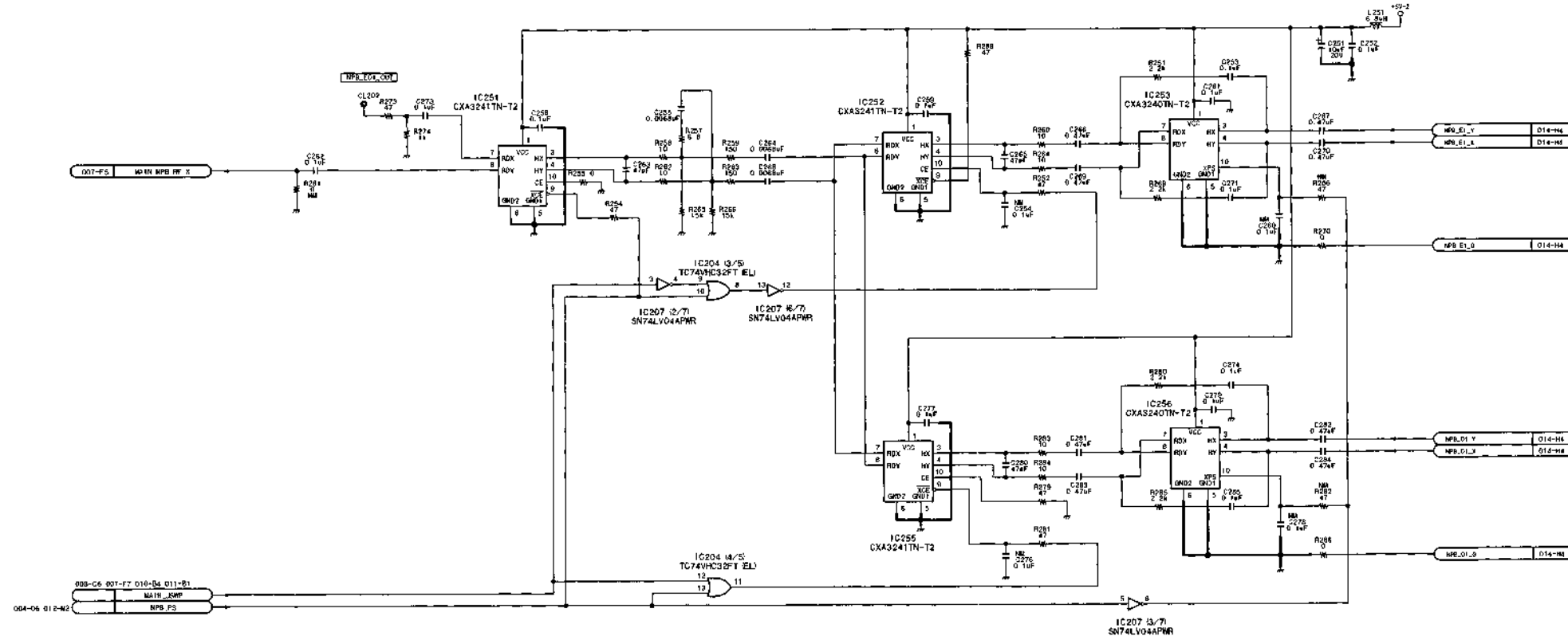
D

E

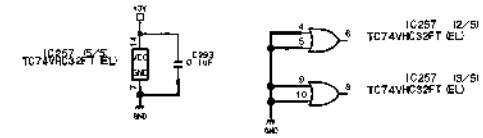
F

G

H



BOARD NO. SUFFIX	LOT NO.
11	907
12	908-911
13	912-



1
2
3
4
5

RF REC/PB, ATF detection
RP-111 (3/14)
 BOARD NO. 1-675-521-11, 12, 13
 LOT NO. 907-
 DSR-2000_RP-111_C12_3

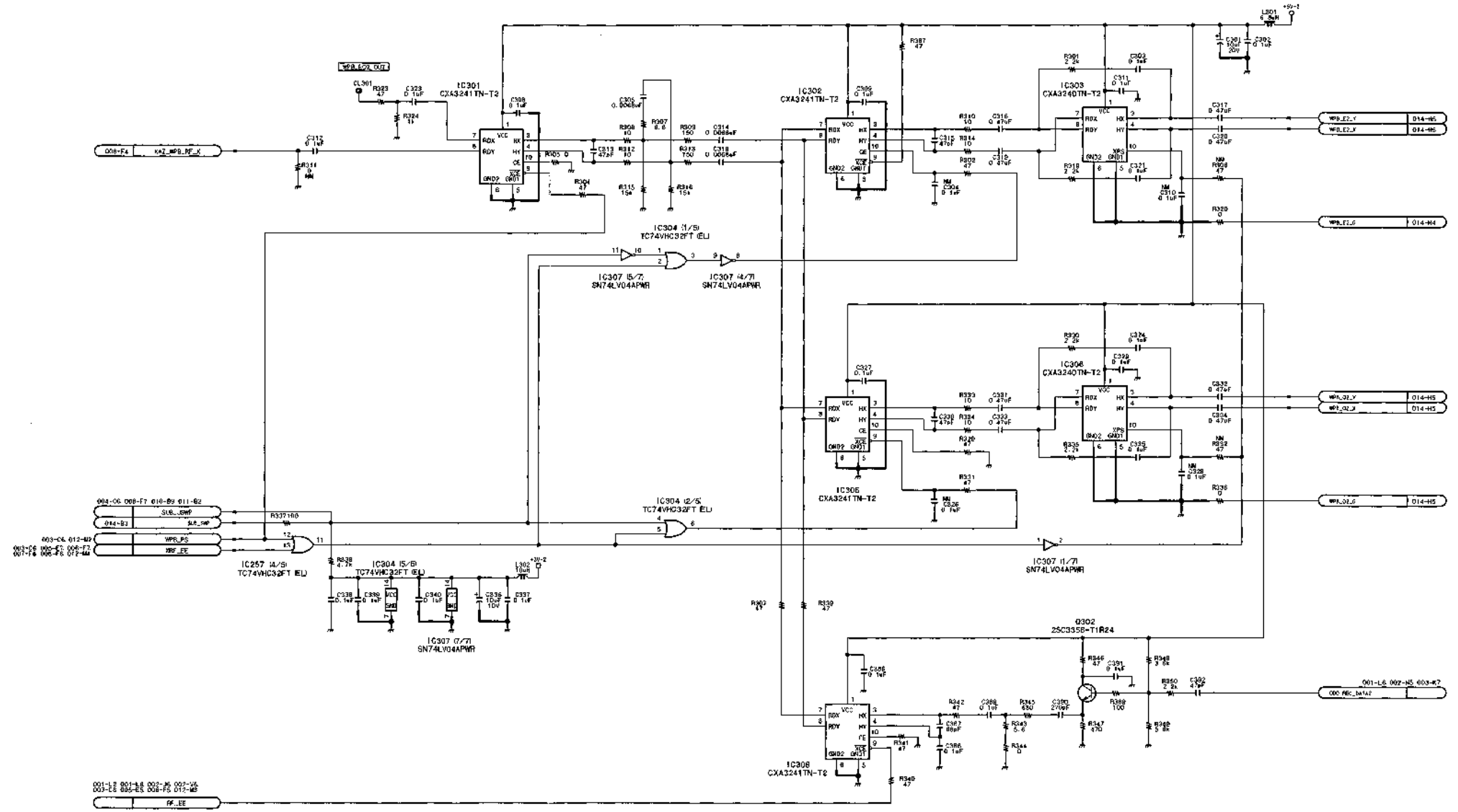
1

2

3

4

5



A

B

C

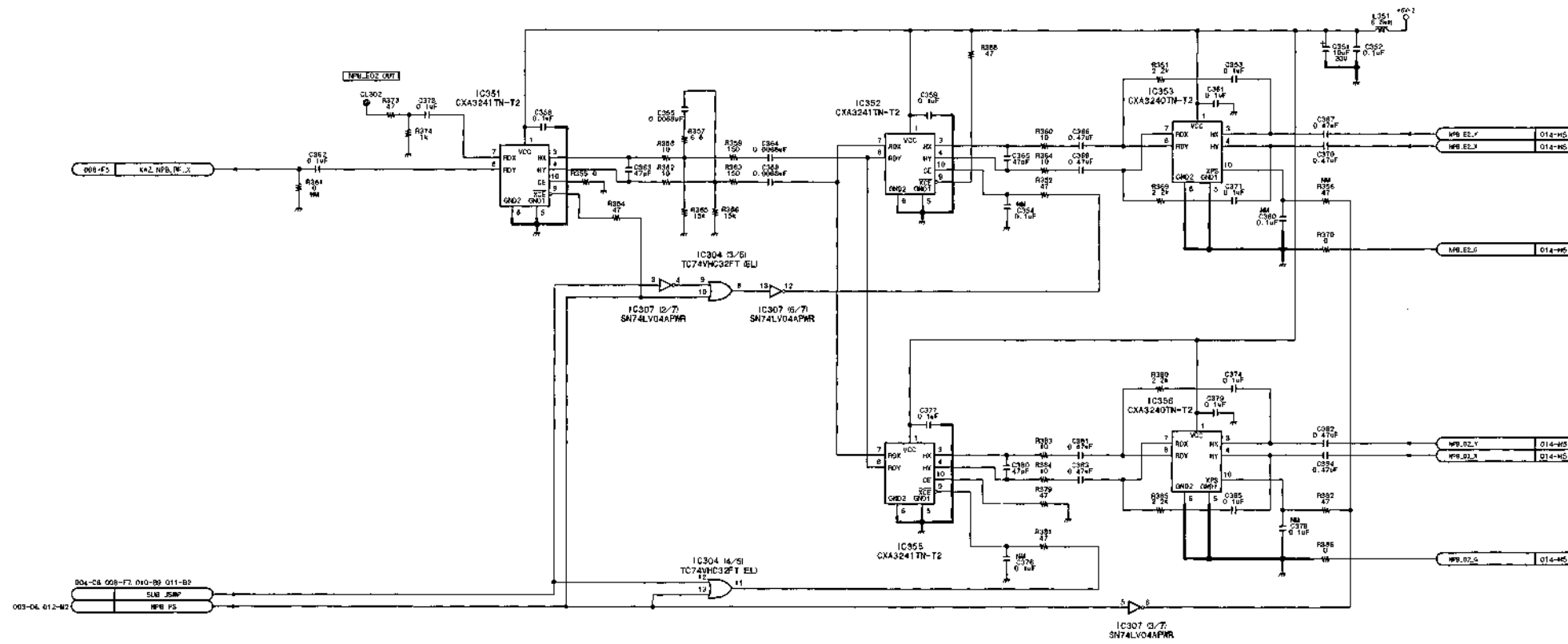
D

E

F

G

H



BOARD NO. SUFFIX	LOT NO.
11	907
12	908-911
13	912-

1

2

3

4

5

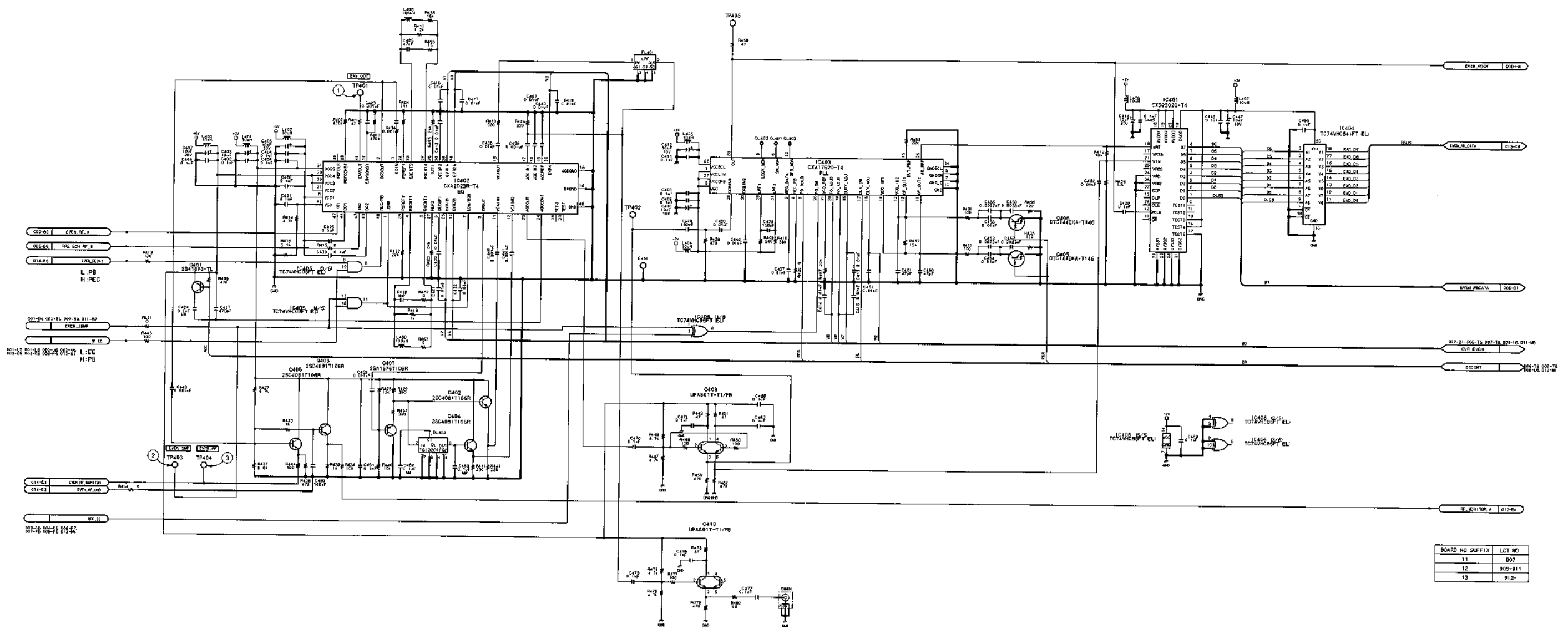
RF REC/PB, ATF detection
RP-111 (4/14)
 BOARD NO. 1-675-521-11, 12, 13
 LOT NO. 907-
 DSR-2000_RP-111_C12_4

1

2

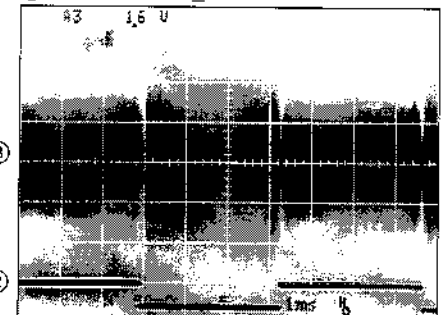
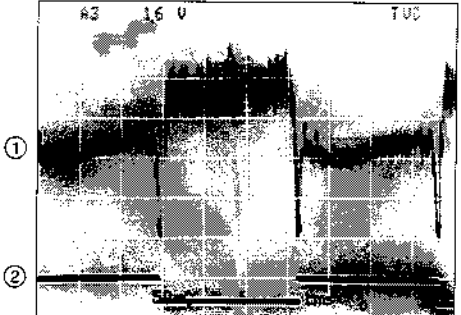
3

4



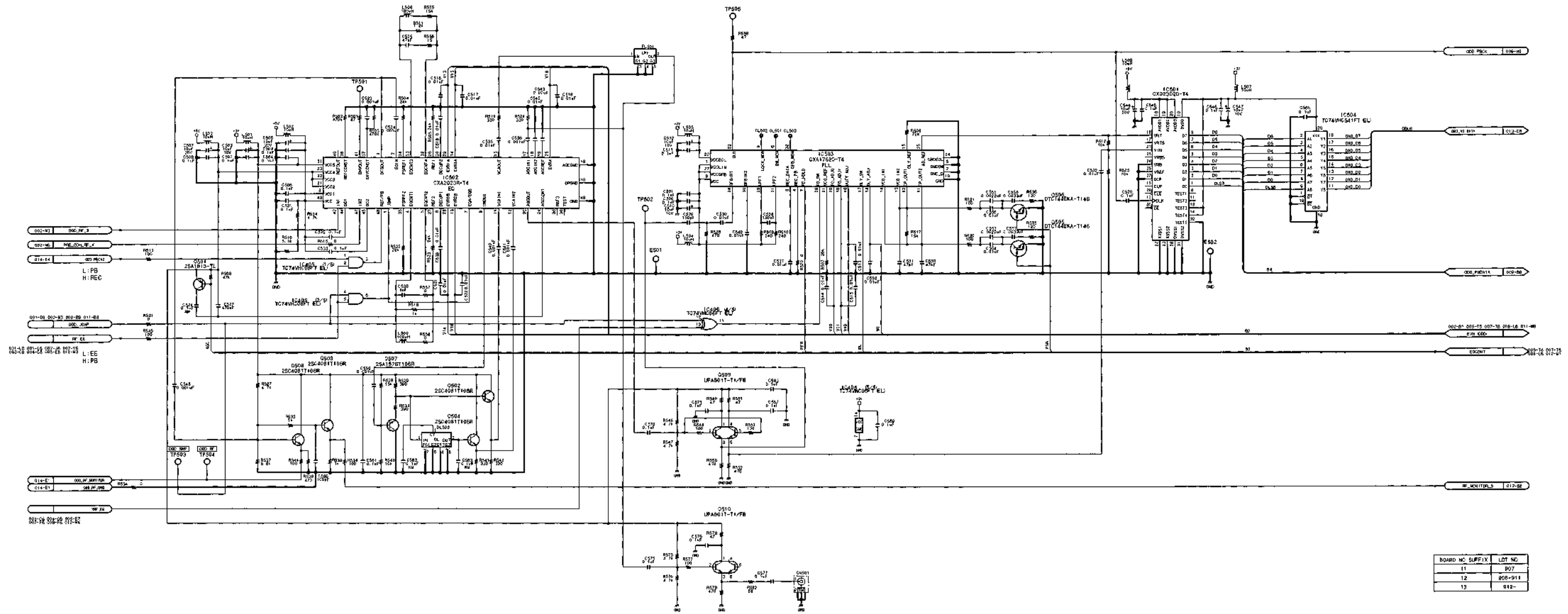
① TP401 ENV OUT
② TP403 EVEN_SWP

② TP403 EVEN_SWP
③ TP404 EVEN_RF



5

RF REC/PB, ATF detection
RP-111 (5/14)
BOARD NO. 1-675-521-11, 12, 13
LOT NO. 907-
DSR 2000_RP-111_C12_5

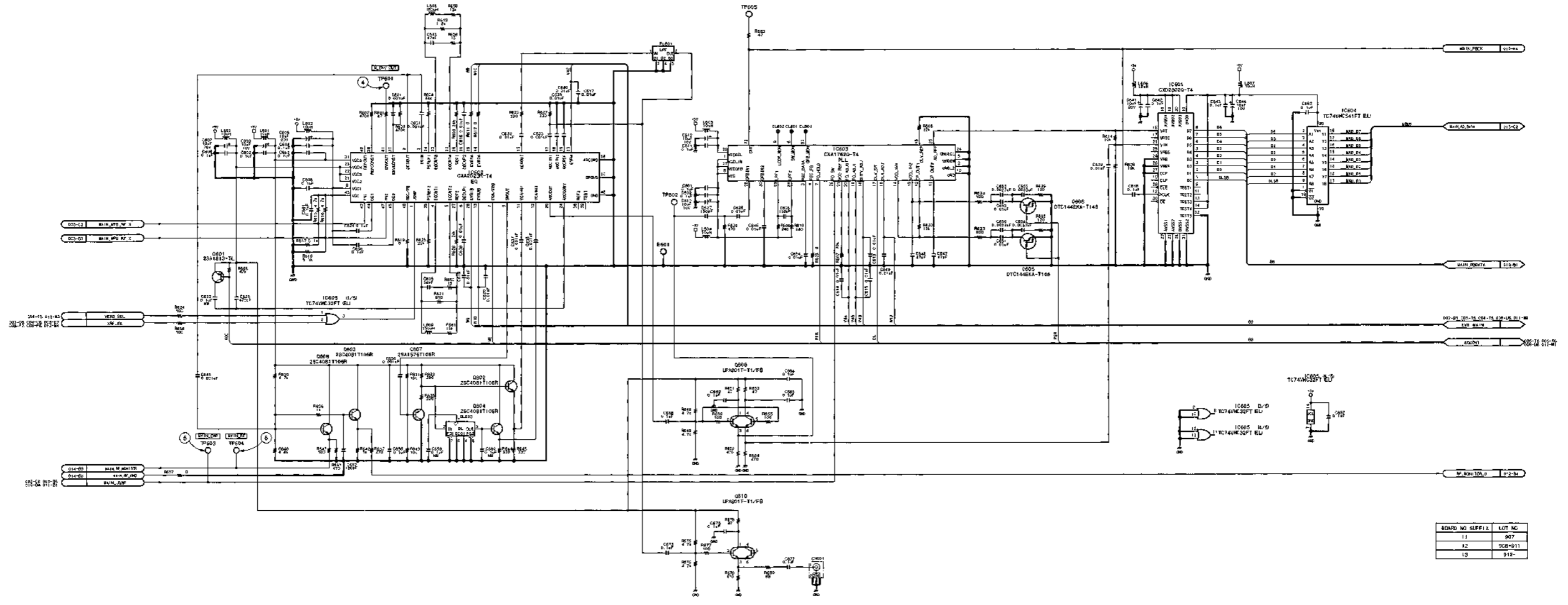


1

2

3

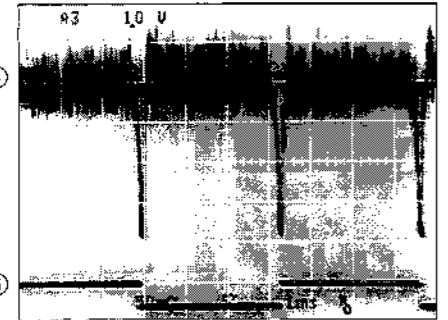
4



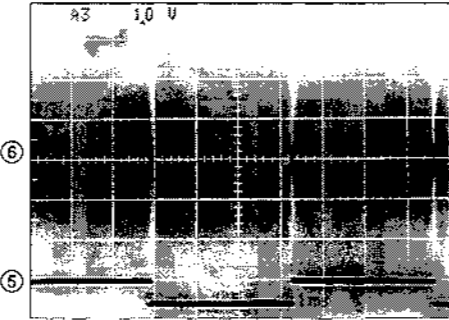
BOARD NO	SLP#	LOT NO
11	907	
12	908-911	
13	912-	

5

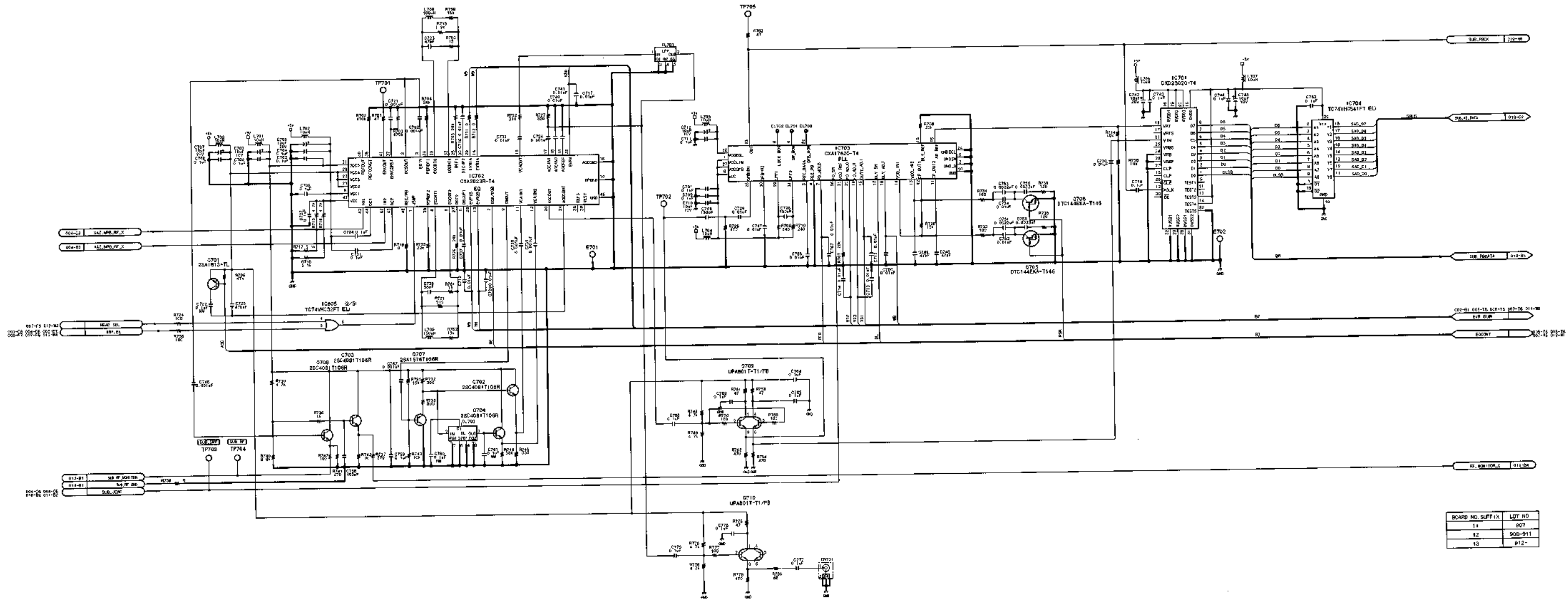
- ④ TP601 M_ENV OUT
- ⑤ TP603 MAIN_SWP



- ⑥ TP604 MAIN_RF



RF REC/PB, ATF detection
RP-111 (7/14)
 BOARD NO. 1-675-521-11, 12, 13
 LOT NO. 907-
 DSR-2000_RP-111_C12_7



BOARD NO. SUFFIX	LOT NO.
11	907
12	908-911
13	912

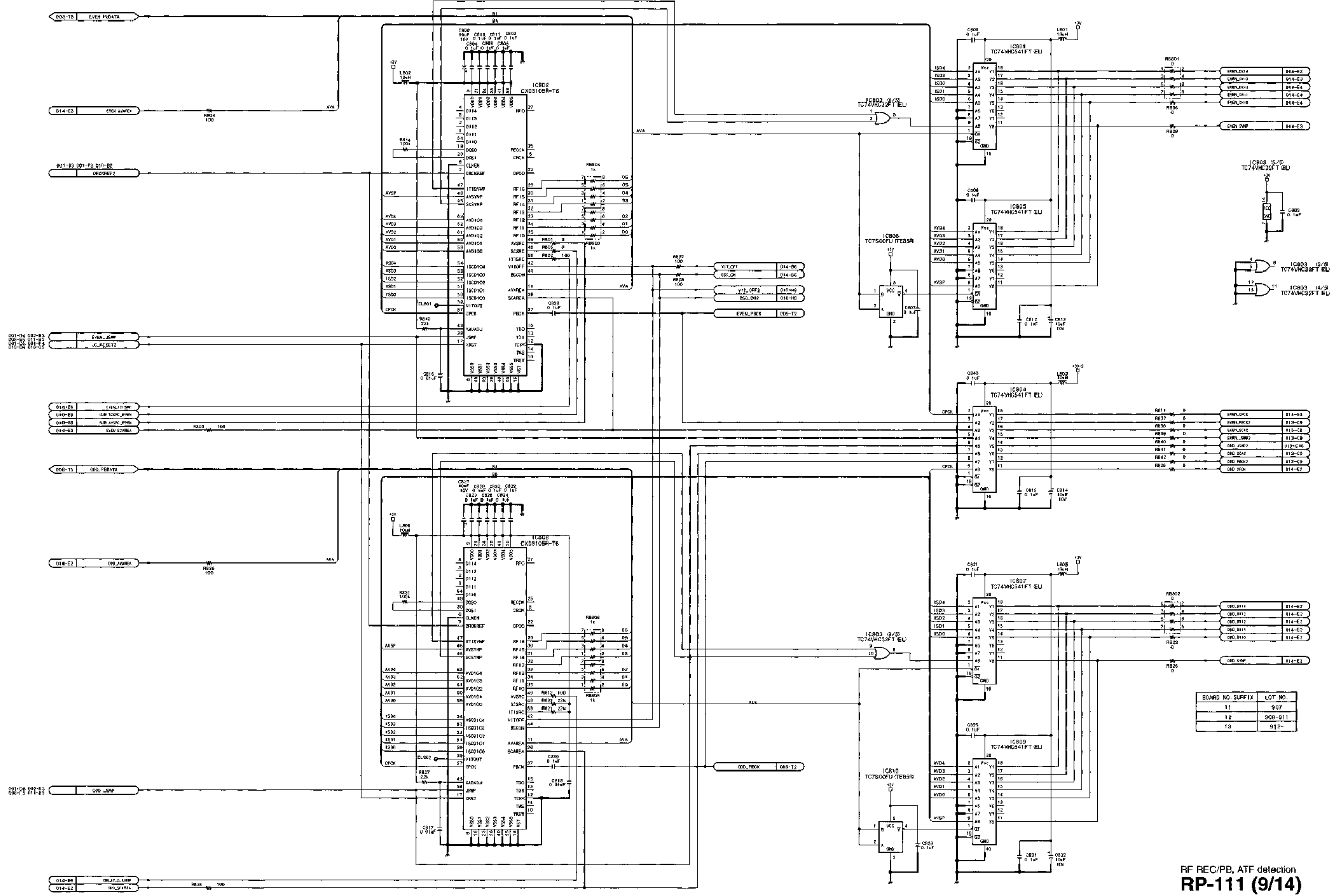
1

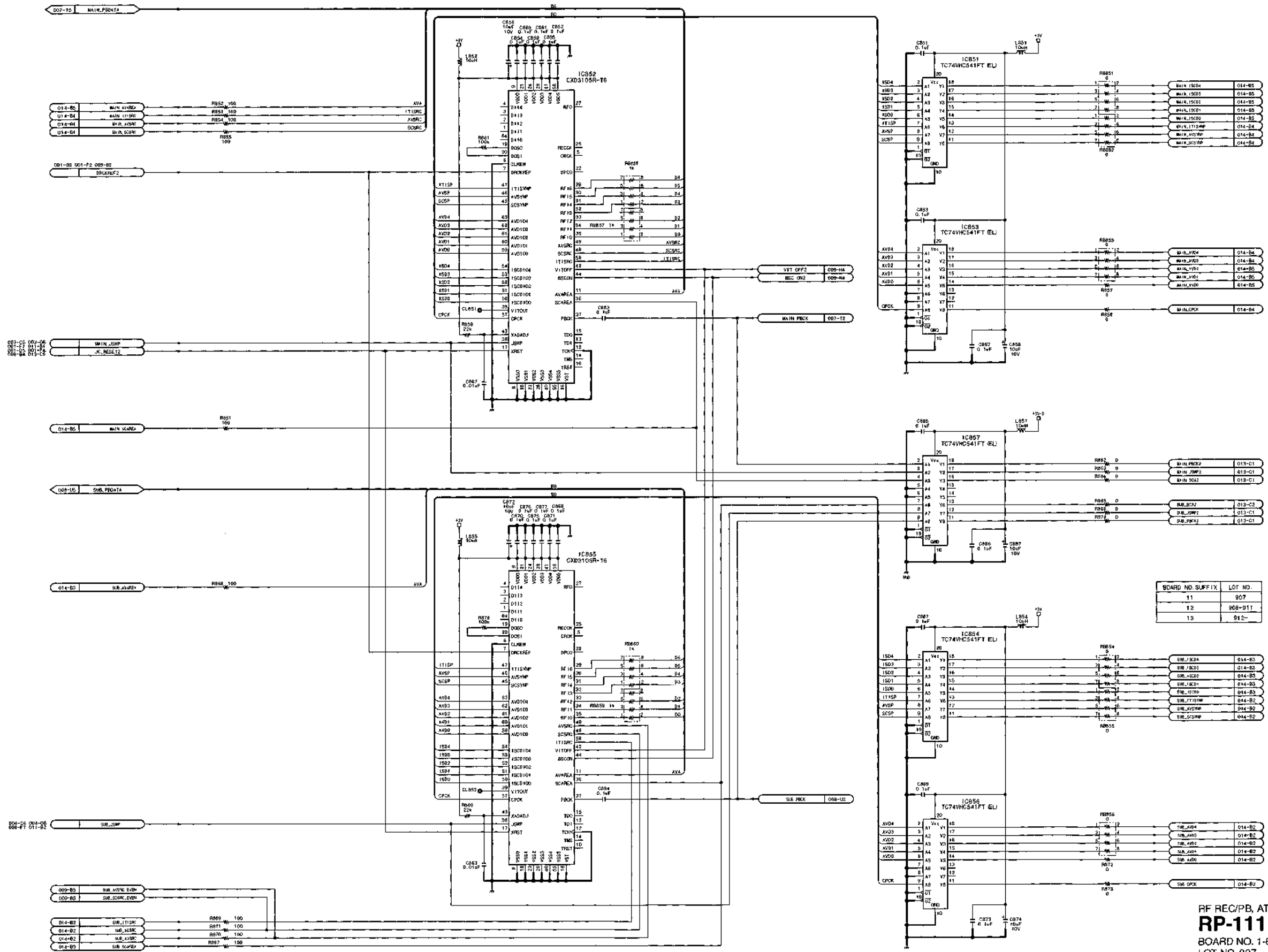
2

3

4

5





1

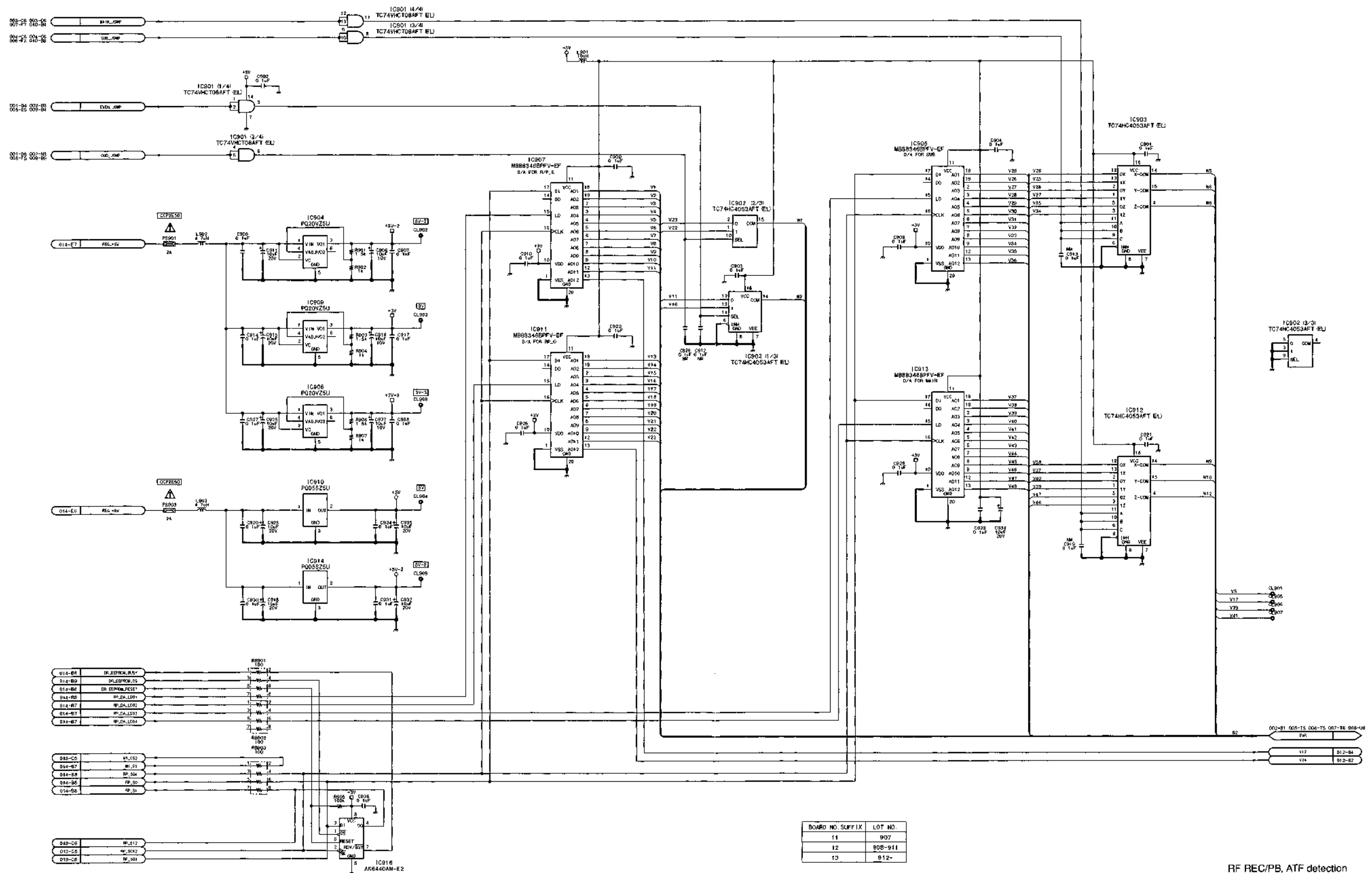
2

3

4

5

1
2
3
4
5



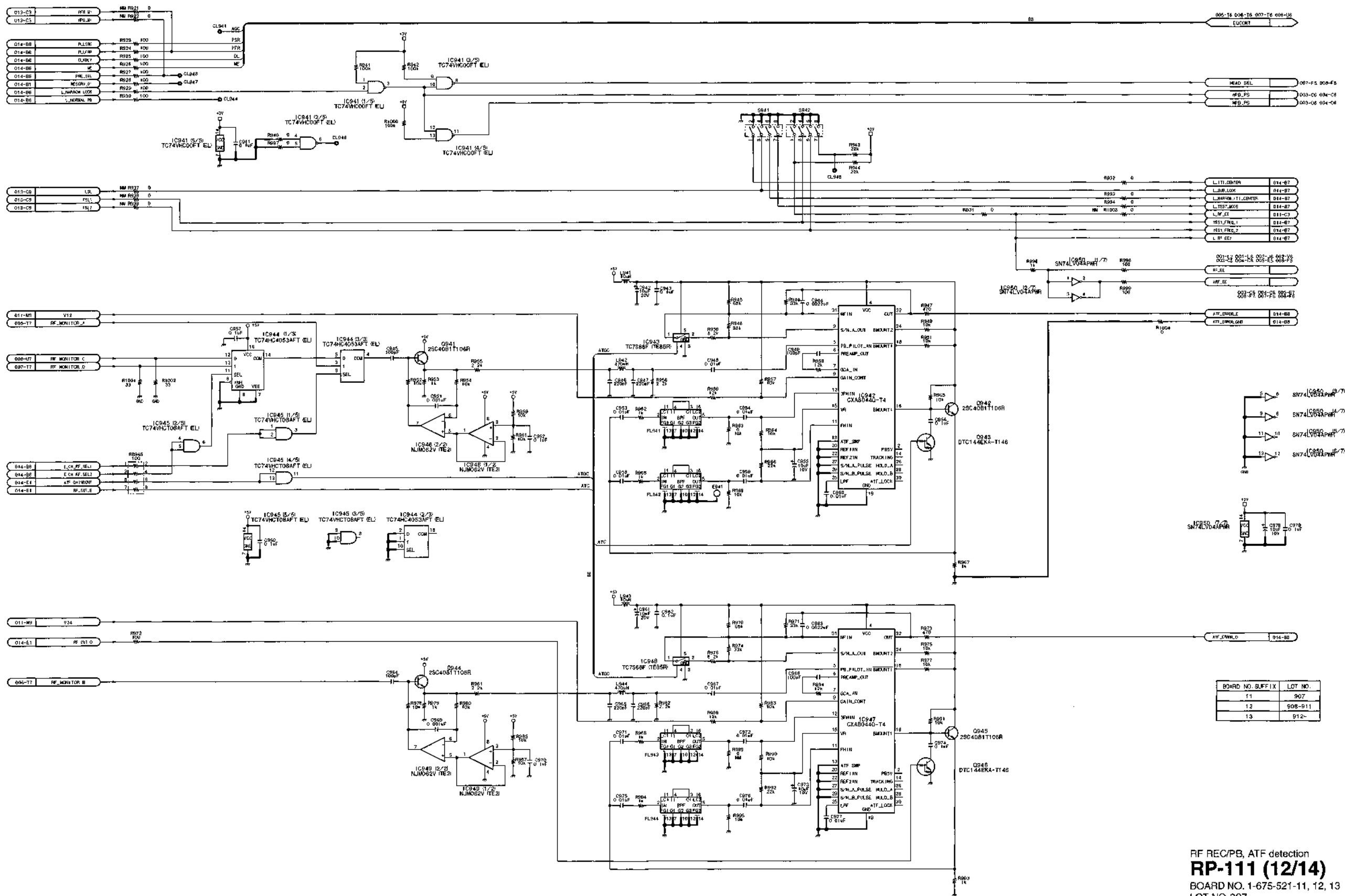
BOARD NO. SUFFIX	LOT NO.
11	907
12	908-911
13	912-

RF REC/PB, ATF detection
RP-111 (11/14)
 BOARD NO. 1-675-521-11, 12, 13
 LOT NO. 907-
 DSR-2000_RP-111_C12_11

15-120 15-120

A | B | C | D | E | F | G | H

RP-111 (12/14) RP-111 (12/14)



BOARD NO.	SUFFIX	LOT NO.
11		907
12		908-911
13		912-

RF REC/PB, ATF detection
RP-111 (12/14)
 BOARD NO. 1-675-521-11, 12, 13
 LOT NO. 907-
 DSR-2000_RP-111_C12_12

1
2
3
4
5

RP-111 (13/14) RF-111 (13/14)

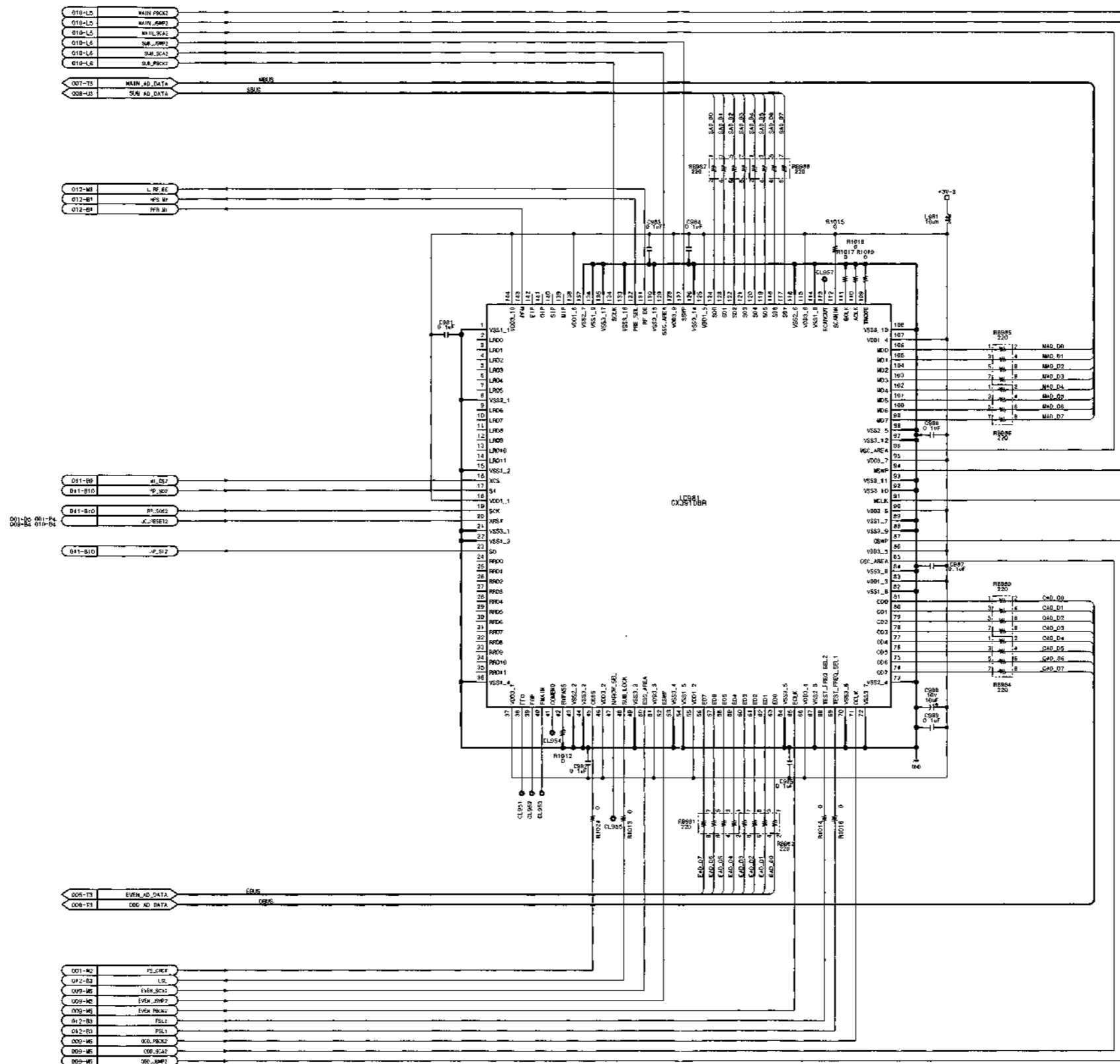
1

2

3

4

5



BOARD NO. SUFFIX	LOT NO.
11	907
12	908-911
13	912-

RF REC/PB, ATF detection
RP-111 (13/14)
 BOARD NO. 1-675-521-11, 12, 13
 LOT NO. 907-
 DSR-2000_RP-111_C12_13

0420
0421

1	RESERV_Q0	
2	RESERV_Q3	
3	JC_RESET	JC_RESET 009-B5
4	RESERV_Q1	RESERV_Q1 012-B2
5	QND	
6	SUB_RF_QND	SUB_RF_QND 008-F7
7	SUB_RF_MONITOR	SUB_RF_MONITOR 008-F7
8	QND	
9	QND	
10	SUB_TPOK	SUB_TPOK 010-L8
11	SUB_TSC0C	SUB_TSC0C 010-B10
12	SUB_TSC0E	SUB_TSC0E 010-B10
13	SUB_TTIS0C	SUB_TTIS0C 010-B10
14	SUB_TTIS0E	SUB_TTIS0E 010-L8
15	SUB_TTIS0P	SUB_TTIS0P 010-L8
16	SUB_TTIS0M	SUB_TTIS0M 010-L8
17	QND	
18	SUB_AV04	SUB_AV04 010-L8
19	SUB_AV03	SUB_AV03 010-L8
20	SUB_AV02	SUB_AV02 010-L8
21	SUB_AV01	SUB_AV01 010-L8
22	SUB_AV00	SUB_AV00 010-L8
23	SUB_I_SCD4	SUB_I_SCD4 010-L7
24	SUB_I_SCD3	SUB_I_SCD3 010-L7
25	SUB_I_SCD2	SUB_I_SCD2 010-L7
26	SUB_I_SCD1	SUB_I_SCD1 010-L7
27	SUB_I_SCD0	SUB_I_SCD0 010-L7
28	QND	
29	SUB_SAMP	SUB_SAMP 006-C8
30	SUB_SCAREA	SUB_SCAREA 010-B10
31	SUB_AVAREA	SUB_AVAREA 010-B8
32	QND	
33	MAIN_RF_QND	MAIN_RF_QND 007-F7
34	MAIN_RF_MONITOR	MAIN_RF_MONITOR 007-F7
35	QND	
36	QND	
37	MAIN_TPOK	MAIN_TPOK 010-L8
38	MAIN_TSC0C	MAIN_TSC0C 010-B2
39	MAIN_TSC0E	MAIN_TSC0E 010-B2
40	MAIN_TTIS0C	MAIN_TTIS0C 010-B2
41	MAIN_TTIS0E	MAIN_TTIS0E 010-L2
42	MAIN_TTIS0P	MAIN_TTIS0P 010-L2
43	MAIN_TTIS0M	MAIN_TTIS0M 010-L2
44	QND	
45	MAIN_AV04	MAIN_AV04 010-L3
46	MAIN_AV03	MAIN_AV03 010-L3
47	MAIN_AV02	MAIN_AV02 010-L3
48	MAIN_AV01	MAIN_AV01 010-L3
49	MAIN_AV00	MAIN_AV00 010-L3
50	QND	
51	MAIN_I_SCD4	MAIN_I_SCD4 010-L1
52	MAIN_I_SCD3	MAIN_I_SCD3 010-L2
53	MAIN_I_SCD2	MAIN_I_SCD2 010-L2
54	MAIN_I_SCD1	MAIN_I_SCD1 010-L2
55	MAIN_I_SCD0	MAIN_I_SCD0 010-L2
56	QND	
57	MAIN_SAMP	MAIN_SAMP 009-C8
58	MAIN_SCAREA	MAIN_SCAREA 010-B5
59	MAIN_AVAREA	MAIN_AVAREA 010-B2
60	QND	
61	RELAY_Q_SAMP	RELAY_Q_SAMP 009-D5
62	CLAY	CLAY 012-B1
63	PSE_SEL	PSE_SEL 012-B1
64	PLS0C	PLS0C 012-B1
65	PLS0E	PLS0E 012-B1
66	PLS0M	PLS0M 009-B5
67	VII_0FF	VII_0FF 009-H3
68	IND_ON	IND_ON 009-H4
69	ME	ME 012-B1
70	QND	
71	L_NORMAL_PB	L_NORMAL_PB 012-B2
72	L_NARROW_LOOK	L_NARROW_LOOK 012-B2
73	L_TEST_MODE	L_TEST_MODE 012-B4
74	L_NARROW_LTT_CENTER	L_NARROW_LTT_CENTER 012-B3
75	QND	
76	TEST_FREQ_2	TEST_FREQ_2 012-B3
77	TEST_FREQ_1	TEST_FREQ_1 012-B3
78	L_SUB_LOOK	L_SUB_LOOK 012-B3
79	L_LTT_CENTER	L_LTT_CENTER 012-B3
80	W1_C0	W1_C0 012-B3
81	L_RF_E02	L_RF_E02 012-B3
82	RF_DA_L004	RF_DA_L004 011-B8
83	RF_DA_L003	RF_DA_L003 011-B8
84	RF_DA_L002	RF_DA_L002 011-B8
85	RF_DA_L001	RF_DA_L001 011-B8
86	QND	
87	QND	
88	RF_S1	RF_S1 011-B9
89	RF_S0	RF_S0 011-B9
90	RF_S2	RF_S2 011-B9
91	ATF_ERROR_QND	ATF_ERROR_QND 012-M6
92	ATF_ERROR_E	ATF_ERROR_E 012-M6
93	ATF_ERROR_C	ATF_ERROR_C 012-M7
94	E_CH_RF_SEL2	E_CH_RF_SEL2 012-B5
95	E_CH_RF_SEL1	E_CH_RF_SEL1 012-B5
96	DR_EXPROM_RESET	DR_EXPROM_RESET 011-B8
97	DR_EXPROM_CS	DR_EXPROM_CS 011-B8
98	QND	
99	QND	
100	QND	

1	QND	
2	ATF_SAMP	ATF_SAMP 012-M6
3	RF_DA_0	RF_DA_0 012-M7
4	RF_DA_1	RF_DA_1 012-M7
5	QND	
6	QND_RF_QND	QND_RF_QND 006-F7
7	QND_RF_MONITOR	QND_RF_MONITOR 006-F7
8	QND	
9	QND	
10	QND	
11	QND_SAMP	QND_SAMP 007-B3
12	QND_SCAREA	QND_SCAREA 009-B10
13	QND_AVAREA	QND_AVAREA 009-B6
14	QND	
15	QND_TPOK	QND_TPOK 009-M6
16	QND_TTIS0C	QND_TTIS0C 009-M7
17	QND_TTIS0E	QND_TTIS0E 009-M7
18	QND_TTIS0P	QND_TTIS0P 009-M7
19	QND_TTIS0M	QND_TTIS0M 009-M7
20	QND	
21	QND_AV04	QND_AV04 009-M7
22	QND_AV03	QND_AV03 009-M7
23	QND_AV02	QND_AV02 009-M7
24	QND_AV01	QND_AV01 009-M7
25	QND_AV00	QND_AV00 009-M7
26	QND	
27	EVEN_SAMP	EVEN_SAMP 009-B3
28	EVEN_SCAREA	EVEN_SCAREA 009-B5
29	EVEN_AVAREA	EVEN_AVAREA 009-B2
30	QND	
31	EVEN_TPOK	EVEN_TPOK 009-B5
32	EVEN_TTIS0C	EVEN_TTIS0C 009-M2
33	EVEN_TTIS0E	EVEN_TTIS0E 009-M2
34	EVEN_TTIS0P	EVEN_TTIS0P 009-M2
35	EVEN_TTIS0M	EVEN_TTIS0M 009-M2
36	EVEN_DA10	EVEN_DA10 009-M7
37	EVEN_DA11	EVEN_DA11 009-M7
38	EVEN_DA12	EVEN_DA12 009-M7
39	QND	
40	QND_DA00	QND_DA00 009-B5
41	QND_DA01	QND_DA01 009-B5
42	QND_DA02	QND_DA02 009-B5
43	QND_DA03	QND_DA03 009-B5
44	QND_DA04	QND_DA04 009-B5
45	QND_DA05	QND_DA05 009-B5
46	QND_REC01	QND_REC01 009-B3
47	QND_REC02	QND_REC02 009-B3
48	QND	
49	QND_CLNEN	QND_CLNEN 009-D1
50	QND	
51	QND	
52	EVEN_TRK0	EVEN_TRK0 009-D2
53	EVEN_TRK1	EVEN_TRK1 009-D2
54	EVEN_TRK2	EVEN_TRK2 009-D2
55	EVEN_TRK3	EVEN_TRK3 009-D2
56	EVEN_TRK4	EVEN_TRK4 009-D2
57	EVEN_TRK5	EVEN_TRK5 009-D2
58	EVEN_REC01	EVEN_REC01 009-E4
59	EVEN_REC02	EVEN_REC02 009-E4
60	EVEN_REC03	EVEN_REC03 009-E4
61	QND	
62	EVEN_C0K	EVEN_C0K 009-D2
63	FE_CLNEN	FE_CLNEN 009-E2
64	FE_STBY	FE_STBY 009-E7
65	FE_SMP	FE_SMP 009-E7
66	QND	
67	DRKNET	DRKNET 009-D3
68	QND	
69	REG_10V	REG_10V 011-B6
70	REG_14V	REG_14V 011-B6
71	REG_10V	REG_10V 011-B6
72	REG_14V	REG_14V 011-B6
73	REG_10V	REG_10V 011-B6
74	REG_10V	REG_10V 011-B6
75	REG_12V	REG_12V 011-B6
76	REG_10V	REG_10V 011-B6
77	REG_QND	
78	RF_QND	
79	RF_QND	
80	RF_QND	

1	FE_L0	FE_L0 001-M8
2	FE_L1	FE_L1 001-M8
3	FE_L2	FE_L2 001-M8
4	FE_L3	FE_L3 001-M8
5	FE_L4	FE_L4 001-M8
6	FE_L5	FE_L5 001-M8
7	FE_L6	FE_L6 001-M8
8	REC_E_X	REC_E_X 002-J0
9	REC_E_Y	REC_E_Y 002-J0
10	REC_E_Z	REC_E_Z 002-J0
11	REC_O_X	REC_O_X 002-J0
12	REC_O_Y	REC_O_Y 002-J0
13	REC_O_Z	REC_O_Z 002-J0

1	PRE_E_G	PRE_E_G 002-J6
2	PRE_E_X	PRE_E_X 002-J6
3	PRE_E_Y	PRE_E_Y 002-J6
4	PRE_E_Z	PRE_E_Z 002-J6
5	PRE_O_G	PRE_O_G 002-J6
6	PRE_O_X	PRE_O_X 002-J6
7	PRE_O_Y	PRE_O_Y 002-J6
8	PRE_O_Z	PRE_O_Z 002-J6

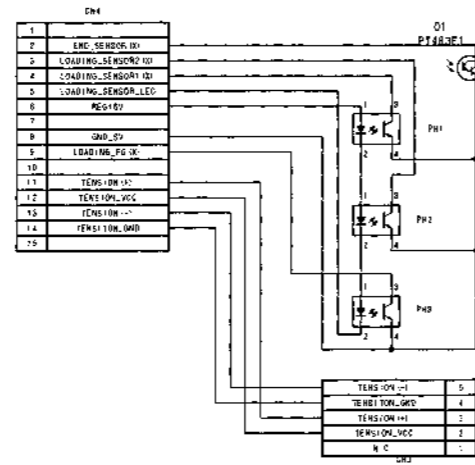
1	WFS_E1_G	WFS_E1_G 003-H4
2	WFS_E1_X	WFS_E1_X 003-H4
3	WFS_E1_Y	WFS_E1_Y 003-H4
4	WFS_E1_Z	WFS_E1_Z 003-H4
5	WFS_O1_G	WFS_O1_G 003-H4
6	WFS_O1_X	WFS_O1_X 003-H4
7	WFS_O1_Y	WFS_O1_Y 003-H4
8	WFS_O1_Z	WFS_O1_Z 003-H4
9	WFS_E1_T	WFS_E1_T 003-H4
10	WFS_O1_T	WFS_O1_T 003-H4
11	WFS_O1_V	WFS_O1_V 003-H4
12	WFS_O1_D	WFS_O1_D 003-H4

1	WFS_E2_G	WFS_E2_G 004-K4
2	WFS_E2_X	WFS_E2_X 004-K4
3	WFS_E2_Y	WFS_E2_Y 004-K4
4	WFS_E2_Z	WFS_E2_Z 004-K4
5	WFS_O2_G	WFS_O2_G 004-K4
6	WFS_O2_X	WFS_O2_X 004-K4
7	WFS_O2_Y	WFS_O2_Y 004-K4
8	WFS_O2_Z	WFS_O2_Z 004-K4
9	WFS_E2_T	WFS_E2_T 004-K4
10	WFS_O2_T	WFS_O2_T 004-K4
11	WFS_O2_V	WFS_O2_V 004-K4
12	WFS_O2_D	WFS_O2_D 004-K4

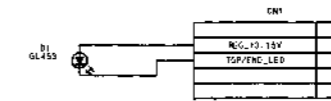
BOARD NO. SUFFIX	LOT NO
11	907
12	908-911
13	912-

RF REC/PB, ATF detection
RP-111 (14/14)
 BOARD NO. 1-675-521-11, 12, 13
 LOT NO. 907-
 DSR-2000_RP-111_C12_14

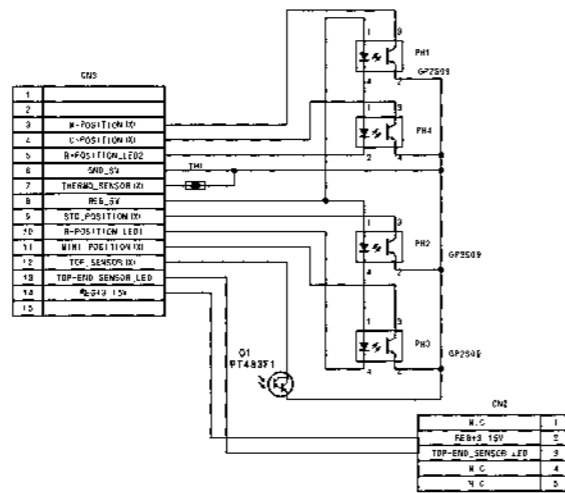




Mode sensor/tape end sensor/loading motor FG sensor
SE-521
 BOARD NO. 1-675-532-11
 LOT NO. 907-
 DSR-2000_SE-521_C11_1



LED signal board
SE-525
 BOARD NO. 1-675-522-11
 LOT NO. 907-
 DSR-2000_SE-525_C11_1



Tape top sensor/reel position sensor (Mini/M/Standard)
SE-522
 BOARD NO. 1-675-546-11
 LOT NO. 907-
 DSR-2000_SE-522_C11_1



Tension sensor
SE-538
 BOARD NO. 1-675-527-11
 LOT NO. 907-
 DSR-2000_SE-538_C11_1

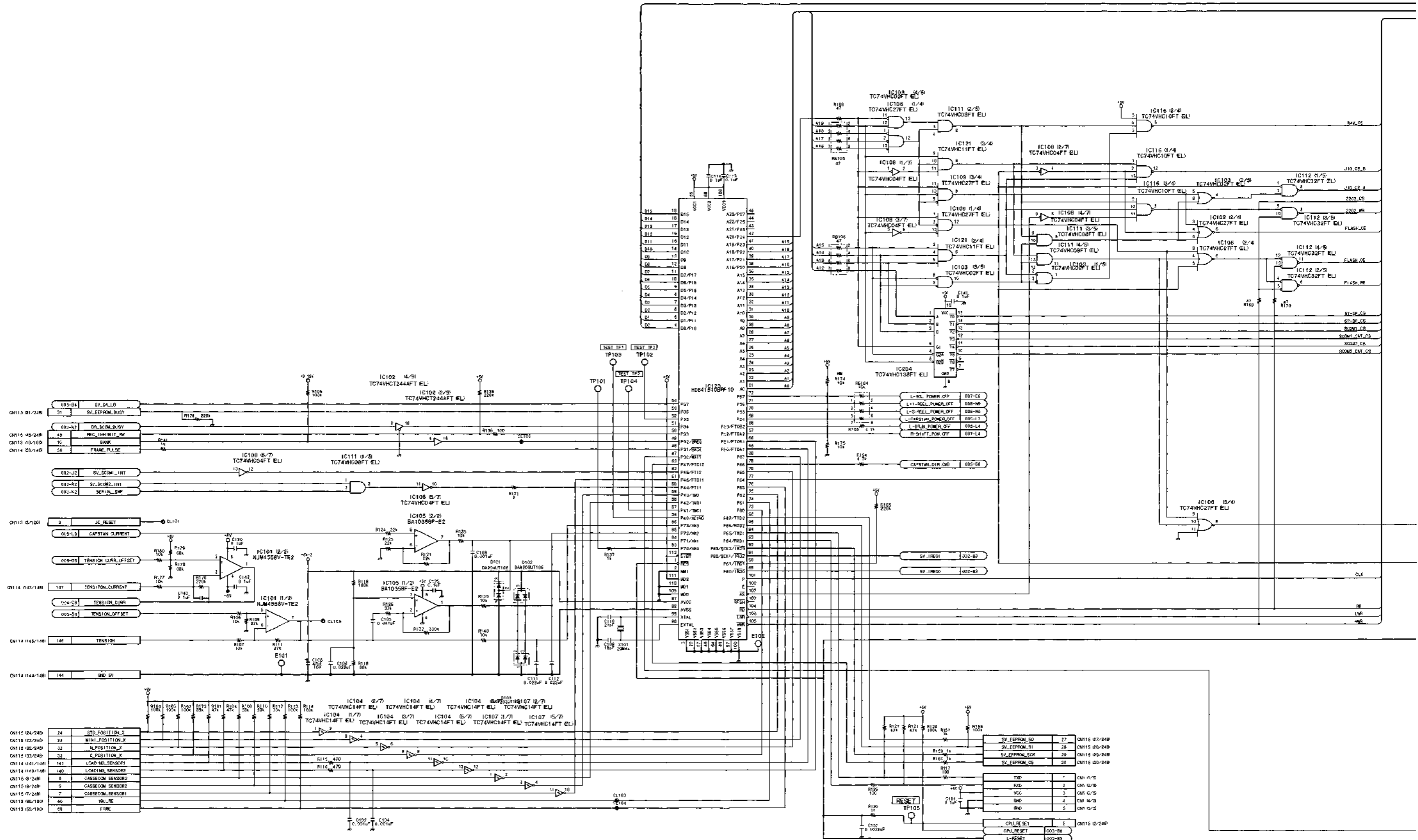
1

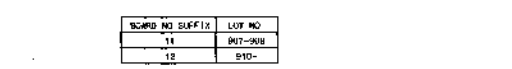
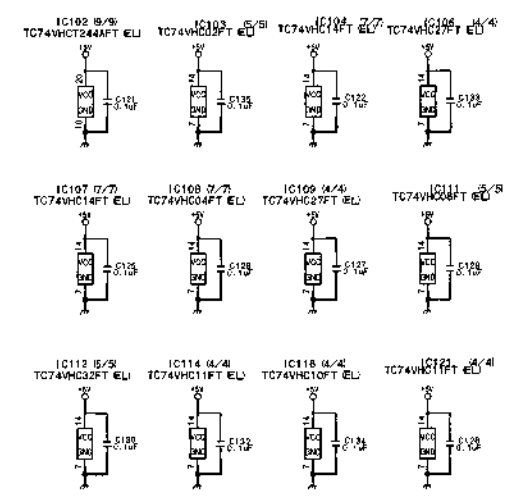
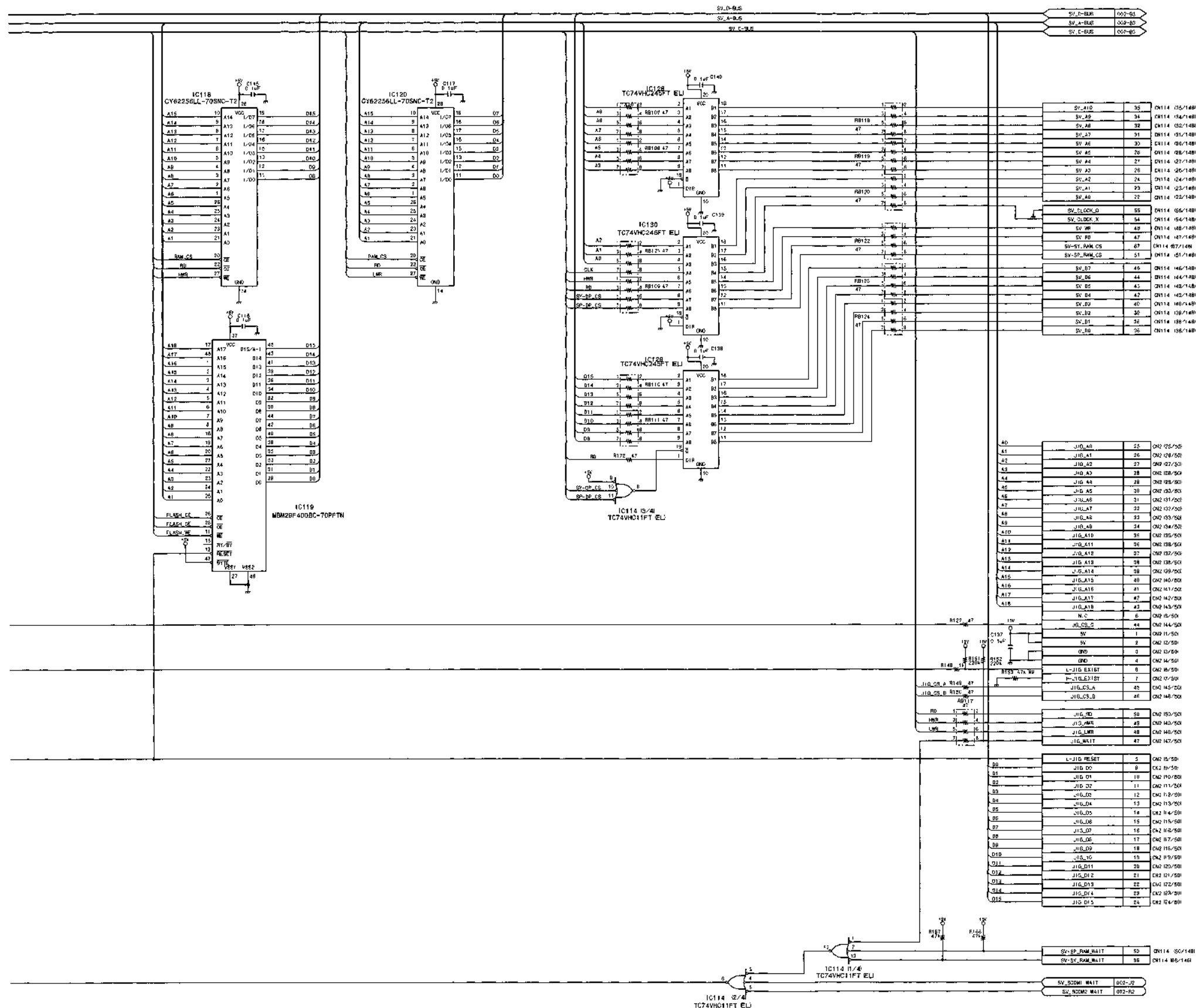
2

3

4

5





BOARD NO	SUFFIX	LOT NO
11	007-008	
12	010-	

Servo/mechanism control
SV-212 (1/7)
 BOARD NO. 1-675-528-11, 12
 LOT NO. 907-
 DSR-2000_SV-212_012_1

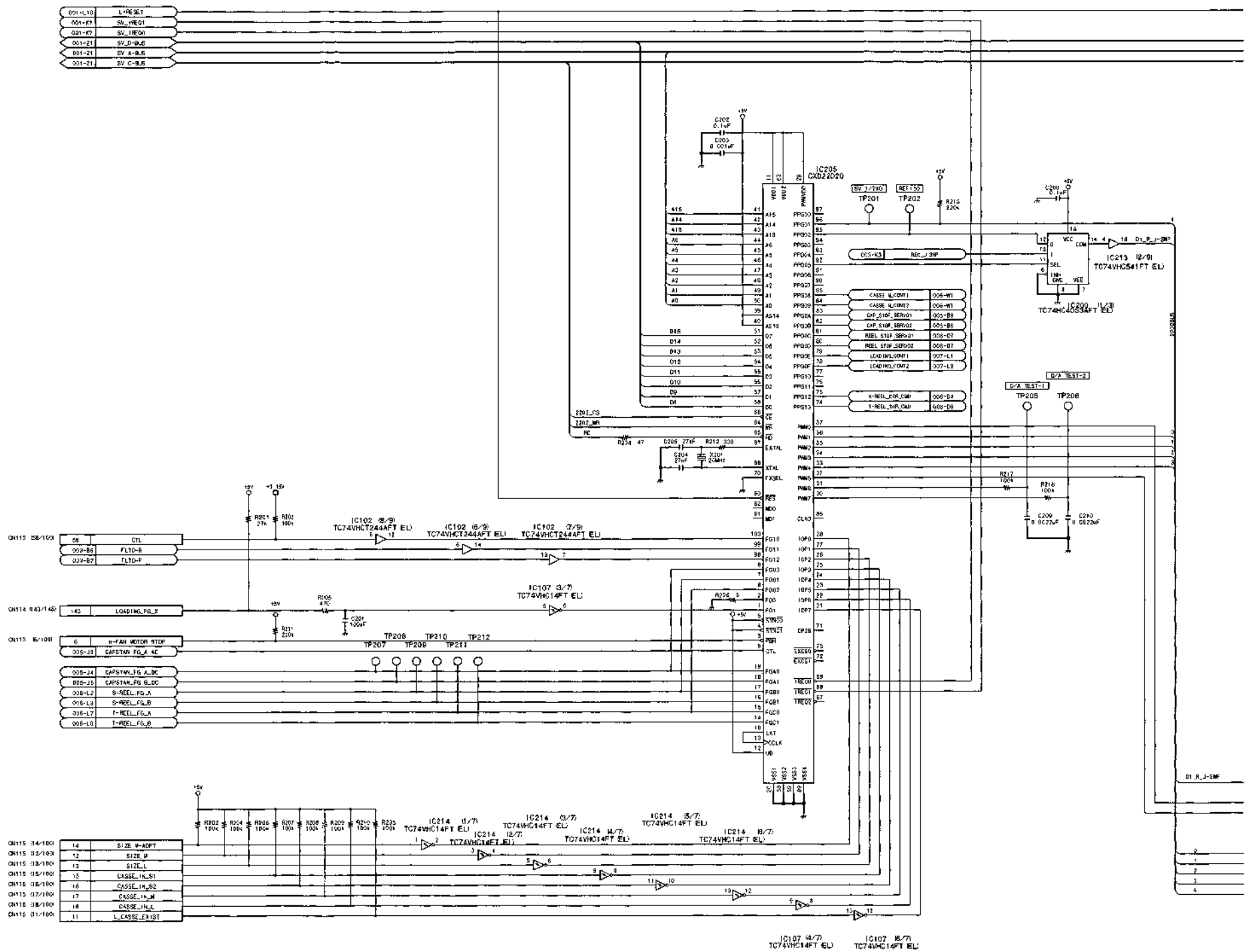
1

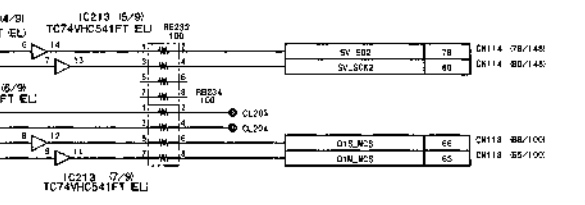
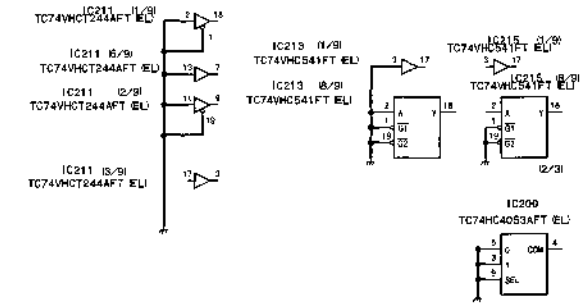
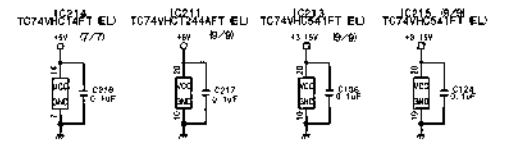
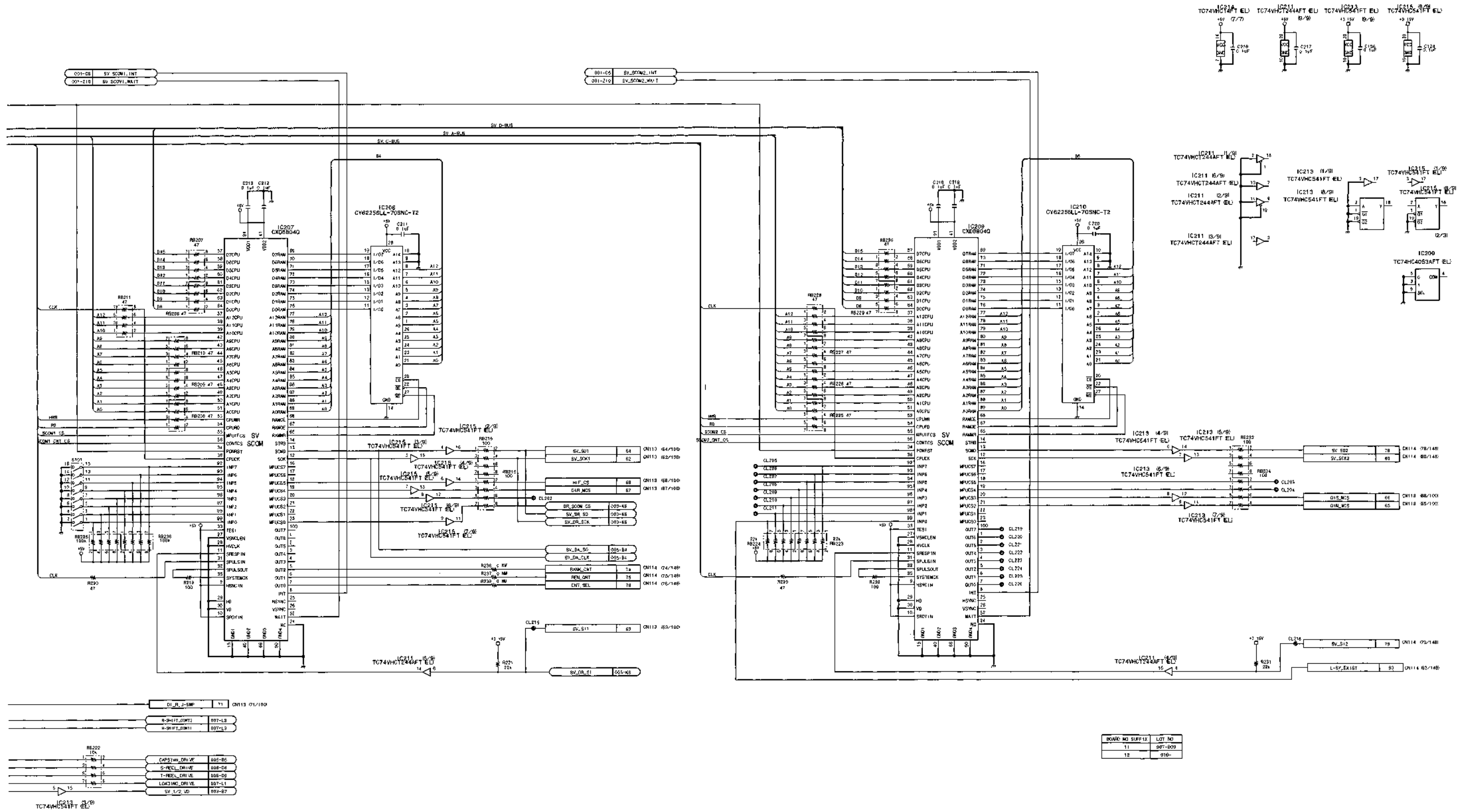
2

3

4

5

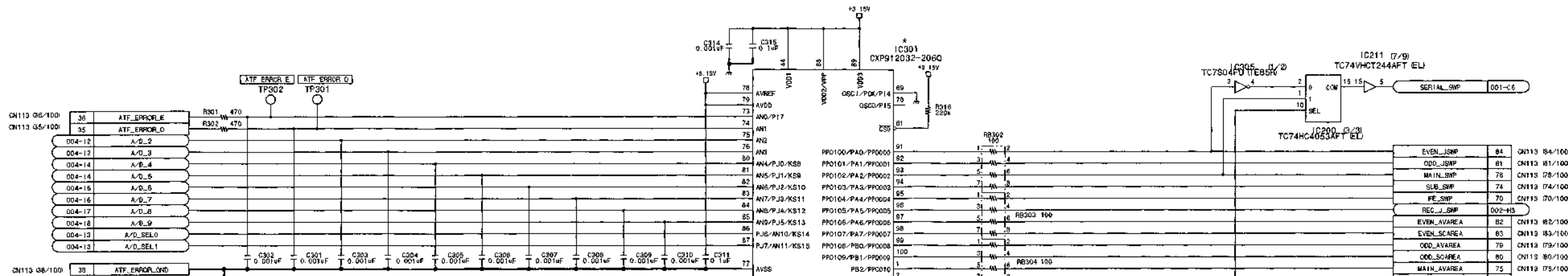




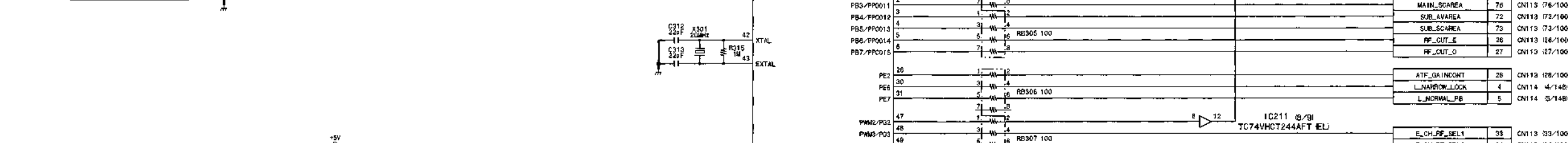
BOARD NO	SURF ID	LOT NO
11	007-009	016-
12		

Servo/mechanism control
SV-212 (2/7)
 BOARD NO. 1-675-528-11, 12
 LOT NO. 907-
 DSR-2000_SV-212_012_2

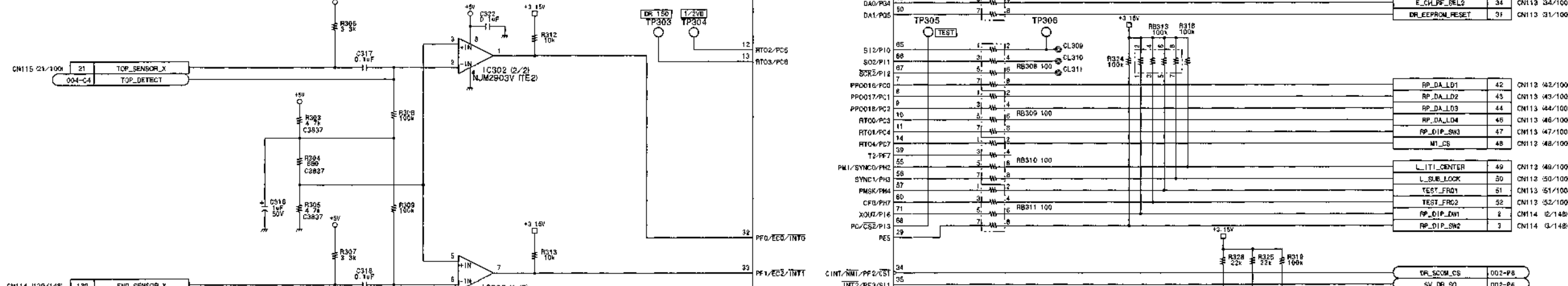
1



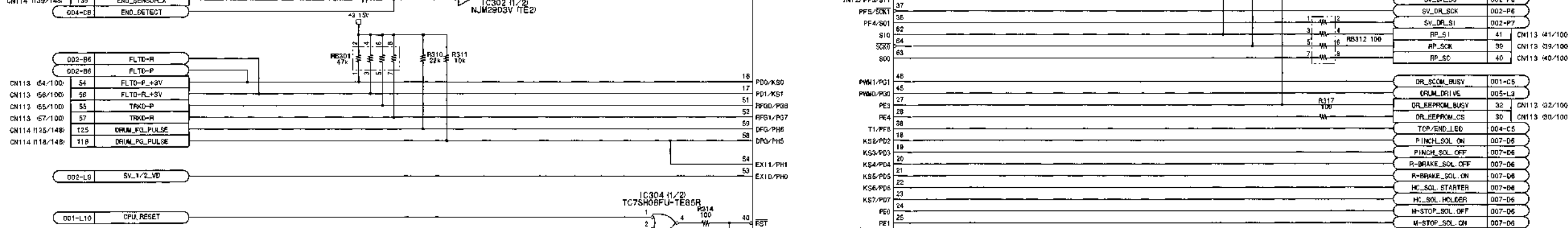
2



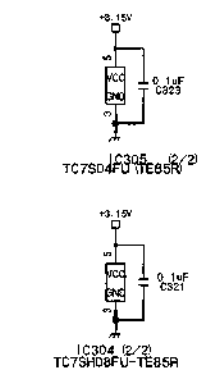
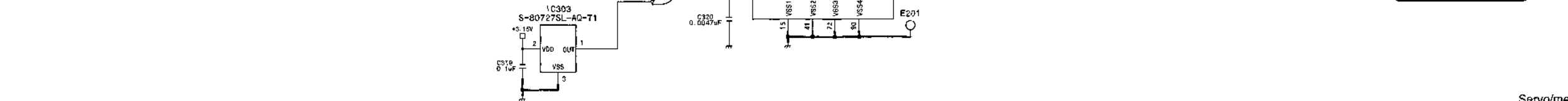
3



4



5



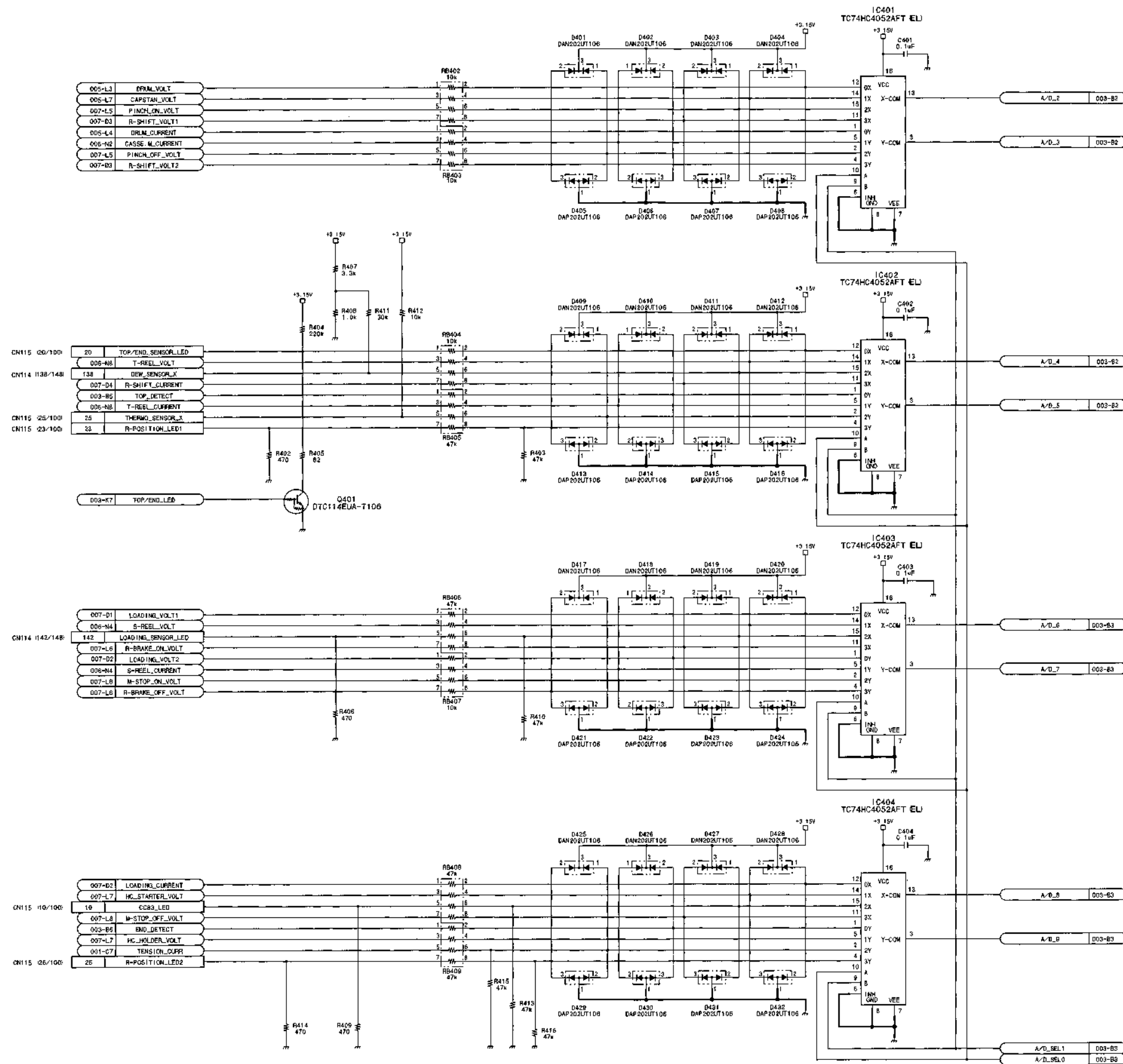
NOTE

REF NO	CHANGE INFORMATION	LOT NO.
IC301	DXP912000-U03Q → DXP912032-206Q	909-

BOARD NO. SUFFIX	LOT NO.
11	907-909
12	910-

Servo/mechanism control
SV-212 (3/7)
BOARD NO. 1-675-528-11, 12
LOT NO. 907-
DSR-2000_SV-212_012_3

SV-212 (4/7) SV-212 (4/7)



BOARD NO SUFFIX	LOT NO.
11	907-909
12	910-

Servo/mechanism control
SV-212 (4/7)
 BOARD NO. 1-675-528-11, 12
 LOT NO. 907-
 DSR-2000_SV-212_012_4

1

2

3

4

5

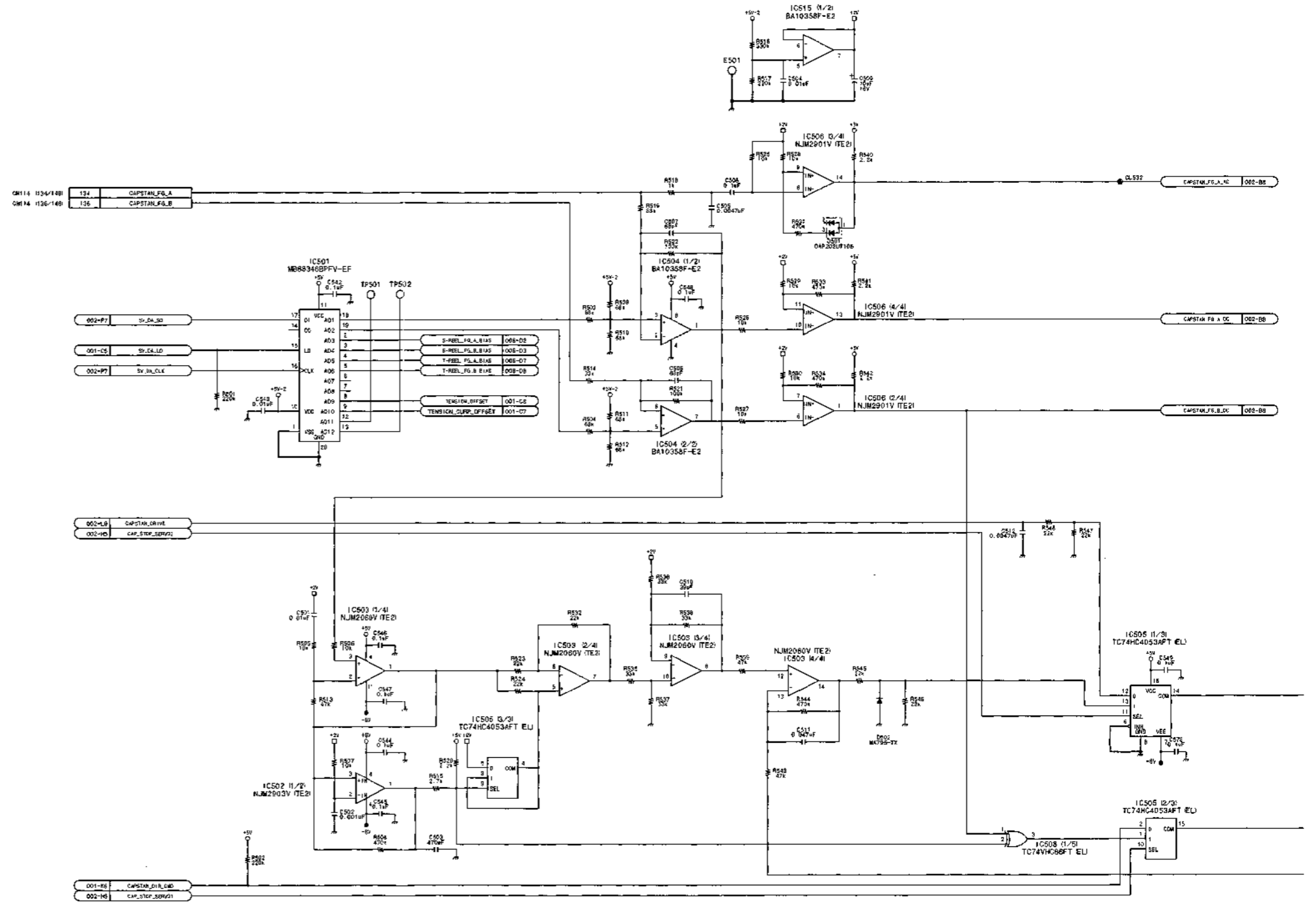
1

2

3

4

5



A

B

C

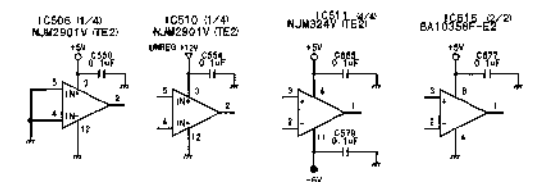
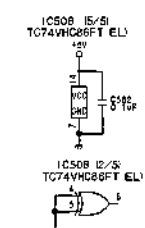
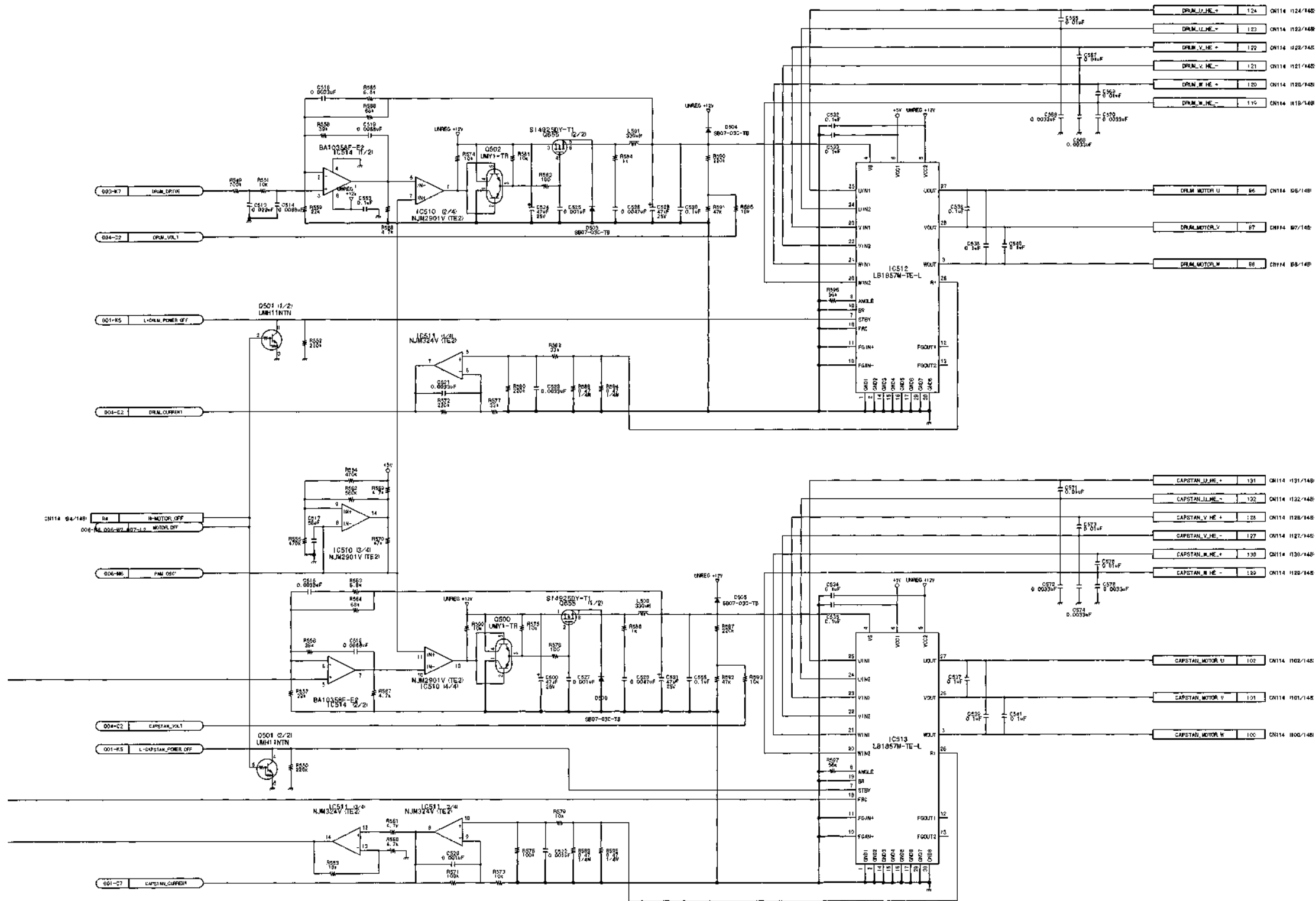
D

E

F

G

H



1
2
3
4
5

Servo/mechanism control
SV-212 (5/7)
 BOARD NO. 1-675-528-11, 12
 LOT NO. 907-
 DSR-2000_SV-212_012_5

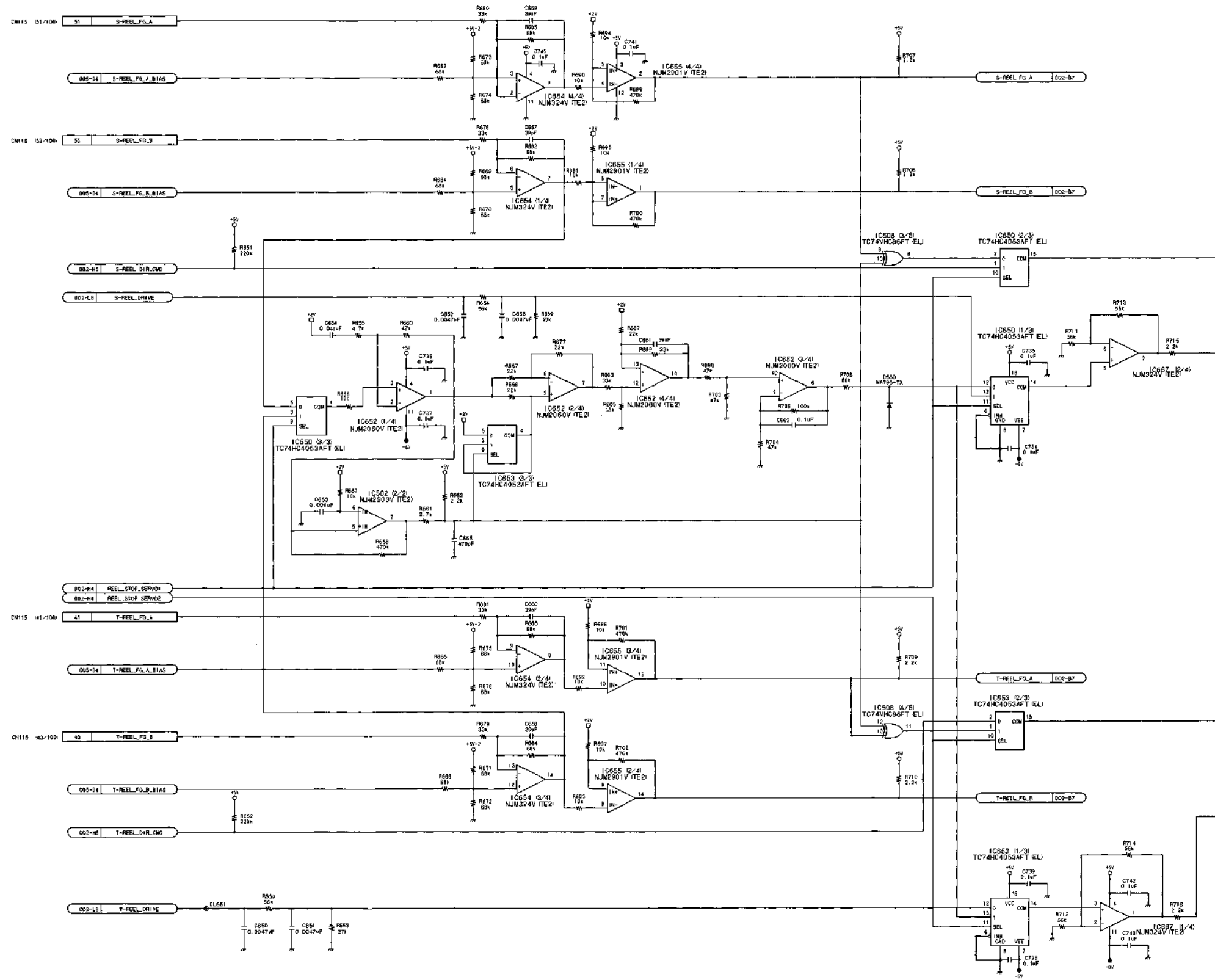
1

2

3

4

5



A

B

C

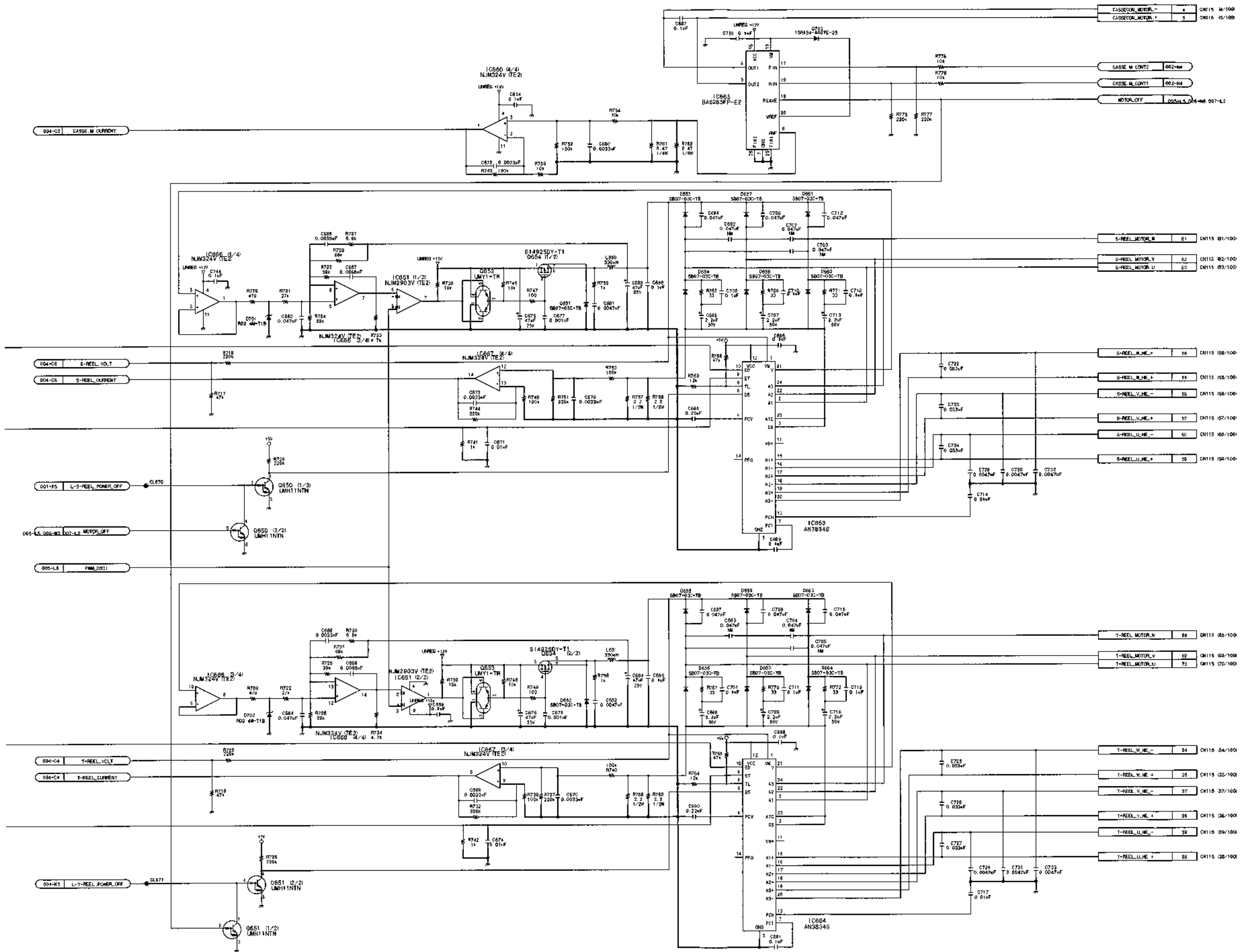
D

E

F

G

H



1

2

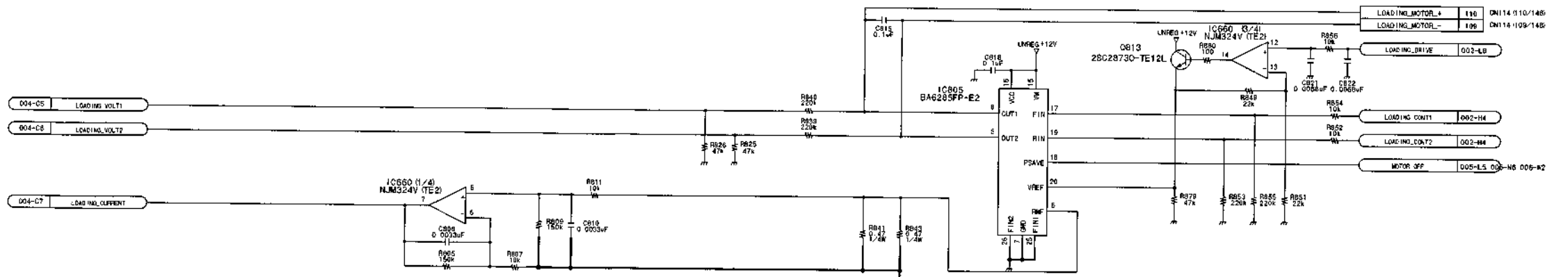
3

4

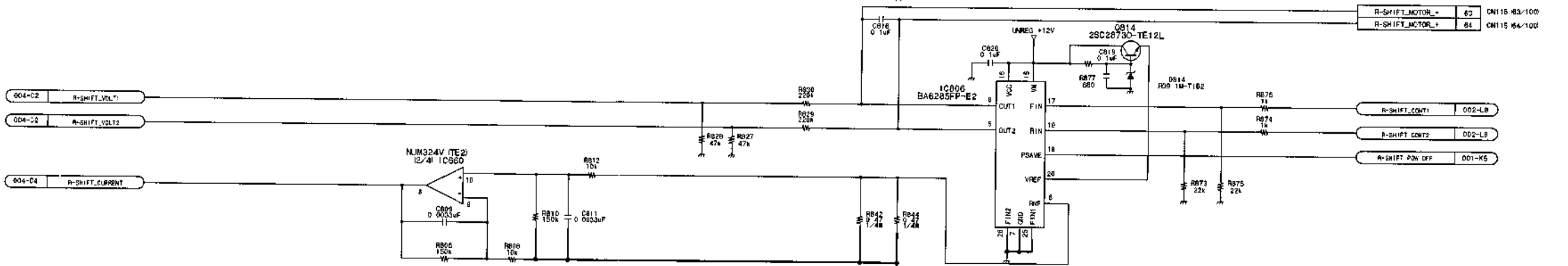
5

Servo/mechanism control
SV-212 (6/7)
 BOARD NO. 1-675-528-11, 12
 LOT NO. 907-
 DSR-2000_SV-212_012_6

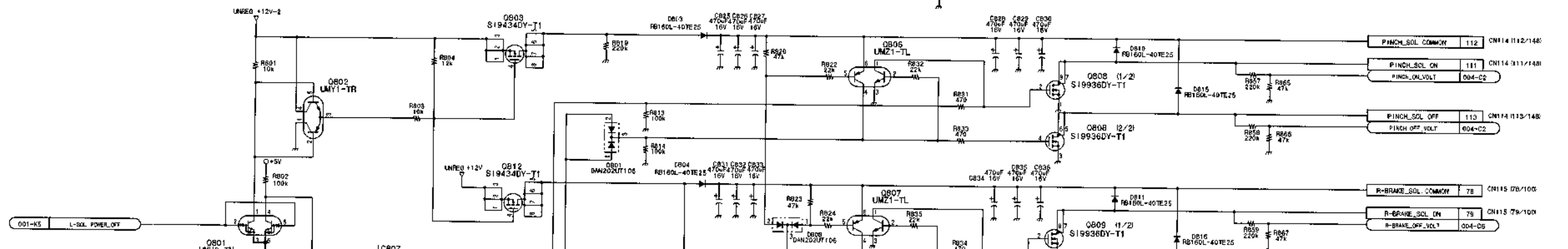
1



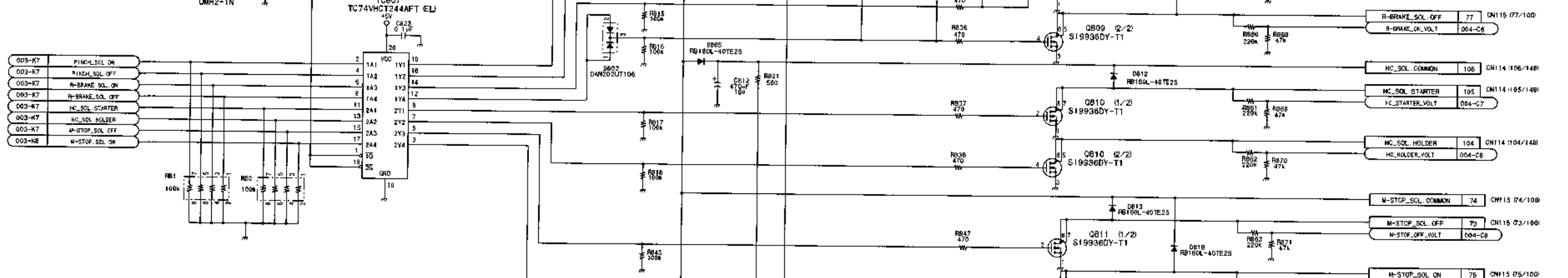
2



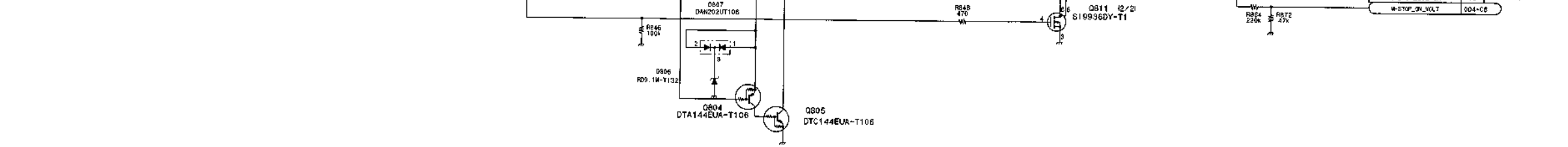
3



4



5



CN113 4/100	4	NC
CN113 5/100	5	NC
CN113 7/100	7	NC
CN113 8/100	8	NC
CN113 11/100	11	NC
CN113 12/100	12	NC
CN113 14/100	14	NC
CN113 15/100	15	NC
CN113 16/100	16	NC
CN113 17/100	17	NC
CN113 18/100	18	NC
CN113 19/100	19	NC
CN113 20/100	20	NC
CN113 22/100	22	NC
CN113 23/100	23	NC
CN113 24/100	24	NC
CN113 25/100	25	NC
CN113 26/100	26	NC

CN114 16/148	8	NC
CN114 17/148	7	NC
CN114 18/148	8	NC
CN114 19/148	10	NC
CN114 20/148	11	NC
CN114 21/148	12	NC
CN114 22/148	13	NC
CN114 23/148	14	NC
CN114 24/148	15	NC
CN114 25/148	16	NC
CN114 26/148	18	NC
CN114 27/148	19	NC
CN114 28/148	20	NC
CN114 29/148	22	NC
CN114 30/148	23	NC
CN114 31/148	24	NC

24/148	CN114	24	NC
23/148	CN114	23	NC
22/148	CN114	22	NC
21/148	CN114	21	NC
20/148	CN114	20	NC
19/148	CN114	19	NC
18/148	CN114	18	NC
17/148	CN114	17	NC
16/148	CN114	16	NC
15/148	CN114	15	NC
14/148	CN114	14	NC
13/148	CN114	13	NC
12/148	CN114	12	NC
11/148	CN114	11	NC
10/148	CN114	10	NC
9/148	CN114	9	NC
8/148	CN114	8	NC
7/148	CN114	7	NC
6/148	CN114	6	NC
5/148	CN114	5	NC
4/148	CN114	4	NC

CN115 84/100	84	NC
CN115 86/100	46	MIC_VCC
CN115 87/100	47	MIC_SDA
CN115 88/100	48	MIC_GND
CN115 89/100	45	MIC_SCK

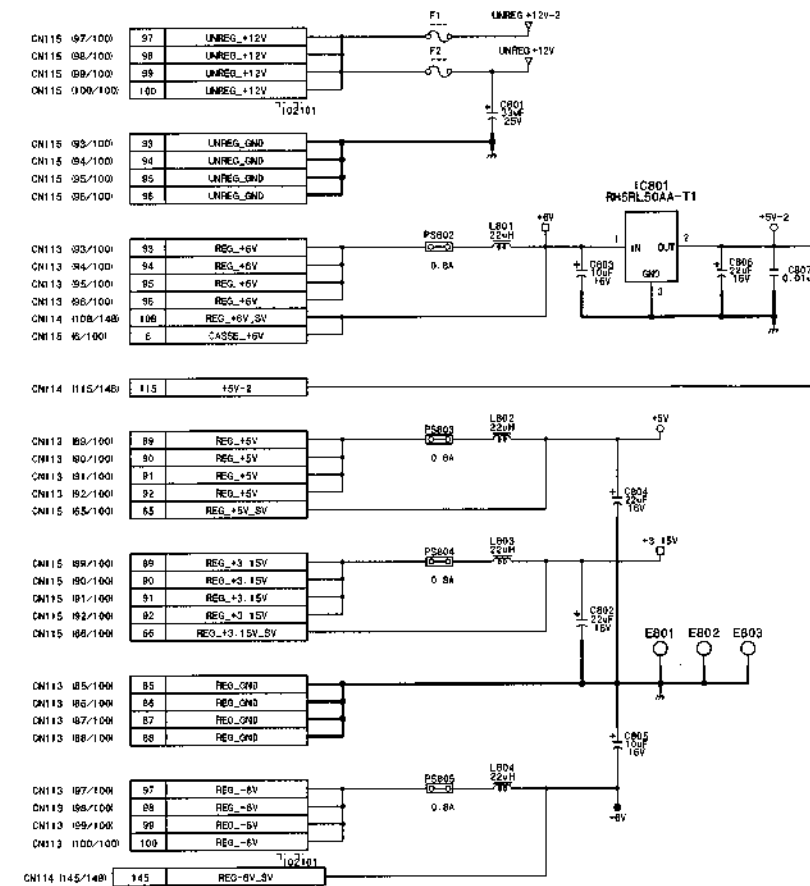
CN113 88/100	69	OP_SPAE
CN113 11/100	1	GND
CN113 12/100	2	GND
CN113 13/100	3	GND
CN113 14/100	4	GND
CN113 15/100	13	GND
CN113 16/100	21	GND
CN113 17/100	28	GND
CN113 18/100	37	GND
CN113 19/100	45	GND
CN113 20/100	53	GND

CN113 27/100	77	GND
CN114 1/148	1	GND
CN114 9/148	9	GND
CN114 17/148	17	GND
CN114 21/148	21	GND
CN114 25/148	25	GND
CN114 29/148	29	GND
CN114 33/148	33	GND
CN114 37/148	37	GND
CN114 41/148	41	GND
CN114 45/148	45	GND
CN114 49/148	49	GND
CN114 53/148	53	GND
CN114 57/148	57	GND
CN114 61/148	61	GND
CN114 65/148	65	GND
CN114 69/148	69	GND
CN114 73/148	73	GND
CN114 77/148	77	GND
CN114 81/148	81	GND
CN114 85/148	85	GND
CN114 89/148	89	GND
CN114 93/148	93	GND
CN115 1/100	1	GND

CN114 95/148	95	GND_SV
CN114 99/148	99	GND_SV
CN114 103/148	103	GND_SV
CN114 107/148	107	GND_SV
CN114 111/148	111	GND_SV
CN114 115/148	115	GND_SV
CN114 119/148	119	GND_SV
CN114 123/148	123	GND_SV
CN114 127/148	127	GND_SV
CN114 131/148	131	GND_SV
CN114 135/148	135	GND_SV
CN114 139/148	139	GND_SV
CN115 3/100	3	GND_SV
CN115 19/100	19	GND_SV

CN115 140/100	40	GND_SV
CN115 142/100	42	GND_SV
CN115 144/100	44	GND_SV
CN115 146/100	46	GND_SV
CN115 148/100	48	GND_SV
CN115 150/100	50	GND_SV
CN115 152/100	52	GND_SV
CN115 154/100	54	GND_SV
CN115 156/100	56	GND_SV
CN115 158/100	58	GND_SV
CN115 160/100	60	GND_SV

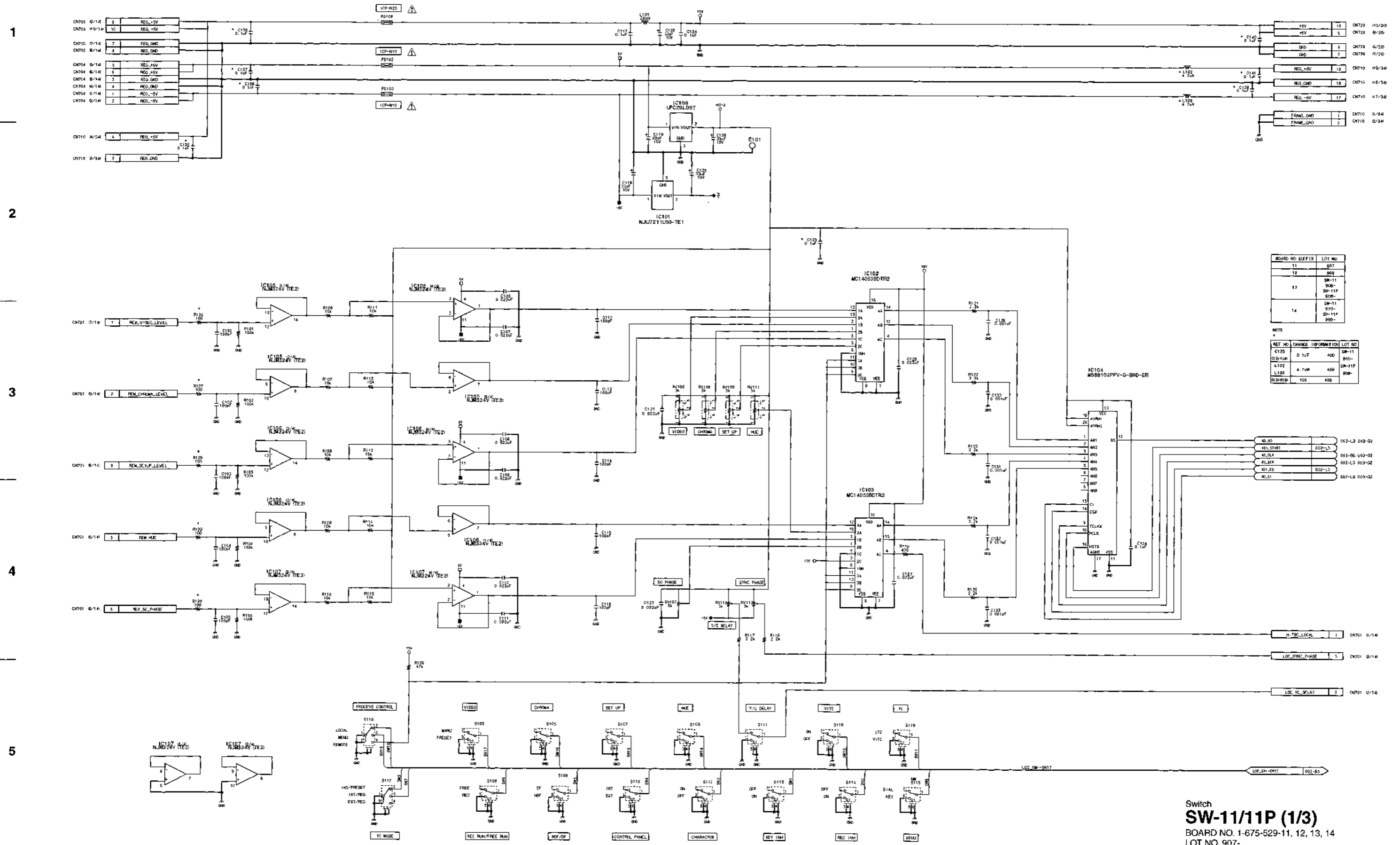
CN115 85/100	85	+3.15V_GND
CN115 86/100	86	+3.15V_GND
CN115 87/100	87	+3.15V_GND
CN115 88/100	88	+3.15V_GND



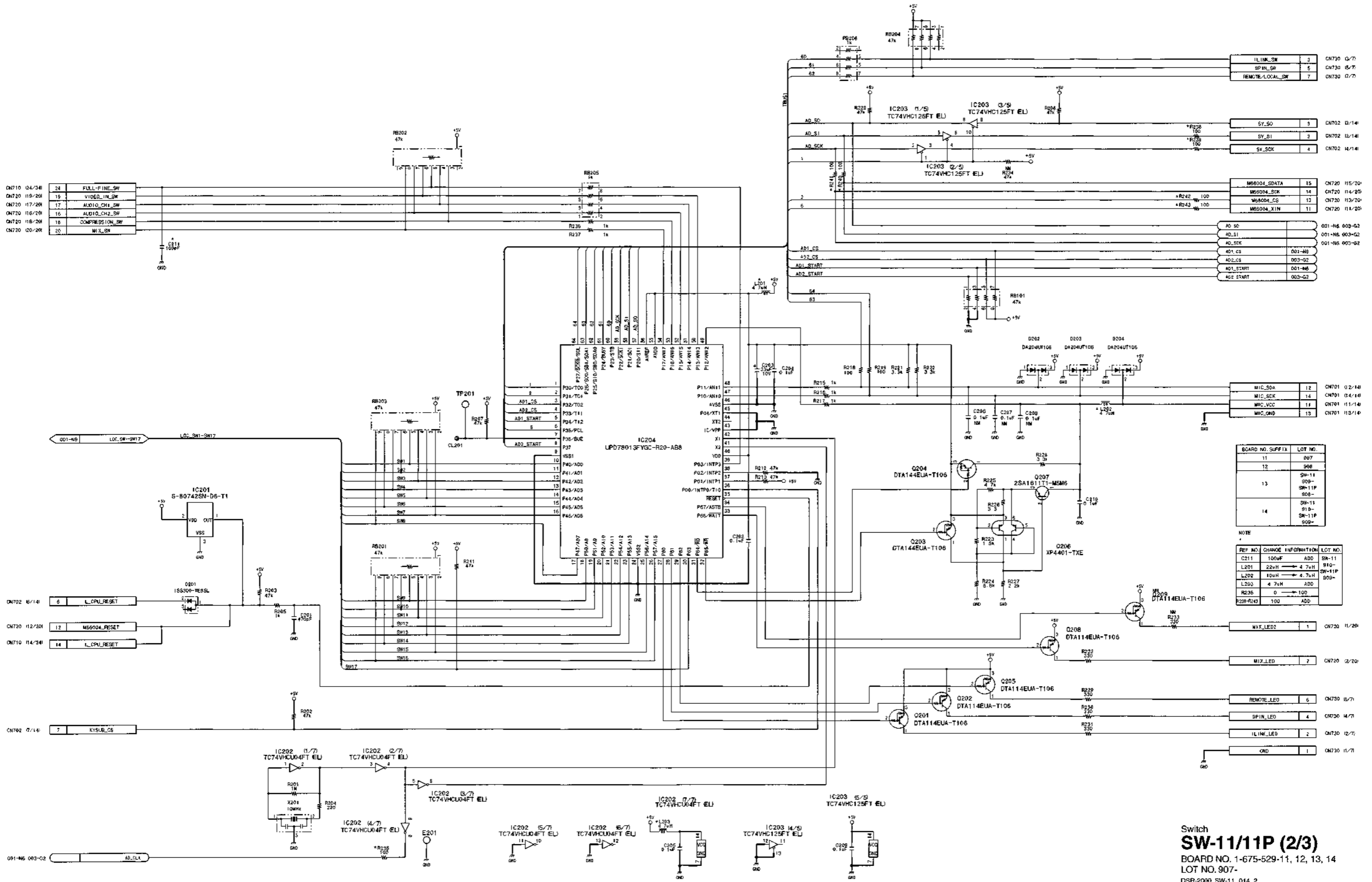
BOARD NO	SUFFIX	LOT NO.
11		907-909
12		910-

Servo/mechanism control
SV-212 (7/7)
 BOARD NO. 1-675-528-11, 12
 LOT NO. 907-
 DSR-2000_SV-212_012_7

SW-11/11P (1/3) SW-11/11P (1/3)



Switch
SW-11/11P (1/3)
 BOARD NO. 1-675-529-11, 12, 13, 14
 LOT NO. 907-
 DSR-2000_SW-11_014_1



ILINK_SW	3	CN730	Q/7
SPIN_SW	5	CN730	5/7
REMOTE_LOCAL_SW	7	CN730	7/7

SY_SO	3	CN702	13/14
SY_SI	2	CN702	13/14
SY_SCK	4	CN702	14/14

M66004_DATA	15	CN720	115/20
M66004_SCK	14	CN720	114/20
M66004_CS	12	CN720	113/20
M66004_XIN	11	CN720	111/20

AD_S0	001-N6	003-G2
AD_S1	001-N6	003-G2
AD_SCK	001-N6	003-G2
AD1_CS	001-N6	003-G2
AD2_CS	003-G2	003-G2
AD1_START	001-N6	003-G2
AD2_START	003-G2	003-G2

MIC_SDA	12	CN701	112/14
MIC_SCK	14	CN701	114/14
MIC_VCC	11	CN701	111/14
MIC_GND	13	CN701	113/14

BOARD NO. SUFFIX	LOT NO.
11	907
12	908
13	SW-11 909- SW-11P
14	SW-13 910- SW-11P

NOTE

REF. NO.	CHANGE INFORMATION	LOT NO.
C211	100uF	ADD SW-11
L201	22uH	4.7uH 910-
L202	10uH	4.7uH 909-
L203	4.7uH	ADD
R235	0	100
R208-R243	100	ADD

Switch
SW-11/11P (2/3)
 BOARD NO. 1-675-529-11, 12, 13, 14
 LOT NO. 907-
 DSR-2000_SW-11_014_2

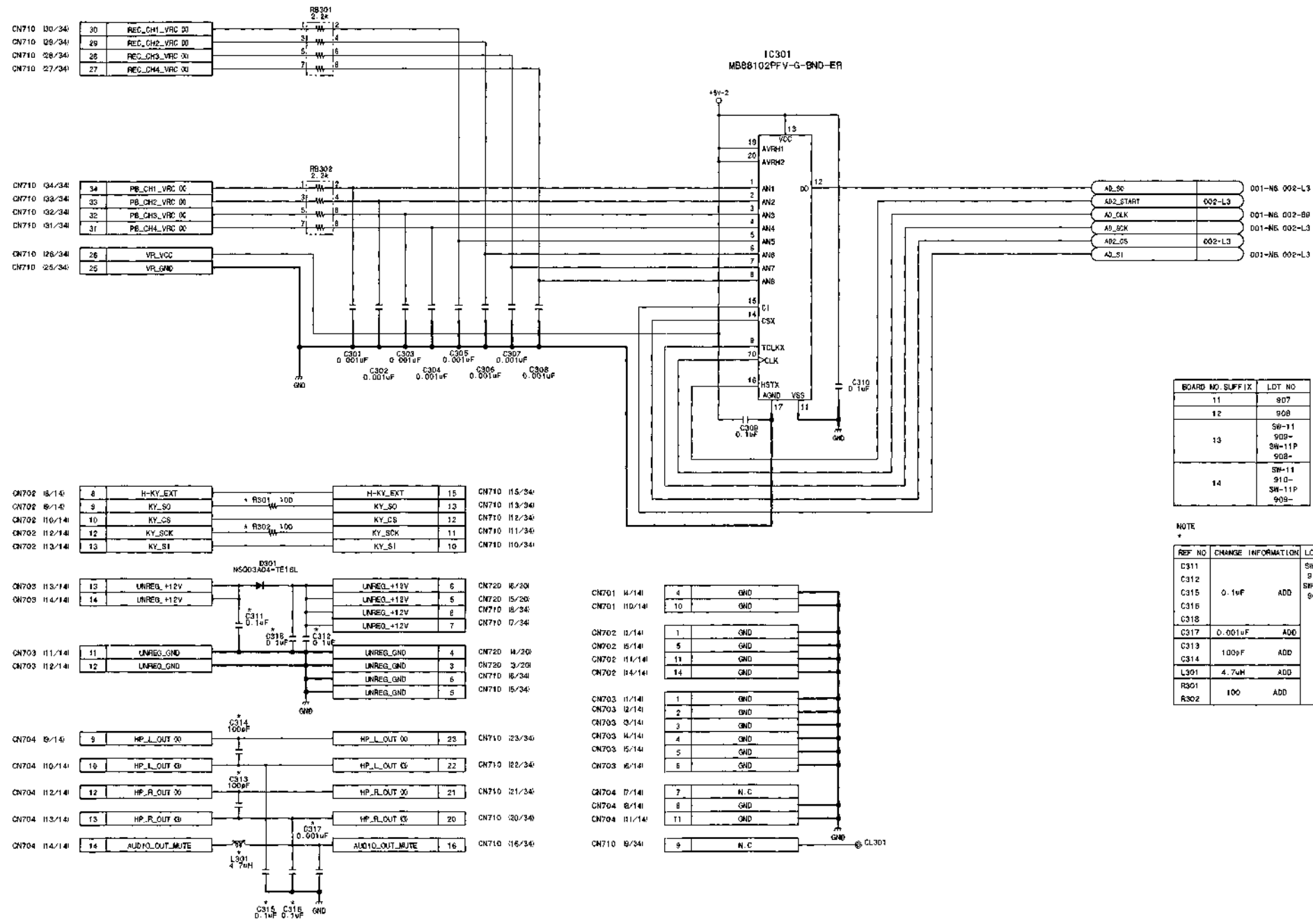
1

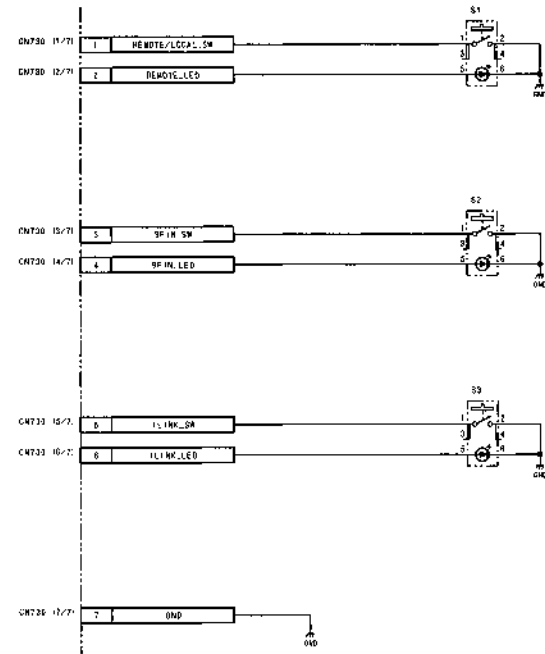
2

3

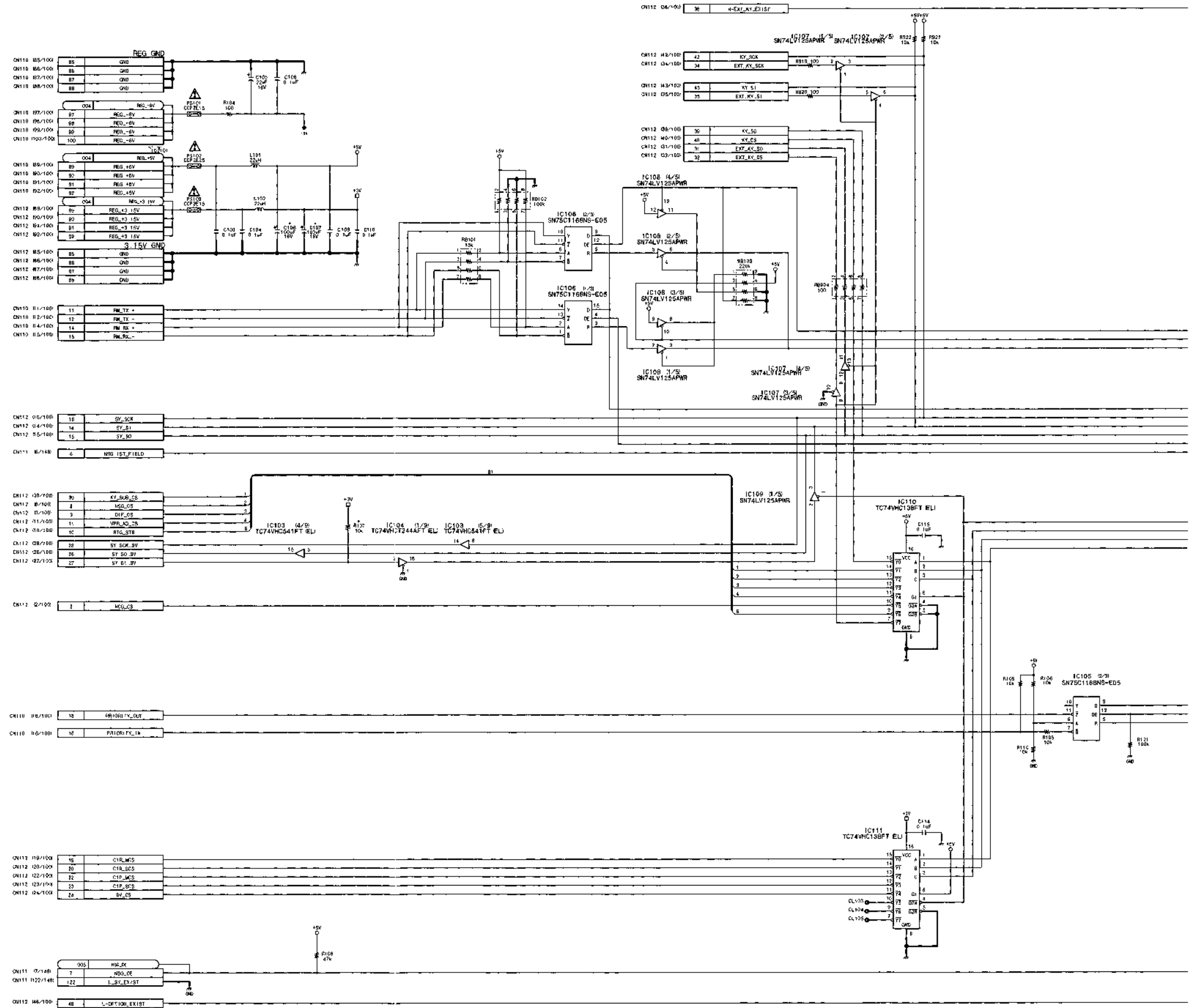
4

5





Remote switch
SW-17
 BOARD NO. 1-675-557-11, 21
 LOT NO. 907-
 DSR-2000_SW-17_C11_1



1

2

3

4

5

15-142

15-142

A

B

C

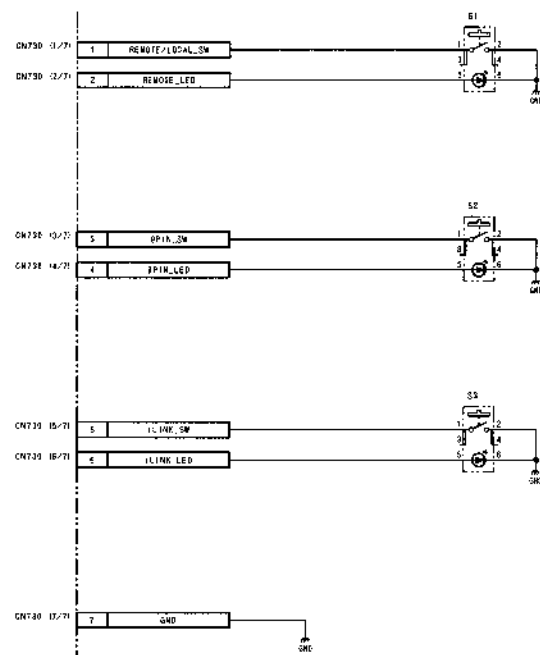
D

E

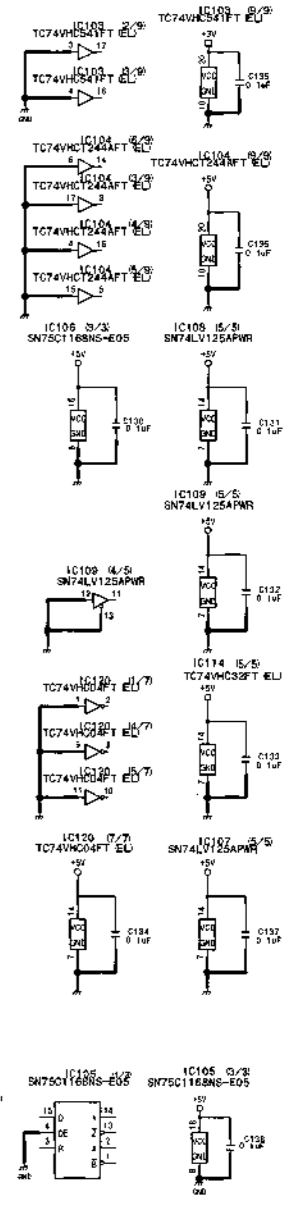
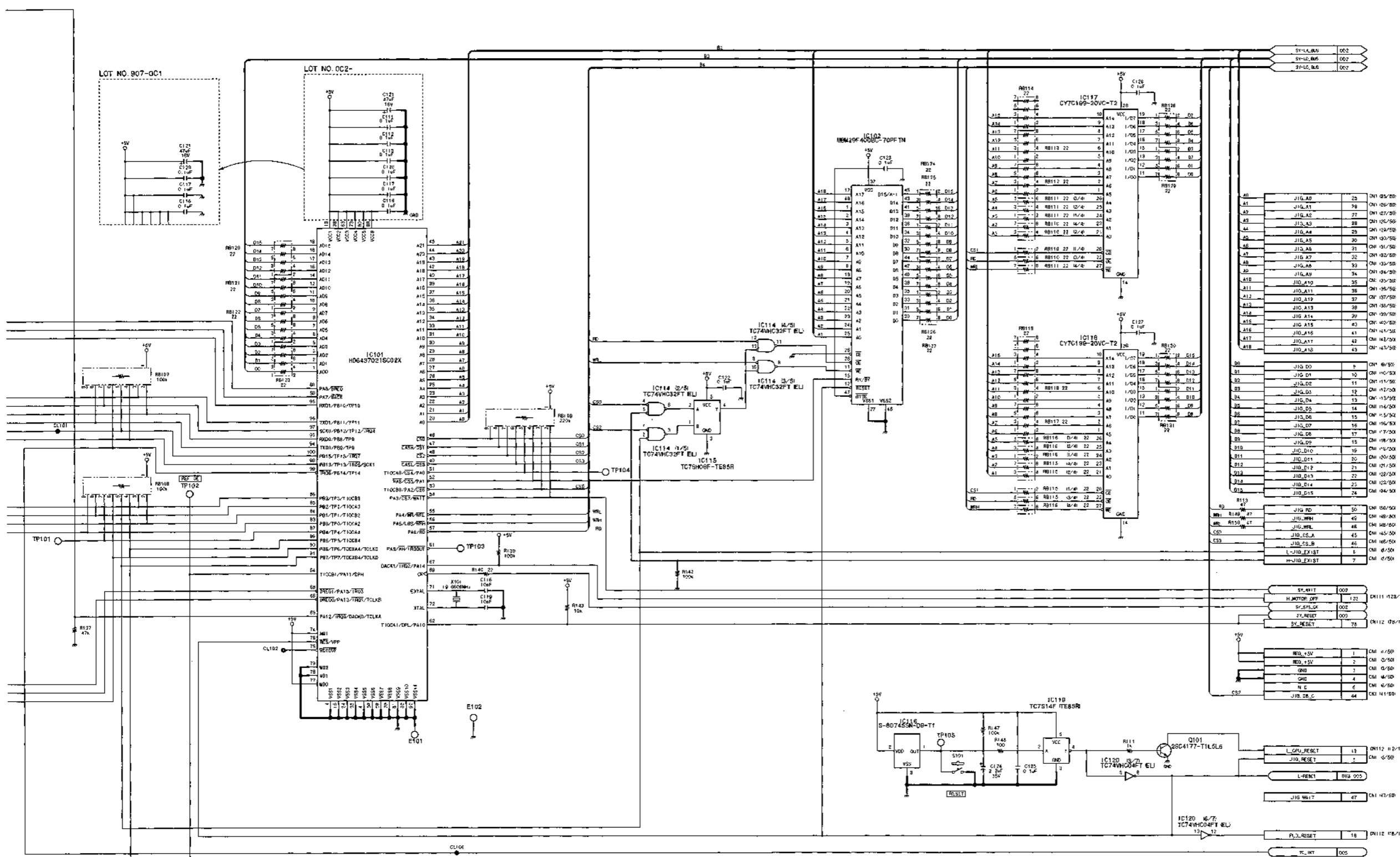
F

G

H



Remote switch
SW-17
 BOARD NO. 1-675-557-11, 21
 LOT NO. 907-
 DSR-2000_SW-17_C11_1

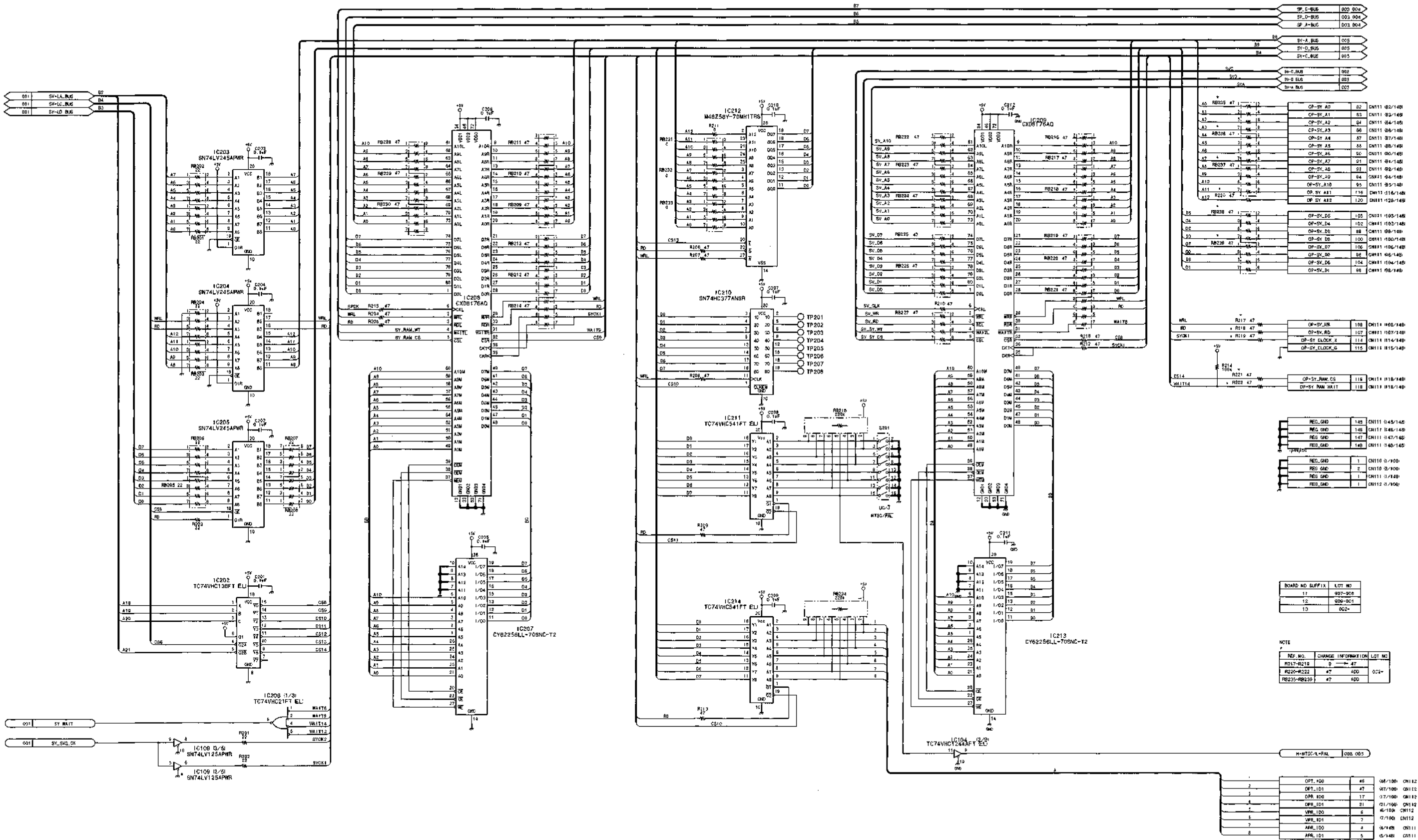


1
2
3
4
5

NOTE

REF. NO.	CHANGE INFORMATION	LOT NO.
6102	40k → 10k	900-
6106	47k → 100k	900-
6107	22k → 100k	900-

System control
SY-278 (1/5)
 BOARD NO. 1-675-530-11, 12, 13
 LOT NO. 907-
 DSR-2000_SY278_013_1



A0	RB235 47	OP-SY_A0	82	CH11 82/148
A1	RB236 47	OP-SY_A1	83	CH11 83/148
A2	RB237 47	OP-SY_A2	84	CH11 84/148
A3	RB238 47	OP-SY_A3	85	CH11 85/148
A4	RB239 47	OP-SY_A4	86	CH11 86/148
A5	RB240 47	OP-SY_A5	87	CH11 87/148
A6	RB241 47	OP-SY_A6	88	CH11 88/148
A7	RB242 47	OP-SY_A7	89	CH11 89/148
A8	RB243 47	OP-SY_A8	90	CH11 90/148
A9	RB244 47	OP-SY_A9	91	CH11 91/148
A10	RB245 47	OP-SY_A10	92	CH11 92/148
A11	RB246 47	OP-SY_A11	93	CH11 93/148
A12	RB247 47	OP-SY_A12	94	CH11 94/148
B0	RB248 47	OP-SY_B0	100	CH11 100/148
B1	RB249 47	OP-SY_B1	101	CH11 101/148
B2	RB250 47	OP-SY_B2	102	CH11 102/148
B3	RB251 47	OP-SY_B3	103	CH11 103/148
B4	RB252 47	OP-SY_B4	104	CH11 104/148
B5	RB253 47	OP-SY_B5	105	CH11 105/148
B6	RB254 47	OP-SY_B6	106	CH11 106/148
B7	RB255 47	OP-SY_B7	107	CH11 107/148
B8	RB256 47	OP-SY_B8	108	CH11 108/148
B9	RB257 47	OP-SY_B9	109	CH11 109/148
B10	RB258 47	OP-SY_B10	110	CH11 110/148
B11	RB259 47	OP-SY_B11	111	CH11 111/148
B12	RB260 47	OP-SY_B12	112	CH11 112/148
C0	RB261 47	OP-SY_C0	118	CH11 118/148
C1	RB262 47	OP-SY_C1	119	CH11 119/148

REG_GND	185	CH11 185/148
REG_GND	186	CH11 186/148
REG_GND	187	CH11 187/148
REG_GND	188	CH11 188/148
REG_GND	1	CH10 1/100
REG_GND	2	CH10 2/100
REG_GND	3	CH11 3/148
REG_GND	4	CH12 4/100

BOARD NO.	DIFFIX	LOT NO.
17	997-909	
12	998-901	
13	002*	

REF. NO.	CHANGE INFORMATION	LOT NO.
RS17-RS18	3	AT
RS20-RS22	47	ADD
RS25-RS29	47	ADD

OPT_F00	46	98/100	CH12
OPT_I01	47	97/100	CH12
OPR_I00	17	07/100	CH12
OPR_I01	21	01/100	CH12
APL_I00	6	05/100	CH12
APL_I01	7	07/100	CH12
APL_I00	8	06/100	CH11
APL_I01	9	05/100	CH11

System control!
SY-278 (2/5)
 BOARD NO. 1-675-530-11, 12, 13
 LOT NO. 907-
 DSR-2000_SY-278_013_1

1

2

3

4

5

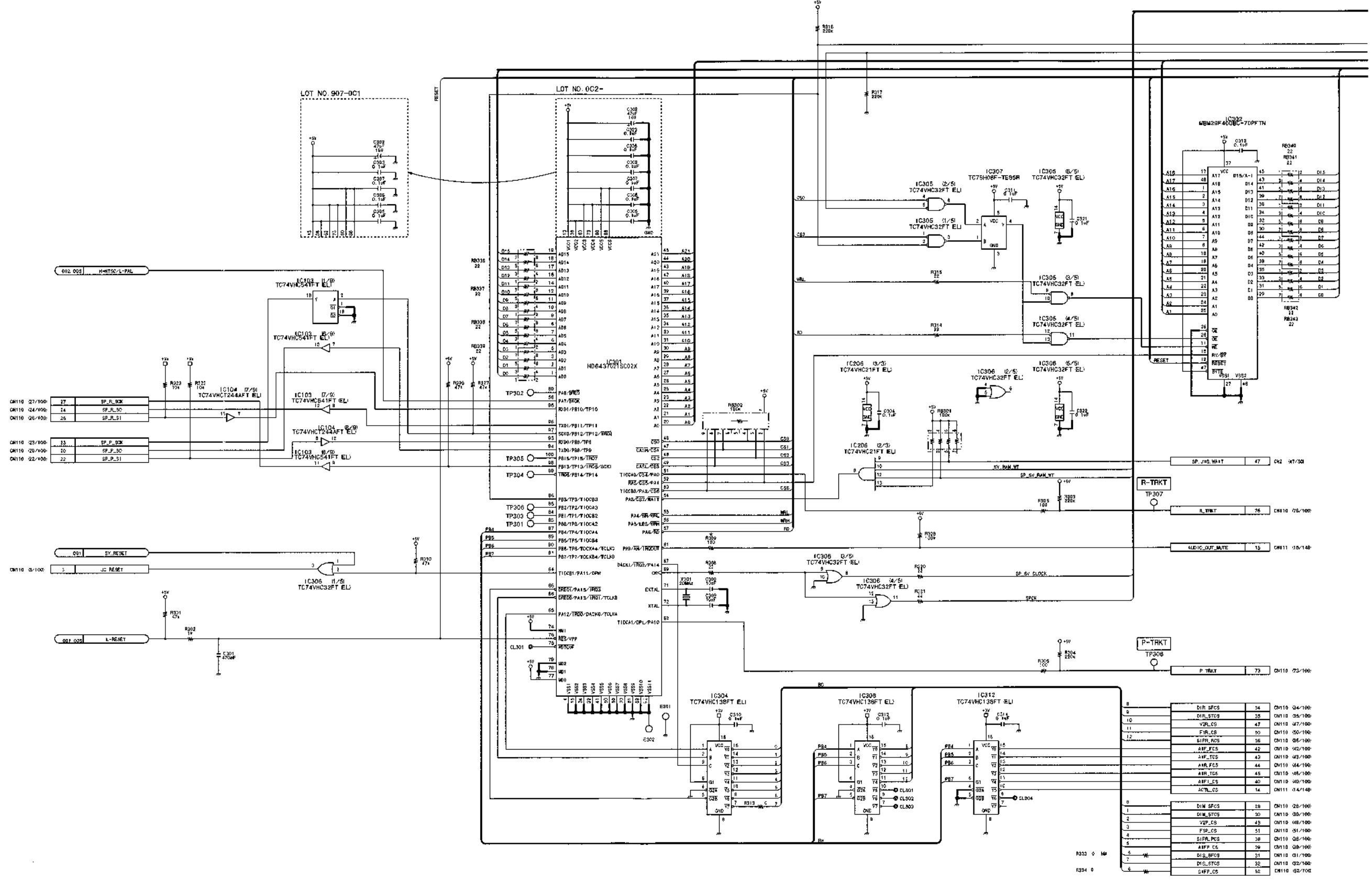
1

2

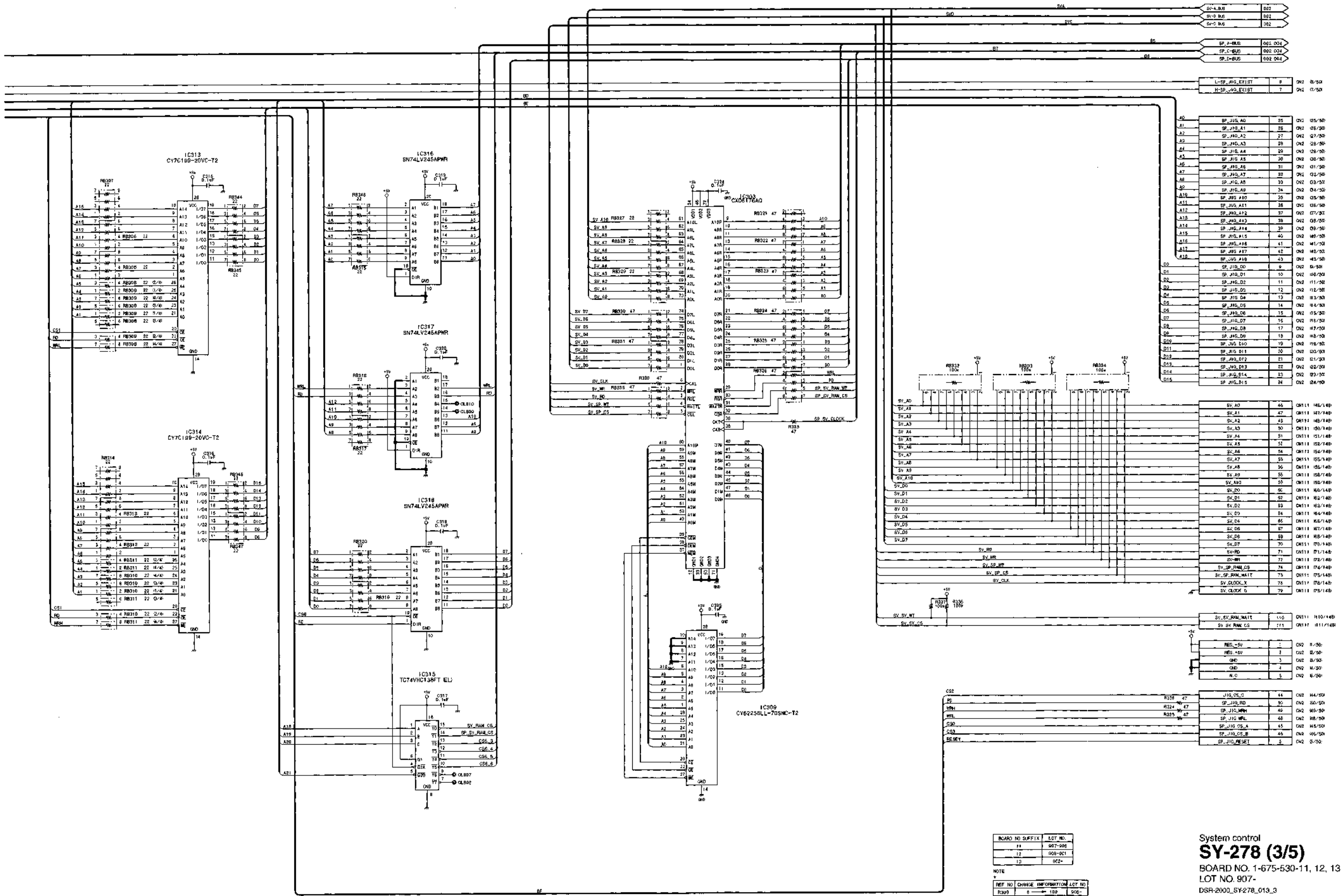
3

4

5



A | B | C | D | E | F | G | H



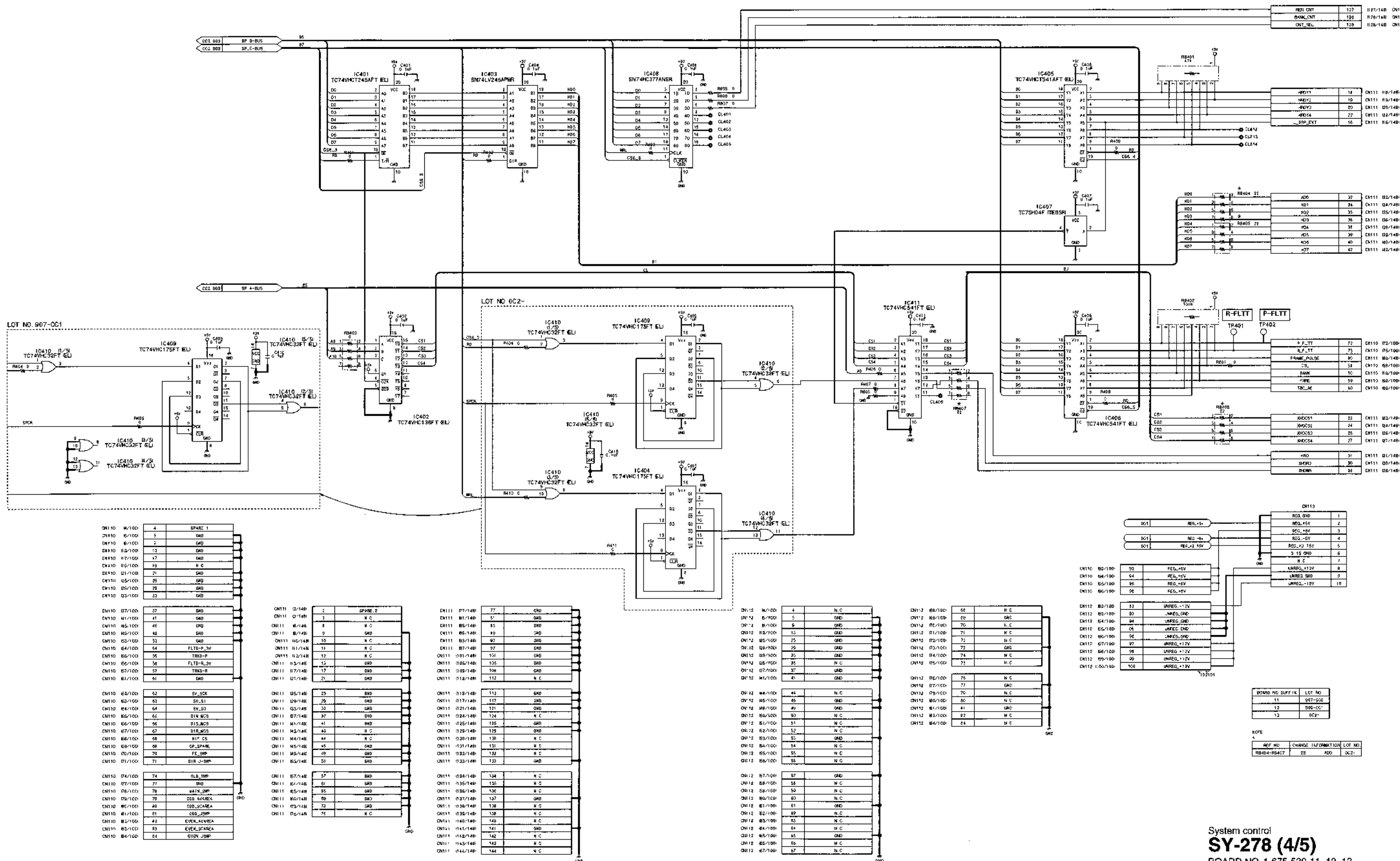
1

2

3

4

5



DN110	M/100	4	SPARE_1
DN110	5/100	5	GNB
DN110	6/100	2	GNB
DN110	13/100	13	GNB
DN110	17/100	17	GNB
DN110	18/100	18	N.C.
DN110	21/100	21	GNB
DN110	25/100	25	GNB
DN110	26/100	26	GNB
DN110	33/100	33	GNB
DN110	37/100	37	GNB
DN110	41/100	41	GNB
DN110	45/100	45	GNB
DN110	46/100	46	GNB
DN110	53/100	53	GNB
DN110	54/100	54	FLTB-P_3V
DN110	55/100	55	TRNS-P
DN110	56/100	56	FLTB-L_3V
DN110	57/100	57	TRNS-L
DN110	61/100	61	GNB
DN110	62/100	62	GNB
DN110	63/100	63	SP_51
DN110	64/100	64	SP_53
DN110	65/100	65	SP_54
DN110	66/100	66	SP_55
DN110	67/100	67	SP_56
DN110	68/100	68	SP_57
DN110	69/100	69	SP_58
DN110	70/100	70	TE_59
DN110	71/100	71	TE_60
DN110	74/100	74	SLB_61
DN110	77/100	77	GNB
DN110	78/100	78	WAT_62
DN110	79/100	79	WAT_63
DN110	80/100	80	WAT_64
DN110	81/100	81	WAT_65
DN110	82/100	82	WAT_66
DN110	83/100	83	WAT_67
DN110	84/100	84	WAT_68

DN111	2/148	2	SPARE_2
DN111	3/148	3	N.C.
DN111	4/148	4	N.C.
DN111	5/148	5	GNB
DN111	10/148	10	N.C.
DN111	11/148	11	N.C.
DN111	12/148	12	N.C.
DN111	13/148	13	GNB
DN111	17/148	17	GNB
DN111	21/148	21	GNB
DN111	23/148	23	GNB
DN111	29/148	29	GNB
DN111	33/148	33	GNB
DN111	37/148	37	GNB
DN111	41/148	41	GNB
DN111	43/148	43	N.C.
DN111	44/148	44	N.C.
DN111	45/148	45	GNB
DN111	46/148	46	GNB
DN111	51/148	51	GNB
DN111	57/148	57	GNB
DN111	61/148	61	GNB
DN111	65/148	65	GNB
DN111	69/148	69	GNB
DN111	73/148	73	GNB
DN111	75/148	75	N.C.

DN111	77/148	77	GNB
DN111	81/148	81	GNB
DN111	85/148	85	GNB
DN111	89/148	89	GNB
DN111	93/148	93	GNB
DN111	97/148	97	GNB
DN111	101/148	101	GNB
DN111	105/148	105	GNB
DN111	109/148	109	GNB
DN111	113/148	113	N.C.
DN111	117/148	117	GNB
DN111	121/148	121	GNB
DN111	125/148	125	N.C.
DN111	129/148	129	GNB
DN111	133/148	133	N.C.
DN111	137/148	137	GNB
DN111	141/148	141	N.C.
DN111	145/148	145	N.C.
DN111	149/148	149	N.C.
DN111	153/148	153	N.C.
DN111	157/148	157	N.C.
DN111	161/148	161	N.C.
DN111	165/148	165	N.C.
DN111	169/148	169	N.C.
DN111	173/148	173	N.C.
DN111	177/148	177	N.C.
DN111	181/148	181	N.C.
DN111	185/148	185	N.C.
DN111	189/148	189	N.C.
DN111	193/148	193	N.C.
DN111	197/148	197	N.C.

DN12	M/100	4	N.C.
DN12	5/100	5	GNB
DN12	6/100	6	GNB
DN12	8/100	8	GNB
DN12	15/100	15	GNB
DN12	25/100	25	GNB
DN12	29/100	29	GNB
DN12	33/100	33	GNB
DN12	35/100	35	N.C.
DN12	37/100	37	GNB
DN12	41/100	41	GNB
DN12	44/100	44	N.C.
DN12	45/100	45	GNB
DN12	49/100	49	GNB
DN12	50/100	50	N.C.
DN12	51/100	51	N.C.
DN12	52/100	52	N.C.
DN12	53/100	53	GNB
DN12	54/100	54	N.C.
DN12	55/100	55	N.C.
DN12	56/100	56	N.C.
DN12	57/100	57	N.C.
DN12	58/100	58	N.C.
DN12	59/100	59	N.C.
DN12	60/100	60	N.C.
DN12	61/100	61	N.C.
DN12	62/100	62	N.C.
DN12	63/100	63	N.C.
DN12	64/100	64	N.C.
DN12	65/100	65	GNB
DN12	66/100	66	N.C.
DN12	67/100	67	N.C.

DN12	68/100	68	N.C.
DN12	69/100	69	GNB
DN12	70/100	70	N.C.
DN12	71/100	71	N.C.
DN12	72/100	72	N.C.
DN12	73/100	73	GNB
DN12	74/100	74	N.C.
DN12	75/100	75	N.C.
DN12	76/100	76	N.C.
DN12	77/100	77	GNB
DN12	78/100	78	N.C.
DN12	79/100	79	N.C.
DN12	80/100	80	N.C.
DN12	81/100	81	GNB
DN12	82/100	82	N.C.
DN12	84/100	84	N.C.

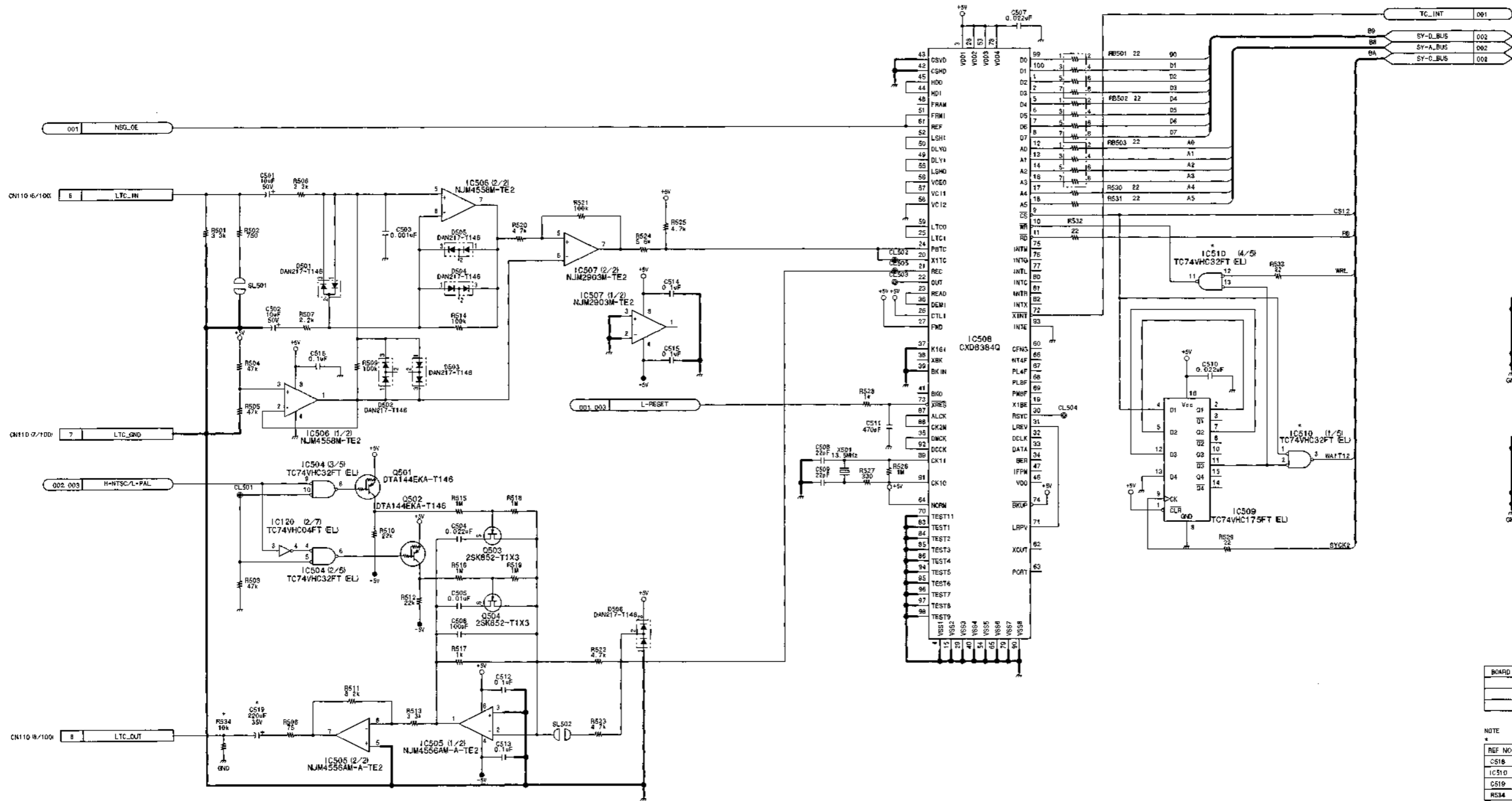
DN12	85/100	85	N.C.
DN12	86/100	86	GNB
DN12	87/100	87	GNB
DN12	88/100	88	GNB
DN12	89/100	89	GNB
DN12	90/100	90	GNB
DN12	91/100	91	GNB
DN12	92/100	92	GNB
DN12	93/100	93	GNB
DN12	94/100	94	GNB
DN12	95/100	95	GNB
DN12	96/100	96	GNB
DN12	97/100	97	GNB
DN12	98/100	98	GNB
DN12	99/100	99	GNB
DN12	100/100	100	GNB

BOARD	HC SUFFIX	LOT NO.
11	907-00E	
12	909-00	
13	002-	

REF. NO.	CHANGE INFORMATION	LOT NO.
RB404-RB407	22	ADD
		302-

NOTE
1

System control
SY-278 (4/5)
BOARD NO. 1-675-530-11, 12, 13
LOT NO. 907-
DSR-2000_SY-278_013_4

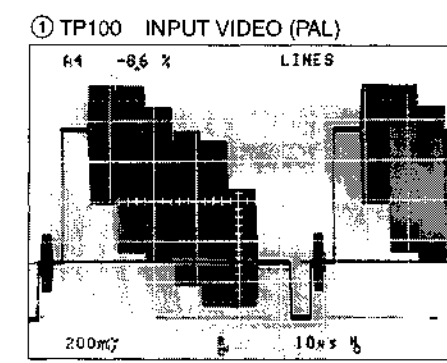
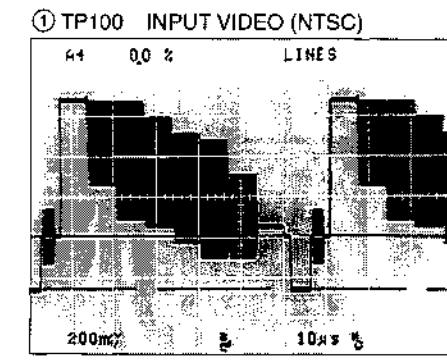
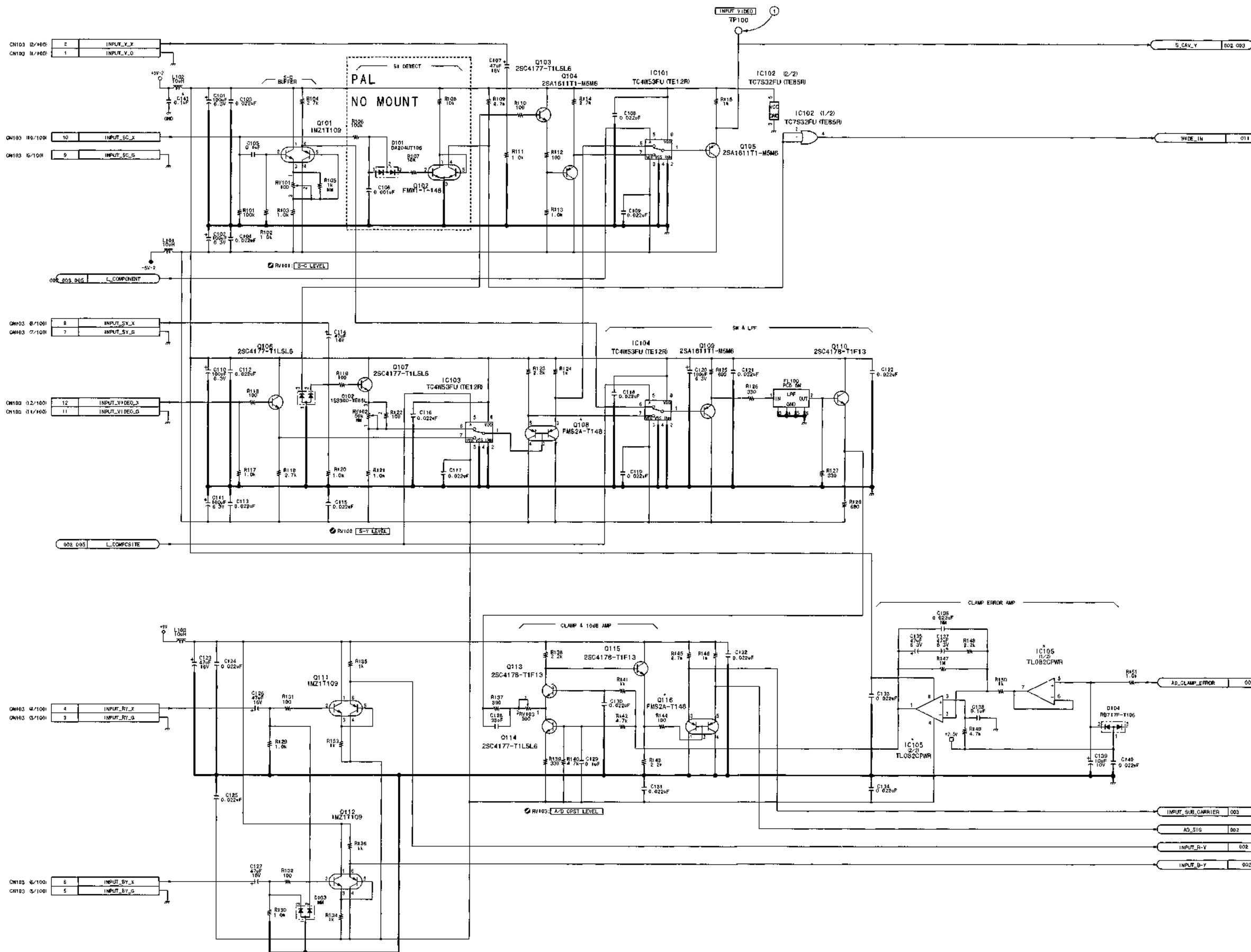


BOARD NO.	SUFFIX	LOT NO.
11		907-908
12		908-001
12		002*

NOTE

REF. NO.	CHANGE INFORMATION	LOT NO.
C518	0.1uF	ADD 909-
IC510	TC74VHC32FT ELU	ADD
C519	220uF	ADD 002*
R534	10k	ADD

System control
SY-278 (5/5)
 BOARD NO. 1-675-530-11, 12, 13
 LOT NO. 907-
 DSR-2009_SY278_013_5



NOTE *

REF. NO.	CHANGE INFORMATION	LOT NO.
IC105	TL082CPWR → TL082CPWR	001-
Q108	FMS2-Y-148	NTSC
Q116	FMS2A-T148	PAL
C141	0.1uF	ADD

	NTSC	PAL	J
C108	0.101uF	NM	0.101uF
D101	DA204UT106	NM	DA204UT106
Q102	FMS1-T-148	NM	FMS1-T-148
R106	10k	NM	10k
R107	10k	NM	10k
R108	10k	NM	10k

BOARD NO. SUPPLA	LOT NO.
11	907-908
12	909-
14	NTSC 152- PAL 142-

Analog video input + output process/reference
VPR-62/62P (1/12)
 BOARD NO. 1-675-531-11, 12, 14
 LOT NO. 907-
 DSR-2000_VPR-62_014_1

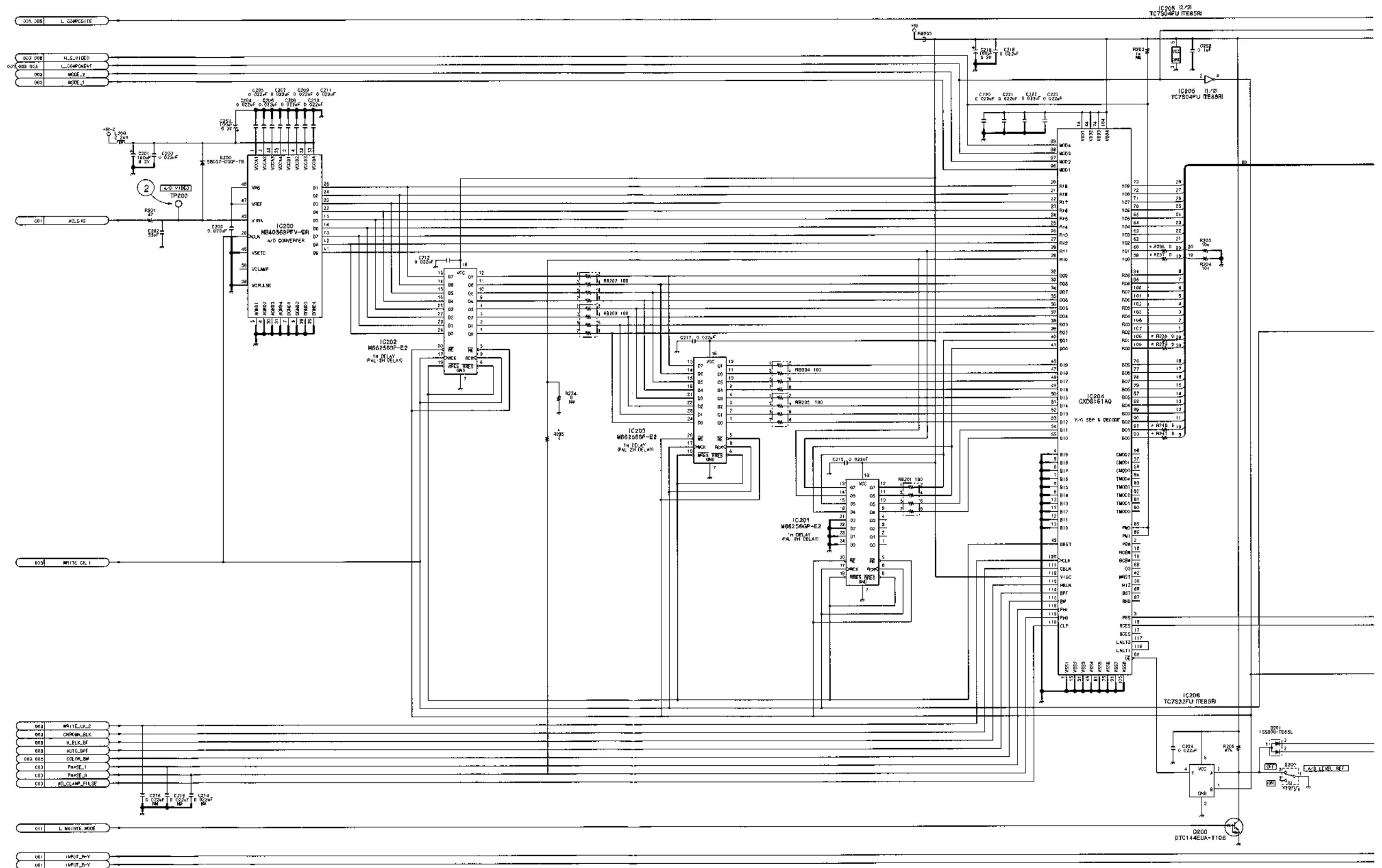
1

2

3

4

5



A

B

C

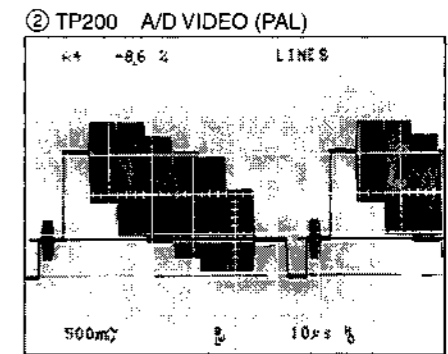
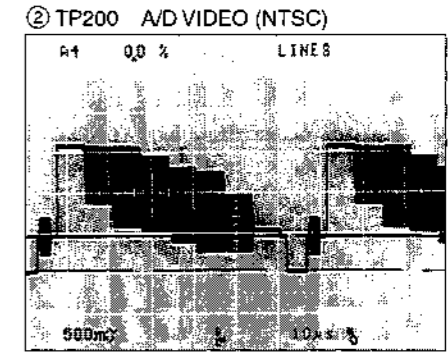
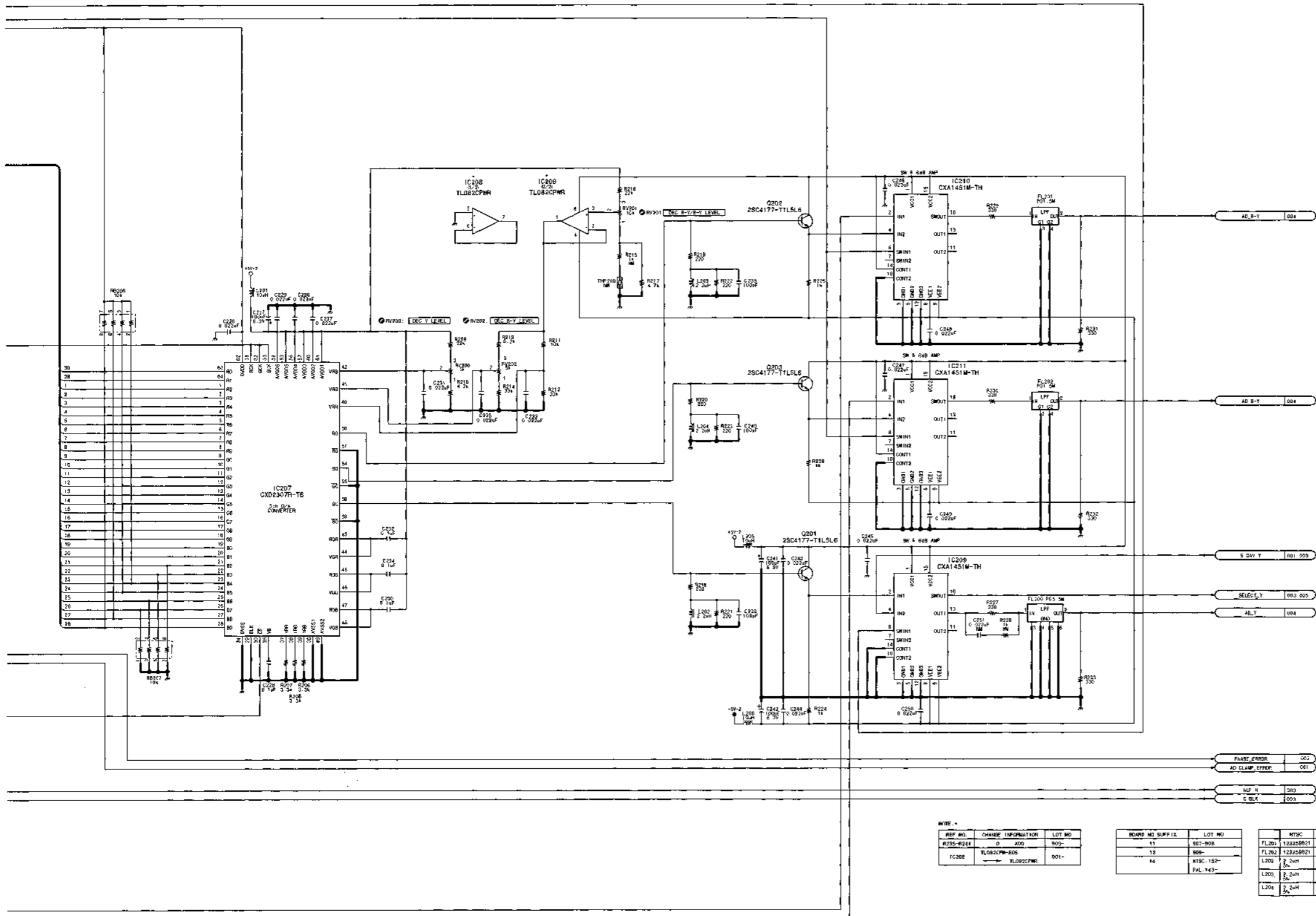
D

E

F

G

H



NOTE:

REF. NO.	CHANGE INFORMATION	LOT NO.
R335-R244	Q. J02	900-
IC208	TL082CPWR-EOG	001-
	TL082CPWR	001-

BOARD NO. SUFF. I.C.	LOT NO.
11	907-908
12	909-
14	NTSC-152-
	PAL-143-

	NTSC	PAL	J
FL201	123209821	123359921	123539821
FL202	123209821	123359921	123539821
L202	2.2uH	1.5uH	2.2uH
L203	2.2uH	1.5uH	2.2uH
L204	2.2uH	1.5uH	2.2uH

Analog video input • output process/reference
VPR-62/62P (2/12)
 BOARD NO. 1-675-531-11, 12, 14
 LOT NO. 907-
 DSR-2000_VPR-62_014_2

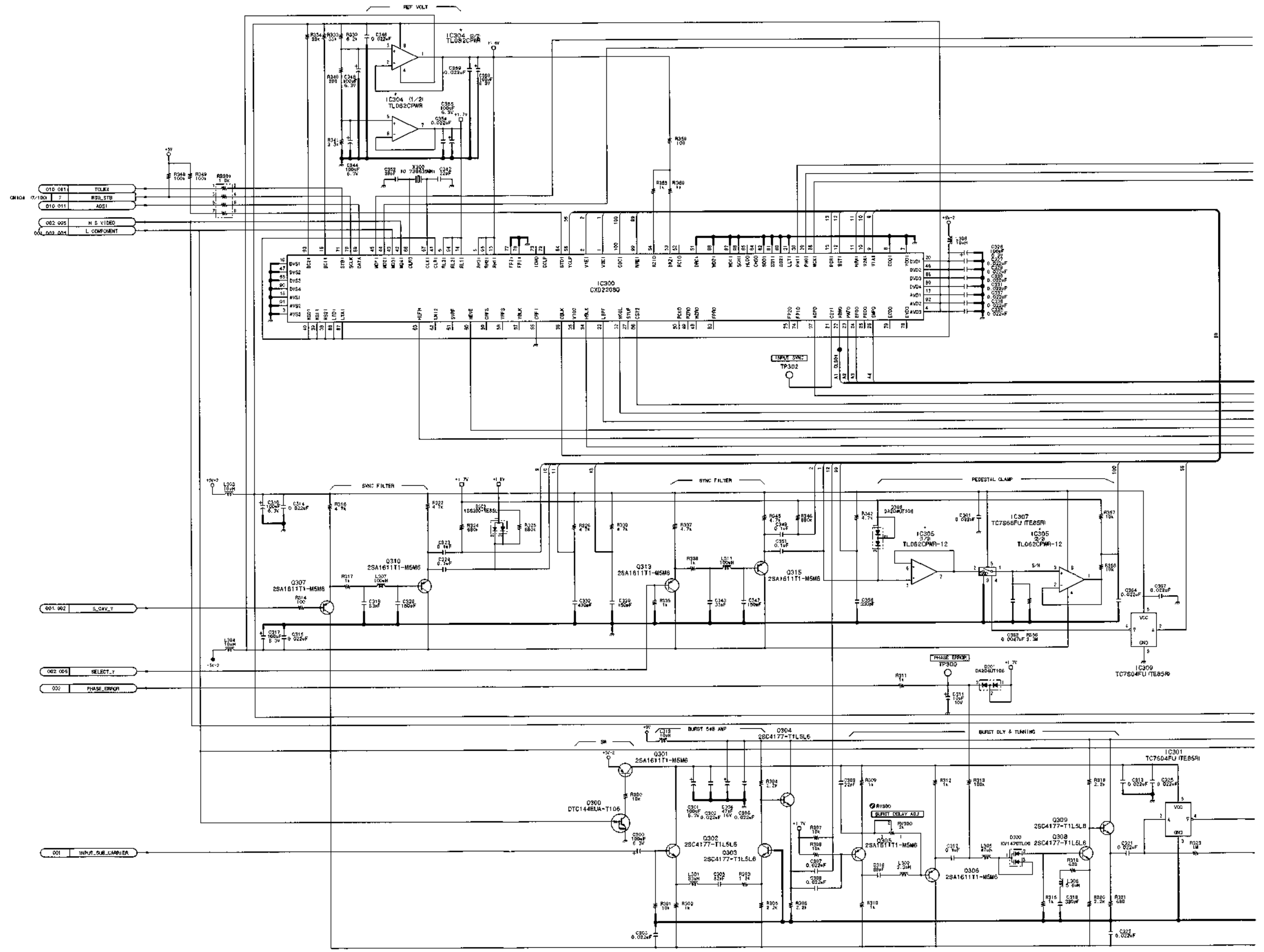
1

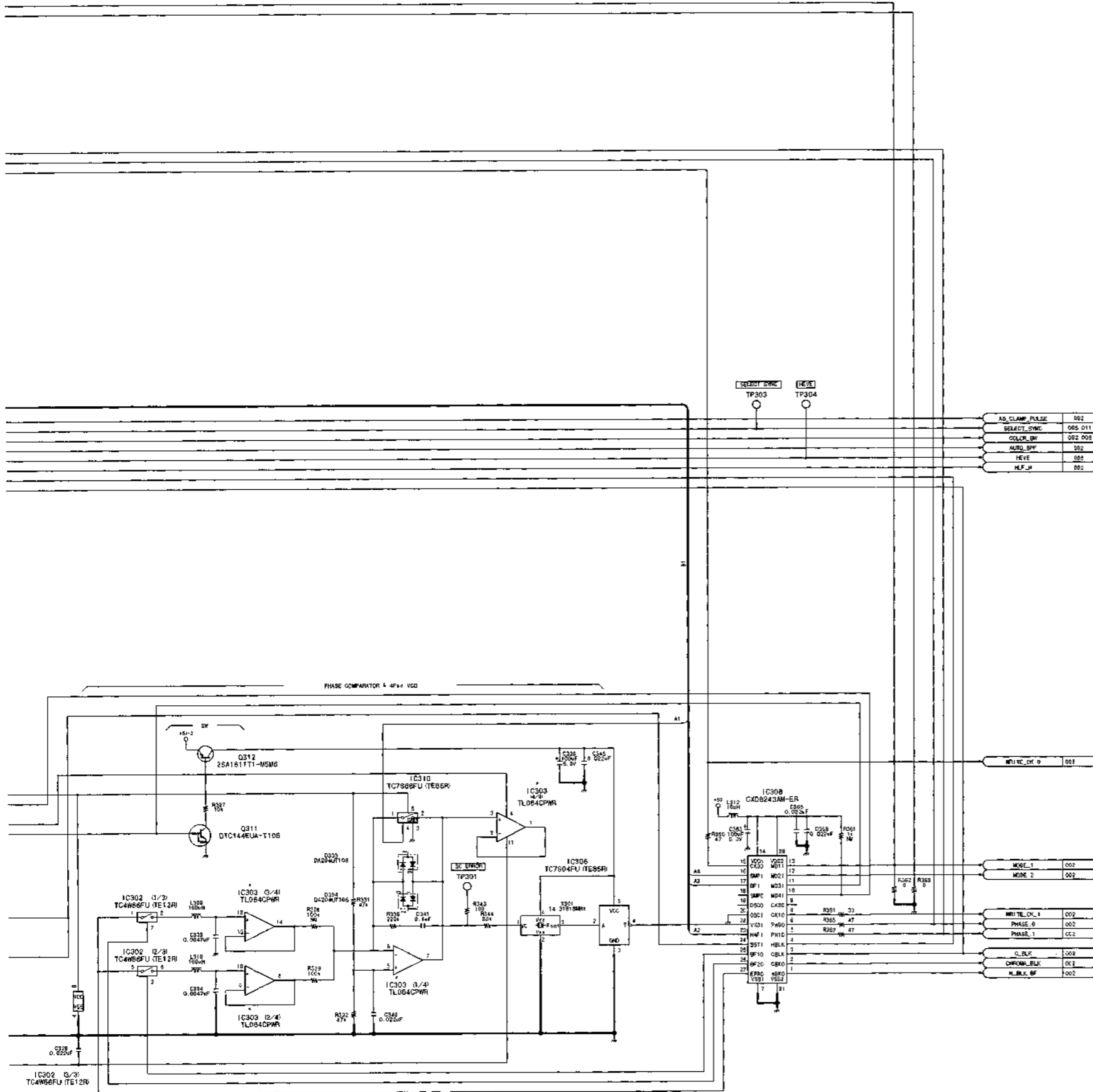
2

3

4

5





AD_CLAMP_PULSE	002
SELECT_SWIC	005 011
CLOCK_SW	002 003
AUTO_SW	002
HEVE	002
HEF_H	002

NOTE 1

REF. NO.	CHANGE INFORMATION	LOT NO.
IC303	TL064CPWR-E05 TL064CPWR	001*
IC304	TL064CPWR-E05 TL064CPWR	
IC305	TL064CPWR TL064CPWR-LC	

	NTSC	PAL	J
C310	560pF	560pF	560pF
C318	220pF	220pF	220pF
C301	MM	D4204J1106	MM
L305	47uH	33uH	47uH
R322	MM	390Ω	MM
R328	100Ω	330Ω	100Ω
R302	MM	5Ω	MM
R303	MM	5Ω	MM
X300	10.736035M	10.864125M	10.736035M
X304	14.343158M	17.734475M	14.343158M

BOARD NO. SUFFIX	LOT NO.
F1	907-908
F2	909-
F4	MSC-152- PAL 143-

INTL_VIC_0	001
MODE_1	002
MODE_2	002
INTL_VIC_1	002
PHASE_0	002
PHASE_1	002
C_CLK	200
CHRONO_CLK	002
H_SYNC_SF	002

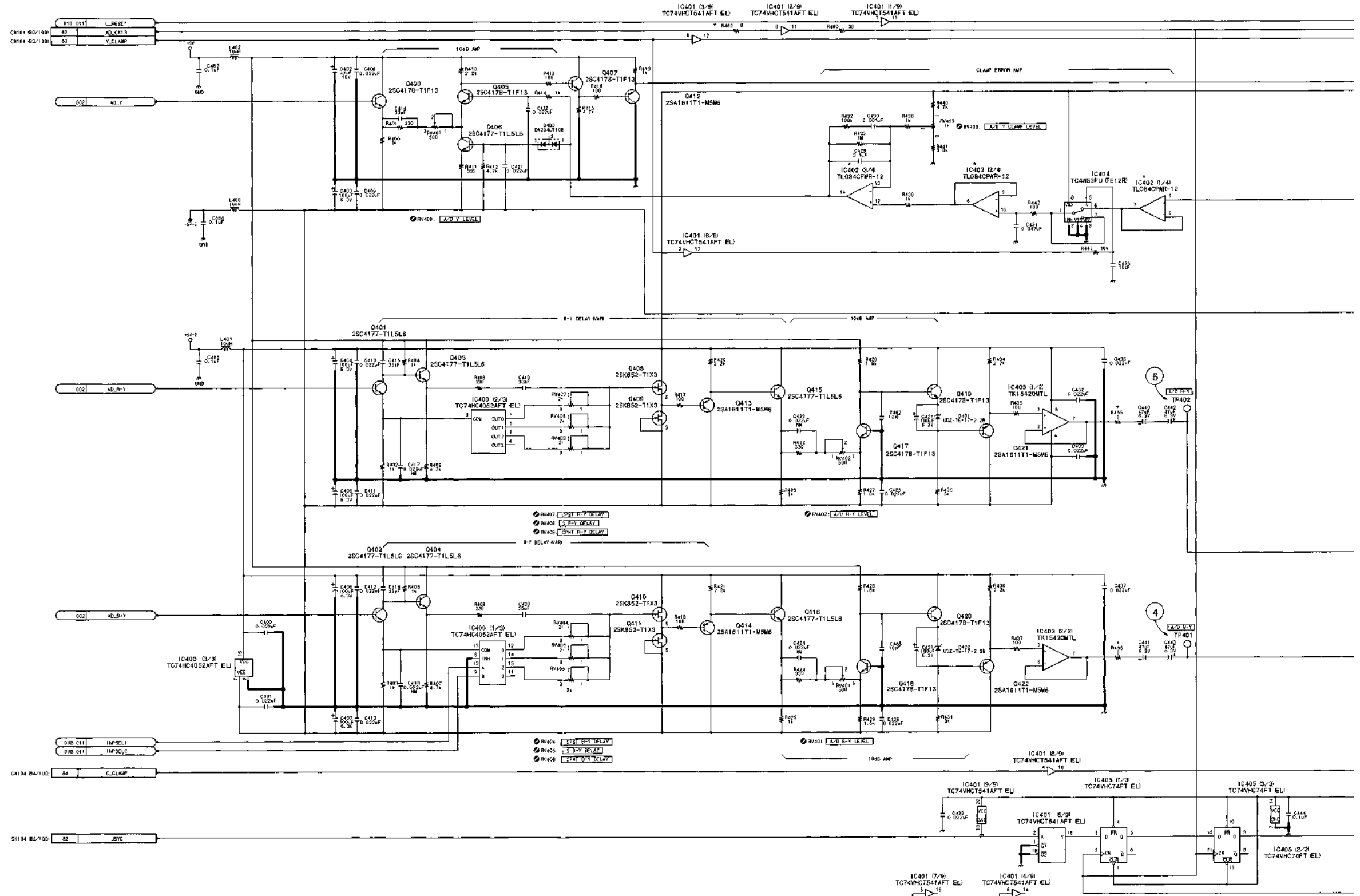
1

2

3

4

5



A

B

C

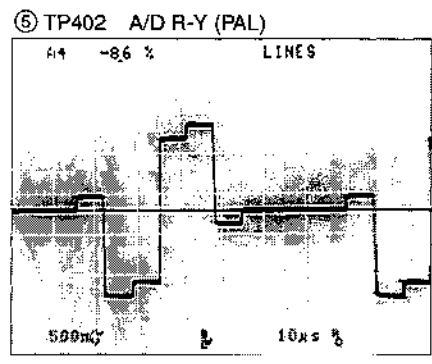
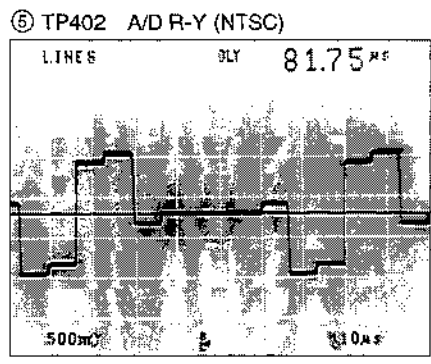
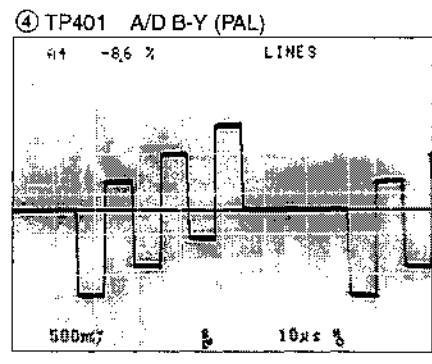
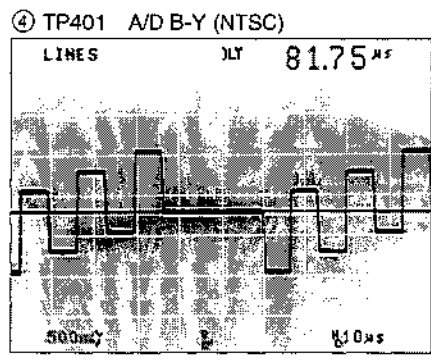
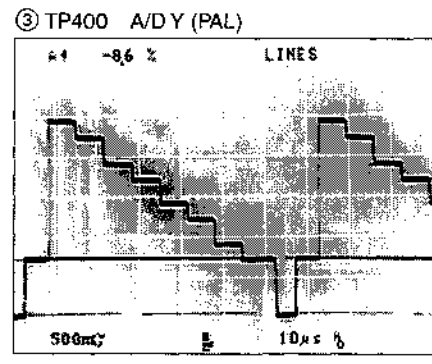
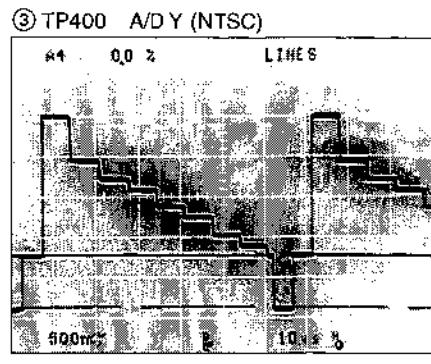
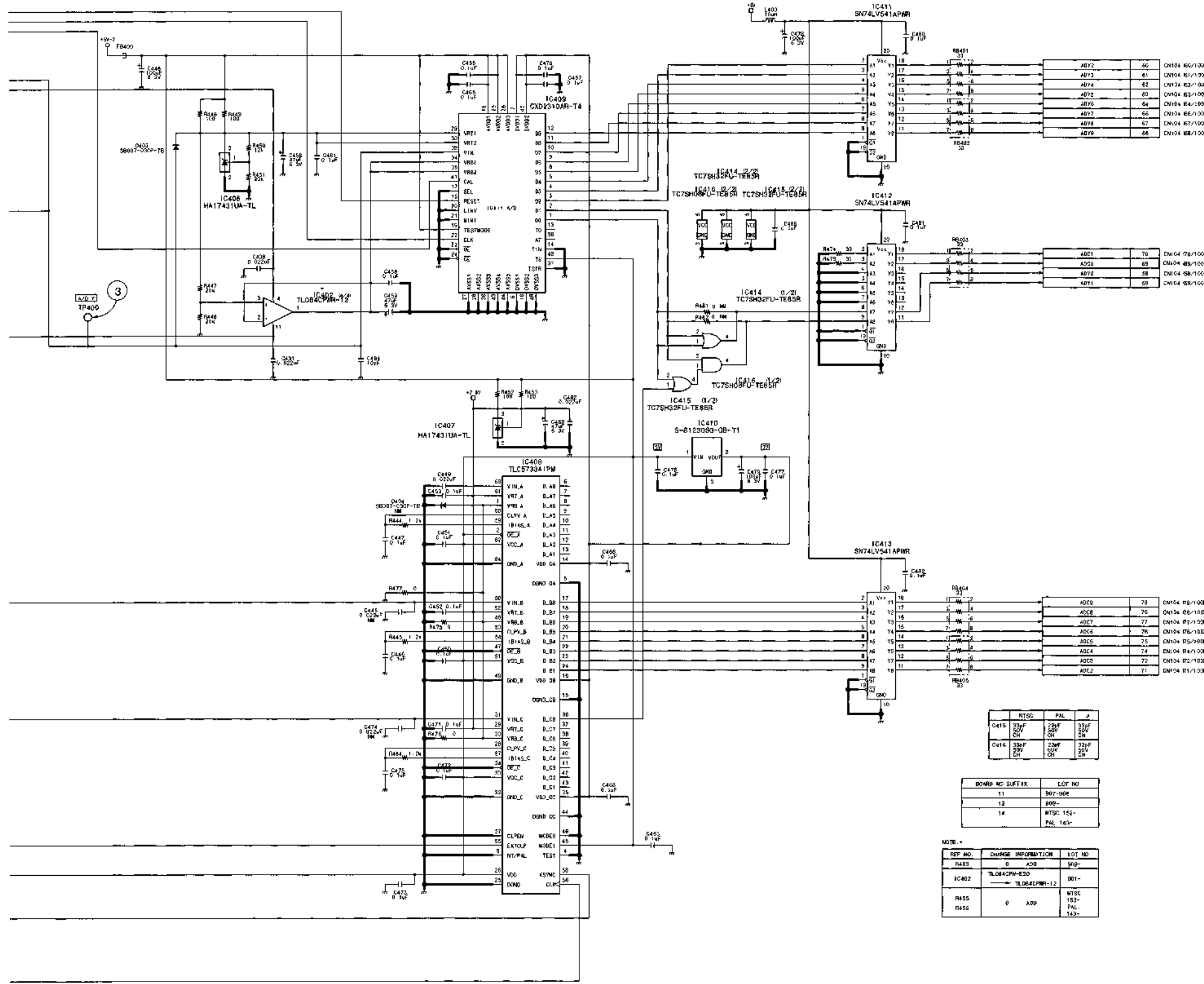
D

E

F

G

H



REF. NO.	CHANGE	INFORMATION	LOT NO.
11	0	ADD	907-1008
12	0	ADD	800-
14	0	ADD	NTSC 152- PAL 143-

COMP. NO.	SUFFIX	LOT NO.
11		907-1008
12		800-
14		NTSC 152- PAL 143-

REF. NO.	CHANGE	INFORMATION	LOT NO.
IC402	0	ADD	907-
IC407	0	ADD	152- PAL 143-

1
2
3
4
5

Analog video input - output process/reference
VPR-62/62P (4/12)
 BOARD NO. 1-675-531-11, 12, 14
 LOT NO. 907-
 DSR-2000_VPR-62_014_4

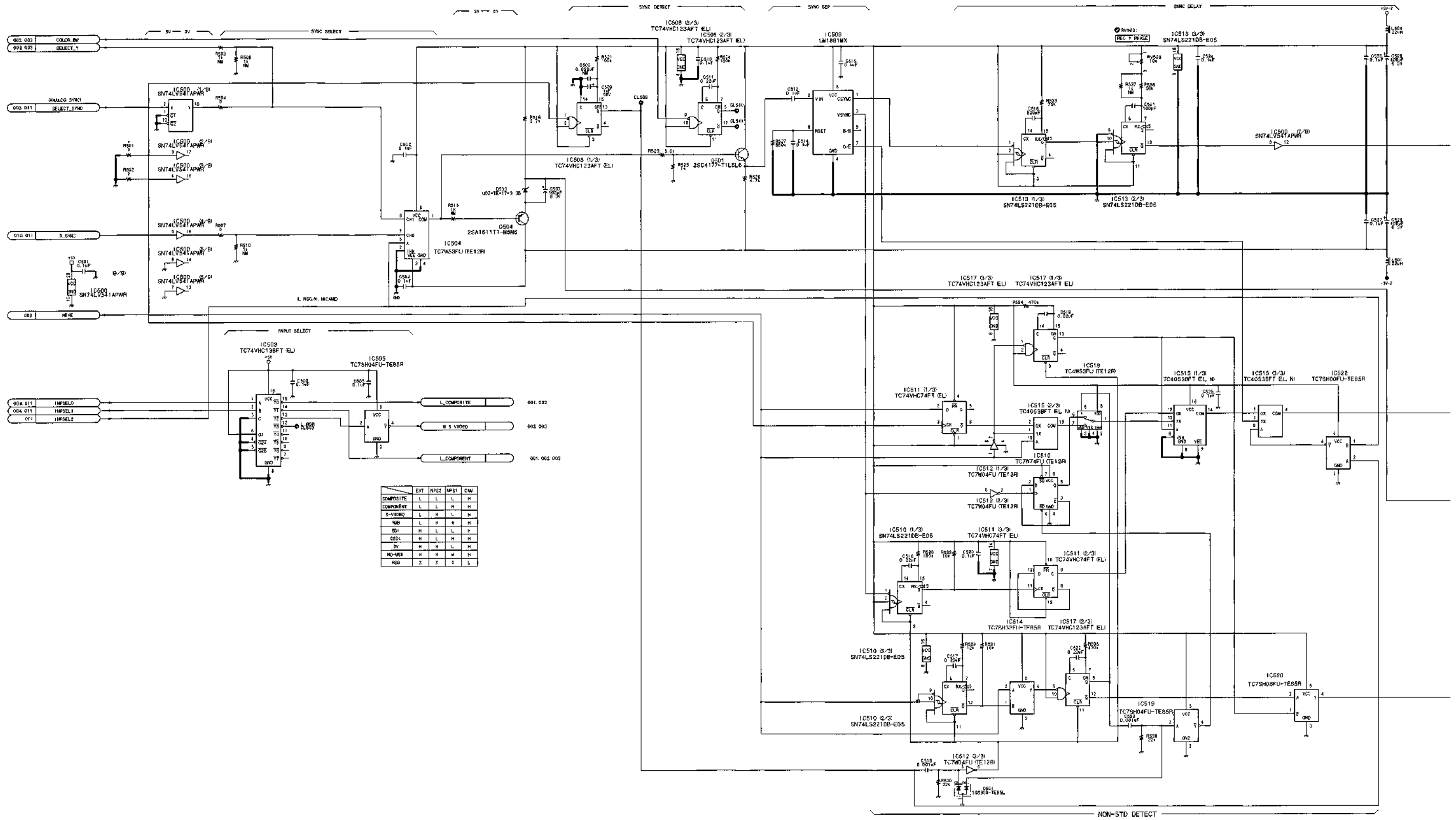
1

2

3

4

5



A

B

C

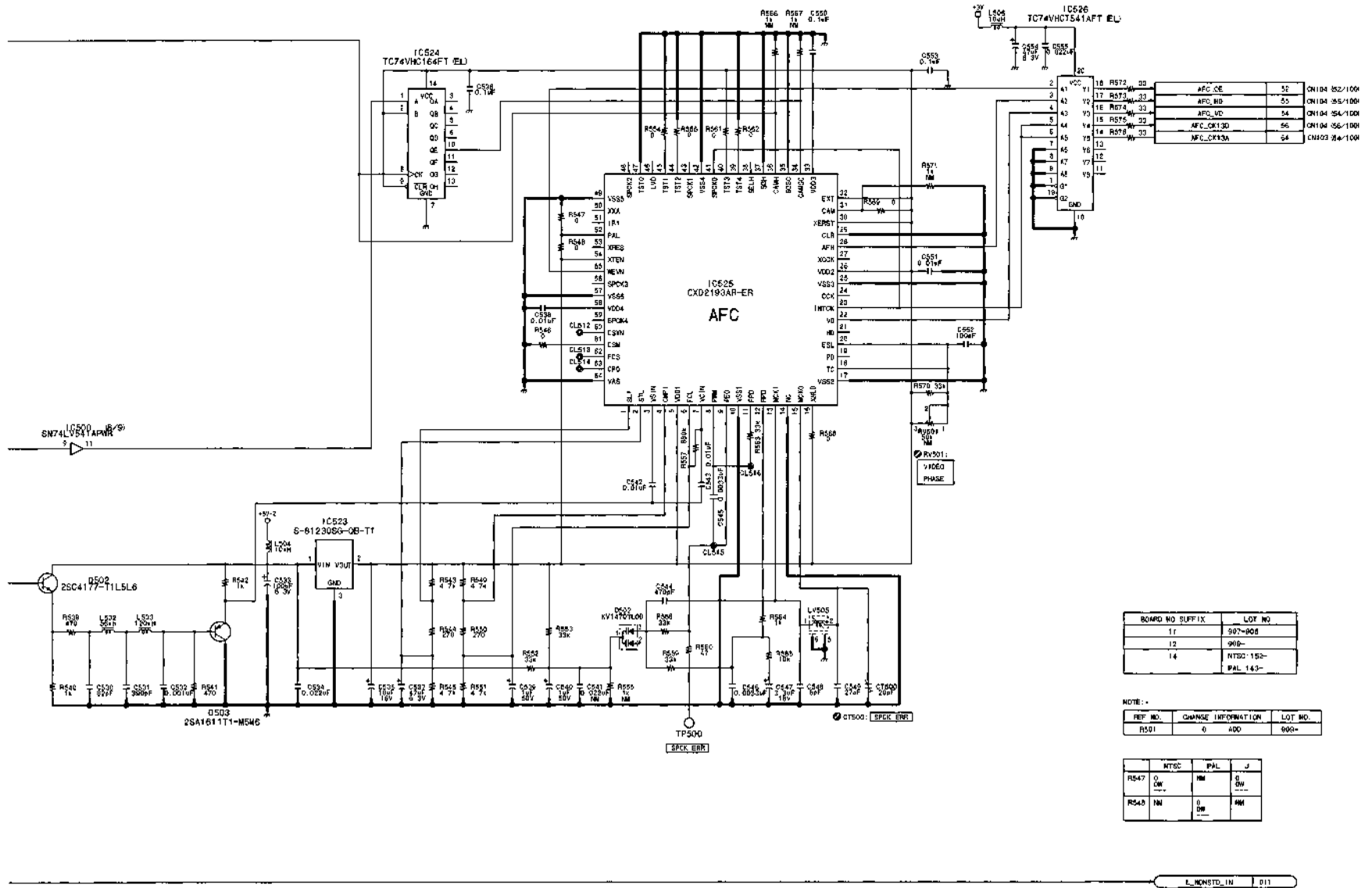
D

E

F

G

H



1

2

3

4

5

Analog video input - output process/reference
VPR-62/62P (5/12)
 BOARD NO. 1-675-531-11, 12, 14
 LOT NO. 907-
 DSR-2000_VPR-62_014_5

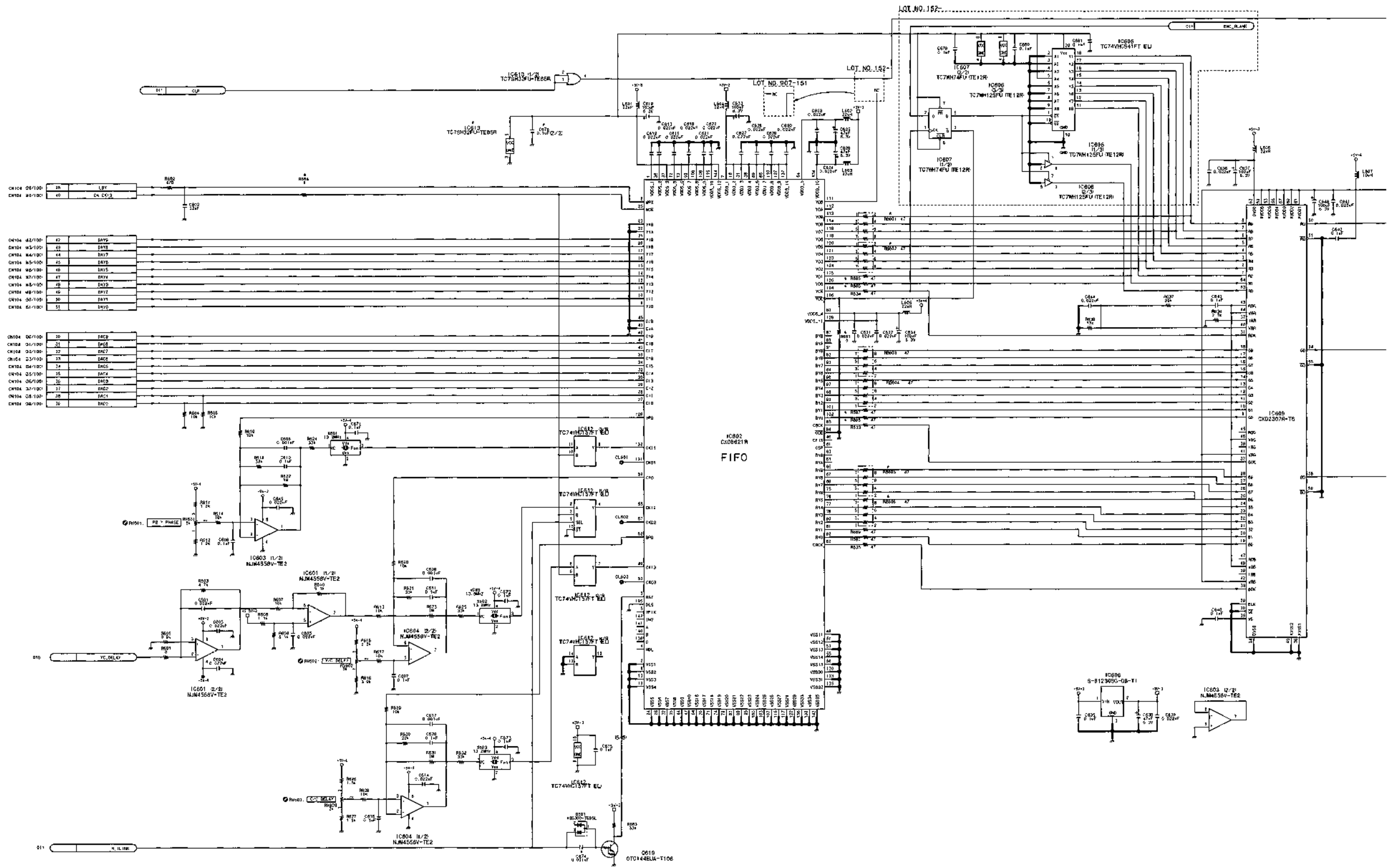
1

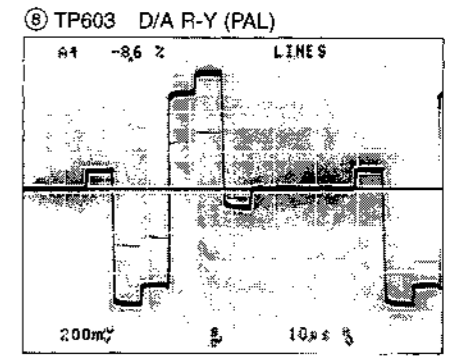
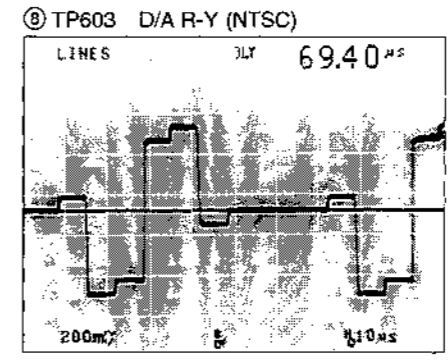
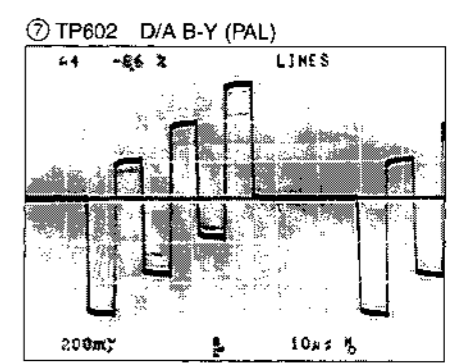
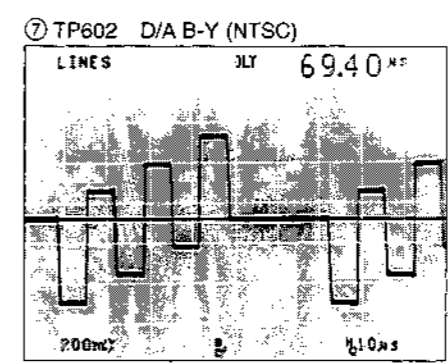
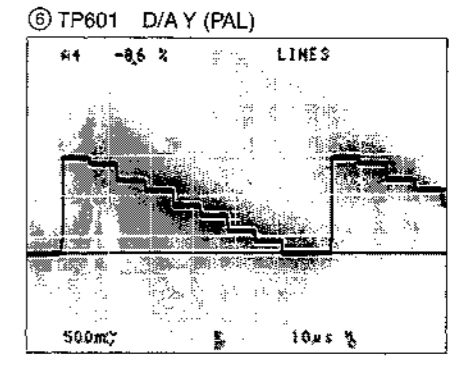
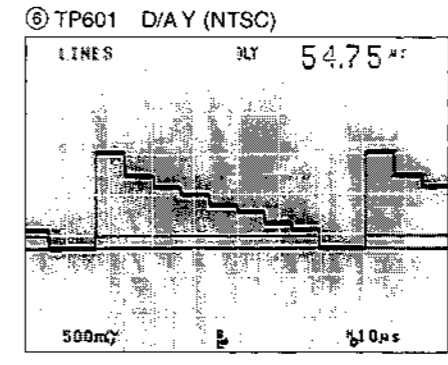
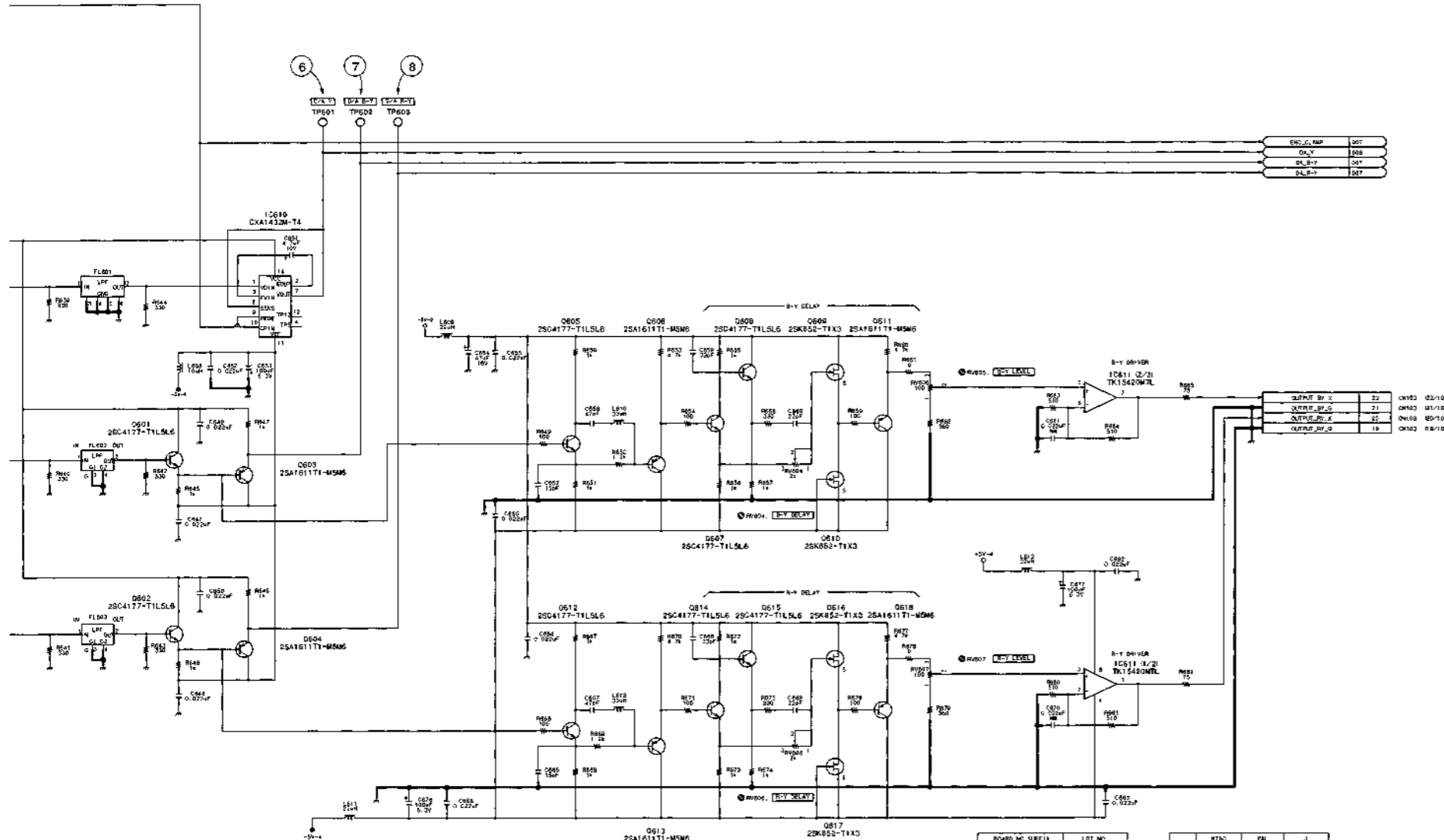
2

3

4

5





BOARD NO.	SUFFIX	LOT NO.
11	807-828	
12	829	
18	WTSO 155-	
		PAL:143

REF. NO.	CHANGE INFORMATION	LOT NO.
0024	D. Vpr - C. 807-828	
0078	O. Vpr - 829	
10010	T. 2754-2014-2014-2014-2014	807-828
8084	O. Vpr - 829	
8085-8086	A7. 829	
8087-8088	A7. 829	
8089	O. Vpr - 829	

WTSO	PAL	J
0900	1001	1001
0901	1001	1001
0902	1001	1001
0903	1001	1001
0904	1001	1001
0905	1001	1001
0906	1001	1001
0907	1001	1001
0908	1001	1001
0909	1001	1001
0910	1001	1001
0911	1001	1001
0912	1001	1001
0913	1001	1001
0914	1001	1001
0915	1001	1001
0916	1001	1001
0917	1001	1001
0918	1001	1001
0919	1001	1001
0920	1001	1001
0921	1001	1001
0922	1001	1001
0923	1001	1001
0924	1001	1001
0925	1001	1001
0926	1001	1001
0927	1001	1001
0928	1001	1001
0929	1001	1001
0930	1001	1001
0931	1001	1001
0932	1001	1001
0933	1001	1001
0934	1001	1001
0935	1001	1001
0936	1001	1001
0937	1001	1001
0938	1001	1001
0939	1001	1001
0940	1001	1001
0941	1001	1001
0942	1001	1001
0943	1001	1001
0944	1001	1001
0945	1001	1001
0946	1001	1001
0947	1001	1001
0948	1001	1001
0949	1001	1001
0950	1001	1001
0951	1001	1001
0952	1001	1001
0953	1001	1001
0954	1001	1001
0955	1001	1001
0956	1001	1001
0957	1001	1001
0958	1001	1001
0959	1001	1001
0960	1001	1001
0961	1001	1001
0962	1001	1001
0963	1001	1001
0964	1001	1001
0965	1001	1001
0966	1001	1001
0967	1001	1001
0968	1001	1001
0969	1001	1001
0970	1001	1001
0971	1001	1001
0972	1001	1001
0973	1001	1001
0974	1001	1001
0975	1001	1001
0976	1001	1001
0977	1001	1001
0978	1001	1001
0979	1001	1001
0980	1001	1001
0981	1001	1001
0982	1001	1001
0983	1001	1001
0984	1001	1001
0985	1001	1001
0986	1001	1001
0987	1001	1001
0988	1001	1001
0989	1001	1001
0990	1001	1001
0991	1001	1001
0992	1001	1001
0993	1001	1001
0994	1001	1001
0995	1001	1001
0996	1001	1001
0997	1001	1001
0998	1001	1001
0999	1001	1001
1000	1001	1001

1
2
3
4
5

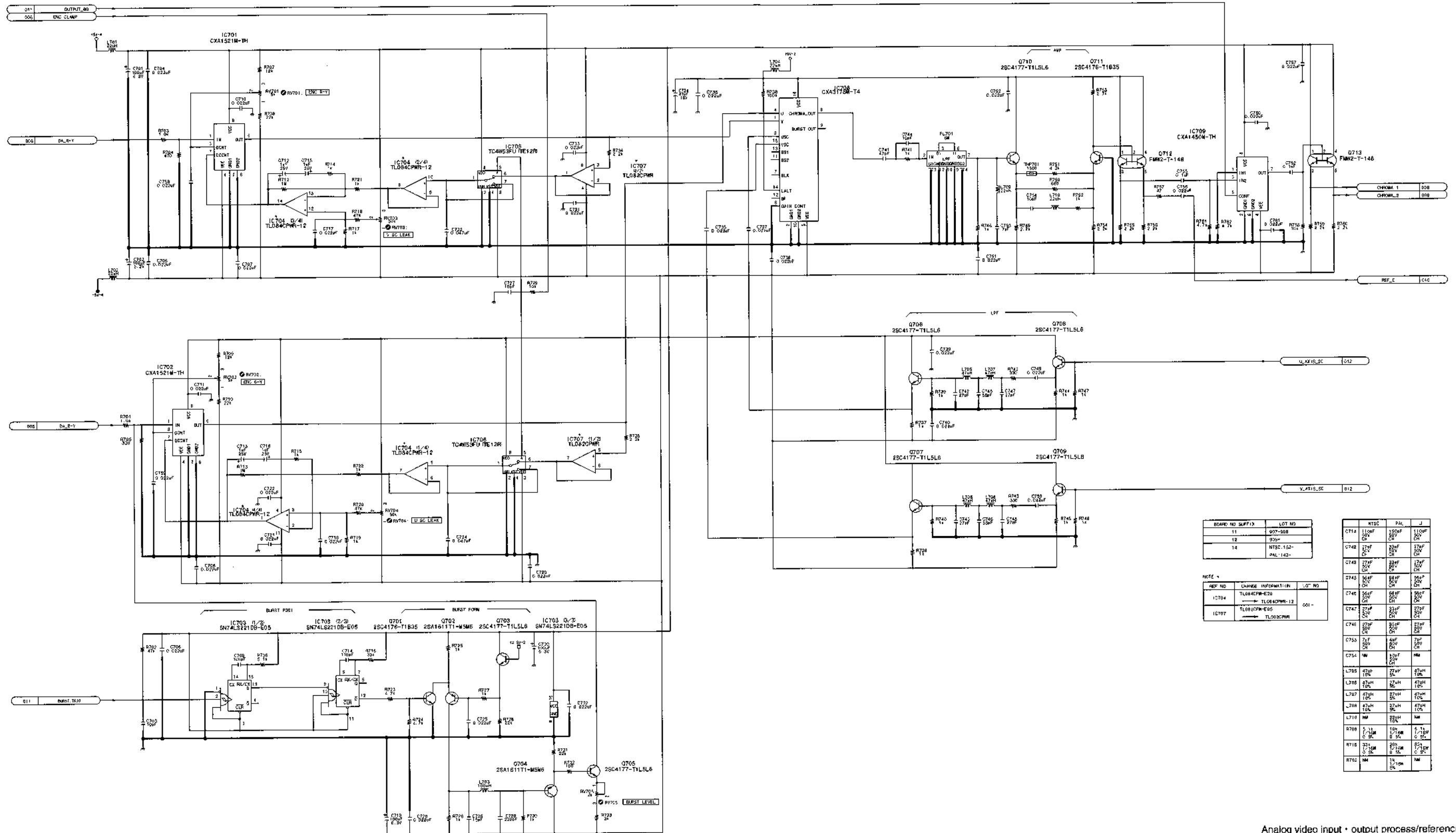
1

2

3

4

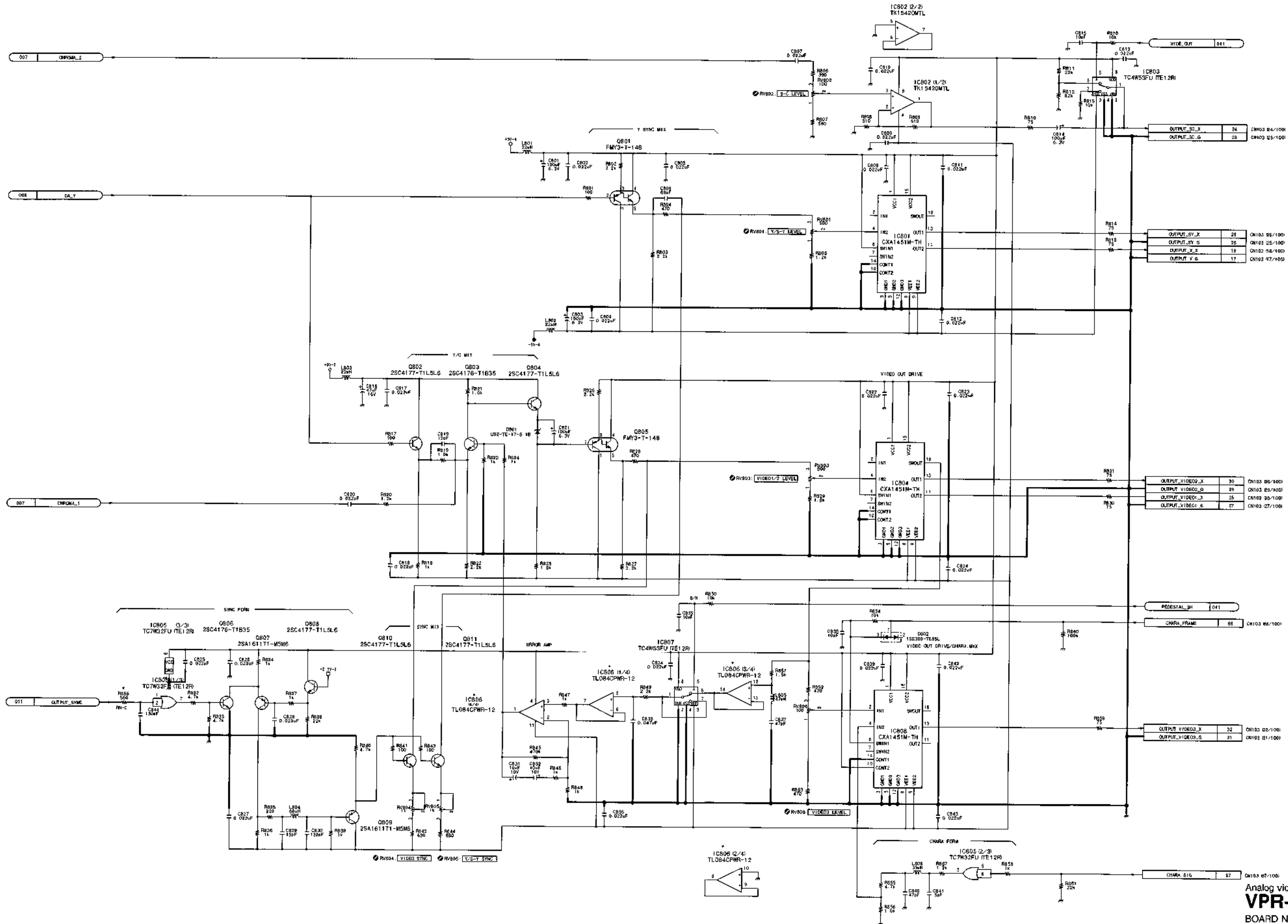
5



BOARD NO SUPP. IN	LOT NO	NTSC	PAL	J
11	907-308	C714 110P 20V	150P 20V	110P 20V
12		C715 100P 20V	150P 20V	110P 20V
14	NTSC-152-PAL-142-	C716 100P 20V	150P 20V	110P 20V

REF. NO.	CHANGE INFORMATION	LOT NO.
IC704	TL082CPWR-12	001
IC707	TL082CPWR	

Analog video input - output process/reference
VPR-62/62P (7/12)
 BOARD NO. 1-675-531-11, 12, 14
 LOT NO. 907-
 DSR-2000_VPR-62_014_7



NOTE *

REF. NO.	CHANGE INFORMATION	LOT NO.
R955	TL084CPWR-200	908-
IC806	TL084CPWR-12	901-

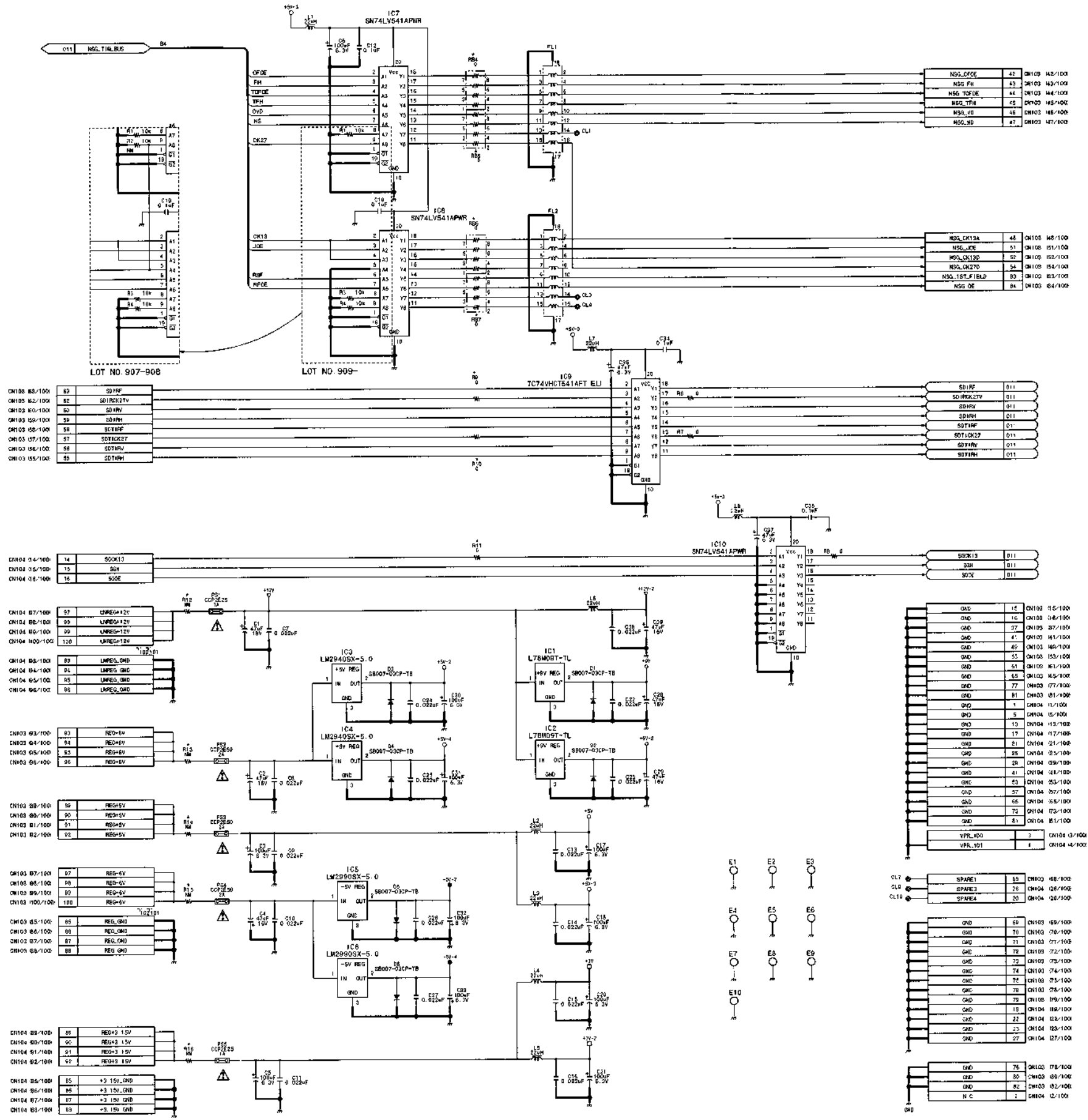
	MTSC	PAL	J
C830	100uF	220uF	100uF
C837	47uF	27uF	47uF
L804	68uH	100uH	68uH

BOARD NO. SUFFIX	LOT NO.
11	907-808
12	908-
14	NTSC:158- PAL:143-

Analog video input - output process/reference
VPR-62/62P (8/12)
 BOARD NO. 1-675-531-11, 12, 14
 LOT NO. 907-
 DSR-2000_VPR-62_014_8

1
2
3
4
5

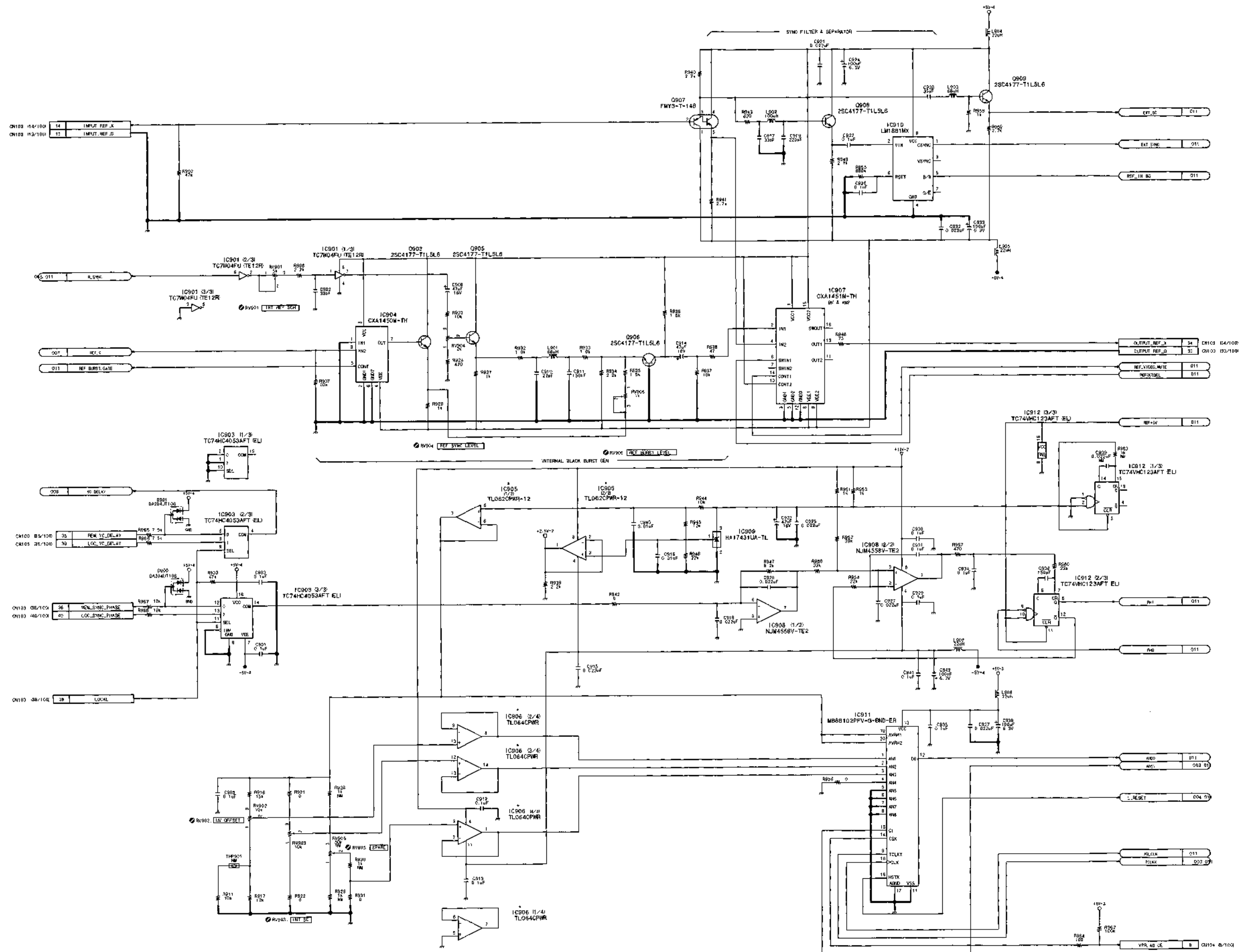
1
2
3
4
5



BOARD NO. (SUFFIX)	LOT NO.
11	907-908
12	909-
14	NTSC 152- PAL 142-

REF. NO.	CHANGE INFORMATION	LOT NO.
R1-R15	0 ADD	909+
R16-R17	33 -> 0	NTSC 152- PAL 142-
R18-R19	0 DELETE	

Analog video input • output process/reference
VPR-62/62P (9/12)
 BOARD NO. 1-675-531-11, 12, 14
 LOT NO. 907-
 DSR-2000_VPR-62_014_9



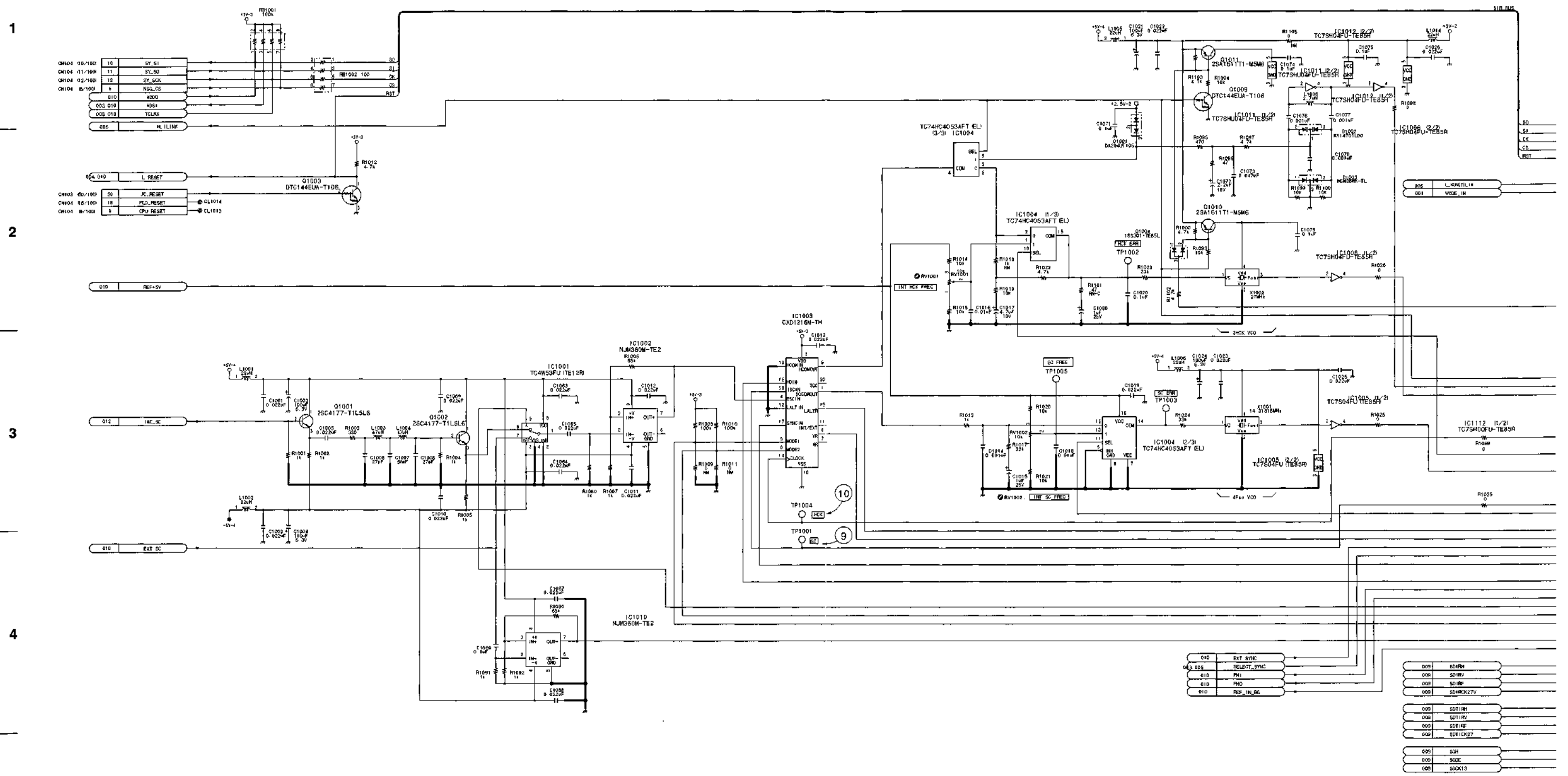
NOTE 4

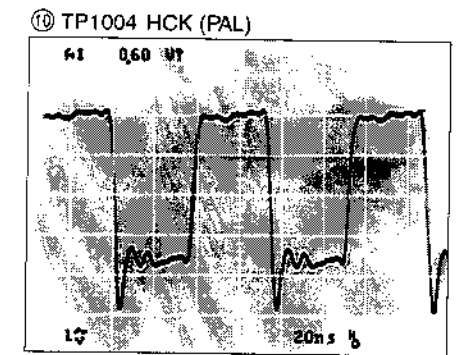
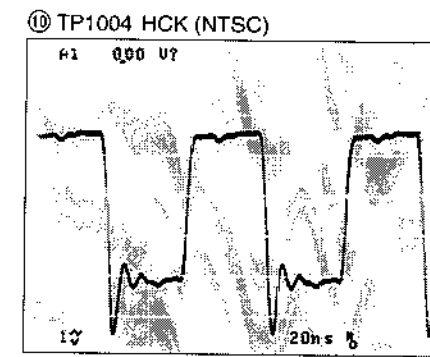
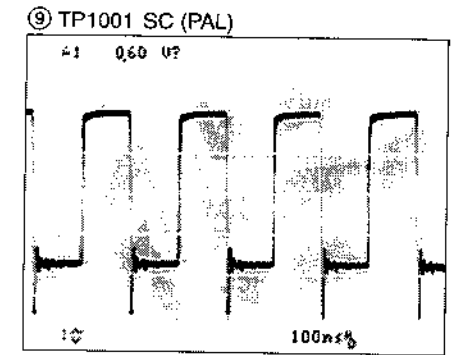
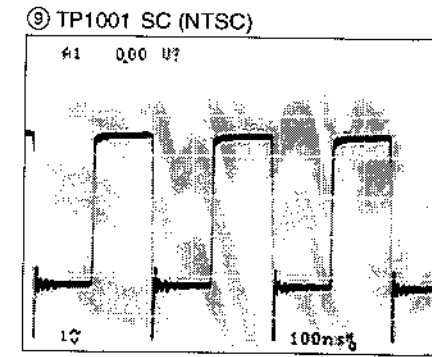
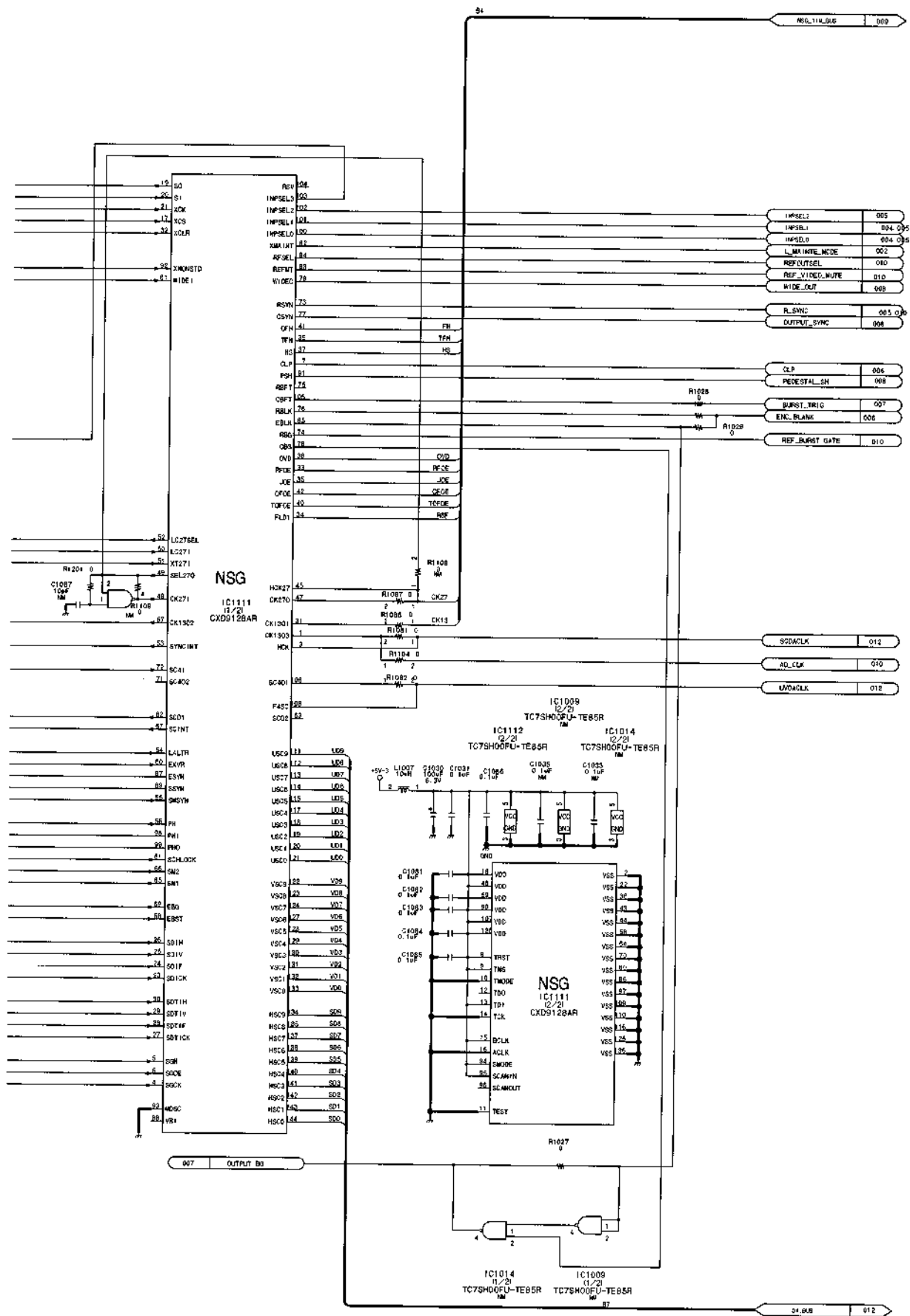
REF. NO.	CHANGE INFORMATION	LOT NO.
IC905	TL062CPWR-12	B01-
IC906	TL064CPWR-EOS	
	TL064CPWR	

	NSC	PAL	
C911	150PF 50V	200PF 50V	150PF 50V
C908	33PF 50V	22PF 50V	33PF 50V
L901	48uH 10%	82uH 5%	68uH 10%
R904	2.7k 1/10W 0.5%	2.7k 1/10W 0.5%	2.7k 1/10W 0.5%
R911	1M	1M 1/10W 5%	1M
R916	15k 1/10W 0.5%	5.1k 1/10W 0.5%	15k 1/10W 0.5%
R917	175k 1/10W 0.5%	15k 1/10W 0.5%	175k 1/10W 0.5%
THP001	NS	THP003222	NS

BOARD NO. SUFFIX	LOT NO.
11	307-308
12	309-
14	MTSO: 158- PAL 143-

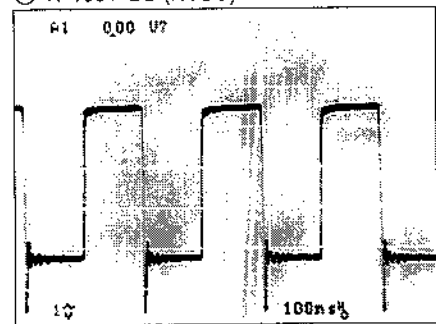
Analog video input - output process/reference
VPR-62/62P (10/12)
 BOARD NO. 1-675-531-11, 12, 14
 LOT NO. 907-
 DSR-2000_VPR-62_014_10



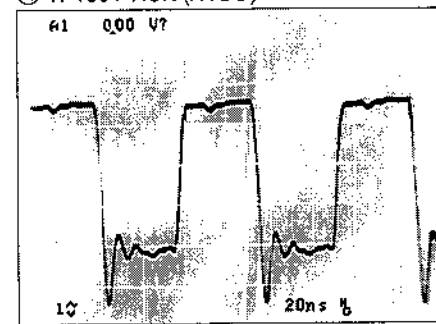


	NTSC	PAL	J
C1006	27pF 50V	27pF 50V	27pF 50V
C1007	27pF 50V	27pF 50V	27pF 50V
C1008	27pF 50V	27pF 50V	27pF 50V
C1009	M	0.1μF 16V	M
C1010	M	0.1μF 16V	M
C1011	M	0.1μF 16V	M
C1012	M	0.1μF 16V	M
C1013	M	0.1μF 16V	M
C1014	M	0.1μF 16V	M
L1003	47μH 10%	27μH 5%	47μH 10%
L1004	47μH 10%	27μH 5%	47μH 10%
R1008	100Ω 5%	M	100Ω 5%
R1009	M	0Ω	M
R1010	100Ω 5%	M	100Ω 5%
R1011	M	0Ω	M
R1012	0Ω	M	0Ω
R1013	M	M	M
X1001	14 51818MH	17 73470M	14 31818MH

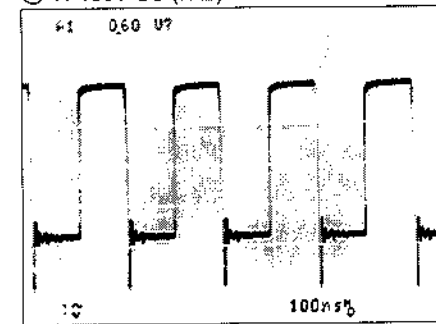
⑨ TP1001 SC (NTSC)



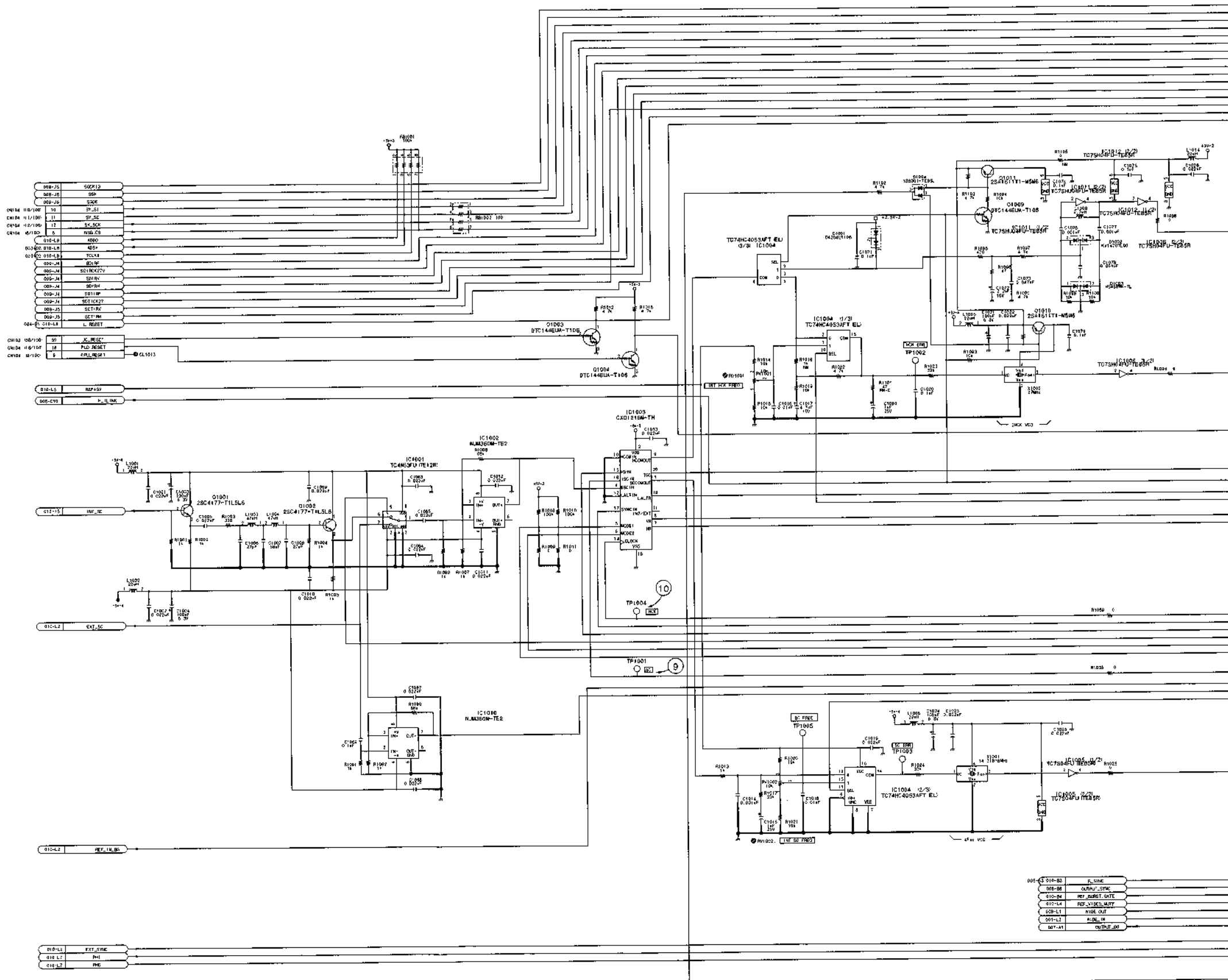
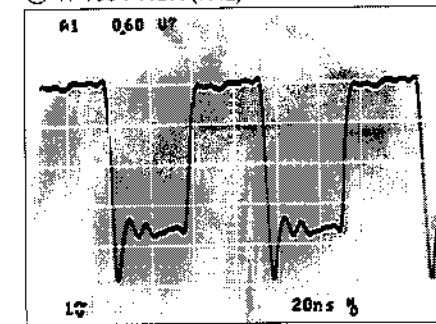
⑩ TP1004 HCK (NTSC)

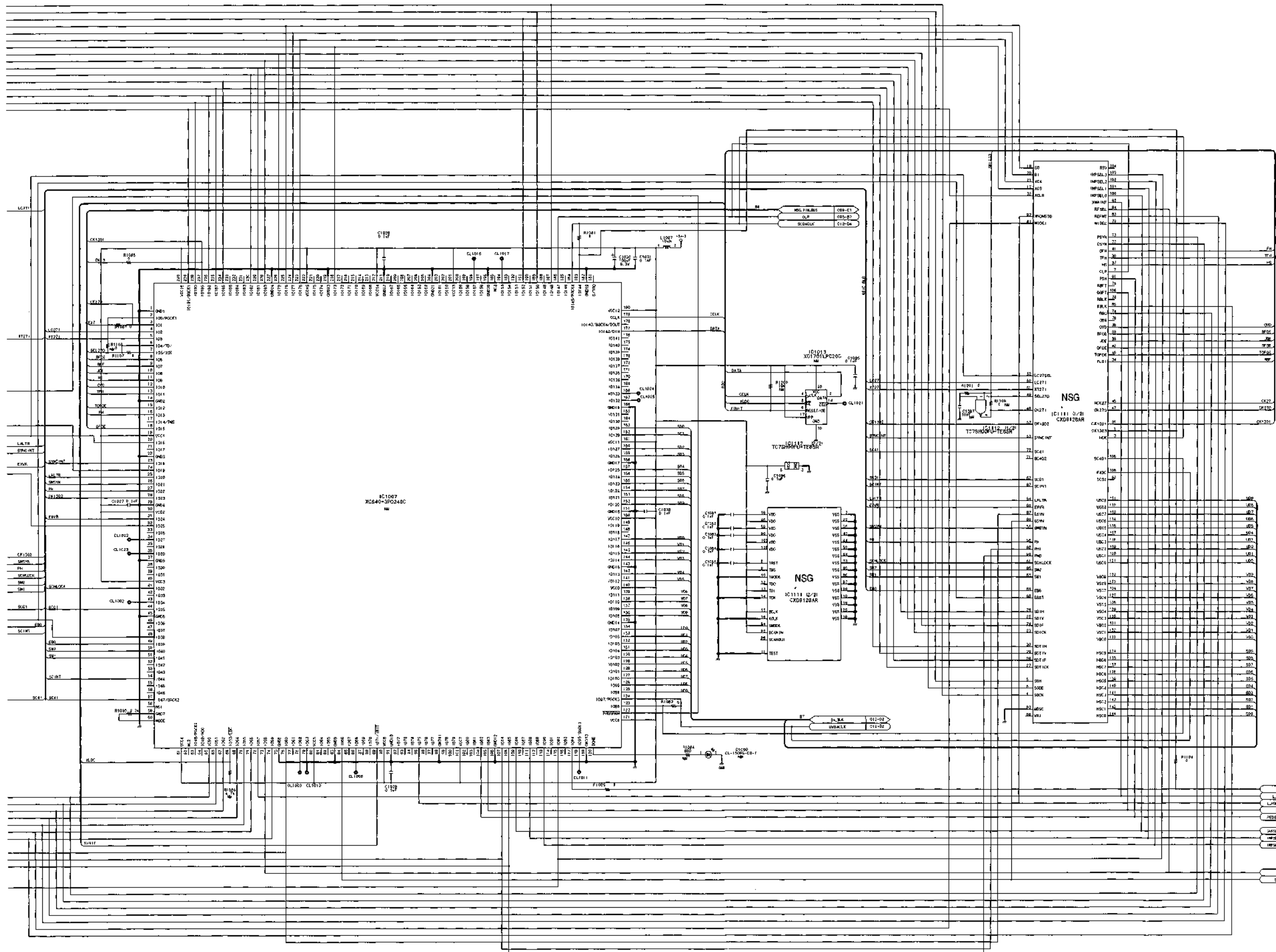


⑨ TP1001 SC (PAL)



⑩ TP1004 HCK (PAL)





NOTE 1

REF NO	CHANGE INFORMATION	LOT NO
101111	CS001288	002

REF NO	CHANGE INFORMATION	LOT NO
101111	CS001288	002

REF NO	CHANGE INFORMATION	LOT NO
101111	CS001288	002

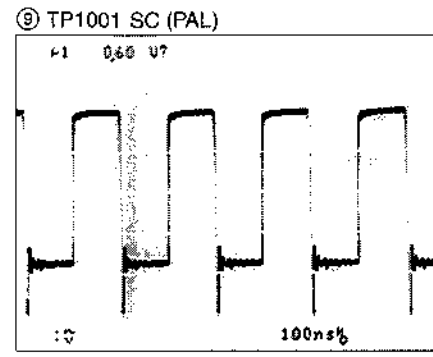
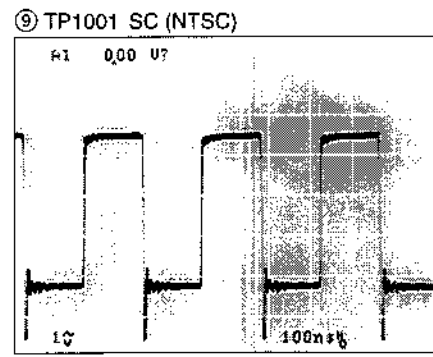
REF NO	CHANGE INFORMATION	LOT NO
101111	CS001288	002

REF NO	CHANGE INFORMATION	LOT NO
101111	CS001288	002

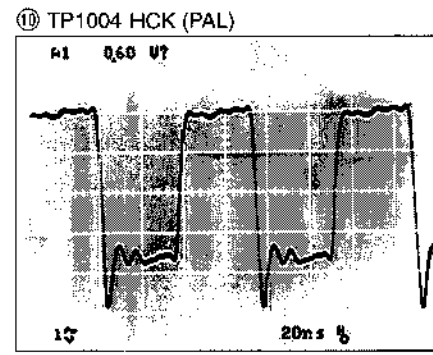
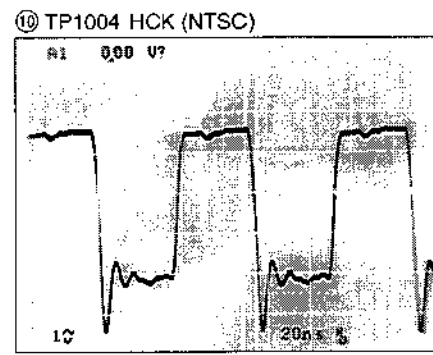
Analog video input - output process/reference
VPR-62/62P (11/12)
 BOARD NO. 1-675-531-12
 LOT NO. 909-151: NTSC
 LOT NO. 909-142: PAL
 DSR-2000_VPR-62_012_11

1
2
3
4
5

1



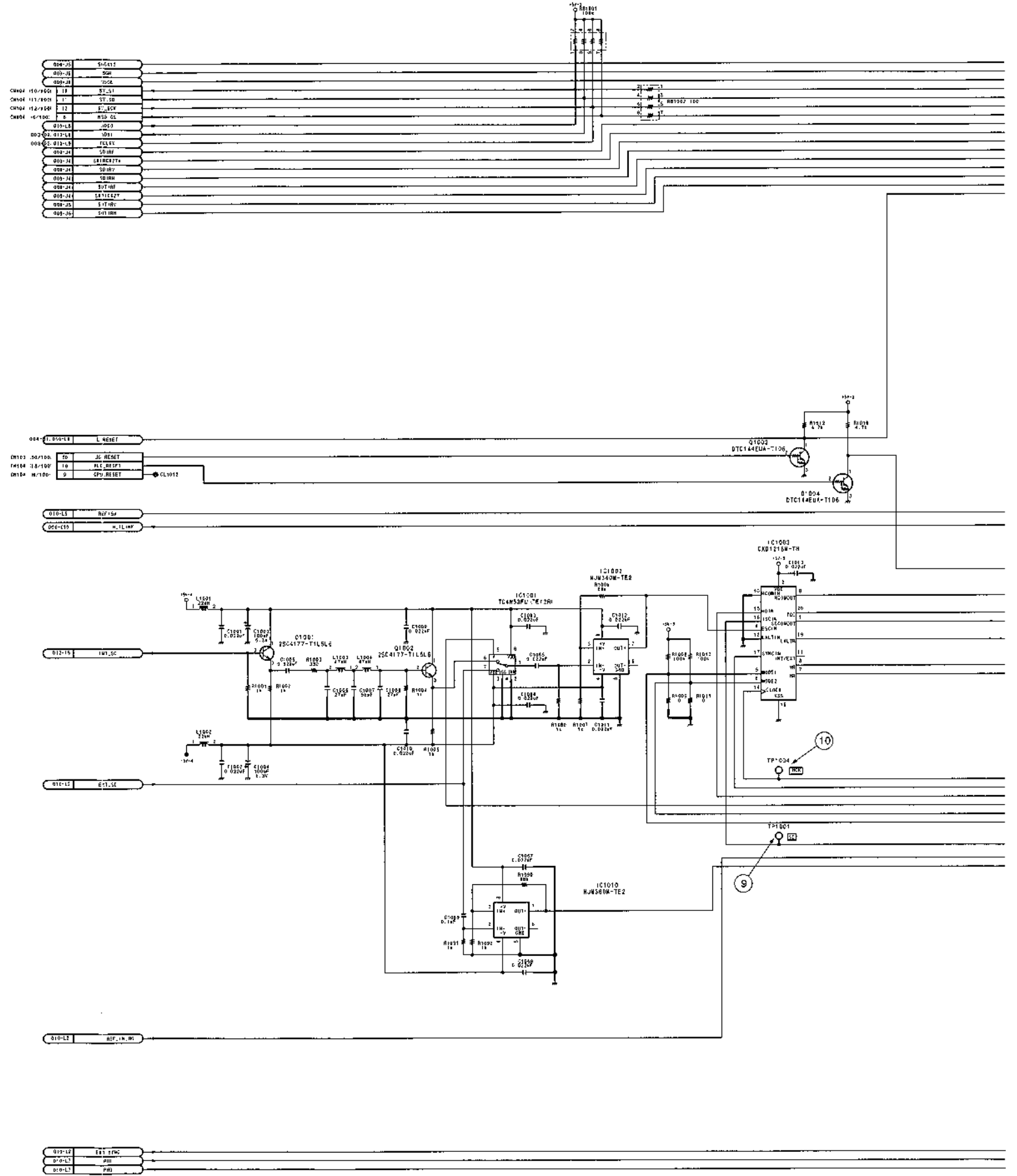
2

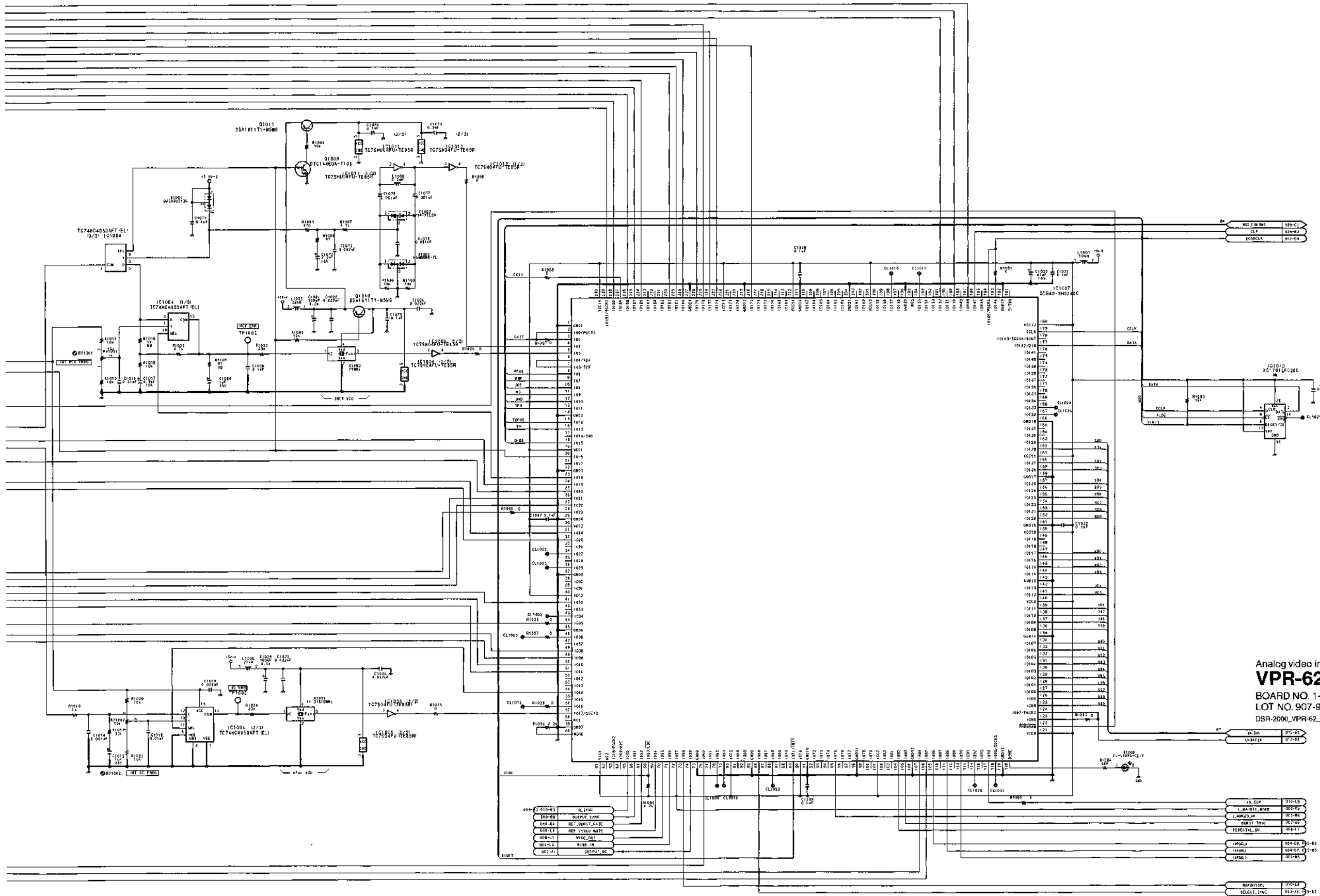


3

4

5





1

2

3

4

5

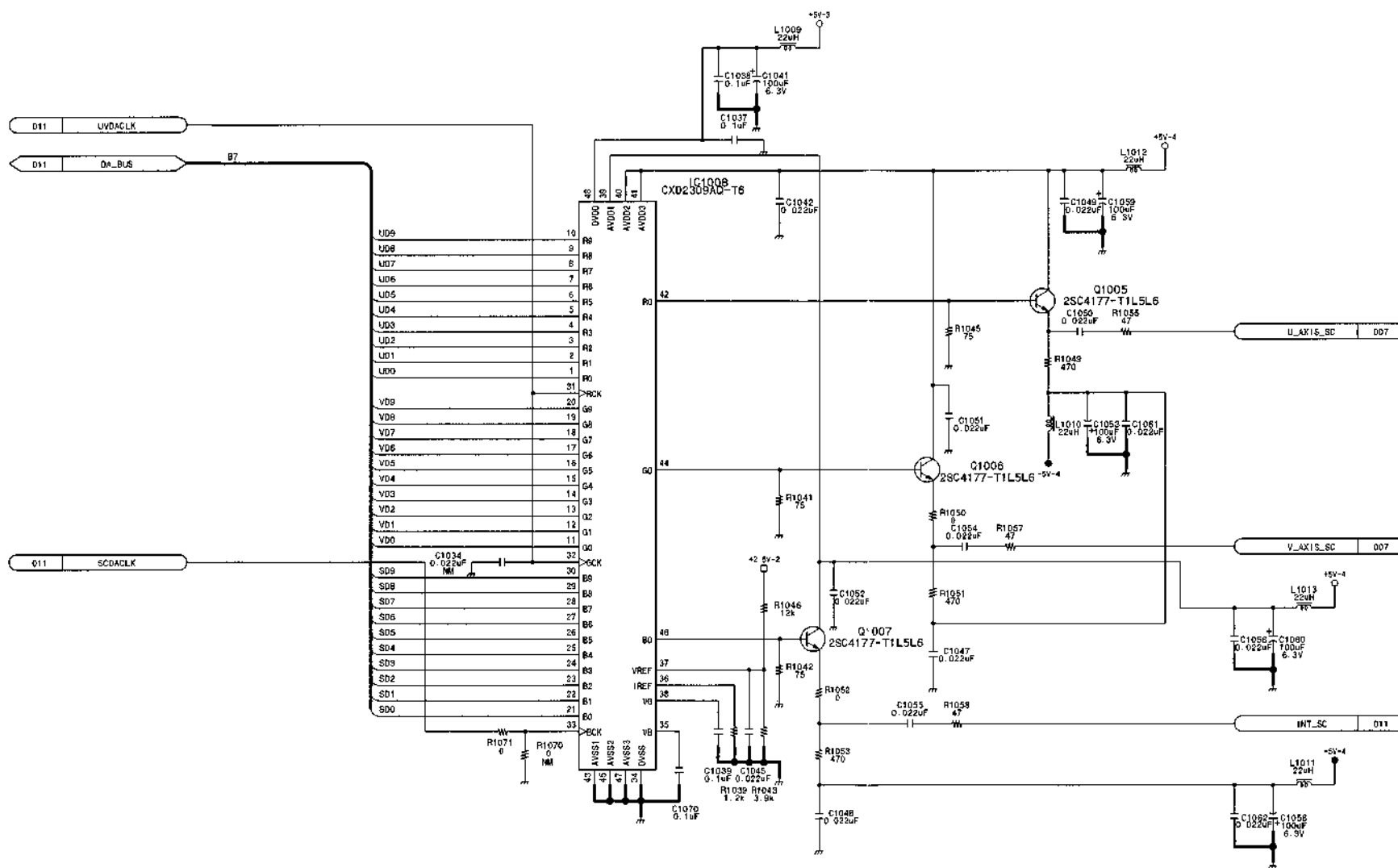
1

2

3

4

5



BOARD NO. SUFFIX	LOT NO.
12	909-
14	NTSC 152- PAL: 143-

	NTSC	PAL	J
R1039	1.2k 1/16W 0.5%	1.1k 1/16W 0.5%	1.2k 1/16W 0.5%
R1050	0 0W	100 1/16W 5%	0 0W

Analog video input - output process/reference
VPR-62/62P (12/12)
 BOARD NO. 1-675-531-12, 14
 LOT NO. 909-
 DSR-2000_VPR-62_014_12

15-168 (b)

15-168 (b)



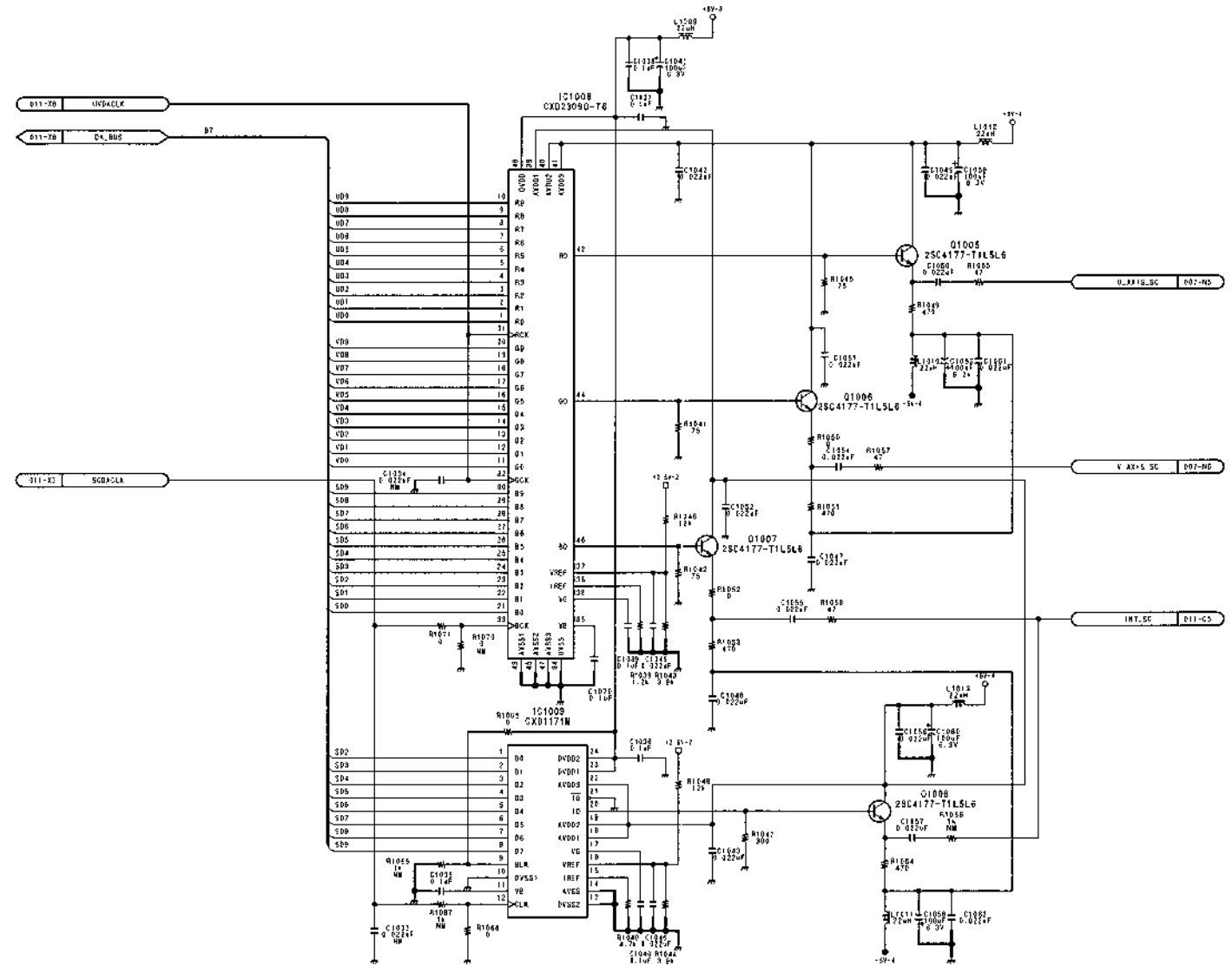
1

2

3

4

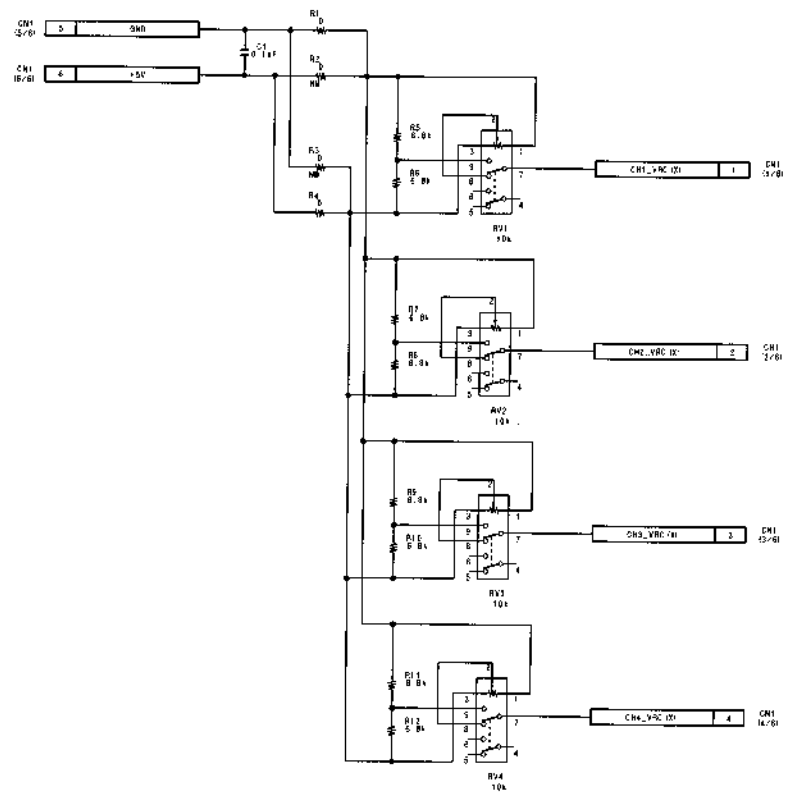
5



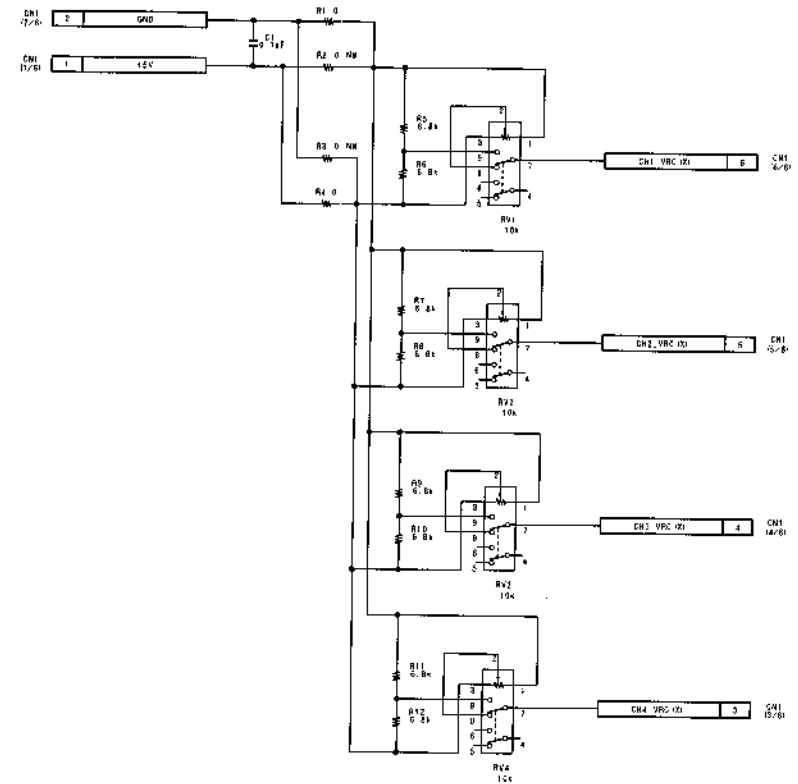
15-168 (a)

15-168 (a)

Analog video input - output process/reference
VPR-62/62P (12/12)
 BOARD NO. 1-675-531-11
 LOT NO. 907-908
 DSR-2000_VPR-62_D11_12



Audio PB volume control
VR-259
 BOARD NO. 1-675-553-12, 13
 LOT NO. 907-
 DSR-2000_VR-259_C13_1



Audio REC volume control
VR-260
 BOARD NO. 1-675-554-12, 13
 LOT NO. 907-
 DSR-2000_VR-260_C13_1

1
2
3
4
5

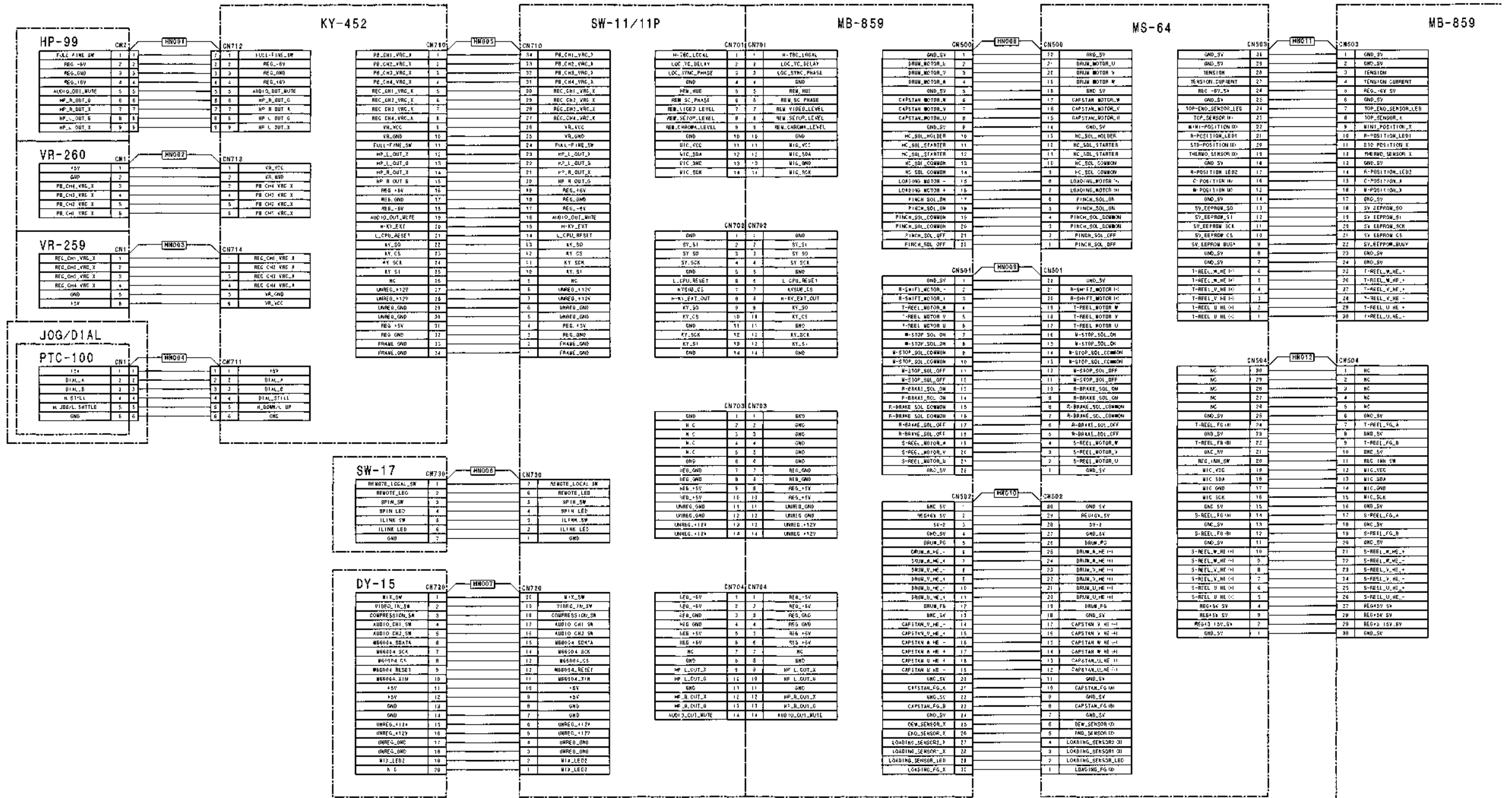
1

2

3

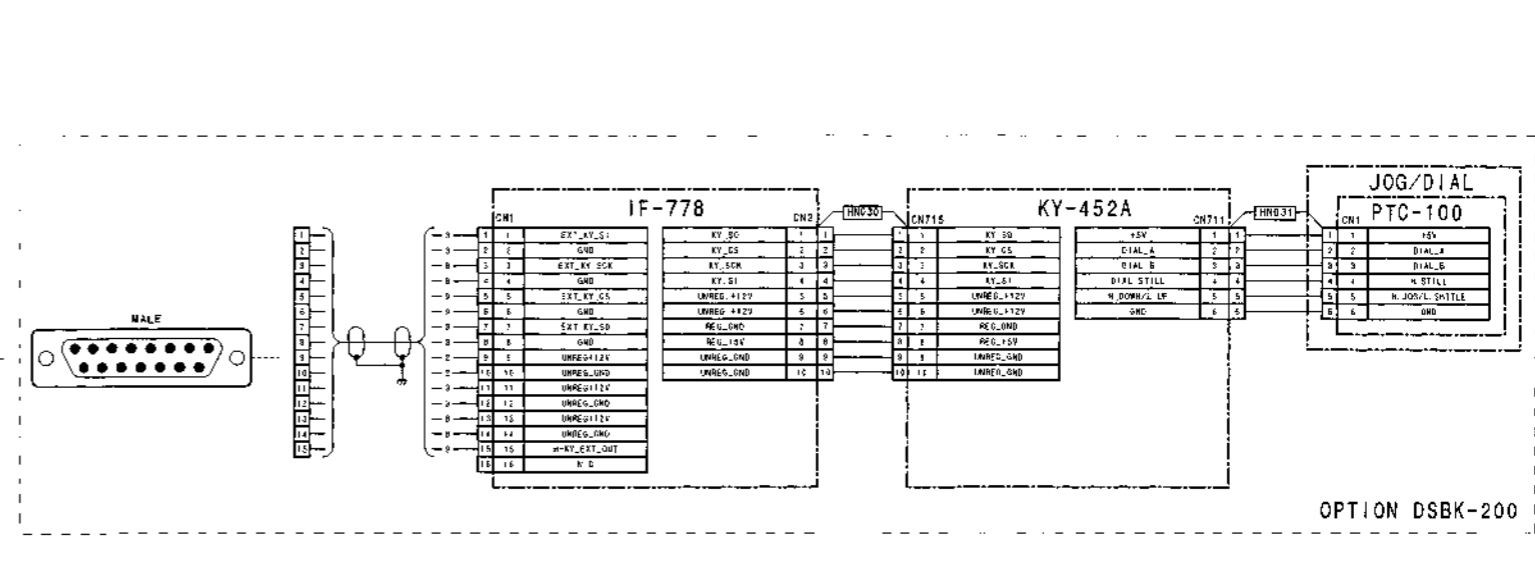
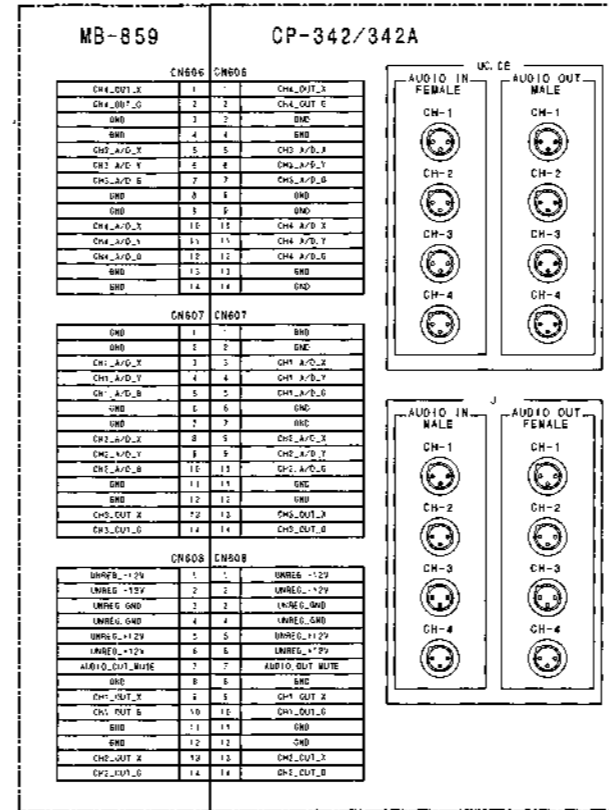
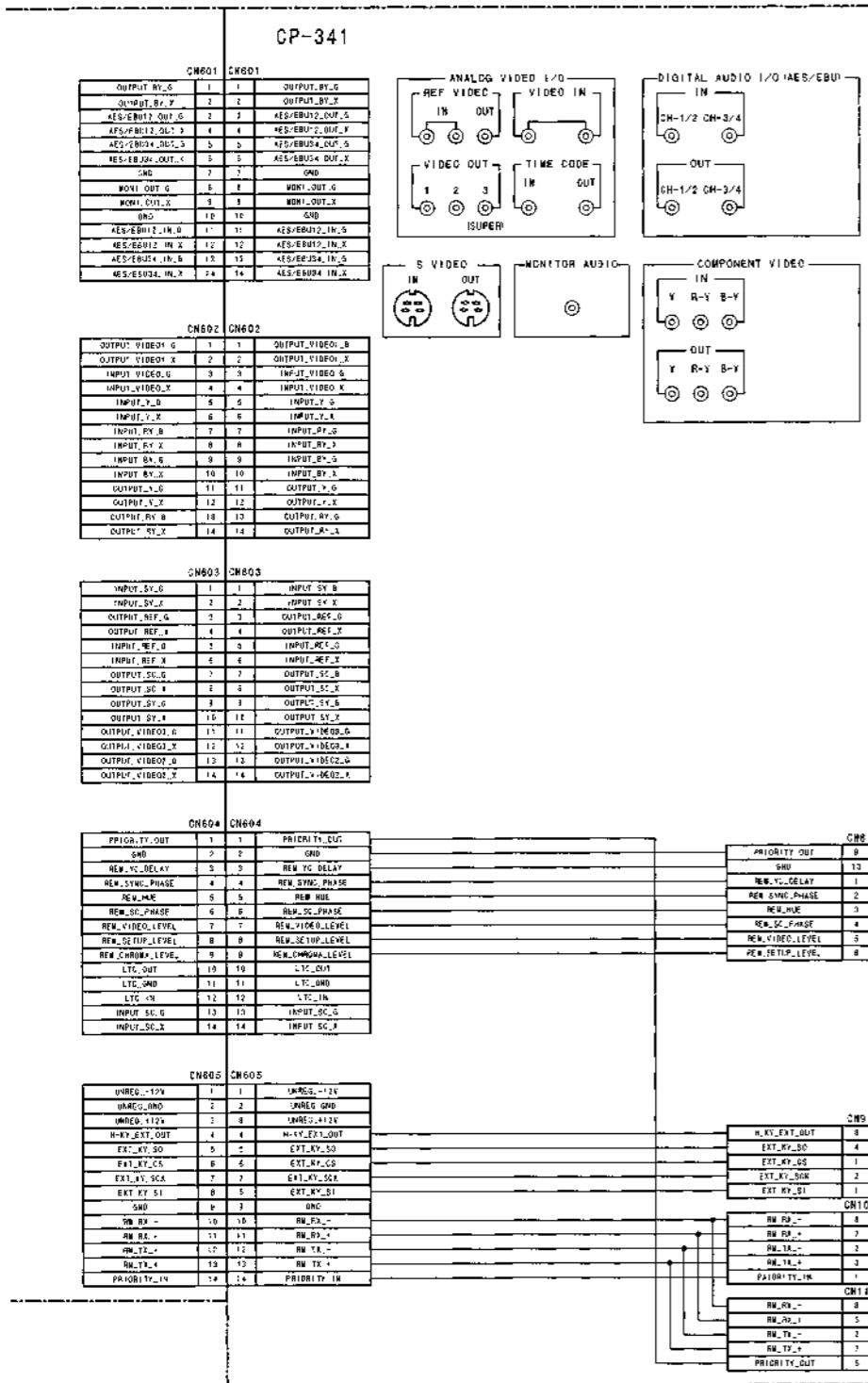
4

5



A | B | C | D | E | F | G | H

Frame Wiring (1/3) Frame Wiring (1/3)



Frame Wiring (1/3)
LOT NO. 907-

1

2

3

4

5

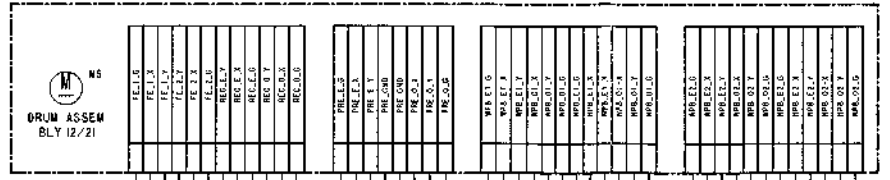


Table with 3 columns: Component Name, Terminal Number, and Wire Gauge. Includes components like EVER AMP, EVER SW, and EVER REL.

PR-111

Table with 3 columns: Component Name, Terminal Number, and Wire Gauge. Includes components like EVER SW, EVER REL, and EVER AMP.

EX-752

Table with 3 columns: Component Name, Terminal Number, and Wire Gauge. Includes components like EVER SW, EVER REL, and EVER AMP.

MB-859

Table with 3 columns: Component Name, Terminal Number, and Wire Gauge. Includes components like EVER SW, EVER REL, and EVER AMP.

IF-763

Table with 3 columns: Component Name, Terminal Number, and Wire Gauge. Includes components like EVER SW, EVER REL, and EVER AMP.

Table with 3 columns: Component Name, Terminal Number, and Wire Gauge. Includes components like EVER SW, EVER REL, and EVER AMP.

Table with 3 columns: Component Name, Terminal Number, and Wire Gauge. Includes components like EVER SW, EVER REL, and EVER AMP.

Table with 3 columns: Component Name, Terminal Number, and Wire Gauge. Includes components like EVER SW, EVER REL, and EVER AMP.

Table with 3 columns: Component Name, Terminal Number, and Wire Gauge. Includes components like EVER SW, EVER REL, and EVER AMP.

Table with 3 columns: Component Name, Terminal Number, and Wire Gauge. Includes components like EVER SW, EVER REL, and EVER AMP.

Table with 3 columns: Component Name, Terminal Number, and Wire Gauge. Includes components like EVER SW, EVER REL, and EVER AMP.

A

B

C

D

E

F

G

H

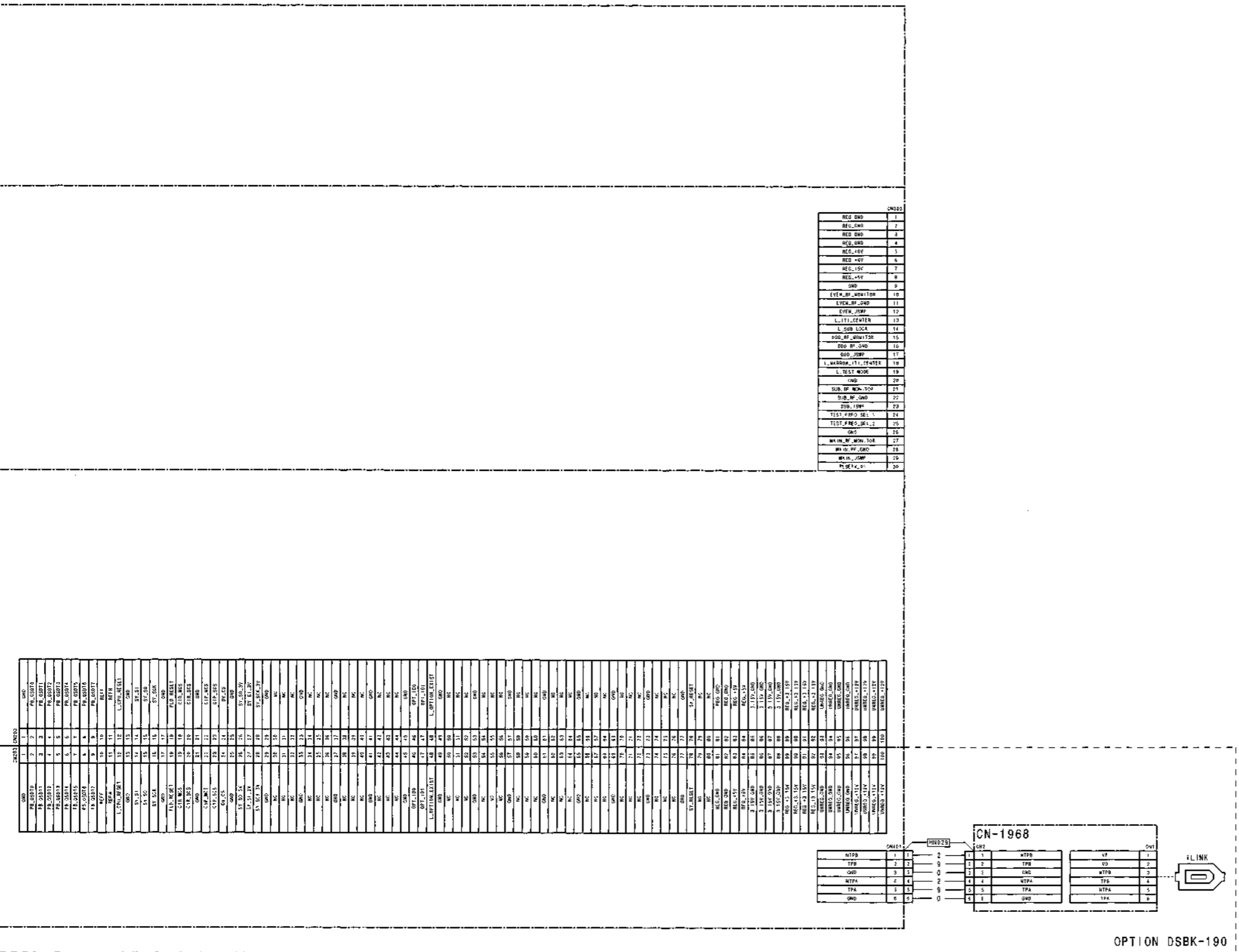
1

2

3

4

5



OPTION DSBK-190

Frame Wiring (2/3)
LOT NO. 907-

1

2

3

4

5

