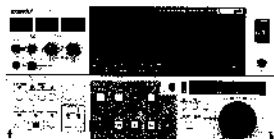


SONY

VIDEOCASSETTE RECORDER

BVU-950P



Professional **U-matic** **SP**
MAINTENANCE MANUAL
Volume 2 1st Edition (Revised 16)
Serial No.10001 and Higher

このマニュアルに記載されている事柄の著作権は当社にあります。説明内容は機器購入者の使用を目的としています。従って、当社の許可なしに無断で複写したり、説明内容(操作、保守等)と異なる目的で本マニュアルを使用することを禁止します。

The material contained in this manual consists of information that is the property of Sony Corporation and is intended solely for use by the purchasers of the equipment described in this manual.

Sony Corporation expressly prohibits the duplication of any portion of this manual or the use thereof for any purpose other than the operation or maintenance of the equipment described in this manual without the express written permission of Sony Corporation.

Le matériel contenu dans ce manuel consiste en informations qui sont la propriété de Sony Corporation et sont destinées exclusivement à l'usage des acquéreurs de l'équipement décrit dans ce manuel.

Sony Corporation interdit formellement la copie de quelque partie que ce soit de ce manuel ou son emploi pour tout autre but que des opérations ou entretiens de l'équipement à moins d'une permission écrite de Sony Corporation.

Das in dieser Anleitung enthaltene Material besteht aus Informationen die Eigentum der Sony Corporation sind, und ausschließlich zum Gebrauch durch den Käufer der in dieser Anleitung beschriebenen Ausrüstung bestimmt sind.

Die Sony Corporation untersagt ausdrücklich die Vervielfältigung jeglicher Teile dieser Anleitung oder den Gebrauch derselben für irgendeinen anderen Zweck als die Bedienung oder Wartung der in dieser Anleitung beschriebenen Ausrüstung ohne ausdrückliche schriftliche Erlaubnis der Sony Corporation.

TABLE OF CONTENTS

Volume-1

1. INSTALLATION
2. TECHNICAL INFORMATION
3. PERIODIC CHECK AND MAINTENANCE
4. SERVICE INFORMATION
5. REPLACEMENT OF MAJOR PARTS
6. LINK AND DRIVE SYSTEM ALIGNMENT
7. TORQUE SYSTEM ALIGNMENT
8. TAPE RUN ALIGNMENT
9. POWER SUPPLY/SYSTEM CONTROL ALIGNMENT
10. SERVO SYSTEM ALIGNMENT
11. AUDIO SYSTEM ALIGNMENT
12. VIDEO SYSTEM ALIGNMENT
13. TIME CODE SYSTEM ALIGNMENT AND OTHER

Volume-2

14. BLOCK DIAGRAMS
 - RF REC/PD - Rotary Erase 14-3
 - Y-C Modulator 14-5
 - Y Demodulator 14-9
 - C Demodulator 14-13
 - Audio System 14-17
 - System Control: Function Key Board 14-21
 - Reel Servo 14-25
 - Drum/Capstan Servo 14-29
 - Time Code 14-33
 - Character Generator 14-27
15. SEMICONDUCTOR ELECTRODES
 - Semiconductor Electrodes 15-1

16. SCHEMATIC DIAGRAMS

Circuit Function of The Printed Circuit Boards		16-2
VIDEO		
RP-20		16-5
MD-25 (1/2)		16-13
MD-25 (2/2)		16-23
DM-55 (1/2)		16-31
DM-55 (2/2)		16-41
SW-170		16-49
MT-29 —		
VR 48		16-53
AUDIO		
AG-83A		
DUS-71 —		16-59
AU-84A		
DUS-71 —		16-67
AG-85A		16-75
SW-171		16-80
AU-87		16-84
RP-28 —		
VR 49 —		16-88
SERVO		
SV-88A (1/7)/SV-113C (1/7)		16-92
SV-86A (2/7)/SV-113C (2/6)		16-98
SV-88A (3/7)/SV-113C (3/6)		16-104
SV-86A (4/7)/SV-113C (4/6)		16-110
SV-88A (5/7)/SV-113C (5/6)		16-117
SV-88A (6/7)/SV-113C (6/6)		16-124
SV-83A (7/7)		16-130
SE-48		16-134
DR-53 —		
DR-59 —		16-137
SYSTEM CONTROL		
SY-102A		16-143
KY-101/KY-144 —		16-151
DP-62		
LN-90 —		
PH-81A —		
PH-81B —		
PTC-30		16-157
PTC-33 —		
PTC-34		
LE-53 —		
PD-37		
PH-80C —		16-161
PTC-26		
PTC-28 —		

CC-31	}	16-165
CC-32		
CC-33		
CC-36		
CC-37		
LP-41	}	
PTC-32		16-168
RM-44		16-171
DSC-44		16-176
TIME CODE		
BC-11 (1/2)		16-181
HC-11 (2/2)		16-185
POWER		
AC-78A		16-188(a)
AC-79		16-188(b)
AC-105	}	
UR-21 (1/2)		16-192
UR-21 (2/2)		16-197
OTHERS		
MB-127 (1/2)		16-202
MB-127 (1/2)		16-209
LE-54	}	16-213
MB-139		
PTC-29	}	
CP-109		16-217
FRAME (1/2)		16-223
FRAME (2/2)		16-227

17. PRINTED WIRING BOARDS

Circuit Function of The Printed Circuit		
Boards		17-1
VIDEO		
RP-30A		17-5
MD-45		17-11
DM-55		17-17
MT-28	}	17-25
SW-170		
VR-48		
AUDIO		
AU-83A	}	17-31
DUS-71		
AU-84A	}	17-37
DUS-71		
HN-77		
AU-85A		17-35
SW-171		17-59
AU-87		17-55
DUS-92	}	17-61
DUS-147		
HP-28		
VR-49	}	

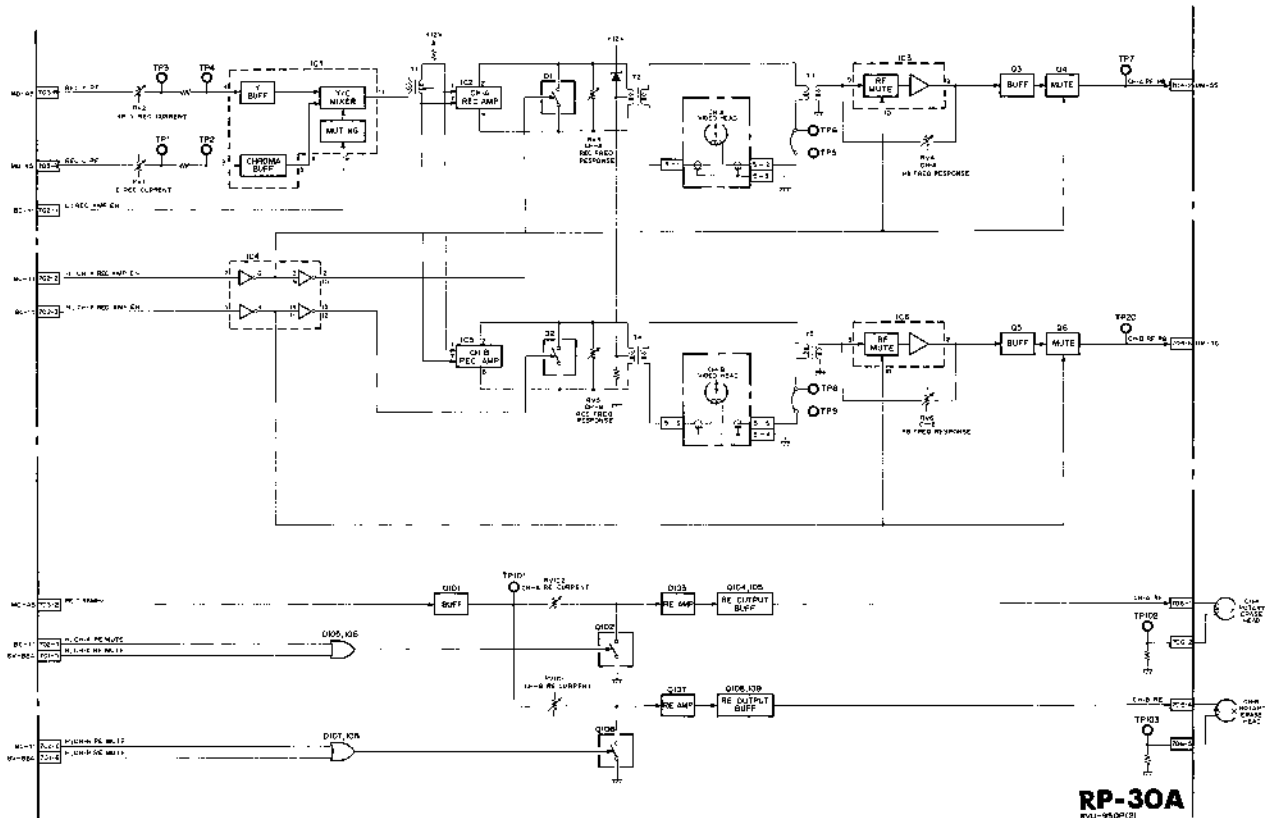
SERVÖ		
SV-88A/SV-113C		17-68
DR-53	}	17-73
DR-59		
SE-48		
DUS-177	}	
DUS-178	}	17-79
LE-53		
LE-54		
PTC-28		
PTC-29	}	
SYSTEM CONTROL		
SY-102A		17-83
KY-101/KY-144	}	
DP-52		17-99
HN-80	}	17-97
I,M-13		
CC-31	}	17-101
CC-32		
CC-33		
CC-36		
CC-37		
PD-37	}	
PH-5(A)	}	17-107
PH-5(B)		
PH-5(C)		
PTC-26		
PTC-30		
PTC-32	}	17-111
PTC-33		
PTC-33		
PTC-34		
RM-44		17-111
DSC-44		17-115
BC-11	}	17-121
HN-84		
AC-78A		17-127
AC-79		17-127(c)
AC-105		17-127(c)
UR-21		17-131
MB-127		17-137
MB-139		17-137
CP-109		17-143
HN-83		17-149
RM-45		17-149
EX-127		17-153
EX-128		17-153

18. SPARE PARTS AND FIXTURE

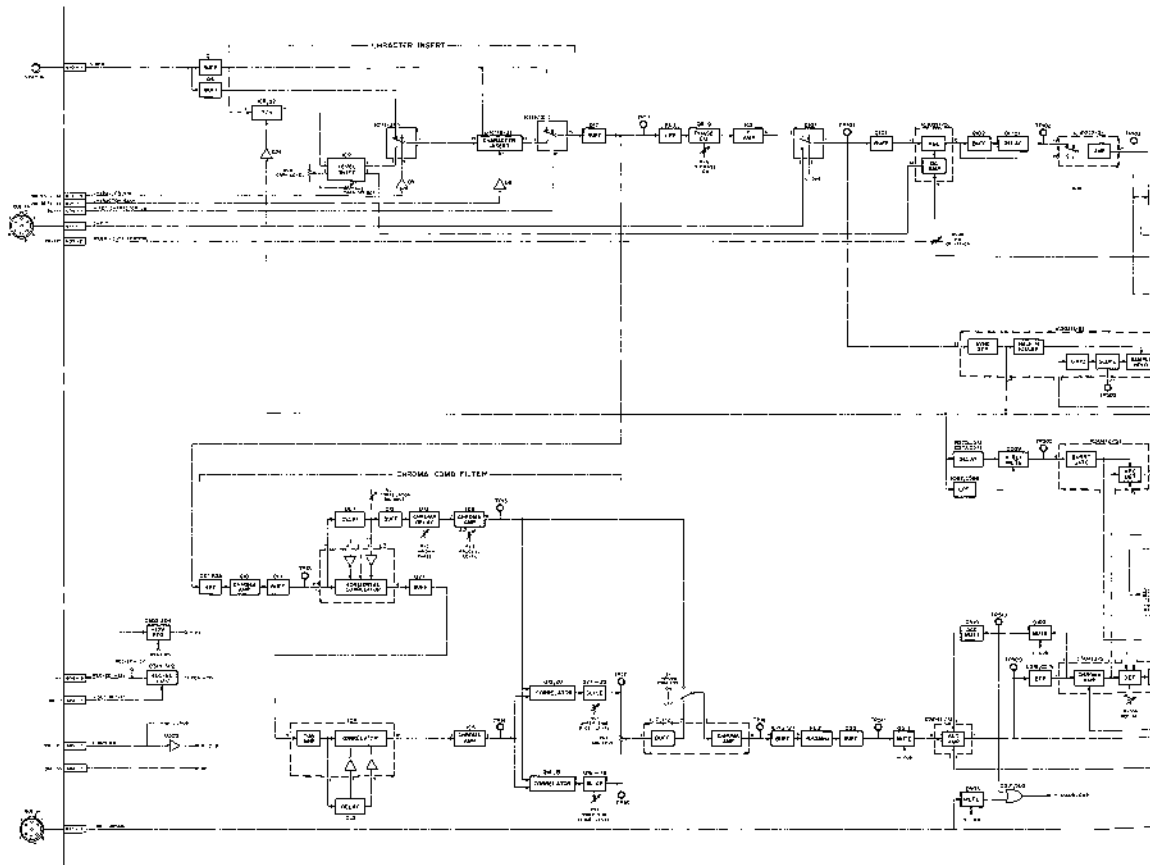
18-1. Parts Information	18-1
18-2. Exploded View	18-2
Reel Chassis	18-3
Threading Ring Block	18-5
Threading Arm	18-7
Drum and Capstan Blocks	18-9
Erase Head Base	18-11
Pinch Lever and Pauch Solenoid Blocks	18-13
Cassette-up Compartment Block	18-15
Function Control	18-17
Level Control	18-19
Chassis Block (Rear)	18-21
Chassis Block (Left)	18-23
Chassis Block (Right)	18-25
Chassis Block (Bottom)	18-27
Chassis Block (Front)	18-29
Connector Panel	18-31
Rear Panel	18-33
Switching Regulator	18-35
Ornamental Panel (1)	18-37
Ornamental Panel (2)	18-39
Ornamental Panel (3)	18-41
18-3. Electrical Parts List	18-43
18-4. Packing Material and Accessory (Supplied)	18-47
18-5. Fixture (Optional)	18-51

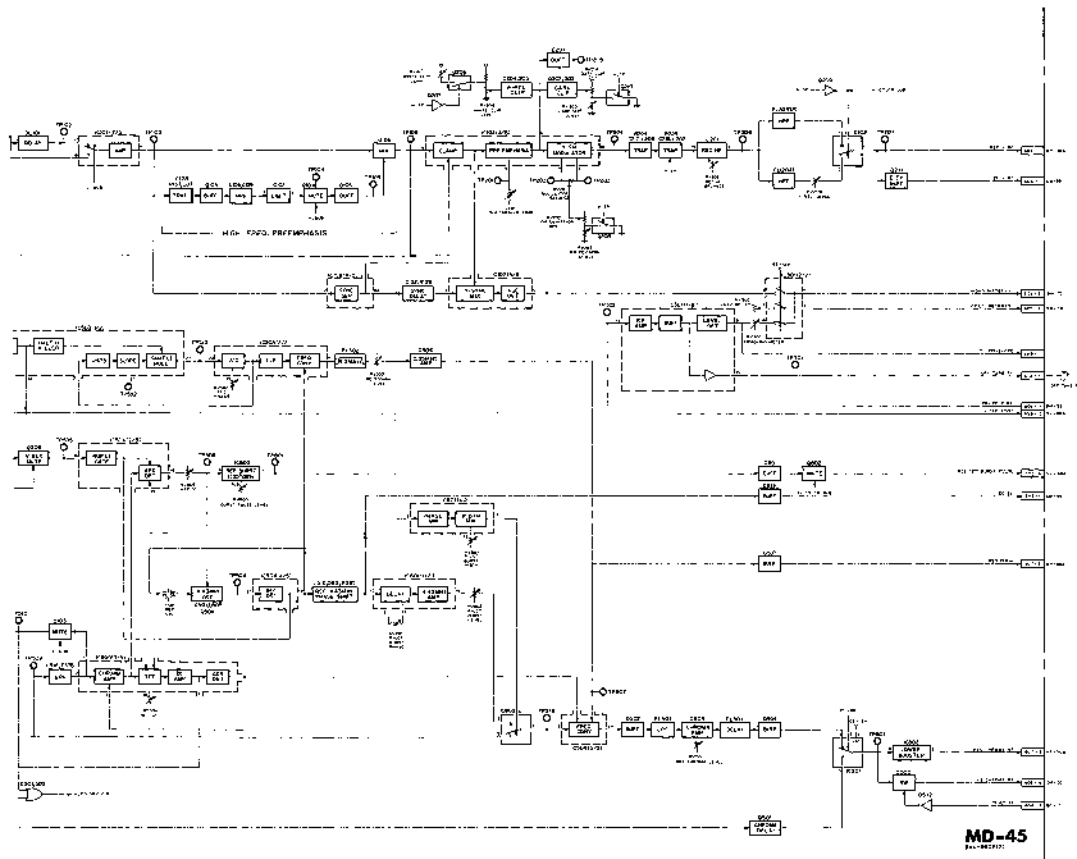
SECTION 14
BLOCK DIAGRAMS

RF REC/PB /ROTARY ERASE



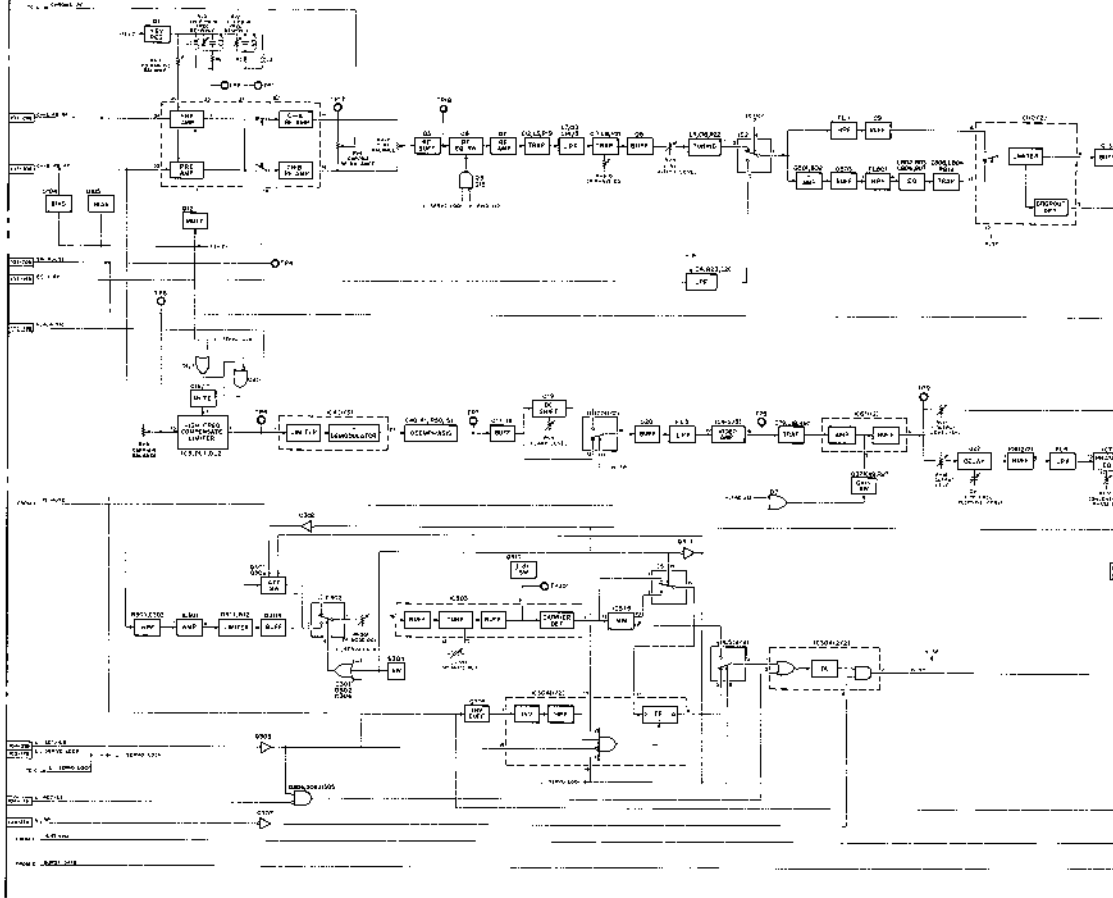
RP-30A
DU-1550P(2)

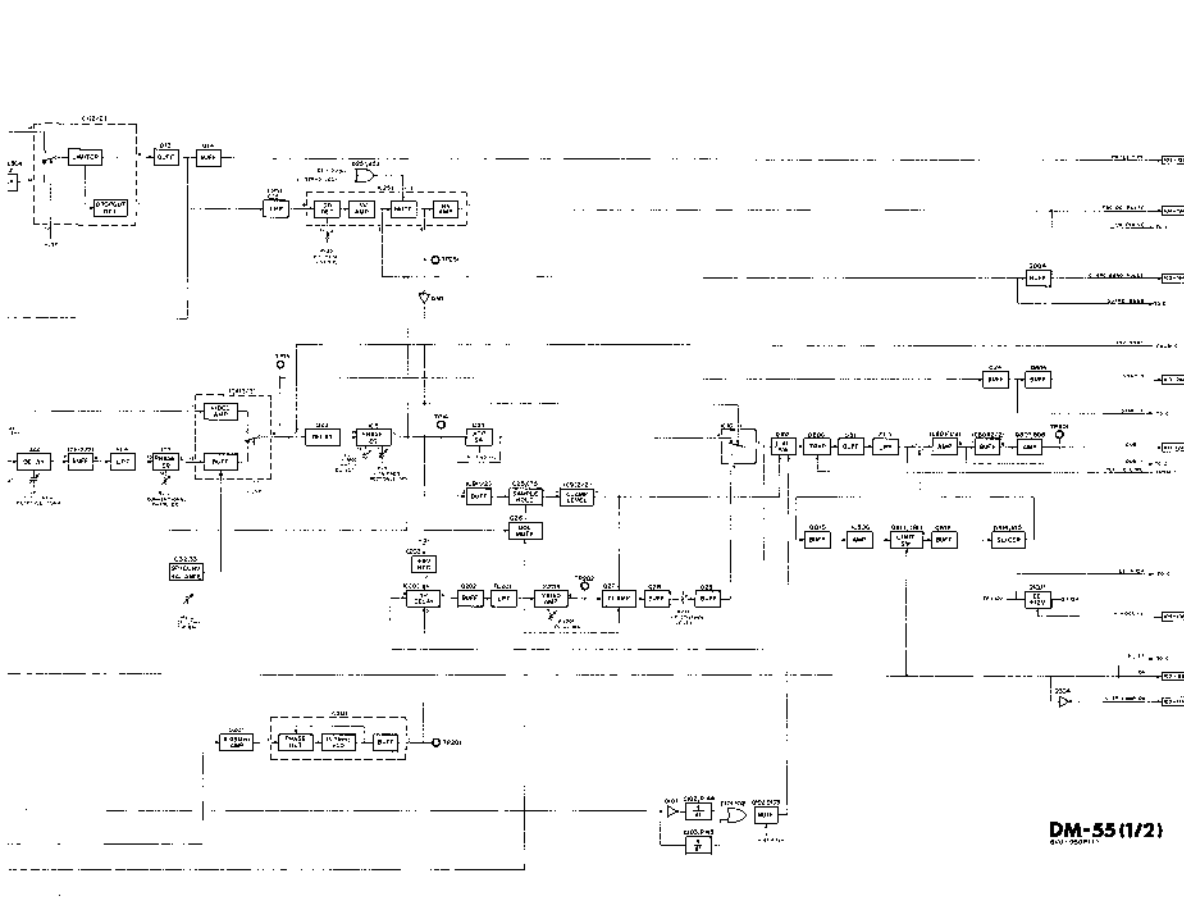




Y DEMODULATOR Y DEMODULATOR

Y DEMODULATOR

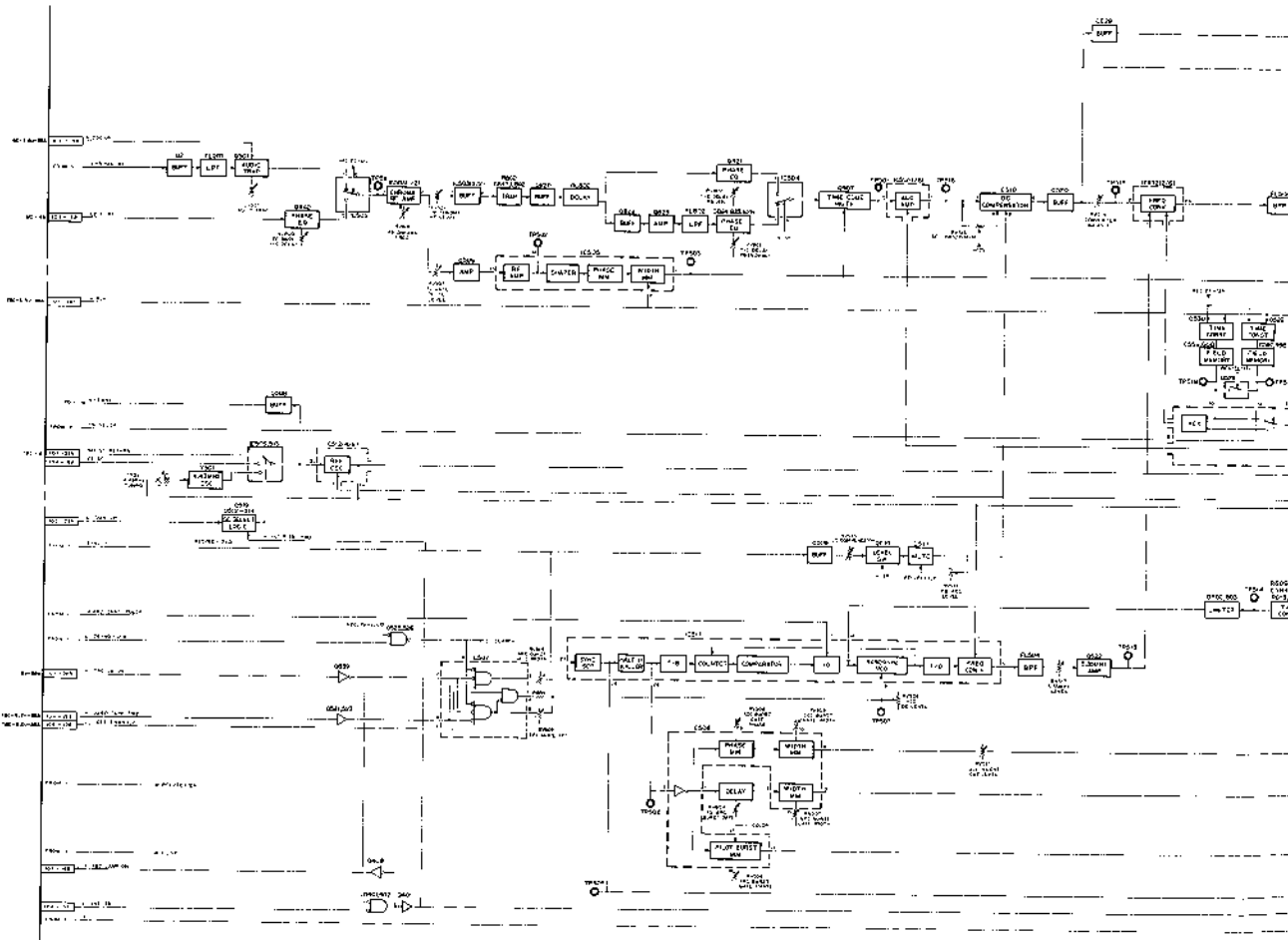




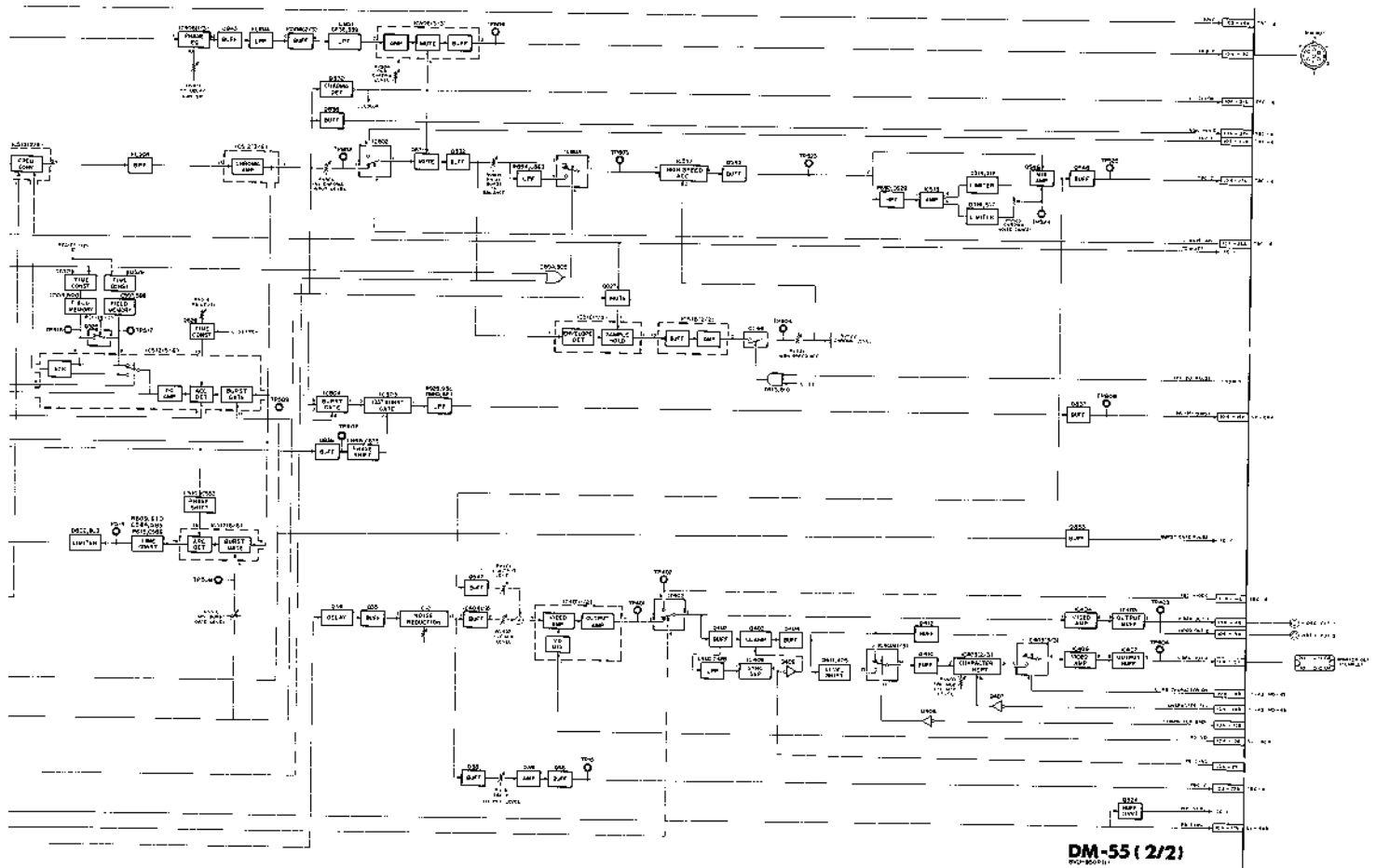
DM-55(1/2)
REV. 10/66

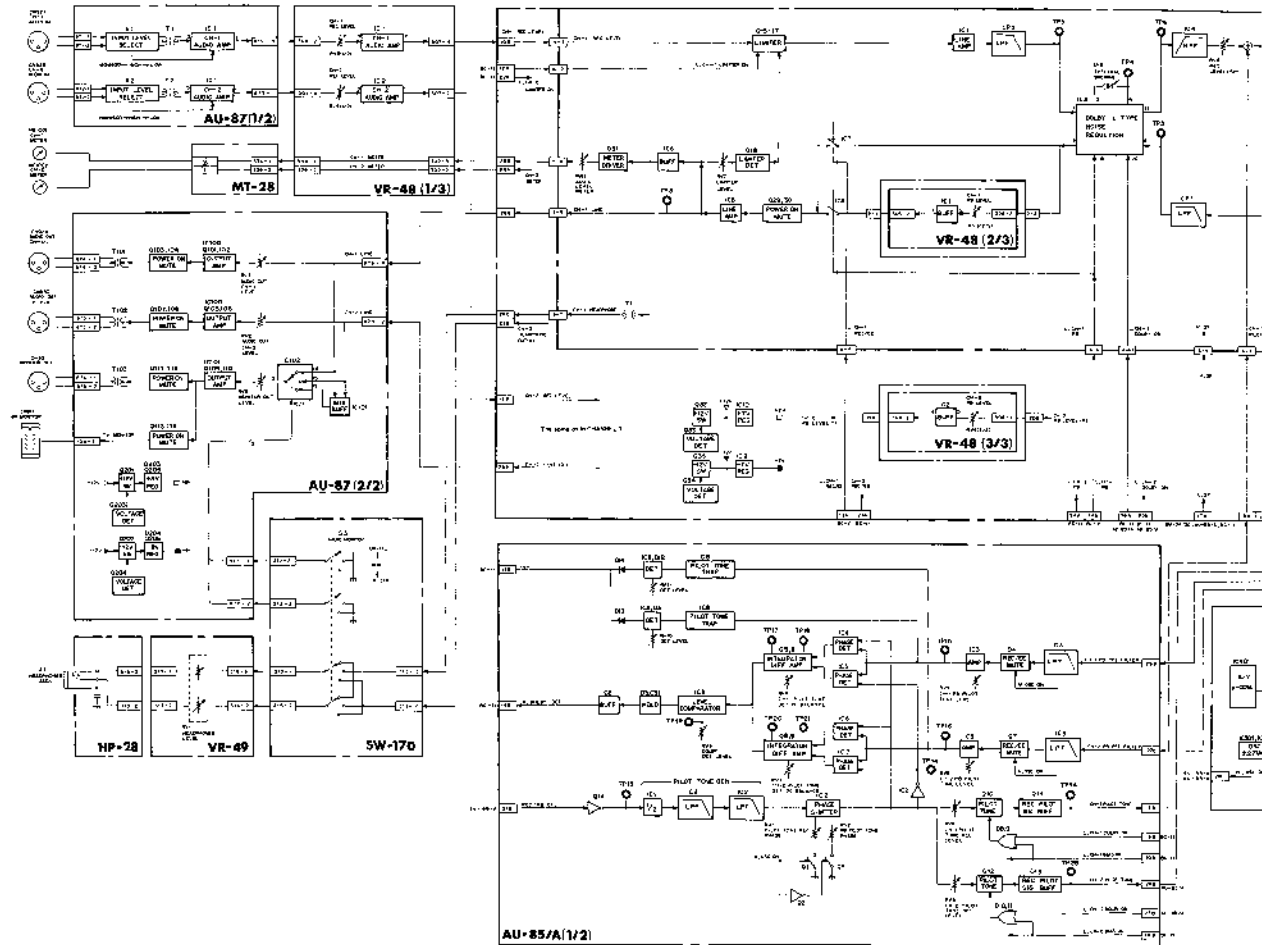
C DEMODULATOR C DEMODULATOR

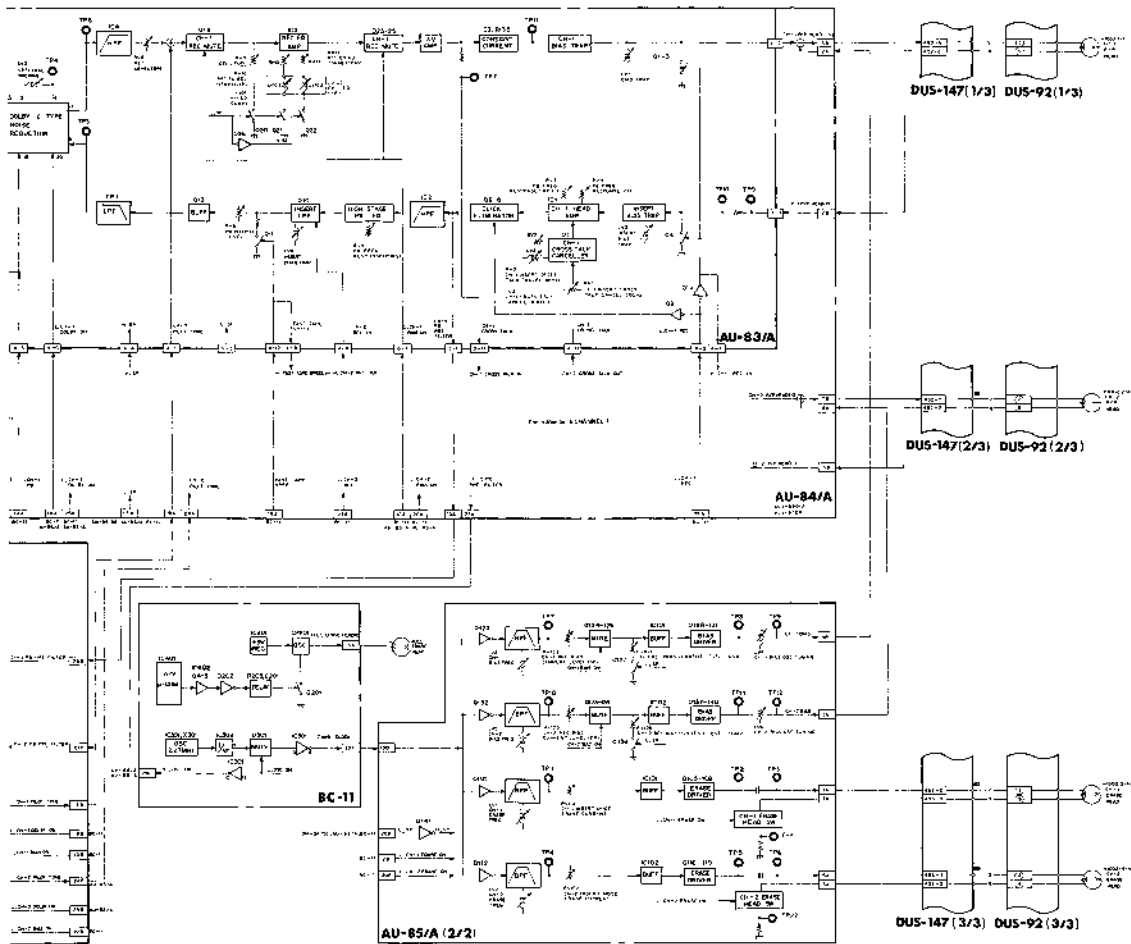
C DEMODULATOR



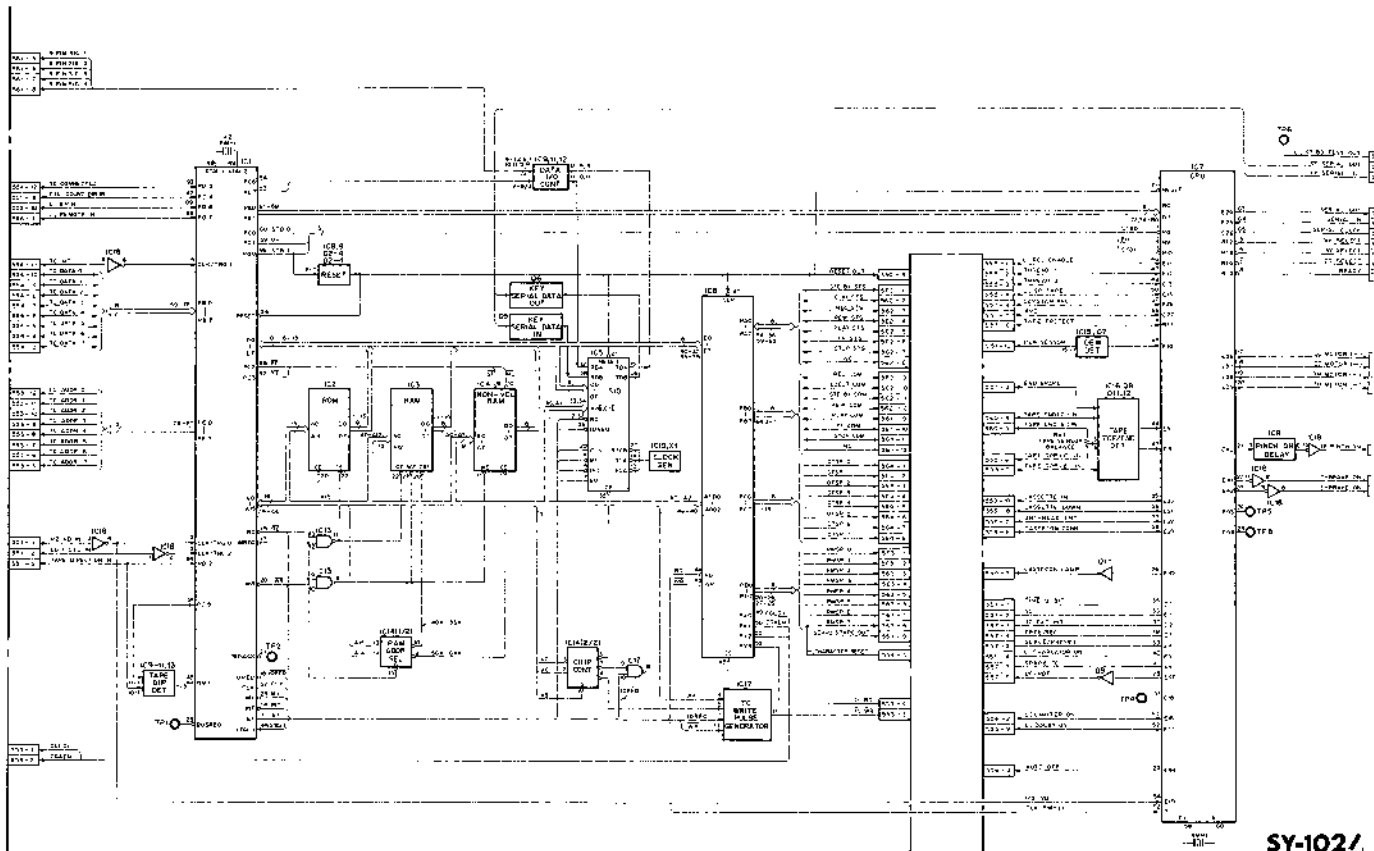
C DEMODULATOR C DEMODULATOR

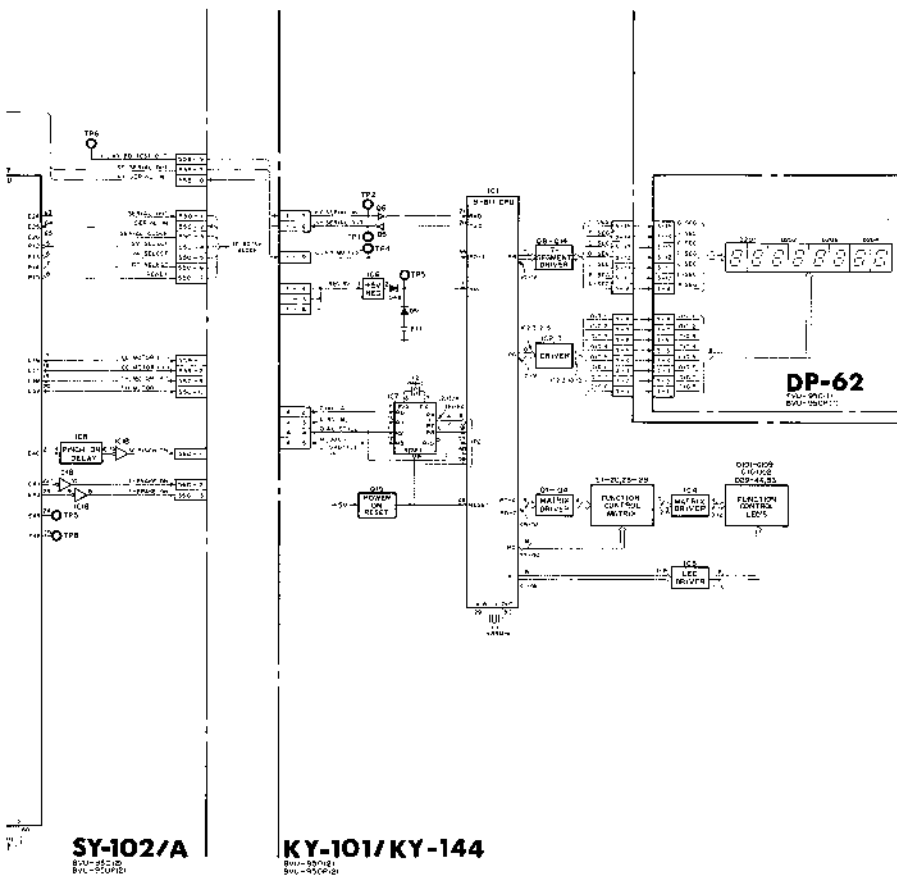


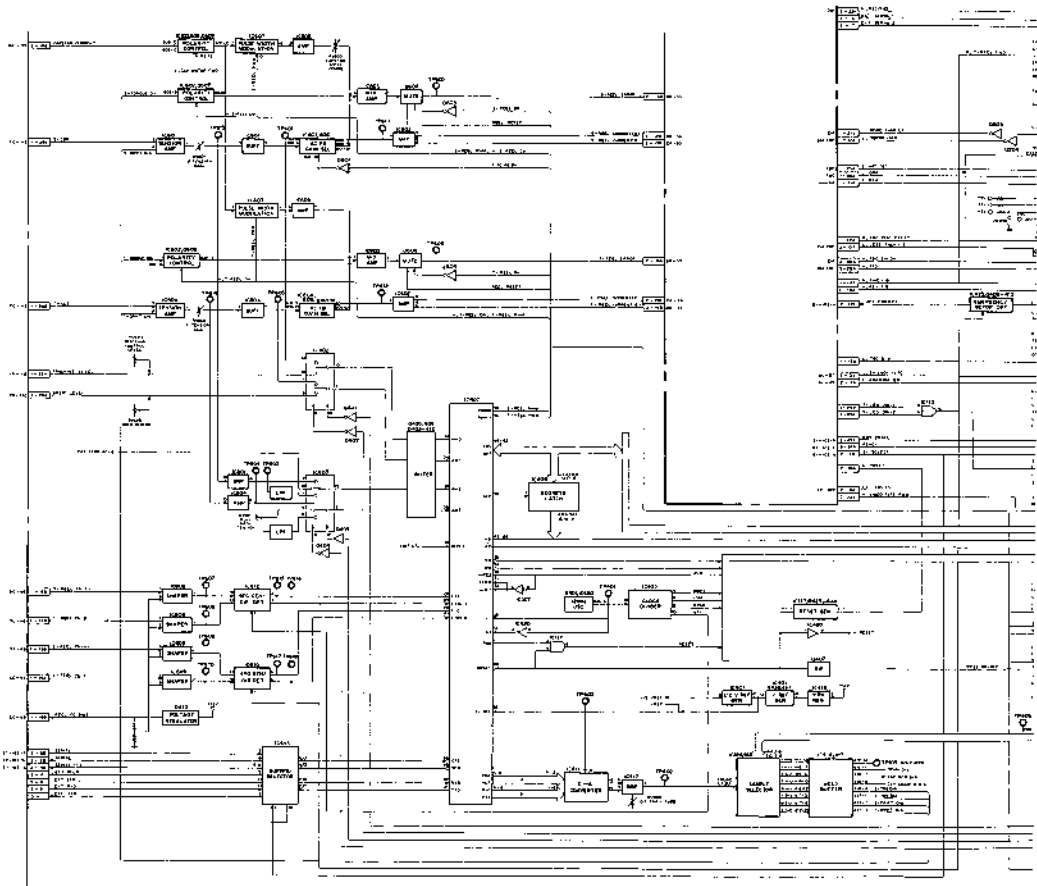


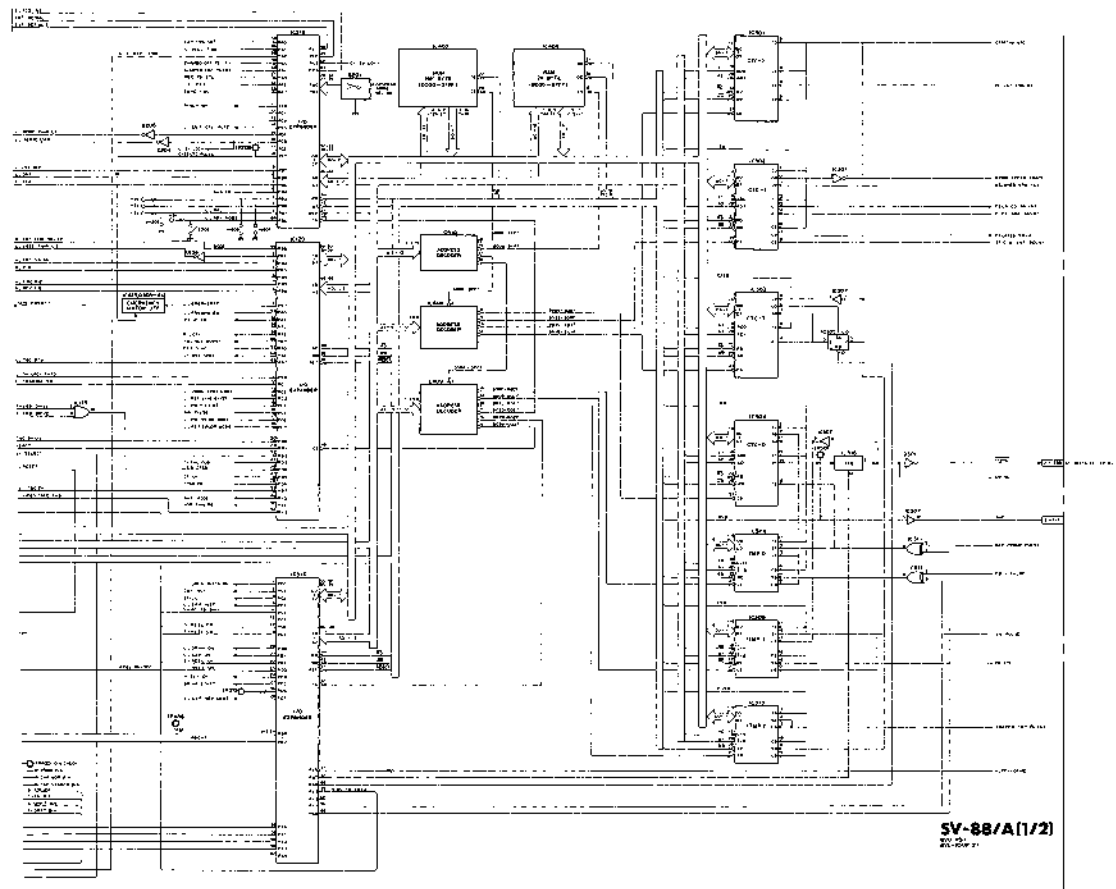


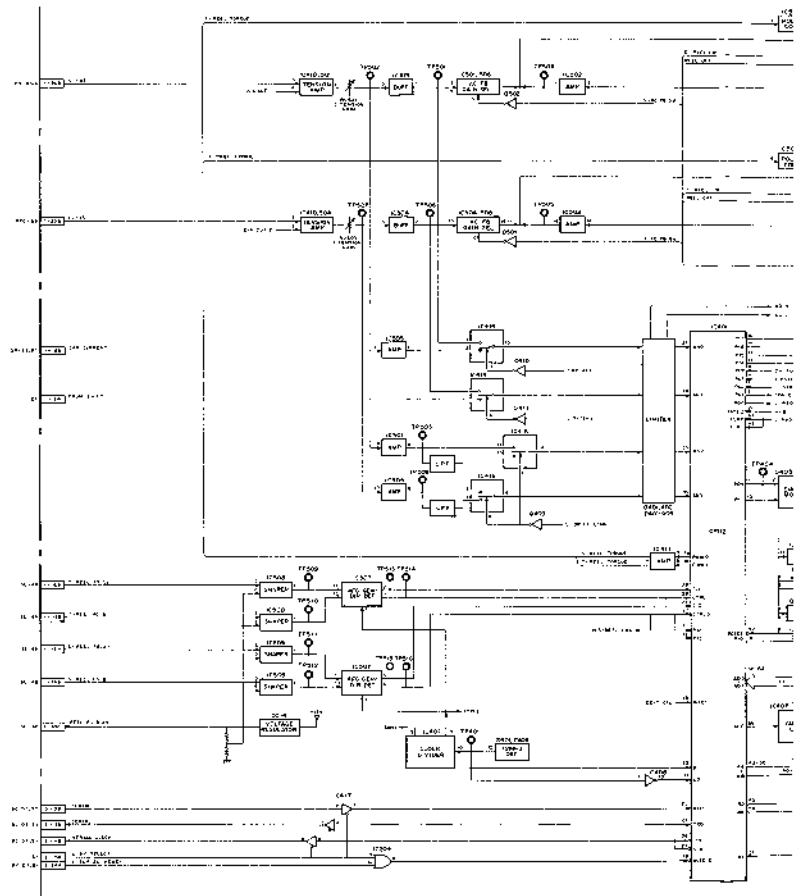
SYSTEM CONTROL/FUNCTION KEY BOARD

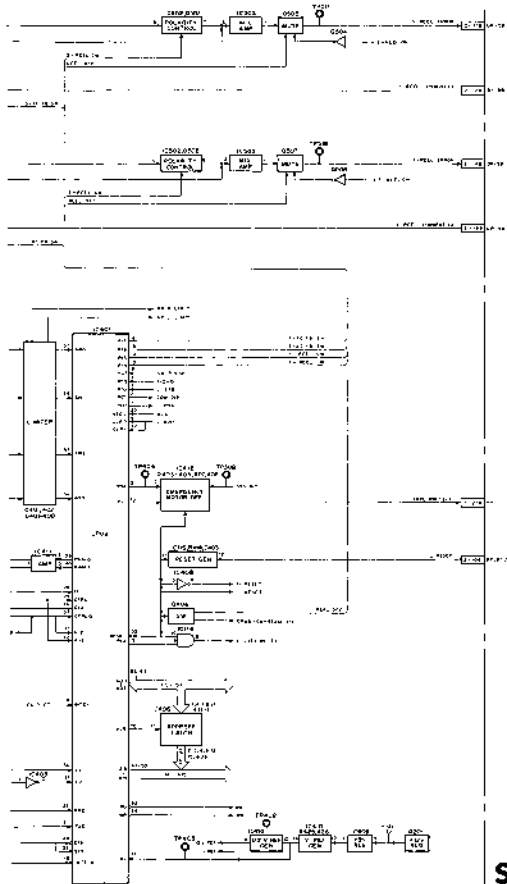








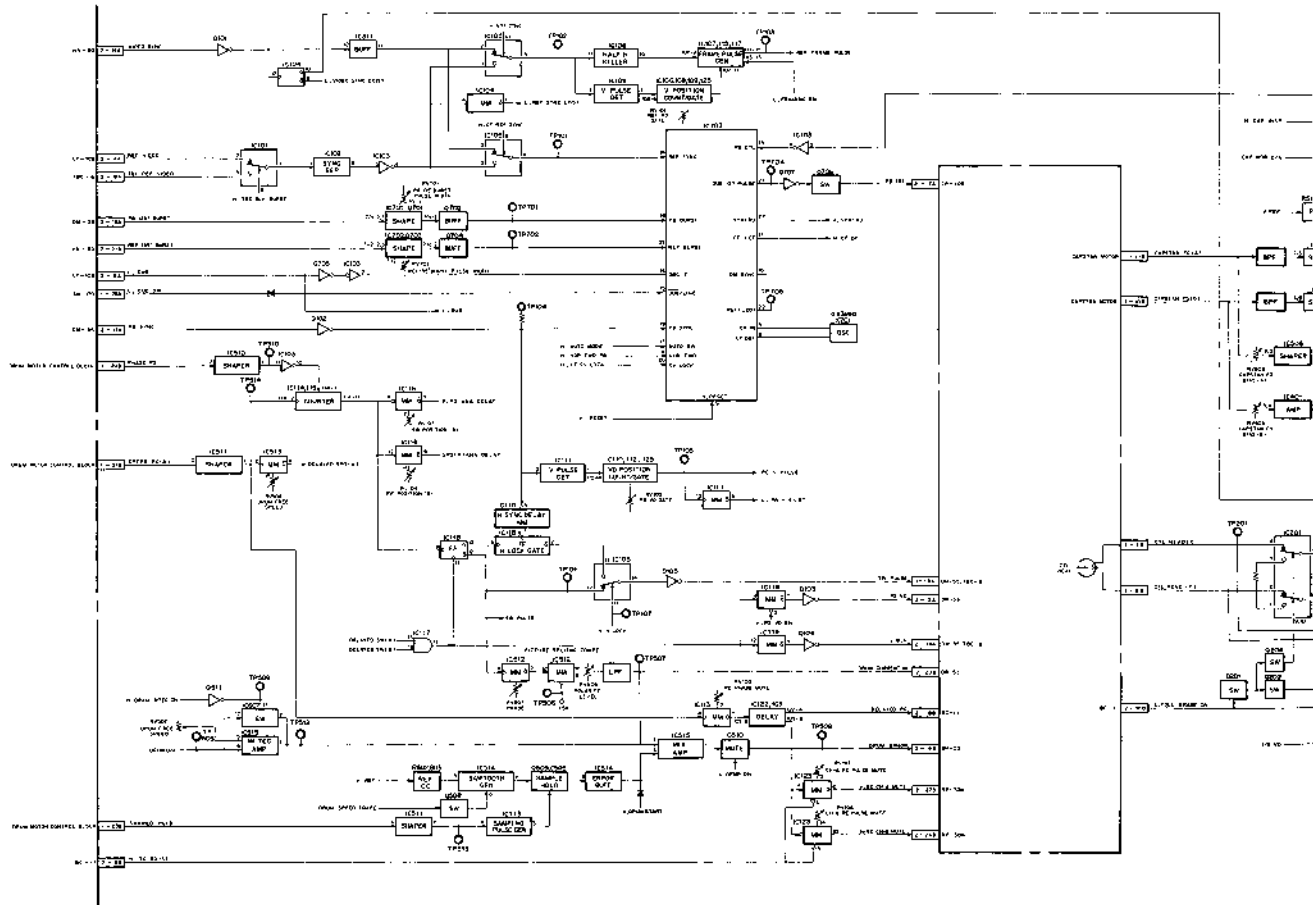


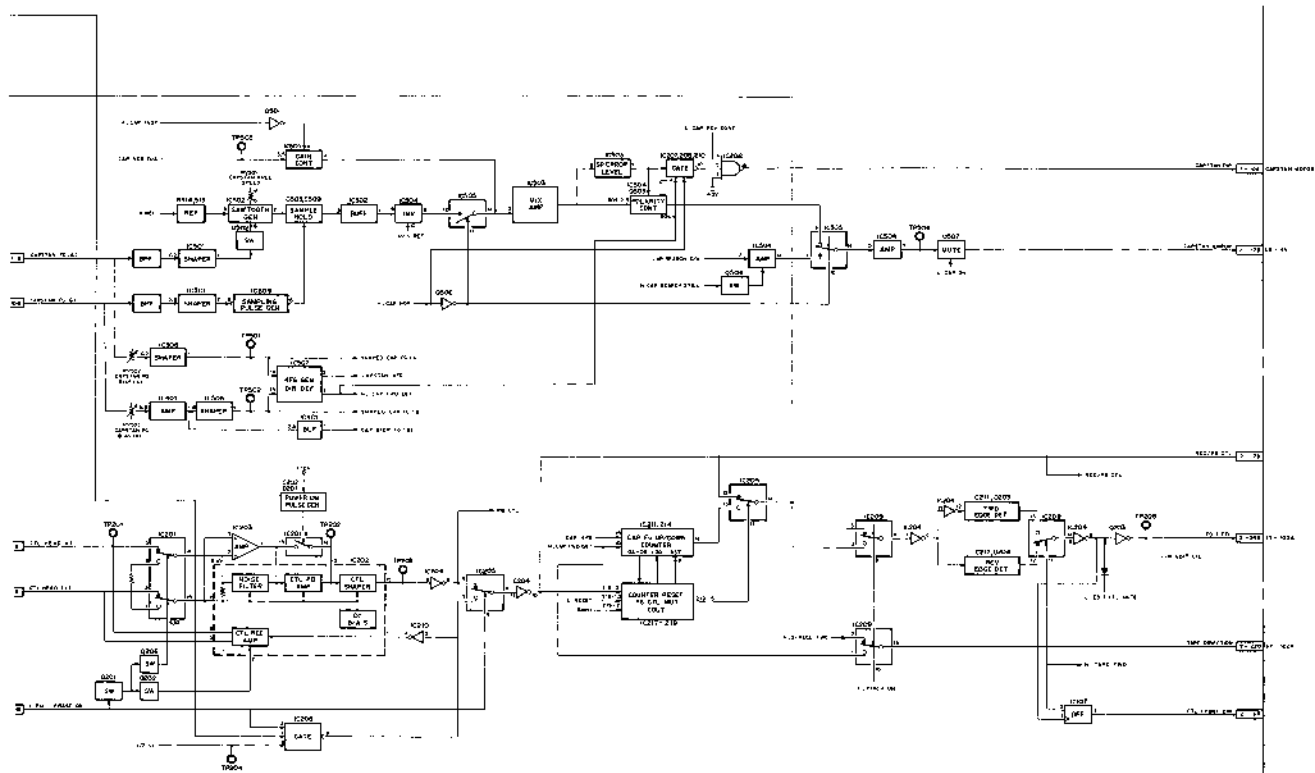


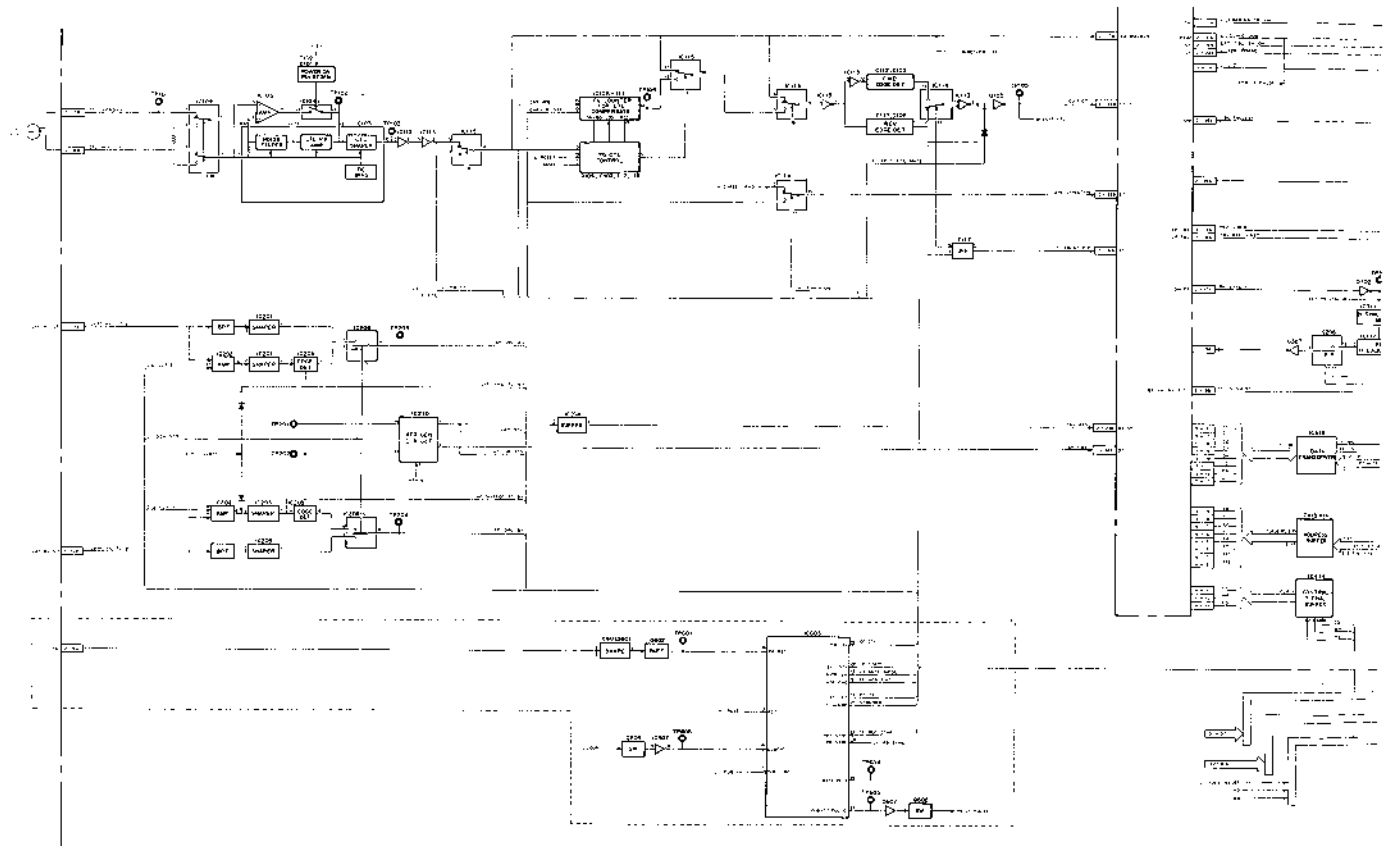
SV-113(1/2)
 BVU-950P

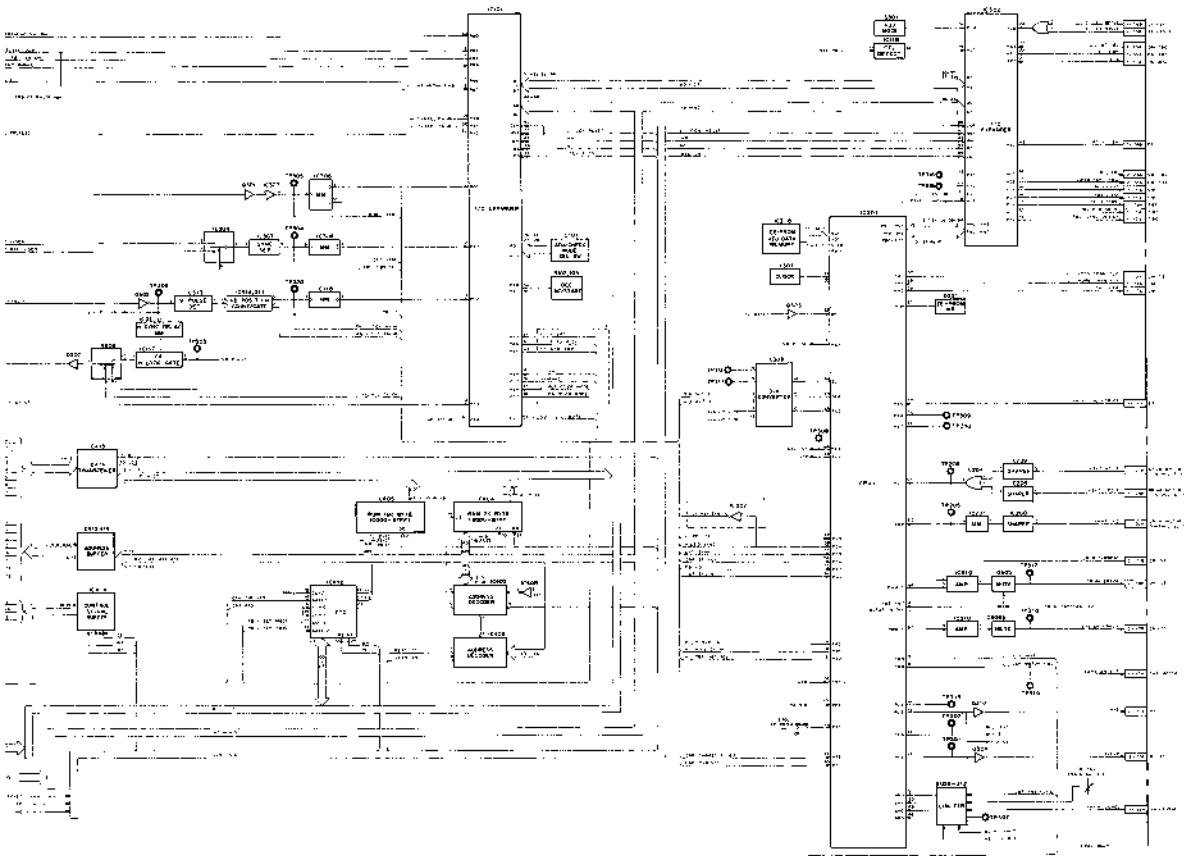
DRUM/CAPSTAN SERVO DRUM/CAPSTAN SERVO

D UM/CAPSTAN SERVO

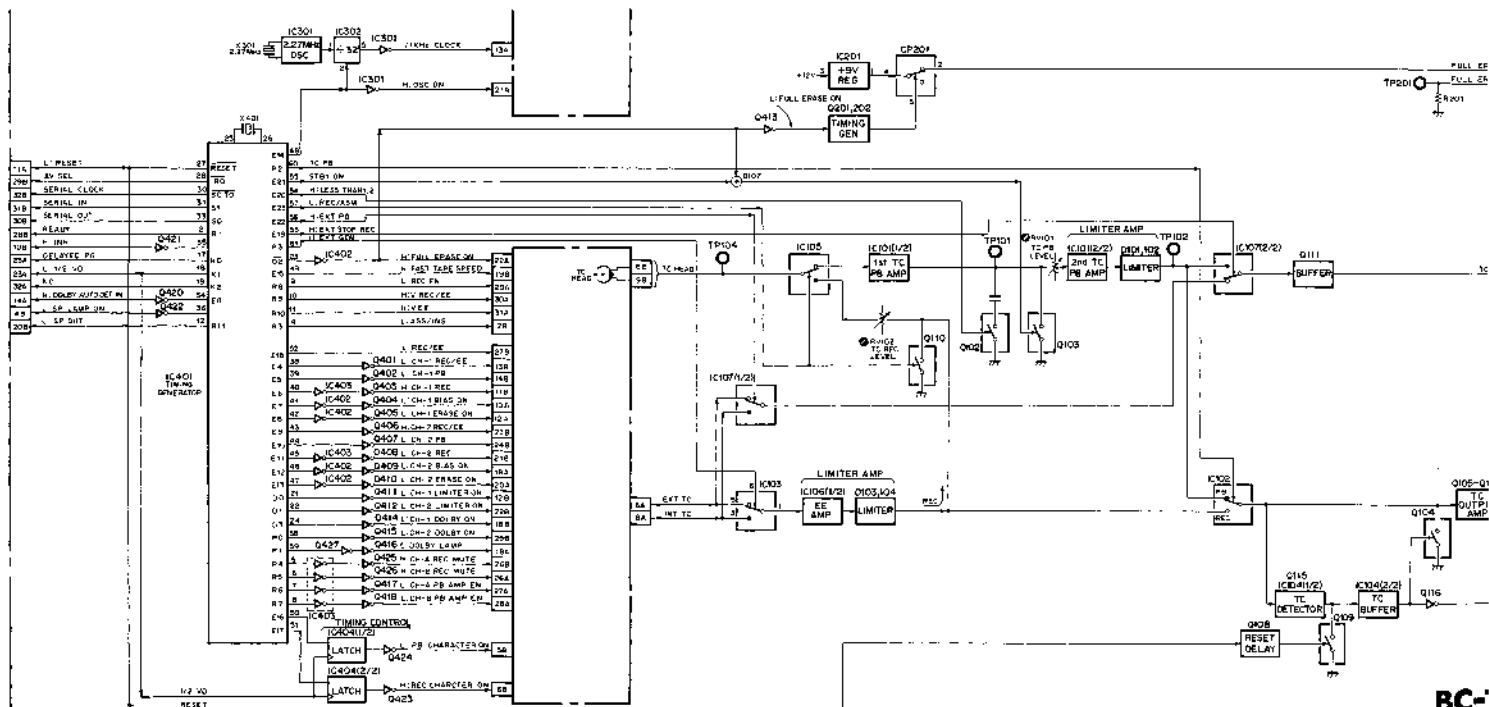


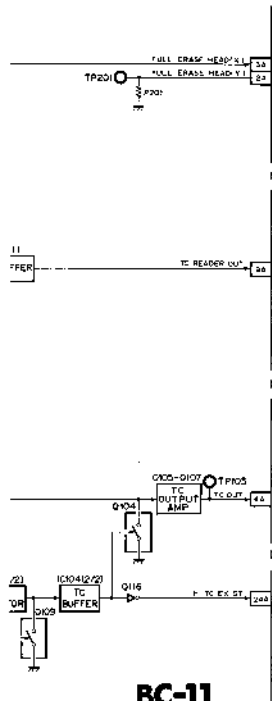




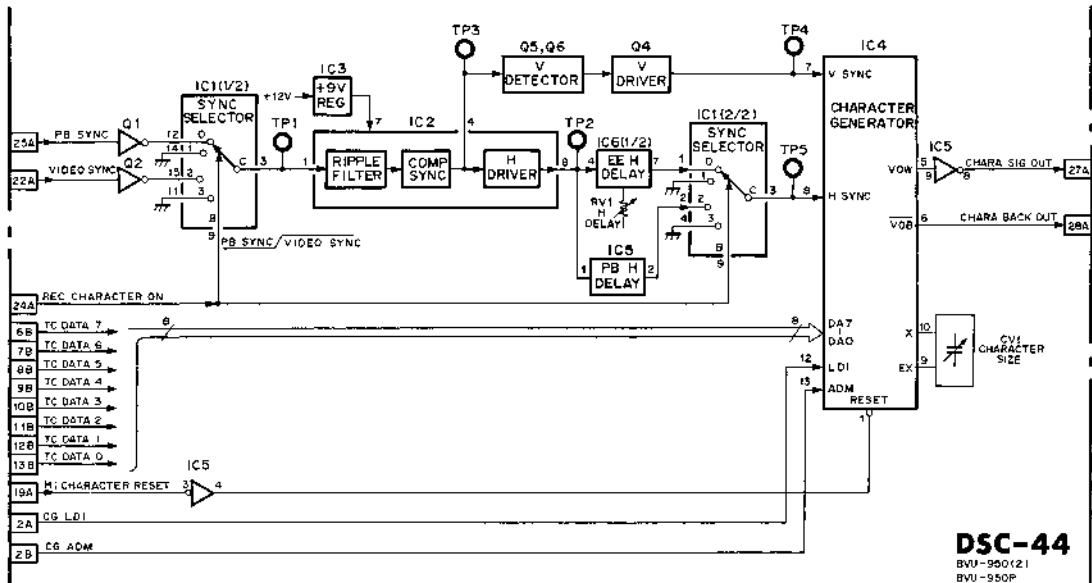


SV-113(2/2)
BVU-950P



**BC-11**
 BVU-956(2)
 BVU-957P

CHARACTER GENERATOR



DSC-44
 BVJ-950(21)
 BVU-950P

SECTION 15 SEMICONDUCTOR ELECTRODES

ここに記載されているIC、トランジスタ、ダイオードは、それぞれの機能を等価的に表わしたものです。したがって互換性を表わすものではありません。互換性のない型名が併記されている事があります。部品の交換をする時は、SPARE PARTSの章を参照して下さい。

ICs, transistors and diodes whose functions are equivalent are described here. Therefore, incompatible device names may be described together. For parts replacement, refer to the Spare Parts section in this manual.

IC	PAGE	IC	PAGE	IC	PAGE
Z712B-25	15-3	CXK5816PN-15	15-9	TA7050AP	15-17
AM607P	15-3	CXK5816PN-15L	15-9	TA7357AP	15-17
AN609P	15-3	CXK5864PN-10	15-9	TA7374A	15-17
BX1140L	15-3	CXK5864PN-10L	15-9	TC4001BP	15-17
BX1245L	15-3	CXK5864PN-12	15-9	TC40090BP	15-17
BX1247L	15-3	CXK5864PN-12L	15-9	TC4015BP	15-18
BX1248L	15-3	CXK5864PN-15	15-9	TC40161BP	15-18
BX1249L	15-3	CXK5864PN-15L	15-9	TC4017BP	15-18
BX1250L	15-4	CX15001P	15-10	TC4023BP	15-18
BX1251L	15-4	HD14538BP	15-10	TC4024BP	15-18
BX1252AL	15-4	MS0747H-6015P	15-10	TC4030BP	15-19
BX1257L	15-4	M5215L	15-11	TC4030BPHB	15-19
BX1259L	15-4	M54516P	15-11	TC4051BP	15-19
BX1262L	15-4	M54529AP	15-11	TC4052BP	15-19
BX1264L	15-4	M54543L	15-12	TC4052BPHB	15-19
BX1265L	15-4	M54562P	15-12	TC4053BP	15-19
BX365AL	15-4	MB88201H-539N	15-12	TC4053BPHB	15-19
BX365AL	15-4	M688303	15-14	TC4066BP	15-19
BX373AL	15-5	MB88551H	15-12	TC4066BPHB	15-19
BX389L	15-5	MBM2212-25P	15-14	TC4069UBP	15-19
BX389L	15-5	MBM27C256-25	15-14	TC4071BP	15-19
BX3914	15-5	MC14838BCP	15-10	TC4081BP	15-19
BX3915A	15-5	MC1486P	15-15	TC4082BP	15-20
CF77074NT	15-5	MC34051P	15-15	TC40H0C4P	15-20
CX131A	15-5	MSM5128-15RS	15-16	TC4510BP	15-20
CX134A	15-5	NJM2043D-D	15-16	TC4538BP	15-10
CX135	15-6	NJM2903D	15-16	TC50401SBP	15-20
CX188	15-6	NJM4558D	15-16	TC74HC04P	15-20
CX20060	15-6	NJM4960D	15-16	TC74HC08P	15-20
CX22013	15-6	NJM4567D-D	15-16	TC74HC123P	15-20
CX23028	15-6	NJM78L05A	15-16	TC74HC138P	15-20
CX7928	15-7	NJM78L09A	15-16	TC74HC139P	15-17
CX859	15-7	NJM79L05A	15-16	TC74HC14P	15-21
CX872	15-8	SN16913P	15-17	TC74HC241P	15-21
CXA1020P	15-10	SN16913PA	15-17	TC74HC373P	15-21
CXD1093Q	15-8	SN74HC139N	15-17	TC74HC4040P	15-21
CXK5816PN-10	15-9	SN74HC32N	15-17	TC74HC74P	15-21
CXK5816PN-10L	15-9	SN74LS221N	15-17	TC74HCU04P	15-20
CXK5816PN-12	15-9			TD62503P	15-21
CXK5816PN-12L	15-9			TLO82CP	15-21
				TLO84CN	15-22
				TMPZ64C011AF	15-22

各端子図はICメーカーのData Bookに記されています。

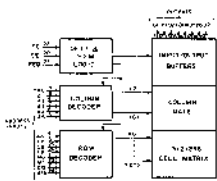
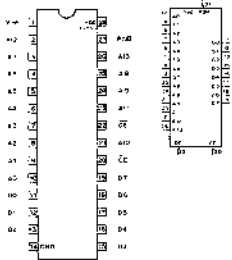
The circuit diagram of each IC is obtained from the IC data book published by the manufacturer.

SEMICONDUCTOR INDEX

1 mm dia.

IC	PAGE	TRANSISTOR	PAGE	DIODE	PAGE
UPC324C	15-22	2SA1005	15-26	10E1	15-26
UPC339C	15-22	2SA1115	15-26	10E2	15-26
UPC4558C	15-16	2SA1144	15-26	13S1555	15-26
UPC648C	15-23	2SA1175	15-26	15S1119	15-26
UPC7805H	15-23	2SA769	15-26	13S139	15-26
UPD4052BC	15-19	2SB649A	15-26	15S397	15-26
UPD71054C	15-23	2SB733	15-26	15S99	15-26
UPD78310CW	15-24	2SB734	15-26	BR5104S	15-26
Z80A-SIO/O	15-25	2SB739	15-26	FC54M	15-27
		2SB822	15-26	GL5H05	15-27
		25C1740	15-26	GP1L62	15-27
		25C2754	15-26	GP1L53	15-27
		25C2785	15-26	HLMP-1302	15-27
		25C2878	15-26	LB402VK	15-27
		25C2901	15-26	RD77ES	15-27
		25C3012	15-26	SP6102	15-27
		25C4035P	15-26	TL8225	15-27
		25D1055	15-26	TLY255	15-27
		25D1111	15-26	UD5E	15-27
		25D669A	15-26		
		25D773	15-26		
		25D774	15-26		
		25D788	15-26		
		25D894	15-26		
		25D998	15-26		
		25K523	15-26		
		DM221	15-26		
		DTA124ES	15-26		
		DTA124XS	15-26		
		DTA144ES	15-26		
		DTCL24ES	15-26		
		DTCL43TS	15-26		
		DTCL44ES	15-26		
		TX429M	15-26		

7312 25-13601 ACCESS 1740 730 45-
 6 DATA BUFFER 730 45 16234-0
 - PRINT SIDE VIEW -



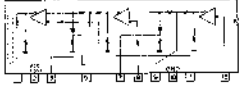
CONTROL CODE	CE	OE	WE	DATA IN	DATA OUT
PCAD	0	0	1	0	0
STANDBY	1	1	0	0	0
PROGRAMMING	0	1	0	1	0
PROGRAM VERIFY	0	0	1	0	1
PROGRAM VERIFY	1	0	1	0	1
HIGH SPEED PROGRAMMING	0	1	0	0	1

1, FT. LEVEL HIGH VOLTAGE IN
 0, FT. LEVEL LOW VOLTAGE IN
 * CONT. LARG. 1 OR 0 *

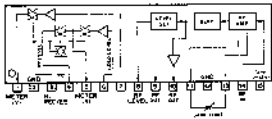
69527P 25-13601-01
 69528P 25-13601-02
 69529P 25-13601-03
 - PRINT SIDE VIEW -



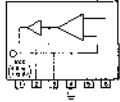
80 140L 25-13601-04
 80 140L 25-13601-05
 - PRINT SIDE VIEW -



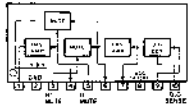
80 140L 25-13601-06
 80 140L 25-13601-07
 - PRINT SIDE VIEW -



80 140L 25-13601-08
 80 140L 25-13601-09
 - PRINT SIDE VIEW -



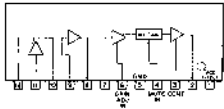
80 140L 25-13601-10
 80 140L 25-13601-11
 - PRINT SIDE VIEW -



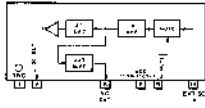
80 140L 25-13601-12
 80 140L 25-13601-13
 - PRINT SIDE VIEW -



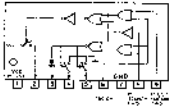
BA1250 - JRCOM
C-INPUT SHIFTER AND PULSE
- PRINTED SIZE - 10x10 -



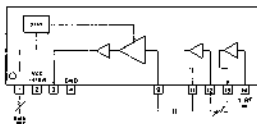
DA1251 - JRCOM
C-INPUT SHIFTER AND PULSE
- PRINTED SIZE - 10x10 -



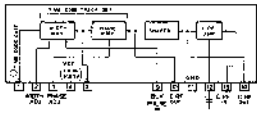
BY1252M - JRCOM
C-INPUT SHIFTER AND PULSE
- PRINTED SIZE - 10x10 -



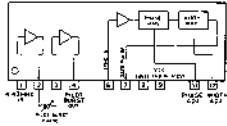
BU1253M - JRCOM
C-INPUT SHIFTER AND PULSE
- PRINTED SIZE - 10x10 -



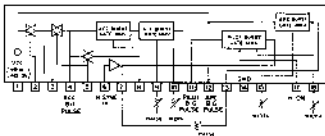
DC1254 - JRCOM
C-INPUT SHIFTER AND PULSE
- PRINTED SIZE - 10x10 -



BA1250 - JRCOM
C-INPUT SHIFTER AND PULSE
- PRINTED SIZE - 10x10 -



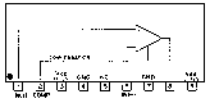
BY1254 - JRCOM
C-INPUT SHIFTER AND PULSE
- PRINTED SIZE - 10x10 -



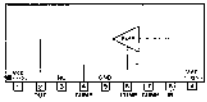
BU1255 - JRCOM
C-INPUT SHIFTER AND PULSE
- PRINTED SIZE - 10x10 -



DC1256 - JRCOM
C-INPUT SHIFTER AND PULSE
- PRINTED SIZE - 10x10 -



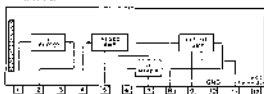
DC1257 - JRCOM
C-INPUT SHIFTER AND PULSE
- PRINTED SIZE - 10x10 -



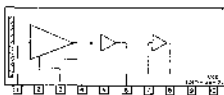
01271487-1
 100 AMP
 - 100 AMP -



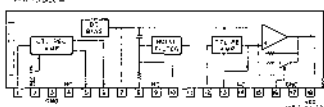
01271487-2
 100 AMP
 - 100 AMP -



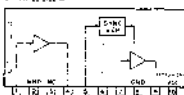
01271487-3
 100 AMP
 - 100 AMP -



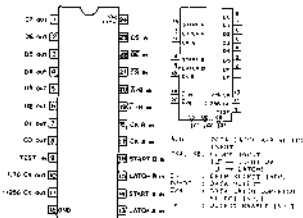
01271487-4
 100 AMP
 - 100 AMP -



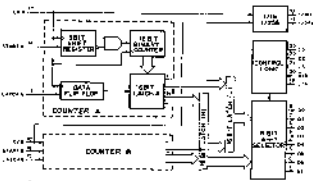
01271487-5
 100 AMP
 - 100 AMP -



01271487-6
 100 AMP
 - 100 AMP -



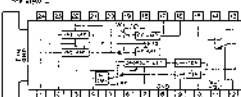
NOTE SELECT	INPUT	OUTPUT
00	00	00
01	01	01
02	02	02
03	03	03
04	04	04
05	05	05
06	06	06
07	07	07
08	08	08
09	09	09
10	10	10
11	11	11
12	12	12
13	13	13
14	14	14
15	15	15
16	16	16
17	17	17
18	18	18
19	19	19
20	20	20
21	21	21
22	22	22
23	23	23
24	24	24
25	25	25
26	26	26
27	27	27
28	28	28
29	29	29
30	30	30
31	31	31



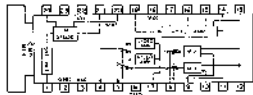
01271487-7
 100 AMP
 - 100 AMP -



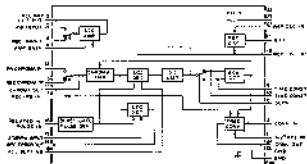
01271487-8
 100 AMP
 - 100 AMP -



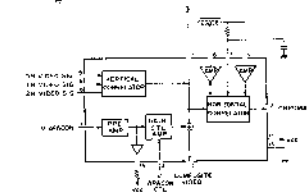
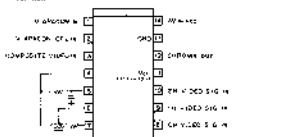
CA320 : 8091
CMOS VIDEO



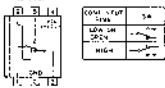
CA320B : 8091B
CMOS VIDEO



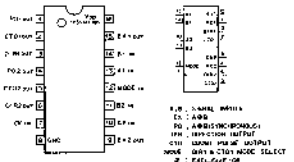
CA3201 : 8091B
DYNAMIC CMOS VIDEO



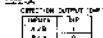
CA3204B : 8091B
CMOS VIDEO



CA3204B : 8091B
CMOS VIDEO



MODE 0

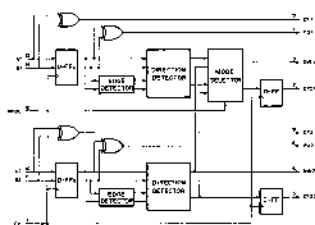


MODE 1

INPUTS	DP 1	DP 2
CH : CH2	1	0
MODE : MODE0	1	0
SELECT : SELECT	1	0
MODE : MODE0	1	0

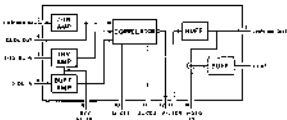
CTO 1 : CTO 1 AND MODE 0 = CTO 1 AND MODE 1 = CTO 2
 CTO 2 : THE SAME FUNCTION OF MODE 1

1 : HIGH LEVEL
 0 : LOW LEVEL
 A/B : THE PHASE IS TRANSFERRED IN ADVANCE FOR THE PHASE OF B



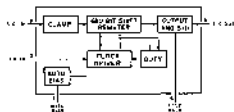
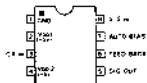
CM4122DP (3A0P)

CM4122DP (3A0P)
 CMOS 4-CHANNEL TELEVISION VIDEO PROCESSOR
 - 10P 16PIN -



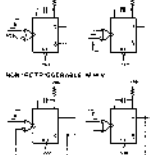
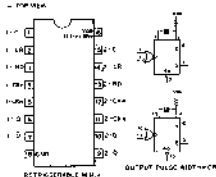
CM5001P (3A0P)

CM5001P (3A0P)
 CMOS CCD FOR VIDEO DELAY LINE
 - 10P 8PIN -

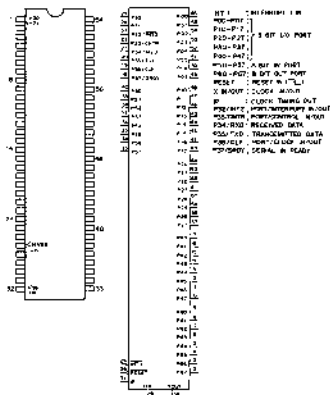


M6101JEP (714A00)

M6101JEP (714A00)
 CMOS SERIAL PICTURE/TEXTURE RETRIEVAL
 - 10P 16PIN -



M6101JEP (714A00)
 CMOS SERIAL PICTURE/TEXTURE RETRIEVAL
 - 10P 16PIN -



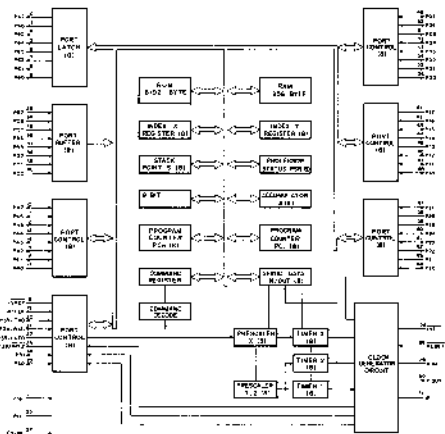


FIG. 10. (CONTINUED)
 CLAMPING SIGNAL



FIG. 11. (CONTINUED)
 REGISTER WITH OPEN COLLECTOR
 INSTRUCTION DEPENDENT REGISTER ADDRESS

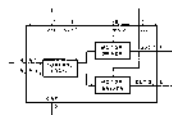
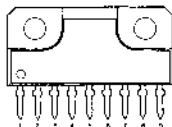


FIG. 12. (CONTINUED)
 INSTRUCTION DEPENDENT REGISTER ADDRESS



Symbol	Level	Description
0	LOW LEVEL	LOW LEVEL
1	OH LEVEL	OH LEVEL
A	DRIVE CAP	DRIVE CAP
X	OPEN COLLECTOR	OPEN COLLECTOR

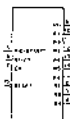
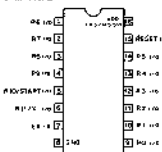
MS6453 in TO-18 package
 8 DIRECTING MULTISWITCH
 — 28 PINS —



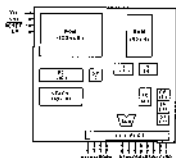
Pin	Symbol	Function
1, 2	V _{CC}	Power Supply
3, 4	EL1	4-bit Shift Register
5, 6	EL2	4-bit Shift Register
7, 8	OUT1, OUT2	4-bit Output Drivers

A: chip width
 B: chip length
 C: chip thickness

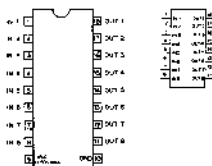
MS6453 in DIP-16 package
 8 DIRECTING MULTISWITCH
 — 28 PINS —



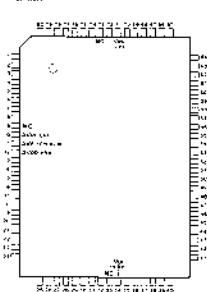
EL1, EL2: 4-BIT SHIFT REG.
 OUT1, OUT2: 4-BIT OUTPUT DRIVERS
 V_{CC}: POWER SUPPLY



MS6453 in TO-18 package
 8 DIRECTING MULTISWITCH
 — 28 PINS —

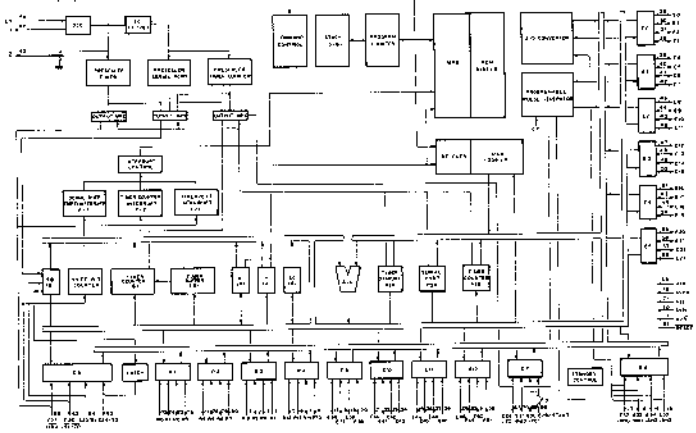
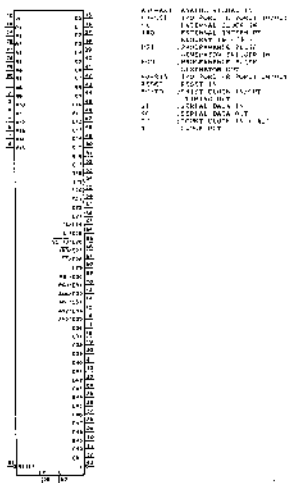


MS6453 in TO-18 package
 8 DIRECTING MULTISWITCH
 — 28 PINS —

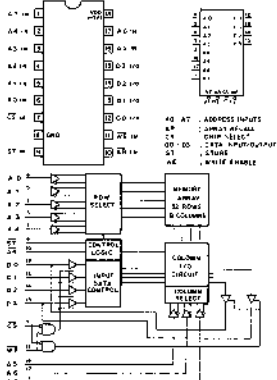


Pin	Symbol	Function
1	V _{CC}	Power Supply
2	EL1	4-bit Shift Register
3	EL2	4-bit Shift Register
4	OUT1	4-bit Output Driver
5	OUT2	4-bit Output Driver
6	EL1	4-bit Shift Register
7	EL2	4-bit Shift Register
8	OUT1	4-bit Output Driver
9	OUT2	4-bit Output Driver
10	V _{CC}	Power Supply
11	EL1	4-bit Shift Register
12	EL2	4-bit Shift Register
13	OUT1	4-bit Output Driver
14	OUT2	4-bit Output Driver
15	EL1	4-bit Shift Register
16	EL2	4-bit Shift Register
17	OUT1	4-bit Output Driver
18	OUT2	4-bit Output Driver
19	V _{CC}	Power Supply
20	EL1	4-bit Shift Register
21	EL2	4-bit Shift Register
22	OUT1	4-bit Output Driver
23	OUT2	4-bit Output Driver
24	EL1	4-bit Shift Register
25	EL2	4-bit Shift Register
26	OUT1	4-bit Output Driver
27	OUT2	4-bit Output Driver
28	V _{CC}	Power Supply

— WACK OPTION



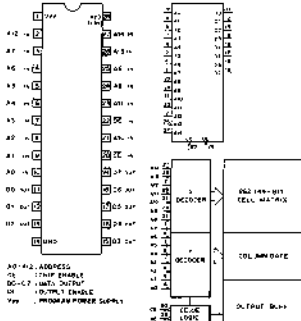
ADDRESS: 200 (H) AT CELL ACCESS TIME = 200 (S)
 MAX. 128 x 256 x 0.1 MICROSECOND STATIC RAM
 — EXP VIEW —



IN PUTS				I/O		MODE
CS	WE	OE	ST	AE	WE	OE
1	X	1	1	1	H-2	NOT SELECTED
0	1	1	1	1	H-2	OUTPUT DATA FROM READ
0	0	1	1	1	H-2	INPUT DATA TO DRAM WRITE
0	0	0	1	1	H-2	DRAM REFRESH
1	1	0	1	1	H-2	ADDRESS INPUT
1	1	0	0	1	H-2	ADDRESS INPUT
1	1	1	0	0	H-2	ADDRESS INPUT
1	1	1	1	0	H-2	ADDRESS INPUT

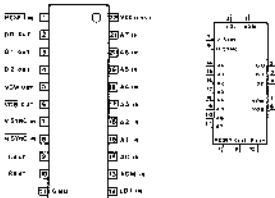
0 : LOW LEVEL
 1 : HIGH LEVEL
 X : DON'T CARE
 H-2 : HIGH IMPEDANCE

ADDRESS: 200 (H) AT CELL ACCESS TIME = 200 (S)
 MAX. 128 x 256 x 0.1 MICROSECOND STATIC RAM
 — EXP VIEW —



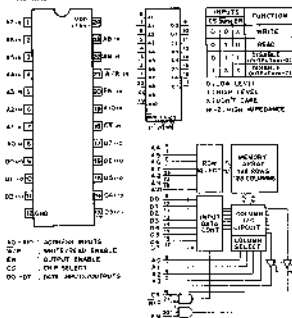
IN	EX	CELL	TYPE	Q ₀	FUNCTION
WE	0	0	H-2	LOW	READ
OE	0	1	H-2	OUTPUT	ENABLE
WE	1	0	H-2	STANDBY	
OE	1	0	H-2	STANDBY	
AE	0	0	H-2	0	LOW LEVEL
AE	0	1	H-2	1	HIGH LEVEL
AE	1	0	H-2	0	DON'T CARE
AE	1	1	H-2	1	HIGH IMPEDANCE

ADDRESS: 200 (H) AT
 MAX. 128 x 256 x 0.1 MICROSECOND STATIC RAM
 — EXP VIEW —



0000 ADDRESS INCREMENT MODE
 001000 ADDRESS INPUT
 001001 DATA OUTPUT
 001010 EXT. CAPTION FOR DRAM
 1001 . LOAD DATA AND MAINTAINANCE
 1010 VIDEO BUFFER OUT
 1011 VIDEO WRITE OUT
 1011 EXT. REGISTER FOR DRAM

93000 28-PIN CMOS (CMOS) ADDRESS MEMORY - 128 x 8
 1. 100ns ACCESS TIME - 100 ns
 2. 100ns READ AND WRITE SETUP TIME
 3. 100ns READ AND WRITE HOLD TIME



93000 28-PIN CMOS ADDRESS MEMORY - 128 x 8
 1. 100ns ACCESS TIME - 100 ns
 2. 100ns READ AND WRITE SETUP TIME
 3. 100ns READ AND WRITE HOLD TIME



93000 28-PIN CMOS ADDRESS MEMORY - 128 x 8
 1. 100ns ACCESS TIME - 100 ns
 2. 100ns READ AND WRITE SETUP TIME
 3. 100ns READ AND WRITE HOLD TIME



93000 28-PIN CMOS ADDRESS MEMORY - 128 x 8
 1. 100ns ACCESS TIME - 100 ns
 2. 100ns READ AND WRITE SETUP TIME
 3. 100ns READ AND WRITE HOLD TIME



93000 28-PIN CMOS ADDRESS MEMORY - 128 x 8
 1. 100ns ACCESS TIME - 100 ns
 2. 100ns READ AND WRITE SETUP TIME
 3. 100ns READ AND WRITE HOLD TIME



93000 28-PIN CMOS ADDRESS MEMORY - 128 x 8
 1. 100ns ACCESS TIME - 100 ns
 2. 100ns READ AND WRITE SETUP TIME
 3. 100ns READ AND WRITE HOLD TIME



93000 28-PIN CMOS ADDRESS MEMORY - 128 x 8
 1. 100ns ACCESS TIME - 100 ns
 2. 100ns READ AND WRITE SETUP TIME
 3. 100ns READ AND WRITE HOLD TIME



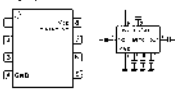
93000 28-PIN CMOS ADDRESS MEMORY - 128 x 8
 1. 100ns ACCESS TIME - 100 ns
 2. 100ns READ AND WRITE SETUP TIME
 3. 100ns READ AND WRITE HOLD TIME



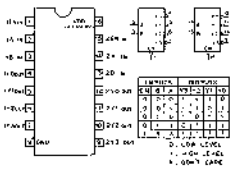
93000 28-PIN CMOS ADDRESS MEMORY - 128 x 8
 1. 100ns ACCESS TIME - 100 ns
 2. 100ns READ AND WRITE SETUP TIME
 3. 100ns READ AND WRITE HOLD TIME



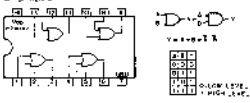
SN74138P (1)
 SN74138P (1)
 SN74138P (1)
 = 100% =



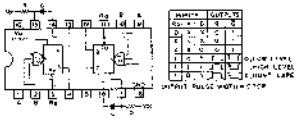
SN74138P (1)
 SN74138P (1)
 SN74138P (1)
 = 100% =



SN74138P (1)
 SN74138P (1)
 SN74138P (1)
 = 100% =



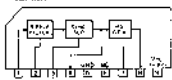
SN74138P (1)
 SN74138P (1)
 SN74138P (1)
 = 100% =



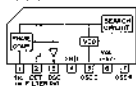
SN74138P (1)
 SN74138P (1)
 SN74138P (1)
 = 100% =



SN74138P (1)
 SN74138P (1)
 SN74138P (1)
 = 100% =



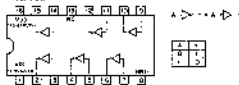
SN74138P (1)
 SN74138P (1)
 SN74138P (1)
 = 100% =



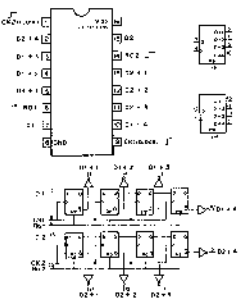
SN74138P (1)
 SN74138P (1)
 SN74138P (1)
 = 100% =



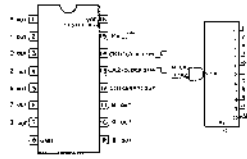
SN74138P (1)
 SN74138P (1)
 SN74138P (1)
 = 100% =



74015P (74015A)
 4-BIT BINARY STAGE STATE SHIFT REGISTER WITH DECODE OUTPUTS
 - 10P-10V -



74017BP (74017A)
 4-BIT BINARY STAGE STATE SHIFT REGISTER WITH DECODE OUTPUTS
 - 10P-10V -

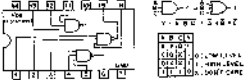


COUNT	INPUTS	OUTPUTS						
Q3	Q2	Q1	Q0	D3	D2	D1	D0	
0	0	0	0	0	0	0	0	0
1	0	0	0	1	0	0	0	0
2	0	0	1	0	0	0	0	0
3	0	0	1	1	0	0	0	0
4	0	1	0	0	0	0	0	0
5	0	1	0	1	0	0	0	0
6	0	1	1	0	0	0	0	0
7	0	1	1	1	0	0	0	0
8	1	0	0	0	0	0	0	0
9	1	0	0	1	0	0	0	0
10	1	0	1	0	0	0	0	0
11	1	0	1	1	0	0	0	0
12	1	1	0	0	0	0	0	0
13	1	1	0	1	0	0	0	0
14	1	1	1	0	0	0	0	0
15	1	1	1	1	0	0	0	0

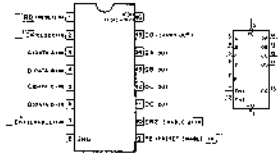
MODEL: 10P-10V NO DAMAGE

LOW LEVEL: HIGH LEVEL: .00V CARE

74017BP (74017A)
 4-BIT BINARY STAGE STATE SHIFT REGISTER WITH DECODE OUTPUTS
 - 10P-10V -



74018P (74018A)
 4-BIT BINARY STAGE STATE SHIFT REGISTER WITH DECODE OUTPUTS
 - 10P-10V -



MODE SELECTION	MODE
C X X X	RESET (ASYNCHRONOUS)
X X X X	UP COUNT
X X X X	DOWN COUNT
X X X X	NO COUNT
X X X X	NO COUNT
X X X X	NO COUNT
X X X X	NO COUNT
X X X X	NO COUNT

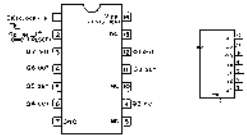


LOW LEVEL: HIGH LEVEL: .00V CARE

COUNT	Q3	Q2	Q1	Q0	D3	D2	D1	D0
0	0	0	0	0	0	0	0	0
1	0	0	0	1	0	0	0	0
2	0	0	1	0	0	0	0	0
3	0	0	1	1	0	0	0	0
4	0	1	0	0	0	0	0	0
5	0	1	0	1	0	0	0	0
6	0	1	1	0	0	0	0	0
7	0	1	1	1	0	0	0	0
8	1	0	0	0	0	0	0	0
9	1	0	0	1	0	0	0	0
10	1	0	1	0	0	0	0	0
11	1	0	1	1	0	0	0	0
12	1	1	0	0	0	0	0	0
13	1	1	0	1	0	0	0	0
14	1	1	1	0	0	0	0	0
15	1	1	1	1	0	0	0	0

LOW LEVEL: HIGH LEVEL: .00V CARE

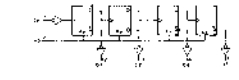
74018P (74018A)
 4-BIT BINARY STAGE STATE SHIFT REGISTER WITH DECODE OUTPUTS
 - 10P-10V -



COUNT	Q3	Q2	Q1	Q0	D3	D2	D1	D0
0	0	0	0	0	0	0	0	0
1	0	0	0	1	0	0	0	0
2	0	0	1	0	0	0	0	0
3	0	0	1	1	0	0	0	0
4	0	1	0	0	0	0	0	0
5	0	1	0	1	0	0	0	0
6	0	1	1	0	0	0	0	0
7	0	1	1	1	0	0	0	0
8	1	0	0	0	0	0	0	0
9	1	0	0	1	0	0	0	0
10	1	0	1	0	0	0	0	0
11	1	0	1	1	0	0	0	0
12	1	1	0	0	0	0	0	0
13	1	1	0	1	0	0	0	0
14	1	1	1	0	0	0	0	0
15	1	1	1	1	0	0	0	0

MODEL: 10P-10V NO DAMAGE

LOW LEVEL: HIGH LEVEL: .00V CARE

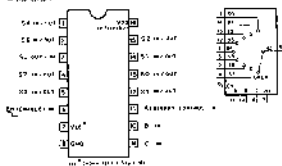


LOW LEVEL: HIGH LEVEL: .00V CARE

TC4010EP-TDS-04A
TC4010EP-04-TDS-04A
1. 4010 CHANNEL MULTIPLEXER
- TOP VIEW -

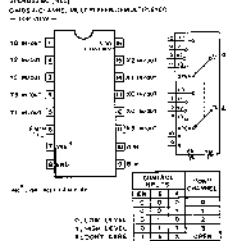


TC4020EP-TDS-04A
C. 4020 CHANNEL MULTIPLEXER
- TOP VIEW -

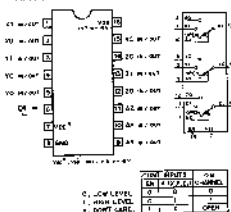


EN	S	A	B	Y	CH. CHANNEL
0	0	0	0	0	1
0	0	0	1	1	2
0	0	1	0	2	3
0	0	1	1	3	4
0	1	0	0	4	5
0	1	0	1	5	6
0	1	1	0	6	7
0	1	1	1	7	8
1	X	X	X	X	OPEN

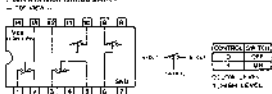
TC4020EP-TDS-04B
TC4020EP-04-TDS-04B
C. 4020 CHANNEL MULTIPLEXER
- TOP VIEW -



TC4020EP-TDS-04B
TC4020EP-04-TDS-04B
C. 4020 CHANNEL MULTIPLEXER
- TOP VIEW -



TC4020EP-TDS-04B PL1 *PACKAGE
TC4020EP-TDS-04B
C. 4020 CHANNEL MULTIPLEXER
- TOP VIEW -



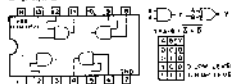
TC4020EP-TDS-04B
C. 4020 CHANNEL MULTIPLEXER
- TOP VIEW -



TC4020EP-TDS-04B
C. 4020 CHANNEL MULTIPLEXER
- TOP VIEW -



TC4020EP-TDS-04B
C. 4020 CHANNEL MULTIPLEXER
- TOP VIEW -



7400 EP-105818A
 2-AND 4 INPUT AND GATE
 - TOP VIEW -



$$Y = ABCD + ABC + AB + C$$

A	B	C	D	Y
0	0	0	0	0
0	0	0	1	0
0	0	1	0	0
0	0	1	1	0
0	1	0	0	0
0	1	0	1	0
0	1	1	0	0
0	1	1	1	0
1	0	0	0	0
1	0	0	1	0
1	0	1	0	0
1	0	1	1	0
1	1	0	0	0
1	1	0	1	0
1	1	1	0	0
1	1	1	1	1

0 - LOW LEVEL
 1 - HIGH LEVEL
 X - DON'T CARE

7400 GND-105818A
 4-AND 2 INPUT AND GATE
 - TOP VIEW -

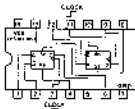


$$Y_1 = ABCD$$

$$Y_2 = \bar{A}\bar{B}\bar{C}\bar{D}$$

0 - LOW LEVEL
 1 - HIGH LEVEL

7400 01P-105818A
 6-VCS D-TYPE FOR LOGIC WITH BUBBLED BASES
 - TOP VIEW -



DATA	CLOCK	Q	Q'
0	0	0	1
0	1	0	1
1	0	0	1
1	1	1	0

CLOCK ON SET
 DATA ON CLEAR
 0 - LOW LEVEL
 1 - HIGH LEVEL

7400 02P-105818A
 2-AND 2 OR 1 NOT GATE
 - TOP VIEW -



$$Y = AB + A + B$$

A	B	Y
0	0	0
0	1	1
1	0	1
1	1	1

0 - LOW LEVEL
 1 - HIGH LEVEL
 X - DON'T CARE

7400 02P-105818A
 4-AND 2 OR 1 NOT GATE
 - TOP VIEW -

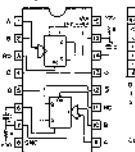


$$Y = A + B + \bar{C}$$

A	B	C	Y
0	0	0	1
0	0	1	1
0	1	0	1
0	1	1	1
1	0	0	1
1	0	1	1
1	1	0	1
1	1	1	1

0 - LOW LEVEL
 1 - HIGH LEVEL

7400 02P-105818A
 4-AND 2 OR 1 NOT GATE WITH 2-STATE CR
 - TOP VIEW -

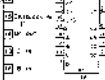
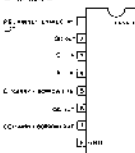


INPUT	OUTPUT
0	0
1	0
2	0
3	0
4	0
5	0
6	0
7	0
8	0
9	0
10	0
11	0
12	0
13	0
14	0
15	0

0 - LOW LEVEL
 1 - HIGH LEVEL
 X - DON'T CARE

CLOCK PULSE WIDTH = 0.450V

7400 02P-105818A
 4-VCS PREFIX-AND 6-OR 2-AND 2-AND
 - TOP VIEW -



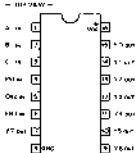
INPUTS	OUTPUTS
0	0
1	0
2	0
3	0
4	0
5	0
6	0
7	0
8	0
9	0
10	0
11	0
12	0
13	0
14	0
15	0

COUNT	OUTPUT
0	0
1	0
2	0
3	0
4	0
5	0
6	0
7	0
8	0
9	0
10	0
11	0
12	0
13	0
14	0
15	0

7400 02P-105818A
 4-VCS PREFIX-AND 6-OR 2-AND 2-AND

CLOCK LEVEL
 1 - HIGH LEVEL
 2 - DON'T CARE

7400 02P-105818A
 4-AND 3-OR 2-AND 2-AND 2-AND
 - TOP VIEW -

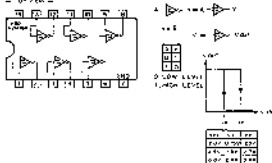


INPUT	OUTPUT
0	0
1	0
2	0
3	0
4	0
5	0
6	0
7	0
8	0
9	0
10	0
11	0
12	0
13	0
14	0
15	0

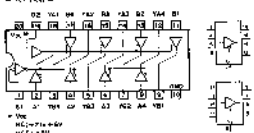
0 - LOW LEVEL
 1 - HIGH LEVEL
 X - DON'T CARE

EN - EN1 EN2 EN3
 0 - LOW LEVEL
 1 - HIGH LEVEL
 X - DON'T CARE

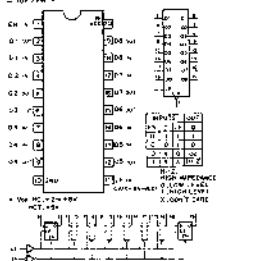
TC74HC12P (TOSHIBA)
1 4x2-BIT CMOS INVERTER WITH 100-ns DELAY
- TOP VIEW -



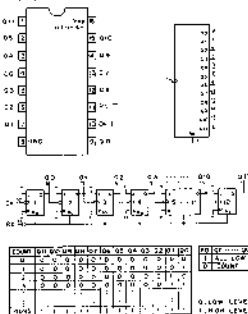
TC74HC241P (TOSHIBA)
1 WITH 3-STATE OUTPUT BUFFER (EFFECTIVE ONLY ON V_{OH} AND V_{OL})
- TOP VIEW -



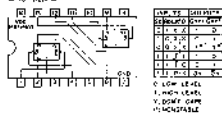
TC74HC32P (TOSHIBA)
1 4x4 3-STATE OUTPUT OCTAL LATCHES
- TOP VIEW -



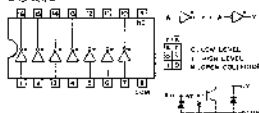
TC74HC422P (TOSHIBA)
1 4x4-BIT CMOS 2-STATE BUFFER WITH 100-ns DELAY
- TOP VIEW -



TC74HC457P (TOSHIBA)
1 4x4-BIT CMOS 2-STATE BUFFER WITH 100-ns DELAY
- TOP VIEW -



TC74HC50P (TOSHIBA)
1 4x4-BIT CMOS 2-STATE BUFFER WITH 100-ns DELAY
- TOP VIEW -



TC74HC595P (TOSHIBA)
1 8-BIT SERIAL INPUT SHIFT REGISTER WITH 100-ns DELAY
- TOP VIEW -



T.0002074
CE52AF 6042, 4052, 7042
- 100% view -



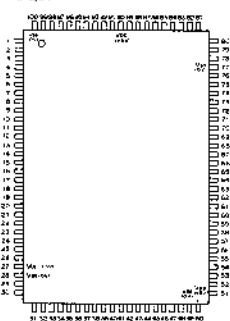
J.0019042-NS4
6400 CP 40940180
- 100% view -



J.0019042-NS4
6400 CP 40940180
- 100% view -



IMPREGNATION - COMBIA
C.0062 & NSI 40180000033-400
7042-NS4

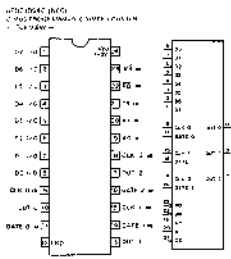
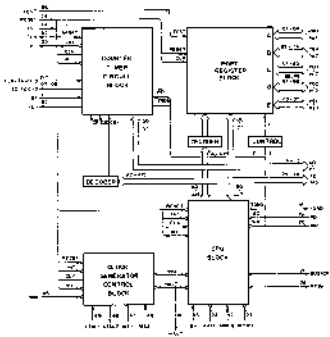


Pin	Out	In	Out	In	Out	In	Out	In
1		27	W					
2	CLK							
3	PC2							
4	PC3							
5	PC4							
6	PC5							
7	PC6							
8	PC7							
9	PC8							
10	PC9							
11	PC10							
12	PC11							
13	PC12							
14	PC13							
15	PC14							
16	PC15							
17	PC16							
18	PC17							
19	PC18							
20	PC19							
21	PC20							
22	PC21							
23	PC22							
24	PC23							
25	PC24							
26	PC25							
27	PC26							
28	PC27							
29	PC28							
30	PC29							
31	PC30							
32	PC31							

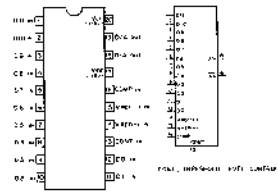
```

32: pin 1: 3-STATE ADDRESS BUS OUTPUT
31: pin 2: BUSACK BUS ACKNOWLEDGE OUTPUT*
30: pin 3: DENREQ BUS REQUEST INPUT
29: pin 4: CS: CS:0-STATE OUTPUT
28: pin 5: CLK0-0-3: INTERNAL CLOCK (FROM TROUGH-A INPUT)
27: pin 6: SO-0-7: 8-STATE DATA BUS ADDRESS OUTPUTS
26: pin 7: CS: CALCULATOR INPUT
25: pin 8: WAIT: WAIT OUTPUT
24: pin 9: C0-1-2: 3-STATE INTERRUPT CHANG. INPUT/OUTPUT
23: pin 10: INT: INTERRUPT REQUEST INPUT
22: pin 11: WR: 0-STATE WR REQUEST OUTPUT
21: pin 12: WR: 0-STATE WR/ACK REQUEST OUTPUT
20: pin 13: WR: 0-STATE REQUEST OUTPUT
19: pin 14: VMS: VMS: ADDRESS SELECT I/O INPUTS
18: pin 15: VMS: NON-MEMORY I/O REQUEST INPUT
17: pin 16: RD: RD: I/O INPUT
16: pin 17: RD: RD: I/O POINT
15: pin 18: RD: RD: I/O INPUT
14: pin 19: RD: RD: I/O POINT
13: pin 20: RD: RD: I/O INPUT
12: pin 21: RD: RD: I/O POINT
11: pin 22: RD: RD: I/O INPUT
10: pin 23: RD: RD: I/O POINT
9: pin 24: RD: RD: I/O INPUT
8: pin 25: RD: RD: I/O POINT
7: pin 26: RD: RD: I/O INPUT
6: pin 27: RD: RD: I/O POINT
5: pin 28: RD: RD: I/O INPUT
4: pin 29: RD: RD: I/O POINT
3: pin 30: RD: RD: I/O INPUT
2: pin 31: RD: RD: I/O POINT
1: pin 32: RD: RD: I/O INPUT

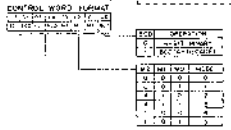
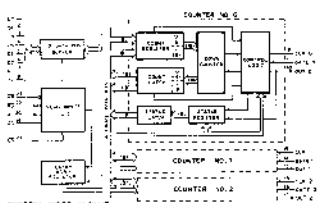
```



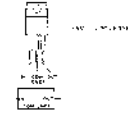
400000 (DEC)
 2-BIT 0 AND 1 COUNTER WITH 2-BIT 0 AND 1 COUNTER
 - 20-PIN



MEM	IO	FUNCTION
MEM0	IO0	MEM0
MEM1	IO1	MEM1
MEM2	IO2	MEM2
MEM3	IO3	MEM3
MEM4	IO4	MEM4
MEM5	IO5	MEM5
MEM6	IO6	MEM6
MEM7	IO7	MEM7
MEM8	IO8	MEM8
MEM9	IO9	MEM9
MEM10	IO10	MEM10
MEM11	IO11	MEM11
MEM12	IO12	MEM12
MEM13	IO13	MEM13
MEM14	IO14	MEM14
MEM15	IO15	MEM15

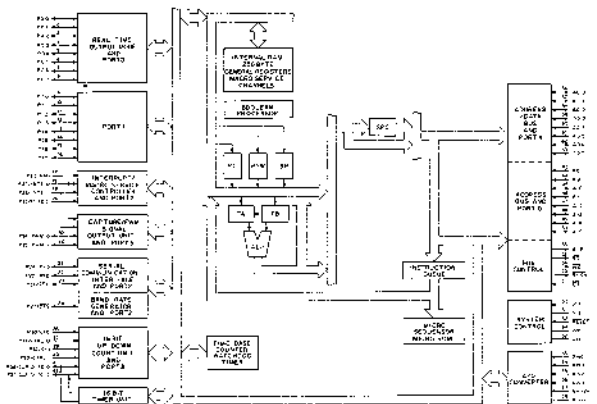
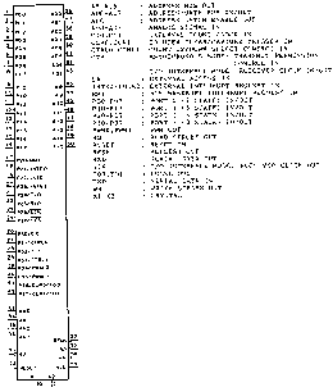
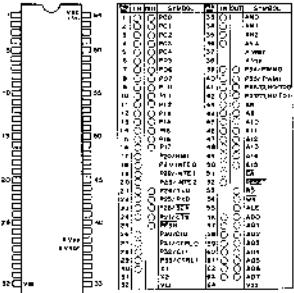


400001 (DEC)
 2-BIT 0 AND 1 COUNTER WITH 2-BIT 0 AND 1 COUNTER
 - 20-PIN

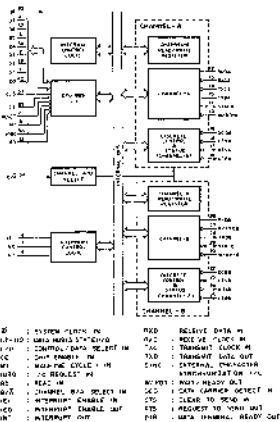
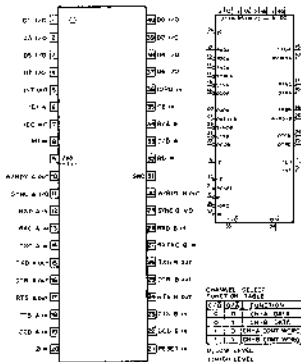


MEM	IO	FUNCTION
MEM0	IO0	MEM0
MEM1	IO1	MEM1
MEM2	IO2	MEM2
MEM3	IO3	MEM3
MEM4	IO4	MEM4
MEM5	IO5	MEM5
MEM6	IO6	MEM6
MEM7	IO7	MEM7
MEM8	IO8	MEM8
MEM9	IO9	MEM9
MEM10	IO10	MEM10
MEM11	IO11	MEM11
MEM12	IO12	MEM12
MEM13	IO13	MEM13
MEM14	IO14	MEM14
MEM15	IO15	MEM15

#P07621 (COW) (MTC)
 C BUS TO B BUS (MTC) - LAUNCH CONTROL -
 - COW (MTC) -



256K 512K 1024K
 256K 512K 1024K
 256K 512K 1024K
 256K 512K 1024K



TRANSISTOR, DIODE

100 0000 000



24N15A



25C17A



25C18A
25C24A



25C112



25C19A



25C114
25C134



25C134



25C142



25C150B
25C150C
25C150W



25C150B
25C150C

25C150W



25C204



25C204



25C205F



25C205F



25C205F



25C206A



25C272
25C274



25C274



25C294



25C294



25C312



25C311



25C312A 1. 25C312B 2. 25C312C 3.
25C312D 4. 25C312E 5. 25C312F 6.
25C312G 7. 25C312H 8.



25C312A 1. 25C312B 2. 25C312C 3.
25C312D 4. 25C312E 5. 25C312F 6.
25C312G 7. 25C312H 8.



25C312A 1. 25C312B 2. 25C312C 3.
25C312D 4. 25C312E 5. 25C312F 6.
25C312G 7. 25C312H 8.



25C314



25C314
25C314A
25C314B
25C314C



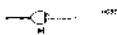
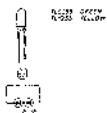
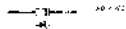
25C314



25C314A, 25C314B, 25C314C



100V 100V



SECTION 16 SCHEMATIC DIAGRAMS

In the schematic diagrams, the following marks are described exactly reference number.
These are parts data at factory.

CAPACITOR (C)

AL	ELECTROLYTIC
AS	
TA	
CA	
CC	
CCS	CERAMIC
CM	
CS	
MPS	
PP	MYLAR
PS	
PT	
MD	
MS	MICA

RESISTOR (R)

VARIABLE RESISTOR (RV):

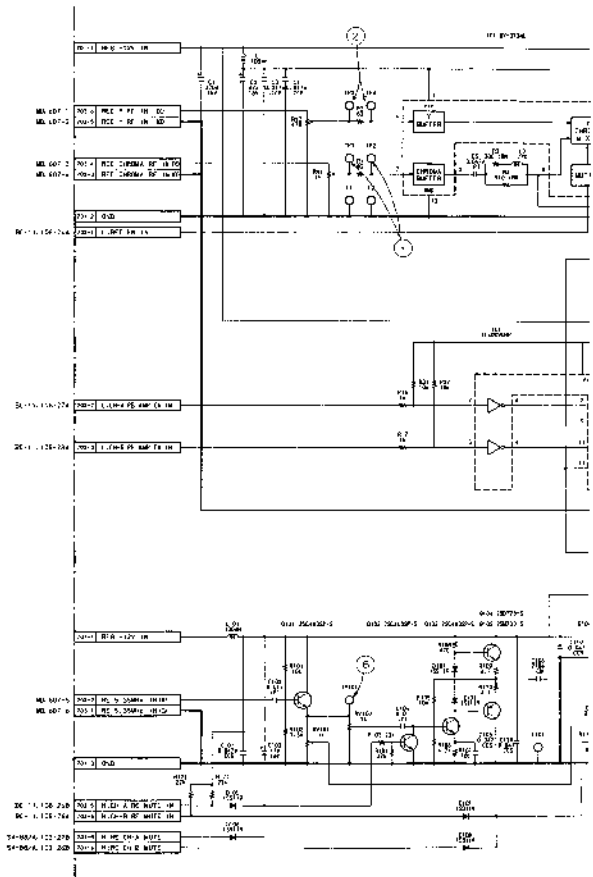
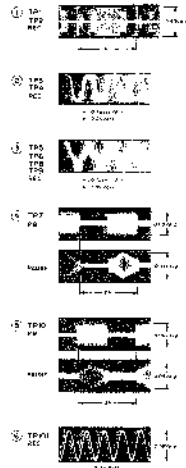
RC	CARBON
RD	
RF	
RK	
RS	
RW	WIREWOUND

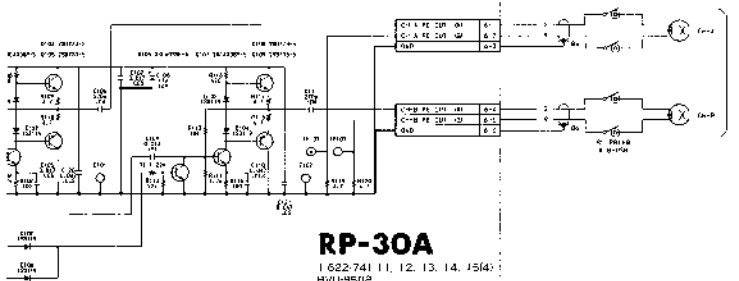
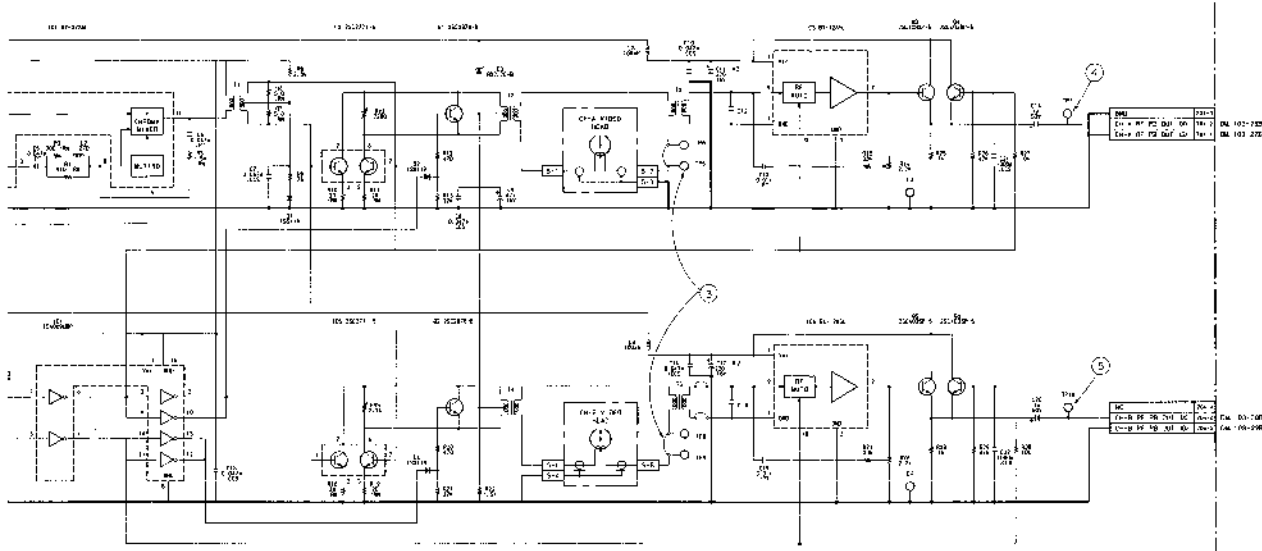
The circuit information is provided below.

SYSTEM	CIRCUIT BOARD	CIRCUIT FUNCTION
VIDEO	RP-50A	RF REC/PB Autozero sense
	RD-45	V/C modulator
	DM-55	V/C demodulator
	SN-170	Vstop level MAND/AUTO select
	VM-48	Video level control
	MT-25	Video level meter
AUDIO	AU-85A	CH-1 REC/PB DOLBY processor
	DUS-71	Variable cut
	AL-84A	CH-2 REC/PB
	IUS-71	Variable cut
	HN-57	Junction board
	AU-85A	DOLBY auto detector, bias oscillator
	SW-111	DOLBY ON/OFF switch
	AO-87	Mic/output/monitor amplifier
	VR-48	REC/PB level control
	MT-28	Audio level meter
	VR-49	Headphones level control
	HP-28	Headphones
	DOR-92	Audio drum
DUS-147	Junction board for audio head	
BC-11	Fulcrum oscillator	
SN-170	Audio monitor select	
SERVO	SV-88A	Drum/capstan/reel servo
	SR-48	Reel rotation detector
	DR-53	Motor driver for reel/capstan/drum
	DR-59	Motor driver for reel
	FTC-28	S-tension GDS
	LE-55	S-tension LED
	FTC-29	T-tension GDS
	LE-34	T-tension LED
	IUS-177	T-reel motor
DUS-178	S-reel motor	
VR-43	Tracking control	

SYSTEM	CIRCUIT BOARD	CIRCUIT FUNCTION
SYCON	SY 102A	System control
	KY-101 / KY-144	Function key board
	DP-62	Display
	BC-11	Video/audio timing control
	HN-80	Threading motor driver
	LS-13	Threading motor
	FD-57	Cassette-up compartment motor driver /Solenoid driver
	CC-31 / CC-36	Cassette compartment driver
	CC-32 / CC-36	Cassette down detector
	CC-33 / CC-37	Cassette in detector
	PTC-26	SP, miss REC. RCA detector
	PTC-23	FR stop detector
	PTC-24	Unthread end detector
	PII-5AH	Tape top LED
	PII-500	Tape top sensor
	PII-501	Tape end LED
	PTC-26	Tape end sensor
	SW-170	Select switch /warning indicator
	SW-171	Remote 1/2 Select /TBC ON/OFF /Character ON/OFF
	PTC-30	Search dial
RM-44	Remote control (9pin & 24pin)	
PSC-44	Character generator	
TIME	TC-42	Time code (Optional)
	HC-11	Time code REC/PS amplifier
CODE	HH-84	Time code head
	SW-172	Time code control Switch (Optional)
POWER	AC-78A	AC primary circuit
	AC-79	Line filter
	M1	Switching Regulator (UR-21)
	N2	
	O1	
O2		
OTHERS	MD-127	Mother board
	MB-109	Sub mother for TC
	CP-109	Connector panel
	RM-45	TBC remote control
	EX-127	Extension board for Audio/Time code
	EX-128	Extension board for Video/Servo/TBC
	HN-80	Relay board for video/tape sensor/ threading motor driver
	HE-83	Relay board for time code head/erase head
PT-28	Meter	
LP-41	Cassette compartment light	
YBC-6	Time base corrector (Optional)	

RP-30A: RF REC/PB /ROTARY ERASE

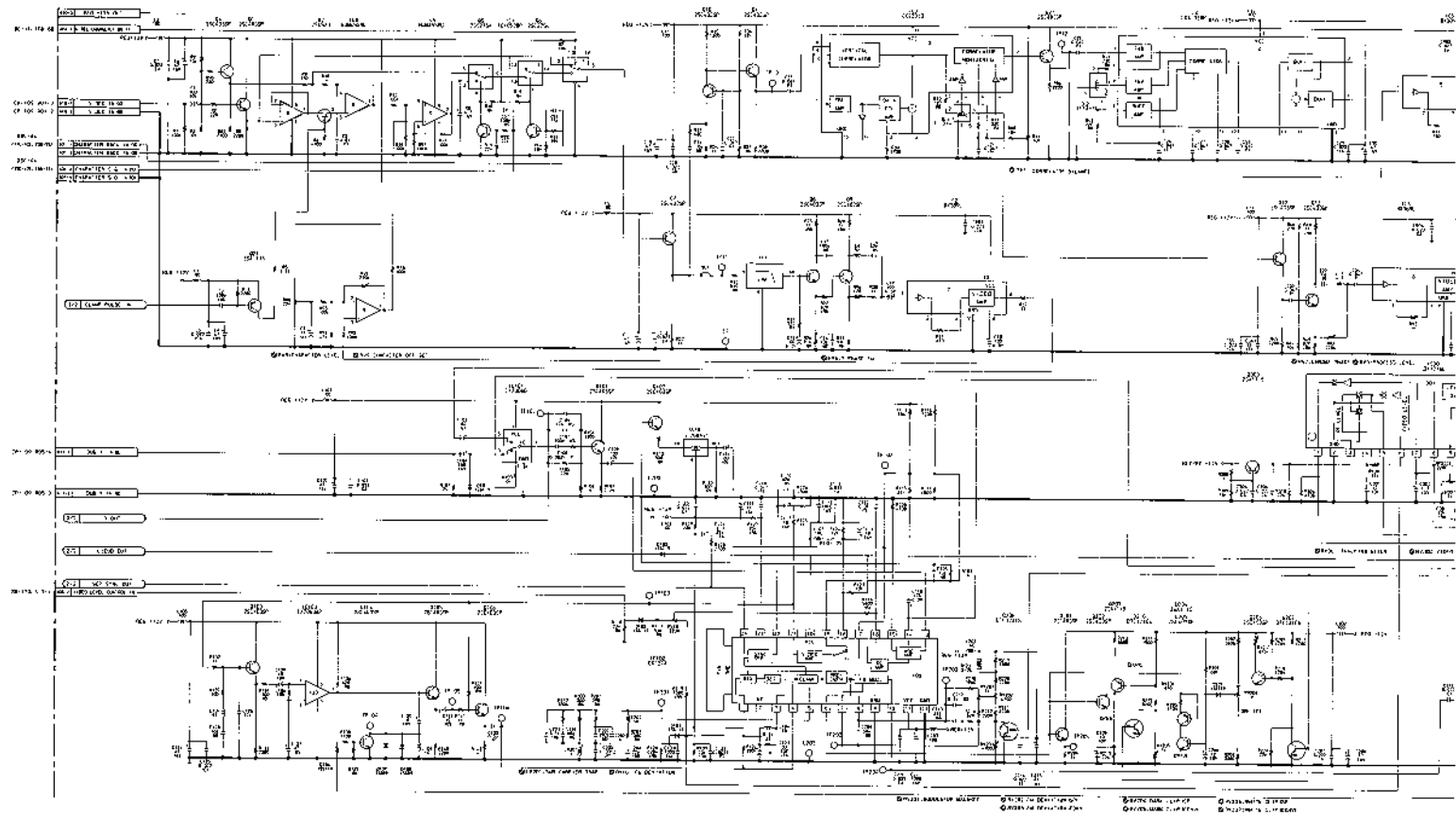




RP-30A
1 622-741 11, 12, 13, 14, 15(4)
REV 9551P

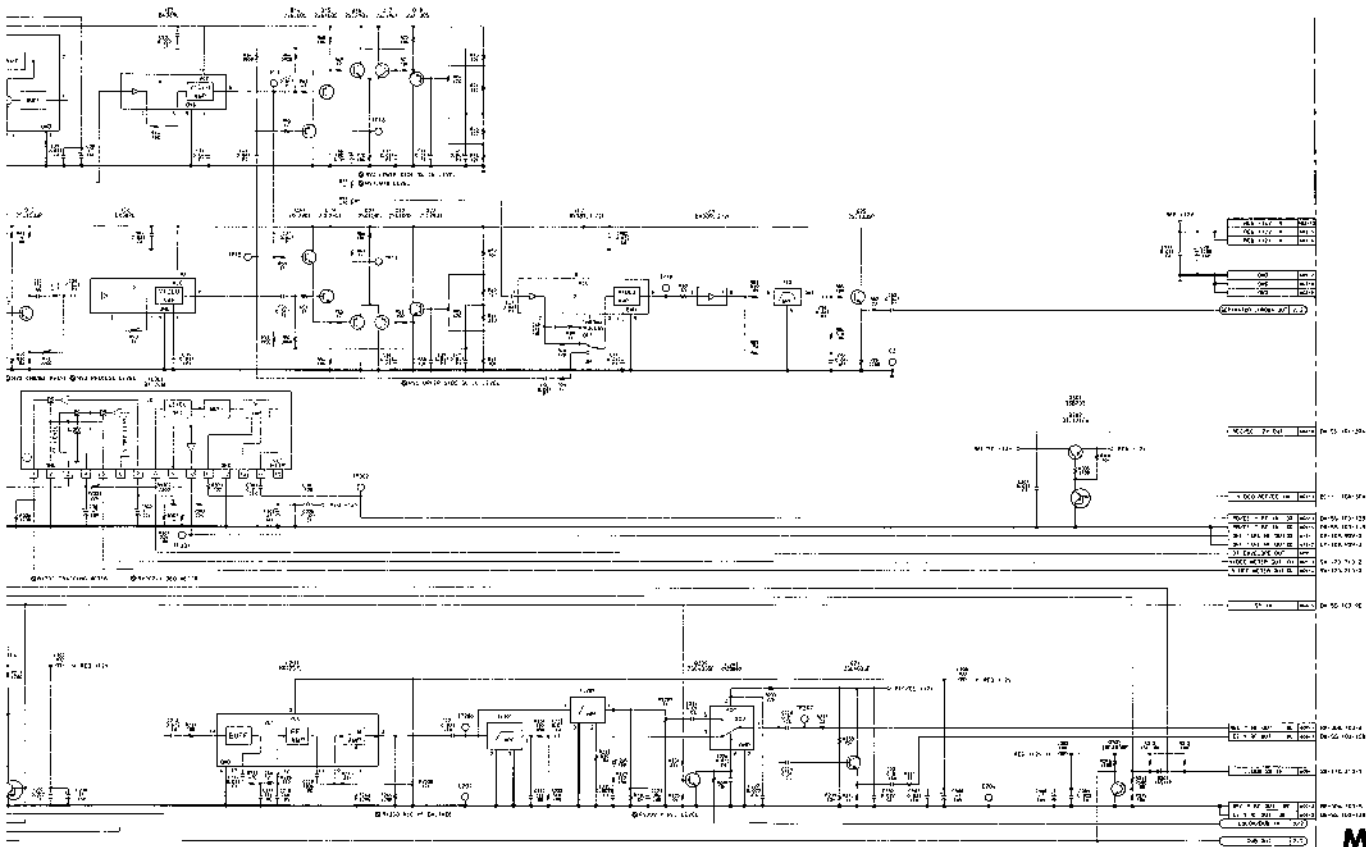
NOTES:

NOTE	REVISION	DATE	BY	DESCRIPTION
1				ISSUED AS SHOWN
2				REVISED TO ADD
3				REVISED TO ADD
4				REVISED TO ADD



16-13(a)

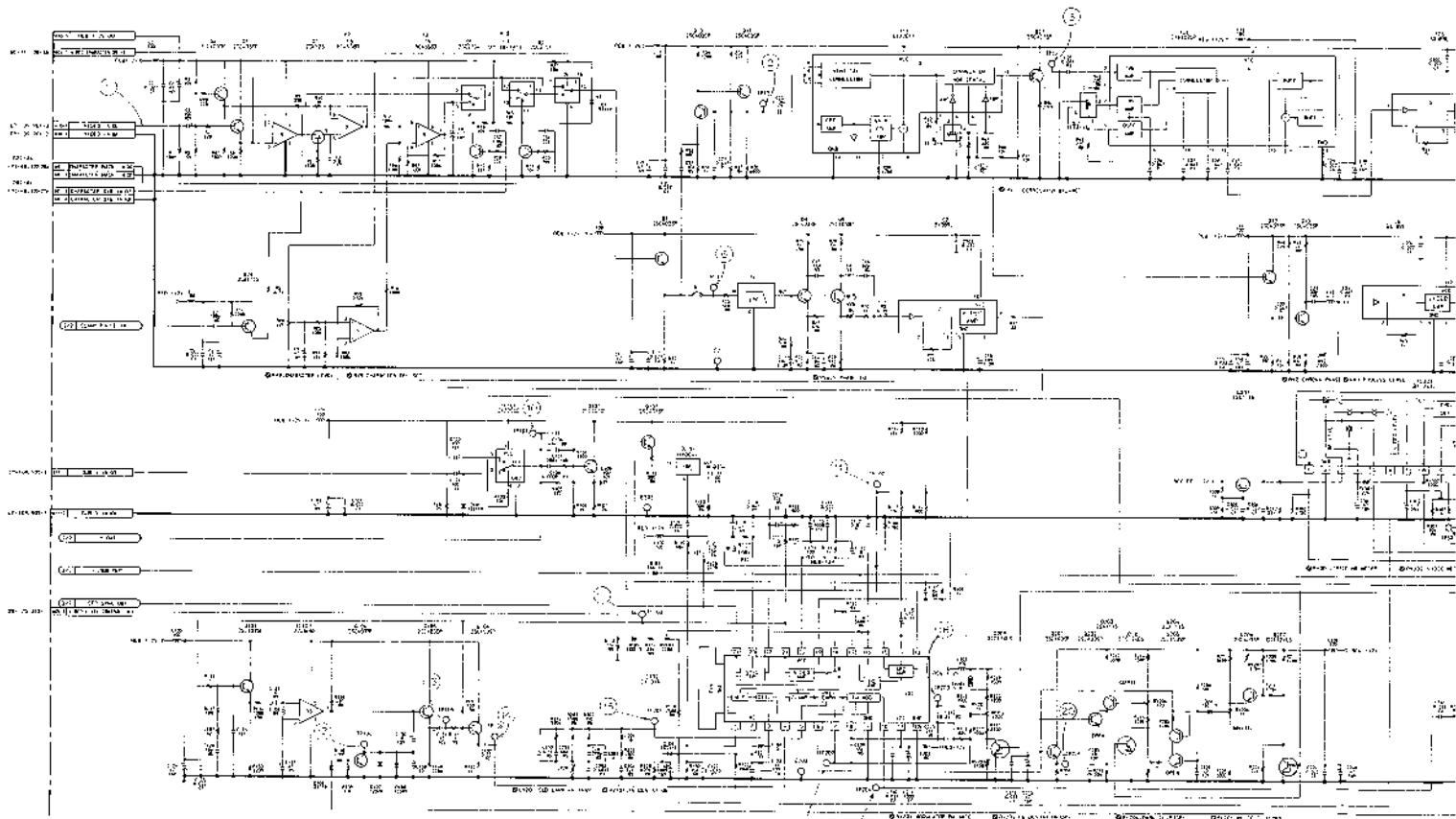
16-14(b)



16-15(a)

16-15(a)

MD-45(1/2)
 1-622-742-1(1)
 BVU-950P



16-13 (b)

10-14 (b)

A

B

C

D

E

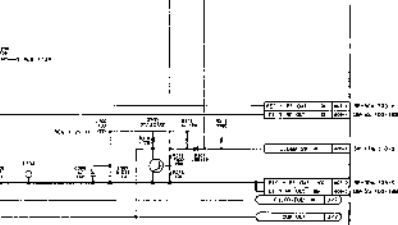
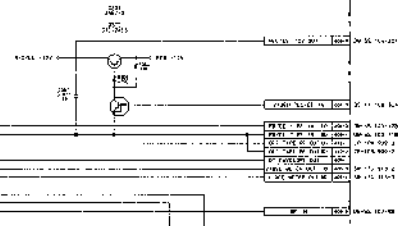
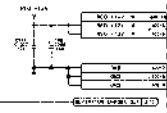
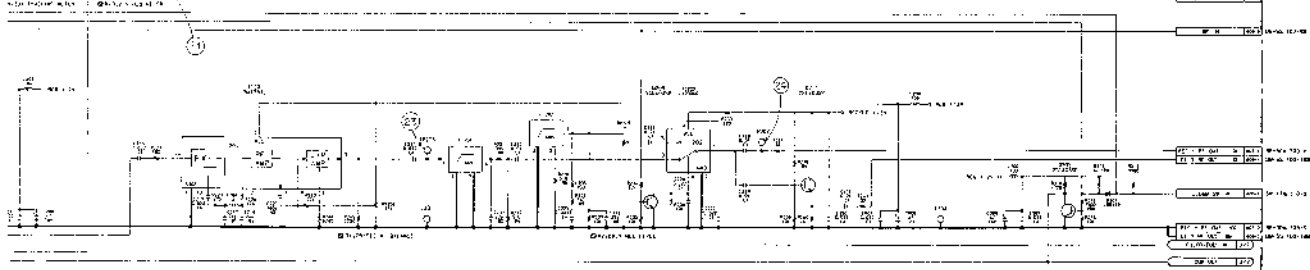
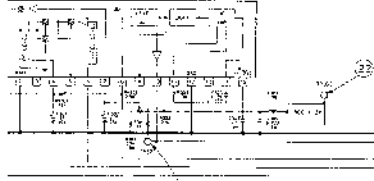
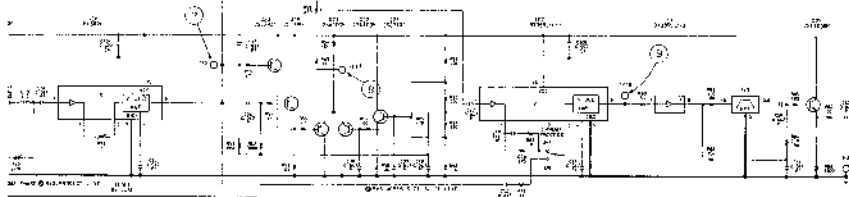
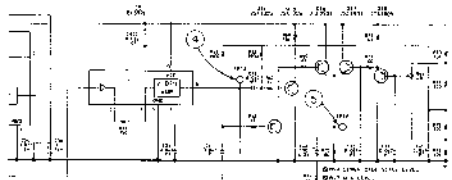
F

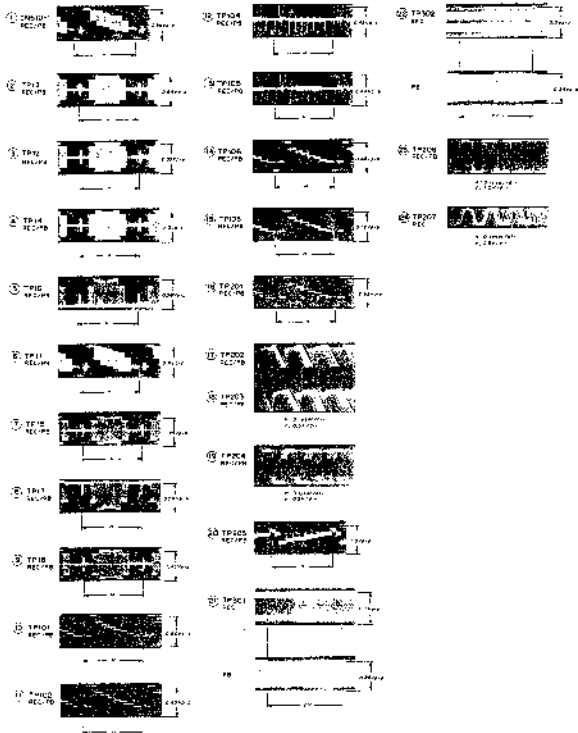
G

H

NOTE

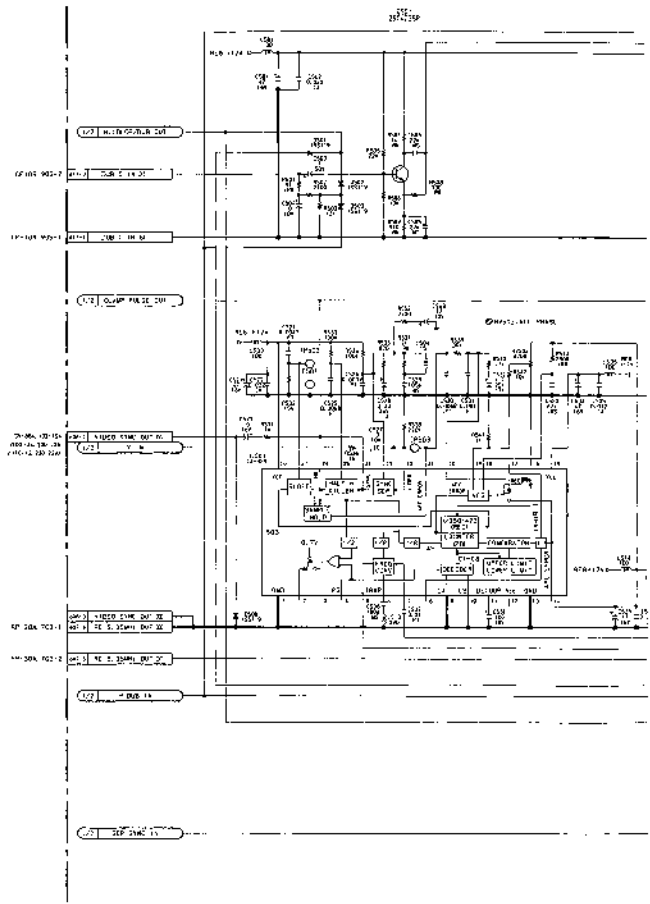
MARK	ADDRESS	CHANGE INFORMATION OF CODE	SERIAL NO.
* 1	D-0	ISSUED ICE & CHANGED KJMA5500	EX. 12051
* 2	D-7	ICE & CHANGED KJMA5500	EX. 13041
* 3	E-4	ICE & CHANGED JOB = 330K	EX. 13731
* 4	D-1	ICE CHANGED KJMA5500	EX. 13991
* 5	F-3	M014058BP RWS CHANGED FDC - LR	EX. 14271

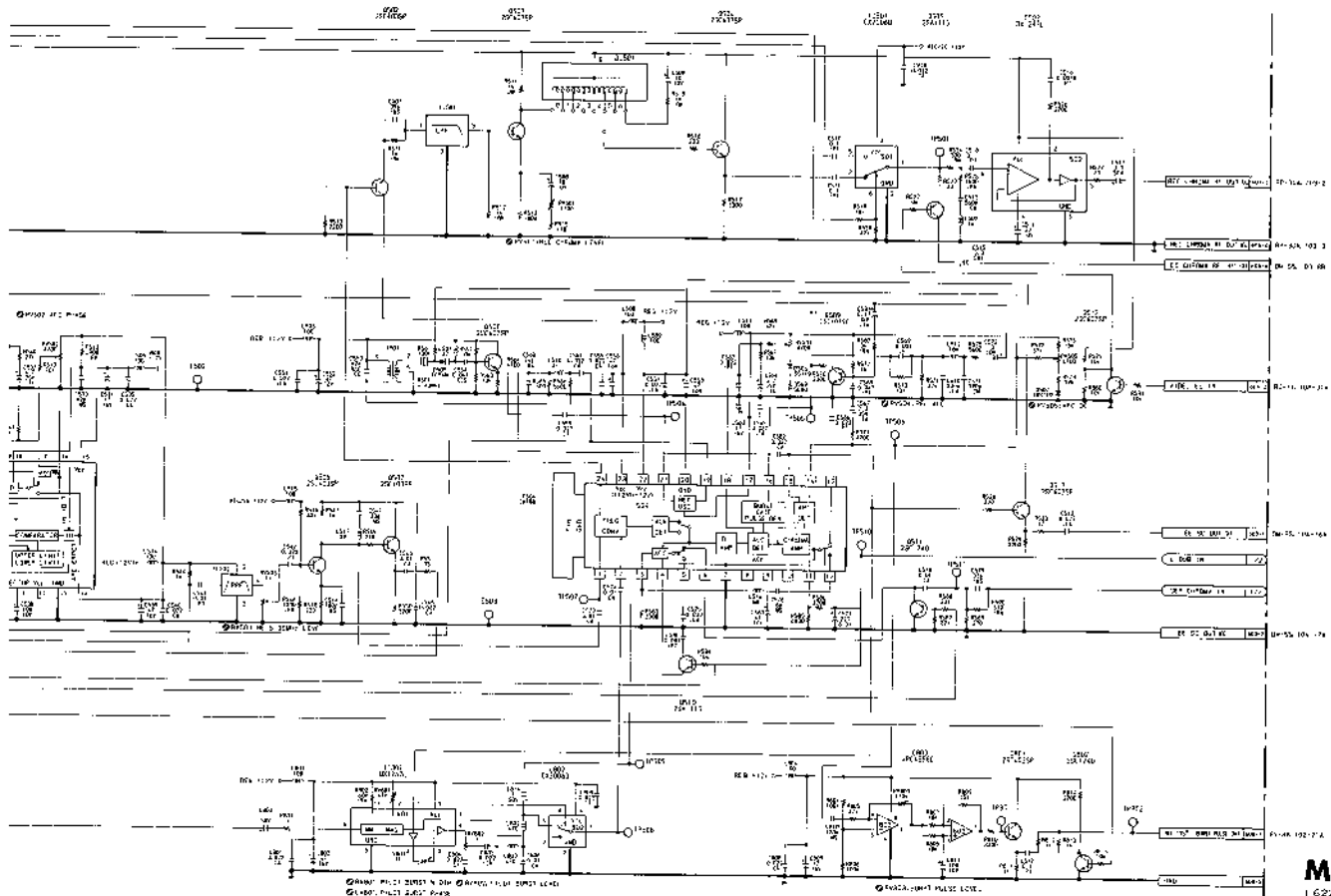




MD-45(2/2); Y/C MODULATOR S/N UP TO 10980(EK)

REV.	DATE	BY	APP.
1	01/22/64	J. J.
2	02/11/64	J. J.
3	02/11/64	J. J.





GRANT MILCO MORCA

MORCA

16-25(a)

16-26(a)

MD-45(2/2)
 I 622-742-11(2)
 BVU 950P

J

K

L

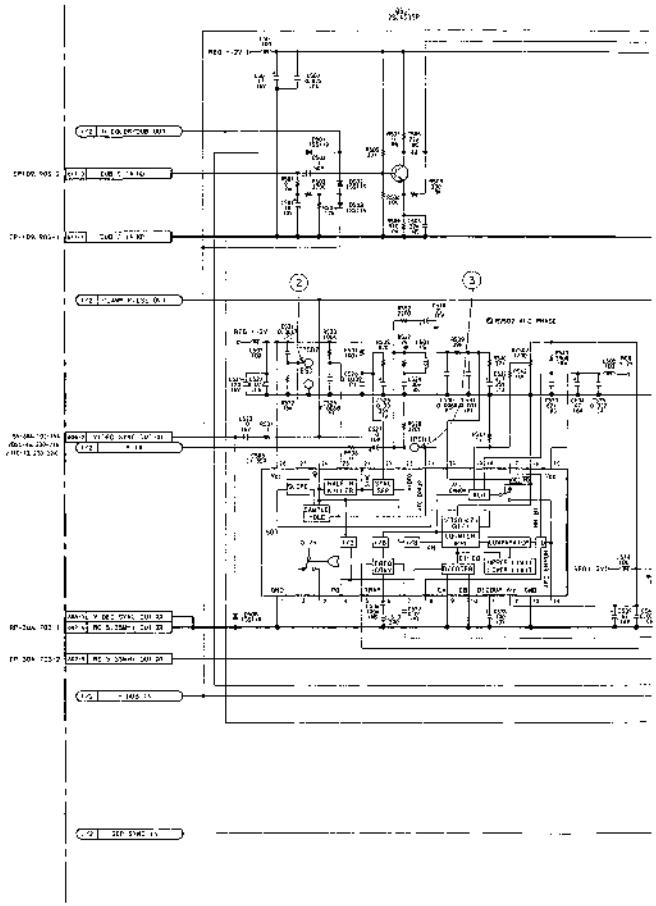
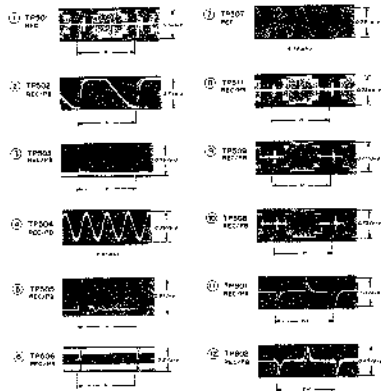
M

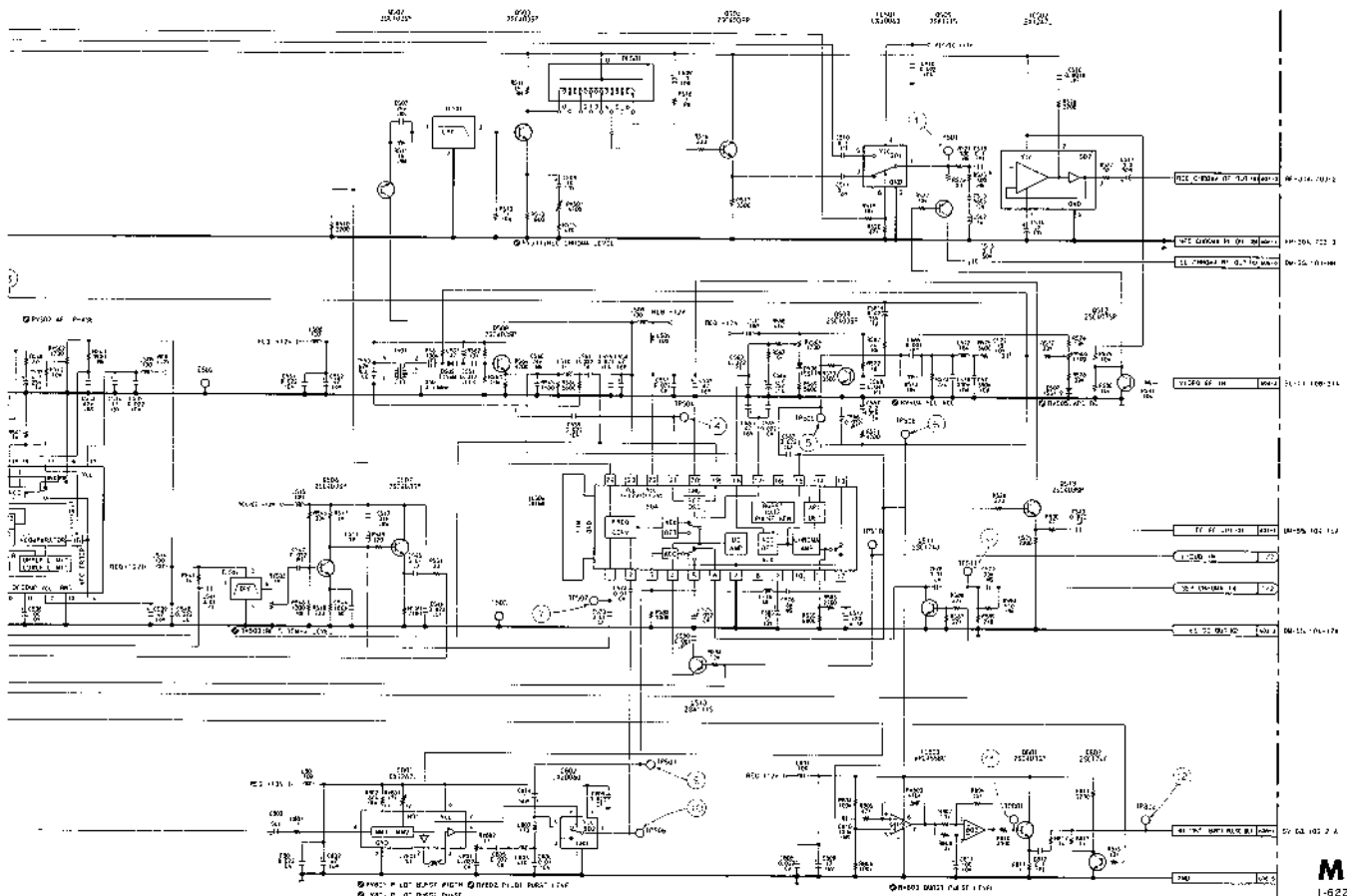
N

O

P

[S/N 10981 AND HIGHER/EK]





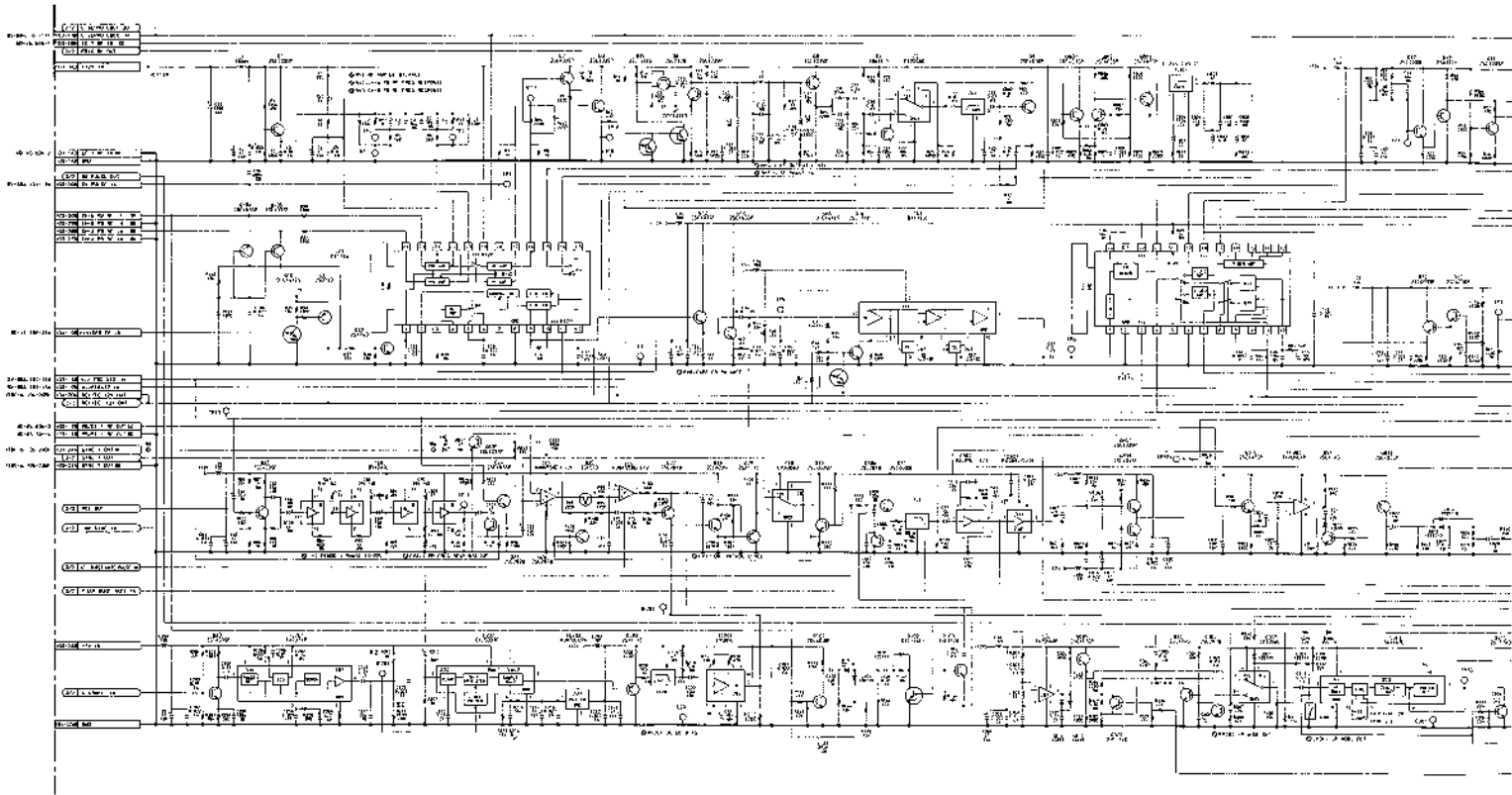
MD-45(2/2)
 I-622-742-1(211)
 BVU-950CP

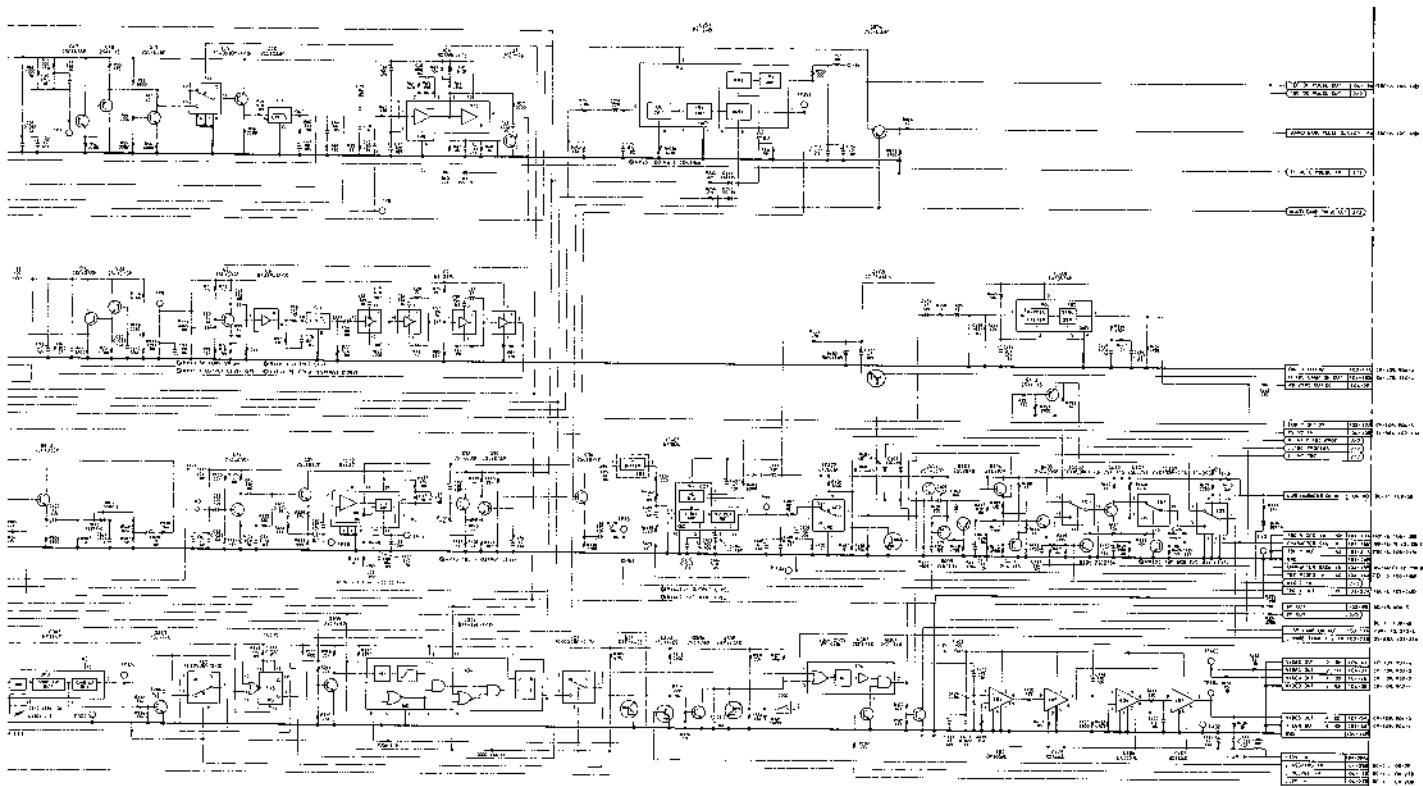
1B-25 (P)

1B-26 (b)

J | K | L | M | N | O | P

DM-55(1/2): Y/C DEMODULATOR S/N UP TO 10980(EK)





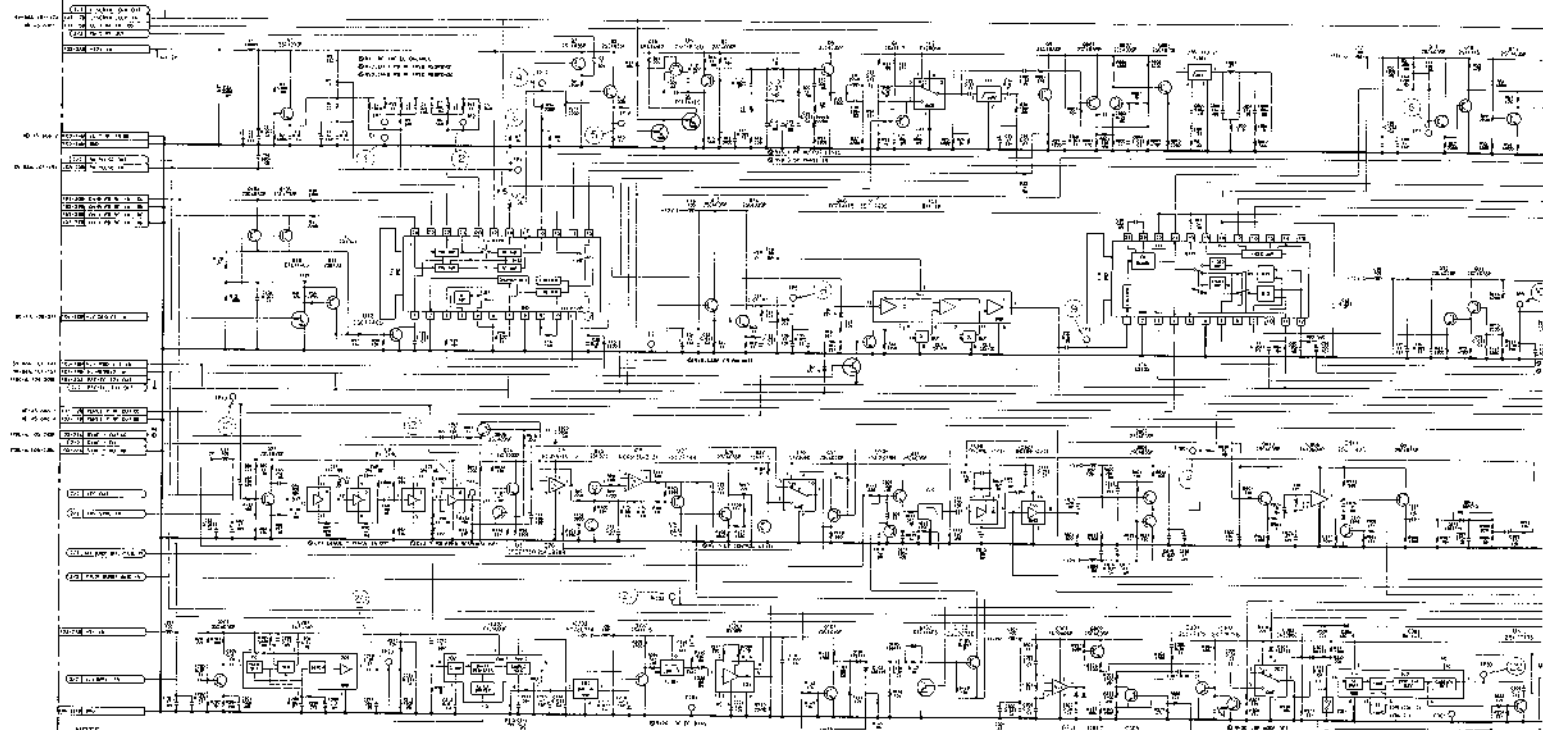
DM-55(1/2)

1-622 743-11, 12(2)

RVU-950P

NO.	QUANTITY	DESCRIPTION	UNIT
1	1	TRANSFORMER	TR
2	1	5Y6GT	VT
3	1	6X4	VT
4	1	6AV6	VT
5	1	6BE6	VT
6	1	6BD6	VT
7	1	6BE6	VT
8	1	6BE6	VT
9	1	6BE6	VT
10	1	6BE6	VT
11	1	6BE6	VT
12	1	6BE6	VT
13	1	6BE6	VT
14	1	6BE6	VT
15	1	6BE6	VT
16	1	6BE6	VT
17	1	6BE6	VT
18	1	6BE6	VT
19	1	6BE6	VT
20	1	6BE6	VT
21	1	6BE6	VT
22	1	6BE6	VT
23	1	6BE6	VT
24	1	6BE6	VT
25	1	6BE6	VT
26	1	6BE6	VT
27	1	6BE6	VT
28	1	6BE6	VT
29	1	6BE6	VT
30	1	6BE6	VT
31	1	6BE6	VT
32	1	6BE6	VT
33	1	6BE6	VT
34	1	6BE6	VT
35	1	6BE6	VT
36	1	6BE6	VT
37	1	6BE6	VT
38	1	6BE6	VT
39	1	6BE6	VT
40	1	6BE6	VT
41	1	6BE6	VT
42	1	6BE6	VT
43	1	6BE6	VT
44	1	6BE6	VT
45	1	6BE6	VT
46	1	6BE6	VT
47	1	6BE6	VT
48	1	6BE6	VT
49	1	6BE6	VT
50	1	6BE6	VT
51	1	6BE6	VT
52	1	6BE6	VT
53	1	6BE6	VT
54	1	6BE6	VT
55	1	6BE6	VT
56	1	6BE6	VT
57	1	6BE6	VT
58	1	6BE6	VT
59	1	6BE6	VT
60	1	6BE6	VT
61	1	6BE6	VT
62	1	6BE6	VT
63	1	6BE6	VT
64	1	6BE6	VT
65	1	6BE6	VT
66	1	6BE6	VT
67	1	6BE6	VT
68	1	6BE6	VT
69	1	6BE6	VT
70	1	6BE6	VT
71	1	6BE6	VT
72	1	6BE6	VT
73	1	6BE6	VT
74	1	6BE6	VT
75	1	6BE6	VT
76	1	6BE6	VT
77	1	6BE6	VT
78	1	6BE6	VT
79	1	6BE6	VT
80	1	6BE6	VT
81	1	6BE6	VT
82	1	6BE6	VT
83	1	6BE6	VT
84	1	6BE6	VT
85	1	6BE6	VT
86	1	6BE6	VT
87	1	6BE6	VT
88	1	6BE6	VT
89	1	6BE6	VT
90	1	6BE6	VT
91	1	6BE6	VT
92	1	6BE6	VT
93	1	6BE6	VT
94	1	6BE6	VT
95	1	6BE6	VT
96	1	6BE6	VT
97	1	6BE6	VT
98	1	6BE6	VT
99	1	6BE6	VT
100	1	6BE6	VT

DM-55(1/2): Y/C DEMODULATOR S/N 10981 AND HIGHER(EK)



NOTE

MARK	ADDRESS	CHANGE INFORMATION	SERIAL NO.
* 1	J4	R133 ADDED 100	EK 112A1
	J4	R179 ADDED CHANGED	
* 2	L5	R138 910 - 1K G435 ADDED	ER 11883
	N3	R122 K052	ER 10083
* 3	N4	Q113 DTC248E R422 CHANGED	FK 12231
	N4	L1K - 4700 R422 CHANGED 400 - 220C	

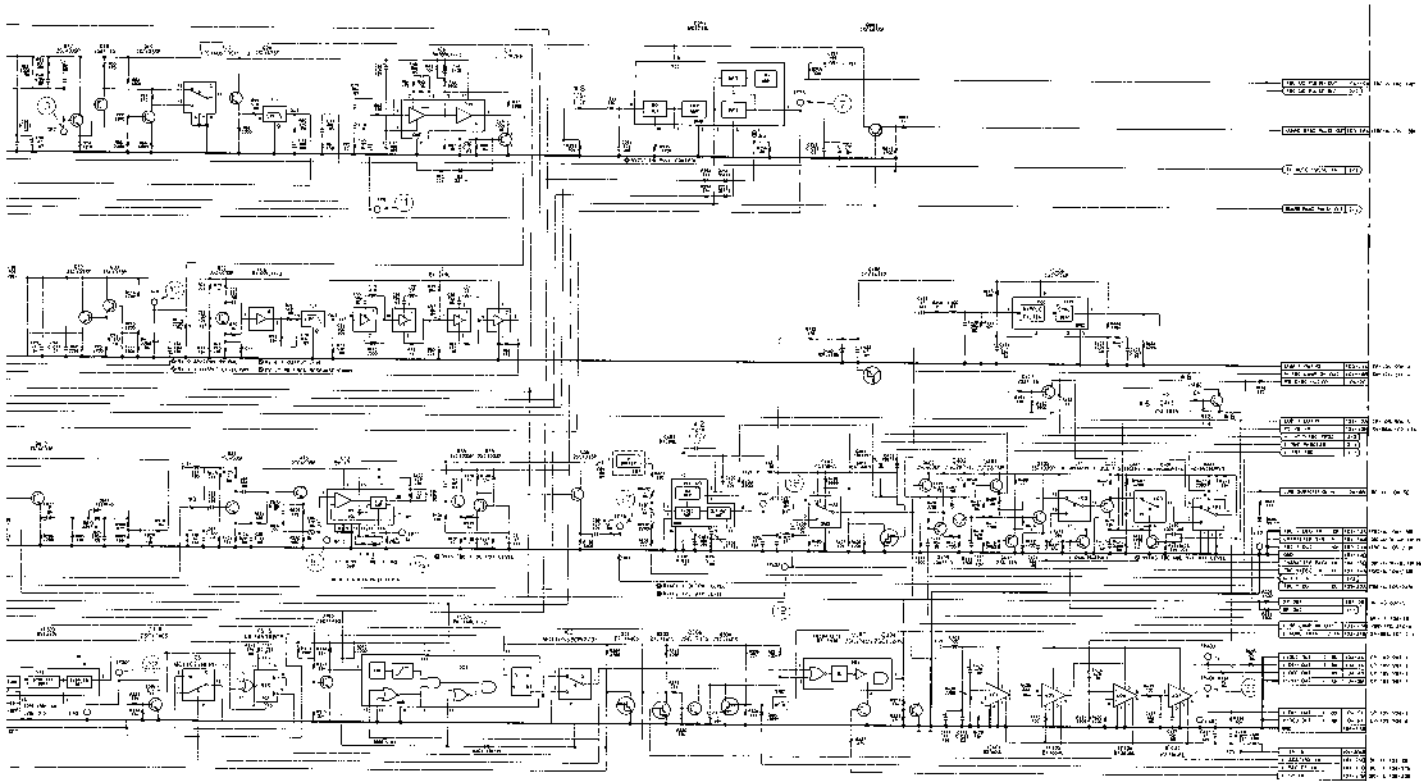
16-31 (b)

MARK	ADDRESS	CHANGE INFORMATION	SERIAL NO.
* 5	N3	R806 ADDED 10K	FK 12731
* 6	O3	Q113 CHANGED DTC144E5 - 3502815	EK 13731
	O3	W430 ADDED	
* 6	Q3	J3K P481 ADDED	EK 13731
	O2	R970 ADDED 10C	

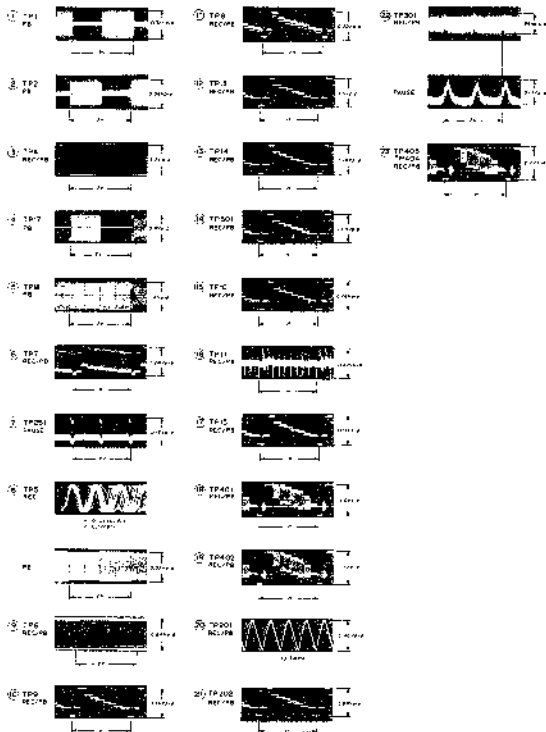
MARK	ADDRESS	CHANGE INFORMATION	SERIAL NO.
* 3		E5 CHANGED D40538P	
* 7	N3	M11402ADP K053 CHANGED	EK 12991
		T40053EP	
* 4		M116013BP K015 CHANGED	EK 12991
		M01458BP	
		M14178BP	

MARK	ADDRESS	CHANGE INFORMATION	SERIAL NO.
* 8	K1	R351 CHANGED 1.8K - 2.2K	FK 16226

16-32 (b)



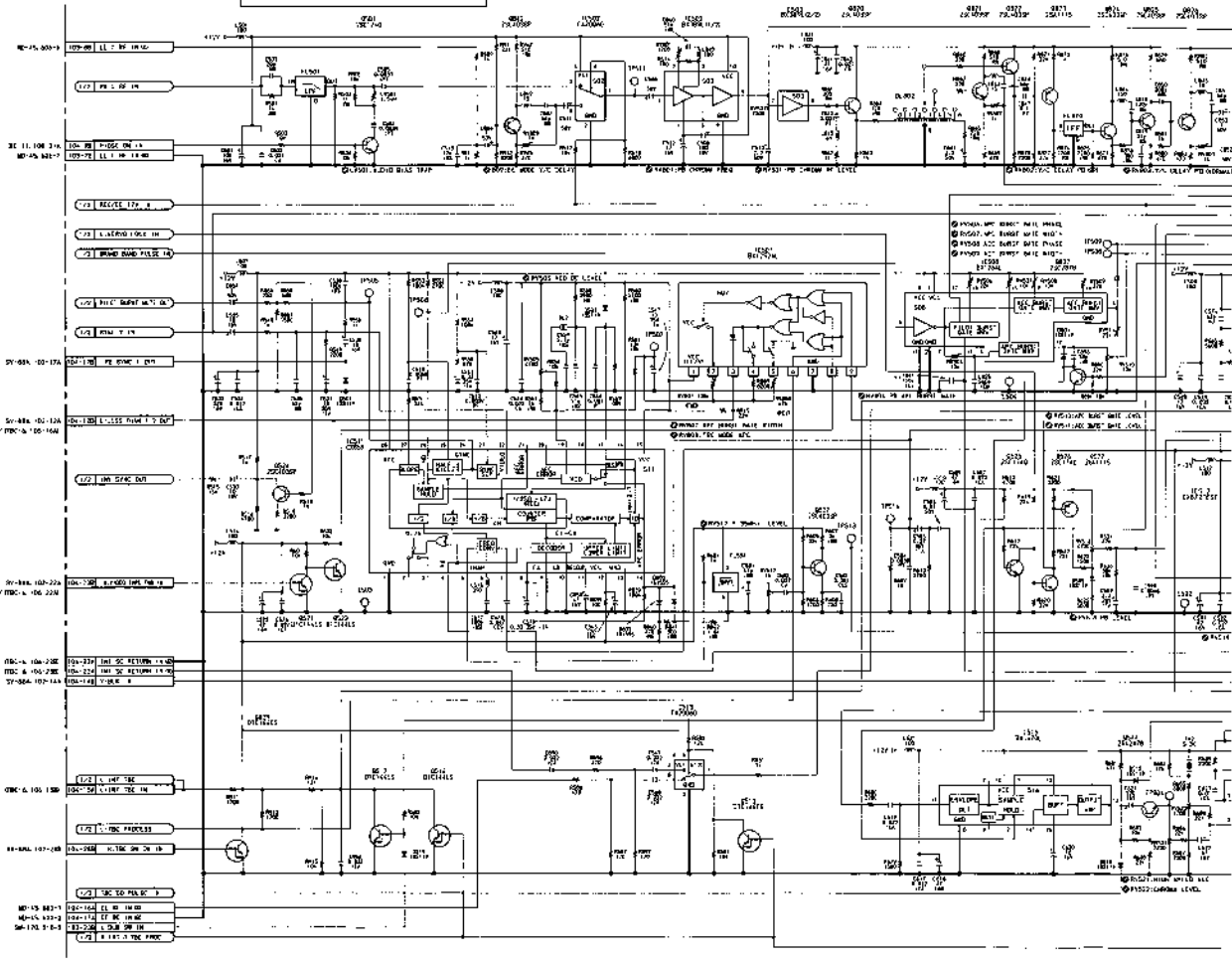
DM-55(1/2)
 1-622-743(13, 14, 15/6)
 BVU-950P



DM-55(2/2); Y/C DEMODULATOR

S/N UP TO 10980(EK)

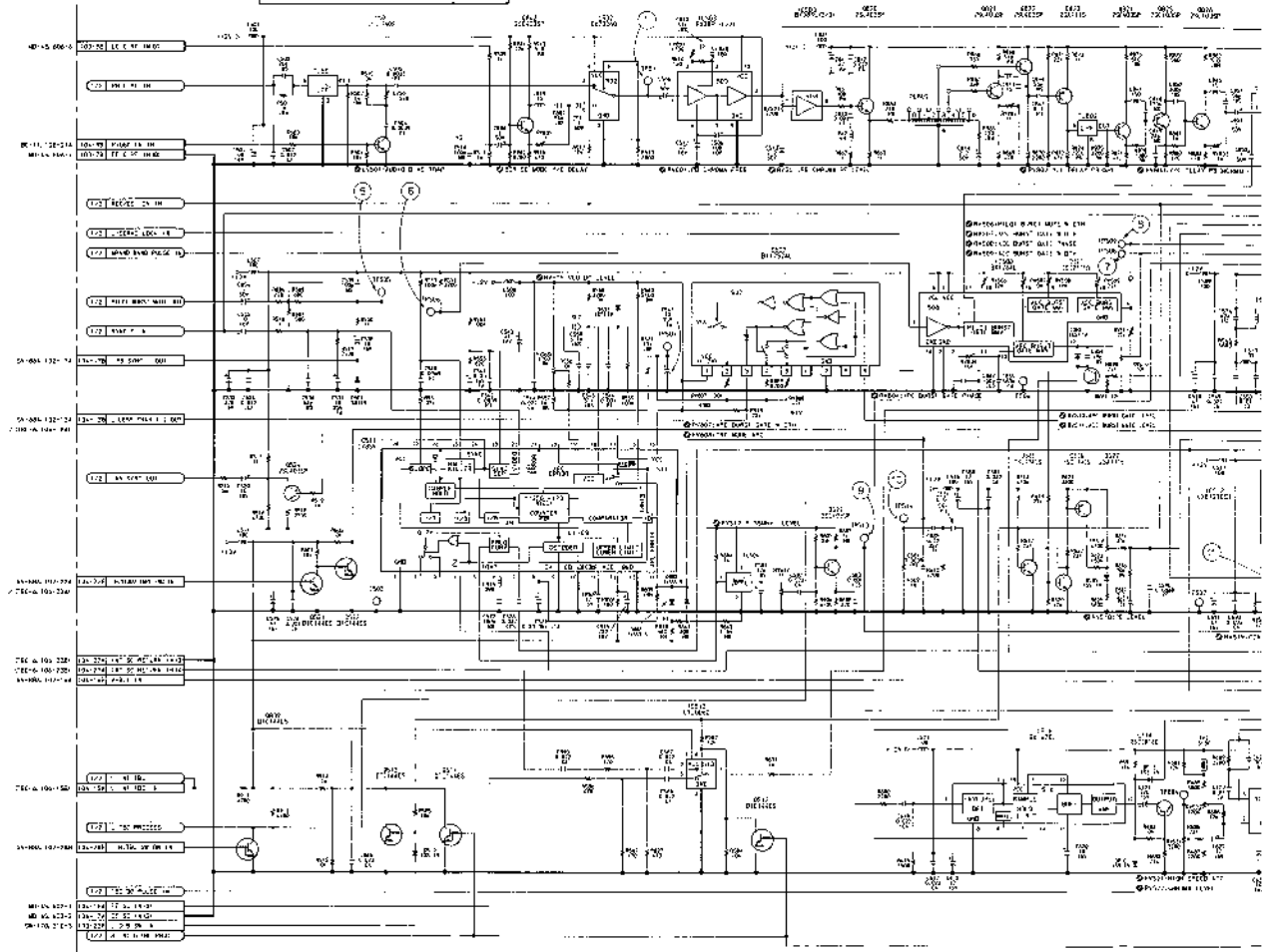
REV	CHANGE	REVISION	DATE	BY	CHKD BY
1					
2					
3					
4					
5					
6					
7					
8					
9					
10					
11					
12					

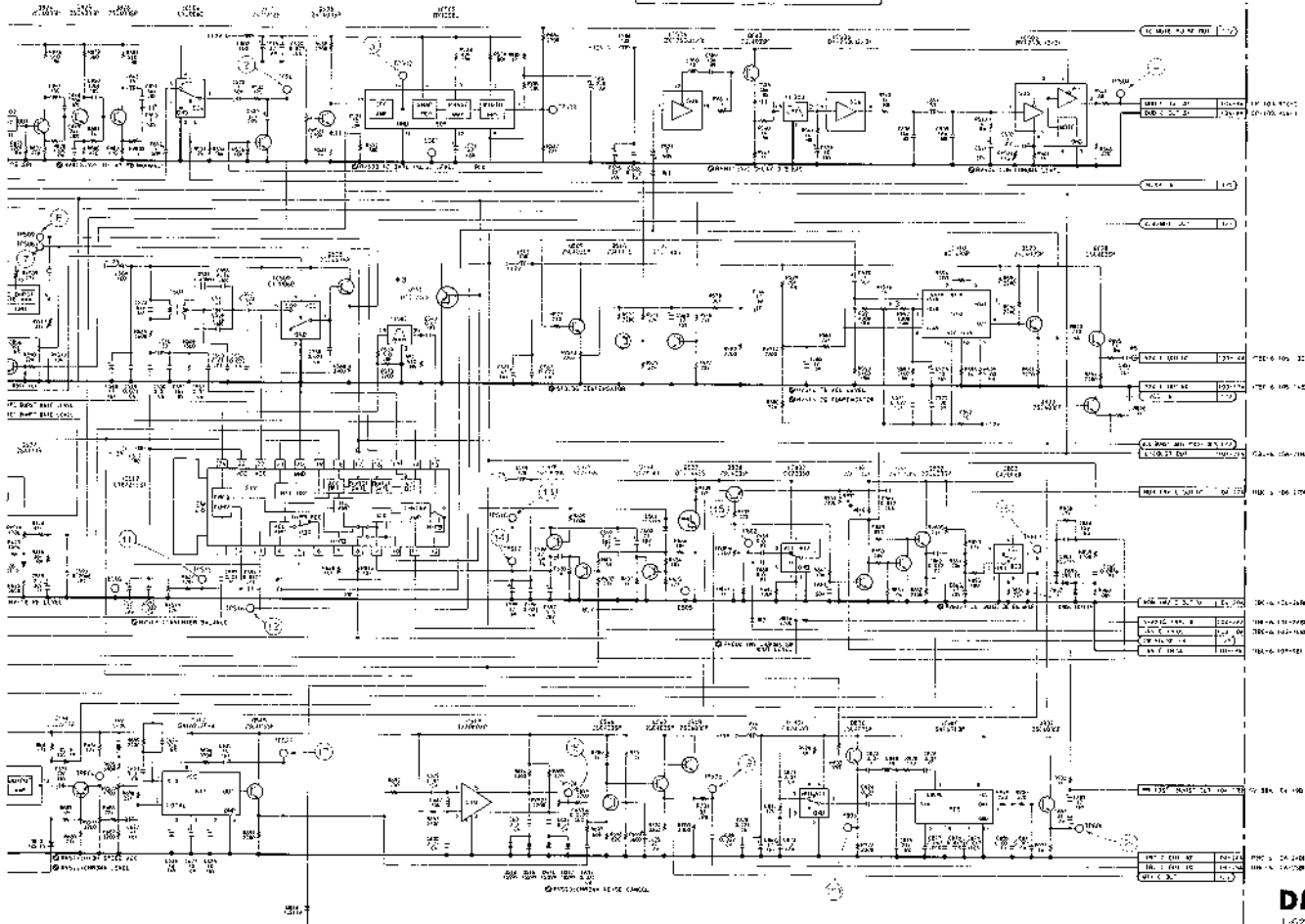


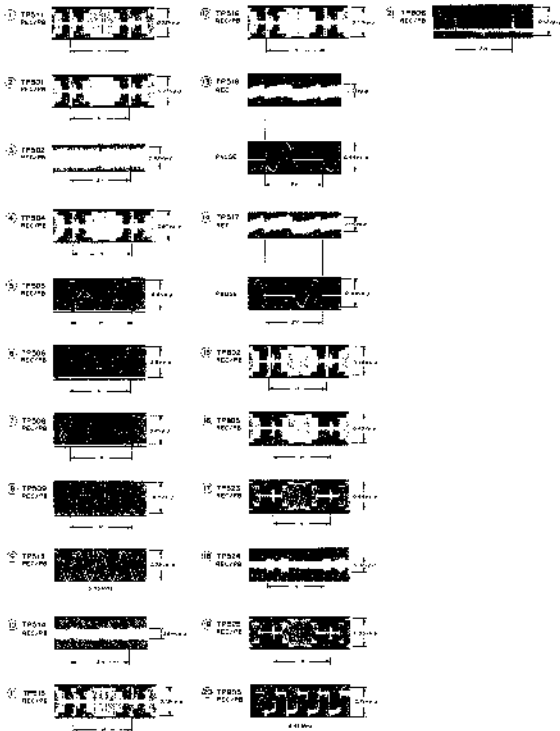
M-55(2/2): Y/C DEMODULATOR
S/N 10981 AND HIGHER(EK)

NOTE:

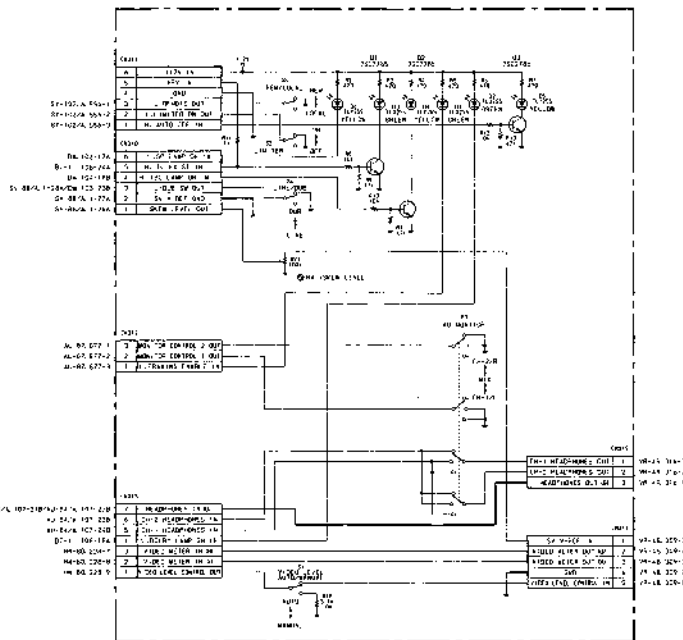
MARK	ADDRESS	CHANGE INFORMATION	SERIAL NO.
1.1	F 4	RISC CHANGED 478 - 498	ER: 11285
4.2	F 1	LSIC CHANGED 479 - 508P	ER: 11485
M 2		RISC CHANGED 4700 - 4300	
4.3	J 2	OSIS ASSEMBLY 0612465	ER: 13375







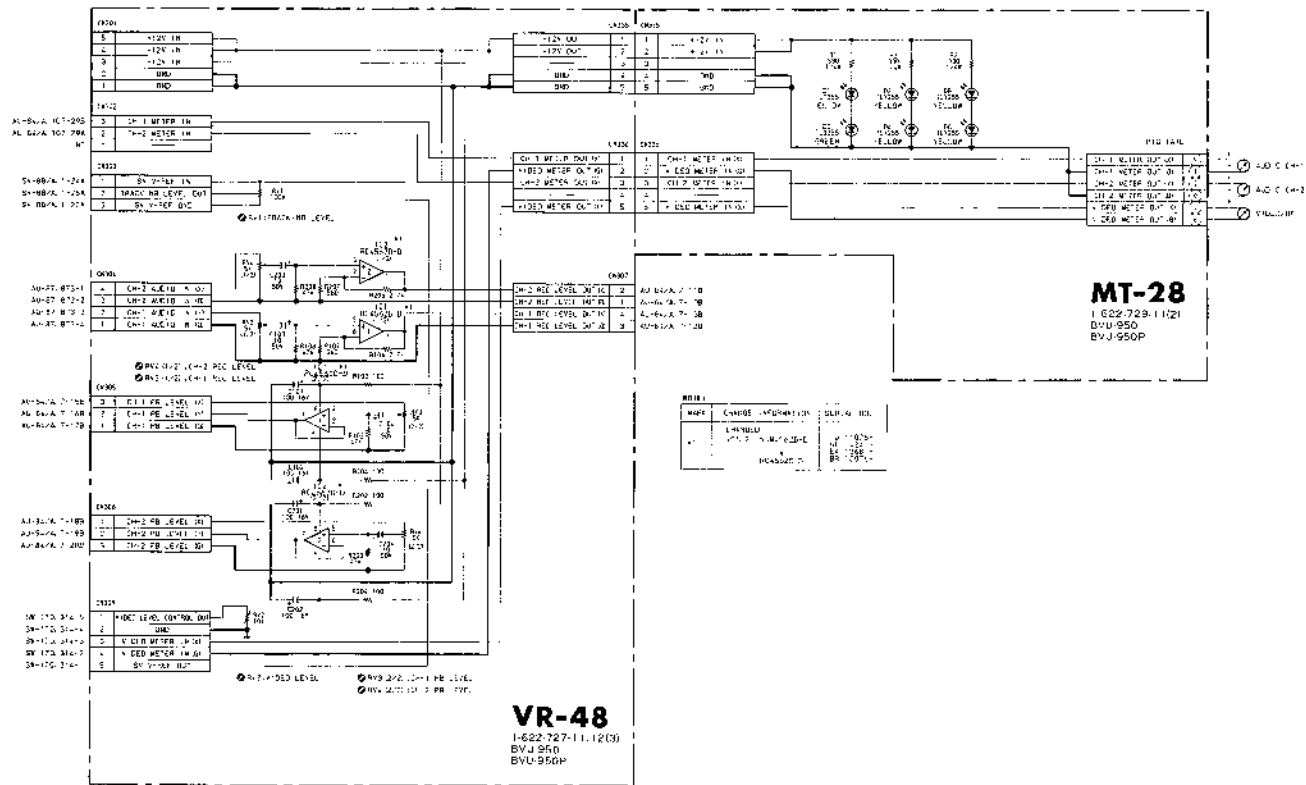
SW-170: SELECT SWITCH/WARNING INDICATOR



SW-170

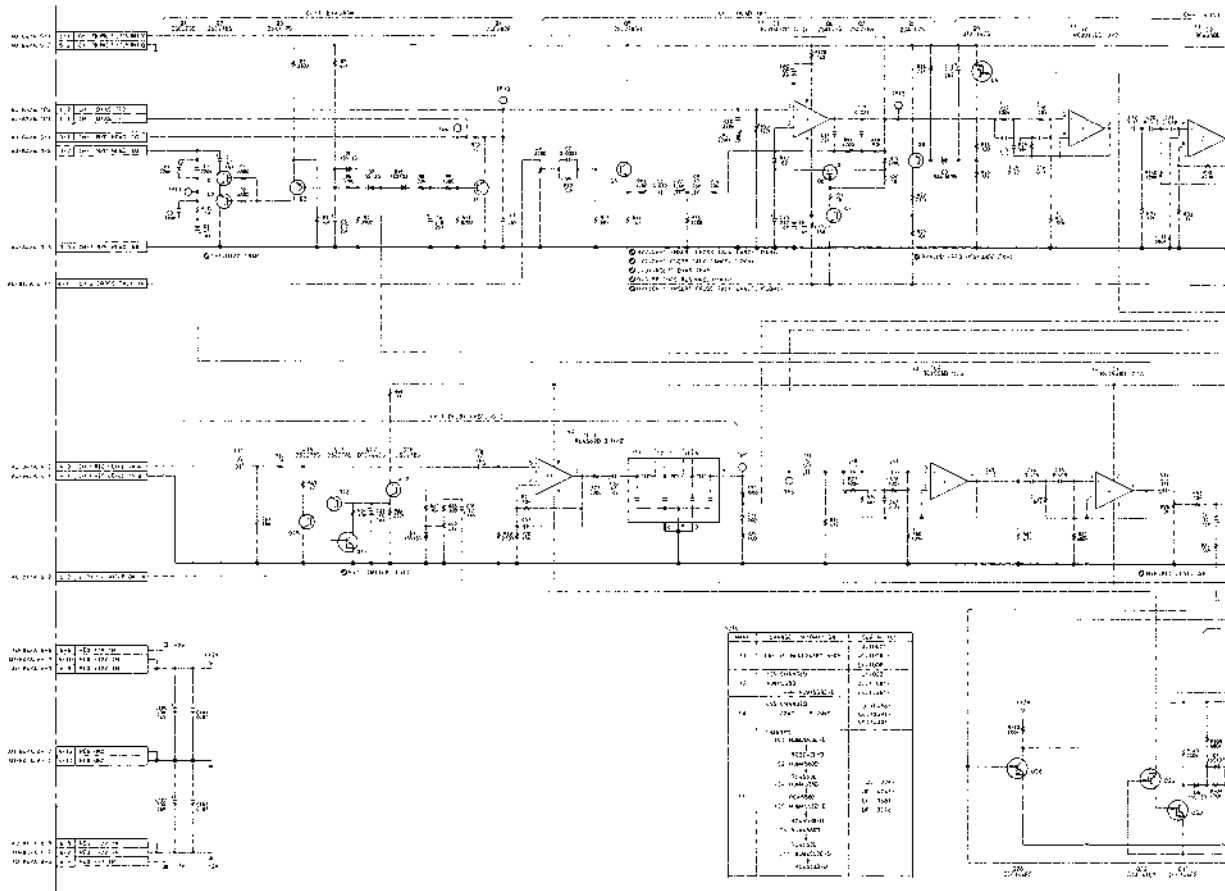
1-623-747-1112)
 SVU-850
 SVU-850P

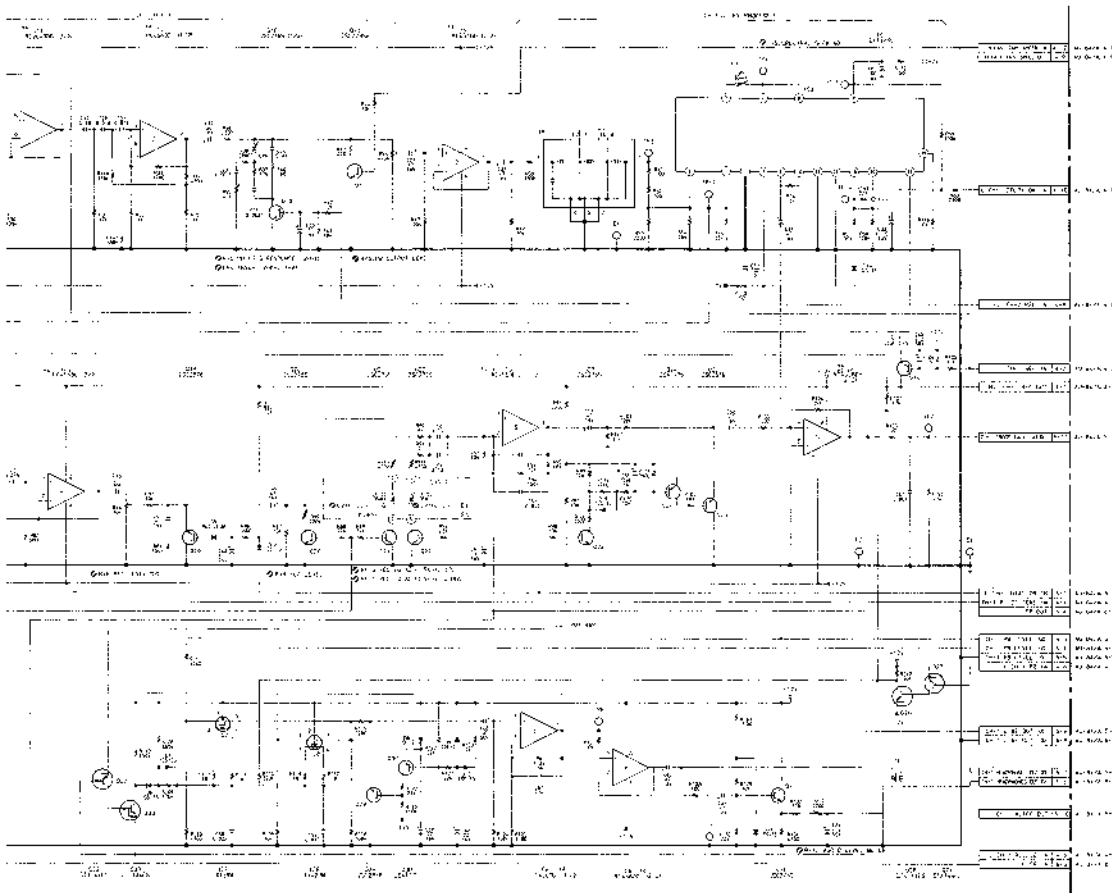
MT-28: VIDEO/AUDIO LEVEL METER
VR-48: VIDEO/AUDIO/TRACKING LEVEL CONTROL



1
2
3
4
5

AU-83A: CH-1 REC/PB /DOLBY PROCESSOR
 DUS-71: VARIABLE COIL





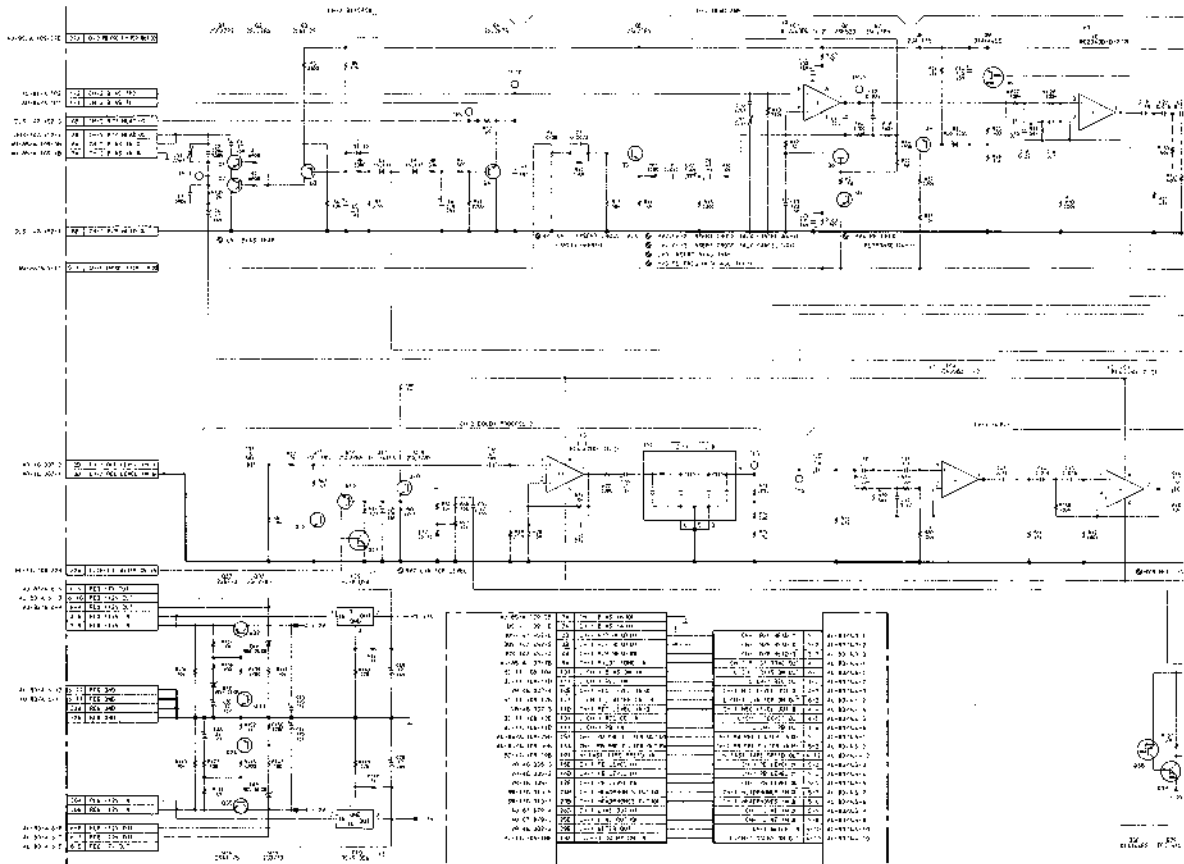
Symbol	Value	Notes
R1	10K	
R2	10K	
R3	10K	
R4	10K	
R5	10K	
R6	10K	
R7	10K	
R8	10K	
R9	10K	
R10	10K	
R11	10K	
R12	10K	
R13	10K	
R14	10K	
R15	10K	
R16	10K	
R17	10K	
R18	10K	
R19	10K	
R20	10K	
R21	10K	
R22	10K	
R23	10K	
R24	10K	
R25	10K	
R26	10K	
R27	10K	
R28	10K	
R29	10K	
R30	10K	
R31	10K	
R32	10K	
R33	10K	
R34	10K	
R35	10K	
R36	10K	
R37	10K	
R38	10K	
R39	10K	
R40	10K	
R41	10K	
R42	10K	
R43	10K	
R44	10K	
R45	10K	
R46	10K	
R47	10K	
R48	10K	
R49	10K	
R50	10K	
R51	10K	
R52	10K	
R53	10K	
R54	10K	
R55	10K	
R56	10K	
R57	10K	
R58	10K	
R59	10K	
R60	10K	
R61	10K	
R62	10K	
R63	10K	
R64	10K	
R65	10K	
R66	10K	
R67	10K	
R68	10K	
R69	10K	
R70	10K	
R71	10K	
R72	10K	
R73	10K	
R74	10K	
R75	10K	
R76	10K	
R77	10K	
R78	10K	
R79	10K	
R80	10K	
R81	10K	
R82	10K	
R83	10K	
R84	10K	
R85	10K	
R86	10K	
R87	10K	
R88	10K	
R89	10K	
R90	10K	
R91	10K	
R92	10K	
R93	10K	
R94	10K	
R95	10K	
R96	10K	
R97	10K	
R98	10K	
R99	10K	
R100	10K	

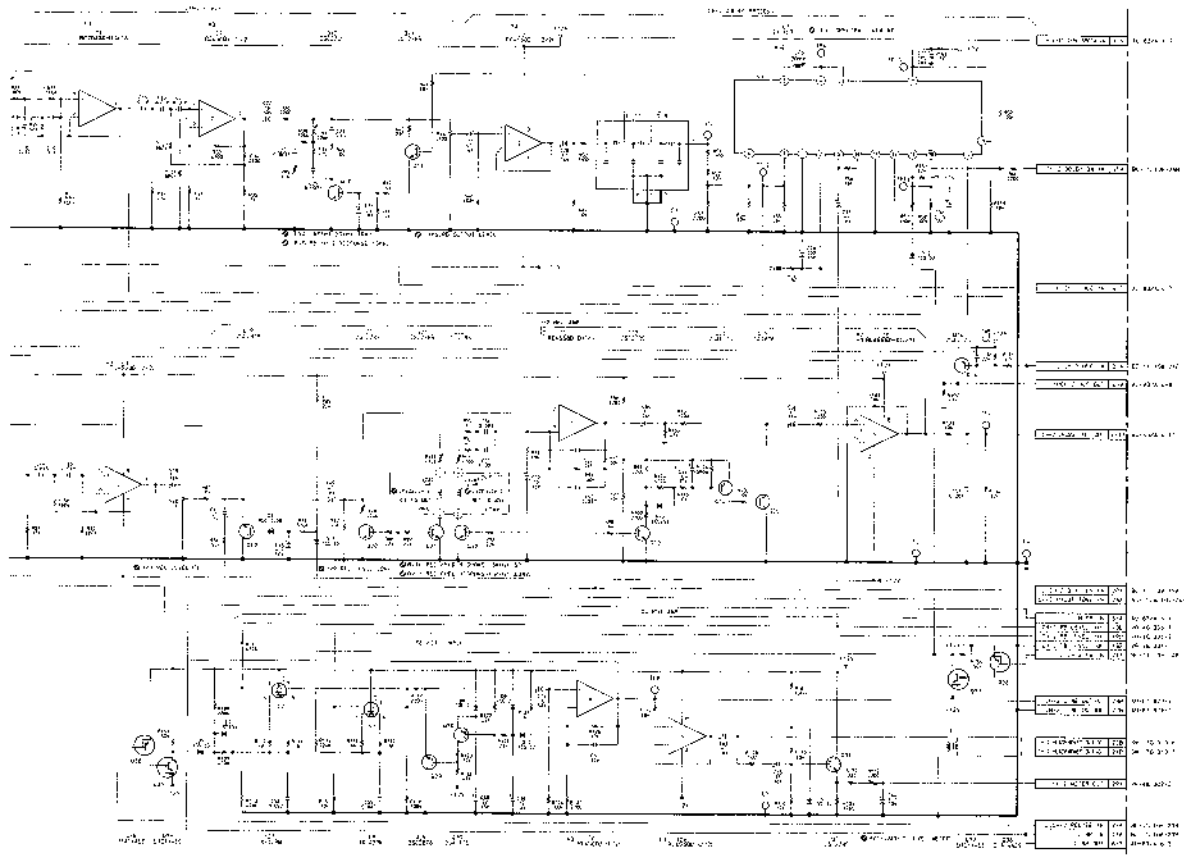
AU-83/A

1-622-70-11, 12, 13(4)
BVJ-950
BVJ-950P

U-84A; CH-2 REC/PB AMPLIFIER
DUS-71; VARIABLE COIL

MARK	CHANGE INFORMATION	SERIAL NO.
* 1	CR) IF NECESSARY 330P	J 13023
		UC 10081
* 2	KS CHANGED	EA 10081
	MINI4580-D	J 10221
	MINI4580-D	UC 13481
	MINI4580-D	EA 13281
* 3	CHANGED	
	RC2430-D	
	IC2 MINI4580-D	
	RC2430-D	
	IC2 MINI4580-D	
	RC4580-D	
	IC4 MINI4580-D	
	RC4580-D	
	IC5 MINI4580-D	
	RC4580-D	
	IC5 MINI4580-D	
	RC4580-D	
* 4	LVS CHANGED	J 11376
	22-M - 20-M	UC 13641
		EA 13751





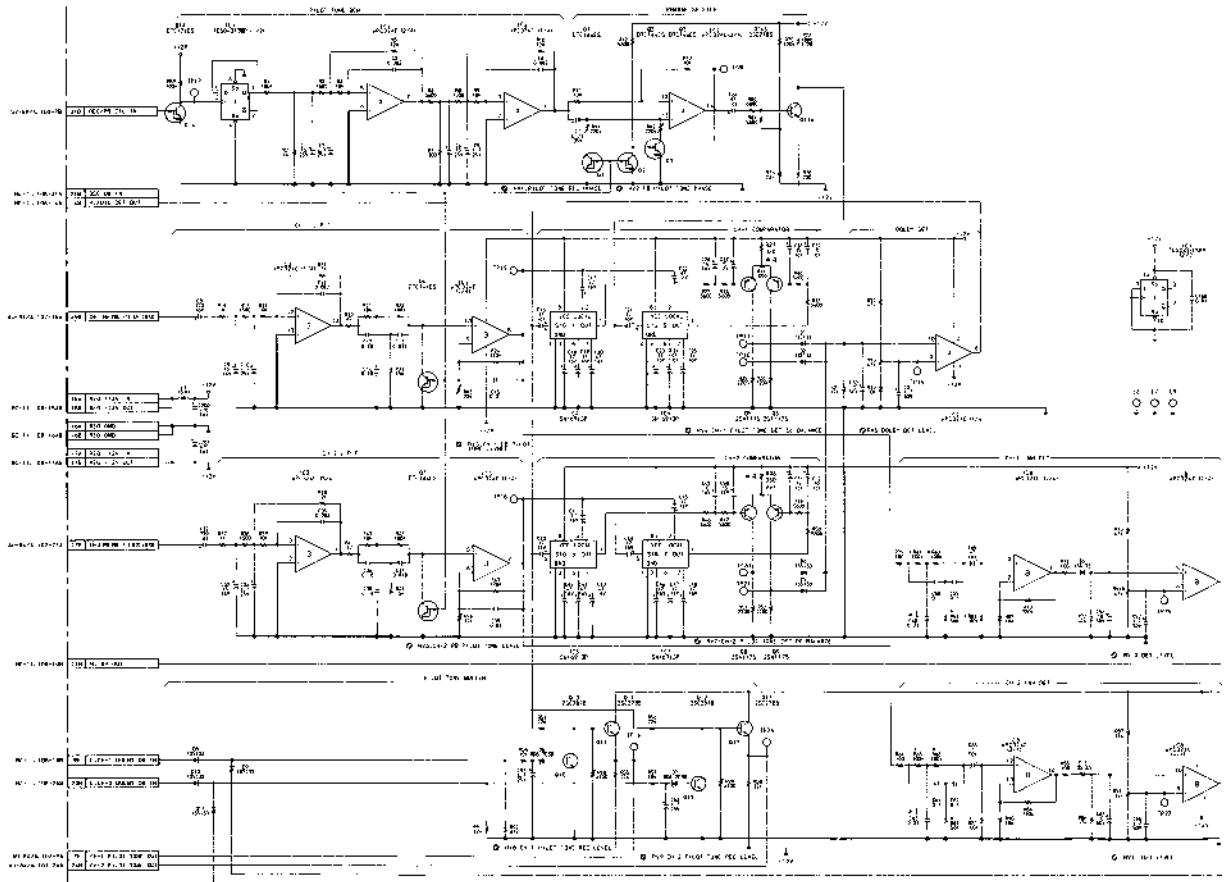
QTY	DESCRIPTION	REF
1	741	801
1	742	802
1	743	803
1	744	804
1	745	805
1	746	806
1	747	807
1	748	808
1	749	809
1	750	810
1	751	811
1	752	812
1	753	813
1	754	814
1	755	815
1	756	816
1	757	817
1	758	818
1	759	819
1	760	820
1	761	821
1	762	822
1	763	823
1	764	824
1	765	825
1	766	826
1	767	827
1	768	828
1	769	829
1	770	830
1	771	831
1	772	832
1	773	833
1	774	834
1	775	835
1	776	836
1	777	837
1	778	838
1	779	839
1	780	840
1	781	841
1	782	842
1	783	843
1	784	844
1	785	845
1	786	846
1	787	847
1	788	848
1	789	849
1	790	850
1	791	851
1	792	852
1	793	853
1	794	854
1	795	855
1	796	856
1	797	857
1	798	858
1	799	859
1	800	860
1	801	861
1	802	862
1	803	863
1	804	864
1	805	865
1	806	866
1	807	867
1	808	868
1	809	869
1	810	870
1	811	871
1	812	872
1	813	873
1	814	874
1	815	875
1	816	876
1	817	877
1	818	878
1	819	879
1	820	880
1	821	881
1	822	882
1	823	883
1	824	884
1	825	885
1	826	886
1	827	887
1	828	888
1	829	889
1	830	890
1	831	891
1	832	892
1	833	893
1	834	894
1	835	895
1	836	896
1	837	897
1	838	898
1	839	899
1	840	900
1	841	901
1	842	902
1	843	903
1	844	904
1	845	905
1	846	906
1	847	907
1	848	908
1	849	909
1	850	910
1	851	911
1	852	912
1	853	913
1	854	914
1	855	915
1	856	916
1	857	917
1	858	918
1	859	919
1	860	920
1	861	921
1	862	922
1	863	923
1	864	924
1	865	925
1	866	926
1	867	927
1	868	928
1	869	929
1	870	930
1	871	931
1	872	932
1	873	933
1	874	934
1	875	935
1	876	936
1	877	937
1	878	938
1	879	939
1	880	940
1	881	941
1	882	942
1	883	943
1	884	944
1	885	945
1	886	946
1	887	947
1	888	948
1	889	949
1	890	950
1	891	951
1	892	952
1	893	953
1	894	954
1	895	955
1	896	956
1	897	957
1	898	958
1	899	959
1	900	960
1	901	961
1	902	962
1	903	963
1	904	964
1	905	965
1	906	966
1	907	967
1	908	968
1	909	969
1	910	970
1	911	971
1	912	972
1	913	973
1	914	974
1	915	975
1	916	976
1	917	977
1	918	978
1	919	979
1	920	980
1	921	981
1	922	982
1	923	983
1	924	984
1	925	985
1	926	986
1	927	987
1	928	988
1	929	989
1	930	990
1	931	991
1	932	992
1	933	993
1	934	994
1	935	995
1	936	996
1	937	997
1	938	998
1	939	999
1	940	1000

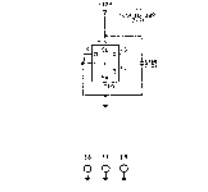
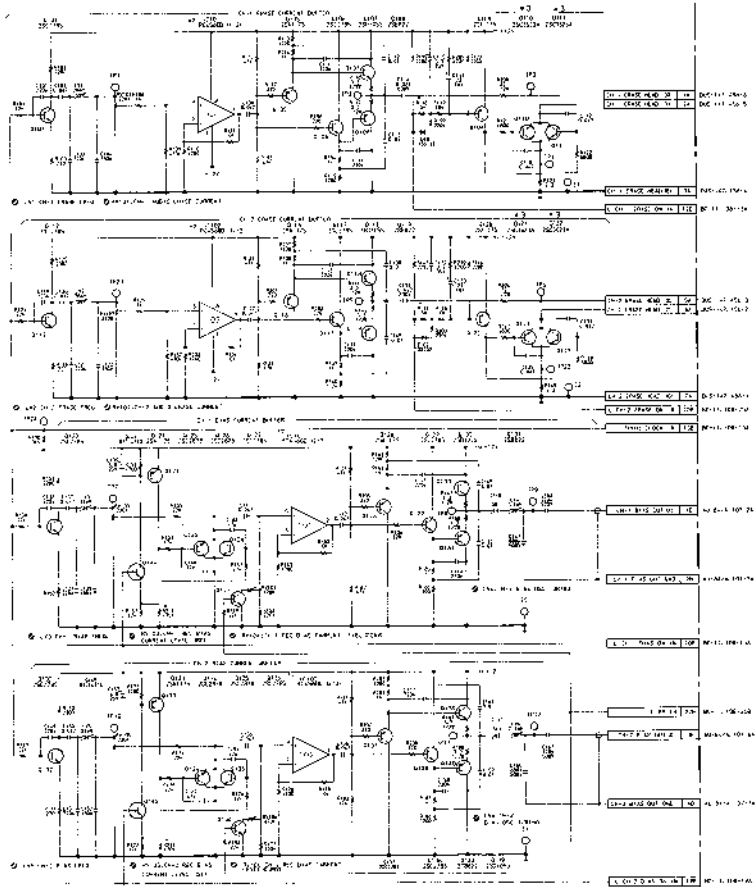
AU-84/A
 I 622-701-11, 12, 13(S)
 BVU-950
 RVU-950P

AU-85A: DOLBY AUTO DETECTOR, BIAS OSCILLATOR

NOTE:

REF	ADDRESS	CHANGES INFORMATION	SERIAL NO.
# 1	G4	0022357 - 0.02	J: 11023
	G5	TA - 1 TP	UC: 11303
		0022359 - 0.02	EK: 11721
# 2	K1	10101 CHANGED	J: 11024
		11010 CHANGED	
	K2	10105 CHANGED	EK: 13681
# 3	L1	0110, 121 CHANGED	J: 11596
		25C2B78	
	L2	0123, 122 CHANGED	EK: 14276
# 4	G2	027 CHANGED	J: 11736
		478 - 330	
	G3	148 CHANGED	EK: 14586
	430 - 330		

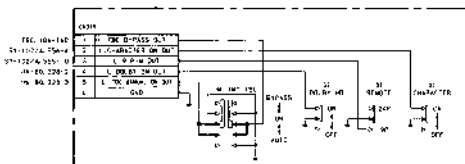




PARTS BY QUANTITY	
QTY	PART
1	1-11-10000
1	1-11-10001
1	1-12-10000
1	1-12-10001
1	1-13-10000
1	1-13-10001
1	1-14-10000
1	1-14-10001
1	1-15-10000
1	1-15-10001
1	1-16-10000
1	1-16-10001
1	1-17-10000
1	1-17-10001
1	1-18-10000
1	1-18-10001
1	1-19-10000
1	1-19-10001
1	1-20-10000
1	1-20-10001
1	1-21-10000
1	1-21-10001
1	1-22-10000
1	1-22-10001
1	1-23-10000
1	1-23-10001
1	1-24-10000
1	1-24-10001
1	1-25-10000
1	1-25-10001
1	1-26-10000
1	1-26-10001
1	1-27-10000
1	1-27-10001
1	1-28-10000
1	1-28-10001
1	1-29-10000
1	1-29-10001
1	1-30-10000
1	1-30-10001
1	1-31-10000
1	1-31-10001
1	1-32-10000
1	1-32-10001
1	1-33-10000
1	1-33-10001
1	1-34-10000
1	1-34-10001
1	1-35-10000
1	1-35-10001
1	1-36-10000
1	1-36-10001
1	1-37-10000
1	1-37-10001
1	1-38-10000
1	1-38-10001
1	1-39-10000
1	1-39-10001
1	1-40-10000
1	1-40-10001
1	1-41-10000
1	1-41-10001
1	1-42-10000
1	1-42-10001
1	1-43-10000
1	1-43-10001
1	1-44-10000
1	1-44-10001
1	1-45-10000
1	1-45-10001
1	1-46-10000
1	1-46-10001
1	1-47-10000
1	1-47-10001
1	1-48-10000
1	1-48-10001
1	1-49-10000
1	1-49-10001
1	1-50-10000
1	1-50-10001

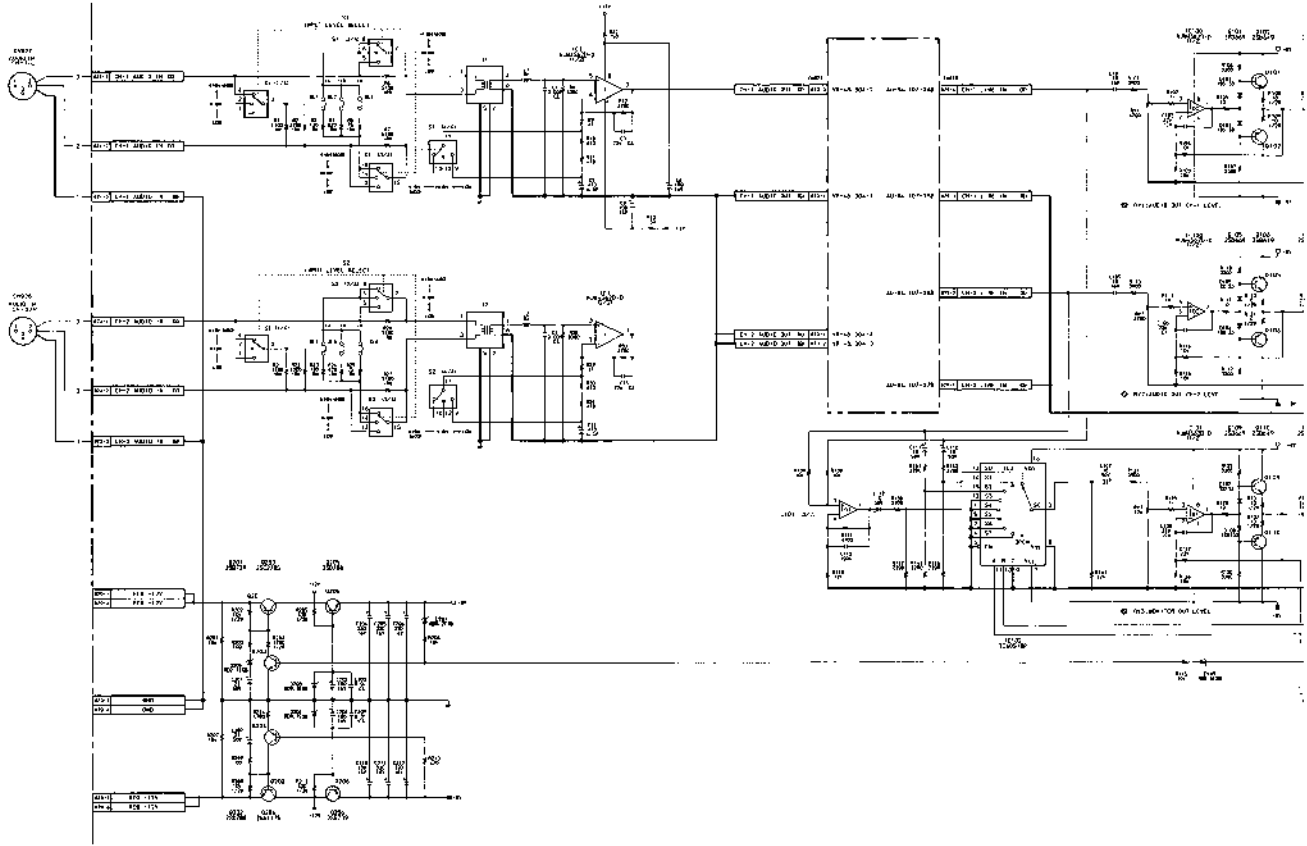
AU-85/A
 1-622-702-11, 12, 13, 14/77
 BVU-850
 BVU-850P

SW-171; SELECT SWITCH



AU-87: MIC/OUTPUT/MONITOR AMPLIFIER

S/N UP TO 10980(EK)



16-84(a)

16-85(a)

A

B

C

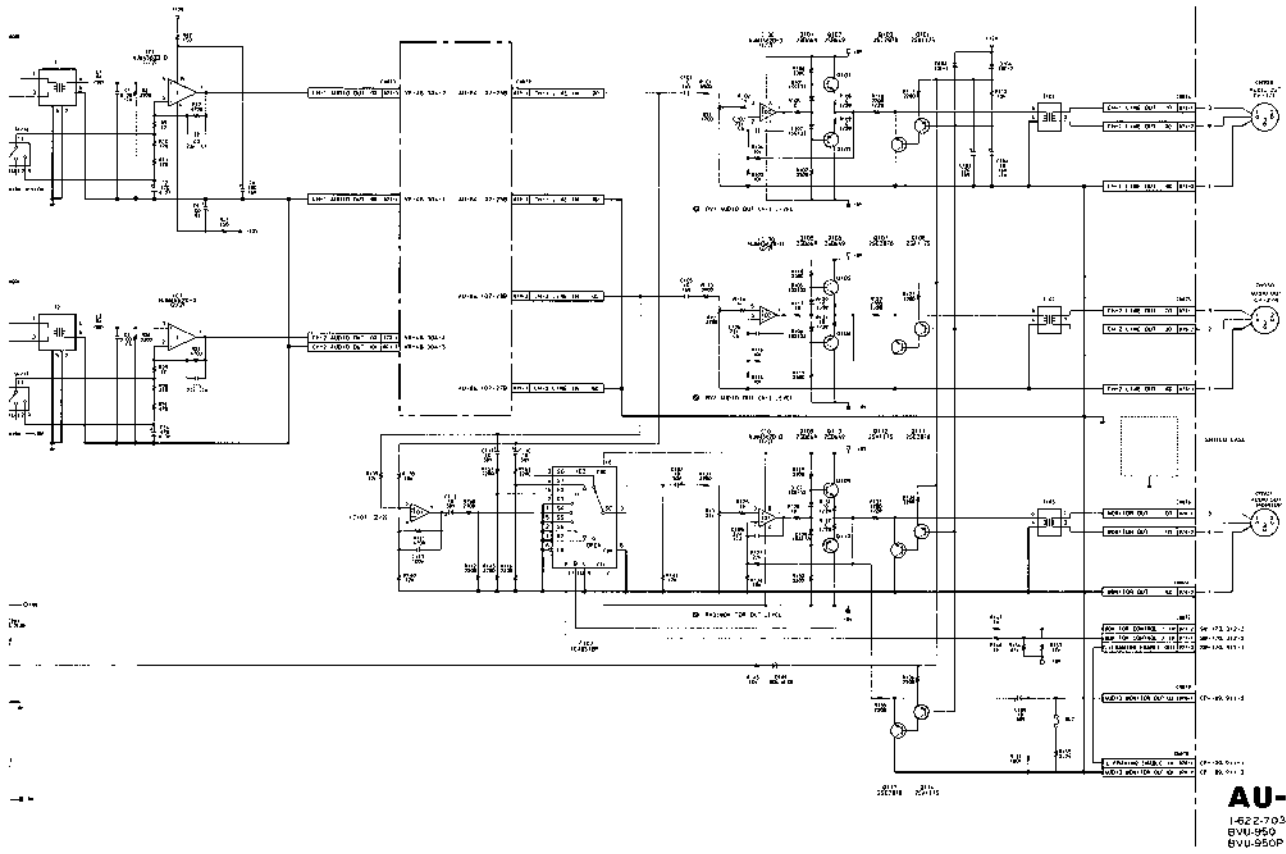
D

E

F

G

H



AU-87
1-62 2-703-11 (2)
BVU-950
BVU-950P

16-95(a)

16-86(a)

E

F

G

H

I

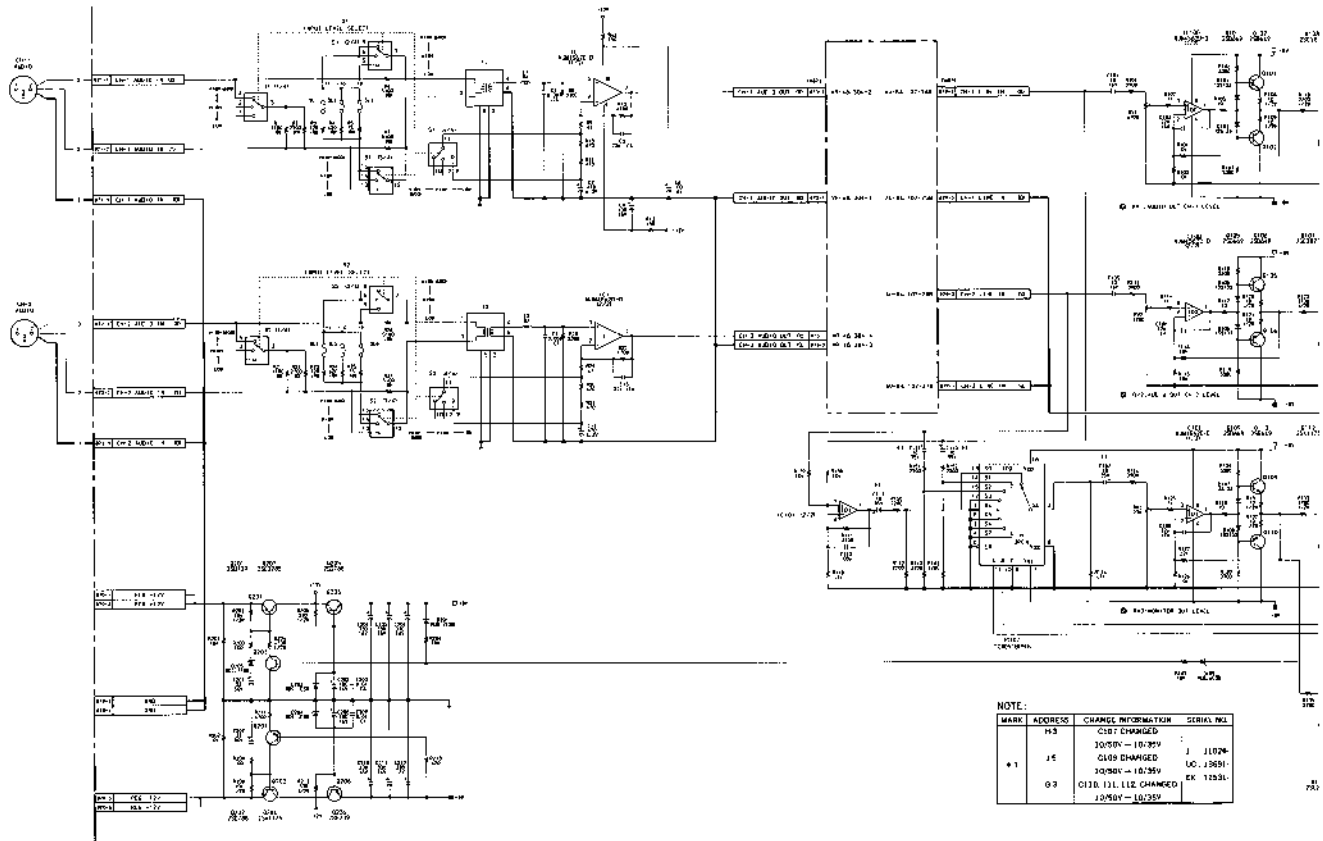
J

K

L

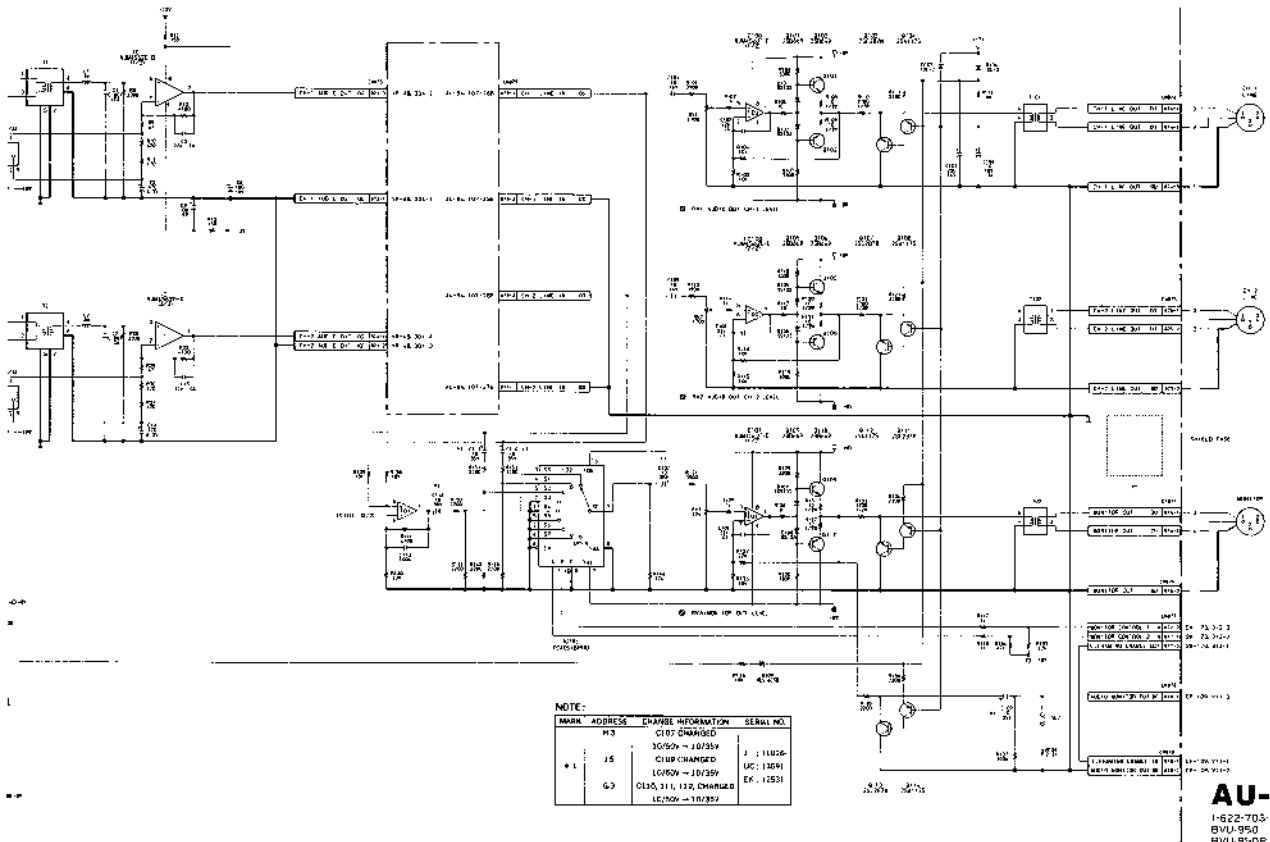
AU-B7: MIC/OUTPUT/MONITOR AMPLIFIER

S/N 10961 AND HIGHER (EK)



16-84 (b)

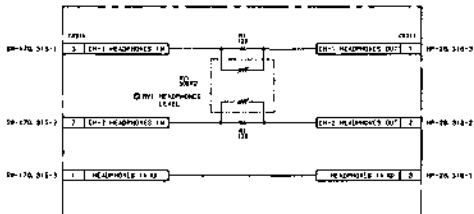
16-85 (b)



AU-87
 I-622-703-12, 13, 14(2)
 BVU-950
 BVU-850P

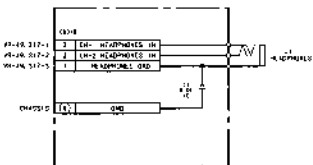
HP-28: HEADPHONES

VR-49: HEADPHONES LEVEL CONTROL



VR-49

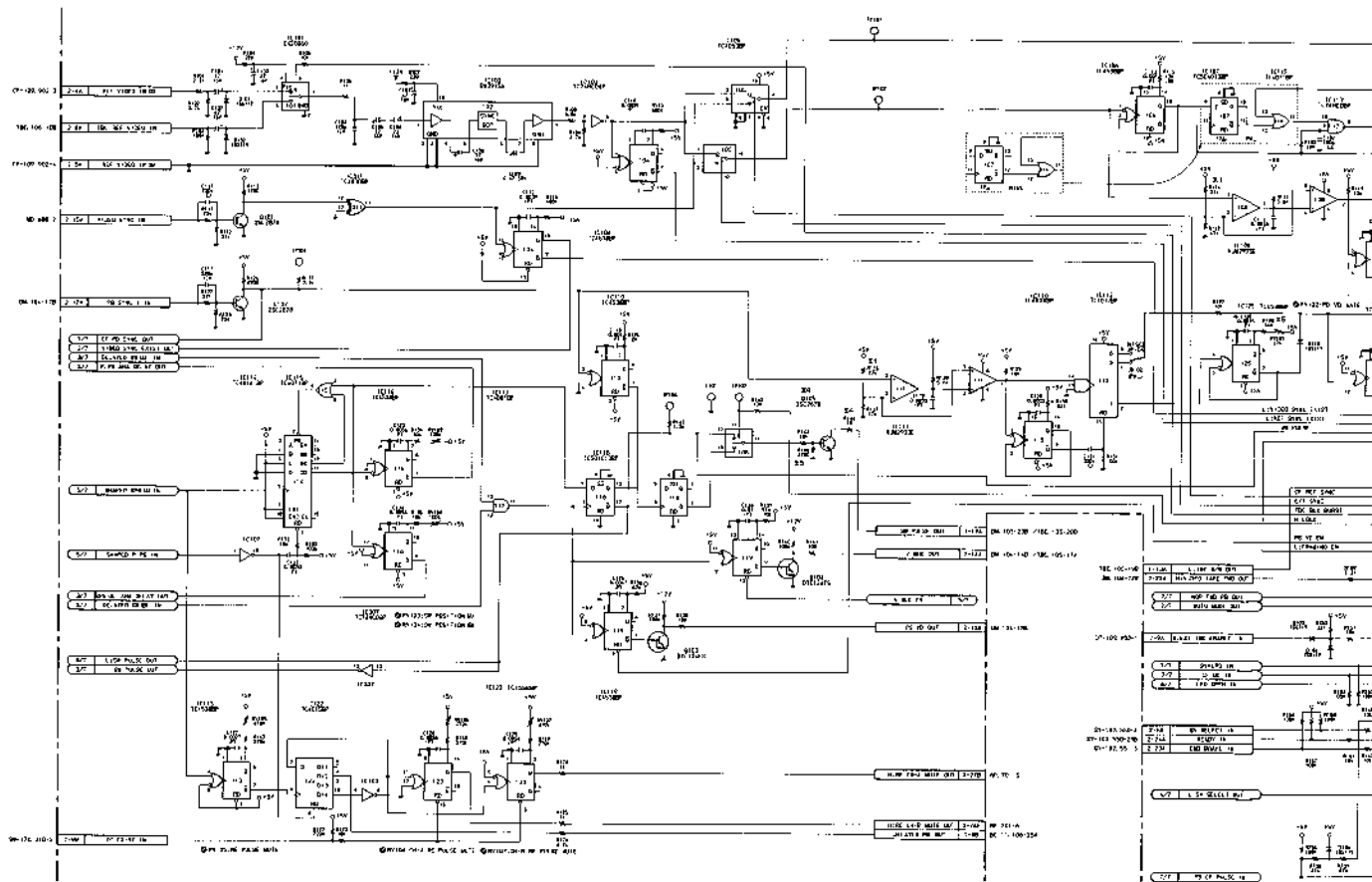
1-622-731-11(1)
 BVU-950
 BVU-950P



HP-28

1-622-730-11(2)
 BVU-950
 BVU-950P

SV-88A(1/7); SYNC SEPARATOR S/N UP TO 10980(EK)



16-92 (a)

16-93 (a)

A

B

C

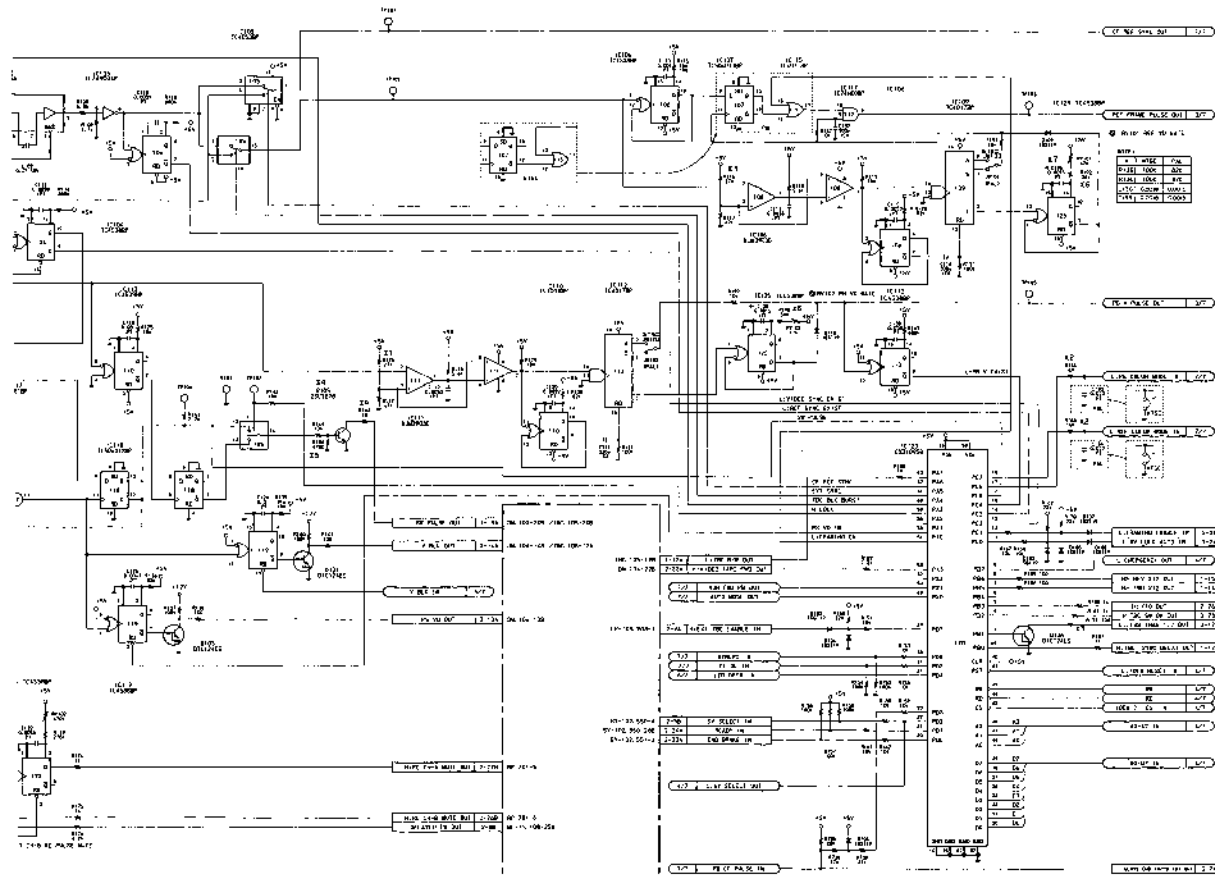
D

E

F

G

H



NO.	REV.	DATE	BY	CHK.	APP.
1	1	10/10/77
2	1	10/10/77
3	1	10/10/77
4	1	10/10/77
5	1	10/10/77
6	1	10/10/77
7	1	10/10/77
8	1	10/10/77
9	1	10/10/77
10	1	10/10/77

SV-88/A(1/7)

1-622-736-1(1/3)
BVU-950
BVU-950P

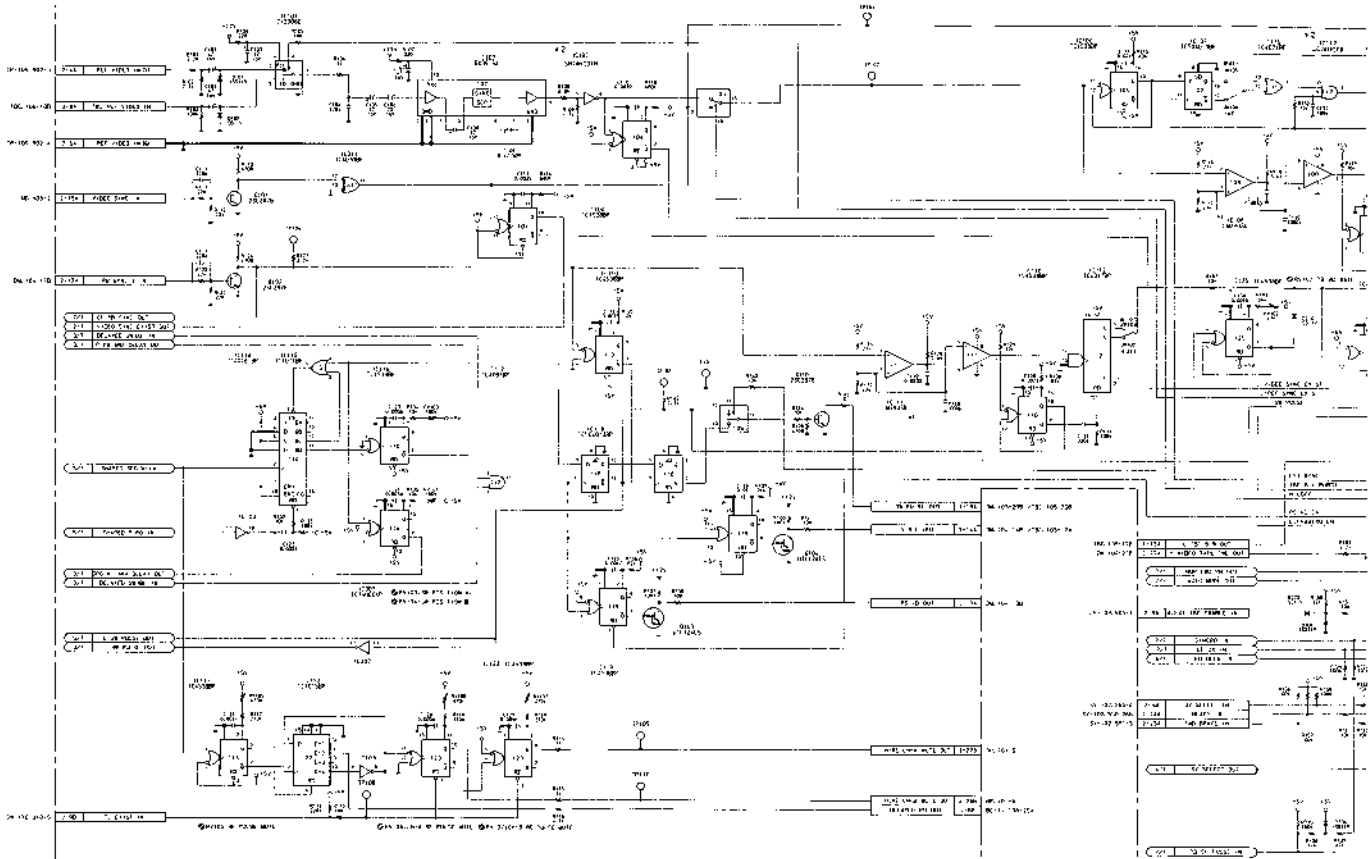
16-83(a)

16-84(a)

E F G H I J K L

SV-88A(1/7); SYNC SEPARATOR

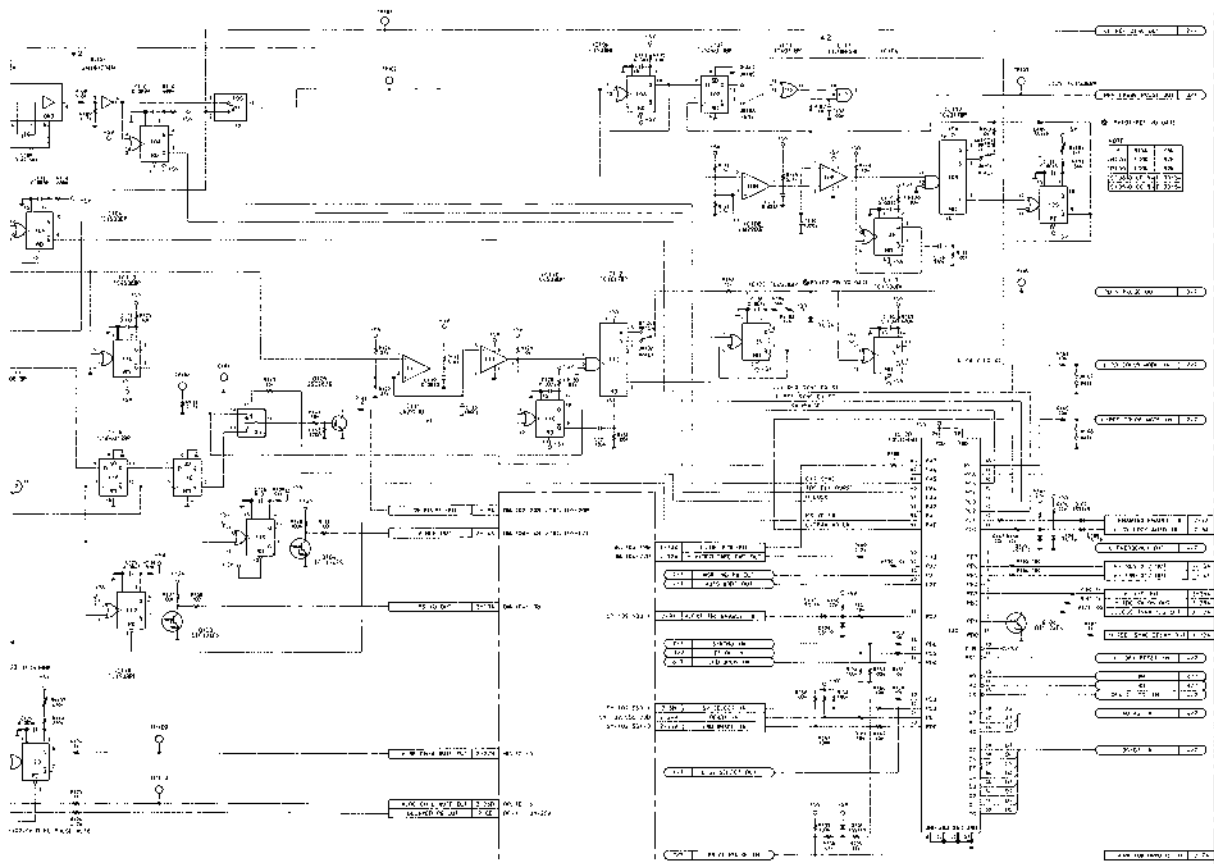
S/N 10981 TO 13780 (EK)



18-92 (b)

18-93 (b)

A | B | C | D | E | F | G | H

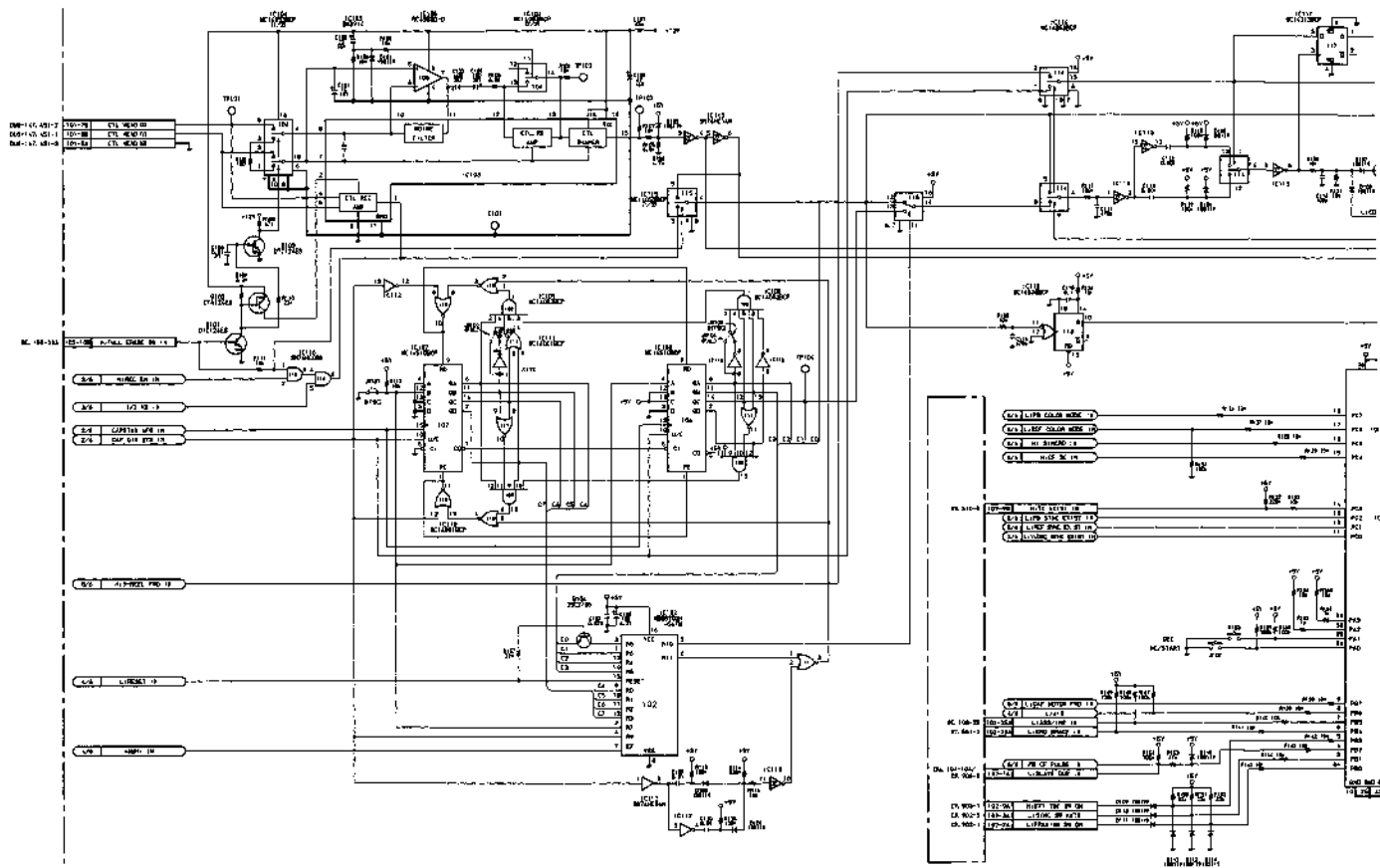


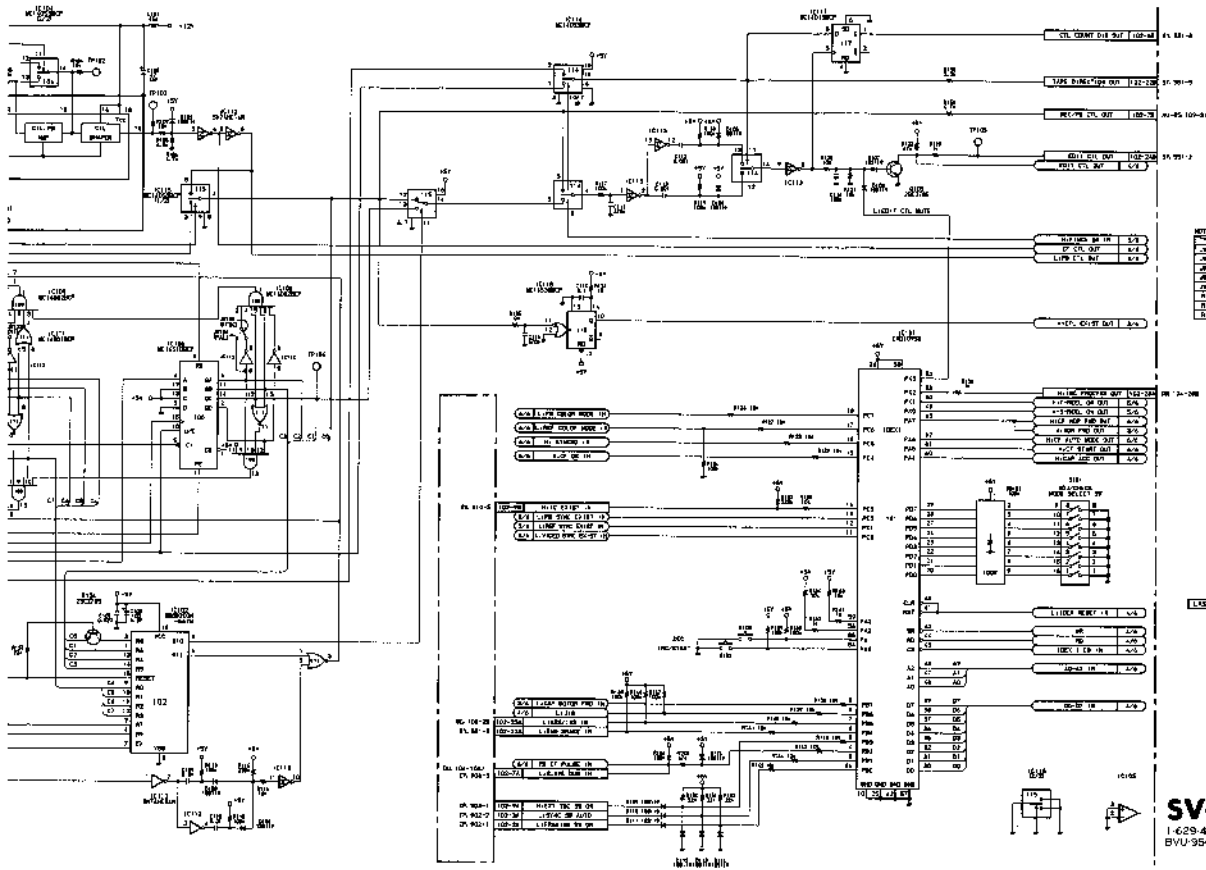
NOTE

WPK#	CHANGE INFORMATION	SEMI. NO
A.1	IC10A, 131 CHANGED R160W220	J : 13226 UC : 14241 SR : 13661
	L460500	BR : 10076
A.2	IC10S CHANGED	J : 13126
	IC14ANLAMP	UC : 14783
	IC11.7 CHANGED	SR : 13733
	IC14WGRP	BR : 10076
	LETANERA	

SV-88/A(1/7)
 1-622-7386-12,2(1/3)
 BVU-950
 BVU-950P

SV-113C(1/6); CTL REC/PB AMPLIFIER S/N 13731 AND HIGHER (EK)





NOTE:

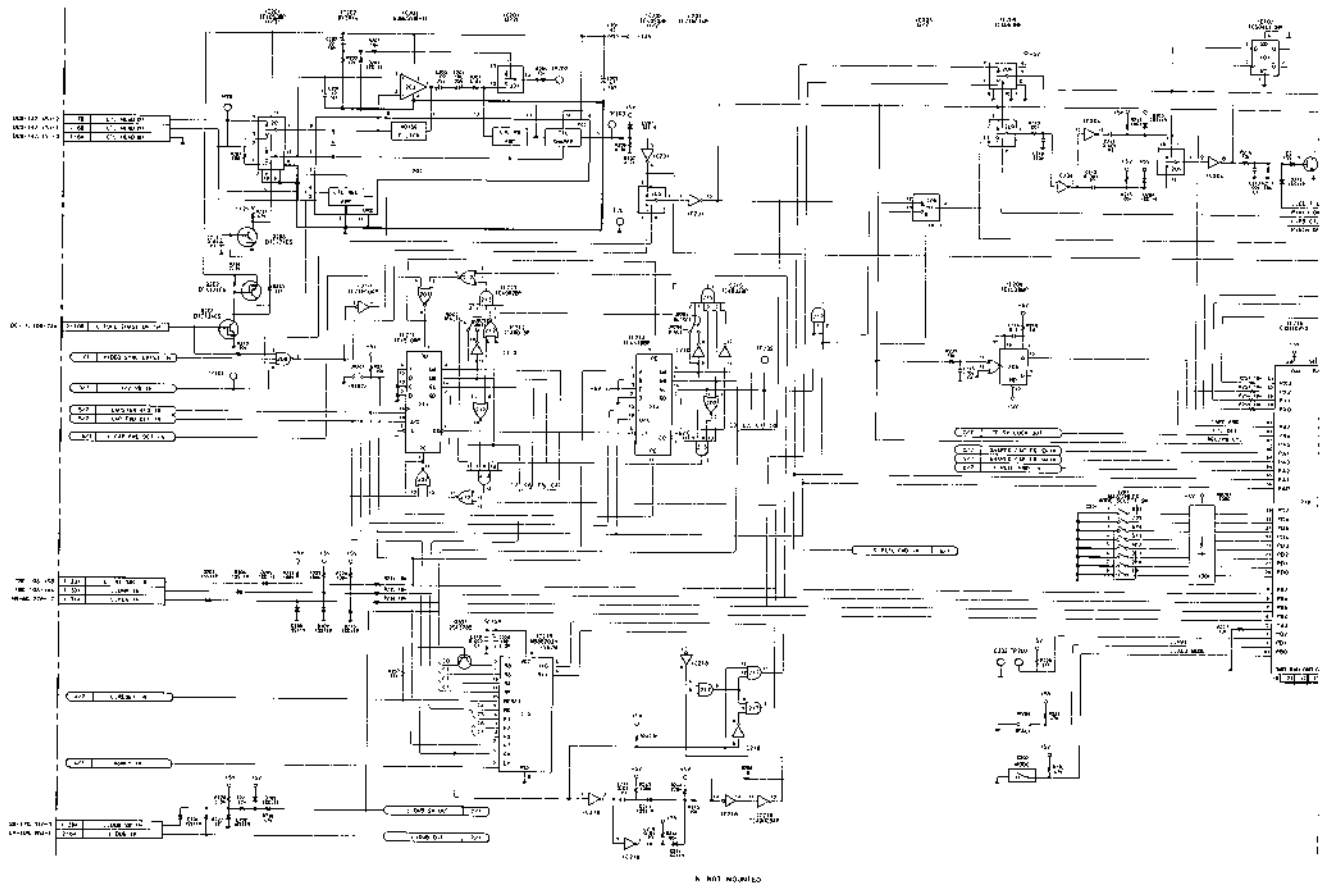
REF.	SYMBOL	VALUE
R-21	RES	10K
R-22	RES	10K
R-23	RES	10K
R-24	RES	10K
R-25	RES	10K
R-26	RES	10K
R-27	RES	10K
R-28	RES	10K
R-29	RES	10K
R-30	RES	10K
R-31	RES	10K
R-32	RES	10K
R-33	RES	10K
R-34	RES	10K
R-35	RES	10K
R-36	RES	10K
R-37	RES	10K
R-38	RES	10K
R-39	RES	10K
R-40	RES	10K
R-41	RES	10K
R-42	RES	10K
R-43	RES	10K
R-44	RES	10K
R-45	RES	10K
R-46	RES	10K
R-47	RES	10K
R-48	RES	10K
R-49	RES	10K
R-50	RES	10K
R-51	RES	10K
R-52	RES	10K
R-53	RES	10K
R-54	RES	10K
R-55	RES	10K
R-56	RES	10K
R-57	RES	10K
R-58	RES	10K
R-59	RES	10K
R-60	RES	10K
R-61	RES	10K
R-62	RES	10K
R-63	RES	10K
R-64	RES	10K
R-65	RES	10K
R-66	RES	10K
R-67	RES	10K
R-68	RES	10K
R-69	RES	10K
R-70	RES	10K
R-71	RES	10K
R-72	RES	10K
R-73	RES	10K
R-74	RES	10K
R-75	RES	10K
R-76	RES	10K
R-77	RES	10K
R-78	RES	10K
R-79	RES	10K
R-80	RES	10K
R-81	RES	10K
R-82	RES	10K
R-83	RES	10K
R-84	RES	10K
R-85	RES	10K
R-86	RES	10K
R-87	RES	10K
R-88	RES	10K
R-89	RES	10K
R-90	RES	10K
R-91	RES	10K
R-92	RES	10K
R-93	RES	10K
R-94	RES	10K
R-95	RES	10K
R-96	RES	10K
R-97	RES	10K
R-98	RES	10K
R-99	RES	10K
R-100	RES	10K

LASTY REF:

101	IC1	74LS00
102	IC2	74LS00
103	IC3	74LS00
104	IC4	74LS00
105	IC5	74LS00
106	IC6	74LS00
107	IC7	74LS00
108	IC8	74LS00
109	IC9	74LS00
110	IC10	74LS00
111	IC11	74LS00
112	IC12	74LS00
113	IC13	74LS00
114	IC14	74LS00
115	IC15	74LS00
116	IC16	74LS00
117	IC17	74LS00
118	IC18	74LS00
119	IC19	74LS00
120	IC20	74LS00
121	IC21	74LS00
122	IC22	74LS00
123	IC23	74LS00
124	IC24	74LS00
125	IC25	74LS00
126	IC26	74LS00
127	IC27	74LS00
128	IC28	74LS00
129	IC29	74LS00
130	IC30	74LS00
131	IC31	74LS00
132	IC32	74LS00
133	IC33	74LS00
134	IC34	74LS00
135	IC35	74LS00
136	IC36	74LS00
137	IC37	74LS00
138	IC38	74LS00
139	IC39	74LS00
140	IC40	74LS00
141	IC41	74LS00
142	IC42	74LS00
143	IC43	74LS00
144	IC44	74LS00
145	IC45	74LS00
146	IC46	74LS00
147	IC47	74LS00
148	IC48	74LS00
149	IC49	74LS00
150	IC50	74LS00
151	IC51	74LS00
152	IC52	74LS00
153	IC53	74LS00
154	IC54	74LS00
155	IC55	74LS00
156	IC56	74LS00
157	IC57	74LS00
158	IC58	74LS00
159	IC59	74LS00
160	IC60	74LS00
161	IC61	74LS00
162	IC62	74LS00
163	IC63	74LS00
164	IC64	74LS00
165	IC65	74LS00
166	IC66	74LS00
167	IC67	74LS00
168	IC68	74LS00
169	IC69	74LS00
170	IC70	74LS00
171	IC71	74LS00
172	IC72	74LS00
173	IC73	74LS00
174	IC74	74LS00
175	IC75	74LS00
176	IC76	74LS00
177	IC77	74LS00
178	IC78	74LS00
179	IC79	74LS00
180	IC80	74LS00
181	IC81	74LS00
182	IC82	74LS00
183	IC83	74LS00
184	IC84	74LS00
185	IC85	74LS00
186	IC86	74LS00
187	IC87	74LS00
188	IC88	74LS00
189	IC89	74LS00
190	IC90	74LS00
191	IC91	74LS00
192	IC92	74LS00
193	IC93	74LS00
194	IC94	74LS00
195	IC95	74LS00
196	IC96	74LS00
197	IC97	74LS00
198	IC98	74LS00
199	IC99	74LS00
200	IC100	74LS00

SV-113C(1/6)
 I-629-414-42(1)
 BVU-950P

SV-88A(2/7): CTL REC/P8 AMPLIFIER S/N UP TO 10980(EK)



15-98(a)

15-99(h)

A

B

C

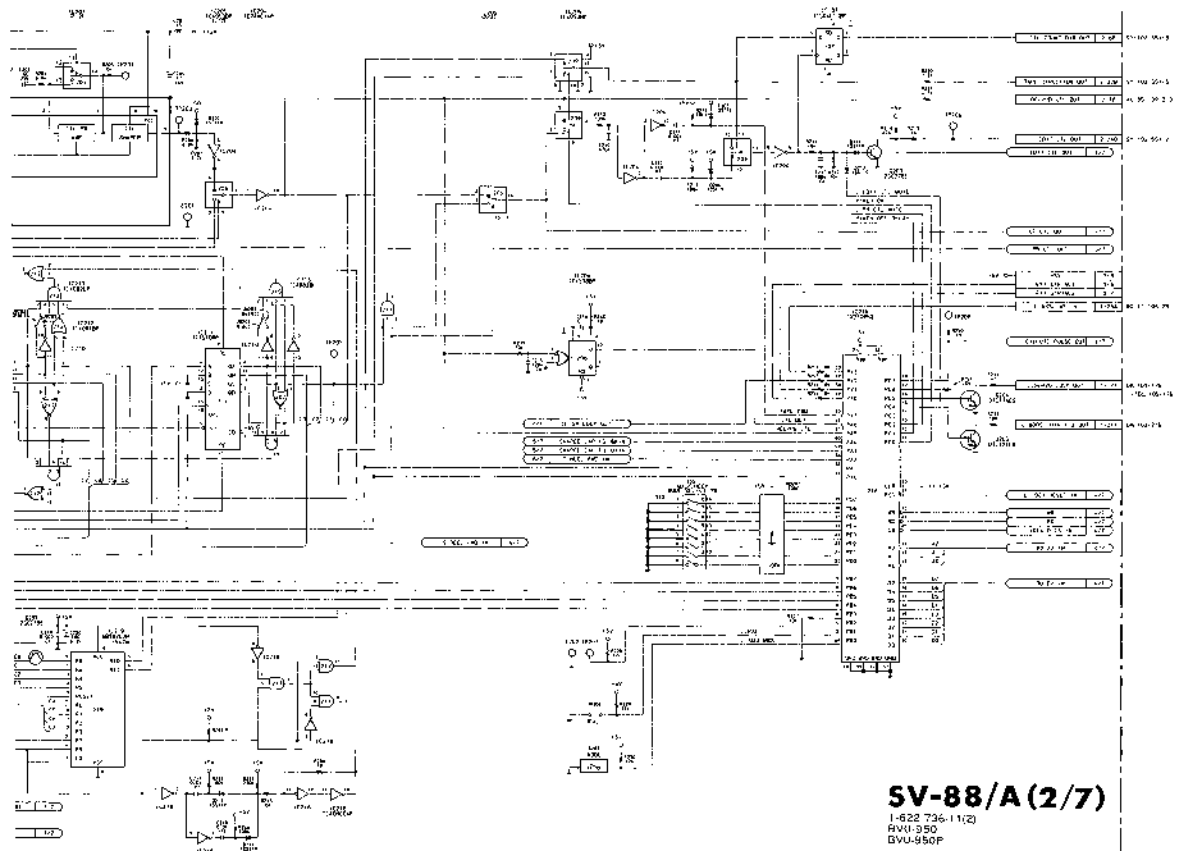
D

E

F

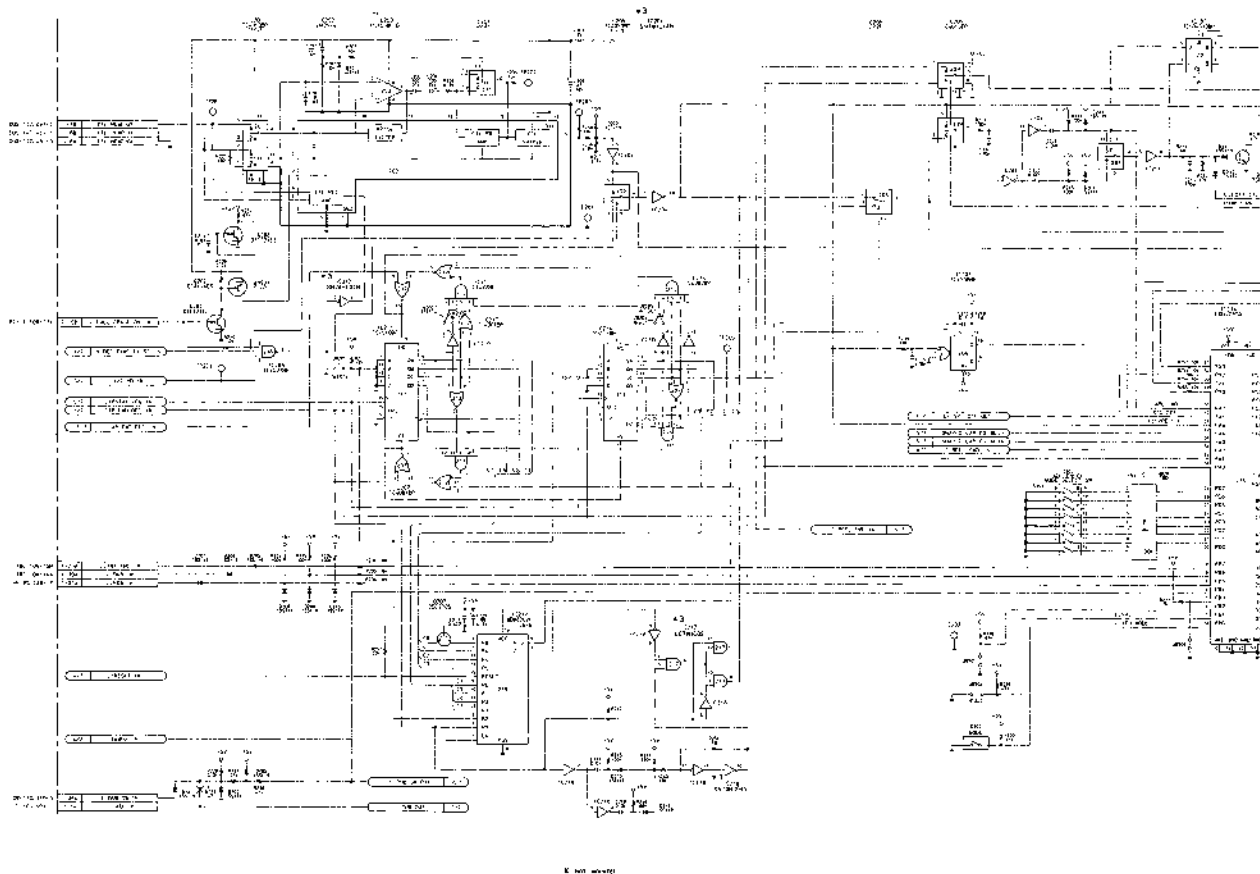
G

H



SV-88/A(2/7)
 1-622 736-11(2)
 RVU-350
 DVU-650P

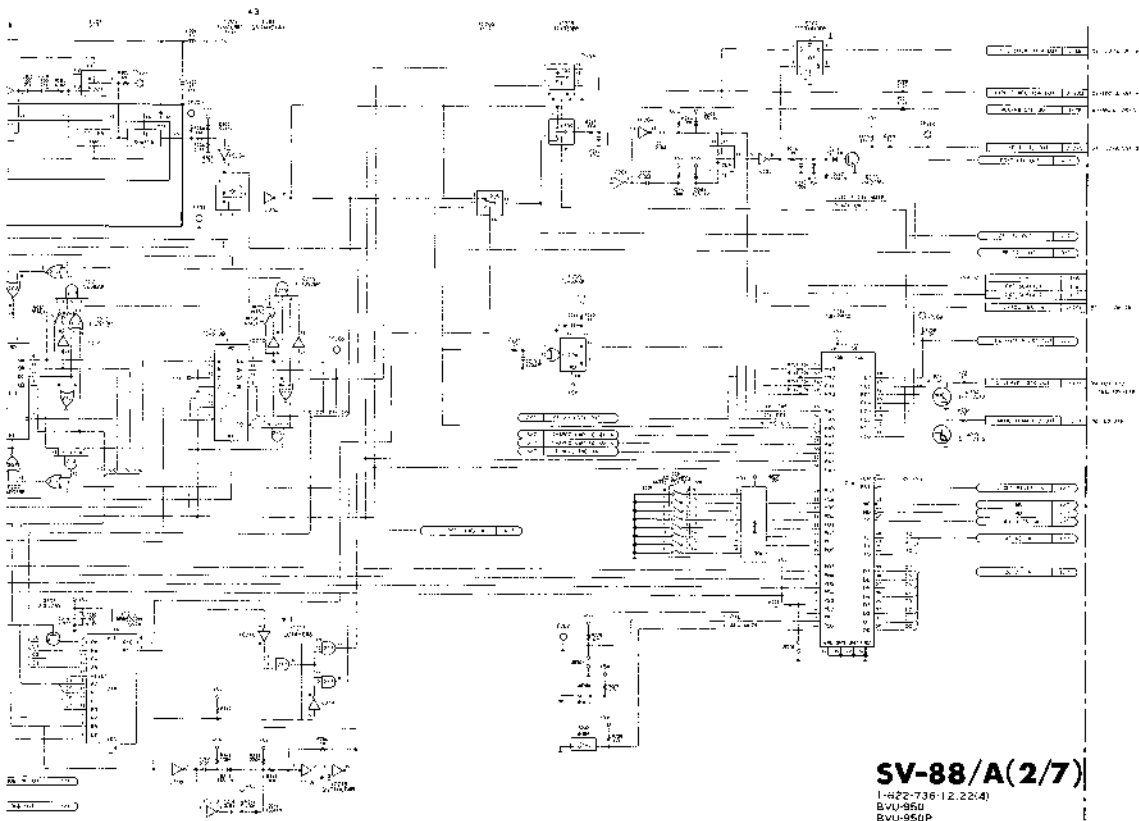
SV-88A(2/7): CTL REC/PB AMPLIFIER S/N 10981 TO 13730 (EK)



16-98 (b)

16-99 (b)

A | B | C | D | E | F | G | H



NOTE:

MARK	CHANGE INFORMATION	SERIAL NO.
+1	R702 BELL 110	J 11820
	K030 CHANGED	J 11026
	K1455B00	UC 1424
+2		2615081
	PC4580.0	BM 1007A
	K204 CHANGED	
	TC74HC24P	
	SPT4NC24P	
+3	IC218 518 CHANGED	J 11826
	TC74AK04P	GC 15291
	SN7400AN	PK 13731
	IC217 CHANGED	BR 1007G
	TC74HC00P	
	LC74HC00	

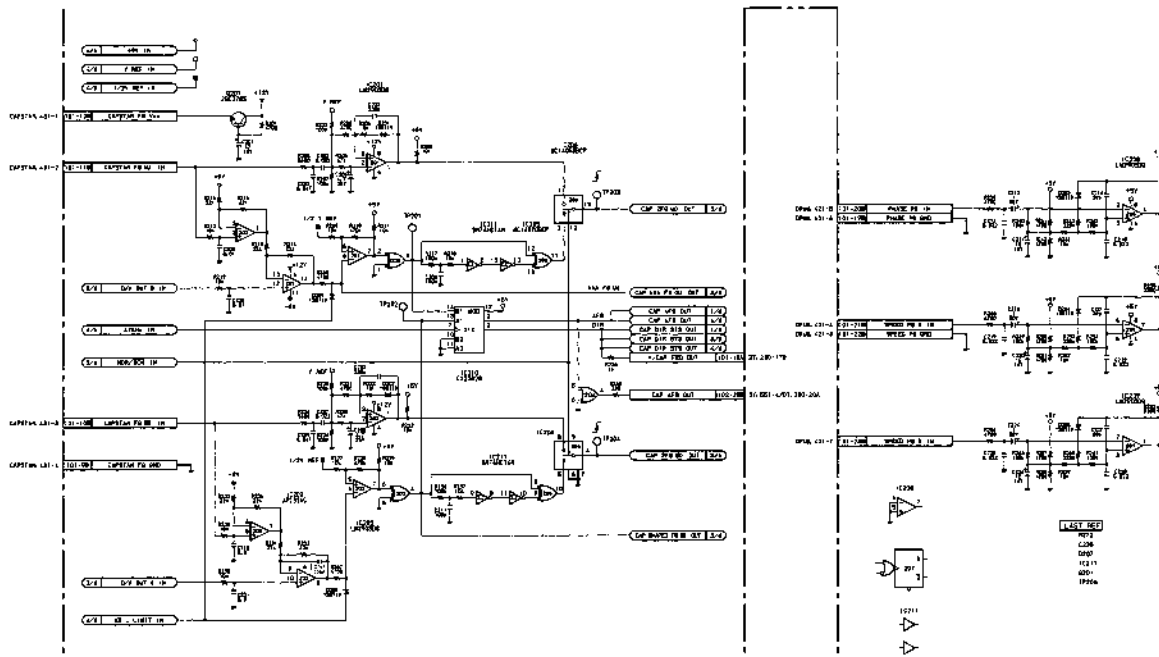
SV-88/A(2/7)

1-822-736 (1.2.22:4)
 BVU-850
 BVU-950P

SV-113C(2/6); DRUM/CAPSTAN PG/FG S/N 13731 AND HIGHER (EK)

NOTE:

MARK.	ADDRESS	CHANGE INFORMATION	SERIAL NO.
14	04	CHK2 ADDED	EK 14291
		ZCP	



16-93 (c)

16-99 (c)

A

B

C

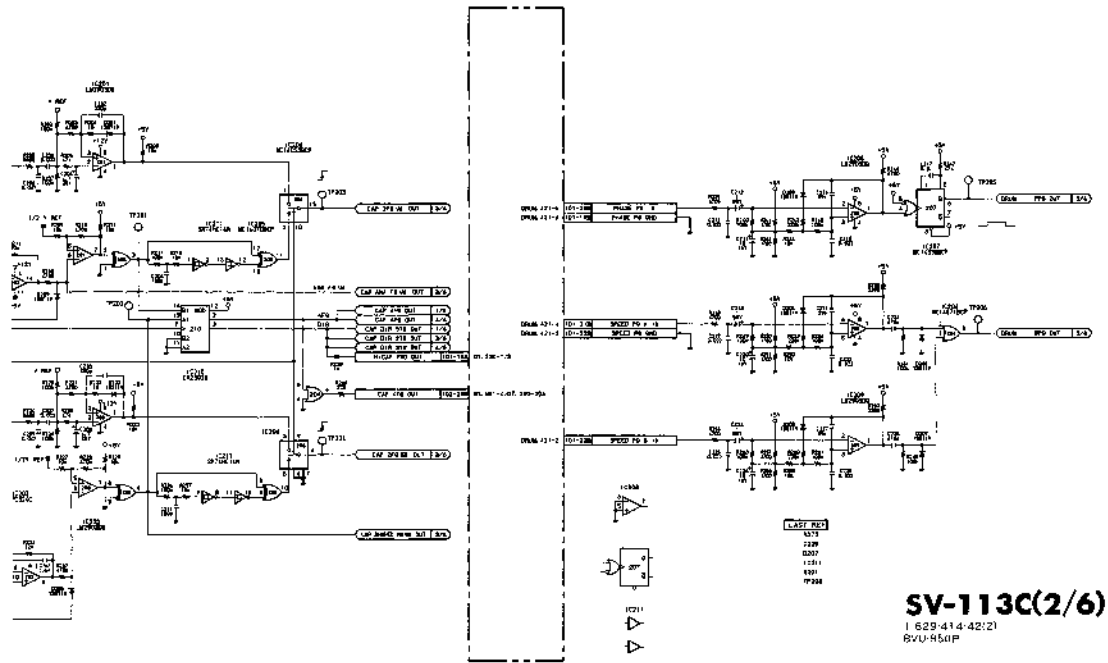
D

E

F

G

H



SV-113C(2/6)

I 629-414-42(2)
RVU-950P

SV-88A(3/7): SERVO TIMER/CLOCK COUNTER S/N UP TO 10980(EK)

1

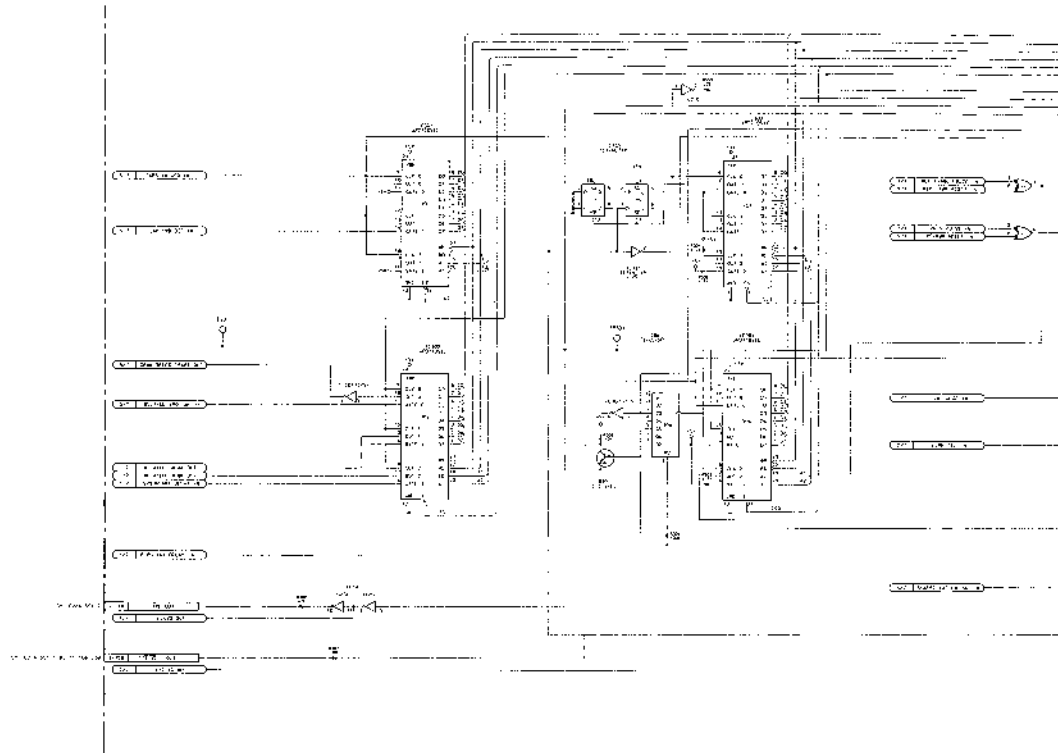
2

3

4

5

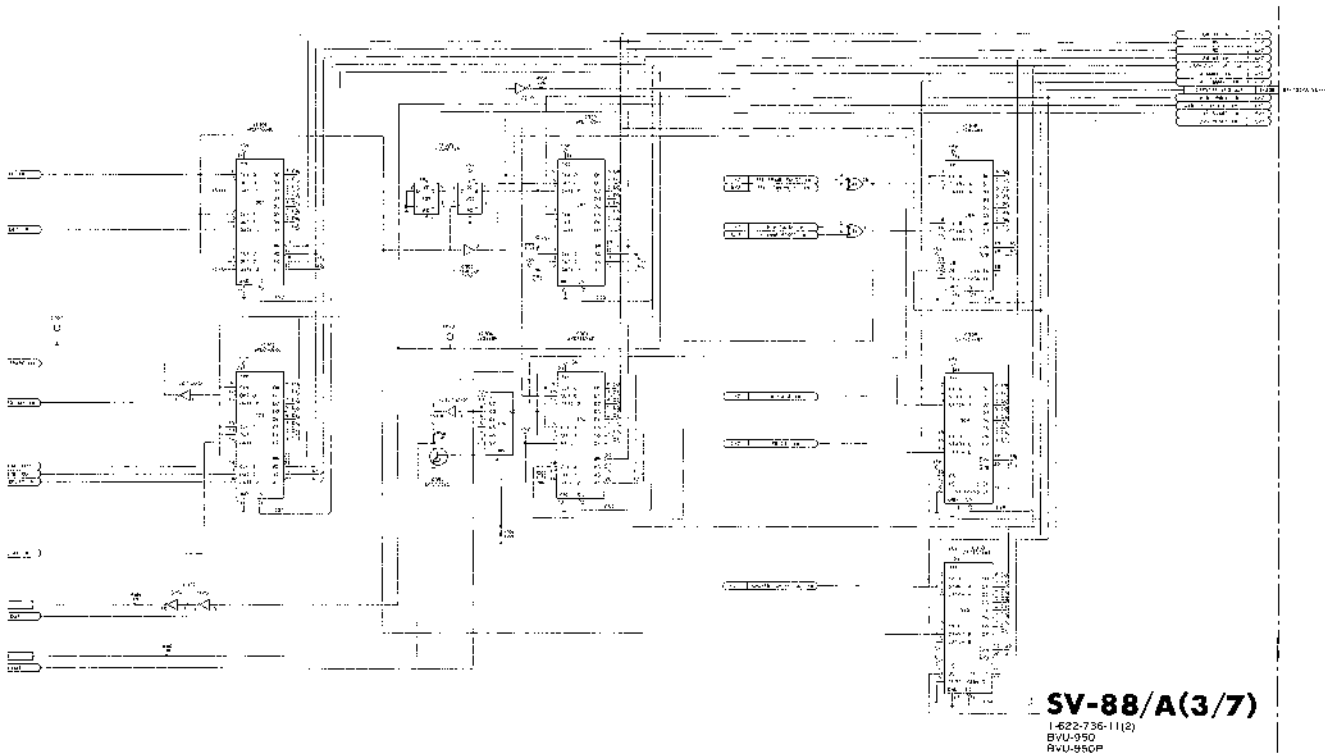
E



16-104 (a)

16-105 (a)

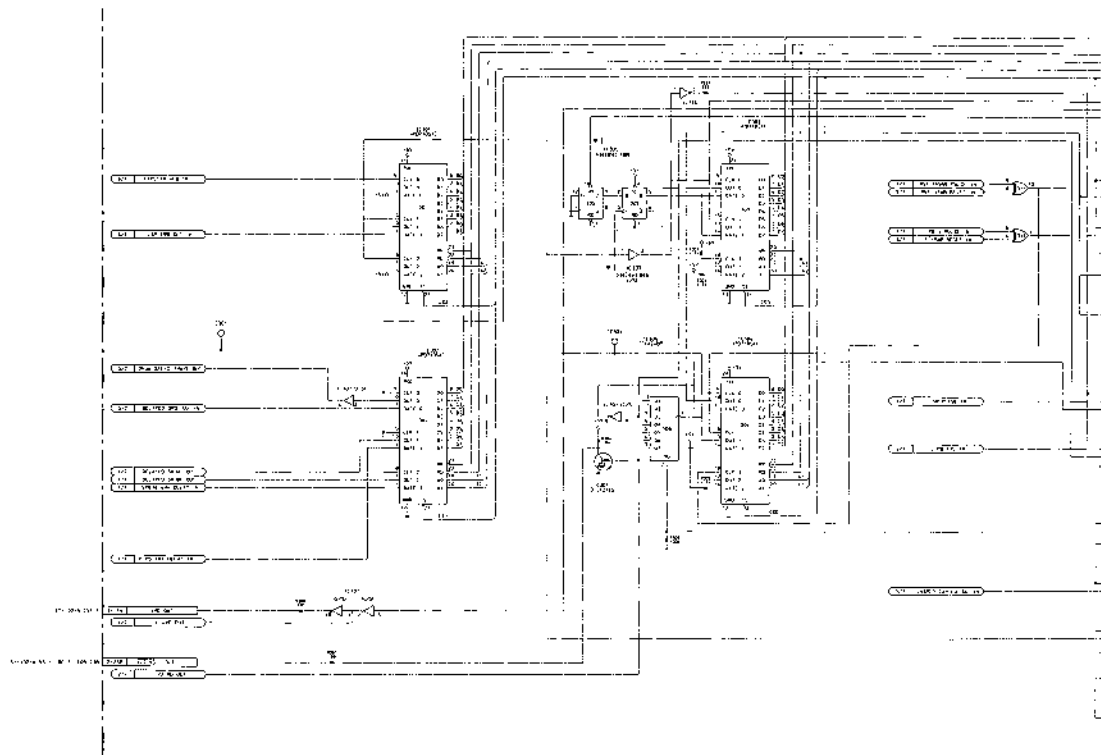
A | B | C | D | E | F | G | H

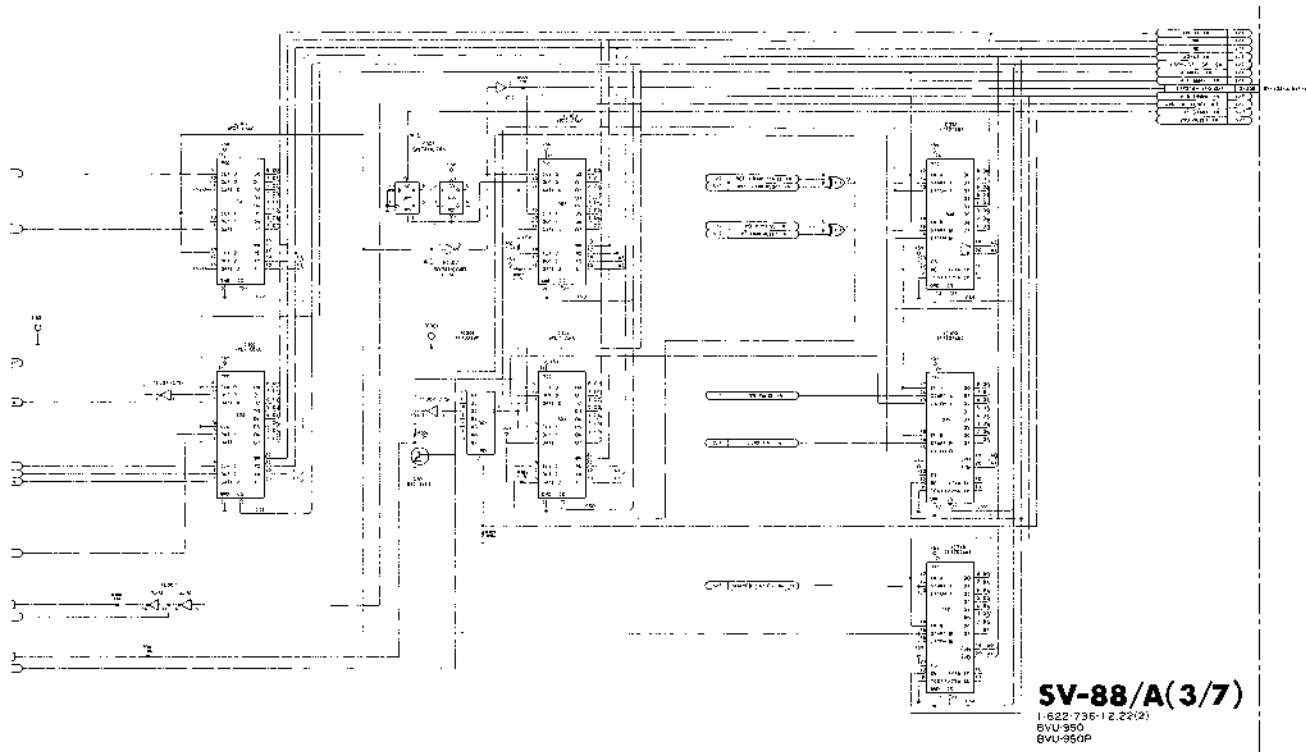


V-88A(3/7): SERVO TIMER/CLOCK COUNTER S/N 10981 TO 13730 (EK)

NOTE:

MARK	CHANGE INFORMATION	SERIAL NO.
*1	IC324 CHANGED 1C794CZ8P	
		J : 11324
		US : 15203
	SN74HC074H IC307 CHANGED 1C794C048P	EK : 13732
		98 : 10076
	SN74HC004H	



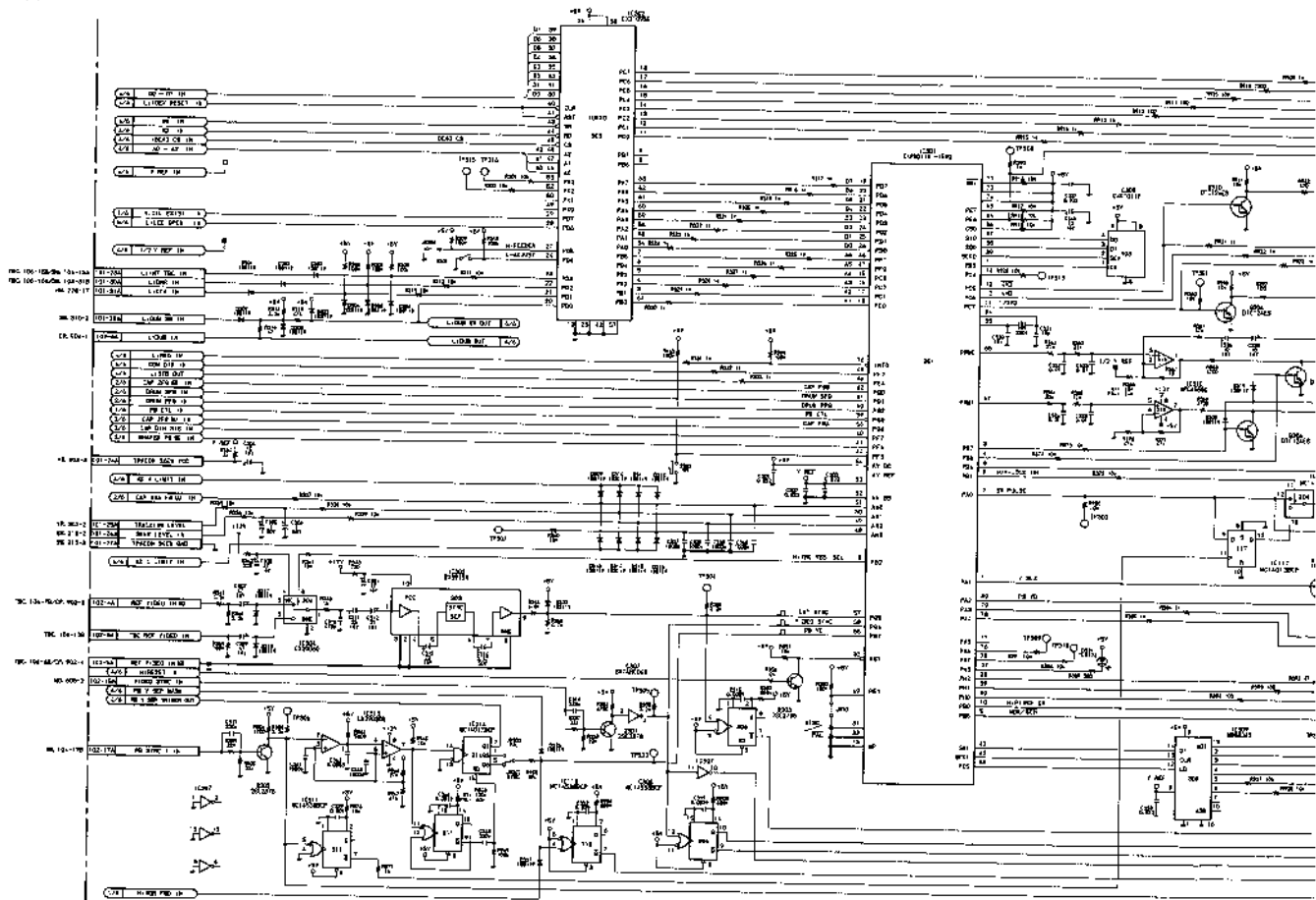


SV-88/A(3/7)

1-622-736-1(2,22(2)
 BVU-950
 BVU-950P

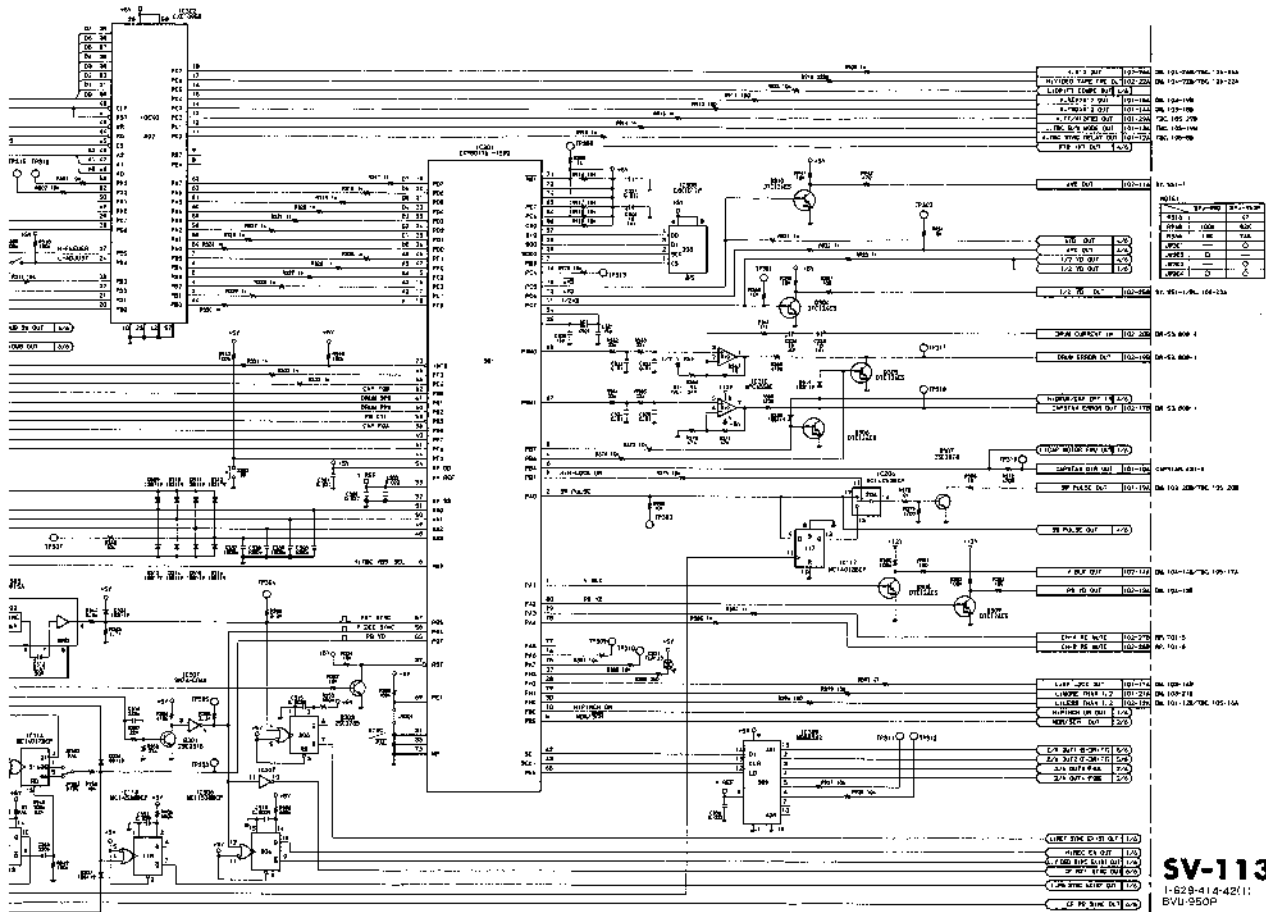
SV-113C(3/6); DRUM/CAPSTAN PWM SERVO SYNC SEPARATOR

S/N 13731 AND HIGHER (EK)



16-104 (c)

16-105 (c)



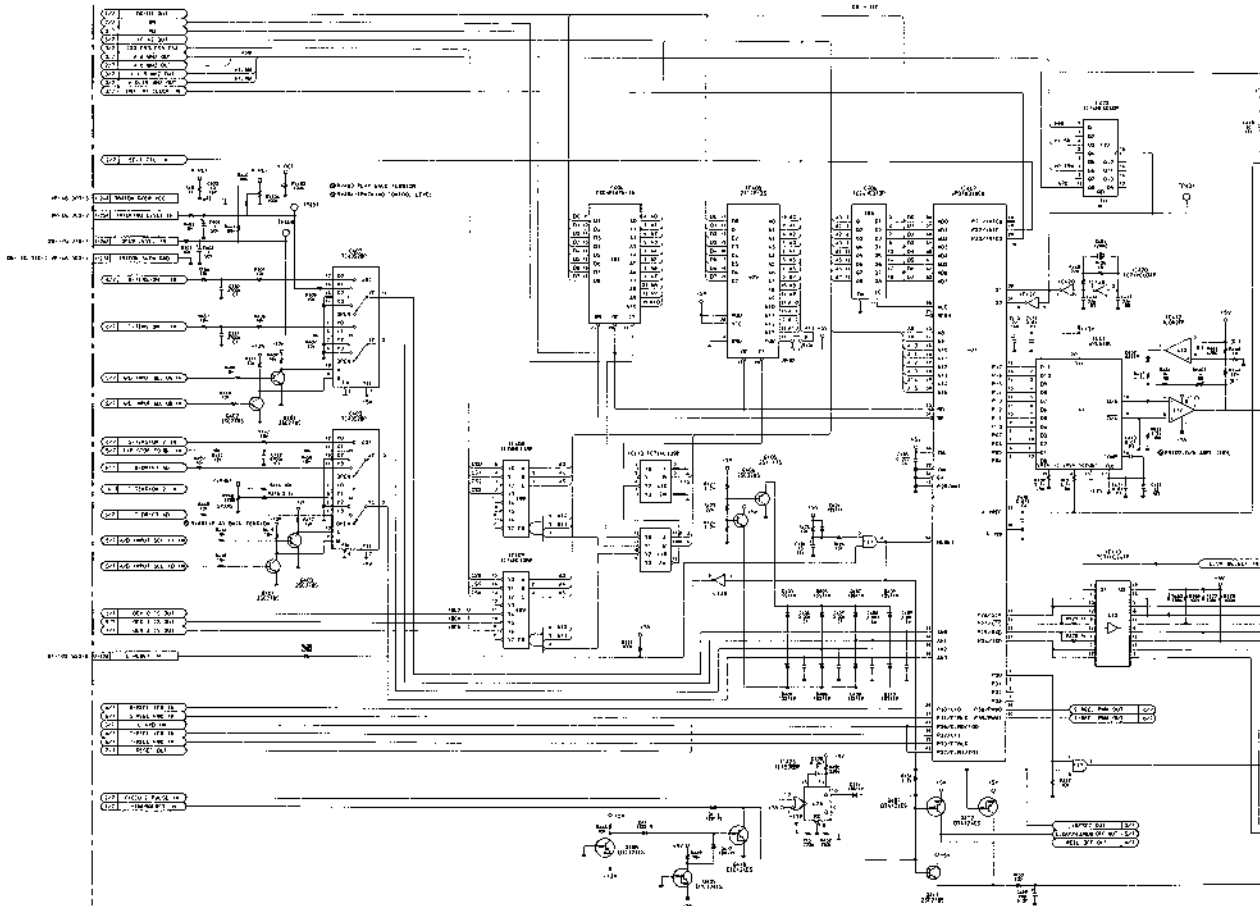
401	402	403	404	405	406	407	408	409	410	411	412	413	414	415	416	417	418	419	420	421	422	423	424	425	426	427	428	429	430	431	432	433	434	435	436	437	438	439	440	441	442	443	444	445	446	447	448	449	450	451	452	453	454	455	456	457	458	459	460	461	462	463	464	465	466	467	468	469	470	471	472	473	474	475	476	477	478	479	480	481	482	483	484	485	486	487	488	489	490	491	492	493	494	495	496	497	498	499	500
-----	-----	-----	-----	-----	-----	-----	-----	-----	-----	-----	-----	-----	-----	-----	-----	-----	-----	-----	-----	-----	-----	-----	-----	-----	-----	-----	-----	-----	-----	-----	-----	-----	-----	-----	-----	-----	-----	-----	-----	-----	-----	-----	-----	-----	-----	-----	-----	-----	-----	-----	-----	-----	-----	-----	-----	-----	-----	-----	-----	-----	-----	-----	-----	-----	-----	-----	-----	-----	-----	-----	-----	-----	-----	-----	-----	-----	-----	-----	-----	-----	-----	-----	-----	-----	-----	-----	-----	-----	-----	-----	-----	-----	-----	-----	-----	-----	-----	-----	-----

SV-113C(3/6)

1-628-614-42(1)
BVU-950P

SV-88A(4/7): DRUM/CAPSTAN DATA CONTROL

S/N UP TO 10980(EK)



16-110(a)

16-111(b)

A

B

C

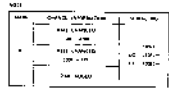
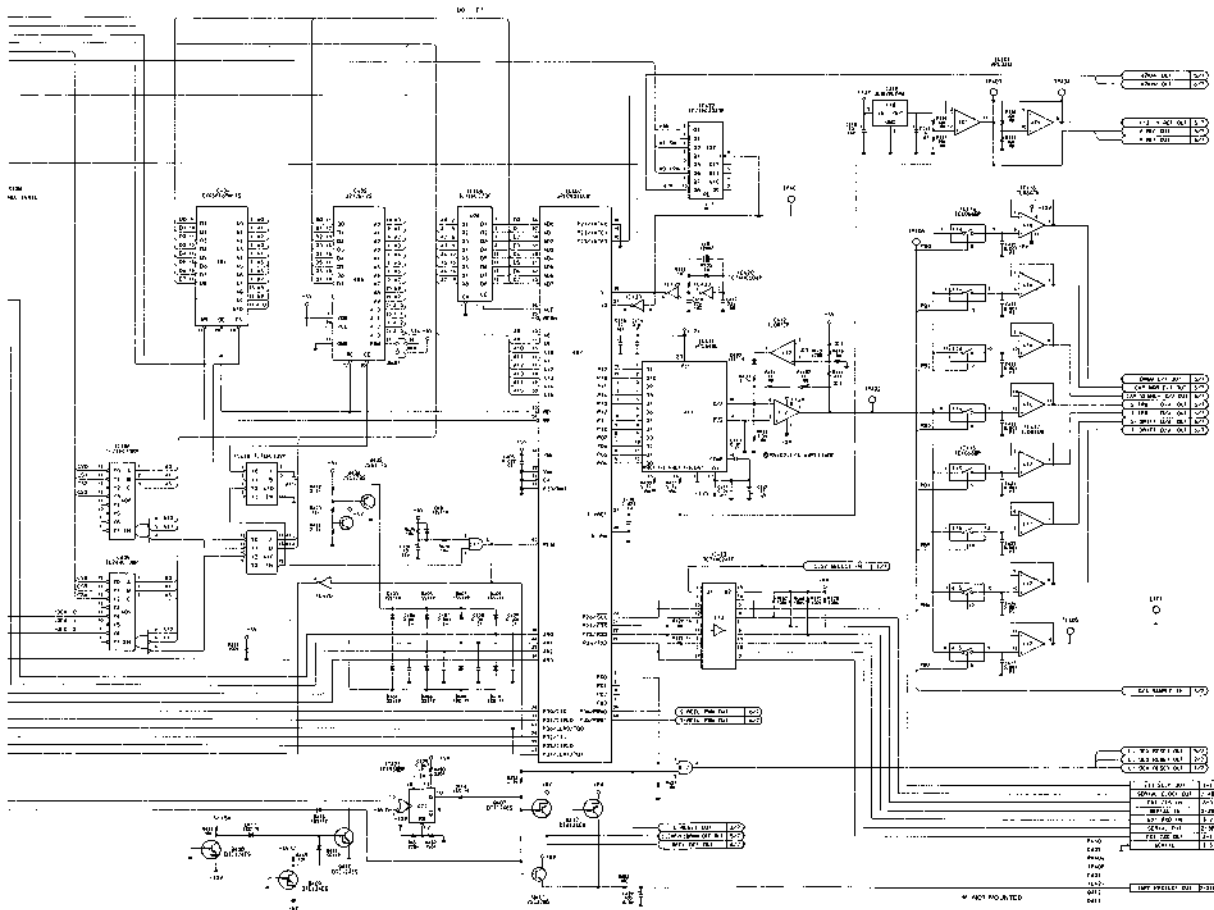
D

E

F

G

H



1	74181	ALU	1
2	74181	ALU	2
3	74181	ALU	3
4	74181	ALU	4
5	74181	ALU	5
6	74181	ALU	6
7	74181	ALU	7
8	74181	ALU	8
9	74181	ALU	9
10	74181	ALU	10
11	74181	ALU	11
12	74181	ALU	12
13	74181	ALU	13
14	74181	ALU	14
15	74181	ALU	15
16	74181	ALU	16
17	74181	ALU	17
18	74181	ALU	18
19	74181	ALU	19
20	74181	ALU	20
21	74181	ALU	21
22	74181	ALU	22
23	74181	ALU	23
24	74181	ALU	24
25	74181	ALU	25
26	74181	ALU	26
27	74181	ALU	27
28	74181	ALU	28
29	74181	ALU	29
30	74181	ALU	30
31	74181	ALU	31
32	74181	ALU	32
33	74181	ALU	33
34	74181	ALU	34
35	74181	ALU	35
36	74181	ALU	36
37	74181	ALU	37
38	74181	ALU	38
39	74181	ALU	39
40	74181	ALU	40
41	74181	ALU	41
42	74181	ALU	42
43	74181	ALU	43
44	74181	ALU	44
45	74181	ALU	45
46	74181	ALU	46
47	74181	ALU	47
48	74181	ALU	48
49	74181	ALU	49
50	74181	ALU	50

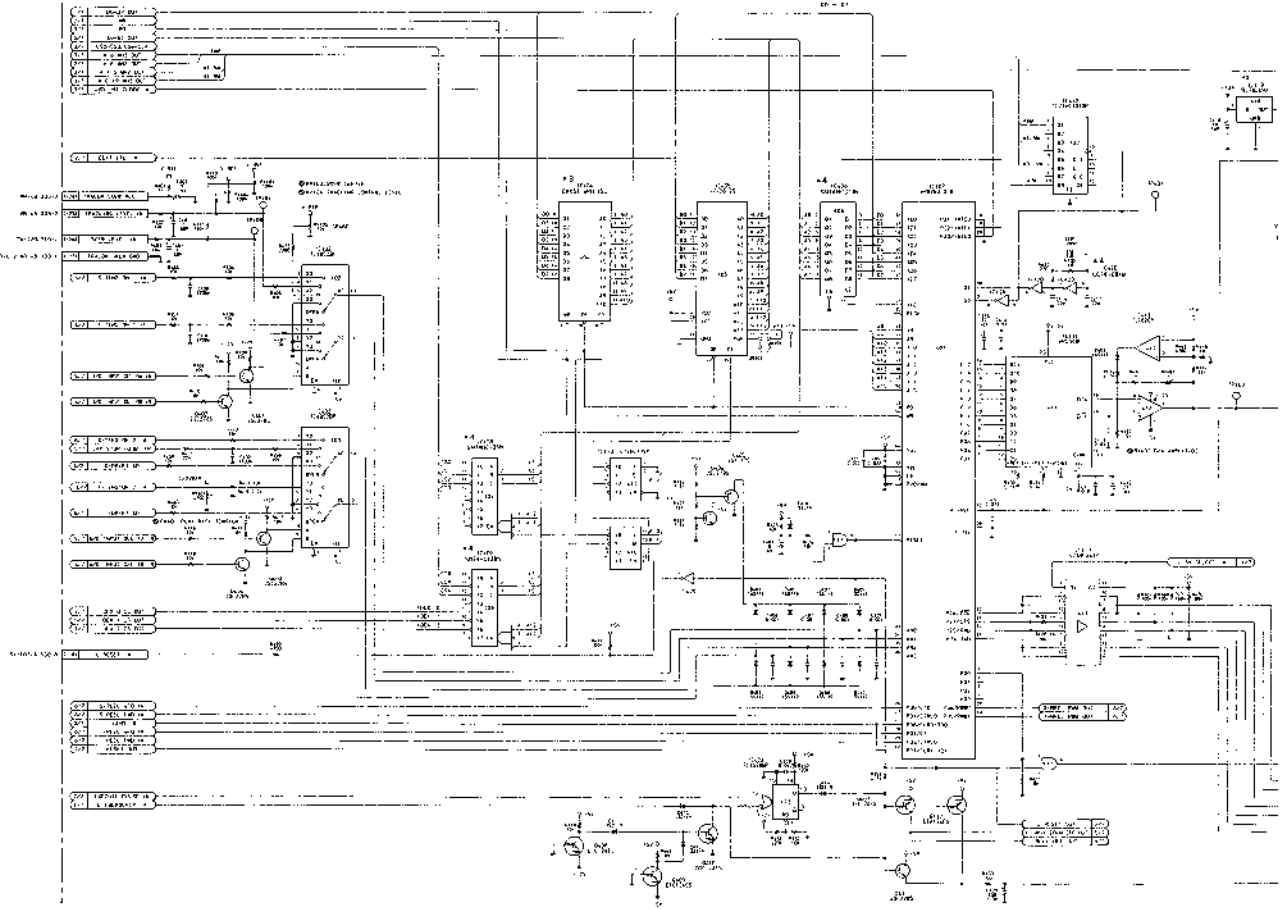
SV-88/A(4/7)
 1-622 736 1113
 BVU-950
 BVU-950P

SV-88A(4/7): DRUM/CAPSTAN DATA CONTROL

S/N 10981 TO 13730 (EK)

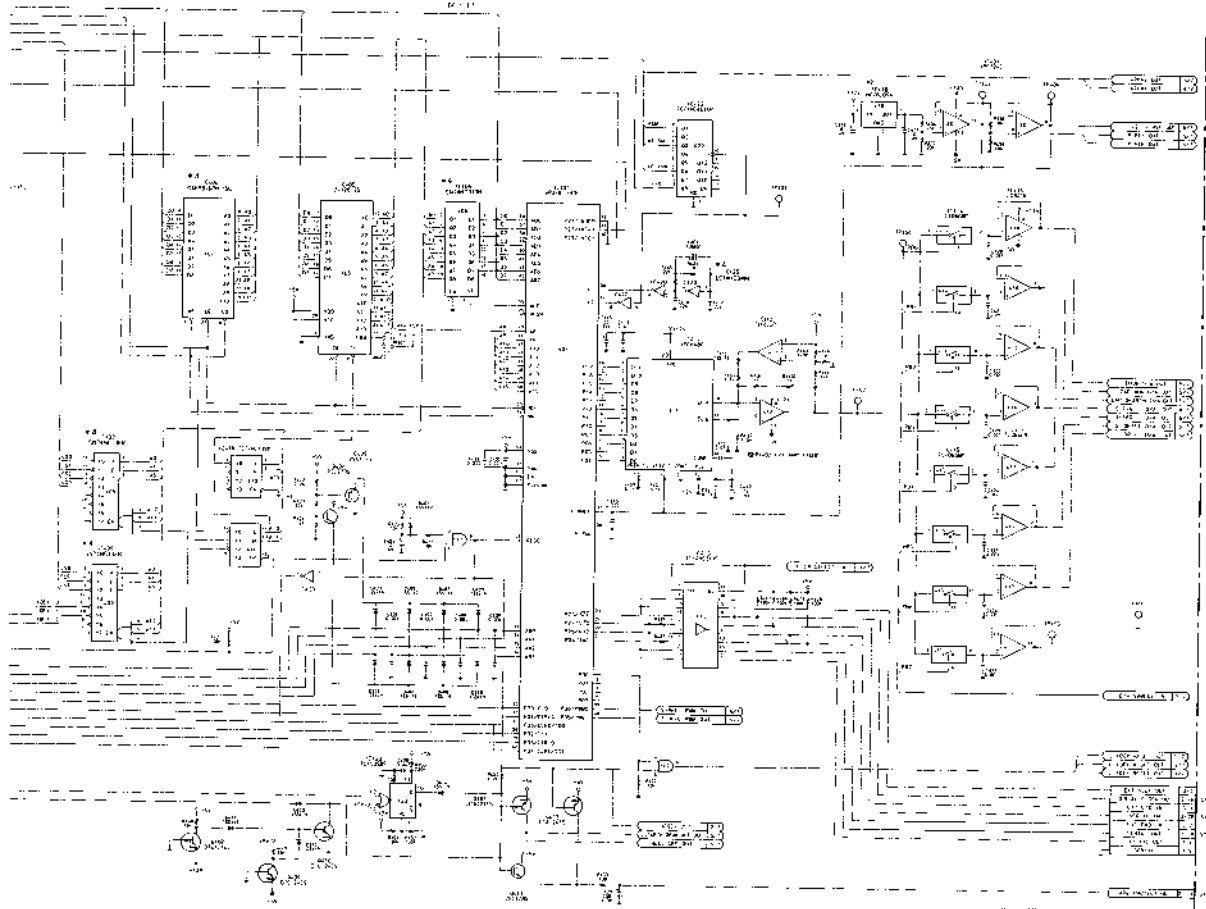
NOTE:

NO.	CHANGE INFORMATION	SIGNAL NO.
1.3	RA2'S CHANGED	J: 10263
	22K - 12K	UC: 15501
	IC43'S CHANGED	DR: 21886
1.2	NR4'S CHANGED	J: 10155
	NR4'S LOGIC	UC: 14243
	ROTUSERS	ER: 13685
1.3	IC40M CHANGED	J: 11276
	CKX5818M*15	UC: 15240
	IC40'S CHANGED	DR: 23731
1.4	CKX5818M*15L	BR: 26876
	IC40'S CHANGED	J: 11305
	TC74HC139P	UC: 13234
	IC40'S CHANGED	ER: 13731
	TC74HC139P	BR: 26876
	IC40'S CHANGED	J: 11305
	TC74HC139P	UC: 13234



16-110 (b)

16-111 (b)

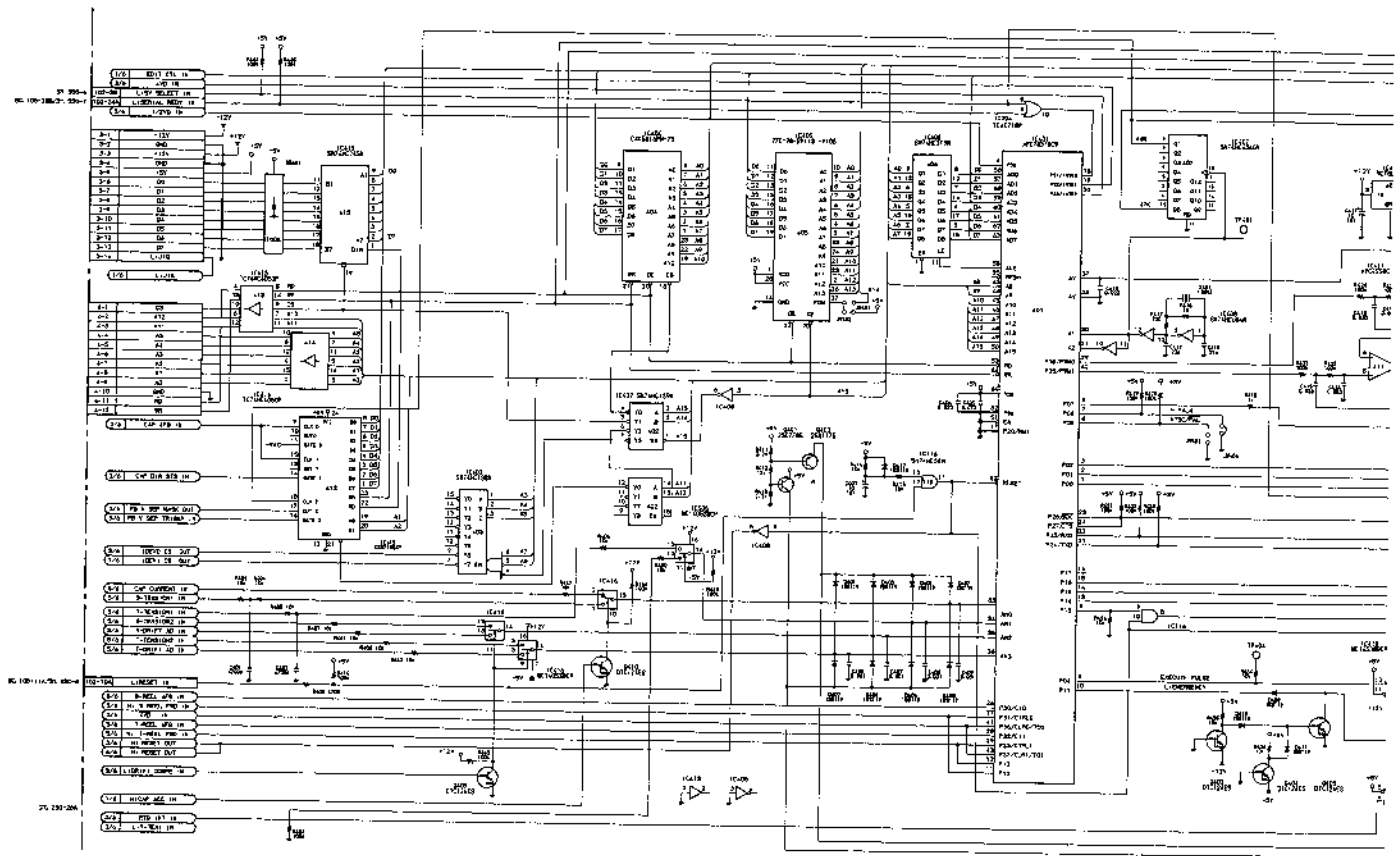


16-111 (b)

16-112 (b)

SV-88/A(4/7)
 1-622-736-12,22(4)
 BVII-950
 BVII-950P

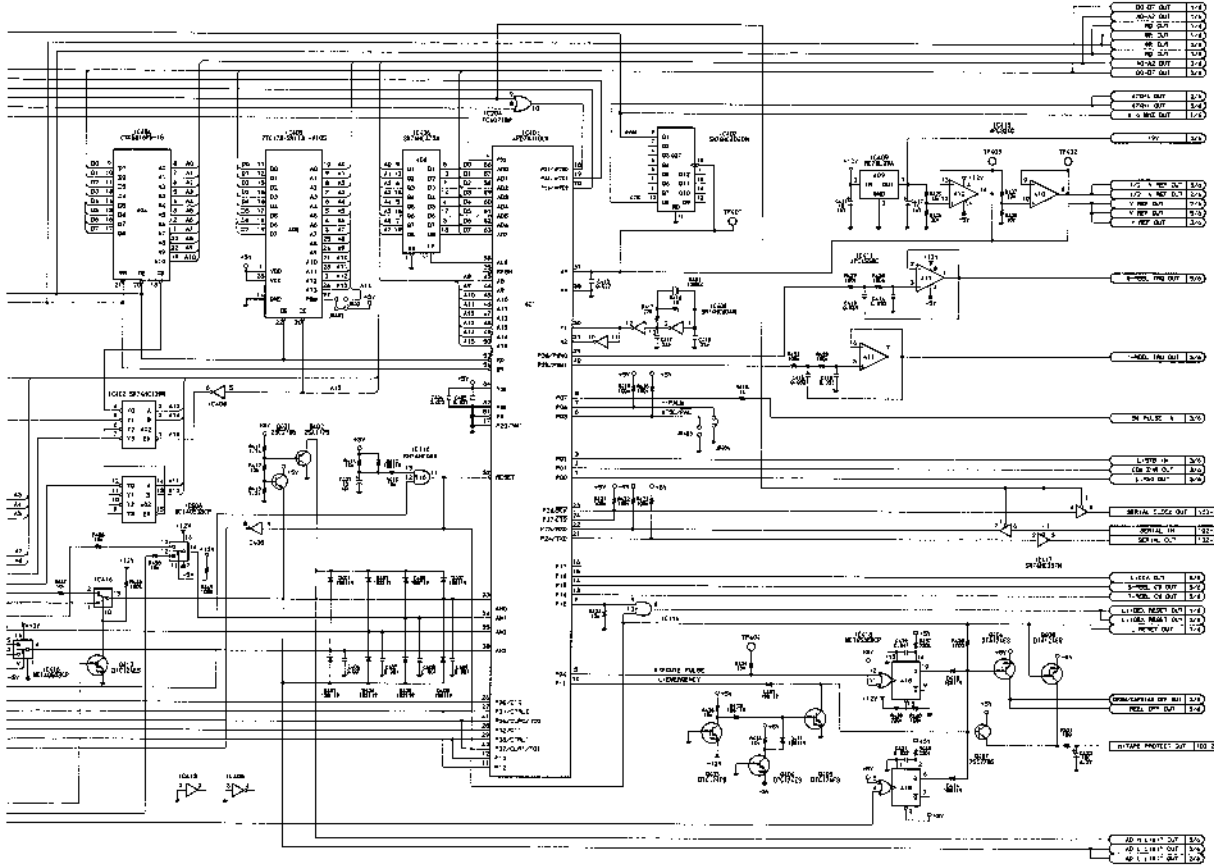
SV-113C(4/6); DRUM/CAPSTAN DATA CONTROL S/N 13731 AND HIGHER (EX)



16-110 (c)

16-111 (c)

A | B | C | D | E | F | G | H

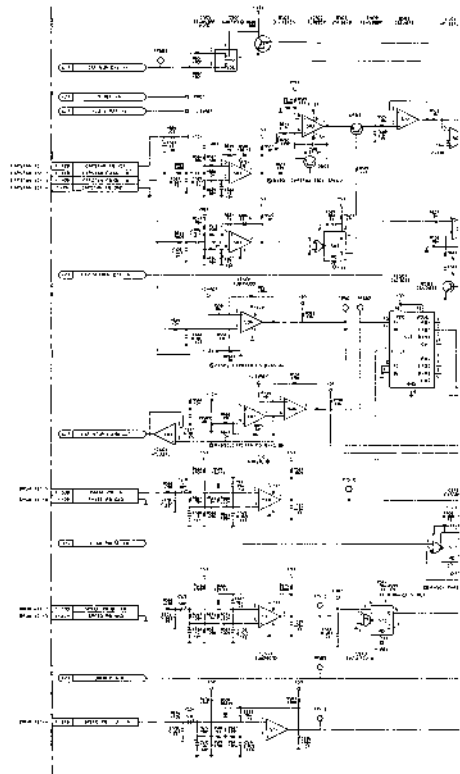


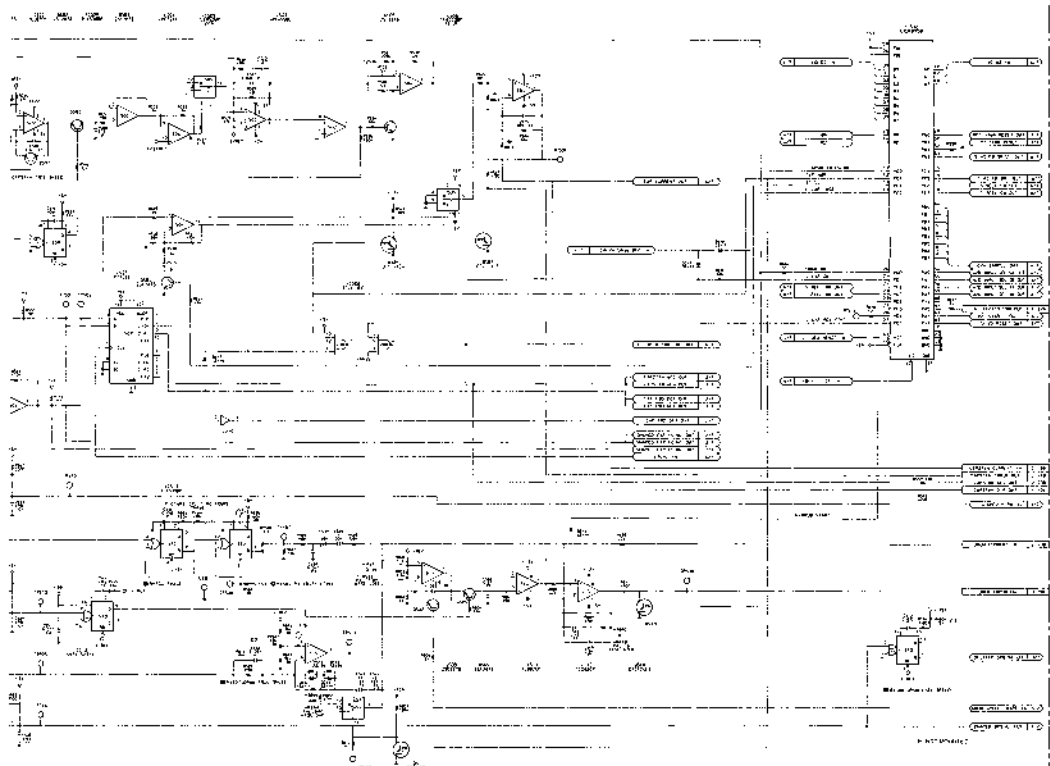
NOTE

Model	Max-402	Max-402P	Max-402PP
...
...

- DO OUT 1/4
- DO IN 1/5
- DO OUT 1/6
- DO OUT 1/7
- DO OUT 1/8
- DO OUT 1/9
- DO OUT 1/10
- DO OUT 1/11
- DO OUT 1/12
- DO OUT 1/13
- DO OUT 1/14
- DO OUT 1/15
- DO OUT 1/16
- DO OUT 1/17
- DO OUT 1/18
- DO OUT 1/19
- DO OUT 1/20
- DO OUT 1/21
- DO OUT 1/22
- DO OUT 1/23
- DO OUT 1/24
- DO OUT 1/25
- DO OUT 1/26
- DO OUT 1/27
- DO OUT 1/28
- DO OUT 1/29
- DO OUT 1/30
- DO OUT 1/31
- DO OUT 1/32
- DO OUT 1/33
- DO OUT 1/34
- DO OUT 1/35
- DO OUT 1/36
- DO OUT 1/37
- DO OUT 1/38
- DO OUT 1/39
- DO OUT 1/40
- DO OUT 1/41
- DO OUT 1/42
- DO OUT 1/43
- DO OUT 1/44
- DO OUT 1/45
- DO OUT 1/46
- DO OUT 1/47
- DO OUT 1/48
- DO OUT 1/49
- DO OUT 1/50
- DO OUT 1/51
- DO OUT 1/52
- DO OUT 1/53
- DO OUT 1/54
- DO OUT 1/55
- DO OUT 1/56
- DO OUT 1/57
- DO OUT 1/58
- DO OUT 1/59
- DO OUT 1/60
- DO OUT 1/61
- DO OUT 1/62
- DO OUT 1/63
- DO OUT 1/64
- DO OUT 1/65
- DO OUT 1/66
- DO OUT 1/67
- DO OUT 1/68
- DO OUT 1/69
- DO OUT 1/70
- DO OUT 1/71
- DO OUT 1/72
- DO OUT 1/73
- DO OUT 1/74
- DO OUT 1/75
- DO OUT 1/76
- DO OUT 1/77
- DO OUT 1/78
- DO OUT 1/79
- DO OUT 1/80
- DO OUT 1/81
- DO OUT 1/82
- DO OUT 1/83
- DO OUT 1/84
- DO OUT 1/85
- DO OUT 1/86
- DO OUT 1/87
- DO OUT 1/88
- DO OUT 1/89
- DO OUT 1/90
- DO OUT 1/91
- DO OUT 1/92
- DO OUT 1/93
- DO OUT 1/94
- DO OUT 1/95
- DO OUT 1/96
- DO OUT 1/97
- DO OUT 1/98
- DO OUT 1/99
- DO OUT 1/100

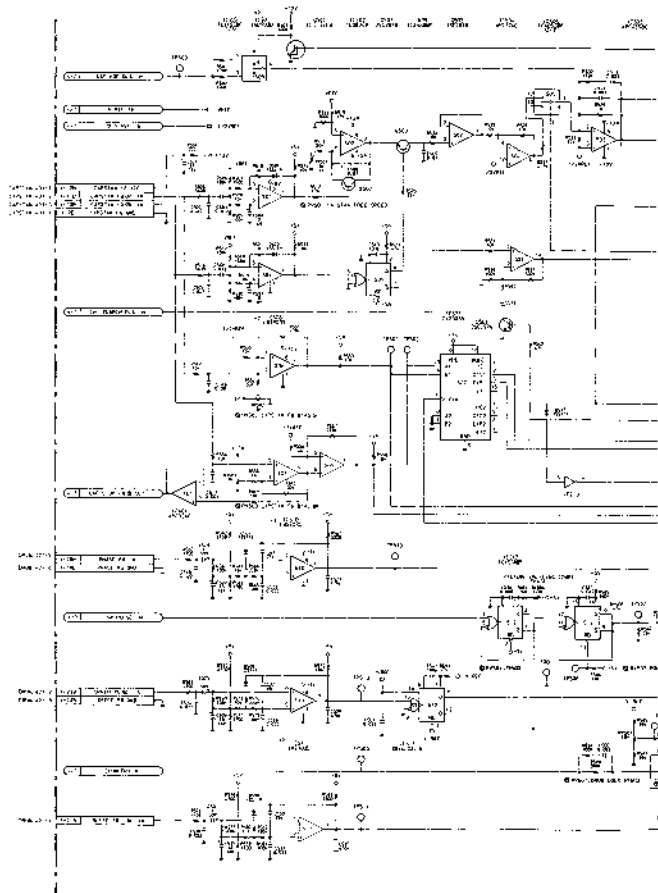
SV-113C(4/6)
 1-629-414-4211
 BVU-990P

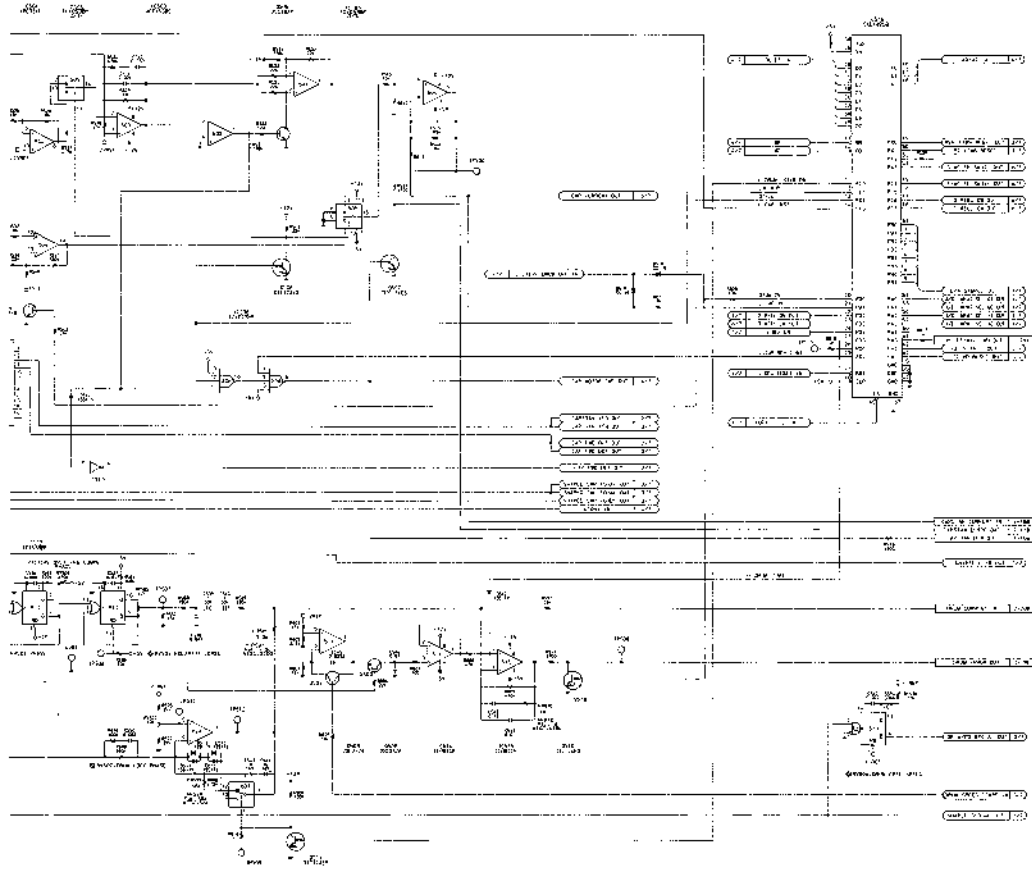




REV.	DATE	DESCRIPTION	BY	CHK.
1	10/1/88	INITIAL DESIGN
2	10/1/88	REVISED
3	10/1/88	REVISED
4	10/1/88	REVISED

SV-88/A(5/7)
 1-822-736-11(3)
 BVU-855
 BVU-855P

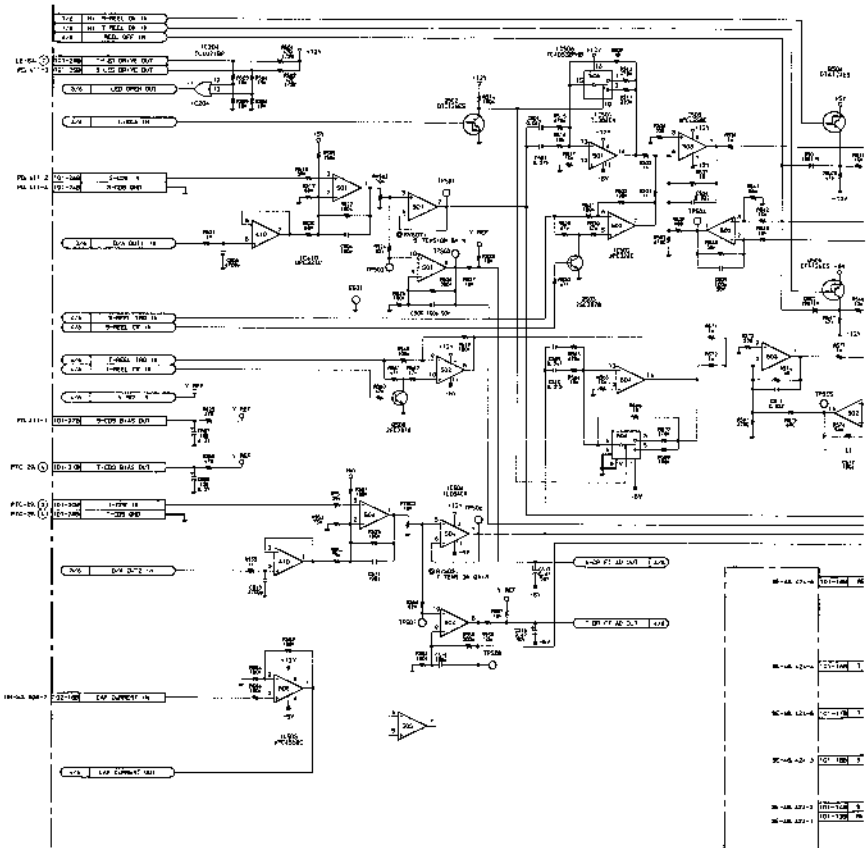


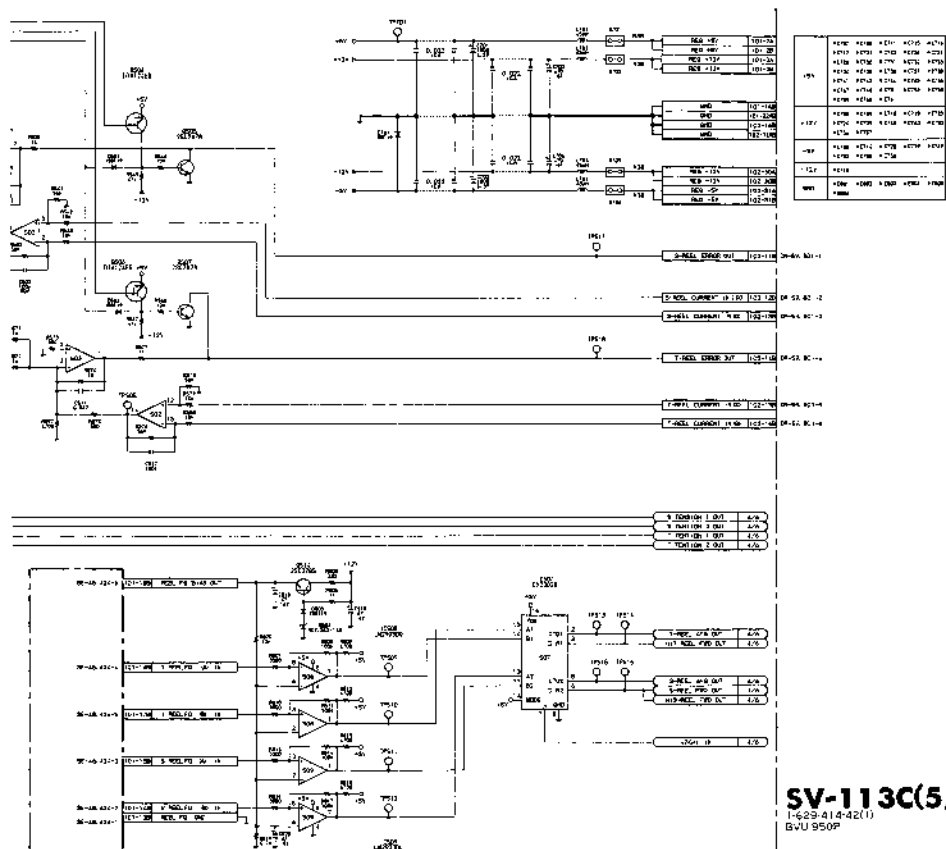


REV	DATE	BY	CHKD
1	11/10/88	J. J. J.	J. J. J.
2	11/10/88	J. J. J.	J. J. J.
3	11/10/88	J. J. J.	J. J. J.
4	11/10/88	J. J. J.	J. J. J.
5	11/10/88	J. J. J.	J. J. J.
6	11/10/88	J. J. J.	J. J. J.
7	11/10/88	J. J. J.	J. J. J.
8	11/10/88	J. J. J.	J. J. J.
9	11/10/88	J. J. J.	J. J. J.
10	11/10/88	J. J. J.	J. J. J.

SV-88/A(5/7)

1-622-736-12, 22(3)
 BVU-95G
 BVU-95DP

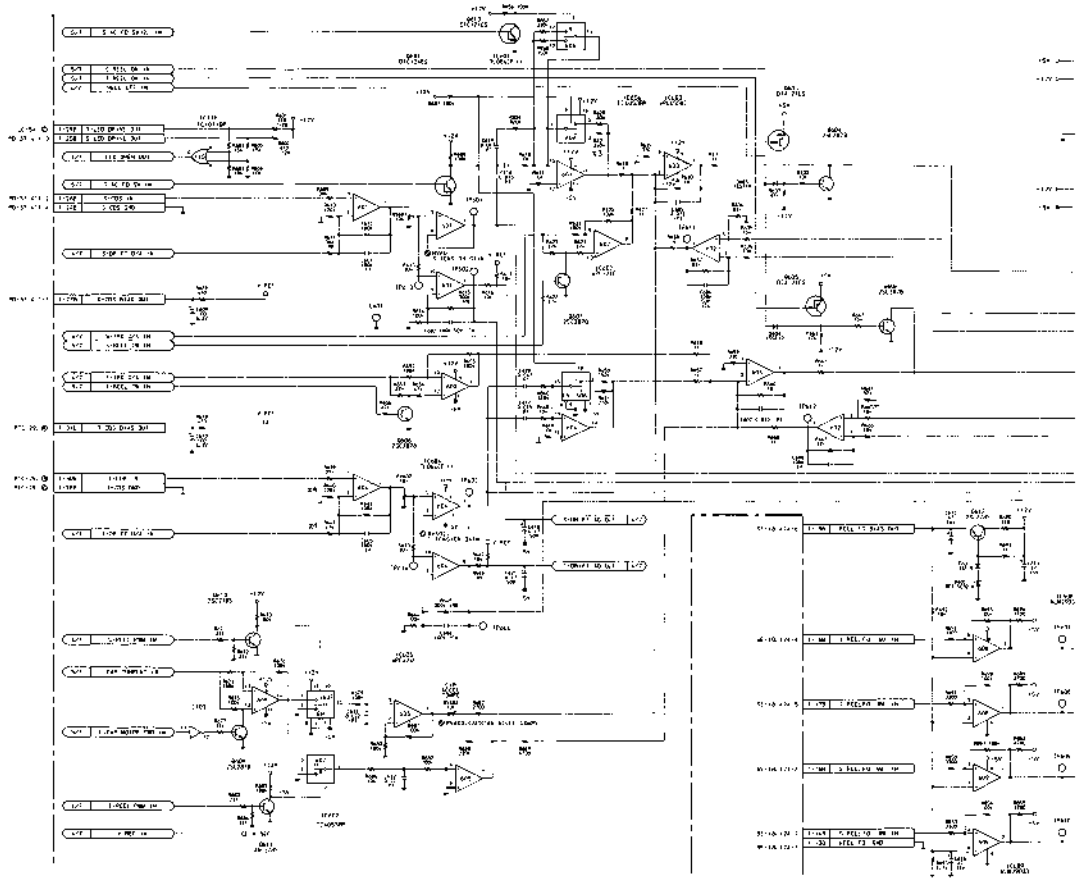




SV-113C(5/6)
 I-623-414-42(1)
 BVU 950P

SV-88A(6/7); REEL SERVO S/N UP TO 10980(EK)

NO.	DESCRIPTION	REV.
1	ISSUED	1
2	REVISED	2
3	REVISED	3
4	REVISED	4
5	REVISED	5
6	REVISED	6
7	REVISED	7
8	REVISED	8
9	REVISED	9
10	REVISED	10
11	REVISED	11
12	REVISED	12
13	REVISED	13
14	REVISED	14
15	REVISED	15
16	REVISED	16
17	REVISED	17
18	REVISED	18
19	REVISED	19
20	REVISED	20
21	REVISED	21
22	REVISED	22
23	REVISED	23
24	REVISED	24
25	REVISED	25
26	REVISED	26
27	REVISED	27
28	REVISED	28
29	REVISED	29
30	REVISED	30
31	REVISED	31
32	REVISED	32
33	REVISED	33
34	REVISED	34
35	REVISED	35
36	REVISED	36
37	REVISED	37
38	REVISED	38
39	REVISED	39
40	REVISED	40
41	REVISED	41
42	REVISED	42
43	REVISED	43
44	REVISED	44
45	REVISED	45
46	REVISED	46
47	REVISED	47
48	REVISED	48
49	REVISED	49
50	REVISED	50
51	REVISED	51
52	REVISED	52
53	REVISED	53
54	REVISED	54
55	REVISED	55
56	REVISED	56
57	REVISED	57
58	REVISED	58
59	REVISED	59
60	REVISED	60
61	REVISED	61
62	REVISED	62
63	REVISED	63
64	REVISED	64
65	REVISED	65
66	REVISED	66
67	REVISED	67
68	REVISED	68
69	REVISED	69
70	REVISED	70
71	REVISED	71
72	REVISED	72
73	REVISED	73
74	REVISED	74
75	REVISED	75
76	REVISED	76
77	REVISED	77
78	REVISED	78
79	REVISED	79
80	REVISED	80
81	REVISED	81
82	REVISED	82
83	REVISED	83
84	REVISED	84
85	REVISED	85
86	REVISED	86
87	REVISED	87
88	REVISED	88
89	REVISED	89
90	REVISED	90
91	REVISED	91
92	REVISED	92
93	REVISED	93
94	REVISED	94
95	REVISED	95
96	REVISED	96
97	REVISED	97
98	REVISED	98
99	REVISED	99
100	REVISED	100



16-124(a)

16-125(a)

A

B

C

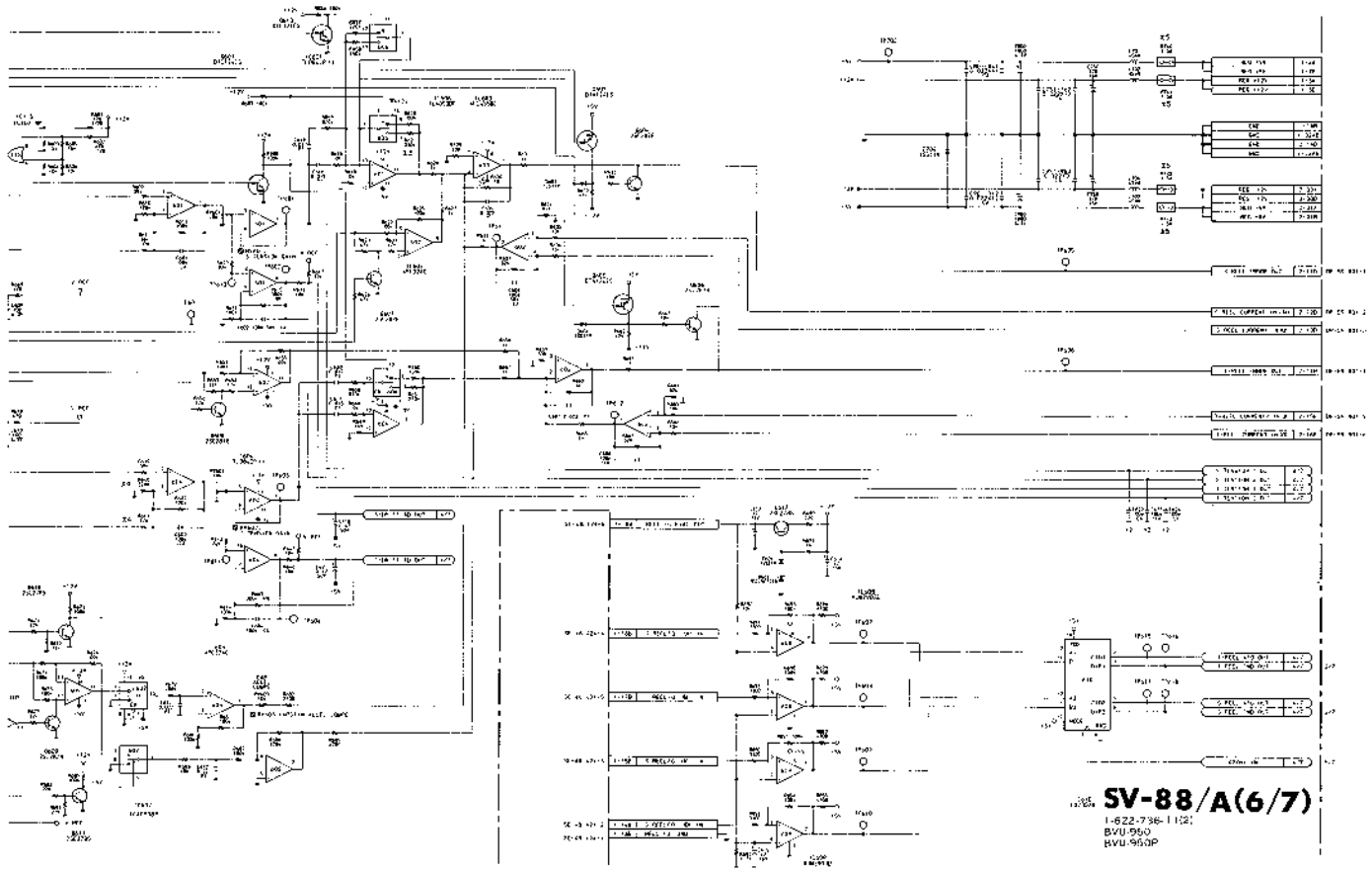
D

E

F

G

H



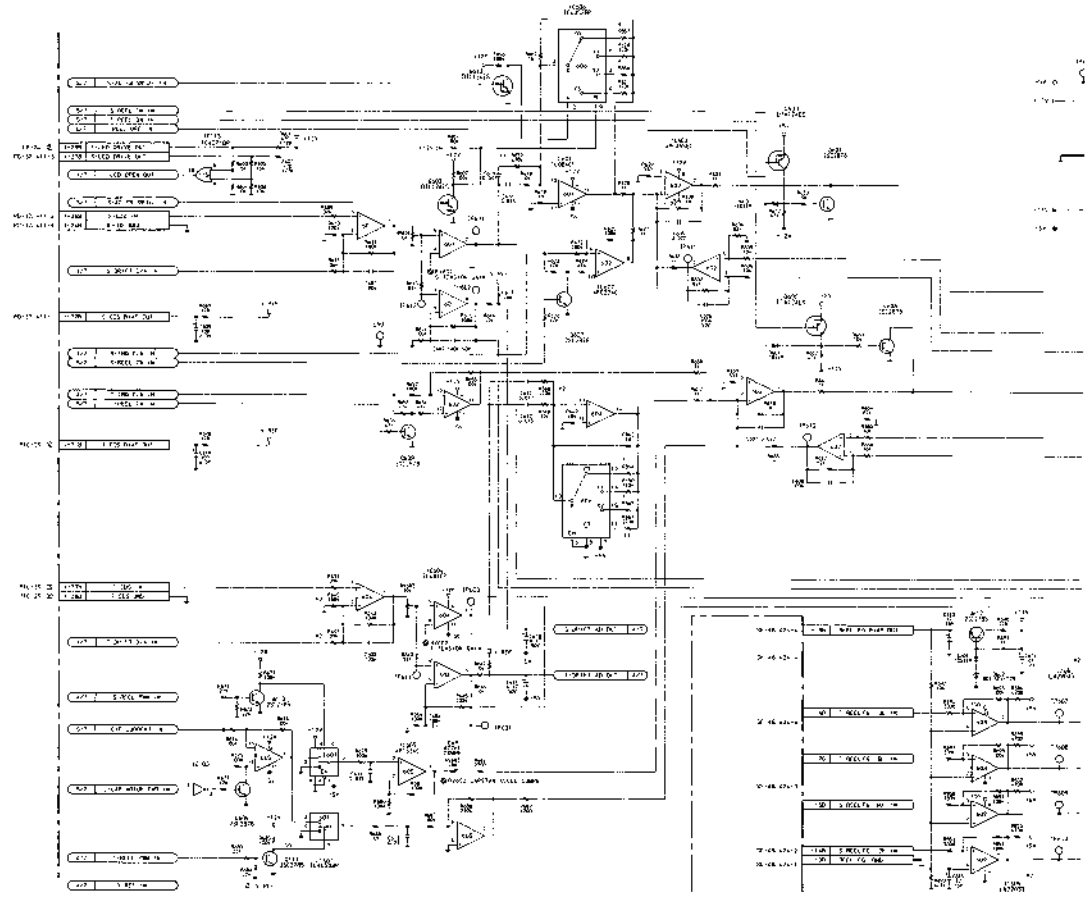
16-126(a)

16-126(a)

SV-88/A(6/7)
 1-622-736-1112;
 BVU-950
 BVU-950P

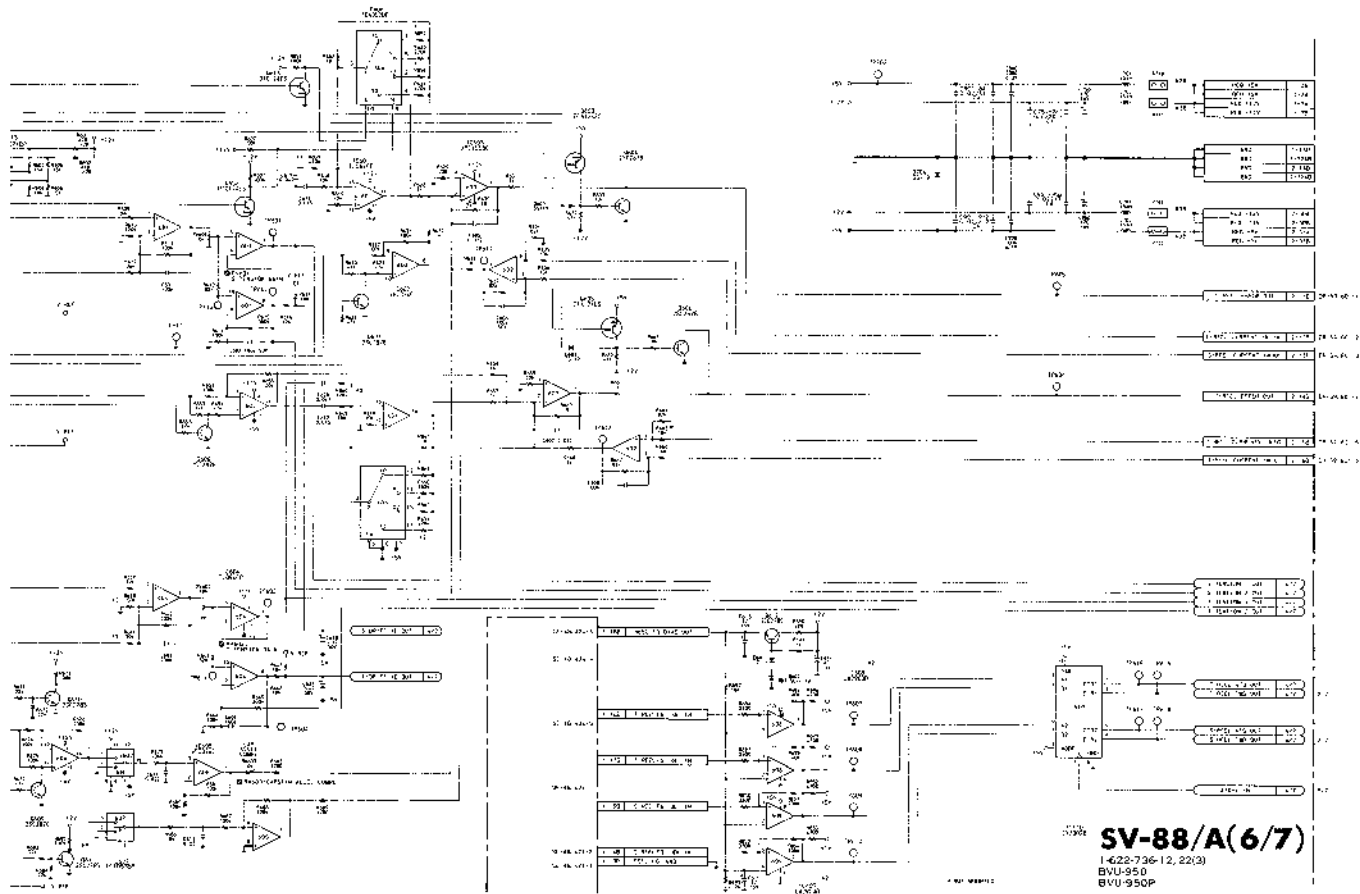
SV-88A(6/7): REEL SERVO S/N 10981 TO 13730 (EK)

REF.	QUANTITY	DESCRIPTION	DATE	BY
1	1	REEL SERVO	10/1/67	...
2	1	REEL SERVO	10/1/67	...
3	1	REEL SERVO	10/1/67	...
4	1	REEL SERVO	10/1/67	...
5	1	REEL SERVO	10/1/67	...
6	1	REEL SERVO	10/1/67	...
7	1	REEL SERVO	10/1/67	...
8	1	REEL SERVO	10/1/67	...
9	1	REEL SERVO	10/1/67	...
10	1	REEL SERVO	10/1/67	...
11	1	REEL SERVO	10/1/67	...
12	1	REEL SERVO	10/1/67	...
13	1	REEL SERVO	10/1/67	...
14	1	REEL SERVO	10/1/67	...
15	1	REEL SERVO	10/1/67	...
16	1	REEL SERVO	10/1/67	...
17	1	REEL SERVO	10/1/67	...
18	1	REEL SERVO	10/1/67	...
19	1	REEL SERVO	10/1/67	...
20	1	REEL SERVO	10/1/67	...
21	1	REEL SERVO	10/1/67	...
22	1	REEL SERVO	10/1/67	...
23	1	REEL SERVO	10/1/67	...
24	1	REEL SERVO	10/1/67	...
25	1	REEL SERVO	10/1/67	...
26	1	REEL SERVO	10/1/67	...
27	1	REEL SERVO	10/1/67	...
28	1	REEL SERVO	10/1/67	...
29	1	REEL SERVO	10/1/67	...
30	1	REEL SERVO	10/1/67	...
31	1	REEL SERVO	10/1/67	...
32	1	REEL SERVO	10/1/67	...
33	1	REEL SERVO	10/1/67	...
34	1	REEL SERVO	10/1/67	...
35	1	REEL SERVO	10/1/67	...
36	1	REEL SERVO	10/1/67	...
37	1	REEL SERVO	10/1/67	...
38	1	REEL SERVO	10/1/67	...
39	1	REEL SERVO	10/1/67	...
40	1	REEL SERVO	10/1/67	...
41	1	REEL SERVO	10/1/67	...
42	1	REEL SERVO	10/1/67	...
43	1	REEL SERVO	10/1/67	...
44	1	REEL SERVO	10/1/67	...
45	1	REEL SERVO	10/1/67	...
46	1	REEL SERVO	10/1/67	...
47	1	REEL SERVO	10/1/67	...
48	1	REEL SERVO	10/1/67	...
49	1	REEL SERVO	10/1/67	...
50	1	REEL SERVO	10/1/67	...
51	1	REEL SERVO	10/1/67	...
52	1	REEL SERVO	10/1/67	...
53	1	REEL SERVO	10/1/67	...
54	1	REEL SERVO	10/1/67	...
55	1	REEL SERVO	10/1/67	...
56	1	REEL SERVO	10/1/67	...
57	1	REEL SERVO	10/1/67	...
58	1	REEL SERVO	10/1/67	...
59	1	REEL SERVO	10/1/67	...
60	1	REEL SERVO	10/1/67	...
61	1	REEL SERVO	10/1/67	...
62	1	REEL SERVO	10/1/67	...
63	1	REEL SERVO	10/1/67	...
64	1	REEL SERVO	10/1/67	...
65	1	REEL SERVO	10/1/67	...
66	1	REEL SERVO	10/1/67	...
67	1	REEL SERVO	10/1/67	...
68	1	REEL SERVO	10/1/67	...
69	1	REEL SERVO	10/1/67	...
70	1	REEL SERVO	10/1/67	...
71	1	REEL SERVO	10/1/67	...
72	1	REEL SERVO	10/1/67	...
73	1	REEL SERVO	10/1/67	...
74	1	REEL SERVO	10/1/67	...
75	1	REEL SERVO	10/1/67	...
76	1	REEL SERVO	10/1/67	...
77	1	REEL SERVO	10/1/67	...
78	1	REEL SERVO	10/1/67	...
79	1	REEL SERVO	10/1/67	...
80	1	REEL SERVO	10/1/67	...
81	1	REEL SERVO	10/1/67	...
82	1	REEL SERVO	10/1/67	...
83	1	REEL SERVO	10/1/67	...
84	1	REEL SERVO	10/1/67	...
85	1	REEL SERVO	10/1/67	...
86	1	REEL SERVO	10/1/67	...
87	1	REEL SERVO	10/1/67	...
88	1	REEL SERVO	10/1/67	...
89	1	REEL SERVO	10/1/67	...
90	1	REEL SERVO	10/1/67	...
91	1	REEL SERVO	10/1/67	...
92	1	REEL SERVO	10/1/67	...
93	1	REEL SERVO	10/1/67	...
94	1	REEL SERVO	10/1/67	...
95	1	REEL SERVO	10/1/67	...
96	1	REEL SERVO	10/1/67	...
97	1	REEL SERVO	10/1/67	...
98	1	REEL SERVO	10/1/67	...
99	1	REEL SERVO	10/1/67	...
100	1	REEL SERVO	10/1/67	...



16-124 (b)

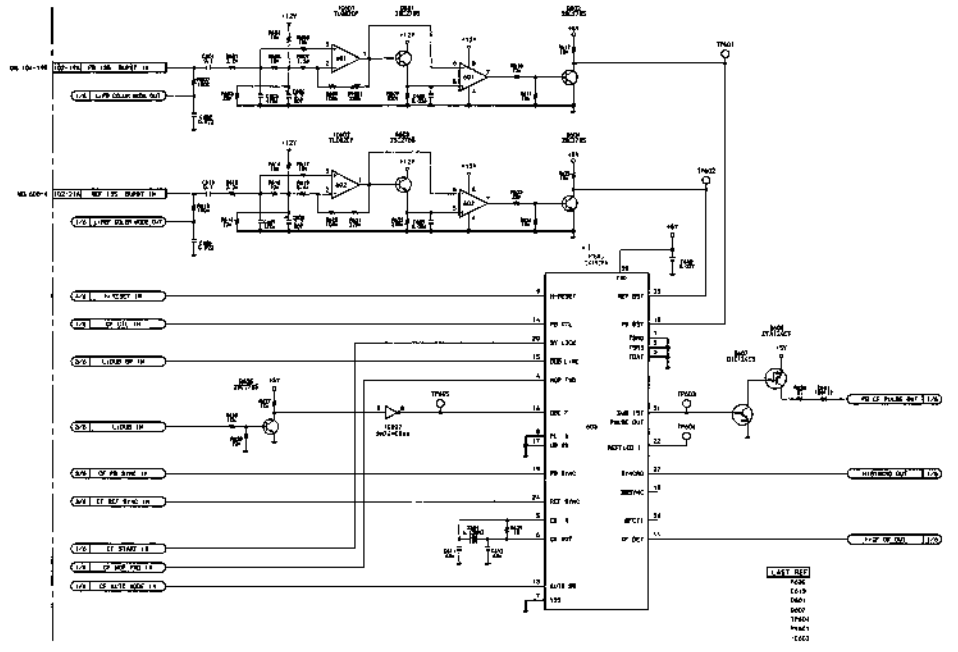
16-125 (b)

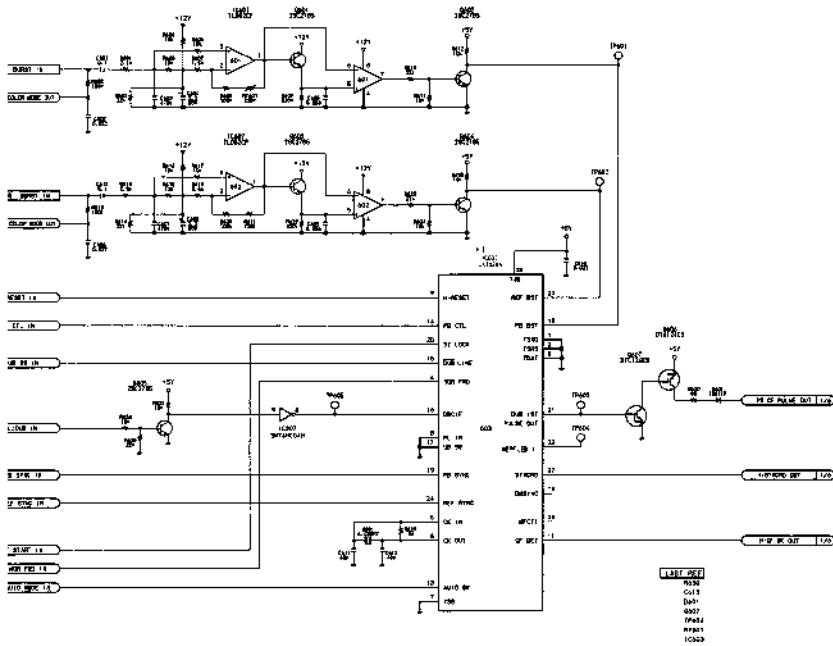


SV-113C(6/6); 135° BURST PULSE SHAPE S/N 13731 AND HIGHER (EK)

NOTE:

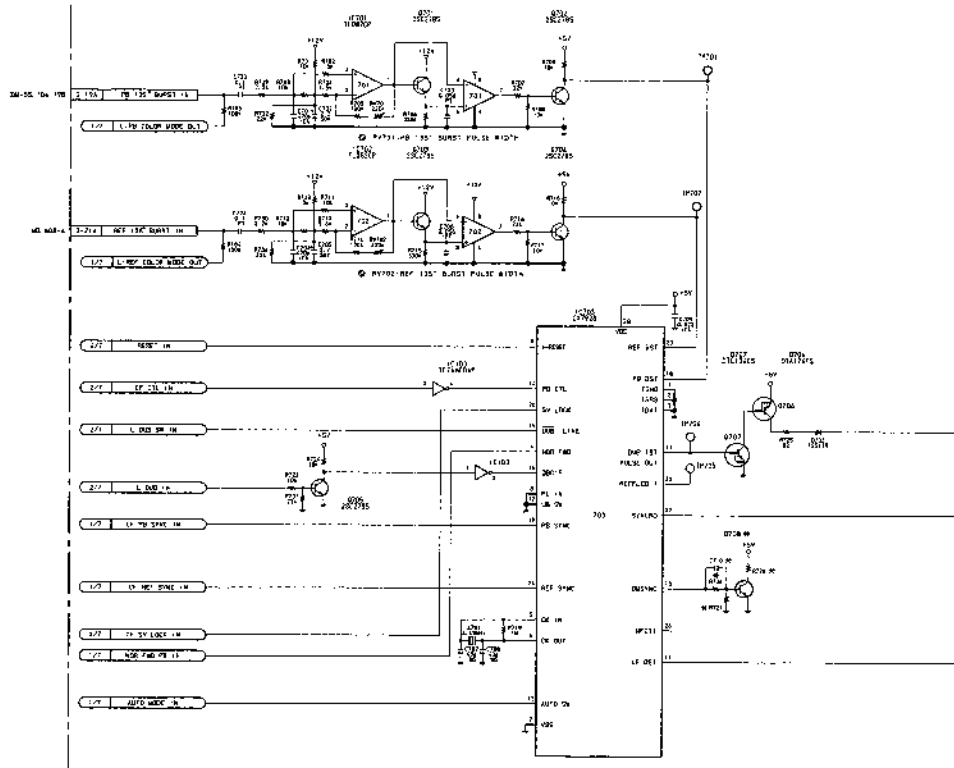
MARK	ADDRESS	CHANGE INFORMATION	SERIAL NO.
* 1	63	1650 CHANGED	ER: 14646
		EXPLAN - CR120A	



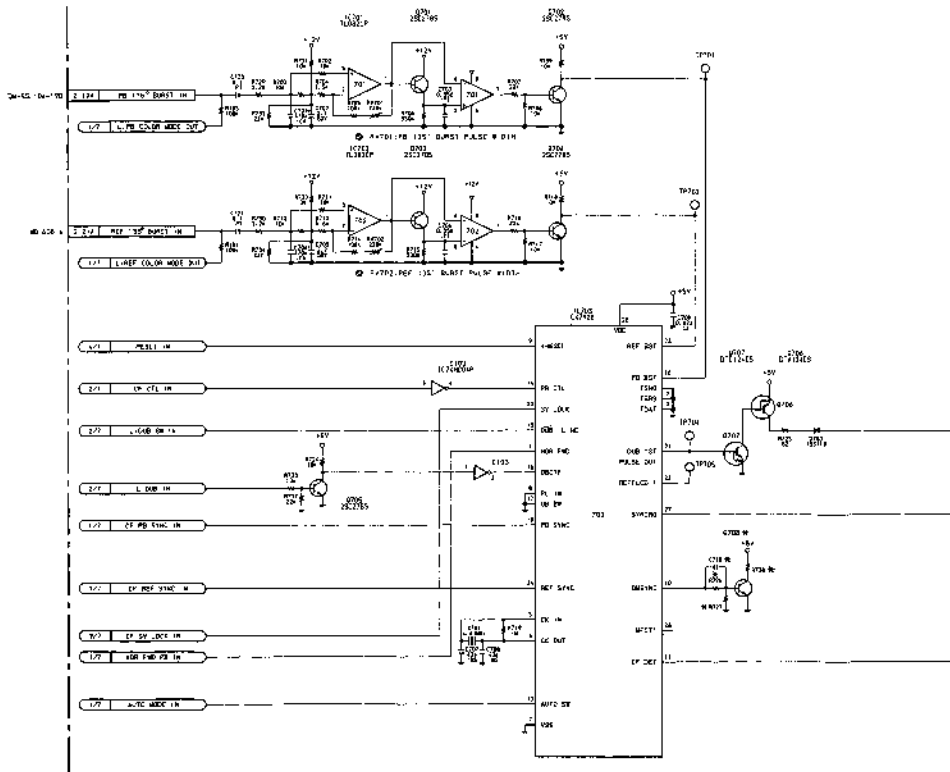


SV-113C(6/6)
 1-629-414-62(2)
 BVU-850P

SV-88A(7/7): REC/PB 135° BURST PULSE SHAPE S/N UP TO 10980(EK)



SV-88A(7/7): REC/PB 135' BURST PULSE SHAPE (S/N 10981 TO 13730 (EK))



16-130(b)

16-131(b)

A

B

C

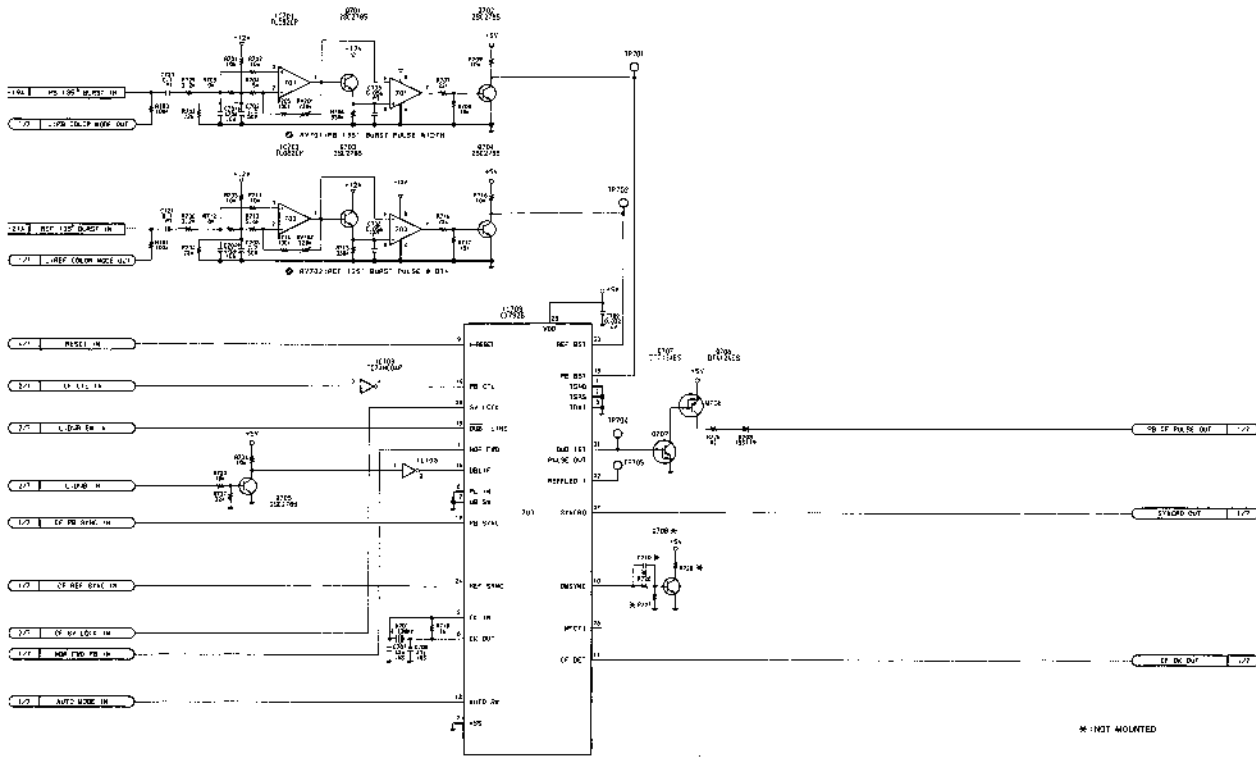
D

E

F

G

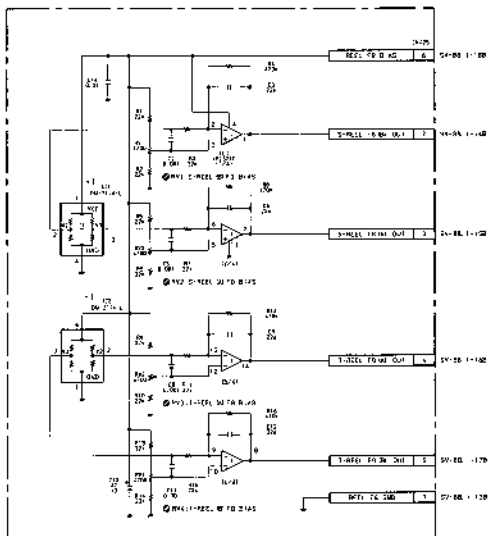
H



* NOT MOUNTED

SV-88A(7/7)
 1-622-736-22(1)
 8VU-950P

SE-48; REEL ROTATION DETECTOR

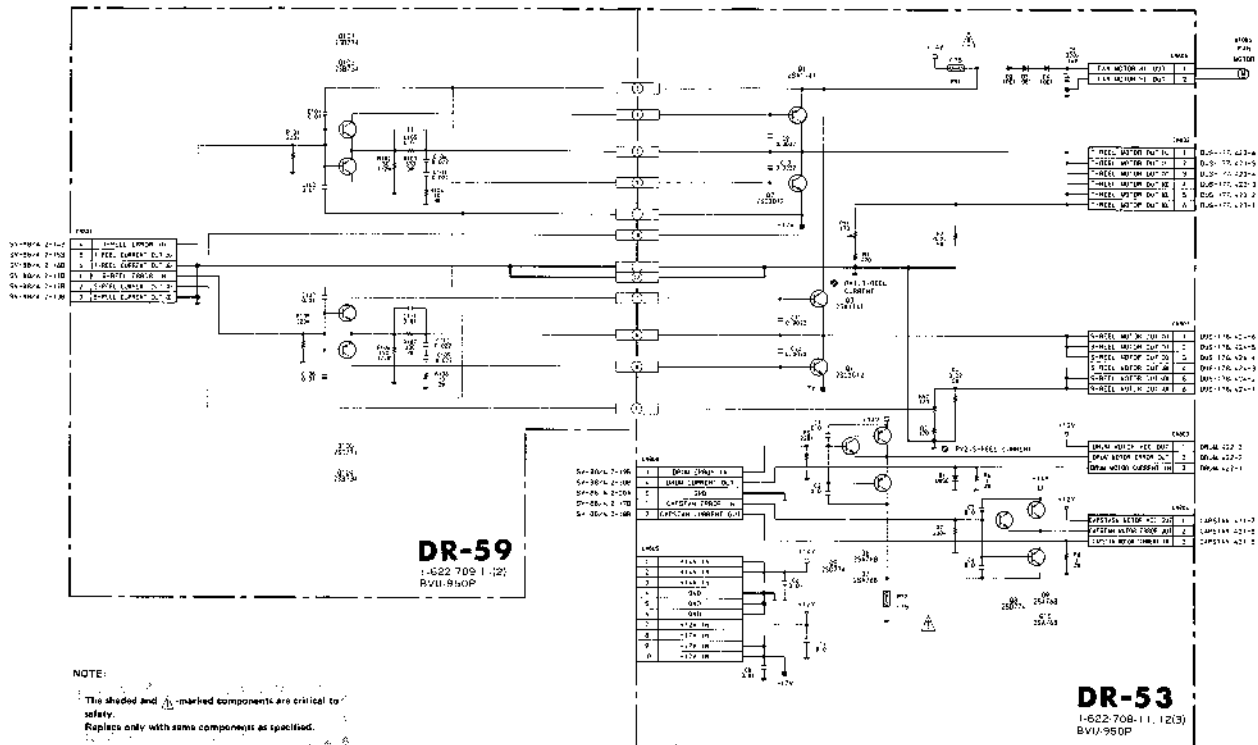
**SE-48**

1-622-735-11(2)
 BVJ-950
 BVJ-950P

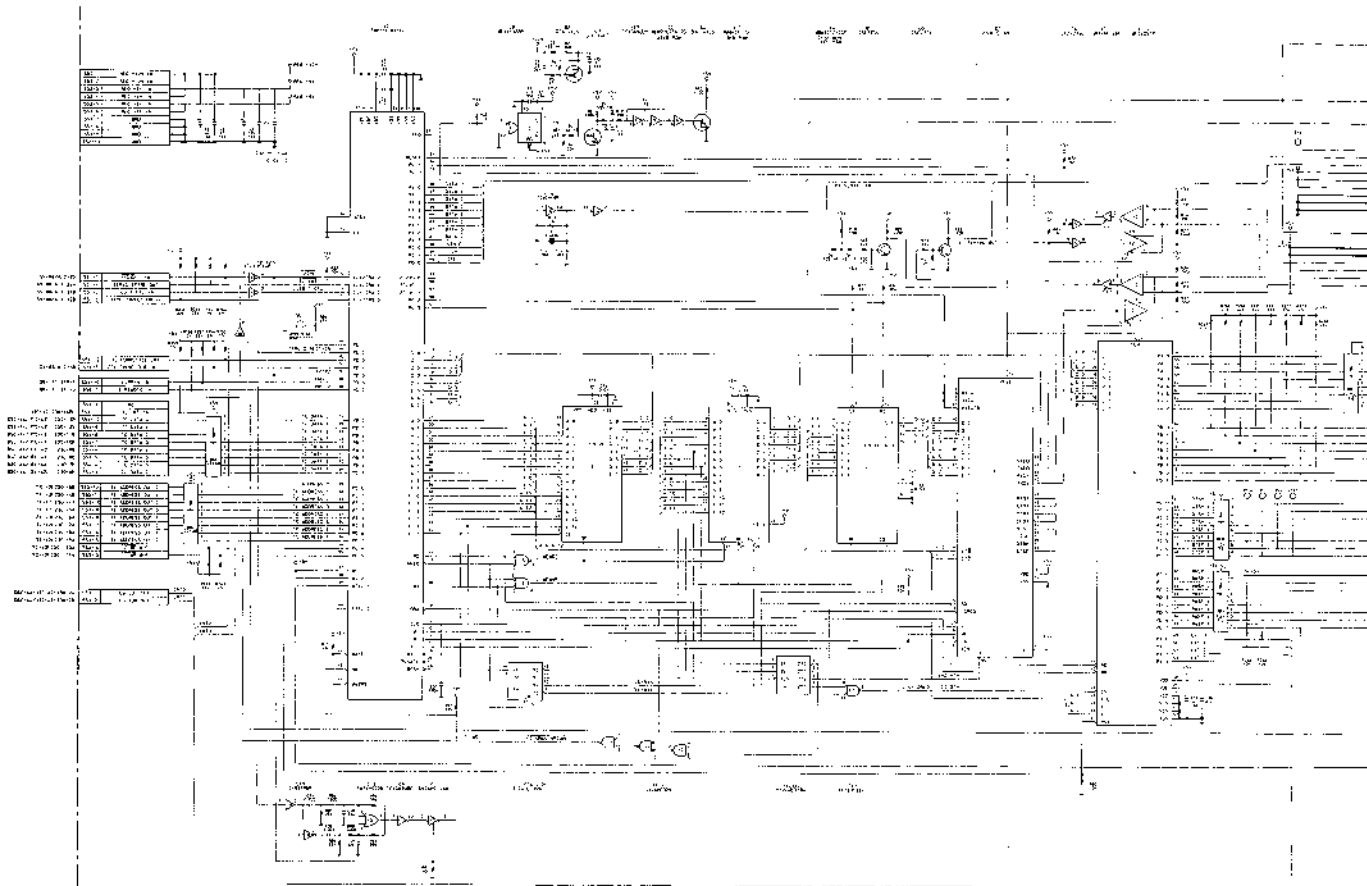
NOTE:

MARK	ADDRESS	CHANGE INFORMATION	SERIAL NO.
*1	B-7	KC2 3-CHANGED DN7(1) - DN7(1A)	3 : 11796 UC : 17126 EN : 14421 DP : 10131

DR-53: REEL/CAPSTAN/DRUM MOTOR DRIVE
 DR-59: REEL MOTOR DRIVE



S/N UP TO 109801EK



16-143(a)

16-144(a)

A

B

C

D

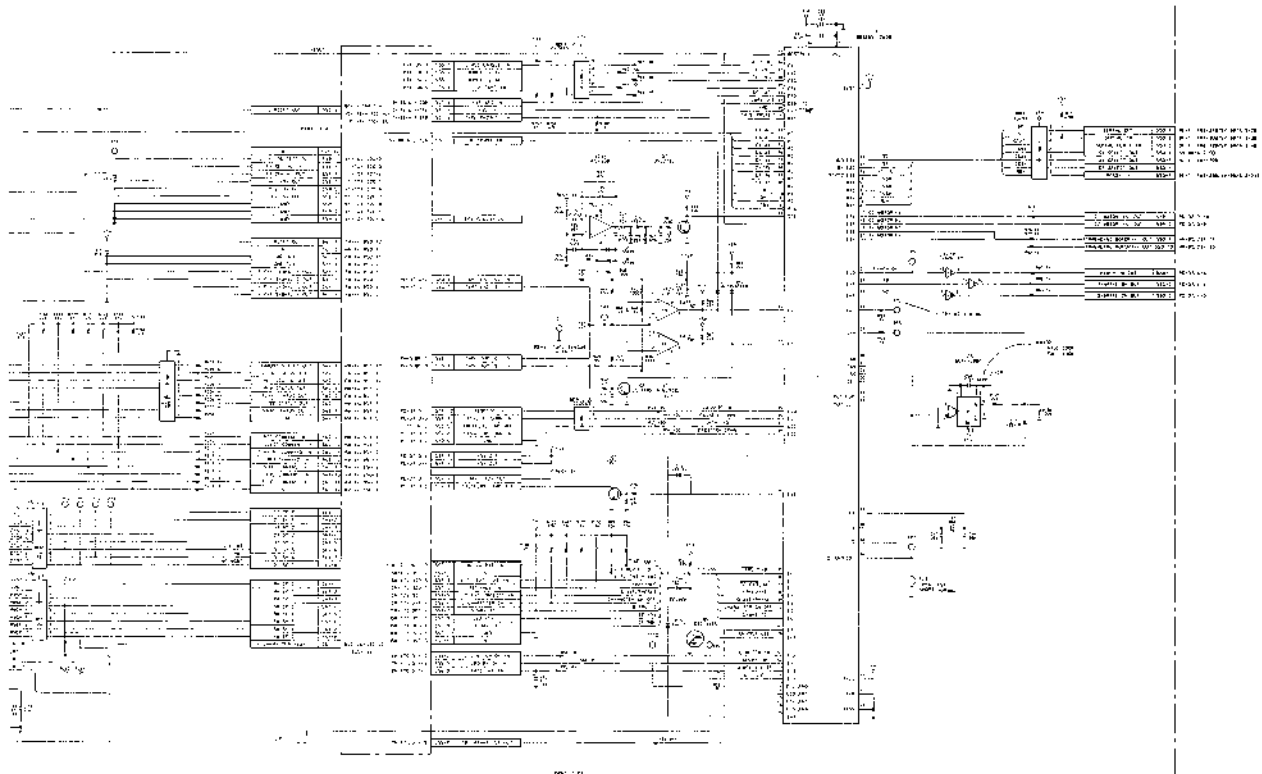
E

F

G

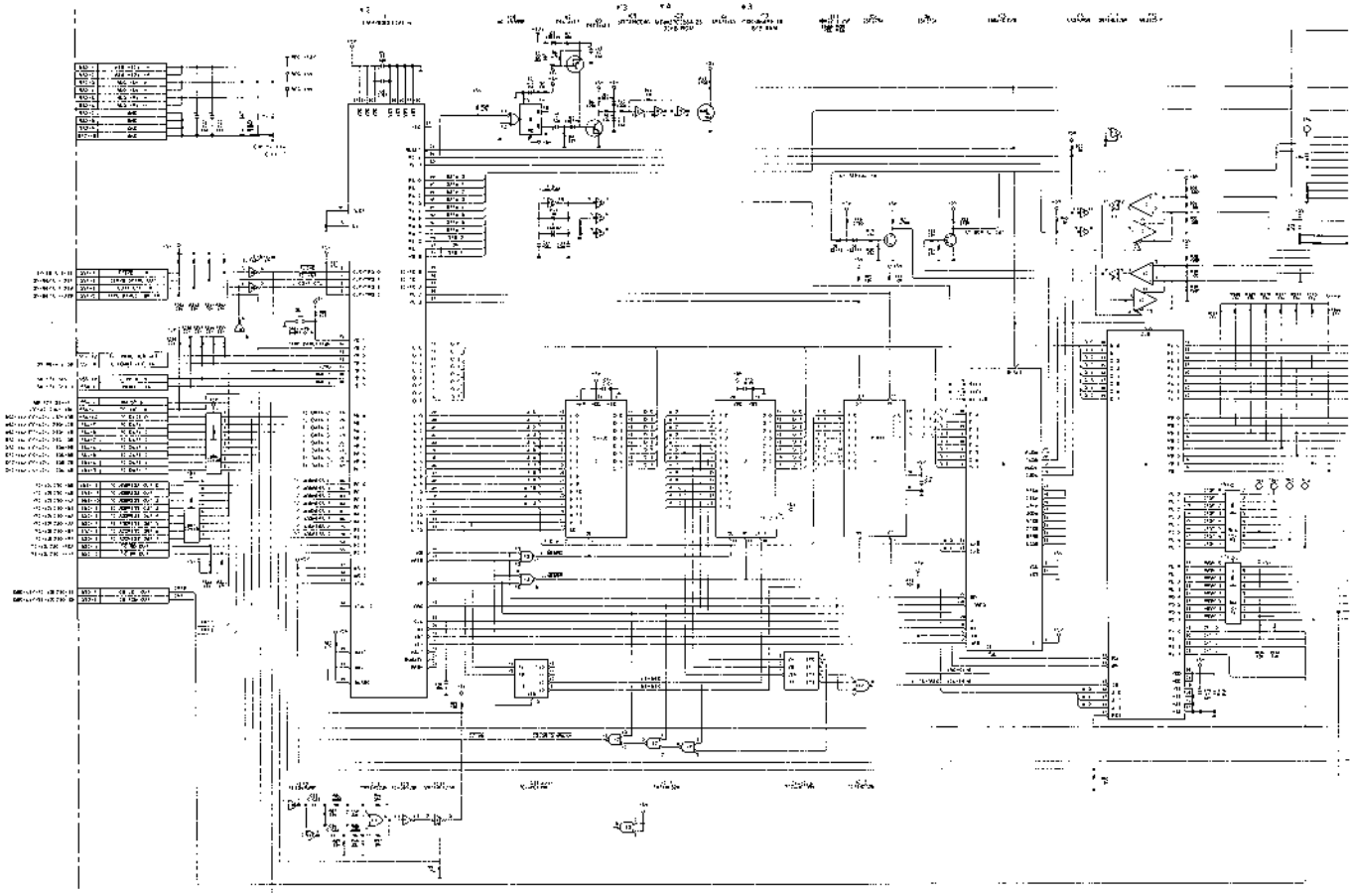
H

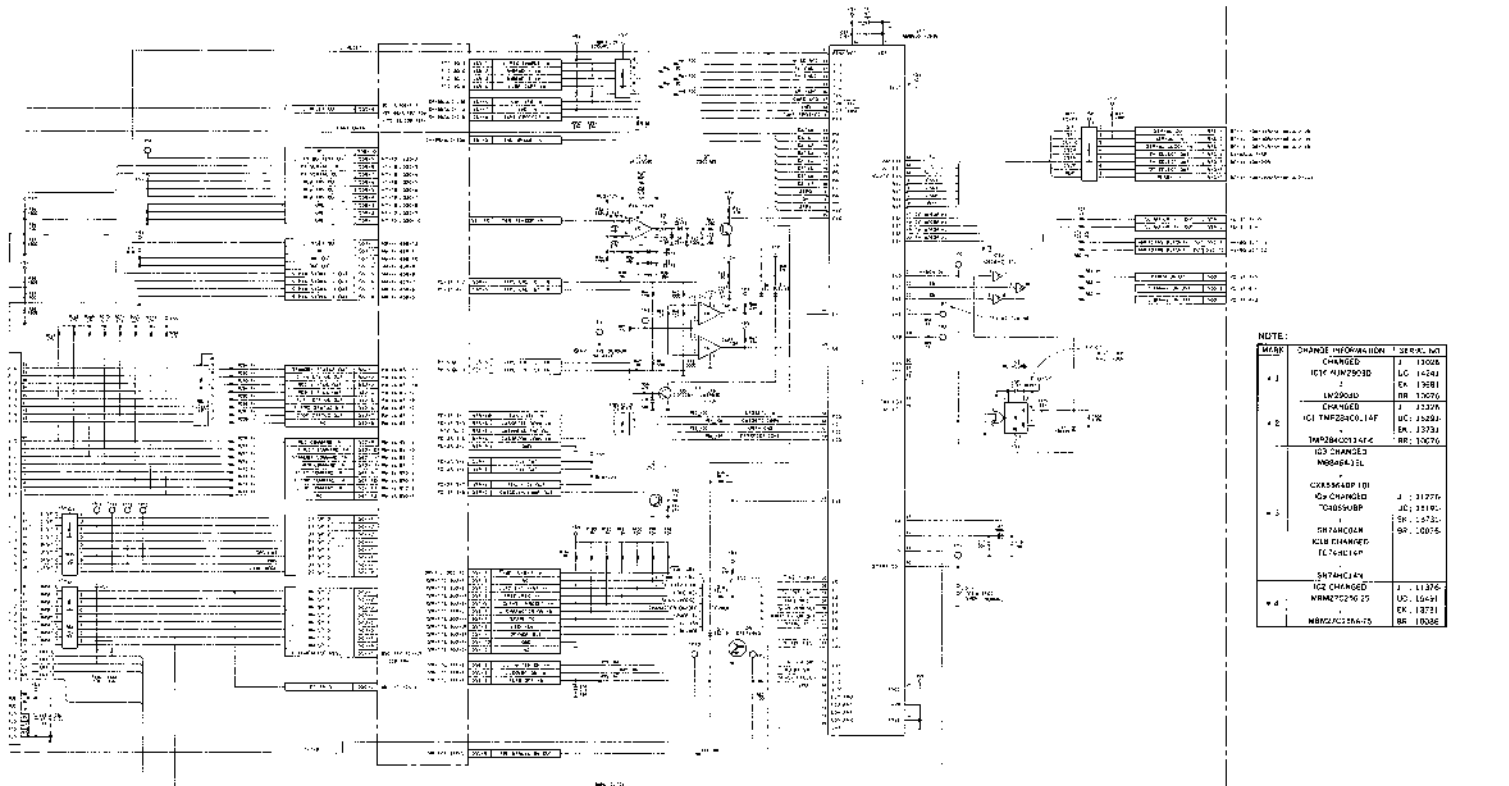
I



SY-102/A

1-622-734-111(2)
BVU-950
BVU-950P





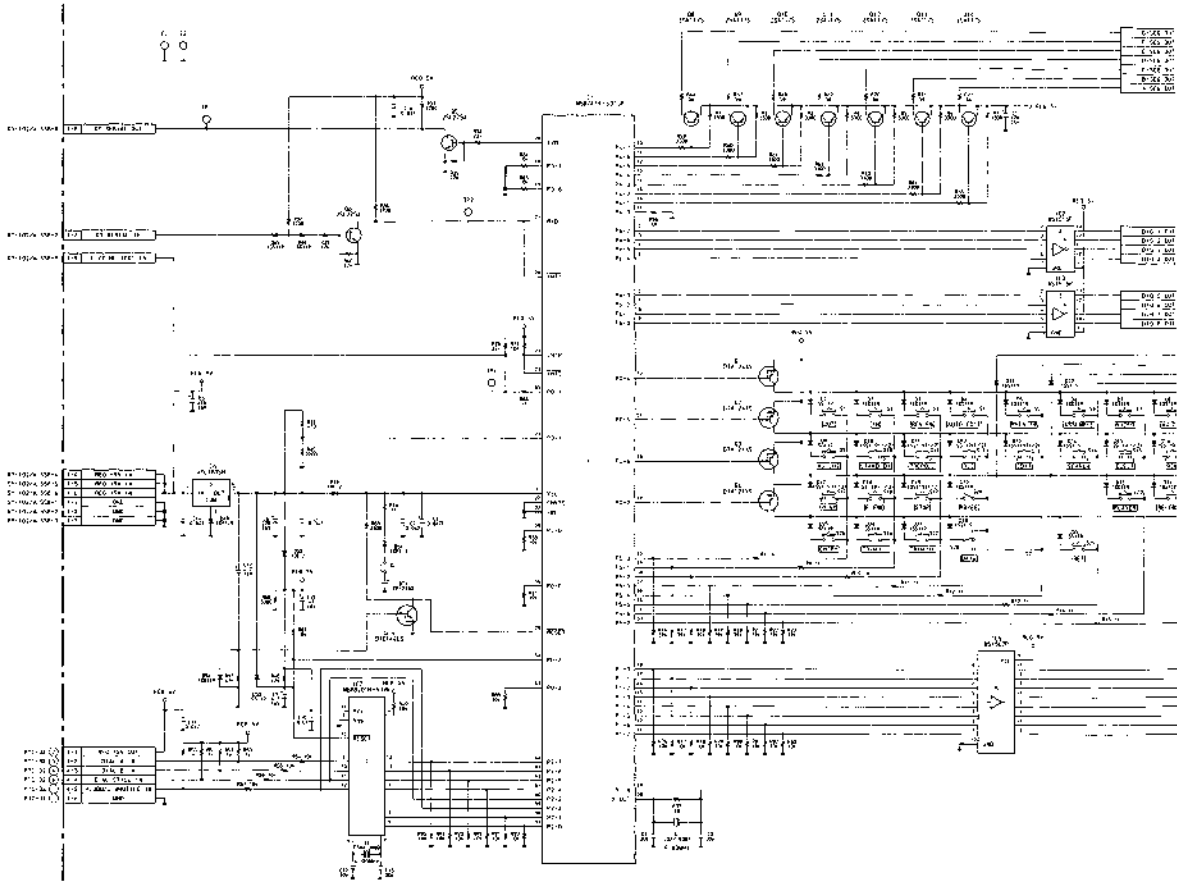
NOTE:

MARK	CHANGE INFORMATION	SERIAL NO
+ 1	CHANGED	J : 13026
	IC14 UM2903D	LC : 14243
		CA : 13681
+ 2	UM2903D	BR : 10076
	CHANGED	J : 13378
	IC1 IMP220C0114F	UC : 13380
		BR : 13331
+ 3	IMP220C0114F	BR : 10076
	IC3 CHANGED	
	IMP220C0114F	
	CR3556BP 101	J : 11376
	CR CHANGED	JC : 15190
	CR3556BP	BR : 10731
+ 4	CR3556BP	BR : 10075
	IC7 CHANGED	
	IMP220C0114F	J : 11376
	CR CHANGED	UC : 15491
	IMP220C0114F	CA : 13731
	BR : 10036	

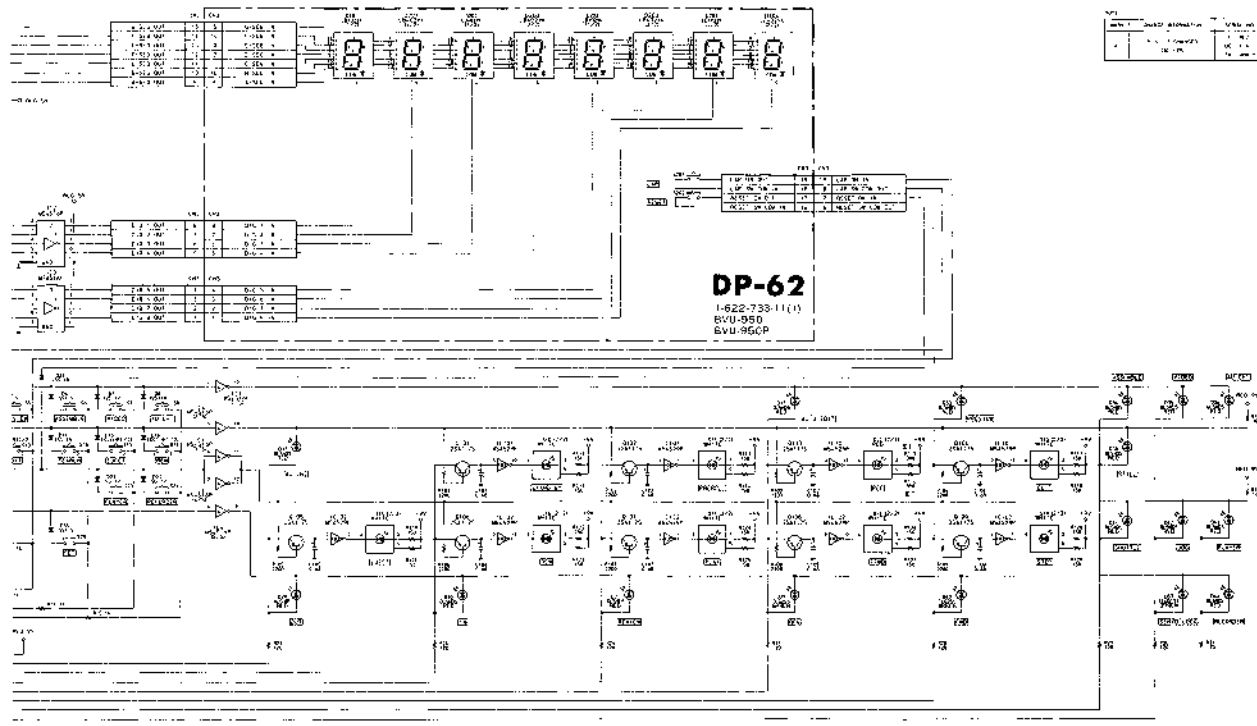
SY-102/A

1-822-734-1, 2, 13, 14(4)
BVU-950
BVU-950P

Y-101: FUNCTION KEY BOARD S/N UP TO 12080 [EK]
 DP-62: DISPLAY



NOTE	QUANTITY	DESCRIPTION	UNIT
1	1	DP-62	1
2	1	KY-101	1

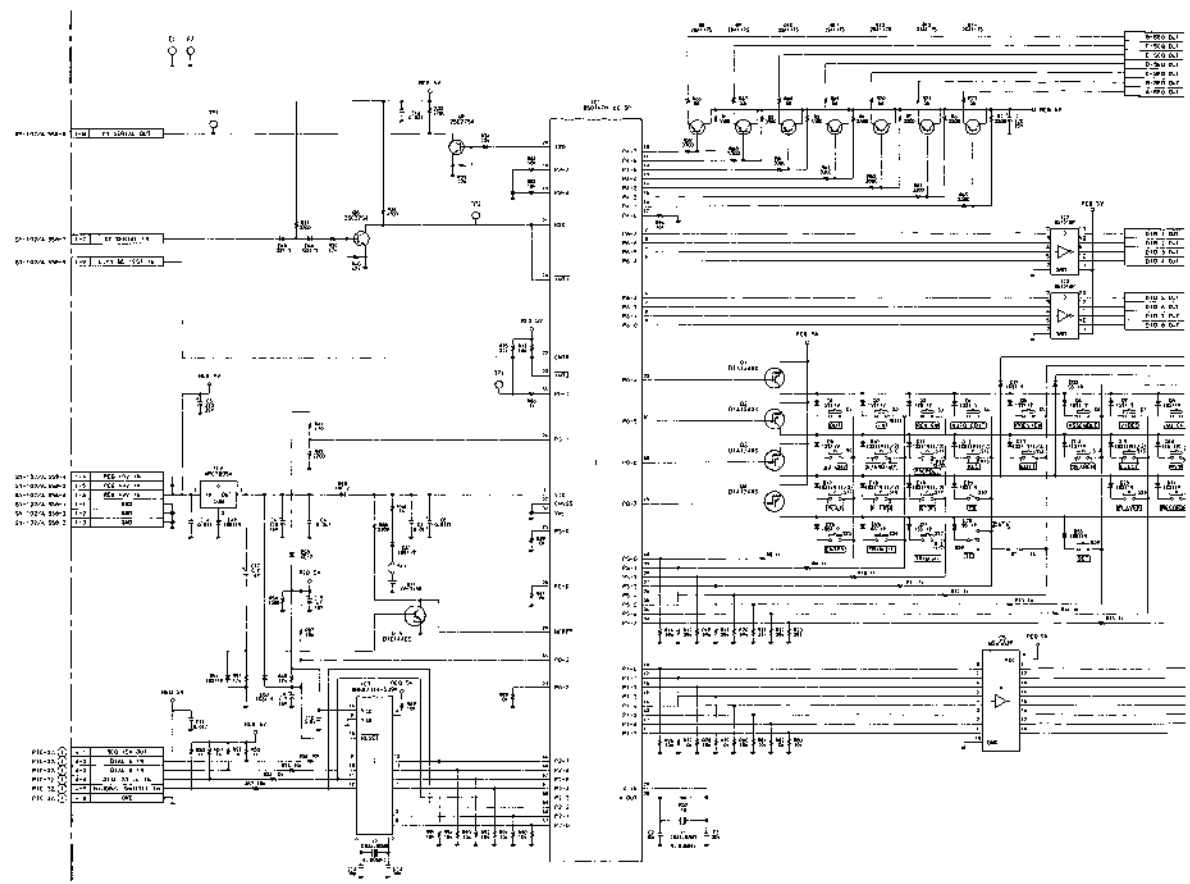


DP-62
1-622-733-11(1)
BVU-950
BVU-950P

KY-101
1-622-732-11,12(2)
BVU-950
BVU-950P

KY-144: FUNCTION KEY BOARD
 DP-62: DISPLAY

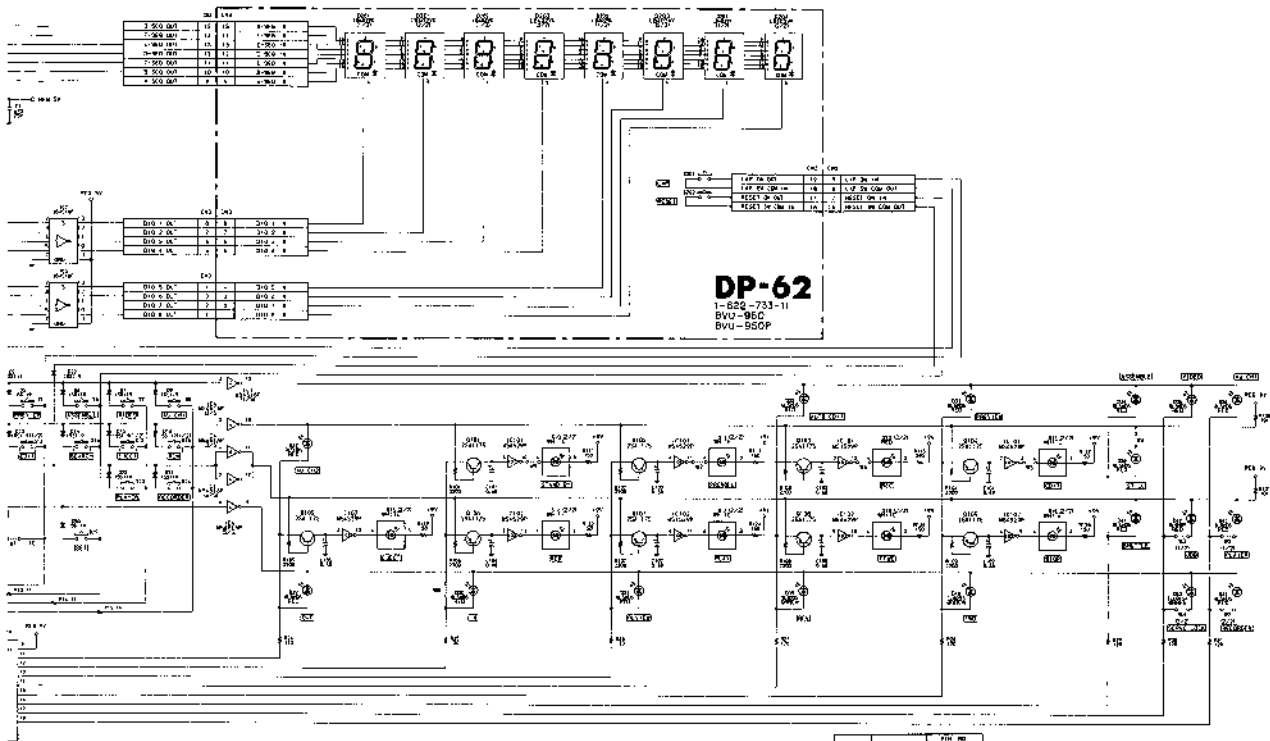
S/N 12081 AND HIGHER(EK)



16-151(b)

16-152(b)

A | B | C | D | E | F | G | H | I



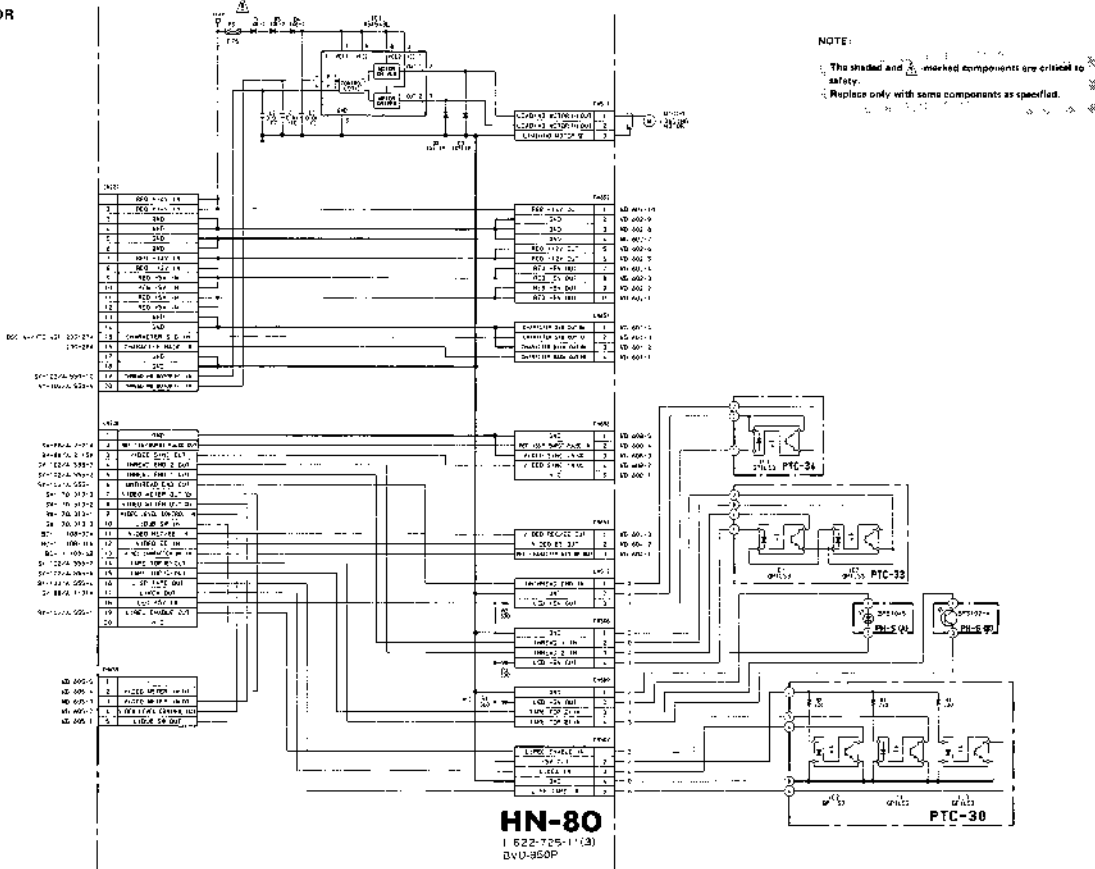
REF ID	SYM	QTY	UNIT
100	RESISTOR	1	1
101	RESISTOR	1	1
102	RESISTOR	1	1
103	RESISTOR	1	1
104	RESISTOR	1	1
105	RESISTOR	1	1
106	RESISTOR	1	1
107	RESISTOR	1	1
108	RESISTOR	1	1
109	RESISTOR	1	1
110	RESISTOR	1	1
111	RESISTOR	1	1
112	RESISTOR	1	1
113	RESISTOR	1	1
114	RESISTOR	1	1
115	RESISTOR	1	1
116	RESISTOR	1	1
117	RESISTOR	1	1
118	RESISTOR	1	1
119	RESISTOR	1	1
120	RESISTOR	1	1
121	RESISTOR	1	1
122	RESISTOR	1	1
123	RESISTOR	1	1
124	RESISTOR	1	1
125	RESISTOR	1	1
126	RESISTOR	1	1
127	RESISTOR	1	1
128	RESISTOR	1	1
129	RESISTOR	1	1
130	RESISTOR	1	1
131	RESISTOR	1	1
132	RESISTOR	1	1
133	RESISTOR	1	1
134	RESISTOR	1	1
135	RESISTOR	1	1
136	RESISTOR	1	1
137	RESISTOR	1	1
138	RESISTOR	1	1
139	RESISTOR	1	1
140	RESISTOR	1	1
141	RESISTOR	1	1
142	RESISTOR	1	1
143	RESISTOR	1	1
144	RESISTOR	1	1
145	RESISTOR	1	1
146	RESISTOR	1	1
147	RESISTOR	1	1
148	RESISTOR	1	1
149	RESISTOR	1	1
150	RESISTOR	1	1
151	RESISTOR	1	1
152	RESISTOR	1	1
153	RESISTOR	1	1
154	RESISTOR	1	1
155	RESISTOR	1	1
156	RESISTOR	1	1
157	RESISTOR	1	1
158	RESISTOR	1	1
159	RESISTOR	1	1
160	RESISTOR	1	1
161	RESISTOR	1	1
162	RESISTOR	1	1
163	RESISTOR	1	1
164	RESISTOR	1	1
165	RESISTOR	1	1
166	RESISTOR	1	1
167	RESISTOR	1	1
168	RESISTOR	1	1
169	RESISTOR	1	1
170	RESISTOR	1	1
171	RESISTOR	1	1
172	RESISTOR	1	1
173	RESISTOR	1	1
174	RESISTOR	1	1
175	RESISTOR	1	1
176	RESISTOR	1	1
177	RESISTOR	1	1
178	RESISTOR	1	1
179	RESISTOR	1	1
180	RESISTOR	1	1
181	RESISTOR	1	1
182	RESISTOR	1	1
183	RESISTOR	1	1
184	RESISTOR	1	1
185	RESISTOR	1	1
186	RESISTOR	1	1
187	RESISTOR	1	1
188	RESISTOR	1	1
189	RESISTOR	1	1
190	RESISTOR	1	1
191	RESISTOR	1	1
192	RESISTOR	1	1
193	RESISTOR	1	1
194	RESISTOR	1	1
195	RESISTOR	1	1
196	RESISTOR	1	1
197	RESISTOR	1	1
198	RESISTOR	1	1
199	RESISTOR	1	1
200	RESISTOR	1	1

KY-144
 1-624-944-11, 1212
 BVU-950
 BVU-950P

- HN-80: THREADING MOTOR DRIVER
- PH-5(A): TAPE TOP LED
- PH-5(B): TAPE TOP SENSOR
- PTC-30: SP. MISS REC. KCA DETECTOR
- PTC-33: FR STOP DETECTOR
- PTC-34: UNTHREAD END DETECTOR

NOTE:

MARK	CHANGE INFORMATION	SERIAL NO.
# 1	CHANGE REV. 338 - 363	LR. 13731

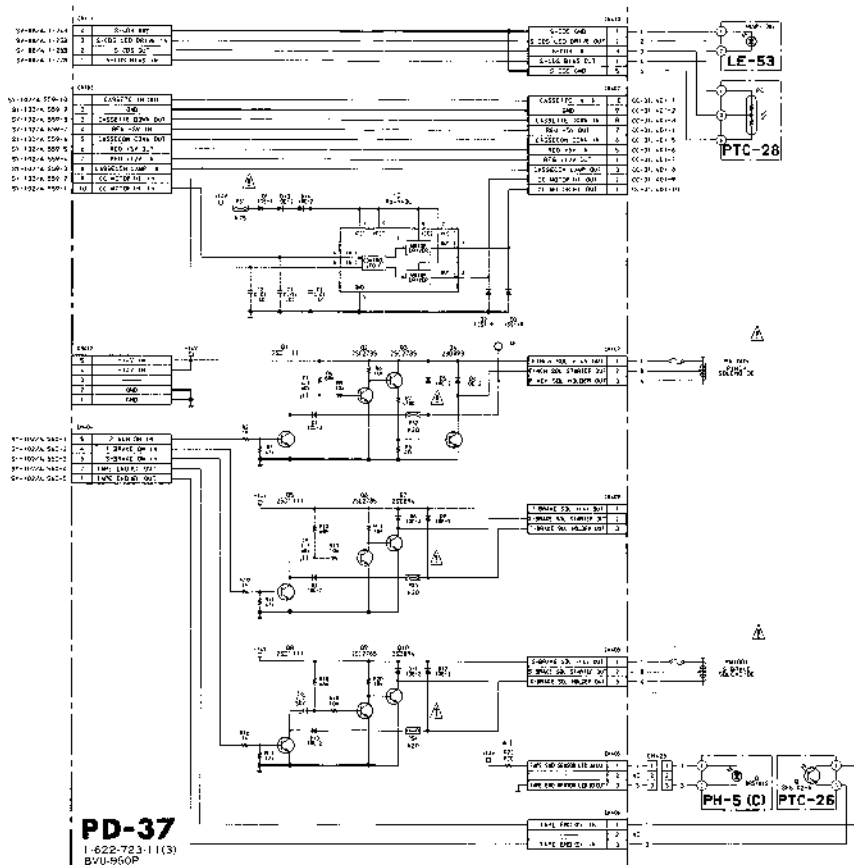


HN-80
1 622-725-1113
BVU-950P

LE-53: S-TENSION LED
 PD-37: CASSETTE MOTOR DRIVER/SOLENOID DRIVER
 PH-5(C): TAPE END LED
 PTC-26: TAPE END SENSOR
 PTC-28: S-TENSION CDS

NOTE:

MARK	CHANGE INFORMATION	SERIAL NO
A J	CHANGED R77 100Ω → 80Ω	EX: 13731

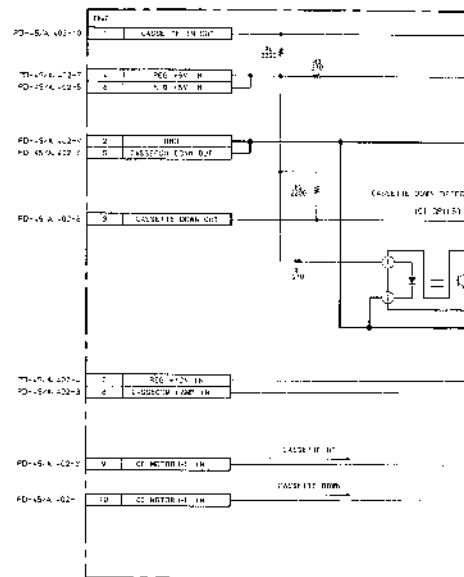
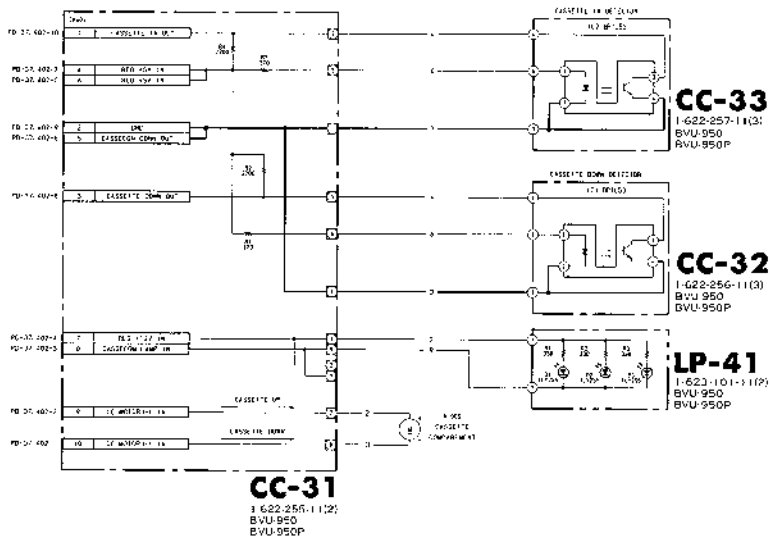


- CC-31; CASSETTE COMPARTMENT DRIVE
- CC-32; CASSETTE DOWN DETECTOR
- CC-33; CASSETTE IN DETECTOR
- LP-41; CASSETTE COMPARTMENT LIGHT

S/N UP TO 13680 (EK)

- CC-36; CASSETTE DOWN DETECTOR
- CC-37; CASSETTE IN DETECTOR
- LP-41; CASSETTE COMPARTMENT LIGHT

S/N 13681 AND HIGH

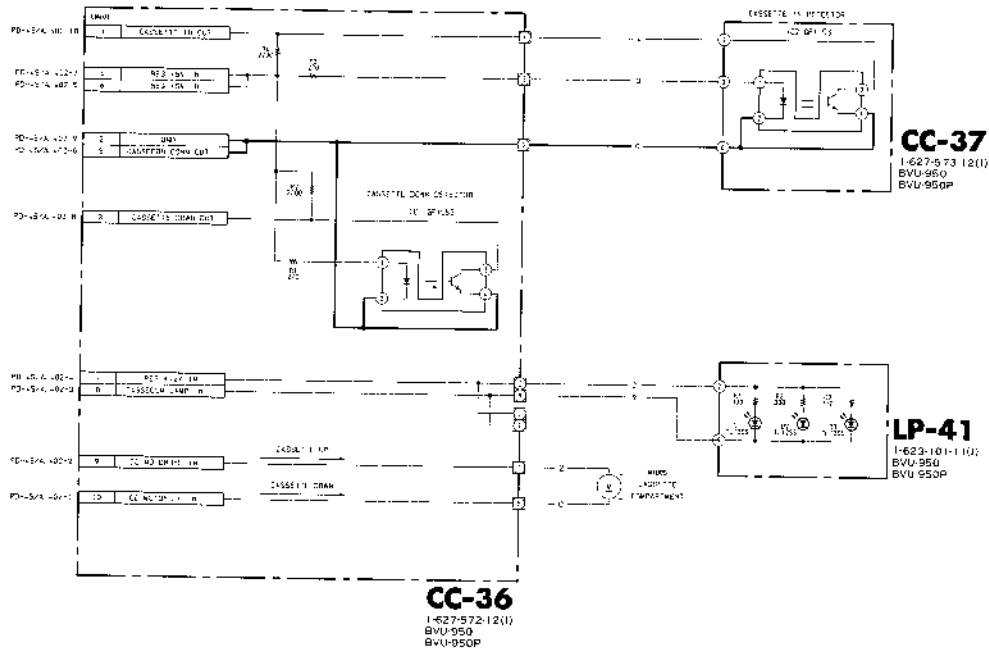
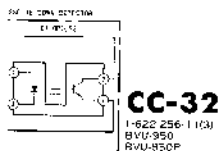
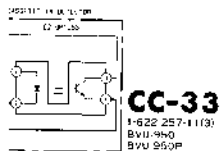


CC-31, CC-32, CC-33, CC-36, CC-37, LP-41

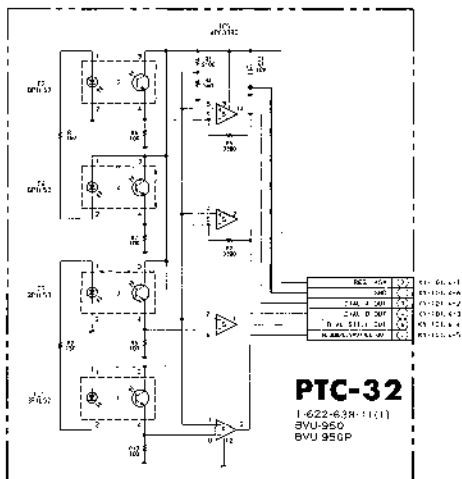
CC-31, CC-32, CC-33, CC-36, CC-37, LP-41

CC-36: CASSETTE DOWN DETECTOR
 CC-37: CASSETTE IN DETECTOR
 LP-41: CASSETTE COMPARTMENT LIGHT

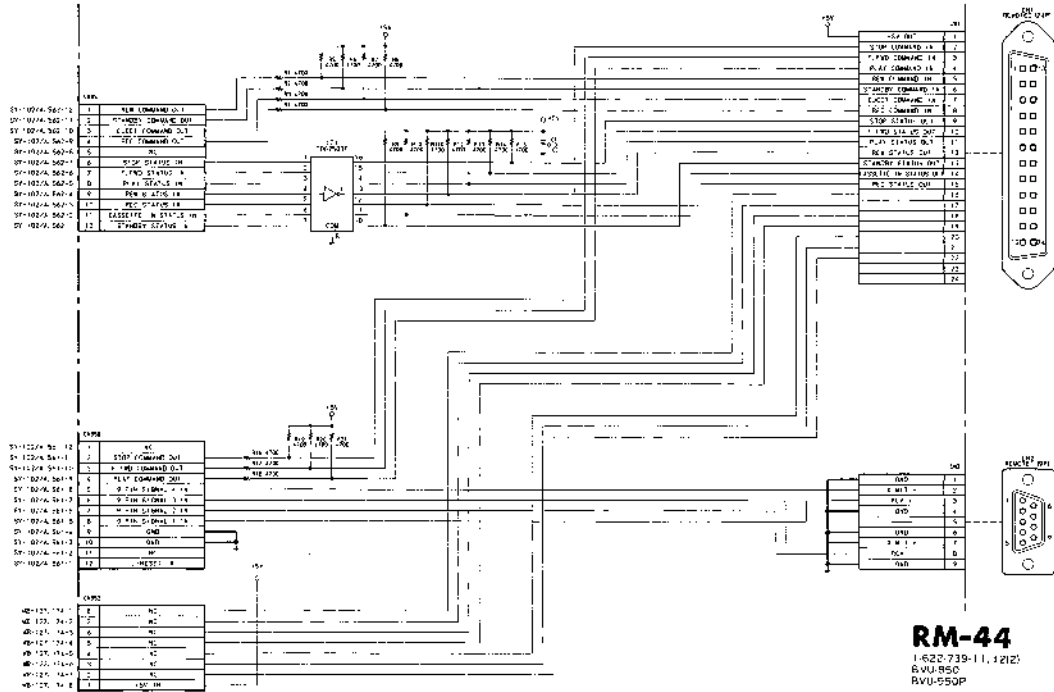
S/N 18681 AND HIGHER (EK)



PTC-32: SEARCH DIAL

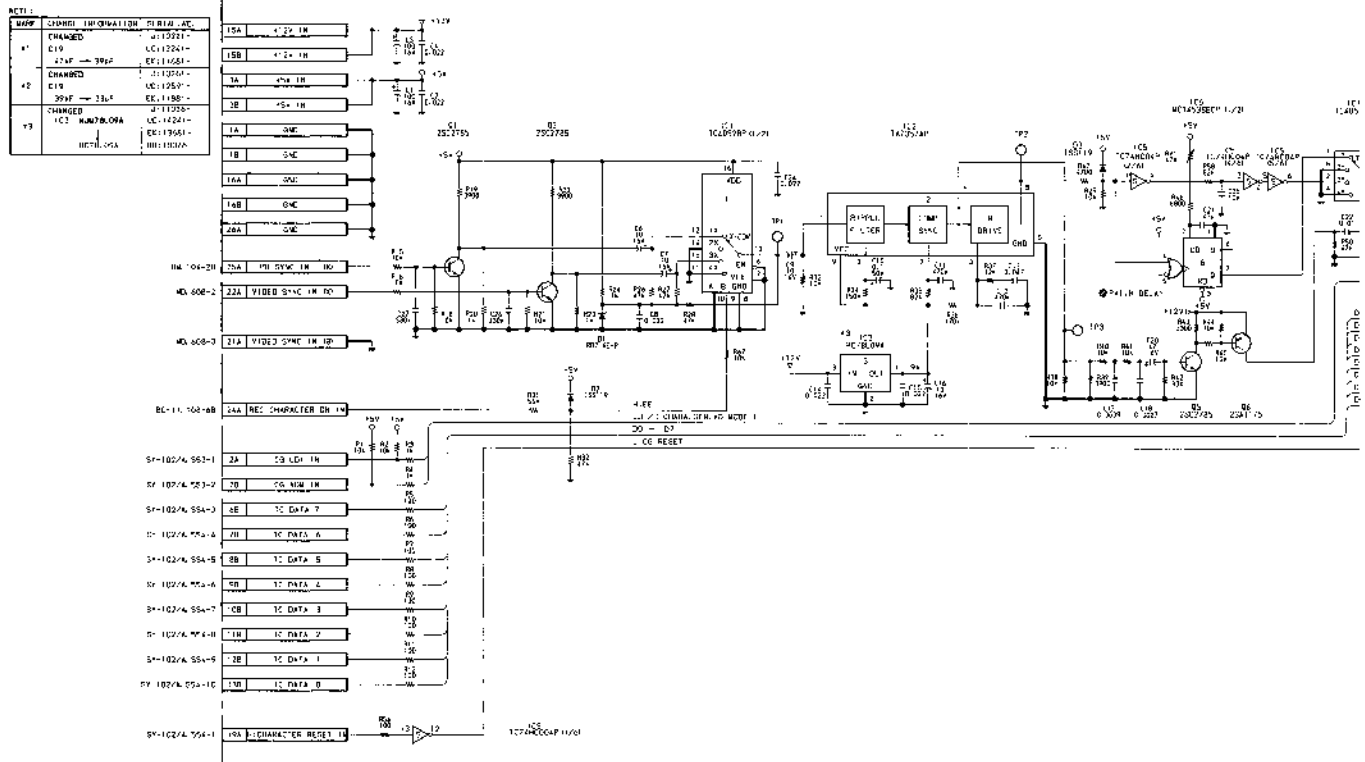


RM-44: REMOTE CONTROL



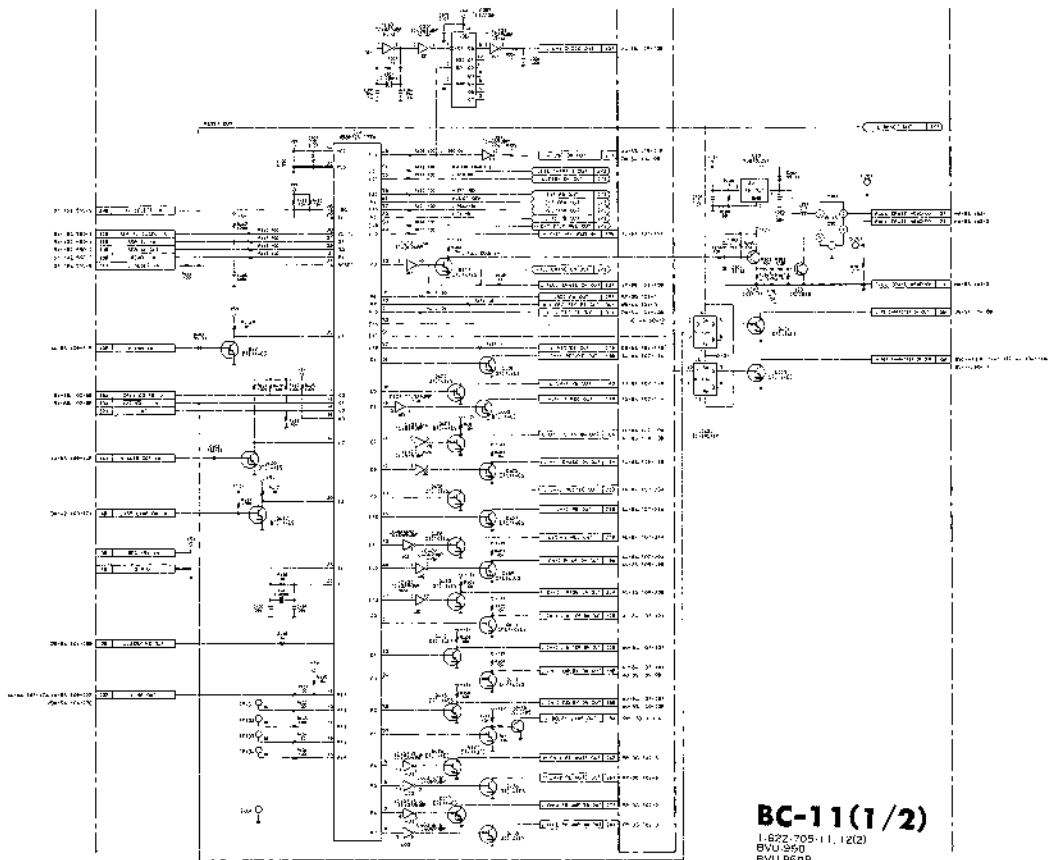
RM-44
 1-622-739-11, 1212
 BUU-850
 BUU-950P

DSC-44: CHARACTER GENERATOR



BC-11(1/2); VIDEO/AUDIO TIMING CONTROL
FULL ERASE OSCILLATOR

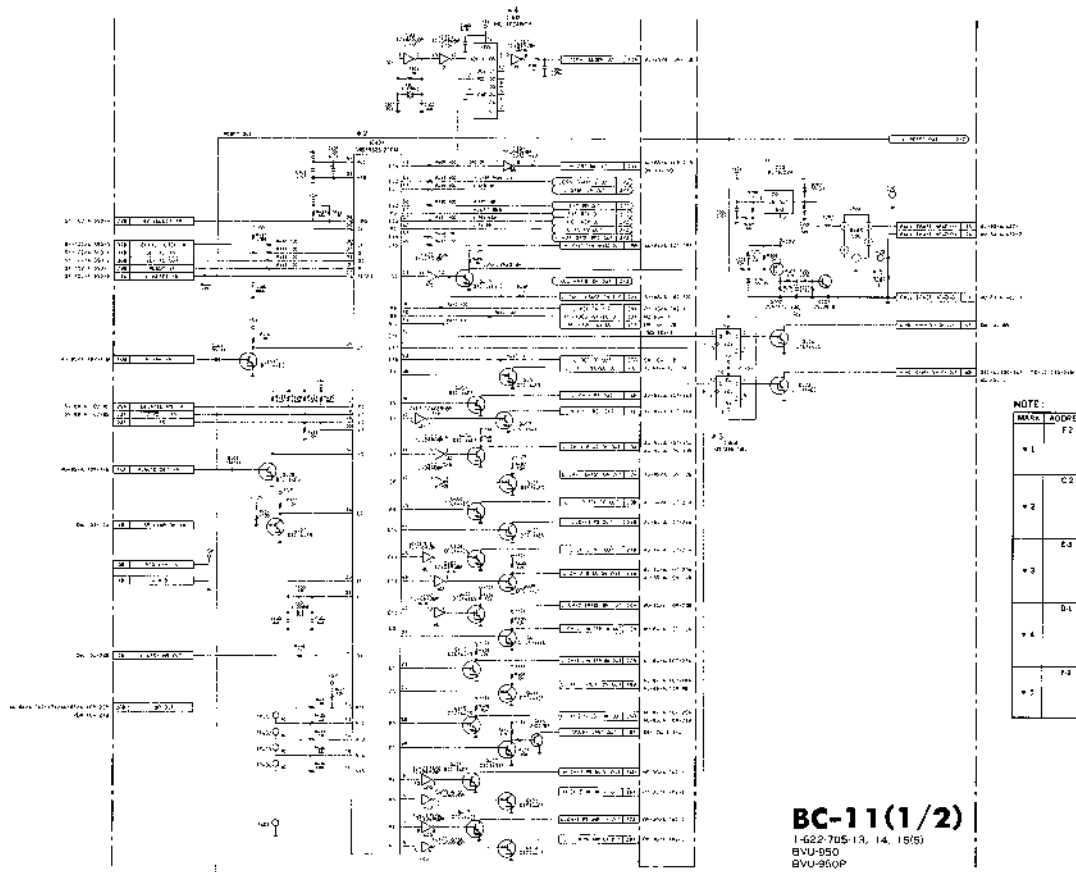
S/N UP TO 109B01EK



BC-11(1/2)
1-622-705-11, 12(2)
BVU-560
BVU-560P

BC-11(1/2): VIDEO/AUDIO TIMING CONTROL
FULL ERASE OSCILLATOR

S/N 10981 AND HIGHER(IEK)



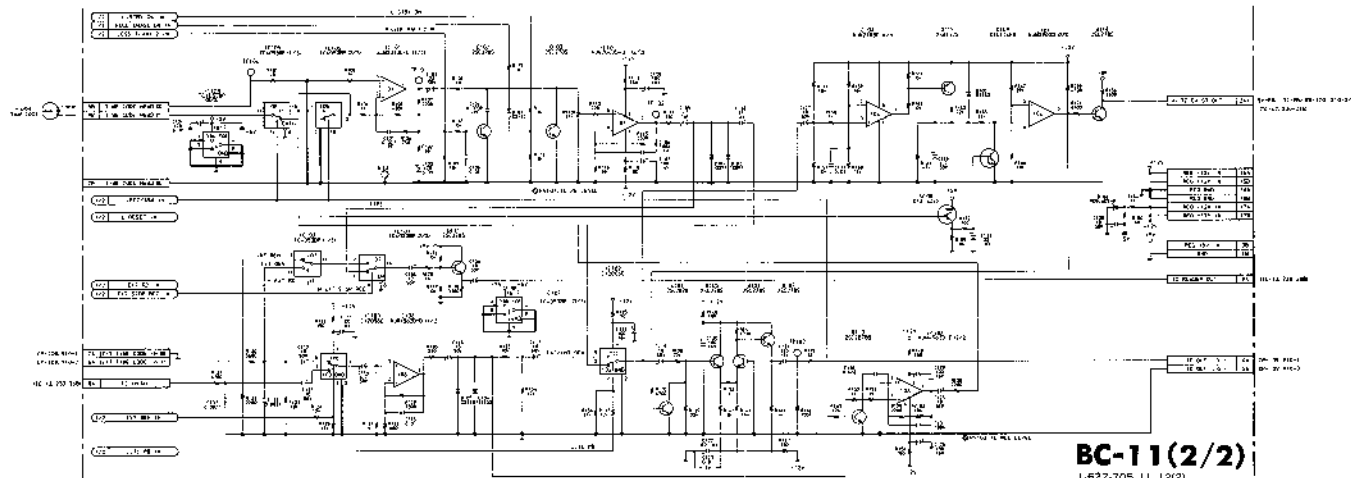
NOTE:

MARK	ADDRESS	CHANGE INFORMATION	SERIAL NO.
* 1	F2	CHANGED	J : 11036
		IC02L NUMERALISA	LC : 14841
			EX : 13651
* 2	C2	CHANGED	BR : 18075
		IC01	J : 11276
		MB881517PM	LC : 14941
* 3	E3	CHANGED	EX : 13731
		IC04B	J : 12376
		T074H274P	LC : 14931
* 4	D4	CHANGED	BR : 18076
		IC302	J : 11446
		T04C248P	LC : 15986
* 5	F2	CHANGED	EX : 13991
		IC03	BR : 18111
		IC03	J : 11596
* 6	F2	CHANGED	LC : 16586
		IC03	EX : 14271
		IC03	BR : 18121

BC-11(1/2)

1-652-705-13, 14, 15(5)
BVU-950
BVU-950P

BC-11(2/2): TIME CODE REC/PB AMPLIFIER [S/N UP TO 10980(EK)]



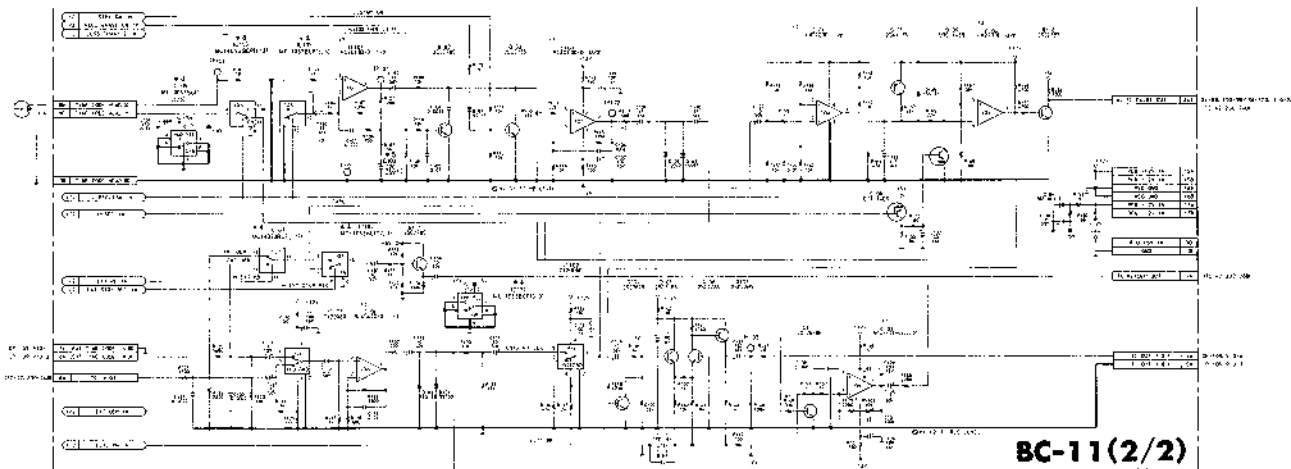
BC-11(2/2)
 1-622-705 11, 12(2)
 BVU-950
 BVU-856P

16-185(a)

16-166(a)

A | B | C | D | E | F | G | H

BC-11(2/2): TIME CODE REC/PB AMPLIFIER S/N 10981 AND HIGHER(IEK)

**BC-11(2/2)**1-622-705-13, 14, 15(18)
BVU-950
BVU-950P

NOTE:

MARK	ADDRESS	CHANGE INFORMATION	SERIAL NO.
*1	E4	R145 CHANGED 47K +22K	J : 10758 UC: 13661 EK: 12231
	C2	C143 ADDED 2200V	J : 11026
*2	O2	C102 CHANGED 470000V + 10010V	UC: 12091 EA: 12731
	D2	R117 220 - R90	BU: 10494
	D3	R178 52K - 18K CHANGED	
	C2	C102 NUMBERED +RG20-50 D	J : 11026 UC: 14241
*3	L2	R108 NUMBERED -LAC2990	EK: 13681
	D3	R206 NUMBERED D +RC452D-D	BR: 10075

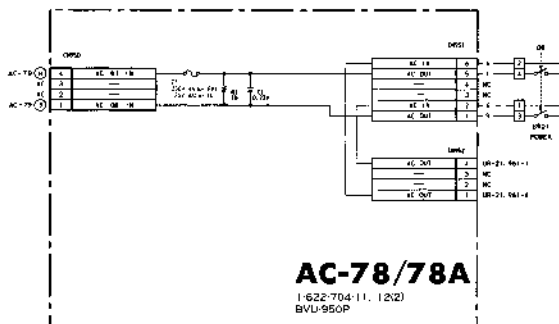
NOTE:

MARK	ADDRESS	CHANGE INFORMATION	SERIAL NO.
*2		C102 CHANGED TC4053BP	J : 11046
		J	UC: 12966
*4	C3	MC14053BP C102 CHANGED TC4053BP	EK: 12951 BR: 10311
		J	
		MC14053BP	
*5	O2	C102 CHANGED 10014V + 22012V	J : 11569 UC: 14275 EK: 14271 BR: 10311

16-185 (h)

16-186 (h)

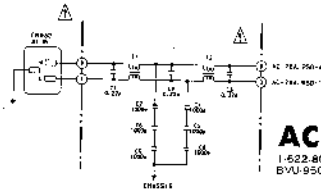
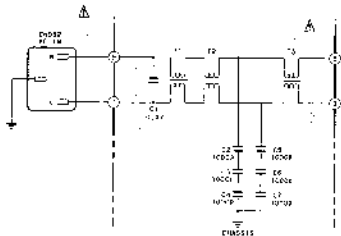
AC-78A: AC PRIMARY CIRCUIT



NOTE:

The shaded and Δ -marked components are critical to safety.

Replace only with same components as specified.

AC-79; LINE FILTER S/N UP TO 14270 (EK)AC-105; LINE FILTER S/N 14271 AND HIGHER (EK)

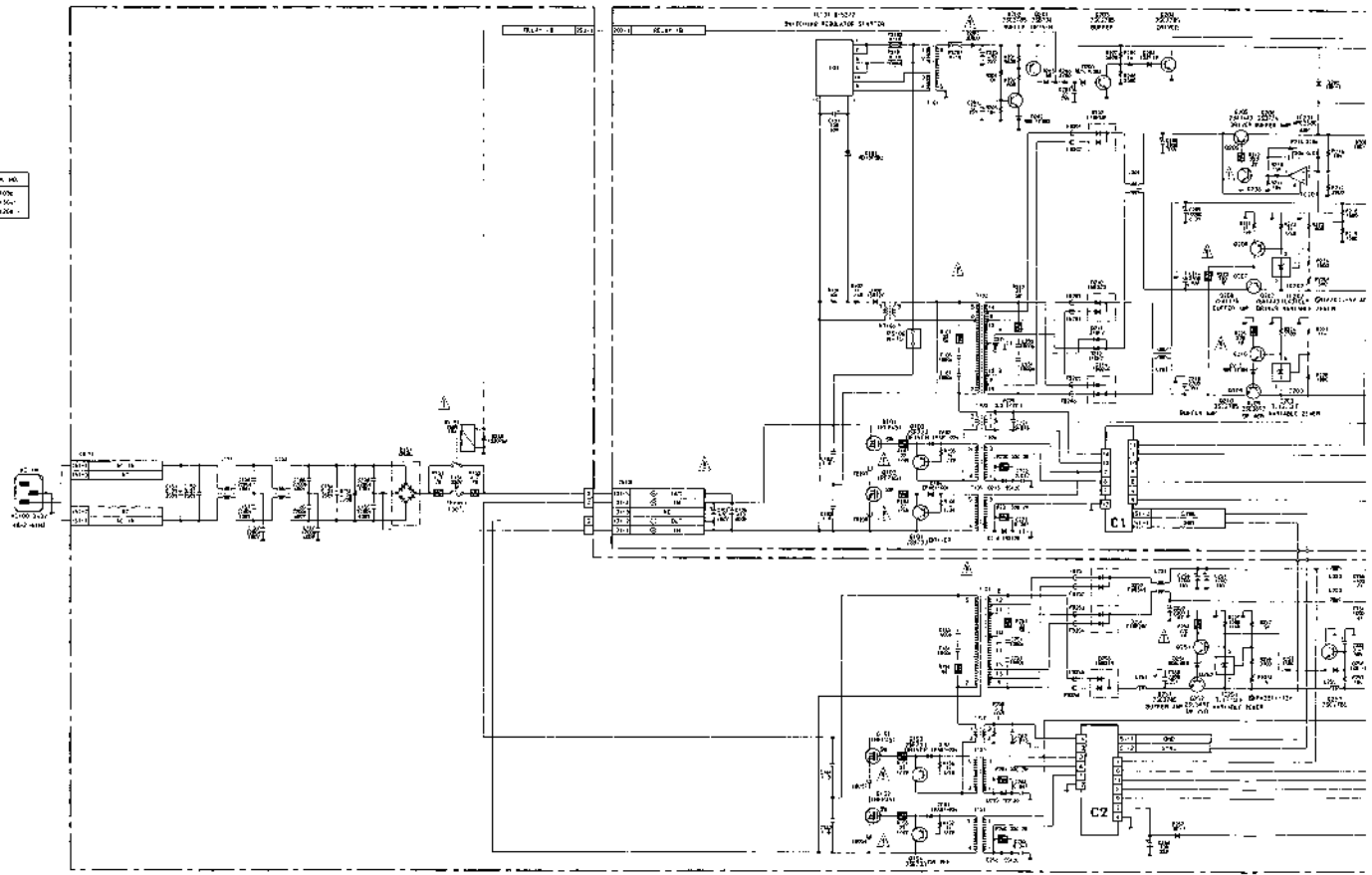
NOTE:

- ⚠ The shaded and ⚠ marked components are critical to safety.
- ⚠ Replace only with same components as specified.

UR-21:SWITCHING REGULATOR
M1
M2

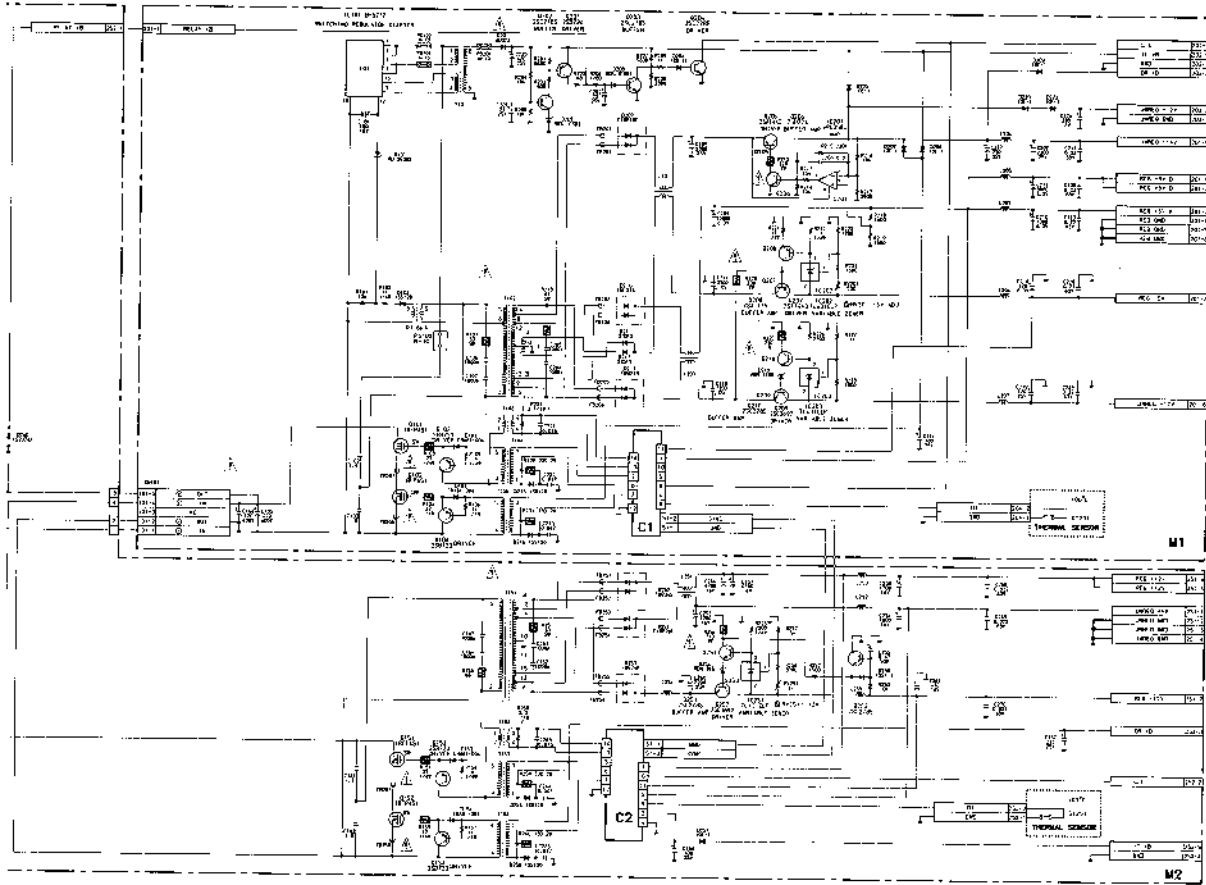
NOTE

ITEM	CHANGE AND POSITION	REV. NO.
1	REVISED	1-1958
2	50-02 M 1E	7-1958



NOTE:

The shaded and marked components are critical to safety.
 Replace only with same components as specified.



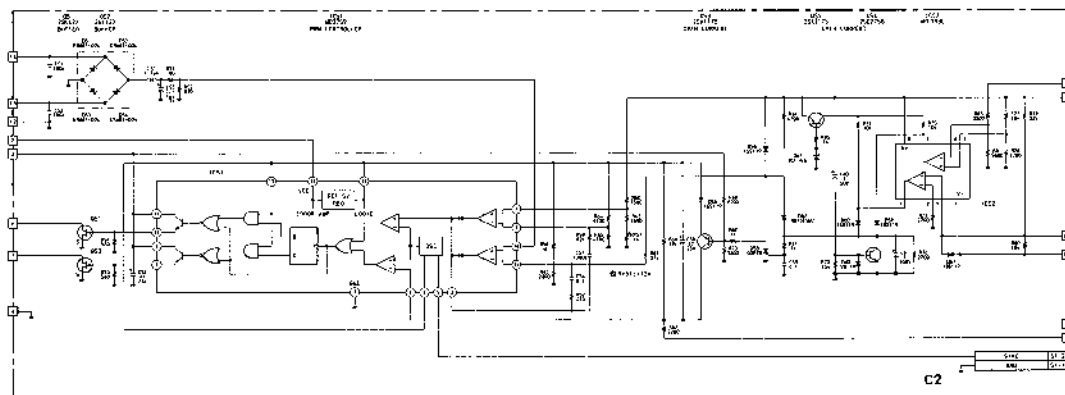
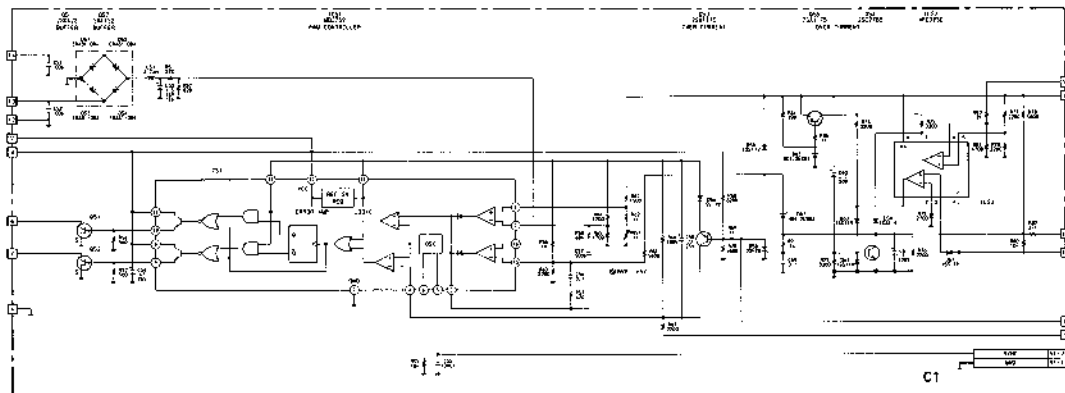
UR-21(1/2)

1-413-307-13(1)
 BVU-96Q
 BVU-950P

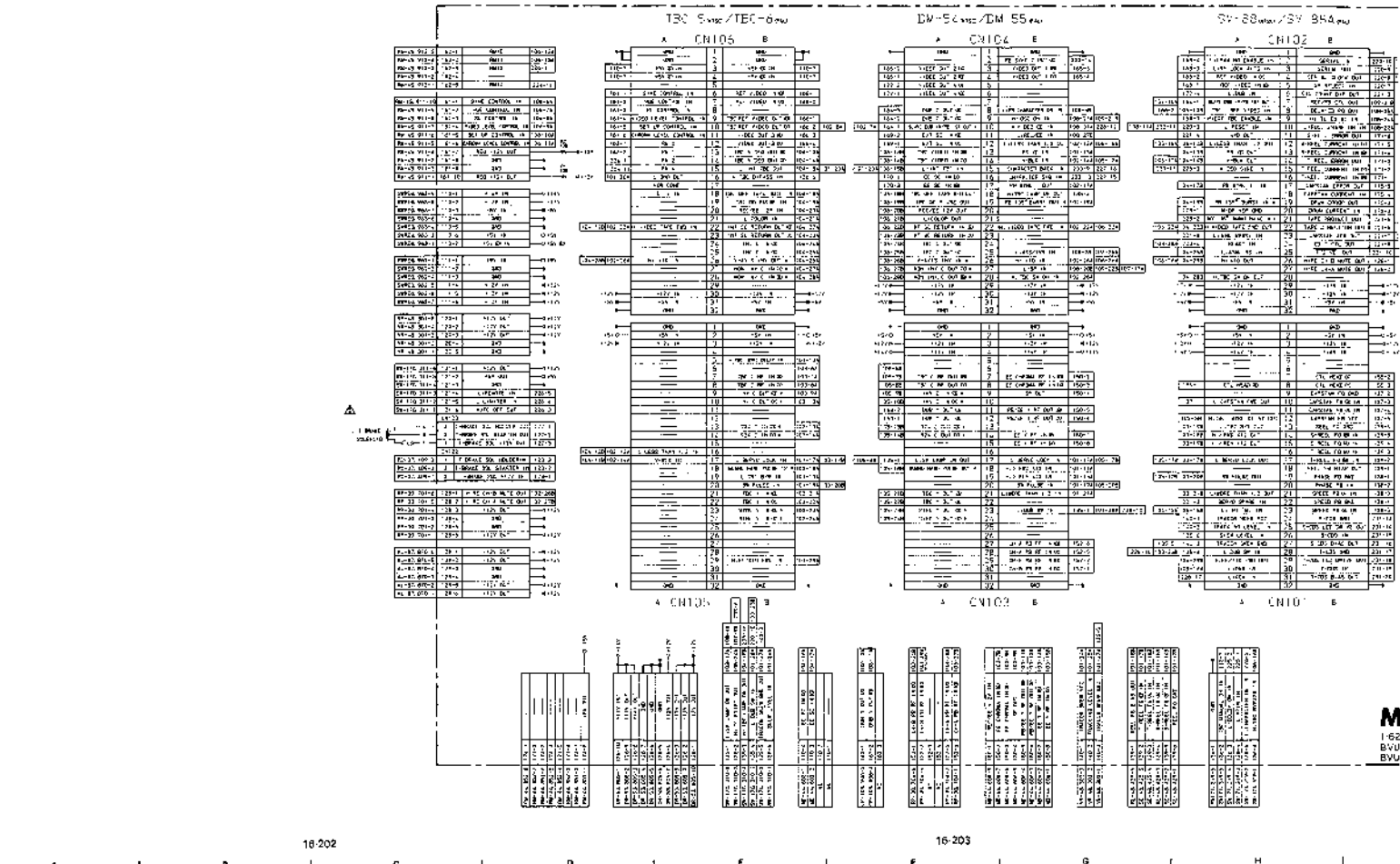
UR-21: SWITCHING REGULATOR

C1

C2

**UR-21(2/2)**1-413-3B7-13(1)
BVU-950
BVU-950P

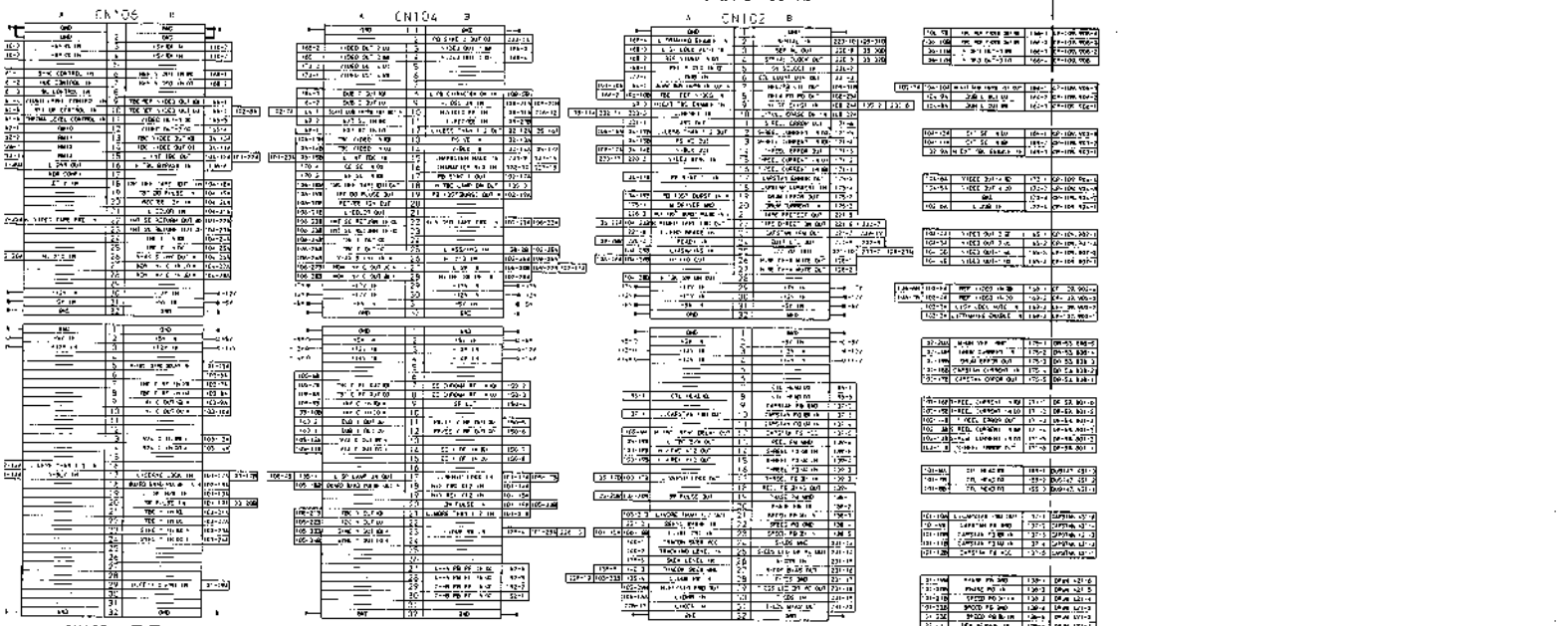
MB-127(1/2): MOTHER BOARD



TBC-5 5-pin/TBC 6-pin

DM-54 5-pin/DM-53 5-pin

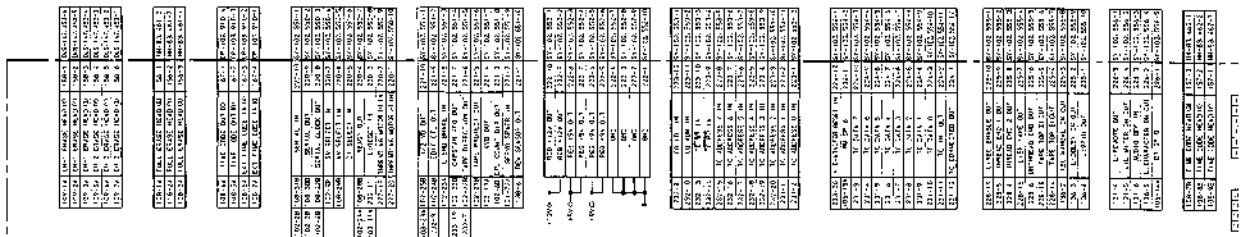
SV-88 8-pin/SV 86A 8-pin



MB-127(1/2)
 1-622-71 3 1 1 12 13(4)
 BU-1950
 BU-950P

NOTE:
 The shaded and marked components are critical to safety.
 Replace only with same components as specified.

MB-127(2/2); MOTHER BOARD



AL-85 CN109

Pin	Label	Value	Notes
1	150-1	150-1	150-1
2	150-2	150-2	150-2
3	150-3	150-3	150-3
4	150-4	150-4	150-4
5	150-5	150-5	150-5
6	150-6	150-6	150-6
7	150-7	150-7	150-7
8	150-8	150-8	150-8
9	150-9	150-9	150-9
10	150-10	150-10	150-10
11	150-11	150-11	150-11
12	150-12	150-12	150-12
13	150-13	150-13	150-13
14	150-14	150-14	150-14
15	150-15	150-15	150-15
16	150-16	150-16	150-16
17	150-17	150-17	150-17
18	150-18	150-18	150-18
19	150-19	150-19	150-19
20	150-20	150-20	150-20
21	150-21	150-21	150-21
22	150-22	150-22	150-22
23	150-23	150-23	150-23
24	150-24	150-24	150-24
25	150-25	150-25	150-25
26	150-26	150-26	150-26
27	150-27	150-27	150-27
28	150-28	150-28	150-28
29	150-29	150-29	150-29
30	150-30	150-30	150-30
31	150-31	150-31	150-31
32	150-32	150-32	150-32

EC-11 CN102

Pin	Label	Value	Notes
1	150-1	150-1	150-1
2	150-2	150-2	150-2
3	150-3	150-3	150-3
4	150-4	150-4	150-4
5	150-5	150-5	150-5
6	150-6	150-6	150-6
7	150-7	150-7	150-7
8	150-8	150-8	150-8
9	150-9	150-9	150-9
10	150-10	150-10	150-10
11	150-11	150-11	150-11
12	150-12	150-12	150-12
13	150-13	150-13	150-13
14	150-14	150-14	150-14
15	150-15	150-15	150-15
16	150-16	150-16	150-16
17	150-17	150-17	150-17
18	150-18	150-18	150-18
19	150-19	150-19	150-19
20	150-20	150-20	150-20
21	150-21	150-21	150-21
22	150-22	150-22	150-22
23	150-23	150-23	150-23
24	150-24	150-24	150-24
25	150-25	150-25	150-25
26	150-26	150-26	150-26
27	150-27	150-27	150-27
28	150-28	150-28	150-28
29	150-29	150-29	150-29
30	150-30	150-30	150-30
31	150-31	150-31	150-31
32	150-32	150-32	150-32

AL-84 W.H. AU 83.106: 71, 10N-77 CN107

Pin	Label	Value	Notes
1	150-1	150-1	150-1
2	150-2	150-2	150-2
3	150-3	150-3	150-3
4	150-4	150-4	150-4
5	150-5	150-5	150-5
6	150-6	150-6	150-6
7	150-7	150-7	150-7
8	150-8	150-8	150-8
9	150-9	150-9	150-9
10	150-10	150-10	150-10
11	150-11	150-11	150-11
12	150-12	150-12	150-12
13	150-13	150-13	150-13
14	150-14	150-14	150-14
15	150-15	150-15	150-15
16	150-16	150-16	150-16
17	150-17	150-17	150-17
18	150-18	150-18	150-18
19	150-19	150-19	150-19
20	150-20	150-20	150-20
21	150-21	150-21	150-21
22	150-22	150-22	150-22
23	150-23	150-23	150-23
24	150-24	150-24	150-24
25	150-25	150-25	150-25
26	150-26	150-26	150-26
27	150-27	150-27	150-27
28	150-28	150-28	150-28
29	150-29	150-29	150-29
30	150-30	150-30	150-30
31	150-31	150-31	150-31
32	150-32	150-32	150-32

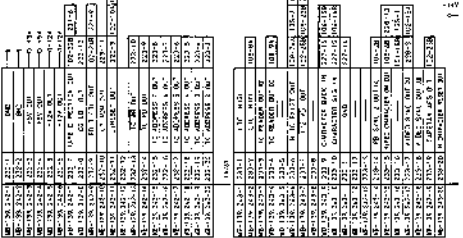
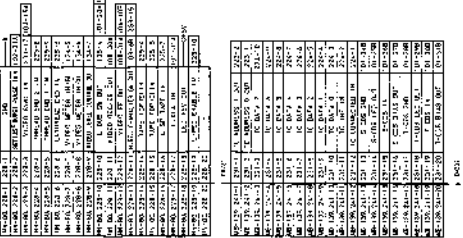
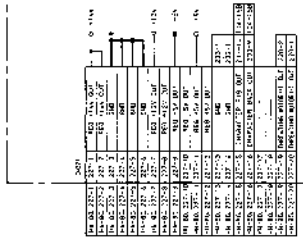


Table with 3 columns: Part Number, Description, and Quantity. Includes items like 100-100, 100-101, 100-102, etc.

Table with 3 columns: Part Number, Description, and Quantity. Includes items like 100-103, 100-104, 100-105, etc.

Table with 3 columns: Part Number, Description, and Quantity. Includes items like 100-106, 100-107, 100-108, etc.

Table with 3 columns: Part Number, Description, and Quantity. Includes items like 100-109, 100-110, 100-111, etc.

H.C. 11 CNI38

Table with 3 columns: Part Number, Description, and Quantity. Includes items like 100-112, 100-113, 100-114, etc.

AU-84 WITH AU-H3, IUS-71, 4H-77 CNI07

Table with 3 columns: Part Number, Description, and Quantity. Includes items like 100-115, 100-116, 100-117, etc.

Table with 3 columns: Part Number, Description, and Quantity. Includes items like 100-118, 100-119, 100-120, etc.

Table with 3 columns: Part Number, Description, and Quantity. Includes items like 100-121, 100-122, 100-123, etc.

Table with 3 columns: Part Number, Description, and Quantity. Includes items like 100-124, 100-125, 100-126, etc.

Table with 3 columns: Part Number, Description, and Quantity. Includes items like 100-127, 100-128, 100-129, etc.

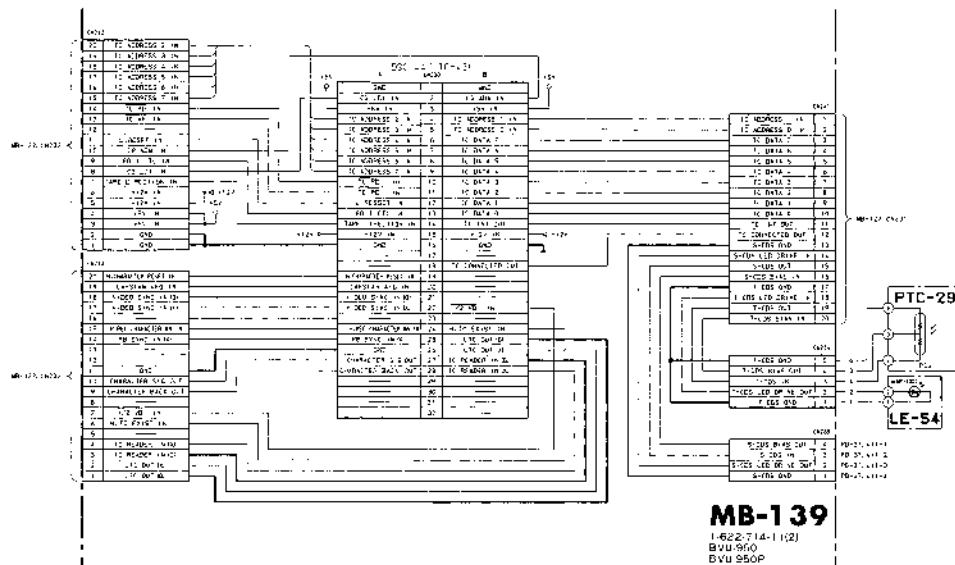
Table with 3 columns: Part Number, Description, and Quantity. Includes items like 100-130, 100-131, 100-132, etc.

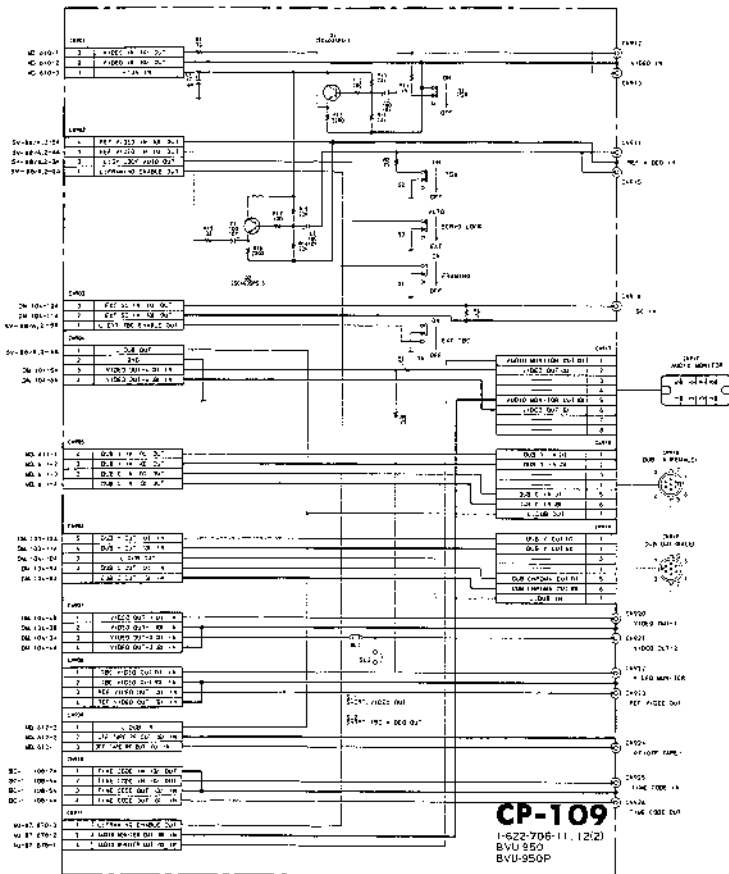
Table with 3 columns: Part Number, Description, and Quantity. Includes items like 100-133, 100-134, 100-135, etc.

MB-127(2/2)

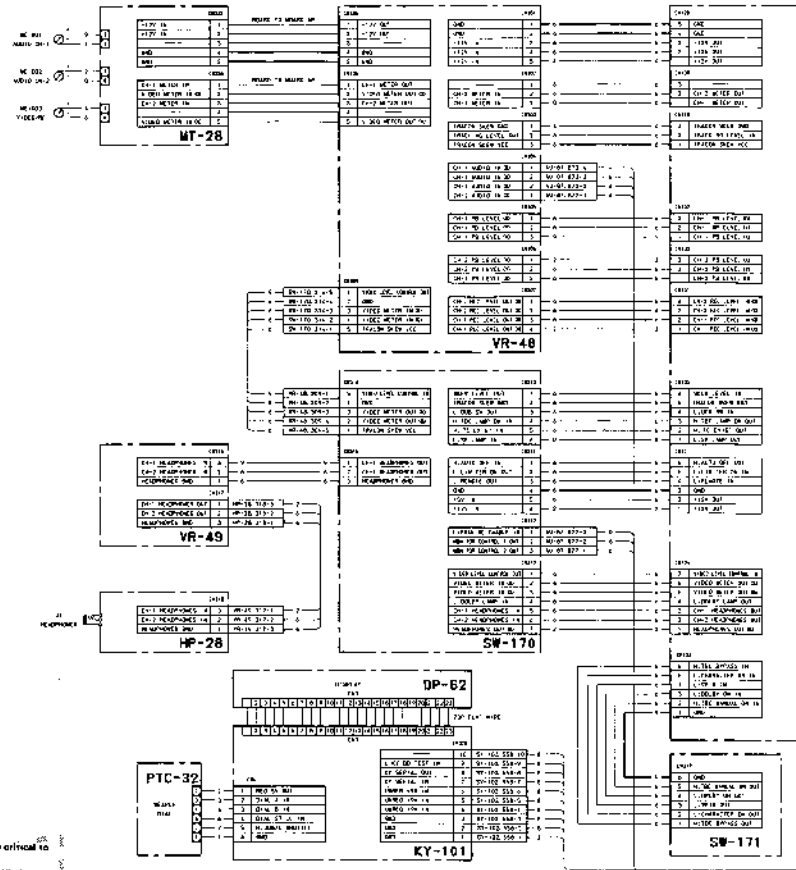
1-622 713-11, 12, 1319; 5-01556; BVU-950P

LE-54: T-TENSION LED
 MB-139: SUB MOTHER FOR TC
 PTC-29: T-TENSION CDS

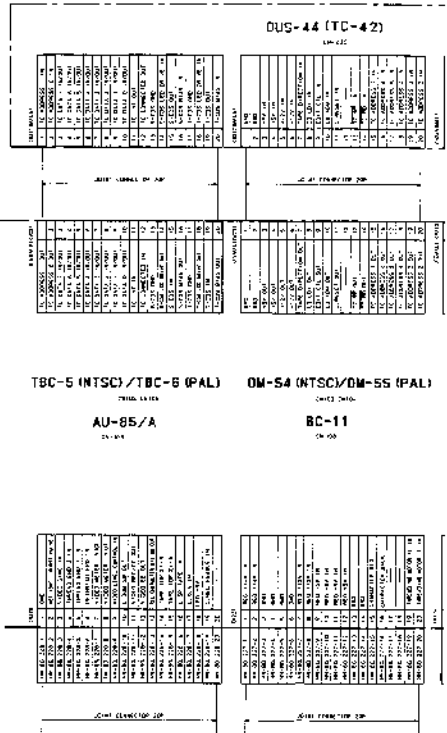


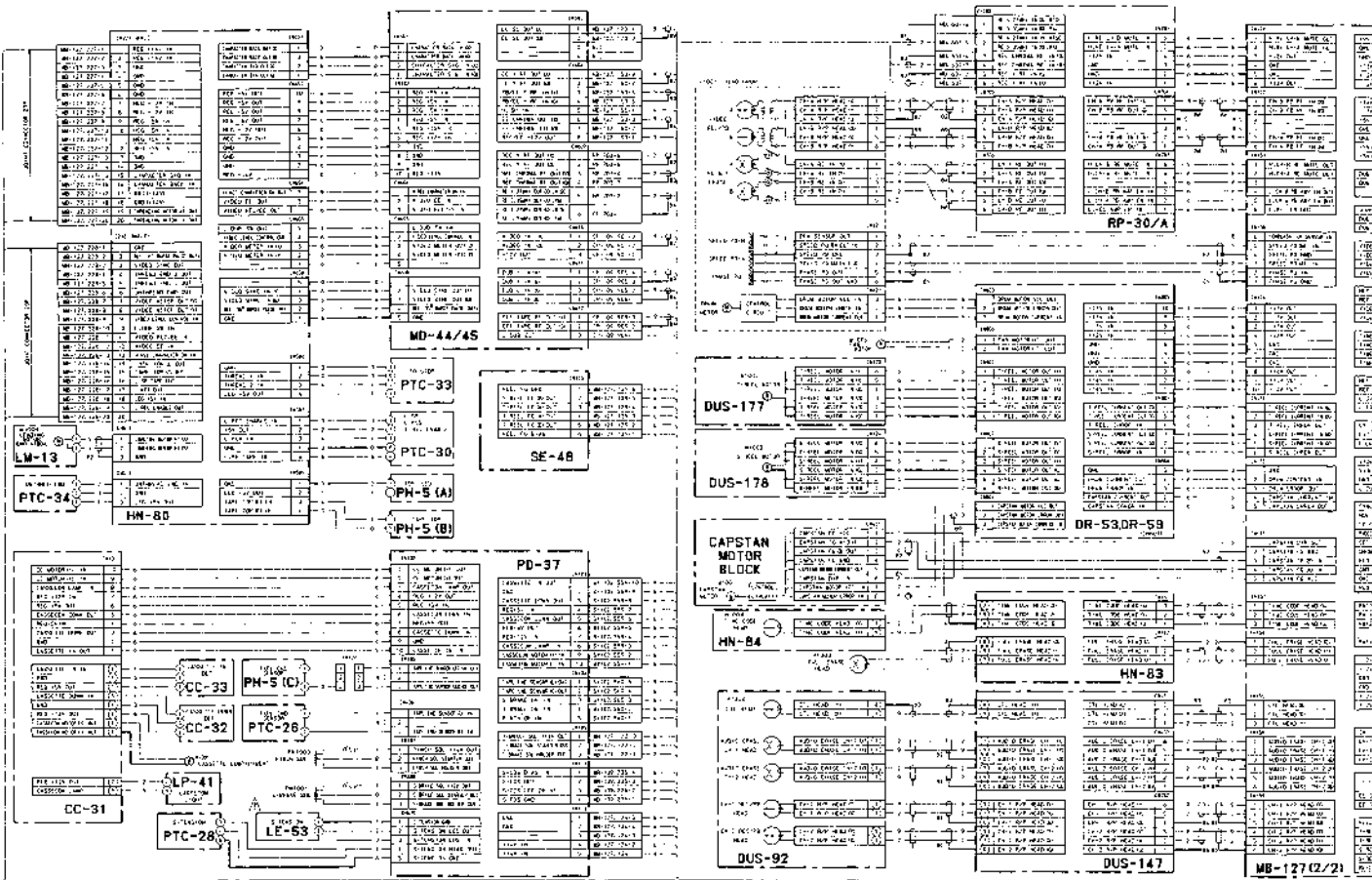


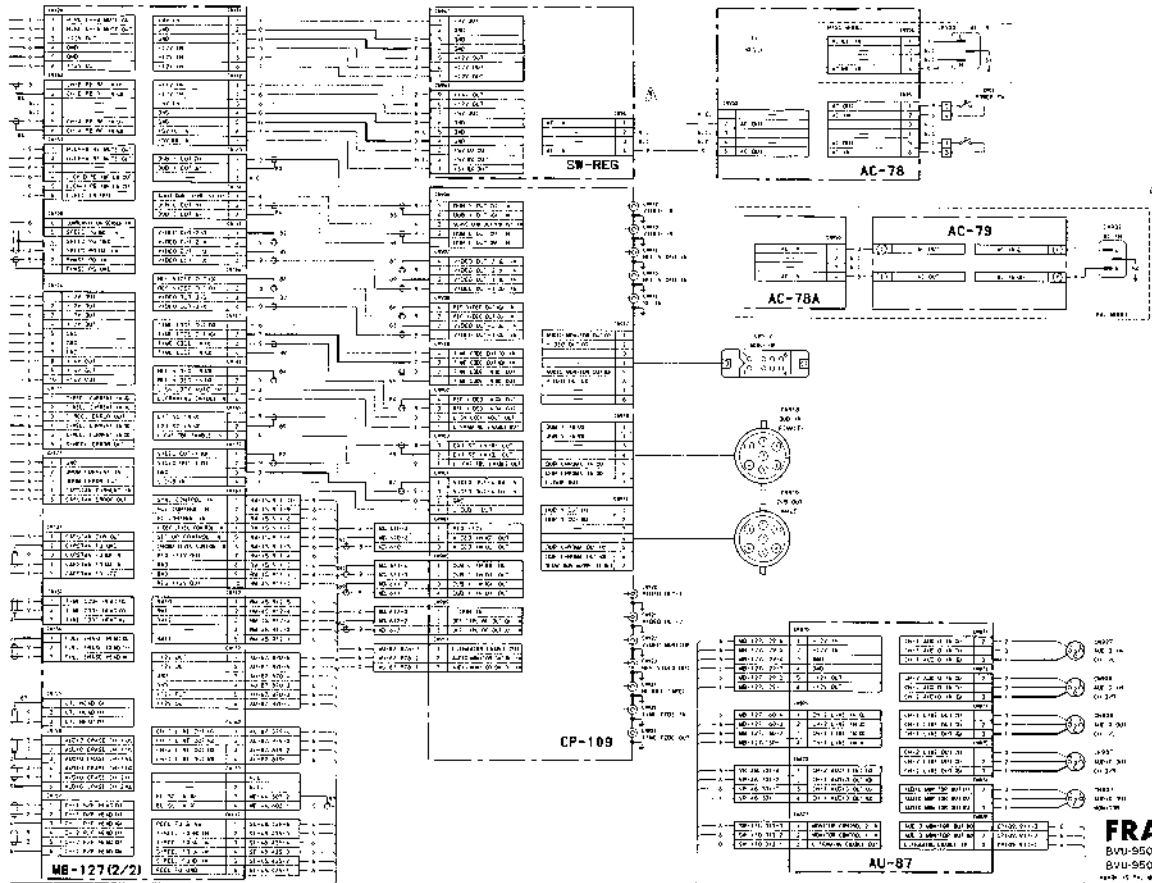
FRAME(1/2)



NOTE:
The shaded and marked components are critical to safety.
Replace only with same components as specified.







NOTE:
 The shaded and A-marked components are critical to safety.
 Replace only with same components as specified.

FRAME(2/2)
 BVU-550(2)
 BVU-550(2)
 16-229-10001

SECTION 17 PRINTED WIRING BOARDS

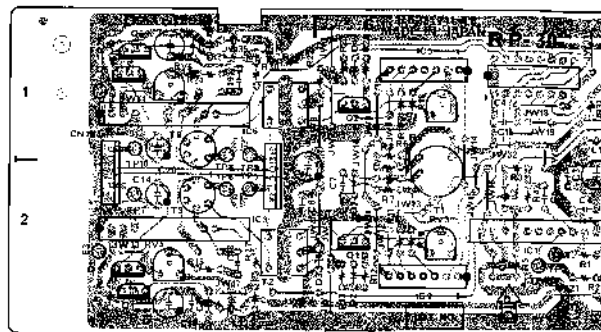
The circuit information is provided below.

SYSTEM	CIRCUIT BOARD	CIRCUIT FUNCTION
VIDEO	RP-39A	RF REC/PB /rotary erase
	MD-45	Y/C modulator
	DM-55	Y/C demodulator
	SW-170	Video level MANI/AUTO select
	VR-48	Video level control
	MT-28	Video level meter
AUDIO	AU-83A	CH-1 REC/PB /DOLBY processor
	DUS-71	Variable coil
	AU-84A	CH-2 REC/PB
	DUS-71	Variable coil
	11N-77	Junction board
	AU-85A	DOLBY auto detector, bias oscillator
	SW-171	DOLBY ON/OFF switch
	AU-87	Mix/output/monitor amplifier
	VR-48	REC/PB level control
	MT-28	Audio level meter
	VR-49	Head/heads level control
	HP-28	Headphones
	DUS-82	Audio head
	DUS-147	Junction board for audio head
BC-11	Full erase oscillator	
SW-170	Audio monitor select	
SERVO	SV-88A	Drum/capstan/reel servo
	SE-48	Reel rotation detector
	DA-53	Motor driver for reel/capstan/drum
	DR-59	Motor driver for reel
	PTC-26	S-tension CDS
	LE-53	S-tension LED
	PTC-29	T-tension CDS
	LE-54	T-tension LED
	DUS-177	T-reel motor
	DUS 178	S-reel motor
VR-48	Tracking control	

SYSTEM	CIRCUIT BOARD	CIRCUIT FUNCTION
SYSTEM	SV-102A	System control
	KY-101 / KY-144	Function key board
	DP-62	Display
	BC-11	Video/audio timing control
	11N-83	Threading motor driver
	LM-13	Threading motor
	ED-27	Cassette up compartment motor driver /Solenoid driver
	CC-31 / CC-36	Cassette compartment driver
	CC-32 / CC-36	Cassette down detector
	CC-33 / CC-37	Cassette in detector
	PTC-50	SP, miss REC, KCA detector
	PTC-33	FF stop detector
	PTC-34	Unthread end detector
	PH-5(A)	Tape top LFD
	PH-5(D)	Tape top sensor
	PH-5(C)	Tape end LED
	PTC-25	Tape end sensor
	SW-170	Select switch /warning indicator
	SR-171	Remote 1/2 Select /TBC ON/OFF /Character ON/OFF
	PTC-32	Search dial
RC-44	Remote control (3pin & 34pin)	
ESC-44	Character generator	
TIME CODE	TC-42	Time code (Option)
	BC-11	Time code REC/PB amplifier
	11N-84	Time code head
	SW-172	Time code control Switch (Option)
POWER	AC-76A	AC primary circuit
	AC-79	Line filter
	F1	Switching regulator (MD-21)
	F2	
	C1	
C2		
OTHERS	MB-127	Mother board
	MB-129	Sub mother for TC
	CP-199	Connector panel
	RM 43	TBC remote control
	EX 127	Extension board for Audio/Time code
	EX-128	Extension board for Video/Servo/TTC
	11N-88	Relay board for video/tape sensor/ threading motor driver
	11N-83	Relay board for time code head/erase head
	MT-28	Meter
	LE-41	Cassette compartment light
TTC-5	Time base corrector (Option)	

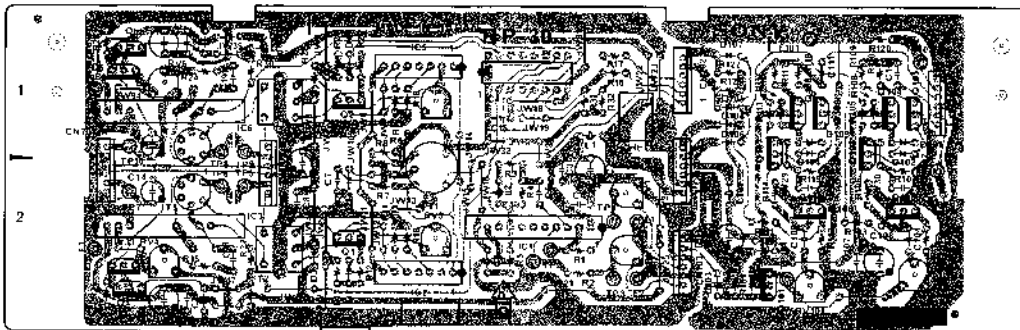
RP-30A (J-622741-11)

CN701	B-2	T1	C-2
CN702	B-1	T2	D-2
CN703	B-2	T3	D-2
CN704	D-2	T4	D-1
CN705	D-2	T5	D-1
CN706	A-1		
		TP1	B-2
D1	C-2	TP2	B-2
D2	C-2	TP3	B-2
D3	C-2	TP4	C-2
D4	C-1	TP5	D-2
D101	A-1	TP6	D-2
D102	A-1	TP7	D-2
D103	A-1	TP8	D-1
D104	A-1	TP9	D-1
D105	B-1	TP10	D-1
D106	B-1	TP101	A-2
D107	B-1	TP102	A-2
D108	B-1	TP103	A-1
E1	B-2		
E2	B-2		
E3	D-2		
E4	D-1		
E101	A-1		
E102	A-2		
IC1	C-2		
IC2	C-2		
IC3	D-2		
IC4	C-1		
IC5	C-1		
IC6	D-1		
Q1	D-2		
Q2	C-1		
Q3	D-2		
Q4	D-2		
Q5	D-1		
Q6	D-1		
Q101	A-2		
Q102	A-2		
Q103	A-1		
Q104	A-1		
Q105	A-1		
Q106	A-2		
Q107	A-1		
Q108	A-1		
Q109	A-1		
RV1	B-2		
RV2	B-2		
RV3	C-2		
RV4	D-2		
RV5	C-1		
RV6	D-1		
RV101	A-2		
RV102	A-2		



RP-30A: RF REC/PB /ROTARY ERASE

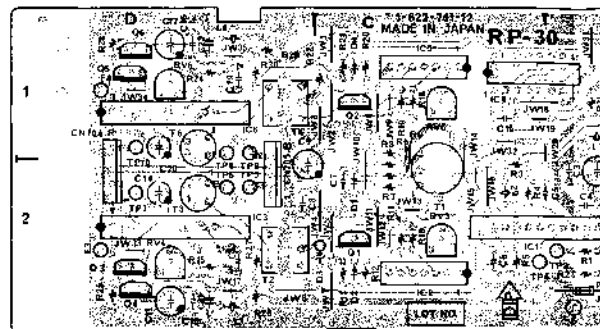
S:N UP TO 10080(EK)

C-2
O-2
O-2
D-1
D-1B-2
B-2
B-2
C-2
O-2
O-2
D-2
D-1
D-1
D-1
A-2
A-2
A-2
A-1

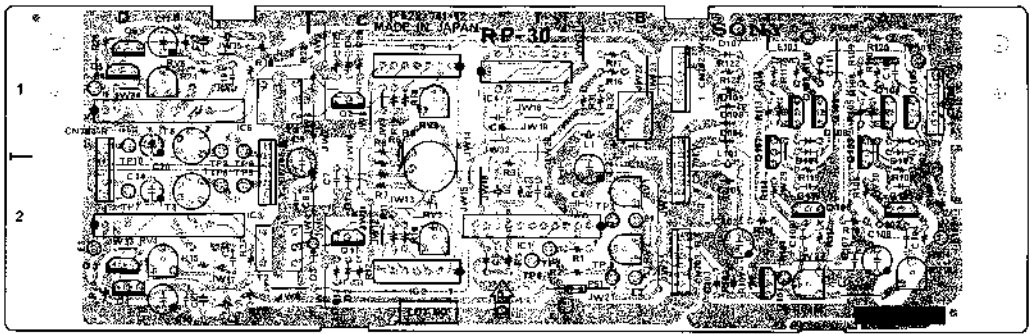
RP-30/A COMPONENT SIDE
 10080(EK)
 0-10080
 0-10080

RP-30A (1-622-743-12)

CN701	B-2	T1	C-2
CN702	B-1	T2	D-2
CN703	B-2	T3	D-2
CN704	D-2	T4	D-1
CN705	D-2	T5	D-1
CN706	A-1		
		TP1	B-2
D1	C-2	TP2	B-2
D2	C-2	TP3	B-2
D3	C-2	TP4	C-2
D4	C-1	TP5	D-2
D101	A-1	TP6	D-2
D102	A-1	TP7	D-2
D103	A-1	TP8	D-1
D104	A-1	TP9	D-1
D105	B-1	TP10	D-1
D106	B-1	TP101	A-2
D107	B-1	TP102	A-2
D108	B-1	TP103	A-1
E1	B-2		
E2	B-2		
E3	D-2		
E4	D-1		
E101	A-1		
E102	A-2		
IC1	C-2		
IC2	C-2		
IC3	B-2		
IC4	C-1		
IC5	C-1		
IC6	D-1		
Q1	D-2		
Q2	C-1		
Q3	D-2		
Q4	D-2		
Q5	D-1		
Q6	D-1		
Q101	A-2		
Q102	A-2		
Q103	A-1		
Q104	A-1		
Q105	A-1		
Q106	A-2		
Q107	A-1		
Q108	A-1		
Q109	A-1		
RV1	B-2		
RV2	C-2		
RV3	C-2		
RV4	D-2		
RV5	C-1		
RV6	D-1		
RV101	A-2		
RV102	A-2		



RP-30A: RF REC/PB /ROTARY ERASE S/N 10081 TO 11880 (EK)



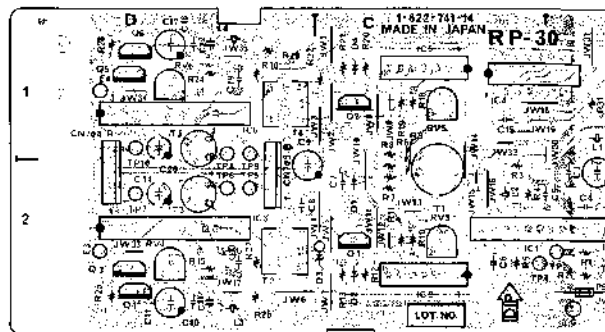
RP-30:A COMPONENT SIDE
1322 7A-1121-1
REV 000
DA 100P

- C-2
- D-2
- D-2
- D-1
- D-1
- B-2
- B-2
- B-2
- C-2
- D-2
- D-2
- D-1
- D-1
- D-1
- A-2
- A-2
- A-1

- 1
- 2
- 3

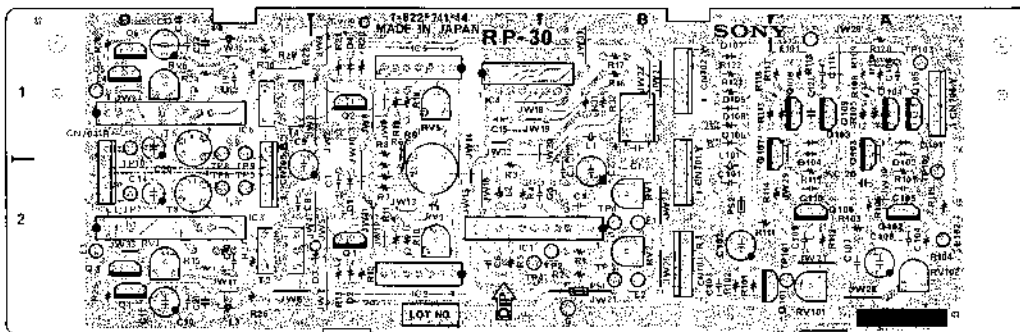
RP 30A (1 622 741-14)

CN701	B-2	T1	C-2
CN702	B-1	T2	D-2
CN703	B-2	T3	D-2
CN704	D-2	T4	D-1
CN705	D-2	T5	D-1
CN706	A-1		
		TP1	B-2
D1	C-2	TP2	B-2
D2	C-2	TP3	B-2
D3	C-2	TP4	C-2
D4	C-1	TP5	D-2
D101	A-1	TP6	D-2
D102	A-1	TP7	D-2
D103	A-1	TP8	D-1
D104	A-1	TP9	D-1
D105	B-1	TP10	D-1
D106	B-1	TP101	A-2
Q107	B-1	TP102	A-2
Q108	B-1	TP103	A-1
E1	B-2		
E2	B-2		
E3	D-2		
F4	D-1		
E101	A-1		
E102	A-2		
IC1	C-2		
IC2	C-2		
IC3	D-2		
IC4	C-1		
IC5	C-1		
IC6	D-1		
Q1	C-2		
Q2	C-1		
Q3	D-2		
Q4	D-2		
Q5	D-1		
Q6	D-1		
Q101	A-2		
Q102	A-2		
Q103	A-1		
Q104	A-1		
Q105	A-1		
Q106	A-2		
Q107	A-1		
Q108	A-1		
Q109	A-1		
RV1	B-2		
RV2	B-2		
RV3	C-2		
RV4	D-2		
RV5	C-1		
RV6	D-1		
RV101	A-2		
RV102	A-2		



RP-30A; RF REC/PB/ROTARY ERASE

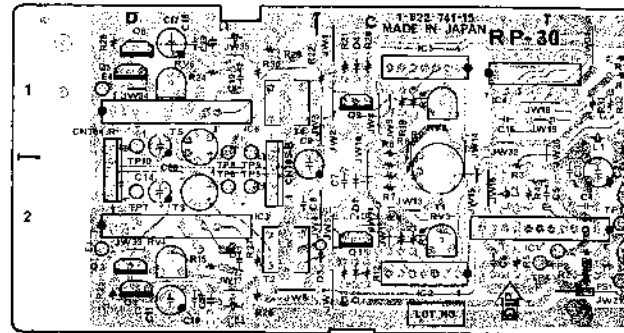
S/N 11881 TO 14595 (EK)

C-2
D-2
D-2
D-1
D-1B-2
B-2
B-2
C-2
D-2
D-2
D-1
D-1
D-1
1
2
3
A-1

RP-30/A COMPONENT SIDE
 1-8225341-84
 200 440
 8/8 1974

RP-30A (1-822-741-15)

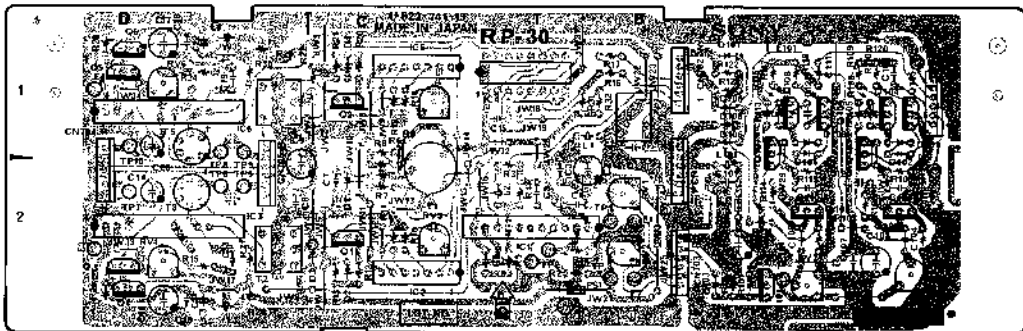
CN701	B-2	T1	C-2
CN702	B-1	T2	D-2
CN703	B-2	T3	D-2
CN704	D-2	T4	D-1
CN705	D-2	T5	D-1
CN706	A-1		
		TP1	B-2
01	C-2	TP2	B-2
D2	C-2	TP3	B-2
03	C-2	TP4	C-2
D4	C-1	TP5	D-2
D101	A-1	TP6	D-2
D102	A-1	TP7	D-2
D103	A-1	TP8	D-1
D104	A-1	TP9	D-1
D105	B-1	TP10	D-1
D106	B-1	TP101	A-2
D107	B-1	TP102	A-2
D108	B-1	TP103	A-1
E1	B-2		
E2	B-2		
E3	D-2		
E4	D-1		
E101	A-1		
E102	A-2		
IC1	C-2		
IC2	C-2		
IC3	D-2		
IC4	C-1		
IC5	C-1		
IC6	D-1		
Q1	C-2		
Q2	C-1		
Q3	D-2		
Q4	D-2		
Q5	D-1		
Q6	D-1		
Q101	A-2		
Q102	A-2		
Q103	A-1		
Q104	A-1		
Q105	A-1		
Q106	A-2		
Q107	A-1		
Q108	A-1		
Q109	A-1		
RV1	B-2		
RV2	B-2		
RV3	C-2		
RV4	D-2		
RV5	C-1		
RV6	D-1		
RV101	A-2		
RV102	A-2		



RP-30A: RF REC/PB/ROTARY ERASE S/N 14596 AND HIGHER (EK)

C-2
D-2
D-2
D-1
D-1

B-2
B-2
C-2
D-2
D-2
D-1
D-1
A-2
A-2
A-1

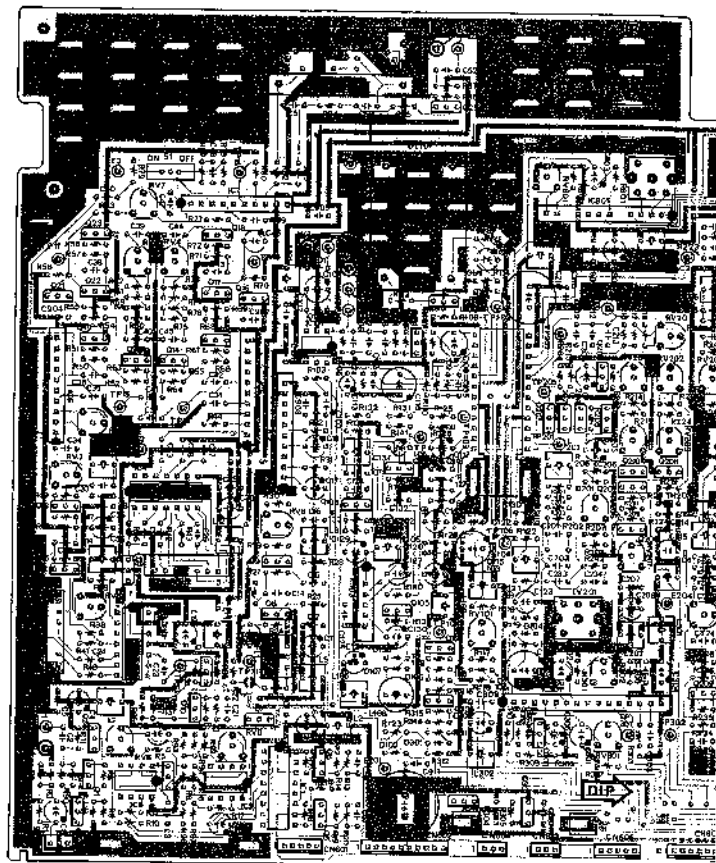


RP-30/A - COMPONENT SIDE-
14597-741101,
DAV:558
8/11/84gr

MD-45 (1 622 742-1)

CN601	J8	IC8	L8	Q210	F5	TP14	K-4
CN602	H-8	IC8	K-8	Q211	E-7	TP15	L-4
CN603	D-8	IC101	J4	Q301	G-8	TP16	K-3
CN604	C-8	IC102	G-4	Q302	H-8	TP17	L-3
CN605	F-8	IC103	J-6	Q303	D-7	TP18	K-2
CN606	E-8	IC201	E-4	Q305	H-7	TP101	J-3
CN607	B-8	IC202	E-6	Q501	A-8	TP102	G-3
CN608	C-8	IC301	G-7	Q502	B-5	TP103	H-4
CN610	L-8	IC501	A-7	Q503	A-5	TP104	H-6
CN611	A-8	IC502	B-8	Q504	A-6	TP105	H-5
CN612	G-8	IC503	C-6	Q505	B-7	TP106	G-5
		IC504	C-4	Q506	D-4	TP201	G-5
D101	J-3	IC201	F-2	Q507	D-4	TP202	G-3
D103	H-7	IC402	D-3	Q508	B-3	TP203	F-3
D104	G-6	IC603	D-7	Q509	C-4	TP204	E-3
D105	G-7			Q510	D-4	TP205	G-4
D106	H-7	LV201	F-6	Q511	D-5	TP206	E-5
D107	H-7	LV801	F-2	Q512	C-7	TP207	E-7
D108	H-7			Q513	B-5	TP301	F-7
D201	F-5	Q1	L-8	Q301	D-8	TP302	F-7
D301	H-7	Q2	K-8	Q302	C-8	TP501	A-7
D501	A-7	Q4	L-8	Q302	C-8	TP502	C-5
D502	A-7	Q5	J-8	RV1	L-6	TP503	C-6
D503	A-7	Q6	J-8	RV2	L-5	TP504	C-3
D505	B-4	Q7	J-7	RV3	L-4	TP505	C-4
D506	C-3	Q8	J-6	RV4	K-3	TP505	C-5
D507	B-5	Q9	J-6	RV5	L-3	TP507	D-4
D508	C-8	Q10	K-7	RV6	J-5	TP508	D-3
		Q11	K-7	RV7	L-2	TP509	D-3
D11	L-6	Q12	L-6	RV8	L-7	TP510	D-5
DL2	K-6	Q13	L-5	RV9	K-7	TP511	D-5
DL101	H-2	Q14	K-4	RV101	G-6	TP501	D-8
DL501	A-3	Q15	K-4	RV201	F-3	TP502	C-6
		Q16	K-3	RV202	F-4		
E2	L-5	Q17	K-3	RV203	F-6	X501	A-4
E3	L-2	Q18	K-3	RV204	F-4		
E201	H-8	Q19	L-4	RV205	F-5		
E202	H-5	Q20	L-4	RV206	F-6		
E203	J-2	Q21	L-3	RV207	F-6		
E204	F-6	Q22	L-3	RV208	E-4		
E501	C-8	Q23	L-3	RV209	E-6		
E502	B-5	Q24	L-7	RV301	F-7		
E503	D-3	Q25	H-1	RV302	F-7		
E504		Q27	L-6	RV501	A-6		
		Q101	H-3	RV502	B-7		
FL1	J-7	Q102	H-3	RV503	D-5		
FL2	J-1	Q103	J-5	RV504	C-4		
FL201	E-5	Q104	H-6	RV505	B-4		
FL202	E-5	Q105	H-6	RV501	G-2		
FL501	A-5	Q106	H-5	RV802	E-2		
FL502	D-6	Q201	G-4	RV803	D-7		
		Q202	G-4				
IC1	J-8	Q209	F-4	SL	K-2		
IC2	J-4	Q204	F-4				
IC3	L-6	Q205	F-4	T501	A-3		
IC4	L-5	Q206	F-5				
IC5	K-4	Q207	F-5	TP11	K-7		
IC6	L-4	Q208	F-5	TP12	L-6		
IC7	K-2	Q209	E-7	TP13	K-7		

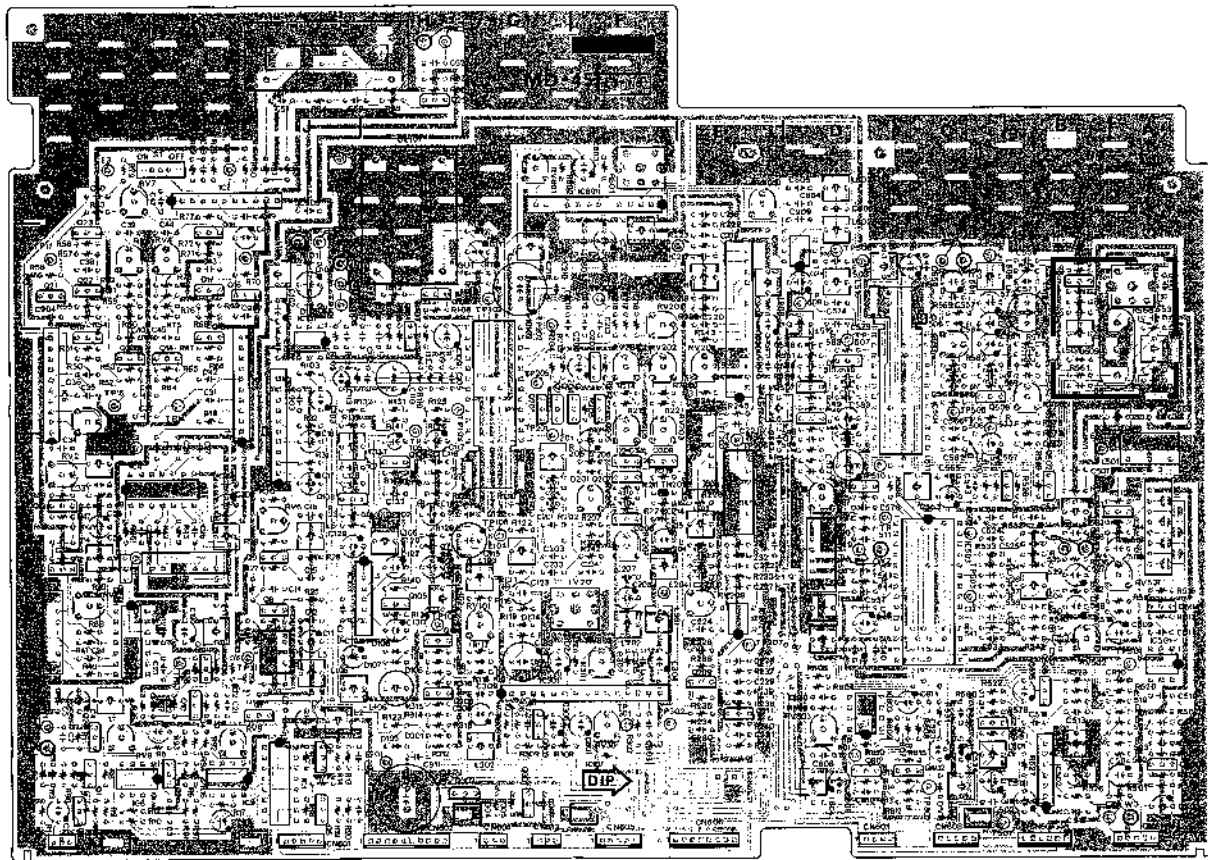
17-11(a)



17-12(a)

MD-45: Y/C MODULATOR

S/N UP TO 10980(IEK)



MD-45 COMPONENT SIDE
 4-552-742-11-1
 601-3994

17-12(a)

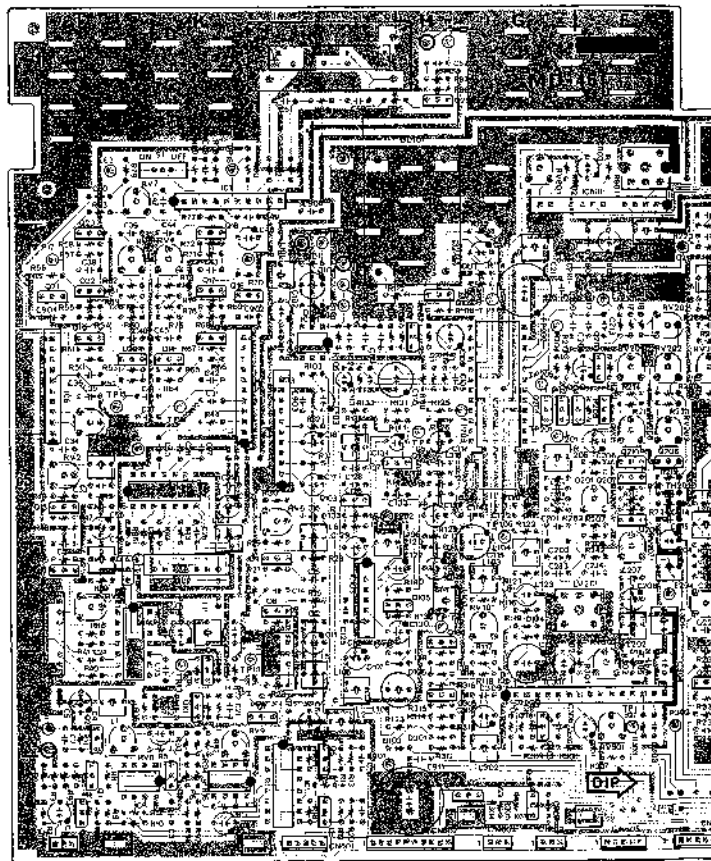
17-13(a)

K4
 L4
 M3
 L3
 K2
 J3
 G3
 H4
 H6
 H9
 G5
 G5
 G3
 F3
 E3
 G4
 E5
 E7
 F7
 A7
 C5
 C3
 C1
 C5
 D4
 D3
 D3
 D5
 D8
 C8
 A4

MD-45 (1 622-742 12)

CN601	J8	IC3	L8	Q210	F5	TP14	K4
CN602	H3	IC9	K9	Q211	E7	TP15	L4
CN603	D3	IC101	J4	Q301	G8	TP16	K3
CN604	G4	IC102	G4	Q302	H8	TP17	L3
CN605	F8	IC103	J6	Q303	G7	TP18	K2
CN606	E8	IC201	E4	Q305	H7	TP101	J3
CN607	B8	IC202	E6	Q501	A8	TP102	G3
CN608	C8	IC301	G7	Q502	B5	TP103	H4
CN610	L8	IC501	A7	Q503	A5	TP104	H6
CN611	A8	IC502	B8	Q504	A6	TP105	H5
CN612	G8	IC503	C6	Q505	B7	TP106	G6
		IC504	C4	Q506	D4	TP201	G5
D101	J3	IC801	F2	Q507	D4	TP202	G3
D103	H7	IC802	D3	Q508	B3	TP203	F3
D104	G6	IC803	D7	Q509	C4	TP204	E3
D105	G7			Q510	D4	TP205	G4
D106	H7	LV201	F6	Q511	D5	TP206	E5
D107	H7	LV801	F2	Q512	C7	TP207	E7
D108	H7			Q513	B5	TP301	F7
D201	F5	Q1	L8	Q801	D8	TP302	F7
D301	H7	Q2	K8	Q802	C6	TP501	A7
D501	A7	Q4	L8			TP502	C5
D502	A7	Q5	J8	RV1	L6	TP503	C6
D303	A7	Q6	J8	RV2	L5	TP504	C3
D505	B4	Q7	J7	RV3	L4	TP505	C4
D506	C3	Q8	J6	RV4	K3	TP506	C5
D507	B5	Q9	J6	RV5	L3	TP507	D4
D508	C8	Q10	K7	RV6	J5	TP508	D3
Q11	L6	Q11	K7	RV7	L2	TP509	D3
Q12	K6	Q13	L5	RV8	L7	TP510	D5
Q1:01	H2	Q14	K4	RV9	K7	TP511	D5
Q1501	A5	Q15	K4	RV101	G6	TP801	D8
		Q16	K3	RV201	F3	TP802	C6
E2	L5	Q17	K3	RV202	F4		
E3	L2	Q18	K2	RV203	F5	X501	A4
E201	H8	Q19	L4	RV204	F4		
E302	H5	Q20	L4	RV205	F5		
E403	J2	Q21	L3	RV206	F5		
E204	F6	Q22	L3	RV207	F6		
E501	C8	Q23	L3	RV208	E4		
E502	B5	Q24	L7	RV209	E6		
E503	D3	Q25	H3	RV301	F7		
E504		Q27	L6	RV302	F7		
		Q101	H3	RV501	A6		
		Q102	H3	RV502	B7		
FL1	J7	Q103	H3	RV503	D5		
FL2	J1	Q103	J5	RV504	C4		
FL201	E5	Q104	H5	RV505	B4		
FL202	E5	Q105	H6	RV801	G2		
FL501	A5	Q106	H5	RV802	E2		
FL502	D5	Q261	G4	RV803	D7		
		Q262	G4				
IC1	J8	Q203	F4	S1	K2		
IC2	J4	Q204	F4				
IC3	L6	Q205	F4	T501	A3		
IC4	L5	Q206	F5				
IC5	K4	Q207	F5	TP11	K7		
IC6	L4	Q208	F5	TP12	L6		
IC7	K2	Q209	E7	TP13	K7		

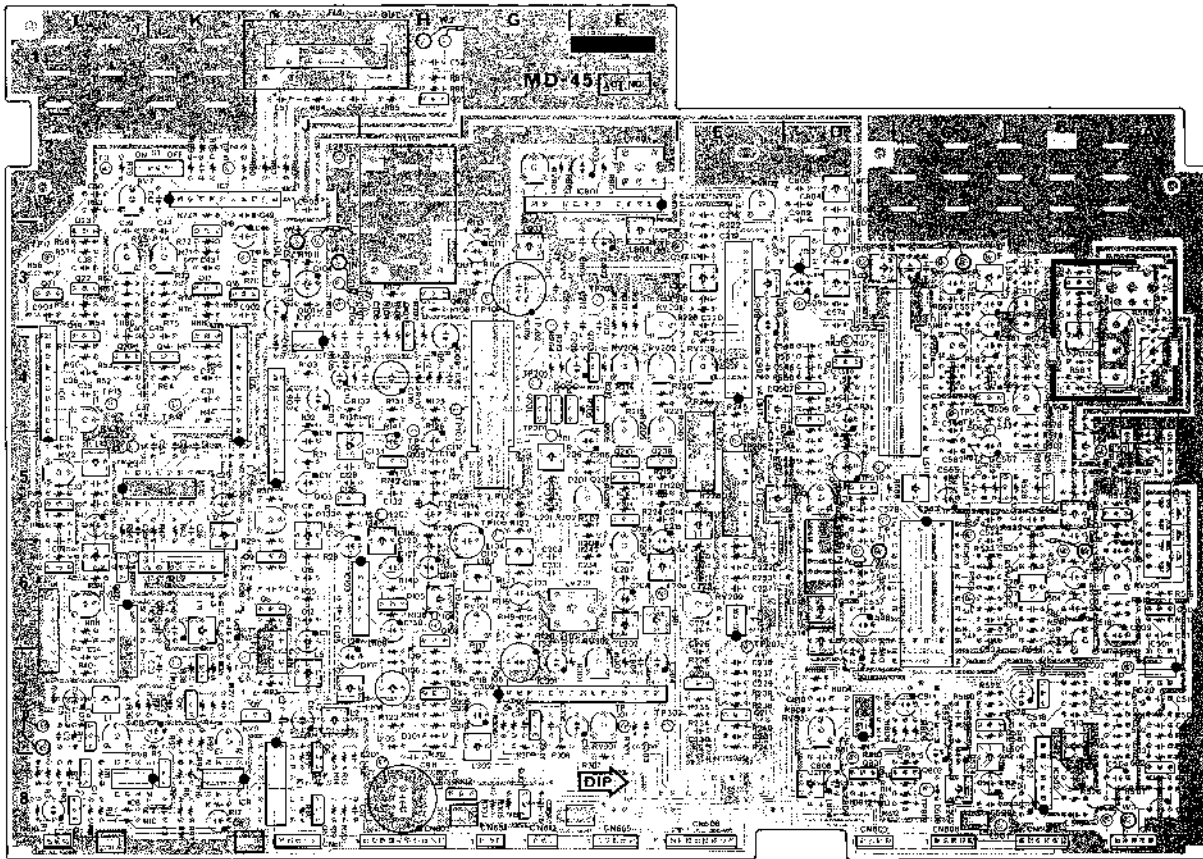
17-11(b)



17-12(b)

MD-45: Y/C MODULATOR (S/N 10981 AND HIGHER)

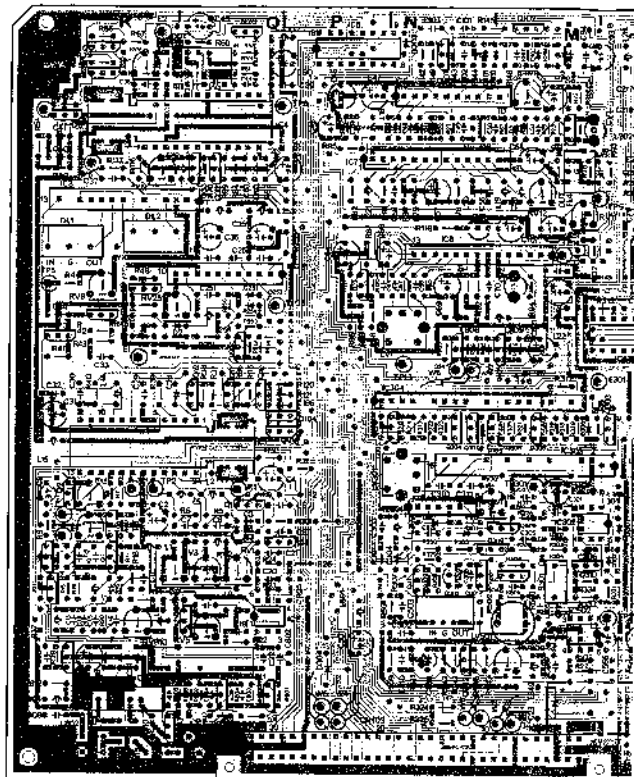
K.4
L.4
K.3
L.3
K.2
L.2
G.3
H.4
H.6
H.5
G.6
G.6
G.3
F.3
E.3
G.4
E.5
E.7
F.7
A.7
C.6
C.6
C.3
C.4
C.5
D.4
D.3
D.3
D.5
D.5
D.8
C.8
A.4

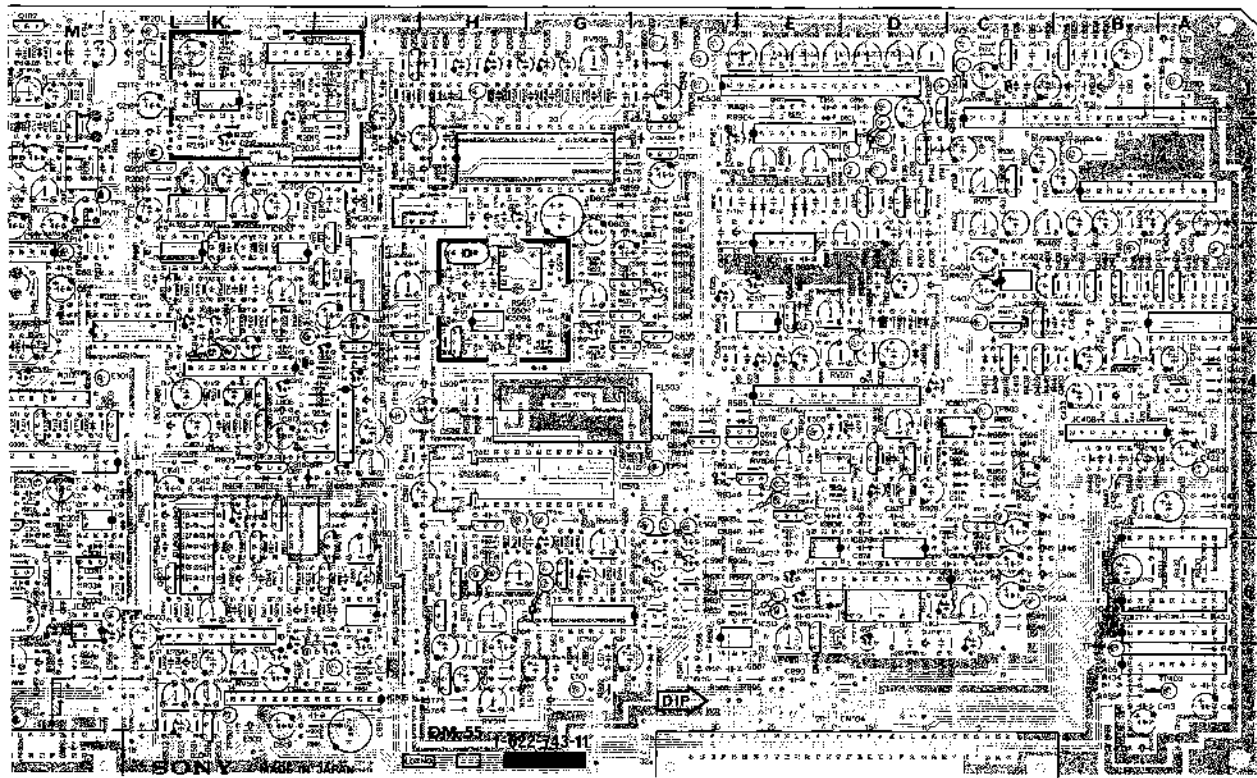


MD-45 - COMPONENT SIDE
REV 12/71
4-0500

DM-55 (1622-74911)

CN103	N-7	E502	D-1	IC517	E-3	Q301	N-6	Q810	J-4	RV522	E-3	TP524	D-2
CN104	D-7	E503	F-1	IC518	E-3	Q302	N-6	Q811	K-5	RV523	D-3	TP525	D-2
		E504	F-5	IC801	K-4	Q303	L-4	Q812	J-5	RV601	L-7	TP801	K-5
CV1	M-2	E505	E-4	IC802	E-5	Q304	N-4	Q820	L-6	RV602	K-6	TP802	E-4
CV2	M-3			IC803	C-4	Q305	N-4	Q821	K-6	RV603	J-6	TP803	C-4
		FL1	Q-7	IC804	E-6	Q306	M-4	Q822	K-6	RV604	E-1	TP804	D-4
D1	R-4	FL3	Q-1	IC805	D-6	Q307	N-4	Q823	K-5	RV605	D-1	TP805	E-5
D2	R-4	FL4	M-2	IC806	J-4	Q308	M-4	Q824	K-6	RV606	E-5	TP806	O-5
D3	M-2	FL5	J-3			Q309	M-6	Q825	J-6	RV607	E-2	TP807	K-4
D101	N-1	FL201	L-2	LW1	N-4	Q310	M-6	Q826	J-6	RV608	E-2		
D102	N-1	FL501	N-6	LV301	N-5	Q311	N-6	Q827	E-1	RV609	M-7	X501	H-3
D103	M-1	FL603	G-4	LV501	M-6	Q401	C-4	Q828	H-5	RV810	R-6		
D251	Q-3	FL604	H-2			Q402	C-3	Q830	D-6	RV811	E-7		
D252	Q-3	FL601	R-7	Q1	Q-5	Q403	B-4	Q831	D-5	RV812	J-5		
D301	L-3	FL802	K-5	Q2	R-5	Q404	C-3	Q832	D-5				
D302	L-6	FL803	D-6	Q3	R-5	Q405	A-3	Q836	E-5	S301	M-6		
D303	N-1			Q4	P-6	Q406	A-4	Q837	C-5				
D304	P-7	IC1	Q-5	Q5	R-6	Q407	A-4	Q838	E-5	TS01	G-3		
D305	N-5	IC2	Q-6	Q6	R-6	Q408	C-4	Q839	F-5				
D306	M-4	IC3	R-2	Q7	R-6	Q409	C-4	Q842	N-7	TP1	Q-5		
D401	C-4	IC4	Q-2	Q8	Q-6	Q410	A-3	Q843	E-6	TP2	R-5		
D402	C-4	IC5	P-1	Q9	R-7	Q411	B-3			TP4	R-5		
D403	A-4	IC6	N-1	Q10	Q-4	Q412	B-3	RV1	Q-6	TP5	R-3		
D404	A-4	IC7	N-2	Q11	Q-4	Q501	M-6	RV2	Q-6	TP6	R-2		
D501	H-1	IC8	N-3	Q12	Q-4	Q506	K-7	RV3	R-6	TP7	R-2		
D502	F-1	IC9	L-3	Q13	R-4	Q507	J-7	RV4	R-5	TP8	P-3		
D605	G-3	IC10	K-3	Q14	R-3	Q508	H-4	RV5	G-6	TP9	L-2		
D606	F-3	IC12	B-2	Q15	R-6	Q509	M-6	RV8	R-3	TP10	A-1		
D513	D-9	IC201	J-1	Q16	R-3	Q510	H-6	RV9	A-1	TP11	B-2		
D514	E-2	IC202	K-1	Q17	R-2	Q511	H-7	RV10	A-2	TP13	N-4		
D515	E-2	IC203	L-1	Q18	R-1	Q512	E-5	RV11	M-2	TP14	M-3		
D516	E-2	IC204	K-2	Q19	R-1	Q513	E-6	RV12	M-2	TP15	D-2		
D517	E-2	IC251	Q-3	Q20	Q-1	Q514	E-5	RV13	K-3	TP17	R-5		
D519	E-4	IC201	M-5	Q21	N-3	Q520	G-5	RV15	C-2	TP18	R-5		
D801	E-1	IC302	L-5	Q22	M-2	Q521	F-2	RV16	M-1	TP201	L-1		
D802	G-2	IC303	M-5	Q23	P-3	Q522	J-4	RV17	R-5	TP202	J-2		
D803	G-2	IC304	N-4	Q24	N-4	Q523	F-2	RV201	K-2	TP251	Q-3		
D804	C-5	IC401	B-2	Q25	K-3	Q524	J-1	RV251	R-3	TP301	M-5		
D805	C-5	IC402	C-3	Q26	K-3	Q525	F-4	RV301	M-5	TP401	B-3		
D806	C-5	IC403	A-3	Q27	K-3	Q526	F-3	RV401	C-3	TP402	C-3		
D810	D-4	IC404	A-5	Q29	K-3	Q527	F-3	RV402	C-3	TP403	A-7		
D811	N-5	IC405	A-7	Q29	K-3	Q528	F-6	RV403	B-4	TP404	B-7		
D812	N-5	IC405	A-6	Q30	J-3	Q529	F-6	RV501	K-7	TP501	K-2		
D813	K-5	IC407	A-5	Q31	J-3	Q530	F-6	RV503	K-7	TP502	K-7		
D814	J-4	IC408	B-4	Q32	Q-2	Q532	F-4	RV504	C-6	TP503	J-7		
D815	J-4	IC502	M-6	Q33	Q-2	Q544	D-4	RV505	G-1	TP504	C-6		
D816	E-4	IC503	K-6	Q34	C-1	Q545	E-3	RV506	D-1	TP505	M-1		
		IC504	J-6	Q35	B-1	Q546	D-2	RV507	D-2	TP506	F-1		
DL1	R-3	IC505	K-7	Q36	D-1	Q547	D-2	RV508	E-1	TP507	D-2		
DL2	R-3	IC506	D-6	Q37	N-2	Q548	D-2	RV509	E-1	TP508	F-1		
DL802	L-6	IC507	E-2	Q38	C-2	Q801	Q-7	RV510	D-1	TP509	F-1		
		IC508	E-1	Q39	D-2	Q802	Q-7	RV511	E-1	TP511	L-6		
E1	R-4	IC509	M-3	Q101	N-1	Q803	R-7	RV513	H-6	TP513	J-4		
E2	R-4	IC510	G-6	Q102	M-1	Q804	Q-4	RV514	H-7	TP514	F-5		
E201	L-2	IC511	Q-2	Q103	M-1	Q805	M-4	RV516	G-6	TP515	G-5		
E301	L-4	IC512	G-5	Q104	F-4	Q806	J-2	RV517	J-3	TP516	G-5		
E401	A-2	IC513	E-6	Q105	P-5	Q807	K-4	RV518	G-3	TP517	F-5		
E402	A-4	IC515	L-4	Q201	J-2	Q808	K-4	RV519	G-6	TP518	F-5		
E501	G-7	IC516	E-4	Q202	L-2	Q809	M-5	RV521	D-4	TP523	E-3		

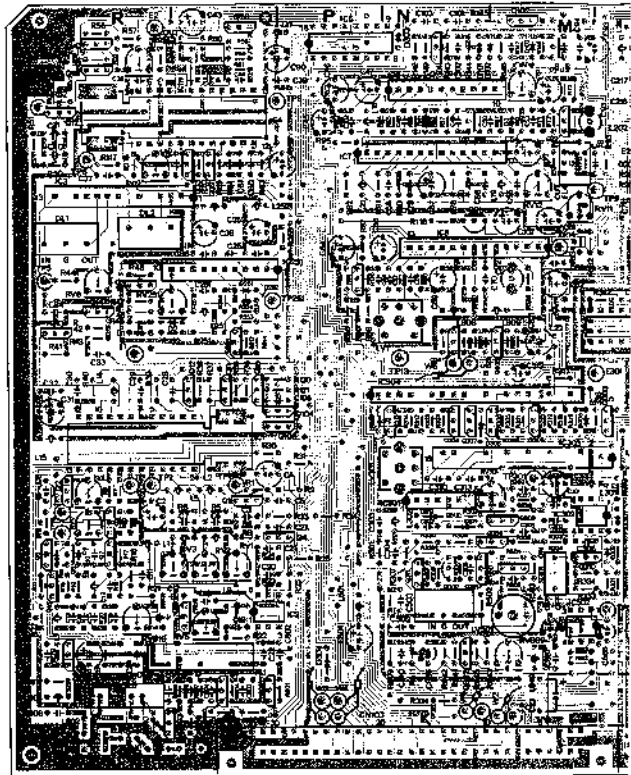


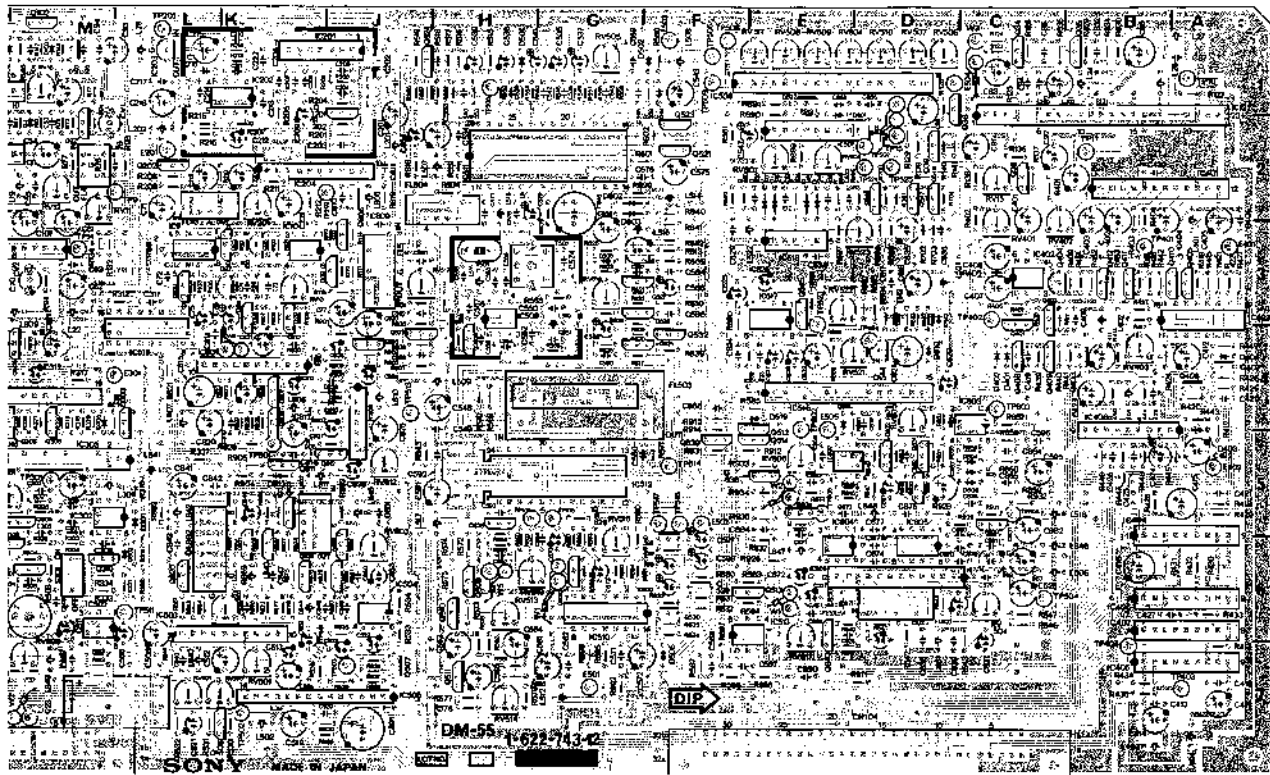


DM-55 COMPONENT SIDE
ASSEMBLY
DRAWING

DM-55 (1 622-743-12)

CM103	N-7	E502	D-1	IC517	E-3	Q301	N-6	Q810	J-4	RV522	E-3	TP524	D-2
CM104	O-7	E503	F-1	IC518	E-3	Q302	N-6	Q811	K-5	RV523	D-3	TP525	D-2
		E504	F-5	IC801	K-4	Q303	L-4	Q812	J-5	RV801	L-7	TP801	K-5
CV1	M-2	E506	E-4	IC802	E-5	Q304	N-4	Q820	L-6	RV802	K-6	TP802	E-4
CV2	M-3			IC803	C-4	Q305	N-4	Q821	K-5	RV803	J-6	TP803	C-4
		FL1	Q-7	IC804	E-6	Q506	M-4	Q822	K-6	RV804	E-4	TP804	D-4
D1	R-4	FL3	Q-1	IC805	D-6	Q307	N-4	Q823	K-5	RV805	D-1	TP805	E-5
D2	R-4	FL4	M-2	IC806	J-4	Q308	M-4	Q824	K-6	RV806	E-5	TP806	C-5
D3	M-2	FL5	J-3			Q309	M-6	Q825	J-6	RV807	E-2		
D101	N-1	FL201	L-2	LV1	N-4	Q310	M-6	Q826	J-6	RV808	E-2		
D102	N-1	FL501	N-6	LV301	N-5	Q311	N-6	Q827	E-1	RV809	M-7		
D103	M-1	FL502	G-4	LV501	M-6	Q401	C-4	Q828	H-5	RV810	K-6	X501	H-3
D251	Q-3	FL504	H-2			Q402	C-3	Q830	D-5	RV811	E-7		
D252	Q-3	FL801	R-7	Q1	Q-5	Q403	B-4	Q831	D-5	RV812	J-5		
D301	L-5	FL802	K-5	Q2	R-5	Q404	C-3	Q832	D-5				
D302	L-6	FL803	D-6	Q3	R-5	Q405	A-3	Q836	E-5	S301	M-5		
D303	N-1			Q4	P-6	Q406	A-4	Q837	C-5				
D304	P-7	IC1	Q-5	Q5	R-6	Q407	A-4	Q838	E-5	T501	G-3		
D305	M-5	IC2	Q-6	Q6	R-6	Q408	C-4	Q839	F-5				
D306	N-4	IC3	R-2	Q7	R-6	Q409	C-4	Q842	N-7	TP1	Q-5		
D401	C-4	IC4	Q-2	Q8	Q-6	Q410	A-3	Q843	E-6	TP2	R-5		
D402	C-4	IC5	P-1	Q9	R-7	Q411	B-3			TP4	R-5		
D403	A-4	IC6	N-1	Q10	Q-4	Q412	B-3	RV1	Q-6	TP5	R-3		
D404	A-4	IC7	M-2	Q11	Q-4	Q501	M-6	RV2	Q-6	TP6	R-2		
D501	H-1	IC8	N-3	Q12	Q-4	Q506	K-7	RV3	R-6	TP7	R-2		
D502	F-1	IC9	L-3	Q13	R-4	Q507	J-7	RV4	R-5	TP8	P-1		
D505	G-3	IC10	K-3	Q14	R-3	Q508	H-4	RV5	Q-6	TP9	L-2		
D506	F-7	IC12	B-2	Q15	R-6	Q509	H-6	RV8	R-3	TP10	A-1		
D513	D-3	IC201	J-1	Q16	R-3	Q510	H-6	RV9	R-1	TP11	B-2		
D514	E-2	IC202	K-1	Q17	R-2	Q511	H-7	RV10	R-2	TP13	N-4		
D515	E-2	IC203	L-1	Q18	R-1	Q512	E-6	RV11	M-2	TP14	M-3		
D516	E-2	IC204	K-2	Q19	R-1	Q513	E-6	RV12	M-2	TP15	D-2		
D517	E-2	IC251	Q-3	Q20	Q-1	Q514	E-5	RV13	K-3	TP17	R-5		
D519	E-4	IC301	M-5	Q21	M-3	Q520	G-6	RV15	C-2	TP18	R-5		
D801	E-2	IC302	L-5	Q22	M-2	Q521	F-2	RV16	M-1	TP201	L-1		
D802	G-2	IC303	M-5	Q23	P-3	Q522	J-4	RV17	R-6	TP202	J-2		
D803	G-2	IC304	N-4	Q24	N-4	Q523	J-2	RV201	K-2	TP251	Q-3		
D804	C-6	IC401	B-2	Q25	K-3	Q524	F-1	RV251	R-3	TP301	M-5		
D805	C-5	IC402	C-3	Q26	K-3	Q525	F-4	RV301	M-5	TP401	B-3		
D806	C-5	IC403	A-3	Q27	K-3	Q526	F-3	RV401	C-3	TP402	C-3		
D810	A-4	IC404	A-5	Q28	K-3	Q527	F-3	RV402	C-3	TP403	A-7		
D811	N-5	IC405	A-7	Q29	K-3	Q528	F-6	RV403	B-4	TP404	B-7		
D812	N-5	IC406	A-6	Q30	J-3	Q529	F-6	RV501	K-7	TP501	K-7		
D813	K-5	IC407	A-6	Q31	J-3	Q530	F-6	RV503	K-7	TP502	K-7		
D814	J-4	IC408	B-4	Q32	Q-2	Q532	F-4	RV504	C-6	TP503	J-7		
D815	J-4	IC502	M-6	Q33	Q-2	Q544	D-4	RV505	B-1	TP504	C-6		
D816	E-4	IC503	K-6	Q34	C-1	Q545	E-3	RV506	D-1	TP505	H-1		
		IC504	A-6	Q35	B-1	Q546	D-2	RV507	D-2	TP506	F-1		
		IC505	K-7	Q36	O-1	Q547	D-2	RV508	E-1	TP507	D-2		
DL1	R-3	IC506	D-6	Q37	M-2	Q548	D-2	RV509	E-1	TP508	F-1		
DL2	R-3	IC506	D-6	Q37	M-2	Q548	D-2	RV510	D-1	TP509	F-1		
DL802	L-6	IC507	E-2	Q38	C-2	Q801	Q-7	RV511	E-1	TP511	L-6		
		IC508	E-1	Q39	D-2	Q802	Q-7	RV513	H-6	TP513	J-4		
E1	R-4	IC509	H-3	Q101	H-3	Q803	Q-7	RV514	H-7	TP514	F-5		
E2	R-1	IC510	G-6	Q102	M-1	Q804	R-4	RV516	G-6	TP515	G-5		
E201	L-2	IC511	G-2	Q103	M-1	Q805	M-4	RV517	J-3	TP516	G-5		
E301	L-4	IC512	G-6	Q104	P-4	Q806	K-4	RV518	G-3	TP517	F-5		
E401	A-2	IC513	E-6	Q105	P-5	Q807	K-4	RV519	G-6	TP518	F-5		
E402	A-4	IC515	L-4	Q201	J-2	Q808	K-4	RV521	D-4	TP523	E-3		
E401	G-7	IC516	E-4	Q202	L-2	Q809	M-5						



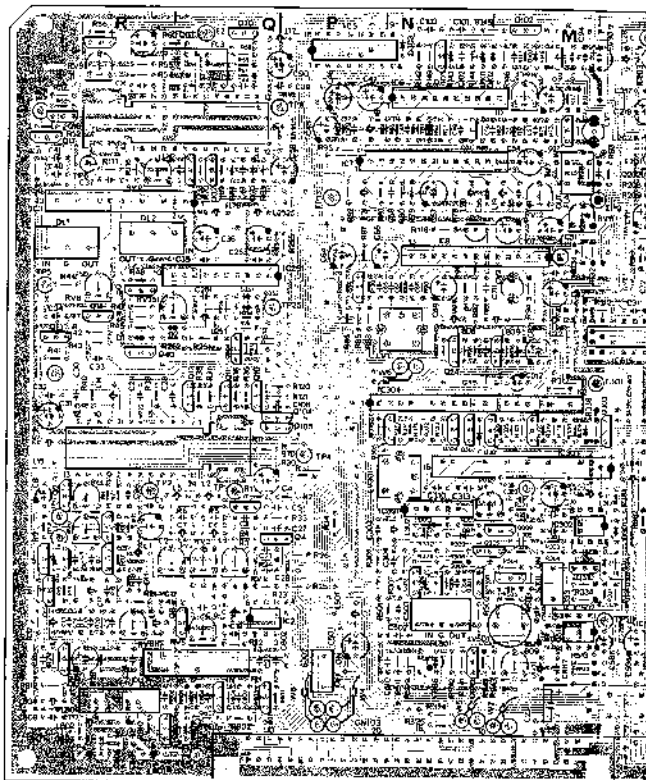


DM-55 COMPONENT SIZE
1622743-C
REV. 6/77

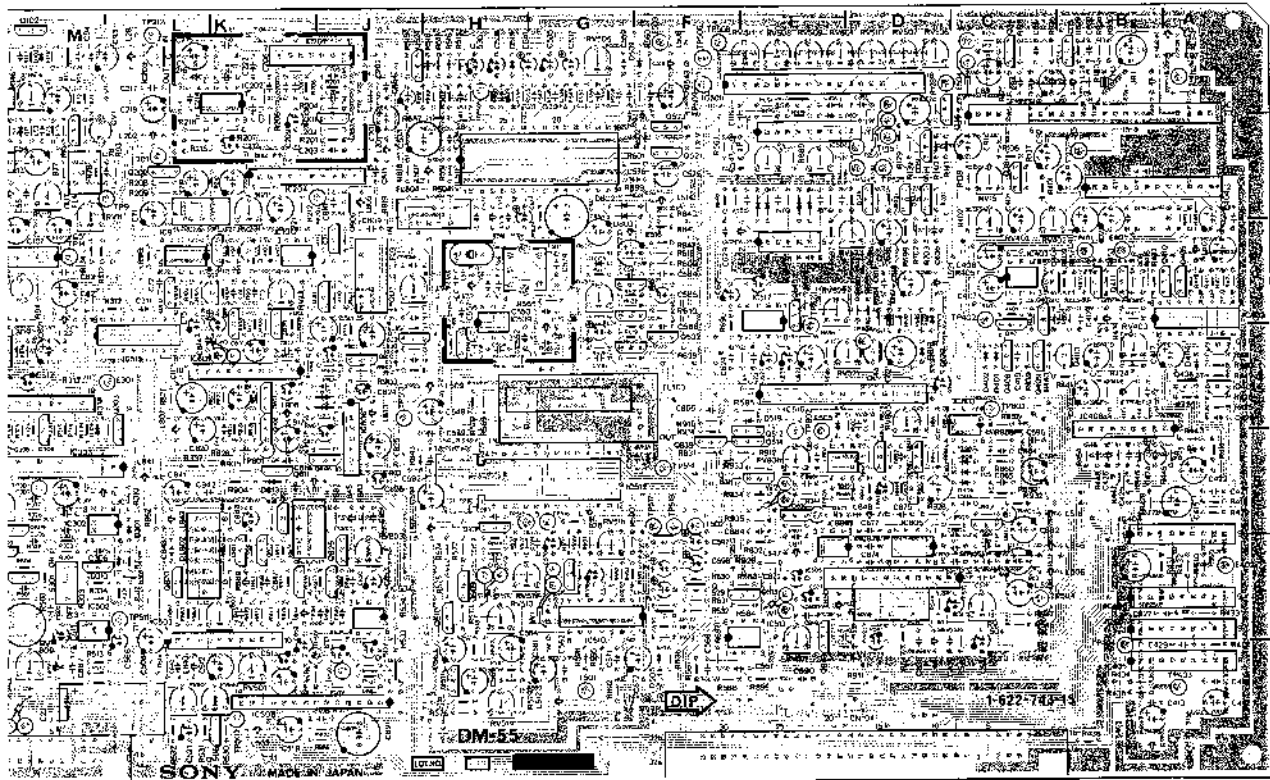
DM-55 (1-622-743-13,14,15)

CN103	M-7	E303	F-1	IC518	E-3	Q301	N-6	Q810	J-4	RV521	D-4	TP523	E-3
CN104	D-7	E304	D-1	IC801	K-4	Q302	N-6	Q811	K-5	RV522	E-3	TP524	D-2
		E505	E-5	IC802	E-5	Q303	L-4	Q812	J-5	RV523	D-3	TP525	D-2
CV1	M-2			IC803	G-4	Q304	N-4	Q820	L-6	RV801	L-7	TP801	K-5
D1	M-3	FL1	Q-7	IC804	E-6	Q305	M-4	Q821	K-6	RV802	K-6	TP802	G-4
		FL3	Q-1	IC805	D-6	Q306	M-4	Q822	K-6	RV803	J-6	TP803	E-4
CV2	R-4	FL4	M-2	IC806	J-4	Q307	N-4	Q832	K-5	RV804	E-1	TP804	D-4
D2	R-4	FL5	J-3			Q308	N-4	Q824	K-6	RV805	D-4	TP805	E-5
D3	M-2	FL201	L-2	LV1	N-4	Q309	N-6	Q825	J-6	RV806	E-5	TP806	C-5
O101	N-1	FL501	N-6	LV301	N-5	Q310	M-6	Q826	J-6	RV807	E-2		
O102	N-1	FL503	G-4	LV501	M-6	Q311	N-6	Q827	E-1	RV808	E-2	X501	H-3
O103	M-1	FL504	H-2			Q401	C-4	Q828	H-5	RV809	M-7		
O251	Q-3	FL801	R-7	Q1	Q-8	Q402	C-3	Q830	D-5	RV810	R-6		
O252	Q-3	FL802	K-5	Q2	R-8	Q403	B-4	Q831	D-5	RV811	E-7		
D501	L-5	FL803	D-6	Q3	R-5	Q404	C-3	Q832	D-5				
D502	L-6			Q4	P-6	Q405	A-3	Q833	L-3	S301	M-5		
D303	N-1	IC1	Q-5	Q5	R-6	Q406	A-4	Q836	E-5	S302	P-7		
D305	M-5	IC2	Q-6	Q6	R-6	Q407	A-4	Q837	C-5				
D306	M-4	IC3	R-2	Q7	R-6	Q408	C-4	Q838	E-5	T501	G-3		
O401	C-4	IC4	Q-2	Q8	Q-6	Q409	C-4	Q839	F-5				
O402	C-4	IC5	F-1	Q9	R-7	Q410	A-3	Q842	M-7	TP1	Q-5		
O403	A-4	IC6	N-1	Q10	Q-4	Q411	B-3	Q843	E-6	TP2	K-5		
O404	A-4	IC7	N-2	Q11	Q-4	Q412	B-3			TP4	P-5		
D501	H-1	IC8	N-3	Q12	Q-4	Q501	M-6	RV1	Q-5	TP5	R-3		
D502	F-1	IC9	L-3	Q13	R-4	Q506	K-7	RV2	Q-5	TP6	R-2		
D505	G-3	IC10	K-3	Q14	R-3	Q507	J-7	RV3	R-6	TP7	R-1		
D506	F-7	IC12	B-2	Q15	R-6	Q508	H-4	RV4	R-5	TP8	P-1		
D513	D-3	IC201	J-1	Q16	R-3	Q509	H-6	RV5	Q-6	TP9	L-2		
D514	E-2	IC202	K-1	Q17	R-1	Q510	H-6	RV8	R-3	TP10	A-1		
D515	E-2	IC203	L-1	Q18	R-1	Q511	H-7	RV9	R-1	TP11	B-2		
D516	E-2	IC204	K-2	Q19	R-1	Q512	E-5	RV10	R-2	TP13	P-2		
D517	E-2	IC251	Q-3	Q20	Q-1	Q513	E-6	RV11	M-2	TP14	M-3		
D519	E-4	IC301	N-5	Q21	N-3	Q514	E-5	RV12	M-2	TP15	D-3		
D601	E-2	IC302	M-5	Q22	M-2	Q520	G-6	RV13	K-3	TP17	R-5		
D602	G-2	IC303	M-5	Q23	P-3	Q521	F-2	RV15	D-2	TP18	R-6		
D603	G-2	IC304	N-4	Q24	N-4	Q522	J-4	RV16	M-1	TP201	L-1		
D604	C-6	IC401	B-2	Q25	K-3	Q523	F-2	RV17	R-5	TP202	J-2		
D805	C-6	IC402	C-3	Q26	K-3	Q524	J-1	RV201	K-2	TP251	Q-1		
D806	C-5	IC403	A-3	Q27	K-3	Q525	F-4	RV251	R-3	TP301	M-5		
D810	D-4	IC404	A-5	Q27	K-3	Q526	F-3	RV301	M-5	TP401	B-3		
D811	N-5	IC405	A-7	Q29	K-3	Q527	F-3	RV401	C-3	TP402	C-3		
D812	N-5	IC406	A-6	Q30	J-3	Q528	F-6	RV402	C-3	TP403	A-7		
D813	K-5	IC407	A-6	Q31	J-3	Q529	F-6	RV403	B-4	TP404	B-7		
D814	J-4	IC408	B-4	Q32	Q-2	Q530	F-6	RV501	K-7	TP401	K-7		
D815	J-4	IC502	M-6	Q33	Q-2	Q532	F-4	RV503	K-7	TP502	K-7		
D816	E-4	IC503	K-6	Q34	C-1	Q544	D-4	RV504	C-6	TP503	J-7		
		IC504	J-6	Q35	B-1	Q545	E-3	RV508	G-1	TP504	C-6		
DL1	R-3	IC505	K-7	Q36	D-1	Q546	D-2	RV506	D-1	TP505	H-1		
DL2	R-3	IC506	D-6	Q37	N-2	Q547	D-2	RV507	D-1	TP506	F-1		
DL802	L-6	IC507	E-2	Q38	C-2	Q548	D-2	RV508	E-1	TP507	D-2		
		IC508	E-1	Q39	D-2	Q801	Q-7	RV509	E-1	TP508	F-1		
E1	R-4	IC509	H-3	Q40	R-4	Q802	Q-7	RV510	D-1	TP509	F-1		
E2	R-1	IC510	G-6	Q101	N-1	Q803	R-7	RV511	E-1	TP511	L-6		
E201	L-2	IC511	G-2	Q102	M-1	Q804	Q-4	RV513	H-6	TP513	J-4		
E301	L-4	IC512	G-6	Q103	M-1	Q805	M-4	RV514	H-7	TP514	F-5		
E401	B-3	IC513	E-6	Q104	R-4	Q806	J-2	RV516	G-6	TP515	H-5		
E402	A-6	IC515	L-4	Q105	P-8	Q807	K-4	RV517	J-3	TP516	G-5		
E501	G-7	IC516	E-4	Q201	J-1	Q808	K-4	RV518	E-3	TP517	F-5		
E502	F-5	IC517	E-3	Q202	L-2	Q809	N-5	RV519	H-6	TP518	F-5		

17-17(c)



17-18(c)

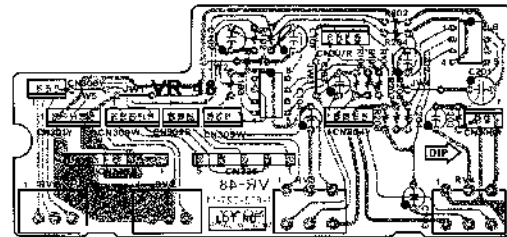
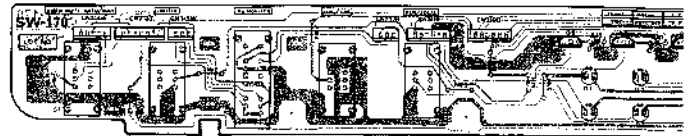


DM-55 COMPONENT SIDE
1-622-743 (A & B)
© 1972 SONY

SW-170: SELECT SWITCH/WARNING INDICATOR

VR-48: VIDEO/AUDIO/TRACKING LEVEL CONTROL

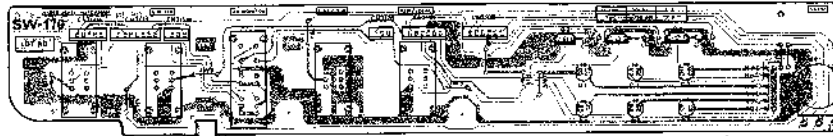
MT-28: VIDEO/AUDIO/LEVEL METER



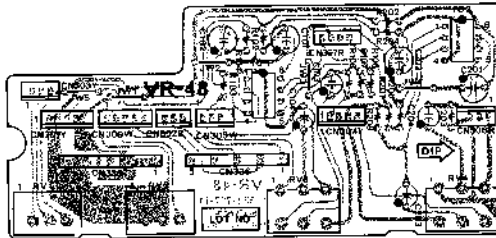
VR-48 COMPONENT SIDE -
 8A-71V
 8-10-55
 C-11 558



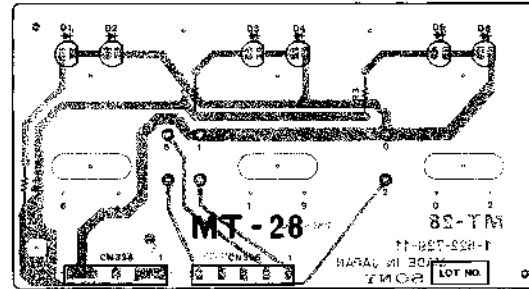
SW-170: SELECT SWITCH/WARNING INDICATOR
 VR-48: VIDEO/AUDIO/TRACKING LEVEL CONTROL
 MT-28: VIDEO/AUDIO/LEVEL METER



SW-170 COMPONENT SIDE
 DATE 11/71
 PART NO.
 REV. 100



VR-48 COMPONENT SIDE
 DATE 11/71
 PART NO.
 REV. 100



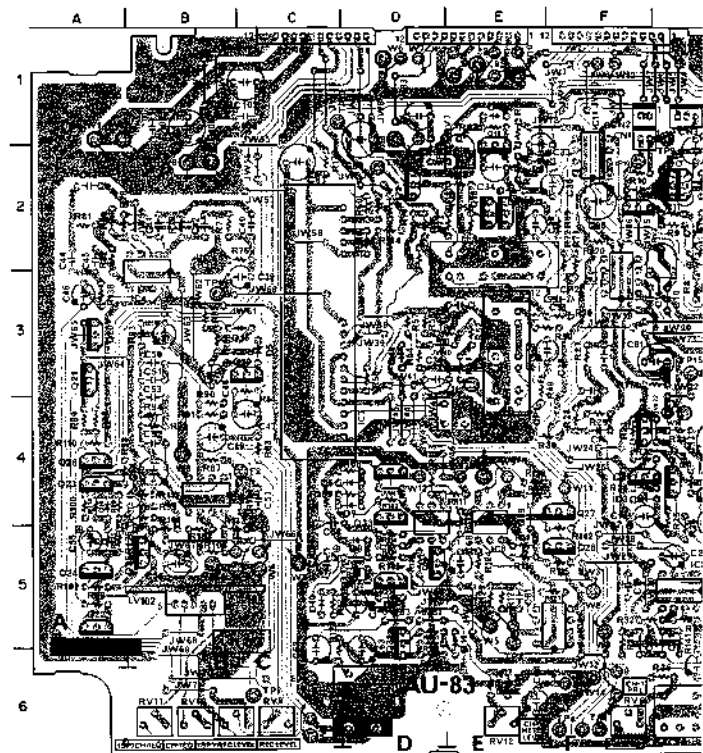
MT-28 COMPONENT SIDE
 DATE 11/71
 PART NO.
 REV. 100

AU-83A: CH-1 REC/PB /DOLBY PROCESSOR
 DUS-71: VARIABLE COIL

S/N UP TO 11280(EK)

AU-83A (1-622 700-11)

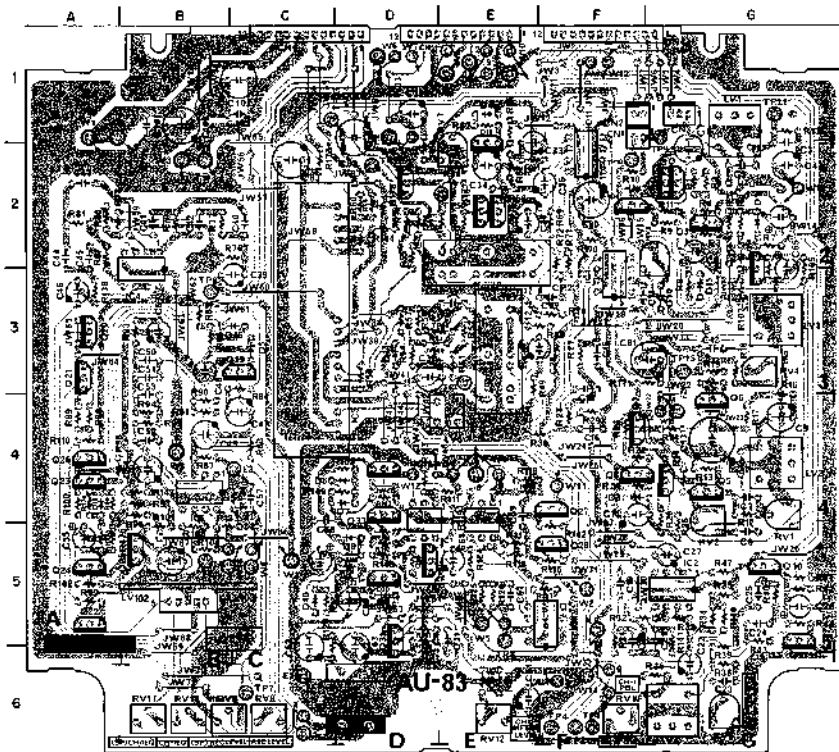
CN1	F-1	Q11	G-5
CN2	F-1	Q14	G-2
CN3	G-1	Q15	E-2
CN4	F-1	Q16	E-2
CN5	E-1	Q17	D-2
CN6	G-1	Q18	E-1
		Q19	C-3
CP1	E-3	Q20	A-3
CP2	E-2	Q21	A-3
		Q22	A-5
O1	G-2	Q23	A-4
O2	G-2	Q24	A-5
O3	F-4	Q25	B-5
O4	E-1	Q26	A-4
O5	C-3	Q27	F-4
D6	D-4	Q28	F-5
D7	D-4	Q29	D-5
D8	D-5	Q30	D-5
D9	D-5	Q31	D-5
D10	C-5	Q32	D-4
D11	E-5	Q33	D-4
D14	D-3		
D15	G-3	RV1	G-5
D16	C-3	RV2	G-5
D19	A-4	RV3	G-2
		RV4	G-3
E1	E-4	RV5	G-6
E2	D-4	RV6	F-6
E3	C-6	RV7	E-2
E4	B-5	RV8	B-6
		RV9	C-6
IC1	F-3	RV10	B-6
IC2	G-5	RV11	B-6
IC3	C-3	RV12	E-6
IC4	B-2		
IC5	B-4	TJ	D-6
IC6	F-5		
IC7	D-3	TP1	F-6
IC8	E-5	TP2	F-6
IC11	F-2	TP3	E-3
		TP4	F-6
LV1	G-1	TP5	E-2
LV2	G-4	TP6	B-3
LV3	G-3	TP7	C-6
LV4	G-6	TP8	E-5
LV5	E-4	TP9	G-1
LV102	B-5	TP10	F-2
LV103	B-5	TP11	G-1
		TP12	D-2
Q1	G-2	TP13	C-1
Q2	G-2	TP14	D-3
Q3	G-2	TP15	G-3
Q4	F-2		
Q5	G-4		
Q6	G-4		
Q7	F-4		
Q8	F-4		
Q9	G-4		
Q10	G-5		



AU-83A: CR-1 REC/PB /DOLBY PROCESSOR
 DUS-71: VARIABLE COIL

S/N UP TO 11280(EK)

G5
 G2
 E2
 E2
 D2
 E1
 C3
 A3
 A3
 A5
 A4
 A5
 B5
 A4
 F4
 F5
 D5
 D5
 D4
 D4
 G5
 G5
 G2
 G3
 G4
 F6
 E2
 B6
 C6
 B6
 B6
 E6
 D6
 F6
 F6
 E3
 F6
 E2
 B3
 C5
 C5
 G1
 F2
 G1
 D2
 C1
 D3
 G3



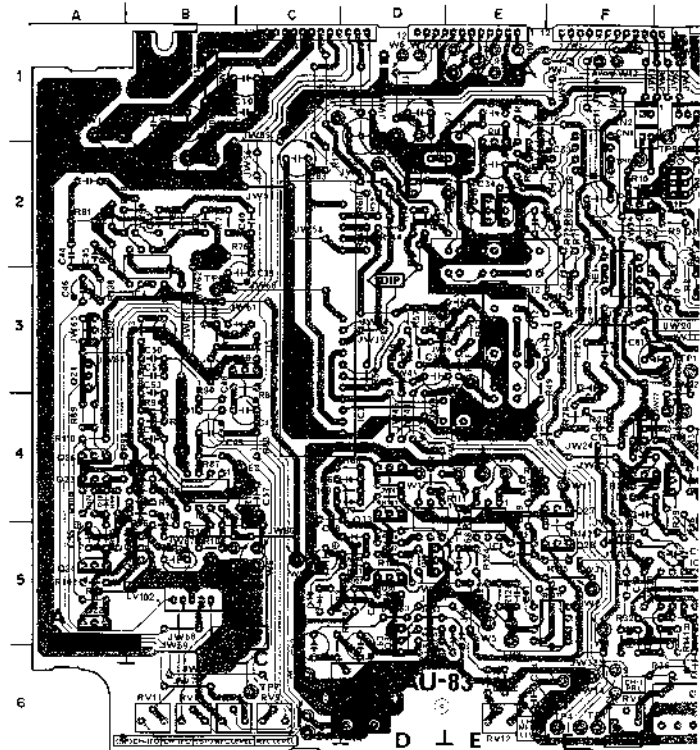
AU-83/A COMPONENT SIDE
 1967 REV 1 ITC
 80-228
 DALLAS, TEXAS



DUS-71 COMPONENT SIDE -
 1967 REV 1 ITC
 80-228
 DALLAS, TEXAS

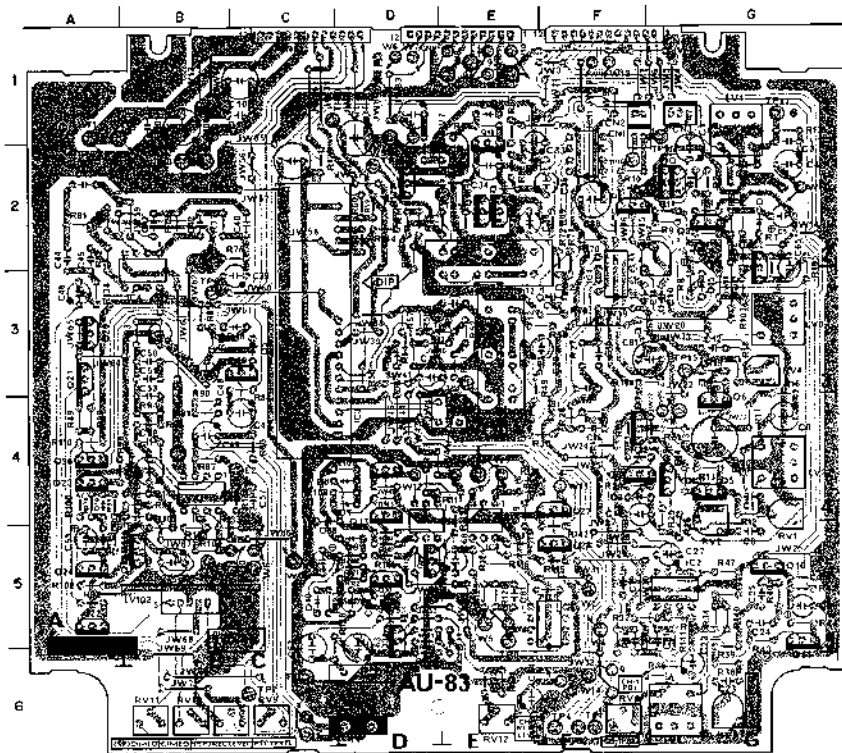
AU-83A(1) 622 700 12)

CN1	F-1	Q11	G-5
CN2	F-1	Q14	G-2
CN3	S-1	Q15	E-2
CN4	F-1	Q16	E-2
CN5	E-1	Q17	D-2
CN6	C-1	Q18	E-1
		Q19	C-3
CP1	E-3	Q20	A-3
CP2	E-2	Q21	A-3
		Q22	A-5
D1	G-2	Q23	A-4
D2	G-2	Q24	A-5
D3	F-4	Q25	B-5
D4	E-1	Q26	A-4
D5	C-3	Q27	F-4
D6	D-4	Q28	F-5
D7	D-4	Q29	D-4
D8	D-5	Q30	D-6
D9	D-5	Q31	D-5
D10	C-5	Q32	D-4
D11	E-6	Q33	D-4
D14	B-3		
D15	G-3	RV1	G-5
D16	C-3	RV2	G-5
D19	A-4	RV3	G-2
		RV4	G-3
E1	E-4	RV5	G-6
E2	C-4	RV6	F-6
E3	C-6	RV7	E-2
E4	B-3	RV8	B-6
		RV9	C-6
IC1	F-2	RV10	B-6
IC2	G-5	RV11	D-6
IC3	C-3	RV12	E-6
IC4	B-2		
IC5	B-4	T1	D-4
IC6	F-5		
IC7	D-5	TP1	F-5
IC8	E-5	TP2	F-6
IC11	F-2	TP3	E-3
		TP4	F-6
LV1	G-1	TP5	E-2
LV2	G-4	TP6	B-3
LV3	G-2	TP7	C-6
LV4	G-6	TP8	E-5
LV5	E-4	TP9	G-1
LV102	B-3	TP10	F-2
LV103	B-5	TP11	G-1
		TP12	D-2
Q1	G-2	TP13	C-1
Q2	G-2	TP14	D-3
Q3	G-2	TP15	G-3
Q4	F-2		
Q5	G-4		
Q6	G-4		
Q7	F-4		
Q8	F-4		
Q9	G-2		
Q10	G-5		



AU-83A: CH-1 REC/PB /DOLBY PROCESSOR [S/N 11281 TO 12080 (EK)]
 DUS-71: VARIABLE COIL

B3
 B2
 E2
 E2
 D-2
 E1
 C-3
 A-3
 A-3
 A-5
 A-4
 A-5
 B-5
 A-4
 F-4
 F-3
 D-5
 D-5
 D-4
 D-4
 G-6
 G-6
 G-2
 G-3
 G-6
 F-6
 E-2
 D-6
 C-6
 B-6
 B-6
 E-6
 D-6
 F-6
 F-6
 E-3
 F-6
 E-2
 B-3
 C-6
 F-5
 G-1
 F-2
 G-1
 D-2
 C-1
 D-3
 G-3



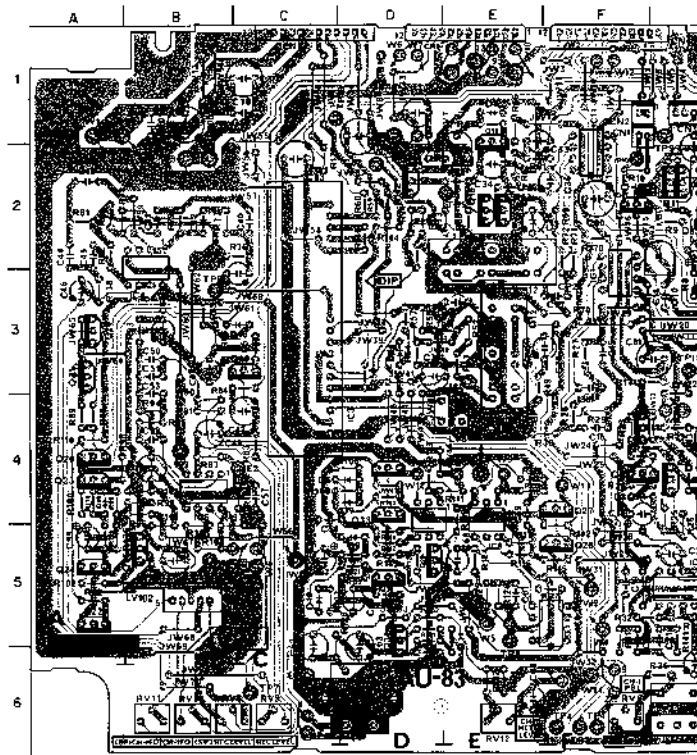
DUS-71 - COMPONENT SIDE -
 416164-P11
 214050
 REV 350P

AU-83/A COMPONENT SIDE -
 422706-1A11
 REV 350P
 REV 350P

AU-83A: CH-1 REC/PB/DOLBY PROCESSOR S/N 12081 AND HIGHER (EK)
 DUS-71: VARIABLE COIL

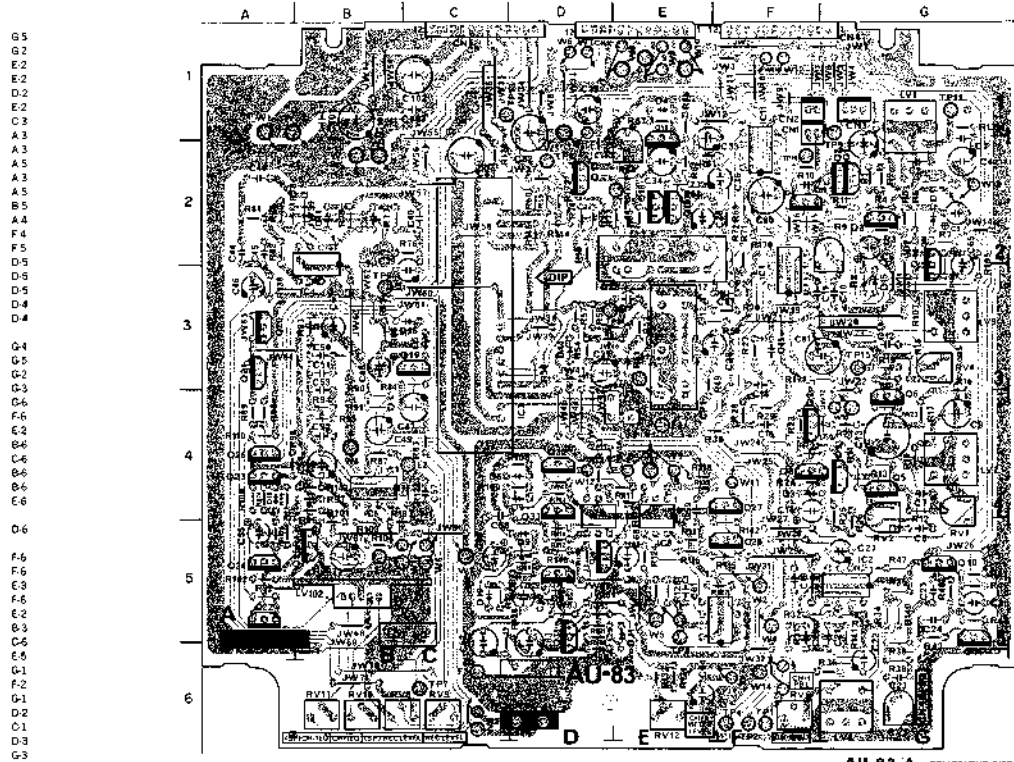
AU-83A: (622 700-13)

CN1	F-1	Q11	G-5
CN2	F-1	Q14	G-2
CN3	G-1	Q15	E-2
CN4	F-1	Q16	E-2
CN5	E-1	Q17	D-2
CN6	C-1	Q18	E-2
		Q19	C-3
CP1	E-3	Q20	A-3
CP2	E-2	Q21	A-3
		Q22	A-5
D1	G-2	Q23	A-3
D2	G-2	Q24	A-5
D3	F-4	Q25	B-5
D4	E-1	Q26	A-4
D5	D-3	Q27	F-4
D6	D-4	Q28	F-5
D7	D-4	Q29	D-5
D8	D-5	Q30	D-5
D9	D-5	Q31	D-5
D10	D-5	Q32	D-4
D11	E-5	Q33	D-4
D14	D-3		
D15	C-1	RV1	G-4
D18	C-3	RV2	G-5
D19	A-4	RV3	G-2
		RV4	G-3
E1	E-4	RV5	G-6
E2	C-4	RV6	F-6
E3	C-6	RV7	E-2
E4	B-5	RV8	B-6
		RV9	C-6
IC1	F-3	RV10	B-6
IC2	G-5	RV11	B-6
IC3	C-3	RV12	E-6
IC4	B-3		
IC5	B-4	TJ	D-6
ID6	F-5		
IC7	D-5	TP1	F-6
IC8	E-5	TP2	F-6
IC11	F-2	TP3	E-3
		TP4	F-6
LV1	G-1	TP5	E-2
LV2	G-4	TP6	B-3
LV3	G-3	TP7	C-6
LV4	G-6	TP8	E-5
LV5	E-4	TP9	G-1
LV102	B-5	TP10	F-2
LV103	B-5	TP11	G-1
		TP12	D-2
		TP13	C-1
Q2	G-2	TP14	D-3
Q3	G-2	TP15	G-3
Q4	F-2		
Q5	G-4		
Q6	G-4		
Q7	F-4		
Q8	F-4		
Q9	G-4		
Q10	G-5		



AU
 1422
 87-25
 87-26

AU-83A: CH-1 REC/PB/DOLBY PROCESSOR S/N 12081 AND HIGHER (EK)
 DUS-71: VARIABLE COIL



AU-83 A —COMPONENT SIDE
 1 RES 200-12
 REV 100
 REV 100



DUS-71 —COMPONENT SIDE
 1 RES 200-12
 REV 100
 REV 100

AU-84A: CH-2 REC/PB AMPLIFIER

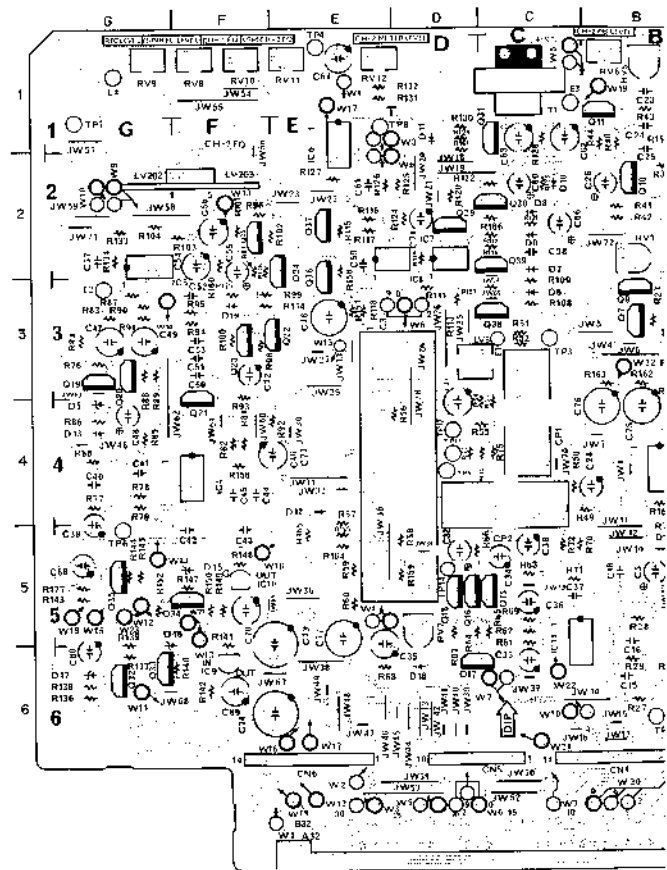
DUS-71: VARIABLE COIL

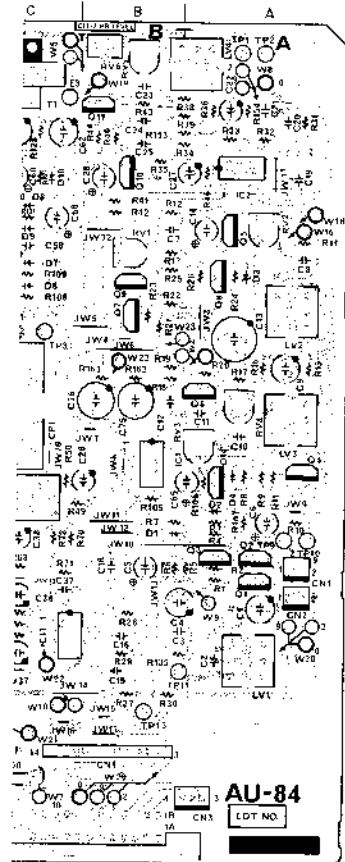
HN-77: JUNCTION BOARD

S/N UP TO 112801EK

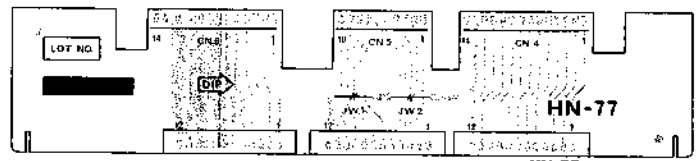
AU-84A (1 622-701-11)

CN1	A-5	Q7	B-3
CN2	A-5	Q8	A-3
CN3	A-6	Q9	B-3
CN4	B-6	Q10	B-2
CN5	D-6	Q11	B-1
CN6	E-6	Q14	A-4
		Q15	C-5
CP1	C-4	Q16	D-5
CP2	C-4	Q17	D-6
		Q18	D-5
D1	B-5	Q19	G-3
D2	A-4	Q20	G-3
D3	A-3	Q21	F-4
D4	A-4	Q22	F-3
D5	G-4	Q23	F-3
D6	C-3	Q24	E-2
D7	C-2	Q25	F-2
D8	C-2	Q29	D-2
D9	C-2	Q30	C-2
D10	C-2	Q31	C-1
D11	D-1	Q32	G-6
D12	E-4	Q33	G-6
D13	G-4	Q34	F-5
D15	F-5	Q35	G-8
D16	G-5	Q36	E-2
D17	G-6	Q37	E-2
D18	D-6	Q38	C-3
D19	F-3	Q39	C-2
E1	C-3	RV1	B-2
E2	G-3	RV2	A-2
E3	C-1	RV3	A-4
E4	G-1	RV4	A-4
		RV5	B-1
IC1	B-4	RV6	B-1
IC2	A-2	RV7	D-5
IC3	E-3	RV8	F-1
IC4	F-4	RV9	G-1
IC5	G-2	RV10	F-1
IC6	E-1	RV11	E-1
IC7	D-2	RV12	E-1
IC8	E-2		
IC9	F-6	TP1	C-1
IC10	F-5		
IC11	C-6	TP1	A-1
		TP2	A-1
LV1	A-6	TP3	C-3
LV2	A-3	TP4	E-1
LV3	A-4	TP5	D-4
LV4	A-1	TP6	G-5
LV5	D-3	TP7	G-1
LV202	F-2	TP8	E-1
LV203	F-2	TP9	A-5
		TP10	A-5
Q1	A-5	TP11	B-6
Q2	A-5	TP12	D-4
Q3	A-5	TP13	D-4
Q4	A-4	TP14	D-5
Q5	A-2	TP15	B-6
Q6	A-4		





AU-84A COMPONENT SIDE
 1-1739-10
 1-1739-11
 1-1739-12



HN-77 COMPONENT SIDE
 1-1739-10
 1-1739-11
 1-1739-12



DUS-71 COMPONENT SIDE
 1-1739-10
 1-1739-11
 1-1739-12

AU-84A: CH-2 REC/PB AMPLIFIER

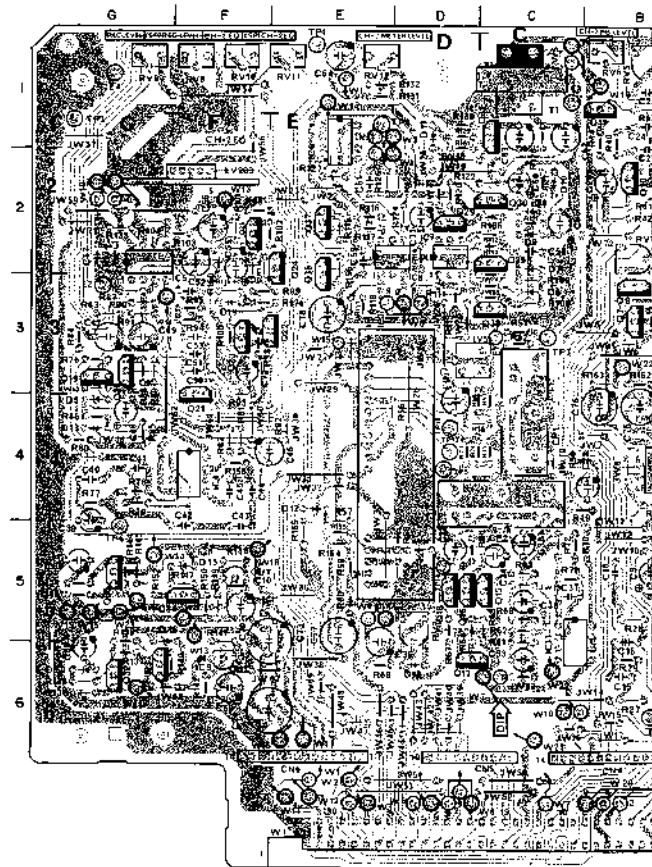
S/N 11281 TO 12080 (EK)

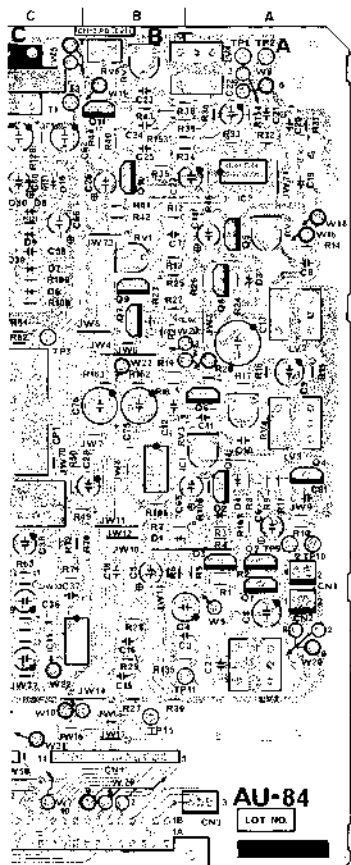
DUS-71: VARIABLE COIL

HN-77: JUNCTION BOARD

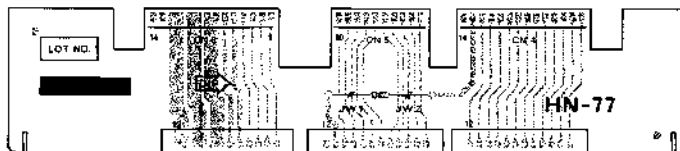
AU 84A(-) 622-701-12)

CN1	A-5	Q7	B-3
CN2	A-5	Q8	A-3
CN3	A-5	Q9	B-3
CN4	B-6	Q10	B-2
CN5	D-6	Q11	B-1
CN6	E-6	Q14	A-4
		Q15	C-5
CP1	C-4	Q16	D-5
CP2	C-4	Q17	D-6
		Q18	D-5
D1	B-5	Q19	B-3
D2	A-4	Q20	B-3
D3	A-3	Q21	F-4
D4	A-4	Q22	F-3
D5	G-4	Q23	F-3
D6	C-3	Q24	E-2
D7	C-2	Q25	F-2
D8	C-2	Q29	D-2
D9	C-2	Q30	C-2
D10	C-2	Q31	C-1
D11	D-1	Q32	G-6
D12	E-4	Q33	G-6
D13	G-4	Q34	F-5
D15	F-5	Q35	G-6
D16	G-5	Q35	E-2
D17	G-6	Q37	E-2
D18	D-6	Q38	C-3
D19	F-3	Q39	C-2
E1	C-3	RV1	B-2
E2	G-3	RV2	A-2
E3	C-1	RV3	A-4
E4	G-1	RV4	A-4
		RV5	B-1
IC1	B-4	RV6	B-1
IC2	A-2	RV7	D-5
IC3	E-2	RV8	F-1
IC4	F-4	RV9	G-1
IC5	G-2	RV10	F-1
IC6	E-1	RV11	E-1
IC7	D-2	RV12	E-1
IC8	E-2		
IC9	F-6	T1	C-1
IC10	F-5		
IC11	C-6	TP1	A-1
		TP2	A-1
LV1	A-5	TP3	C-3
LV2	A-3	TP4	E-1
LV3	A-4	TP5	D-4
LV4	A-1	TP6	G-5
LV5	D-3	TP7	G-1
LV202	F-2	TP8	E-1
LV203	F-2	TP9	A-5
		TP10	A-5
Q1	A-5	TP11	B-6
Q2	A-5	TP12	D-4
Q3	A-5	TP13	D-2
Q4	A-4	TP14	D-5
Q5	A-2	TP15	B-6
Q6	A-4		

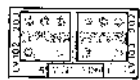




AU-84/A COMPONENT SIDE
1-62-70 12-1
500 500
500 500



HN-77 COMPONENT SIDE
1-62-70 11-1
500 500
500 500

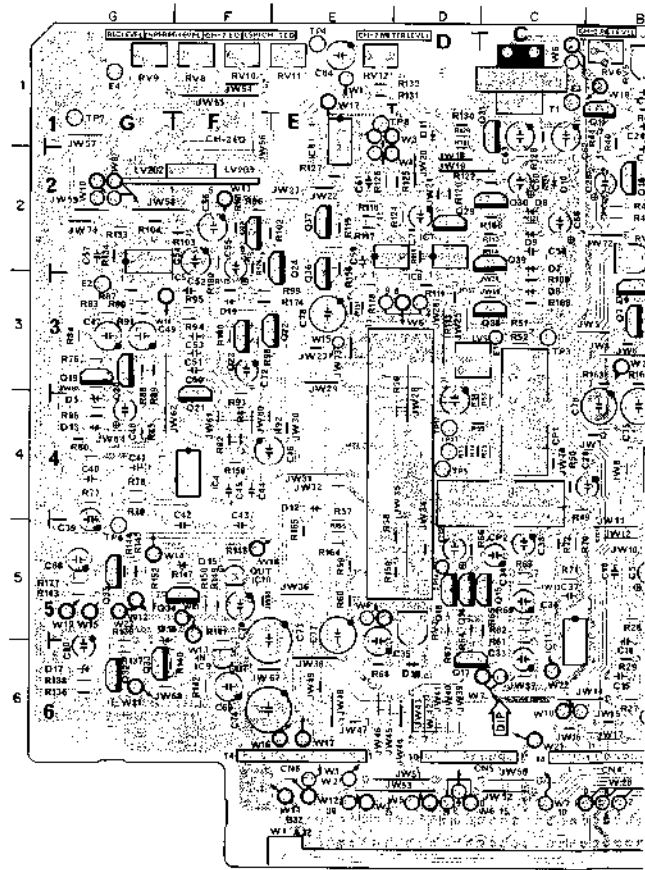


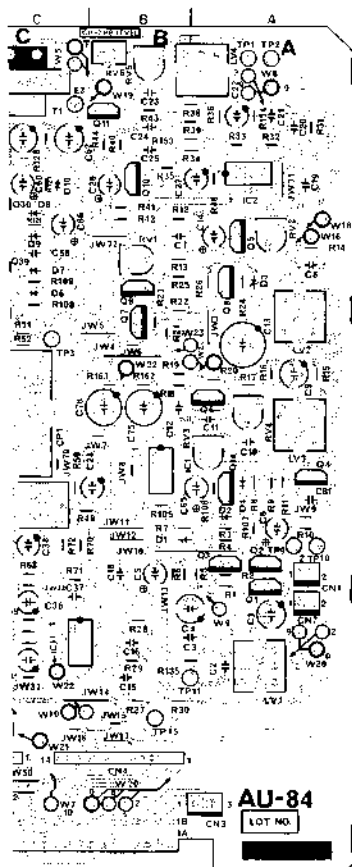
DUS-71 COMPONENT SIDE
1-62-70 11-1
500 500
500 500

AU-84A: CH-2 REC/PB AMPLIFIER
 DUS-71: VARIABLE COIL
 HN-77: JUNCTION BOARD

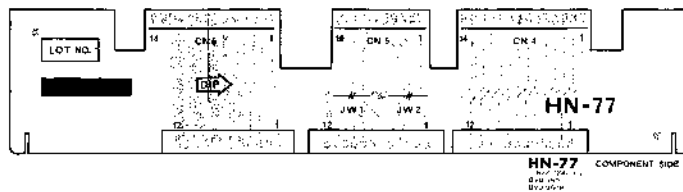
AU-84A(1-622 701-13)

CN1	A5	Q7	B3
CN2	A5	Q8	A3
CN3	A6	Q9	B3
CN4	B6	Q10	B2
CN5	D6	Q11	B1
CN6	E6	Q14	A4
		Q15	C5
CP1	C4	Q16	D5
CP2	C4	Q17	D6
		Q18	D5
D1	B5	Q19	G3
D2	A4	Q20	G3
D3	A3	Q21	F4
D4	A4	Q22	F3
D5	A4	Q23	F3
D6	C3	Q24	E2
D7	C2	Q25	F2
D8	C2	Q29	B2
D9	C2	Q30	C2
D10	C2	Q31	C1
D11	D1	Q32	G6
D12	E4	Q33	G6
D13	G4	Q34	F5
D15	F5	Q35	G5
D16	G5	Q36	E2
D17	G6	Q37	E2
D18	D6	Q38	C3
D19	F3	Q39	C2
E1	C3	RV1	B2
E2	G3	RV2	A2
E3	C1	RV3	A4
E4	G1	RV4	A4
		RV5	B1
IC1	B4	RV6	B1
IC2	A2	RV7	D5
IC3	D3	RV8	B1
IC4	F4	RV9	D3
IC5	G2	RV10	F1
IC6	E1	RV11	E1
IC7	D2	RV12	E1
IC8	E2		
IC9	F6	T1	C1
IC10	F5		
IC11	C6	TP1	A1
		TP2	A1
LV1	A6	TP3	C3
LV2	A3	TP4	E1
LV3	A4	TP5	D4
LV4	A1	TP6	G5
LV5	D3	TP7	G1
LV202	F2	TP8	E1
LV203	F2	TP9	A5
		TP10	A5
Q1	A5	TP11	B6
Q2	A5	TP12	D4
Q3	A5	TP13	D4
Q4	A4	TP14	D5
Q5	A2	TP15	B6
Q6	A4		





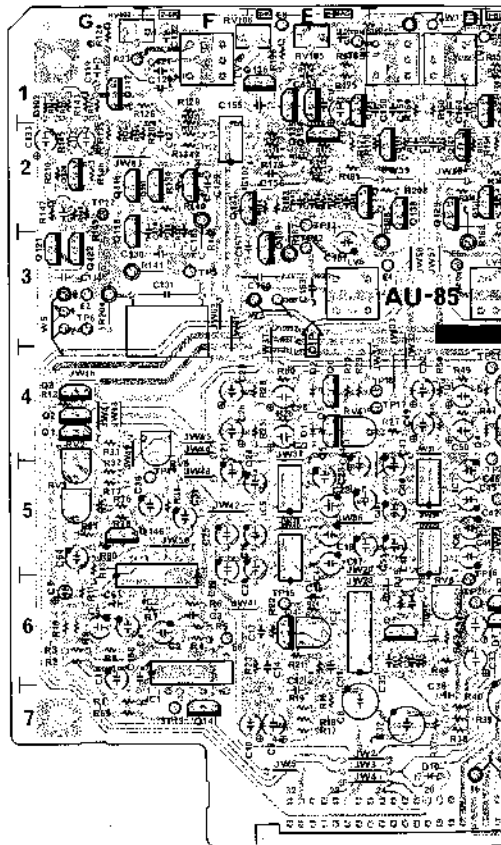
AU-84 A - COMPONENT SIDE
 1 22-16, 13, 1
 22-16, 13, 1
 22-16, 13, 1
 22-16, 13, 1



DUS-71 - COMPONENT SIDE -
 1 22-16, 13, 1
 22-16, 13, 1
 22-16, 13, 1
 22-16, 13, 1

AU-85A (1 622 702-11)

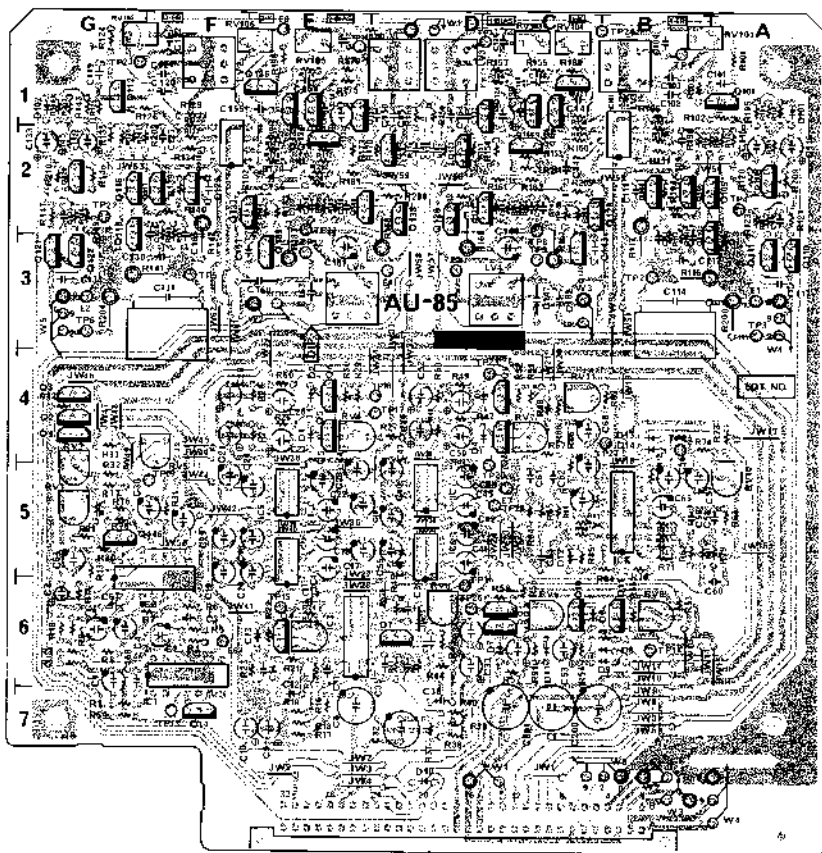
D1	E-4	Q106	B-2	TP6	G-3
D2	E-4	Q107	A-2	TP7	C-1
D3	B-5	Q108	B-2	TP8	C-2
D4	C-4	Q109	A-1	TP9	C-3
D5	C-4	Q110	A-3	TP10	E-1
D6	C-6	Q111	A-3	TP11	E-2
D7	C-6	Q112	C-1	TP12	E-3
D8	B-6	Q114	G-2	TP13	F-7
D9	B-6	Q117	F-2	TP14	B-6
D10	D-7	Q118	G-2	TP15	E-6
D11	C-6	Q119	F-2	TP16	D-6
D12	C-6	Q120	G-2	TP17	D-4
D13	B-4	Q121	G-3	TP18	D-4
D14	B-4	Q122	G-3	TP19	F-5
D101	A-1	Q123	D-2	TP20	C-4
D102	G-1	Q124	C-1	TP21	C-4
		Q125	C-1	TP22	G-2
E1	A-3	Q126	C-1	TP23	G-1
E2	G-3	Q127	C-1	TP24	B-1
E4	D-3	Q128	C-2	TP25	B-4
E5	D-3	Q129	D-2	TP26	D-6
E6	F-6	Q130	C-3	TP27	B-4
E7	C-5	Q131	C-2	TP28	C-5
E8	E-1	Q132	D-2		
		Q133	E-1		
IC1	F-6	Q134	E-1		
IC2	F-6	Q135	E-1		
IC3	E-6	Q136	E-1		
IC4	E-5	Q137	F-2		
IC5	E-5	Q138	D-2		
IC6	D-5	Q139	E-3		
IC7	D-5	Q140	E-2		
IC8	B-5	Q144	C-2		
IC101	B-1	Q145	E-2		
IC102	F-2	Q146	G-5		
LV1	B-1	RV1	G-5		
LV2	F-1	RV2	G-5		
LV3	D-1	RV3	E-6		
LV4	C-3	RV4	E-4		
LV5	D-1	RV5	F-4		
LV6	F-3	RV6	D-6		
		RV7	C-4		
Q1	C-4	RV8	B-6		
Q2	G-4	RV9	C-6		
Q3	G-4	RV10	A-5		
Q4	E-6	RV11	C-4		
Q5	E-4	RV101	B-1		
Q6	E-4	RV102	G-1		
Q7	D-6	RV103	C-1		
Q8	C-4	RV104	C-1		
Q9	C-4	RV105	E-1		
Q10	C-6	RV106	E-1		
Q11	B-6				
Q12	C-6	TP1	B-1		
Q13	C-6	TP2	B-3		
Q14	F-7	TP3	A-3		
Q101	A-1	TP4	A-2		
Q105	A-2	TP5	F-3		



AU-85A; DOLBY AUTO DETECTOR, BIAS OSCILLATOR

S/N UP TO 11280(EK)

3 G3
 1 C1
 1 C2
 1 C3
 0 E1
 1 E2
 2 E3
 3 F7
 4 E6
 5 E6
 6 D6
 7 D4
 8 D4
 9 F5
 0 C4
 1 C4
 2 C2
 3 G1
 4 B1
 5 B4
 6 B6
 7 B4
 8 C5

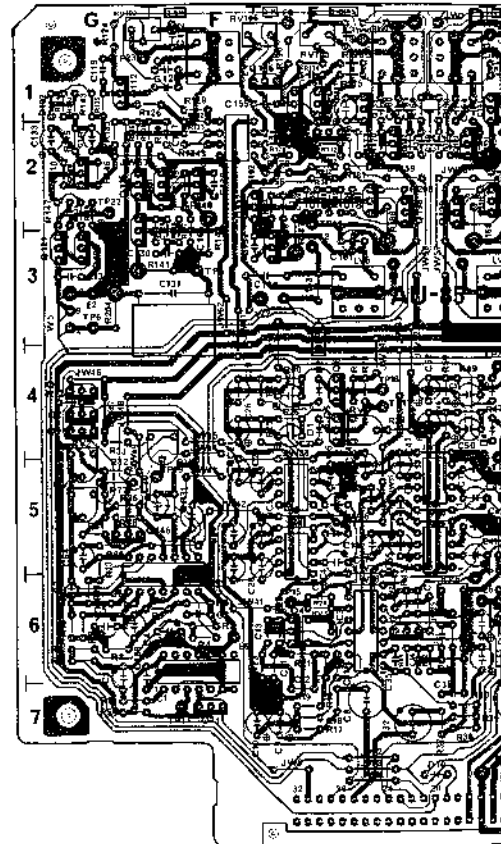


AU-85A COMPONENT SIDE
 122 90-11-1
 122 90-11-1
 122 90-11-1
 122 90-11-1

AU-85A(L-622 702 12)

D1	E-4	Q105	G-2	TP6	G-3
D2	E-4	Q107	A-4	TP7	C-1
D3	B-5	Q108	B-2	TP8	C-2
D4	C-4	Q109	A-1	TP9	G-3
D5	C-4	Q110	A-3	TP10	E-1
D6	C-6	Q111	A-2	TP11	E-2
D7	C-6	Q112	G-1	TP12	E-3
D8	B-6	Q116	G-2	TP12	F-7
D9	B-6	Q117	F-2	TP14	B-6
D10	D-7	Q118	G-2	TP15	E-6
D11	C-6	Q119	F-2	TP16	D-6
D12	C-5	Q120	G-2	TP17	D-3
D13	B-4	Q121	G-3	TP18	D-4
D14	B-4	Q122	G-3	TP19	F-5
D101	A-1	Q123	D-2	TP20	C-4
D102	G-1	Q124	C-1	TP21	C-4
		Q125	C-1	TP22	G-2
		Q126	C-1	TP23	G-1
E1	A-3	Q127	C-1	TP24	B-1
E2	G-3	Q128	C-2	TP25	B-4
E4	D-3	Q129	D-2	TP26	D-6
E5	D-3	Q129	D-2	TP26	D-6
E6	F-6	Q130	C-3	TP27	B-4
E7	C-5	Q131	C-2	TP28	C-5
E8	E-1	Q132	D-2		
		Q133	E-1		
IC1	F-6	Q134	E-1		
IC2	F-6	Q135	E-1		
IC3	E-6	Q136	E-1		
IC4	E-5	Q137	F-2		
IC5	E-5	Q138	D-2		
IC6	D-5	Q139	E-3		
IC7	D-5	Q140	E-2		
IC8	B-5	Q144	C-2		
IC101	B-1	Q145	E-2		
IC102	F-2	Q146	B-5		
LY1	B-1	RV1	G-5		
LY2	F-1	RV2	G-5		
LY3	D-1	RV3	E-6		
LY4	C-3	RV4	E-4		
LY5	D-1	RV5	F-4		
LY6	F-3	RV6	D-6		
		RV7	C-4		
		RV8	B-6		
		RV9	C-6		
		RV10	A-5		
		RV11	C-4		
		RV101	A-1		
		RV102	G-1		
		RV103	C-1		
		RV104	C-1		
		RV105	E-1		
		RV106	E-1		
Q11	B-6				
Q12	C-6	TP1	B-1		
Q13	C-6	TP2	B-3		
Q14	F-7	TP3	A-3		
Q101	A-1	TP4	A-2		
Q105	A-2	TP5	F-3		

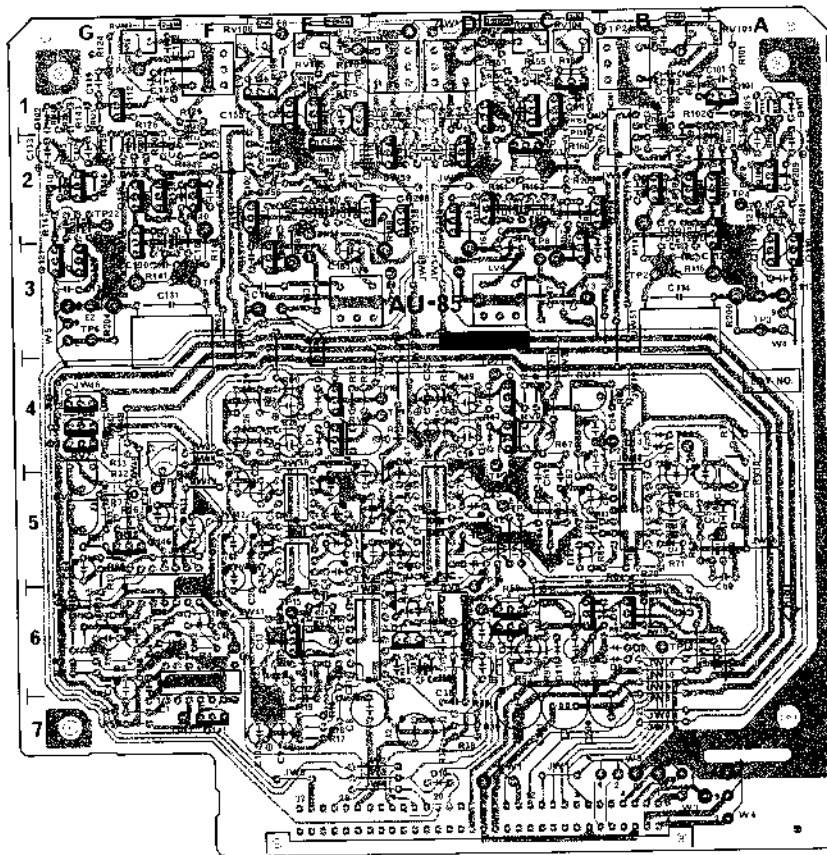
17-45(b)



17-46(b)

AU-85A: DOLBY AUTO DETECTOR, BIAS OSCILLATOR [S/N 11281 TO 12080 (EK)]

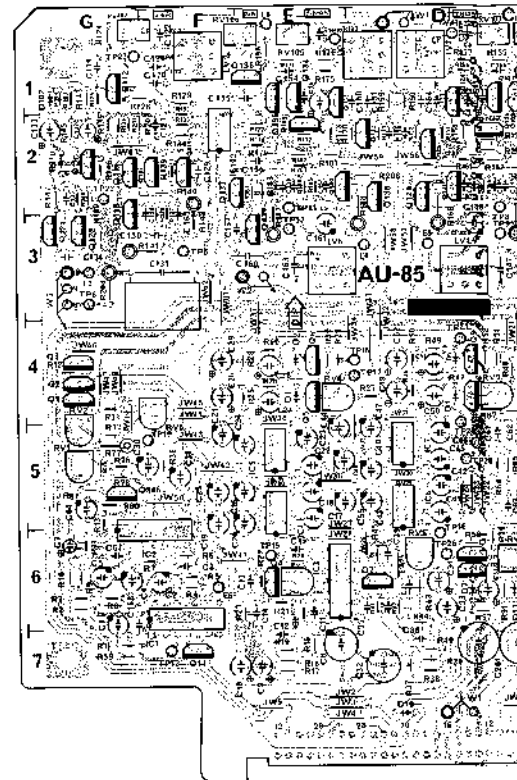
G-3
 C-1
 C-2
 C-3
 E-1
 E-2
 E-3
 F-7
 B-6
 E-6
 D-6
 D-4
 D-4
 F-5
 C-4
 C-4
 G-2
 B-1
 B-1
 B-4
 D-6
 B-4
 C-5



AU-85/A --COMPONENT SIDE--
 1-622 Rev 12-11
 6-10-60
 6-15-60P

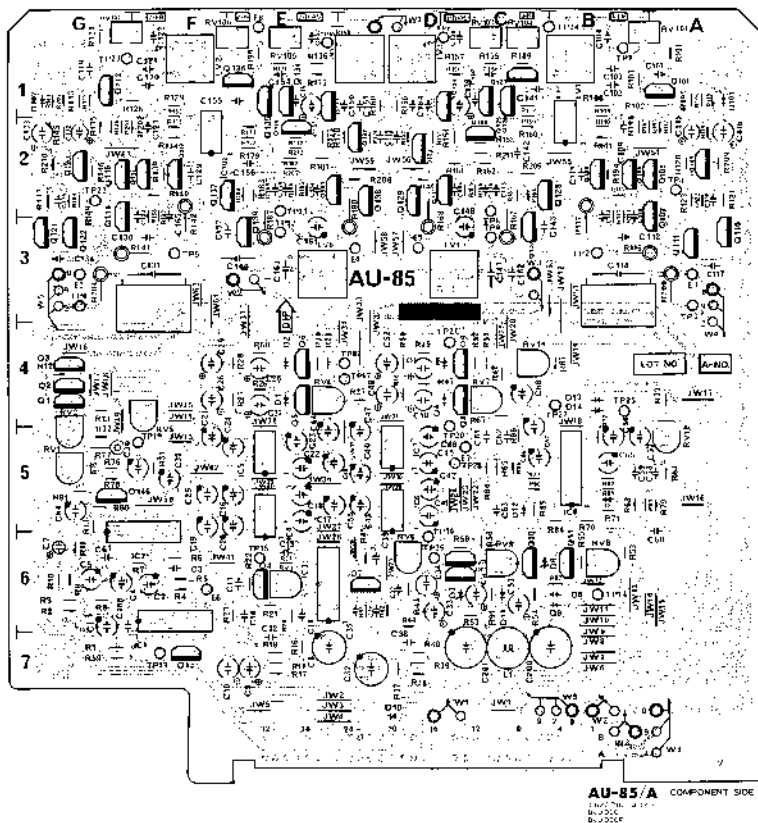
AU-85A (1-622-70213,14)

D1	E.4	Q106	B.2	TP6	G.3
D2	E.4	Q107	A.2	TP7	C.1
D3	B.5	Q108	B.2	TP8	C.2
D4	C.4	Q109	A.2	TP9	C.3
D5	C.4	Q110	A.3	TP10	E.1
D6	C.6	Q111	A.3	TP11	E.2
D7	C.6	Q112	G.1	TP12	E.3
D8	B.6	Q116	G.2	TP13	F.3
D9	B.6	Q117	F.2	TP14	B.6
D10	D.7	Q118	G.2	TP15	E.6
D11	C.6	Q119	F.2	TP16	D.6
D12	C.5	Q120	G.2	TP17	D.4
D13	B.4	Q121	G.3	TP18	D.4
D14	B.4	Q122	G.3	TP19	F.5
D101	A.1	Q123	D.2	TP20	C.4
D102	G.1	Q124	D.1	TP21	C.4
		Q125	D.1	TP22	G.2
E1	A.3	Q126	C.1	TP23	G.1
E2	G.3	Q127	C.1	TP24	B.1
E4	D.3	Q128	C.2	TP25	B.4
E5	D.3	Q129	D.2	TP26	D.6
E6	F.6	Q130	C.3	TP27	B.4
E7	C.5	Q131	C.2	TP28	C.6
E8	E.1	Q132	D.2		
		Q133	E.1		
IC1	F.6	Q134	E.1		
IC2	F.6	Q135	E.1		
IC3	E.6	Q136	E.1		
IC4	E.5	Q137	F.2		
IC5	E.6	Q138	D.2		
IC6	D.5	Q139	E.2		
IC7	D.5	Q140	E.2		
IC8	B.5	Q144	C.2		
IC101	B.1	Q145	E.2		
IC102	F.2	Q146	G.5		
LW1	B.1	RV1	G.5		
LW2	F.1	RV2	G.5		
LW3	D.1	RV3	E.6		
LW4	C.3	RV4	E.4		
LW5	D.1	RV5	F.4		
LW6	E.3	RV6	D.6		
		RV7	C.4		
Q1	G.4	RV8	B.6		
Q2	G.4	RV9	C.6		
Q3	G.4	RV10	A.5		
Q4	E.6	RV11	C.4		
Q5	E.4	RV101	B.5		
Q6	E.4	RV102	G.1		
Q7	D.6	RV103	C.1		
Q8	C.4	RV104	C.1		
Q9	D.4	RV105	E.1		
Q10	C.6	RV106	E.1		
Q11	B.6				
Q12	C.6	TP1	B.1		
Q13	C.6	TP2	B.9		
Q14	F.7	TP3	A.3		
Q151	A.1	TP4	A.2		
Q105	A.2	TP5	F.3		



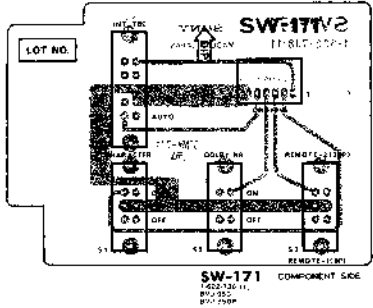
AU-85A: DOLBY AUTO DETECTOR, BIAS OSCILLATOR S/N 12081 AND HIGHER (EK)

G3
C1
C2
C3
E1
E2
E3
F3
B6
E6
D6
D4
F5
C4
G2
G1
B1
B4
D6
B4
C5

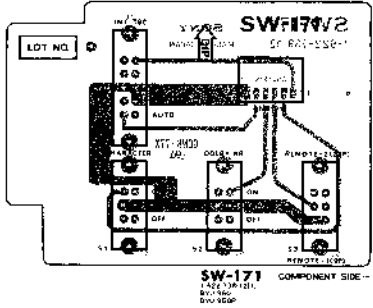


SW-171: SELECT SWITCH

S/N UP TO 10380(EK)

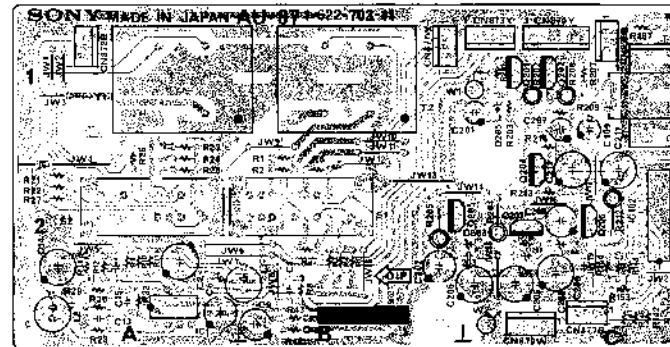


S/N 10381 AND HIGHER(EK)

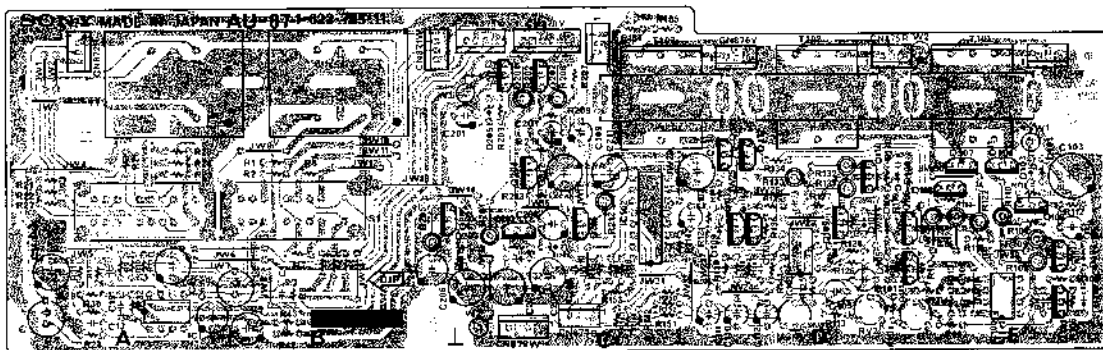


AU-87 (1-622-703-11)

CN870	C-1	T2	A-1
CN871	B-1	T101	E-1
CN872	A-1	T102	D-1
CN873	C-1	T103	C-1
CN874	E-1		
CN875	D-1		
CN876	D-1		
CN877	C-2		
CN878	C-1		
CN879	C-2		
D101	E-2		
D102	E-2		
D103	E-2		
D104	E-2		
D105	D-2		
D106	D-2		
D107	D-2		
D108	D-2		
D109	D-2		
D201	C-2		
D203	C-2		
D204	C-2		
D205	C-1		
IC1	A-2		
IC100	E-2		
IC101	D-2		
IC102	C-2		
Q101	E-2		
Q102	E-2		
Q103	E-2		
Q104	E-1		
Q105	E-2		
Q106	E-2		
Q107	E-1		
Q108	E-2		
Q109	D-2		
Q110	D-2		
Q111	D-1		
Q112	D-1		
Q113	D-2		
Q114	D-2		
Q201	C-1		
Q202	C-1		
Q203	C-2		
Q204	C-2		
Q205	B-2		
Q206	C-2		
RV1	E-3		
RV2	D-2		
RV3	D-2		
S1	B-2		
S2	A-2		
T1	B-1		



AU-87: MIC/OUTPUT/MONITOR AMPLIFIER S/N UP TO 10980(EK)

A-1
E-1
O-1
C-1

AU-87 - COMPONENT SIDE
1755-703-1-1
REV 5-75
8-48-PCP

AU-87 (1-622-70312,13,14)

CN870	C1	T2	A-1
CN871	B1	T101	E-1
CN872	A1	T102	D-1
CN873	C1	T103	C1
CN874	E1		
CN875	D1		
CN876	D1		
CN877	C2		
CN878	C1		
CN879	C2		

D101	E2		
D102	E2		
D103	E2		
D104	E2		
D105	D2		
D106	D2		
D107	D2		
D108	D2		
D109	D2		
D201	C2		
D202	C2		
D204	C2		
D205	C1		

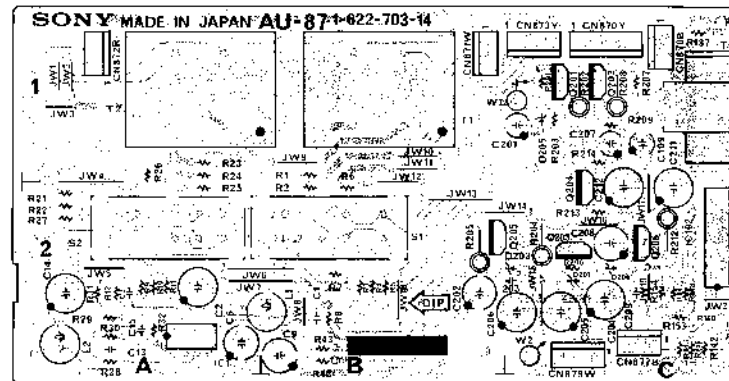
IC1	A2		
IC150	E2		
IC101	D2		
IC102	C2		

Q101	E2		
Q102	E2		
Q103	E2		
Q104	E1		
Q105	E2		
Q106	E2		
Q107	E1		
Q108	E2		
Q109	D2		
Q110	D2		
Q111	D1		
Q112	D1		
Q113	D2		
Q114	D2		
Q201	C1		
Q202	C1		
Q203	C2		
Q204	C2		
Q205	B2		
Q206	C2		

RV1	E2		
RV2	D2		
RV3	D2		

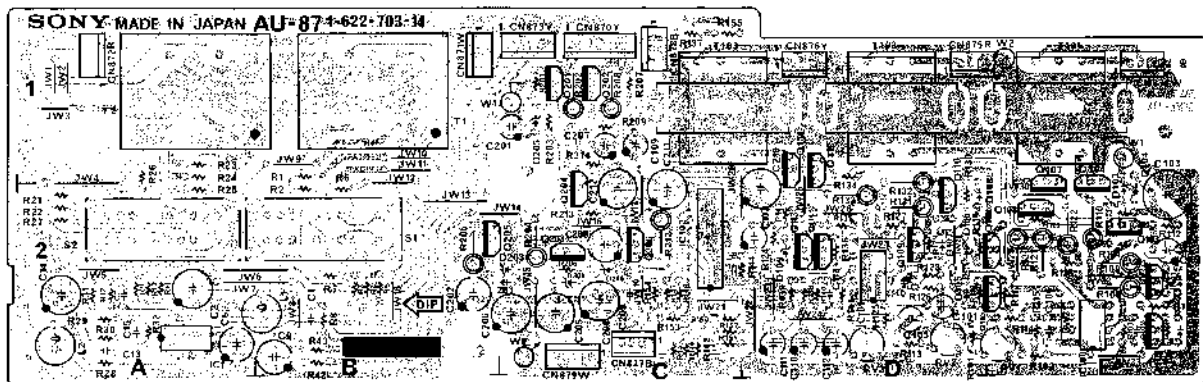
S1	B2		
S2	A2		

T1	B1		
----	----	--	--



AU-87; MIC OUTPUT MONITOR AMPLIFIER

S/N 10981 AND HIGHER(EK)

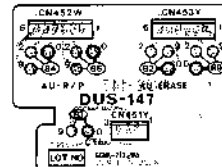
A1
E1
D1
C1

AU-87 COMPONENT SIDE
 • 622-703-12 13 14E
 E10-82
 E10-820

DUS-92: AUDIO HEAD
 DUS-147: JUNCTION BOARD FOR AUDIO HEAD
 HP-28: HEADPHONES
 VR-49: HEADPHONES LEVEL CONTROL



DUS-92 COMPONENT SIDE
 122-150 111
 83-100
 83-100*



DUS-147 COMPONENT SIDE
 122-150 111
 83-100
 83-100*



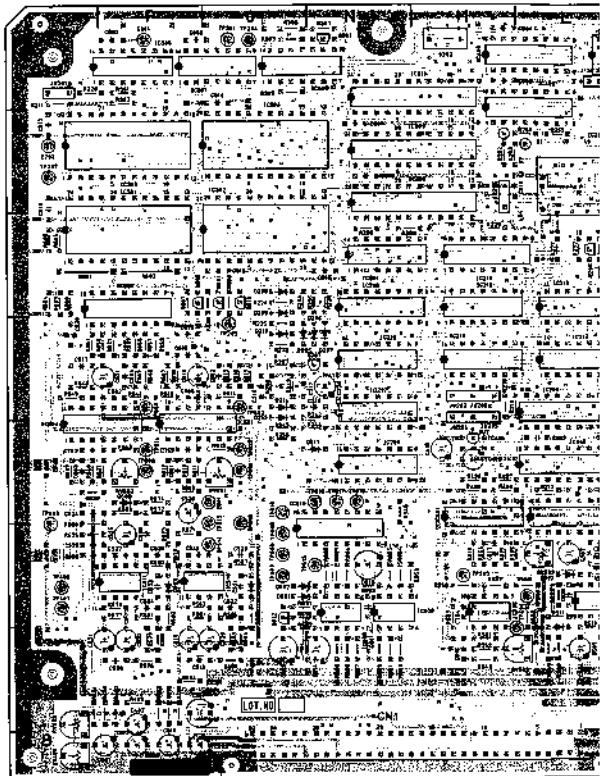
HP-28 COMPONENT SIDE
 122-150 111
 83-100
 83-100*

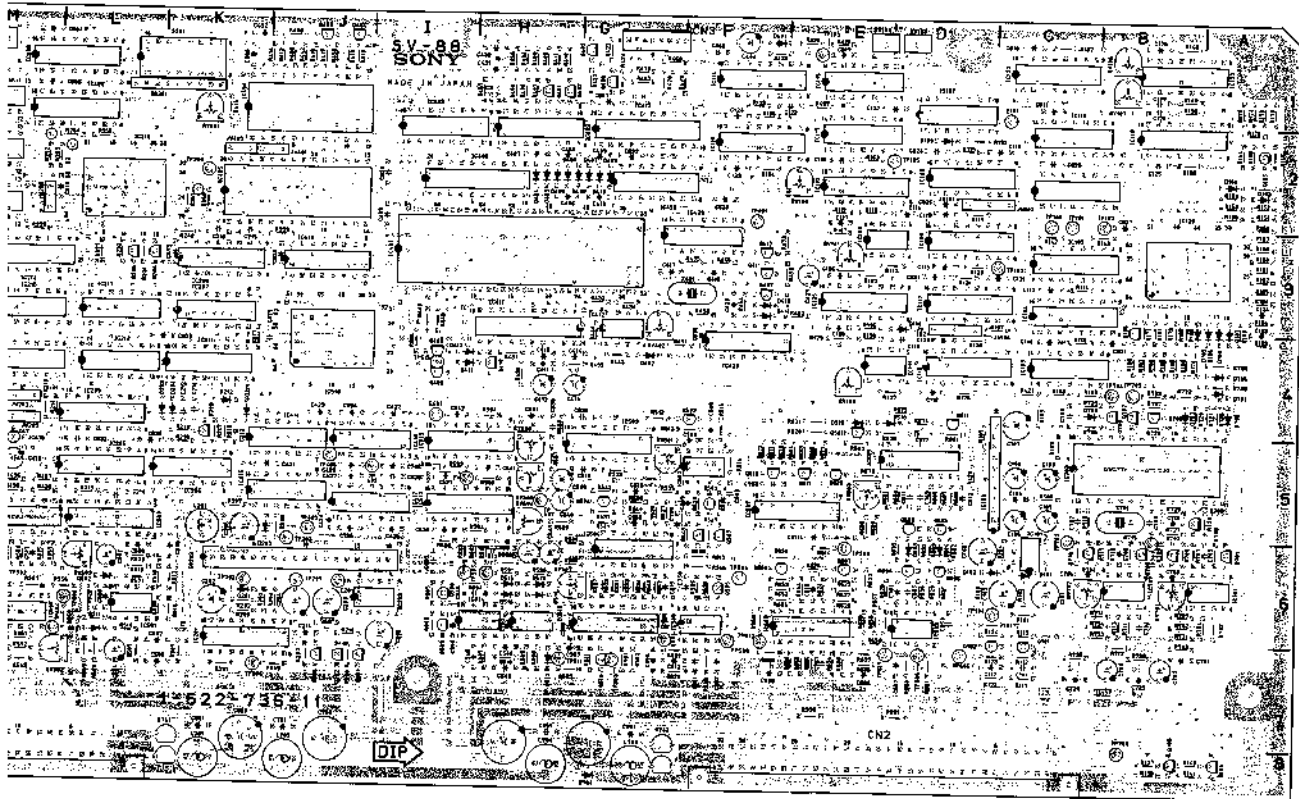


VR-49 COMPONENT SIDE
 122-150 111
 83-100
 83-100*

SV-88A (1422-736-11)

GN1	N-8	D701	A-4	IC303	P-2	Q101	C-6	AB201	K-1	TP607	H-5
GN2	E-6	D702	B-4	IC304	O-2	Q102	D-7			TP508	F-7
GN3	G-1	D703	D-4	IC305	P-1	Q103	B-8	RV101	E-3	TP509	E-6
		D704	G-8	IC306	G-1	Q104	A-8	RV102	E-4	TP510	O-6
D101	D-6	D705	A-4	IC307	G-1	Q105	A-2	RV103	D-3	TP511	H-7
D102	D-6	D706	A-4	IC308	M-2	Q106	B-3	RV104	E-1	TP512	H-6
D103	A-2			IC309	M-2	Q201	J-7	RV105	E-2	TP513	O-6
D104	A-2	E101	C-1	IC310	M-1	Q202	J-7	RV106	B-1	TP514	O-6
D105	B-3	E201	J-6	IC311	N-3	Q203	K-5	RV107	B-1	TP515	I-4
D106	A-3	E202	Q-2	IC401	M-5	Q204	L-3	RV401	K-1	TP601	O-6
D107	A-3	E301	P-1	IC402	H-2	Q205	L-3	RV402	G-3	TP602	O-6
D108	A-3	E401	I-4	IC403	I-2	Q206	J-7	RV403	Q-7	TP603	F-8
D109	D-2	E501	G-5	IC404	J-1	Q207	N-4	RV404	Q-8	TP604	P-4
D110	D-3	E601	G-5	IC405	J-2	Q301	N-4	RV501	G-5	TP605	D-7
D201	K-6			IC406	I-2	Q401	H-1	RV502	L-7	TP606	D-7
D202	K-6	IC101	C-5	IC407	I-3	Q402	H-1	RV503	L-6	TP607	O-6
D203	K-4	IC102	D-5	IC408	L-1	Q403	J-1	RV504	H-5	TP608	O-6
D204	K-4	IC103	C-4	IC409	L-1	Q404	J-1	RV505	H-5	TP609	O-6
D205	O-4	IC104	C-3	IC410	J-3	Q405	G-1	RV506	H-5	TP610	O-6
D206	N-4	IC105	C-3	IC411	H-3	Q406	G-1	RV507	H-6	TP611	E-7
D207	N-4	IC106	D-3	IC412	G-3	Q407	F-3	RV508	O-5	TP612	F-7
D208	O-3	IC107	D-1	IC413	G-2	Q408	I-4	RV602	F-5	TP613	O-6
D209	O-3	IC108	E-3	IC414	J-5	Q409	I-4	RV603	E-5	TP614	P-5
D210	O-4	IC109	D-2	IC415	J-5	Q410	H-4	RV701	B-6	TP615	O-6
D211	K-4	IC110	O-4	IC416	I-5	Q411	F-3	RV702	C-6	TP616	N-5
D212	K-4	IC111	E-4	IC417	I-5	Q412	F-3			TP617	N-5
D213	O-5	IC112	D-3	IC418	M-5	Q501	E-5	S201	K-1	TP618	N-5
D214	O-4	IC113	E-2	IC420	F-2	Q502	F-4	S202	M-1	TP701	G-6
D401	F-1	IC114	F-1	IC422	G-2	Q503	F-6			TP702	G-6
D402	G-4	IC115	E-1	IC423	F-4	Q504	G-5	TP101	C-2	TP703	G-6
D403	H-2	IC116	F-2	IC501	L-6	Q505	F-6	TP102	C-3	TP704	B-4
D404	H-2	IC117	E-2	IC502	F-5	Q506	F-6	TP103	E-1	TP705	B-4
D405	H-2	IC118	C-2	IC503	F-6	Q507	F-6	TP104	D-6		
D406	H-2	IC119	E-2	IC504	G-6	Q508	I-5	TP105	D-2	X401	F-3
D407	Q-2	IC120	B-3	IC505	G-6	Q509	I-6	TP106	D-2	X701	B-5
D408	H-2	IC122	C-1	IC506	M-6	Q510	G-7	TP107	B-2		
D409	G-2	IC123	B-1	IC507	L-5	Q511	D-4	TP201	J-6		
D410	G-2	IC125	E-3	IC508	G-5	Q501	D-3	TP202	K-5		
D411	I-4	IC201	K-7	IC510	O-6	Q602	P-3	TP203	J-6		
D412	G-4	IC202	J-6	IC511	P-6	Q603	D-5	TP204	O-1		
D413	F-3	IC203	I-5	IC512	I-5	Q604	D-6	TP205	O-4		
D414	F-3	IC204	K-5	IC513	I-5	Q605	D-5	TP206	K-7		
D501	L-7	IC205	L-5	IC514	H-6	Q606	D-6	TP207	Q-2		
D502	L-6	IC206	K-3	IC515	H-6	Q607	E-6	TP208	K-2		
D507	D-6	IC207	K-3	IC616	J-4	Q608	F-6	TP301	O-1		
D509	P-5	IC208	N-5	IC601	O-5	Q609	E-9	TP401	F-2		
D509	P-5	IC209	L-4	IC602	E-6	Q610	F-5	TP402	J-5		
D512	H-7	IC210	M-4	IC603	D-6	Q611	E-5	TP403	Q-5		
D513	H-6	IC211	K-4	IC604	Q-5	Q612	O-6	TP404	M-7		
D514	H-6	IC212	L-4	IC605	D-5	Q613	C-3	TP405	I-5		
D515	H-6	IC213	L-3	IC606	P-3	Q701	A-6	TP406	J-5		
D516	H-6	IC214	M-3	IC607	F-5	Q702	B-6	TP407	Q-6		
D517	N-5	IC215	M-3	IC608	N-6	Q703	B-6	TP408	Q-6		
D518	D-4	IC216	L-2	IC609	N-6	Q704	B-6	TP501	L-5		
D519	E-4	IC217	N-4	IC610	N-6	Q705	B-4	TP502	M-5		
D501	O-5	IC218	N-4	IC701	A-5	Q706	B-4	TP503	G-7		
D502	O-5	IC219	N-3	IC702	B-6	Q707	B-4	TP504	F-6		
D503	D-6	IC301	P-3	IC703	B-5	Q708	A-5	TP505	I-6		
D504	D-6	IC302	O-3					TP506	I-5		

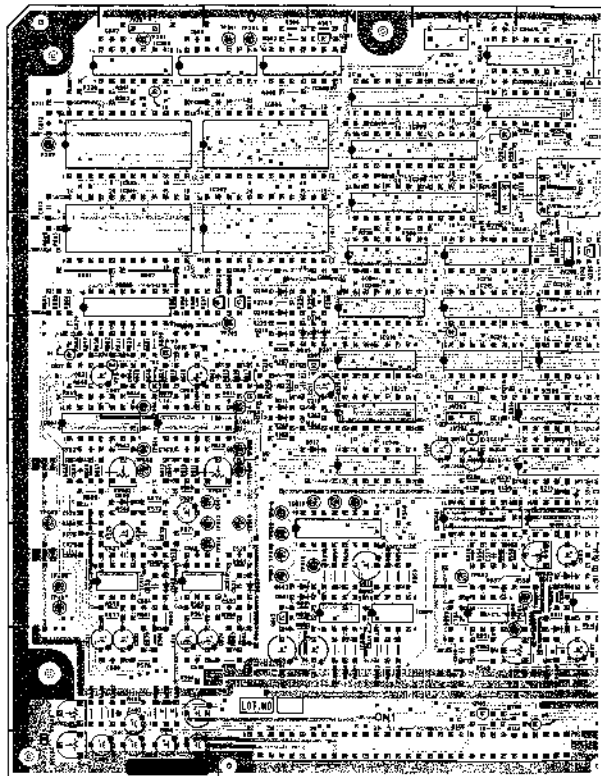


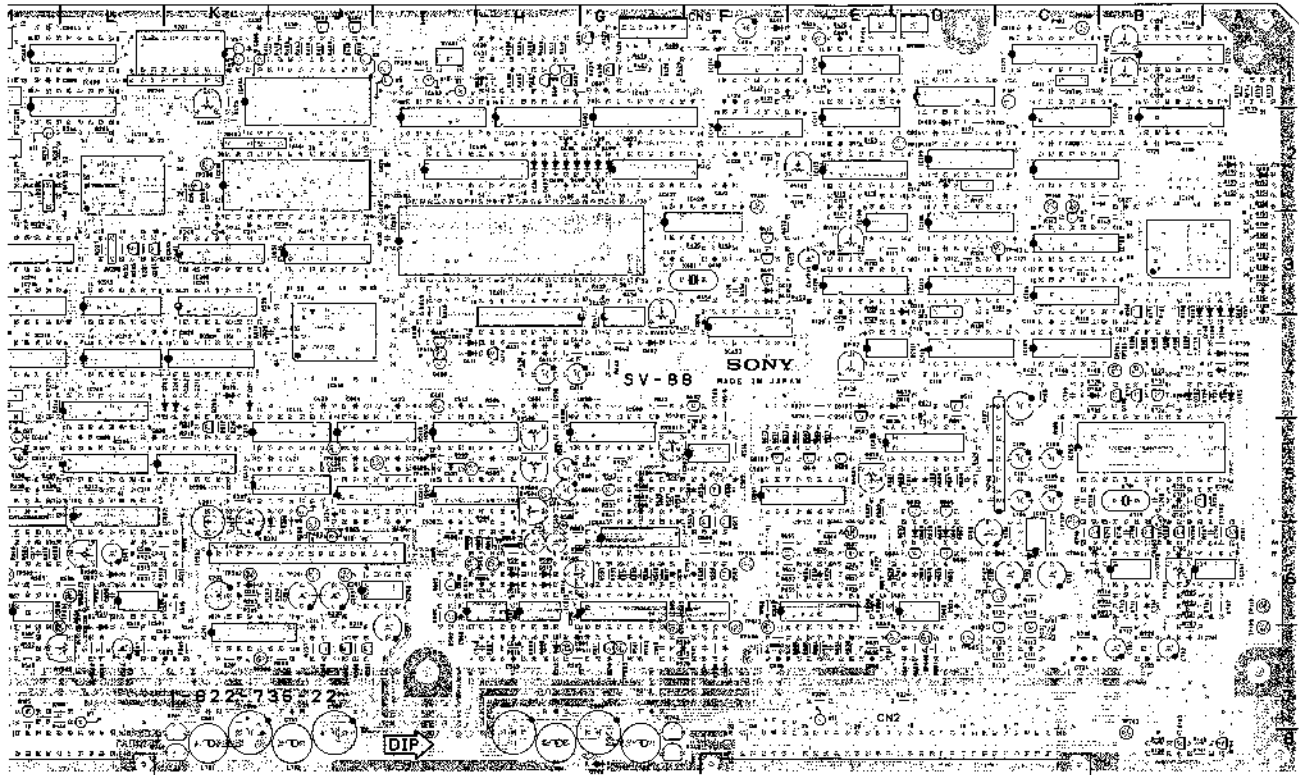


SV-88A COMPONENT SIDE
C2-710-1
DIP-UP

SV-88A (1-622-736 22)

CN1	N-8	D701	A-4	IC303	P-2	Q101	C-7	RB201	K-1	TP504	F-6
CN2	E-8	D702	B-4	IC304	O-2	Q102	D-7			TP505	I-6
CN3	G-1	D703	C-4	IC305	P-1	Q103	B-8	RV101	E-3	TP506	I-5
		D704	G-8	IC306	O-1	Q104	A-8	RV102	E-4	TP507	H-5
D101	C-6	D705	A-4	IC307	O-1	Q105	M-7	RV103	D-1	TP508	F-7
Q102	D-6	D706	A-4	IC308	M-2	Q106	B-3	RV104	E-1	TP509	E-6
D103	A-2			IC309	M-2	Q201	J-7	RV105	E-2	TP510	O-6
D104	A-2	E101	C-1	IC310	M-1	Q202	J-7	RV106	B-1	TP511	H-7
D105	B-3	E201	J-6	IC311	N-3	Q203	K-5	RV107	B-1	TP512	H-6
D106	A-3	E202	Q-2	IC401	M-5	Q204	L-3	RV401	I-1	TP513	O-6
D107	A-3	E301	F-1	IC402	H-2	Q205	L-3	RV402	G-3	TP514	O-6
D108	A-3	E401	I-4	IC403	I-2	Q206	J-7	RV403	Q-7	TP515	I-4
D109	D-2	E501	G-7	IC404	J-1	Q207	N-4	RV404	Q-8	TP601	O-5
D110	D-3	E601	O-5	IC405	J-2	Q301	N-1	RV405	K-1	TP602	O-4
D201	K-6			IC406	I-2	Q401	H-1	RV501	G-5	TP603	P-5
D202	K-6	IC101	C-6	IC407	H-3	Q402	H-1	RV502	L-7	TP604	F-4
D203	K-4	IC102	C-5	IC408	L-1	Q403	J-1	RV503	L-6	TP605	O-7
D204	K-4	IC103	C-4	IC409	L-1	Q404	J-1	RV504	H-5	TP606	O-7
D205	O-4	IC104	C-3	IC410	J-3	Q405	G-1	RV505	H-5	TP607	O-6
D206	H-4	IC105	G-3	IC411	H-4	Q406	G-1	RV506	H-5	TP608	O-6
D207	H-4	IC106	D-3	IC412	G-4	Q407	F-3	RV507	H-6	TP609	O-6
D208	O-3	IC107	D-1	IC413	G-2	Q408	I-4	RV601	O-5	TP610	O-5
D209	O-3	IC108	E-3	IC414	J-5	Q409	I-4	RV602	P-5	TP611	E-7
D210	O-4	IC109	D-2	IC415	J-5	Q410	H-4	RV603	E-5	TP612	F-7
D211	K-4	IC110	D-4	IC416	I-8	Q411	F-3	RV701	B-6	TP613	O-5
D212	K-4	IC111	E-4	IC417	I-8	Q412	F-3			TP614	P-5
D213	O-8	IC112	D-3	IC418	M-5	Q501	O-5	S201	K-1	TP615	O-6
D214	O-4	IC113	E-2	IC420	F-3	Q502	F-4	S202	M-1	TP616	N-5
Q401	F-1	IC114	F-1	IC422	G-2	Q503	F-5			TP617	N-5
Q402	G-4	IC115	E-1	IC423	F-4	Q504	G-5	TP101	C-2	TP618	N-5
Q403	H-2	IC116	F-2	IC501	L-6	Q505	F-6	TP102	C-3	TP701	B-6
Q404	H-2	IC117	E-2	IC502	F-5	Q506	F-6	TP103	E-1	TP702	C-6
Q405	H-2	IC118	C-2	IC503	F-6	Q507	F-6	TP104	D-6	TP703	B-8
Q406	H-2	IC119	B-2	IC504	G-6	Q508	R-4	TP105	D-2	TP704	B-4
Q407	G-2	IC120	B-3	IC505	G-6	Q509	I-6	TP106	C-2	TP705	B-4
Q408	H-2	IC122	C-1	IC506	O-5	Q510	G-7	TP107	G-2		
Q409	C-1	IC123	B-1	IC507	L-5	Q511	O-4	TP108	C-1	X401	F-3
D410	C-2	IC125	E-3	IC509	G-5	Q601	O-3	TP109	A-7	X701	B-5
D411	I-4	IC201	K-7	IC510	O-6	Q602	O-3	TP110	A-6		
D412	I-4	IC202	J-6	IC511	P-6	Q603	D-5	TP201	J-6		
D413	F-3	IC203	I-6	IC512	I-5	Q604	D-6	TP202	K-6		
D414	F-3	IC204	K-6	IC513	I-5	Q605	D-5	TP203	I-1		
D501	L-7	IC205	L-5	IC514	H-6	Q606	D-6	TP204	O-1		
D502	L-6	IC206	K-3	IC515	H-6	Q607	E-6	TP205	O-4		
D503	O-6	IC207	K-3	IC516	J-4	Q608	F-6	TP206	K-7		
D504	P-5	IC208	N-5	IC601	O-5	Q609	E-5	TP207	Q-2		
D509	P-6	IC209	L-4	IC602	F-6	Q610	F-5	TP208	X-2		
D512	H-7	IC210	M-4	IC603	D-6	Q611	E-5	TP301	O-1		
D513	H-6	IC211	K-4	IC604	Q-5	Q612	O-6	TP401	F-2		
D514	H-6	IC212	L-4	IC605	D-5	Q613	G-3	TP402	J-5		
D515	H-6	IC213	L-3	IC606	F-3	Q701	A-6	TP403	Q-5		
D516	H-6	IC214	M-3	IC607	F-5	Q702	B-6	TP404	M-7		
D517	N-5	IC215	M-3	IC608	N-6	Q703	B-6	TP405	I-5		
D518	D-4	IC216	L-2	IC609	N-6	Q704	C-5	TP406	J-5		
D519	E-4	IC217	N-4	IC510	N-6	Q705	B-4	TP407	Q-6		
D601	Q-6	IC218	N-4	IC701	A-6	Q706	B-4	TP408	Q-6		
D602	Q-6	IC219	N-3	IC702	B-6	Q707	B-4	TP501	L-6		
D603	D-6	IC301	P-3	IC703	B-5	Q708	A-5	TP502	M-6		
D604	D-6	IC302	O-3					TP503	G-7		

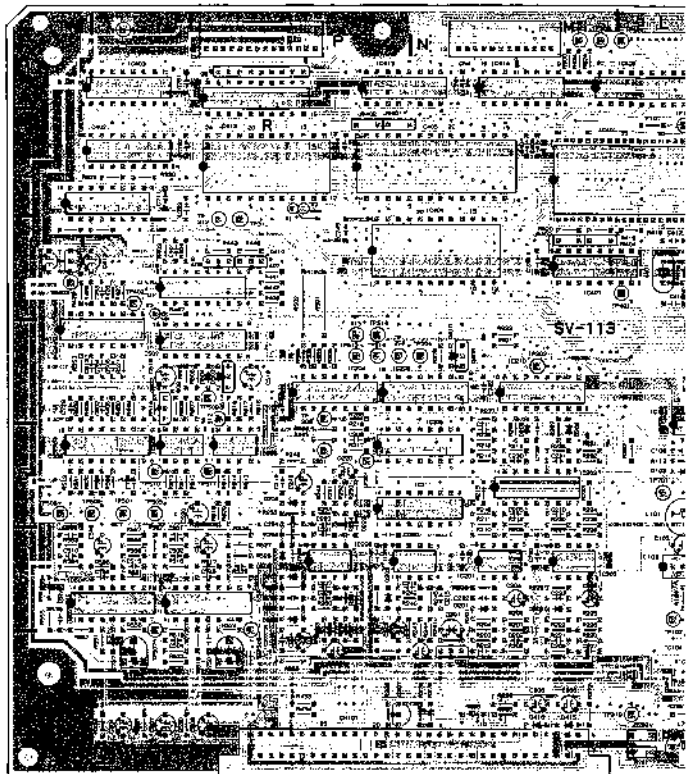


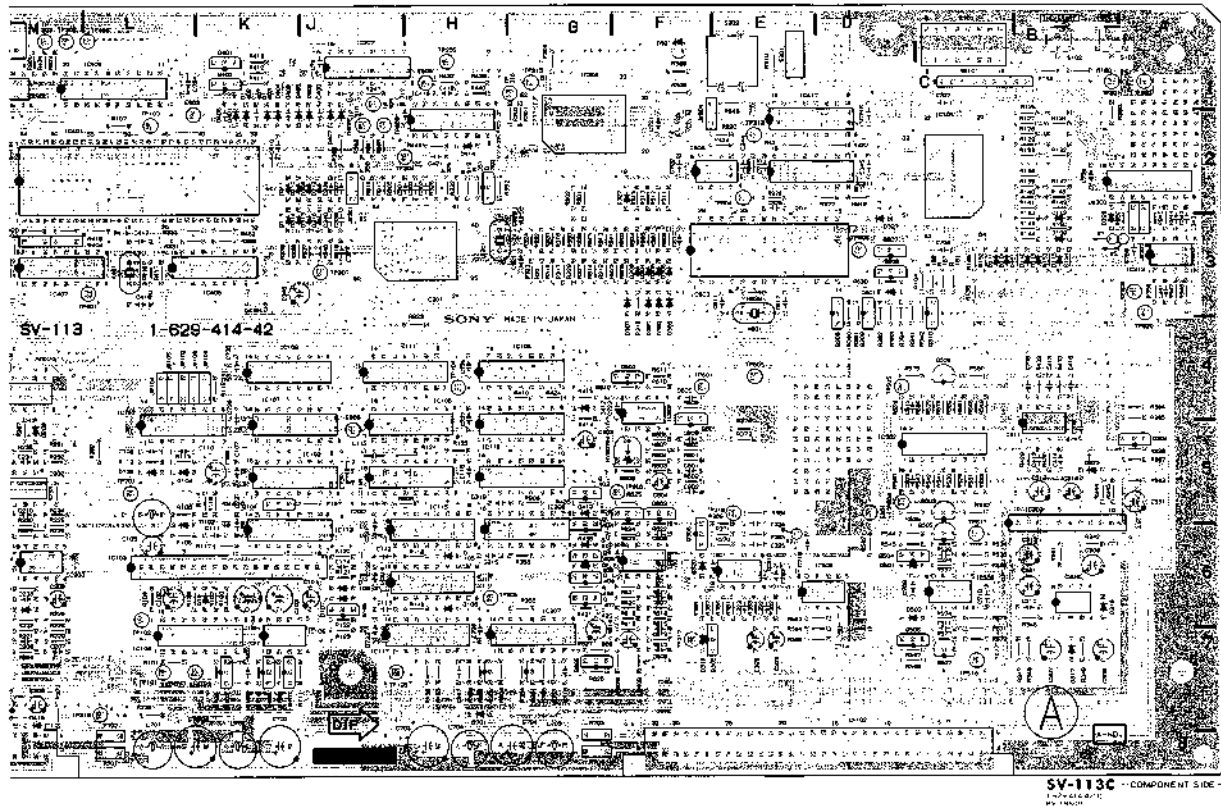


SV-88A - COMPONENT SIDE
432 130 11
2000000

SV-113C(1-629-414-42)

CN1	P8	D406	J2	IC306	G5	Q404	G5	TP312	R3
CN2	D8	D407	J2	IC307	G6	Q405	G6	TP313	E2
CN3	R1	D408	J2	IC308	E2	Q406	N4	TP315	G1
CN4	N1	D409	G6	IC309	S2	Q407	G6	TP316	G1
		D410	N4	IC310	E6	Q408	G6	TP317	F7
D101	K6	D411	G6	IC311	E2	Q409	R3	TP318	E5
D102	L5	D412	G4	IC313	A3	Q410	R3	TP319	L7
D103	L5	D413	G5	IC314	A2	Q502	S4	TP320	A3
D104	L5	D414	H2	IC401	L2	Q503	C5	TP401	L3
D105	H6	D415	M7	IC402	S2	Q504	D6	TP402	S3
D106	H6	D416	M7	IC403	S1	Q505	C6	TP402	F3
D107	J6	D501	D6	IC404	N3	Q506	D7	TP404	L1
D108	J6	D502	D6	IC405	N2	Q507	C7	TP501	S8
D109	B3	D503	R4	IC406	L1	Q508	C4	TP502	R6
D110	B3	D604	R4	IC407	M3	Q514	R4	TP503	S8
D111	C3	D601	D3	IC408	K3	Q601	F5	TP504	D8
D112	B3	D701	H7	IC409	T3	Q502	F4	TP505	O4
D113	B3			IC410	S4	Q603	F5	TP506	F5
D114	C3	E101	L7	IC411	B4	Q604	F5	TP507	S6
D115	B3	E501	P5	IC412	R2	Q605	G7	TP508	S6
D201	N6	E801	D5	IC413	P1	Q606	D3	TP509	R4
D202	M6	E802	A1	IC414	M1	Q607	D3	TP510	S6
D203	P6	E803	L2	IC415	R1			TP611	R5
D204	R5	E804	S1	IC416	R3	RB101	C1	TP512	R4
D205	R6	E805	H1	IC417	E2	RB401	R1	TP513	P4
D206	R6	E806	J5	IC418	H2			TP514	P4
D207	R6			IC419	J1	RV502	R7	TP515	P4
D208	M5	IC101	C2	IC501	R6	RV509	S7	TP516	P4
D209	M5	IC102	K5	IC502	C5	RV601	F5	TP517	C6
D301	F3	IC103	K6	IC503	C6			TP518	C7
D302	F3	IC104	L7	IC504	S6	S101	C1	TP601	F4
D303	F3	IC105	K7	IC505	O6	S102	B1	TP602	F5
D304	F3	IC106	H4	IC506	S5	S109	B1	TP603	D3
D305	F3	IC107	K4	IC507	R4	S301	F1	TP604	E2
D306	F3	IC108	G4	IC508	S5	S302	E1	TP605	E4
D307	F3	IC109	K4	IC509	R5			TP701	L5
D308	F3	IC110	G5	IC601	F4	TP101	L7		
D309	J2	IC111	H4	IC603	F3	TP102	L5	X301	H3
D310	J2	IC112	L4			TP103	L2	X401	L3
D311	K2	IC113	K5	Q101	K7	TP104	H4	X601	E4
D312	J2	IC114	H6	Q102	K7	TP105	J7		
D313	J2	IC115	H5	Q103	K7	TP201	R5		
D314	J2	IC116	G4	Q104	K5	TP202	M4		
D315	K2	IC117	H7	Q105	J6	TP203	P4		
D316	J2	IC118	H5	Q201	N7	TP204	N4		
D317	B7	IC201	H6	Q301	G7	TP205	N6		
D318	B6	IC202	M5	Q302	H7	TP206	P4		
D319	F7	IC203	M6	Q303	H2	TP301	B1		
D320	F6	IC204	P4	Q304	A5	TP302	M1		
D321	E1	IC205	R5	Q305	F7	TP303	M1		
D322	F2	IC206	N4	Q306	A6	TP304	H2		
D323	B5	IC207	N5	Q307	P7	TP305	H6		
D326	B3	IC208	N6	Q308	D4	TP306	A3		
D401	K2	IC209	P6	Q309	D4	TP307	J3		
D402	K2	IC210	M4	Q310	C4	TP308	J2		
D403	K2	IC302	G2	Q401	K1	TP309	J1		
D404	K2	IC303	B5	Q402	K1	TP310	R3		
D405	J2	IC304	B6	Q403	G5	TP311	R3		





DR-53, DR-59, SE-48

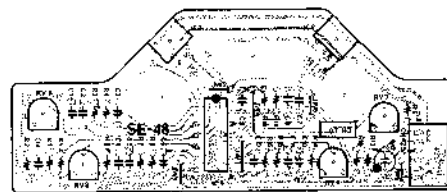
DR-53, DR-59, SE-48

DR-53: REEL/CAPSTAN/DRUM MOTOR DRIVE

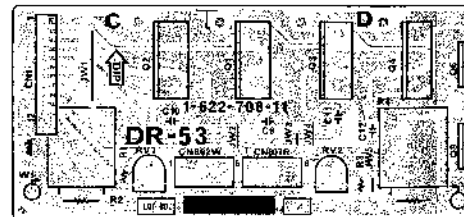
DR-59: REEL MOTOR DRIVE

SE-48: REEL ROTATION DETECTOR

S/N UP TO 11280(EK)

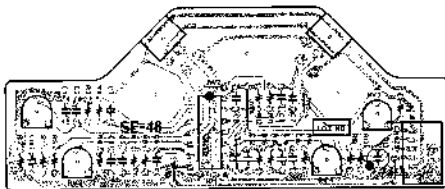


SE-48 COMPONENT SIDE
625 700 11
822 000
5-19-58

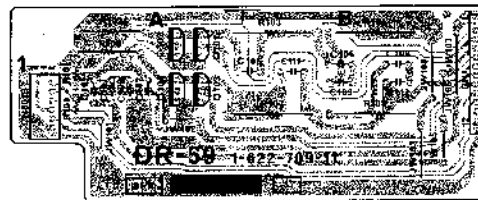


DR-53: REEL/CAPSTAN/DRUM MOTOR DRIVE
DR-59: REEL MOTOR DRIVE
SE-48: REEL ROTATION DETECTOR

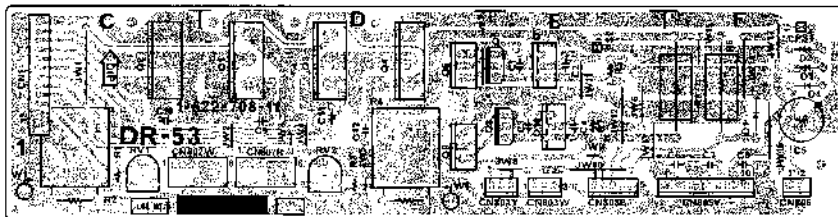
S/N UP TO 11280(EK)



SE-48 COMPONENT SIDE
1-52 14 1
REV. 100
REV. 1000



DR-59 COMPONENT SIDE
1-52 14 1
REV. 100
REV. 1000



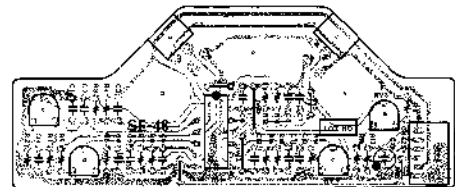
DR-53 COMPONENT SIDE
1-52 14 1
REV. 100
REV. 1000

DR-53, DR-69, SE-48

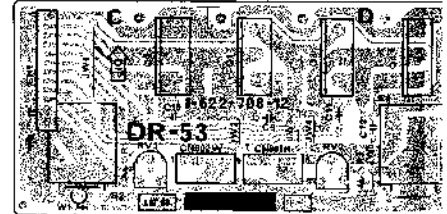
DR-53, DR-69, SE-48

DR-53; REEL/CAPSTAN/DRUM MOTOR DRIVE
DR-59; REEL MOTOR DRIVE
SE-48; REEL ROTATION DETECTOR

S/N 11281 AND HIGHER(EK)

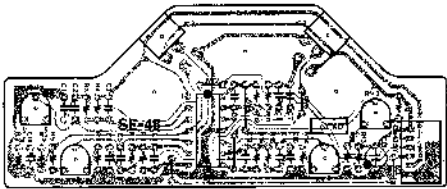


SE-48 COMPONENT SIDE
PAGE 50 OF 57
REV 100
5-0-50DP

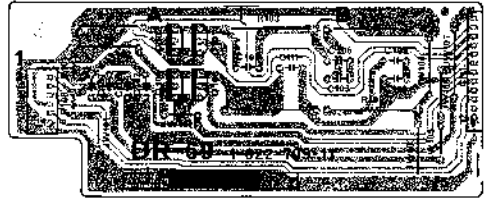


DR-53: REEL/CAPSTAN/DRUM MOTOR DRIVE
DR-59: REEL MOTOR DRIVE
SE-48: REEL ROTATION DETECTOR

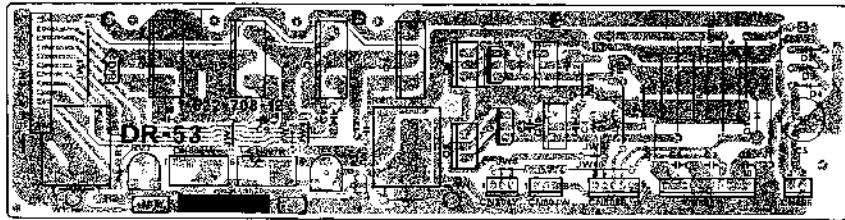
S/N 11281 AND HIGHER(EK)



SE-48 COMPONENT SIDE
1-622 141-1
DU-352
E-46-2500



DR-59 COMPONENT SIDE
1-622 141-1
DU-352
E-46-2500



DR-53 COMPONENT SIDE
1-622 141-1
DU-352
E-46-2500

DUS-177: T-REEL MOTOR

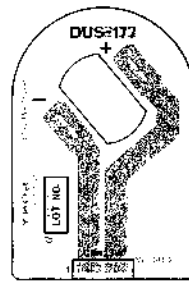
DUS-178: S-REEL MOTOR

LE-53: S-TENSION LED

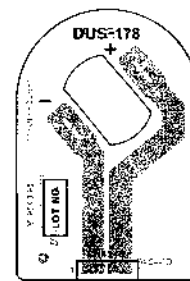
LE-54: T-TENSION LED

PTC-28: S-TENSION CDS

PTC-29: T-TENSION CDS



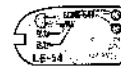
DUS-177 COMPONENT SIDE
 125-721-111
 S44-426
 S44-500*



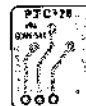
DUS-178 COMPONENT SIDE
 125-721-111
 S44-426
 S44-500*



LE-53 COMPONENT SIDE
 125-721-111
 S44-426
 S44-500*



LE-54 COMPONENT SIDE
 125-721-111
 S44-426
 S44-500*



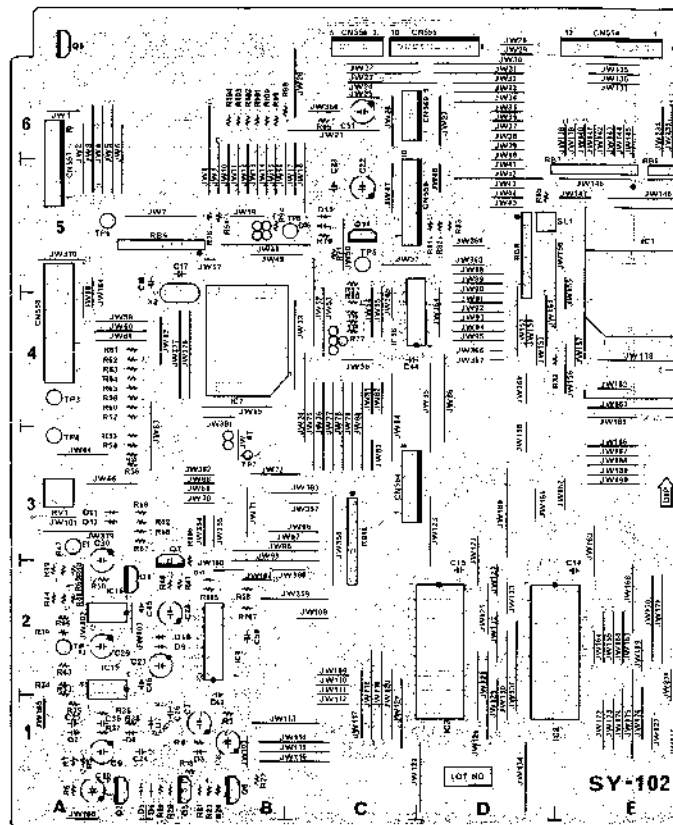
PTC-28 COMPONENT SIDE
 125-721-111
 S44-426
 S44-500*



PTC-29 COMPONENT SIDE
 125-721-111
 S44-426
 S44-500*

SY-102A (1-622-734-11)

CN550	I-6	Q9	A-6
CN551	H-6	Q11	C-5
CN552	G-6		
CN553	F-6	RB1	H-5
CN554	E-6	RB2	H-5
CN555	D-6	RB3	H-6
CN556	C-6	RB4	H-6
CN557	A-5	RB5	H-6
CN558	A-4	RB6	E-5
CN559	C-5	RB7	E-5
CN560	C-6	RB8	D-6
CN561	I-4	RB9	B-5
CN562	I-5	RB10	C-3
CN563	I-6	RB11	I-1
CN564	C-3		
D2	A-1	RV1	A-3
D3	B-1	RV2	F-1
D4	G-2	TP3	A-4
D5	A-1	TP4	A-3
D6	B-1	TP5	C-5
D7	B-1	TP6	A-5
D8	A-1	TP7	B-3
D9	B-2	TP8	C-5
D10	B-2	TP9	F-1
D11	A-3	TP10	F-1
D12	A-3	TP11	G-1
D15	D-5	TP12	H-1
D16	D-5	TP13	A-2
D17	B-2	TP14	H-1
E1	A-3	X1	H-3
		X2	A-4
IC1	E-5		
IC2	D-2		
IC3	D-2		
IC4	F-2		
IC5	G-1		
IC6	H-5		
IC7	B-4		
IC8	B-2		
IC9	H-3		
IC10	H-2		
IC11	H-3		
IC12	F-3		
IC13	G-3		
IC14	G-4		
IC15	A-2		
IC16	A-2		
IC17	H-4		
IC18	C-4		
Q2	A-1		
Q3	H-2		
Q4	I-4		
Q5	B-1		
Q6	B-1		
Q7	B-3		
Q8	A-2		



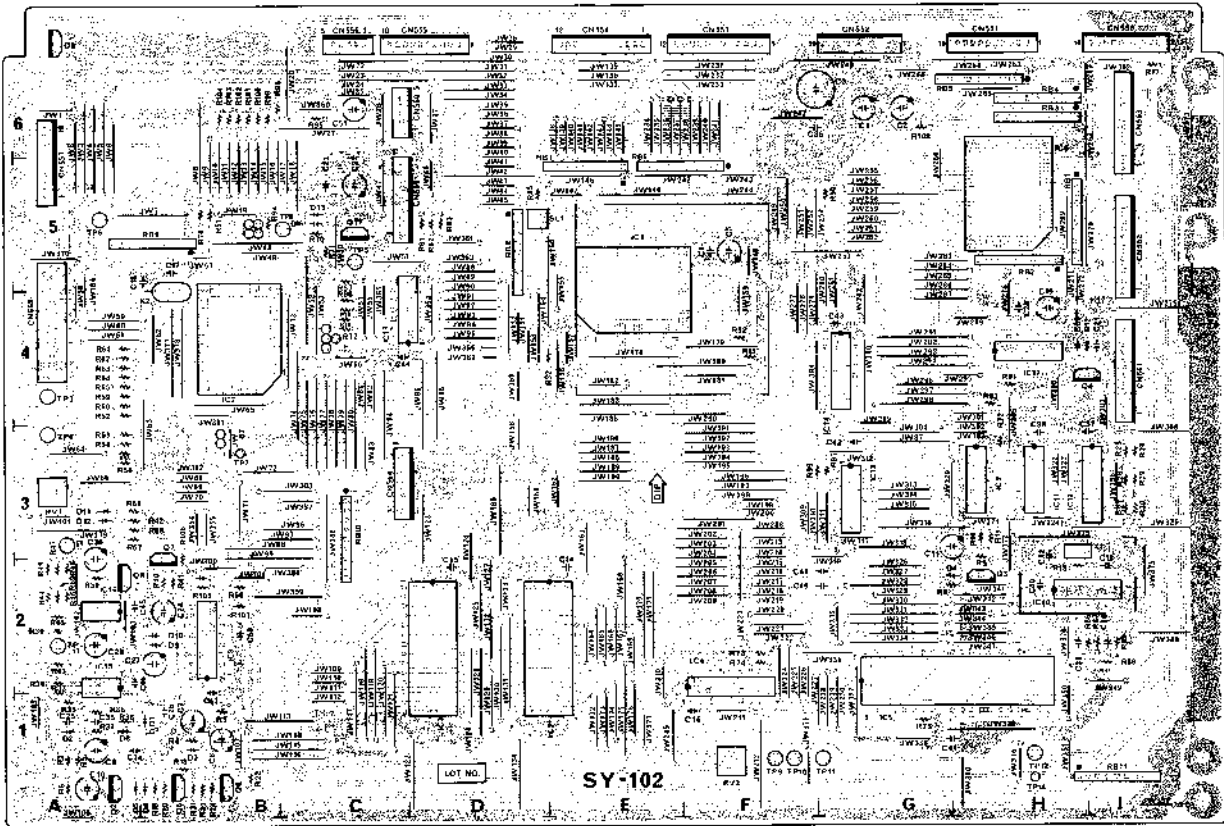
SY-102A; SYSTEM CONTROL S/N UP TO 109801EK)

A-6
C-5

H-5
H-6
H-6
H-6
E-5
D-5
B-5
C-3
I-1

A-3
F-1

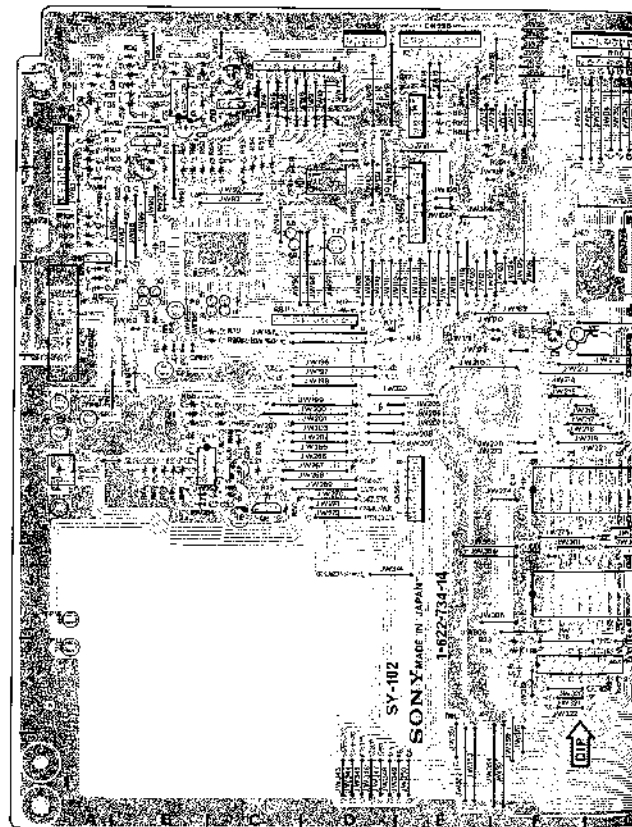
A-4
A-3
C-5
A-5
B-3
C-6
F-1
G-1
H-1
A-2
H-1
H-3
A-4



SY-102A COMPONENT SIDE
REV. 10-67
GWA:WPA

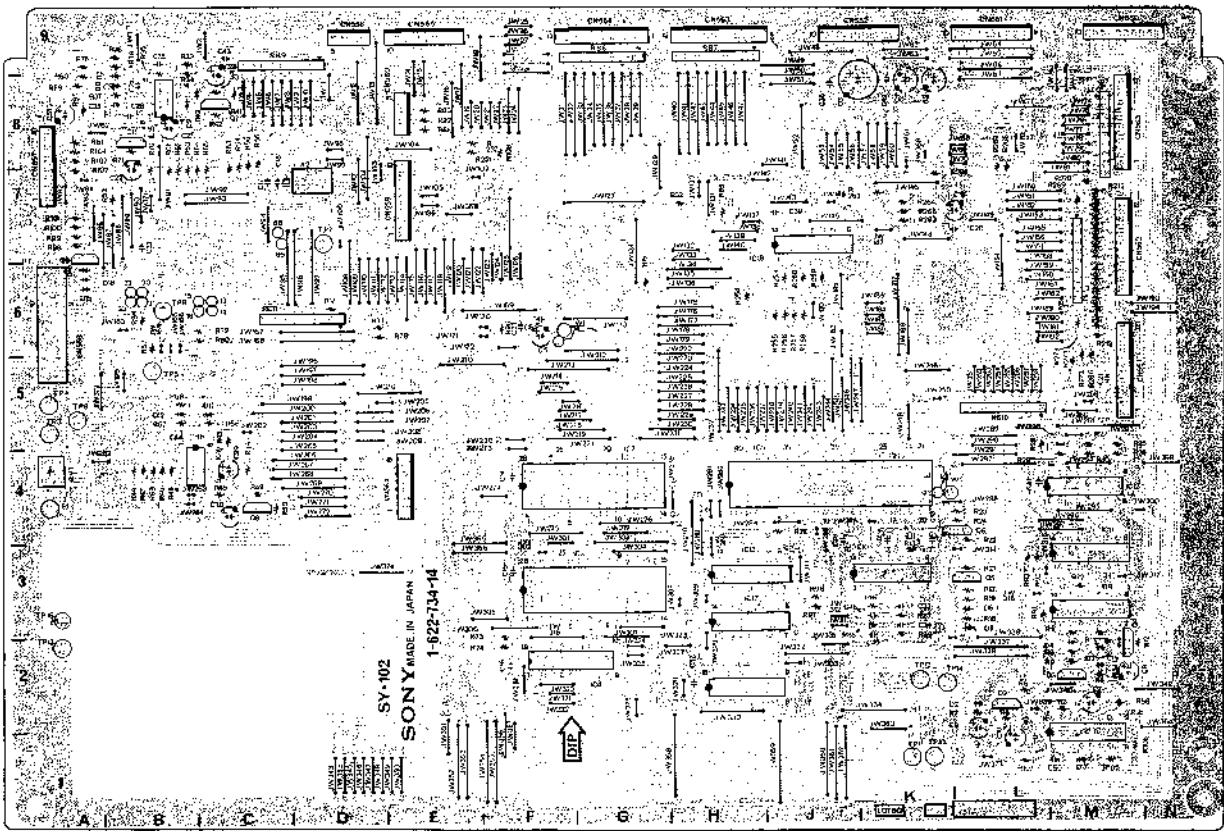
SY 102A (1-622-734-12,13,14)

CN550	M-9	Q11	B-8
CN551	L-9		
CN552	K-9	RB2	M-6
CN553	H-9	RB3	M-8
CN554	G-9	RB6	G-9
CN555	E-9	RB7	H-9
CN556	D-9	RB9	C-9
CN557	A-8	RB10	L-5
CN558	A-6	RB11	D-6
CN559	E-7		
CN560	E-8		
CN561	M-5	RV1	A-4
CN562	N-7	TP3	A-5
CN563	M-8	TP4	A-5
CN564	E-4	TP5	B-5
		TP6	A-5
D2	L-2	TP7	D-7
D3	M-2	TP8	B-6
D4	M-2	TP10	K-1
D5	L-2	TP11	K-1
D6	L-3	TP12	K-2
D7	B-8	TP13	A-2
D8	B-8	TP14	K-2
D9	B-8	TP16	A-3
D10	C-8		
D11	D-5	X1	K-3
D12	B-5	X2	D-7
D15	A-6		
D16	A-6		
D17	M-1		
D18	A-6		
E1	A-4		
IC2	G-4		
IC3	C-3		
IC4	G-2		
IC5	J-4		
IC7	D-7		
IC8	M-1		
IC9	M-3		
IC10	K-3		
IC11	M-3		
IC12	M-4		
IC13	H-3		
IC14	H-2		
IC15	B-8		
IC16	C-4		
IC17	H-3		
IC18	J-7		
Q2	L-2		
Q3	M-2		
Q4	M-2		
Q5	L-3		
Q6	L-3		
Q7	C-8		
Q8	C-4		
Q9	A-7		



SY-102A: SYSTEM CONTROL S/N 10981 AND HIGHER(IEK)

14)
 B8
 M-6
 M-8
 G-9
 H-9
 C-9
 L-5
 D-6
 A-4
 A-5
 A-6
 B-6
 A-6
 D-7
 B-6
 K-1
 K-1
 K-2
 A-2
 K-2
 A-3
 K-3
 D-7



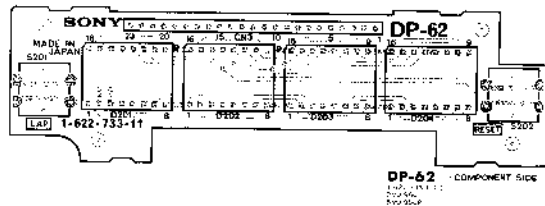
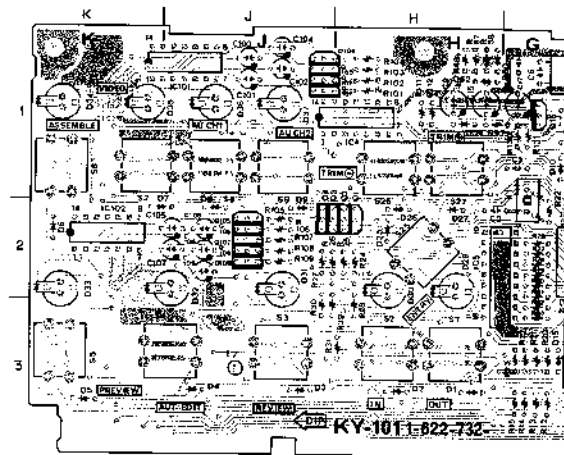
SY-102
 SONY MADE IN JAPAN
 1-922-734-14

SY-102/A COMPONENT SIDE -
 1-922-734-14
 82-678
 B7-006

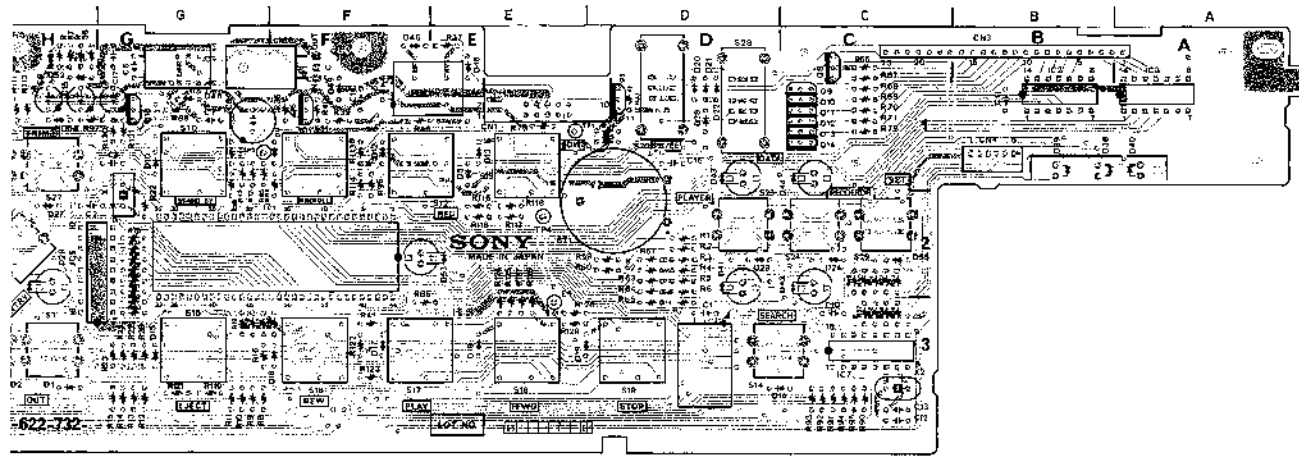
KY-101: FUNCTION KEY BOARD
 DP-62: DISPLAY

KY-101 (1-622 732 LL, L2)

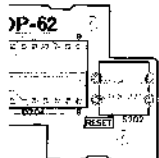
CN1	E-1	EJ	E-3	S25	H-2
CN3	B-1	E2	J-3	S26	H-1
CN4	B-1			S27	H-1
		IC1	F-2	S28	D-1
D1	H-3	IC2	B-1	S29	C-2
D2	H-3	IC3	A-1		
D3	J-3	IC4	H-1	TP1	E-1
D4	J-3	IC5	H-2	TP2	G-1
D5	K-3	IC6	F-1	TP4	E-2
D6	K-2	IC7	C-3		
D7	K-2	IC101	J-1	X1	G-2
D8	J-2	IC102	K-2	X2	C-3
D9	J-2				
D10	G-1	Q1	H-2		
D11	F-1	Q2	H-2		
D12	F-1	Q3	J-2		
D13	E-1	Q4	J-2		
D14	D-3	Q5	D-1		
D15	G-3	Q6	F-1		
D16	F-3	Q8	C-1		
D17	F-3	Q9	C-1		
D18	E-3	Q10	C-1		
D19	E-3	Q11	C-1		
D20	D-1	Q12	C-1		
D21	D-1	Q13	C-1		
D22	D-1	Q14	C-1		
D23	D-2	Q15	G-1		
D24	C-2	Q101	J-1		
D25	H-2	Q102	J-1		
D26	H-2	Q103	J-1		
D27	H-2	Q104	J-1		
D28	D-1	Q105	J-2		
D29	H-2	Q106	J-2		
D30	H-2	Q107	J-2		
D31	J-2	Q108	J-2		
D32	K-2	Q109	J-2		
D33	K-2				
D34	K-1	S1	H-3		
D35	K-1	S2	H-3		
D36	J-1	S3	J-3		
D37	J-1	S4	J-3		
D38	G-1	S5	K-3		
D39	G-1	S6	K-1		
D40	A-1	S7	K-1		
D41	D-2	S8	J-1		
D42	C-2	S9	J-1		
D43	D-1	S10	G-1		
D44	C-1	S11	F-1		
D45	E-1	S12	F-1		
D46	F-1	S13	E-1		
D48	G-1	S14	D-3		
D49	F-1	S15	G-3		
D50	H-1	S16	F-3		
D51	E-1	S17	F-3		
D52	H-1	S18	E-3		
D53	E-2	S19	D-3		
D54	H-1	S20	D-1		
D55	C-2	S23	D-2		
		S24	C-2		



DP-62 COMPONENT SIDE



KY-101 COMPONENT SIDE
 17-81 (a)
 622-732
 622-732



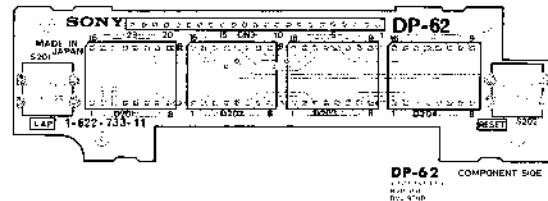
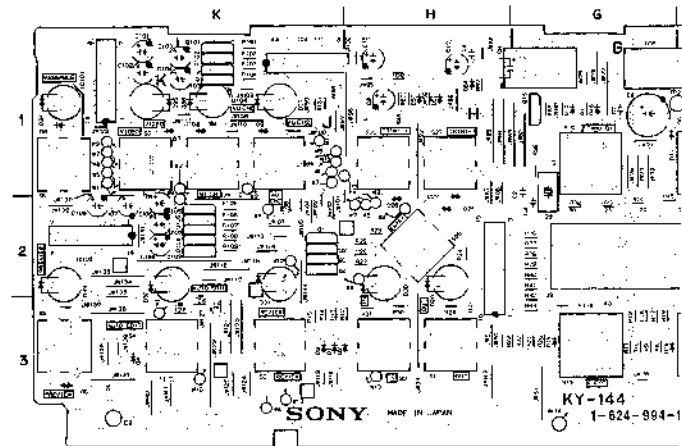
DP-62 COMPONENT SIDE
 17-81 (a)
 622-732

KY-144: FUNCTION KEY BOARD
 DP-62: DISPLAY

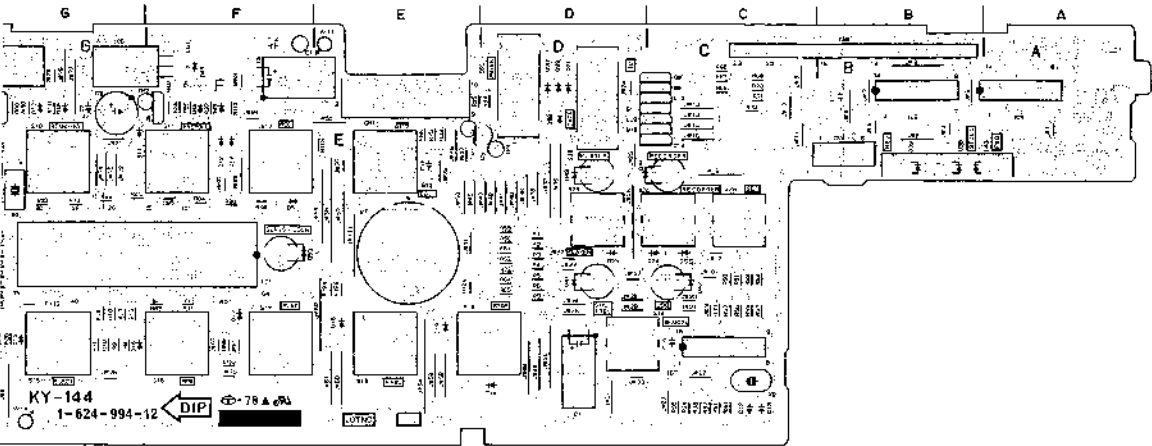
S/N 12081 AND HIGHER I.E.K.

KY 144 (1-624-994-11,12)

CN1	E.1	E1	F.1	S24	C.2
CN3	W.1	E2	K.3	S25	H.2
CN4	W.1			S26	H.1
D1	J.3	IC1	F.2	S27	H.1
D2	J.3	IC3	A.1	S28	D.1
D3	J.3	IC4	J.1	S29	C.2
D4	K.3	IC5	H.2	TP1	E.1
D5	K.3	IC6	G.1	TP2	G.1
D6	K.1	JC7	C.3	TP4	D.1
D7	K.1	IC101	K.1		
D8	J.1	IC102	K.2	X1	G.2
D9	J.1			X2	C.3
D10	G.1	Q1	J.2		
D11	G.1	Q2	J.2		
D12	F.1	Q3	J.2		
D13	F.1	Q4	J.2		
D14	D.3	Q5	D.1		
D15	G.3	Q6	F.1		
D16	G.3	Q8	C.1		
D17	F.3	Q9	C.1		
D18	E.3	Q10	C.1		
D19	E.3	Q11	C.1		
D20	D.1	Q12	C.1		
D21	D.1	Q13	C.1		
D22	D.1	Q14	C.1		
D23	D.2	Q15	G.1		
D24	C.2	Q101	J.1		
D25	H.2	Q102	J.1		
D26	H.2	Q103	J.1		
D27	H.2	Q104	J.1		
D28	D.1	Q105	J.2		
D29	H.2	Q106	J.2		
D30	H.2	Q107	J.2		
D31	J.2	Q108	J.2		
D32	K.2	Q109	J.2		
D33	K.3				
D34	K.1	S1	H.3		
D35	K.1	S2	H.3		
D36	J.1	S3	J.3		
D37	J.1	S4	K.3		
D38	B.1	S5	K.3		
D39	B.1	S6	K.1		
D40	B.1	S7	K.1		
D41	D.2	S8	J.1		
D42	C.2	S9	J.1		
D43	D.1	S10	G.1		
D44	C.1	S11	F.1		
D45	D.1	S12	F.1		
D46	D.1	S13	E.1		
D48	G.1	S14	D.3		
D49	D.1	S15	G.3		
D50	H.1	S16	F.3		
D51	F.2	S17	F.3		
D52	H.1	S18	E.3		
D53	F.2	S19	D.3		
D54	H.1	S20	D.1		
D55	D.2	S23	D.2		



DP-62 COMPONENT SIDE
 1-622-733-11
 RESET 5204

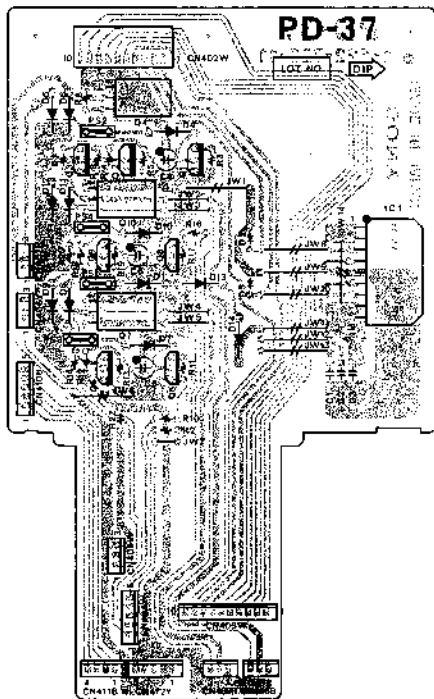


KY-144 COMPONENT SIDE
11 11 62
A. 1:100
PC 11 11 62



- PD-37; CASSETTE-UP COMPARTMENT MOTOR DRIVER/SOLENOID DRIVER
- CC-31; CASSETTE COMPARTMENT DRIVER
- CC-32; CASSETTE DOWN DETECTOR
- CC-33; CASSETTE IN DETECTOR
- CC-36; CASSETTE DOWN DETECTOR
- CC-37; CASSETTE IN DETECTOR

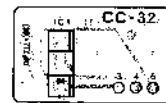
S/N UP TO 13680 (EK)



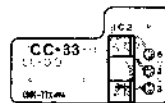
PD-37 COMPONENT SIDE
 100-251-1,11
 DP-950
 MW-7000



CC-31 COMPONENT SIDE
 100-251-1,11
 MW-7000
 MW-7000

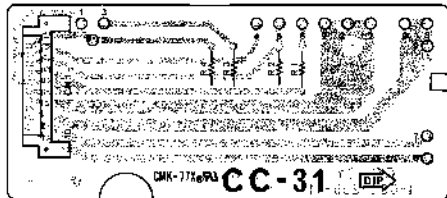


CC-32 COMPONENT SIDE
 100-251-1,11
 MW-7000
 MW-7000



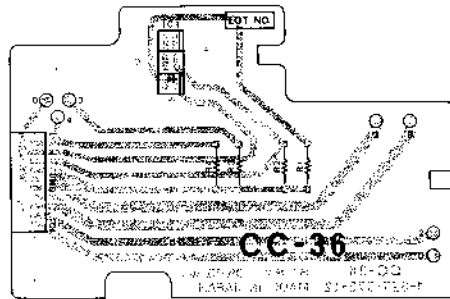
CC-33 COMPONENT SIDE
 100-251-1,11
 MW-7000
 MW-7000

S/N UP TO 13680 (EK)

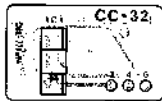


CC-31 COMPONENT SIDE
 421-578-071
 010-050
 040-100

S/N 13681 AND HIGHER (EK)



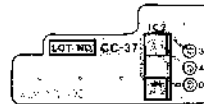
CC-36 COMPONENT SIDE
 421-578-071
 010-050
 040-100



CC-32 COMPONENT SIDE
 421-578-071
 010-050
 040-100

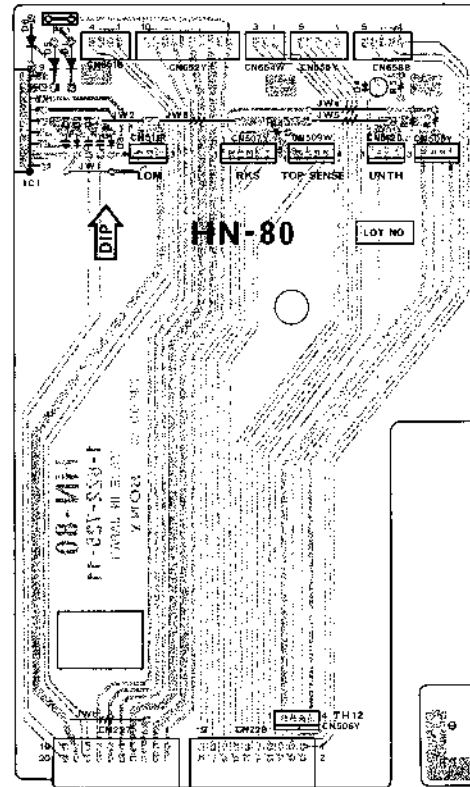


CC-33 COMPONENT SIDE
 421-578-071
 010-050
 040-100



CC-37 COMPONENT SIDE
 421-578-071
 010-050
 040-100

HN-80: THREADING MOTOR DRIVER
 LM-13: THREADING MOTOR



HN-80 - COMPONENT SIDE -
 1418 REV 11
 BY: 905
 8/2/82



LM-13 - COMPONENT SIDE -
 1418 REV 11
 BY: 905
 8/2/82

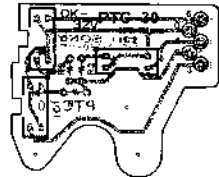
PH-5(A): TAPE TOP LED
 PH-5(B): TAPE TOP SENSOR
 PH-5(C): TAPE END LED
 PTC-26: TAPE END SENSOR
 PTC-30: SP. MISS REC. KCA DETECTOR
 PTC-32: SEARCH DIAL
 PTC-33: FR STOP DETECTOR
 PTC-34: UNTHREAD END DETECTOR



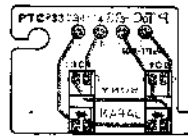
PH-5(A), (B), (C)
 —COMPONENT SIDE—
 1-622 225 1 111
 810 025
 810 025P



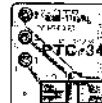
PTC-26 —COMPONENT SIDE—
 1-622 225 1 111
 810 025
 810 025P



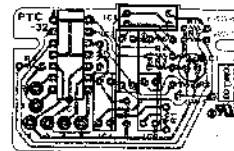
PTC-30 —COMPONENT SIDE—
 1-622 225 1 111
 810 025
 810 025P



PTC-33 —COMPONENT SIDE—
 1-622 225 1 111
 810 025
 810 025P



PTC-34 —COMPONENT SIDE—
 1-622 225 1 111
 810 025
 810 025P

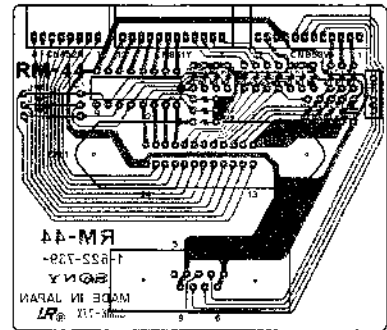


PTC-32 —COMPONENT SIDE—
 1-622 225 1 111
 810 025
 810 025P

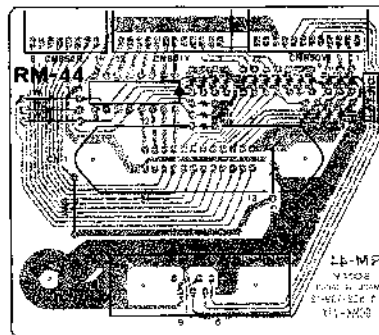
RM-44 RM-44

RM-44: REMOTE CONTROL(9PIN & 24PIN)

S/N UP TO 10380(EK)



RM-44 COMPONENT SIDE
REV. 10/71
S/N 92C
S/N 020P



RM-44 COMPONENT SIDE--
PAGE 10 OF 11
DATE 1/81
GPM/MLC

DSC-44 (1-622-710 11)

CV1 B-2

D1 D-2

D2 D-2

D3 C-2

IC1 D-2

IC2 B-2

IC3 B-2

IC4 B-2

IC5 C-2

IC6 C-2

Q1 D-2

Q2 D-2

Q4 B-2

Q5 A-2

Q6 A-2

RV1 C-1

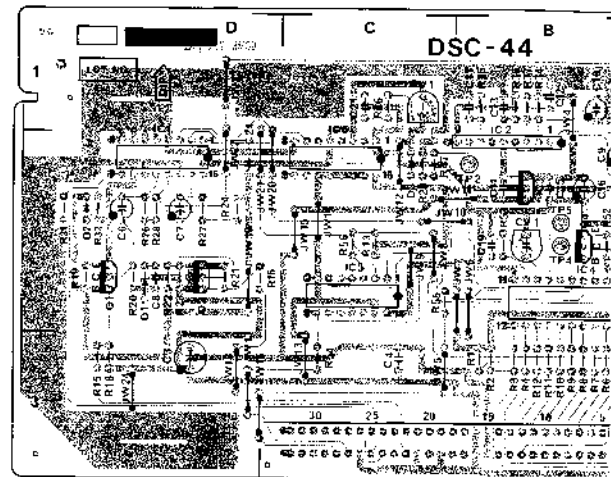
TP1 A-1

TP2 B-2

TP3 A-2

TP4 B-2

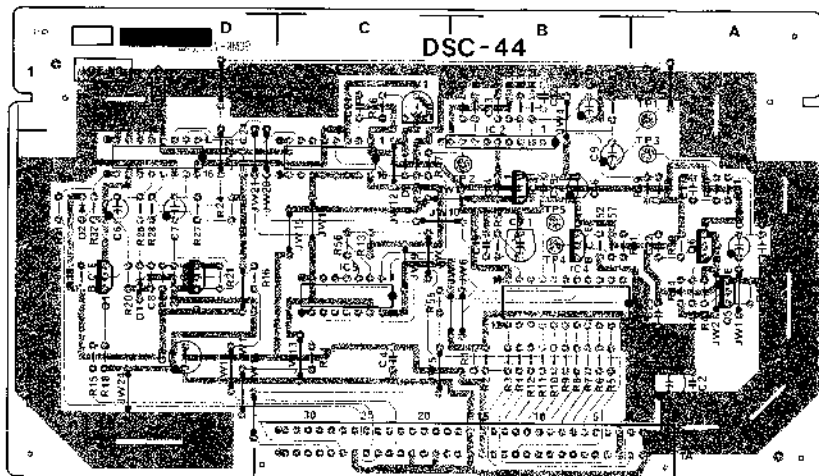
TP5 B-2



DSC-44: CHARACTER GENERATOR

S/N UP TO 10390(EK)

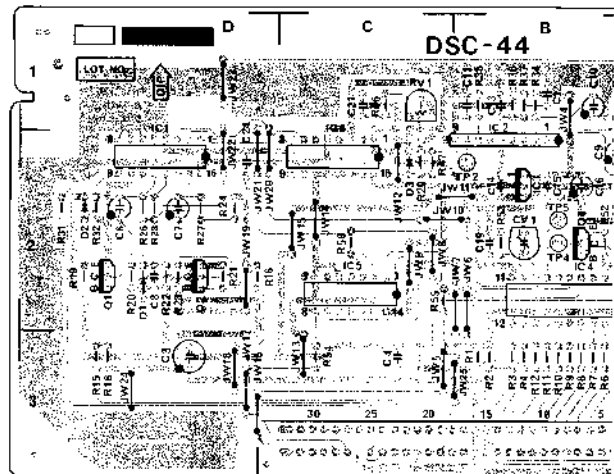
2.710-11)



DSC-44 COMPONENT SIDE -
 14227 9-1-61
 403 552
 808 542P

DSC-44 (1 622-710-12)

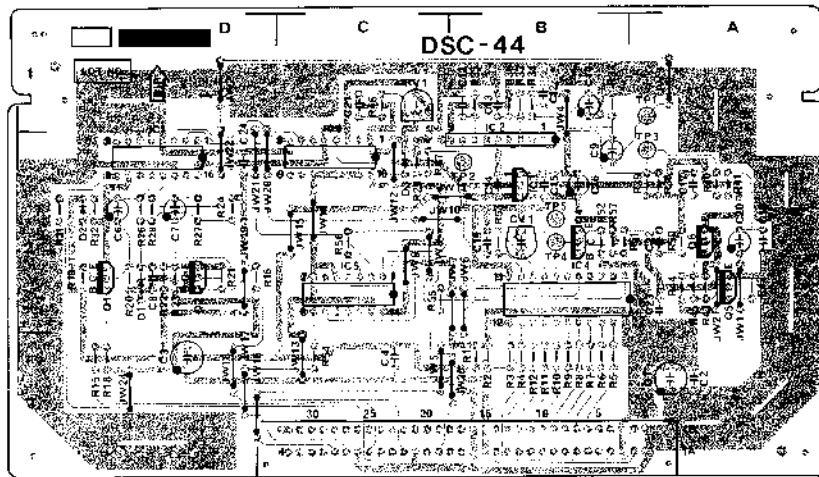
CV1	B-2
D1	D-2
D2	B-2
D3	C-2
IC1	D-2
IC2	B-2
IC3	B-2
IC4	B-2
IC5	C-2
IC6	C-2
Q1	D-2
Q2	D-2
Q4	B-2
Q5	A-2
Q6	A-2
RV1	C-1
TP1	A-1
TP2	B-2
TP3	A-2
TP4	B-2
TP5	B-2



DSC-44: CHARACTER GENERATOR

S/N 10381 TO 11280(EK)

271042



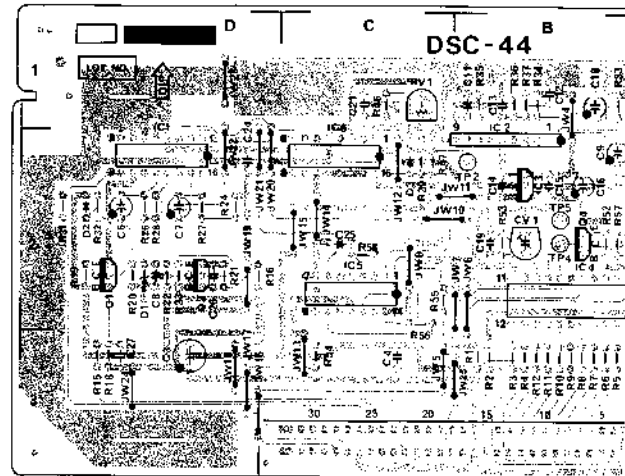
DSC-44 COMPONENT SIDE
 LIST 4121
 REV. 752
 MAY 750

DSC-44: CHARACTER GENERATOR

S/N 11281 AND HIGHER(IEK)

DSC-44 (1-622-710-13)

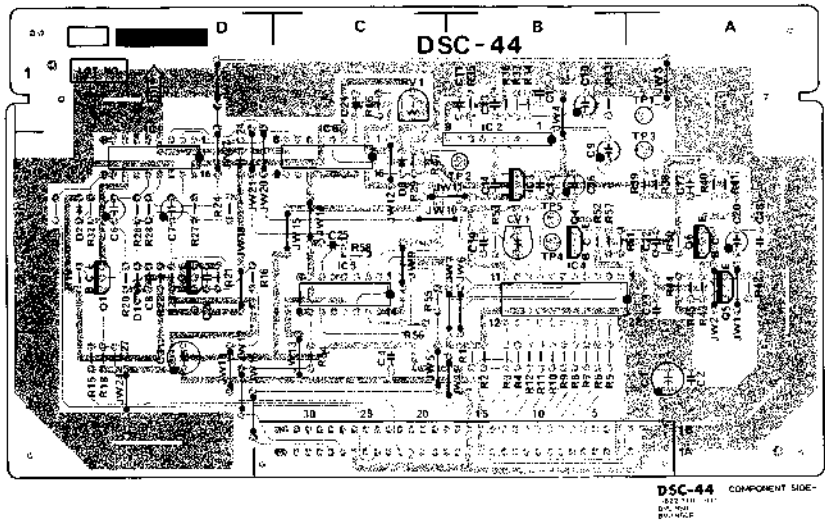
CV1	B.2
D1	D.2
D2	D.2
D3	C.2
IC1	D.2
IC2	B.2
IC3	B.2
IC4	B.2
IC5	C.2
IC6	C.2
Q1	D.2
Q2	D.2
Q4	B.2
Q5	A.2
Q6	A.2
Rv1	C.1
TP1	A.1
TP2	B.2
TP3	A.2
TP4	B.2
TP5	B.2



DSC-44: CHARACTER GENERATOR

S/N 11281 AND HIGHER(IEK)

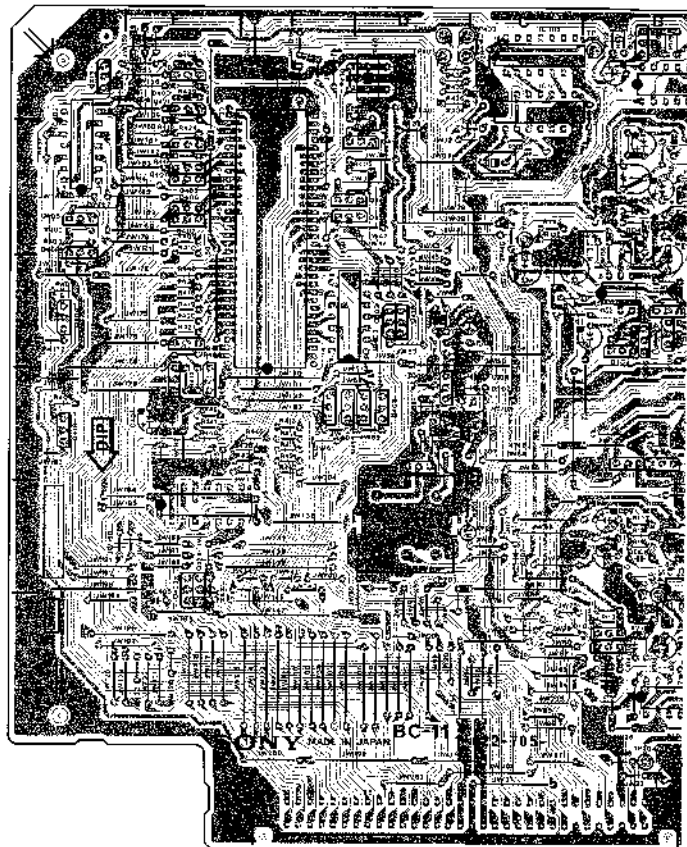
22-710-13)

2
2
2
2
2
2
2
2
2
2
2
1
1
2
2
2
2

BC-11: VIDEO/AUDIO TIMING CONTROL, TIME CODE REC/PB AMPLIFIER, FULL ERASE OSCILLATOR
 HN-84: TIME CODE HEAD

BC-11 (1 622 705 11, 12)

CP201	D5	Q414	D2
D101	B5	Q415	F3
D102	C5	Q416	F4
D103	B2	Q417	D4
D104	B2	Q418	D3
D105	B4	Q420	F1
D106	A6	Q421	F1
D107	C5	Q422	F2
D201	D3	Q423	F5
D202	C4	Q424	F6
D402	F1	Q425	E4
D403	F1	Q426	E4
		Q427	F4
E101	A6		
E201	C4	RV101	B6
E401	D1	RV102	B2
IC101	B5	TP101	B5
IC102	B3	TP102	B1
IC103	A2	TP103	C2
IC104	A5	TP104	B6
IC105	B6	TP201	C5
IC106	A2	TP401	D1
IC107	B1	TP402	D1
IC201	C4	TP403	D1
IC301	C1	TP404	D1
IC302	C1		
IC401	E2	X301	C2
IC402	G2	X401	D1
IC403	E3		
IC404	F5		
Q102	B6		
Q103	B6		
Q104	B3		
Q105	B3		
Q106	B3		
Q107	B3		
Q108	A4		
Q109	A4		
Q110	A2		
Q111	B1		
Q115	B4		
Q116	B4		
Q201	D4		
Q202	D4		
Q401	F2		
Q402	F2		
Q403	D3		
Q404	G3		
Q405	G2		
Q406	F2		
Q407	F2		
Q408	D4		
Q409	G2		
Q410	G4		
Q411	E2		
Q412	E2		
Q413	G1		



BC-11: VIDEO/AUDIO TIMING CONTROL, TIME CODE REC/PB AMPLIFIER, FULL ERASE OSCILLATOR
 HN-84: TIME CODE HEAD

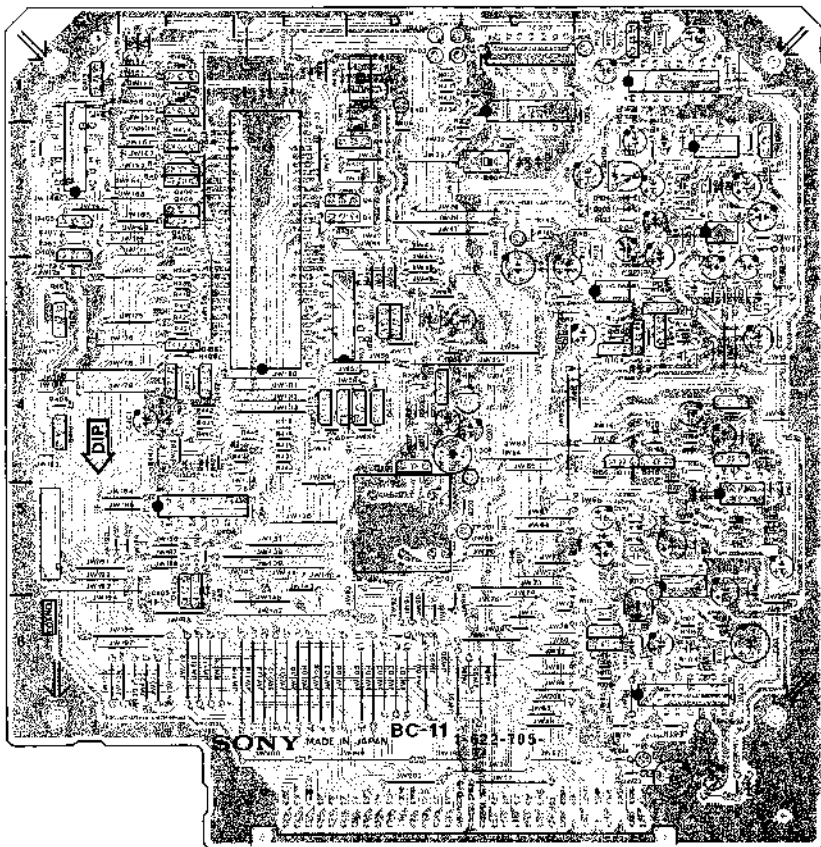
S/N UP TO 10980(EK)

D2
 F3
 F4
 O4
 O3
 F1
 F2
 F5
 F5
 E4
 E4
 F4

 1 B6
 2 B2

 1 B5
 2 B1
 3 C2
 4 B6
 1 G5
 2 D1
 3 D1
 4 D1

 C2
 D1



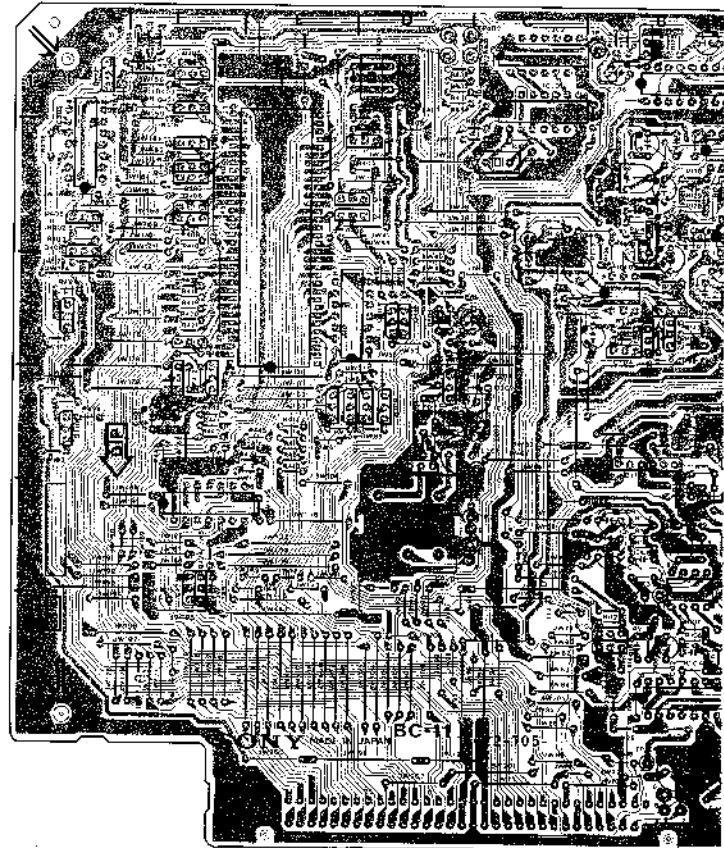
HN-84 COMPONENT SIDE
 1-50-050-11
 622-103
 622-103

BC-11 COMPONENT SIDE
 1-50-050-12.2
 622-103
 622-103

BC-11: VIDEO-AUDIO TIMING CONTROL.TIME CODE REC'PB AMPLIFIER.FULL ERASE OSCILLATOR
HN-84: TIME CODE HEAD

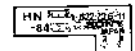
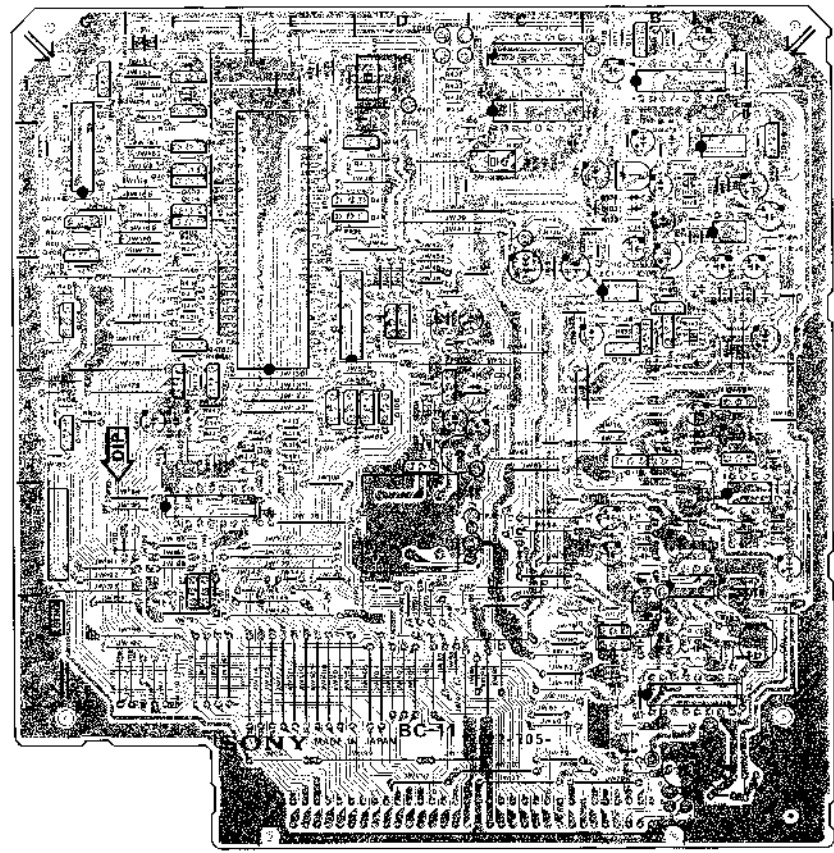
BC-11 (1 622 70613,14)

CP201	D-5	Q414	D-2
D101	B-5	Q415	F-3
D102	C-5	Q416	F-4
D103	B-2	Q417	D-4
D104	B-2	Q418	D-3
D105	B-4	Q420	F-1
D106	A-6	Q421	F-1
D107	C-5	Q422	F-2
D201	D-3	Q423	F-5
D202	C-4	Q424	F-5
D402	F-1	Q425	E-4
D403	F-1	Q426	E-4
		Q427	F-4
E101	A-6		
E201	C-4	RV101	B-6
E401	D-1	RV102	B-2
IC101	B-5	TP151	B-5
IC102	B-3	TP152	B-1
IC103	A-2	TP153	C-2
IC104	A-3	TP104	B-6
IC105	B-6	TP201	C-5
IC106	A-2	TP401	D-1
IC107	B-1	TP402	D-1
IC201	C-4	TP403	D-1
IC301	C-1	TP404	D-1
IC302	C-1		
IC401	E-2	X301	C-2
IC402	G-2	X401	D-1
IC403	E-2		
IC404	F-5		
Q102	B-6		
Q103	B-6		
Q104	B-3		
Q105	B-3		
Q106	B-3		
Q107	B-3		
Q108	A-4		
Q109	A-4		
Q110	A-2		
Q111	B-1		
Q115	B-4		
Q116	B-4		
Q201	D-4		
Q202	D-4		
Q401	F-2		
Q402	F-2		
Q403	D-3		
Q404	G-3		
Q405	G-2		
Q406	F-2		
Q407	F-2		
Q408	D-4		
Q409	G-2		
Q410	G-4		
Q411	E-2		
Q412	E-2		
Q413	G-1		



BC-11: VIDEO AUDIO TIMING CONTROL, TIME CODE REC PB AMPLIFIER, FULL ERASE OSCILLATOR
HN-84: TIME CODE HEAD S/N 10981 AND HIGHER(EK)

- D.2
- F.3
- F.4
- D.3
- D.3
- F.1
- F.2
- F.5
- F.5
- E.4
- F.4
- B.6
- B.2
- B.5
- B.1
- C.2
- B.6
- C.6
- D.1
- D.1
- D.1
- D.1
- C.2
- D.1

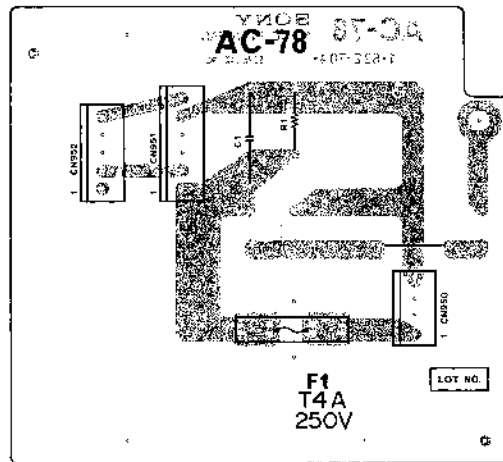


HN-84 COMPONENT SIDE
REV 9/78

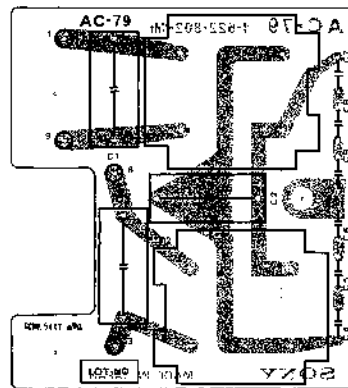
BC-11 COMPONENT SIDE
REV 10/78
REV 9/78
REV 10/78

AC-78A: AC PRIMARY CIRCUIT
 AC-79: LINE FILTER

S/N UP TO T0380(EK)



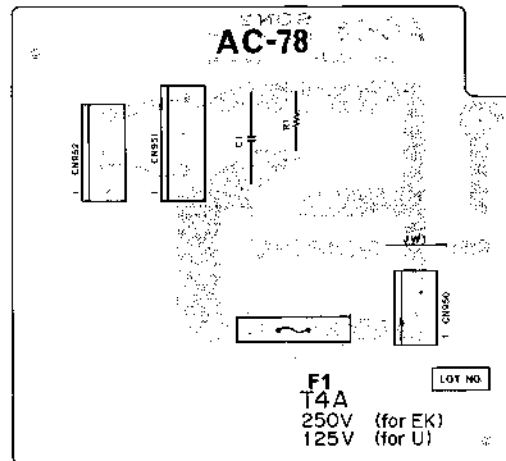
AC-78A -COMPONENT SIDE
 1007-ESB-1 (10)
 REV 0100



AC-79 -COMPONENT SIDE
 1008-ESB-1 (10)
 REV 0100

AC-78A: AC PRIMARY CIRCUIT

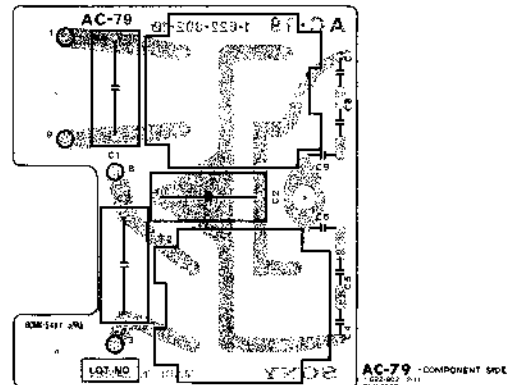
S/N 10381 AND HIGHER(EK)



AC-78/78A -COMPONENT SIDE-

AC-79: LINE FILTER

S/N 10381 TO 14270 (EK)



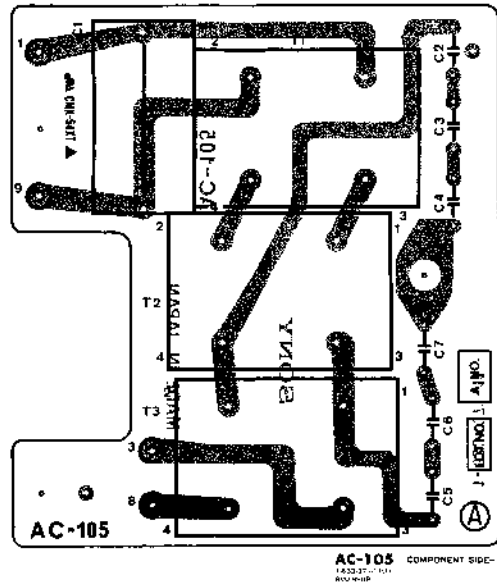
17-128(b)

17-127(b)

AC-105

AC-105

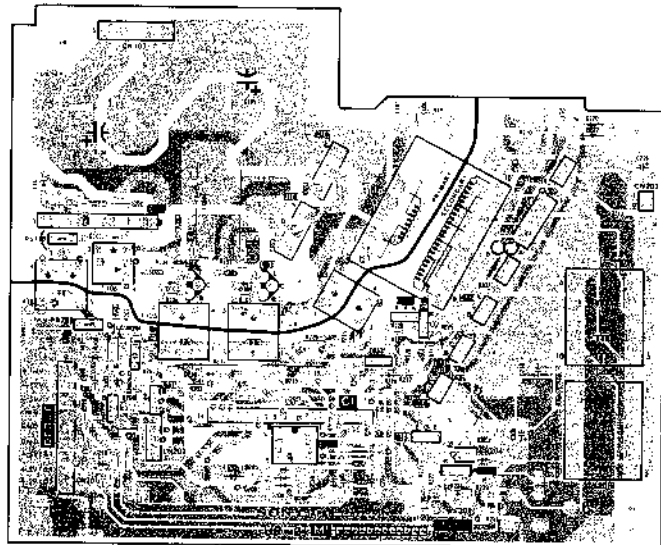
AC-105; LINE FILTER S/N 14271 AND HIGHER (EK)



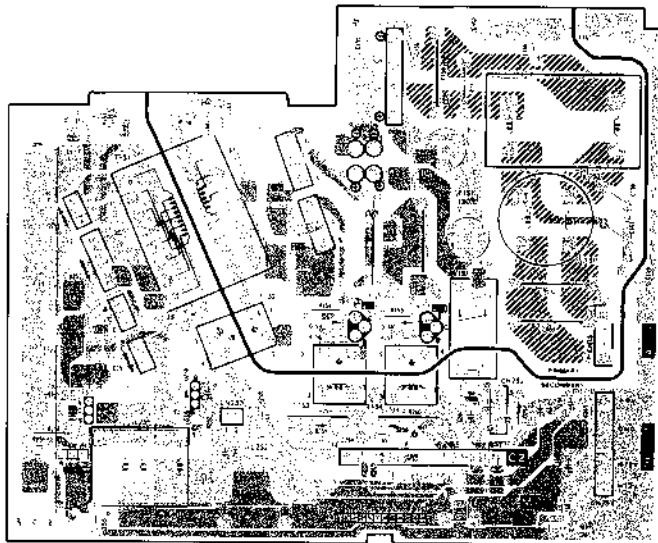
UR-21: SWITCHING REGULATOR

S-N UP TO 12080 (EK)

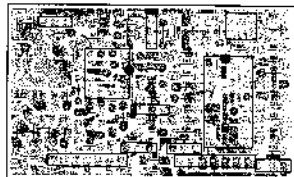
C1
C2
M1
M2



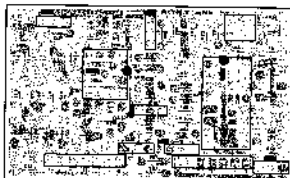
M1 - SOLDERING SIDE
1428274 1 11
REV. 920
104 12074



M2 - SOLDERING SIDE
1428274 1 11
REV. 920
104 12074



C1 - SOLDERING SIDE
1428274 1 11
REV. 920
104 12074



C2 - SOLDERING SIDE
1428274 1 11
REV. 920
104 12074

UR-21: SWITCHING REGULATOR

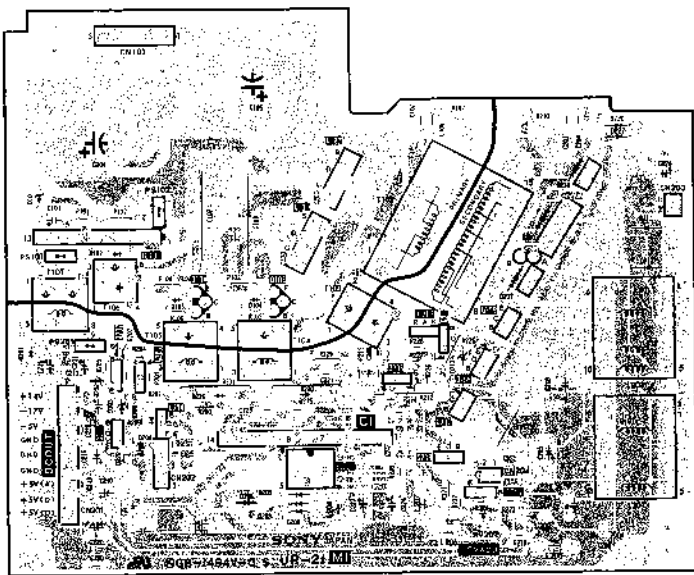
S. N 12081 AND HIGHER (EK)

C1

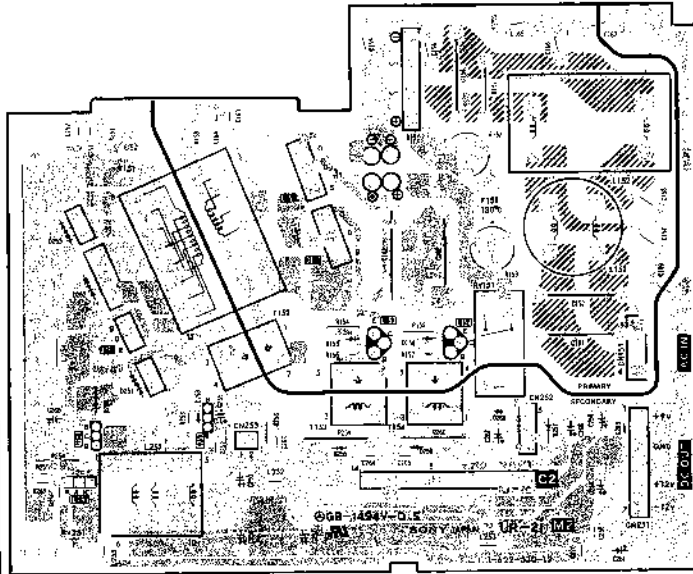
C2

M1

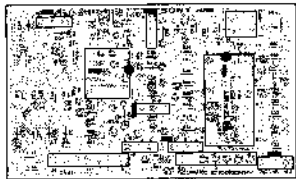
M2



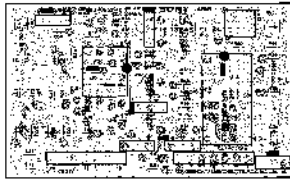
M1 - SOLDERING SIDE
 1:22:31 (P)
 REV. 10/81
 BCL:WGP



M2 SOLDERING SIDE
 1:22:31 (P)
 REV. 10/81
 BCL:WGP



C1 SOLDERING SIDE
 1:22:31 (P)
 REV. 10/81
 BCL:WGP



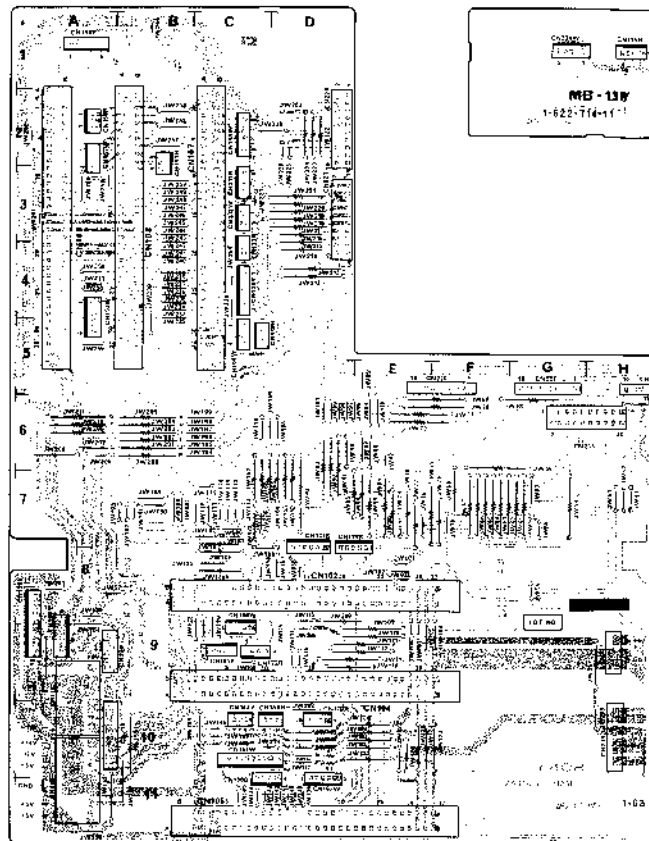
C2 SOLDERING SIDE
 1:22:31 (P)
 REV. 10/81
 BCL:WGP

MB-127: MOTHER BOARD
 MB-139: SUB MOTHER FOR TC

S/N UP TO 109801EKI

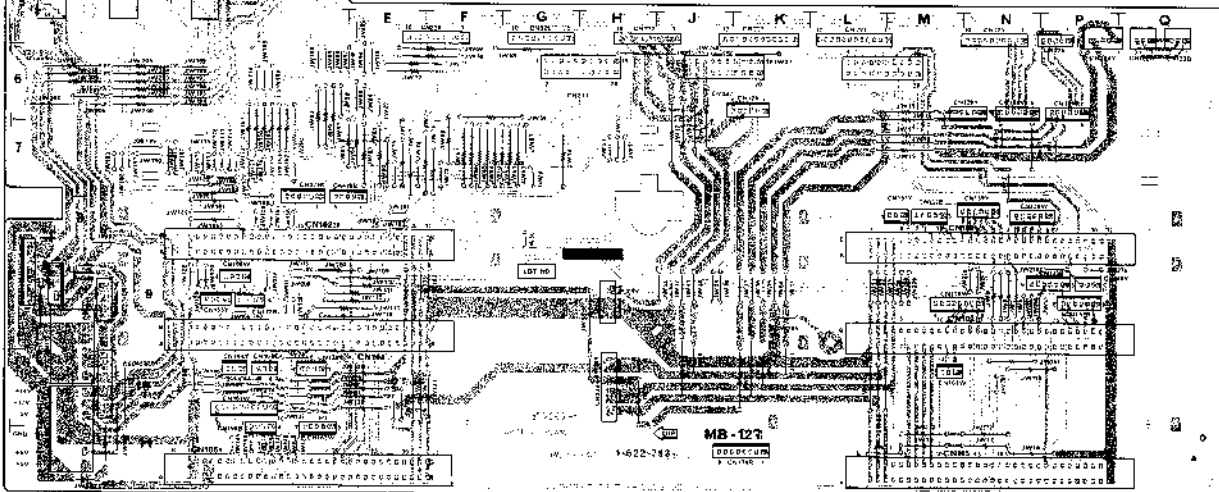
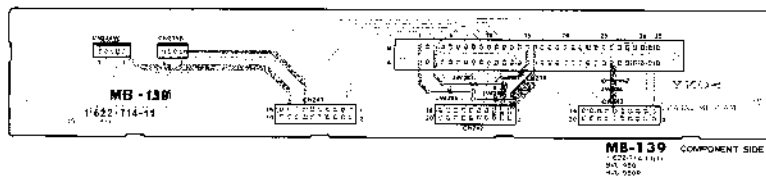
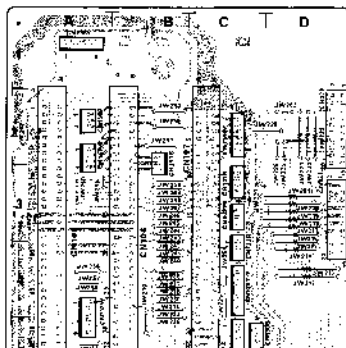
MB-127 (1-622 715 11, 12)

CN101	N.8	CN226	P.5
CN102	D.8	CN227	O.3
CN103	N.9	CN228	O.2
CN104	D.9	CN231	L.6
CN105	N.11	CN232	J.6
CN106	C.11	CN233	H.6
CN107	C.2	CN236	A.9
CN108	B.3	CN237	H.9
CN109	A.3	CN238	A.10
CN110	A.11	CN239	H.10
CN111	A.9		
CN120	N.6		
CN121	P.6		
CN122	Q.5		
CN123	Q.5		
CN124	P.5		
CN125	A.8		
CN128	K.5		
CN129	A.9		
CN130	C.5		
CN131	C.3		
CN132	C.3		
CN133	C.4		
CN134	C.4		
CN135	P.9		
CN136	N.6		
CN137	M.8		
CN138	N.8		
CN139	N.8		
CN140	P.9		
CN150	M.9		
CN152	P.9		
CN153	A.4		
CN155	M.8		
CN156	A.2		
CN157	B.2		
CN158	A.1		
CN159	C.2		
CN160	C.5		
CN161	C.10		
CN162	D.11		
CN163	M.10		
CN164	C.10		
CN165	C.9		
CN166	D.11		
CN167	A.2		
CN168	C.9		
CN169	D.10		
CN170	D.10		
CN171	D.7		
CN172	C.9		
CN174	K.11		
CN175	D.7		
CN220	F.5		
CN221	G.5		
CN222	H.5		
CN223	K.5		
CN224	L.5		
CN225	N.5		



MB-127: MOTHER BOARD
 MB-139: SUB MOTHER FOR TC

S/N UP TO 10980(EK)



MB-127 -COMPONENT SIDE
 1-622-114-11
 REV. 500
 6/1/59

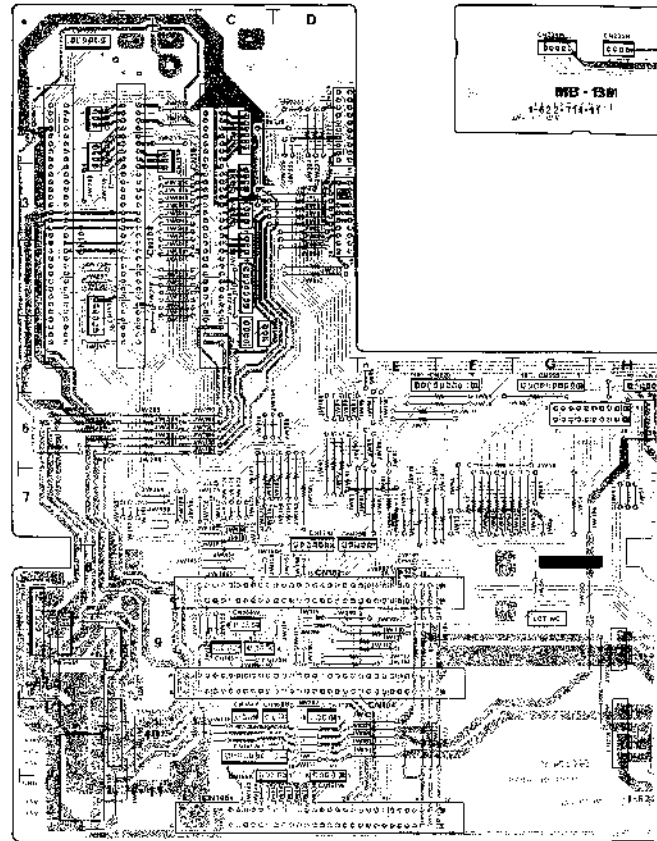
P-5
 D-3
 D-2
 L-6
 J-6
 H-6
 A-9
 H-9
 A-10
 H-10

MB-127: MOTHER BOARD
 MB-139: SUB MOTHER FOR TC

S/N 10981 AND HIGHER(IEK)

MB-127 (1-622-713-13)

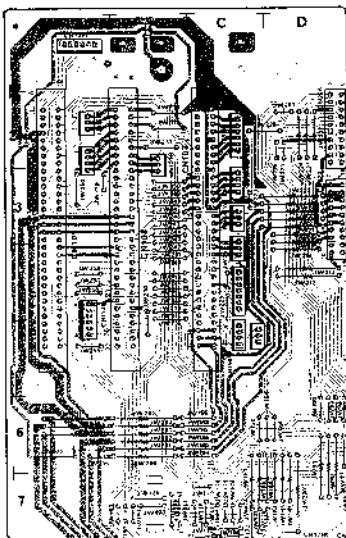
CN101	H-5	CN226	F-5
CN102	D-8	CN227	D-3
CN103	H-9	CN228	D-2
CN104	D-9	CN231	L-6
CN105	M-11	CN232	J-6
CN106	C-11	CN233	H-6
CN107	C-2	CN236	A-9
CN108	B-3	CN237	H-9
CN109	A-3	CN238	A-10
CN110	A-11	CN239	H-10
CN111	A-9		
CN120	N-6		
CN121	F-6		
CN122	O-5		
CN123	O-5		
CN124	F-5		
CN126	A-8		
CN128	K-6		
CN129	A-9		
CN130	D-5		
CN131	O-3		
CN132	C-3		
CN133	C-4		
CN134	C-4		
CN135	F-9		
CN136	N-6		
CN137	M-8		
CN138	N-8		
CN139	N-8		
CN140	P-9		
CN150	M-9		
CN152	P-9		
CN153	A-4		
CN155	M-8		
CN156	A-2		
CN157	B-2		
CN158	A-1		
CN159	C-2		
CN160	C-5		
CN161	C-10		
CN162	D-11		
CN163	M-10		
CN164	C-10		
CN165	C-9		
CN166	D-11		
CN167	A-2		
CN168	C-9		
CN169	D-10		
CN170	D-10		
CN171	D-7		
CN172	C-9		
CN174	K-11		
CN175	D-7		
CN220	F-5		
CN221	G-5		
CN222	H-5		
CN223	K-5		
CN224	L-5		
CN225	N-6		



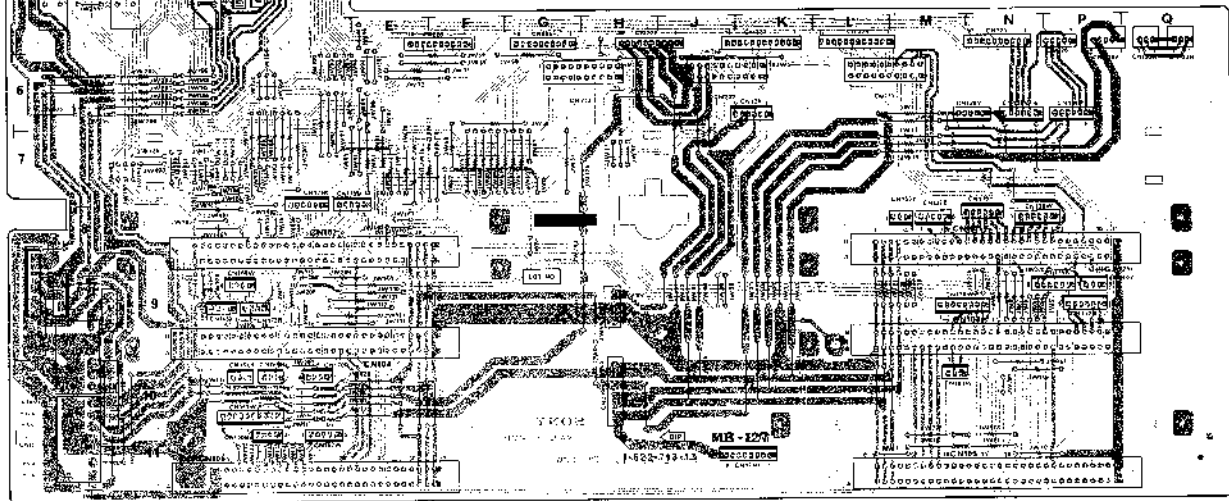
MB-127: MOTHER BOARD
MB-139: SUB MOTHER FOR TC

S/N 1098! AND HIGHER(EK)

- 6 P.5
- 7 D.3
- 8 D.2
- 1 L.6
- 2 J.6
- 3 H.6
- 6 A.9
- 7 H.9
- 9 A.10
- 9 H.10

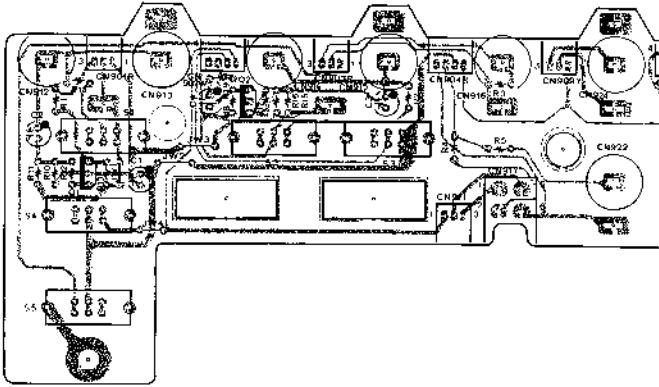


MB-139 COMPONENT SIDE
REV. 10-77
DOWNEY
DIA. 4000

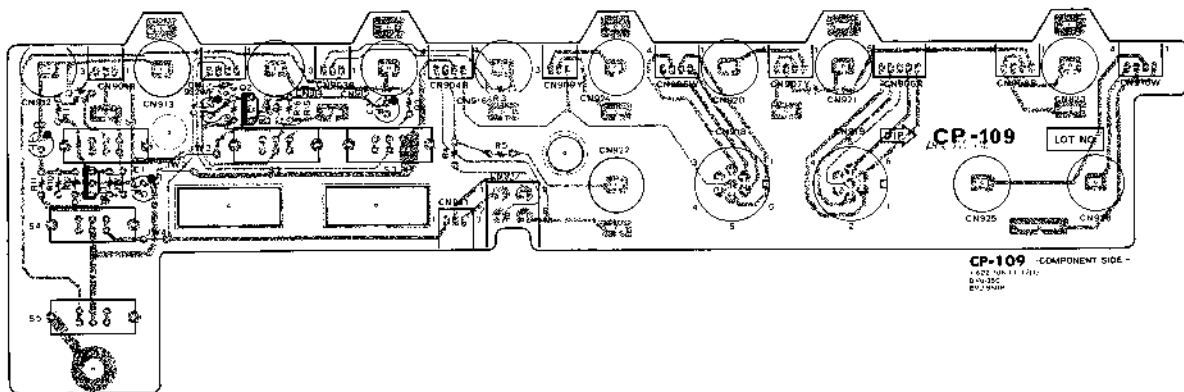


MB-127 COMPONENT SIDE
REV. 10-77
DOWNEY
DIA. 4000

CP-109: CONNECTOR PANEL



CP-109: CONNECTOR PANEL



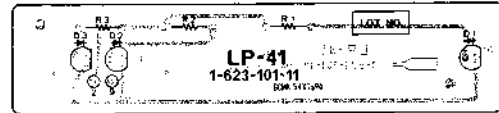
HN-83,LP-41,RM-45

HN-83,LP-41,RM-45

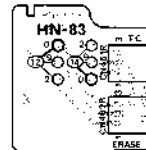
HN-83: RELAY BOARD FOR TIME CODE HEAD/ERASE HEAD

LP-41: CASSETTE COMPARTMENT LIGHT

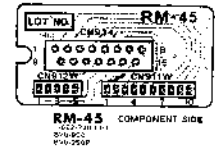
RM-45: TBC REMOTE CONTROL



LP-41 COMPONENT SIDE
1-623-101-11
SAL. W/PA
SAL. W/PA



HN-83 COMPONENT SIDE
1-623-101-11
SAL. W/PA
SAL. W/PA

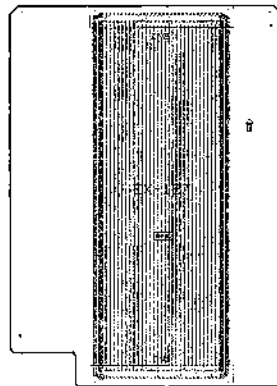


RM-45 COMPONENT SIDE
1-623-101-11
SAL. W/PA
SAL. W/PA

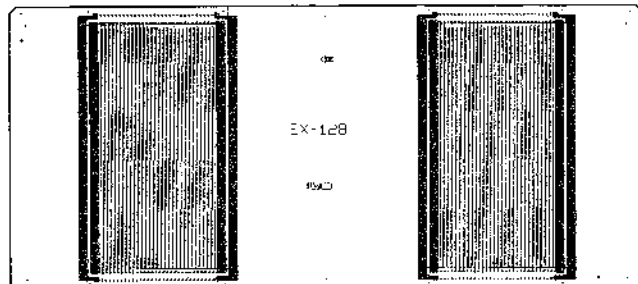
EX-127,EX-128 EX-127,EX-128

EX-127: EXTENSION BOARD FOR AUDIO/TIME CODE

EX-128: EXTENSION BOARD FOR VIDEO/SERVO/TBC



EX-127 - COMPONENT SIDE
622 310 11-1
6-7 190
6-11 150P



EX-128 - COMPONENT SIDE
622 310 11-1
6-7 190
6-11 150P

SECTION 18 SPARE PARTS AND FIXTURE

18-1. PARTS INFORMATION

- (1) The shaded and Δ -marked components are critical to safety. Replace only with same components as specified.
- (2) Replacement Parts supplied from the Sony Parts Center will sometimes have a different shape from the original parts. This is due to "improved parts and/or engineering changes" or "standardization of genuine parts". This manual's exploded views and electrical spare parts list indicate the part numbers of "the standardized genuine parts at the present". Regarding engineering part changes by the engineering department, refer to Sony service bulletins and service manual supplements.
- (3) The parts marked with "S" in the SP column of the exploded views and electrical spare parts lists are normally stocked for replacement purposes. The parts marked with "O" in the SP column are not normally required for routine service work. Orders for parts marked with "O" will be processed, but allow for additional delivery time.
- (4) Items with no part number and/or no description are not stocked because they are seldom required for routine service.
- (5) (T) after a spring description is shown on the exploded views in order to indicate the number of spring turns required for the use. (Example) Spring, tension (24T); This spring must be cut at its 24th turn for actual use.

PARTS CHANGE INFORMATION

In this parts list, ** marked parts are design-changed. Applicable Serial No. are as follows;

- 1) Marked parts are for Serial No. up to 10080.
- 2) Marked parts are for Serial No. 10681 and higher.
- 3) Marked parts are for Serial No. up to 10380.
- 4) Marked parts are for Serial No. 10381 and higher.
- 5) Marked parts are for Serial No. up to 10980.
- 6) Marked parts are for Serial No. 10981 and higher.
- 7) Marked parts are for Serial No. up to 11280.
- 8) Marked parts are for Serial No. 11281 and higher.
- 9) Marked parts are for Serial No. up to 11680.
- 10) Marked parts are for Serial No. 11681 and higher.
- 11) Marked parts are for Serial No. up to 13680.
- 12) Marked parts are for Serial No. 13681 and higher.
- 13) Marked parts are for Serial No. up to 13730.
- 14) Marked parts are for Serial No. 13731 and higher.
- 15) Marked parts are for Serial No. up to 13990.
- 16) Marked parts are for Serial No. 13991 and higher.
- 17) Marked parts are for Serial No. up to 14190.
- 18) Marked parts are for Serial No. 14191 and higher.
- 19) Marked parts are for Serial No. up to 14270.
- 20) Marked parts are for Serial No. 14271 and higher.
- 21) Marked parts are for Serial No. up to 14370.
- 22) Marked parts are for Serial No. 14371 and higher.
- 23) Marked parts are for Serial No. up to 14420.
- 24) Marked parts are for Serial No. 14421 and higher.
- 25) Marked parts are for Serial No. up to 14535.
- 26) Marked parts are for Serial No. 14536 and higher.
- 27) Marked parts are for Serial No. up to 14645.
- 28) Marked parts are for Serial No. 14646 and higher.

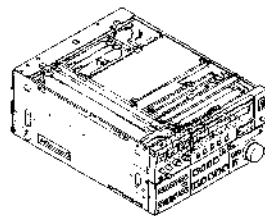
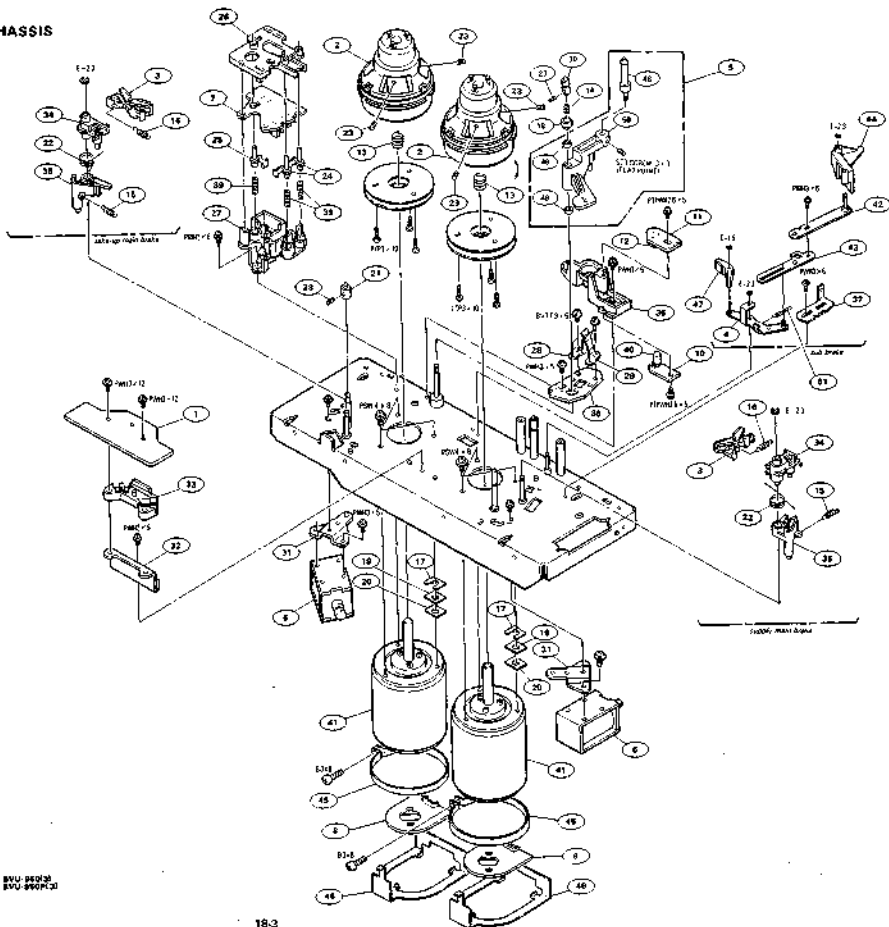
18-2. EXPLODED VIEW

. Exploded views are composed of the following blocks.

- (1) Reel Chassis
 - supply reel table
 - take-up reel table
 - supply main brake
 - take-up main brake
 - sub brake
 - take-up tension detector
 - TRC detector
 - reel motors
 - reel table rotation detector
- (2) Threading Ring Block
 - threading ring
 - gear box
 - T correction guide
 - tape beginning sensor
 - FR detector
- (3) Threading Arm
 - T drawer arm
 - S drawer arm
 - S drawer tailer
 - drawer lever
- (4) Drum and Capstan Blocks
 - head drum
 - capstan motor
 - audio/ CTL head
 - tape guides
- (5) Erase Head Base
 - erase head base
 - S guard
 - supply tension detector
- (6) Pinch Lever and Pinch Solenoid Blocks
 - pinch lever
 - pinch roller pre-set cam
 - pinch solenoid
- (7) Cassette-up Compartment Block
- (8) Function Control
 - function control board
 - search dial
- (9) Level Control
 - level control board
 - level meter
 - power sw
- (10) Chassis Block (Rear)
 - printed circuit boards
- (11) Chassis Block (Left)
 - printed circuit boards
 - left side panel
- (12) Chassis Block (Right)
 - printed circuit boards
- (13) Chassis Block (Bottom)
 - printed circuit boards
- (14) Chassis Block (Front)
 - TBC control board
 - cassette-up compartment stay
- (15) Connector Panel
- (16) Rear Panel
 - fan motor
 - AC inlet
 - remote connector
 - DNS Ass'y
- (17) Switching Regulator
- (18) Ornamental Panel (1)
 - function control panel
 - search dial
- (19) Ornamental Panel (2)
 - level control panel
- (20) Ornamental Panel (3)
 - U case
 - bottom plate

REEL CHASSIS REEL CHASSIS

1. REEL CHASSIS



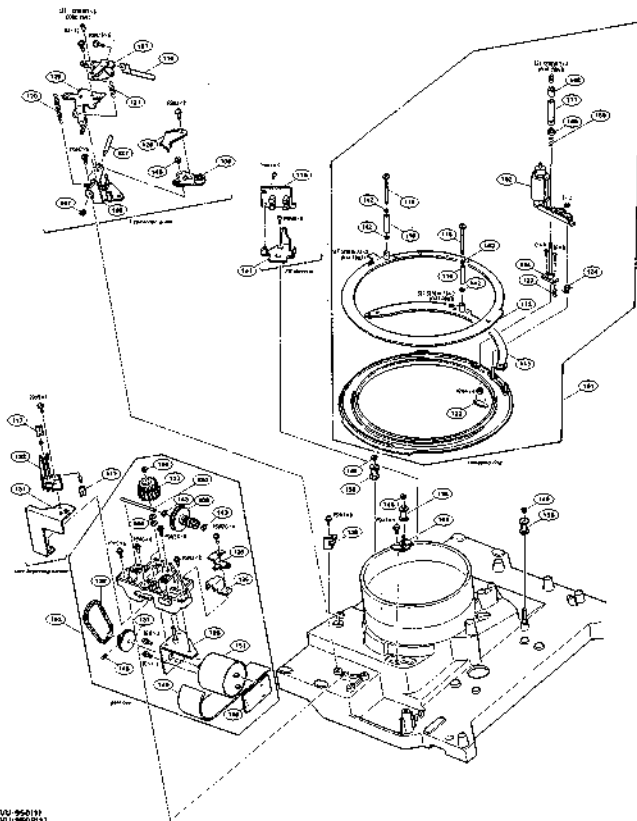
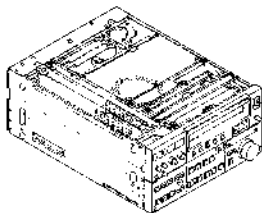
No.	Parts No.	SP	Description
1	A-6726-106-1	o	MOUNTED CIRCUIT BOARD, RE-48
2	A-6739-060-1	o	TABLE ASS'Y, REEL
3	X-3668-749-0	o	BOLTER ASS'T, SLIDING
4	X-3718-628-1	o	ARM ASS'T, STOP BRAKE
5	A-6706-985-A	o	ARM BLOCK ASS'T, T SENSOR
6	1-654-417-01	o	SOLENOID, FLUNGER
7	1-622-260-01	o	EMBEDDED CIRCUIT BOARD, PFC-30
8	1-622-115-11	o	EMBEDDED CIRCUIT BOARD, PFC-177
9	1-627-16-11	o	EMBEDDED CIRCUIT BOARD, PFC-178
10	1-622-717-11	o	EMBEDDED CIRCUIT BOARD, L3-54
11	1-622-718-11	o	EMBEDDED CIRCUIT BOARD, PFC-29
12	1-606-325-21	o	RECEIVER NR-110216.0
13	4-083-208-00	o	SPRING, (B)
14	3-307-307-00	o	SPRING, COMPRESSION
15	3-535-368-XX	o	SPRING, TENSION (12)
16	3-748-124-00	o	SPRING, TENSION
17	3-630-605-11	o	SPRING, REEL MOTOR (0.827)
18	3-650-510-00	o	COLLAR, (A)
19	3-651-203-11	o	SPACER, REEL MOTOR (0.057)
20	3-651-203-21	o	SPACER, REEL MOTOR (0.17)
21	3-643-631-00	o	RETAINDER (WEED), CASSETTE
22	3-665-966-00	o	SPRING
23	3-701-306-01	o	SET SCREW, DOUBLE POINT 3/4
24	3-718-307-01	o	ACTUATOR, TFC
25	3-718-307-11	o	MOTIVATOR, TFC
26	3-718-340-01	o	TFC BOX (UPPER)
27	3-718-340-02	o	TFC BOX (LOWER)
28	3-718-629-05	o	SPRING (1), LEAF, T
29	3-718-630-05	o	SPRING (2), LEAF, T
30	3-718-669-01	o	RETAINDER (T7), CASSETTE
31	3-718-673-01	o	SUPPLEMENT, IS
32	3-718-686-01	o	FLANGE, B
33	3-718-700-04	o	BOLTER, DDC
34	3-718-712-01	o	ARM, BRAKE
35	3-718-713-01	o	ARM, BRAKE RELEASE
36	3-718-743-01	o	BOLDER, T-026
37	3-718-767-02	o	SCREW, POWER
38	3-718-770-02	o	BASE, T SPRING
39	4-856-779-00	o	SPRING, COMPRESSION
40	8-719-330-20	o	DISC 82M-1302
41	8-835-255-01	o	RETOR, DC 8432178101A
42	3-718-629-1	o	REEL ASS'T, BRAKE RELEASE
43	3-718-764-01	o	INDEX (A), BRAKE RELEASE
44	3-718-764-01	o	ARM, DRIVING
45	3-718-753-01	o	BAND, H
46	3-718-796-01	o	BOLDER, H PC BOARD
47	3-9716-664-1	o	SLIDING ASST
48	A-6846-063-A	o	ROLLER BLOCK ASS'T, G
49	3-998-217-01	o	BEARING (NO FLANGE), BALL
50	3-718-779-01	o	ARM, T SENSOR
51	3-641-753-00	o	SPRING, TENSION

BUU 8823P
BUU 8823D

THREADING RING BLOCK

THREADING RING BLOCK

2. THREADING RING BLOCK

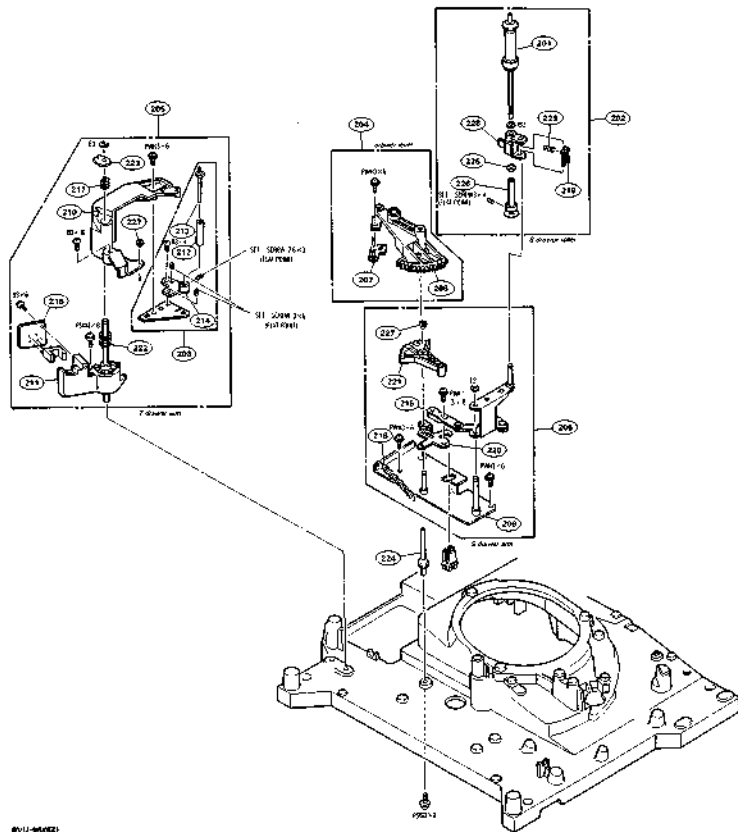
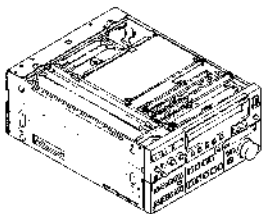


No.	Part No.	AP	Description
101	A-6750-722-A	*	RING BLOCK ASS'Y, 261M
102	A-0750-223-A	*	FINCH ROLLER BLOCK ASS'Y
103	A-0750-226-A	*	BOX BLOCK ASS'Y, CRAN
104	X-3668-719-0	*	ROLLER ASS'Y, RING
105	X-3668-721-0	*	CRASSIS ASS'Y, CRIDE
106	X-3668-723-0	*	LOCKER ASS'Y, FN
107	X-3668-727-2	*	ARM ASS'Y, CRIDE, T CORRECTION
108	X-3668-743-0	*	PULLY ASS'Y, MCRAN
109	X-3672-704-1	*	EXHIBIT ASS'Y, MOTOR
110	X-3672-718-2	*	SHAFT ASS'Y, CRIDE
111	X-3718-603-1	*	ROLLER ASS'Y, CRIDE PRECEDING
112	X-3718-604-1	*	RING (UPPER) ASS'Y, SUB
113	X-3718-605-1	*	PLATE (LOWER) ASS'Y, SUB
114	X-3718-606-1	*	BASE ASS'Y, PRECEDING
115	X-3718-607-1	*	SHAFT ASS'Y, RG
116	X-3718-614-1	*	CRIDE ASS'Y, TAPE
117	J-802-737-00	*	PRINTED CIRCUIT BOARD, PU-5
118	I-818-600-11	*	PRINTED CIRCUIT BOARD, EM-43
119	I-622-248-11	*	PRINTED CIRCUIT BOARD, ETC-33
120	3-343-067-90	*	SPRING, TENSION
121	3-411-208-00	*	SPRING, TENSION
122	3-636-358-00	*	SPRING
123	3-668-743-00	*	PLATE, ROLLER, PRECEDING
124	3-668-765-00	*	SPRING
125	3-668-749-02	*	ARM CAP, CRIDE, T CORRECTION
126	3-668-753-00	*	PLATE, ADJUSTMENT, FN, LOCKER
127	3-668-754-00	*	SHAFT, CRIDE ARM, T CORRECTION
128	3-668-755-00	*	PLATE, STOPPER, SE
129	3-668-800-00	*	FRACKET, T SENSOR
130	3-668-901-00	*	ROLLER, T PRODD
131	3-668-941-00	*	PISTON, L
132	3-668-948-00	*	SHAFT, WORK
133	J-668-963-03	*	ROLLER, RING
134	3-668-960-00	*	RETAINER, SHAFT
135	3-662-716-01	*	ROLLER, LK
136	3-672-717-03	*	WHEEL, SQUARE
137	3-672-718-03	*	PLATE, GROUND, SLED
138	3-672-719-01	*	WHEEL, LH SHIP
139	3-672-720-01	*	BRACKET, FN DETECTION
140	3-701-437-11	*	WASHER, POLY 2 MM DIA., 0.237
141	3-701-437-21	*	WASHER, POLY 2 MM DIA., 0.25
142	3-701-437-31	*	WASHER, POLY 2 MM DIA., 0.57
143	3-701-508-01	*	SET SCREW, DOUBLE POINT 32A
144	3-701-010-00	*	CAF 1, SHAFT
145	3-701-075-00	*	CAF 2, SHAFT
146	3-718-623-01	*	PLATE, UPPER, PRECEDING CRIDE
147	3-718-624-01	*	PLATE, LOWER, PRECEDING CRIDE
148	3-838-710-00	*	SPRING
149	I-341-376-11	*	MOTOR, DC (DAR-4700A)

REV: 95019
REV: 95019

THREADING ARM THREADING ARM

3. THREADING ARM

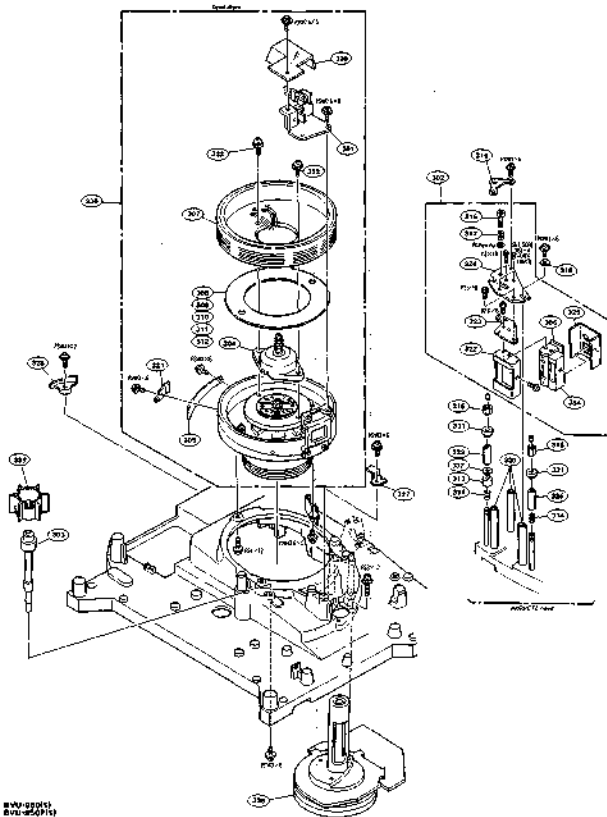
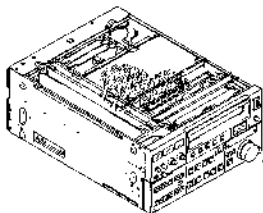


No.	Part No.	SP	Description
101	A-6740-075-0		• HOLDER BLOCK ASSY (1), S DRAWER
102	A-6740-050-0		• HOLDER BLOCK ASSY, DRAWER, S
103	A-6740-051-A		• HOLDER BLOCK ASSY, GUIDE, T
104	A-6750-201-1		• LEVER BLOCK ASSY, DRAWER
200	A-6750-211-A		• END BLOCK ASSY, DRAWER, T
206	A-6750-225-P		• ARM BLOCK ASSY, DRAWER, S
207	X-3668-711-0		• LINK (1) ASSY, DRIVING
268	X-3668-712-0		• LEVER ASSY, DRAWER
209	X-3672-706-A		• SHC ASSY, S DRAWER ARM
210	X-3672-708-1		• ARM ASSY, T DRAWER
211	X-3718-303-1		• RETAINER ASSY, ARM, T DRAWER
212	X-3718-603-1		• HOLDER ASSY, DRIVE, RG
713	X-3718-610-1		• GRATE ASSY, DRAWER GUIDE
716	X-3718-612-1		• GUIDE ASSY, T
715	X-3718-615-3		• ARM ASSY, DRAWER, S
214	1-622-239-11		• PRINTED CIRCUIT BOARD, PTC-14
217	3-234-854-00		• SPRING, COMPRESSION
718	3-240-104-00		• SPRING, TENSION
219	3-668-718-00		• RETAINER, SPRING, S DRAWER
720	3-734-303-01		• LINKAGE, S DRAWER
221	3-668-721-00		• ARM, S DRIVING
222	3-668-734-00		• SPRING
223	3-668-735-00		• RETAINER, SPRING
721	3-668-740-02		• SHAFT, DRAWER LEVER
125	3-863-944-00		• RING (2), O
726	3-668-974-00		• HOLDER (1), S GUIDE
227	3-703-074-00		• CAP, S SHAFT
228	3-118-101-02		• HOLDER (1), S GUIDE
229	3-713-713-01		• SPRING, COMPRESSION

8VU-98921
8VU-98922

DRUM AND CAPSTAN BLOCKS DRUM AND CAPSTAN BLOCKS

4. DRUM AND CAPSTAN BLOCKS

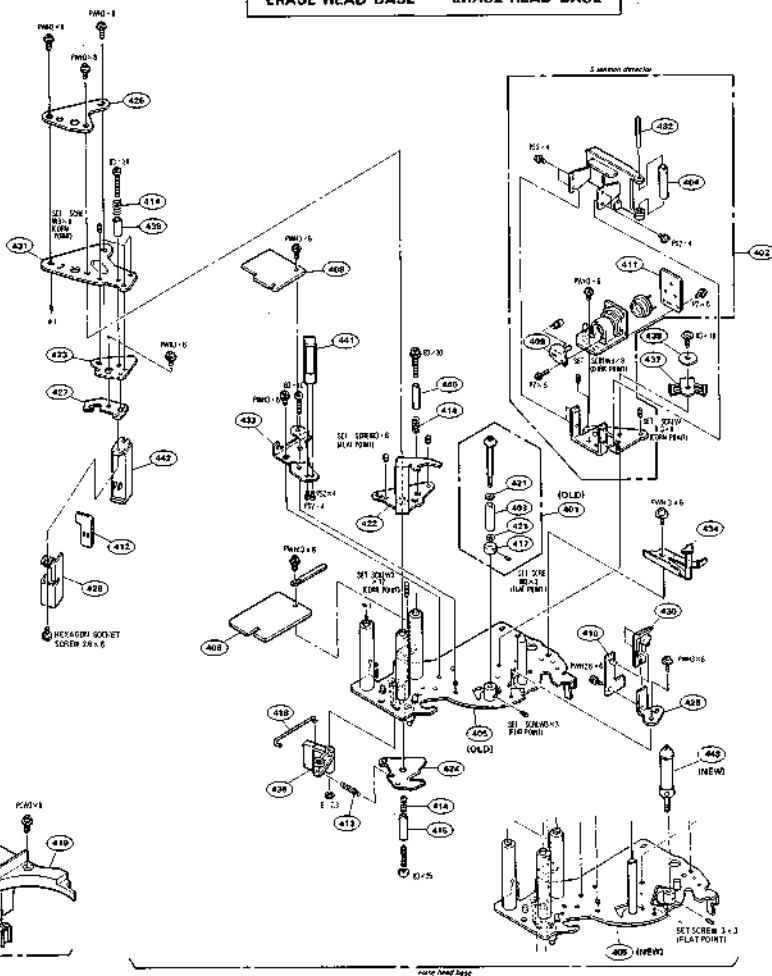
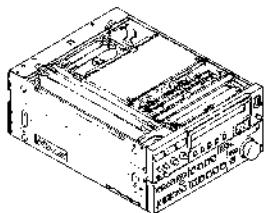


REV 09/01
REV 05/71

No.	Part No.	EF	Description
301	A-6709-619-A		• BRUSH ASS'Y
302	A-6136-071-B		• HEAD BLOCK ASS'Y, AUDIO
303	A-8746-048-A		• RELEAF ASS'Y, GUIDE, TAPE
304	X-3653-017-1		• ZERO ASS'Y, SLIT
305	I-386-633-00		• ACTUATOR, ZERO
306	J-615-932-A-11		• PRINTED CIRCUIT BOARD, IMB-97
307	A-6709-615-A		• UPPER DRIVE ASS'Y, IMB-43-R (See DC, J)
	A-6709-617-A		• UPPER DRIVE ASS'Y, IMB-44-R (See EF)
308	3-430-038-01		• SPACER, FLANGE (0.017)
309	3-430-039-11		• SPACER, FLANGE (0.027)
310	3-430-029-21		• SPACER, FLANGE (0.037)
311	3-430-029-31		• SPACER, FLANGE (0.17)
312	3-430-029-41		• SPACER, FLANGE (0.037)
313	3-441-612-00		• GUIDE, TAPE
314	3-441-615-00		• SPRING, COMPRESSION
315	3-441-616-00		• NUT, TAPE GUIDE ADJUSTMENT
316	3-441-621-00		• SCREW, HEAD ADJUSTMENT
317	3-441-622-00		• SPRING, COMPRESSION
318	3-441-624-00		• WASHER, N-HEAD, S
319	3-447-815-00		• PLATE, ADJUSTMENT, CTL HEAD
320	3-447-816-00		• FOLLY, SUPPORT, OIL BRACKET
321	3-455-431-00		• TERMINAL, GROUND
322	3-455-473-02		• CASE (F), AD
323	3-455-616-01		• BRACKET (A), CTL HEAD
324	3-455-677-01		• BRACKET (B), CTL HEAD
325	3-455-616-03		• CASE (B), AD
326	3-866-102-00		• GUIDE, TAPE
327	3-671-762-01		• PIN, WIRE
328	3-671-763-01		• CLIP, T-POST PREVENTION
329	3-672-731-01		• TC-4 DC: S/W UP TO 13690 J: S/W UP TO 14025 EX: S/W UP TO 12950
	3-716-368-01		• TAPE GUIDE (70-4K) DC: S/W 11000 AND HIGHER J: S/W 11025 AND HIGHER EX: S/W 11901 AND HIGHER
330	3-818-144-01		• COVER, FRONT
331	3-888-807-01		• FLANGE, TAPE GUIDE
332	3-713-867-00		• SCREW
333	3-718-758-01		• DAMPER, AIR
334	3-825-578-22		• HEAD, AFE (2P2164-1609)
335	4-825-258-02		• MOTOR, DC (2P2163)
336	A-6709-618-A		• HEAD DRIVE ASS'Y, IMB-43-R (See DC, J)
	A-6709-616-A		• HEAD DRIVE ASS'Y, IMB-44-R (See EF)
337	J-656-329-11		• WASHER, TAPE GUIDE DC: S/W UP TO 13690 J: S/W UP TO 14025 EX: S/W UP TO 12950

ERASE HEAD BASE ERASE HEAD BASE

6. ERASE HEAD BASE

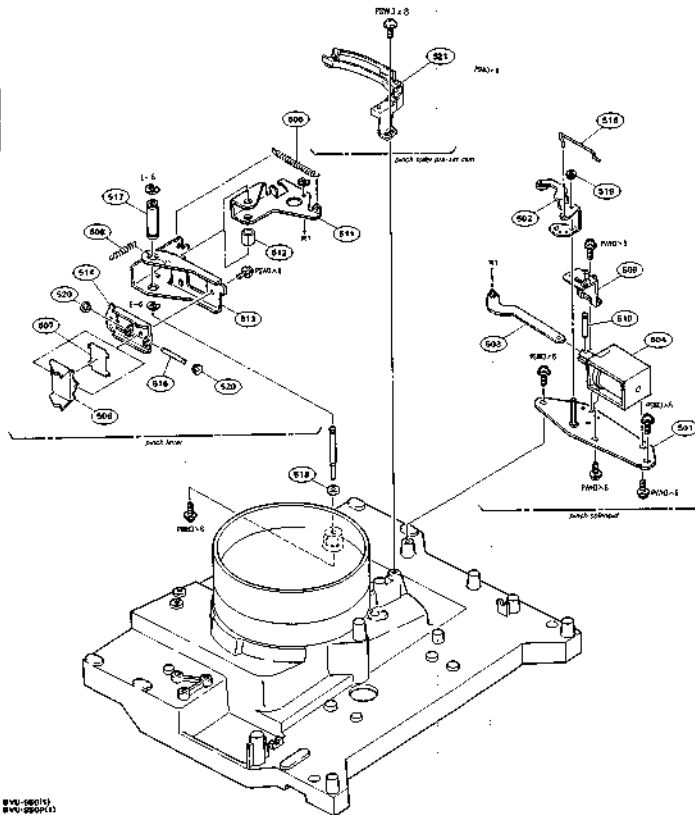
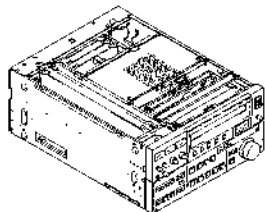


No.	Part No.	SP	Description
401	A-6046-060-A	•	ROLLER BLOCK ASS'Y, C UC : 8/R UP TO 13190 J : 8/R UP TO 10540 EX : 8/R UP TO 10090
402	A-4742-063-B	•	5-T (D) BLOCK ASS'Y
403	A-6468-727-0	•	GUIDE ASS'Y, TAPS
404	X-3718-011-1	•	ROLLER ASS'Y, VD
405	X-3718-023-1	•	BEAR ASS'Y, EM UC : 8/R UP TO 13190 J : 8/R UP TO 10540 EX : 8/R UP TO 10090
			X-3718-043-2 • BASE ASS'Y, EM UC : 8/R 13190 AND HIGHER J : 8/R 10540 AND HIGHER EX : 8/R 12081 AND HIGHER
406	1-422-261-13	•	PRINTED CIRCUIT BOARD, ME-47
407	1-469-737-00	•	PRINTED CIRCUIT BOARD, PE-5
408	1-423-719-11	•	PRINTED CIRCUIT BOARD, BR-83
409	1-422-729-11	•	PRINTED CIRCUIT BOARD, LB-53
410	1-423-728-11	•	PRINTED CIRCUIT BOARD, PT-26
411	1-422-722-11	•	PRINTED CIRCUIT BOARD, PTC-26
412	1-623-726-11	•	PRINTED CIRCUIT BOARD, BR-94
413	2-535-533-00	•	SPRING, TENSION
414	3-437-325-00	•	SPRING, COMPRESSION (C)
415	3-457-096-00	•	SPACER (3X20)
416	3-668-837-00	•	HOLDER, LEB
417	3-668-874-00	•	PLATE (1), LOWER
418	3-668-894-02	•	JOINT, RESILIENT PRESS
419	3-722-764-02	•	CORNER
421	3-703-436-11	•	WASHER, POLY 2.5 MM DIA., 0.25T
422	3-716-422-01	•	ROLLER (UPPER), S
423	3-716-423-01	•	PLATE, TC
424	3-716-424-01	•	ROLLER (LOWER), S
425	3-716-439-01	•	BASE, S SENSOR
426	3-716-441-01	•	PLATE, ADJUSTMENT, T
427	3-716-444-01	•	PLATE, BLANCE
428	3-716-445-01	•	BRACKET, HOLDER
429	3-716-446-02	•	DRIVER, TC HEAD
430	3-716-447-01	•	HOLDER, S SENSOR
431	3-716-449-01	•	PLATE, T
432	3-716-674-01	•	BRACKET, VD ROLLER
433	3-716-674-01	•	WASHER, E HEAD
434	3-716-723-01	•	PLATE, COUPLER
435	3-716-764-01	•	ARM, DRIVING
437	3-716-769-01	•	STRIPING
438	A-202-315-00	•	WASHER
439	1-820-106-01	•	SPACER (3X12)
440	1-820-106-11	•	SPACER (3X14)
441	1-820-344-20	•	HEAD, ERASE
442	1-820-718-31	•	HEAD, TINK COFF. PPT95-50
443	A-6046-063-A	•	ROLLER BLOCK ASS'Y, C UC : 8/R 12191 J : 8/R 10540 EX : 8/R 12081 AND HIGHER

6Vb-89011
6Vb-89011

PINCH LEVER AND PINCH SOLENOID BLOCKS PINCH LEVER AND PINCH SOLENOID BLOCKS

6. PINCH LEVER AND PINCH SOLENOID BLOCKS

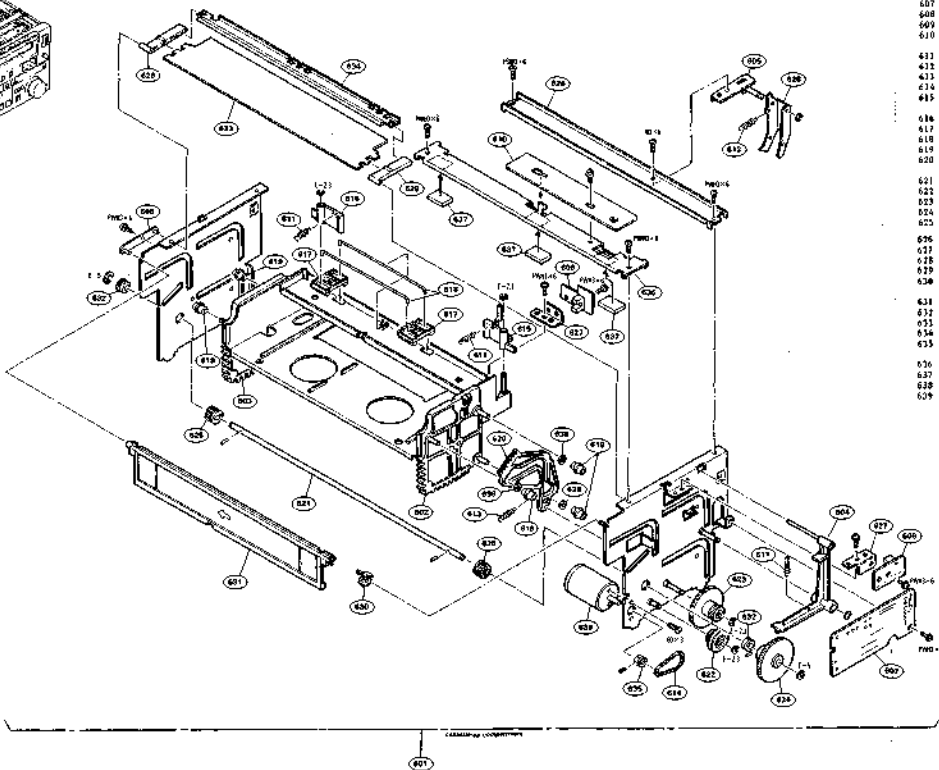
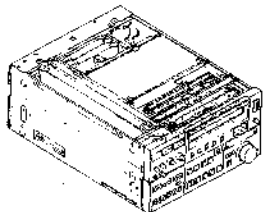


No.	Part No.	SP	Description
501	X-3668-734-0	o	BASE ASS'Y, PINCH PRESS
502	X-3668-735-3	e	LEVER ASS'Y, RESERVE PRESS
503	X-3668-736-0	o	PIVOT ASS'Y
504	1-454-816-51	e	SOLENOID, PLUNGER
505	3-610-705-02	e	SPRING
506	3-642-518-00	o	LEVER, PINCH
507	3-642-519-00	o	SPRING
508	3-645-195-00	e	SPRING, TENSION
509	3-648-265-00	e	GUIDE, ARM
510	3-668-864-00	e	PIV, SOCKETED
511	3-668-865-00	o	LEVER (R), PINCH PRESS
512	3-668-867-00	o	SPACER (R)
513	3-668-868-00	o	LEVER (L), PINCH PRESS
514	3-668-869-00	e	PLATE, ADJUSTMENT, PINCH PRESS
515	3-668-884-03	o	JOINT, RESERVE PRESS
516	3-668-899-00	o	SHAFT
517	3-668-896-00	o	SLIDE, PRESS LEVER, LUNCH
518	3-672-733-01	o	TABLE SHAFT, PRESS LEVER
519	3-703-074-00	o	CAP 3, SHAFT
520	3-703-075-00	o	CAP 2, SHAFT
521	3-718-627-02	o	SOCKET, RESERVE PRESS

8-VU-88015
8-VU-88014

7. CASSETTE-UP COMPARTMENT BLOCK

S/N UP TO 11025 (J)
 S/N UP TO 13940 (UC)
 S/N UP TO 13680 (EK)
 S/N UP TO 10045 (BRZ)

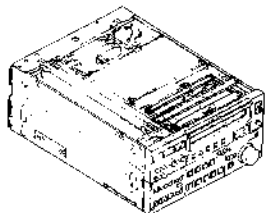


No.	Parts No.	SP	Description
601	A-6751-367-A	▲	CASSETTE-UP BLOCK ASS'Y
602	U-3668-097-0	▲	BACK ASS'Y, CASSETTE COMPARTMENT
603	X-3668-058-0	▲	FACE ASS'Y, CASSETTE COMPARTMENT
604	K-3668-059-0	▲	ARM ASS'Y, SWITCH, DOWN
605	U-3668-060-0	▲	WHEELER ASS'Y, ARM
606	X-3668-061-0	▲	REPROZ ASS'Y, LID
607	1-622-257-11	▲	PRINTED CIRCUIT BOARD, CO-31
608	1-622-256-11	▲	PRINTED CIRCUIT BOARD, CO-32
609	1-622-257-11	▲	PRINTED CIRCUIT BOARD, CO-33
610	1-623-101-11	▲	PRINTED CIRCUIT BOARD, LP-41
611	3-501-051-00	▲	SPRING, TENSION
612	3-516-217-11	▲	SPRING, TENSION
613	3-516-180-11	▲	SPRING, TENSION
614	3-533-367-00	▲	BELT, LM
615	3-608-295-00	▲	LEVER (RIGHT), CASSETTE PUSH-OUT
616	3-608-296-00	▲	LEVER (LEFT), CASSETTE PUSH-OUT
617	3-608-297-00	▲	RETAINDER, CASSETTE
618	3-608-298-00	▲	SHIM
619	3-608-299-00	▲	WHEELER, CW106
620	3-608-300-00	▲	CAM, LID OPEN
621	3-608-301-00	▲	SHAFT, BELTING
622	3-608-302-00	▲	GEAR (A)
623	3-608-303-00	▲	GEAR (B)
624	3-608-305-00	▲	GEAR (C)
625	3-608-306-00	▲	GEAR (D)
626	3-608-307-00	▲	JOINT (R), LEFT & RIGHT
627	3-608-308-00	▲	BRACKET, SWITCH
628	3-608-310-02	▲	ARM, LID OPEN
629	3-608-313-02	▲	FRAME, SUPPLY, REFLECTOR
630	3-608-315-02	▲	GEAR, LID
631	3-608-317-11	▲	LID, CASSETTE
632	3-608-474-00	▲	DECK (NO 4)
633	3-672-904-11	▲	REFLECTOR
634	3-672-939-03	▲	BRACKET, LAMP
635	3-872-730-01	▲	PULLER (C), MOTOR
636	3-718-374-01	▲	JOINT (L), LEFT & RIGHT
637	3-718-373-01	▲	RETAINDER, LID
638	3-701-459-21	▲	REARER, POLY 3 MM DIA., D.5T
639	8-835-119-01	▲	MOTOR, MC HUBS15

8VAP-880231
 8VAP-880411

7. CASSETTE-UP COMPARTMENT BLOCK

S/N 11026 AND HIGHER (J)
S/N 13941 AND HIGHER (UC)
S/N 13681 AND HIGHER (EK)
S/N 10046 AND HIGHER (BRZ)



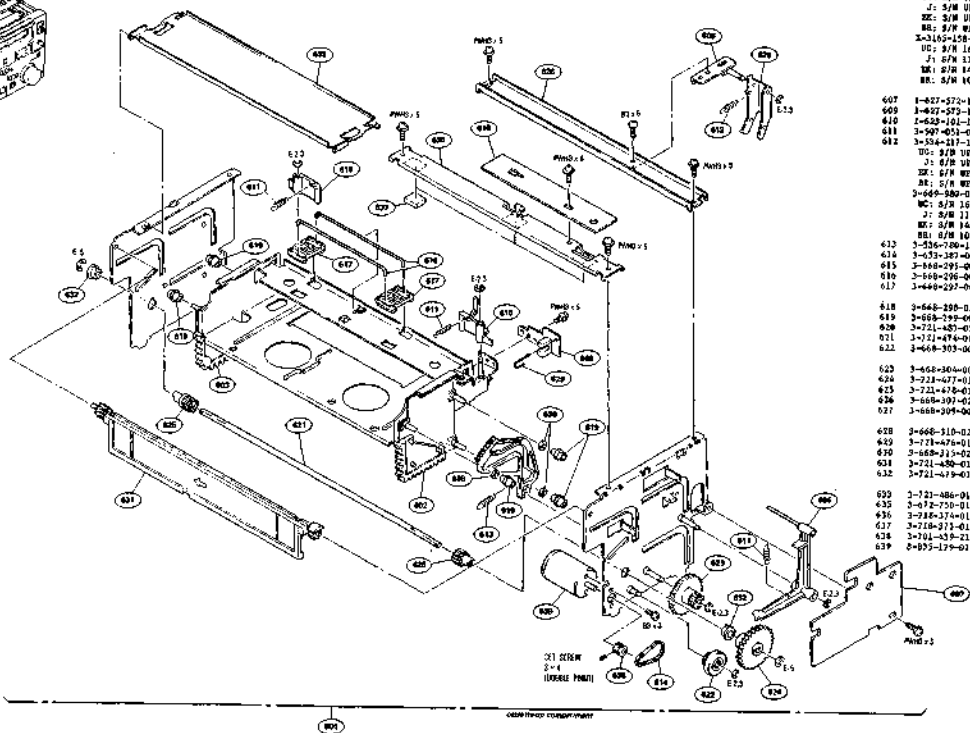
WORKSHOPS
REPAIRMENTS

CC-31
CC-32
CC-33
12-61

1968-OUT
TDSH-CPE

T
TOR

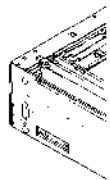
VC
0.5T



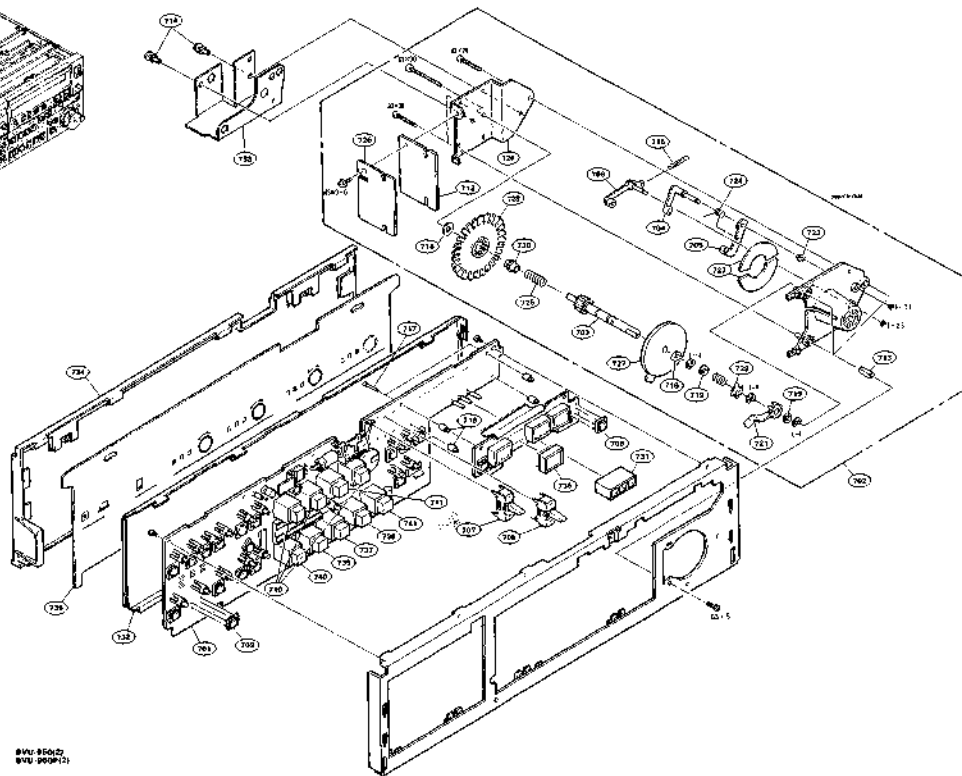
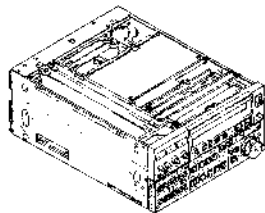
WVU-96001
WVU-96001-1

No.	Part No.	SP	Description
404	4-6751-291-0	*	CASSETTE-UP BLOCK ASS'Y
402	2-0725-662-3	*	RACE ASS'Y, CASSETTE COMPARTMENT
403	2-0718-662-3	*	RACE ASS'Y, CASSETTE COMPARTMENT
405	2-3658-650-0	*	REV ASS'Y, SWITCH ZONE
405	X-3668-660-3	*	WHEELER ASS'Y, ASD
	DC: 5/8 UP TO 16795		
	J: 5/8 UP TO 11595		
	K: 5/8 UP TO 14370		
	ML: 5/8 UP TO 10120		
	X-3102-129-1	*	WHEELER ASS'Y, ASM
	UC: 5/8 16796 AND HIGHER		
	J: 5/8 11596 AND HIGHER		
	ML: 5/8 14371 AND HIGHER		
	BR: 5/8 10111 AND HIGHER		
607	1-827-572-12	*	PRINTED CIRCUIT BOARD, CO-34
609	3-627-572-13	*	PRINTED CIRCUIT BOARD, CO-37
610	1-628-501-11	*	PRINTED CIRCUIT BOARD, 12-41
611	3-507-621-00	*	SPRING, TENSION
612	3-554-217-11	*	SPRING, TENSION
	DC: 5/8 UP TO 11595		
	J: 5/8 UP TO 11595		
	BR: 5/8 UP TO 14370		
	ML: 5/8 UP TO 10120		
	3-668-580-00	*	SPRING, TENSION
	WC: 5/8 16796 AND HIGHER		
	J: 5/8 11596 AND HIGHER		
	K: 5/8 14371 AND HIGHER		
	BR: 5/8 10111 AND HIGHER		
613	3-526-250-11	*	SPRING, TENSION
614	3-673-387-00	*	RET. LN
615	3-868-393-00	*	LEVER (RIGHT), CASSETTE PUSH-OUT
616	3-668-396-00	*	LEVER (LEFT), CASSETTE PUSH-OUT
617	3-440-297-00	*	RETAINER, CASSETTE
618	3-668-298-02	*	SPRING
619	3-668-299-00	*	ROLLER, GUIDE
620	3-721-482-02	*	CAV. LID OPEN
621	3-721-474-01	*	SHAFT, TENSION
622	3-668-303-00	*	GEAR (A)
623	3-668-304-00	*	GEAR (B)
624	3-228-677-01	*	GEAR (C)
625	3-722-478-01	*	GEAR (D)
626	3-668-397-02	*	JOINT (R), LEFT & RIGHT
627	3-668-398-00	*	BRACKET, SWITCH
628	3-666-510-02	*	ARM, LID OPEN
629	3-728-678-01	*	WHEEL, FEED
630	3-668-311-02	*	GEAR, LID
631	3-721-480-01	*	LID, CASSETTE
632	3-721-479-01	*	BEARING (A)
633	3-721-486-01	*	BEARING (B)
635	3-672-750-01	*	POULLEY (C), MOTOR
636	3-728-311-01	*	JOINT (L), LEFT & RIGHT
637	3-728-311-01	*	ACTUATOR, LID
638	3-704-53-01	*	WASHER, POLY 3 NO. DIA., D.17
639	8-075-17-00	*	WASHER, DC W/SHIM

8. FUNCTION



8. FUNCTION CONTROL

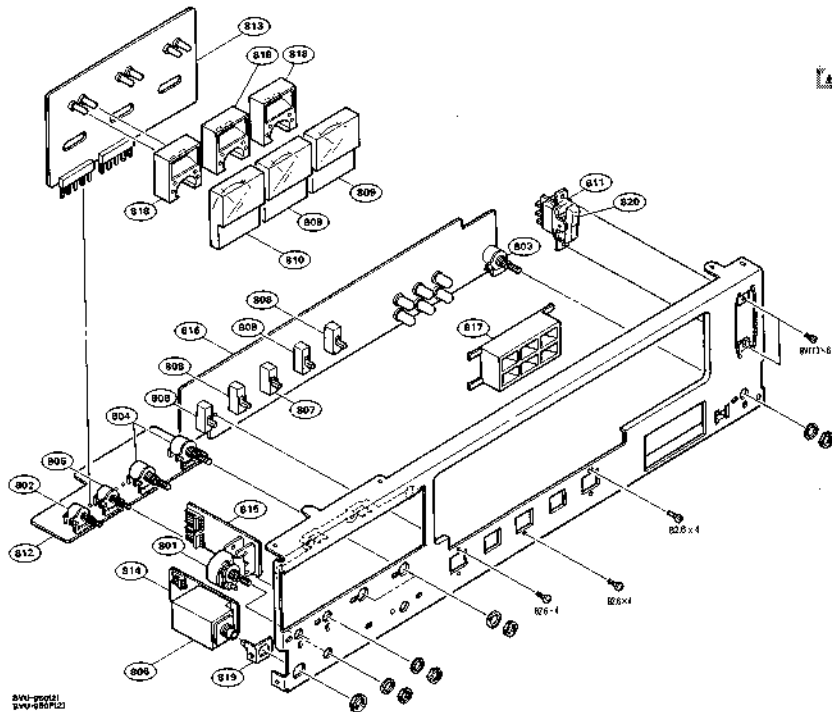
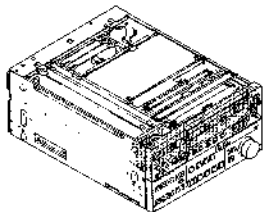


No.	Para No.	QP	Description
701	A-6187-491-A	o	MOUNTED CIRCUIT BOARD, KV-144
702	A-4724-228-C	o	DIAL BLOCK ASS'Y, STATION
703	X-2187-225-1	o	BRACKET FOR ASS'Y, MAIN
704	X-2187-227-1	o	ARM (RIGHT), ASS'Y, SID
705	X-2187-228-1	o	ARM (LEFT), ASS'Y, SID
706	X-2187-229-1	o	ARM ASS'Y, RETURN
707	I-516-894-00	o	SWITCH, LETTER GLIDE
708	I-516-995-00	o	SWITCH, LETTER SLIDE
709	I-554-539-00	o	SWITCH, KEY BOARD
710	I-554-839-11	o	SWITCH, TONE
711	I-35-640-21	o	SWITCH, TONE
712	I-612-835-21	o	PRINTED CIRCUIT BOARD, PFC-27
713	E-300-622-11	o	SUPPORT (RHS), MAIN/COM
714	3-538-578-01	o	SLIPER, W/SLAM
715	3-639-377-00	o	SLIPER, TONGUE
716	3-659-487-00	o	MOLDER, BRIDGE
717	3-659-488-00	o	FIN, UPPER MOLDER
718	3-662-048-00	o	WASHER, BRACKET
719	3-704-443-21	o	WASHER, PULV & No DIA., 0.5T
720	3-717-315-01	o	PLATE, BOTTOM, SD
721	3-717-316-02	o	GUIDE, LOCK UP
722	3-717-317-01	o	PLATE, CLAMP
723	3-717-318-01	o	BEARING, SID
724	3-717-319-01	o	SPRING, TONGUE
725	3-717-320-01	o	SPRING, COMPRESSION
726	3-717-318-01	o	PROTECTION, PCT
727	3-717-447-01	o	CAW
728	3-717-418-01	o	PLATE
729	3-717-548-01	o	GUIDE, LOCK OUT
730	3-717-553-01	o	BEARING, SD
731	3-218-653-01	o	MOLDER, L&D
732	3-218-742-01	o	EXTRUDER, KEY
733	3-218-771-01	o	COVER (R), SD
734	3-218-782-01	o	MOLDER, SHEET
735	3-218-793-02	o	MSH SHEET
736	E-619-94-19	o	SLIDE, LB-403VE
737	I-554-028-21	o	SWITCH, TONE
738	I-554-029-41	o	SWITCH, TONE
739	I-554-029-01	o	SWITCH, TONE
740	I-571-163-11	o	SWITCH, TACTIL
741	I-571-163-21	o	SWITCH, TACTIL

REV: 8602
REV: 9008(2)

LEVEL CONTROL LEVEL CONTROL

9. LEVEL CONTROL

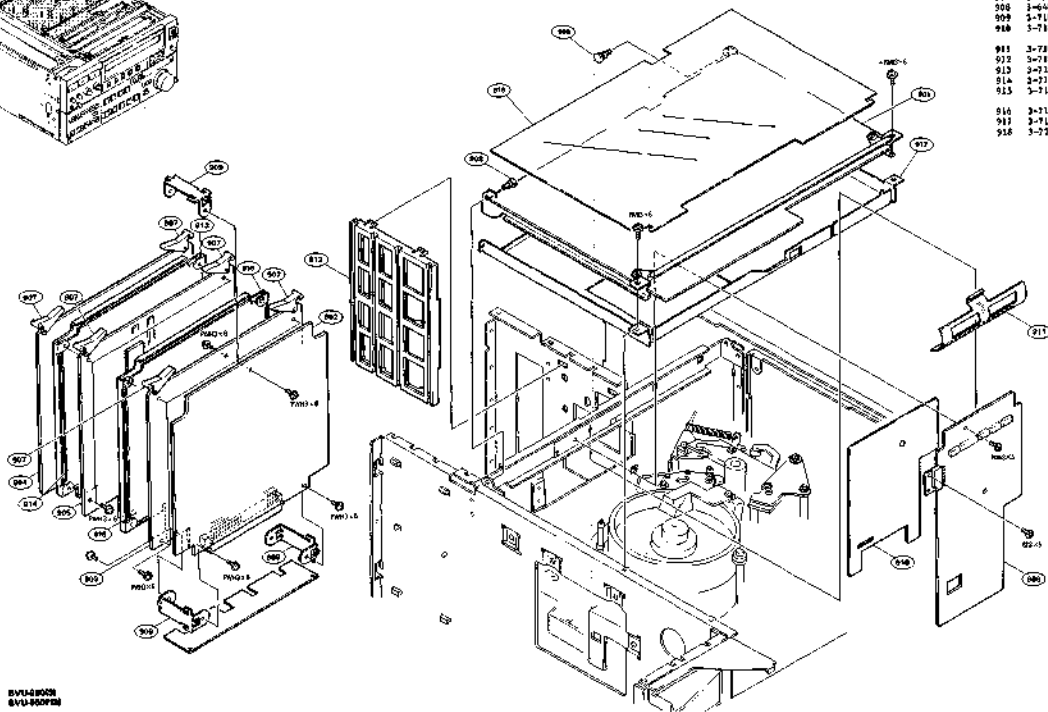
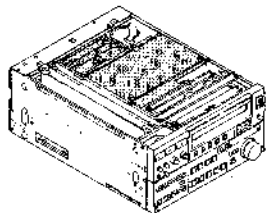


9AU-20021
3VW-20010

No.	Parts No.	SP	Description
801	1-726-716-00	*	RES. VAR. CARBON 500/500
802	1-328-238-11	*	RES. VAR. CARBON 100K
803	1-237-713-13	*	RES. VAR. CARBON 100K
804	1-237-714-13	*	RES. VAR. CARBON 50K/50K
805	1-237-715-11	*	RES. VAR. CARBON 10K
806	1-567-553-00	*	JACK
807	1-514-943-00	*	SWITCH, LEVER SLIDE
808	1-514-994-00	*	SWITCH, LEVER SLIDE
809	1-210-292-00	*	METER, AUDIO
810	1-520-446-05	*	METER, TYPED
811	1-570-117-11	*	SWITCH, ROCKER (AC POWER)
812	1-822-727-11	*	PRINTED CIRCUIT BOARD, W-48
813	1-621-729-11	*	PRINTED CIRCUIT BOARD, W-28
814	1-641-730-13	*	PRINTED CIRCUIT BOARD, W-28
815	1-657-733-13	*	PRINTED CIRCUIT BOARD, W-48
816	1-622-737-11	*	PRINTED CIRCUIT BOARD, W-179
817	3-718-813-01	*	BUSKER (A), LAMP
818	3-718-614-01	*	BUSKER (B), LAMP
819	2-718-180-01	*	PLATE, GROUND, HP
820	3-648-814-01	*	CAP, SWITCH

CHASSIS BLOCK (REAR) CHASSIS BLOCK (REAR)

10. CHASSIS BLOCK (REAR)

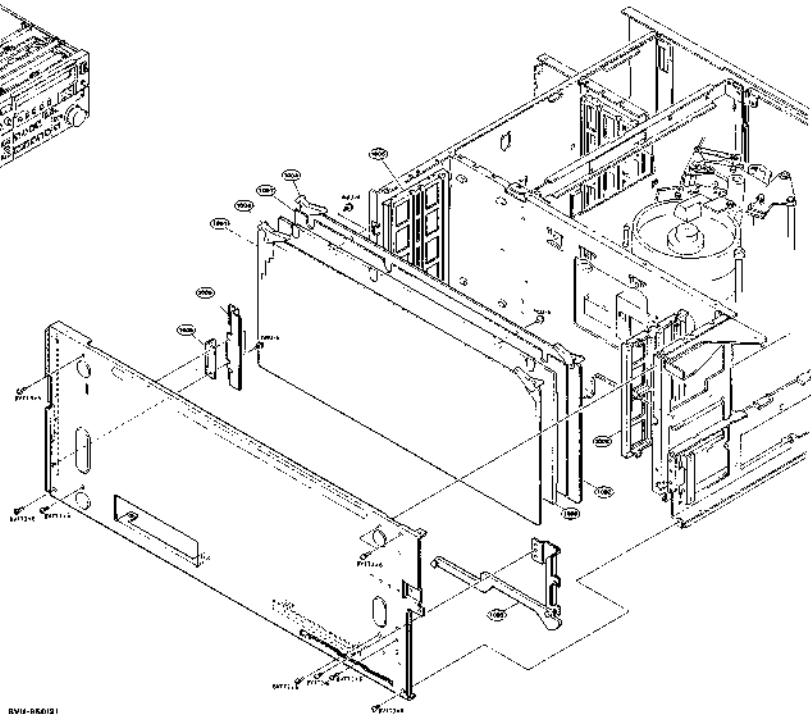
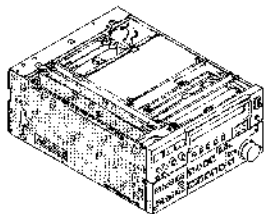


No.	Part No.	SP	Description
901	A-6713-829-A	•	MOUNTED CIRCUIT BOARD, MD-45
902	A-6713-287-A	•	MOUNTED CIRCUIT BOARD, MD-43A
903	A-6713-288-A	•	MOUNTED CIRCUIT BOARD, MD-43A
904	A-6713-189-A	•	MOUNTED CIRCUIT BOARD, MD-45A
905	A-6725-575-A	•	MOUNTED CIRCUIT BOARD, MC-11
906	I-432-725-11	•	PRINTED CIRCUIT BOARD, SM-60
907	I-257-627-00	•	LEVER, PC BOARD
908	I-446-050-00	•	STEEL, FLUX
909	I-710-655-01	•	JOINT, AL
910	I-710-647-01	•	PROTECTOR, PC BOARD
911	J-710-648-01	•	PROTECTOR (A), WARELESS
912	J-710-709-01	•	COVER (B), PCB
913	J-710-110-01	•	PLATE (SMALL), SHIELD
914	J-710-711-01	•	SHEET (SMALL), INSULATING
915	J-710-799-01	•	SHEET (THICK), INSULATING
916	J-310-798-01	•	PLATE (THICK), SHIELD
917	J-710-799-02	•	SHIELD (LARGE), MD (FOR UC, 1)
918	J-211-606-01	•	SUBST. PROTECTION, MD

EXPLORER
810-80078

CHASSIS BLOCK (LEFT) CHASSIS BLOCK (LEFT)

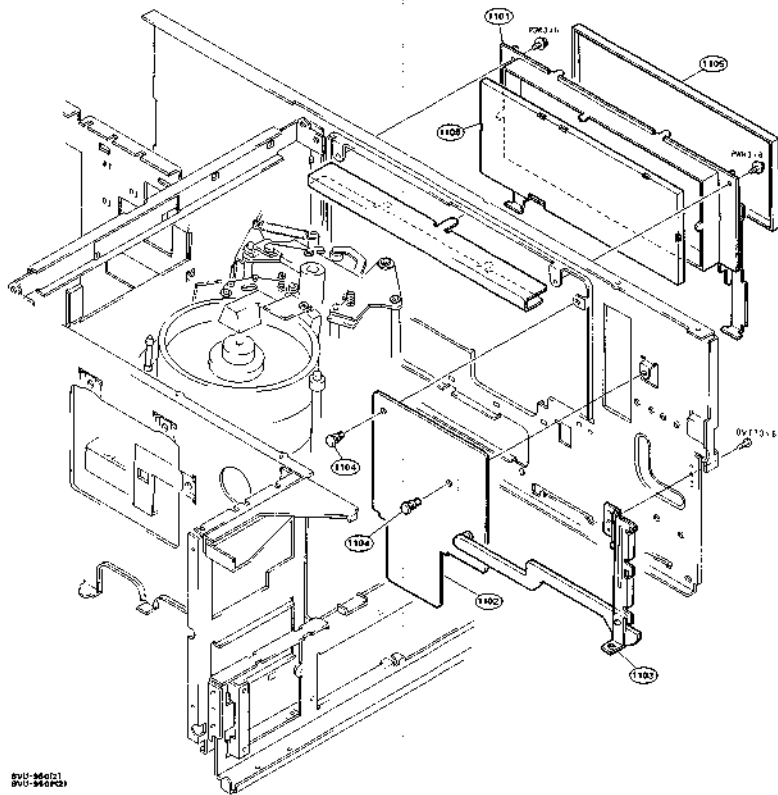
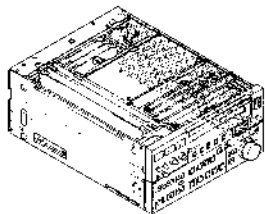
11. CHASSIS BLOCK (LEFT)



BVM-850(3)
BVM-850(4)

No.	Part No.	SP	Description
1061	A-6711-457-0	o	MODIFIED CIRCUIT BOARD, BR-55
1062	A-6712-459-0	o	MODIFIED CIRCUIT BOARD, SP-88A
1063	A-3718-617-3	o	HUNGS (LEFT) ASS'Y
1064	Z-131-822-06	o	LEVER, PC BOARD
1065	Z-434-875-00	o	HUNGS, RIGHT
1066	Z-718-708-01	o	GUIDE (A), PCB
1067	Z-718-716-01	o	SHIRT (C), INSULATING, TPC
1068	Z-718-738-11	o	SHIELD (C), TPC
1069	Z-718-772-01	o	CONNECTOR PANEL (ASSEMB)

12. CHASSIS BLOCK (RIGHT)



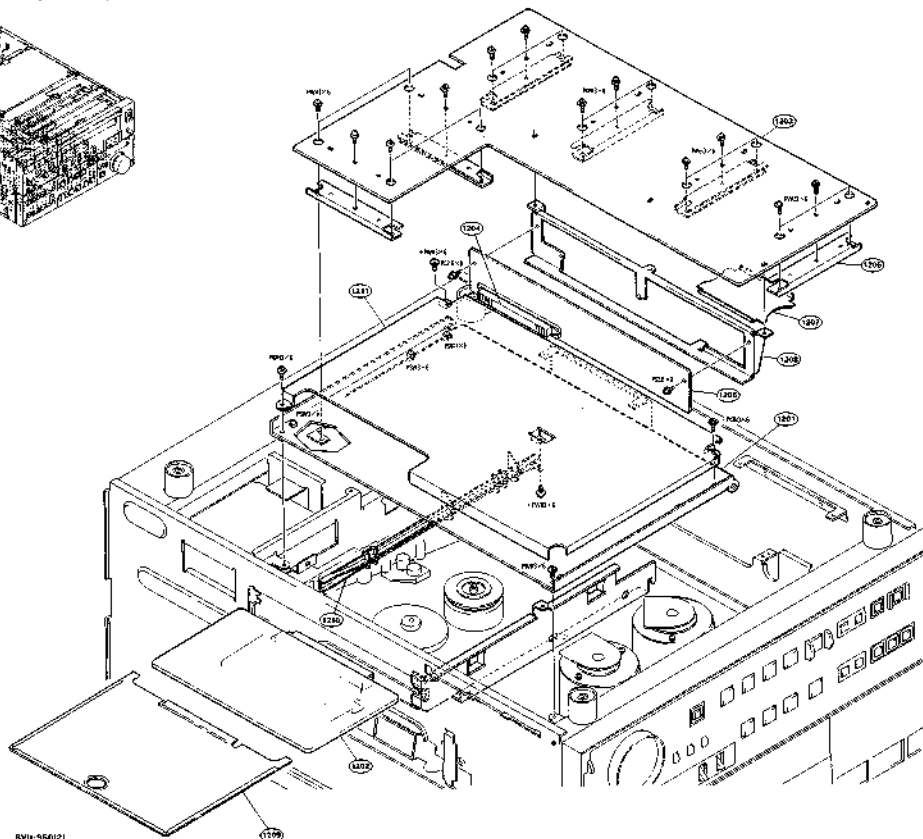
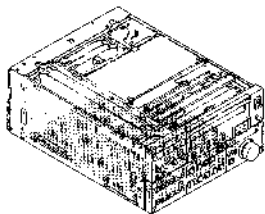
No.	Parts No.	QTY	Description
-----	-----------	-----	-------------

1101	A-5711-825-A	1	WOUND CIRCUIT BOARD, 07-30A
1102	A-6717-835-A	1	WOUND CIRCUIT BOARD, 09-37
1103	A-2318-615-1	1	Hinge (RIGHT) ASS'Y
1104	J-646-090-00	1	RIBBET, W/LOCK
1105	3-710-724-01	1	LID, RP FIELD CASE

8VU-9862(1)
8VU-9862(2)

CHASSIS BLOCK (BOTTOM) CHASSIS BLOCK (BOTTOM)

13. CHASSIS BLOCK (BOTTOM)



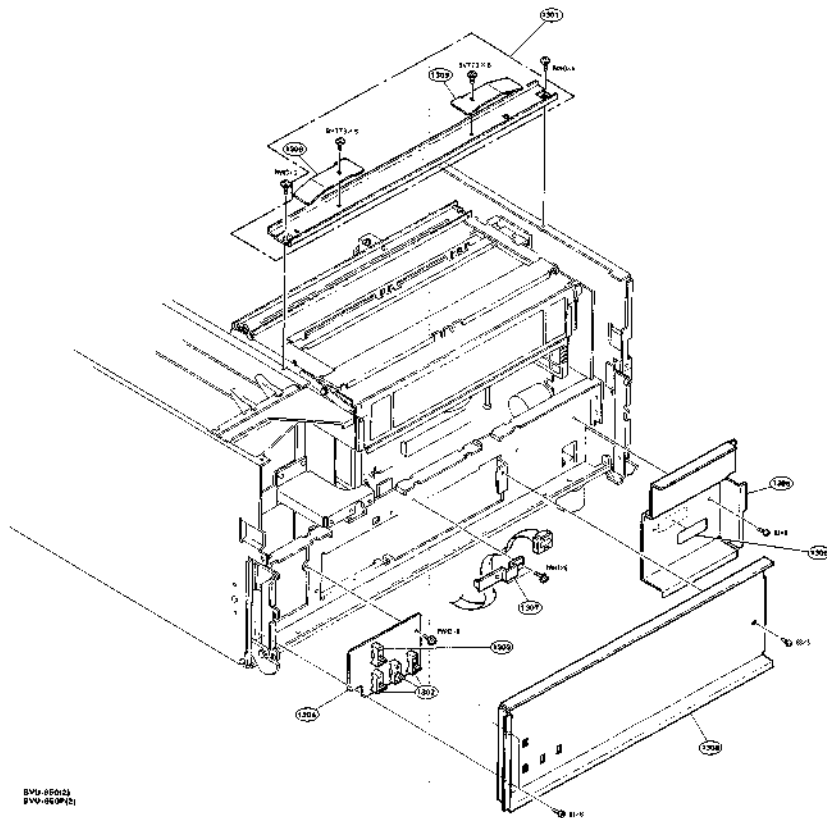
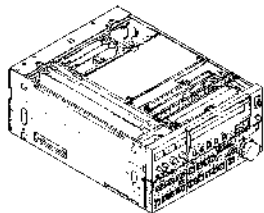
No.	Parts No.	QTY	Description
1201	A-6717-461-A	1	PRINTED CIRCUIT BOARD, ST-102A
1202	A-6717-460-A	1	PRINTED CIRCUIT BOARD, DEC-04
1203	A-6726-507-A	1	PRINTED CIRCUIT BOARD, MB-127
1204	J-563-334-21	1	WORTING CONNECTOR (DIP) 8P
1205	J-627-714-11	1	PRINTED CIRCUIT BOARD, MB-139
1206	S-718-016-01	1	BRACKET, MB
1207	S-718-058-01	1	FRONT COVER (A), WARHEAD
1208	S-718-720-01	1	JOINT, MB
1209	S-721-029-01	1	SHIELD, DSO, JOINT
1210	S-718-740-01	1	SHIELD, YC
1211	S-718-791-01	1	SHIELD, ST

BV9-956121
BV9-956122

CHASSIS BLOCK (FRONT)

CHASSIS BLOCK (FRONT)

14. CHASSIS BLOCK (FRONT)

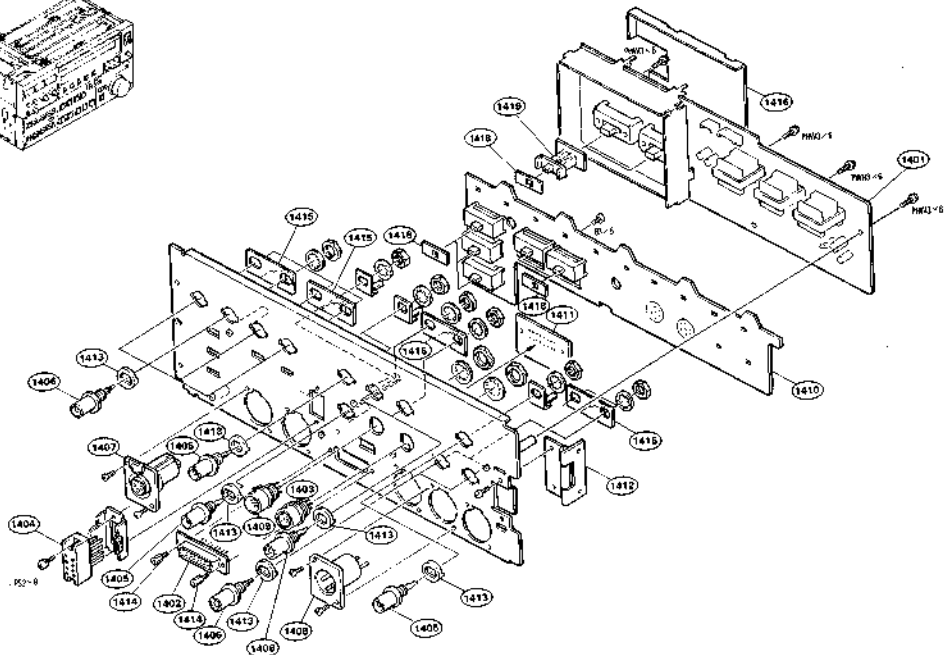
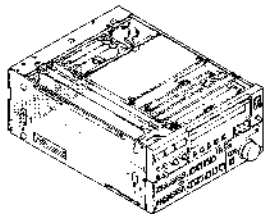


No.	Part No.	SP	Description
1301	A-6730-955-8	o	SEAF BLOCK ASCT
1302	T-956-481-00	o	SWITCH, SLIDE
1303	T-956-482-00	o	SWITCH, SLIDE
1304	1-622-738-11	o	PRINTED CIRCUIT BOARD, SP-171
1305	Z-763-079-31	o	LABEL, CAUTION (BACK)
1306	Z-718-610-01	o	COVER (B), FRONT
1307	Z-718-671-01	o	REAR PANEL, CABLE
1308	Z-918-081-01	o	COVER, FRONT (A)
1309	Z-646-425-00	o	STRIP

BVA-8F012
FVV-8C012

CONNECTOR PANEL CONNECTOR PANEL

15. CONNECTOR PANEL

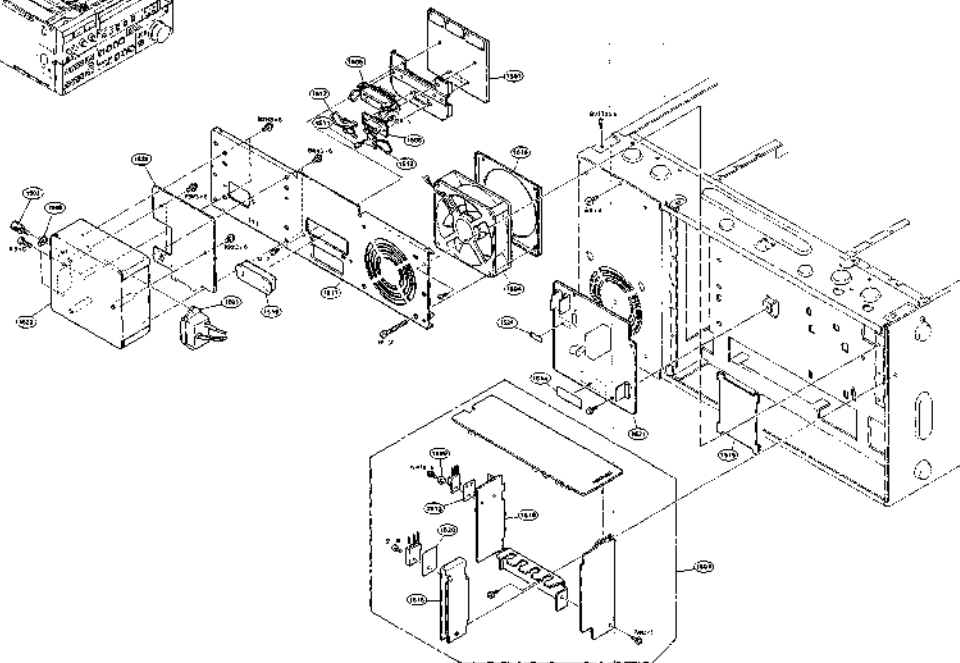
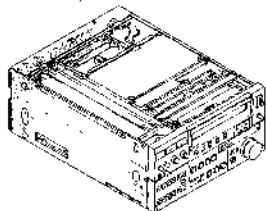


8VU-850P(2)

No.	Part No.	QTY	Description
1401	A-5713-282-A	1	MOUNTED CIRCUIT BOARD, M-57
1402	1-560-769-00	1	PLUG, CONNECTOR 15P
1403	1-561-045-21	1	CONNECTOR (S-P)
1404	1-561-397-21	1	CONNECTOR (IMP. TYPE) 8P
1405	1-565-257-23	1	RECEPTACLE, 30C
1406	1-562-777-41	1	RECEPTACLE, 30C
1407	1-565-029-21	1	CONNECTOR (RECEPTACLE) 3P
1408	1-565-030-21	1	CONNECTOR (RECEPTACLE) 3P
1409	1-566-875-11	1	CONNECTOR, PANEL (S-40 TP)
1410	1-622-706-11	1	PRINTED CIRCUIT BOARD, CP-109
1411	1-622-740-11	1	PRINTED CIRCUIT BOARD, RM-43
1412	3-651-875-00	1	WASHER, BRASS
1413	3-658-345-00	1	SPACER, 5PC
1414	3-688-896-11	1	CRIMP, CONNECTOR
1415	3-718-067-01	1	CRIMP, 5PC
1416	3-718-068-01	1	SHIELD (S), IMPV
1418	3-718-757-01	1	CUSHION, SW
1419	X-2118-625-1	1	SW ASSY

REAR PANEL REAR PANEL

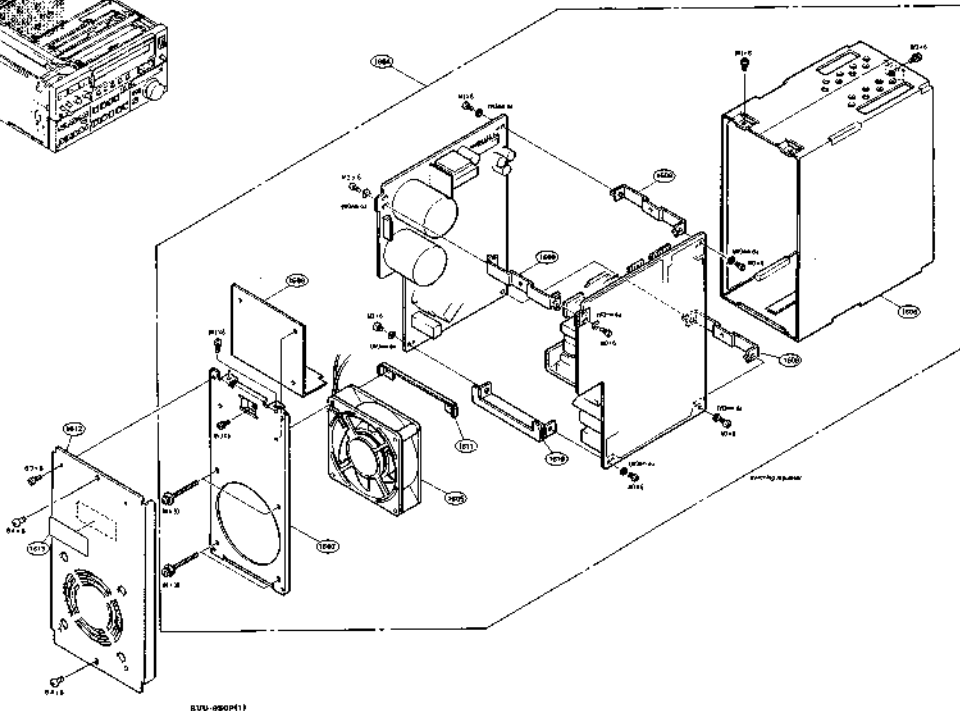
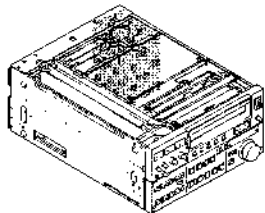
18. REAR PANEL



KVP-9009123

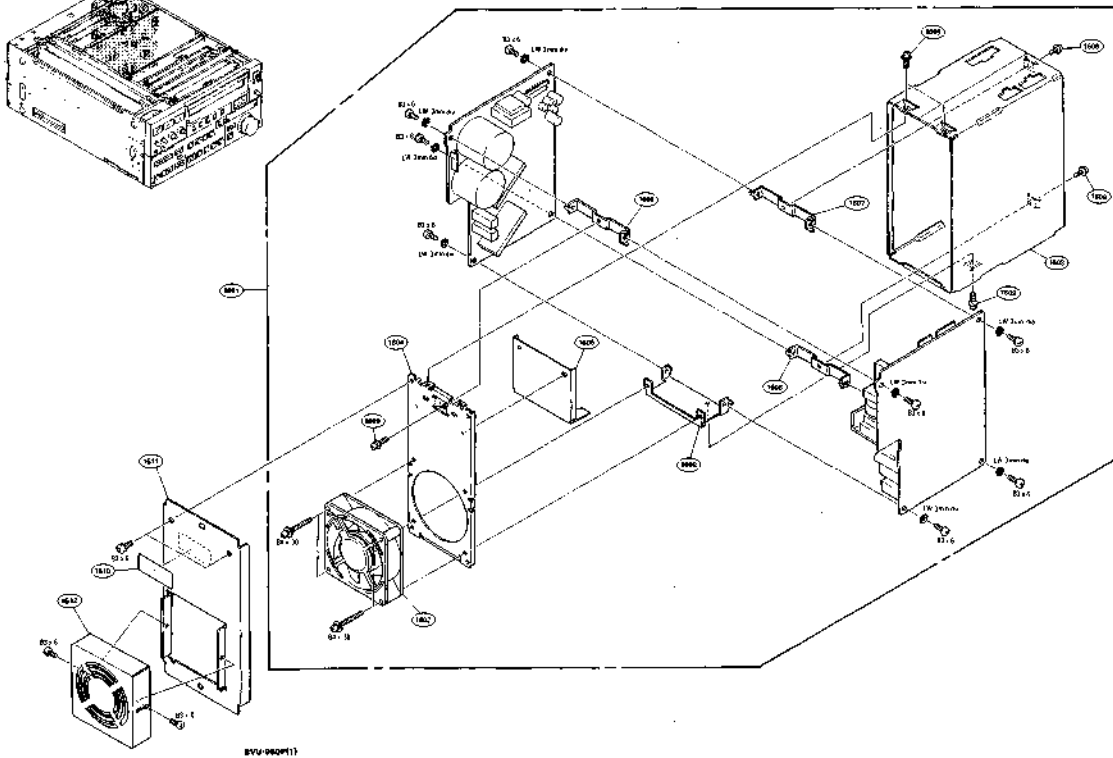
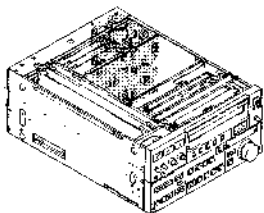
No.	Part No.	QTY	Description
1501	A-6315-347-A	1	MOUNTED CIRCUIT BOARD, DR-53
1502	X-2048-004-0	1	TERMINAL 463"Y
1503	I-580-275-11	1	3P NUTLET
1504	L-541-031-01	1	75W, DC
1505	L-543-090-11	1	SOCKET, D-580 CONNECTOR 9P
1506	1-566-658-11	1	CONNECTOR 24P
1507	1-622-739-11	1	FRONTIER CIRCUIT BOARD, DR-54
1508	2-003-008-00	1	WASHER
1509	2-821-009-00	1	BEARING (S), INSULATING
1510	2-930-078-01	1	CAP, RUST
1511	3-668-459-11	1	SCREW, CONNECTOR
1512	3-662-640-00	1	SPRING
1513	3-702-007-00	1	INSULATOR, TO-220
1514	3-793-046-06	1	LABEL, CAUTION (FOR MC)
1515	3-721-454-01	1	PROTECTOR (C), BARRAGE
1516	3-718-405-02	1	RWY, FLAW, FWA
1517	3-718-708-01	1	PANEL (PAL), WEAR
1518	3-718-718-02	1	WEAR RING (L)
1519	3-718-719-01	1	WEAR RING (R)
1520	4-671-996-00	1	SWITCH, INSULATING
1521	1-622-706-11	1	PRINTED CIRCUIT BOARD, AD-78
1522	Z-5719-023-1	1	TRC 463"Y for 5/8" EX: up to 14350 X-318-075-2 1 DIE 463"Y for 5/8" EX: 14506 and higher
1523	1-622-706-11	1	PRINTED CIRCUIT BOARD, AD-79 for 5/8" EX: up to 14370 1-439-071-11 1 PRINTED CIRCUIT BOARD, AC-105 for 5/8" EX: 14371 and higher
1524	3-761-942-10	1	LABEL, FUSE

17. SWITCHING REGULATOR S/N UP TO 12930 (EK)



No.	Parts No.	QTY	Description
1604	2-413-207-14	1	REGULATOR, SWITCHING (0821)
1605	1-541-526-11	1	MOTOR, DC FAN
1606	2-403-696-01	1	CASE
1607	2-403-697-01	1	TR. CASE
1608	2-421-946-01	1	SHIELD, INSULATING
1609	2-426-441-01	1	BRACKET
1610	2-426-442-01	1	BRACKET
1611	2-426-443-01	1	BRACKET, END
1612	2-718-702-01	1	PLATE, ORIENTATIONAL, SH
1613	3-703-043-21	1	LABEL, CAUTION, HAZ

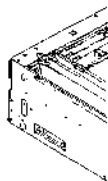
17. SWITCHING REGULATOR S/N 12931 AND HIGHER (EK)



No.	Part No.	SP	Description
1601	1-413-367-24	1	REGULATOR, SWITCHING (W219)
1602	1-501-431-31	1	MOTOR, DC FAN
1603	7-403-696-01	1	CASE
1604	2-403-697-01	1	LID, CASE
1605	2-431-695-01	1	SUBSET, (IS-1602)-21-5, IMPELLING
1606	2-431-641-01	1	BRACKET, 1603
1607	2-431-641-11	1	BRACKET, 1604
1608	2-431-697-01	1	BRACKET, IS-1602-2
1609	3-702-148-01	1	SCREW, #10-32
1610	3-702-043-21	1	LABEL, CAUTION, MAIN
1611	3-718-702-05	1	PLATE, ORNAMENTAL, SW
1612	3-721-469-01	1	COVER, FAN

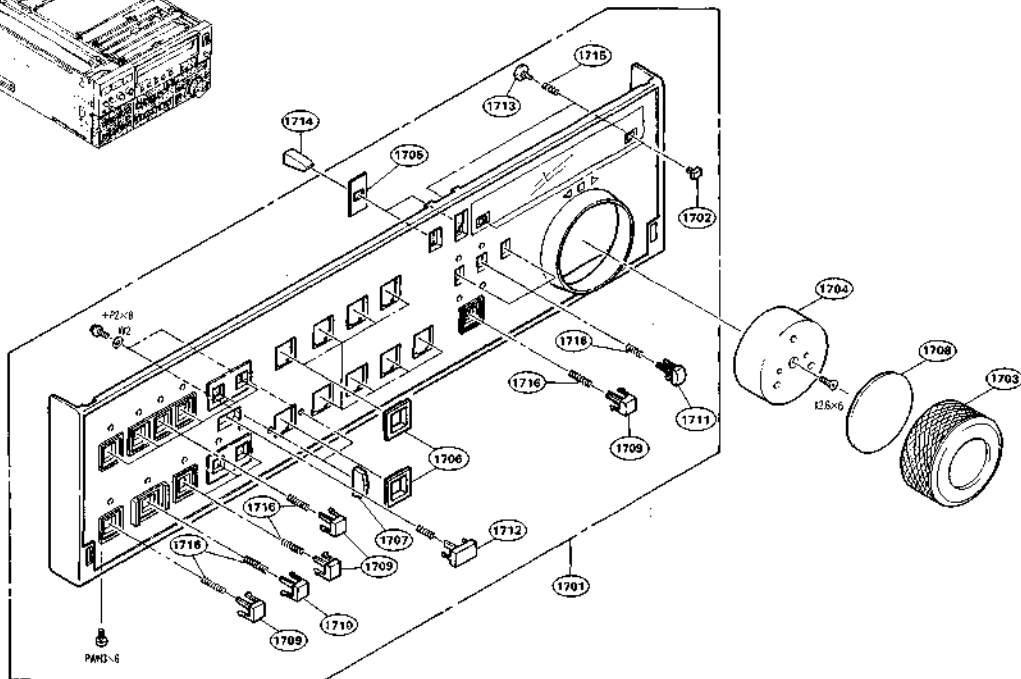
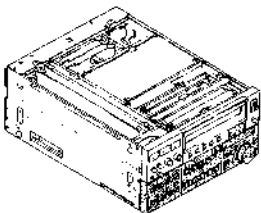
BYU-900P11

18. ORNAMEI



8VU-080
8VU-080

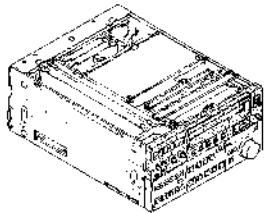
18. ORNAMENTAL PANEL(1)



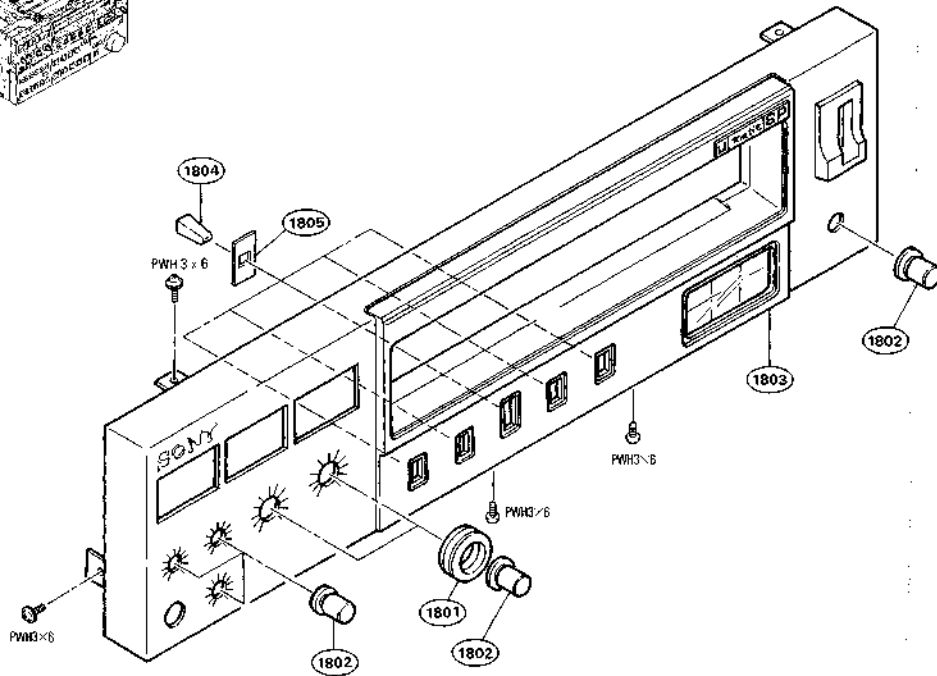
No.	Part No.	QTY	Description
1701	A-6704-170-C	1	PANEL BLACK ASS'T, KEY
1702	3-668-008-02	1	PUSH BUTTON (321)
1703	3-668-012-03	1	KNOB, DIAL FOCUS
1704	3-717-370-01	1	KNOB, DIAL
1705	3-717-373-01	1	PLATE, GEOMETRICAL, LEVER SW
1706	3-717-377-01	1	PLATE (SQUARE 17), ORNAMENTAL
1707	3-717-380-01	1	CHASS, REC
1708	3-717-357-01	1	PLATE, KNOB
1709	3-718-464-03	1	KEY TOP
1710	3-718-464-11	1	KEY TOP
1711	3-718-461-01	1	PUSH BUTTON
1712	3-718-462-01	1	PUSH BUTTON
1713	3-718-456-01	1	PN, PUSH BUTTON
1714	3-718-458-01	1	SW, LEVER SW
1715	4-309-149-00	1	SPRING, COIL
1716	4-866-413-00	1	SPRING, COMPRESSION

810-180021
810-180022

18. ORNAMENTAL PANEL(2)

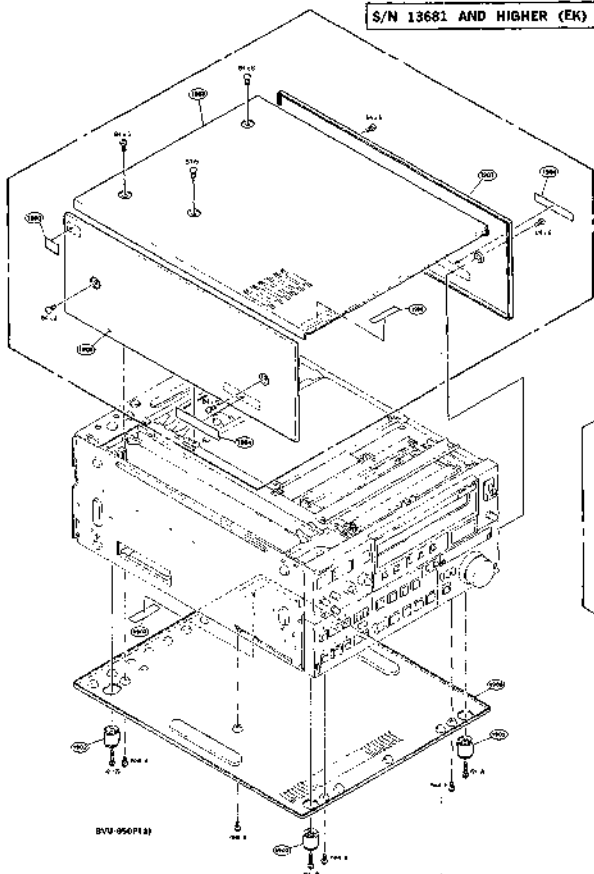
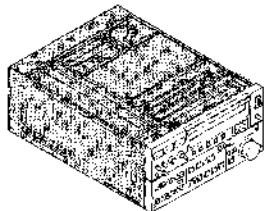


No.	Part No.	QTY	Description
1801	8-3713-497-1	1	SWICH (M) ASS'Y, CONTROL
1802	8-3673-187-1	1	SWICH ASS'Y, VOLUME
1803	X-3718-004-1	1	PANEL (2) ASS'Y, FRONT
1804	2-718-698-01	1	FRONT LEVER SW
1805	3-717-373-01	1	PLATE, OPERATOR, LEVER SW



8VU-35013
8VU-35014

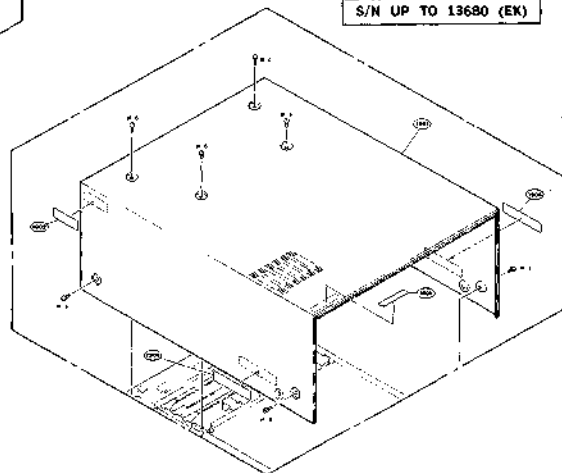
20. ORNAMENTAL PANEL(3)



S/N 13681 AND HIGHER (EK)

No.	Part No.	QTY	Description
1901	X-3718-425-1	1	CASE ASS'Y, U
1902	I-642-634-01	4	LEG
1903	I-703-079-31	4	LABEL, CAUTION (BACK)
1904	I-718-097-01	4	CASLOW, PIE
1905	I-718-719-01	4	PLATE, BOTTOM
1906	S-701-680-00	4	LABEL (MADE IN JAPAN)
1907	X-3718-464-1	1	PLATE ASSY, EIER
1908	X-3718-466-1	1	PLATE ASSY, TOP
1909	I-734-301-01	1	PLATE, GING

S/N UP TO 13680 (EK)



18-3. ELECTRICAL PARTS LIST

ABBREVIATIONS

All capacitors are in micro farads unless otherwise specified.

All inductors are in micro henries unless otherwise specified.

All resistors are in ohms.

General Purpose Electrical Parts List

Parts that are not listed in the "reference numbers order list" are shown in following list.
Reference numbers are omitted.

Part No.	SP	Description	Part No.	SP	Description
CAPACITOR					
CERAMIC					
1-161-039-00	•	CAP. CERAMIC 0.001 10X 50V	1-130-447-00	•	CAP. MYLAR 470pF 5X 50V
1-161-041-00	•	CAP. CERAMIC 0.0015 10X 50V	1-130-448-00	•	CAP. MYLAR 560pF 5X 50V
1-161-043-00	•	CAP. CERAMIC 0.0022 10X 50V	1-130-449-00	•	CAP. MYLAR 680pF 5X 50V
1-161-045-00	•	CAP. CERAMIC 0.0033 10X 50V	1-130-470-00	•	CAP. MYLAR 820pF 5X 50V
1-161-047-00	•	CAP. CERAMIC 0.0047 10X 50V	1-130-471-00	•	CAP. MYLAR 1000pF 5X 50V
1-161-049-00	•	CAP. CERAMIC 0.0068 10X 50V	1-130-475-00	•	CAP. MYLAR 1200pF 5X 50V
1-161-051-00	•	CAP. CERAMIC 0.01 10X 50V	1-130-473-00	•	CAP. MYLAR 1500pF 5X 50V
1-161-053-00	•	CAP. CERAMIC 0.015 10X 50V	1-130-474-00	•	CAP. MYLAR 1800pF 5X 50V
1-161-055-00	•	CAP. CERAMIC 0.022 10X 50V	1-130-475-00	•	CAP. MYLAR 2200pF 5X 50V
1-161-057-00	•	CAP. CERAMIC 0.033 10X 50V	1-130-476-00	•	CAP. MYLAR 2700pF 5X 50V
1-161-061-11	•	CAP. CERAMIC 0.047 10X 25V	1-130-477-00	•	CAP. MYLAR 3300pF 5X 50V
1-161-059-00	•	CAP. CERAMIC 0.047 10X 50V	1-130-478-00	•	CAP. MYLAR 3900pF 5X 50V
1-161-061-00	•	CAP. CERAMIC 0.068 10X 50V	1-130-479-00	•	CAP. MYLAR 4700pF 5X 50V
1-161-772-11	•	CAP. CERAMIC 0.1 10X 25V	1-130-480-00	•	CAP. MYLAR 5600pF 5X 50V
1-161-063-00	•	CAP. CERAMIC 0.1 10X 50V	1-170-481-00	•	CAP. MYLAR 6800pF 5X 50V
			1-130-482-00	•	CAP. MYLAR 8200pF 5X 50V
			1-130-483-00	•	CAP. MYLAR 0.01 5X 50V
			1-130-484-00	•	CAP. MYLAR 0.012 5X 50V
			1-130-485-00	•	CAP. MYLAR 0.015 5X 50V
			1-130-486-00	•	CAP. MYLAR 0.018 5X 50V
			1-130-487-00	•	CAP. MYLAR 0.022 5X 50V
			1-130-488-00	•	CAP. MYLAR 0.027 5X 50V
			1-130-489-00	•	CAP. MYLAR 0.033 5X 50V
			1-130-490-11	•	CAP. MYLAR 0.039 5X 50V
			1-130-491-00	•	CAP. MYLAR 0.047 5X 50V
			1-130-492-11	•	CAP. MYLAR 0.056 5X 50V
			1-130-493-00	•	CAP. MYLAR 0.068 5X 50V
			1-130-494-11	•	CAP. MYLAR 0.082 5X 50V
			1-130-495-00	•	CAP. MYLAR 0.1 5X 50V
			1-130-496-00	•	CAP. MYLAR 0.12 5X 50V
			1-130-497-00	•	CAP. MYLAR 0.15 5X 50V
			1-130-498-00	•	CAP. MYLAR 0.18 5X 50V
			1-130-499-00	•	CAP. MYLAR 0.22 5X 50V
			1-130-500-11	•	CAP. MYLAR 0.33 5X 50V

Part No.	SP	Description		
TANTALUM				
1-131-396-11	•	CAP. TANTALUM	0.01	20Z 35V
1-131-397-11	•	CAP. TANTALUM	0.015	10Z 35V
1-131-398-11	•	CAP. TANTALUM	0.022	20Z 35V
1-131-399-11	•	CAP. TANTALUM	0.033	30Z 35V
1-131-400-11	•	CAP. TANTALUM	0.047	20Z 35V
1-131-401-21	•	CAP. TANTALUM	0.068	10Z 35V
1-131-402-21	•	CAP. TANTALUM	0.1	10Z 35V
1-131-403-21	•	CAP. TANTALUM	0.15	10Z 35V
1-131-404-21	•	CAP. TANTALUM	0.22	10Z 35V
1-131-405-21	•	CAP. TANTALUM	0.33	10Z 35V
1-131-407-11	•	CAP. TANTALUM	0.47	20Z 20V
1-131-408-11	•	CAP. TANTALUM	0.67	20Z 35V
1-131-409-11	•	CAP. TANTALUM	0.84	20Z 35V
1-131-410-11	•	CAP. TANTALUM	0.68	10Z 35V
1-131-411-11	•	CAP. TANTALUM	1.0	20Z 20V
1-131-407-21	•	CAP. TANTALUM	1.0	10Z 35V
1-131-408-21	•	CAP. TANTALUM	1.5	10Z 16V
1-131-409-21	•	CAP. TANTALUM	1.5	10Z 35V
1-131-410-21	•	CAP. TANTALUM	2.2	20Z 10V
1-131-411-21	•	CAP. TANTALUM	2.2	10Z 35V
1-131-412-21	•	CAP. TANTALUM	2.2	10Z 35V
1-131-413-21	•	CAP. TANTALUM	3.3	20Z 6.3V
1-131-414-21	•	CAP. TANTALUM	3.3	10Z 16V
1-131-415-21	•	CAP. TANTALUM	3.3	10Z 25V
1-131-416-21	•	CAP. TANTALUM	3.3	10Z 35V
1-131-417-21	•	CAP. TANTALUM	3.3	10Z 35V
1-131-418-21	•	CAP. TANTALUM	4.7	20Z 3.15V
1-131-419-21	•	CAP. TANTALUM	4.7	10Z 10V
1-131-420-21	•	CAP. TANTALUM	4.7	10Z 20V
1-131-421-21	•	CAP. TANTALUM	4.7	10Z 35V
1-131-422-21	•	CAP. TANTALUM	6.8	10Z 25V
1-131-423-21	•	CAP. TANTALUM	6.8	10Z 35V
1-131-424-21	•	CAP. TANTALUM	6.8	10Z 35V
1-131-425-21	•	CAP. TANTALUM	10	10Z 3.15V
1-131-426-21	•	CAP. TANTALUM	10	10Z 10V
1-131-427-21	•	CAP. TANTALUM	10	10Z 10V
1-131-428-21	•	CAP. TANTALUM	10	10Z 20V
1-131-429-21	•	CAP. TANTALUM	15	10Z 6.3V
1-131-430-21	•	CAP. TANTALUM	15	10Z 16V
1-131-431-21	•	CAP. TANTALUM	15	10Z 25V
1-131-432-21	•	CAP. TANTALUM	22	10Z 3.15V
1-131-433-21	•	CAP. TANTALUM	22	10Z 35V
1-131-434-21	•	CAP. TANTALUM	22	10Z 10V
1-131-435-21	•	CAP. TANTALUM	22	10Z 20V
1-131-436-21	•	CAP. TANTALUM	33	10Z 6.3V
1-131-437-21	•	CAP. TANTALUM	33	10Z 16V
1-131-438-21	•	CAP. TANTALUM	47	20Z 3.15V
1-131-439-21	•	CAP. TANTALUM	47	10Z 10V
1-131-440-21	•	CAP. TANTALUM	68	10Z 6.3V
1-131-441-21	•	CAP. TANTALUM	100	10Z 3.15V

Part No.	SP	Description		
ELECTROLYTIC				
1-124-902-00	•	CAP. ELECT	0.47	20Z 50V
1-124-903-11	•	CAP. ELECT	1.0	20Z 100V
1-124-904-11	•	CAP. ELECT	2.2	20Z 100V
1-124-905-00	•	CAP. ELECT	3.3	20Z 100V
1-124-906-00	•	CAP. ELECT	4.7	20Z 100V
1-124-907-00	•	CAP. ELECT	10	20Z 50V
1-124-908-11	•	CAP. ELECT	10	50Z 63V
1-124-909-11	•	CAP. ELECT	10	20Z 100V
1-124-910-11	•	CAP. ELECT	22	20Z 50V
1-124-911-11	•	CAP. ELECT	22	20Z 63V
1-124-912-11	•	CAP. ELECT	22	20Z 100V
1-124-913-11	•	CAP. ELECT	33	20Z 100V
1-124-914-11	•	CAP. ELECT	33	20Z 100V
1-124-915-11	•	CAP. ELECT	33	20Z 100V
1-124-916-11	•	CAP. ELECT	33	20Z 100V
1-124-917-11	•	CAP. ELECT	33	20Z 100V
1-124-918-11	•	CAP. ELECT	33	20Z 100V
1-124-919-11	•	CAP. ELECT	33	20Z 100V
1-124-920-11	•	CAP. ELECT	33	20Z 100V
1-124-921-11	•	CAP. ELECT	47	20Z 10V
1-124-922-11	•	CAP. ELECT	47	20Z 25V
1-124-923-11	•	CAP. ELECT	47	20Z 50V
1-124-924-11	•	CAP. ELECT	47	20Z 63V
1-124-925-11	•	CAP. ELECT	47	20Z 100V
1-124-926-00	•	CAP. ELECT	100	20Z 10V
1-124-927-00	•	CAP. ELECT	100	20Z 16V
1-124-928-00	•	CAP. ELECT	100	20Z 25V
1-124-929-00	•	CAP. ELECT	100	20Z 50V
1-124-930-00	•	CAP. ELECT	100	20Z 63V
1-124-931-00	•	CAP. ELECT	100	20Z 100V
1-124-932-00	•	CAP. ELECT	220	20Z 10V
1-124-933-00	•	CAP. ELECT	220	20Z 16V
1-124-934-00	•	CAP. ELECT	220	20Z 25V
1-124-935-00	•	CAP. ELECT	220	20Z 35V
1-124-936-00	•	CAP. ELECT	220	20Z 50V
1-124-937-00	•	CAP. ELECT	220	20Z 63V
1-124-938-00	•	CAP. ELECT	220	20Z 100V
1-124-939-00	•	CAP. ELECT	220	20Z 100V
1-124-940-00	•	CAP. ELECT	220	20Z 100V
1-124-941-00	•	CAP. ELECT	220	20Z 100V
1-124-942-00	•	CAP. ELECT	220	20Z 100V
1-124-943-00	•	CAP. ELECT	220	20Z 100V
1-124-944-00	•	CAP. ELECT	220	20Z 100V
1-124-945-00	•	CAP. ELECT	220	20Z 100V
1-124-946-00	•	CAP. ELECT	220	20Z 100V
1-124-947-00	•	CAP. ELECT	220	20Z 100V
1-124-948-00	•	CAP. ELECT	220	20Z 100V
1-124-949-00	•	CAP. ELECT	220	20Z 100V
1-124-950-00	•	CAP. ELECT	220	20Z 100V
1-124-951-00	•	CAP. ELECT	220	20Z 100V
1-124-952-00	•	CAP. ELECT	220	20Z 100V
1-124-953-00	•	CAP. ELECT	220	20Z 100V
1-124-954-00	•	CAP. ELECT	220	20Z 100V
1-124-955-00	•	CAP. ELECT	220	20Z 100V
1-124-956-00	•	CAP. ELECT	220	20Z 100V
1-124-957-00	•	CAP. ELECT	220	20Z 100V
1-124-958-00	•	CAP. ELECT	220	20Z 100V
1-124-959-00	•	CAP. ELECT	220	20Z 100V
1-124-960-00	•	CAP. ELECT	220	20Z 100V
1-124-961-00	•	CAP. ELECT	220	20Z 100V
1-124-962-00	•	CAP. ELECT	220	20Z 100V
1-124-963-00	•	CAP. ELECT	220	20Z 100V
1-124-964-00	•	CAP. ELECT	220	20Z 100V
1-124-965-00	•	CAP. ELECT	220	20Z 100V
1-124-966-00	•	CAP. ELECT	220	20Z 100V
1-124-967-00	•	CAP. ELECT	220	20Z 100V
1-124-968-00	•	CAP. ELECT	220	20Z 100V
1-124-969-00	•	CAP. ELECT	220	20Z 100V
1-124-970-00	•	CAP. ELECT	220	20Z 100V
1-124-971-00	•	CAP. ELECT	220	20Z 100V
1-124-972-00	•	CAP. ELECT	220	20Z 100V
1-124-973-00	•	CAP. ELECT	220	20Z 100V
1-124-974-00	•	CAP. ELECT	220	20Z 100V
1-124-975-00	•	CAP. ELECT	220	20Z 100V
1-124-976-00	•	CAP. ELECT	220	20Z 100V
1-124-977-00	•	CAP. ELECT	220	20Z 100V
1-124-978-00	•	CAP. ELECT	220	20Z 100V
1-124-979-00	•	CAP. ELECT	220	20Z 100V
1-124-980-00	•	CAP. ELECT	220	20Z 100V
1-124-981-00	•	CAP. ELECT	220	20Z 100V
1-124-982-00	•	CAP. ELECT	220	20Z 100V
1-124-983-00	•	CAP. ELECT	220	20Z 100V
1-124-984-00	•	CAP. ELECT	220	20Z 100V
1-124-985-00	•	CAP. ELECT	220	20Z 100V
1-124-986-00	•	CAP. ELECT	220	20Z 100V
1-124-987-00	•	CAP. ELECT	220	20Z 100V
1-124-988-00	•	CAP. ELECT	220	20Z 100V
1-124-989-00	•	CAP. ELECT	220	20Z 100V
1-124-990-00	•	CAP. ELECT	220	20Z 100V
1-124-991-00	•	CAP. ELECT	220	20Z 100V
1-124-992-00	•	CAP. ELECT	220	20Z 100V
1-124-993-00	•	CAP. ELECT	220	20Z 100V
1-124-994-00	•	CAP. ELECT	220	20Z 100V
1-124-995-00	•	CAP. ELECT	220	20Z 100V
1-124-996-00	•	CAP. ELECT	220	20Z 100V
1-124-997-00	•	CAP. ELECT	220	20Z 100V
1-124-998-00	•	CAP. ELECT	220	20Z 100V
1-124-999-00	•	CAP. ELECT	220	20Z 100V

Part No.	SP	Description
WIGA, 51CWBRE0		
1-107-014-00	•	CAP, WIGA 1.0pF 20.5pF 500V
1-107-019-00	•	CAP, WIGA 1.7pF 20.5pF 500V
1-107-040-00	•	CAP, WIGA 1.5pF 20.5pF 500V
1-107-041-00	•	CAP, WIGA 1.8pF 20.5pF 500V
1-107-047-00	•	CAP, WIGA 2.2pF 20.5pF 500V
1-107-047-00	•	CAP, WIGA 2.7pF 20.5pF 500V
1-107-044-00	•	CAP, WIGA 3.3pF 20.5pF 500V
1-107-043-00	•	CAP, WIGA 3.9pF 20.5pF 500V
1-107-046-00	•	CAP, WIGA 4.7pF 20.5pF 500V
1-107-076-00	•	CAP, WIGA 5.7pF 20.5pF 500V
1-107-047-00	•	CAP, WIGA 5.6pF 20.5pF 500V
1-107-048-00	•	CAP, WIGA 6.8pF 20.5pF 500V
1-107-049-00	•	CAP, WIGA 8.2pF 20.5pF 500V
1-107-102-00	•	CAP, WIGA 10pF 5% 500V
1-107-103-00	•	CAP, WIGA 11pF 5% 500V
1-107-104-00	•	CAP, WIGA 15pF 5% 500V
1-107-105-00	•	CAP, WIGA 15pF 5% 500V
1-107-106-00	•	CAP, WIGA 15pF 5% 500V
1-107-107-00	•	CAP, WIGA 18pF 5% 500V
1-107-108-00	•	CAP, WIGA 18pF 5% 500V
1-107-109-00	•	CAP, WIGA 20pF 5% 500V
1-107-110-00	•	CAP, WIGA 27pF 5% 500V
1-107-211-00	•	CAP, WIGA 24pF 5% 500V
1-107-157-00	•	CAP, WIGA 27pF 5% 500V
1-107-158-00	•	CAP, WIGA 30pF 5% 500V
1-107-159-00	•	CAP, WIGA 33pF 5% 500V
1-107-074-00	•	CAP, WIGA 36pF 5% 50V
1-107-075-00	•	CAP, WIGA 39pF 5% 50V
1-107-078-00	•	CAP, WIGA 45pF 5% 50V
1-107-077-00	•	CAP, WIGA 47pF 5% 50V
1-107-164-00	•	CAP, WIGA 51pF 5% 500V
1-107-165-00	•	CAP, WIGA 56pF 5% 500V
1-107-166-00	•	CAP, WIGA 62pF 5% 500V
1-107-036-00	•	CAP, WIGA 68pF 5% 500V
1-107-167-00	•	CAP, WIGA 75pF 5% 500V
1-107-083-00	•	CAP, WIGA 82pF 5% 50V
1-107-084-00	•	CAP, WIGA 91pF 5% 50V
1-107-085-00	•	CAP, WIGA 100pF 5% 50V
1-107-086-00	•	CAP, WIGA 110pF 5% 50V
1-107-087-00	•	CAP, WIGA 120pF 5% 50V
1-109-538-00	•	CAP, WIGA 130pF 5% 100V
1-109-570-00	•	CAP, WIGA 150pF 5% 100V
1-107-090-00	•	CAP, WIGA 160pF 5% 50V
1-109-540-00	•	CAP, WIGA 180pF 5% 100V
1-109-541-00	•	CAP, WIGA 200pF 5% 100V
1-109-542-00	•	CAP, WIGA 220pF 5% 500V
1-109-545-00	•	CAP, WIGA 270pF 5% 100V
1-109-507-00	•	CAP, WIGA 330pF 5% 500V
1-109-549-00	•	CAP, WIGA 390pF 5% 100V
1-109-633-00	•	CAP, WIGA 470pF 2% 500V
1-109-535-00	•	CAP, WIGA 560pF 5% 100V
1-109-635-00	•	CAP, WIGA 680pF 2% 500V

Part No.	SP	Description
INDUCTOR		
MICRO		
1-608-387-00	•	INDUCTOR, MICRO 1.0 5% 5% 5% 5%
1-608-399-00	•	INDUCTOR, MICRO 1.5 5% 5% 5% 5%
1-608-400-00	•	INDUCTOR, MICRO 1.8 5% 5% 5% 5%
1-608-401-00	•	INDUCTOR, MICRO 2.2 5% 5% 5% 5%
1-608-403-00	•	INDUCTOR, MICRO 2.7 5% 5% 5% 5%
1-608-404-00	•	INDUCTOR, MICRO 3.3 5% 5% 5% 5%
1-608-405-00	•	INDUCTOR, MICRO 4.7 5% 5% 5% 5%
1-608-406-00	•	INDUCTOR, MICRO 5.6 5% 5% 5% 5%
1-608-407-00	•	INDUCTOR, MICRO 6.8 5% 5% 5% 5%
1-608-408-00	•	INDUCTOR, MICRO 8.2 5% 5% 5% 5%
1-608-409-00	•	INDUCTOR, MICRO 10 5% 5% 5% 5%
1-608-410-00	•	INDUCTOR, MICRO 12 5% 5% 5% 5%
1-608-411-00	•	INDUCTOR, MICRO 15 5% 5% 5% 5%
1-608-412-00	•	INDUCTOR, MICRO 18 5% 5% 5% 5%
1-608-413-00	•	INDUCTOR, MICRO 22 5% 5% 5% 5%
1-608-414-00	•	INDUCTOR, MICRO 27 5% 5% 5% 5%
1-608-415-00	•	INDUCTOR, MICRO 33 5% 5% 5% 5%
1-608-416-00	•	INDUCTOR, MICRO 39 5% 5% 5% 5%
1-608-417-00	•	INDUCTOR, MICRO 47 5% 5% 5% 5%
1-608-418-00	•	INDUCTOR, MICRO 56 5% 5% 5% 5%
1-608-419-00	•	INDUCTOR, MICRO 68 5% 5% 5% 5%
1-608-420-00	•	INDUCTOR, MICRO 82 5% 5% 5% 5%
1-608-421-00	•	INDUCTOR, MICRO 100 5% 5% 5% 5%
1-608-422-00	•	INDUCTOR, MICRO 120 5% 5% 5% 5%
1-608-423-00	•	INDUCTOR, MICRO 150 5% 5% 5% 5%
1-608-424-00	•	INDUCTOR, MICRO 180 5% 5% 5% 5%
1-608-425-00	•	INDUCTOR, MICRO 220 5% 5% 5% 5%
1-608-426-00	•	INDUCTOR, MICRO 270 5% 5% 5% 5%
1-608-427-00	•	INDUCTOR, MICRO 330 5% 5% 5% 5%
1-608-428-00	•	INDUCTOR, MICRO 390 5% 5% 5% 5%
1-608-429-00	•	INDUCTOR, MICRO 470 5% 5% 5% 5%
1-410-116-11	•	INDUCTOR, MICRO 560 5% 5% 5% 5%
1-440-692-11	•	INDUCTOR, MICRO 680 5% 5% 5% 5%
1-440-693-11	•	INDUCTOR, MICRO 820 5% 5% 5% 5%
1-010-494-11	•	INDUCTOR, MICRO 1000 5% 5% 5% 5%

Part No. SP Description

WEISTONE

CARBON

1-249-383-11 # RES, CARBON 1.0 ST 1/6W
 1-249-385-11 # RES, CARBON 1.2 ST 1/6W
 1-249-387-11 # RES, CARBON 1.5 ST 1/6W
 1-249-388-11 # RES, CARBON 1.8 ST 1/6W
 1-249-389-11 # RES, CARBON 2.2 ST 1/6W

 1-249-386-11 # RES, CARBON 2.7 ST 1/6W
 1-249-387-11 # RES, CARBON 3.0 ST 1/6W
 1-249-388-11 # RES, CARBON 3.5 ST 1/6W
 1-249-389-11 # RES, CARBON 4.7 ST 1/6W
 1-249-390-11 # RES, CARBON 5.6 ST 1/6W

 1-249-391-11 # RES, CARBON 6.8 ST 1/6W
 1-249-392-11 # RES, CARBON 8.1 ST 1/6W
 1-249-393-11 # RES, CARBON 10 ST 1/6W
 1-249-394-11 # RES, CARBON 12 ST 1/6W
 1-249-395-11 # RES, CARBON 15 ST 1/6W

 1-249-396-11 # RES, CARBON 18 ST 1/6W
 1-249-397-11 # RES, CARBON 22 ST 1/6W
 1-249-398-11 # RES, CARBON 27 ST 1/6W
 1-249-399-11 # RES, CARBON 33 ST 1/6W
 1-249-400-11 # RES, CARBON 39 ST 1/6W

 1-249-401-11 # RES, CARBON 47 ST 1/6W
 1-249-402-11 # RES, CARBON 56 ST 1/6W
 1-249-403-11 # RES, CARBON 68 ST 1/6W
 1-249-404-11 # RES, METAL 75 ST 1/6W
 1-249-405-11 # RES, CARBON 85 ST 1/6W

 1-249-406-11 # RES, CARBON 100 ST 1/6W
 1-249-407-11 # RES, CARBON 120 ST 1/6W
 1-249-408-11 # RES, CARBON 150 ST 1/6W
 1-249-409-11 # RES, CARBON 180 ST 1/6W

 1-249-410-11 # RES, CARBON 210 ST 1/6W
 1-249-411-11 # RES, CARBON 240 ST 1/6W
 1-249-412-11 # RES, CARBON 280 ST 1/6W
 1-249-413-11 # RES, CARBON 330 ST 1/6W
 1-249-414-11 # RES, CARBON 360 ST 1/6W

 1-249-415-11 # RES, CARBON 400 ST 1/6W
 1-249-416-11 # RES, CARBON 450 ST 1/6W
 1-249-417-11 # RES, CARBON 500 ST 1/6W
 1-249-418-11 # RES, CARBON 550 ST 1/6W
 1-249-419-11 # RES, CARBON 600 ST 1/6W

 1-249-420-11 # RES, CARBON 650 ST 1/6W
 1-249-421-11 # RES, CARBON 700 ST 1/6W
 1-249-422-11 # RES, CARBON 750 ST 1/6W
 1-249-423-11 # RES, CARBON 800 ST 1/6W
 1-249-424-11 # RES, CARBON 850 ST 1/6W
 1-249-425-11 # RES, CARBON 900 ST 1/6W
 1-249-426-11 # RES, CARBON 950 ST 1/6W
 1-249-427-11 # RES, CARBON 1000 ST 1/6W

 1-249-430-11 # RES, CARBON 175 ST 1/6W
 1-249-431-11 # RES, CARBON 150 ST 1/6W
 1-249-432-11 # RES, CARBON 120 ST 1/6W
 1-249-433-11 # RES, CARBON 90 ST 1/6W
 1-249-434-11 # RES, CARBON 75 ST 1/6W

 1-249-435-11 # RES, CARBON 60 ST 1/6W
 1-249-436-11 # RES, CARBON 45 ST 1/6W
 1-249-437-11 # RES, CARBON 30 ST 1/6W
 1-249-438-11 # RES, CARBON 15 ST 1/6W
 1-249-439-11 # RES, CARBON 6.8 ST 1/6W

Part No. SP Description

1-249-440-11 # RES, CARBON 925 ST 1/6W
 1-249-441-11 # RES, CARBON 1000 ST 1/6W
 1-249-471-00 # RES, METAL 120K ST 1/6W
 1-249-473-00 # RES, METAL 150K ST 1/6W
 1-249-475-00 # RES, METAL 180K ST 1/6W

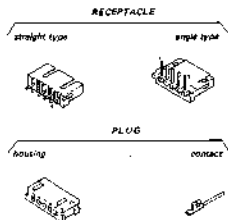
 1-249-477-00 # RES, METAL 220K ST 1/6W
 1-249-479-00 # RES, METAL 270K ST 1/6W
 1-249-481-00 # RES, METAL 330K ST 1/6W
 1-249-483-00 # RES, METAL 390K ST 1/6W
 1-249-485-00 # RES, METAL 470K ST 1/6W

 1-249-487-00 # RES, METAL 560K ST 1/6W
 1-249-489-00 # RES, METAL 680K ST 1/6W
 1-249-491-00 # RES, METAL 820K ST 1/6W
 1-249-493-00 # RES, METAL 1.0M ST 1/6W

Part No.	SP	Description	Part No.	SP	Description
METAL					
1-215-371-31	•	RES, METAL 10	1-215-433-00	•	RES, METAL 3.3K 12 1/6W
1-215-374-00	•	RES, METAL 11	1-215-434-00	•	RES, METAL 3.6K 12 1/6W
1-215-375-00	•	RES, METAL 12	1-215-435-00	•	RES, METAL 3.9K 12 1/6W
1-215-376-00	•	RES, METAL 13	1-215-436-00	•	RES, METAL 4.2K 12 1/6W
1-215-377-00	•	RES, METAL 15	1-215-437-00	•	RES, METAL 4.7K 12 1/6W
1-215-378-00	•	RES, METAL 16	1-215-438-00	•	RES, METAL 5.1K 12 1/6W
1-215-379-00	•	RES, METAL 18	1-215-439-00	•	RES, METAL 5.6K 12 1/6W
1-215-380-00	•	RES, METAL 20	1-215-441-00	•	RES, METAL 6.2K 12 1/6W
1-215-381-00	•	RES, METAL 22	1-215-442-00	•	RES, METAL 7.5K 12 1/6W
1-215-382-00	•	RES, METAL 24	1-215-443-00	•	RES, METAL 8.2K 12 1/6W
1-215-383-00	•	RES, METAL 27	1-215-444-00	•	RES, METAL 9.1K 12 1/6W
1-215-384-00	•	RES, METAL 30	1-215-445-00	•	RES, METAL 10K 12 1/6W
1-215-385-00	•	RES, METAL 33	1-215-446-00	•	RES, METAL 11K 12 1/6W
1-215-386-00	•	RES, METAL 36	1-215-447-00	•	RES, METAL 12K 12 1/6W
1-215-387-00	•	RES, METAL 39	1-215-448-00	•	RES, METAL 13K 12 1/6W
1-215-388-00	•	RES, METAL 43	1-215-449-00	•	RES, METAL 15K 12 1/6W
1-215-389-00	•	RES, METAL 47	1-215-450-00	•	RES, METAL 16K 12 1/6W
1-215-390-00	•	RES, METAL 51	1-215-451-00	•	RES, METAL 18K 12 1/6W
1-215-391-00	•	RES, METAL 56	1-215-452-00	•	RES, METAL 20K 12 1/6W
1-215-392-00	•	RES, METAL 62	1-215-453-00	•	RES, METAL 22K 12 1/6W
1-215-393-00	•	RES, METAL 68	1-215-454-00	•	RES, METAL 25K 12 1/6W
1-215-394-00	•	RES, METAL 75	1-215-455-00	•	RES, METAL 27K 12 1/6W
1-215-395-00	•	RES, METAL 82	1-215-456-00	•	RES, METAL 30K 12 1/6W
1-215-396-00	•	RES, METAL 91	1-215-457-00	•	RES, METAL 33K 12 1/6W
1-215-397-00	•	RES, METAL 100	1-215-458-00	•	RES, METAL 36K 12 1/6W
1-215-398-00	•	RES, METAL 110	1-215-459-00	•	RES, METAL 40K 12 1/6W
1-215-399-00	•	RES, METAL 120	1-215-460-00	•	RES, METAL 45K 12 1/6W
1-215-400-00	•	RES, METAL 130	1-215-461-00	•	RES, METAL 47K 12 1/6W
1-215-401-00	•	RES, METAL 150	1-215-462-00	•	RES, METAL 51K 12 1/6W
1-215-402-00	•	RES, METAL 160	1-215-463-00	•	RES, METAL 56K 12 1/6W
1-215-403-00	•	RES, METAL 180	1-215-464-00	•	RES, METAL 62K 12 1/6W
1-215-404-00	•	RES, METAL 200	1-215-465-00	•	RES, METAL 68K 12 1/6W
1-215-405-00	•	RES, METAL 220	1-215-466-00	•	RES, METAL 75K 12 1/6W
1-215-406-00	•	RES, METAL 240	1-215-467-00	•	RES, METAL 82K 12 1/6W
1-215-407-00	•	RES, METAL 270	1-215-468-00	•	RES, METAL 91K 12 1/6W
1-215-408-00	•	RES, METAL 300	1-215-469-00	•	RES, METAL 100K 12 1/6W
1-215-409-00	•	RES, METAL 330	1-215-470-00	•	RES, METAL 110K 12 1/6W
1-215-410-00	•	RES, METAL 360	1-215-471-00	•	RES, METAL 120K 12 1/6W
1-215-411-00	•	RES, METAL 390	1-215-472-00	•	RES, METAL 130K 12 1/6W
1-215-412-00	•	RES, METAL 430	1-215-473-00	•	RES, METAL 150K 12 1/6W
1-215-413-00	•	RES, METAL 470	1-215-474-00	•	RES, METAL 160K 12 1/6W
1-215-414-00	•	RES, METAL 510	1-215-475-00	•	RES, METAL 180K 12 1/6W
1-215-415-00	•	RES, METAL 560	1-215-476-00	•	RES, METAL 200K 12 1/6W
1-215-416-00	•	RES, METAL 620	1-215-477-00	•	RES, METAL 220K 12 1/6W
1-215-417-00	•	RES, METAL 680	1-215-478-00	•	RES, METAL 240K 12 1/6W
1-215-418-00	•	RES, METAL 750	1-215-479-00	•	RES, METAL 270K 12 1/6W
1-215-419-00	•	RES, METAL 820	1-215-480-00	•	RES, METAL 300K 12 1/6W
1-215-420-00	•	RES, METAL 910	1-215-481-00	•	RES, METAL 330K 12 1/6W
1-215-421-00	•	RES, METAL 1.0K 12 1/6W	1-215-482-00	•	RES, METAL 360K 12 1/6W
1-215-422-00	•	RES, METAL 1.1K 12 1/6W	1-215-483-00	•	RES, METAL 400K 12 1/6W
1-215-423-00	•	RES, METAL 1.2K 12 1/6W	1-215-484-00	•	RES, METAL 450K 12 1/6W
1-215-424-00	•	RES, METAL 1.3K 12 1/6W	1-215-485-00	•	RES, METAL 470K 12 1/6W
1-215-425-00	•	RES, METAL 1.5K 12 1/6W	1-215-486-00	•	RES, METAL 510K 12 1/6W
1-215-426-00	•	RES, METAL 1.6K 12 1/6W	1-215-487-00	•	RES, METAL 560K 12 1/6W
1-215-427-00	•	RES, METAL 1.8K 12 1/6W	1-215-488-00	•	RES, METAL 620K 12 1/6W
1-215-428-00	•	RES, METAL 2.0K 12 1/6W	1-215-489-00	•	RES, METAL 680K 12 1/6W
1-215-429-00	•	RES, METAL 2.2K 12 1/6W	1-215-490-00	•	RES, METAL 750K 12 1/6W
1-215-430-00	•	RES, METAL 2.4K 12 1/6W	1-215-491-00	•	RES, METAL 820K 12 1/6W
1-215-431-00	•	RES, METAL 2.7K 12 1/6W	1-215-492-00	•	RES, METAL 910K 12 1/6W
1-215-432-00	•	RES, METAL 3.0K 12 1/6W	1-215-493-00	•	RES, METAL 1.0K 12 1/6W

Part No.	SP	Description
CONNECTOR		
1-564-001-11	o	RECEPTACLE 20 MALE (STRAIGHT TYPE)
1-564-012-11	o	RECEPTACLE 30 MALE (ANGLE TYPE)
1-562-147-11	o	HOUSING 20
1-564-026-21	o	CONTACT AM24-30
1-564-681-21	o	CONTACT AM32
1-564-002-11	o	RECEPTACLE 32 MALE (STRAIGHT TYPE)
1-564-013-11	o	RECEPTACLE 32 MALE (ANGLE TYPE)
1-562-148-11	o	HOUSING 32
1-564-026-21	o	CONTACT AM24-30
1-564-681-21	o	CONTACT AM32
1-564-003-11	o	RECEPTACLE 40 MALE (STRAIGHT TYPE)
1-564-014-11	o	RECEPTACLE 40 MALE (ANGLE TYPE)
1-562-149-11	o	HOUSING 40
1-564-026-21	o	CONTACT AM24-30
1-564-681-21	o	CONTACT AM32
1-564-004-11	o	RECEPTACLE 50 MALE (STRAIGHT TYPE)
1-564-015-11	o	RECEPTACLE 50 MALE (ANGLE TYPE)
1-562-150-11	o	HOUSING 50
1-564-026-21	o	CONTACT AM24-30
1-564-681-21	o	CONTACT AM32
1-564-005-11	o	RECEPTACLE 60 MALE (STRAIGHT TYPE)
1-564-016-11	o	RECEPTACLE 60 MALE (ANGLE TYPE)
1-562-151-11	o	HOUSING 60
1-564-026-21	o	CONTACT AM24-30
1-564-681-21	o	CONTACT AM32
1-564-006-11	o	RECEPTACLE 70 MALE (STRAIGHT TYPE)
1-564-017-11	o	RECEPTACLE 70 MALE (ANGLE TYPE)
1-562-152-11	o	HOUSING 70
1-564-026-21	o	CONTACT AM24-30
1-564-681-21	o	CONTACT AM32
1-564-007-11	o	RECEPTACLE 80 MALE (STRAIGHT TYPE)
1-564-018-11	o	RECEPTACLE 80 MALE (ANGLE TYPE)
1-562-153-11	o	HOUSING 80
1-564-026-21	o	CONTACT AM24-30
1-564-681-21	o	CONTACT AM32
1-564-008-11	o	RECEPTACLE 90 MALE (STRAIGHT TYPE)
1-564-019-11	o	RECEPTACLE 90 MALE (ANGLE TYPE)
1-562-154-11	o	HOUSING 90
1-564-026-21	o	CONTACT AM24-30
1-564-681-21	o	CONTACT AM32
1-564-009-11	o	RECEPTACLE 100 MALE (STRAIGHT TYPE)
1-564-020-11	o	RECEPTACLE 100 MALE (ANGLE TYPE)
1-562-155-11	o	HOUSING 100
1-564-026-21	o	CONTACT AM24-30
1-564-681-21	o	CONTACT AM32
1-564-010-21	o	RECEPTACLE 110 MALE (STRAIGHT TYPE)
1-564-021-11	o	RECEPTACLE 110 MALE (ANGLE TYPE)
1-562-156-11	o	HOUSING 110
1-564-026-21	o	CONTACT AM24-30
1-564-681-21	o	CONTACT AM32
1-564-011-11	o	RECEPTACLE 120 MALE (STRAIGHT TYPE)
1-564-022-11	o	RECEPTACLE 120 MALE (ANGLE TYPE)
1-562-157-11	o	HOUSING 120
1-564-026-21	o	CONTACT AM24-30
1-564-681-21	o	CONTACT AM32

Part No.	SP	Description
1-564-683-11	o	RECEPTACLE 130 MALE (STRAIGHT TYPE)
1-564-713-11	o	RECEPTACLE 130 MALE (ANGLE TYPE)
1-562-1627-11	o	HOUSING 130
1-564-026-21	o	CONTACT AM24-30
1-564-681-21	o	CONTACT AM32
1-564-069-11	o	RECEPTACLE 140 MALE (STRAIGHT TYPE)
1-564-630-11	o	RECEPTACLE 140 MALE (ANGLE TYPE)
1-562-185-11	o	HOUSING 140
1-564-026-21	o	CONTACT AM24-30
1-564-681-21	o	CONTACT AM32
1-564-855-11	o	RECEPTACLE 150 MALE (STRAIGHT TYPE)
1-564-877-11	o	RECEPTACLE 150 MALE (ANGLE TYPE)
1-562-958-11	o	HOUSING 150
1-564-026-21	o	CONTACT AM24-30
1-564-681-21	o	CONTACT AM32



Ref No. Parts No. QP Description

AC-78A BOARD

53 1-612-704-11 PRINTED CIRCUIT BOARD, AC-78
 63 1-622-704-12 PRINTED CIRCUIT BOARD, AC-78

1-513-189-11 WOLDER, FUSE
 1-513-189-12 WOLDER, FUSE

1-136-185-00 FILM 0.22 20X 250V

1-564-241-00 FIB. 4P
 1-562-235-11 HOUSING, 4P
 1-562-210-11 CONTACT
 1-564-241-00 FIB. 4P
 1-562-237-11 HOUSING, 6P
 1-564-242-00 FIB. 5P
 1-562-236-11 HOUSING, 5P

1-532-330-00 WSE 150V 4A (for BK)
 1-532-744-11 WSE 125V 4A (for I/O)

1-218-937-00 CARROW IN SX 1/2W

S/N UP TO 14270 (EX)**AC-79 BOARD**

3) 1-611-802-11 PRINTED CIRCUIT BOARD, AC-79
 4) 1-611-802-12 PRINTED CIRCUIT BOARD, AC-79

1-136-185-00 FILM 0.22 20X 250V
 1-136-185-00 FILM 0.22 20X 250V
 1-136-185-00 FILM 0.22 20X 250V
 1-161-741-00 CERAMIC 0.001 10X 600V
 1-161-741-00 CERAMIC 0.001 10X 600V
 1-161-741-00 CERAMIC 0.001 10X 600V
 1-161-741-00 CERAMIC 0.001 10X 600V
 1-161-741-00 CERAMIC 0.001 10X 600V
 1-161-741-00 CERAMIC 0.001 10X 600V

1-421-963-11 LIME FILTER
 1-421-963-11 LIME FILTER

S/N 14273 AND HIGHER (EX)**AC-105 BOARD**

1-633-371-11 PRINTED CIRCUIT BOARD, AC-105

1-136-527-12 FILM 0.47 30X 250V

1-161-741-00 CERAMIC 0.001 10X 600V
 1-161-741-00 CERAMIC 0.001 10X 600V
 1-161-741-00 CERAMIC 0.001 10X 600V
 1-161-741-00 CERAMIC 0.001 10X 600V
 1-161-741-00 CERAMIC 0.001 10X 600V
 1-161-741-00 CERAMIC 0.001 10X 600V

1-421-964-11 LIME FILTER
 1-421-964-11 LIME FILTER
 1-421-964-11 LIME FILTER

Ref No. Parts No. QP Description

AU-83A BOARD

This board includes the DMS-71 board.

A-6113-207-A MOUNTED CIRCUIT BOARD, AU-83A

1-546-548-11 FIB. BOARD TO BOARD 1P (AU-83A to DMS-71)

1-122-532-00 ELECT 67 10X 15V
 1-109-481-61 FIBER 22DPE SX 500P
 1-142-289-31 CERAMIC 390PF 10X 50V
 1-231-251-00 TANTALUM 4.7 10X 25V
 1-131-338-00 TANTALUM 6.8 10X 25V

1-142-286-31 CERAMIC 22PF 10X 50V
 1-152-201-31 CERAMIC 22PF SX 50V
 1-131-348-00 TANTALUM 1.5 20X 25V
 1-151-373-00 TANTALUM 22 10X 16V
 1-151-342-00 TANTALUM 0.15 10X 35V

1-162-207-31 CERAMIC 22PF SX 50V
 1-124-917-11 ELECT 4.7 20X 50V
 1-123-213-00 ELECT 47 20X 16V
 1-131-331-00 TANTALUM 4.7 10X 25V
 1-162-207-31 CERAMIC 22PF SX 50V

1-139-373-00 TANTALUM 15 10X 16V
 1-162-294-31 CERAMIC 0.001 10X 50V
 1-131-373-00 TANTALUM 22 10X 16V
 1-162-207-31 CERAMIC 22PF SX 50V

1-124-921-11 ELECT 4.7 20X 50V
 1-131-348-00 TANTALUM 1.5 10X 35V
 1-131-373-00 TANTALUM 22 10X 16V
 1-162-289-31 CERAMIC 33PF 10X 50V
 1-124-101-11 ELECT 100 20X 16V

1-124-101-11 ELECT 100 20X 16V
 1-126-101-11 ELECT 100 20X 16V
 1-126-101-11 ELECT 100 20X 16V
 1-126-101-11 ELECT 100 20X 16V
 1-161-779-00 CERAMIC 0.01 30X 16V

1-126-161-11 ELECT 100 20X 16V
 1-161-779-00 CERAMIC 0.01 30X 16V

1-500-728-11 BOARD TO BOARD 12P (AU-83A to MS-77)
 1-500-728-11 BOARD TO BOARD 12P (AU-83A to MS-77)
 1-546-758-11 BOARD TO BOARD 12P (AU-83A to MS-77)

1-236-010-11 FILTER, LOW PASS
 1-236-010-11 FILTER, LOW PASS

8-779-901-33 185133
 8-719-901-33 185133
 8-719-109-91 RM-325-B
 8-719-901-33 185133
 8-719-109-91 RM-325-B

Parts that are not listed in the "reference number order list" are shown in the "General Purpose Electrical Parts List".

Ref No. Parts No. SF Description

D6 8-719-901-23 e 188133
D7 8-719-901-23 e 188133
D8 8-719-900-02 e 188133
D9 8-719-900-02 e 166-9
D10 8-719-901-23 e 188133

D11 8-719-901-23 e 188133
D14 8-719-901-23 e 188133
D15 8-719-901-23 e 188133
D16 8-719-901-23 e 188133
D19 8-719-901-23 e 188133

IC3 8-759-981-57 e M626430-D(RAYTHEON)
IC2 8-759-981-96 e M64560D(RAYTHEON)
IC3 8-759-981-96 e M64560D(RAYTHEON)
IC4 8-759-981-91 e M64558D(RAYTHEON)
IC5 8-759-981-90 e M64558D-D(RAYTHEON)

IC6 8-759-981-96 e M64560D(RAYTHEON)
213227 8-720-902-92 e TX-439K(SOMTE)
213227 8-720-901-23 e TX-439K(SOMTE)
211109 8-720-902-92 e TX-439K(SOMTE)
222128 8-760-001-09 e TX-439K(SOMTE)
IC11 8-759-982-82 e M64560-D(RAYTHEON)

LV1 1-407-305-90 e MICRO 25m
LV2 1-407-307-90 e MICRO 35m
LV3 1-407-305-90 e MICRO 27m
LV4 1-407-305-90 e MICRO 27m
LV5 1-459-512-00 e VAR 20m

LV102 1-407-307-90 e MICRO 35m
LV103 1-407-307-90 e MICRO 35m

Q1 8-729-178-55 e 28C2785
Q2 8-729-178-55 e 28C2785
Q3 8-729-177-54 e 28A1175
Q4 8-729-178-54 e 28C2785-B
Q5 8-729-178-54 e 28C2785

Q6 8-729-105-72 e 28E513-L1
Q7 8-729-178-54 e 28C2785
Q8 8-729-177-54 e 28A1175
Q9 8-729-900-65 e DPA14483
Q10 8-729-178-54 e 28C2785

Q11 8-729-178-54 e 28C2785
Q14 8-729-178-54 e 28A1175
Q15 8-729-178-54 e 28C2785
Q16 8-729-178-54 e 28C2785
Q17 8-729-900-89 e DPG14483

Q18 8-729-178-54 e 28C2785
Q19 8-729-201-05 e 28C2878-B
Q20 8-729-178-54 e 28C2785
Q21 8-729-178-54 e 28C2785
Q22 8-729-178-54 e 28C2785

Q23 8-729-178-54 e 28C2785
Q24 8-729-117-54 e 28A1175
Q25 8-729-201-05 e 28C2878-B
Q26 8-729-900-89 e DPG14483
Q27 8-729-900-85 e DPA14483

Q28 8-729-900-89 e DPG14483
Q29 8-729-201-05 e 28C2878-B
Q30 8-729-117-54 e 28A1175
Q31 8-729-178-54 e 28C2785
Q32 8-729-900-85 e DPA14483

Q33 8-729-900-89 e DPG14483

Ref No. Parts No. SF Description

R17 1-247-883-00 e CARBON 150k 5% 1/6W
R17 1-249-004-00 e CARBON 5% 2 1/6W
R18 1-247-883-00 e CARBON 150k 5% 1/6W
R17 1-247-887-00 e CARBON 110k 5% 1/6W
R17 1-247-883-00 e CARBON 150k 5% 1/6W

R65 1-247-887-00 e CARBON 220k 5% 1/6W
R84 1-247-883-00 e CARBON 5.6k 5% 1/6W
R96 1-247-883-00 e CARBON 150k 5% 1/6W
R94 1-247-883-00 e CARBON 150k 5% 1/6W
R109 1-247-895-00 e CARBON 470k 5% 1/6W

R115 1-247-887-00 e CARBON 220k 5% 1/6W
R119 1-247-883-00 e CARBON 180k 5% 1/6W
R160 1-247-883-00 e CARBON 180k 5% 1/6W
R112 1-247-883-00 e CARBON 150k 5% 1/6W
R143 1-247-883-00 e CARBON 150k 5% 1/6W

RV1 1-278-993-00 e VAR. CARBON 4.7k
RV2 1-278-993-00 e VAR. CARBON 4.7k
RV3 1-278-998-00 e VAR. CARBON 270k
RV4 1-278-993-00 e VAR. CARBON 4.7k
RV5 1-278-998-00 e VAR. CARBON 47k

RV6 1-278-998-00 e VAR. CARBON 4.7k
RV7 1-278-998-00 e VAR. CARBON 47k
RV8 1-278-998-00 e VAR. CARBON 10k
RV9 1-278-998-00 e VAR. CARBON 270k
RV10 1-278-998-00 e VAR. CARBON 4.7k

RV11 1-278-998-00 e VAR. CARBON 4.7k
RV12 1-278-998-00 e VAR. CARBON 7.2k

II 1-027-204-00 e ODIFU7

AU-84A ITEMS

This board includes the DUS-71 and HH-77 boards.

A-6719-288-A e MOUNTED CIRCUIT BOARD, AU-84A

1-564-346-11 e PIN. BOARD TO BOARD OF (AU-84A to DUS-71)

C1 1-123-232-00 e RESIST 47 20K 10W
C2 1-109-681-63 e MICA 220PP 5% 50W
C3 1-103-789-73 e CERAMIC 390PP 10% 50W
C5 1-131-334-00 e TANTALUM 4.7 40% 25W
C6 1-131-338-00 e TANTALUM 6.8 10% 25W

C10 1-103-286-31 e CERAMIC 220PP 10% 50W
C11 1-103-203-31 e CERAMIC 22PP 5% 50W
C14 1-131-338-00 e TANTALUM 2.5 20% 25W
C26 1-131-347-00 e TANTALUM 1.5 10% 15W
C32 1-131-343-00 e TANTALUM 0.15 10% 25W

Parts that are not listed in the "Reference number order list" are shown in the "General Purpose Electrical Parts List".

Part No.	Part No.	SP	Description	Part No.	Part No.	SP	Description
C34	1-126-101-11	•	ELECT 100 202 16V	IC1	8-759-981-57	•	ECN040-D-0(RAYTHEON)
C37	1-162-207-31	•	CERAMIC 22PF 5% 50V	IC2	8-759-981-96	•	ECM560M(RAYTHEON)
C46	1-126-927-11	•	ELECT 4.7 202 50V	IC3	8-759-981-86	•	ED-14831A(SMVT)
C47	1-125-237-00	•	ELECT 47 202 16V	IC4	8-759-981-91	•	ECM550M(RAYTHEON)
C48	1-131-351-00	•	TANTALUM 0.7 102 25V	IC5	8-759-981-90	•	ECM550-D-0(RAYTHEON)
C50	1-162-207-21	•	CERAMIC 22PF 5% 50V	IC6	8-759-981-96	•	ECM560M(RAYTHEON)
C55	1-131-275-00	•	TANTALUM 15 102 16V	21)IC7	8-720-002-92	•	TX-219M(SMVT)
C57	1-162-294-31	•	CERAMIC 0.001 102 50V	22)IC7	8-766-001-69	•	TX-429M(SMVT)
C60	1-131-267-00	•	TANTALUM 27 102 16V	23)IC8	8-798-002-92	•	TX-429M(SMVT)
C61	1-162-207-31	•	CERAMIC 22PF 5% 50V	23)IC8	8-766-001-69	•	TX-429M(SMVT)
C64	1-126-927-11	•	ELECT 4.7 202 50V	IC9	8-759-981-21	•	EC7520A(RAYTHEON)
C65	1-131-361-00	•	TANTALUM 2.2 102 20V	IC10	8-759-981-44	•	EC7520A(RAYTHEON)
C66	1-131-367-00	•	TANTALUM 22 102 16V	IC11	8-759-981-01	•	ECM56 ZD-D(RAYTHEON)
C73	1-126-103-11	•	ELECT 470 202 16V				
C74	1-126-103-11	•	ELECT 470 202 16V				
C75	1-126-101-11	•	ELECT 100 202 16V	LV1	1-407-305-00	•	MICRO 22M
C76	1-126-101-11	•	ELECT 100 202 16V	LV2	1-407-307-00	•	MICRO 35M
C77	1-126-104-11	•	ELECT 100 202 16V	LV3	1-407-305-00	•	MICRO 22M
C78	1-126-101-11	•	ELECT 100 202 16V	LV4	1-407-305-00	•	MICRO 22M
23 C81	1-167-288-31	•	CERAMIC 330PF 102 50V	13)LV5	1-407-305-00	•	VAR 22M
				14)LV5	1-407-312-00	•	VAR 20M
CM4	1-583-885-11	•	BOARD TO BOARD 12P (HM-77 to AU-83A)	LV202	1-407-307-00	•	MICRO 35M
CM6	1-506-592-11	•	FIN, BOARD TO BOARD AF (AU-84A to HM-77)	LV203	1-407-307-00	•	MICRO 35M
CM8	1-564-549-11	•	FIN, BOARD TO BOARD 10P (AU-84A to HM-77)				
CM5	1-363-885-11	•	BOARD TO BOARD 12P (HM-77 to AU-83A)	Q1	8-120-178-35	•	28C2785
CM5	1-364-349-11	•	FIN, BOARD TO BOARD 10P (AU-84A to HM-77)	Q2	8-120-178-55	•	28C2785
CM6	1-563-885-11	•	BOARD TO BOARD 12P (HM-77 to AU-83A)	Q3	8-120-117-54	•	28A1175
CM6	1-506-592-11	•	FIN, BOARD TO BOARD AF (AU-84A to HM-77)	Q4	8-120-201-05	•	28C2878-B
CM6	1-564-549-11	•	FIN, BOARD TO BOARD 10P (AU-84A to HM-77)	Q5	8-120-178-54	•	28C2785
CM107	1-506-747-21	•	FIN, DIM(DIP) 64P	Q6	8-120-105-72	•	28M523-11
				Q7	8-120-178-54	•	28C2785
				Q8	8-120-178-54	•	28A1175
				Q9	8-120-900-85	•	UTM3448B
				Q10	8-120-178-54	•	28C2785
				Q11	8-120-178-54	•	28C2785
CP1	1-256-010-11	•	FILTER, LOW PASS	Q14	8-120-117-54	•	28A1175
CP2	1-256-010-11	•	FILTER, LOW PASS	Q15	8-120-178-54	•	28C2785
				Q16	8-120-178-54	•	28C2785
				Q17	8-120-900-89	•	UTM3448B
D1	8-719-901-33	•	18S133	Q18	8-120-178-54	•	28C2785
D2	8-719-901-33	•	18S133	Q19	8-120-201-05	•	28C2878-B
D3	8-719-109-61	•	RM2.2E8-B	Q20	8-120-178-54	•	28C2785
D4	8-719-901-33	•	18S133	Q21	8-120-178-54	•	28C2785
D5	8-719-109-61	•	RM2.2E8-B	Q22	8-120-178-54	•	28C2785
D6	8-719-901-33	•	18S133	Q23	8-120-178-54	•	28C2785
D7	8-719-901-33	•	18S133	Q24	8-120-117-54	•	28A1175
D8	8-719-109-61	•	10E-2	Q25	8-120-201-05	•	28C2878-B
D9	8-719-109-61	•	10E-2	Q26	8-120-178-54	•	28C2785
D10	8-719-901-33	•	18S133	Q30	8-120-117-54	•	28A1175
D11	8-719-901-33	•	18S133	Q31	8-120-178-54	•	28C2785
D12	8-719-901-33	•	18S133	Q32	8-120-113-32	•	28D333
D13	8-719-901-33	•	18S133	Q33	8-120-178-54	•	28C2785
D15	8-719-109-61	•	RM2.2E8-B	Q34	8-120-117-54	•	28A1175
D16	8-719-109-61	•	RM2.2E8-B	Q35	8-120-177-52	•	28D333
D17	8-719-109-61	•	RM2.2E8-B	Q36	8-120-900-85	•	UTM3448B
D18	8-719-901-33	•	18S133	Q37	8-120-900-89	•	UTM3448B
D19	8-719-901-33	•	18S133	Q38	8-120-900-85	•	UTM3448B
				Q39	8-120-900-89	•	UTM3448B

Parts that are not listed in the "reference number order list" are shown in the "General Purpose Electrical Parts List".

Ref No.	Parts No.	QTY	Description
R12	1-247-883-00	1	CARBON 150K 5% 1/6W
R17	1-249-604-00	1	CARBON 81 5% 1/6W
R18	1-247-883-00	1	CARBON 150K 5% 1/6W
R22	1-247-887-00	1	CARBON 270K 5% 1/6W
R57	1-247-883-00	1	CARBON 150K 5% 1/6W
R65	1-240-887-00	1	CARBON 220K 5% 1/6W
R84	1-247-883-00	1	CARBON 150K 5% 1/6W
R86	1-247-849-00	1	CARBON 5.4K 5% 1/6W
R94	1-247-883-00	1	CARBON 150K 5% 1/6W
R109	1-247-895-00	1	CARBON 470K 5% 1/6W
R115	1-247-887-00	1	CARBON 220K 5% 1/6W
R153	1-247-885-00	1	CARBON 180K 5% 1/6W
R154	1-247-883-00	1	CARBON 150K 5% 1/6W
R157	1-247-883-00	1	CARBON 150K 5% 1/6W
R158	1-247-885-00	1	CARBON 180K 5% 1/6W
R71	1-228-993-00	1	VAR, CARBON 4.7K
R72	1-228-993-00	1	VAR, CARBON 4.7K
R73	1-228-998-00	1	VAR, CARBON 220K
R74	1-228-993-00	1	VAR, CARBON 4.7K
R75	1-228-998-00	1	VAR, CARBON 47K
R96	1-230-726-11	1	VAR, CARBON 4.7K
R97	1-228-996-00	1	VAR, CARBON 47K
R98	1-230-496-11	1	VAR, CARBON 10K
R99	1-230-500-11	1	VAR, CARBON 220K
R10	1-230-726-11	1	VAR, CARBON 4.7K
R111	1-230-726-11	1	VAR, CARBON 4.7K
R112	1-230-719-11	1	VAR, CARBON 2.2K
T1	1-427-284-00	1	TRANSFORMER, OUTPUT

AU-85A BOARD

A-6713-269-A 1 MOUNTED CIRCUIT BOARD, AU-85A

C1	1-131-360-91	1	TANTALUM 15 10% 25V
C2	1-131-351-00	1	TANTALUM 4.7 10% 25V
C4	1-131-360-91	1	TANTALUM 15 10% 25V
C5	1-131-351-00	1	TANTALUM 4.7 10% 25V
C7	1-131-343-00	1	TANTALUM 0.22 10% 35V
C9	1-131-377-00	1	TANTALUM 15 10% 16V
C10	1-131-351-00	1	TANTALUM 4.7 10% 25V
C15	1-161-378-00	1	CERAMIC 0.01 30% 16V
C24	1-131-365-00	1	TANTALUM 10 10% 16V
C27	1-131-372-00	1	TANTALUM 15 10% 16V
C28	1-131-372-00	1	TANTALUM 15 10% 16V
C29	1-131-365-00	1	TANTALUM 10 10% 16V
C31	1-124-912-11	1	ELECT 4.7 20% 50V
C33	1-131-372-00	1	TANTALUM 15 10% 16V
C34	1-131-351-00	1	TANTALUM 4.7 10% 25V
C39	1-161-379-00	1	CERAMIC 0.01 30% 16V
C47	1-123-332-00	1	ELECT 4.7 20% 16V
C49	1-131-365-00	1	TANTALUM 10 10% 16V
C50	1-131-372-00	1	TANTALUM 15 10% 16V
C51	1-131-372-00	1	TANTALUM 15 10% 16V
C52	1-131-365-00	1	TANTALUM 10 10% 16V

Ref No.	Parts No.	QTY	Description
C55	1-131-351-00	1	TANTALUM 4.7 10% 25V
C56	1-131-351-00	1	TANTALUM 4.7 10% 25V
C57	1-124-912-11	1	ELECT 4.7 20% 50V
C73	1-131-343-00	1	TANTALUM 0.22 10% 35V
C73	1-131-343-00	1	TANTALUM 0.22 10% 35V
C68	1-124-912-11	1	ELECT 4.7 20% 50V
C70	1-162-286-31	1	CERAMIC 220PF 10% 50V
C70	1-162-286-31	1	CERAMIC 220PF 10% 50V
C70	1-162-286-31	1	CERAMIC 220PF 10% 50V
C70	1-162-286-31	1	CERAMIC 220PF 10% 50V
C70	1-162-286-31	1	CERAMIC 220PF 10% 50V
C111	1-162-286-31	1	CERAMIC 220PF 10% 50V
C112	1-161-379-00	1	CERAMIC 0.01 30% 16V
C113	1-162-286-31	1	CERAMIC 220PF 10% 50V
C114	1-129-718-00	1	FILM 0.022 1% 630V
C115	1-131-358-00	1	TANTALUM 2.2 10% 25V
C116	1-131-373-00	1	TANTALUM 22 10% 16V
C119	1-162-286-31	1	CERAMIC 220PF 10% 50V
C121	1-162-286-31	1	CERAMIC 220PF 10% 50V
C122	1-162-286-31	1	CERAMIC 220PF 10% 50V
C126	1-162-286-31	1	CERAMIC 220PF 10% 50V
C129	1-162-286-31	1	CERAMIC 220PF 10% 50V
C130	1-162-286-31	1	CERAMIC 220PF 10% 50V
C131	1-129-718-00	1	FILM 0.022 1% 630V
C132	1-131-358-00	1	TANTALUM 3.3 10% 25V
C135	1-131-373-00	1	TANTALUM 22 10% 16V
C136	1-162-286-31	1	CERAMIC 220PF 10% 50V
C138	1-162-286-31	1	CERAMIC 220PF 10% 50V
C139	1-131-352-00	1	TANTALUM 4.8 10% 25V
C140	1-162-286-31	1	CERAMIC 47PF 5% 20V
C143	1-162-286-31	1	CERAMIC 220PF 10% 50V
C144	1-162-286-31	1	CERAMIC 220PF 10% 50V
C145	1-161-379-00	1	CERAMIC 0.01 30% 16V
C146	1-162-286-31	1	CERAMIC 0.01 30% 16V
C149	1-162-286-31	1	CERAMIC 220PF 10% 50V
C151	1-162-286-31	1	CERAMIC 220PF 10% 50V
C152	1-162-286-31	1	CERAMIC 180PF 10% 50V
C153	1-131-352-00	1	TANTALUM 4.8 10% 25V
C154	1-162-286-31	1	CERAMIC 47PF 5% 20V
C157	1-162-286-31	1	CERAMIC 220PF 10% 50V
C158	1-162-286-31	1	CERAMIC 220PF 10% 50V
C159	1-161-379-00	1	CERAMIC 0.01 30% 16V
C162	1-169-481-61	1	WGA 220PF 5% 50V
C163	1-169-481-61	1	WGA 220PF 5% 50V
C164	1-162-286-31	1	CERAMIC 220PF 10% 50V
C165	1-161-379-00	1	CERAMIC 0.01 30% 16V
C166	1-162-286-31	1	CERAMIC 47PF 5% 20V
C167	1-162-286-31	1	CERAMIC 47PF 5% 20V
C168	1-162-286-31	1	CERAMIC 0.01 30% 16V
C189	1-161-379-00	1	CERAMIC 0.01 30% 16V
C200	1-124-103-11	1	ELECT 470 20% 16V
C201	1-124-103-11	1	ELECT 470 20% 16V
CU109	1-566-747-21	1	FIL, DIS(DIP) 64P
D1	8-719-903-33	1	LS1133
D2	8-719-903-33	1	LS1133
D3	8-719-903-33	1	LS1133
D4	8-719-903-33	1	LS1133
D5	8-719-903-33	1	LS1133

Parts that are not listed in the "Reference number order list" are shown in the "General Purpose Electrical Parts List".

Ref No.	Part No.	SP	Description	Ref No.	Part No.	SP	Description
D6	8-719-109-91	+	864-125-B	Q116	8-729-117-54	+	15A1175
D7	8-719-109-91	+	864-225-B	Q117	8-729-117-54	+	15C1175
D8	8-719-901-33	+	15S133	Q118	8-729-905-54	+	18D1055-R
D9	8-719-901-35	+	15S133	Q119	8-729-952-52	+	15E122
D10	8-719-901-33	+	15S133	Q120	8-729-117-54	+	15A1175
D11	8-719-901-33	+	15S133	1910J71	8-729-201-05	+	15C2878-B
D17	8-719-901-33	+	15S133	201QJ21	8-729-107-64	+	15C3623A-L
D13	8-719-901-33	+	15S133	1910J22	8-729-201-05	+	15C2878-B
D14	8-719-901-33	+	15S133	201QJ32	8-729-107-64	+	15C3623A-L
D101	8-719-901-33	+	15S133	Q123	8-729-178-54	+	15C2785
D102	8-719-901-33	+	15S133	Q124	8-729-117-54	+	15A1175
IC1	8-759-132-76	+	EC5040133P(WOGBIHA)	Q125	8-729-201-05	+	15C2878-B
IC2	8-759-132-40	+	UPC324C(MSC)	Q126	8-729-201-05	+	15C2878-B
IC3	8-759-132-40	+	UPC324C(MSC)	Q127	8-729-178-54	+	15C2785
IC4	8-759-969-13	+	SN16113P(T1)	Q128	8-729-117-54	+	15A1175
IC5	8-759-969-13	+	SN16113P(T1)	Q129	8-729-178-54	+	15C2785
IC6	8-759-969-13	+	SN16113P(T1)	Q130	8-729-905-53	+	15D1055-B
IC7	8-759-969-13	+	SN16113P(T1)	Q131	8-729-982-32	+	15E122
IC8	8-759-132-40	+	UPC324C(MSC)	Q132	8-729-178-54	+	15C2785
IC101	8-759-981-98	+	RD4580D(RAYTHEON)	Q133	8-729-117-54	+	15A1175
IC102	8-759-981-98	+	RD4580D(RAYTHEON)	Q134	8-729-201-05	+	15C2878-B
LI	1-459-155-00	+	(WITH CORE) 4S	Q135	8-729-201-05	+	15C2878-B
LVI	1-407-346-00	+	MICRO 26mE	Q136	8-729-178-54	+	15C2785
LVI	1-407-346-00	+	MICRO 26mE	Q137	8-729-117-54	+	15A1175
LVI	1-407-346-00	+	MICRO 26mE	Q138	8-729-178-54	+	15C2785
LVI	1-407-346-00	+	MICRO 26mE	Q139	8-729-905-53	+	15D1055-B
LVI	1-407-346-00	+	MICRO 26mE	Q140	8-729-982-32	+	15E122
LVI	1-407-346-00	+	MICRO 26mE	Q141	8-729-900-74	+	15C1631B
LVI	1-407-346-00	+	MICRO 26mE	Q142	8-729-178-54	+	15C2785
LVI	1-407-346-00	+	MICRO 26mE	R6	1-247-849-00	+	CARBON 5.6K 3X 1/6W
Q1	8-729-900-89	+	DTC144E6	R12	1-247-849-00	+	CARBON 5.6K 3X 1/6W
Q2	8-729-900-89	+	DTC144E6	R22	1-247-849-00	+	CARBON 120K 3X 1/6W
Q3	8-729-900-89	+	DTC144E6	R24	1-247-849-00	+	CARBON 120K 3X 1/6W
Q4	8-729-900-89	+	DTC144E6	R25	1-247-849-00	+	CARBON 1.5K 3X 1/6W
Q5	8-729-117-54	+	15A1175	R26	1-247-849-00	+	CARBON 5.6K 3X 1/6W
Q6	8-729-117-54	+	15A1175	R28	1-247-849-00	+	CARBON 5.6K 3X 1/6W
Q7	8-729-900-89	+	DTC144E6	R31	1-247-849-00	+	CARBON 120K 3X 1/6W
Q8	8-729-117-54	+	15A1175	R49	1-247-849-00	+	CARBON 120K 3X 1/6W
Q9	8-729-117-54	+	15A1175	R45	1-247-849-00	+	CARBON 470K 3X 1/6W
Q10	8-729-201-05	+	15C2878-B	R46	1-247-849-00	+	CARBON 1.5K 3X 1/6W
Q11	8-729-178-54	+	15C2785	R47	1-247-849-00	+	CARBON 5.6K 3X 1/6W
Q12	8-729-178-54	+	15C2785	R49	1-247-849-00	+	CARBON 5.6K 3X 1/6W
Q13	8-729-900-89	+	DTC144E6	R50	1-247-849-00	+	CARBON 5.6K 3X 1/6W
Q14	8-729-178-54	+	15C2785	R60	1-247-849-00	+	CARBON 5.6K 3X 1/6W
Q15	8-729-178-54	+	15C2785	R61	1-247-849-00	+	CARBON 120K 3X 1/6W
Q16	8-729-178-54	+	15C2785	R62	1-247-849-00	+	CARBON 120K 3X 1/6W
Q17	8-729-905-53	+	15D1055-R	R65	1-247-849-00	+	CARBON 120K 3X 1/6W
Q18	8-729-982-32	+	15E122	R66	1-247-849-00	+	CARBON 120K 3X 1/6W
Q19	8-729-117-54	+	15A1175	R67	1-247-849-00	+	CARBON 120K 3X 1/6W
1910J10	8-729-201-05	+	15C2878-B	R72	1-247-849-00	+	CARBON 120K 3X 1/6W
201QJ10	8-729-107-64	+	15C3623A-L	R75	1-247-849-00	+	CARBON 120K 3X 1/6W
1910J11	8-729-201-05	+	15C2878-B	R77	1-247-755-11	+	CARBON 1.5K 3X 1/2W
201QJ11	8-729-107-64	+	15C3623A-L	R81	1-247-849-00	+	CARBON 5.6K 3X 1/6W
Q112	8-729-178-54	+	15C2785	R82	1-247-849-00	+	CARBON 120K 3X 1/6W
				R83	1-247-849-00	+	CARBON 120K 3X 1/6W
				R84	1-247-849-00	+	CARBON 220K 3X 1/6W
				R88	1-247-849-00	+	CARBON 120K 3X 1/6W
				R109	1-247-849-00	+	CARBON 470K 3X 1/6W
				R116	1-249-480-11	+	CARBON 3.3 3X 1/2W

Parts that are not listed in the "reference number order list" are shown in the "General Purpose Electrical Parts List".

Ref No.	Part No.	SP	Description
R117	1-249-480-11	α	CARBON 3.3 5% 1/2W
R132	1-247-995-00	α	CARBON 470K 5% 1/6W
R141	1-249-480-11	α	CARBON 3.3 5% 1/2W
R142	1-249-480-11	α	CARBON 3.3 5% 1/2W
R150	1-247-887-00	α	CARBON 220K 5% 1/6W
R167	1-249-480-11	α	CARBON 3.3 5% 1/2W
R168	1-249-480-11	α	CARBON 3.3 5% 1/2W
R177	1-247-987-00	α	CARBON 220K 5% 1/6W
R187	1-249-480-11	α	CARBON 3.3 5% 1/2W
R188	1-249-480-11	α	CARBON 3.3 5% 1/2W
R199	1-247-887-00	α	CARBON 220K 5% 1/6W
R200	1-247-731-11	α	CARBON 22 5% 1/2W
R205	1-247-887-00	α	CARBON 220K 5% 1/6W
R206	1-247-731-11	α	CARBON 22 5% 1/2W

R31	1-228-998-00	α	VAR, CARBON 220K
R32	1-228-998-00	α	VAR, CARBON 220K
R33	1-228-998-00	α	VAR, CARBON 220K
R34	1-228-998-00	α	VAR, CARBON 10
R35	1-228-998-00	α	VAR, CARBON 47K
R36	1-228-998-00	α	VAR, CARBON 22K
R37	1-228-998-00	α	VAR, CARBON 1K
R38	1-228-998-00	α	VAR, CARBON 4.7K
R39	1-228-998-00	α	VAR, CARBON 8.2K
R310	1-228-998-00	α	VAR, CARBON 47K
R311	1-228-998-00	α	VAR, CARBON 47K
R312	1-230-500-11	α	VAR, CARBON 220K
R313	1-230-500-11	α	VAR, CARBON 220K
R314	1-230-500-11	α	VAR, CARBON 220K
R315	1-230-500-11	α	VAR, CARBON 470K
R316	1-230-500-11	α	VAR, CARBON 220K
R317	1-230-500-11	α	VAR, CARBON 470K

AU-87 BOARD

A-8713-283-A α MOUNTED CIRCUIT BOARD, AU-87

C1	1-162-294-51	α	CERAMIC 0.001 10X 50V
C2	1-162-297-31	α	CERAMIC 22PF 5% 50V
C3	1-124-445-00	α	ELECT 100 30X 16V
C4	1-124-445-00	α	ELECT 100 30X 16V
C5	1-124-445-00	α	ELECT 100 30X 16V
C6	1-162-297-31	α	CERAMIC 22PF 5% 50V
C7	1-124-284-00	α	ELECT 10 20X 16V
C8	1-162-297-31	α	CERAMIC 22PF 5% 50V
C9	1-124-445-00	α	ELECT 100 30X 16V
C10	1-124-284-00	α	ELECT 10 20X 16V
C11	1-162-297-31	α	CERAMIC 22PF 5% 50V
C12	1-124-284-00	α	ELECT 10 20X 16V
C13	1-162-297-31	α	CERAMIC 22PF 5% 50V
C14	1-124-445-00	α	ELECT 100 30X 16V
C15	1-124-284-00	α	ELECT 10 20X 16V
C16	1-162-297-31	α	CERAMIC 22PF 5% 50V
C17	1-124-284-00	α	ELECT 10 20X 16V
C18	1-162-297-31	α	CERAMIC 22PF 5% 50V
C19	1-124-284-00	α	ELECT 10 20X 16V
C20	1-124-284-00	α	ELECT 10 20X 16V
C21	1-124-284-00	α	ELECT 10 20X 16V
C22	1-124-445-00	α	ELECT 100 30X 16V
C23	1-162-297-31	α	CERAMIC 0.01 30X 16V
C24	1-124-445-00	α	ELECT 100 30X 16V
C25	1-162-297-31	α	CERAMIC 0.01 30X 16V

Ref No.	Part No.	SP	Description
D304	8-719-901-33	α	15B133
D307	8-719-901-33	α	15B133
D308	8-719-200-01	α	10E-2
D309	8-719-200-01	α	10E-2
D305	8-719-901-33	α	15B133
D365	8-719-901-33	α	15B133
D367	8-719-901-33	α	15B133
D368	8-719-901-33	α	15B133
D369	8-719-109-68	α	805-868-B1
D301	8-719-110-05	α	806-723-B
D302	8-719-110-11	α	809-125-B1
D303	8-719-110-23	α	809-125-B2
D304	8-719-109-58	α	802-125-B

IC1	8-759-932-62	α	MC5628B-D (RAYTHEON)
IC100	8-759-982-02	α	MC5628B-D (RAYTHEON)
IC101	8-759-982-02	α	MC5628B-D (RAYTHEON)
IC102	8-759-204-08	α	TC5451BFBP (TOSHIBA)

L1	1-407-519-00	α	5mH
L2	1-407-519-00	α	5mH

Q101	8-729-306-92	α	2SD669A
Q102	8-729-306-92	α	2SD669A
Q103	8-729-117-54	α	2SA1175
Q104	8-729-201-05	α	2SC2878-B
Q105	8-729-306-92	α	2SD669A
Q106	8-729-306-92	α	2SD669A
Q107	8-729-201-05	α	2SC2878-B
Q108	8-729-117-54	α	2SA1175
Q109	8-729-306-92	α	2SD669A
Q110	8-729-306-92	α	2SD669A
Q111	8-729-201-05	α	2SC2878-B
Q112	8-729-117-54	α	2SA1175
Q113	8-729-201-05	α	2SC2878-B
Q114	8-729-117-54	α	2SA1175
Q201	8-729-372-92	α	2SB739

Q202	8-729-378-82	α	2SD788
Q203	8-729-378-82	α	2SD788
Q204	8-729-372-92	α	2SB739
Q205	8-729-378-82	α	2SD788
Q206	8-729-372-92	α	2SB739

R100	1-247-227-11	α	CARBON 10 5% 1/2W
R109	1-247-227-11	α	CARBON 10 5% 1/2W
R110	1-248-470-11	α	CARBON 2.7 5% 1/2W
R120	1-247-227-11	α	CARBON 10 5% 1/2W
R121	1-247-227-11	α	CARBON 10 5% 1/2W

R122	1-249-479-11	α	CARBON 2.7 5% 1/2W
R131	1-247-227-11	α	CARBON 10 5% 1/2W
R132	1-247-227-11	α	CARBON 10 5% 1/2W
R133	1-249-479-11	α	CARBON 2.7 5% 1/2W
R202	1-247-264-11	α	CARBON 10K 5% 1/2W

R204	1-247-760-11	α	CARBON 4.7K 5% 1/2W
R205	1-247-745-11	α	CARBON 330 5% 1/2W
R206	1-247-764-11	α	CARBON 10K 5% 1/2W
R212	1-247-745-11	α	CARBON 330 5% 1/2W

Parts that are not listed in the "reference number order list" are shown in the "General Purpose Electrical Parts List".

Ref No.	Part No.	SP	Description
RY1	1-228-995-00	*	VAR. CAPAC. 4.7K
RY2	1-228-995-00	*	VAR. CAPAC. 4.7K
RY3	1-228-995-00	*	VAR. CAPAC. 22K
S1	1-552-534-21	*	SLIDE
S2	1-552-534-21	*	SLIDE

T1	1-427-583-11	*	TRNPF/OUTPUT
T2	1-427-583-11	*	INPUT/OUTPUT
T301	1-427-586-11	*	INPUT/OUTPUT
T102	1-427-586-11	*	INPUT/OUTPUT
T103	1-427-586-11	*	INPUT/OUTPUT

NO-1 BOARD

A-6725-572-A * POWERED CIRCUIT BOARD, PC-11

193C103	1-124-845-00	*	SELECT 100 20% 16V
203C100	1-124-120-11	*	SELECT 220 20% 25V
G103	1-161-379-00	*	CERAMIC .01 30% 16V
C106	1-162-282-31	*	CERAMIC 100PF 10% 50V
G107	1-124-845-00	*	SELECT 100 20% 16V
C108	1-124-845-00	*	SELECT 100 20% 16V
C111	1-124-845-00	*	SELECT 100 20% 16V
C114	1-124-827-11	*	SELECT 4.7 20% 50V
C118	1-124-845-00	*	SELECT 100 20% 16V
C120	1-124-845-00	*	SELECT 100 20% 16V
C122	1-124-845-00	*	SELECT 100 20% 16V
C123	1-161-379-00	*	CERAMIC .01 30% 16V
C124	1-161-379-00	*	CERAMIC .01 30% 16V
C126	1-124-845-00	*	SELECT 100 20% 16V
C127	1-124-839-11	*	SELECT 1 20% 50V
C128	1-124-827-11	*	SELECT 4.7 20% 50V
C129	1-124-845-00	*	SELECT 100 20% 16V
C131	1-161-281-31	*	CERAMIC 100PF 10% 50V
C201	1-131-351-00	*	TANTALUM .2 10% 25V
C202	1-131-353-00	*	TANTALUM .4 10% 25V
C303	1-128-827-11	*	SELECT 4.7 20% 50V
C304	1-161-379-00	*	CERAMIC .01 30% 16V
C303	1-161-379-00	*	CERAMIC .01 30% 16V
C304	1-161-286-31	*	CERAMIC 330PF 10% 50V
G402	1-161-379-00	*	CERAMIC .01 30% 16V
G403	1-162-114-00	*	CERAMIC 680PF 10% 50V
CH108	1-506-747-21	*	PIB. C11(DIP) 64F
CP701	1-484-803-11	*	OSCILLATION UNIT, 814S
D101	8-719-101-97	*	15683-1
D102	8-719-101-97	*	15687-1
D103	8-719-901-33	*	156133
D104	8-719-901-33	*	156133
D105	8-719-901-33	*	156133

D106	8-719-109-88	*	156133-01
D181	8-719-901-33	*	156133
D201	8-719-901-33	*	156133
D207	8-719-901-33	*	156133
D402	8-719-901-33	*	156133
D403	8-719-901-33	*	156133
IC101	8-729-951-57	*	IC2042B-D(RAYTHEON)
IC102	8-752-006-00	*	IC2060B(SOMT)
IC103	8-752-006-00	*	IC2060B(SOMT)
IC104	8-759-981-64	*	IC2002B(RAYTHEON)
151C105	8-759-260-53	*	IC20053B(TOBBLE)
161C105	8-759-040-51	*	IC14053ACPF(MOTOROLA)
1C106	8-759-982-07	*	IC4342B-D4(RAYTHEON)
151C107	8-759-260-53	*	IC20053B(TOBBLE)
161C107	8-759-040-51	*	IC14053ACPF(MOTOROLA)
IC201	8-759-982-15	*	IC2081034M(RAYTHEON)
IC301	8-759-260-69	*	IC20469URPF(TOSHIBA)
151C302	8-759-260-24	*	IC2405BF(TOSHIBA)
161C302	8-759-000-23	*	IC14024BCF(MOTOROLA)
131C301	8-759-944-64	*	IC2089525-179MC(FUJITSU)
143C301	8-759-987-10	*	IC2089525-179MC(FUJITSU)
IC403	8-759-260-69	*	IC20469URPF(TOSHIBA)
IC404	8-759-260-69	*	IC20469URPF(TOSHIBA)
131C404	8-759-000-99	*	IC20748C74M(TOSHIBA)
143C404	8-759-938-29	*	IC20748C74M(T1)
L101	1-498-596-41	*	INDUCTOR 2.7
Q107	8-729-178-54	*	28C2785
Q109	8-729-178-54	*	28C2785
Q104	8-729-101-05	*	28C2785-B
Q103	8-729-178-54	*	28C2785
Q106	8-729-178-54	*	28C2785
Q107	8-729-178-54	*	28C2785
Q108	8-729-900-89	*	DT1444ES
Q109	8-729-900-89	*	DT1444ES
Q110	8-729-101-05	*	28C2785-B
Q111	8-729-178-54	*	28C2785
Q135	8-729-117-54	*	28A1175
Q136	8-729-178-54	*	28C2785
Q161	8-729-101-05	*	28C2785-B
Q162	8-729-117-54	*	28A1175
Q401	8-729-900-89	*	DT1444ES
Q402	8-729-900-89	*	DT1444ES
Q403	8-729-900-89	*	DT1444ES
Q404	8-729-900-89	*	DT1444ES
Q405	8-729-900-89	*	DT1444ES
Q406	8-729-900-89	*	DT1444ES
Q407	8-729-900-89	*	DT1444ES
Q408	8-729-900-89	*	DT1444ES
Q409	8-729-900-89	*	DT1444ES
Q410	8-729-900-89	*	DT1444ES
Q411	8-729-900-89	*	DT1444ES
Q412	8-729-900-89	*	DT1444ES
Q413	8-729-900-89	*	DT1444ES
Q414	8-729-900-89	*	DT1444ES
Q415	8-729-900-89	*	DT1444ES
Q416	8-729-178-54	*	28C2785

Parts that are not listed in the "Reference Number Order List" are shown in the "General Purpose Electrical Parts List".

Ref No.	Parts No.	SP	Description
Q417	8-729-900-89	o	DTC144ES
Q418	8-729-900-89	o	DTC144ES
Q419	8-729-900-89	o	DTC144ES
Q421	8-729-900-89	o	DTC144ES
Q422	8-729-900-89	o	DTC144ES
Q423	8-729-900-89	o	DTC144ES
Q424	8-729-900-89	o	DTC144ES
Q425	8-729-900-89	o	DTC144ES
Q426	8-729-900-89	o	DTC144ES
Q427	8-729-900-74	o	DTC144ES
X120	1-247-840-00	o	CARBON 3.6k 5% 1/6W

RV101	1-228-996-00	o	VAR. CARBON 47k
RV102	1-228-994-00	o	VAR. CARBON 10k

V301	1-567-875-11	o	VIBRATOR, CERAMIC 2.27MHZ
X401	1-567-153-00	o	OSCILLATOR, CERAMIC 6MHz

S/N UP TO 13680 (EK)

CC-21 BOARD

1-622-255-11 o PRINTED CIRCUIT BOARD, CC-21

R1	1-247-705-11	o	CARBON 270 5% 1/4W
R2	1-247-717-11	o	CARBON 2.2K 5% 1/4W
R3	1-247-705-11	o	CARBON 270 5% 1/4W
R4	1-247-717-11	o	CARBON 2.2K 5% 1/4W

S/N UP TO 13680 (EK)

CC-32 BOARD

1-622-236-11 o PRINTED CIRCUIT BOARD, CC-32

IC1	8-719-940-86	o	OP153(SHARP)
-----	--------------	---	--------------

S/N UP TO 13680 (EK)

CC-33 BOARD

1-622-257-11 o PRINTED CIRCUIT BOARD, CC-33

Y02	8-719-940-86	o	OP153(SHARP)
-----	--------------	---	--------------

S/N 13681 AND HIGHER (EK)

CC-36 BOARD

1-627-572-12 o PRINTED CIRCUIT BOARD, CC-36

R1	1-247-705-11	o	CARBON 270 5% 1/4W
R2	1-247-717-11	o	CARBON 2.2K 5% 1/4W
R3	1-247-705-11	o	CARBON 270 5% 1/4W
R4	1-247-717-11	o	CARBON 2.2K 5% 1/4W

Ref No.	Parts No.	SP	Description
IC1	8-719-940-86	o	OP153(SHARP)

S/N 13681 AND HIGHER (EK)

CC-37 BOARD

1-627-573-13 o PRINTED CIRCUIT BOARD, CC-37

IC2	8-719-940-86	o	OP153(SHARP)
-----	--------------	---	--------------

CC-109 BOARD

1-622-706-12 o PRINTED CIRCUIT BOARD, CC-109

C1	1-124-236-00	o	ELECT 100 20% 10V
C2	1-124-584-00	o	ELECT 47 20% 16V
C3	1-124-584-00	o	ELECT 42 20% 16V
C4	1-124-584-00	o	ELECT 47 20% 16V

Q1	8-729-803-30	o	2SC4005P S/N 10081 and Higher
Q2	8-729-803-30	o	2SC4005P S/N 10081 and Higher

S1	1-570-145-11	o	SLIDE "75ohm CW/OTF"
S2	1-570-145-11	o	SLIDE "75 ohm CW/OTF"
S3	1-570-145-11	o	SLIDE "SERVO LOCK"
S4	1-570-145-11	o	SLIDE "FRAMING"
S5	1-570-145-11	o	SLIDE "MAX 13C"

DM-55 BOARD

1-623-827-A o JOINTED CIRCUIT BOARD, DM-55

1-236-046-11 o FILTER, LOW PASS

C1	1-161-494-00	o	CERAMIC 0.022 30% 25V
C2	1-124-236-00	o	ELECT 47 20% 16V
C3	1-161-379-00	o	CERAMIC 0.01 30% 16V
C4	1-124-236-00	o	ELECT 47 20% 16V
C5	1-161-379-00	o	CERAMIC 0.01 30% 16V
C6	1-124-236-00	o	ELECT 47 20% 16V
C7	1-161-494-00	o	CERAMIC 0.022 30% 25V
C8	1-161-494-00	o	CERAMIC 0.022 30% 25V
C9	1-161-494-00	o	CERAMIC 0.022 30% 25V
C10	1-161-494-00	o	CERAMIC 0.022 30% 25V
C11	1-161-494-00	o	CERAMIC 0.022 30% 25V
C12	1-161-494-00	o	CERAMIC 0.022 30% 25V
C13	1-161-494-00	o	CERAMIC 0.022 30% 25V
C14	1-161-494-00	o	CERAMIC 0.022 30% 25V

Parts that are not listed on the "Reference Number Order List" are shown in the "General Purpose Electrical Parts List".

Ref No.	Part No.	SP	Description	Ref No.	Part No.	SP	Description
C561	1-124-236-00	•	ELECT 47 20X 16V	7) CB29	1-162-710-11	•	CERAMIC 220PF 1Z 50V
C562	1-161-494-00	•	CERAMIC 0.022 30X 25V	8) CB29	1-162-758-11	•	CERAMIC 220PF 2Z 50V
C565	1-124-236-00	•	ELECT 47 20X 16V	CB31	1-124-204-00	•	ELECT 21 20X 10V
C566	1-124-255-00	•	ELECT 1 20X 50V	CB41	1-124-236-00	•	ELECT 47 20X 16V
C567	1-161-494-00	•	CERAMIC 0.022 30X 25V	CB42	1-161-494-00	•	CERAMIC 0.02 20X 25V
C568	1-161-494-00	•	CERAMIC 0.022 30X 25V	CB44	1-124-257-00	•	ELECT 7.2 20X 50V
C570	1-124-236-00	•	ELECT 1 20X 50V	CB52	1-124-255-00	•	ELECT 1 20X 50V
C571	1-161-494-00	•	CERAMIC 0.022 30X 25V	CB53	1-124-255-00	•	ELECT 1 20X 50V
C573	1-124-462-00	•	ELECT 10 20X 16V	CB54	1-124-255-00	•	ELECT 1 20X 50V
C574	1-101-884-00	•	CERAMIC 61PF 5Z 50V	7) CB55	1-162-728-11	•	CERAMIC 560PF 1Z 50V
C575	1-124-236-00	•	ELECT 47 20X 16V	8) CB55	1-162-767-11	•	CERAMIC 560PF 5Z 50V
C576	1-161-494-00	•	CERAMIC 0.022 30X 25V	CB58	1-124-236-00	•	ELECT 47 20X 16V
C577	1-131-216-00	•	TANTALUM 0.33 10X 35V	CB61	1-124-255-00	•	ELECT 1 20X 50V
C582	1-161-494-00	•	CERAMIC 0.022 30X 25V	CB63	1-124-236-00	•	ELECT 47 20X 16V
C583	1-161-471-91	•	CERAMIC 0.001 5Z 25V	CB66	1-161-494-00	•	CERAMIC 0.01X 30X 25V
C585	1-132-213-00	•	TANTALUM 0.22 10X 35V	2) CB67	1-102-104-00	•	CERAMIC 1500T 10Z 30V
C587	1-161-494-00	•	CERAMIC 0.022 30X 25V	CB69	1-124-236-00	•	ELECT 47 20X 16V
C588	1-124-236-00	•	ELECT 47 20X 16V	CB70	1-161-494-00	•	CERAMIC 0.01X 30X 25V
C589	1-131-261-00	•	TANTALUM 2.2 10X 30V	CB71	1-161-379-00	•	CERAMIC 0.01 30X 16V
C591	1-124-236-00	•	ELECT 47 20X 16V	CB72	1-124-442-00	•	ELECT 10 20X 16V
C592	1-161-494-00	•	CERAMIC 0.022 30X 25V	CB80	1-162-294-31	•	CERAMIC 0.001 10Z 50V
C595	1-124-236-00	•	ELECT 47 20X 16V	CB81	1-162-294-31	•	CERAMIC 0.001 20X 50V
C596	1-161-494-00	•	CERAMIC 0.022 30X 25V	CB82	1-124-236-00	•	ELECT 47 20X 16V
C597	1-131-922-91	•	TANTALUM 3.3 10Z 30V	CB83	1-124-256-00	•	ELECT 47 20X 16V
C598	1-131-379-00	•	TANTALUM 22 10Z 30V	CB84	1-124-255-00	•	ELECT 1 20X 50V
C599	1-131-762-91	•	TANTALUM 3.3 10Z 30V	CB90	1-161-494-00	•	CERAMIC 0.022 30X 25V
C600	1-131-379-00	•	TANTALUM 22 10Z 30V	CB103	1-506-747-21	•	FLM, DTR IDEP 64F
CB17	1-161-494-00	•	CERAMIC 0.022 30X 25V	CB104	1-506-747-21	•	PIR, DTR IDEP 64F
CB18	1-124-236-00	•	ELECT 47 20X 16V	CV1	1-141-227-00	•	CAP, CERAMIC TRIMMER
CB20	1-161-494-00	•	CERAMIC 0.022 30X 25V	CV2	1-141-227-00	•	CAP, CERAMIC TRIMMER
CB24	1-124-462-00	•	ELECT 10 20X 16V	D1	8-719-911-19	•	158119
CB25	1-124-236-00	•	ELECT 47 20X 16V	D2	8-719-911-19	•	158119
CB28	1-161-494-00	•	CERAMIC 0.022 30X 25V	D3	8-719-911-19	•	158119
CB29	1-161-494-00	•	CERAMIC 0.022 30X 25V	D101	8-719-911-19	•	158119
CB30	1-161-494-00	•	CERAMIC 0.022 30X 25V	D102	8-719-911-19	•	158119
CB31	1-161-494-00	•	CERAMIC 0.022 30X 25V	D103	8-719-911-19	•	158119
CB32	1-161-494-00	•	CERAMIC 0.022 30X 25V	D251	8-719-911-19	•	158119
CB33	1-161-494-00	•	CERAMIC 0.022 30X 25V	D252	8-719-911-19	•	158119
CB34	1-161-494-00	•	CERAMIC 0.022 30X 25V	D301	8-719-911-19	•	158119
CB35	1-162-723-11	•	CERAMIC 220PF 1Z 50V	D302	8-719-911-19	•	158119
7) CB31	1-162-710-11	•	CERAMIC 220PF 1Z 50V	D303	8-719-911-19	•	158119
8) CB31	1-162-757-11	•	CERAMIC 220PF 5Z 50V	D305	8-719-104-10	•	158119
CB33	1-124-504-00	•	ELECT 100 20X 10V	D306	8-719-911-19	•	158119
CB34	1-161-494-00	•	CERAMIC 0.022 30X 25V	D401	8-719-911-19	•	158119
CB35	1-161-494-00	•	CERAMIC 0.022 30X 25V	D402	8-719-911-19	•	158119
CB37	1-124-236-00	•	ELECT 47 20X 16V	D403	8-719-110-13	•	RDG-1E3-E2
CB39	1-161-494-00	•	CERAMIC 0.022 30X 25V	D404	8-719-911-19	•	158119
CB40	1-124-236-00	•	ELECT 47 20X 16V	D501	8-719-911-19	•	158119
CB41	1-124-462-00	•	ELECT 10 20X 16V	D502	8-719-911-19	•	158119
CB42	1-161-379-00	•	CERAMIC 0.01 30X 16V	D503	8-719-911-19	•	158119
7) CB43	1-162-136-11	•	CERAMIC 390PF 1Z 50V	D504	8-719-911-19	•	158119
8) CB43	1-162-140-11	•	CERAMIC 390PF 5Z 50V	D513	8-719-911-19	•	158119
CB44	1-124-462-00	•	ELECT 10 20X 16V	D514	8-719-104-10	•	158119
CB45	1-124-236-00	•	ELECT 47 20X 16V	D515	8-719-104-10	•	158119
CB46	1-124-462-00	•	ELECT 10 20X 16V	D516	8-719-104-10	•	158119
CB47	1-124-462-00	•	ELECT 10 20X 16V				

Parts that are not listed in the "reference number order list" are shown in the "General Purpose Electrical Parts List".

Ref No. Part No. SP Description

D517 8-710-104-10 e 18899
 D519 8-719-911-19 e 188119
 D801 8-719-911-19 e 188119
 D802 8-719-815-59 e 182555-5
 D803 8-719-815-59 e 182555-5
 D804 8-710-911-19 e 188119
 D805 8-719-911-19 e 188119
 D806 8-719-911-19 e 188119
 D810 8-719-911-19 e 188119
 D811 8-719-101-97 e 18897-1
 D812 8-719-101-97 e 18897-1
 D813 8-719-104-30 e 18899
 D814 8-719-101-97 e 18897-1
 D815 8-719-101-97 e 18897-1
 D816 8-719-911-19 e 188119

DL1 1-415-154-00 e 35aa
 DL2 1-415-154-00 e 35aa
 DL802 1-415-473-11 e 3000a

FLA 1-235-470-11 e HIGH PASS
 FLB 1-235-469-11 e LOW PASS
 FLA 1-235-473-11 e LOW PASS
 FL761 1-235-469-11 e LOW PASS
 FL501 1-235-473-11 e LOW PASS
 FL503 1-230-029-12 e BAND PASS
 FL504 1-211-177-21 e BAND PASS
 FL801 1-235-610-21 e HIGH PASS (HPF-BW)
 FL802 1-235-611-21 e LOW PASS (LPF-DB)
 FL803 1-235-670-11 e LOW PASS

GC1 8-751-040-50 e CX-134A (SONY)
 GC7 8-752-006-00 e CX20060 (SONY)
 GC3 8-741-114-00 e XE1140 (SONY)
 GC4 8-751-230-10 e CX-135 (SONY)
 15)GC5 8-759-240-53 e YC4053BP (TOSHIBA)
 16)GC6 8-759-040-53 e MC14053BP (MOTOROLA)
 GC8 8-749-952-90 e XE389 (SONY)
 GC7 8-741-124-90 e BT1249 (SONY)
 GC8 8-741-124-90 e BA1249 (SONY)
 GC9 8-759-045-54 e B04580 (KATHYON)

GC10 8-752-006-00 e CX20060 (SONY)
 GC12 8-749-900-93 e XE-1431 (SONY)
 GC204 8-739-107-20 e FA273AP (TOSHIBA)
 GC202 8-752-321-85 e YC5002P
 GC203 8-759-042-25 e KC7040YA (KATHYON)
 GC204 8-749-918-90 e XE389 (SONY)
 GC251 8-741-124-80 e BT1248 (SONY)
 GC201 8-759-200-60 e Y47004AP (TOSHIBA)
 GC202 8-752-006-00 e CX20060 (SONY)
 GC203 8-749-900-64 e XE-1447L (SONY)

GC304 8-749-900-59 e XE-1448L (SONY)
 GC401 8-749-880-80 e XE388 (SONY)
 GC402 8-750-004-00 e CX20060 (SONY)
 15)GC403 8-759-240-53 e YC4053BP (TOSHIBA)

16)GC404 8-759-040-53 e MC14053BP (MOTOROLA)
 GC404 8-749-900-63 e XE305AL (KOHJI)
 GC405 8-749-901-09 e XE350AL (KOHJI)
 GC406 8-749-901-09 e XE350AL (KOHJI)
 GC407 8-749-901-09 e XE356AL (KOHJI)

GC508 8-759-101-47 e FA273AP (TOSHIBA)
 GC502 8-731-004-00 e CX20060 (SONY)
 GC503 8-743-973-90 e XE289 (SONY)
 GC504 8-752-006-00 e CX20060 (SONY)
 GC509 8-741-125-80 e BT1258 (SONY)

Ref No. Part No. SP Description

GC506 8-741-125-80 e BT1258 (SONY)
 GC507 8-741-125-21 e BT1252A (SONY)
 GC508 8-741-126-40 e BT1264 (SONY)
 GC509 8-752-006-00 e CX20060 (SONY)
 GC510 8-759-014-90 e MC1406P (MOTOROLA)

GC511 8-759-908-39 e CX-458 (SONY)
 GC512 8-750-010-66 e CX-4721ST (SONY)
 GC513 8-752-004-00 e CX20060 (SONY)
 13)GC515 8-759-343-08 e MC14538BP (MOTOROLA)
 14)GC515 8-759-043-18 e MC14538BP (MOTOROLA)

GC516 8-749-900-87 e XE-1470L (SONY)
 GC517 8-759-922-81 e SP16913P-A (SI)
 GC518 8-759-200-60 e Y47004AP (TOSHIBA)
 GC601 8-749-910-90 e XE389 (SONY)
 GC602 8-751-006-00 e CX20060 (SONY)

GC603 8-732-006-00 e CX20060 (SONY)
 GC604 8-752-006-00 e CX20060 (SONY)
 GC605 8-759-909-13 e SP16913Z (SI)
 GC606 8-759-200-60 e Y47004AP (TOSHIBA)

LC1 1-410-482-31 e MICRO 100
 LC2 1-410-487-31 e MICRO 100H
 LC3 1-410-471-31 e MICRO 10
 LC4 1-410-471-31 e MICRO 12
 LC5 1-410-487-31 e MICRO 100H

LC7 1-410-487-31 e MICRO 10
 LC8 1-410-471-21 e MICRO 39
 LC9 1-410-495-31 e MICRO 27mm
 LC15 1-410-483-31 e MICRO 100
 LC16 1-410-482-31 e MICRO 100

LC17 1-410-487-31 e MICRO 100
 LC18 1-410-470-11 e MICRO 10
 LC19 1-410-485-11 e MICRO 6.8
 LC22 1-410-487-31 e MICRO 100
 LC4 1-410-487-31 e MICRO 100

LC6 1-410-487-31 e MICRO 100H
 LC8 1-410-482-31 e MICRO 100
 LC9 1-410-482-31 e MICRO 100
 LC20 1-410-482-31 e MICRO 100

LC21 1-410-482-31 e MICRO 100
 LC21 1-410-482-31 e MICRO 100
 LC401 1-410-482-31 e MICRO 100
 LC402 1-410-482-31 e MICRO 100
 LC403 1-410-482-31 e MICRO 100

LC404 1-410-482-31 e MICRO 100
 LC401 1-410-483-31 e MICRO 100
 LC402 1-410-482-31 e MICRO 100
 LC403 1-410-482-31 e MICRO 100
 LC404 1-410-482-31 e MICRO 100

LC405 1-410-482-31 e MICRO 100
 LC406 1-410-476-11 e MICRO 47
 LC412 1-410-482-31 e MICRO 100
 LC413 1-410-482-31 e MICRO 100

LC414 1-410-482-31 e MICRO 100
 LC415 1-410-482-31 e MICRO 100
 LC416 1-410-482-31 e MICRO 100
 LC417 1-410-482-31 e MICRO 100
 LC418 1-410-482-31 e MICRO 100

LC419 1-410-482-31 e MICRO 100
 LC420 1-410-478-11 e MICRO 39
 LC421 1-410-478-11 e MICRO 47
 LC422 1-410-488-11 e MICRO 6.8
 LC423 1-410-470-11 e MICRO 10

Parts that are not listed in the "reference number order list" are shown in the "General Purpose Electrical Parts List".

Ref No.	Part No.	SP	Description
L875	1-410-471-31	▲	MGRO 18
L876	1-410-442-31	▲	MGRO 260
L877	1-410-442-31	▲	MGRO 109
L878	1-410-442-21	▲	MGRO 270
L881	1-410-047-31	▲	MGRO 104M
L881	1-410-042-31	▲	MGRO 100
L881	1-410-219-11	▲	MGRO 14H
L886	1-410-462-31	▲	MGRO 100
L888	1-410-475-11	▲	MGRO 18
L890	1-410-471-11	▲	MGRO 12
L891	1-410-476-11	▲	MGRO 23
L91	1-601-572-00	▲	VAR 33
L93D1	1-601-565-00	▲	VAR 2.2
L93D3	1-607-268-00	▲	MGRO 1.7m
Q1	8-729-603-50	▲	25C4035F
Q2	8-729-603-50	▲	25C4035F
Q3	8-729-603-50	▲	25C4035F
Q4	8-729-611-53	▲	25A1115-F
Q5	8-729-900-89	▲	25C14425
Q6	8-729-301-05	▲	25C2878-B
Q7	8-729-603-50	▲	25C4035F
Q8	8-729-603-50	▲	25C4035F
Q9	8-729-603-50	▲	25C4035F
Q10	8-729-900-89	▲	25C14425
Q11	8-729-119-78	▲	25C2785-B
Q12	8-729-119-78	▲	25C2785-B
Q13	8-729-603-50	▲	25C4035F
Q14	8-729-603-50	▲	25C4035F
Q15	8-729-900-89	▲	25C14425
Q16	8-729-119-78	▲	25C2785-B
Q17	8-729-603-50	▲	25C4035F
Q18	8-729-611-53	▲	25A1115-F
Q19	8-729-603-50	▲	25C4035F
Q20	8-729-603-50	▲	25C4035F
Q21	8-729-900-89	▲	25C14425
Q22	8-729-603-50	▲	25C4035F
Q23	8-729-603-50	▲	25C4035F
Q24	8-729-603-50	▲	25C4035F
Q25	8-729-119-78	▲	25C2785-B
Q26	8-729-201-05	▲	25C2878-B
Q27	8-729-201-05	▲	25C2878-B
Q28	8-729-603-50	▲	25C4035F
Q29	8-729-611-53	▲	25A1115-F
Q30	8-729-603-50	▲	25C4035F
Q31	8-729-603-50	▲	25C4035F
Q32	8-729-603-50	▲	25C4035F
Q33	8-729-603-50	▲	25C4035F
Q34	8-729-603-50	▲	25C4035F
Q35	8-729-603-50	▲	25C4035F
Q36	8-729-603-50	▲	25C4035F
Q37	8-729-201-05	▲	25C2878-B
Q38	8-729-603-50	▲	25C4035F
Q39	8-729-603-50	▲	25C4035F
Q40	8-729-900-89	▲	25C14425
Q41	8-729-603-50	▲	25C4035F
Q42	8-729-201-05	▲	25C2878-B
Q43	8-729-603-50	▲	25C4035F
Q44	8-729-603-50	▲	25C4035F
Q45	8-729-603-50	▲	25C4035F

Ref No.	Part No.	SP	Description
Q501	8-729-603-50	▲	25C4035F
Q502	8-729-611-53	▲	25A1115-F
Q503	8-729-119-78	▲	25C2785-B
Q504	8-729-201-05	▲	25C2878-B
Q505	8-729-900-89	▲	25C14425
Q506	8-729-119-78	▲	25C2785-B
Q507	8-729-119-78	▲	25C2785-B
Q508	8-729-119-78	▲	25C2785-B
Q509	8-729-119-78	▲	25C2785-B
Q510	8-729-119-78	▲	25C2785-B
Q511	8-729-900-89	▲	25C14425
Q512	8-729-900-89	▲	25C14425
Q513	8-729-603-50	▲	25C4035F
Q514	8-729-201-05	▲	25C2878-B
Q515	8-729-201-05	▲	25C2878-B
Q516	8-729-603-50	▲	25C4035F
Q517	8-729-119-78	▲	25C2785-B
Q518	8-729-603-50	▲	25C4035F
Q519	8-729-603-50	▲	25C4035F
Q520	8-729-603-50	▲	25C4035F
Q521	8-729-603-50	▲	25C4035F
Q522	8-729-603-50	▲	25C4035F
Q523	8-729-900-89	▲	25C14425
Q524	8-729-900-89	▲	25C14425
Q525	8-729-900-89	▲	25C14425
Q526	8-729-119-78	▲	25C2785-B
Q527	8-729-611-53	▲	25A1115-F
Q528	8-729-201-05	▲	25C2878-B
Q529	8-729-201-05	▲	25C2878-B
Q530	8-729-201-05	▲	25C2878-B
Q531	8-729-900-89	▲	25C14425
Q532	8-729-900-89	▲	25C14425
Q533	8-729-900-89	▲	25C14425
Q534	8-729-603-50	▲	25C4035F
Q535	8-729-603-50	▲	25C4035F
Q536	8-729-603-50	▲	25C4035F
Q537	8-729-603-50	▲	25C4035F
Q538	8-729-603-50	▲	25C4035F
Q539	8-729-603-50	▲	25C4035F
Q540	8-729-603-50	▲	25C4035F
Q541	8-729-603-50	▲	25C4035F
Q542	8-729-603-50	▲	25C4035F
Q543	8-729-603-50	▲	25C4035F
Q544	8-729-603-50	▲	25C4035F
Q545	8-729-603-50	▲	25C4035F
Q546	8-729-603-50	▲	25C4035F
Q547	8-729-603-50	▲	25C4035F
Q548	8-729-603-50	▲	25C4035F
Q549	8-729-603-50	▲	25C4035F
Q550	8-729-603-50	▲	25C4035F
Q551	8-729-603-50	▲	25C4035F
Q552	8-729-603-50	▲	25C4035F
Q553	8-729-603-50	▲	25C4035F
Q554	8-729-603-50	▲	25C4035F
Q555	8-729-603-50	▲	25C4035F
Q556	8-729-603-50	▲	25C4035F
Q557	8-729-603-50	▲	25C4035F
Q558	8-729-603-50	▲	25C4035F

Parts that are not listed in the "reference number order list" are shown in the "General Purpose Electrical" Parts List.

Ref No.	Part No.	SP	Description	Ref No.	Part No.	SP	Description
Q809	8-729-603-50		29C033P	RY501	1-228-991-00		VAR, CARBON 2.2K
Q810	8-729-603-50		29C033P	RY503	1-228-991-00		VAR, CARBON 2.2K
Q811	8-729-119-78		25C2785-HEE	RY504	1-228-991-00		VAR, CARBON 470
Q812	8-729-603-50		29C033P	RY505	1-228-991-00		VAR, METAL GLAZE 4.7K
Q810	8-729-603-50		29C033P	RY506	1-228-991-00		VAR, CARBON 22K
Q821	8-729-603-50		29C033P	RY587	1-228-991-00		VAR, CARBON 10K
Q822	8-729-603-50		29C033P	RY588	1-228-991-00		VAR, CARBON 10K
Q823	8-729-611-53		29A115-P	RY589	1-228-991-00		VAR, CARBON 22K
Q824	8-729-603-50		29C033P	RY510	1-228-991-00		VAR, CARBON 10K
Q825	8-729-603-50		29C033P	RY511	1-228-991-00		VAR, CARBON 22K
11)Q826	8-729-603-50		29C033P	RY513	1-228-991-00		VAR, CARBON 2.2K
11)Q828	8-729-119-74		25C2785-HEE	RY514	1-228-991-00		VAR, CARBON 2.2K
Q827	8-729-201-05		25C2787-B	RY516	1-228-991-00		VAR, CARBON 1K
Q828	8-729-603-50		29C033P	RY517	1-228-991-00		VAR, CARBON 1K
11)Q830	8-729-901-A1		79C17403-E	RY518	1-228-991-00		VAR, METAL GLAZE 4.7K
12)Q830	8-729-119-78		15C2785-HEE	RY519	1-228-991-00		VAR, CARBON 22K
Q831	8-729-119-78		15C2785-HEE	RY221	1-228-991-00		VAR, CARBON 10K
Q832	8-729-103-56		29C033P	RY232	1-228-991-00		VAR, METAL GLAZE 4.7K
Q833	8-729-103-56		29C033P	RY523	1-228-991-00		VAR, CARBON 2.2K
Q836	8-729-103-56		29C033P	RY501	1-228-991-00		VAR, METAL GLAZE 4.7K
Q837	8-729-603-50		29C033P	RY882	1-228-991-00		VAR, CARBON 1K
Q838	8-729-603-50		29C033P	RY883	1-228-991-00		VAR, CARBON 1K
Q839	8-729-900-82		29C033P	RY884	1-228-991-00		VAR, CARBON 10K
Q841	8-729-603-50		29C033P	RY885	1-228-991-00		VAR, CARBON 22K
Q843	8-729-603-50		29C033P	RY886	1-228-991-00		VAR, CARBON 2.2K
RY9	1-247-887-00		CARBON 220K 5% 1/4W	RY887	1-228-991-00		VAR, CARBON 100K
R129	1-215-390-91		METAL 5% 1X 1/6W	RY888	1-228-991-00		VAR, CARBON 47K
R486	1-247-884-00		CARBON 5.6% 5% 1/4W	RY889	1-228-991-00		VAR, CARBON 1K
R485	1-247-885-00		CARBON 150K 5% 1/4W	RY810	1-228-991-00		VAR, CARBON 1K
R448	1-247-885-00		CARBON 470K 5% 1/4W	RY811	1-228-991-00		VAR, CARBON 1K
R565	1-247-884-00		CARBON 5.6% 5% 1/4W	RY812	1-228-991-00		VAR, CARBON 1K
R613	1-247-885-00		CARBON 470K 5% 1/4W	RY813	1-228-991-00		VAR, CARBON 1K
R623	1-247-885-00		CARBON 150K 5% 1/4W	RY814	1-228-991-00		VAR, CARBON 1K
R625	1-247-885-00		CARBON 5.6% 5% 1/4W	RY815	1-228-991-00		VAR, CARBON 1K
R699	1-247-885-00		CARBON 5.6% 5% 1/4W	RY816	1-228-991-00		VAR, CARBON 1K
R104	1-215-390-91		METAL 5% 1X 1/6W	RY817	1-228-991-00		VAR, CARBON 1K
R800	1-247-884-00		CARBON 5.6% 5% 1/4W	RY818	1-228-991-00		VAR, CARBON 1K
R895	1-215-390-91		METAL 5% 1X 1/6W	RY819	1-228-991-00		VAR, CARBON 1K
R833	1-215-390-91		METAL 5% 1X 1/6W	RY820	1-228-991-00		VAR, CARBON 1K
RY1	1-228-991-00		VAR, CARBON 1K	RY821	1-228-991-00		VAR, CARBON 1K
RY2	1-228-991-00		VAR, CARBON 1K	RY822	1-228-991-00		VAR, CARBON 1K
RY3	1-228-991-00		VAR, CARBON 1K	RY823	1-228-991-00		VAR, CARBON 1K
RY4	1-228-991-00		VAR, CARBON 2.2K	RY824	1-228-991-00		VAR, CARBON 2.2K
RY5	1-228-991-00		VAR, CARBON 2.7K	RY825	1-228-991-00		VAR, CARBON 2.7K
RY6	1-228-991-00		VAR, CARBON 22K	RY826	1-228-991-00		VAR, CARBON 2.2K
RY7	1-228-991-00		VAR, CARBON 2.2K	RY827	1-228-991-00		VAR, CARBON 2.2K
RY8	1-228-991-00		VAR, CARBON 2.2K	RY828	1-228-991-00		VAR, CARBON 2.2K
RY9	1-228-991-00		VAR, CARBON 2.2K	RY829	1-228-991-00		VAR, CARBON 2.2K
RY10	1-228-991-00		VAR, METAL GLAZE 2.2K	RY830	1-228-991-00		VAR, CARBON 2.2K
RY11	1-228-991-00		VAR, METAL GLAZE 2.2K	RY831	1-228-991-00		VAR, CARBON 2.2K
RY12	1-228-991-00		VAR, CARBON 2.2K	RY832	1-228-991-00		VAR, CARBON 2.2K
RY13	1-228-991-00		VAR, CARBON 22K	RY833	1-228-991-00		VAR, CARBON 22K
RY14	1-228-991-00		VAR, CARBON 1K	RY834	1-228-991-00		VAR, CARBON 1K
RY15	1-228-991-00		VAR, METAL GLAZE 2.2K	RY835	1-228-991-00		VAR, METAL GLAZE 2.2K
RY16	1-228-991-00		VAR, METAL GLAZE 2.2K	RY836	1-228-991-00		VAR, METAL GLAZE 2.2K
RY17	1-228-991-00		VAR, METAL GLAZE 2.2K	RY837	1-228-991-00		VAR, METAL GLAZE 2.2K
RY18	1-228-991-00		VAR, CARBON 470	RY838	1-228-991-00		VAR, CARBON 470
RY19	1-228-991-00		VAR, CARBON 4.7K	RY839	1-228-991-00		VAR, CARBON 4.7K
RY20	1-228-991-00		VAR, CARBON 10K	RY840	1-228-991-00		VAR, CARBON 10K
RY21	1-228-991-00		VAR, CARBON 2.2K	RY841	1-228-991-00		VAR, METAL GLAZE 1K
RY22	1-228-991-00		VAR, CARBON 4.7K	RY842	1-228-991-00		VAR, CARBON 4.7K

Parts that are not listed in the "reference number order list" are shown in the "General Purpose Electrical Parts List".

Ref No.	Part No.	SP	Description	Ref No.	Part No.	SP	Description
DR-53 BOARD				DR-44 BOARD			
This board includes the DR-59 board.				A-6717-460-A MOUNTED CIRCUIT BOARD, DSC-44			
A-6718-387-A MOUNTED CIRCUIT BOARD, DR-53							
C3	1-102-121-00	*	CERAMIC 0.0022 10K 50V	C1	1-124-445-00	*	SELECT 100 201 16V
C10	1-102-121-00	*	CERAMIC 0.0022 10K 50V	C2	1-161-494-00	*	CERAMIC 0.022 301 25V
C11	1-102-121-00	*	CERAMIC 0.0022 10K 50V	C3	1-124-445-00	*	SELECT 100 201 16V
C12	1-102-131-00	*	CERAMIC 0.0022 10K 50V	C4	1-161-494-00	*	CERAMIC 0.022 301 25V
CH1	1-566-096-11	*	PLN, BOARD TO BOARD IZF (DR-53 to DR-59)	C6	1-123-447-00	*	SELECT 10 201 16V
CH906	1-566-900-00	*	(N) 2P	C7	1-123-447-00	*	SELECT 10 201 16V
D1	8-719-911-55	*	PC5C	C8	1-161-494-00	*	CERAMIC 0.022 301 25V
D1	8-719-200-02	*	10E-2	C9	1-123-447-00	*	SELECT 10 201 16V
D1	8-719-200-02	*	10E-2	C10	1-124-445-00	*	SELECT 0.1 201 50V
D4	8-719-200-02	*	10E-2	C11	1-162-556-31	*	CERAMIC 470PF 10K 50V
E A	1-532-684-00	*	LTR, TC	C13	1-162-290-31	*	CERAMIC 470PF 10K 50V
E B	1-532-686-00	*	LTR, TC	C14	1-161-494-00	*	CERAMIC 0.022 301 25V
E C	1-532-686-00	*	LTR, TC	C15	1-161-494-00	*	CERAMIC 0.022 301 25V
E D	1-532-686-00	*	LTR, TC	C16	1-123-617-00	*	SELECT 10 201 16V
E E	1-532-686-00	*	LTR, TC	C21	1-107-161-00	*	WICA 47PF 5X 500V
G1	8-729-214-11	*	25A1141	C23	1-161-494-00	*	CERAMIC 0.022 301 25V
G2	8-729-202-57	*	25C012	C24	1-161-494-00	*	CERAMIC 0.022 301 25V
G3	8-729-124-11	*	25A1141	C27	1-102-112-00	*	CERAMIC 130PF 10K 50V
G4	8-729-102-37	*	25C012	C27	1-102-112-00	*	CERAMIC 130PF 10K 50V
G5	8-729-177-43	*	25D774	CH20	1-506-747-11	*	PLN, DR(N)IF 64P
G6	8-729-376-83	*	25A566-Y	CY1	1-141-260-00	*	TRANS, CERAMIC
G7	8-729-376-83	*	25A768-Y	D1	8-719-144-07	*	R22-4L-B
G8	8-729-177-43	*	25D774	D2	8-719-911-19	*	181119
G9	8-729-376-83	*	25A768-Y	D3	8-719-911-19	*	181119
G10	8-729-376-83	*	25A768-Y	I01	8-759-102-37	*	NP04052801TC0812EA
I01	8-729-177-43	*	25D774	I02	8-759-201-47	*	Y1357AP1TC0812EA
I02	8-729-102-37	*	25C012	I03	8-759-989-25	*	UC74109AB(TOSHIDA)
I03	8-729-177-43	*	25D774	I04	8-759-908-23	*	MS82304(MJ128U)
I04	8-729-102-37	*	25C012	I05	8-729-220-04	*	TC640004P(TOSHIDA)
K4	1-217-156-00	*	VAR, METAL PLATE 0.22	I06	8-759-045-08	*	MC145380P(HITACHI)
K5	1-217-156-00	*	VAR, METAL PLATE 0.22	O1	8-729-178-34	*	28C2785
K6	1-247-887-00	*	CARBON 770K 5% 1/4W	O2	8-729-178-34	*	28C2785
M1	1-207-626-00	*	WETSPOND 1 10K 3W	O4	8-729-178-34	*	28C2785
M7	1-247-887-00	*	CARBON 220K 5% 1/4W	O5	8-729-178-34	*	28C2785
M8	1-207-626-00	*	WETSPOND 1 10K 3W	O6	8-729-117-34	*	28A1375
M9	1-247-887-00	*	CARBON 220K 5% 1/4W	R34	1-207-883-00	*	CARBON 150K 5% 1/4W
R102	1-247-741-11	*	CARBON 150 5% 1/2W	R36	1-247-895-00	*	CARBON 470K 5% 1/4W
R103	1-215-814-11	*	WETSPOND 350 10K 3W	RV1	1-210-996-00	*	VAR, CARBON 47K
R104	1-207-626-00	*	WETSPOND 10 10K 3W				
R105	1-247-887-00	*	CARBON 220K 5% 1/4W				
R106	1-247-741-11	*	CARBON 150 5% 1/2W				
R107	1-215-814-11	*	WETSPOND 350 10K 3W				
R108	1-207-626-00	*	WETSPOND 10 10K 3W				
RV1	1-228-959-00	*	VAR, CARBON 470				
RV2	1-228-959-00	*	VAR, CARBON 470				

Parts that are not listed in the "Reference number order list" are shown in the "General Purpose Electrical Parts List".

Ref No. Parts No. QTY Description

DUS-71 BOARD

All of the component parts on the DUS-71 board are supplied together when you order AN-83A board.

1-615-169-11 o PRINTED CIRCUIT BOARD, DUS-71

LV102 1-607-307-00 o MICRO 33MH
LV103 1-607-307-00 o MICRO 13MH

DUS-71 BOARD

All of the component parts on the DUS-71 board are supplied together when you order AN-83A board.

1-615-169-11 o PRINTED CIRCUIT BOARD, DUS-71

LV102 1-607-307-00 o MICRO 33MH
LV205 1-607-307-00 o MICRO 33MH

DUS-92 BOARD

1-613-924-11 o PRINTED CIRCUIT BOARD, DUS-92

DUS-147 BOARD

1-622-261-11 o PRINTED CIRCUIT BOARD, DUS-147

DUS-177 BOARD

1-625-715-11 o PRINTED CIRCUIT BOARD, DUS-177

DUS-178 BOARD

1-622-716-11 o PRINTED CIRCUIT BOARD, DUS-178

EX-127 BOARD

A-6729-494-A o MOUNTED CIRCUIT BOARD, EX-127

CH1 1-506-747-21 o PIN, DIM (DIP) 64P
CH2 1-563-340-21 o HOUSING, (DIP) 64P

Ref No. Parts No. QTY Description

EX-128 BOARD

A-6729-495-A o MOUNTED CIRCUIT BOARD, EX-128

CH1 1-506-747-21 o PIN, DIM (DIP) 64P
CH2 1-563-340-21 o HOUSING, (DIP) 64P
CH3 1-506-747-21 o PIN, DIM (DIP) 64P
CH4 1-563-340-21 o HOUSING, (DIP) 64P

HN-80 BOARD

1-622-725-11 o PRINTED CIRCUIT BOARD, HN-80

C1 1-161-379-00 o CERAMIC 0.01 30V 16V
C2 1-161-379-00 o CERAMIC 0.01 30V 16V
C3 1-161-379-00 o CERAMIC 0.01 30V 16V

CH227 1-566-509-11 o ELDC. (PCB-PC1) 20P
CH228 1-566-509-11 o ELDC. (PCB-PC2) 20P
CH611 1-506-813-11 o BOARD IN CONNECTOR, 4P
CH652 1-506-813-11 o BOARD IN CONNECTOR, 10P
CH654 1-506-813-11 o BOARD IN CONNECTOR, 3P

CH655 1-506-814-11 o BOARD IN CONNECTOR, 5P
CH656 1-506-814-11 o BOARD IN CONNECTOR, 5P

D1 8-719-200-02 o 10E-2
D2 8-719-211-19 o 10E19
D3 8-719-211-19 o 10E19
D5 8-719-200-02 o 10E-2
D6 8-719-200-02 o 10E-2

IC1 8-759-606-24 o MS45431(NITROBISPH)

PP1 1-511-684-00 o LINK, IC

HN-83 BOARD

1-622-719-11 o PRINTED CIRCUIT BOARD, HN-83

HN-84 BOARD

1-622-726-11 o PRINTED CIRCUIT BOARD, HN-84

Parts that are not listed in the "reference number order list" are shown in the "General Purpose Electrical Parts List".

Ref No. Parts No. SP Description

HP-28 BOARD

1-622-720-11 o PRINTED CIRCUIT BOARD, HP-28

C21 1-161-379-00 o CERAMIC 0.01 30V 15V

S/N UP TO 12080 (EK)**KT-101 BOARD**

This board includes the HP-62 board.

A-6717-459-A o MOUNTED CIRCUIT BOARD, KT-101

B71 1-528-229-11 o BATTERY, LITHIUM (CG-2450)

C2 1-162-210-31 o CERAMIC 300P 5V 50V

C3 1-162-210-31 o CERAMIC 300P 5V 50V

C8 1-125-443-11 o DOUBLE LAYERS 0.047F 5.2V

C9 1-124-245-00 o ELECT 4.7 20% 16V

C10 1-161-379-00 o CERAMIC 0.01 30V 16V

C12 1-162-210-31 o CERAMIC 300P 5V 50V

C13 1-162-210-31 o CERAMIC 300P 5V 50V

C17 1-124-245-00 o ELECT 4.7 20% 16V

C20 1-131-346-00 o TANTALUM 0.68 10% 35V

C22 1-131-346-00 o TANTALUM 0.68 10% 35V

C103 1-131-346-00 o TANTALUM 0.68 10% 35V

C104 1-131-346-00 o TANTALUM 0.68 10% 35V

C105 1-131-346-00 o TANTALUM 0.68 10% 35V

C106 1-131-346-00 o TANTALUM 0.68 10% 35V

C107 1-131-346-00 o TANTALUM 0.68 10% 35V

C108 1-131-346-00 o TANTALUM 0.68 10% 35V

C109 1-131-346-00 o TANTALUM 0.68 10% 35V

C81 1-506-696-11 o READER 10P

C83 1-557-227-11 o NITE PLAT TYPE 23P
(KY-101 Co DP-62)

D1 8-719-911-19 o 158L19

D2 8-719-911-19 o 158L19

D3 8-719-911-19 o 158L19

D4 8-719-911-19 o 158L19

D5 8-719-911-19 o 158L19

D6 8-719-911-19 o 158L19

D7 8-719-911-19 o 158L19

D8 8-719-911-19 o 158L19

D9 8-719-911-19 o 158L19

D10 8-719-911-19 o 158L19

D11 8-719-911-19 o 158L19

D12 8-719-911-19 o 158L19

D13 8-719-911-19 o 158L19

D14 8-719-911-19 o 158L19

D15 8-719-911-19 o 158L19

Ref No. Parts No. SP Description

D16 8-719-911-19 o 158L19

D17 8-719-911-19 o 158L19

D18 8-719-911-19 o 158L19

D19 8-719-911-19 o 158L19

D20 8-719-911-19 o 158L19

D21 8-719-911-19 o 158L19

D22 8-719-911-19 o 158L19

D23 8-719-911-19 o 158L19

D24 8-719-911-19 o 158L19

D25 8-719-911-19 o 158L19

D26 8-719-911-19 o 158L19

D27 8-719-911-19 o 158L19

D28 8-719-911-19 o 158L19

D29 8-719-904-55 o GL-58D5

D30 8-719-904-55 o GL-58D5

D31 8-719-904-55 o GL-58D5

D32 8-719-904-55 o GL-58D5

D33 8-719-904-55 o GL-58D5

D34 8-719-904-55 o GL-58D5

D35 8-719-904-55 o GL-58D5

D36 8-719-904-55 o GL-58D5

D37 8-719-904-55 o GL-58D5

D38 8-719-904-55 o GL-58D5

D39 8-719-900-84 o T10255

D40 8-719-900-84 o T10255

D41 8-719-904-55 o GL-58D5

D42 8-719-904-55 o GL-58D5

D43 8-719-904-55 o GL-58D5

D44 8-719-904-55 o GL-58D5

D45 8-719-911-19 o 158L19

D46 8-719-911-19 o 158L19

D48 8-719-200-02 o 10E-7

D49 8-719-911-19 o 158L19

D50 8-719-200-02 o 10E-7

D51 8-719-911-19 o 158L19

D52 8-719-911-19 o 158L19

D53 8-719-901-11 o T3AG154

D54 8-719-911-19 o 158L19

D55 8-719-911-19 o 158L19

D101 8-719-942-19 o LB-402VX

D202 8-719-942-19 o LB-402VX

D104 8-719-942-19 o LB-402VX

E21 8-759-605-23 o M50267B(40107)(N15308581)

E22 8-759-645-16 o M54516P(W1001581)

E23 8-759-645-16 o M54516P(W1001581)

E24 8-759-645-16 o M54516P(W1001581)

E25 8-759-600-48 o M54522P(W1001581)

E26 8-759-171-05 o WPC8058(NBC)

E27 8-759-927-29 o M882017-5398(FUL7759)

E101 8-759-600-61 o M54526P(W1001581)

E102 8-759-600-61 o M54526P(W1001581)

Parts that are not listed in the "reference number order list" are shown in the "General Purpose Electrical Parts List".

S/N 12081 AND HIGHER(EK)

Ref No. Parts No. SP Description.

Q1 8-729-900-67 * M6A12A8S
 Q2 8-729-900-67 * M6A12A8S
 Q3 8-729-900-67 * M6A12A8S
 Q4 8-729-900-67 * M6A12A8S
 Q5 8-729-975-62 * 25C2754-Y
 Q6 8-120-225-62 * 25C2754-Y
 Q8 8-120-117-54 * 25A1175
 Q9 8-120-117-54 * 25A1175
 Q10 8-729-117-54 * 25A1175
 Q11 8-729-117-54 * 25A1175
 Q12 8-729-117-54 * 25A1175
 Q13 8-729-117-54 * 25A1175
 Q14 8-729-117-54 * 25A1175
 Q15 8-729-900-89 * U2C1048S
 Q101 8-729-117-54 * 25A1175
 Q102 8-729-117-54 * 25A1175
 Q103 8-729-117-54 * 25A1175
 Q104 8-729-117-54 * 25A1175
 Q105 8-729-117-54 * 25A1175
 Q106 8-729-117-54 * 25A1175
 Q107 8-729-117-54 * 25A1175
 Q108 8-729-117-54 * 25A1175
 Q109 8-729-117-54 * 25A1175
 R1 1-552-539-00 * KEY BOARD "OUT"
 R2 1-552-539-00 * KEY BOARD "IN"
 R3 1-552-539-00 * KEY BOARD "REVIEW"
 R4 1-552-539-00 * KEY BOARD "AUTO EDIT"
 R5 1-552-539-00 * KEY BOARD "EXECUTE"
 R6 1-552-539-00 * KEY BOARD "ASSEMBLY"
 R7 1-552-539-00 * KEY BOARD "WINDOW"
 R8 1-552-539-00 * KEY BOARD "AW CR-1"
 R9 1-552-539-00 * KEY BOARD "AW CR-2"
 S) 310 1-554-039-11 * PUSH "STANDBY"
 S) 311 1-552-167-42 * TACTIL "STANDBY"
 S) 312 1-554-039-11 * PUSH "PREROLL"
 S) 313 1-554-040-21 * PUSH "REC"
 S) 314 1-571-168-21 * TACTIL "REC"
 S) 315 1-554-039-11 * PUSH "EDIT"
 S) 316 1-552-167-41 * TACTIL "EDIT"
 S) 317 1-552-539-00 * KEY BOARD "SEARCH"
 S) 318 1-571-169-11 * TACTIL "EJECT"
 S) 319 1-554-039-11 * PUSH "REN"
 S) 320 1-572-367-21 * TACTIL "REN"
 S) 321 1-554-039-11 * PUSH "PLAY"
 S) 322 1-571-167-21 * TACTIL "PLAY"
 S) 323 1-554-039-11 * PUSH "F FWD"
 S) 324 1-571-167-42 * TACTIL "F FWD"
 S) 325 1-571-168-21 * TACTIL "STOP"
 S) 326 1-516-994-00 * LEVER SLIDE "F/R/R"
 S) 327 1-552-539-00 * KEY BOARD "PLAYER"
 S) 328 1-552-539-00 * KEY BOARD "RECORDS"
 S) 329 1-552-539-00 * KEY BOARD "EJECT"
 S) 330 1-552-539-00 * KEY BOARD "FIND(-)"
 S) 331 1-552-539-00 * KEY BOARD "FIND(+)"
 S) 332 1-516-995-00 * LEVER SLIDE "DATA"
 S) 333 1-552-539-00 * KEY BOARD "SET"
 S) 334 1-552-539-00 * KEY BOARD "LAP"
 S) 335 1-552-539-00 * KEY BOARD "RESET"

X1 1-567-069-11 * VIBRATOR, CERAMIC 9.8MHz
 X2 1-567-192-11 * OSCILLATOR, CERAMIC 4MHz

Ref No. Parts No. SP Description

RT-144 BOARD

This board includes the DP-62 board.

A-017-091-A * MOUNTING CIRCUIT BOARD, RT-144

D11 1-528-229-81 * BATTERY, LITHIUM (CR-2450)

C2 1-162-210-51 * CERAMIC JOFF 5% 50V
 C3 1-162-210-51 * CERAMIC JOFF 5% 50V
 C4 1-125-643-11 * DOUBLE CAPSORS 0.047F 5.5V
 C5 1-124-745-00 * ELECT 4.7 20% 16V
 C10 1-161-379-00 * CERAMIC 0.01 50V 16V

C12 1-162-210-31 * CERAMIC JOFF 5% 50V
 C13 1-162-210-21 * CERAMIC JOFF 5% 50V
 C17 1-174-245-00 * ELECT 4.7 20% 16V
 C101 1-131-346-00 * TANTALUM 0.68 10% 35V
 C102 1-131-346-00 * TANTALUM 0.68 10% 35V
 C103 1-131-346-00 * TANTALUM 0.68 10% 35V
 C104 1-131-346-00 * TANTALUM 0.68 10% 35V
 C105 1-131-346-00 * TANTALUM 0.68 10% 35V
 C106 1-131-346-00 * TANTALUM 0.68 10% 35V
 C107 1-131-346-00 * TANTALUM 0.68 10% 35V

C108 1-131-346-00 * TANTALUM 0.68 10% 35V
 C109 1-131-346-00 * TANTALUM 0.68 10% 35V

H1 1-506-690-11 * HEADER 10T
 H3 1-552-237-11 * WIRE, ELAT TYPE 23P (KY-101 to DP-62)

D1 8-719-911-19 * 155119
 D2 8-719-911-19 * 155119
 D3 8-719-911-19 * 155119
 D4 8-719-911-19 * 155119
 D5 8-719-911-19 * 155119

D6 8-719-911-19 * 155119
 D7 8-719-911-19 * 155119
 D8 8-719-911-19 * 155119
 D9 8-719-911-19 * 155119
 D10 8-719-911-19 * 155119

D11 8-719-911-19 * 155119
 D12 8-719-911-19 * 155119
 D13 8-719-911-19 * 155119
 D14 8-719-911-19 * 155119
 D15 8-719-911-19 * 155119

D16 8-719-911-19 * 155119
 D17 8-719-911-19 * 155119
 D18 8-719-911-19 * 155119
 D19 8-719-911-19 * 155119
 D20 8-719-911-19 * 155119

Parts that are not listed in the "reference number order list" are shown in the "General Purpose Electrical Parts List"

Ref No.	Part No.	SP	Description	Ref No.	Part No.	SP	Description
E21	8-719-911-19	#	E55119	Q6	8-729-275-42	#	2502754-Y
E22	8-719-911-19	#	E55119	Q5	8-729-117-54	#	25A1175
E23	8-719-911-19	#	E55119	Q9	8-729-117-54	#	25A1175
E24	8-719-911-19	#	E55119	Q15	8-729-117-54	#	25A1175
E25	8-719-911-19	#	E55119	Q11	8-729-117-54	#	25A1175
E26	8-719-911-19	#	E55119	Q12	8-729-117-54	#	25A1175
E27	8-719-911-19	#	E55119	Q17	8-729-117-54	#	25A1175
E28	8-719-911-19	#	E55119	Q14	8-729-117-54	#	25A1175
E29	8-719-929-39	#	GL-51085	Q15	8-729-900-09	#	UTC14425
E30	8-719-929-39	#	GL-51085	Q101	8-729-117-54	#	25A1175
E31	8-719-929-39	#	GL-51085	Q102	8-729-117-54	#	25A1175
E32	8-719-929-39	#	GL-51085	Q103	8-729-117-54	#	25A1175
E33	8-719-929-39	#	GL-51085	Q104	8-729-117-54	#	25A1175
E34	8-719-929-39	#	GL-51085	Q105	8-729-117-54	#	25A1175
E35	8-719-929-39	#	GL-51085	Q106	8-729-117-54	#	25A1175
E36	8-719-929-39	#	GL-51085	Q107	8-729-117-54	#	25A1175
E37	8-719-929-39	#	GL-51085	Q108	8-729-117-54	#	25A1175
E38	8-719-929-39	#	GL-51085	Q109	8-729-117-54	#	25A1175
E39	8-719-800-86	#	TL0255				
E40	8-719-800-86	#	TL0255				
E41	8-719-929-39	#	GL-51085	E1	1-552-529-00	#	KEY BOARD "OUT"
E42	8-719-929-39	#	GL-51085	E2	1-552-529-00	#	KEY BOARD "IN"
E43	8-719-929-39	#	GL-51085	E3	1-552-529-00	#	KEY BOARD "VIEW"
E44	8-719-929-39	#	GL-51085	E4	1-552-529-00	#	KEY BOARD "AUX EXEC"
E45	8-719-911-19	#	E55119	E5	1-552-529-00	#	KEY BOARD "PREVIEW"
E46	8-719-911-19	#	E55119	E6	1-552-529-00	#	KEY BOARD "ASSEMBLY"
E47	8-719-911-19	#	E55119	E7	1-552-529-00	#	KEY BOARD "VIDEO"
E48	8-719-911-19	#	E55119	E8	1-552-529-00	#	KEY BOARD "AO CH-1"
E49	8-719-911-19	#	E55119	E9	1-552-529-00	#	KEY BOARD "AO CH-2"
E50	8-719-911-19	#	E55119	E10	1-571-167-11	#	TACTIL "STANBY"
E51	8-719-911-19	#	E55119	E11	1-571-167-11	#	TACTIL "PREROLL"
E52	8-719-911-19	#	E55119	E12	1-571-167-21	#	TACTIL "REC"
E53	8-719-911-19	#	E55119	E13	1-571-167-11	#	TACTIL "EDIT"
E54	8-719-911-19	#	E55119	E14	1-552-529-00	#	KEY BOARD "SEARCH"
E55	8-719-911-19	#	E55119	E15	1-571-167-21	#	TACTIL "EJECT"
E56	8-719-911-19	#	E55119	E16	1-571-167-21	#	TACTIL "FWD"
E57	8-719-911-19	#	E55119	E17	1-571-167-21	#	TACTIL "PLAY"
E58	8-719-911-19	#	E55119	E18	1-571-167-41	#	TACTIL "F FWD"
E59	8-719-911-19	#	E55119	E19	1-571-167-21	#	TACTIL "STOP"
E60	8-719-911-19	#	E55119	E20	1-571-167-00	#	LEVER SLIDE "PB/RE"
E61	8-719-911-19	#	E55119	E21	1-552-529-00	#	KEY BOARD "PLAYER"
E62	8-719-911-19	#	E55119	E22	1-552-529-00	#	KEY BOARD "RECORDS"
E63	8-719-911-19	#	E55119	E23	1-552-529-00	#	KEY BOARD "ZOOM"
E64	8-719-911-19	#	E55119	E24	1-552-529-00	#	KEY BOARD "TITLE"
E65	8-719-911-19	#	E55119	E25	1-552-529-00	#	KEY BOARD "TITLE-2"
E66	8-719-911-19	#	E55119	E26	1-516-895-00	#	LEVER SLIDE "DATA"
E67	8-719-911-19	#	E55119	E27	1-521-558-00	#	KEY BOARD "BET"
E68	8-719-911-19	#	E55119	E28	1-552-529-00	#	KEY BOARD "LAP"
E69	8-719-911-19	#	E55119	E29	1-532-539-00	#	KEY BOARD "RESET"
E70	8-719-911-19	#	E55119	E30	1-567-869-11	#	VIBRATOR, CERAMIC 9.83MHz
E71	8-719-911-19	#	E55119	E31	1-567-869-11	#	Oscillator, CERAMIC 4MHz
E72	8-719-911-19	#	E55119				
E73	8-719-911-19	#	E55119				
E74	8-719-911-19	#	E55119				
E75	8-719-911-19	#	E55119				
E76	8-719-911-19	#	E55119				
E77	8-719-911-19	#	E55119				
E78	8-719-911-19	#	E55119				
E79	8-719-911-19	#	E55119				
E80	8-719-911-19	#	E55119				
E81	8-719-911-19	#	E55119				
E82	8-719-911-19	#	E55119				
E83	8-719-911-19	#	E55119				
E84	8-719-911-19	#	E55119				
E85	8-719-911-19	#	E55119				
E86	8-719-911-19	#	E55119				
E87	8-719-911-19	#	E55119				
E88	8-719-911-19	#	E55119				
E89	8-719-911-19	#	E55119				
E90	8-719-911-19	#	E55119				
E91	8-719-911-19	#	E55119				
E92	8-719-911-19	#	E55119				
E93	8-719-911-19	#	E55119				
E94	8-719-911-19	#	E55119				
E95	8-719-911-19	#	E55119				
E96	8-719-911-19	#	E55119				
E97	8-719-911-19	#	E55119				
E98	8-719-911-19	#	E55119				
E99	8-719-911-19	#	E55119				
E100	8-719-911-19	#	E55119				

Parts that are not listed in the "Reference number order list" are shown in the "General Purpose Electrical Parts List".

Ref No. Parts No. QP Description

LE-53 BOARD

1-623-720-11 o PRINTED CIRCUIT BOARD, LE-53

D1 8-718-930-20 o ILMF-1302

LE-54 BOARD

1-622-737-11 o PRINTED CIRCUIT BOARD, LE-54

D1 8-719-950-10 o ILMF-1302

LM-13 BOARD

1-618-695-11 o PRINTED CIRCUIT BOARD, LM-13

C1 1-320-471-00 o FE TEREPHTHALATE 0.001

C2 1-320-471-00 o FE TEREPHTHALATE 0.001

LP-41 BOARD

1-625-101-11 o PRINTED CIRCUIT BOARD, LP-41

D1 8-719-900-89 o TLY255

D2 8-719-900-89 o TLY255

D3 8-719-900-89 o TLY255

R1 1-247-706-11 o CARBON 330 5% 1/4W

R2 1-247-706-11 o CARBON 330 5% 1/4W

R3 1-247-706-11 o CARBON 330 5% 1/4W

MB-12 BOARD

This board includes the MB-159 board.

A-6729-502-A o MOUNTED CIRCUIT BOARD, MB-127

CH101 1-563-326-21 o HOUSING, (DIP) 64P

CH102 1-563-326-21 o HOUSING, (DIP) 64P

CH103 1-563-326-21 o HOUSING, (DIP) 64P

CH104 1-563-326-21 o HOUSING, (DIP) 64P

CH105 1-563-326-21 o HOUSING, (DIP) 64P

Parts that are not listed in the "reference number order list" are shown in the "General Purpose Electrical Parts List".

Ref No. Parts No. SP Description

CM106 1-563-336-21 o HOUSING, (DIP) 6AP
 CM167 1-563-336-21 o HOUSING, (DIP) 6AP
 CM108 1-563-336-21 o HOUSING, (DIP) 6AP
 CM109 1-563-336-21 o HOUSING, (DIP) 6AP
 CM110 1-563-313-11 o PIN, 7P
 1-563-883-11 o HOUSING, 7P

CM111 1-564-607-11 o PIN, 6P
 1-562-287-11 o HOUSING, 6P
 CM220 1-506-819-11 o BOARD IM CONNECTOR, 10P
 CM221 1-506-819-11 o BOARD IM CONNECTOR, 10P
 CM222 1-506-819-11 o BOARD IM CONNECTOR, 10P
 CM223 1-506-821-11 o BOARD IM CONNECTOR, 12P

CM224 1-506-821-11 o BOARD IM CONNECTOR, 12P
 CM225 1-506-819-11 o BOARD IM CONNECTOR, 10P
 CM226 1-506-814-11 o BOARD IM CONNECTOR, 5P
 CM227 1-563-994-11 o SOCKET, (PCB-PCB) 20P
 CM228 1-563-994-11 o SOCKET, (PCB-PCB) 20P

CM231 1-563-994-11 o SOCKET, (PCB-PCB) 20P
 CM232 1-563-994-11 o SOCKET, (PCB-PCB) 20P
 CM233 1-563-994-11 o SOCKET, (PCB-PCB) 20P

MD-139 BOARD

All of the component parts on the MD-139 board are supplied together when you order MD-127 board.

1-622-734-11 o PRINTED CIRCUIT BOARD, MD-139

CM130 1-563-336-21 o HOUSING, (DIP) 6AP
 CM143 1-566-508-11 o PLUG, (PCB-PCB) 20P
 CM142 1-566-508-11 o PLUG, (PCB-PCB) 20P
 CM143 1-566-508-11 o PLUG, (PCB-PCB) 20P

Ref No. Parts No. SP Description

MD-45 BOARD

4-6711-829-A o MOUNTED CIRCUIT BOARD, MD-45

05 1-361-494-00 o CERAMIC 0.022 30X 25V
 07 1-161-494-00 o CERAMIC 0.022 30X 25V
 08 1-124-245-00 o ELECT 4.7 20X 25V
 012 1-161-494-00 o CERAMIC 0.022 30X 25V
 020 1-161-494-00 o CERAMIC 0.022 30X 25V
 029 1-161-494-00 o CERAMIC 0.022 30X 25V
 055 1-161-494-00 o CERAMIC 0.022 30X 25V
 0101 1-161-494-00 o CERAMIC 0.022 30X 25V
 0113 1-124-462-00 o ELECT 10 20X 16V
 0114 1-161-494-00 o CERAMIC 0.022 30X 25V
 0117 1-124-462-00 o ELECT 10 20X 16V
 0120 1-161-494-00 o CERAMIC 0.022 30X 25V
 0121 1-124-351-00 o TANTALUM 3.3 10X 25V
 0123 1-131-374-00 o TANTALUM 12 10X 10V
 0125 1-163-494-00 o CERAMIC 0.022 30X 25V
 0129 1-174-462-00 o ELECT 10 20X 10V
 0130 1-124-462-00 o ELECT 10 20X 10V
 0131 1-124-462-00 o ELECT 10 20X 10V
 0201 1-109-681-06 o WGA 1909F 12 500V
 0205 1-124-462-00 o ELECT 10 20X 10V

0206 1-174-462-00 o ELECT 10 20X 10V
 0207 1-161-494-00 o CERAMIC 0.022 30X 25V
 0210 1-161-494-00 o CERAMIC 0.022 30X 25V
 0214 1-161-494-00 o CERAMIC 0.022 30X 25V
 0216 1-161-494-00 o CERAMIC 0.022 30X 25V
 0219 1-161-494-00 o CERAMIC 0.022 30X 25V
 0221 1-161-494-00 o CERAMIC 0.022 30X 25V
 0222 1-161-379-00 o CERAMIC 0.01 30X 16V
 0224 1-161-379-00 o CERAMIC 0.01 30X 16V
 0225 1-161-375-00 o CERAMIC 0.0025 30X 16V
 0226 1-161-494-00 o CERAMIC 0.022 30X 25V
 0227 1-161-494-00 o CERAMIC 0.022 30X 25V
 0228 1-161-379-00 o CERAMIC 0.01 30X 16V
 0229 1-161-379-00 o CERAMIC 0.01 30X 16V
 0230 1-161-494-00 o CERAMIC 0.022 30X 25V
 0231 1-161-379-00 o CERAMIC 0.01 30X 16V
 0302 1-124-245-00 o ELECT 4.7 20X 25V
 0303 1-161-943-00 o CERAMIC 0.01 30X 25V
 0305 1-161-494-00 o CERAMIC 0.022 30X 25V
 0306 1-161-494-00 o CERAMIC 0.022 30X 25V
 0307 1-161-494-00 o CERAMIC 0.022 30X 25V
 0309 1-161-494-00 o CERAMIC 0.022 30X 25V
 0302 1-161-494-00 o CERAMIC 0.022 30X 25V
 0303 1-124-499-11 o ELECT 1 20X 30V
 0304 1-174-462-00 o ELECT 10 20X 10V
 0508 1-124-462-00 o ELECT 10 20X 10V
 0509 1-124-462-00 o ELECT 10 20X 10V
 0513 1-162-728-11 o CERAMIC 5600F 12 50V
 0514 1-124-638-11 o ELECT 12 20X 10V
 0522 1-161-494-00 o CERAMIC 0.022 30X 25V
 0523 1-124-462-00 o ELECT 10 20X 10V
 0527 1-124-462-00 o ELECT 10 20X 10V
 0528 1-131-344-00 o TANTALUM 0.33 10X 25V
 0532 1-131-351-00 o TANTALUM 4.7 10X 25V
 0535 1-161-494-00 o CERAMIC 0.022 30X 25V

Parts that are not listed in the reference number order list are shown in the General Purpose Electrical Parts List.

Ref No.	Part No.	SP	Description	Ref No.	Part No.	SP	Description
C540	1-161-494-00	*	CERAMIC 0.022 30X 25V	DJ	8-719-911-19	*	ISS119
C543	1-161-494-00	*	CERAMIC 0.022 30X 25V	B04	8-719-911-19	*	ISS119
C545	1-161-494-00	*	CERAMIC 0.01 30X 16V	090	8-719-911-19	*	ISS119
C546	1-161-494-00	*	CERAMIC 0.022 30X 25V	B04	8-719-911-19	*	ISS119
6048	1-124-638-11	*	ELECT 22 20X 10V	D05	8-719-911-19	*	ISS119
C551	1-161-494-00	*	CERAMIC 0.022 30X 25V	D06	8-719-911-19	*	ISS119
C553	1-161-494-00	*	CERAMIC 0.022 30X 25V	D07	8-719-104-10	*	ISS99
C555	1-161-494-00	*	CERAMIC 0.022 30X 25V	D08	8-719-104-10	*	ISS99
C557	1-161-494-00	*	CERAMIC 0.022 30X 25V	D09	8-719-911-19	*	ISS119
C559	1-161-494-00	*	CERAMIC 0.022 30X 25V	D01	8-719-911-19	*	ISS119
C561	1-161-494-00	*	CERAMIC 0.022 30X 25V	461	8-719-911-19	*	ISS119
C564	1-131-355-00	*	TANTALUM 2.2 10X 25V	D02	8-719-911-19	*	ISS119
C565	1-161-494-00	*	CERAMIC 0.022 30X 25V	D03	8-719-911-19	*	ISS119
C567	1-131-349-00	*	TANTALUM 2.2 10X 25V	D05	8-719-911-19	*	ISS119
C570	1-161-494-00	*	CERAMIC 330PF 1X 50V	D06	8-719-911-19	*	ISS119
C571	1-162-724-11	*	CERAMIC 500PF 1X 50V	D07	8-719-911-19	*	ISS119
C572	1-124-462-00	*	ELECT 10 20X 10V	D08	8-719-911-19	*	ISS119
C573	1-161-494-00	*	CERAMIC 0.01 30X 16V	D09	8-719-911-19	*	ISS119
C574	1-161-494-00	*	CERAMIC 0.01 30X 16V	DL1	1-415-404-11	*	226ns
C575	1-161-494-00	*	CERAMIC 0.022 30X 25V	DL2	1-415-404-11	*	226ns
C578	1-161-378-00	*	CERAMIC 0.01 30X 16V	DL101	1-415-404-11	*	1000ns
C581	1-131-343-00	*	TANTALUM 0.47 10X 25V	DL501	1-415-404-11	*	300ns
C582	1-161-494-00	*	CERAMIC 0.022 30X 25V				
C601	1-161-494-00	*	CERAMIC 0.022 30X 25V	FL3	1-235-475-11	*	LOW PASS
C603	1-124-409-11	*	ELECT 1 20X 50V	FL2	1-235-476-21	*	BAND PASS
C604	1-161-494-00	*	CERAMIC 0.022 30X 25V	FL201	1-235-477-11	*	HIGH PASS
C605	1-161-494-00	*	CERAMIC 0.022 30X 25V	FL202	1-235-009-21	*	HIGH PASS (WFO-ND)
C608	1-161-379-00	*	CERAMIC 0.01 30X 16V	FL501	1-235-471-11	*	LOW PASS
C609	1-161-494-00	*	CERAMIC 0.022 30X 25V	FL502	1-231-377-21	*	BAND PASS
C614	1-124-449-11	*	ELECT 1 20X 50V				
C602	1-161-494-00	*	CERAMIC 0.022 30X 25V				
C603	1-161-494-00	*	CERAMIC 0.022 30X 25V	1511C1	8-759-240-53	*	TC6052P (TOSHIBA)
C604	1-161-494-00	*	CERAMIC 0.022 30X 25V	1611C1	8-759-040-53	*	MC1493BCP (MOTOROLA)
C605	1-161-494-00	*	CERAMIC 0.022 30X 25V	1C2	8-752-538-00	*	8235 (SONY)
C606	1-161-494-00	*	CERAMIC 0.022 30X 25V	1C3	8-752-201-30	*	CE2201 (SONY)
C607	1-161-494-00	*	CERAMIC 0.022 30X 25V	1C4	8-752-030-30	*	CE2102P (SONY)
C608	1-161-494-00	*	CERAMIC 0.022 30X 25V	1C5	8-752-938-90	*	BC389 (SONY)
C609	1-161-494-00	*	CERAMIC 0.022 30X 25V	1C6	8-749-938-90	*	BC389 (SONY)
C611	1-161-494-00	*	CERAMIC 0.022 30X 25V	1C7	8-749-938-90	*	BC389 (SONY)
C612	1-161-494-00	*	CERAMIC 0.022 30X 25V	1C8	8-759-981-91	*	BC458P (SATHRON)
C613	1-161-494-00	*	CERAMIC 0.022 30X 25V	1C9	8-759-981-91	*	BC458P (SATHRON)
C601	1-56-003-06	*	PTH, 4P	1C101	8-751-006-00	*	CE2006 (SONY)
C602	1-56-009-00	*	PTH, 10P	1C105	8-751-110-00	*	CE131A (SONY)
C603	1-56-003-00	*	PTH, 4P	1C109	8-750-206-29	*	TA7060 AP-SONY (TOSHIBA)
C604	1-56-002-00	*	PTH, 3P	1C201	8-741-125-76	*	BC1252 (SONY)
C605	1-56-004-00	*	PTH, 3P	1C202	8-751-006-00	*	CE2006 (SONY)
C606	1-56-007-00	*	PTH, 6P	1C501	8-741-126-60	*	BC1246 (SONY)
C607	1-56-005-00	*	PTH, 6P	1C504	8-752-006-00	*	CE2006 (SONY)
C608	1-56-004-00	*	PTH, 3P	1C502	8-741-124-70	*	BC1247 (SONY)
C609	1-56-002-00	*	PTH, 3P	1C503	8-759-906-59	*	BC459 (SONY)
C611	1-56-003-00	*	PTH, 4P	1C504	8-751-006-00	*	CE2006 (SONY)
C612	1-56-002-00	*	PTH, 3P				
				1C601	8-741-126-20	*	BC1246 (SONY)
				1C81	8-752-006-00	*	CE2006 (SONY)
				10802	8-759-140-58	*	DPG4558C (RSC)

Parts that are not listed in the "reference number of use list" are shown in the "General Purpose Electrical Parts List".

Ref No.	Part No.	SP	Description
L1	1-410-482-31	*	MICRO 100
L2	1-410-482-31	*	MICRO 100
L5	1-410-482-31	*	MICRO 100
L11	1-410-482-31	*	MICRO 100
L17	1-410-482-31	*	MICRO 100

L13	1-410-468-41	*	MICRO 4,7
L14	1-410-482-31	*	MICRO 100
L18	1-410-482-31	*	MICRO 100
L18T	1-410-482-31	*	MICRO 100
L18J	1-410-482-31	*	MICRO 100

L18S	1-410-482-31	*	MICRO 100
L18Q	1-410-482-31	*	MICRO 100
L302	1-410-482-31	*	MICRO 100
L303	1-410-482-31	*	MICRO 100
L304	1-410-482-31	*	MICRO 100

L306	1-410-471-11	*	MICRO 12
L308	1-410-482-31	*	MICRO 100
L301	1-410-482-31	*	MICRO 100
L302	1-410-482-31	*	MICRO 100
L301	1-410-482-31	*	MICRO 100

L302	1-410-119-11	*	MICRO 199H
L303	1-410-482-31	*	MICRO 100
L304	1-410-482-31	*	MICRO 100
L305	1-410-482-31	*	MICRO 100
L306	1-410-482-31	*	MICRO 100

L307	1-410-478-11	*	MICRO 47
L308	1-410-482-31	*	MICRO 100
L309	1-410-482-31	*	MICRO 100
L310	1-410-476-11	*	MICRO 33
L311	1-410-482-31	*	MICRO 100
L312	1-410-090-41	*	MICRO 1388H

L513	1-410-488-11	*	MICRO 390
L514	1-410-482-31	*	MICRO 100
L515	1-410-482-31	*	MICRO 100
L517	1-410-477-21	*	MICRO 19
L603	1-410-482-31	*	MICRO 100
L604	1-410-482-31	*	MICRO 100

L901	1-407-563-00	*	VARIABLE 1
L902	1-407-572-00	*	VARIABLE 13

Q1	8-729-603-50	*	28C403SP
Q2	8-729-195-72	*	28E72-LJ
Q6	8-729-603-50	*	28C403SP
Q5	8-729-275-62	*	28D275A-Y
Q6	8-729-275-62	*	28D275A-Y

Q7	8-729-603-50	*	28C403SP
Q8	8-729-603-50	*	28C403SP
Q9	8-729-603-50	*	28C403SP
Q10	8-729-603-50	*	28C403SP
Q11	8-729-603-50	*	28C403SP

Q12	8-729-603-50	*	28C403SP
Q13	8-729-603-50	*	28C403SP
Q14	8-729-110-52	*	28A1005-L
Q15	8-729-110-52	*	28A1005-L
Q16	8-729-190-12	*	28C2901-E

Q17	8-729-190-12	*	28C2901-E
Q18	8-729-110-52	*	28A1005-L
Q19	8-729-190-12	*	28C2901-E
Q20	8-729-190-12	*	28C2901-E
Q21	8-729-110-52	*	28A1005-L

Q22	8-729-110-52	*	28A1005-L
Q23	8-729-190-12	*	28C2901-E
Q24	8-729-611-53	*	28A1115-F
Q25	8-729-603-50	*	28C403SP
Q27	8-729-603-50	*	28C403SP

Q101	8-729-603-50	*	28C403SP
Q102	8-729-603-50	*	28C403SP
Q103	8-729-603-50	*	28C403SP
Q104	8-729-603-50	*	28C403SP
Q105	8-729-603-50	*	28C403SP

Q106	8-729-603-50	*	28C403SP
Q201	8-729-603-50	*	28C403SP
Q202	8-729-603-50	*	28C403SP
Q203	8-729-600-60	*	28A1115F
Q204	8-729-600-60	*	28A1115F

Q205	8-729-603-50	*	28C403SP
Q206	8-729-603-50	*	28C403SP
Q207	8-729-900-26	*	DFC1248B
Q208	8-729-900-26	*	DFC1248B
Q209	8-729-603-50	*	28C403SP

Q210	8-729-900-26	*	DFC1248B
Q211	8-729-603-50	*	28C403SP
Q201	8-729-111-52	*	28P333
Q302	8-729-900-26	*	DFC1248E
Q303	8-729-611-53	*	28A1115-F

Q305	8-729-603-50	*	28C403SP
Q306	8-729-603-50	*	28C403SP
Q307	8-729-603-50	*	28C403SP
Q308	8-729-603-50	*	28C403SP
Q309	8-729-603-50	*	28C403SP

Q305	8-729-611-53	*	28A1115-F
Q306	8-729-603-50	*	28C403SP
Q307	8-729-603-50	*	28C403SP
Q308	8-729-603-50	*	28C403SP
Q309	8-729-601-61	*	28C7405-R
Q309	8-729-603-50	*	28C403SP

Q310	8-729-611-53	*	28A1115-F
Q311	8-729-900-26	*	DFC1248B
Q312	8-729-603-50	*	28C403SP
Q313	8-729-603-50	*	28C403SP
Q301	8-729-603-50	*	28C403SP
Q302	8-729-900-41	*	28C1248E-R

R203	1-247-825-00	*	CARBON 470K 5% 1/4W
R107	1-241-848-00	*	CARBON 5.6K 5% 1/4W
R209	1-247-895-00	*	CARBON 470K 5% 1/4W
R110	1-247-895-00	*	CARBON 470K 5% 1/4W
R212	1-247-849-00	*	CARBON 5.6K 5% 1/4W

R242	1-242-891-00	*	CARBON 330K 5% 1/4W
R508	1-241-887-00	*	CARBON 320K 5% 1/4W
R366	1-247-804-00	*	CARBON 5.6K 5% 1/4W
R509	1-241-848-00	*	CARBON 5.6K 5% 1/4W
R375	1-247-849-00	*	CARBON 5.6K 5% 1/4W

Parts that are not listed in the "Reference number order list" are shown in the "General Purpose Electrical Parts List".

Ref No.	Part No.	SP	Description
RV1	1-228-991-00	VAR.	CARBON 10R
RV2	1-228-991-00	VAR.	CARBON 2.2K
RV3	1-228-991-00	VAR.	CARBON 1K
RV4	1-228-991-00	VAR.	CARBON 470
RV5	1-228-991-00	VAR.	CARBON 470
19)RV6	1-228-991-00	VAR.	CARBON 470
20)RV6	1-228-991-00	VAR.	CARBON 1K
RV7	1-228-991-00	VAR.	CARBON 470
RV8	1-228-991-00	VAR.	CARBON 22K
RV9	1-228-991-00	VAR.	CARBON 220R
RV101	1-228-991-00	VAR.	CARBON 1.2K
RV101	1-228-991-00	VAR.	CARBON 1K
RV102	1-228-991-00	VAR.	CARBON 4.7K
RV202	1-228-991-00	VAR.	CARBON 4.7K
RV204	1-228-991-00	VAR.	CARBON 470
RV205	1-228-991-00	VAR.	CARBON 1K
RV206	1-228-991-00	VAR.	CARBON 1K
RV207	1-228-991-00	VAR.	CARBON 470R
RV208	1-228-991-00	VAR.	CARBON 47K
RV209	1-228-991-00	VAR.	CARBON 1K
RV301	1-228-991-00	VAR.	CARBON 22K
RV302	1-228-991-00	VAR.	CARBON 2.2K
RV501	1-228-991-00	VAR.	CARBON 4.7K
RV502	1-228-991-00	VAR.	CARBON 4.7K
RV503	1-228-991-00	VAR.	CARBON 1K
RV504	1-228-991-00	VAR.	CARBON 4.7K
RV505	1-228-991-00	VAR.	CARBON 4.7K
RV601	1-228-991-00	VAR.	CARBON 47K
RV802	1-228-991-00	VAR.	CARBON 1K
RV803	1-228-991-00	VAR.	CARBON 470R
81	1-578-451-11		4L108
T501	1-425-800-21		TRANSFORMER, MURST AMT
T8204	1-800-200-00		THERMISTOR 5-1K
1501	1-527-231-00		OSC. CRYSTAL 4.433MHz

Ref No.	Part No.	SP	Description
---------	----------	----	-------------

MT-28 BOARD

J-622-729-11			PRINTED CIRCUIT BOARD, MT-28
--------------	--	--	------------------------------

CM325	1-560-035-00		PIN, BOARD TO BOARD SP (MT-28 to 79-48)
-------	--------------	--	---

CM336	1-560-035-00		PIN, BOARD TO BOARD SP (MT-28 to 92-48)
-------	--------------	--	---

D1	8-719-800-89		TLX255
----	--------------	--	--------

D2	8-719-800-89		TLX255
----	--------------	--	--------

D3	8-719-800-89		TLX255
----	--------------	--	--------

D4	8-719-800-89		TLX255
----	--------------	--	--------

D5	8-719-800-89		TLX255
----	--------------	--	--------

D6	8-719-800-89		TLX255
----	--------------	--	--------

B1	1-247-706-11		CARBON 330 5% 1/4W
----	--------------	--	--------------------

B1	1-247-706-11		CARBON 330 5% 1/4W
----	--------------	--	--------------------

B2	1-247-706-11		CARBON 330 5% 1/4W
----	--------------	--	--------------------

PD-37 BOARD

A-6717-458-A			MOUNTED CIRCUIT BOARD, PD-37
--------------	--	--	------------------------------

C2	1-141-379-00		CERAMIC 0.01 10% 14V
----	--------------	--	----------------------

C3	1-141-379-00		CERAMIC 0.01 10% 16V
----	--------------	--	----------------------

C4	1-124-259-00		ELECT 4.7 20% 50V
----	--------------	--	-------------------

C5	1-124-259-00		ELECT 4.7 20% 50V
----	--------------	--	-------------------

C6	1-124-259-00		ELECT 4.7 20% 50V
----	--------------	--	-------------------

D1	8-719-200-07		10E-7
----	--------------	--	-------

D2	8-719-200-07		10E-7
----	--------------	--	-------

D3	8-719-200-07		10E-7
----	--------------	--	-------

D4	8-719-200-07		10E-7
----	--------------	--	-------

D5	8-719-200-07		10E-7
----	--------------	--	-------

D6	8-719-200-07		10E-7
----	--------------	--	-------

D7	8-719-200-07		10E-7
----	--------------	--	-------

D8	8-719-200-07		10E-7
----	--------------	--	-------

D9	8-719-200-07		10E-7
----	--------------	--	-------

D10	8-719-200-07		10E-7
-----	--------------	--	-------

D11	8-719-200-07		10E-7
-----	--------------	--	-------

D12	8-719-200-07		10E-7
-----	--------------	--	-------

D13	8-719-200-07		10E-7
-----	--------------	--	-------

D14	8-719-200-07		10E-7
-----	--------------	--	-------

J41	8-759-400-24		MS4531(HITSUBSM)
-----	--------------	--	------------------

F51	1-522-685-00		1.5K, 1%
-----	--------------	--	----------

F52	1-522-685-00		1.5K, 1%
-----	--------------	--	----------

F53	1-522-685-00		1.5K, 1%
-----	--------------	--	----------

F54	1-522-685-00		1.5K, 1%
-----	--------------	--	----------

Parts that are not listed on the "reference number order list" are shown in the "General Purpose Electrical Parts List".

Ref No.	Part No.	SP	Description
Q1	8-729-811-11	•	2803111
Q2	8-729-178-55	•	2802785-B
Q3	8-729-178-55	•	2802785-B
Q4	8-729-199-82	•	280998
Q5	8-729-811-11	•	2803111
Q6	8-729-178-55	•	2802785-B
Q7	8-729-809-40	•	280804
Q8	8-729-811-11	•	2803111
Q9	8-729-178-55	•	2802785-B
Q10	8-729-809-40	•	280804

Ref No.	Part No.	SP	Description
---------	----------	----	-------------

PTC-29 BOARD

1-622-718-11	•	PRINTED CIRCUIT BOARD, PTC-29
--------------	---	-------------------------------

1-806-232-11	•	INJECTOR PH-1107/S.M
--------------	---	----------------------

PTC-30 BOARD

1-622-360-11	•	PRINTED CIRCUIT BOARD, PTC-30
--------------	---	-------------------------------

1C1	8-719-939-50	•	CP1L52(SHARP)
1C2	8-719-939-50	•	CP1L52(SHARP)
1C3	8-719-939-50	•	CP1L52(SHARP)

PH-5(A) BOARD

1-603-737-00	•	PRINTED CIRCUIT BOARD, PH-5(A)
--------------	---	--------------------------------

D1	8-719-958-04	•	8251048
----	--------------	---	---------

PH-5(B) BOARD

1-603-737-00	•	PRINTED CIRCUIT BOARD, PH-5(B)
--------------	---	--------------------------------

Q1	8-729-810-21	•	8P8102-A
----	--------------	---	----------

PTC-32 BOARD

1-622-430-21	•	PRINTED CIRCUIT BOARD, PTC-32
--------------	---	-------------------------------

C1	1-124-234-00	•	BLECK 22 20T 10V
----	--------------	---	------------------

1C1	8-719-939-50	•	CP1L52(SHARP)
1C2	8-719-939-50	•	CP1L52(SHARP)
1C3	8-719-940-86	•	CP1L53(SHARP)
1C4	8-719-939-50	•	CP1L52(SHARP)
1C5	8-719-132-90	•	UPC3390(NEC)

PH-5(C) BOARD

1-603-737-00	•	PRINTED CIRCUIT BOARD, PH-5(C)
--------------	---	--------------------------------

D1	8-719-958-04	•	8251048
----	--------------	---	---------

PTC-33 BOARD

1-622-258-11	•	PRINTED CIRCUIT BOARD, PTC-33
--------------	---	-------------------------------

1C1	8-719-940-86	•	CP1L53(SHARP)
1C2	8-719-940-86	•	CP1L53(SHARP)

PTC-26 BOARD

1-622-721-11	•	PRINTED CIRCUIT BOARD, PTC-26
--------------	---	-------------------------------

Q1	8-729-810-22	•	8P8102-A
----	--------------	---	----------

PTC-34 BOARD

1-622-259-11	•	PRINTED CIRCUIT BOARD, PTC-34
--------------	---	-------------------------------

1C1	8-719-940-86	•	CP1L53(SHARP)
-----	--------------	---	---------------

PTC-78 BOARD

1-622-722-12	•	PRINTED CIRCUIT BOARD, PTC-28
--------------	---	-------------------------------

1-806-232-11	•	WP-1107/S.M
--------------	---	-------------

Parts that are not listed in the "reference number order list" are shown in the "General Purpose Electrical Parts List".

Ref No. Parts No. QTY Description
RP-30A BOARD
 A-6731-82B-A 1 MOUNTED CIRCUIT BOARD, RP-30A

C2 1-124-236-00 1 ELECT 47 20% 16V
 C9 1-124-236-00 1 ELECT 47 20% 16V
 C11 1-124-120-11 1 ELECT 220 20% 16V
 C84 1-124-235-00 1 ELECT 1 20% 50V
 C87 1-124-120-11 1 ELECT 220 20% 16V
 C70 1-124-235-00 1 ELECT 1 20% 50V
 C21 1-162-294-11 1 CERAMIC 0.001 10% 50V
 C22 1-162-294-11 1 CERAMIC 0.001 10% 50V
 C302 1-174-236-00 1 ELECT 47 20% 16V
 C106 1-162-720-11 1 CERAMIC 270PF 1% 50V
 C805 1-124-236-00 1 ELECT 47 20% 16V
 C811 1-162-720-11 1 CERAMIC 270PF 1% 50V

D1 8-719-911-19 1 156J19
 D2 8-719-911-19 1 156J19
 D3 8-719-100-13 1 R02.7B-23
 D4 8-719-911-19 1 156J19
 D101 8-719-911-19 1 156J19

D102 8-719-911-19 1 156J19
 D103 8-719-911-19 1 156J19
 D104 8-719-911-19 1 156J19
 D105 8-719-911-19 1 156J19
 D106 8-719-911-19 1 156J19

D107 8-719-911-19 1 156J19
 D108 8-719-911-19 1 156J19

IC1 8-743-731-00 1 83731(SOMY)
 IC2 8-729-872-14 1 28C277(MITSUBISHI)
 IC3 8-741-126-50 1 83126(SOMY)
 IC4 8-738-740-09 1 TC00909P(MOTOROLA)
 IC5 8-729-872-14 1 28C277(MITSUBISHI)
 IC6 8-741-126-50 1 83126(SOMY)

L1 1-610-482-31 1 MICRO 100
 L2 1-608-426-00 1 MICRO 770
 L3 1-610-482-31 1 MICRO 100
 L4 1-610-482-31 1 MICRO 100
 L101 1-610-482-31 1 MICRO 100

Q105 8-729-413-34 1 28C273-5
 Q106 8-729-403-50 1 28C4035P
 Q107 8-729-403-50 1 28C4035P
 Q108 8-729-177-32 1 28D773
 Q109 8-729-413-34 1 28B273-3

R1 1-349-404-00 1 CARBON 2% 5% 1/4W
 R2 1-349-404-00 1 CARBON 2% 5% 1/4W

RV1 1-228-990-00 1 VAR. CARBON 1k
 RV2 1-228-990-00 1 VAR. CARBON 470
 RV3 1-228-990-00 1 VAR. CARBON 4.7k
 RV4 1-228-991-00 1 VAR. CARBON 2.2k
 RV5 1-228-990-00 1 VAR. CARBON 4.7k
 RV6 1-228-991-00 1 VAR. CARBON 2.2k
 RV7 1-228-990-00 1 VAR. CARBON 1k
 RV8 1-228-990-00 1 VAR. CARBON 1k

T1 1-426-017-00 1 AP
 T2 1-426-372-00 1 OUTPUT
 T3 1-426-159-11 1 PP RP
 T4 1-426-172-00 1 OUTPUT
 T5 1-426-320-11 1 PS RP

RM-44 BOARD

3) 1-622-739-11 1 PRINTED CIRCUIT BOARD, RM-44
 4) 1-622-739-12 1 PRINTED CIRCUIT BOARD, RM-44

C1 1-161-379-90 1 CERAMIC 0.01 20% 16V

CH1 1-563-890-11 2AP "REMOTE 2"
 CH2 1-563-890-11 1 SOCKET, D-SUB CONNECTOR 9P

IC1 8-729-101-24 1 28C2507P(MITSUBISHI)

RM-45 BOARD

1-622-740-11 1 PRINTED CIRCUIT BOARD, RM-45

Q1 8-729-201-05 1 28C207B-B
 Q2 8-729-201-05 1 28C207B-B
 Q3 8-729-403-50 1 28C4035P
 Q4 8-729-403-50 1 28C4035P
 Q5 8-729-403-50 1 28C4035P
 Q6 8-729-403-50 1 28C4035P
 Q101 8-729-403-50 1 28C4035P
 Q102 8-729-403-50 1 28C4035P
 Q103 8-729-403-50 1 28C4035P
 Q104 8-729-177-32 1 28D773

Parts that are not listed in the "Reference number order list" are shown in the "General Purpose Electrical Parts List".

S/W UP TO 13736 (REV)

Ref No. Part No. SF Description

SE-48 BOARD

A-6729-996-A * MOUNTED CIRCUIT BOARD, SE-48

C2 1-162-294-31 * CERAMIC 0.001 10X 50V
 C3 1-162-297-31 * CERAMIC 22PF 5X 50V
 C5 1-162-294-31 * CERAMIC 0.001 10X 50V
 C6 1-162-297-31 * CERAMIC 22PF 5X 50V
 C8 1-162-294-31 * CERAMIC 0.001 10X 50V

C9 1-162-297-31 * CERAMIC 22PF 5X 50V
 C11 1-162-294-31 * CERAMIC 0.001 10X 50V
 C12 1-162-297-31 * CERAMIC 22PF 5X 50V
 C14 1-161-379-00 * CERAMIC 0.01 10X 16V

R1 8-759-132-00 * OPERATOR (RUC)

23)IC1 8-745-217-00 * IM-211
 23)IC2 8-745-001-00 * IM-211A-L
 23)IC3 8-745-217-00 * IM-211
 24)IC4 8-745-001-00 * IM-211A-L

B4 1-247-895-00 * CARBON 470K 5% 1/6W
 B8 1-247-895-00 * CARBON 470K 5% 1/6W
 B12 1-247-895-00 * CARBON 470K 5% 1/6W
 B16 1-247-895-00 * CARBON 470K 5% 1/6W

BV1 1-228-993-00 * VAR, CARBON 4.7K
 BV2 1-228-993-00 * VAR, CARBON 4.7K
 BV3 1-228-993-00 * VAR, CARBON 4.7K
 BV4 1-228-993-00 * VAR, CARBON 4.7K

Ref No. Part No. SF Description

SV-88A BOARD

A-6715-366-A * MOUNTED CIRCUIT BOARD, SV-88A

C104 1-162-290-31 * CERAMIC 470PF 10X 50V
 C105 1-123-622-00 * ELECT 22 20X 16V
 C106 1-123-622-00 * ELECT 22 20X 16V
 C108 1-123-622-00 * ELECT 22 20X 16V
 C109 1-124-663-00 * ELECT 0.47 20X 50V

C111 1-162-286-31 * CERAMIC 220PF 10X 50V
 C116 1-162-288-31 * CERAMIC 330PF 10X 50V
 C117 1-162-286-31 * CERAMIC 220PF 10X 50V
 C121 1-162-288-31 * CERAMIC 330PF 10X 50V
 C132 1-162-287-31 * CERAMIC 100PF 10X 50V

6) D19 1-162-294-31 * CERAMIC 0.001 10X 50V
 6) D40 1-162-294-31 * CERAMIC 0.001 10X 50V
 D201 1-123-617-00 * ELECT 10 20X 16V
 D202 1-123-622-00 * ELECT 22 20X 16V
 D210 1-162-280-31 * CERAMIC 470PF 10X 50V

D211 1-162-282-31 * CERAMIC 100PF 10X 50V
 D215 1-162-280-31 * CERAMIC 470PF 10X 50V
 D19 1-161-494-00 * CERAMIC 0.022 30X 25V
 G401 1-123-611-00 * ELECT 1 20X 50V
 G402 1-123-611-00 * ELECT 1 20X 50V

G403 1-123-617-00 * ELECT 10 20X 16V
 G404 1-123-617-00 * ELECT 10 20X 16V
 G405 1-161-494-00 * CERAMIC 0.022 30X 25V
 G406 1-162-284-31 * CERAMIC 0.001 10X 50V
 G407 1-162-284-31 * CERAMIC 0.001 10X 50V

G408 1-162-294-31 * CERAMIC 0.001 10X 50V
 G409 1-162-294-31 * CERAMIC 0.001 10X 50V
 G410 1-161-494-00 * CERAMIC 0.022 30X 25V
 G411 1-123-622-00 * ELECT 22 20X 16V
 G415 1-123-622-00 * ELECT 22 20X 16V

G416 1-123-617-00 * ELECT 10 20X 16V
 G419 1-123-617-00 * ELECT 10 20X 16V
 G420 1-161-377-00 * CERAMIC 0.0047 30X 16V
 G432 1-161-377-00 * CERAMIC 0.0047 30X 16V
 G433 1-161-377-00 * CERAMIC 0.0047 30X 16V

6) G433 1-161-494-00 * CERAMIC 0.022 30X 25V
 G504 1-123-617-00 * ELECT 10 20X 16V
 G507 1-123-617-00 * ELECT 10 20X 16V
 G508 1-123-617-00 * ELECT 10 20X 16V
 G510 1-162-282-31 * CERAMIC 100PF 10X 50V

G515 1-162-282-31 * CERAMIC 100PF 10X 50V
 G519 1-123-611-00 * ELECT 1 20X 50V
 G520 1-123-617-00 * ELECT 10 20X 16V
 G521 1-162-282-31 * CERAMIC 100PF 10X 50V
 G523 1-162-280-31 * CERAMIC 470PF 10X 50V

G525 1-123-611-00 * ELECT 1 20X 50V
 G526 1-123-617-00 * ELECT 10 20X 16V
 G527 1-162-282-31 * CERAMIC 220PF 10X 50V
 G529 1-162-280-31 * CERAMIC 470PF 10X 50V
 G531 1-123-611-00 * ELECT 1 20X 50V

G532 1-123-617-00 * ELECT 10 20X 16V
 G533 1-162-282-31 * CERAMIC 220PF 10X 50V
 G535 1-162-280-31 * CERAMIC 470PF 10X 50V
 G539 1-123-611-00 * ELECT 1 20X 50V
 11)G540 1-123-611-00 * ELECT 1 20X 50V
 12)G540 1-124-638-00 * ELECT 1 20X 50V

G541 1-162-282-31 * CERAMIC 100PF 10X 50V
 1) G543 1-123-617-00 * ELECT 10 20X 16V
 1) G543 1-131-305-00 * TANTALUM 10 10X 16V
 1) G544 1-123-611-00 * ELECT 1 20X 50V
 2) G544 1-131-305-00 * TANTALUM 10 10X 16V

Parts that are not listed in the "reference number order list" are shown in the "General Purpose Electrical Parts List".

Ref No.	Para No.	SP	Description	Ref No.	Para No.	SP	Description
C545	1-130-128-00	x	FLTR 0.0012 3X 50V	C618	1-161-494-00	x	CERAMIC 0.022 30X 25V
C550	1-161-494-00	x	CERAMIC 0.022 30X 25V	C619	1-161-494-00	x	CERAMIC 0.021 30X 25V
C551	1-161-494-00	x	CERAMIC 0.022 30X 25V	C620	1-161-494-00	x	CERAMIC 0.021 30X 25V
C601	1-162-287-31	x	CERAMIC 100FF 10X 50V	C621	1-161-494-00	x	CERAMIC 0.022 30X 25V
C602	1-162-287-31	x	CERAMIC 100FF 10X 50V	C622	1-161-494-00	x	CERAMIC 0.022 30X 25V
C603	1-162-287-51	x	CERAMIC 100FF 10X 50V	C653	1-161-494-00	x	CERAMIC 0.022 30X 25V
C604	1-162-287-51	x	CERAMIC 100FF 10X 50V	C654	1-161-494-00	x	CERAMIC 0.022 30X 25V
C606	1-162-287-51	x	CERAMIC 100FF 10X 50V	C625	1-161-494-00	x	CERAMIC 0.022 30X 25V
C608	1-162-287-31	x	CERAMIC 100FF 10X 50V	C626	1-161-494-00	x	CERAMIC 0.022 30X 25V
C618	1-124-465-00	x	ELECT 0.47 20X 50V	C627	1-161-494-00	x	CERAMIC 0.022 30X 25V
C621	1-124-465-00	x	ELECT 0.47 20X 50V	C658	1-161-494-00	x	CERAMIC 0.022 30X 25V
C622	1-102-106-00	x	CERAMIC 100FF 10X 50V	C659	1-161-494-00	x	CERAMIC 0.022 30X 25V
C623	1-102-106-00	x	CERAMIC 100FF 10X 50V	C660	1-161-494-00	x	CERAMIC 0.022 30X 25V
C624	1-102-106-00	x	CERAMIC 100FF 10X 50V	C661	1-161-494-00	x	CERAMIC 0.022 30X 25V
C701	1-162-290-31	x	WTLR 470FF 10X 50V	C901	1-161-494-00	x	CERAMIC 0.022 30X 25V
C704	1-162-290-31	x	WTLR 470FF 10X 50V	C902	1-161-494-00	x	CERAMIC 0.022 30X 25V
C709	1-161-494-00	x	CERAMIC 0.022 30X 25V	C903	1-161-494-00	x	CERAMIC 0.022 30X 25V
C750	1-126-103-11	x	ELECT 470 20X 16V	C904	1-161-494-00	x	CERAMIC 0.022 30X 25V
C751	1-161-494-00	x	CERAMIC 0.022 30X 25V	C905	1-161-494-00	x	CERAMIC 0.021 30X 25V
C752	1-161-494-00	x	CERAMIC 0.022 30X 25V	C906	1-161-494-00	x	CERAMIC 0.021 30X 25V
C753	1-161-494-00	x	CERAMIC 0.022 30X 25V	C907	1-161-494-00	x	CERAMIC 0.022 30X 25V
C754	1-161-494-00	x	CERAMIC 0.022 30X 25V	C908	1-161-494-00	x	CERAMIC 0.022 30X 25V
C755	1-161-494-00	x	CERAMIC 0.022 30X 25V	C909	1-161-494-00	x	CERAMIC 0.022 30X 25V
C756	1-161-494-00	x	CERAMIC 0.022 30X 25V	C910	1-161-494-00	x	CERAMIC 0.022 30X 25V
C757	1-161-494-00	x	CERAMIC 0.022 30X 25V	C911	1-161-494-00	x	CERAMIC 0.022 30X 25V
C758	1-161-494-00	x	CERAMIC 0.022 30X 25V	C912	1-161-494-00	x	CERAMIC 0.022 30X 25V
C759	1-161-494-00	x	CERAMIC 0.022 30X 25V	C950	1-126-103-11	x	ELECT 470 20X 16V
C760	1-161-494-00	x	CERAMIC 0.022 30X 25V	C951	1-161-494-00	x	CERAMIC 0.022 30X 25V
C761	1-161-494-00	x	CERAMIC 0.022 30X 25V	C952	1-161-494-00	x	CERAMIC 0.021 30X 25V
C762	1-161-494-00	x	CERAMIC 0.021 30X 25V	C953	1-161-494-00	x	CERAMIC 0.022 30X 25V
C763	1-161-494-00	x	CERAMIC 0.022 30X 25V				
C764	1-161-494-00	x	CERAMIC 0.022 30X 25V				
C765	1-161-494-00	x	CERAMIC 0.022 30X 25V				
C768	1-161-494-00	x	CERAMIC 0.022 30X 25V				
C769	1-161-494-00	x	CERAMIC 0.022 30X 25V				
C801	1-161-494-00	x	CERAMIC 0.022 30X 25V				
C802	1-161-494-00	x	CERAMIC 0.022 30X 25V				
C803	1-161-494-00	x	CERAMIC 0.022 30X 25V				
C804	1-161-494-00	x	CERAMIC 0.022 30X 25V				
C805	1-161-494-00	x	CERAMIC 0.022 30X 25V				
C806	1-161-494-00	x	CERAMIC 0.022 30X 25V				
C807	1-161-494-00	x	CERAMIC 0.022 30X 25V				
C808	1-161-494-00	x	CERAMIC 0.022 30X 25V				
C809	1-161-494-00	x	CERAMIC 0.022 30X 25V				
C810	1-161-494-00	x	CERAMIC 0.022 30X 25V				
C811	1-161-494-00	x	CERAMIC 0.022 30X 25V				
C812	1-161-494-00	x	CERAMIC 0.022 30X 25V				
C813	1-161-494-00	x	CERAMIC 0.022 30X 25V				
C814	1-161-494-00	x	CERAMIC 0.022 30X 25V				
C815	1-161-494-00	x	CERAMIC 0.022 30X 25V				
C816	1-161-494-00	x	CERAMIC 0.022 30X 25V				
C817	1-161-494-00	x	CERAMIC 0.022 30X 25V				
C818	1-161-494-00	x	CERAMIC 0.022 30X 25V				
C819	1-161-494-00	x	CERAMIC 0.022 30X 25V				
C820	1-161-494-00	x	CERAMIC 0.022 30X 25V				
C821	1-161-494-00	x	CERAMIC 0.022 30X 25V				
C822	1-161-494-00	x	CERAMIC 0.022 30X 25V				
C823	1-161-494-00	x	CERAMIC 0.022 30X 25V				
C824	1-161-494-00	x	CERAMIC 0.022 30X 25V				
C825	1-161-494-00	x	CERAMIC 0.022 30X 25V				
C826	1-161-494-00	x	CERAMIC 0.022 30X 25V				
C827	1-161-494-00	x	CERAMIC 0.022 30X 25V				
C81	1-506-747-21	x	TR, DR (DP) 6AF	D101	8-719-911-19	x	188119
C82	1-506-747-21	x	TR, DR (DP) 6AF	D102	8-719-911-19	x	188119
				D103	8-719-911-19	x	188119
				D104	8-719-911-19	x	188119
				D105	8-719-911-19	x	188119
				D106	8-719-911-19	x	188119
				D107	8-719-911-19	x	188119
				D108	8-719-911-19	x	188119
				D109	8-719-911-19	x	188119
				D110	8-719-911-19	x	188119
				D201	8-719-911-19	x	188119
				D202	8-719-911-19	x	188119
				D103	8-719-911-19	x	188119
				D204	8-719-911-19	x	188119
				D205	8-719-911-19	x	188119
				D106	8-719-911-19	x	188119
				D207	8-719-911-19	x	188119
				D108	8-719-911-19	x	188119
				D209	8-719-911-19	x	188119
				D210	8-719-911-19	x	188119
				D211	8-719-911-19	x	188119
				D212	8-719-911-19	x	188119
				D213	8-719-911-19	x	188119
				D214	8-719-911-19	x	188119
				D401	8-719-911-19	x	188119

Parts that are not listed in the "reference number order list" are shown in the "General Purpose Electrical Parts List".

Ref No.	Part No.	SP	Description
0402	8-719-911-19	■	186119
0403	8-719-911-19	■	186119
0404	8-719-911-19	■	186119
0405	8-719-911-19	■	186119
0406	8-719-911-19	■	186119
0407	8-719-911-19	■	186119
0408	8-719-911-19	■	186119
0409	8-719-911-19	■	186119
0410	8-719-911-19	■	186119
0411	8-719-911-19	■	186119
0412	8-719-911-19	■	186119
0413	8-719-911-19	■	186119
0414	8-719-911-19	■	186119
0501	8-719-911-19	■	186119
0502	8-719-911-19	■	186119
0507	8-719-911-19	■	186119
0508	8-719-911-19	■	186119
0509	8-719-911-19	■	186119
0512	8-719-911-19	■	186119
0513	8-719-911-19	■	186119
0514	8-719-911-19	■	186119
0515	8-719-911-19	■	186119
0516	8-719-911-19	■	186119
0517	8-719-911-19	■	186119
0518	8-719-911-19	■	186119
0519	8-719-911-19	■	186119
0601	8-719-911-19	■	186119
0602	8-719-109-09	■	207-583-B
0603	8-719-911-19	■	186119
0604	8-719-911-19	■	186119
0701	8-719-911-19	■	186119
0702	8-719-911-19	■	186119
0703	8-719-109-09	■	207-583-B
0704	8-719-911-19	■	186119
0705	8-719-911-19	■	186119
0706	8-719-911-19	■	186119
IC101	8-752-000-00	■	CG20060(SOMY)
IC102	8-743-41-30	■	8E-39154(SOMY)
1310109	8-759-202-74	■	TC74HC04P(TOSHIBA)
1410103	8-759-916-14	■	807480040(TI)
IC104	8-759-345-38	■	HD145388P(TOSHIBA)
IC105	8-759-240-53	■	TC045388P(TOSHIBA)
IC106	8-759-345-38	■	HD145388P(TOSHIBA)
IC107	8-759-305-76	■	TC5046738P(TOSHIBA)
IC108	8-759-991-64	■	LC74013P(CANYON)
IC109	8-759-140-17	■	UP90617P(TOSHIBA)
IC110	8-759-345-38	■	HD145388P(TOSHIBA)
IC111	8-759-981-64	■	LM24000P(SAMSUNG)
IC112	8-759-140-17	■	UP90617P(TOSHIBA)
IC113	8-759-345-38	■	HD145388P(TOSHIBA)
IC114	8-759-241-61	■	TC041613P(TOSHIBA)
IC115	8-759-240-71	■	TC40718P(TOSHIBA)
IC116	8-759-345-38	■	HD145388P(TOSHIBA)
1310217	8-759-202-74	■	TC74HC00P(TOSHIBA)
1410117	8-759-916-14	■	807480040(TI)
IC118	8-759-205-76	■	TC5046738P(TOSHIBA)
IC119	8-759-345-38	■	HD145388P(TOSHIBA)
IC120	8-759-938-48	■	TC91095P(SOMY)
IC122	8-759-240-53	■	TC045388P(TOSHIBA)
IC123	8-759-345-38	■	HD145388P(TOSHIBA)
IC125	8-759-345-38	■	HD145388P(TOSHIBA)

Ref No.	Part No.	SP	Description
IC201	8-759-240-53	■	TC045388P(TOSHIBA)
IC202	8-743-914-00	■	8E-39154(SOMY)
IC203	8-759-991-64	■	LC74013P(CANYON)
1310204	8-759-202-74	■	TC74HC14P(TOSHIBA)
1410204	8-759-916-14	■	807480040(TI)
IC205	8-759-240-53	■	TC045388P(TOSHIBA)
IC206	8-759-245-38	■	HD145388P(TOSHIBA)
IC207	8-759-140-61	■	TC40718P(TOSHIBA)
IC208	8-759-346-23	■	TC045388P(TOSHIBA)
IC209	8-759-140-53	■	TC045388P(TOSHIBA)
1010210	8-759-202-74	■	TC74HC04P(TOSHIBA)
1410210	8-759-916-14	■	807480040(TI)
IC211	8-759-245-38	■	HD145388P(TOSHIBA)
IC212	8-759-240-04	■	TC04018P(TOSHIBA)
IC213	8-759-240-87	■	TC040878P(TOSHIBA)
IC214	8-759-245-10	■	TC45108P(TOSHIBA)
IC215	8-759-240-81	■	TC404878P(TOSHIBA)
IC216	8-759-938-08	■	CG10195P(SOMY)
1410217	8-759-916-14	■	807480040(TI)
1310218	8-759-207-74	■	TC74HC04P(TOSHIBA)
1410218	8-759-916-14	■	807480040(TI)
IC119	8-759-970-51	■	MD880108-947H
IC201	8-759-806-91	■	CM271054P(MEC)
IC202	8-759-806-91	■	CM271054P(MEC)
IC203	8-759-806-91	■	CM271054P(MEC)
IC204	8-759-806-91	■	CM271054P(MEC)
IC205	8-759-806-91	■	CM271054P(MEC)
1310205	8-759-200-49	■	TC74HC04P(TOSHIBA)
1410205	8-759-916-14	■	807480040(TI)
IC206	8-759-240-74	■	TC0424P(TOSHIBA)
1310207	8-759-202-74	■	TC74HC04P(TOSHIBA)
1410207	8-759-916-14	■	807480040(TI)
IC208	8-759-938-83	■	CP770748P(TI)
IC209	8-759-938-83	■	CP770748P(TI)
IC210	8-759-938-83	■	CP770748P(TI)
IC211	8-759-240-30	■	TC04630P(TOSHIBA)
IC212	8-759-132-40	■	UPC324C(MEC)
IC213	8-759-240-52	■	TC0452P(TOSHIBA)
IC214	8-759-240-52	■	TC0452P(TOSHIBA)
1310214	8-759-901-29	■	CM58128-1386(SOMY)
1410214	8-759-921-02	■	CM58128-1386(SOMY)
IC215	8-759-785-08	■	37128-01508P105-254(PALITRON)
1310216	8-759-205-35	■	TC74HC373P(TOSHIBA)
1410216	8-759-916-14	■	807480040(TI)
IC217	8-759-113-03	■	UPD8130C(MEC)
IC218	8-759-917-43	■	807480040(TI)
IC219	8-759-202-09	■	TC74HC139P(TOSHIBA)
IC211	8-759-103-85	■	UPC846C(MEC)
IC212	8-759-930-82	■	TL082CP(TI)
IC213	8-759-203-11	■	TC74HC14P(TOSHIBA)
IC214	8-759-240-68	■	TC04668P(TOSHIBA)
IC215	8-759-240-88	■	TC404878P(TOSHIBA)
IC216	8-759-990-84	■	LM24000P(SAMSUNG)
IC217	8-759-990-84	■	LM24000P(SAMSUNG)
IC218	8-759-982-05	■	HC28101P(SAITEKON)
1310220	8-759-202-17	■	TC74HC00P(TOSHIBA)
1410220	8-759-916-14	■	807480040(TI)
IC221	8-759-205-08	■	TC74HC04P(TOSHIBA)
IC222	8-759-045-28	■	HD145388P(TOSHIBA)
IC201	8-759-981-64	■	LM24000P(SAMSUNG)

Parts that are not listed in the "reference number order list" are shown in the "General Purpose Electrical Parts List".

Ref No.	Part No.	SP	Description	Ref No.	Part No.	SP	Description
1C501	8-759-990-82	+	TL082CP(TI)	4505	8-729-201-05	*	28C2878-B
1C503	8-759-145-53	+	UPG4550C(MEC)	4708	8-729-000-36	*	DTCL24E5
1C504	8-759-132-40	+	UPC324C(P00)	4507	8-729-900-36	*	DTCL24E5
1C505	8-759-340-53	+	TC64533P(TOSHIBA)	4508	8-729-201-05	*	28C2878-B
1C506	8-759-061-04	+	LM9493B(RAZTHROM)	4509	8-729-201-05	*	28C2878-B
1C507	8-759-910-43	+	CM33028(SONY)	4510	8-729-900-36	*	DTCL24E5
1C509	8-759-145-39	+	HB14538P(TOSHIBA)	4511	8-729-900-36	*	DTCL24E5
1C510	8-759-501-64	+	LM9533J(RAZTHROM)	5) 4508	8-729-000-36	*	DTCL24E5
1C511	8-759-061-04	+	LM9533J(RAZTHROM)	6) 4402	8-729-900-36	*	DTCL24E5
1C512	8-759-145-29	+	H084548P(TOSHIBA)	0403	8-729-900-63	*	DTAL24E5
1C513	8-759-902-21	+	SM74621NM(TI)	0604	8-729-201-05	*	28C2878-B
1C514	8-759-999-82	+	TL082CP(TI)	0606	8-729-000-63	*	DTAL24E5
1C515	8-759-990-82	+	TL082CP(TI)	0606	8-729-101-05	*	28C2878-B
1C516	8-759-936-88	+	TC01693N(SONY)	0607	8-729-201-05	*	28C2878-B
1) 1C601	8-759-132-40	+	UPC324C(P00)	0608	8-729-201-05	*	28C2878-B
2) 1C603	8-759-990-84	+	TL0840A(TI)	0609	8-729-001-05	*	28C2878-B
1C602	8-759-132-40	+	UPC324C(P00)	0610	8-729-178-54	*	28C2785
1C603	8-759-145-58	+	UPC4550C(MEC)	0611	8-729-178-54	*	28C2785
1) 1C604	8-759-137-64	+	UPC424C(P00)	0612	8-729-178-54	*	28C2785
1C605	8-759-090-84	+	TL0840A(TI)	0P13	8-729-900-36	*	DTCL24E5
1C606	8-759-132-40	+	UPC324C(P00)	0701	8-729-178-54	*	28C2785
5) 1C606	8-759-240-53	+	TC64533P(TOSHIBA)	0702	8-729-178-54	*	28C2785
6) 1C607	8-759-240-53	+	TC64533P(TOSHIBA)	0703	8-729-134-54	*	28C2785
1C608	8-759-081-04	+	LM2903D(RAZTHROM)	0704	8-729-178-54	*	28C2785
1C609	8-759-081-04	+	LM2903D(RAZTHROM)	0705	8-729-178-54	*	28C2785
1C610	8-759-910-43	+	CM33028(SONY)	0706	8-729-900-63	*	DTAL24E5
1C701	8-759-990-81	+	TL082CP(TI)	0707	8-729-900-36	*	DTCL24E5
1C702	8-759-990-82	+	TL082CP(TI)				
1C703	8-759-990-82	+	TL082CP(TI)				
1C704	8-759-928-00	+	C8793B(SONY)				
4201	1-459-155-00	+	(W17H CORE) 45	8116	1-247-849-00	+	CARBON 5.6k 5% 1/6W
4701	1-459-155-00	+	(W17H CORE) 45	8128	1-247-849-00	+	CARBON 5.6k 5% 1/6W
4702	1-459-155-00	+	(W17H CORE) 45	8172	1-247-849-00	+	CARBON 220k 5% 1/6W
4703	1-459-155-00	+	(W17H CORE) 45	8244	1-247-849-00	+	CARBON 220k 5% 1/6W
4704	1-459-155-00	+	(W17H CORE) 45	8441	1-247-849-00	+	CARBON 180k 5% 1/6W
Q101	8-729-201-05	+	28C2878-B	8540	1-247-887-00	+	CARBON 220k 5% 1/6W
Q102	8-729-201-05	+	28C2878-B	3A51	1-247-887-00	+	CARBON 320k 5% 1/6W
Q103	8-729-900-36	+	DTCL24E5	3A52	1-247-887-00	+	CARBON 320k 5% 1/6W
Q104	8-729-900-36	+	DTCL24E5	8505	1-247-849-00	+	CARBON 5.6k 5% 1/6W
Q105	8-729-201-05	+	28C2878-B	8516	1-247-849-00	+	CARBON 5.6k 5% 1/6W
Q106	8-729-900-36	+	DTCL24E5				
Q201	8-729-900-36	+	DTCL24E5	8520	1-247-895-00	+	CARBON 470k 5% 1/6W
Q202	8-729-900-63	+	DTAL24E5	8525	1-247-887-00	+	CARBON 220k 5% 1/6W
Q301	8-729-178-54	+	28C2785	8541	1-247-891-00	+	CARBON 130k 5% 1/6W
Q302	8-729-900-36	+	DTCL24E5	8551	1-247-895-00	+	CARBON 670k 5% 1/6W
Q303	8-729-900-36	+	DTCL24E5	5) 8557	1-247-895-00	+	CARBON 470k 5% 1/6W
Q401	8-729-900-36	+	DTCL24E5				
Q402	8-729-178-54	+	28C2785				
Q403	8-729-178-54	+	28C2785	8566	1-247-887-00	+	CARBON 220k 5% 1/6W
Q404	8-729-178-54	+	28C2785	3714	1-247-887-00	+	CARBON 220k 5% 1/6W
Q405	8-729-178-54	+	28C2785	8582	1-247-887-00	+	CARBON 220k 5% 1/6W
Q406	8-729-178-54	+	28C2785	8584	1-247-881-00	+	CARBON 130k 5% 1/6W
Q407	8-729-900-63	+	DTAL24E5	8589	1-247-887-00	+	CARBON 220k 5% 1/6W
Q408	8-729-900-36	+	DTCL24E5				
Q409	8-729-178-54	+	28C2785				
Q410	8-729-900-36	+	DTCL24E5	8601	1-247-747-11	+	CARBON 470 5% 1/2W
Q411	8-729-900-36	+	DTCL24E5	7A02	1-247-747-11	+	CARBON 470 5% 1/2W
Q412	8-729-900-36	+	DTCL24E5	8610	1-247-883-00	+	CARBON 150k 5% 1/6W
Q413	8-729-900-36	+	DTCL24E5	3) 7A20	1-247-883-00	+	CARBON 180k 5% 1/6W
Q414	8-729-900-36	+	DTCL24E5	6) 8620	1-247-887-00	+	CARBON 220k 5% 1/6W
Q415	8-729-178-54	+	28C2785				
Q416	8-729-178-54	+	28C2785				
Q417	8-729-178-54	+	28C2785				
Q418	8-729-178-54	+	28C2785				
Q419	8-729-900-63	+	DTAL24E5				
Q420	8-729-900-36	+	DTCL24E5				
Q421	8-729-178-54	+	28C2785				
Q422	8-729-178-54	+	28C2785				
Q423	8-729-900-63	+	DTAL24E5				
Q424	8-729-900-36	+	DTCL24E5				
Q425	8-729-201-05	+	28C2878-B				
Q426	8-729-201-05	+	28C2878-B				

Parts that are not listed in the "Reference number order list" are shown in the "General Purpose Electrical Parts List".

Ref No.	Extr No.	SP	Description	Ref No.	Part No.	SP	Description
33	R741	1-532-685-00	* LINK, 1C	Q1	8-729-178-55	*	28C1785-X
4)	R741	1-532-675-00	* LINK, 1C	Q2	8-729-178-55	*	28C1785-X
3)	R742	1-532-685-00	* LINK, 1C	Q3	8-729-178-55	*	28C1785-X
4)	R741	1-532-675-00	* LINK, 1C				
3)	R743	1-532-685-00	* LINK, 1C				
4)	R743	1-532-675-00	* LINK, 1C	61	1-516-994-00	*	LEVER SLIDE "VIDEO LEVEL"
6)	R744	1-247-887-00	* CARBON 220K 5% 1/4W	62	1-516-994-00	*	LEVER SLIDE "AUDIO LIMITER"
8800		1-247-895-00	* CARBON 470K 5% 1/4W	93	1-516-963-00	*	LEVER SLIDE "AUDIO MOUNTING"
8909		1-247-895-00	* CARBON 470K 5% 1/4W	94	1-516-994-00	*	LEVER SLIDE "IMPOUT BRACKET"
8910		1-247-895-00	* CARBON 470K 5% 1/4W	95	1-516-994-00	*	LEVER SLIDE "REMOTE LOCAL"
5)	8853	1-247-847-00	* CARBON 220K 5% 1/4W				
5)	8858	1-247-843-00	* CARBON 150K 5% 1/4W				
8859		1-247-895-00	* CARBON 470K 5% 1/4W				
125800		1-247-895-00	* CARBON 470K 5% 1/4W				
SW-171 BOARD							
	8N201	1-231-411-00	* RESISTOR BLOCK 190K	33	1-622-738-11	*	PRINTED CIRCUIT BOARD, SW-171
				4)	1-622-738-12	*	PRINTED CIRCUIT BOARD, SW-171
83	RV101	1-228-998-00	* VAR. METAL GLAZE 47K	51	1-554-481-00	*	SLIDE "CHARACTER"
83	RV102	1-228-998-00	* VAR. METAL GLAZE 47K	52	1-554-481-00	*	SLIDE "DELAY FN"
8V103		1-230-409-11	* VAR. CARBON 100K	53	1-554-481-00	*	SLIDE "REPEAT/1/2"
8V104		1-230-409-11	* VAR. CARBON 100K	23J84	1-554-482-00	*	SLIDE "INT VCR/VIDEO"
8V105		1-228-999-00	* VAR. CARBON 470K	24J84	1-571-905-11	*	SLIDE "INT TBC/VIDEO"
8V106		1-228-999-00	* VAR. CARBON 470K				
8V107		1-228-999-00	* VAR. CARBON 470K				
5)	8V401	1-228-993-00	* VAR. CARBON 4.7K				
6)	8V401	1-230-120-11	* VAR. CARBON 4.7K				
8V402		1-228-998-00	* VAR. METAL GLAZE 1K				
8V403		1-228-997-00	* VAR. CARBON 100K				
8V404		1-228-997-00	* VAR. CARBON 100K	6)	61	1-124-236-00	* ELECT 47 20X 16V
6)	8V405	1-228-994-00	* VAR. CARBON 10K	6)	62	1-124-236-00	* ELECT 47 20X 16V
8V501		1-237-517-21	* VAR. METAL FILM 5K	63	63	1-124-445-00	* ELECT 100 20X 16V
8V502		1-228-994-00	* VAR. METAL GLAZE 10K	6)	65	1-124-236-00	* ELECT 47 20X 16V
8V503		1-228-994-00	* VAR. METAL GLAZE 10K	66	66	1-161-379-00	* CERAMIC 0.01 30X 16V
8V504		1-228-999-00	* VAR. CARBON 470K	67	67	1-131-951-00	* TANTALUM 4.7 20X 35V
8V505		1-228-994-00	* VAR. CARBON 47K	5)	68	1-123-621-00	* ELECT 1 20X 50V
1)	8V506	1-228-994-00	* VAR. METAL GLAZE 10K	6)	68	1-124-255-00	* ELECT 1 20X 50V
1)	8V506	1-228-995-00	* VAR. METAL GLAZE 10K	6)	68	1-124-256-00	* ELECT 47 20X 16V
8V507		1-228-994-00	* VAR. METAL GLAZE 10K	68	68	1-124-265-00	* ELECT 4.7 20X 16V
14601		1-228-994-00	* VAR. METAL GLAZE 10K	612	612	1-107-169-00	* NICA 100PF 5X 500V
8V602		1-228-994-00	* VAR. METAL GLAZE 10K	613	613	1-107-169-00	* NICA 100PF 5X 500V
8V603		1-228-994-00	* VAR. METAL GLAZE 10K	614	614	1-161-379-00	* CERAMIC 0.01 30X 16V
8V701		1-228-998-00	* VAR. CARBON 220K	615	615	1-161-379-00	* CERAMIC 0.01 30X 16V
5)	8V702	1-228-998-00	* VAR. CARBON 220K	616	616	1-161-379-00	* CERAMIC 0.01 30X 16V
1125201		1-552-782-00	* DCP	6)	617	1-167-210-31	* CERAMIC 30PF 5X 50V
125201		1-570-623-11	* DCP	6)	618	1-162-210-31	* CERAMIC 30PF 5X 50V
5702		1-552-509-00	* DCP	6)	619	1-124-236-00	* ELECT 47 20X 16V
8A01		1-567-865-11	* VIBRATOR, CRYSTAL 12MHz	6)	620	1-161-379-00	* CERAMIC 0.01 30X 16V
				6)	621	1-161-379-00	* CERAMIC 0.01 30X 16V
				6)	622	1-124-236-00	* ELECT 47 20X 16V
				6)	623	1-181-379-00	* CERAMIC 0.01 30X 16V
				5)	627	1-123-611-00	* ELECT 1 20X 50V
				6)	627	1-124-255-00	* ELECT 1 20X 50V
				5)	628	1-124-247-00	* ELECT 10 20X 25V
				6)	628	1-124-248-00	* ELECT 10 20X 25V
				6)	628	1-124-236-00	* ELECT 47 20X 16V
				6)	630	1-123-611-00	* ELECT 1 20X 50V
				6)	630	1-124-255-00	* ELECT 1 20X 50V
				5)	631	1-161-855-00	* CERAMIC 67PF 5X 50V
				6)	631	1-162-106-00	* CERAMIC 100PF 10X 50V
				6)	635	1-162-215-31	* CERAMIC 47PF 5X 50V
				6)	636	1-161-379-00	* CERAMIC 0.01 30X 16V
				6)	637	1-161-379-00	* CERAMIC 0.01 30X 16V
				6)	638	1-161-379-00	* CERAMIC 0.01 30X 16V

Parts that are not listed in the "reference number order list" are shown in the "General Purpose Electrical Parts List".

Ref No.	Part No.	SP	Description
439	1-161-379-06	*	CERAMIC 0.01 30X 16V
440	1-161-379-06	*	CERAMIC 0.01 30X 16V
441	1-161-379-06	*	CERAMIC 0.01 30X 16V
442	1-161-379-06	*	CERAMIC 0.01 30X 16V
443	1-161-379-06	*	CERAMIC 0.01 30X 16V
444	1-161-379-06	*	CERAMIC 0.01 30X 16V
53 445	1-161-379-06	*	CERAMIC 0.01 30X 16V
53 446	1-161-379-06	*	CERAMIC 0.01 30X 16V
53 447	1-161-379-06	*	CERAMIC 0.01 30X 16V
448	1-162-207-31	*	CERAMIC 22PF 5X 50V
449	1-124-245-00	*	ELECT 4.7 20X 16V
CR558	1-506-701-11	o	HEATER 10P
450	8-719-911-19	*	158119
451	8-719-911-19	*	158119
452	8-719-911-19	*	158119
453	8-719-911-19	*	158119
454	8-719-911-19	*	158119
455	8-719-911-19	*	158119
456	8-719-911-19	*	158119
457	8-719-911-19	*	158119
458	8-719-911-19	*	158119
459	8-719-911-19	*	158119
460	8-719-911-19	*	158119
461	8-719-911-19	*	158119
462	8-719-911-19	*	158119
463	8-719-911-19	*	158119
464	8-719-911-19	*	158119
465	8-719-911-19	*	158119
466	8-719-911-19	*	158119
467	8-719-911-19	*	158119
468	8-719-911-19	*	158119
469	8-719-911-19	*	158119
470	8-719-911-19	*	158119
471	8-719-911-19	*	158119
472	8-719-911-19	*	158119
473	8-719-911-19	*	158119
474	8-719-911-19	*	158119
475	8-719-911-19	*	158119
476	8-719-911-19	*	158119
477	8-719-911-19	*	158119
478	8-719-911-19	*	158119
479	8-719-911-19	*	158119
480	8-719-911-19	*	158119
481	8-719-911-19	*	158119
482	8-719-911-19	*	158119
483	8-719-911-19	*	158119
484	8-719-911-19	*	158119
485	8-719-911-19	*	158119
486	8-719-911-19	*	158119
487	8-719-911-19	*	158119
488	8-719-911-19	*	158119
489	8-719-911-19	*	158119
490	8-719-911-19	*	158119
491	8-719-911-19	*	158119
492	8-719-911-19	*	158119
493	8-719-911-19	*	158119
494	8-719-911-19	*	158119
495	8-719-911-19	*	158119
496	8-719-911-19	*	158119
497	8-719-911-19	*	158119
498	8-719-911-19	*	158119
499	8-719-911-19	*	158119
500	8-719-911-19	*	158119

Ref No.	Part No.	SP	Description
484	1-267-881-00	*	CARBON 120K 5X 1/6W
485	1-267-887-00	*	CARBON 220K 5X 1/6W
486	1-267-887-00	*	CARBON 300K 5X 1/6W
487	1-267-887-00	*	CARBON 3.6K 5X 1/6W
488	1-267-889-00	*	CARBON 5.6K 5X 1/6W
51 891	1-235-005-00	*	RESISTOR BLOCK 47K
232	1-235-005-00	*	RESISTOR BLOCK 67K
823	1-235-005-00	*	RESISTOR BLOCK 10K
51 894	1-235-005-00	*	RESISTOR BLOCK 10K
51 893	1-235-005-00	*	RESISTOR BLOCK 67K
886	1-235-109-00	*	RESISTOR BLOCK 22K
887	1-235-109-00	*	RESISTOR BLOCK 22K
51 890	1-235-109-00	*	RESISTOR BLOCK 22K
889	1-231-410-00	*	RESISTOR BLOCK 1.2K
890	1-231-410-00	*	RESISTOR BLOCK 10K
891	1-231-410-00	*	RESISTOR BLOCK 10K
RV1	1-220-497-11	*	VAR, CARBON 22K
23	1-543-820-11	*	VARIABLE, CERAMIC 9.53MHZ
22	1-543-122-00	*	VARIABLE, CERAMIC 8MHZ

VR-48 BOARD

131IC1	8-759-208-85	*	TP0254-001(LAF(TOSHIBA))
141IC1	8-759-208-86	*	TP0254-001(LAF-6(TOSHIBA))
IC7	8-759-208-87	*	TP2236-0950(TTI)
133IC2	8-759-211-68	*	CK-584-001-01(SONY)
143IC3	8-759-212-10	*	CK-584-011-102(SONY)
IC4	8-759-942-12	*	MBM2212-15P(TTI)
IC5	8-759-942-13	*	LM004A(SMART)
IC6	8-759-942-14	*	CE040950(SMART)
IC7	8-759-944-65	*	MBM2211-0-253K(TTI)
51 IC8	8-759-208-86	*	TP240121P(TOSHIBA)
63 IC8	8-759-045-38	*	ME14532MP(XMIDOKA)
113 IC9	8-759-207-74	*	IC74BC04P(TOSHIBA)
141 IC9	8-759-916-64	*	8P74HC04P(TOSHIBA)
IC10	8-759-240-69	*	TC4069BP(TOSHIBA)
IC11	8-759-207-85	*	ME74HC125(TTI)
IC12	8-759-006-57	*	ME14531P(XMIDOKA)
IC13	8-759-202-21	*	IC74BC32P(TTI)
IC14	8-759-202-89	*	IC74BCL32P(TTI)
IC15	8-759-145-58	*	WPC4588(MED)
IC16	8-759-981-64	*	LM1903D(RAYTHEON)
IC17	8-759-201-21	*	TC74NC118(TTI)
113 IC18	8-759-201-17	*	TC74NC14P(TOSHIBA)
141 IC18	8-759-916-20	*	8P74NC14P(TOSHIBA)

Q3	8-729-900-65	*	BCA14425
Q4	8-729-900-89	*	PTC14445
Q5	8-729-900-89	*	PTC14445
Q6	8-729-275-42	*	28C2754-T
Q7	8-729-275-42	*	28C2754-T
Q8	8-729-178-55	*	28C2785-E
Q9	8-729-178-55	*	28C2785-E
Q10	8-729-900-89	*	PTC14445
Q11	8-729-811-13	*	ZS0311E

VR-49 BOARD

1-622-751-11	o	PRINTED CIRCUIT BOARD, VR-49	
881	1-249-406-11	*	CARBON 120 5X 1/6W
882	1-249-406-11	*	CARBON 120 5X 1/6W
RV11	1-228-218-00	*	VAR, CARBON 300/500

Parts that are not listed in the "Reference Number Order List" are shown in the "General Purpose Electrical Parts List".

Ref No. Part No. SP Description

SWITCHING REGULATOR UR-21

1-413-207-24 * SWITCHING REGULATOR UR-21B
 1-567-125-11 * MONSING AP

1-541-431-31 * IC PAR

1-541-431-31 * IC PAR

UR-21 C2 BOARD

A-6975-214-A * MOUNTED CIRCUIT BOARD, UR-21 C2

C51 1-161-925-91 * CERAMIC 100PF 10% 500V
 C52 1-161-925-91 * CERAMIC 100PF 10% 500V
 C53 1-131-450-51 * TANTAL 1.5 20% 16V
 C55 1-130-910-51 * FILM 0.001 5% 50V
 C56 1-130-520-51 * TEREPHTHALATE 0.1 10% 50V
 C57 1-130-500-51 * TEREPHTHALATE 0.0015 10% 50V
 C59 1-130-520-51 * TEREPHTHALATE 0.1 10% 50V
 C61 1-124-824-91 * ELECT 1 20% 100V

CR52 1-564-352-11 * PIN, 7P

CR53 1-564-352-11 * PIN, 7P

D38 1-807-913-21 * 113Q004

D39 1-807-913-21 * 113Q004

D33 1-807-913-21 * 113Q004

D34 1-807-913-21 * 113Q004

D35 8-719-911-19 * 18S119

D56 8-719-911-19 * 18S119

D57 8-719-911-19 * 18S119

D58 8-719-911-19 * 18S119

D59 8-719-911-19 * 18S119

D60 8-719-911-19 * 18S119

D61 8-719-911-19 * 18S119

D62 8-719-911-19 * 18S119

D63 8-719-911-19 * 18S119

IC51 8-759-937-59 * 803759(PB112RU)

IC52 8-759-937-59 * 803759(PB112RU)

L51 1-410-466-21 * MICRO 4.7

Q51 8-729-208-04 * 28K422

Q52 8-729-208-04 * 28K422

Q53 8-729-187-54 * 28A1175

Q54 8-729-187-54 * 28A1175

Q55 8-729-187-54 * 28A1175

Ref No. Part No. SP Description

R51 1-247-017-91 * CARBON 270 5% 1/4W

R52 1-247-029-91 * CARBON 670 5% 1/4W

R53 1-247-025-91 * CARBON 560 5% 1/4W

R54 1-247-025-91 * CARBON 560 5% 1/4W

R55 1-715-445-91 * METAL 10K 1% 1/4W

R56 1-247-000-91 * CARBON 1M 5% 1/4W

R57 1-247-023-91 * CARBON 470 5% 1/4W

R58 1-247-075-91 * CARBON 68P 5% 1/4W

R60 1-247-025-91 * CARBON 1.5K 5% 1/4W

R61 1-247-049-91 * CARBON 5.6K 5% 1/4W

R62 1-247-031-91 * CARBON 1K 5% 1/4W

R63 1-247-031-91 * CARBON 1K 5% 1/4W

R64 1-247-043-91 * CARBON 4.7K 5% 1/4W

R66 1-247-049-91 * CARBON 5.6K 5% 1/4W

R67 1-247-039-91 * CARBON 2.2K 5% 1/4W

R68 1-247-031-91 * CARBON 1K 5% 1/4W

R69 1-247-031-91 * CARBON 1K 5% 1/4W

R70 1-247-049-91 * CARBON 5.6K 5% 1/4W

R71 1-247-031-91 * CARBON 1K 5% 1/4W

R72 1-247-047-91 * CARBON 3.3K 5% 1/4W

R73 1-247-047-91 * CARBON 2.7K 5% 1/4W

R74 1-247-047-91 * CARBON 3.3K 5% 1/4W

R75 1-247-043-91 * CARBON 4.7K 5% 1/4W

R76 1-247-039-91 * CARBON 2.2K 5% 1/4W

R77 1-247-039-91 * CARBON 2.2K 5% 1/4W

R78 1-247-039-91 * CARBON 2.2K 5% 1/4W

R79 1-247-049-91 * CARBON 5.6K 5% 1/4W

R80 1-247-053-91 * CARBON 10K 5% 1/4W

R81 1-247-047-91 * CARBON 4.7K 5% 1/4W

R82 1-247-065-91 * CARBON 27K 5% 1/4W

R83 1-247-057-91 * CARBON 12K 5% 1/4W

R84 1-247-021-91 * CARBON 390 5% 1/4W

R85 1-247-031-91 * CARBON 1K 5% 1/4W

R051 1-220-990-11 * VAR, METAL GLAZE 1K

UR-21 C2 BOARD

C51 1-161-925-91 * CERAMIC 100PF 10% 500V

C52 1-161-925-91 * CERAMIC 100PF 10% 500V

C53 1-131-450-51 * TANTAL 1.5 20% 16V

C55 1-130-010-51 * FILM 0.001 5% 50V

C56 1-130-520-51 * TEREPHTHALATE 0.1 10% 50V

C57 1-130-500-51 * TEREPHTHALATE 0.0015 10% 50V

C59 1-130-520-51 * TEREPHTHALATE 0.1 10% 50V

CR52 1-564-352-11 * PIN, 7P

CR53 1-564-352-11 * PIN, 7P

Parts that are not listed in the "reference number order list" are shown in the "General Purpose Electrical Parts List".

Ref No. Part No. SP Description

D51 1-807-913-21 * 118Q04
 D52 1-807-913-21 * 118Q04
 D53 1-807-913-21 * 118Q04
 D54 1-807-913-21 * 118Q04
 D55 1-719-911-19 * 163119

D56 1-719-911-19 * 163119
 D57 8-719-112-98 * RD15EB-T182
 D58 8-719-105-07 * 07228
 D59 8-719-911-19 * 163119
 D60 8-719-911-19 * 163119

D61 8-719-911-19 * 163119
 D62 8-719-911-19 * 163119
 D63 8-719-112-77 * RD15EB-T182

1C51 8-719-927-59 * HQJ75P(PD175B)
 1C52 8-719-103-93 * UPC193C(NEG)

158 1-410-466-21 * NYCHO 4,T

Q58 8-729-208-04 * 26K422
 Q59 8-729-208-05 * 26K422
 Q52 8-729-117-54 * 28A1175
 Q54 8-729-117-54 * 28C2785
 Q55 8-729-117-54 * 28A1175

R51 1-247-812-91 * CARBON 189 SX 1/4W
 R52 1-247-819-91 * CARBON 870 SX 1/4W
 R53 1-247-825-91 * CARBON 560 SX 1/4W
 R54 1-247-823-91 * CARBON 560 SX 1/4W
 R55 1-215-443-91 * METAL 106 1X 1/8W
 R56 1-247-905-91 * CARBON 1M SX 1/4W
 R57 1-247-823-91 * CARBON 470 SX 1/4W
 R58 1-247-827-91 * CARBON 82K SX 1/4W
 R60 1-247-813-91 * CARBON 7.5K SX 1/4W
 R61 1-247-849-91 * CARBON 27K SX 1/4W

R62 1-247-835-91 * CARBON 1.5K SX 1/4W
 R63 1-247-839-91 * CARBON 2.7K SX 1/4W
 R64 1-247-845-91 * CARBON 4.7K SX 1/4W
 R65 1-247-847-91 * CARBON 4.7K SX 1/4W
 R66 1-247-849-91 * CARBON 39K SX 1/4W

R68 1-247-832-91 * CARBON 8.2K SX 1/4W
 R69 1-247-824-91 * CARBON 1K SX 1/4W
 R70 1-247-849-91 * CARBON 5.0K SX 1/4W
 R71 1-247-831-91 * CARBON 1K SX 1/4W
 R72 1-247-843-91 * CARBON 3.3K SX 1/4W

R73 1-247-841-91 * CARBON 2.7K SX 1/4W
 R74 1-247-855-91 * CARBON 10K SX 1/4W
 R75 1-247-813-91 * CARBON 10K SX 1/4W
 R76 1-247-829-91 * CARBON 2.2K SX 1/4W
 R77 1-247-855-91 * CARBON 10K SX 1/4W

R78 1-243-847-91 * CARBON 4.7K SX 1/4W
 R79 1-243-863-91 * CARBON 22K SX 1/4W
 R80 1-243-853-91 * CARBON 10K SX 1/4W
 R81 1-243-849-91 * CARBON 5.6K SX 1/4W
 R82 1-243-843-91 * CARBON 3.3K SX 1/4W

Ref No. Part No. SP Description

R84 1-247-843-91 * CARBON 4.7K SX 1/4W
 R85 1-247-831-91 * CARBON 1K SX 1/4W

RYS1 1-228-990-11 * VAR. METAL GLAZE 1K

WB-21 HI BOARD

4-4927-214-A * MOUNTED CIRCUIT BOARD, WB-21 HI

C101 1-126-564-11 * CERAMIC 1000PF 10X 500V
 C102 1-126-564-11 * CERAMIC 1000PF 10X 500V
 C104 1-125-477-11 * ELECT 470 20X 400V
 C105 1-125-427-11 * ELECT 470 20X 400V
 C106 1-161-915-11 * CERAMIC 1000PF 10X 500V

C107 1-161-915-11 * CERAMIC 1000PF 10X 500V
 C201 1-161-915-11 * CERAMIC 1000PF 10X 500V
 C204 1-161-915-11 * CERAMIC 1000PF 10X 500V
 C205 1-124-650-11 * ELECT 3300 20X 25V
 C206 1-120-516-91 * TEREPHTHALATE 0.01 10X 50V

C209 1-174-891-91 * ELECT 10000 20X 6.3V
 C211 1-130-772-21 * METAL 0.22 10X 63V
 C217 1-124-621-51 * METAL 3300 20X 4.3V
 C218 1-130-772-21 * METAL 0.22 10X 63V
 C219 1-124-585-51 * ELECT 5300 20X 10V

C221 1-130-518-91 * TEREPHTHALATE 0.015 10X 50V
 C222 1-130-524-51 * TEREPHTHALATE 0.047 10X 50V
 C223 1-130-524-51 * TEREPHTHALATE 0.047 10X 50V
 C227 1-124-820-51 * ELECT 120 20X 25V
 C228 1-130-772-21 * METAL 0.22 10X 63V

C229 1-130-772-21 * METAL 0.22 10X 63V
 C230 1-130-772-21 * METAL 0.22 10X 63V

Q101 1-564-742-11 * SP

CR201 1-564-972-11 * 9P
 CR202 1-560-993-11 * 5P
 CR203 1-560-299-11 * 2P
 CR204 1-560-890-11 * 2P

D101 8-719-109-75 * RD4.105-B2
 D102 8-719-917-50 * 183120
 D103 1-207-912-24 * 118Q04
 D104 1-807-913-21 * 118Q04
 D201 1-807-774-21 * 1801A

D202 8-719-109-65 * RD1.105-B2
 D203 8-719-109-65 * RD5.105-B2
 D204 8-719-911-19 * 163119
 D205 8-719-200-01 * 105-1
 D206 8-719-200-01 * 105-1

Parts that are not listed in the "reference number order list" are shown in the "General Purpose Electrical Parts List".

Ref No. Parts No. QP Description

Q007 1-807-941-11 # Y1000F
 Q008 8-719-200-01 # 10E-1
 Q209 8-719-200-01 # 10E-1
 Q210 8-719-202-60 # 790-523
 Q211 1-807-962-21 # 340E2

Q212 1-807-983-21 # 310P2
 Q213 5-719-130-13 # 809, 178-07
 Q214 1-807-991-21 # F10P40 YK
 Q215 8-719-912-50 # 158120
 Q216 8-719-912-50 # 158120

Q220 8-719-200-01 # 10E-1
 Q222 8-719-200-01 # 10E-1

79201 1-543-060-11 #
 79202 1-543-060-11 #
 79203 1-543-060-11 #
 79204 1-543-060-11 #
 79205 1-543-060-11 #
 79206 1-543-060-11 #

10101 1-607-814-11 # B-527E (JRM)
 10201 8-759-135-80 # WPC334G(HBC)
 10301 8-759-077-20 # TLA31CLP(HY)
 10303 8-759-077-20 # TLA31CLP(HY)

L201 A-4035-038-A # CMOKE
 L202 1-421-459-21 # CMOFE
 L203 A-4035-047-A # CMOFE
 L204 1-421-459-01 # CMOKE
 L205 1-421-754-11 # CMOBK

L206 1-421-459-21 # CMOFE
 L207 1-421-459-21 # CMOFE

79201 1-527-405-11 # L1MK, 1C
 79202 1-527-605-11 # L1MK, 1C
 79203 1-527-605-11 # L1MK, 1C

Q001 1-807-858-11 # TR57A51
 Q002 1-807-858-11 # TR57A51
 Q003 8-729-182-32 # 258733
 Q004 8-729-182-32 # 258733
 Q005 8-729-100-03 # 258734

Q002 8-729-178-54 # 28C2785
 Q003 8-729-178-54 # 28C2785
 Q004 8-729-178-54 # 28C2785
 Q005 1-807-934-11 # 25A1443
 Q006 8-729-177-43 # 26D27A

Q007 1-807-974-11 # 25A1443
 Q008 8-729-177-43 # 25A1725
 Q009 1-807-192-11 # 26C2692
 Q010 8-729-178-54 # 28C2785

Ref No. Parts No. QP Description

R101 1-247-855-91 # CARBON 10K 5% 1/4W
 R102 1-246-473-75 # CARBON 1K 5% 1/4W

R103 1-247-852-91 # CARBON 22 5% 1/4W
 R104 1-247-852-91 # CARBON 22 5% 1/4W

R105 1-247-851-91 # CARBON 1K 5% 1/4W
 R106 1-247-851-91 # CARBON 1K 5% 1/4W

R107 1-205-622-11 # CEMENT 33 33 SW

R201 1-247-849-91 # CARBON 5.6K 5% 1/4W
 R202 1-247-837-91 # CARBON 1.0K 5% 1/4W

R203 1-246-445-75 # CARBON 68 5% 1/4W
 R204 1-247-855-91 # CARBON 16K 5% 1/4W

R205 1-247-861-91 # CARBON 18K 5% 1/4W

R206 1-247-861-91 # CARBON 2.7K 5% 1/4W
 R207 1-247-849-91 # CARBON 5.6K 5% 1/4W

R208 1-247-843-91 # CARBON 3.3K 5% 1/4W
 R209 1-247-831-91 # CARBON 1K 5% 1/4W

R210 1-205-622-11 # CEMENT 67 5% SW
 R212 1-206-648-61 # FILM 220 5% 2W

R213 1-247-859-91 # CARBON 1.5K 5% 1/4W
 R214 1-241-855-91 # CARBON 1.0K 5% 1/4W

R215 1-247-887-91 # CARBON 250K 5% 1/4W
 R216 1-215-451-91 # METAL 18K 1% 1/4W

R217 1-215-452-91 # METAL 3.9K 1% 1/4W

R218 1-215-456-91 # METAL 1.6K 1% 1/4W
 R219 1-215-459-91 # METAL 1.5K 1% 1/4W

R220 1-213-137-61 # METAL 330 5% 1W

R221 1-246-441-75 # CARBON 47 5% 1/4W
 R222 1-247-851-91 # CARBON 1K 5% 1/4W

R223 1-247-857-91 # CARBON 1.8K 5% 1/4W
 R224 1-247-853-91 # CARBON 1.5K 5% 1/4W

R225 1-213-139-61 # METAL 270 5% 1W

R226 1-247-841-91 # CARBON 2.7K 5% 1/4W
 R227 1-215-466-91 # METAL 11K 1% 1/4W

R228 1-215-427-91 # METAL 1.8K 1% 1/4W
 R229 1-246-609-75 # METAL 3.3 1K 1/4W

R230 1-286-652-61 # METAL 330 5% 2W
 R231 1-206-652-61 # METAL 330 5% 2W

R9201 1-230-661-11 # VAC, CEMENT 300

ST001 1-571-935-71 # THERMAL SENSOR

T101 1-448-393-11 # CONVERTER
 T102 A-4825-035-A # CONVERTER

T103 1-421-813-11 # CONVERTER
 T104 1-421-718-11 # DRIVE
 T105 1-451-183-11 # DRIVE

T106 1-447-935-11 # CONVERTER

Parts that are not listed on the "reference number order list" are shown in the "General Purpose Electrical Parts List".

Ref No. Parts No. SP Description

UR-21 (M2 BOARD)

A-4915-215-A 0 MONUMENT ELECTRIC BOARD, UR-71 M2

Ref No.	Parts No.	SP	Description	QTY	UNIT
C151	1-136-185-12	•	FILM	0.22	20X 250V
C152	1-136-185-12	•	FILM	0.22	20X 250V
C154	1-136-185-12	•	FILM	0.22	20X 250V
C155	1-161-742-12	•	CERAMIC	2200PF	20X 400V
C156	1-161-742-12	•	CERAMIC	2200PF	20X 400V
C157	1-161-742-12	•	CERAMIC	2200PF	20X 400V
C158	1-161-742-12	•	CERAMIC	2200PF	20X 400V
C159	1-161-742-12	•	CERAMIC	2200PF	20X 400V
C161	1-136-564-11	•	FILM	1.0	10X 250V
C162	1-136-564-23	•	FILM	1.0	10X 250V
C163	1-161-915-11	•	CERAMIC	1000PF	10X 500V
G104	1-161-915-11	•	CERAMIC	1000PF	10X 500V
C165	1-161-742-12	•	CERAMIC	2200PF	20X 400V
C166	1-161-742-12	•	CERAMIC	2200PF	20X 400V
C167	1-161-742-12	•	CERAMIC	2200PF	20X 400V
C251	1-861-915-11	•	CERAMIC	1000PF	10X 500V
C152	1-447-915-11	•	CERAMIC	1000PF	10X 500V
C252	1-874-556-51	•	ELECT	220	20X 16V
C154	1-824-555-51	•	ELECT	1000	20X 16V
C253	1-824-523-91	•	ELECT	0.47	20X 100V
C256	1-824-898-51	•	ELECT	4700	20X 16V
C257	1-324-898-51	•	ELECT	4700	20X 16V
C258	1-324-898-51	•	ELECT	4700	20X 16V
C260	1-324-898-51	•	ELECT	2200	20X 25V
C262	1-150-514-91	•	THERMISTALATE	0.015	10X 50V
G204	1-150-524-91	•	THERMISTALATE	0.047	10X 50V
G205	1-150-524-91	•	THERMISTALATE	0.047	10X 50V
G208	1-130-772-21	•	FILM	0.22	10X 63V
G209	1-130-772-21	•	FILM	0.22	10X 63V
G270	1-130-772-21	•	FILM	0.22	10X 63V

A-1564-215-11 20 PIN, 4P

CH251	1-566-313-11	•	PIN, 7P
CH252	1-560-893-11	•	PIN, 5P
CH253	1-560-890-21	•	PIN, 2P

Ref No. Parts No. SP Description

A-151 1-807-907-11 8 KN085JLK

B153	1-807-913-21	•	11EQ064
B154	1-807-913-21	•	11EQ064
B251	1-847-909-11	•	FR02201
B252	1-807-911-11	•	FR-348
B253	1-807-911-21	•	FR040FR
B254	8-719-109-92	•	806.025-R2
B255	8-719-911-00	•	188120
B256	8-719-911-00	•	188120
B257	8-719-200-08	•	108-1
B258	8-719-911-19	•	188119
B260	8-719-912-26	•	188120

A-151 1-532-604-21 1 FUSE, 250V 3A

FR251	1-543-060-11	•	
FR252	1-543-060-11	•	
FR253	1-543-060-11	•	
FR254	1-543-060-11	•	
FR255	1-543-060-11	•	
FR256	1-543-060-11	•	

C251 8-759-001-33 20 TRAJILP(T)

A-151 1-421-390-11 1 LINE FILTER

A-152 1-421-978-21 1 LINE FILTER

L251	A-525-030-A	•	CHOKE
L252	1-421-659-21	•	CHOKE
L253	1-421-734-11	•	CHOKE

L254 1-408-322-11 1 CHOKE

L275 1-421-459-21 1 CHOKE

L512 1-621-978-11 1 LINE FILTER

Q251 1-807-828-11 1 18CP451

Q252 1-807-828-11 1 18CP451

Q253 8-729-143-32 1 28C275

Q254 8-729-143-32 1 28C275

Q255 8-729-142-54 1 28C275

Q256 1-807-895-21 1 28C275

Q257 8-729-178-54 1 28C275

F151 1-202-727-11 1 SOCKET A-7M 10X 1/2W

A-152	1-205-915-11	•	WIREBOUND 4.7 10X 7M
B153	1-705-915-11	•	WIREBOUND 4.7 10X 7M
B154	1-747-692-51	•	CAPAC 22 5X 1/4U
B155	1-747-692-51	•	CAPAC 22 5X 1/4U

Parts that are not listed in the "reference number order list" are shown in the "General Purpose Electronics Parts List".

UR-21(M2),FRAME

Ref No.	Part# No.	QP	Description
R156	1-247-831-91	W	GARBON 1K 5K 1/4W
R157	1-247-831-91	W	GARBON 1K 5K 1/4W
R158	1-215-652-11	A	CEMENT 60 5K 5W
R251	1-215-652-11	A	CEMENT 33 5K 5W
R252	1-247-835-91	A	GARBON 1.5K 5K 1/4W
R253	1-247-835-91	A	GARBON 1.0K 5K 1/4W
R254	1-215-135-63	A	FILM 720 5K 1W
R255	1-247-839-91	A	GARBON 2.2K 5K 1/4W
R256	1-247-843-91	A	GARBON 1.2K 5K 1/4W
R257	1-247-850-91	A	GARBON 15K 5K 1/4W
R258	1-214-669-71	W	FILM 3.3 1K 1/4W
R259	1-206-652-61	A	FILM 330 5K 5W
R260	1-206-652-61	A	FILM 330 5K 5W
RT251	1-230-668-11	P	VAR. CEREKET 1K
RT151	1-515-662-11	P	POWER
RT251	1-513-055-72	A	THERMAL SENSOR
RT151	1-6035-036-A	P	CONVERTER
RT152	1-421-619-11	P	CURRENT
RT153	1-437-166-11	P	DIODE
RT154	1-437-166-11	P	DIODE

Parts that are not listed in the "reference number order list" are shown in the "General Purpose Electrical Parts List".

S/N 18781 AND ONWARD

Part No. Parts No. SP Description

BY-113C BOARD

A-6711-419-A n WARMED CIRCUIT BOARD, SV-113C

Part No.	Parts No.	SP	Description	Part No.	Parts No.	SP	Description
C101	1-126-157-11	n	ELECT 10 20X 16V	C245	1-162-282-31	n	CERAMIC 330PF 10X 50V
C102	1-126-234-00	n	ELECT 22 20X 16V	C246	1-126-157-11	n	ELECT 10 20X 16V
C107	1-161-494-00	n	CERAMIC 0.022 25V	C401	1-161-377-00	n	CERAMIC 0.0047 30X 16V
C111	1-162-190-31	n	CERAMIC 470PF 10X 50V	C402	1-161-377-00	n	CERAMIC 0.0047 30X 16V
C114	1-162-202-31	n	CERAMIC 100PF 10X 50V	C403	1-126-157-11	n	ELECT 10 20X 16V
C116	1-162-206-31	n	CERAMIC 470PF 10X 50V	C466	1-161-494-00	n	CERAMIC 0.022 25V
C204	1-126-095-11	n	ELECT 4.7 20X 25V	C465	1-161-494-00	n	CERAMIC 0.022 25V
C205	1-161-379-00	n	CERAMIC 0.01 30X 16V	C466	1-162-294-31	n	CERAMIC 0.001 10X 50V
C206	1-162-282-31	n	CERAMIC 100PF 10X 50V	C467	1-162-294-31	n	CERAMIC 0.001 10X 50V
C208	1-126-094-11	n	ELECT 4.7 20X 25V	C469	1-162-294-31	n	CERAMIC 0.001 10X 50V
C210	1-161-379-00	n	CERAMIC 0.01 30X 16V	C410	1-161-494-00	n	CERAMIC 0.022 25V
C211	1-162-282-31	n	CERAMIC 100PF 10X 50V	C411	1-126-157-11	n	ELECT 10 20X 16V
C212	1-124-036-00	n	ELECT 1 20X 50V	C412	1-126-157-11	n	ELECT 10 20X 16V
C214	1-126-157-11	n	ELECT 20 20X 16V	C503	1-162-282-31	n	CERAMIC 100PF 10X 50V
C216	1-162-213-31	n	CERAMIC 39PF 5X 50V	C504	1-162-282-31	n	CERAMIC 100PF 10X 50V
C218	1-124-036-00	n	ELECT 1 20X 50V	C505	1-162-282-31	n	CERAMIC 100PF 10X 50V
C220	1-126-157-11	n	ELECT 10 20X 16V	C506	1-161-377-00	n	CERAMIC 0.047 30X 16V
C221	1-162-213-31	n	CERAMIC 39PF 5X 50V	C512	1-162-282-31	n	CERAMIC 100PF 10X 50V
C224	1-124-036-00	n	ELECT 1 20X 50V	C513	1-161-377-00	n	CERAMIC 0.047 30X 16V
C226	1-126-117-31	n	ELECT 10 20X 16V	C514	1-162-282-31	n	CERAMIC 100PF 10X 50V
C227	1-162-213-31	n	CERAMIC 39PF 5X 50V	C515	1-162-282-31	n	CERAMIC 100PF 10X 50V
C232	1-162-282-31	n	CERAMIC 330PF 10X 50V	C516	1-124-065-00	n	ELECT 5.67 20X 50V
C233	1-162-288-31	n	CERAMIC 330PF 10X 50V	C517	1-124-065-00	n	ELECT 4.7 20X 50V
C234	1-162-290-31	n	CERAMIC 470PF 10X 50V	C583	1-162-290-31	n	CERAMIC 470PF 10X 50V
C235	1-162-290-31	n	CERAMIC 470PF 10X 50V	C594	1-124-257-00	n	ELECT 1.2 20X 50V
C301	1-161-494-00	n	CERAMIC 0.022 25V	C640	1-161-494-00	n	CERAMIC 0.022 25V
C302	1-161-494-00	n	CERAMIC 0.022 25V	C702	1-126-103-11	n	ELECT 470 20X 16V
C303	1-161-494-00	n	CERAMIC 0.022 25V	C264	1-126-103-11	n	ELECT 470 20X 16V
C304	1-126-137-11	n	ELECT 30 20X 16V	C703	1-161-494-00	n	CERAMIC 0.022 25V
C305	1-124-036-00	n	ELECT 1 20X 50V	C766	1-161-494-00	n	CERAMIC 0.022 25V
C306	1-124-036-00	n	ELECT 1 20X 50V	C767	1-161-494-00	n	CERAMIC 0.022 25V
C310	1-162-290-31	n	CERAMIC 470PF 10X 50V	C768	1-161-494-00	n	CERAMIC 0.022 25V
C311	1-124-036-00	n	ELECT 1 20X 50V	C769	1-161-494-00	n	CERAMIC 0.022 25V
C312	1-124-036-00	n	ELECT 22 20X 16V	C770	1-161-494-00	n	CERAMIC 0.022 25V
C313	1-124-036-00	n	ELECT 22 20X 16V	C771	1-161-494-00	n	CERAMIC 0.022 25V
C314	1-124-065-00	n	ELECT 0.47 20X 50V	C772	1-161-494-00	n	CERAMIC 0.022 25V
C317	1-162-282-31	n	CERAMIC 200PF 10X 50V	C773	1-161-494-00	n	CERAMIC 0.022 25V
C326	1-126-157-11	n	ELECT 10 20X 16V	C774	1-161-494-00	n	CERAMIC 0.022 25V
C327	1-161-494-00	n	CERAMIC 0.022 25V	C775	1-161-494-00	n	CERAMIC 0.022 25V
C328	1-126-157-11	n	ELECT 10 20X 16V	C776	1-161-494-00	n	CERAMIC 0.022 25V
C333	1-161-494-00	n	CERAMIC 0.022 25V	C777	1-161-494-00	n	CERAMIC 0.022 25V
C337	1-162-294-31	n	CERAMIC 0.001 10X 50V	C778	1-161-494-00	n	CERAMIC 0.022 25V
C338	1-162-294-31	n	CERAMIC 0.001 10X 50V	C779	1-161-494-00	n	CERAMIC 0.022 25V
C339	1-162-294-31	n	CERAMIC 0.001 10X 50V	C780	1-161-494-00	n	CERAMIC 0.022 25V
C340	1-162-294-31	n	CERAMIC 0.001 10X 50V	C781	1-161-494-00	n	CERAMIC 0.022 25V
C341	1-162-294-31	n	CERAMIC 0.001 10X 50V	C782	1-161-494-00	n	CERAMIC 0.022 25V
C342	1-162-294-31	n	CERAMIC 0.001 10X 50V	C783	1-161-494-00	n	CERAMIC 0.022 25V
				C784	1-161-494-00	n	CERAMIC 0.022 25V
				C785	1-161-494-00	n	CERAMIC 0.022 25V
				C786	1-161-494-00	n	CERAMIC 0.022 25V
				C787	1-161-494-00	n	CERAMIC 0.022 25V
				C788	1-161-494-00	n	CERAMIC 0.022 25V
				C789	1-161-494-00	n	CERAMIC 0.022 25V
				C790	1-161-494-00	n	CERAMIC 0.022 25V
				C791	1-161-494-00	n	CERAMIC 0.022 25V
				C792	1-161-494-00	n	CERAMIC 0.022 25V
				C793	1-161-494-00	n	CERAMIC 0.022 25V
				C794	1-161-494-00	n	CERAMIC 0.022 25V
				C795	1-161-494-00	n	CERAMIC 0.022 25V
				C796	1-161-494-00	n	CERAMIC 0.022 25V
				C797	1-161-494-00	n	CERAMIC 0.022 25V

Ref No.	Parcel No.	GP	Description	Ref No.	Parcel No.	GP	Description
IC203	8-759-901-64	*	LD29030Q(RAYTHEOM)	1101	1-459-155-00	*	(W/TH CORR)
IC204	8-759-740-71	*	TC40718T(TOSHIBA)	1102	1-459-155-00	*	(W/TH CORR)
IC205	8-759-207-71	*	TC40308P(HC(TOSHIBA)	1103	1-459-155-00	*	(W/TH CORR)
IC207	8-759-345-38	*	HD14538P(HITACHI)	1104	1-459-155-00	*	(W/TH CORR)
IC208	8-759-961-64	*	LD29030Q(RAYTHEOM)				
IC209	8-759-981-64	*	LD29030Q(RAYTHEOM)	Q101	8-729-900-36	*	DFC12483
IC210	8-759-910-43	*	GE32018C(SONY)	Q102	8-729-900-63	*	DFW12466
IC211	8-759-918-20	*	SH748CJ4MT11	Q103	8-729-900-36	*	DFC12468
IC212	8-752-811-83	*	GE190118-159C(SONY)	Q104	8-729-118-54	*	DFC12485
IC213	8-759-134-64	*	GE19050C(SONY)	Q105	8-729-118-54	*	DFC12485
IC215	8-743-915-10	*	KE3015A(SONY)	Q201	8-729-178-54	*	DFC12485
IC216	8-759-422-56	*	GE32060C(SONY)	Q202	8-729-201-05	*	DFC12485-B
IC217	8-759-345-38	*	HD14538P(HITACHI)	Q203	8-729-178-54	*	DFC12485
IC218	8-759-202-74	*	TC748C04P(TOSHIBA)	Q204	8-729-900-36	*	DFC12486
IC219	8-752-310-39	*	CEK1011P(SONY)	Q205	8-729-900-36	*	DFC12486
IC219	8-759-977-78	*	LD28142C(FUJITSU)	Q306	8-729-900-36	*	DFC12486
IC210	8-759-145-58	*	UPC558C(FEC)	Q310	8-729-900-36	*	DFC12485
IC211	8-759-145-38	*	HD14538P(HITACHI)	Q401	8-729-178-54	*	DFC12485
IC213	8-759-981-64	*	LD29030Q(RAYTHEOM)	Q402	8-729-117-54	*	DFC1175-F
IC214	8-759-140-17	*	UPD401730C(FEC)	Q403	8-729-900-36	*	DFC12485
23116401	8-759-123-01	*	UPD785100M(FEC)	Q404	8-729-900-36	*	DFC12485
26116401	8-759-152-81	*	UPD785100M(FEC)	Q405	8-729-900-36	*	DFC12485
IC402	8-759-202-89	*	TC748C13P(TOSHIBA)	Q406	8-729-900-63	*	DFC12486
IC403	8-759-202-26	*	TC748C13P(TOSHIBA)	Q407	8-729-178-54	*	DFC12485
IC404	8-752-328-02	*	CEK75118-151(SONY)	Q408	8-729-900-63	*	DFC12485
IC405	8-759-158-14	*	TC128-15118-1105	Q409	8-729-900-36	*	DFC12485
IC406	8-759-202-35	*	TC748C13P(TOSHIBA)	Q410	8-729-900-36	*	DFC12485
IC407	8-759-202-68	*	TC748C40P(TOSHIBA)	Q502	8-729-900-36	*	DFC12485
IC408	8-759-202-13	*	TC748C40P(TOSHIBA)	Q503	8-729-201-05	*	DFC12485-B
IC409	8-759-982-25	*	BD793108(RAYTHEOM)	Q504	8-729-900-63	*	DFC12485
IC410	8-759-152-40	*	UPC324C(FEC)	Q505	8-729-201-05	*	DFC12485-B
IC411	8-759-145-58	*	UPC558C(FEC)	Q506	8-729-900-63	*	DFC12485
IC412	8-752-804-91	*	GE271654P(SONY)	Q507	8-729-201-05	*	DFC12485-B
IC413	8-759-202-37	*	TC748C40P(TOSHIBA)	Q508	8-729-201-05	*	DFC12485-B
IC414	8-759-202-37	*	TC748C40P(TOSHIBA)	Q514	8-729-178-54	*	DFC12485
IC415	8-759-202-26	*	TC748C13P(TOSHIBA)	Q601	8-729-178-54	*	DFC12485
IC416	8-759-209-19	*	TC605338E(TOSHIBA)	Q602	8-729-178-54	*	DFC12485
IC417	8-759-105-59	*	TC748C27P(TOSHIBA)	Q606	8-729-900-63	*	DFC12485
IC418	8-759-145-38	*	HD14538P(HITACHI)	Q608	8-729-900-36	*	DFC12486
IC501	8-759-990-84	*	TL082CP(YI)	Q609	8-729-900-36	*	DFC12486
IC502	8-759-152-40	*	UPC324C(FEC)				
IC503	8-759-145-58	*	UPC558C(FEC)	R114	1-247-887-00	*	CARBON 270K 5% 1/4W
IC504	8-759-990-84	*	TL082CP(YI)	R116	1-247-903-00	*	CARBON 1 5% 1/4W
IC505	8-759-145-59	*	UPC558C(FEC)	R117	1-247-887-00	*	CARBON 2.20K 5% 1/4W
IC506	8-759-208-10	*	TC605338E(TOSHIBA)	R204	1-247-903-00	*	CARBON 1 5% 1/4W
IC507	8-759-910-43	*	CEK2020(SONY)	R210	1-247-887-00	*	CARBON 470K 5% 1/4W
IC508	8-759-981-64	*	LD29030Q(RAYTHEOM)	R222	1-247-903-00	*	CARBON 1 5% 1/4W
IC509	8-759-981-64	*	LD29030Q(RAYTHEOM)	R228	1-247-895-00	*	CARBON 470K 5% 1/4W
25116401	8-759-007-50	*	TL082CP(YI)	R242	1-247-887-00	*	CARBON 2.20K 5% 1/4W
26116401	8-759-990-82	*	TL082CP(YI)	R253	1-247-887-00	*	CARBON 2.20K 5% 1/4W
29116402	8-759-007-40	*	TL082CP(YI)	R260	1-247-887-00	*	CARBON 220K 5% 1/4W
26116402	8-759-990-82	*	TL082CP(YI)				
27116403	8-757-938-00	*	CE7528(SONY)				
28116405	8-751-857-23	*	CE7928A(SONY)				

Ref No.	Parts No.	QTY	Description
R352	1-247-899-11	1	CARBON 600K 5% 1/4W
R347	1-247-960-00	1	CARBON 1 5% 1/4W
R359	1-247-820-11	1	CARBON 360 5% 1/4W
R616	1-247-903-00	1	CARBON 1 5% 1/4W
R337	1-242-887-00	1	CARBON 120K 5% 1/4W
R439	1-247-887-00	1	CARBON 220K 5% 1/4W
R440	1-247-882-00	1	CARBON 150K 5% 1/4W
R448	1-247-887-00	1	CARBON 120K 5% 1/4W
R501	1-247-747-11	1	CARBON 470 5% 1/2W
R502	1-247-747-11	1	CARBON 470 5% 1/2W
R509	1-247-903-00	1	CARBON 1M 5% 1/4W
R511	1-247-887-00	1	CARBON 120K 5% 1/4W
R512	1-247-895-00	1	CARBON 470K 5% 1/4W
R513	1-247-895-00	1	CARBON 470K 5% 1/4W
R537	1-247-903-00	1	CARBON 1M 5% 1/4W
R563	1-247-895-00	1	CARBON 470K 5% 1/4W
R566	1-247-903-00	1	CARBON 1M 5% 1/4W
R568	1-247-885-00	1	CARBON 100K 5% 1/4W
R570	1-247-889-00	1	CARBON 270K 5% 1/4W
R574	1-247-903-00	1	CARBON 1M 5% 1/4W
R555	1-247-883-00	1	CARBON 150K 5% 1/4W
R557	1-247-885-00	1	CARBON 150K 5% 1/4W
R609	1-247-891-00	1	CARBON 330K 5% 1/4W
R629	1-247-901-00	1	CARBON 1M 5% 1/4W
R701	1-532-475-00	1	LINK, IC
R702	1-532-475-00	1	LINK, IC
R704	1-532-475-00	1	LINK, IC
R706	1-247-899-11	1	CARBON 600K 5% 1/4W
R708	1-247-899-11	1	CARBON 600K 5% 1/4W
R8101	1-231-411-00	1	RECEIVER BLOCK 100K
R8401	1-231-411-00	1	RECEIVER BLOCK 100K
RV301	1-730-498-11	1	VAR. METAL GLASS 47K
RV302	1-228-894-00	1	VAR. CARBON 10K
RV303	1-228-894-00	1	VAR. CARBON 10K
RV601	1-729-390-00	1	VAR. CARBON 220K
S101	1-570-423-11	1	KEY
S102	1-554-303-21	1	KEY BOARD "INC/START"
S103	1-554-303-21	1	KEY BOARD "DEC"
S301	1-552-569-00	1	KEY
S302	1-552-539-00	1	KEY BOARD "NR"

X301	1-567-962-11	1	VIBRATOR, CRYSTAL 640K
X401	1-567-965-11	1	VIBRATOR, CRYSTAL 120K
X601	1-567-504-11	1	VIBRATOR, CRYSTAL 4.4736199MHz

Ref No. Parts No. QTY Description

FIELD

1-6100-616-A 1 HBAR DRUM ASS'Y DRU-44A-2
1-6100-617-A 1 DPPER DRUM ASS'Y DRU-44-B

1-559-298-12 1 CABLE, FLAT 10P
(RT-101 to ST-102)

CR912 1-562-227-41 1 RECEPTACLE, MIC
"VIDEO IN"
CR913 1-562-227-41 1 RECEPTACLE, MIC
"VIDEO IN"
CR914 1-562-227-41 1 RECEPTACLE, MIC
"RF VIDEO IN (KEY STPC IN)"
CR915 1-562-227-41 1 RECEPTACLE, MIC
"RF VIDEO IN (KEY STPC IN)"
CR917 1-562-577-21 1 SP(DIP TYPE)
"MONITOR"

CR918 1-561-045-00 1 J(F) "DOB IN"
CR919 1-566-622-11 1 J(F) "DOB OUT"
CR920 1-562-227-41 1 RECEPTACLE, MIC
"VIDEO OUT 1"
CR921 1-562-227-41 1 RECEPTACLE, MIC
"VIDEO OUT 2"
CR922 1-562-227-41 1 RECEPTACLE, MIC
"MONITOR VIDEO"
CR923 1-562-227-41 1 RECEPTACLE, MIC
"RF VIDEO OUT"
CR924 1-562-227-21 1 RECEPTACLE, MIC
"BY (OFF TMR)"
CR925 1-562-227-21 1 RECEPTACLE, MIC
"TIME CODE IN"
CR926 1-562-227-21 1 RECEPTACLE, MIC
"TIME CODE OUT"

CR927 1-563-029-21 1 RECEPTACLE, ILE, 3P(F)
"AUDIO IN CH-1(L)"
CR928 1-563-029-21 1 RECEPTACLE, ILE, 3P(F)
"AUDIO IN CH-2(R)"
CR929 1-563-030-21 1 RECEPTACLE, ILE, 3P(F)
"AUDIO OUT CH-1(L)"
CR930 1-563-030-21 1 RECEPTACLE, ILE, 3P(F)
"AUDIO OUT CH-2(R)"
CR931 1-563-030-11 1 RECEPTACLE, ILE, 3P(F)
"AUDIO OUT MONITOR"

CR932 1-569-546-11 1 AC INLET "AC IN"

CR934 1-560-549-00 1 15P PLUG "TBC REMOVE"

CR935 1-532-350-00 1 FUSE, GLASS TUBE 3A

H002 0-825-578-30 1 ACE, SP8264-5803A
H003 0-825-544-30 1 FRAME, YF232-58
"FTL, TRASH"
H004 0-825-771-31 1 FT235-3E
"TIME ODD"

18-4. PACKING MATERIAL AND ACCESSORIES (SUPPLIED)

Part No.	SP	Description
JI 1-507-953-00		JACK "HEADPHONES"
MI001 8-835-258-02		DC, REF-19153 "CARBON"
MI002 8-835-235-04		DC, REF-19008 "I-HEEL"
MI003 8-835-235-04		DC, REF-19008 "I-HEEL"
MI004 8-835-035-01		DC, REF-4790A "LOADING"
MI005 8-835-175-01		DC, REF-175-01 "SATELLITE COMPARTMENT"
MI006 1-541-431-31		DC "FAN"
MI001 1-520-393-00		"AUDIO CB-1"
MI002 1-520-393-00		"AUDIO CB-2"
MI003 1-520-440-00		"VIDEO/XT"
MI001 1-454-417-31		12V 12/90ohm "B-BRAKE"
MI002 1-454-417-31		12V 12/90ohm "I-BRAKE"
MI003 1-454-416-31		17V 7/35ohm "PI-PIN"
A-6779-495-A		EXTENSION BOARD, EX-127
A-6779-495-A		EXTENSION BOARD, EX-128
1-550-810-81		CORD, POWER (SCORE) (for EK)
1-551-377-11		CORD, POWER (SCORE) (for U)
1-555-873-13		CABLE, REMOTE CONTROL 9P
3-658-884-01		CYRISTOP, UPPER
3-658-885-01		CYRISTOP, LOWER
3-781-525-00		BAG, POLY (FOR EX-127)
3-781-531-00		BAG, POLY (FOR MANUAL)
3-781-534-00		BAG, POLY (FOR EX-128)
3-781-649-00		BAG, POLY (FOR VTR)
3-718-782-01		INDIVIDUAL GARNET
3-718-784-01		SCREENS
3-718-785-01		SPACES
Standard		FURRING CABLE, VDC-5
Products		
1-508-948-00		CONNECTOR, MALE
1-541-035-00		CONNECTOR, FEMALE

18-5. FIXTURE (OPTION)

Part No.	SP	Description
J-600-820-A		DRUM ECCENTRICITY GAGE (3)
J-600-830-A		DRUM ECCENTRICITY GAGE (2)
J-600-840-A		DRUM ECCENTRICITY GAGE (1)
J-600-850-A		DRUM ECCENTRICITY GAGE (4)
J-600-860-A		FLATNESS PLATE
J-605-740-A		ADJUSTMENT DRIVER
J-610-010-A		RESL TABLE HEIGHT CHECK GAGE
J-610-020-A		RESL TABLE CHECK GAGE
J-610-140-A		ECCENTRIC SCREWDRIVER (6 MM DIA.)
J-613-020-A		DIBERIAL ADJUSTMENT SCREWDRIVER
J-613-720-A		HEEL MOTOR SHAFT SLANTNESS ADJUSTMENT GAGE
J-613-730-A		HEXAGONAL SCREWDRIVER (1.27 MM)
Y-2031-001-0		CLEANING FLUID
2-034-897-00		CLEANING PIECE
3-782-390-01		ECCENTRIC SCREWDRIVER (4 MM DIA.)
3-782-591-01		ECCENTRIC SCREWDRIVER (5 MM DIA.)
7-700-750-01		L-SHAPE HEXAGONAL WRENCH (1.27 mm)
7-700-750-05		L-SHAPE HEXAGONAL WRENCH (1.5 MM)
7-723-902-00		DENTAL MIRROR
7-732-050-30		TENSION SCALE (100G FULL SCALE)
7-732-050-40		TENSION SCALE (200G FULL SCALE)
8-960-012-83		ALIGNMENT TAPE, 225-120 PAL
8-960-028-82		ALIGNMENT TAPE, 225-120 PAL
8-960-028-81		ALIGNMENT TAPE, 225-120 PAL
8-969-999-53		TORQUE MEASUREMENT TAPE (100 MM DIA.)
9-911-051-00		TELEVISION GAGE
Standard		HEAD DEMAGNETIZER, HD-6
Products		

Parts that are not listed in the "reference number order list" are shown in the "General Purpose Electrical Parts List".