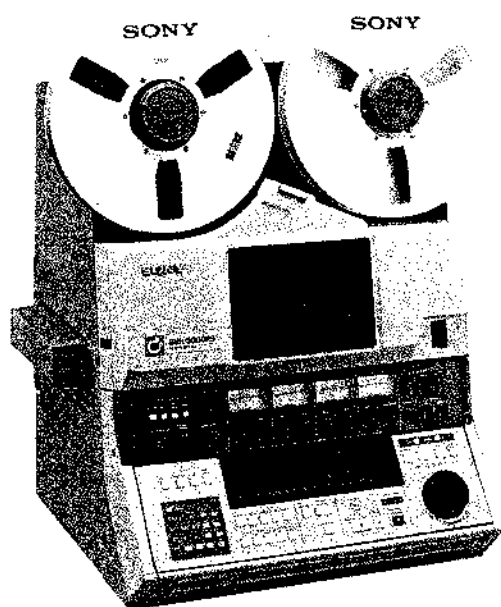


**SONY®**

VIDEOREORDER

# **BVH-3000PS**

# **BVH-3100PS**



BVH-3000PS



BVH-3100PS

BVH-3000PS/3100PS with this optional part installed:  
side panel kit.



**MAINTENANCE MANUAL**

Volume 2 1st Edition (Revised 9)

BVH-3000PS Serial No. 10001 and Higher

BVH-3100PS Serial No. 10001 and Higher

このマニュアルに記載されている事柄の著作権は当社にあり、説明内容は機器購入者の使用を目的としています。従って、当社の許可なしに無断で複写したり、説明内容(操作、保守等)と異なる目的で本マニュアルを使用することを禁止します。

The material contained in this manual consists of information that is the property of Sony Corporation and is intended solely for use by the purchasers of the equipment described in this manual.

Sony Corporation expressly prohibits the duplication of any portion of this manual or the use thereof for any purpose other than the operation or maintenance of the equipment described in this manual without the express written permission of Sony Corporation.

Le matériel contenu dans ce manuel consiste en informations qui sont la propriété de Sony Corporation et sont destinées exclusivement à l'usage des acquéreurs de l'équipement décrit dans ce manuel.

Sony Corporation interdit formellement la copie de quelque partie que ce soit de ce manuel ou son emploi pour tout autre but que des opérations ou entretiens de l'équipement à moins d'une permission écrite de Sony Corporation.

Das in dieser Anleitung enthaltene Material besteht aus Informationen, die Eigentum der Sony Corporation sind, und ausschließlich zum Gebrauch durch den Käufer der in dieser Anleitung beschriebenen Ausrüstung bestimmt sind.

Die Sony Corporation untersagt ausdrücklich die Vervielfältigung jeglicher Teile dieser Anleitung oder den Gebrauch derselben für irgendeinen anderen Zweck als die Bedienung oder Wartung der in dieser Anleitung beschriebenen Ausrüstung ohne ausdrückliche schriftliche Erlaubnis der Sony Corporation.

## UPDATE INFORMATION

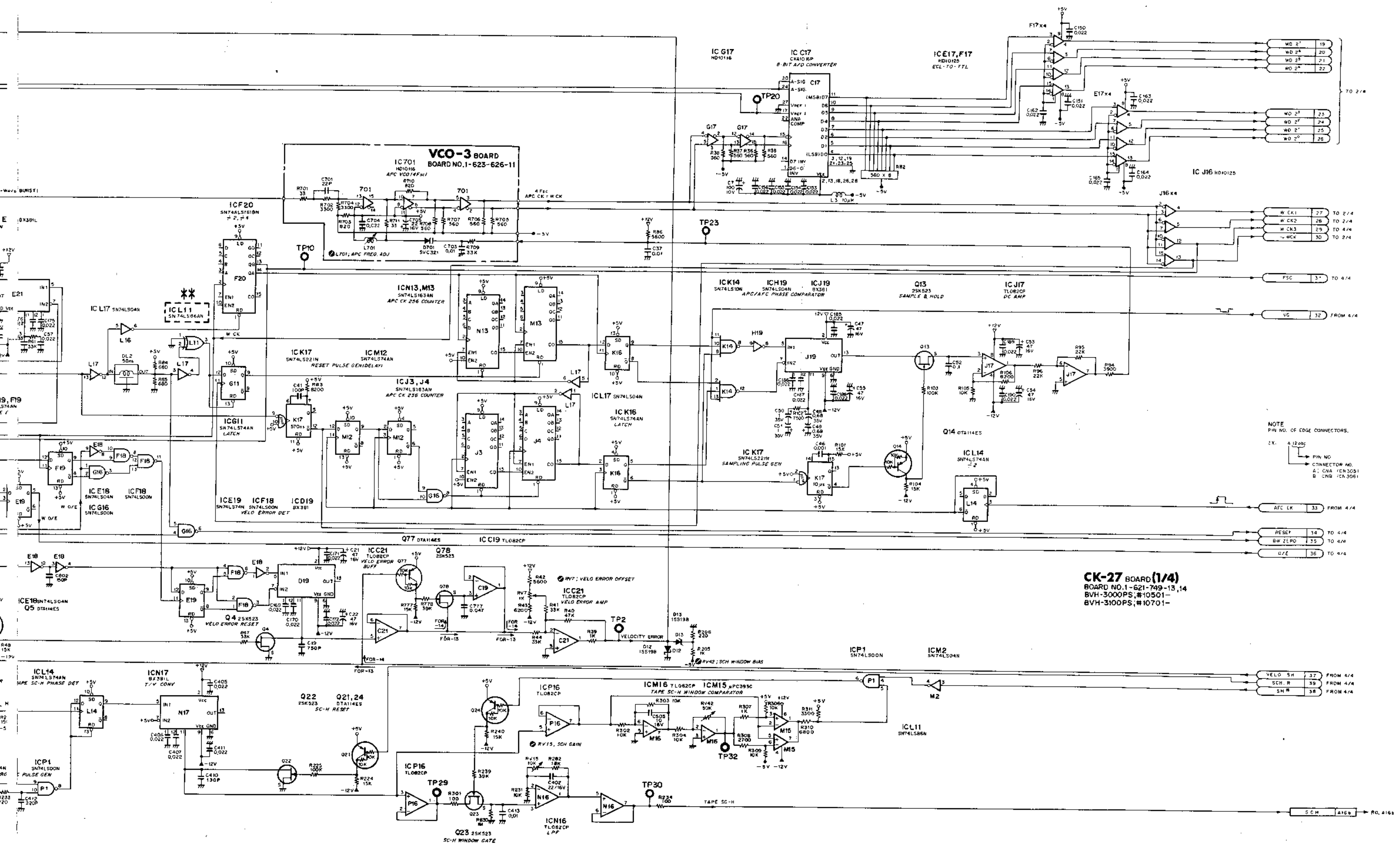
MODEL NAME **BVH-3000PS/3100PS** (EK) VOL-2 Maintenance Manual  
 REVISION NO. 1st Edition Revised 9  
 DATE JUL/17/89

Rev. No.	S. No.	Action	Page
E1 R9	BVH-3100PS 13001 - 13140	Add	B-9(a), 30(4/5-a), 30(5/5-a), 35(a) to 38(a), 44(a), 49(a) to 51(a), 57 to 59, 66, 67, 74, 79 to 81, 85 to 87, 111, 112, 123, 124, 126, 131, 132, 141(5/27), 141(11/27), 155, 177, 180, 187
		Add	C-2, 3, 38, 44
		Add	D-46, 51, 60(a), 61(a), 66, 70, 71, 79(a) to 81(a), 96, 97, 99, 100, 102(a)

- 1) "Rev. No." is the corresponding revised number of the service manual for the customer. E1 R1 means 1 Edition Revised 1.  
 "Serial Number" is the serial number range which the Rev.No. in the left column covers.
- 2) The changed portions are indicated by dotted line and/or "\*" (double asterisk).
- 3) "N.A." in the serial number column means there is no machine covering this revision.  
 The machine for the different market, e.g. Japan, may exist for this manual revision.







**CK-27 BOARD (1/4)**  
 BOARD NO. 1-621-749-13,14  
 BVH-3000PS; #10501-  
 BVH-3100PS; #10701-

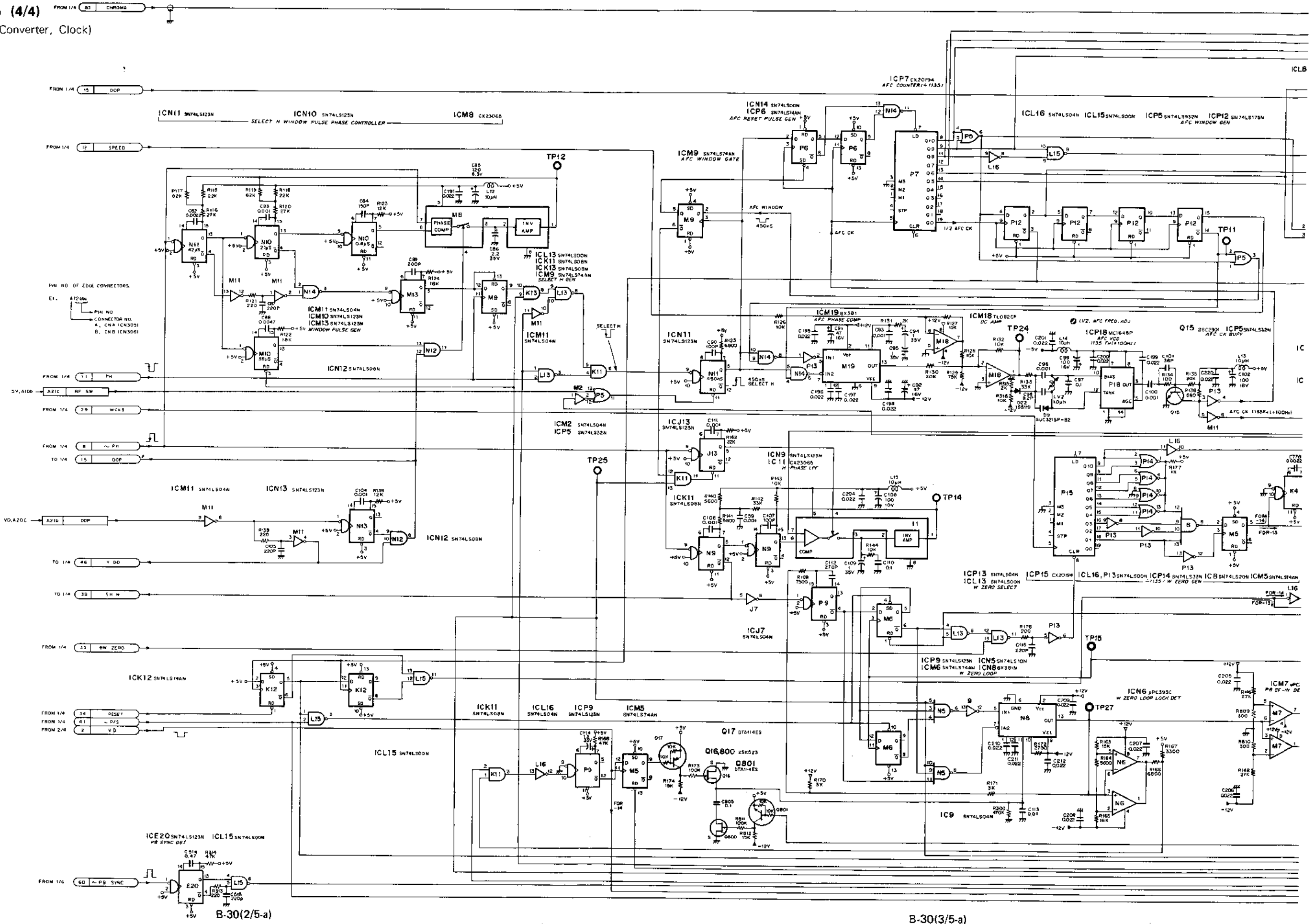
NOTE  
 PIN NO. OF EDGE CONNECTORS.  
 EX. 4 12 08  
 PIN NO.  
 CONNECTOR NO.  
 A: CNA (CN3051)  
 B: CNB (CN3061)

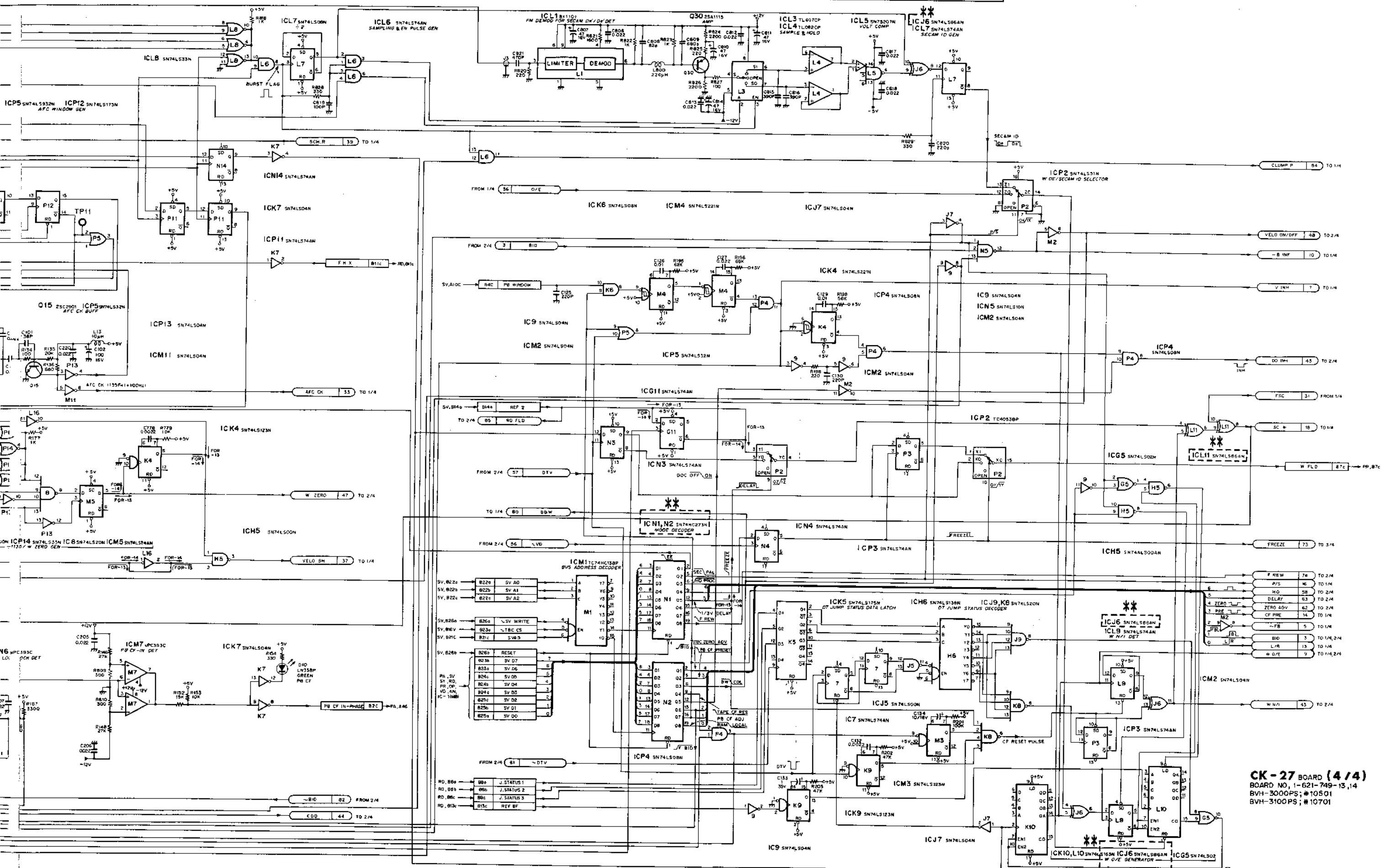
B-9(a)

B-10(a)

CK-27 BOARD (4/4)

TBC (AD Converter, Clock)





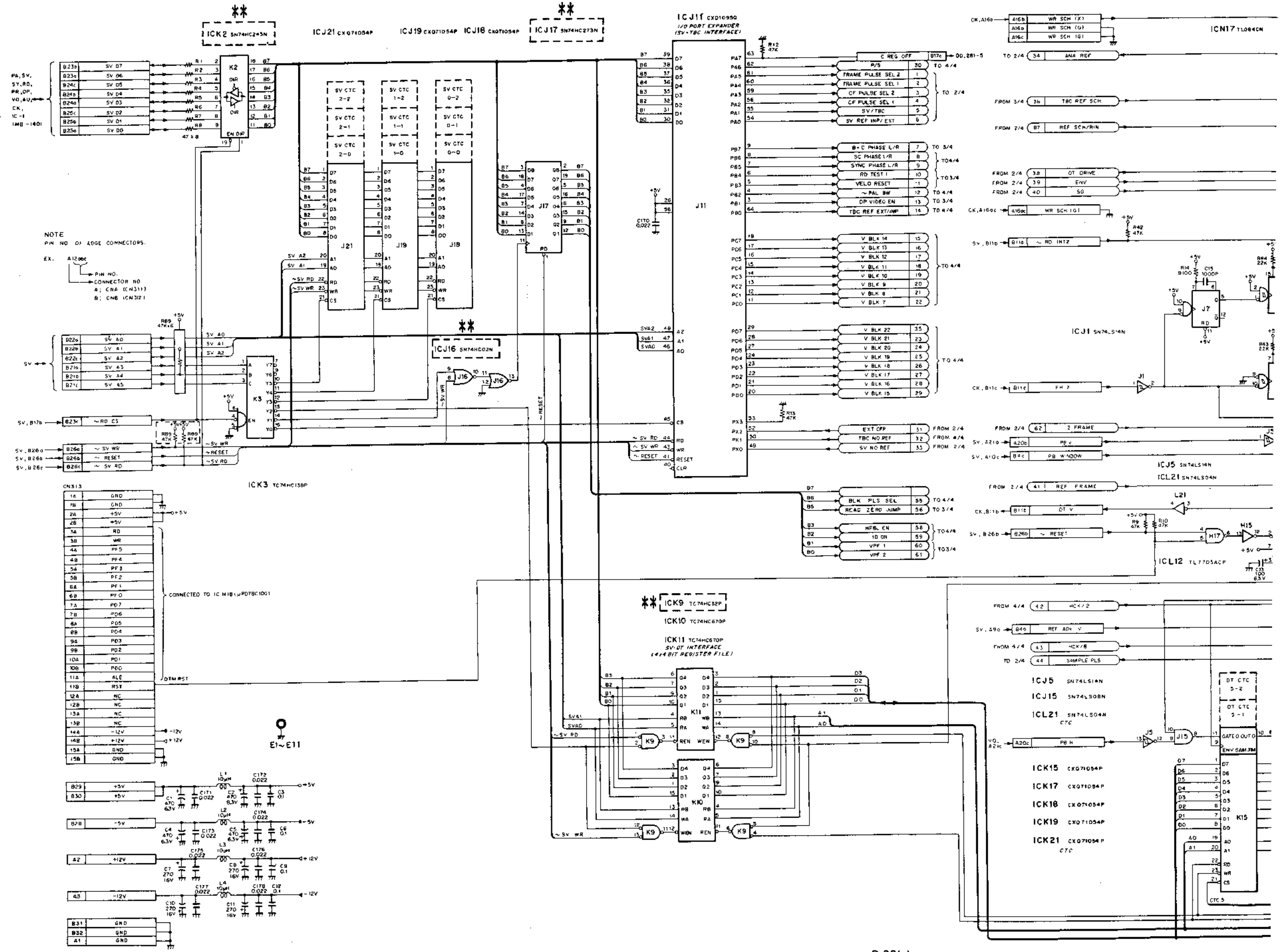
**CK-27 BOARD (4/4)**  
 BOARD NO. 1-621-749-13,14  
 BVH-3000PS; #10501  
 BVH-3100PS; #10701

B-30(4/5-a)

B-30(5/5-a)

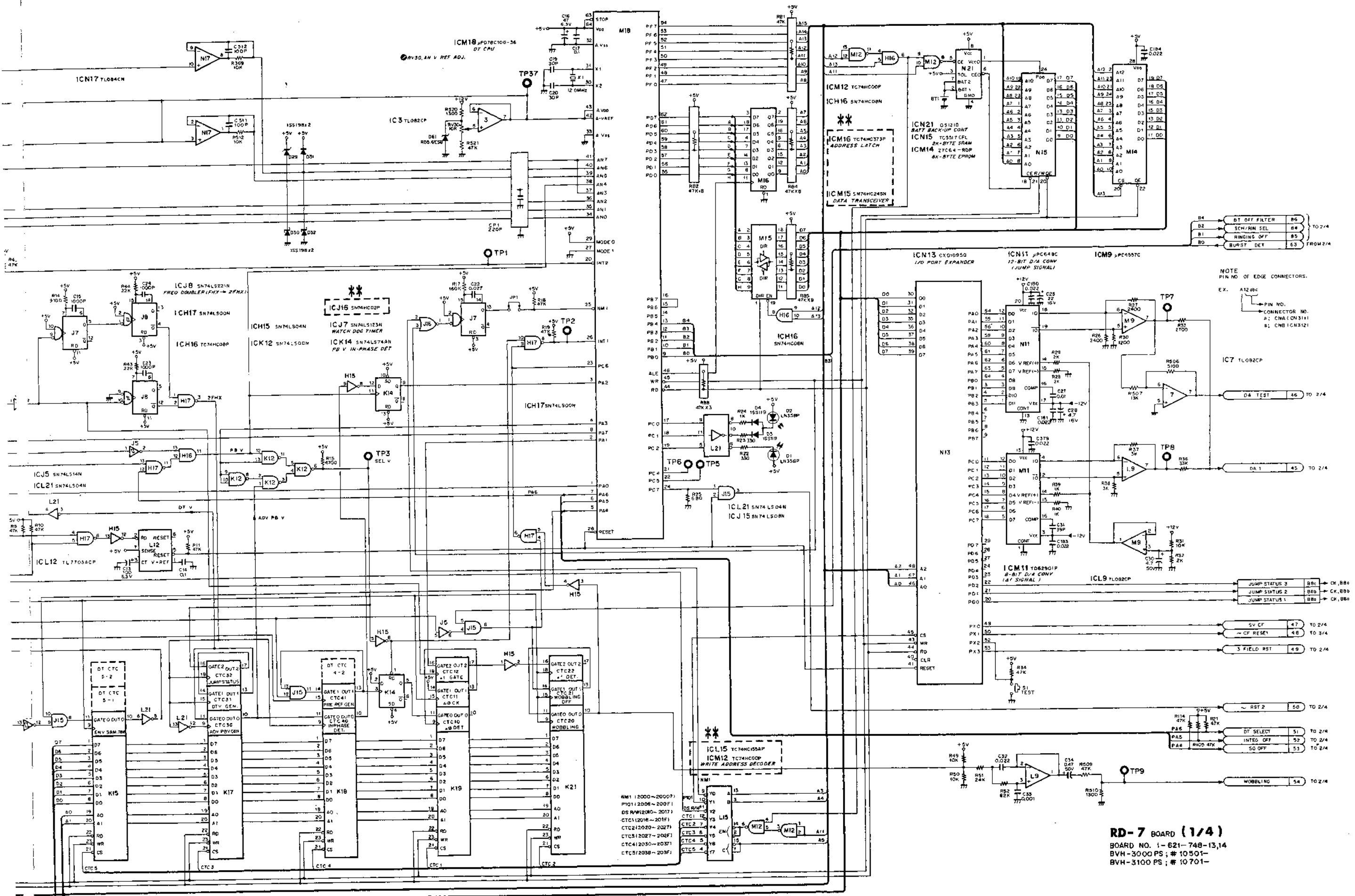
RD-7 BOARD (1/4)

DT Control (Digital Section)



B-35(a)

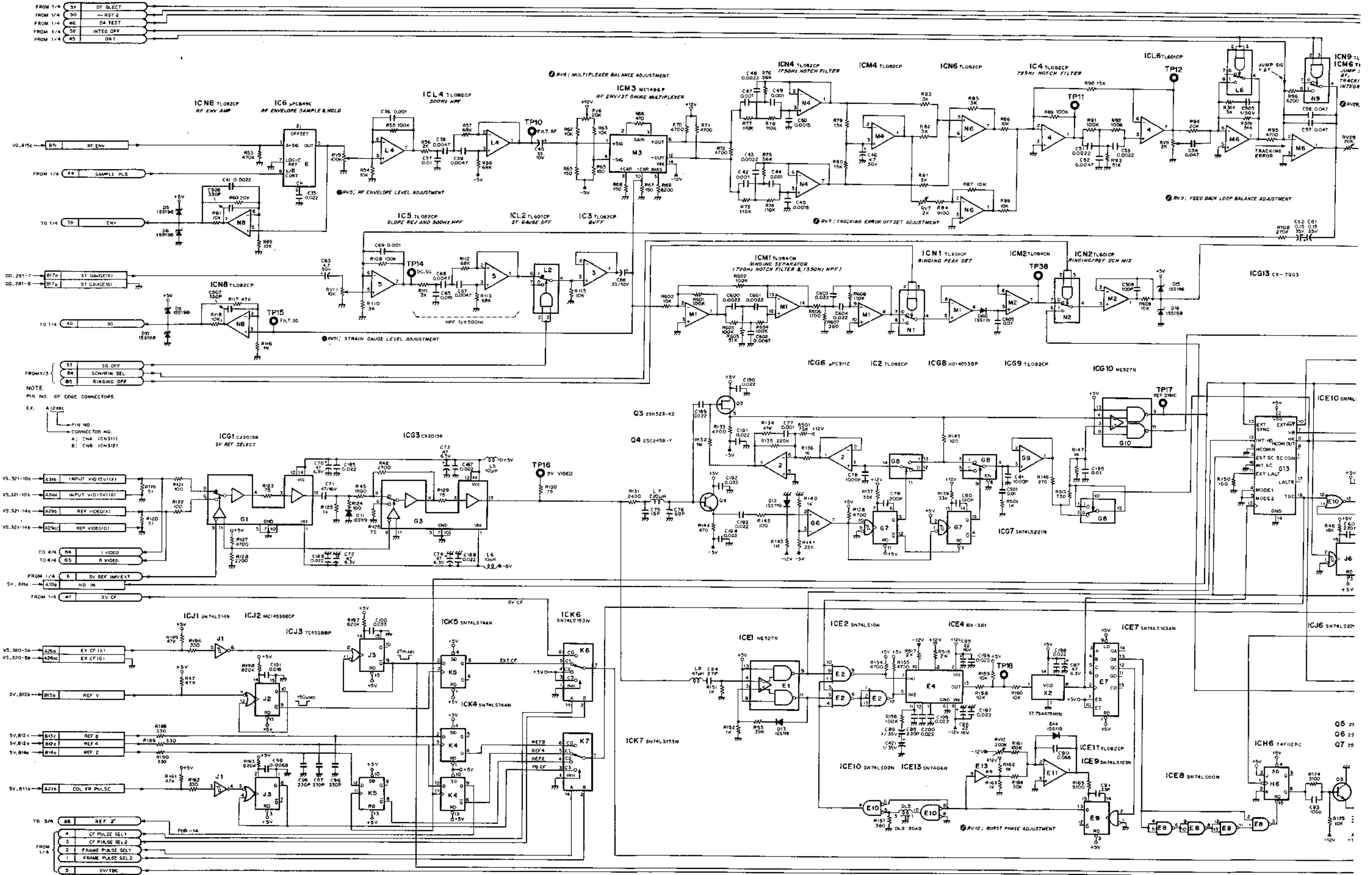
B-36(a)



B-37(a)

B-38(a)

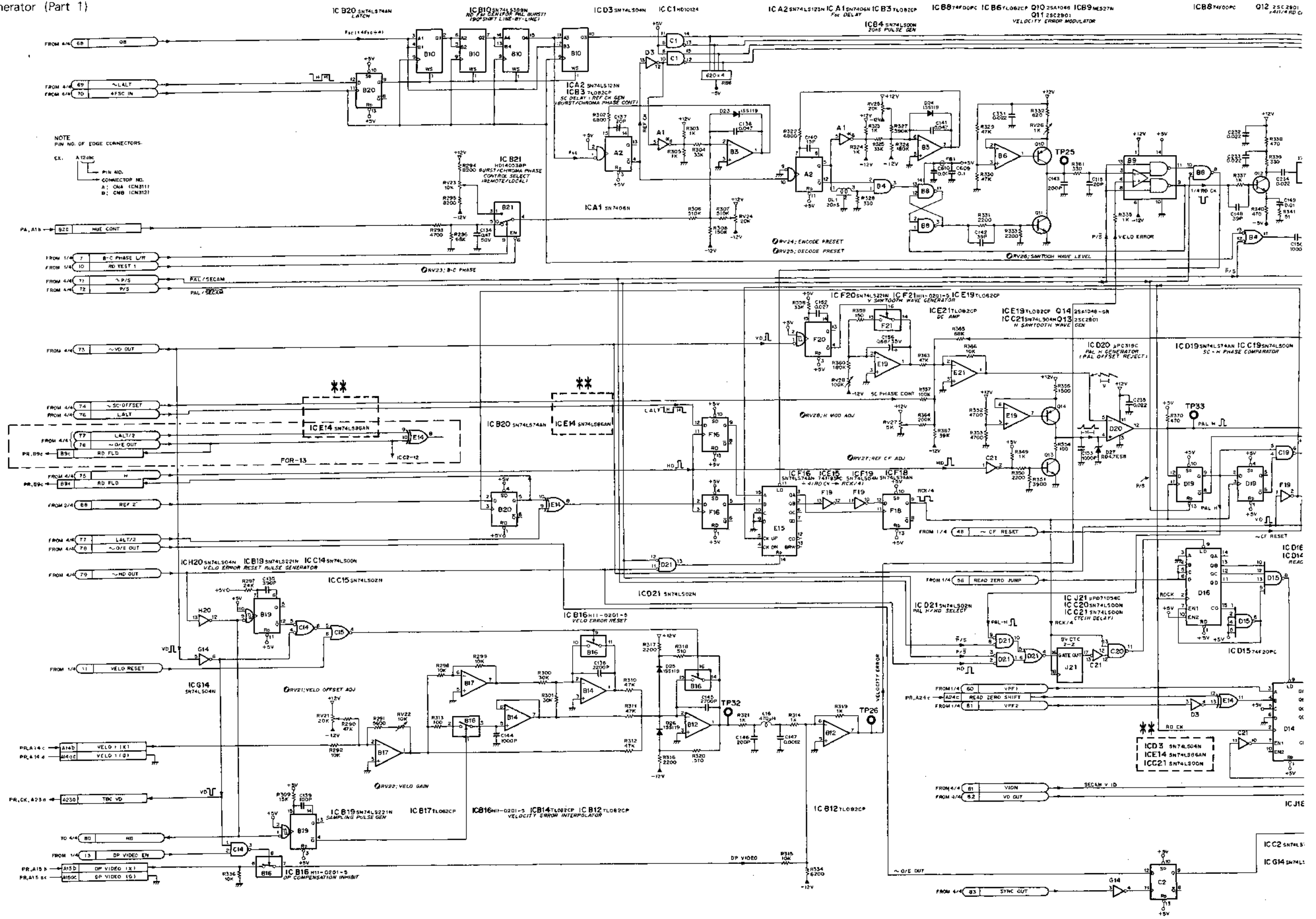
DT Control (Analog Section)  
Servo Reference Signal Generator



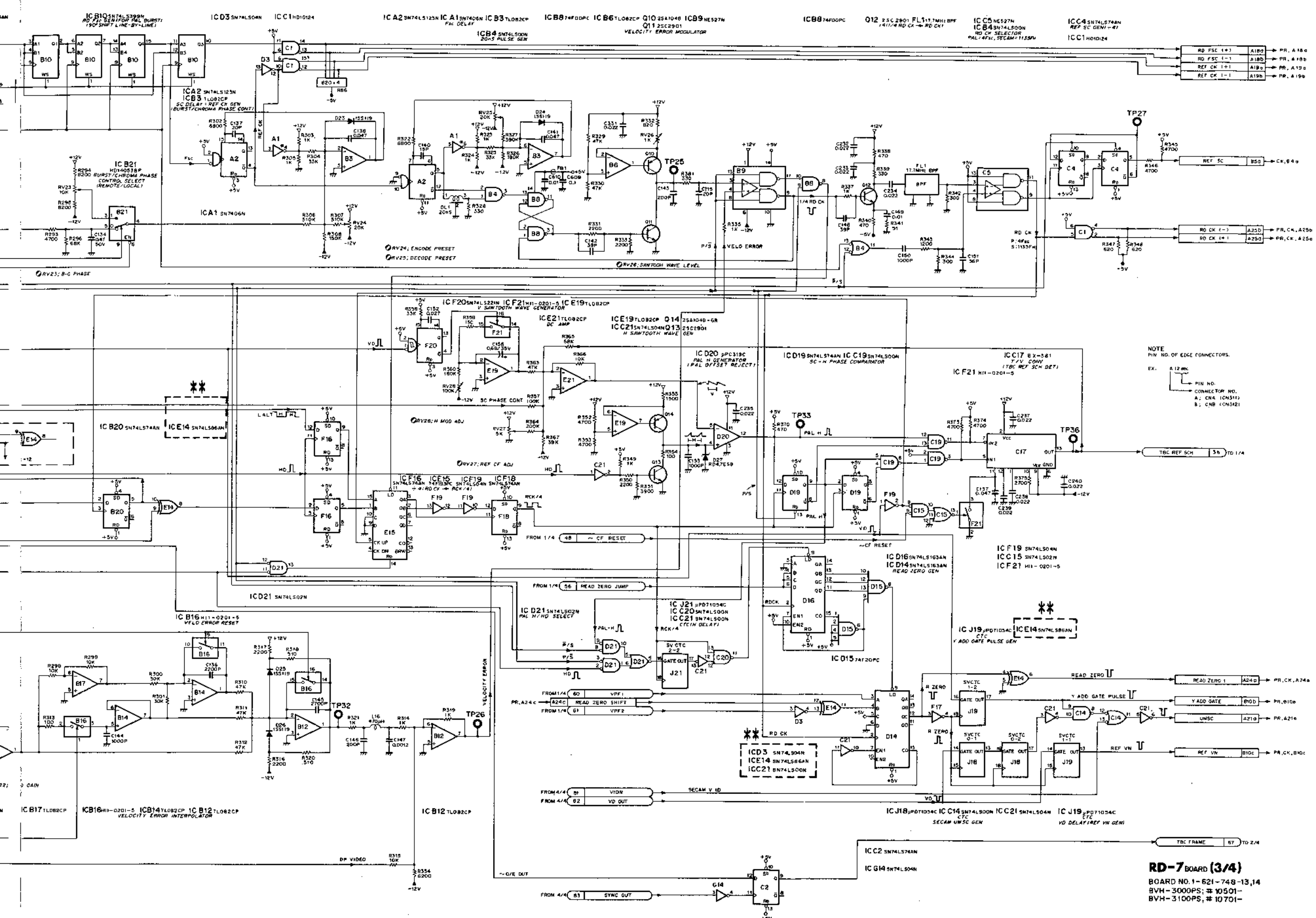


RD-7 BOARD (3/4)

TBC Reference Signal Generator (Part 1)







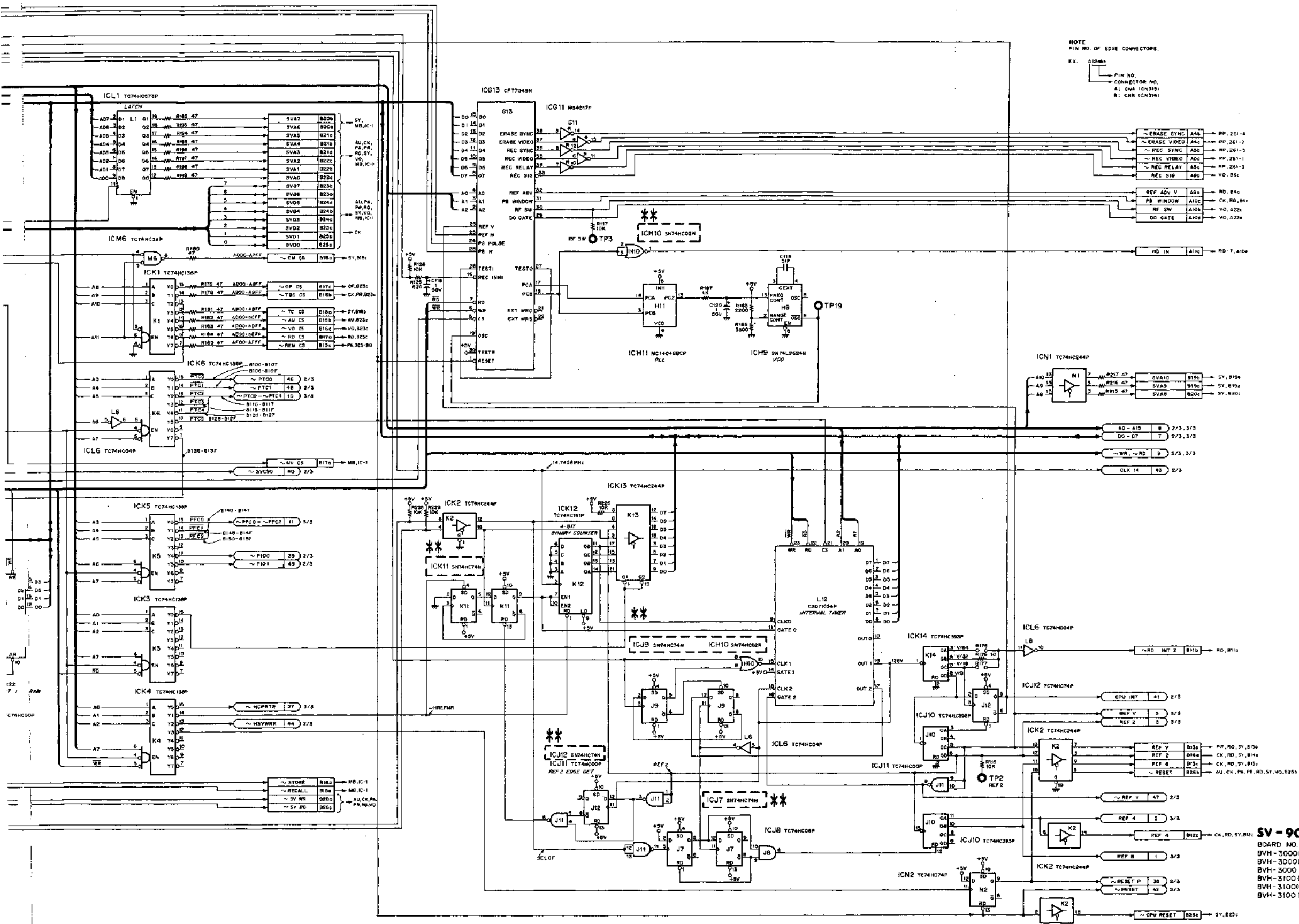
NOTE  
PIN NO. OF EDGE CONNECTORS.  
EX. A12 PIN NO.  
CONNECTOR NO.  
A: CNA (CON311)  
B: CNB (CON312)

**RD-7 BOARD (3/4)**  
BOARD NO. 1-621-748-13,14  
BVH-3000PS; # 10501-  
BVH-3100PS; # 10701-

B-50(a)

B-51(a)

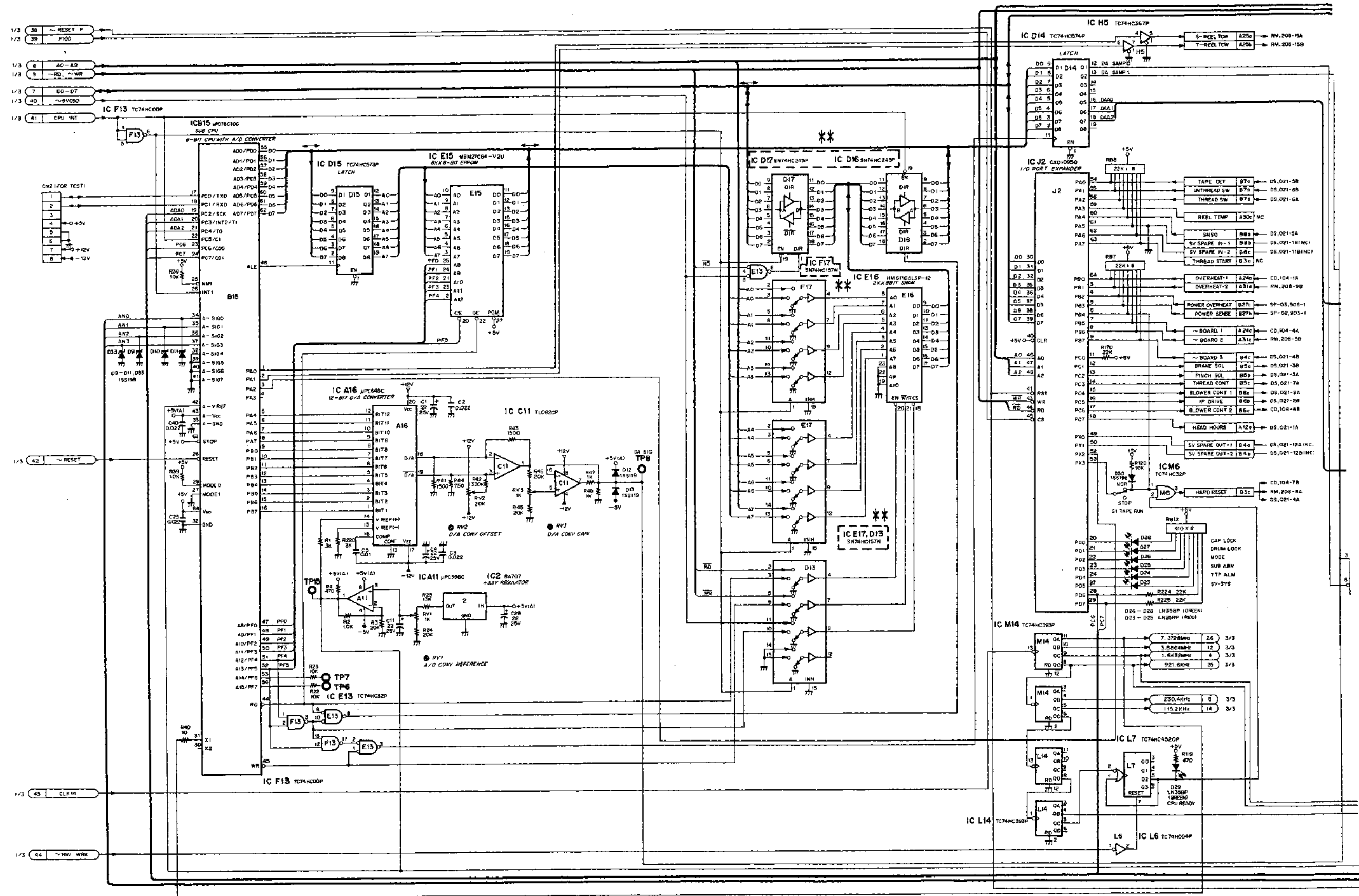


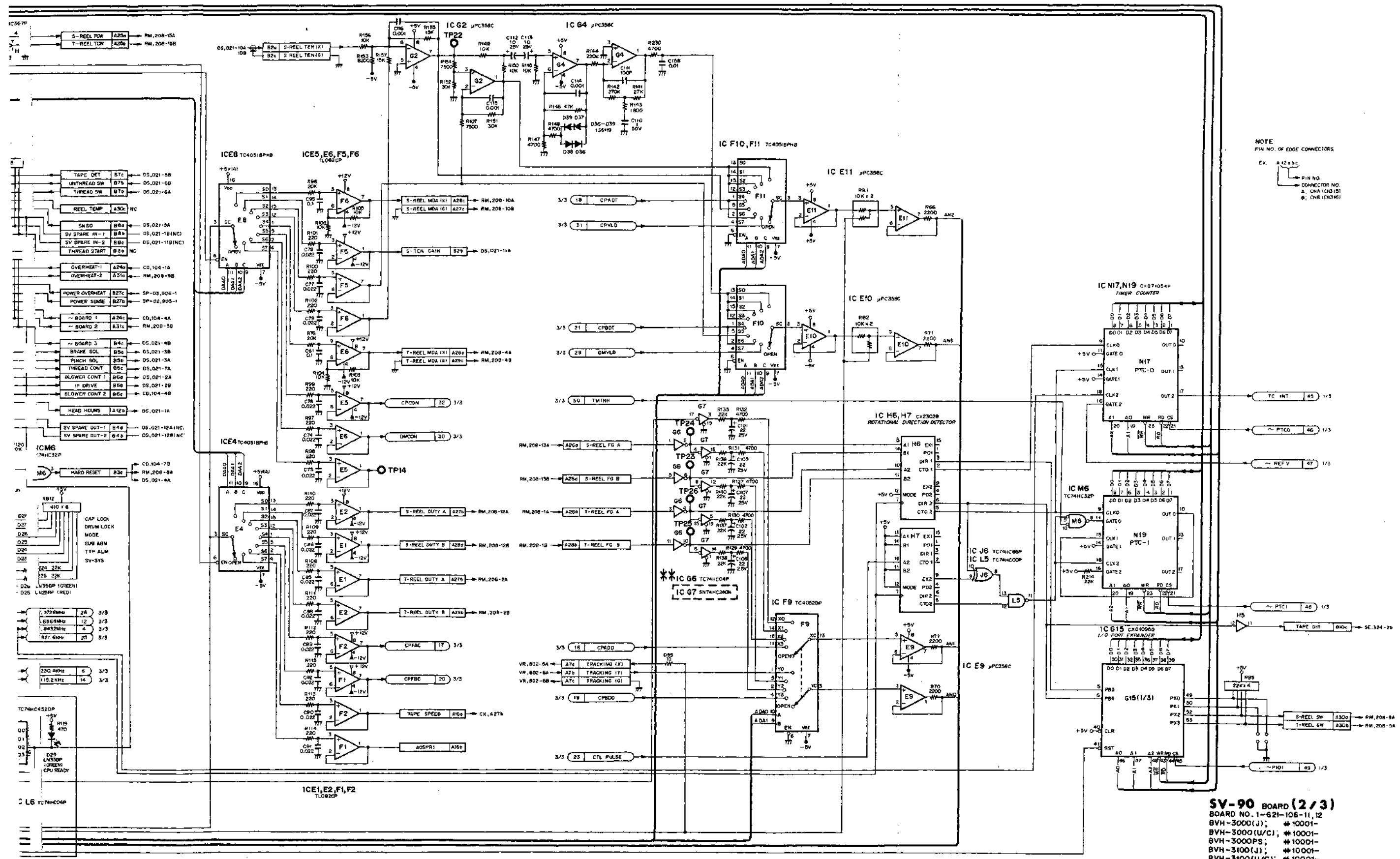


NOTE  
PIN NO. OF EDGE CONNECTORS.  
EX. A100a  
PIN NO.  
CONNECTOR NO.  
A: CNA (CN305)  
B: CNA (CN316)

**SV-90(1/3) BOARD**  
BOARD NO. 1-621-106-11,12  
BVH-3000(J1); # 10001-  
BVH-3000(U/C); # 10001-  
BVH-3000(PS); # 10001-  
BVH-3100(J1); # 10001-  
BVH-3100(U/C); # 10001-  
BVH-3100(PS); # 10001-

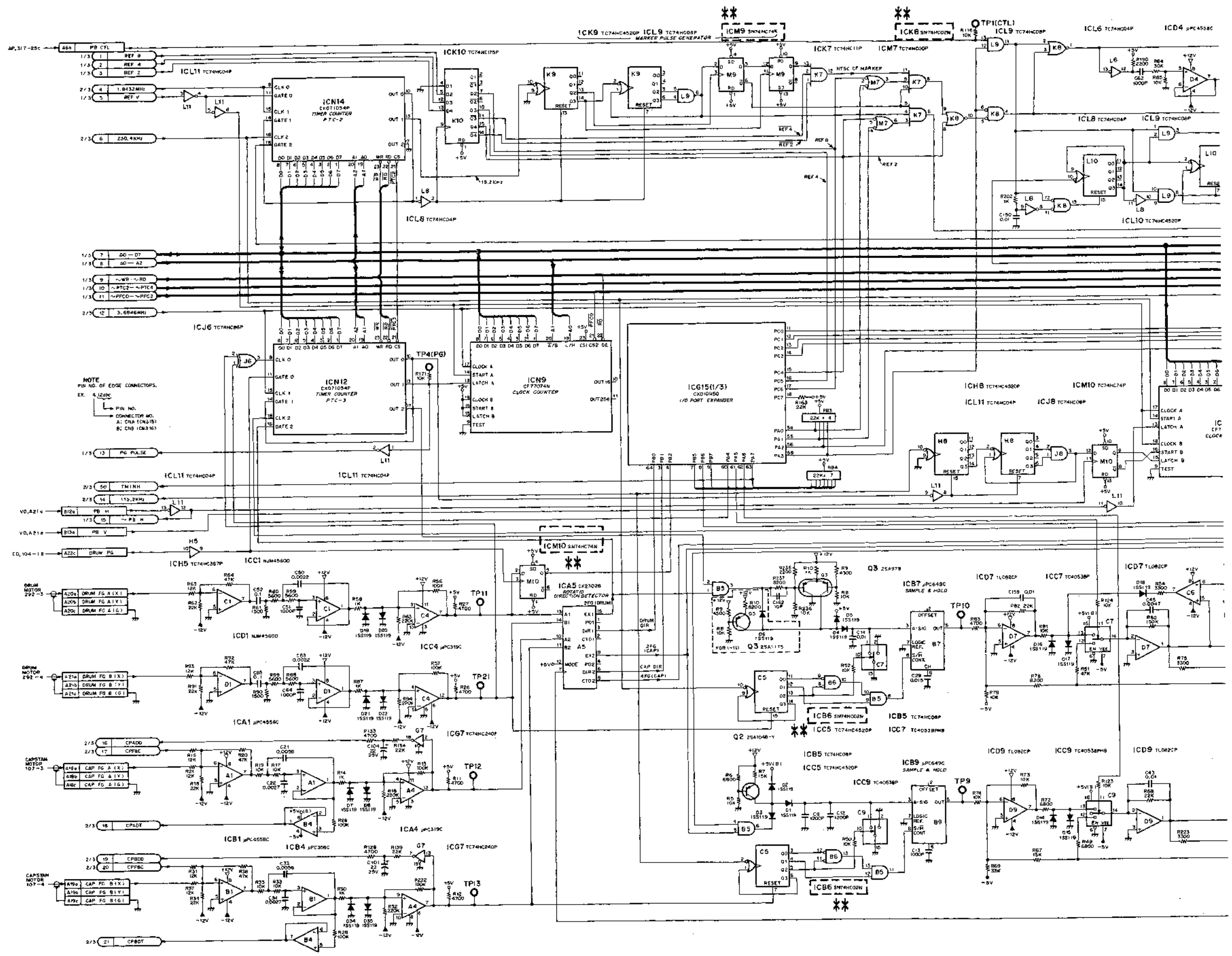
SV-90 BOARD (2/3)  
Servo, Logic Control





**SV-90 BOARD (2/3)**  
 BOARD NO. 1-621-106-11, 12  
 BVH-3000(J); #10001-  
 BVH-3000(U/C); #10001-  
 BVH-3000PS; #10001-  
 BVH-3100(J); #10001-  
 BVH-3100(U/C); #10001-  
 BVH-3100PS; #10001-

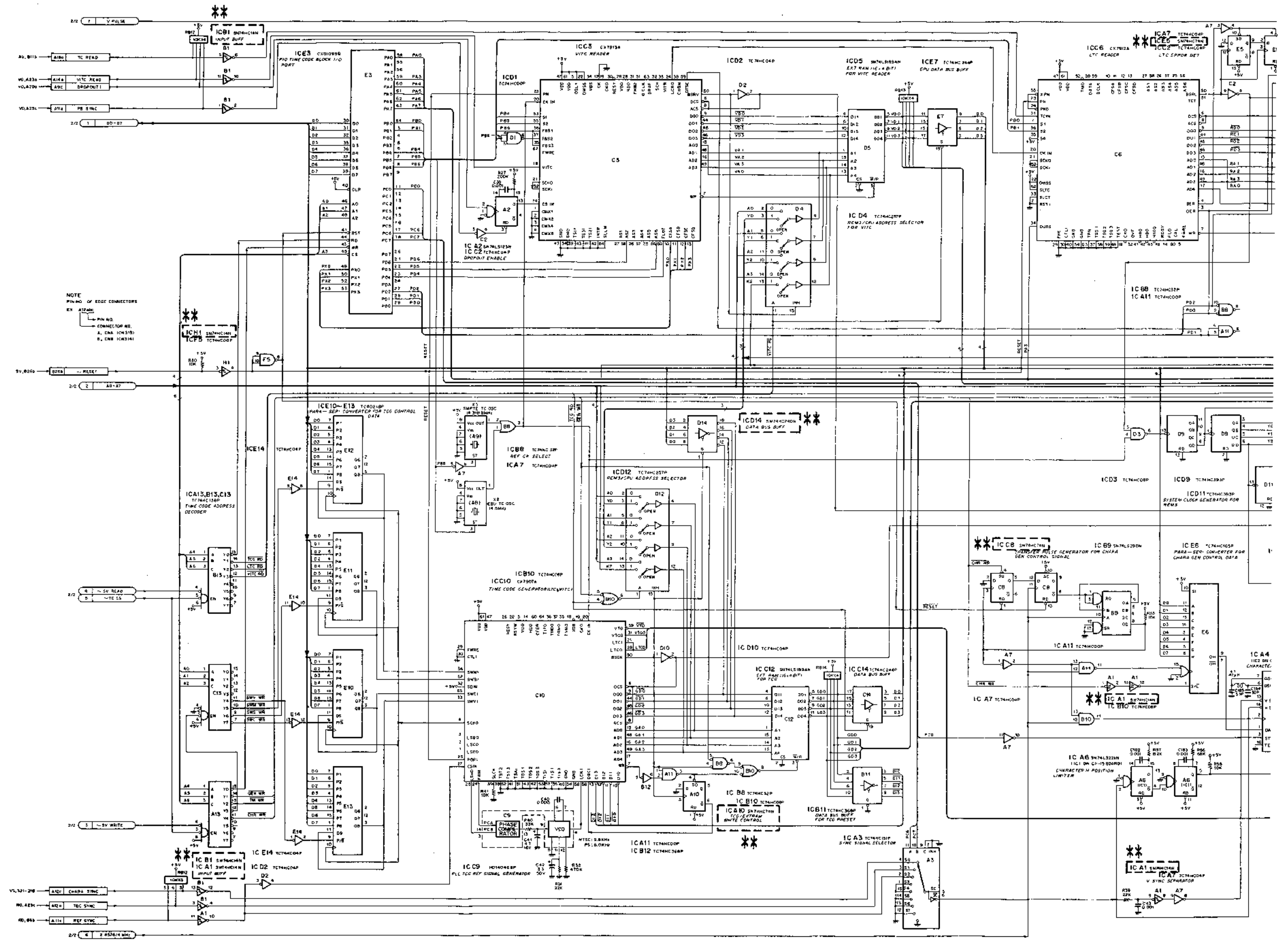
SV-90 BOARD (3/3)  
Servo, Logic Control





SY-103 BOARD (1/2)

Reader/Generator  
Time Code

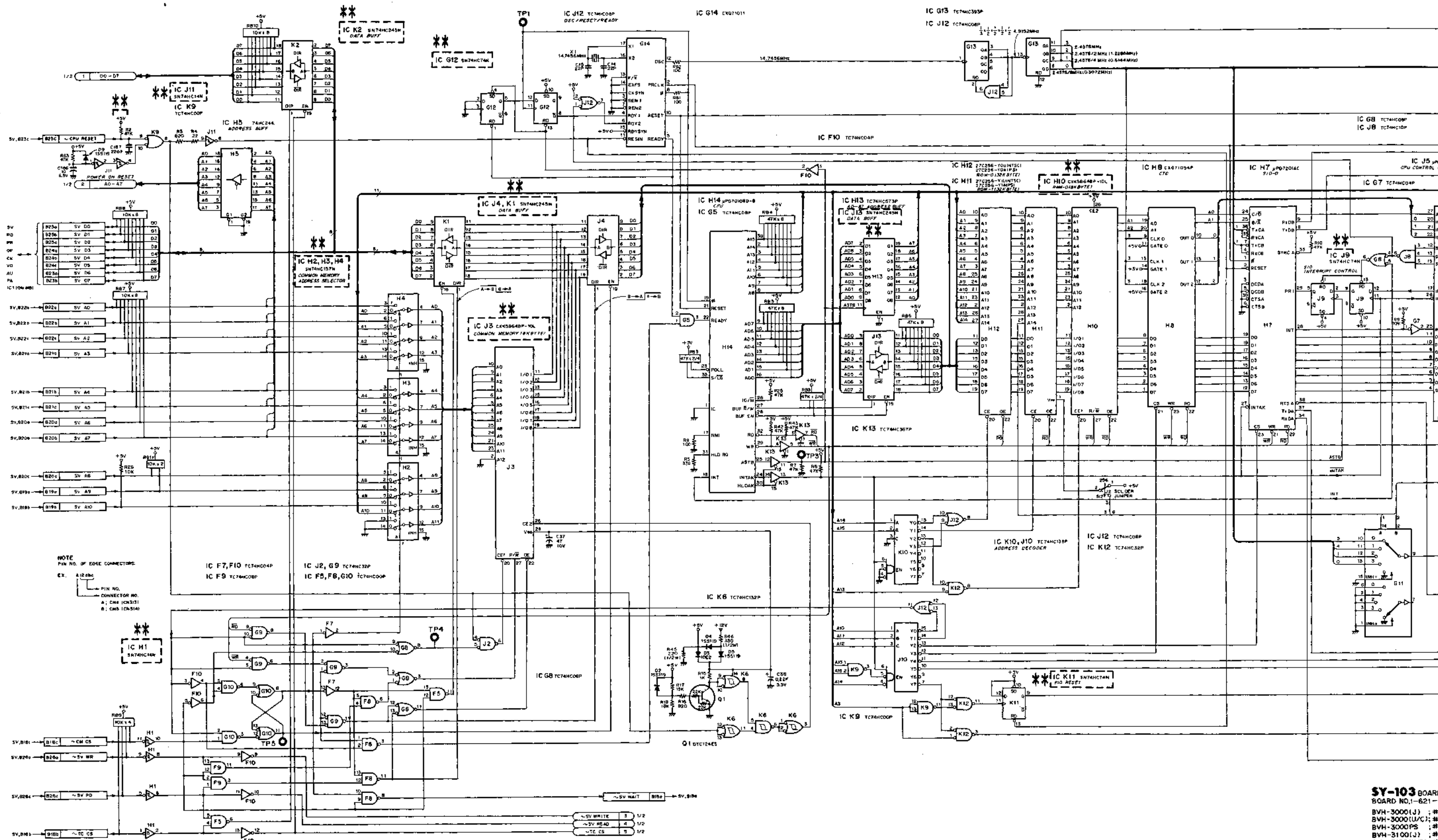






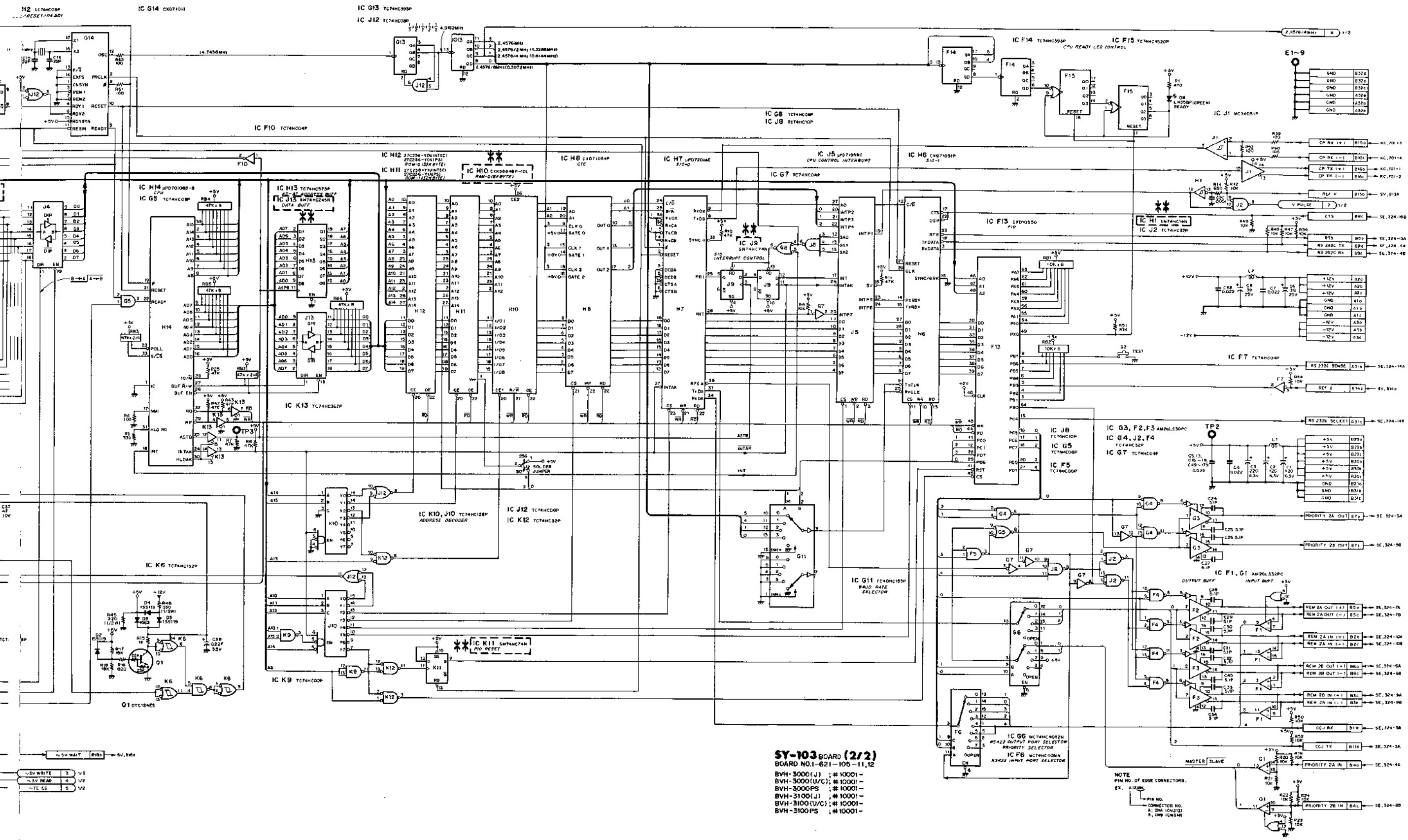
SY-103 BOARD (2/2)

System Control



NOTE  
PIN NO. OF EDGE CONNECTOR  
EX. A12B3  
PIN NO.  
CONNECTOR NO.  
A: ONE (IC351)  
B: CARD (IC351A)

**SY-103 BOARD**  
BOARD NO. 1-621-10  
BVH-3000(J) : #10  
BVH-3000(L/C) : #10  
BVH-3000(PS) : #10  
BVH-3100(J) : #10  
BVH-3100(L/C) : #10  
BVH-3100(PS) : #10



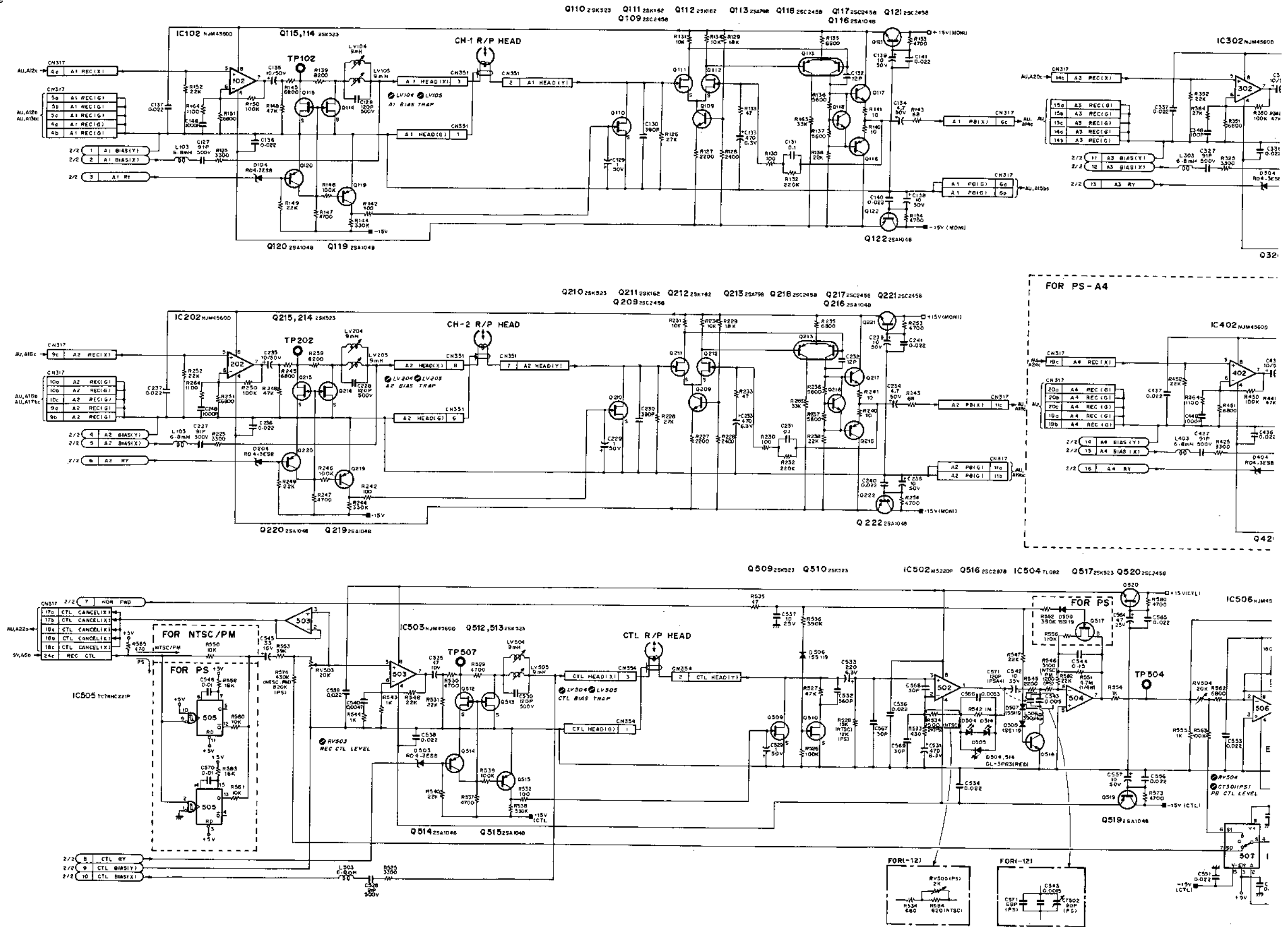
**SY-103 BOARD (2/2)**  
 BOARD NO. 1-621-105-11,12

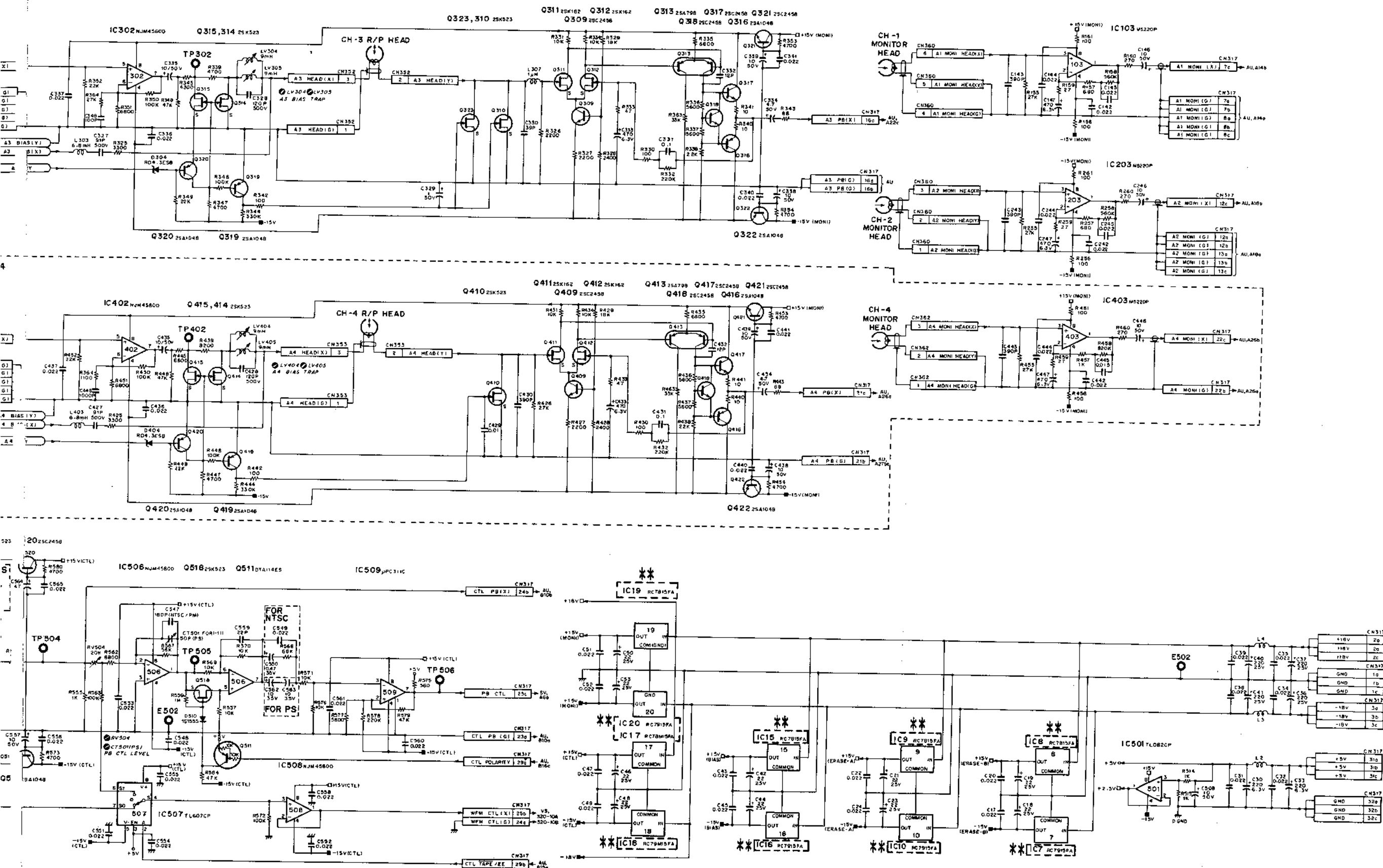
BVH-3000(J) : # 10001-  
 BVH-3000(U/C) : # 10001-  
 BVH-3000PS : # 10001-  
 BVH-3100(J) : # 10001-  
 BVH-3100(U/C) : # 10001-  
 BVH-3100PS : # 10001-

NOTE  
 PIN NO. OF EDGE CONNECTORS.  
 EX. A12345  
 PIN NO.  
 CONNECTOR NO.  
 A: DMA (14213)  
 B: CPU (14234)

AP-15 BOARD (1/2)

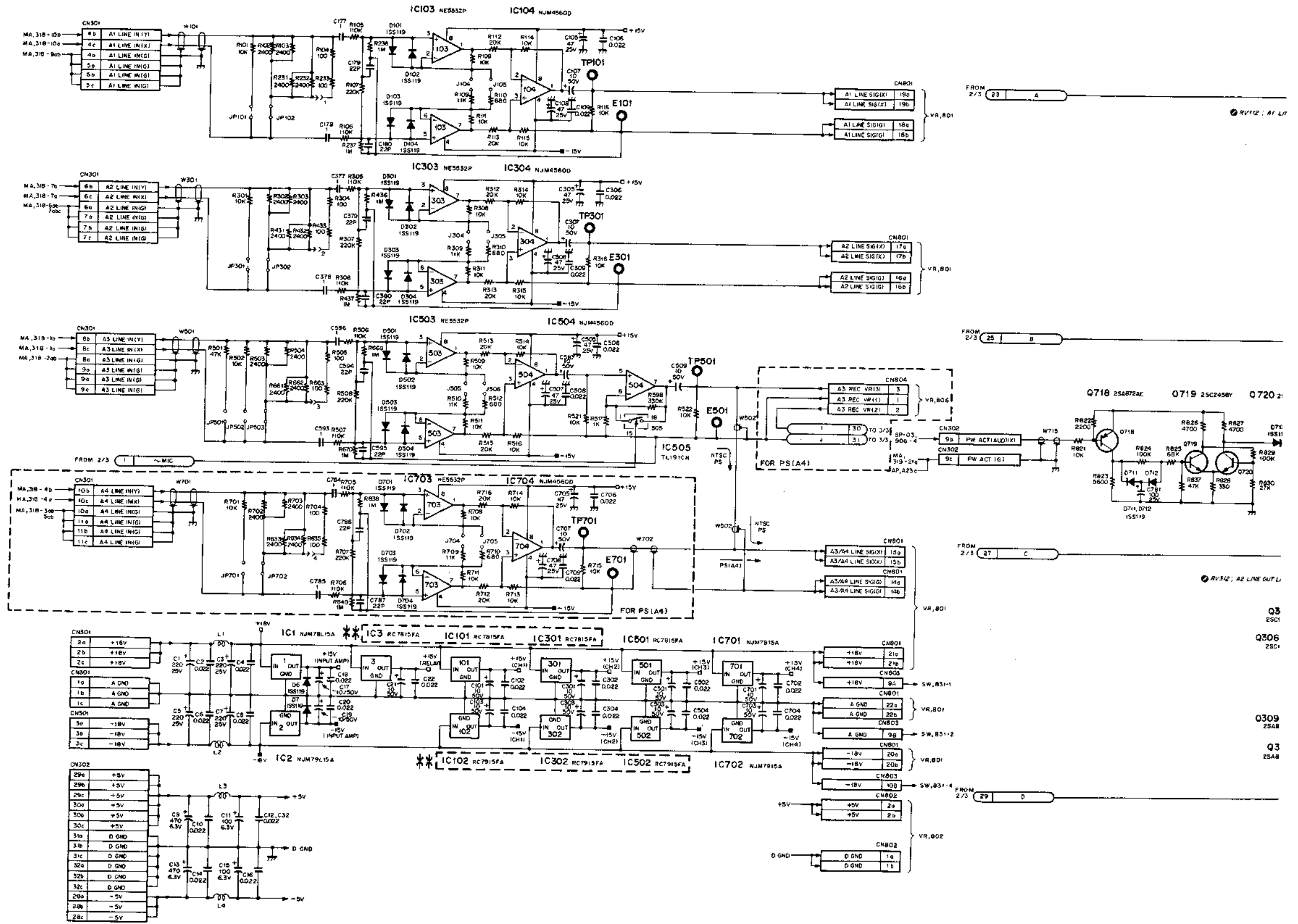
Audio Preamp, Bias, Erase

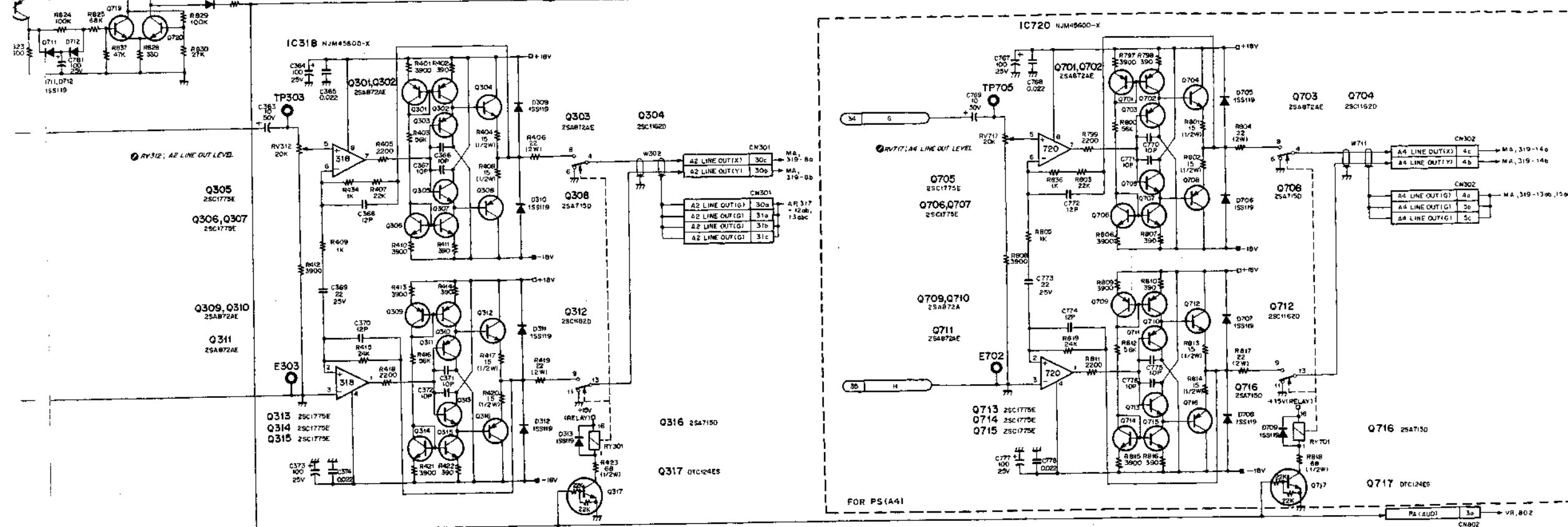
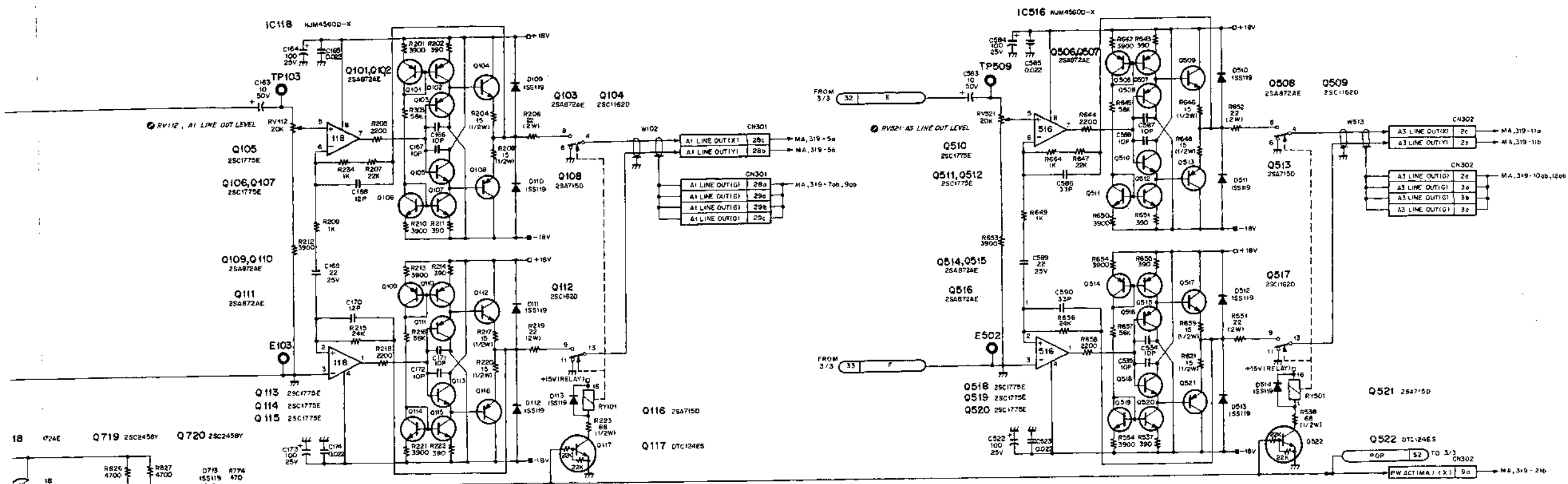




**AP-15 BOARD (1/2)**  
 BOARD NO. 1-621-107-11,12  
 BVH - 3000(J); \*10001 -  
 BVH - 3000(U/C); \*10001 -  
 BVH - 3000PS; \*10001 -  
 BVH - 3100(J); \*10001 -  
 BVH - 3100(U/C); \*10001 -  
 BVH - 3100PS; \*10001 -

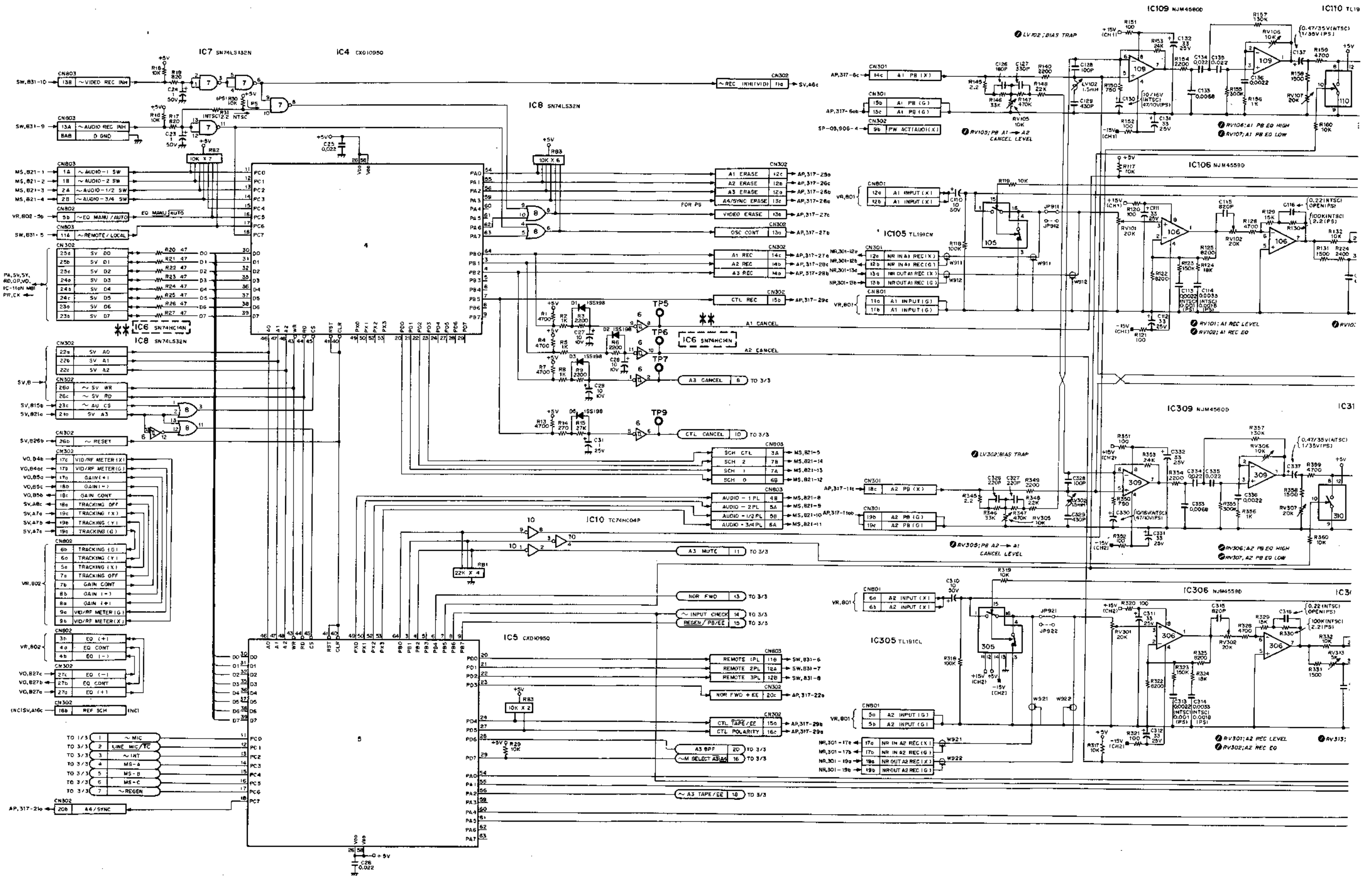
AU-88 BOARD (1/3)  
Audio REC/PB Amplifier



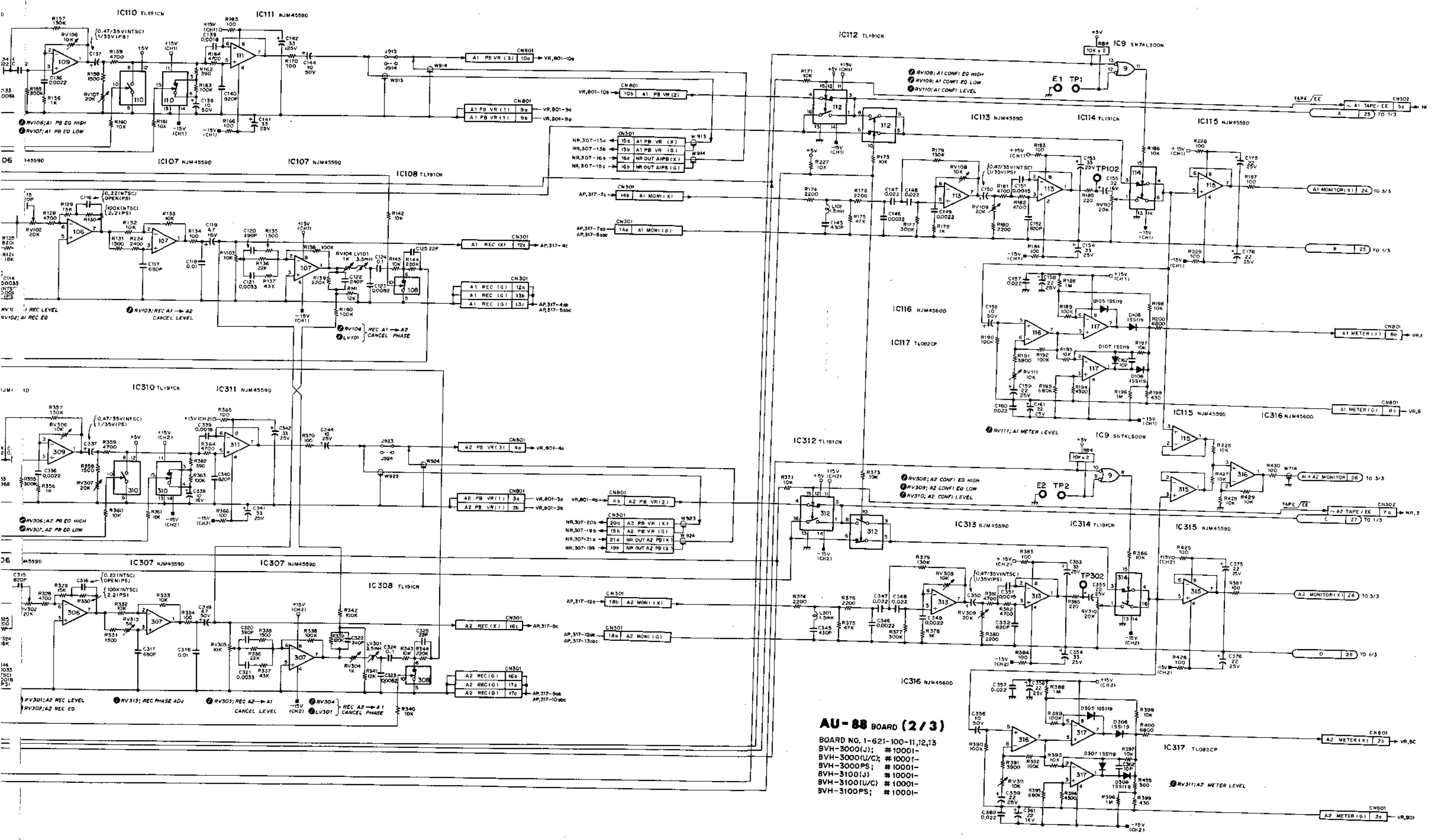


**AU-88 BOARD (1/3)**  
 BOARD NO. 1-621-100-11,12,13  
 BVH-3000(J); #10001-  
 BVH-3000(U/C); #10001-  
 \*\*BVH-3000PS; #10001-  
 BVH-3100(J); #10001-  
 BVH-3100(U/C); #10001-  
 \*\*BVH-3100PS; #10001-

AU-88 BOARD (2/3)  
Audio REC/PB Amplifier



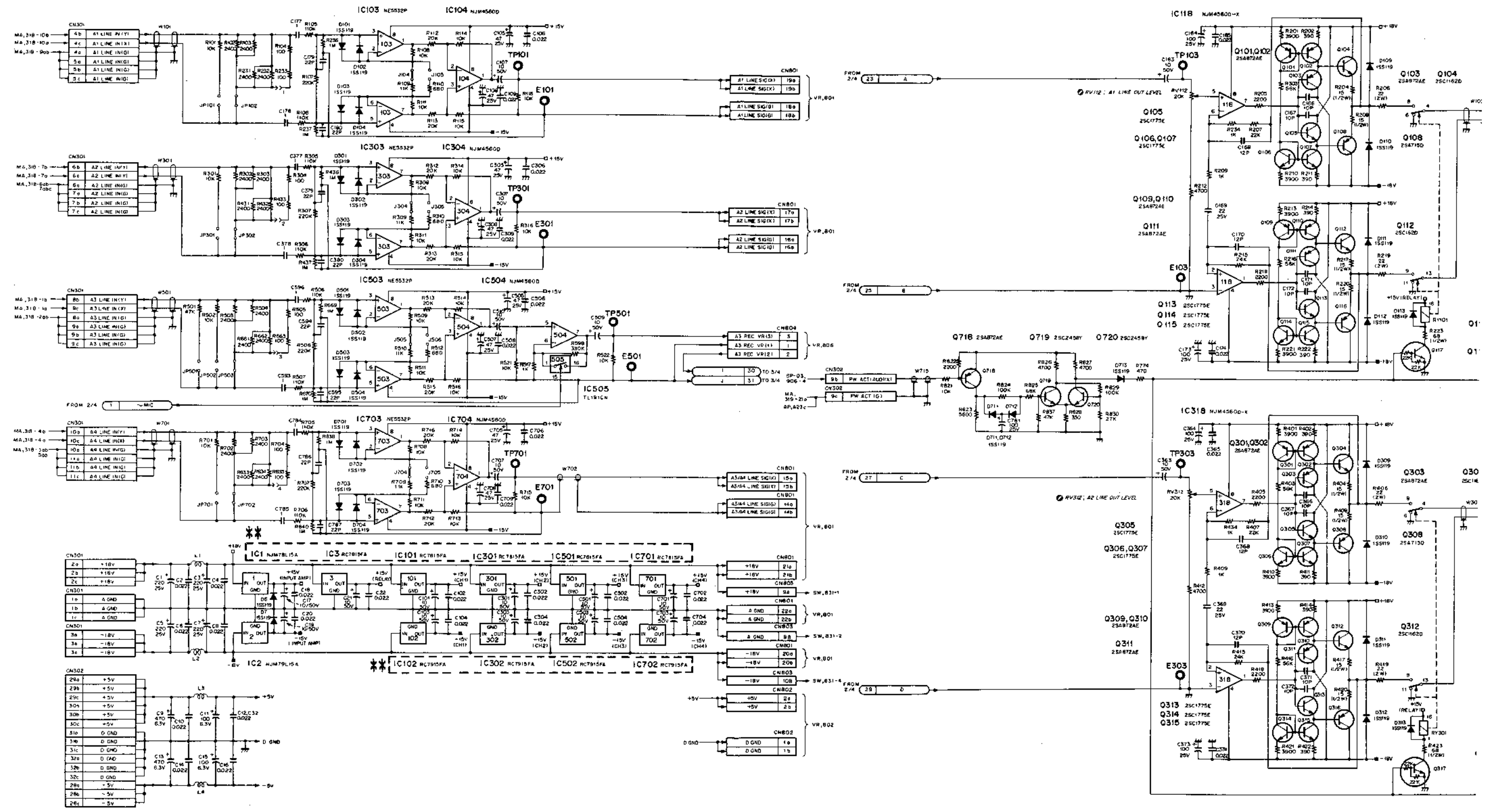


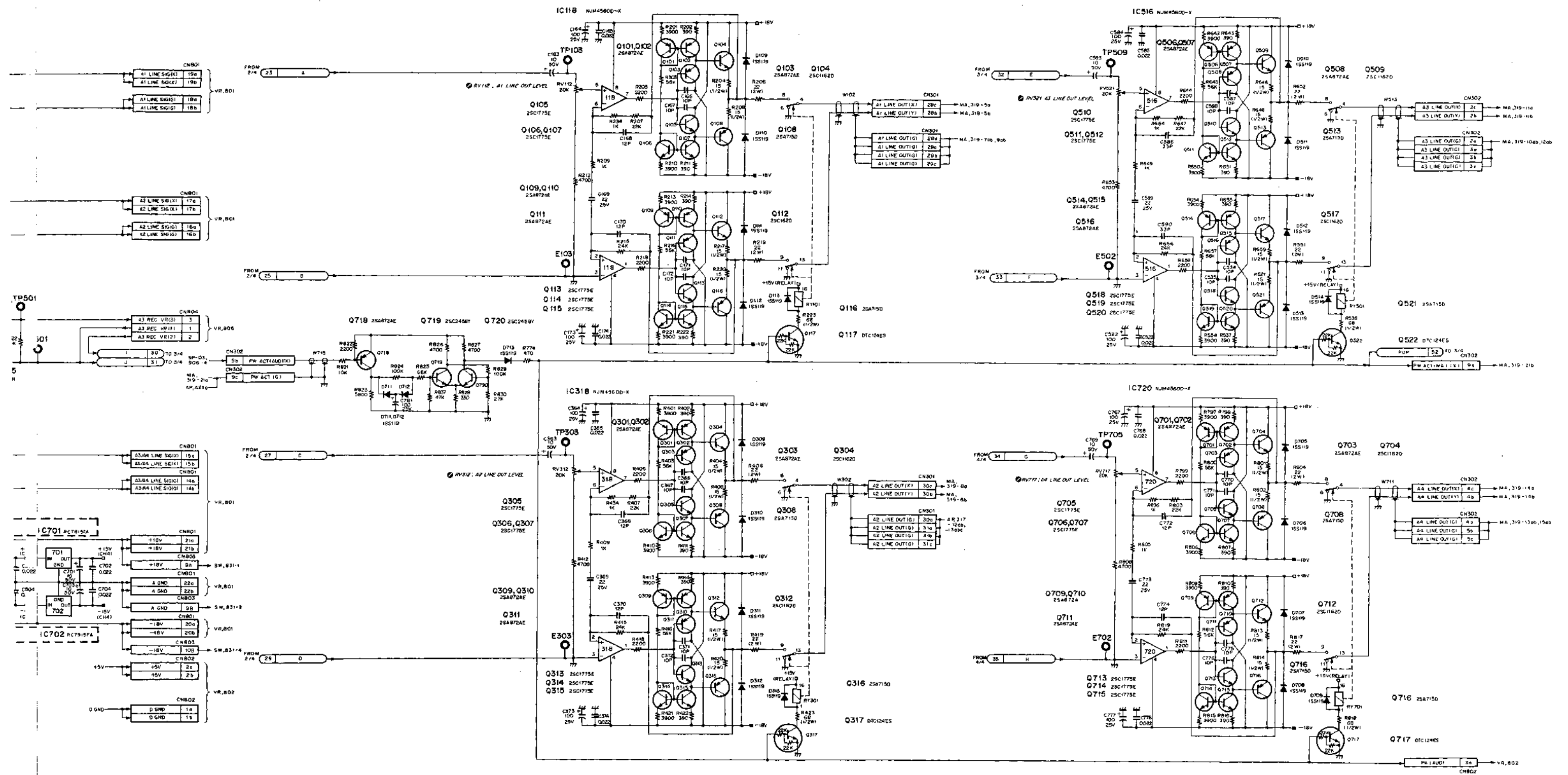


**AU-88 BOARD (2/3)**

- BOARD NO. 1-621-100-11,12,13
- BVH-3000(J); #10001-
- BVH-3000(W/C); #10001-
- BVH-3000PS; #10001-
- BVH-3100(J); #10001-
- BVH-3100(W/C); #10001-
- BVH-3100PS; #10001-

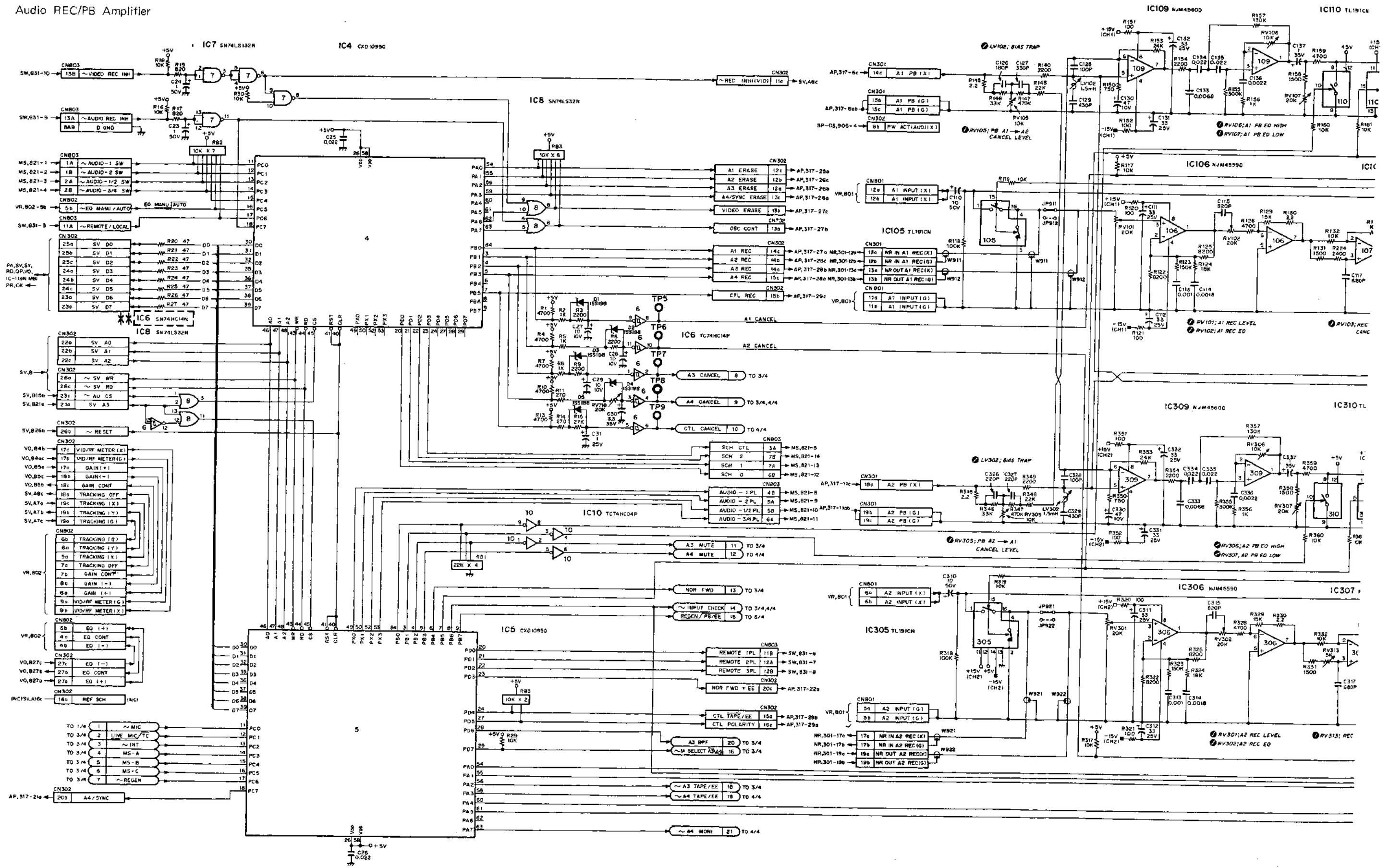
AU-88 BOARD (1/4) (FOR A4)  
Audio REC/PB Amplifier

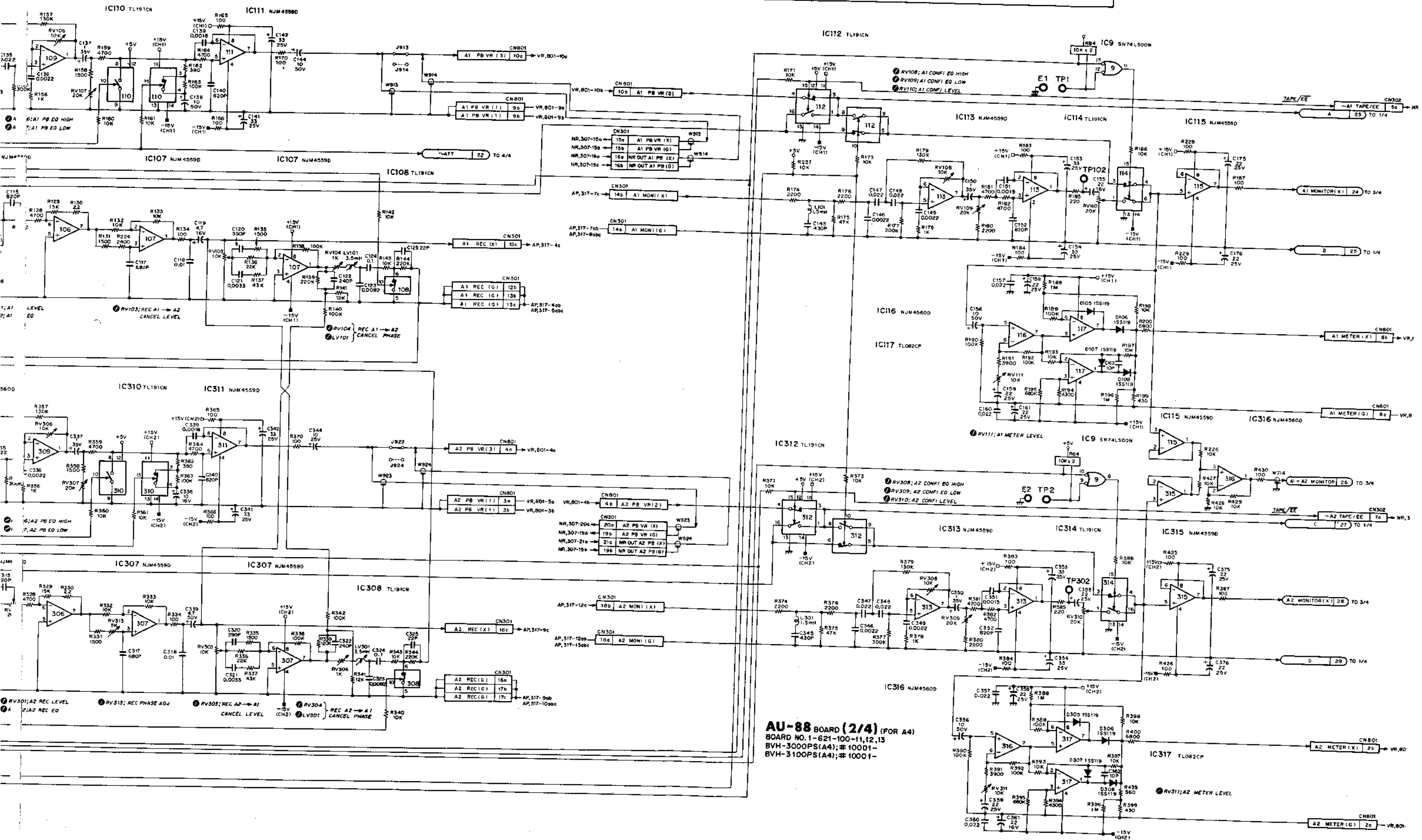




**AU-88 BOARD (1/4) (FOR A4)**  
 BOARD NO. 1-621-100-11,12,13  
 BVH-300PS(A4); #10001-  
 BVH-3100PS(A4); #10001-

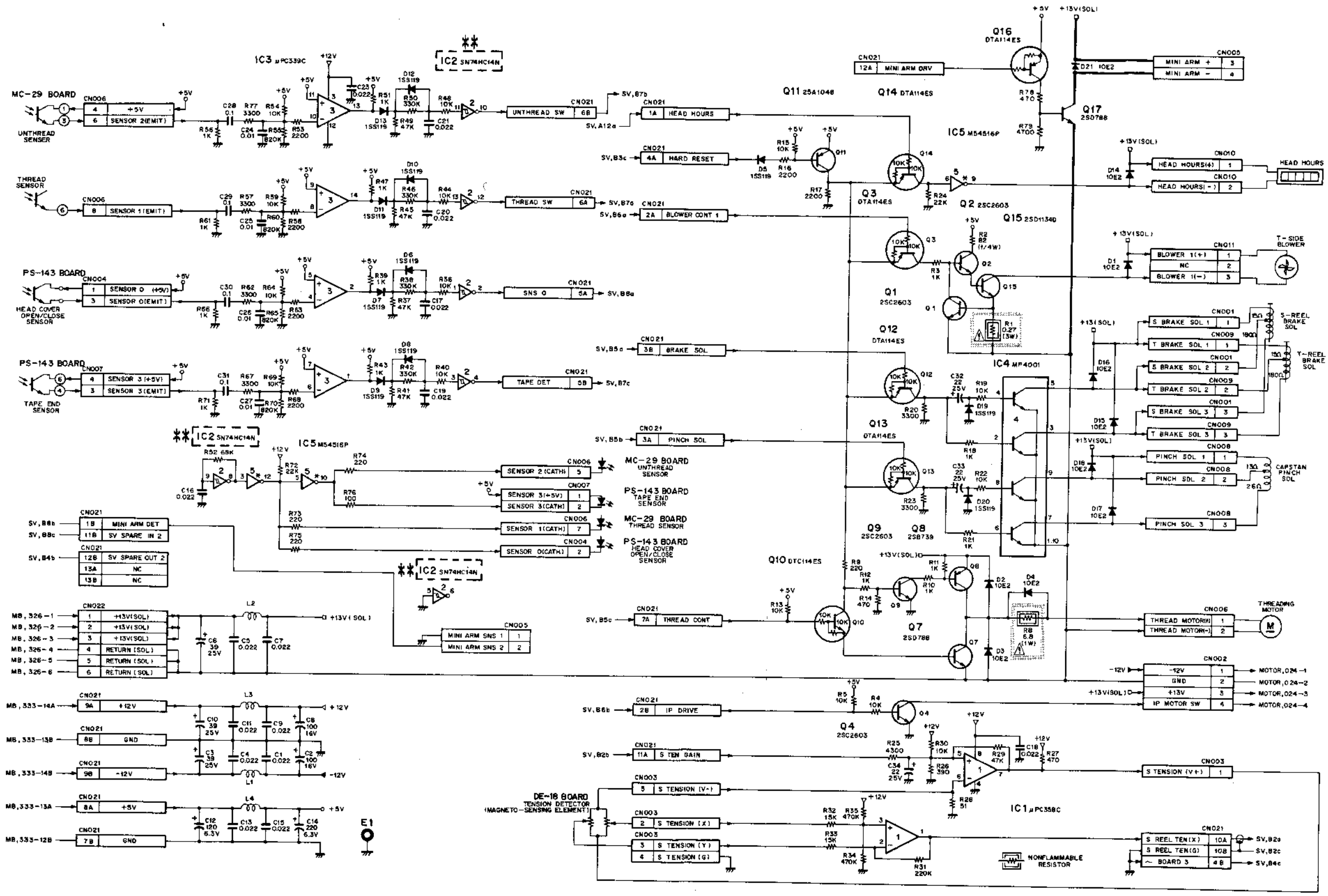
AU-88 BOARD (2/4) (FOR A4)  
Audio REC/PB Amplifier





**AU-88 BOARD (2/4) (FOR A4)**  
 BOARD NO. 1-621-100-11,12,13  
 BVH-3000PS(A4); # 10001-  
 BVH-3100PS(A4); # 10001-

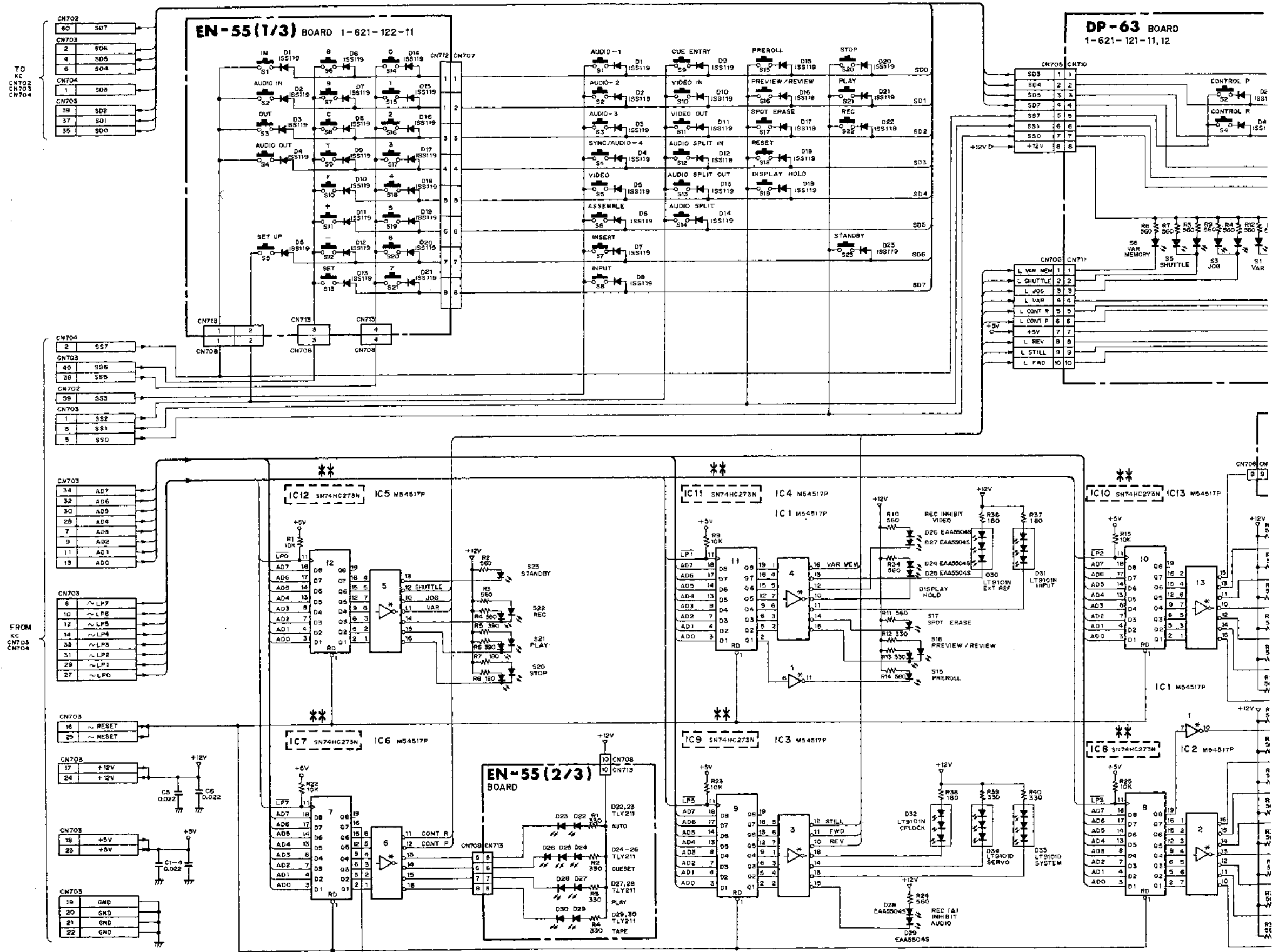
DS-19 BOARD  
TTP Aux

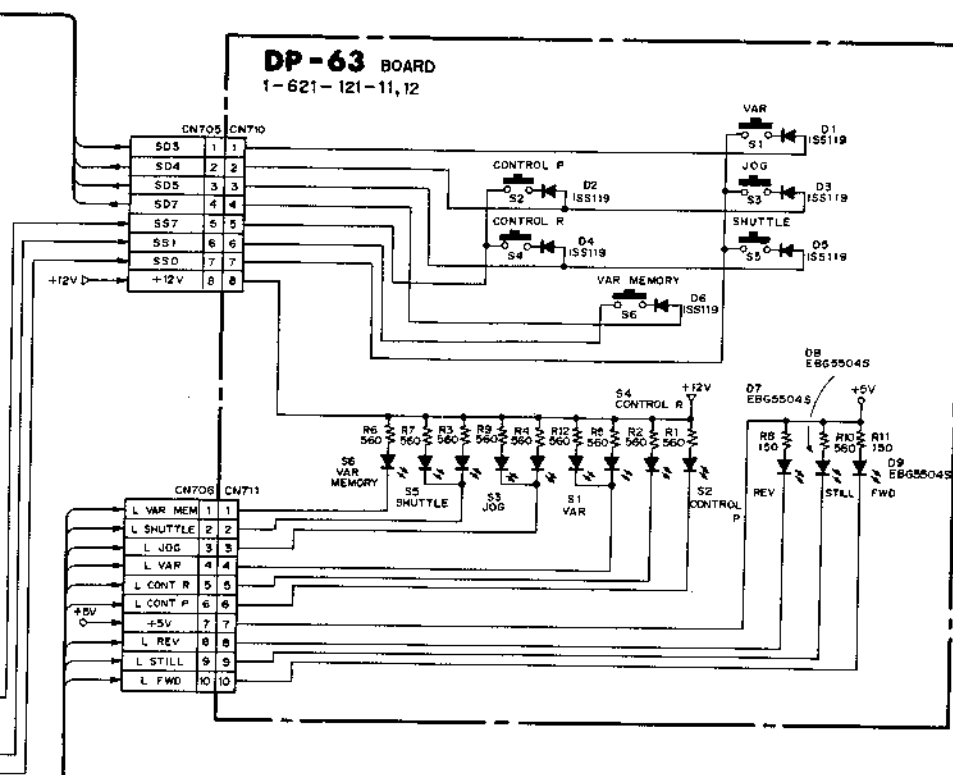
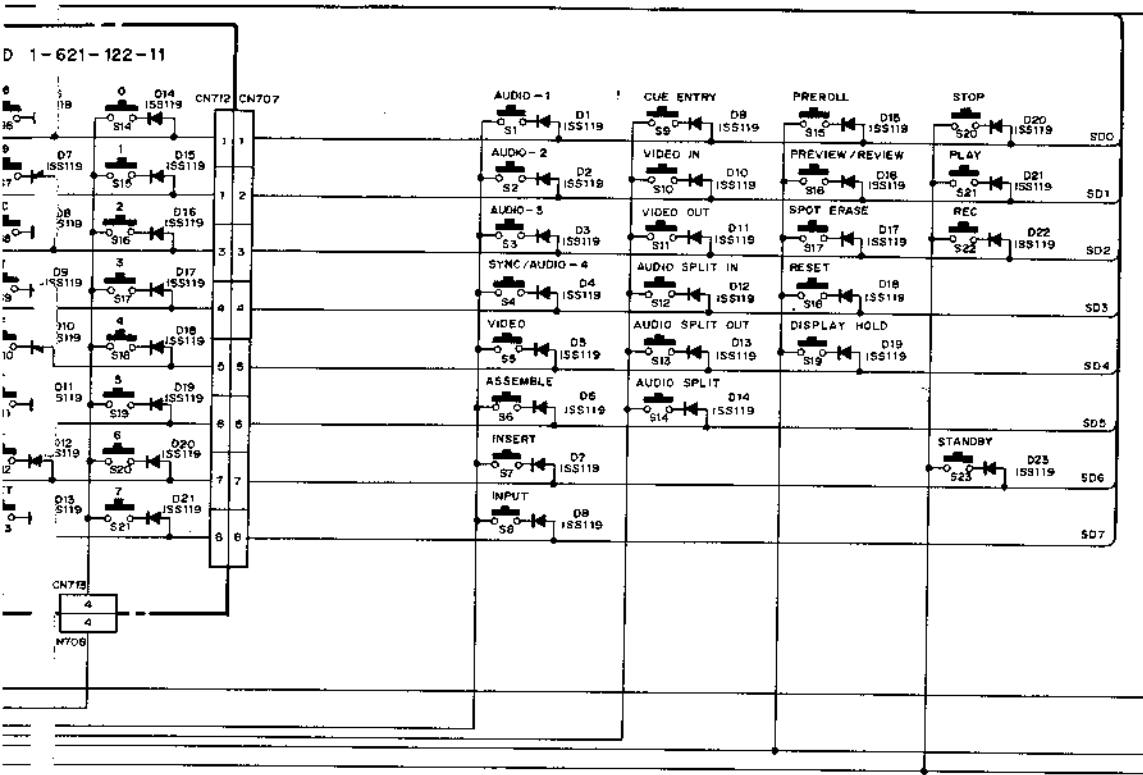


**DS-19 BOARD**  
 BOARD NO.1-621-117-11,12,13  
 BVH-3000(J); #10001-  
 BVH-3000(U/C); #10001-  
 BVH-3000PS; #10001-  
 BVH-3100(J); #10001-  
 BVH-3100(U/C); #10001-  
 BVH-3100PS; #10001-

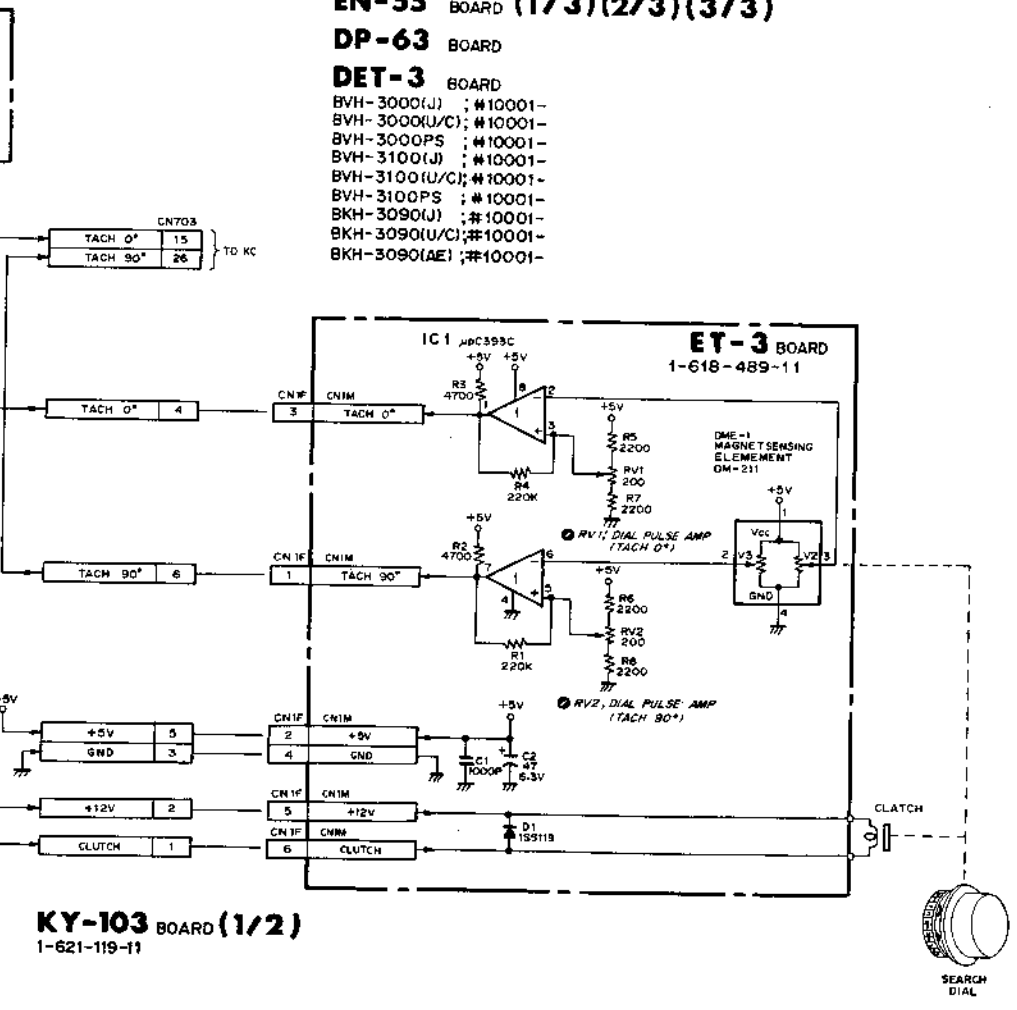
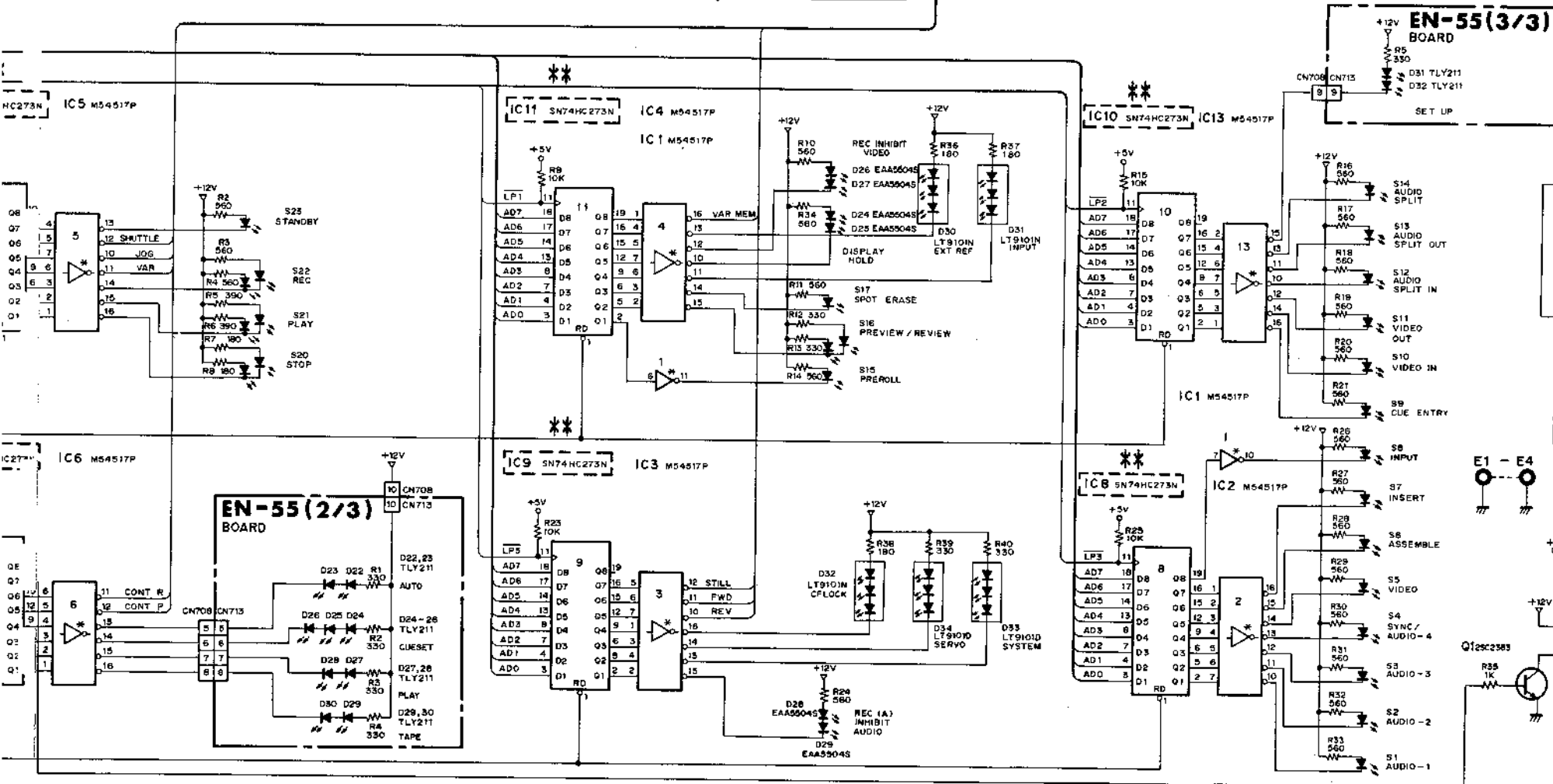
**FUNCTION CONTROL PANEL(1/2)**

DET-3 BOARD : Search Dial Amplifier  
 DP-63 BOARD : Sub Key  
 EN-55 BOARD : Entry Key  
 KY-103 BOARD : Main Key





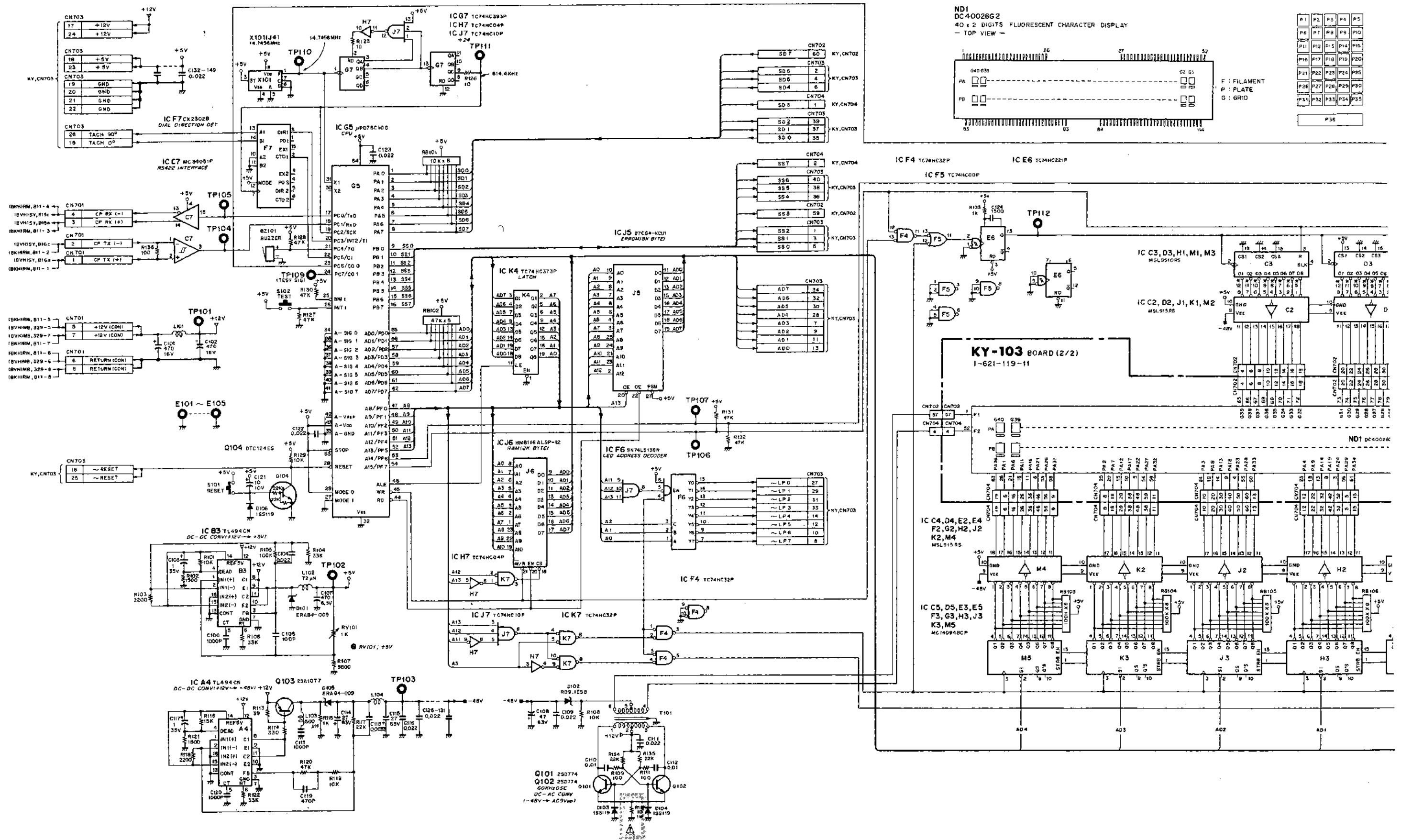
**CONTROL PANEL (1/2)**  
 KY-103 BOARD (1/2)  
 EN-55 BOARD (1/3)(2/3)(3/3)  
 DP-63 BOARD  
 DET-3 BOARD  
 BVH-3000(J) ; #10001-  
 BVH-3000(U/C) ; #10001-  
 BVH-3000(PS) ; #10001-  
 BVH-3100(J) ; #10001-  
 BVH-3100(U/C) ; #10001-  
 BVH-3100(PS) ; #10001-  
 BKH-3090(J) ; #10001-  
 BKH-3090(U/C) ; #10001-  
 BKH-3090(AE) ; #10001-

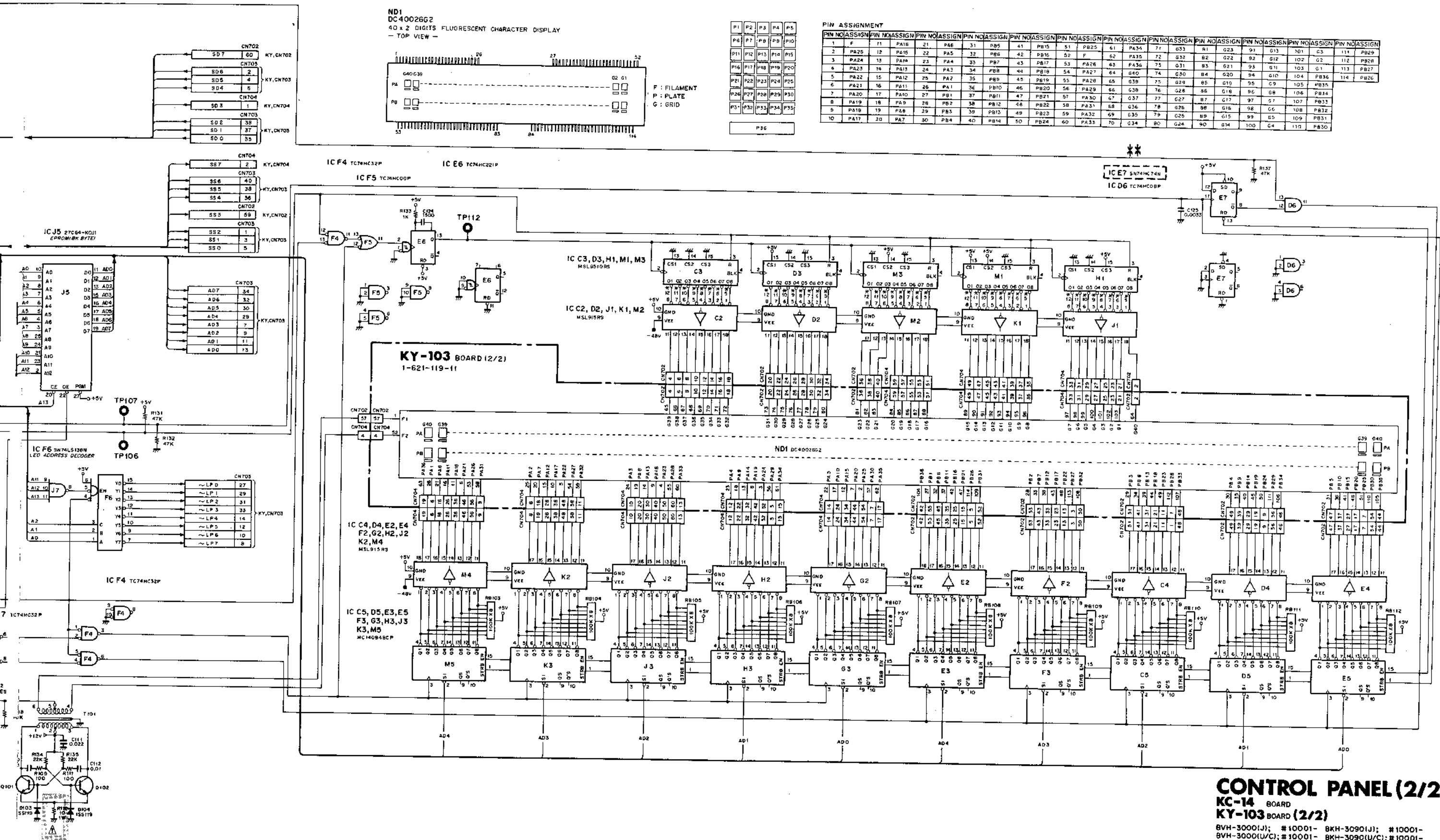




FUNCTION CONTROL PANEL(2/2)

KC-14 BOARD : Key Control





**PIN ASSIGNMENT**

PIN NO	ASSIGN	PIN NO	ASSIGN	PIN NO	ASSIGN	PIN NO	ASSIGN	PIN NO	ASSIGN	PIN NO	ASSIGN	PIN NO	ASSIGN	PIN NO	ASSIGN	PIN NO	ASSIGN	PIN NO	ASSIGN	PIN NO	ASSIGN	PIN NO	ASSIGN	PIN NO	ASSIGN	PIN NO	ASSIGN	PIN NO	ASSIGN	PIN NO	ASSIGN	PIN NO	ASSIGN	PIN NO	ASSIGN	PIN NO	ASSIGN	PIN NO	ASSIGN																																										
1	F	11	PA1B	21	PA6	31	PA5	41	PA5	51	PA25	61	PA3A	71	G33	81	G23	91	G13	101	G3	111	G3	121	G2	131	G2	141	G2	151	G2	161	G2	171	G2	181	G2	191	G2	201	G2	211	G2	221	G2	231	G2	241	G2	251	G2	261	G2	271	G2	281	G2	291	G2	301	G2	311	G2	321	G2	331	G2	341	G2	351	G2	361	G2	371	G2	381	G2	391	G2	401	G2

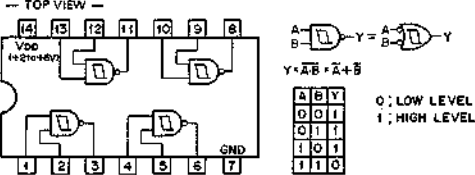
**CONTROL PANEL (2/2)**  
 KC-14 BOARD  
 KY-103 BOARD (2/2)  
 BVH-3000(J); #10001- BKH-3090(J); #10001-  
 BVH-3000(W/C); #10001- BKH-3090(W/C); #10001-  
 BVH-3000(P); #10001- BKH-3090(AE); #10001-  
 BVH-3100(J); #10001-  
 BVH-3100(W/C); #10001-  
 BVH-3100(P); #10001-

# SEMICONDUCTOR INDEX

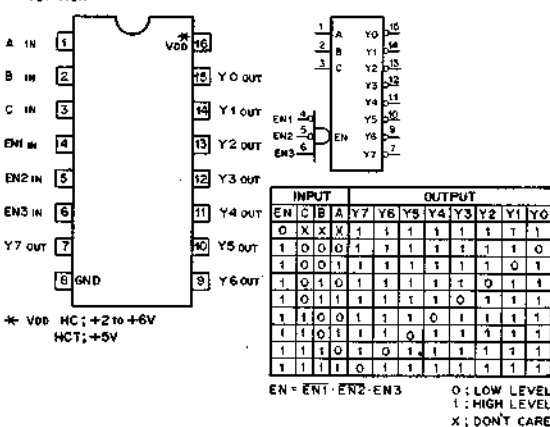
TYPE	PAGE	TYPE	PAGE	TYPE	PAGE	TYPE	PAGE
HD74LS32P.....	C-29	MB8464A.....	C-36	MC74HC175N.....	C-39	SN7406N.....	C-44
HD74LS74AP.....	C-29	MB81464.....	C-35	MC74HC240N.....	C-39	SN7407N.....	C-44
HD74LS85P.....	C-29	MB8416A.....	C-34	MC74HC244N.....	C-39	SN74120N.....	C-44
HD74LS86P.....	C-8	MBM27C64-25.....	C-36	MC74HC245N.....	C-32	SN74123N.....	C-29
HD74LS123P.....	C-29	MBM27C256-25.....	C-36	MC74HC257N.....	C-40	SN74265N.....	C-44
HD74LS125AP.....	C-29	MC1496P.....	C-41	MC74HC273N.....	C-40	SN74HC00N.....	C-37
HD74LS126AP.....	C-29	MC1595L.....	C-41	MC74HC367N.....	C-40	SN74HC02N.....	C-37
HD74LS138P.....	C-29	MC1648P.....	C-41	MC74HC368N.....	C-40	SN74HC04N.....	C-37
HD74LS139P.....	C-30	MC10104L.....	C-26	MC74HC373N.....	C-40	SN74HC08N.....	C-37
HD74LS151P.....	C-30	MC10116L.....	C-26	MC74HC393N.....	C-40	SN74HC10N.....	C-37
HD74LS153P.....	C-30	MC10117L.....	C-26	MC74HC4051N.....	C-41	SN74HC11N.....	C-37
HD74LS155P.....	C-30	MC10124L.....	C-26	MC74HC4052N.....	C-41	SN74HC14N.....	C-37
HD74LS157P.....	C-30	MC10125L.....	C-26	MC921.....	C-5	SN74HC32N.....	C-37
HD74LS164P.....	C-30	MC10131L.....	C-26	MP4001.....	C-42	SN74HC74N.....	C-37
HD74LS174P.....	C-31	MC10H116L.....	C-26	MP4504.....	C-42	SN74HC86N.....	C-37
HD74LS175P.....	C-31	MC34051P.....	C-41	MP6901.....	C-42	SN74HC138N.....	C-38
HD74LS191P.....	C-31	MC14021BCP.....	C-26	MSL915RS.....	C-42	SN74HC139N.....	C-38
HD74LS221P.....	C-32	MC14046BCP.....	C-26	MSL9510RS.....	C-43	SN74HC151N.....	C-38
HD74LS245P.....	C-32	MC14051BCP.....	C-27	MSM4094RS.....	C-42	SN74HC153N.....	C-38
HD74LS273P.....	C-31	MC14052BCP.....	C-27	MSM5128-12RS.....	C-34	SN74HC157N.....	C-38
HD74LS283P.....	C-31	MC14053BCP.....	C-27	NE527N.....	C-43	SN74HC161N.....	C-39
HD74LS290P.....	C-31	MC14069BCP.....	C-27	NE5532P.....	C-43	SN74HC165N.....	C-39
HD74LS373P.....	C-32	MC14070BCP.....	C-42	NJM2903D.....	C-44	SN74HC175N.....	C-39
HD74LS374P.....	C-32	MC14071BCP.....	C-42	NJM4558D.....	C-44	SN74HC240N.....	C-39
HD74LS393P.....	C-33	MC14094BCP.....	C-42	NJM4559D.....	C-44	SN74HC244N.....	C-39
HD74LS669P.....	C-33	MC14538BCP.....	C-27	NJM4560D.....	C-44	SN74HC245N.....	C-32
HD74LS670P.....	C-33	MC14584BCP.....	C-27	NJM78??A.....	C-49	SN74HC257N.....	C-40
H11-0201-5.....	C-33	MC74HC00N.....	C-37	NJM78L??A.....	C-43	SN74HC273N.....	C-40
HM6116ALSP.....	C-34	MC74HC02N.....	C-37	NJM78M??A.....	C-43	SN74HC367N.....	C-40
HM6264LP.....	C-34	MC74HC04N.....	C-37	NJM79??A.....	C-43	SN74HC368N.....	C-40
HZS??N.....	C-5	MC74HC08N.....	C-37	NJM79L??A.....	C-43	SN74HC373N.....	C-40
LM339.....	C-35	MC74HC10N.....	C-37	NJM79M??A.....	C-44	SN74HC393N.....	C-40
LM3080N.....	C-34	MC74HC11N.....	C-37	PH110.....	C-7	SN74HC573N.....	C-45
LN25RP.....	C-5	MC74HC14N.....	C-37	PS2401-1.....	C-5	SN74HC574N.....	C-45
LN35BP.....	C-5	MC74HC32N.....	C-37	PY3668S.....	C-5	SN74ALS00AN.....	C-8
LT9101D.....	C-5	MC74HC74N.....	C-37	* *RC7915FA.....	C-44	SN74ALS10N.....	C-28
LT9101N.....	C-5	MC74HC86N.....	C-37	RD??E.....	C-5	SN74ALS20AN.....	C-28
M4538BP.....	C-27	MC74HC132N.....	C-38	RD??ESB?.....	C-5	SN74ALS30AN.....	C-29
M5220P.....	C-34	MC74HC138N.....	C-38	RU2M.....	C-5	SN74ALS74AN.....	C-29
M54516P.....	C-9	MC74HC139N.....	C-38	S15VB60.....	C-5	SN74ALS112AN.....	C-45
M54517P.....	C-34	MC74HC151N.....	C-38	SE310.....	C-5	SN74ALS174N.....	C-31
MB3759.....	C-35	MC74HC153N.....	C-38	SEL1321G.....	C-5	SN74ALS161BN.....	C-45
MB4002.....	C-35	MC74HC157N.....	C-38	S1B01-02.....	C-5	SN74ALS163AN.....	C-46
MB4204.....	C-35	MC74HC161N.....	C-39	SLP255B.....	C-5	SN74ALS245N.....	C-32
MB84069B.....	C-27	MC74HC165N.....	C-39	SLP455B.....	C-5	SN74LS00N.....	C-8
				SLP655B.....	C-5		

TYPE	PAGE	TYPE	PAGE	TYPE	PAGE	TYPE	PAGE
SN74LS02N.....	C-28	SN74LS688N.....	C-46	TC74HC244P.....	C-39	uPC78??H.....	C-49
SN74LS04N.....	C-28	SN74S10N.....	C-28	TC74HC245P.....	C-32	uPC79??H.....	C-49
SN74LS05N.....	C-28	SN74S157N.....	C-30	TC74HC257P.....	C-40	uPD41102C.....	C-51
SN74LS08N.....	C-28	SN74S189AN.....	C-45	TC74HC273P.....	C-40	uPD6142C.....	C-52
SN74LS10N.....	C-28	SN75107AN.....	C-44	TC74HC367P.....	C-40	uPD70108D.....	C-23
SN74LS11N.....	C-28	SN75207N.....	C-44	TC74HC368P.....	C-40	uPD71054C.....	C-25
SN74LS14N.....	C-28	STR-9012.....	C-46	TC74HC373P.....	C-40	uPD71059C.....	C-25
SN74LS20N.....	C-28	SVC321.....	C-6	TC74HC393P.....	C-40	uPD7201AC.....	C-52
SN74LS21N.....	C-28	SVC321SP.....	C-6	TC74HC573P.....	C-45	uPD7201AD.....	C-52
SN74LS30N.....	C-29	TA7357AP.....	C-47	TC74HC574P.....	C-45	uPD74HC221AC.....	C-47
SN74LS32N.....	C-29	TC4021BP.....	C-26	TC74HC670P.....	C-41	uPD78C10G.....	C-51
SN74LS33N.....	C-46	TC4046BP.....	C-26	TC74HC4520P.....	C-47	U05E.....	C-5
SN74LS51N.....	C-45	TC4051BP.....	C-27	TD62304P.....	C-47	U05G.....	C-5
SN74LS74AN.....	C-29	TC4052BP.....	C-27	TD62901P.....	C-47	V06C.....	C-5
SN74LS85N.....	C-29	TC4053BP.....	C-27	TL082CP.....	C-47	V09G.....	C-5
SN74LS86N.....	C-8	TC4069UBP.....	C-27	TL084CN.....	C-47	X2212P.....	C-53
SN74LS109AN.....	C-53	TC4071BP.....	C-42	TL191CN.....	C-48		
SN74LS112AN.....	C-45	TC4528BP.....	C-47	TL431CLPB.....	C-48		
SN74LS123N.....	C-29	TC4538BP.....	C-27	TL494CN.....	C-35		
SN74LS125AN.....	C-29	TC5517AFL.....	C-34	TL601CP.....	C-48		
SN74LS126AN.....	C-29	TC5517CFL.....	C-34	TL607CP.....	C-48		
SN74LS132N.....	C-46	TC5565PL.....	C-34	TL610CP.....	C-48		
SN74LS138N.....	C-29	TC504013BP.....	C-47	TL820CN.....	C-48		
SN74LS139N.....	C-30	TC74HC00P.....	C-37	TL7705ACP.....	C-48		
SN74LS151N.....	C-30	TC74HC02P.....	C-37	TLR214.....	C-5		
SN74LS153N.....	C-30	TC74HC04P.....	C-37	TLY211.....	C-6		
SN74LS155N.....	C-30	TC74HC08P.....	C-37	TMM2015AP.....	C-48		
SN74LS157N.....	C-30	TC74HC10P.....	C-37	TMM41464P.....	C-49		
SN74LS161AN.....	C-45	TC74HC11P.....	C-37	TX-429M.....	C-7		
SN74LS163AN.....	C-46	TC74HC14P.....	C-37	uA723CN.....	C-50		
SN74LS164N.....	C-30	TC74HC32P.....	C-37	uA723DC.....	C-50		
SN74LS174N.....	C-31	TC74HC74P.....	C-37	uPC311C.....	C-50		
SN74LS175N.....	C-31	TC74HC86P.....	C-37	uPC319C.....	C-50		
SN74LS189AN.....	C-45	TC74HC132P.....	C-38	uPC339C.....	C-35		
SN74LS191N.....	C-31	TC74HC138P.....	C-38	uPC358C.....	C-50		
SN74LS221N.....	C-32	TC74HC139P.....	C-38	uPC393C.....	C-44		
SN74LS273N.....	C-31	TC74HC151P.....	C-38	uPC648C.....	C-50		
SN74LS283N.....	C-31	TC74HC153P.....	C-38	uPC649C.....	C-50		
SN74LS290N.....	C-31	TC74HC155P.....	C-38	uPC1037H.....	C-50		
SN74LS373N.....	C-32	* * TC74HC155AP.....	C-38	uPC1037HA.....	C-50		
SN74LS374N.....	C-32	TC74HC157P.....	C-38	uPC1663C.....	C-50		
SN74LS393N.....	C-33	TC74HC161N.....	C-39	uPC4082C.....	C-47		
SN74LS399N.....	C-46	TC74HC165P.....	C-39	uPC4557C.....	C-50		
SN74LS624N.....	C-46	TC74HC175P.....	C-39	uPC4558C.....	C-44		
SN74LS669N.....	C-33	TC74HC221P.....	C-47	uPC78L??.....	C-50		
SN74LS670N.....	C-33	TC74HC240P.....	C-39	uPC78M??H.....	C-49		

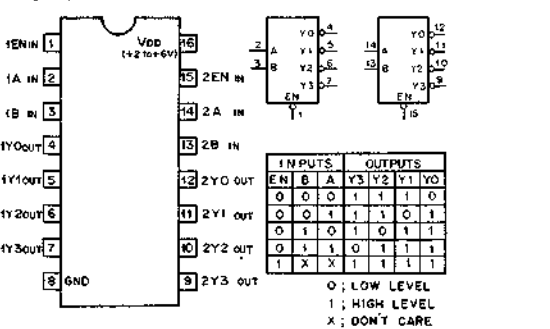
MC74HC132N (MOTOROLA)  
TC74HC132P (TOSHIBA)  
C-MOS 2-INPUT NAND SCHMITT TRIGGER



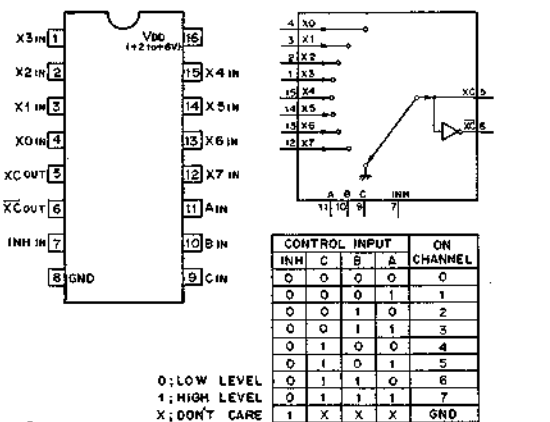
MC74HC138N (MOTOROLA)  
SN74HC138N (TI)  
TC74HC138P (TOSHIBA)  
C-MOS 3-TO-8 LINE DECODER/DEMULTIPLEXER



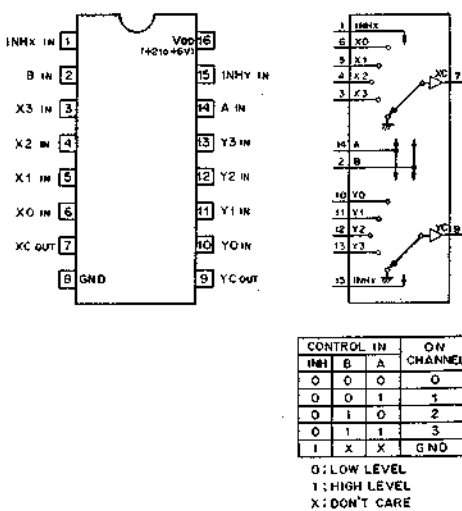
MC74HC139N (MOTOROLA)  
SN74HC139N (TI)  
TC74HC139P (TOSHIBA)  
C-MOS 1-OF-4 DECODER/DEMULTIPLEXER



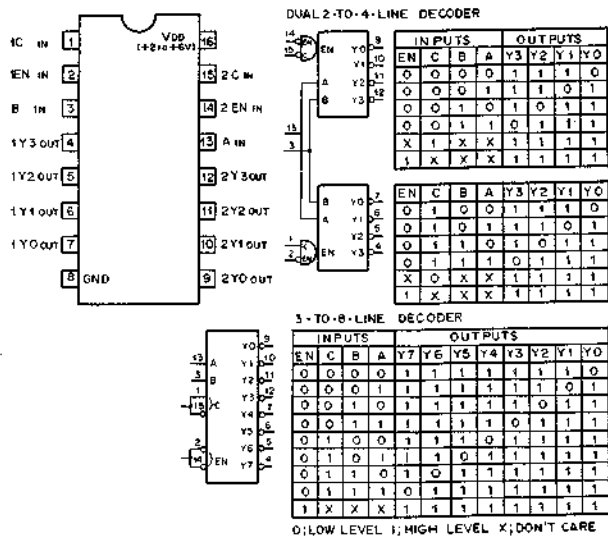
MC74HC151N (MOTOROLA)  
SN74HC151N (TI)  
TC74HC151P (TOSHIBA)  
C-MOS 8-LINE-TO-1-LINE DATA SELECTOR/MULTIPLEXER



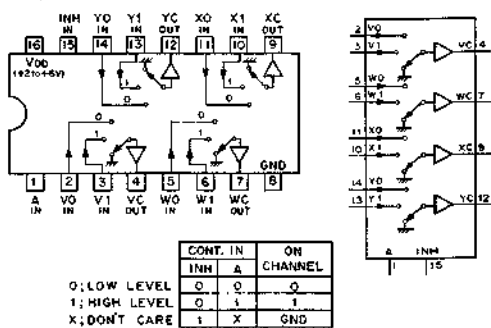
MC74HC153N (MOTOROLA)  
SN74HC153N (TI)  
TC74HC153P (TOSHIBA)  
C-MOS 4-LINE-TO-1-LINE DATA SELECTOR/MULTIPLEXER



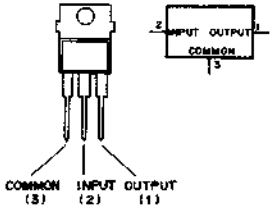
TC74HC155P (TOSHIBA)  
\*\* TC74HC155AP (TOSHIBA)  
TTL DUAL 2-TO-4-LINE DECODER/3-TO-8-LINE DECODER



MC74HC157N (MOTOROLA)  
SN74HC157N (TI)  
TC74HC157P (TOSHIBA)  
C-MOS 2-LINE-TO-1-LINE DATA SELECTOR/MULTIPLEXER



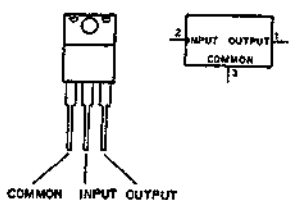
NJM79M ? 7A (JRC)  
NEGATIVE VOLTAGE REGULATOR (500mA)  
— FRONT VIEW —



- 5V NJM79M05A
- 6V NJM79M06A
- 8V NJM79M08A
- 9V NJM79M09A
- 12V NJM79M12A
- 15V NJM79M15A
- 18V NJM79M18A
- 24V NJM79M24A

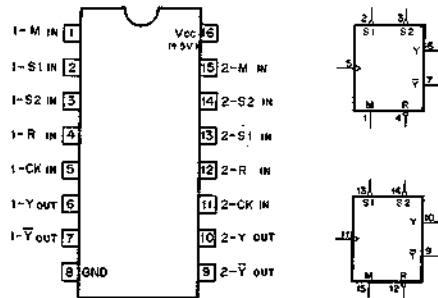
\*\*

RC79M ? 7A (RAYTHEON)  
NEGATIVE VOLTAGE REGULATOR  
— FRONT VIEW —



- 5V NJM79M05FA RC79M05FA
- 6V NJM79M06FA RC79M06FA
- 8V NJM79M08FA RC79M08FA
- 9V NJM79M09FA RC79M09FA
- 12V NJM79M12FA RC79M12FA
- 15V NJM79M15FA RC79M15FA
- 18V NJM79M18FA RC79M18FA
- 24V NJM79M24FA RC79M24FA

SN74120N (TI)  
TTL PULSE SYNCHRONIZER/DRIVER  
— TOP VIEW —



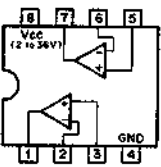
INPUT M	OUTPUT MODE
0	TRAIN OF PULSES
1	SINGLE PULSE

INPUTS		FUNCTION	
R	S1S2		
X	0 X	PASS	OUTPUT PULSES
X	X 0	PASS	OUTPUT PULSES
0	1 1	INHIBIT	OUTPUT PULSES
1	1 1	START	OUTPUT PULSES
1	1 1	START	OUTPUT PULSES
1	1 1	STOP	OUTPUT PULSES
1	1 1	CONTINUE	

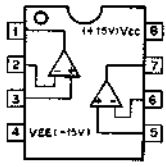
S1, S2: START COMMAND INPUTS  
R: STOP COMMAND INPUT  
M: MODE CONTROL INPUT  
Y, Y-bar: SYNCHRONIZED PULSE OUTPUT

0: LOW LEVEL  
1: HIGH LEVEL  
X: DON'T CARE

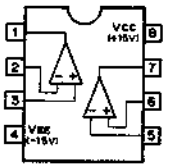
NJM2903D (JRC)  
uPC393C (NEC)  
VOLTAGE COMPARATOR  
— TOP VIEW —



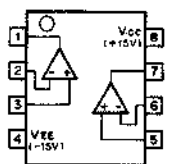
NJM4558D (JRC)  
uPC4558C (NEC)  
OPERATIONAL AMPLIFIER  
— TOP VIEW —



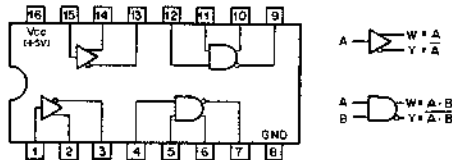
NJM4559D (JRC)  
OPERATIONAL AMPLIFIER  
— TOP VIEW —



NJM4560D (JRC)  
OPERATIONAL AMPLIFIER  
— TOP VIEW —



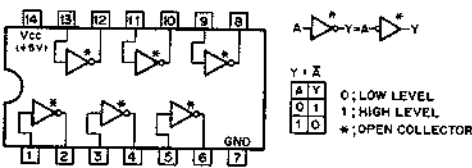
SN74265N (TI)  
TTL COMPLEMENTARY-OUTPUT ELEMENT  
— TOP VIEW —



$$A \rightarrow Y = \bar{A}$$

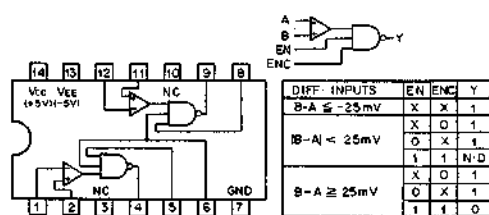
$$A \rightarrow Y = \bar{A} \cdot B$$

SN7406N (TI)  
TTL INVERTER BUFFER/DRIVER WITH OPEN-COLLECTOR  
— TOP VIEW —



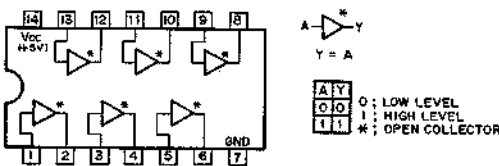
Y = A-bar  
0: LOW LEVEL  
1: HIGH LEVEL  
\*: OPEN COLLECTOR

SN75107AN (TI)  
LINE RECEIVER  
— TOP VIEW —



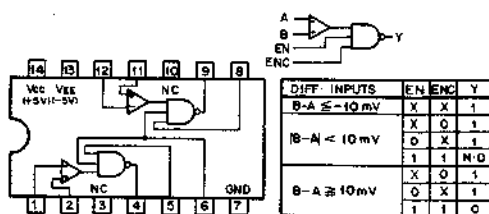
0: LOW LEVEL  
1: HIGH LEVEL  
X: DON'T CARE  
ND: NOT DEFINED

SN7407N (TI)  
TTL BUFFER/DRIVER WITH OPEN-COLLECTOR  
— TOP VIEW —



Y = A  
0: LOW LEVEL  
1: HIGH LEVEL  
\*: OPEN COLLECTOR

SN75207N (TI)  
DUAL HIGH-SENSITIVITY LINE RECEIVER  
— TOP VIEW —



0: LOW LEVEL  
1: HIGH LEVEL  
X: DON'T CARE  
ND: NOT DEFINED

(AP-15 BOARD, BVH-3000PS/3100PS)

Board No.  
1-621-107-12  
& Higher

(AP-15 BOARD, BVH-3000PS/3100PS)

Board No.  
1-621-107-12  
& Higher

Ref.No. or Qty	Part No.	SP Description	Ref.No. or Qty	Part No.	SP Description
D303	8-719-911-19	s DIODE 1SS119	IC507	8-759-906-07	s IC TL607CP
D304	8-719-109-73	s DIODE RD4.3ESB	IC508	8-759-745-60	s IC NJM4560D
D401	8-719-911-19	s DIODE 1SS119	IC509	8-759-131-11	s IC UPC311C
D402	8-719-911-19	s DIODE 1SS119	IC601	8-759-990-82	s IC TL082CP
D403	8-719-911-19	s DIODE 1SS119	IC602	8-759-990-82	s IC TL082CP
D404*	8-719-109-73	s DIODE RD4.3ESB	JP101	1-566-385-11	s PIN 2P
D407*	8-719-911-19	s DIODE 1SS119	JP102	1-566-385-11	s PIN 2P
D501	8-719-911-19	s DIODE 1SS119	JP103	1-566-385-11	s PIN 2P
D502	8-719-911-19	s DIODE 1SS119	JP201	1-566-385-11	s PIN 2P
D503	8-719-109-73	s DIODE RD4.3ESB	JP202	1-566-385-11	s PIN 2P
D504	8-719-930-33	s DIODE GL-3PR3	JP203	1-566-385-11	s PIN 2P
D505	8-719-930-33	s DIODE GL-3PR3	JP301	1-566-385-11	s PIN 2P
D506	8-719-911-19	s DIODE 1SS119	JP302	1-566-385-11	s PIN 2P
D507	8-719-911-19	s DIODE 1SS119	JP401*	1-566-385-11	s PIN 2P
D508	8-719-911-19	s DIODE 1SS119	JP402*	1-566-385-11	s PIN 2P
D509	8-719-911-19	s DIODE 1SS119	JP403*	1-566-385-11	s PIN 2P
D510	8-719-911-19	s DIODE 1SS119	JP501	1-566-385-11	s PIN 2P
D513	8-719-911-19	s DIODE 1SS119	JP502	1-566-385-11	s PIN 2P
D514	8-719-930-33	s DIODE GL-3PR3	JP503	1-566-385-11	s PIN 2P
D601	8-719-911-19	s DIODE 1SS119	JP504	1-566-385-11	s PIN 2P
D602	8-719-911-19	s DIODE 1SS119	JS101	1-563-859-11	s RECEPTACLE, 2P
D603	8-719-911-19	s DIODE 1SS119	JS201	1-563-859-11	s RECEPTACLE, 2P
D604	8-719-911-19	s DIODE 1SS119	JS301	1-563-859-11	s RECEPTACLE, 2P
IC1	8-759-240-69	s IC TC4069UBP	JS401*	1-563-859-11	s RECEPTACLE, 2P
IC2	8-759-903-93	s IC SN74LS393N	JS503	1-563-859-11	s RECEPTACLE, 2P
IC3	8-759-942-65	s IC SN74265N	L2	1-421-329-00	s COIL, CHOKE
IC4	8-759-990-82	s IC TL082CP	L3	1-421-329-00	s COIL, CHOKE
IC5	8-759-990-82	s IC TL082CP	L4	1-421-329-00	s COIL, CHOKE
* IC6	8-759-045-84	s IC MC14584BCP	L102	1-407-285-00	s INDUCTOR, VAR 1.5mH
IC7	8-759-982-41	s IC RC7915FA	L103	1-410-069-11	s INDUCTOR 6.8mH 5%
IC8	8-759-982-15	s IC RC7815FA	L202	1-407-285-00	s INDUCTOR, VAR 1.5mH
IC9	8-759-982-15	s IC RC7815FA	L203	1-410-069-11	s INDUCTOR 6.8mH 5%
IC10	8-759-982-41	s IC RC7915FA	L206	1-407-261-00	s INDUCTOR, VAR 100UH
IC11	8-759-900-59	s IC HI1-0201-5	L302	1-407-286-00	s INDUCTOR, VAR 2.2mH
IC12	8-759-974-06	s IC SN7406N	L303	1-410-069-11	s INDUCTOR 6.8mH 5%
IC13	8-759-900-32	s IC SN74LS32N	L306	1-407-261-00	s INDUCTOR, VAR 100UH
* IC14	8-759-900-32	s IC SN74LS32N	L307	1-408-397-00	s INDUCTOR 1UH 5%
IC15	8-759-982-15	s IC RC7815FA	L402	1-407-285-00	s INDUCTOR, VAR 1.5mH
IC16	8-759-982-41	s IC RC7915FA	L403	1-410-069-11	s INDUCTOR 6.8mH 5%
IC17	8-759-982-36	s IC RC78M15FA	L404*	1-408-424-00	s INDUCTOR 180UH
IC18	8-759-982-58	s IC RC79M15FA	L502	1-407-284-00	s INDUCTOR, VAR 1mH
IC19	8-759-982-15	s IC RC7815FA	L503	1-410-069-11	s INDUCTOR 6.8mH 5%
IC20	8-759-982-41	s IC RC7915FA	L506	1-408-428-00	s INDUCTOR 390UH 5%
IC101	8-759-990-82	s IC TL082CP	LV1	1-407-297-00	s INDUCTOR, VAR 3.5mH
IC102	8-759-745-60	s IC NJM4560D	LV101	1-407-297-00	s INDUCTOR, VAR 3.5mH
IC103	8-759-602-01	s IC M5220P	LV104	1-407-301-00	s INDUCTOR, VAR 9mH
IC 301	8-759-990-82	s IC TL082CP	LV105	1-407-301-00	s INDUCTOR, VAR 9mH
IC202	8-759-745-60	s IC NJM4560D	LV201	1-407-297-00	s INDUCTOR, VAR 3.5mH
IC203	8-759-602-01	s IC M5220P	LV204	1-407-301-00	s INDUCTOR, VAR 9mH
IC301	8-759-990-82	s IC TL082CP	LV205	1-407-301-00	s INDUCTOR, VAR 9mH
IC302	8-759-745-60	s IC NJM4560D	LV301	1-407-297-00	s INDUCTOR, VAR 3.5mH
IC401	8-759-990-82	s IC TL082CP	LV304	1-407-301-00	s INDUCTOR, VAR 9mH
IC402*	8-759-745-60	s IC NJM4560D	LV305	1-407-301-00	s INDUCTOR, VAR 9mH
IC403*	8-759-602-01	s IC M5220P	LV401	1-407-297-00	s INDUCTOR, VAR 3.5mH
IC501	8-759-990-82	s IC TL082CP	LV404*	1-407-301-00	s INDUCTOR, VAR 9mH
IC502	8-759-602-01	s IC M5220P	LV405*	1-407-301-00	s INDUCTOR, VAR 9mH
IC503	8-759-745-60	s IC NJM4560D	LV501	1-407-297-00	s INDUCTOR, VAR 3.5mH
IC504	8-759-990-82	s IC TL082CP	LV504	1-407-301-00	s INDUCTOR, VAR 9mH
IC505	8-759-203-08	s IC TC74HC221P	LV505	1-407-301-00	s INDUCTOR, VAR 9mH
IC506	8-759-745-60	s IC NJM4560D	Q1	8-729-204-83	s TRANSISTOR 2SA1048-GR

NOTE : Please see pages D-42 and D-43 for the part numbers of capacitors and resistors that are not listed in the parts list.

(AU-88 BOARD, BVH-3000PS/3100PS)

(AU-88 BOARD, BVH-3000PS/3100PS)

Ref. No. or Qty	Part No.	SP	Description
D507	8-719-911-19	s	DIODE 1SS119
D508	8-719-911-19	s	DIODE 1SS119
D509	8-719-911-19	s	DIODE 1SS119
D510	8-719-911-19	s	DIODE 1SS119
D511	8-719-911-19	s	DIODE 1SS119
D512	8-719-911-19	s	DIODE 1SS119
D513	8-719-911-19	s	DIODE 1SS119
D514	8-719-911-19	s	DIODE 1SS119
D701*	8-719-911-19	s	DIODE 1SS119
D702*	8-719-911-19	s	DIODE 1SS119
D703*	8-719-911-19	s	DIODE 1SS119
D704*	8-719-911-19	s	DIODE 1SS119
D705*	8-719-911-19	s	DIODE 1SS119
D706*	8-719-911-19	s	DIODE 1SS119
D707*	8-719-911-19	s	DIODE 1SS119
D708*	8-719-911-19	s	DIODE 1SS119
D709*	8-719-911-19	s	DIODE 1SS119
D710	8-719-109-83	s	DIODE RD5.1ESB
D711	8-719-911-19	s	DIODE 1SS119
D712	8-719-911-19	s	DIODE 1SS119
D713	8-719-911-19	s	DIODE 1SS119
IC1	8-759-708-15	s	IC NJM78L15A
IC2	8-759-700-70	s	IC NJM79L15A
* IC3	8-759-982-15	s	IC RC7815FA
IC4	8-759-938-68	s	IC CXD1095Q
IC5	8-759-938-68	s	IC CXD1095Q
* IC6	8-759-916-20	s	IC SN74HC14N
IC7	8-759-901-32	s	IC SN74LS132N
IC8	8-759-900-32	s	IC SN74LS32N
IC9	8-759-900-00	s	IC SN74LS00N
* IC10	8-759-202-74	s	IC TC74HC04P
IC101	8-759-982-15	s	IC RC7815FA
IC102	8-759-982-41	s	IC RC7915FA
IC103	8-759-900-72	s	IC NE5532P
IC104	8-759-745-60	s	IC NJM4560D
IC105	8-759-921-91	s	IC TL191CN
IC106	8-759-745-59	s	IC NJM4559D
IC107	8-759-745-59	s	IC NJM4559D
IC108	8-759-921-91	s	IC TL191CN
IC109	8-759-745-60	s	IC NJM4560D
IC110	8-759-921-91	s	IC TL191CN
IC111	8-759-745-59	s	IC NJM4559D
IC112	8-759-921-91	s	IC TL191CN
IC113	8-759-745-59	s	IC NJM4559D
IC114	8-759-921-91	s	IC TL191CN
IC115	8-759-745-59	s	IC NJM4559D
IC116	8-759-745-60	s	IC NJM4560D
IC117	8-759-990-82	s	IC TL082CP
* IC118	8-759-745-63	s	IC NJM4560D-X
IC301	8-759-982-15	s	IC RC7815FA
IC302	8-759-982-41	s	IC RC7915FA
IC303	8-759-900-72	s	IC NE5532P
IC304	8-759-745-60	s	IC NJM4560D
IC305	8-759-921-91	s	IC TL191CN
IC306	8-759-745-59	s	IC NJM4559D

Ref. No. or Qty	Part No.	SP	Description
IC307	8-759-745-59	s	IC NJM4559D
IC308	8-759-921-91	s	IC TL191CN
IC309	8-759-745-60	s	IC NJM4560D
IC310	8-759-921-91	s	IC TL191CN
IC311	8-759-745-59	s	IC NJM4559D
IC312	8-759-921-91	s	IC TL191CN
IC313	8-759-745-59	s	IC NJM4559D
IC314	8-759-921-91	s	IC TL191CN
IC315	8-759-745-59	s	IC NJM4559D
IC316	8-759-745-60	s	IC NJM4560D
IC317	8-759-990-82	s	IC TL082CP
IC318	8-759-745-63	s	IC NJM4560D-X
* IC501	8-759-982-15	s	IC RC7815FA
* IC502	8-759-982-41	s	IC RC7915FA
IC503	8-759-900-72	s	IC NE5532P
IC504	8-759-745-60	s	IC NJM4560D
IC505	8-759-921-91	s	IC TL191CN
IC506	8-759-921-91	s	IC TL191CN
IC507	8-759-745-59	s	IC NJM4559D
IC508	8-759-745-59	s	IC NJM4559D
IC509	8-759-921-91	s	IC TL191CN
IC510	8-759-745-60	s	IC NJM4560D
IC511	8-759-745-59	s	IC NJM4559D
IC512	8-759-921-91	s	IC TL191CN
IC513	8-759-745-60	s	IC NJM4560D
IC515	8-759-921-91	s	IC TL191CN
IC516	8-759-745-63	s	IC NJM4560D-X
IC517	8-759-745-60	s	IC NJM4560D
IC518	8-759-990-82	s	IC TL082CP
IC519	8-759-745-59	s	IC NJM4559D
IC520	8-759-208-06	s	IC TC4051BPHB
IC521	8-759-908-20	s	IC TL820CN
IC522	8-759-900-00	s	IC SN74LS00N
IC523	8-759-900-04	s	IC SN74LS04N
IC524	8-759-901-26	s	IC SN74LS126AN
IC525	8-759-901-25	s	IC SN74LS125AN
IC526	8-759-901-26	s	IC SN74LS126AN
IC527	8-759-901-25	s	IC SN74LS125AN
IC528	8-759-990-82	s	IC TL082CP
IC529	8-759-921-91	s	IC TL191CN
IC530	8-759-921-91	s	IC TL191CN
* IC701*	8-759-982-15	s	IC RC7815FA
* IC702*	8-759-982-41	s	IC RC7915FA
IC703*	8-759-900-72	s	IC NE5532P
IC704*	8-759-745-60	s	IC NJM4560D
IC705*	8-759-921-91	s	IC TL191CN
IC706*	8-759-745-59	s	IC NJM4559D
IC707*	8-759-745-59	s	IC NJM4559D
IC708*	8-759-921-91	s	IC TL191CN
IC709*	8-759-745-60	s	IC NJM4560D
IC710*	8-759-745-59	s	IC NJM4559D
IC711*	8-759-921-91	s	IC TL191CN
IC712*	8-759-921-91	s	IC TL191CN
IC713*	8-759-045-38	s	IC MC14538BCP
IC714*	8-759-900-08	s	IC SN74LS08N

NOTE : Please see pages D-42 and D-43 for the part numbers of capacitors and resistors that are not listed in the parts list.



(CK-27 BOARD, BVH-3000PS/3100PS)

Board No.  
1-621-749-13,14  
& Higher

(CK-27 BOARD, BVH-3000PS/3100PS)

Board No.  
1-621-749-13,14  
& Higher

Ref. No.  
or Q'ty Part No. SP Description

Ref. No.  
or Q'ty Part No. SP Description

ICC17 8-752-030-40 s IC CXA1016P  
ICC19 8-759-990-82 s IC TL082CP  
ICC21 8-759-990-82 s IC TL082CP  
ICD1 8-759-990-82 s IC TL082CP  
ICD2 8-759-933-51 s IC CXD1020Q  
  
ICD5 8-759-933-51 s IC CXD1020Q  
ICD7 8-759-900-69 s IC SN74ALS74AN  
ICD8 8-759-900-10 s IC SN74LS10N  
ICD9 8-759-900-74 s IC SN74LS74AN  
ICD10 8-759-900-08 s IC SN74LS08N  
  
ICD19 8-749-901-26 s IC BX-381L  
ICE1 8-759-201-41 s IC TD62901P  
ICE2 8-759-900-30 s IC SN74LS30N  
ICE3 8-759-903-74 s IC SN74LS374N  
ICE4 8-759-903-74 s IC SN74LS374N  
  
ICE5 8-759-900-30 s IC SN74LS30N  
ICE6 8-759-900-32 s IC SN74LS32N  
ICE7 8-759-900-04 s IC SN74LS04N  
ICE8 8-759-901-64 s IC SN74LS164N  
ICE9 8-759-900-30 s IC SN74LS30N  
  
ICE10 8-759-900-69 s IC SN74ALS74AN  
ICE11 8-759-933-51 s IC CXD1020Q  
ICE14 8-759-933-51 s IC CXD1020Q  
ICE17 8-759-300-25 s IC HD10125  
ICE18 8-759-900-04 s IC SN74LS04N  
  
ICE19 8-759-900-74 s IC SN74LS74AN  
ICE20 8-759-901-23 s IC SN74LS123N  
ICE21 8-749-901-26 s IC BX-381L  
ICF1 8-759-903-74 s IC SN74LS374N  
ICF3 8-759-903-99 s IC SN74LS399N  
  
ICF4 8-759-903-99 s IC SN74LS399N  
ICF5 8-759-113-43 s IC UPD41102C-1S  
ICF6 8-759-903-99 s IC SN74LS399N  
ICF8 8-759-918-33 s IC CX20160  
ICF9 8-759-918-33 s IC CX20160  
  
ICF10 8-759-901-57 s IC SN74LS157N  
ICF11 8-759-901-57 s IC SN74LS157N  
ICF12 8-759-901-57 s IC SN74LS157N  
ICF13 8-759-902-83 s IC SN74LS283N  
ICF14 8-759-903-99 s IC SN74LS399N  
  
ICF15 8-759-903-99 s IC SN74LS399N  
ICF16 8-759-900-68 s IC SN74ALS30AN  
ICF17 8-759-300-25 s IC HD10125  
ICF18 8-759-900-00 s IC SN74LS00N  
ICF19 8-759-900-74 s IC SN74LS74AN  
  
ICF20 8-759-912-05 s IC SN74ALS161BN  
ICG1 8-759-901-74 s IC SN74LS174N  
ICG2 8-759-900-74 s IC SN74LS74AN  
ICG3 8-759-900-74 s IC SN74LS74AN  
ICG4 8-759-900-08 s IC SN74LS08N  
  
ICG5 8-759-900-02 s IC SN74LS02N  
ICG6 8-759-901-75 s IC SN74LS175N  
ICG7 8-759-901-63 s IC SN74LS163AN  
ICG8 8-759-901-63 s IC SN74LS163AN  
ICG9 8-759-901-63 s IC SN74LS163AN  
  
ICG11 8-759-900-74 s IC SN74LS74AN  
ICG12 8-759-901-57 s IC SN74LS157N  
ICG13 8-759-902-83 s IC SN74LS283N  
ICG14 8-759-906-69 s IC SN74LS669N

ICG15 8-759-906-69 s IC SN74LS669N  
ICG16 8-759-900-00 s IC SN74LS00N  
ICG17 8-759-001-16 s IC MC10116L  
ICG18 8-759-901-23 s IC SN74LS123N  
ICG19 8-759-900-74 s IC SN74LS74AN  
  
ICG20 8-759-902-21 s IC SN74LS221N  
ICG21 8-759-901-64 s IC SN74LS164N  
ICH1 8-759-901-64 s IC SN74LS164N  
ICH2 8-759-901-64 s IC SN74LS164N  
ICH3 8-759-300-25 s IC HD10125  
  
ICH4 8-759-900-04 s IC SN74LS04N  
ICH5 8-759-904-18 s IC SN74ALS00AN  
ICH6 8-759-901-38 s IC SN74LS138N  
ICH7 8-759-936-54 s IC SN74ALS175N  
ICH8 8-759-900-04 s IC SN74LS04N  
  
ICH9 8-759-912-07 s IC SN74ALS163AN  
ICH10 8-759-912-07 s IC SN74ALS163AN  
ICH11 8-759-912-07 s IC SN74ALS163AN  
ICH12 8-759-900-68 s IC SN74ALS30AN  
ICH13 8-759-904-09 s IC SN74LS688N  
  
ICH14 8-759-906-69 s IC SN74LS669N  
ICH15 8-759-906-69 s IC SN74LS669N  
ICH19 8-759-900-04 s IC SN74LS04N  
ICH20 8-759-902-21 s IC SN74LS221N  
ICH21 8-759-902-21 s IC SN74LS221N  
  
ICJ1 8-759-901-51 s IC SN74LS151P  
ICJ2 8-759-900-04 s IC SN74LS04N  
ICJ3 8-759-901-63 s IC SN74LS163AN  
ICJ4 8-759-901-63 s IC SN74LS163AN  
ICJ5 8-759-900-00 s IC SN74LS00N  
  
\* \* ICJ6 8-759-989-69 s IC SN74LS86AN  
ICJ7 8-759-900-04 s IC SN74LS04N  
ICJ8 8-759-900-74 s IC SN74LS74AN  
ICJ9 8-759-904-33 s IC SN74ALS20AN  
ICJ10 8-759-900-32 s IC SN74LS32N  
  
ICJ11 8-759-900-69 s IC SN74ALS74AN  
ICJ12 8-759-904-26 s IC SN74ALS08N  
ICJ13 8-759-901-23 s IC SN74LS123N  
ICJ14 8-759-901-74 s IC SN74LS174N  
ICJ15 8-759-900-74 s IC SN74LS74AN  
  
ICJ16 8-759-300-25 s IC HD10125  
ICJ17 8-759-990-82 s IC TL082CP  
ICJ19 8-749-938-10 s IC BX-381  
ICJ21 8-759-990-82 s IC TL082CP  
ICK1 8-759-901-53 s IC SN74LS153N  
  
ICK2 8-759-901-51 s IC SN74LS151N  
ICK3 8-759-901-51 s IC SN74LS151N  
ICK4 8-759-902-21 s IC SN74LS221N  
ICK5 8-759-901-75 s IC SN74LS175N  
ICK6 8-759-900-08 s IC SN74LS08N  
  
ICK7 8-759-900-04 s IC SN74LS04N  
ICK8 8-759-900-20 s IC SN74LS20N  
ICK9 8-759-901-23 s IC SN74LS123N  
ICK10 8-759-901-63 s IC SN74LS163AN  
ICK11 8-759-900-08 s IC SN74LS08N  
  
ICK12 8-759-900-74 s IC SN74LS74AN

NOTE : Please see pages D-42 and D-43 for the  
part numbers of capacitors and resistors  
1R9 that are not listed in the parts list.

D-60(a)

(CK-27 BOARD, BVH-3000PS/3100PS)			Board No. 1-621-749-13,14 & Higher	(CK-27 BOARD, BVH-3000PS/3100PS)			Board No. 1-621-749-13,14 & Higher
Ref. No. or Q'ty	Part No.	SP Description		Ref. No. or Q'ty	Part No.	SP Description	
ICK13	8-759-900-08	s IC SN74LS08N		ICN14	8-759-900-00	s IC SN74LS00N	
ICK14	8-759-900-10	s IC SN74LS10N		ICN16	8-759-990-82	s IC TL082CP	
ICK15	8-759-901-53	s IC SN74LS153N		ICN17	8-749-901-26	s IC BX-381L	
ICK16	8-759-900-74	s IC SN74LS74AN		ICN21	8-759-990-82	s IC TL082CP	
ICK17	8-759-902-21	s IC SN74LS221N		ICP1	8-759-900-00	s IC SN74LS00N	
ICK19	8-759-904-20	s IC MB4002		ICP2	8-759-208-10	s IC TC4053BPHB	
ICK21	8-759-918-23	s IC NE527N		ICP3	8-759-900-74	s IC SN74LS74AN	
ICL1	8-741-101-11	s IC BX-1101A		ICP4	8-759-900-08	s IC SN74LS08N	
ICL3	8-759-906-07	s IC TL607CP		ICP5	8-759-900-32	s IC SN74LS32N	
ICL4	8-759-990-82	s IC TL082CP		ICP6	8-759-900-74	s IC SN74LS74AN	
ICL5	8-759-918-93	s IC SN75207N		ICP7	8-759-918-40	s IC CX20194	
ICL6	8-759-900-08	s IC SN74LS08N		ICP9	8-759-901-23	s IC SN74LS123N	
ICL7	8-759-900-74	s IC SN74LS74AN		ICP11	8-759-900-74	s IC SN74LS74AN	
ICL8	8-759-900-30	s IC SN74LS33N		ICP12	8-759-901-75	s IC SN74LS175N	
ICL9	8-759-900-74	s IC SN74LS74AN		ICP13	8-759-900-04	s IC SN74LS04N	
ICL10	8-759-901-63	s IC SN74LS163AN		ICP14	8-759-900-33	s IC SN74LS33N	
* * ICL11	8-759-989-69	s IC SN74LS86AN		ICP15	8-759-918-40	s IC CX20194	
ICL12	8-759-901-23	s IC SN74LS123N		ICP16	8-759-990-82	s IC TL082CP	
ICL13	8-759-900-00	s IC SN74LS00N		ICP18	8-759-016-48	s IC MC1648P	
ICL14	8-759-900-69	s IC SN74ALS74AN		ICP20	8-759-208-10	s IC TC4053BPHB	
ICL15	8-759-900-00	s IC SN74LS00N		L1	1-408-409-00	s INDUCTOR 10UH 5%	
ICL16	8-759-900-04	s IC SN74LS04N		L2	1-408-409-00	s INDUCTOR 10UH 5%	
ICL17	8-759-900-04	s IC SN74LS04N		L3	1-408-409-00	s INDUCTOR 10UH 5%	
ICL19	8-759-990-82	s IC TL082CP		L4	1-408-409-00	s INDUCTOR 10UH 5%	
ICL21	8-749-900-63	s IC BX-365AL		L5	1-408-409-00	s INDUCTOR 10UH 5%	
ICM1	8-759-202-26	s IC TC74HC138P		L6	1-408-409-00	s INDUCTOR 10UH 5%	
ICM2	8-759-900-04	s IC SN74LS04N		L7	1-421-370-00	s COIL, CHOKE	
ICM3	8-759-901-23	s IC SN74LS123N		L8	1-421-370-00	s COIL, CHOKE	
ICM4	8-759-902-21	s IC SN74LS221N		L9	1-421-370-00	s COIL, CHOKE	
ICM5	8-759-900-74	s IC SN74LS74AN		L10	1-421-370-00	s COIL, CHOKE	
ICM6	8-759-900-74	s IC SN74LS74AN		L11	1-421-370-00	s COIL, CHOKE	
ICM7	8-759-103-93	s IC UPC393C		L12	1-408-409-00	s INDUCTOR 10UH 5%	
ICM8	8-759-918-71	s IC CX23065		L13	1-408-409-00	s INDUCTOR 10UH 5%	
ICM9	8-759-900-74	s IC SN74LS74AN		L14	1-408-409-00	s INDUCTOR 10UH 5%	
ICM10	8-759-901-23	s IC SN74LS123N		L15	1-408-409-00	s INDUCTOR 10UH 5%	
ICM11	8-759-900-04	s IC SN74LS04N		L17	1-408-409-00	s INDUCTOR 10UH 5%	
ICM12	8-759-900-74	s IC SN74LS74AN		L701	1-410-956-11	s INDUCTOR, VAR	
ICM13	8-759-901-63	s IC SN74LS163AN		L800	1-408-425-00	s INDUCTOR, 220UH 5%	
ICM14	8-759-904-20	s IC MB4002		LPF1	1-231-621-00	s FILTER, LOW-PASS	
ICM15	8-759-103-93	s IC UPC393C		LV1	1-409-403-11	s COIL, TUNING	
ICM16	8-759-990-82	s IC TL082CP		LV2	1-410-286-11	s INDUCTOR, VAR 1UH	
ICM18	8-759-990-82	s IC TL082CP		LV7	1-410-285-11	s INDUCTOR, VAR 0.68UH	
ICM19	8-749-901-26	s IC BX-381L		Q1	8-729-204-83	s TRANSISTOR 2SA1048-GR	
* * ICM21	8-759-990-82	s IC TL082CP		Q4	8-729-105-71	s TRANSISTOR 2SK523-K2	
ICN1	8-759-916-79	s IC SN74HC273N		Q5	8-729-900-61	s TRANSISTOR DTA114ES	
ICN2	8-759-916-79	s IC SN74HC273N		Q6	8-729-105-71	s TRANSISTOR 2SK523-K2	
ICN3	8-759-900-74	s IC SN74LS74AN		Q7	8-729-900-61	s TRANSISTOR DTA114ES	
ICN4	8-759-900-74	s IC SN74LS74AN		Q8	8-729-204-83	s TRANSISTOR 2SA1048-GR	
ICN5	8-759-900-10	s IC SN74LS10N		Q9	8-729-204-83	s TRANSISTOR 2SA1048-GR	
ICN6	8-759-103-93	s IC UPC393C		Q10	8-729-190-12	s TRANSISTOR 2SC2901	
ICN8	8-749-901-26	s IC BX-381L		Q11	8-729-900-61	s TRANSISTOR DTA114ES	
ICN9	8-759-901-23	s IC SN74LS123N		Q12	8-729-105-71	s TRANSISTOR 2SK523-K2	
ICN10	8-759-901-23	s IC SN74LS123N		Q13	8-729-105-71	s TRANSISTOR 2SK523-K2	
ICN11	8-759-901-23	s IC SN74LS123N		Q14	8-729-900-61	s TRANSISTOR DTA114ES	
ICN12	8-759-900-08	s IC SN74LS08N		Q15	8-729-190-12	s TRANSISTOR 2SC2901	
ICN13	8-759-901-63	s IC SN74LS163AN		Q16	8-729-105-71	s TRANSISTOR 2SK523-K2	
				Q17	8-729-900-61	s TRANSISTOR DTA114ES	

NOTE : Please see pages D-42 and D-43 for the part numbers of capacitors and resistors that are not listed in the parts list. D-61(a)

DR-13 BOARD, BVH-3000PS/3100PS

Ref.No. or Q'ty	Part No.	SP Description
1pc (for BVH-3000/3000PS)	A-6049-008-A	o COMPLETE PCB, DR-13
1pc (for BVH-3100/3100PS)	A-6049-025-A	s COMPLETE PCB, DR-13
34pcs (for BVH-3000/3000PS)		
22pcs (for BVH-3100/3100PS)	1-560-240-00	s CONTACT
2pc	7-621-259-49	s SCREW +P 2.6X6
2pc	7-682-147-15	s SCREW +P 3X6
2pc	7-684-023-04	s N 3, TYPE 2
4pc	7-688-003-11	s W 3, MIDDLE
C1	1-131-374-00	s CAP, TANT 33uF 10% 16V
C2	1-131-353-00	s CAP, TANT 10uF 10% 35V
C3	1-131-353-00	s CAP, TANT 10uF 10% 35V
C4 (for BVH-3000/3000PS)	1-131-353-00	s CAP, TANT 10uF 10% 35V
D1	8-719-900-95	s DIODE V09G
D2	8-719-109-07	s DIODE RD39E-B
D3	8-719-109-07	s DIODE RD39E-B
D4	8-719-900-95	s DIODE V09G
D5	8-719-912-20	s DIODE 1SS120
D6	8-719-912-20	s DIODE 1SS120
D7	8-719-912-20	s DIODE 1SS120
D8	8-719-912-20	s DIODE 1SS120
IC1	8-759-377-43	s IC HA17741GS
IC2	8-741-115-62	s IC BX-1156B
IC3 (for BVH-3000/3000PS)	8-741-115-62	s IC BX-1156B
L1	1-408-096-00	s MICRO INDUCTOR 470UH
L2	1-408-096-00	s MICRO INDUCTOR 470UH
L3 (for BVH-3000/3000PS)	1-408-096-00	s MICRO INDUCTOR 470UH
Q1	8-729-105-71	s TRANSISTOR 2SK523-K2
R1	1-247-838-00	s RES, CARBON 2K 5% 1/6W
R3	1-215-474-00	s RES, CARBON 160K 5% 1/6W

DS-19 BOARD, BVH-3000PS/3100PS

Ref.No. or Q'ty	Part No.	SP Description
1pc	A-6025-102-A	o COMPLETE PCB, DS-19
C3	1-124-943-11	s CAP, ELECT 39uF 20% 25V
C6	1-124-943-11	s CAP, ELECT 39uF 20% 25V
C10	1-124-943-11	s CAP, ELECT 39uF 20% 25V
C12	1-124-566-11	s CAP, ELECT 120uF 20% 6.3V
C16	1-130-487-00	s CAP, MYLAR 0.022uF 5% 50V
C17	1-130-487-00	s CAP, MYLAR 0.022uF 5% 50V
C19	1-130-487-00	s CAP, MYLAR 0.022uF 5% 50V
C20	1-130-487-00	s CAP, MYLAR 0.022uF 5% 50V
C21	1-130-487-00	s CAP, MYLAR 0.022uF 5% 50V
C24	1-130-483-00	s CAP, MYLAR 0.01uF 5% 50V
C25	1-130-483-00	s CAP, MYLAR 0.01uF 5% 50V
C26	1-130-483-00	s CAP, MYLAR 0.01uF 5% 50V
C27	1-130-483-00	s CAP, MYLAR 0.01uF 5% 50V
C28	1-130-495-00	s CAP, MYLAR 0.1uF 5% 50V
C29	1-130-495-00	s CAP, MYLAR 0.1uF 5% 50V
C30	1-130-495-00	s CAP, MYLAR 0.1uF 5% 50V
C31	1-130-495-00	s CAP, MYLAR 0.1uF 5% 50V
CN001	1-560-300-00	o RECEPT, 1L 3P MALE
CN002	1-560-301-00	o RECEPT, 1L 4P MALE
CN003	1-560-302-00	o RECEPT, 1L 5P MALE
CN004	1-560-300-00	o RECEPT, 1L 3P MALE
CN005	1-560-301-00	o RECEPT, 1L 4P MALE
CN006	1-560-304-00	o RECEPT, 1L 8P MALE
CN007	1-560-301-00	o RECEPT, 1L 4P MALE
CN008	1-560-300-00	o RECEPT, 1L 3P MALE
CN009	1-560-300-00	o RECEPT, 1L 3P MALE
CN010	1-560-299-00	o RECEPT, 1L 2P MALE
CN011	1-560-300-00	o RECEPT, 1L 3P MALE
CN021	1-560-727-00	o RECEPT, 26P MALE
CN022	1-560-303-00	o RECEPT, 1L 6P MALE
D1	8-719-200-02	s DIODE 10E-2
D2	8-719-200-02	s DIODE 10E-2
D3	8-719-200-02	s DIODE 10E-2
D4	8-719-200-02	s DIODE 10E-2
D5	8-719-911-19	s DIODE 1SS119
D6	8-719-911-19	s DIODE 1SS119
D7	8-719-911-19	s DIODE 1SS119
D8	8-719-911-19	s DIODE 1SS119
D9	8-719-911-19	s DIODE 1SS119
D10	8-719-911-19	s DIODE 1SS119
D11	8-719-911-19	s DIODE 1SS119
D12	8-719-911-19	s DIODE 1SS119
D13	8-719-911-19	s DIODE 1SS119
D14	8-719-200-02	s DIODE 10E-2
D15	8-719-200-02	s DIODE 10E-2
D16	8-719-200-02	s DIODE 10E-2
D17	8-719-200-02	s DIODE 10E-2
D18	8-719-200-02	s DIODE 10E-2
D19	8-719-911-19	s DIODE 1SS119
D20	8-719-911-19	s DIODE 1SS119
D21	8-719-200-02	s DIODE 10E-2
IC1	8-759-135-80	s IC UPC358C
* IC2	8-759-916-20	s IC SN74HC14N
IC3	8-759-133-90	s IC UPC339C
IC4	8-759-208-39	s IC MP4001
IC5	8-759-645-16	s IC M54516P

NOTE : Please see pages D-42 and D-43 for the part numbers of capacitors and resistors that are not listed in the parts list.

KC-14 BOARD, BVH-3000PS/3100PS

(KC-14 BOARD, BVH-3000PS/3100PS)

Ref.No. or Q'ty	Part No.	SP Description	Ref.No. or Q'ty	Part No.	SP Description
1pc	A-6017-136-A	o COMPLETE PCB, KC-14	ICF5	8-759-202-11	s IC TC74HC00P
1pc	7-682-647-09	s SCREW +PS 3X6	ICF6	8-759-901-38	s IC SN74LS138N
2pcs	7-682-947-01	s SCREW +PSW 3X6	ICF7	8-759-910-43	s IC CX23028
1pc	7-684-023-04	s N 3, TYPE 2	ICG2	8-759-909-15	s IC MSL915RS
BZ101	1-529-025-00	s BUZZER	ICG3	8-759-940-94	s IC MSM4094RS
C103	1-131-347-00	s CAP, TANT 1uF 10% 35V	ICG5	8-759-112-54	s IC UPD78C10G-36
C104	1-130-487-00	s CAP, MYLAR 0.022uF 5% 50V	ICG7	8-759-203-40	s IC TC74HC393P
C105	1-102-106-00	s CAP, CERAMIC 100PF 10% 50V	ICH1	8-759-995-10	s IC MSL915RS
C106	1-130-471-00	s CAP, MYLAR 0.001uF 5% 50V	ICH2	8-759-909-15	s IC MSL915RS
C107	1-124-518-11	s CAP, ELECT 470uF 20% 6.3V	ICH3	8-759-940-94	s IC MSM4094RS
C108	1-124-918-11	s CAP, ELECT 47uF 20% 63V	ICH7	8-759-202-74	s IC TC74HC04P
C109	1-130-487-00	s CAP, MYLAR 0.022uF 5% 50V	ICJ1	8-759-909-15	s IC MSL915RS
C110	1-130-483-00	s CAP, MYLAR 0.01uF 5% 50V	ICJ2	8-759-909-15	s IC MSL915RS
C112	1-130-483-00	s CAP, MYLAR 0.01uF 5% 50V	ICJ3	8-759-940-94	s IC MSM4094RS
C113	1-102-074-00	s CAP, CERAMIC 0.001uF 10% 50V	ICJ5	8-759-783-37	s IC, EPROM 27C64-KCU2-2-0
C114	1-124-773-11	s CAP, ELECT 27uF 20% 63V	ICJ6	8-759-302-75	s IC HM6116ALSP-12
C115	1-124-773-11	s CAP, ELECT 27uF 20% 63V	ICJ7	8-759-202-15	s IC TC74HC10P
C117	1-131-347-00	s CAP, TANT 1uF 10% 35V	ICK1	8-759-909-15	s IC MSL915RS
C118	1-130-477-00	s CAP, MYLAR 0.0033uF 5% 50V	ICK2	8-759-909-15	s IC MSL915RS
C119	1-102-114-00	s CAP, CERAMIC 470PF 10% 50V	ICK3	8-759-940-94	s IC MSM4094RS
C120	1-130-471-00	s CAP, MYLAR 0.001uF 5% 50V	ICK4	8-759-203-35	s IC TC74HC373P
C121	1-124-462-00	s CAP, ELECT 10uF 20% 16V	ICK7	8-759-202-21	s IC TC74HC32P
C124	1-130-473-00	s CAP, MYLAR 0.0015uF 5% 50V	ICM1	8-759-995-10	s IC MSL915RS
C125	1-130-477-00	s CAP, MYLAR 0.0033uF 5% 50V	ICM2	8-759-909-15	s IC MSL915RS
CN701	1-563-769-11	s RECEP, ROUND 8P FEMALE	ICM3	8-759-995-10	s IC MSL915RS
CN702	1-564-494-11	o RECEP, 60P MALE	ICM4	8-759-909-15	s IC MSL915RS
CN703	1-564-493-11	o RECEP, 40P MALE	ICM5	8-759-940-94	s IC MSM4094RS
CN704	1-564-494-11	o RECEP, 60P MALE	L101	1-421-370-00	s COIL, CHOKE
D101	8-719-907-25	s DIODE ERA84-009	L102	1-409-339-00	s COIL, CHOKE
D102	8-719-110-11	s DIODE RD9.1ESB	L103	1-413-057-00	s COIL, TROIDAL
D103	8-719-911-19	s DIODE 1SS119	L104	1-421-370-00	s COIL, CHOKE
D104	8-719-911-19	s DIODE 1SS119	Q101	8-729-177-43	s TRANSISTOR 2SD774
D105	8-719-907-25	s DIODE ERA84-009	Q102	8-729-177-43	s TRANSISTOR 2SD774
D106	8-719-911-19	s DIODE 1SS119	Q103	8-729-907-71	s TRANSISTOR 2SA1077
ICA4	8-759-904-94	s IC TL494CN	Q104	8-729-900-36	s TRANSISTOR DTC124ES
ICB3	8-759-904-94	s IC TL494CN	R112	Δ 1-215-857-11	s RES, METAL 10 5% 1W
ICC2	8-759-909-15	s IC MSL915RS	R117	1-215-453-00	s RES, METAL 22K 1% 1/6W
ICC3	8-759-995-10	s IC MSL915RS	R118	1-215-429-00	s RES, METAL 2.2K 1% 1/6W
ICC4	8-759-909-15	s IC MSL915RS	RB101	1-231-410-00	s RESISTOR BLOCK 10Kx8
ICC5	8-759-940-94	s IC MSM4094RS	RB102	1-235-005-00	s RESISTOR BLOCK 47Kx8
ICC7	8-759-008-57	s IC MC34051P	RB103	1-231-411-00	s RESISTOR BLOCK 100Kx8
ICD2	8-759-909-15	s IC MSL915RS	RB104	1-231-411-00	s RESISTOR BLOCK 100Kx8
ICD3	8-759-995-10	s IC MSL915RS	RB105	1-231-411-00	s RESISTOR BLOCK 100Kx8
ICD4	8-759-909-15	s IC MSL915RS	RB106	1-231-411-00	s RESISTOR BLOCK 100Kx8
ICD5	8-759-940-94	s IC MSM4094RS	RB107	1-231-411-00	s RESISTOR BLOCK 100Kx8
ICD6	8-759-202-14	s IC TC74HC08P	RB108	1-231-411-00	s RESISTOR BLOCK 100Kx8
ICE2	8-759-909-15	s IC MSL915RS	RB109	1-231-411-00	s RESISTOR BLOCK 100Kx8
ICE3	8-759-940-94	s IC MSM4094RS	RB110	1-231-411-00	s RESISTOR BLOCK 100Kx8
ICE4	8-759-909-15	s IC MSL915RS	RB111	1-231-411-00	s RESISTOR BLOCK 100Kx8
ICE5	8-759-940-94	s IC MSM4094RS	RB112	1-231-411-00	s RESISTOR BLOCK 100Kx8
ICE6	8-759-203-08	s IC TC74HC221P	RV101	1-230-840-11	s RES, ADJ, METAL 1K
**ICE7	8-759-916-29	s IC SN74HC74N	S101	1-553-856-00	s SWITCH, PUSH
ICF2	8-759-909-15	s IC MSL915RS	S102	1-553-856-00	s SWITCH, PUSH
ICF3	8-759-940-94	s IC MSM4094RS	T101	1-448-768-12	s TRANSFORMER, HEATER
ICF4	8-759-202-21	s IC TC74HC32P	X101	1-567-796-11	s CRYSTAL 14.7456MHz

NOTE : Please see pages D-42 and D-43 for the part numbers of capacitors and resistors that are not listed in the parts list.

KY-103 BOARD, BVH-3000PS/3100PS

(KY-103 BOARD, BVH-3000PS/3100PS)

Ref.No. or Qty	Part No.	SP Description
1pc	A-6017-135-A	o COMPLETE PCB, KY-103
2pcs	2-252-640-00	s KNOB, TACT SWITCH
6pcs	3-670-095-00	o HOLDER, LED
CN1F	1-562-151-11	o HOUSING, 6P
	1-563-088-11	o CONTACT, FEMALE AWG24-30
CN702F	1-562-485-11	s RECEP, 60P MALE
CN703F	1-562-336-00	s RECEP, 40P MALE
CN704F	1-562-485-11	s RECEP, 60P MALE
CN705M	1-506-473-11	o RECEP, 8P MALE
CN706M	1-506-475-11	o RECEP, 10P MALE
CN707M	1-506-487-11	o RECEP, 8P MALE
CN708M	1-506-489-11	o RECEP, 10P MALE
D1	8-719-911-19	s DIODE 1SS119
D2	8-719-911-19	s DIODE 1SS119
D3	8-719-911-19	s DIODE 1SS119
D4	8-719-911-19	s DIODE 1SS119
D5	8-719-911-19	s DIODE 1SS119
D6	8-719-911-19	s DIODE 1SS119
D7	8-719-911-19	s DIODE 1SS119
D8	8-719-911-19	s DIODE 1SS119
D9	8-719-911-19	s DIODE 1SS119
D10	8-719-911-19	s DIODE 1SS119
D11	8-719-911-19	s DIODE 1SS119
D12	8-719-911-19	s DIODE 1SS119
D13	8-719-911-19	s DIODE 1SS119
D14	8-719-911-19	s DIODE 1SS119
D15	8-719-911-19	s DIODE 1SS119
D16	8-719-911-19	s DIODE 1SS119
D17	8-719-911-19	s DIODE 1SS119
D18	8-719-911-19	s DIODE 1SS119
D19	8-719-911-19	s DIODE 1SS119
D20	8-719-911-19	s DIODE 1SS119
D21	8-719-911-19	s DIODE 1SS119
D22	8-719-911-19	s DIODE 1SS119
D23	8-719-911-19	s DIODE 1SS119
D24	8-719-905-55	s DIODE EAA5504S
D25	8-719-905-55	s DIODE EAA5504S
D26	8-719-905-55	s DIODE EAA5504S
D27	8-719-905-55	s DIODE EAA5504S
D28	8-719-905-55	s DIODE EAA5504S
D29	8-719-905-55	s DIODE EAA5504S
D30	8-719-940-83	s DIODE LT9101N
D31	8-719-940-83	s DIODE LT9101N
D32	8-719-940-83	s DIODE LT9101N
D33	8-719-940-84	s DIODE LT9101D
D34	8-719-940-84	s DIODE LT9101D
IC1	8-759-645-17	s IC M54517P
IC2	8-759-645-17	s IC M54517P
IC3	8-759-645-17	s IC M54517P
IC4	8-759-645-17	s IC M54517P
IC5	8-759-645-17	s IC M54517P
* * IC6	8-759-645-17	s IC M54517P
IC7	8-759-916-79	s IC SN74HC273N
IC8	8-759-916-79	s IC SN74HC273N
IC9	8-759-916-79	s IC SN74HC273N

Ref.No. or Qty	Part No.	SP Description
* * IC10	8-759-916-79	s IC SN74HC273N
* * IC11	8-759-916-79	s IC SN74HC273N
IC12	8-759-916-79	s IC SN74HC273N
IC13	8-759-645-17	s IC M54517P
ND1	1-519-415-11	s INDICATOR TUBE, FLUORESCENT
Q1	8-729-238-32	s TRANSISTOR 2SC2383
S1	1-571-280-11	s SWITCH WITH LED, PUSH
S2	1-571-280-11	s SWITCH WITH LED, PUSH
S3	1-571-280-11	s SWITCH WITH LED, PUSH
S4	1-571-280-11	s SWITCH WITH LED, PUSH
S5	1-571-280-11	s SWITCH WITH LED, PUSH
S6	1-571-280-11	s SWITCH WITH LED, PUSH
S7	1-571-280-11	s SWITCH WITH LED, PUSH
S8	1-571-280-11	s SWITCH WITH LED, PUSH
S9	1-571-280-11	s SWITCH WITH LED, PUSH
S10	1-571-280-11	s SWITCH WITH LED, PUSH
S11	1-571-280-11	s SWITCH WITH LED, PUSH
S12	1-571-280-11	s SWITCH WITH LED, PUSH
S13	1-571-280-11	s SWITCH WITH LED, PUSH
S14	1-571-280-11	s SWITCH WITH LED, PUSH
S15	1-571-280-11	s SWITCH WITH LED, PUSH
S16	1-554-044-12	s SWITCH WITH LED, PUSH
S17	1-571-280-11	s SWITCH WITH LED, PUSH
S18	1-552-412-00	s SWITCH, PUSH
S19	1-552-412-00	s SWITCH, PUSH
S20	1-554-045-22	s SWITCH WITH LED, PUSH
S21	1-554-039-21	s SWITCH WITH LED, PUSH
S22	1-554-040-21	s SWITCH WITH LED, PUSH
S23	1-554-041-41	s SWITCH WITH LED, PUSH

NOTE : Please see pages D-42 and D-43 for the part numbers of capacitors and resistors that are not listed in the parts list.

(RD-7 BOARD, BVH-3000PS/3100PS)			Board No. 1-621-748-13, 14 & Higher	(RD-7 BOARD, BVH-3000PS/3100PS)			Board No. 1-621-748-13, 14 & Higher
Ref. No. or Q'ty	Part No.	SP Description		Ref. No. or Q'ty	Part No.	SP Description	
D7	8-719-918-88	s DIODE 1SS198		ICC11	8-759-900-00	s IC SN74LS00N	
D8	8-719-918-88	s DIODE 1SS198		ICC12	8-759-901-23	s IC SN74LS123N	
D9	8-719-918-88	s DIODE 1SS198		ICC13	8-759-990-82	s IC TL082CP	
D10	8-719-918-88	s DIODE 1SS198		ICC14	8-759-900-00	s IC SN74LS00N	
D11	8-719-911-19	s DIODE 1SS119		ICC15	8-759-900-02	s IC SN74LS02N	
D12	8-719-911-19	s DIODE 1SS119		ICC17	8-749-901-26	s IC BX-381L	
D13	8-719-911-19	s DIODE 1SS119		ICC19	8-759-900-00	s IC SN74LS00N	
D14	8-719-911-19	s DIODE 1SS119		ICC20	8-759-900-00	s IC SN74LS00N	
D15	8-719-918-88	s DIODE 1SS198		ICC21	8-759-900-04	s IC SN74LS04N	
D16	8-719-918-88	s DIODE 1SS198		ICD1	8-759-918-23	s IC NE527N	
D17	8-719-911-19	s DIODE 1SS119		ICD2	8-759-901-53	s IC SN74LS153N	
D18	8-719-911-19	s DIODE 1SS119		ICD3	8-759-900-04	s IC SN74LS04N	
D19	8-719-911-19	s DIODE 1SS119		ICD5	8-749-901-26	s IC BX-381L	
D20	8-719-911-19	s DIODE 1SS119		ICD7	8-759-906-07	s IC TL607CP	
D21	8-719-911-19	s DIODE 1SS119		ICD9	8-759-900-04	s IC SN74LS04N	
D22	8-719-911-19	s DIODE 1SS119		ICD10	8-759-901-63	s IC SN74LS163AN	
D23	8-719-911-19	s DIODE 1SS119		ICD11	8-759-990-82	s IC TL082CP	
D24	8-719-911-19	s DIODE 1SS119		ICD12	8-759-906-07	s IC TL607CP	
D25	8-719-911-19	s DIODE 1SS119		ICD14	8-759-901-63	s IC SN74LS163AN	
D26	8-719-911-19	s DIODE 1SS119		ICD15	8-759-917-47	s IC 74F20PC	
D27	8-719-109-79	s DIODE RD4,7ESB		ICD16	8-759-901-63	s IC SN74LS163AN	
D29	8-719-918-88	s DIODE 1SS198		ICD19	8-759-900-74	s IC SN74LS74AN	
D30	8-719-918-88	s DIODE 1SS198		ICD20	8-759-103-19	s IC UPC319C	
D31	8-719-918-88	s DIODE 1SS198		ICD21	8-759-900-02	s IC SN74LS02N	
D32	8-719-918-88	s DIODE 1SS198		ICE1	8-759-918-23	s IC NE527N	
D60	8-719-911-19	s DIODE 1SS119		ICE2	8-759-900-10	s IC SN74LS10N	
D61	8-719-109-87	s DIODE RD5,6ESB		ICE4	8-749-901-26	s IC BX-381L	
DL1	1-415-449-11	s DELAY LINE 20nS		ICE7	8-759-901-63	s IC SN74LS163AN	
DL2	1-415-432-11	s DELAY LINE 40nS		ICE8	8-759-900-00	s IC SN74LS00N	
DL3	1-415-430-11	s DELAY LINE 30nS		ICE9	8-759-941-23	s IC SN74123N	
FB1	1-535-178-00	s FERRITE BEAD		ICE10	8-759-900-02	s IC SN74LS02N	
FL1	1-235-577-11	s FILTER, BANDPASS 17.7MHZ		ICE11	8-759-990-82	s IC TL082CP	
IC1	8-759-990-82	s IC TL082CP		ICE13	8-759-974-06	s IC SN7406N	
IC2	8-759-990-82	s IC TL082CP		* ICE14	8-759-989-69	s IC SN74LS86AN	
IC3	8-759-990-82	s IC TL082CP		ICE15	8-759-917-65	s IC 74F193PC	
IC4	8-759-145-58	s IC UPC4558C		ICE16	8-759-901-74	s IC SN74LS174N	
IC5	8-759-990-82	s IC TL082CP		ICE17	8-759-915-93	s IC 74F163APC	
IC6	8-759-101-83	s IC UPC649C		ICE19	8-759-990-82	s IC TL082CP	
IC7	8-759-990-82	s IC TL082CP		ICE21	8-759-990-82	s IC TL082CP	
IC8	8-759-906-07	s IC TL601CP		ICF1	8-752-015-81	s IC CX20158	
ICA1	8-759-974-06	s IC SN7406N		ICF3	8-752-015-81	s IC CX20158	
ICA2	8-759-901-23	s IC SN74LS123N		ICF6	8-759-131-11	s IC UPC311C	
ICB3	8-759-990-82	s IC TL082CP		ICF7	8-759-902-21	s IC SN74LS221N	
ICB4	8-759-900-00	s IC SN74LS00N		ICF8	8-759-040-53	s IC MC14053BCP	
ICB6	8-759-990-82	s IC TL082CP		ICF9	8-759-990-82	s IC TL082CP	
ICB8	8-759-904-79	s IC 74F00PC		ICF10	8-759-918-23	s IC NE527N	
ICB9	8-759-918-23	s IC NE527N		ICF11	8-759-915-41	s IC 74F02PC	
ICB10	8-759-903-99	s IC SN74LS399N		ICF12	8-757-903-00	s IC CX-7903	
ICB12	8-759-990-82	s IC TL082CP		ICF15	8-759-918-33	s IC CX20160	
ICB14	8-759-990-82	s IC TL082CP		ICF16	8-759-900-74	s IC SN74LS74AN	
ICB16	8-759-900-59	s IC HI1-0201-5		ICF17	8-759-900-04	s IC SN74LS04N	
ICB17	8-759-990-82	s IC TL082CP		ICF18	8-759-900-74	s IC SN74LS74AN	
ICB19	8-759-902-21	s IC SN74LS221N		ICF19	8-759-900-04	s IC SN74LS04N	
ICB20	8-759-900-74	s IC SN74LS74AN		ICF20	8-759-902-21	s IC SN74LS221N	
ICB21	8-759-040-53	s IC MC14053BCP		ICF21	8-759-900-59	s IC HI1-0201-5	
ICC1	8-759-301-24	s IC HD10124		ICG1	8-752-015-81	s IC CX20158	
ICC2	8-759-900-74	s IC SN74LS74AN		ICG3	8-752-015-81	s IC CX20158	
ICC4	8-759-900-74	s IC SN74LS74AN		ICG6	8-759-131-11	s IC UPC311C	
ICC5	8-759-918-23	s IC NE527N		ICG7	8-759-902-21	s IC SN74LS221N	
ICC10	8-759-900-04	s IC SN74LS04N		ICG8	8-759-040-53	s IC MC14053BCP	

NOTE : Please see pages D-42 and D-43 for the part numbers of capacitors and resistors that are not listed in the parts list.

1R9

D-79(a)

(RD-7 BOARD, BVH-3000PS/3100PS) Board No. 1-621-748-13, 14 & Higher

(RD-7 BOARD, BVH-3000PS/3100PS) Board No. 1-621-748-13, 14 & Higher

Ref. No. or Qty	Part No.	SP Description	Ref. No. or Qty	Part No.	SP Description
ICG9	8-759-990-82	s IC TL082CP	ICK15	8-752-806-91	s IC CXQ71054P
ICG10	8-759-918-23	s IC NE527N	ICK17	8-752-806-91	s IC CXQ71054P
ICG11	8-759-901-12	s IC SN74LS112AN	ICK18	8-752-806-91	s IC CXQ71054P
ICG12	8-759-901-12	s IC SN74LS112AN	ICK19	8-752-806-91	s IC CXQ71054P
ICG13	8-757-903-00	s IC CX-7903	ICK21	8-752-806-91	s IC CXQ71054P
ICG14	8-759-900-04	s IC SN74LS04N	ICL2	8-759-906-01	s IC TL601CP
ICG15	8-759-902-21	s IC SN74LS221N	ICL4	8-759-990-82	s IC TL082CP
ICG16	8-759-901-23	s IC SN74LS123N	ICL5	8-759-906-01	s IC TL607CP
ICG17	8-757-732-00	s IC CX-773B	ICL6	8-759-906-01	s IC TL601CP
ICG19	8-757-732-00	s IC CX-773B	ICL7	8-759-990-82	s IC TL082CP
ICG20	8-759-990-82	s IC TL082CP	ICL9	8-759-990-82	s IC TL082CP
ICG21	8-759-040-53	s IC MC14053BCP	ICL12	8-759-939-36	s IC TL7705ACP
ICH1	8-759-990-82	s IC TL082CP	* ICL15	8-759-232-62	s IC TC74HC155AP
ICH3	8-759-990-82	s IC TL082CP	ICL21	8-759-900-04	s IC SN74LS04N
ICH4	8-759-040-53	s IC MC14053BCP	ICM1	8-759-990-84	s IC TL084CN
ICH6	8-759-917-49	s IC 74F112PC	ICM2	8-759-990-82	s IC TL082CP
ICH7	8-759-901-64	s IC SN74LS164N	ICM3	8-759-014-96	s IC MC1496P
ICH8	8-759-900-04	s IC SN74LS04N	ICM4	8-759-990-82	s IC TL082CP
ICH9	8-759-900-00	s IC SN74LS00N	ICM6	8-759-990-82	s IC TL082CP
ICH11	8-759-951-07	s IC SN75107AN	ICM7	8-759-906-01	s IC TL601CP
ICH12	8-759-900-10	s IC SN74LS10N	ICM9	8-759-145-57	s IC UPC4557C
ICH14	8-759-906-07	s IC TL607CP	ICM11	8-759-201-41	s IC TD62901P
ICH15	8-759-900-04	s IC SN74LS04N	ICM12	8-759-202-11	s IC TC74HC00P
ICH16	8-759-202-14	s IC TC74HC08P	ICM14	8-759-787-19	s IC 27C64RDU2-2-0
ICH17	8-759-900-00	s IC SN74LS00N	* ICM15	8-759-921-34	s IC SN74HC245N
ICH18	8-759-901-63	s IC SN74LS163AN	ICM16	8-759-203-35	s IC TC74HC373P
ICH19	8-759-901-63	s IC SN74LS163AN	ICM18	8-759-112-54	s IC UPD78C10G-36
ICH20	8-759-900-04	s IC SN74LS04N	ICN1	8-759-906-01	s IC TL601CP
ICH21	8-759-900-00	s IC SN74LS00N	ICN2	8-759-906-01	s IC TL601CP
ICJ2	8-759-345-38	s IC HD14538BP	ICN4	8-759-990-82	s IC TL082CP
ICJ3	8-759-345-38	s IC HD14538BP	ICN6	8-759-990-82	s IC TL082CP
ICJ5	8-759-900-14	s IC SN74LS14N	ICN8	8-759-990-82	s IC TL082CP
ICJ6	8-759-902-21	s IC SN74LS221N	ICN11	8-759-103-95	s IC UPC648C
ICJ7	8-759-901-23	s IC SN74LS123N	ICN13	8-759-938-68	s IC CXD1095Q
ICJ8	8-759-902-21	s IC SN74LS221N	ICN15	8-759-208-93	s IC TC5517CFL
ICJ11	8-759-938-68	s IC CXD1095Q	ICN17	8-759-990-84	s IC TL084CN
ICJ13	8-759-918-35	s IC CX20162	ICN21	8-759-939-61	s IC DS1210
* ICJ15	8-759-900-08	s IC SN74LS08N	JP1	1-566-385-11	s PIN, 2P
* ICJ16	8-759-921-08	s IC SN74HC02N	JP3	1-566-385-11	s PIN, 2P
* ICJ17	8-759-916-79	s IC SN74HC273N	JP4	1-566-385-11	s PIN, 2P
ICJ18	8-752-806-91	s IC CXQ71054P	JS1	1-563-859-11	s PLUG, SHORT
ICJ19	8-752-806-91	s IC CXQ71054P	JS3	1-563-859-11	s PLUG, SHORT
ICJ21	8-752-806-91	s IC CXQ71054P	L1	1-421-370-00	s COIL, CHOKE
* ICK2	8-759-921-34	s IC SN74HC245N	L2	1-421-370-00	s COIL, CHOKE
ICK3	8-759-202-26	s IC TC74HC138P	L3	1-421-370-00	s COIL, CHOKE
ICK4	8-759-900-74	s IC SN74LS74AN	L4	1-421-370-00	s COIL, CHOKE
ICK5	8-759-900-74	s IC SN74LS74AN	L5	1-408-409-00	s INDUCTOR 10UH 5%
ICK6	8-759-901-53	s IC SN74LS153N	L6	1-408-409-00	s INDUCTOR 10UH 5%
ICK7	8-759-901-53	s IC SN74LS153N	L7	1-408-425-00	s INDUCTOR 220uH 5%
ICK8	8-759-901-57	s IC SN74LS157N	L8	1-408-417-00	s INDUCTOR 47UH 5%
ICK9	8-759-202-21	s IC TC74HC32P	L10	1-408-409-00	s INDUCTOR 10UH 5%
ICK10	8-759-203-60	s IC TC74HC670P	L11	1-408-409-00	s INDUCTOR 10UH 5%
ICK11	8-759-203-60	s IC TC74HC670P	L12	1-408-421-00	s INDUCTOR 100UH 5%
ICK12	8-759-900-00	s IC SN74LS00N	L13	1-408-417-00	s INDUCTOR 47UH 5%
ICK14	8-759-900-74	s IC SN74LS74AN	L16	1-408-429-00	s INDUCTOR 470UH 5%

NOTE : Please see pages D-42 and D-43 for the part numbers of capacitors and resistors that are not listed in the parts list. D-80(a)

1R9

(RD-7 BOARD, BVH-3000PS/3100PS)			Board No. 1-621-748-13, 14 & Higher	(RD-7 BOARD, BVH-3000PS/3100PS)			Board No. 1-621-748-13, 14 & Higher
Ref. No. or Q'ty	Part No.	SP Description		Ref. No. or Q'ty	Part No.	SP Description	
Q3	8-729-105-71	s TRANSISTOR 2SK523-K2		R79	1-215-449-00	s RES, METAL 15K 1% 1/6W	
Q4	8-729-245-82	s TRANSISTOR 2SC2458-Y		R80	1-215-449-00	s RES, METAL 15K 1% 1/6W	
Q5	8-729-190-12	s TRANSISTOR 2SC2901		R81	1-215-432-00	s RES, METAL 3K 1% 1/6W	
Q6	8-729-190-12	s TRANSISTOR 2SC2901		R82	1-215-432-00	s RES, METAL 3K 1% 1/6W	
Q7	8-729-204-83	s TRANSISTOR 2SA1048-GR		R83	1-215-432-00	s RES, METAL 3K 1% 1/6W	
Q8	8-729-245-82	s TRANSISTOR 2SC2458-Y		R84	1-215-444-00	s RES, METAL 9.1K 1% 1/6W	
Q9	8-729-105-71	s TRANSISTOR 2SK523-K2		R85	1-215-432-00	s RES, METAL 3K 1% 1/6W	
Q10	8-729-204-83	s TRANSISTOR 2SA1048-GR		R86	1-215-445-00	s RES, METAL 10K 1% 1/6W	
Q11	8-729-190-12	s TRANSISTOR 2SC2901		R87	1-215-445-00	s RES, METAL 10K 1% 1/6W	
Q12	8-729-190-12	s TRANSISTOR 2SC2901		R88	1-215-445-00	s RES, METAL 10K 1% 1/6W	
Q13	8-729-190-12	s TRANSISTOR 2SC2901		R89	1-215-469-00	s RES, METAL 100K 1% 1/6W	
Q14	8-729-204-83	s TRANSISTOR 2SA1048-GR		R90	1-215-449-00	s RES, METAL 15K 1% 1/6W	
Q16	8-729-900-80	s TRANSISTOR DTC114ES		R91	1-215-469-00	s RES, METAL 100K 1% 1/6W	
R14	1-215-442-00	s RES, METAL 7.5K 1% 1/6W		R92	1-215-469-00	s RES, METAL 100K 1% 1/6W	
R16	1-215-445-00	s RES, METAL 10K 1% 1/6W		R93	1-215-462-00	s RES, METAL 51K 1% 1/6W	
R17	1-215-467-00	s RES, METAL 82K 1% 1/6W		R94	1-215-452-00	s RES, METAL 20K 1% 1/6W	
R20	1-215-445-00	s RES, METAL 10K 1% 1/6W		R95	1-215-437-00	s RES, METAL 4.7K 1% 1/6W	
R26	1-215-430-00	s RES, METAL 2.4K 1% 1/6W		R96	1-215-440-00	s RES, METAL 6.2K 1% 1/6W	
R27	1-215-430-00	s RES, METAL 2.4K 1% 1/6W		* R98	1-215-455-91	s RES, METAL 27K 5% 2W	
R28	1-215-428-00	s RES, METAL 2K 1% 1/6W		R99	1-215-447-00	s RES, METAL 12K 1% 1/6W	
R29	1-215-428-00	s RES, METAL 2K 1% 1/6W		R100	1-215-447-00	s RES, METAL 12K 1% 1/6W	
R31	1-215-445-00	s RES, METAL 10K 1% 1/6W		R101	1-215-445-00	s RES, METAL 10K 1% 1/6W	
R32	1-215-428-00	s RES, METAL 2K 1% 1/6W		R102	1-215-445-00	s RES, METAL 10K 1% 1/6W	
R33	1-215-431-00	s RES, METAL 2.7K 1% 1/6W		R103	1-215-445-00	s RES, METAL 10K 1% 1/6W	
R35	1-215-453-00	s RES, METAL 22K 1% 1/6W		R104	1-215-445-00	s RES, METAL 10K 1% 1/6W	
R36	1-215-457-00	s RES, METAL 33K 1% 1/6W		R109	1-215-469-00	s RES, METAL 100K 1% 1/6W	
R37	1-215-432-00	s RES, METAL 3K 1% 1/6W		R110	1-215-432-00	s RES, METAL 3K 1% 1/6W	
R38	1-215-432-00	s RES, METAL 3K 1% 1/6W		R111	1-215-428-00	s RES, METAL 2K 1% 1/6W	
R43	1-215-453-00	s RES, METAL 22K 1% 1/6W		R112	1-215-465-00	s RES, METAL 68K 1% 1/6W	
R44	1-215-453-00	s RES, METAL 22K 1% 1/6W		R113	1-215-465-00	s RES, METAL 68K 1% 1/6W	
R49	1-215-445-00	s RES, METAL 10K 1% 1/6W		R114	1-215-461-00	s RES, METAL 47K 1% 1/6W	
R50	1-215-445-00	s RES, METAL 10K 1% 1/6W		R116	1-215-421-00	s RES, METAL 1K 1% 1/6W	
R51	1-215-454-00	s RES, METAL 24K 1% 1/6W		R117	1-215-461-00	s RES, METAL 47K 1% 1/6W	
R52	1-215-467-00	s RES, METAL 82K 1% 1/6W		R119	1-215-390-00	s RES, METAL 51 1% 1/6W	
R54	1-215-445-00	s RES, METAL 10K 1% 1/6W		R120	1-215-390-00	s RES, METAL 51 1% 1/6W	
R55	1-215-469-00	s RES, METAL 100K 1% 1/6W		R131	1-215-430-00	s RES, METAL 2.4K 1% 1/6W	
R56	1-215-428-00	s RES, METAL 2K 1% 1/6W		R137	1-215-457-00	s RES, METAL 33K 1% 1/6W	
R57	1-215-465-00	s RES, METAL 68K 1% 1/6W		R139	1-215-457-00	s RES, METAL 33K 1% 1/6W	
R58	1-215-465-00	s RES, METAL 68K 1% 1/6W		R146	1-215-407-00	s RES, METAL 270 1% 1/6W	
R60	1-215-452-00	s RES, METAL 20K 1% 1/6W		R147	1-215-421-00	s RES, METAL 1K 1% 1/6W	
R62	1-215-445-00	s RES, METAL 10K 1% 1/6W		R149	1-215-465-00	s RES, METAL 68K 1% 1/6W	
R63	1-215-445-00	s RES, METAL 10K 1% 1/6W		R151	1-215-421-00	s RES, METAL 1K 1% 1/6W	
R64	1-215-401-11	s RES, METAL 150 1% 1/6W		R152	1-215-421-00	s RES, METAL 1K 1% 1/6W	
R65	1-215-401-11	s RES, METAL 150 1% 1/6W		R153	1-215-459-00	s RES, METAL 39K 1% 1/6W	
R67	1-215-401-11	s RES, METAL 150 1% 1/6W		R156	1-215-469-00	s RES, METAL 100K 1% 1/6W	
R68	1-215-401-11	s RES, METAL 150 1% 1/6W		R157	1-215-410-00	s RES, METAL 360 1% 1/6W	
R69	1-215-443-00	s RES, METAL 8.2K 1% 1/6W		R161	1-215-469-00	s RES, METAL 100K 1% 1/6W	
R70	1-215-437-00	s RES, METAL 4.7K 1% 1/6W		R162	1-215-421-00	s RES, METAL 1K 1% 1/6W	
R71	1-215-437-00	s RES, METAL 4.7K 1% 1/6W		R163	1-215-421-00	s RES, METAL 1K 1% 1/6W	
R72	1-215-437-00	s RES, METAL 4.7K 1% 1/6W		R164	1-215-456-00	s RES, METAL 30K 1% 1/6W	
R73	1-215-470-00	s RES, METAL 110K 1% 1/6W		R165	1-215-438-00	s RES, METAL 5.1K 1% 1/6W	
R74	1-215-470-00	s RES, METAL 110K 1% 1/6W		R166	1-215-465-00	s RES, METAL 68K 1% 1/6W	
R75	1-215-463-00	s RES, METAL 56K 1% 1/6W		R167	1-215-428-00	s RES, METAL 2K 1% 1/6W	
R76	1-215-463-00	s RES, METAL 56K 1% 1/6W		R168	1-215-417-00	s RES, METAL 680 1% 1/6W	
R77	1-215-470-00	s RES, METAL 110K 1% 1/6W		R170	1-215-415-00	s RES, METAL 560 1% 1/6W	
R78	1-215-470-00	s RES, METAL 110K 1% 1/6W					

NOTE : Please see pages D-42 and D-43 for the part numbers of capacitors and resistors that are not listed in the parts list.

1R9

D-81(a)



(SV-90 BOARD, BVH-3000PS/3100PS)

(SV-90 BOARD, BVH-3000PS/3100PS)

Ref.No. or Qty	Part No.	SP Description	Ref.No. or Qty	Part No.	SP Description
C116	1-130-471-00	s CAP, MYLAR 0.001uF 5% 50V	IC2	8-759-937-22	s IC BA707
C119	1-124-255-00	s CAP, ELECT 1uF 20% 50V	ICA1	8-759-145-58	s IC UPC4558C
C120	1-124-255-00	s CAP, ELECT 1uF 20% 50V	ICA4	8-759-103-19	s IC UPC319C
C123	1-130-471-00	s CAP, MYLAR 0.001uF 5% 50V	ICA5	8-759-910-43	s IC CX23028
C126	1-124-566-11	s CAP, ELECT 120uF 20% 6.3V	ICA11	8-759-135-80	s IC UPC358C
C127	1-124-566-11	s CAP, ELECT 120uF 20% 6.3V	ICA16	8-759-103-95	s IC UPC648C
C150	1-130-483-00	s CAP, MYLAR 0.01uF 5% 50V	ICB1	8-759-145-58	s IC UPC4558C
C155	1-124-566-11	s CAP, ELECT 120uF 20% 6.3V	ICB4	8-759-135-80	s IC UPC358C
C156	1-124-566-11	s CAP, ELECT 120uF 20% 6.3V	ICB5	8-759-202-14	s IC TC74HC08P
C159	1-130-483-00	s CAP, MYLAR 0.01uF 5% 50V	* * ICB6	8-759-921-08	s IC SN74HC02N
C160	1-102-112-00	s CAP, CERAMIC 330PF 10% 50V	ICB7	8-759-101-83	s IC UPC649C
C162	1-107-202-00	s CAP, MICA 10PF 5% 50V	ICB9	8-759-101-83	s IC UPC649C
CN1	1-563-339-11	o RECEP, DIN 48P FEMALE	ICB15	8-759-112-54	s IC UPD78C10G-36
CN2	1-560-313-00	o RECEP, 1L 8P MALE	ICC1	8-759-745-60	s IC NJM4560D
CN315	1-506-748-11	s RECEP, DIN 96P MALE	ICC4	8-759-103-19	s IC UPC319C
CN316	1-506-748-11	s RECEP, DIN 96P MALE	ICC5	8-759-203-82	s IC TC74HC4520P
D1	8-719-911-19	s DIODE 1SS119	ICC6	8-759-990-82	s IC TL082CP
D2	8-719-911-19	s DIODE 1SS119	ICC7	8-759-208-10	s IC TC4053BPHB
D3	8-719-911-19	s DIODE 1SS119	ICC9	8-759-208-10	s IC TC4053BPHB
D4	8-719-911-19	s DIODE 1SS119	ICC11	8-759-990-82	s IC TL082CP
D5	8-719-911-19	s DIODE 1SS119	ICD1	8-759-745-60	s IC NJM4560D
D7	8-719-911-19	s DIODE 1SS119	ICD4	8-759-145-58	s IC UPC4558C
D8	8-719-911-19	s DIODE 1SS119	ICD7	8-759-990-82	s IC TL082CP
D9	8-719-918-88	s DIODE 1SS198	ICD9	8-759-990-82	s IC TL082CP
D10	8-719-918-88	s DIODE 1SS198	* * ICD13	8-759-916-50	s IC SN74HC157N
D11	8-719-918-88	s DIODE 1SS198	ICD14	8-759-203-50	s IC TC74HC574P
D12	8-719-911-19	s DIODE 1SS119	* * ICD15	8-759-203-48	s IC TC74HC573P
D13	8-719-911-19	s DIODE 1SS119	I ICD16	8-759-921-34	s IC SN74HC245N
D14	8-719-911-19	s DIODE 1SS119	I ICD17	8-759-921-34	s IC SN74HC245N
D15	8-719-911-19	s DIODE 1SS119	ICE1	8-759-990-82	s IC TL082CP
D16	8-719-911-19	s DIODE 1SS119	ICE2	8-759-990-82	s IC TL082CP
D17	8-719-911-19	s DIODE 1SS119	ICE4	8-759-208-06	s IC TC4051BPHB
D18	8-719-911-19	s DIODE 1SS119	ICE5	8-759-990-82	s IC TL082CP
D19	8-719-911-19	s DIODE 1SS119	ICE6	8-759-990-82	s IC TL082CP
D20	8-719-911-19	s DIODE 1SS119	ICE8	8-759-208-06	s IC TC4051BPHB
D21	8-719-911-19	s DIODE 1SS119	ICE9	8-759-135-80	s IC UPC358C
D22	8-719-911-19	s DIODE 1SS119	ICE10	8-759-135-80	s IC UPC358C
D23	8-719-800-60	s DIODE TLR214	ICE11	8-759-135-80	s IC UPC358C
D24	8-719-800-60	s DIODE TLR214	ICE13	8-759-202-21	s IC TC74HC32P
D25	8-719-800-60	s DIODE TLR214	ICE15	8-759-780-37	s IC, EPROM 27C64-V2U2-0-0
D26	8-719-400-35	s DIODE LN358P	ICE16	8-759-302-75	s IC HM6116ALSP-12
D27	8-719-400-35	s DIODE LN358P	* * ICE17	8-759-916-50	s IC SN74HC157N
D28	8-719-400-35	s DIODE LN358P	ICF1	8-759-990-82	s IC TL082CP
D29	8-719-400-35	s DIODE LN358P	ICF2	8-759-990-82	s IC TL082CP
D30	8-719-918-88	s DIODE 1SS198	ICF5	8-759-990-82	s IC TL082CP
D31	8-719-918-88	s DIODE 1SS198	ICF6	8-759-990-82	s IC TL082CP
D33	8-719-918-88	s DIODE 1SS198	ICF9	8-759-240-52	s IC TC4052BP
D34	8-719-911-19	s DIODE 1SS119	ICF10	8-759-208-06	s IC TC4051BPHB
D35	8-719-911-19	s DIODE 1SS119	ICF11	8-759-208-06	s IC TC4051BPHB
D36	8-719-911-19	s DIODE 1SS119	ICF13	8-759-202-11	s IC TC74HC00P
D37	8-719-911-19	s DIODE 1SS119	* * ICF17	8-759-916-50	s IC SN74HC157N
D38	8-719-911-19	s DIODE 1SS119	ICG2	8-759-135-80	s IC UPC358C
D39	8-719-911-19	s DIODE 1SS119	ICG4	8-759-135-80	s IC UPC358C
IC1	8-759-108-05	s IC UPC78L05A	ICG6	8-759-202-74	s IC TC74HC04P
			* * ICG7	8-759-916-65	s IC SN74HC240N

NOTE : Please see pages D-42 and D-43 for the part numbers of capacitors and resistors that are not listed in the parts list.

1R9

D-96

(SV-90 BOARD, BVH-3000PS/3100PS)

(SV-90 BOARD, BVH-3000PS/3100PS)

Ref.No. or Qty	Part No.	SP Description	Ref.No. or Qty	Part No.	SP Description
ICG11	8-759-645-17	s IC M54517P	ICM6	8-759-202-21	s IC TC74HC32P
ICG13	8-759-937-62	s IC CF77049N	ICM7	8-759-202-11	s IC TC74HC00P
ICG15	8-759-938-68	s IC CXD1095Q	ICM8	8-759-202-14	s IC TC74HC08P
ICH5	8-759-203-33	s IC TC74HC367P	* * ICM9	8-759-916-29	s IC SN74HC74N
ICH6	8-759-910-43	s IC CX23028	ICM10	8-759-916-29	s IC SN74HC74N
ICH7	8-759-910-43	s IC CX23028	ICM14	8-759-203-40	s IC TC74HC393P
ICH8	8-759-203-82	s IC TC74HC4520P	ICM17	8-759-203-33	s IC TC74HC367P
ICH9	8-759-906-24	s IC SN74LS624N	ICM19	8-759-107-56	s IC CXQ71011P
ICH10	8-759-202-12	s IC TC74HC02P	ICN1	8-759-202-55	s IC TC74HC244P
ICH11	8-759-340-46	s IC HD14046BP	ICN2	8-759-916-29	s IC SN74HC74N
* * ICH19	8-759-916-46	s IC SN74HC14N	* * ICM3	8-759-742-76	s IC, MBM27C256A-V1U3-1-0
ICJ2	8-759-938-68	s IC CXD1095Q	ICM5	8-759-742-75	s IC, MBM27C256A-V0U3-1-0
ICJ6	8-759-202-24	s IC TC74HC86P	ICN7	8-759-300-63	s IC HM6264LP-15
* * ICJ7	8-759-916-29	s IC SN74HC74N	ICN8	8-759-938-83	s IC CF77074NT
ICJ8	8-759-202-14	s IC TC74HC08P	ICN9	8-759-938-83	s IC CF77074NT
* * ICJ9	8-759-916-29	s IC SN74HC74N	ICN11	8-759-938-83	s IC CF77074NT
ICJ10	8-759-203-40	s IC TC74HC393P	ICN12	8-752-806-91	s IC CXQ71054P
ICJ11	8-759-202-11	s IC TC74HC00P	ICN14	8-752-806-91	s IC CXQ71054P
* * ICJ12	8-759-916-29	s IC SN74HC74N	ICN15	8-752-806-91	s IC CXQ71054P
ICJ19	8-759-202-74	s IC TC74HC04P	ICN17	8-752-806-91	s IC CXQ71054P
* * ICJ20	8-759-916-29	s IC SN74HC74N	ICN19	8-752-806-91	s IC CXQ71054P
ICK1	8-759-202-26	s IC TC74HC138P	L1	1-408-421-00	s INDUCTOR 100UH 5%
ICK2	8-759-202-55	s IC TC74HC244P	L2	1-421-370-00	s COIL, CHOKE
ICK3	8-759-202-26	s IC TC74HC138P	L3	1-421-370-00	s COIL, CHOKE
ICK4	8-759-202-26	s IC TC74HC138P	L4	1-421-370-00	s COIL, CHOKE
ICK5	8-759-202-26	s IC TC74HC138P	L5	1-421-370-00	s COIL, CHOKE
ICK6	8-759-202-26	s IC TC74HC138P	Q1	8-729-900-80	s TRANSISTOR DTC114ES
ICK7	8-759-202-16	s IC TC74HC11P	Q2	8-729-204-83	s TRANSISTOR 2SA1048-GR
* * ICK8	8-759-921-08	s IC SN74HC02N	Q3	8-729-697-92	s TRANSISTOR 2SA979
ICK9	8-759-203-82	s IC TC74HC4520P	R1	1-215-432-00	s RES, METAL 3K 1% 1/6W
ICK10	8-759-203-01	s IC TC74HC175P	R2	1-215-445-00	s RES, METAL 10K 1% 1/6W
* * ICK11	8-759-916-29	s IC SN74HC74N	R3	1-215-452-00	s RES, METAL 20K 1% 1/6W
ICK12	8-759-202-30	s IC TC74HC161P	R5	1-215-445-00	s RES, METAL 10K 1% 1/6W
ICK13	8-759-202-55	s IC TC74HC244P	R6	1-215-441-00	s RES, METAL 6.8K 1% 1/6W
ICK14	8-759-203-40	s IC TC74HC393P	R7	1-215-449-00	s RES, METAL 15K 1% 1/6W
ICK19	8-759-105-75	s IC UPD70108D-8	R8	1-215-445-00	s RES, METAL 10K 1% 1/6W
ICL1	8-759-203-48	s IC TC74HC573P	R9	1-215-436-00	s RES, METAL 4.3K 1% 1/6W
ICL2	8-759-203-48	s IC TC74HC573P	R10	1-215-421-00	s RES, METAL 1K 1% 1/6W
ICL3	8-759-914-41	s IC X2212P	R15	1-215-447-00	s RES, METAL 12K 1% 1/6W
ICL4	8-759-202-93	s IC TC74HC153P	R17	1-215-445-00	s RES, METAL 10K 1% 1/6W
ICL5	8-759-202-11	s IC TC74HC00P	R18	1-215-453-00	s RES, METAL 22K 1% 1/6W
ICL6	8-759-202-74	s IC TC74HC04P	R19	1-215-445-00	s RES, METAL 10K 1% 1/6W
ICL7	8-759-203-82	s IC TC74HC4520P	R20	1-215-453-00	s RES, METAL 22K 1% 1/6W
ICL8	8-759-202-74	s IC TC74HC04P	R21	1-215-447-00	s RES, METAL 12K 1% 1/6W
ICL9	8-759-202-14	s IC TC74HC08P	R24	1-215-411-00	s RES, METAL 390 1% 1/6W
ICL10	8-759-203-82	s IC TC74HC4520P	R25	1-215-406-00	s RES, METAL 240 1% 1/6W
ICL11	8-759-202-74	s IC TC74HC04P	R31	1-215-447-00	s RES, METAL 12K 1% 1/6W
ICL12	8-752-806-91	s IC CXQ71054P	R33	1-215-445-00	s RES, METAL 10K 1% 1/6W
ICL14	8-759-203-40	s IC TC74HC393P	R34	1-215-453-00	s RES, METAL 22K 1% 1/6W
ICL16	8-759-105-76	s IC UPD71059C	R35	1-215-445-00	s RES, METAL 10K 1% 1/6W
* * ICM1	8-759-921-34	s IC SN74HC245N	R36	1-215-453-00	s RES, METAL 22K 1% 1/6W
ICM2	8-759-921-34	s IC SN74HC245N	R37	1-215-447-00	s RES, METAL 12K 1% 1/6W
ICM3	8-759-202-26	s IC TC74HC138P	R41	1-215-425-00	s RES, METAL 1.5K 1% 1/6W
ICM4	8-759-202-89	s IC TC74HC139P	R43	1-215-425-00	s RES, METAL 1.5K 1% 1/6W
ICM5	8-759-202-14	s IC TC74HC08P	R44	1-215-418-00	s RES, METAL 750 1% 1/6W

NOTE: Please see pages D-42 and D-43 for the part numbers of capacitors and resistors that are not listed in the parts list.

1R9

D-97

SW-195 BOARD, BVH-3000PS/3100PS

Ref.No. or Q'ty	Part No.	SP Description
CN831	1-506-475-11	o RECEP, 10P MALE
CN832	1-506-468-11	o RECEP, 3P MALE
D1	8-719-940-89	s DIODE SLP655B-50
D2	8-719-940-89	s DIODE SLP655B-50
D3	8-719-940-89	s DIODE SLP655B-50
IC1	8-759-645-16	s IC M54516P
R1	1-247-751-11	s RES, CARBON 820 5% 1/2W
S1	1-516-994-00	s SWITCH, LEVER SLIDE
S2	1-516-994-00	s SWITCH, LEVER SLIDE
S3	1-516-994-00	s SWITCH, LEVER SLIDE

SY-103 BOARD, BVH-3000PS/3100PS

Ref.No. or Q'ty	Part No.	SP Description
1pc	A-6017-146-A	o COMPLETE PCB, SY-103
2pcs	3-714-634-01	o LEVER, PC BOARD
2pcs	3-714-691-01	o PIN, SPRING
4pcs	7-622-207-05	s N 2.6, TYPE 2
4pcs	7-628-254-40	s SCREW +PS 2.6X12
9pcs	7-682-948-01	s SCREW +PSW 3X8
2pcs	7-685-133-19	s SCREW +BTP 2.6X6 TYPE2 N-S
C1	1-124-566-11	s CAP, ELECT 120uF 20% 6.3V
C2	1-124-566-11	s CAP, ELECT 120uF 20% 6.3V
C3	1-124-587-11	s CAP, ELECT 220uF 20% 6.3V
C6	1-124-943-11	s CAP, ELECT 39uF 20% 25V
C8	1-124-943-11	s CAP, ELECT 39uF 20% 25V
C20	1-130-471-00	s CAP, MYLAR 0.001uF 5% 50V
C37	1-131-381-00	s CAP, ELECT 47uF 10% 10V
C38	1-125-445-11	s CAP, DOUBLE LAYERS 0.22F 5.5V
C39	1-130-471-00	s CAP, MYLAR 0.001uF 5% 50V
C40	1-130-473-00	s CAP, MYLAR 0.0015uF 5% 50V
C41	1-131-363-00	s CAP, TANT 4.7uF 10% 20V
C42	1-124-258-00	s CAP, ELECT 3.3uF 20% 50V
C43	1-130-471-00	s CAP, MYLAR 0.001uF 5% 50V
C182	1-130-471-00	s CAP, MYLAR 0.001uF 5% 50V
C183	1-162-734-11	s CAP, CERAMIC 1000PF 1% 50V
C186	1-124-233-00	s CAP, ELECT 10uF 20% 6.3V
* * C187	1-102-110-00	s CAP, CERAMIC 220PF 10% 55V
CN313	1-506-747-11	s RECEP, DIN 64P MALE
CN314	1-506-748-11	s RECEP, DIN 96P MALE
D2	8-719-911-19	s DIODE 1SS119
D3	8-719-200-02	s DIODE 10E-2
D4	8-719-911-19	s DIODE 1SS119
D5	8-719-911-19	s DIODE 1SS119
D8	8-719-400-35	s DIODE LN35BP
D9	8-719-911-19	s DIODE 1SS119
ICA1	8-759-202-17	s IC TC74HC14P
ICA2	8-759-901-23	s IC SN74LS123N
ICA3	8-759-202-92	s IC TC74HC151P
ICA4	8-759-112-96	s IC UPD6142C-001
ICA6	8-759-902-21	s IC SN74LS221N
ICA7	8-759-202-74	s IC TC74HC04P
ICA10	8-759-000-99	s IC MC74HC74N
ICA11	8-759-202-11	s IC TC74HC00P
ICA12	8-759-202-21	s IC TC74HC32P
ICA13	8-759-202-26	s IC TC74HC138P
ICB1	8-759-202-17	s IC TC74HC14P
ICB2	8-759-202-11	s IC TC74HC00P
ICB3	8-759-202-34	s IC TC74HC257P
ICB4	8-759-202-34	s IC TC74HC257P
ICB5	8-759-941-20	s IC SN74120N
ICB6	8-759-941-20	s IC SN74120N
ICB7	8-759-000-99	s IC MC74HC74N
ICB8	8-759-202-21	s IC TC74HC32P
ICB9	8-759-006-23	s IC SN74LS290N
ICB10	8-759-202-14	s IC TC74HC08P
ICB11	8-759-203-34	s IC TC74HC368P
ICB12	8-759-202-74	s IC TC74HC04P
ICB13	8-759-202-26	s IC TC74HC138P
ICC1	8-759-202-14	s IC TC74HC08P
ICC2	8-759-202-74	s IC TC74HC04P
ICC3	8-759-910-76	s IC CX-7913A

NOTE : Please see pages D-42 and D-43 for the part numbers of capacitors and resistors that are not listed in the parts list.

(SY-103 BOARD, BVH-3000PS/3100PS)

Ref.No. or Q'ty	Part No.	SP	Description
ICC8	8-759-000-99	s IC	MC74HC74N
ICC9	8-759-340-46	s IC	HD14046BP
ICC10	8-759-909-16	s IC	CX-7907A
ICC12	8-759-901-89	s IC	SN74LS189AN
ICC13	8-759-202-26	s IC	TC74HC138P
ICC14	8-759-202-55	s IC	TC74HC244P
ICD1	8-759-202-11	s IC	TC74HC00P
ICD2	8-759-202-74	s IC	TC74HC04P
ICD3	8-759-202-14	s IC	TC74HC08P
ICD4	8-759-202-34	s IC	TC74HC257P
ICD5	8-759-901-89	s IC	SN74LS189AN
ICD6	8-759-202-34	s IC	TC74HC257P
ICD7	8-759-901-89	s IC	SN74LS189AN
ICD8	8-759-202-27	s IC	TC74HC157P
ICD9	8-759-203-40	s IC	TC74HC393P
ICD10	8-759-202-74	s IC	TC74HC04P
ICD11	8-759-203-40	s IC	TC74HC393P
ICD12	8-759-202-34	s IC	TC74HC257P
ICD14	8-759-202-33	s IC	TC74HC240P
ICE1	8-759-202-11	s IC	TC74HC00P
ICE3	8-759-938-68	s IC	CXD1095Q
ICE5	8-759-000-99	s IC	MC74HC74N
ICE6	8-759-202-97	s IC	TC74HC165P
ICE7	8-759-202-55	s IC	TC74HC244P
ICE8	8-759-901-89	s IC	SN74LS189AN
ICE10	8-759-240-21	s IC	TC4021BP
ICE11	8-759-240-21	s IC	TC4021BP
ICE12	8-759-240-21	s IC	TC4021BP
ICE13	8-759-240-21	s IC	TC4021BP
ICE14	8-759-202-74	s IC	TC74HC04P
ICF1	8-759-926-32	s IC	AM26LS32PC
ICF2	8-759-926-30	s IC	AM26LS30PC
ICF3	8-759-926-30	s IC	AM26LS30PC
ICF4	8-759-202-21	s IC	TC74HC32P
ICF5	8-759-202-11	s IC	TC74HC00P
ICF6	8-759-007-19	s IC	MC74HC4051N
ICF7	8-759-202-74	s IC	TC74HC04P
ICF8	8-759-202-11	s IC	TC74HC00P
ICF9	8-759-202-14	s IC	TC74HC08P
ICF10	8-759-202-74	s IC	TC74HC04P
ICF13	8-759-938-68	s IC	CXD1095Q
ICF14	8-759-203-40	s IC	TC74HC393P
ICF15	8-759-203-82	s IC	TC74HC4520P
ICG1	8-759-926-32	s IC	AM26LS32PC
ICG3	8-759-926-30	s IC	AM26LS30PC
ICG4	8-759-202-21	s IC	TC74HC32P
ICG5	8-759-202-14	s IC	TC74HC08P
ICG6	8-759-007-20	s IC	MC74HC4052N
ICG7	8-759-202-74	s IC	TC74HC04P
ICG8	8-759-202-14	s IC	TC74HC08P
ICG9	8-759-202-21	s IC	TC74HC32P
ICG10	8-759-202-11	s IC	TC74HC00P
ICG11	8-759-202-93	s IC	TC74HC153P
ICG12	8-759-000-99	s IC	MC74HC74N
ICG13	8-759-203-40	s IC	TC74HC393P

(SY-103 BOARD, BVH-3000PS/3100PS)

Ref. No. or Q'ty	Part No.	SP	Description
ICG14	8-759-107-56	s IC	CXQ71011P
ICH1	8-759-202-17	s IC	TC74HC14P
ICH2	8-759-202-27	s IC	TC74HC157P
ICH3	8-759-202-27	s IC	TC74HC157P
ICH4	8-759-202-27	s IC	TC74HC157P
ICH5	8-759-202-55	s IC	TC74HC244P
ICH6	8-759-107-51	s IC	CXQ71051P
ICH7	8-759-103-24	s IC	UPD7201AD
ICH8	8-752-806-91	s IC	CXQ71054P
ICH10	8-752-328-10	s IC	CXK5864BP-10L
* * ICH11	8-759-742-99	s IC	MBM27C256A-Y1A2-4-0
* * ICH12	8-759-742-98	s IC	MBM27C256A-Y0A2-4-0
ICH13	8-759-203-48	s IC	TC74HC573P
ICH14	8-759-105-75	s IC	UPD70108D-8
ICJ1	8-759-008-57	s IC	MC34051P
ICJ2	8-759-202-21	s IC	TC74HC32P
* * ICJ3	8-752-328-10	s IC	CXK5864BP-10L
ICJ4	8-759-202-56	s IC	TC74HC245P
ICJ5	8-759-105-76	s IC	UPD71059C
ICJ8	8-759-202-15	s IC	TC74HC10P
ICJ9	8-759-000-99	s IC	MC74HC74N
ICJ10	8-759-202-26	s IC	TC74HC138P
ICJ11	8-759-202-17	s IC	TC74HC14P
ICJ12	8-759-202-14	s IC	TC74HC08P
ICJ13	8-759-202-56	s IC	TC74HC245P
ICK1	8-759-202-56	s IC	TC74HC245P
ICK2	8-759-202-56	s IC	TC74HC245P
ICK6	8-759-001-00	s IC	MC74HC132N
ICK9	8-759-202-11	s IC	TC74HC00P
ICK10	8-759-202-26	s IC	TC74HC138P
ICK11	8-759-000-99	s IC	MC74HC74N
ICK12	8-759-202-21	s IC	TC74HC32P
ICK13	8-759-203-33	s IC	TC74HC367P
L1	1-421-370-00	s	COIL, CHOKE
L2	1-421-370-00	s	COIL, CHOKE
L4	1-410-332-11	s	INDUCTOR 47UH 10%
Q1	8-729-900-36	s	TRANSISTOR DTC124ES
R27	1-215-476-00	s	RES, METAL 200K 1% 1/6W
R45	1-247-743-11	s	RES, CARBON 220 5% 1/2W
R46	1-247-745-11	s	RES, CARBON 330 5% 1/2W
R56	1-215-465-00	s	RES, METAL 68K 1% 1/6W
R57	1-215-443-00	s	RES, METAL 8.2K 1% 1/6W
RB1	1-231-410-00	s	RESISTOR BLOCK 10KX8
RB2	1-231-410-00	s	RESISTOR BLOCK 10KX8
RB3	1-231-549-11	s	BLOCK, RESISTOR 47KX4
RB4	1-235-005-00	s	RESISTOR BLOCK 47KX8
RB5	1-235-005-00	s	RESISTOR BLOCK 47KX8
RB6	1-235-005-00	s	RESISTOR BLOCK 47KX8
RB7	1-231-533-00	s	RESISTOR BLOCK 10KX4
RB8	1-231-410-00	s	RESISTOR BLOCK 10KX8
RB9	1-231-533-00	s	RESISTOR BLOCK 10KX4
RB10	1-231-410-00	s	RESISTOR BLOCK 10KX8
RB11	1-231-533-00	s	RESISTOR BLOCK 10KX4
RB12	1-231-410-00	s	RESISTOR BLOCK 10KX8

NOTE : Please see pages D-42 and D-43 for the part numbers of capacitors and resistors that are not listed in the parts list.

(VO-16 BOARD, BVH-3000PS/3100PS)

Board No.  
1-621-101-13  
& Higher

(VO-16 BOARD, BVH-3000PS/3100PS)

Board No.  
1-621-101-13  
& Higher

Ref. No. or Q'ty	Part No.	SP Description	Ref. No. or Q'ty	Part No.	SP Description
C420	1-124-445-00	s CAP, ELECT 100uF 20% 16V	C541	1-161-461-00	s CAP, CERAMIC 150PF 10% 50V
C421	1-124-445-00	s CAP, ELECT 100uF 20% 16V	C543	1-102-114-00	s CAP, CERAMIC 470PF 10% 50V
C422	1-124-445-00	s CAP, ELECT 100uF 20% 16V	C545	1-161-485-00	s CAP, CERAMIC 0.1uF 50V
C423	1-124-445-00	s CAP, ELECT 100uF 20% 16V	C546	1-130-480-00	s CAP, MYLAR 0.0056uF 5% 50V
C424	1-124-445-00	s CAP, ELECT 100uF 20% 16V	C547	1-161-465-00	s CAP, CERAMIC 330PF 5% 50V
C425	1-124-445-00	s CAP, ELECT 100uF 20% 16V	C549	1-161-485-00	s CAP, CERAMIC 0.1uF 50V
C426	1-124-445-00	s CAP, ELECT 100uF 20% 16V	C550	1-161-485-00	s CAP, CERAMIC 0.1uF 50V
C427	1-124-445-00	s CAP, ELECT 100uF 20% 16V	C552	1-161-485-00	s CAP, CERAMIC 0.1uF 50V
C428	1-124-445-00	s CAP, ELECT 100uF 20% 16V	C553	1-161-485-00	s CAP, CERAMIC 0.1uF 50V
C429	1-124-445-00	s CAP, ELECT 100uF 20% 16V	C554	1-161-485-00	s CAP, CERAMIC 0.1uF 50%
C430	1-124-445-00	s CAP, ELECT 100uF 20% 16V	C555	1-161-485-00	s CAP, CERAMIC 0.1uF 50V
C431	1-123-321-00	s CAP, ELECT 220uF 20% 16V	C556	1-124-767-00	s CAP, ELECT NONPOLAR 2.2uF 20% 50V
C432	1-123-321-00	s CAP, ELECT 220uF 20% 16V	C557	1-101-005-00	s CAP, CERAMIC 0.022uF 50V
C433	1-123-321-00	s CAP, ELECT 220uF 20% 16V	C558	1-101-005-00	s CAP, CERAMIC 0.022uF 50V
C434	1-123-321-00	s CAP, ELECT 220uF 20% 16V	C559	1-130-483-00	s CAP, MYLAR 0.01uF 5% 50V
C439	1-102-074-00	s CAP, CERAMIC 0.001uF 10% 50V	C560	1-130-483-00	s CAP, MYLAR 0.01uF 5% 50V
C440	1-102-074-00	s CAP, CERAMIC 0.001uF 10% 50V	C561	1-101-005-00	s CAP, CERAMIC 0.022uF 50V
C441	1-102-074-00	s CAP, CERAMIC 0.001uF 10% 50V	C562	1-101-005-00	s CAP, CERAMIC 0.022uF 50V
C442	1-102-074-00	s CAP, CERAMIC 0.001uF 10% 50V	C563	1-101-005-00	s CAP, CERAMIC 0.022uF 50V
C444	1-161-457-00	s CAP, CERAMIC 68PF 5% 50V	C564	1-101-005-00	s CAP, CERAMIC 0.022uF 50V
C446	1-161-485-00	s CAP, CERAMIC 0.1uF 50V	C565	1-101-005-00	s CAP, CERAMIC 0.022uF 50V
C448	1-161-458-00	s CAP, CERAMIC 82PF 5% 50V	C566	1-130-472-00	s CAP, MYLAR 0.0012uF 5% 50V
C453	1-109-554-00	s CAP, MICA 510PF 5% 100V	C567	1-161-463-00	s CAP, CERAMIC 220PF 10% 50V
C455	1-101-004-00	s CAP, CERAMIC 0.01uF 50V	C568	1-101-005-00	s CAP, CERAMIC 0.022uF 50V
C460	1-161-460-00	s CAP, CERAMIC 120PF 5% 50V	C570	1-101-005-00	s CAP, CERAMIC 0.022uF 50V
C461	1-161-463-00	s CAP, CERAMIC 220PF 5% 50V	C571	1-101-005-00	s CAP, CERAMIC 0.022uF 50V
C462	1-130-485-00	s CAP, MYLAR 0.015uF 5% 50V	C572	1-101-005-00	s CAP, CERAMIC 0.022uF 50V
C463	1-161-463-00	s CAP, CERAMIC 220PF 5% 50V	C577	1-101-005-00	s CAP, CERAMIC 0.022uF 50V
C464	1-130-477-00	s CAP, MYLAR 0.0033uF 5% 50V	C600	1-130-475-11	s CAP, MYLAR 0.0022uF 5% 50V
C467	1-102-106-00	s CAP, CERAMIC 100PF 10% 50V	C701	1-101-005-00	s CAP, CERAMIC 0.022uF 50V
C468	1-102-106-00	s CAP, CERAMIC 100PF 10% 50V	C702	1-101-005-00	s CAP, CERAMIC 0.022uF 50V
C469	1-102-106-00	s CAP, CERAMIC 100PF 10% 50V	C703	1-101-005-00	s CAP, CERAMIC 0.022uF 50V
C471	1-107-163-00	s CAP, MICA 47PF 5% 500V	C704	1-101-005-00	s CAP, CERAMIC 0.022uF 50V
C472	1-161-464-00	s CAP, CERAMIC 270PF 5% 50V	C705	1-101-005-00	s CAP, CERAMIC 0.022uF 50V
C473	1-161-464-00	s CAP, CERAMIC 270PF 5% 50V	C706	1-101-005-00	s CAP, CERAMIC 0.022uF 50V
C475	1-101-005-00	s CAP, CERAMIC 0.022uF 50V	C707	1-101-005-00	s CAP, CERAMIC 0.022uF 50V
C478	1-124-499-11	s CAP, ELECT, NONPOLAR 1uF 20% 50V	C709	1-101-005-00	s CAP, CERAMIC 0.022uF 50V
C479	1-109-783-00	s CAP, MICA 0.001uF 1% 100V	* * C712	1-162-765-11	s CAP, CERAMIC 1000PF 5% 50V
C481	1-123-321-00	s CAP, ELECT 220uF 20% 16V	C851	1-101-005-00	s CAP, CERAMIC 0.022uF 50V
C483	1-101-005-00	s CAP, CERAMIC 0.022uF 50V	C852	1-101-005-00	s CAP, CERAMIC 0.022uF 50V
C484	1-101-005-00	s CAP, CERAMIC 0.022uF 50V	C853	1-101-005-00	s CAP, CERAMIC 0.022uF 50V
C486	1-130-477-00	s CAP, MYLAR 0.0033uF 5% 50V	C854	1-101-005-00	s CAP, CERAMIC 0.022uF 50V
C487	1-130-495-00	s CAP, MYLAR 0.1uF 5% 50V	CN303	1-506-748-11	s RECEP, DIN 96P MALE
C488	1-130-477-00	s CAP, MYLAR 0.0033uF 5% 50V	CN304	1-506-748-11	s RECEP, DIN 96P MALE
C489	1-130-491-00	s CAP, MYLAR 0.047uF 5% 50V	CT1	1-141-254-00	s CAP, TRIMMER 30PF
C510	1-124-445-00	s CAP, ELECT 100uF 20% 16V	CT2	1-141-260-00	s CAP, TRIMMER 50PF
C515	1-124-767-00	s CAP, ELECT, NONPOLAR 2.2uF 20% 50V	CT3	1-141-304-21	s CAP, TRIMMER 10PF
C520	1-161-485-00	s CAP, CERAMIC 0.1uF 50V	D1	8-719-101-97	s DIODE 1SS97-1
C521	1-124-499-11	s CAP, ELECT, NONPOLAR 1uF 20% 50V	D2	8-719-101-97	s DIODE 1SS97-1
C526	1-124-445-00	s CAP, ELECT 100uF 20% 16V	D3	8-719-911-19	s DIODE 1SS119
C527	1-130-491-00	s CAP, MYLAR 0.047uF 5% 50V	D4	8-719-911-19	s DIODE 1SS119
C530	1-124-927-11	s CAP, ELECT 4.7uF 20% 50V	D6	8-719-915-30	s DIODE FC53M
C532	1-124-445-00	s CAP, ELECT 100uF 20% 16V	D7	8-719-915-30	s DIODE FC53M
C535	1-161-485-00	s CAP, CERAMIC 0.1uF 50V	D8	8-719-911-19	s DIODE 1SS119
C536	1-130-491-00	s CAP, MYLAR 0.047uF 5% 50V	D9	8-719-911-19	s DIODE 1SS119
C538	1-131-347-00	s CAP, TANT 1uF 10% 35V	D10	8-719-911-19	s DIODE 1SS119
C540	1-101-005-00	s CAP, CERAMIC 0.022uF 50V	D12	8-719-109-91	s DIODE RD6.2ESB
			D14	8-719-911-19	s DIODE 1SS119
			D15	8-719-911-19	s DIODE 1SS119

NOTE : Please see pages D-42 and D-43 for the part numbers of capacitors and resistors that are not listed in the parts list.

## TABLE OF CONTENTS

### Volume 1

1. INSTALLATION
2. SERVICE INFORMATION
3. DIAGNOSIS FUNCTION
5. PERIODIC CHECK & MAINTENANCE
6. PARTS REPLACEMENT
7. GENERAL INFORMATION FOR ALIGNMENT
8. POWER SUPPLY ALIGNMENT
9. TAPE PATH SYSTEM ALIGNMENT
10. SYSTEM CONTROL/SERVO ALIGNMENT
11. AUDIO SIGNAL SYSTEM ALIGNMENT
12. VIDEO SIGNAL SYSTEM ALIGNMENT
13. DT SYSTEM ALIGNMENT
14. TBC SYSTEM ALIGNMENT

### Volume 2

#### A. BLOCK DIAGRAMS

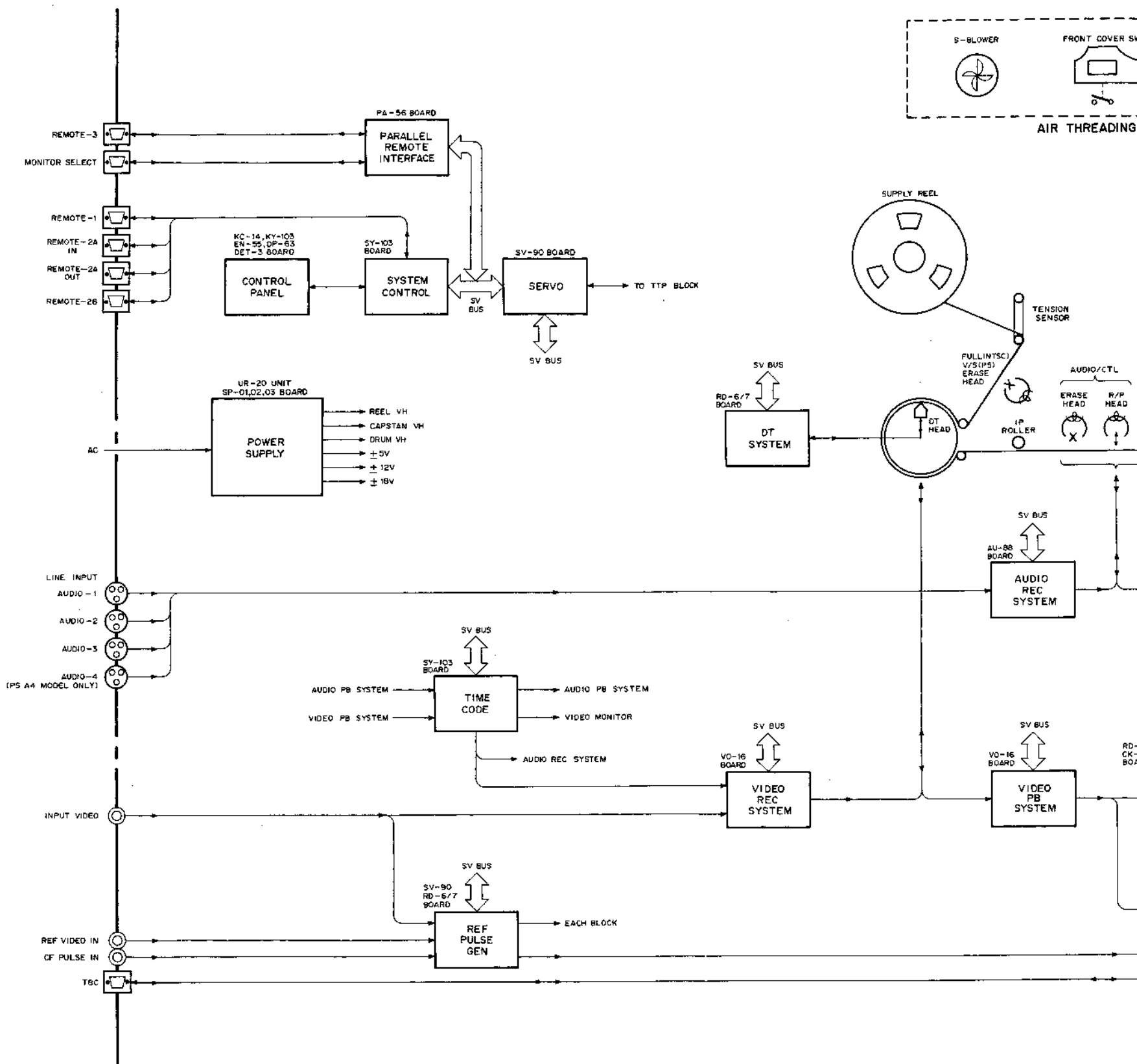
- Overall Block Diagram..... A-1
- Audio Signal System Block Diagram (1/2)··· A-5
  - Audio-1 & Audio-2
- Audio Signal System Block Diagram (2/2)··· A-9
  - Audio-3 & CTL (For A3 Model)
- Audio Signal System Block Diagram (2/2)··· A-15
  - Audio-3 & Audio-4 & CTL
  - (For A4 Model)
- Erase Signal System Block Diagram..... A-15
- Video Signal System Overall Block Diagram·· A-19
- TBC Overall Block Diagram..... A-23
- VO-16 Board (1/3)..... A-27
  - CPU I/O Port
  - Input Gain Controller
  - Modulator
- VO-16 Board (2/3)..... A-31
  - Equalizer
  - Envelope Detector
- VO-16 Board (3/3)..... A-37
  - Demodulator
  - Video Amplifier
  - Sync Separator
- CK-27 Board..... A-43
  - TBC Clock Generator & Memory
- RD-7 Board (1/3)..... A-46
  - DT System
- RD-7 Board (2/3)..... A-49
  - Servo Reference
- RD-7 Board (3/3)..... A-53
  - TBC Sync Generator
- Servo Block Diagram..... A-59
- System Control/Control Panel Overall  
Block Diagram..... A-62
- Control Panel Block Diagram..... A-65
- SY-103 Board (1/2)..... A-68
  - Time Code Reader Generator
- SY-103 Board (2/2)..... A-71
  - CPU
- Power Supply Block Diagram..... A-74

AC-82 Board.....	D-44
AP-15 Board.....	D-44
AU-88 Board.....	D-49
BC-12 Board.....	D-55
CD-36 Board.....	D-56
CEH-2 Board.....	D-57
CK-27 Board.....	D-58
CN-186 Board.....	D-63
DD-7 Board.....	D-63
DE-18 Board.....	D-64
DET-3 Board.....	D-65
DP-63 Board.....	D-65
DR-13 Board.....	D-66
DS-19 Board.....	D-66
EN-55 Board.....	D-67
EX-136 Board.....	D-68
HD-06 Board.....	D-68
HD-07 Board.....	D-69
HD-08 Board.....	D-69
KC-14 Board.....	D-70
KY-103 Board.....	D-71
LP-34 Board.....	D-72
MA-26 Board.....	D-72
MB-140 Board.....	D-74
MC-29 Board.....	D-74
MOTOR Board.....	D-75
MS-21 Board.....	D-75
PA-56 Board.....	D-76
PS-143 Board.....	D-77
RD-7 Board.....	D-77
RM-43 Board.....	D-83
RP-32 Board.....	D-86
SE-49 Board.....	D-87
SL-07 Board.....	D-88
SP-01 Board.....	D-88
SP-02 Board.....	D-91
SP-03 Board.....	D-93
SR-36 Board.....	D-95
SV-90 Board.....	D-95
SW-195 Board.....	D-99
SY-103 Board.....	D-99
VO-16 Board.....	D-101
VR-51 Board.....	D-107
VS-30 Board.....	D-108
Frame.....	D-110
Accessories Supplied.....	D-112
Optional Fixtures.....	D-113

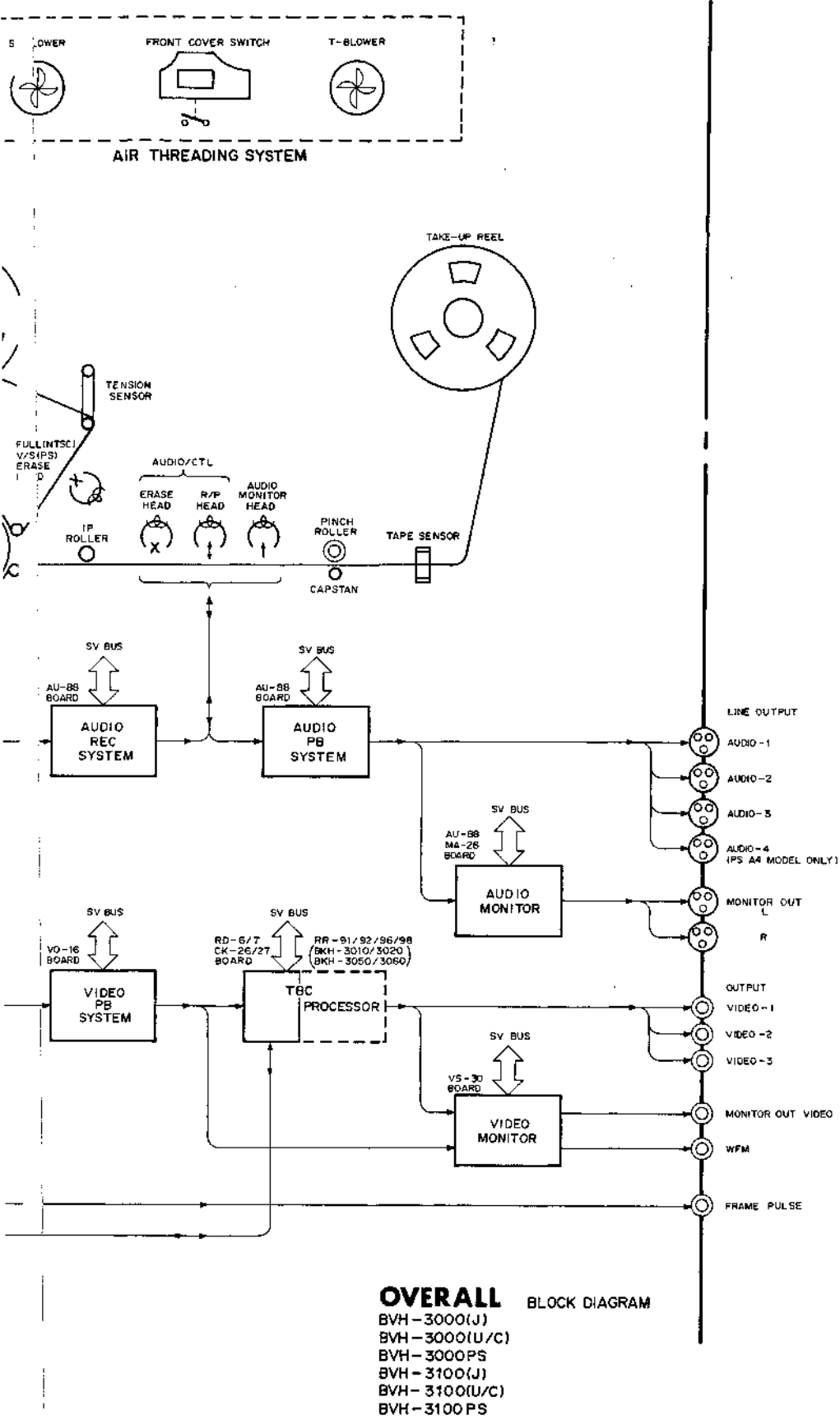
## E. CHANGED PARTS

SECTION A  
BLOCK DIAGRAM

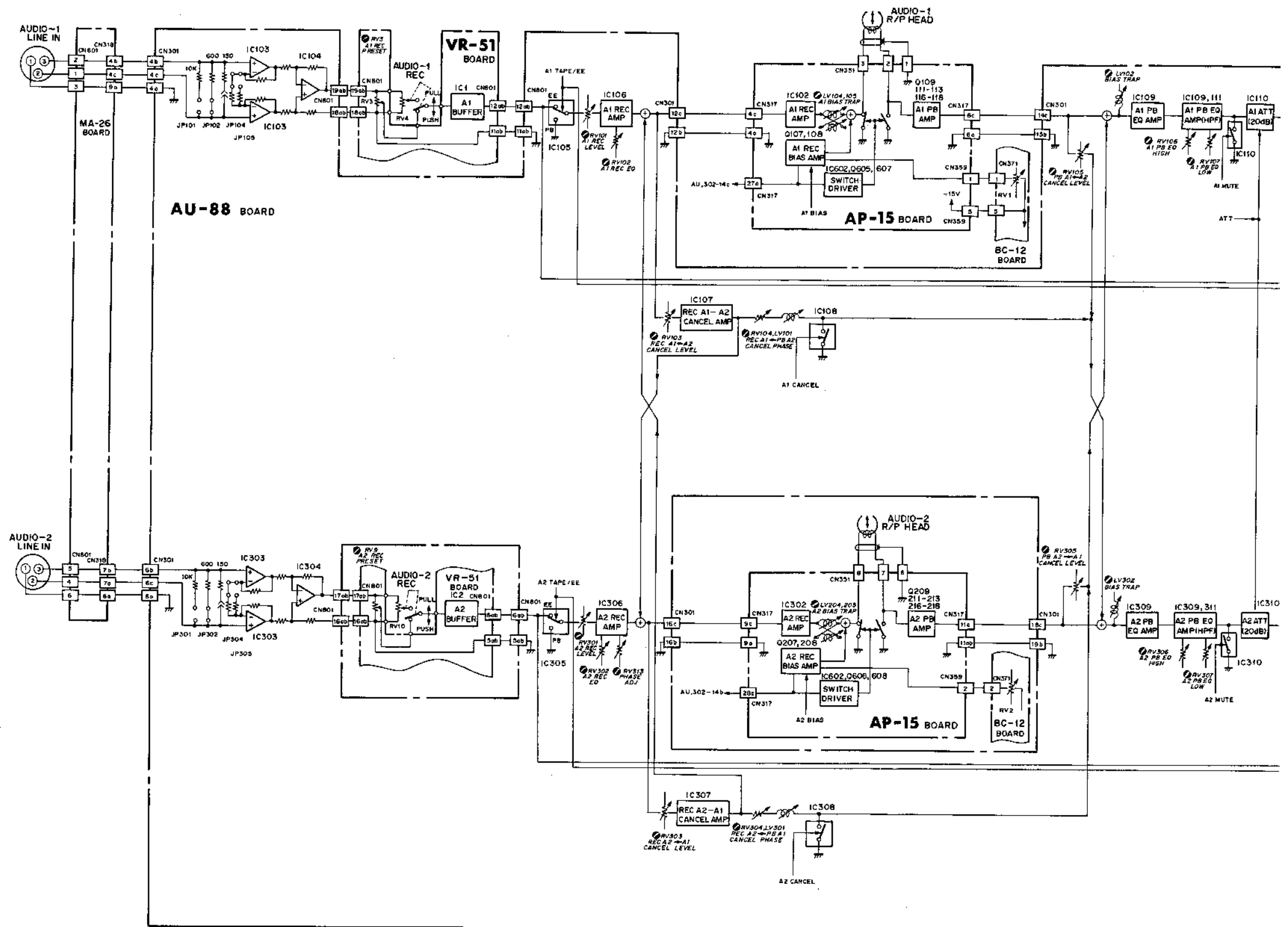
OVERALL BLOCK DIAGRAM

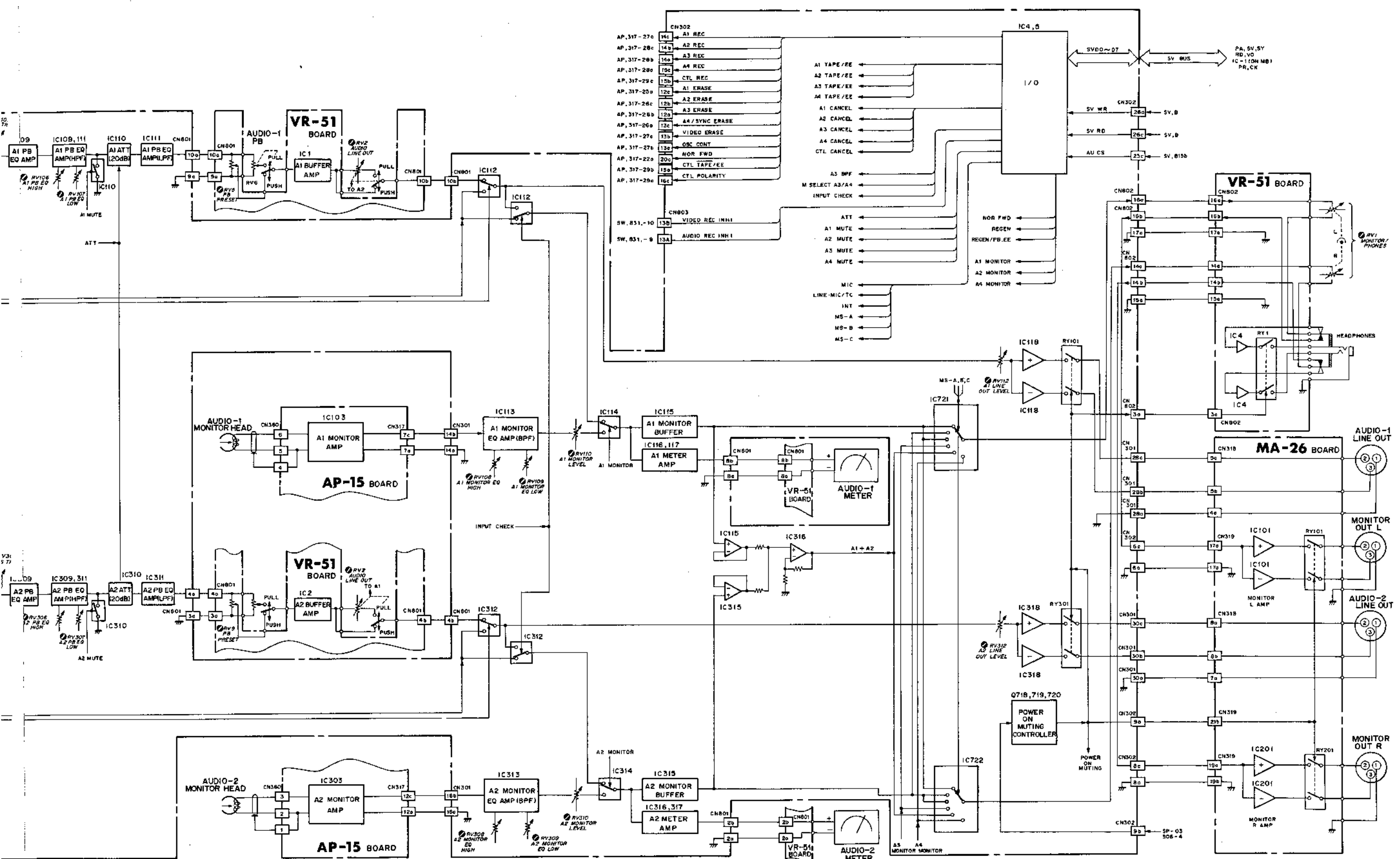






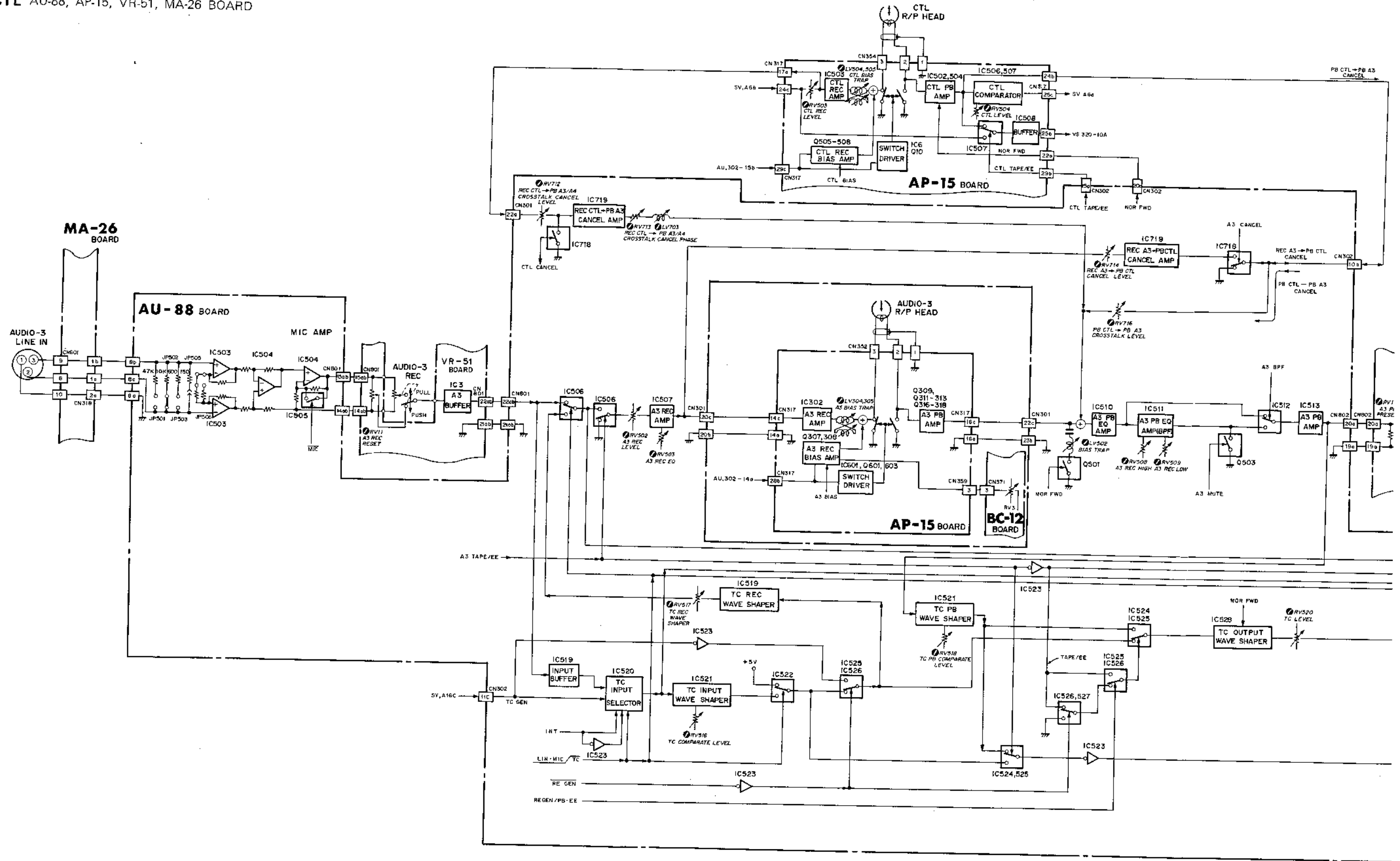
AUDIO SIGNAL SYSTEM BLOCK DIAGRAM (1/2)  
A-1 & A-2 AU-88, AP-15, VR-51, MA-26 BOARD

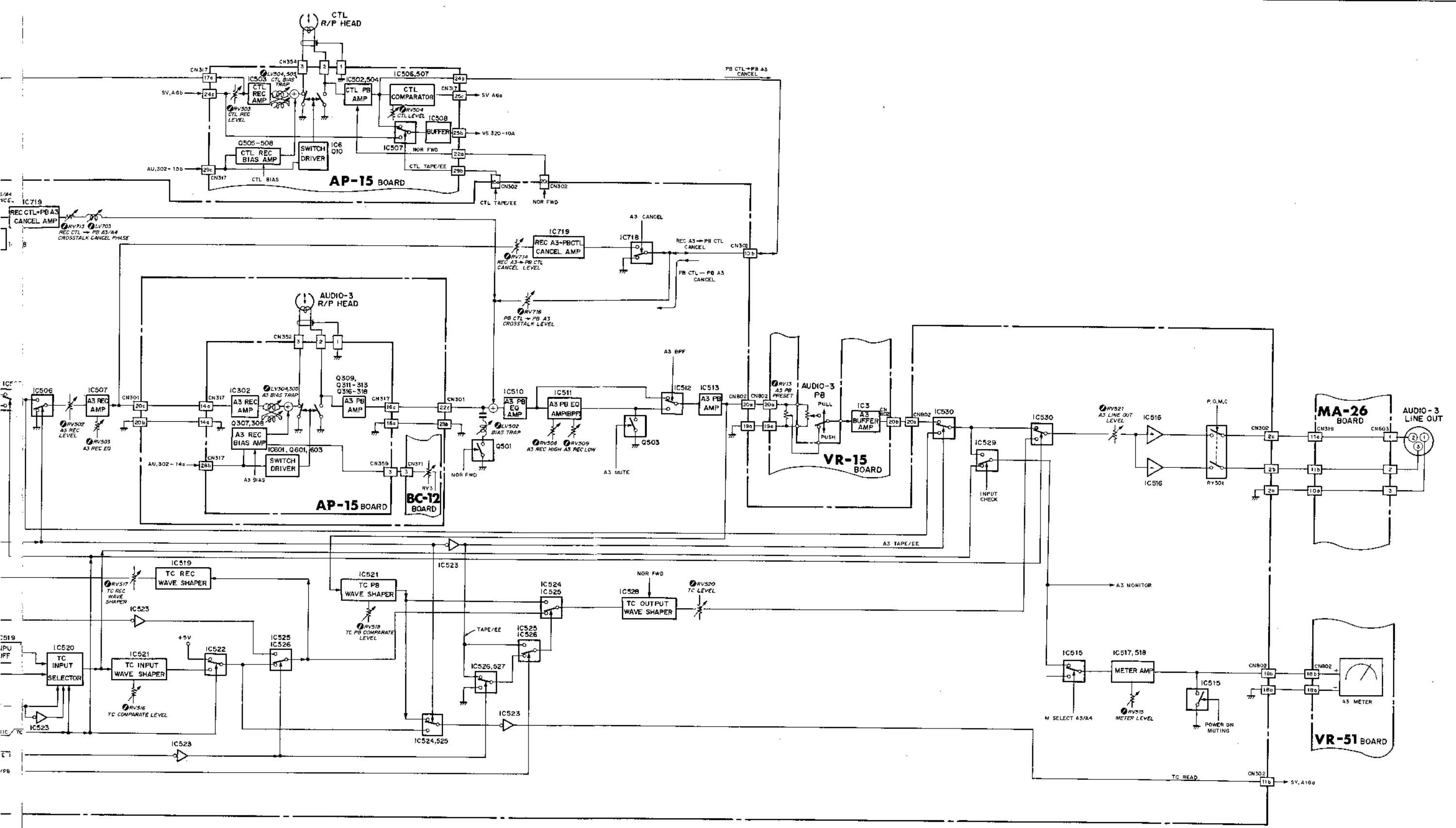




**AUDIO SIGNAL SYSTEM BLOCK DIAGRAM (1/2)**  
**AUDIO-1 & AUDIO-2**  
**AU-88, AP-15, VR-51, MA-26 BOARD**  
 BVH-3000/3100 (J, UC)  
 BVH-3000PS/3100PS (A3)  
 BVH-3000PS/3100PS (A4)  
 BVH-3000PM/3100PM

AUDIO SIGNAL SYSTEM BLOCK DIAGRAM (2/2) - FOR A3 MODEL -  
A-3 & CTL AU-88, AP-15, VR-51, MA-26 BOARD



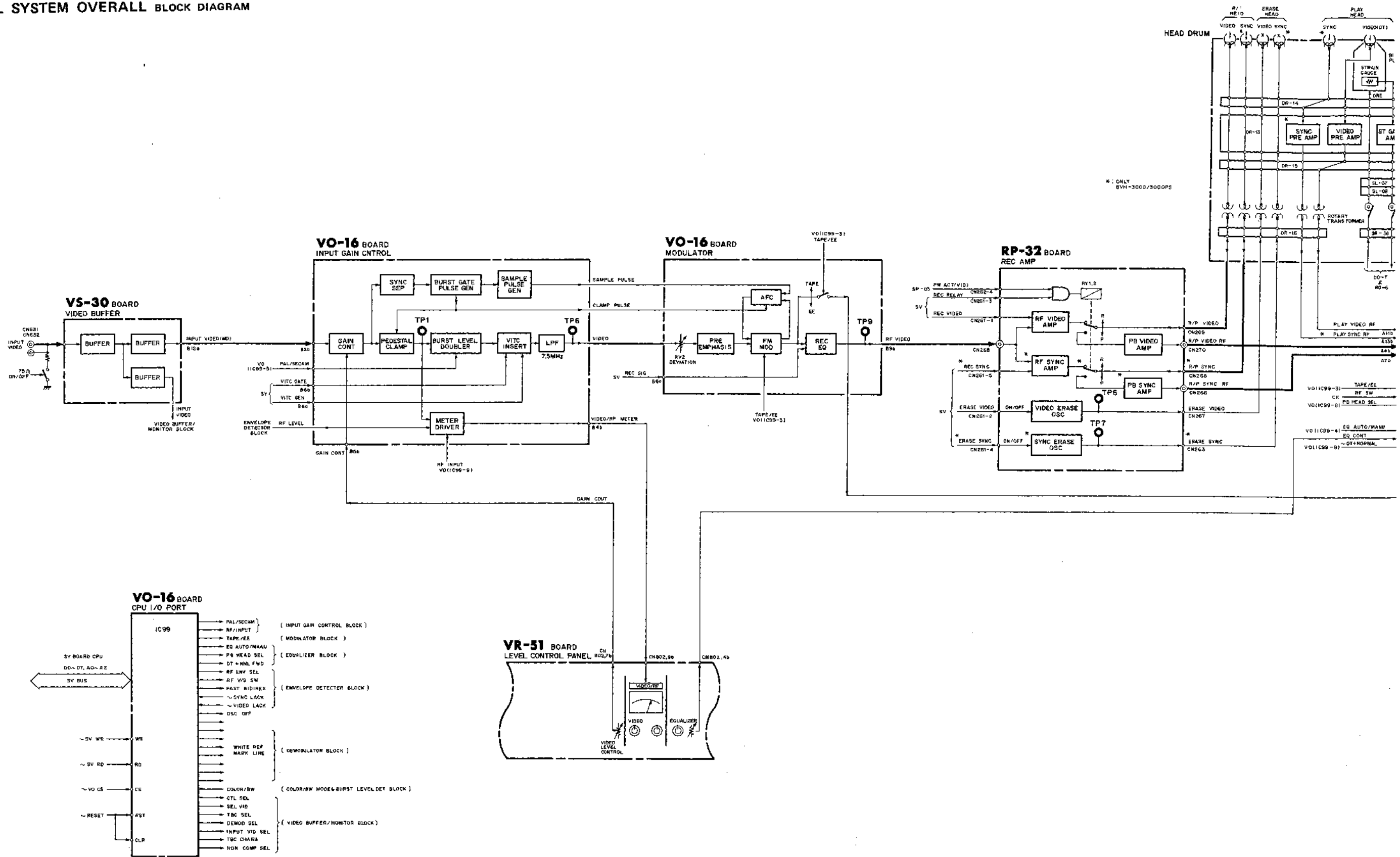


**AUDIO SIGNAL SYSTEM BLOCK DIAGRAM(2/2) - FOR A3 MODEL -**  
**AUDIO-3 & CTL**  
**AU-88, AP-15, VR-51, MA-26 BOARD**  
 BVH-3000/3100(J,UC)  
 BVH-3000PS/3100PS(A3)  
 BVH-3000PM/3100PM

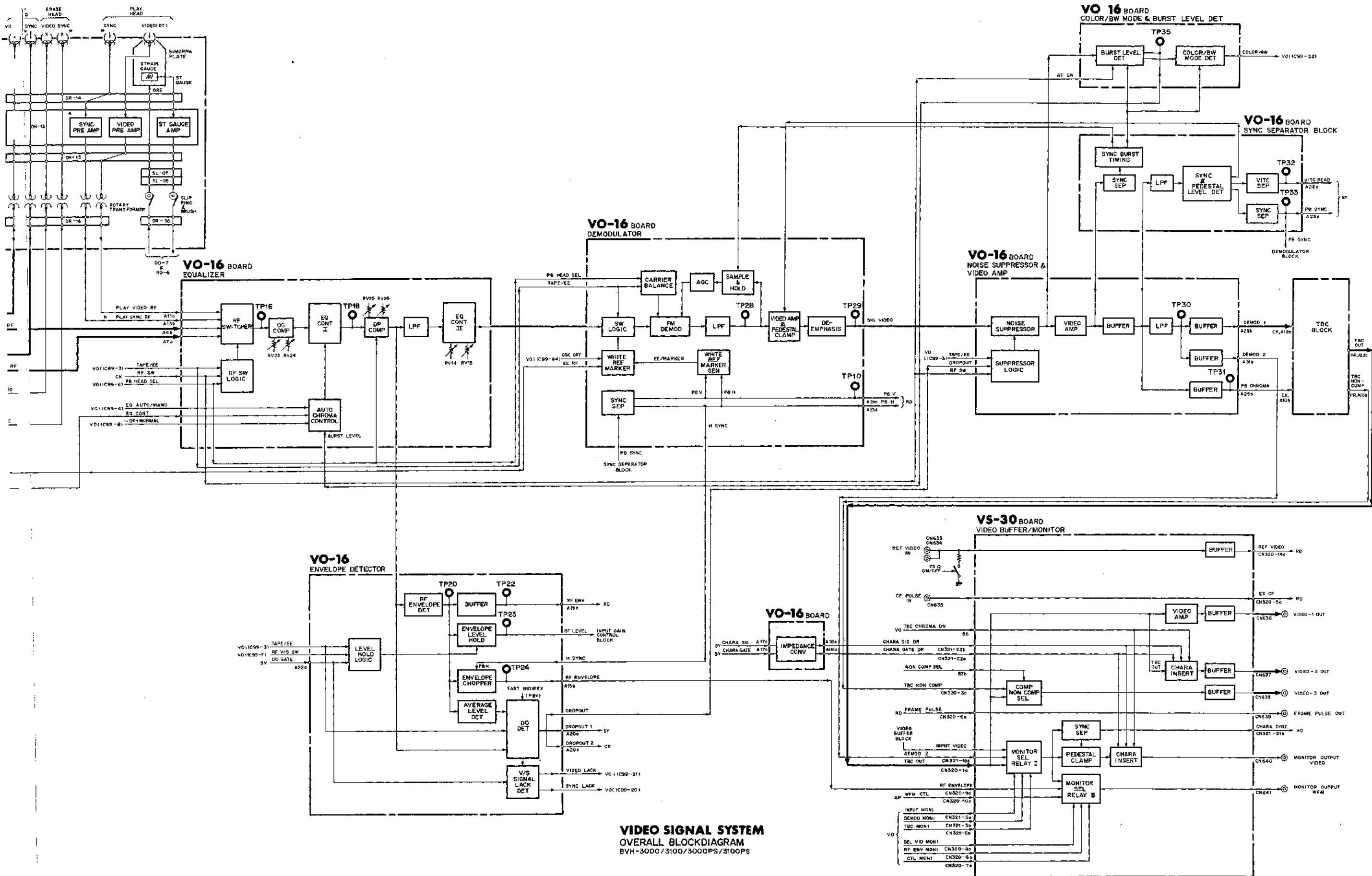




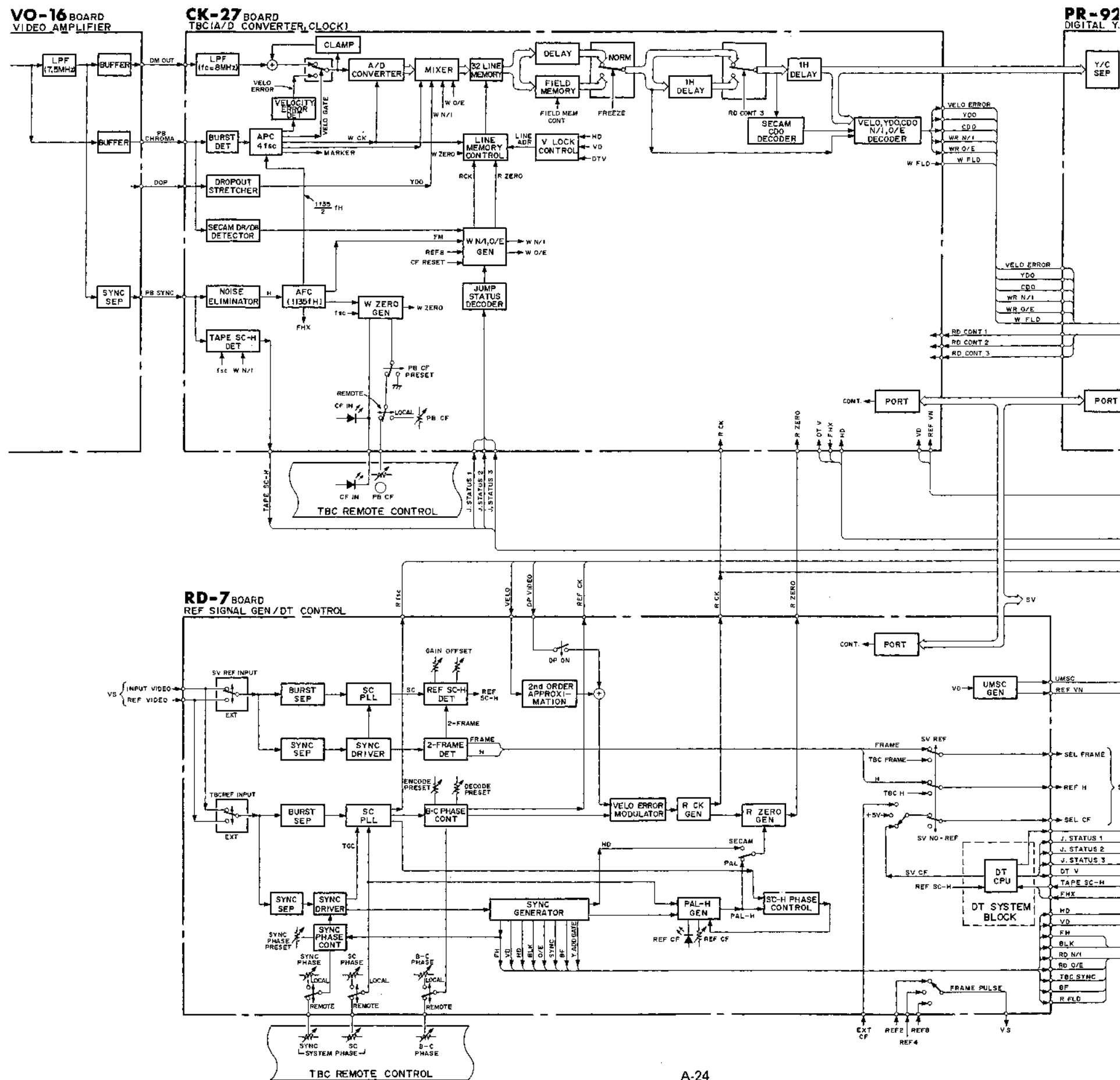
VIDEO SIGNAL SYSTEM OVERALL BLOCK DIAGRAM

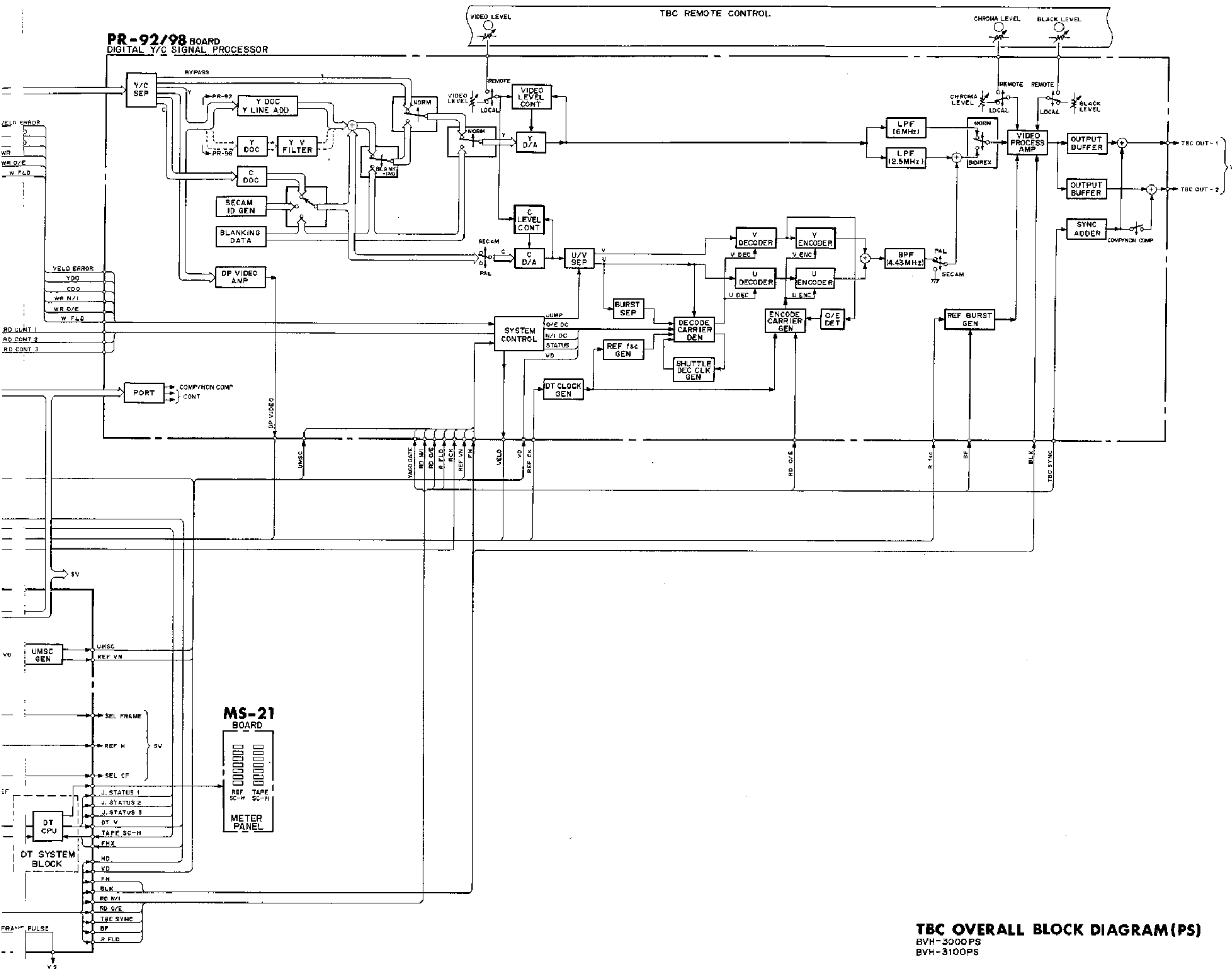






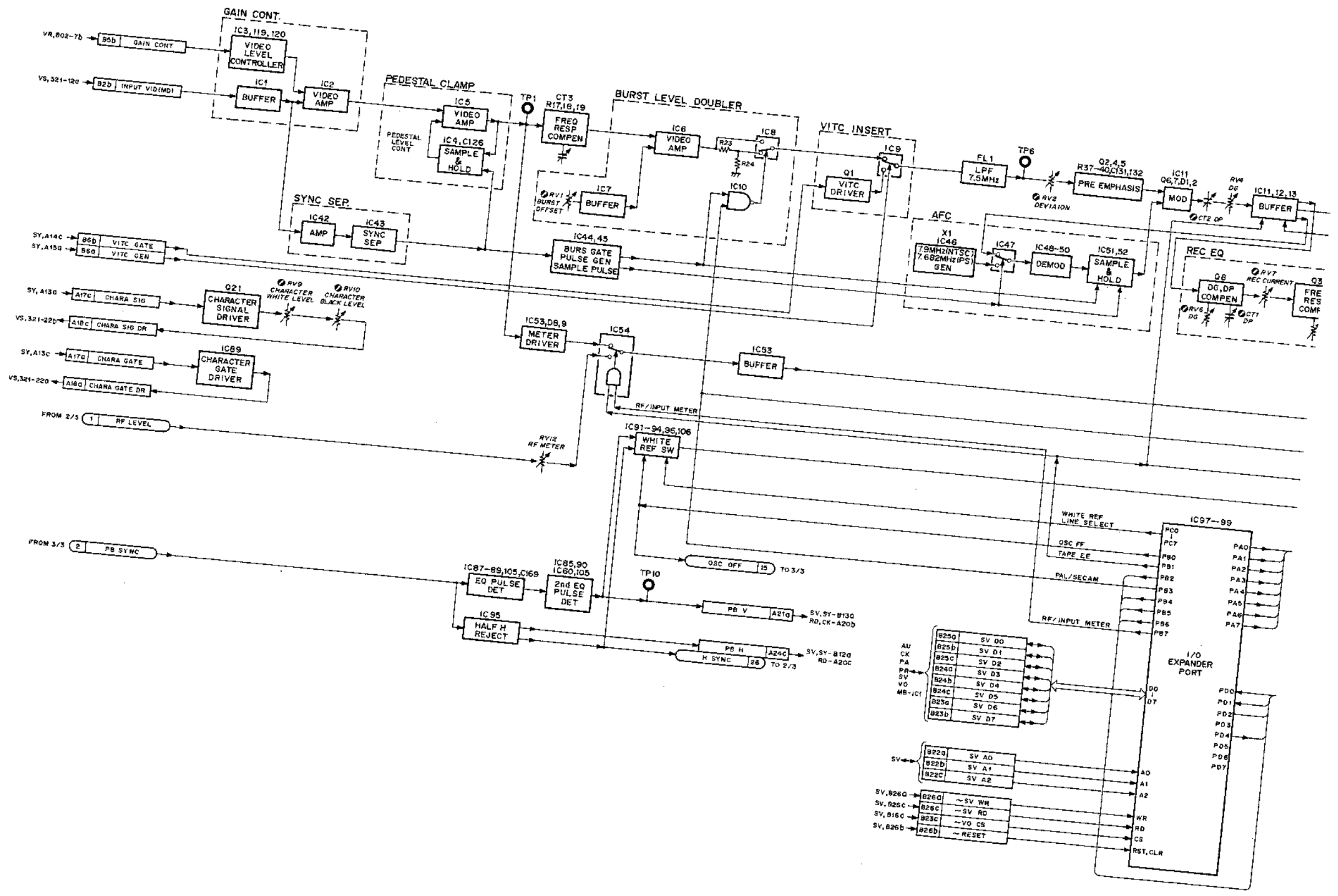
TBC OVERALL BLOCK DIAGRAM

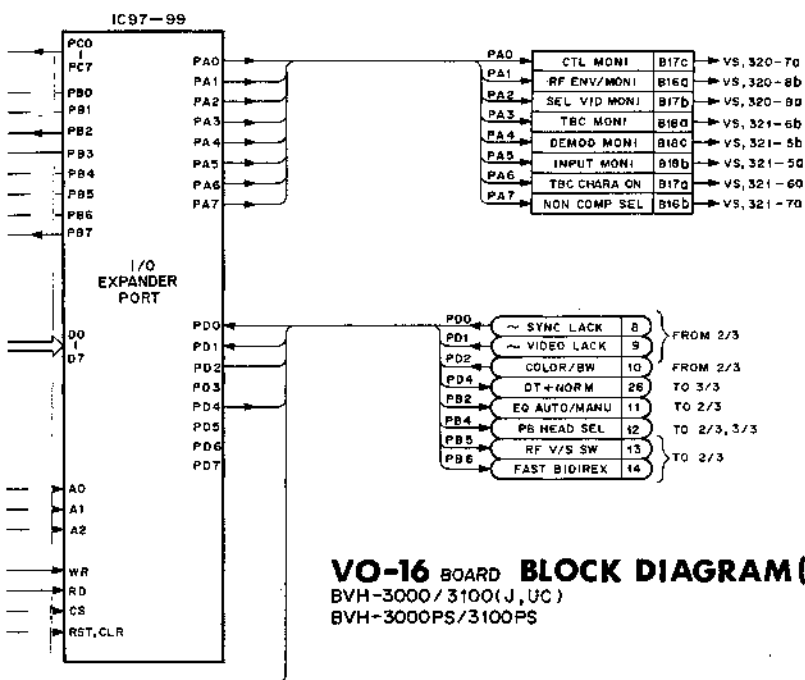
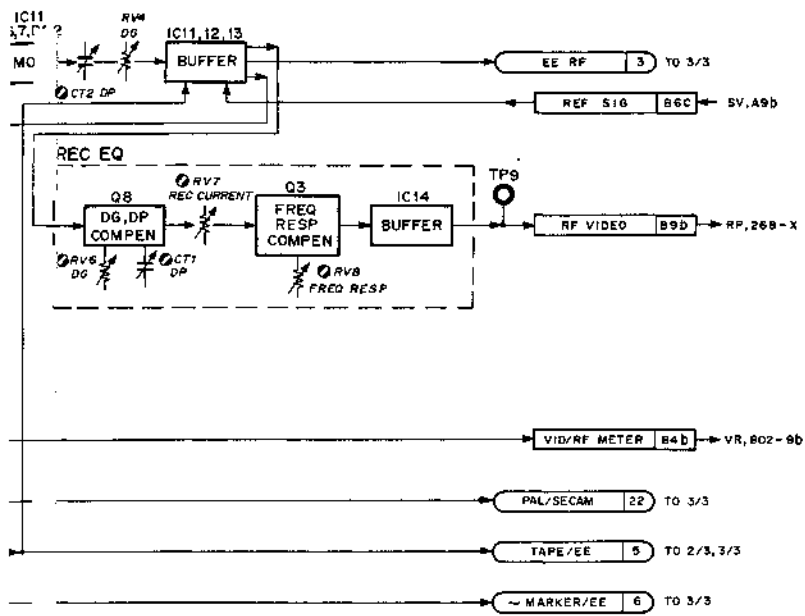




VO-16 BOARD (1/3)  
 CPU I/O PORT  
 INPUT GAIN CONTROLLER  
 MODULATOR

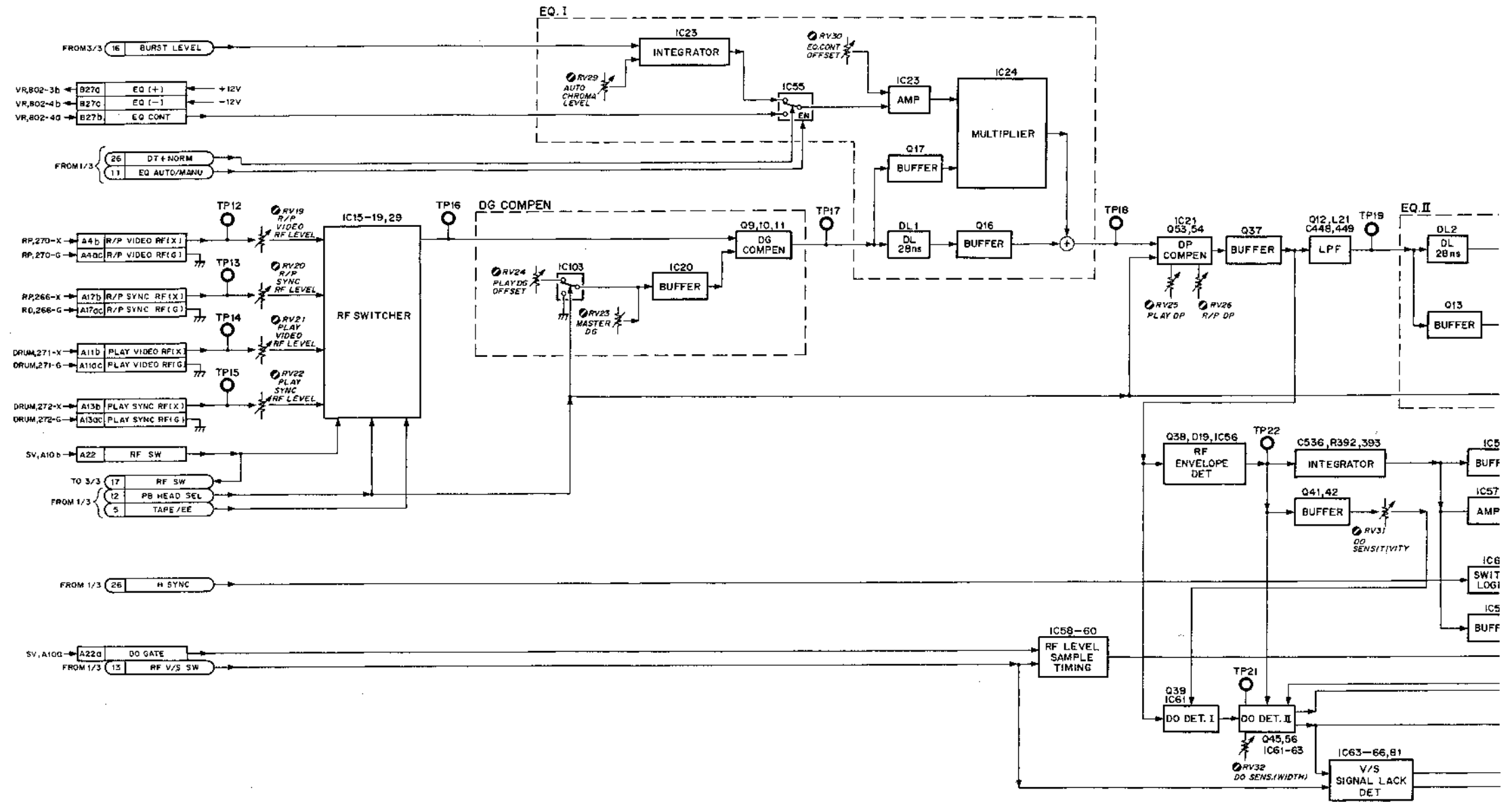
BLOCK DIAGRAM VO-16(1/3) VO-16(1/3) BLOCK DIAGRAM

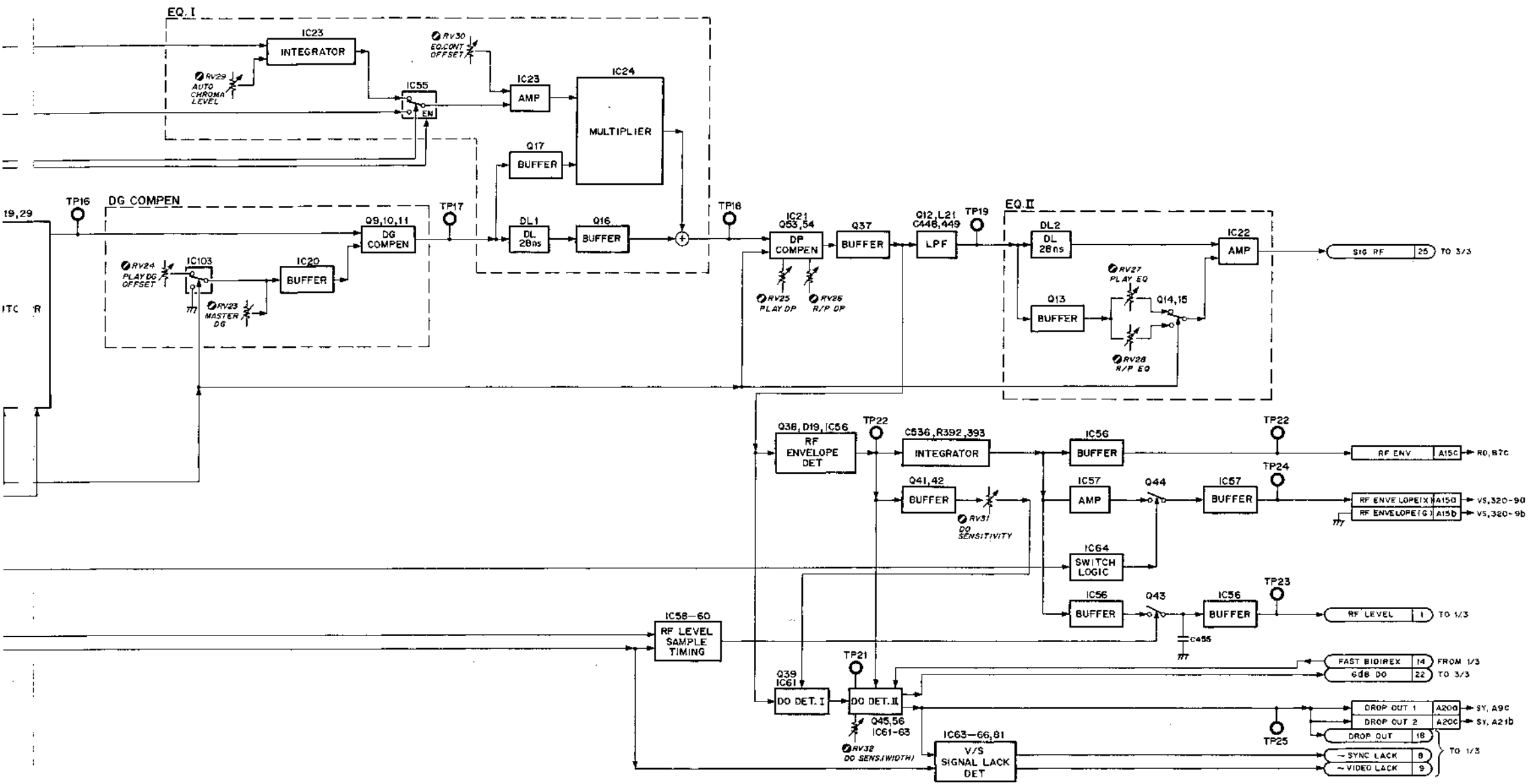




**VO-16 BOARD BLOCK DIAGRAM (1/3)**  
 BVH-3000/3100(J,UC)  
 BVH-3000PS/3100PS

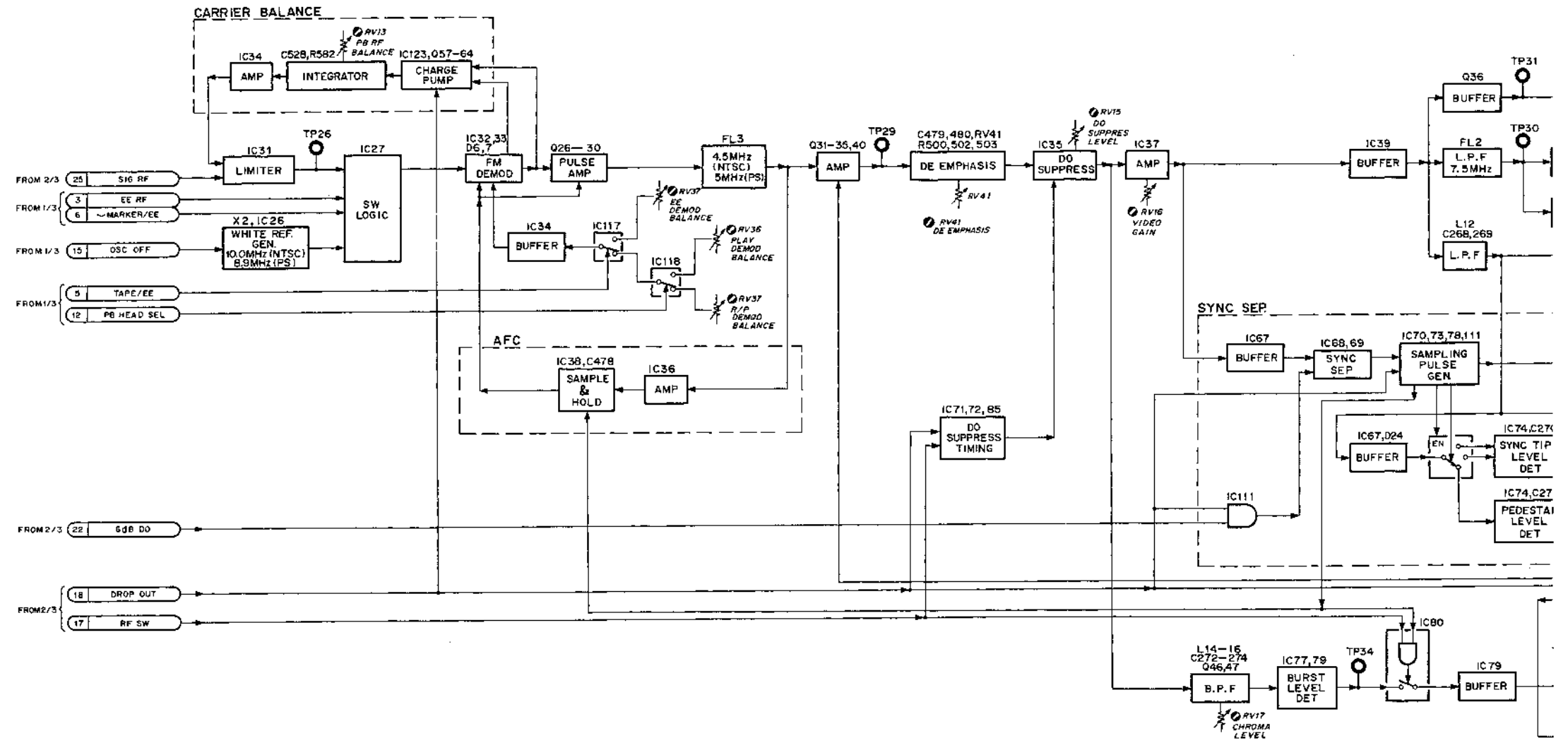
VO-16 BOARD (2/3)  
EQUALIZER  
ENVELOPE DETECTOR



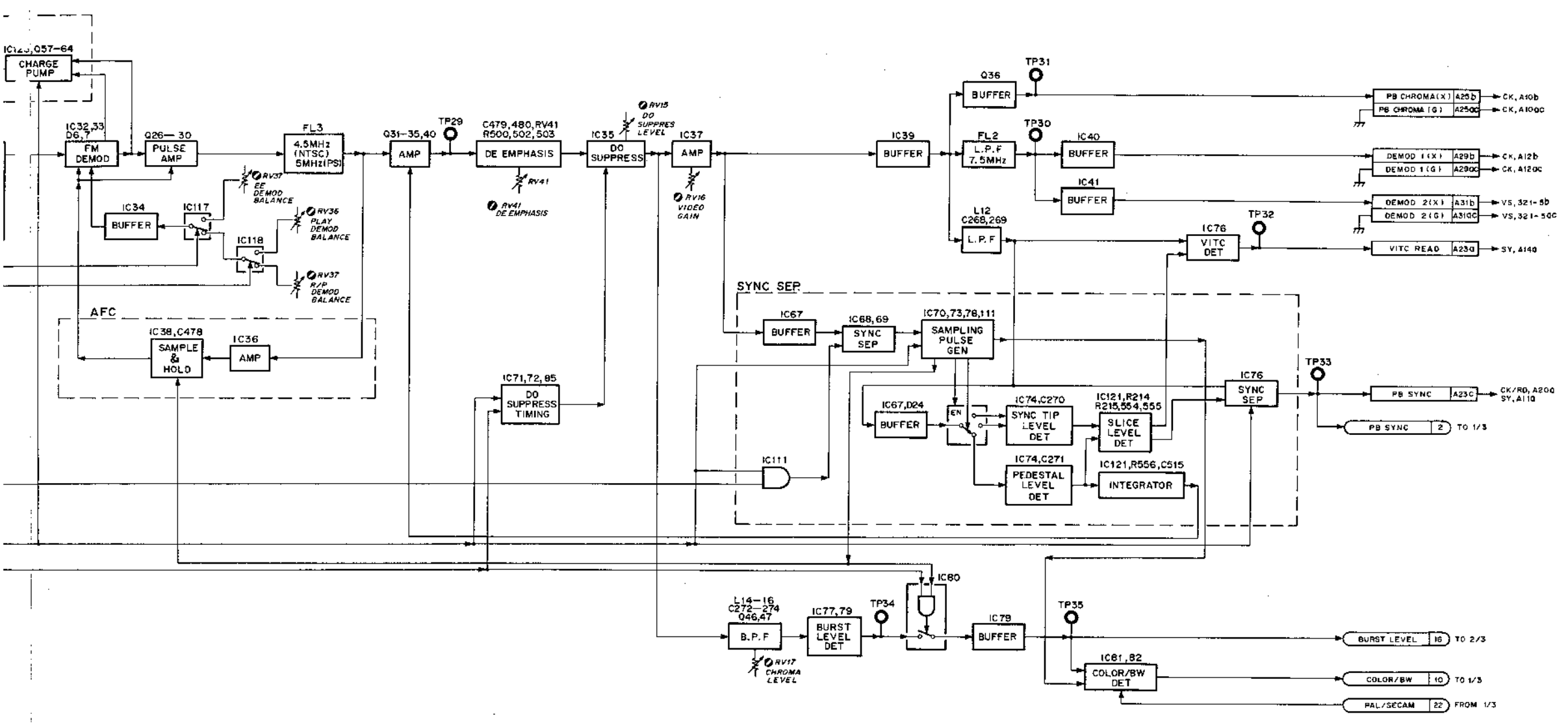


**VO-16 BOARD BLOCK DIAGRAM (2/3)**  
 BVH-3000/3100 (J, UC)  
 BVH-3000PS/3100PS

VO-16 BOARD (3/3)  
 DEMODULATOR  
 VIDEO AMPLIFIER  
 SYNC SEPARATOR

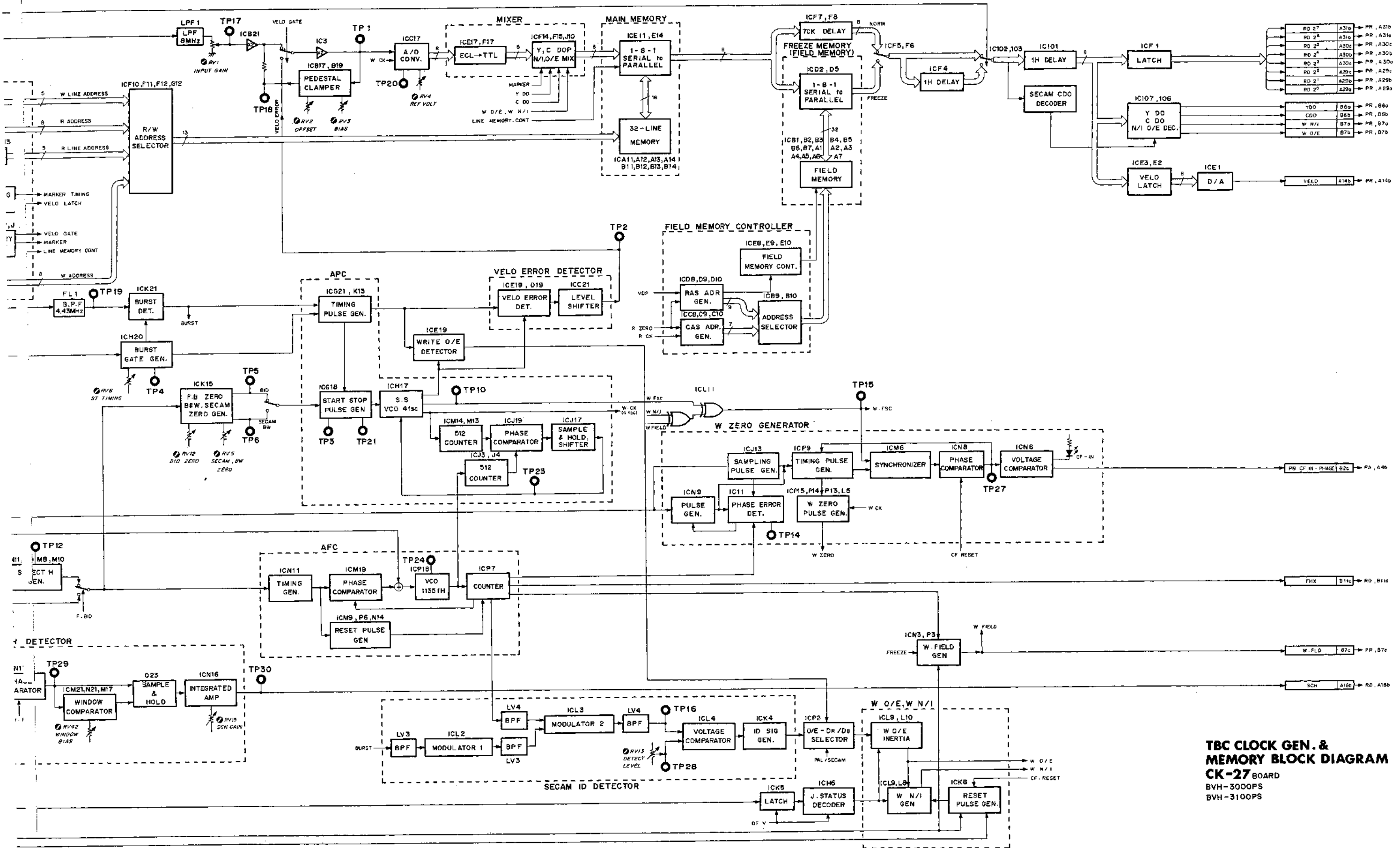






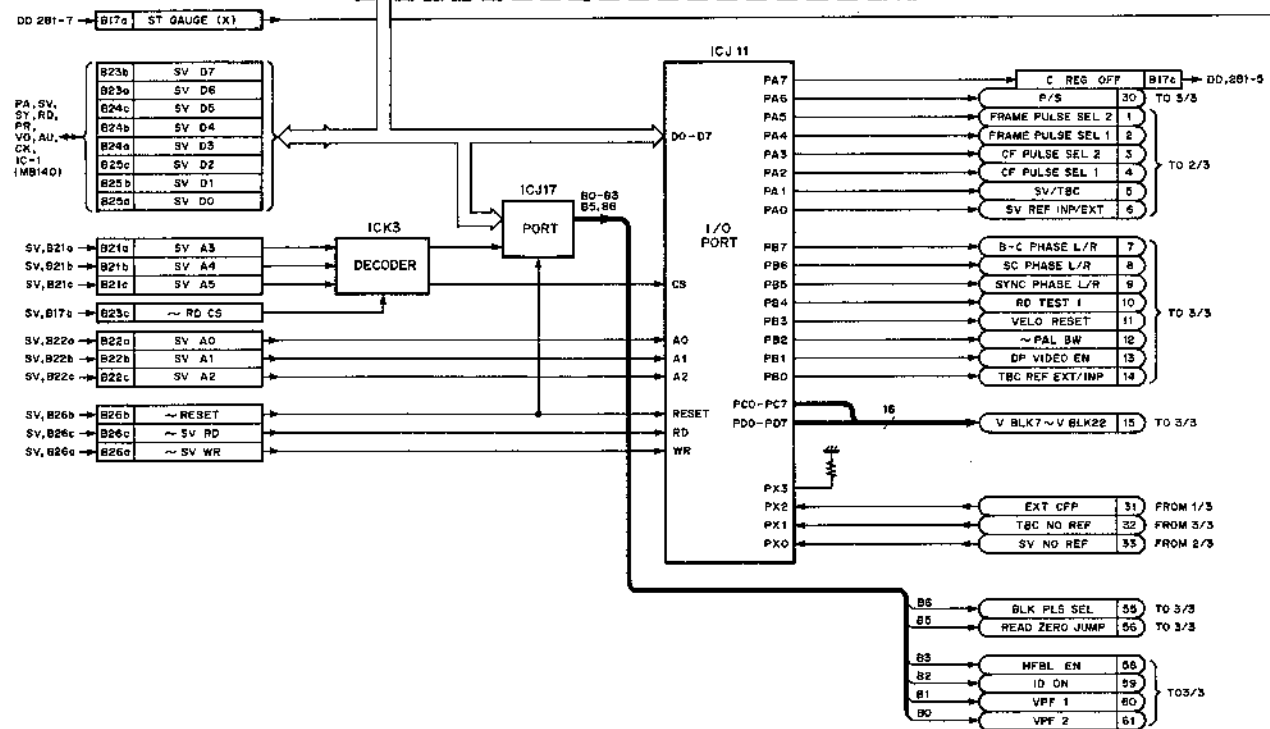
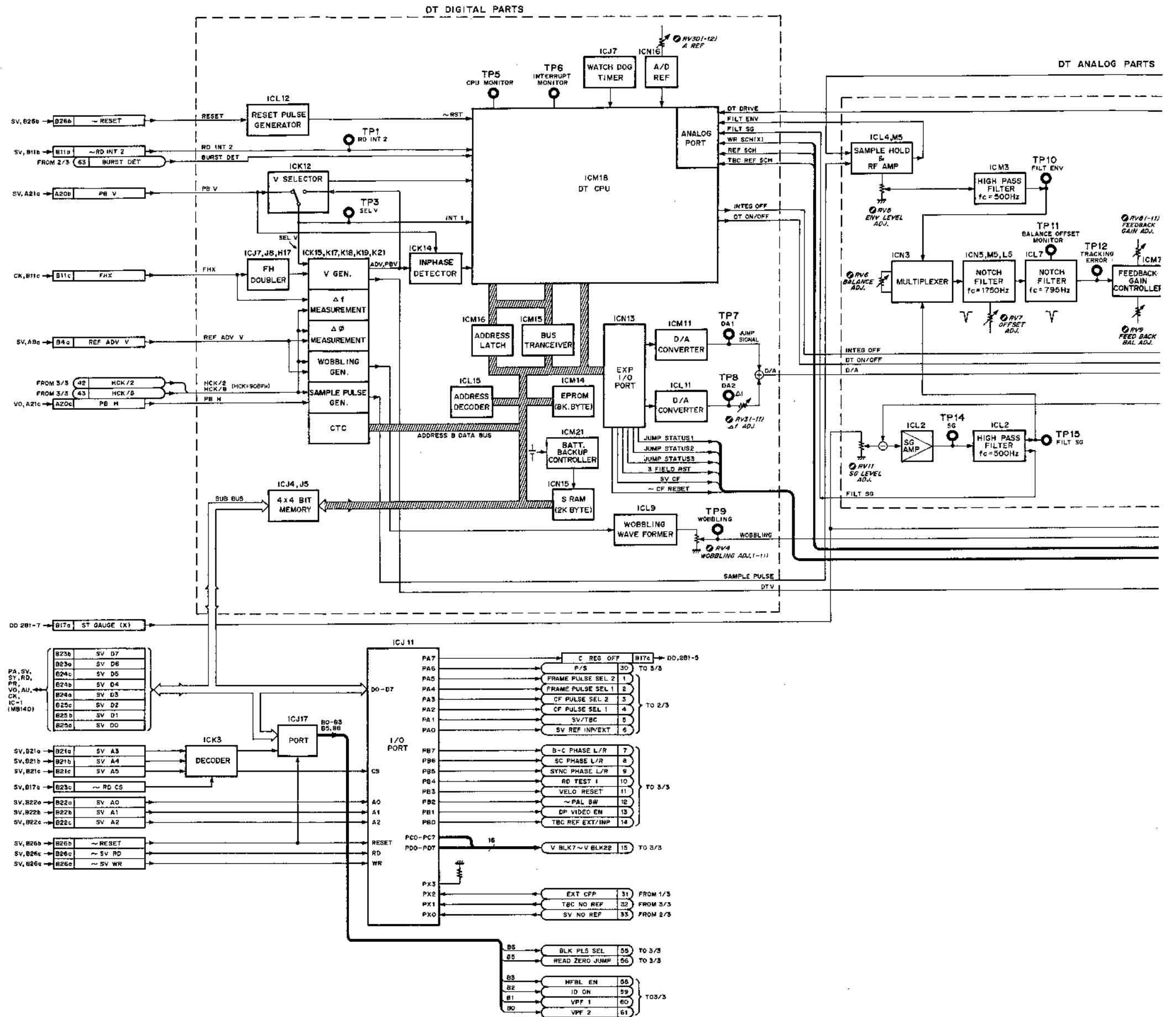
**VO-16 BOARD BLOCK DIAGRAM (3/3)**  
 BVH-3000/3100 (J, UC)  
 BVH-3000PS/3100PS

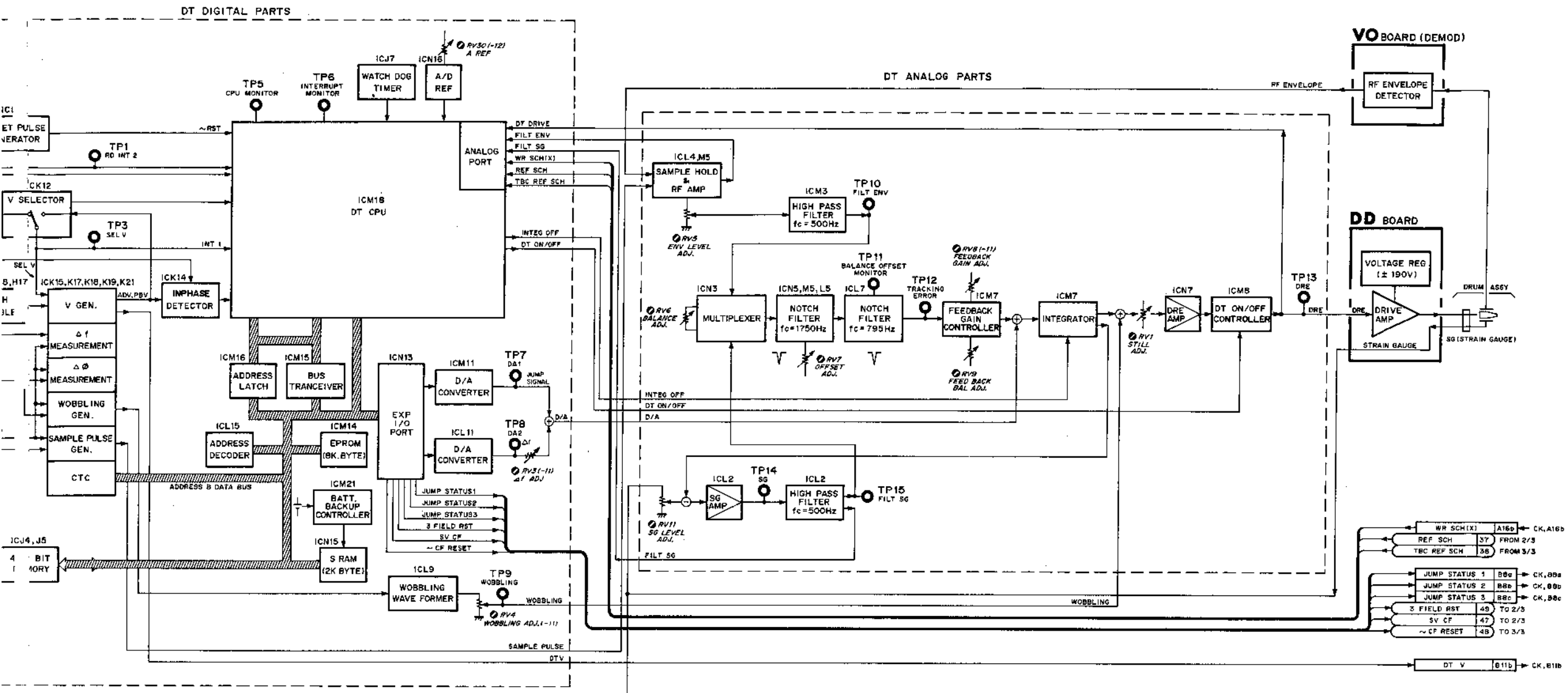




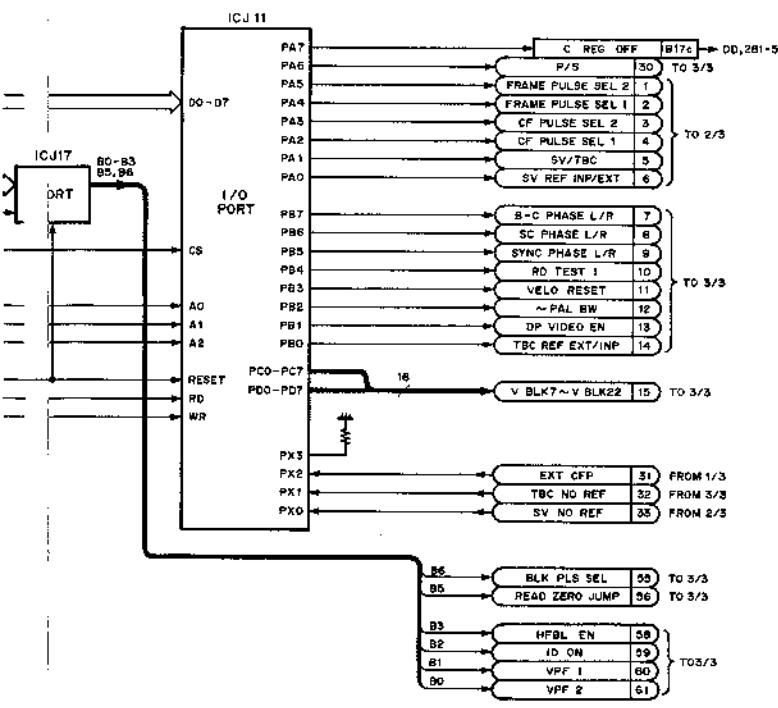
**TBC CLOCK GEN. & MEMORY BLOCK DIAGRAM**  
 CK-27 BOARD  
 BVH-3000PS  
 BVH-3100PS

RD-7 BOARD (1/3)  
DT SYSTEM

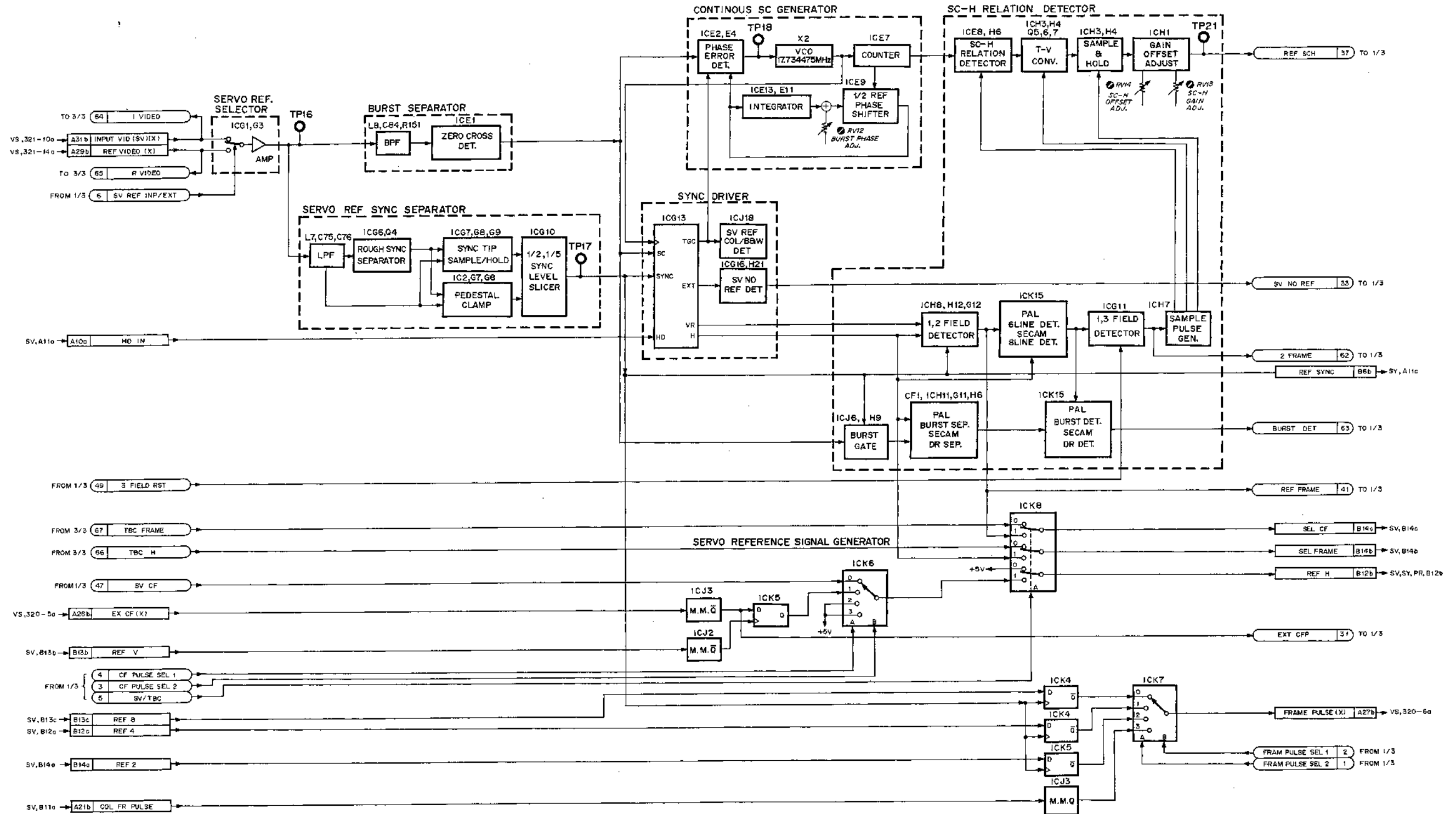




**RD-7 BOARD (1/3)**  
**DT SYSTEM BLOCK DIAGRAM**  
 BVH-3000PS  
 BVH-3100PS



RD-7 BOARD (2/3)  
SERVO REFERENCE

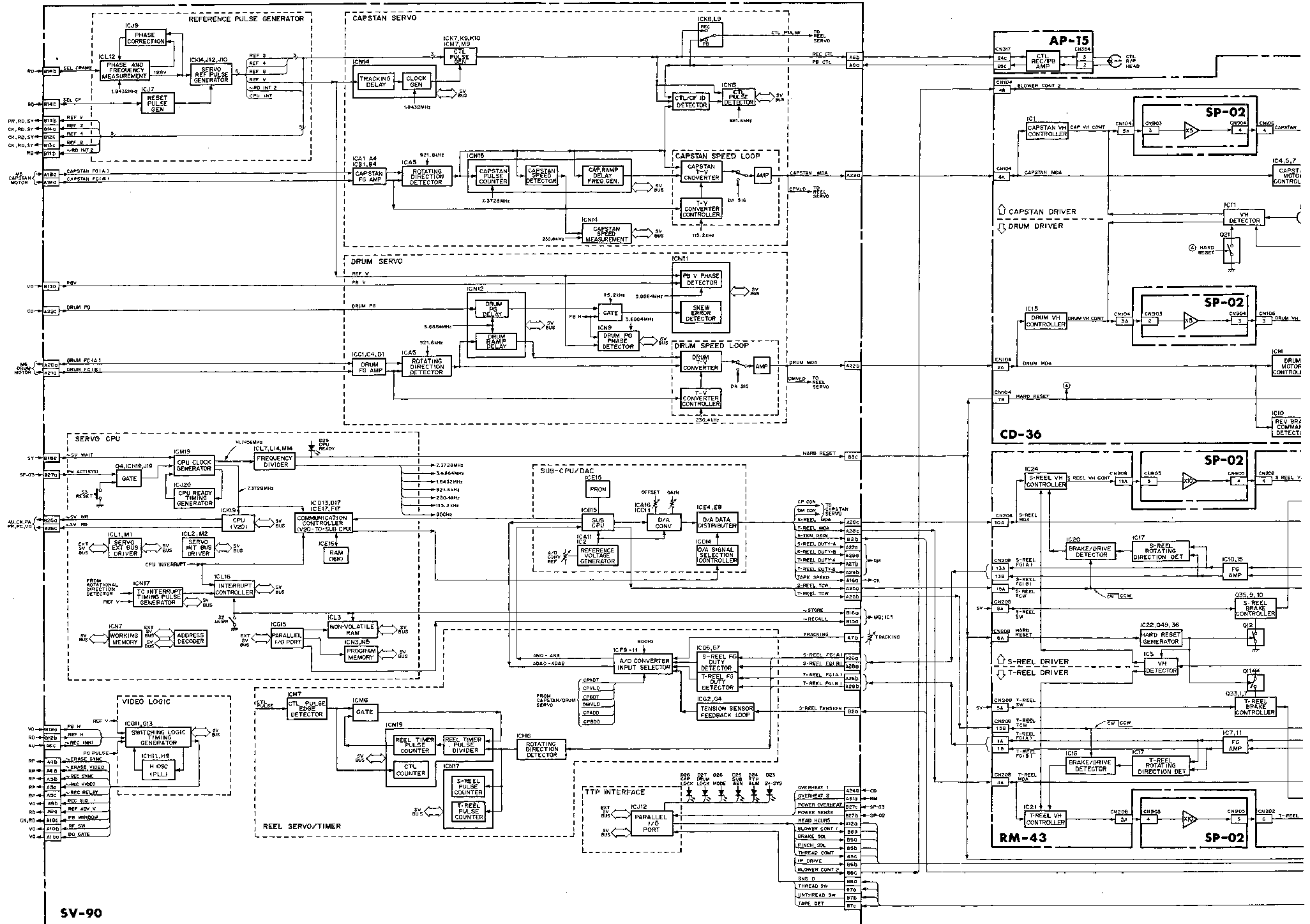


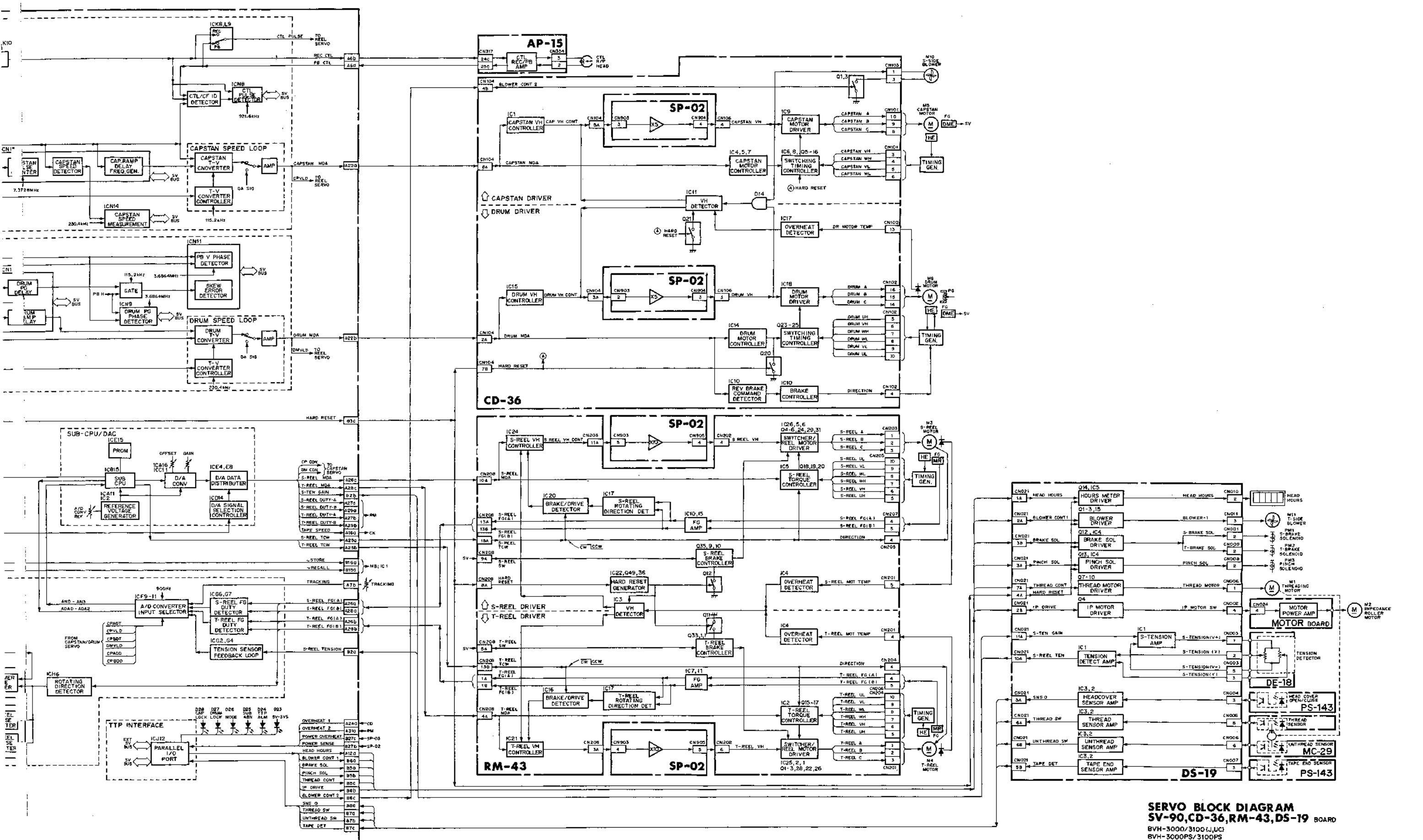
RD-7 BOARD (2/3)  
SERVO REFERENCE BLOCK DIAGRAM  
BVH-3000PS  
BVH-3100PS





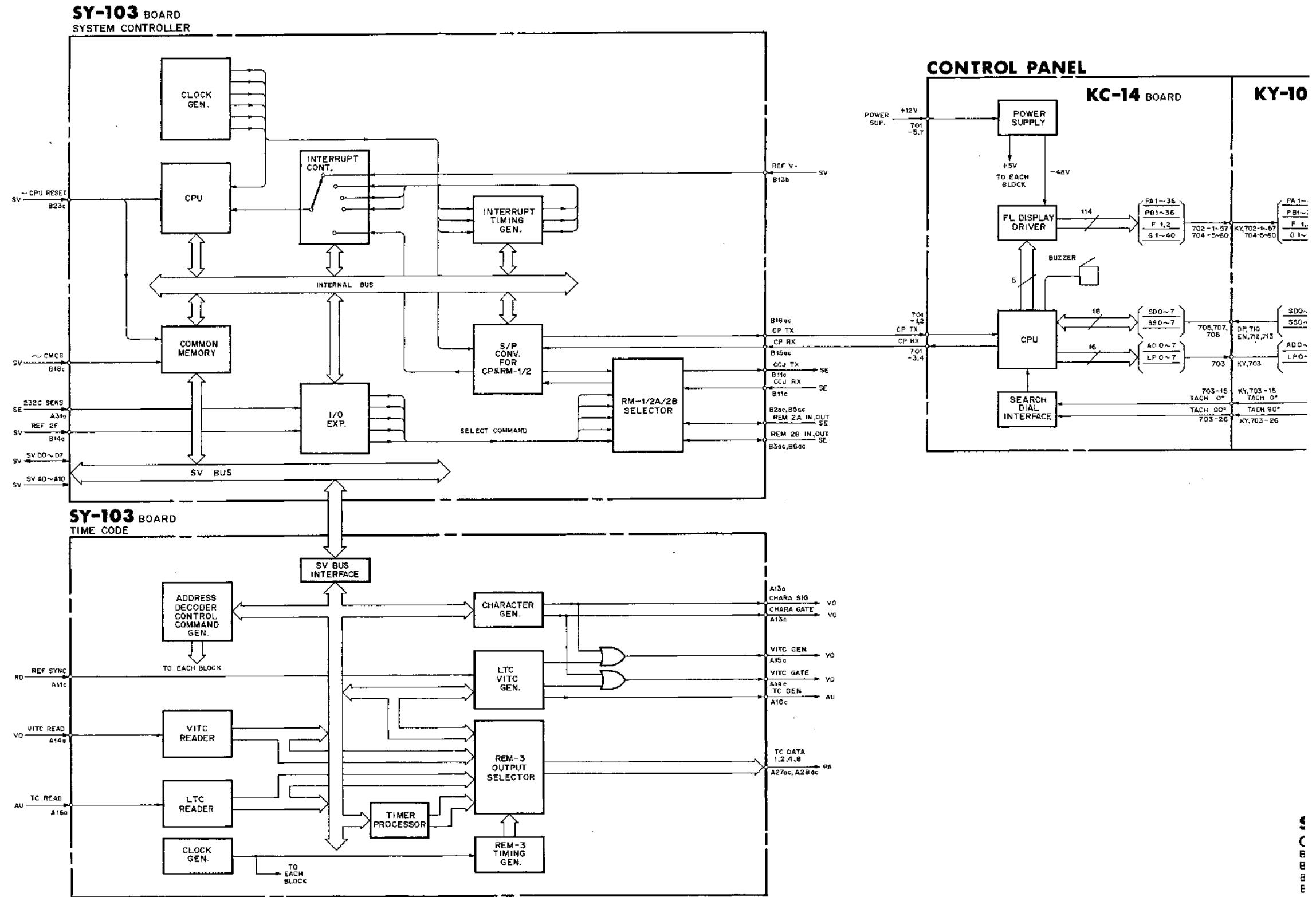


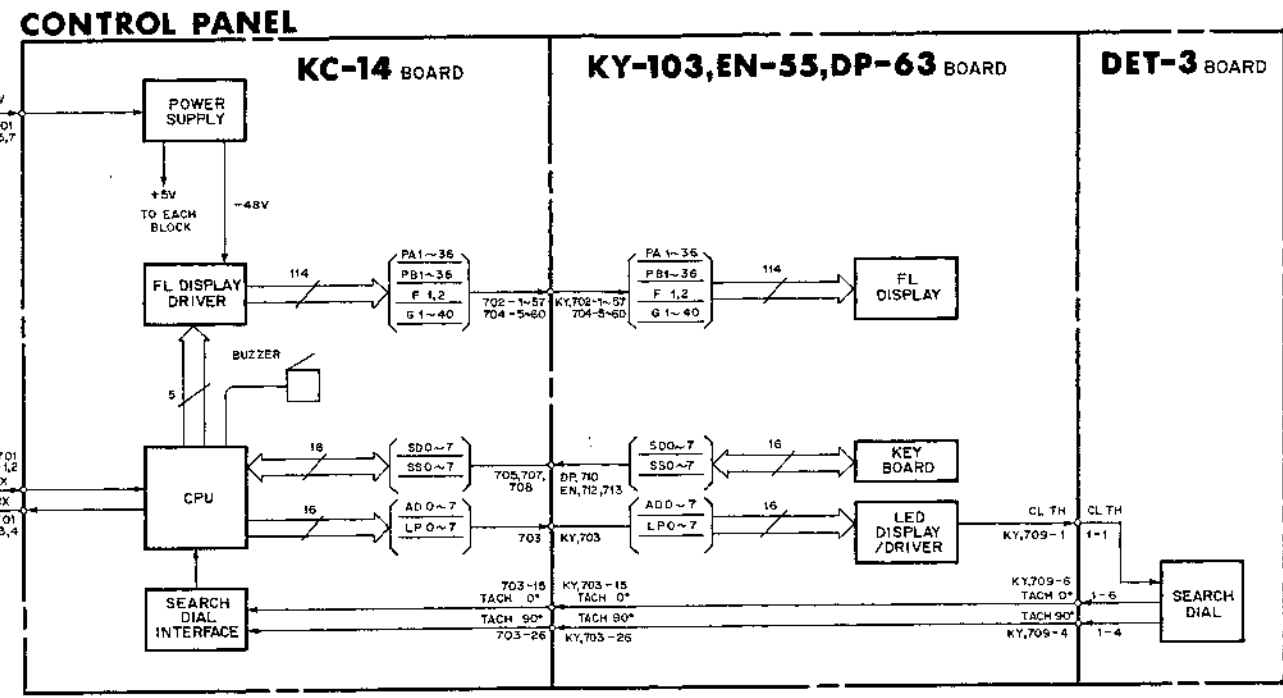
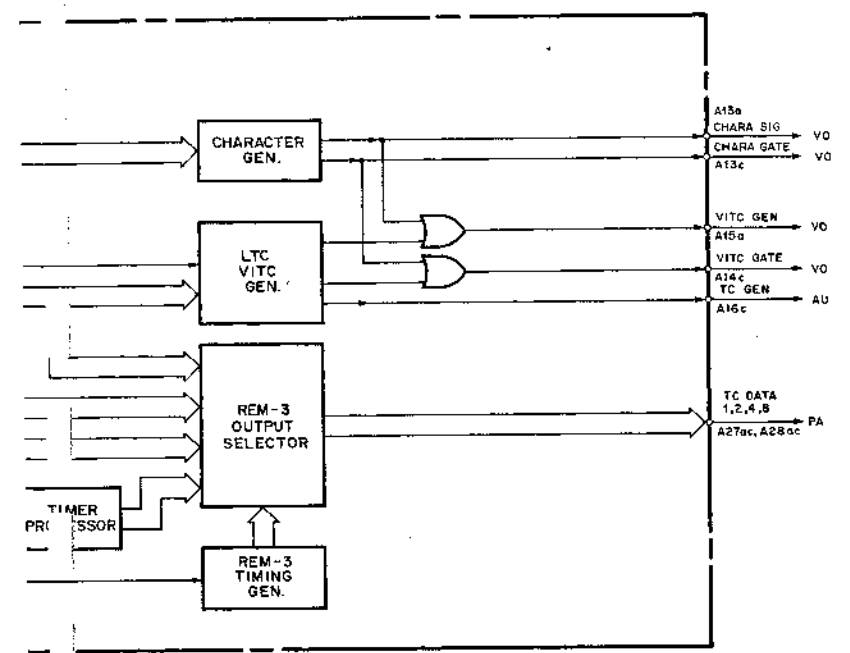
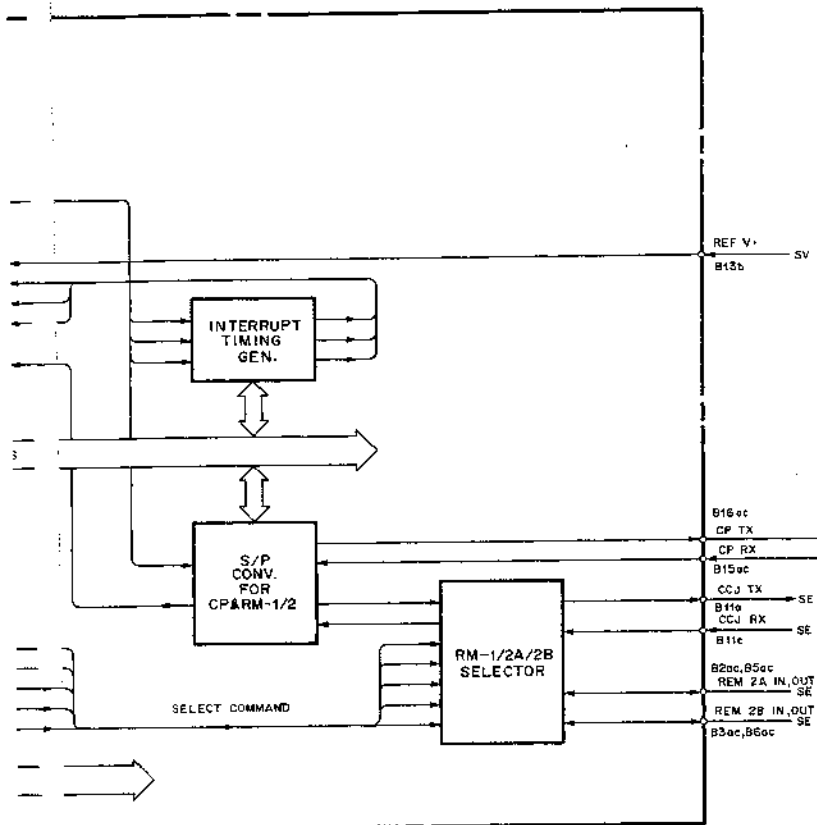




**SERVO BLOCK DIAGRAM**  
**SV-90, CD-36, RM-43, DS-19 BOARD**  
 BVH-3000/3100(L,UC)  
 BVH-3000PS/3100PS

SYSTEM CONTROL and CONTROL PANEL OVERALL BLOCK DIAGRAM

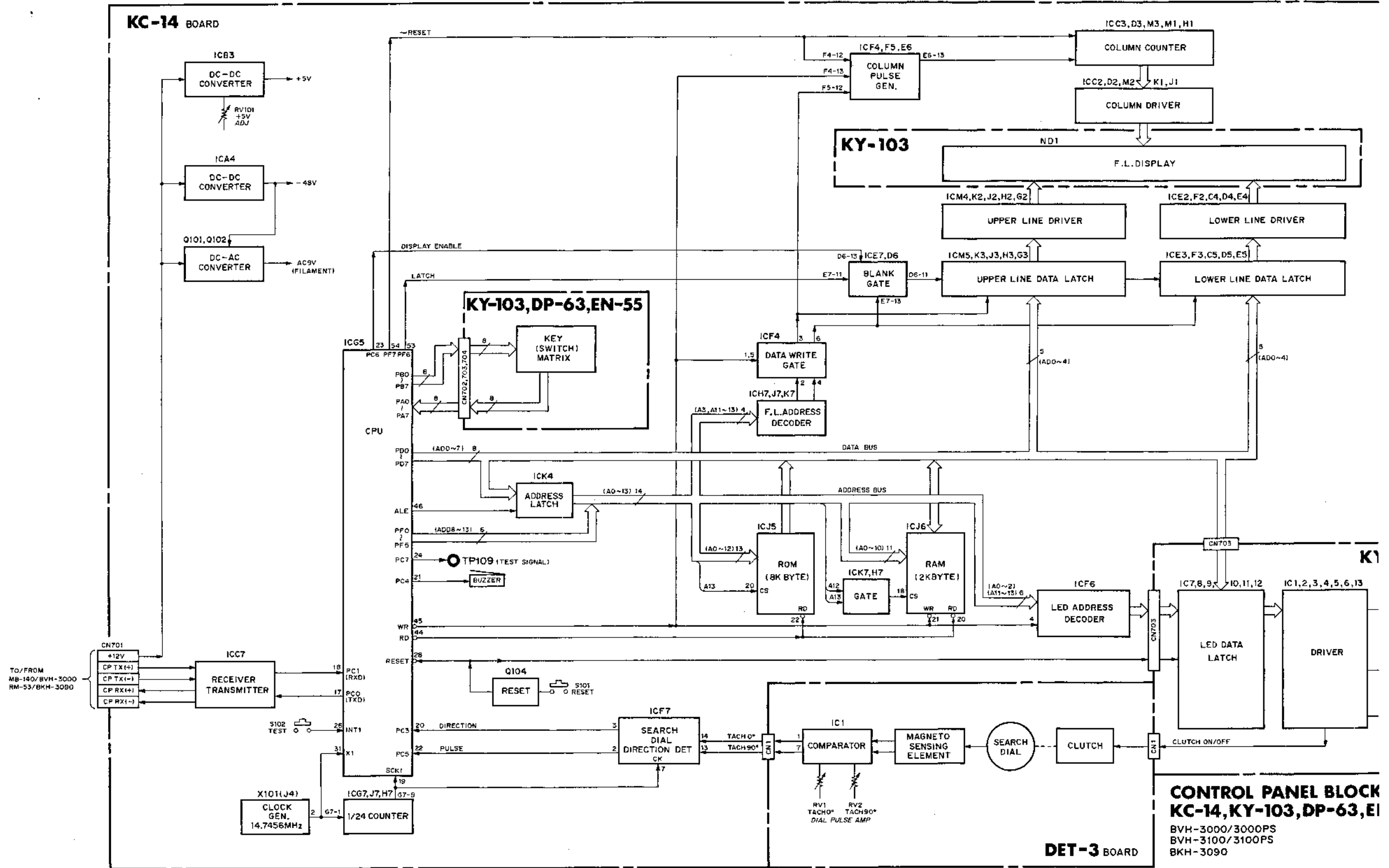




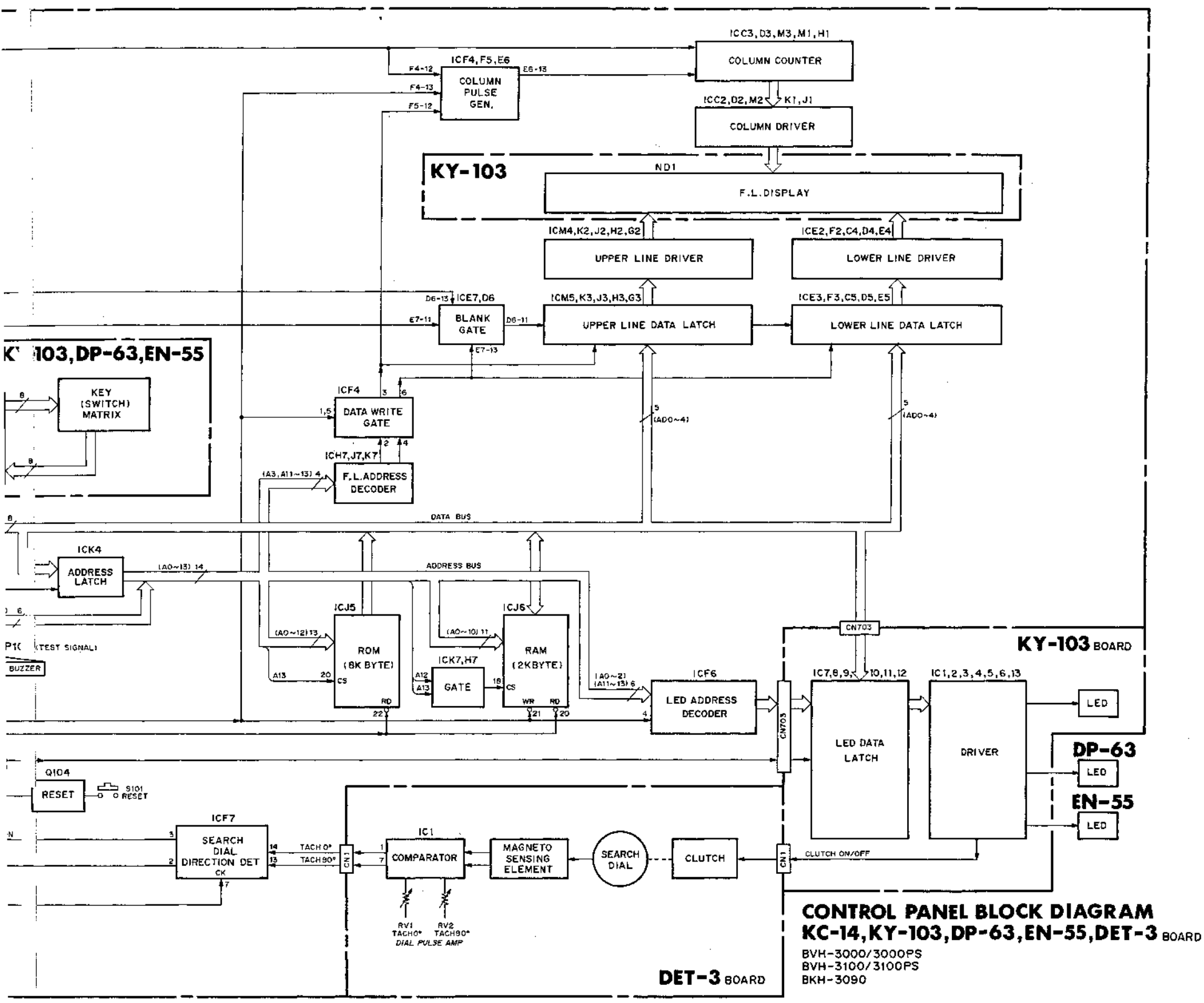
**SYSTEM CONTROL & CONTROL PANEL  
OVERALL BLOCK DIAGRAM**  
 BVH-3000(J, U/C)  
 BVH-3000PS  
 BVH-3100(J, U/C)  
 BVH-3100PS

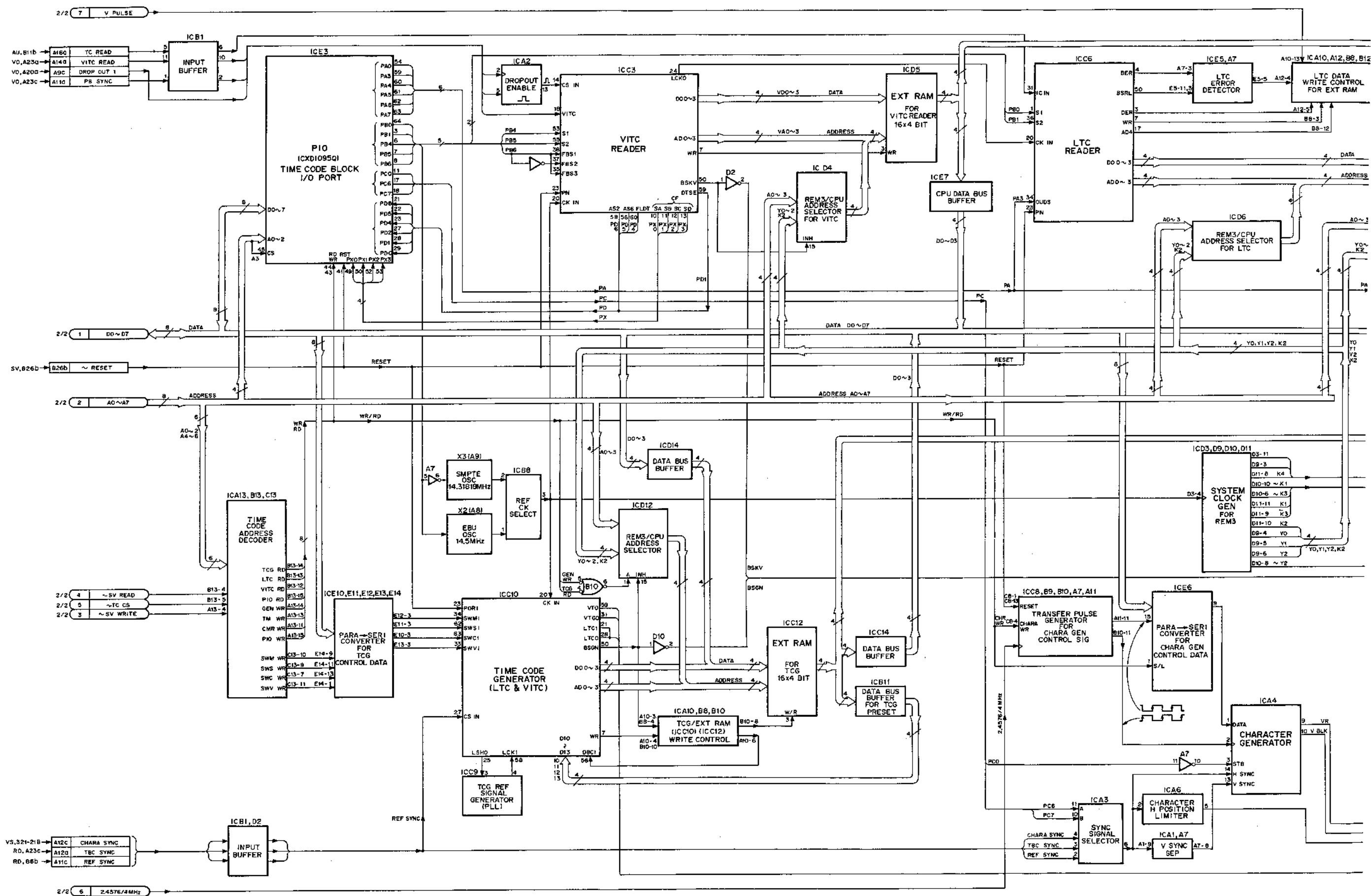
CONTROL PANEL BLOCK DIAGRAM

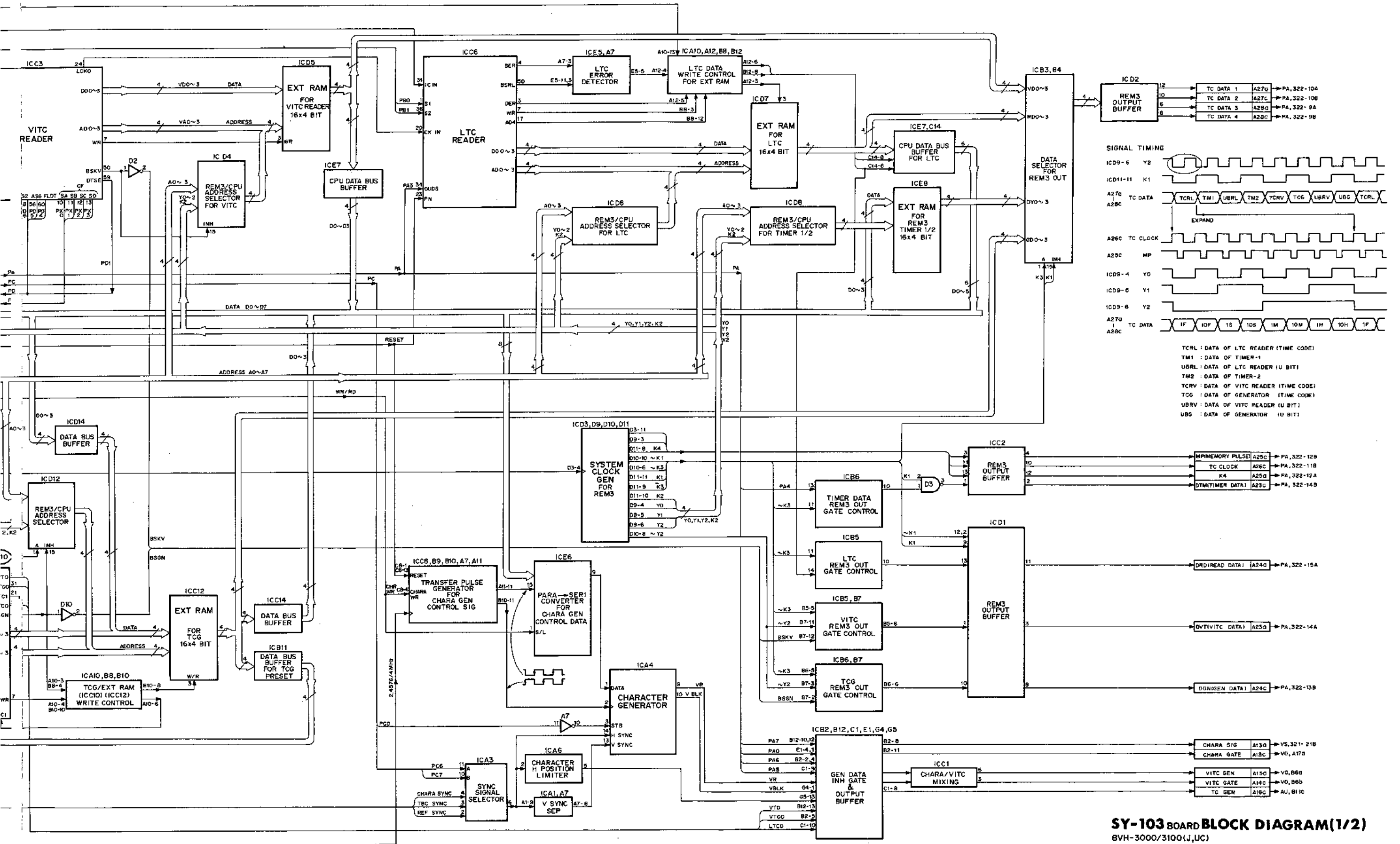
KC-14 BOARD  
KY-103 BOARD



**CONTROL PANEL BLOCK  
KC-14, KY-103, DP-63, EI**  
BVH-3000/3000PS  
BVH-3100/3100PS  
BKH-3090





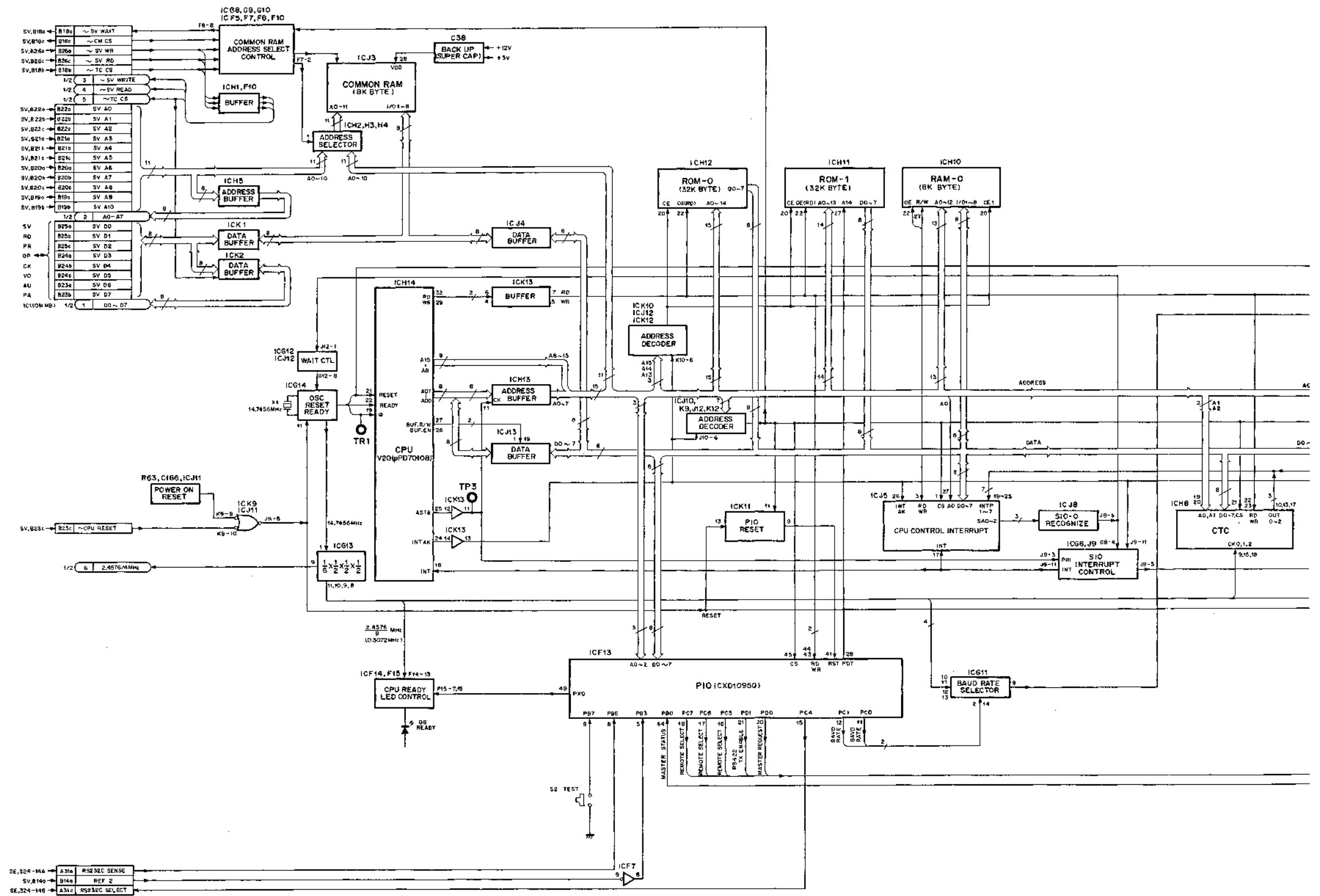


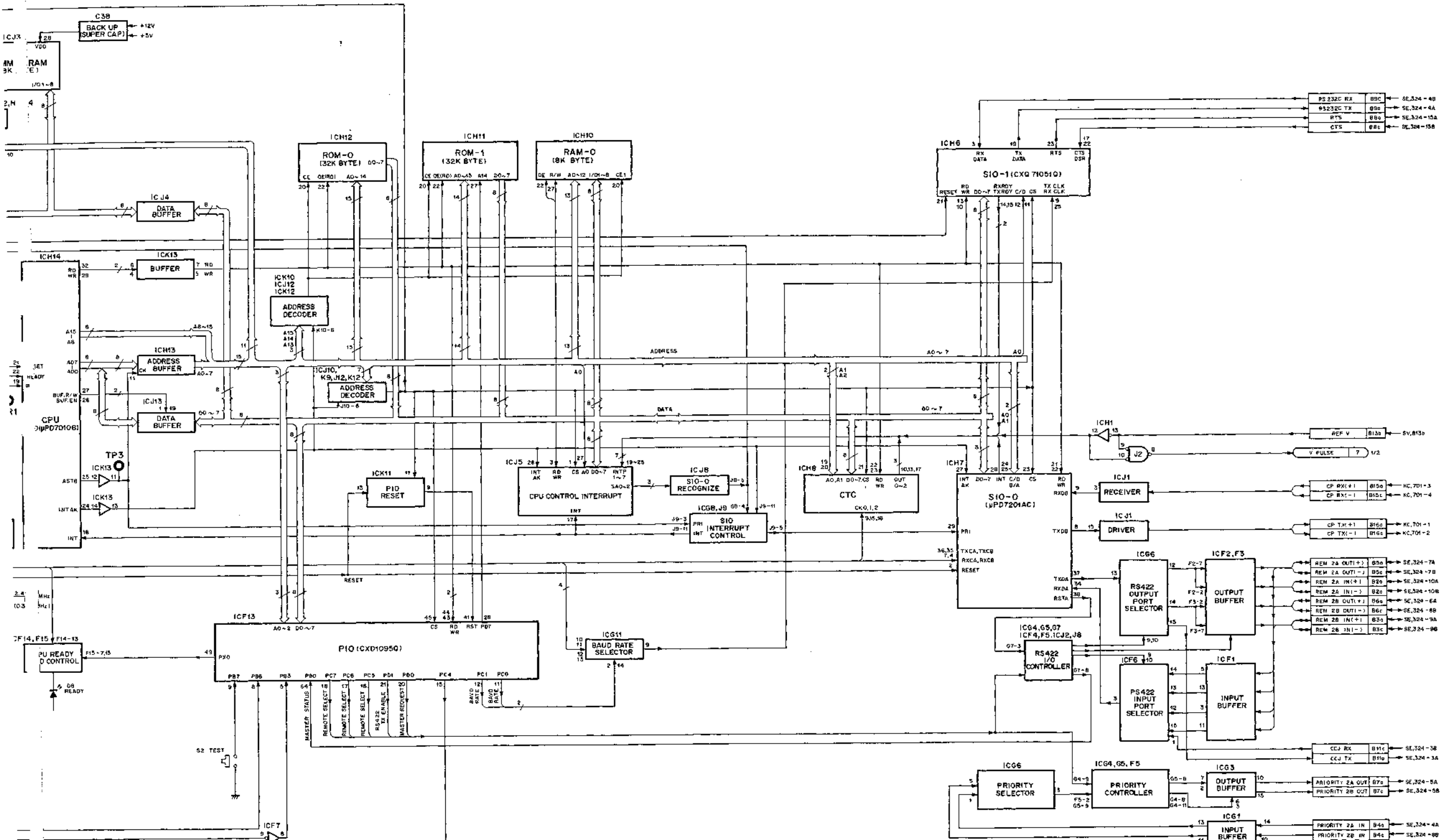
**SY-103 BOARD BLOCK DIAGRAM(1/2)**  
 BVH-3000/3100(J,LC)  
 BVH-3000PS/3100PS



SY-103 BOARD (2/2)

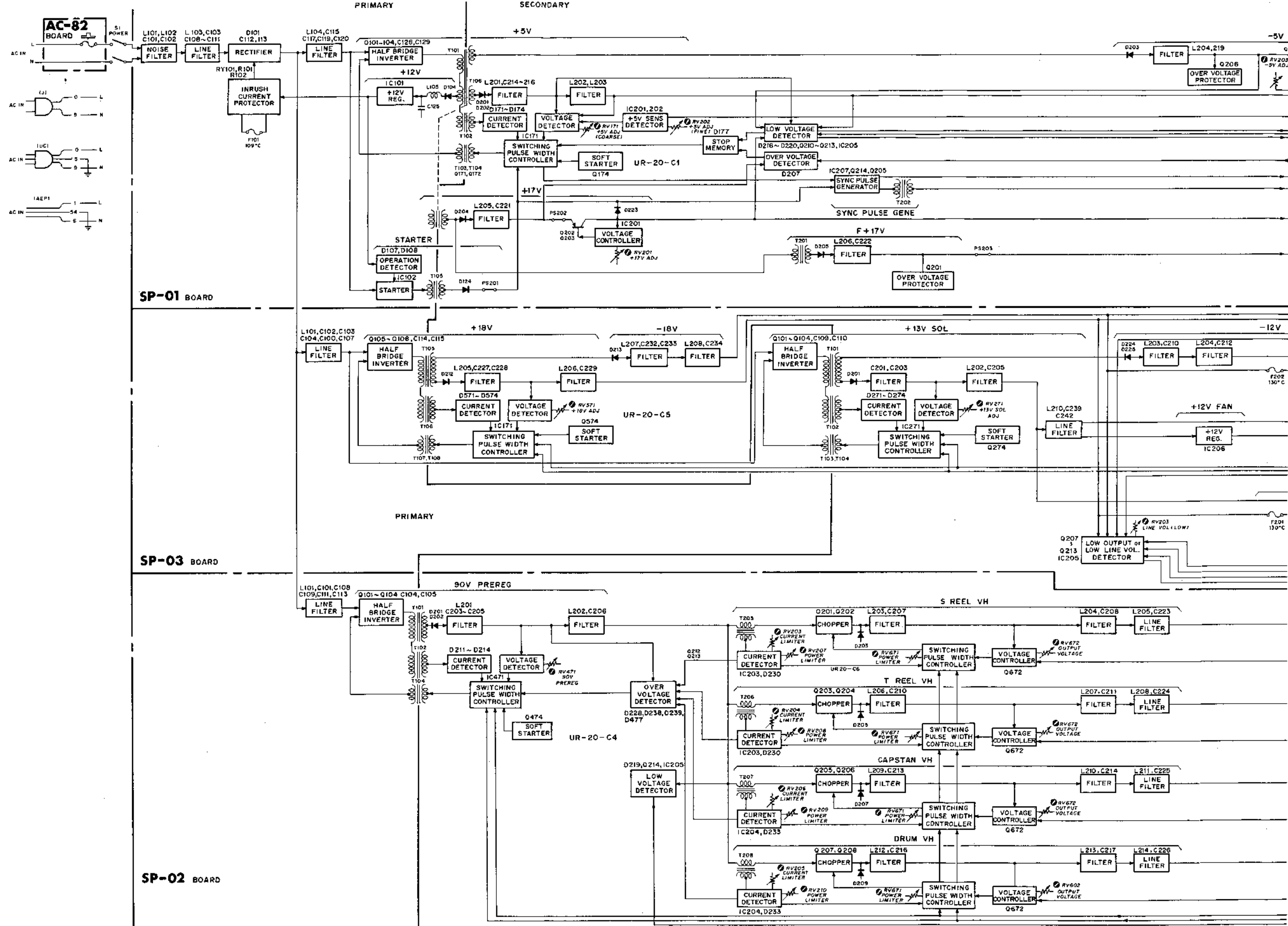
System Control





SY-103 BOARD BLOCK DIAGRAM (2/2)  
BVH-3000/3100(L, UC)  
BVH-3000FS/3100FS

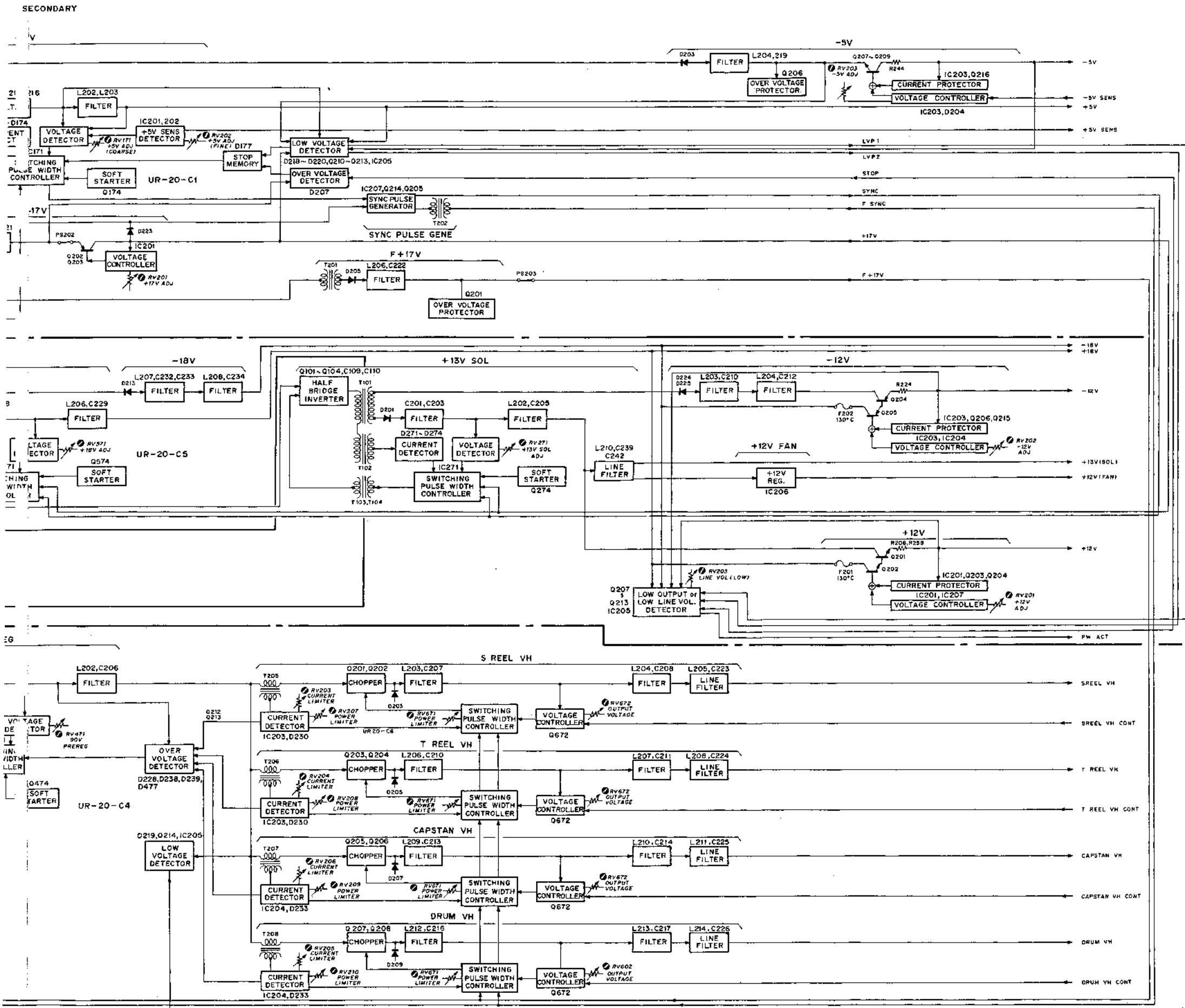
SP-01, SP-02, SP-03 BOARD



SP-01 BOARD

SP-03 BOARD

SP-02 BOARD



**POWER SUPPLY BLOCK DIAGRAM**  
 BVH-3000/3100(J,UC)  
 BVH-3000PS/3100PS

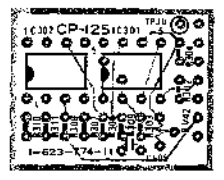
## SECTION B

### SCHEMATIC DIAGRAM & BOARD LAYOUT

Board	Function	Page
A	AC-92 AC Circuit Breaker .....	B-253
	AP-15 Audio Pre-amplifier, Bias, Erase .....	B-106
	AU-88 Audio REC/PB Amplifier .....	B-120
B	BC-12 Audio Bias Level Adj. ....	B-240
C	CD-36 Capstan Motor/Drum Motor Driver .....	B-142
	CEH-2 Audio/CTL Erase Head .....	B-240
	CN-186 Fan Connector .....	B-233
	CK-27 TBC (AD Converter, Clock) .....	B-4
D	DD-7 DT Drive .....	B-148
	DE-18 Tension Sensor .....	B-233
	DET-3 Search Dial Detector .....	B-177
	DP-63 Sub Key .....	B-177
	DR-13 Video/Sync PB Amplifier .....	B-157
	DR-14 Rotary Head Relaying .....	B-157
	DR-15 Rotary Head Relaying .....	B-157
	DR-16 Rotary Head Relaying .....	B-157
	DS-19 TTP Aux .....	B-153
E	EN-55 Entry Key .....	B-177
H	HD-06 Video/Sync Erase Head .....	B-240
	HD-07 Audio/CTL R/P Head .....	B-240
	HD-07 Audio Monitor Head .....	B-240
	HD-08 Audio/CTL R/P Head (for A4) .....	B-240
	HD-08 Audio Monitor Head (for A4) .....	B-240
K	KC-14 Key Control .....	B-182
	KY-103 Main Key .....	B-177
L	LP-34 Meter Lamp .....	B-245
M	MA-26 Audio Monitor Amplifier .....	B-206
	MB-140 Mother Board .....	B-219
	MC-29 Threading Motor .....	B-233
	MOTOR IP Roller Motor Driver .....	B-233
	MS-21 Monitor Select .....	B-245
N	NR-26 Audio Processor.....Refer to BKH-3080.	
P	PA-56 Parallel Remote .....	B-211
	PR-92 TBC Signal Processor .....	Refer to BKH-3020.
	PR-98 High Quality TBC Processor ..	Refer to BKH-3060.
	PS-143 Front Cover Sensor .....	B-233
	PS-143 Tape Sensor (LED) .....	B-233
	PS-143 Tape Sensor (Photo Transistor) .....	B-233
R	RD-7 Reference Signal Generator, DT Control ..	B-31
	RM-43 Reel Motor Driver .....	B-161
	RP-32 Video/Sync R/P Amplifier .....	B-166
S	SE-49 RS-422 Interface .....	B-255
	SE-56 RS-232C Interface .....	Refer to BKH-3002.
	SL-07 Slip Ring Relaying .....	B-157
	SL-08 Slip Ring Relaying .....	B-157
	SP-01 Switching Regulator .....	B-188
	SP-02 Switching Regulator .....	B-194
	SP-03 Switching Regulator .....	B-200
	SR-36 Slip Ring Relaying .....	B-157
	SV-90 Servo, Logic Control .....	B-53
	SW-195 Switch .....	B-245
	SY-103 System Control, Time Code .....	B-76
V	VO-16 Video Modulator/Demodulator .....	B-88
	VR-51 Meter/VR .....	B-172
	VS-30 Video Monitor .....	B-215

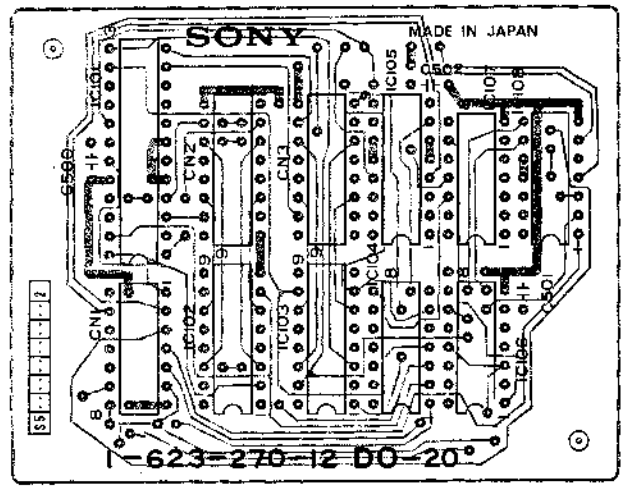
BVH-3000PS/3100PS

CP-125 BOARD (1-623-774-11)  
Component Side



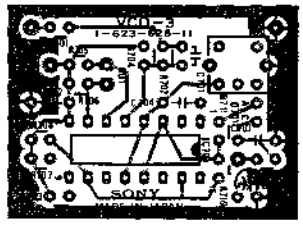
1-623-774-11  
SOLDER SIDE

DO-20 BOARD (1-623-270-12)  
Component Side

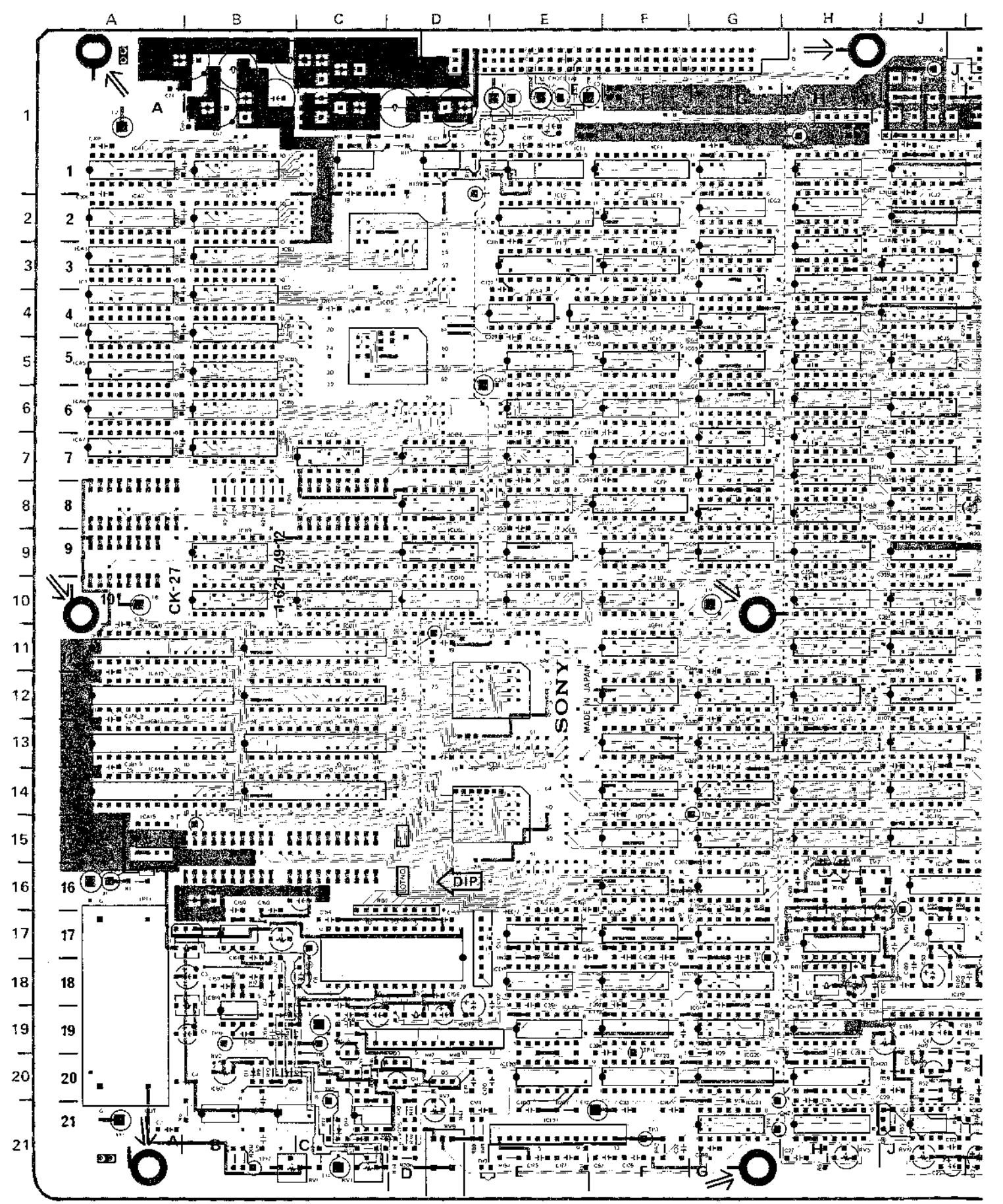


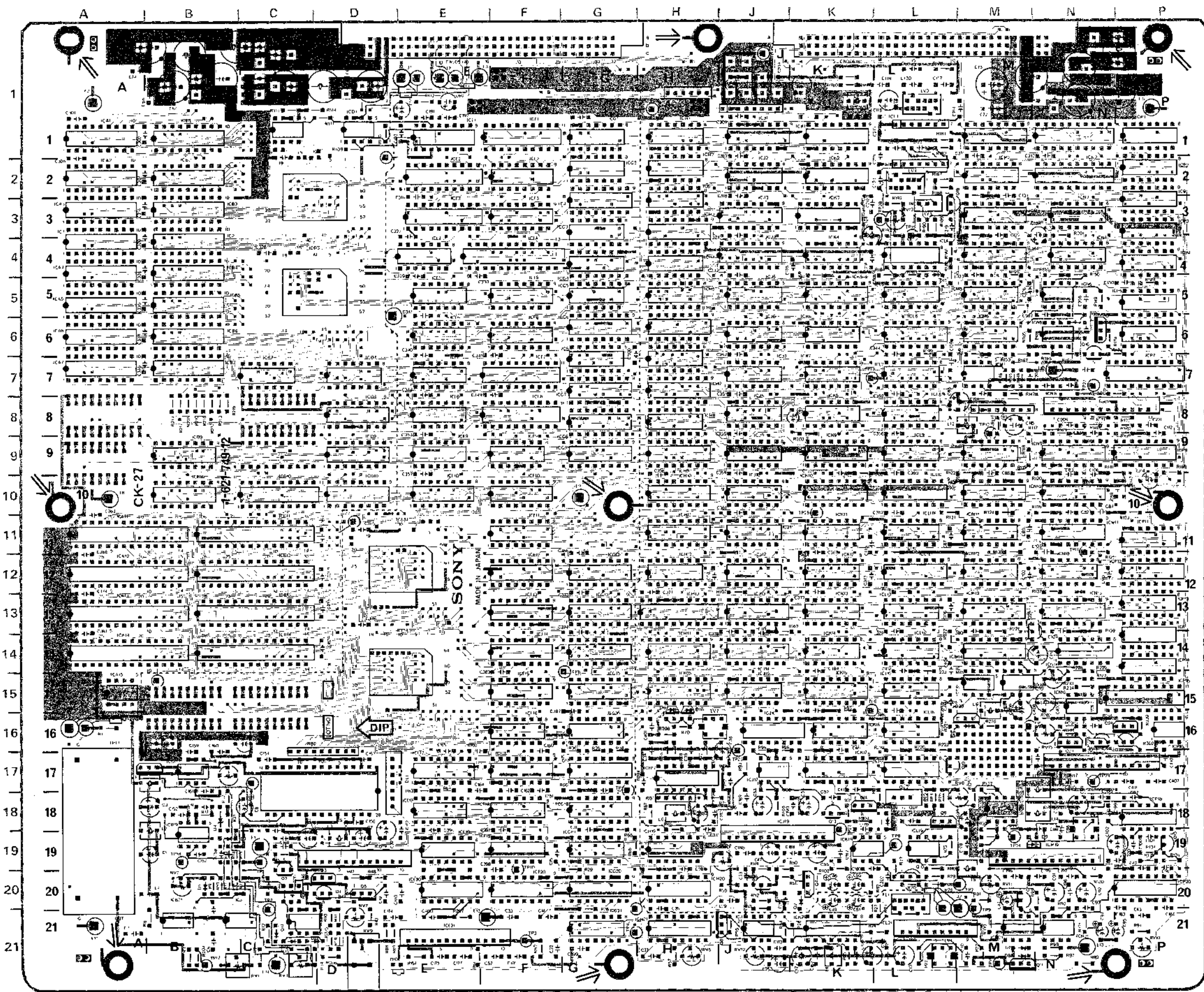
1-623-270-12 SOLDER SIDE

VCO-3 BOARD (1-623-626-11)  
Component Side



CK-27 BOARD (1-621-749-12)  
Component Side





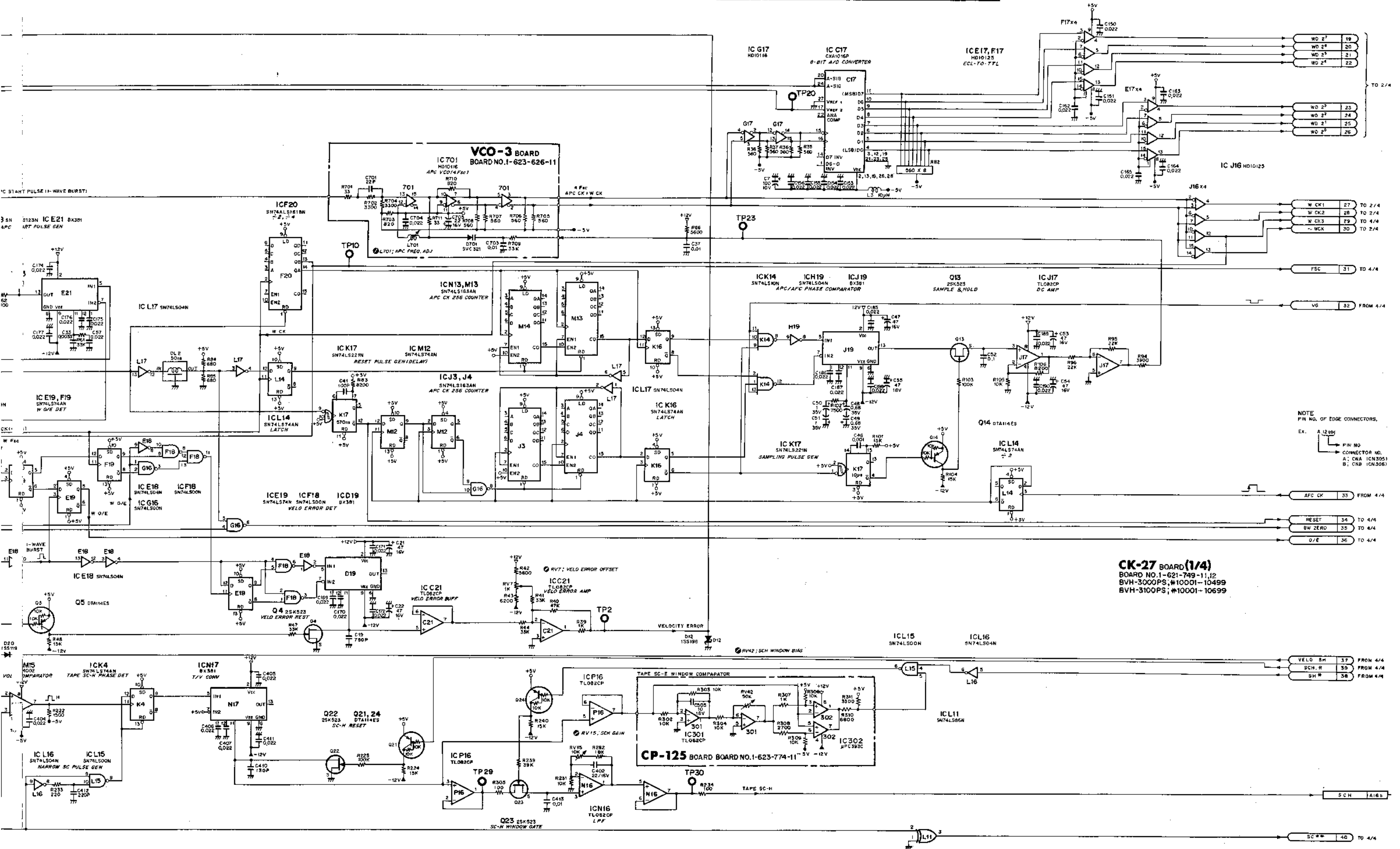
CK-27 (1-621-749-12)

- BW-3000PS
- BW-3100PS
- CF1 L3
- CP1 H1
- D1 B20
- D2 K20
- D3 B19
- D4 B18
- D5 L18
- D6 H16
- D7 M21
- D8 M21
- D9 N19
- D10 D21
- D11 L5
- D12 C21
- D13 C21
- D14 C21
- D15 M16
- D16 H16
- DL1 D17
- DL2 L18
- E1 A1
- E5 P1
- E7 O5
- E8 A10
- E9 G10
- E10 H7
- E11 AZ1
- E12 F21
- E14 C21
- FL1 L20
- IC1 A4
- IC2 B4
- IC3 B21
- IC4 G5
- IC5 G7
- IC6 H5
- IC7 M7
- IC8 P14
- IC10 M15
- IC11 J1
- LFF1 A17
- LY1 L21
- LY2 M18
- LY3 L1
- LY4 L2
- LY7 M16
- Q1 B17
- Q2 C20
- Q3 D20
- Q4 D20
- Q5 D20
- Q6 J20
- Q7 K20
- Q8 J21
- Q9 L18
- Q10 L20
- Q11 M21
- Q12 M20
- Q13 K18
- Q14 K18
- Q15 P19
- Q16 N6
- Q17 N6
- Q19 L17
- Q20 M16
- Q21 M16
- Q22 M16
- Q23 P16
- Q24 P16
- Q25 M13
- RB1 H18
- RB2 C16
- RV1 C21
- RV2 B20
- RV3 C21
- RV3 L3
- RV4 B17
- RV5 M21
- RV6 J19
- RV7 D21
- RV8 M18
- RV9 D21
- RV10 P21
- RV11 M20
- RV12 J21
- RV14 M15
- RV15 M16
- TP1 C19
- TP2 C20
- TP3 F21
- TP4 G21
- TP5 K15
- TP6 G15
- TP7 M20
- TP8 L19
- TP9 M21
- TP10 F20
- TP11 N11
- TP12 M8
- TP14 J1
- TP15 K7
- TP16 L3
- TP17 B21
- TP18 B19
- TP19 M21
- TP20 C17
- TP21 G18
- TP22 K19
- TP23 J17
- TP24 M19
- TP25 K10
- TP27 N7
- TP28 L3
- TP29 N17

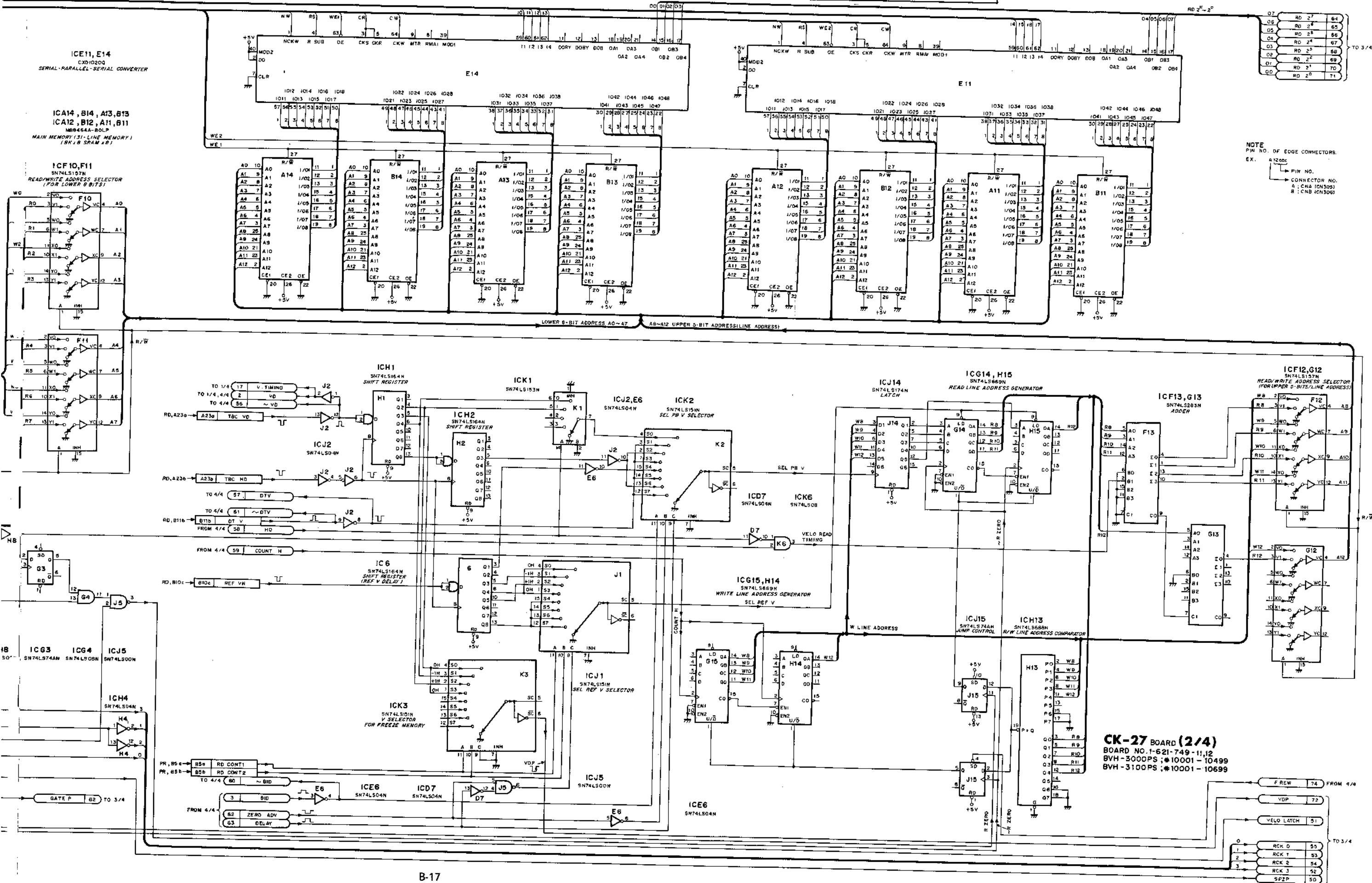










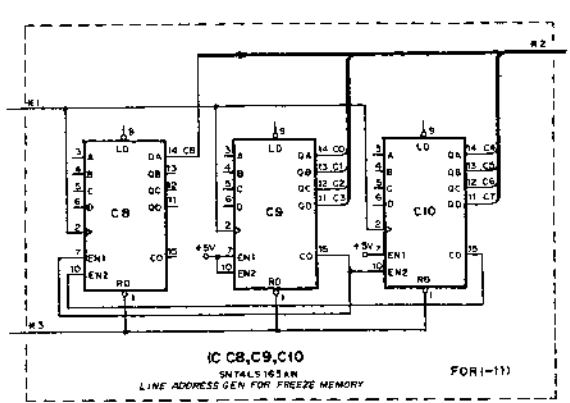
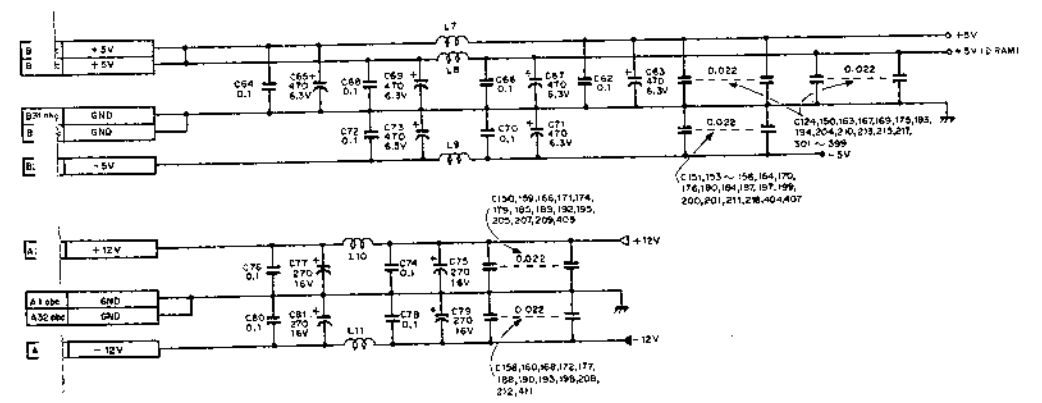
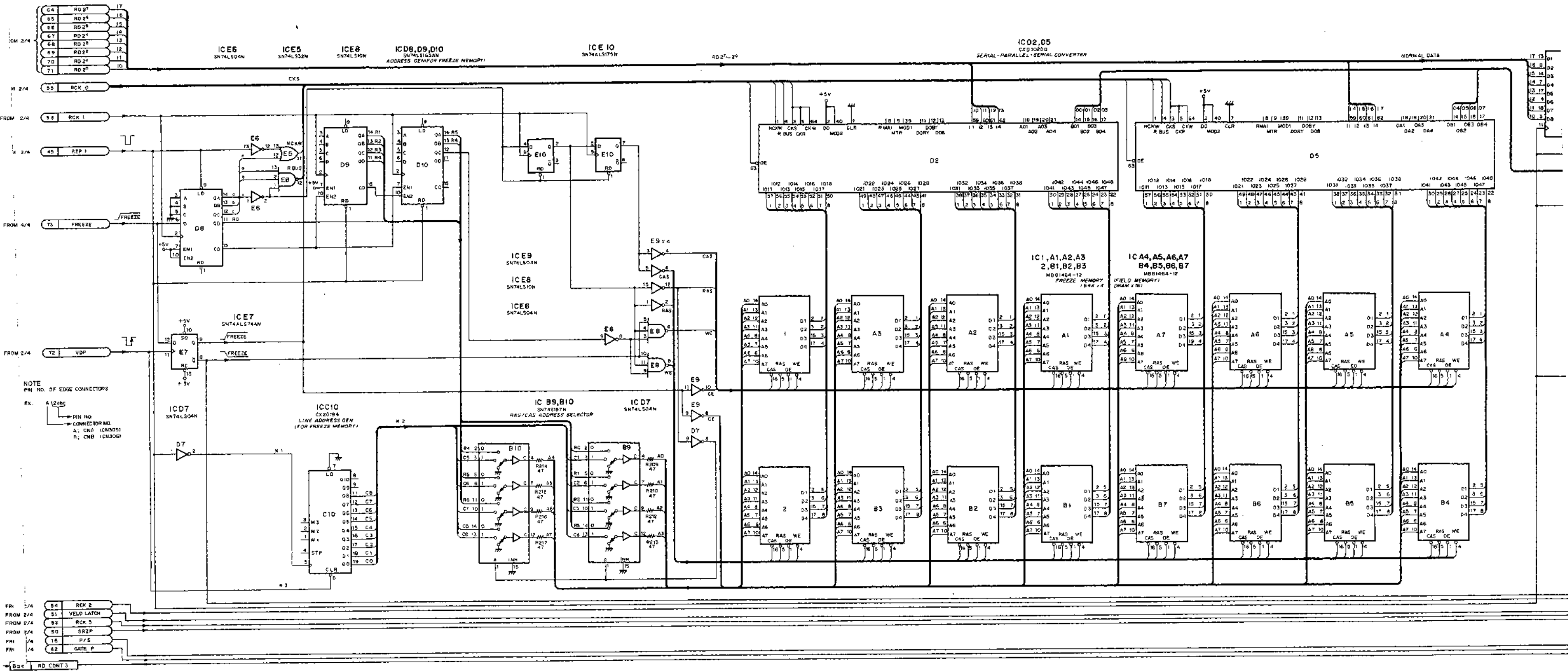


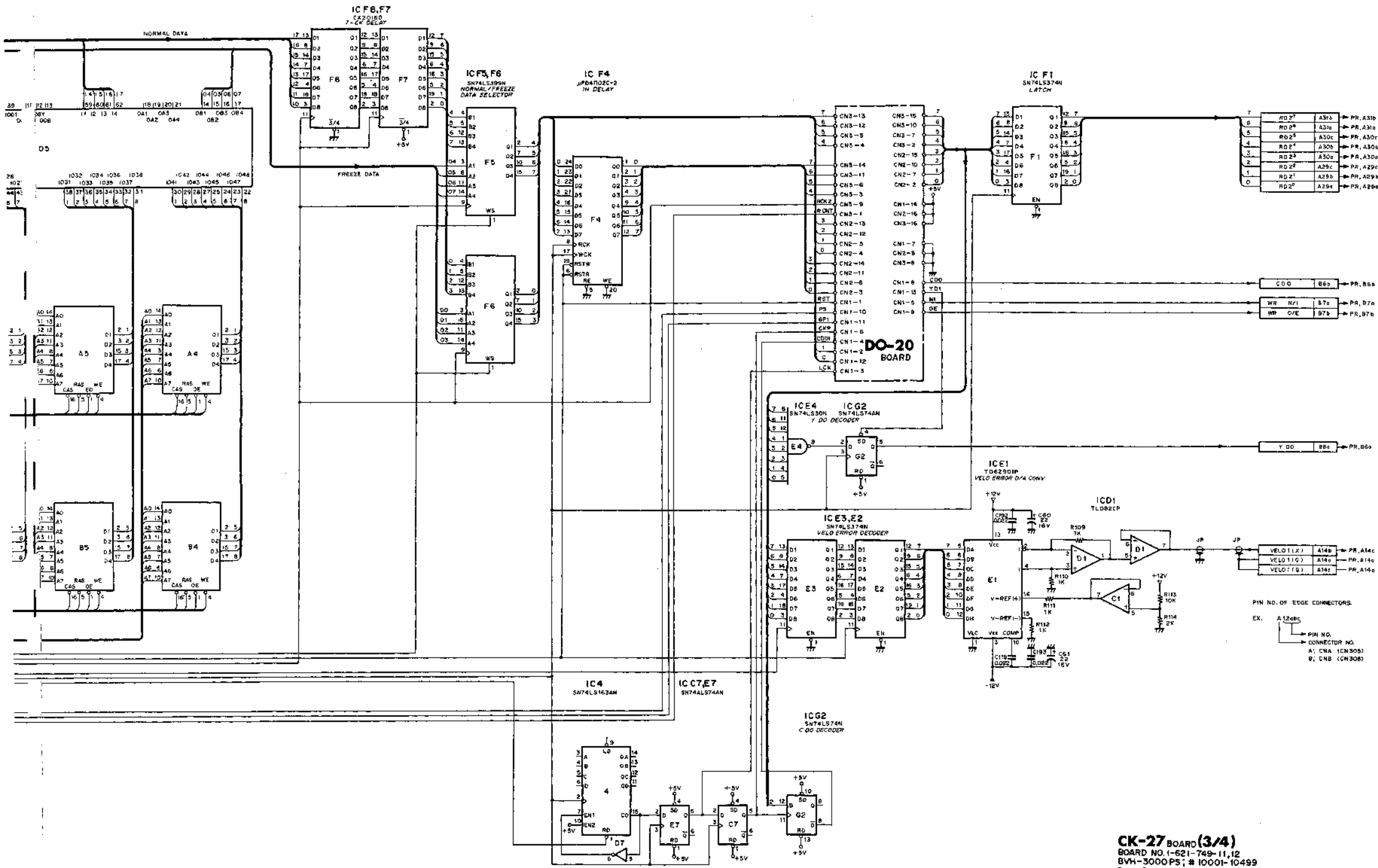
NOTE  
PIN NO. OF EDGE CONNECTORS.  
EX. PIN NO.  
CONNECTOR NO.  
A : CNA (CN305)  
B : CNB (CN306)



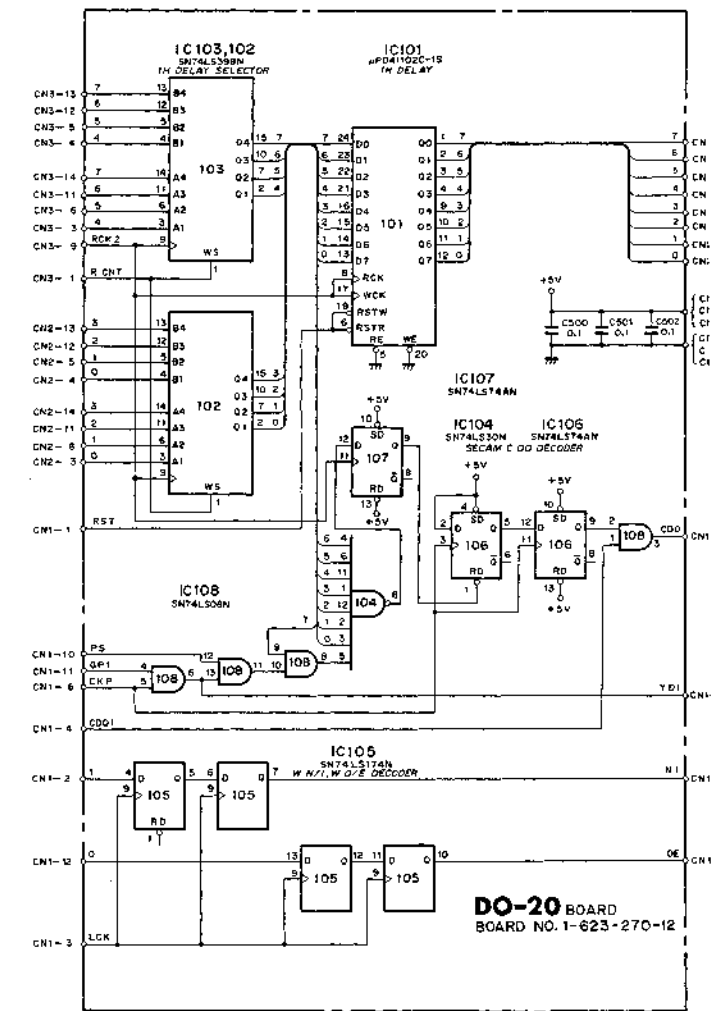
C-27 BOARD (3/4)

BC (AD Converter, Clock)



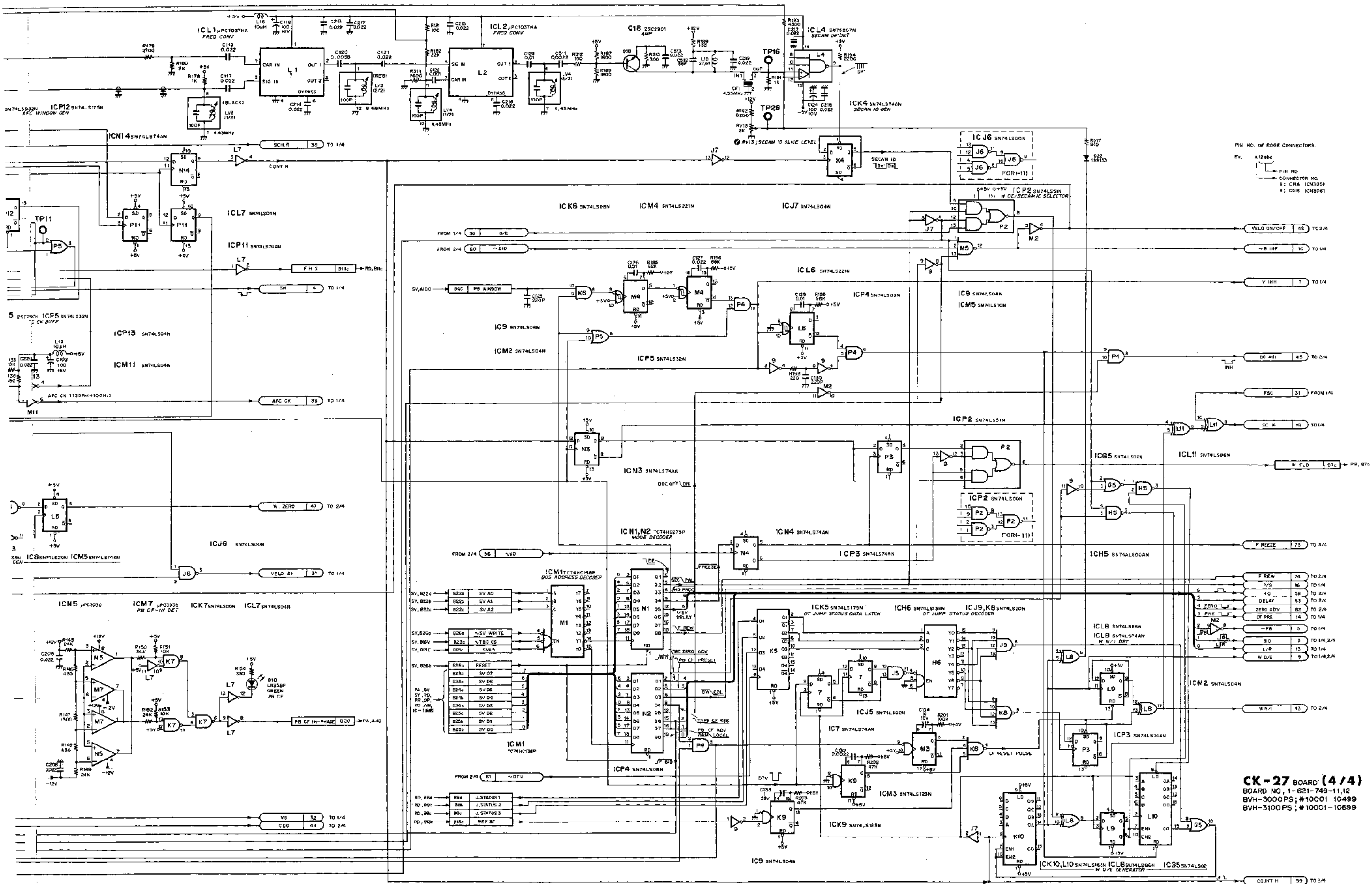
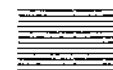


**CK-27 BOARD (3/4)**  
 BOARD NO. 1-621-749-11, 12  
 BVH-3000PS; # 10001-10499  
 BVH-3100PS; # 10001-10699



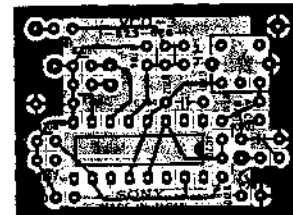
**DO-20 BOARD**  
 BOARD NO. 1-623-270-12



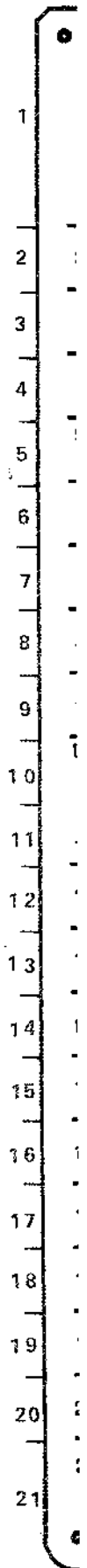


**CK-27 BOARD (4/4)**  
 BOARD NO. 1-621-749-11,12  
 BVH-300PS; #10001-10499  
 BVH-3100PS; #10001-10699

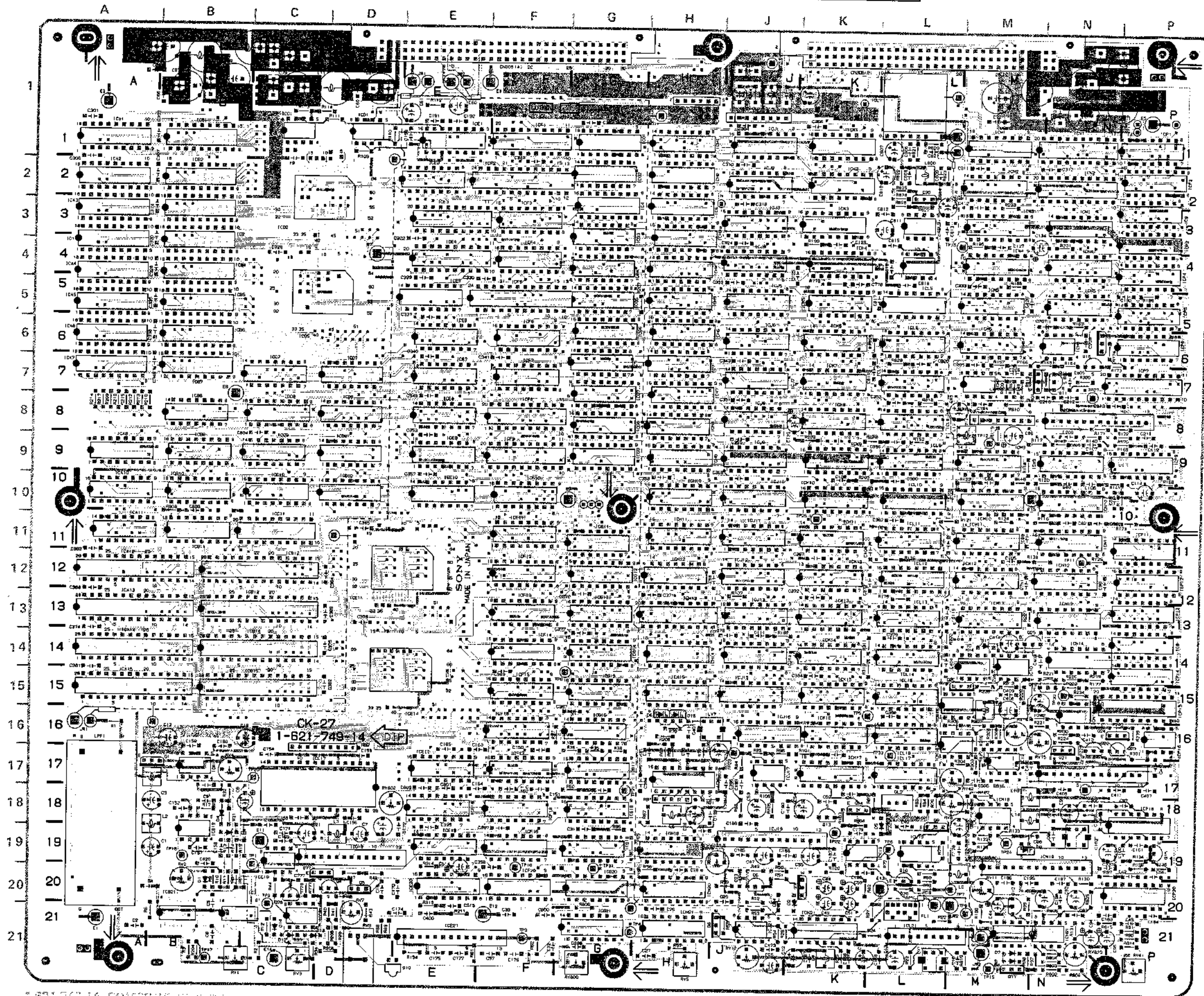
VCO-3 BOARD (1-623-626-11)  
Component Side



1-623-626-11  
COMPONENT SIDE





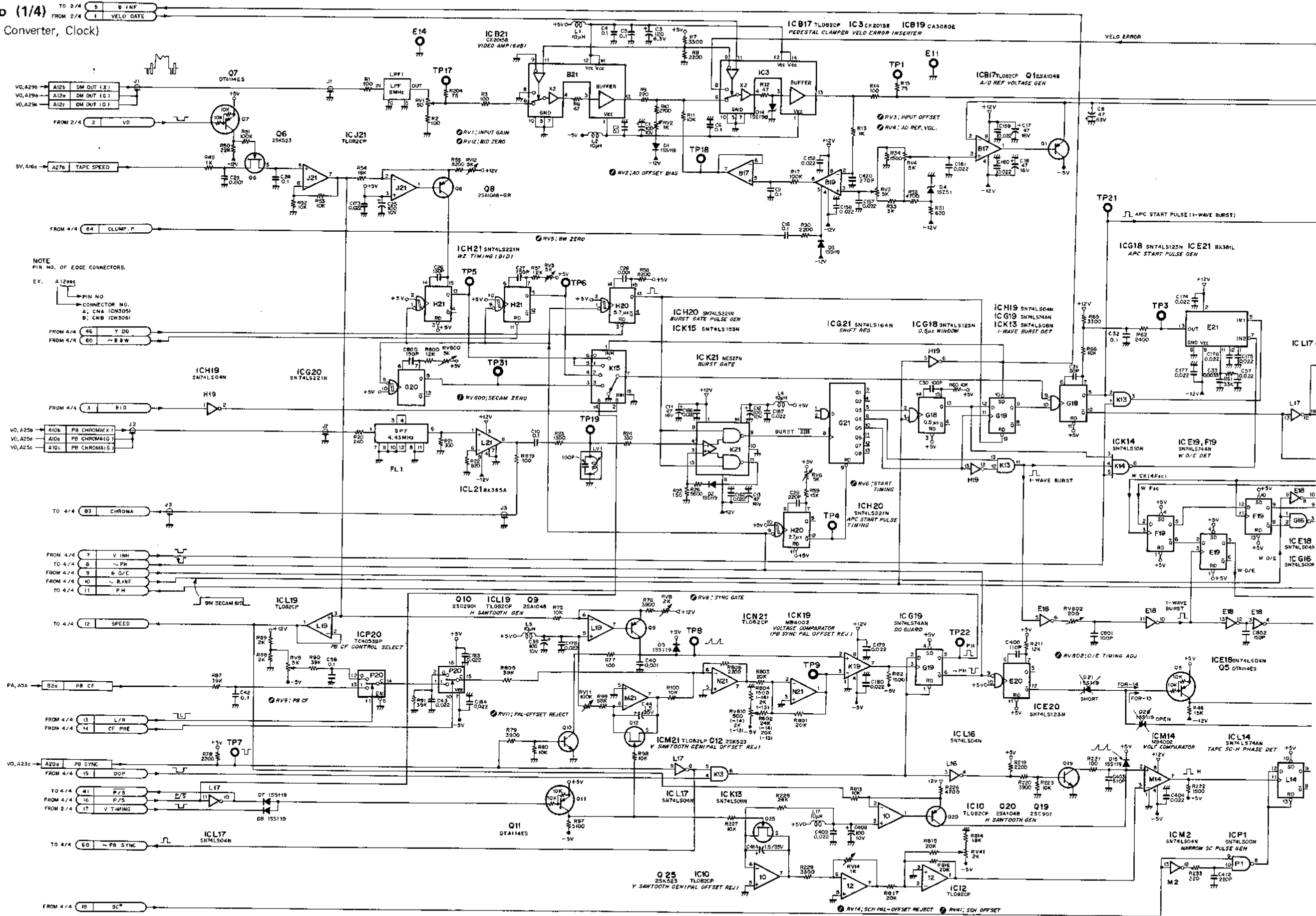


CK-27 (1-621-749-14)

- BVH-3000PS
- BVH-3100PS
- CN305(A)
- CN305(B)
- K1
- CP1 H1
- D1 B20
- D2 K20
- D3 B19
- D4 B18
- D5 L18
- D7 M21
- D8 M21
- D9 N19
- D10 D21
- D12 C21
- D13 C21
- D14 C21
- D15 M14
- D22 E15
- DL2 L18
- E1 A21
- E2 A1
- E3 F1
- E5 P1
- E7 D4
- E8 B7
- E9 G10
- E11 C19
- E12 F21
- E13 L20
- E14 G21
- E15 M10
- FL1 L20
- IC1 A4
- IC2 B4
- IC3 B21
- IC4 G5
- IC5 G7
- IC6 H5
- IC7 H7
- IC8 P14
- IC10 M14
- IC11 J1
- LPF1 A17
- LVI L21
- LV2 N18
- Q1 B17
- Q4 D20
- Q5 D20
- Q6 J20
- Q7 K20
- Q8 J21
- Q9 L18
- Q10 L20
- Q11 M21
- Q12 M20
- Q13 K18
- Q14 K18
- Q15 P19
- Q16 N6
- Q17 N6
- Q19 N15
- Q20 N15
- Q21 N16
- Q22 N16
- Q23 P16
- Q24 P16
- Q25 M14
- Q30 L2
- Q800 N7
- Q801 N7
- RB2 D16
- RV1 B21
- RV2 B20
- RV3 C21
- RV4 B17
- RV5 H21
- RV6 J19
- RV7 D21
- RV8 M18
- RV9 D21
- RV11 M20
- RV12 J21
- RV14 M16
- RV15 N16
- RV41 P21
- RV42 M17
- RV800 G21
- RV802 D18
- RV810 M21
- TP1 C19
- TP2 C20
- TP3 F21
- TP4 G21
- TP5 K15
- TP6 G15
- TP7 M20
- TP8 L19
- TP9 M21
- TP10 F20
- TP11 M11
- TP12 M8
- TP14 J1
- TP15 M5
- TP17 B21
- TP18 B19
- TP19 M21
- TP20 C17
- TP21 G18
- TP22 K19
- TP23 J17
- TP24 M10
- TP25 K10
- TP27 N7
- TP29 N17
- TP30 N15
- TP31 G20
- TP32 L17

CK-27 BOARD (1/4)

TBC (AD Converter, Clock)



NOTE  
PIN NO. OF EDGE CONNECTORS.

EX.  
A12005  
PIN NO.  
CONNECTOR NO.  
A; CNA ICN3051  
B; CNB ICN3051

FROM 4/4 46 Y DO  
FROM 4/4 80 ~ B & W

FROM 4/4 3 B/D

TO 4/4 83 CHROMA

FROM 4/4 7 V INH  
TO 4/4 8 ~ PH  
FROM 4/4 9 W O/E  
FROM 4/4 10 ~ B/INF  
TO 4/4 11 PH

TO 4/4 12 SPEED

FROM 4/4 13 L/R  
FROM 4/4 14 CF PRE

FROM 4/4 15 DOP

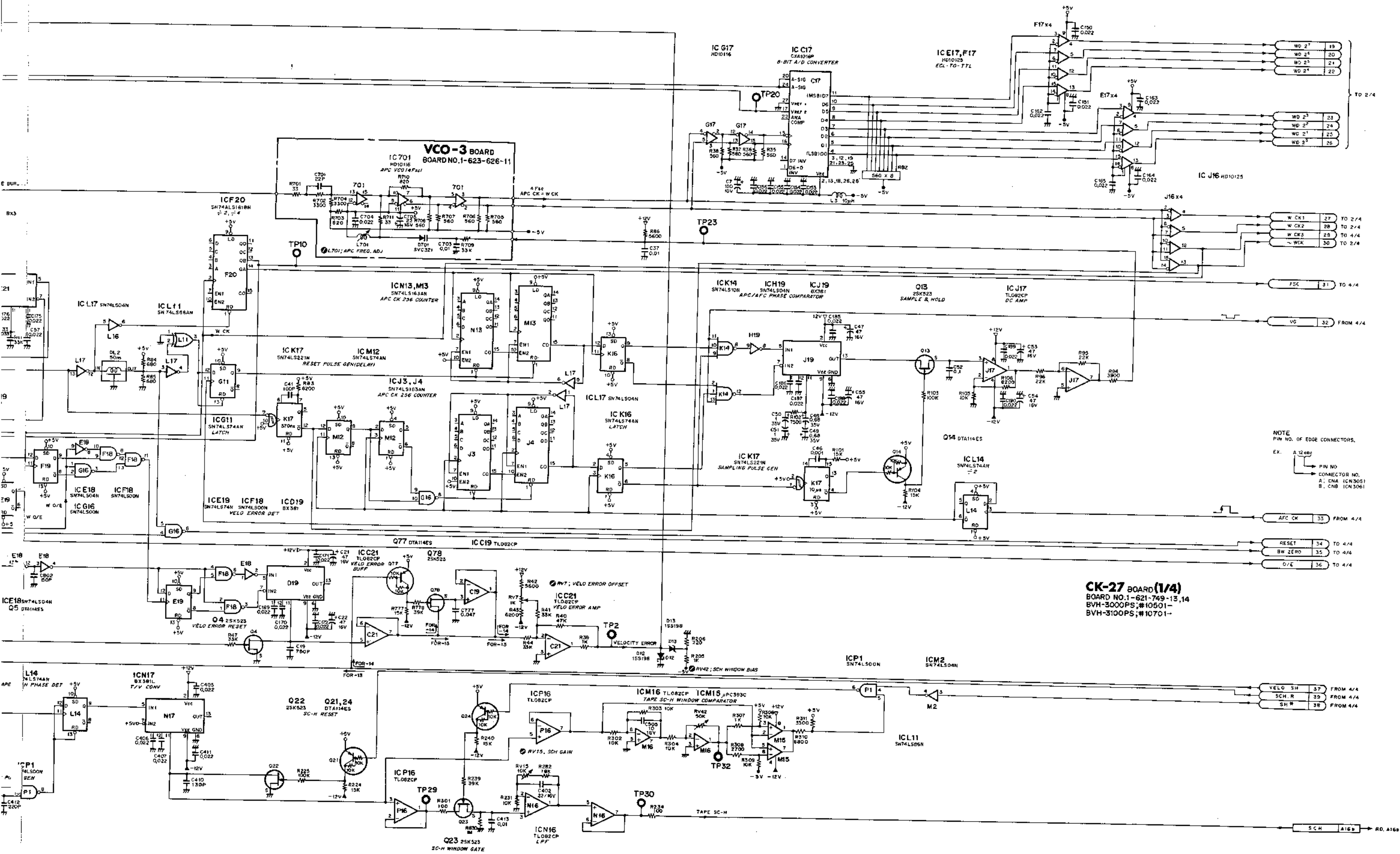
TO 4/4 41 P/S  
FROM 4/4 16 P/S  
FROM 2/4 17 V TIMING

TO 4/4 60 ~ PB SYNC

FROM 4/4 88 SC\*

B-7(a)

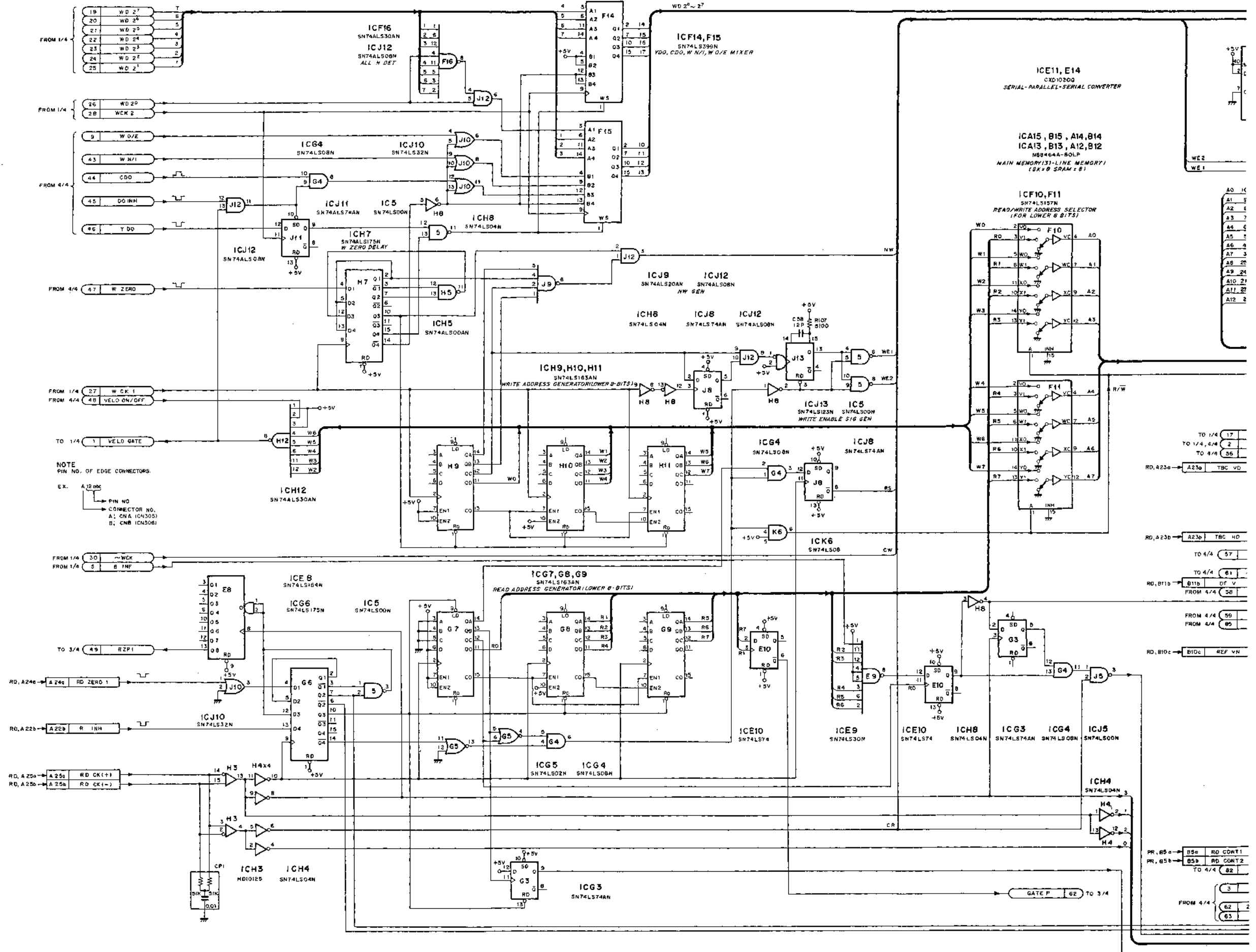
B-8(a)



B-9(a)

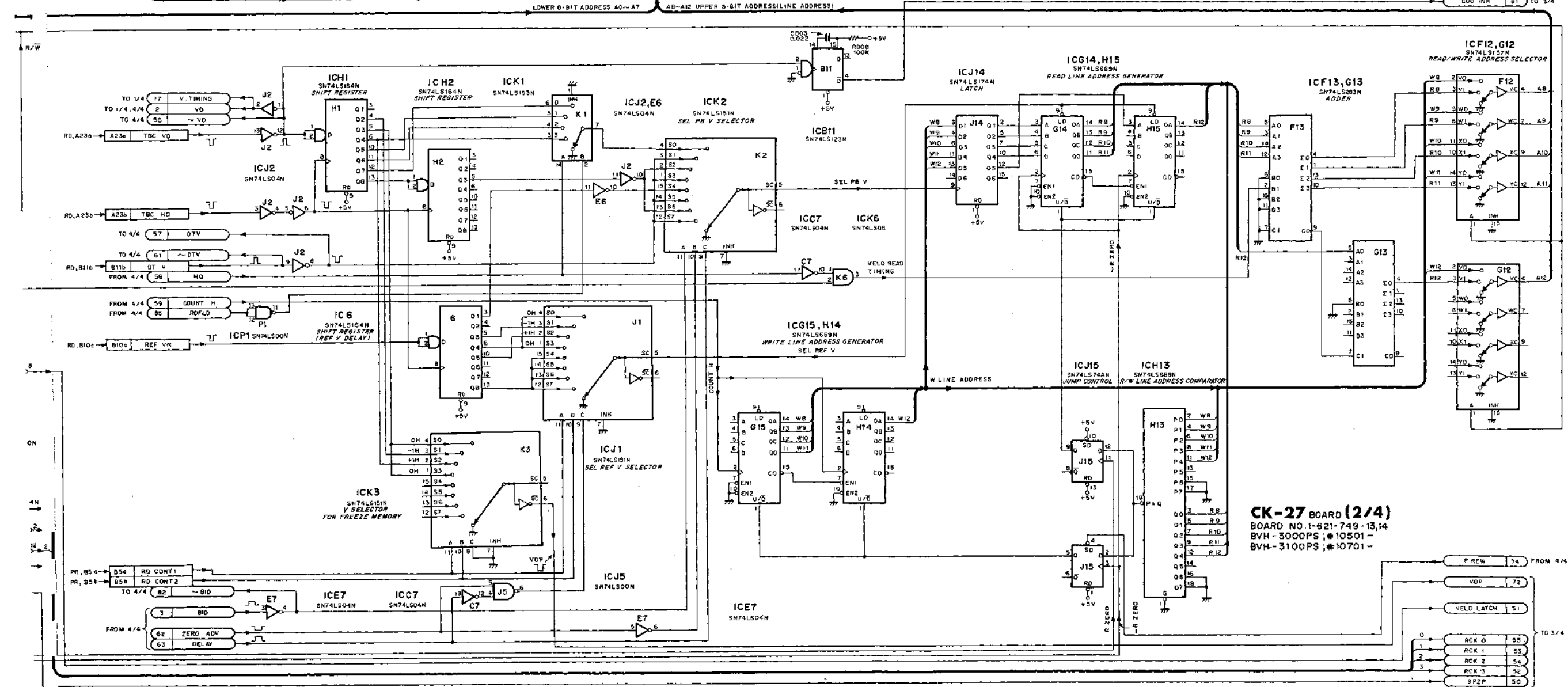
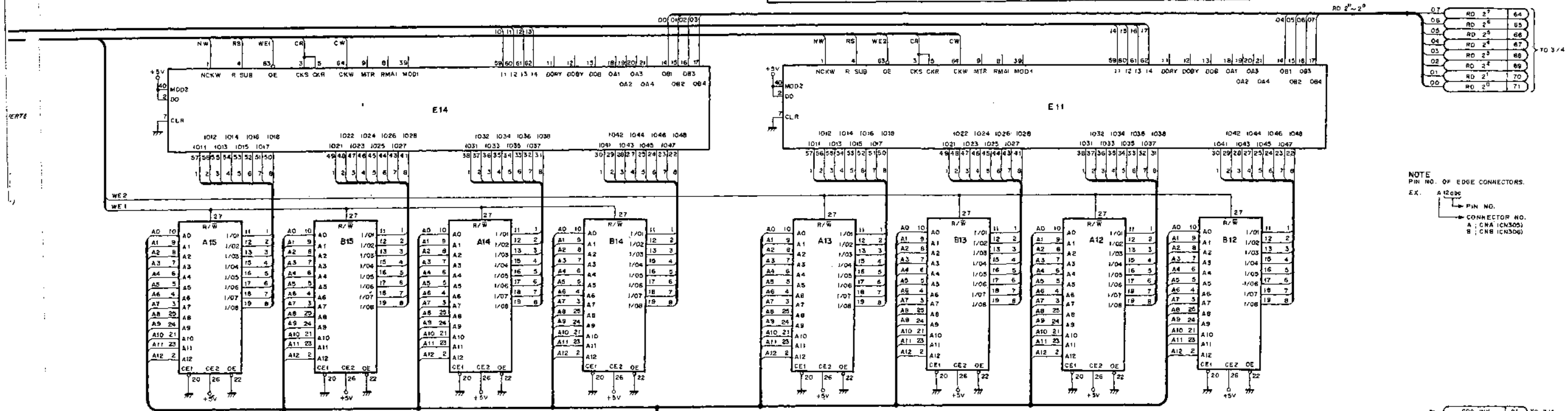
B-10(a)

CK-27 BOARD (2/4)  
TBC (AD Converter, Clock)



B-15(a)

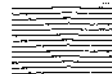
B-16(a)



B-17(a)

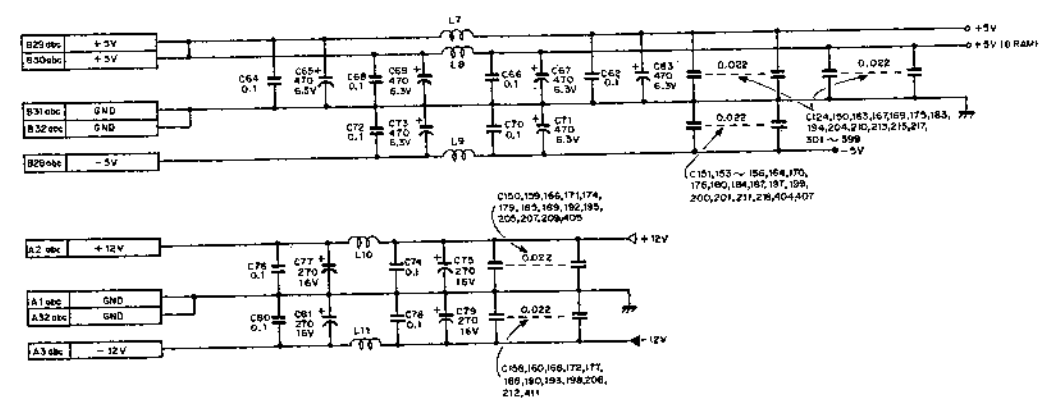
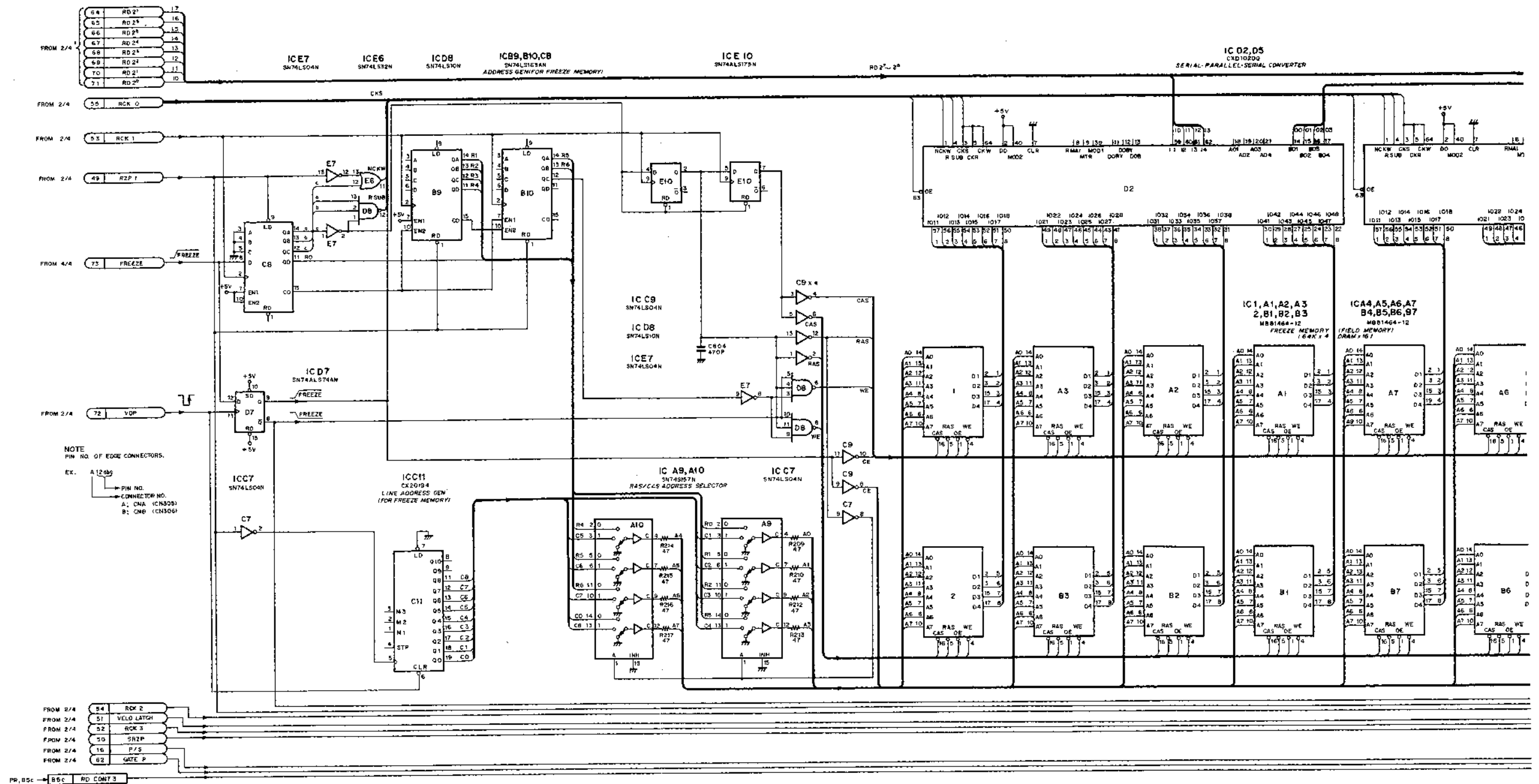
B-18(a)

**CK-27 BOARD (2/4)**  
 BOARD NO. 1-621-749-13,14  
 BVH-3000PS; \*10501 -  
 BVH-3100PS; \*10701 -



CK-27 BOARD (3/4)

TBC (AD Converter, Clock)



B-23(a)

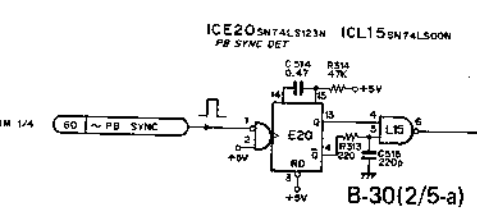
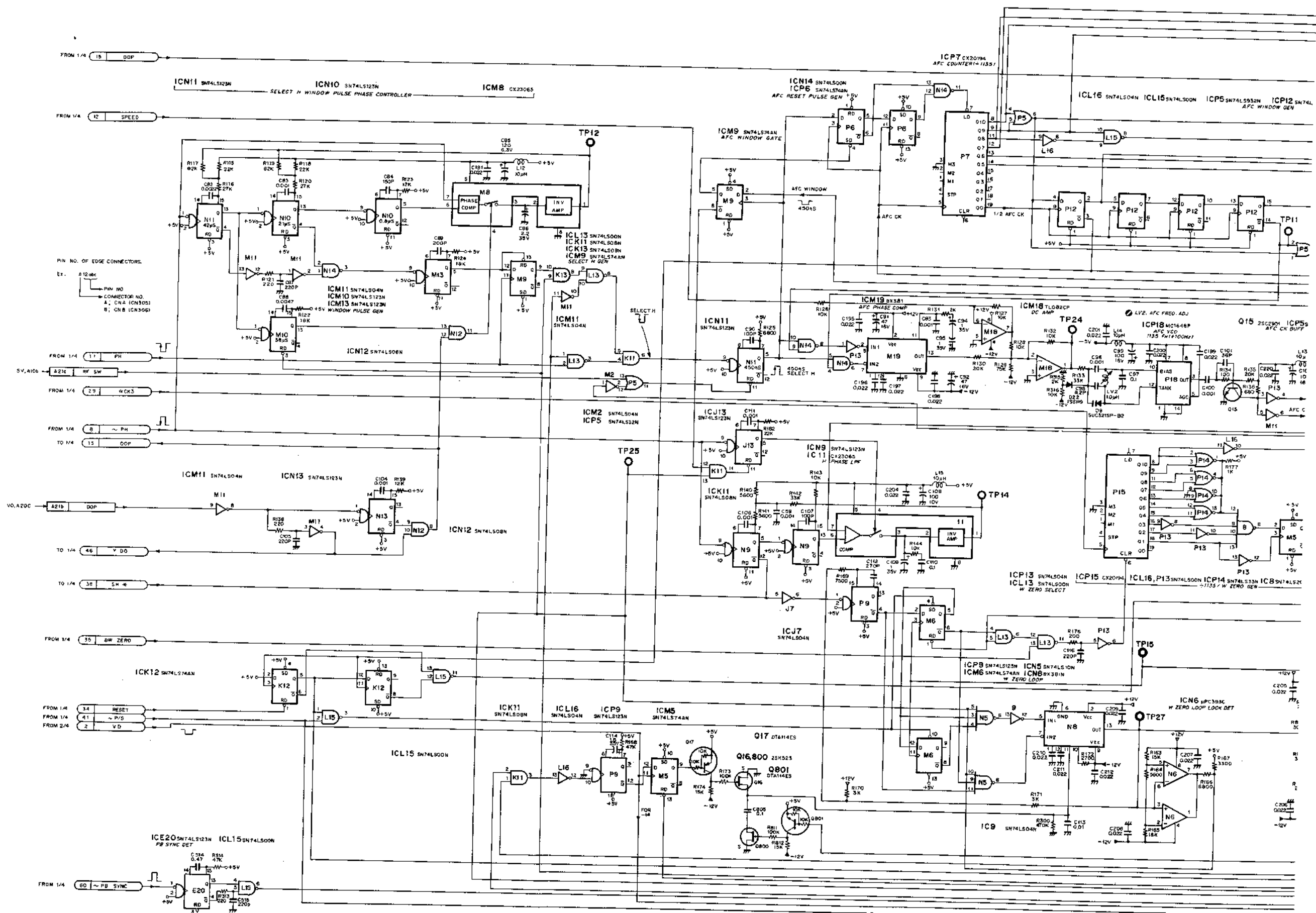
B-24(a)





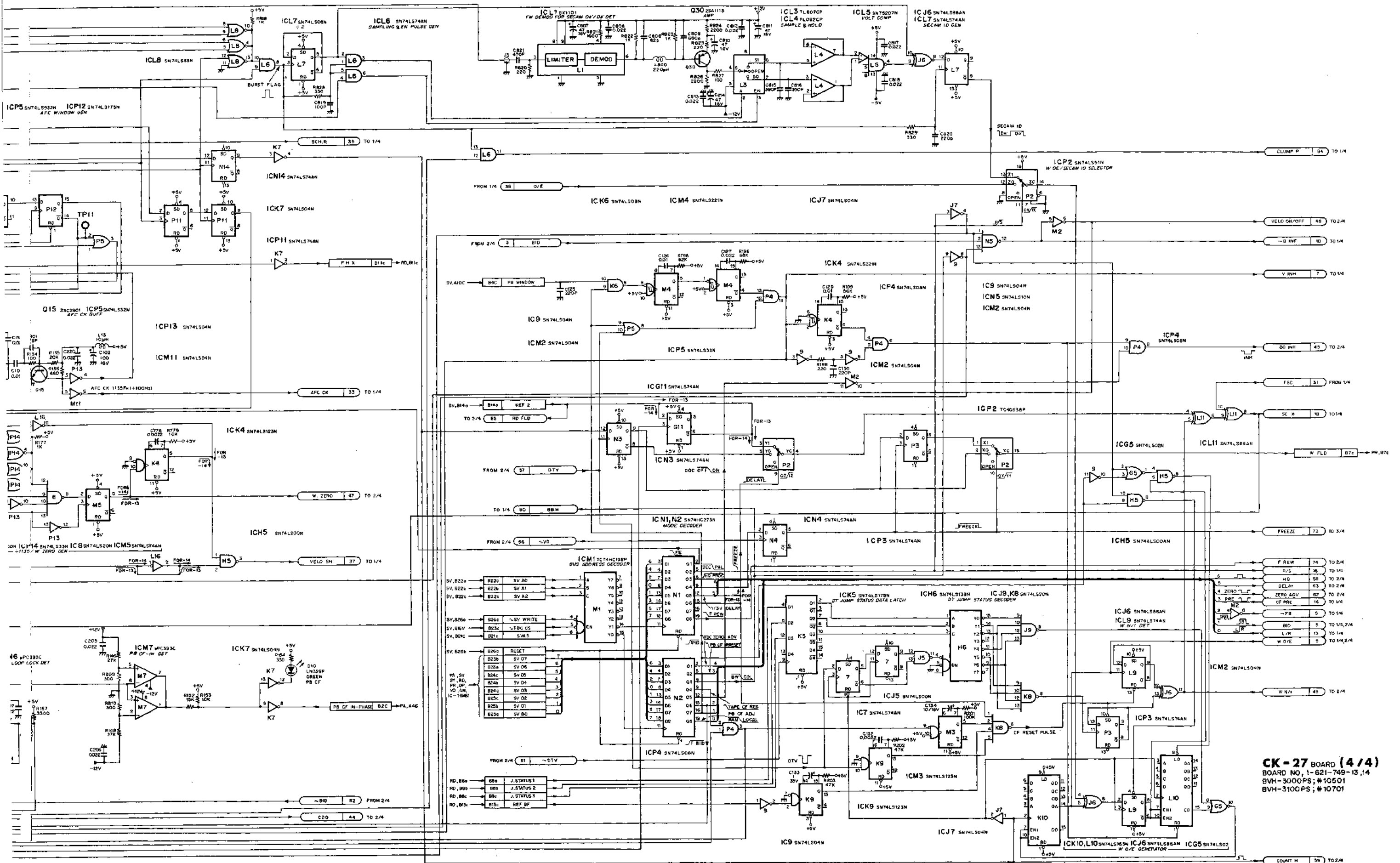
CK-27 BOARD (4/4)

TBC (AD Converter, Clock)



B-30(3/5-a)





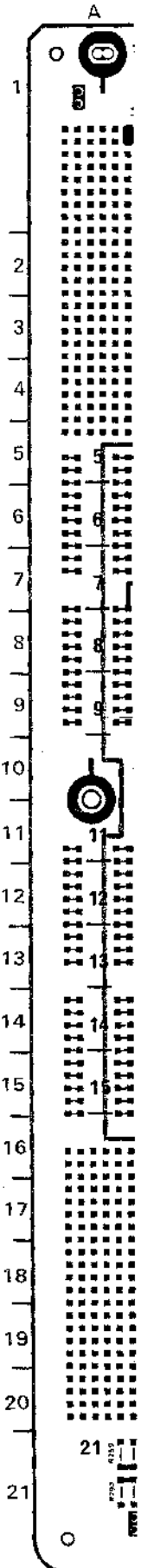
**CK-27 BOARD (4/4)**  
 BOARD NO. 1-621-749-13,14  
 BVH-3000PS; #10501  
 BVH-3100PS; #10701

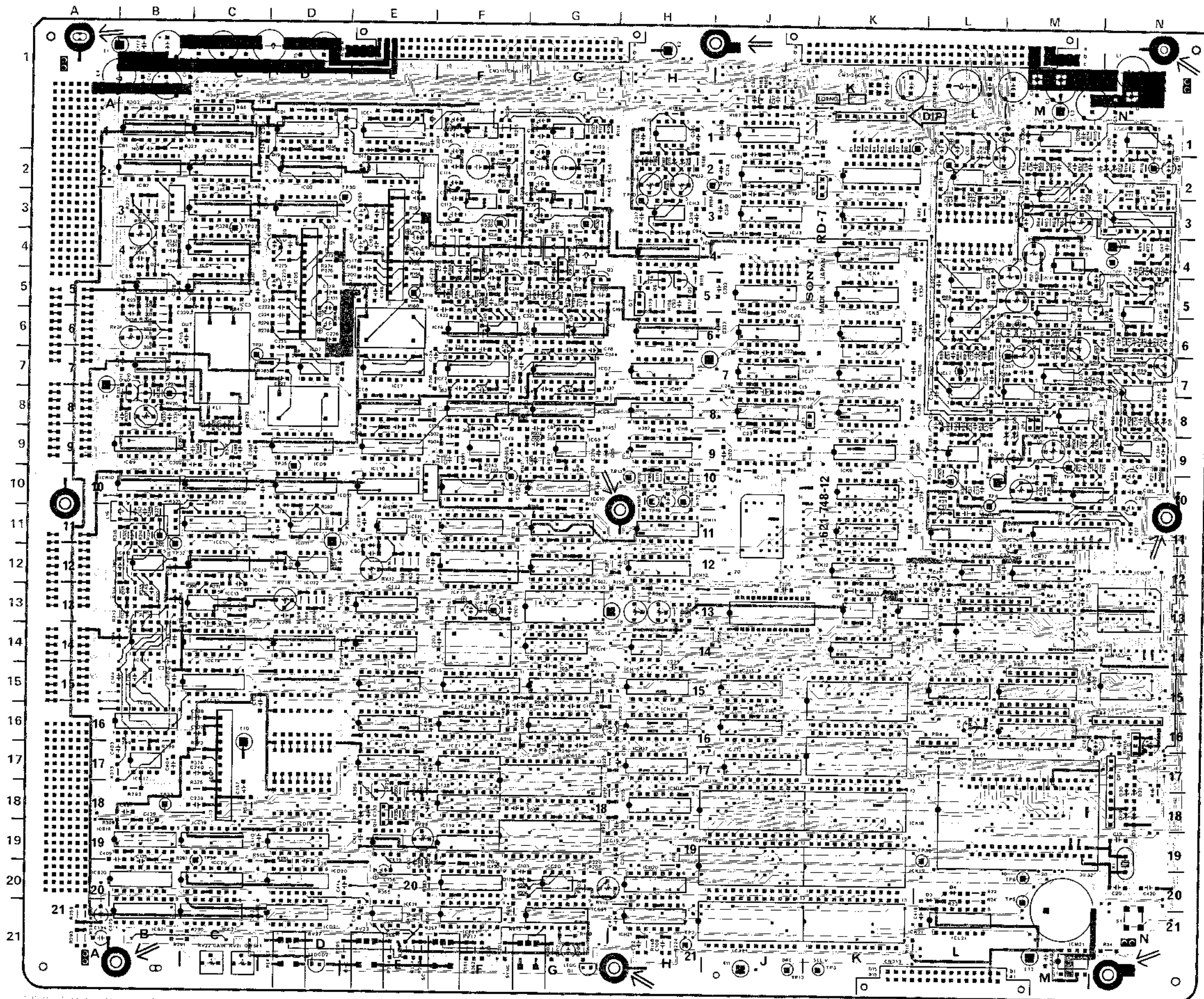
B-30(4/5-a)

B-30(5/5-a)



RD-7 BOARD (1-621-748-12)  
Component Side





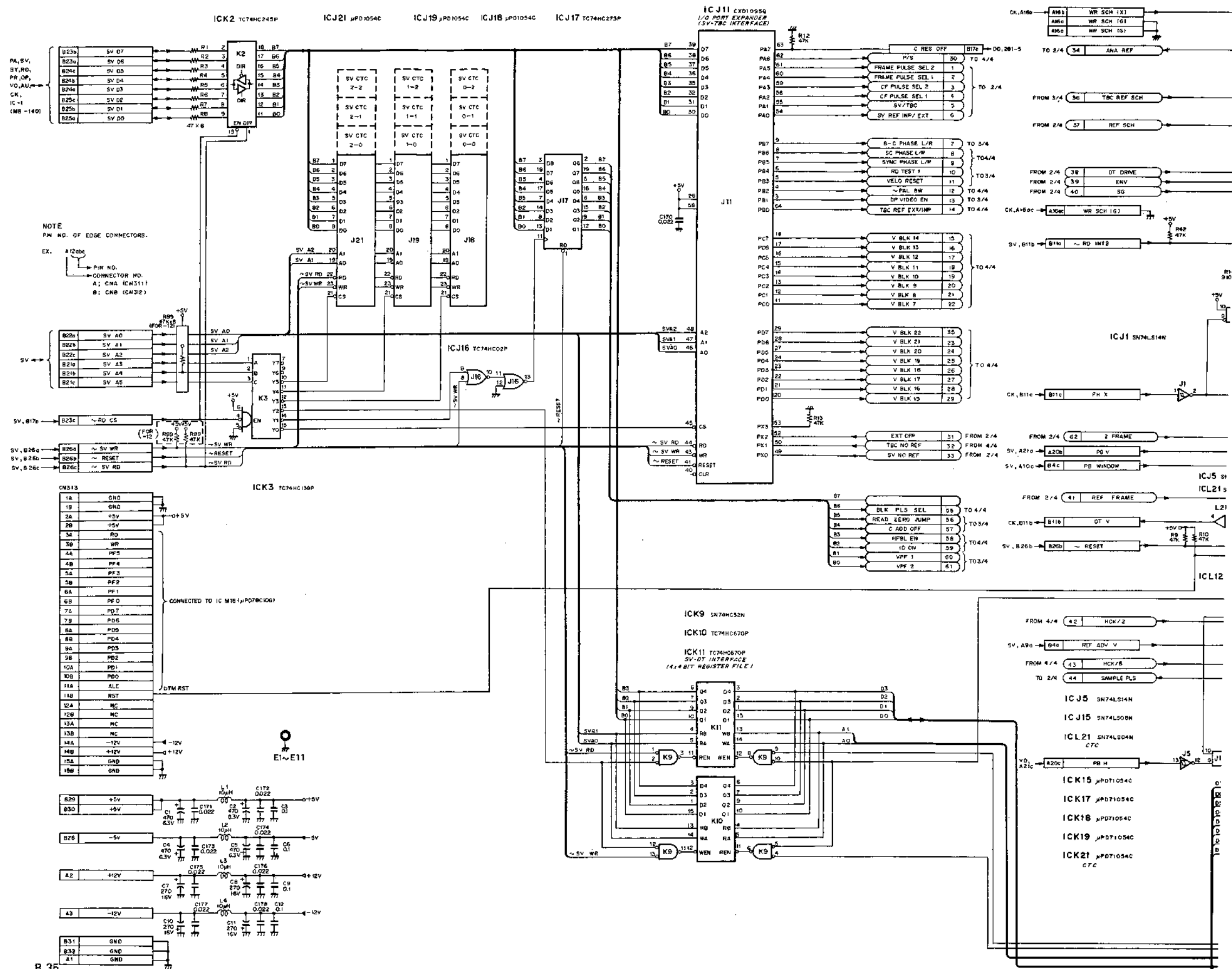
RD-7 (1-621-748-12)

BVH-3000P  
BVH-3100P

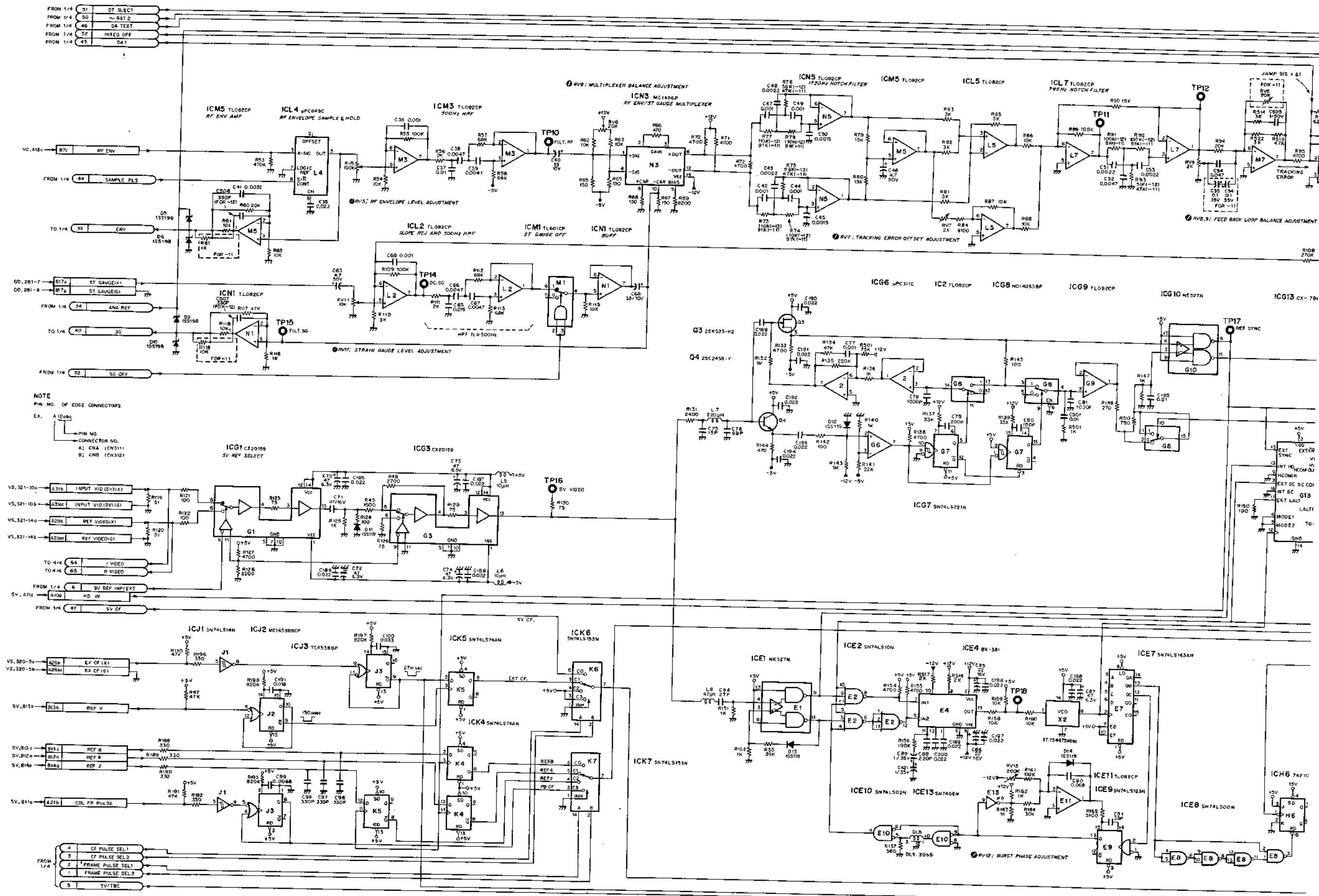
- |       |     |      |     |
|-------|-----|------|-----|
| BT1   | M21 | RV3  | M10 |
| CF1   | M10 | RV5  | M4  |
|       |     | RV6  | M5  |
|       |     | RV7  | M5  |
| CN311 | F1  | RV8  | M6  |
| CN312 | K1  | RV9  | M7  |
| CN313 | L21 | RV10 | M9  |
|       |     | RV11 | L2  |
| CP1   | N17 | RV12 | E12 |
|       |     | RV13 | H2  |
|       |     | RV14 | H2  |
| O1    | G21 | RV15 | G21 |
| O2    | D21 | RV16 | G20 |
| D3    | L20 | RV17 | F21 |
| D4    | L20 | RV18 | D13 |
| O5    | M9  | RV19 | H13 |
| O6    | M9  | RV20 | H13 |
| D7    | N8  | RV21 | C21 |
| D8    | N8  | RV22 | C21 |
| D9    | M2  | RV23 | E21 |
| O10   | M2  | RV24 | 86  |
| O11   | G2  | RV25 | 84  |
| D12   | G5  | RV26 | 88  |
| D14   | E11 | RV27 | D21 |
| O15   | H2  | RV28 | E19 |
| O16   | H2  | RV29 | N7  |
| D17   | G20 | RV30 | M4  |
| D18   | F2  |      |     |
| D19   | O2  |      |     |
| D20   | F5  | S1   | N21 |
| D21   | D11 |      |     |
| D22   | C13 | TP1  | K1  |
| D23   | B5  | TP2  | M21 |
| D24   | 85  | TP3  | K21 |
| D25   | B13 | TP5  | M20 |
| D26   | B13 | TP6  | M20 |
| D27   | E18 | TP7  | M9  |
| D29   | M8  | TP8  | L10 |
| O30   | M8  | TP9  | L10 |
| D31   | M8  | TP10 | L4  |
| D32   | M8  | TP11 | L7  |
| D35   | G9  | TP12 | M7  |
|       |     | TP13 | J21 |
|       |     | TP14 | L2  |
| DL1   | B3  | TP15 | N2  |
| DL2   | B11 | TP16 | G3  |
| DL3   | E10 | TP17 | M10 |
|       |     | TP18 | D5  |
| E1    | A1  | TP19 | H10 |
| E2    | H1  | TP20 | H3  |
| E3    | M1  | TP21 | H2  |
| E4    | A8  | TP22 | F13 |
| E5    | J7  | TP23 | F3  |
| E7    | D11 | TP24 | F10 |
| E8    | G13 | TP25 | 89  |
| E9    | L10 | TP26 | B11 |
| E10   | C16 | TP27 | C4  |
| E11   | J21 | TP28 | H10 |
| E12   | M21 | TP30 | O3  |
|       |     | TP31 | C7  |
| FL1   | O8  | TP32 | B12 |
|       |     | TP33 | B18 |
| IC1   | F6  | TP34 | C20 |
| IC2   | G6  | TP35 | O10 |
|       |     | TP36 | L19 |
| JP1   | J8  |      |     |
| JP3   | M8  | X1   | N19 |
| JP4   | M8  | X2   | E6  |
|       |     | X3   | F14 |
| O3    | G5  | X4   | D8  |
| O4    | G5  |      |     |
| O5    | H5  |      |     |
| O6    | H5  |      |     |
| O7    | H5  |      |     |
| O8    | F5  |      |     |
| O9    | F5  |      |     |
| O10   | B8  |      |     |
| O11   | B8  |      |     |
| O12   | C9  |      |     |
| O13   | E18 |      |     |
| O14   | E18 |      |     |
| O16   | K2  |      |     |
| RB1   | L13 |      |     |
| RB2   | M15 |      |     |
| RB4   | M16 |      |     |
| RB5   | M14 |      |     |
| RB6   | C1  |      |     |
| RB8   | L16 |      |     |

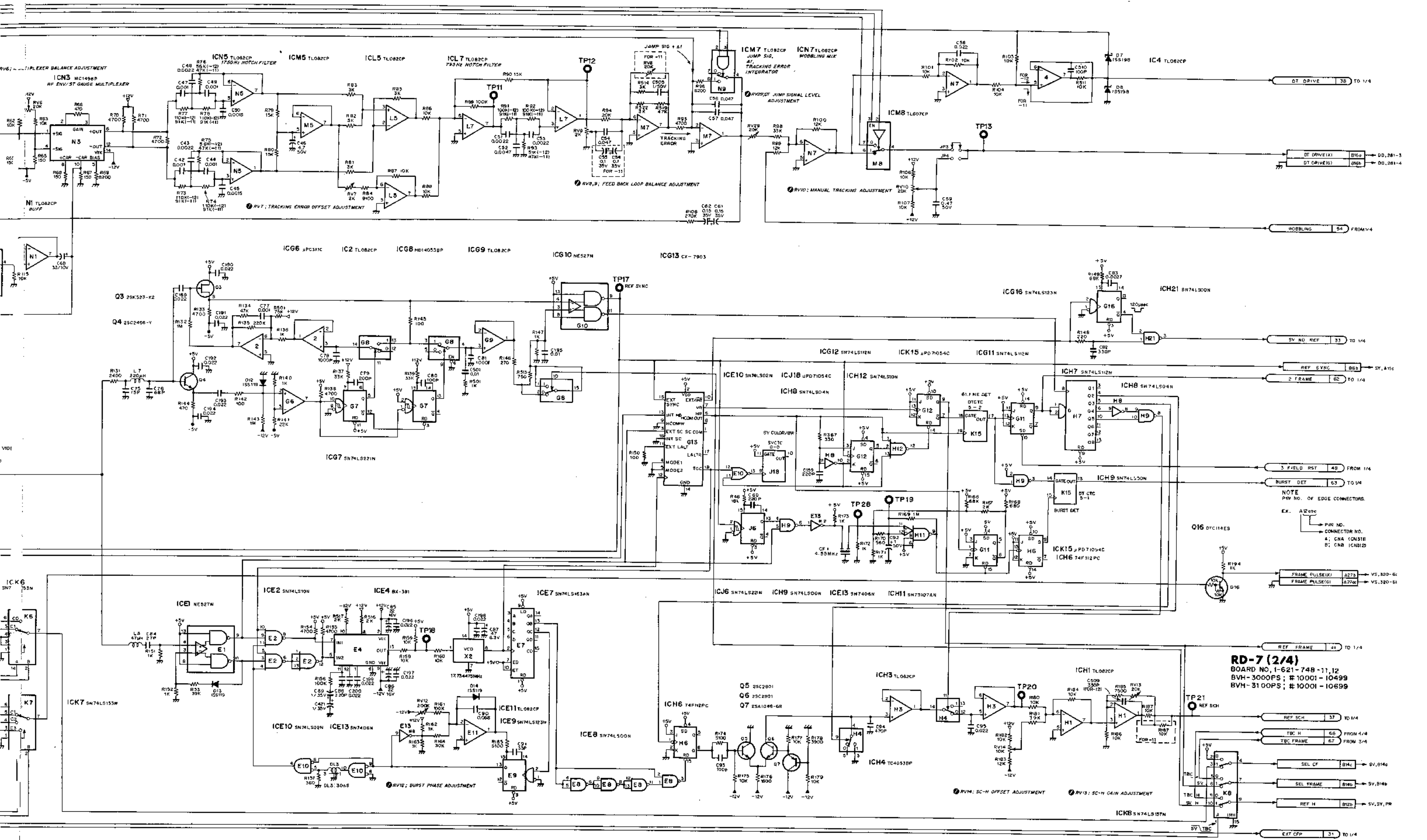
RD-7 BOARD (1/4)

DT Control (Digital Section)



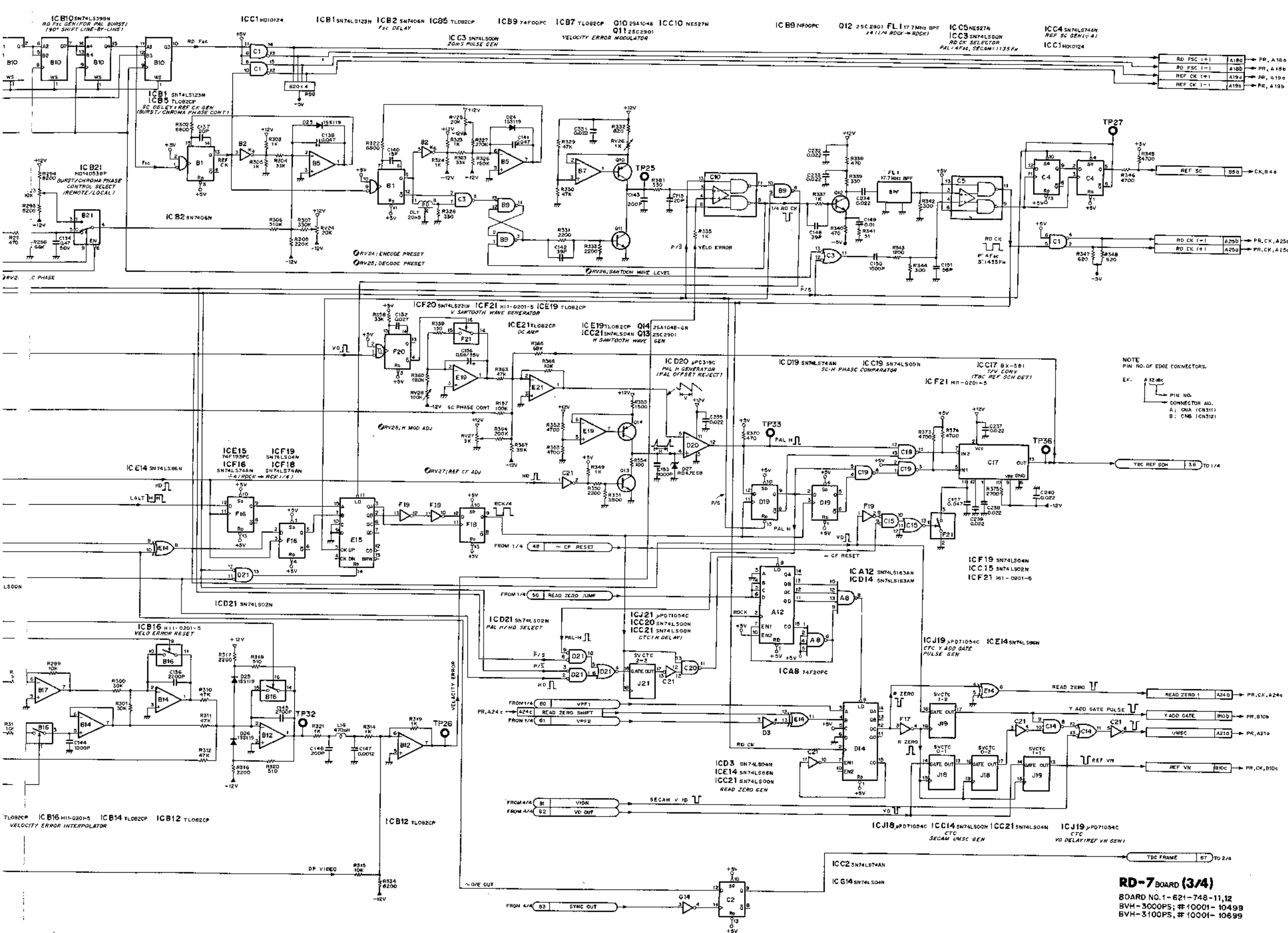








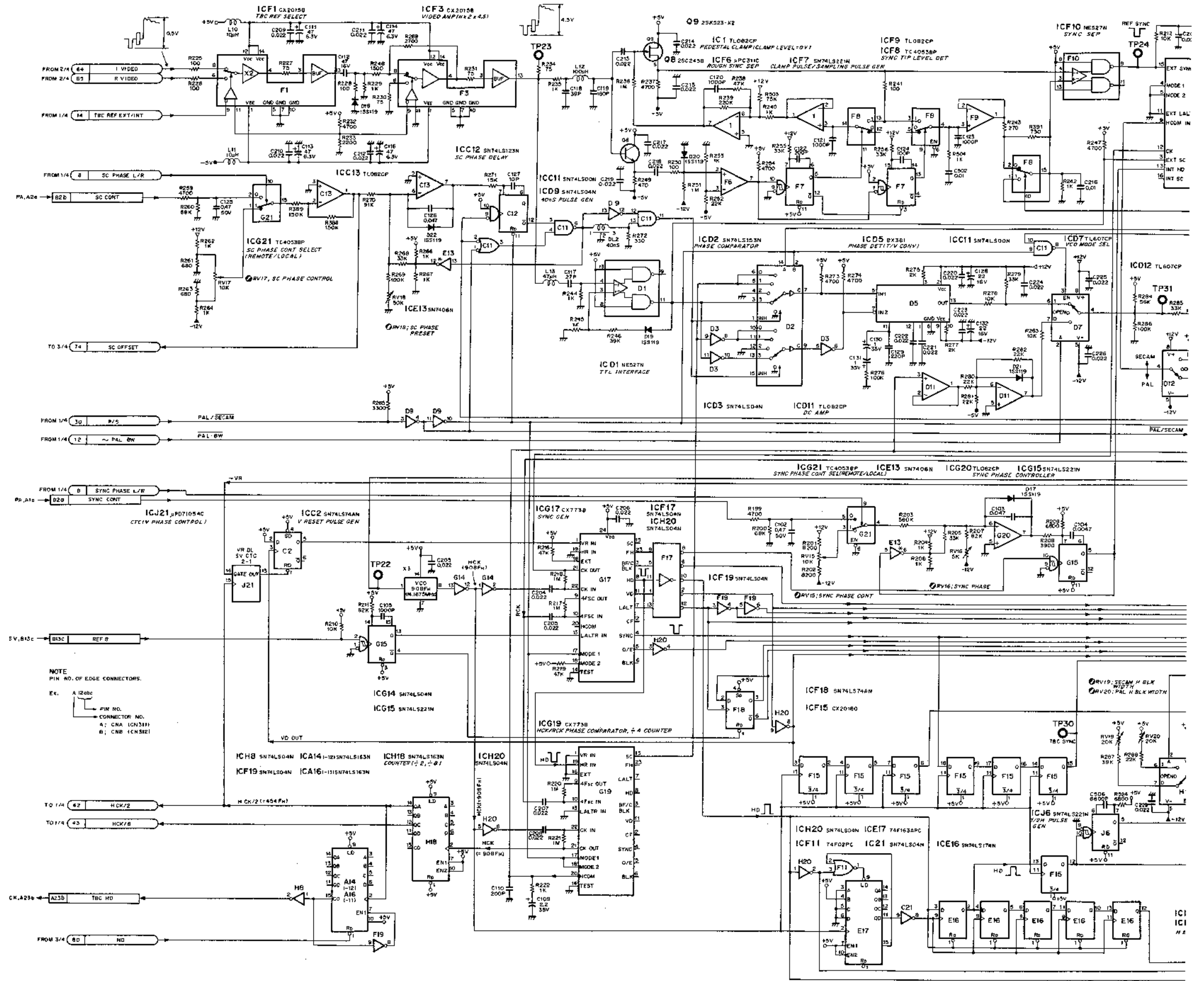


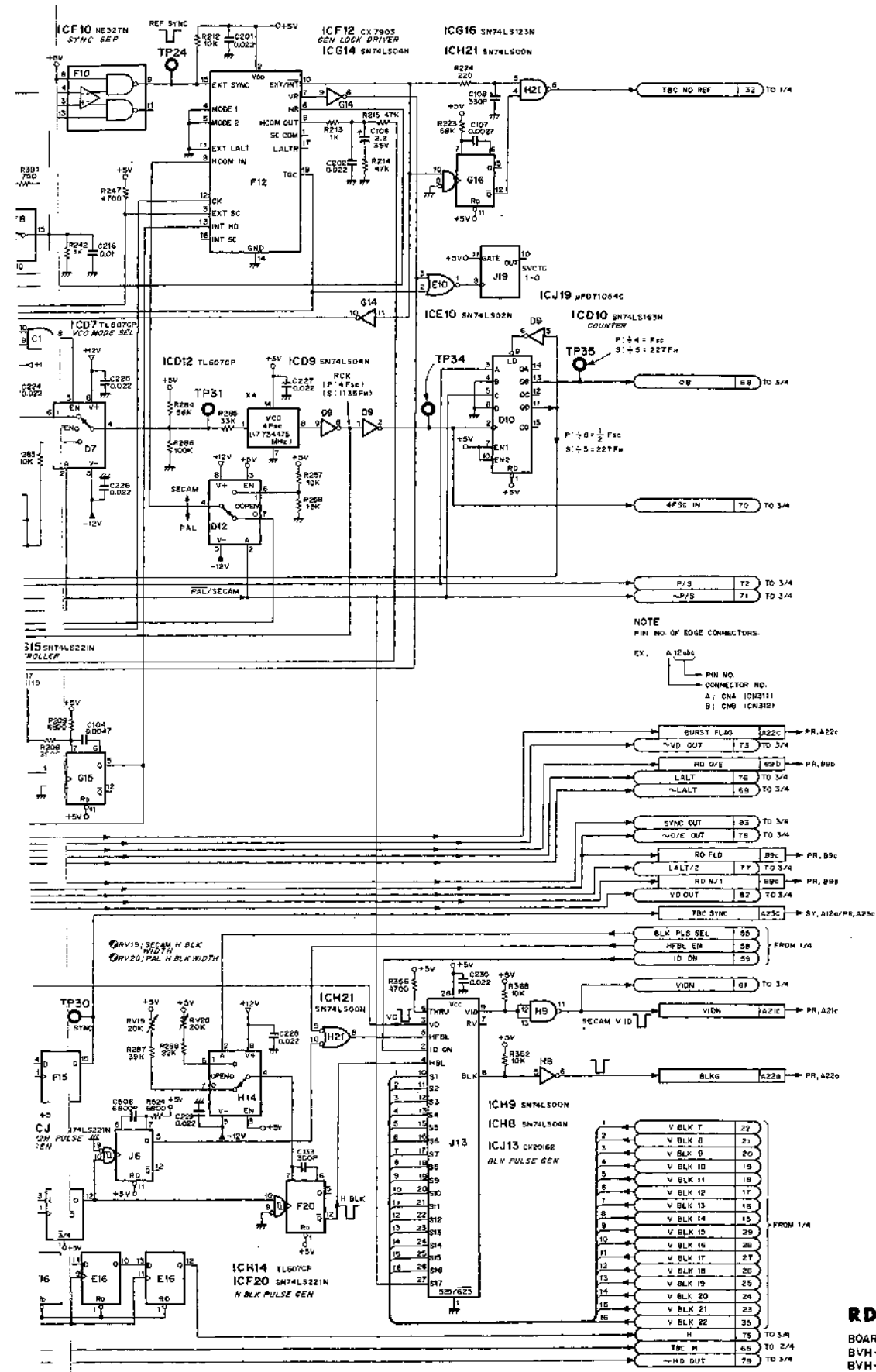
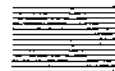


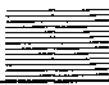
**RD-7 BOARD (3/4)**  
 BOARD NO. 1-621-748-11, 12  
 BVH-3000PS; #10001-10499  
 BVH-3100PS; #10001-10699

RD-7 BOARD (4/4)

TBC Reference Signal Generator (Part 2)



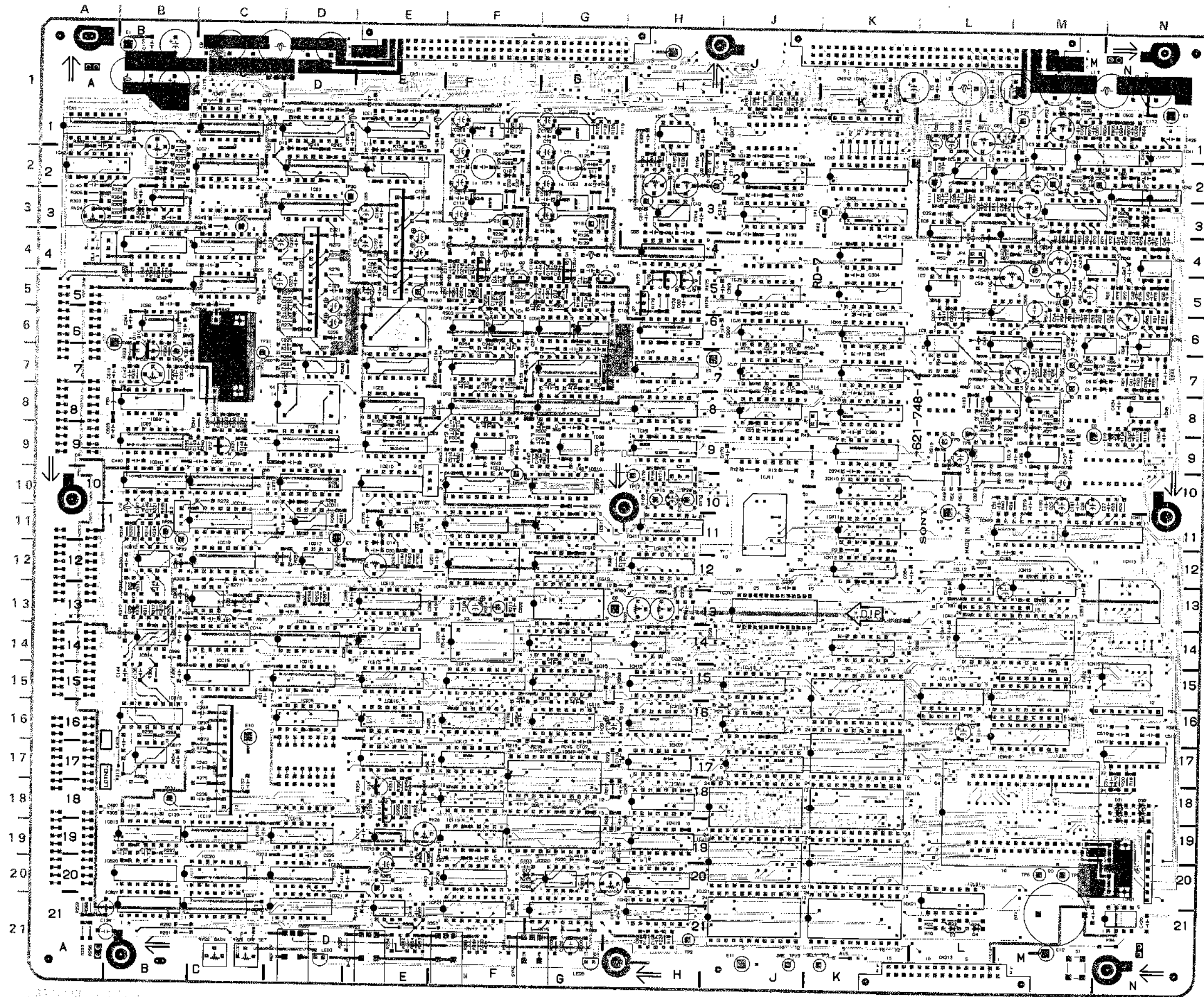




- 1
- 2
- 3
- 4
- 5
- 6
- 7
- 8
- 9
- 10
- 11
- 12
- 13
- 14
- 15
- 16
- 17
- 18
- 19
- 20
- 21

B-31(a)

B-32(a)



RD-7 (1-621-748-14)

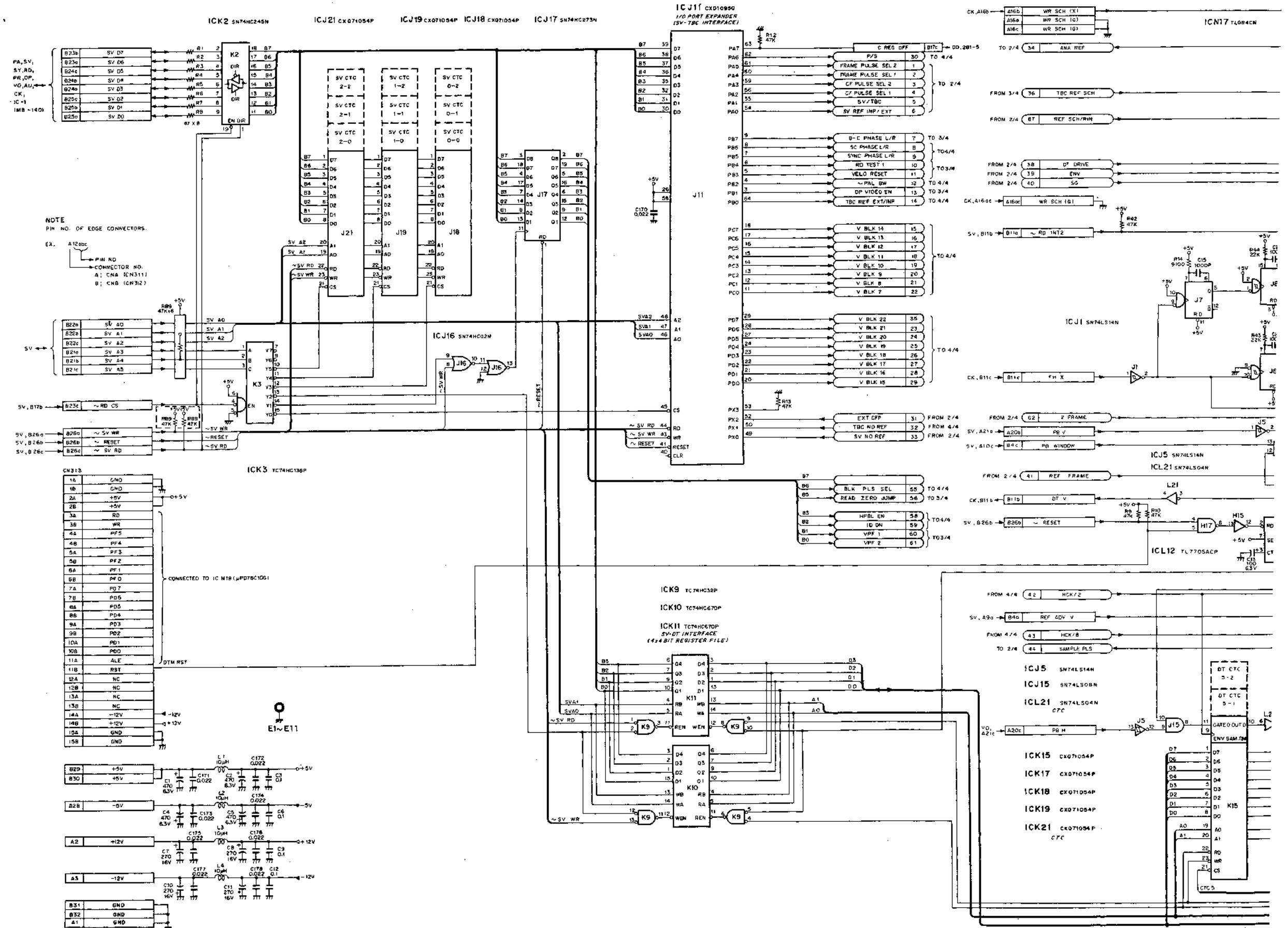
BVH-3000PS  
BWH-3100PS

BT1	M20	RV5	M3
CF1	H10	RV6	M4
		RV7	M6
		RV9	M5
CN311	F1	RV10	M5
CN312	K1	RV11	L1
CN313	L21	RV12	E12
		RV13	H2
		RV14	H2
CPI	M20	RV15	G21
		RV16	M20
D1	G21	RV17	F21
D2	D21	RV19	H13
D3	L21	RV20	H13
D4	L21	RV21	C21
D5	N7	RV22	C21
D6	N7	RV23	E21
D7	H18	RV24	A3
D8	H18	RV25	B1
D9	N9	RV26	B7
D10	N9	RV27	D21
D11	G2	RV28	E19
D12	G5	RV29	M7
D13	E1	RV30	M1
D14	E11		
D15	N3		
D16	N3	S1	M21
D17	F20		
D18	F2	TP1	K3
D19	D1	TP2	H21
D20	F5	TP3	K21
D21	D10	TP5	M20
D22	C13	TP6	H7
D23	B3	TP7	M7
D24	B2	TP8	L9
D25	B13	TP9	L9
D26	B13	TP10	M4
D27	E18	TP11	M7
D29	N18	TP12	M5
D30	N18	TP13	J21
D31	N18	TP14	L2
D32	N18	TP15	M2
D60	N2	TP16	G3
D61	M1	TP17	H10
		TP18	E5
		TP19	H10
DL1	A4	TP20	H3
DL2	B11	TP21	H2
DL3	E10	TP22	F13
		TP23	F3
E1	B1	TP24	F10
E2	H1	TP25	B7
E3	N1	TP26	B11
E4	B6	TP27	C3
E5	H7	TP28	H10
E6	N9	TP30	D3
E7	D11	TP31	G7
E8	G15	TP32	B12
E9	L10	TP33	B18
E10	C16	TP35	E20
E11	J21	TP37	M1
E12	M21	TP38	M2
FL1	C6		
		X1	N20
IC1	F6	X2	E6
IC2	G6	X3	F14
IC3	M1	X4	D8
IC4	N6		
IC5	L2		
IC6	L3		
IC7	L5		
IC8	L6		
JP1	J8		
JP3	L4		
JP4	L4		
Q3	G5		
Q4	G4		
Q5	H5		
Q6	H5		
Q7	H3		
Q8	F5		
Q9	F5		
Q10	B7		
Q11	B7		
Q12	C9		
Q13	E18		
Q14	E18		
Q16	H2		
RB1	L13		
RB2	M16		
RB4	N16		
RB5	M13		
RB6	C1		
RB8	L16		
RB9	K1		

1-621-748-14 SOLDER SIDE

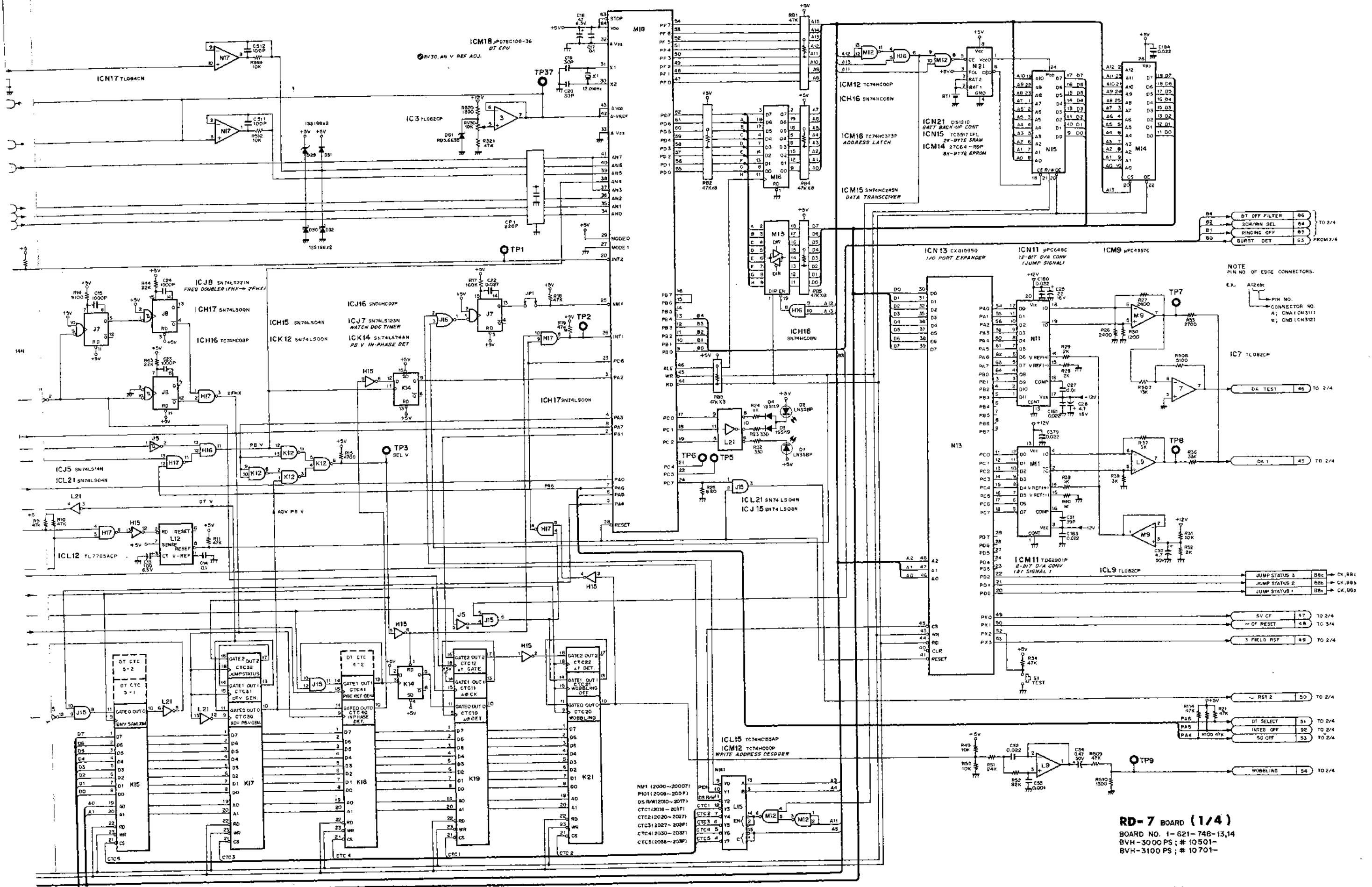
RD-7 BOARD (1/4)

DT Control (Digital Section)



B-35(a)

B-36(a)



NOTE  
PIN NO. OF EDGE CONNECTORS.  
E.X. A128c  
PIN NO.  
CONNECTOR NO.  
A: CNA (CN311)  
W: CNB (CN312)

**RD-7 BOARD (1/4)**  
BOARD NO. 1-621-748-13,14  
BVH-3000 PS; # 10501-  
BVH-3100 PS; # 10701-

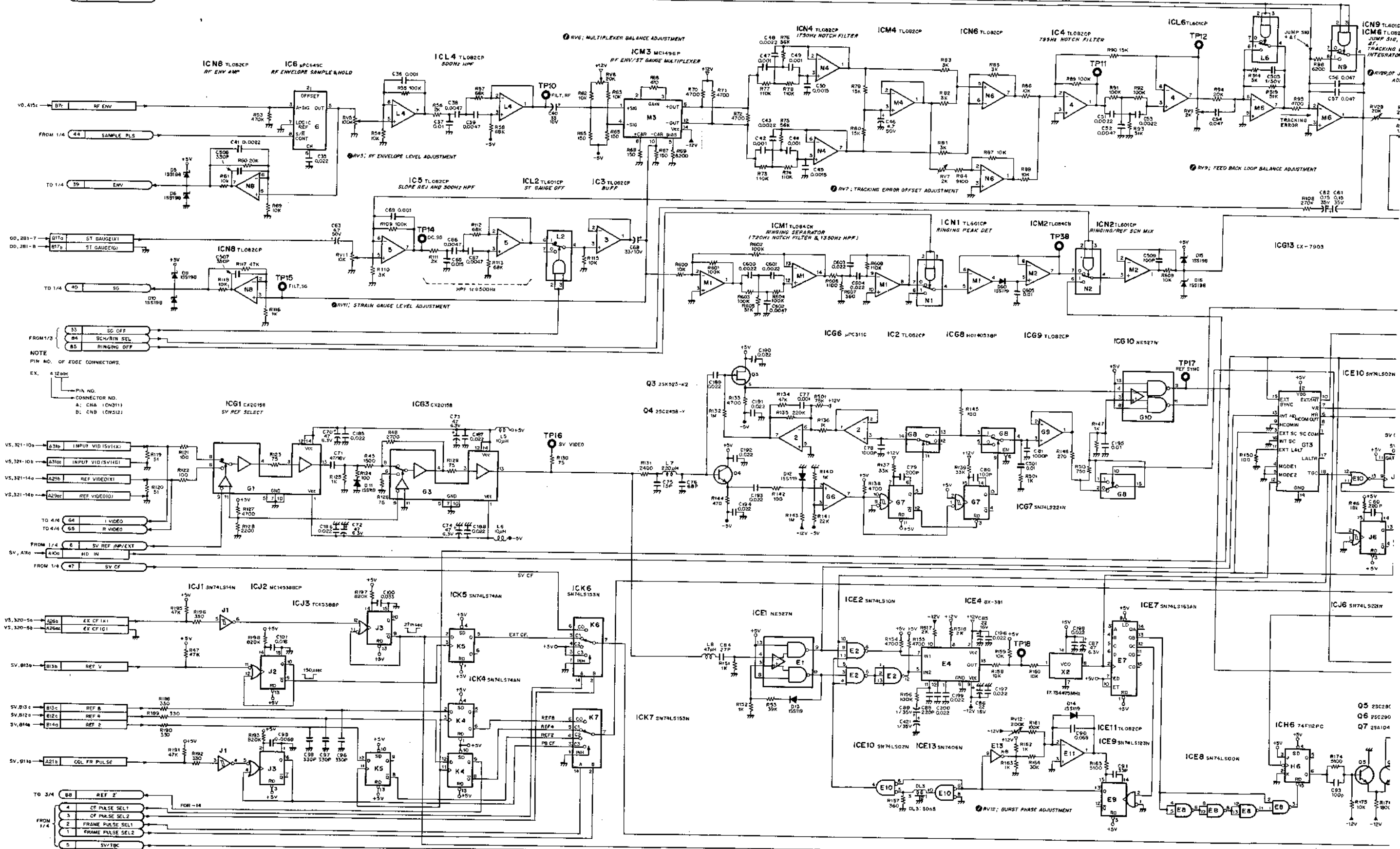
B-37(a)

B-38(a)

DT Control (Analog Section)

Servo Reference Signal Generator

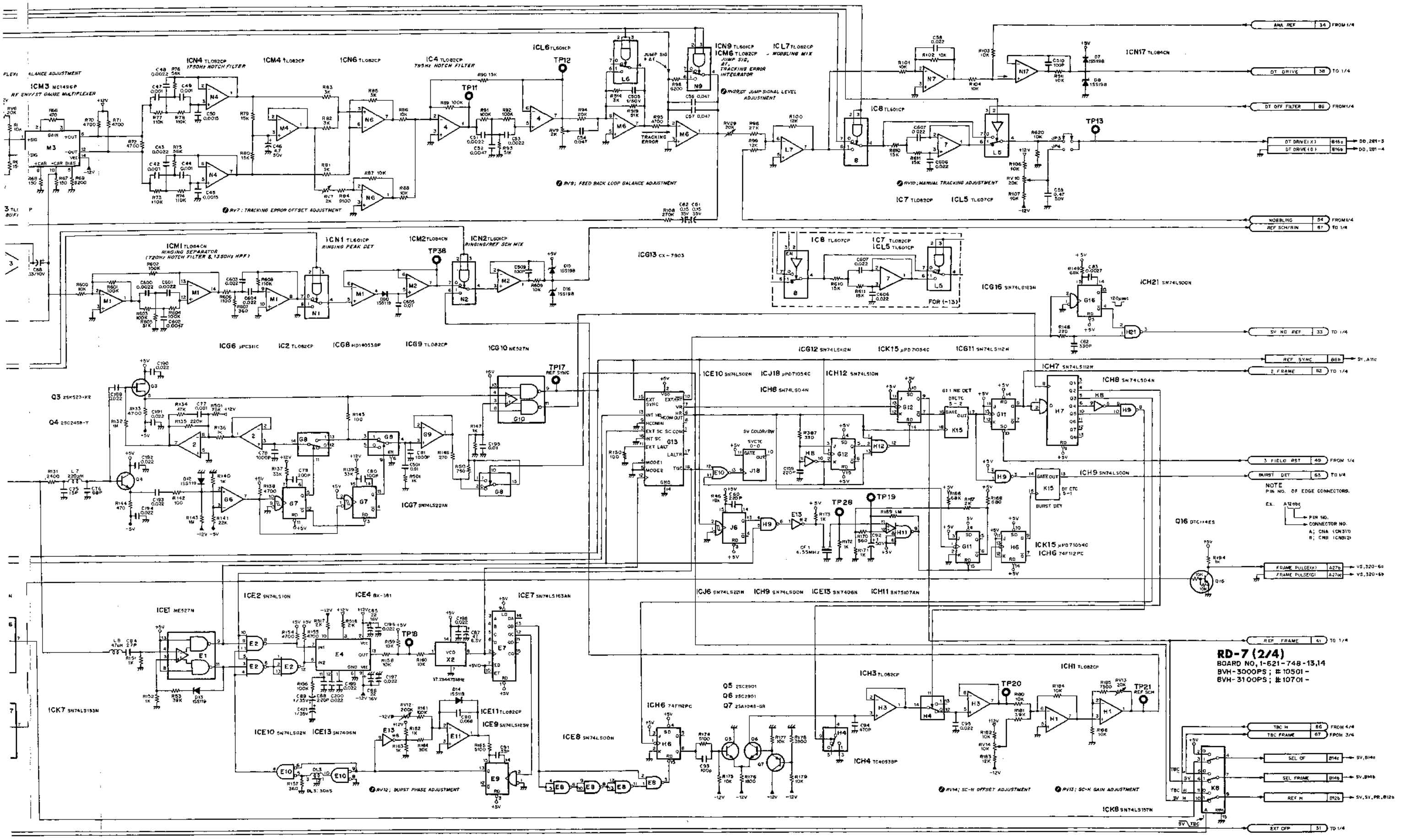
FROM 1/4	51	DT SELECT
FROM 1/4	50	RST 2
FROM 1/4	46	DA TEST
FROM 1/4	52	INTEG OFF
FROM 1/4	45	DA 1



B-43(a)

B-44(a)





B-44(a)

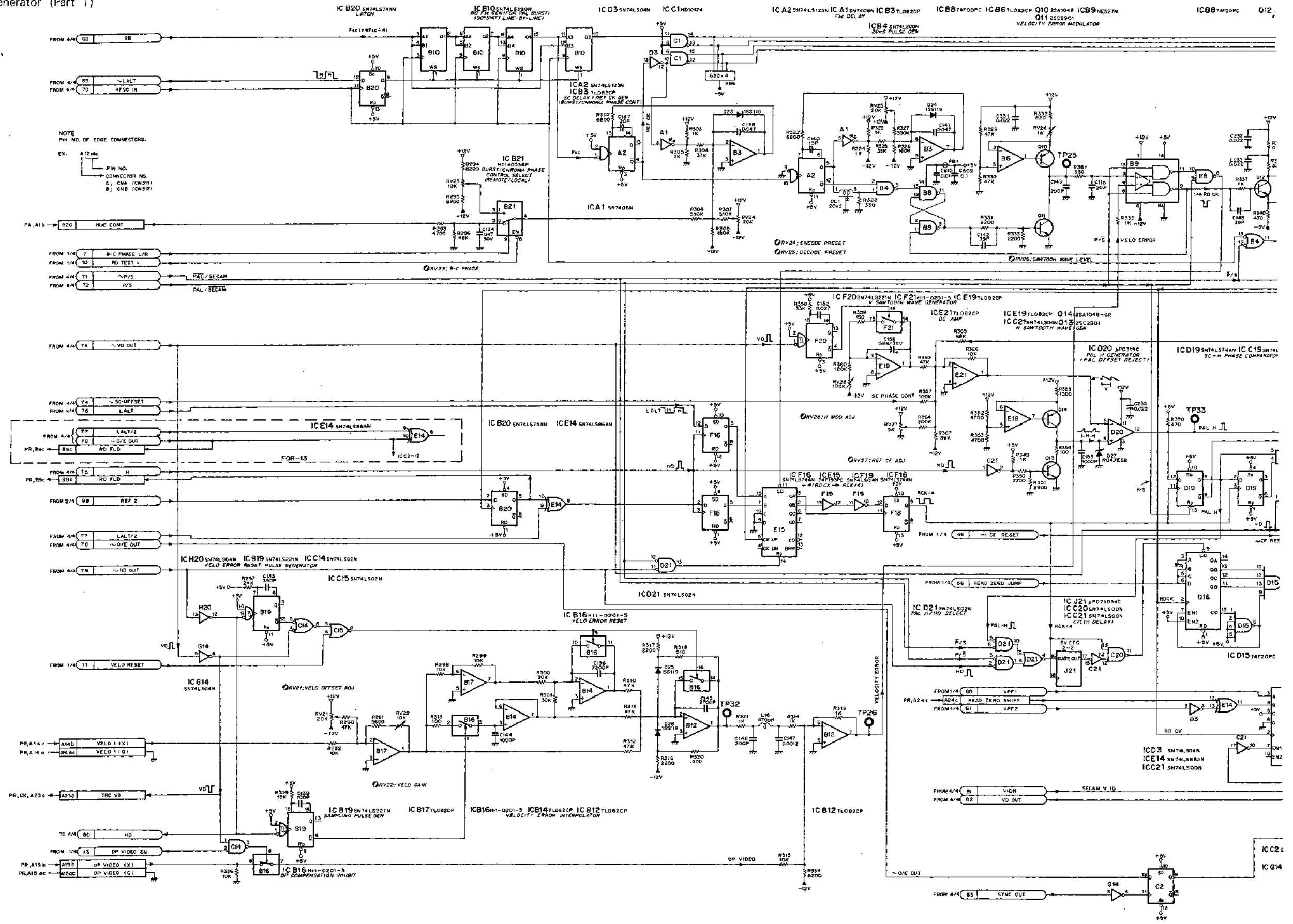
B-45(a)

**RD-7 (2/4)**  
 BOARD NO. 1-621-748-13,14  
 BVH-300OPS; # 10501 -  
 BVH-310OPS; # 10701 -

NOTE  
 PIN NO. OF EDGE CONNECTORS.  
 EX. A12985  
 PIN NO.  
 CONNECTOR NO.  
 A; CHA 1CN310  
 B; CMB 1CN320

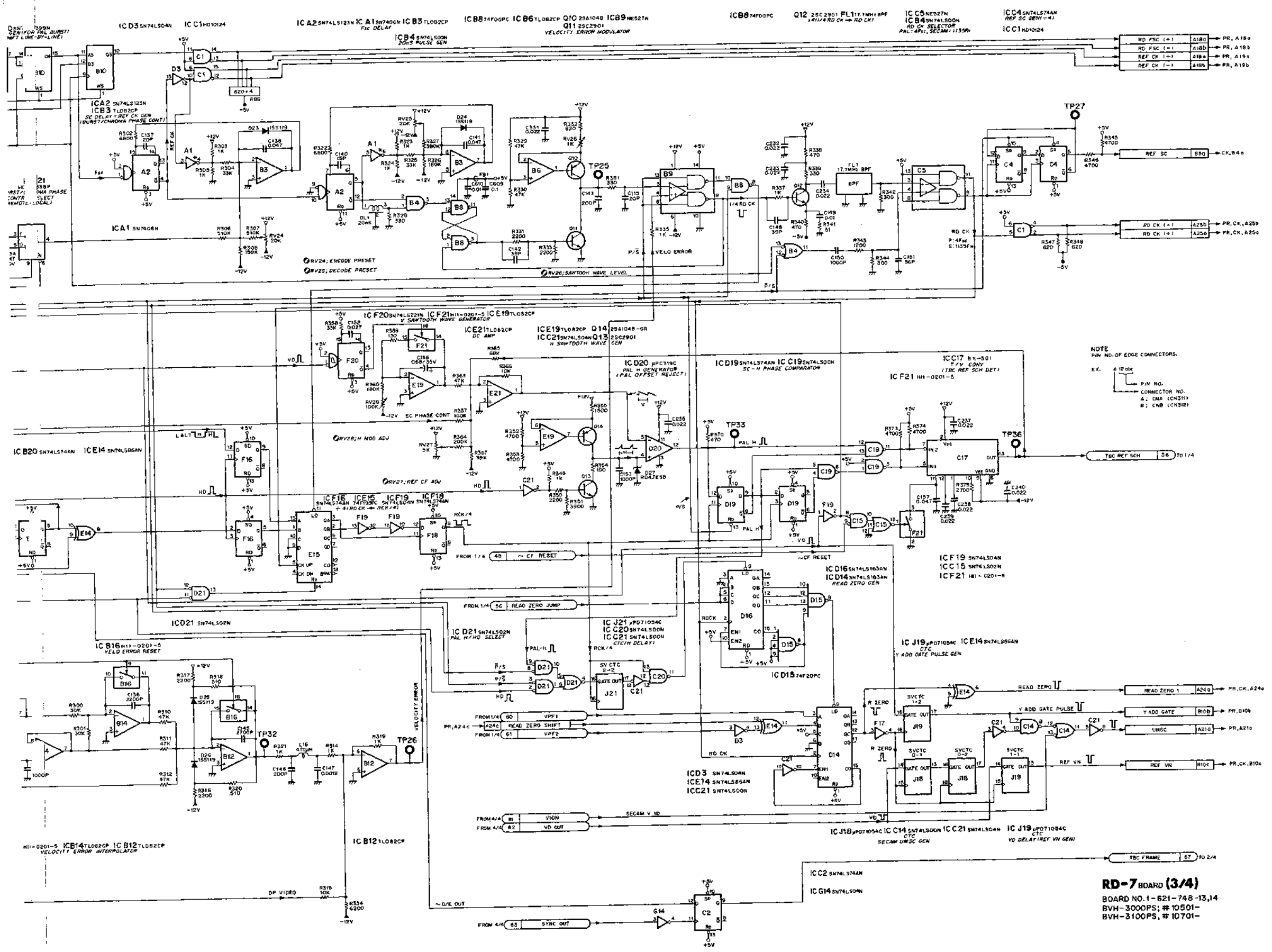
RD-7 BOARD (3/4)

TBC Reference Signal Generator (Part 1)



B-49(a)

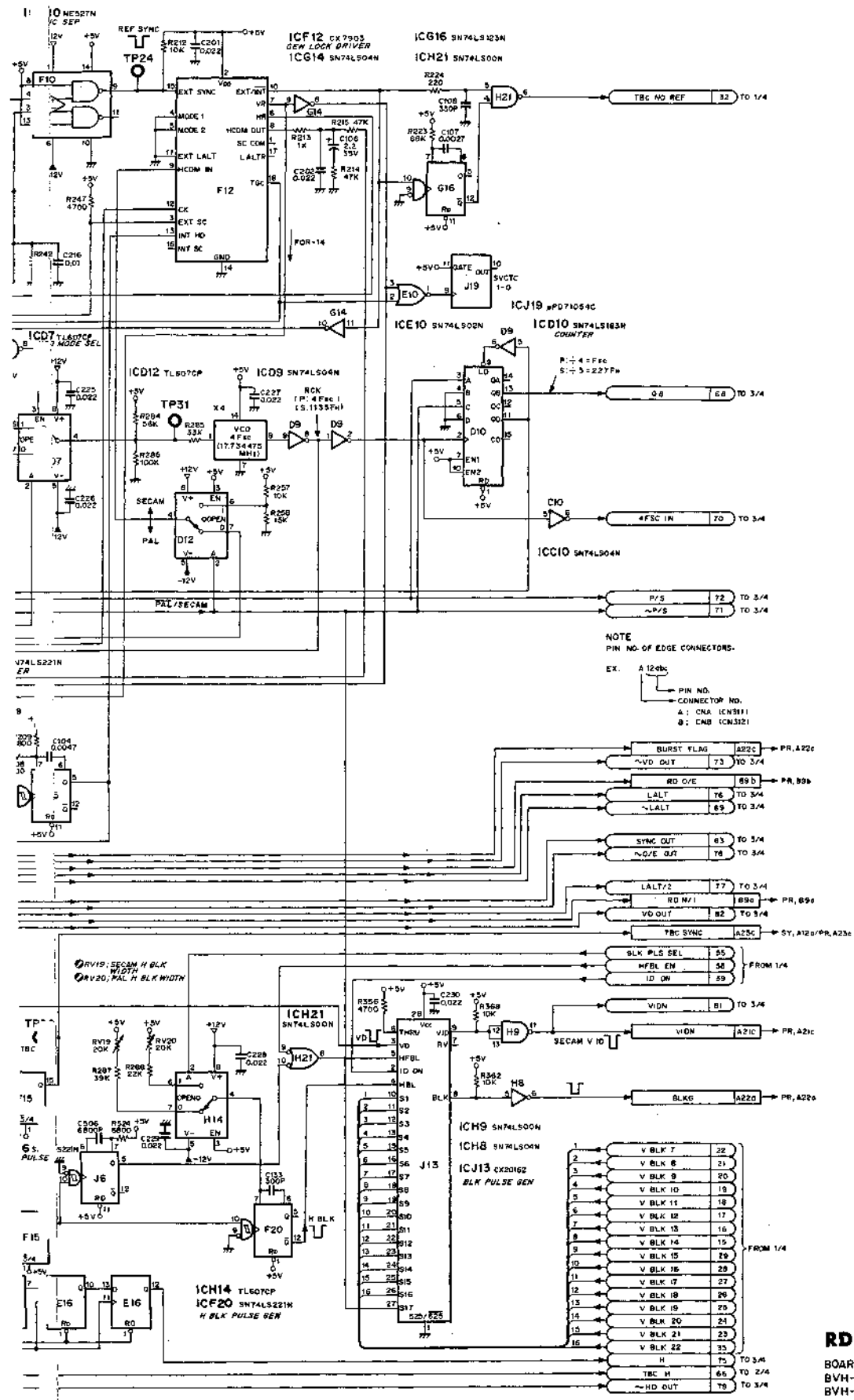
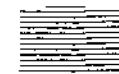
B-50(a)



B-50(a)

B-51(a)



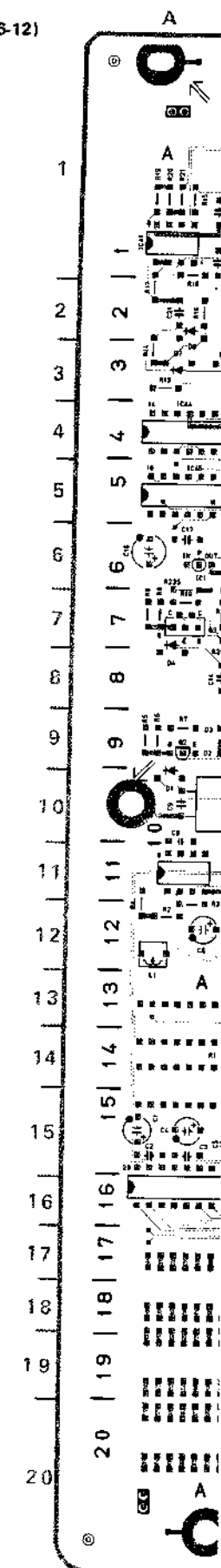


**RD-7 BOARD (4/4)**

BOARD NO. 1 - 621-748-13,14  
BVH-3000PS; #10501-  
BVH-3100PS; #10701-

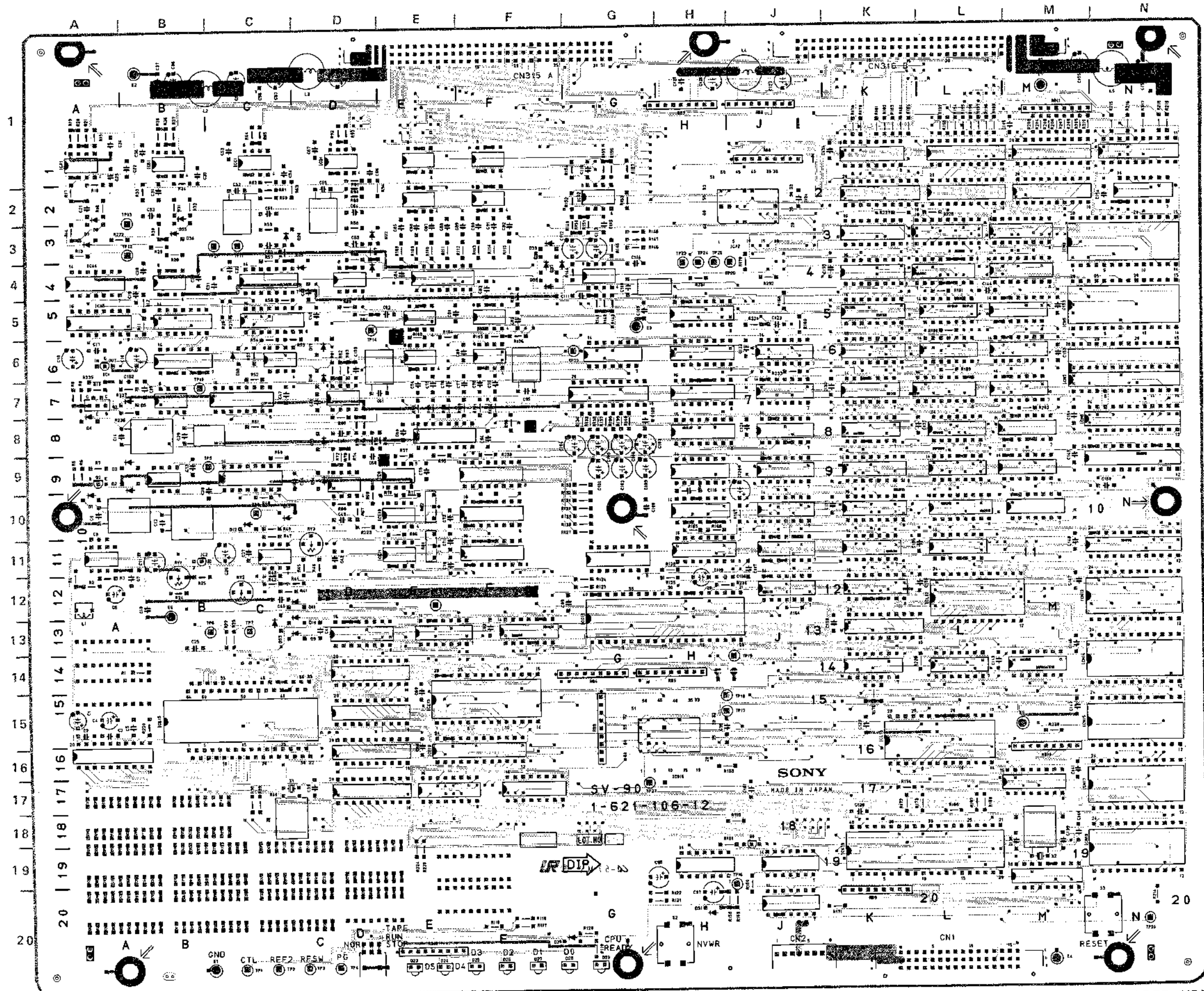
SV-90 BOARD (1-621-106-12)

Component Side



1-621-106-12 (10)

1-6: 106-12  
id:



SV-90 (1-621-106-12)

BW-3000/PS			
BW-3100/PS			
CN1	L20	TP1	C20
CN2	J20	TP2	C20
CN315	F1	TP3	C20
CN316	K1	TP4	D20
D1	A10	TP5	B13
D2	B9	TP6	C13
D3	B9	TP8	C10
D4	A8	TP9	B9
D5	B7	TP10	B7
D7	A3	TP11	C3
D8	A2	TP12	B3
D9	C13	TP13	B2
D10	C13	TP14	D5
D11	C12	TP15	E12
D12	C10	TP16	H20
D13	C10	TP17	H15
D14	D9	TP18	H15
D15	D8	TP19	H14
D16	D7	TP20	H20
D17	D6	TP21	C3
D18	C6	TP22	G6
D19	D4	TP23	H4
D20	C3	TP24	H4
D21	D4	TP25	H4
D22	D3	TP26	J4
D23	D3	TP27	G17
D24	E20	X1	C17
D25	E20	X2	M19
D26	F20		
D27	F20		
D28	F20		
D29	G20		
D30	F20		
D31	H20		
D33	C13		
D34	B5		
D35	B5		
D36	F4		
D37	F4		
D38	F4		
D39	F3		
E1	B20		
E2	B1		
E3	G5		
E4	H20		
E5	H15		
E6	B12		
E7	M1		
IC1	A6		
IC2	B11		
Q1	J19		
Q2	A9		
Q3	A7		
RB1	E11		
RB2	E10		
RB3	G15		
RB4	G14		
RB5	H14		
RB6	J1		
RB7	H1		
RB8	J1		
RB9	K20		
RB10	H16		
RB11	M1		
RB12	E20		
RY1	B12		
RY2	C12		
RY3	D11		
S1	D20		
S2	H20		
S3	H20		

1-621-106-12 SOLDER SIDE

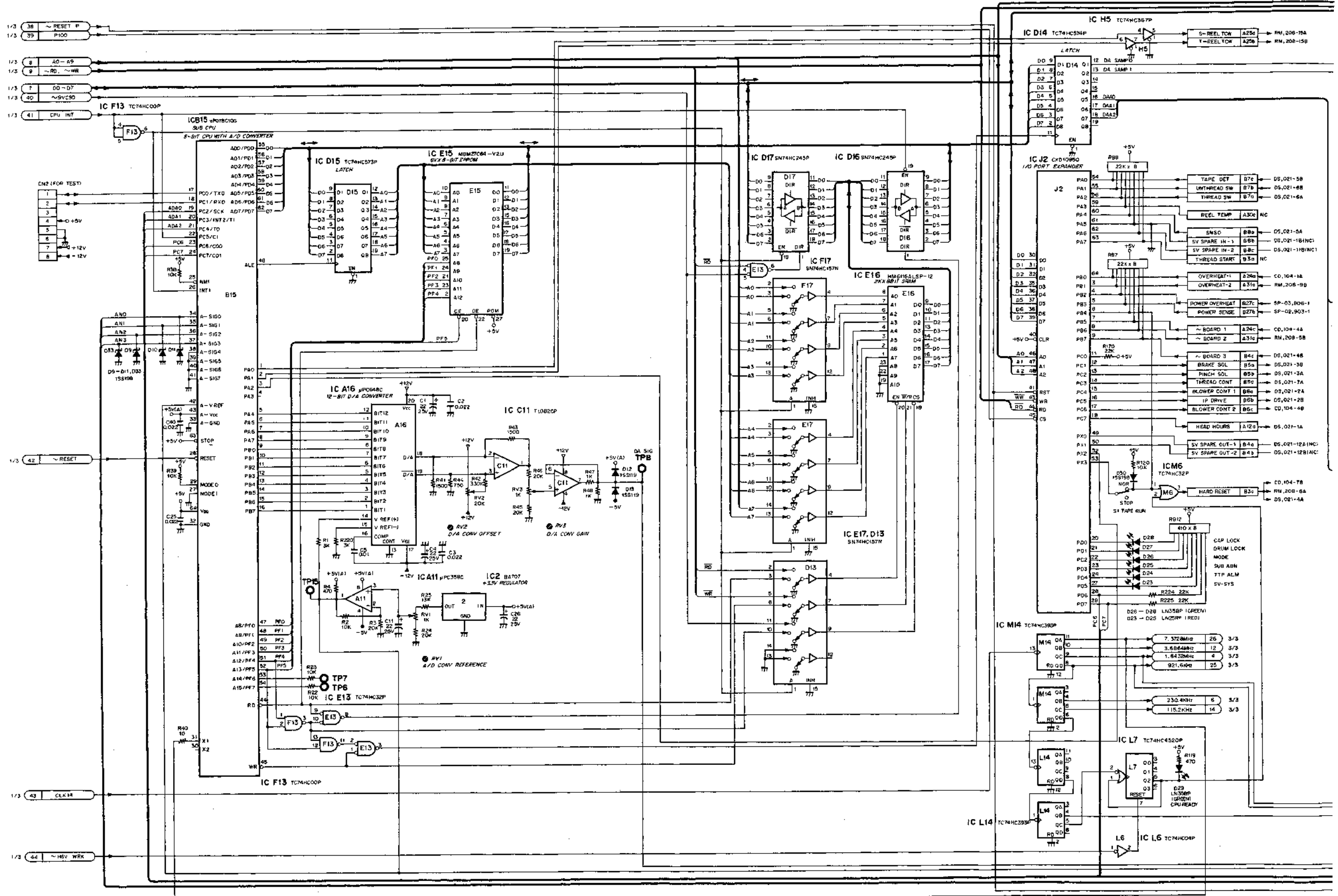


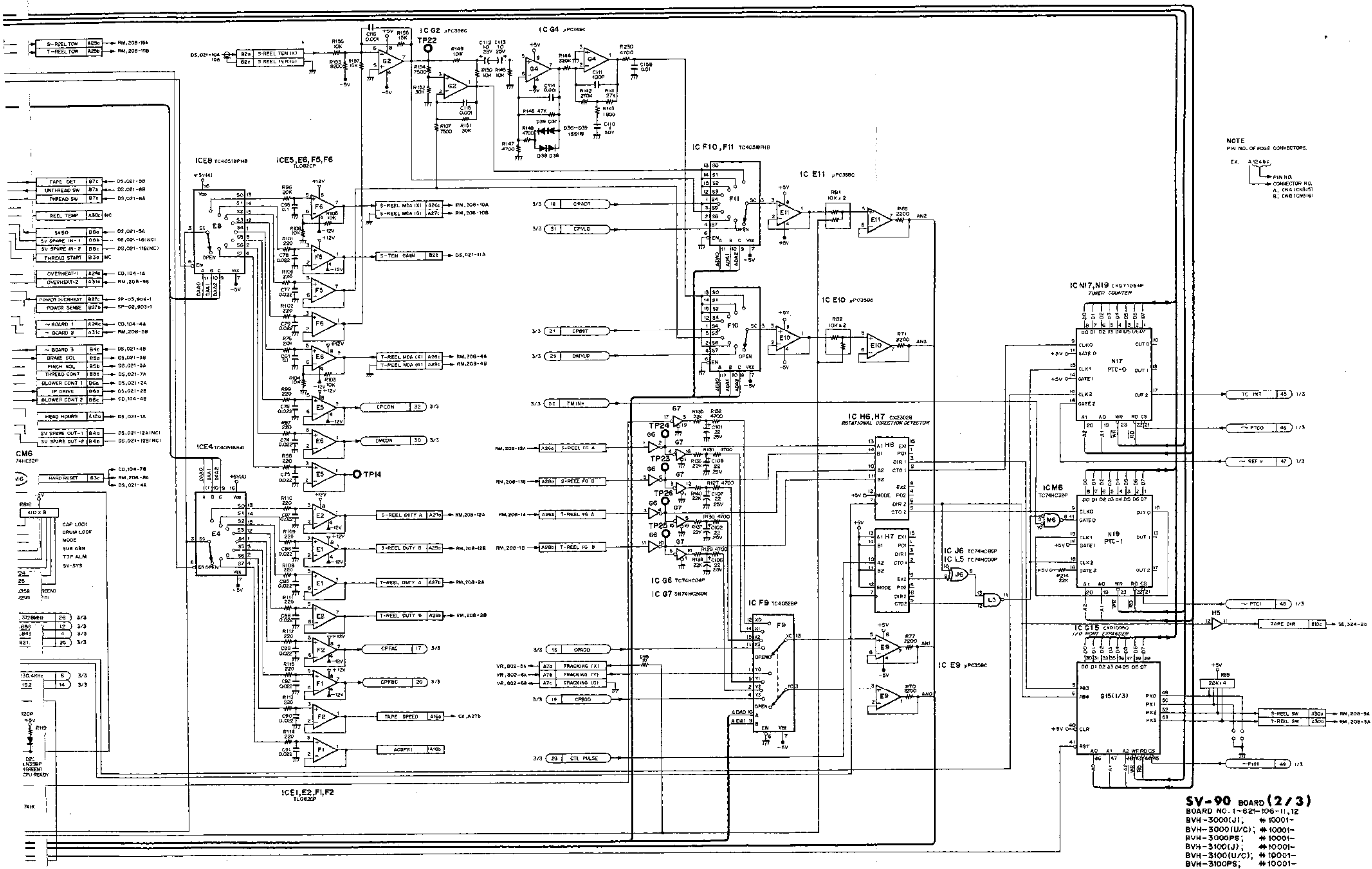




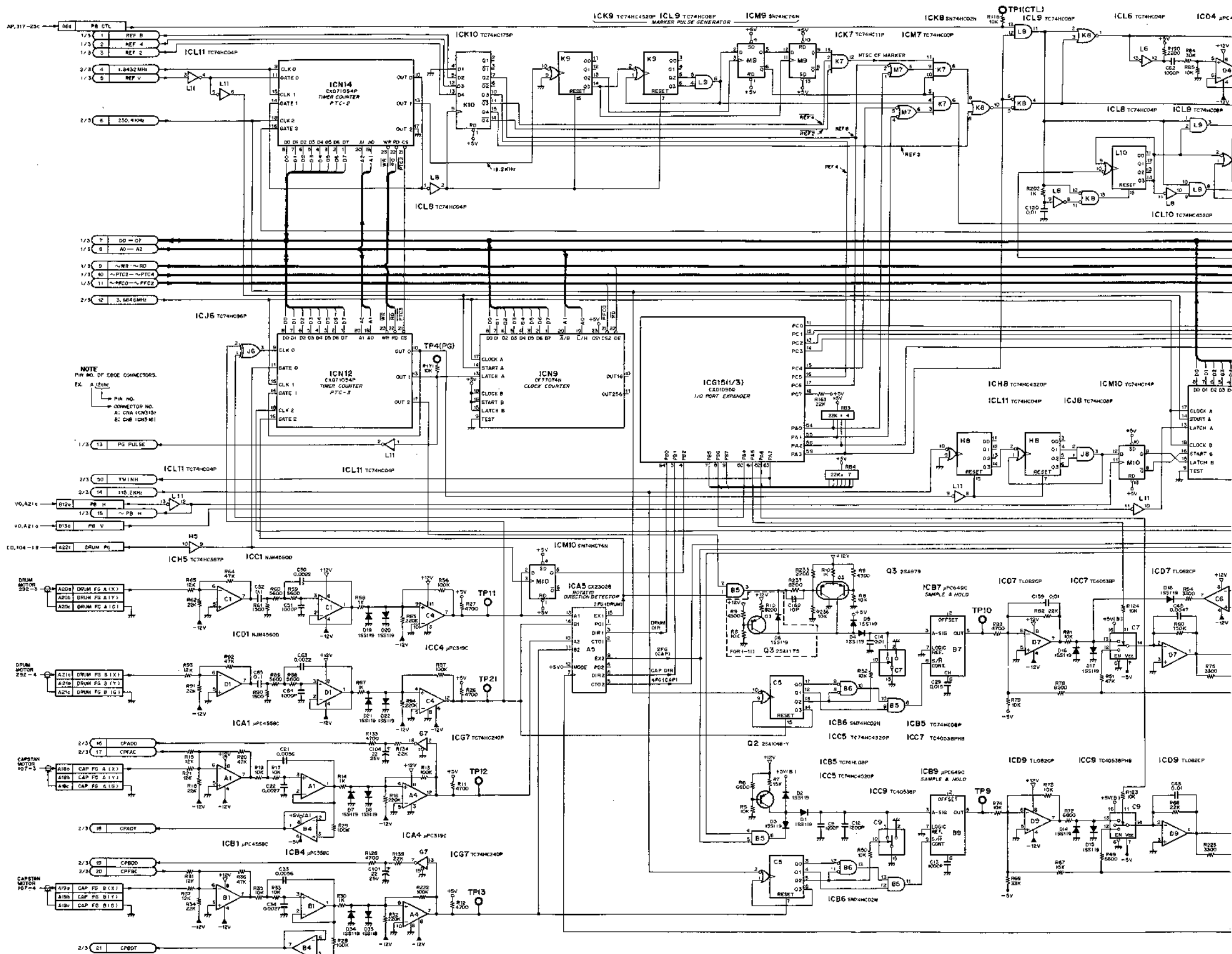
SV-90 BOARD (2/3)

Servo, Logic Control





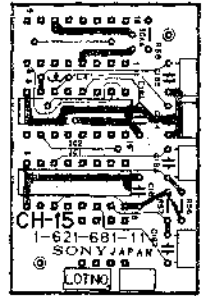
SV-90 BOARD (3/3)  
Servo, Logic Control





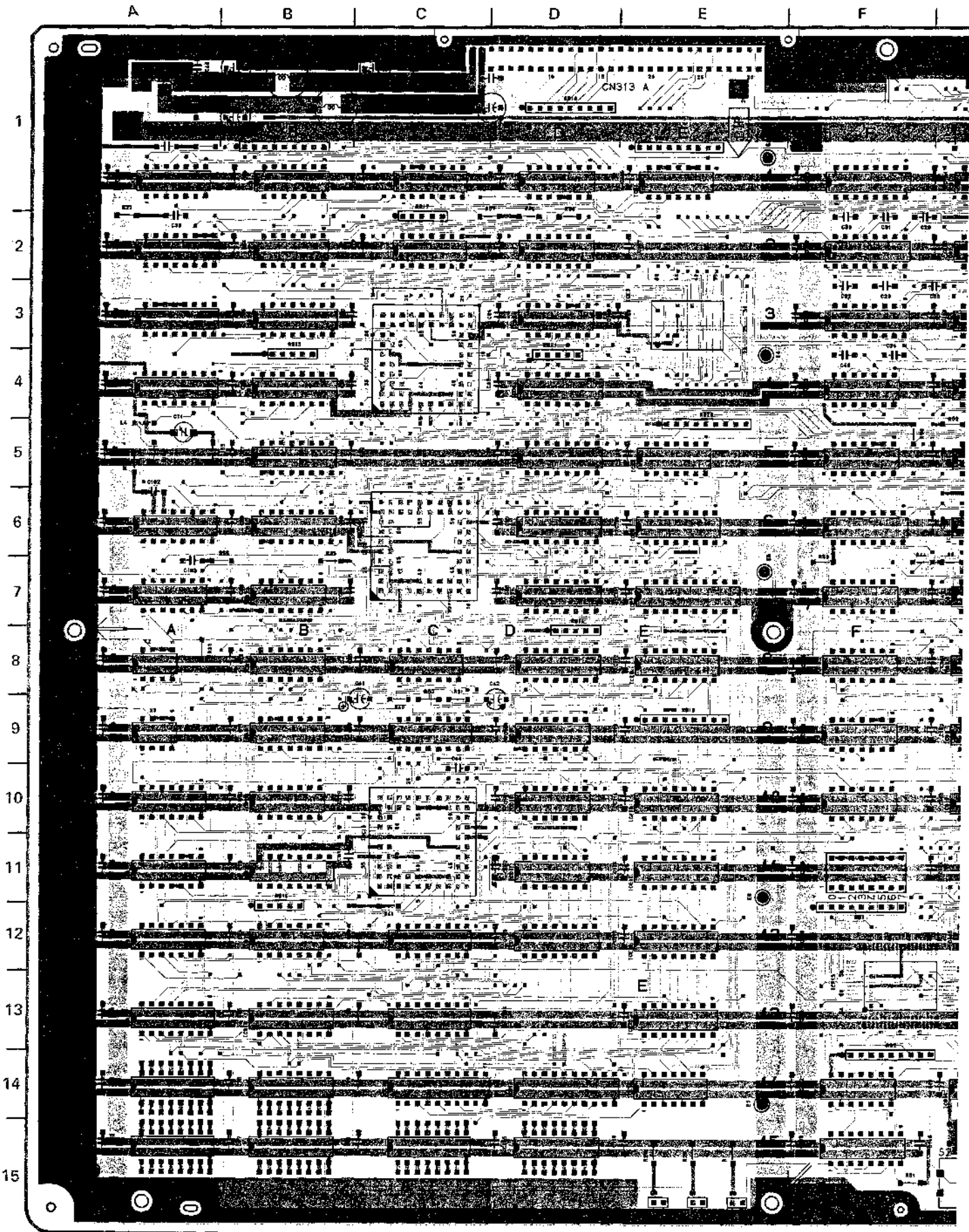
SY-103 BOARD (1-621-105-12)  
Component Side

CH-15 BOARD (1-621-681-11)  
Component Side



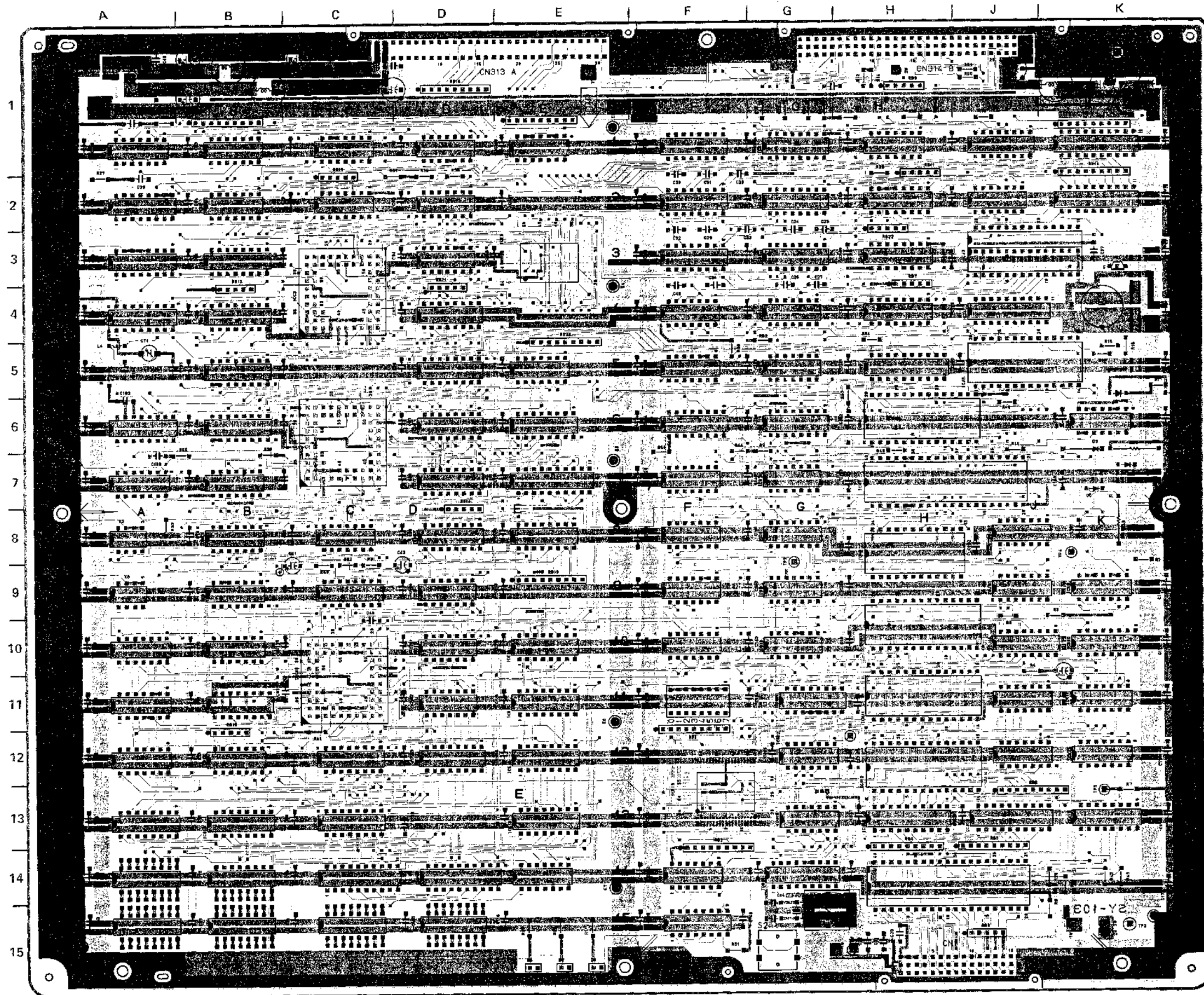
CH-15  
1-621-681-11  
SONY JAPAN  
LOTNO

1-621-681-11  
COMPONENT SIDE  
1-621-681-11  
SOLDER SIDE  
FOR BOARD No. -11



1-621-105-12 COMPONENT SIDE





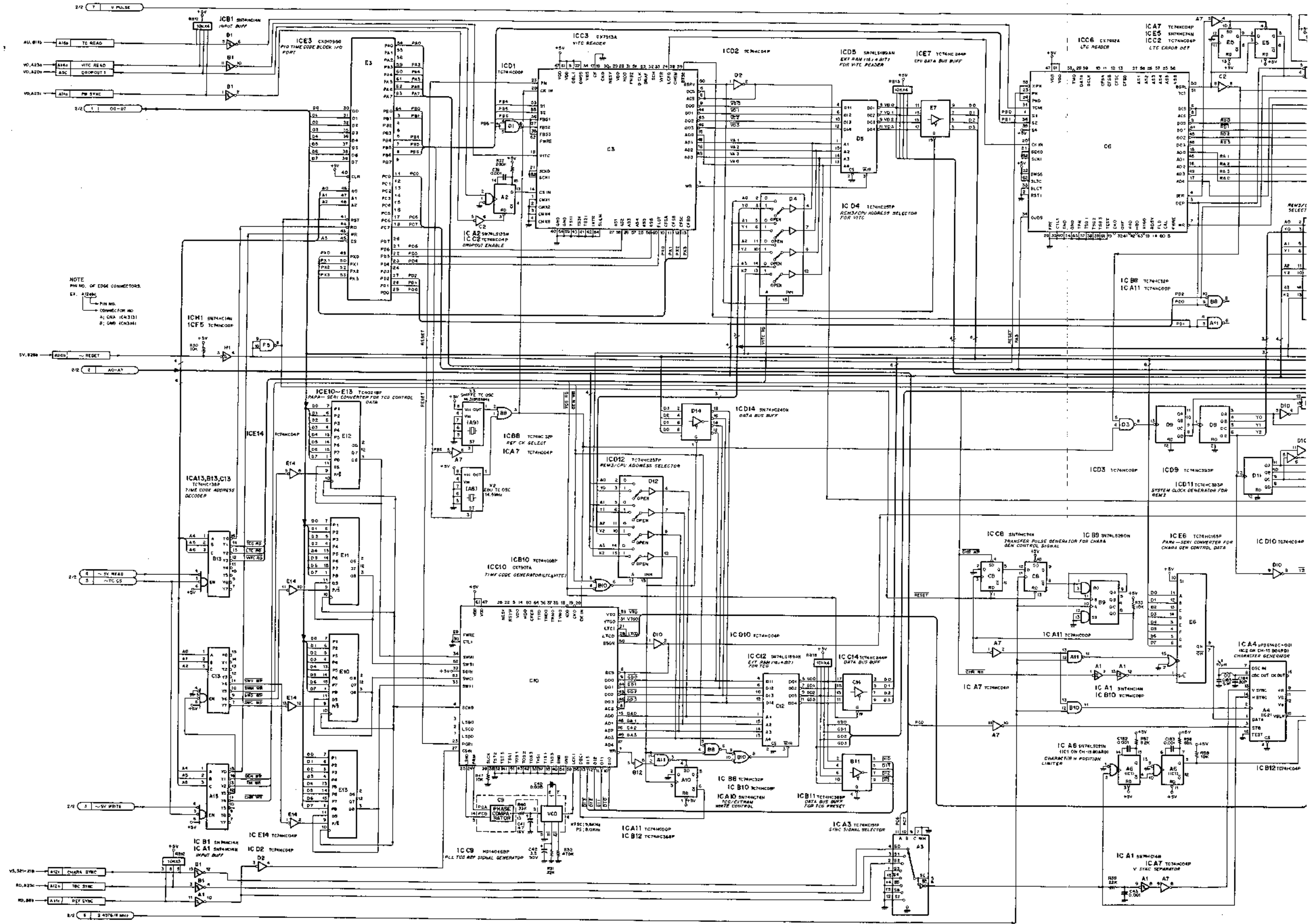
SY-103 (1-62-105-12)

BVH-3000/PS  
BVH-3100/PS

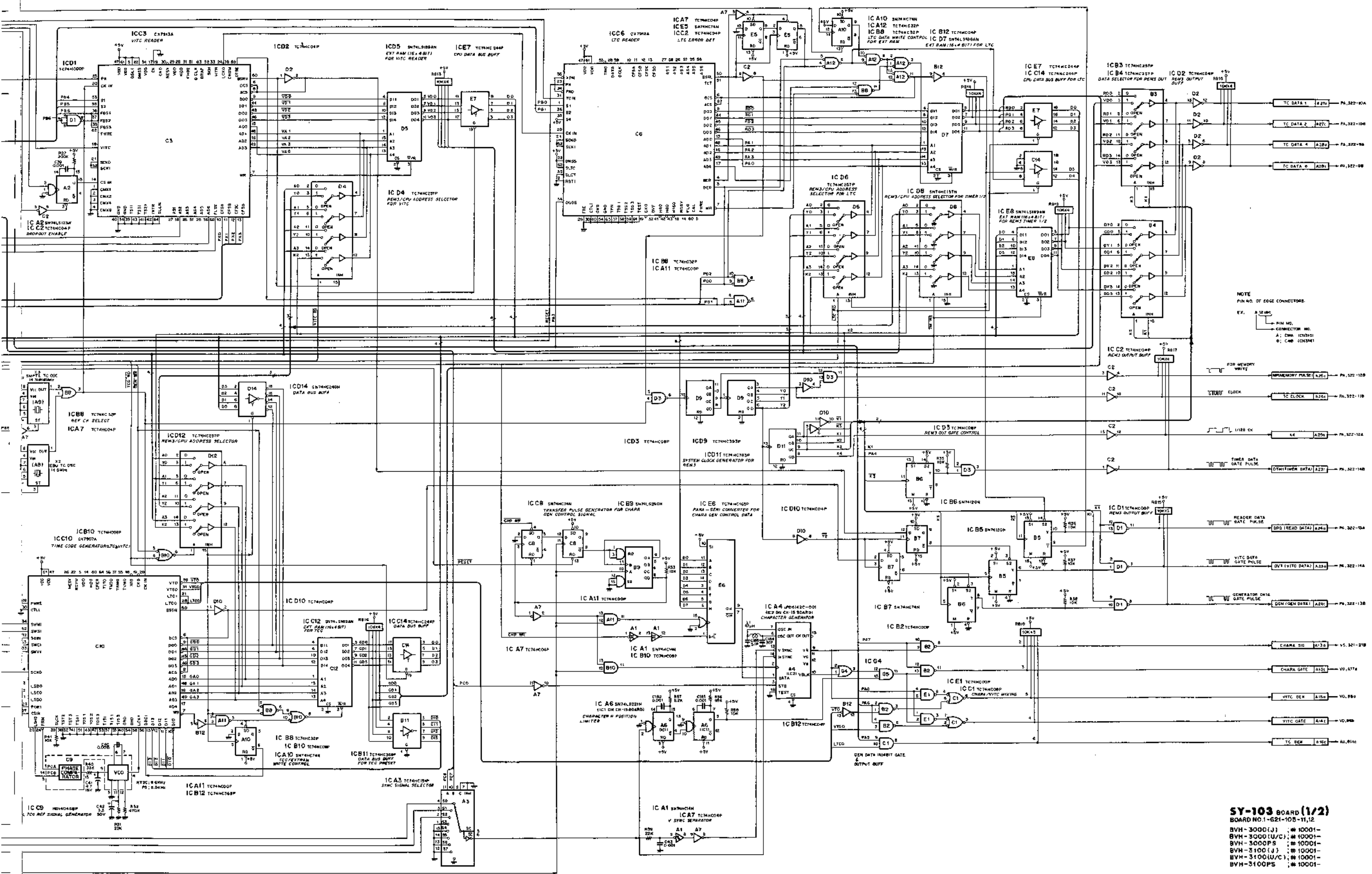
- CN313 D1
- CN314 H1
- CT1 A5
- D2 K6
- D3 K6
- D4 K7
- D5 K7
- D6 E15
- D7 E15
- D8 E15
- E1 K1
- E2 K15
- E3 E1
- E4 E3
- E5 E7
- E6 E11
- E7 E14
- E8 A1
- E9 A15
- Q1 K3
- RB1 F11
- RB2 F13
- RB3 J15
- RB4 H13
- RB5 J13
- RB6 J13
- RB7 H3
- RB8 K1
- RB9 H1
- RB10 K1
- RB11 H1
- RB12 G1
- RB13 B3
- RB14 D7
- RB15 E1
- RB16 D11
- RB17 C1
- RB18 O1
- RB19 E9
- RB20 E4
- RB21 D5
- RB22 H2
- S2 G15
- TP1 H12
- TP2 K15
- TP3 K13
- TP4 K8
- TP5 G8
- X1 G15
- X2 A8
- X3 A9

SY-103 BOARD (1/2)

Reader/Generator  
Time Code



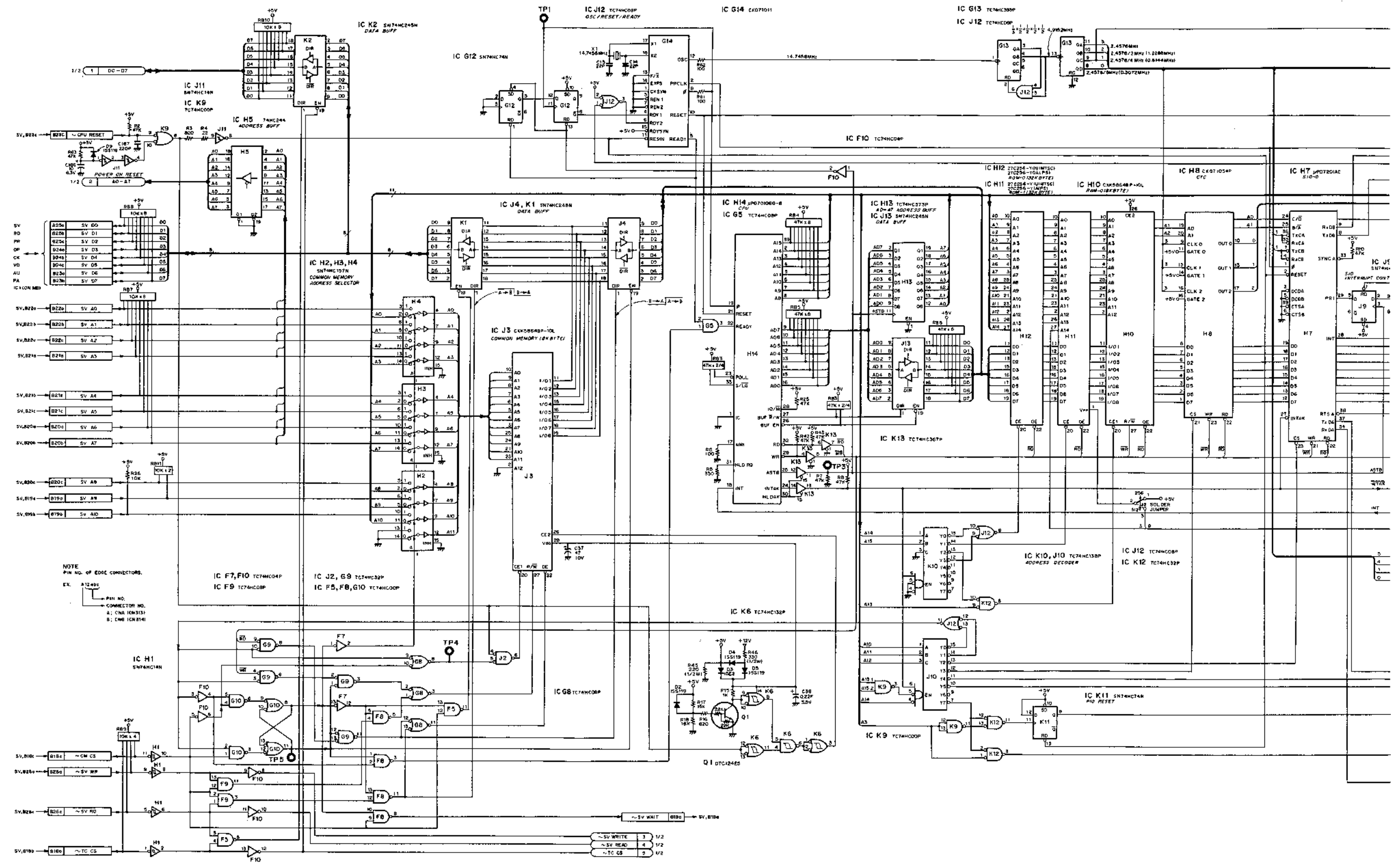


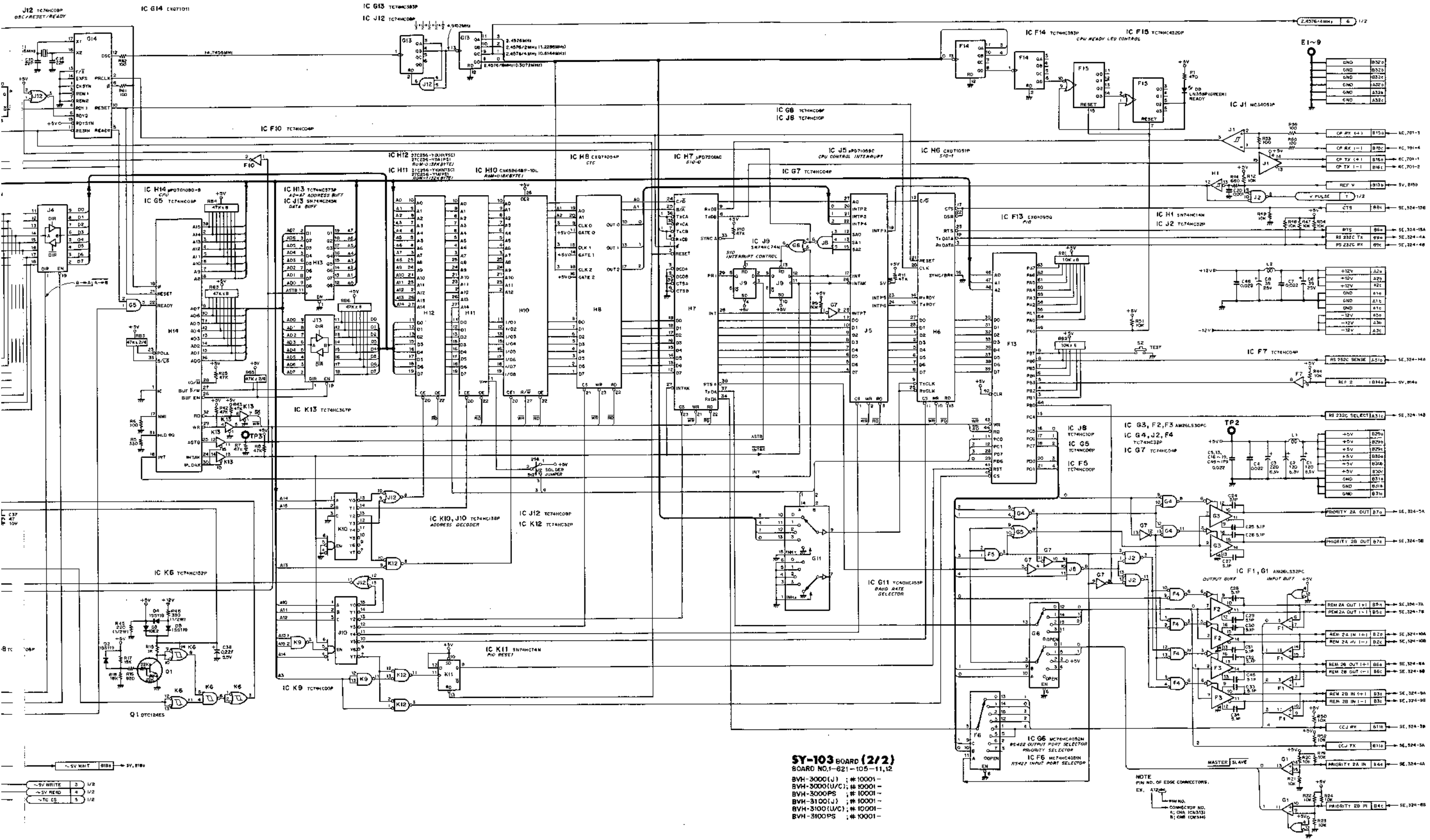


NOTE  
PIN NO. OF EDGE CONNECTORS  
EX. A 12-50  
CONNECTION NO.  
A: DATA (IC2002)  
E: COMMAND (IC2001)

**SY-103 BOARD (1/2)**  
BOARD NO. 1-621-105-11,12  
BVH-3000(J); # 10001-  
BVH-3000(U/C); # 10001-  
BVH-3000(P); # 10001-  
BVH-3100(J); # 10001-  
BVH-3100(U/C); # 10001-  
BVH-3100(P); # 10001-

SY-103 BOARD (2/2)  
System Control



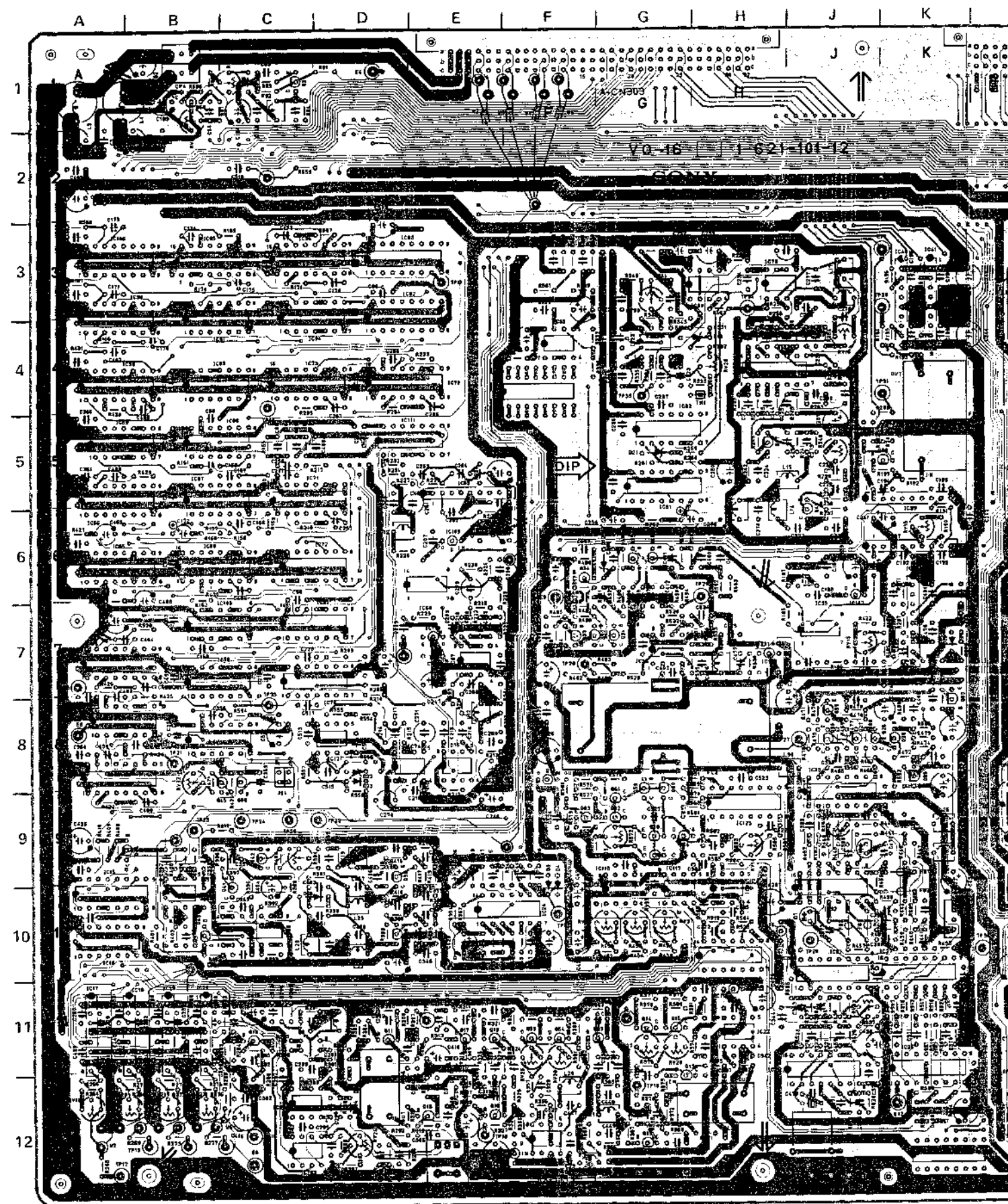


**SY-103 BOARD (2/2)**  
 BOARD NO. 1-621-105-11,12

- BVH-3000(J) ; # 10001-
- BVH-3000(U/C) ; # 10001-
- BVH-3000(PS) ; # 10001-
- BVH-3100(J) ; # 10001-
- BVH-3100(U/C) ; # 10001-
- BVH-3100(PS) ; # 10001-

NOTE:  
 PIN NO. OF EDGE CONNECTORS.  
 EX. A122

VO-16 BOARD (1-621-101-12)  
Component Side

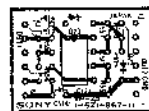


DC-34 BOARD (1-622-071-11)  
Component Side



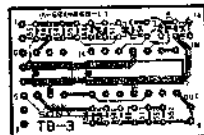
1-622-071-11  
SOLDER SIDE

VP-25 BOARD (1-621-867-11)  
Component Side



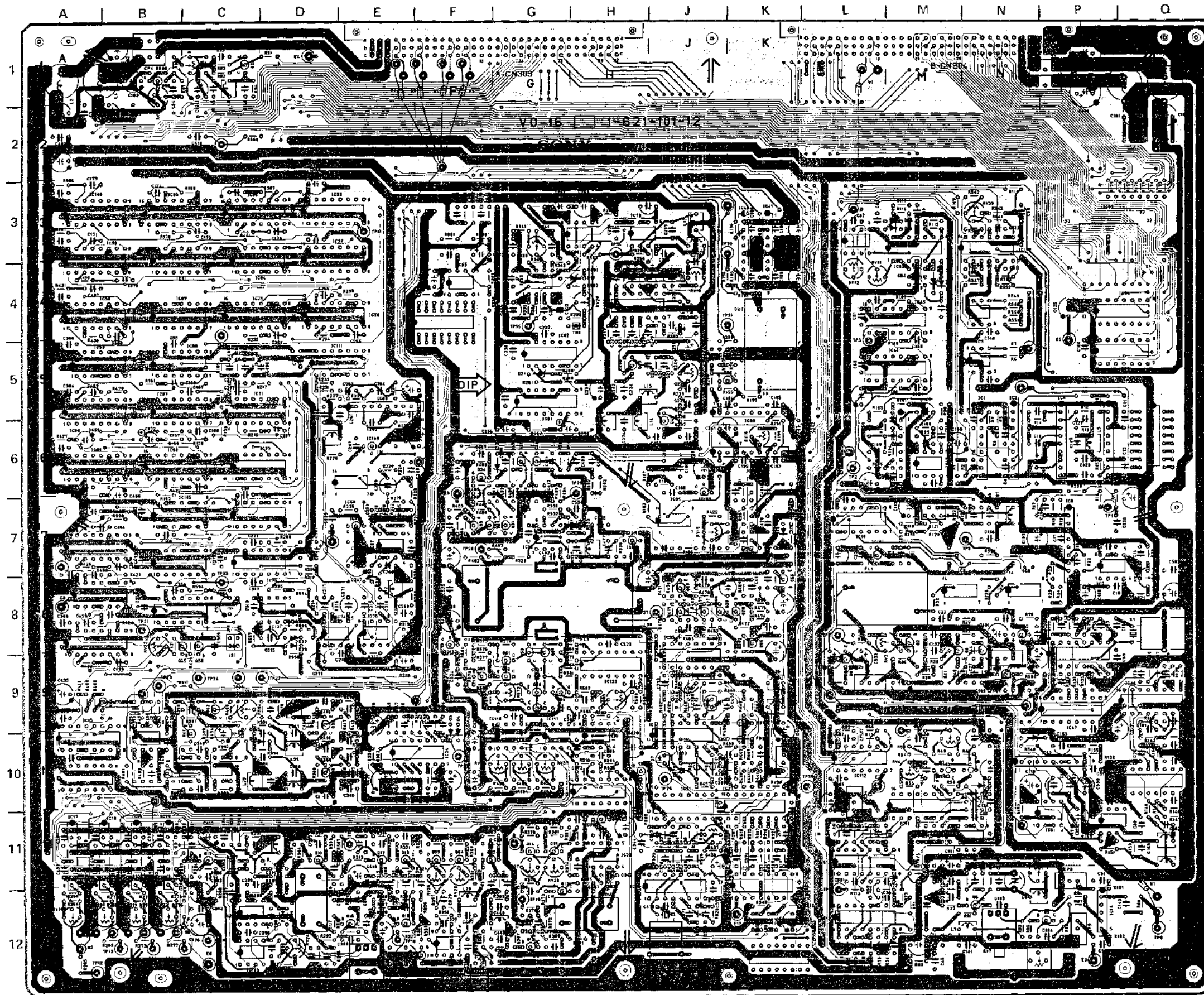
1-621-867-11  
SOLDER SIDE

TB-3 BOARD (1-621-868-11)  
Component Side



1-621-868-11  
SOLDER SIDE  
FOR BOARD No. -11





VO-16 (1-621-101-12)

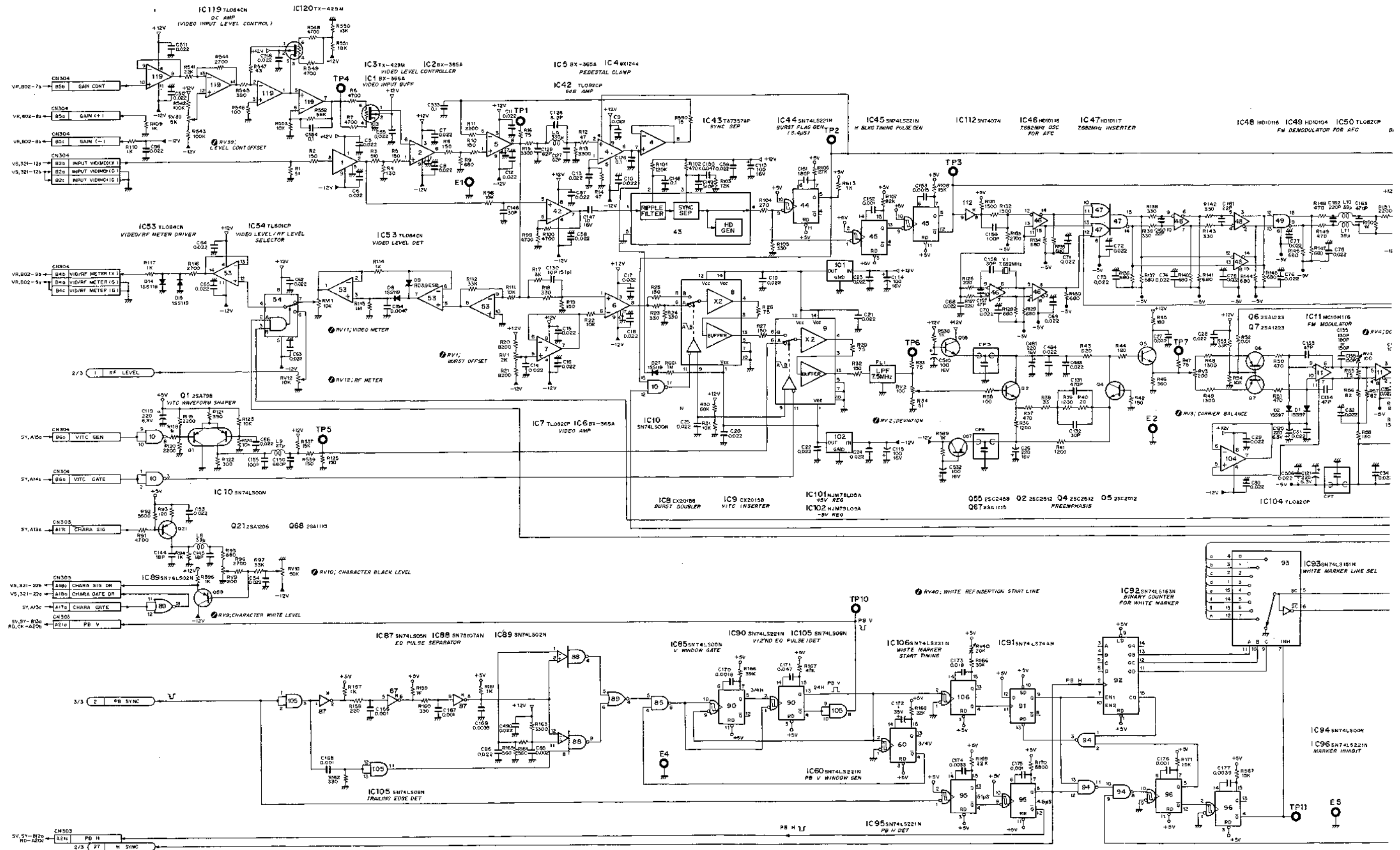
BVH-3000/PS  
BVH-3100/PS

CN503 G1	IC21 F12	IC107 J7	RV1 Q8
CN504 M1	IC22 H11	IC108 I7	RV2 L8
	IC23 G4	IC109 E6	RV3 M10
CP1 P1	IC24 F10	IC110 E7	RV4 M10
CP2 P1	IC25 K11	IC111 O5	RV5 M11
CP3 U1	IC26 J11	IC112 L10	RV6 M11
CP4 B1	IC27 K10	IC113 H10	RV7 N12
CP5 A9	IC29 B11	IC114 H11	RV8 N12
CP6 L9	IC31 J10	IC115 F12	RV9 C1
CP7 L10	IC32 J10	IC116 H10	RV10 B1
CP8 F11	IC33 J9	IC117 G10	RV11 L4
CP9 F12	IC34 H10	IC118 G10	RV12 L4
CP10 K10	IC35 J7	IC119 N3	RV13 G9
	IC36 G7	IC120 N4	RV14 I9
	IC37 K6	IC121 D8	RV15 J7
CP11 H5	IC38 K7	IC122 F8	RV16 K6
CP12 J6	IC39 K5	IC123 I9	RV17 J5
	IC40 K3		RV18 J4
CT1 N11	IC41 K3	JP1 C8	RV19 A12
	IC42 M6	JP2 C8	RV20 A12
D1 N10	IC43 M6		RV21 B12
D2 F10	IC44 M5	Q1 M7	RV22 B12
D3 F10	IC45 N4	Q2 M8	RV23 E12
D4 F10	IC46 P9	Q3 P12	RV24 D12
D5 N10	IC47 P9	Q4 M8	RV25 F11
D6 J9	IC48 Q9	Q5 M8	RV26 F11
D7 J10	IC49 Q10	Q6 M10	RV27 G11
D8 M4	IC50 P11	Q7 M10	RV28 H4
D9 M4	IC51 P11	Q8 M12	RV29 M3
D10 K7	IC52 P10	Q9 C11	RV30 G3
D12 G6	IC53 M3	Q10 C11	RV31 C9
D14 M5	IC54 L3	Q11 D11	RV32 M8
D15 M3	IC55 F4	Q12 D12	RV33 J11
D16 M4	IC56 C10	Q13 G12	RV34 J9
D19 C10	IC57 B10	Q14 G11	RV35 G10
D21 G5	IC58 A4	Q15 G11	RV36 G10
D22 D8	IC59 A5	Q16 E12	RV37 G10
D23 D8	IC60 B6	Q17 E11	RV39 M5
	IC61 B8	Q18 E12	
DL1 D12	IC62 A8	Q19 E11	TH1 H4
DL2 H12	IC63 A7	Q21 C1	TP1 P7
	IC64 A7	Q26 J8	TP2 L6
E1 N1	IC65 A6	Q27 J8	TP3 L5
E2 L10	IC66 A5	Q28 K8	TP4 M5
E3 H11	IC67 E7	Q29 J8	TP5 N7
E4 G1	IC68 E6	Q30 J8	TP6 L8
E5 M5	IC69 E5	Q31 G7	TP7 M9
E6 C12	IC70 O4	Q32 F7	TP8 L11
E7 G11	IC71 O5	Q35 F7	TP9 Q12
E8 A8	IC72 C6	Q34 F6	TP10 C4
E9 F7	IC73 O4	Q35 O6	TP11 E3
E10 K3	IC74 D8	Q36 J5	TP12 A12
E11 D7	IC75 E8	Q37 F11	TP13 B12
E12 K12	IC76 C7	Q38 U10	TP14 B12
E13 M6	IC77 H4	Q39 O9	TP15 C12
	IC78 A7	Q40 G5	TP16 C12
FB1 K9	IC79 H5	Q41 C10	TP17 E11
FB2 K10	IC80 H5	Q42 C9	TP18 E12
FB3 J10	IC81 O5	Q43 B10	TP19 G12
FB4 J10	IC82 U9	Q44 A9	TP20 C9
	IC83 U9	Q45 B8	TP21 B8
FL1 L8	IC85 C7	Q46 J6	TP22 U9
FL2 K5	IC87 U5	Q47 H5	TP23 U9
FL3 M8	IC88 B5	Q48 H5	TP24 C9
	IC89 B4	Q53 F11	TP25 B9
	IC90 A5	Q54 F11	TP26 A7
IC1 H6	IC91 B4	Q55 H8	TP27 J10
IC2 H6	IC92 D4	Q56 C8	TP28 J8
IC3 M5	IC93 O3	Q57 O9	TP29 H6
IC4 P6	IC94 C4	Q58 O9	TP30 J3
IC5 P6	IC95 B3	Q59 O9	TP31 J4
IC6 P7	IC96 C3	Q60 O9	TP32 C8
IC7 F7	IC97 O5	Q61 O9	TP33 C8
IC8 H8	IC98 O4	Q62 O9	TP34 H4
IC9 N8	IC99 P3	Q63 P9	TP35 G4
IC10 L7	IC101 L7	Q64 O9	TP36 L10
IC11 M10	IC102 H8	Q65 K8	TP37 F10
IC12 L11	IC103 C12	Q66 K8	
IC13 L12	IC104 H11	Q67 L9	
IC14 F12	IC105 B7	Q68 B1	
IC15 A10	IC106 A5		X1 Q8
IC16 A10			X2 J12
IC17 A11			
IC18 A11			
IC19 B11			
IC20 C12			

1-621-101-12 SOLDER SIDE

VO-16 BOARD (1/3)

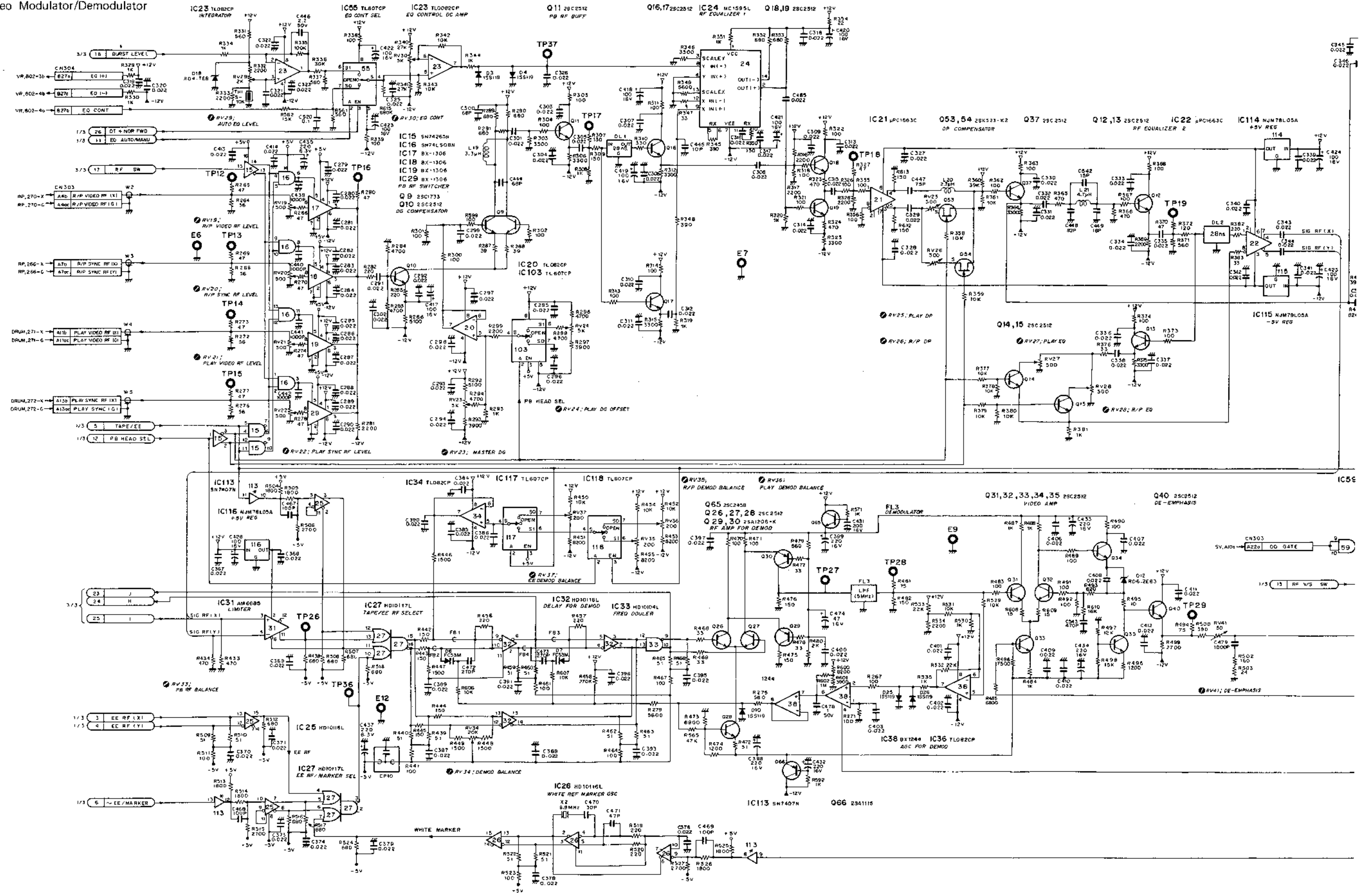
Video Modulator/Demodulator



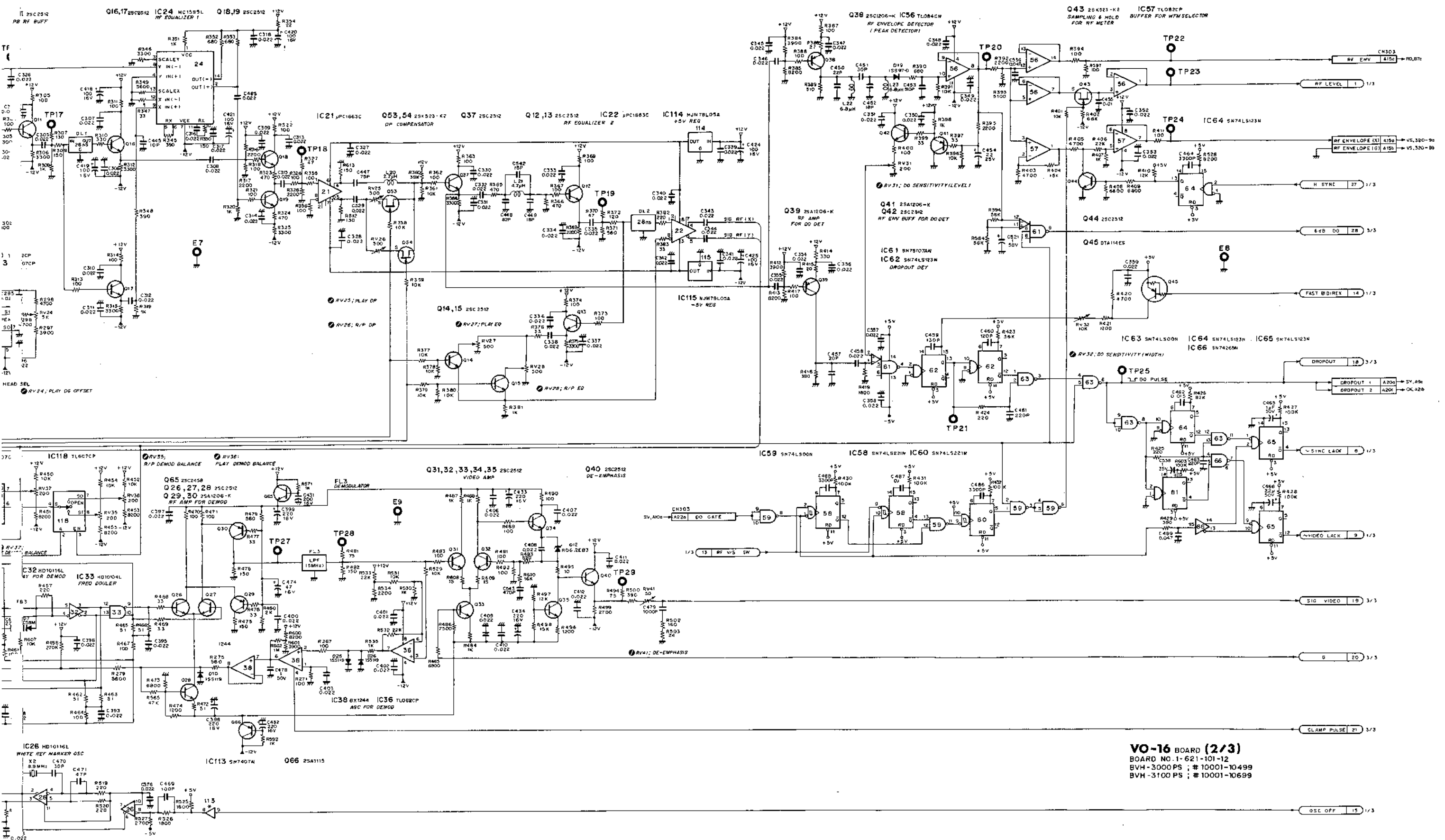


VO-16 BOARD (2/3)

Video Modulator/Demodulator



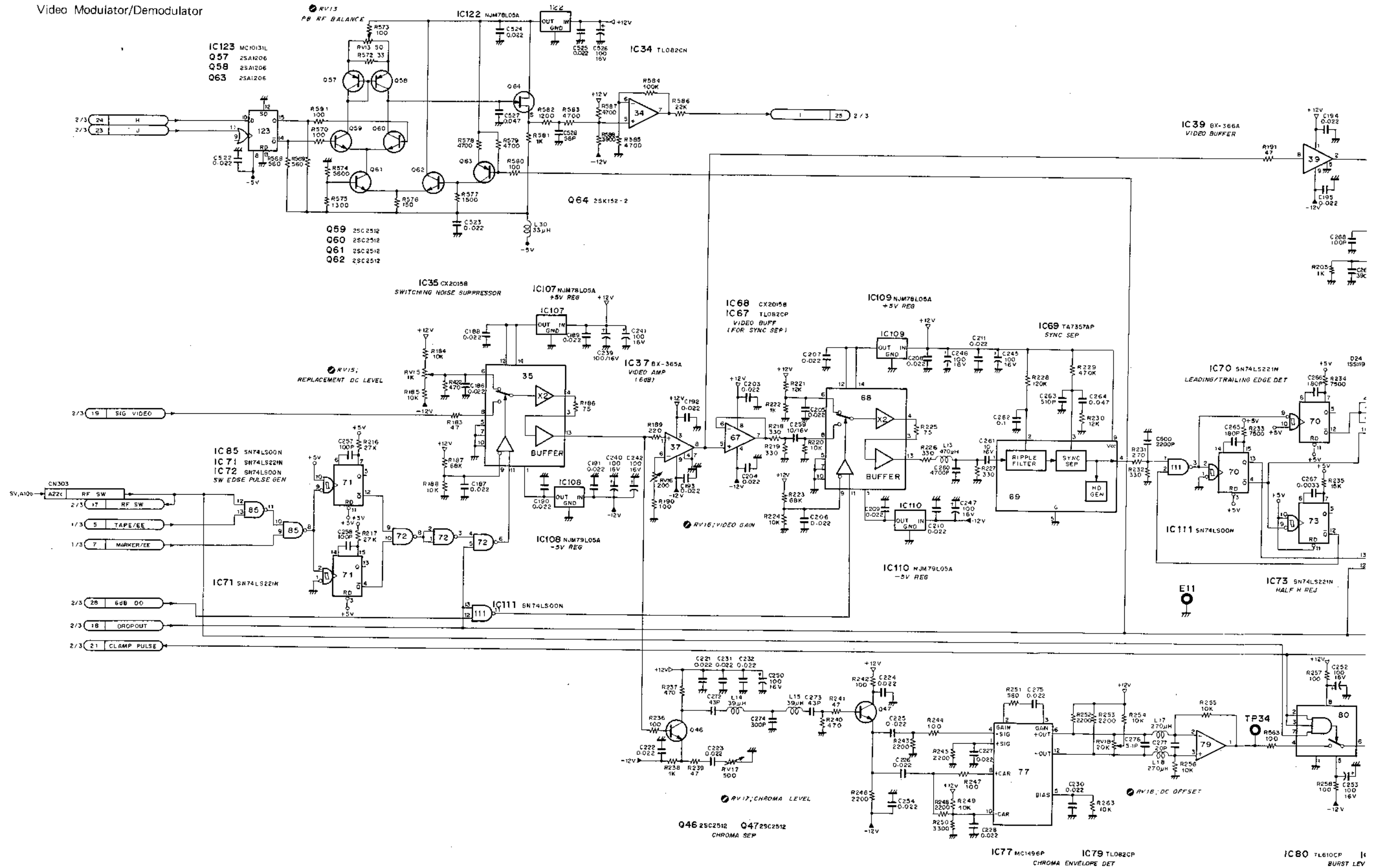


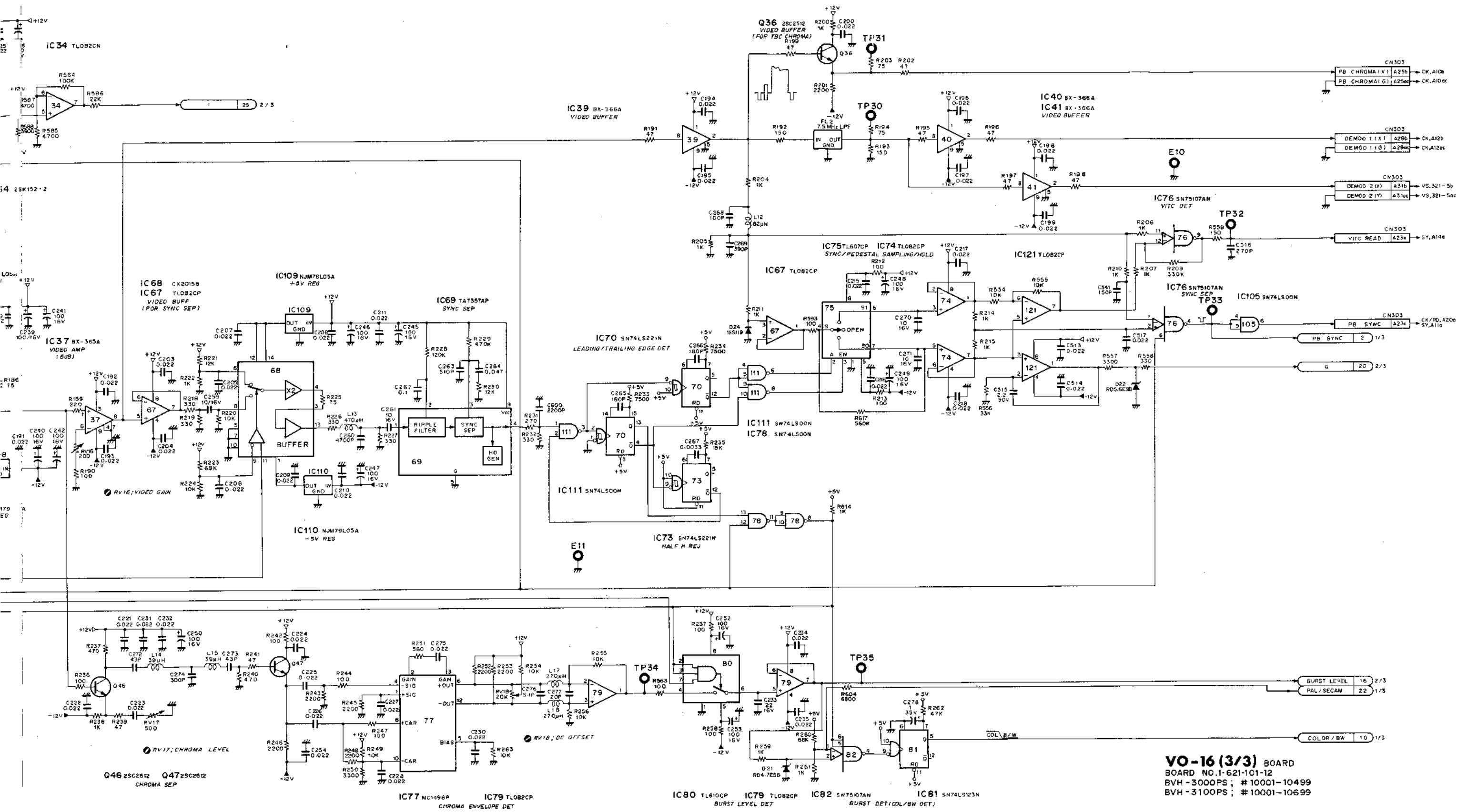


**VO-16 BOARD (2/3)**  
 BOARD NO. 1-621-101-12  
 BVH-3000 PS ; # 10001-10499  
 BVH-3100 PS ; # 10001-10699

VO-16 BOARD (3/3)

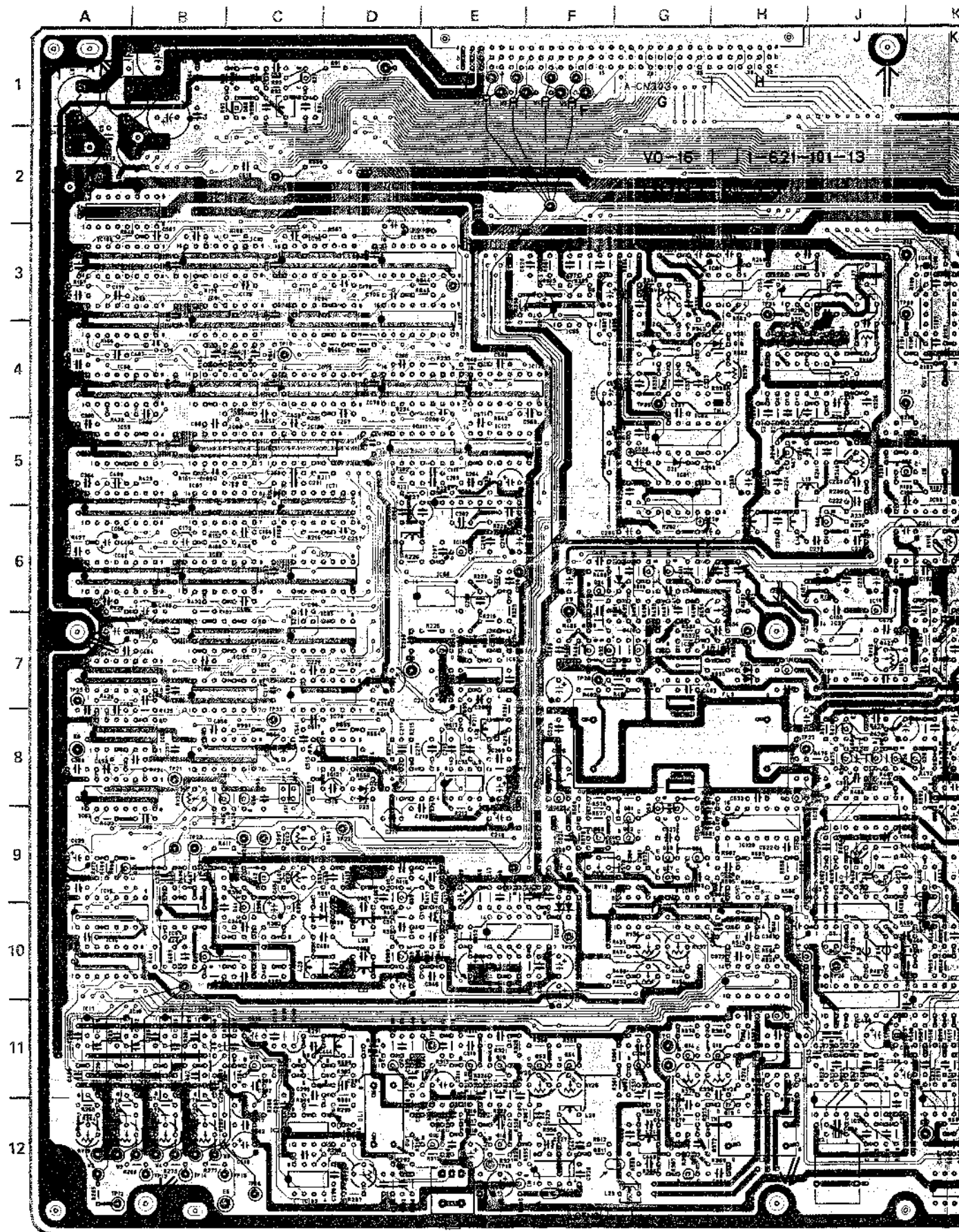
Video Modulator/Demodulator



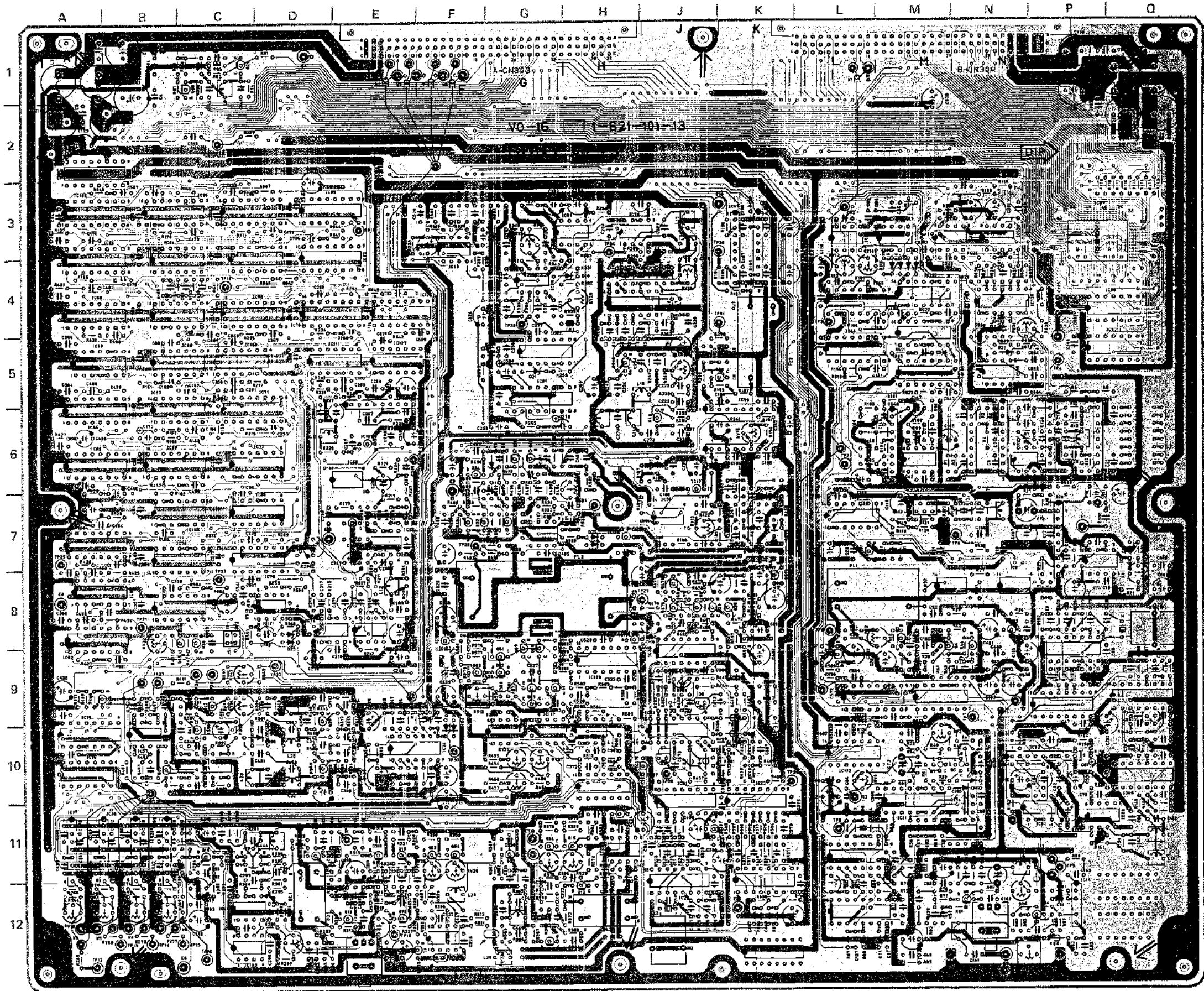


**VO-16 (3/3) BOARD**  
 BOARD NO.1-621-101-12  
 BVH - 3000PS; # 10001-10499  
 BVH - 3100PS; # 10001-10699

VO-16 BOARD (1-621-101-13)  
Component Side







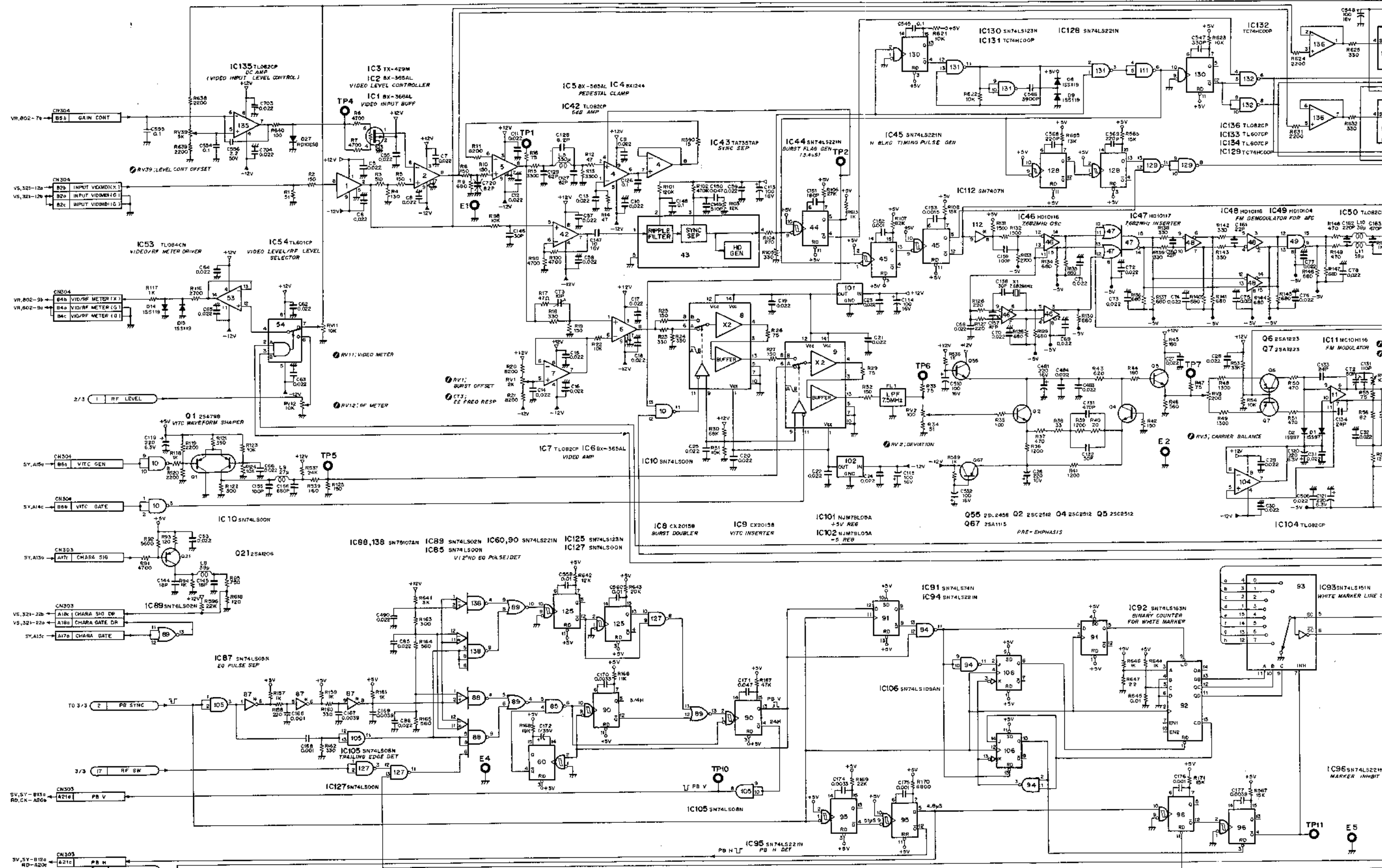
VO-16 (1-621-101-13)

BVH-3000/PS		BVH-3100/PS							
CN503	G1	IC23	K11	IC115	E12	RV1	Q8		
CN504	N1	IC26	J11	IC116	H10	RV2	L8		
		IC27	K10	IC117	G10	RV3	M10		
CT1	N11	IC29	B11	IC118	G10	RV5	M11		
CT2	M10	IC31	J10	IC121	D8	RV6	A12		
CT3	N7	IC32	J10	IC122	F8	RV7	N12		
		IC33	J5	IC123	H8	RV8	N12		
D1	N10	IC34	H10	IC124	H8	RV11	L4		
D2	N10	IC35	J7	IC125	E4	RV12	L4		
D3	F10	IC36	G7	IC126	A2	RV13	F9		
D4	F10	IC37	K5	IC127	E5	RV14	L12		
D5	J9	IC38	K5	IC128	M9	RV15	J7		
D7	J10	IC39	K5	IC129	M9	RV16	K6		
D8	M4	IC40	K3	IC130	M5	RV17	J5		
D9	M4	IC41	K3	IC131	M5	RV18	J4		
D10	K7	IC42	M6	IC132	M4	RV19	A12		
D12	G6	IC43	M6	IC133	N5	RV20	A12		
D14	M4	IC44	L5	IC134	N5	RV21	B12		
D15	M4	IC45	L4	IC135	N5	RV22	B12		
D18	M4	IC46	P9	IC136	M4	RV23	E12		
D19	C10	IC47	P9	IC137	J11	RV24	D12		
D21	G5	IC48	G9	IC138	C5	RV25	F11		
D22	D8	IC49	G10			RV26	F11		
		IC50	F11	JP1	C8	RV27	G11		
D24	E7	IC51	P11	JP2	C8	RV28	H11		
D25	H7	IC52	P10			RV29	H4		
D26	H7	IC53	M5	Q1	M7	RV30	G3		
D27	N5	IC54	L3	Q2	M8	RV31	O9		
		IC55	F3	Q3	P12	RV32	B8		
DL1	D12	IC56	C10	Q4	M9	RV34	J9		
DL2	H12	IC57	B10	Q5	N9	RV35	G10		
		IC58	M4	Q6	M10	RV36	G10		
E1	P7	IC59	A5	Q7	M10	RV37	G10		
E2	L10	IC60	B6	Q8	N12	RV39	M4		
E3	N12	IC61	B8	Q9	C11	RV41	H6		
E4	D1	IC62	A8	O10	C11	RV42	C9		
E5	P5	IC63	A8	O11	D11				
E6	B12	IC64	A7	Q12	G12	TH1	M4		
E7	G11	IC65	A6	Q13	H12				
E8	A8	IC66	A6	Q14	G11	TP1	L7		
E9	F5	IC67	E7	Q15	H11	TP2	L6		
E10	K3	IC68	E6	Q16	E12	TP3	L4		
E11	D7	IC69	E5	Q17	E11	TP4	P5		
E12	K12	IC70	D4	Q18	E12	TP5	N7		
		IC71	C5	Q19	E11	TP6	L8		
FBI	K9	IC72	C6	Q21	C1	TP7	N9		
FB2	K10	IC73	C4	Q26	J8	TP8	L11		
FB3	J10	IC74	D6	Q27	J8	TP9	P11		
FB4	J10	IC75	E8	Q28	K8	TP10	C4		
FB5	P12	IC76	C7	Q29	J8	TP11	E3		
FB6	P12	IC77	M4	Q30	J8	TP12	A12		
		IC78	B7	Q31	G7	TP13	B12		
FL1	L8	IC79	H3	Q32	F7	TP14	B12		
FL2	K5	IC80	M5	Q33	F7	TP15	B12		
FL3	H8	IC81	G5	Q34	F5	TP16	C12		
		IC82	G5	Q35	G6	TP17	E11		
IC1	M6	IC83	C7	Q36	J5	TP18	E12		
IC2	M6	IC84	B5	Q37	G11	TP20	C9		
IC3	M6	IC85	B5	Q38	D10	TP21	B8		
IC4	P6	IC86	B4	Q39	O9	TP22	D9		
IC5	P6	IC87	A3	Q40	G6	TP23	B9		
IC6	P7	IC88	B3	Q41	C10	TP24	C9		
IC7	P7	IC89	E3	Q42	C9	TP25	A7		
IC8	M8	IC90	D3	Q43	B10	TP26	J10		
IC9	M8	IC91	C3	Q44	A9	TP27	H6		
IC10	L7	IC92	B3	Q45	B8	TP28	F7		
IC11	M10	IC93	C3	Q46	J6	TP29	H7		
IC12	L11	IC94	Q5	Q47	M5	TP30	J3		
IC13	L12	IC95	Q4	Q48	F11	TP31	J4		
IC14	P12	IC96	P3	Q49	F11	TP32	C2		
IC15	A10	IC97	L7	Q50	M9	TP33	C8		
IC16	A10	IC98	H8	Q51	C8	TP34	M5		
IC17	A11	IC99	C12	Q52	G9	TP35	G4		
IC18	A11	IC100	M11	Q53	G9	TP36	K10		
IC19	B11	IC101	B7	Q54	G9	TP37	F10		
IC20	C12	IC102	A5	Q55	O9				
IC21	F12	IC103	J7	Q56	O9	X1	Q8		
IC22	H11	IC104	H7	Q57	O9	X2	J12		
IC23	G4	IC105	E6	Q58	F9				
IC24	F10	IC106	E7	Q59	G9				
		IC107	L10	Q60	K8				
		IC108	H10	Q61	L9				
		IC109	H11	Q62	C1				
		IC110	E7	Q63	L9				
		IC111	G5	Q64	K8				
		IC112	L10	Q65	L9				
		IC113	H10	Q66	L9				
		IC114	H11	Q67	C1				
				Q68	L9				

1-621-101-13 SOLDER SIDE

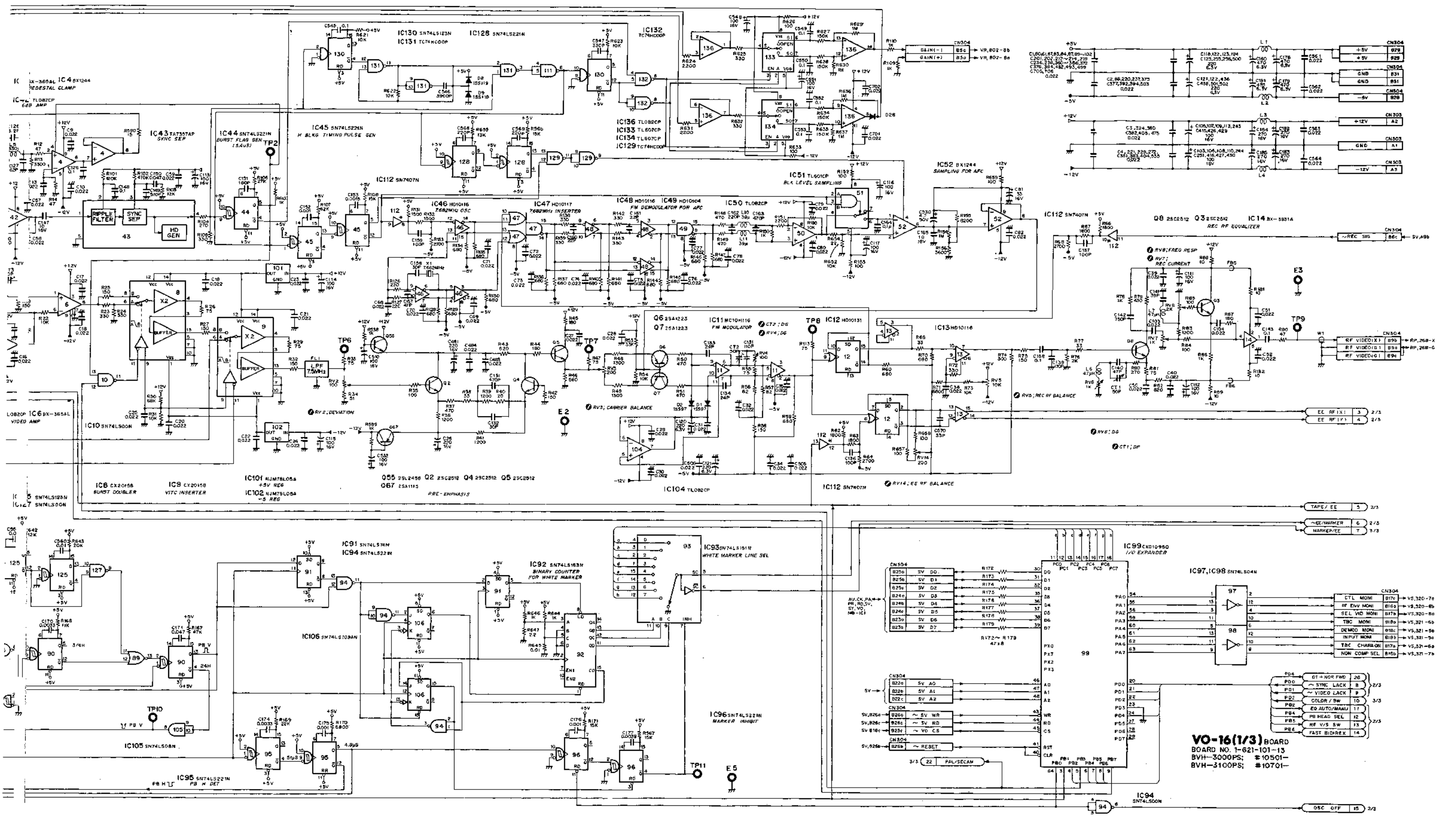
VO-16 BOARD (1/3)

Video Modulator/Demodulator



B-91(a)

B-92(a)



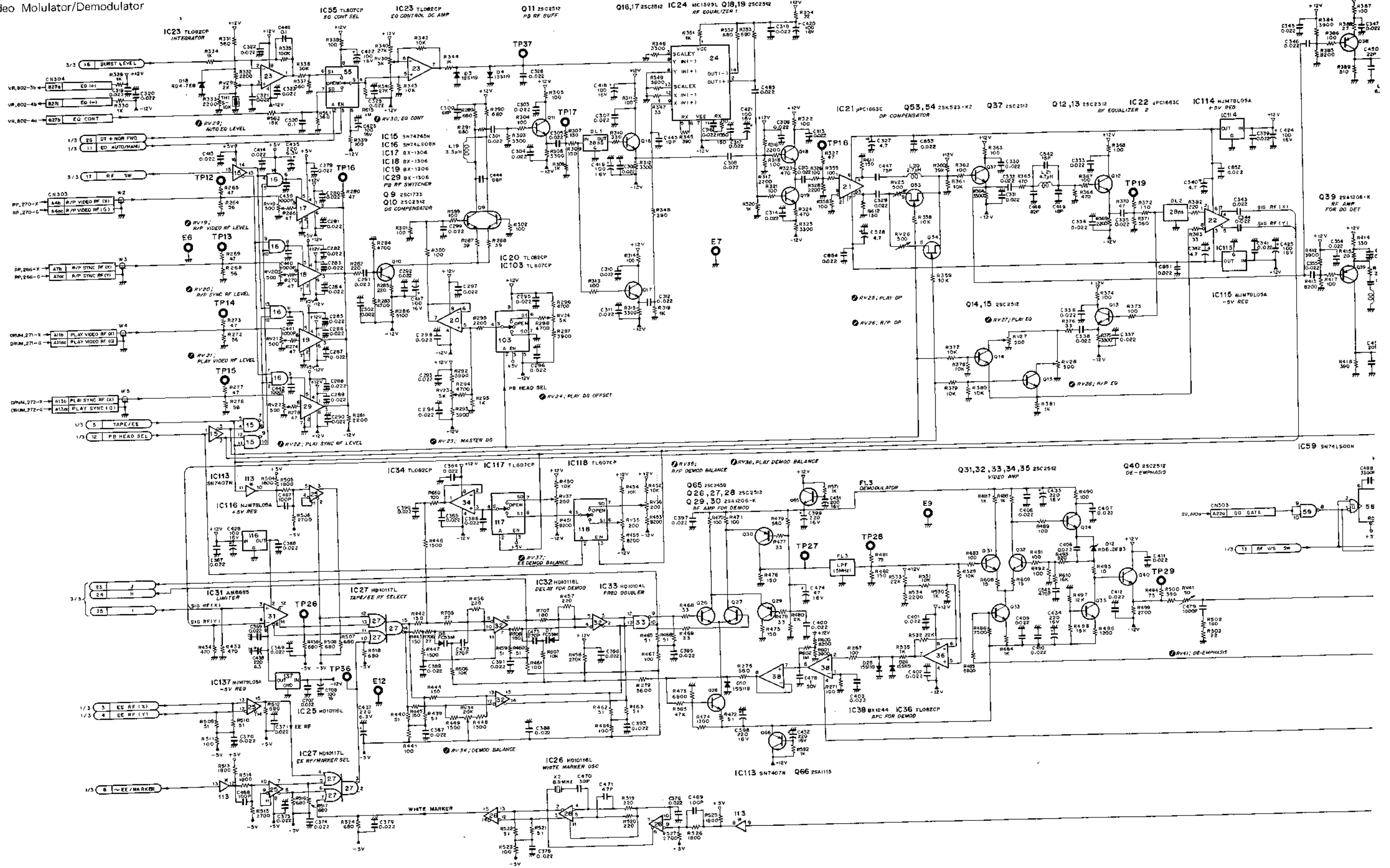
B-92(a)

B-93(a)

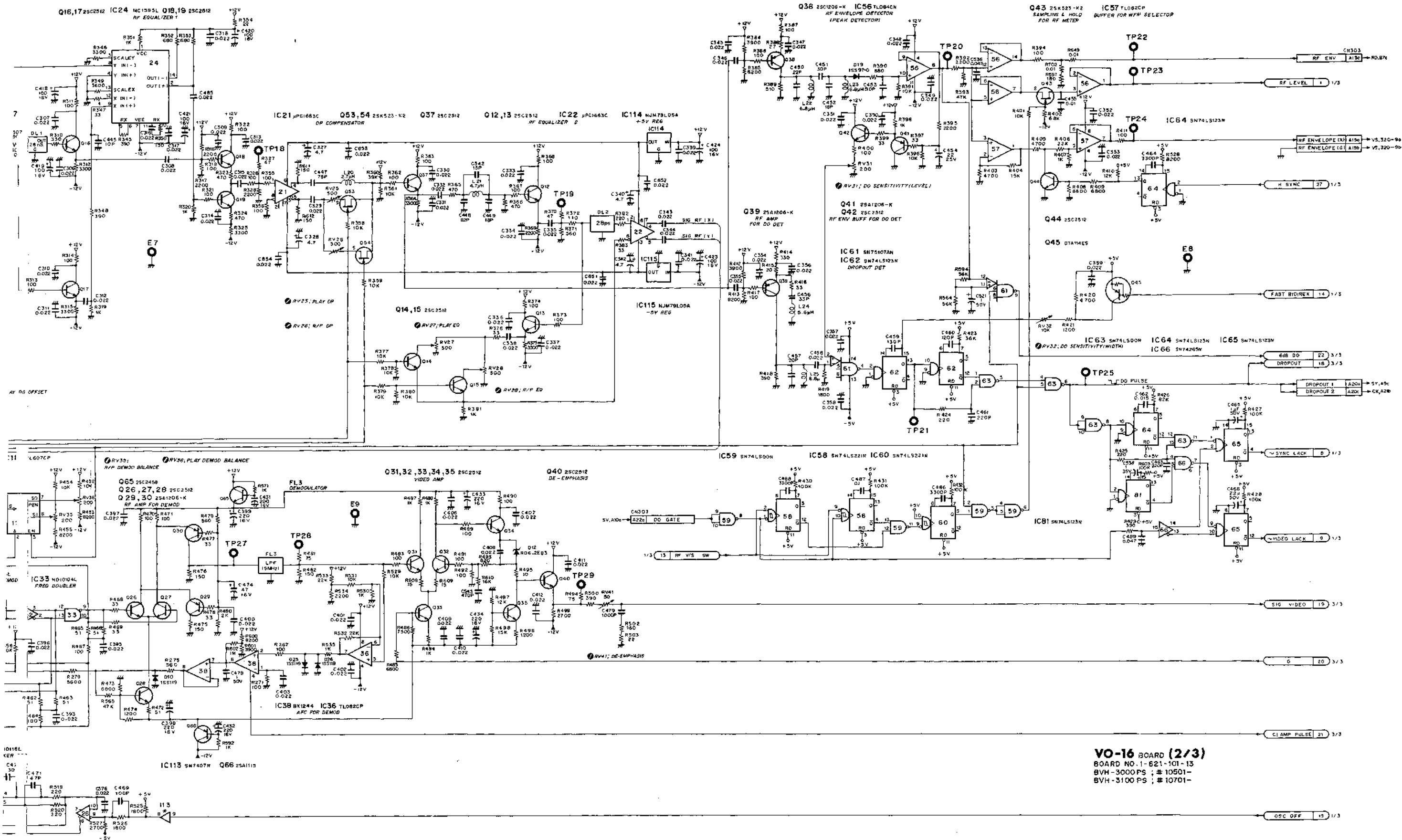
**VO-16(1/3) BOARD**  
 BOARD NO. 1-621-101-13  
 BVH-3000PS; #10501-  
 BVH-3100PS; #10701-

VO-16 BOARD (2/3)

Video Modulator/Demodulator



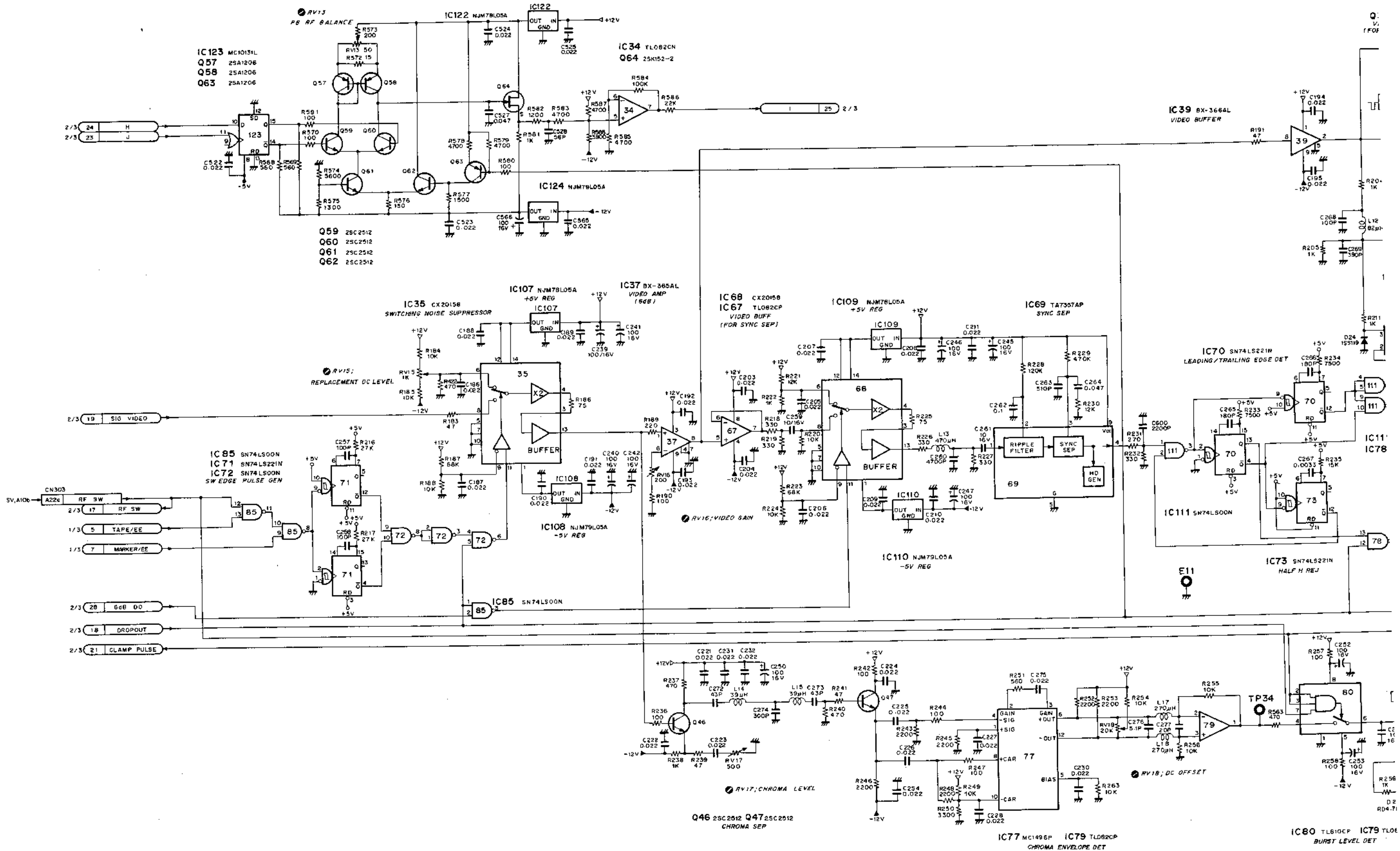




**VO-16 BOARD (2/3)**  
 BOARD NO. 1-621-101-13  
 BVH - 3000 PS ; # 10501 -  
 BVH - 3100 PS ; # 10701 -

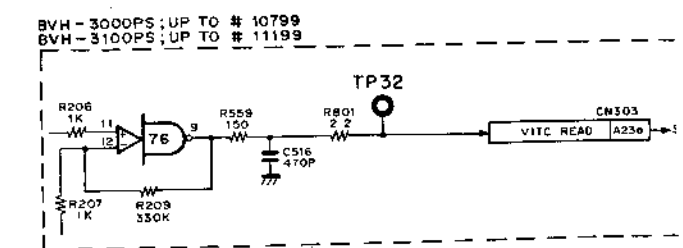
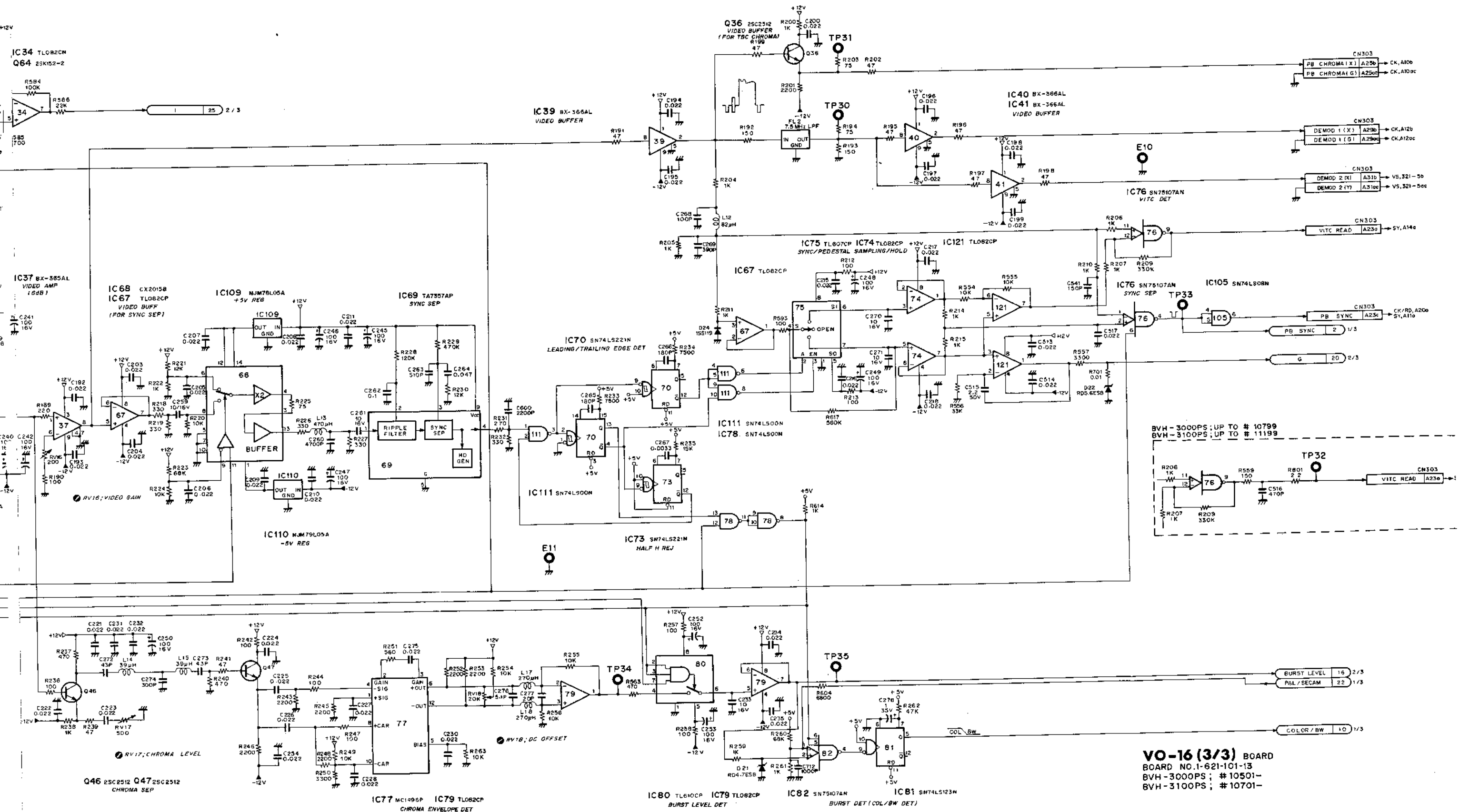
VO-16 BOARD (3/3)

Video Modulator/Demodulator



B-103(a)

B-104(a)



**VO-16(3/3) BOARD**  
 BOARD NO. 1-621-101-13  
 BVH-3000PS; # 10501-  
 BVH-3100PS; # 10701-

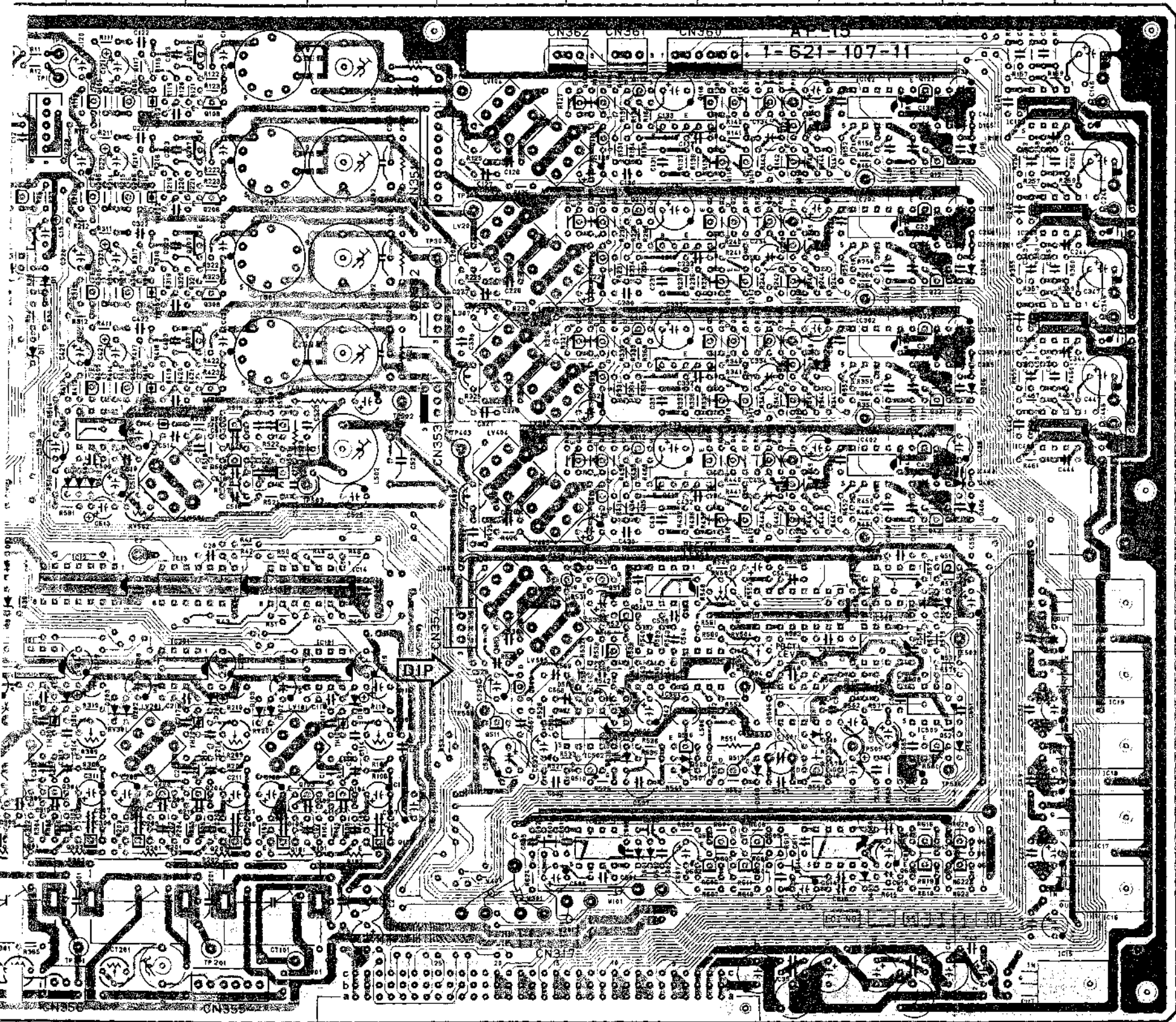
B-104(a)

B-105(a)





D E F G H J K L M



AP-15 (1-621-107-11)

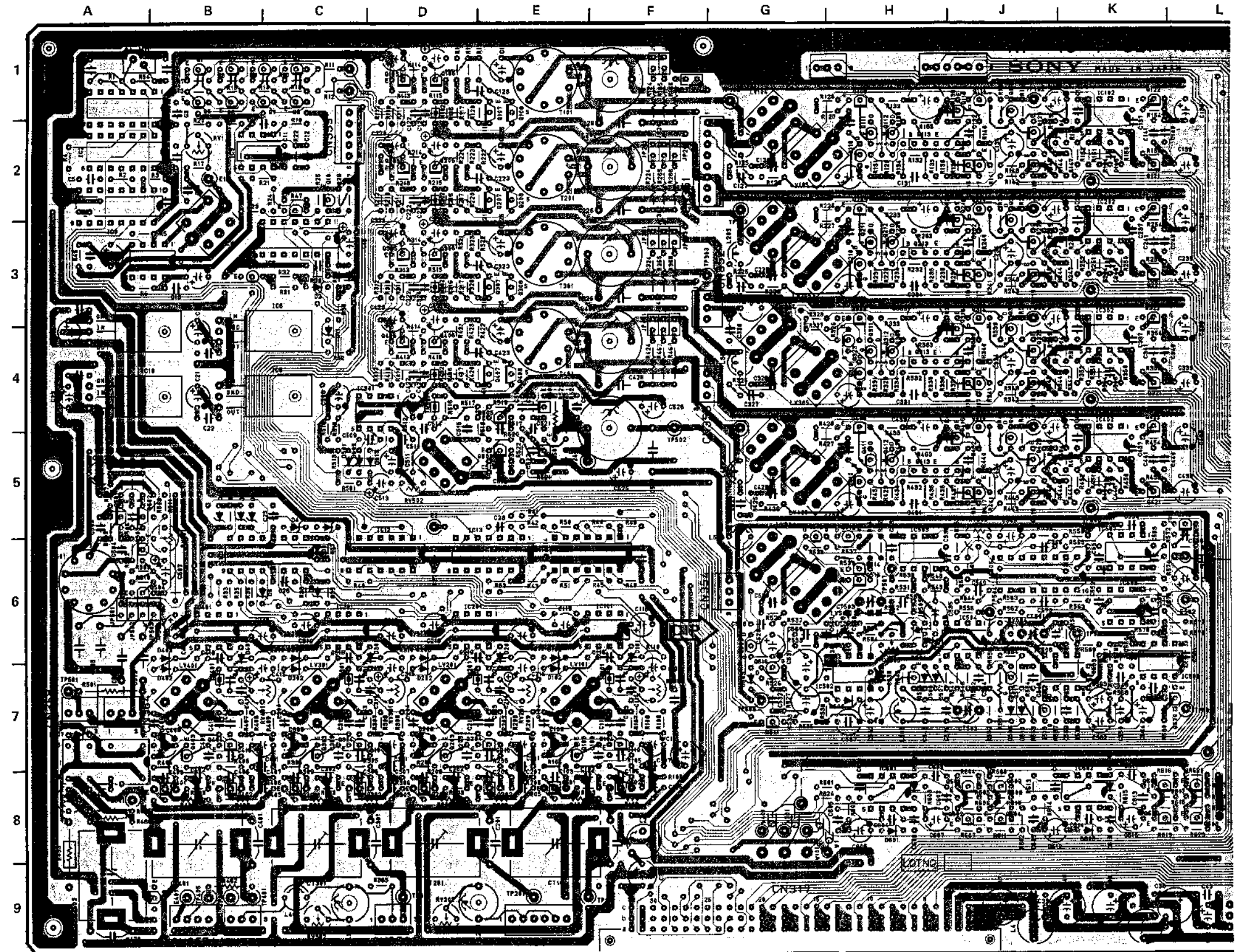
BVH-3000/PS

BVH-3100/PS

CN317	09	D505	H7	IC501	H8	Q210	H5	(PS)	(PS-A4)
CN351	F2	D506	H7	IC602	K8	Q211	H2	Q517	TP401 B9
CN352	F3	D507	H7			Q212	H2		TP402 J4
		D508	H7	L102	F1	Q213	H5	Q518	J7
(PS-A4)				L202	F2	Q214	J2	Q519	K5
CN353	F4	(PS)	J7	L206	D9	Q215	J2	Q520	K7
		D509	J7	L302	F3	Q216	J2	Q601	J8
CN354	06					Q217	J3		TP404 B9
CN355	E9	D510	J7	(PS-A4)		Q218	J3	(PS-A4)	TP405 B9
CN356	09			L306	C9	Q219	J3	Q602	TP501 A7
		(PS)				Q220	J3	Q603	TP502 F4
CN357	09	D512	L7	(PS-A4)		Q221	K3		TP503 E5
				L402	F4	Q222	K2	(PS-A4)	TP504 J6
CN358	A7	D513	D5	L502	F4	Q301	C8	Q604	TP505 L7
CN359	C2	D514	H6			Q302	D8		TP506 L7
CN360	H1					Q303	C7		TP507 H5
(PS-A4)		(PS-A4)		LV1	02	Q304	C7	Q605	TP508 G6
CN362	G1	D601	H8	LV101	E7	Q305	D5	Q606	
CN363	B9			LV104	D1	Q306	D3	Q607	X1 A1
		D602	H8	LV109	G2	Q307	E3	Q608	L8
CN364	A7	D603	K8	LV201	07	Q308	E3		
		D604	K8	LV204	G2	Q309	H5	RV1	B2
CT101	E9	E1	B2	LV205	G3	Q310	H4	RV101	F7
CT201	D9	E2	D5	LV301	C7	Q311	H3	RV201	E7
CT301	09			LV304	G4	Q312	H3	RV202	D9
		(PS)		LV305	G4	Q313	H4	RV301	D7
(PS-A4)		E401	B9			Q314	J3	RV302	C9
CT401	B9			(PS)		Q315	J3		
		E501	A7	LV401	B7	Q316	J3	(PS)	
(PS)		E502	L6	(PS-A4)		Q317	J4	RV401	B7
CT402	J7	E503	H5	LV404	G5	Q318	J4		
				LV405	G5	Q319	J4	RV501	A5
D1	C3	IC1	A1			Q320	J4	RV502	D5
D2	C3	IC2	A2	LV501	D5	Q321	K4	RV503	J6
		IC3	A2	LV504	G6	Q322	K3	RV504	J6
		IC4	A3	LV505	G6				
(PS)		IC5	C2			(PS)		(PS-A4)	
D3	B5	IC6	C3	Q1	B1	Q401	B8	RV1	A8
		IC7	A3	Q2	B1	Q402	B8		
D4	C5	IC8	C3	Q3	C1	Q403	B7	T101	E1
D5	B6	IC9	C4	Q4	C1	Q404	B7	T201	E2
D6	B6	IC10	A4	Q5	B1			T301	E3
D7	C6	IC11	B6	Q6	B1	(PS-A4)			
D8	C6	IC12	D6	Q7	C1	Q405	D4	(PS-A4)	
D9	C5	IC13	E6	Q8	C1	Q406	D4	T401	E4
		IC14	F6	Q9	C2	Q407	E3		
(PS)		IC15	H9	Q10	C2	Q408	E4	T501	A6
D10	B6	IC16	M8	Q11	B5	Q409	H4		
		IC17	M7	Q12	B8	Q410	H5	TC202	K2
D11	C4	IC18	M7	Q101	E8	Q411	H4		
D101	F6	IC19	M6	Q102	F8	Q412	H6	TH101	F7
D102	E7	IC20	M6	Q103	E7	Q413	H5	TH102	D1
D103	E7	IC21	F6	Q104	F7	Q414	J4	TH201	E7
D104	J2	IC22	K1	Q105	D1	Q415	J4	TH202	D2
D201	E6	IC23	L1	Q106	D1	Q416	J4	TH301	C7
D202	D7	IC24	D6	Q107	E1	Q417	J5	TH502	D3
D203	07	IC25	M2	Q108	E1	Q418	J5		
D204	J3	IC26	M2	Q109	H1	Q419	J5	(PS)	
D301	D6	IC301	C6	Q110	H2	Q420	J5	TH401	B7
D302	C7	IC302	K4	Q111	H1	Q421	K5		
D303	C7	(PS)		Q112	H1	Q422	K4	(PS-A4)	
D304	J4	IC401	B6	Q113	H2	Q423	B9	TH402	D4
		(PS-A4)		Q114	J1				
D401	B6	IC402	K3	Q115	J1	Q501	A6	TH501	G4
D402	B7	IC403	M4	Q116	J1	Q502	A6		
D403	B7			Q117	J2	Q503	A5	TP1	C1
D404	J5	IC501	D4	Q118	J2	Q504	A5	TP2	C1
(PS-A4)		IC502	H7	Q119	J2	Q505	E4	TP101	E9
D404	J5	IC503	H6	Q120	J2	Q506	E4	TP102	J1
		IC504	H6	Q121	K2	Q507	E5	TP103	G1
(PS-A4)				Q201	D8	Q508	E4	TP104	K2
D404	J5	(PS)		Q202	E8	Q509	G6	TP201	E9
		IC505	J6	Q203	D7	Q510	H7	TP202	J2
(PS-A4)				Q204	E7	Q511	G7	TP203	G2
D407	A7	IC506	J5	Q205	D2	Q512	H8	TP204	K3
		IC507	K6	Q206	D2	Q513	G6	TP301	D9
D501	D5	IC508	K6	Q207	E7	Q514	H6	TP302	J3
D502	D5	IC509	K6	Q208	E2	Q515	H6	TP303	F3
D503	H6			Q209	H2	Q516	H7	TP304	K4
D504	H6								

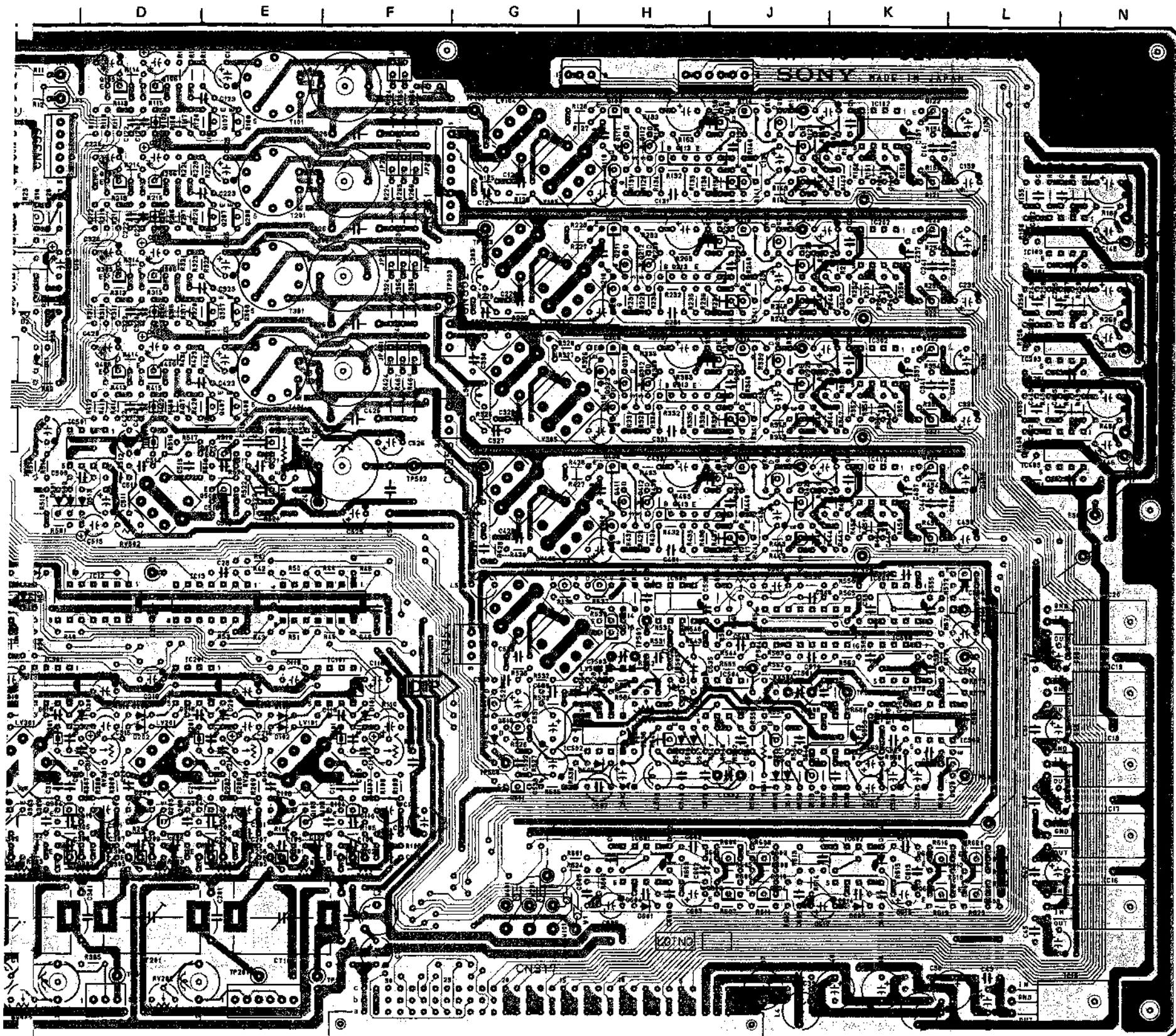
1-621-107-11 SOLDER SIDE

AP-15 BOARD (1-621-107-12)  
Component Side



1-621-107-12 SOLDER SIDE





AP-15 (1-621-107-12)

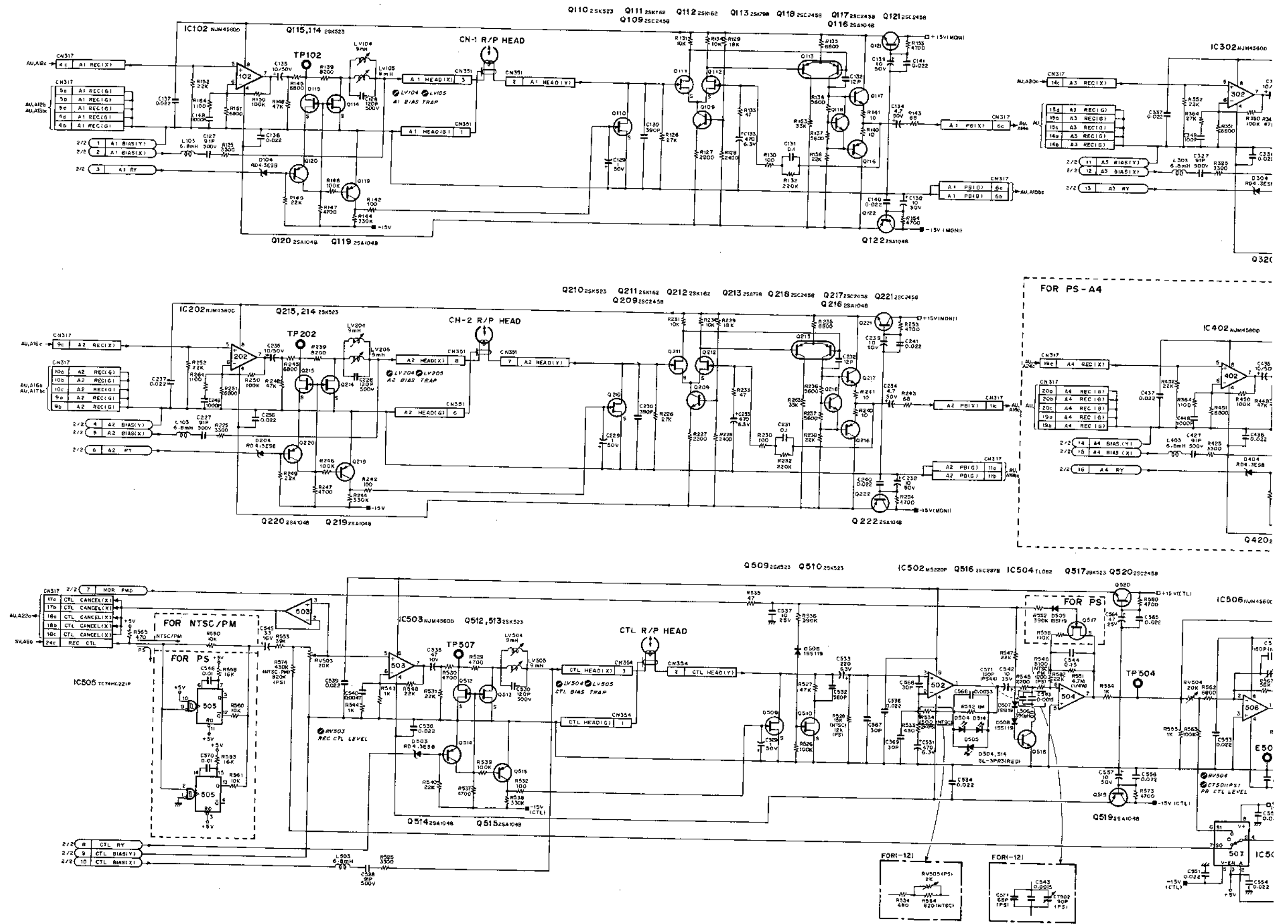
BWH-3000/PS	D501 D5	IC601 H8	Q205 D2	Q514 H6	(PS-A4)
BWH-3100/PS	D502 D3	IC602 K8	Q206 D2	Q515 H6	TP401 B9
CN317 B9	D503 D7	L102 F1	Q207 E2	Q516 H7	TP402 J4
CN318 F2	D504 H6	L103 G2	Q208 E2	(PS)	(PS)
CN352 F3	D505 H6	L202 F2	Q209 H2	Q517 J7	TP403 G4
(PS-A4)	D506 H7	L206 D9	Q210 H3		
CN353 F4	D507 H7	L302 F3	Q211 H2	Q518 J7	TP404 B9
CN354 G6	D508 H7	L303 G4	Q212 H2	Q519 K5	TP405 B9
CN355 E9	(PS)	(PS-A4)	Q213 H5	Q520 K7	TP406 K5
CN356 C9	D509 J7	L306 C9	Q214 J2	Q601 J8	TP501 A7
(PS)	D510 J7	L307 G3	Q215 J2		TP502 F4
CN357 B9	D513 D5	(PS-A4)	Q216 J2	(PS-A4)	TP503 E5
CN358 A7	D514 H6	L402 F4	Q217 J3	Q602 J8	TP504 J6
CN359 C2	(PS-A4)	L403 G5	Q218 J3	Q603 J8	TP505 L7
CN360 H1	D601 H8	L404 C9	Q219 J3		TP506 L7
(PS-A4)	D602 H8	L502 F4	Q220 J3	Q604 J8	TP507 H5
CN362 G1	D603 K8	L503 G5	Q221 K3	(PS-A4)	TP508 G6
CN363 B9	D604 K8	L506 H7	Q222 K2	Q605 K8	X1 A1
CN364 A7	E1 B2	LV1 B2	Q301 C8	Q606 K8	
CT101 E9	E2 D5	LV101 E7	Q302 D8	Q607 K9	
CT201 D9	(PS)	LV104 G1	Q303 C7	Q608 L8	
CT301 C9	E401 B9	LV105 G2	Q304 C7	Q609 L8	
(PS-A4)	E501 A7	LV201 D7	Q305 D5		
CT401 B9	E502 L6	LV204 G2	Q306 D3		
(PS)	E503 M5	LV205 G3	Q307 E3		
CT402 A9	IC1 A1	LV301 C7	Q308 E3	RV1 B2	
CT501 J7	IC2 A2	LV304 G4	Q309 H3	RV101 F7	
CT502 H7	IC3 A2	LV305 G4	Q310 H4	RV201 E7	
CT503 H6	IC4 A3	(PS-A4)	Q311 H3	RV202 D9	
D1 C3	IC5 C2	LV404 G5	Q312 H3	RV301 D7	
D2 C3	IC6 C3	LV405 G5	Q313 H4	RV302 C9	
(PS)	IC7 A3	LV501 D5	Q314 J5		
D3 B5	IC8 C3	LV504 G6	Q315 J3	(PS)	
D4 C5	IC9 C4	LV505 G6	Q316 J3	RV401 B7	
D5 B5	IC10 A4	Q1 B1	Q317 J4	RV402 A8	
D6 B6	IC11 B6	Q2 B1	Q318 J4	RV501 A5	
D7 C6	IC12 D6	Q3 C1	Q319 J4	RV502 D5	
D8 C6	IC13 E6	Q4 C1	Q320 J4	RV503 J6	
D9 C6	IC14 F6	Q5 B1	Q321 K4	RV504 J6	
(PS)	IC15 H9	Q6 B1	Q322 K5	RV505 H6	
D10 B5	IC16 H6	Q7 C1	Q323 H4		
D11 C4	IC17 H7	Q8 C1	(PS)	(PS-A4)	
D101 F6	IC18 M7	Q9 C2	Q401 B8	RY1 A8	
D102 E7	IC19 M6	Q10 G2	Q402 B8	T101 E1	
D103 E7	IC20 H6	Q11 B5	Q403 B7	T201 E2	
D104 J2	IC21 D4	Q12 E8	Q404 B7	T301 E3	
D201 E6	IC22 K2	Q13 H5	Q405 D4	(PS-A4)	
D202 D7	IC23 M2	Q14 J4	Q406 D4	(PS-A4)	
D203 D7	IC203 M2	Q15 J4	Q407 E4	T401 E4	
D204 J3	IC301 C6	Q16 J4	Q408 E4	T501 A6	
D301 D6	IC302 K4	Q17 J5	Q409 H4	TH101 F7	
D302 C7	(PS)	Q18 J5	Q410 H5	TH102 G1	
D303 C7	IC401 B6	Q19 J5	Q411 H4	TH201 E7	
D304 J4	(PS-A4)	Q20 H4	Q412 H4	TH202 D2	
(PS)	IC402 K5	Q21 H2	Q413 H5	TH301 C7	
D401 B6	IC403 M4	Q22 H1	Q414 J4	TH302 D3	
D402 B7	IC501 D4	Q23 H2	Q415 J4	(PS)	
D403 B7	IC502 H7	Q24 H1	Q416 J4	TH401 B7	
D404 J5	IC503 H6	Q25 H1	Q417 J5	TH402 D4	
(PS-A4)	IC504 H6	Q26 H1	Q418 J5	TH501 D4	
D404 J5	(PS)	Q27 H2	Q419 J5	TP1 C1	
(PS-A4)	IC505 J6	Q28 H1	Q420 J5	TP2 C1	
D407 A7	IC506 J6	Q29 H1	Q421 K5	TP101 E9	
	IC507 K6	Q30 H1	Q422 K4	TP102 J1	
	IC508 K6	Q31 H2	Q423 B9	TP103 G1	
	IC509 K6	Q32 E8	Q501 A6	TP104 K2	
		Q33 E7	Q502 A6	TP201 E9	
			Q503 A5	TP202 J2	
			Q504 A5	TP203 G2	
			Q505 E4	TP204 K3	
			Q506 E5	TP301 D9	
			Q507 E5	TP302 J3	
			Q508 E4	TP303 F5	
			Q509 G6	TP304 K4	
			Q510 G7		
			Q511 G7		
			Q512 H6		
			Q513 G6		

B-107(a)

B-108(a)

AP-15 BOARD (1/2)

Audio Preamp, Bias, Erase

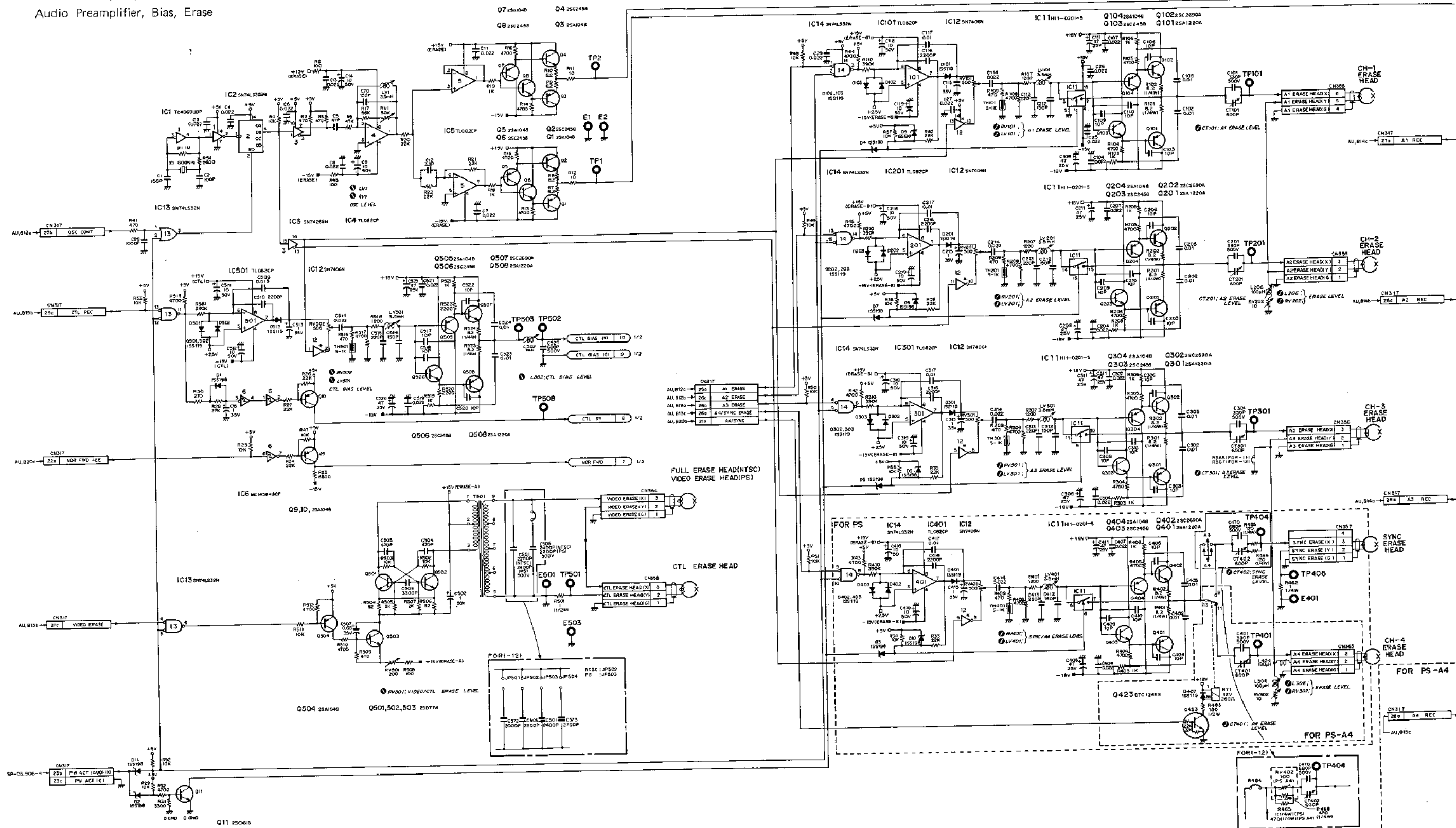


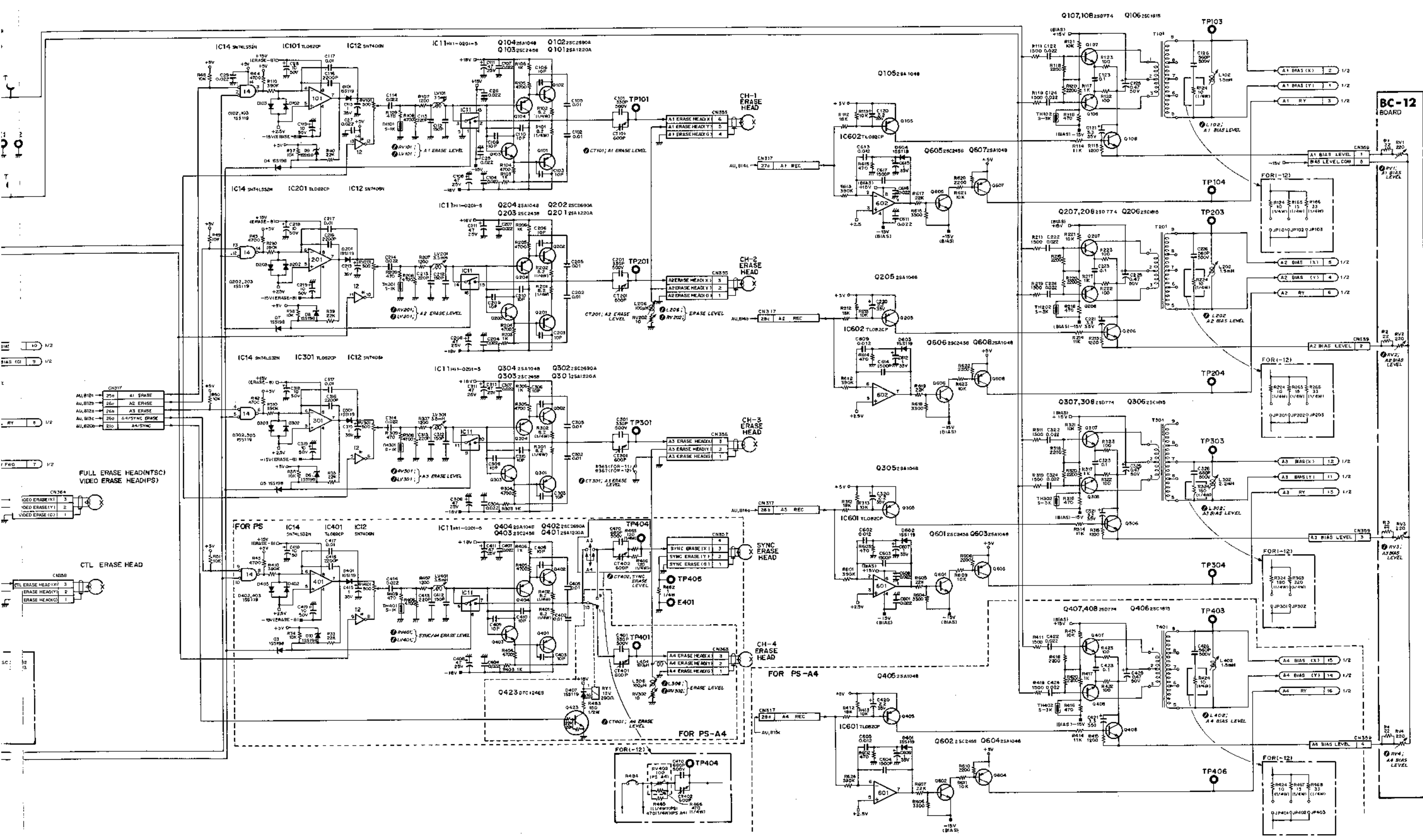




AP-15 BOARD (2/2)

Audio Preamp, Bias, Erase





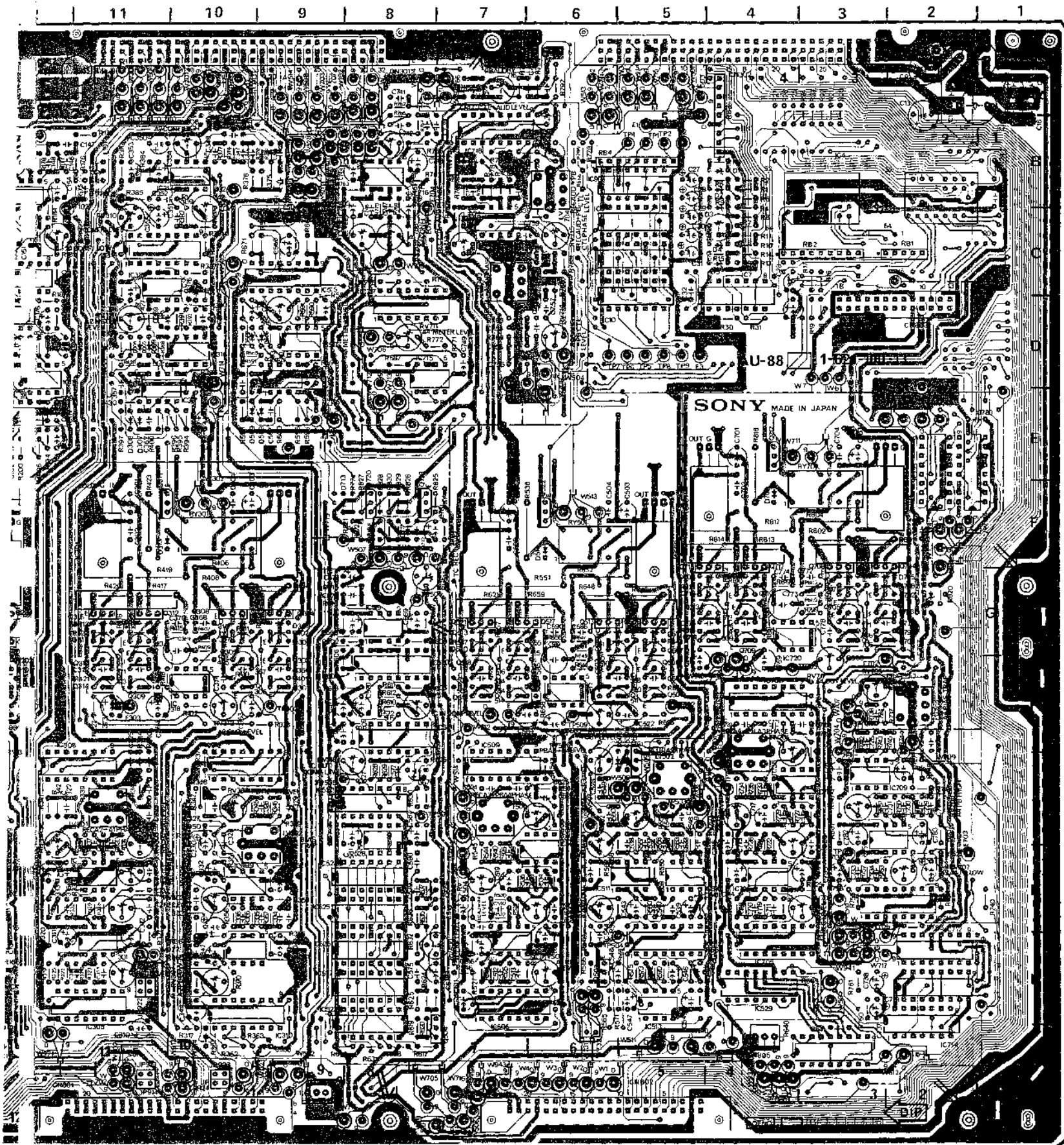
**BC-12 BOARD**

FOR PS  
FOR PS-A4

**AP-15 BOARD (2)**  
BOARD NO. 1-621-107  
BVH-3000UJ; # 100  
BVH-3000WG; # 100  
BVH-3000PS; # 100  
BVH-3100UJ; # 100  
BVH-3100LLC; # 100  
BVH-3100PS; # 100







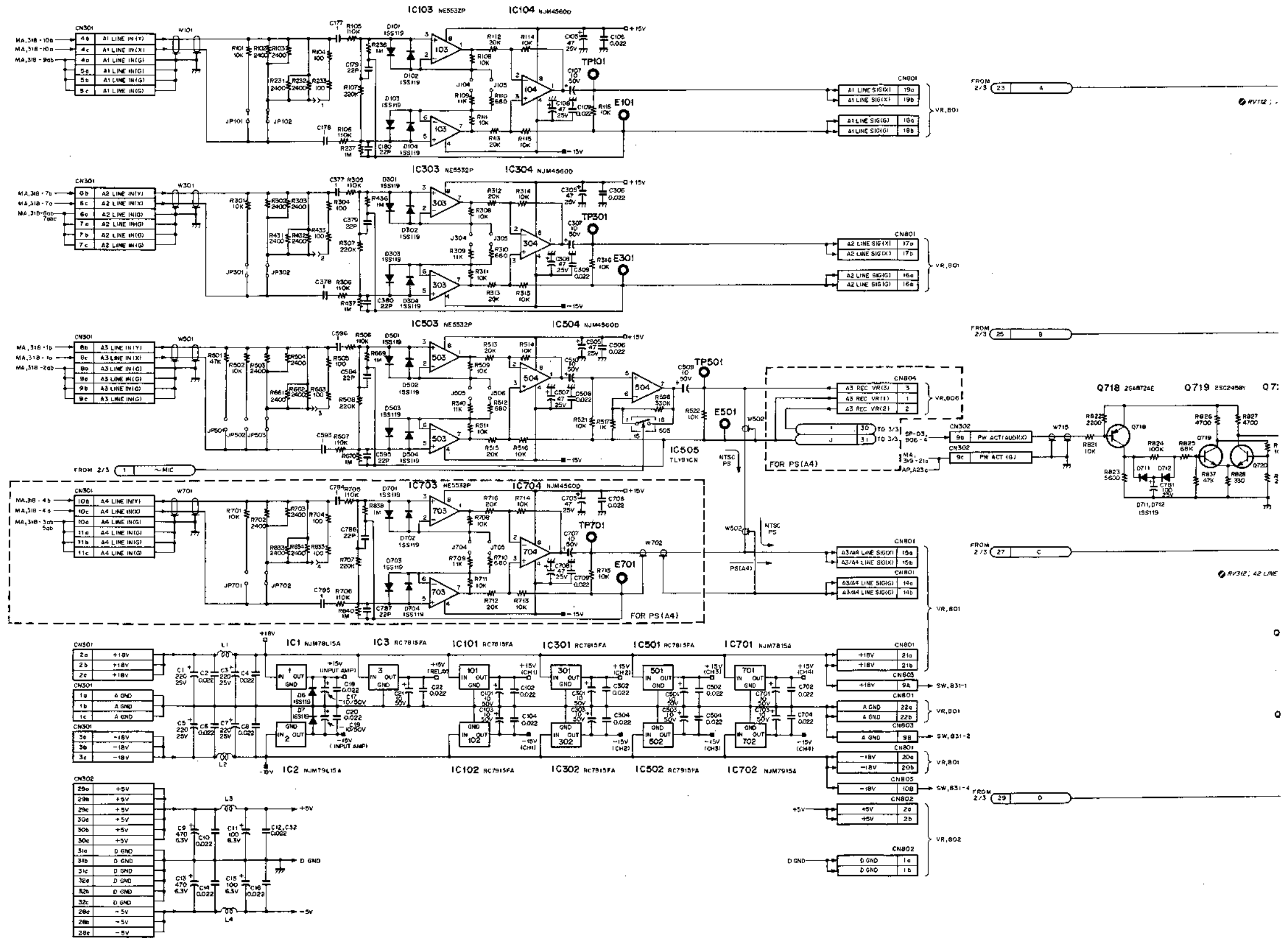
1-621-100-13 SOLDER SIDE

AU-88 (1-621-100-13)

BW-3000/PS  
BW-3100/PS

CN501 A8	(PS-A4)	(PS-A4)	Q101 H12	RB1 C2	TP1 B5
CN502 A4	E701 E15	IC701 F4	Q102 H12	RB2 C3	TP2 B5
CN801 M12	E702 H5	IC702 F2	Q103 H12	RB3 A4	TP4 B5
CN802 M5	E703 K2	IC703 D3	Q104 G12	RB4 B5	TP5 O5
CN803 D2	E704 B8	IC705 D14	Q105 H13		TP6 O5
		IC704 D15	Q106 H13	RV101 L14	TP7 D6
(PS-A4)	IC1 A13	IC705 L4	Q107 H13	RV102 L14	TP8 O5
CN804 M9	IC2 A14	IC706 K4	Q108 G13	RV103 K14	TP9 O5
CN805 M4	IC5 E15	IC707 J3	Q109 H14	RV104 K15	TP101 A15
	IC5 B2	IC708 H4	Q110 H14	RV105 J13	TP102 B13
D1 B4	IC5 E2	IC709 J3	Q111 H14	RV106 K13	TP103 H12
D2 B4	IC6 C5	IC710 J2	Q112 G14	RV107 L13	TP301 B15
D3 C4	IC7 C4	IC711 K2	Q113 H14	RV108 B12	TP302 B11
D4 C4	IC8 C5	IC712 L2	Q114 H14	RV109 C12	TP303 H9
D5 C4	IC9 B5	IC713 L2	Q115 H14	RV110 C13	TP501 C15
D6 A13	IC10 C9	IC714 M2	Q116 G14	RV111 D12	TP502 K7
D7 A15	IC101 G14		Q117 F14	RV112 H13	TP503 J5
D101 B14	IC102 G12	IC715 D8	Q301 H9	RV301 L11	TP504 L5
D102 B14	IC103 A14		Q302 G9	RV302 K11	TP505 J9
D103 A14	IC104 A15	(PS-A4)	Q303 H9	RV303 K11	TP506 G8
D104 A14	IC105 M14	IC716 B8	Q304 G9	RV304 J12	TP507 F7
D105 D12	IC106 L14		Q305 H10	RV305 J10	TP508 J8
D106 D12	IC107 K14	(PS)	Q306 H10	RV306 K10	TP509 H6
D107 E12	IC108 J15	IC717 D8	Q307 G10	RV307 L10	
D108 E12	IC109 K15		Q308 G10	RV308 B10	(PS-A4)
D109 G12	IC110 M15	IC718 B7	Q309 H11	RV309 B10	TP701 E15
D110 G13	IC111 L13	IC719 C7	Q310 G11	RV310 C11	TP702 J4
D111 G14	IC112 J13		Q311 H11	RV311 D11	TP703 J3
D112 G14	IC113 B12	(PS-A4)	Q312 G11	RV312 H10	TP704 K3
D113 F14	IC114 C12	IC720 G4	Q313 H11	RV313 K11	TP705 H4
D301 C14	IC115 D12		Q314 H11	RV501 L5	
D302 C14	IC116 D12	IC721 E2	Q315 G11	RV503 K6	
D303 B14	IC117 E12	IC722 E2	Q316 G11	RV504 K7	
D304 B14	IC118 M15		Q317 F11	RV505 J6	
D305 D11	IC301 F11	JP101 A13	Q501 J5	RV506 J6	
D306 D11	IC302 F9	JP102 A13	Q503 L6	RV507 J5	
D307 E11	IC303 B14	JP104 B15	Q504 M7	RV508 K6	
D308 E11	IC304 B15	JP105 B15	Q505 K7	RV509 K6	
D309 G9	IC305 L12	JP301 B13	Q506 H5	RV515 D9	
D310 G10	IC306 L11	JP302 B13	Q507 G5	RV516 H8	
D311 G11	IC307 K11	JP304 C14	Q508 H5	RV517 G8	
D312 G11	IC308 J12	JP305 C15	Q509 G5	RV518 J8	
D313 F11	IC309 K10	JP501 C15	Q510 H5	RV520 L3	
D501 D14	IC310 L10	JP502 C15	Q511 H5	RV521 H6	
D502 D14	IC311 L10	JP503 C13	Q512 G6		
D503 C14	IC312 J10	JP505 D14	Q513 G6	(PS-A4)	
D504 C14	IC313 B10	JP506 D15	Q514 H7	RV701 K3	
D505 J5	IC314 C11		Q515 G7	RV702 J4	
D506 G9	IC315 C11	(PS-A4)	Q516 N7	RV703 J4	
D507 D10	IC316 D10	JP701 D13	Q517 G6	RV704 J4	
D508 E9	IC317 D11	JP702 D13	Q518 H7	RV705 H5	
D509 E9	IC318 H10	JP704 E14	Q519 H7	RV706 J3	
D510 G5	IC501 F7	JP705 E15	Q520 G7	RV707 K2	
D511 G6	IC502 F5		Q521 G7	RV708 B8	
D512 G7	IC503 D14	JP911 M14	Q522 F6	RV709 C8	
D513 G7	IC504 D15	JP912 M14		RV710 C8	
D514 F6	IC505 C14	JP913 M11	(PS-A4)	RV711 D8	
	IC506 L7	JP914 M11	Q701 G3		
(PS-A4)	IC507 L7	JP921 L11	Q702 G3	RV712 B6	
D701 E14	IC508 K6	JP922 L11	Q703 G3	RV713 C7	
D702 E14	IC509 J7	JP923 H10	Q704 F3	RV714 D6	
D703 D14	IC510 K5	JP924 M10	Q705 G3		
D704 D14	IC511 K5		Q706 G3	(PS-A4)	
D705 G3	IC512 L5	LV101 J14	Q707 G3	RV715 C6	
D706 G3	IC513 L5	LV102 K13	Q708 F3		
D707 G4	IC514 C9	LV301 J11	Q709 G4	RV716 A7	
D708 G4	IC516 H6	LV302 J9	Q710 G4		
D709 F4	IC517 D9	LV501 J7	Q711 G4	(PS-A4)	
	IC518 D9	LV502 J5	Q712 F3	RV717 H3	
D710 G2	IC519 G8		Q713 G4	RV718 H3	
D711 F8	IC520 H8	(PS-A4)	Q714 G4		
D712 F8	IC521 H8	LV701 H4	Q715 G4	RY101 F13	
D713 F8	IC522 J8	LV702 H2	Q716 F4	RY301 F10	
	IC523 L8		Q717 E4	RY901 F6	
E1 B5	IC524 K8	LV703 C7	Q718 F8	(PS-A4)	
E2 B5	IC525 K8		Q719 F8	RY701 F3	
E3 D5	IC526 L8	(PS-A4)	Q720 F8		
E101 B15	IC527 L8	LV704 B6			
E102 B12	IC528 J8				
E103 H14	IC529 L4				
E301 C15	IC530 H3				
E302 B10					
E303 H11					
E901 O15					
E902 H5					
E503 J6					
E504 C9					

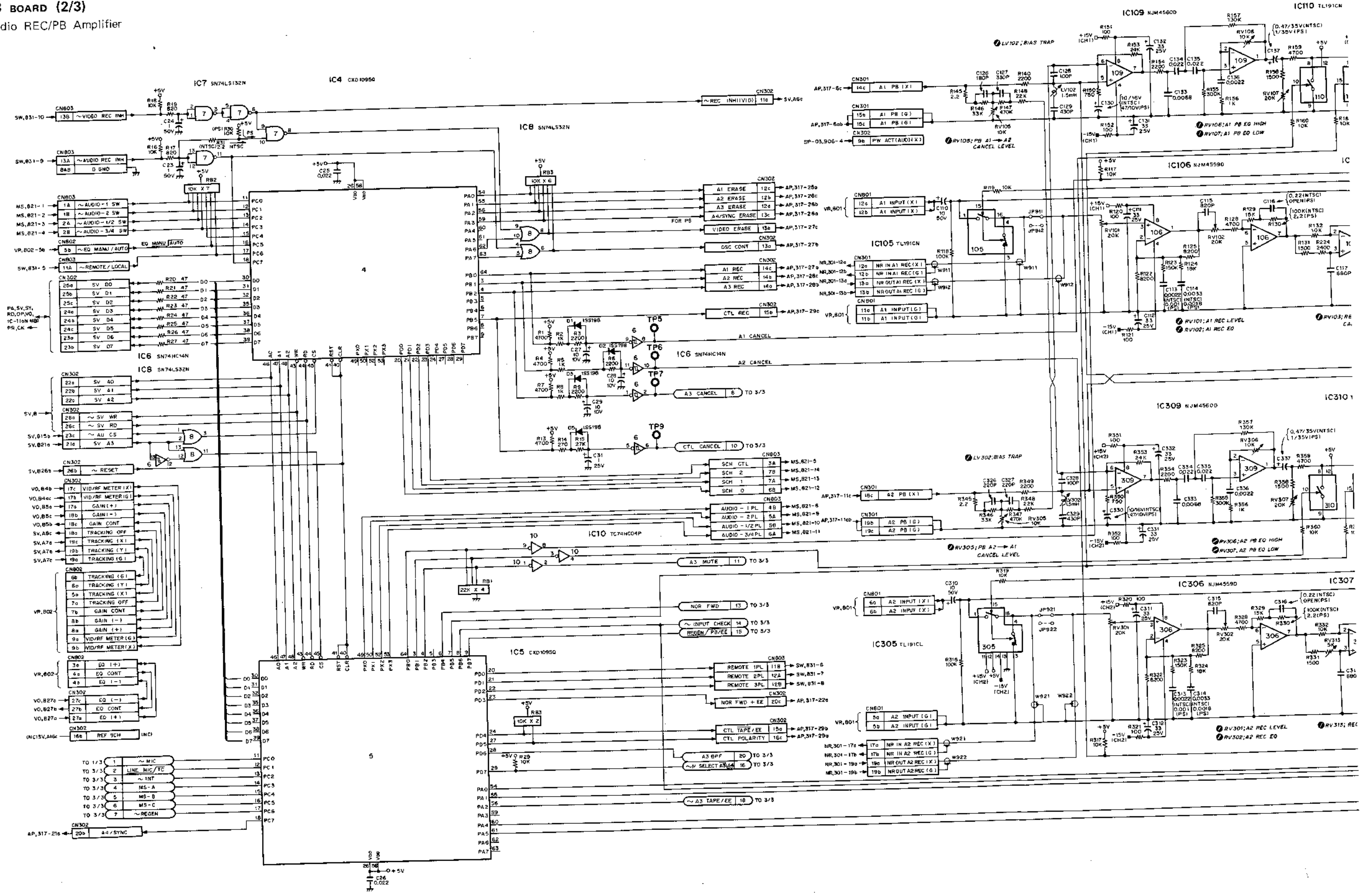
AU-88 BOARD (1/3)  
Audio REC/PB Amplifier



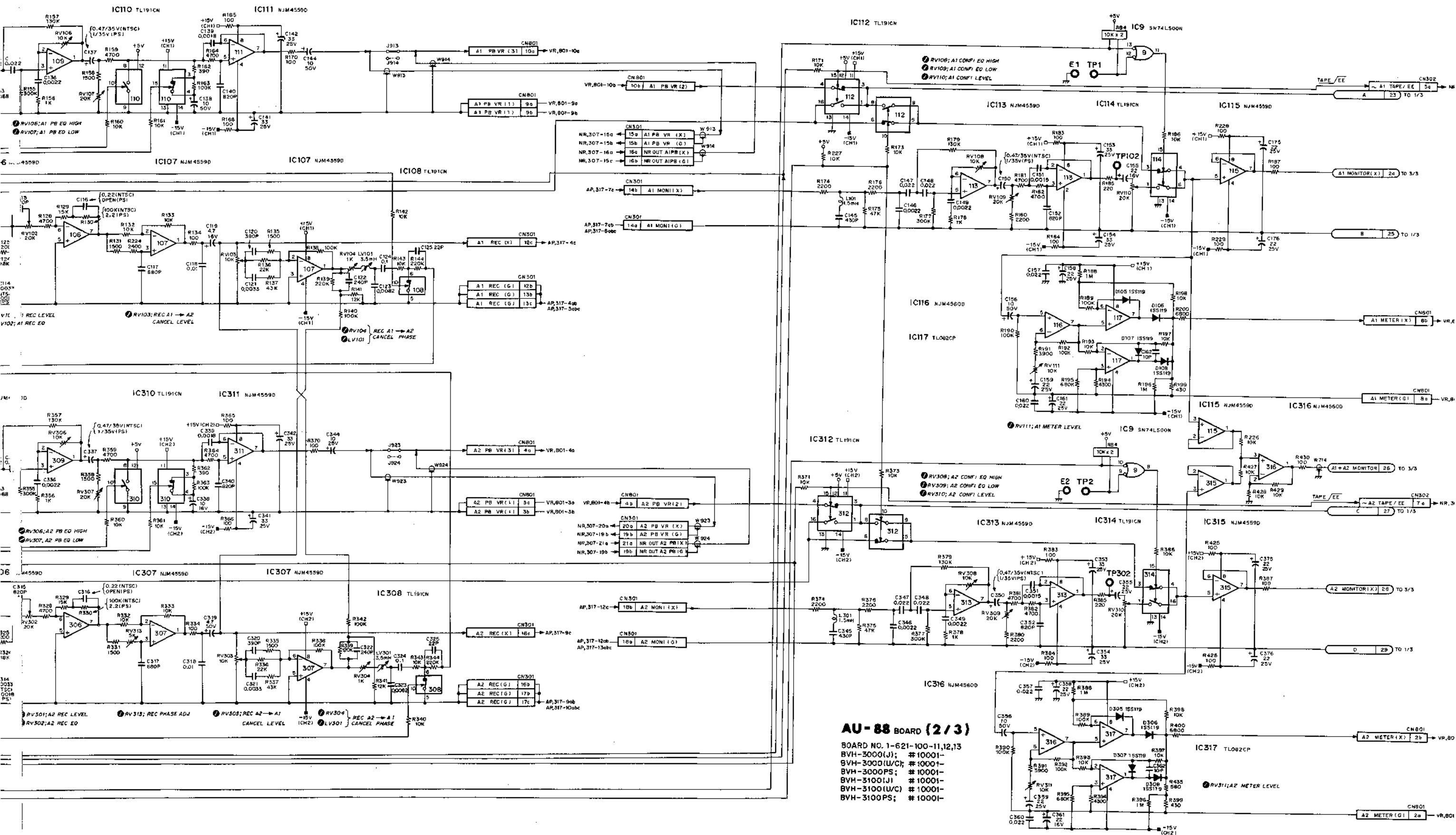


AU-88 BOARD (2/3)

Audio REC/PB Amplifier



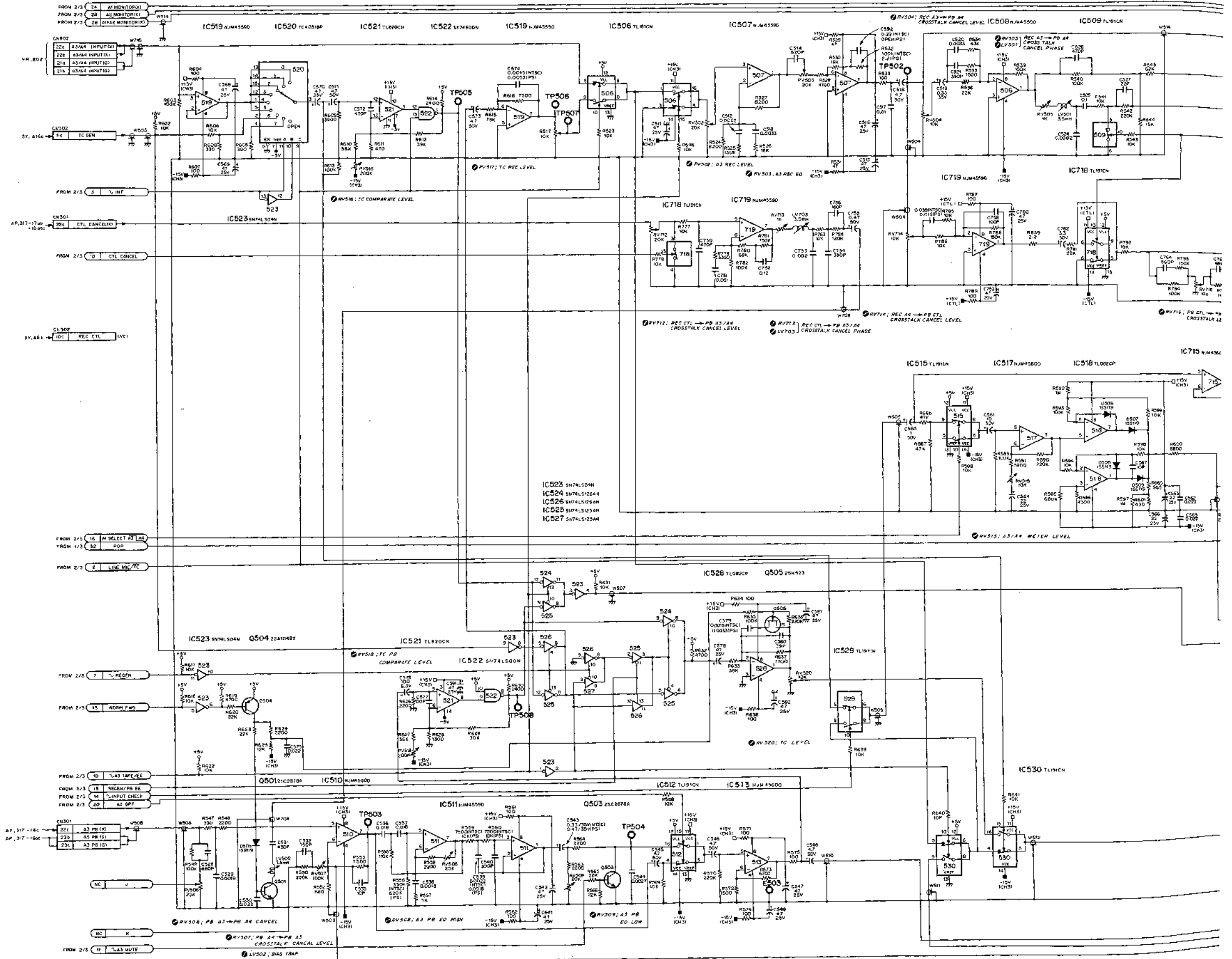


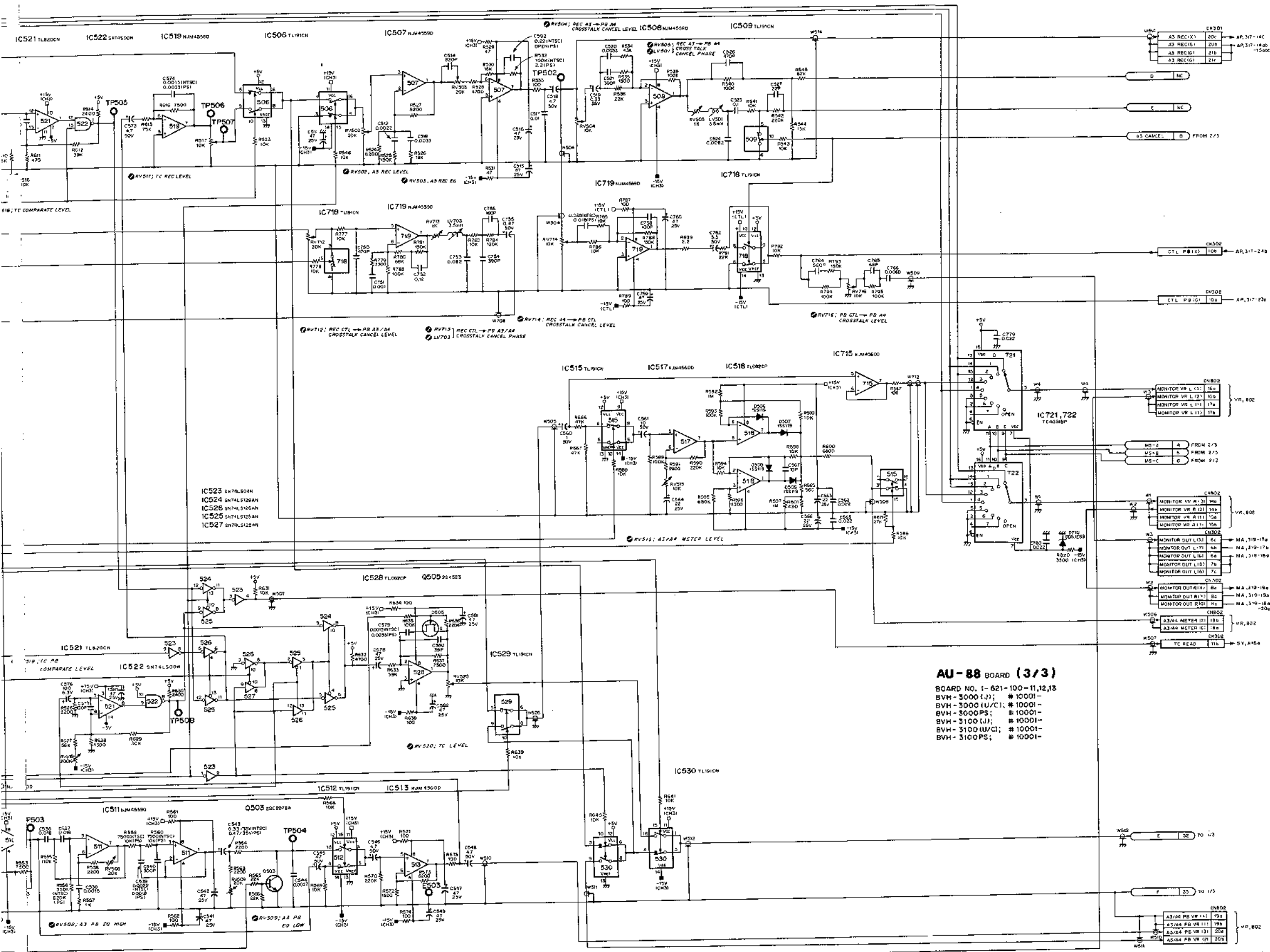


**AU-88 BOARD (2/3)**

- BOARD NO. 1-621-100-11,12,13
- BVH-3000(J); # 10001-
- BVH-3000(U/C); # 10001-
- BVH-3000(PS); # 10001-
- BVH-3100(J); # 10001-
- BVH-3100(U/C); # 10001-
- BVH-3100(PS); # 10001-

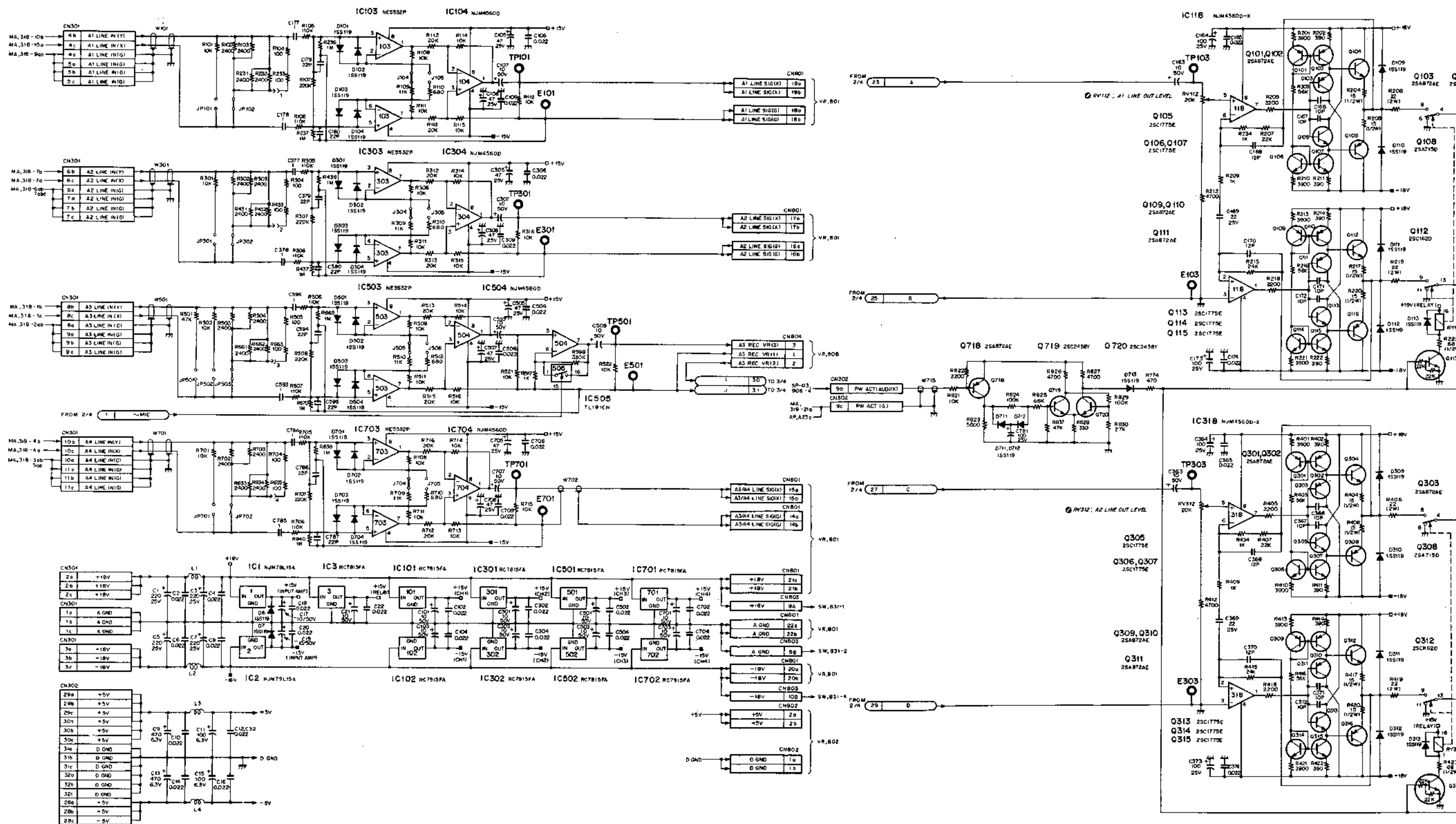
AU-88 BOARD (3/3)  
Audio REC/PB Amplifier

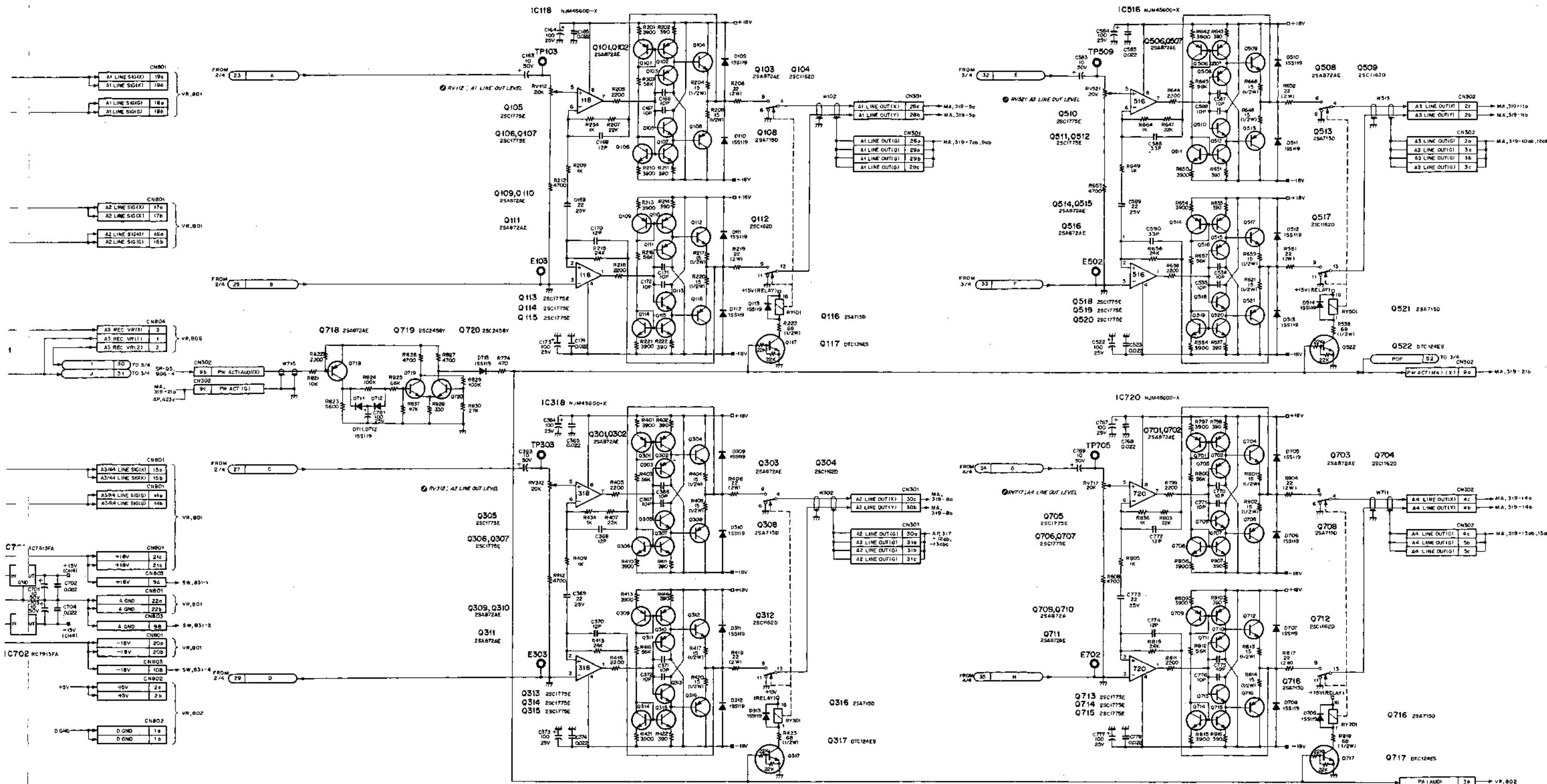




**AU-88 BOARD (3/3)**  
 BOARD NO. 1-621-100-11,12,13  
 BVH-3000 (J); #10001-  
 BVH-3000 (U/C); #10001-  
 BVH-3000 (P); #10001-  
 BVH-3100 (J); #10001-  
 BVH-3100 (U/C); #10001-  
 BVH-3100 (P); #10001-

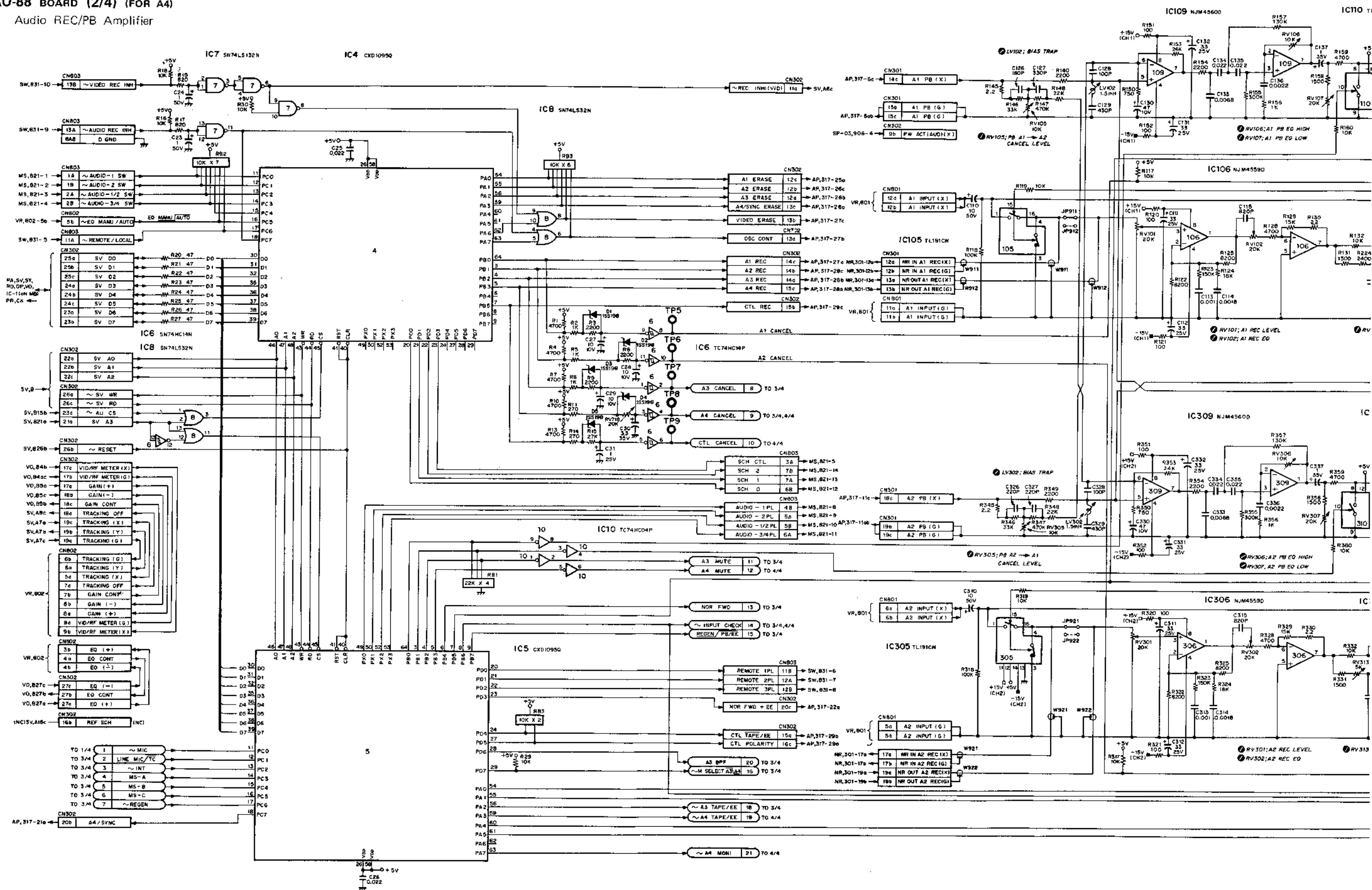
AU-88 BOARD (1/4) (FOR A4)  
Audio REC/PB Amplifier

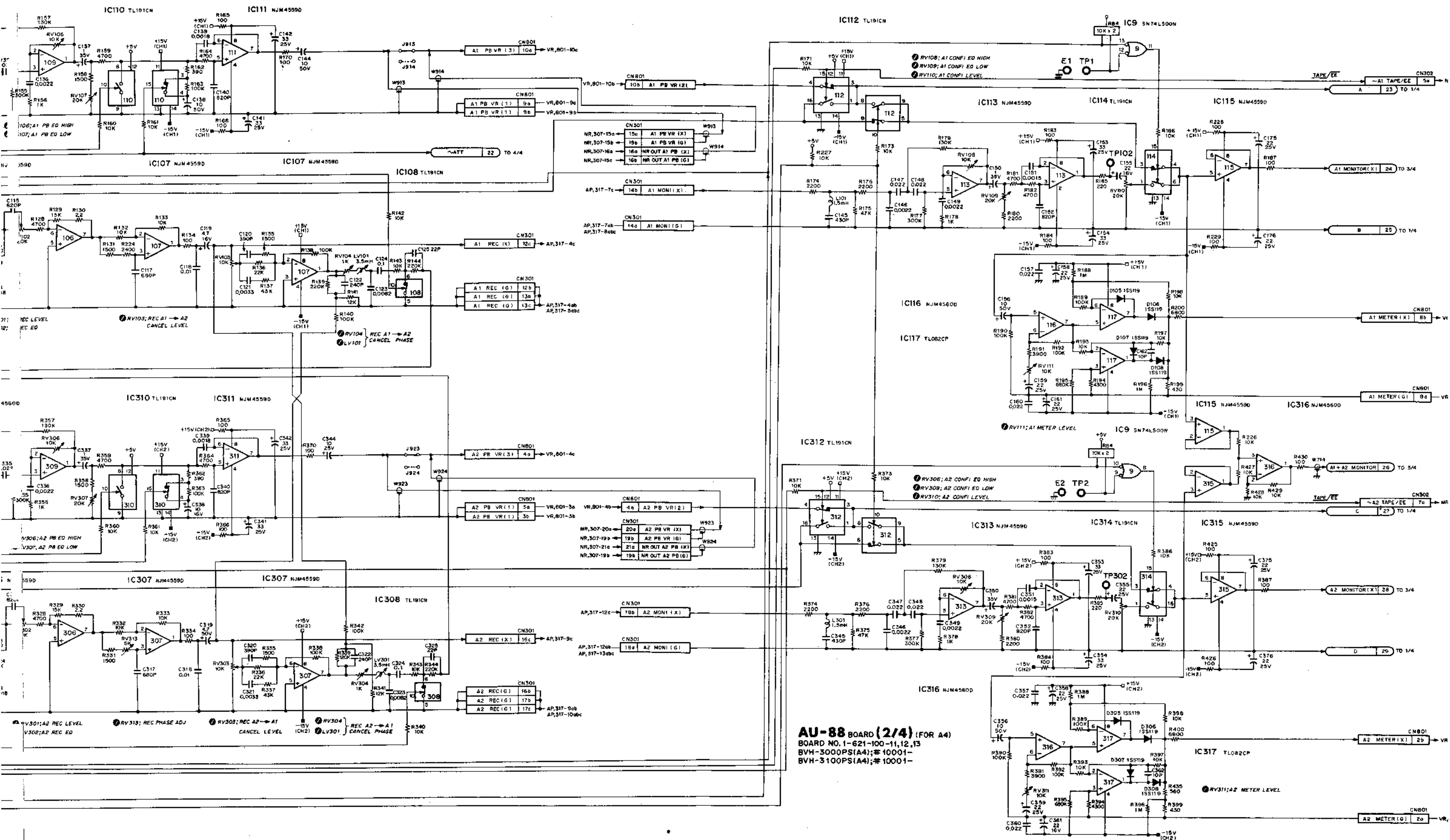




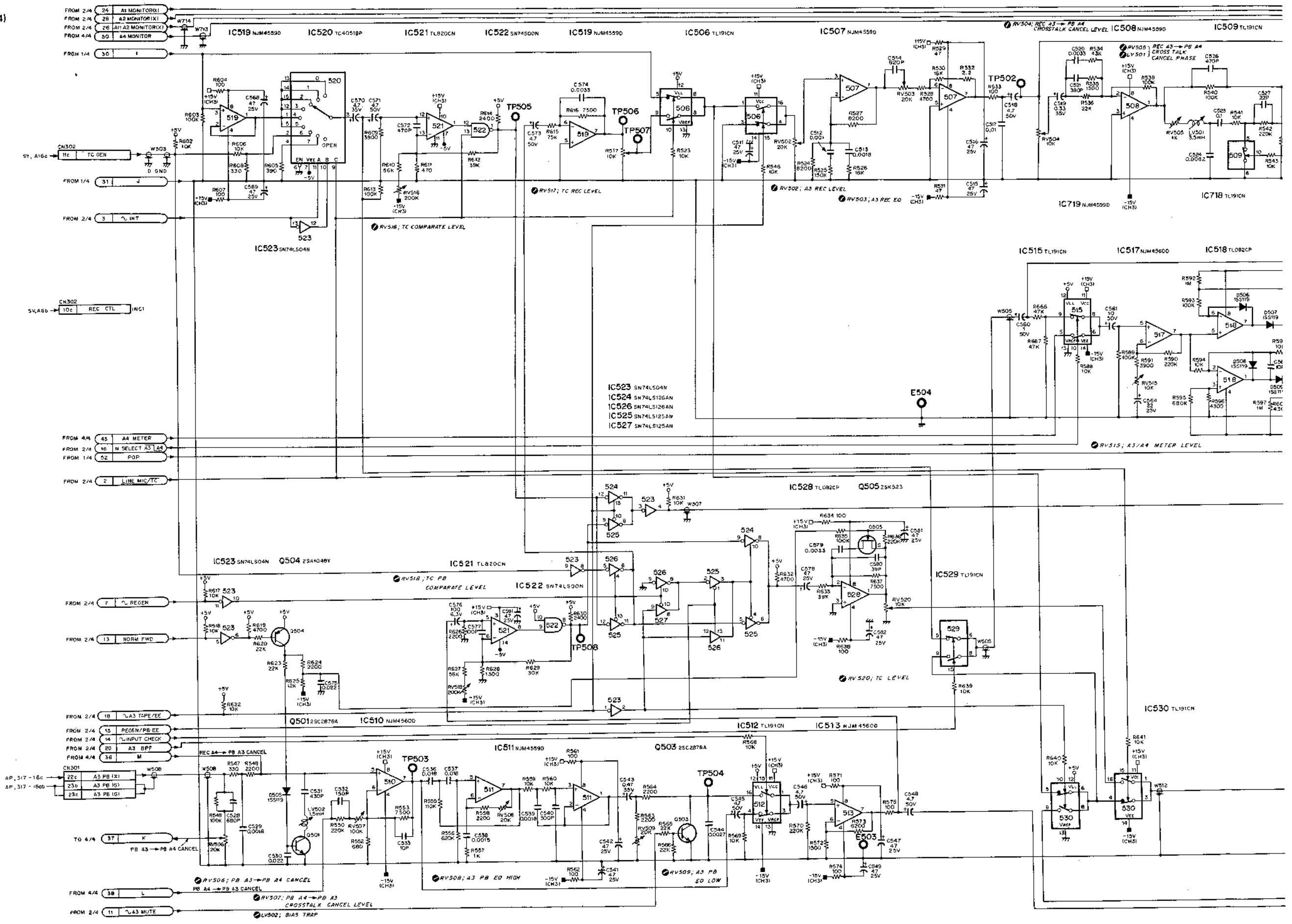
AU-88 BOARD (2/4) (FOR A4)

Audio REC/PB Amplifier





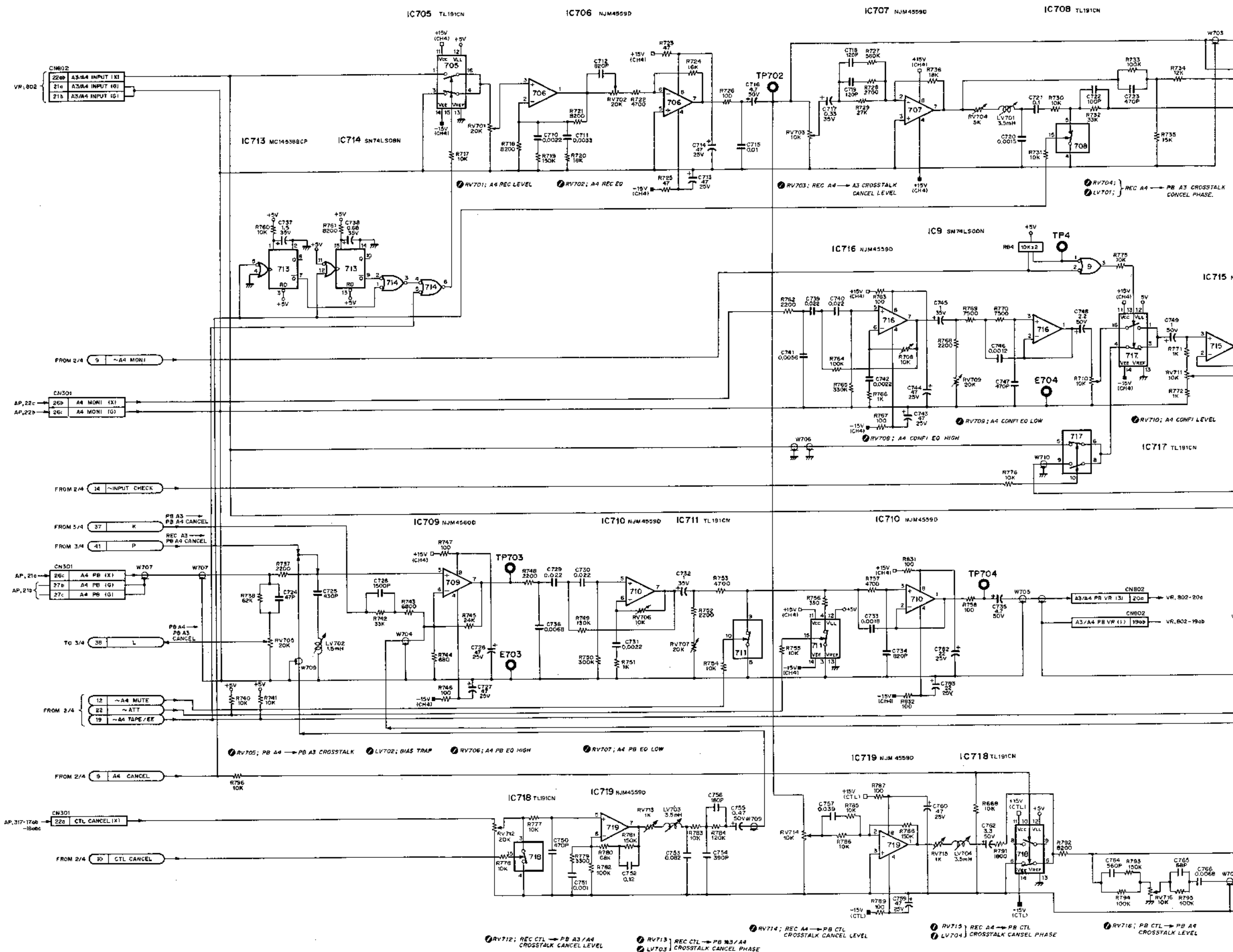
AU-88 BOARD (3/4) (FOR A4)  
Audio REC/PB Amplifier

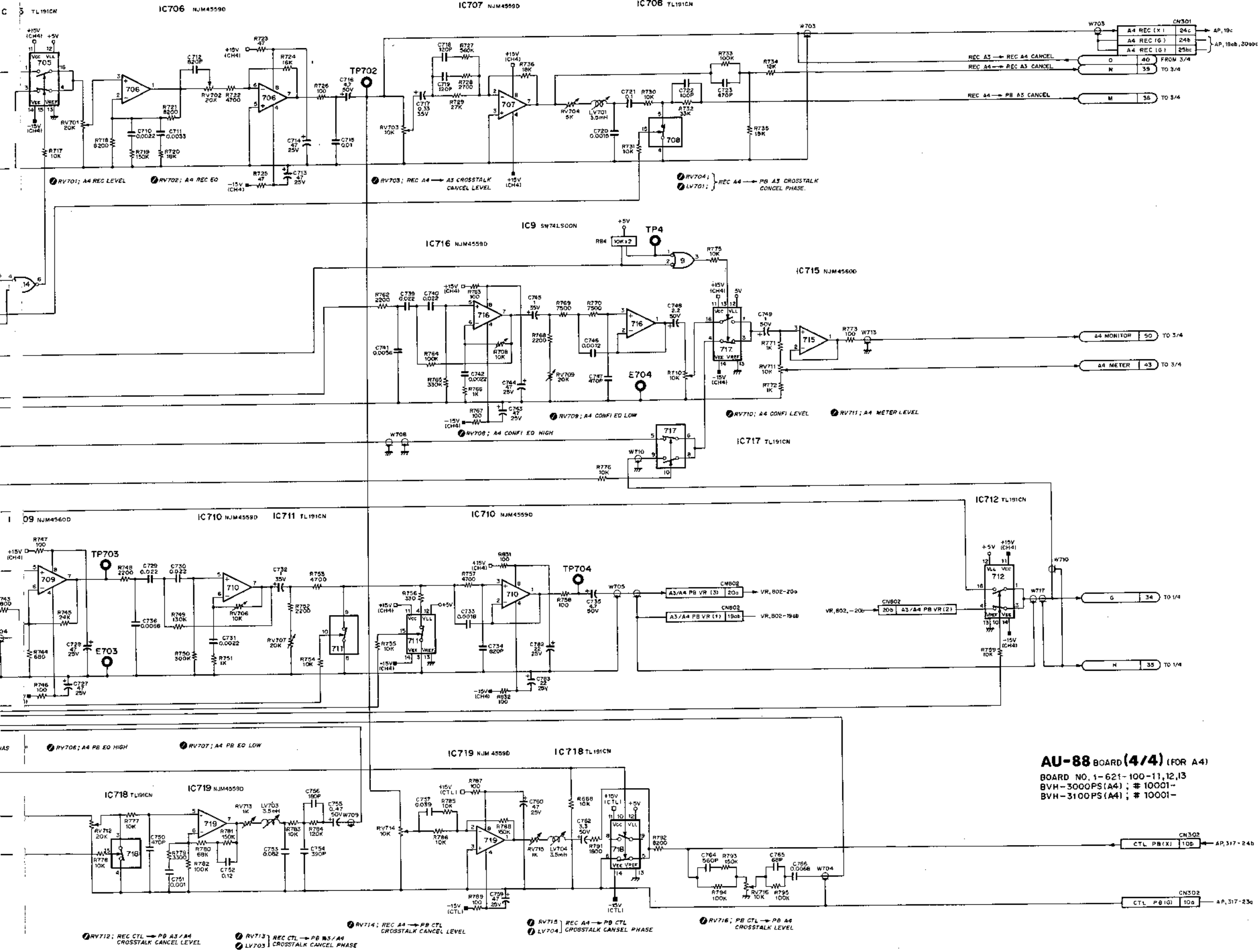






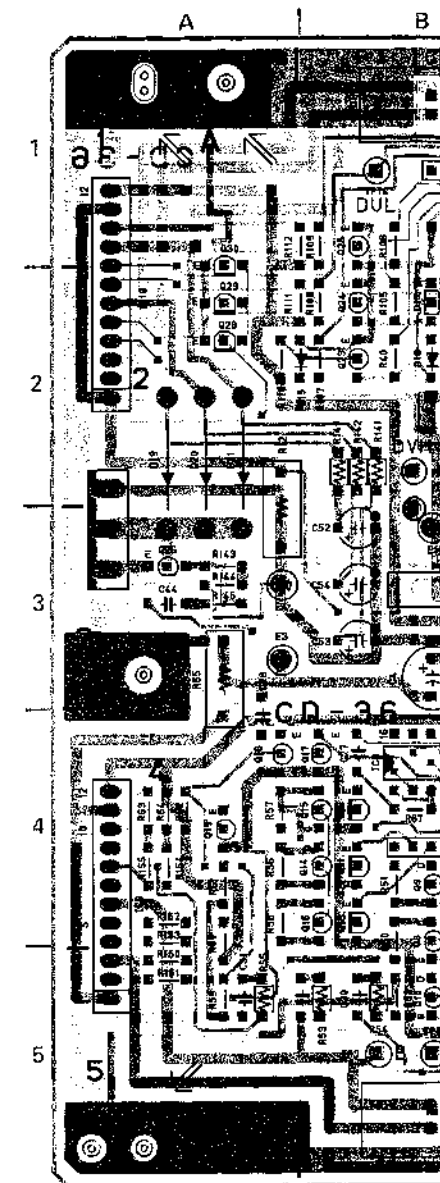
AU-88 BOARD (4/4) (FOR A4)  
Audio REC/PB Amplifier

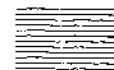




**AU-88 BOARD (4/4) (FOR A4)**  
 BOARD NO. 1-621-100-11,12,13  
 BVH-3000PS(A4); # 10001-  
 BVH-3100PS(A4); # 10001-

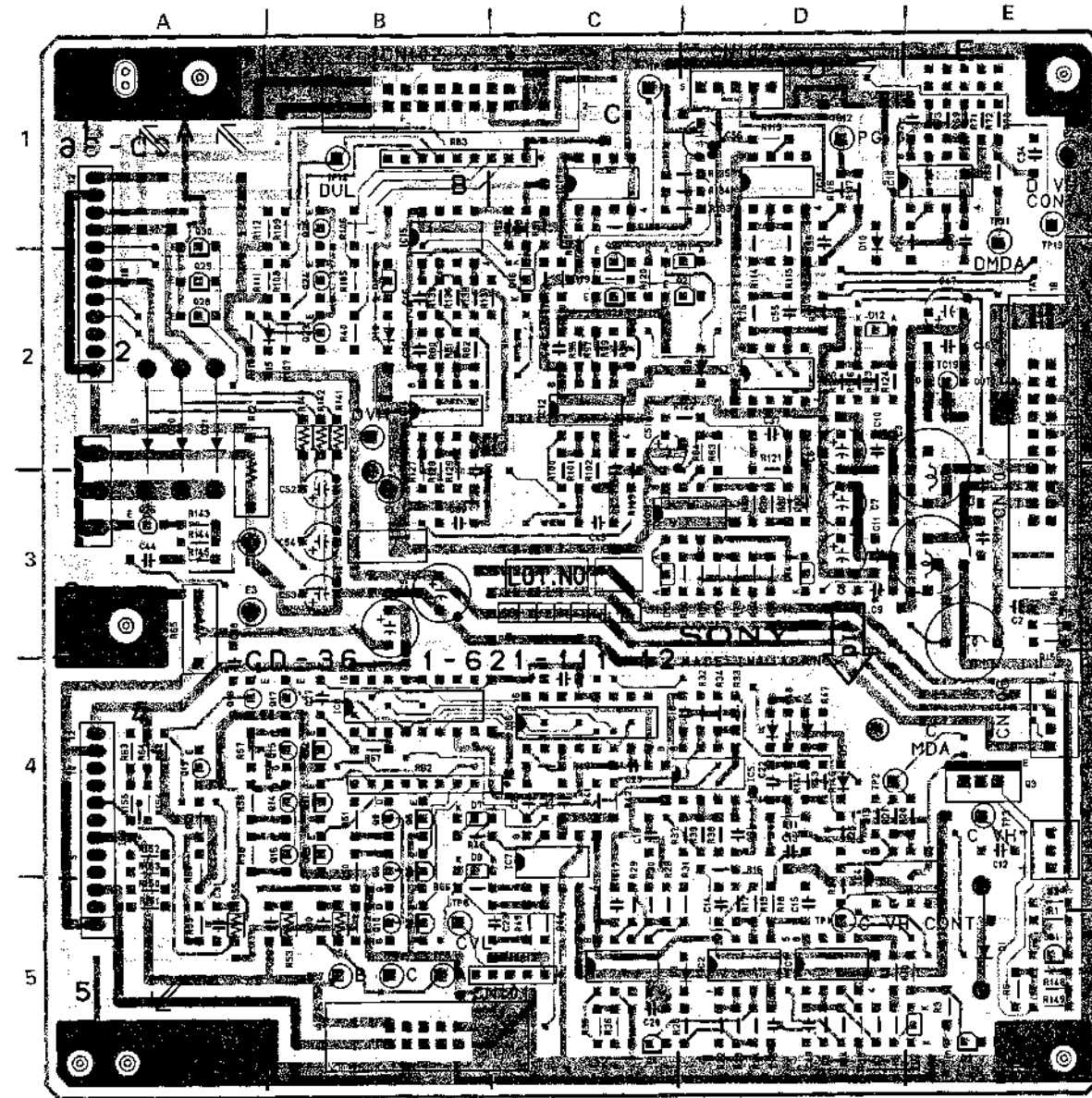
CD-36 BOARD (1-621-111-12)  
Component Side





CD-36 BOARD (1-621-111-12)

Component Side



CD-36 (1-621-111-12)

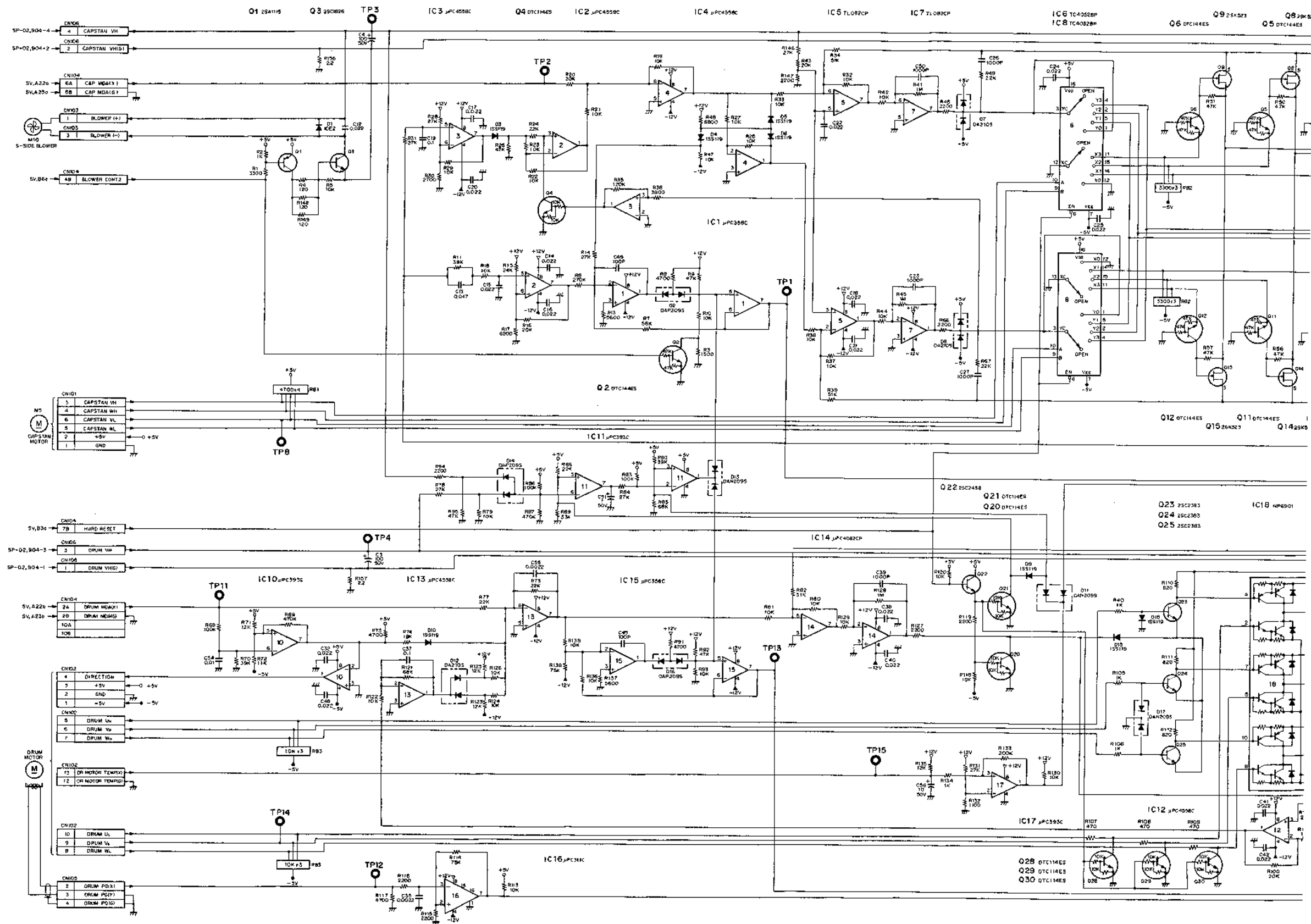
BWH-3000/PS  
BWH-3100/PS

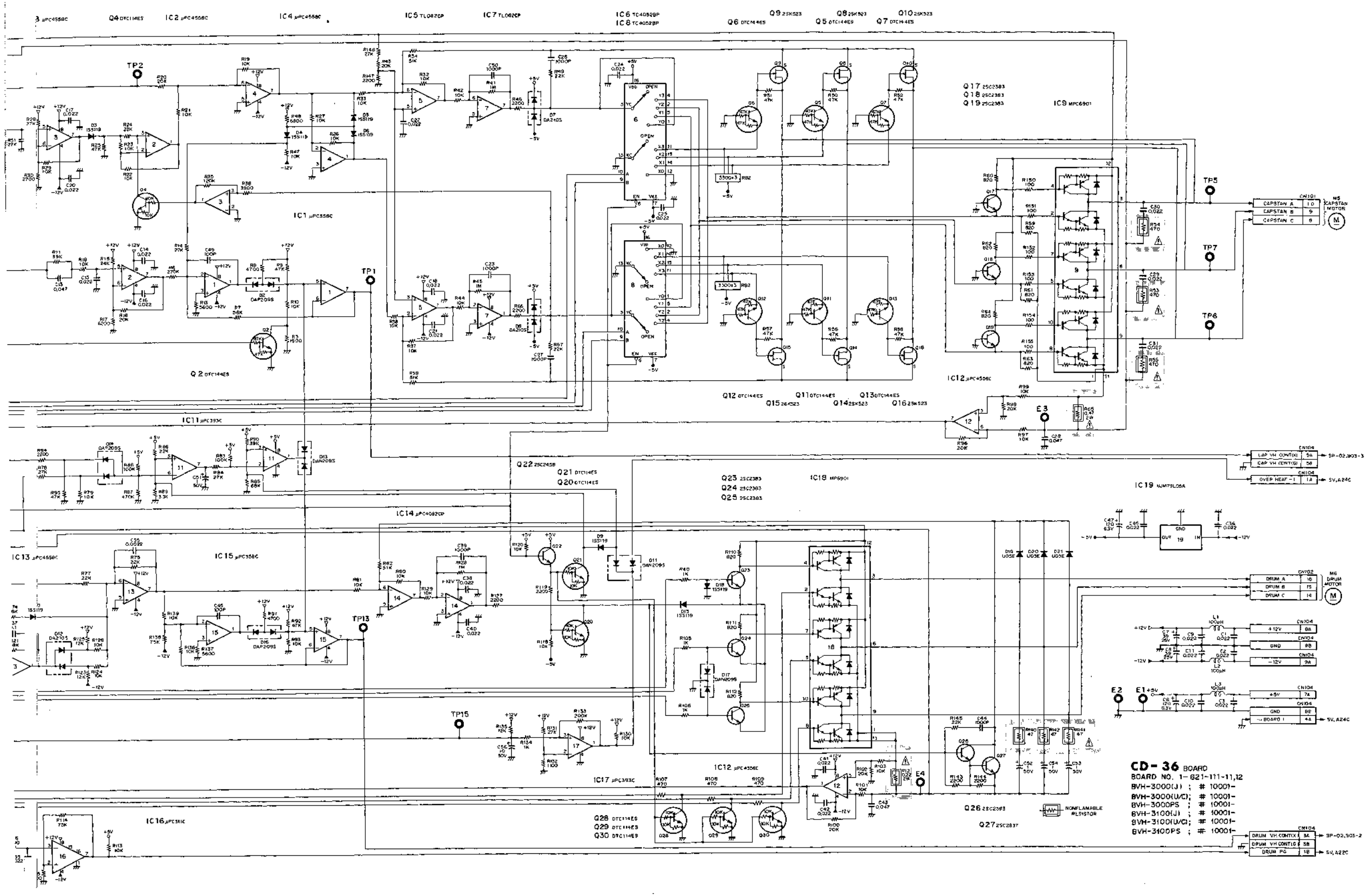
CN101	C5	Q1	G5
CN102	C1	Q2	F5
CN103	G5	Q3	G4
CN104	G3	Q4	C3
CN105	E1	Q5	C5
CN106	G4	Q6	C5
		Q7	C5
D1	G5	Q8	B5
D2	F5	Q9	B5
D3	E5	Q10	B5
D4	F4	Q11	B5
D5	F4	Q12	B4
D6	E4	Q13	B5
D7	C5	Q14	B5
D8	C5	Q15	B4
D9	E2	Q16	B5
D10	F2	Q17	B4
D11	E2	Q18	B4
D12	F2	Q19	A4
D13	E3	Q20	O2
D14	F3	Q21	E2
D15	B2	Q22	O2
D16	O2	Q23	B2
D17	B2	Q24	B2
D18	B2	Q25	B2
D19	A3	Q26	A3
D20	A3	Q27	A3
D21	A3	Q28	A2
		Q29	A2
E1	B3	Q30	A1
E2	G1		
E3	B4	TP1	F5
E4	B3	TP2	F4
		TP3	G5
IC1	F5	TP4	B5
IC2	E5	TP5	C5
IC3	O5	TP6	B5
IC4	F5	TP7	B5
IC5	E4	TP8	C5
IC6	O4	TP11	O2
IC7	O5	TP12	F1
IC8	B4	TP13	G2
IC9	A5	TP14	B1
IC10	F1	TP15	B1
IC11	E3		
IC12	O3		
IC13	F2		
IC14	C3		
IC15	C2		
IC16	F1		
IC17	O1		
IC18	A2		
IC19	F2		
L1	F3		
L2	F4		
L3	F3		

1-621-111-12 SOLDER SIDE

CD-36 BOARD

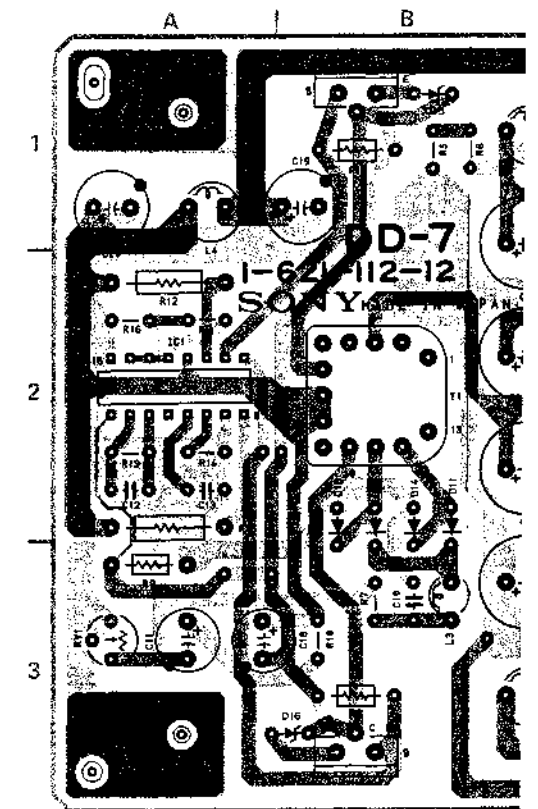
Capstan Motor/Drum Motor Driver





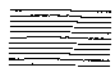
- CD-36 BOARD**  
 BOARD NO. 1-621-111-11,12  
 BVH-3000(J) ; # 10001-  
 BVH-3000(L/C) ; # 10001-  
 BVH-3000(P) ; # 10001-  
 BVH-3100(J) ; # 10001-  
 BVH-3100(L/C) ; # 10001-  
 BVH-3100(P) ; # 10001-
- |                |    |             |
|----------------|----|-------------|
| DRUM VH CONTX  | 3A | 3P-02,303-2 |
| DRUM VH CONTIG | 3B |             |
| DRUM PC        | 1B | 5V, A24C    |

DD-7 BOARD (1-621-112-12)  
Component Side

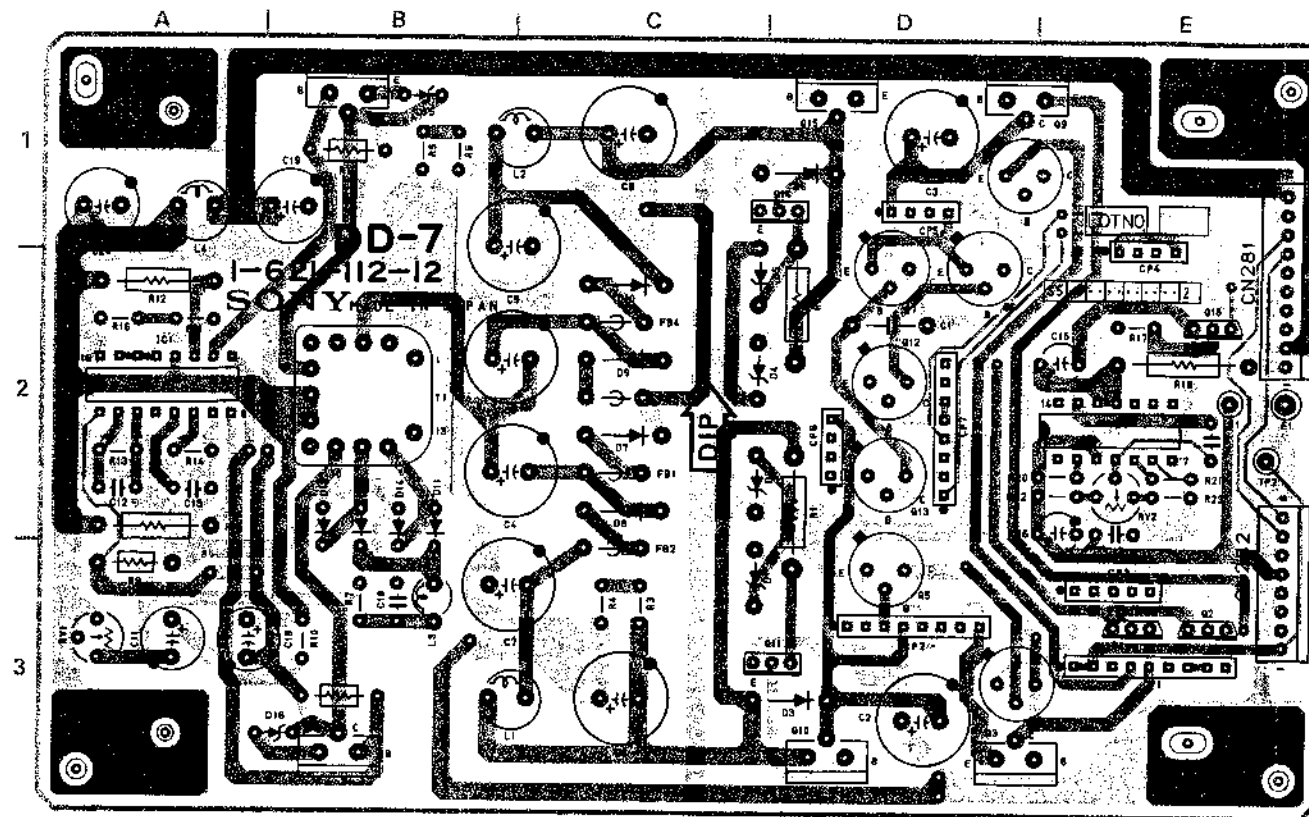


1-621-112-12 COMPONENT SIDE





DD-7 BOARD (1-621-112-12)  
Component Side



1-621-112-12 COMPONENT SIDE

1-621-112-12 SOLDER SIDE

DD-7 (1-621-112-12)

BVH-3000/PS  
BVH-3100/PS

CN281 E2  
CN282 E3

CP1 E3  
CP2 D3  
CP3 E3  
CP4 E1  
CP5 D1  
CP6 D2  
CP7 D2

D1 C3  
D2 C2  
D3 C3  
D4 C2  
D5 C2  
D6 D1  
D7 C2  
D8 C2  
D9 C2  
D10 C2  
D11 B2  
D12 B2  
D13 B2  
D14 B2  
D15 B1  
D16 B3

E1 E2

FB1 C2  
FB2 C3  
FB3 C2  
FB4 C2

IC1 A2  
IC2 E2

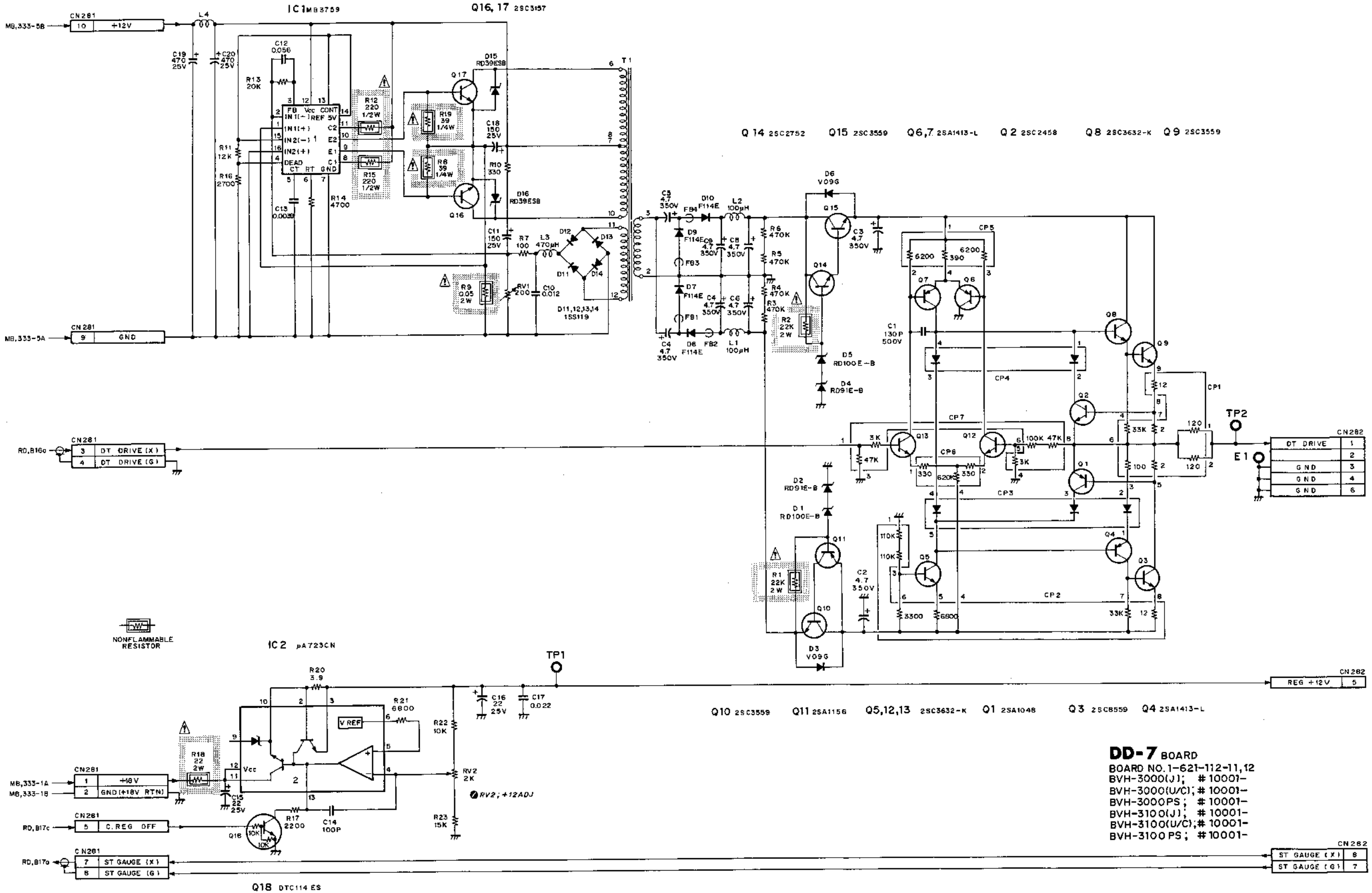
Q1 E3  
Q2 E3  
Q3 D3  
Q4 D3  
Q5 D3  
Q6 D2  
Q7 D2  
Q8 D1  
Q9 D1  
Q10 D3  
Q11 C3  
Q12 D2  
Q13 D2  
Q14 C1  
Q15 D1  
Q16 B3  
Q17 B1  
Q18 E2

RV1 A3  
RV2 E2

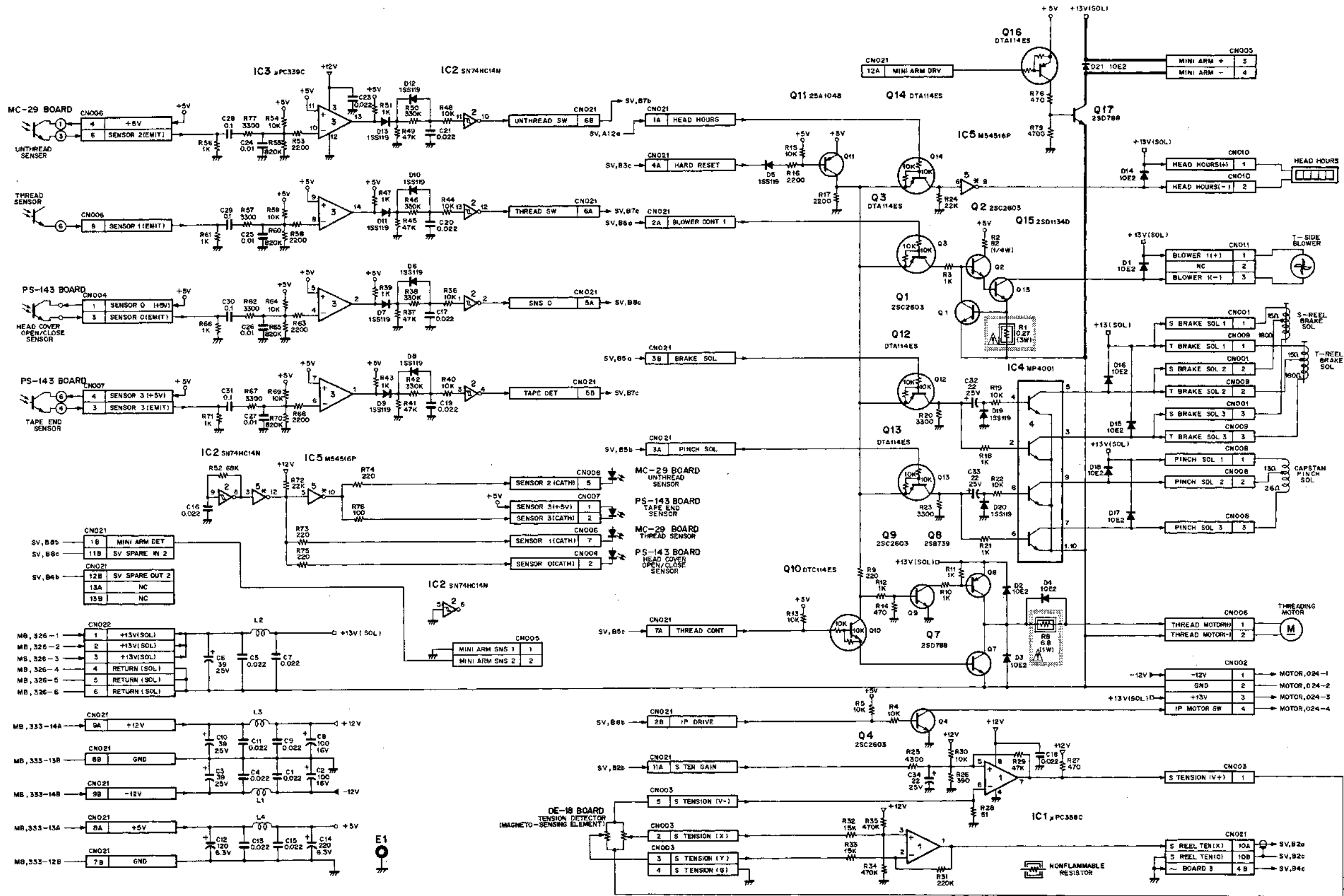
T1 B2

TP1 E2  
TP2 E2

DD-7 BOARD  
DT Driver



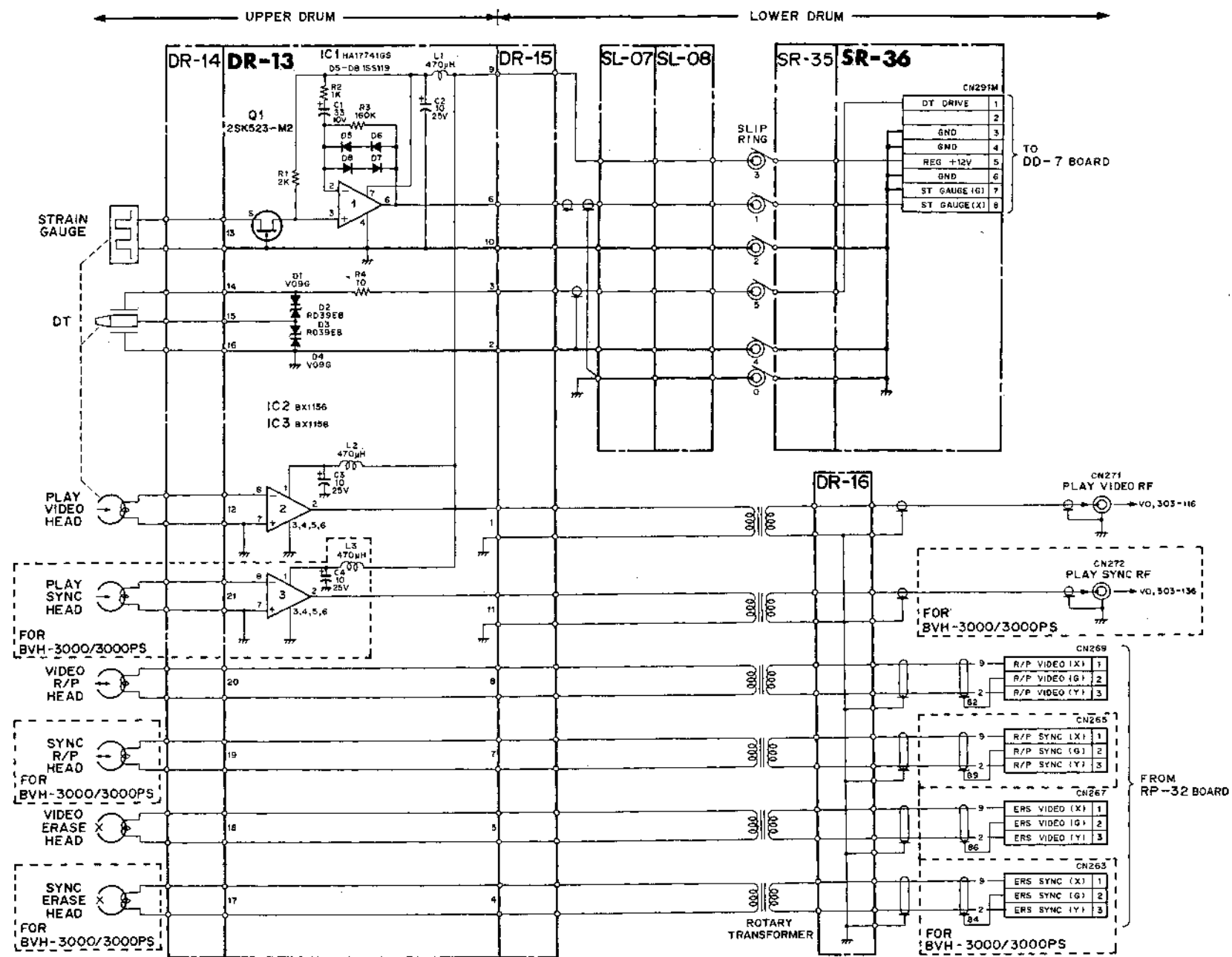
DS-19 BOARD  
TTP Aux



**DS-19 BOARD**  
BOARD NO. 1-621-117-11,12,13  
BVH-3000(J); \*10001-  
BVH-3000(U/C); \*10001-  
BVH-3000PS; \*10001-  
BVH-3100(J); \*10001-  
BVH-3100(U/C); \*10001-  
BVH-3100PS; \*10001-

**HEAD DRUM**

- DR-13 BOARD: Video/Sync PB Amplifier
- DR-14 BOARD: Rotary Head Relaying
- DR-15 BOARD: Rotary Head Relaying
- DR-16 BOARD: Rotary Head Relaying
- SL-07 BOARD: Slip Ring Relaying
- SL-08 BOARD: Slip Ring Relaying
- SR-36 BOARD: Slip Ring Relaying



- HEAD DRUM ASSY:** DMH-33A-R (BVH-3000)  
 DMH-34A-R (BVH-3000PS)  
 DMH-35A-R (BVH-3100)  
 DMH-36A-R (BVH-3100PS)
- UPPER DRUM ASSY:** DMR-33-R (BVH-3000)  
 DMR-34-R (BVH-3000PS)  
 DMR-35-R (BVH-3100)  
 DMR-36-R (BVH-3100PS)

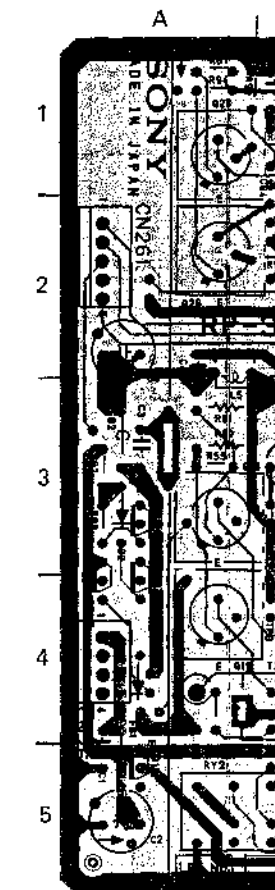
**HEAD DRUM**

- BVH-3000(J) : # 10001-
- BVH-3000(U/C) : # 10001-
- BVH-3000PS : # 10001-
- BVH-3100(J) : # 10001-
- BVH-3100(U/C) : # 10001-
- BVH-3100PS : # 10001-





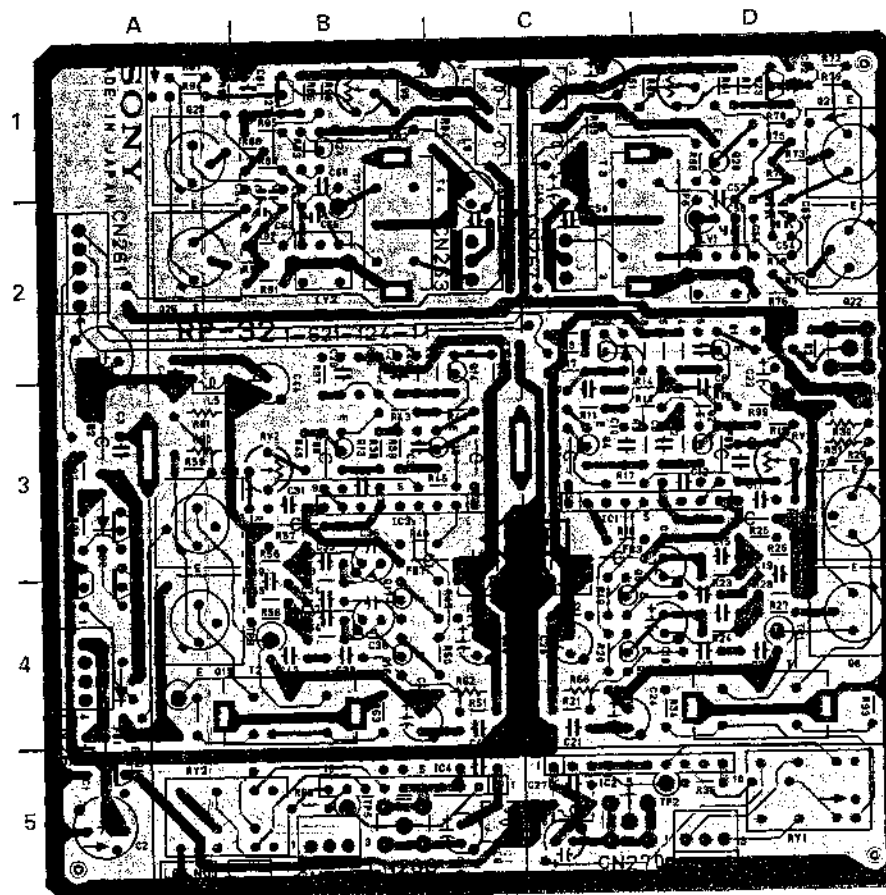
RP-32 BOARD (1-621-124-11)  
Component Side



1-621-124-11 (CONT.)

RP-32 BOARD (1-621-124-11)

Component Side



1-621-124-11 COMPONENT SIDE

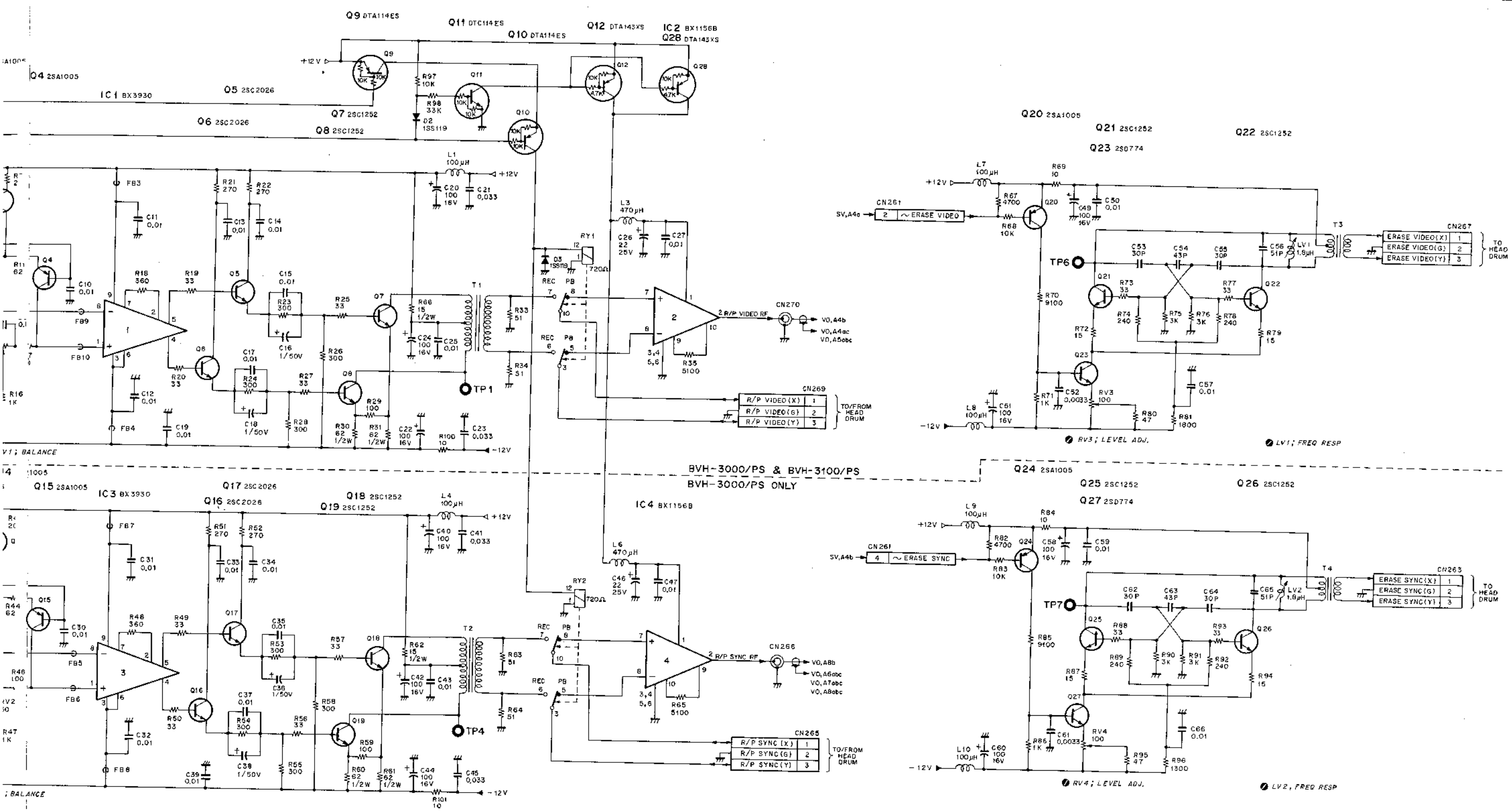
1-621-124-11 SOLDER SIDE

RP-32 (1-621-124-11)

BVH-3000/PS			
BVH-3100/PS			
CN261	A2	Q6	D4
CN262	A4	Q9	A3
CN263	C2	Q10	A3
CN265	B5	Q11	A3
CN266	B5	Q12	A5
CN267	C2	Q13	B3
CN268	D2	Q14	C2
CN269	D5	Q15	B3
CN270	C5	Q16	B4
		Q17	B4
D1	C2	Q18	A3
D2	A3	Q19	A4
D3	A4	Q20	D1
		Q21	D1
F81	A5	Q22	D2
F82	A3	Q23	D1
F83	C3	Q24	B1
F84	D3	Q25	A1
F85	B3	Q26	A2
F86	C3	Q27	B1
F87	B3		
F88	B3	RV1	D3
F89	D3	RV2	B3
F810	C3	RV3	D1
		RV4	B1
IC1	C3		
IC2	C5	RY1	D5
IC3	B3	RY2	A5
IC4	B5		
LV1	D2	T1	D4
LV2	B2	T2	B4
		T3	C1
		T4	B1
Q1	D2		
Q2	D3	TP1	D4
Q3	C2	TP4	A4
Q4	C3	TP6	D2
Q5	C4	TP7	B1
Q6	C4		
Q7	D3		

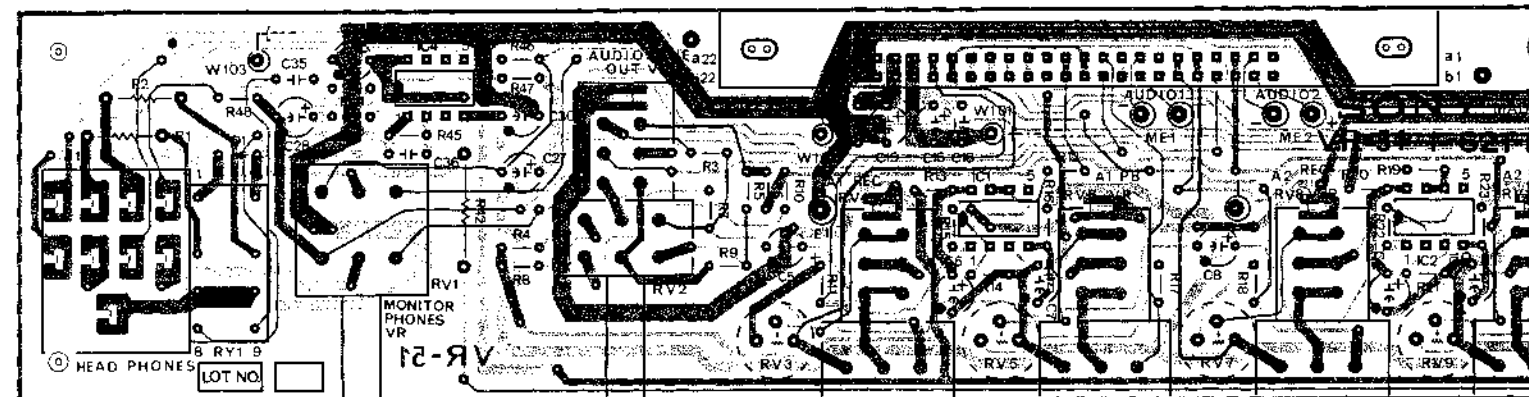


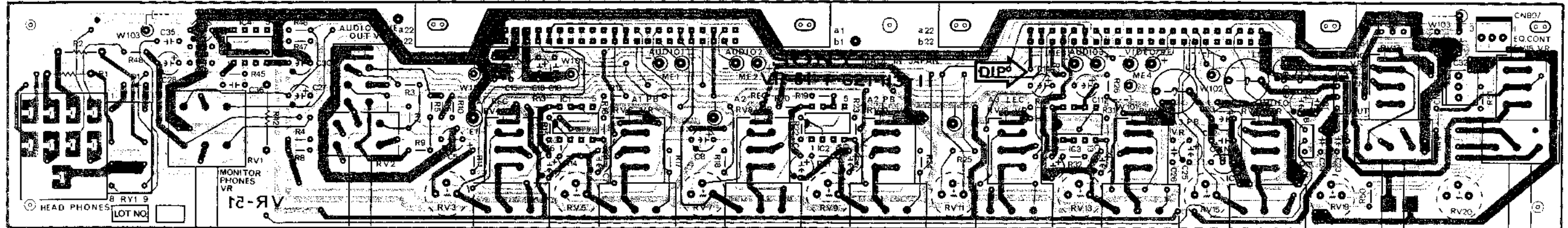




**RP-32 BOARD**  
 BOARD NO. 1-621-124-11  
 BVH-3000(J); #10001-  
 BVH-3000(U/C); #10001-  
 BVH-3000PS; #10001-  
 BVH-3100(J); #10001-  
 BVH-3100(U/C); #10001-  
 BVH-3100PS; #10001-

VR-51 BOARD (1-621-113-11)  
Component Side

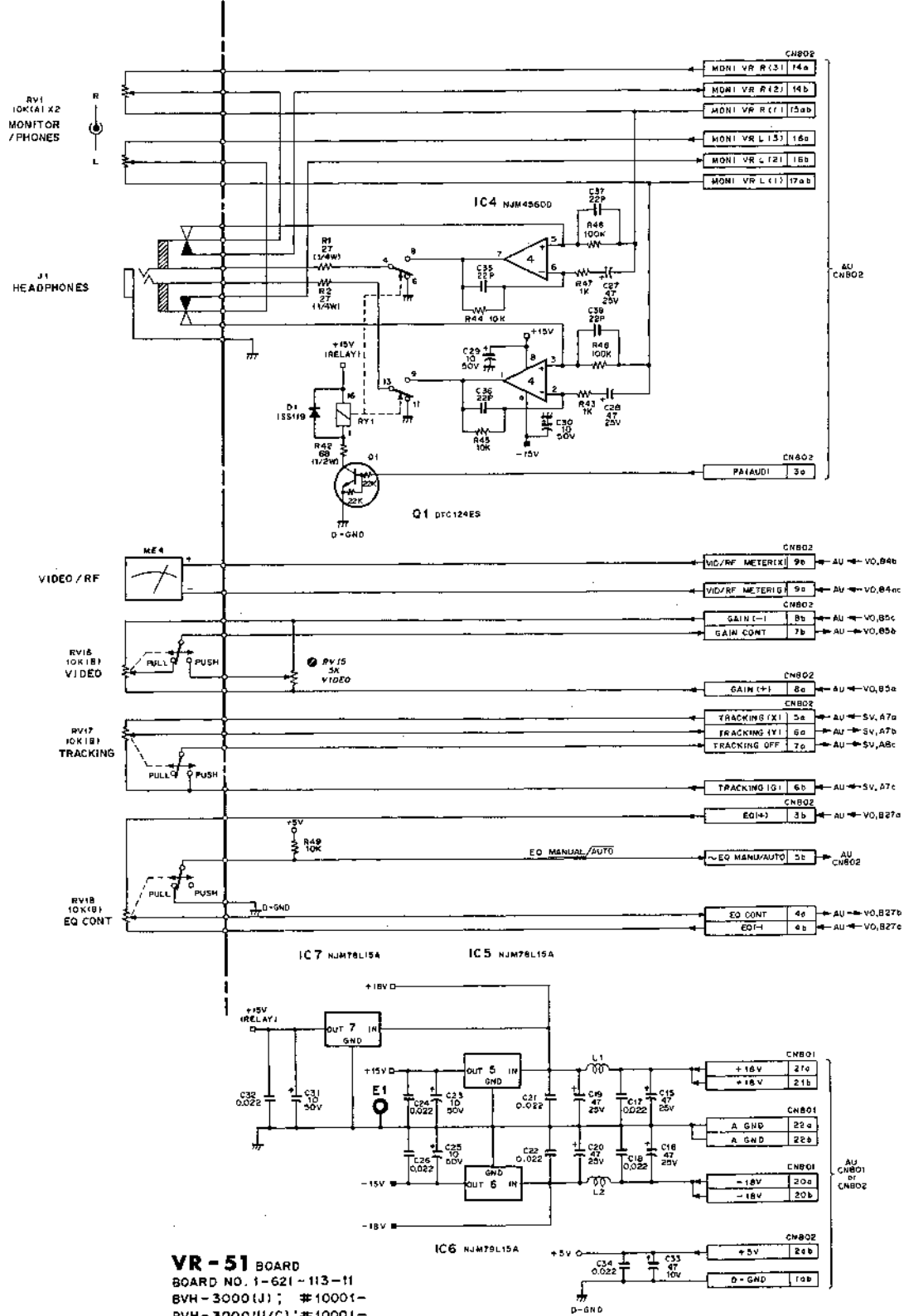
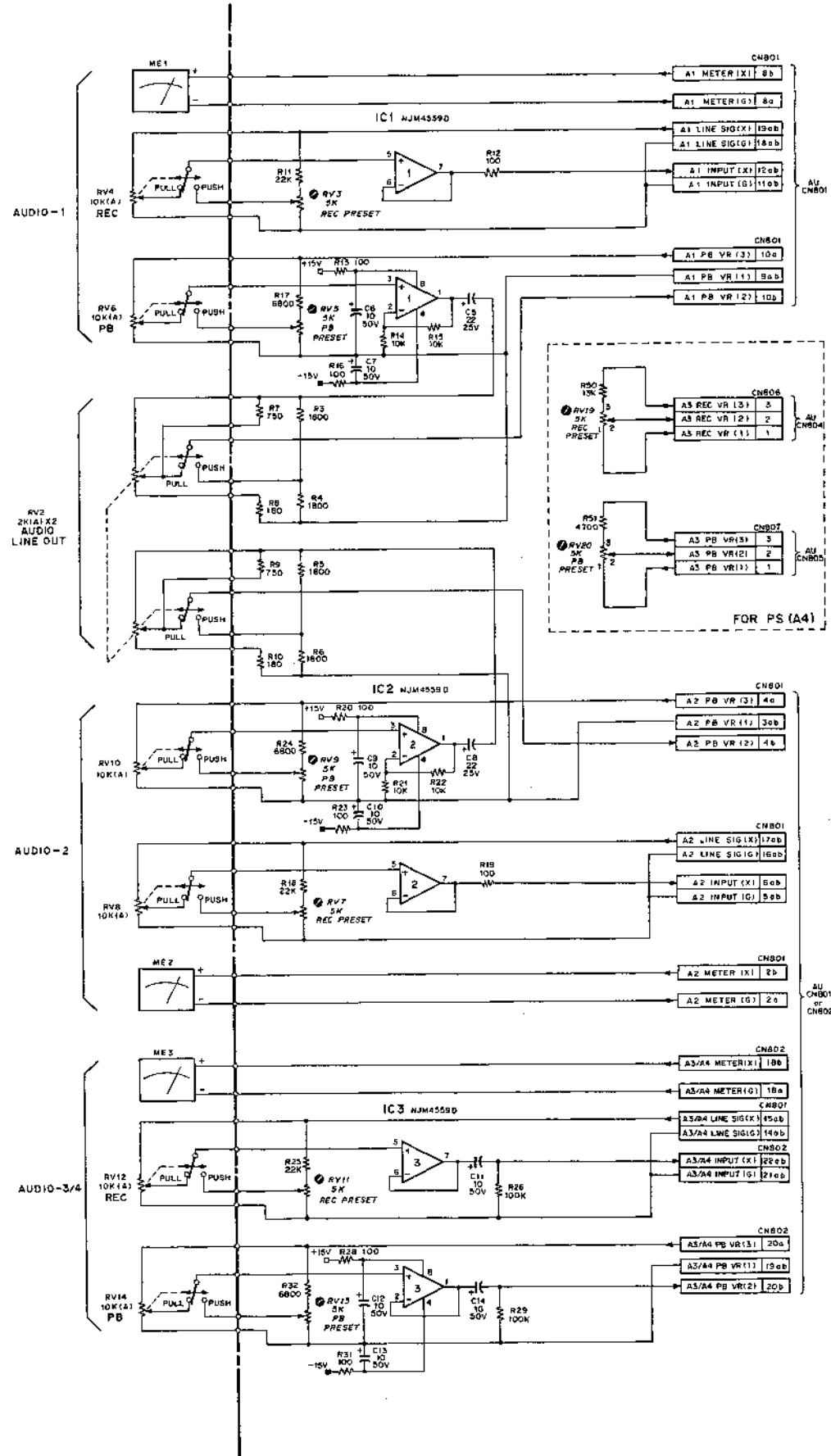




1-621-113-11 SOLDER SIDE

1-621-113-11 SOLDER SIDE

VR-51 BOARD  
Meter/VR



**VR-51 BOARD**  
 BOARD NO. 1-621-113-11  
 BVH-3000(J); #10001-  
 BVH-3000(U/C); #10001-  
 BVH-3000PS; #10001-  
 BVH-3100(J); #10001-  
 BVH-3100(U/C); #10001-  
 BVH-3100PS; #10001-

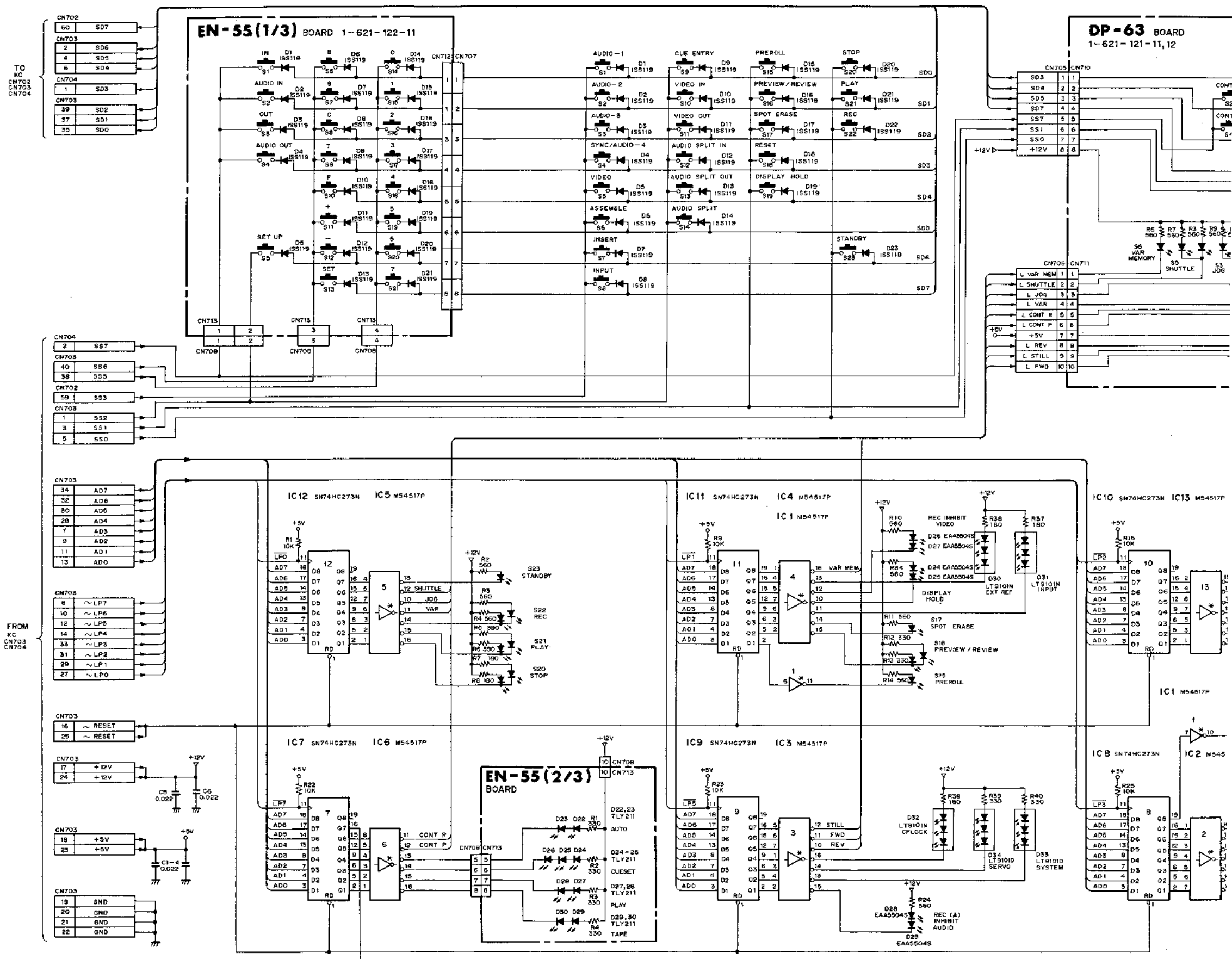
**FUNCTION CONTROL PANEL(1/2)**

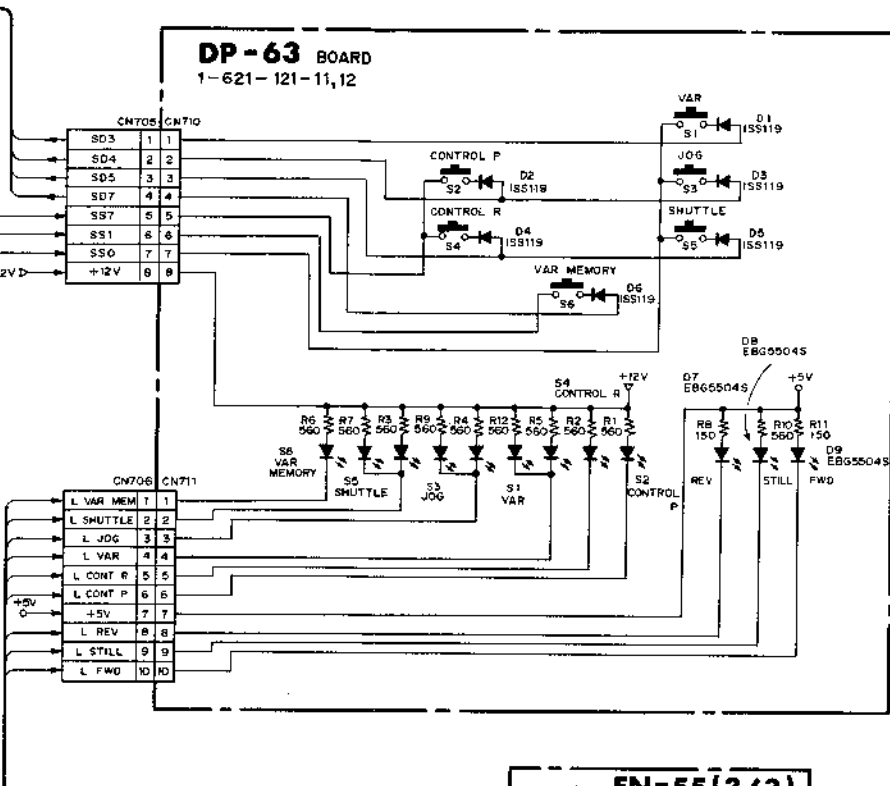
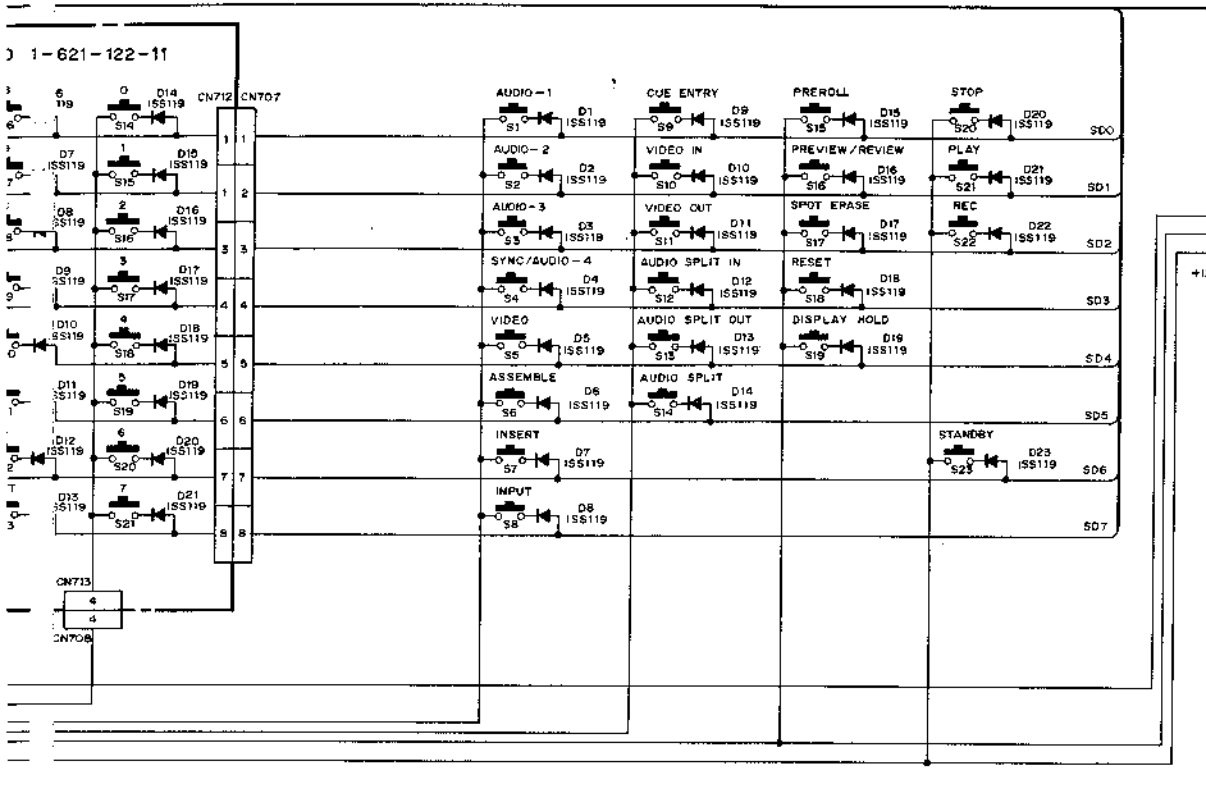
DET-3 BOARD : Search Dial Amplifier

DP-63 BOARD : Sub Key

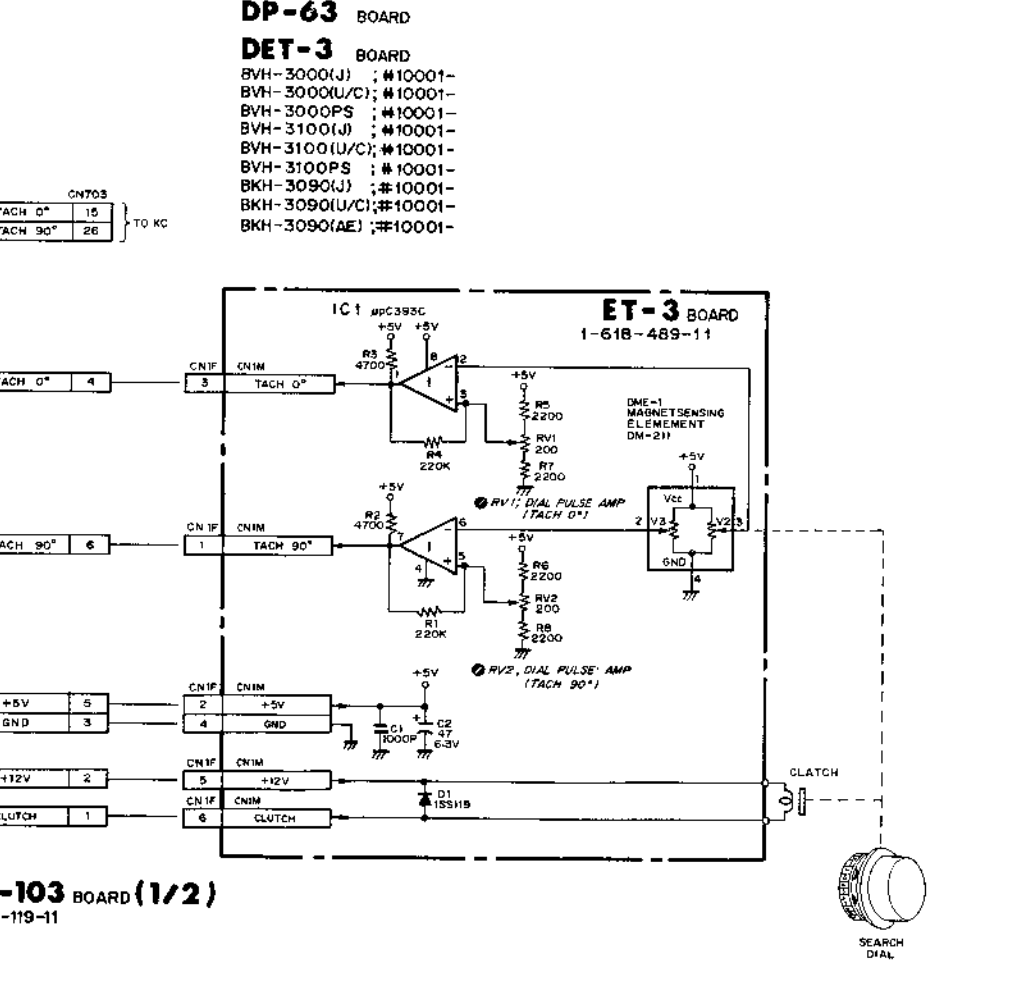
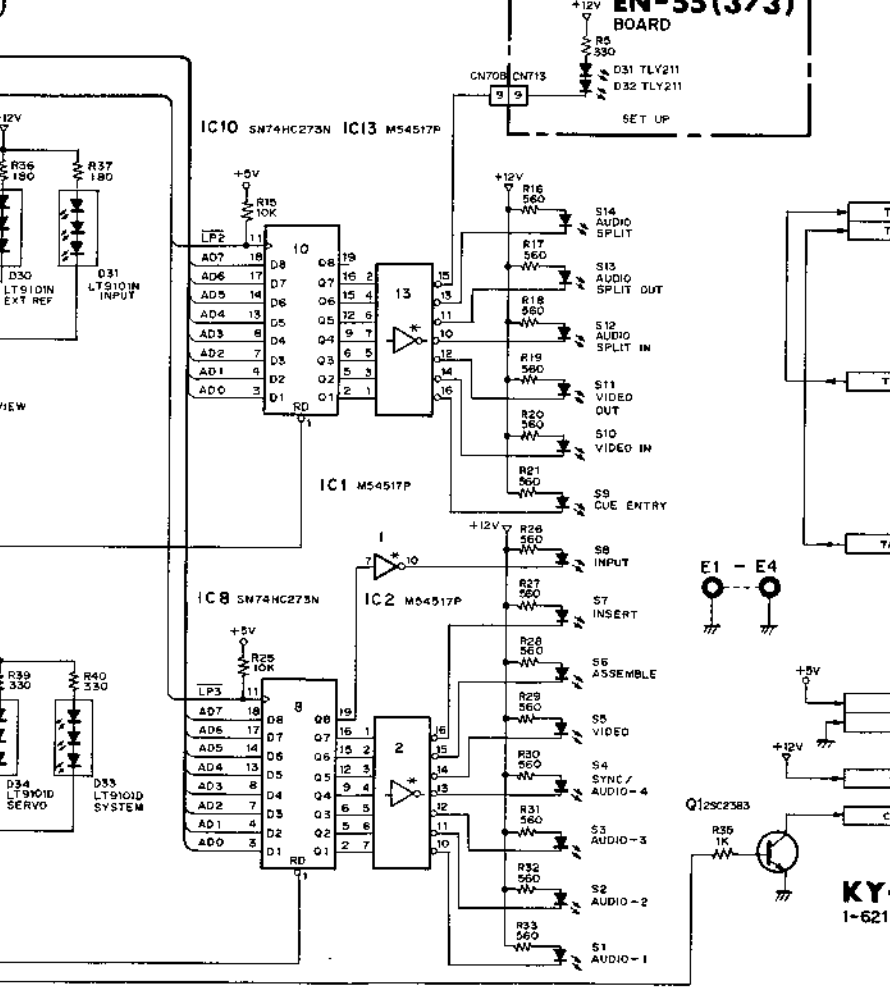
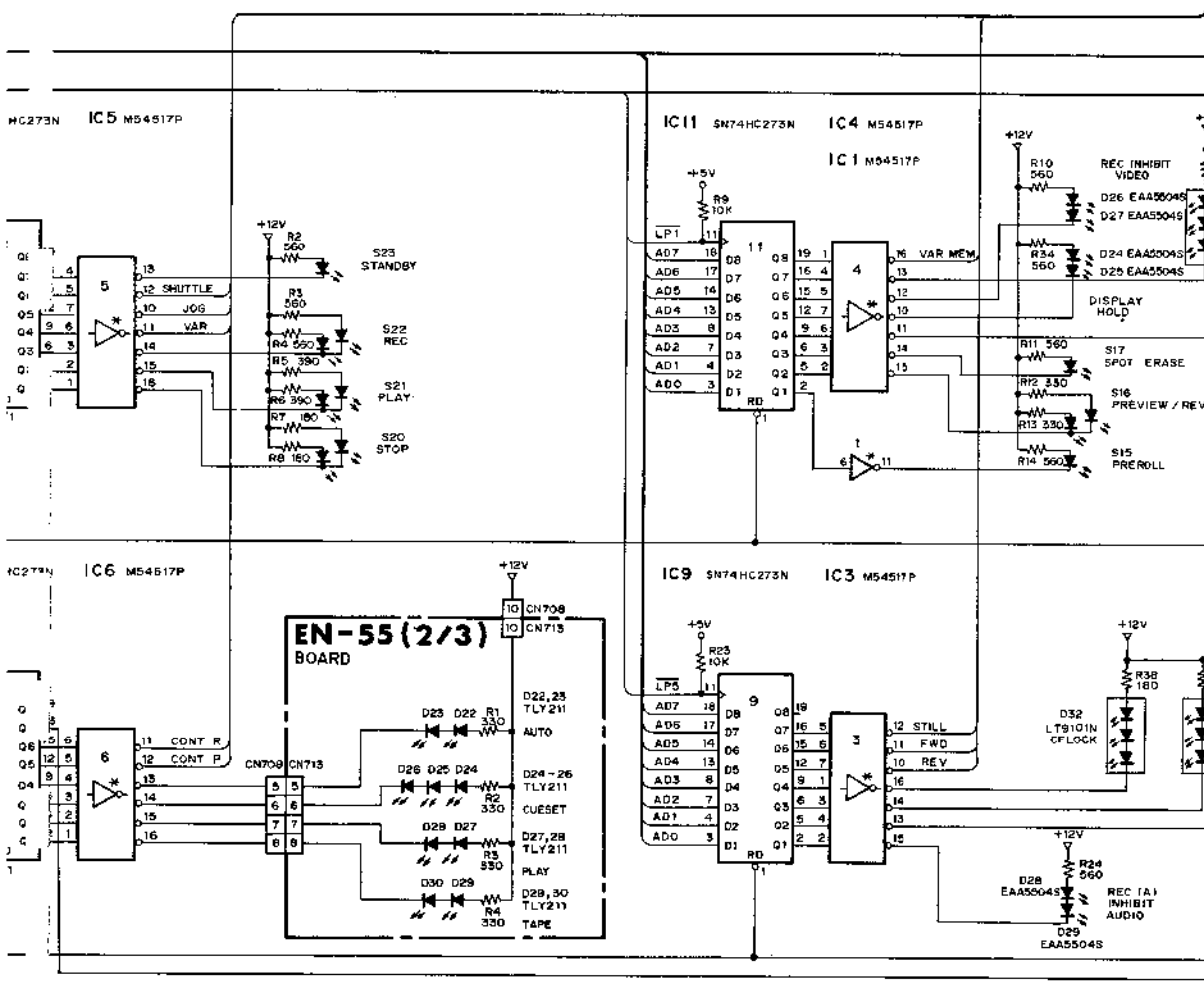
EN-55 BOARD : Entry Key

KY-103 BOARD : Main Key

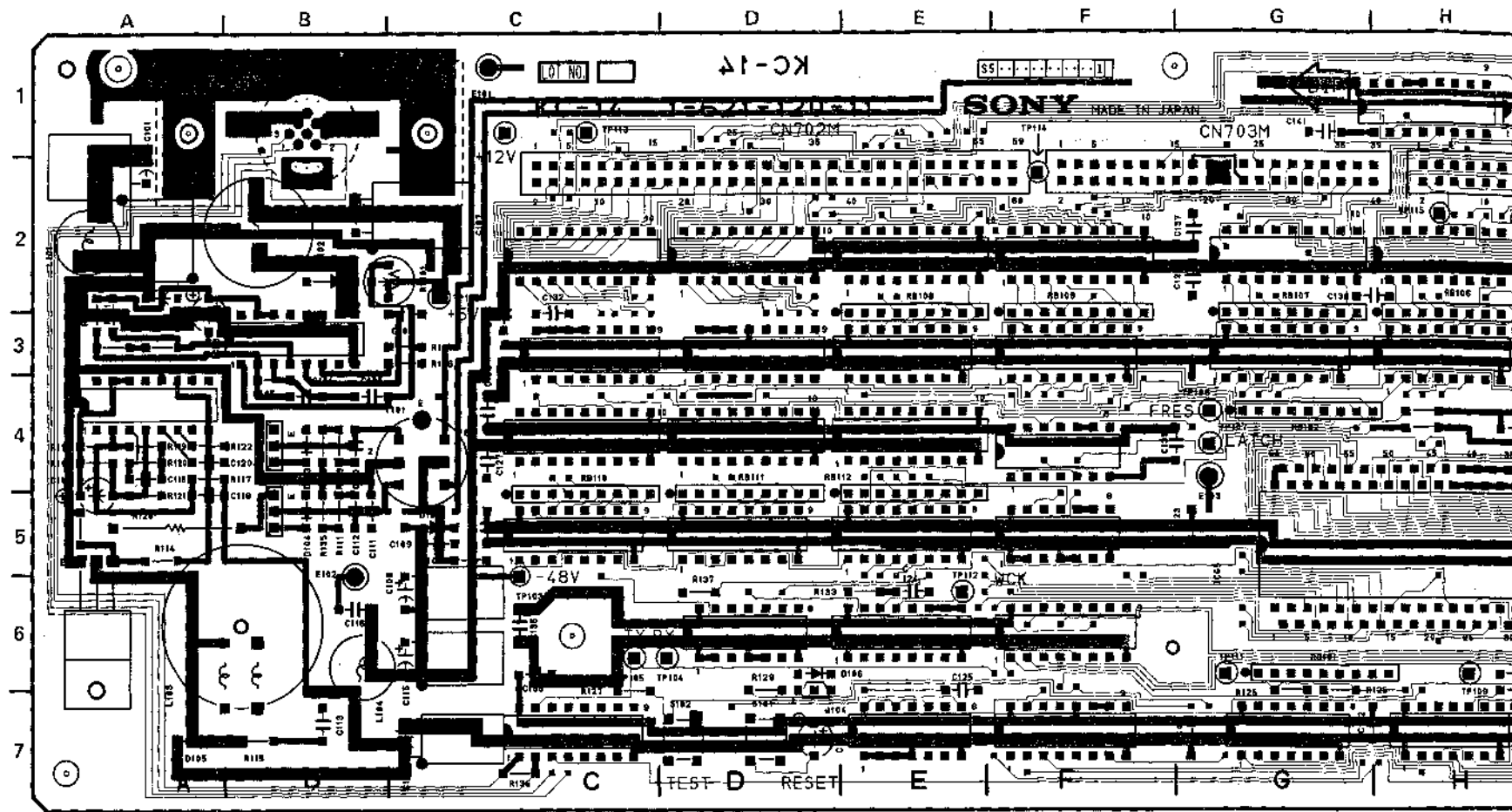




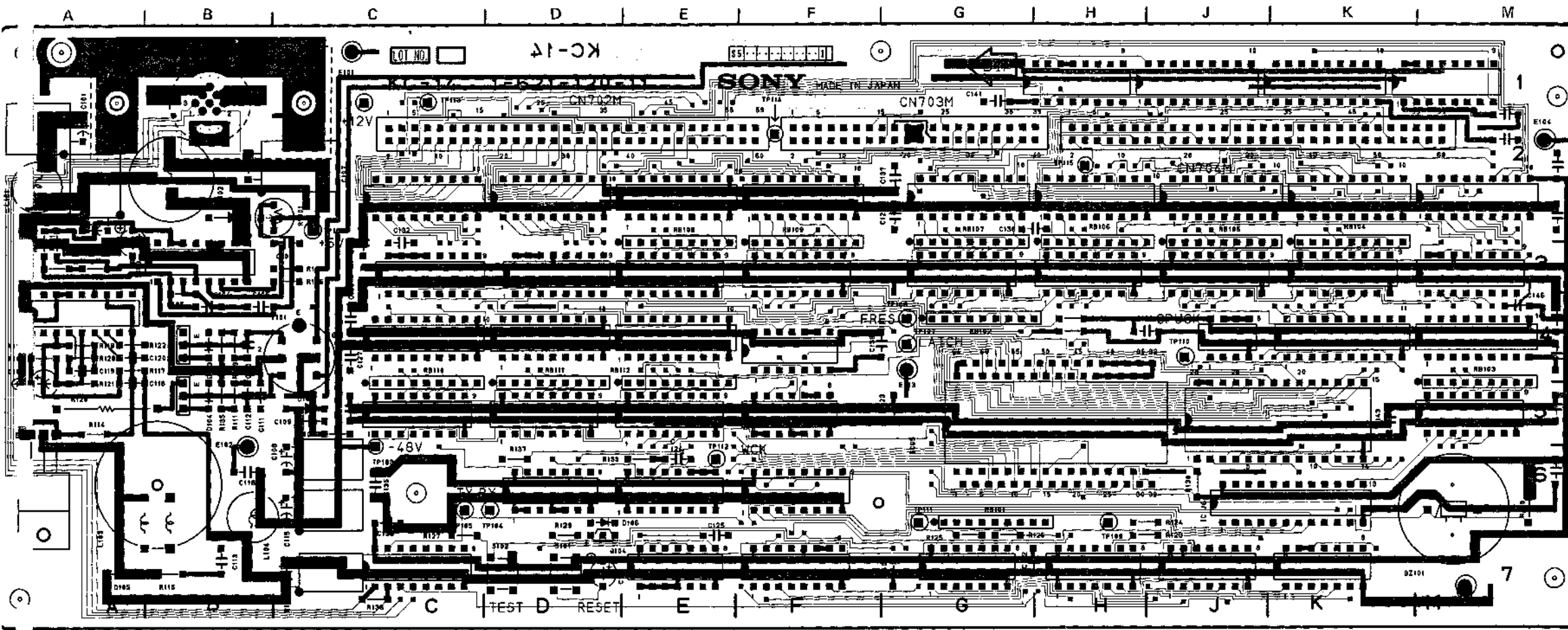
**CONTROL PANEL (1/2)**  
**KY-103 BOARD (1/2)**  
**EN-55 BOARD (1/3)(2/3)(3/3)**  
**DP-63 BOARD**  
**DET-3 BOARD**  
 BVH-3000(J) ; #10001-  
 BVH-3000(U/C) ; #10001-  
 BVH-3000(PS) ; #10001-  
 BVH-3100(J) ; #10001-  
 BVH-3100(U/C) ; #10001-  
 BVH-3100(PS) ; #10001-  
 BKH-3090(J) ; #10001-  
 BKH-3090(U/C) ; #10001-  
 BKH-3090(AE) ; #10001-



KC-14 BOARD (1-621-120-11)  
Component Side







1-621-120-11 SOLDER SIDE

KC-14 (1-621-120-11)

BKH-3090  
 BWH-3000/PS  
 BWH-3100/PS

B2101 M6  
 CN701 B1  
 CN702M O2  
 CN703M G2  
 CN704M J2

D101 B2  
 D102 C5  
 D103 B4  
 D104 B5  
 D105 A7  
 D106 O6

E101 C1  
 E102 B5  
 E103 G4  
 E104 M2  
 E105 M7

Q101 B4  
 Q102 B5  
 Q103 A5  
 Q104 D7

RB101 G6  
 RB102 G4  
 RB103 H4  
 RB104 K2  
 RB105 J2  
 RB106 H2  
 RB107 G2  
 RB108 E2  
 RB109 F2  
 RB110 C4  
 RB111 O4  
 RB112 E4

RV101 B2

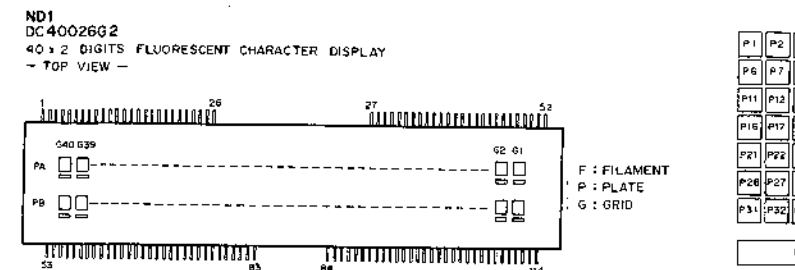
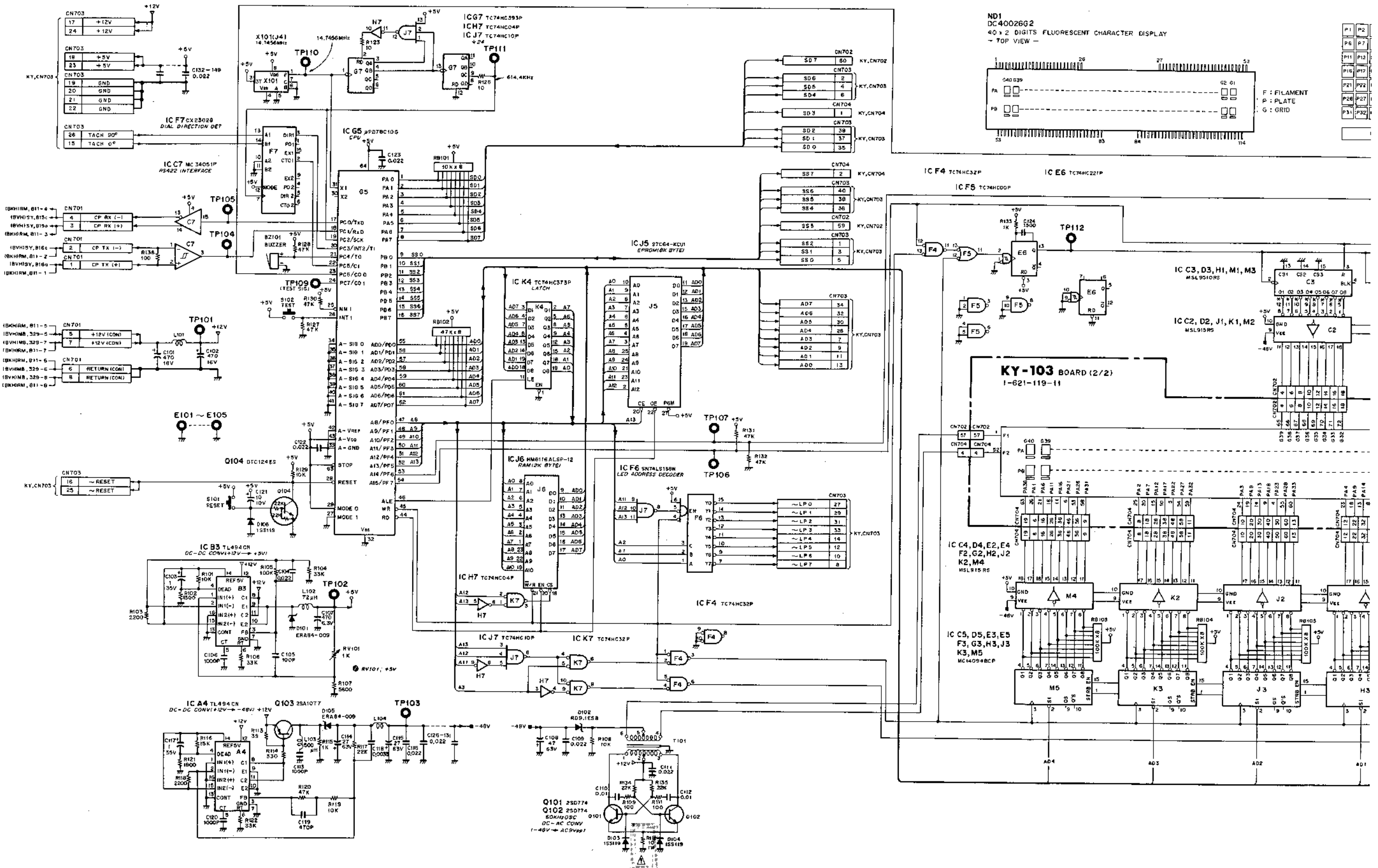
S101 D7  
 S102 D7

Y101 C4

TP101 C1  
 TP102 C2  
 TP103 C6  
 TP104 D6  
 TP105 C6  
 TP106 G4  
 TP107 G4  
 TP109 H6  
 TP110 J4  
 TP111 G6  
 TP112 E6  
 TP113 C3  
 TP114 F2  
 TP115 H2

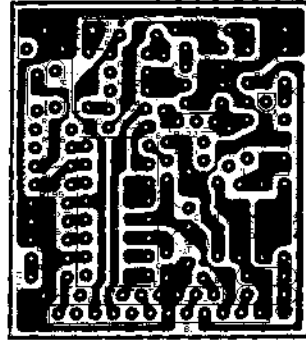
FUNCTION CONTROL PANEL(2/2)

KC-14 BOARD : Key Control



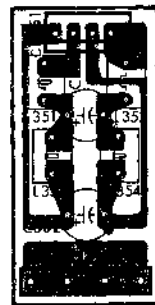


UR-20-C1 BOARD (1-621-600-11)  
Component Side



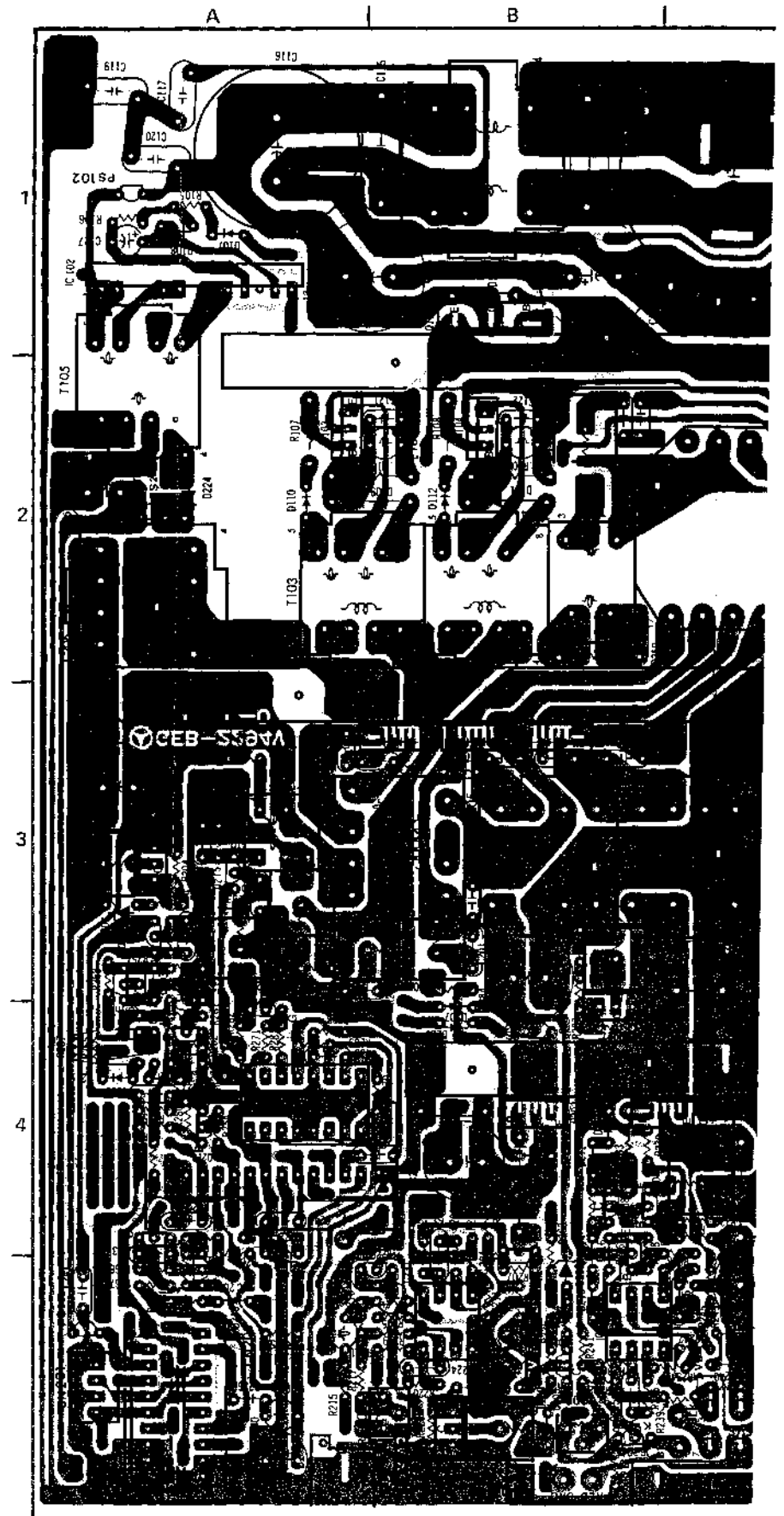
1-621-600-11  
SOLDER SIDE

UR-20-F BOARD (1-617-869-11)  
Component Side



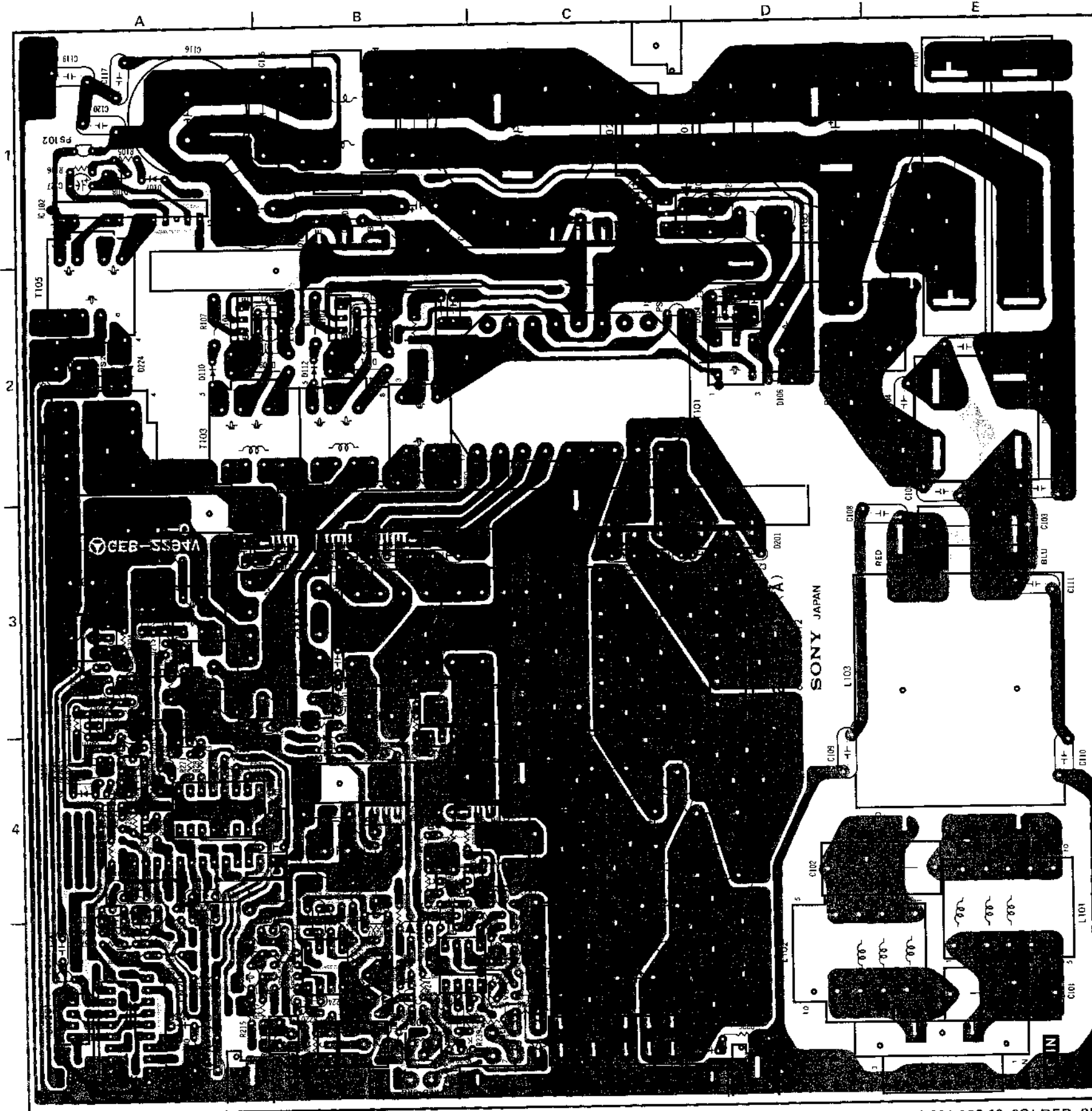
1-617-869-11  
SOLDER SIDE

SP-01 BOARD (1-621-602-12)  
Component Side



1-621-602-12 COMPONENT SIDE

SP-01 BOARD (1-621-602-12)  
Component Side



SP-01 (1-621-602-12)

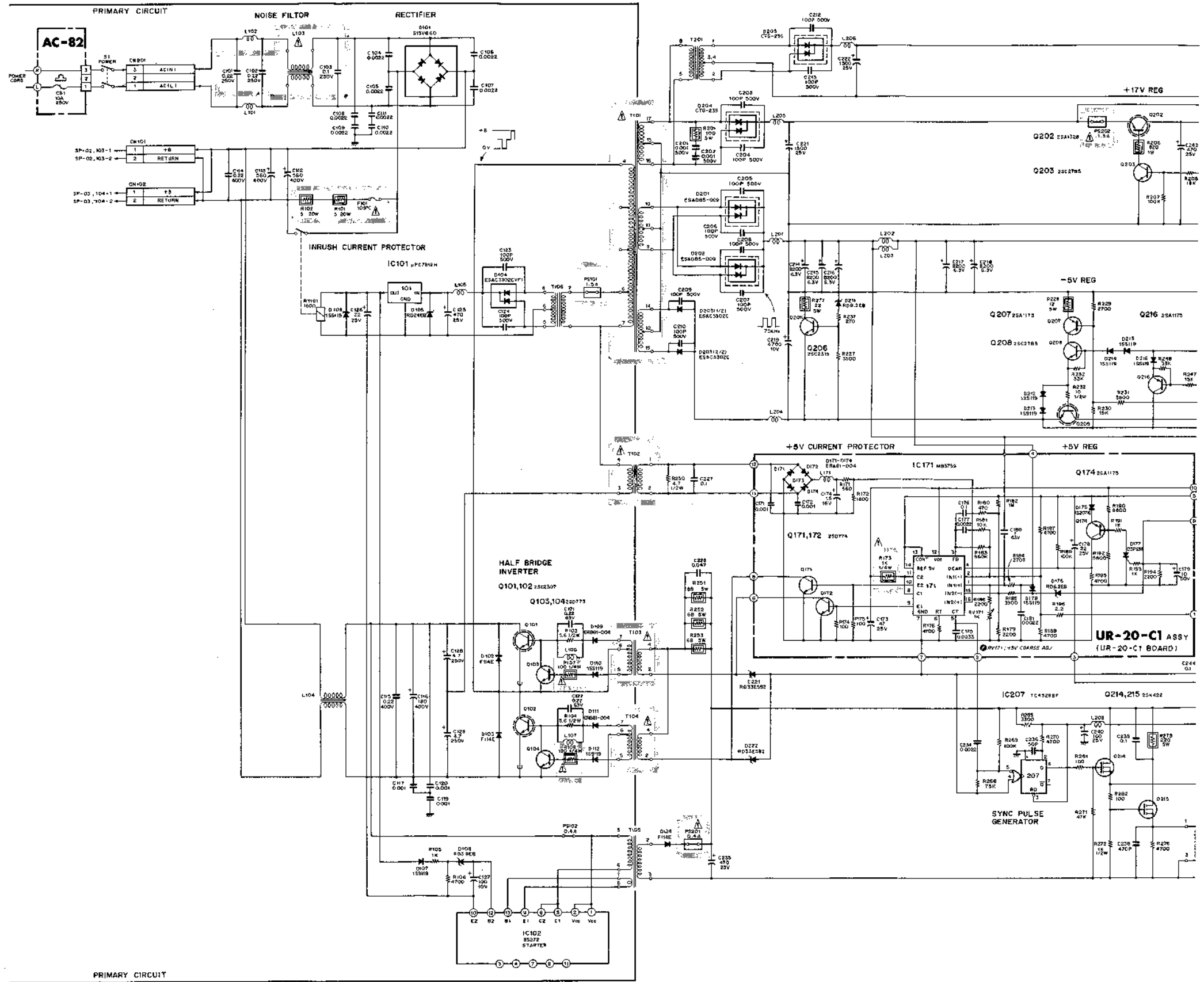
BVH-3000/PS  
BVH-3100/PS

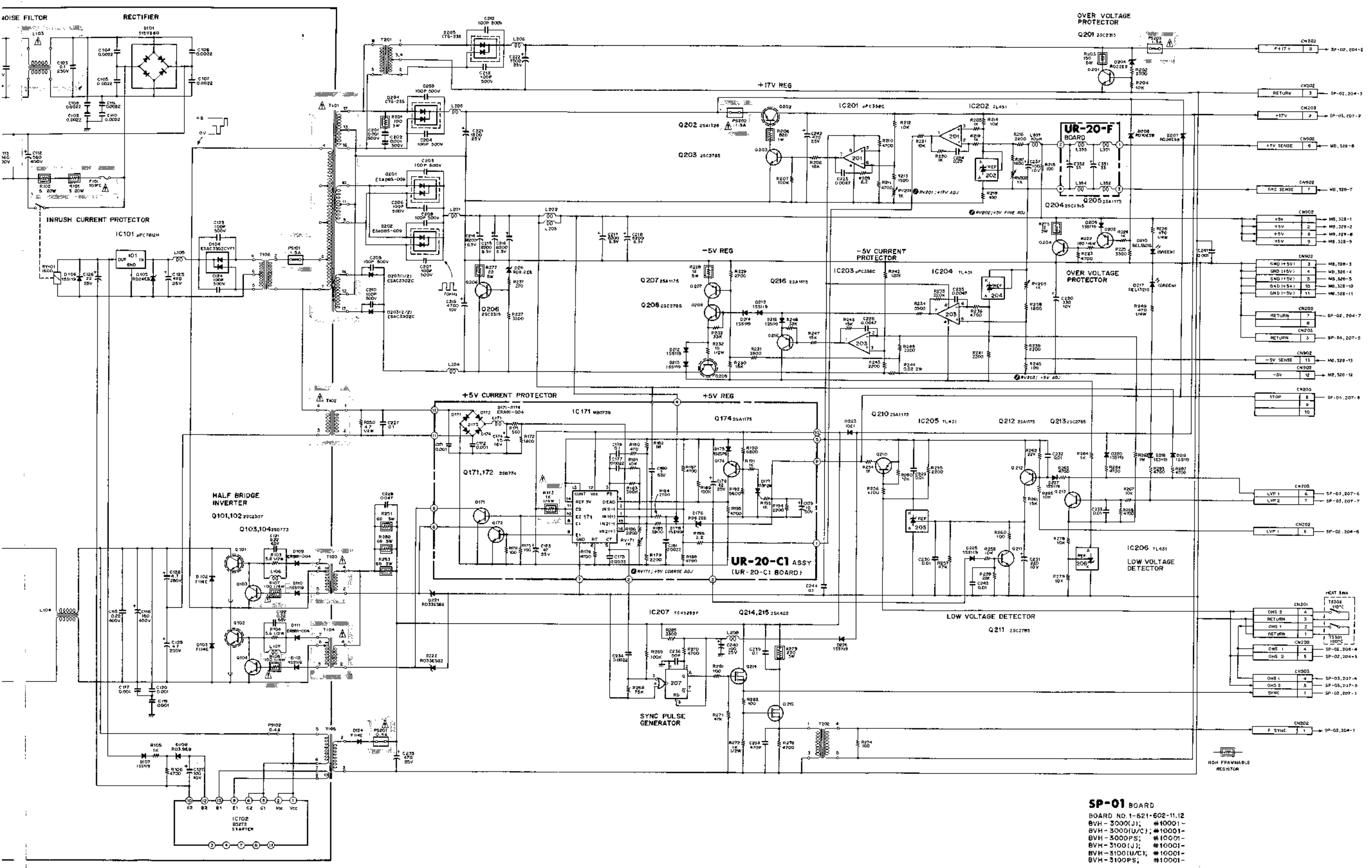
CN101	D1	IC101	D1
CN102	C1	IC102	A1
CN201	A5	IC201	B5
CN202	A5	IC202	B5
CN203	A5	IC203	B5
CN901	E5	IC204	B5
CN902	D5	IC205	A3
		IC206	A5
		IC207	A4
D101	E2		
D102	B1	Q101	B1
D103	C1	Q102	C1
D104	D2	Q103	A2
D105	D1	Q104	B2
D106	D2	Q201	A3
D107	B1	Q202	B4
D108	A1	Q203	B4
D109	B2	Q204	B5
D110	A2	Q205	B5
D111	B2	Q206	B4
D112	B2	Q207	C4
D201	D3	Q208	B4
D202	C3	Q209	C4
D203	D3	Q210	A4
D204	B3	Q211	A5
D205	B3	Q212	A4
D206	A5	Q213	A4
D207	B4	Q214	A4
D208	B5	Q215	A3
D209	B5	Q216	B5
D210	D5		
D211	B3	RV201	B5
D212	B4	RV202	B5
D213	B4	RV203	B5
D214	B5		
D215	B5		
D217	C3	RY101	O2
D218	A5		
D219	A4		
D220	B4		
D221	A5		
D222	A4		
D223	B4		
D224	A2		
D225	B4		
D226	A5		
D227	A4		

1-621-602-12 COMPONENT SIDE

1-621-602-12 SOLDER SIDE

SP-01 BOARD  
Switching Regulator

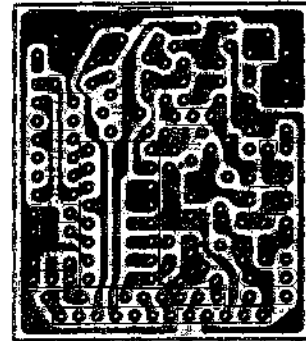




**SP-01 BOARD**  
 BOARD NO. 1-621-602-11.12  
 BVH - 3000(J); #10001-  
 BVH - 3000(U/C); #10001-  
 BVH - 3000(P); #10001-  
 BVH - 3100(J); #10001-  
 BVH - 3100(U/C); #10001-  
 BVH - 3100(P); #10001-



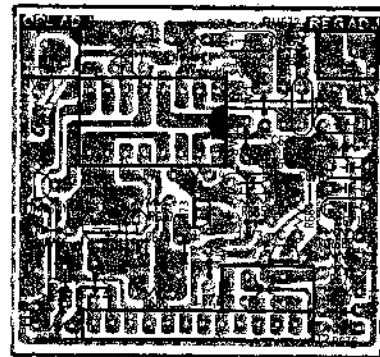
UR-20-C4 BOARD (1-622-674-11)  
Component Side



1-622-674-11  
SOLDER SIDE

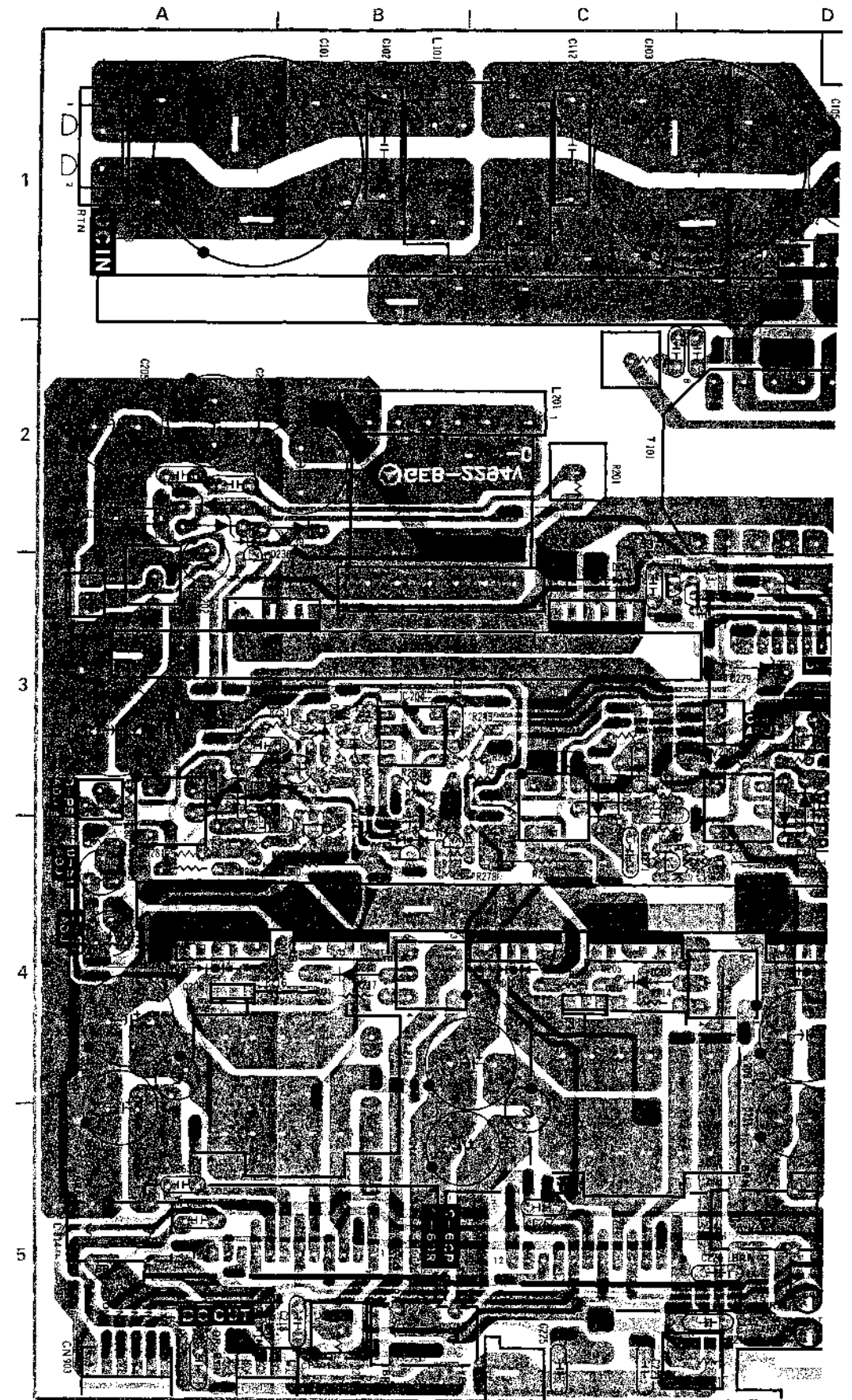
1-622-674-11  
COMPONENT SIDE

UR-20-C6 BOARD (1-621-601-11)  
Component Side



1-621-601-11 SOLDER SIDE

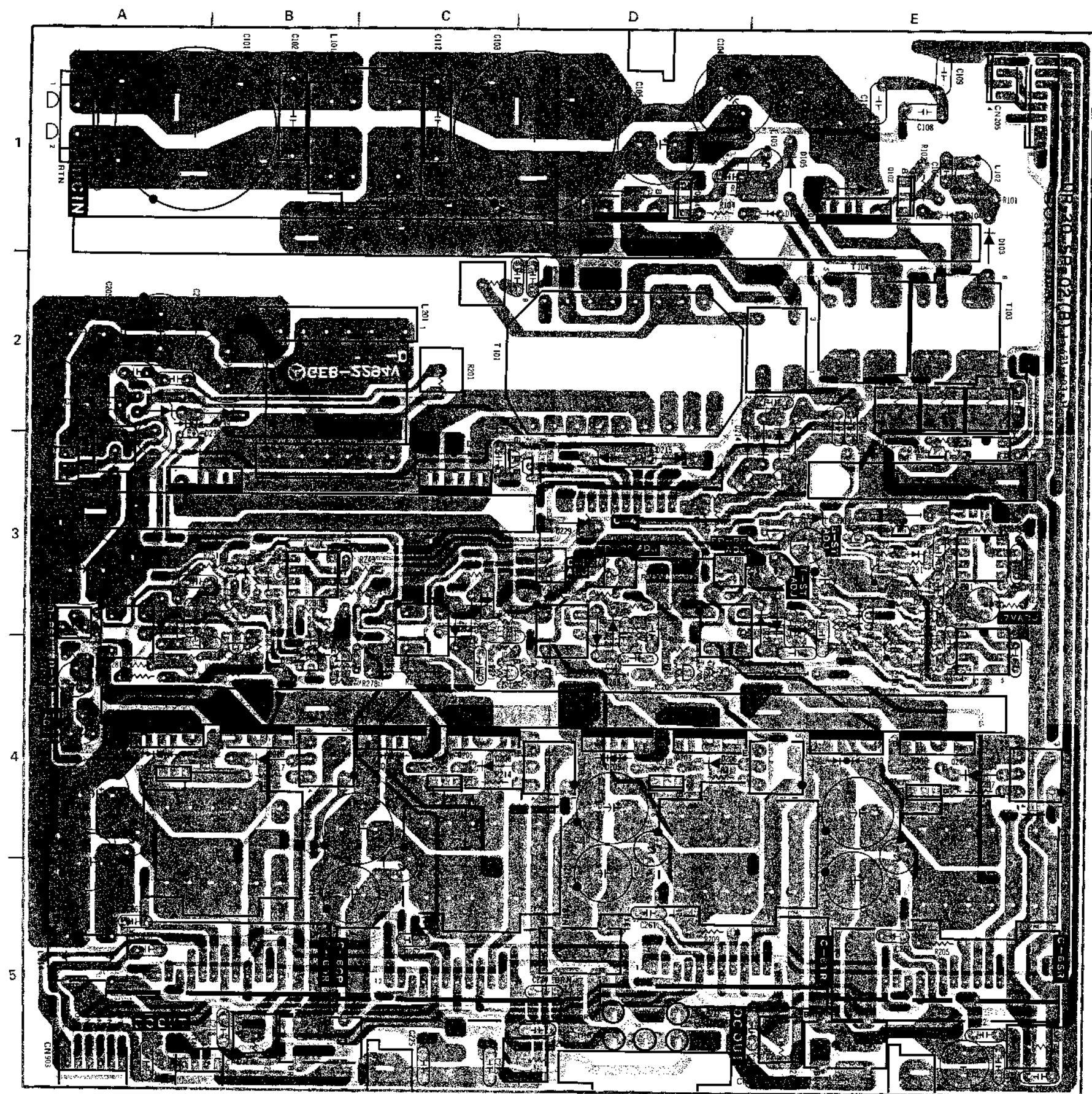
SP-02 BOARD (1-621-603-11)  
Component Side



1-621-603-11 COMPONENT SIDE



SP-02 BOARD (1-621-603-11)  
Component Side



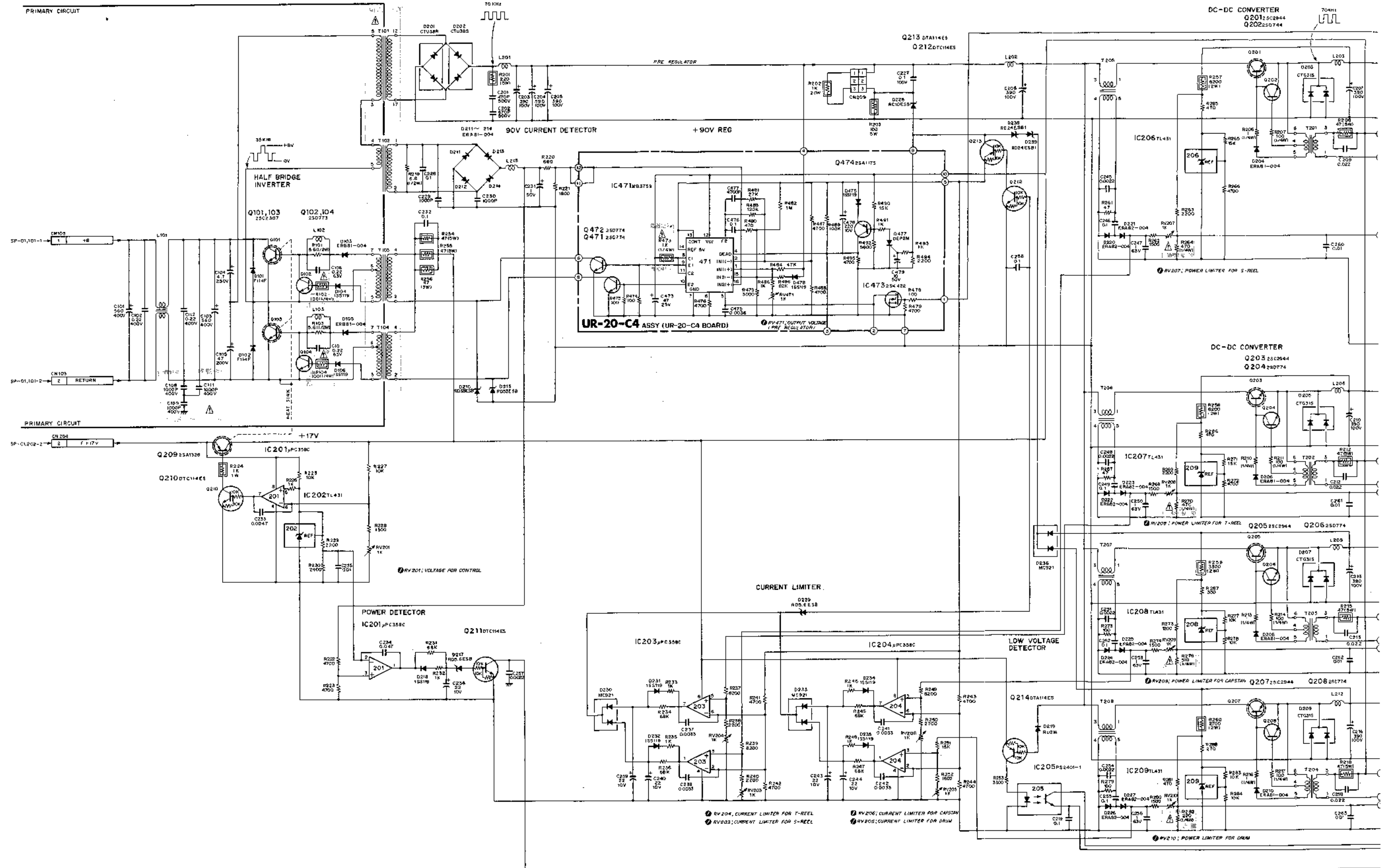
1-621-603-11 COMPONENT SIDE

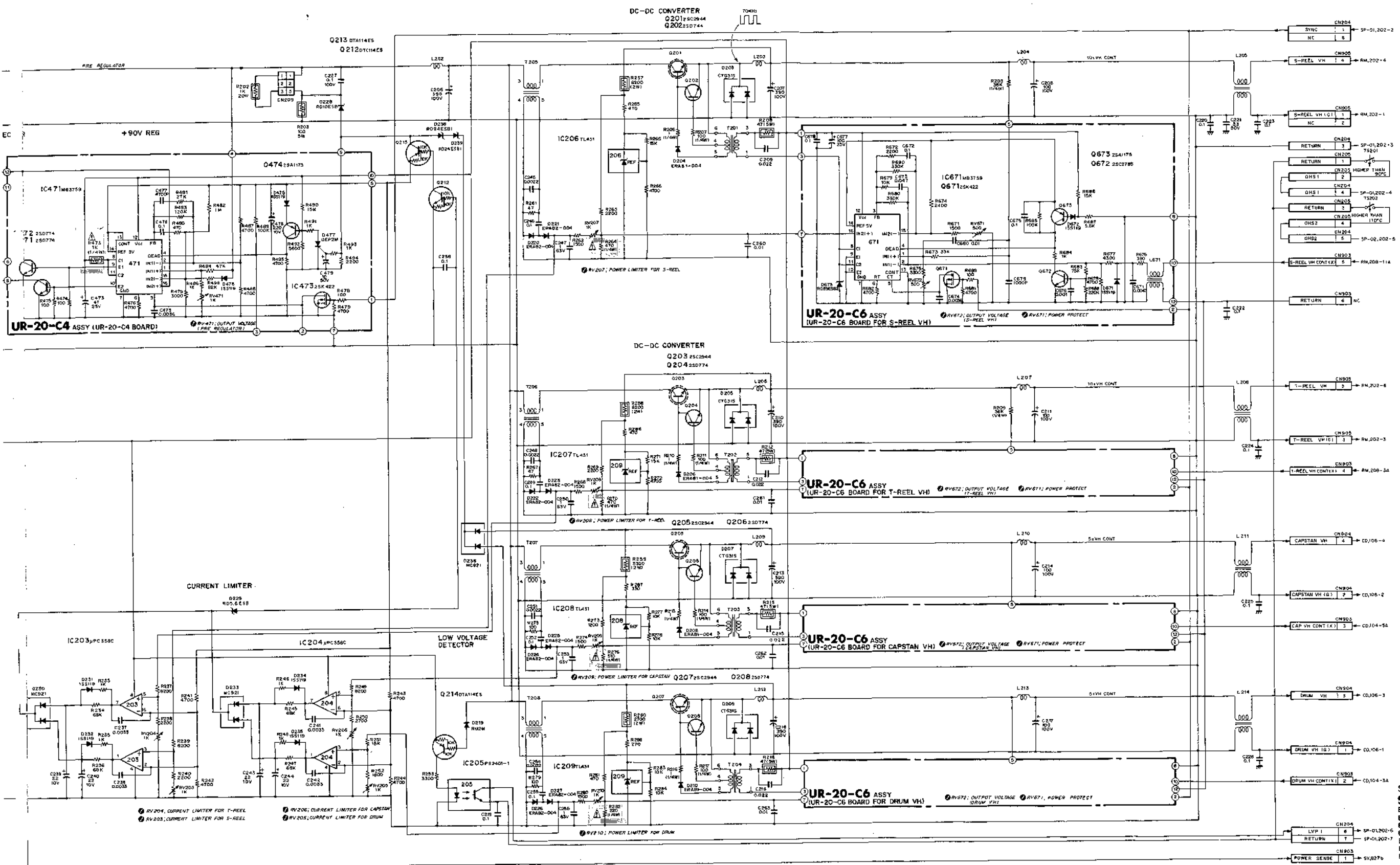
1-621-603-11 SOLDER SIDE

SP-02 (1-621-603-11)

BW-3000/PS		
BW-3100/PS		
CN105	A1	IC201 E3
CN204	E1	IC202 E3
CN205	E1	IC203 E4
CN209	E1	IC204 B3
CN903	E1	IC205 E3
CN904	E1	IC206 D4
CN905	E1	IC207 C4
		IC208 B4
		IC209 B4
D101	E1	
D102	D1	
D103	E1	
D104	E1	Q101 E1
D105	D1	Q102 E1
D106	D1	Q103 D1
D201	C3	Q201 E4
D202	B3	Q202 E4
D203	E4	Q203 D4
D205	D4	Q204 D4
D206	D4	Q205 C4
D207	C4	Q206 D5
D208	A4	Q207 B4
D209	A4	Q208 A4
D210	B4	Q209 E3
D211	D3	Q210 E3
D212	D3	Q211 D5
D213	D3	Q212 C5
D214	D5	Q213 C5
D215	D5	Q214 E3
D216	D3	
D217	D3	RV201 E3
D218	E3	RV205 D5
D219	E3	RV204 D5
D220	D3	RV205 A4
D221	D3	RV206 A4
D222	D5	RV207 D3
D223	D3	RV208 C3
D224	C3	RV209 C3
D225	C3	RV210 A3
D226	A3	
D227	A3	
D228	A2	
D229	C3	
D230	E3	
D231	E3	
D232	E3	
D233	D4	
D234	B3	
D235	B3	
D236	A2	
D237	A2	
D239	D2	
D240	E4	

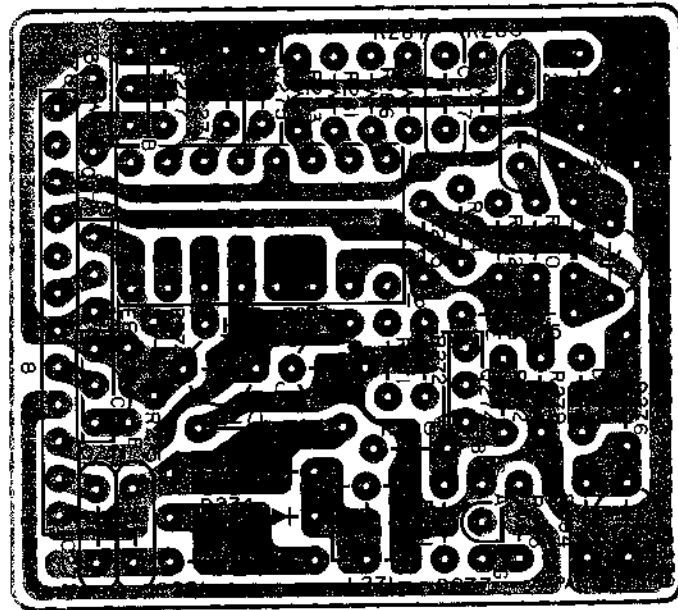
SP-02 BOARD  
Switching Regulator





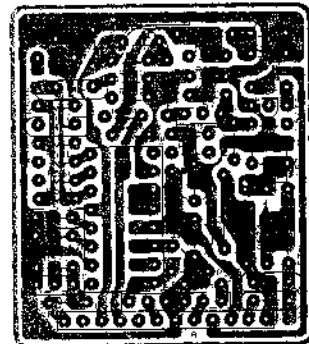
**SWITCHING REGULATOR**  
**SP-02 BOARD**  
 BOARD NO. 1-621-603-11  
 BVH-3000(J); # 10001-  
 BVH-3000(U/C); # 10001-  
 BVH-3000 PS; # 10001-  
 BVH-3100(J); # 10001-  
 BVH-3100(U/C); # 10001-  
 BVH-3100 PS; # 10001-

UR-09-C2 BOARD (1-611-864-12)  
Component Side



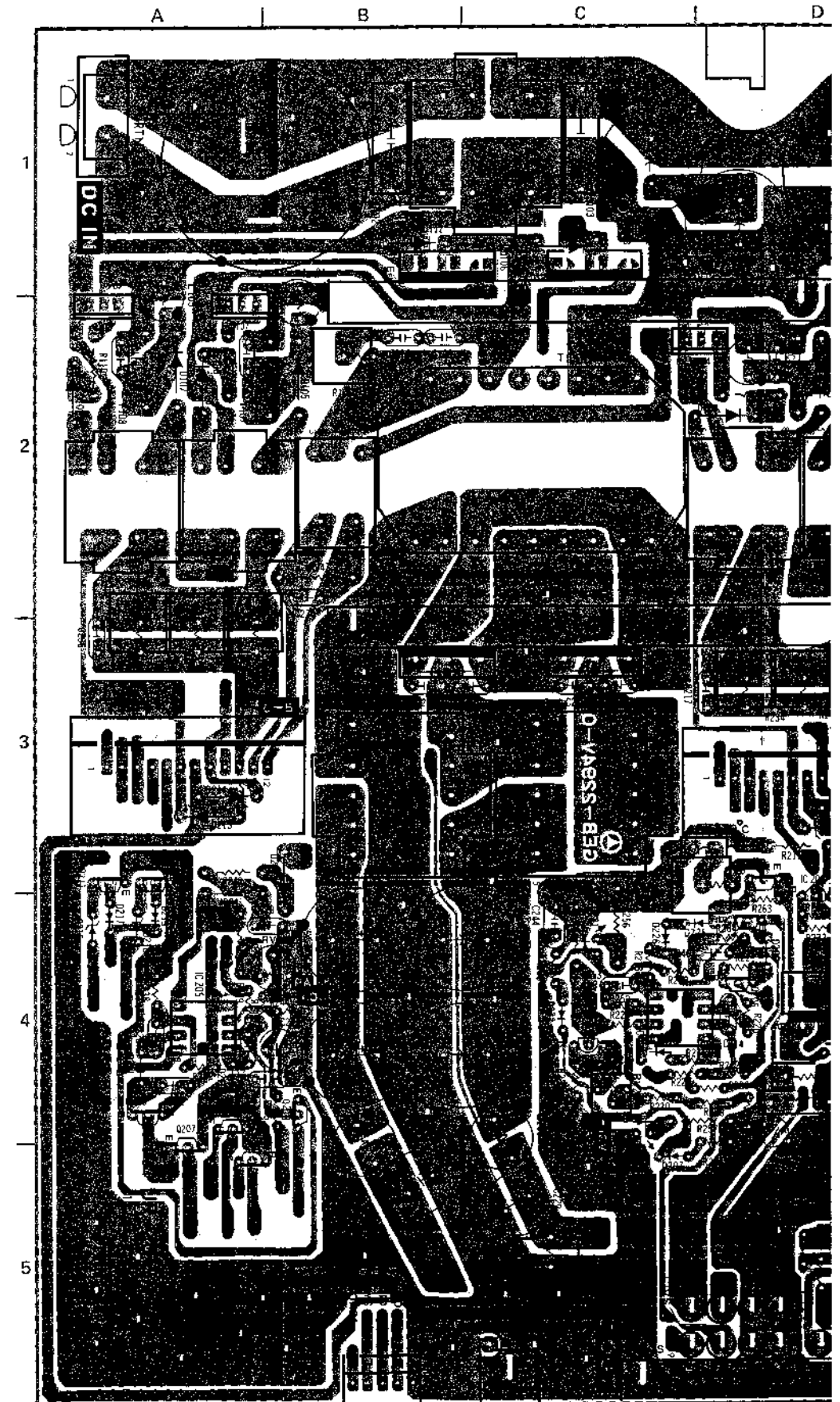
1-611-864-12 SOLDER SIDE

CR-18-C5 BOARD (1-614-232-11)  
Component Side



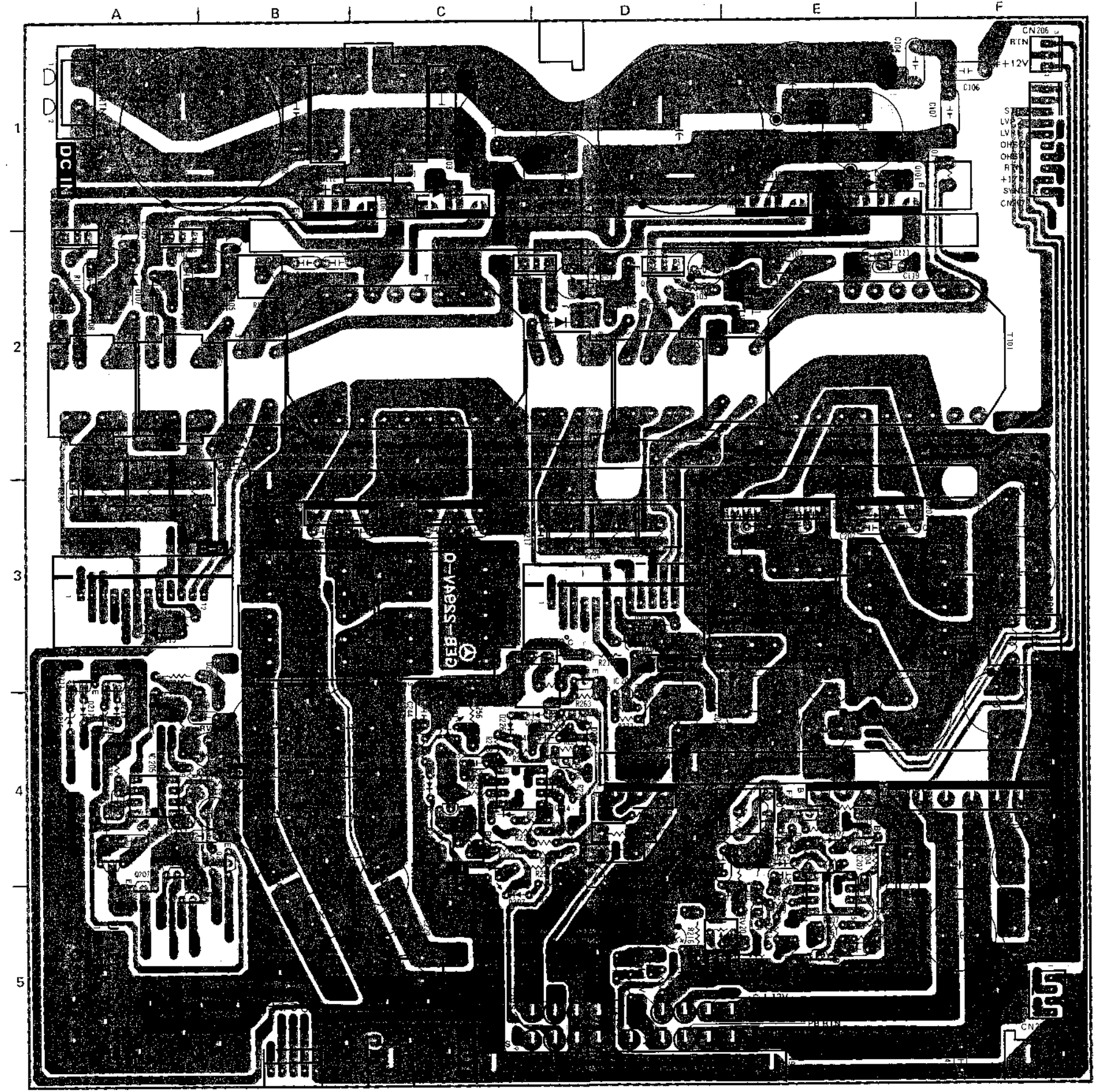
1-614-232-11 SOLDER SIDE

SP-03 BOARD (1-621-604-12)  
Component Side





SP-03 BOARD (1-621-604-12)  
Component Side



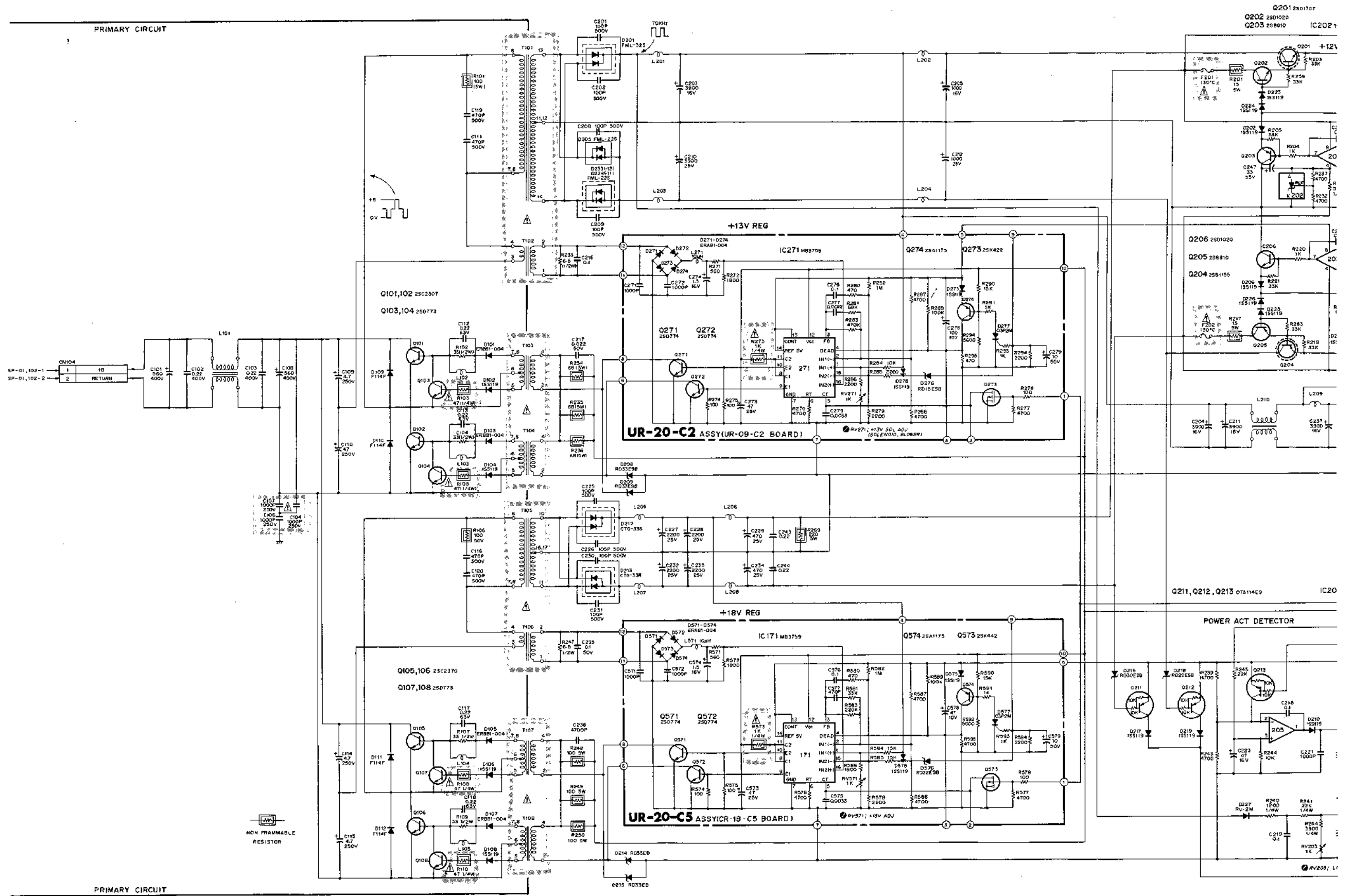
SP-03 (1-621-604-12)

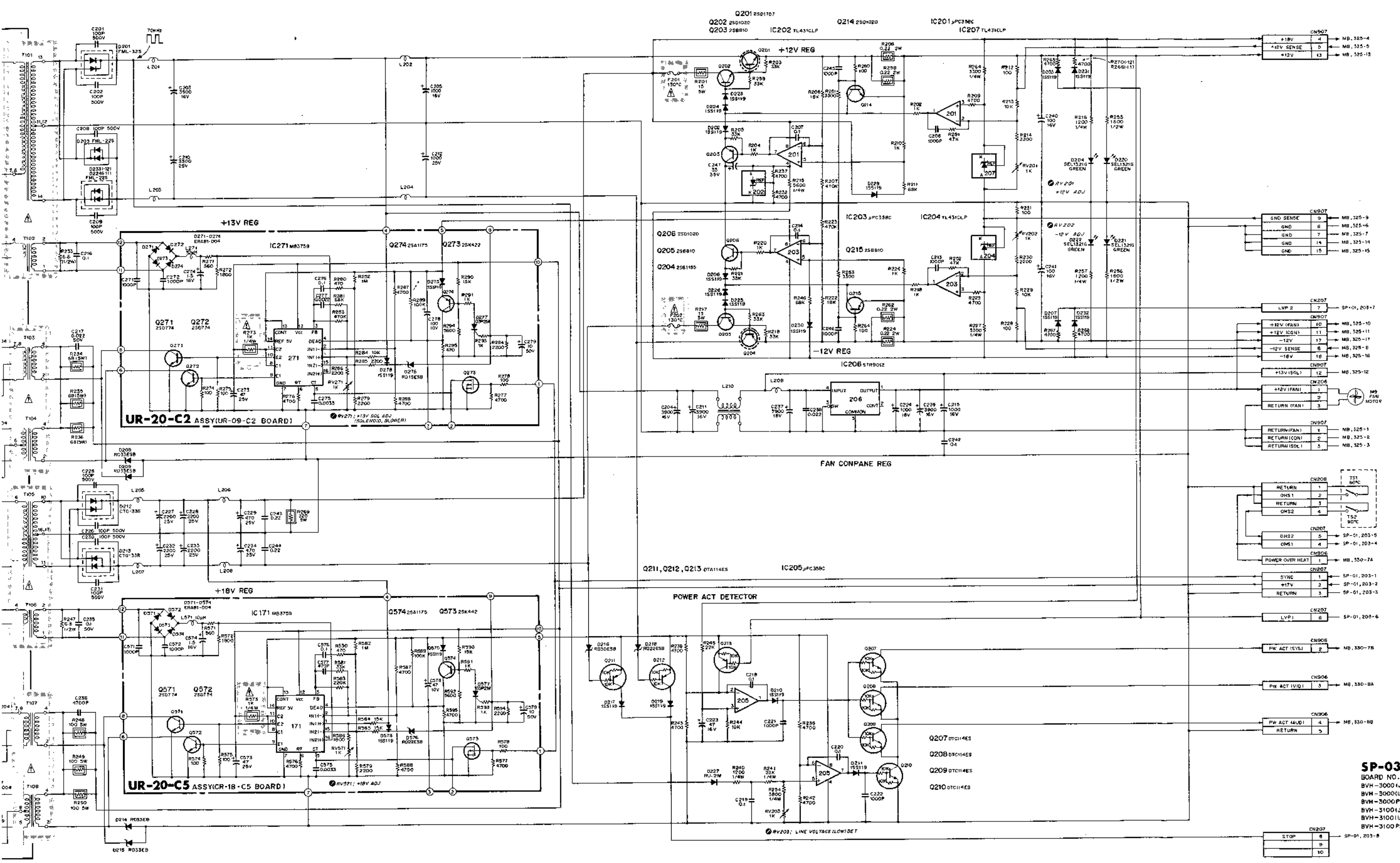
BVH-3000/PS  
BVH-3100/PS

CN104	A1	IC201	E5
CN206	F1	IC202	D4
CN207	F1	IC203	C4
CN208	F3	IC204	C4
CN906	B5	IC205	A4
CN907	E5	IC206	F4
		IC207	E5
D101	E2	Q101	E1
D102	D2	Q102	E1
D103	D2	Q103	D2
D104	D2	Q104	D2
D105	B2	Q105	C1
D106	A2	Q106	C1
D107	A2	Q107	A2
D108	A2	Q108	A2
D109	E1	Q201	E4
D110	E1	Q202	E4
D111	C1	Q203	E4
D112	B1	Q204	D4
D201	E3	Q205	D3
D202	E4	Q206	D4
D203	D5	Q207	A
D204	D5	Q208	A4
D205	E3	Q209	A
D206	D4	Q210	A4
D207	C5	Q211	A3
D208	D3	Q212	A3
D209	D3	Q213	B4
D210	A4	Q214	E5
D211	A4	Q215	D4
D212	C3		
D213	B3		
D214	A3	RV201	E5
D215	A3	RV202	C4
D216	A4	RV203	B4
D217	A4		
D218	A4		
D219	A4		
D220	E5		
D221	C4		
D222	C4		
D223	E4		
D224	E5		
(HEAT SYNC)			
D224	E4		
D225	D4		
D226	C4		
D227	B3		
D229	E4		
D230	C4		
D231	D5		
D232	C4		

1-621-604-12 SOLDER SIDE

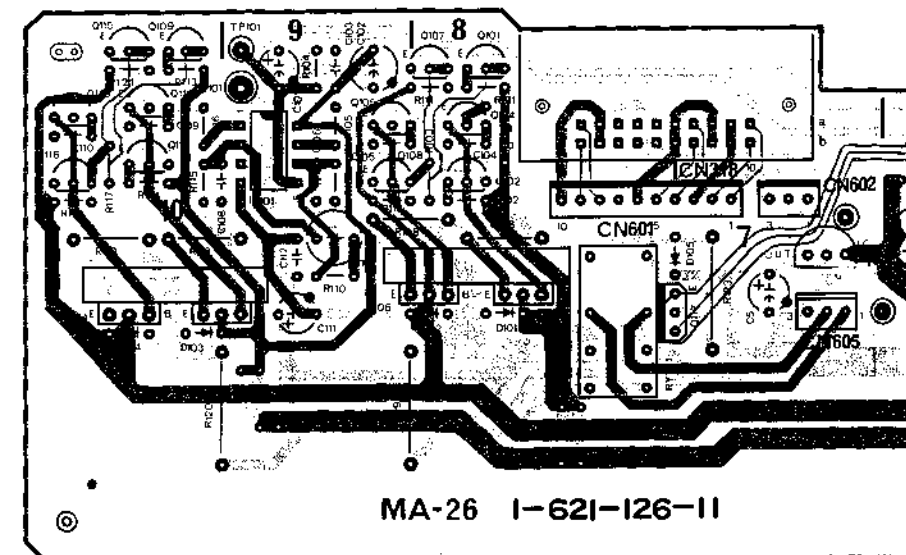
SP-03 BOARD





**SP-03 BOARD**  
 BOARD NO. 1-621-604-11,12  
 BVH-3000 (U); #10001-  
 BVH-3000 (U/C); #10001-  
 BVH-3000 (PS); #10001-  
 BVH-3100 (U); #10001-  
 BVH-3100 (U/C); #10001-  
 BVH-3100 (PS); #10001-

MA-26 BOARD (1-621-126-11)  
Component Side

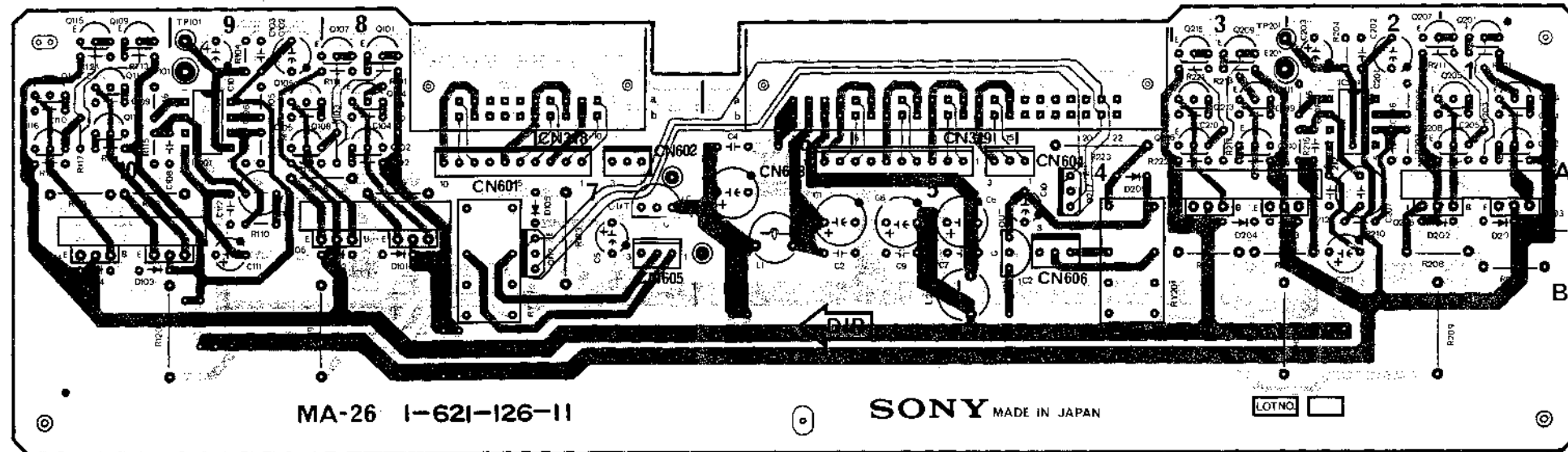


MA-26 1-621-126-11

FIGURE 10. COMPONENT SIDE



MA-26 BOARD (1-621-126-11)  
Component Side

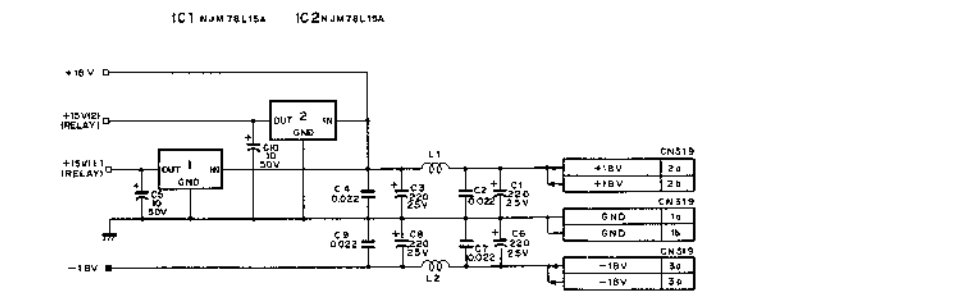
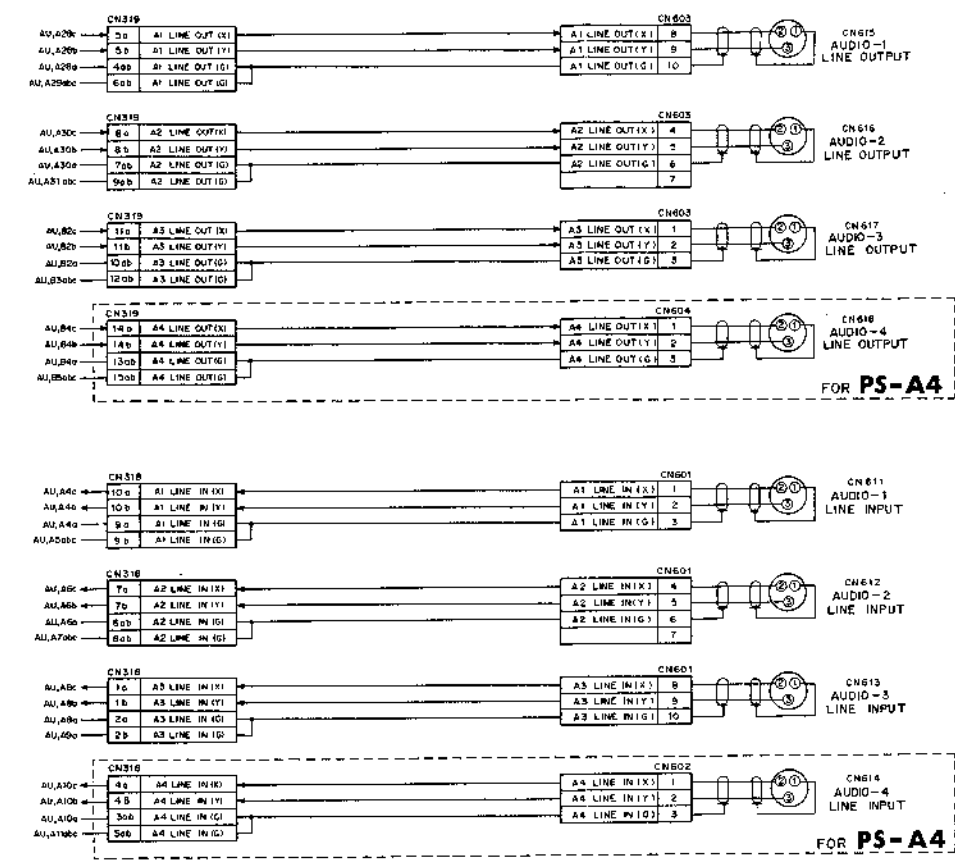
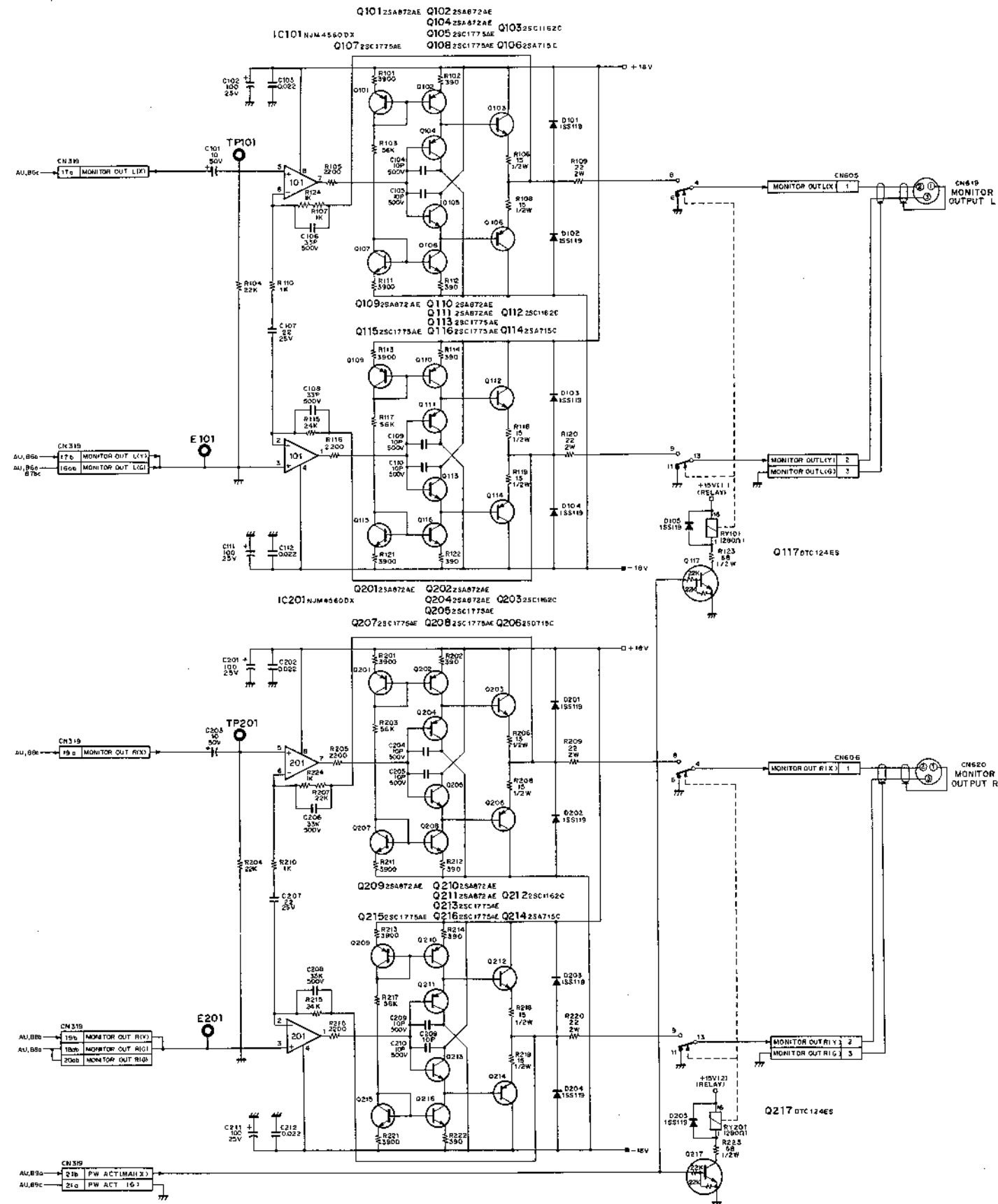


1-621-126-11 COMPONENT SIDE

1-621-126-11 SOLDER SIDE

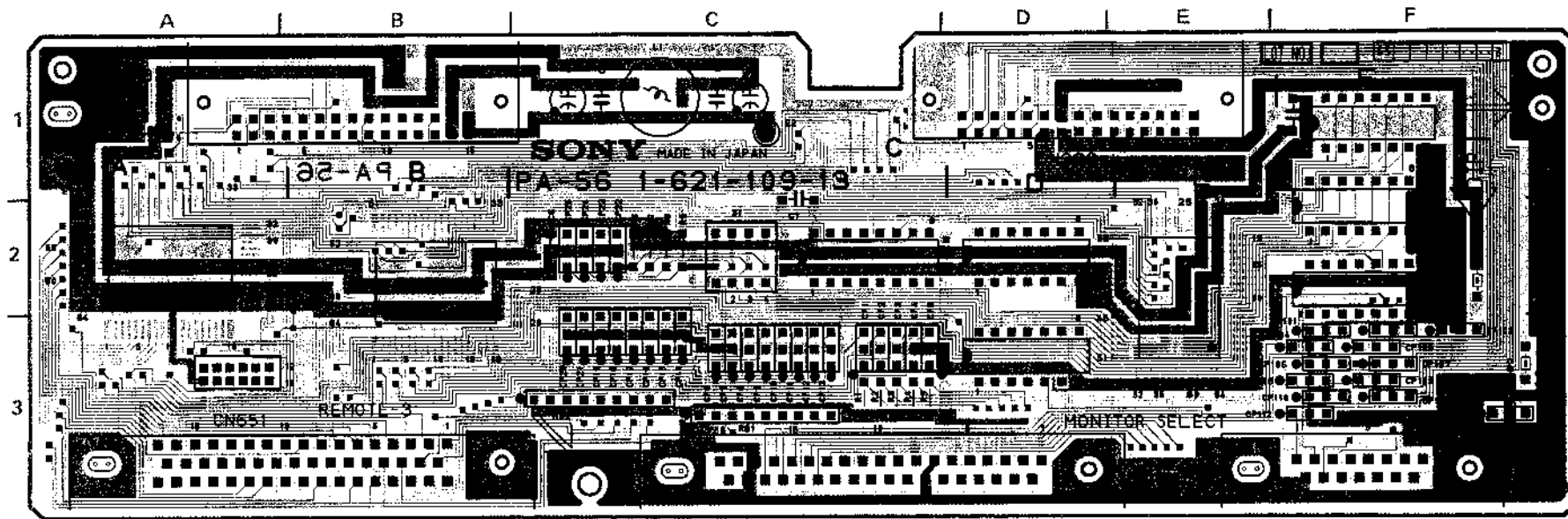
CONNECTOR PANEL MA-26 MA-26 CONNECTOR PANEL

MA-26 BOARD  
Audio Monitor Amplifier



**MA-26 BOARD**  
BOARD NO. 1-621-126-11  
BVH-3000(I) ; # 10001-  
BVH-3000(U/C) ; # 10001-  
BVH-3000(PS) ; # 10001-  
BVH-3100(U) ; # 10001-  
BVH-3100(U/C) ; # 10001-  
BVH-3100(PS) ; # 10001-

PA-56 BOARD (1-621-109-13)  
Component Side



1-621-109-13 COMPONENT SIDE

1-621-109-13 SOLDER SIDE

## PA-56 (1-621-109-13)

BVH-3000/PS  
BVH-3100/PS

CN322 D1  
CN323 A1  
CN651 A3  
CN652 E3  
CN653 F3

CP1 C3  
CP2 C3  
CP3 C3  
CP4 C3  
CP5 C3  
CP6 C3  
CP7 C3  
CP8 C3  
CP9 C3  
CP10 C3  
CP11 C3  
CP12 C3  
CP13 C3  
CP14 C3  
CP15 C3  
CP16 C3  
CP17 C3  
CP18 C3  
CP19 C3  
CP20 C3  
CP21 C3  
CP22 C2  
CP23 C2  
CP24 C2  
CP25 C2  
CP101 F3  
CP102 F3  
CP103 F3  
CP104 F3  
CP105 F3  
CP106 F3  
CP107 F3  
CP108 F3  
CP109 F3  
CP110 F3  
CP111 F3  
CP112 F3  
CP113 F3

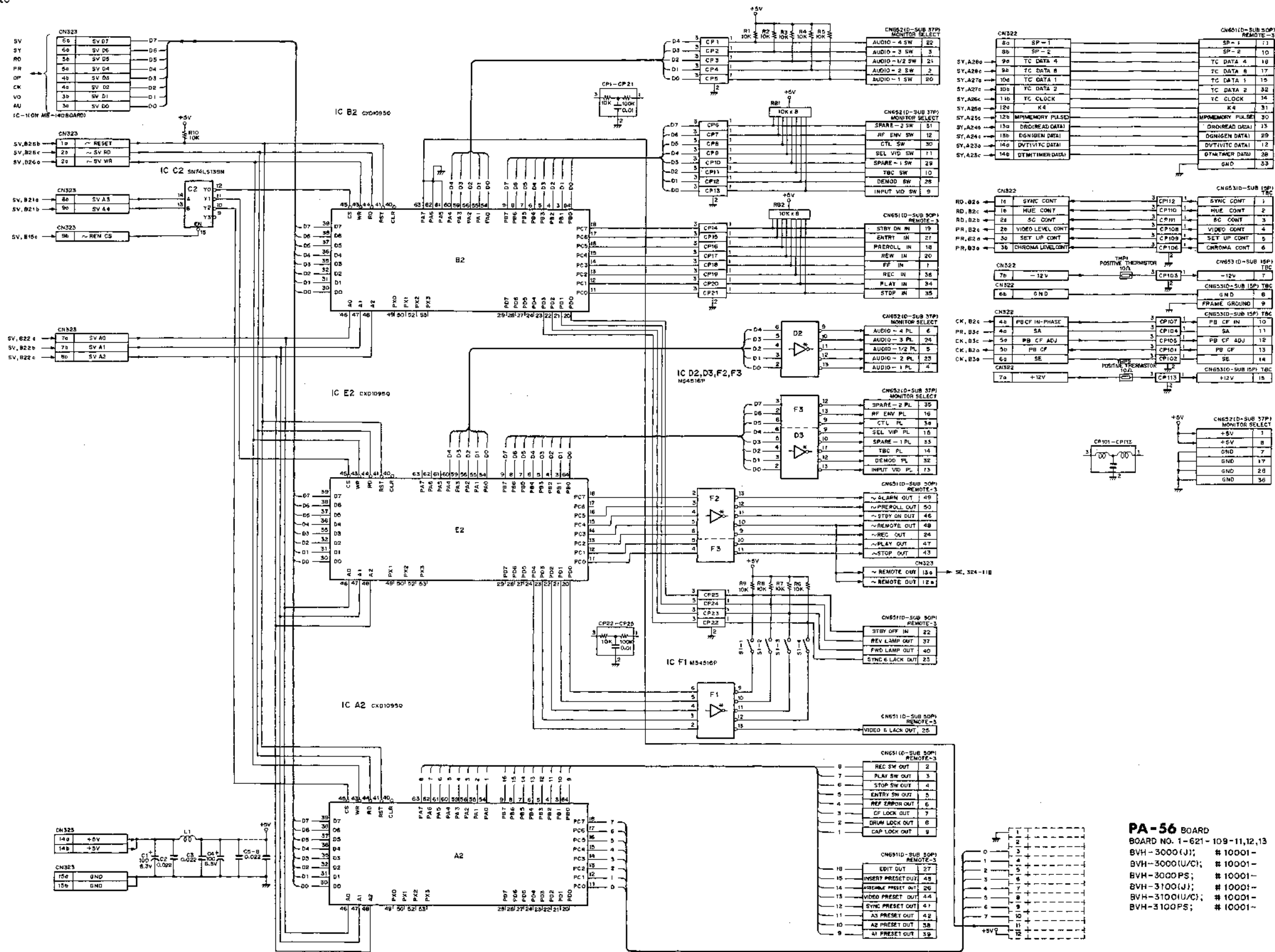
E1 A1  
E2 C1  
E3 F2

THP1 F2  
THP2 F3

RB1 C3  
RB2 C3

S1 C2

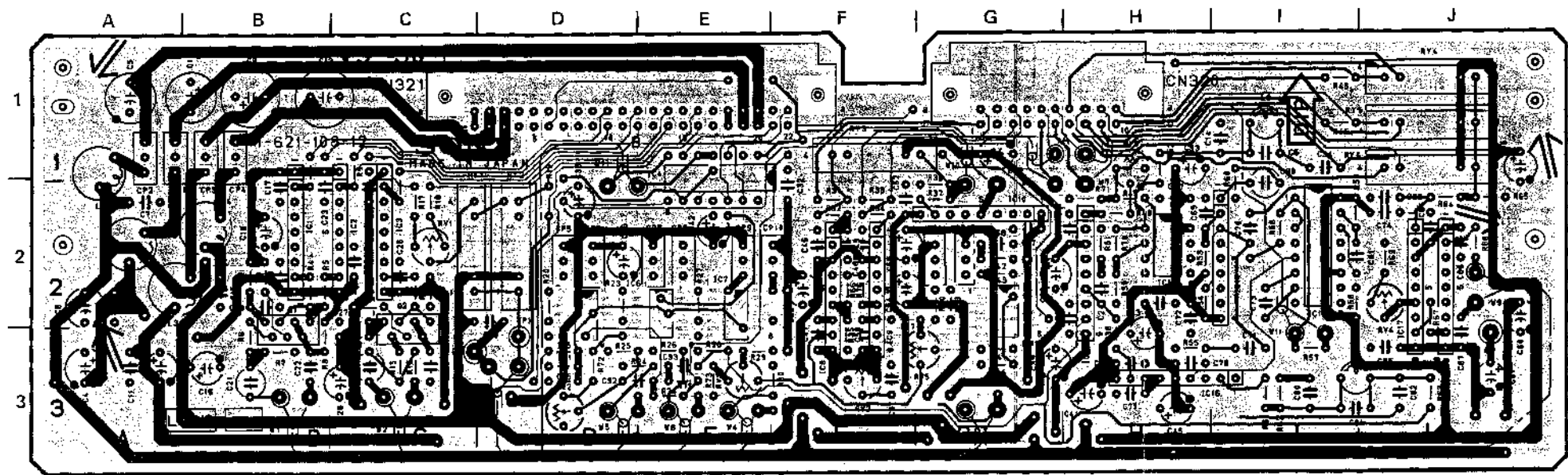
PA-56 BOARD  
Parallel Remote



**PA-56 BOARD**  
 BOARD NO. 1-621-109-11,12,13  
 BVH-3000(J); #10001-  
 BVH-3000(U/C); #10001-  
 BVH-3000PS; #10001-  
 BVH-3100(J); #10001-  
 BVH-3100(U/C); #10001-  
 BVH-3100PS; #10001-

## VS-30 BOARD (1-621-108-12)

Component Side



1-621-108-12 SOLDER SIDE

VS-30 (1-621-108-12)

BVH-3000/PS

BVH-3100/PS

CN320 H1

CN321 C1

CP1 A1

CP2 A1

CP3 D1

CP4 D1

CP5 D2

CP6 U2

CP7 E2

CP8 E2

CP9 E2

CP10 F2

CP11 G2

CP12 G2

E1 C3

E2 J2

IC1 B2

IC2 C2

IC3 C2

IC4 E1

IC5 D5

IC6 E2

IC7 E2

IC8 F3

IC9 F3

IC10 G2

IC11 G3

IC12 H3

IC13 H2

IC14 I2

IC15 I2

IC16 H3

IC17 J3

IC18 J3

L1 A2

L2 A2

L3 A2

L4 B2

L5 I3

L6 I1

Q1 B2

Q2 C2

RV1 C2

RV2 F3

RV3 H1

RV4 J2

RV5 G3

RV6 D3

RV7 E3

RY1 G2

RY2 G2

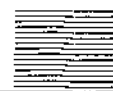
RY3 F1

RY4 J1

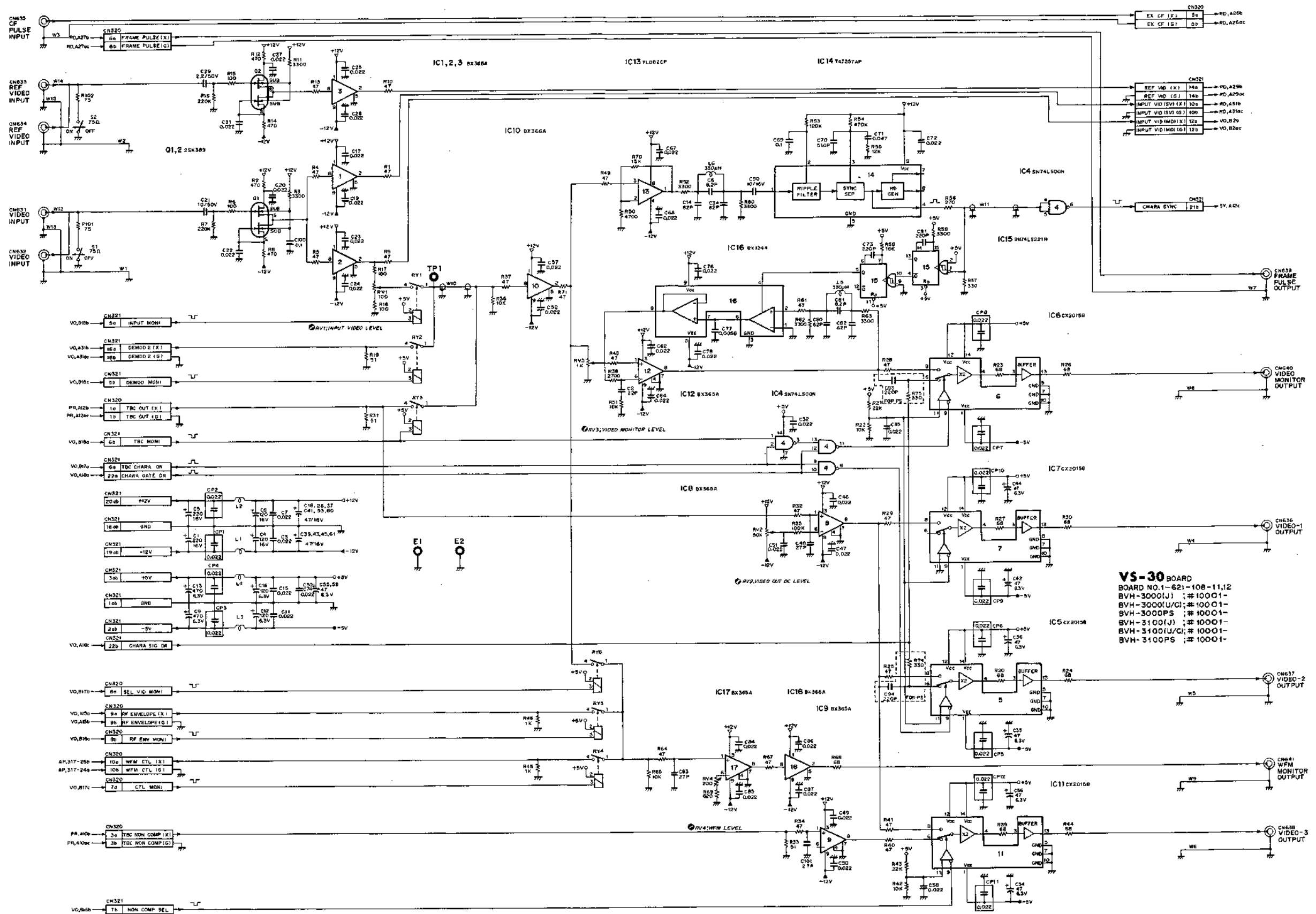
RY5 J1

RY6 J1

TP1 G3

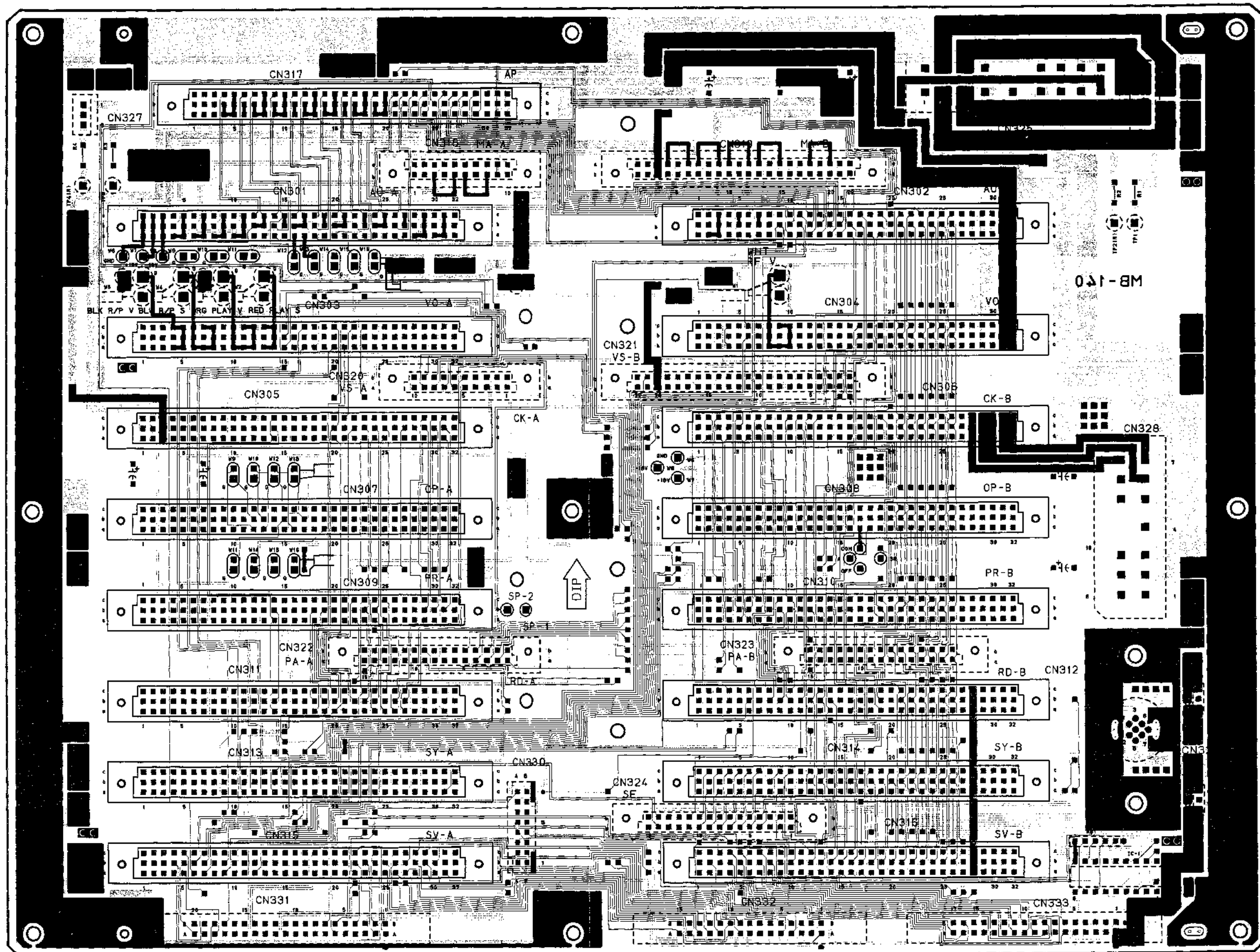


VS-30 BOARD  
Video Monitor



**VS-30 BOARD**  
 BOARD NO. 1-621-108-11,12  
 BVH-3000(J) ; # 10001-  
 BVH-3000(U/C) ; # 10001-  
 BVH-3000PS ; # 10001-  
 BVH-3100(J) ; # 10001-  
 BVH-3100(U/C) ; # 10001-  
 BVH-3100PS ; # 10001-

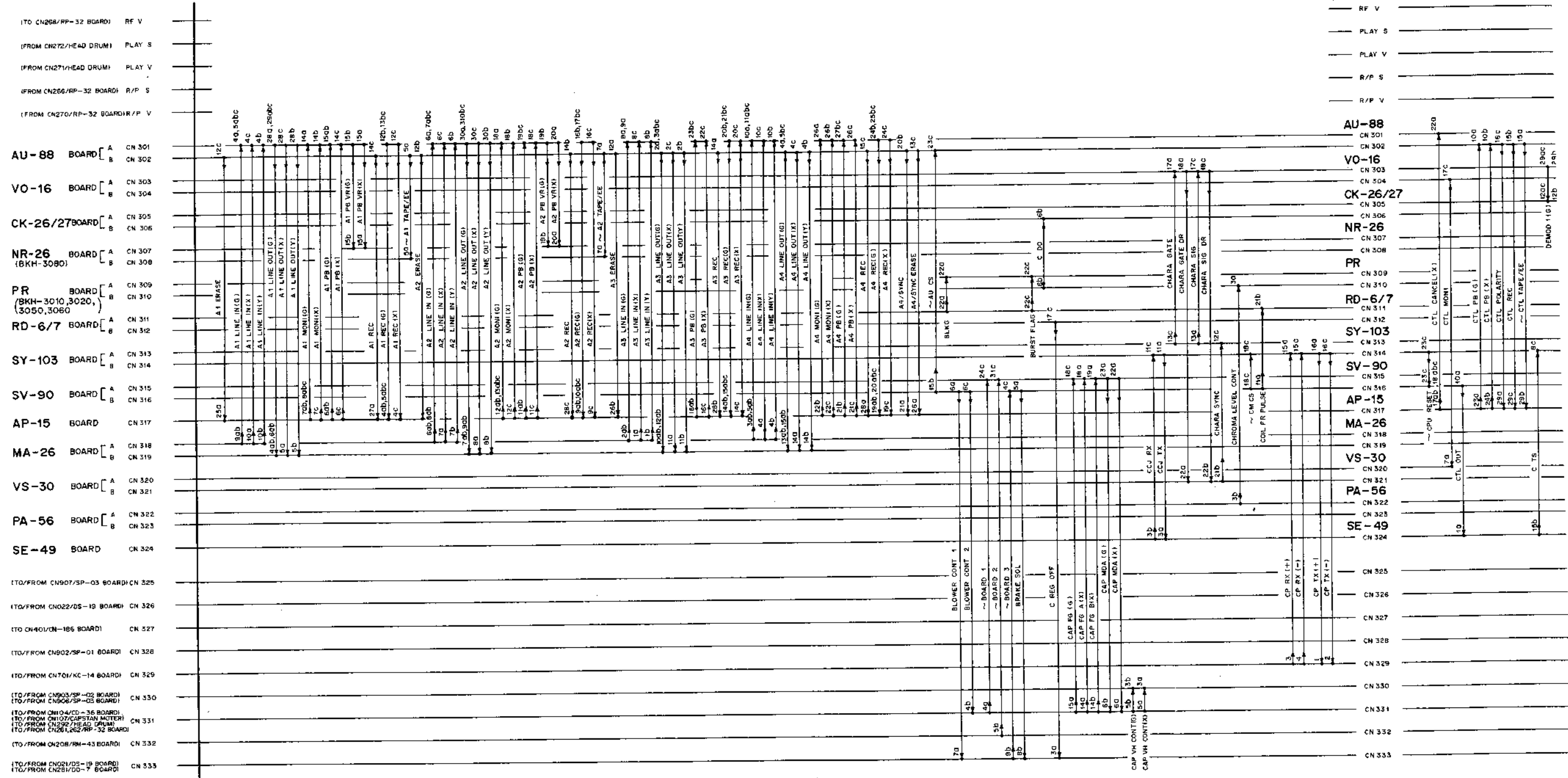
MB-140 BOARD (1-621-099-12)  
Component Side



1-621-099-12 COMPONENT SIDE

1-621-099-12 SOLDER SIDE

MB-140 BOARD (1/2)  
Mother Board



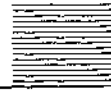
SIGNAL NAME INDEX







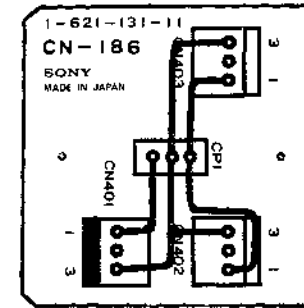






**CN-186 BOARD (1-621-131-11)**

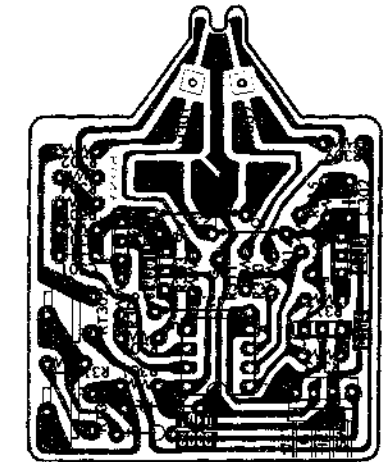
Component Side



1-621-131-11 SOLDER SIDE

**MOTOR BOARD (1-602-615-11)**

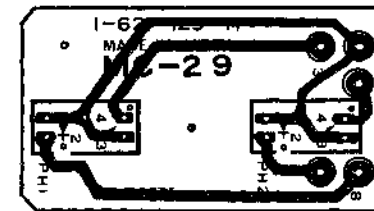
Component Side



1-602-615-11  
SOLDER SIDE

**MC-29 BOARD (1-621-129-11)**

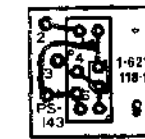
Component Side



1-621-129-11 SOLDER SIDE

**PS-143 BOARD (1-621-118-11)**

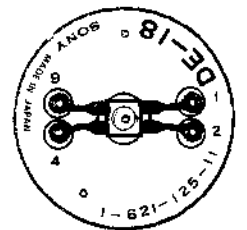
Component Side



1-621-118-11  
SOLDER SIDE

**DE-18 BOARD (1-621-125-11)**

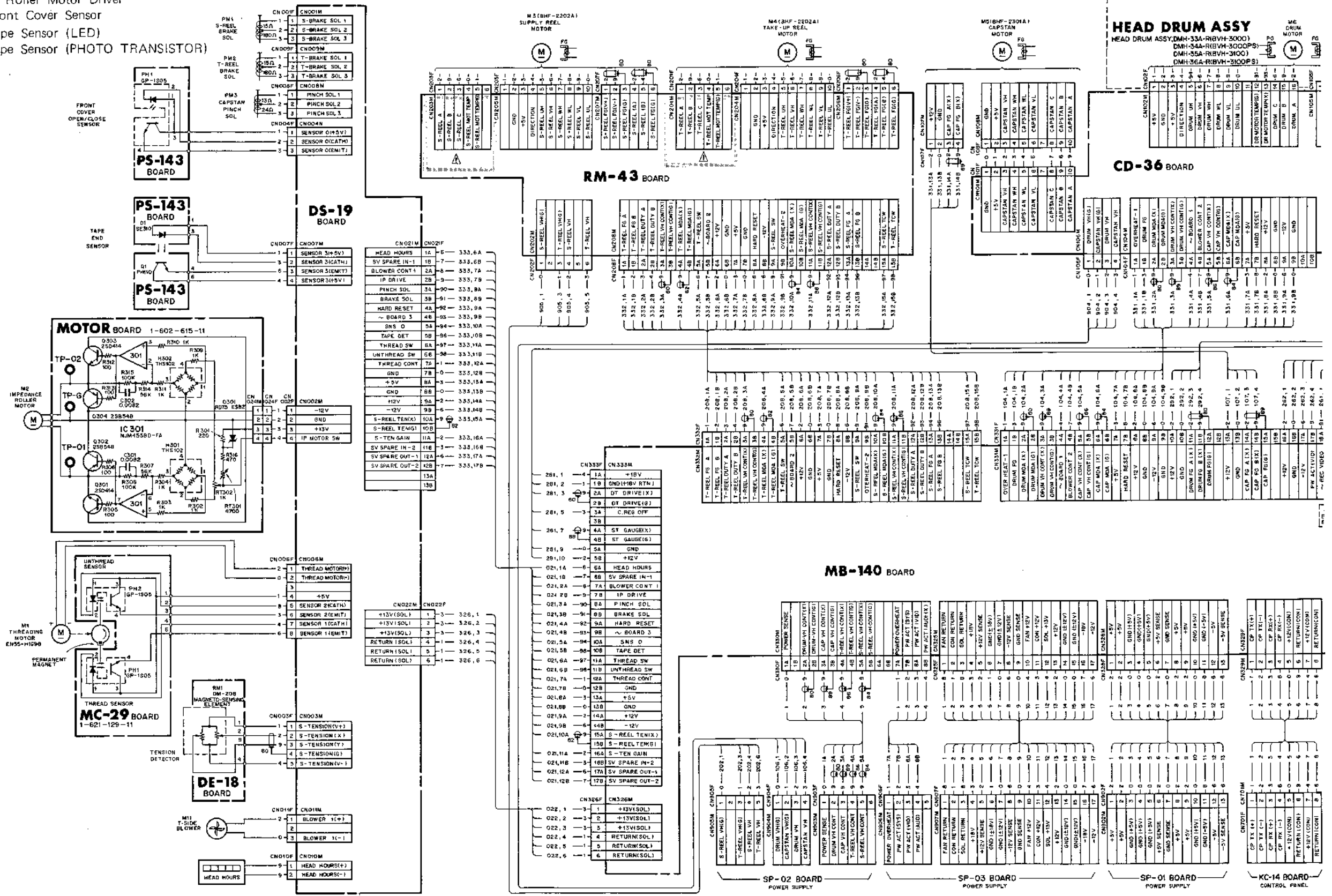
Component Side

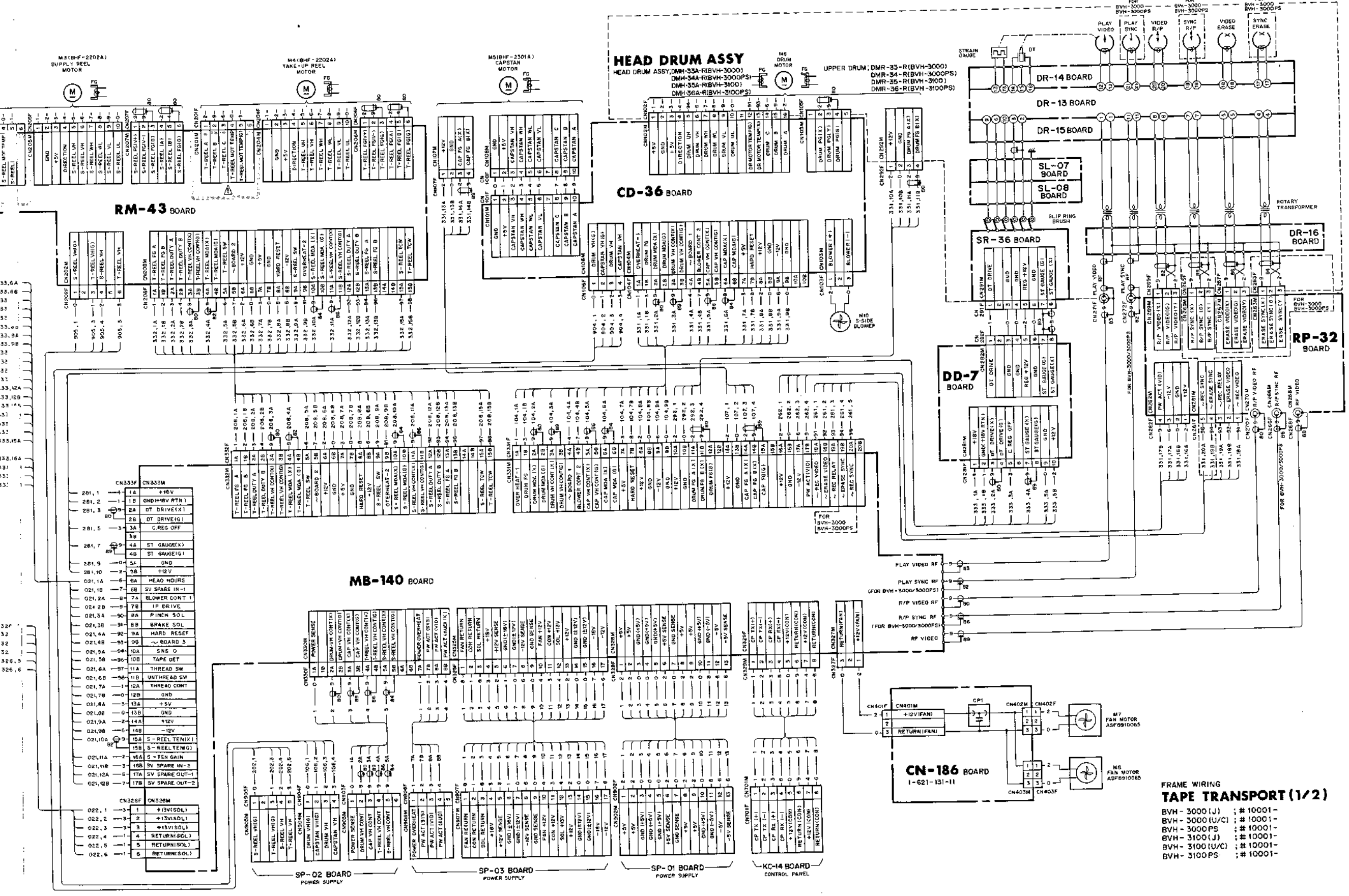


1-621-125-11  
SOLDER SIDE

FRAME WIRING: TAPE TRANSPORT(1/2)

- CN-186 BOARD: Fan Connector
- DE-18 BOARD: Tension Sensor
- MC-29 BOARD: Threading Motor
- MOTOR BOARD: IP Roller Motor Driver
- PS-143 BOARD: Front Cover Sensor  
Tape Sensor (LED)  
Tape Sensor (PHOTO TRANSISTOR)



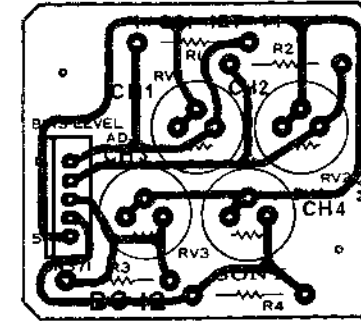






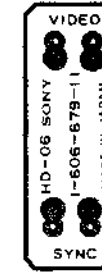


**BC-12 BOARD (1-621-127-11)**  
Component Side



1-621-127-11 SOLDER SIDE

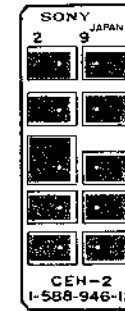
**HD-06 BOARD (1-606-679-11)(FOR PS)**  
Solder Side



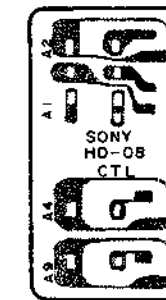
**HD-07 BOARD (1-606-680-13)**  
Solder Side



**CEH-2 BOARD (1-588-946-12)**  
Solder Side



**HD-08 BOARD (1-606-681-12) (FOR PS-A4)**  
Solder Side

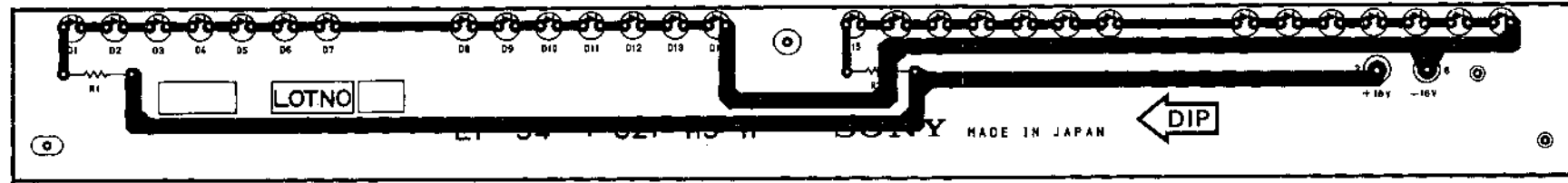


**FEH-1 BOARD (1-588-754-12)(FOR NTSC)**  
Solder Side



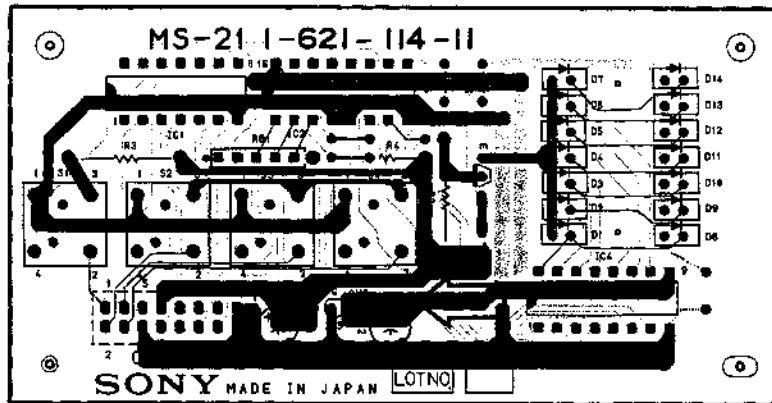


**LP-34 BOARD (1-621-115-11)**  
Component Side



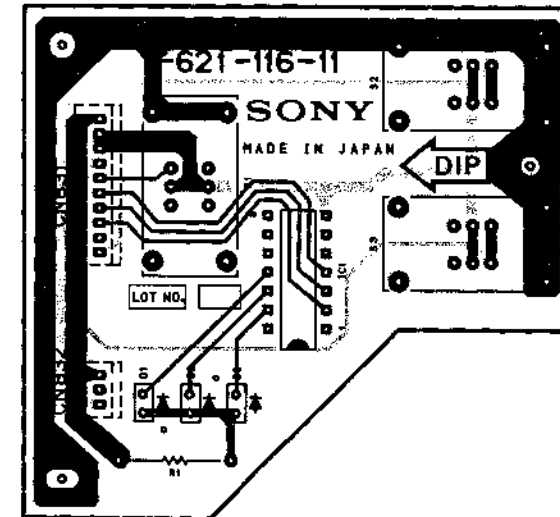
1-621-115-11 SOLDER SIDE

**MS-21 BOARD (1-621-114-11)**  
Component Side



1-621-114-11 COMPONENT SIDE  
1-621-114-11 SOLDER SIDE

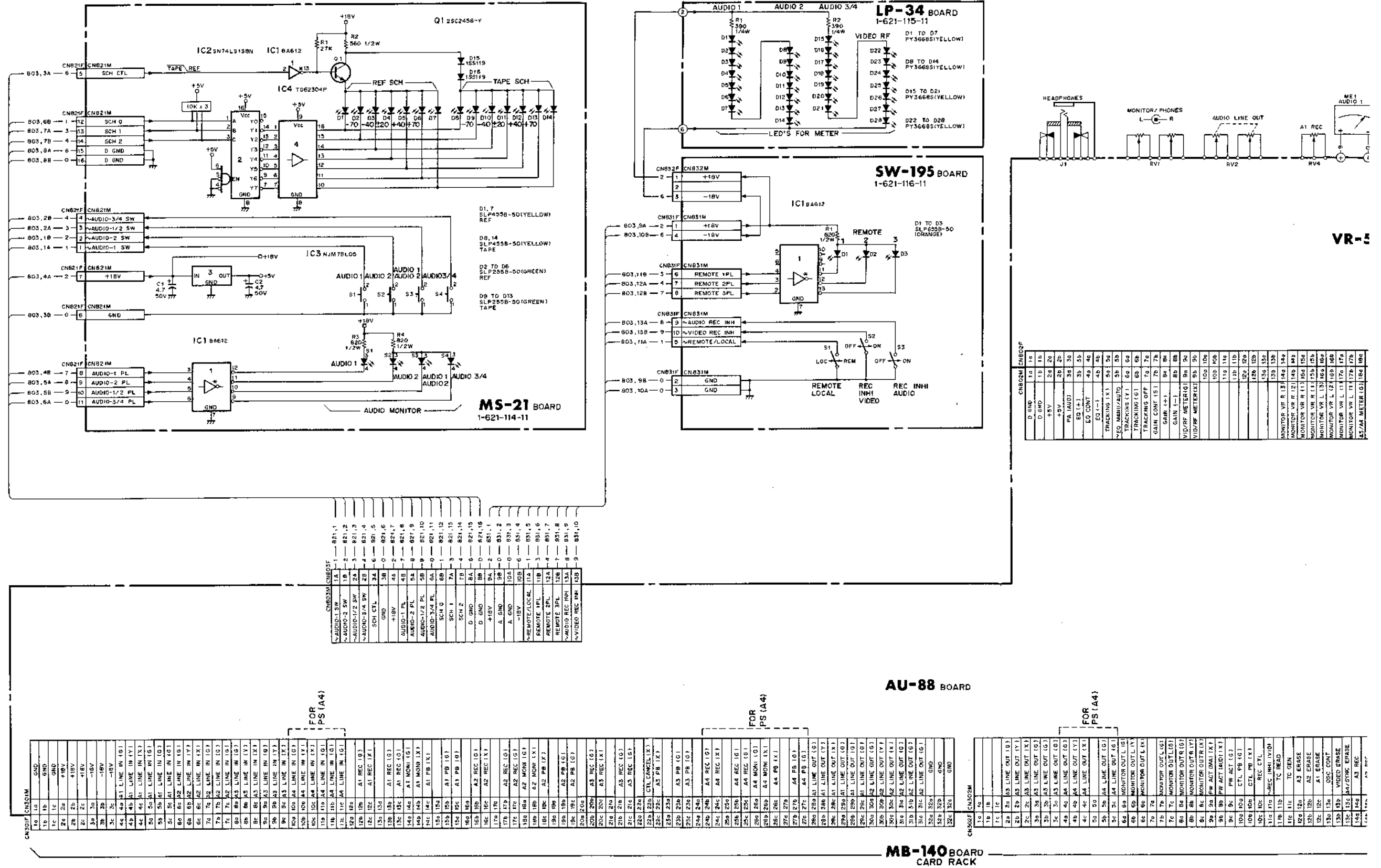
**SW-195 BOARD (1-621-116-11)**  
Component Side

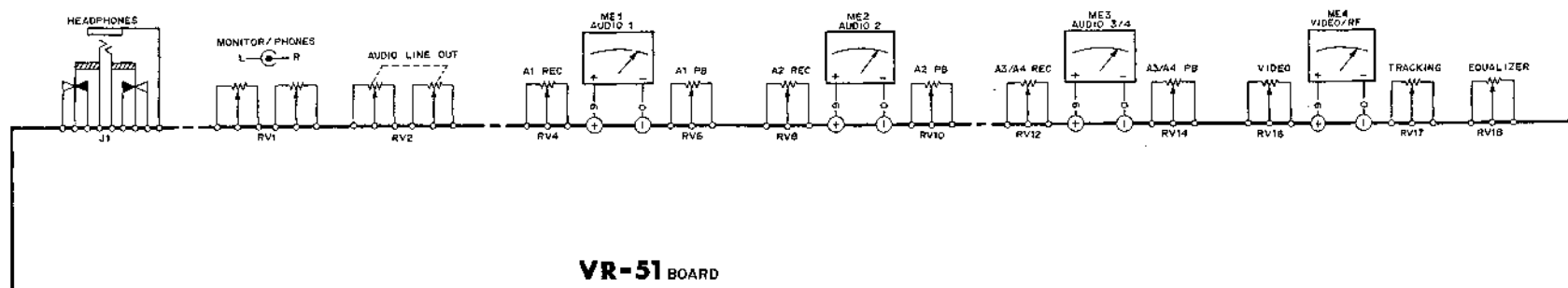
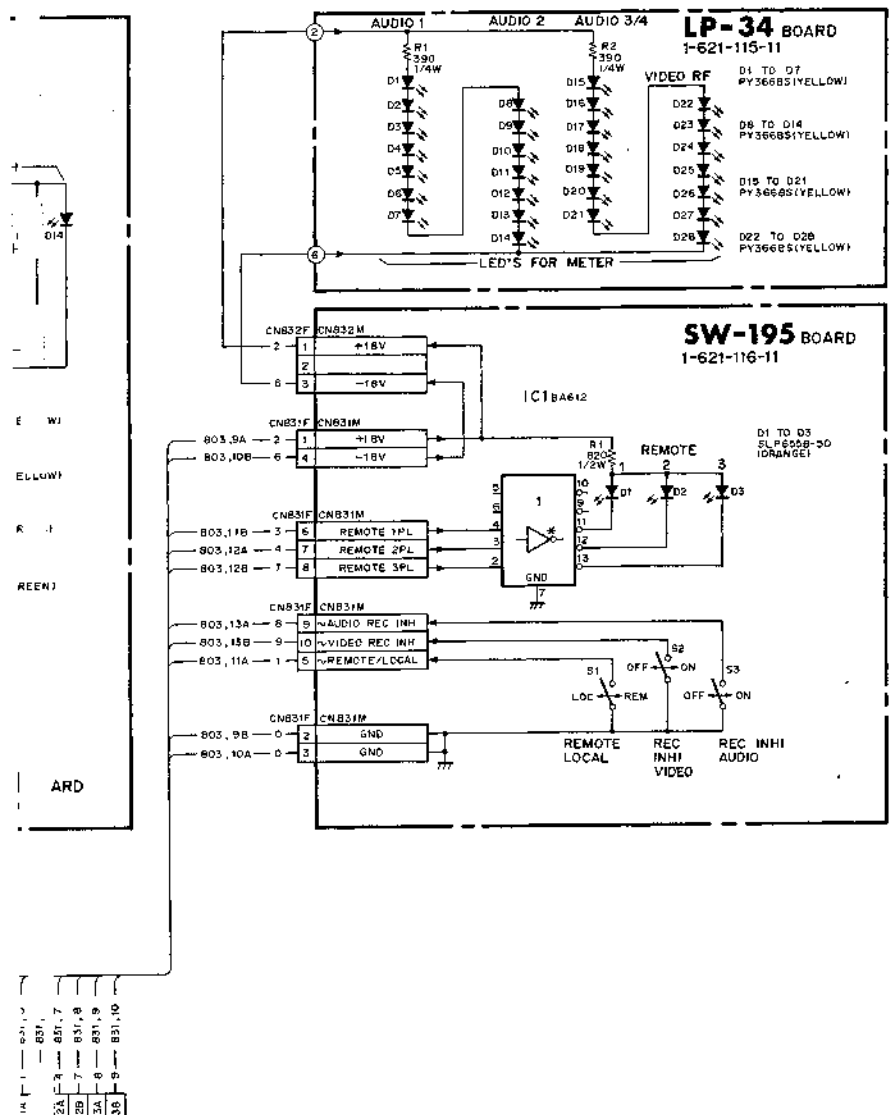


1-621-116-11 COMPONENT SIDE  
1-621-116-11 SOLDER SIDE

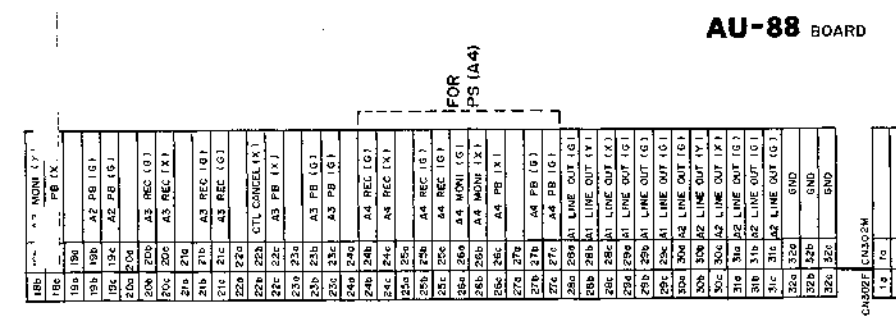
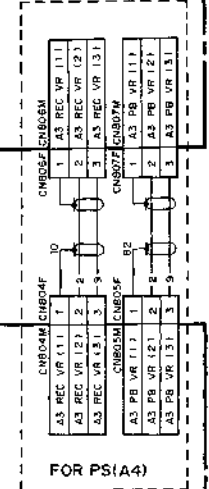
FRAME WIRING: LEVEL CONTROL PANEL

LP-34 BOARD: Meter Lamp  
MS-21 BOARD: Monitor Select  
SW-195 BOARD: Switch





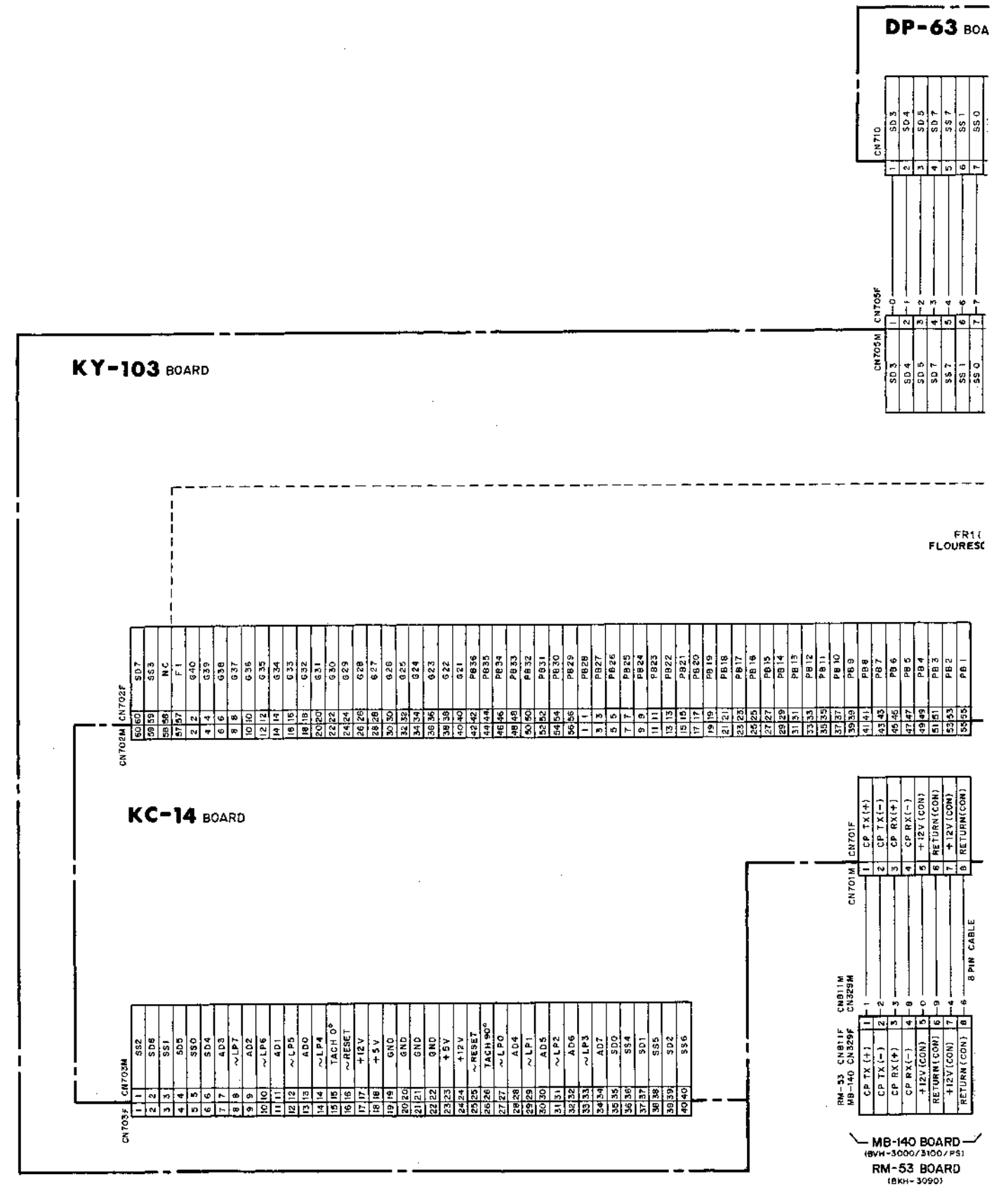
VR-51 BOARD	VR-51 BOARD
0 GND	19 19
1 25V	20 20
2 25V	21 21
3 PA (AUDIO)	22 22
4 EQ CONT	23 23
5 EQ (-)	24 24
6 TRACKING (X1)	25 25
7 TRACKING (X2)	26 26
8 TRACKING OFF	27 27
9 GAIN CONT (S1)	28 28
10 GAIN (-)	29 29
11 VIDEO METER (G)	30 30
12 VIDEO METER (R)	31 31
13 100 OHM	32 32
14 100 OHM	33 33
15 118 118	34 34
16 125 125	35 35
17 125 125	36 36
18 135 135	37 37
19 135 135	38 38
20 MONITOR VR R (L)	39 39
21 MONITOR VR R (R)	40 40
22 MONITOR VR L (L)	41 41
23 MONITOR VR L (R)	42 42
24 MONITOR VR L (L)	43 43
25 MONITOR VR L (R)	44 44
26 175 175	45 45
27 175 175	46 46
28 185 185	47 47
29 185 185	48 48
30 195 195	49 49
31 195 195	50 50
32 205 205	51 51
33 205 205	52 52
34 215 215	53 53
35 215 215	54 54
36 225 225	55 55
37 225 225	56 56
38 235 235	57 57
39 235 235	58 58
40 245 245	59 59
41 245 245	60 60
42 255 255	61 61
43 255 255	62 62
44 265 265	63 63
45 265 265	64 64
46 275 275	65 65
47 275 275	66 66
48 285 285	67 67
49 285 285	68 68
50 295 295	69 69
51 295 295	70 70
52 305 305	71 71
53 305 305	72 72
54 315 315	73 73
55 315 315	74 74
56 325 325	75 75
57 325 325	76 76
58 335 335	77 77
59 335 335	78 78
60 345 345	79 79
61 345 345	80 80
62 355 355	81 81
63 355 355	82 82
64 365 365	83 83
65 365 365	84 84
66 375 375	85 85
67 375 375	86 86
68 385 385	87 87
69 385 385	88 88
70 395 395	89 89
71 395 395	90 90
72 405 405	91 91
73 405 405	92 92
74 415 415	93 93
75 415 415	94 94
76 425 425	95 95
77 425 425	96 96
78 435 435	97 97
79 435 435	98 98
80 445 445	99 99
81 445 445	100 100
82 455 455	101 101
83 455 455	102 102
84 465 465	103 103
85 465 465	104 104
86 475 475	105 105
87 475 475	106 106
88 485 485	107 107
89 485 485	108 108
90 495 495	109 109
91 495 495	110 110
92 505 505	111 111
93 505 505	112 112
94 515 515	113 113
95 515 515	114 114
96 525 525	115 115
97 525 525	116 116
98 535 535	117 117
99 535 535	118 118
100 545 545	119 119
101 545 545	120 120
102 555 555	121 121
103 555 555	122 122
104 565 565	123 123
105 565 565	124 124
106 575 575	125 125
107 575 575	126 126
108 585 585	127 127
109 585 585	128 128
110 595 595	129 129
111 595 595	130 130
112 605 605	131 131
113 605 605	132 132
114 615 615	133 133
115 615 615	134 134
116 625 625	135 135
117 625 625	136 136
118 635 635	137 137
119 635 635	138 138
120 645 645	139 139
121 645 645	140 140
122 655 655	141 141
123 655 655	142 142
124 665 665	143 143
125 665 665	144 144
126 675 675	145 145
127 675 675	146 146
128 685 685	147 147
129 685 685	148 148
130 695 695	149 149
131 695 695	150 150
132 705 705	151 151
133 705 705	152 152
134 715 715	153 153
135 715 715	154 154
136 725 725	155 155
137 725 725	156 156
138 735 735	157 157
139 735 735	158 158
140 745 745	159 159
141 745 745	160 160
142 755 755	161 161
143 755 755	162 162
144 765 765	163 163
145 765 765	164 164
146 775 775	165 165
147 775 775	166 166
148 785 785	167 167
149 785 785	168 168
150 795 795	169 169
151 795 795	170 170
152 805 805	171 171
153 805 805	172 172
154 815 815	173 173
155 815 815	174 174
156 825 825	175 175
157 825 825	176 176
158 835 835	177 177
159 835 835	178 178
160 845 845	179 179
161 845 845	180 180
162 855 855	181 181
163 855 855	182 182
164 865 865	183 183
165 865 865	184 184
166 875 875	185 185
167 875 875	186 186
168 885 885	187 187
169 885 885	188 188
170 895 895	189 189
171 895 895	190 190
172 905 905	191 191
173 905 905	192 192
174 915 915	193 193
175 915 915	194 194
176 925 925	195 195
177 925 925	196 196
178 935 935	197 197
179 935 935	198 198
180 945 945	199 199
181 945 945	200 200
182 955 955	201 201
183 955 955	202 202
184 965 965	203 203
185 965 965	204 204
186 975 975	205 205
187 975 975	206 206
188 985 985	207 207
189 985 985	208 208
190 995 995	209 209
191 995 995	210 210
192 1005 1005	211 211
193 1005 1005	212 212
194 1015 1015	213 213
195 1015 1015	214 214
196 1025 1025	215 215
197 1025 1025	216 216
198 1035 1035	217 217
199 1035 1035	218 218
200 1045 1045	219 219
201 1045 1045	220 220
202 1055 1055	221 221
203 1055 1055	222 222
204 1065 1065	223 223
205 1065 1065	224 224
206 1075 1075	225 225
207 1075 1075	226 226
208 1085 1085	227 227
209 1085 1085	228 228
210 1095 1095	229 229
211 1095 1095	230 230
212 1105 1105	231 231
213 1105 1105	232 232
214 1115 1115	233 233
215 1115 1115	234 234
216 1125 1125	235 235
217 1125 1125	236 236
218 1135 1135	237 237
219 1135 1135	238 238
220 1145 1145	239 239
221 1145 1145	240 240
222 1155 1155	241 241
223 1155 1155	242 242
224 1165 1165	243 243
225 1165 1165	244 244
226 1175 1175	245 245
227 1175 1175	246 246
228 1185 1185	247 247
229 1185 1185	248 248
230 1195 1195	249 249
231 1195 1195	250 250
232 1205 1205	251 251
233 1205 1205	252 252
234 1215 1215	253 253
235 1215 1215	254 254
236 1225 1225	255 255
237 1225 1225	256 256
238 1235 1235	257 257
239 1235 1235	258 258
240 1245 1245	259 259
241 1245 1245	260 260
242 1255 1255	261 261
243 1255 1255	262 262
244 1265 1265	263 263
245 1265 1265	264 264
246 1275 1275	265 265
247 1275 1275	266 266
248 1285 1285	267 267
249 1285 1285	268 268
250 1295 1295	269 269
251 1295 1295	270 270
252 1305 1305	271 271
253 1305 1305	272 272
254 1315 1315	273 273
255 1315 1315	274 274
256 1325 1325	275 275
257 1325 1325	276 276
258 1335 1335	277 277
259 1335 1335	278 278
260 1345 1345	279 279
261 1345 1345	280 280
262 1355 1355	281 281
263 1355 1355	282 282
264 1365 1365	283 283
265 1365 1365	284 284
266 1375 1375	285 285
267 1375 1375	286 286
268 1385 1385	287 287
269 1385 1385	288 288
270 1395 1395	289 289
271 1395 1395	290 290
272 1405 1405	291 291
273 1405 1405	292 292
274 1415 1415	293 293
275 1415 1415	294 294
276 1425 1425	295 295
277 1425 1425	296 296
278 1435 1435	297 297
279 1435 1435	298 298
280 1445 1445	299 299
281 1445 1445	300 300
282 1455 1455	301 301
283 1455 1455	302 302
284 1465 1465	303 303
285 1465 1465	304 304
286 1475 1475	305 305
287 1475 1475	306 306
288 1485 1485	307 307
289 1485 1485	308 308
290 1495 1495	309 309
291 1495 1495	310 310
292 1505 1505	311 311
293 1505 1505	312 312
294 1515 1515	313 313
295 1515 1515	314 314
296 1525 1525	315 315
297 1525 1525	316 316
298 1535 1535	317 317
299 1535 1535	318 318
300 1545 1545	319 319
301 1545 1545	320 320
302 1555 1555	321 321
303 1555 1555	322 322
304 1565 1565	323 323
305 1565 1565	324 324
306 1575 1575	325 325
307 1575 1575	326 326
308 1585 1585	327 327
309 1585 1585	328 328
310 1595 1595	329 329
311 1595 1595	330 330
312 1605 1605	331 331
313 1605 1605	332 332

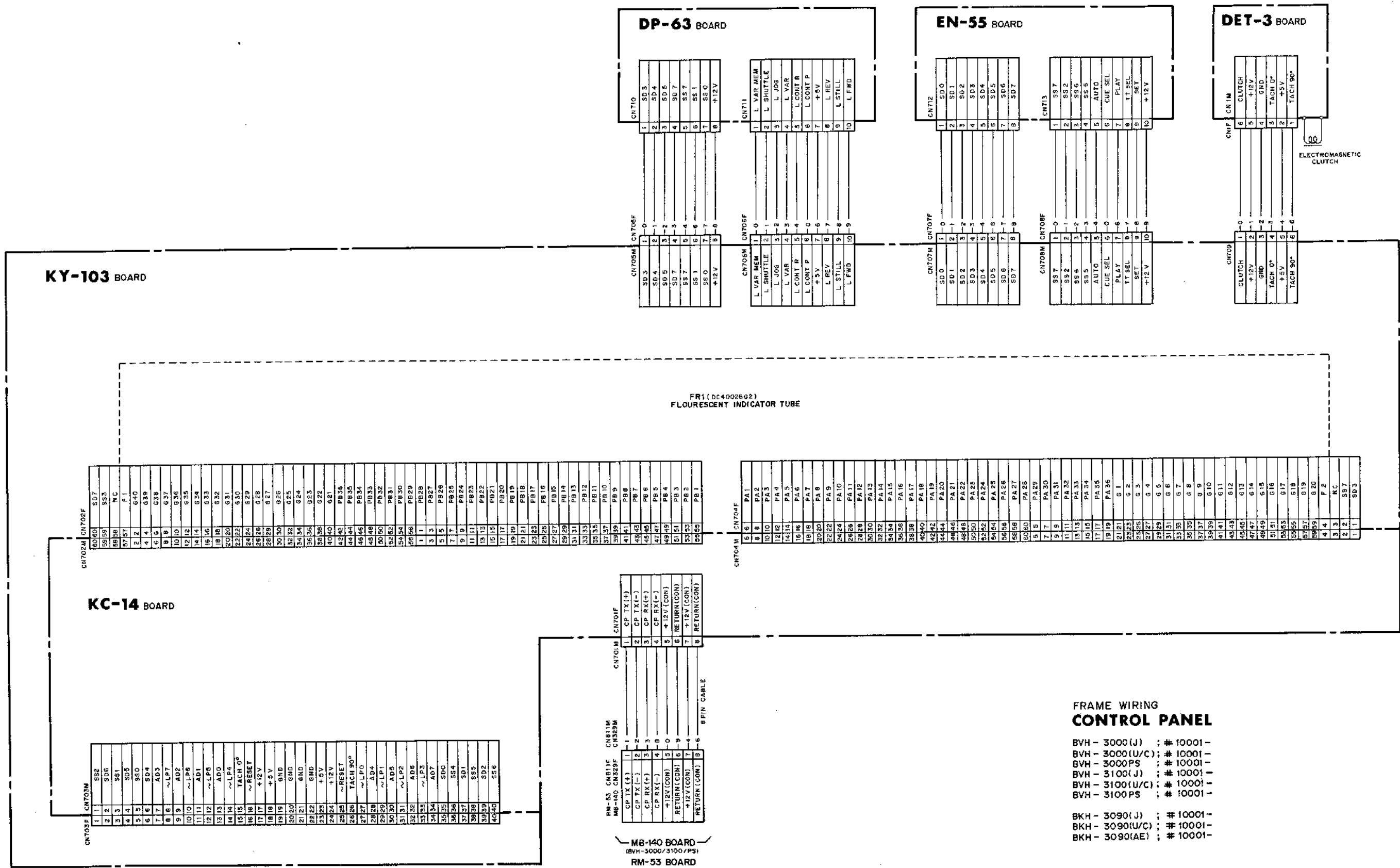


AU-88 BOARD
1 18 18
2 19 19
3 20 20
4 21 21
5 22 22
6 23 23
7 24 24
8 25 25
9 26 26
10 27 27
11 28 28
12 29 29
13 30 30
14 31 31
15 32 32
16 33 33
17 34 34
18 35 35
19 36 36
20 37 37
21 38 38
22 39 39
23 40 40
24 41 41
25 42 42
26 43 43
27 44 44
28 45 45
29 46 46
30 47 47
31 48 48
32 49 49
33 50 50
34 51 51
35 52 52
36 53 53
37 54 54
38 55 55
39 56 56
40 57 57
41 58 58
42 59 59
43 60 60
44 61 61
45 62 62
46 63 63
47 64 64
48 65 65
49 66 66
50 67 67
51 68 68
52 69 69
53 70 70
54 71 71
55 72 72
56 73 73
57 74 74
58 75 75
59 76 76
60 77 77
61 78 78
62 79 79
63 80 80
64 81 81
65 82 82
66 83 83
67 84 84
68 85 85
69 86 86
70 87 87
71 88 88
72 89 89
73 90 90
74 91 91
75 92 92
76 93 93
77 94 94
78 95 95
79 96 96
80 97 97
81 98 98

FRAME WIRING: FUNCTION CONTROL PANEL

DP-63 BOA





KY-103 BOARD

KC-14 BOARD

DP-63 BOARD

EN-55 BOARD

DET-3 BOARD

FR1 (D640926Q2)  
FLOURESCENT INDICATOR TUBE

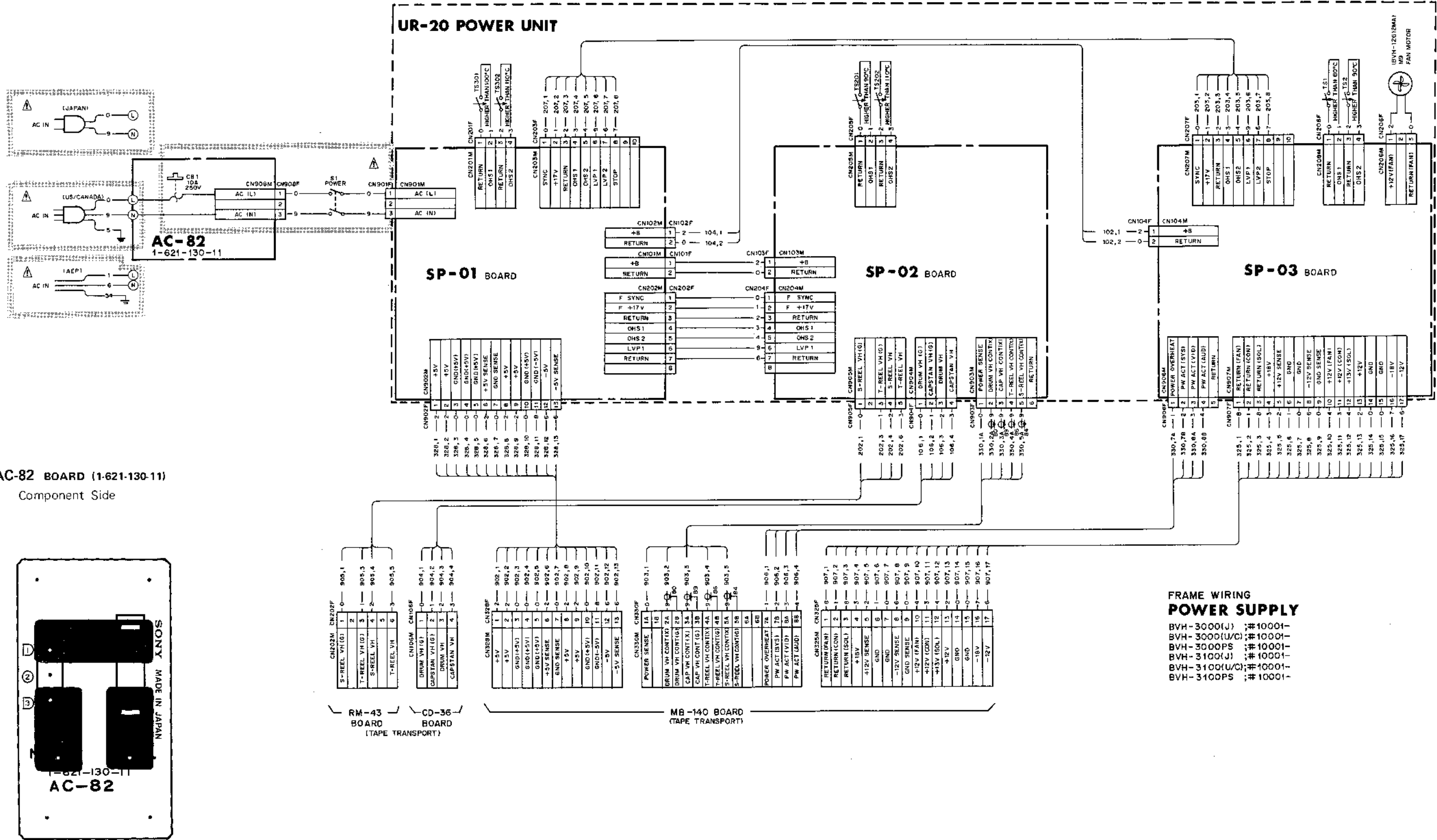
ELECTROMAGNETIC CLUTCH

RM-53 CN811F CN811M  
MB-140 CN829F CN829M  
MB-140 BOARD  
(BVH-3000/3100/PS)  
RM-53 BOARD  
(BKH-3090)

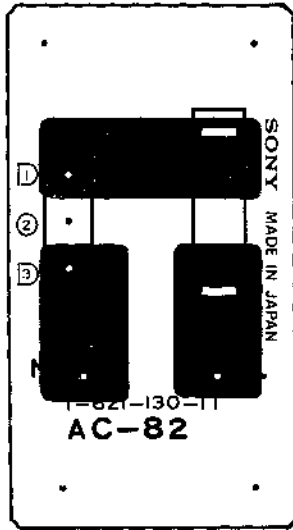
FRAME WIRING  
CONTROL PANEL

- BVH - 3000 (J) ; # 10001 -
- BVH - 3000 (U/C) ; # 10001 -
- BVH - 3000 PS ; # 10001 -
- BVH - 3100 (J) ; # 10001 -
- BVH - 3100 (U/C) ; # 10001 -
- BVH - 3100 PS ; # 10001 -
  
- BKH - 3090 (J) ; # 10001 -
- BKH - 3090 (U/C) ; # 10001 -
- BKH - 3090 (AE) ; # 10001 -

FRAME WIRING: POWER SUPPLY  
AC-82 BOARD: AC Circuit Breaker



AC-82 BOARD (1-621-130-11)  
Component Side

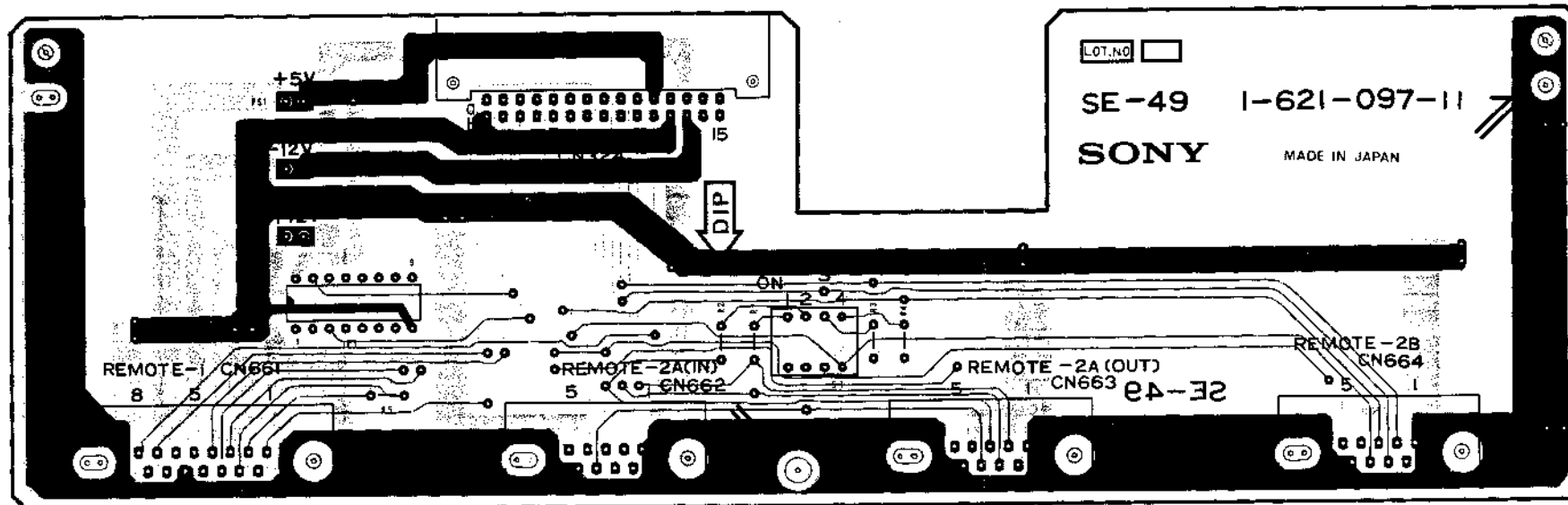


1-621-130-11 SOLDER SIDE



SE-49 BOARD (1-621-079-11)

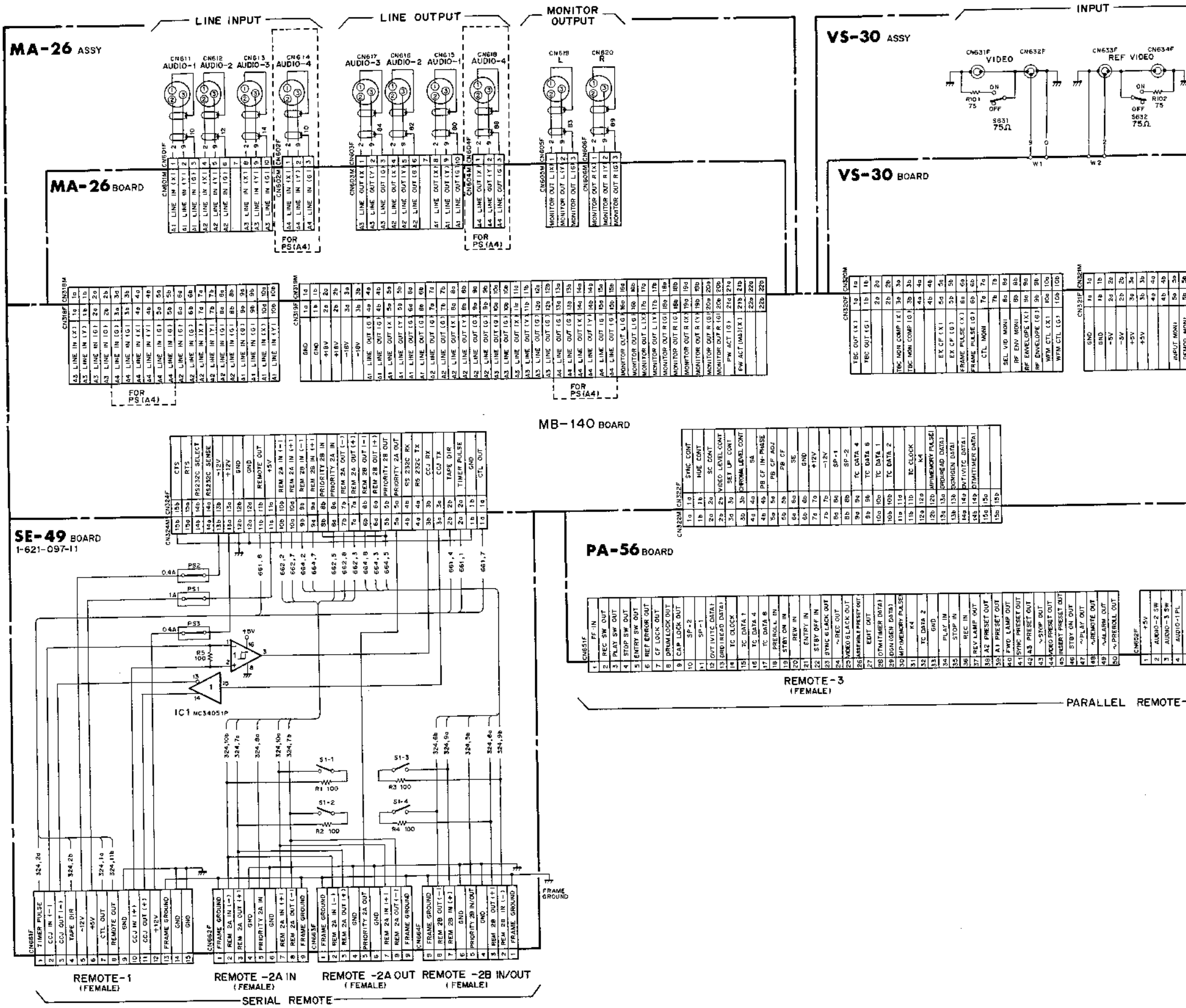
Component Side

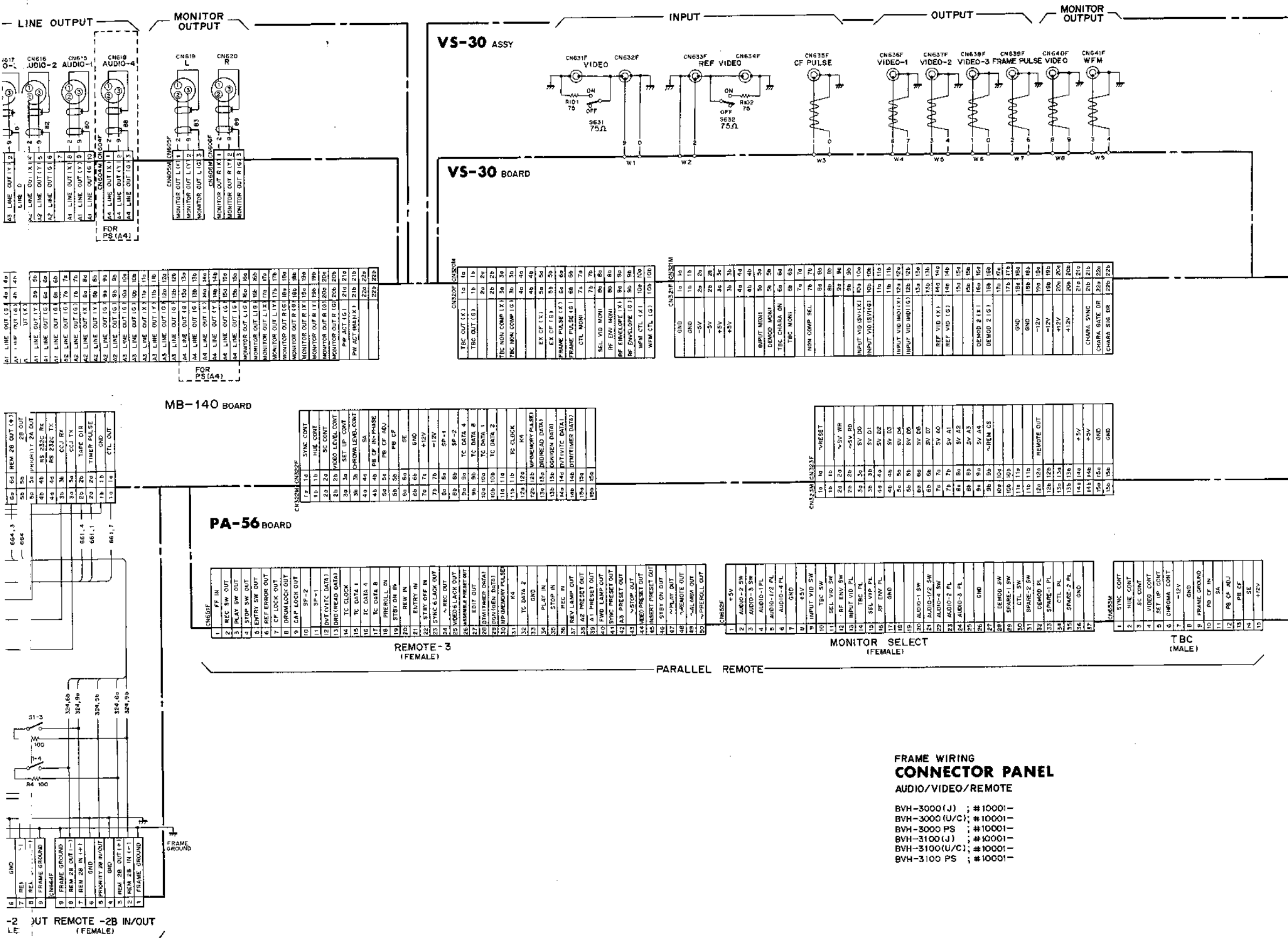


1-621-097-11

1-621-097-11 SOLDER SIDE

FRAME WIRING: CONNECTOR PANEL  
SE-49 BOARD: RS-422 Interface





FRAME WIRING  
CONNECTOR PANEL  
AUDIO/VIDEO/REMOTE

- BVH-3000 (J) ; #10001-
- BVH-3000 (U/C) ; #10001-
- BVH-3000 PS ; #10001-
- BVH-3100 (J) ; #10001-
- BVH-3100 (U/C) ; #10001-
- BVH-3100 PS ; #10001-

## SECTION C

### SEMICONDUCTOR PIN ASSIGNMENTS

この章の図の中には互換性のないダイオード、トランジスタ、ICが併記されていることがあります。部品を交換するときには必ず部品表を参照してください。

等価回路はICメーカーのData Bookに従いました。

The chart in this section may sometimes show diodes, transistors, and ICs that are not interchangeable. When replacing a component, be sure to refer to the parts list.

The circuit diagram of each IC is obtained from the IC data book published by the manufacturer.

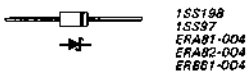
TYPE	PAGE	TYPE	PAGE	TYPE	PAGE	TYPE	PAGE
10E-2.....	C-5	2SC2603.....	C-6	C10P20FU.....	C-5	ERA81-004.....	C-5
1SS97.....	C-5	2SC2690A.....	C-6	CA3080E.....	C-10	ERA82-004.....	C-5
1SS119.....	C-5	2SC2752.....	C-6	CF77049N.....	C-10	ERA84-009.....	C-5
1SS120.....	C-5	2SC2785.....	C-7	CF77074NT.....	C-11	ERB12-02.....	C-5
1SS133.....	C-5	2SC2837.....	C-6	CTG-23S.....	C-5	ERB81-004.....	C-5
1SS148.....	C-5	2SC2878.....	C-6	CTG-31S.....	C-5	ESAC25-02C.....	C-5
1SS198.....	C-5	2SC2944.....	C-6	CTG-33R.....	C-5	ESAC33-02C.....	C-5
1SS200.....	C-5	2SC3068.....	C-6	CTG-33S.....	C-5	ESAC33-02N.....	C-5
1SS201.....	C-5	2SC3157.....	C-7	CTU-38R.....	C-5	ESAD85-009.....	C-5
1SS227.....	C-5	2SC3559.....	C-6	CTU-38S.....	C-5	F114E.....	C-5
1SV134.....	C-5	2SC3857.....	C-7	CXA1016P.....	C-21	F114F.....	C-5
1SZ7?.....	C-5	2SD734.....	C-7	CXD1020Q.....	C-22	FC53M.....	C-5
2SA715.....	C-6	2SD773.....	C-7	CXD1095Q.....	C-22	FC54M.....	C-5
2SA798.....	C-6	2SD774.....	C-7	CXK5864AP-10L.....	C-24	FML-22S.....	C-5
2SA872.....	C-6	2SD788.....	C-6	CXQ70108D.....	C-23	FML-32S.....	C-5
2SA872A.....	C-6	2SD789.....	C-6	CXQ71011P.....	C-24	GL-3PR3.....	C-5
2SA911.....	C-6	2SD1020.....	C-7	CXQ71051P.....	C-24	GP-1S05.....	C-5
2SA1005.....	C-6	2SD1061.....	C-6	CXQ71054P.....	C-25	HA17723G.....	C-50
2SA1013.....	C-6	2SD1134.....	C-6	CXQ71059P.....	C-25	HD10104.....	C-26
2SA1048.....	C-6	2SD1707.....	C-7	CX7903.....	C-15	HD10116.....	C-26
2SA1077.....	C-6	2SK162.....	C-7	CX7907A.....	C-16	HD10117.....	C-26
2SA1115.....	C-6	2SK389.....	C-7	CX7912A.....	C-18	HD10124.....	C-26
2SA1156.....	C-6	2SK422.....	C-7	CX7913A.....	C-20	HD10125.....	C-26
2SA1175.....	C-6	2SK523.....	C-7	CX773B.....	C-12	HD10131.....	C-26
2SA1206.....	C-6	74F00PC.....	C-8	CX20158.....	C-13	HD140218P.....	C-26
2SA1220A.....	C-6	74F02PC.....	C-28	CX20160.....	C-14	HD14046BP.....	C-26
2SA1328.....	C-6	74F20PC.....	C-28	CX20162.....	C-14	HD14051BP.....	C-27
2SB733.....	C-6	74F86PC.....	C-8	CX20194.....	C-14	HD14052BP.....	C-27
2SB739.....	C-6	74F112PC.....	C-45	CX23028.....	C-15	HD14053BP.....	C-27
2SB810.....	C-6	74F163APC.....	C-46	CX23065.....	C-15	HD14069UBP.....	C-27
2SB1156.....	C-6	74F193PC.....	C-8	DA210S.....	C-5	HD14071BP.....	C-42
2SC1162.....	C-6	AM26LS30PC.....	C-8	DAN209S.....	C-5	HD14538BP.....	C-27
2SC1252.....	C-6	AM26LS32PC.....	C-8	DAP209S.....	C-5	HD14584BP.....	C-27
2SC1475.....	C-6	AM685DL.....	C-9	DM-208.....	C-7	HD74HC245P.....	C-32
2SC1733.....	C-6	AM6685DL.....	C-9	DM-211.....	C-7	HD74LS00P.....	C-8
2SC1762.....	C-6	B5272.....	C-9	DS1210.....	C-25	HD74LS02P.....	C-28
2SC1775A.....	C-6	BA612.....	C-9	DTA114ES.....	C-7	HD74LS04P.....	C-28
2SC1815.....	C-6	BA707.....	C-9	DTA114TS.....	C-7	HD74LS05P.....	C-28
2SC1826.....	C-6	BX365A.....	C-9	DTA124ES.....	C-7	HD74LS08P.....	C-28
2SC2026.....	C-6	BX366A.....	C-9	DTA143XS.....	C-7	HD74LS10P.....	C-28
2SC2307-Y.....	C-6	BX381.....	C-9	DTC114ES.....	C-7	HD74LS11P.....	C-28
2SC2315.....	C-6	BX1101A.....	C-9	DTC124ES.....	C-7	HD74LS14P.....	C-28
2SC2383.....	C-6	BX1156B.....	C-9	DTC144ES.....	C-7	HD74LS20P.....	C-28
2SC2458.....	C-6	BX1244.....	C-10	EAA5504S.....	C-5	HD74LS21P.....	C-28
2SC2512.....	C-6	BX1306.....	C-10	EBG5504S.....	C-5	HD74LS30P.....	C-29
		BX3930.....	C-10	EBR5504S.....	C-5		
		BX3931A.....	C-10				

# SEMICONDUCTOR INDEX

TYPE	PAGE	TYPE	PAGE	TYPE	PAGE	TYPE	PAGE
HD74LS32P.....	C-29	MB8464A.....	C-36	MC74HC175N.....	C-39	SN7406N.....	C-44
HD74LS74AP.....	C-29	MB81464.....	C-35	MC74HC240N.....	C-39	SN7407N.....	C-44
HD74LS85P.....	C-29	MB8416A.....	C-34	MC74HC244N.....	C-39	SN74120N.....	C-44
HD74LS86P.....	C-8	MBM27C64-25.....	C-36	MC74HC245N.....	C-32	SN74123N.....	C-29
HD74LS123P.....	C-29	MBM27C256-25.....	C-36	MC74HC257N.....	C-40	SN74265N.....	C-44
HD74LS125AP.....	C-29	MC1496P.....	C-41	MC74HC273N.....	C-40	SN74HC00N.....	C-37
HD74LS126AP.....	C-29	MC1595L.....	C-41	MC74HC367N.....	C-40	SN74HC02N.....	C-37
HD74LS138P.....	C-29	MC1648P.....	C-41	MC74HC368N.....	C-40	SN74HC04N.....	C-37
HD74LS139P.....	C-30	MC10104L.....	C-26	MC74HC373N.....	C-40	SN74HC08N.....	C-37
HD74LS151P.....	C-30	MC10116L.....	C-26	MC74HC393N.....	C-40	SN74HC10N.....	C-37
HD74LS153P.....	C-30	MC10117L.....	C-26	MC74HC4051N.....	C-41	SN74HC11N.....	C-37
HD74LS155P.....	C-30	MC10124L.....	C-26	MC74HC4052N.....	C-41	SN74HC14N.....	C-37
HD74LS157P.....	C-30	MC10125L.....	C-26	MC921.....	C-5	SN74HC32N.....	C-37
HD74LS164P.....	C-30	MC10131L.....	C-26	MP4001.....	C-42	SN74HC74N.....	C-37
HD74LS174P.....	C-31	MC10H116L.....	C-26	MP4504.....	C-42	SN74HC86N.....	C-37
HD74LS175P.....	C-31	MC34051P.....	C-41	MP6901.....	C-42	SN74HC138N.....	C-38
HD74LS191P.....	C-31	MC14021BCP.....	C-26	MSL915RS.....	C-42	SN74HC139N.....	C-38
HD74LS221P.....	C-32	MC14046BCP.....	C-26	MSL9510RS.....	C-43	SN74HC151N.....	C-38
HD74LS245P.....	C-32	MC14051BCP.....	C-27	MSM4094RS.....	C-42	SN74HC153N.....	C-38
HD74LS273P.....	C-31	MC14052BCP.....	C-27	MSM5128-12RS.....	C-34	SN74HC157N.....	C-38
HD74LS283P.....	C-31	MC14053BCP.....	C-27	NE527N.....	C-43	SN74HC161N.....	C-39
HD74LS290P.....	C-31	MC14069BCP.....	C-27	NE5532P.....	C-43	SN74HC165N.....	C-39
HD74LS373P.....	C-32	MC14070BCP.....	C-42	NJM2903D.....	C-44	SN74HC175N.....	C-39
HD74LS374P.....	C-32	MC14071BCP.....	C-42	NJM4558D.....	C-44	SN74HC240N.....	C-39
HD74LS393P.....	C-33	MC14094BCP.....	C-42	NJM4559D.....	C-44	SN74HC244N.....	C-39
HD74LS669P.....	C-33	MC14538BCP.....	C-27	NJM4560D.....	C-44	SN74HC245N.....	C-32
HD74LS670P.....	C-33	MC14584BCP.....	C-27	NJM78??A.....	C-49	SN74HC257N.....	C-40
H11-0201-5.....	C-33	MC74HC00N.....	C-37	NJM78L??A.....	C-43	SN74HC273N.....	C-40
HM6116ALSP.....	C-34	MC74HC02N.....	C-37	NJM78M??A.....	C-43	SN74HC367N.....	C-40
HM6264LP.....	C-34	MC74HC04N.....	C-37	NJM79??A.....	C-43	SN74HC368N.....	C-40
HZS??N.....	C-5	MC74HC08N.....	C-37	NJM79L??A.....	C-43	SN74HC373N.....	C-40
LM339.....	C-35	MC74HC10N.....	C-37	NJM79M??A.....	C-44	SN74HC393N.....	C-40
LM3080N.....	C-34	MC74HC11N.....	C-37	PH110.....	C-7	SN74HC573N.....	C-45
LN25RP.....	C-5	MC74HC14N.....	C-37	PS2401-1.....	C-5	SN74HC574N.....	C-45
LN35BP.....	C-5	MC74HC32N.....	C-37	PY3668S.....	C-5	SN74ALS00AN.....	C-8
LT9101D.....	C-5	MC74HC74N.....	C-37	RC7915FA.....	C-44	SN74ALS10N.....	C-28
LT9101N.....	C-5	MC74HC86N.....	C-37	RD??E.....	C-5	SN74ALS20AN.....	C-28
M4538BP.....	C-27	MC74HC132N.....	C-38	RD??ESB?.....	C-5	SN74ALS30AN.....	C-29
M5220P.....	C-34	MC74HC138N.....	C-38	RU2M.....	C-5	SN74ALS74AN.....	C-29
M54516P.....	C-9	MC74HC139N.....	C-38	S15VB60.....	C-5	SN74ALS112AN.....	C-45
M54517P.....	C-34	MC74HC151N.....	C-38	SE310.....	C-5	SN74ALS174N.....	C-31
MB3759.....	C-35	MC74HC153N.....	C-38	SEL1321G.....	C-5	SN74ALS161BN.....	C-45
MB4002.....	C-35	MC74HC157N.....	C-38	SIB01-02.....	C-5	SN74ALS163AN.....	C-46
MB4204.....	C-35	MC74HC161N.....	C-39	SLP255B.....	C-5	SN74ALS245N.....	C-32
MB84069B.....	C-27	MC74HC165N.....	C-39	SLP455B.....	C-5	SN74LS00N.....	C-8
				SLP655B.....	C-5		

TYPE	PAGE	TYPE	PAGE	TYPE	PAGE	TYPE	PAGE
SN74LS02N.....	C-28	SN74LS688N.....	C-46	TC74HC244P.....	C-39	uPC78??H.....	C-49
SN74LS04N.....	C-28	SN74S10N.....	C-28	TC74HC245P.....	C-32	uPC79??H.....	C-49
SN74LS05N.....	C-28	SN74S157N.....	C-30	TC74HC257P.....	C-40	uPD41102C.....	C-51
SN74LS08N.....	C-28	SN74S189AN.....	C-45	TC74HC273P.....	C-40	uPD6142C.....	C-52
SN74LS10N.....	C-28	SN75107AN.....	C-44	TC74HC367P.....	C-40	uPD70108D.....	C-23
SN74LS11N.....	C-28	SN75207N.....	C-44	TC74HC368P.....	C-40	uPD71054C.....	C-25
SN74LS14N.....	C-28	STR-9012.....	C-46	TC74HC373P.....	C-40	uPD71059C.....	C-25
SN74LS20N.....	C-28	SVC321.....	C-6	TC74HC393P.....	C-40	uPD7201AC.....	C-52
SN74LS21N.....	C-28	SVC321SP.....	C-6	TC74HC573P.....	C-45	uPD7201AD.....	C-52
SN74LS30N.....	C-29	TA7357AP.....	C-47	TC74HC574P.....	C-45	uPD74HC221AC.....	C-47
SN74LS32N.....	C-29	TC4021BP.....	C-26	TC74HC670P.....	C-41	uPD78C10G.....	C-51
SN74LS33N.....	C-46	TC4046BP.....	C-26	TC74HC4520P.....	C-47	U05E.....	C-5
SN74LS51N.....	C-45	TC4051BP.....	C-27	TD62304P.....	C-47	U05G.....	C-5
SN74LS74AN.....	C-29	TC4052BP.....	C-27	TD62901P.....	C-47	Y06C.....	C-5
SN74LS85N.....	C-29	TC4053BP.....	C-27	TL082CP.....	C-47	Y09G.....	C-5
SN74LS86N.....	C-8	TC4069UBP.....	C-27	TL084CN.....	C-47	X2212P.....	C-53
SN74LS109AN.....	C-53	TC4071BP.....	C-42	TL191CN.....	C-48		
SN74LS112AN.....	C-45	TC4528BP.....	C-47	TL431CLPB.....	C-48		
SN74LS123N.....	C-29	TC4538BP.....	C-27	TL494CN.....	C-35		
SN74LS125AN.....	C-29	TC5517AFL.....	C-34	TL601CP.....	C-48		
SN74LS126AN.....	C-29	TC5517CFL.....	C-34	TL607CP.....	C-48		
SN74LS132N.....	C-46	TC5565PL.....	C-34	TL610CP.....	C-48		
SN74LS138N.....	C-29	TC504013BP.....	C-47	TL820CN.....	C-48		
SN74LS139N.....	C-30	TC74HC00P.....	C-37	TL7705ACP.....	C-48		
SN74LS151N.....	C-30	TC74HC02P.....	C-37	TLR214.....	C-5		
SN74LS153N.....	C-30	TC74HC04P.....	C-37	TLY211.....	C-6		
SN74LS155N.....	C-30	TC74HC08P.....	C-37	TMM2015AP.....	C-48		
SN74LS157N.....	C-30	TC74HC10P.....	C-37	TMM41464P.....	C-49		
SN74LS161AN.....	C-45	TC74HC11P.....	C-37	TX-429M.....	C-7		
SN74LS163AN.....	C-46	TC74HC14P.....	C-37	uA723CN.....	C-50		
SN74LS164N.....	C-30	TC74HC32P.....	C-37	uA723DC.....	C-50		
SN74LS174N.....	C-31	TC74HC74P.....	C-37	uPC311C.....	C-50		
SN74LS175N.....	C-31	TC74HC86P.....	C-37	uPC319C.....	C-50		
SN74LS189AN.....	C-45	TC74HC132P.....	C-38	uPC339C.....	C-35		
SN74LS191N.....	C-31	TC74HC138P.....	C-38	uPC358C.....	C-50		
SN74LS221N.....	C-32	TC74HC139P.....	C-38	uPC393C.....	C-44		
SN74LS273N.....	C-31	TC74HC151P.....	C-38	uPC648C.....	C-50		
SN74LS283N.....	C-31	TC74HC153P.....	C-38	uPC649C.....	C-50		
SN74LS290N.....	C-31	TC74HC155P.....	C-38	uPC1037H.....	C-50		
SN74LS373N.....	C-32	TC74HC155AP.....	C-38	uPC1037HA.....	C-50		
SN74LS374N.....	C-32	TC74HC157P.....	C-38	uPC1663C.....	C-50		
SN74LS393N.....	C-33	TC74HC161N.....	C-39	uPC4082C.....	C-47		
SN74LS399N.....	C-46	TC74HC165P.....	C-39	uPC4557C.....	C-50		
SN74LS624N.....	C-46	TC74HC175P.....	C-39	uPC4558C.....	C-44		
SN74LS669N.....	C-33	TC74HC221P.....	C-47	uPC78L??.....	C-50		
SN74LS670N.....	C-33	TC74HC240P.....	C-39	uPC78M??H.....	C-49		

**DIODE**



1SS198  
1SS197  
ERA81-004  
ERA82-004  
ERA81-004



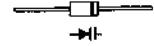
1SS200  
DAP209S



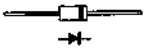
1SS201  
DAN209S



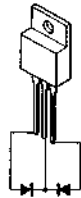
1SS227



1SVT34



10E-2  
1SS119  
1SS120  
1SS133  
1SS148  
ERA84-009  
ERA82-??  
RU2M  
SIB01-02



CTG20FU  
CTG-23S  
ESAC25-02C  
ESAC33-02C



CTG-31S  
CTG-33S  
CTU-39S  
ESAD85-009



CTG-33R  
CTU-38R



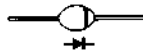
DA210S



EAA5504S : AMBER  
EBQ5504S : GREEN  
EBR5504S : RED



ESAC33-02N



F114E  
F114F  
U05E  
U05B  
U06C  
U09G



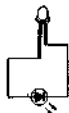
FC53M  
FC54M



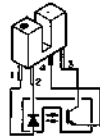
FML-22S



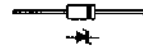
FML-32S



GL-3PR3 : RED



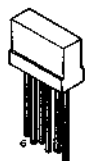
GP-1S05



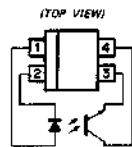
1SZ??  
HZS??N  
RD??E  
RD??ESB?



LN25RP : RED  
LN35BP : GREEN  
TLR214 : RED



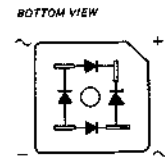
LT9101D : RED  
LT9101N : YELLOW GREEN



PS2401-1



PY368S : YELLOW



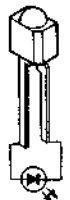
SI5VB??



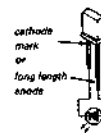
SEL13126 : GREEN



MC921

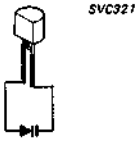


SE310 : INFRARED



SLP255B : GREEN  
SLP455B : YELLOW  
SLP655B : ORANGE

DIODE, TRANSISTOR



SVC321



SVC321SP



TLY211 : YELLOW



2SA1798

BOTTOM VIEW



2SA911



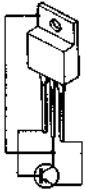
2SA1005  
2SA872  
2SA872A



2SA1013  
2SB739



2SA1048  
2SA1116



2SA1077  
2SA1329



TYPE NO.  
PRINTED

2SA1156  
2SA1220A  
2SA715

TYPE NO.  
PRINTED



2SA1175  
2SB610



2SA1206



2SB733



2SB1156



TYPE NO.  
PRINTED

2SC1152  
2SC2690A  
2SC2752

BOTTOM VIEW

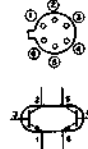


2SC1252  
2SC1762



2SC1475  
2SC2383  
2SD788  
2SD789

BOTTOM VIEW



2SC1733



2SC1775A  
2SC1816  
2SC2878  
2SC3068



2SC1826  
2SC2315  
2SC3859  
2SD1061  
2SD1134



2SC2026  
2SC2512



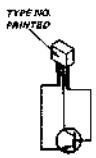
2SC2307-Y  
2SC2637  
2SC2944



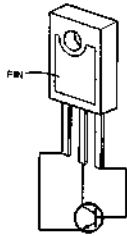
2SC2458  
2SC2603



# TRANSISTOR



2SC2785  
2SD1020



2SC3157



2SC3857



2SD734



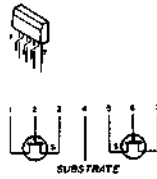
2SD773  
2SD774



2SD1707



2SK162



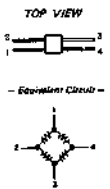
2SK389



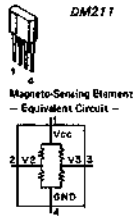
2SK422



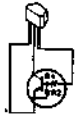
2SK523



DM208



DM211



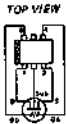
DTA114ES (R1=10K, R2=10K)  
DTA114TS (R1=10K, R2=∞)  
DTA124ES (R1=22K, R2=22K)  
DYA143XS (R1=4.7K, R2=10K)



DTC114ES (R1=10K, R2=10K)  
DTC124ES (R1=22K, R2=22K)  
DTC144ES (R1=47K, R2=47K)

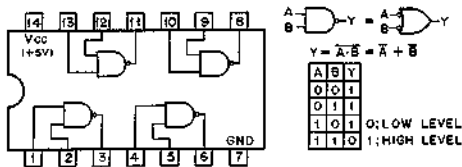


PM110

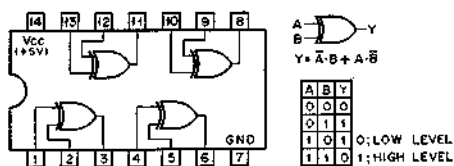


TX429M

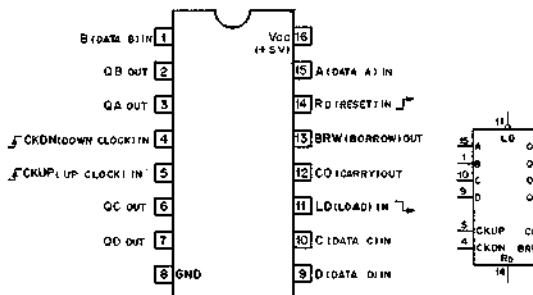
74F00PC (FSC)  
 HD74LS00P (HITACHI)  
 SN74ALS00AN (TI)  
 SN74LS00N (TI)  
 TTL 2-INPUT POSITIVE-NAND GATE  
 — TOP VIEW —



74F86PC (FSC)  
 HD74LS86P (HITACHI)  
 SN74LS86N (TI)  
 TTL EXCLUSIVE OR GATE  
 — TOP VIEW —

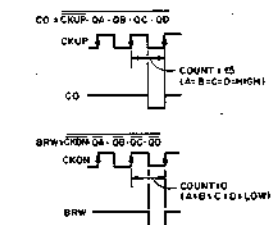


74F193PC (FSC)  
 TTL PRESETTABLE SYNCHRONOUS 4-BIT UP/DOWN COUNTER  
 — TOP VIEW —



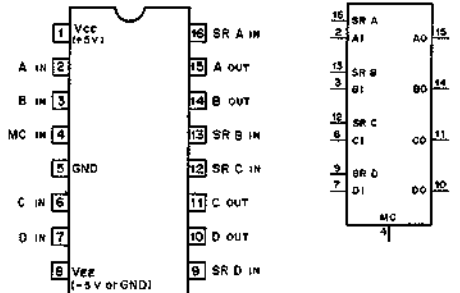
CONTROL	INPUTS	MODE
R0	LD CKUP CKDN	RESET TO ZERO
0	0 X X	PRESET
0	1 1 1	UP COUNT
0	1 1 1	DOWN COUNT
0	1 1 1	NO COUNT

COUNT	QD	QC	QB	QA
0	0	0	0	0
1	0	0	0	1
2	0	0	1	0
3	0	0	1	1
4	0	1	0	0
5	0	1	0	1
6	0	1	1	0
7	0	1	1	1
8	1	0	0	0
9	1	0	0	1
10	1	0	1	0
11	1	0	1	1
12	1	1	0	0
13	1	1	0	1
14	1	1	1	0
15	1	1	1	1

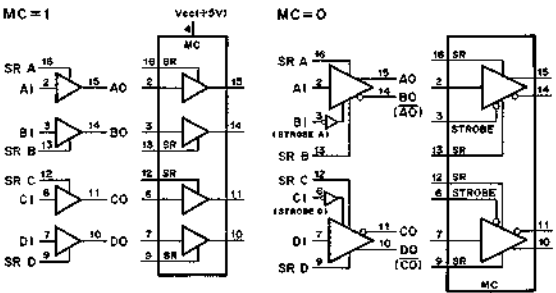


0; LOW LEVEL  
 1; HIGH LEVEL  
 X; DON'T CARE

AM26LS30PC (ADVANCED MICRO DEVICES)  
 LINE DRIVER  
 — TOP VIEW —



MC; MODE CONTROL  
 SR; SLEW RATE CONTROL

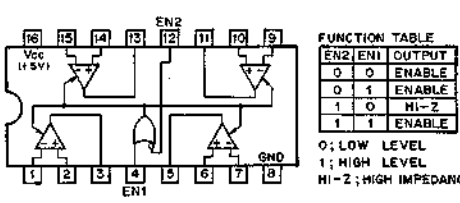


INPUTS	OUTPUTS
MC A TO D	A TO D
1 0 0 0	0
1 1 1 1	1

INPUTS	OUTPUTS
MC STROBE A & D	A & D
0 0 0 0	0 1
0 0 1 1	1 0
0 1 X X	HI-Z HI-Z

0; LOW LEVEL X; DON'T CARE  
 1; HIGH LEVEL HI-Z; HIGH IMPEDANCE

AM26LS32PC (ADVANCED MICRO DEVICES)  
 HIGH SPEED DIFFERENTIAL LINE RECEIVER  
 — TOP VIEW —

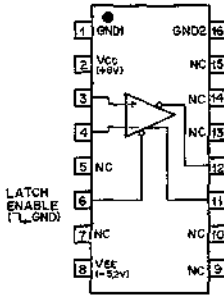


EN2	EN1	OUTPUT
0	0	ENABLE
0	1	ENABLE
1	0	HI-Z
1	1	ENABLE

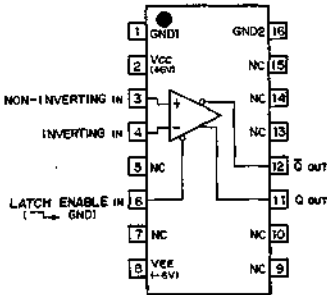
0; LOW LEVEL  
 1; HIGH LEVEL  
 HI-Z; HIGH IMPEDANCE

SENSE	INPUT VOLT
LS32	±200mV ±7V
LS33	±500mV ±15V

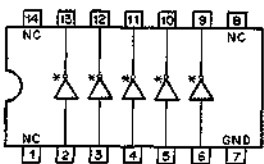
AM685DL (ADVANCED MICRO DEVICES)  
VOLTAGE COMPARATOR  
(OPEN EMITTER OUTPUTS)  
— TOP VIEW —



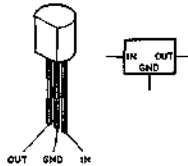
AM685DL (ADVANCED MICRO DEVICES)  
VOLTAGE COMPARATOR  
(BUILT-IN LATCH)  
— TOP VIEW —



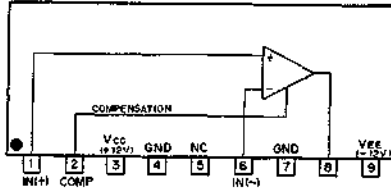
BA612 (ROHM)  
M54516P (MITSUBISHI)  
INVERTER WITH OPEN-COLLECTOR  
(DARLINGTON-CONNECTED TRANSISTOR ARRAY)  
— TOP VIEW —



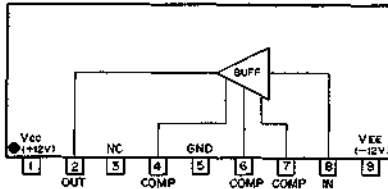
BA707 (ROHM)  
+3.3V VOLTAGE REGULATOR



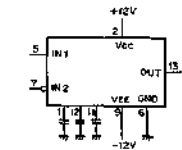
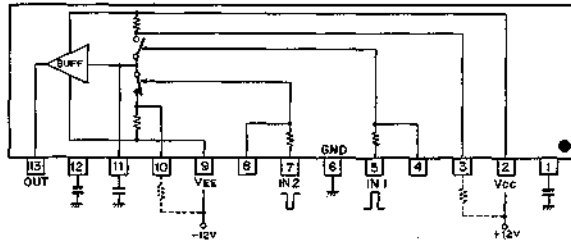
BX365A (SONY)  
VIDEO AMPLIFIER  
— SIDE VIEW —



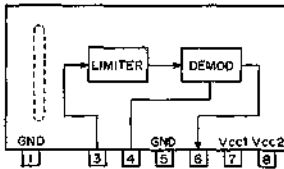
BX366A (SONY)  
BX366AL (ROHM)  
VIDEO BUFFER  
— SIDE VIEW —



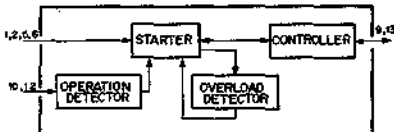
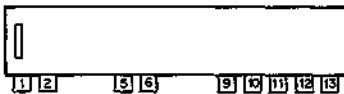
BX381 (SONY)  
PHASE COMPARATOR  
— SIDE VIEW —



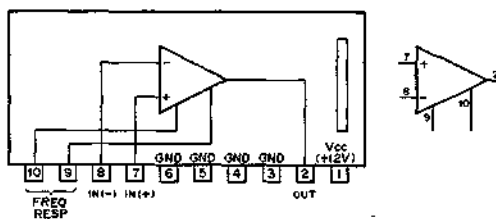
BX1101A (SONY)  
LIMITER/DEMODULATOR  
— REAR VIEW —



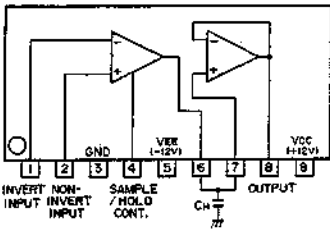
B5272 (JRM)  
STARTOR OF SWITCHING REGULATOR  
— PRINTED SIDE VIEW —



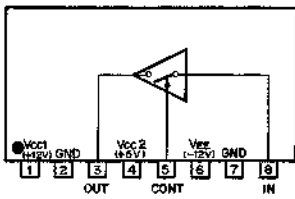
BX1156B (SONY)  
HYBRID VIDEO RF PREAMPLIFIER  
— PRINTED SIDE VIEW —



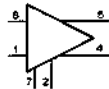
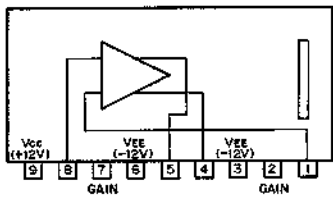
**BX1244 (SONY)**  
SAMPLE AND HOLD.  
— PRINTED SIDE VIEW —



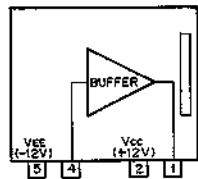
**BX1306 (SONY)**  
VIDEO AND RF SWITCH  
— SIDE VIEW —



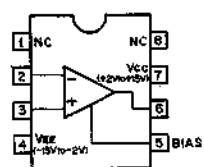
**BX3930 (SONY)**  
HYBRID VIDEO WIDEBAND DIFFERENTIAL AMPLIFIER  
— IMPRINTED SIDE —



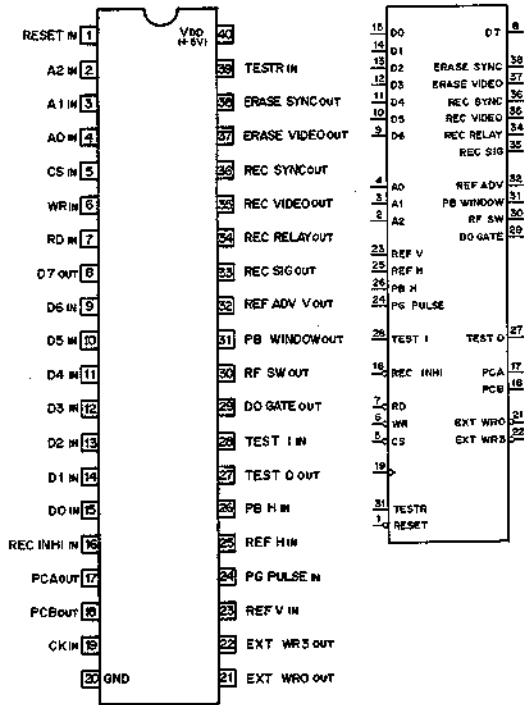
**BX3931A (SONY)**  
HYBRID VIDEO WIDEBAND  
BUFFER AMPLIFIER  
— IMPRINTED SIDE —



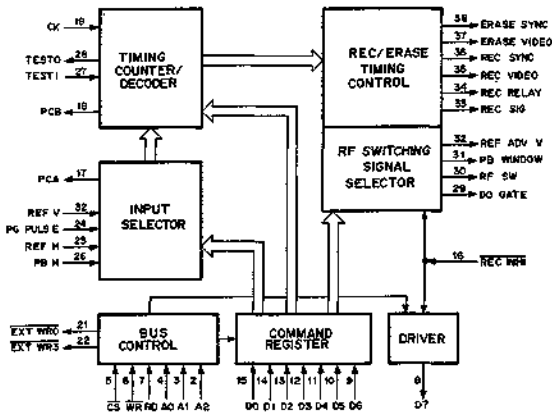
**CA3080E (RCA)**  
OPERATIONAL AMPLIFIER  
— TOP VIEW —



**CF77049N (TI)**  
CMOS VIDEO AND SYNC HEAD SIGNAL CONTROLLER  
— TOP VIEW —



- D0 ~ D6; DATA INPUTS
- D7; REC INHIBIT OUTPUT
- A0 ~ A2; COMMAND REGISTER SELECT INPUTS
- ERASE SYNC; SYNC ERASE HEAD CONTROL OUTPUT
- ERASE VIDEO; VIDEO ERASE HEAD CONTROL OUTPUT
- REC SYNC; SYNC HEAD CONTROL OUTPUT
- REC VIDEO; VIDEO HEAD CONTROL OUTPUT
- REC RELAY; REC RELAY CONTROL OUTPUT
- REC SIG; RECORD MODE OUTPUT (REC MODE=0)
- REF ADV V; REF ADV V SIGNAL OUTPUT
- PB WINDOW; PB WINDOW SIGNAL OUTPUT
- RF SW; RF SW OUTPUT (VIDEO=1, SYNC=0)
- DO GATE; DROP OUT GATE SIGNAL OUTPUT
- REF V; REFERENCE V INPUT
- REF H; REFERENCE H INPUT
- PB H; PB H INPUT
- PG PULSE; PG PULSE INPUT
- TESTO; TEST OUTPUT (CK x 1/64)
- TESTI; TEST INPUT
- PCA; OUTPUT FOR PHASE COMPARETOR A (REF H)
- PCB; OUTPUT FOR PHASE COMPARETOR B (CK x 1/256)
- EXT WR0; LATCH PULSE OUTPUT FOR EXPAND WRITE PORT
- EXT WR3; LATCH PULSE OUTPUT FOR EXPAND WRITE PORT
- REC INHI; RECORD INHIBIT INPUT
- TESTR; TEST RESET INPUT
- RESET; RESET INPUT
- RD; READ INPUT
- WR; WRITE INPUT
- CS; CHIP SELECT INPUT



ADDRESS MAP  
WRITE MODE CS=WR=0 RD=1

A2	A1	A0	D7	D6	D5	D4	D3	D2	D1	D0
0	0	0		VIDEO TEST	PB H SEL	PAH/RTSC				
0	0	1		VIDEO CONF1	SYNC REC	VIDEO REC	DT SEL	LSHD SEL	V4S REC	FLY ERS
0	1	0					RF SW/RP SW/DLY3	RF SW/RP SW/DLY2	RF SW/RP SW/DLY1	RF SW/DLY0

ADDRESS MAP  
READ MODE CS=RD=0 WR=1

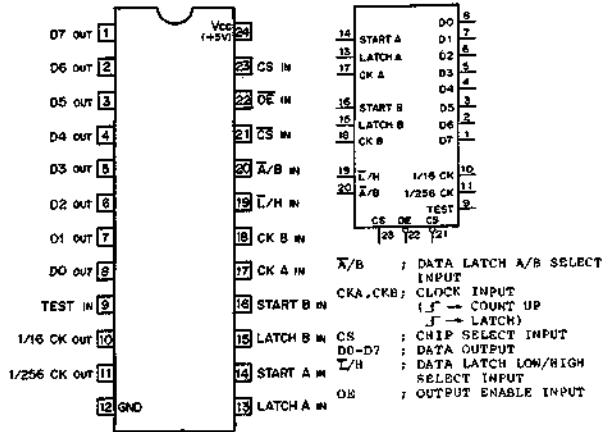
A2	A1	A0	D7	D6	D5	D4	D3	D2	D1	D0
0	0	0		REC INHI						

EXTWR0, EXTWR3

A2	A1	A0	CS	WR	EXTWR0	EXTWR3
0	0	0	0	0	0	1
0	1	1	0	0	1	0
THE OTHERS						

0: LOW LEVEL  
1: HIGH LEVEL

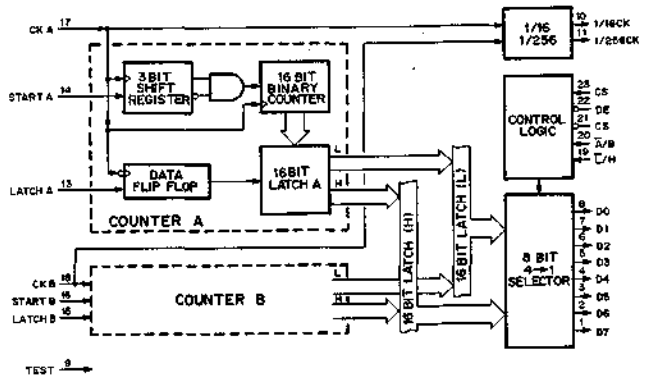
CF77074NT (T1)  
CLOCK COUNTER  
— TOP VIEW —



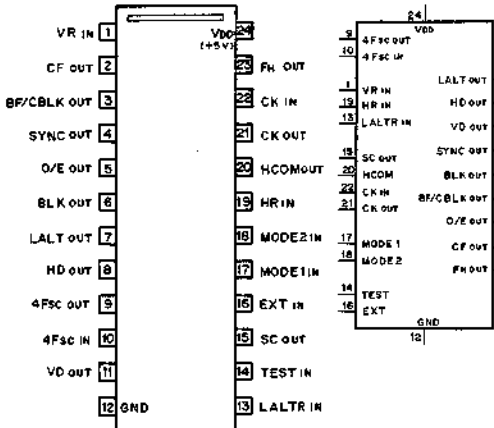
MODE SELECT

INPUT					OUTPUT
CS	CS	OE	A/B	L/H	D0-D7
0	X	X	X	X	HI-Z
1	0	0	0	0	LATCH A LOW BYTE
1	0	0	0	1	LATCH A HIGH BYTE
1	0	0	1	0	LATCH B LOW BYTE
1	0	0	1	1	LATCH B HIGH BYTE
X	1	X	X	X	HI-Z
X	X	1	X	X	HI-Z

0: LOW LEVEL  
1: HIGH LEVEL  
X: DON'T CARE  
HI-Z: HIGH IMPEDANCE



CX773B (SONY)  
C-MOS SYNC GENERATOR (NTSC, PAL-M, PAL, SECAM)  
— TOP VIEW —



O/E : ODD/EVEN FIELD  
CF : COLOR FRAME PULSE  
HCOM : H COMPARATOR

SYSTEM	4Fsc	CLOCK
NTSC	910 Fh	910 Fh
PAL	1135 Fh + 2Fv	908 Fh
PALM	909 Fh	910 Fh
SECAM		908 Fh

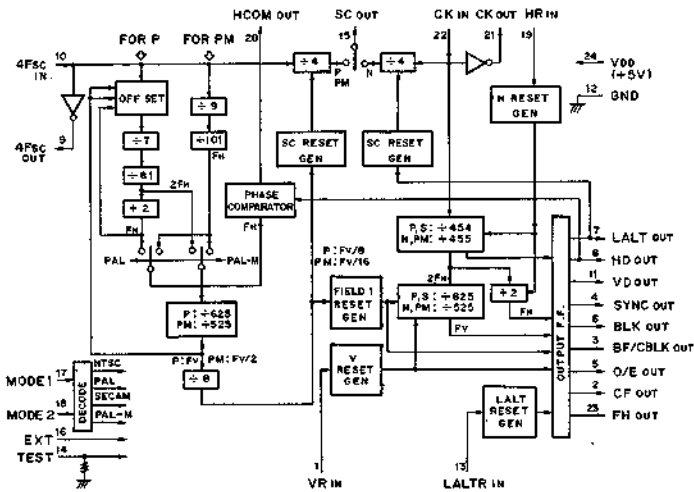
  

INPUTS	MODE1	MODE2	SYSTEM
0	0	0	NTSC
0	0	1	SECAM
1	0	0	PALM
1	1	0	PAL

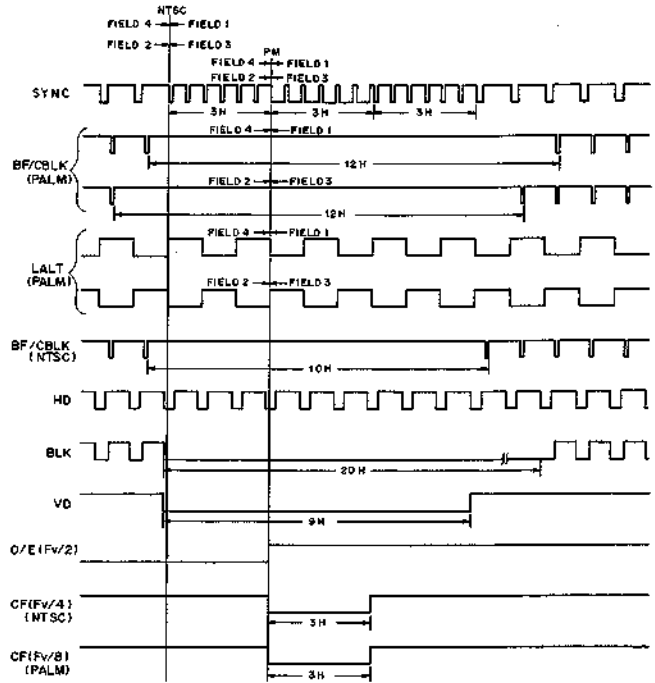
  

INPUTS	EXT	TEST	FUNCTION
0	0	0	INTERNAL
0	1	0	INVALID
1	0	0	EXT
1	1	1	TEST

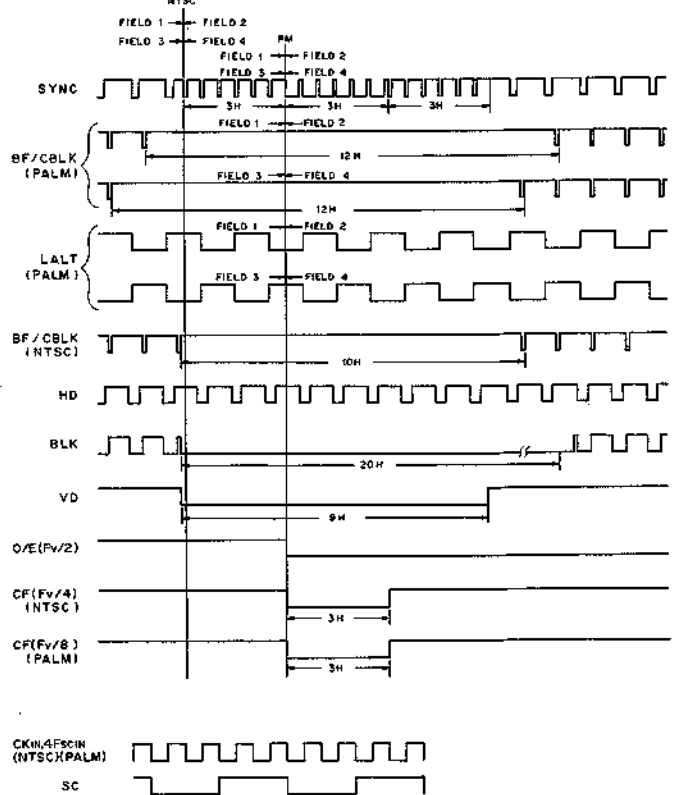
0 : LOW LEVEL (GND)  
1 : HIGH LEVEL (VDD)  
TEST '0': OPEN INTERNALLY (PULLED DOWN)



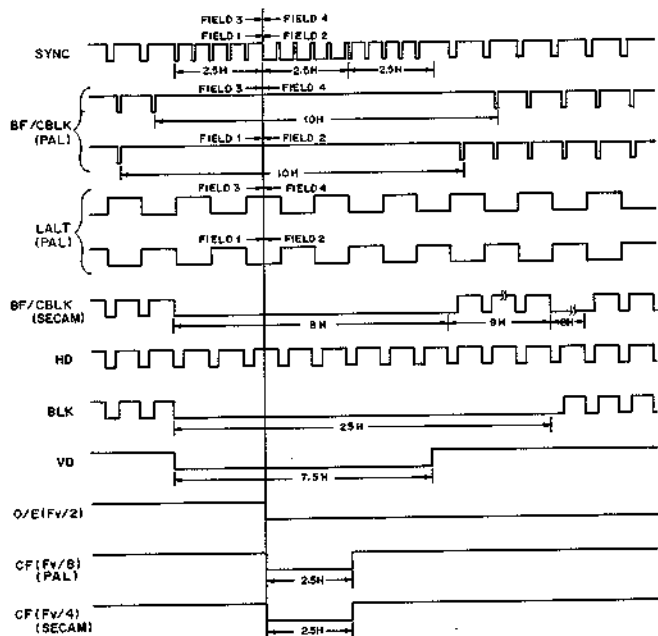
NTSC, PAL-M (FIELD 1,3)



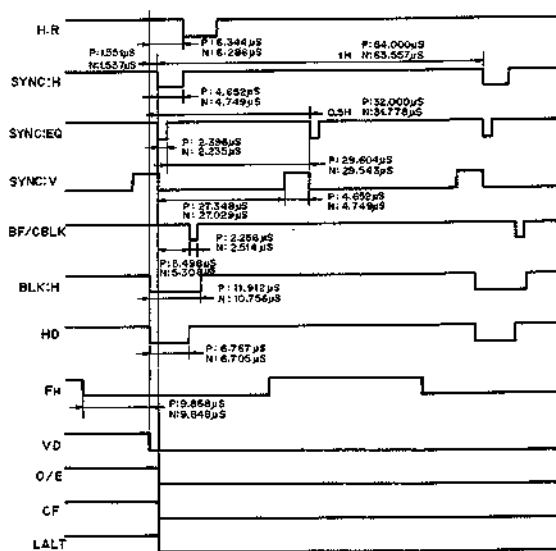
NTSC, PAL-M (FIELD 2,4)



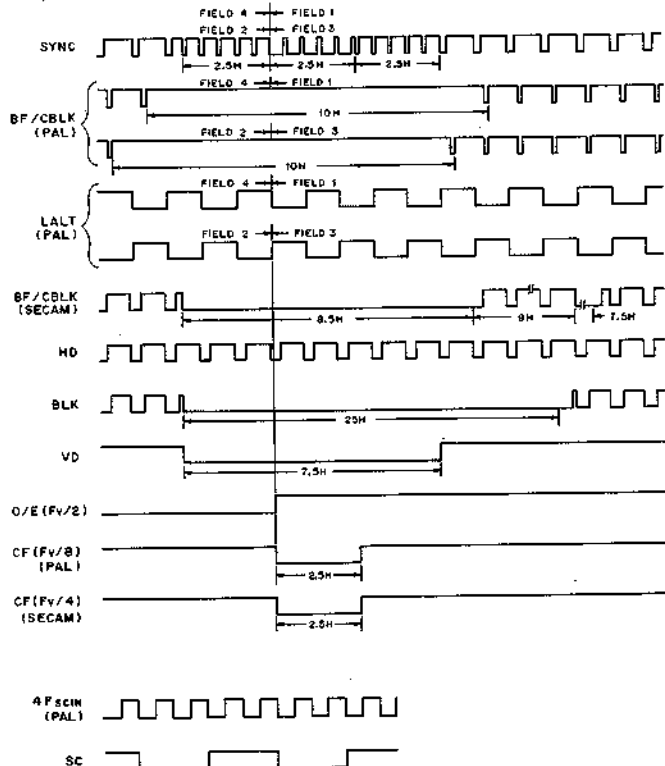
PAL, SECAM (FIELD 4, 2)



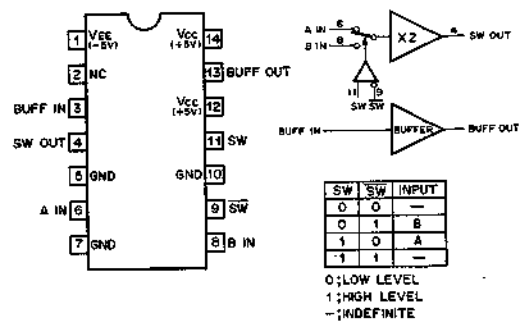
P: PAL, SECAM  
N: NTSC, PALM



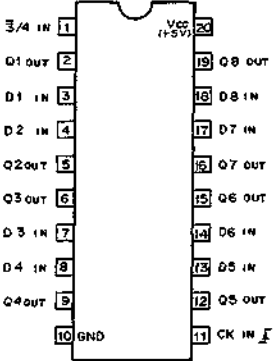
PAL, SECAM (FIELD 1, 3)



CX20158 (SONY)  
VIDEO SWITCHER AND BUFFER  
— TOP VIEW —

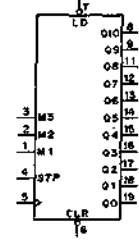
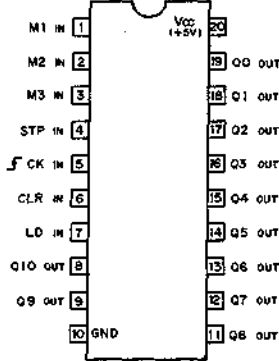


**CX20180 (SONY)**  
TTL OCTAL 3 OR 4 STAGE SHIFT REGISTER  
— TOP VIEW —



3/4; TOTAL STAGE SELECTION SIGNAL INPUT  
M: 4 STAGES, L: 3 STAGES

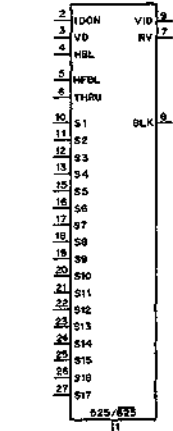
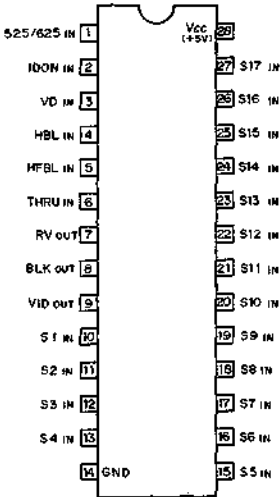
**CX20194 (SONY)**  
BIPOLAR 11-BIT SYNCHRONOUS BINARY COUNTER  
— TOP VIEW —



M3	M2	M1	COUNT*
0	0	0	808
0	0	1	910
0	1	0	1024
0	1	1	1135
1	0	0	525
1	0	1	625
1	1	0	1125
1	1	1	2048

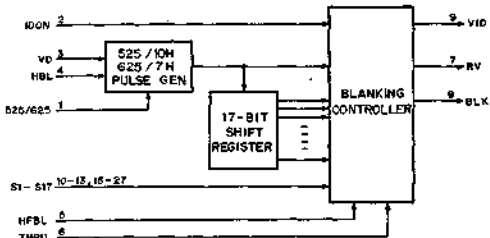
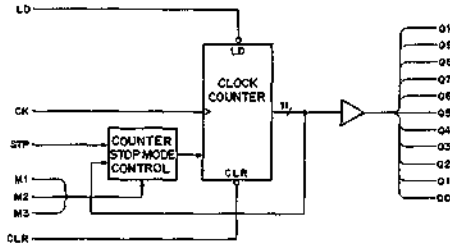
\*: DECIMAL NUMBER  
0: LOW LEVEL  
1: HIGH LEVEL

**CX20182 (SONY)**  
BIPOLAR/TTL VERTICAL BLANKING WIDTH CONTROLLER  
— TOP VIEW —



525/625; 525 LINES/625 LINES SETTING INPUT  
IDON; SECAM ID ON/OFF SIGNAL INPUT  
HBL; H BLANKING SIGNAL INPUT  
HFBL; HALF H BLANKING SIGNAL INPUT  
THRU; FORCIBLE BLANKING SIGNAL INPUT  
S1-S17; BLANKING LINE SELECTION SWITCH INPUTS  
RV; 14TH LINE TIMING SIGNAL OUTPUT  
BLK; BLANKING SIGNAL OUTPUT  
VID; SECAM ID TIMING SIGNAL OUTPUT

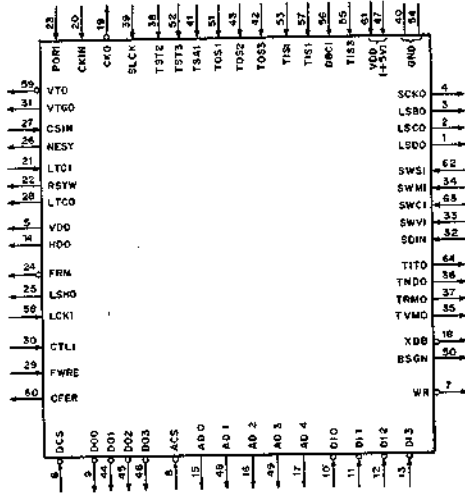
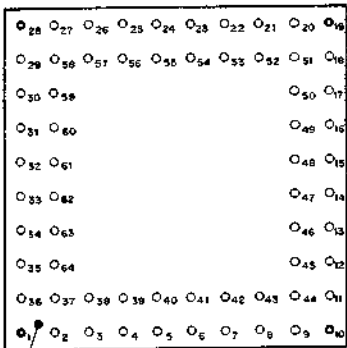
M1, M2, M3; COUNT LIMIT SETTING SIGNAL INPUT  
STP; COUNTER STOP MODE CONTROL INPUT  
CLR; SYNCHRONOUS COUNTER CLEAR INPUT  
LD; ASYNCHRONOUS COUNTER LOAD INPUT







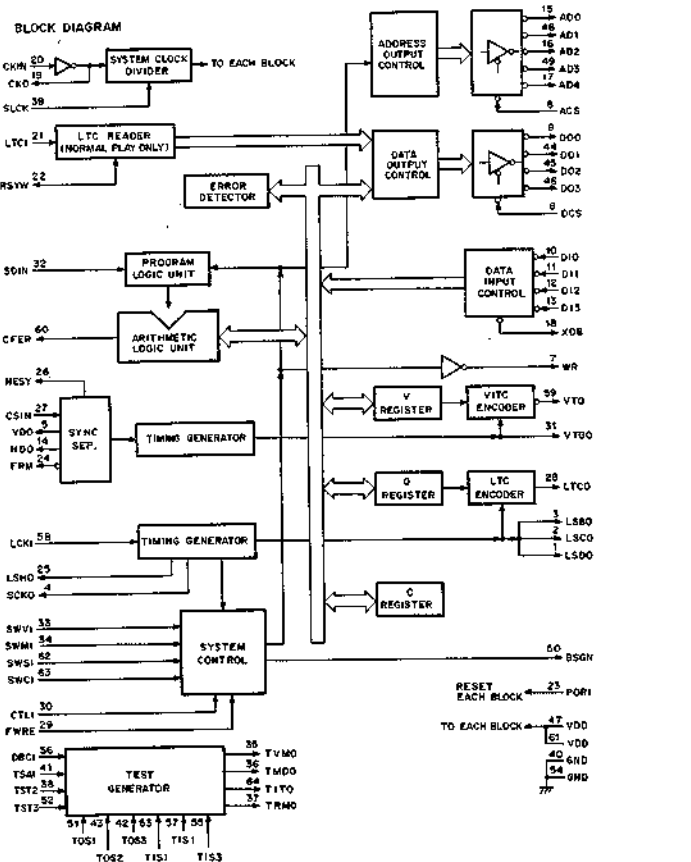
CX7907A (SONY)  
C-MOS TIME CODE GENERATOR  
— TOP VIEW —



PIN ASSIGNMENT

Pin No.	IN	OUT	SYMBOL	Pin No.	IN	OUT	SYMBOL	Pin No.	IN	OUT	SYMBOL	Pin No.	IN	OUT	SYMBOL
1		o	LSDO	17		o	AD4	33	o		SWVI	62			AD3
2		o	LSCD	18		o	YDB	34	o		SWMI	63			BSGN
3		o	LSBO	19		o	CKO	35	o		TVMO	64			TOS1
4		o	SCKO	20		o	CKIN	36	o	o	TNDO	65			TST3
5		o	VDD	21	o		LTCI	37	o	o	TRMO	66			TIS1
6	o		DCS	22	o	o	RSYW	38	o	o	TST2	67			GND
7	o		WR	23	o	o	PORI	39	o	o	SLCK	68			TIS3
8	o		ACS	24	o	o	FRM	40	o	o	GND	69			BSGN
9	o	o	DO0	25	o	o	LSHO	41	o	o	TSA1	70			TIS1
10	o	o	DI0	26	o	o	NESY	42	o	o	TOS2	71			LCK1
11	o	o	DI1	27	o	o	CSIN	43	o	o	TOS1	72			VDD
12	o	o	DI2	28	o	o	LTCO	44	o	o	DO1	73			CFER
13	o	o	DI3	29	o	o	FWRE	45	o	o	DO2	74			VDD(+5V)
14	o	o	HDO	30	o	o	CTLI	46	o	o	DO3	75			SWSI
15	o	o	ADD	31	o	o	VTGO	47	o	o	VDD(+5V)	76			SWCI
16	o	o	AD2	32	o	o	SDIN	48	o	o	AD1	77			TITO

BLOCK DIAGRAM



FUNCTIONAL PIN DEFINITION

Pin No.	SYMBOL	DESCRIPTION
8	ACS	ADDRESS LINE CHIP SELECT INPUT
15	ADD	ADDRESS DATA OUTPUT
48	AD1	ADDRESS DATA OUTPUT
16	AD2	ADDRESS DATA OUTPUT
49	AD3	ADDRESS DATA OUTPUT
17	AD4	ADDRESS DATA OUTPUT
50	BSGN	BUSY GENERATOR OUTPUT
60	CFER	COLOR FRAME ERROR FLAG OUTPUT
20	CKIN	SYSTEM CLOCK INPUT
19	CKO	CLOCK OUTPUT
27	CSIN	COMPOSITE SYNC INPUT
70	CTLI	CELL(TIMER) SIGNAL INPUT (1)
6	DCS	DATA LINE CHIP SELECT INPUT (NEGATIVE-LOGIC)
10	DI0	DATA BUS INPUT (NEGATIVE-LOGIC)
11	DI1	DATA BUS INPUT (NEGATIVE-LOGIC)
12	DI2	DATA BUS INPUT (NEGATIVE-LOGIC)
13	DI3	DATA BUS INPUT (NEGATIVE-LOGIC)
9	DO0	DATA BUS OUTPUT (NEGATIVE-LOGIC)
44	DO1	DATA BUS OUTPUT (NEGATIVE-LOGIC)
45	DO2	DATA BUS OUTPUT (NEGATIVE-LOGIC)
46	DO3	DATA BUS OUTPUT (NEGATIVE-LOGIC)
24	FRM	FRAME SIGNAL OUTPUT (NEGATIVE-LOGIC)
29	FWRE	CTL DIRECTION INPUT
14	HDO	HORIZONTAL SYNC DRIVE OUTPUT
58	LCK1	LTC CLOCK INPUT (SHUTE 9.5kHz/ERRU 8kHz)
3	LSBO	LTC SYNCHRONOUS SIGNAL B OUTPUT
2	LSCD	LTC SYNCHRONOUS SIGNAL C OUTPUT
1	LSCD	LTC SYNCHRONOUS SIGNAL D OUTPUT
25	LSHO	LTC SYNCHRONOUS SIGNAL H OUTPUT
21	LTCI	LTC INPUT
28	LTCO	LTC SIGNAL OUTPUT
26	NESY	LAST-SYNC FLAG OUTPUT
23	PORI	POWER ON RESET INPUT
22	RSYW	READ SYNC WORD OUTPUT
4	SCKO	SWITCHES SIGNAL M CLOCK OUTPUT
32	SDIN	SERIAL DATA INPUT
39	SLCK	SELECT CLOCK INPUT
63	SWSI	SWITCHES SIGNAL S INPUT
34	SWMI	SWITCHES SIGNAL M INPUT
62	SWSI	SWITCHES SIGNAL S INPUT
33	SWVI	SWITCHES SIGNAL V INPUT
5	VDD	VERTICAL SYNC DRIVE OUTPUT
31	VTGO	VTC GATE SIGNAL OUTPUT
59	VTO	VTC SIGNAL OUTPUT (NEGATIVE-LOGIC)
7	WR	WRITE SIGNAL OUTPUT (NEGATIVE-LOGIC)
16	YDB	EXTERNAL DATA BUS IN FLAG OUTPUT (NEGATIVE-LOGIC)
47	VDD	POWER LINE (+5V)
61	VDD	POWER LINE (+5V)
40	GND	GND LINE
54	GND	GND LINE
56	BSGN	BUSY GENERATOR OUTPUT
57	TIS1	TEST INPUT (TO BE CONNECTED WITH GND)
55	TIS3	TEST INPUT (TO BE CONNECTED WITH GND)
53	TIS1	TEST INPUT (TO BE CONNECTED WITH GND)
51	TOS1	TEST INPUT (TO BE CONNECTED WITH GND)
43	TOS2	TEST INPUT (TO BE CONNECTED WITH GND)
42	TOS3	TEST INPUT (TO BE CONNECTED WITH GND)
41	TSA1	TEST INPUT (TO BE CONNECTED WITH GND)
38	TST2	TEST INPUT (TO BE CONNECTED WITH GND)
52	TST3	TEST INPUT (TO BE CONNECTED WITH GND)
64	TITO	TEST OUTPUT (TO BE LEFT OPEN)
36	TNDO	TEST OUTPUT (TO BE LEFT OPEN)
37	TRMO	TEST OUTPUT (TO BE LEFT OPEN)
35	TVMO	TEST OUTPUT (TO BE LEFT OPEN)

#32 SDIN

LSDO	LSCO	LSBO	SDIN	FUNCTION
0	0	0	0	INCREASE IN BIT 'FR OR U1'
0	0	0	1	INCREASE IN BIT 'PT OR U2'
0	0	1	0	INCREASE IN BIT 'SE OR U3'
0	0	1	1	INCREASE IN BIT 'SR OR U4'
0	1	0	0	INCREASE IN BIT 'MR OR U5'
0	1	0	1	INCREASE IN BIT 'HR OR U7'
0	1	1	0	INCREASE IN BIT 'HT OR U8'
0	1	1	1	INCREASE IN BIT 'HT OR U8'

NOTE: INFLUENCED BIT IS DECIDED BY FIRST 2 BITS OF SWCI.

#62 SWSI

LSDO	LSCO	LSBO	SWSI	FUNCTION
0	0	0	0	VITC FIELD MARK/ LTC PHASE CORRECTION POSITION SELECT
0	0	0	1	VITC FIELD MARK/ LTC PHASE CORRECTION POSITION SELECT
0	0	1	0	PHASE CORRECTION ON
0	0	1	1	PHASE CORRECTION OFF
0	1	0	0	S1** SIGNAL FORMAT SELECT
0	1	0	1	S2** SIGNAL FORMAT SELECT
0	1	1	0	S3** SIGNAL FORMAT SELECT
0	1	1	1	S4** SIGNAL FORMAT SELECT

x; DON'T CARE.

#63 SWCI

LSDO	LSCO	LSBO	SWCI	FUNCTION
0	0	0	0	U-RIT IN/OUT DATA SELECT*1
0	0	0	1	TIME
0	0	1	0	CTL
0	0	1	1	TIME/U-BIT
0	1	0	0	-
0	1	0	1	DATA RESET ON*2
0	1	1	0	DATA RESET OFF
0	1	1	1	TIME DATA HOLD
1	0	0	0	TIME DATA RUN
1	0	0	1	EXTERNAL DATA LOAD*2
1	0	1	0	EXTRAPOLATION ON
1	0	1	1	EXTRAPOLATION OFF
1	1	0	0	-
1	1	0	1	-
1	1	1	0	-
1	1	1	1	-

x; DON'T CARE.  
\*1; REFER TO TIMING CHART (DATA OUT).  
\*2; INFLUENCED DATA IS DECIDED BY FIRST 2 BITS OF SWCI.

#33 SWVI

LSDO	LSCO	LSBO	SWVI	FUNCTION
0	0	0	0	VITC POSITION SELECT A
0	0	0	1	VITC POSITION SELECT A
0	0	1	0	VITC POSITION SELECT B
0	0	1	1	VITC POSITION SELECT B
0	1	0	0	VITC POSITION SELECT B
0	1	0	1	VITC POSITION SELECT B
0	1	1	0	VITC POSITION SELECT B
0	1	1	1	VITC POSITION SELECT B

\*; VITC FIELD MARK/LTC PHASE CORRECTION POSITION SELECT

FBS3	FBS2	FBS1	FIELD MARK POSITION	LTC BIT No.
0	0	0	AS1	10
0	0	1	AS2	11
0	1	0	AS3	27
0	1	1	AS4	43
1	0	0	AS5	58
1	0	1	AS6	59
1	1	0	-	-
1	1	1	-	-

NOTE: LTC PHASE CORRECTION BIT OF CR7907 IS FIXED ON BIT-63.

\*\*; SIGNAL FORMAT SELECT

S4	S2	S1	FORMAT	FRAME
0	0	0	PIFM	24
0	0	1	NOT ALLOWED	-
0	1	0	NOT ALLOWED	-
0	1	1	PAL SECAM	25
1	0	0	NOT ALLOWED	-
1	0	1	NTSC NDF	30
1	1	0	NTSC DF	30
1	1	1	NTSC DF	30

DF; DROP FRAME  
NDF; NON DROP FRAME  
x; DON'T CARE.  
0; LOW LEVEL  
1; HIGH LEVEL

†; VITC POSITION SELECT

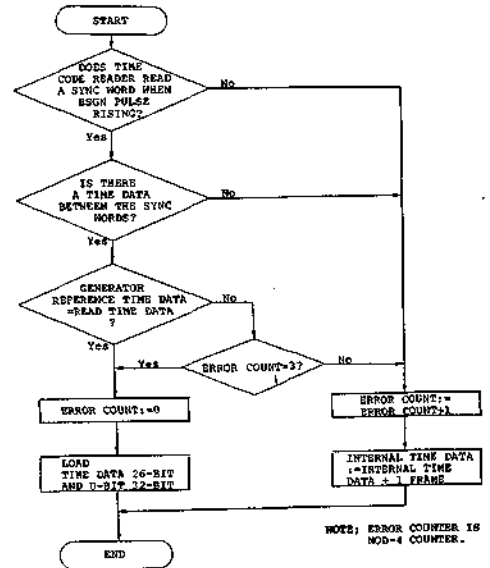
SW1D SW2D	SW1C SW2C	SW1B SW2B	SW1A SW2A	INSERTION LINE	
				NTSC	PAL SECAM
0	0	0	0	LINE 25	LINE 22, 334
0	0	0	1	24	21, 334
0	0	1	0	23	20, 333
0	0	1	1	22	19, 332
0	1	0	0	21	18, 331
0	1	0	1	20	17, 330
0	1	1	0	19	16, 329
0	1	1	1	18	15, 328
1	0	0	0	17	14, 327
1	0	0	1	16	13, 326
1	0	1	0	15	12, 325
1	0	1	1	14	11, 324
1	1	0	0	13	10, 323
1	1	0	1	12	9, 322
1	1	1	0	11	8, 321
1	1	1	1	10	7, 320

#34 SWMI

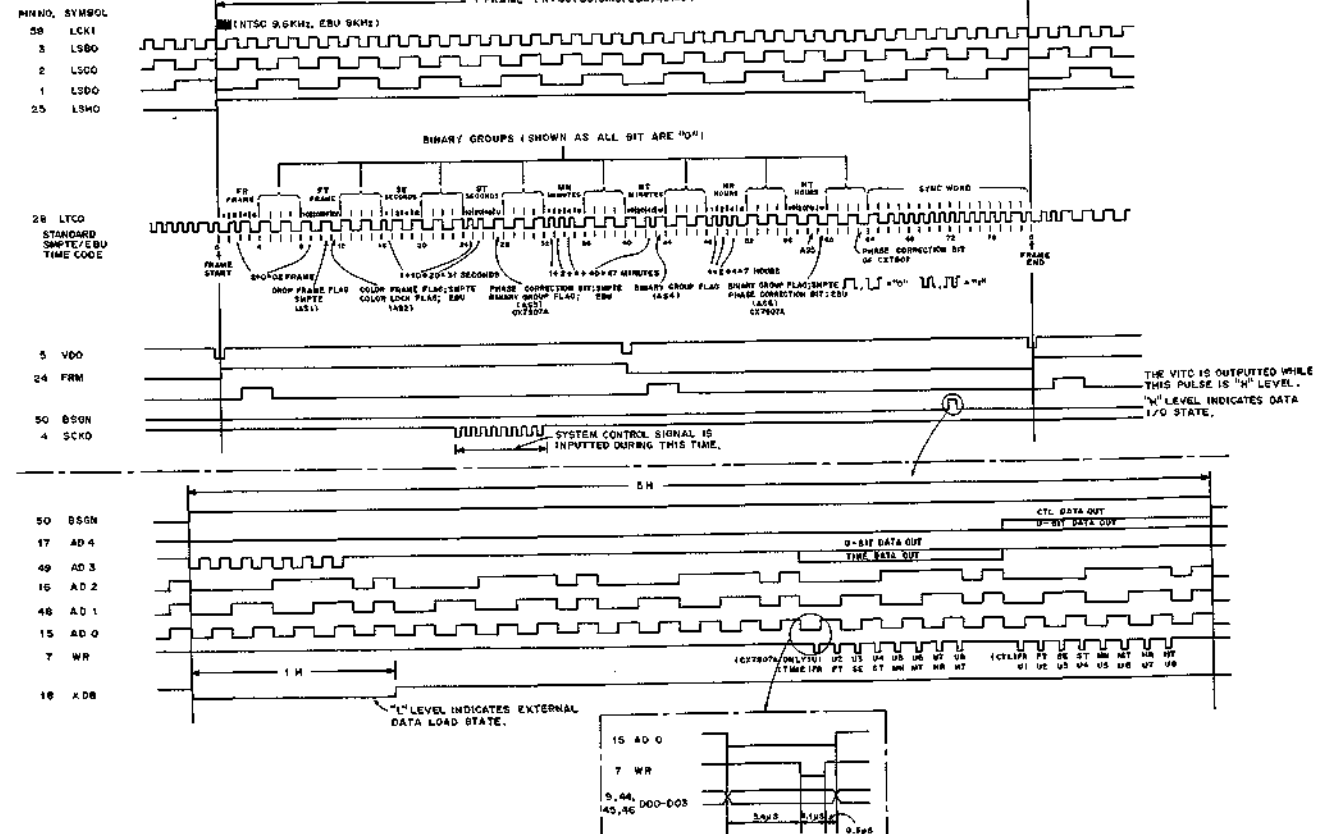
LSDO	LSCO	LSBO	SWMI	FUNCTION
0	0	0	x	INSERT SWMI DATA INTO BIT 'AS1' (NEGATIVE-LOGIC)
0	0	1	x	INSERT SWMI DATA INTO BIT 'AS2' (NEGATIVE-LOGIC)
0	1	0	x	INSERT SWMI DATA INTO BIT 'AS3' (NEGATIVE-LOGIC)
0	1	1	x	INSERT SWMI DATA INTO BIT 'AS4' (NEGATIVE-LOGIC)
1	0	0	x	INSERT SWMI DATA INTO BIT 'AS5' (NEGATIVE-LOGIC)
1	0	1	x	INSERT SWMI DATA INTO BIT 'AS6' (NEGATIVE-LOGIC)
1	1	0	0	COLOR FRAME LOCK IN FIELD 1
1	1	0	1	COLOR FRAME OFF
1	1	1	0	COLOR FRAME ON
1	1	1	1	COLOR FRAME ON

x; DON'T CARE.

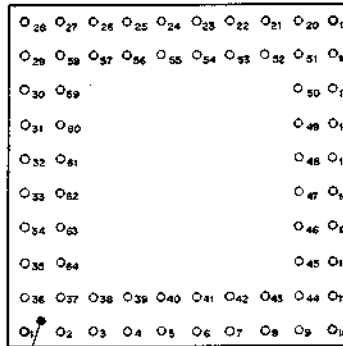
ERROR BYPASS ALGORITHM



TIMING CHART



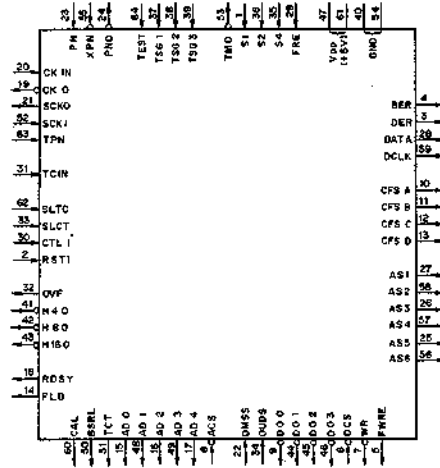
CX7912A (SONY)  
 C-MOS TIME CODE READER  
 — TOP VIEW —



INDEX DOT

PIN ASSIGNMENT

PIN NO.	IN	OUT	SYMBOL	PIN NO.	IN	OUT	SYMBOL	PIN NO.	IN	OUT	SYMBOL	PIN NO.	IN	OUT	SYMBOL
1			S1	17			AD 4	33			SLCT	49			AD 3
2			RST1	18			RDSY	34			ODS	50			BSRL
3			DER	19			CK 0	35			S4	51			TCT
4			BER	20			CK IN	36			S2	52			SCK1
5			FWRE	21			SCKO	37			TS0 1	53			TMO
6			DCS	22			DMSS	38			TS0 2	54			GND
7			WR	23			PN	39			TS0 3	56			XPIN
8			ACS	24			PND	40			GND	56			AS6
9			DO 0	25			AS5	41			H 4 0	57			AS4
10			CFS A	26			AS3	42			H 8 0	58			AS2
11			CFS B	27			AS1	43			H 16 0	59			OCLK
12			CFS C	28			DATA	44			00 1	60			CAL
13			CFS D	29			FRE	45			00 2	61			VDD(HSV)
14			FLD	30			CTL I	46			00 3	62			SLTC
15			AD 0	31			TC IN	47			VDD(HSV)	63			TPN
16			AD 2	32			OVP	48			AD 1	64			TEST



MODE SELECT

SLCT	SLTC	MODE
0	0	AUTO
0	1	TIME CODE
1	0	CTL
1	1	AUTO

CTL COUNT

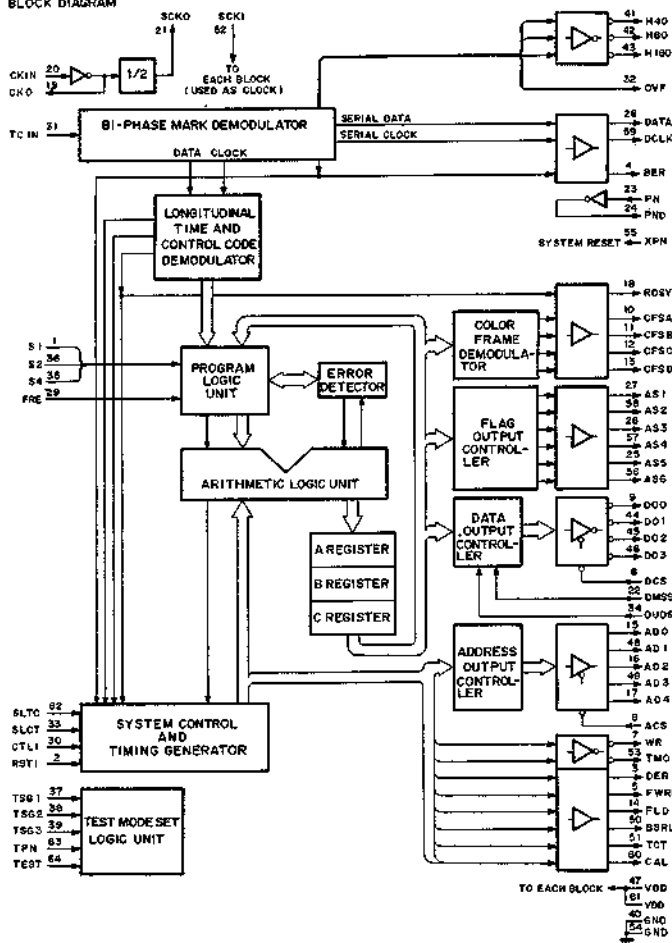
FRE	RST1	COUNT
0	X	DOWN COUNT
1	X	UP COUNT
X	L	RESET

SIGNAL FORMAT SELECT

S4	S2	S1	FORMAT	FRAME
0	0	0	FILM	24
0	0	1		
0	1	0	NOT ALLOWED	
0	1	1		
1	0	0	PAL SECAM	25
1	0	1	NOT ALLOWED	
1	1	0	NTSC (NON DROP FRAME)	30
1	1	1	NTSC (DROP FRAME)	30

0: LOW LEVEL  
 1: HIGH LEVEL  
 X: DON'T CARE

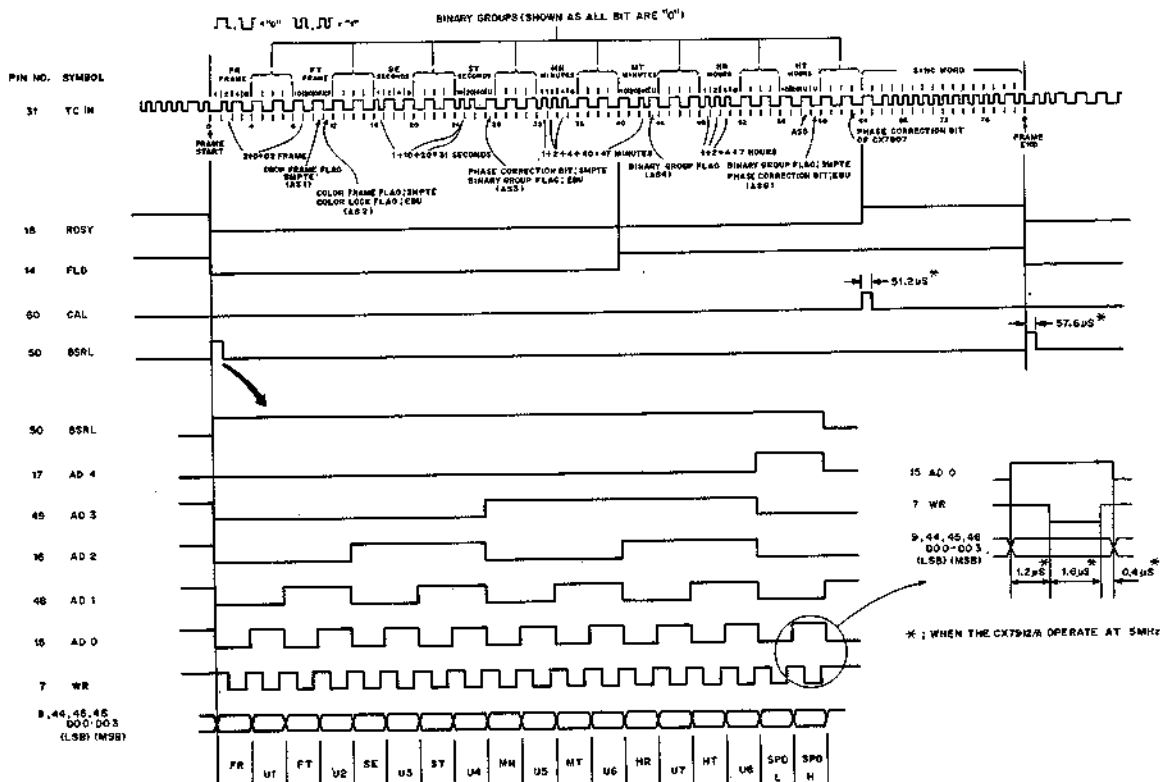
BLOCK DIAGRAM



FUNCTIONAL PIN DEFINITION

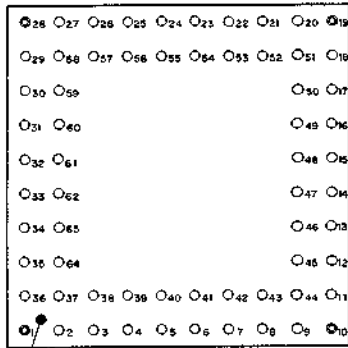
Pin No.	SYMBOL	DESCRIPTION	
8	ACS	ADDRESS LINE OUTPUT ENABLE (NEGATIVE-LOGIC)	
15	ADD0	ADDRESS DATA OUTPUT	
16	ADD1		
17	ADD2		
18	ADD3		
19	ADD4	PARALLEL DATA OUTPUT	
27	AS1		
38	AS2		
26	AS3		
57	AS4	BI-PHASE MARK ERROR (BIT ERROR) OUTPUT	
25	AS5		
56	AS6		
4	BBER		
50	BSRF	DATA OUT FLAG OUTPUT	
60	CAL	CALCULATE OUT FLAG OUTPUT	
10	CFSR	DEMODULATED COLOR FRAME OUTPUT	
11	CFSB		
12	CFSC		
13	CFSD		
20	CKIN	CLOCK INPUT	
19	CKO	CLOCK OUTPUT (NEGATIVE-LOGIC)	
30	CTL1	CTL1 SIGNAL INPUT (L)	
28	DATA	DEMODULATED SERIAL DATA OUTPUT	
59	DC1X	DEMODULATED CLOCK OUTPUT	
6	DCS	DATA LINE OUTPUT ENABLE (NEGATIVE-LOGIC)	
3	DER	DEMODULATE DATA ERROR OUTPUT	
22	DMSS	ASSIGNED DATA SELECT	
9	DO0	DATA OUTPUT (NEGATIVE-LOGIC)	
44	DO1		
45	DO2		
46	DO3	FIELD DATA OUTPUT	
16	FLD		
29	FRE		CTL1 DIRECTION SIGNAL INPUT
29	FRE		DEMODULATE DIRECTION SIGNAL OUTPUT
5	FWRE	SPEED RANGE FLAG 4 OUTPUT (NEGATIVE-LOGIC)	
41	H40	SPEED RANGE FLAG 4 OUTPUT (NEGATIVE-LOGIC)	
42	H80	SPEED RANGE FLAG 8 OUTPUT (NEGATIVE-LOGIC)	
43	H160	SPEED RANGE FLAG 16 OUTPUT (NEGATIVE-LOGIC)	
34	OVDS	ERROR BYPASS ON/OFF SELECT	
32	OVF	OVERFLOW FLAG OUTPUT	
33	ON	POWER ON SIGNAL INPUT	
24	PMD	POWER ON SIGNAL OUTPUT (NEGATIVE-LOGIC)	
18	RDSY	READ SYNC WORD DATA OUTPUT	
2	RST1	CTL1 TIMER RESET INPUT (L)	
1	S1	SIGNAL FORMAT SELECT S1	
36	S2	SIGNAL FORMAT SELECT S2	
35	S4	SIGNAL FORMAT SELECT S4	
32	SCKI	SYSTEM CLOCK INPUT	
21	SCKO	SYSTEM CLOCK OUTPUT	
33	SECT	SELECT CTL INPUT	
62	SELC	SELECT LTC INPUT	
55	SRN	SYSTEM RESET SIGNAL INPUT (NEGATIVE-LOGIC)	
31	TCIN	LONGITUDINAL TIME AND CONTROL CODE INPUT	
53	TCT	INPUT SELECT FLAG OUTPUT	
53	TMO	TIME OVER SIGNAL OUTPUT (NEGATIVE-LOGIC)	
7	WR	WRITE SIGNAL OUTPUT (NEGATIVE-LOGIC)	
47	VDD	POWER LINE (+5V)	
63	VDD		
40	GND	GND LINE	
54	GND		
64	TEST	TEST MODE SET INPUT (TO BE CONNECTED WITH GND)	
63	TPR		
37	TSG1		
39	TSG2		

TIMING CHART



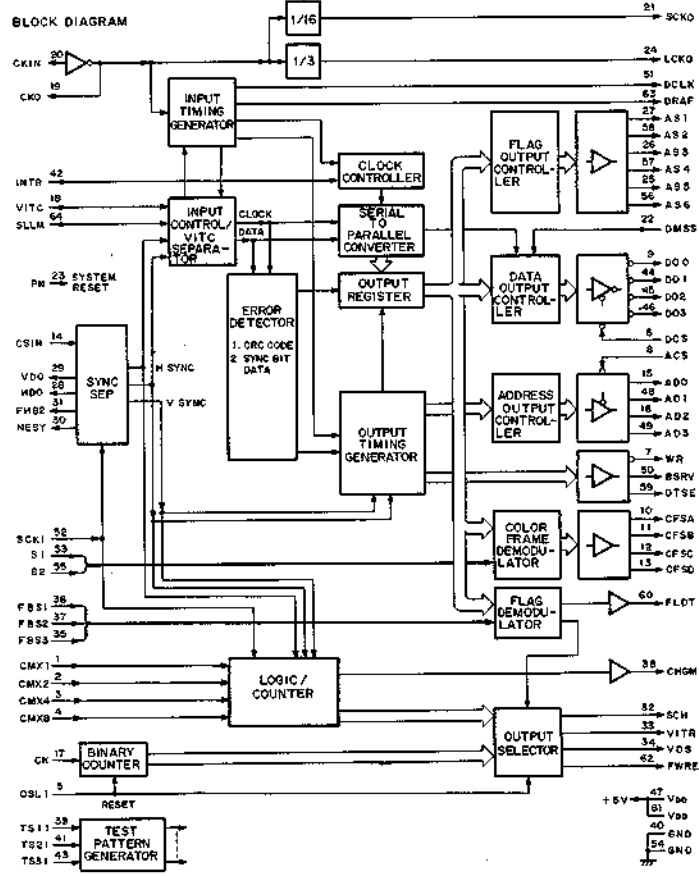
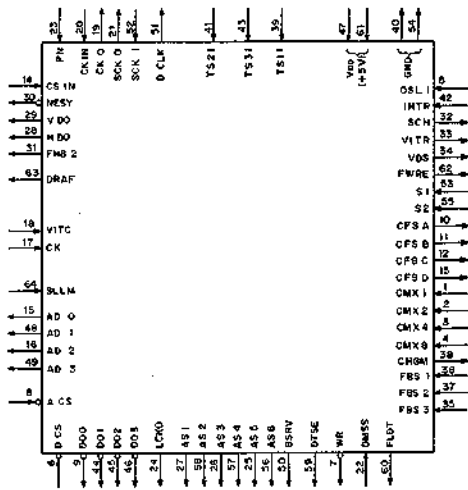
\* ; WHEN THE CX7942R OPERATE AT 5MHz

CX7913A (SONY)  
C-MOS VITC (VERTICAL INTERVAL TIME CODE) READER  
— TOP VIEW —



INDEX DOT

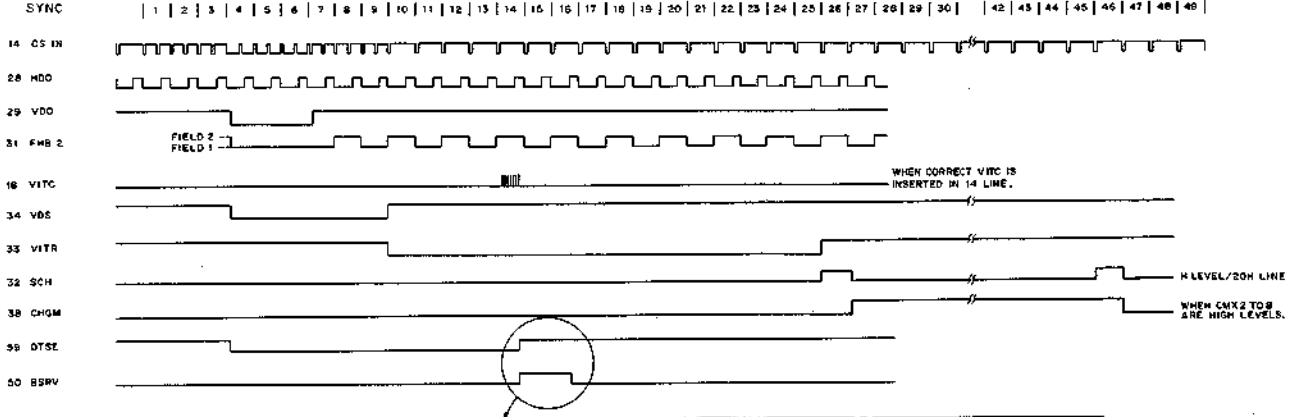
PIN NO.	IN	OUT	SYMBOL	PIN NO.	IN	OUT	SYMBOL	PIN NO.	IN	OUT	SYMBOL				
1	○		CMX 1	17	○		CK	33	○		VITR	49	○		AD 3
2	○		CMX 2	18	○		VITC	34	○		VDS	50	○		BSRV
3	○		CMX 4	19	○		CK 0	35	○		FBS 3	51	○		D CLK
4	○		CMX 5	20	○		CK IN	36	○		FBS 1	52	○		SK 1
5	○		OSL 1	21	○		SK 0	37	○		FBS 2	53	○		S 1
6	○		D CS	22	○		DMSS	38	○		CHGM	54	○		GND
7	○		WR	23	○		PM	39	○		TS 11	55	○		S 2
8	○		A CS	24	○		LCKO	40	○		GND	56	○		AS 6
9	○		DO 0	25	○		AS 5	41	○		TS 21	57	○		AS 4
10	○		CFS A	26	○		AS 3	42	○		INTR	58	○		AS 2
11	○		CFS B	27	○		AS 1	43	○		TS 31	59	○		DTSE
12	○		CFS C	28	○		NDO	44	○		DO 1	60	○		FLDT
13	○		CFS D	29	○		VDO	45	○		DO 2	61	○		VDR(SV)
14	○		CS IN	30	○		MESY	46	○		DO 3	62	○		FWRE
15	○		AD 0	31	○		FHB 2	47	○		VDR(SV)	63	○		DRAF
16	○		AD 1	32	○		SCH	48	○		AD 1	64	○		SLLM



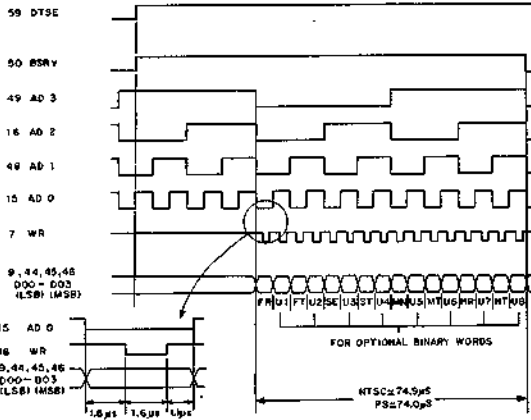
**FUNCTIONAL PIN DEFINITION**

Pin No.	SYMBOL	DESCRIPTION
8	ACS	ADDRESS LINE ENABLE INPUT
15	AD0	ADDRESS DATA OUTPUT
48	AD1	ADDRESS DATA OUTPUT
16	AD2	ADDRESS DATA OUTPUT
62	AD3	ADDRESS DATA OUTPUT
27	AS1	PARALLEL DATA OUTPUT
58	AS2	PARALLEL DATA OUTPUT
26	AS3	PARALLEL DATA OUTPUT
57	AS4	PARALLEL DATA OUTPUT
25	AS5	PARALLEL DATA OUTPUT
56	AS6	PARALLEL DATA OUTPUT
50	BSRV	DATA OUT FLAG OUTPUT
11	CFSA	DEMODULATED COLOR FRAME OUTPUT
12	CFSC	DEMODULATED COLOR FRAME OUTPUT
13	CFSD	DEMODULATED COLOR FRAME OUTPUT
17	CK	INTERNAL COUNTER CLOCK INPUT
20	CKIN	CLOCK INPUT
19	CKO	CLOCK OUTPUT (NEGATIVE-LOGIC)
2	CMX1	CHARACTER V POSITION SELECT INPUT
3	CMX2	CHARACTER V POSITION SELECT INPUT
4	CMX4	CHARACTER V POSITION SELECT INPUT
14	CSIN	COMPOSITE SYNC INPUT
51	DCLK	VITC READ CLOCK OUTPUT
6	DCE	DATA LINE ENABLE INPUT
22	DMSS	ASSIGNED BIT DATA SELECT INPUT
9	DO0	DATA OUT (NEGATIVE-LOGIC)
44	DO1	DATA OUT (NEGATIVE-LOGIC)
45	DO2	DATA OUT (NEGATIVE-LOGIC)
46	DO3	DATA OUT (NEGATIVE-LOGIC)
63	DRAF	VITC SYNCHRONIZE SIGNAL D OUTPUT
59	DTSE	VITC DATA SEARCH FLAG OUTPUT
36	FBS1	FIELD MARK POSITION SELECT 1 INPUT
37	FBS2	FIELD MARK POSITION SELECT 2 INPUT
35	FBS3	FIELD MARK POSITION SELECT 3 INPUT
31	FHB2	FR/2 SIGNAL OUTPUT
60	FLDT	FIELD DATA OUTPUT
10	CFSA	HORIZONTAL SYNC DRIVE OUTPUT
11	CFSB	HORIZONTAL SYNC DRIVE OUTPUT
42	INTR	INTERRUPT REQUEST INPUT
24	LCKO	LTC CLOCK OUTPUT
30	MESY	LOST-SYNC FLAG OUTPUT
5	OSL1	OUTPUT SIGNAL SELECT 1 INPUT
23	PM	POWER ON RESET INPUT
52	S1	SIGNAL FORMAT SELECT S1 INPUT
55	S2	SIGNAL FORMAT SELECT S2 INPUT
32	SCH	OUTPUT SIGNAL SCH
52	SK0	SYSTEM CLOCK INPUT
21	SKO	SYSTEM CLOCK OUTPUT
64	SLLM	READ SIZE SELECT INPUT
29	VDO	VERTICAL SYNC DRIVE OUTPUT
34	VDS	OUTPUT SIGNAL VDS
18	VITC	VITC SIGNAL INPUT
33	VITR	OUTPUT SIGNAL VITR
7	VR	WRITE SIGNAL OUTPUT (NEGATIVE-LOGIC)
47	VDD	POWER LINE (+5V)
61	VDD	POWER LINE (+5V)
40	GND	GND LINE
54	GND	GND LINE
39	GND	GND LINE
41	TS11	TEST INPUT
42	TS21	TEST INPUT
43	TS31	TEST INPUT

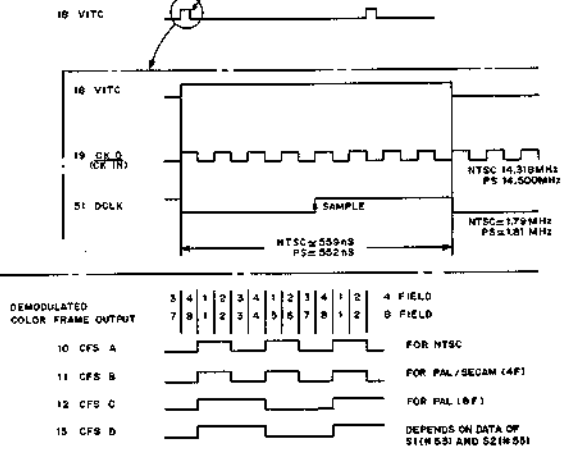
**TIMING CHART**



**DATA OUTPUT**



**DEMODULATED**



**DEMODULATED COLOR FRAME OUTPUT**



**#1,2,3,4 CMX1 TO 8; CHARACTER V POSITION SELECT**

CMX8	CMX4	CMX2	CMX1	INSERTION LINE (#38 CHGM, IS, H LEVEL)	
				NTSC	PAL/SECAM
0	0	0	0	---	---
0	0	0	1	---	---
0	0	1	0	---	---
0	0	1	1	---	---
0	1	0	0	227-246	204-223
0	1	0	1	207-226	516-535
0	1	1	0	187-206	184-203
0	1	1	1	167-186	164-183
1	0	0	0	147-166	144-163
1	0	0	1	127-146	124-143
1	0	1	0	107-126	104-123
1	0	1	1	87-106	84-103
1	1	0	0	67-86	64-83
1	1	0	1	47-66	44-63
1	1	1	0	27-46	24-43
1	1	1	1	---	---

**#36,37,35 FBS1 TO FBS3; FIELD DATA SELECT**

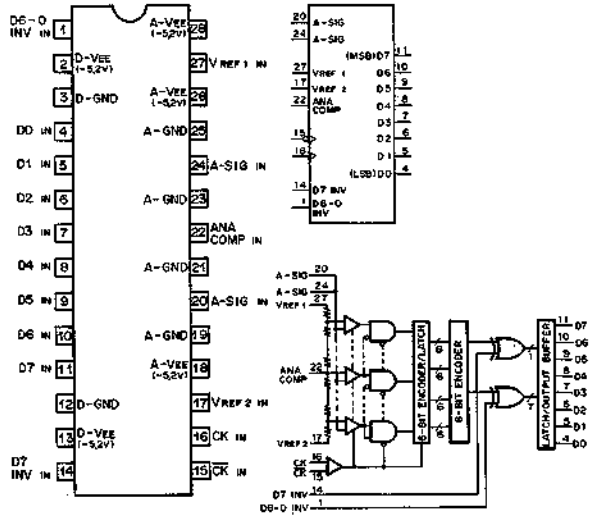
FBS3	FBS2	FBS1	#60 FLPT OUTPUT
0	0	0	AS1 (VITC BIT No. 14)
0	0	1	AS2 (VITC BIT No. 13)
0	1	0	AS3 (VITC BIT No. 35)
0	1	1	AS4 (VITC BIT No. 55)
1	0	0	AS5 (VITC BIT No. 74)
1	0	1	AS6 (VITC BIT No. 75)
1	1	0	---
1	1	1	---

**#53,55 S1,S2; SIGNAL FORMAT SELECT**

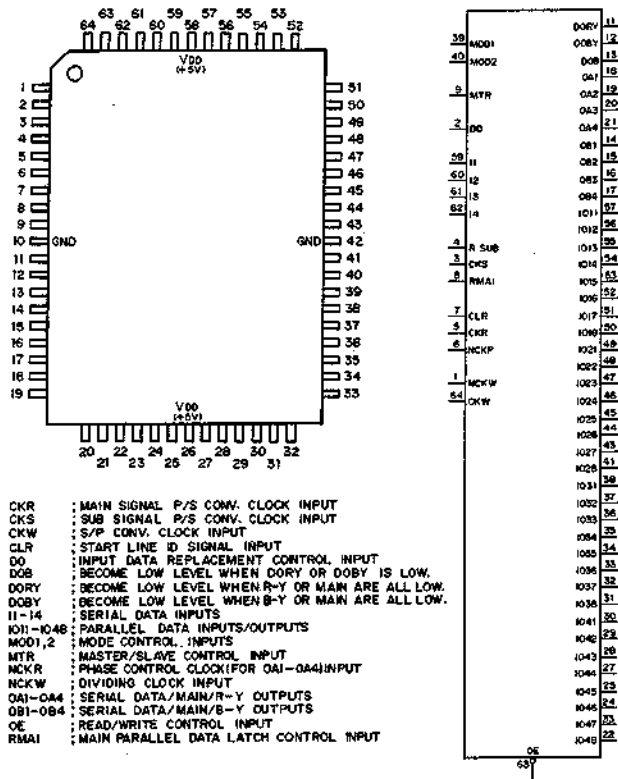
S2	S1	#13 CFS0 FORMAT
0	0	UNSPECIFIED
0	1	UNSPECIFIED
1	0	NTSC NON DROP FRAME
1	1	NTSC DROP FRAME

0; LOW LEVEL  
1; HIGH LEVEL

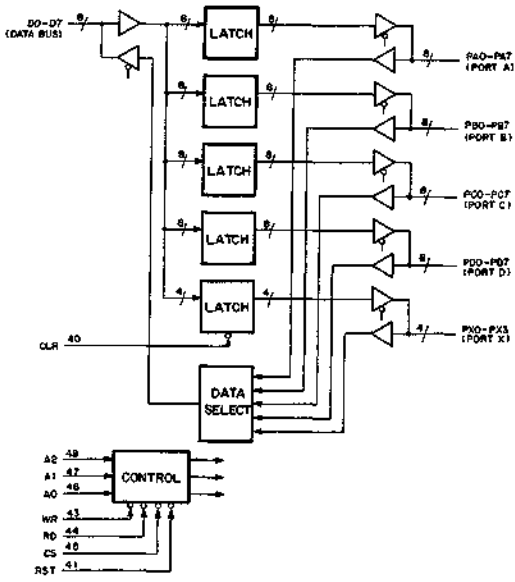
**CXA1016P (SONY)  
8-BIT FLASH TYPE A/D CONVERTER (30MS/g)  
— SIDE VIEW —**



CXD1020Q (SONY)  
C-MOS SERIAL-TO/FROM-PARALLEL CONVERTER  
— TOP VIEW —



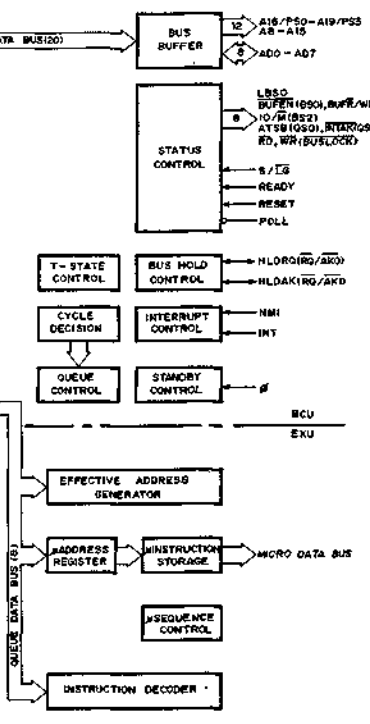
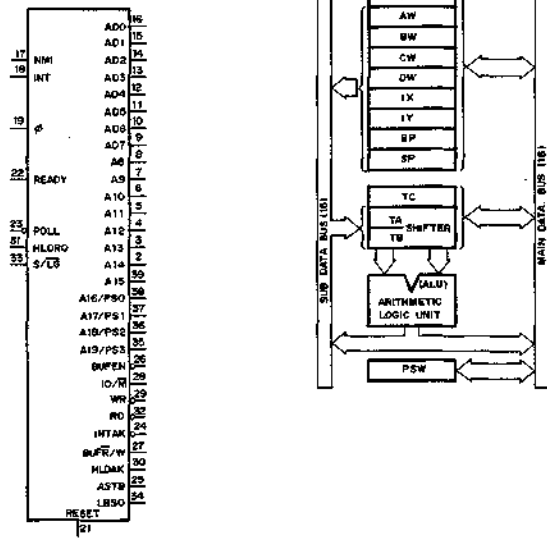
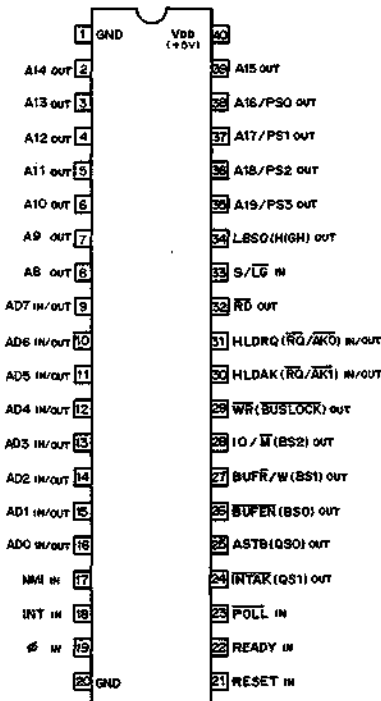




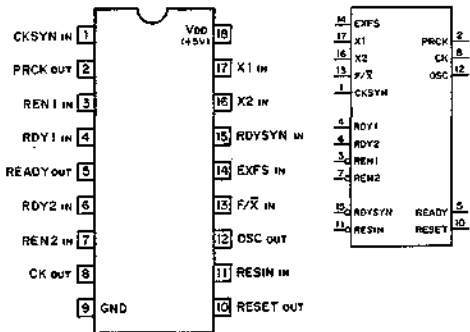
PIN No.	FUNCTION	
	S/LG=HIGH LEVEL/S/LG = LOW LEVEL	
24	INTAK	QS1
25	ASTB	QSO
26	BFEN	BS0
27	BUF R/W	BS1
28	IO/M	BS2
29	WR	BUSLOCK
30	HLDK	RQ/AK1
31	HLDRO	RQ/AK0
34	LBSO	HIGH LEVEL

A8-A15; ADDRESS BUS OUTPUTS  
 ADO-AD7; ADDRESS/DATA BUS INPUTS/OUTPUTS  
 NMI; NON-MASKABLE INTERRUPT INPUT  
 INT; MASKABLE INTERRUPT INPUT  
 φ; CLOCK INPUT  
 INTAK; INTERRUPT ACKNOWLEDGE OUTPUT  
 ASTB; ADDRESS STROBE OUTPUT  
 BFEN; BUFFER ENABLE OUTPUT  
 BUF R/W; BUFFER READ/WRITE OUTPUT  
 IO/M; IO/MEMORY OUTPUT  
 WR; WRITE STROBE OUTPUT  
 HLDK; HOLD ACKNOWLEDGE OUTPUT  
 HLDRO; HOLD REQUEST INPUT  
 RQ; READ STROBE OUTPUT  
 S/LG; SMALL/LARGE INPUT  
 LBSO; LATCHED BUS STATUS 0 OUTPUT  
 A16/PS0-A19/PS3; ADDRESS BUS/PROCESSOR STATUS OUTPUTS  
 QSO, 1; QUEUE STATUS OUTPUTS  
 BS0-BS2; BUS STATUS OUTPUTS  
 BUSLOCK; BUS LOCK OUTPUT  
 RQ/AK0, 1; HOLD REQUEST/ACKNOWLEDGE INPUTS/OUTPUTS

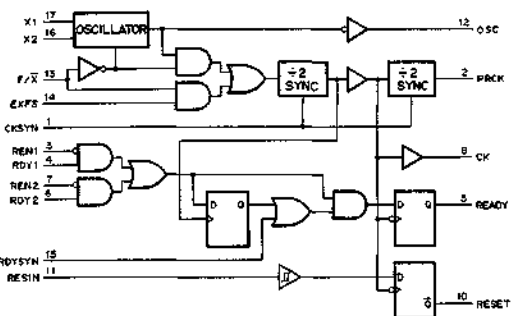
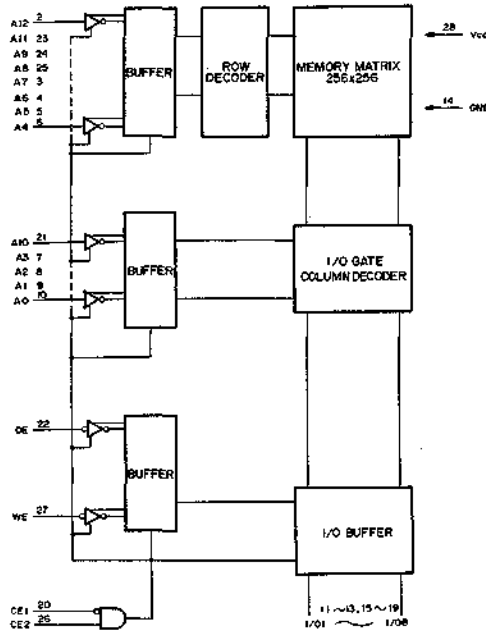
CXQ70108D-8 (SONY)  
 UPD70108D-5 (NEC)  
 UPD70108D-8 (NEC)  
 C-MOS 8-BIT MICROPROCESSOR  
 — TOP VIEW —



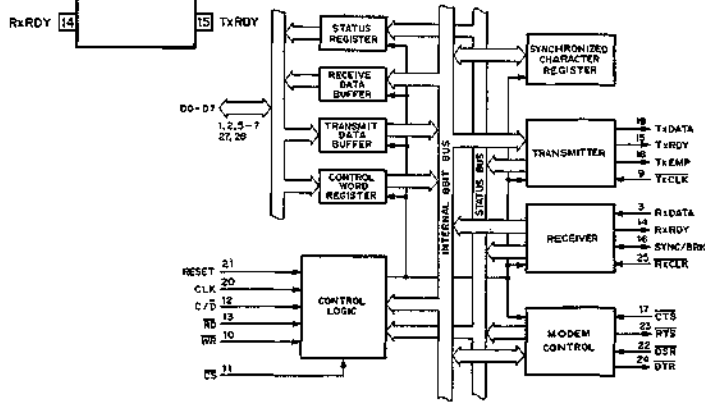
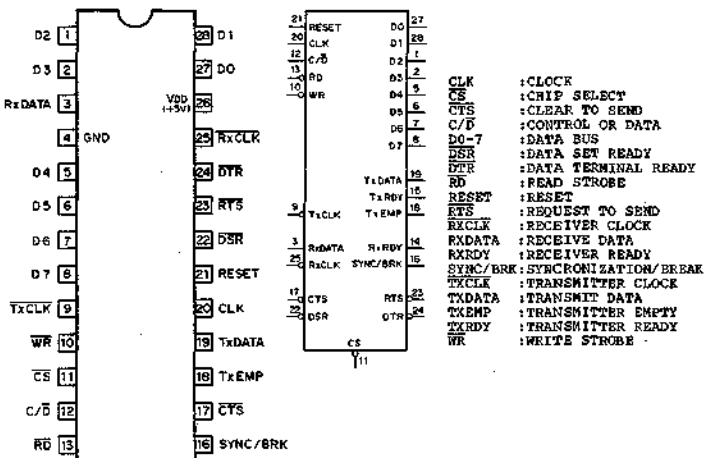
**CXQ71011P (SONY)**  
**C-MOS CLOCK PULSE GENERATOR/DRIVER**  
 - TOP VIEW -



- X1, X2: CRYSTAL INPUT
- EXFS: EXTERNAL FREQUENCY SOURCE INPUT
- F/X: FREQUENCY/CRYSTAL SELECT INPUT
- CK: PROCESSOR CLOCK OUTPUT
- PRCK: PERIPHERAL CLOCK OUTPUT
- OSC: OSCILLATOR OUTPUT
- CKSYN: CLOCK SYNCHRONIZATION INPUT
- RESIN: RESET INPUT
- RDY1, RDY2: BUS READY INPUT
- REN1, REN2: READY ENABLE INPUT
- RDYSYN: READY SYNCHRONIZATION SELECT INPUT

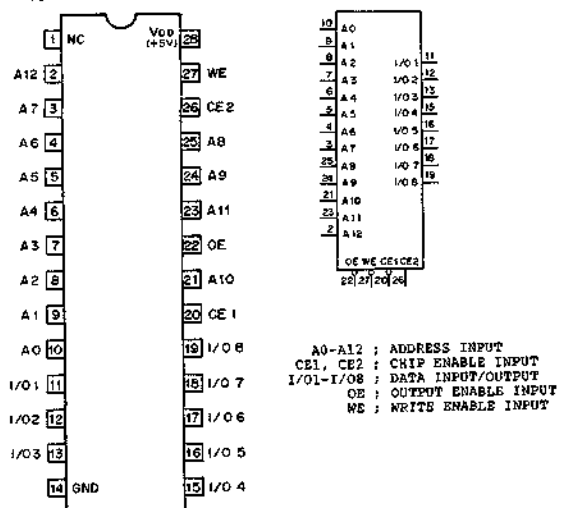


**CXQ71051P (SONY)**  
**C-MOS SERIAL CONTROL UNIT**  
 - TOP VIEW -



CS	RD	WR	C/D	MODE	FUNCTION
0	0	1	0	RECEIVE DATA BUFFER → DATA BUS	READ RECEIVE DATA
0	0	1	1	STATUS REGISTER → DATA BUS	READ STATUS
0	1	0	0	DATA BUS → TRANSMIT DATA BUFFER	WRITE RECEIVE DATA
0	1	0	1	DATA BUS → CONTROL WORD REGISTER	WRITE CONTROL WORD
0	1	1	X	DATA BUS: HIGH IMPEDANCE	
1	X	X	X	DATA BUS: HIGH IMPEDANCE	

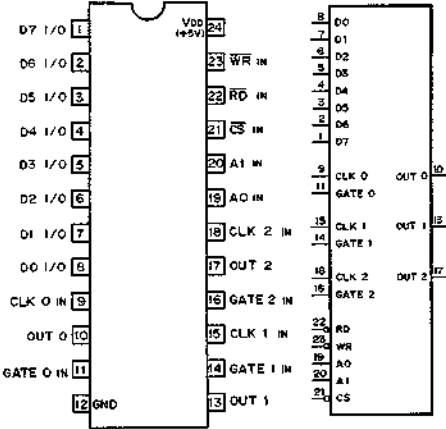
**CXK5864AP-10L (SONY)** (ACCESS TIME = 100ns)  
**CMOS 8192 WORD x 8 BIT STATIC RAM**  
 - TOP VIEW -



CE1	CE2	OE	WE	MODE	I/O TERMINAL
1	X	X	X	NO SELECT	HIGH IMPEDANCE
X	0	X	X	NO SELECT	HIGH IMPEDANCE
0	1	1	1	OUTPUT DISABLE	HIGH IMPEDANCE
0	1	0	1	READ	OUTPUT DATA
0	1	X	0	WRITE	INPUT DATA

0: LOW LEVEL  
 1: HIGH LEVEL  
 X: DON'T CARE

**CXQ71054P (SONY)  
uPD71054C (NEC)  
C-MOS PROGRAMMABLE TIMER COUNTER  
— TOP VIEW —**



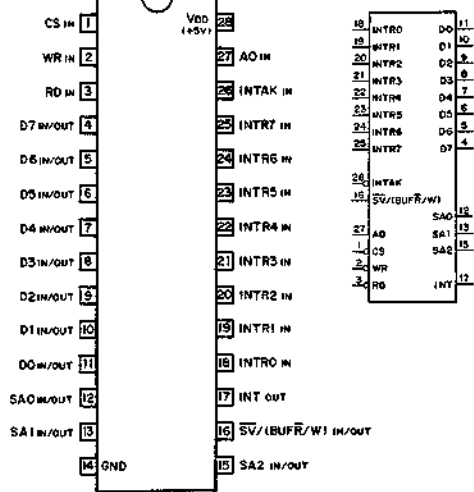
**FUNCTION TABLE**

INPUTS					FUNCTION
CS	RD	WR	A1	AO	
0	1	0	0	0	Load Counter No. 0
0	1	0	0	1	Load Counter No. 1
0	1	0	1	0	Load Counter No. 2
0	1	0	1	1	Control Word
0	0	1	0	0	Read Counter 0
0	0	1	0	1	Read Counter 1
0	0	1	1	0	Read Counter 2
0	0	1	1	1	No-Operation (HI-Z)
1	X	X	X	X	Disable (HI-Z)
0	1	1	X	X	No-Operation (HI-Z)

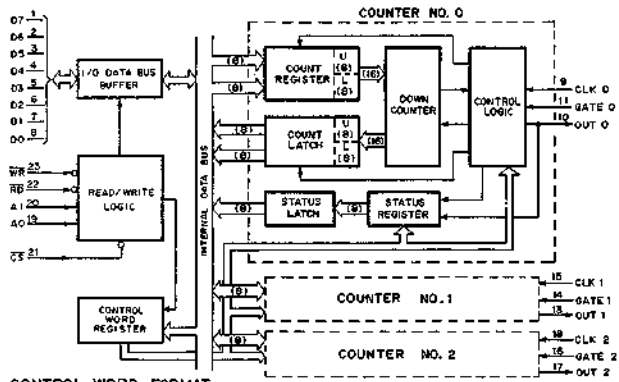
D7-D0 : 8-BIT DATA I/O  
CLK 0-2 : COUNTER CLOCK  
GATE 0-2 : COUNTER GATE  
OUT 0-2 : COUNTER OUTPUT  
RD : READ COUNTER  
WR : WRITE CMD OR DATA  
CS : CHIP SELECT  
AO, A1 : COUNTER SELECT

O: LOW LEVEL  
1: HIGH LEVEL  
X: DON'T CARE  
HI-Z: HIGH IMPEDANCE

**CXQ71059P (SONY)  
uPD71059C (NEC)  
C-MOS INTERRUPT CONTROL UNIT  
— TOP VIEW —**

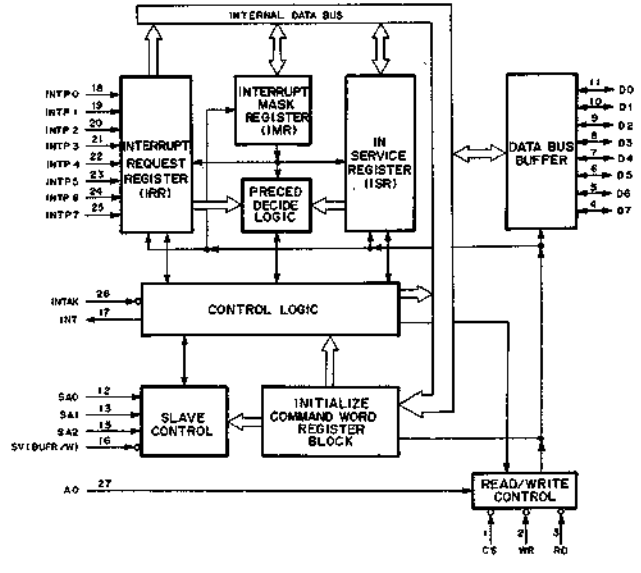


INTRO-INTR7 : INTERRUPT REQUEST INPUTS  
D0-D7 : DATA BUS INPUTS/OUTPUTS  
CS : CHIP SELECT INPUT  
RD : READ STROBE INPUT  
WR : WRITE STROBE INPUT  
AO : ADDRESS INPUT  
INT : INTERRUPT OUTPUT  
INTAK : INTERRUPT ACKNOWLEDGE INPUT  
SV/(BUFR/W) : SLAVE/BUFFER READ/WRITE INPUT/OUTPUT  
SA0-SA2 : SLAVE ADDRESS INPUTS/OUTPUTS

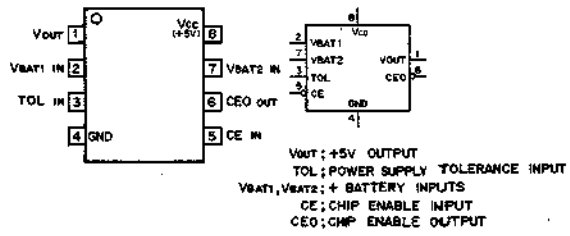


**CONTROL WORD FORMAT**

D7	D6	D5	D4	D3	D2	D1	D0
SC1	SC0	RL1	RL0	M2	M1	M0	BCD
BCD OPERATION							
0	16-BIT BINARY						
1	BCD(4-DECADE)						
M2 M1 M0 MODE							
0	0	0	0				
0	0	1	1				
X	1	0	2				
X	1	1	3				
1	0	0	4				
1	0	1	5				
RL1 RL0 OPERATION							
0	0	COUNTER LATCHING					
0	1	READ/LOAD LSB ONLY					
1	0	READ/LOAD MSB ONLY					
1	1	LSB FIRST THEN MSB					
SC1 SC0 SELECTED COUNTER							
0	0	COUNTER No. 0					
0	1	COUNTER No. 1					
1	0	COUNTER No. 2					
1	1	MULTIPLE LATCH CMD					

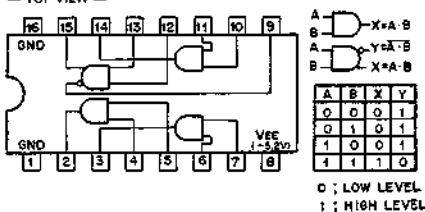


**DS1210 (DALLAS SEMICONDUCTOR)  
NONVOLATILE CONTROLLER  
— TOP VIEW —**

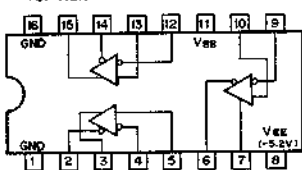


VOUT: +5V OUTPUT  
TOL: POWER SUPPLY TOLERANCE INPUT  
VBAT1, VBAT2: + BATTERY INPUTS  
CE, CE IN: CHIP ENABLE INPUT  
CEO: CHIP ENABLE OUTPUT

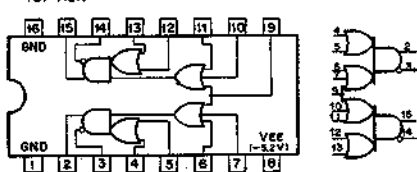
HD10104 (HITACHI)  
MC10104L (MOTOROLA)  
ECL 2-INPUT AND GATE  
— TOP VIEW —



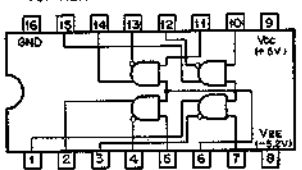
HD10116 (HITACHI)  
MC10116L (MOTOROLA)  
MC10H116L (MOTOROLA)  
ECL DIFFERENTIAL OR/NOR LINE RECEIVER  
— TOP VIEW —



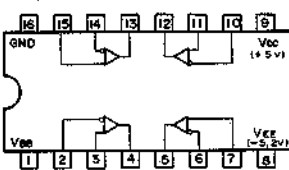
HD10117 (HITACHI)  
MC10117L (MOTOROLA)  
ECL 2-WIDE 2-3-INPUT OR-AND/OR-AND-INVERT GATE  
— TOP VIEW —



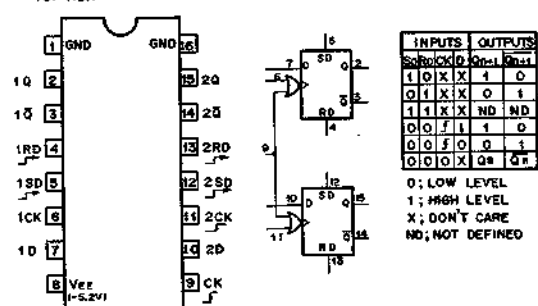
HD10124 (HITACHI)  
MC10124L (MOTOROLA)  
ECL TTL-TO-ECL TRANSLATOR  
— TOP VIEW —



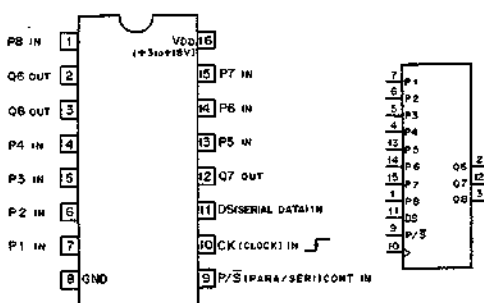
HD10125 (HITACHI)  
MC10125L (MOTOROLA)  
ECL ECL-TO-TTL TRANSLATOR  
— TOP VIEW —



HD10131 (HITACHI)  
MC10131L (MOTOROLA)  
ECL D-TYPE FLIP FLOP  
— TOP VIEW —

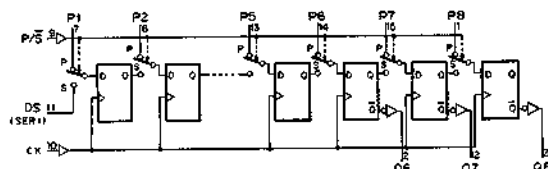


HD14021BP (HITACHI)  
MC14021BCP (MOTOROLA)  
TC4021BP (TOSHIBA)  
C-MOS ASYNCHRONOUS PARALLEL/SYNCHRONOUS SERIAL INPUT 8-BIT  
STATIC SHIFT REGISTER  
— TOP VIEW —

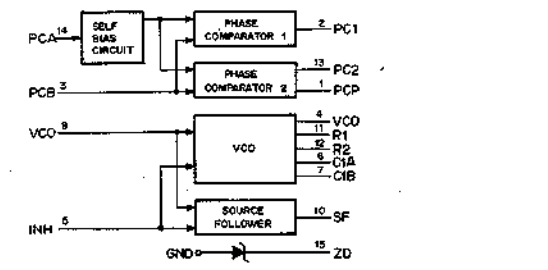
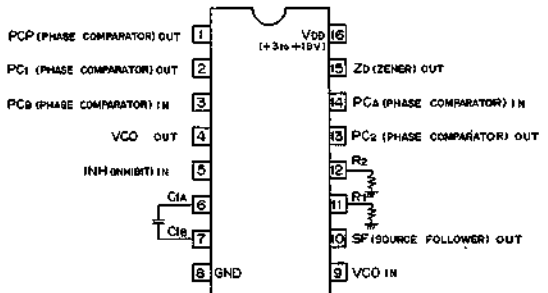


INPUT		INTERNAL OUTPUTS								OUTPUTS																	
P/S CONT	CK	P	DS	Q1	Q2	Q3	Q4	Q5	Q6	Q7	Q8	Q1	Q2	Q3	Q4	Q5	Q6	Q7	Q8								
1	X	P1 ~ P8	X	1	P1	P2	P3	P4	P5	P6	P7	P8	1	P1	P2	P3	P4	P5	P6	P7	P8						
0	F	X	1	1	Q1n	Q2n	Q3n	Q4n	Q5n	Q6n	Q7n	Q8n	1	Q1n	Q2n	Q3n	Q4n	Q5n	Q6n	Q7n	Q8n						
0	F	X	0	0	Q1n	Q2n	Q3n	Q4n	Q5n	Q6n	Q7n	Q8n	0	Q1n	Q2n	Q3n	Q4n	Q5n	Q6n	Q7n	Q8n						
X	0	X	X	Q1n	Q2n	Q3n	Q4n	Q5n	Q6n	Q7n	Q8n	Q1n	Q2n	Q3n	Q4n	Q5n	Q6n	Q7n	Q8n	Q1n	Q2n	Q3n	Q4n	Q5n	Q6n	Q7n	Q8n

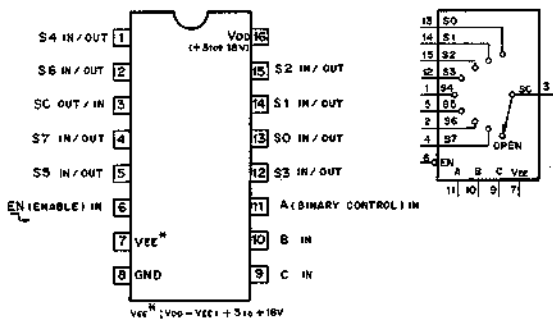
0; LOW LEVEL X; DON'T CARE. 1n; BEFORE CLOCK 1n+1; AFTER CLOCK



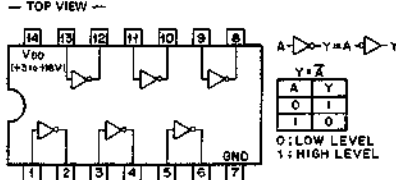
HD14046BP (HITACHI)  
MC14046BCP (MOTOROLA)  
TC4046BP (TOSHIBA)  
C-MOS PHASE LOCKED LOOP  
— TOP VIEW —



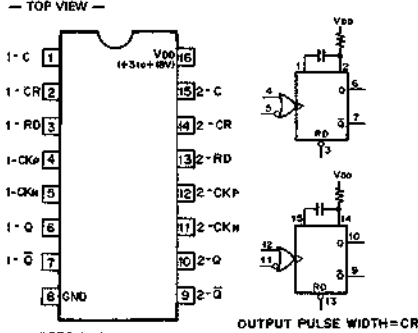
HD14051BP (HITACHI)  
MC14051BCP (MOTOROLA)  
TC4051BP (TOSHIBA)  
C-MOS 8-CHANNEL MULTIPLEXER/DEMULTIPLEXER  
— TOP VIEW —



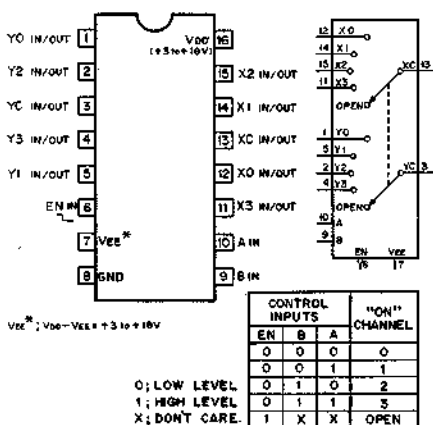
HD14069UBP (HITACHI)  
M884069B (FUJITSU)  
MC14069BCP (MOTOROLA)  
TC4069UBP (TOSHIBA)  
C-MOS INVERTER  
— TOP VIEW —



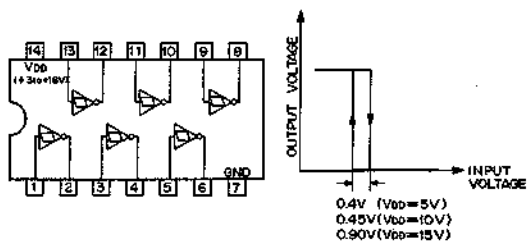
HD14538BP (HITACHI)  
M4538BP (MITUBISHI)  
MC14538BCP (MOTOROLA)  
TC4538BP (TOSHIBA)  
C-MOS DUAL RETRIGGERABLE/NON-RETRIGGERABLE  
MONOSTABLE MULTIVIBRATOR  
— TOP VIEW —



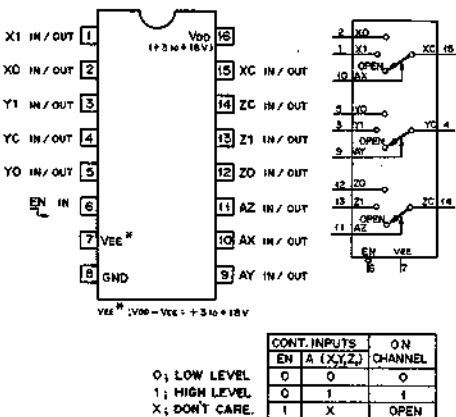
HD14052BP (HITACHI)  
MC14052BCP (MOTOROLA)  
TC4052BP (TOSHIBA)  
C-MOS 4-CHANNEL MULTIPLEXER/DEMULTIPLEXER  
— TOP VIEW —



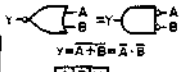
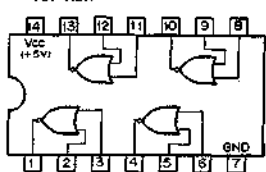
HD14584BP (HITACHI)  
MC14584BCP (MOTOROLA)  
C-MOS SCHMITT TRIGGER INVERTER  
— TOP VIEW —



HD14053BP (HITACHI)  
MC14053BCP (MOTOROLA)  
TC4053BP (TOSHIBA)  
C-MOS 2-CHANNEL MULTIPLEXER/DEMULTIPLEXER  
— TOP VIEW —



74F02PC (FSC)  
HD74LS02P (HITACHI)  
SN74LS02N (TI)  
TTL 2-INPUT POSITIVE-NOR GATE  
— TOP VIEW —

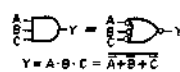
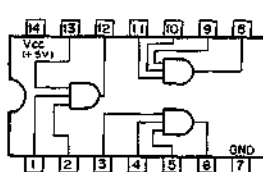


$Y = \overline{A+B} = \overline{A} \cdot \overline{B}$

A	B	Y
0	0	1
0	1	0
1	0	0
1	1	0

0: LOW LEVEL  
1: HIGH LEVEL

HD74LS11P (HITACHI)  
SN74LS11N (TI)  
TTL 3-INPUT POSITIVE-AND GATE  
— TOP VIEW —

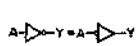
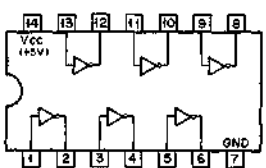


$Y = A \cdot B \cdot C = \overline{\overline{A+B+C}}$

A	B	C	Y
0	0	0	0
0	0	1	0
0	1	0	0
0	1	1	0
1	0	0	0
1	0	1	0
1	1	0	0
1	1	1	1

0: LOW LEVEL  
1: HIGH LEVEL

HD74LS04P (HITACHI)  
SN74LS04N (TI)  
TTL INVERTER  
— TOP VIEW —

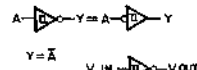
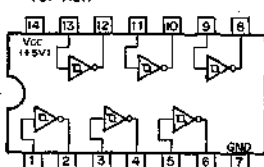


$Y = \overline{A}$

A	Y
0	1
1	0

0: LOW LEVEL  
1: HIGH LEVEL

HD74LS14P (HITACHI)  
SN74LS14N (TI)  
TTL SCHMITT TRIGGER INVERTER  
— TOP VIEW —



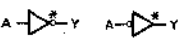
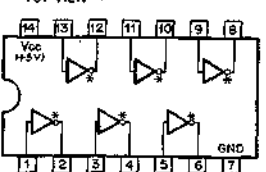
$Y = \overline{A}$

A	Y
0	1
1	0

0: LOW LEVEL  
1: HIGH LEVEL

SN74LS14N — 0.9-1.7V  
SN74LS14N — 0.8-1.6V

HD74LS05P (HITACHI)  
SN74LS05N (TI)  
TTL INVERTER WITH OPEN-COLLECTOR  
— TOP VIEW —

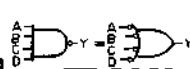
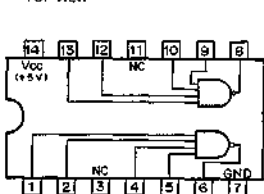


$Y = \overline{A}$

A	Y
0	1
1	0
1	0

0: LOW LEVEL  
1: HIGH LEVEL  
0: OPEN COLLECTOR

74F20PC (FSC)  
HD74LS20P (HITACHI)  
SN74ALS20AN (TI)  
SN74LS20N (TI)  
TTL 4-INPUT POSITIVE NAND GATE  
— TOP VIEW —

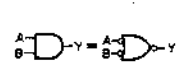
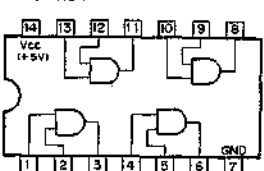


$Y = \overline{A \cdot B \cdot C \cdot D} = \overline{A+B+C+D}$

A	B	C	D	Y
0	0	0	0	1
0	0	0	1	1
0	0	1	0	1
0	0	1	1	1
0	1	0	0	1
0	1	0	1	1
0	1	1	0	1
0	1	1	1	0
1	0	0	0	1
1	0	0	1	1
1	0	1	0	1
1	0	1	1	0
1	1	0	0	1
1	1	0	1	0
1	1	1	0	0
1	1	1	1	0

0: LOW LEVEL  
1: HIGH LEVEL

HD74LS08P (HITACHI)  
SN74LS08N (TI)  
TTL 2-INPUT POSITIVE-AND GATE  
— TOP VIEW —

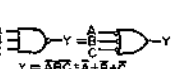
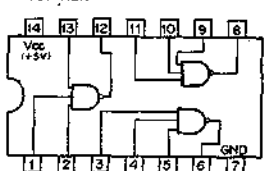


$Y = A \cdot B = \overline{\overline{A+B}}$

A	B	Y
0	0	0
0	1	0
1	0	0
1	1	1

0: LOW LEVEL  
1: HIGH LEVEL

HD74LS10P (HITACHI)  
SN74ALS10N (TI)  
SN74LS10N (TI)  
SN74S10N (TI)  
TTL 3-INPUT POSITIVE NAND GATE  
— TOP VIEW —

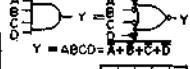
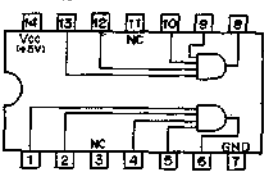


$Y = \overline{A \cdot B \cdot C} = \overline{A+B+C}$

A	B	C	Y
0	0	0	1
0	0	1	1
0	1	0	1
0	1	1	0
1	0	0	1
1	0	1	0
1	1	0	0
1	1	1	0

0: LOW LEVEL  
1: HIGH LEVEL

HD74LS21P (HITACHI)  
SN74LS21N (TI)  
TTL 4-INPUT POSITIVE AND GATE  
— TOP VIEW —



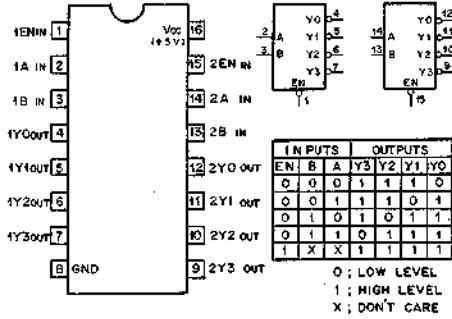
$Y = A \cdot B \cdot C \cdot D = \overline{\overline{A+B+C+D}}$

A	B	C	D	Y
0	0	0	0	0
0	0	0	1	0
0	0	1	0	0
0	0	1	1	0
0	1	0	0	0
0	1	0	1	0
0	1	1	0	0
0	1	1	1	0
1	0	0	0	0
1	0	0	1	0
1	0	1	0	0
1	0	1	1	0
1	1	0	0	0
1	1	0	1	0
1	1	1	0	0
1	1	1	1	1

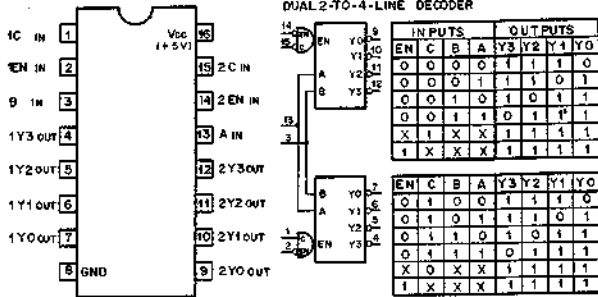
0: LOW LEVEL  
1: HIGH LEVEL



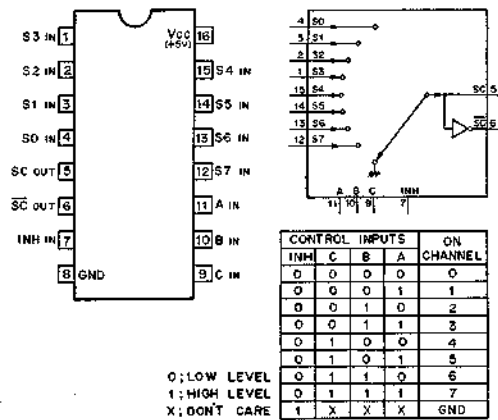
HD74LS139P (HITACHI)  
SN74LS139N (TI)  
TTL 2-TO-4-LINE DECODER/DEMULTIPLEXER  
— TOP VIEW —



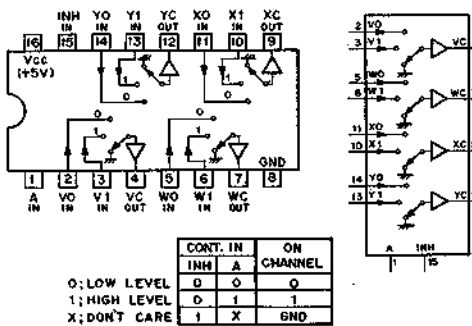
HD74LS155P (HITACHI)  
SN74LS155N (TI)  
TTL DUAL 2-TO-4-LINE DECODER/DEMULTIPLEXER  
— TOP VIEW —



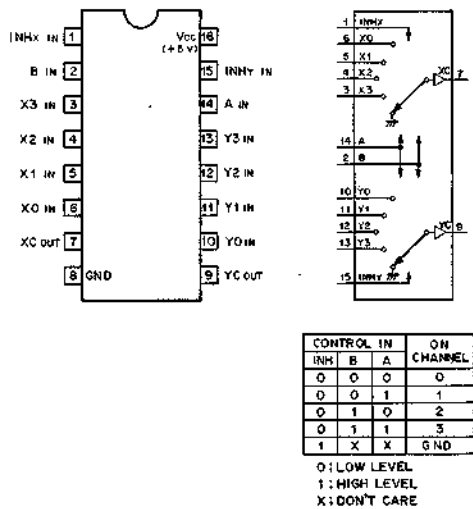
HD74LS151P (HITACHI)  
SN74LS151N (TI)  
TTL 8-LINE-TO-1-LINE DATA SELECTOR/MULTIPLEXER  
— TOP VIEW —



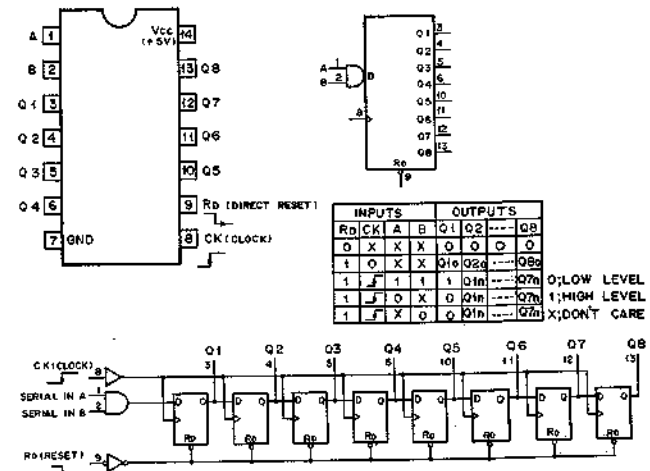
HD74LS157P (HITACHI)  
SN74LS157N (TI)  
SN74S157N (TI)  
TTL 2-LINE-TO-1-LINE DATA SELECTOR/MULTIPLEXER  
— TOP VIEW —



HD74LS153P (HITACHI)  
SN74LS153N (TI)  
TTL 4-LINE-TO-1-LINE DATA SELECTOR/MULTIPLEXER  
— TOP VIEW —

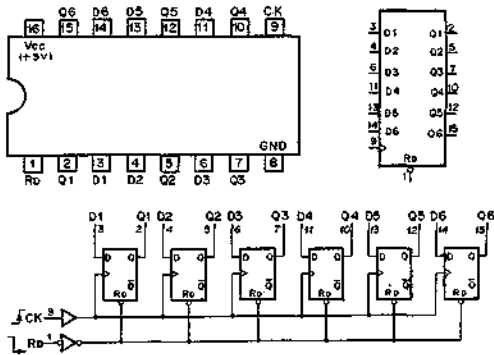


HD74LS164P (HITACHI)  
SN74LS164N (TI)  
TTL 8-BIT PARALLEL-OUT SERIAL SHIFT REGISTER  
— TOP VIEW —





HD74LS174P (HITACHI)  
 SN74ALS174N (TI)  
 SN74LS174N (TI)  
 TTL D-TYPE FLIP-FLOP WITH DIRECT RESET  
 — TOP VIEW —

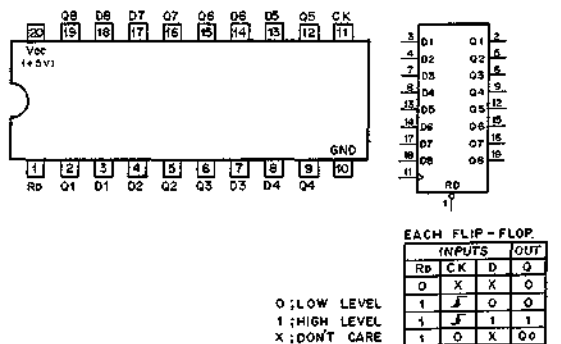


EACH FLIP-FLOP

INPUTS		OUT	
Rd	D	Q	Q0
0	X	X	0
1	0	0	0
1	1	1	1
1	0	X	Q0

0; LOW LEVEL  
 1; HIGH LEVEL  
 X; DON'T CARE

HD74LS273P (HITACHI)  
 SN74LS273N (TI)  
 TTL D-TYPE FLIP-FLOP WITH DIRECT RESET  
 — TOP VIEW —

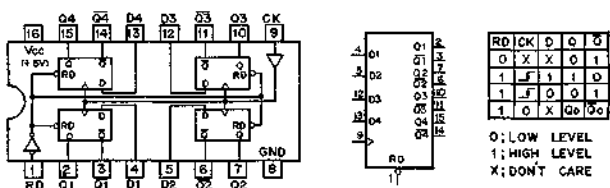


EACH FLIP-FLOP

INPUTS		OUT	
Rd	D	Q	Q0
0	X	X	0
1	0	0	0
1	1	1	1
1	0	X	Q0

0; LOW LEVEL  
 1; HIGH LEVEL  
 X; DON'T CARE

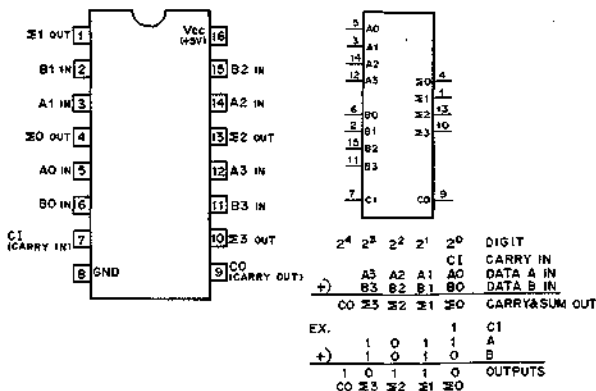
HD74LS175P (HITACHI)  
 SN74ALS175N (TI)  
 SN74LS175N (TI)  
 TTL D-TYPE FLIP-FLOP WITH CLEAR  
 — TOP VIEW —



Rd	CK	D	Q	Q0
0	X	X	0	1
1	0	0	0	0
1	1	1	1	1
1	0	X	Q0	Q0

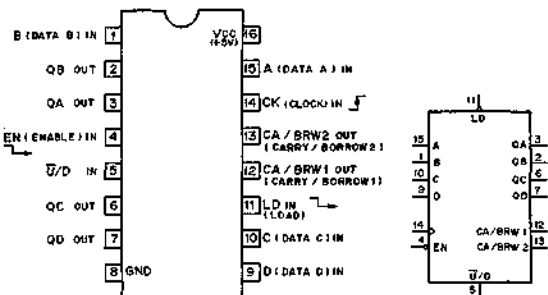
0; LOW LEVEL  
 1; HIGH LEVEL  
 X; DON'T CARE

HD74LS283P (HITACHI)  
 SN74LS283N (TI)  
 TTL 4-BIT BINARY FULL ADDER  
 — TOP VIEW —



2 <sup>4</sup>	2 <sup>3</sup>	2 <sup>2</sup>	2 <sup>1</sup>	2 <sup>0</sup>	DIGIT
A3	A2	A1	A0	C1	CARRY IN
+	1	0	1	1	A
+	1	0	1	0	B
					OUTPUTS
CO	S3	S2	S1	S0	
+	1	0	1	0	
+	1	0	1	0	
CO	S3	S2	S1	S0	

HD74LS191P (HITACHI)  
 SN74ALS191N (TI)  
 TTL PRESETTABLE SYNCHRONOUS 4-BIT BINARY UP/DOWN COUNTER  
 — TOP VIEW —



MODE SELECTION

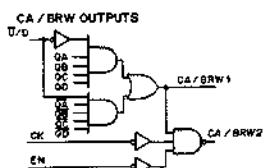
CONTROL INPUTS			MODE
LD	EN	U/D	PRESET (ASYNCHRONOUS)
0	X	X	NO COUNT
1	1	X	NO COUNT
1	0	0	UP COUNT
1	0	1	DOWN COUNT

0; LOW LEVEL  
 1; HIGH LEVEL  
 X; DON'T CARE.

COUNT SEQUENCE

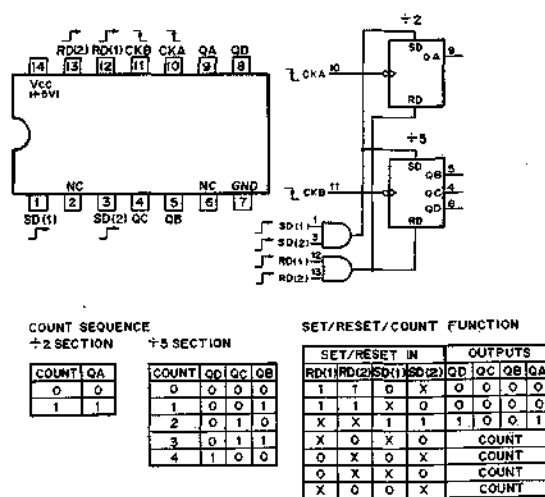
COUNT	OUTPUTS			
	QD	QC	QB	QA
0	0	0	0	0
1	0	0	0	1
2	0	0	1	0
3	0	0	1	1
4	0	1	0	0
5	0	1	0	1
6	0	1	1	0
7	0	1	1	1
8	1	0	0	0
9	1	0	0	1
10	1	0	1	0
11	1	0	1	1
12	1	1	0	0
13	1	1	0	1
14	1	1	1	0
15	1	1	1	1

UP COUNT  
 DOWN COUNT



CA/BRW1 OUTPUT IS HIGH WHEN COUNT IS "15" AT UP-COUNT OR WHEN COUNT IS "0" AT DOWN COUNT.  
 CA/BRW2 OUTPUT IS LOW WHEN BOTH THE CLOCK AND EN INPUTS ARE LOW AND CA/BRW1 OUTPUT IS HIGH.

HD74LS290P (HITACHI)  
 SN74LS290N (TI)  
 TTL DIVIDE-BY-2 AND DIVIDE-BY-5 COUNTER  
 — TOP VIEW —



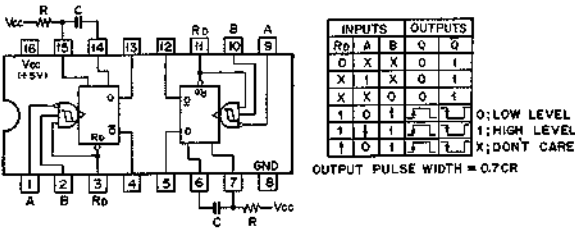
COUNT SEQUENCE

COUNT	OUTPUTS			
	QA	QB	QC	QD
0	0	0	0	0
1	0	0	1	0
2	0	1	0	0
3	0	1	1	0
4	1	0	0	0

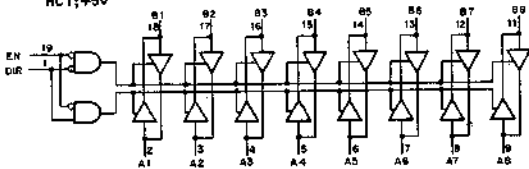
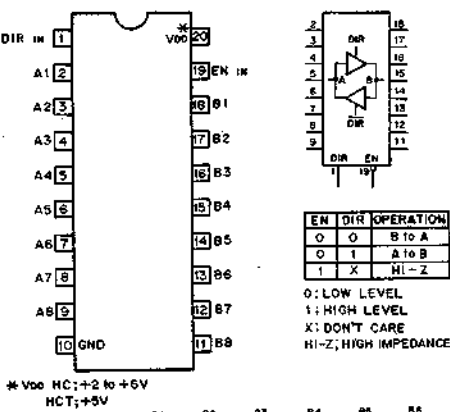
SET/RESET/COUNT FUNCTION

SET/RESET/COUNT FUNCTION				OUTPUTS			
RD(1)	RD(2)	SD(1)	SD(2)	QD	QC	QB	QA
1	1	0	X	0	0	0	0
1	1	X	0	0	0	0	0
X	X	1	1	1	0	0	1
X	0	X	0				
0	X	0	X				
0	X	X	0				
X	0	0	X				

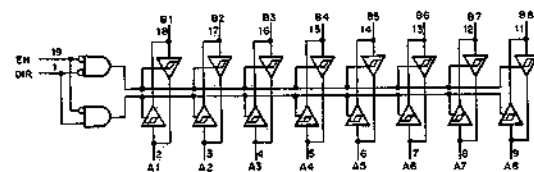
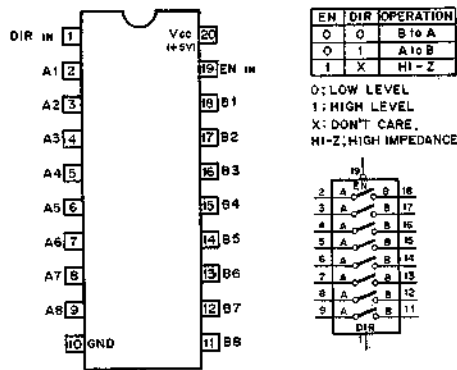
HD74LS221P (HITACHI)  
SN74LS221N (TI)  
TTL MONOSTABLE MULTIVIBRATOR WITH SCHMITT TRIGGER INPUT  
— TOP VIEW —



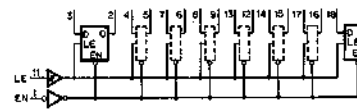
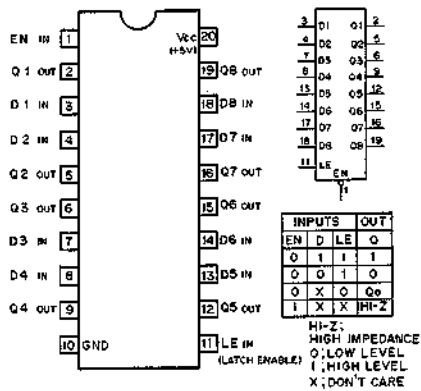
HD74HC245P (HITACHI)  
MC74HC245N (MOTOROLA)  
SN74HC245N (TI)  
TC74HC245P (TOSHIBA)  
CMOS BILATERAL BUS TRANSCEIVERS WITH 3-STATE OUTPUT  
— TOP VIEW —



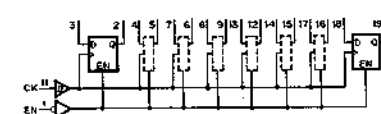
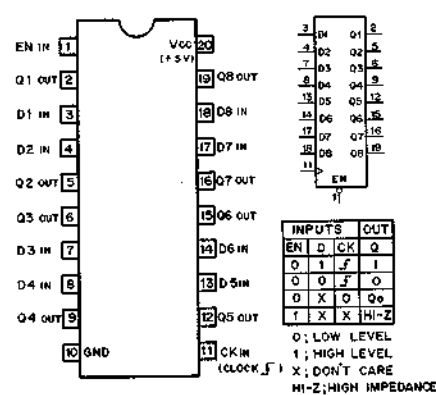
HD74LS245P (HITACHI)  
SN74ALS245N (TI)  
TTL BILATERAL SCHMITT TRIGGER BUS TRANSCEIVERS WITH 3-STATE OUTPUT  
— TOP VIEW —



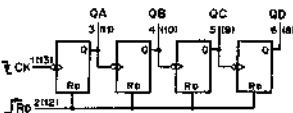
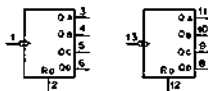
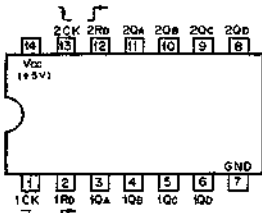
HD74LS373P (HITACHI)  
SN74LS373N (TI)  
TTL 3-STATE OUTPUTS OCTAL LATCHES  
— TOP VIEW —



HD74LS374P (HITACHI)  
SN74LS374N (TI)  
TTL 3-STATE OUTPUTS OCTAL D-TYPE FLIP-FLOP  
— TOP VIEW —



**HD74LS393P (HITACHI)  
SN74LS393N (TI)**  
TTL 4-BIT BINARY COUNTER  
— TOP VIEW —

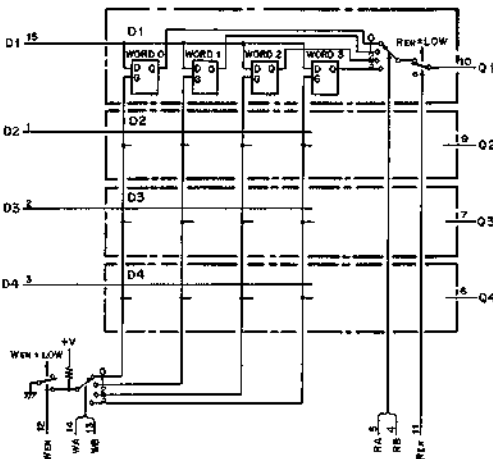
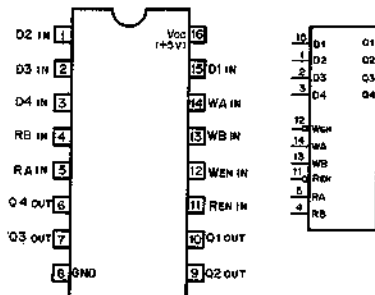


COUNT	Qd	Qc	Qb	Qa
0	0	0	0	0
1	0	0	0	1
2	0	0	1	0
3	0	0	1	1
4	0	1	0	0
5	0	1	0	1
6	0	1	1	0
7	0	1	1	1
8	1	0	0	0
9	1	0	0	1
10	1	0	1	0
11	1	0	1	1
12	1	1	0	0
13	1	1	0	1
14	1	1	1	0
15	1	1	1	1

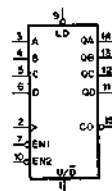
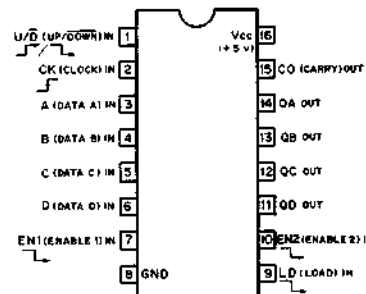
Rd	Qd	Qc	Qb	Qa
1	0	0	0	0
0	COUNT			

0; LOW LEVEL  
1; HIGH LEVEL

**HD74LS670P (HITACHI)  
SN74LS670N (TI)**  
TTL 4-BY-4 REGISTER FILES WITH 3-STATE OUTPUT  
— TOP VIEW —



**HD74LS689P (HITACHI)  
SN74LS689N (TI)**  
TTL PRESETTABLE SYNCHRONOUS 4-BIT BINARY UP/DOWN COUNTER  
— TOP VIEW —



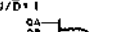
LD	EN1	EN2	U/D	MODE
0	X	X	X	PRESET
X	1	X	X	NO COUNT
X	X	1	X	NO COUNT
1	0	0	1	UP COUNT
1	0	0	0	DOWN COUNT

COUNT	OUTPUTS			
	QD	QC	QB	QA
0	0	0	0	0
1	0	0	0	1
2	0	0	1	0
3	0	0	1	1
4	0	1	0	0
5	0	1	0	1
6	0	1	1	0
7	0	1	1	1
8	1	0	0	0
9	1	0	0	1
10	1	0	1	0
11	1	0	1	1
12	1	1	0	0
13	1	1	0	1
14	1	1	1	0
15	1	1	1	1

UP COUNT ↑  
DOWN COUNT ↓

0; LOW LEVEL  
1; HIGH LEVEL  
X; DON'T CARE

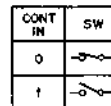
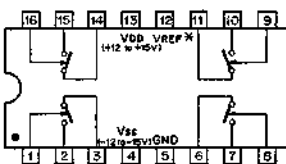
CARRY OUTPUTS "CO"



AT U/D = 0



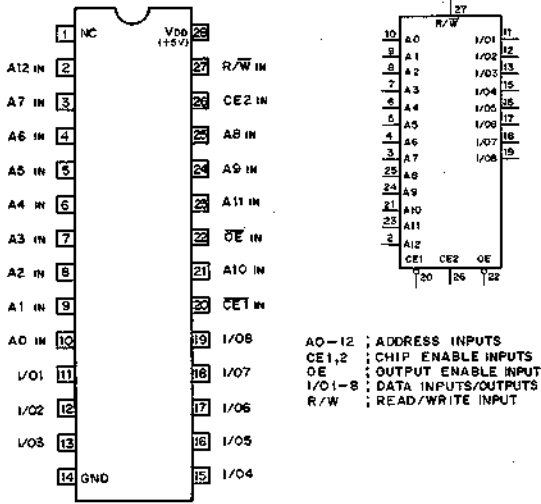
**HI1-0201-5 (HARRIS)**  
C-MOS ANALOG SWITCH  
— TOP VIEW —



0; LOW LEVEL  
1; HIGH LEVEL

INTERFACIAL DEVICE	VREF CONNECTION
TTL	Open
C-MOS	VDD ≤ 5.5V VDD > 5.5V To VDD of Interfacial IC

HM6264LP-12 (HITACHI) (ACCESS TIME = 120 ns)  
 HM6264LP-15 (HITACHI) (ACCESS TIME = 150 ns)  
 TC5665PL-12 (TOSHIBA) (ACCESS TIME = 120 ns)  
 TC5665PL-15 (TOSHIBA) (ACCESS TIME = 150 ns)  
 C-MOS 8192 WORDx8-BIT RAM  
 — TOP VIEW —

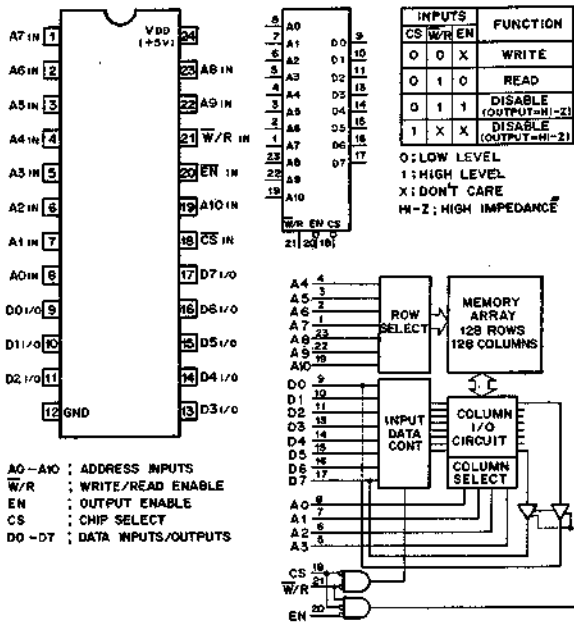


A0-12 : ADDRESS INPUTS  
 CE1,2 : CHIP ENABLE INPUTS  
 OE : OUTPUT ENABLE INPUT  
 I/O1-8 : DATA INPUTS/OUTPUTS  
 R/W : READ/WRITE INPUT

MODE	CE1	CE2	OE	R/W	I/O1-8
READ	0	1	0	1	DATA OUTPUTS
WRITE	0	1	X	0	DATA INPUTS
OUTPUT DESELECT	0	1	1	1	HI-Z
STANDBY	1	X	X	X	HI-Z

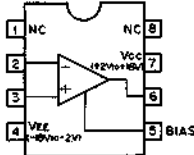
0 : LOW LEVEL  
 1 : HIGH LEVEL  
 X : DON'T CARE  
 HI-Z : HIGH IMPEDANCE

HM6116ALSP-12 (HITACHI) (ACCESS TIME = 120 ns)  
 HM6116ALSP-15 (HITACHI) (ACCESS TIME = 150 ns)  
 MB8416A-12P-SK (FUJITSU) (ACCESS TIME = 120 ns)  
 MB8416A-15P-SK (FUJITSU) (ACCESS TIME = 150 ns)  
 MSM5128-12RS (OKI) (ACCESS TIME = 120 ns)  
 TC5517AFL (TOSHIBA) (ACCESS TIME = 250 ns) FLAT PACKAGE  
 TC5517CFL (TOSHIBA) (ACCESS TIME = 200 ns) FLAT PACKAGE  
 C-MOS 16384(2048x8)-BIT HIGH SPEED STATIC RAM  
 — TOP VIEW —

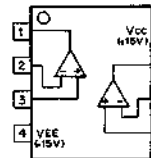


A0-A10 : ADDRESS INPUTS  
 W/R : WRITE/READ ENABLE  
 EN : OUTPUT ENABLE  
 CS : CHIP SELECT  
 D0-D7 : DATA INPUTS/OUTPUTS

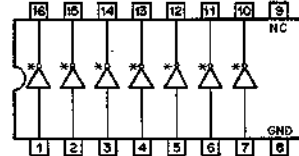
LM3080N (RCA)  
 OPERATIONAL AMPLIFIER  
 — TOP VIEW —



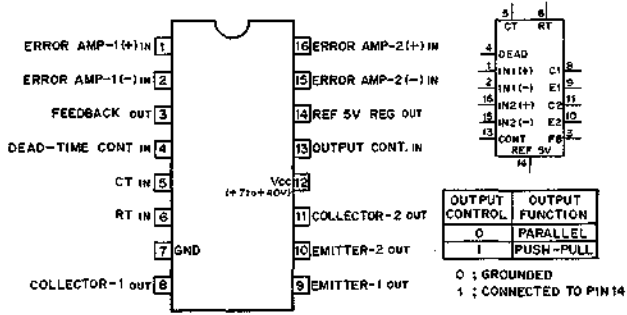
M5220P  
 OPERATIONAL AMPLIFIER  
 — TOP VIEW —



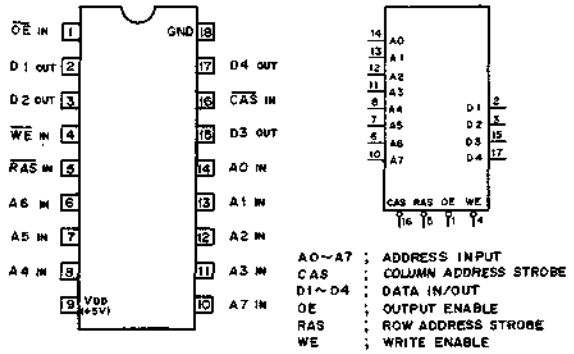
M54517P (MITSUBISHI)  
 INVERTER WITH OPEN-COLLECTOR  
 (DARLINGTON-CONNECTED TRANSISTOR ARRAY)  
 — TOP VIEW —



MB3759 (FUJITSU)  
TL494CN (TI)  
PWM POWER CONTROL  
— TOP VIEW —



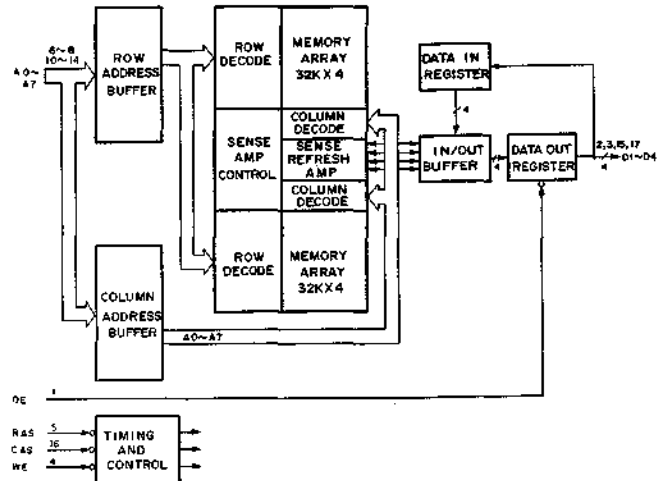
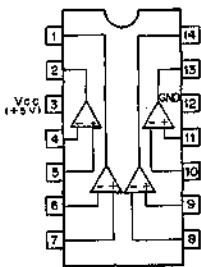
MB81464-10 (FUJITSU) (ACCESS TIME = 100ns)  
MB81464-12 (FUJITSU) (ACCESS TIME = 120ns)  
N-MOS 262144-BIT (65536x4) DYNAMIC RAM  
— TOP VIEW —



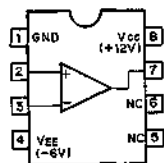
MODE	CONTROL	DATA
—	WE OE D1~D4	—
WRITE	0 1 DATA IN	—
READ	1 0 DATA OUT	—
—	1 1 HI-Z	—

0 ; LOW LEVEL  
1 ; HIGH LEVEL  
X ; DON'T CARE  
HI-Z ; HIGH IMPEDANCE

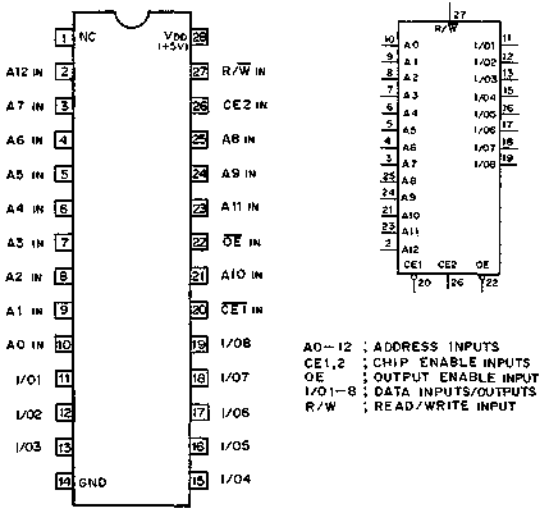
LM339 (NSC)  
MB4204 (FUJITSU)  
uPC339C (NEC)  
COMPARATOR  
— TOP VIEW —



MB4002 (FUJITSU)  
HIGH SPEED VOLTAGE COMPARATOR  
— TOP VIEW —



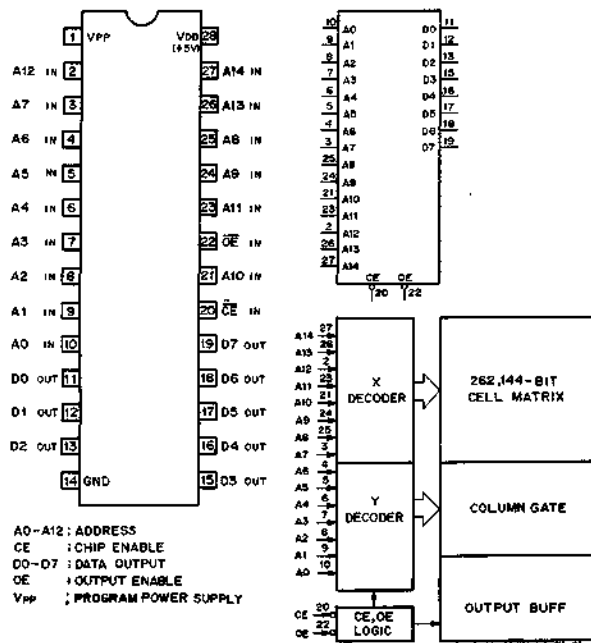
MB8464A-80L (FUJITSU) (ACCESS TIME = 80 nS)  
C-MOS 8192 WORDx8-BIT RAM  
— TOP VIEW —



MODE	CE1	CE2	OE	R/W	I/O1~8
READ	0	1	0	1	DATA OUTPUTS
WRITE	0	1	X	0	DATA INPUTS
OUTPUT DESELECT	X	X	1	X	HI-Z
STANDBY	1	X	X	X	HI-Z
	X	0	X	X	HI-Z

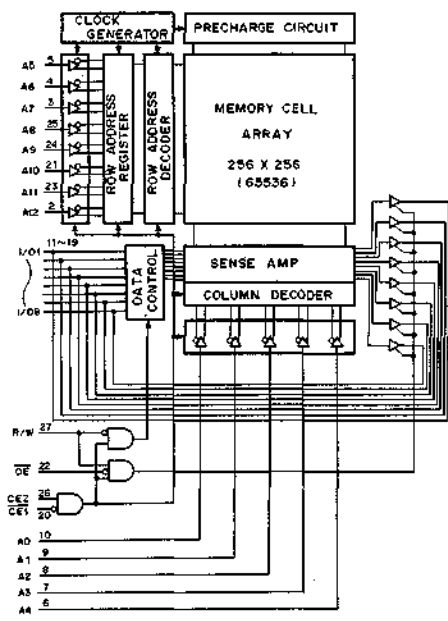
0: LOW LEVEL  
1: HIGH LEVEL  
X: DON'T CARE  
HI-Z: HIGH IMPEDANCE

MBM27C256-25 (FUJITSU) (ACCESS TIME = 250 nS)  
C-MOS 256K (32Kx8) ERASABLE PROM WITH 3-STATE OUTPUTS  
— TOP VIEW —

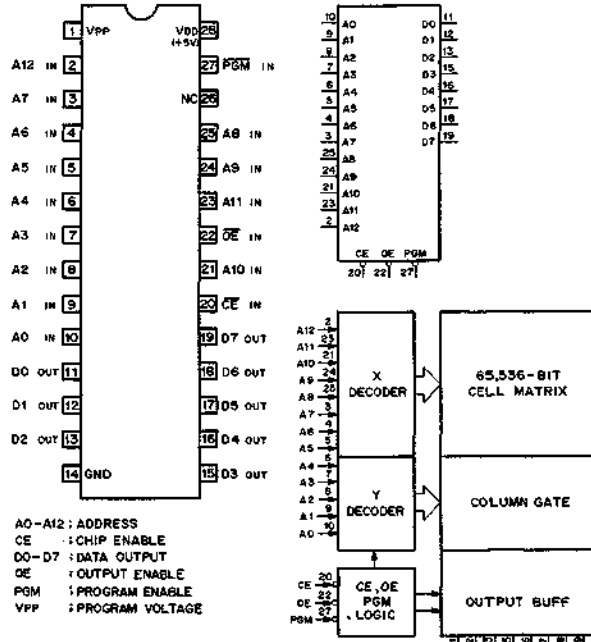


An	CE	OE	Vpp	Dn	FUNCTION
An	0	0	+5V	D OUT	READ
An	0	1	+5V	HI-Z	OUTPUT DISABLE
X	1	X	+5V	HI-Z	STANDBY
An	0	0	+21V	D IN	PGM
An	0	0	+21V	D OUT	PGM VERIFY
X	1	X	+21V	HI-Z	PGM INH

0: LOW LEVEL  
1: HIGH LEVEL  
X: DON'T CARE  
HI-Z: HIGH IMPEDANCE



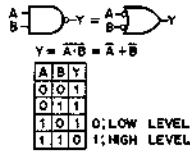
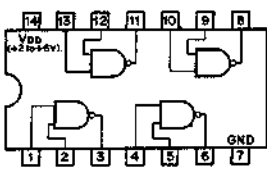
MBM27C64-25 (FUJITSU) (ACCESS TIME = 250 nS)  
C-MOS 64K (8Kx8) ERASABLE PROM WITH 3-STATE OUTPUTS  
— TOP VIEW —



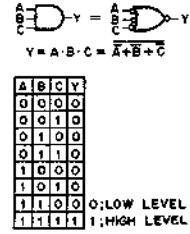
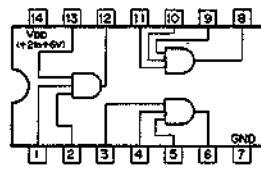
An	CE	OE	PGM	Vpp	Dn	FUNCTION
An	0	0	1	+5V	D OUT	READ
An	0	1	1	+5V	HI-Z	OUTPUT DISABLE
An	0	0	0	+5V	HI-Z	OUTPUT DISABLE
X	1	X	X	+5V	HI-Z	STANDBY
An	0	X	1	+2V	D IN	PGM
An	0	0	1	+2V	D OUT	PGM VERIFY
X	1	X	X	+2V	HI-Z	PGM INH

0: LOW LEVEL  
1: HIGH LEVEL  
X: DON'T CARE  
HI-Z: HIGH IMPEDANCE

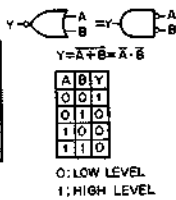
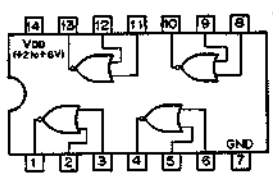
MC74HC00N (MOTOROLA)  
SN74HC00N (TI)  
TC74HC00P (TOSHIBA)  
C-MOS 2-INPUT NAND GATE  
— TOP VIEW —



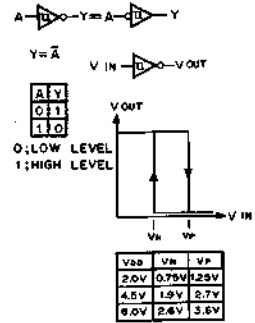
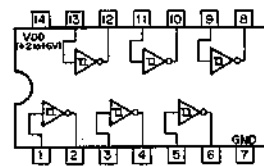
MC74HC11N (MOTOROLA)  
SN74HC11N (TI)  
TC74HC11P (TOSHIBA)  
C-MOS 3-INPUT POSITIVE-AND GATE  
— TOP VIEW —



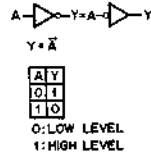
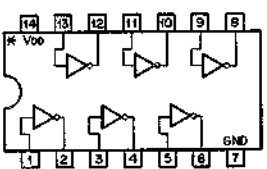
MC74HC02N (MOTOROLA)  
SN74HC02N (TI)  
TC74HC02P (TOSHIBA)  
C-MOS 2-INPUT POSITIVE-NOR GATE  
— TOP VIEW —



MC74HC14N (MOTOROLA)  
SN74HC14N (TI)  
TC74HC14P (TOSHIBA)  
C-MOS SCHMITT TRIGGER INVERTER  
— TOP VIEW —

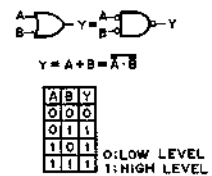
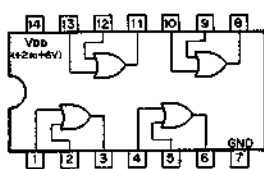


MC74HC04N (MOTOROLA)  
SN74HC04N (TI)  
TC74HC04P (TOSHIBA)  
C-MOS INVERTER  
— TOP VIEW —

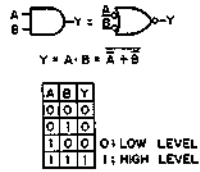
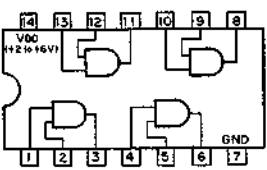


\* V<sub>DD</sub> HC, HCU: +2to+6V  
HCT: +5V

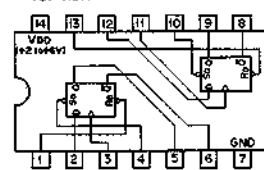
MC74HC32N (MOTOROLA)  
SN74HC32N (TI)  
TC74HC32P (TOSHIBA)  
C-MOS 2-INPUT OR GATE  
— TOP VIEW —



MC74HC08N (MOTOROLA)  
SN74HC08N (TI)  
TC74HC08P (TOSHIBA)  
C-MOS 2-INPUT AND GATE  
— TOP VIEW —



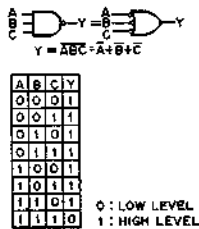
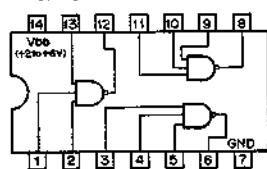
MC74HC74N (MOTOROLA)  
SN74HC74N (TI)  
TC74HC74P (TOSHIBA)  
C-MOS D-TYPE FLIP FLOP WITH DIRECT SET/RESET  
— TOP VIEW —



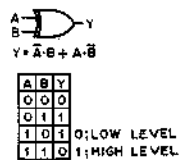
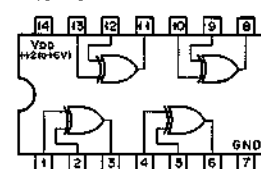
INPUTS		OUTPUTS	
Set	Reset	Q	Qn+1
0	1	X	1
1	0	X	0
0	0	X	1*
1	1	1	1
1	1	0	0
1	1	X	Qn

0: LOW LEVEL  
1: HIGH LEVEL  
X: DON'T CARE  
1\*: NONSTABLE

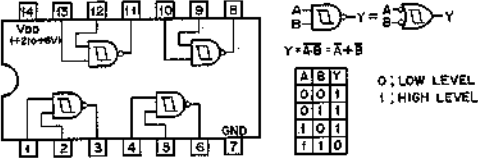
MC74HC10N (MOTOROLA)  
SN74HC10N (TI)  
TC74HC10P (TOSHIBA)  
C-MOS 3-INPUT NAND GATE  
— TOP VIEW —



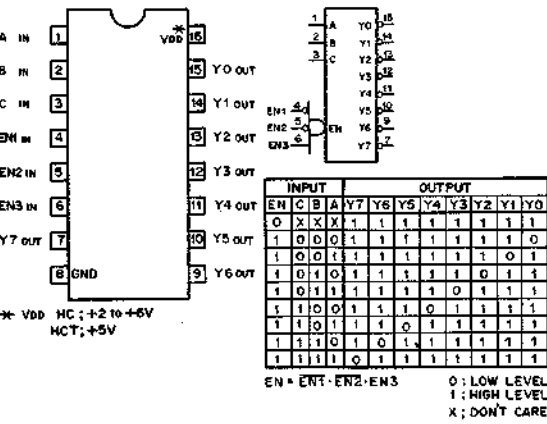
MC74HC86N (MOTOROLA)  
SN74HC86N (TI)  
TC74HC86P (TOSHIBA)  
C-MOS EXCLUSIVE OR GATE  
— TOP VIEW —



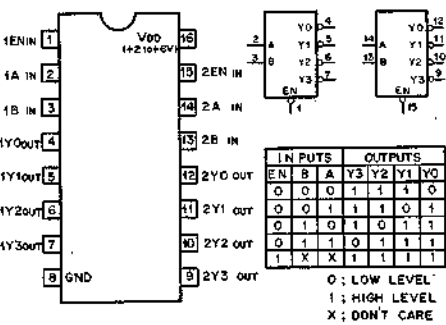
MC74HC132N (MOTOROLA)  
TC74HC132P (TOSHIBA)  
C-MOS 2-INPUT NAND SCHMITT TRIGGER  
— TOP VIEW —



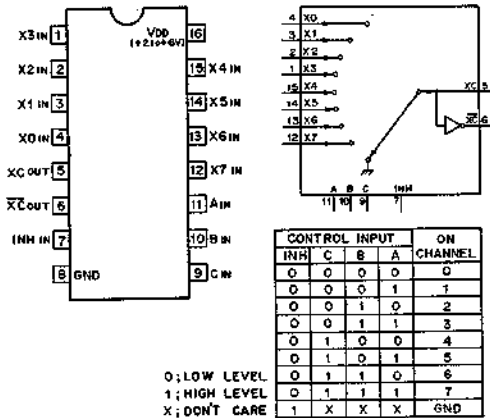
MC74HC138N (MOTOROLA)  
SN74HC138N (TI)  
TC74HC138P (TOSHIBA)  
C-MOS 3-TO-8 LINE DECODER/DEMULTIPLEXER  
— TOP VIEW —



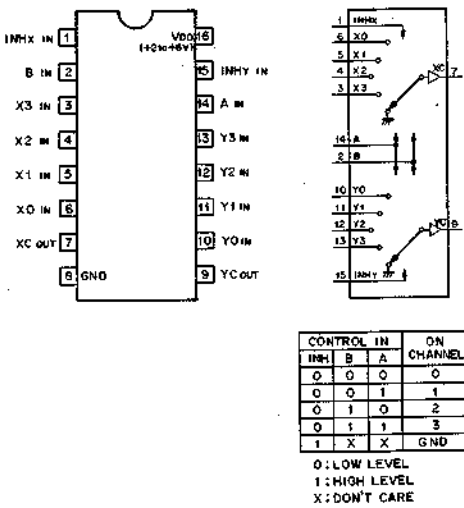
MC74HC139N (MOTOROLA)  
SN74HC139N (TI)  
TC74HC139P (TOSHIBA)  
C-MOS 1-OF-4 DECODER/DEMULTIPLEXER  
— TOP VIEW —



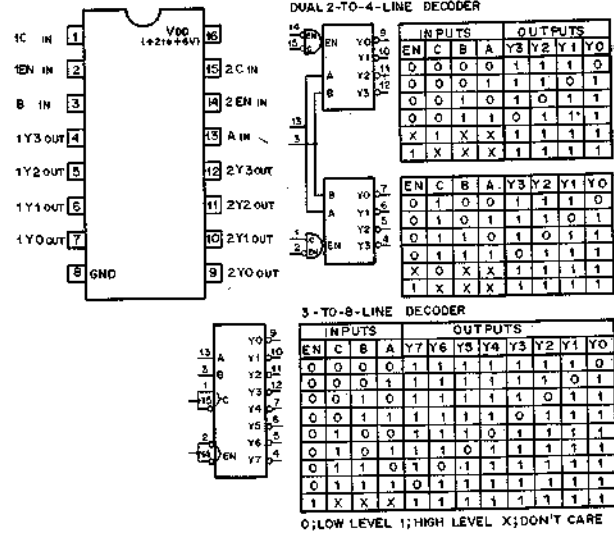
MC74HC151N (MOTOROLA)  
SN74HC151N (TI)  
TC74HC151P (TOSHIBA)  
C-MOS 8-LINE-TO-1-LINE DATA SELECTOR/MULTIPLEXER  
— TOP VIEW —



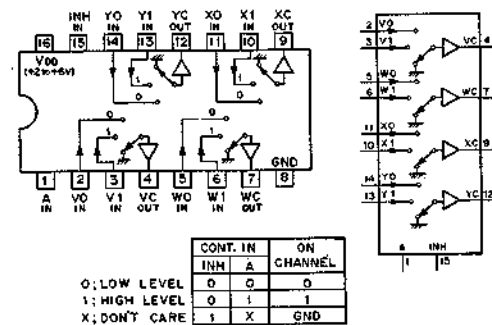
MC74HC153N (MOTOROLA)  
SN74HC153N (TI)  
TC74HC153P (TOSHIBA)  
C-MOS 4-LINE-TO-1-LINE DATA SELECTOR/MULTIPLEXER  
— TOP VIEW —



TC74HC155P (TOSHIBA)  
TC74HC155AP (TOSHIBA)  
TTL DUAL 2-TO-4-LINE DECODER/3-TO-8-LINE DECODER  
— TOP VIEW —

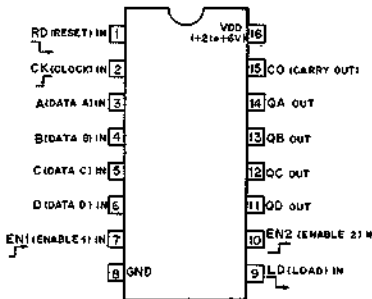


MC74HC157N (MOTOROLA)  
SN74HC157N (TI)  
TC74HC157P (TOSHIBA)  
C-MOS 2-LINE-TO-1-LINE DATA SELECTOR/MULTIPLEXER  
— TOP VIEW —





MC74HC161N (MOTOROLA)  
SN74HC161N (TI)  
TC74HC161P (TOSHIBA)  
C-MOS SYNCHRONOUS PRESETTABLE 4-BIT BINARY COUNTER  
— TOP VIEW —



MODE SELECTION				
CONTROL INPUT		MODE		
RD	LD	EN1	EN2	MODE
0	X	X	X	RESET (ASYNCHRONOUS)
1	0	X	X	PRESET (SYNCHRONOUS)
1	1	0	X	NO COUNT
1	1	X	0	NO COUNT
1	1	1	1	COUNT

COUNT	OUTPUT			
	QD	QC	QB	QA
0	0	0	0	0
1	0	0	0	1
2	0	0	1	0
3	0	0	1	1
4	0	1	0	0
5	0	1	0	1
6	0	1	1	0
7	0	1	1	1
8	1	0	0	0
9	1	0	0	1
10	1	0	1	0
11	1	0	1	1
12	1	1	0	0
13	1	1	0	1
14	1	1	1	0
15	1	1	1	1

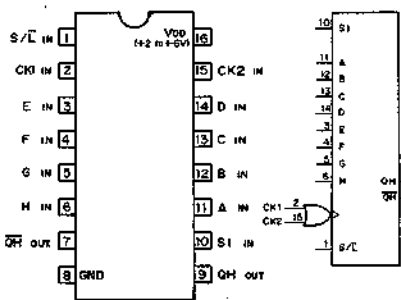
0; LOW LEVEL  
1; HIGH LEVEL  
X; DON'T CARE

CARRY OUTPUT "CO"



CO IS HIGH WHEN EN2 INPUT IS HIGH AND COUNT IS "15".

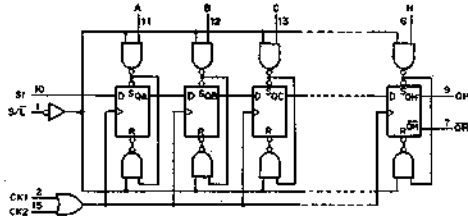
MC74HC165N (MOTOROLA)  
SN74HC165N (TI)  
TC74HC165P (TOSHIBA)  
C-MOS SERIAL- OR PARALLEL-INPUT SHIFT REGISTER  
— TOP VIEW —



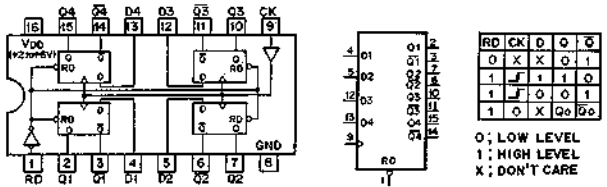
SI : SERIAL DATA IN  
A-H : PARALLEL DATA IN  
CK1, CK2: CLOCK IN (CK1  
S/L : SHIFT/LOAD IN  
QH OR : 8th BIT OUT  
(COMPLEMENTARY)

INPUTS		CONTENTS			OUTPUT			OPERATION
S/L	CK1+CK2	SI	A	B	C	D	QH	
0	X	X	a	b	c	d	h	PARALLEL LOAD
1	1	0	X	X	X	X	Q <sub>A0</sub> ...	RIGHT SHIFT
1	1	1	X	X	X	X	Q <sub>A0</sub> ...	RIGHT SHIFT
1	1	X	X	X	X	X	Q <sub>A0</sub> ...	NO COUNT
1	0	X	X	X	X	X	Q <sub>A0</sub> ...	NO COUNT
1	1	X	X	X	X	X	Q <sub>A0</sub> ...	NO COUNT

0; LOW LEVEL  
1; HIGH LEVEL  
X; DON'T CARE  
a-h : LEVEL OF INPUTS A-H  
Q<sub>A0</sub>-Q<sub>H0</sub> : LEVEL OF Q<sub>A</sub>-Q<sub>H</sub> BEFORE THE INDICATED INPUT CONDITIONS WERE ESTABLISHED



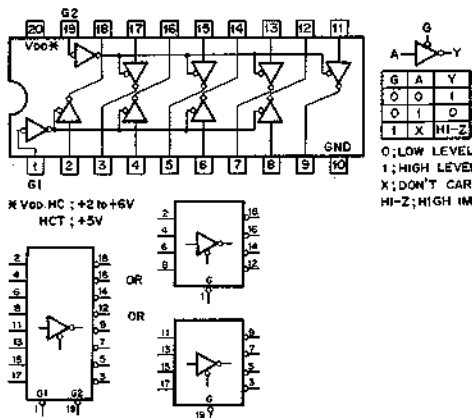
MC74HC175N (MOTOROLA)  
SN74HC175N (TI)  
TC74HC175P (TOSHIBA)  
C-MOS D-TYPE FLIP-FLOP WITH RESET  
— TOP VIEW —



RD	CK	D	Q	Q
0	X	X	0	1
1	1	1	1	0
1	0	X	0	1
1	0	X	0	0

0; LOW LEVEL  
1; HIGH LEVEL  
X; DON'T CARE

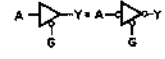
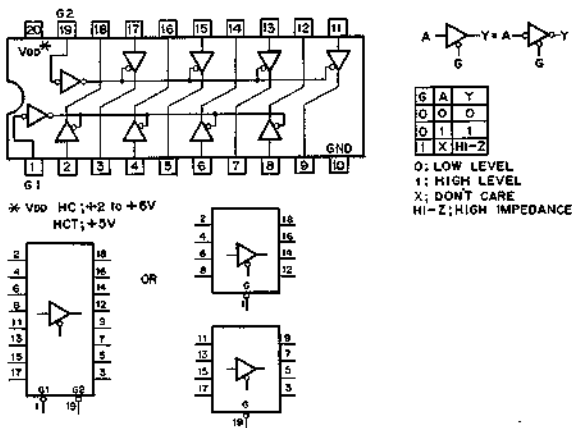
MC74HC240N (MOTOROLA)  
SN74HC240N (TI)  
TC74HC240P (TOSHIBA)  
C-MOS 3-STATE INVERTER/LINE DRIVER  
— TOP VIEW —



G	A	Y
0	0	1
0	1	0
1	X	HI-Z

0; LOW LEVEL  
1; HIGH LEVEL  
X; DON'T CARE  
HI-Z; HIGH IMPEDANCE

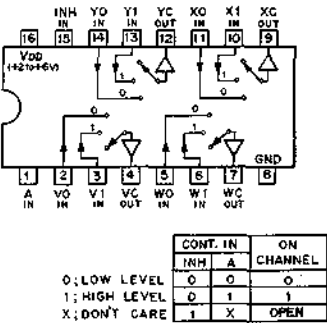
MC74HC244N (MOTOROLA)  
SN74HC244N (TI)  
TC74HC244P (TOSHIBA)  
C-MOS BUS BUFFER WITH 3-STATE OUTPUT  
— TOP VIEW —



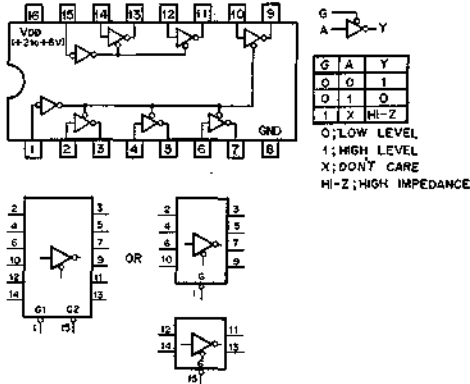
G	A	Y
0	0	0
0	1	1
1	X	HI-Z

0; LOW LEVEL  
1; HIGH LEVEL  
X; DON'T CARE  
HI-Z; HIGH IMPEDANCE

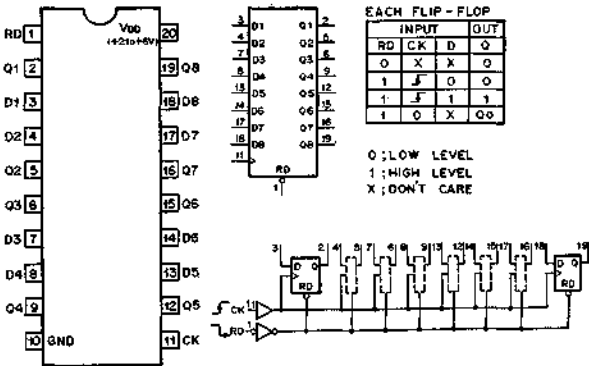
MC74HC257N (MOTOROLA)  
SN74HC257N (TI)  
TC74HC257P (TOSHIBA)  
C-MOS 2-LINE-TO-1-LINE DATA SELECTOR/MULTIPLEXER  
— TOP VIEW —



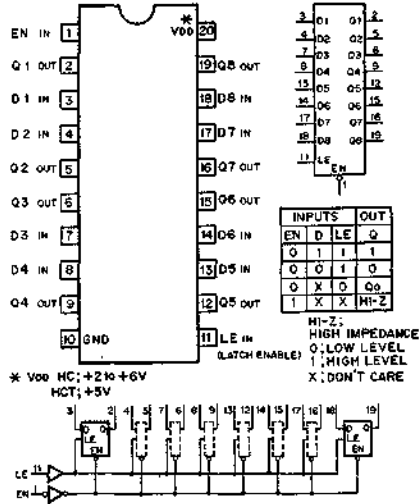
MC74HC368N (MOTOROLA)  
SN74HC368N (TI)  
TC74HC368P (TOSHIBA)  
C-MOS BUS INVERTER WITH 3-STATE OUTPUTS  
— TOP VIEW —



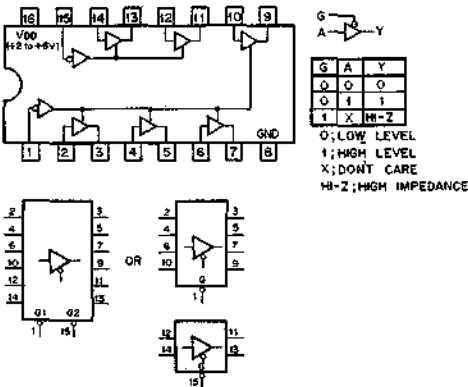
MC74HC273N (MOTOROLA)  
SN74HC273N (TI)  
TC74HC273P (TOSHIBA)  
C-MOS D-TYPE FLIP-FLOP WITH RESET  
— TOP VIEW —



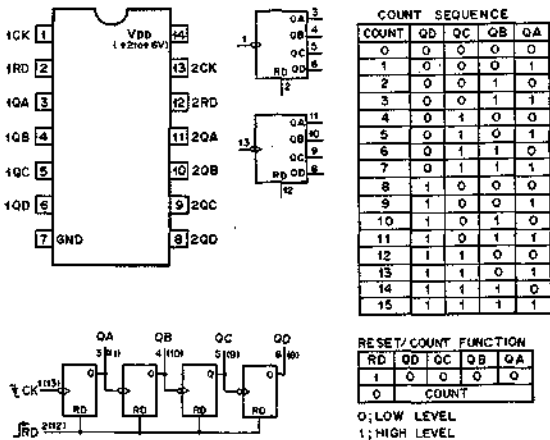
MC74HC373N (MOTOROLA)  
SN74HC373N (TI)  
TC74HC373P (TOSHIBA)  
C-MOS 3-STATE OUTPUTS OCTAL LATCHES  
— TOP VIEW —



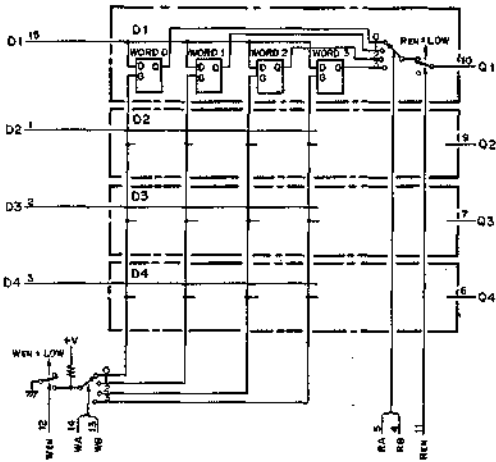
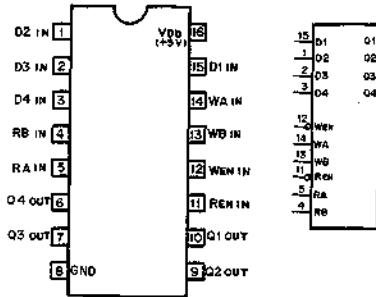
MC74HC367N (MOTOROLA)  
SN74HC367N (TI)  
TC74HC367P (TOSHIBA)  
C-MOS BUS DRIVER WITH 3-STATE OUTPUTS  
— TOP VIEW —



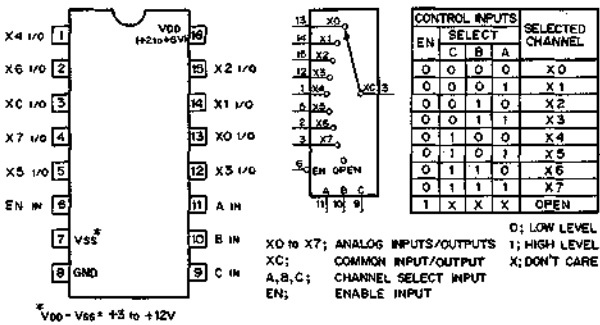
MC74HC393N (MOTOROLA)  
SN74HC393N (TI)  
TC74HC393P (TOSHIBA)  
C-MOS 4-BIT BINARY COUNTER  
— TOP VIEW —



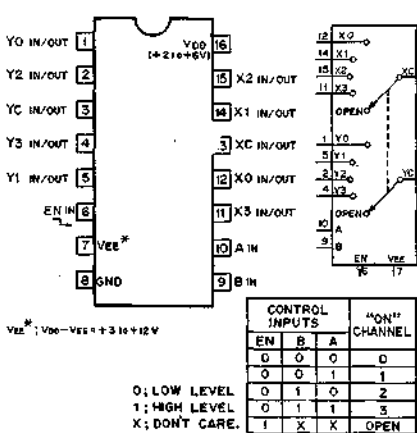
**TC74HC670P (TOSHIBA)**  
 CMOS 4-BY-4 REGISTER FILES WITH 3-STATE OUTPUT  
 - TOP VIEW -



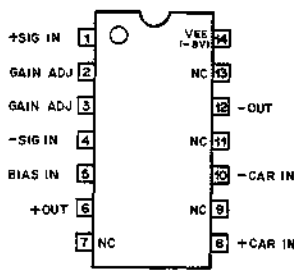
**MC74HC4051N (MOTOROLA)**  
 CMOS 8-CHANNEL ANALOG MULTIPLEXER/DEMULTIPLEXER  
 - TOP VIEW -



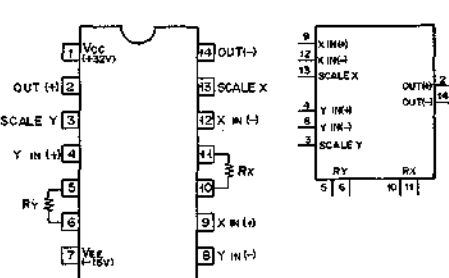
**MC74HC4052N (MOTOROLA)**  
 CMOS 4-CHANNEL MULTIPLEXER/DEMULTIPLEXER  
 - TOP VIEW -



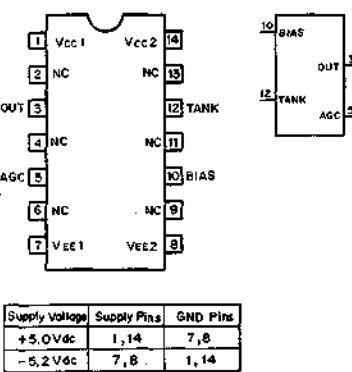
**MC1496P (MOTOROLA)**  
 BALANCED MODULATOR/DEMODULATOR  
 - TOP VIEW -



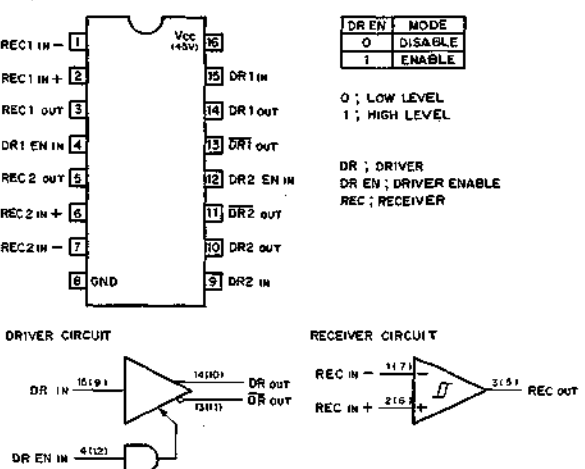
**MC1595L (MOTOROLA)**  
 LINEAR MULTIPLIER  
 - TOP VIEW -



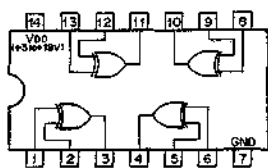
**MC1648P (MOTOROLA)**  
 ECL VOLTAGE CONTROLLED OSCILLATOR  
 - TOP VIEW -



**MC34051P (MOTOROLA)**  
 RS-422 DRIVER/RECEIVER  
 - TOP VIEW -



**MC14070BCP (MOTOROLA)**  
C-MOS EXCLUSIVE OR GATE  
— TOP VIEW —

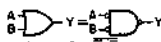
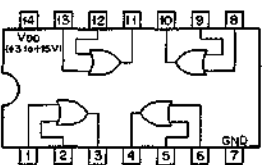


$Y = \bar{A}B + A\bar{B}$

A	B	Y
0	0	0
0	1	1
1	0	1
1	1	0

0: LOW LEVEL  
1: HIGH LEVEL

**HD14071 BP (HITACHI)**  
**MC14071 BCP (MOTOROLA)**  
**TC4071 BP (TOSHIBA)**  
C-MOS 2-INPUT OR GATE  
— TOP VIEW —

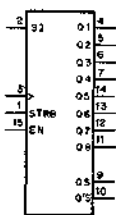
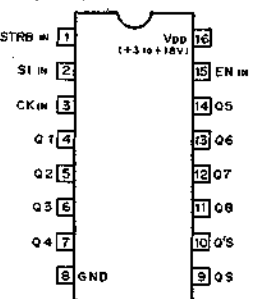


$Y = A + B = \overline{\bar{A}\bar{B}}$

A	B	Y
0	0	0
0	1	1
1	0	1
1	1	1

0: LOW LEVEL  
1: HIGH LEVEL

**MC14094 BCP (MOTOROLA)**  
**MSM4094 RS (OKI)**  
C-MOS 8-STAGE SHIFT-AND-STORE BUS REGISTER  
— TOP VIEW —

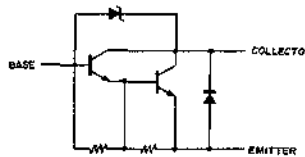
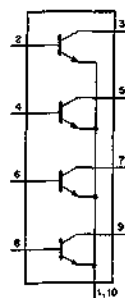
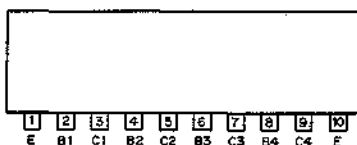


SI; SERIAL DATA INPUT  
CK; CLOCK INPUT  
STRB; STROBE INPUT  
EN; OUTPUT ENABLE INPUT  
Q1-Q8; PARALLEL DATA OUTPUTS  
Q'S, Q'S; SERIAL DATA OUTPUTS

CK	INPUTS			PARALLEL OUT		SERIAL OUT	
	EN	STRB	SI	Q1	Qn	Q'S	Q'S
	0	X	X	HI-Z	HI-Z	Q7	NC
	0	X	X	HI-Z	HI-Z	NC	Q7
	1	0	X	NC	NC	Q7	NC
	1	1	0	0	Qn-1	Q7	NC
	1	1	1	1	Qn-1	Q7	NC
	1	1	1	NC	NC	NC	Q7

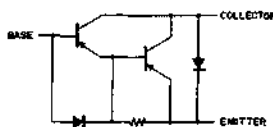
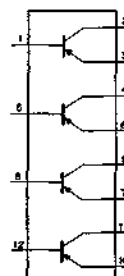
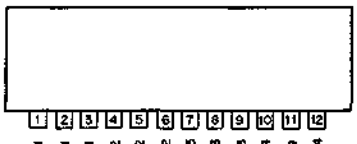
1: HIGH  
0: LOW  
X: DON'T CARE  
HI-Z; HIGH IMPEDANCE  
NC; NO CHANGE

**MP4001 (TOSHIBA)**  
DARLINGTON TRANSISTOR ARRAY  
— PRINTED SIDE VIEW —

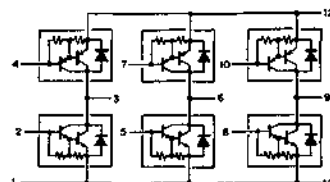
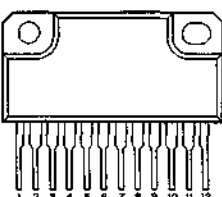


1, 10 EMITTER  
2, 4, 6, 8 BASE  
3, 5, 7, 9 COLLECTOR

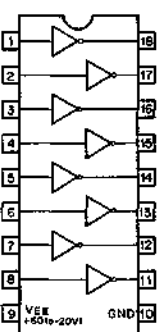
**MP4504 (TOSHIBA)**  
DARLINGTON TRANSISTOR ARRAY  
— PRINTED SIDE VIEW —



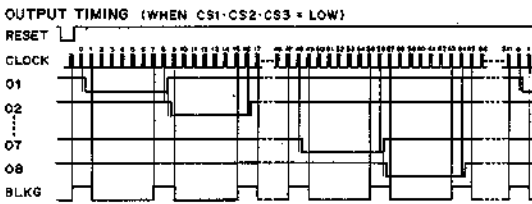
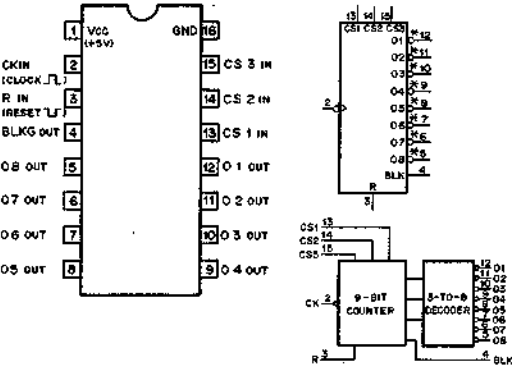
**MP6901 (TOSHIBA)**  
POWER TRANSISTOR ARRAY  
— PRINTED SIDE VIEW —



**MSL915RS (OKI)**  
VACUUM FLUORESCENT DISPLAY DRIVER  
— TOP VIEW —



**MSL9510RS (DK)**  
8-BIT DIGIT SCAN COUNTER/DECODER  
FOR FLUORESCENT DISPLAY (OPEN COLLECTOR)  
— TOP VIEW —

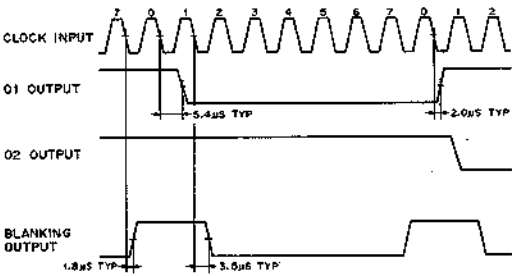


**FUNCTION TABLE**

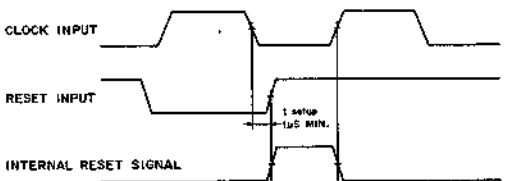
CLOCK	CS1	CS2	CS3	O1	O2	O7	O8
0~93	0	0	0	0	0	0	0
94~127	0	0	1	0	0	0	0
128~191	0	1	0	0	0	0	0
192~255	0	1	1	0	0	0	0
256~319	1	0	0	0	0	0	0
320~383	1	0	1	0	0	0	0
384~447	1	1	0	0	0	0	0
448~511	1	1	1	0	0	0	0

O : LOW LEVEL  
1 : HIGH LEVEL  
ROUND "O" : COUNT  
BLANK : NO COUNT

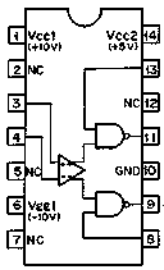
**DETAIL OF OUTPUT TIMING (RL = 7kΩ)**



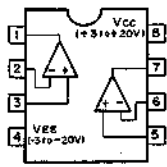
**RESET TIMING**



**NE527N (SIGNETICS)**  
VOLTAGE COMPARATOR  
— TOP VIEW —



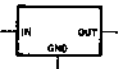
**NE5532P (TI)**  
LOW NOISE OPERATIONAL AMPLIFIER  
— TOP VIEW —



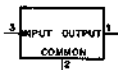
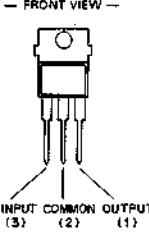
**NJM78L??A (NEC)**  
POSITIVE VOLTAGE REGULATOR (100mA)



OUTPUT VOLTAGE	NJM78L??A	UA78L??ACL	UA78L??AWV	uPC78L??J	AN78L??
+2.6V	NJM78L02A	UA78L02ACL	UA78L26AWV	-----	-----
+4V	NJM78L05A	UA78L05ACL	UA78L05AWV	uPC78L05J	AN78L04
+5V	NJM78L06A	UA78L06ACL	UA78L62AWV	-----	AN78L06
+6.2V	-----	-----	-----	-----	-----
+7V	NJM78L08A	UA78L08ACL	UA78L82AWV	uPC78L08J	AN78L07
+8V	-----	-----	-----	-----	AN78L08
+8.2V	-----	-----	-----	-----	-----
+9V	NJM78L09A	UA78L09ACL	UA78L92AWV	-----	AN78L09
+10V	-----	-----	-----	-----	-----
+10V	NJM78L10A	UA78L10ACL	-----	uPC78L10J	AN78L10
+12V	NJM78L12A	UA78L12ACL	UA78L12AWV	uPC78L12J	AN78L12
+15V	NJM78L15A	UA78L15ACL	UA78L15AWV	uPC78L15J	AN78L15
+18V	NJM78L18A	UA78L18ACL	UA78L18AWV	-----	AN78L18
+20V	NJM78L20A	-----	-----	-----	AN78L20
+24V	NJM78L24A	-----	UA78L24AWV	-----	AN78L24

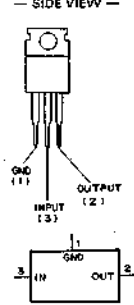


**NJM78M??A (JRC)**  
POSITIVE VOLTAGE REGULATOR (500mA)  
— FRONT VIEW —



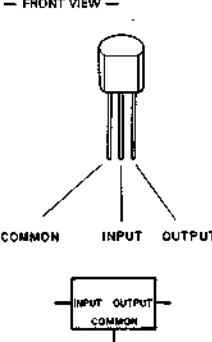
5V	NJM78M05A
6V	NJM78M06A
8V	NJM78M08A
9V	NJM78M09A
12V	NJM78M12A
15V	NJM78M15A
18V	NJM78M18A
20V	NJM78M20A
24V	NJM78M24A

**NJM79??A (JRC)**  
NEGATIVE VOLTAGE REGULATOR (1A)  
— SIDE VIEW —



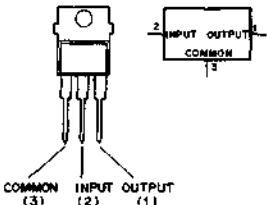
OUTPUT VOLTAGE	??
-5V	05
-6V	06
-8V	08
-9V	09
-12V	12
-15V	15
-18V	18
-24V	24

**NJM79L??A (JRC)**  
NEGATIVE VOLTAGE REGULATOR (100mA)  
— FRONT VIEW —



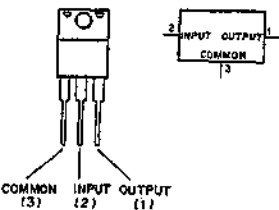
OUTPUT VOLTAGE	NJM79L??A
-3V	NJM79L03A
-4V	-----
-5V	NJM79L05A
-6V	NJM79L06A
-7V	-----
-8V	NJM79L08A
-9V	NJM79L09A
-10V	-----
-12V	NJM79L12A
-15V	NJM79L15A
-18V	NJM79L18A
-20V	-----
-24V	NJM79L24A

NJM79M ? ?A (JRC)  
NEGATIVE VOLTAGE REGULATOR (500mA)  
— FRONT VIEW —



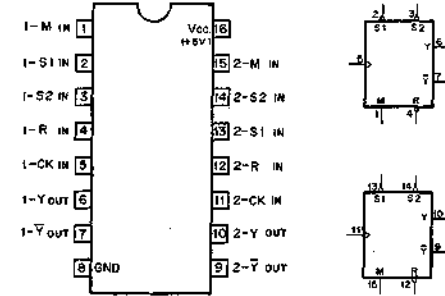
- COMMON (3)
- INPUT (2)
- OUTPUT (1)
- 5V NJM79M05A
- 6V NJM79M06A
- 8V NJM79M08A
- 9V NJM79M09A
- 12V NJM79M12A
- 15V NJM79M15A
- 18V NJM79M18A
- 24V NJM79M24A

RC79M ? ?FA (RAYTHEON)  
NEGATIVE VOLTAGE REGULATOR  
— FRONT VIEW —



- COMMON (3)
- INPUT (2)
- OUTPUT (1)
- 5V NJM79M05FA RC79M05FA
- 6V NJM79M06FA RC79M06FA
- 8V NJM79M08FA RC79M08FA
- 9V NJM79M09FA RC79M09FA
- 12V NJM79M12FA RC79M12FA
- 15V NJM79M15FA RC79M15FA
- 18V NJM79M18FA RC79M18FA
- 24V NJM79M24FA RC79M24FA

SN74120N (TI)  
TTL PULSE SYNCHRONIZER/DRIVER  
— TOP VIEW —



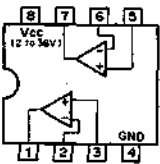
INPUT M	OUTPUT MODE
0	TRAIN OF PULSES
1	SINGLE PULSE

INPUTS	FUNCTION
R S1 S2	
X 0 X	PASS OUTPUT PULSES
X X 0	PASS OUTPUT PULSES
0 1 1	INHIBIT OUTPUT PULSES
1 1 1	START OUTPUT PULSES
1 1 1	START OUTPUT PULSES
1 1 1	STOP OUTPUT PULSES
1 1 1	CONTINUE

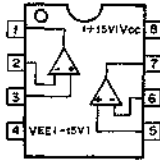
S1, S2: START COMMAND INPUTS  
R: STOP COMMAND INPUT  
M: MODE CONTROL INPUT  
Y, Y: SYNCHRONIZED PULSE OUTPUT

0: LOW LEVEL  
1: HIGH LEVEL  
X: DON'T CARE

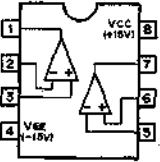
NJM2903D (JRC)  
uPC393C (NEC)  
VOLTAGE COMPARATOR  
— TOP VIEW —



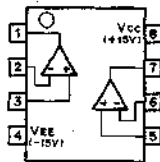
NJM4558D (JRC)  
uPC4558C (NEC)  
OPERATIONAL AMPLIFIER  
— TOP VIEW —



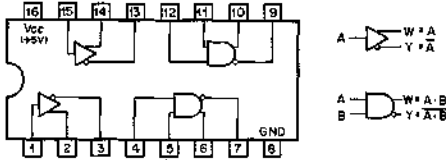
NJM4559D (JRC)  
OPERATIONAL AMPLIFIER  
— TOP VIEW —



NJM4560D (JRC)  
OPERATIONAL AMPLIFIER  
— TOP VIEW —

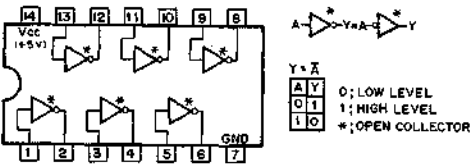


SN74255N (TI)  
TTL COMPLEMENTARY-OUTPUT ELEMENT  
— TOP VIEW —



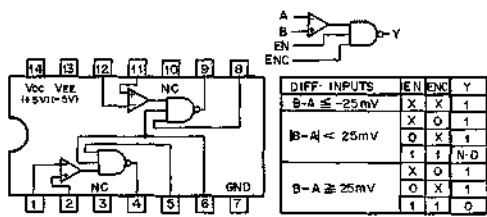
$W = A$   
 $Y = \bar{A}$   
 $W = A \cdot B$   
 $Y = \bar{A} \cdot B$

SN7406N (TI)  
TTL INVERTER BUFFER/DRIVER WITH OPEN-COLLECTOR  
— TOP VIEW —



$Y = \bar{A}$   
O: LOW LEVEL  
1: HIGH LEVEL  
\*: OPEN COLLECTOR

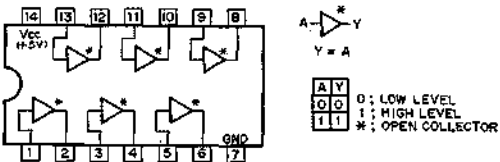
SN75107AN (TI)  
LINE RECEIVER  
— TOP VIEW —



DIFF. INPUTS	EN	ENC	Y
B-A ≤ -25mV	X	X	1
B-A < 25mV	X	0	1
B-A < 25mV	0	X	1
B-A ≥ 25mV	1	1	N-D
	X	0	1
	0	X	1
	1	1	0

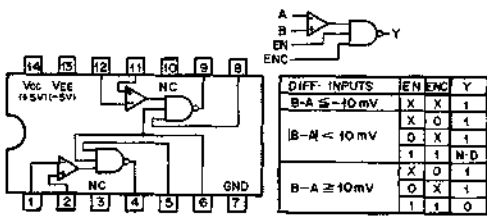
0: LOW LEVEL  
1: HIGH LEVEL  
X: DON'T CARE  
ND: NOT DEFINED

SN7407N (TI)  
TTL BUFFER/DRIVER WITH OPEN-COLLECTOR  
— TOP VIEW —



$Y = A$   
O: LOW LEVEL  
1: HIGH LEVEL  
\*: OPEN COLLECTOR

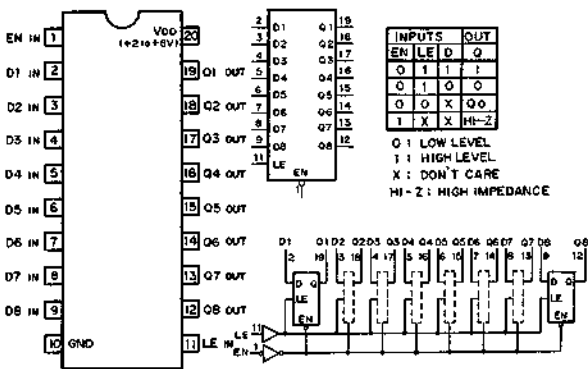
SN75207N (TI)  
DUAL HIGH-SENSITIVITY LINE RECEIVER  
— TOP VIEW —



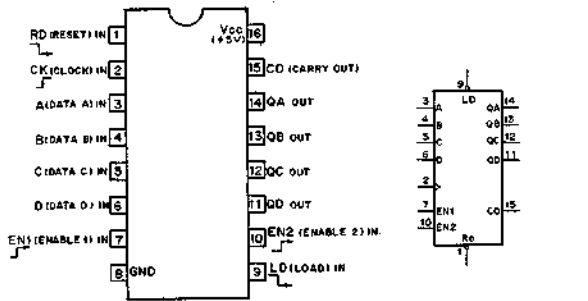
DIFF. INPUTS	EN	ENC	Y
B-A ≤ -10mV	X	X	1
B-A < 10mV	X	0	1
B-A < 10mV	0	X	1
B-A ≥ 10mV	1	1	N-D
	X	0	1
	0	X	1
	1	1	0

0: LOW LEVEL  
1: HIGH LEVEL  
X: DON'T CARE  
ND: NOT DEFINED

SN74HC573N (TI)  
TC74HC573P (TOSHIBA)  
C-MOS 3-STATE OCTAL LATCHES  
— TOP VIEW —

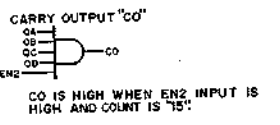


SN74ALS161BN (TI)  
SN74LS161AN (TI)  
TTL PRESETTABLE SYNCHRONOUS 4-BIT BINARY COUNTER  
— TOP VIEW —

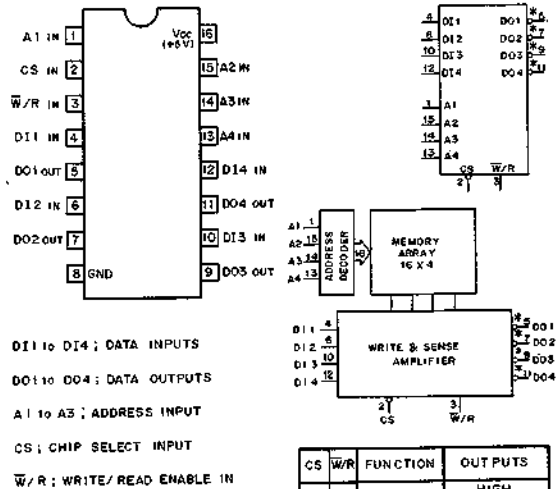


MODE SELECTION				
CONTROL	INPUTS	MODE		
Rp	LD	EN1	EN2	MODE
0	X	X	X	RESET (ASYNCHRONOUS)
1	0	X	X	PRESET (SYNCHRONOUS)
1	1	0	X	NO COUNT
1	1	X	0	NO COUNT
1	1	1	1	COUNT

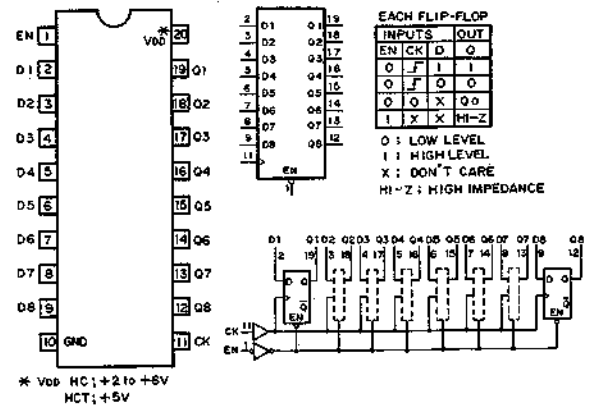
0: LOW LEVEL  
1: HIGH LEVEL  
X: DON'T CARE



SN74LS189AN (TI)  
SN74S189AN (TI)  
TTL 64-BIT (16x4) RAM WITH 3-STATE OUTPUT  
— TOP VIEW —

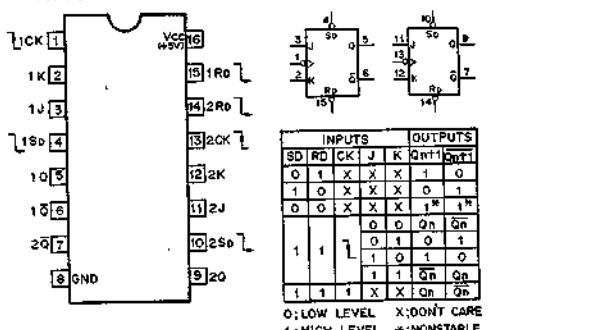


SN74HC574N (TI)  
TC74HC574P (TOSHIBA)  
C-MOS 3-STATE D-TYPE EDGE-TRIGGERED FLIP-FLOP  
— TOP VIEW —

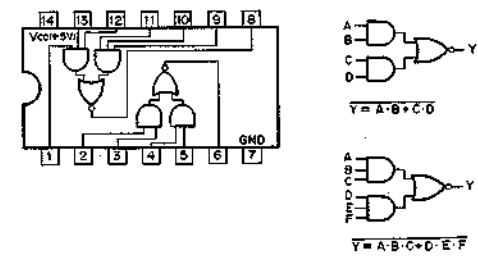


\* Vcc HC: +2 to +5V  
HCT: +5V

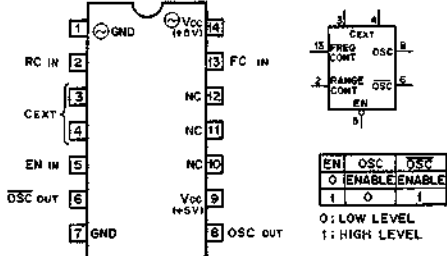
74F112PC (FSC)  
SN74ALS112AN (TI)  
SN74LS112AN (TI)  
TTL J-K FLIP-FLOP WITH DIRECT SET/RESET  
— TOP VIEW —



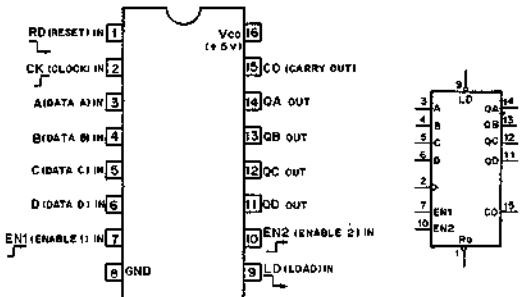
SN74LS51N (TI)  
TTL 2-WIDE 2-INPUT/3-INPUT AND-OR-INVERT GATE  
— TOP VIEW —



SN74LS624N (TI)  
TTL VOLTAGE CONTROLLED OSCILLATOR  
— TOP VIEW —



74F163APC (FSC)  
SN74ALS163AN (TI)  
SN74LS163AN (TI)  
TTL PRESETTABLE SYNCHRONOUS 4-BIT BINARY COUNTER  
— TOP VIEW —



MODE SELECTION

CONTROL INPUTS	MODE
RD LD EN1 EN2	
0 X X X	RESET (SYNCHRONOUS)
1 0 X X	PRESET (SYNCHRONOUS)
1 1 0 X	NO COUNT
1 1 X 0	NO COUNT
1 1 1 1	COUNT

COUNT SEQUENCE

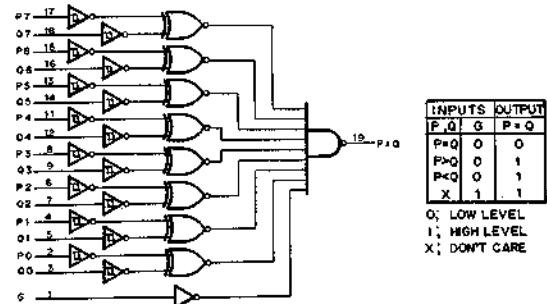
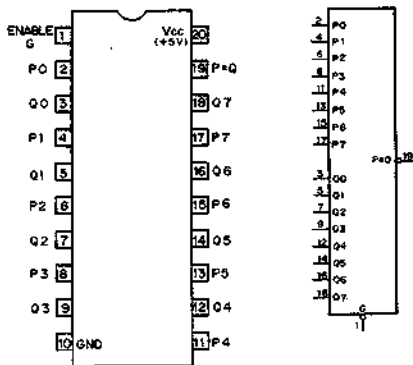
COUNT	QD	QC	QB	QA
0	0	0	0	0
1	0	0	0	1
2	0	0	1	0
3	0	0	1	1
4	0	1	0	0
5	0	1	0	1
6	0	1	1	0
7	0	1	1	1
8	1	0	0	0
9	1	0	0	1
10	1	0	1	0
11	1	0	1	1
12	1	1	0	0
13	1	1	0	1
14	1	1	1	0
15	1	1	1	1

0: LOW LEVEL  
1: HIGH LEVEL  
X: DON'T CARE

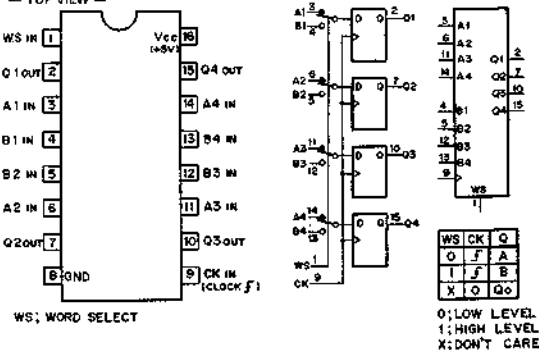
CARRY OUTPUT "CO"

CO IS HIGH WHEN EN2 INPUT IS HIGH AND COUNT IS "15"

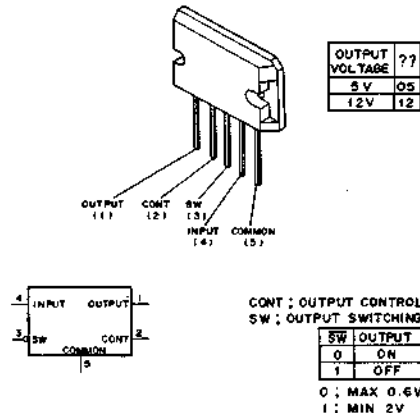
SN74LS688N (TI)  
TTL 8-BIT MAGNITUDE COMPARATOR



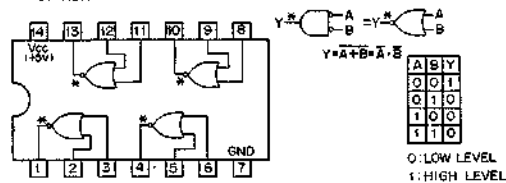
SN74LS399N (TI)  
TTL QUAD 2-INPUT MULTIPLEXER WITH STORAGE  
— TOP VIEW —



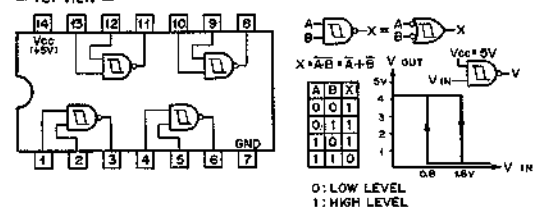
STRS0 ?? (SANKEN)  
POSITIVE VOLTAGE REGULATOR (4A)  
— OBLIQUE VIEW —



SN74LS33N (TI)  
TTL 2-INPUT POSITIVE-NOR GATE WITH OPEN-COLLECTOR  
— TOP VIEW —

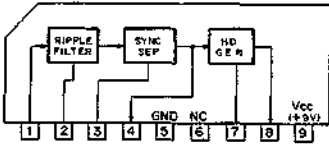


SN74LS132N (TI)  
TTL 2-INPUT NAND SCHMITT TRIGGER  
— TOP VIEW —

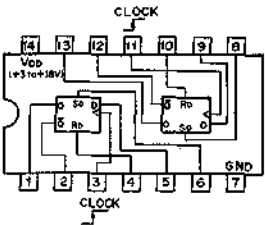




TA7357AP (TOSHIBA)  
SYNC SEPARATOR/HD PULSE GENERATOR  
— SIDE VIEW —



TC6040138P (TOSHIBA)  
C-MOS D-TYPE FLIP FLOP WITH DIRECT SET/RESET  
— TOP VIEW —

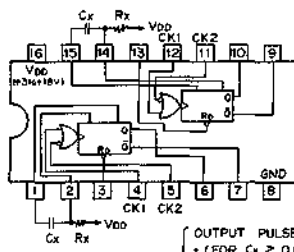


DIRECT R-S FLIP FLOP		D-TYPE FLIP FLOP	
Set	R	CKn	Qn
0	0	0	0
0	1	0	0
1	0	0	1
1	1	0	1

D-TYPE FLIP FLOP		D-TYPE FLIP FLOP	
CKn	Qn	CKn	Qn
0	0	0	0
0	1	0	1
1	0	1	0
1	1	1	1

CLOCK CK1  
CKn: BEFORE CLOCK  
CKn+1: AFTER CLOCK  
0: LOW LEVEL  
1: HIGH LEVEL

TC4528BP (TOSHIBA)  
C-MOS RETRIGGERABLE/RESETTABLE MMV  
— TOP VIEW —

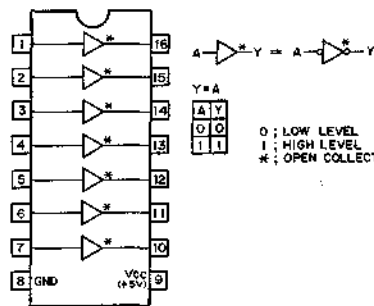


INPUTS		OUTPUTS	
CK1	CK2	Q1	Q2
0	0	0	0
0	1	0	0
1	0	1	0
1	1	1	1
X	X	0	0

0: LOW LEVEL  
1: HIGH LEVEL  
X: DON'T CARE

OUTPUT PULSE WIDTH Q OR  $\bar{Q}$   
• (FOR  $C_x \geq 0.01\mu\text{F}$  USE FORMULA)  
 $PW = 0.2 \cdot R_x \cdot C_x \cdot f_n (V_{cc} - GND)$   
• (FOR  $C_x < 0.01\mu\text{F}$  USE DATA BOOK)

TD62304P (TOSHIBA)  
DARLINGTON DRIVER WITH OPEN COLLECTOR OUTPUT  
— TOP VIEW —

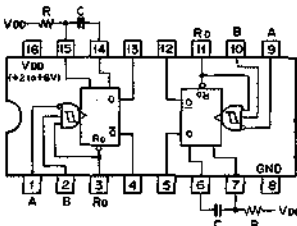


$A \rightarrow Y = A \rightarrow Y$

A	Y
0	0
1	1

0: LOW LEVEL  
1: HIGH LEVEL  
\*: OPEN COLLECTOR

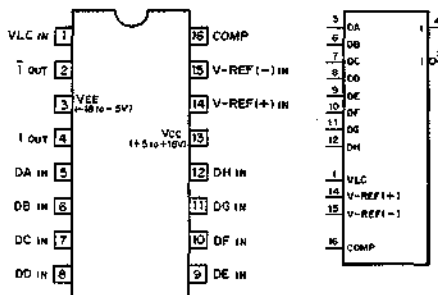
TC74HC221P (TOSHIBA)  
uPD74HC221AC (NEC)  
C-MOS MONOSTABLE MULTIVIBRATOR WITH SCHMITT TRIGGER INPUT  
— TOP VIEW —



INPUTS		OUTPUTS	
Rd	A	Q	$\bar{Q}$
0	X	X	0
X	1	X	0
X	X	0	1
1	0	1	1
1	1	1	1
1	0	1	1

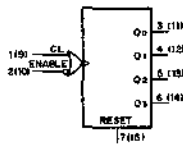
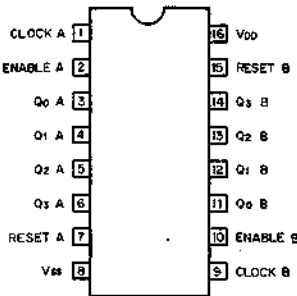
0: LOW LEVEL  
1: HIGH LEVEL  
X: DON'T CARE  
OUTPUT PULSE WIDTH = 0.7CR

TD62901P (TOSHIBA)  
HIGH SPEED 8-BIT D/A CONVERTER  
— TOP VIEW —



COMP : COMPENSATION  
DA-DH : BINARY DATA  
I : COMPLEMENTARY CURRENT  
V-REF : REFERENCE VOLTAGE  
VLC : THRESHOLD LEVEL CONTROL

TC74HC4520P (TOSHIBA)  
CMOS DIGITAL IC  
— TOP VIEW —

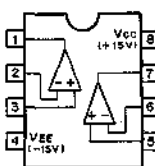


STATE	OUTPUTS			
	Q3	Q2	Q1	Q0
0	0	0	0	0
1	0	0	0	1
2	0	0	1	0
3	0	0	1	1
4	0	1	0	0
5	0	1	0	1
6	0	1	1	0
7	0	1	1	1
8	1	0	0	0
9	1	0	0	1
10	1	0	1	0
11	1	0	1	1
12	1	1	0	0
13	1	1	0	1
14	1	1	1	0
15	1	1	1	1

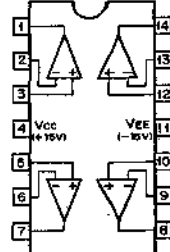
CL	ENABLE	RESET	ACTION
0	1	0	INCREMENT COUNTER
0	0	0	INCREMENT COUNTER
1	X	0	NO CHANGE
X	1	0	NO CHANGE
1	0	0	NO CHANGE
1	1	0	NO CHANGE
X	X	1	QA THRU QD=0

0: LOW LEVEL  
1: HIGH LEVEL  
X: DON'T CARE

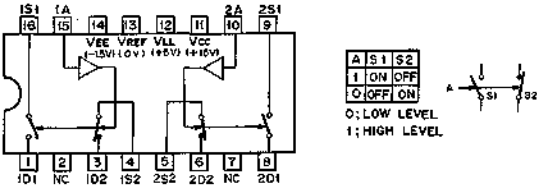
TLO82CP (TI)  
uPC4082C (NEC)  
OPERATIONAL AMPLIFIER  
(J FET-INPUT)  
— TOP VIEW —



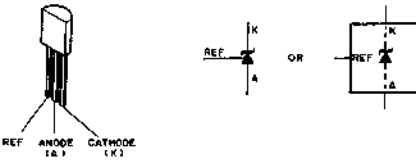
TLO84CN (TI)  
OPERATIONAL AMPLIFIER  
(J FET-INPUT)  
— TOP VIEW —



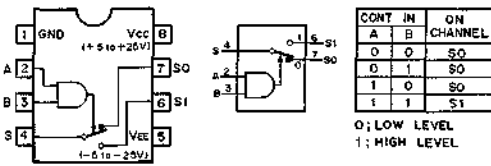
**TL191CN (TI)**  
TWIN DUAL COMPLEMENTARY  
BI-MOS ANALOG SWITCH  
— TOP VIEW —



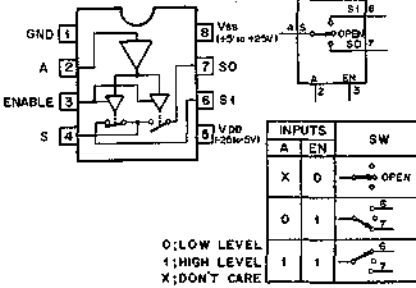
**TL431CLPB (TI)**  
ADJUSTABLE PRECISION SHUNT REGULATOR



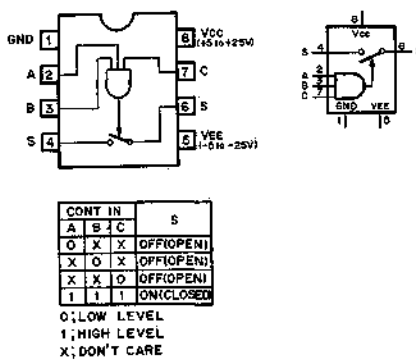
**TL601CP (TI)**  
P-MOS ANALOG SWITCH  
— TOP VIEW —



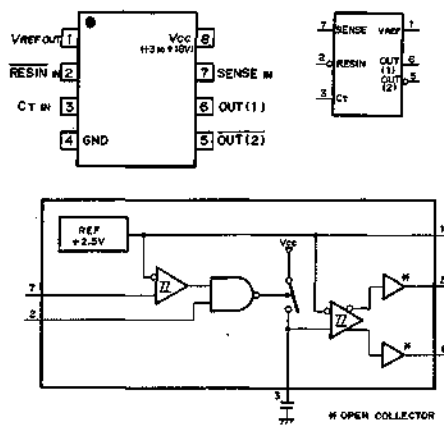
**TL607CP (TI)**  
P-MOS ANALOG SWITCH  
— TOP VIEW —



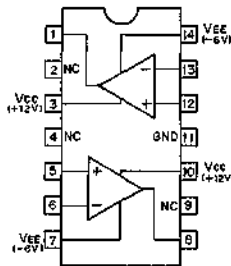
**TL870CP (TI)**  
MOS ANALOG SWITCH  
— TOP VIEW —



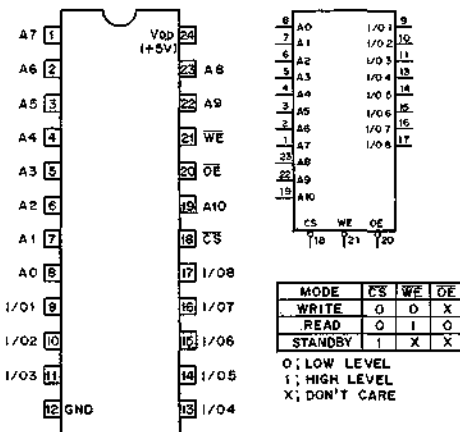
**TL7705ACP (TI)**  
POWER VOLTAGE SUPERVISOR  
— TOP VIEW —

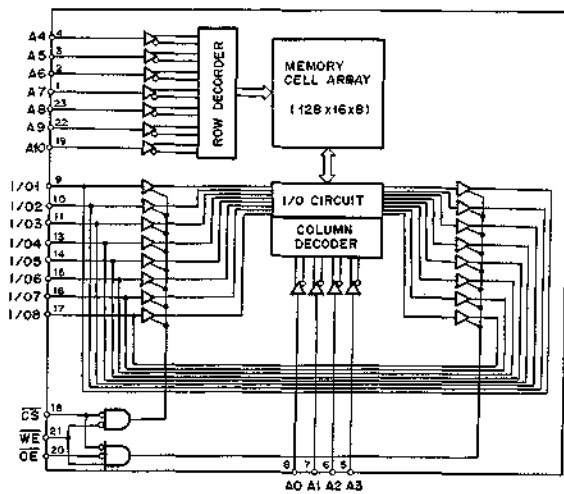


**TL820CN (TI)**  
VOLTAGE COMPARATOR  
(DIFFERENTIAL INPUTS)  
— TOP VIEW —

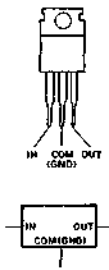


**TMM2015AP-90 (TOSHIBA)** (ACCESS TIME = 90 nS)  
N-MOS 16K STATIC RAM (2048x8)  
— TOP VIEW —





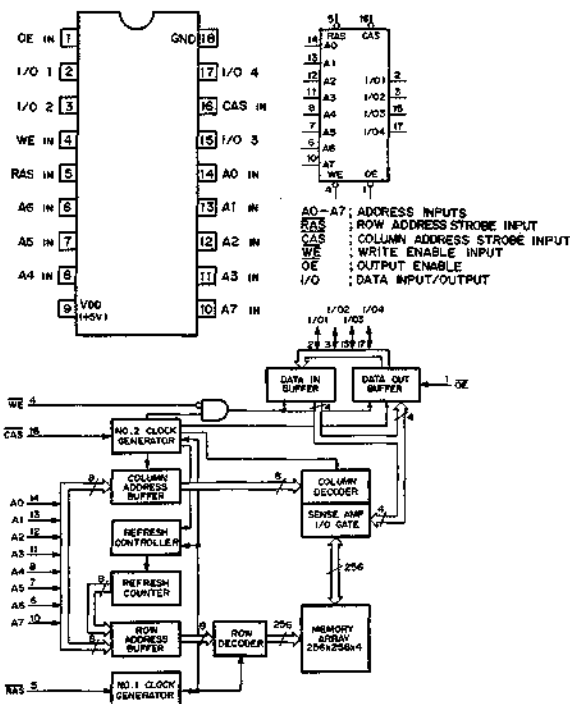
NJM78??A (JRC)  
uPC78??H (NEC)  
POSITIVE VOLTAGE REGULATOR (1A)  
— SIDE VIEW —



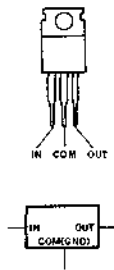
OUTPUT VOLTAGE	AN78??	FS78??	HA178??P	L78??	NJM78??B	NJM78??A/K
+5V	AN7805	FS7805	HA17805P	L7805	-----	NJM7805A/K
+6V	AN7806	-----	HA17806P	-----	-----	NJM7806A/K
+7V	AN7807	-----	HA17807P	L7807	-----	-----
+8V	AN7808	-----	HA17808P	-----	-----	NJM7808A/K
+8.5V	-----	-----	HA17808P	-----	-----	-----
+9V	AN7809	-----	-----	-----	-----	NJM7809A/K
+10V	AN7810	-----	-----	-----	-----	-----
+12V	AN7812	FS7812	HA17812P	-----	NJM7812B	NJM7812A/K
+15V	AN7815	FS7815	HA17815P	-----	-----	NJM7815A/K
+18V	AN7818	-----	HA17818P	-----	-----	NJM7818A/K
+20V	AN7820	-----	-----	-----	-----	NJM7820A/K
+24V	AN7824	FS7824	HA17824P	-----	-----	NJM7824A/K

OUTPUT VOLTAGE	UA78??UC	uPC1437?H	uPC78??H	TA78??P/AP
+5V	UA7805UC	uPC14305H	uPC7805H	TA78005P/AP
+6V	UA7806UC	-----	-----	TA78006P/AP
+7V	-----	-----	-----	-----
+8V	UA7808UC	uPC14308H	uPC7808H	TA78008P/AP
+8.5V	UA7885UC	-----	-----	-----
+9V	-----	-----	-----	TA78009P/AP
+10V	-----	-----	-----	TA78010P/AP
+12V	UA7812UC	uPC14312H	uPC7812H	TA78012P/AP
+15V	UA7815UC	uPC14315H	uPC7815H	TA78015P/AP
+18V	UA7818UC	uPC14318H	uPC7818H	TA78018P/AP
+20V	-----	-----	-----	TA78020P/AP
+24V	UA7824UC	uPC14324H	uPC7824H	TA78024P/AP

TM4M1464P-12 (TOSHIBA) (ACCESS TIME = 120ns)  
N-MOS 65,536-WORD 4-BIT DYNAMIC RAM  
— TOP VIEW —



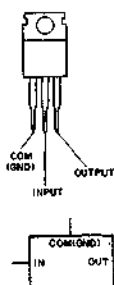
uPC78M??H (NEC)  
POSITIVE VOLTAGE REGULATOR (0.5A)  
— SIDE VIEW —



OUTPUT VOLTAGE	UA78M??UC	FS78??M	uPC78M??H	L78M??	HA178M??P
+5V	UA78M05UC	FS7805M	uPC78M05H	L78M05	HA178M05P
+6V	UA78M06UC	-----	-----	-----	HA178M06P
+7V	-----	-----	-----	-----	HA178M07P
+8V	UA78M08UC	-----	uPC78M08H	-----	HA178M08P
+12V	UA78M12UC	FS7812M	uPC78M12H	-----	HA178M12P
+15V	UA78M15UC	FS7815M	uPC78M15H	-----	HA178M15P
+18V	-----	-----	-----	-----	HA178M18P
+20V	UA78M20UC	-----	-----	-----	HA178M20P
+24V	UA78M24UC	FS7824M	uPC78M24H	-----	HA178M24P

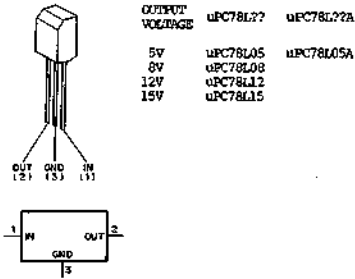
OUTPUT VOLTAGE	AN78M??
+5V	AN78M05
+6V	AN78M06
+7V	AN78M07
+8V	AN78M08
+9V	AN78M09
+10V	AN78M10
+12V	AN78M12
+15V	AN78M15
+18V	AN78M18
+20V	AN78M20
+24V	AN78M24

uPC79??H (NEC)  
NEGATIVE VOLTAGE REGULATOR (1A)  
— SIDE VIEW —

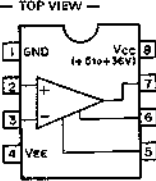


OUTPUT VOLTAGE	AN79??	FS79??	UA79??UC	uPC79??H	MC79??CT
-2V	-----	-----	-----	-----	MC7902CT
-5V	AN7905	FS7905	UA7905UC	uPC7905H	MC7905CT
-5.2V	-----	-----	-----	-----	MC7905.2CT
-6V	AN7906	-----	UA7906UC	-----	MC7906CT
-7V	AN7907	-----	-----	-----	-----
-8V	AN7908	-----	UA7908UC	uPC7908H	MC7908CT
-9V	AN7909	-----	-----	-----	-----
-10V	AN7910	-----	-----	-----	-----
-12V	AN7912	-----	UA7912UC	uPC7912H	MC7912CT
-15V	AN7915	-----	UA7915UC	uPC7915H	MC7915CT
-18V	AN7918	-----	UA7918UC	uPC7918H	MC7918CT
-20V	AN7920	-----	-----	-----	-----
-24V	AN7924	-----	UA7924UC	uPC7924H	MC7924CT

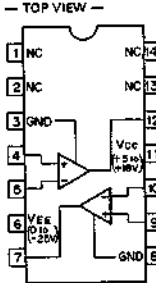
**μPC78L?? (NEC)**  
**POSITIVE VOLTAGE REGULATOR (100mA)**



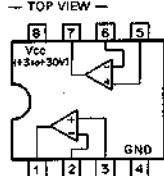
**μPC311C (NEC)**  
**VOLTAGE COMPARATOR**



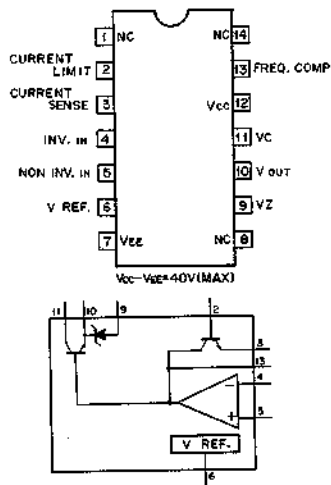
**μPC319C (NEC)**  
**DUAL VOLTAGE COMPARATOR**



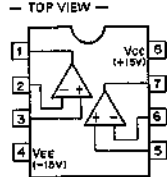
**μPC358C (NEC)**  
**DUAL OPERATIONAL AMPLIFIERS**



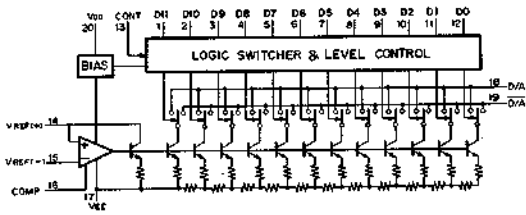
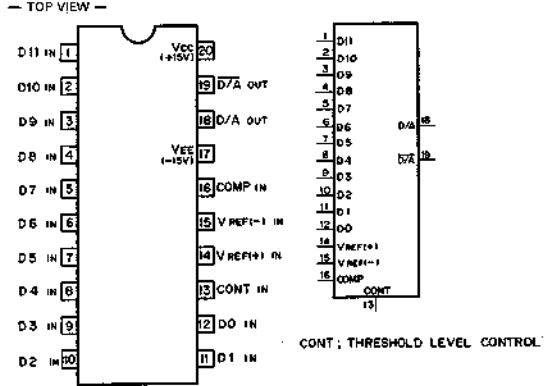
**HA17723G (HITACHI)**  
**HA723CN (TI)**  
**HA723DC (FSC)**  
**VOLTAGE REGULATOR**



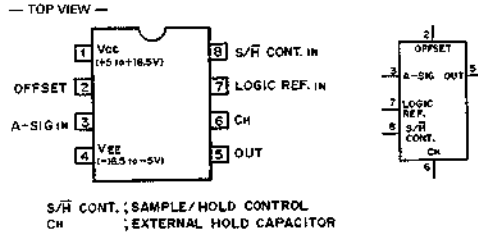
**μPC4557C (NEC)**  
**OPERATIONAL AMPLIFIER (WIDE BAND, LOW NOISE)**



**μPC648C (NEC)**  
**12-BIT D/A CONVERTER WITH OPEN COLLECTOR OUTPUT**



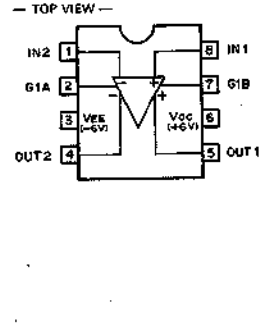
**μPC649C (NEC)**  
**SAMPLE AND HOLD CIRCUIT**



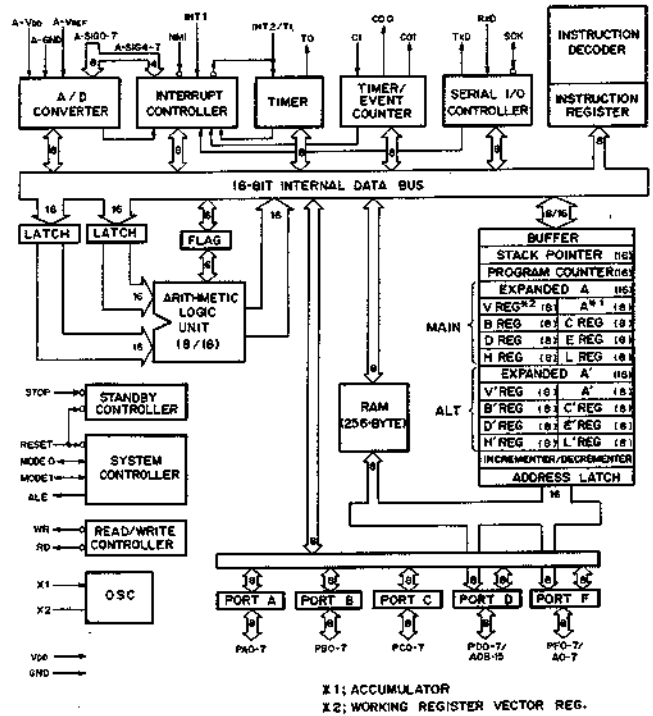
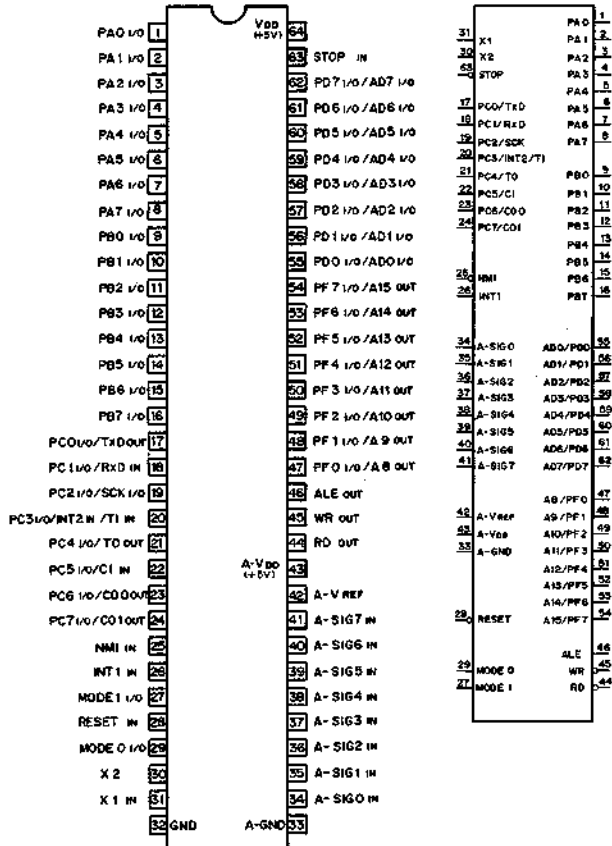
**μPC1037H (NEC)**  
**μPC1037HA (NEC)**  
**DOUBLE-BALANCED MODULATOR**



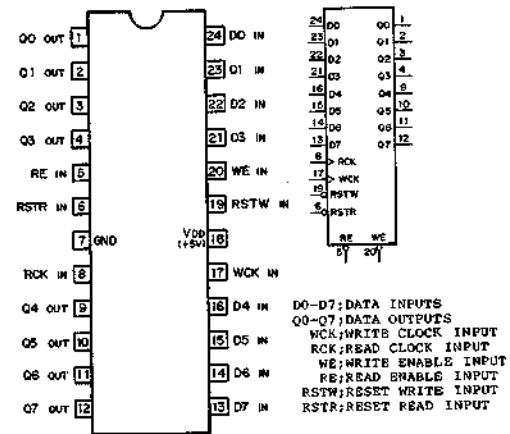
**μPC1663C (NEC)**  
**WIDEBAND VIDEO AMPLIFIER**



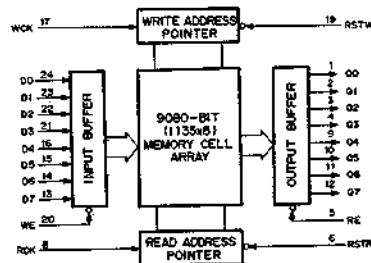
uPD78C10G  
C-MOS SINGLE CHIP 8-BIT MICROPROCESSOR WITH A/D CONVERTER  
— TOP VIEW —



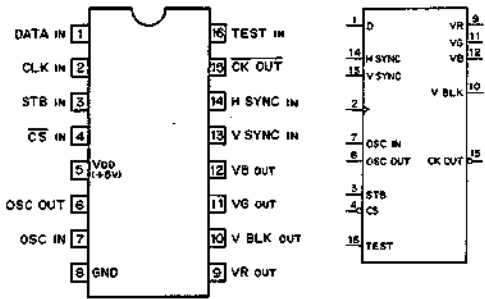
uPD41102C-1 (NEG) (ACCESS TIME=40ns)  
uPD41102C-2 (NEG) (ACCESS TIME=21ns)  
uPD41102C-3 (NEG) (ACCESS TIME=21ns)  
M-MOS 9080-BIT (1135x8) FIFO MEMORY  
— TOP VIEW —



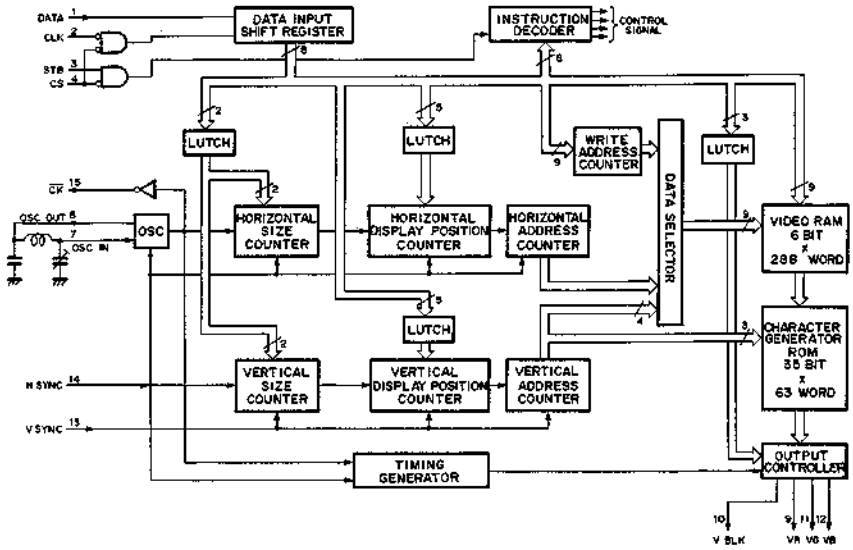
- PA0-7; INPUT/OUTPUT PORT A
- PB0-7; INPUT/OUTPUT PORT B
- PC0-7; INPUT/OUTPUT PORT C
- TxD; SERIAL DATA OUTPUT
- RxD; SERIAL DATA INPUT
- SCK; SERIAL CLOCK I/O
- INT2/T1; MASKABLE INTERRUPT REQUEST 2 IN/TIMER INPUT
- T0; TIMER OUTPUT
- CI; COUNTER INPUT
- CO0; COUNTER OUTPUT 0
- CO1; COUNTER OUTPUT 1
- PD0-7/AD0-7; I/O PORT D / ADDRESS/DATA BUS
- PF0-7/AB-15; I/O PORT F / ADDRESS BUS
- ALE; ADDRESS LATCH ENABLE OUTPUT
- RD; READ STROBE OUTPUT
- WR; WRITE STROBE OUTPUT
- MODE 0; MEMORY MODE 0 INPUT/OUTPUT
- MODE 1; MEMORY MODE 1 INPUT/OUTPUT
- RESET; SYSTEM RESET INPUT
- STOP; SYSTEM STOP INPUT
- NMI; NON-MASKABLE INTERRUPT REQUEST INPUT
- INT1; MASKABLE INTERRUPT REQUEST 1 INPUT
- X1,X2; EXTERNAL CRYSTAL,X1;SYSTEM CLOCK INPUT
- A-SIG 0 to 7; ANALOG INPUTS
- A-VREF; REFERENCE VOLTAGE



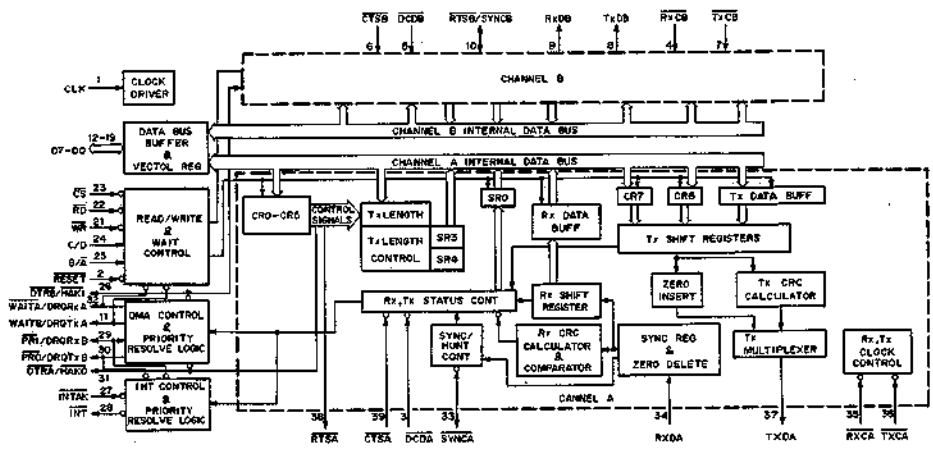
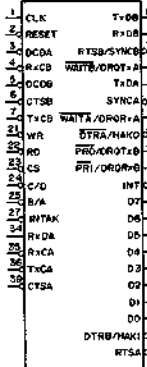
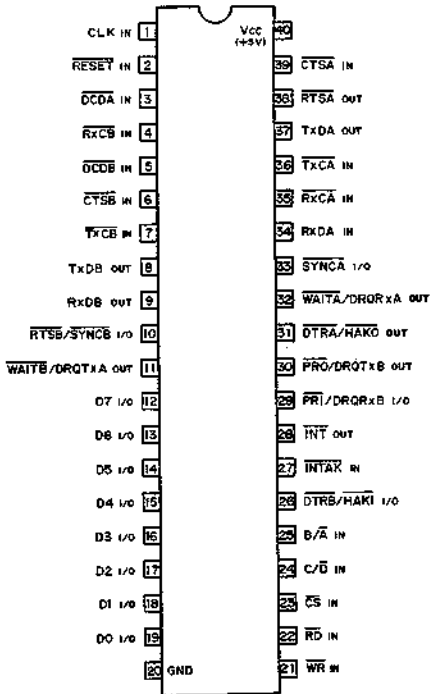
uPD6142C-001 (NEC)  
C-MOS 8-BIT SERIAL INPUT CHARACTER DISPLAY  
— TOP VIEW —



- D: DATA INPUT
- CK OUT: EQUAL TO OUTPUT OF OSC OUT
- CLK: CLOCK INPUT
- CS: CHIP SELECT INPUT
- H SYNC: H SYNC INPUT
- OSC IN, OUT: EXTERNAL TERMINAL FOR OSC
- STB: STROBE INPUT
- TEST: TEST CLOCK INPUT
- VB: BLUE CHARACTER DATA OUTPUT
- V BLK: V BLANKING OUTPUT
- VG: GREEN CHARACTER DATA OUTPUT
- VR: RED CHARACTER DATA OUTPUT
- V SYNC: V SYNC INPUT



uPD7201AC (NEC)  
uPD7201AD (NEC)  
MULTI-PROTOCOL SERIAL CONTROLLER  
— TOP VIEW —

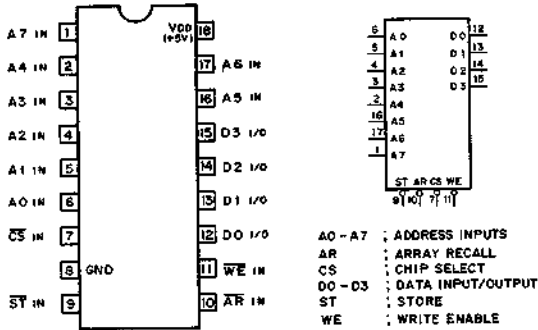


CLK; SYSTEM CLOCK  
 D7-D0; DATA BUS  
 CS; CHIP SELECT  
 WR; WRITE  
 RD; READ  
 C/D; CONTROL/DATA  
 B/A; CHANNEL B/CHANNEL A  
 INT; INTERRUPT REQUEST  
 INTAK; INTERRUPT ACKNOWLEDGE  
 PRI/DRQRxB; PRIORITY INPUT/DMA REQUEST RxB  
 PRO/DRQTxB; PRIORITY OUTPUT/DMA REQUEST TxB  
 WAITA/DRQxA; WAIT A/DMA REQUEST RxA  
 WAITB/DRQTxA; WAIT B/DMA REQUEST TxA  
 DTRB/HAKI; DATA TERMINAL READY/HOLD ACKNOWLEDGE INPUT  
 DTRA/HAKO; DATA TERMINAL READY/HOLD ACKNOWLEDGE OUTPUT  
 RxDA, RxDB; RECEIVE DATA A/B  
 TxDA, TxDB; TRANSMIT DATA A/B  
 RxCA, RxCB; RECEIVE CLOCK A/B  
 TxCA, TxCB; TRANSMIT CLOCK A/B  
 SYNCA; SYNCHRONIZATION A  
 RTSB/SYNCB; REQUEST TO SEND B/SYNCHRONIZATION B

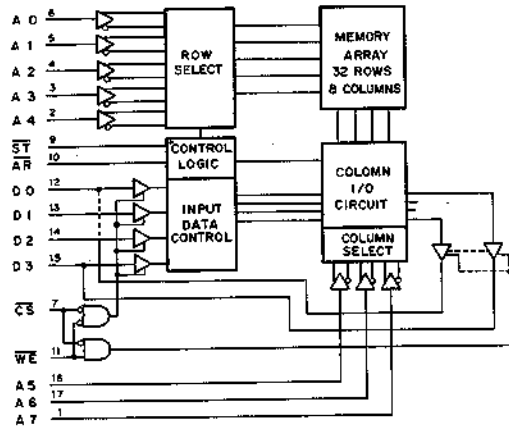
B/A	C/D	RD	WR	CS	FUNCTION
0	0	0	1	0	CHANNEL A WRITE (TxD)
1	0	0	1	0	CHANNEL B WRITE (TxD)
0	0	1	0	0	CHANNEL A READ (RxD)
1	0	1	0	0	CHANNEL B READ (RxD)
0	1	0	1	0	CHANNEL A WRITE (COMMAND/PARAMETER REGISTER)
1	1	0	1	0	CHANNEL B WRITE (COMMAND/PARAMETER REGISTER)
0	1	1	0	0	CHANNEL A READ (STATUS/VECTOR REGISTER)
1	1	1	0	0	CHANNEL B READ (STATUS/VECTOR REGISTER)

CTS<sub>A</sub>, CTS<sub>B</sub>; CLEAR TO SEND A/B  
 DCDA, DCDB; DATA CARRIER DETECT A/B  
 RTS<sub>A</sub>; REQUEST TO SEND A

X2212P (XICOR) (ACCESS TIME = 300ns)  
 N-MOS 1024 (256x4)-BIT NONVOLATILE STATIC RAM  
 - TOP VIEW -



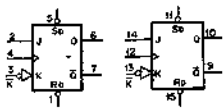
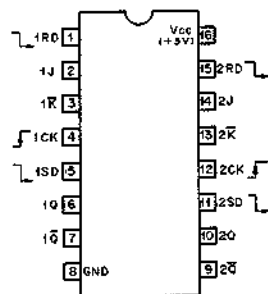
A0-A7 : ADDRESS INPUTS  
 AR : ARRAY RECALL  
 CS : CHIP SELECT  
 D0-D3 : DATA INPUT/OUTPUT  
 ST : STORE  
 WE : WRITE ENABLE



INPUTS				I/O	MODE
CS	WE	AR	ST		
1	X	1	1	HI-Z	NOT SELECTED
0	1	1	1	OUTPUT DATA	RAM READ
0	0	1	1	INPUT DATA I	RAM WRITE "1"
0	0	1	1	INPUT DATA D	RAM WRITE "0"
X	1	0	1	HI-Z	ARRAY RECALL
1	X	0	1	HI-Z	ARRAY RECALL
X	1	1	0	HI-Z	NONVOLATILE STORING
1	X	1	0	HI-Z	NONVOLATILE STORING

0; LOW LEVEL  
 1; HIGH LEVEL  
 X; DON'T CARE  
 HI-Z; HIGH IMPEDANCE

SN74LS109AN (TI)  
 TTL J-K FLIP-FLOP WITH DIRECT SET/RESET  
 - TOP VIEW -



INPUTS				OUTPUTS	
S <sub>D</sub>	R <sub>D</sub>	J	K	Q <sub>n</sub>	Q <sub>n+1</sub>
0	1	X	X	1	0
1	0	X	X	0	1
0	0	X	X	1*	1*
1	1	0	0	Q <sub>n</sub>	Q <sub>n</sub>
1	1	1	1	1	0
1	1	0	X	Q <sub>n</sub>	Q <sub>n</sub>

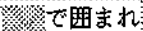
0; LOW LEVEL  
 1; HIGH LEVEL  
 X; DON'T CARE  
 \*; NONSTABLE

## SECTION D

### REPLACEABLE PARTS AND OPTIONAL FIXTURE

#### 補修用部品注意事項

##### (1) 安全重要部品

回路図, 分解図, 電気部品表中、△印及び  で囲まれた部品は安全性を維持するために重要な部品です。これらの部品を交換するときには必ず指定の部品と交換してください。

##### (2) 部品の共通化

ソニーから供給される部品はセットに実装されているものと異なることがあります。これは部品の共通化, 改良等によるものです。

分解図や電気部品表には現時点での共通化された部品が記載されています。

##### (3) 部品の在庫

部品表中 SP (Supply Code) 欄に "o" で示されている部品は交換頻度が低い部品ですので在庫していないことがあり、納期が長くなることがあります。

##### (4) コンデンサー, インダクター, 抵抗の単位

回路図, 分解図, 電気部品表中、特に明記したものを除き、下記の単位は省略されていることがあります。

コンデンサー ;  $\mu F$

インダクター ;  $\mu H$

抵抗 ;  $\Omega$

#### NOTES ON REPAIR PARTS

##### (1) Safety Related Components Warning

Components identified by shading marked with  $\Delta$  on the schematic diagrams, exploded views and electrical spare parts list are critical to safe operation. Replace these components with Sony parts whose part numbers appear in this manual or in service bulletins and service manual supplements published by Sony.

##### (2) Standardization of Parts

Repair parts supplied from Sony Parts Center may not be always identical with the parts which actually in use due to "accommodating the improved parts and/or engineering changes" or "standardization of genuine parts".

This manual's exploded views and electrical spare parts list are indicating the part numbers of "the standardized genuine parts at present".

##### (3) Stock of Parts

Parts marked with "o" in SP (Supply Code) column of the spare parts list are not normally required for routine service work. Orders for parts marked with "o" will be processed, but allow for additional delivery time.

##### (4) Units for Capacitors, Inductors and Resistors

The following units may be assumed in schematic diagrams, electrical parts list and exploded views unless otherwise specified :

Capacitors ;  $\mu F$

Inductors ;  $\mu H$

Resistors ; ohm



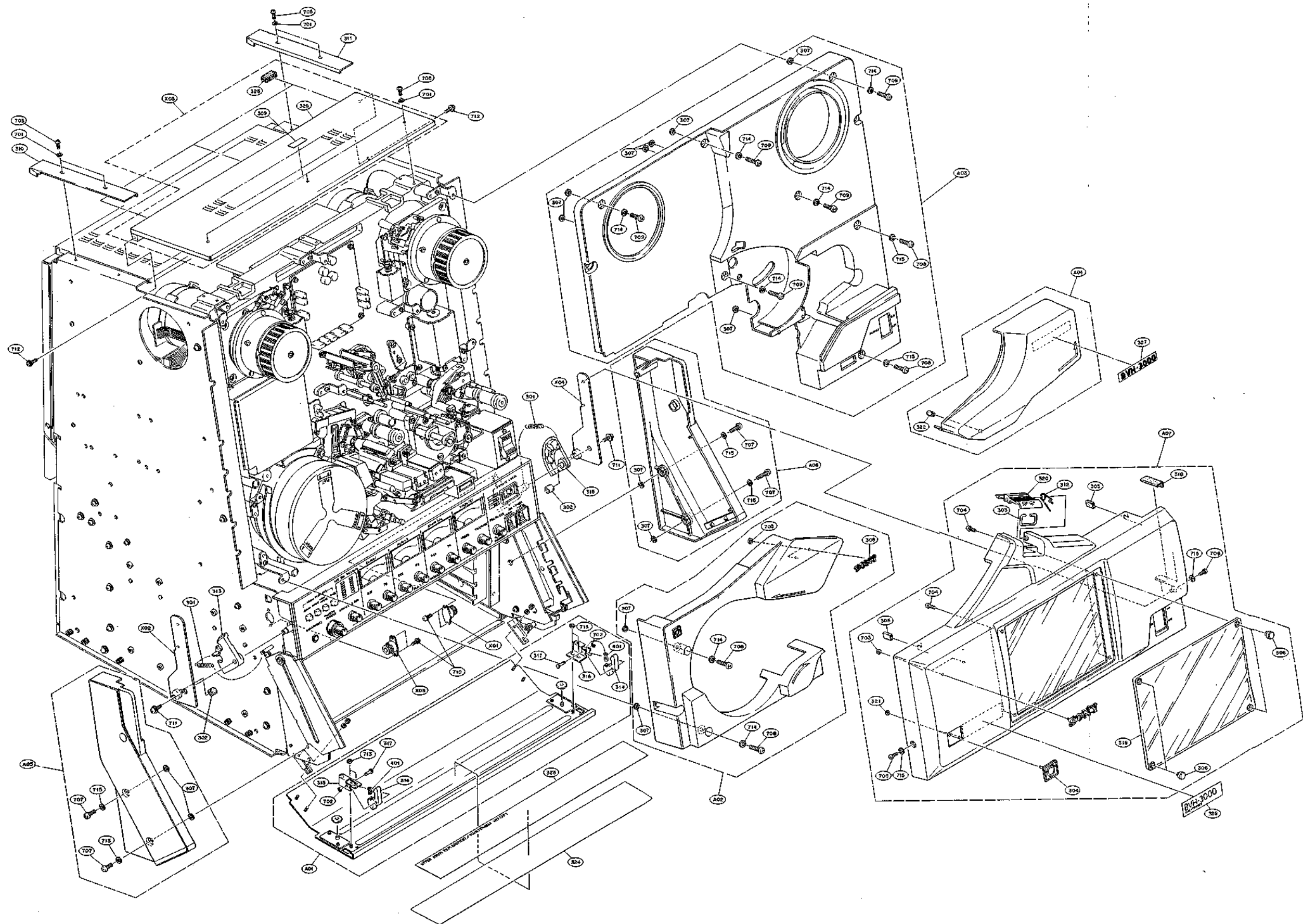
# FRONT PANEL ASSEMBLY

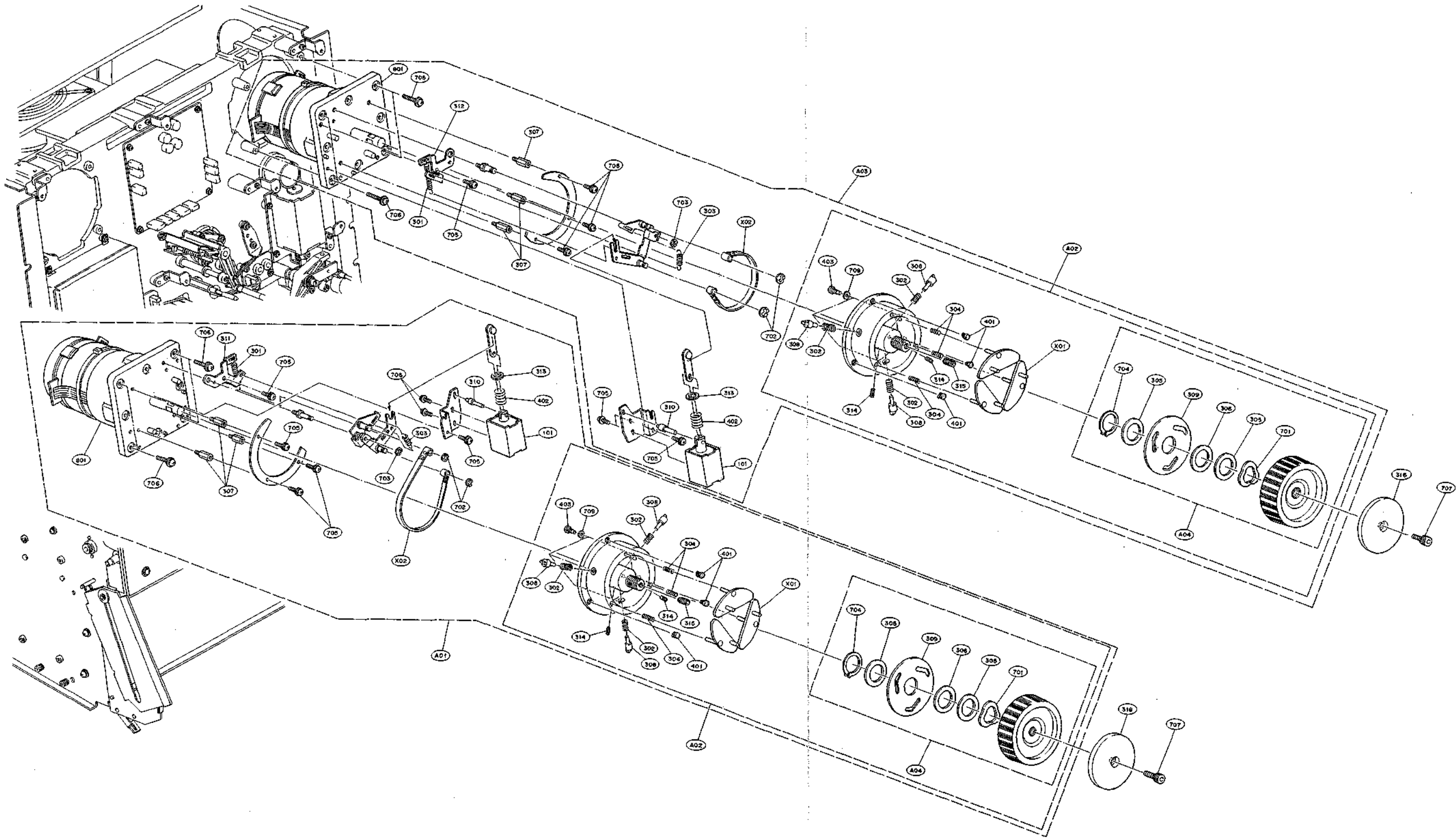
## FRONT PANEL ASSEMBLY, BVH-3000/3100

No.	Part No.	SP Description	No.	Part No.	SP Description
A01	A-6004-163-A	o LID ASSY, BOTTOM	401	4-866-143-00	s SPRING, COMPRESSION
A02	A-6004-165-A	o PANEL ASSY, DRUM	701	7-623-954-41	s WASHER M3, FIBER
A03	A-6004-166-C	o PANEL ASSY, REEL	702	7-624-105-04	s STOP RING 2,3, TYPE -E
A04	A-6004-167-C	o COVER ASSY, HEAD	703	7-624-200-11	s NUT, PUSH 2
A05	A-6004-168-A	o COVER (LEFT) ASSY, ORNAMENTAL	704	7-682-547-04	s SCREW +B 3X6
A06	A-6004-169-A	o COVER (RIGHT) ASSY, ORNAMENTAL	705	7-682-547-09	s SCREW +B 3X6
A07	A-6004-170-C	o COVER ASSY, FRONT	706	7-682-562-04	s SCREW +B 4X10
X01	X-3714-537-1	o DAMPER (RIGHT) ASSY	707	7-682-563-04	s SCREW +B 4X12
X02	X-3714-538-1	o ARM (LEFT) ASSY, HINGE	708	7-682-565-04	s SCREW +B 4X16
X03	X-3714-541-1	o DAMPER (LEFT) ASSY	709	7-682-565-09	o SCREW +B 4X16
X04	X-3714-542-1	o ARM (RIGHT) ASSY, HINGE	710	7-682-948-01	s SCREW +PSW 3X8
X05	X-3714-566-1	o BOARD (1) ASSY, TOP	711	7-682-961-01	s SCREW +PSW 4X8
301	3-425-129-01	s SPRING, TENSION	712	7-682-962-01	s SCREW +PSW 4X10
302	3-534-255-00	o CUSHION, BRAKE	713	7-684-023-04	s N 3, TYPE 2
303	3-714-872-01	s SPRING	714	7-688-004-12	s W 4, MIDDLE
304	3-657-977-00	o EMBLEM, OMEGA	715	7-688-004-11	s W 4, MIDDLE
305	3-673-784-00	o CAP			
306	3-673-944-00	o NUT (M3), ORNAMENTAL			
307	3-673-968-00	o STOPPER, SCREW			
308	3-675-901-00	o EMBLEM, SONY			
309	3-703-079-31	s LABEL, CAUTION (BACK)			
310	3-714-711-02	o PLATE (LEFT), TOP			
311	3-714-711-12	o PLATE (RIGHT), TOP			
312	3-714-871-01	s SPRING			
313	3-714-740-01	o GEAR (A), DAMPER			
314	3-714-754-02	o KNOB, LOCK			
315	3-714-755-02	o PLATE (LEFT), LOCK			
316	3-714-755-12	o PLATE (RIGHT), LOCK			
317	3-714-756-01	o SHAFT, KNOB			
318	3-714-788-01	o SHEET (B), ORNAMENTAL			
319	3-714-796-01	o GLASS, WINDOW			
320	3-714-797-03	o HANDLE			
321	3-840-411-00	s NUT, PUSH			
322	3-886-569-00	s TUBE, RUBBER			
323	3-714-815-01	o SHEET, MAINTENANCE			
324	3-714-849-01	o SHEET, BOTTOM LID			
325	3-711-704-01	o COVER, RUBBER			
326	3-712-712-01	o PLATE (1), TOP			
327	3-714-620-01	o LABEL, MODEL NAME (for BVH-3000)			
	3-714-690-01	o LABEL, MODEL NAME (for BVH-3100)			
	3-714-804-01	o LABEL, MODEL NAME (for BVH-3000PS)			
	3-714-813-01	o LABEL, MODEL NAME (for BVH-3100PS)			
328	3-714-752-01	o LABEL, MODEL NAME (for BVH-3000)			
	3-714-753-01	o LABEL, MODEL NAME (for BVH-3100)			
	3-714-803-01	o LABEL, MODEL NAME (for BVH-3000PS)			
	3-714-812-01	o LABEL, MODEL NAME (for BVH-3100PS)			

FRONT PANEL ASSEMBLY

FRONT PANEL ASSEMBLY





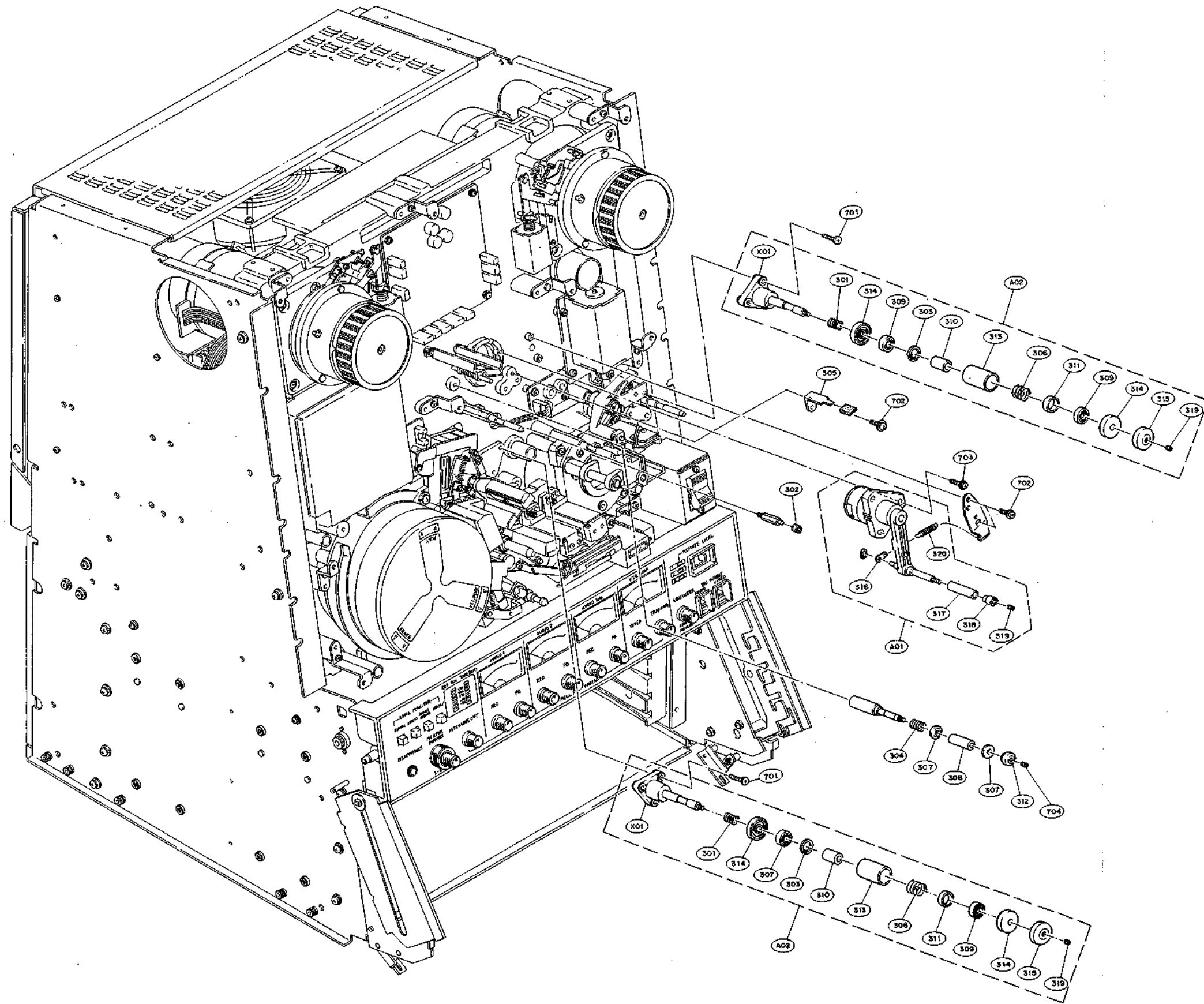
## REEL TABLE ASSEMBLY, BVH-3000/3100

No.	Part No.	SP	Description
A01	A-6039-032-A	s	MOTOR ASSY, S REEL
A02	A-6039-027-A	o	TABLE ASSY, REEL
A03	A-6039-033-A	s	MOTOR ASSY, T REEL
A04	A-6039-031-A	o	KNOB ASSY, REEL
X01	X-3651-315-0	o	CLAW ASSY, REEL
X02	X-3673-601-0	s	BAND ASSY, BRAKE
101	1-454-304-00	s	SOLENOID, PLUNGER
301	3-472-221-00	s	SPRING, TENSION
302	3-534-216-00	s	SPRING, COMPRESSION
303	3-639-371-00	s	SPRING, TENSION
304	3-651-375-00	o	SPRING, COMPRESSION
305	3-651-377-00	o	SHEET, FRICTION
306	3-651-378-00	o	SHEET, FRICTION ADJUSTMENT
307	3-657-845-00	o	BRACKET, PC BOARD
308	3-673-680-11	o	PIN, REEL STOPPER
309	3-673-711-02	o	PLATE, CAM, REEL
310	3-673-810-00	o	PIN, SOLENOID
311	3-680-319-01	o	PLATE (SUPPLY), STOPPER
312	3-680-320-01	o	PLATE (TAKE-UP), STOPPER
313	3-701-447-21	s	WASHER, 10
314	3-701-512-01	s	SET SCREW, DOUBLE POINT 4X8
315	3-710-204-01	s	SCREW (4X8), HEXAGON SOCKET
316	3-714-508-02	o	COVER, REEL
401	4-308-895-02	o	CUSHION, CONTROL LID
402	4-836-109-00	s	SPRING, COMPRESSION
403	4-873-347-01	s	SHAFT, ADJUSTMENT, HIGH
701	7-623-711-07	s	WASHER 20, WAVE
702	7-624-105-04	s	STOP RING 2.3, TYPE -E
703	7-624-106-04	s	STOP RING 3.0, TYPE -E
704	7-624-197-71	s	STOP RING 20, TYPE-C
705	7-682-947-01	s	SCREW +PSW 3X6
706	7-682-965-01	s	SCREW +PSW 4X16
707	7-683-452-04	s	SCREW C 6X10
709	7-688-003-01	s	W3, SMALL
801	8-835-231-01	s	MOTOR, DC BHF-2202A

## GUIDES & TENSION ARM ASSEMBLY

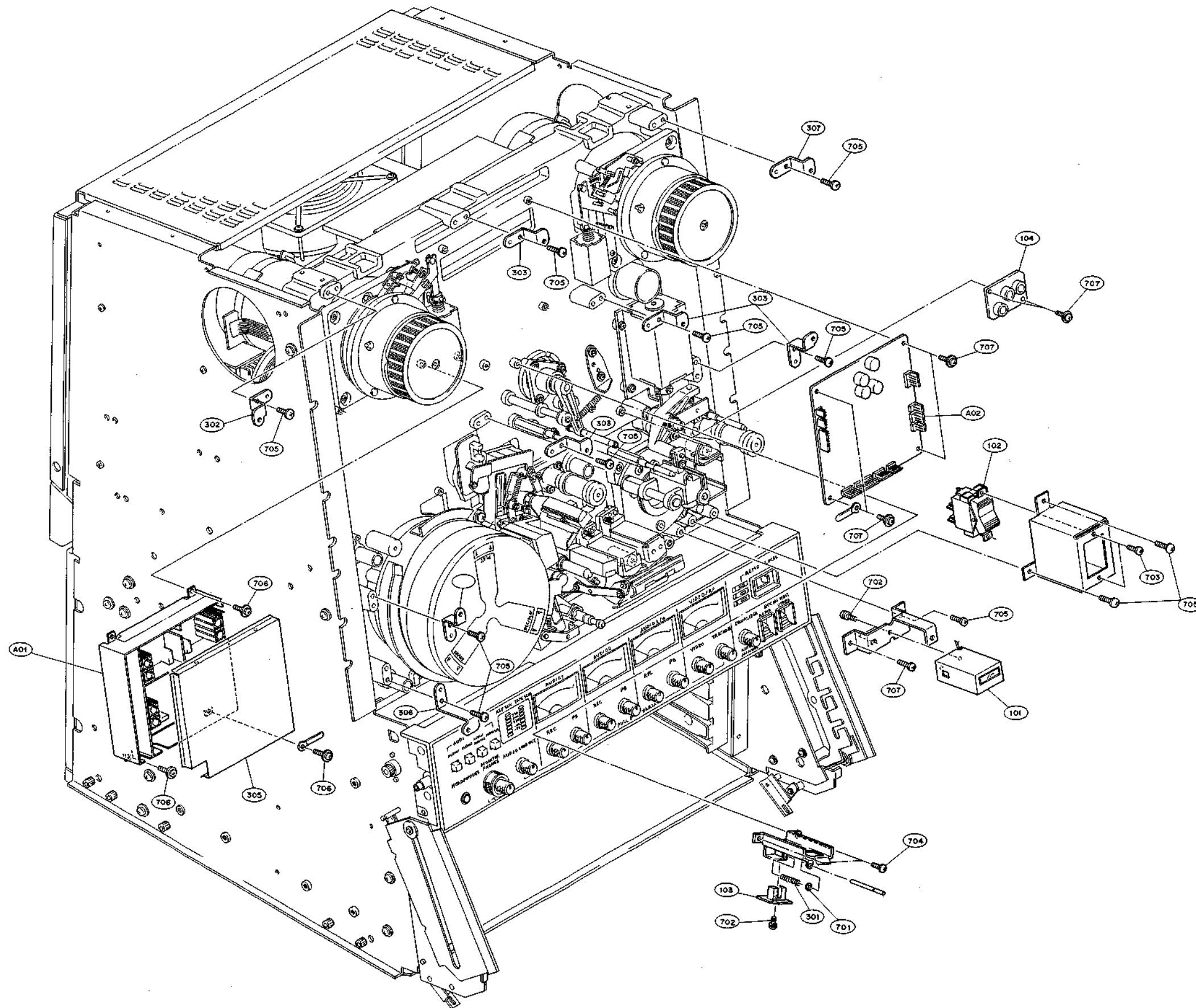
### GUIDES & TENSION ARM ASSEMBLY, BVH-3000/3100

No.	Part No.	SP	Description
A01	A-6042-025-A	s	ARM ASSY, S TENSION
A02	A-6046-028-A	s	ROLLER ASSY, GUIDE
X01	X-3673-610-0	o	SHAFT ASSY, GR
301	3-534-235-00	s	SPRING, COMPRESSION
302	3-534-255-00	o	CUSHION, BRAKE
303	3-625-177-00	s	RING
304	3-650-523-00	s	SPRING, COMPRESSION
305	3-651-330-00	o	PLATE, STOPPER
306	3-651-396-00	s	SPRING, COMPRESSION
307	3-651-427-03	s	FLANGE, TAPE GUIDE
308	3-651-428-00	s	GUIDE, TAPE
309	3-656-948-00	s	BEARING, BALL
310	3-673-616-00	s	COLLAR, GR
311	3-673-617-00	o	COLLAR, RETAINER, PRE-LOAD
312	3-673-647-00	o	CAP (A)
313	3-673-660-00	o	ROLLER, GUIDE
314	3-673-662-00	o	FLANGE, GR
315	3-673-663-00	o	FLANGE, GR UPPER
316	3-674-636-00	s	PLATE, HOOK, SPRING
317	3-680-331-01	s	COLLAR, S TENTION
318	3-680-332-01	s	CAP, S TENSION
319	3-701-505-01	s	SET SCREW, DOUBLE POINT 3X3
320	3-714-524-02	o	SPRING, TENSION
701	7-682-652-01	s	SCREW +PS 3X16
702	7-682-948-01	s	SCREW +PSW 3X8
703	7-682-951-01	s	SCERW +PSW 3X14
704	7-683-237-01	s	SET SCREW, FLAT POINT 3X3



PC BOARDS ON FRONT

PC BOARDS ON FRONT



-----  
 PC BOARDS ON FRONT, BVH-3000/3100  
 -----

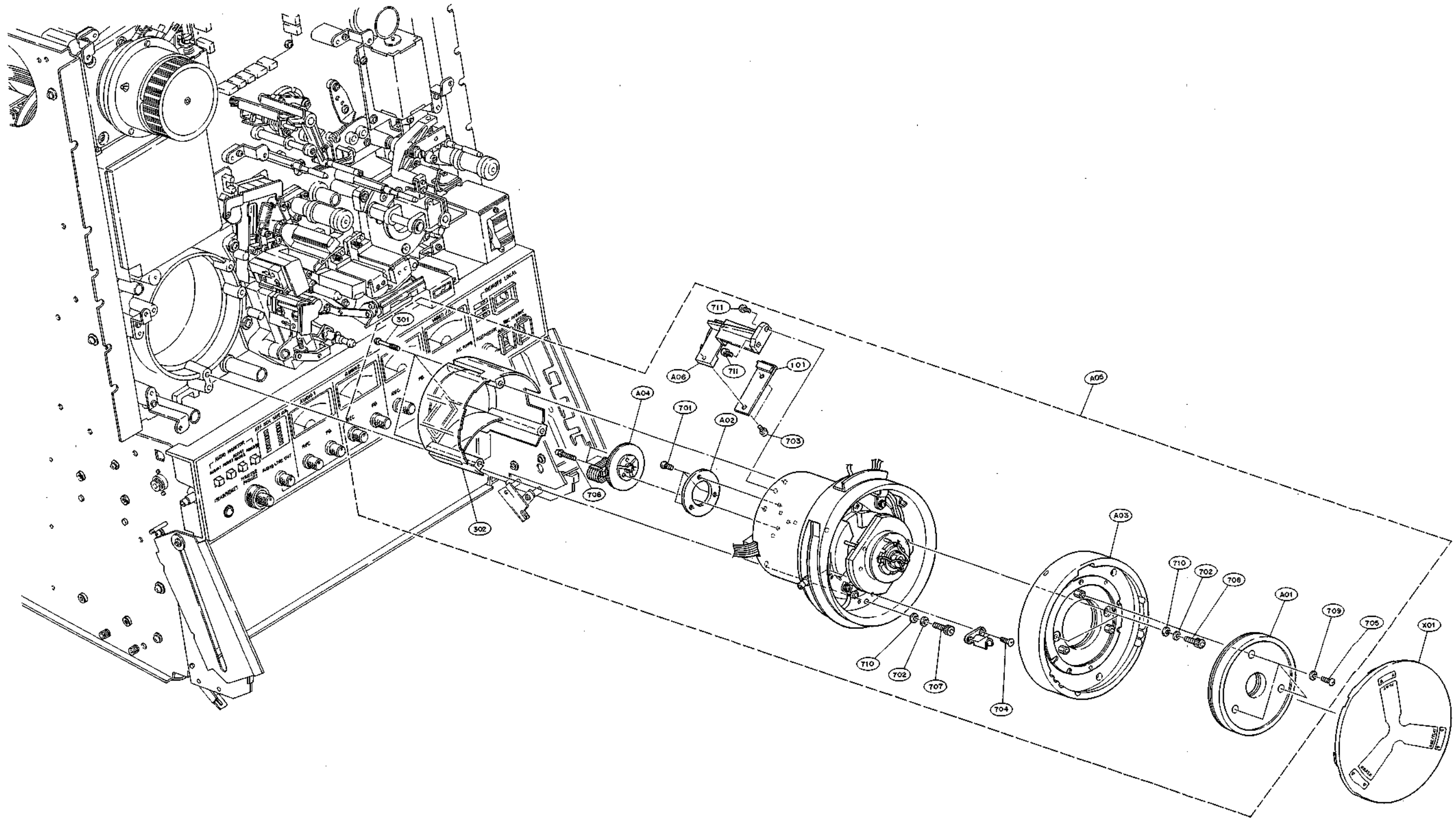
No.	Part No.	SP	Description
A01	A-6011-109-A	o	COMPLETE PCB, RP-32 (for BVH-3000)
	A-6011-112-A	o	COMPLETE PCB, RP-32 (for BVH-3100)
A02	A-6025-102-A	o	COMPLETE PCB, DS-19
101	1-548-601-11	s	COUNTER, ELECTROMAGNETIC (SMALL)
102	<del>1-570-936-11</del>	s	SWITCH, ROCKER (AC POWER)
103	1-621-118-11	o	PC BOARD, PS-143
104	1-621-127-11	o	PC BOARD, BC-12
301	3-544-222-01	s	SPRING, COMPRESSION
302	3-673-677-00	o	BRACKET (1), PANEL
303	3-673-678-00	o	BRACKET (2), PANEL
304	3-673-679-01	o	BRACKET (3), PANEL
305	3-673-874-02	o	COVER, SHIELD, RP-09
306	3-714-710-01	o	BRACKET (4), PANEL
307	3-714-817-01	o	BRACKET (5), PANEL
701	7-624-105-04	s	STOP RING 2.3, TYPE -E
702	7-682-646-01	s	SCREW +PS 3X5
703	7-682-647-01	s	SCREW +PS 3X6
704	7-682-648-01	s	SCREW +PS 3X8
705	7-682-661-01	s	SCREW +PS 4X8
706	7-682-947-01	s	SCREW +PSW 3X6
707	7-682-948-01	s	SCREW +PSW 3X8



# HEAD DRUM ASSEMBLY

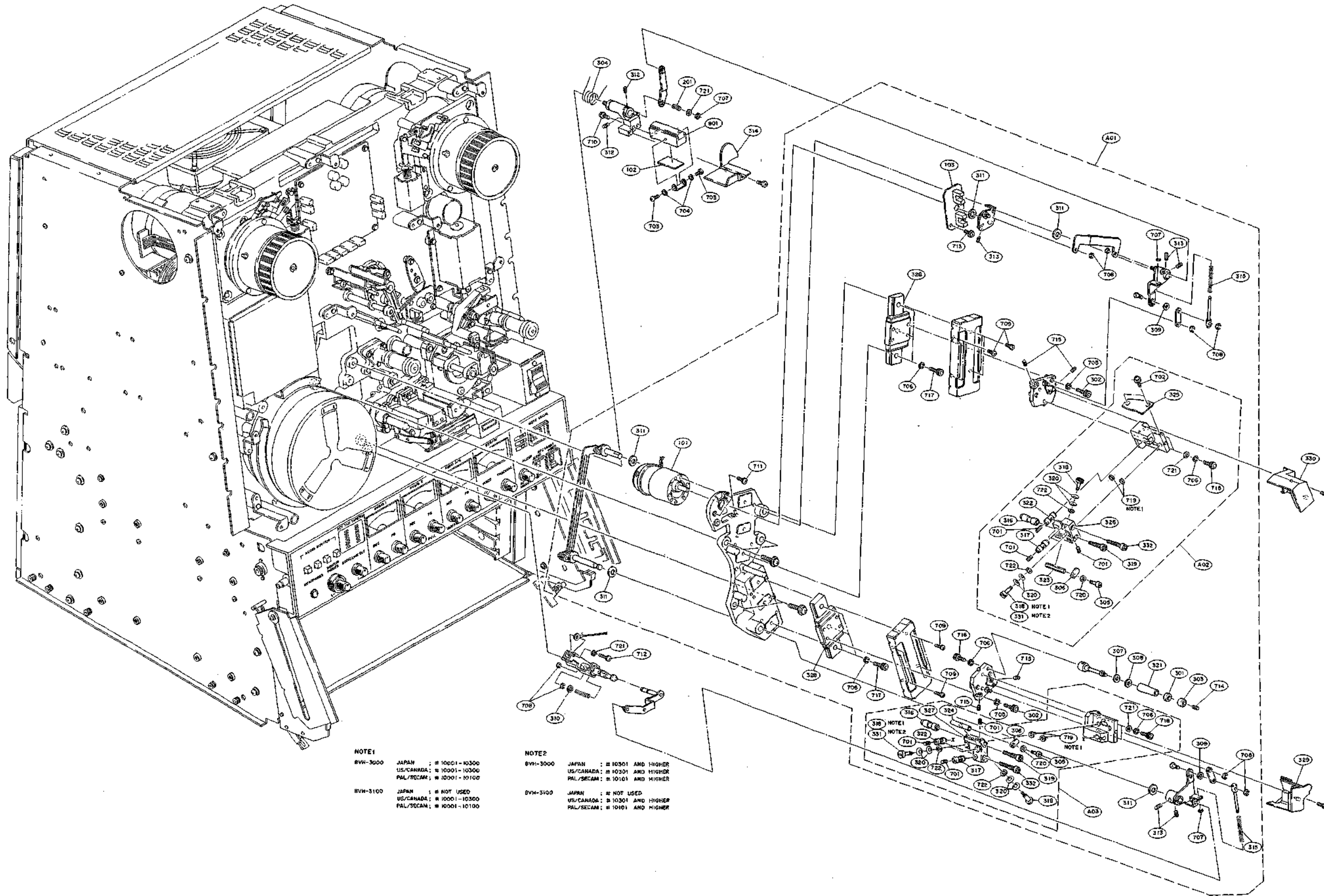
## HEAD DRUM ASSEMBLY, BVH-3000/3100

No.	Part No.	SP	Description
A01	A-6011-061-A	s	COMPLETE PCB, DR-13
A02	A-6026-054-A	o	MOUNTED PCB, SL-07
A03	A-6052-096-A	s	UPPER DRUM ASSY, DMR-33-R (for BVH-3000)
	A-6052-099-A	s	UPPER DRUM ASSY, DMR-34-R (for BVH-3000PS)
	A-6052-095-A	s	UPPER DRUM ASSY, DMR-35-R (for BVH-3100)
	A-6052-100-A	s	UPPER DRUM ASSY, DMR-36-R (for BVH-3100PS)
A04	A-6053-043-A	s	BRUSH, SLIPRING ASSY
A05	A-6050-477-A	s	HEAD DRUM ASSY, DMH-33A-R (for BVH-3000)
	A-6050-484-A	s	HEAD DRUM ASSY, DMH-34A-R (for BVH-3000PS)
	A-6050-476-A	s	HEAD DRUM ASSY, DMH-35A-R (for BVH-3100)
	A-6050-485-A	s	HEAD DRUM ASSY, DMH-36A-R (for BVH-3100PS)
A06	A-6053-046-A	o	SUPPORT ASSY SR
X01	X-3714-525-2	s	LID ASSY, DRUM
101	1-621-271-12	s	SR-36 BOARD
301	3-673-432-01	o	SCREW M3X20, COVER
302	3-673-434-00	o	COVER, SLIPRING
701	7-621-770-67	s	SCREW +B 2.6X6
702	7-623-210-22	s	SW4
703	7-682-147-13	s	SCREW +P 3X6
704	7-682-248-13	s	SCREW +K 3X8
705	7-682-548-04	s	SCREW +B 3X8
706	7-682-650-01	s	SCREW +PS 3X12
707	7-683-423-04	s	SCREW C 4X16
708	7-683-422-04	s	SCREW C 4X14
709	7-688-003-13	s	W3
710	7-688-004-03	s	W4
711	7-682-547-02	s	SCREW +B 3X6



MOVABLE GUIDE ASSEMBLY

MOVABLE GUIDE ASSEMBLY



NOTE 1

BVH-3000 JAPAN : # 10001-10300  
 US/CANADA : # 10001-10300  
 PAL/SECAM : # 10001-10100

BVH-3100

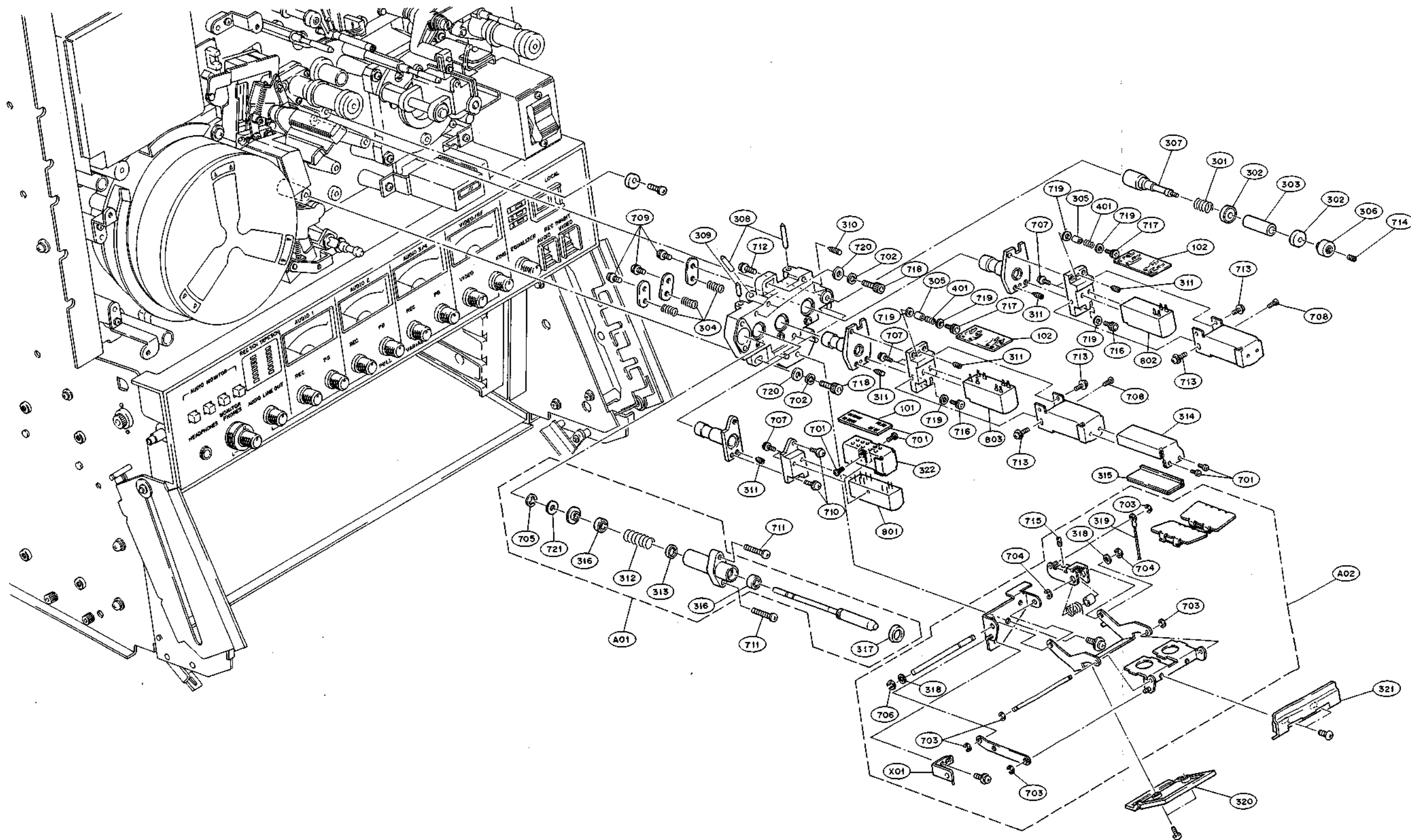
JAPAN : # NOT USED  
 US/CANADA : # 10001-10300  
 PAL/SECAM : # 10001-10100

NOTE 2

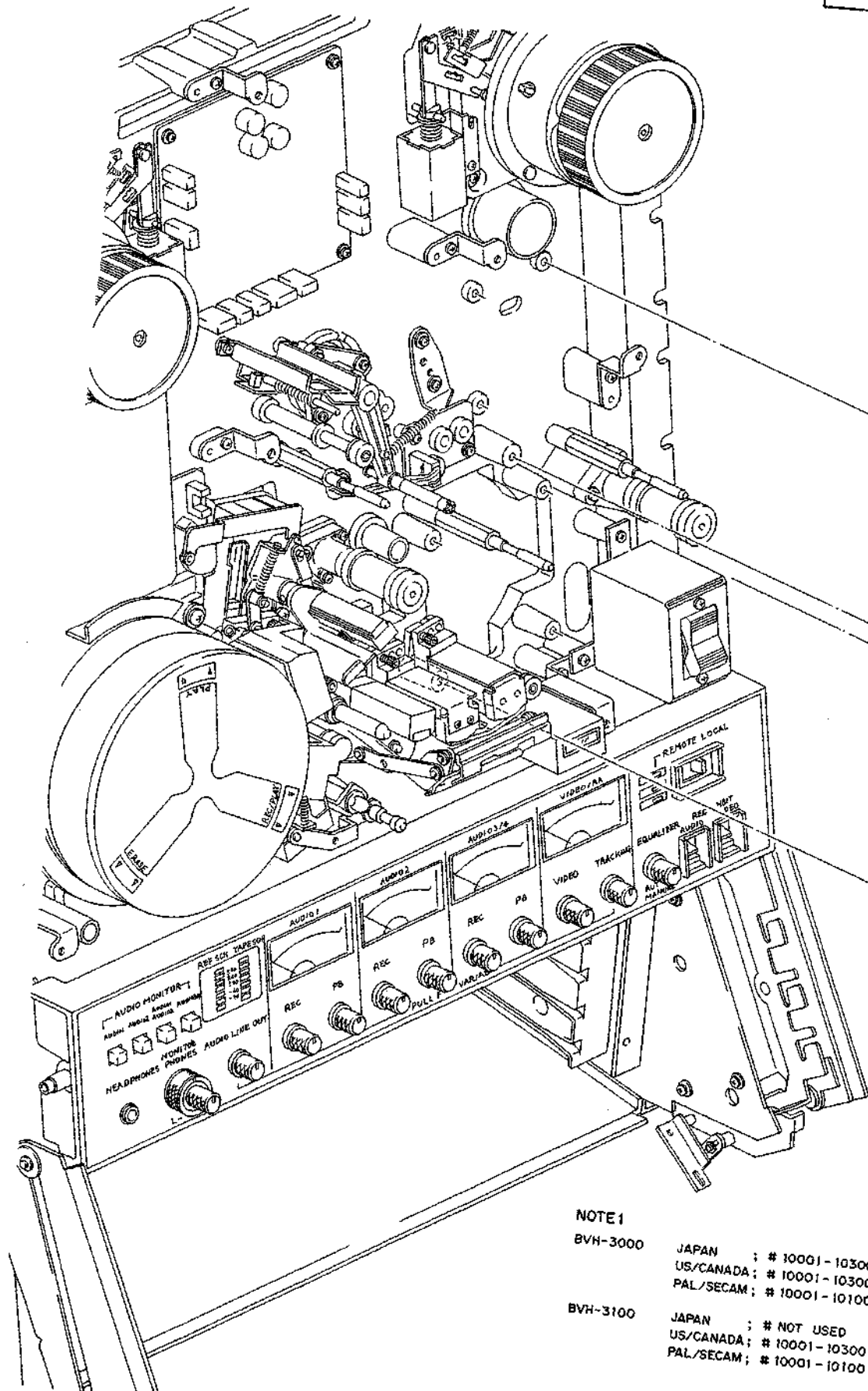
BVH-3000 JAPAN : # 10301 AND HIGHER  
 US/CANADA : # 10301 AND HIGHER  
 PAL/SECAM : # 10101 AND HIGHER

BVH-3100

JAPAN : # NOT USED  
 US/CANADA : # 10301 AND HIGHER  
 PAL/SECAM : # 10101 AND HIGHER

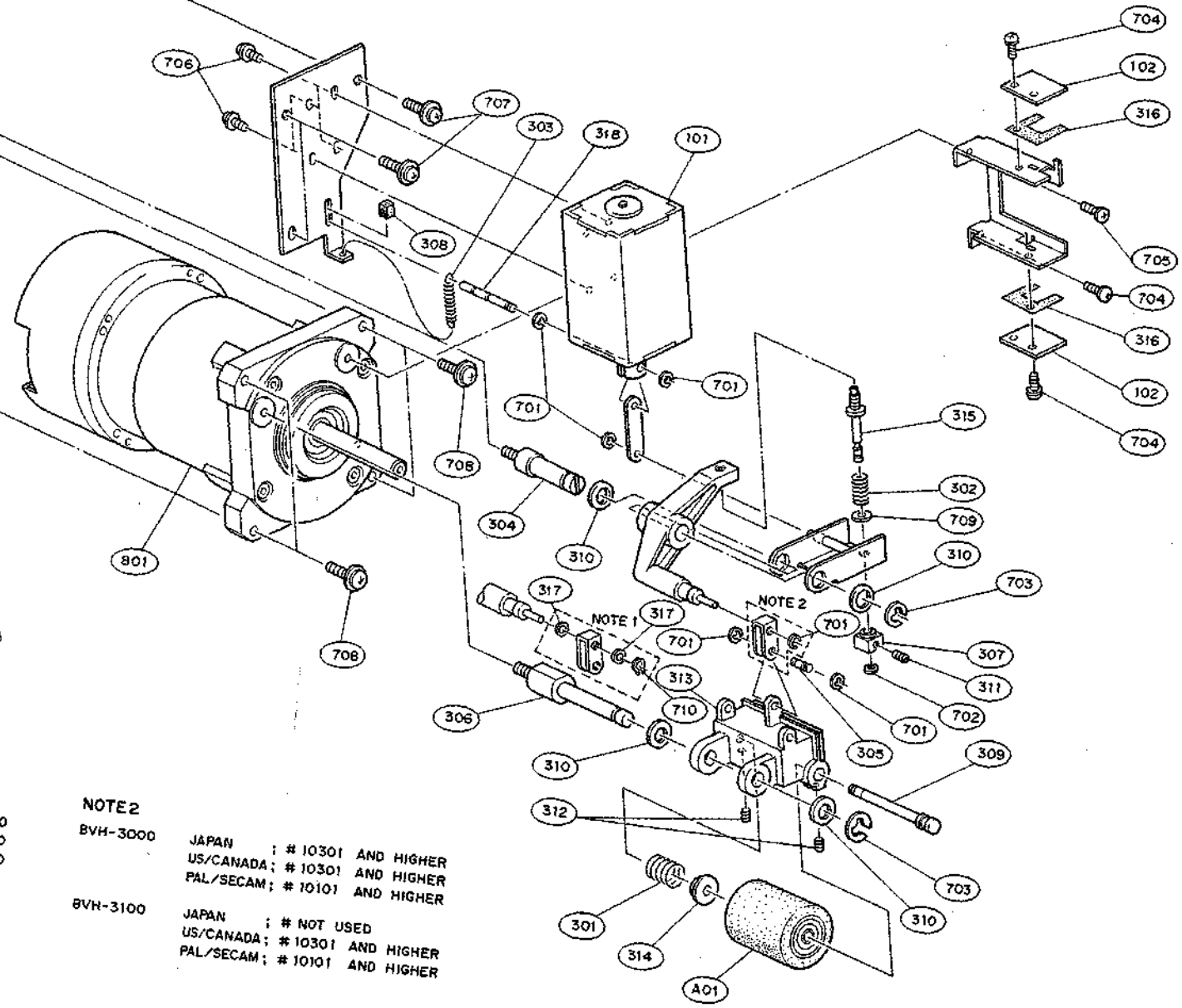


CAPSTAN ASSEMBLY CAPSTAN ASSEMBLY



**NOTE 1**  
 BVH-3000 JAPAN : # 10001 - 10300  
 US/CANADA : # 10001 - 10300  
 PAL/SECAM : # 10001 - 10100  
 BVH-3100 JAPAN : # NOT USED  
 US/CANADA : # 10001 - 10300  
 PAL/SECAM : # 10001 - 10100

**NOTE 2**  
 BVH-3000 JAPAN : # 10301 AND HIGHER  
 US/CANADA : # 10301 AND HIGHER  
 PAL/SECAM : # 10101 AND HIGHER  
 BVH-3100 JAPAN : # NOT USED  
 US/CANADA : # 10301 AND HIGHER  
 PAL/SECAM : # 10101 AND HIGHER



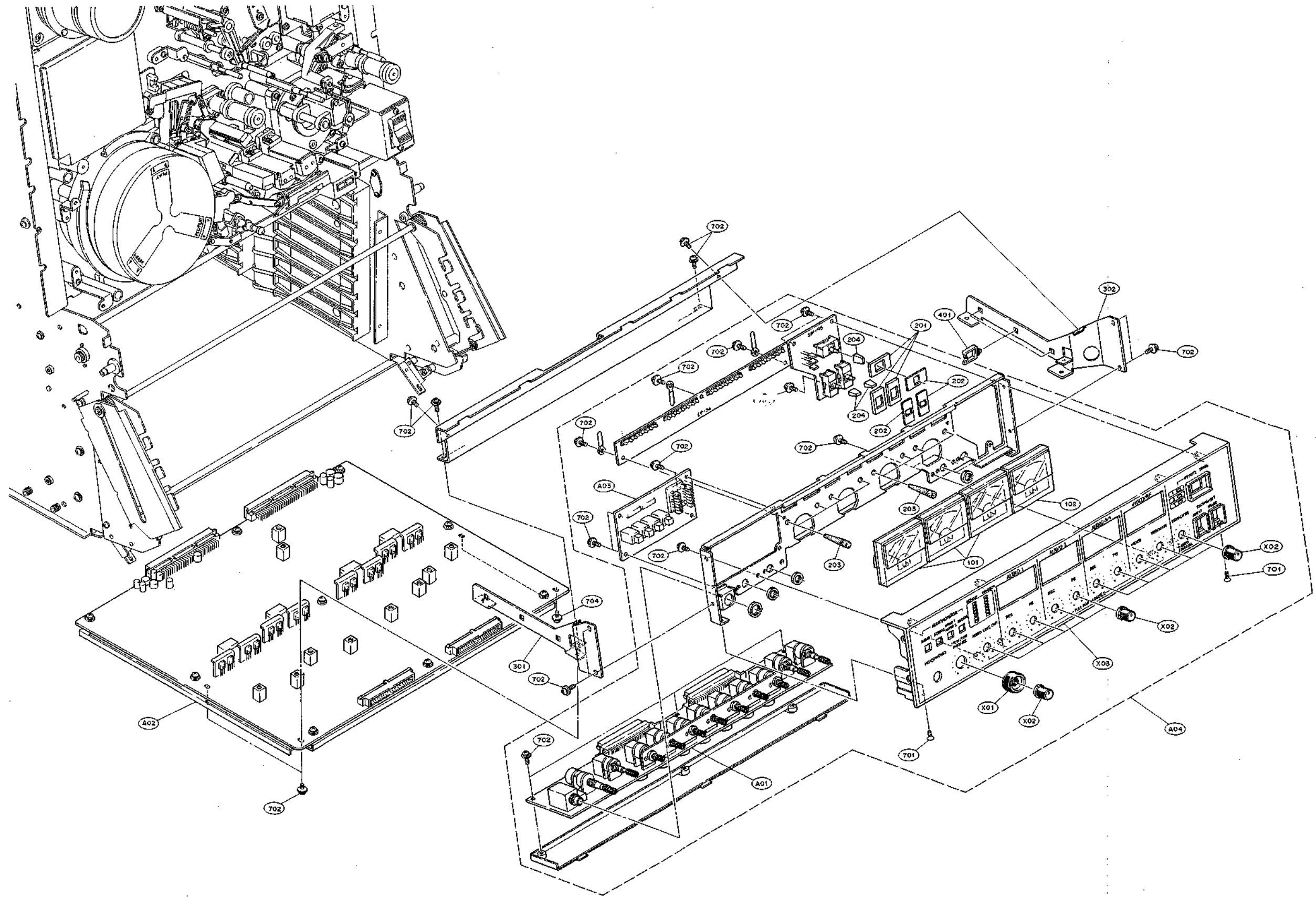
## CAPSTAN ASSEMBLY, BVH-3000/3100

No.	Part No.	SP Description
A01	A-6035-036-A	s ROLLER ASSY
101	1-454-432-11	s SOLENOID, PLUNGER
102	1-621-118-11	o PC BOARD, PS-143
301	3-530-045-00	s SPRING, COMPRESSION
302	3-534-236-00	s SPRING, COMPRESSION
303	3-648-065-00	o SPRING, TENSION
304	3-673-656-00	o SHAFT, LEVER
305	3-673-658-00	o PIN (2), JOINT
306	3-673-659-00	o SHAFT, PINCH ROLLER
307	3-673-751-00	o STOPPER
308	3-673-795-00	o CUSHION
309	3-673-807-00	o SHAFT, PINCH ROLLER
310	3-701-445-21	s WASHER, 7
311	3-701-505-01	o SET SCREW, DOUBLE POINT 3X3
312	3-701-508-00	s SET SCREW, DOUBLE POINT 3X6
313	3-714-533-01	o PINCH LEVER
314	3-714-601-01	o RETAINER, BEARING
315	3-714-605-01	o SHAFT, PRESS ADJUSTMENT
316	3-714-609-01	o SHEET, SENSOR FITTING
317	3-701-439-01	o WAHER, 3, POLY
318	3-714-535-01	o SHAFT, JOINT SOLENOID
701	7-624-105-04	s STOP RING 2.3, TYPE -E
702	7-624-106-04	s STOP RING 3.0, TYPE -E
703	7-624-110-04	s STOP RING 6.0, TYPE -E
704	7-682-648-01	s SCREW +PS 3XB
705	7-682-662-01	s SCREW +PS 4X10
706	7-682-947-01	s SCREW +PSW 3X6
707	7-682-962-01	s SCREW +PSW 4X10
708	7-682-965-01	s SCREW +PSW 4X16
709	7-688-004-11	s W 4, MIDDLE
710	7-624-193-08	o STOP RING 3.0, GRIP
801	8-835-232-01	s MOTOR, DC BHF-2301A

# LEVEL CONTROL PANEL ASSEMBLY

## LEVEL CONTROL PANEL ASSEMBLY, BVH-3000/3100

No.	Part No.	SP	Description
A01	A-6013-078-A	o	COMPLETE PCB, VR-51 (for J/UC/PS)
	A-6013-090-A	o	COMPLETE PCB, VR-51 (for PS-A4)
A02	A-6013-079-A	o	COMPLETE PCB, AU-88 (for J/UC)
	A-6013-088-A	o	COMPLETE PCB, AU-88 (for PS)
	A-6013-089-A	o	COMPLETE PCB, AU-88 (for PS-A4)
A03	A-6026-062-A	o	MOUNTED PCB, MS-21
A04	A-6031-084-A	o	PANEL (MAIN) ASSY, METER (for J/UC/PS)
	A-6031-085-A	o	PANEL (MAIN) ASSY, METER (for PS-A4)
X01	X-3668-056-0	s	KNOB (W) ASSY, CONTROL
X02	X-3673-650-2	s	KNOB (2) ASSY, CONTROL
X03	X-3714-533-1	o	PANEL ASSY, METER
101	1-520-450-12	s	METER, VU
102	1-520-451-12	s	METER, (VIDEO/RF)
201	2-252-615-00	o	CUSHION, SW
202	2-252-623-02	o	PLATE, SWITCH, LEVER
203	2-274-908-00	o	FOOT (REAR), RUBBER
204	2-360-734-00	s	KNOB (3), LEVER SWITCH
301	3-714-696-01	o	SUPPORT (LEFT), METER
302	3-714-697-01	o	SUPPORT (RIGHT), METER
401	4-309-753-00	o	HOLDER, WIRE
701	7-682-246-09	s	SCREW +K 3X5
702	7-682-947-01	s	SCREW +PSW 3X6
703	7-682-962-01	s	SCREW +PSW 4X10
704	7-682-948-01	s	SCREW +PSW 3X8

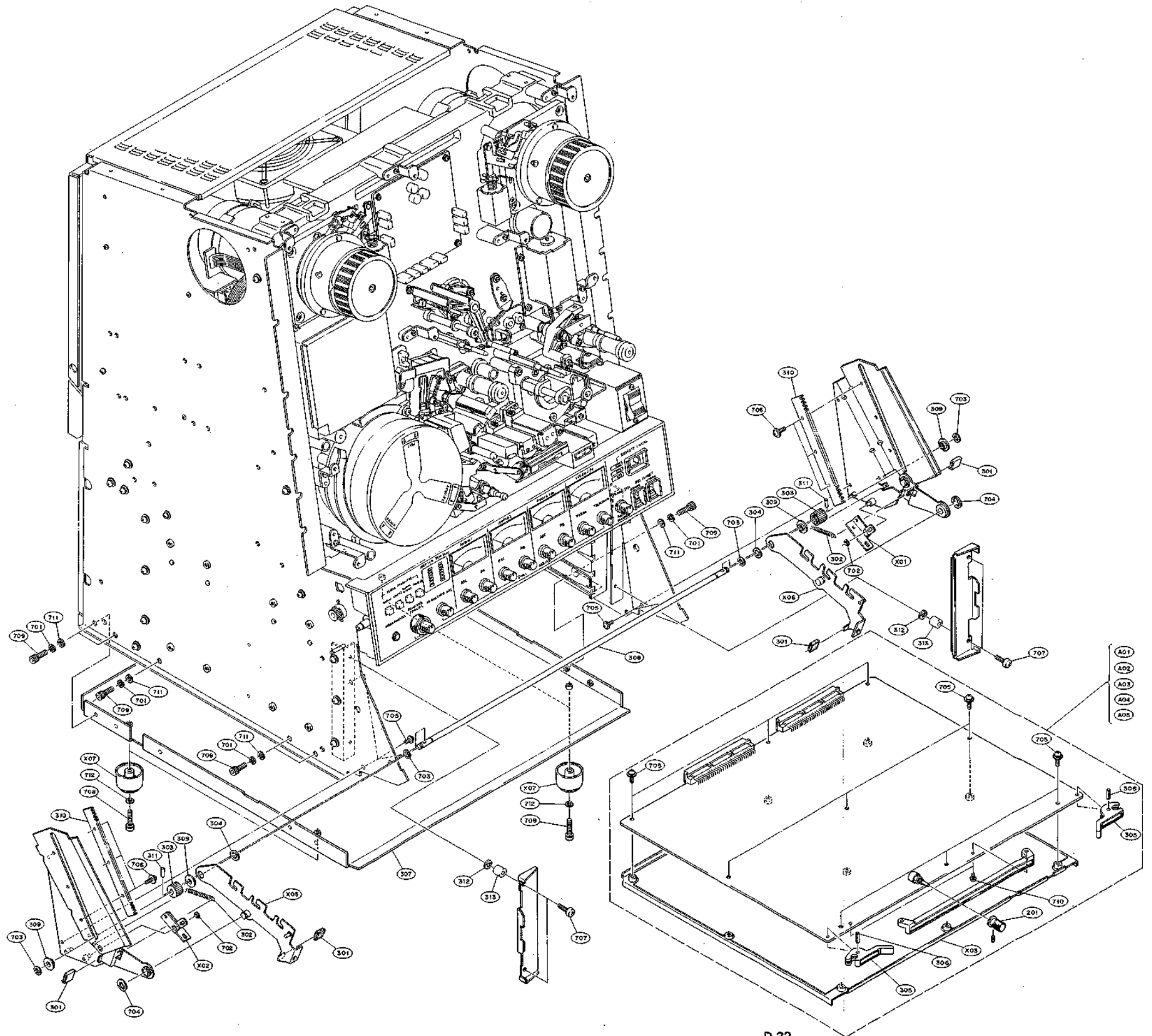


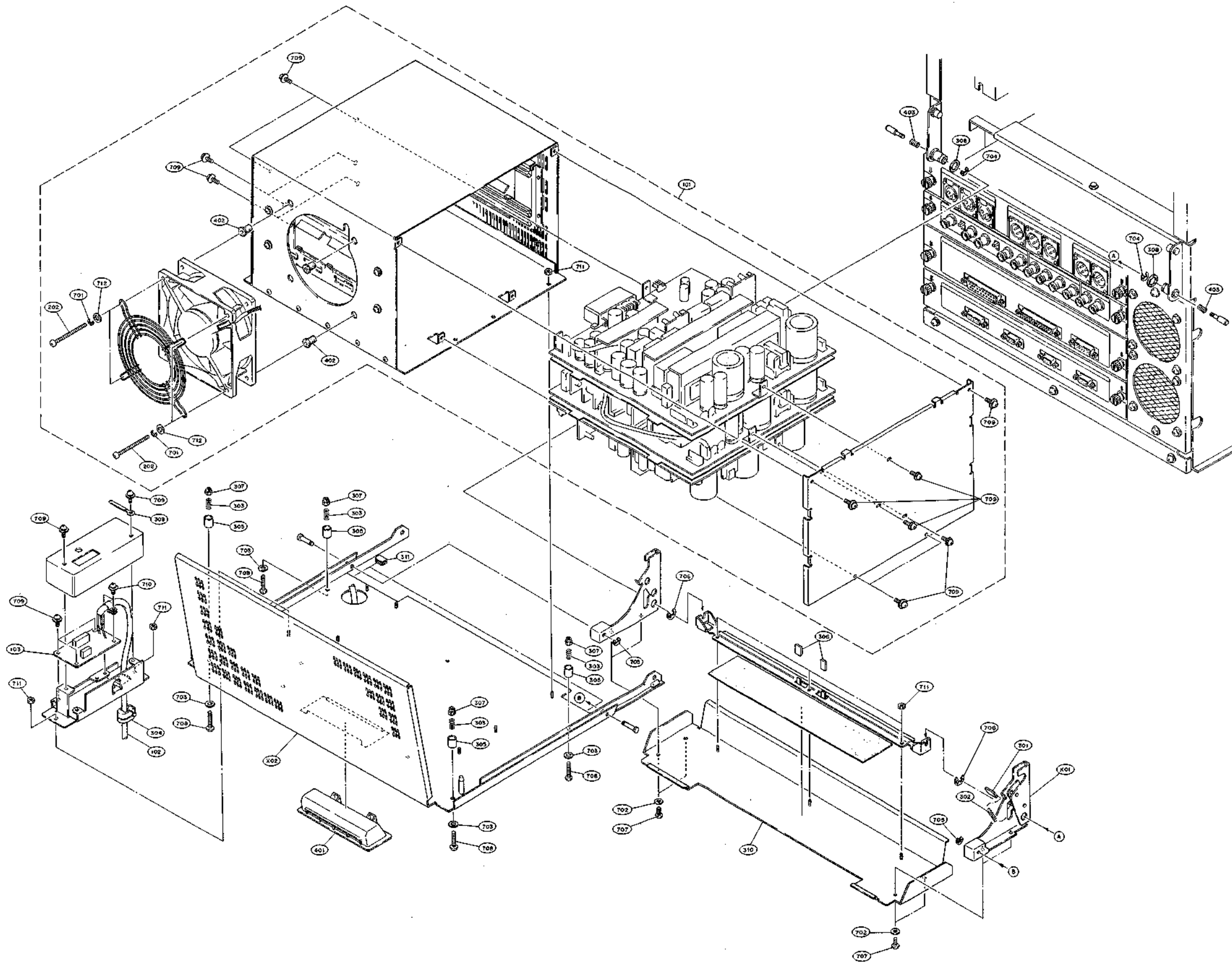




PANEL BRACKET BOARD ASSEMBLY, BVH-3000/3100

No.	Part No.	SP Description
A01	A-6011-110-A	o COMPLETE PCB, VO-16 (for J/UC)
	A-6011-115-A	o COMPLETE PCB, VO-16 (for PS)
A02	A-6015-102-A	o COMPLETE PCB, RD-6 (for J/UC)
	A-6015-106-A	o COMPLETE PCB, RD-7 (for PS)
A03	A-6015-103-A	o COMPLETE PCB, SV-90
A04	A-6017-137-A	o COMPLETE PCB, SY-103 (for J/UC)
	A-6017-146-A	o COMPLETE PCB, SY-103 (for PS)
A05	A-6025-103-A	o COMPLETE PCB, CK-26 (for J/UC)
	A-6025-114-A	o COMPLETE PCB, CK-27 (for PS)
X01	X-3673-658-0	o SUPPORT (RIGHT) ASSY, STAY
X02	X-3673-660-0	o SUPPORT (LEFT) ASSY, STAY
X03	X-3714-529-1	o PLATE ASSY, SHIELD
X05	X-3714-550-2	o SUPPORT (LEFT) ASSY, PANEL
X06	X-3714-551-2	o SUPPORT (RIGHT) ASSY, PANEL
X07	X-4836-202-X	s FOOT ASSY
201	2-282-313-02	s KNOB, VR
301	3-483-026-00	o RETAINER, THRUST, MOTOR
302	3-550-705-00	o SPRING, TENSION
303	3-668-306-00	s GEAR (D)
304	3-701-444-21	s WASHER, 6
305	3-714-634-01	o LEVER, PC BOARD
306	3-714-691-01	o PIN, SPRING
307	3-714-723-02	o BOARD, BOTTOM
308	3-714-766-01	o SHAFT, CONTROL PANEL DRIVING
309	3-714-767-01	o BEARING, SLIDE
310	3-714-768-01	o RACK
311	3-703-358-03	o PIN, PARALLEL
312	3-650-537-00	o W4 (94V-2)
313	3-714-855-11	o SPACER, REAR PANEL
701	7-623-212-22	s SW 5, TYPE 2
702	7-624-105-04	s STOP RING 2.5, TYPE -E
703	7-624-109-04	s STOP RING 5.0, TYPE -E
704	7-624-111-04	s STOP RING 7.0, TYPE -E
705	7-682-948-01	s SCREW +PSW 3X8
706	7-682-949-09	s SCREW +PSW 3X10
707	7-682-565-09	s SCREW +B 4X16
708	7-682-666-09	s SCREW +PS 4X20
709	7-683-436-04	s SCREW C 5X12
710	7-685-533-19	s SCREW, +BTP 2.6X6
711	7-688-005-01	s W5, SMALL
712	7-688-004-11	s W4, MIDDLE





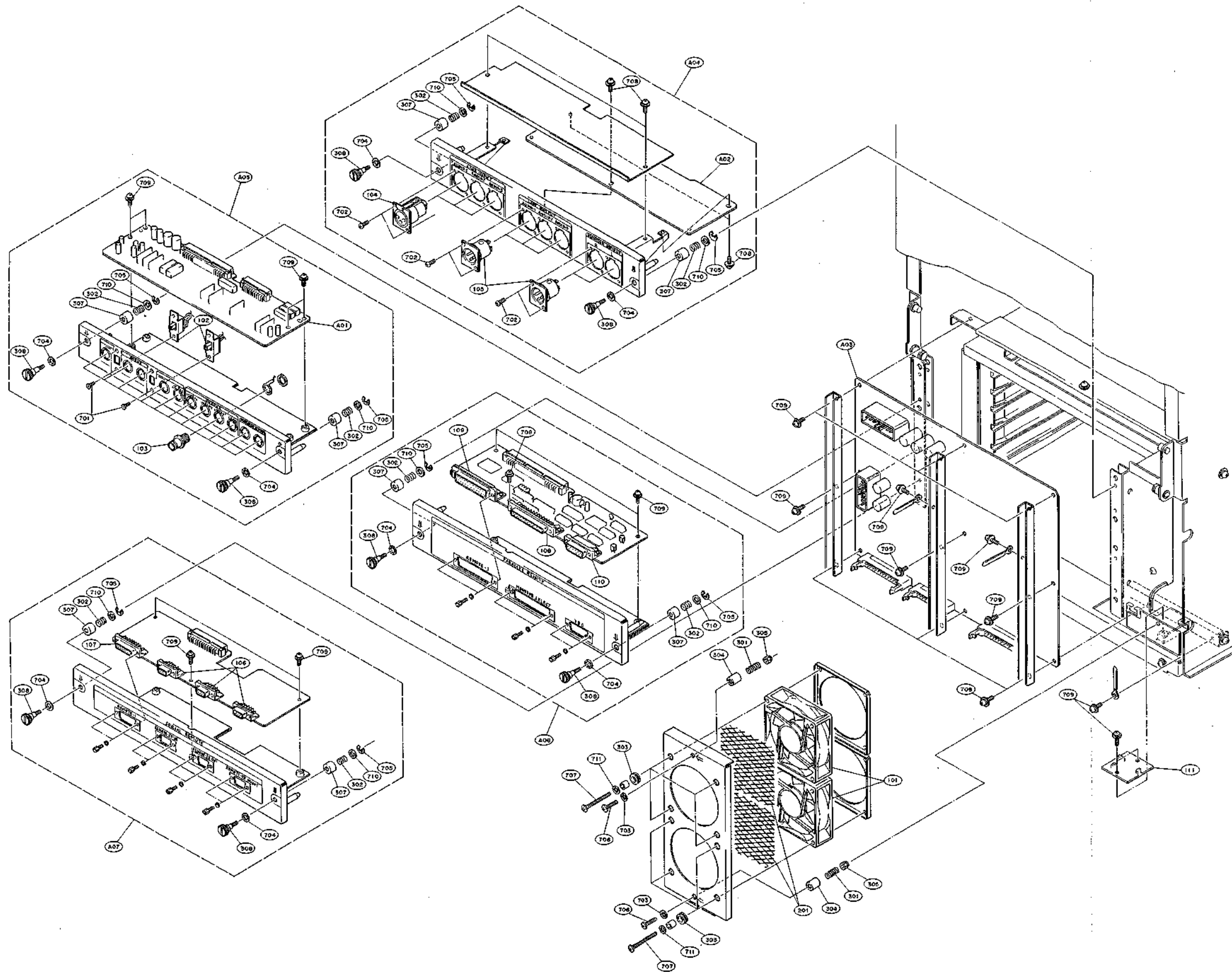
-----  
 POWER SUPPLY ASSEMBLY, BVH-3000/3100  
 -----

No.	Part No.	SP Description
X01	X-3714-539-1	o DISK ASSY, UR
X02	X-3714-544-1	o LID (1) ASSY, REAR
101	A1-413-274-11	o REGULATOR, SWITCHING(UR-20)
102	1-558-999-11	s AC CORD, 3P (for USA/CANADA)
	1-556-371-21	s AC CORD, 3P (for EK)
	1-559-001-11	s AC CORD, (for JAPAN)
103	1-621-130-11	o PC BOARD, AC-82
201	2-362-365-00	s FOOT, RUBBER
202	2-430-789-01	s SCREW M3X5
301	3-483-026-31	o BRACKET, MOTOR THRUST
302	3-575-481-01	s SPRING, TENSION
303	3-564-029-00	s SPRING, COMPRESSION
304	3-649-728-00	o STOPPER, CORD
305	3-714-855-02	o SPACER, REAR PANEL
306	3-673-784-00	o CAP
307	3-680-316-00	s NUT (M4), STOPPER
308	3-701-447-21	s WASHER, 10
309	3-703-150-11	o CLAMP
310	3-714-724-02	o LID (2), REAR
311	3-714-854-01	o EDGING (BLACK)
401	4-363-409-21	s HANDLE
402	4-373-536-01	s BUSHING
403	4-882-677-00	s SPRING, COMPRESSION
701	7-623-208-22	s SW2, TYPE2
702	7-623-954-41	s WASHER 3, FIBER
703	7-623-955-41	s WASHER 4.0, FIBER
704	7-624-106-04	s STOP RING 3.0, TYPE -E
705	7-624-108-04	s STOP RING 4.0, TYPE -E
706	7-624-113-04	s STOP RING 9.0, TYPE -E
707	7-682-547-04	s SCREW +B 3X6
708	7-682-566-09	s SCREW +B 4X20
709	7-682-947-01	s SCREW +PSW 3X6
710	7-682-961-01	s SCREW +PSW 4X8
711	7-684-023-04	s N3, TYPE 2
712	7-688-003-11	s W3, MIDDLE

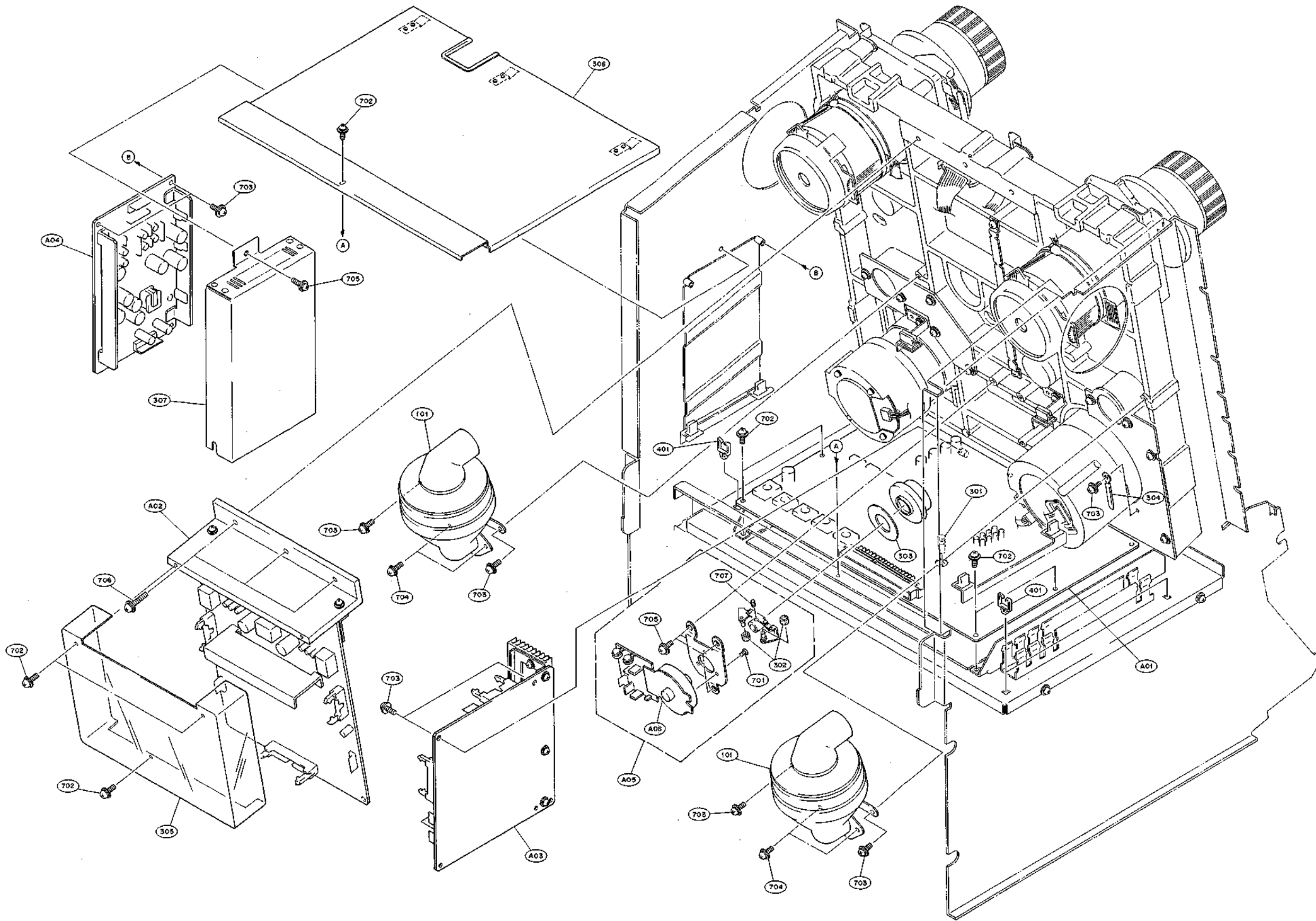
# CONNECTOR PANEL ASSEMBLY

## CONNECTOR PANEL ASSEMBLY, BVH-3000/3100

No.	Part No.	SP Description
A01	A-6011-111-A	o COMPLETE PCB, VS-30
A02	A-6013-081-A	o COMPLETE PCB, MA-26 (for J/UC/PS)
	A-6013-087-A	o COMPLETE PCB, MA-26 (for PS-A4)
A03	A-6025-101-A	o COMPLETE PCB, MB-140
A04	A-6030-074-A	o MA-26 ASSY (for UC/PS)
	A-6030-075-A	o MA-26 ASSY (for J)
	A-6030-109-A	o MA-26 ASSY (for PS-A4)
A05	A-6030-078-A	o VS-30 ASSY
A06	A-6030-080-A	o PA-56 ASSY
A07	A-6030-081-A	o SE-49 ASSY
101	1-541-327-11	s FAN, DC
102	1-552-078-00	s SWITCH, SLIDE
103	1-561-781-21	s CONNECTOR, BNC(RECEPTACLE)
104	1-563-029-21	s CONNECTOR, (RECEPTACLE), 3P
105	1-563-030-21	s CONNECTOR, (RECEPTACLE), 3P
106	1-563-770-21	s SOCKET, D-SUB CONNECTOR 9P
107	1-563-771-21	s SOCKET, D-SUB CONNECTOR 15P
108	1-563-773-21	s SOCKET, D-SUB CONNECTOR 37P
109	1-563-781-21	s SOCKET, D-SUB CONNECTOR 50P
110	1-566-319-21	s PLUG, D-SUB CONNECTOR 15P
111	1-621-131-11	s PC BOARD, CN-186
201	2-252-609-00	o COVER, FAN
301	3-564-029-00	o SPRING, COMPRESSION
302	3-576-921-00	s SPRING, COMPRESSION
303	3-650-837-00	o BUSHING, STAND BY LAMP
304	3-714-855-02	o SPACER, REAR PANEL
305	3-680-316-00	s NUT (M4), STOPPER
307	3-714-855-21	o SPACER, REAR PANEL
308	3-845-334-11	s SCREW, ORNAMENTAL
701	7-621-559-30	s SCREW +K 2.6X5
702	7-621-770-67	s SCREW +B 2.6X6
703	7-623-955-41	s WASHER 4.0, FIBER
704	7-623-956-41	s WASHER 5.0, FIBER
705	7-624-106-04	s STOP RING 3.0, TYPE -E
706	7-682-566-09	s SCREW +B 4X20
707	7-682-569-09	s SCREW +B 4X35
708	7-682-947-01	s SCREW +PSW 3X6
709	7-682-948-01	s SCREW +PSW 3X8
710	7-688-004-01	s W 4, SMALL
711	7-688-005-02	s W 5, SMALL



TAPE TRANSPORT REAR ASSEMBLY      TAPE TRANSPORT REAR ASSEMBLY



-----  
 TAPE TRANSPORT REAR ASSEMBLY, BVH-3000/3100  
 -----

No.	Part No.	SP	Description
A01	A-6013-080-A	o	COMPLETE PCB, AP-15 (for J/UC)
	A-6013-085-A	o	COMPLETE PCB, AP-15 (for PS)
	A-6013-086-A	o	COMPLETE PCB, AP-15 (for PS-A4)
A02	A-6015-100-A	o	COMPLETE PCB, RM-43
A03	A-6015-101-A	o	COMPLETE PCB, CD-36
A04	A-6023-037-A	o	COMPLETE PCB, DD-7
A05	A-6037-022-A	o	MOTOR ASSY, IP DRIVING
A06	A-6037-025-A	o	MOTOR ASSY, ROLLER
101	1-541-424-11	s	BLOWER
301	3-426-449-03	s	FOOT, RUBBER
302	3-534-255-00	o	CUSHION, BRAKE
303	3-673-686-00	s	PLATE, FRICTION
304	3-703-150-11	o	CLAMP
305	3-714-558-02	o	PLATE, PROTECTION
306	3-714-642-01	o	COVER, AP SHIELD
307	3-714-722-01	o	CASE, DD
308	3-714-858-01	s	RING O
401	4-309-753-00	o	HOLDER, WIRE
701	7-621-559-20	s	SCREW +K 2.6X4
702	7-682-947-01	s	SCREW +PSW 3X6
703	7-682-948-01	s	SCREW +PSW 3X8
704	7-682-950-01	s	SCREW +PSW 3X12
705	7-682-962-01	s	SCREW +PSW 4X10
706	7-682-965-01	s	SCREW +PSW 4X16
707	7-683-238-01	s	SET SCREW, FLAT POINT 3X4



-----  
 NONPOLAR CAPACITOR, BVH-3000PS/3100PS  
 -----

Replacements for nonpolar capacitors not given in board parts lists are shown in the following list. If a capacitor with the desired working voltage is not found, choose one of a higher working voltage.

Part No.	SP Description
1-107-019-00	s CAP, MICA 1.0pF+/-0.5pF 500V
1-107-039-00	s CAP, MICA 1.2pF+/-0.5pF 500V
1-107-040-00	s CAP, MICA 1.5pF+/-0.5pF 500V
1-107-041-00	s CAP, MICA 1.8pF+/-0.5pF 500V
1-107-042-00	s CAP, MICA 2.2pF+/-0.5pF 500V
1-107-043-00	s CAP, MICA 2.7pF+/-0.5pF 500V
1-107-044-00	s CAP, MICA 3.3pF+/-0.5pF 500V
1-107-045-00	s CAP, MICA 3.9pF+/-0.5pF 500V
1-107-046-00	s CAP, MICA 4.7pF+/-0.5pF 500V
1-107-026-00	s CAP, MICA 5.1pF+/-0.5pF 500V
1-107-047-00	s CAP, MICA 5.6pF+/-0.5pF 500V
1-107-048-00	s CAP, MICA 6.8pF+/-0.5pF 500V
1-107-049-00	s CAP, MICA 8.2pF+/-0.5pF 500V
1-107-202-00	s CAP, MICA 10pF 5% 500V
1-107-203-00	s CAP, MICA 11pF 5% 500V
1-107-204-00	s CAP, MICA 12pF 5% 500V
1-107-205-00	s CAP, MICA 13pF 5% 500V
1-107-206-00	s CAP, MICA 15pF 5% 500V
1-107-207-00	s CAP, MICA 16pF 5% 500V
1-107-208-00	s CAP, MICA 18pF 5% 500V
1-107-209-00	s CAP, MICA 20pF 5% 500V
1-107-210-00	s CAP, MICA 22pF 5% 500V
1-107-211-00	s CAP, MICA 24pF 5% 500V
1-107-157-00	s CAP, MICA 27pF 5% 500V
1-107-158-00	s CAP, MICA 30pF 5% 500V
1-107-159-00	s CAP, MICA 33pF 5% 500V
1-107-074-00	s CAP, MICA 36pF 5% 50V
1-107-075-00	s CAP, MICA 39pF 5% 50V
1-107-076-00	s CAP, MICA 43pF 5% 50V
1-107-077-00	s CAP, MICA 47pF 5% 50V
1-107-164-00	s CAP, MICA 51pF 5% 500V
1-107-165-00	s CAP, MICA 56pF 5% 500V
1-107-166-00	s CAP, MICA 62pF 5% 500V
1-107-036-00	s CAP, MICA 68pF 5% 500V
1-107-167-00	s CAP, MICA 75pF 5% 500V
1-107-083-00	s CAP, MICA 82pF 5% 50V
1-107-084-00	s CAP, MICA 91pF 5% 50V
1-107-085-00	s CAP, MICA 100pF 5% 50V
1-107-086-00	s CAP, MICA 110pF 5% 50V
1-107-087-00	s CAP, MICA 120pF 5% 50V
1-109-538-00	s CAP, MICA 130pF 5% 100V
1-109-539-00	s CAP, MICA 150pF 5% 100V
1-107-090-00	s CAP, MICA 160pF 5% 50V
1-109-540-00	s CAP, MICA 180pF 5% 100V
1-109-541-00	s CAP, MICA 200pF 5% 100V
1-109-542-00	s CAP, MICA 220pF 5% 100V
1-109-545-00	s CAP, MICA 270pF 5% 100V
1-109-547-00	s CAP, MICA 330pF 5% 100V
1-109-549-00	s CAP, MICA 390pF 5% 100V
1-109-633-00	s CAP, MICA 470pF 2% 500V
1-109-555-00	s CAP, MICA 560pF 5% 100V
1-109-635-00	s CAP, MICA 680pF 2% 500V

(NONPOLAR CAPACITOR, BVH-3000PS/3100PS)

Part No.	SP Description
1-161-039-00	s CAP, CERAMIC 0.001 10% 50V
1-161-041-00	s CAP, CERAMIC 0.0015 10% 50V
1-161-043-00	s CAP, CERAMIC 0.0022 10% 50V
1-161-045-00	s CAP, CERAMIC 0.0033 10% 50V
1-161-047-00	s CAP, CERAMIC 0.0047 10% 50V
1-161-049-00	s CAP, CERAMIC 0.0068 10% 50V
1-161-051-00	s CAP, CERAMIC 0.01 10% 50V
1-161-053-00	s CAP, CERAMIC 0.015 10% 50V
1-161-055-00	s CAP, CERAMIC 0.022 10% 50V
1-161-057-00	s CAP, CERAMIC 0.033 10% 50V
1-161-021-11	s CAP, CERAMIC 0.047 10% 25V
1-161-059-00	s CAP, CERAMIC 0.047 10% 50V
1-161-061-00	s CAP, CERAMIC 0.068 10% 50V
1-161-772-11	s CAP, CERAMIC 0.1 10% 25V
1-161-063-00	s CAP, CERAMIC 0.1 10% 50V

-----  
 ELECTROLYTIC CAPACITOR, BVH-3000PS/3100PS  
 -----

Replacement for electrolytic capacitors not given in board parts lists are shown in the following list. If a capacitor with the desired working voltage is not found, choose one of a higher working voltage.

Part No.	SP Description
1-124-902-00	s CAP, ELECT 0.47 20% 50V
1-124-791-11	s CAP, ELECT 1.0 20% 100V
1-124-925-11	s CAP, ELECT 2.2 20% 100V
1-123-382-00	s CAP, ELECT 3.3 20% 100V
1-124-927-00	s CAP, ELECT 4.7 20% 100V
1-123-875-91	s CAP, ELECT 10 20% 50V
1-124-908-11	s CAP, ELECT 22 20% 50V
1-124-963-11	s CAP, ELECT 33 20% 16V
1-124-482-11	s CAP, ELECT 33 20% 35V
1-124-917-11	s CAP, ELECT 33 20% 63V
1-124-446-11	s CAP, ELECT 47 20% 10V
1-124-477-11	s CAP, ELECT 47 20% 25V
1-124-910-11	s CAP, ELECT 47 20% 50V
1-124-443-00	s CAP, ELECT 100 20% 10V
1-126-101-11	s CAP, ELECT 100 20% 16V
1-124-478-11	s CAP, ELECT 100 20% 25V
1-124-122-11	s CAP, ELECT 100 20% 50V
1-124-444-00	s CAP, ELECT 220 20% 10V
1-124-120-11	s CAP, ELECT 220 20% 25V
1-124-484-11	s CAP, ELECT 220 20% 35V
1-124-911-11	s CAP, ELECT 220 20% 50V
1-124-442-00	s CAP, ELECT 330 20% 6.3V
1-124-604-00	s CAP, ELECT 330 20% 10V
1-124-119-00	s CAP, ELECT 330 20% 16V
1-124-479-11	s CAP, ELECT 330 20% 25V
1-124-485-11	s CAP, ELECT 330 20% 35V
1-124-912-11	s CAP, ELECT 330 20% 50V
1-124-472-11	s CAP, ELECT 470 20% 10V
1-124-475-11	s CAP, ELECT 470 20% 16V
1-124-480-11	s CAP, ELECT 470 20% 25V
1-126-104-11	s CAP, ELECT 470 20% 35V
1-124-913-11	s CAP, ELECT 470 20% 50V

RESISTOR, BVH-3000PS/3100PS

Replacements for resistors not given in board parts lists are shown in the following list.

Part No.	SP Description
1-249-381-11	s RES, CARBON 1.0 5% 1/4W
1-249-382-11	s RES, CARBON 1.2 5% 1/4W
1-249-383-11	s RES, CARBON 1.5 5% 1/4W
1-249-384-11	s RES, CARBON 1.8 5% 1/4W
1-249-385-11	s RES, CARBON 2.2 5% 1/4W
1-249-386-11	s RES, CARBON 2.7 5% 1/4W
1-249-387-11	s RES, CARBON 3.3 5% 1/4W
1-249-388-11	s RES, CARBON 3.9 5% 1/4W
1-249-389-11	s RES, CARBON 4.7 5% 1/4W
1-249-390-11	s RES, CARBON 5.6 5% 1/4W
1-249-391-11	s RES, CARBON 6.8 5% 1/4W
1-249-392-11	s RES, CARBON 8.2 5% 1/4W
1-249-393-11	s RES, CARBON 10 5% 1/4W
1-249-394-11	s RES, CARBON 12 5% 1/4W
1-249-395-11	s RES, CARBON 15 5% 1/4W
1-249-396-11	s RES, CARBON 18 5% 1/4W
1-249-397-11	s RES, CARBON 22 5% 1/4W
1-249-398-11	s RES, CARBON 27 5% 1/4W
1-249-399-11	s RES, CARBON 33 5% 1/4W
1-249-400-11	s RES, CARBON 39 5% 1/4W
1-249-401-11	s RES, CARBON 47 5% 1/4W
1-249-402-11	s RES, CARBON 56 5% 1/4W
1-249-403-11	s RES, CARBON 68 5% 1/4W
1-215-394-00	s RES, METAL 75 1% 1/6W
1-249-404-11	s RES, CARBON 82 5% 1/4W
1-249-405-11	s RES, CARBON 100 5% 1/4W
1-249-406-11	s RES, CARBON 120 5% 1/4W
1-249-407-11	s RES, CARBON 150 5% 1/4W
1-249-408-11	s RES, CARBON 180 5% 1/4W
1-249-409-11	s RES, CARBON 220 5% 1/4W
1-249-410-11	s RES, CARBON 270 5% 1/4W
1-249-411-11	s RES, CARBON 330 5% 1/4W
1-249-412-11	s RES, CARBON 390 5% 1/4W
1-249-413-11	s RES, CARBON 470 5% 1/4W
1-249-414-11	s RES, CARBON 560 5% 1/4W
1-249-415-11	s RES, CARBON 680 5% 1/4W
1-249-416-11	s RES, CARBON 820 5% 1/4W
1-249-417-11	s RES, CARBON 1.0k 5% 1/4W
1-249-418-11	s RES, CARBON 1.2k 5% 1/4W
1-249-419-11	s RES, CARBON 1.5k 5% 1/4W
1-249-420-11	s RES, CARBON 1.8k 5% 1/4W
1-249-421-11	s RES, CARBON 2.2k 5% 1/4W
1-249-422-11	s RES, CARBON 2.7k 5% 1/4W
1-249-423-11	s RES, CARBON 3.3k 5% 1/4W
1-249-424-11	s RES, CARBON 3.9k 5% 1/4W
1-249-425-11	s RES, CARBON 4.7k 5% 1/4W
1-249-426-11	s RES, CARBON 5.6k 5% 1/4W
1-249-427-11	s RES, CARBON 6.8k 5% 1/4W
1-249-428-11	s RES, CARBON 8.2k 5% 1/4W
1-249-429-11	s RES, CARBON 10k 5% 1/4W
1-249-430-11	s RES, CARBON 12k 5% 1/4W
1-249-431-11	s RES, CARBON 15k 5% 1/4W
1-249-432-11	s RES, CARBON 18k 5% 1/4W
1-249-433-11	s RES, CARBON 22k 5% 1/4W
1-249-434-11	s RES, CARBON 27k 5% 1/4W

(RESISTOR, BVH-3000PS/3100PS)

Part No.	SP Description
1-249-435-11	s RES, CARBON 33k 5% 1/4W
1-249-436-11	s RES, CARBON 39k 5% 1/4W
1-249-437-11	s RES, CARBON 47k 5% 1/4W
1-249-438-11	s RES, CARBON 56k 5% 1/4W
1-249-439-11	s RES, CARBON 68k 5% 1/4W
1-249-440-11	s RES, CARBON 82k 5% 1/4W
1-249-441-11	s RES, CARBON 100k 5% 1/4W
1-215-471-00	s RES, METAL 120k 1% 1/6W
1-215-473-00	s RES, METAL 150k 1% 1/6W
1-215-475-00	s RES, METAL 180k 1% 1/6W
1-215-477-00	s RES, METAL 220k 1% 1/6W
1-215-479-00	s RES, METAL 270k 1% 1/6W
1-215-481-00	s RES, METAL 330k 1% 1/6W
1-215-483-00	s RES, METAL 390k 1% 1/6W
1-215-485-00	s RES, METAL 470k 1% 1/6W
1-215-487-00	s RES, METAL 560k 1% 1/6W
1-215-489-00	s RES, METAL 680k 1% 1/6W
1-215-491-00	s RES, METAL 820k 1% 1/6W
1-215-493-00	s RES, METAL 1.0M 1% 1/6W

-----  
 AC-82 BOARD, BVH-3000PS/3100PS  
 -----

Ref.No.  
 or Q'ty Part No. SP Description

1pc 1-621-130-11 o PC BOARD, AC-82  
 CBI A 1-532-547-3 s BREAKER, CIRCUIT 10A  
 CN908 1-560-723-00 o RECEP, 3P MALE

-----  
 AP-15 BOARD, BVH-3000PS/3100PS  
 -----

Board No.  
 1-621-107-11

Ref.No.  
 or Q'ty Part No. SP Description

\*: The parts marked with an asterisk (\*) are used for BVH-3000PS-A4/3100PS-A4 but not used for BVH-3000PS/3100PS.

1pc (for BVH-3000PS/3100PS)  
 A-6013-085-A o COMPLETE PCB, AP-15  
 1pc (for BVH-3000PS-A4/3100PS-A4)  
 A-6013-086-A o COMPLETE PCB, AP-15

4pcs 4-812-134-00 s RIVET NYLON, 3.5  
 3pcs 4-812-134-00 s RIVET NYLON, 3.5  
 3pcs 4-812-134-00 s RIVET NYLON, 3.5  
 2pcs 7-622-207-05 s N 2.6, TYPE 2  
 2pcs 7-628-254-40 s SCREW +PS 2.6X12  
  
 6pcs 7-682-648-09 s SCREW +PS 3X8  
 3pcs 7-682-947-01 s SCREW +PSW 3X6  
 6pcs 7-684-023-04 s N 3, TYPE 2  
 C1 1-109-807-00 s CAP, MICA 100PF 1% 100V  
 C2 1-109-807-00 s CAP, MICA 100PF 1% 100V  
  
 C15 1-131-347-00 s CAP, TANT 1uF 10% 35V  
 C28 1-102-074-00 s CAP, CERAMIC 0.001uF 10% 50V  
 C30 1-124-587-11 s CAP, ELECT 220uF 20% 6.3V  
 C33 1-124-587-11 s CAP, ELECT 220uF 20% 6.3V  
 C36 1-124-599-00 s CAP, ELECT 220uF 20% 25V  
  
 C37 1-124-599-00 s CAP, ELECT 220uF 20% 25V  
 C40 1-124-599-00 s CAP, ELECT 220uF 20% 25V  
 C41 1-124-599-00 s CAP, ELECT 220uF 20% 25V  
 C101 1-109-569-00 s CAP, MICA 330PF 5% 500V  
 C114 1-130-487-00 s CAP, MYLAR 0.022uF 5% 50V  
  
 C115 1-131-347-00 s CAP, TANT 1uF 10% 35V  
 C116 1-130-475-00 s CAP, MYLAR 0.0022uF 5% 50V  
 C117 1-130-483-00 s CAP, MYLAR 0.01uF 5% 50V  
 C120 1-131-349-00 s CAP, TANT 2.2uF 10% 35V  
 C121 1-131-350-00 s CAP, TANT 3.3uF 10% 35V  
  
 C122 1-130-487-00 s CAP, MYLAR 0.022uF 5% 50V  
 C123 1-130-495-00 s CAP, MYLAR 0.1uF 5% 50V  
 C124 1-130-487-00 s CAP, MYLAR 0.022uF 5% 50V  
 C126 1-109-634-00 s CAP, MICA 560PF 2% 500V  
 C127 1-109-672-11 s CAP, MICA 91PF 1% 500V  
  
 C128 1-109-675-11 s CAP, MICA 120PF 1% 500V  
 C131 1-130-495-00 s CAP, MYLAR 0.1uF 5% 50V  
 C134 1-124-927-11 s CAP, ELECT 4.7uF 20% 50V  
 C145 1-130-487-00 s CAP, MYLAR 0.022uF 5% 50V  
 C148 1-130-471-00 s CAP, MYLAR 0.001uF 5% 50V  
  
 C201 1-109-569-00 s CAP, MICA 330PF 5% 500V  
 C214 1-130-487-00 s CAP, MYLAR 0.022uF 5% 50V  
 C215 1-131-347-00 s CAP, TANT 1uF 10% 35V  
 C216 1-130-475-00 s CAP, MYLAR 0.0022uF 5% 50V  
 C217 1-130-483-00 s CAP, MYLAR 0.01uF 5% 50V  
  
 C220 1-131-349-00 s CAP, TANT 2.2uF 10% 35V  
 C221 1-131-350-00 s CAP, TANT 3.3uF 10% 35V  
 C222 1-130-487-00 s CAP, MYLAR 0.022uF 5% 50V  
 C223 1-130-495-00 s CAP, MYLAR 0.1uF 5% 50V  
 C224 1-130-487-00 s CAP, MYLAR 0.022uF 5% 50V  
  
 C226 1-109-634-00 s CAP, MICA 560PF 2% 500V  
 C227 1-109-672-11 s CAP, MICA 91PF 1% 500V  
 C228 1-109-675-11 s CAP, MICA 120PF 1% 500V  
 C231 1-130-495-00 s CAP, MYLAR 0.1uF 5% 50V  
 C234 1-124-927-11 s CAP, ELECT 4.7uF 20% 50V

NOTE : Please see pages D-42 and D-43 for the part numbers of capacitors and resistors that are not listed in the parts list.

(AP-15 BOARD, BVH-3000PS/3100PS) Board No. 1-621-107-11

(AP-15 BOARD, BVH-3000PS/3100PS) Board No. 1-621-107-11

Ref.No. or Q'ty	Part No.	SP Description	Ref.No. or Q'ty	Part No.	SP Description
C245	1-130-487-00	s CAP, MYLAR 0.022uF 5% 50V	C566	1-130-477-00	s CAP, MYLAR 0.0033uF 5% 50V
C248	1-130-471-00	s CAP, MYLAR 0.001uF 5% 50V	C570	1-130-483-00	s CAP, MYLAR 0.01uF 5% 50V
C301	1-109-569-00	s CAP, MICA 330PF 5% 500V	C571*	1-109-537-00	s CAP, MICA 120PF 5% 100V
C314	1-130-487-00	s CAP, MYLAR 0.022uF 5% 50V	C602	1-130-484-00	s CAP, MYLAR 0.012uF 5% 50V
C315	1-131-347-00	s CAP, TANT 1uF 10% 35V	C603	1-130-473-00	s CAP, MYLAR 0.0015uF 5% 50V
C316	1-130-475-00	s CAP, MYLAR 0.0022uF 5% 50V	C604*	1-130-473-00	s CAP, MYLAR 0.0015uF 5% 50V
C317	1-130-483-00	s CAP, MYLAR 0.01uF 5% 50V	C605*	1-130-484-00	s CAP, MYLAR 0.012uF 5% 50V
C320	1-131-349-00	s CAP, TANT 2.2uF 10% 35V	C606*	1-131-347-00	s CAP, TANT 1uF 10% 35V
C321	1-131-350-00	s CAP, TANT 3.3uF 10% 35V	C607	1-131-347-00	s CAP, TANT 1uF 10% 35V
C322	1-130-487-00	s CAP, MYLAR 0.022uF 5% 50V	C609	1-130-484-00	s CAP, MYLAR 0.012uF 5% 50V
C323	1-130-495-00	s CAP, MYLAR 0.1uF 5% 50V	C612	1-131-347-00	s CAP, TANT 1uF 10% 35V
C324	1-130-487-00	s CAP, MYLAR 0.022uF 5% 50V	C613	1-130-484-00	s CAP, MYLAR 0.012uF 5% 50V
C327	1-109-672-11	s CAP, MICA 91PF 1% 500V	C614	1-130-473-00	s CAP, MYLAR 0.0015uF 5% 50V
C328	1-109-675-11	s CAP, MICA 120PF 1% 500V	C615	1-131-347-00	s CAP, TANT 1uF 10% 35V
C330	1-107-161-00	s CAP, MICA 39PF 5% 500V	C617	1-130-473-00	s CAP, MYLAR 0.0015uF 5% 50V
C331	1-130-495-00	s CAP, MYLAR 0.1uF 5% 50V	CN317	1-506-748-11	s RECEP, DIN 96P MALE
C334	1-124-927-11	s CAP, ELECT 4.7uF 20% 50V	CN351	1-560-304-00	o RECEP, 1L 8P MALE
C348	1-109-807-00	s CAP, MICA 100PF 1% 100V	CN352	1-560-300-00	o RECEP, 1L 3P MALE
C401*	1-109-569-00	s CAP, MICA 330PF 5% 500V	CN353*	1-560-300-00	o RECEP, 1L 3P MALE
C414	1-130-487-00	s CAP, MYLAR 0.022uF 5% 50V	CN354	1-560-300-00	o RECEP, 1L 3P MALE
C415	1-131-347-00	s CAP, TANT 1uF 10% 35V	CN355	1-560-303-00	o RECEP, 1L 6P MALE
C416	1-130-475-00	s CAP, MYLAR 0.0022uF 5% 50V	CN356	1-560-300-00	o RECEP, 1L 3P MALE
C417	1-130-483-00	s CAP, MYLAR 0.01uF 5% 50V	CN357	1-560-301-00	o RECEP, 1L 4P MALE
C420*	1-131-349-00	s CAP, TANT 2.2uF 10% 35V	CN358	1-560-300-00	o RECEP, 1L 3P MALE
C421*	1-131-350-00	s CAP, TANT 3.3uF 10% 35V	CN359	1-560-302-00	o RECEP, 1L 5P MALE
C422*	1-130-487-00	s CAP, MYLAR 0.022uF 5% 50V	CN360	1-560-303-00	o RECEP, 1L 6P MALE
C423*	1-130-495-00	s CAP, MYLAR 0.1uF 5% 50V	CN362*	1-560-300-00	o RECEP, 1L 3P MALE
C424*	1-130-487-00	s CAP, MYLAR 0.022uF 5% 50V	CN363*	1-560-300-00	o RECEP, 1L 3P MALE
C426*	1-109-634-00	s CAP, MICA 560PF 2% 500V	CN364	1-560-300-00	o RECEP, 1L 3P MALE
C427*	1-109-672-11	s CAP, MICA 91PF 1% 500V	CT101	1-141-155-00	s CAP, TRIMMER 600PF
C428*	1-109-675-11	s CAP, MICA 120PF 1% 500V	CT201	1-141-155-00	s CAP, TRIMMER 600PF
C429*	1-130-483-00	s CAP, MYLAR 0.01uF 5% 50V	CT301	1-141-155-00	s CAP, TRIMMER 600PF
C431*	1-130-495-00	s CAP, MYLAR 0.1uF 5% 50V	CT401*	1-141-155-00	s CAP, TRIMMER 600PF
C434*	1-124-927-11	s CAP, ELECT 4.7uF 20% 50V	CT402	1-141-155-00	s CAP, TRIMMER 600PF
C445*	1-130-485-00	s CAP, MYLAR 0.015uF 5% 50V	CT501	1-141-260-00	s CAP, TRIMMER 50PF
C448*	1-130-471-00	s CAP, MYLAR 0.001uF 5% 50V	D1	8-719-918-88	s DIODE 1SS198
C501	1-109-590-00	s CAP, MICA 0.0024uF 5% 500V	D2	8-719-918-88	s DIODE 1SS198
C505	1-109-642-00	s CAP, MICA 0.0022uF 5% 500V	D3	8-719-918-88	s DIODE 1SS198
C506	1-130-477-00	s CAP, MYLAR 0.0033uF 5% 50V	D4	8-719-918-88	s DIODE 1SS198
C507	1-131-346-00	s CAP, TANT 0.68uF 10% 35V	D5	8-719-918-88	s DIODE 1SS198
C509	1-130-485-00	s CAP, MYLAR 0.015uF 5% 50V	D6	8-719-918-88	s DIODE 1SS198
C510	1-130-475-00	s CAP, MYLAR 0.0022uF 5% 50V	D7	8-719-918-88	s DIODE 1SS198
C513	1-131-347-00	s CAP, TANT 1uF 10% 35V	D8	8-719-918-88	s DIODE 1SS198
C514	1-130-487-00	s CAP, MYLAR 0.022uF 5% 50V	D9	8-719-918-88	s DIODE 1SS198
C528	1-109-672-11	s CAP, MICA 91PF 1% 500V	D10	8-719-918-88	s DIODE 1SS198
C530	1-109-675-11	s CAP, MICA 120PF 1% 500V	D11	8-719-918-88	s DIODE 1SS198
C533	1-124-587-11	s CAP, ELECT 220uF 20% 6.3V	D101	8-719-911-19	s DIODE 1SS119
C537	1-124-278-00	s CAP, ELECT, NONPOLAR 10uF 20% 35V	D102	8-719-911-19	s DIODE 1SS119
C540	1-130-479-00	s CAP, MYLAR 0.0047uF 5% 50V	D103	8-719-911-19	s DIODE 1SS119
C542	1-131-353-00	s CAP, TANT 10uF 10% 35V	D104	8-719-109-73	s DIODE RD4.3ESB
C543	1-130-473-00	s CAP, MYLAR 0.0015uF 5% 50V	D201	8-719-911-19	s DIODE 1SS119
C544	1-130-497-00	s CAP, MYLAR 0.15uF 5% 50V	D202	8-719-911-19	s DIODE 1SS119
C546	1-130-483-00	s CAP, MYLAR 0.01uF 5% 50V	D203	8-719-911-19	s DIODE 1SS119
C562	1-131-353-00	s CAP, TANT 10uF 10% 35V	D204	8-719-109-73	s DIODE RD4.3ESB
C563	1-131-353-00	s CAP, TANT 10uF 10% 35V	D301	8-719-911-19	s DIODE 1SS119
			D302	8-719-911-19	s DIODE 1SS119

NOTE : Please see pages D-42 and D-43 for the part numbers of capacitors and resistors that are not listed in the parts list.

(AP-15 BOARD, BVH-3000PS/3100PS) Board No. 1-621-107-11

(AP-15 BOARD, BVH-3000PS/3100PS) Board No. 1-621-107-11

Ref.No. or Qty	Part No.	SP Description
D303	8-719-911-19	s DIODE 1SS119
D304	8-719-109-73	s DIODE RD4,3ESB
D401	8-719-911-19	s DIODE 1SS119
D402	8-719-911-19	s DIODE 1SS119
D403	8-719-911-19	s DIODE 1SS119
D404*	8-719-109-73	s DIODE RD4,3ESB
D407*	8-719-911-19	s DIODE 1SS119
D501	8-719-911-19	s DIODE 1SS119
D502	8-719-911-19	s DIODE 1SS119
D503	8-719-109-73	s DIODE RD4,3ESB
D504	8-719-930-33	s DIODE GL-3PR3
D505	8-719-930-33	s DIODE GL-3PR3
D506	8-719-911-19	s DIODE 1SS119
D507	8-719-911-19	s DIODE 1SS119
D508	8-719-911-19	s DIODE 1SS119
D509	8-719-911-19	s DIODE 1SS119
D510	8-719-911-19	s DIODE 1SS119
D513	8-719-911-19	s DIODE 1SS119
D514	8-719-930-33	s DIODE GL-3PR3
D601	8-719-911-19	s DIODE 1SS119
D602	8-719-911-19	s DIODE 1SS119
D603	8-719-911-19	s DIODE 1SS119
D604	8-719-911-19	s DIODE 1SS119
IC1	8-759-240-69	s IC TC4069UBP
IC2	8-759-903-93	s IC SN74LS393N
IC3	8-759-942-65	s IC SN74265N
IC4	8-759-990-82	s IC TL082CP
IC5	8-759-990-82	s IC TL082CP
IC6	8-759-045-84	s IC MC14584BCP
IC7	8-759-179-15	s IC UPC7915H
IC8	8-759-171-15	s IC UPC7815H
IC9	8-759-171-15	s IC UPC7815H
IC10	8-759-179-15	s IC UPC7915H
IC11	8-759-900-59	s IC HI 1-0201-5
IC12	8-759-974-06	s IC SN7406N
IC13	8-759-900-32	s IC SN74LS32N
IC14	8-759-900-32	s IC SN74LS32N
IC15	8-759-171-15	s IC UPC7815H
IC16	8-759-179-15	s IC UPC7915H
IC17	8-759-170-15	s IC UPC78M15H
IC18	8-759-700-25	s IC NJM79M15A
IC19	8-759-171-15	s IC UPC7815H
IC20	8-759-179-15	s IC UPC7915H
IC101	8-759-990-82	s IC TL082CP
IC102	8-759-745-60	s IC NJM4560D
IC103	8-759-602-01	s IC M5220P
IC201	8-759-990-82	s IC TL082CP
IC202	8-759-745-60	s IC NJM4560D
IC203	8-759-602-01	s IC M5220P
IC301	8-759-990-82	s IC TL082CP
IC302	8-759-745-60	s IC NJM4560D
IC401	8-759-990-82	s IC TL082CP
IC402*	8-759-745-60	s IC NJM4560D
IC403*	8-759-602-01	s IC M5220P
IC501	8-759-990-82	s IC TL082CP

Ref.No. or Qty	Part No.	SP Description
IC502	8-759-602-01	s IC M5220P
IC503	8-759-745-60	s IC NJM4560D
IC504	8-759-990-82	s IC TL082CP
IC505	8-759-203-08	s IC TC74HC221P
IC506	8-759-745-60	s IC NJM4560D
IC507	8-759-906-07	s IC TL607CP
IC508	8-759-745-60	s IC NJM4560D
IC509	8-759-131-11	s IC UPC311C
IC601	8-759-990-82	s IC TL082CP
IC602	8-759-990-82	s IC TL082CP
L2	1-421-329-00	s COIL, CHOKE
L3	1-421-329-00	s COIL, CHOKE
L4	1-421-329-00	s COIL, CHOKE
L102	1-407-285-00	s INDUCTOR, VAR 1.5mH
L103	1-410-069-11	s INDUCTOR 6.8mH 5%
L202	1-407-285-00	s INDUCTOR, VAR 1.5mH
L203	1-410-069-11	s INDUCTOR 6.8mH 5%
L206	1-407-261-00	s INDUCTOR, VAR 100UH
L302	1-407-286-00	s INDUCTOR, VAR 2.2mH
L303	1-410-069-11	s INDUCTOR 6.8mH 5%
L306	1-407-261-00	s INDUCTOR, VAR 100UH
L307	1-408-397-00	s INDUCTOR 1UH 5%
L402	1-407-285-00	s INDUCTOR, VAR 1.5mH
L403	1-410-069-11	s INDUCTOR 6.8mH 5%
L404*	1-408-424-00	s INDUCTOR 180UH
L502	1-407-284-00	s INDUCTOR, VAR 1mH
L503	1-410-069-11	s INDUCTOR 6.8mH 5%
L506	1-408-428-00	s INDUCTOR 390UH 5%
LV1	1-407-297-00	s INDUCTOR, VAR 3.5mH
LV101	1-407-297-00	s INDUCTOR, VAR 3.5mH
LV104	1-407-301-00	s INDUCTOR, VAR 9mH
LV105	1-407-301-00	s INDUCTOR, VAR 9mH
LV201	1-407-297-00	s INDUCTOR, VAR 3.5mH
LV204	1-407-301-00	s INDUCTOR, VAR 9mH
LV205	1-407-301-00	s INDUCTOR, VAR 9mH
LV301	1-407-297-00	s INDUCTOR, VAR 3.5mH
LV304	1-407-301-00	s INDUCTOR, VAR 9mH
LV305	1-407-301-00	s INDUCTOR, VAR 9mH
LV401	1-407-297-00	s INDUCTOR, VAR 3.5mH
LV404*	1-407-301-00	s INDUCTOR, VAR 9mH
LV405*	1-407-301-00	s INDUCTOR, VAR 9mH
LV501	1-407-297-00	s INDUCTOR, VAR 3.5mH
LV504	1-407-301-00	s INDUCTOR, VAR 9mH
LV505	1-407-301-00	s INDUCTOR, VAR 9mH
Q1	8-729-204-83	s TRANSISTOR 2SA1048-GR
Q2	8-729-245-82	s TRANSISTOR 2SC2458-Y
Q3	8-729-204-83	s TRANSISTOR 2SA1048-GR
Q4	8-729-245-82	s TRANSISTOR 2SC2458-Y
Q5	8-729-204-83	s TRANSISTOR 2SA1048-GR
Q6	8-729-245-82	s TRANSISTOR 2SC2458-Y
Q7	8-729-204-83	s TRANSISTOR 2SA1048-GR
Q8	8-729-245-82	s TRANSISTOR 2SC2458-Y
Q9	8-729-204-83	s TRANSISTOR 2SA1048-GR
Q10	8-729-204-83	s TRANSISTOR 2SA1048-GR
Q11	8-729-281-54	s TRANSISTOR 2SC1815-BL

NOTE : Please see pages D-42 and D-43 for the part numbers of capacitors and resistors that are not listed in the parts list.

(AP-15 BOARD, BVH-3000PS/3100PS) Board No. 1-621-107-11

(AP-15 BOARD, BVH-3000PS/3100PS) Board No. 1-621-107-11

Ref.No. or Q'ty	Part No.	SP	Description
Q101	8-729-122-03	s	TRANSISTOR 2SA1220A-P
Q102	8-729-169-03	s	TRANSISTOR 2SC2690A-P
Q103	8-729-245-82	s	TRANSISTOR 2SC2458-Y
Q104	8-729-204-83	s	TRANSISTOR 2SA1048-GR
Q105	8-729-204-83	s	TRANSISTOR 2SA1048-GR
Q106	8-729-281-52	s	TRANSISTOR 2SC1815-Y
Q107	8-729-177-43	s	TRANSISTOR 2SD774
Q108	8-729-177-43	s	TRANSISTOR 2SD774
Q109	8-729-245-82	s	TRANSISTOR 2SC2458-Y
Q110	8-729-105-74	s	TRANSISTOR 2SK523-M1
Q111	8-729-102-35	s	TRANSISTOR 2SK162
Q112	8-729-102-35	s	TRANSISTOR 2SK162
Q113	8-729-679-82	s	TRANSISTOR 2SA798
Q114	8-729-105-74	s	TRANSISTOR 2SK523-M1
Q115	8-729-105-74	s	TRANSISTOR 2SK523-M1
Q116	8-729-204-83	s	TRANSISTOR 2SA1048-GR
Q117	8-729-245-82	s	TRANSISTOR 2SC2458-Y
Q118	8-729-245-82	s	TRANSISTOR 2SC2458-Y
Q119	8-729-204-83	s	TRANSISTOR 2SA1048-GR
Q120	8-729-204-83	s	TRANSISTOR 2SA1048-GR
Q121	8-729-245-82	s	TRANSISTOR 2SC2458-Y
Q122	8-729-204-83	s	TRANSISTOR 2SA1048-GR
Q201	8-729-122-03	s	TRANSISTOR 2SA1220A-P
Q202	8-729-169-03	s	TRANSISTOR 2SC2690A-P
Q203	8-729-245-82	s	TRANSISTOR 2SC2458-Y
Q204	8-729-204-83	s	TRANSISTOR 2SA1048-GR
Q205	8-729-204-83	s	TRANSISTOR 2SA1048-GR
Q206	8-729-281-52	s	TRANSISTOR 2SC1815-Y
Q207	8-729-177-43	s	TRANSISTOR 2SD774
Q208	8-729-177-43	s	TRANSISTOR 2SD774
Q209	8-729-245-82	s	TRANSISTOR 2SC2458-Y
Q210	8-729-105-74	s	TRANSISTOR 2SK523-M1
Q211	8-729-102-35	s	TRANSISTOR 2SK162
Q212	8-729-102-35	s	TRANSISTOR 2SK162
Q213	8-729-679-82	s	TRANSISTOR 2SA798
Q214	8-729-105-74	s	TRANSISTOR 2SK523-M1
Q215	8-729-105-74	s	TRANSISTOR 2SK523-M1
Q216	8-729-204-83	s	TRANSISTOR 2SA1048-GR
Q217	8-729-245-82	s	TRANSISTOR 2SC2458-Y
Q218	8-729-245-82	s	TRANSISTOR 2SC2458-Y
Q219	8-729-204-83	s	TRANSISTOR 2SA1048-GR
Q220	8-729-204-83	s	TRANSISTOR 2SA1048-GR
Q221	8-729-245-82	s	TRANSISTOR 2SC2458-Y
Q222	8-729-204-83	s	TRANSISTOR 2SA1048-GR
Q301	8-729-122-03	s	TRANSISTOR 2SA1220A-P
Q302	8-729-169-03	s	TRANSISTOR 2SC2690A-P
Q303	8-729-245-82	s	TRANSISTOR 2SC2458-Y
Q304	8-729-204-83	s	TRANSISTOR 2SA1048-GR
Q305	8-729-204-83	s	TRANSISTOR 2SA1048-GR
Q306	8-729-281-52	s	TRANSISTOR 2SC1815-Y
Q307	8-729-177-43	s	TRANSISTOR 2SD774
Q308	8-729-177-43	s	TRANSISTOR 2SD774
Q309	8-729-245-82	s	TRANSISTOR 2SC2458-Y
Q310	8-729-105-74	s	TRANSISTOR 2SK523-M1
Q311	8-729-102-35	s	TRANSISTOR 2SK162

Ref.No. or Q'ty	Part No.	SP	Description
Q312	8-729-102-35	s	TRANSISTOR 2SK162
Q313	8-729-679-82	s	TRANSISTOR 2SA798
Q314	8-729-105-74	s	TRANSISTOR 2SK523-M1
Q315	8-729-105-74	s	TRANSISTOR 2SK523-M1
Q316	8-729-204-83	s	TRANSISTOR 2SA1048-GR
Q317	8-729-245-82	s	TRANSISTOR 2SC2458-Y
Q318	8-729-245-82	s	TRANSISTOR 2SC2458-Y
Q319	8-729-204-83	s	TRANSISTOR 2SA1048-GR
Q320	8-729-204-83	s	TRANSISTOR 2SA1048-GR
Q321	8-729-245-82	s	TRANSISTOR 2SC2458-Y
Q322	8-729-204-83	s	TRANSISTOR 2SA1048-GR
Q323	8-729-105-74	s	TRANSISTOR 2SK523-M1
Q401	8-729-122-03	s	TRANSISTOR 2SA1220A-P
Q402	8-729-169-03	s	TRANSISTOR 2SC2690A-P
Q403	8-729-245-82	s	TRANSISTOR 2SC2458-Y
Q404	8-729-204-83	s	TRANSISTOR 2SA1048-GR
Q405*	8-729-204-83	s	TRANSISTOR 2SA1048-GR
Q406*	8-729-281-54	s	TRANSISTOR 2SC1815-BL
Q407*	8-729-177-43	s	TRANSISTOR 2SD774
Q408*	8-729-177-43	s	TRANSISTOR 2SD774
Q409*	8-729-245-82	s	TRANSISTOR 2SC2458-Y
Q410*	8-729-105-74	s	TRANSISTOR 2SK523-M1
Q411*	8-729-102-35	s	TRANSISTOR 2SK162
Q412*	8-729-102-35	s	TRANSISTOR 2SK162
Q413*	8-729-679-82	s	TRANSISTOR 2SA798
Q414*	8-729-105-74	s	TRANSISTOR 2SK523-M1
Q415*	8-729-105-74	s	TRANSISTOR 2SK523-M1
Q416*	8-729-204-83	s	TRANSISTOR 2SA1048-GR
Q417*	8-729-245-82	s	TRANSISTOR 2SC2458-Y
Q418*	8-729-245-82	s	TRANSISTOR 2SC2458-Y
Q419*	8-729-204-83	s	TRANSISTOR 2SA1048-GR
Q420*	8-729-204-83	s	TRANSISTOR 2SA1048-GR
Q421*	8-729-245-82	s	TRANSISTOR 2SC2458-Y
Q422*	8-729-204-83	s	TRANSISTOR 2SA1048-GR
Q423*	8-729-900-36	s	TRANSISTOR DTC124ES
Q501	8-729-177-43	s	TRANSISTOR 2SD774
Q502	8-729-177-43	s	TRANSISTOR 2SD774
Q503	8-729-177-43	s	TRANSISTOR 2SD774
Q504	8-729-204-83	s	TRANSISTOR 2SA1048-GR
Q505	8-729-204-83	s	TRANSISTOR 2SA1048-GR
Q506	8-729-245-82	s	TRANSISTOR 2SC2458-Y
Q507	8-729-169-03	s	TRANSISTOR 2SC2690A-P
Q508	8-729-122-03	s	TRANSISTOR 2SA1220A-P
Q509	8-729-105-74	s	TRANSISTOR 2SK523-M1
Q510	8-729-105-74	s	TRANSISTOR 2SK523-M1
Q511	8-729-900-61	s	TRANSISTOR DTA114ES
Q512	8-729-105-74	s	TRANSISTOR 2SK523-M1
Q513	8-729-105-74	s	TRANSISTOR 2SK523-M1
Q514	8-729-204-83	s	TRANSISTOR 2SA1048-GR
Q515	8-729-204-83	s	TRANSISTOR 2SA1048-GR
Q516	8-729-201-04	s	TRANSISTOR 2SC2878
Q517	8-729-105-74	s	TRANSISTOR 2SK523-M1
Q518	8-729-105-74	s	TRANSISTOR 2SK523-M1
Q519	8-729-204-83	s	TRANSISTOR 2SA1048-GR
Q520	8-729-245-82	s	TRANSISTOR 2SC2458-Y

NOTE : Please see pages D-42 and D-43 for the part numbers of capacitors and resistors that are not listed in the parts list.

Ref.No. or Q'ty	Part No.	SP Description
Q601	8-729-245-82	s TRANSISTOR 2SC2458-Y
Q602*	8-729-245-82	s TRANSISTOR 2SC2458-Y
Q603	8-729-204-83	s TRANSISTOR 2SA1048-GR
Q604*	8-729-204-83	s TRANSISTOR 2SA1048-GR
Q605	8-729-245-82	s TRANSISTOR 2SC2458-Y
Q606	8-729-245-82	s TRANSISTOR 2SC2458-Y
Q607	8-729-204-83	s TRANSISTOR 2SA1048-GR
Q608	8-729-204-83	s TRANSISTOR 2SA1048-GR
R33*	1-215-453-00	s RES, METAL 22K 1% 1/6W
R35	1-215-453-00	s RES, METAL 22K 1% 1/6W
R39	1-215-453-00	s RES, METAL 22K 1% 1/6W
R40	1-215-453-00	s RES, METAL 22K 1% 1/6W
R101	1-249-458-11	s RES, CARBON 8.2 5% 1/4W
R102	1-249-458-11	s RES, CARBON 8.2 5% 1/4W
R112	1-215-451-00	s RES, METAL 18K 1% 1/6W
R113	1-215-445-00	s RES, METAL 10K 1% 1/6W
R114	1-215-446-00	s RES, METAL 11K 1% 1/6W
R115	1-215-423-00	s RES, METAL 1.2K 1% 1/6W
R124	1-247-688-11	s RES, CARBON 10 5% 1/4W
R128	1-215-430-00	s RES, METAL 2.4K 1% 1/6W
R164	1-215-422-00	s RES, METAL 1.1K 1% 1/6W
R201	1-249-458-11	s RES, CARBON 8.2 5% 1/4W
R202	1-249-458-11	s RES, CARBON 8.2 5% 1/4W
R212	1-215-451-00	s RES, METAL 18K 1% 1/6W
R213	1-215-445-00	s RES, METAL 10K 1% 1/6W
R214	1-215-446-00	s RES, METAL 11K 1% 1/6W
R215	1-215-423-00	s RES, METAL 1.2K 1% 1/6W
R224	1-247-688-11	s RES, CARBON 10 5% 1/4W
R228	1-215-430-00	s RES, METAL 2.4K 1% 1/6W
R264	1-215-422-00	s RES, METAL 1.1K 1% 1/6W
R301	1-249-458-11	s RES, CARBON 8.2 5% 1/4W
R302	1-249-458-11	s RES, CARBON 8.2 5% 1/4W
R312	1-215-451-00	s RES, METAL 18K 1% 1/6W
R313	1-215-445-00	s RES, METAL 10K 1% 1/6W
R314	1-215-446-00	s RES, METAL 11K 1% 1/6W
R315	1-215-423-00	s RES, METAL 1.2K 1% 1/6W
R324	1-247-703-11	s RES, CARBON 180 5% 1/4W
R328	1-215-430-00	s RES, METAL 2.4K 1% 1/6W
R345	1-215-436-00	s RES, METAL 4.3K 1% 1/6W
R401	1-249-458-11	s RES, CARBON 8.2 5% 1/4W
R402	1-249-458-11	s RES, CARBON 8.2 5% 1/4W
R412*	1-215-451-00	s RES, METAL 18K 1% 1/6W
R413*	1-215-445-00	s RES, METAL 10K 1% 1/6W
R414*	1-215-446-00	s RES, METAL 11K 1% 1/6W
R415*	1-215-423-00	s RES, METAL 1.2K 1% 1/6W
R424*	1-247-688-11	s RES, CARBON 10 5% 1/4W
R428*	1-215-430-00	s RES, METAL 2.4K 1% 1/6W
R458*	1-247-901-11	s RES, CARBON 820K 5% 1/4W
R462	1-249-447-11	s RES, CARBON 1 5% 1/4W
R464*	1-215-422-00	s RES, METAL 1.1K 1% 1/6W
R465*	1-247-701-00	s RES, CARBON 120 5% 1/4W
R466*	1-247-701-00	s RES, CARBON 120 5% 1/4W
R483*	1-247-741-11	s RES, CARBON 150 5% 1/2W
R501	1-212-360-00	s RES, CARBON 1 5% 1/2W
R505	1-215-428-00	s RES, METAL 2K 1% 1/6W
R507	1-215-428-00	s RES, METAL 2K 1% 1/6W
R523	1-249-458-11	s RES, CARBON 8.2 5% 1/4W
R524	1-249-458-11	s RES, CARBON 8.2 5% 1/4W
R533	1-215-412-00	s RES, METAL 430 1% 1/6W
R534	1-247-838-00	s RES, CARBON 2K 5% 1/4W

Ref.No. or Q'ty	Part No.	SP Description
R546	1-215-423-00	s RES, METAL 1.2K 1% 1/6W
R551	1-249-753-85	s RES, CARBON 4.7M 5% 1/4W
R556	1-215-470-00	s RES, METAL 110K 1% 1/6W
R558	1-215-450-00	s RES, METAL 16K 1% 1/6W
R583	1-215-450-00	s RES, METAL 16K 1% 1/6W
R602*	1-215-413-00	s RES, METAL 470 1% 1/6W
R603	1-215-413-00	s RES, METAL 470 1% 1/6W
R604	1-215-433-00	s RES, METAL 3.3K 1% 1/6W
R606*	1-215-433-00	s RES, METAL 3.3K 1% 1/6W
R614	1-215-413-00	s RES, METAL 470 1% 1/6W
R615	1-215-413-00	s RES, METAL 470 1% 1/6W
R616	1-215-433-00	s RES, METAL 3.3K 1% 1/6W
R618	1-215-433-00	s RES, METAL 3.3K 1% 1/6W
RV1	1-230-845-11	s RES, ADJ, METAL 50K
RV101	1-230-839-11	s RES, ADJ, METAL 500
RV201	1-230-839-11	s RES, ADJ, METAL 500
RV202	1-230-834-11	s RES, ADJ, METAL 10
RV301	1-230-839-11	s RES, ADJ, METAL 500
RV302*	1-230-834-11	s RES, ADJ, METAL 10
RV401	1-230-839-11	s RES, ADJ, METAL 500
RV501	1-230-838-11	s RES, ADJ, METAL 200
RV502	1-230-839-11	s RES, ADJ, METAL 500
RV503	1-230-844-11	s RES, ADJ, METAL 20K
RV504	1-230-844-11	s RES, ADJ, METAL 20K
RY1*	1-515-645-11	s RELAY
T101	1-433-196-00	s TRANSFORMER, BIAS
T201	1-433-196-00	s TRANSFORMER, BIAS
T301	1-433-196-00	s TRANSFORMER, BIAS
T401*	1-433-196-00	s TRANSFORMER, BIAS
T501	1-433-196-00	s TRANSFORMER, BIAS
TH101	1-800-198-XX	s THERMISTOR S-1K
TH102	1-800-200-00	s THERMISTOR S-3K
TH201	1-800-198-XX	s THERMISTOR S-1K
TH202	1-800-200-00	s THERMISTOR S-3K
TH301	1-800-198-XX	s THERMISTOR S-1K
TH302	1-800-200-00	s THERMISTOR S-3K
TH401	1-800-198-XX	s THERMISTOR S-1K
TH402*	1-800-200-00	s THERMISTOR S-3K
TH501	1-800-198-XX	s THERMISTOR S-1K
X1	1-567-793-11	s RESONATOR, CERAMIC 800KHz

NOTE : Please see pages D-42 and D-43 for the part numbers of capacitors and resistors that are not listed in the parts list.

Ref.No.  
 or Q'ty Part No. SP Description

\*: The parts marked with an asterisk (\*) are used for BVH-3000PS-A4/3100PS-A4 but not used for BVH-3000PS/3100PS.

1pc	(for BVH-3000PS/3100PS)	A-6013-085-A	o COMPLETE PCB, AP-15
1pc	(for BVH-3000PS-A4/3100PS-A4)	A-6013-086-A	o COMPLETE PCB, AP-15
4pcs	4-812-134-00	s RIVET NYLON, 3.5	
3pcs	4-812-134-00	s RIVET NYLON, 3.5	
3pcs	4-812-134-00	s RIVET NYLON, 3.5	
2pcs	7-622-207-05	s N 2.6, TYPE 2	
2pcs	7-628-254-40	s SCREW +PS 2.6X12	
6pcs	7-682-648-09	s SCREW +PS 3X8	
3pcs	7-682-947-01	s SCREW +PSW 3X6	
6pcs	7-684-023-04	s N 3, TYPE 2	
C1	1-109-807-00	s CAP, MICA 100PF 1% 100V	
C2	1-109-807-00	s CAP, MICA 100PF 1% 100V	
C15	1-131-347-00	s CAP, TANT 1uF 10% 35V	
C28	1-102-074-00	s CAP, CERAMIC 0.001uF 10% 50V	
C30	1-124-587-11	s CAP, ELECT 220uF 20% 6.3V	
C33	1-124-587-11	s CAP, ELECT 220uF 20% 6.3V	
C36	1-124-599-00	s CAP, ELECT 220uF 20% 25V	
C37	1-124-599-00	s CAP, ELECT 220uF 20% 25V	
C40	1-124-599-00	s CAP, ELECT 220uF 20% 25V	
C41	1-124-599-00	s CAP, ELECT 220uF 20% 25V	
C101	1-109-569-00	s CAP, MICA 330PF 5% 500V	
C114	1-130-487-00	s CAP, MYLAR 0.022uF 5% 50V	
C115	1-131-347-00	s CAP, TANT 1uF 10% 35V	
C116	1-130-475-00	s CAP, MYLAR 0.0022uF 5% 50V	
C117	1-130-483-00	s CAP, MYLAR 0.01uF 5% 50V	
C120	1-131-349-00	s CAP, TANT 2.2uF 10% 35V	
C121	1-131-350-00	s CAP, TANT 3.3uF 10% 35V	
C122	1-130-487-00	s CAP, MYLAR 0.022uF 5% 50V	
C123	1-130-495-00	s CAP, MYLAR 0.1uF 5% 50V	
C124	1-130-487-00	s CAP, MYLAR 0.022uF 5% 50V	
C126	1-109-634-00	s CAP, MICA 560PF 2% 500V	
C127	1-109-672-11	s CAP, MICA 91PF 1% 500V	
C128	1-109-675-11	s CAP, MICA 120PF 1% 500V	
C131	1-130-495-00	s CAP, MYLAR 0.1uF 5% 50V	
C134	1-124-927-11	s CAP, ELECT 4.7uF 20% 50V	
C145	1-130-487-00	s CAP, MYLAR 0.022uF 5% 50V	
C148	1-130-471-00	s CAP, MYLAR 0.001uF 5% 50V	
C201	1-109-569-00	s CAP, MICA 330PF 5% 500V	
C214	1-130-487-00	s CAP, MYLAR 0.022uF 5% 50V	
C215	1-131-347-00	s CAP, TANT 1uF 10% 35V	
C216	1-130-475-00	s CAP, MYLAR 0.0022uF 5% 50V	
C217	1-130-483-00	s CAP, MYLAR 0.01uF 5% 50V	
C220	1-131-349-00	s CAP, TANT 2.2uF 10% 35V	
C221	1-131-350-00	s CAP, TANT 3.3uF 10% 35V	
C222	1-130-487-00	s CAP, MYLAR 0.022uF 5% 50V	
C223	1-130-495-00	s CAP, MYLAR 0.1uF 5% 50V	
C224	1-130-487-00	s CAP, MYLAR 0.022uF 5% 50V	
C226	1-109-634-00	s CAP, MICA 560PF 2% 500V	
C227	1-109-672-11	s CAP, MICA 91PF 1% 500V	
C228	1-109-675-11	s CAP, MICA 120PF 1% 500V	
C231	1-130-495-00	s CAP, MYLAR 0.1uF 5% 50V	
C234	1-124-927-11	s CAP, ELECT 4.7uF 20% 50V	

NOTE : Please see pages D-42 and D-43 for the part numbers of capacitors and resistors that are not listed in the parts list.

D-44(a)



(AP-15 BOARD, BVH-3000PS/3100PS)			Board No. 1-621-107-12 & Higher	(AP-15 BOARD, BVH-3000PS/3100PS)			Board No. 1-621-107-12 & Higher
Ref.No. or Q'ty	Part No.	SP Description		Ref.No. or Q'ty	Part No.	SP Description	
C245	1-130-487-00	s CAP, MYLAR 0.022uF 5% 50V		C566	1-130-477-00	s CAP, MYLAR 0.0033uF 5% 50V	
C248	1-130-471-00	s CAP, MYLAR 0.001uF 5% 50V		C570	1-130-483-00	s CAP, MYLAR 0.01uF 5% 50V	
C301	1-109-569-00	s CAP, MICA 330PF 5% 500V		C571	1-109-531-11	s CAP, MICA 68PF 5% 100V	
C314	1-130-487-00	s CAP, MYLAR 0.022uF 5% 50V		C572	1-109-641-00	s CAP, MICA 0.002uF 5% 500V	
C315	1-131-347-00	s CAP, TANT 1uF 10% 35V		C573	1-109-591-11	s CAP, MICA 0.0027uF 5% 500V	
C316	1-130-475-00	s CAP, MYLAR 0.0022uF 5% 50V		C602	1-130-484-00	s CAP, MYLAR 0.012uF 5% 50V	
C317	1-130-483-00	s CAP, MYLAR 0.01uF 5% 50V		C603	1-130-473-00	s CAP, MYLAR 0.0015uF 5% 50V	
C320	1-131-349-00	s CAP, TANT 2.2uF 10% 35V		C604*	1-130-473-00	s CAP, MYLAR 0.0015uF 5% 50V	
C321	1-131-350-00	s CAP, TANT 3.3uF 10% 35V		C605*	1-130-484-00	s CAP, MYLAR 0.012uF 5% 50V	
C322	1-130-487-00	s CAP, MYLAR 0.022uF 5% 50V		C606*	1-131-347-00	s CAP, TANT 1uF 10% 35V	
C323	1-130-495-00	s CAP, MYLAR 0.1uF 5% 50V		C607	1-131-347-00	s CAP, TANT 1uF 10% 35V	
C324	1-130-487-00	s CAP, MYLAR 0.022uF 5% 50V		C609	1-130-484-00	s CAP, MYLAR 0.012uF 5% 50V	
C327	1-109-672-11	s CAP, MICA 91PF 1% 500V		C612	1-131-347-00	s CAP, TANT 1uF 10% 35V	
C328	1-109-675-11	s CAP, MICA 120PF 1% 500V		C613	1-130-484-00	s CAP, MYLAR 0.012uF 5% 50V	
C330	1-107-161-00	s CAP, MICA 39PF 5% 500V		C614	1-130-473-00	s CAP, MYLAR 0.0015uF 5% 50V	
C331	1-130-495-00	s CAP, MYLAR 0.1uF 5% 50V		C615	1-131-347-00	s CAP, TANT 1uF 10% 35V	
C334	1-124-927-11	s CAP, ELECT 4.7uF 20% 50V		C617	1-130-473-00	s CAP, MYLAR 0.0015uF 5% 50V	
C348	1-109-807-00	s CAP, MICA 100PF 1% 100V		CN317	1-506-748-11	s RECEP, DIN 96P MALE	
C401*	1-109-569-00	s CAP, MICA 330PF 5% 500V		CN351	1-560-304-00	o RECEP, 1L 8P MALE	
C414	1-130-487-00	s CAP, MYLAR 0.022uF 5% 50V		CN352	1-560-300-00	o RECEP, 1L 3P MALE	
C415	1-131-347-00	s CAP, TANT 1uF 10% 35V		CN353*	1-560-300-00	o RECEP, 1L 3P MALE	
C416	1-130-475-00	s CAP, MYLAR 0.0022uF 5% 50V		CN354	1-560-300-00	o RECEP, 1L 3P MALE	
C417	1-130-483-00	s CAP, MYLAR 0.01uF 5% 50V		CN355	1-560-303-00	o RECEP, 1L 6P MALE	
C420*	1-131-349-00	s CAP, TANT 2.2uF 10% 35V		CN356	1-560-300-00	o RECEP, 1L 3P MALE	
C421*	1-131-350-00	s CAP, TANT 3.3uF 10% 35V		CN357	1-560-301-00	o RECEP, 1L 4P MALE	
C422*	1-130-487-00	s CAP, MYLAR 0.022uF 5% 50V		CN358	1-560-300-00	o RECEP, 1L 3P MALE	
C423*	1-130-495-00	s CAP, MYLAR 0.1uF 5% 50V		CN359	1-560-302-00	o RECEP, 1L 5P MALE	
C424*	1-130-487-00	s CAP, MYLAR 0.022uF 5% 50V		CN360	1-560-303-00	o RECEP, 1L 6P MALE	
C426*	1-109-634-00	s CAP, MICA 560PF 2% 500V		CN362*	1-560-300-00	o RECEP, 1L 3P MALE	
C427*	1-109-672-11	s CAP, MICA 91PF 1% 500V		CN363*	1-560-300-00	o RECEP, 1L 3P MALE	
C428*	1-109-675-11	s CAP, MICA 120PF 1% 500V		CN364	1-560-300-00	o RECEP, 1L 3P MALE	
C429*	1-130-483-00	s CAP, MYLAR 0.01uF 5% 50V		CT101	1-141-155-00	s CAP, TRIMMER 600PF	
C431*	1-130-495-00	s CAP, MYLAR 0.1uF 5% 50V		CT201	1-141-155-00	s CAP, TRIMMER 600PF	
C434*	1-124-927-11	s CAP, ELECT 4.7uF 20% 50V		CT301	1-141-155-00	s CAP, TRIMMER 600PF	
C445*	1-130-485-00	s CAP, MYLAR 0.015uF 5% 50V		CT401*	1-141-155-00	s CAP, TRIMMER 600PF	
C448*	1-130-471-00	s CAP, MYLAR 0.001uF 5% 50V		CT402	1-141-155-00	s CAP, TRIMMER 600PF	
C501	1-109-590-00	s CAP, MICA 0.0024uF 5% 500V		CT502	1-141-297-11	s CAP, TRIMMER 90PF	
C505	1-109-642-00	s CAP, MICA 0.0022uF 5% 500V		D1	8-719-918-88	s DIODE 1SS198	
C506	1-130-477-00	s CAP, MYLAR 0.0033uF 5% 50V		D2	8-719-918-88	s DIODE 1SS198	
C507	1-131-346-00	s CAP, TANT 0.68uF 10% 35V		D3	8-719-918-88	s DIODE 1SS198	
C509	1-130-485-00	s CAP, MYLAR 0.015uF 5% 50V		D4	8-719-918-88	s DIODE 1SS198	
C510	1-130-475-00	s CAP, MYLAR 0.0022uF 5% 50V		D5	8-719-918-88	s DIODE 1SS198	
C513	1-131-347-00	s CAP, TANT 1uF 10% 35V		D6	8-719-918-88	s DIODE 1SS198	
C514	1-130-487-00	s CAP, MYLAR 0.022uF 5% 50V		D7	8-719-918-88	s DIODE 1SS198	
C528	1-109-672-11	s CAP, MICA 91PF 1% 500V		D8	8-719-918-88	s DIODE 1SS198	
C530	1-109-675-11	s CAP, MICA 120PF 1% 500V		D9	8-719-918-88	s DIODE 1SS198	
C533	1-124-587-11	s CAP, ELECT 220uF 20% 6.3V		D10	8-719-918-88	s DIODE 1SS198	
C537	1-124-278-00	s CAP, ELECT, NONPOLAR 10uF 20% 35V		D11	8-719-918-88	s DIODE 1SS198	
C540	1-130-479-00	s CAP, MYLAR 0.0047uF 5% 50V		D101	8-719-911-19	s DIODE 1SS119	
C542	1-131-353-00	s CAP, TANT 10uF 10% 35V		D102	8-719-911-19	s DIODE 1SS119	
C543	1-130-473-00	s CAP, MYLAR 0.0015uF 5% 50V		D103	8-719-911-19	s DIODE 1SS119	
C544	1-130-497-00	s CAP, MYLAR 0.15uF 5% 50V		D104	8-719-109-73	s DIODE RD4.3ESB	
C546	1-130-483-00	s CAP, MYLAR 0.01uF 5% 50V		D201	8-719-911-19	s DIODE 1SS119	
C562	1-131-353-00	s CAP, TANT 10uF 10% 35V		D202	8-719-911-19	s DIODE 1SS119	
C562	1-131-353-00	s CAP, TANT 10uF 10% 35V		D203	8-719-911-19	s DIODE 1SS119	
C563	1-131-353-00	s CAP, TANT 10uF 10% 35V		D204	8-719-109-73	s DIODE RD4.3ESB	
				D301	8-719-911-19	s DIODE 1SS119	
				D302	8-719-911-19	s DIODE 1SS119	

NOTE : Please see pages D-42 and D-43 for the part numbers of capacitors and resistors that are not listed in the parts list.

D-45(a)

(AP-15 BOARD, BVH-3000PS/3100PS)  
Board No.  
1-621-107-12  
& Higher

(AP-15 BOARD, BVH-3000PS/3100PS)  
Board No.  
1-621-107-12  
& Higher

Ref.No. or Qty	Part No.	SP	Description	Ref.No. or Qty	Part No.	SP	Description
D303	8-719-911-19	s	DIODE 1SS119	IC507	8-759-906-07	s	IC TL607CP
D304	8-719-109-73	s	DIODE RD4.3ESB	IC508	8-759-745-60	s	IC NJM4560D
D401	8-719-911-19	s	DIODE 1SS119	IC509	8-759-131-11	s	IC UPC311C
D402	8-719-911-19	s	DIODE 1SS119	IC601	8-759-990-82	s	IC TL082CP
D403	8-719-911-19	s	DIODE 1SS119	IC602	8-759-990-82	s	IC TL082CP
D404*	8-719-109-73	s	DIODE RD4.3ESB	JP101	1-566-385-11	s	PIN 2P
D407*	8-719-911-19	s	DIODE 1SS119	JP102	1-566-385-11	s	PIN 2P
D501	8-719-911-19	s	DIODE 1SS119	JP103	1-566-385-11	s	PIN 2P
D502	8-719-911-19	s	DIODE 1SS119	JP201	1-566-385-11	s	PIN 2P
D503	8-719-109-73	s	DIODE RD4.3ESB	JP202	1-566-385-11	s	PIN 2P
D504	8-719-930-33	s	DIODE GL-3PR3	JP203	1-566-385-11	s	PIN 2P
D505	8-719-930-33	s	DIODE GL-3PR3	JP301	1-566-385-11	s	PIN 2P
D506	8-719-911-19	s	DIODE 1SS119	JP302	1-566-385-11	s	PIN 2P
D507	8-719-911-19	s	DIODE 1SS119	JP401*	1-566-385-11	s	PIN 2P
D508	8-719-911-19	s	DIODE 1SS119	JP402*	1-566-385-11	s	PIN 2P
D509	8-719-911-19	s	DIODE 1SS119	JP403*	1-566-385-11	s	PIN 2P
D510	8-719-911-19	s	DIODE 1SS119	JP501	1-566-385-11	s	PIN 2P
D513	8-719-911-19	s	DIODE 1SS119	JP502	1-566-385-11	s	PIN 2P
D514	8-719-930-33	s	DIODE GL-3PR3	JP503	1-566-385-11	s	PIN 2P
D601	8-719-911-19	s	DIODE 1SS119	JP504	1-566-385-11	s	PIN 2P
D602	8-719-911-19	s	DIODE 1SS119	JS101	1-563-859-11	s	RECEPTACLE, 2P
D603	8-719-911-19	s	DIODE 1SS119	JS201	1-563-859-11	s	RECEPTACLE, 2P
D604	8-719-911-19	s	DIODE 1SS119	JS301	1-563-859-11	s	RECEPTACLE, 2P
IC1	8-759-240-69	s	IC TC4069UBP	JS401*	1-563-859-11	s	RECEPTACLE, 2P
IC2	8-759-903-93	s	IC SN74LS393N	JS503	1-563-859-11	s	RECEPTACLE, 2P
IC3	8-759-942-65	s	IC SN74265N	L2	1-421-329-00	s	COIL, CHOKE
IC4	8-759-990-82	s	IC TL082CP	L3	1-421-329-00	s	COIL, CHOKE
IC5	8-759-990-82	s	IC TL082CP	L4	1-421-329-00	s	COIL, CHOKE
IC6	8-759-045-84	s	IC MC14584BCP	L102	1-407-285-00	s	INDUCTOR, VAR 1.5mH
IC7	8-759-982-41	s	IC RC7915FA	L103	1-410-069-11	s	INDUCTOR 6.8mH 5%
IC8	8-759-982-15	s	IC RC7815FA	L202	1-407-285-00	s	INDUCTOR, VAR 1.5mH
IC9	8-759-982-15	s	IC RC7815FA	L203	1-410-069-11	s	INDUCTOR 6.8mH 5%
IC10	8-759-982-41	s	IC RC7915FA	L206	1-407-261-00	s	INDUCTOR, VAR 100UH
IC11	8-759-900-59	s	IC H11-0201-5	L302	1-407-286-00	s	INDUCTOR, VAR 2.2mH
IC12	8-759-974-06	s	IC SN7406N	L303	1-410-069-11	s	INDUCTOR 6.8mH 5%
IC13	8-759-900-32	s	IC SN74LS32N	L306	1-407-261-00	s	INDUCTOR, VAR 100UH
IC14	8-759-900-32	s	IC SN74LS32N	L307	1-408-397-00	s	INDUCTOR 1UH 5%
IC15	8-759-982-15	s	IC RC7815FA	L402	1-407-285-00	s	INDUCTOR, VAR 1.5mH
IC16	8-759-982-41	s	IC RC7915FA	L403	1-410-069-11	s	INDUCTOR 6.8mH 5%
IC17	8-759-982-36	s	IC RC78M15FA	L404*	1-408-424-00	s	INDUCTOR 180UH
IC18	8-759-982-58	s	IC RC79M15FA	L502	1-407-284-00	s	INDUCTOR, VAR 1mH
IC19	8-759-982-15	s	IC RC7815FA	L503	1-410-069-11	s	INDUCTOR 6.8mH 5%
IC20	8-759-982-41	s	IC RC7915FA	L506	1-408-428-00	s	INDUCTOR 390UH 5%
IC101	8-759-990-82	s	IC TL082CP	LV1	1-407-297-00	s	INDUCTOR, VAR 3.5mH
IC102	8-759-745-60	s	IC NJM4560D	LV101	1-407-297-00	s	INDUCTOR, VAR 3.5mH
IC103	8-759-602-01	s	IC M5220P	LV104	1-407-301-00	s	INDUCTOR, VAR 9mH
IC 301	8-759-990-82	s	IC TL082CP	LV105	1-407-301-00	s	INDUCTOR, VAR 9mH
IC202	8-759-745-60	s	IC NJM4560D	LV201	1-407-297-00	s	INDUCTOR, VAR 3.5mH
IC203	8-759-602-01	s	IC M5220P	LV204	1-407-301-00	s	INDUCTOR, VAR 9mH
IC301	8-759-990-82	s	IC TL082CP	LV205	1-407-301-00	s	INDUCTOR, VAR 9mH
IC302	8-759-745-60	s	IC NJM4560D	LV301	1-407-297-00	s	INDUCTOR, VAR 3.5mH
IC401	8-759-990-82	s	IC TL082CP	LV304	1-407-301-00	s	INDUCTOR, VAR 9mH
IC402*	8-759-745-60	s	IC NJM4560D	LV305	1-407-301-00	s	INDUCTOR, VAR 9mH
IC403*	8-759-602-01	s	IC M5220P	LV401	1-407-297-00	s	INDUCTOR, VAR 3.5mH
IC501	8-759-990-82	s	IC TL082CP	LV404*	1-407-301-00	s	INDUCTOR, VAR 9mH
IC502	8-759-602-01	s	IC M5220P	LV405*	1-407-301-00	s	INDUCTOR, VAR 9mH
IC503	8-759-745-60	s	IC NJM4560D	LV501	1-407-297-00	s	INDUCTOR, VAR 3.5mH
IC504	8-759-990-82	s	IC TL082CP	LV504	1-407-301-00	s	INDUCTOR, VAR 9mH
IC505	8-759-203-08	s	IC TC74HC221P	LV505	1-407-301-00	s	INDUCTOR, VAR 9mH
IC506	8-759-745-60	s	IC NJM4560D	Q1	8-729-204-83	s	TRANSISTOR 2SA1048-GR

NOTE : Please see pages D-42 and D-43 for the part numbers of capacitors and resistors that are not listed in the parts list.

D-46(a)

(AP-15 BOARD, BVH-3000PS/3100PS)			Board No. 1-621-107-12 & Higher	(AP-15 BOARD, BVH-3000PS/3100PS)			Board No. 1-621-107-12 & Higher
Ref.No. or Q'ty	Part No.	SP Description		Ref.No. or Q'ty	Part No.	SP Description	
Q2	8-729-245-82	TRANSISTOR 2SC2458-Y		Q307	8-729-177-43	TRANSISTOR 2SD774	
Q3	8-729-204-83	TRANSISTOR 2SA1048-GR		Q308	8-729-177-43	TRANSISTOR 2SD774	
Q4	8-729-245-82	TRANSISTOR 2SC2458-Y		Q309	8-729-245-82	TRANSISTOR 2SC2458-Y	
Q5	8-729-204-83	TRANSISTOR 2SA1048-GR		Q310	8-729-105-74	TRANSISTOR 2SK523-M1	
Q6	8-729-245-82	TRANSISTOR 2SC2458-Y		Q311	8-729-102-35	TRANSISTOR 2SK162	
Q7	8-729-204-83	TRANSISTOR 2SA1048-GR		Q312	8-729-102-35	TRANSISTOR 2SK162	
Q8	8-729-245-82	TRANSISTOR 2SC2458-Y		Q313	8-729-679-82	TRANSISTOR 2SA798	
Q9	8-729-204-83	TRANSISTOR 2SA1048-GR		Q314	8-729-105-74	TRANSISTOR 2SK523-M1	
Q10	8-729-204-83	TRANSISTOR 2SA1048-GR		Q315	8-729-105-74	TRANSISTOR 2SK523-M1	
Q11	8-729-281-54	TRANSISTOR 2SC1815-BL		Q316	8-729-204-83	TRANSISTOR 2SA1048-GR	
Q101	8-729-122-03	TRANSISTOR 2SA1220A-P		Q317	8-729-245-82	TRANSISTOR 2SC2458-Y	
Q102	8-729-169-03	TRANSISTOR 2SC2690A-P		Q318	8-729-245-82	TRANSISTOR 2SC2458-Y	
Q103	8-729-245-82	TRANSISTOR 2SC2458-Y		Q319	8-729-204-83	TRANSISTOR 2SA1048-GR	
Q104	8-729-204-83	TRANSISTOR 2SA1048-GR		Q320	8-729-204-83	TRANSISTOR 2SA1048-GR	
Q105	8-729-204-83	TRANSISTOR 2SA1048-GR		Q321	8-729-245-82	TRANSISTOR 2SC2458-Y	
Q106	8-729-281-52	TRANSISTOR 2SC1815-Y		Q322	8-729-204-83	TRANSISTOR 2SA1048-GR	
Q107	8-729-177-43	TRANSISTOR 2SD774		Q323	8-729-105-74	TRANSISTOR 2SK523-M1	
Q108	8-729-177-43	TRANSISTOR 2SD774		Q401	8-729-122-03	TRANSISTOR 2SA1220A-P	
Q109	8-729-245-82	TRANSISTOR 2SC2458-Y		Q402	8-729-169-03	TRANSISTOR 2SC2690A-P	
Q110	8-729-105-74	TRANSISTOR 2SK523-M1		Q403	8-729-245-82	TRANSISTOR 2SC2458-Y	
Q111	8-729-102-35	TRANSISTOR 2SK162		Q404	8-729-204-83	TRANSISTOR 2SA1048-GR	
Q112	8-729-102-35	TRANSISTOR 2SK162		Q405*	8-729-204-83	TRANSISTOR 2SA1048-GR	
Q113	8-729-679-82	TRANSISTOR 2SA798		Q406*	8-729-281-54	TRANSISTOR 2SC1815-BL	
Q114	8-729-105-74	TRANSISTOR 2SK523-M1		Q407*	8-729-177-43	TRANSISTOR 2SD774	
Q115	8-729-105-74	TRANSISTOR 2SK523-M1		Q408*	8-729-177-43	TRANSISTOR 2SD774	
Q116	8-729-204-83	TRANSISTOR 2SA1048-GR		Q409*	8-729-245-82	TRANSISTOR 2SC2458-Y	
Q117	8-729-245-82	TRANSISTOR 2SC2458-Y		Q410*	8-729-105-74	TRANSISTOR 2SK523-M1	
Q118	8-729-245-82	TRANSISTOR 2SC2458-Y		Q411*	8-729-102-35	TRANSISTOR 2SK162	
Q119	8-729-204-83	TRANSISTOR 2SA1048-GR		Q412*	8-729-102-35	TRANSISTOR 2SK162	
Q120	8-729-204-83	TRANSISTOR 2SA1048-GR		Q413*	8-729-679-82	TRANSISTOR 2SA798	
Q121	8-729-245-82	TRANSISTOR 2SC2458-Y		Q414*	8-729-105-74	TRANSISTOR 2SK523-M1	
Q122	8-729-204-83	TRANSISTOR 2SA1048-GR		Q415*	8-729-105-74	TRANSISTOR 2SK523-M1	
Q201	8-729-122-03	TRANSISTOR 2SA1220A-P		Q416*	8-729-204-83	TRANSISTOR 2SA1048-GR	
Q202	8-729-169-03	TRANSISTOR 2SC2690A-P		Q417*	8-729-245-82	TRANSISTOR 2SC2458-Y	
Q203	8-729-245-82	TRANSISTOR 2SC2458-Y		Q418*	8-729-245-82	TRANSISTOR 2SC2458-Y	
Q204	8-729-204-83	TRANSISTOR 2SA1048-GR		Q419*	8-729-204-83	TRANSISTOR 2SA1048-GR	
Q205	8-729-204-83	TRANSISTOR 2SA1048-GR		Q420*	8-729-204-83	TRANSISTOR 2SA1048-GR	
Q206	8-729-281-52	TRANSISTOR 2SC1815-Y		Q421*	8-729-245-82	TRANSISTOR 2SC2458-Y	
Q207	8-729-177-43	TRANSISTOR 2SD774		Q422*	8-729-204-83	TRANSISTOR 2SA1048-GR	
Q208	8-729-177-43	TRANSISTOR 2SD774		Q423*	8-729-900-36	TRANSISTOR DTC124ES	
Q209	8-729-245-82	TRANSISTOR 2SC2458-Y		Q501	8-729-177-43	TRANSISTOR 2SD774	
Q210	8-729-105-74	TRANSISTOR 2SK523-M1		Q502	8-729-177-43	TRANSISTOR 2SD774	
Q211	8-729-102-35	TRANSISTOR 2SK162		Q503	8-729-177-43	TRANSISTOR 2SD774	
Q212	8-729-102-35	TRANSISTOR 2SK162		Q504	8-729-204-83	TRANSISTOR 2SA1048-GR	
Q213	8-729-679-82	TRANSISTOR 2SA798		Q505	8-729-204-83	TRANSISTOR 2SA1048-GR	
Q214	8-729-105-74	TRANSISTOR 2SK523-M1		Q506	8-729-245-82	TRANSISTOR 2SC2458-Y	
Q215	8-729-105-74	TRANSISTOR 2SK523-M1		Q507	8-729-169-03	TRANSISTOR 2SC2690A-P	
Q216	8-729-204-83	TRANSISTOR 2SA1048-GR		Q508	8-729-122-03	TRANSISTOR 2SA1220A-P	
Q217	8-729-245-82	TRANSISTOR 2SC2458-Y		Q509	8-729-105-74	TRANSISTOR 2SK523-M1	
Q218	8-729-245-82	TRANSISTOR 2SC2458-Y		Q510	8-729-105-74	TRANSISTOR 2SK523-M1	
Q219	8-729-204-83	TRANSISTOR 2SA1048-GR		Q511	8-729-900-61	TRANSISTOR DTA114ES	
Q220	8-729-204-83	TRANSISTOR 2SA1048-GR		Q512	8-729-105-74	TRANSISTOR 2SK523-M1	
Q221	8-729-245-82	TRANSISTOR 2SC2458-Y		Q513	8-729-105-74	TRANSISTOR 2SK523-M1	
Q222	8-729-204-83	TRANSISTOR 2SA1048-GR		Q514	8-729-204-83	TRANSISTOR 2SA1048-GR	
Q301	8-729-122-03	TRANSISTOR 2SA1220A-P		Q515	8-729-204-83	TRANSISTOR 2SA1048-GR	
Q302	8-729-169-03	TRANSISTOR 2SC2690A-P		Q516	8-729-201-04	TRANSISTOR 2SC2878	
Q303	8-729-245-82	TRANSISTOR 2SC2458-Y		Q517	8-729-105-74	TRANSISTOR 2SK523-M1	
Q304	8-729-204-83	TRANSISTOR 2SA1048-GR		Q518	8-729-105-74	TRANSISTOR 2SK523-M1	
Q305	8-729-204-83	TRANSISTOR 2SA1048-GR		Q519	8-729-204-83	TRANSISTOR 2SA1048-GR	
Q306	8-729-281-52	TRANSISTOR 2SC1815-Y		Q520	8-729-245-82	TRANSISTOR 2SC2458-Y	

NOTE : Please see pages D-42 and D-43 for the part numbers of capacitors and resistors that are not listed in the parts list.

D-47(a)

(AP-15 BOARD, BVH-3000PS/3100PS)  
Board No.  
1-621-107-12  
& Higher

(AP-15 BOARD, BVH-3000PS/3100PS)  
Board No.  
1-621-107-12  
& Higher

Ref.No. or Q'ty	Part No.	SP Description
Q601	8-729-245-82	s TRANSISTOR 2SC2458-Y
Q602*	8-729-245-82	s TRANSISTOR 2SC2458-Y
Q603	8-729-204-83	s TRANSISTOR 2SA1048-GR
Q604*	8-729-204-83	s TRANSISTOR 2SA1048-GR
Q605	8-729-245-82	s TRANSISTOR 2SC2458-Y
Q606	8-729-245-82	s TRANSISTOR 2SC2458-Y
Q607	8-729-204-83	s TRANSISTOR 2SA1048-GR
Q608	8-729-204-83	s TRANSISTOR 2SA1048-GR
R33*	1-215-453-00	s RES, METAL 22K 1% 1/6W
R35	1-215-453-00	s RES, METAL 22K 1% 1/6W
R39	1-215-453-00	s RES, METAL 22K 1% 1/6W
R40	1-215-453-00	s RES, METAL 22K 1% 1/6W
R101	1-249-458-11	s RES, CARBON 8.2 5% 1/4W
R102	1-249-458-11	s RES, CARBON 8.2 5% 1/4W
R112	1-215-451-00	s RES, METAL 18K 1% 1/6W
R113	1-215-445-00	s RES, METAL 10K 1% 1/6W
R114	1-215-446-00	s RES, METAL 11K 1% 1/6W
R115	1-215-423-00	s RES, METAL 1.2K 1% 1/6W
R124	1-247-688-11	s RES, CARBON 10 5% 1/4W
R128	1-215-430-00	s RES, METAL 2.4K 1% 1/6W
R164	1-215-422-00	s RES, METAL 1.1K 1% 1/6W
R165	1-247-690-11	s RES, CARBON 15 5% 1/4W
R166	1-247-694-11	s RES, CARBON 33 5% 1/4W
R201	1-249-458-11	s RES, CARBON 8.2 5% 1/4W
R202	1-249-458-11	s RES, CARBON 8.2 5% 1/4W
R212	1-215-451-00	s RES, METAL 18K 1% 1/6W
R213	1-215-445-00	s RES, METAL 10K 1% 1/6W
R214	1-215-446-00	s RES, METAL 11K 1% 1/6W
R215	1-215-423-00	s RES, METAL 1.2K 1% 1/6W
R224	1-247-688-11	s RES, CARBON 10 5% 1/4W
R228	1-215-430-00	s RES, METAL 2.4K 1% 1/6W
R264	1-215-422-00	s RES, METAL 1.1K 1% 1/6W
R265	1-247-690-11	s RES, CARBON 15 5% 1/4W
R266	1-247-694-11	s RES, CARBON 33 5% 1/4W
R301	1-249-458-11	s RES, CARBON 8.2 5% 1/4W
R302	1-249-458-11	s RES, CARBON 8.2 5% 1/4W
R312	1-215-451-00	s RES, METAL 18K 1% 1/6W
R313	1-215-445-00	s RES, METAL 10K 1% 1/6W
R314	1-215-446-00	s RES, METAL 11K 1% 1/6W
R315	1-215-423-00	s RES, METAL 1.2K 1% 1/6W
R324	1-247-703-11	s RES, CARBON 180 5% 1/4W
R328	1-215-430-00	s RES, METAL 2.4K 1% 1/6W
R345	1-215-436-00	s RES, METAL 4.3K 1% 1/6W
R365	1-247-704-11	s RES, CARBON 220 5% 1/4W
R401	1-249-458-11	s RES, CARBON 8.2 5% 1/4W
R402	1-249-458-11	s RES, CARBON 8.2 5% 1/4W
R412*	1-215-451-00	s RES, METAL 18K 1% 1/6W
R413*	1-215-445-00	s RES, METAL 10K 1% 1/6W
R414*	1-215-446-00	s RES, METAL 11K 1% 1/6W
R415*	1-215-423-00	s RES, METAL 1.2K 1% 1/6W
R424*	1-247-688-11	s RES, CARBON 10 5% 1/4W
R428*	1-215-430-00	s RES, METAL 2.4K 1% 1/6W
R458*	1-247-901-11	s RES, CARBON 820K 5% 1/4W
R462	1-249-447-11	s RES, CARBON 1 5% 1/4W
R464*	1-215-422-00	s RES, METAL 1.1K 1% 1/6W

Ref.No. or Q'ty	Part No.	SP Description
R465	1-249-447-11	s RES, CARBON 1 5% 1/4W
R465*	1-247-708-11	s RES, CARBON 470 5% 1/4W
R466*	1-247-708-11	s RES, CARBON 470 5% 1/4W
R467*	1-247-690-11	s RES, CARBON 15 5% 1/4W
R468*	1-247-694-11	s RES, CARBON 33 5% 1/4W
R483*	1-247-741-11	s RES, CARBON 150 5% 1/2W
R484	1-217-666-11	s RES, SHORT 0.01 1% 1/6W
R501	1-212-360-00	s RES, CARBON 1 5% 1/2W
R505	1-215-428-00	s RES, METAL 2K 1% 1/6W
R507	1-215-428-00	s RES, METAL 2K 1% 1/6W
R523	1-249-458-11	s RES, CARBON 8.2 5% 1/4W
R524	1-249-458-11	s RES, CARBON 8.2 5% 1/4W
R533	1-215-412-00	s RES, METAL 430 1% 1/6W
R534	1-249-415-11	s RES, CARBON 680 5% 1/4W
R546	1-215-423-00	s RES, METAL 1.2K 1% 1/6W
R551	1-249-753-85	s RES, CARBON 4.7M 5% 1/4W
R556	1-215-470-00	s RES, METAL 110K 1% 1/6W
R558	1-215-450-00	s RES, METAL 16K 1% 1/6W
R574*	1-215-491-00	s RES, METAL 820K 1% 1/6W
R583	1-215-450-00	s RES, METAL 16K 1% 1/6W
R602*	1-215-413-00	s RES, METAL 470 1% 1/6W
R603	1-215-413-00	s RES, METAL 470 1% 1/6W
R604	1-215-433-00	s RES, METAL 3.3K 1% 1/6W
R606*	1-215-433-00	s RES, METAL 3.3K 1% 1/6W
R614	1-215-413-00	s RES, METAL 470 1% 1/6W
R615	1-215-413-00	s RES, METAL 470 1% 1/6W
R616	1-215-433-00	s RES, METAL 3.3K 1% 1/6W
R618	1-215-433-00	s RES, METAL 3.3K 1% 1/6W
RV1	1-230-845-11	s RES, ADJ, METAL 50K
RV101	1-230-839-11	s RES, ADJ, METAL 500
RV201	1-230-839-11	s RES, ADJ, METAL 500
RV202	1-230-834-11	s RES, ADJ, METAL 10
RV301	1-230-839-11	s RES, ADJ, METAL 500
RV302*	1-230-834-11	s RES, ADJ, METAL 10
RV401	1-230-839-11	s RES, ADJ, METAL 500
RV402*	1-237-512-21	s RES, ADJ, METAL 100
RV501	1-230-838-11	s RES, ADJ, METAL 200
RV502	1-230-839-11	s RES, ADJ, METAL 500
RV503	1-230-844-11	s RES, ADJ, METAL 20K
RV504	1-230-844-11	s RES, ADJ, METAL 20K
RV505	1-230-841-11	s RES, ADJ, METAL 2K
RY1*	1-515-645-11	s RELAY
T101	1-433-196-00	s TRANSFORMER, BIAS
T201	1-433-196-00	s TRANSFORMER, BIAS
T301	1-433-196-00	s TRANSFORMER, BIAS
T401*	1-433-196-00	s TRANSFORMER, BIAS
T501	1-433-196-00	s TRANSFORMER, BIAS
TH101	1-800-198-XX	s THERMISTOR S-1K
TH102	1-800-200-00	s THERMISTOR S-3K
TH201	1-800-198-XX	s THERMISTOR S-1K
TH202	1-800-200-00	s THERMISTOR S-3K
TH301	1-800-198-XX	s THERMISTOR S-1K
TH302	1-800-200-00	s THERMISTOR S-3K
TH401	1-800-198-XX	s THERMISTOR S-1K
TH402*	1-800-200-00	s THERMISTOR S-3K
TH501	1-800-198-XX	s THERMISTOR S-1K
X1	1-567-793-11	s RESONATOR, CERAMIC 800KHz

NOTE : Please see pages D-42 and D-43 for the part numbers of capacitors and resistors that are not listed in the parts list.

D-48(a)

-----  
 AU-88 BOARD, BVH-3000PS/3100PS  
 -----

Ref. No.  
 or Qty Part No. SP Description

\*: The parts marked with an asterisk (\*) are used for BVH-3000PS-A4/3100PS-A4 but not used for BVH-3000PS/3100PS.

1pc	(for BVH-3000PS/3100PS)	A-6013-088-A	o COMPLETE PCB, AU-88
1pc	(for BVH-3000PS-A4/3100PS-A4)	A-6013-089-A	o COMPLETE PCB, AU-88
12pcs	7-621-759-65	s +PSW, 2,6X8	
8pcs	7-622-207-05	s N 2.6, TYPE 2	
8pcs	7-628-254-40	s SCREW +PS 2,6X12	
9pcs	7-682-648-01	s SCREW +PSW 3X8	
7pcs	7-682-648-09	s SCREW +PS 3X8	
7pcs	7-684-023-04	s N 3, TYPE 2	
C1	1-124-599-00	s CAP, ELECT 220uF 20% 25V	
C3	1-124-599-00	s CAP, ELECT 220uF 20% 25V	
C5	1-124-599-00	s CAP, ELECT 220uF 20% 25V	
C7	1-124-599-00	s CAP, ELECT 220uF 20% 25V	
C11	1-124-468-11	s CAP, ELECT 100uF 20% 6,3V	
C15	1-124-468-11	s CAP, ELECT 100uF 20% 6,3V	
C27	1-131-377-00	s CAP, TANT 10uF 10% 10V	
C28	1-131-377-00	s CAP, TANT 10uF 10% 10V	
C29	1-131-377-00	s CAP, TANT 10uF 10% 10V	
C30*	1-131-350-00	s CAP, TANT 3,3uF 10% 35V	
C31	1-131-347-00	s CAP, TANT 1uF 10% 35V	
C113	1-130-471-00	s CAP, MYLAR 0,001uF 5% 50V	
C114	1-130-474-00	s CAP, MYLAR 0,0018uF 5% 50V	
C115	1-162-764-11	s CAP, CERAMIC 820PF 5% 50V	
C117	1-162-763-11	s CAP, CERAMIC 680PF 5% 50V	
C118	1-130-483-00	s CAP, MYLAR 0,01uF 5% 50V	
C119	1-124-927-11	s CAP, ELECT 4,7uF 20% 50V	
C120	1-162-886-11	s CAP, CERAMIC 390PF 5% 50V	
C121	1-130-477-00	s CAP, MYLAR 0,0033uF 5% 50V	
C122	1-164-123-11	s CAP, CERAMIC 240PF 5% 50V	
C123	1-130-482-00	s CAP, MYLAR 0,0082uF 5% 50V	
C124	1-130-495-00	s CAP, MYLAR 0,1uF 5% 50V	
C126	1-162-882-11	s CAP, CERAMIC 180PF 5% 50V	
C127	1-162-885-11	s CAP, CERAMIC 330PF 5% 50V	
C128	1-162-879-11	s CAP, CERAMIC 100PF 5% 50V	
C129	1-164-126-11	s CAP, CERAMIC 430PF 5% 50V	
C130	1-131-381-00	s CAP, TANTALUM 47uF 10% 10V	
C133	1-130-481-00	s CAP, MYLAR 0,0068uF 5% 50V	
C134	1-130-487-00	s CAP, MYLAR 0,022uF 5% 50V	
C135	1-130-487-00	s CAP, MYLAR 0,022uF 5% 50V	
C136	1-130-475-00	s CAP, MYLAR 0,0022uF 5% 50V	
C137	1-131-347-00	s CAP, TANT 1uF 10% 35V	
C139	1-130-474-00	s CAP, MYLAR 0,0018uF 5% 50V	
C140	1-130-470-00	s CAP, MYLAR 820PF 5% 50V	
C145	1-164-126-11	s CAP, CERAMIC 430PF 5% 50V	
C146	1-130-475-00	s CAP, MYLAR 0,0022uF 5% 50V	
C147	1-130-487-00	s CAP, MYLAR 0,022uF 5% 50V	
C148	1-130-487-00	s CAP, MYLAR 0,022uF 5% 50V	
C149	1-130-475-00	s CAP, MYLAR 0,0022uF 5% 50V	
C150	1-131-347-00	s CAP, TANT 1uF 10% 35V	
C151	1-130-473-00	s CAP, MYLAR 0,0015uF 5% 50V	
C152	1-162-764-11	s CAP, CERAMIC 820PF 5% 50V	

(AU-88 BOARD, BVH-3000PS/3100PS)

Ref. No.  
 or Qty Part No. SP Description

C169	1-124-007-11	s CAP, ELECT, NONPOLAR 22uF 20% 25V
C177	1-124-499-11	s CAP, ELECT, NONPOLAR 1uF 20% 50V
C178	1-124-499-11	s CAP, ELECT, NONPOLAR 1uF 20% 50V
C313	1-130-471-00	s CAP, MYLAR 0,001uF 5% 50V
C314	1-130-474-00	s CAP, MYLAR 0,0018uF 5% 50V
C315	1-162-764-11	s CAP, CERAMIC 820PF 5% 50V
C317	1-162-763-11	s CAP, CERAMIC 680PF 5% 50V
C318	1-130-483-00	s CAP, MYLAR 0,01uF 5% 50V
C319	1-124-927-11	s CAP, ELECT 4,7uF 20% 50V
C320	1-162-886-11	s CAP, CERAMIC 390PF 5% 50V
C321	1-130-477-00	s CAP, MYLAR 0,0033uF 5% 50V
C322	1-164-123-11	s CAP, CERAMIC 240PF 5% 50V
C323	1-130-482-00	s CAP, MYLAR 0,0082uF 5% 50V
C324	1-130-495-00	s CAP, MYLAR 0,1uF 5% 50V
C328	1-162-879-11	s CAP, CERAMIC 100PF 5% 50V
C329	1-164-126-11	s CAP, CERAMIC 430PF 5% 50V
C330	1-131-381-00	s CAP, TANTALUM 47uF 10% 10V
C333	1-130-481-00	s CAP, MYLAR 0,0068uF 5% 50V
C334	1-130-487-00	s CAP, MYLAR 0,022uF 5% 50V
C335	1-130-487-00	s CAP, MYLAR 0,022uF 5% 50V
C336	1-130-475-00	s CAP, MYLAR 0,0022uF 5% 50V
C337	1-131-347-00	s CAP, TANT 1uF 10% 35V
C339	1-130-474-00	s CAP, MYLAR 0,0018uF 5% 50V
C340	1-130-470-00	s CAP, MYLAR 820PF 5% 50V
C345	1-164-126-11	s CAP, CERAMIC 430PF 5% 50V
C346	1-130-475-00	s CAP, MYLAR 0,0022uF 5% 50V
C347	1-130-487-00	s CAP, MYLAR 0,022uF 5% 50V
C348	1-130-487-00	s CAP, MYLAR 0,022uF 5% 50V
C349	1-130-475-00	s CAP, MYLAR 0,0022uF 5% 50V
C350	1-131-347-00	s CAP, TANT 1uF 10% 35V
C351	1-130-473-00	s CAP, MYLAR 0,0015uF 5% 50V
C352	1-162-764-11	s CAP, CERAMIC 820PF 5% 50V
C369	1-124-007-11	s CAP, ELECT, NONPOLAR 22uF 20% 25V
C377	1-124-499-11	s CAP, ELECT, NONPOLAR 1uF 20% 50V
C378	1-124-499-11	s CAP, ELECT, NONPOLAR 1uF 20% 50V
C512	1-130-471-00	s CAP, MYLAR 0,001uF 5% 50V
C513	1-130-474-00	s CAP, MYLAR 0,0018uF 5% 50V
C514	1-162-764-11	s CAP, CERAMIC 820PF 5% 50V
C517	1-130-483-00	s CAP, MYLAR 0,01uF 5% 50V
C518	1-124-927-11	s CAP, ELECT 4,7uF 20% 50V
C519	1-131-344-00	s CAP, TANT 0,33uF 10% 35V
C520	1-130-477-00	s CAP, MYLAR 0,0033uF 5% 50V
C521	1-162-886-11	s CAP, CERAMIC 390PF 5% 50V
C524	1-130-482-00	s CAP, MYLAR 0,0082uF 5% 50V
C525	1-130-495-00	s CAP, MYLAR 0,1uF 5% 50V
C526	1-162-761-11	s CAP, CERAMIC 470PF 5% 50V
C528	1-162-764-11	s CAP, CERAMIC 680PF 5% 50V
C529	1-130-474-00	s CAP, MYLAR 0,0018uF 5% 50V

NOTE : Please see pages D-42 and D-43 for the part numbers of capacitors and resistors that are not listed in the parts list. D-49

## (AU-88 BOARD, BVH-3000PS/3100PS)

## (AU-88 BOARD, BVH-3000PS/3100PS)

Ref. No. or Q'ty	Part No.	SP Description
C530	1-130-487-00	s CAP, MYLAR 0.022uF 5% 50V
C531	1-164-126-11	s CAP, CERAMIC 430PF 5% 50V
C532	1-162-881-11	s CAP, CERAMIC 150PF 5% 50V
C536	1-136-156-00	s CAP, MYLAR 0.018uF 5% 50V
C537	1-136-156-00	s CAP, MYLAR 0.018uF 5% 50V
C538	1-130-473-00	s CAP, MYLAR 0.0015uF 5% 50V
C539	1-130-474-00	s CAP, MYLAR 0.0018uF 5% 50V
C540	1-164-124-11	s CAP, CERAMIC 300PF 5% 50V
C543	1-131-345-00	s CAP, TANT 0.47uF 10% 35V
C544	1-130-476-00	s CAP, MYLAR 0.0027uF 5% 50V
C545	1-124-927-11	s CAP, ELECT 4.7uF 20% 50V
C546	1-124-927-11	s CAP, ELECT 4.7uF 20% 50V
C548	1-124-927-11	s CAP, ELECT 4.7uF 20% 50V
C570	1-124-927-11	s CAP, ELECT 4.7uF 20% 50V
C571	1-124-927-11	s CAP, ELECT 4.7uF 20% 50V
C572	1-162-761-11	s CAP, CERAMIC 470PF 5% 50V
C573	1-124-927-11	s CAP, ELECT 4.7uF 20% 50V
C574	1-130-477-00	s CAP, MYLAR 0.0033uF 5% 50V
C575	1-130-487-00	s CAP, MYLAR 0.022uF 5% 50V
C576	1-124-468-11	s CAP, ELECT 100uF 20% 6.3V
C577	1-162-879-11	s CAP, CERAMIC 100PF 5% 50V
C579	1-130-477-00	s CAP, MYLAR 0.0033uF 5% 50V
C589	1-124-007-11	s CAP, ELECT, NONPOLAR 22uF 20% 25V
C593	1-124-499-11	s CAP, ELECT, NONPOLAR 1uF 20% 50V
C596	1-124-499-11	s CAP, ELECT, NONPOLAR 1uF 20% 50V
C711*	1-130-477-00	s CAP, MYLAR 0.0033uF 5% 50V
C712*	1-162-764-11	s CAP, CERAMIC 820PF 5% 50V
C715*	1-130-483-00	s CAP, MYLAR 0.01uF 5% 50V
C716*	1-124-927-11	s CAP, ELECT 4.7uF 20% 50V
C717*	1-131-344-00	s CAP, TANT 0.33uF 10% 35V
C718*	1-162-880-11	s CAP, CERAMIC 120PF 5% 50V
C719*	1-162-880-11	s CAP, CERAMIC 120PF 5% 50V
C720*	1-130-473-00	s CAP, MYLAR 0.0015uF 5% 50V
C721*	1-130-495-00	s CAP, MYLAR 0.1uF 5% 50V
C722*	1-162-879-11	s CAP, CERAMIC 100PF 1% 50V
C723	1-162-761-11	s CAP, CERAMIC 470PF 5% 50V
C725*	1-164-126-11	s CAP, CERAMIC 430PF 5% 50V
C726*	1-130-473-00	s CAP, MYLAR 0.0015uF 5% 50V
C729*	1-130-487-00	s CAP, MYLAR 0.022uF 5% 50V
C730*	1-130-487-00	s CAP, MYLAR 0.022uF 5% 50V
C731*	1-130-475-00	s CAP, MYLAR 0.0022uF 5% 50V
C732*	1-131-347-00	s CAP, TANT 1uF 10% 35V
C733*	1-130-474-00	s CAP, MYLAR 0.0018uF 5% 50V
C734*	1-162-764-11	s CAP, CERAMIC 820PF 5% 50V
C735*	1-124-927-11	s CAP, ELECT 4.7uF 20% 50V
C736*	1-130-481-00	s CAP, MYLAR 0.0068uF 5% 50V
C737*	1-131-348-00	s CAP, TANTALUM 1.5uF 10% 35V
C738*	1-131-346-00	s CAP, TANT 0.68uF 10% 35V
C739*	1-130-487-00	s CAP, MYLAR 0.022uF 5% 50V
C740*	1-130-487-00	s CAP, MYLAR 0.022uF 5% 50V
C741*	1-130-480-00	s CAP, MYLAR 0.0056uF 5% 50V
C742*	1-130-475-00	s CAP, MYLAR 0.0022uF 5% 50V
C745*	1-131-347-00	s CAP, TANT 1uF 10% 35V
C746*	1-130-472-00	s CAP, MYLAR 0.0012uF 5% 50V
C747	1-162-761-11	s CAP, CERAMIC 470PF 5% 50V
C750	1-162-761-11	s CAP, CERAMIC 470PF 5% 50V
C751	1-130-471-00	s CAP, MYLAR 0.001uF 5% 50V
C752	1-136-166-00	s CAP, MYLAR 0.12uF 5% 50V

Ref. No. or Q'ty	Part No.	SP Description
C753	1-130-494-11	s CAP, MYLAR 0.082uF 5% 50V
C754	1-162-886-11	s CAP, CERAMIC 390PF 5% 50V
C756	1-162-756-11	s CAP, CERAMIC 180PF 5% 50V
C757	1-130-490-11	s CAP, MYLAR 0.039uF 5% 50V
C764	1-162-762-11	s CAP, CERAMIC 560PF 5% 50V
C766	1-130-481-00	s CAP, MYLAR 0.0068uF 5% 50V
C773*	1-124-007-11	s CAP, ELECT, NONPOLAR 22uF 20% 25V
C784*	1-124-499-11	s CAP, ELECT, NONPOLAR 1uF 20% 50V
C785*	1-124-499-11	s CAP, ELECT, NONPOLAR 1uF 20% 50V
CN301	1-506-748-11	s RECEP, DIN 96P MALE
CN302	1-506-748-11	s RECEP, DIN 96P MALE
CN801	1-563-761-11	o RECEP, DIN 44P MALE
CN802	1-563-761-11	o RECEP, DIN 44P MALE
CN803	1-506-642-11	o RECEP, PS 26P MALE
CN804*	1-560-300-00	o RECEP, 1L 3P MALE
CN805*	1-560-300-00	o RECEP, 1L 3P MALE
D1	8-719-918-88	s DIODE 1SS198
D2	8-719-918-88	s DIODE 1SS198
D3	8-719-918-88	s DIODE 1SS198
D4	8-719-918-88	s DIODE 1SS198
D5	8-719-918-88	s DIODE 1SS198
D6	8-719-911-19	s DIODE 1SS119
D7	8-719-911-19	s DIODE 1SS119
D101	8-719-911-19	s DIODE 1SS119
D102	8-719-911-19	s DIODE 1SS119
D103	8-719-911-19	s DIODE 1SS119
D104	8-719-911-19	s DIODE 1SS119
D105	8-719-911-19	s DIODE 1SS119
D106	8-719-911-19	s DIODE 1SS119
D107	8-719-911-19	s DIODE 1SS119
D108	8-719-911-19	s DIODE 1SS119
D109	8-719-911-19	s DIODE 1SS119
D110	8-719-911-19	s DIODE 1SS119
D111	8-719-911-19	s DIODE 1SS119
D112	8-719-911-19	s DIODE 1SS119
D113	8-719-911-19	s DIODE 1SS119
D301	8-719-911-19	s DIODE 1SS119
D302	8-719-911-19	s DIODE 1SS119
D303	8-719-911-19	s DIODE 1SS119
D304	8-719-911-19	s DIODE 1SS119
D305	8-719-911-19	s DIODE 1SS119
D306	8-719-911-19	s DIODE 1SS119
D307	8-719-911-19	s DIODE 1SS119
D308	8-719-911-19	s DIODE 1SS119
D309	8-719-911-19	s DIODE 1SS119
D310	8-719-911-19	s DIODE 1SS119
D311	8-719-911-19	s DIODE 1SS119
D312	8-719-911-19	s DIODE 1SS119
D313	8-719-911-19	s DIODE 1SS119
D501	8-719-911-19	s DIODE 1SS119
D502	8-719-911-19	s DIODE 1SS119
D503	8-719-911-19	s DIODE 1SS119
D504	8-719-911-19	s DIODE 1SS119
D505	8-719-911-19	s DIODE 1SS119
D506	8-719-911-19	s DIODE 1SS119

NOTE : Please see pages D-42 and D-43 for the part numbers of capacitors and resistors that are not listed in the parts list.

## (AU-88 BOARD, BVH-3000PS/3100PS)

Ref. No. or Qty	Part No.	SP Description
D507	8-719-911-19	s DIODE 1SS119
D508	8-719-911-19	s DIODE 1SS119
D509	8-719-911-19	s DIODE 1SS119
D510	8-719-911-19	s DIODE 1SS119
D511	8-719-911-19	s DIODE 1SS119
D512	8-719-911-19	s DIODE 1SS119
D513	8-719-911-19	s DIODE 1SS119
D514	8-719-911-19	s DIODE 1SS119
D701*	8-719-911-19	s DIODE 1SS119
D702*	8-719-911-19	s DIODE 1SS119
D703*	8-719-911-19	s DIODE 1SS119
D704*	8-719-911-19	s DIODE 1SS119
D705*	8-719-911-19	s DIODE 1SS119
D706*	8-719-911-19	s DIODE 1SS119
D707*	8-719-911-19	s DIODE 1SS119
D708*	8-719-911-19	s DIODE 1SS119
D709*	8-719-911-19	s DIODE 1SS119
D710	8-719-109-83	s DIODE RD5.1ESB
D711	8-719-911-19	s DIODE 1SS119
D712	8-719-911-19	s DIODE 1SS119
D713	8-719-911-19	s DIODE 1SS119
IC1	8-759-708-15	s IC NJM78L15A
IC2	8-759-700-70	s IC NJM79L15A
IC3	8-759-982-15	s IC RC7815FA
IC4	8-759-938-68	s IC CXD1095Q
IC5	8-759-938-68	s IC CXD1095Q
IC6	8-759-916-20	s IC SN74HC14N
IC7	8-759-901-32	s IC SN74LS132N
IC8	8-759-900-32	s IC SN74LS32N
IC9	8-759-900-00	s IC SN74LS00N
IC10	8-759-202-74	s IC TC74HC04P
IC101	8-759-982-15	s IC RC7815FA
IC102	8-759-982-41	s IC RC7915FA
IC103	8-759-900-72	s IC NE5532P
IC104	8-759-745-60	s IC NJM4560D
IC105	8-759-921-91	s IC TL191CN
IC106	8-759-745-59	s IC NJM4559D
IC107	8-759-745-59	s IC NJM4559D
IC108	8-759-921-91	s IC TL191CN
IC109	8-759-745-60	s IC NJM4560D
IC110	8-759-921-91	s IC TL191CN
IC111	8-759-745-59	s IC NJM4559D
IC112	8-759-921-91	s IC TL191CN
IC113	8-759-745-59	s IC NJM4559D
IC114	8-759-921-91	s IC TL191CN
IC115	8-759-745-59	s IC NJM4559D
IC116	8-759-745-60	s IC NJM4560D
IC117	8-759-990-82	s IC TL082CP
IC118	8-759-745-63	s IC NJM4560D-X
IC301	8-759-982-15	s IC RC7815FA
IC302	8-759-982-41	s IC RC7915FA
IC303	8-759-900-72	s IC NE5532P
IC304	8-759-745-60	s IC NJM4560D
IC305	8-759-921-91	s IC TL191CN
IC306	8-759-745-59	s IC NJM4559D

## (AU-88 BOARD, BVH-3000PS/3100PS)

Ref. No. or Qty	Part No.	SP Description
IC307	8-759-745-59	s IC NJM4559D
IC308	8-759-921-91	s IC TL191CN
IC309	8-759-745-60	s IC NJM4560D
IC310	8-759-921-91	s IC TL191CN
IC311	8-759-745-59	s IC NJM4559D
IC312	8-759-921-91	s IC TL191CN
IC313	8-759-745-59	s IC NJM4559D
IC314	8-759-921-91	s IC TL191CN
IC315	8-759-745-59	s IC NJM4559D
IC316	8-759-745-60	s IC NJM4560D
IC317	8-759-990-82	s IC TL082CP
IC318	8-759-745-63	s IC NJM4560D-X
IC501	8-759-982-15	s IC RC7815FA
IC502	8-759-982-41	s IC RC7915FA
IC503	8-759-900-72	s IC NE5532P
IC504	8-759-745-60	s IC NJM4560D
IC505	8-759-921-91	s IC TL191CN
IC506	8-759-921-91	s IC TL191CN
IC507	8-759-745-59	s IC NJM4559D
IC508	8-759-745-59	s IC NJM4559D
IC509	8-759-921-91	s IC TL191CN
IC510	8-759-745-60	s IC NJM4560D
IC511	8-759-745-59	s IC NJM4559D
IC512	8-759-921-91	s IC TL191CN
IC513	8-759-745-60	s IC NJM4560D
IC515	8-759-921-91	s IC TL191CN
IC516	8-759-745-63	s IC NJM4560D-X
IC517	8-759-745-60	s IC NJM4560D
IC518	8-759-990-82	s IC TL082CP
IC519	8-759-745-59	s IC NJM4559D
IC520	8-759-208-06	s IC TC4051BPHB
IC521	8-759-908-20	s IC TL820CN
IC522	8-759-900-00	s IC SN74LS00N
IC523	8-759-900-04	s IC SN74LS04N
IC524	8-759-901-26	s IC SN74LS126AN
IC525	8-759-901-25	s IC SN74LS125AN
IC526	8-759-901-26	s IC SN74LS126AN
IC527	8-759-901-25	s IC SN74LS125AN
IC528	8-759-990-82	s IC TL082CP
IC529	8-759-921-91	s IC TL191CN
IC530	8-759-921-91	s IC TL191CN
IC701*	8-759-982-15	s IC RC7815FA
IC702*	8-759-982-41	s IC RC7915FA
IC703*	8-759-900-72	s IC NE5532P
IC704*	8-759-745-60	s IC NJM4560D
IC705*	8-759-921-91	s IC TL191CN
IC706*	8-759-745-59	s IC NJM4559D
IC707*	8-759-745-59	s IC NJM4559D
IC708*	8-759-921-91	s IC TL191CN
IC709*	8-759-745-60	s IC NJM4560D
IC710*	8-759-745-59	s IC NJM4559D
IC711*	8-759-921-91	s IC TL191CN
IC712*	8-759-921-91	s IC TL191CN
IC713*	8-759-045-38	s IC MC14538BCP
IC714*	8-759-900-08	s IC SN74LS08N

NOTE : Please see pages D-42 and D-43 for the part numbers of capacitors and resistors that are not listed in the parts list.

(AU-88 BOARD, BVH-3000PS/3100PS)

Ref. No. or Q'ty	Part No.	SP	Description
IC715	8-759-745-60	s	IC NJM4560D
IC716*	8-759-745-59	s	IC NJM4559D
IC717	8-759-921-91	s	IC TL191CN
IC718	8-759-921-91	s	IC TL191CN
IC719	8-759-745-59	s	IC NJM4559D
IC720*	8-759-745-63	s	IC NJM4560D-X
IC721	8-759-208-06	s	IC TC4051BPHB
IC722	8-759-208-06	s	IC TC4051BPHB
JP101	1-566-385-11	s	PIN, 2P
JP102	1-566-385-11	s	PIN, 2P
JP104	1-566-385-11	s	PIN, 2P
JP105	1-566-385-11	s	PIN, 2P
JP301	1-566-385-11	s	PIN, 2P
JP302	1-566-385-11	s	PIN, 2P
JP304	1-566-385-11	s	PIN, 2P
JP305	1-566-385-11	s	PIN, 2P
JP501	1-566-385-11	s	PIN, 2P
JP502	1-566-385-11	s	PIN, 2P
JP503	1-566-385-11	s	PIN, 2P
JP505	1-566-385-11	s	PIN, 2P
JP506	1-566-385-11	s	PIN, 2P
JP701*	1-566-385-11	s	PIN, 2P
JP702*	1-566-385-11	s	PIN, 2P
JP704*	1-566-385-11	s	PIN, 2P
JP705*	1-566-385-11	s	PIN, 2P
JP911	1-566-385-11	s	PIN, 2P
JP912	1-566-385-11	s	PIN, 2P
JP913	1-566-385-11	s	PIN, 2P
JP914	1-566-385-11	s	PIN, 2P
JP921	1-566-385-11	s	PIN, 2P
JP922	1-566-385-11	s	PIN, 2P
JP923	1-566-385-11	s	PIN, 2P
JP924	1-566-385-11	s	PIN, 2P
JS102	1-563-859-11	s	PLUG, SHORT
JS104	1-563-859-11	s	PLUG, SHORT
JS302	1-563-859-11	s	PLUG, SHORT
JS304	1-563-859-11	s	PLUG, SHORT
JS503	1-563-859-11	s	PLUG, SHORT
JS505	1-563-859-11	s	PLUG, SHORT
JS702*	1-563-859-11	s	PLUG, SHORT
JS704*	1-563-859-11	s	PLUG, SHORT
JS911	1-563-859-11	s	PLUG, SHORT
JS913	1-563-859-11	s	PLUG, SHORT
JS921	1-563-859-11	s	PLUG, SHORT
JS923	1-563-859-11	s	PLUG, SHORT
L1	1-421-370-00	s	COIL, CHOKE
L2	1-421-370-00	s	COIL, CHOKE
L3	1-421-370-00	s	COIL, CHOKE
L4	1-421-370-00	s	COIL, CHOKE
L101	1-410-121-11	s	INDUCTOR 1.5mH 5%
L301	1-410-121-11	s	INDUCTOR 1.5mH 5%
LV101	1-407-297-00	s	INDUCTOR, VAR 3.5mH
LV102	1-407-293-00	s	INDUCTOR, VAR 1.5mH
LV301	1-407-297-00	s	INDUCTOR, VAR 3.5mH
LV302	1-407-293-00	s	INDUCTOR, VAR 1.5mH

(AU-88 BOARD, BVH-3000PS/3100PS)

Ref. No. or Q'ty	Part No.	SP	Description
LV501	1-407-297-00	s	INDUCTOR, VAR 3.5mH
LV502	1-407-293-00	s	INDUCTOR, VAR 1.5mH
LV701*	1-407-297-00	s	INDUCTOR, VAR 3.5mH
LV702*	1-407-293-00	s	INDUCTOR, VAR 1.5mH
LV703	1-407-297-00	s	INDUCTOR, VAR 3.5mH
LV704*	1-407-297-00	s	INDUCTOR, VAR 3.5mH
Q101	8-729-307-28	s	TRANSISTOR 2SA872A-E
Q102	8-729-307-28	s	TRANSISTOR 2SA872A-E
Q103	8-729-307-28	s	TRANSISTOR 2SA872A-E
Q104	8-729-316-23	s	TRANSISTOR 2SC1162
Q105	8-729-307-58	s	TRANSISTOR 2SC1775A
Q106	8-729-307-58	s	TRANSISTOR 2SC1775A
Q107	8-729-307-58	s	TRANSISTOR 2SC1775A
Q108	8-729-371-53	s	TRANSISTOR 2SA715
Q109	8-729-307-28	s	TRANSISTOR 2SA872A-E
Q110	8-729-307-28	s	TRANSISTOR 2SA872A-E
Q111	8-729-307-28	s	TRANSISTOR 2SA872A-E
Q112	8-729-316-23	s	TRANSISTOR 2SC1162
Q113	8-729-307-58	s	TRANSISTOR 2SC1775A
Q114	8-729-307-58	s	TRANSISTOR 2SC1775A
Q115	8-729-307-58	s	TRANSISTOR 2SC1775A
Q116	8-729-371-53	s	TRANSISTOR 2SA715
Q117	8-729-900-36	s	TRANSISTOR DTC124ES
Q301	8-729-307-28	s	TRANSISTOR 2SA872A-E
Q302	8-729-307-28	s	TRANSISTOR 2SA872A-E
Q303	8-729-307-28	s	TRANSISTOR 2SA872A-E
Q304	8-729-316-23	s	TRANSISTOR 2SC1162
Q305	8-729-307-58	s	TRANSISTOR 2SC1775A
Q306	8-729-307-58	s	TRANSISTOR 2SC1775A
Q307	8-729-307-58	s	TRANSISTOR 2SC1775A
Q308	8-729-371-53	s	TRANSISTOR 2SA715
Q309	8-729-307-28	s	TRANSISTOR 2SA872A-E
Q310	8-729-307-28	s	TRANSISTOR 2SA872A-E
Q311	8-729-307-28	s	TRANSISTOR 2SA872A-E
Q312	8-729-316-23	s	TRANSISTOR 2SC1162
Q313	8-729-307-58	s	TRANSISTOR 2SC1775A
Q314	8-729-307-58	s	TRANSISTOR 2SC1775A
Q315	8-729-307-58	s	TRANSISTOR 2SC1775A
Q316	8-729-371-53	s	TRANSISTOR 2SA715
Q317	8-729-900-36	s	TRANSISTOR DTC124ES
Q501	8-729-201-04	s	TRANSISTOR 2SC2878
Q503	8-729-201-04	s	TRANSISTOR 2SC2878
Q504	8-729-204-83	s	TRANSISTOR 2SA1048-GR
Q505	8-729-105-74	s	TRANSISTOR 2SK523-M1
Q506	8-729-307-28	s	TRANSISTOR 2SA872A-E
Q507	8-729-307-28	s	TRANSISTOR 2SA872A-E
Q508	8-729-307-28	s	TRANSISTOR 2SA872A-E
Q509	8-729-316-23	s	TRANSISTOR 2SC1162
Q510	8-729-307-58	s	TRANSISTOR 2SC1775A
Q511	8-729-307-58	s	TRANSISTOR 2SC1775A
Q512	8-729-307-58	s	TRANSISTOR 2SC1775A
Q513	8-729-371-53	s	TRANSISTOR 2SA715
Q514	8-729-307-28	s	TRANSISTOR 2SA872A-E
Q515	8-729-307-28	s	TRANSISTOR 2SA872A-E
Q516	8-729-307-28	s	TRANSISTOR 2SA872A-E

NOTE : Please see pages D-42 and D-43 for the part numbers of capacitors and resistors that are not listed in the parts list.



## (AU-88 BOARD, BVH-3000PS/3100PS)

Ref. No. or Q'ty	Part No.	SP Description
Q517	8-729-316-23	s TRANSISTOR 2SC1162
Q518	8-729-307-58	s TRANSISTOR 2SC1775A
Q519	8-729-307-58	s TRANSISTOR 2SC1775A
Q520	8-729-307-58	s TRANSISTOR 2SC1775A
Q521	8-729-371-53	s TRANSISTOR 2SA715
Q522	8-729-900-36	s TRANSISTOR DTC124ES
Q701*	8-729-307-28	s TRANSISTOR 2SA872A-E
Q702*	8-729-307-28	s TRANSISTOR 2SA872A-E
Q703*	8-729-307-28	s TRANSISTOR 2SA872A-E
Q704*	8-729-316-23	s TRANSISTOR 2SC1162
Q705*	8-729-307-58	s TRANSISTOR 2SC1775A
Q706*	8-729-307-58	s TRANSISTOR 2SC1775A
Q707*	8-729-307-58	s TRANSISTOR 2SC1775A
Q708*	8-729-371-53	s TRANSISTOR 2SA715
Q709*	8-729-307-28	s TRANSISTOR 2SA872A-E
Q710*	8-729-307-28	s TRANSISTOR 2SA872A-E
Q711*	8-729-307-28	s TRANSISTOR 2SA872A-E
Q712*	8-729-316-23	s TRANSISTOR 2SC1162
Q713*	8-729-307-58	s TRANSISTOR 2SC1775A
Q714*	8-729-307-58	s TRANSISTOR 2SC1775A
Q715*	8-729-307-58	s TRANSISTOR 2SC1775A
Q716*	8-729-371-53	s TRANSISTOR 2SA715
Q717*	8-729-900-36	s TRANSISTOR DTC124ES
Q718	8-729-307-28	s TRANSISTOR 2SA872A-E
Q719	8-729-245-82	s TRANSISTOR 2SC2458-Y
Q720	8-729-245-82	s TRANSISTOR 2SC2458-Y
R101	1-215-445-00	s RES, METAL 10K 1% 1/6W
R102	1-215-430-00	s RES, METAL 2.4K 1% 1/6W
R103	1-215-430-00	s RES, METAL 2.4K 1% 1/6W
R104	1-215-397-00	s RES, METAL 100 1% 1/6W
R105	1-215-470-00	s RES, METAL 110K 1% 1/6W
R106	1-215-470-00	s RES, METAL 110K 1% 1/6W
R108	1-215-445-00	s RES, METAL 10K 1% 1/6W
R109	1-215-446-00	s RES, METAL 11K 1% 1/6W
R111	1-215-445-00	s RES, METAL 10K 1% 1/6W
R112	1-215-452-00	s RES, METAL 20K 1% 1/6W
R113	1-215-452-00	s RES, METAL 20K 1% 1/6W
R114	1-215-445-00	s RES, METAL 10K 1% 1/6W
R115	1-215-445-00	s RES, METAL 10K 1% 1/6W
R137	1-215-460-00	s RES, METAL 43K 1% 1/6W
R150	1-215-418-00	s RES, METAL 750 1% 1/6W
R153	1-215-454-00	s RES, METAL 24K 1% 1/6W
R155	1-215-480-00	s RES, METAL 300K 1% 1/6W
R157	1-215-472-00	s RES, METAL 130K 1% 1/6W
R177	1-215-480-00	s RES, METAL 300K 1% 1/6W
R179	1-215-472-00	s RES, METAL 130K 1% 1/6W
R194	1-215-436-00	s RES, METAL 4.3K 1% 1/6W
R198	1-215-445-00	s RES, METAL 10K 1% 1/6W
R199	1-215-412-00	s RES, METAL 430 1% 1/6W
R204	1-247-729-11	s RES, CARBON 15 5% 1/2W
R206	1-215-882-00	s RES, METAL 22 5% 2W
R208	1-247-729-11	s RES, CARBON 15 5% 1/2W
R215	1-215-454-00	s RES, METAL 24K 1% 1/6W
R217	1-247-729-11	s RES, CARBON 15 5% 1/2W
R219	1-215-882-00	s RES, METAL 22 5% 2W

## (AU-88 BOARD, BVH-3000PS/3100PS)

Ref. No. or Q'ty	Part No.	SP Description
R220	1-247-729-11	s RES, CARBON 15 5% 1/2W
R223	1-247-737-11	s RES, CARBON 68 5% 1/2W
R224	1-215-430-00	s RES, METAL 2.4K 1% 1/6W
R231	1-215-430-00	s RES, METAL 2.4K 1% 1/6W
R232	1-215-430-00	s RES, METAL 2.4K 1% 1/6W
R233	1-215-397-00	s RES, METAL 100 1% 1/6W
R234	1-215-421-00	s RES, METAL 1K 1% 1/6W
R235	1-215-415-00	s RES, METAL 560 1% 1/6W
R301	1-215-445-00	s RES, METAL 10K 1% 1/6W
R302	1-215-430-00	s RES, METAL 2.4K 1% 1/6W
R303	1-215-430-00	s RES, METAL 2.4K 1% 1/6W
R304	1-215-397-00	s RES, METAL 100 1% 1/6W
R305	1-215-470-00	s RES, METAL 110K 1% 1/6W
R306	1-215-470-00	s RES, METAL 110K 1% 1/6W
R308	1-215-445-00	s RES, METAL 10K 1% 1/6W
R309	1-215-446-00	s RES, METAL 11K 1% 1/6W
R311	1-215-445-00	s RES, METAL 10K 1% 1/6W
R312	1-215-452-00	s RES, METAL 20K 1% 1/6W
R313	1-215-452-00	s RES, METAL 20K 1% 1/6W
R314	1-215-445-00	s RES, METAL 10K 1% 1/6W
R315	1-215-445-00	s RES, METAL 10K 1% 1/6W
R337	1-215-460-00	s RES, METAL 43K 1% 1/6W
R350	1-215-418-00	s RES, METAL 750 1% 1/6W
R353	1-215-454-00	s RES, METAL 24K 1% 1/6W
R355	1-215-480-00	s RES, METAL 300K 1% 1/6W
R357	1-215-472-00	s RES, METAL 130K 1% 1/6W
R377	1-215-480-00	s RES, METAL 300K 1% 1/6W
R379	1-215-472-00	s RES, METAL 130K 1% 1/6W
R394	1-215-436-00	s RES, METAL 4.3K 1% 1/6W
R398	1-215-445-00	s RES, METAL 10K 1% 1/6W
R399	1-215-412-00	s RES, METAL 430 1% 1/6W
R404	1-247-729-11	s RES, CARBON 15 5% 1/2W
R406	1-215-882-00	s RES, METAL 22 5% 2W
R408	1-247-729-11	s RES, CARBON 15 5% 1/2W
R415	1-215-454-00	s RES, METAL 24K 1% 1/6W
R417	1-247-729-11	s RES, CARBON 15 5% 1/2W
R419	1-215-882-00	s RES, METAL 22 5% 2W
R420	1-247-729-11	s RES, CARBON 15 5% 1/2W
R423	1-247-737-11	s RES, CARBON 68 5% 1/2W
R431	1-215-430-00	s RES, METAL 2.4K 1% 1/6W
R432	1-215-430-00	s RES, METAL 2.4K 1% 1/6W
R433	1-215-397-00	s RES, METAL 100 1% 1/6W
R434	1-215-421-00	s RES, METAL 1K 1% 1/6W
R435	1-215-415-00	s RES, METAL 560 1% 1/6W
R502	1-215-445-00	s RES, METAL 10K 1% 1/6W
R503	1-215-430-00	s RES, METAL 2.4K 1% 1/6W
R504	1-215-430-00	s RES, METAL 2.4K 1% 1/6W
R505	1-215-397-00	s RES, METAL 100 1% 1/6W
R506	1-215-470-00	s RES, METAL 110K 1% 1/6W
R507	1-215-470-00	s RES, METAL 110K 1% 1/6W
R509	1-215-445-00	s RES, METAL 10K 1% 1/6W
R510	1-215-446-00	s RES, METAL 11K 1% 1/6W
R511	1-215-445-00	s RES, METAL 10K 1% 1/6W
R513	1-215-452-00	s RES, METAL 20K 1% 1/6W
R514	1-215-445-00	s RES, METAL 10K 1% 1/6W

NOTE : Please see pages D-42 and D-43 for the part numbers of capacitors and resistors that are not listed in the parts list.

## (AU-88 BOARD, BVH-3000PS/3100PS)

Ref. No. or Q'ty	Part No.	SP Description
R515	1-215-452-00	s RES, METAL 20K 1% 1/6W
R516	1-215-445-00	s RES, METAL 10K 1% 1/6W
R530	1-215-450-00	s RES, METAL 16K 1% 1/6W
R534	1-215-460-00	s RES, METAL 43K 1% 1/6W
R538	1-247-737-11	s RES, CARBON 68 5% 1/2W
R545	1-215-464-00	s RES, METAL 62K 1% 1/6W
R551	1-215-882-00	s RES, METAL 22 5% 2W
R553	1-215-442-00	s RES, METAL 7.5K 1% 1/6W
R555	1-215-470-00	s RES, METAL 110K 1% 1/6W
R556	1-215-488-00	s RES, METAL 620K 1% 1/6W
R573	1-215-440-00	s RES, METAL 6.2K 1% 1/6W
R596	1-215-436-00	s RES, METAL 4.3K 1% 1/6W
R599	1-215-445-00	s RES, METAL 10K 1% 1/6W
R601	1-215-412-00	s RES, METAL 430 1% 1/6W
R614	1-215-430-00	s RES, METAL 2.4K 1% 1/6W
R615	1-215-466-00	s RES, METAL 7.5K 1% 1/6W
R616	1-215-442-00	s RES, METAL 7.5K 1% 1/6W
R621	1-247-729-11	s RES, CARBON 15 5% 1/2W
R628	1-215-424-00	s RES, METAL 1.3K 1% 1/6W
R629	1-215-456-00	s RES, METAL 30K 1% 1/6W
R630	1-215-430-00	s RES, METAL 2.4K 1% 1/6W
R637	1-215-442-00	s RES, METAL 7.5K 1% 1/6W
R646	1-247-729-11	s RES, CARBON 15 5% 1/2W
R648	1-247-729-11	s RES, CARBON 15 5% 1/2W
R608	1-215-408-00	s RES, METAL 300 1% 1/6W
R614	1-215-430-00	s RES, METAL 2.4K 1% 1/6W
R615	1-215-466-00	s RES, METAL 7.5K 1% 1/6W
R616	1-215-442-00	s RES, METAL 7.5K 1% 1/6W
R621	1-247-729-11	s RES, CARBON 15 5% 1/2W
R628	1-215-424-00	s RES, METAL 1.3K 1% 1/6W
R629	1-215-456-00	s RES, METAL 30K 1% 1/6W
R630	1-215-430-00	s RES, METAL 2.4K 1% 1/6W
R637	1-215-442-00	s RES, METAL 7.5K 1% 1/6W
R646	1-247-729-11	s RES, CARBON 15 5% 1/2W
R648	1-247-729-11	s RES, CARBON 15 5% 1/2W
R652	1-215-882-00	s RES, METAL 22 5% 2W
R656	1-215-454-00	s RES, METAL 24K 1% 1/6W
R659	1-247-729-11	s RES, CARBON 15 5% 1/2W
R661	1-215-430-00	s RES, METAL 2.4K 1% 1/6W
R662	1-215-430-00	s RES, METAL 2.4K 1% 1/6W
R663	1-215-397-00	s RES, METAL 100 1% 1/6W
R664	1-215-421-00	s RES, METAL 1K 1% 1/6W
R665	1-215-415-00	s RES, METAL 560 1% 1/6W
R701*	1-215-445-00	s RES, METAL 10K 1% 1/6W
R702*	1-215-430-00	s RES, METAL 2.4K 1% 1/6W
R703*	1-215-430-00	s RES, METAL 2.4K 1% 1/6W
R704*	1-215-397-00	s RES, METAL 100 1% 1/6W
R705*	1-215-470-00	s RES, METAL 110K 1% 1/6W
R706*	1-215-470-00	s RES, METAL 110K 1% 1/6W
R708*	1-215-445-00	s RES, METAL 10K 1% 1/6W
R709*	1-215-446-00	s RES, METAL 11K 1% 1/6W
R711*	1-215-445-00	s RES, METAL 10K 1% 1/6W
R712*	1-215-452-00	s RES, METAL 20K 1% 1/6W
R713*	1-215-445-00	s RES, METAL 10K 1% 1/6W
R714*	1-215-445-00	s RES, METAL 10K 1% 1/6W

## (AU-88 BOARD, BVH-3000PS/3100PS)

Ref. No. or Q'ty	Part No.	SP Description
R716*	1-215-452-00	s RES, METAL 20K 1% 1/6W
R724*	1-215-450-00	s RES, METAL 16K 1% 1/6W
R738*	1-215-464-00	s RES, METAL 62K 1% 1/6W
R745*	1-215-454-00	s RES, METAL 24K 1% 1/6W
R749*	1-215-472-00	s RES, METAL 130K 1% 1/6W
R750*	1-215-480-00	s RES, METAL 300K 1% 1/6W
R769*	1-215-442-00	s RES, METAL 7.5K 1% 1/6W
R770*	1-215-442-00	s RES, METAL 7.5K 1% 1/6W
R801*	1-247-729-11	s RES, CARBON 15 5% 1/2W
R802*	1-247-729-11	s RES, CARBON 15 5% 1/2W
R804*	1-215-882-00	s RES, METAL 22 5% 2W
R813*	1-247-729-11	s RES, CARBON 15 5% 1/2W
R814*	1-247-729-11	s RES, CARBON 15 5% 1/2W
R817*	1-215-882-00	s RES, METAL 22 5% 2W
R818*	1-247-737-11	s RES, CARBON 68 5% 1/2W
R819*	1-215-454-00	s RES, METAL 24K 1% 1/6W
R833*	1-215-430-00	s RES, METAL 2.4K 1% 1/6W
R834*	1-215-430-00	s RES, METAL 2.4K 1% 1/6W
R835*	1-215-397-00	s RES, METAL 100 1% 1/6W
R836*	1-215-421-00	s RES, METAL 1K 1% 1/6W
RB1	1-231-541-00	s RESISTOR BLOCK 22Kx4
RB2	1-231-410-00	s RESISTOR BLOCK 10Kx8
RB3	1-231-410-00	s RESISTOR BLOCK 10Kx8
RB4	1-231-410-00	s RESISTOR BLOCK 10Kx8
RV101	1-230-844-11	s RES, ADJ, METAL 20K
RV102	1-230-844-11	s RES, ADJ, METAL 20K
RV103	1-230-843-11	s RES, ADJ, METAL 10K
RV104	1-230-841-11	s RES, ADJ, METAL 2K
RV105	1-230-843-11	s RES, ADJ, METAL 10K
RV106	1-230-843-11	s RES, ADJ, METAL 10K
RV107	1-230-844-11	s RES, ADJ, METAL 20K
RV108	1-230-843-11	s RES, ADJ, METAL 10K
RV109	1-230-844-11	s RES, ADJ, METAL 20K
RV110	1-230-844-11	s RES, ADJ, METAL 20K
RV111	1-230-843-11	s RES, ADJ, METAL 10K
RV112	1-230-844-11	s RES, ADJ, METAL 20K
RV301	1-230-844-11	s RES, ADJ, METAL 20K
RV302	1-230-844-11	s RES, ADJ, METAL 20K
RV303	1-230-843-11	s RES, ADJ, METAL 10K
RV304	1-230-841-11	s RES, ADJ, METAL 2K
RV305	1-230-843-11	s RES, ADJ, METAL 10K
RV306	1-230-843-11	s RES, ADJ, METAL 10K
RV307	1-230-844-11	s RES, ADJ, METAL 20K
RV308	1-230-843-11	s RES, ADJ, METAL 10K
RV309	1-230-844-11	s RES, ADJ, METAL 20K
RV310	1-230-844-11	s RES, ADJ, METAL 20K
RV311	1-230-843-11	s RES, ADJ, METAL 10K
RV312	1-230-844-11	s RES, ADJ, METAL 20K
RV313	1-230-842-11	s RES, ADJ, METAL 5K
RV502	1-230-844-11	s RES, ADJ, METAL 20K
RV503	1-230-844-11	s RES, ADJ, METAL 20K
RV504	1-230-843-11	s RES, ADJ, METAL 10K
RV505	1-230-840-11	s RES, ADJ, METAL 1K
RV506	1-230-844-11	s RES, ADJ, METAL 20K
RV507	1-230-846-11	s RES, ADJ, METAL 100K

NOTE : Please see pages D-42 and D-43 for the part numbers of capacitors and resistors that are not listed in the parts list.

(AU-88 BOARD, BVH-3000PS/3100PS)

Ref. No. or Q'ty	Part No.	SP Description
RV508	1-230-844-11	s RES, ADJ, METAL 20K
RV509	1-230-844-11	s RES, ADJ, METAL 20K
RV515	1-230-843-11	s RES, ADJ, METAL 10K
RV516	1-230-903-11	s RES, ADJ, METAL 200K
RV517	1-230-843-11	s RES, ADJ, METAL 10K
RV518	1-230-903-11	s RES, ADJ, METAL 200K
RV520	1-230-843-11	s RES, ADJ, METAL 10K
RV521	1-230-844-11	s RES, ADJ, METAL 20K
RV701*	1-230-844-11	s RES, ADJ, METAL 20K
RV702*	1-230-844-11	s RES, ADJ, METAL 20K
RV703*	1-230-843-11	s RES, ADJ, METAL 10K
RV704*	1-230-842-11	s RES, ADJ, METAL 5K
RV705*	1-230-844-11	s RES, ADJ, METAL 20K
RV706*	1-230-843-11	s RES, ADJ, METAL 10K
RV707*	1-230-844-11	s RES, ADJ, METAL 20K
RV708*	1-230-843-11	s RES, ADJ, METAL 10K
RV709*	1-230-844-11	s RES, ADJ, METAL 20K
RV710*	1-230-843-11	s RES, ADJ, METAL 10K
RV711*	1-230-843-11	s RES, ADJ, METAL 10K
RV712	1-230-844-11	s RES, ADJ, METAL 20K
RV713	1-230-840-11	s RES, ADJ, METAL 1K
RV714	1-230-843-11	s RES, ADJ, METAL 10K
RV715*	1-230-840-11	s RES, ADJ, METAL 1K
RV716	1-230-843-11	s RES, ADJ, METAL 10K
RV717*	1-230-844-11	s RES, ADJ, METAL 20K
RV718*	1-230-844-11	s RES, ADJ, METAL 20K
RY101	1-515-683-11	s RELAY
RY301	1-515-683-11	s RELAY
RY501	1-515-683-11	s RELAY
RY701*	1-515-683-11	s RELAY

BC-12 BOARD, BVH-3000PS/3100PS

Ref.No. or Q'ty	Part No.	SP Description
ipc	1-621-127-11	o PC BOARD, BC-12
CN371	1-560-302-00	o RECEPT, 1L 5P MALE
R1	1-247-731-11	s RES, CARBON 24 5% 1/2W
R2	1-247-731-11	s RES, CARBON 24 5% 1/2W
R3	1-247-731-11	s RES, CARBON 24 5% 1/2W
R4 (for PS-A4)	1-247-731-11	s RES, CARBON 24 5% 1/2W
RV1	1-224-915-00	s RES, ADJ, METAL 200
RV2	1-224-915-00	s RES, ADJ, METAL 200
RV3	1-224-915-00	s RES, ADJ, METAL 200
RV4 (for PS-A4)	1-224-915-00	s RES, ADJ, METAL 200

NOTE : Please see pages D-42 and D-43 for the part numbers of capacitors and resistors that are not listed in the parts list.

-----  
 CD-36 BOARD, BVH-3000PS/3100PS  
 -----

(CD-36 BOARD, BVH-3000PS/3100PS)

Ref.No. or Q'ty	Part No.	SP Description	Ref.No. or Q'ty	Part No.	SP Description
1pc	A-6015-101-A	o COMPLETE PCB, CD-36	IC3	8-759-145-58	s IC UPC4558C
4pcs	7-682-647-09	s SCREW +PSW 3X6	IC4	8-759-145-58	s IC UPC4558C
6pcs	7-682-947-01	s SCREW +PSW 3X6	IC5	8-759-990-82	s IC TL082CP
1pc	7-682-951-01	s SCREW +PSW 3X14	IC6	8-759-240-52	s IC TC4052BP
1pc	7-684-023-04	s N 3, TYPE 2	IC7	8-759-990-82	s IC TL082CP
C6	1-124-566-11	s CAP, ELECT 120uF 20% 6.3V	IC8	8-759-240-52	s IC TC4052BP
C7	1-124-943-11	s CAP, ELECT 39uF 20% 25V	IC9	8-759-208-45	s IC MP6901
C8	1-124-943-11	s CAP, ELECT 39uF 20% 25V	IC10	8-759-103-93	s IC UPC393C
C13	1-130-491-00	s CAP, MYLAR 0.047uF 5% 50V	IC11	8-759-103-93	s IC UPC393C
C15	1-130-487-00	s CAP, MYLAR 0.022uF 5% 50V	IC12	8-759-145-58	s IC UPC4558C
C19	1-130-495-00	s CAP, MYLAR 0.1uF 5% 50V	IC13	8-759-145-58	s IC UPC4558C
C23	1-130-471-00	s CAP, MYLAR 0.001uF 5% 50V	IC14	8-759-990-82	s IC TL082CP
C26	1-130-471-00	s CAP, MYLAR 0.001uF 5% 50V	IC15	8-759-135-80	s IC UPC358C
C27	1-130-471-00	s CAP, MYLAR 0.001uF 5% 50V	IC16	8-759-131-11	s IC UPC311C
C28	1-101-006-00	s CAP, CERAMIC 0.047uF 50V	IC17	8-759-103-93	s IC UPC393C
C34	1-130-483-00	s CAP, MYLAR 0.01uF 5% 50V	IC18	8-759-208-45	s IC MP6901
C35	1-130-475-00	s CAP, MYLAR 0.0022uF 5% 50V	IC19	8-759-700-65	s IC NJM79L05A
C37	1-130-495-00	s CAP, MYLAR 0.1uF 5% 50V	L1	1-421-370-00	s COIL, CHOKE
C39	1-130-471-00	s CAP, MYLAR 0.001uF 5% 50V	L2	1-421-370-00	s COIL, CHOKE
C43	1-101-006-00	s CAP, CERAMIC 0.047uF 50V	L3	1-421-370-00	s COIL, CHOKE
C44	1-130-471-00	s CAP, MYLAR 0.001uF 5% 50V	Q1	8-729-204-83	s TRANSISTOR 2SA1048-GR
C45	1-102-106-00	s CAP, CERAMIC 100PF 10% 50V	Q2	8-729-900-89	s TRANSISTOR DTC144ES
C47	1-124-566-11	s CAP, ELECT 120uF 20% 6.3V	Q3	8-729-382-63	s TRANSISTOR 2SC1826-Y
C49	1-102-106-00	s CAP, CERAMIC 100PF 10% 50V	Q4	8-729-900-80	s TRANSISTOR DTC114ES
C50	1-130-471-00	s CAP, MYLAR 0.001uF 5% 50V	Q5	8-729-900-89	s TRANSISTOR DTC144ES
C55	1-130-475-00	s CAP, MYLAR 0.0022uF 5% 50V	Q6	8-729-900-89	s TRANSISTOR DTC144ES
CN101	1-560-724-00	o RECEPT, 10P MALE	Q7	8-729-900-89	s TRANSISTOR DTC144ES
CN102	1-560-725-00	o RECEPT, 16P MALE	Q8	8-729-105-71	s TRANSISTOR 2SK523-K2
CN103	1-560-300-00	o RECEPT, 1L 3P MALE	Q9	8-729-105-71	s TRANSISTOR 2SK523-K2
CN104	1-560-726-00	o RECEPT, 20P MALE	Q10	8-729-105-71	s TRANSISTOR 2SK523-K2
CN105	1-560-302-00	o RECEPT, 1L 5P MALE	Q11	8-729-900-89	s TRANSISTOR DTC144ES
CN106	1-560-301-00	o RECEPT, 1L 4P MALE	Q12	8-729-900-89	s TRANSISTOR DTC144ES
D1	8-719-200-02	s DIODE 10E-2	Q13	8-729-900-89	s TRANSISTOR DTC144ES
D2	8-719-933-28	s DIODE DAP209S	Q14	8-729-105-71	s TRANSISTOR 2SK523-K2
D3	8-719-911-19	s DIODE 1SS119	Q15	8-729-105-71	s TRANSISTOR 2SK523-K2
D4	8-719-911-19	s DIODE 1SS119	Q16	8-729-105-71	s TRANSISTOR 2SK523-K2
D5	8-719-911-19	s DIODE 1SS119	Q17	8-729-238-32	s TRANSISTOR 2SC2383
D6	8-719-911-19	s DIODE 1SS119	Q18	8-729-238-32	s TRANSISTOR 2SC2383
D7	8-719-933-30	s DIODE DA210S	Q19	8-729-238-32	s TRANSISTOR 2SC2383
D8	8-719-933-30	s DIODE DA210S	Q20	8-729-900-80	s TRANSISTOR DTC114ES
D9	8-719-911-19	s DIODE 1SS119	Q21	8-729-900-80	s TRANSISTOR DTC114ES
D10	8-719-911-19	s DIODE 1SS119	Q22	8-729-245-82	s TRANSISTOR 2SC2458-Y
D11	8-719-936-56	s DIODE DAN209S	Q23	8-729-238-32	s TRANSISTOR 2SC2383
D12	8-719-933-30	s DIODE DA210S	Q24	8-729-238-32	s TRANSISTOR 2SC2383
D13	8-719-936-56	s DIODE DAN209S	Q25	8-729-238-32	s TRANSISTOR 2SC2383
D14	8-719-933-28	s DIODE DAP209S	Q26	8-729-238-32	s TRANSISTOR 2SC2383
D15	8-719-911-19	s DIODE 1SS119	Q27	8-729-383-73	s TRANSISTOR 2SC2837
D16	8-719-933-28	s DIODE DAP209S	Q28	8-729-900-80	s TRANSISTOR DTC114ES
D17	8-719-936-56	s DIODE DAN209S	Q29	8-729-900-80	s TRANSISTOR DTC114ES
D18	8-719-911-19	s DIODE 1SS119	Q30	8-729-900-80	s TRANSISTOR DTC114ES
D19	8-719-911-55	s DIODE U05G	R3	1-215-425-00	s RES, METAL 1.5K 1% 1/6W
D20	8-719-911-55	s DIODE U05G	R7	1-215-463-00	s RES, METAL 56K 1% 1/6W
D21	8-719-911-55	s DIODE U05G	R12	1-215-565-00	s RES, METAL 0.22 5% 2W
IC1	8-759-135-80	s IC UPC358C	R14	1-215-455-00	s RES, METAL 27K 1% 1/6W
IC2	8-759-145-58	s IC UPC4558C	R15	1-215-454-00	s RES, METAL 24K 1% 1/6W

NOTE : Please see pages D-42 and D-43 for the part numbers of capacitors and resistors that are not listed in the parts list. D-56

(CD-36 BOARD, BVH-3000PS/3100PS)

Ref.No. or Q'ty	Part No.	SP Description
R16	1-215-452-00	s RES, METAL 20K 1% 1/6W
R17	1-215-440-00	s RES, METAL 6.2K 1% 1/6W
R19	1-215-445-00	s RES, METAL 10K 1% 1/6W
R20	1-215-452-00	s RES, METAL 20K 1% 1/6W
R21	1-215-445-00	s RES, METAL 10K 1% 1/6W
R22	1-215-445-00	s RES, METAL 10K 1% 1/6W
R23	1-215-445-00	s RES, METAL 10K 1% 1/6W
R24	1-215-453-00	s RES, METAL 22K 1% 1/6W
R25	1-215-461-00	s RES, METAL 47K 1% 1/6W
R26	1-215-445-00	s RES, METAL 10K 1% 1/6W
R27	1-215-445-00	s RES, METAL 10K 1% 1/6W
R28	1-215-455-00	s RES, METAL 27K 1% 1/6W
R29	1-215-445-00	s RES, METAL 10K 1% 1/6W
R30	1-215-431-00	s RES, METAL 2.7K 1% 1/6W
R31	1-215-455-00	s RES, METAL 27K 1% 1/6W
R32	1-215-445-00	s RES, METAL 10K 1% 1/6W
R33	1-215-445-00	s RES, METAL 10K 1% 1/6W
R34	1-215-462-00	s RES, METAL 51K 1% 1/6W
R37	1-215-445-00	s RES, METAL 10K 1% 1/6W
R38	1-215-445-00	s RES, METAL 10K 1% 1/6W
R39	1-215-462-00	s RES, METAL 51K 1% 1/6W
R53	1-249-413-11	s RES, CARBON 470 5% 1/4W
R54	1-249-413-11	s RES, CARBON 470 5% 1/4W
R55	1-249-413-11	s RES, CARBON 470 5% 1/4W
R65	1-217-153-00	s RES, METAL 0.47 10% 2W
R140	1-249-401-11	s RES, CARBON 47 5% 1/4W
R141	1-249-401-11	s RES, CARBON 47 5% 1/4W
R142	1-249-401-11	s RES, CARBON 47 5% 1/4W

CEH-2 BOARD, BVH-3000PS/3100PS

Ref.No. or Q'ty	Part No.	SP Description
1pc	1-588-946-00	o PC BOARD, CEH-2

NOTE : Please see pages D-42 and D-43 for the part numbers of capacitors and resistors that are not listed in the parts list.

CK-27 BOARD, BVH-3000PS/3100PS

Board No.  
1-621-749-11,12

(CK-27 BOARD, BVH-3000PS/3100PS)

Board No.  
1-621-749-11,12

Ref. No. or Q'ty	Part No.	SP Description	Ref. No. or Q'ty	Part No.	SP Description
1pc	A-6025-114-A	o COMPLETE PCB, CK-27	C53	1-124-236-00	s CAP, ELECT 47uF 20% 16V
1pc	2-282-313-00	s KNOB, VR	C54	1-124-236-00	s CAP, ELECT 47uF 20% 16V
2pcs	3-714-634-01	o LEVER, PC BOARD	C55	1-124-236-00	s CAP, ELECT 47uF 20% 16V
2pcs	3-714-691-01	o PIN, SPRING	C56	1-161-485-00	s CAP, CERAMIC 0.1uF 50V
1pc	3-714-856-01	o VCO INSULATOR	C57	1-130-487-00	s CAP, MYLAR 0.022uF 5% 50V
1pc	3-714-857-01	o VCO CASE, SHEELD	C59	1-130-471-00	s CAP, MYLAR 0.001uF 5% 50V
1pc	7-621-737-08	s SET-SCT, HEX. 2.6X3, FLAT POINT	C60	1-124-234-00	s CAP, ELECT 22uF 20% 16V
4pcs	7-622-207-05	s N 2.6, TYPE 2	C61	1-124-234-00	s CAP, ELECT 22uF 20% 16V
4pcs	7-628-254-40	s SCREW +PS 2.6X12	C62	1-161-485-00	s CAP, CERAMIC 0.1uF 50V
9pcs	7-682-948-01	s SCREW +PSW 3X8	C63	1-124-518-11	s CAP, ELECT 470uF 20% 6.3V
2pcs	7-685-533-19	s SCREW +BTP 2.6X6 TYPE2 N-S	C64	1-161-485-00	s CAP, CERAMIC 0.1uF 50V
C1	1-124-584-00	s CAP, ELECT 100uF 20% 10V	C65	1-124-518-11	s CAP, ELECT 470uF 20% 6.3V
C2	1-161-485-00	s CAP, CERAMIC 0.1uF 50V	C66	1-161-485-00	s CAP, CERAMIC 0.1uF 50V
C3	1-124-566-11	s CAP, ELECT 120uF 20% 6.3V	C67	1-124-518-11	s CAP, ELECT 470uF 20% 6.3V
C4	1-161-485-00	s CAP, CERAMIC 0.1uF 50V	C68	1-161-485-00	s CAP, CERAMIC 0.1uF 50V
C5	1-161-485-00	s CAP, CERAMIC 0.1uF 50V	C69	1-124-518-11	s CAP, ELECT 470uF 20% 6.3V
C6	1-161-485-00	s CAP, CERAMIC 0.1uF 50V	C70	1-161-485-00	s CAP, CERAMIC 0.1uF 50V
C7	1-124-584-00	s CAP, ELECT 100uF 20% 10V	C71	1-124-518-11	s CAP, ELECT 470uF 20% 6.3V
C8	1-131-381-00	s CAP, TANT 47uF 10% 10V	C72	1-161-485-00	s CAP, CERAMIC 0.1uF 50V
C9	1-130-495-00	s CAP, MYLAR 0.1uF 5% 50V	C73	1-124-518-11	s CAP, ELECT 470uF 20% 6.3V
C10	1-161-485-00	s CAP, CERAMIC 0.1uF 50V	C74	1-161-485-00	s CAP, CERAMIC 0.1uF 50V
C11	1-124-236-00	s CAP, ELECT 47uF 20% 16V	C75	1-124-522-11	s CAP, ELECT 270uF 20% 16V
C12	1-124-584-00	s CAP, ELECT 100uF 20% 10V	C76	1-161-485-00	s CAP, CERAMIC 0.1uF 50V
C13	1-124-236-00	s CAP, ELECT 47uF 20% 16V	C77	1-124-522-11	s CAP, ELECT 270uF 20% 16V
C14	1-109-559-00	s CAP, MICA 820PF 5% 100V	C78	1-161-485-00	s CAP, CERAMIC 0.1uF 50V
C15	1-109-552-11	s CAP, MYCA 430PF 5% 100V	C79	1-124-522-11	s CAP, ELECT 270uF 20% 16V
C16	1-130-495-00	s CAP, MYLAR 0.1uF 5% 50V	C80	1-161-485-00	s CAP, CERAMIC 0.1uF 50V
C17	1-124-236-00	s CAP, ELECT 47uF 20% 16V	C81	1-124-522-11	s CAP, ELECT 270uF 20% 16V
C18	1-124-236-00	s CAP, ELECT 47uF 20% 16V	C82	1-130-475-00	s CAP, MYLAR 0.0022uF 5% 50V
C19	1-109-558-00	s CAP, MICA 750PF 5% 100V	C83	1-130-471-00	s CAP, MYLAR 0.001uF 5% 50V
C21	1-124-236-00	s CAP, ELECT 47uF 20% 16V	C85	1-124-566-11	s CAP, ELECT 120uF 20% 6.3V
C22	1-124-236-00	s CAP, ELECT 47uF 20% 16V	C86	1-131-349-00	s CAP, TANT 2.2uF 10% 35V
C23	1-130-471-00	s CAP, MYLAR 0.001uF 5% 50V	C87	1-102-110-00	s CAP, CERAMIC 220PF 10% 50V
C24	1-130-495-00	s CAP, MYLAR 0.1uF 5% 50V	C88	1-130-479-00	s CAP, MYLAR 0.0047uF 5% 50V
C25	1-124-584-00	s CAP, ELECT 100uF 20% 10V	C90	1-109-807-00	s CAP, MICA 100PF 1% 100V
C28	1-130-471-00	s CAP, MYLAR 0.001uF 5% 50V	C91	1-124-236-00	s CAP, ELECT 47uF 20% 16V
C30	1-109-807-00	s CAP, MICA 100PF 1% 100V	C92	1-124-236-00	s CAP, ELECT 47uF 20% 16V
C32	1-161-485-00	s CAP, CERAMIC 0.1uF 50V	C93	1-130-471-00	s CAP, MYLAR 0.001uF 5% 50V
C33	1-130-477-00	s CAP, MYLAR 0.0033uF 5% 50V	C94	1-131-347-00	s CAP, TANT 1uF 10% 35V
C36	1-131-373-00	s CAP, TANT 22uF 10% 16V	C95	1-131-347-00	s CAP, TANT 1uF 10% 35V
C37	1-130-483-00	s CAP, MYLAR 0.01uF 5% 50V	C96	1-130-471-00	s CAP, MYLAR 0.001uF 5% 50V
C38	1-124-566-11	s CAP, ELECT 120uF 20% 6.3V	C97	1-161-485-00	s CAP, CERAMIC 0.1uF 50V
C39	1-124-584-00	s CAP, ELECT 100uF 20% 10V	C100	1-130-471-00	s CAP, MYLAR 0.001uF 5% 50V
C40	1-109-561-00	s CAP, MICA 0.001uF 5% 100V	C101	1-107-160-00	s CAP, MICA 36PF 5% 500V
C41	1-109-807-00	s CAP, MICA 100PF 1% 100V	C104	1-130-471-00	s CAP, MYLAR 0.001uF 5% 50V
C42	1-161-485-00	s CAP, CERAMIC 0.1uF 50V	C105	1-102-110-00	s CAP, CERAMIC 220PF 10% 50V
C43	1-161-485-00	s CAP, CERAMIC 0.1uF 50V	C106	1-130-471-00	s CAP, MYLAR 0.001uF 5% 50V
C44	1-131-348-00	s CAP, TANTALUM 1.5uF 10% 35V	C107	1-109-807-00	s CAP, MICA 100PF 1% 100V
C46	1-130-471-00	s CAP, MYLAR 0.001uF 5% 50V	C108	1-124-584-00	s CAP, ELECT 100uF 20% 10V
C47	1-124-236-00	s CAP, ELECT 47uF 20% 16V	C109	1-131-347-00	s CAP, TANT 1uF 10% 35V
C48	1-131-346-00	s CAP, TANT 0.68uF 10% 35V	C110	1-130-495-00	s CAP, MYLAR 0.1uF 5% 50V
C49	1-131-346-00	s CAP, TANT 0.68uF 10% 35V	C111	1-130-471-00	s CAP, MYLAR 0.001uF 5% 50V
C50	1-131-347-00	s CAP, TANT 1uF 10% 35V	C113	1-130-483-00	s CAP, MYLAR 0.01uF 5% 50V
C51	1-131-347-00	s CAP, TANT 1uF 10% 35V	C114	1-131-348-00	s CAP, TANTALUM 1.5uF 10% 35V
C52	1-130-495-00	s CAP, MYLAR 0.1uF 5% 50V	C116	1-102-110-00	s CAP, CERAMIC 220PF 10% 50V

NOTE : Please see pages D-42 and D-43 for the part numbers of capacitors and resistors that are not listed in the parts list.

Ref. No. or Qty	Part No.	SP Description	Ref. No. or Qty	Part No.	SP Description
C117	1-130-487-00	s CAP, MYLAR 0.022uF 5% 50V	D15	8-719-911-19	s DIODE 1SS119
C118	1-124-584-00	s CAP, ELECT 100uF 20% 10V	D16	8-719-903-25	s DIODE SVC321SP-B2
C119	1-130-487-00	s CAP, MYLAR 0.022uF 5% 50V	D20	8-719-911-19	s DIODE 1SS119
C120	1-130-480-00	s CAP, MYLAR 0.0056uF 5% 50V	D21	8-719-911-19	s DIODE 1SS119
C121	1-130-487-00	s CAP, MYLAR 0.022uF 5% 50V	D22	8-719-911-19	s DIODE 1SS119
C122	1-130-471-00	s CAP, MYLAR 0.001uF 5% 50V	D23	8-719-911-19	s DIODE 1SS119
C123	1-130-483-00	s CAP, MYLAR 0.01uF 5% 50V	D701	8-719-903-25	s DIODE SVC321SP-B2
C125	1-102-110-00	s CAP, CERAMIC 220PF 10% 50V	DL2	1-415-431-11	s DELAY LINE 50nS
C126	1-130-483-00	s CAP, MYLAR 0.01uF 5% 50V	FL1	1-235-579-11	s FILTER, BANDPASS 4.43MHz
C127	1-130-487-00	s CAP, MYLAR 0.022uF 5% 50V	IC1	8-759-922-42	s IC MB81464-12
C129	1-130-483-00	s CAP, MYLAR 0.01uF 5% 50V	IC2	8-759-922-42	s IC MB81464-12
C130	1-102-110-00	s CAP, CERAMIC 220PF 10% 50V	IC3	8-752-015-81	s IC CX20158
C132	1-130-475-00	s CAP, MYLAR 0.0022uF 5% 50V	IC4	8-759-901-63	s IC SN74LS163AN
C133	1-131-347-00	s CAP, TANT 1uF 10% 35V	IC5	8-759-900-00	s IC SN74LS00N
C134	1-131-365-00	s CAP, TANT 10uF 20% 20V	IC6	8-759-901-64	s IC SN74LS164N
C400	1-109-536-00	s CAP, MICA 110PF 5% 100V	IC8	8-759-900-20	s IC SN74LS20N
C401	1-130-483-00	s CAP, MYLAR 0.01uF 5% 50V	IC9	8-759-900-04	s IC SN74LS04N
C402	1-124-282-00	s CAP, ELECT, NONPOLAR 22uF 20% 25V	IC10	8-759-990-82	s IC TL082CP
C403	1-109-554-00	s CAP, MICA 510PF 5% 100V	IC11	8-759-918-71	s IC CX23065
C408	1-124-584-00	s CAP, ELECT 100uF 20% 10V	IC101	8-759-113-43	s IC uPD41102C-1S
C412	1-102-110-00	s CAP, CERAMIC 220PF 10% 50V	IC102	8-759-903-99	s IC SN74LS399N
C413	1-130-483-00	s CAP, MYLAR 0.01uF 5% 50V	IC103	8-759-903-99	s IC SN74LS399N
C414	1-131-348-00	s CAP, TANTALUM 1.5uF 10% 35V	IC104	8-759-900-30	s IC SN74LS30N
C420	1-102-111-00	s CAP, CERAMIC 270PF 10% 50V	IC105	8-759-901-74	s IC SN74LS174AN
C500	1-161-485-00	s CAP, CERAMIC 0.1uF 50V	IC106	8-759-900-74	s IC SN74LS74AN
C501	1-161-485-00	s CAP, CERAMIC 0.1uF 50V	IC107	8-759-900-74	s IC SN74LS74AN
C502	1-161-485-00	s CAP, CERAMIC 0.1uF 50V	IC108	8-759-900-08	s IC SN74LS08N
C505	1-124-284-00	s CAP, ELECT NONPOLA 10uF 20% 16V	IC301	8-759-990-82	s IC TL082CP
C510	1-102-110-00	s CAP, CERAMIC 220PF 10% 50V	IC302	8-759-103-93	s IC uPC393C
C511	1-102-121-00	s CAP, CERAMIC 0.0022uF 10% 50V	IC701	8-759-001-16	s IC MC10116L
C513	1-130-487-00	s CAP, MYLAR 0.022uF 5% 50V	ICA1	8-759-922-42	s IC MB81464-12
C514	1-131-345-00	s TANT 0.47uF 10% 35V	ICA2	8-759-922-42	s IC MB81464-12
C515	1-102-110-00	s CAP, CERAMIC 220PF 10% 50V	ICA3	8-759-922-42	s IC MB81464-12
C705	1-131-381-00	s CAP, TANT 47uF 10% 10V	ICA4	8-759-922-42	s IC MB81464-12
C751	1-102-111-00	s CAP, CERAMIC 270PF 10% 50V	ICA5	8-759-922-42	s IC MB81464-12
CF1	1-527-497-00	s FILTER, CERAMIC 4.55MHz	ICA6	8-759-922-42	s IC MB81464-12
CN305	1-506-748-11	s RECEPT, DIN 96P MALE	ICA7	8-759-922-42	s IC MB81464-12
CN306	1-506-748-11	s RECEPT, DIN 96P MALE	ICA8	8-759-901-64	s IC SN74LS164N
CP1	1-235-102-00	s CR BLOCK	ICA9	8-759-900-74	s IC SN74LS74AN
D1	8-719-911-19	s DIODE 1SS119	ICA11	8-759-939-99	s IC MB8464A-80LP-SK
D2	8-719-911-19	s DIODE 1SS119	ICA12	8-759-939-99	s IC MB8464A-80LP-SK
D3	8-719-911-19	s DIODE 1SS119	ICA13	8-759-939-99	s IC MB8464A-80LP-SK
D4	8-719-102-51	s DIODE 1SZ51	ICA14	8-759-939-99	s IC MB8464A-80LP-SK
D5	8-719-911-19	s DIODE 1SS119	ICA15	8-759-990-82	s IC TL082CP
D6	8-719-903-24	s DIODE SVC321SP-A2	ICB1	8-759-922-42	s IC MB81464-12
D7	8-719-911-19	s DIODE 1SS119	ICB2	8-759-922-42	s IC MB81464-12
D8	8-719-911-19	s DIODE 1SS119	ICB3	8-759-922-42	s IC MB81464-12
D9	8-719-903-24	s DIODE SVC321SP-A2	ICB4	8-759-922-42	s IC MB81464-12
D10	8-719-400-35	s DIODE LN35BP	ICB5	8-759-922-42	s IC MB81464-12
D11	8-719-911-19	s DIODE 1SS119	ICB6	8-759-922-42	s IC MB81464-12
D12	8-719-918-88	s DIODE 1SS198	ICB7	8-759-922-42	s IC MB81464-12
D13	8-719-918-88	s DIODE 1SS198	ICB9	8-759-911-57	s IC SN74S157N
D14	8-719-918-88	s DIODE 1SS198	ICB10	8-759-911-57	s IC SN74S157N
			ICB11	8-759-939-99	s IC MB8464A-80LP-SK
			ICB12	8-759-939-99	s IC MB8464A-80LP-SK
			ICB13	8-759-939-99	s IC MB8464A-80LP-SK

NOTE : Please see pages D-42 and D-43 for the part numbers of capacitors and resistors that are not listed in the parts list. D-59

Ref. No. or Q'ty	Part No.	SP Description	Ref. No. or Q'ty	Part No.	SP Description
ICB14	8-759-939-99	s IC MB8464A-80LP-SK	ICG7	8-759-901-63	s IC SN74LS163AN
ICB17	8-759-990-82	s IC TL082CP	ICG8	8-759-901-63	s IC SN74LS163AN
ICB19	8-759-930-80	s IC CA3080E	ICG9	8-759-901-63	s IC SN74LS163AN
ICB21	8-752-015-81	s IC CX20158	ICG12	8-759-901-57	s IC SN74LS157N
ICC1	8-759-990-82	s IC TL082CP	ICG13	8-759-902-83	s IC SN74LS283N
ICC7	8-759-900-69	s IC SN74ALS74AN	ICG14	8-759-906-69	s IC SN74LS669N
ICC10	8-759-918-40	s IC CX20194	ICG15	8-759-906-69	s IC SN74LS669N
ICC17	8-752-030-40	s IC CXA1016P	ICG16	8-759-900-00	s IC SN74LS00N
ICC21	8-759-990-82	s IC TL082CP	ICG17	8-759-001-16	s IC MC10116L
ICD1	8-759-990-82	s IC TL082CP	ICG18	8-759-901-23	s IC SN74LS123N
ICD2	8-759-933-51	s IC CXD1020Q	ICG19	8-759-900-74	s IC SN74LS74AN
ICD5	8-759-933-51	s IC CXD1020Q	ICG20	8-759-902-21	s IC SN74LS221N
ICD7	8-759-900-04	s IC SN74LS04N	ICG21	8-759-901-64	s IC SN74LS164N
ICD8	8-759-901-63	s IC SN74LS163AN	ICH1	8-759-901-64	s IC SN74LS164N
ICD9	8-759-901-63	s IC SN74LS163AN	ICH2	8-759-901-64	s IC SN74LS164N
ICD10	8-759-901-63	s IC SN74LS163AN	ICH3	8-759-300-25	s IC HD10125
ICD19	8-749-938-10	s IC BX-381	ICH4	8-759-900-04	s IC SN74LS04N
ICE1	8-759-201-41	s IC TD62901P	ICH5	8-759-904-18	s IC SN74ALS00AN
ICE2	8-759-903-74	s IC SN74LS374N	ICH6	8-759-901-38	s IC SN74LS138N
ICE3	8-759-903-74	s IC SN74LS374N	ICH7	8-759-936-54	s IC SN74ALS175N
ICE4	8-759-900-30	s IC SN74LS30N	ICH8	8-759-900-04	s IC SN74LS04N
ICE5	8-759-900-32	s IC SN74LS32N	ICH9	8-759-912-07	s IC SN74ALS163AN
ICE6	8-759-900-04	s IC SN74LS04N	ICH10	8-759-912-07	s IC SN74ALS163AN
ICE7	8-759-900-69	s IC SN74ALS74AN	ICH11	8-759-912-07	s IC SN74ALS163AN
ICE8	8-759-900-10	s IC SN74LS10N	ICH12	8-759-900-68	s IC SN74ALS30AN
ICE9	8-759-900-04	s IC SN74LS04N	ICH13	8-759-904-09	s IC SN74LS688N
ICE10	8-759-936-54	s IC SN74ALS175N	ICH14	8-759-906-69	s IC SN74LS669N
ICE11	8-759-933-51	s IC CXD1020Q	ICH15	8-759-906-69	s IC SN74LS669N
ICE14	8-759-933-51	s IC CXD1020Q	ICH19	8-759-900-04	s IC SN74LS04N
ICE17	8-759-300-25	s IC HD10125	ICH20	8-759-902-21	s IC SN74LS221N
ICE18	8-759-900-04	s IC SN74LS04N	ICH21	8-759-902-21	s IC SN74LS221N
ICE19	8-759-900-74	s IC SN74LS74AN	ICJ1	8-759-901-51	s IC SN74LS151P
ICE20	8-759-901-23	s IC SN74LS123N	ICJ2	8-759-900-04	s IC SN74LS04N
ICE21	8-749-938-10	s IC BX-381	ICJ3	8-759-901-63	s IC SN74LS163AN
ICF1	8-759-903-74	s IC SN74LS374N	ICJ4	8-759-901-63	s IC SN74LS163AN
ICF4	8-759-113-43	s IC UPD41102C-1S	ICJ5	8-759-900-00	s IC SN74LS00N
ICF5	8-759-903-99	s IC SN74LS399N	ICJ6	8-759-900-00	s IC SN74LS00N
ICF6	8-759-903-99	s IC SN74LS399N	ICJ7	8-759-900-04	s IC SN74LS04N
ICF7	8-759-918-33	s IC CX20160	ICJ8	8-759-900-74	s IC SN74LS74AN
ICF8	8-759-918-33	s IC CX20160	ICJ9	8-759-904-33	s IC SN74ALS20AN
ICF9	8-759-900-30	s IC SN74LS30N	ICJ10	8-759-900-32	s IC SN74LS32N
ICF10	8-759-901-57	s IC SN74LS157N	ICJ11	8-759-900-69	s IC SN74ALS74AN
ICF11	8-759-901-57	s IC SN74LS157N	ICJ12	8-759-904-26	s IC SN74ALS08N
ICF12	8-759-901-57	s IC SN74LS157N	ICJ13	8-759-901-23	s IC SN74LS123N
ICF13	8-759-902-83	s IC SN74LS283N	ICJ14	8-759-901-74	s IC SN74LS174N
ICF14	8-759-903-99	s IC SN74LS399N	ICJ15	8-759-900-74	s IC SN74LS74AN
ICF15	8-759-903-99	s IC SN74LS399N	ICJ16	8-759-300-25	s IC HD10125
ICF16	8-759-900-68	s IC SN74ALS30AN	ICJ17	8-759-990-82	s IC TL082CP
ICF17	8-759-300-25	s IC HD10125	ICJ19	8-749-938-10	s IC BX-381
ICF18	8-759-900-00	s IC SN74LS00N	ICJ21	8-759-990-82	s IC TL082CP
ICF19	8-759-900-74	s IC SN74LS74AN	ICK1	8-759-901-53	s IC SN74LS153N
ICF20	8-759-912-05	s IC SN74ALS161BN	ICK2	8-759-901-51	s IC SN74LS151N
ICG1	8-759-900-74	s IC SN74LS74AN	ICK3	8-759-901-51	s IC SN74LS151N
ICG2	8-759-900-74	s IC SN74LS74AN	ICK4	8-759-900-74	s IC SN74LS74AN
ICG3	8-759-900-74	s IC SN74LS74AN	ICK5	8-759-901-75	s IC SN74LS175N
ICG4	8-759-900-08	s IC SN74LS08N	ICK6	8-759-900-08	s IC SN74LS08N
ICG5	8-759-900-02	s IC SN74LS02N	ICK7	8-759-900-00	s IC SN74LS00N
ICG6	8-759-901-75	s IC SN74LS175N	ICK8	8-759-900-20	s IC SN74LS20N

NOTE : Please see pages D-42 and D-43 for the part numbers of capacitors and resistors that are not listed in the parts list. D-60



(CK-27 BOARD, BVH-3000PS/3100PS)

Board No.  
1-621-749-11,12

CK-27 BOARD, BVH-3000PS/3100PS)

Board No.  
1-621-749-11,12

Ref. No. or Q'ty	Part No.	SP	Description
ICK9	8-759-901-23	s	IC SN74LS123N
ICK10	8-759-901-63	s	IC SN74LS163AN
ICK11	8-759-900-08	s	IC SN74LS08N
ICK12	8-759-900-74	s	IC SN74LS74AN
ICK13	8-759-900-08	s	IC SN74LS08N
ICK14	8-759-900-10	s	IC SN74LS10N
ICK15	8-759-901-53	s	IC SN74LS153N
ICK16	8-759-900-74	s	IC SN74LS74AN
ICK17	8-759-902-21	s	IC SN74LS221N
ICK19	8-759-904-20	s	IC MB4002
ICK21	8-759-918-23	s	IC NE527N
ICL2	8-759-111-69	s	IC UPC1037HA
ICL3	8-759-111-69	s	IC UPC1037HA
ICL4	8-759-918-93	s	IC SN75207N
ICL5	8-759-900-74	s	IC SN74LS74AN
ICL6	8-759-902-21	s	IC SN74LS221N
ICL7	8-759-900-04	s	IC SN74LS04N
ICL8	8-759-900-86	s	IC SN74LS86N
ICL9	8-759-900-74	s	IC SN74LS74AN
ICL10	8-759-901-63	s	IC SN74LS163AN
ICL11	8-759-900-86	s	IC SN74LS86N
ICL12	8-759-902-21	s	IC SN74LS221N
ICL13	8-759-900-00	s	IC SN74LS00N
ICL14	8-759-900-69	s	IC SN74ALS74AN
ICL15	8-759-900-00	s	IC SN74LS00N
ICL16	8-759-900-04	s	IC SN74LS04N
ICL17	8-759-900-04	s	IC SN74LS04N
ICL19	8-759-990-82	s	IC TL082CP
ICL21	8-759-936-51	s	IC BX-365A
ICM1	8-759-202-26	s	IC TC74HC138P
ICM2	8-759-900-04	s	IC SN74LS04N
ICM3	8-759-901-23	s	IC SN74LS123N
ICM4	8-759-902-21	s	IC SN74LS221N
ICM5	8-759-900-10	s	IC SN74LS10N
ICM6	8-759-900-74	s	IC SN74LS74AN
ICM7	8-759-103-93	s	IC UPC393C
ICM8	8-759-918-71	s	IC CX23065
ICM9	8-759-900-74	s	IC SN74LS74AN
ICM10	8-759-901-23	s	IC SN74LS123N
ICM11	8-759-900-04	s	IC SN74LS04N
ICM12	8-759-900-74	s	IC SN74LS74AN
ICM13	8-759-901-63	s	IC SN74LS163AN
ICM14	8-759-901-63	s	IC SN74LS163AN
ICM15	8-759-904-20	s	IC MB4002
ICM18	8-759-990-82	s	IC TL082CP
ICM19	8-749-938-10	s	IC BX-381
ICM21	8-759-990-82	s	IC TL082CP
ICN1	8-759-203-21	s	IC TC74HC273P
ICN2	8-759-203-21	s	IC TC74HC273P
ICN3	8-759-900-74	s	IC SN74LS74AN
ICN4	8-759-900-74	s	IC SN74LS74AN
ICN5	8-759-103-93	s	IC UPC393C
ICN6	8-759-103-93	s	IC UPC393C
ICN8	8-749-938-10	s	IC BX-381
ICN9	8-759-901-23	s	IC SN74LS123N
ICN10	8-759-901-23	s	IC SN74LS123N

Ref. No. or Q'ty	Part No.	SP	Description
ICN11	8-759-901-23	s	IC SN74LS123N
ICN12	8-759-900-08	s	IC SN74LS08N
ICN13	8-759-901-23	s	IC SN74LS123N
ICN14	8-759-900-00	s	IC SN74LS00N
ICN16	8-759-990-82	s	IC TL082CP
ICN17	8-749-938-10	s	IC BX-381
ICN21	8-759-990-82	s	IC TL082CP
ICP1	8-759-900-00	s	IC SN74LS00N
ICP2	8-759-900-51	s	IC SN74LS51N
ICP3	8-759-900-74	s	IC SN74LS74AN
ICP4	8-759-900-08	s	IC SN74LS08N
ICP5	8-759-900-32	s	IC SN74LS32N
ICP6	8-759-900-74	s	IC SN74LS74AN
ICP7	8-759-918-40	s	IC CX20194
ICP9	8-759-901-23	s	IC SN74LS123N
ICP11	8-759-900-74	s	IC SN74LS74AN
ICP12	8-759-901-75	s	IC SN74LS175N
ICP13	8-759-900-04	s	IC SN74LS04N
ICP14	8-759-900-33	s	IC SN74LS33N
ICP15	8-759-918-40	s	IC CX20194
ICP16	8-759-990-82	s	IC TL082CP
ICP18	8-759-016-48	s	IC MC1648P
ICP20	8-759-240-53	s	IC TC4053BP
L1	1-408-409-00	s	INDUCTOR 10UH 5%
L2	1-408-409-00	s	INDUCTOR 10UH 5%
L3	1-408-409-00	s	INDUCTOR 10UH 5%
L4	1-408-409-00	s	INDUCTOR 10UH 5%
L5	1-408-409-00	s	INDUCTOR 10UH 5%
L6	1-408-409-00	s	INDUCTOR 10UH 5%
L7	1-421-370-00	s	COIL, CHOKE
L8	1-421-370-00	s	COIL, CHOKE
L9	1-421-370-00	s	COIL, CHOKE
L10	1-421-370-00	s	COIL, CHOKE
L11	1-421-370-00	s	COIL, CHOKE
L12	1-408-409-00	s	INDUCTOR 10UH 5%
L13	1-408-409-00	s	INDUCTOR 10UH 5%
L14	1-408-409-00	s	INDUCTOR 10UH 5%
L15	1-408-409-00	s	INDUCTOR 10UH 5%
L16	1-408-409-00	s	INDUCTOR 10UH 5%
L17	1-408-409-00	s	INDUCTOR 10UH 5%
L18	1-408-414-00	s	INDUCTOR 27UH 5%
L701	1-410-956-11	s	INDUCTOR, VAR
LPF1	1-231-621-00	s	FILTER, LOW-PASS
LV1	1-409-403-11	s	COIL, TUNING
LV2	1-410-286-11	s	INDUCTOR, VAR 1UH
LV3	1-409-405-11	s	COIL, TUNING
LV4	1-409-404-11	s	COIL, TUNING
LV7	1-410-285-11	s	INDUCTOR, VAR 0.68UH
Q1	8-729-204-83	s	TRANSISTOR 2SA1048-GR
Q3	8-729-900-61	s	TRANSISTOR DTA114ES
Q4	8-729-105-71	s	TRANSISTOR 2SK523-K2
Q5	8-729-900-61	s	TRANSISTOR DTA114ES
Q6	8-729-105-71	s	TRANSISTOR 2SK523-K2
Q7	8-729-900-61	s	TRANSISTOR DTA114ES
Q8	8-729-204-83	s	TRANSISTOR 2SA1048-GR

NOTE : Please see pages D-42 and D-43 for the part numbers of capacitors and resistors that are not listed in the parts list.

(CK-27 BOARD, BVH-3000PS/3100PS)

Board No.  
1-621-749-11,12

CK-27 BOARD, BVH-3000PS/3100PS)

Board No.  
1-621-749-11,12

Ref. No. or Qty	Part No.	SP Description	Ref. No. or Qty	Part No.	SP Description
Q9	8-729-204-83	s TRANSISTOR 2SA1048-GR	R165	1-215-450-00	s RES, METAL 16K 1% 1/6W
Q10	8-729-190-12	s TRANSISTOR 2SC2901	R169	1-215-442-00	s RES, METAL 7.5K 1% 1/6W
Q11	8-729-900-61	s TRANSISTOR DTA114ES	R170	1-215-432-00	s RES, METAL 3K 1% 1/6W
Q12	8-729-105-71	s TRANSISTOR 2SK523-K2	R171	1-215-432-00	s RES, METAL 3K 1% 1/6W
Q13	8-729-105-71	s TRANSISTOR 2SK523-K2	R172	1-215-431-00	s RES, METAL 2.7K 1% 1/6W
Q14	8-729-900-61	s TRANSISTOR DTA114ES	R180	1-247-838-00	s RES, CARBON 2K 5% 1/6W
Q15	8-729-190-12	s TRANSISTOR 2SC2901	R182	1-215-453-00	s RES, METAL 22K 1% 1/6W
Q16	8-729-105-71	s TRANSISTOR 2SK523-K2	R187	1-215-426-00	s RES, METAL 1.6K 1% 1/6W
Q17	8-729-900-61	s TRANSISTOR DTA114ES	R193	1-215-436-00	s RES, METAL 4.3K 1% 1/6W
Q18	8-729-190-12	s TRANSISTOR 2SC2901	R195	1-215-464-00	s RES, METAL 62K 1% 1/6W
Q19	8-729-190-12	s TRANSISTOR 2SC2901	R196	1-215-465-00	s RES, METAL 68K 1% 1/6W
Q20	8-729-204-83	s TRANSISTOR 2SA1048-GR	R213	1-215-408-00	s RES, METAL 300 1% 1/6W
Q21	8-729-900-61	s TRANSISTOR DTA114ES	R226	1-215-437-00	s RES, METAL 4.7K 1% 1/6W
Q22	8-729-105-71	s TRANSISTOR 2SK523-K2	R228	1-215-454-00	s RES, METAL 24K 1% 1/6W
Q23	8-729-105-71	s TRANSISTOR 2SK523-K2	R239	1-215-459-00	s RES, METAL 39K 1% 1/6W
Q24	8-729-900-61	s TRANSISTOR DTA114ES	R300	1-247-895-00	s RES, CARBON 470K 5% 1/6W
Q25	8-729-105-71	s TRANSISTOR 2SK523-K2	R302	1-214-581-00	s RES, METAL 10K 1% 1/8W
R1	1-215-397-00	s RES, METAL 100 1% 1/6W	R303	1-214-581-00	s RES, METAL 10K 1% 1/8W
R2	1-215-397-00	s RES, METAL 100 1% 1/6W	R304	1-214-575-00	s RES, METAL 5.6K 1% 1/8W
R20	1-215-406-00	s RES, METAL 240 1% 1/6W	R306	1-214-581-00	s RES, METAL 10K 1% 1/8W
R21	1-215-408-00	s RES, METAL 300 1% 1/6W	R307	1-214-557-00	s RES, METAL 1K 1% 1/8W
R23	1-215-424-00	s RES, METAL 1.3K 1% 1/6W	R308	1-214-567-00	s RES, METAL 2.7K 1% 1/8W
R31	1-215-416-00	s RES, METAL 620 1% 1/6W	R309	1-214-581-00	s RES, METAL 10K 1% 1/8W
R32	1-215-437-00	s RES, METAL 4.7K 1% 1/6W	R311	1-214-569-00	s RES, METAL 3.3K 1% 1/8W
R33	1-215-432-00	s RES, METAL 3K 1% 1/6W	R517	1-215-420-00	s RES, METAL 910 1% 1/6W
R34	1-215-425-00	s RES, METAL 1.5K 1% 1/6W	R701	1-214-521-00	s RES, METAL 33 1% 1/8W
R40	1-215-461-00	s RES, METAL 47K 1% 1/6W	R702	1-214-569-00	s RES, METAL 3.3K 1% 1/8W
R41	1-215-457-00	s RES, METAL 33K 1% 1/6W	R703	1-214-555-00	s RES, METAL 820 1% 1/8W
R42	1-215-439-00	s RES, METAL 5.6K 1% 1/6W	R704	1-214-569-00	s RES, METAL 3.3K 1% 1/8W
R43	1-215-440-00	s RES, METAL 6.2K 1% 1/6W	R705	1-214-551-00	s RES, METAL 560 1% 1/8W
R44	1-215-457-00	s RES, METAL 33K 1% 1/6W	R706	1-214-551-00	s RES, METAL 560 1% 1/8W
R57	1-215-447-00	s RES, METAL 12K 1% 1/6W	R707	1-214-551-00	s RES, METAL 560 1% 1/8W
R62	1-215-430-00	s RES, METAL 2.4K 1% 1/6W	R708	1-214-551-00	s RES, METAL 560 1% 1/8W
R88	1-215-428-00	s RES, METAL 2K 1% 1/6W	R709	1-214-569-00	s RES, METAL 3.3K 1% 1/8W
R89	1-215-428-00	s RES, METAL 2K 1% 1/6W	R710	1-214-555-00	s RES, METAL 820 1% 1/8W
R97	1-215-438-00	s RES, METAL 5.1K 1% 1/6W	R711	1-214-521-00	s RES, METAL 33 1% 1/8W
R102	1-215-442-00	s RES, METAL 7.5K 1% 1/6W	RB1	1-231-503-00	s RESISTOR BLOCK 560x4
R105	1-215-445-00	s RES, METAL 10K 1% 1/6W	RB2	1-231-403-00	s RESISTOR BLOCK 560x8
R106	1-215-443-00	s RES, METAL 8.2K 1% 1/6W	RV1	1-237-254-11	s RES, ADJ, METAL 50
R114	1-247-838-00	s RES, CARBON 2K 5% 1/6W	RV2	1-230-839-11	s RES, ADJ, METAL 500
R117	1-215-467-00	s RES, METAL 82K 1% 1/6W	RV3	1-237-260-11	s RES, ADJ, METAL 5K
R119	1-215-467-00	s RES, METAL 82K 1% 1/6W	RV4	1-230-842-11	s RES, ADJ, METAL 5K
R129	1-215-466-00	s RES, METAL 75K 1% 1/6W	RV5	1-230-842-11	s RES, ADJ, METAL 5K
R131	1-215-428-00	s RES, METAL 2K 1% 1/6W	RV6	1-230-842-11	s RES, ADJ, METAL 5K
R135	1-215-452-00	s RES, METAL 20K 1% 1/6W	RV7	1-230-840-11	s RES, ADJ, METAL 1K
R141	1-247-849-00	s RES, CARBON 5.6K 5% 1/4W	RV8	1-230-841-11	s RES, ADJ, METAL 2K
R145	1-215-454-00	s RES, METAL 24K 1% 1/6W	RV9	1-230-740-21	s RES, VAR, CARBON 5K(B)
R146	1-215-412-00	s RES, METAL 430 1% 1/6W	RV11	1-230-846-11	s RES, ADJ, METAL 100K
R147	1-215-424-00	s RES, METAL 1.3K 1% 1/6W	RV12	1-230-842-11	s RES, ADJ, METAL 5K
R148	1-215-412-00	s RES, METAL 430 1% 1/6W	RV14	1-230-844-11	s RES, ADJ, METAL 20K
R149	1-215-454-00	s RES, METAL 24K 1% 1/6W	RV15	1-230-843-11	s RES, ADJ, METAL 10K
R150	1-215-454-00	s RES, METAL 24K 1% 1/6W	RV40	1-228-457-00	s RES, ADJ, CERMET 2K
R152	1-215-454-00	s RES, METAL 24K 1% 1/6W	RV41	1-228-457-00	s RES, ADJ, CERMET 2K
R163	1-215-449-00	s RES, METAL 15K 1% 1/6W	RV42	1-228-460-00	s RES, ADJ, CERMET 20K
R164	1-215-439-00	s RES, METAL 5.6K 1% 1/6W			

NOTE : Please see pages D-42 and D-43 for the part numbers of capacitors and resistors that are not listed in the parts list.

CK-27 BOARD, BVH-3000PS/3100PS

Board No.  
1-621-749-13, 14  
& Higher

(CK-27 BOARD, BVH-3000PS/3100PS)

Board No.  
1-621-749-13, 14  
& Higher

Ref. No. or Qty	Part No.	SP Description
1pc	A-6025-114-A	o COMPLETE PCB, CK-27
1pc	2-282-313-00	s KNOB, VR
2pcs	3-714-634-01	o LEVER, PC BOARD
2pcs	3-714-691-01	o PIN, SPRING
1pc	3-714-856-01	o VCO INSULATOR
1pc	3-714-857-01	o VCO CASE, SHEELD
1pc	7-621-737-08	s SET-SCT, HEX. 2.6X3, FLAT POINT
4pcs	7-622-207-05	s N 2.6, TYPE 2
4pcs	7-628-254-40	s SCREW +PS 2.6X12
9pcs	7-682-948-01	s SCREW +PSW 3X8
2pcs	7-685-533-19	s SCREW +BTP 2.6X6 TYPE2 N-S
C1	1-124-584-00	s CAP, ELECT 100uF 20% 10V
C2	1-161-485-00	s CAP, CERAMIC 0.1uF 50V
C3	1-124-566-11	s CAP, ELECT 120uF 20% 6.3V
C4	1-161-485-00	s CAP, CERAMIC 0.1uF 50V
C5	1-161-485-00	s CAP, CERAMIC 0.1uF 50V
C6	1-161-485-00	s CAP, CERAMIC 0.1uF 50V
C7	1-124-584-00	s CAP, ELECT 100uF 20% 10V
C8	1-131-387-00	s CAP, TANT 47uF 10% 6.3V
C9	1-130-495-00	s CAP, MYLAR 0.1uF 5% 50V
C10	1-161-485-00	s CAP, CERAMIC 0.1uF 50V
C11	1-124-236-00	s CAP, ELECT 47uF 20% 16V
C12	1-124-584-00	s CAP, ELECT 100uF 20% 10V
C13	1-124-236-00	s CAP, ELECT 47uF 20% 16V
C16	1-130-495-00	s CAP, MYLAR 0.1uF 5% 50V
C17	1-124-236-00	s CAP, ELECT 47uF 20% 16V
C18	1-124-236-00	s CAP, ELECT 47uF 20% 16V
C19	1-164-129-11	s CAP, CERAMIC 750PF 5% 50V
C21	1-124-236-00	s CAP, ELECT 47uF 20% 16V
C22	1-124-236-00	s CAP, ELECT 47uF 20% 16V
C23	1-130-471-00	s CAP, MYLAR 0.001uF 5% 50V
C24	1-130-495-00	s CAP, MYLAR 0.1uF 5% 50V
C25	1-124-584-00	s CAP, ELECT 100uF 20% 10V
C26	1-164-120-11	s CAP, CERAMIC 130PF 5% 50V
C27	1-162-881-11	s CAP, CERAMIC 150PF 5% 50V
C28	1-130-471-00	s CAP, MYLAR 0.001uF 5% 50V
C29	1-162-757-11	s CAP, CERAMIC 220PF 5% 50V
C30	1-162-753-11	s CAP, CERAMIC 100PF 5% 50V
C32	1-161-485-00	s CAP, CERAMIC 0.1uF 50V
C33	1-130-477-00	s CAP, MYLAR 0.0033uF 5% 50V
C36	1-131-373-00	s CAP, TANT 22uF 10% 16V
C37	1-130-483-00	s CAP, MYLAR 0.01uF 5% 50V
C38	1-124-566-11	s CAP, ELECT 120uF 20% 6.3V
C39	1-124-584-00	s CAP, ELECT 100uF 20% 10V
C40	1-162-765-11	s CAP, CERAMIC 0.001uF 5% 50V
C41	1-162-753-11	s CAP, CERAMIC 100PF 5% 50V
C42	1-161-485-00	s CAP, CERAMIC 0.1uF 50V
C43	1-161-485-00	s CAP, CERAMIC 0.1uF 50V
C44	1-131-348-00	s CAP, TANTALUM 1.5uF 10% 35V
C46	1-130-471-00	s CAP, MYLAR 0.001uF 5% 50V
C47	1-124-236-00	s CAP, ELECT 47uF 20% 16V
C48	1-131-346-00	s CAP, TANT 0.68uF 10% 35V
C49	1-131-346-00	s CAP, TANT 0.68uF 10% 35V
C50	1-131-347-00	s CAP, TANT 1uF 10% 35V
C51	1-131-347-00	s CAP, TANT 1uF 10% 35V
C52	1-130-495-00	s CAP, MYLAR 0.1uF 5% 50V
C53	1-124-236-00	s CAP, ELECT 47uF 20% 16V
C54	1-124-236-00	s CAP, ELECT 47uF 20% 16V

Ref. No. or Qty	Part No.	SP Description
C55	1-124-236-00	s CAP, ELECT 47uF 20% 16V
C56	1-161-485-00	s CAP, CERAMIC 0.1uF 50V
C57	1-130-487-00	s CAP, MYLAR 0.022uF 5% 50V
C59	1-130-471-00	s CAP, MYLAR 0.001uF 5% 50V
C60	1-124-234-00	s CAP, ELECT 22uF 20% 16V
C61	1-124-234-00	s CAP, ELECT 22uF 20% 16V
C62	1-161-485-00	s CAP, CERAMIC 0.1uF 50V
C63	1-124-518-11	s CAP, ELECT 470uF 20% 6.3V
C64	1-161-485-00	s CAP, CERAMIC 0.1uF 50V
C65	1-124-518-11	s CAP, ELECT 470uF 20% 6.3V
C66	1-161-485-00	s CAP, CERAMIC 0.1uF 50V
C67	1-124-518-11	s CAP, ELECT 470uF 20% 6.3V
C68	1-161-485-00	s CAP, CERAMIC 0.1uF 50V
C69	1-124-518-11	s CAP, ELECT 470uF 20% 6.3V
C70	1-161-485-00	s CAP, CERAMIC 0.1uF 50V
C71	1-124-518-11	s CAP, ELECT 470uF 20% 6.3V
C72	1-161-485-00	s CAP, CERAMIC 0.1uF 50V
C73	1-124-518-11	s CAP, ELECT 470uF 20% 6.3V
C74	1-161-485-00	s CAP, CERAMIC 0.1uF 50V
C75	1-124-522-11	s CAP, ELECT 270uF 20% 16V
C76	1-161-485-00	s CAP, CERAMIC 0.1uF 50V
C77	1-124-522-11	s CAP, ELECT 270uF 20% 16V
C78	1-161-485-00	s CAP, CERAMIC 0.1uF 50V
C79	1-124-522-11	s CAP, ELECT 270uF 20% 16V
C80	1-161-485-00	s CAP, CERAMIC 0.1uF 50V
C81	1-124-522-11	s CAP, ELECT 270uF 20% 16V
C82	1-130-475-00	s CAP, MYLAR 0.0022uF 5% 50V
C83	1-130-471-00	s CAP, MYLAR 0.001uF 5% 50V
C84	1-162-881-11	s CAP, CERAMIC 150PF 5% 50V
C85	1-124-566-11	s CAP, ELECT 120uF 20% 6.3V
C86	1-131-349-00	s CAP, TANT 2.2uF 10% 35V
C87	1-102-110-00	s CAP, CERAMIC 220PF 10% 50V
C88	1-130-479-00	s CAP, MYLAR 0.0047uF 5% 50V
C89	1-164-122-11	s CAP, CERAMIC 200PF 5% 50V
C90	1-162-753-11	s CAP, CERAMIC 100PF 5% 50V
C91	1-124-236-00	s CAP, ELECT 47uF 20% 16V
C92	1-124-236-00	s CAP, ELECT 47uF 20% 16V
C93	1-130-471-00	s CAP, MYLAR 0.001uF 5% 50V
C94	1-131-347-00	s CAP, TANT 1uF 10% 35V
C95	1-131-347-00	s CAP, TANT 1uF 10% 35V
C96	1-130-471-00	s CAP, MYLAR 0.001uF 5% 50V
C97	1-161-485-00	s CAP, CERAMIC 0.1uF 50V
C100	1-130-471-00	s CAP, MYLAR 0.001uF 5% 50V
C101	1-107-160-00	s CAP, MICA 36PF 5% 500V
C104	1-130-471-00	s CAP, MYLAR 0.001uF 5% 50V
C105	1-102-110-00	s CAP, CERAMIC 220PF 10% 50V
C106	1-130-471-00	s CAP, MYLAR 0.001uF 5% 50V
C107	1-162-753-11	s CAP, CERAMIC 100PF 5% 50V
C108	1-124-584-00	s CAP, ELECT 100uF 20% 10V
C109	1-131-347-00	s CAP, TANT 1uF 10% 35V
C110	1-130-495-00	s CAP, MYLAR 0.1uF 5% 50V
C111	1-130-471-00	s CAP, MYLAR 0.001uF 5% 50V
C112	1-162-887-11	s CAP, CERAMIC 270PF 5% 50V
C113	1-130-483-00	s CAP, MYLAR 0.01uF 5% 50V
C114	1-131-348-00	s CAP, TANTALUM 1.5uF 10% 35V
C116	1-102-110-00	s CAP, CERAMIC 220PF 10% 50V
C125	1-102-110-00	s CAP, CERAMIC 220PF 10% 50V
C126	1-130-483-00	s CAP, MYLAR 0.01uF 5% 50V

NOTE : Please see pages D-42 and D-43 for the part numbers of capacitors and resistors that are not listed in the parts list.

D-58(a)

(CK-27 BOARD, BVH-3000PS/3100PS)			Board No. 1-621-749-13,14 & Higher	(CK-27 BOARD, BVH-3000PS/3100PS)			Board No. 1-621-749-13,14 & Higher
Ref. No. or Q'ty	Part No.	SP Description		Ref. No. or Q'ty	Part No.	SP Description	
C127	1-130-487-00	s CAP, MYLAR 0.022uF 5% 50V		D15	8-719-911-19	s DIODE 1SS119	
C129	1-130-483-00	s CAP, MYLAR 0.01uF 5% 50V		D22	8-719-911-19	s DIODE 1SS119	
C130	1-102-110-00	s CAP, CERAMIC 220PF 10% 50V		D701	8-719-903-25	s DIODE SVC321SP-B2	
C132	1-130-475-00	s CAP, MYLAR 0.0022uF 5% 50V		DL2	1-415-431-11	s DELAY LINE 50nS	
C133	1-131-347-00	s CAP, TANT 1uF 10% 35V		FL1	1-235-579-11	s FILTER, BANDPASS 4.43MHz	
C134	1-131-365-00	s CAP, TANT 10uF 20% 20V		IC1	8-759-922-42	s IC MB81464-12	
C400	1-164-119-11	s CAP, CERAMIC 110PF 5% 50V		IC2	8-759-922-42	s IC MB81464-12	
C401	1-130-483-00	s CAP, MYLAR 0.01uF 5% 50V		IC3	8-752-015-81	s IC CX20158	
C402	1-124-282-00	s CAP, ELECT, NONPOLAR 22uF 20% 25V		IC4	8-759-901-63	s IC SN74LS163AN	
				IC5	8-759-900-00	s IC SN74LS00N	
C403	1-164-127-11	s CAP, CERAMIC 510PF 5% 50V		IC6	8-759-901-64	s IC SN74LS164N	
C408	1-124-584-00	s CAP, ELECT 100uF 20% 10V		IC8	8-759-900-20	s IC SN74LS20N	
C410	1-164-120-11	s CAP, CERAMIC 130PF 5% 50V		IC9	8-759-900-04	s IC SN74LS04N	
C412	1-102-110-00	s CAP, CERAMIC 220PF 10% 50V		IC10	8-759-990-82	s IC TL082CP	
C413	1-130-483-00	s CAP, MYLAR 0.01uF 5% 50V		IC11	8-759-918-71	s IC CX23065	
C414	1-131-348-00	s CAP, TANTALUM 1.5uF 10% 35V		IC701	8-759-001-16	s IC MC10116L	
C420	1-102-111-00	s CAP, CERAMIC 270PF 10% 50V		ICA1	8-759-922-42	s IC MB81464-12	
C505	1-124-284-00	s CAP, ELECT NONPOLAR 10uF 20% 16V		ICA2	8-759-922-42	s IC MB81464-12	
C510	1-102-110-00	s CAP, CERAMIC 220PF 10% 50V		ICA3	8-759-922-42	s IC MB81464-12	
C514	1-131-345-00	s TANT 0.47uF 10% 35V		ICA4	8-759-922-42	s IC MB81464-12	
C515	1-102-110-00	s CAP, CERAMIC 220PF 10% 50V		ICA5	8-759-922-42	s IC MB81464-12	
C705	1-131-381-00	s CAP, TANT 47uF 10% 6.3V		ICA6	8-759-922-42	s IC MB81464-12	
C751	1-102-111-00	s CAP, CERAMIC 270PF 10% 50V		ICA7	8-759-922-42	s IC MB81464-12	
C777	1-130-491-00	s CAP, MYLAR 0.047uF 5% 50V		ICA9	8-759-911-57	s IC SN74S157N	
				ICA10	8-759-911-57	s IC SN74S157N	
C778	1-130-475-00	s CAP, MYLAR 0.0022uF 5% 50V		ICA11	8-759-900-74	s IC SN74LS74AN	
C800	1-162-881-11	s CAP, CERAMIC 150PF 5% 50V		ICA12	8-759-939-99	s IC MB8464A-80LP-SK	
C801	1-162-710-11	s CAP, CERAMIC 100PF 5% 50V		ICA13	8-759-939-99	s IC MB8464A-80LP-SK	
C802	1-162-881-11	s CAP, CERAMIC 150PF 5% 50V		ICA14	8-759-939-99	s IC MB8464A-80LP-SK	
C803	1-130-487-00	s CAP, MYLAR 0.022uF 5% 50V		ICA15	8-759-939-99	s IC MB8464A-80LP-SK	
C804	1-162-726-11	s CAP, CERAMIC 470PF 1% 50V		ICB1	8-759-922-42	s IC MB81464-12	
C805	1-130-495-11	s CAP, MYLAR 0.1uF 5% 50V		ICB2	8-759-922-42	s IC MB81464-12	
C807	1-124-236-00	s CAP, ELECT 47uF 20% 16V		ICB3	8-759-922-42	s IC MB81464-12	
C808	1-107-037-00	s CAP, MICA 82PF 5% 500V		ICB4	8-759-922-42	s IC MB81464-12	
C809	1-162-763-11	s CAP, CERAMIC 680PF 5% 50V		ICB5	8-759-922-42	s IC MB81464-12	
C810	1-124-236-00	s CAP, ELECT 47uF 20% 16V		ICB6	8-759-922-42	s IC MB81464-12	
C811	1-124-236-00	s CAP, ELECT 47uF 20% 16V		ICB7	8-759-922-42	s IC MB81464-12	
C814	1-124-236-00	s CAP, ELECT 47uF 20% 16V		ICB8	8-759-900-74	s IC SN74LS74AN	
C815	1-162-886-11	s CAP, CERAMIC 390PF 5% 50V		ICB9	8-759-901-63	s IC SN74LS163AN	
C816	1-162-886-11	s CAP, CERAMIC 390PF 5% 50V		ICB10	8-759-901-63	s IC SN74LS163AN	
C819	1-102-106-00	s CAP, CERAMIC 100PF 10% 50V		ICB11	8-759-901-23	s IC SN74LS123N	
C820	1-102-110-00	s CAP, CERAMIC 220PF 10% 50V		ICB12	8-759-939-99	s IC MB8464A-80LP-SK	
C821	1-162-761-11	s CAP, CERAMIC 470PF 5% 50V		ICB13	8-759-939-99	s IC MB8464A-80LP-SK	
CN305	1-506-748-11	s RECEP, DIN 96P MALE		ICB14	8-759-939-99	s IC MB8464A-80LP-SK	
CN306	1-506-748-11	s RECEP, DIN 96P MALE		ICB15	8-759-939-99	s IC MB8464A-80LP-SK	
CP1	1-235-102-00	s CR BLOCK		ICB17	8-759-990-82	s IC TL082CP	
D1	8-719-911-19	s DIODE 1SS119		ICB19	8-759-930-80	s IC CA3080E	
D2	8-719-911-19	s DIODE 1SS119		ICB21	8-752-015-81	s IC CX20158	
D3	8-719-911-19	s DIODE 1SS119		ICC1	8-759-990-82	s IC TL082CP	
D4	8-719-102-51	s DIODE 1SZ51		ICC7	8-759-900-04	s IC SN74LS04N	
D5	8-719-911-19	s DIODE 1SS119		ICC8	8-759-901-63	s IC SN74LS163AN	
D7	8-719-911-19	s DIODE 1SS119		ICC9	8-759-900-04	s IC SN74LS04N	
D8	8-719-911-19	s DIODE 1SS119		ICC10	8-759-936-54	s IC SN74ALS175N	
D9	8-719-903-25	s DIODE SVC321SP-B2		ICC11	8-759-918-40	s IC CX20194	
D10	8-719-400-35	s DIODE LN358P					
D12	8-719-918-88	s DIODE 1SS198					
D13	8-719-918-88	s DIODE 1SS198					
D14	8-719-918-88	s DIODE 1SS198					

NOTE : Please see pages D-42 and D-43 for the part numbers of capacitors and resistors that are not listed in the parts list.

D-59(a)

(CK-27 BOARD, BVH-3000PS/3100PS)

Board No.  
1-621-749-13,14  
& Higher

(CK-27 BOARD, BVH-3000PS/3100PS)

Board No.  
1-621-749-13,14  
& Higher

Ref. No. or Q'ty	Part No.	SP	Description
ICC17	8-752-030-40	s	IC CXA1016P
ICC19	8-759-990-82	s	IC TL082CP
ICC21	8-759-990-82	s	IC TL082CP
ICD1	8-759-990-82	s	IC TL082CP
ICD2	8-759-933-51	s	IC CXD1020Q
ICD5	8-759-933-51	s	IC CXD1020Q
ICD7	8-759-900-69	s	IC SN74ALS74AN
ICD8	8-759-900-10	s	IC SN74LS10N
ICD9	8-759-900-74	s	IC SN74LS74AN
ICD10	8-759-900-08	s	IC SN74LS08N
ICD19	8-749-901-26	s	IC BX-381L
ICE1	8-759-201-41	s	IC TD62901P
ICE2	8-759-900-30	s	IC SN74LS30N
ICE3	8-759-903-74	s	IC SN74LS374N
ICE4	8-759-903-74	s	IC SN74LS374N
ICE5	8-759-900-30	s	IC SN74LS30N
ICE6	8-759-900-32	s	IC SN74LS32N
ICE7	8-759-900-04	s	IC SN74LS04N
ICE8	8-759-901-64	s	IC SN74LS164N
ICE9	8-759-900-30	s	IC SN74LS30N
ICE10	8-759-900-69	s	IC SN74ALS74AN
ICE11	8-759-933-51	s	IC CXD1020Q
ICE14	8-759-933-51	s	IC CXD1020Q
ICE17	8-759-300-25	s	IC HD10125
ICE18	8-759-900-04	s	IC SN74LS04N
ICE19	8-759-900-74	s	IC SN74LS74AN
ICE20	8-759-901-23	s	IC SN74LS123N
ICE21	8-749-901-26	s	IC BX-381L
ICF1	8-759-903-74	s	IC SN74LS374N
ICF3	8-759-903-99	s	IC SN74LS399N
ICF4	8-759-903-99	s	IC SN74LS399N
ICF5	8-759-113-43	s	IC UPD41102C-1S
ICF6	8-759-903-99	s	IC SN74LS399N
ICF8	8-759-918-33	s	IC CX20160
ICF9	8-759-918-33	s	IC CX20160
ICF10	8-759-901-57	s	IC SN74LS157N
ICF11	8-759-901-57	s	IC SN74LS157N
ICF12	8-759-901-57	s	IC SN74LS157N
ICF13	8-759-902-83	s	IC SN74LS283N
ICF14	8-759-903-99	s	IC SN74LS399N
ICF15	8-759-903-99	s	IC SN74LS399N
ICF16	8-759-900-68	s	IC SN74ALS30AN
ICF17	8-759-300-25	s	IC HD10125
ICF18	8-759-900-00	s	IC SN74LS00N
ICF19	8-759-900-74	s	IC SN74LS74AN
ICF20	8-759-912-05	s	IC SN74ALS161BN
ICG1	8-759-901-74	s	IC SN74LS174N
ICG2	8-759-900-74	s	IC SN74LS74AN
ICG3	8-759-900-74	s	IC SN74LS74AN
ICG4	8-759-900-08	s	IC SN74LS08N
ICG5	8-759-900-02	s	IC SN74LS02N
ICG6	8-759-901-75	s	IC SN74LS175N
ICG7	8-759-901-63	s	IC SN74LS163AN
ICG8	8-759-901-63	s	IC SN74LS163AN
ICG9	8-759-901-63	s	IC SN74LS163AN
ICG11	8-759-900-74	s	IC SN74LS74AN
ICG12	8-759-901-57	s	IC SN74LS157N
ICG13	8-759-902-83	s	IC SN74LS283N
ICG14	8-759-906-69	s	IC SN74LS669N

Ref. No. or Q'ty	Part No.	SP	Description
ICG15	8-759-906-69	s	IC SN74LS669N
ICG16	8-759-900-00	s	IC SN74LS00N
ICG17	8-759-001-16	s	IC MC10116L
ICG18	8-759-901-23	s	IC SN74LS123N
ICG19	8-759-900-74	s	IC SN74LS74AN
ICG20	8-759-902-21	s	IC SN74LS221N
ICG21	8-759-901-64	s	IC SN74LS164N
ICH1	8-759-901-64	s	IC SN74LS164N
ICH2	8-759-901-64	s	IC SN74LS164N
ICH3	8-759-300-25	s	IC HD10125
ICH4	8-759-900-04	s	IC SN74LS04N
ICH5	8-759-904-18	s	IC SN74ALS00AN
ICH6	8-759-901-38	s	IC SN74LS138N
ICH7	8-759-936-54	s	IC SN74ALS175N
ICH8	8-759-900-04	s	IC SN74LS04N
ICH9	8-759-912-07	s	IC SN74ALS163AN
ICH10	8-759-912-07	s	IC SN74ALS163AN
ICH11	8-759-912-07	s	IC SN74ALS163AN
ICH12	8-759-900-68	s	IC SN74ALS30AN
ICH13	8-759-904-09	s	IC SN74LS688N
ICH14	8-759-906-69	s	IC SN74LS669N
ICH15	8-759-906-69	s	IC SN74LS669N
ICH19	8-759-900-04	s	IC SN74LS04N
ICH20	8-759-902-21	s	IC SN74LS221N
ICH21	8-759-902-21	s	IC SN74LS221N
ICJ1	8-759-901-51	s	IC SN74LS151P
ICJ2	8-759-900-04	s	IC SN74LS04N
ICJ3	8-759-901-63	s	IC SN74LS163AN
ICJ4	8-759-901-63	s	IC SN74LS163AN
ICJ5	8-759-900-00	s	IC SN74LS00N
ICJ6	8-759-989-69	s	IC SN74LS866AN
ICJ7	8-759-900-04	s	IC SN74LS04N
ICJ8	8-759-900-74	s	IC SN74LS74AN
ICJ9	8-759-904-33	s	IC SN74ALS20AN
ICJ10	8-759-900-32	s	IC SN74LS32N
ICJ11	8-759-900-69	s	IC SN74ALS74AN
ICJ12	8-759-904-26	s	IC SN74ALS08N
ICJ13	8-759-901-23	s	IC SN74LS123N
ICJ14	8-759-901-74	s	IC SN74LS174N
ICJ15	8-759-900-74	s	IC SN74LS74AN
ICJ16	8-759-300-25	s	IC HD10125
ICJ17	8-759-990-82	s	IC TL082CP
ICJ19	8-749-938-10	s	IC BX-381
ICJ21	8-759-990-82	s	IC TL082CP
ICK1	8-759-901-53	s	IC SN74LS153N
ICK2	8-759-901-51	s	IC SN74LS151N
ICK3	8-759-901-51	s	IC SN74LS151N
ICK4	8-759-902-21	s	IC SN74LS221N
ICK5	8-759-901-75	s	IC SN74LS175N
ICK6	8-759-900-08	s	IC SN74LS08N
ICK7	8-759-900-04	s	IC SN74LS04N
ICK8	8-759-900-20	s	IC SN74LS20N
ICK9	8-759-901-23	s	IC SN74LS123N
ICK10	8-759-901-63	s	IC SN74LS163AN
ICK11	8-759-900-08	s	IC SN74LS08N
ICK12	8-759-900-74	s	IC SN74LS74AN

NOTE : Please see pages D-42 and D-43 for the part numbers of capacitors and resistors that are not listed in the parts list.

D-60(a)

(CK-27 BOARD, BVH-3000PS/3100PS)

Board No.  
1-621-749-13, 14  
& Higher

(CK-27 BOARD, BVH-3000PS/3100PS)

Board No.  
1-621-749-13, 14  
& Higher

Ref. No. or Q'ty	Part No.	SP Description
ICK13	8-759-900-08	s IC SN74LS08N
ICK14	8-759-900-10	s IC SN74LS10N
ICK15	8-759-901-53	s IC SN74LS153N
ICK16	8-759-900-74	s IC SN74LS74AN
ICK17	8-759-902-21	s IC SN74LS221N
ICK19	8-759-904-20	s IC MB4002
ICK21	8-759-918-23	s IC NE527N
ICL1	8-741-101-11	s IC BX-1101A
ICL3	8-759-906-07	s IC TL607CP
ICL4	8-759-990-82	s IC TL082CP
ICL5	8-759-918-93	s IC SN75207N
ICL6	8-759-900-08	s IC SN74LS08N
ICL7	8-759-900-74	s IC SN74LS74AN
ICL8	8-759-900-30	s IC SN74LS33N
ICL9	8-759-900-74	s IC SN74LS74AN
ICL10	8-759-901-63	s IC SN74LS163AN
ICL11	8-759-989-69	s IC SN74LS86AN
ICL12	8-759-901-23	s IC SN74LS123N
ICL13	8-759-900-00	s IC SN74LS00N
ICL14	8-759-900-69	s IC SN74ALS74AN
ICL15	8-759-900-00	s IC SN74LS00N
ICL16	8-759-900-04	s IC SN74LS04N
ICL17	8-759-900-04	s IC SN74LS04N
ICL19	8-759-990-82	s IC TL082CP
ICL21	8-749-900-63	s IC BX-365AL
ICM1	8-759-202-26	s IC TC74HC138P
ICM2	8-759-900-04	s IC SN74LS04N
ICM3	8-759-901-23	s IC SN74LS123N
ICM4	8-759-902-21	s IC SN74LS221N
ICM5	8-759-900-74	s IC SN74LS74AN
ICM6	8-759-900-74	s IC SN74LS74AN
ICM7	8-759-103-93	s IC UPC393C
ICM8	8-759-918-71	s IC CX23065
ICM9	8-759-900-74	s IC SN74LS74AN
ICM10	8-759-901-23	s IC SN74LS123N
ICM11	8-759-900-04	s IC SN74LS04N
ICM12	8-759-900-74	s IC SN74LS74AN
ICM13	8-759-901-63	s IC SN74LS163AN
ICM14	8-759-904-20	s IC MB4002
ICM15	8-759-103-93	s IC UPC393C
ICM16	8-759-990-82	s IC TL082CP
ICM18	8-759-990-82	s IC TL082CP
ICM19	8-749-901-26	s IC BX-381L
ICM21	8-759-990-82	s IC TL082CP
ICN1	8-759-916-79	s IC SN74HC273N
ICN2	8-759-916-79	s IC SN74HC273N
ICN3	8-759-900-74	s IC SN74LS74AN
ICN4	8-759-900-74	s IC SN74LS74AN
ICN5	8-759-900-10	s IC SN74LS10N
ICN6	8-759-103-93	s IC UPC393C
ICN8	8-749-901-26	s IC BX-381L
ICN9	8-759-901-23	s IC SN74LS123N
ICN10	8-759-901-23	s IC SN74LS123N
ICN11	8-759-901-23	s IC SN74LS123N
ICN12	8-759-900-08	s IC SN74LS08N
ICN13	8-759-901-63	s IC SN74LS163AN

Ref. No. or Q'ty	Part No.	SP Description
ICN14	8-759-900-00	s IC SN74LS00N
ICN16	8-759-990-82	s IC TL082CP
ICN17	8-749-901-26	s IC BX-381L
ICN21	8-759-990-82	s IC TL082CP
ICP1	8-759-900-00	s IC SN74LS00N
ICP2	8-759-208-10	s IC TC4053BPHB
ICP3	8-759-900-74	s IC SN74LS74AN
ICP4	8-759-900-08	s IC SN74LS08N
ICP5	8-759-900-32	s IC SN74LS32N
ICP6	8-759-900-74	s IC SN74LS74AN
ICP7	8-759-918-40	s IC CX20194
ICP9	8-759-901-23	s IC SN74LS123N
ICP11	8-759-900-74	s IC SN74LS74AN
ICP12	8-759-901-75	s IC SN74LS175N
ICP13	8-759-900-04	s IC SN74LS04N
ICP14	8-759-900-33	s IC SN74LS33N
ICP15	8-759-918-40	s IC CX20194
ICP16	8-759-990-82	s IC TL082CP
ICP18	8-759-016-48	s IC MC1648P
ICP20	8-759-208-10	s IC TC4053BPHB
L1	1-408-409-00	s INDUCTOR 10UH 5%
L2	1-408-409-00	s INDUCTOR 10UH 5%
L3	1-408-409-00	s INDUCTOR 10UH 5%
L4	1-408-409-00	s INDUCTOR 10UH 5%
L5	1-408-409-00	s INDUCTOR 10UH 5%
L6	1-408-409-00	s INDUCTOR 10UH 5%
L7	1-421-370-00	s COIL, CHOKE
L8	1-421-370-00	s COIL, CHOKE
L9	1-421-370-00	s COIL, CHOKE
L10	1-421-370-00	s COIL, CHOKE
L11	1-421-370-00	s COIL, CHOKE
L12	1-408-409-00	s INDUCTOR 10UH 5%
L13	1-408-409-00	s INDUCTOR 10UH 5%
L14	1-408-409-00	s INDUCTOR 10UH 5%
L15	1-408-409-00	s INDUCTOR 10UH 5%
L17	1-408-409-00	s INDUCTOR 10UH 5%
L701	1-410-956-11	s INDUCTOR, VAR
L800	1-408-425-00	s INDUCTOR, 220UH 5%
LPF1	1-231-621-00	s FILTER, LOW-PASS
LV1	1-409-403-11	s COIL, TUNING
LV2	1-410-286-11	s INDUCTOR, VAR 1UH
LV7	1-410-285-11	s INDUCTOR, VAR 0.68UH
Q1	8-729-204-83	s TRANSISTOR 2SA1048-GR
Q4	8-729-105-71	s TRANSISTOR 2SK523-K2
Q5	8-729-900-61	s TRANSISTOR DTA114ES
Q6	8-729-105-71	s TRANSISTOR 2SK523-K2
Q7	8-729-900-61	s TRANSISTOR DTA114ES
Q8	8-729-204-83	s TRANSISTOR 2SA1048-GR
Q9	8-729-204-83	s TRANSISTOR 2SA1048-GR
Q10	8-729-190-12	s TRANSISTOR 2SC2901
Q11	8-729-900-61	s TRANSISTOR DTA114ES
Q12	8-729-105-71	s TRANSISTOR 2SK523-K2
Q13	8-729-105-71	s TRANSISTOR 2SK523-K2
Q14	8-729-900-61	s TRANSISTOR DTA114ES
Q15	8-729-190-12	s TRANSISTOR 2SC2901
Q16	8-729-105-71	s TRANSISTOR 2SK523-K2
Q17	8-729-900-61	s TRANSISTOR DTA114ES

NOTE : Please see pages D-42 and D-43 for the part numbers of capacitors and resistors that are not listed in the parts list.

D-61(a)

(CK-27 BOARD, BVH-3000PS/3100PS)			Board No. 1-621-749-13,14 & Higher	(CK-27 BOARD, BVH-3000PS/3100PS)			Board No. 1-621-749-13,14 & Higher
Ref. No. or Q'ty	Part No.	SP Description		Ref. No. or Q'ty	Part No.	SP Description	
Q19	8-729-190-12	s TRANSISTOR 2SC2901		R213	1-215-408-00	s RES, METAL 300 1% 1/6W	
Q20	8-729-204-83	s TRANSISTOR 2SA1048-GR		R226	1-215-437-00	s RES, METAL 4.7K 1% 1/6W	
Q21	8-729-900-61	s TRANSISTOR DTA114ES		R228	1-215-454-00	s RES, METAL 24K 1% 1/6W	
Q22	8-729-105-71	s TRANSISTOR 2SK523-K2		R239	1-215-459-00	s RES, METAL 39K 1% 1/6W	
Q23	8-729-105-71	s TRANSISTOR 2SK523-K2		R300	1-247-895-00	s RES, CARBON 470K 5% 1/6W	
Q24	8-729-900-61	s TRANSISTOR DTA114ES		R302	1-215-445-00	s RES, METAL 10K 1% 1/6W	
Q25	8-729-105-71	s TRANSISTOR 2SK523-K2		R303	1-215-445-00	s RES, METAL 10K 1% 1/6W	
Q30	8-729-611-53	s TRANSISTOR 2SA1115-E		R304	1-215-439-00	s RES, METAL 5.6K 1% 1/6W	
Q77	8-729-900-61	s TRANSISTOR DTA114ES		R306	1-215-445-00	s RES, METAL 10K 1% 1/6W	
Q78	8-729-105-71	s TRANSISTOR 2SK523-L1		R307	1-215-421-00	s RES, METAL 1K 1% 1/6W	
Q800	8-729-105-71	s TRANSISTOR 2SK523-K2		R308	1-215-431-00	s RES, METAL 2.7K 1% 1/6W	
Q801	8-729-900-61	s TRANSISTOR DTA114ES		R309	1-215-445-00	s RES, METAL 10K 1% 1/6W	
R1	1-215-397-00	s RES, METAL 100 1% 1/6W		R310	1-215-441-00	s RES, METAL 6.8K 1% 1/6W	
R2	1-215-397-00	s RES, METAL 100 1% 1/6W		R311	1-215-433-00	s RES, METAL 3.3K 1% 1/6W	
R20	1-215-406-00	s RES, METAL 240 1% 1/6W		R315	1-215-428-00	s RES, METAL 2K 1% 1/6W	
R21	1-215-408-00	s RES, METAL 300 1% 1/6W		R316	1-215-445-00	s RES, METAL 10K 1% 1/6W	
R23	1-215-424-00	s RES, METAL 1.3K 1% 1/6W		R801	1-215-452-00	s RES, METAL 20K 1% 1/6W	
R31	1-215-416-00	s RES, METAL 620 1% 1/6W		R802	1-215-454-00	s RES, METAL 24K 1% 1/6W	
R32	1-215-437-00	s RES, METAL 4.7K 1% 1/6W		R803	1-215-452-00	s RES, METAL 20K 1% 1/6W	
R33	1-215-432-00	s RES, METAL 3K 1% 1/6W		R804	1-215-425-00	s RES, METAL 1.5K 1% 1/6W	
R34	1-215-425-00	s RES, METAL 1.5K 1% 1/6W		R805	1-215-459-00	s RES, METAL 39K 1% 1/6W	
R40	1-215-461-00	s RES, METAL 47K 1% 1/6W		R806	1-215-429-00	s RES, METAL 2.2K 1% 1/6W	
R41	1-215-457-00	s RES, METAL 33K 1% 1/6W		R809	1-215-408-00	s RES, METAL 300 1% 1/6W	
R42	1-215-439-00	s RES, METAL 5.6K 1% 1/6W		R810	1-215-408-00	s RES, METAL 300 1% 1/6W	
R43	1-215-440-00	s RES, METAL 6.2K 1% 1/6W		R813	1-215-445-00	s RES, METAL 10K 1% 1/6W	
R44	1-215-457-00	s RES, METAL 33K 1% 1/6W		R814	1-215-451-00	s RES, METAL 18K 1% 1/6W	
R57	1-215-447-00	s RES, METAL 12K 1% 1/6W		R815	1-215-452-00	s RES, METAL 20K 1% 1/6W	
R62	1-215-430-00	s RES, METAL 2.4K 1% 1/6W		R816	1-215-452-00	s RES, METAL 20K 1% 1/6W	
R88	1-215-428-00	s RES, METAL 2K 1% 1/6W		R821	1-215-426-00	s RES, METAL 1.6K 1% 1/6W	
R89	1-215-428-00	s RES, METAL 2K 1% 1/6W		R822	1-215-421-00	s RES, METAL 1K 1% 1/6W	
R97	1-215-438-00	s RES, METAL 5.1K 1% 1/6W		R823	1-215-421-00	s RES, METAL 1K 1% 1/6W	
R100	1-215-445-00	s RES, METAL 10K 1% 1/6W		R824	1-215-429-00	s RES, METAL 2.2K 1% 1/6W	
R102	1-215-442-00	s RES, METAL 7.5K 1% 1/6W		R825	1-215-405-00	s RES, METAL 220 1% 1/6W	
R105	1-215-445-00	s RES, METAL 10K 1% 1/6W		R826	1-215-429-00	s RES, METAL 2.2K 1% 1/6W	
R106	1-215-443-00	s RES, METAL 8.2K 1% 1/6W		RB1	1-231-503-00	s RESISTOR BLOCK 560x4	
R114	1-247-838-00	s RES, CARBON 2K 5% 1/6W		RB2	1-231-403-00	s RESISTOR BLOCK 560x8	
R117	1-215-467-00	s RES, METAL 82K 1% 1/6W		RV1	1-237-254-11	s RES, ADJ, METAL 50	
R119	1-215-467-00	s RES, METAL 82K 1% 1/6W		RV2	1-230-840-11	s RES, ADJ, METAL 1K	
R129	1-215-466-00	s RES, METAL 75K 1% 1/6W		RV3	1-237-260-11	s RES, ADJ, METAL 5K	
R130	1-215-452-00	s RES, METAL 20K 1% 1/6W		RV4	1-230-842-11	s RES, ADJ, METAL 5K	
R131	1-215-428-00	s RES, METAL 2K 1% 1/6W		RV5	1-237-260-11	s RES, ADJ, METAL 5K	
R135	1-215-452-00	s RES, METAL 20K 1% 1/6W		RV6	1-230-842-11	s RES, ADJ, METAL 5K	
R141	1-247-849-00	s RES, CARBON 5.6K 5% 1/4W		RV7	1-230-840-11	s RES, ADJ, METAL 1K	
R146	1-215-455-00	s RES, METAL 27K 1% 1/6W		RV8	1-230-841-11	s RES, ADJ, METAL 2K	
R148	1-215-455-00	s RES, METAL 27K 1% 1/6W		RV9	1-230-740-21	s RES, VAR, CARBON 5K(B)	
R152	1-249-431-11	s RES, CARBON 15K 5% 1/4W		RV11	1-230-846-11	s RES, ADJ, METAL 100K	
R163	1-215-449-00	s RES, METAL 15K 1% 1/6W		RV12	1-230-842-11	s RES, ADJ, METAL 5K	
R164	1-215-439-00	s RES, METAL 5.6K 1% 1/6W		RV14	1-230-840-11	s RES, ADJ, METAL 1K	
R165	1-215-450-00	s RES, METAL 16K 1% 1/6W		RV15	1-230-843-11	s RES, ADJ, METAL 10K	
R169	1-215-442-00	s RES, METAL 7.5K 1% 1/6W		RV41	1-237-259-11	s RES, ADJ, METAL 2K	
R170	1-215-432-00	s RES, METAL 3K 1% 1/6W		RV42	1-230-844-11	s RES, ADJ, METAL 20K	
R171	1-215-432-00	s RES, METAL 3K 1% 1/6W		RV800	1-237-260-11	s RES, ADJ, METAL 5K	
R172	1-215-431-00	s RES, METAL 2.7K 1% 1/6W		RV802	1-230-838-11	s RES, ADJ, METAL 200	
R176	1-215-404-00	s RES, METAL 200 1% 1/6W		RV810	1-237-514-21	s RES, ADJ, CERMET 500	
R195	1-215-464-00	s RES, METAL 62K 1% 1/6W					
R196	1-215-465-00	s RES, METAL 68K 1% 1/6W					

NOTE : Please see pages D-42 and D-43 for the part numbers of capacitors and resistors that are not listed in the parts list.

D-62(a)

-----  
 CN-186 BOARD, BVH-3000PS/3100PS  
 -----

Ref.No. or Qty	Part No.	SP Description
1pc	1-621-131-11	o PC BOARD, CN-186
CN401	1-560-300-00	o RECEP, 1L 3P MALE
CN402	1-560-300-00	o RECEP, 1L 3P MALE
CN403	1-560-300-00	o RECEP, 1L 3P MALE
CP1	1-162-617-11	s CAP, CERAMIC 0.022uF 50V

-----  
 DD-7 BOARD, BVH-3000PS/3100PS  
 -----

Ref.No. or Qty	Part No.	SP Description
1pc	A-6023-037-A	o COMPLETE PCB, DD-7
2pcs	3-703-037-00	s INSULATOR, T0-220
4pcs	7-682-648-09	s SCREW +PS 3X8
4pcs	7-682-948-01	s SCREW +PSW 3X8
2pcs	7-682-949-01	s SCREW +PSW 3X10
C1	1-109-676-00	s CAP, MICA 130PF 1% 500V
C2	1-126-134-11	s CAP, ELECT 4.7uF 20% 350V
C3	1-126-134-11	s CAP, ELECT 4.7uF 20% 350V
C4	1-126-134-11	s CAP, ELECT 4.7uF 20% 350V
C5	1-126-134-11	s CAP, ELECT 4.7uF 20% 350V
C6	1-126-134-11	s CAP, ELECT 4.7uF 20% 350V
C7	1-126-134-11	s CAP, ELECT 4.7uF 20% 350V
C8	1-126-134-11	s CAP, ELECT 4.7uF 20% 350V
C9	1-126-134-11	s CAP, ELECT 4.7uF 20% 350V
C10	1-130-484-00	s CAP, MYLAR 0.012uF 5% 50V
C11	1-124-489-11	s CAP, ELECT 150uF 20% 25V
C12	1-130-492-11	s CAP, MYLAR 0.056uF 5% 50V
C13	1-130-478-00	s CAP, MYLAR 0.0039uF 5% 50V
C18	1-124-489-11	s CAP, ELECT 150uF 20% 25V
CN281	1-560-305-00	o RECEP, 1L 10P MALE
CN282	1-560-304-00	o RECEP, 1L 8P MALE
CP1	1-232-718-11	s CR BLOCK
CP2	1-232-712-11	s CR BLOCK
CP3	1-232-716-11	s CR BLOCK
CP4	1-232-717-11	s CR BLOCK
CP5	1-232-715-11	s CR BLOCK
CP6	1-232-714-11	s CR BLOCK
CP7	1-232-713-11	s CR BLOCK
D1	8-719-110-00	s DIODE RD100E
D2	8-719-123-89	s DIODE RD91EB
D3	8-719-900-95	s DIODE V09G
D4	8-719-123-89	s DIODE RD91EB
D5	8-719-110-00	s DIODE RD100E
D6	8-719-900-95	s DIODE V09G
D7	8-719-104-07	s DIODE F114F
D8	8-719-104-07	s DIODE F114F
D9	8-719-104-07	s DIODE F114F
D10	8-719-104-07	s DIODE F114F
D11	8-719-911-19	s DIODE 1SS119
D12	8-719-911-19	s DIODE 1SS119
D13	8-719-911-19	s DIODE 1SS119
D14	8-719-911-19	s DIODE 1SS119
D15	8-719-110-86	s DIODE RD39ESB
D16	8-719-110-86	s DIODE RD39ESB
FB1	1-535-178-00	s FERRITE BEAD
FB2	1-535-178-00	s FERRITE BEAD
FB3	1-535-178-00	s FERRITE BEAD
FB4	1-535-178-00	s FERRITE BEAD
IC1	8-759-937-59	s IC MB3759
IC2	8-759-909-90	s IC UA723CN
L1	1-421-421-00	s COIL, CHOKE 100UH
L2	1-421-421-00	s COIL, CHOKE 100UH

NOTE : Please see pages D-42 and D-43 for the part numbers of capacitors and resistors that are not listed in the parts list.



(DD-7 BOARD, BVH-3000PS/3100PS)

Ref.No. or Q'ty	Part No.	SP	Description
L3	1-408-429-00	s	INDUCTOR 470UH 5%
L4	1-421-401-00	s	COIL, CHOKE
Q1	8-729-204-83	s	TRANSISTOR 2SA1048-GR
Q2	8-729-245-82	s	TRANSISTOR 2SC2458-Y
Q3	8-729-204-94	s	TRANSISTOR 2SC3559
Q4	8-729-118-43	s	TRANSISTOR 2SA1413-L
Q5	8-729-141-78	s	TRANSISTOR 2SC3632-K
Q6	8-729-118-43	s	TRANSISTOR 2SA1413-L
Q7	8-729-118-43	s	TRANSISTOR 2SA1413-L
Q8	8-729-141-78	s	TRANSISTOR 2SC3632-K
Q9	8-729-204-94	s	TRANSISTOR 2SC3559
Q10	8-729-204-94	s	TRANSISTOR 2SC3559
Q11	8-729-115-64	s	TRANSISTOR 2SA1156
Q12	8-729-141-78	s	TRANSISTOR 2SC3632-K
Q13	8-729-141-78	s	TRANSISTOR 2SC3632-K
Q14	8-729-175-22	s	TRANSISTOR 2SC2752
Q15	8-729-204-94	s	TRANSISTOR 2SC3559
Q16	8-729-116-47	s	TRANSISTOR 2SC3157-L
Q17	8-729-116-47	s	TRANSISTOR 2SC3157-L
Q18	8-729-900-80	s	TRANSISTOR DTC114ES
R1	1-215-900-11	s	RES, METAL 22K 5% 2W
R2	1-215-900-11	s	RES, METAL 22K 5% 2W
R8	1-247-695-11	s	RES, CARBON 39 5% 1/4W
R9	1-217-625-00	s	RES, METAL 0.05 10% 2W
R12	1-247-743-11	s	RES, CARBON 220 5% 1/2W
R13	1-215-452-00	s	RES, METAL 20K 1% 1/6W
R15	1-247-743-11	s	RES, CARBON 220 5% 1/2W
R18	1-215-882-00	s	RES, METAL 22 5% 2W
R19	1-247-695-11	s	RES, CARBON 39 5% 1/4W
RV1	1-230-838-11	s	RES, ADJ, METAL 200
RV2	1-230-841-11	s	RES, ADJ, METAL 2K
T1	1-448-769-11	s	TRANSFORMER, DC-DC CONV

DE-18 BOARD, BVH-3000PS/3100PS

Ref.No. or Q'ty	Part No.	SP	Description
1pc	A-6026-058-A	o	MOUNTED PCB, DE-18
CN003F	1-509-986-00	o	HOUSING, 1L 5P
	1-560-298-00	o	CONTACT, FEMALE AWG22-28
RM1 (Magneto-sensing element) not replaceable			

NOTE : Please see pages D-42 and D-43 for the part numbers of capacitors and resistors that are not listed in the parts list.

-----  
 DET-3 BOARD, BVH-3000PS/3100PS  
 -----

Ref.No. or Qty	Part No.	SP Description
1pc	1-618-489-11	o PC BOARD, DET-3
1pc	3-673-694-00	o HOLDER, DME
1pc	7-685-133-19	s SCREW +BTP 2.6X6 TYPE2 N-S
C1	1-102-074-00	s CAP, CERAMIC 0.001uF 10% 50V
C2	1-124-224-00	s CAP, ELECT 47uF 20% 6.3V
CN1	1-564-016-00	o RECEP, 6P MALE
D1	8-719-911-19	s DIODE 1SS119
DME1	8-745-211-00	s DME DM-211
IC1	8-759-103-93	s IC UPC393C
R5	1-215-429-00	s RES, METAL 2.2K 1% 1/6W
R6	1-215-429-00	s RES, METAL 2.2K 1% 1/6W
R7	1-215-429-00	s RES, METAL 2.2K 1% 1/6W
R8	1-215-429-00	s RES, METAL 2.2K 1% 1/6W
RV1	1-228-469-00	s RES, ADJ, CERMET 200
RV2	1-228-469-00	s RES, ADJ, CERMET 200

-----  
 DP-63 BOARD, BVH-3000PS/3100PS  
 -----

Ref.No. or Qty	Part No.	SP Description
1pc	1-621-121-12	o PC BOARD, DP-63
D1	8-719-911-19	s DIODE 1SS119
D2	8-719-911-19	s DIODE 1SS119
D3	8-719-911-19	s DIODE 1SS119
D4	8-719-911-19	s DIODE 1SS119
D5	8-719-911-19	s DIODE 1SS119
D6	8-719-911-19	s DIODE 1SS119
D7	8-719-905-54	s DIODE EBG5504S
D8	8-719-905-56	s DIODE EBR5504S
D9	8-719-905-54	s DIODE EBG5504S
S1	1-554-039-11	s SWITCH WITH LED, PUSH
S2	1-554-048-00	s SWITCH WITH LED, PUSH
S3	1-554-039-11	s SWITCH WITH LED, PUSH
S4	1-554-048-00	s SWITCH WITH LED, PUSH
S5	1-554-039-11	s SWITCH WITH LED, PUSH
S6	1-571-280-11	s SWITCH WITH LED, PUSH

NOTE : Please see pages D-42 and D-43 for the part numbers of capacitors and resistors that are not listed in the parts list.

DR-13 BOARD, BVH-3000PS/3100PS

Ref.No. or Qty	Part No.	SP Description
1pc (for BVH-3000/3000PS)	A-6049-008-A	o COMPLETE PCB, DR-13
1pc (for BVH-3100/3100PS)	A-6049-025-A	s COMPLETE PCB, DR-13
34pcs (for BVH-3000/3000PS)		
22pcs (for BVH-3100/3100PS)	1-560-240-00	s CONTACT
2pc	7-621-259-49	s SCREW +P 2.6X6
2pc	7-682-147-15	s SCREW +P 3X6
2pc	7-684-023-04	s N 3, TYPE 2
4pc	7-688-003-11	s W 3, MIDDLE
C1	1-131-374-00	s CAP, TANT 33uF 10% 16V
C2	1-131-353-00	s CAP, TANT 10uF 10% 35V
C3	1-131-353-00	s CAP, TANT 10uF 10% 35V
C4 (for BVH-3000/3000PS)	1-131-353-00	s CAP, TANT 10uF 10% 35V
D1	8-719-900-95	s DIODE V09G
D2	8-719-109-07	s DIODE RD39E-B
D3	8-719-109-07	s DIODE RD39E-B
D4	8-719-900-95	s DIODE V09G
D5	8-719-912-20	s DIODE 1SS120
D6	8-719-912-20	s DIODE 1SS120
D7	8-719-912-20	s DIODE 1SS120
D8	8-719-912-20	s DIODE 1SS120
IC1	8-759-377-43	s IC HA17741GS
IC2	8-741-115-62	s IC BX-1156B
IC3 (for BVH-3000/3000PS)	8-741-115-62	s IC BX-1156B
L1	1-408-096-00	s MICRO INDUCTOR 470UH
L2	1-408-096-00	s MICRO INDUCTOR 470UH
L3 (for BVH-3000/3000PS)	1-408-096-00	s MICRO INDUCTOR 470UH
Q1	8-729-105-71	s TRANSISTOR 2SK523-K2
R1	1-247-838-00	s RES, CARBON 2K 5% 1/6W
R3	1-215-474-00	s RES, CARBON 160K 5% 1/6W

DS-19 BOARD, BVH-3000PS/3100PS

Ref.No. or Qty	Part No.	SP Description
1pc	A-6025-102-A	o COMPLETE PCB, DS-19
C3	1-124-943-11	s CAP, ELECT 39uF 20% 25V
C6	1-124-943-11	s CAP, ELECT 39uF 20% 25V
C10	1-124-943-11	s CAP, ELECT 39uF 20% 25V
C12	1-124-566-11	s CAP, ELECT 120uF 20% 6.3V
C16	1-130-487-00	s CAP, MYLAR 0.022uF 5% 50V
C17	1-130-487-00	s CAP, MYLAR 0.022uF 5% 50V
C19	1-130-487-00	s CAP, MYLAR 0.022uF 5% 50V
C20	1-130-487-00	s CAP, MYLAR 0.022uF 5% 50V
C21	1-130-487-00	s CAP, MYLAR 0.022uF 5% 50V
C24	1-130-483-00	s CAP, MYLAR 0.01uF 5% 50V
C25	1-130-483-00	s CAP, MYLAR 0.01uF 5% 50V
C26	1-130-483-00	s CAP, MYLAR 0.01uF 5% 50V
C27	1-130-483-00	s CAP, MYLAR 0.01uF 5% 50V
C28	1-130-495-00	s CAP, MYLAR 0.1uF 5% 50V
C29	1-130-495-00	s CAP, MYLAR 0.1uF 5% 50V
C30	1-130-495-00	s CAP, MYLAR 0.1uF 5% 50V
C31	1-130-495-00	s CAP, MYLAR 0.1uF 5% 50V
CN001	1-560-300-00	o RECEP, 1L 3P MALE
CN002	1-560-301-00	o RECEP, 1L 4P MALE
CN003	1-560-302-00	o RECEP, 1L 5P MALE
CN004	1-560-300-00	o RECEP, 1L 3P MALE
CN005	1-560-301-00	o RECEP, 1L 4P MALE
CN006	1-560-304-00	o RECEP, 1L 8P MALE
CN007	1-560-301-00	o RECEP, 1L 4P MALE
CN008	1-560-300-00	o RECEP, 1L 3P MALE
CN009	1-560-300-00	o RECEP, 1L 3P MALE
CN010	1-560-299-00	o RECEP, 1L 2P MALE
CN011	1-560-300-00	o RECEP, 1L 3P MALE
CN021	1-560-727-00	o RECEP, 26P MALE
CN022	1-560-303-00	o RECEP, 1L 6P MALE
D1	8-719-200-02	s DIODE 10E-2
D2	8-719-200-02	s DIODE 10E-2
D3	8-719-200-02	s DIODE 10E-2
D4	8-719-200-02	s DIODE 10E-2
D5	8-719-911-19	s DIODE 1SS119
D6	8-719-911-19	s DIODE 1SS119
D7	8-719-911-19	s DIODE 1SS119
D8	8-719-911-19	s DIODE 1SS119
D9	8-719-911-19	s DIODE 1SS119
D10	8-719-911-19	s DIODE 1SS119
D11	8-719-911-19	s DIODE 1SS119
D12	8-719-911-19	s DIODE 1SS119
D13	8-719-911-19	s DIODE 1SS119
D14	8-719-200-02	s DIODE 10E-2
D15	8-719-200-02	s DIODE 10E-2
D16	8-719-200-02	s DIODE 10E-2
D17	8-719-200-02	s DIODE 10E-2
D18	8-719-200-02	s DIODE 10E-2
D19	8-719-911-19	s DIODE 1SS119
D20	8-719-911-19	s DIODE 1SS119
D21	8-719-200-02	s DIODE 10E-2
IC1	8-759-135-80	s IC UPC358C
IC2	8-759-916-20	s IC SN74HC14N
IC3	8-759-133-90	s IC UPC339C
IC4	8-759-208-39	s IC MP4001
IC5	8-759-645-16	s IC M54516P

NOTE : Please see pages D-42 and D-43 for the part numbers of capacitors and resistors that are not listed in the parts list.

(DS-19 BOARD, BVH-3000PS/3100PS)

-----  
 EN-55 BOARD, BVH-3000PS/3100PS  
 -----

Ref.No. or Q'ty	Part No.	SP Description
L1	1-421-370-00	s COIL, CHOKE
L2	1-421-370-00	s COIL, CHOKE
L3	1-421-370-00	s COIL, CHOKE
L4	1-421-370-00	s COIL, CHOKE
Q1	8-729-245-82	s TRANSISTOR 2SC2458-Y
Q2	8-729-245-82	s TRANSISTOR 2SC2458-Y
Q3	8-729-900-61	s TRANSISTOR DTA114ES
Q4	8-729-245-82	s TRANSISTOR 2SC2458-Y
Q7	8-729-378-84	s TRANSISTOR 2SD788
Q8	8-729-373-92	s TRANSISTOR 2SB739
Q9	8-729-245-82	s TRANSISTOR 2SC2458-Y
Q10	8-729-900-80	s TRANSISTOR DTC114ES
Q11	8-729-204-83	s TRANSISTOR 2SA1048-GR
Q12	8-729-900-61	s TRANSISTOR DTA114ES
Q13	8-729-900-61	s TRANSISTOR DTA114ES
Q14	8-729-900-61	s TRANSISTOR DTA114ES
Q15	8-729-313-42	s TRANSISTOR 2SD1134
Q16	8-729-900-61	s TRANSISTOR DTA114ES
Q17	8-729-378-84	s TRANSISTOR 2SD788-5
R1	1-216-382-11	s RES, METAL 0.27 5% 3W
R2	1-217-659-11	s RES, CARBON 82 5% 1/4W
R8	1-216-359-00	s RES, METAL 6.8 5% 1W
R25	1-215-436-00	s RES, METAL 4.3K 1% 1/6W
R26	1-215-411-00	s RES, METAL 390 1% 1/6W
R28	1-215-390-00	s RES, METAL 51 1% 1/6W
R30	1-215-445-00	s RES, METAL 10K 1% 1/6W
R32	1-215-449-00	s RES, METAL 15K 1% 1/6W
R33	1-215-449-00	s RES, METAL 15K 1% 1/6W
R78	1-249-413-11	s RES, CARBON 470 5% 1/4W
R79	1-249-425-11	s RES, CARBON 4.7K 5% 1/4W

Ref.No. or Q'ty	Part No.	SP Description
ipc	1-621-122-11	o PC BOARD, EN-55
D1	8-719-911-19	s DIODE 1SS119
D2	8-719-911-19	s DIODE 1SS119
D3	8-719-911-19	s DIODE 1SS119
D4	8-719-911-19	s DIODE 1SS119
D5	8-719-911-19	s DIODE 1SS119
D6	8-719-911-19	s DIODE 1SS119
D7	8-719-911-19	s DIODE 1SS119
D8	8-719-911-19	s DIODE 1SS119
D9	8-719-911-19	s DIODE 1SS119
D10	8-719-911-19	s DIODE 1SS119
D11	8-719-911-19	s DIODE 1SS119
D12	8-719-911-19	s DIODE 1SS119
D13	8-719-911-19	s DIODE 1SS119
D14	8-719-911-19	s DIODE 1SS119
D15	8-719-911-19	s DIODE 1SS119
D16	8-719-911-19	s DIODE 1SS119
D17	8-719-911-19	s DIODE 1SS119
D18	8-719-911-19	s DIODE 1SS119
D19	8-719-911-19	s DIODE 1SS119
D20	8-719-911-19	s DIODE 1SS119
D21	8-719-911-19	s DIODE 1SS119
D22	8-719-800-39	s DIODE TLY211
D23	8-719-800-39	s DIODE TLY211
D24	8-719-800-39	s DIODE TLY211
D25	8-719-800-39	s DIODE TLY211
D26	8-719-800-39	s DIODE TLY211
D27	8-719-800-39	s DIODE TLY211
D28	8-719-800-39	s DIODE TLY211
D29	8-719-800-39	s DIODE TLY211
D30	8-719-800-39	s DIODE TLY211
D31	8-719-800-39	s DIODE TLY211
D32	8-719-800-39	s DIODE TLY211

NOTE : Please see pages D-42 and D-43 for the part numbers of capacitors and resistors that are not listed in the parts list.

-----  
EX-136 BOARD, BVH-3000PS/3100PS  
-----

Ref.No.  
or Q'ty Part No. SP Description

1pc	A-6001-007-A	s EX-136 ASSY
1pc	3-472-213-02	o SPRING, TENSION
4pcs	3-673-676-21	o RAIL, PC BOARD GUIDE
1pc	7-622-207-05	s N 2.6, TYPE 2
1pc	7-628-254-40	s SCREW +PS 2.6X12
21pcs	7-682-947-01	s SCREW +PSW 3x6
4pcs	7-682-948-01	s SCREW +PSW 3x8
CNA1	1-563-341-11	s RECEP, DIN 96P FEMALE
CNA2	1-506-748-11	s RECEP, DIN 96P MALE
CNB1	1-563-341-11	s RECEP, DIN 96P FEMALE
CNB2	1-506-748-11	s RECEP, DIN 96P MALE

-----  
HD-06 BOARD (BVH-3000PS/3100PS)  
-----

Ref. No.  
or Q'ty Part No. SP Description

1pc	1-606-679-00	o PC BOARD, HD-06
-----	--------------	-------------------

NOTE : Please see pages D-42 and D-43 for the  
part numbers of capacitors and resistors  
that are not listed in the parts list. D-68

-----  
HD-07 BOARD, BVH-3000PS/3100PS  
-----

Ref.No. or Q'ty	Part No.	SP Description
2pcs	1-606-680-00	o PC BOARD, HD-07

-----  
HD-08 BOARD, BVH-3000PS/3100PS  
-----

Ref.No. or Q'ty	Part No.	SP Description
2pcs	(for BVH-3000PS(A4)/BVH-3100PS(A4)) 1-606-681-00	o PC BOARD, HD-08

NOTE : Please see pages D-42 and D-43 for the  
part numbers of capacitors and resistors  
that are not listed in the parts list.

KC-14 BOARD, BVH-3000PS/3100PS

(KC-14 BOARD, BVH-3000PS/3100PS)

Ref.No. or Qty	Part No.	SP Description	Ref.No. or Qty	Part No.	SP Description
1pc	A-6017-136-A	o COMPLETE PCB, KC-14	ICF5	8-759-202-11	s IC TC74HC00P
1pc	7-682-647-09	s SCREW +PS 3X6	ICF6	8-759-901-38	s IC SN74LS138N
2pcs	7-682-947-01	s SCREW +PSW 3X6	ICF7	8-759-910-43	s IC CX23028
1pc	7-684-023-04	s N 3, TYPE 2	ICG2	8-759-909-15	s IC MSL915RS
BZ101	1-529-025-00	s BUZZER	ICG3	8-759-940-94	s IC MSM4094RS
C103	1-131-347-00	s CAP, TANT 1uF 10% 35V	ICG5	8-759-112-54	s IC UPD78C10G-36
C104	1-130-487-00	s CAP, MYLAR 0.022uF 5% 50V	ICG7	8-759-203-40	s IC TC74HC393P
C105	1-102-106-00	s CAP, CERAMIC 100PF 10% 50V	ICH1	8-759-995-10	s IC MSL9510RS
C106	1-130-471-00	s CAP, MYLAR 0.001uF 5% 50V	ICH2	8-759-909-15	s IC MSL915RS
C107	1-124-518-11	s CAP, ELECT 470uF 20% 6.3V	ICH3	8-759-940-94	s IC MSM4094RS
C108	1-124-918-11	s CAP, ELECT 47uF 20% 63V	ICH7	8-759-202-74	s IC TC74HC04P
C109	1-130-487-00	s CAP, MYLAR 0.022uF 5% 50V	ICJ1	8-759-909-15	s IC MSL915RS
C110	1-130-483-00	s CAP, MYLAR 0.01uF 5% 50V	ICJ2	8-759-909-15	s IC MSL915RS
C112	1-130-483-00	s CAP, MYLAR 0.01uF 5% 50V	ICJ3	8-759-940-94	s IC MSM4094RS
C113	1-102-074-00	s CAP, CERAMIC 0.001uF 10% 50V	ICJ5	8-759-783-37	s IC, EPROM 27C64-KCU2-2-0
C114	1-124-773-11	s CAP, ELECT 27uF 20% 63V	ICJ6	8-759-302-75	s IC HM6116ALSP-12
C115	1-124-773-11	s CAP, ELECT 27uF 20% 63V	ICJ7	8-759-202-15	s IC TC74HC10P
C117	1-131-347-00	s CAP, TANT 1uF 10% 35V	ICK1	8-759-909-15	s IC MSL915RS
C118	1-130-477-00	s CAP, MYLAR 0.0033uF 5% 50V	ICK2	8-759-909-15	s IC MSL915RS
C119	1-102-114-00	s CAP, CERAMIC 470PF 10% 50V	ICK3	8-759-940-94	s IC MSM4094RS
C120	1-130-471-00	s CAP, MYLAR 0.001uF 5% 50V	ICK4	8-759-203-35	s IC TC74HC373P
C121	1-124-462-00	s CAP, ELECT 10uF 20% 16V	ICK7	8-759-202-21	s IC TC74HC32P
C124	1-130-473-00	s CAP, MYLAR 0.0015uF 5% 50V	ICM1	8-759-995-10	s IC MSL9510RS
C125	1-130-477-00	s CAP, MYLAR 0.0033uF 5% 50V	ICM2	8-759-909-15	s IC MSL915RS
CN701	1-563-769-11	s RECEP, ROUND 8P FEMALE	ICM3	8-759-995-10	s IC MSL9510RS
CN702	1-564-494-11	o RECEP, 60P MALE	ICM4	8-759-909-15	s IC MSL915RS
CN703	1-564-493-11	o RECEP, 40P MALE	ICM5	8-759-940-94	s IC MSM4094RS
CN704	1-564-494-11	o RECEP, 60P MALE	L101	1-421-370-00	s COIL, CHOKE
D101	8-719-907-25	s DIODE ERA84-009	L102	1-409-339-00	s COIL, CHOKE
D102	8-719-110-11	s DIODE RD9.1ESB	L103	1-413-057-00	s COIL, TROIDAL
D103	8-719-911-19	s DIODE 1SS119	L104	1-421-370-00	s COIL, CHOKE
D104	8-719-911-19	s DIODE 1SS119	Q101	8-729-177-43	s TRANSISTOR 2SD774
D105	8-719-907-25	s DIODE ERA84-009	Q102	8-729-177-43	s TRANSISTOR 2SD774
D106	8-719-911-19	s DIODE 1SS119	Q103	8-729-907-71	s TRANSISTOR 2SA1077
ICA4	8-759-904-94	s IC TL494CN	Q104	8-729-900-36	s TRANSISTOR DTC124ES
ICB3	8-759-904-94	s IC TL494CN	R112	1-215-857-11	s RES, METAL 10 5% 1W
ICC2	8-759-909-15	s IC MSL915RS	R117	1-215-453-00	s RES, METAL 22K 1% 1/6W
ICC3	8-759-995-10	s IC MSL9510RS	R118	1-215-429-00	s RES, METAL 2.2K 1% 1/6W
ICC4	8-759-909-15	s IC MSL915RS	RB101	1-231-410-00	s RESISTOR BLOCK 10Kx8
ICC5	8-759-940-94	s IC MSM4094RS	RB102	1-235-005-00	s RESISTOR BLOCK 47Kx8
ICD7	8-759-008-57	s IC MC34051P	RB103	1-231-411-00	s RESISTOR BLOCK 100Kx8
ICD2	8-759-909-15	s IC MSL915RS	RB104	1-231-411-00	s RESISTOR BLOCK 100Kx8
ICD3	8-759-995-10	s IC MSL9510RS	RB105	1-231-411-00	s RESISTOR BLOCK 100Kx8
ICD4	8-759-909-15	s IC MSL915RS	RB106	1-231-411-00	s RESISTOR BLOCK 100Kx8
ICD5	8-759-940-94	s IC MSM4094RS	RB107	1-231-411-00	s RESISTOR BLOCK 100Kx8
ICD6	8-759-202-14	s IC TC74HC08P	RB108	1-231-411-00	s RESISTOR BLOCK 100Kx8
ICE2	8-759-909-15	s IC MSL915RS	RB109	1-231-411-00	s RESISTOR BLOCK 100Kx8
ICE3	8-759-940-94	s IC MSM4094RS	RB110	1-231-411-00	s RESISTOR BLOCK 100Kx8
ICE4	8-759-909-15	s IC MSL915RS	RB111	1-231-411-00	s RESISTOR BLOCK 100Kx8
ICE5	8-759-940-94	s IC MSM4094RS	RB112	1-231-411-00	s RESISTOR BLOCK 100Kx8
ICE6	8-759-203-08	s IC TC74HC221P	RV101	1-230-840-11	s RES, ADJ, METAL 1K
ICE7	8-759-916-29	s IC SN74HC74N	S101	1-553-856-00	s SWITCH, PUSH
ICF2	8-759-909-15	s IC MSL915RS	S102	1-553-856-00	s SWITCH, PUSH
ICF3	8-759-940-94	s IC MSM4094RS	T101	1-448-768-12	s TRANSFORMER, HEATER
ICF4	8-759-202-21	s IC TC74HC32P	X101	1-567-796-11	s CRYSTAL 14.7456MHZ

NOTE : Please see pages D-42 and D-43 for the part numbers of capacitors and resistors that are not listed in the parts list.

-----  
 KY-103 BOARD, BVH-3000PS/3100PS  
 -----

Ref.No. or Q'ty	Part No.	SP Description
1pc	A-6017-135-A	o COMPLETE PCB, KY-103
2pcs	2-252-640-00	s KNOB, TACT SWITCH
6pcs	3-670-095-00	o HOLDER, LED
CN1F	1-562-151-11	o HOUSING, 6P
	1-563-088-11	o CONTACT, FEMALE AWG24-30
CN702F	1-562-485-11	s RECEP, 60P MALE
CN703F	1-562-336-00	s RECEP, 40P MALE
CN704F	1-562-485-11	s RECEP, 60P MALE
CN705M	1-506-473-11	o RECEP, 8P MALE
CN706M	1-506-475-11	o RECEP, 10P MALE
CN707M	1-506-487-11	o RECEP, 8P MALE
CN708M	1-506-489-11	o RECEP, 10P MALE
D1	8-719-911-19	s DIODE 1SS119
D2	8-719-911-19	s DIODE 1SS119
D3	8-719-911-19	s DIODE 1SS119
D4	8-719-911-19	s DIODE 1SS119
D5	8-719-911-19	s DIODE 1SS119
D6	8-719-911-19	s DIODE 1SS119
D7	8-719-911-19	s DIODE 1SS119
D8	8-719-911-19	s DIODE 1SS119
D9	8-719-911-19	s DIODE 1SS119
D10	8-719-911-19	s DIODE 1SS119
D11	8-719-911-19	s DIODE 1SS119
D12	8-719-911-19	s DIODE 1SS119
D13	8-719-911-19	s DIODE 1SS119
D14	8-719-911-19	s DIODE 1SS119
D15	8-719-911-19	s DIODE 1SS119
D16	8-719-911-19	s DIODE 1SS119
D17	8-719-911-19	s DIODE 1SS119
D18	8-719-911-19	s DIODE 1SS119
D19	8-719-911-19	s DIODE 1SS119
D20	8-719-911-19	s DIODE 1SS119
D21	8-719-911-19	s DIODE 1SS119
D22	8-719-911-19	s DIODE 1SS119
D23	8-719-911-19	s DIODE 1SS119
D24	8-719-905-55	s DIODE EAA5504S
D25	8-719-905-55	s DIODE EAA5504S
D26	8-719-905-55	s DIODE EAA5504S
D27	8-719-905-55	s DIODE EAA5504S
D28	8-719-905-55	s DIODE EAA5504S
D29	8-719-905-55	s DIODE EAA5504S
D30	8-719-940-83	s DIODE LT9101N
D31	8-719-940-83	s DIODE LT9101N
D32	8-719-940-83	s DIODE LT9101N
D33	8-719-940-84	s DIODE LT9101D
D34	8-719-940-84	s DIODE LT9101D
IC1	8-759-645-17	s IC M54517P
IC2	8-759-645-17	s IC M54517P
IC3	8-759-645-17	s IC M54517P
IC4	8-759-645-17	s IC M54517P
IC5	8-759-645-17	s IC M54517P
IC6	8-759-645-17	s IC M54517P
IC7	8-759-916-79	s IC SN74HC273N
IC8	8-759-916-79	s IC SN74HC273N
IC9	8-759-916-79	s IC SN74HC273N

(KY-103 BOARD, BVH-3000PS/3100PS)

Ref.No. or Q'ty	Part No.	SP Description
IC10	8-759-916-79	s IC SN74HC273N
IC11	8-759-916-79	s IC SN74HC273N
IC12	8-759-916-79	s IC SN74HC273N
IC13	8-759-645-17	s IC M54517P
ND1	1-519-415-11	s INDICATOR TUBE, FLUORESCENT
Q1	8-729-238-32	s TRANSISTOR 2SC2383
S1	1-571-280-11	s SWITCH WITH LED, PUSH
S2	1-571-280-11	s SWITCH WITH LED, PUSH
S3	1-571-280-11	s SWITCH WITH LED, PUSH
S4	1-571-280-11	s SWITCH WITH LED, PUSH
S5	1-571-280-11	s SWITCH WITH LED, PUSH
S6	1-571-280-11	s SWITCH WITH LED, PUSH
S7	1-571-280-11	s SWITCH WITH LED, PUSH
S8	1-571-280-11	s SWITCH WITH LED, PUSH
S9	1-571-280-11	s SWITCH WITH LED, PUSH
S10	1-571-280-11	s SWITCH WITH LED, PUSH
S11	1-571-280-11	s SWITCH WITH LED, PUSH
S12	1-571-280-11	s SWITCH WITH LED, PUSH
S13	1-571-280-11	s SWITCH WITH LED, PUSH
S14	1-571-280-11	s SWITCH WITH LED, PUSH
S15	1-571-280-11	s SWITCH WITH LED, PUSH
S16	1-554-044-12	s SWITCH WITH LED, PUSH
S17	1-571-280-11	s SWITCH WITH LED, PUSH
S18	1-552-412-00	s SWITCH, PUSH
S19	1-552-412-00	s SWITCH, PUSH
S20	1-554-045-22	s SWITCH WITH LED, PUSH
S21	1-554-039-21	s SWITCH WITH LED, PUSH
S22	1-554-040-21	s SWITCH WITH LED, PUSH
S23	1-554-041-41	s SWITCH WITH LED, PUSH

NOTE : Please see pages D-42 and D-43 for the part numbers of capacitors and resistors that are not listed in the parts list.



-----  
 LP-34 BOARD, BVH-3000PS/3100PS  
 -----

Ref.No. or Q'ty	Part No.	SP Description
D1	8-719-941-24	s DIODE PY3668S
D2	8-719-941-24	s DIODE PY3668S
D3	8-719-941-24	s DIODE PY3668S
D4	8-719-941-24	s DIODE PY3668S
D5	8-719-941-24	s DIODE PY3668S
D6	8-719-941-24	s DIODE PY3668S
D7	8-719-941-24	s DIODE PY3668S
D8	8-719-941-24	s DIODE PY3668S
D9	8-719-941-24	s DIODE PY3668S
D10	8-719-941-24	s DIODE PY3668S
D11	8-719-941-24	s DIODE PY3668S
D12	8-719-941-24	s DIODE PY3668S
D13	8-719-941-24	s DIODE PY3668S
D14	8-719-941-24	s DIODE PY3668S
D15	8-719-941-24	s DIODE PY3668S
D16	8-719-941-24	s DIODE PY3668S
D17	8-719-941-24	s DIODE PY3668S
D18	8-719-941-24	s DIODE PY3668S
D19	8-719-941-24	s DIODE PY3668S
D20	8-719-941-24	s DIODE PY3668S
D21	8-719-941-24	s DIODE PY3668S
D22	8-719-941-24	s DIODE PY3668S
D23	8-719-941-24	s DIODE PY3668S
D24	8-719-941-24	s DIODE PY3668S
D25	8-719-941-24	s DIODE PY3668S
D26	8-719-941-24	s DIODE PY3668S
D27	8-719-941-24	s DIODE PY3668S
D28	8-719-941-24	s DIODE PY3668S
R1	1-247-707-11	s RES, CARBON 390 5% 1/4W
R2	1-247-707-11	s RES, CARBON 390 5% 1/4W

-----  
 MA-26 BOARD, BVH-3000PS/3100PS  
 -----

Ref.No. or Q'ty	Part No.	SP Description
1pc (for UC/PS except PS-A4)	A-6030-074-A	o MA-26 ASSY
1pc (for PS-A4)	A-6030-109-A	o MA-26 ASSY
1pc (for UC/PS except PS-A4)	A-6013-081-A	o COMPLETE PCB, MA-26
1pc (for PS-A4)	A-6013-087-A	o COMPLETE PCB, MA-26
2pcs	3-576-921-00	s SPRING, COMPRESSION
2pcs	3-714-612-01	o SPACER, CONNECTOR PANEL
2pcs	3-845-334-11	s SCREW, ORNAMENTAL
16pcs	7-621-259-45	s SCREW +B 2.6x6
8pcs	7-621-759-65	s SCREW +PSW 2.6x8
4pcs	7-622-207-05	s N 2.6, TYPE 2
1pc	7-623-923-01	s WASHER 2.6, NYLON
2pcs	7-623-956-41	s WASHER, 5.0 FIBER
2pcs	7-624-106-04	s STOP RING 3.0 TYPE-E
4pcs	7-628-254-40	s SCREW +PS 2.6X12
5pcs	7-682-947-01	s SCREW +PSW 3x6
2pcs	7-688-004-01	s W4, SMALL
C1	1-124-599-00	s CAP, ELECT 220uF 20% 25V
C3	1-124-599-00	s CAP, ELECT 220uF 20% 25V
C6	1-124-599-00	s CAP, ELECT 220uF 20% 25V
C8	1-124-599-00	s CAP, ELECT 220uF 20% 25V
C107	1-124-007-11	s CAP, ELECT, NONPOLAR 22uF 20% 25V
C207	1-124-007-11	s CAP, ELECT, NONPOLAR 22uF 20% 25V
CN318	1-563-762-11	o RECEP, DIN 20P MALE
CN319	1-563-455-11	o RECEP, DIN 44P MALE
CN601F	1-509-989-00	o HOUSING, 1L 10P
	1-560-298-00	o CONTACT, FEMALE AWG22-28
CN601M	1-560-305-00	o RECEP, 1L 10P
CN602F	1-509-984-00	o HOUSING, 1L 3P
	1-560-298-00	o CONTACT, FEMALE AWG22-28
CN602M	1-560-300-00	o RECEP, 1L 3P
CN603F	1-509-989-00	o HOUSING, 1L 10P
	1-560-298-00	o CONTACT, FEMALE AWG22-28
CN603M	1-560-305-00	o RECEP, 1L 10P
CN604F	1-509-984-00	o HOUSING, 1L 3P
	1-560-298-00	o CONTACT, FEMALE AWG22-28
CN604M	1-560-300-00	o RECEP, 1L 3P
CN605F	1-509-984-00	o HOUSING, 1L 3P
	1-560-298-00	o CONTACT, FEMALE AWG22-28
CN605M	1-560-300-00	o RECEP, 1L 3P
CN606F	1-509-984-00	o HOUSING, 1L 3P
	1-560-298-00	o CONTACT, FEMALE AWG22-28
CN606M	1-560-300-00	o RECEP, 1L 3P
CN611 (for UC/PS)		
CN612 (for UC/PS)		
CN613 (for UC/PS)		
CN614 (for PS-A4)		
	1-563-029-21	s RECEP, XLR3P FEMALE

NOTE : Please see pages D-42 and D-43 for the part numbers of capacitors and resistors that are not listed in the parts list.

## (MA-26 BOARD, BVH-3000PS/3100PS)

Ref. No. or Qty	Part No.	SP Description
CN615	(for UC/PS)	
CN616	(for UC/PS)	
CN617	(for UC/PS)	
CN618	(for PS-A4)	
CN619	(for UC/PS)	
CN620	(for UC/PS)	
	1-563-030-21	s RECEP, XLR3P MALE
D101	8-719-911-19	s DIODE 1SS119
D102	8-719-911-19	s DIODE 1SS119
D103	8-719-911-19	s DIODE 1SS119
D104	8-719-911-19	s DIODE 1SS119
D105	8-719-911-19	s DIODE 1SS119
D201	8-719-911-19	s DIODE 1SS119
D202	8-719-911-19	s DIODE 1SS119
D203	8-719-911-19	s DIODE 1SS119
D204	8-719-911-19	s DIODE 1SS119
D205	8-719-911-19	s DIODE 1SS119
IC1	8-759-708-15	s IC NJM78L15A
IC2	8-759-708-15	s IC NJM78L15A
IC101	8-759-745-63	s IC NJM4560D-X
IC201	8-759-745-63	s IC NJM4560D-X
L1	1-421-329-00	s COIL, CHOKE
L2	1-421-329-00	s COIL, CHOKE
Q101	8-729-307-28	s TRANSISTOR 2SA872A-E
Q102	8-729-307-28	s TRANSISTOR 2SA872A-E
Q103	8-729-316-23	s TRANSISTOR 2SC1162
Q104	8-729-307-28	s TRANSISTOR 2SA872A-E
Q105	8-729-307-58	s TRANSISTOR 2SC1775A
Q106	8-729-371-53	s TRANSISTOR 2SA715
Q107	8-729-307-58	s TRANSISTOR 2SC1775A
Q108	8-729-307-58	s TRANSISTOR 2SC1775A
Q109	8-729-307-28	s TRANSISTOR 2SA872A-E
Q110	8-729-307-28	s TRANSISTOR 2SA872A-E
Q111	8-729-307-28	s TRANSISTOR 2SA872A-E
Q112	8-729-316-23	s TRANSISTOR 2SC1162
Q113	8-729-307-58	s TRANSISTOR 2SC1775A
Q114	8-729-371-53	s TRANSISTOR 2SA715
Q115	8-729-307-58	s TRANSISTOR 2SC1775A
Q116	8-729-307-58	s TRANSISTOR 2SC1775A
Q117	8-729-900-36	s TRANSISTOR DTC124ES
Q201	8-729-307-28	s TRANSISTOR 2SA872A-E
Q202	8-729-307-28	s TRANSISTOR 2SA872A-E
Q203	8-729-316-23	s TRANSISTOR 2SC1162
Q204	8-729-307-28	s TRANSISTOR 2SA872A-E
Q205	8-729-307-58	s TRANSISTOR 2SC1775A
Q206	8-729-371-53	s TRANSISTOR 2SA715
Q207	8-729-307-58	s TRANSISTOR 2SC1775A
Q208	8-729-307-58	s TRANSISTOR 2SC1775A
Q209	8-729-307-28	s TRANSISTOR 2SA872A-E
Q210	8-729-307-28	s TRANSISTOR 2SA872A-E
Q211	8-729-307-28	s TRANSISTOR 2SA872A-E
Q212	8-729-316-23	s TRANSISTOR 2SC1162

## (MA-26 BOARD, BVH-3000PS/3100PS)

Ref.No. or Qty	Part No.	SP Description
Q213	8-729-307-58	s TRANSISTOR 2SC1775A
Q214	8-729-371-53	s TRANSISTOR 2SA715
Q215	8-729-307-58	s TRANSISTOR 2SC1775A
Q216	8-729-307-58	s TRANSISTOR 2SC1775A
Q217	8-729-900-36	s TRANSISTOR DTC124ES
R106	1-247-729-11	s RES, CARBON 15 5% 1/2W
R108	1-247-729-11	s RES, CARBON 15 5% 1/2W
R109	1-215-882-00	s RES, METAL 22 5% 2W
R115	1-215-454-00	s RES, METAL 24K 1% 1/6W
R118	1-247-729-11	s RES, CARBON 15 5% 1/2W
R119	1-247-729-11	s RES, CARBON 15 5% 1/2W
R120	1-215-882-00	s RES, METAL 22 5% 2W
R123	1-247-737-11	s RES, CARBON 68 5% 1/2W
R206	1-247-729-11	s RES, CARBON 15 5% 1/2W
R208	1-247-729-11	s RES, CARBON 15 5% 1/2W
R209	1-215-882-00	s RES, METAL 22 5% 2W
R215	1-215-454-00	s RES, METAL 24K 1% 1/6W
R218	1-247-729-11	s RES, CARBON 15 5% 1/2W
R219	1-247-729-11	s RES, CARBON 15 5% 1/2W
R220	1-215-882-00	s RES, METAL 22 5% 2W
R223	1-247-737-11	s RES, CARBON 68 5% 1/2W
RY101	1-515-683-11	s RELAY
RY201	1-515-683-11	s RELAY

NOTE : Please see pages D-42 and D-43 for the part numbers of capacitors and resistors that are not listed in the parts list.

MB-140 BOARD, BVH-3000PS/3100PS

Ref.No. or Q'ty	Part No.	SP Description
1pc	A-6025-101-A	o COMPLETE PCB, MB-140
1pc	1-938-377-11	o HARNESS (VSH) (for BVH-3000PS)
1pc	1-938-410-11	o HARNESS (VH) (for BVH-3100PS)
48pcs	7-622-207-05	s N 2.6, TYPE 2
48pcs	7-628-254-20	s SCREW +PS 2.6X8
2pcs	7-682-947-01	s SCREW +PSW 3X6
C1	1-126-132-11	s CAP, ELECT 1200uF 20% 16V
C2	1-126-105-11	s CAP, ELECT 1000uF 20% 35V
C3	1-126-105-11	s CAP, ELECT 1000uF 20% 35V
C4	1-124-534-11	s CAP, ELECT 680uF 20% 16V
C5	1-124-534-11	s CAP, ELECT 680uF 20% 16V
C6	1-126-131-11	s CAP, ELECT 1200uF 20% 6.3V
C7	1-126-131-11	s CAP, ELECT 1200uF 20% 6.3V
CN301	1-563-337-11	s RECEP, DIN 96P FEMALE
CN302	1-563-337-11	s RECEP, DIN 96P FEMALE
CN303	1-563-337-11	s RECEP, DIN 96P FEMALE
CN304	1-563-337-11	s RECEP, DIN 96P FEMALE
CN305	1-563-337-11	s RECEP, DIN 96P FEMALE
CN306	1-563-337-11	s RECEP, DIN 96P FEMALE
CN307	1-563-337-11	s RECEP, DIN 96P FEMALE
CN308	1-563-337-11	s RECEP, DIN 96P FEMALE
CN309	1-563-337-11	s RECEP, DIN 96P FEMALE
CN310	1-563-337-11	s RECEP, DIN 96P FEMALE
CN311	1-563-337-11	s RECEP, DIN 96P FEMALE
CN312	1-563-337-11	s RECEP, DIN 96P FEMALE
CN313	1-563-337-11	s RECEP, DIN 96P FEMALE
CN314	1-563-337-11	s RECEP, DIN 96P FEMALE
CN315	1-563-337-11	s RECEP, DIN 96P FEMALE
CN316	1-563-337-11	s RECEP, DIN 96P FEMALE
CN317	1-563-337-11	s RECEP, DIN 96P FEMALE
CN318	1-563-765-11	o RECEP, DIN 20P FEMALE
CN319	1-563-459-11	s RECEP, DIN 44P FEMALE
CN320	1-563-765-11	o RECEP, DIN 20P FEMALE
CN321	1-563-459-11	s RECEP, DIN 44P FEMALE
CN322	1-563-766-11	o RECEP, DIN 30P FEMALE
CN323	1-563-766-11	o RECEP, DIN 30P FEMALE
CN324	1-563-766-11	o RECEP, DIN 30P FEMALE
CN325	1-563-768-11	o RECEP, MIC 17P MALE
CN326	1-560-303-00	o RECEP, 1L 6P MALE
CN327	1-560-300-00	o RECEP, 1L 3P MALE
CN328	1-563-767-11	o RECEP, MIC 13P MALE
CN329	1-563-769-11	s RECEP, ROUND 8P FEMALE
CN330	1-506-637-11	o RECEP, PS 16P MALE
CN331	1-560-730-00	o RECEP, 40P MALE
CN332	1-560-728-00	o RECEP, 30P MALE
CN333	1-560-729-00	o RECEP, 34P MALE
CP1	1-162-617-11	s CERAMIC 0.022MF 50V
CP2	1-162-617-11	s CERAMIC 0.022MF 50V
IC1	8-759-914-41	s IC X2212P
RB1	1-231-549-11	s RESISTOR BLOCK 47Kx4

MC-29 BOARD, BVH-3000PS/3100PS

Ref.No. or Q'ty	Part No.	SP Description
1pc	1-621-129-11	o PC BOARD, MC-29
PH1	8-719-915-46	s PHOTOINTERRUPTER GP-1S05
PH2	8-719-915-46	s PHOTOINTERRUPTER GP-1S05

NOTE : Please see pages D-42 and D-43 for the part numbers of capacitors and resistors that are not listed in the parts list.

MOTOR BOARD, BVH-3000PS/3100PS

Ref.No. or Q'ty	Part No.	SP Description
1pc	1-536-354-00	o PIN, POST
1pc	1-602-615-00	o PC BOARD, MOTOR
C301	1-130-482-00	s CAP, MYLAR 0.0082uF 5% 50V
C302	1-130-482-00	s CAP, MYLAR 0.0082uF 5% 50V
CN024M	1-560-301-00	o RECEP, IL 4P MALE
D301	8-719-110-03	s DIODE RD7.5ESB2
H301	8-719-800-17	s DIODE THS102
H302	8-719-800-17	s DIODE THS102
IC301	8-759-700-58	s IC NJM4558D-FA
Q301	8-729-141-42	s TRANSISTOR 2SD414-R
Q302	8-729-154-82	s TRANSISTOR 2SB548-R
Q303	8-729-141-42	s TRANSISTOR 2SD414-R
Q304	8-729-154-82	s TRANSISTOR 2SB548-R
R301	1-214-116-00	s RES, METAL 220 1% 1/4W
R302	1-214-132-00	s RES, METAL 1K 1% 1/4W
R303	1-214-132-00	s RES, METAL 1K 1% 1/4W
R304	1-214-132-00	s RES, METAL 1K 1% 1/4W
R305	1-214-108-00	s RES, METAL 100 1% 1/4W
R306	1-214-108-00	s RES, METAL 100 1% 1/4W
R307	1-214-174-00	s RES, METAL 56K 1% 1/4W
R308	1-214-180-00	s RES, METAL 100K 1% 1/4W
R309	1-214-132-00	s RES, METAL 1K 1% 1/4W
R310	1-214-132-00	s RES, METAL 1K 1% 1/4W
R311	1-214-132-00	s RES, METAL 1K 1% 1/4W
R312	1-214-108-00	s RES, METAL 100 1% 1/4W
R313	1-214-108-00	s RES, METAL 100 1% 1/4W
R314	1-214-174-00	s RES, METAL 56K 1% 1/4W
R315	1-214-180-00	s RES, METAL 100K 1% 1/4W
R316	1-214-124-00	s RES, METAL 470 1% 1/4W
RT301	1-224-929-00	s RES, ADJ, METAL 5K
RT302	1-224-927-00	s RES, ADJ, METAL 1K

MS-21 BOARD, BVH-3000PS/3100PS

Ref.No. or Q'ty	Part No.	SP Description
1pc	A-6026-062-A	o MOUNTED PCB, MS-21
C1	1-124-927-11	s CAP, ELECT 4.7uF 20% 50V
C2	1-124-927-11	s CAP, ELECT 4.7uF 20% 50V
CN821	1-506-637-11	o RECEP, PS 16P MALE
D1	8-719-938-08	s DIODE SLP455B-50
D2	8-719-940-08	s DIODE SLP255B-50
D3	8-719-940-08	s DIODE SLP255B-50
D4	8-719-940-08	s DIODE SLP255B-50
D5	8-719-940-08	s DIODE SLP255B-50
D6	8-719-940-08	s DIODE SLP255B-50
D7	8-719-938-08	s DIODE SLP455B-50
D8	8-719-938-08	s DIODE SLP455B-50
D9	8-719-940-08	s DIODE SLP255B-50
D10	8-719-940-08	s DIODE SLP255B-50
D11	8-719-940-08	s DIODE SLP255B-50
D12	8-719-940-08	s DIODE SLP255B-50
D13	8-719-940-08	s DIODE SLP255B-50
D14	8-719-938-08	s DIODE SLP455B-50
D15	8-719-911-19	s DIODE 1SS119
D16	8-719-911-19	s DIODE 1SS119
IC1	8-759-645-16	s IC M54516P
IC2	8-759-901-38	s IC SN74LS138N
IC3	8-759-708-05	s IC NJM78L05A
IC4	8-759-204-13	s IC TD62304P
Q1	8-729-245-82	s TRANSISTOR 2SC245B-Y
R2	1-247-749-11	s RES, CARBON 560 5% 1/2W
R3	1-247-751-11	s RES, CARBON 820 5% 1/2W
R4	1-247-751-11	s RES, CARBON 820 5% 1/2W
RB1	1-231-533-00	s RESISTOR BLOCK 10KX4
S1	1-554-048-00	s SWITCH WITH LED, PUSH
S2	1-554-048-00	s SWITCH WITH LED, PUSH
S3	1-554-048-00	s SWITCH WITH LED, PUSH
S4	1-554-048-00	s SWITCH WITH LED, PUSH

NOTE : Please see pages D-42 and D-43 for the part numbers of capacitors and resistors that are not listed in the parts list.

PA-56 BOARD, BVH-3000PS/3100PS

(PA-56 BOARD, BVH-3000PS/3100PS)

Ref.No. or Qty	Part No.	SP Description
1pc	A-6030-080-A	o PA-56 ASSY
2pcs	3-576-921-00	s SPRING, COMPRESSION
2pcs	3-714-612-01	o SPACER, CONNECTOR PANEL
2pcs	3-845-334-11	s SCREW, ORNAMENTAL
4pcs	7-622-207-05	s N 2.6, TYPE 2
2pcs	7-623-956-41	s WASHER, 5.0 FIBER
2pcs	7-624-106-04	s STOP RING 3.0 TYPE-E
4pcs	7-628-254-40	s SCREW +PS 2.6X12
9pcs	7-682-948-01	s SCREW +PSW 3x8
2pcs	7-688-004-01	s WASHER 4 SMALL
CN322	1-563-763-11	o RECEP, DIN 30P MALE
CN323	1-563-763-11	o RECEP, DIN 30P MALE
CN651	1-563-781-21	s RECEP, D-SUB 50P FEMALE
CN652	1-563-773-21	s RECEP, D-SUB 37P FEMALE
CN653	1-566-319-21	s RECEP, D-SUB 1
CP1	1-233-089-11	s CR BLOCK
CP2	1-233-089-11	s CR BLOCK
CP3	1-233-089-11	s CR BLOCK
CP4	1-233-089-11	s CR BLOCK
CP5	1-233-089-11	s CR BLOCK
CP6	1-233-089-11	s CR BLOCK
CP7	1-233-089-11	s CR BLOCK
CP8	1-233-089-11	s CR BLOCK
CP9	1-233-089-11	s CR BLOCK
CP10	1-233-089-11	s CR BLOCK
CP11	1-233-089-11	s CR BLOCK
CP12	1-233-089-11	s CR BLOCK
CP13	1-233-089-11	s CR BLOCK
CP14	1-233-089-11	s CR BLOCK
CP15	1-233-089-11	s CR BLOCK
CP16	1-233-089-11	s CR BLOCK
CP17	1-233-089-11	s CR BLOCK
CP18	1-233-089-11	s CR BLOCK
CP19	1-233-089-11	s CR BLOCK
CP20	1-233-089-11	s CR BLOCK
CP21	1-233-089-11	s CR BLOCK
CP22	1-233-089-11	s CR BLOCK
CP23	1-233-089-11	s CR BLOCK
CP24	1-233-089-11	s CR BLOCK
CP25	1-233-089-11	s CR BLOCK
CP101	1-162-617-11	s CERAMIC 0.022MF 50V
CP103	1-162-617-11	s CERAMIC 0.022MF 50V
CP104	1-162-617-11	s CERAMIC 0.022MF 50V
CP105	1-162-617-11	s CERAMIC 0.022MF 50V
CP106	1-162-617-11	s CERAMIC 0.022MF 50V
CP107	1-162-617-11	s CERAMIC 0.022MF 50V
CP108	1-162-617-11	s CERAMIC 0.022MF 50V
CP109	1-162-617-11	s CERAMIC 0.022MF 50V
CP110	1-162-617-11	s CERAMIC 0.022MF 50V
CP111	1-162-617-11	s CERAMIC 0.022MF 50V
CP112	1-162-617-11	s CERAMIC 0.022MF 50V
CP113	1-162-617-11	s CERAMIC 0.022MF 50V
ICA2	8-759-938-68	s IC CXD1095Q

Ref.No. or Qty	Part No.	SP Description
ICB2	8-759-938-68	s IC CXD1095Q
ICC2	8-759-901-39	s IC SN74LS139N
ICD2	8-759-645-16	s IC M54516P
ICD3	8-759-645-16	s IC M54516P
ICE2	8-759-938-68	s IC CXD1095Q
ICF1	8-759-645-16	s IC M54516P
ICF2	8-759-645-16	s IC M54516P
ICF3	8-759-645-16	s IC M54516P
L1	1-421-370-00	s COIL, CHOKE
RB1	1-231-410-00	s RESISTOR BLOCK 10Kx8
RB2	1-231-410-00	s RESISTOR BLOCK 10Kx8
S1	1-516-923-21	s SWITCH, DIP 4CKT
THP1	1-202-854-00	s THERMISTOR, POSITIVE 10-OHM
THP2	1-202-854-00	s THERMISTOR, POSITIVE 10-OHM

NOTE : Please see pages D-42 and D-43 for the part numbers of capacitors and resistors that are not listed in the parts list.

-----  
 PS-143 BOARD, BVH-3000PS/3100PS  
 -----

Ref.No. or Q'ty	Part No.	SP Description
1pc	1-560-298-00	o CONTACT, FEMALE AWG22-28
3pcs	1-621-118-11	o PC BOARD, PS-143
D1 (for TAPE SENSOR)	8-719-123-69	s LED SE310 INFRARED
Q1 (for TAPE SENSOR)	8-729-116-45	s PHOTOTRANSISTOR PH110
PH1 (for FRONT COVER SENSOR)	8-719-915-46	s PHOTOINTERRUPTER GP-1S05

-----  
 RD-7 BOARD, BVH-3000PS/3100PS  
 -----

Board No.  
1-621-748-11,12

Ref. No. or Q'ty	Part No.	SP Description
1pc	A-6015-106-A	o COMPLETE PCB, RD-7
4pcs	2-282-313-00	s KNOB, VR
2pcs	3-714-634-01	o LEVER, PC BOARD
2pcs	3-714-691-01	o PIN, SPRING
4pcs	7-621-737-08	s SET-SCT,HEX. 2.6X3,FLAT POINT
6pcs	7-622-207-05	s N 2.6, TYPE 2
2pcs	7-628-254-20	s SCREW +PS 2.6X8
4pcs	7-628-254-40	s SCREW +PS 2.6X12
9pcs	7-682-948-01	s SCREW +PSW 3X8
2pcs	7-685-533-19	s SCREW +BTP 2.6X6 TYPE2 N-5
BT1	1-528-218-11	s BATTERY, LITHIUM CR2032WT13H
C1	1-124-518-11	s CAP, ELECT 470uF 20% 6.3V
C2	1-124-518-11	s CAP, ELECT 470uF 20% 6.3V
C3	1-161-485-00	s CAP, CERAMIC 0.1uF 50V
C4	1-124-518-11	s CAP, ELECT 470uF 20% 6.3V
C5	1-124-518-11	s CAP, ELECT 470uF 20% 6.3V
C6	1-161-485-00	s CAP, CERAMIC 0.1uF 50V
C7	1-124-522-11	s CAP, ELECT 270uF 20% 16V
C8	1-124-522-11	s CAP, ELECT 270uF 20% 16V
C9	1-161-485-00	s CAP, CERAMIC 0.1uF 50V
C10	1-124-522-11	s CAP, ELECT 270uF 20% 16V
C11	1-124-522-11	s CAP, ELECT 270uF 20% 16V
C12	1-161-485-00	s CAP, CERAMIC 0.1uF 50V
C13	1-124-225-00	s CAP, ELECT 100uF 20% 6.3V
C14	1-161-485-00	s CAP, CERAMIC 0.1uF 50V
C15	1-130-471-00	s CAP, MYLAR 0.001uF 5% 50V
C16	1-124-224-00	s CAP, ELECT 47uF 20% 6.3V
C17	1-161-485-00	s CAP, CERAMIC 0.1uF 50V
C18	1-124-234-00	s CAP, ELECT 22uF 20% 16V
C21	1-124-255-00	s CAP, ELECT 1uF 20% 50V
C22	1-130-488-00	s CAP, MYLAR 0.027uF 5% 50V
C23	1-130-471-00	s CAP, MYLAR 0.001uF 5% 50V
C24	1-130-471-00	s CAP, MYLAR 0.001uF 5% 50V
C25	1-124-234-00	s CAP, ELECT 22uF 20% 16V
C27	1-102-129-00	s CAP, CERAMIC 0.01uF 10% 50V
C28	1-124-245-00	s CAP, ELECT 4.7uF 20% 35V
C30	1-124-259-00	s CAP, ELECT 4.7uF 20% 50V
C32	1-130-487-00	s CAP, MYLAR 0.022uF 5% 50V
C33	1-130-471-00	s CAP, MYLAR 0.001uF 5% 50V
C34	1-124-465-00	s CAP, ELECT 0.47uF 20% 50V
C35	1-130-487-00	s CAP, MYLAR 0.022uF 5% 50V
C36	1-130-471-00	s CAP, MYLAR 0.001uF 5% 50V
C37	1-130-483-00	s CAP, MYLAR 0.01uF 5% 50V
C38	1-130-479-00	s CAP, MYLAR 0.0047uF 5% 50V
C39	1-130-479-00	s CAP, MYLAR 0.0047uF 5% 50V
C40	1-124-229-00	s CAP, ELECT 33uF 20% 10V
C41	1-102-121-00	s CAP, CERAMIC 0.0022uF 10% 50V
C42	1-130-471-00	s CAP, MYLAR 0.001uF 5% 50V
C43	1-130-475-00	s CAP, MYLAR 0.0022uF 5% 50V
C44	1-130-471-00	s CAP, MYLAR 0.001uF 5% 50V
C45	1-130-473-00	s CAP, MYLAR 0.0015uF 5% 50V
C46	1-124-259-00	s CAP, ELECT 4.7uF 20% 50V
C47	1-130-471-00	s CAP, MYLAR 0.001uF 5% 50V
C48	1-130-475-00	s CAP, MYLAR 0.0022uF 5% 50V
C49	1-130-471-00	s CAP, MYLAR 0.001uF 5% 50V

NOTE : Please see pages D-42 and D-43 for the part numbers of capacitors and resistors that are not listed in the parts list.

(RD-7 BOARD, BVH-3000PS/3100PS) Board No. 1-621-748-11,12

(RD-7 BOARD, BVH-3000PS/3100PS) Board No. 1-621-748-11,12

Ref. No. or Qty	Part No.	SP Description
C50	1-130-473-00	s CAP, MYLAR 0.0015uF 5% 50V
C51	1-130-475-00	s CAP, MYLAR 0.0022uF 5% 50V
C52	1-130-479-00	s CAP, MYLAR 0.0047uF 5% 50V
C53	1-130-475-00	s CAP, MYLAR 0.0022uF 5% 50V
C54	1-130-491-00	s CAP, MYLAR 0.047uF 5% 50V
C56	1-130-491-00	s CAP, MYLAR 0.047uF 5% 50V
C57	1-130-491-00	s CAP, MYLAR 0.047uF 5% 50V
C58	1-130-487-00	s CAP, MYLAR 0.022uF 5% 50V
C59	1-124-270-11	s CAP, ELECT, NONPOLAR 0.47uF 20% 50V
C61	1-131-342-00	s CAP, TANT 0.15uF 10% 35V
C62	1-131-342-00	s CAP, TANT 0.15uF 10% 35V
C63	1-124-259-00	s CAP, ELECT 4.7uF 20% 50V
C64	1-130-471-00	s CAP, MYLAR 0.001uF 5% 50V
C65	1-130-485-00	s CAP, MYLAR 0.015uF 5% 50V
C66	1-130-479-00	s CAP, MYLAR 0.0047uF 5% 50V
C67	1-130-479-00	s CAP, MYLAR 0.0047uF 5% 50V
C68	1-131-374-00	s CAP, TANT 33uF 10% 16V
C70	1-124-224-00	s CAP, ELECT 47uF 20% 6.3V
C71	1-124-631-11	s CAP, ELECT, NONPOLAR 47uF 20% 16V
C72	1-124-224-00	s CAP, ELECT 47uF 20% 6.3V
C73	1-124-224-00	s CAP, ELECT 47uF 20% 6.3V
C74	1-124-224-00	s CAP, ELECT 47uF 20% 6.3V
C77	1-102-074-00	s CAP, CERAMIC 0.001uF 10% 50V
C78	1-130-471-00	s CAP, MYLAR 0.001uF 5% 50V
C80	1-109-807-00	s CAP, MICA 100PF 1% 100V
C81	1-130-471-00	s CAP, MYLAR 0.001uF 5% 50V
C82	1-102-112-00	s CAP, CERAMIC 330PF 10% 50V
C83	1-130-476-00	s CAP, MYLAR 0.0027uF 5% 50V
C85	1-124-234-00	s CAP, ELECT 22uF 20% 16V
C86	1-124-234-00	s CAP, ELECT 22uF 20% 16V
C87	1-124-224-00	s CAP, ELECT 47uF 20% 6.3V
C89	1-131-347-00	s CAP, TANT 1uF 10% 35V
C90	1-130-493-00	s CAP, MYLAR 0.068uF 5% 50V
C92	1-124-255-00	s CAP, ELECT 1uF 20% 50V
C93	1-102-106-00	s CAP, CERAMIC 100PF 10% 50V
C95	1-130-487-00	s CAP, MYLAR 0.022uF 5% 50V
C96	1-102-112-00	s CAP, CERAMIC 330PF 10% 50V
C97	1-102-112-00	s CAP, CERAMIC 330PF 10% 50V
C98	1-102-112-00	s CAP, CERAMIC 330PF 10% 50V
C99	1-130-481-00	s CAP, MYLAR 0.0068uF 5% 50V
C100	1-130-489-00	s CAP, MYLAR 0.033uF 5% 50V
C101	1-136-156-00	s CAP, MYLAR 0.018uF 5% 50V
C102	1-124-270-11	s CAP, ELECT, NONPOLAR 0.47uF 20% 50V
C103	1-130-491-00	s CAP, MYLAR 0.047uF 5% 50V
C104	1-130-479-00	s CAP, MYLAR 0.0047uF 5% 50V
C105	1-102-074-00	s CAP, CERAMIC 0.001uF 10% 50V
C106	1-131-349-00	s CAP, TANT 2.2uF 10% 35V
C107	1-130-476-00	s CAP, MYLAR 0.0027uF 5% 50V
C108	1-102-112-00	s CAP, CERAMIC 330PF 10% 50V
C109	1-131-349-00	s CAP, TANT 2.2uF 10% 35V
C111	1-124-224-00	s CAP, ELECT 47uF 20% 6.3V
C112	1-124-631-11	s CAP, ELECT, NONPOLAR 47uF 20% 16V

Ref. No. or Qty	Part No.	SP Description
C113	1-124-224-00	s CAP, ELECT 47uF 20% 6.3V
C114	1-124-224-00	s CAP, ELECT 47uF 20% 6.3V
C116	1-124-224-00	s CAP, ELECT 47uF 20% 6.3V
C119	1-102-109-00	s CAP, CERAMIC 180PF 10% 50V
C120	1-130-471-00	s CAP, MYLAR 0.001uF 5% 50V
C121	1-130-471-00	s CAP, MYLAR 0.001uF 5% 50V
C123	1-130-471-00	s CAP, MYLAR 0.001uF 5% 50V
C124	1-109-807-00	s CAP, MICA 100PF 1% 100V
C125	1-124-270-11	s CAP, ELECT, NONPOLAR 0.47uF 20% 50V
C126	1-130-491-00	s CAP, MYLAR 0.047uF 5% 50V
C128	1-124-234-00	s CAP, ELECT 22uF 20% 16V
C130	1-131-347-00	s CAP, TANT 1uF 10% 35V
C131	1-131-347-00	s CAP, TANT 1uF 10% 35V
C132	1-124-234-00	s CAP, ELECT 22uF 20% 16V
C133	1-109-546-00	s CAP, MICA 300PF 5% 100V
C134	1-124-270-11	s CAP, ELECT, NONPOLAR 0.47uF 20% 50V
C136	1-130-475-00	s CAP, MYLAR 0.0022uF 5% 50V
C138	1-130-491-00	s CAP, MYLAR 0.047uF 5% 50V
C141	1-130-491-00	s CAP, MYLAR 0.047uF 5% 50V
C144	1-130-471-00	s CAP, MYLAR 0.001uF 5% 50V
C145	1-130-476-00	s CAP, MYLAR 0.0027uF 5% 50V
C147	1-130-472-00	s CAP, MYLAR 0.0012uF 5% 50V
C149	1-102-129-00	s CAP, CERAMIC 0.01uF 10% 50V
C150	1-130-471-00	s CAP, MYLAR 0.001uF 5% 50V
C152	1-130-488-00	s CAP, MYLAR 0.027uF 5% 50V
C153	1-109-637-00	s CAP, MICA 0.001uF 2% 500V
C156	1-131-346-00	s CAP, TANT 0.68uF 10% 35V
C157	1-130-491-00	s CAP, MYLAR 0.047uF 5% 50V
C159	1-102-110-00	s CAP, CERAMIC 220PF 10% 50V
C195	1-130-483-00	s CAP, MYLAR 0.01uF 5% 50V
C216	1-130-483-00	s CAP, MYLAR 0.01uF 5% 50V
C421	1-131-347-00	s CAP, TANT 1uF 10% 35V
C501	1-130-483-00	s CAP, MYLAR 0.01uF 5% 50V
C502	1-130-483-00	s CAP, MYLAR 0.01uF 5% 50V
C503	1-130-494-11	s CAP, MYLAR 0.082uF 5% 50V
C505	1-124-499-11	s CAP, ELECT, NONPOLAR 1uF 20% 50V
CF1	1-527-497-00	s FILTER, CERAMIC 4.55MHZ
CN311	1-506-748-11	s RECEP, DIN 96P MALE
CN312	1-506-748-11	s RECEP, DIN 96P MALE
CN313	1-563-764-11	o RECEP, DIN 30P FEMALE
CP1	1-233-106-11	s CR BLOCK
D1	8-719-400-35	s DIODE 1N358P
D2	8-719-400-35	s DIODE 1N358P
D3	8-719-911-19	s DIODE 1SS119
D4	8-719-911-19	s DIODE 1SS119
D5	8-719-918-88	s DIODE 1SS198
D6	8-719-918-88	s DIODE 1SS198
D7	8-719-918-88	s DIODE 1SS198
D8	8-719-918-88	s DIODE 1SS198
D9	8-719-918-88	s DIODE 1SS198
D10	8-719-918-88	s DIODE 1SS198
D11	8-719-911-19	s DIODE 1SS119

NOTE : Please see pages D-42 and D-43 for the part numbers of capacitors and resistors that are not listed in the parts list. D-78

Ref. No. or Qty	Part No.	SP Description	Ref. No. or Qty	Part No.	SP Description
D12	8-719-911-19	s DIODE 1SS119	ICC15	8-759-900-02	s IC SN74LS02N
D13	8-719-911-19	s DIODE 1SS119	ICC17	8-749-938-10	s IC BX-381
D14	8-719-911-19	s DIODE 1SS119	ICC19	8-759-900-00	s IC SN74LS00N
D15	8-719-918-88	s DIODE 1SS198	ICC20	8-759-900-00	s IC SN74LS00N
D16	8-719-918-88	s DIODE 1SS198	ICC21	8-759-900-04	s IC SN74LS04N
D17	8-719-911-19	s DIODE 1SS119	ICD1	8-759-918-23	s IC NE527N
D18	8-719-911-19	s DIODE 1SS119	ICD2	8-759-901-53	s IC SN74LS153N
D19	8-719-911-19	s DIODE 1SS119	ICD3	8-759-900-04	s IC SN74LS04N
D20	8-719-911-19	s DIODE 1SS119	ICD5	8-749-938-10	s IC BX-381
D21	8-719-911-19	s DIODE 1SS119	ICD7	8-759-906-07	s IC TL607CP
D22	8-719-911-19	s DIODE 1SS119	ICD9	8-759-900-04	s IC SN74LS04N
D23	8-719-911-19	s DIODE 1SS119	ICD10	8-759-901-63	s IC SN74LS163AN
D24	8-719-911-19	s DIODE 1SS119	ICD11	8-759-990-82	s IC TL082CP
D25	8-719-911-19	s DIODE 1SS119	ICD12	8-759-906-07	s IC TL607CP
D26	8-719-911-19	s DIODE 1SS119	ICD14	8-759-901-63	s IC SN74LS163AN
D27	8-719-109-79	s DIODE RD4.7ESB	ICD15	8-759-901-23	s IC SN74LA123N
D29	8-719-918-88	s DIODE 1SS198	ICD19	8-759-900-74	s IC SN74LS74AN
D30	8-719-918-88	s DIODE 1SS198	ICD20	8-759-103-19	s IC UPC319C
D31	8-719-918-88	s DIODE 1SS198	ICD21	8-759-900-02	s IC SN74LS02N
D32	8-719-918-88	s DIODE 1SS198	ICE1	8-759-918-23	s IC NE527N
DL1	1-415-449-11	s DELAY LINE 20ns	ICE2	8-759-900-10	s IC SN74LS10N
DL2	1-415-432-11	s DELAY LINE 40ns	ICE4	8-749-938-10	s IC BX-381
DL3	1-415-430-11	s DELAY LINE 30ns	ICE7	8-759-901-63	s IC SN74LS163AN
FL1	1-235-577-11	s FILTER, BANDPASS 17.7MHZ	ICE8	8-759-900-00	s IC SN74LS00N
IC1	8-759-990-82	s IC TL082CP	ICE9	8-759-941-23	s IC SN74123N
IC2	8-759-990-82	s IC TL082CP	ICE10	8-759-900-02	s IC SN74LS02N
IC3	8-759-990-82	s IC TL082CP	ICE11	8-759-990-82	s IC TL082CP
IC4	8-759-990-82	s IC TL082CP	ICE13	8-759-974-06	s IC SN7406N
ICA8	8-759-917-47	s IC 74F20PC	ICE14	8-759-900-86	s IC SN74LS86N
ICA12	8-759-901-63	s IC SN74LS163AN	ICE15	8-759-917-65	s IC 74F193PC
ICA14	8-759-901-63	s IC SN74LS163AN	ICE16	8-759-901-74	s IC SN74LS174N
ICB1	8-759-901-23	s IC SN74LS123N	ICE17	8-759-915-93	s IC 74F163APC
ICB2	8-759-974-06	s IC SN7406N	ICE19	8-759-990-82	s IC TL082CP
ICB5	8-759-990-82	s IC TL082CP	ICE21	8-759-990-82	s IC TL082CP
ICB7	8-759-990-82	s IC TL082CP	ICF1	8-752-015-81	s IC CX20158
ICB9	8-759-904-79	s IC 74F00PC	ICF3	8-752-015-81	s IC CX20158
ICB10	8-759-903-99	s IC SN74LS399N	ICF6	8-759-131-11	s IC UPC311C
ICB12	8-759-990-82	s IC TL082CP	ICF7	8-759-902-21	s IC SN74LS221N
ICB14	8-759-990-82	s IC TL082CP	ICF8	8-759-040-53	s IC MC14053BCP
ICB16	8-759-900-59	s IC HI1-0201-5	ICF9	8-759-990-82	s IC TL082CP
ICB17	8-759-990-82	s IC TL082CP	ICF10	8-759-918-23	s IC NE527N
ICB19	8-759-902-21	s IC SN74LS221N	ICF11	8-759-915-41	s IC 74F02PC
ICB20	8-759-900-74	s IC SN74LS74AN	ICF12	8-757-903-00	s IC CX-7903
ICB21	8-759-040-53	s IC MC14053BCP	ICF15	8-759-918-33	s IC CX20160
ICC1	8-759-301-24	s IC HD10124	ICF16	8-759-900-74	s IC SN74LS74AN
ICC2	8-759-900-74	s IC SN74LS74AN	ICF17	8-759-900-04	s IC SN74LS04N
ICC3	8-759-900-00	s IC SN74LS00N	ICF18	8-759-900-74	s IC SN74LS74AN
ICC4	8-759-900-74	s IC SN74LS74AN	ICF19	8-759-900-04	s IC SN74LS04N
ICC5	8-759-918-23	s IC NE527N	ICF20	8-759-902-21	s IC SN74LS221N
ICC10	8-759-918-23	s IC NE527N	ICF21	8-759-900-59	s IC HI1-0201-5
ICC11	8-759-900-00	s IC SN74LS00N	ICG1	8-752-015-81	s IC CX20158
ICC12	8-759-901-23	s IC SN74LS123N	ICG3	8-752-015-81	s IC CX20158
ICC13	8-759-990-82	s IC TL082CP	ICG6	8-759-131-11	s IC UPC311C
ICC14	8-759-900-00	s IC SN74LS00N	ICG7	8-759-902-21	s IC SN74LS221N
			ICG8	8-759-040-53	s IC MC14053BCP

NOTE : Please see pages D-42 and D-43 for the part numbers of capacitors and resistors that are not listed in the parts list.



(RD-7 BOARD, BVH-3000PS/3100PS) Board No. 1-621-748-11,12

(RD-7 BOARD, BVH-3000PS/3100PS) Board No. 1-621-748-11,12

Ref. No. or Q'ty	Part No.	SP Description
ICG9	8-759-990-82	s IC TL082CP
ICG10	8-759-918-23	s IC NE527N
ICG11	8-759-901-12	s IC SN74LS112AN
ICG12	8-759-901-12	s IC SN74LS112AN
ICG13	8-757-903-00	s IC CX-7903
ICG14	8-759-900-04	s IC SN74LS04N
ICG15	8-759-902-21	s IC SN74LS221N
ICG16	8-759-901-23	s IC SN74LS123N
ICG17	8-757-732-00	s IC CX-773B
ICG19	8-757-732-00	s IC CX-773B
ICG20	8-759-990-82	s IC TL082CP
ICG21	8-759-040-53	s IC MC14053BCP
ICH1	8-759-990-82	s IC TL082CP
ICH3	8-759-990-82	s IC TL082CP
ICH4	8-759-040-53	s IC MC14053BCP
ICH6	8-759-917-49	s IC 74F112PC
ICH7	8-759-901-64	s IC SN74LS164N
ICH8	8-759-900-04	s IC SN74LS04N
ICH9	8-759-900-00	s IC SN74LS00N
ICH11	8-759-951-07	s IC SN75107AN
ICH12	8-759-900-10	s IC SN74LS10N
ICH14	8-759-906-07	s IC TL607CP
ICH15	8-759-900-04	s IC SN74LS04N
ICH16	8-759-202-14	s IC TC74HC08P
ICH17	8-759-900-00	s IC SN74LS00N
ICH18	8-759-901-63	s IC SN74LS163AN
ICH20	8-759-900-04	s IC SN74LS04N
ICH21	8-759-900-00	s IC SN74LS00N
ICJ1	8-759-900-14	s IC SN74LS14N
ICJ2	8-759-345-38	s IC HD14538BP
ICJ3	8-759-345-38	s IC HD14538BP
ICJ5	8-759-900-14	s IC SN74LS14N
ICJ6	8-759-902-21	s IC SN74LS221N
ICJ7	8-759-901-23	s IC SN74LS123N
ICJ8	8-759-902-21	s IC SN74LS221N
ICJ11	8-759-938-68	s IC CXD1095Q
ICJ13	8-759-918-35	s IC CX20162
ICJ15	8-759-900-08	s IC SN74LS08N
ICJ16	8-759-202-12	s IC TC74HC02P
ICJ17	8-759-203-21	s IC TC74HC273P
ICJ18	8-759-105-77	s IC UPD71054C
ICJ19	8-759-105-77	s IC UPD71054C
ICJ21	8-759-105-77	s IC UPD71054C
ICK2	8-759-202-56	s IC TC74HC245P
ICK3	8-759-202-26	s IC TC74HC138P
ICK4	8-759-900-74	s IC SN74LS74AN
ICK5	8-759-900-74	s IC SN74LS74AN
ICK6	8-759-901-53	s IC SN74LS153N
ICK7	8-759-901-53	s IC SN74LS153N
ICK8	8-759-901-57	s IC SN74LS157N
ICK9	8-759-202-21	s IC TC74HC32P
ICK10	8-759-203-60	s IC TC74HC670P
ICK11	8-759-203-60	s IC TC74HC670P
ICK12	8-759-900-00	s IC SN74LS00N
ICK13	8-759-906-01	s IC TL601CP

Ref. No. or Q'ty	Part No.	SP Description
ICK14	8-759-900-74	s IC SN74LS74AN
ICK15	8-759-105-77	s IC UPD71054C
ICK17	8-759-105-77	s IC UPD71054C
ICK18	8-759-105-77	s IC UPD71054C
ICK19	8-759-105-77	s IC UPD71054C
ICK21	8-759-105-77	s IC UPD71054C
ICL2	8-759-990-82	s IC TL082CP
ICL4	8-759-101-83	s IC UPC649C
ICL5	8-759-990-82	s IC TL082CP
ICL7	8-759-990-82	s IC TL082CP
ICL9	8-759-990-82	s IC TL082CP
ICL12	8-759-939-36	s IC TL7705ACP
ICL15	8-759-202-95	s IC TC74HC155P
ICL21	8-759-900-04	s IC SN74LS04N
ICM1	8-759-906-01	s IC TL601CP
ICM3	8-759-990-82	s IC TL082CP
ICM4	8-759-990-82	s IC TL082CP
ICM5	8-759-990-82	s IC TL082CP
ICM7	8-759-990-82	s IC TL082CP
ICM8	8-759-906-07	s IC TL607CP
ICM10	8-759-990-82	s IC TL082CP
ICM11	8-759-201-41	s IC TD62901P
ICM12	8-759-202-11	s IC TC74HC00P
ICM14	8-759-780-36	s IC, EPROM 27C64-RDU2-0-0
ICM15	8-759-202-56	s IC TC74HC245P
ICM16	8-759-203-35	s IC TC74HC373P
ICM18	8-759-112-54	s IC UPD78C10G-36
ICM21	8-759-939-61	s IC DS1210
ICN1	8-759-990-82	s IC TL082CP
ICN3	8-759-014-96	s IC MC1496P
ICN5	8-759-990-82	s IC TL082CP
ICN7	8-759-990-82	s IC TL082CP
ICN9	8-759-906-01	s IC TL601CP
ICN11	8-759-103-95	s IC UPC648C
ICN13	8-759-938-68	s IC CXD1095Q
ICN15	8-759-204-44	s IC TC5517AFL
ICN16	8-759-178-08	s IC UPC78L08
JP1	1-566-385-11	s PIN, 2P
JP3	1-566-385-11	s PIN, 2P
JP4	1-566-385-11	s PIN, 2P
JS1	1-563-859-11	s PLUG, SHORT
JS3	1-563-859-11	s PLUG, SHORT
L1	1-421-370-00	s COIL, CHOKE
L2	1-421-370-00	s COIL, CHOKE
L3	1-421-370-00	s COIL, CHOKE
L4	1-421-370-00	s COIL, CHOKE
L5	1-408-409-00	s INDUCTOR 10UH 5%
L6	1-408-409-00	s INDUCTOR 10UH 5%
L7	1-408-425-00	s INDUCTOR 220uH 5%
L8	1-408-417-00	s INDUCTOR 47UH 5%
L10	1-408-409-00	s INDUCTOR 10UH 5%
L11	1-408-409-00	s INDUCTOR 10UH 5%
L12	1-408-421-00	s INDUCTOR 100UH 5%
L13	1-408-417-00	s INDUCTOR 47UH 5%
L16	1-408-429-00	s INDUCTOR 470UH 5%

NOTE : Please see pages D-42 and D-43 for the part numbers of capacitors and resistors that are not listed in the parts list.

Ref. No. or Q'ty	Part No.	SP Description
Q3	8-729-105-71	s TRANSISTOR 2SK523-K2
Q4	8-729-245-82	s TRANSISTOR 2SC2458-Y
Q5	8-729-190-12	s TRANSISTOR 2SC2901
Q6	8-729-190-12	s TRANSISTOR 2SC2901
Q7	8-729-204-83	s TRANSISTOR 2SA1048-GR
Q8	8-729-245-82	s TRANSISTOR 2SC2458-Y
Q9	8-729-105-71	s TRANSISTOR 2SK523-K2
Q10	8-729-204-83	s TRANSISTOR 2SA1048-GR
Q11	8-729-190-12	s TRANSISTOR 2SC2901
Q12	8-729-190-12	s TRANSISTOR 2SC2901
Q13	8-729-190-12	s TRANSISTOR 2SC2901
Q14	8-729-204-83	s TRANSISTOR 2SA1048-GR
Q16	8-729-900-80	s TRANSISTOR DTC114ES
R14	1-215-442-00	s RES, METAL 7.5K 1% 1/6W
R17	1-215-467-00	s RES, METAL 82K 1% 1/6W
R26	1-215-430-00	s RES, METAL 2.4K 1% 1/6W
R27	1-215-430-00	s RES, METAL 2.4K 1% 1/6W
R28	1-215-428-00	s RES, METAL 2K 1% 1/6W
R29	1-215-428-00	s RES, METAL 2K 1% 1/6W
R31	1-215-445-00	s RES, METAL 10K 1% 1/6W
R32	1-215-428-00	s RES, METAL 2K 1% 1/6W
R33	1-215-431-00	s RES, METAL 2.7K 1% 1/6W
R35	1-215-453-00	s RES, METAL 22K 1% 1/6W
R36	1-215-457-00	s RES, METAL 33K 1% 1/6W
R37	1-215-432-00	s RES, METAL 3K 1% 1/6W
R38	1-215-432-00	s RES, METAL 3K 1% 1/6W
R41	1-215-461-00	s RES, METAL 47K 1% 1/6W
R43	1-215-453-00	s RES, METAL 22K 1% 1/6W
R44	1-215-453-00	s RES, METAL 22K 1% 1/6W
R49	1-215-445-00	s RES, METAL 10K 1% 1/6W
R50	1-215-445-00	s RES, METAL 10K 1% 1/6W
R51	1-215-454-00	s RES, METAL 24K 1% 1/6W
R52	1-215-467-00	s RES, METAL 82K 1% 1/6W
R54	1-215-445-00	s RES, METAL 10K 1% 1/6W
R55	1-215-469-00	s RES, METAL 100K 1% 1/6W
R56	1-215-428-00	s RES, METAL 2K 1% 1/6W
R57	1-215-465-00	s RES, METAL 68K 1% 1/6W
R58	1-215-465-00	s RES, METAL 68K 1% 1/6W
R60	1-215-452-00	s RES, METAL 20K 1% 1/6W
R62	1-215-445-00	s RES, METAL 10K 1% 1/6W
R63	1-215-445-00	s RES, METAL 10K 1% 1/6W
R64	1-215-401-11	s RES, METAL 150 1% 1/6W
R65	1-215-401-11	s RES, METAL 150 1% 1/6W
R67	1-215-401-11	s RES, METAL 150 1% 1/6W
R68	1-215-401-11	s RES, METAL 150 1% 1/6W
R69	1-215-443-00	s RES, METAL 8.2K 1% 1/6W
R70	1-215-437-00	s RES, METAL 4.7K 1% 1/6W
R71	1-215-437-00	s RES, METAL 4.7K 1% 1/6W
R72	1-215-437-00	s RES, METAL 4.7K 1% 1/6W
R73	1-215-470-00	s RES, METAL 110K 1% 1/6W
R74	1-215-470-00	s RES, METAL 110K 1% 1/6W
R75	1-215-463-00	s RES, METAL 56K 1% 1/6W
R76	1-215-463-00	s RES, METAL 56K 1% 1/6W
R77	1-215-470-00	s RES, METAL 110K 1% 1/6W
R78	1-215-470-00	s RES, METAL 110K 1% 1/6W

Ref. No. or Q'ty	Part No.	SP Description
R79	1-215-449-00	s RES, METAL 15K 1% 1/6W
R80	1-215-449-00	s RES, METAL 15K 1% 1/6W
R81	1-215-432-00	s RES, METAL 3K 1% 1/6W
R82	1-215-432-00	s RES, METAL 3K 1% 1/6W
R83	1-215-432-00	s RES, METAL 3K 1% 1/6W
R84	1-215-444-00	s RES, METAL 9.1K 1% 1/6W
R85	1-215-432-00	s RES, METAL 3K 1% 1/6W
R86	1-215-445-00	s RES, METAL 10K 1% 1/6W
R87	1-215-445-00	s RES, METAL 10K 1% 1/6W
R88	1-215-445-00	s RES, METAL 10K 1% 1/6W
R89	1-215-469-00	s RES, METAL 100K 1% 1/6W
R90	1-215-449-00	s RES, METAL 15K 1% 1/6W
R91	1-215-469-00	s RES, METAL 100K 1% 1/6W
R92	1-215-469-00	s RES, METAL 100K 1% 1/6W
R93	1-215-462-00	s RES, METAL 51K 1% 1/6W
R94	1-215-452-00	s RES, METAL 20K 1% 1/6W
R95	1-215-437-00	s RES, METAL 4.7K 1% 1/6W
R96	1-215-440-00	s RES, METAL 6.2K 1% 1/6W
R98	1-215-457-00	s RES, METAL 33K 1% 1/6W
R99	1-215-447-00	s RES, METAL 12K 1% 1/6W
R100	1-215-447-00	s RES, METAL 12K 1% 1/6W
R101	1-215-445-00	s RES, METAL 10K 1% 1/6W
R102	1-215-445-00	s RES, METAL 10K 1% 1/6W
R103	1-215-445-00	s RES, METAL 10K 1% 1/6W
R104	1-215-445-00	s RES, METAL 10K 1% 1/6W
R109	1-215-469-00	s RES, METAL 100K 1% 1/6W
R110	1-215-432-00	s RES, METAL 3K 1% 1/6W
R111	1-215-428-00	s RES, METAL 2K 1% 1/6W
R112	1-215-465-00	s RES, METAL 68K 1% 1/6W
R113	1-215-465-00	s RES, METAL 68K 1% 1/6W
R114	1-215-461-00	s RES, METAL 47K 1% 1/6W
R116	1-215-421-00	s RES, METAL 1K 1% 1/6W
R117	1-215-461-00	s RES, METAL 47K 1% 1/6W
R119	1-215-390-00	s RES, METAL 51 1% 1/6W
R120	1-215-390-00	s RES, METAL 51 1% 1/6W
R131	1-215-430-00	s RES, METAL 2.4K 1% 1/6W
R137	1-215-457-00	s RES, METAL 33K 1% 1/6W
R139	1-215-457-00	s RES, METAL 33K 1% 1/6W
R146	1-215-407-00	s RES, METAL 270 1% 1/6W
R147	1-215-421-00	s RES, METAL 1K 1% 1/6W
R149	1-215-465-00	s RES, METAL 68K 1% 1/6W
R151	1-215-421-00	s RES, METAL 1K 1% 1/6W
R152	1-215-421-00	s RES, METAL 1K 1% 1/6W
R153	1-215-459-00	s RES, METAL 39K 1% 1/6W
R156	1-215-469-00	s RES, METAL 100K 1% 1/6W
R157	1-215-410-00	s RES, METAL 360 1% 1/6W
R161	1-215-469-00	s RES, METAL 100K 1% 1/6W
R162	1-215-421-00	s RES, METAL 1K 1% 1/6W
R163	1-215-421-00	s RES, METAL 1K 1% 1/6W
R164	1-215-456-00	s RES, METAL 30K 1% 1/6W
R165	1-215-438-00	s RES, METAL 5.1K 1% 1/6W
R166	1-215-465-00	s RES, METAL 68K 1% 1/6W
R167	1-215-428-00	s RES, METAL 2K 1% 1/6W
R168	1-215-417-00	s RES, METAL 680 1% 1/6W
R170	1-215-415-00	s RES, METAL 560 1% 1/6W

NOTE : Please see pages D-42 and D-43 for the part numbers of capacitors and resistors that are not listed in the parts list.

(RD-7 BOARD, BVH-3000PS/3100PS)

Board No.  
1-621-748-11,12

(RD-7 BOARD, BVH-3000PS/3100PS)

Board No.  
1-621-748-11,12

Ref. No. or Qty	Part No.	SP Description
R171	1-215-421-00	s RES, METAL 1K 1% 1/6W
R174	1-215-438-00	s RES, METAL 5.1K 1% 1/6W
R175	1-215-445-00	s RES, METAL 10K 1% 1/6W
R176	1-215-427-00	s RES, METAL 1.8K 1% 1/6W
R180	1-215-445-00	s RES, METAL 10K 1% 1/6W
R181	1-215-459-00	s RES, METAL 39K 1% 1/6W
R182	1-215-445-00	s RES, METAL 10K 1% 1/6W
R183	1-215-447-00	s RES, METAL 12K 1% 1/6W
R184	1-215-445-00	s RES, METAL 10K 1% 1/6W
R185	1-215-442-00	s RES, METAL 7.5K 1% 1/6W
R186	1-215-445-00	s RES, METAL 10K 1% 1/6W
R199	1-215-437-00	s RES, METAL 4.7K 1% 1/6W
R200	1-215-465-00	s RES, METAL 68K 1% 1/6W
R201	1-215-443-00	s RES, METAL 8.2K 1% 1/6W
R202	1-215-443-00	s RES, METAL 8.2K 1% 1/6W
R204	1-215-421-00	s RES, METAL 1K 1% 1/6W
R205	1-215-457-00	s RES, METAL 33K 1% 1/6W
R206	1-215-421-00	s RES, METAL 1K 1% 1/6W
R207	1-215-467-00	s RES, METAL 82K 1% 1/6W
R208	1-215-435-00	s RES, METAL 3.9K 1% 1/6W
R209	1-215-441-00	s RES, METAL 6.8K 1% 1/6W
R242	1-215-421-00	s RES, METAL 1K 1% 1/6W
R243	1-215-407-00	s RES, METAL 270 1% 1/6W
R244	1-215-421-00	s RES, METAL 1K 1% 1/6W
R252	1-215-453-00	s RES, METAL 22K 1% 1/6W
R253	1-215-421-00	s RES, METAL 1K 1% 1/6W
R261	1-215-417-00	s RES, METAL 680 1% 1/6W
R262	1-215-421-00	s RES, METAL 1K 1% 1/6W
R263	1-215-417-00	s RES, METAL 680 1% 1/6W
R264	1-215-421-00	s RES, METAL 1K 1% 1/6W
R266	1-215-421-00	s RES, METAL 1K 1% 1/6W
R267	1-215-421-00	s RES, METAL 1K 1% 1/6W
R268	1-215-457-00	s RES, METAL 33K 1% 1/6W
R269	1-215-469-00	s RES, METAL 100K 1% 1/6W
R270	1-215-468-00	s RES, METAL 91K 1% 1/6W
R271	1-215-449-00	s RES, METAL 15K 1% 1/6W
R275	1-215-428-00	s RES, METAL 2K 1% 1/6W
R277	1-215-428-00	s RES, METAL 2K 1% 1/6W
R290	1-215-461-00	s RES, METAL 47K 1% 1/6W
R292	1-215-445-00	s RES, METAL 10K 1% 1/6W
R297	1-215-454-00	s RES, METAL 24K 1% 1/6W
R298	1-215-445-00	s RES, METAL 10K 1% 1/6W
R299	1-215-445-00	s RES, METAL 10K 1% 1/6W
R300	1-215-456-00	s RES, METAL 30K 1% 1/6W
R301	1-215-456-00	s RES, METAL 30K 1% 1/6W
R303	1-215-421-00	s RES, METAL 1K 1% 1/6W
R304	1-215-457-00	s RES, METAL 33K 1% 1/6W
R305	1-215-421-00	s RES, METAL 1K 1% 1/6W
R306	1-215-486-00	s RES, METAL 510K 1% 1/6W
R310	1-215-461-00	s RES, METAL 47K 1% 1/6W
R311	1-215-461-00	s RES, METAL 47K 1% 1/6W
R312	1-215-461-00	s RES, METAL 47K 1% 1/6W
R314	1-215-421-00	s RES, METAL 1K 1% 1/6W
R315	1-215-445-00	s RES, METAL 10K 1% 1/6W
R318	1-215-414-00	s RES, METAL 510 1% 1/6W

Ref. No. or Qty	Part No.	SP Description
R319	1-215-421-00	s RES, METAL 1K 1% 1/6W
R320	1-215-414-00	s RES, METAL 510 1% 1/6W
R323	1-215-421-00	s RES, METAL 1K 1% 1/6W
R324	1-215-421-00	s RES, METAL 1K 1% 1/6W
R325	1-215-457-00	s RES, METAL 33K 1% 1/6W
R329	1-215-461-00	s RES, METAL 47K 1% 1/6W
R330	1-215-461-00	s RES, METAL 47K 1% 1/6W
R332	1-215-419-00	s RES, METAL 820 1% 1/6W
R334	1-215-440-00	s RES, METAL 6.2K 1% 1/6W
R339	1-215-408-00	s RES, METAL 300 1% 1/6W
R341	1-215-390-00	s RES, METAL 51 1% 1/6W
R342	1-215-408-00	s RES, METAL 300 1% 1/6W
R344	1-215-408-00	s RES, METAL 300 1% 1/6W
R347	1-215-416-00	s RES, METAL 620 1% 1/6W
R348	1-215-416-00	s RES, METAL 620 1% 1/6W
R352	1-215-437-00	s RES, METAL 4.7K 1% 1/6W
R353	1-215-437-00	s RES, METAL 4.7K 1% 1/6W
R356	1-215-437-00	s RES, METAL 4.7K 1% 1/6W
R357	1-215-472-00	s RES, METAL 130K 1% 1/6W
R363	1-215-461-00	s RES, METAL 47K 1% 1/6W
R364	1-215-476-00	s RES, METAL 200K 1% 1/6W
R365	1-215-465-00	s RES, METAL 68K 1% 1/6W
R366	1-215-445-00	s RES, METAL 10K 1% 1/6W
R367	1-215-461-00	s RES, METAL 47K 1% 1/6W
R375	1-215-431-00	s RES, METAL 2.7K 1% 1/6W
R391	1-215-418-00	s RES, METAL 750 1% 1/6W
R501	1-215-466-00	s RES, METAL 75K 1% 1/6W
R502	1-215-421-00	s RES, METAL 1K 1% 1/6W
R503	1-215-466-00	s RES, METAL 75K 1% 1/6W
R504	1-215-421-00	s RES, METAL 1K 1% 1/6W
R506	1-215-438-00	s RES, METAL 5.1K 1% 1/6W
R507	1-215-448-00	s RES, METAL 13K 1% 1/6W
R508	1-215-434-00	s RES, METAL 3.6K 1% 1/6W
R509	1-215-461-00	s RES, METAL 47K 1% 1/6W
R510	1-215-424-00	s RES, METAL 1.3K 1% 1/6W
R513	1-215-418-00	s RES, METAL 750 1% 1/6W
R514	1-215-432-00	s RES, METAL 3K 1% 1/6W
R516	1-215-428-00	s RES, METAL 2K 1% 1/6W
R517	1-215-428-00	s RES, METAL 2K 1% 1/6W
R519	1-215-461-00	s RES, METAL 47K 1% 1/6W
R520	1-215-436-00	s RES, METAL 4.3K 1% 1/6W
R521	1-215-442-00	s RES, METAL 7.5K 1% 1/6W
R522	1-215-432-00	s RES, METAL 3K 1% 1/6W
RB1	1-235-005-00	s RESISTOR BLOCK 47Kx8
RB2	1-235-005-00	s RESISTOR BLOCK 47Kx8
RB4	1-235-005-00	s RESISTOR BLOCK 47Kx8
RB5	1-235-005-00	s RESISTOR BLOCK 47Kx8
RB6	1-231-504-00	s RESISTOR BLOCK 620x4
RB8	1-231-549-11	s RESISTOR BLOCK 47Kx4
RB9	1-235-005-00	s RESISTOR BLOCK 47Kx8
RV3	1-230-844-11	s RES, ADJ, METAL 20K
RV5	1-230-846-11	s RES, ADJ, METAL 100K
RV6	1-230-844-11	s RES, ADJ, METAL 20K
RV7	1-230-841-11	s RES, ADJ, METAL 2K
RV9	1-230-841-11	s RES, ADJ, METAL 2K

NOTE : Please see pages D-42 and D-43 for the part numbers of capacitors and resistors that are not listed in the parts list.

(RD-7 BOARD, BVH-3000PS/3100PS) Board No.  
1-621-748-11,12

Ref. No. or Q'ty	Part No.	SP Description
RV10	1-230-844-11	s RES, ADJ, METAL 20K
RV11	1-230-843-11	s RES, ADJ, METAL 10K
RV12	1-230-903-11	s RES, ADJ, METAL 200K
RV13	1-230-844-11	s RES, ADJ, METAL 20K
RV14	1-230-843-11	s RES, ADJ, METAL 10K
RV15	1-230-741-21	s RES, VAR, CARBON 10K(B)
RV16	1-230-842-11	s RES, ADJ, METAL 5K
RV17	1-230-741-21	s RES, VAR, CARBON 10K(B)
RV18	1-230-845-11	s RES, ADJ, METAL 50K
RV19	1-230-844-11	s RES, ADJ, METAL 20K
RV20	1-230-844-11	s RES, ADJ, METAL 20K
RV21	1-237-262-11	s RES, ADJ, METAL 20K
RV22	1-237-261-11	s RES, ADJ, METAL 10K
RV23	1-230-741-21	s RES, VAR, CARBON 10K(B)
RV24	1-230-844-11	s RES, ADJ, METAL 20K
RV25	1-230-844-11	s RES, ADJ, METAL 20K
RV26	1-230-840-11	s RES, ADJ, METAL 1K
RV27	1-230-740-21	s RES, VAR, CARBON 5K(B)
RV28	1-230-846-11	s RES, ADJ, METAL 100K
RV29	1-230-844-11	s RES, ADJ, METAL 20K
RV30	1-230-840-11	s RES, ADJ, METAL 1K
S1	1-553-856-00	s SWITCH, PUSH
X1	1-567-797-11	s RESONATOR, CERAMIC 12.0MHZ
X2	1-527-585-00	s VCO, X'TAL 17.734475MHZ
X3	1-567-646-11	s OSCILLATOR, CRYSTAL
X4	1-527-585-00	s VCO, X'TAL 17.734475MHZ

NOTE : Please see pages D-42 and D-43 for the  
part numbers of capacitors and resistors  
that are not listed in the parts list. D-83

RD-7 BOARD, BVH-3000PS/3100PS

Board No.  
1-621-748-13, 14  
& Higher

Ref. No. or Qty	Part No.	SP Description
1pc	A-6015-106-A	o COMPLETE PCB, RD-7
4pcs	2-282-313-00	s KNOB, VR
2pcs	3-714-634-01	o LEVER, PC BOARD
2pcs	3-714-691-01	o PIN, SPRING
4pcs	7-621-737-08	s SET-SCT,HEX. 2.6X3,FLAT POINT
6pcs	7-622-207-05	s N 2.6, TYPE 2
2pcs	7-628-254-20	s SCREW +PS 2.6X8
4pcs	7-628-254-40	s SCREW +PS 2.6X12
9pcs	7-682-948-01	s SCREW +PSW 3X8
2pcs	7-685-533-19	s SCREW +BTP 2.6X6 TYPE2 N-S
BT1	1-528-218-11	s BATTERY, LITHIUM CR2032WT13H
C1	1-124-518-11	s CAP, ELECT 470uF 20% 6.3V
C2	1-124-518-11	s CAP, ELECT 470uF 20% 6.3V
C3	1-162-806-11	s CAP, CERAMIC 0.1uF 10% 50V
C4	1-124-518-11	s CAP, ELECT 470uF 20% 6.3V
C5	1-124-518-11	s CAP, ELECT 470uF 20% 6.3V
C6	1-162-806-11	s CAP, CERAMIC 0.1uF 50V
C7	1-124-522-11	s CAP, ELECT 270uF 20% 16V
C8	1-124-522-11	s CAP, ELECT 270uF 20% 16V
C9	1-162-806-11	s CAP, CERAMIC 0.1uF 50V
C10	1-124-522-11	s CAP, ELECT 270uF 20% 16V
C11	1-124-522-11	s CAP, ELECT 270uF 20% 16V
C12	1-162-806-11	s CAP, CERAMIC 0.1uF 50V
C13	1-124-225-00	s CAP, ELECT 100uF 20% 6.3V
C14	1-162-806-11	s CAP, CERAMIC 0.1uF 50V
C15	1-130-471-00	s CAP, MYLAR 0.001uF 5% 50V
C16	1-124-224-00	s CAP, ELECT 47uF 20% 6.3V
C17	1-162-806-11	s CAP, CERAMIC 0.1uF 50V
C22	1-130-488-00	s CAP, MYLAR 0.027uF 5% 50V
C23	1-130-471-00	s CAP, MYLAR 0.001uF 5% 50V
C24	1-130-471-00	s CAP, MYLAR 0.001uF 5% 50V
C25	1-124-234-00	s CAP, ELECT 22uF 20% 16V
C27	1-102-129-00	s CAP, CERAMIC 0.01uF 10% 50V
C28	1-124-245-00	s CAP, ELECT 4.7uF 20% 35V
C30	1-124-259-00	s CAP, ELECT 4.7uF 20% 50V
C32	1-130-487-00	s CAP, MYLAR 0.022uF 5% 50V
C33	1-130-471-00	s CAP, MYLAR 0.001uF 5% 50V
C34	1-124-465-00	s CAP, ELECT 0.47uF 20% 50V
C35	1-130-487-00	s CAP, MYLAR 0.022uF 5% 50V
C36	1-130-471-00	s CAP, MYLAR 0.001uF 5% 50V
C37	1-130-483-00	s CAP, MYLAR 0.01uF 5% 50V
C38	1-130-479-00	s CAP, MYLAR 0.0047uF 5% 50V
C39	1-130-479-00	s CAP, MYLAR 0.0047uF 5% 50V
C40	1-124-229-00	s CAP, ELECT 33uF 20% 10V
C41	1-102-121-00	s CAP, CERAMIC 0.0022uF 10% 50V
C42	1-130-471-00	s CAP, MYLAR 0.001uF 5% 50V
C43	1-130-475-00	s CAP, MYLAR 0.0022uF 5% 50V
C44	1-130-471-00	s CAP, MYLAR 0.001uF 5% 50V
C45	1-130-473-00	s CAP, MYLAR 0.0015uF 5% 50V
C46	1-124-259-00	s CAP, ELECT 4.7uF 20% 50V
C47	1-130-471-00	s CAP, MYLAR 0.001uF 5% 50V
C48	1-130-475-00	s CAP, MYLAR 0.0022uF 5% 50V
C49	1-130-471-00	s CAP, MYLAR 0.001uF 5% 50V

NOTE : Please see pages D-42 and D-43 for the part numbers of capacitors and resistors that are not listed in the parts list.

D-77(a)

(RD-7 BOARD, BVH-3000PS/3100PS)  
Board No.  
1-621-748-13, 14  
& Higher

(RD-7 BOARD, BVH-3000PS/3100PS)  
Board No.  
1-621-748-13, 14  
& Higher

Ref. No. or Q'ty	Part No.	SP Description
C50	1-130-473-00	s CAP, MYLAR 0.0015uF 5% 50V
C51	1-130-475-00	s CAP, MYLAR 0.0022uF 5% 50V
C52	1-130-479-00	s CAP, MYLAR 0.0047uF 5% 50V
C53	1-130-475-00	s CAP, MYLAR 0.0022uF 5% 50V
C54	1-130-491-00	s CAP, MYLAR 0.047uF 5% 50V
C56	1-130-491-00	s CAP, MYLAR 0.047uF 5% 50V
C57	1-130-491-00	s CAP, MYLAR 0.047uF 5% 50V
C58	1-130-487-00	s CAP, MYLAR 0.022uF 5% 50V
C59	1-124-270-11	s CAP, ELECT, NONPOLAR 0.47uF 20% 50V
C60	1-162-757-11	s CAP, CERAMIC 220PF 5% 50V
C61	1-131-342-00	s CAP, TANT 0.15uF 10% 35V
C62	1-131-342-00	s CAP, TANT 0.15uF 10% 35V
C63	1-124-259-00	s CAP, ELECT 4.7uF 20% 50V
C64	1-130-471-00	s CAP, MYLAR 0.001uF 5% 50V
C65	1-130-485-00	s CAP, MYLAR 0.015uF 5% 50V
C66	1-130-479-00	s CAP, MYLAR 0.0047uF 5% 50V
C67	1-130-479-00	s CAP, MYLAR 0.0047uF 5% 50V
C68	1-131-374-00	s CAP, TANT 33uF 10% 16V
C70	1-124-224-00	s CAP, ELECT 47uF 20% 6.3V
C71	1-124-631-11	s CAP, ELECT, NONPOLAR 47uF 20% 16V
C72	1-124-224-00	s CAP, ELECT 47uF 20% 6.3V
C73	1-124-224-00	s CAP, ELECT 47uF 20% 6.3V
C74	1-124-224-00	s CAP, ELECT 47uF 20% 6.3V
C77	1-102-074-00	s CAP, CERAMIC 0.001uF 10% 50V
C78	1-130-471-00	s CAP, MYLAR 0.001uF 5% 50V
C79	1-164-122-11	s CAP, CERAMIC 220PF 5% 50V
C80	1-162-879-11	s CAP, CERAMIC 100PF 5% 50V
C81	1-130-471-00	s CAP, MYLAR 0.001uF 5% 50V
C82	1-102-112-00	s CAP, CERAMIC 330PF 10% 50V
C83	1-130-476-00	s CAP, MYLAR 0.0027uF 5% 50V
C85	1-124-234-00	s CAP, ELECT 22uF 20% 16V
C86	1-124-234-00	s CAP, ELECT 22uF 20% 16V
C87	1-124-224-00	s CAP, ELECT 47uF 20% 6.3V
C88	1-162-757-11	s CAP, CERAMIC 220PF 5% 50V
C89	1-131-347-00	s CAP, TANT 1uF 10% 35V
C90	1-130-493-00	s CAP, MYLAR 0.068uF 5% 50V
C92	1-124-255-00	s CAP, ELECT 1uF 20% 50V
C93	1-102-106-00	s CAP, CERAMIC 100PF 10% 50V
C94	1-162-761-11	s CAP, CERAMIC 470PF 5% 50V
C95	1-130-487-00	s CAP, MYLAR 0.022uF 5% 50V
C96	1-102-112-00	s CAP, CERAMIC 330PF 10% 50V
C97	1-102-112-00	s CAP, CERAMIC 330PF 10% 50V
C98	1-102-112-00	s CAP, CERAMIC 330PF 10% 50V
C99	1-130-481-00	s CAP, MYLAR 0.0068uF 5% 50V
C100	1-130-489-00	s CAP, MYLAR 0.033uF 5% 50V
C101	1-136-156-00	s CAP, MYLAR 0.018uF 5% 50V
C102	1-124-270-11	s CAP, ELECT, NONPOLAR 0.47uF 20% 50V
C103	1-130-491-00	s CAP, MYLAR 0.047uF 5% 50V
C104	1-130-479-00	s CAP, MYLAR 0.0047uF 5% 50V
C105	1-102-074-00	s CAP, CERAMIC 0.001uF 10% 50V
C106	1-131-349-00	s CAP, TANT 2.2uF 10% 35V
C107	1-130-476-00	s CAP, MYLAR 0.0027uF 5% 50V
C108	1-102-112-00	s CAP, CERAMIC 330PF 10% 50V
C109	1-131-349-00	s CAP, TANT 2.2uF 10% 35V
C110	1-164-122-11	s CAP, CERAMIC 200PF 5% 50V
C111	1-124-224-00	s CAP, ELECT 47uF 20% 6.3V
C112	1-124-631-11	s CAP, ELECT, NONPOLAR 47uF 20% 16V

Ref. No. or Q'ty	Part No.	SP Description
C113	1-124-224-00	s CAP, ELECT 47uF 20% 6.3V
C114	1-124-224-00	s CAP, ELECT 47uF 20% 6.3V
C116	1-124-224-00	s CAP, ELECT 47uF 20% 6.3V
C119	1-102-109-00	s CAP, CERAMIC 180PF 10% 50V
C120	1-130-471-00	s CAP, MYLAR 0.001uF 5% 50V
C121	1-130-471-00	s CAP, MYLAR 0.001uF 5% 50V
C122	1-164-122-11	s CAP, CERAMIC 200PF 5% 50V
C123	1-130-471-00	s CAP, MYLAR 0.001uF 5% 50V
C124	1-162-879-11	s CAP, CERAMIC 100PF 5% 50V
C125	1-124-270-11	s CAP, ELECT, NONPOLAR 0.47uF 20% 50V
C126	1-130-491-00	s CAP, MYLAR 0.047uF 5% 50V
C128	1-124-234-00	s CAP, ELECT 22uF 20% 16V
C129	1-162-757-11	s CAP, CERAMIC 220PF 5% 50V
C130	1-131-347-00	s CAP, TANT 1uF 10% 35V
C131	1-131-347-00	s CAP, TANT 1uF 10% 35V
C132	1-124-234-00	s CAP, ELECT 22uF 20% 16V
C133	1-164-124-11	s CAP, CERAMIC 300PF 5% 50V
C134	1-124-270-11	s CAP, ELECT, NONPOLAR 0.47uF 20% 50V
C135	1-162-886-11	s CAP, CERAMIC 390PF 5% 50V
C136	1-130-475-00	s CAP, MYLAR 0.0022uF 5% 50V
C138	1-130-491-00	s CAP, MYLAR 0.047uF 5% 50V
C141	1-130-491-00	s CAP, MYLAR 0.047uF 5% 50V
C143	1-164-122-11	s CAP, CERAMIC 200PF 5% 50V
C144	1-130-471-00	s CAP, MYLAR 0.001uF 5% 50V
C145	1-130-476-00	s CAP, MYLAR 0.0027uF 5% 50V
C146	1-164-122-11	s CAP, CERAMIC 200PF 5% 50V
C147	1-130-472-00	s CAP, MYLAR 0.0012uF 5% 50V
C149	1-102-129-00	s CAP, CERAMIC 0.01uF 10% 50V
C150	1-130-471-00	s CAP, MYLAR 0.001uF 5% 50V
C152	1-130-488-00	s CAP, MYLAR 0.027uF 5% 50V
C153	1-162-765-11	s CAP, CERAMIC 0.001uF 5% 50V
C156	1-131-346-00	s CAP, TANT 0.68uF 10% 35V
C157	1-130-491-00	s CAP, MYLAR 0.047uF 5% 50V
C159	1-102-110-00	s CAP, CERAMIC 220PF 10% 50V
C195	1-130-483-00	s CAP, MYLAR 0.01uF 5% 50V
C216	1-130-483-00	s CAP, MYLAR 0.01uF 5% 50V
C421	1-131-347-00	s CAP, TANT 1uF 10% 35V
C501	1-130-483-00	s CAP, MYLAR 0.01uF 5% 50V
C502	1-130-483-00	s CAP, MYLAR 0.01uF 5% 50V
C505	1-124-499-11	s CAP, ELECT, NONPOLAR 1uF 20% 50V
C509	1-102-106-00	s CAP, CERAMIC 100PF 10% 50V
C600	1-130-475-00	s CAP, MYLAR 0.0022uF 5% 50V
C601	1-130-475-00	s CAP, MYLAR 0.0022uF 5% 50V
C602	1-130-479-00	s CAP, MYLAR 0.0047uF 5% 50V
C605	1-161-473-11	s CAP, CERAMIC 0.01uF 10% 50V
C609	1-162-806-11	s CAP, CERAMIC 0.1uF 10% 50V
C610	1-161-473-00	s CAP, CERAMIC 0.1uF 10% 50V
CF1	1-527-497-00	s FILTER, CERAMIC 4.55MHZ
CN311	1-506-748-11	s RECEP, DIN 96P MALE
CN312	1-506-748-11	s RECEP, DIN 96P MALE
CN313	1-563-764-11	s RECEP, DIN 30P FEMALE
D1	1-233-106-11	s CR BLOCK
D1	8-719-400-35	s DIODE 1N35BP
D2	8-719-400-35	s DIODE 1N35BP
D3	8-719-911-19	s DIODE 1SS119
D4	8-719-911-19	s DIODE 1SS119
D5	8-719-918-88	s DIODE 1SS198
D6	8-719-918-88	s DIODE 1SS198

NOTE : Please see pages D-42 and D-43 for the part numbers of capacitors and resistors that are not listed in the parts list. D-78(a)

(RD-7 BOARD, BVH-3000PS/3100PS) Board No.  
1-621-748-13,14  
& Higher

(RD-7 BOARD, BVH-3000PS/3100PS) Board No.  
1-621-748-13, 14  
& Higher

Ref. No. or Q'ty	Part No.	SP Description
D7	8-719-918-88	s DIODE 1SS198
D8	8-719-918-88	s DIODE 1SS198
D9	8-719-918-88	s DIODE 1SS198
D10	8-719-918-88	s DIODE 1SS198
D11	8-719-911-19	s DIODE 1SS119
D12	8-719-911-19	s DIODE 1SS119
D13	8-719-911-19	s DIODE 1SS119
D14	8-719-911-19	s DIODE 1SS119
D15	8-719-918-88	s DIODE 1SS198
D16	8-719-918-88	s DIODE 1SS198
D17	8-719-911-19	s DIODE 1SS119
D18	8-719-911-19	s DIODE 1SS119
D19	8-719-911-19	s DIODE 1SS119
D20	8-719-911-19	s DIODE 1SS119
D21	8-719-911-19	s DIODE 1SS119
D22	8-719-911-19	s DIODE 1SS119
D23	8-719-911-19	s DIODE 1SS119
D24	8-719-911-19	s DIODE 1SS119
D25	8-719-911-19	s DIODE 1SS119
D26	8-719-911-19	s DIODE 1SS119
D27	8-719-109-79	s DIODE RD4.7ESB
D29	8-719-918-88	s DIODE 1SS198
D30	8-719-918-88	s DIODE 1SS198
D31	8-719-918-88	s DIODE 1SS198
D32	8-719-918-88	s DIODE 1SS198
D60	8-719-911-19	s DIODE 1SS119
D61	8-719-109-87	s DIODE RD5.6ESB
DL1	1-415-449-11	s DELAY LINE 20nS
DL2	1-415-432-11	s DELAY LINE 40nS
DL3	1-415-430-11	s DELAY LINE 30nS
FB1	1-535-178-00	s FERRITE BEAD
FL1	1-235-577-11	s FILTER, BANDPASS 17.7MHz
IC1	8-759-990-82	s IC TL082CP
IC2	8-759-990-82	s IC TL082CP
IC3	8-759-990-82	s IC TL082CP
IC4	8-759-145-58	s IC UPC4558C
IC5	8-759-990-82	s IC TL082CP
IC6	8-759-101-83	s IC UPC649C
IC7	8-759-990-82	s IC TL082CP
IC8	8-759-906-07	s IC TL601CP
ICA1	8-759-974-06	s IC SN7406N
ICA2	8-759-901-23	s IC SN74LS123N
ICB3	8-759-990-82	s IC TL082CP
ICB4	8-759-900-00	s IC SN74LS00N
ICB6	8-759-990-82	s IC TL082CP
ICB8	8-759-904-79	s IC 74F00PC
ICB9	8-759-918-23	s IC NE527N
ICB10	8-759-903-99	s IC SN74LS399N
ICB12	8-759-990-82	s IC TL082CP
ICB14	8-759-990-82	s IC TL082CP
ICB16	8-759-900-59	s IC HI1-0201-5
ICB17	8-759-990-82	s IC TL082CP
ICB19	8-759-902-21	s IC SN74LS221N
ICB20	8-759-900-74	s IC SN74LS74AN
ICB21	8-759-040-53	s IC MC14053BCP
ICC1	8-759-301-24	s IC HD10124
ICC2	8-759-900-74	s IC SN74LS74AN
ICC4	8-759-900-74	s IC SN74LS74AN
ICC5	8-759-918-23	s IC NE527N
ICC10	8-759-900-04	s IC SN74LS04N

Ref. No. or Q'ty	Part No.	SP Description
ICC11	8-759-900-00	s IC SN74LS00N
ICC12	8-759-901-23	s IC SN74LS123N
ICC13	8-759-990-82	s IC TL082CP
ICC14	8-759-900-00	s IC SN74LS00N
ICC15	8-759-900-02	s IC SN74LS02N
ICC17	8-749-901-26	s IC BX-381L
ICC19	8-759-900-00	s IC SN74LS00N
ICC20	8-759-900-00	s IC SN74LS00N
ICC21	8-759-900-04	s IC SN74LS04N
ICD1	8-759-918-23	s IC NE527N
ICD2	8-759-901-53	s IC SN74LS153N
ICD3	8-759-900-04	s IC SN74LS04N
ICD5	8-749-901-26	s IC BX-381L
ICD7	8-759-906-07	s IC TL607CP
ICD9	8-759-900-04	s IC SN74LS04N
ICD10	8-759-901-63	s IC SN74LS163AN
ICD11	8-759-990-82	s IC TL082CP
ICD12	8-759-906-07	s IC TL607CP
ICD14	8-759-901-63	s IC SN74LS163AN
ICD15	8-759-917-47	s IC 74F20PC
ICD16	8-759-901-63	s IC SN74LS163AN
ICD19	8-759-900-74	s IC SN74LS74AN
ICD20	8-759-103-19	s IC UPC319C
ICD21	8-759-900-02	s IC SN74LS02N
ICE1	8-759-918-23	s IC NE527N
ICE2	8-759-900-10	s IC SN74LS10N
ICE4	8-749-901-26	s IC BX-381L
ICE7	8-759-901-63	s IC SN74LS163AN
ICE8	8-759-900-00	s IC SN74LS00N
ICE9	8-759-941-23	s IC SN74123N
ICE10	8-759-900-02	s IC SN74LS02N
ICE11	8-759-990-82	s IC TL082CP
ICE13	8-759-974-06	s IC SN7406N
ICE14	8-759-989-69	s IC SN74LS86AN
ICE15	8-759-917-65	s IC 74F193PC
ICE16	8-759-901-74	s IC SN74LS174N
ICE17	8-759-915-93	s IC 74F163APC
ICE19	8-759-990-82	s IC TL082CP
ICE21	8-759-990-82	s IC TL082CP
ICF1	8-752-015-81	s IC CX20158
ICF3	8-752-015-81	s IC CX20158
ICF6	8-759-131-11	s IC UPC311C
ICF7	8-759-902-21	s IC SN74LS221N
ICF8	8-759-040-53	s IC MC14053BCP
ICF9	8-759-990-82	s IC TL082CP
ICF10	8-759-918-23	s IC NE527N
ICF11	8-759-915-41	s IC 74F02PC
ICF12	8-757-903-00	s IC CX-7903
ICF15	8-759-918-33	s IC CX20160
ICF16	8-759-900-74	s IC SN74LS74AN
ICF17	8-759-900-04	s IC SN74LS04N
ICF18	8-759-900-74	s IC SN74LS74AN
ICF19	8-759-900-04	s IC SN74LS04N
ICF20	8-759-902-21	s IC SN74LS221N
ICF21	8-759-900-59	s IC HI1-0201-5
ICG1	8-752-015-81	s IC CX20158
ICG3	8-752-015-81	s IC CX20158
ICG6	8-759-131-11	s IC UPC311C
ICG7	8-759-902-21	s IC SN74LS221N
ICG8	8-759-040-53	s IC MC14053BCP

NOTE : Please see pages D-42 and D-43 for the part numbers of capacitors and resistors that are not listed in the parts list.

D-79(a)

(RD-7 BOARD, BVH-3000PS/3100PS) Board No. 1-621-748-13, 14 & Higher

(RD-7 BOARD, BVH-3000PS/3100PS) Board No. 1-621-748-13, 14 & Higher

Ref. No. or Q'ty	Part No.	SP	Description
ICG9	8-759-990-82	s	IC TL082CP
ICG10	8-759-918-23	s	IC NE527N
ICG11	8-759-901-12	s	IC SN74LS112AN
ICG12	8-759-901-12	s	IC SN74LS112AN
ICG13	8-757-903-00	s	IC CX-7903
ICG14	8-759-900-04	s	IC SN74LS04N
ICG15	8-759-902-21	s	IC SN74LS221N
ICG16	8-759-901-23	s	IC SN74LS123N
ICG17	8-757-732-00	s	IC CX-773B
ICG19	8-757-732-00	s	IC CX-773B
ICG20	8-759-990-82	s	IC TL082CP
ICG21	8-759-040-53	s	IC MC14053BCP
ICH1	8-759-990-82	s	IC TL082CP
ICH3	8-759-990-82	s	IC TL082CP
ICH4	8-759-040-53	s	IC MC14053BCP
ICH6	8-759-917-49	s	IC 74F112PC
ICH7	8-759-901-64	s	IC SN74LS164N
ICH8	8-759-900-04	s	IC SN74LS04N
ICH9	8-759-900-00	s	IC SN74LS00N
ICH11	8-759-951-07	s	IC SN75107AN
ICH12	8-759-900-10	s	IC SN74LS10N
ICH14	8-759-906-07	s	IC TL607CP
ICH15	8-759-900-04	s	IC SN74LS04N
ICH16	8-759-202-14	s	IC TC74HC08P
ICH17	8-759-900-00	s	IC SN74LS00N
ICH18	8-759-901-63	s	IC SN74LS163AN
ICH19	8-759-901-63	s	IC SN74LS163AN
ICH20	8-759-900-04	s	IC SN74LS04N
ICH21	8-759-900-00	s	IC SN74LS00N
ICJ2	8-759-345-38	s	IC HD14538BP
ICJ3	8-759-345-38	s	IC HD14538BP
ICJ5	8-759-900-14	s	IC SN74LS14N
ICJ6	8-759-902-21	s	IC SN74LS221N
ICJ7	8-759-901-23	s	IC SN74LS123N
ICJ8	8-759-902-21	s	IC SN74LS221N
ICJ11	8-759-938-68	s	IC CXD1095Q
ICJ13	8-759-918-35	s	IC CX20162
ICJ15	8-759-900-08	s	IC SN74LS08N
ICJ16	8-759-921-08	s	IC SN74HC02N
ICJ17	8-759-916-79	s	IC SN74HC273N
ICJ18	8-752-806-91	s	IC CXQ71054P
ICJ19	8-752-806-91	s	IC CXQ71054P
ICJ21	8-752-806-91	s	IC CXQ71054P
ICK2	8-759-921-34	s	IC SN74HC245N
ICK3	8-759-202-26	s	IC TC74HC138P
ICK4	8-759-900-74	s	IC SN74LS74AN
ICK5	8-759-900-74	s	IC SN74LS74AN
ICK6	8-759-901-53	s	IC SN74LS153N
ICK7	8-759-901-53	s	IC SN74LS153N
ICK8	8-759-901-57	s	IC SN74LS157N
ICK9	8-759-202-21	s	IC TC74HC32P
ICK10	8-759-203-60	s	IC TC74HC670P
ICK11	8-759-203-60	s	IC TC74HC670P
ICK12	8-759-900-00	s	IC SN74LS00N
ICK14	8-759-900-74	s	IC SN74LS74AN

Ref. No. or Q'ty	Part No.	SP	Description
ICK15	8-752-806-91	s	IC CXQ71054P
ICK17	8-752-806-91	s	IC CXQ71054P
ICK18	8-752-806-91	s	IC CXQ71054P
ICK19	8-752-806-91	s	IC CXQ71054P
ICK21	8-752-806-91	s	IC CXQ71054P
ICL2	8-759-906-01	s	IC TL601CP
ICL4	8-759-990-82	s	IC TL082CP
ICL5	8-759-906-01	s	IC TL607CP
ICL6	8-759-906-01	s	IC TL601CP
ICL7	8-759-990-82	s	IC TL082CP
ICL9	8-759-990-82	s	IC TL082CP
ICL12	8-759-939-36	s	IC TL7705ACP
ICL15	8-759-232-62	s	IC TC74HC155AP
ICL21	8-759-900-04	s	IC SN74LS04N
ICM1	8-759-990-84	s	IC TL084CN
ICM2	8-759-990-82	s	IC TL082CP
ICM3	8-759-014-96	s	IC MC1496P
ICM4	8-759-990-82	s	IC TL082CP
ICM6	8-759-990-82	s	IC TL082CP
ICM7	8-759-906-01	s	IC TL601CP
ICM9	8-759-145-57	s	IC UPC4557C
ICM11	8-759-201-41	s	IC TD62901P
ICM12	8-759-202-11	s	IC TC74HC00P
ICM14	8-759-787-19	s	IC 27C64RDU2-2-0
ICM15	8-759-921-34	s	IC SN74HC245N
ICM16	8-759-203-35	s	IC TC74HC373P
ICM18	8-759-112-54	s	IC UPD78C10G-36
ICN1	8-759-906-01	s	IC TL601CP
ICN2	8-759-906-01	s	IC TL601CP
ICN4	8-759-990-82	s	IC TL082CP
ICN6	8-759-990-82	s	IC TL082CP
ICN8	8-759-990-82	s	IC TL082CP
ICN11	8-759-103-95	s	IC UPC648C
ICN13	8-759-938-68	s	IC CXD1095Q
ICN15	8-759-208-93	s	IC TC5517CFL
ICN17	8-759-990-84	s	IC TL084CN
ICN21	8-759-939-61	s	IC DS1210
JP1	1-566-385-11	s	PIN, 2P
JP3	1-566-385-11	s	PIN, 2P
JP4	1-566-385-11	s	PIN, 2P
JS1	1-563-859-11	s	PLUG, SHORT
JS3	1-563-859-11	s	PLUG, SHORT
L1	1-421-370-00	s	COIL, CHOKE
L2	1-421-370-00	s	COIL, CHOKE
L3	1-421-370-00	s	COIL, CHOKE
L4	1-421-370-00	s	COIL, CHOKE
L5	1-408-409-00	s	INDUCTOR 10UH 5%
L6	1-408-409-00	s	INDUCTOR 10UH 5%
L7	1-408-425-00	s	INDUCTOR 220uH 5%
L8	1-408-417-00	s	INDUCTOR 47UH 5%
L10	1-408-409-00	s	INDUCTOR 10UH 5%
L11	1-408-409-00	s	INDUCTOR 10UH 5%
L12	1-408-421-00	s	INDUCTOR 100UH 5%
L13	1-408-417-00	s	INDUCTOR 47UH 5%
L16	1-408-429-00	s	INDUCTOR 470UH 5%

NOTE : Please see pages D-42 and D-43 for the part numbers of capacitors and resistors that are not listed in the parts list.

D-80(a)



(RD-7 BOARD, BVH-3000PS/3100PS)

Board No.  
1-621-748-13, 14  
& Higher

(RD-7 BOARD, BVH-3000PS/3100PS)

Board No.  
1-621-748-13, 14  
& Higher

Ref. No. or Qty	Part No.	SP Description
Q3	8-729-105-71	s TRANSISTOR 2SK523-K2
Q4	8-729-245-82	s TRANSISTOR 2SC2458-Y
Q5	8-729-190-12	s TRANSISTOR 2SC2901
Q6	8-729-190-12	s TRANSISTOR 2SC2901
Q7	8-729-204-83	s TRANSISTOR 2SA1048-GR
Q8	8-729-245-82	s TRANSISTOR 2SC2458-Y
Q9	8-729-105-71	s TRANSISTOR 2SK523-K2
Q10	8-729-204-83	s TRANSISTOR 2SA1048-GR
Q11	8-729-190-12	s TRANSISTOR 2SC2901
Q12	8-729-190-12	s TRANSISTOR 2SC2901
Q13	8-729-190-12	s TRANSISTOR 2SC2901
Q14	8-729-204-83	s TRANSISTOR 2SA1048-GR
Q16	8-729-900-80	s TRANSISTOR DTC114ES
R14	1-215-442-00	s RES, METAL 7.5K 1% 1/6W
R16	1-215-445-00	s RES, METAL 10K 1% 1/6W
R17	1-215-467-00	s RES, METAL 82K 1% 1/6W
R20	1-215-445-00	s RES, METAL 10K 1% 1/6W
R26	1-215-430-00	s RES, METAL 2.4K 1% 1/6W
R27	1-215-430-00	s RES, METAL 2.4K 1% 1/6W
R28	1-215-428-00	s RES, METAL 2K 1% 1/6W
R29	1-215-428-00	s RES, METAL 2K 1% 1/6W
R31	1-215-445-00	s RES, METAL 10K 1% 1/6W
R32	1-215-428-00	s RES, METAL 2K 1% 1/6W
R33	1-215-431-00	s RES, METAL 2.7K 1% 1/6W
R35	1-215-453-00	s RES, METAL 22K 1% 1/6W
R36	1-215-457-00	s RES, METAL 33K 1% 1/6W
R37	1-215-432-00	s RES, METAL 3K 1% 1/6W
R38	1-215-432-00	s RES, METAL 3K 1% 1/6W
R43	1-215-453-00	s RES, METAL 22K 1% 1/6W
R44	1-215-453-00	s RES, METAL 22K 1% 1/6W
R49	1-215-445-00	s RES, METAL 10K 1% 1/6W
R50	1-215-445-00	s RES, METAL 10K 1% 1/6W
R51	1-215-454-00	s RES, METAL 24K 1% 1/6W
R52	1-215-467-00	s RES, METAL 82K 1% 1/6W
R54	1-215-445-00	s RES, METAL 10K 1% 1/6W
R55	1-215-469-00	s RES, METAL 100K 1% 1/6W
R56	1-215-428-00	s RES, METAL 2K 1% 1/6W
R57	1-215-465-00	s RES, METAL 68K 1% 1/6W
R58	1-215-465-00	s RES, METAL 68K 1% 1/6W
R60	1-215-452-00	s RES, METAL 20K 1% 1/6W
R62	1-215-445-00	s RES, METAL 10K 1% 1/6W
R63	1-215-445-00	s RES, METAL 10K 1% 1/6W
R64	1-215-401-11	s RES, METAL 150 1% 1/6W
R65	1-215-401-11	s RES, METAL 150 1% 1/6W
R67	1-215-401-11	s RES, METAL 150 1% 1/6W
R68	1-215-401-11	s RES, METAL 150 1% 1/6W
R69	1-215-443-00	s RES, METAL 8.2K 1% 1/6W
R70	1-215-437-00	s RES, METAL 4.7K 1% 1/6W
R71	1-215-437-00	s RES, METAL 4.7K 1% 1/6W
R72	1-215-437-00	s RES, METAL 4.7K 1% 1/6W
R73	1-215-470-00	s RES, METAL 110K 1% 1/6W
R74	1-215-470-00	s RES, METAL 110K 1% 1/6W
R75	1-215-463-00	s RES, METAL 56K 1% 1/6W
R76	1-215-463-00	s RES, METAL 56K 1% 1/6W
R77	1-215-470-00	s RES, METAL 110K 1% 1/6W
R78	1-215-470-00	s RES, METAL 110K 1% 1/6W

Ref. No. or Qty	Part No.	SP Description
R79	1-215-449-00	s RES, METAL 15K 1% 1/6W
R80	1-215-449-00	s RES, METAL 15K 1% 1/6W
R81	1-215-432-00	s RES, METAL 3K 1% 1/6W
R82	1-215-432-00	s RES, METAL 3K 1% 1/6W
R83	1-215-432-00	s RES, METAL 3K 1% 1/6W
R84	1-215-444-00	s RES, METAL 9.1K 1% 1/6W
R85	1-215-432-00	s RES, METAL 3K 1% 1/6W
R86	1-215-445-00	s RES, METAL 10K 1% 1/6W
R87	1-215-445-00	s RES, METAL 10K 1% 1/6W
R88	1-215-445-00	s RES, METAL 10K 1% 1/6W
R89	1-215-469-00	s RES, METAL 100K 1% 1/6W
R90	1-215-449-00	s RES, METAL 15K 1% 1/6W
R91	1-215-469-00	s RES, METAL 100K 1% 1/6W
R92	1-215-469-00	s RES, METAL 100K 1% 1/6W
R93	1-215-462-00	s RES, METAL 51K 1% 1/6W
R94	1-215-452-00	s RES, METAL 20K 1% 1/6W
R95	1-215-437-00	s RES, METAL 4.7K 1% 1/6W
R96	1-215-440-00	s RES, METAL 6.2K 1% 1/6W
R98	1-215-455-91	s RES, METAL 27K 5% 2W
R99	1-215-447-00	s RES, METAL 12K 1% 1/6W
R100	1-215-447-00	s RES, METAL 12K 1% 1/6W
R101	1-215-445-00	s RES, METAL 10K 1% 1/6W
R102	1-215-445-00	s RES, METAL 10K 1% 1/6W
R103	1-215-445-00	s RES, METAL 10K 1% 1/6W
R104	1-215-445-00	s RES, METAL 10K 1% 1/6W
R109	1-215-469-00	s RES, METAL 100K 1% 1/6W
R110	1-215-432-00	s RES, METAL 3K 1% 1/6W
R111	1-215-428-00	s RES, METAL 2K 1% 1/6W
R112	1-215-465-00	s RES, METAL 68K 1% 1/6W
R113	1-215-465-00	s RES, METAL 68K 1% 1/6W
R114	1-215-461-00	s RES, METAL 47K 1% 1/6W
R116	1-215-421-00	s RES, METAL 1K 1% 1/6W
R117	1-215-461-00	s RES, METAL 47K 1% 1/6W
R119	1-215-390-00	s RES, METAL 51 1% 1/6W
R120	1-215-390-00	s RES, METAL 51 1% 1/6W
R131	1-215-430-00	s RES, METAL 2.4K 1% 1/6W
R137	1-215-457-00	s RES, METAL 33K 1% 1/6W
R139	1-215-457-00	s RES, METAL 33K 1% 1/6W
R146	1-215-407-00	s RES, METAL 270 1% 1/6W
R147	1-215-421-00	s RES, METAL 1K 1% 1/6W
R149	1-215-465-00	s RES, METAL 68K 1% 1/6W
R151	1-215-421-00	s RES, METAL 1K 1% 1/6W
R152	1-215-421-00	s RES, METAL 1K 1% 1/6W
R153	1-215-459-00	s RES, METAL 39K 1% 1/6W
R156	1-215-469-00	s RES, METAL 100K 1% 1/6W
R157	1-215-410-00	s RES, METAL 360 1% 1/6W
R161	1-215-469-00	s RES, METAL 100K 1% 1/6W
R162	1-215-421-00	s RES, METAL 1K 1% 1/6W
R163	1-215-421-00	s RES, METAL 1K 1% 1/6W
R164	1-215-456-00	s RES, METAL 30K 1% 1/6W
R165	1-215-438-00	s RES, METAL 5.1K 1% 1/6W
R166	1-215-465-00	s RES, METAL 68K 1% 1/6W
R167	1-215-428-00	s RES, METAL 2K 1% 1/6W
R168	1-215-417-00	s RES, METAL 680 1% 1/6W
R170	1-215-415-00	s RES, METAL 560 1% 1/6W

NOTE : Please see pages D-42 and D-43 for the part numbers of capacitors and resistors that are not listed in the parts list.

D-81(a)

(RD-7 BOARD, BVH-3000PS/3100PS)  
Board No.  
1-621-748-13, 14  
& Higher

(RD-7 BOARD, BVH-3000PS/3100PS)  
Board No.  
1-621-748-13, 14  
& Higher

Ref. No. or Q'ty	Part No.	SP Description
R171	1-215-421-00	s RES, METAL 1K 1% 1/6W
R174	1-215-438-00	s RES, METAL 5.1K 1% 1/6W
R175	1-215-445-00	s RES, METAL 10K 1% 1/6W
R176	1-215-427-00	s RES, METAL 1.8K 1% 1/6W
R180	1-215-445-00	s RES, METAL 10K 1% 1/6W
R181	1-215-459-00	s RES, METAL 39K 1% 1/6W
R182	1-215-445-00	s RES, METAL 10K 1% 1/6W
R183	1-215-447-00	s RES, METAL 12K 1% 1/6W
R184	1-215-445-00	s RES, METAL 10K 1% 1/6W
R185	1-215-442-00	s RES, METAL 7.5K 1% 1/6W
R186	1-215-445-00	s RES, METAL 10K 1% 1/6W
R199	1-215-437-00	s RES, METAL 4.7K 1% 1/6W
R200	1-215-465-00	s RES, METAL 68K 1% 1/6W
R201	1-215-443-00	s RES, METAL 8.2K 1% 1/6W
R202	1-215-443-00	s RES, METAL 8.2K 1% 1/6W
R204	1-215-421-00	s RES, METAL 1K 1% 1/6W
R205	1-215-457-00	s RES, METAL 33K 1% 1/6W
R206	1-215-421-00	s RES, METAL 1K 1% 1/6W
R207	1-215-467-00	s RES, METAL 82K 1% 1/6W
R208	1-215-435-00	s RES, METAL 3.9K 1% 1/6W
R209	1-215-441-00	s RES, METAL 6.8K 1% 1/6W
R242	1-215-421-00	s RES, METAL 1K 1% 1/6W
R243	1-215-407-00	s RES, METAL 270 1% 1/6W
R244	1-215-421-00	s RES, METAL 1K 1% 1/6W
R252	1-215-453-00	s RES, METAL 22K 1% 1/6W
R253	1-215-421-00	s RES, METAL 1K 1% 1/6W
R261	1-215-417-00	s RES, METAL 680 1% 1/6W
R262	1-215-421-00	s RES, METAL 1K 1% 1/6W
R263	1-215-417-00	s RES, METAL 680 1% 1/6W
R264	1-215-421-00	s RES, METAL 1K 1% 1/6W
R266	1-215-421-00	s RES, METAL 1K 1% 1/6W
R267	1-215-421-00	s RES, METAL 1K 1% 1/6W
R268	1-215-457-00	s RES, METAL 33K 1% 1/6W
R269	1-215-469-00	s RES, METAL 100K 1% 1/6W
R270	1-215-468-00	s RES, METAL 91K 1% 1/6W
R271	1-215-449-00	s RES, METAL 15K 1% 1/6W
R275	1-215-428-00	s RES, METAL 2K 1% 1/6W
R277	1-215-428-00	s RES, METAL 2K 1% 1/6W
R290	1-215-461-00	s RES, METAL 47K 1% 1/6W
R292	1-215-445-00	s RES, METAL 10K 1% 1/6W
R297	1-215-454-00	s RES, METAL 24K 1% 1/6W
R298	1-215-445-00	s RES, METAL 10K 1% 1/6W
R299	1-215-445-00	s RES, METAL 10K 1% 1/6W
R300	1-215-456-00	s RES, METAL 30K 1% 1/6W
R301	1-215-456-00	s RES, METAL 30K 1% 1/6W
R303	1-215-421-00	s RES, METAL 1K 1% 1/6W
R304	1-215-457-00	s RES, METAL 33K 1% 1/6W
R305	1-215-421-00	s RES, METAL 1K 1% 1/6W
R306	1-215-486-00	s RES, METAL 510K 1% 1/6W
R310	1-215-461-00	s RES, METAL 47K 1% 1/6W
R311	1-215-461-00	s RES, METAL 47K 1% 1/6W
R312	1-215-461-00	s RES, METAL 47K 1% 1/6W
R314	1-215-421-00	s RES, METAL 1K 1% 1/6W
R315	1-215-445-00	s RES, METAL 10K 1% 1/6W
R318	1-215-414-00	s RES, METAL 510 1% 1/6W

Ref. No. or Q'ty	Part No.	SP Description
R319	1-215-421-00	s RES, METAL 1K 1% 1/6W
R320	1-215-414-00	s RES, METAL 510 1% 1/6W
R323	1-215-421-00	s RES, METAL 1K 1% 1/6W
R324	1-215-421-00	s RES, METAL 1K 1% 1/6W
R325	1-215-457-00	s RES, METAL 33K 1% 1/6W
R327	1-215-483-00	s RES, METAL 390K 1% 1/6W
R329	1-215-461-00	s RES, METAL 47K 1% 1/6W
R330	1-215-461-00	s RES, METAL 47K 1% 1/6W
R332	1-215-419-00	s RES, METAL 820 1% 1/6W
R334	1-215-440-00	s RES, METAL 6.2K 1% 1/6W
R339	1-215-408-00	s RES, METAL 300 1% 1/6W
R341	1-215-390-00	s RES, METAL 51 1% 1/6W
R342	1-215-408-00	s RES, METAL 300 1% 1/6W
R344	1-215-408-00	s RES, METAL 300 1% 1/6W
R347	1-215-416-00	s RES, METAL 620 1% 1/6W
R348	1-215-416-00	s RES, METAL 620 1% 1/6W
R352	1-215-437-00	s RES, METAL 4.7K 1% 1/6W
R353	1-215-437-00	s RES, METAL 4.7K 1% 1/6W
R355	1-215-425-00	s RES, METAL 1.5K 1% 1/6W
R356	1-215-437-00	s RES, METAL 4.7K 1% 1/6W
R357	1-215-472-00	s RES, METAL 130K 1% 1/6W
R363	1-215-461-00	s RES, METAL 47K 1% 1/6W
R364	1-215-476-00	s RES, METAL 200K 1% 1/6W
R365	1-215-465-00	s RES, METAL 68K 1% 1/6W
R366	1-215-445-00	s RES, METAL 10K 1% 1/6W
R367	1-215-461-00	s RES, METAL 47K 1% 1/6W
R375	1-215-431-00	s RES, METAL 2.7K 1% 1/6W
R391	1-215-418-00	s RES, METAL 750 1% 1/6W
R501	1-215-466-00	s RES, METAL 75K 1% 1/6W
R502	1-215-421-00	s RES, METAL 1K 1% 1/6W
R503	1-215-466-00	s RES, METAL 75K 1% 1/6W
R504	1-215-421-00	s RES, METAL 1K 1% 1/6W
R506	1-215-438-00	s RES, METAL 5.1K 1% 1/6W
R507	1-215-448-00	s RES, METAL 13K 1% 1/6W
R509	1-215-461-00	s RES, METAL 47K 1% 1/6W
R510	1-215-424-00	s RES, METAL 1.3K 1% 1/6W
R513	1-215-418-00	s RES, METAL 750 1% 1/6W
R514	1-215-432-00	s RES, METAL 3K 1% 1/6W
R516	1-215-428-00	s RES, METAL 2K 1% 1/6W
R517	1-215-428-00	s RES, METAL 2K 1% 1/6W
R519	1-215-462-00	s RES, METAL 51K 1% 1/6W
R520	1-215-424-00	s RES, METAL 1.3K 1% 1/6W
R521	1-215-461-00	s RES, METAL 47K 1% 1/6W
R600	1-215-445-00	s RES, METAL 10K 1% 1/6W
R601	1-215-469-00	s RES, METAL 100K 1% 1/6W
R602	1-215-449-00	s RES, METAL 15K 1% 1/6W
R603	1-215-469-00	s RES, METAL 100K 1% 1/6W
R604	1-215-469-00	s RES, METAL 100K 1% 1/6W
R605	1-215-462-00	s RES, METAL 51K 1% 1/6W
R606	1-215-422-00	s RES, METAL 1.1K 1% 1/6W
R607	1-215-410-00	s RES, METAL 360 1% 1/6W
R608	1-215-470-00	s RES, METAL 110K 1% 1/6W
R610	1-215-449-00	s RES, METAL 15K 1% 1/6W
R611	1-215-449-00	s RES, METAL 15K 1% 1/6W
RB1	1-235-005-00	s RESISTOR BLOCK 47Kx8
RB2	1-235-005-00	s RESISTOR BLOCK 47Kx8

NOTE : Please see pages D-42 and D-43 for the part numbers of capacitors and resistors that are not listed in the parts list.

D-82(a)

(RD-7 BOARD, BVH-3000PS/3100PS)

Board No.  
1-621-748-13, 14  
& Higher

RM-43 BOARD, BVH-3000PS/3100PS

Ref. No. or Q'ty	Part No.	SP Description
RB4	1-235-005-00	s RESISTOR BLOCK 47Kx8
RB5	1-235-005-00	s RESISTOR BLOCK 47Kx8
RB6	1-231-504-00	s RESISTOR BLOCK 620x4
RB8	1-231-549-11	s RESISTOR BLOCK 47Kx4
RB9	1-235-005-00	s RESISTOR BLOCK 47Kx8
RV3	1-230-844-11	s RES, ADJ, METAL 20K
RV5	1-230-846-11	s RES, ADJ, METAL 100K
RV6	1-230-844-11	s RES, ADJ, METAL 20K
RV7	1-230-841-11	s RES, ADJ, METAL 2K
RV9	1-230-841-11	s RES, ADJ, METAL 2K
RV10	1-230-844-11	s RES, ADJ, METAL 20K
RV11	1-230-843-11	s RES, ADJ, METAL 10K
RV12	1-230-903-11	s RES, ADJ, METAL 200K
RV13	1-230-844-11	s RES, ADJ, METAL 20K
RV14	1-230-843-11	s RES, ADJ, METAL 10K
RV15	1-230-741-21	s RES, VAR, CARBON 10K(B)
RV16	1-230-842-11	s RES, ADJ, METAL 5K
RV17	1-230-741-21	s RES, VAR, CARBON 10K(B)
RV18	1-230-845-11	s RES, ADJ, METAL 50K
RV19	1-230-844-11	s RES, ADJ, METAL 20K
RV20	1-230-844-11	s RES, ADJ, METAL 20K
RV21	1-237-262-11	s RES, ADJ, METAL 20K
RV22	1-237-261-11	s RES, ADJ, METAL 10K
RV23	1-230-741-21	s RES, VAR, CARBON 10K(B)
RV24	1-230-844-11	s RES, ADJ, METAL 20K
RV25	1-230-844-11	s RES, ADJ, METAL 20K
RV26	1-230-840-11	s RES, ADJ, METAL 1K
RV27	1-230-740-21	s RES, VAR, CARBON 5K(B)
RV28	1-230-846-11	s RES, ADJ, METAL 100K
RV29	1-230-844-11	s RES, ADJ, METAL 20K
RV30	1-230-843-11	s RES, ADJ, METAL 10K
S1	1-553-856-00	s SWITCH, PUSH
X1	1-567-797-11	s RESONATOR, CERAMIC 12.0MHZ
X2	1-527-585-00	s VCO, X'TAL 17.734475MHZ
X3	1-567-646-11	s OSCILLATOR, CRYSTAL
X4	1-527-585-00	s VCO, X'TAL 17.734475MHZ

Ref.No. or Q'ty	Part No.	SP Description
1pc	A-6015-100-A	o COMPLETE PCB, RM-43
4pcs	7-682-647-09	s SCREW +PS 3X6
12pcs	7-682-652-09	s SCREW +PS 3X16
2pcs	7-682-903-01	s SCREW +PWH 3X12
4pcs	7-682-947-01	s SCREW +PSW 3X6
C1	1-106-351-00	s CAP, MYLAR 0.0022uF 5% 200V
C2	1-106-351-00	s CAP, MYLAR 0.0022uF 5% 200V
C3	1-123-929-00	s CAP, ELECT 1uF 20% 160V
C4	1-123-929-00	s CAP, ELECT 1uF 20% 160V
C5	1-123-929-00	s CAP, ELECT 1uF 20% 160V
C6	1-106-379-12	s CAP, MYLAR 0.033uF 5% 200V
C7	1-106-379-12	s CAP, MYLAR 0.033uF 5% 200V
C8	1-106-379-12	s CAP, MYLAR 0.033uF 5% 200V
C9	1-123-605-00	s CAP, ELECT 100uF 20% 100V
C10	1-123-605-00	s CAP, ELECT 100uF 20% 100V
C11	1-106-379-12	s CAP, MYLAR 0.033uF 5% 200V
C12	1-106-379-12	s CAP, MYLAR 0.033uF 5% 200V
C13	1-106-379-12	s CAP, MYLAR 0.033uF 5% 200V
C14	1-123-929-00	s CAP, ELECT 1uF 20% 160V
C15	1-123-929-00	s CAP, ELECT 1uF 20% 160V
C16	1-123-929-00	s CAP, ELECT 1uF 20% 160V
C17	1-106-351-00	s CAP, MYLAR 0.0022uF 5% 200V
C18	1-106-351-00	s CAP, MYLAR 0.0022uF 5% 200V
C19	1-106-351-00	s CAP, MYLAR 0.0022uF 5% 200V
C20	1-109-621-00	s CAP, MICA 220PF 1% 500V
C21	1-109-621-00	s CAP, MICA 220PF 1% 500V
C22	1-109-621-00	s CAP, MICA 220PF 1% 500V
C23	1-106-351-00	s CAP, MYLAR 0.0022uF 5% 200V
C24	1-109-621-00	s CAP, MICA 220PF 1% 500V
C25	1-109-621-00	s CAP, MICA 220PF 1% 500V
C26	1-109-621-00	s CAP, MICA 220PF 1% 500V
C28	1-130-471-00	s CAP, MYLAR 0.001uF 5% 50V
C33	1-130-471-00	s CAP, MYLAR 0.001uF 5% 50V
C39	1-130-495-00	s CAP, MYLAR 0.1uF 5% 50V
C42	1-130-495-00	s CAP, MYLAR 0.1uF 5% 50V
C46	1-130-495-00	s CAP, MYLAR 0.1uF 5% 50V
C51	1-130-495-00	s CAP, MYLAR 0.1uF 5% 50V
C54	1-130-495-00	s CAP, MYLAR 0.1uF 5% 50V
C57	1-130-477-00	s CAP, MYLAR 0.0033uF 5% 50V
C58	1-130-495-00	s CAP, MYLAR 0.1uF 5% 50V
C60	1-102-074-00	s CAP, CERAMIC 0.001uF 10% 50V
C63	1-130-477-00	s CAP, MYLAR 0.0033uF 5% 50V
C65	1-102-074-00	s CAP, CERAMIC 0.001uF 10% 50V
C69	1-124-566-11	s CAP, ELECT 120uF 20% 6.3V
C74	1-124-943-11	s CAP, ELECT 39uF 20% 25V
C76	1-124-943-11	s CAP, ELECT 39uF 20% 25V
CN201	1-560-178-00	o RECEP, 6P MALE
CN202	1-560-178-00	o RECEP, 6P MALE
CN203	1-560-178-00	o RECEP, 6P MALE
CN204	1-560-724-00	o RECEP, 10P MALE
CN205	1-560-724-00	o RECEP, 10P MALE
CN206	1-560-303-00	o RECEP, 1L 6P MALE
CN207	1-560-303-00	o RECEP, 1L 6P MALE
CN208	1-560-728-00	o RECEP, 30P MALE
D1	8-719-912-52	s DIODE ESAC25-02C

NOTE : Please see pages D-42 and D-43 for the part numbers of capacitors and resistors that are not listed in the parts list.

D-83(a)

## (RM-43 BOARD, BVH-3000PS/3100PS)

Ref.No. or Q'ty	Part No.	SP Description
D2	8-719-912-52	s DIODE ESAC25-02C
D3	8-719-912-52	s DIODE ESAC25-02C
D4	8-719-912-52	s DIODE ESAC25-02C
D5	8-719-912-52	s DIODE ESAC25-02C
D6	8-719-912-52	s DIODE ESAC25-02C
D7	8-719-911-19	s DIODE 1SS119
D8	8-719-911-19	s DIODE 1SS119
D9	8-719-911-19	s DIODE 1SS119
D10	8-719-936-56	s DIODE DAN209S
D11	8-719-936-56	s DIODE DAN209S
D12	8-719-936-56	s DIODE DAN209S
D13	8-719-936-56	s DIODE DAN209S
D14	8-719-936-56	s DIODE DAN209S
D15	8-719-911-19	s DIODE 1SS119
D16	8-719-911-19	s DIODE 1SS119
D17	8-719-911-19	s DIODE 1SS119
D18	8-719-933-28	s DIODE DAP209S
D19	8-719-933-28	s DIODE DAP209S
D20	8-719-911-19	s DIODE 1SS119
D21	8-719-911-19	s DIODE 1SS119
D22	8-719-911-19	s DIODE 1SS119
D23	8-719-911-19	s DIODE 1SS119
D24	8-719-109-83	s DIODE RD5.1ESB
D25	8-719-911-19	s DIODE 1SS119
D26	8-719-109-83	s DIODE RD5.1ESB
D27	8-719-933-28	s DIODE DAP209S
D28	8-719-933-28	s DIODE DAP209S
D29	8-719-110-15	s DIODE RD10ESB
IC1	8-759-145-58	s IC UPC4558C
IC2	8-759-145-58	s IC UPC4558C
IC3	8-759-103-93	s IC UPC393C
IC4	8-759-103-93	s IC UPC393C
IC5	8-759-145-58	s IC UPC4558C
IC6	8-759-145-58	s IC UPC4558C
IC7	8-759-145-58	s IC UPC4558C
IC8	8-759-145-58	s IC UPC4558C
IC9	8-759-145-58	s IC UPC4558C
IC10	8-759-145-58	s IC UPC4558C
IC11	8-759-103-93	s IC UPC393C
IC12	8-759-145-58	s IC UPC4558C
IC13	8-759-103-93	s IC UPC393C
IC14	8-759-145-58	s IC UPC4558C
IC15	8-759-103-93	s IC UPC393C
IC16	8-759-040-70	s IC MC14070BCP
IC17	8-759-205-76	s IC TC504013BP
IC18	8-759-345-38	s IC HD14538BP
IC19	8-759-240-71	s IC TC4071BP
IC20	8-759-040-70	s IC MC14070BCP
IC21	8-759-135-80	s IC UPC358C
IC22	8-759-103-93	s IC UPC393C
IC23	8-759-145-58	s IC UPC4558C
IC24	8-759-135-80	s IC UPC358C
IC25	9-989-799-01	s IC MP4504
IC26	9-989-799-01	s IC MP4504
L1	1-421-370-00	s COIL, CHOKE

## (RM-43 BOARD, BVH-3000PS/3100PS)

Ref.No. or Q'ty	Part No.	SP Description
L2	1-421-370-00	s COIL, CHOKE
L3	1-421-370-00	s COIL, CHOKE
Q1	8-729-303-73	s TRANSISTOR 2SC3857-0
Q2	8-729-303-73	s TRANSISTOR 2SC3857-0
Q3	8-729-303-73	s TRANSISTOR 2SC3857-0
Q4	8-729-303-73	s TRANSISTOR 2SC3857-0
Q5	8-729-303-73	s TRANSISTOR 2SC3857-0
Q6	8-729-303-73	s TRANSISTOR 2SC3857-0
Q7	8-729-201-32	s TRANSISTOR 2SA1013
Q8	8-729-238-32	s TRANSISTOR 2SC2383
Q9	8-729-201-32	s TRANSISTOR 2SA1013
Q10	8-729-238-32	s TRANSISTOR 2SC2383
Q11	8-729-900-89	s TRANSISTOR DTC144ES
Q12	8-729-900-89	s TRANSISTOR DTC144ES
Q15	8-729-238-32	s TRANSISTOR 2SC2383
Q16	8-729-238-32	s TRANSISTOR 2SC2383
Q17	8-729-238-32	s TRANSISTOR 2SC2383
Q18	8-729-238-32	s TRANSISTOR 2SC2383
Q19	8-729-238-32	s TRANSISTOR 2SC2383
Q20	8-729-238-32	s TRANSISTOR 2SC2383
Q21	8-729-900-63	s TRANSISTOR DTA124ES
Q22	8-729-873-43	s TRANSISTOR 2SD734
Q23	8-729-900-63	s TRANSISTOR DTA124ES
Q24	8-729-873-43	s TRANSISTOR 2SD734
Q25	8-729-900-63	s TRANSISTOR DTA124ES
Q26	8-729-873-43	s TRANSISTOR 2SD734
Q27	8-729-900-63	s TRANSISTOR DTA124ES
Q28	8-729-873-43	s TRANSISTOR 2SD734
Q29	8-729-873-43	s TRANSISTOR 2SD734
Q30	8-729-900-63	s TRANSISTOR DTA124ES
Q31	8-729-873-43	s TRANSISTOR 2SD734
Q32	8-729-900-63	s TRANSISTOR DTA124ES
Q33	8-729-245-82	s TRANSISTOR 2SC2458-Y
Q34	8-729-900-36	s TRANSISTOR DTC124ES
Q35	8-729-245-82	s TRANSISTOR 2SC2458-Y
Q36	8-729-900-36	s TRANSISTOR DTC124ES
Q37	8-729-900-36	s TRANSISTOR DTC124ES
Q38	8-729-900-36	s TRANSISTOR DTC124ES
Q39	8-729-900-36	s TRANSISTOR DTC124ES
Q40	8-729-900-36	s TRANSISTOR DTC124ES
Q41	8-729-900-36	s TRANSISTOR DTC124ES
Q42	8-729-904-34	s TRANSISTOR DTA114TS
Q43	8-729-900-36	s TRANSISTOR DTC124ES
Q44	8-729-900-36	s TRANSISTOR DTC124ES
Q45	8-729-900-36	s TRANSISTOR DTC124ES
Q46	8-729-900-89	s TRANSISTOR DTC144ES
Q47	8-729-904-34	s TRANSISTOR DTA114TS
Q48	8-729-900-36	s TRANSISTOR DTC124ES
Q49	8-729-245-82	s TRANSISTOR 2SC2458-Y
R5	1-249-458-11	s RES, CARBON 8.2 5% 1/4W
R6	1-249-458-11	s RES, CARBON 8.2 5% 1/4W
R7	1-249-458-11	s RES, CARBON 8.2 5% 1/4W
R9	1-216-383-11	s RES, METAL 0.33 5% 3W
R10	1-216-383-11	s RES, METAL 0.33 5% 3W
R11	1-249-458-11	s RES, CARBON 8.2 5% 1/4W

NOTE : Please see pages D-42 and D-43 for the part numbers of capacitors and resistors that are not listed in the parts list.

(RM-43 BOARD, BVH-3000PS/3100PS)

(RM-43 BORD, BVH-3000PS/3100PS)

Ref.No. or Q'ty	Part No.	SP Description
R12	1-249-458-11	s RES, CARBON 8.2 5% 1/4W
R16	1-249-458-11	s RES, CARBON 8.2 5% 1/4W
R19	1-215-461-00	s RES, METAL 47K 1% 1/6W
R20	1-215-461-00	s RES, METAL 47K 1% 1/6W
R21	1-247-752-11	s RES, CARBON 1K 5% 1/2W
R22	1-247-752-11	s RES, CARBON 1K 5% 1/2W
R23	1-247-752-11	s RES, CARBON 1K 5% 1/2W
R24	1-249-413-11	s RES, CARBON 470 5% 1/4W
R25	1-249-413-11	s RES, CARBON 470 5% 1/4W
R26	1-249-413-11	s RES, CARBON 470 5% 1/4W
R27	1-249-413-11	s RES, CARBON 470 5% 1/4W
R28	1-249-413-11	s RES, CARBON 470 5% 1/4W
R29	1-249-413-11	s RES, CARBON 470 5% 1/4W
R30	1-247-752-11	s RES, CARBON 1K 5% 1/2W
R31	1-247-752-11	s RES, CARBON 1K 5% 1/2W
R32	1-247-752-11	s RES, CARBON 1K 5% 1/2W
R33	1-215-461-00	s RES, METAL 47K 1% 1/6W
R34	1-215-461-00	s RES, METAL 47K 1% 1/6W
R39	1-215-461-00	s RES, METAL 47K 1% 1/6W
R40	1-215-461-00	s RES, METAL 47K 1% 1/6W
R41	1-215-461-00	s RES, METAL 47K 1% 1/6W
R42	1-215-461-00	s RES, METAL 47K 1% 1/6W
R44	1-215-462-00	s RES, METAL 51K 1% 1/6W
R47	1-215-462-00	s RES, METAL 51K 1% 1/6W
R48	1-247-717-11	s RES, CARBON 2.2K 5% 1/4W
R50	1-215-462-00	s RES, METAL 51K 1% 1/6W
R51	1-247-717-11	s RES, CARBON 2.2K 5% 1/4W
R53	1-215-462-00	s RES, METAL 51K 1% 1/6W
R55	1-215-461-00	s RES, METAL 47K 1% 1/6W
R56	1-215-461-00	s RES, METAL 47K 1% 1/6W
R57	1-215-461-00	s RES, METAL 47K 1% 1/6W
R58	1-215-461-00	s RES, METAL 47K 1% 1/6W
R67	1-249-485-11	s RES, CARBON 8.2 5% 1/2W
R70	1-247-717-11	s RES, CARBON 2.2K 5% 1/4W
R74	1-247-717-11	s RES, CARBON 2.2K 5% 1/4W
R78	1-247-717-11	s RES, CARBON 2.2K 5% 1/4W
R82	1-247-717-11	s RES, CARBON 2.2K 5% 1/4W
R86	1-249-485-11	s RES, CARBON 8.2 5% 1/2W
R98	1-215-429-00	s RES, METAL 2.2K 1% 1/6W
R99	1-215-444-00	s RES, METAL 9.1K 1% 1/6W
R105	1-215-447-00	s RES, METAL 12K 1% 1/6W
R107	1-215-421-00	s RES, METAL 1K 1% 1/6W
R110	1-215-444-00	s RES, METAL 9.1K 1% 1/6W
R111	1-215-429-00	s RES, METAL 2.2K 1% 1/6W
R125	1-215-437-00	s RES, METAL 4.7K 1% 1/6W
R126	1-215-421-00	s RES, METAL 1K 1% 1/6W
R131	1-215-421-00	s RES, METAL 1K 1% 1/6W
R134	1-215-437-00	s RES, METAL 4.7K 1% 1/6W
R137	1-215-437-00	s RES, METAL 4.7K 1% 1/6W
R143	1-215-445-00	s RES, METAL 10K 1% 1/6W
R149	1-215-463-00	s RES, METAL 56K 1% 1/6W
R150	1-215-469-00	s RES, METAL 100K 1% 1/6W
R151	1-215-463-00	s RES, METAL 56K 1% 1/6W
R152	1-215-437-00	s RES, METAL 4.7K 1% 1/6W
R153	1-215-445-00	s RES, METAL 10K 1% 1/6W
R154	1-215-445-00	s RES, METAL 10K 1% 1/6W
R159	1-215-422-00	s RES, METAL 1.1K 1% 1/6W
R160	1-215-455-00	s RES, METAL 27K 1% 1/6W
R163	1-215-421-00	s RES, METAL 1K 1% 1/6W
R164	1-215-447-00	s RES, METAL 12K 1% 1/6W

Ref.No. or Q'ty	Part No.	SP Description
R165	1-215-437-00	s RES, METAL 4.7K 1% 1/6W
R167	1-215-463-00	s RES, METAL 56K 1% 1/6W
R168	1-215-469-00	s RES, METAL 100K 1% 1/6W
R169	1-215-463-00	s RES, METAL 56K 1% 1/6W
R172	1-215-445-00	s RES, METAL 10K 1% 1/6W
R176	1-215-453-00	s RES, METAL 22K 1% 1/6W
R179	1-215-445-00	s RES, METAL 10K 1% 1/6W
R182	1-215-453-00	s RES, METAL 22K 1% 1/6W
R183	1-215-453-00	s RES, METAL 22K 1% 1/6W
R184	1-215-435-00	s RES, METAL 3.9K 1% 1/6W
R187	1-215-468-00	s RES, METAL 91K 1% 1/6W
R188	1-215-447-00	s RES, METAL 12K 1% 1/6W
R190	1-215-451-00	s RES, METAL 18K 1% 1/6W
R192	1-215-445-00	s RES, METAL 10K 1% 1/6W
R193	1-215-455-00	s RES, METAL 27K 1% 1/6W
R195	1-215-443-00	s RES, METAL 8.2K 1% 1/6W
R196	1-215-448-00	s RES, METAL 13K 1% 1/6W
R197	1-215-464-00	s RES, METAL 62K 1% 1/6W
R198	1-215-492-00	s RES, METAL 910K 1% 1/6W
R199	1-215-460-00	s RES, METAL 43K 1% 1/6W
R200	1-215-468-00	s RES, METAL 91K 1% 1/6W
R201	1-215-440-00	s RES, METAL 6.2K 1% 1/6W
R202	1-215-445-00	s RES, METAL 10K 1% 1/6W
R203	1-215-445-00	s RES, METAL 10K 1% 1/6W
R204	1-215-455-00	s RES, METAL 27K 1% 1/6W
R205	1-215-445-00	s RES, METAL 10K 1% 1/6W
R208	1-215-445-00	s RES, METAL 10K 1% 1/6W
R213	1-215-453-00	s RES, METAL 22K 1% 1/6W
R217	1-215-435-00	s RES, METAL 3.9K 1% 1/6W
R219	1-215-468-00	s RES, METAL 91K 1% 1/6W
R220	1-215-451-00	s RES, METAL 18K 1% 1/6W
R221	1-215-447-00	s RES, METAL 12K 1% 1/6W
R223	1-215-448-00	s RES, METAL 13K 1% 1/6W
R224	1-215-460-00	s RES, METAL 43K 1% 1/6W
R225	1-215-492-00	s RES, METAL 910K 1% 1/6W
R226	1-215-440-00	s RES, METAL 6.2K 1% 1/6W
R227	1-215-468-00	s RES, METAL 91K 1% 1/6W
R228	1-215-443-00	s RES, METAL 8.2K 1% 1/6W
R229	1-215-452-00	s RES, METAL 20K 1% 1/6W
R230	1-215-450-00	s RES, METAL 16K 1% 1/6W
R231	1-215-445-00	s RES, METAL 10K 1% 1/6W
R232	1-215-439-00	s RES, METAL 5.6K 1% 1/6W
R235	1-215-438-00	s RES, METAL 5.1K 1% 1/6W
R240	1-215-435-00	s RES, METAL 3.9K 1% 1/6W
R248	1-215-464-00	s RES, METAL 62K 1% 1/6W
R249	1-215-452-00	s RES, METAL 20K 1% 1/6W
R250	1-215-450-00	s RES, METAL 16K 1% 1/6W
R251	1-215-445-00	s RES, METAL 10K 1% 1/6W
R252	1-215-438-00	s RES, METAL 5.1K 1% 1/6W
R253	1-215-439-00	s RES, METAL 5.6K 1% 1/6W
R255	1-215-461-00	s RES, METAL 47K 1% 1/6W
R256	1-215-461-00	s RES, METAL 47K 1% 1/6W
R261	1-215-445-00	s RES, METAL 10K 1% 1/6W
R262	1-215-435-00	s RES, METAL 3.9K 1% 1/6W
R263	1-215-445-00	s RES, METAL 10K 1% 1/6W
R269	1-215-461-00	s RES, METAL 47K 1% 1/6W
R270	1-215-461-00	s RES, METAL 47K 1% 1/6W
R271	1-215-445-00	s RES, METAL 10K 1% 1/6W
R272	1-215-435-00	s RES, METAL 3.9K 1% 1/6W
R273	1-215-445-00	s RES, METAL 10K 1% 1/6W

NOTE : Please see pages D-42 and D-43 for the part numbers of capacitors and resistors that are not listed in the parts list.

RP-32 BOARD, BVH-3000PS/3100PS

(RP-32 BOARD, BVH-3000PS/3100PS)

Ref.No.  
or Q'ty Part No. SP Description

Ref.No.  
or Q'ty Part No. SP Description

\*: The parts marked with an asterisk (\*) are used for BVH-3000/3000PS but not used for BVH-3100/3100PS.

1pc (for BVH-3000/3000PS)  
A-6011-109-A o COMPLETE PCB, RP-32  
1pc (for BVH-3100/3100PS)  
A-6011-112-A o COMPLETE PCB, RP-32

C47\* 1-101-004-00 s CAP, CERAMIC 0.01uF 50V  
C50 1-101-004-00 s CAP, CERAMIC 0.01uF 50V  
C52 1-130-477-00 s CAP, MYLAR 0.0033uF 5% 50V  
C57 1-101-004-00 s CAP, CERAMIC 0.01uF 50V  
C59\* 1-101-004-00 s CAP, CERAMIC 0.01uF 50V

C61\* 1-130-477-00 s CAP, MYLAR 0.0033uF 5% 50V  
C66\* 1-101-004-00 s CAP, CERAMIC 0.01uF 50V  
CN261 1-560-302-00 o RECEP, 1L 5P MALE  
CN262 1-560-301-00 o RECEP, 1L 4P MALE  
CN263\* 1-560-300-00 o RECEP, 1L 3P MALE

CN265\* 1-560-300-00 o RECEP, 1L 3P MALE  
CN266\* 1-561-365-21 s RECEP, COAXIAL MALE  
CN267 1-560-300-00 o RECEP, 1L 3P MALE  
CN268 1-561-365-21 s RECEP, COAXIAL MALE  
CN269 1-560-300-00 o RECEP, 1L 3P MALE

CN270 1-561-365-21 s RECEP, COAXIAL MALE  
D1 8-719-911-19 s DIODE 1SS119  
D2 8-719-911-19 s DIODE 1SS119  
D3 8-719-911-19 s DIODE 1SS119  
FB1 1-535-178-00 s FERRITE BEAD

FB2 1-535-178-00 s FERRITE BEAD  
FB3 1-535-178-00 s FERRITE BEAD  
FB4 1-535-178-00 s FERRITE BEAD  
FB5\* 1-535-178-00 s FERRITE BEAD  
FB6\* 1-535-178-00 s FERRITE BEAD

FB7\* 1-535-178-00 s FERRITE BEAD  
FB8\* 1-535-178-00 s FERRITE BEAD  
FB9 1-535-178-00 s FERRITE BEAD  
FB10 1-535-178-00 s FERRITE BEAD  
IC1 8-743-930-00 s IC BX-3930

IC2 8-741-115-62 s IC BX-1156B  
IC3\* 8-743-930-00 s IC BX-3930  
IC4\* 8-741-115-62 s IC BX-1156B  
L1 1-408-421-00 s INDUCTOR 100UH 5%  
L3 1-408-429-00 s INDUCTOR 470UH 5%

L4\* 1-408-421-00 s INDUCTOR 100UH 5%  
L6\* 1-408-429-00 s INDUCTOR 470UH 5%  
L7 1-408-421-00 s INDUCTOR 100UH 5%  
L8 1-408-421-00 s INDUCTOR 100UH 5%  
L9\* 1-408-421-00 s INDUCTOR 100UH 5%

L10\* 1-408-421-00 s INDUCTOR 100UH 5%  
LV1 1-408-660-00 s INDUCTOR, VAR 1.8UH  
LV2\* 1-408-660-00 s INDUCTOR, VAR 1.8UH  
Q1 8-729-105-47 s TRANSISTOR 2SC2026-L  
Q2 8-729-110-52 s TRANSISTOR 2SA1005-L

Q3 8-729-110-52 s TRANSISTOR 2SA1005-L  
Q4 8-729-110-52 s TRANSISTOR 2SA1005-L  
Q5 8-729-105-47 s TRANSISTOR 2SC2026-L  
Q6 8-729-105-47 s TRANSISTOR 2SC2026-L  
Q7 8-729-125-20 s TRANSISTOR 2SC1252

Q8 8-729-125-20 s TRANSISTOR 2SC1252  
Q9 8-729-900-61 s TRANSISTOR DTA114ES  
Q10 8-729-900-61 s TRANSISTOR DTA114ES  
Q11 8-729-900-80 s TRANSISTOR DTC114ES  
Q12 8-729-903-02 s TRANSISTOR DTA143XS

Q13\* 8-729-110-52 s TRANSISTOR 2SA1005-L  
Q14\* 8-729-110-52 s TRANSISTOR 2SA1005-L  
Q15\* 8-729-110-52 s TRANSISTOR 2SA1005-L  
Q16\* 8-729-105-47 s TRANSISTOR 2SC2026-L  
Q17\* 8-729-105-47 s TRANSISTOR 2SC2026-L

Q18\* 8-729-125-20 s TRANSISTOR 2SC1252  
Q19\* 8-729-125-20 s TRANSISTOR 2SC1252  
Q20 8-729-110-52 s TRANSISTOR 2SA1005-L  
Q21 8-729-125-20 s TRANSISTOR 2SC1252  
Q22 8-729-125-20 s TRANSISTOR 2SC1252

Q23 8-729-177-43 s TRANSISTOR 2SD774  
Q24\* 8-729-110-52 s TRANSISTOR 2SA1005-L  
Q25\* 8-729-125-20 s TRANSISTOR 2SC1252  
Q26\* 8-729-125-20 s TRANSISTOR 2SC1252  
Q27\* 8-729-177-43 s TRANSISTOR 2SD774

Q28 8-729-903-02 s TRANSISTOR DTA143XS  
R2 1-215-390-00 s RES, METAL 51 1% 1/6W  
R7 1-215-438-00 s RES, METAL 5.1K 1% 1/6W  
R8 1-215-404-00 s RES, METAL 200 1% 1/6W  
R10 1-215-392-00 s RES, METAL 62 1% 1/6W

R11 1-215-392-00 s RES, METAL 62 1% 1/6W  
R18 1-215-410-00 s RES, METAL 360 1% 1/6W  
R23 1-215-408-00 s RES, METAL 300 1% 1/6W  
R24 1-215-408-00 s RES, METAL 300 1% 1/6W  
R26 1-215-408-00 s RES, METAL 300 1% 1/6W

R28 1-215-408-00 s RES, METAL 300 1% 1/6W  
R30 1-214-835-00 s RES, METAL 62 1% 1/2W  
R31 1-214-835-00 s RES, METAL 62 1% 1/2W  
R33 1-215-390-00 s RES, METAL 51 1% 1/6W  
R34 1-215-390-00 s RES, METAL 51 1% 1/6W

R35 1-215-438-00 s RES, METAL 5.1K 1% 1/6W  
R42\* 1-215-404-00 s RES, METAL 200 1% 1/6W  
R43\* 1-215-392-00 s RES, METAL 62 1% 1/6W  
R44\* 1-215-392-00 s RES, METAL 62 1% 1/6W  
R48\* 1-215-410-00 s RES, METAL 360 1% 1/6W

R53\* 1-215-408-00 s RES, METAL 300 1% 1/6W  
R54\* 1-215-408-00 s RES, METAL 300 1% 1/6W  
R55\* 1-215-408-00 s RES, METAL 300 1% 1/6W  
R58\* 1-215-408-00 s RES, METAL 300 1% 1/6W  
R60\* 1-214-835-00 s RES, METAL 62 1% 1/2W

R61\* 1-214-835-00 s RES, METAL 62 1% 1/2W  
R62\* 1-214-820-00 s RES, METAL 15 1% 1/2W  
R63\* 1-215-390-00 s RES, METAL 51 1% 1/6W  
R64\* 1-215-390-00 s RES, METAL 51 1% 1/6W  
R65 1-215-438-00 s RES, METAL 5.1K 1% 1/6W

R66 1-214-820-00 s RES, METAL 15 1% 1/2W  
R70 1-215-444-00 s RES, METAL 9.1K 1% 1/6W  
R74 1-215-406-00 s RES, METAL 240 1% 1/6W  
R75 1-215-432-00 s RES, METAL 3K 1% 1/6W  
R76 1-215-432-00 s RES, METAL 3K 1% 1/6W

R78 1-215-406-00 s RES, METAL 240 1% 1/6W

NOTE : Please see pages D-42 and D-43 for the part numbers of capacitors and resistors that are not listed in the parts list.

(RP-32 BOARD, BVH-3000PS/3100PS

Ref.No. or Qty	Part No.	SP Description
R85*	1-215-444-00	s RES, METAL 9.1K 1% 1/6W
R89*	1-215-406-00	s RES, METAL 240 1% 1/6W
R90*	1-215-432-00	s RES, METAL 3K 1% 1/6W
R91*	1-215-432-00	s RES, METAL 3K 1% 1/6W
R92*	1-215-406-00	s RES, METAL 240 1% 1/6W
R96*	1-215-424-00	s RES, METAL 1.3K 1% 1/6W
R100	1-214-084-00	s RES, METAL 10 1% 1/4W
R101	1-214-084-00	s RES, METAL 10 1% 1/4W
RV1	1-230-836-11	s RES, ADJ, METAL 50
RV2*	1-230-836-11	s RES, ADJ, METAL 50
RV3	1-230-837-11	s RES, ADJ, METAL 100
RV4*	1-230-837-11	s RES, ADJ, METAL 100
RY1	1-515-614-11	s RELAY
RY2*	1-515-614-11	s RELAY
T1	1-427-519-00	s TRANSFORMER, OUTPUT
T2*	1-427-519-00	s TRANSFORMER, OUTPUT
T3	1-427-519-00	s TRANSFORMER, OUTPUT
T4*	1-427-519-00	s TRANSFORMER, OUTPUT

SE-49 BOARD, BVH-3000PS/3100PS

Ref.No. or Qty	Part No.	SP Description
1pc	A-6030-081-A	o SE-49 ASSY
2pcs	3-576-921-00	s SPRING, COMPRESSION
2pcs	3-714-612-01	o SPACER, CONNECTOR PANEL
2pcs	3-845-334-11	s SCREW, ORNAMENTAL
2pcs	7-622-207-05	s N 2.6, TYPE 2
2pcs	7-623-956-41	s WASHER, 5.0 FIBER
2pcs	7-624-106-04	s STOP RING 3.0 TYPE-E
2pcs	7-628-254-40	s SCREW +PS 2.6X12
11pcs	7-682-948-01	s SCREW +PSW 3X8
2pcs	7-688-004-01	s W4, SMALL
CN324	1-563-763-11	o RECEP, DIN 30P MALE
CN661	1-563-771-21	s RECEP, D-SUB 15P FEMALE
CN662	1-563-770-21	s RECEP, D-SUB 9P FEMALE
CN663	1-563-770-21	s RECEP, D-SUB 9P FEMALE
CN664	1-563-770-21	s RECEP, D-SUB 9P FEMALE
IC1	8-759-008-57	s IC MC34051P
PS1	1-532-637-00	s LINK, IC 1A
PS2	1-532-605-00	s LINK, IC 0.4A
PS3	1-532-605-00	s LINK, IC 0.4A
S1	1-516-923-21	s SWITCH, DIP 4CKT

NOTE : Please see pages D-42 and D-43 for the part numbers of capacitors and resistors that are not listed in the parts list.

-----  
 SL-07 BOARD, BVH-3000PS/3100PS  
 -----

Ref.No. or Q'ty	Part No.	SP Description
1pc	A-6026-054-A	o MOUNTED PCB, SL-07
7pcs	1-560-240-00	s CONTACT

-----  
 SP-01 BOARD, BVH-3000PS/3100PS  
 -----

Ref.No. or Q'ty	Part No.	SP Description
1pc	A-4925-185-A	o SP-01 ASSY
1pc	A-4925-186-A	o UR-20-C1 ASSY
1pc	A-4925-224-A	o UR-20-F ASSY
C101	1-136-185-00	s CAP, FILM 0.22uF 20% AC250V
C102	1-136-185-00	s CAP, FILM 0.22uF 20% AC250V
C103	1-136-212-00	s CAP, FILM 0.1uF 20% AC250V
C104	1-161-742-00	s CAP, CERAMIC 2200PF 20% AC400V
C105	1-161-742-00	s CAP, CERAMIC 2200PF 20% AC400V
C106	1-161-742-00	s CAP, CERAMIC 2200PF 20% AC400V
C107	1-161-742-00	s CAP, CERAMIC 2200PF 20% AC400V
C108	1-161-742-00	s CAP, CERAMIC 2200PF 20% AC400V
C109	1-161-742-00	s CAP, CERAMIC 2200PF 20% AC400V
C110	1-161-742-00	s CAP, CERAMIC 2200PF 20% AC400V
C111	1-161-742-00	s CAP, CERAMIC 2200PF 20% AC400V
C112	1-125-470-11	s CAP, ELECT 560uF 400V
C113	1-125-470-11	s CAP, ELECT 560uF 400V
C114	1-130-808-00	s CAP, FILM 0.22uF 5% 400V
C115	1-130-808-00	s CAP, FILM 0.22uF 5% 400V
C116	1-125-352-00	s CAP, ELECT 180uF 400V
C117	1-161-741-00	s CAP, CERAMIC 1000PF 20% AC400V
C119	1-161-741-00	s CAP, CERAMIC 1000PF 20% AC400V
C120	1-161-741-00	s CAP, CERAMIC 1000PF 20% AC400V
C121	1-130-772-00	s CAP, FILM 0.22uF 5% 63V
C122	1-130-772-00	s CAP, FILM 0.22uF 5% 63V
C123	1-161-925-00	s CAP, CERAMIC 100PF 10% 500V
C124	1-161-925-00	s CAP, CERAMIC 100PF 10% 500V
C125	1-124-490-11	s CAP, ELECT 470uF 25V
C126	1-124-481-11	s CAP, ELECT 22uF 25V
C128	1-123-601-00	s CAP, ELECT 4.7uF 250V
C129	1-123-601-00	s CAP, ELECT 4.7uF 250V
C201	1-161-915-00	s CAP, CERAMIC 1000PF 10% 500V
C202	1-161-915-00	s CAP, CERAMIC 1000PF 10% 500V
C203	1-161-925-00	s CAP, CERAMIC 100PF 10% 500V
C204	1-161-925-00	s CAP, CERAMIC 100PF 10% 500V
C205	1-161-925-00	s CAP, CERAMIC 100PF 10% 500V
C206	1-161-925-00	s CAP, CERAMIC 100PF 10% 500V
C207	1-161-925-00	s CAP, CERAMIC 100PF 10% 500V

NOTE : Please see pages D-42 and D-43 for the part numbers of capacitors and resistors that are not listed in the parts list.



(SP-01 BOARD, BVH-3000PS/3100PS)

(SP-01 BOARD, BVH-3000PS/3100PS)

Ref.No. or Q'ty	Part No.	SP Description
C208	1-161-925-00	s CAP, CERAMIC 100PF 10% 500V
C209	1-161-925-00	s CAP, CERAMIC 100PF 10% 500V
C210	1-161-925-00	s CAP, CERAMIC 100PF 10% 500V
C212	1-161-925-00	s CAP, CERAMIC 100PF 10% 500V
C213	1-161-925-00	s CAP, CERAMIC 100PF 10% 500V
C214	1-124-527-11	s CAP, ELECT 8200uF 6.3V
C215	1-124-527-11	s CAP, ELECT 8200uF 6.3V
C216	1-124-527-11	s CAP, ELECT 8200uF 6.3V
C217	1-124-527-11	s CAP, ELECT 8200uF 6.3V
C218	1-124-527-11	s CAP, ELECT 8200uF 6.3V
C219	1-124-568-00	s CAP, ELECT 4700uF 10V
C220	1-124-520-11	s CAP, ELECT 3300uF 10V
C221	1-124-630-11	s CAP, ELECT 1500uF 25V
C222	1-124-630-11	s CAP, ELECT 1500uF 25V
C223	1-136-149-00	s CAP, MYLAR 4700PF 5% 50V
C224	1-136-169-00	s CAP, MYLAR 0.22uF 5% 50V
C225	1-136-149-00	s CAP, MYLAR 4700PF 5% 50V
C226	1-136-149-00	s CAP, MYLAR 4700PF 5% 50V
C227	1-136-165-00	s CAP, MYLAR 0.1uF 5% 50V
C228	1-136-161-00	s CAP, MYLAR 0.047uF 5% 50V
C229	1-136-153-00	s CAP, MYLAR 0.01uF 5% 50V
C230	1-136-153-00	s CAP, MYLAR 0.01uF 5% 50V
C232	1-136-153-00	s CAP, MYLAR 0.01uF 5% 50V
C233	1-136-153-00	s CAP, MYLAR 0.01uF 5% 50V
C234	1-130-508-00	s CAP, MYLAR 2200PF 10% 50V
C235	1-124-490-11	s CAP, ELECT 470uF 25V
C238	1-161-911-11	s CAP, CERAMIC 470PF 10% 500V
C239	1-136-165-00	s CAP, MYLAR 0.1uF 5% 50V
C241	1-136-165-00	s CAP, MYLAR 0.1uF 5% 50V
C242	1-124-490-11	s CAP, ELECT 470uF 25V
C243	1-136-153-00	s CAP, MYLAR 0.01uF 5% 50V
CN101	1-560-176-00	o RECEP, 2P MALE
CN102	1-560-176-00	o RECEP, 2P MALE
CN201M	1-560-301-00	o RECEP, 1L 4P MALE
CN201F	1-509-985-00	o HOUSING, 1L 4P
	1-560-298-00	o CONTACT, FEMALE AWG22-28
CN202	1-560-304-00	o RECEP, 1L 8P MALE
CN203	1-560-305-00	o RECEP, 1L 10P MALE
CN901	1-560-888-00	o RECEP, 3P MALE
CN902	1-564-908-11	o RECEP, MIC 13P MALE
D101	8-719-500-27	s DIODE S15VB60
D102	8-719-104-07	s DIODE F114F
D103	8-719-104-07	s DIODE F114F
D104	8-719-902-42	s DIODE ESAC33-02CV-F1
D105	8-719-110-61	s DIODE RD24ESB1
D106	8-719-911-19	s DIODE 1SS119
D107	8-719-911-19	s DIODE 1SS119
D108	8-719-109-72	s DIODE RD3.9ESB2
D109	8-719-982-04	s DIODE ERB81-004
D110	8-719-911-19	s DIODE 1SS119
D111	8-719-982-04	s DIODE ERB81-004
D112	8-719-911-19	s DIODE 1SS119
D201	8-719-903-46	s DIODE ESAD85-009
D202	8-719-903-46	s DIODE ESAD85-009
D203	8-719-901-90	s DIODE ESAC33-02N
D204	8-719-301-20	s DIODE CTG-23S

Ref.No. or Q'ty	Part No.	SP Description
D205	8-719-301-20	s DIODE CTG-23S
D206	8-719-110-57	s DIODE RD22ESB2
D207	8-719-110-61	s DIODE RD24ESB1
D208	8-719-110-17	s DIODE RD10ESB2
D209	8-719-911-19	s DIODE 1SS119
D210	8-719-313-21	s LED, SEL1321G, GREEN
D211	8-719-110-08	s DIODE RD8.2ESB2
D212	8-719-911-19	s DIODE 1SS119
D213	8-719-911-19	s DIODE 1SS119
D214	8-719-911-19	s DIODE 1SS119
D215	8-719-911-19	s DIODE 1SS119
D216	8-719-911-19	s DIODE 1SS119
D217	8-719-313-21	s LED, SEL1321G, GREEN
D218	8-719-911-19	s DIODE 1SS119
D219	8-719-911-19	s DIODE 1SS119
D220	8-719-911-19	s DIODE 1SS119
D221	8-719-110-78	s DIODE RD33ESB2
D222	8-719-110-78	s DIODE RD33ESB2
D223	8-719-200-02	s DIODE 10E-2
D223	8-719-920-04	s DIODE ERB12-02
D224	8-719-104-07	s DIODE F114F
D225	8-719-911-19	s DIODE 1SS119
D226	8-719-911-19	s DIODE 1SS119
D227	8-719-911-19	s DIODE 1SS119
D227	1-532-496-00	s FUSE, THERMAL 10A 109°C
IC101	8-759-170-12	s IC UPC78M12H
IC102	1-807-814-11	s IC B-5272
IC201	8-759-135-80	s IC UPC358C
IC202	8-759-914-44	s IC TL431CLPB
IC203	8-759-135-80	s IC UPC358C
IC204	8-759-914-44	s IC TL431CLPB
IC205	8-759-914-44	s IC TL431CLPB
IC206	8-759-914-44	s IC TL431CLPB
IC207	8-759-245-28	s IC TC4528BP
L101	1-421-507-11	s COIL, CHOKE
L102	1-421-507-11	s COIL, CHOKE
L103	1-421-533-00	s TRANSFORMER, LINE FILTER
L104	1-421-468-00	s TRANSFORMER, LINE FILTER
L105	1-421-557-11	s COIL, CHOKE
L106	1-421-683-11	s COIL, CHOKE 5.6uH
L107	1-421-683-11	s COIL, CHOKE 5.6uH
L201	1-421-533-00	s COIL, CHOKE
L202	1-421-506-00	s COIL, CHOKE
L203	1-421-506-00	s COIL, CHOKE
L204	A-4935-008-A	s COIL, CHOKE
L205	A-4935-009-A	s COIL, CHOKE
L206	A-4935-009-A	s COIL, CHOKE
L207	1-410-470-11	s INDUCTOR, 10uH 5%
L208	1-410-470-11	s INDUCTOR, 10uH 5%
PS101	1-532-675-21	s LINK, IC 1.5A
PS102	1-532-605-00	s LINK, IC 0.4A
PS201	1-532-605-00	s LINK, IC 0.4A
PS202	1-532-675-21	s LINK, IC 1.5A
PS203	1-532-675-21	s LINK, IC 1.5A

NOTE : Please see pages D-42 and D-43 for the part numbers of capacitors and resistors that are not listed in the parts list.

(SP-01 BOARD, BVH-3000PS/3100PS)

(SP-01 BOARD, BVH-3000PS/3100PS)

Ref.No. or Q'ty	Part No.	SP Description
Q101	8-729-300-50	s TRANSISTOR 2SC2307-Y
	Replace Q101 & Q102 at the same time.	
Q102	8-729-300-50	s TRANSISTOR 2SC2307-Y
	Replace Q101 & Q102 at the same time.	
Q103	8-719-177-33	s TRANSISTOR 2SD773-4
Q104	8-719-177-33	s TRANSISTOR 2SD773-4
Q201	8-729-331-53	s TRANSISTOR 2SC2315
Q202	8-729-201-86	s TRANSISTOR 2SA1328-Y
Q203	8-719-178-54	s TRANSISTOR 2SC2785-F
Q204	8-729-331-53	s TRANSISTOR 2SC2315
Q205	8-729-117-54	s TRANSISTOR 2SA1175-F
Q206	8-729-331-53	s TRANSISTOR 2SC2315
Q207	8-729-117-54	s TRANSISTOR 2SA1175-F
Q208	8-719-178-54	s TRANSISTOR 2SC2785-F
Q209	8-729-810-62	s TRANSISTOR 2SD1061-R
Q210	8-729-117-54	s TRANSISTOR 2SA1175-F
Q211	8-719-178-54	s TRANSISTOR 2SC2785-F
Q212	8-729-117-54	s TRANSISTOR 2SA1175-F
Q213	8-719-178-54	s TRANSISTOR 2SC2785-F
Q214	8-719-209-00	s TRANSISTOR 2SK422
Q215	8-719-209-00	s TRANSISTOR 2SK422
Q216	8-729-117-54	s TRANSISTOR 2SA1175-F
R101	1-205-916-11	s RES, CERAMIC 5.0 5% 20W
R102	1-205-916-11	s RES, CERAMIC 5.0 5% 20W
R103	1-247-189-00	s RES, CARBON 5.6 5% 1/2W
R104	1-247-189-00	s RES, CARBON 5.6 5% 1/2W
R107	1-212-881-11	s RES, FUSIBLE 100 1/4W
R108	1-212-881-11	s RES, FUSIBLE 100 1/4W
R201	1-205-624-00	s RES, CERAMIC 100 5% 5W
R203	1-205-657-00	s RES, CERAMIC 150 5% 5W
R206	1-213-142-00	s RES, METAL 820 5% 1W
R216	1-215-429-00	s RES, METAL 2.2K 1% 1/6W
R217	1-215-427-00	s RES, METAL 1.8K 1% 1/6W
R222	1-247-703-11	s RES, CARBON 180 5% 1/4W
R226	1-247-708-11	s RES, CARBON 470 5% 1/4W
R228	1-205-731-11	s RES, CERAMIC 12 5% 5W
R233	1-247-192-00	s RES, CARBON 10 5% 1/2W
R244	1-535-369-00	s RES, SHUNT 0.02 2W
R249	1-247-708-11	s RES, CARBON 470 5% 1/4W
R250	1-249-482-11	s RES, CARBON 4.7 5% 1/2W
R251	1-205-652-00	s RES, CERAMIC 68 5% 5W
R252	1-205-652-00	s RES, CERAMIC 68 5% 5W
R253	1-205-652-00	s RES, CERAMIC 68 5% 5W
R268	1-215-466-00	s RES, METAL 75K 1% 1/6W
R270	1-215-437-00	s RES, METAL 4.7K 1% 1/6W
R272	1-247-752-11	s RES, CARBON 1.0K 5% 1/2W
R273	1-205-625-00	s RES, CERAMIC 220 5% 5W
R275	1-205-731-11	s RES, CERAMIC 12 5% 5W
R277	1-205-748-00	s RES, CERAMIC 22 5% 5W
RV201	1-228-650-11	s RES, VAR, METAL 1K
RV202	1-230-415-11	s RES, VAR CERMET 1K
RV203	1-230-415-11	s RES, VAR CERMET 1K
RY101	1-515-493-00	s RELAY
T101	A-4935-010-A	s TRANSFORMER, CONVERTER
T102	1-421-819-11	s TRANSFORMER, CURRENT

Ref.No. or Q'ty	Part No.	SP Description
T103	1-437-187-11	s TRANSFORMER, DRIVE
T104	1-437-187-11	s TRANSFORMER, DRIVE
T105	1-448-406-11	s TRANSFORMER, CONVERTER
T106	A-4935-010-A	s TRANSFORMER, PULSE
T201	A-4935-011-A	s TRANSFORMER, CONVERTER
T202	A-4935-012-A	s TRANSFORMER, PULSE
TS301	1-570-258-51	s SWITCH, THERMAL 100°C
TS302	1-570-258-61	s SWITCH, THERMAL 110°C

NOTE : Please see pages D-42 and D-43 for the part numbers of capacitors and resistors that are not listed in the parts list.

D-90

SP-02 BOARD, BVH-3000PS/3100PS

(SP-02 BOARD, BVH-3000PS/3100PS)

Ref.No. or Q'ty	Part No.	SP Description	Ref.No. or Q'ty	Part No.	SP Description
1pc	A-4925-187-A	o SP-02 ASSY	C252	1-136-165-00	s CAP, MYLAR 0.1uF 5% 50V
1pc	A-4925-188-A	o UR-20-C4 ASSY	C253	1-130-834-00	s CAP, FILM 1.0uF 5% 63V
1pc	A-4925-189-A	o UR-20-C6 ASSY	C254	1-136-145-00	s CAP, MYLAR 2200PF 50V
C101	1-125-470-11	s CAP, ELECT 560uF 400V	C255	1-136-165-00	s CAP, MYLAR 0.1uF 5% 50V
C102	1-130-808-00	s CAP, FILM 0.22uF 5% 400V	C256	1-130-834-00	s CAP, FILM 1.0uF 5% 63V
C103	1-125-470-11	s CAP, ELECT 560uF 400V	C257	1-136-145-00	s CAP, MYLAR 2200PF 50V
C104	1-123-601-00	s CAP, ELECT 4.7uF 250V	C258	1-136-165-00	s CAP, MYLAR 0.1uF 5% 50V
C105	1-123-601-00	s CAP, ELECT 4.7uF 250V	C260	1-136-153-00	s CAP, MYLAR 0.01uF 5% 50V
C106	1-130-772-00	s CAP, FILM 0.22uF 5% 63V	C261	1-136-153-00	s CAP, MYLAR 0.01uF 5% 50V
C107	1-130-772-00	s CAP, FILM 0.22uF 5% 63V	C262	1-136-153-00	s CAP, MYLAR 0.01uF 5% 50V
C108	1-161-741-00	s CAP, CERAMIC 1000PF 10% 400V	C263	1-136-153-00	s CAP, MYLAR 0.01uF 5% 50V
C109	1-161-741-00	s CAP, CERAMIC 1000PF 10% 400V	CN103	1-560-176-00	o RECEPT, 2P MALE
C111	1-161-741-00	s CAP, CERAMIC 1000PF 10% 400V	CN204	1-560-304-00	o RECEPT, 1L 8P MALE
C112	1-130-808-00	s CAP, FILM 0.22uF 5% 400V	CN205M	1-560-301-00	o RECEPT, 1L 4P MALE
C201	1-161-911-11	s CAP, CERAMIC 470PF 10% 500V	CN205F	1-509-985-00	o HOUSING, 1L 3P
C202	1-161-911-11	s CAP, CERAMIC 470PF 10% 500V		1-560-298-00	o CONTACT, FEMALE AWG22-28
C203	1-124-603-11	s CAP, ELECT 390uF 100V	CN209	1-560-300-00	o RECEPT, 1L 3P MALE
C204	1-124-603-11	s CAP, ELECT 390uF 100V	CN903	1-560-312-00	o RECEPT, 1L 6P MALE
C205	1-124-603-11	s CAP, ELECT 390uF 100V	CN904	1-560-310-00	o RECEPT, 1L 4P MALE
C206	1-124-603-11	s CAP, ELECT 390uF 100V	CN905	1-564-906-11	o RECEPT, MIC 5P MALE
C207	1-124-603-11	s CAP, ELECT 390uF 100V	D101	8-719-104-07	s DIODE F114F
C209	1-136-157-00	s CAP, MYLAR 0.022uF 5% 50V	D102	8-719-104-07	s DIODE F114F
C210	1-124-603-11	s CAP, ELECT 390uF 100V	D103	8-719-982-04	s DIODE ERB81-004
C212	1-136-157-00	s CAP, MYLAR 0.022uF 5% 50V	D104	8-719-911-19	s DIODE 1SS119
C213	1-124-603-11	s CAP, ELECT 390uF 100V	D105	8-719-982-04	s DIODE ERB81-004
C215	1-136-157-00	s CAP, MYLAR 0.022uF 5% 50V	D106	8-719-911-19	s DIODE 1SS119
C216	1-124-603-11	s CAP, ELECT 390uF 100V	D201	8-719-300-52	s DIODE CTU-38R
C218	1-136-157-00	s CAP, MYLAR 0.022uF 5% 50V	D202	8-719-300-53	s DIODE CTU-38S
C219	1-136-165-00	s CAP, MYLAR 0.1uF 5% 50V	D203	8-719-300-29	s DIODE CTG-31S
C220	1-136-165-00	s CAP, MYLAR 0.1uF 5% 50V	D204	8-719-981-01	s DIODE ERAB1-004
C221	1-124-659-00	s CAP, ELECT, NONPOLAR 33uF 50V	D205	8-719-300-29	s DIODE CTG-31S
C222	1-136-165-00	s CAP, MYLAR 0.1uF 5% 50V	D206	8-719-981-01	s DIODE ERAB1-004
C223	1-136-165-00	s CAP, MYLAR 0.1uF 5% 50V	D207	8-719-300-29	s DIODE CTG-31S
C224	1-136-165-00	s CAP, MYLAR 0.1uF 5% 50V	D208	8-719-981-01	s DIODE ERAB1-004
C225	1-136-165-00	s CAP, MYLAR 0.1uF 5% 50V	D209	8-719-300-29	s DIODE CTG-31S
C226	1-136-165-00	s CAP, MYLAR 0.1uF 5% 50V	D210	8-719-981-01	s DIODE ERAB1-004
C227	1-106-220-00	s CAP, MYLAR 0.1uF 100V	D211	8-719-981-01	s DIODE ERAB1-004
C228	1-136-165-00	s CAP, MYLAR 0.1uF 5% 50V	D212	8-719-981-01	s DIODE ERAB1-004
C229	1-136-141-00	s CAP, MYLAR 1000PF 50V	D213	8-719-981-01	s DIODE ERAB1-004
C230	1-136-141-00	s CAP, MYLAR 1000PF 50V	D214	8-719-981-01	s DIODE ERAB1-004
C232	1-136-165-00	s CAP, MYLAR 0.1uF 5% 50V	D215	8-719-110-78	s DIODE RD33ESB2
C233	1-136-149-00	s CAP, MYLAR 4700PF 50V	D216	8-719-110-78	s DIODE RD33ESB2
C234	1-136-161-00	s CAP, MYLAR 0.047uF 5% 50V	D217	8-719-109-89	s DIODE RD5.6ESB2
C235	1-136-153-00	s CAP, MYLAR 0.01uF 5% 50V	D218	8-719-911-19	s DIODE 1SS119
C237	1-136-157-00	s CAP, MYLAR 3300PF 5% 50V	D219	8-719-302-00	s DIODE RU-2M
C238	1-136-157-00	s CAP, MYLAR 3300PF 5% 50V	D220	8-719-913-44	s DIODE ERAB2-004
C241	1-136-157-00	s CAP, MYLAR 3300PF 5% 50V	D221	8-719-913-44	s DIODE ERAB2-004
C242	1-136-157-00	s CAP, MYLAR 3300PF 5% 50V	D222	8-719-913-44	s DIODE ERAB2-004
C245	1-136-145-00	s CAP, MYLAR 2200PF 50V	D223	8-719-913-44	s DIODE ERAB2-004
C246	1-136-165-00	s CAP, MYLAR 0.1uF 5% 50V	D224	8-719-913-44	s DIODE ERAB2-004
C247	1-130-834-00	s CAP, FILM 1.0uF 5% 63V	D225	8-719-913-44	s DIODE ERAB2-004
C248	1-136-145-00	s CAP, MYLAR 2200PF 50V	D226	8-719-913-44	s DIODE ERAB2-004
C249	1-136-165-00	s CAP, MYLAR 0.1uF 5% 50V	D227	8-719-913-44	s DIODE ERAB2-004
C250	1-130-834-00	s CAP, FILM 1.0uF 5% 63V	D228	8-719-110-13	s DIODE RD9.1ESB2
C251	1-136-145-00	s CAP, MYLAR 2200PF 50V	D229	8-719-109-89	s DIODE RD5.6ESB2
			D230	8-719-000-06	s DIODE MC921

NOTE : Please see pages D-42 and D-43 for the part numbers of capacitors and resistors that are not listed in the parts list.

(SP-02 BOARD, BVH-3000PS/3100PS)

(SP-02 BOARD, BVH-3000PS/3100PS)

Ref.No. or Q'ty	Part No.	SP Description
D231	8-719-911-19	s DIODE 1SS119
D232	8-719-911-19	s DIODE 1SS119
D233	8-719-000-06	s DIODE MC921
D234	8-719-911-19	s DIODE 1SS119
D235	8-719-911-19	s DIODE 1SS119
D236	8-719-000-06	s DIODE MC921
D238	8-719-110-57	s DIODE RD22ESB2
D239	8-719-110-57	s DIODE RD22ESB2
IC201	8-759-135-80	s IC UPC358C
IC202	8-759-914-44	s IC TL431CLPB
IC203	8-759-135-80	s IC UPC358C
IC204	8-759-135-80	s IC UPC358C
IC205	1-807-818-11	s IC PS2401-1
IC206	8-759-914-44	s IC TL431CLPB
IC207	8-759-914-44	s IC TL431CLPB
IC208	8-759-914-44	s IC TL431CLPB
IC209	8-759-914-44	s IC TL431CLPB
L101	1-421-470-21	s TRANSFORMER, LINE FILTER
L102	1-421-683-11	s COIL, CHOKE 5.6uH
L103	1-421-683-11	s COIL, CHOKE 5.6uH
L201	A-4935-014-A	s COIL, CHOKE
L202	1-421-329-00	s COIL, CHOKE
L203	1-421-540-00	s COIL, CHOKE
L204	1-421-329-00	s COIL, CHOKE
L205	1-421-622-11	s TRANSFORMER, LINE FILTER
L206	1-421-540-00	s COIL, CHOKE
L207	1-421-329-00	s COIL, CHOKE
L208	1-421-622-11	s TRANSFORMER, LINE FILTER
L209	1-421-540-00	s COIL, CHOKE
L210	1-421-329-00	s COIL, CHOKE
L211	1-421-622-11	s TRANSFORMER, LINE FILTER
L212	1-421-540-00	s COIL, CHOKE
L213	1-421-329-00	s COIL, CHOKE
L214	1-421-622-11	s TRANSFORMER, LINE FILTER
L215	1-410-470-11	s INDUCTOR, 10uH 5%
Q101	8-729-300-50	s TRANSISTOR 2SC2307-Y Replace Q101 & Q103 at the same time.
Q102	8-729-177-33	s TRANSISTOR 2SD773-4
Q103	8-729-300-50	s TRANSISTOR 2SC2307 Replace Q101 & Q103 at the same time.
Q104	8-729-177-33	s TRANSISTOR 2SD773-4
Q201	8-729-994-43	s TRANSISTOR 2SC2944-C
Q202	8-729-177-43	s TRANSISTOR 2SD774-4
Q203	8-729-994-43	s TRANSISTOR 2SC2944-C
Q204	8-729-177-43	s TRANSISTOR 2SD774-4
Q205	8-729-994-43	s TRANSISTOR 2SC2944-C
Q206	8-729-177-43	s TRANSISTOR 2SD774-4
Q207	8-729-994-43	s TRANSISTOR 2SC2944-C
Q208	8-729-177-43	s TRANSISTOR 2SD774-4
Q209	8-729-201-86	s TRANSISTOR 2SA1328
Q210	8-729-900-80	s TRANSISTOR DTC114ES
Q211	8-729-900-80	s TRANSISTOR DTC114ES
Q212	8-729-900-80	s TRANSISTOR DTC114ES
Q213	8-729-900-61	s TRANSISTOR DTA114ES
Q214	8-729-900-61	s TRANSISTOR DTA114ES

Ref.No. or Q'ty	Part No.	SP Description
R101	1-247-189-00	s RES, CARBON 5.6 5% 1/2W
R102	1-212-881-11	s RES, FUSIBLE 100 1/4W
R103	1-247-189-00	s RES, CARBON 5.6 5% 1/2W
R104	1-212-881-11	s RES, FUSIBLE 100 1/4W
R201	1-205-625-00	s RES, CERAMIC 220 5% 5W
R202	1-205-917-31	s RES, CERAMIC 1K 5% 20W
R203	1-205-624-00	s RES, CERAMIC 100 5% 5W
R205	1-214-766-00	s RES, METAL 36K 1% 1/4W
R206	1-249-447-11	s RES, CARBON 1.0 5% 1/4W
R207	1-247-700-11	s RES, CARBON 100 5% 1/4W
R208	1-205-623-00	s RES, CERAMIC 47 5% 5W
R209	1-214-766-00	s RES, METAL 36K 1% 1/4W
R210	1-249-447-11	s RES, CARBON 1.0 5% 1/4W
R211	1-247-700-11	s RES, CARBON 100 5% 1/4W
R212	1-205-623-00	s RES, CERAMIC 47 5% 5W
R213	1-249-447-11	s RES, CARBON 1.0 5% 1/4W
R214	1-247-700-11	s RES, CARBON 100 5% 1/4W
R215	1-205-623-00	s RES, CERAMIC 47 5% 5W
R216	1-249-447-11	s RES, CARBON 1.0 5% 1/4W
R217	1-247-700-11	s RES, CARBON 100 5% 1/4W
R218	1-205-623-00	s RES, CERAMIC 47 5% 5W
R219	1-247-190-00	s RES, CARBON 6.8 1/2W 5%
R224	1-213-143-00	s RES, METAL 1.0K 5% 1W
R230	1-215-430-00	s RES, METAL 2.4K 1% 1/6W
R254	1-205-623-00	s RES, CERAMIC 47 5% 5W
R255	1-205-623-00	s RES, CERAMIC 47 5% 5W
R256	1-205-623-00	s RES, CERAMIC 47 5% 5W
R257	1-206-686-00	s RES, METAL 8.2K 5% 2W
R258	1-206-686-00	s RES, METAL 8.2K 5% 2W
R259	1-206-676-00	s RES, METAL 3.3K 5% 2W
R260	1-206-674-00	s RES, METAL 2.7K 5% 2W
R261	1-215-389-00	s RES, METAL 47 1% 1/6W
R262	1-215-425-00	s RES, METAL 1.5K 1% 1/6W
R263	1-215-429-00	s RES, METAL 2.2K 1% 1/6W
R264	1-214-721-00	s RES, METAL 470 1% 1/4W
R265	1-215-449-00	s RES, METAL 15K 1% 1/6W
R266	1-215-437-00	s RES, METAL 4.7K 1% 1/6W
R267	1-215-389-00	s RES, METAL 47 1% 1/6W
R268	1-215-425-00	s RES, METAL 1.5K 1% 1/6W
R269	1-215-429-00	s RES, METAL 2.2K 1% 1/6W
R270	1-214-721-00	s RES, METAL 470 1% 1/4W
R271	1-215-449-00	s RES, METAL 15K 1% 1/6W
R272	1-215-437-00	s RES, METAL 4.7K 1% 1/6W
R273	1-215-397-00	s RES, METAL 100 1% 1/6W
R274	1-215-425-00	s RES, METAL 1.5K 1% 1/6W
R275	1-215-423-00	s RES, METAL 1.2K 1% 1/6W
R276	1-214-722-00	s RES, METAL 510 1% 1/4W
R277	1-251-445-00	s RES, METAL 10K 1% 1/6W
R278	1-251-445-00	s RES, METAL 10K 1% 1/6W
R279	1-215-397-00	s RES, METAL 100 1% 1/6W
R280	1-215-425-00	s RES, METAL 1.5K 1% 1/6W
R281	1-215-413-00	s RES, METAL 470 1% 1/6W
R282	1-214-721-00	s RES, METAL 470 1% 1/4W
R283	1-251-445-00	s RES, METAL 10K 1% 1/6W
R284	1-251-445-00	s RES, METAL 10K 1% 1/6W
R285	1-215-413-00	s RES, METAL 470 1% 1/6W

NOTE : Please see pages D-42 and D-43 for the part numbers of capacitors and resistors that are not listed in the parts list.

## (SP-02 BOARD, BVH-3000PS/3100PS)

Ref.No. or Q'ty	Part No.	SP Description
R286	1-215-413-00	s RES, METAL 470 1% 1/6W
R287	1-215-409-00	s RES, METAL 330 1% 1/6W
R288	1-215-407-00	s RES, METAL 270 1% 1/6W
RV201	1-228-650-11	s RES, VAR, METAL 1K
RV203	1-228-650-11	s RES, VAR, METAL 1K
RV204	1-228-650-11	s RES, VAR, METAL 1K
RV205	1-228-650-11	s RES, VAR, METAL 1K
RV206	1-228-650-11	s RES, VAR, METAL 1K
RV207	1-230-415-11	s RES, VAR CERMET 1K
RV208	1-230-415-11	s RES, VAR CERMET 1K
RV209	1-230-415-11	s RES, VAR CERMET 1K
RV210	1-230-415-11	s RES, VAR CERMET 1K
T101	A-4935-015-A	s TRANSFORMER, CONVERTER
T102	1-421-819-11	s TRANSFORMER, CURRENT
T103	1-437-187-11	s TRANSFORMER, DRIVER
T104	1-437-187-11	s TRANSFORMER, DRIVER
T201	1-437-114-00	s TRANSFORMER, DRIVER
T202	1-437-114-00	s TRANSFORMER, DRIVER
T203	1-437-114-00	s TRANSFORMER, DRIVER
T204	1-437-114-00	s TRANSFORMER, DRIVER
T205	A-4935-016-A	s TRANSFORMER, CURRENT
T206	A-4935-016-A	s TRANSFORMER, CURRENT
T207	A-4935-016-A	s TRANSFORMER, CURRENT
T208	A-4935-016-A	s TRANSFORMER, CURRENT
TS201	1-570-258-11	s SWITCH, THERMAL 90°C
TS202	1-570-258-61	s SWITCH, THERMAL 110°C

## SP-03 BOARD, BVH-3000PS/3100PS

Ref.No. or Q'ty	Part No.	SP Description
1pc	A-4925-190-A	o SP-03 ASSY
1pc	A-4925-191-A	o UR-20-C2 ASSY
1pc	A-4925-192-A	o UR-20-C5 ASSY
C101	1-125-470-11	s CAP, ELECT 560uF 400V
C108	1-125-470-11	s CAP, ELECT 560uF 400V
C109	1-123-601-00	s CAP, ELECT 4.7uF 250V
C110	1-123-601-00	s CAP, ELECT 4.7uF 250V
C114	1-123-601-00	s CAP, ELECT 4.7uF 250V
C115	1-123-601-00	s CAP, ELECT 4.7uF 250V
C203	1-124-574-11	s CAP, ELECT 3900uF 16V
C204	1-124-574-11	s CAP, ELECT 3900uF 16V
C205	1-124-579-11	s CAP, ELECT 1000uF 16V
C206	1-136-141-00	s CAP, MYLAR 1000PF 50V
C210	1-124-440-11	s CAP, ELECT 3300uF 25V
C211	1-124-574-11	s CAP, ELECT 3900uF 16V
C212	1-124-525-11	s CAP, ELECT 1000uF 25V
C213	1-136-141-00	s CAP, MYLAR 1000PF 50V
C215	1-124-525-11	s CAP, ELECT 1000uF 25V
C224	1-124-579-11	s CAP, ELECT 1000uF 16V
C227	1-124-962-11	s CAP, ELECT 2200uF 25V
C228	1-124-962-11	s CAP, ELECT 2200uF 25V
C229	1-124-490-11	s CAP, ELECT 470uF 25V
C232	1-124-962-11	s CAP, ELECT 2200uF 25V
C233	1-124-962-11	s CAP, ELECT 2200uF 25V
C234	1-124-490-11	s CAP, ELECT 470uF 25V
C236	1-136-149-00	s CAP, MYLAR 4700PF 50V
C237	1-124-574-11	s CAP, ELECT 3900uF 16V
C239	1-124-574-11	s CAP, ELECT 3900uF 16V
C245	1-136-141-00	s CAP, MYLAR 1000PF 50V
C246	1-136-141-00	s CAP, MYLAR 1000PF 50V
C247	1-124-482-11	s CAP, ELECT 33uF 35V
CN104	1-560-176-00	o RECEP, 2P MALE
CN206	1-560-300-00	o RECEP, 1L 3P MALE
CN207	1-560-305-00	o RECEP, 1L 10P MALE
CN208M	1-560-301-00	o RECEP, 1L 4P MALE
CN208F	1-509-985-00	o HOUSING, 1L 4P
	1-560-298-00	o CONTACT, FEMALE AWG22-28
CN906	1-560-311-00	o RECEP, 1L 5P MALE
CN907	1-560-887-00	o RECEP, MIC 17P MALE
D101	8-719-982-04	s DIODE ERB81-004
D102	8-719-911-19	s DIODE 1SS119
D103	8-719-982-04	s DIODE ERB81-004
D104	8-719-911-19	s DIODE 1SS119
D105	8-719-982-04	s DIODE ERB81-004
D106	8-719-911-19	s DIODE 1SS119
D107	8-719-982-04	s DIODE ERB81-004
D108	8-719-911-19	s DIODE 1SS119
D109	8-719-104-07	s DIODE F114F
D110	8-719-104-07	s DIODE F114F
D111	8-719-104-07	s DIODE F114F
D112	8-719-104-07	s DIODE F114F
D201	8-719-302-60	s DIODE FML-32S

NOTE : Please see pages D-42 and D-43 for the part numbers of capacitors and resistors that are not listed in the parts list.

## (SP-03 BOARD, BVH-3000PS/3100PS)

Ref.No. or Qty	Part No.	SP Description
D202	8-719-911-19	s DIODE 1SS119
D203	8-719-911-19	s DIODE 1SS119
D204	8-719-313-21	s LED SEL1321G, GREEN
D205	1-807-793-11	s DIODE FML-22S
D206	8-719-911-19	s DIODE 1SS119
D207	8-719-911-19	s DIODE 1SS119
D208	8-719-110-78	s DIODE RD33ESB2
D209	8-719-110-78	s DIODE RD33ESB2
D210	8-719-911-19	s DIODE 1SS119
D211	8-719-911-19	s DIODE 1SS119
D212	8-719-301-27	s DIODE CTG-33S
D213	8-719-301-26	s DIODE CTG-33R
D214	8-719-110-78	s DIODE RD33ESB2
D215	8-719-110-78	s DIODE RD33ESB2
D216	8-719-110-67	s DIODE RD27ESB2
D217	8-719-911-19	s DIODE 1SS119
D218	8-719-110-57	s DIODE RD22ESB2
D219	8-719-911-19	s DIODE 1SS119
D220	8-719-313-21	s LED SEL1321G, GREEN
D221	8-719-313-21	s LED SEL1321G, GREEN
D222	8-719-313-21	s LED SEL1321G, GREEN
D223	8-719-911-19	s DIODE 1SS119
D224	8-719-911-19	s DIODE 1SS119
D224	1-807-793-11	s DIODE FML-22S
D225	8-719-911-19	s DIODE 1SS119
D226	8-719-911-19	s DIODE 1SS119
D227	8-719-302-00	s DIODE RU-2M
D229	8-719-911-19	s DIODE 1SS119
D230	8-719-911-19	s DIODE 1SS119
D231	8-719-911-19	s DIODE 1SS119
D232	8-719-911-19	s DIODE 1SS119
F201	Δ 1-532-604-21	s FUSE, THERMAL 130°C
F202	1-532-604-21	s FUSE, THERMAL 130°C
IC201	8-759-135-80	s IC UPC358C
IC202	8-759-914-00	s IC TL431CLPB
IC203	8-759-135-80	s IC UPC358C
IC204	8-759-914-00	s IC TL431CLPB
IC205	8-759-135-80	s IC UPC358C
IC206	8-749-990-12	s IC STR-9012
IC207	8-759-914-00	s IC TL431CLPB
L101	1-421-372-00	s TRANSFORMER, LINE FILTER
L102	1-421-683-11	s COIL, CHOKE
L103	1-421-683-11	s COIL, CHOKE
L104	1-421-683-11	s COIL, CHOKE
L105	1-421-683-11	s COIL, CHOKE
L201	1-421-507-11	s COIL, CHOKE
L202	1-421-459-00	s COIL, CHOKE
L203	1-408-814-11	s COIL, CHOKE
L204	1-421-459-00	s COIL, CHOKE
L205	A-4935-017-A	s COIL, CHOKE
L206	1-421-459-00	s COIL, CHOKE
L207	A-4935-017-A	s COIL, CHOKE
L208	1-421-459-00	s COIL, CHOKE
L209	1-408-322-00	s COIL, CHOKE
L210	1-421-622-11	s TRANSFORMER, LINE FILTER

## (SP-03 BOARD, BVH-3000PS/3100PS)

Ref.No. or Qty	Part No.	SP Description
Q101	8-729-300-50	s TRANSISTOR 2SC2307-Y
Q102	8-729-300-50	s TRANSISTOR 2SC2307-Y
Q103	8-729-177-32	s TRANSISTOR 2SD773-3
Q104	8-729-177-32	s TRANSISTOR 2SD773-3
Q105	8-729-300-50	s TRANSISTOR 2SC2307-Y
Q106	8-729-300-50	s TRANSISTOR 2SC2307-Y
Q107	8-729-177-32	s TRANSISTOR 2SD773-3
Q108	8-729-177-32	s TRANSISTOR 2SD773-3
Q201	1-807-819-11	s TRANSISTOR 2SD1707-Q
Q202	8-729-102-03	s TRANSISTOR 2SD1020-H
Q203	8-729-205-02	s TRANSISTOR 2SA1150-Y
Q204	1-807-820-11	s TRANSISTOR 2SB1156-Q
Q205	8-729-205-02	s TRANSISTOR 2SA1150-Y
Q206	8-729-102-03	s TRANSISTOR 2SD1020-H
Q207	8-729-900-80	s TRANSISTOR DTC114ES
Q208	8-729-900-80	s TRANSISTOR DTC114ES
Q209	8-729-900-80	s TRANSISTOR DTC114ES
Q210	8-729-900-80	s TRANSISTOR DTC114ES
Q211	8-729-900-61	s TRANSISTOR DTA114ES
Q212	8-729-900-61	s TRANSISTOR DTA114ES
Q213	8-729-900-61	s TRANSISTOR DTA114ES
Q214	8-729-102-03	s TRANSISTOR 2SD1020-H
Q215	8-729-205-02	s TRANSISTOR 2SA1150-Y
R103	Δ 1-212-873-11	s RES, FUSIBLE 47 1/4W
R105	1-212-873-11	s RES, FUSIBLE 47 1/4W
R108	1-212-873-11	s RES, FUSIBLE 47 1/4W
R110	Δ 1-212-873-11	s RES, FUSIBLE 47 1/4W
R213	1-215-445-00	s RES, METAL 10K 1/6W 1%
R214	1-215-429-00	s RES, METAL 2.2K 1% 1/6W
R229	1-215-445-00	s RES, METAL 10K 1% 1/6W
R230	1-215-429-00	s RES, METAL 2.2K 1% 1/6W
T101	Δ A-4935-019-A	s TRANSFORMER, CONVERTER
T102	1-421-819-11	s TRANSFORMER, CURRENT
T103	1-437-187-11	s TRANSFORMER, DRIVER
T104	1-437-187-11	s TRANSFORMER, DRIVER
T105	A-4935-018-A	s TRANSFORMER, CONVERTER
T106	Δ 1-421-819-11	s TRANSFORMER, CURRENT
T107	1-437-187-11	s TRANSFORMER, DRIVER
T108	1-437-187-11	s TRANSFORMER, DRIVER
TS1	1-570-258-21	s SWITCH, THERMAL 80°C
TS2	1-570-258-11	s SWITCH, THERMAL 90°C

NOTE : Please see pages D-42 and D-43 for the part numbers of capacitors and resistors that are not listed in the parts list.

-----  
 SR-36 BOARD, BVH-3000PS/3100PS  
 -----

Ref.No. or Q'ty	Part No.	SP Description
1pc	1-621-271-12	o PC BOARD, SR-36
CN291M	1-560-313-00	o RECEP, 1L 8P MALE

-----  
 SV-90 BOARD, BVH-3000PS/3100PS  
 -----

Ref.No. or Q'ty	Part No.	SP Description
1pc	A-6015-103-A	o COMPLETE PCB, SV-90
1pc	X-3714-529-1	o PLATE ASSY, SHIELD
2pcs	3-714-634-01	o LEVER, PC BOARD
2pcs	3-714-691-01	o PIN, SPRING
6pcs	7-622-207-05	s N 2.6, TYPE 2
6pcs	7-628-254-40	s SCREW +PS 2.6X12
9pcs	7-682-948-01	s SCREW +PSW 3X8
2pcs	7-685-133-19	s SCREW +BTP 2.6X6 TYPE2 N-S
C1	1-124-248-00	s CAP, ELECT 22uF 20% 35V
C4	1-124-248-00	s CAP, ELECT 22uF 20% 35V
C5	1-130-483-00	s CAP, MYLAR 0.01uF 5% 50V
C6	1-124-566-11	s CAP, ELECT 120uF 20% 6.3V
C9	1-109-622-00	s CAP, MICA 0.0012uF 1% 100V
C11	1-124-248-00	s CAP, ELECT 22uF 20% 35V
C12	1-109-622-00	s CAP, MICA 0.0012uF 1% 100V
C13	1-130-471-00	s CAP, MYLAR 0.001uF 5% 50V
C14	1-162-777-11	s CAP, CERAMIC 0.01uF 5% 50V
C16	1-124-248-00	s CAP, ELECT 22uF 20% 35V
C18	1-124-248-00	s CAP, ELECT 22uF 20% 35V
C21	1-130-480-00	s CAP, MYLAR 0.0056uF 5% 50V
C22	1-130-476-00	s CAP, MYLAR 0.0027uF 5% 50V
C26	1-124-248-00	s CAP, ELECT 22uF 20% 35V
C29	1-130-485-00	s CAP, MYLAR 0.015uF 5% 50V
C33	1-130-480-00	s CAP, MYLAR 0.0056uF 5% 50V
C34	1-130-476-00	s CAP, MYLAR 0.0027uF 5% 50V
C38	1-124-943-11	s CAP, ELECT 39uF 20% 25V
C43	1-130-483-00	s CAP, MYLAR 0.01uF 5% 50V
C45	1-130-479-00	s CAP, MYLAR 0.0047uF 5% 50V
C50	1-130-475-00	s CAP, MYLAR 0.0022uF 5% 50V
C51	1-130-471-00	s CAP, MYLAR 0.001uF 5% 50V
C52	1-130-495-00	s CAP, MYLAR 0.1uF 5% 50V
C55	1-124-943-11	s CAP, ELECT 39uF 20% 25V
C57	1-124-943-11	s CAP, ELECT 39uF 20% 25V
C58	1-124-943-11	s CAP, ELECT 39uF 20% 25V
C61	1-130-495-00	s CAP, MYLAR 0.1uF 5% 50V
C62	1-130-471-00	s CAP, MYLAR 0.001uF 5% 50V
C63	1-130-475-00	s CAP, MYLAR 0.0022uF 5% 50V
C64	1-130-471-00	s CAP, MYLAR 0.001uF 5% 50V
C65	1-130-495-00	s CAP, MYLAR 0.1uF 5% 50V
C95	1-130-495-00	s CAP, MYLAR 0.1uF 5% 50V
C96	1-124-255-00	s CAP, ELECT 1uF 20% 50V
C97	1-124-261-00	s CAP, ELECT 10uF 20% 50V
C101	1-124-248-00	s CAP, ELECT 22uF 20% 35V
C102	1-124-248-00	s CAP, ELECT 22uF 20% 35V
C103	1-124-248-00	s CAP, ELECT 22uF 20% 35V
C104	1-124-248-00	s CAP, ELECT 22uF 20% 35V
C105	1-124-248-00	s CAP, ELECT 22uF 20% 35V
C106	1-124-248-00	s CAP, ELECT 22uF 20% 35V
C107	1-124-248-00	s CAP, ELECT 22uF 20% 35V
C110	1-124-499-11	s CAP, ELECT, NONPOLAR 1uF 20% 50V
C111	1-102-106-00	s CAP, CERAMIC 100PF 10% 50V
C112	1-124-240-00	s CAP, ELECT 10uF 20% 25V
C113	1-124-240-00	s CAP, ELECT 10uF 20% 25V
C114	1-130-471-00	s CAP, MYLAR 0.001uF 5% 50V
C115	1-130-471-00	s CAP, MYLAR 0.001uF 5% 50V

NOTE : Please see pages D-42 and D-43 for the part numbers of capacitors and resistors that are not listed in the parts list.

(SV-90 BOARD, BVH-3000PS/3100PS)

(SV-90 BOARD, BVH-3000PS/3100PS)

Ref.No. or Qty	Part No.	SP Description	Ref.No. or Qty	Part No.	SP Description
C116	1-130-471-00	s CAP, MYLAR 0.001uF 5% 50V	IC2	8-759-937-22	s IC BA707
C119	1-124-255-00	s CAP, ELECT 1uF 20% 50V	ICA1	8-759-145-58	s IC UPC4558C
C120	1-124-255-00	s CAP, ELECT 1uF 20% 50V	ICA4	8-759-103-19	s IC UPC319C
C123	1-130-471-00	s CAP, MYLAR 0.001uF 5% 50V	ICA5	8-759-910-43	s IC CX23028
C126	1-124-566-11	s CAP, ELECT 120uF 20% 6.3V	ICA11	8-759-135-80	s IC UPC358C
C127	1-124-566-11	s CAP, ELECT 120uF 20% 6.3V	ICA16	8-759-103-95	s IC UPC648C
C150	1-130-483-00	s CAP, MYLAR 0.01uF 5% 50V	ICB1	8-759-145-58	s IC UPC4558C
C155	1-124-566-11	s CAP, ELECT 120uF 20% 6.3V	ICB4	8-759-135-80	s IC UPC358C
C156	1-124-566-11	s CAP, ELECT 120uF 20% 6.3V	ICB5	8-759-202-14	s IC TC74HC08P
C159	1-130-483-00	s CAP, MYLAR 0.01uF 5% 50V	ICB6	8-759-921-08	s IC SN74HC02N
C160	1-102-112-00	s CAP, CERAMIC 330PF 10% 50V	ICB7	8-759-101-83	s IC UPC649C
C162	1-107-202-00	s CAP, MICA 10PF 5% 50V	ICB9	8-759-101-83	s IC UPC649C
CN1	1-563-339-11	o RECEP, DIN 48P FEMALE	ICB15	8-759-112-54	s IC UPD78C10G-36
CN2	1-560-313-00	o RECEP, 1L 8P MALE	ICC1	8-759-745-60	s IC NJM4560D
CN315	1-506-748-11	s RECEP, DIN 96P MALE	ICC4	8-759-103-19	s IC UPC319C
CN316	1-506-748-11	s RECEP, DIN 96P MALE	ICC5	8-759-203-82	s IC TC74HC4520P
D1	8-719-911-19	s DIODE 1SS119	ICC6	8-759-990-82	s IC TL082CP
D2	8-719-911-19	s DIODE 1SS119	ICC7	8-759-208-10	s IC TC4053BPHB
D3	8-719-911-19	s DIODE 1SS119	ICC9	8-759-208-10	s IC TC4053BPHB
D4	8-719-911-19	s DIODE 1SS119	ICC11	8-759-990-82	s IC TL082CP
D5	8-719-911-19	s DIODE 1SS119	ICD1	8-759-745-60	s IC NJM4560D
D7	8-719-911-19	s DIODE 1SS119	ICD4	8-759-145-58	s IC UPC4558C
D8	8-719-911-19	s DIODE 1SS119	ICD7	8-759-990-82	s IC TL082CP
D9	8-719-918-88	s DIODE 1SS198	ICD9	8-759-990-82	s IC TL082CP
D10	8-719-918-88	s DIODE 1SS198	ICD13	8-759-916-50	s IC SN74HC157N
D11	8-719-918-88	s DIODE 1SS198	ICD14	8-759-203-50	s IC TC74HC574P
D12	8-719-911-19	s DIODE 1SS119	ICD15	8-759-203-48	s IC TC74HC573P
D13	8-719-911-19	s DIODE 1SS119	ICD16	8-759-921-34	s IC SN74HC245N
D14	8-719-911-19	s DIODE 1SS119	ICD17	8-759-921-34	s IC SN74HC245N
D15	8-719-911-19	s DIODE 1SS119	ICE1	8-759-990-82	s IC TL082CP
D16	8-719-911-19	s DIODE 1SS119	ICE2	8-759-990-82	s IC TL082CP
D17	8-719-911-19	s DIODE 1SS119	ICE4	8-759-208-06	s IC TC4051BPHB
D18	8-719-911-19	s DIODE 1SS119	ICE5	8-759-990-82	s IC TL082CP
D19	8-719-911-19	s DIODE 1SS119	ICE6	8-759-990-82	s IC TL082CP
D20	8-719-911-19	s DIODE 1SS119	ICE8	8-759-208-06	s IC TC4051BPHB
D21	8-719-911-19	s DIODE 1SS119	ICE9	8-759-135-80	s IC UPC358C
D22	8-719-911-19	s DIODE 1SS119	ICE10	8-759-135-80	s IC UPC358C
D23	8-719-800-60	s DIODE TLR214	ICE11	8-759-135-80	s IC UPC358C
D24	8-719-800-60	s DIODE TLR214	ICE13	8-759-202-21	s IC TC74HC32P
D25	8-719-800-60	s DIODE TLR214	ICE15	8-759-780-37	s IC, EPROM 27C64-V2U2-0-0
D26	8-719-400-35	s DIODE LN35BP	ICE16	8-759-302-75	s IC HM6116ALSP-12
D27	8-719-400-35	s DIODE LN35BP	ICE17	8-759-916-50	s IC SN74HC157N
D28	8-719-400-35	s DIODE LN35BP	ICF1	8-759-990-82	s IC TL082CP
D29	8-719-400-35	s DIODE LN35BP	ICF2	8-759-990-82	s IC TL082CP
D30	8-719-918-88	s DIODE 1SS198	ICF5	8-759-990-82	s IC TL082CP
D31	8-719-918-88	s DIODE 1SS198	ICF6	8-759-990-82	s IC TL082CP
D33	8-719-918-88	s DIODE 1SS198	ICF9	8-759-240-52	s IC TC4052BP
D34	8-719-911-19	s DIODE 1SS119	ICF10	8-759-208-06	s IC TC4051BPHB
D35	8-719-911-19	s DIODE 1SS119	ICF11	8-759-208-06	s IC TC4051BPHB
D36	8-719-911-19	s DIODE 1SS119	ICF13	8-759-202-11	s IC TC74HC00P
D37	8-719-911-19	s DIODE 1SS119	ICF17	8-759-916-50	s IC SN74HC157N
D38	8-719-911-19	s DIODE 1SS119	ICG2	8-759-135-80	s IC UPC358C
D39	8-719-911-19	s DIODE 1SS119	ICG4	8-759-135-80	s IC UPC358C
IC1	8-759-108-05	s IC UPC78L05A	ICG6	8-759-202-74	s IC TC74HC04P
			ICG7	8-759-916-65	s IC SN74HC240N

NOTE : Please see pages D-42 and D-43 for the part numbers of capacitors and resistors that are not listed in the parts list.



## (SV-90 BOARD, BVH-3000PS/3100PS)

Ref.No. or Qty	Part No.	SP Description
ICG11	8-759-645-17	s IC M54517P
ICG13	8-759-937-62	s IC CF77049N
ICG15	8-759-938-68	s IC CXD1095Q
ICH5	8-759-203-33	s IC TC74HC367P
ICH6	8-759-910-43	s IC CX23028
ICH7	8-759-910-43	s IC CX23028
ICH8	8-759-203-82	s IC TC74HC4520P
ICH9	8-759-906-24	s IC SN74LS624N
ICH10	8-759-202-12	s IC TC74HC02P
ICH11	8-759-340-46	s IC HD14046BP
ICH19	8-759-916-46	s IC SN74HC14N
ICJ2	8-759-938-68	s IC CXD1095Q
ICJ6	8-759-202-24	s IC TC74HC86P
ICJ7	8-759-916-29	s IC SN74HC74N
ICJ8	8-759-202-14	s IC TC74HC08P
ICJ9	8-759-916-29	s IC SN74HC74N
ICJ10	8-759-203-40	s IC TC74HC393P
ICJ11	8-759-202-11	s IC TC74HC00P
ICJ12	8-759-916-29	s IC SN74HC74N
ICJ19	8-759-202-74	s IC TC74HC04P
ICJ20	8-759-916-29	s IC SN74HC74N
ICK1	8-759-202-26	s IC TC74HC138P
ICK2	8-759-202-55	s IC TC74HC244P
ICK3	8-759-202-26	s IC TC74HC138P
ICK4	8-759-202-26	s IC TC74HC138P
ICK5	8-759-202-26	s IC TC74HC138P
ICK6	8-759-202-26	s IC TC74HC138P
ICK7	8-759-202-16	s IC TC74HC11P
ICK8	8-759-921-08	s IC SN74HC02N
ICK9	8-759-203-82	s IC TC74HC4520P
ICK10	8-759-203-01	s IC TC74HC175P
ICK11	8-759-916-29	s IC SN74HC74N
ICK12	8-759-202-30	s IC TC74HC161P
ICK13	8-759-202-55	s IC TC74HC244P
ICK14	8-759-203-40	s IC TC74HC393P
ICK19	8-759-105-75	s IC UPD70108D-8
ICL1	8-759-203-48	s IC TC74HC573P
ICL2	8-759-203-48	s IC TC74HC573P
ICL3	8-759-914-41	s IC X2212P
ICL4	8-759-202-93	s IC TC74HC153P
ICL5	8-759-202-11	s IC TC74HC00P
ICL6	8-759-202-74	s IC TC74HC04P
ICL7	8-759-203-82	s IC TC74HC4520P
ICL8	8-759-202-74	s IC TC74HC04P
ICL9	8-759-202-14	s IC TC74HC08P
ICL10	8-759-203-82	s IC TC74HC4520P
ICL11	8-759-202-74	s IC TC74HC04P
ICL12	8-752-806-91	s IC CXQ71054P
ICL14	8-759-203-40	s IC TC74HC393P
ICL16	8-759-105-76	s IC UPD71059C
ICM1	8-759-921-34	s IC SN74HC245N
ICM2	8-759-921-34	s IC SN74HC245N
ICM3	8-759-202-26	s IC TC74HC138P
ICM4	8-759-202-89	s IC TC74HC139P
ICM5	8-759-202-14	s IC TC74HC08P

## (SV-90 BOARD, BVH-3000PS/3100PS)

Ref.No. or Qty	Part No.	SP Description
ICM6	8-759-202-21	s IC TC74HC32P
ICM7	8-759-202-11	s IC TC74HC00P
ICM8	8-759-202-14	s IC TC74HC08P
ICM9	8-759-916-29	s IC SN74HC74N
ICM10	8-759-916-29	s IC SN74HC74N
ICM14	8-759-203-40	s IC TC74HC393P
ICM17	8-759-203-33	s IC TC74HC367P
ICM19	8-759-107-56	s IC CXQ71011P
ICN1	8-759-202-55	s IC TC74HC244P
ICN2	8-759-916-29	s IC SN74HC74N
ICN3	8-759-742-76	s IC, MCM27C256A-V1U3-1-0
ICN5	8-759-742-75	s IC, MCM27C256A-V0U3-1-0
ICN7	8-759-300-63	s IC HM6264LP-15
ICN8	8-759-938-83	s IC CF77074NT
ICN9	8-759-938-83	s IC CF77074NT
ICN11	8-759-938-83	s IC CF77074NT
ICN12	8-752-806-91	s IC CXQ71054P
ICN14	8-752-806-91	s IC CXQ71054P
ICN15	8-752-806-91	s IC CXQ71054P
ICN17	8-752-806-91	s IC CXQ71054P
ICN19	8-752-806-91	s IC CXQ71054P
L1	1-408-421-00	s INDUCTOR 100UH 5%
L2	1-421-370-00	s COIL, CHOKE
L3	1-421-370-00	s COIL, CHOKE
L4	1-421-370-00	s COIL, CHOKE
L5	1-421-370-00	s COIL, CHOKE
Q1	8-729-900-80	s TRANSISTOR DTC114ES
Q2	8-729-204-83	s TRANSISTOR 2SA1048-GR
Q3	8-729-697-92	s TRANSISTOR 2SA979
R1	1-215-432-00	s RES, METAL 3K 1% 1/6W
R2	1-215-445-00	s RES, METAL 10K 1% 1/6W
R3	1-215-452-00	s RES, METAL 20K 1% 1/6W
R5	1-215-445-00	s RES, METAL 10K 1% 1/6W
R6	1-215-441-00	s RES, METAL 6.8K 1% 1/6W
R7	1-215-449-00	s RES, METAL 15K 1% 1/6W
R8	1-215-445-00	s RES, METAL 10K 1% 1/6W
R9	1-215-436-00	s RES, METAL 4.3K 1% 1/6W
R10	1-215-421-00	s RES, METAL 1K 1% 1/6W
R15	1-215-447-00	s RES, METAL 12K 1% 1/6W
R17	1-215-445-00	s RES, METAL 10K 1% 1/6W
R18	1-215-453-00	s RES, METAL 22K 1% 1/6W
R19	1-215-445-00	s RES, METAL 10K 1% 1/6W
R20	1-215-453-00	s RES, METAL 22K 1% 1/6W
R21	1-215-447-00	s RES, METAL 12K 1% 1/6W
R24	1-215-411-00	s RES, METAL 390 1% 1/6W
R25	1-215-406-00	s RES, METAL 240 1% 1/6W
R31	1-215-447-00	s RES, METAL 12K 1% 1/6W
R33	1-215-445-00	s RES, METAL 10K 1% 1/6W
R34	1-215-453-00	s RES, METAL 22K 1% 1/6W
R35	1-215-445-00	s RES, METAL 10K 1% 1/6W
R36	1-215-453-00	s RES, METAL 22K 1% 1/6W
R37	1-215-447-00	s RES, METAL 12K 1% 1/6W
R41	1-215-425-00	s RES, METAL 1.5K 1% 1/6W
R43	1-215-425-00	s RES, METAL 1.5K 1% 1/6W
R44	1-215-418-00	s RES, METAL 750 1% 1/6W

NOTE : Please see pages D-42 and D-43 for the part numbers of capacitors and resistors that are not listed in the parts list.

## (SV-90 BOARD, BVH-3000PS/3100PS)

## (SV-90 BOARD, BVH-3000PS/3100PS)

Ref.No. or Q'ty	Part No.	SP Description
R45	1-215-452-00	s RES, METAL 20K 1% 1/6W
R46	1-215-452-00	s RES, METAL 20K 1% 1/6W
R51	1-249-437-11	s RES, CARBON 47K 5% 1/4W
R59	1-215-439-00	s RES, METAL 5.6K 1% 1/6W
R60	1-215-439-00	s RES, METAL 5.6K 1% 1/6W
R61	1-215-425-00	s RES, METAL 1.5K 1% 1/6W
R62	1-215-453-00	s RES, METAL 22K 1% 1/6W
R64	1-215-461-00	s RES, METAL 47K 1% 1/6W
R65	1-215-447-00	s RES, METAL 12K 1% 1/6W
R67	1-215-449-00	s RES, METAL 15K 1% 1/6W
R69	1-215-457-00	s RES, METAL 33K 1% 1/6W
R74	1-215-445-00	s RES, METAL 10K 1% 1/6W
R78	1-215-443-00	s RES, METAL 8.2K 1% 1/6W
R79	1-215-445-00	s RES, METAL 10K 1% 1/6W
R80	1-247-883-00	s RES, CARBON 150K 5% 1/4W
R83	1-215-437-00	s RES, METAL 4.7K 1% 1/6W
R88	1-215-439-00	s RES, METAL 5.6K 1% 1/6W
R89	1-215-439-00	s RES, METAL 5.6K 1% 1/6W
R90	1-215-425-00	s RES, METAL 1.5K 1% 1/6W
R91	1-215-453-00	s RES, METAL 22K 1% 1/6W
R92	1-215-461-00	s RES, METAL 47K 1% 1/6W
R93	1-215-447-00	s RES, METAL 12K 1% 1/6W
R103	1-215-445-00	s RES, METAL 10K 1% 1/6W
R104	1-215-445-00	s RES, METAL 10K 1% 1/6W
R105	1-215-445-00	s RES, METAL 10K 1% 1/6W
R106	1-215-445-00	s RES, METAL 10K 1% 1/6W
R107	1-215-442-00	s RES, METAL 7.5K 1% 1/6W
R141	1-215-455-00	s RES, METAL 27K 1% 1/6W
R143	1-215-427-00	s RES, METAL 1.8K 1% 1/6W
R145	1-215-445-00	s RES, METAL 10K 1% 1/6W
R146	1-215-461-00	s RES, METAL 47K 1% 1/6W
R147	1-215-437-00	s RES, METAL 4.7K 1% 1/6W
R148	1-215-437-00	s RES, METAL 4.7K 1% 1/6W
R151	1-215-456-00	s RES, METAL 30K 1% 1/6W
R152	1-215-456-00	s RES, METAL 30K 1% 1/6W
R153	1-215-443-00	s RES, METAL 8.2K 1% 1/6W
R154	1-215-442-00	s RES, METAL 7.5K 1% 1/6W
R155	1-215-451-00	s RES, METAL 18K 1% 1/6W
R156	1-215-445-00	s RES, METAL 10K 1% 1/6W
R157	1-215-449-00	s RES, METAL 15K 1% 1/6W
R220	1-215-432-00	s RES, METAL 3K 1% 1/6W
R235	1-215-429-00	s RES, METAL 2.2K 1% 1/6W
R236	1-215-445-00	s RES, METAL 10K 1% 1/6W
RB1	1-231-567-00	s RESISTOR BLOCK 10K
RB2	1-231-567-00	s RESISTOR BLOCK 10K
RB3	1-235-109-00	s RESISTOR BLOCK 22K
RB4	1-235-109-00	s RESISTOR BLOCK 22K
RB5	1-235-109-00	s RESISTOR BLOCK 22K
RB6	1-235-005-00	s RESISTOR BLOCK 47K
RB7	1-235-109-00	s RESISTOR BLOCK 22K
RB8	1-235-109-00	s RESISTOR BLOCK 22K
RB9	1-235-005-00	s RESISTOR BLOCK 47K
RB10	1-235-005-00	s RESISTOR BLOCK 47K
RB11	1-235-005-00	s RESISTOR BLOCK 47K
RB12	1-231-401-00	s RESISTOR BLOCK 470
RV1	1-230-837-11	s RES, ADJ, METAL FILM 100
RV2	1-230-844-11	s RES, ADJ, METAL FILM 20K
RV3	1-230-840-11	s RES, ADJ, METAL FILM 1K
S1	1-553-441-00	s SWITCH, TOGGLE

Ref.No. or Q'ty	Part No.	SP Description
S2	1-552-539-00	s SWITCH, PUSH
S3	1-552-539-00	s SWITCH, PUSH
X2	1-567-798-12	s CRYSTAL 14.7456MHZ

NOTE : Please see pages D-42 and D-43 for the part numbers of capacitors and resistors that are not listed in the parts list.

SW-195 BOARD, BVH-3000PS/3100PS

Ref.No. or Q'ty	Part No.	SP Description
CN831	1-506-475-11	o RECEP, 10P MALE
CN832	1-506-468-11	o RECEP, 3P MALE
D1	8-719-940-89	s DIODE SLP655B-50
D2	8-719-940-89	s DIODE SLP655B-50
D3	8-719-940-89	s DIODE SLP655B-50
IC1	8-759-645-16	s IC M54516P
R1	1-247-751-11	s RES, CARBON 820 5% 1/2W
S1	1-516-994-00	s SWITCH, LEVER SLIDE
S2	1-516-994-00	s SWITCH, LEVER SLIDE
S3	1-516-994-00	s SWITCH, LEVER SLIDE

SY-103 BOARD, BVH-3000PS/3100PS

Ref.No. or Q'ty	Part No.	SP Description
1pc	A-6017-146-A	o COMPLETE PCB, SY-103
2pcs	3-714-634-01	o LEVER, PC BOARD
2pcs	3-714-691-01	o PIN, SPRING
4pcs	7-622-207-05	s N 2.6, TYPE 2
4pcs	7-628-254-40	s SCREW +PS 2.6X12
9pcs	7-682-948-01	s SCREW +PSW 3X8
2pcs	7-685-133-19	s SCREW +BTP 2.6X6 TYPE2 N-S
C1	1-124-566-11	s CAP, ELECT 120uF 20% 6.3V
C2	1-124-566-11	s CAP, ELECT 120uF 20% 6.3V
C3	1-124-587-11	s CAP, ELECT 220uF 20% 6.3V
C6	1-124-943-11	s CAP, ELECT 39uF 20% 25V
C8	1-124-943-11	s CAP, ELECT 39uF 20% 25V
C20	1-130-471-00	s CAP, MYLAR 0.001uF 5% 50V
C37	1-131-381-00	s CAP, ELECT 47uF 10% 10V
C38	1-125-445-11	s CAP, DOUBLE LAYERS 0.22F 5.5V
C39	1-130-471-00	s CAP, MYLAR 0.001uF 5% 50V
C40	1-130-473-00	s CAP, MYLAR 0.0015uF 5% 50V
C41	1-131-363-00	s CAP, TANT 4.7uF 10% 20V
C42	1-124-258-00	s CAP, ELECT 3.3uF 20% 50V
C43	1-130-471-00	s CAP, MYLAR 0.001uF 5% 50V
C182	1-130-471-00	s CAP, MYLAR 0.001uF 5% 50V
C183	1-162-734-11	s CAP, CERAMIC 1000PF 1% 50V
C186	1-124-233-00	s CAP, ELECT 10uF 20% 6.3V
C187	1-102-110-00	s CAP, CERAMIC 220PF 10% 55V
CN313	1-506-747-11	s RECEP, DIN 64P MALE
CN314	1-506-748-11	s RECEP, DIN 96P MALE
D2	8-719-911-19	s DIODE 1SS119
D3	8-719-200-02	s DIODE 10E-2
D4	8-719-911-19	s DIODE 1SS119
D5	8-719-911-19	s DIODE 1SS119
D8	8-719-400-35	s DIODE LN35BP
D9	8-719-911-19	s DIODE 1SS119
ICA1	8-759-202-17	s IC TC74HC14P
ICA2	8-759-901-23	s IC SN74LS123N
ICA3	8-759-202-92	s IC TC74HC151P
ICA4	8-759-112-96	s IC UPD6142C-001
ICA6	8-759-902-21	s IC SN74LS221N
ICA7	8-759-202-74	s IC TC74HC04P
ICA10	8-759-000-99	s IC MC74HC74N
ICA11	8-759-202-11	s IC TC74HC00P
ICA12	8-759-202-21	s IC TC74HC32P
ICA13	8-759-202-26	s IC TC74HC138P
ICB1	8-759-202-17	s IC TC74HC14P
ICB2	8-759-202-11	s IC TC74HC00P
ICB3	8-759-202-34	s IC TC74HC257P
ICB4	8-759-202-34	s IC TC74HC257P
ICB5	8-759-941-20	s IC SN74120N
ICB6	8-759-941-20	s IC SN74120N
ICB7	8-759-000-99	s IC MC74HC74N
ICB8	8-759-202-21	s IC TC74HC32P
ICB9	8-759-006-23	s IC SN74LS290N
ICB10	8-759-202-14	s IC TC74HC08P
ICB11	8-759-203-34	s IC TC74HC368P
ICB12	8-759-202-74	s IC TC74HC04P
ICB13	8-759-202-26	s IC TC74HC138P
ICC1	8-759-202-14	s IC TC74HC08P
ICC2	8-759-202-74	s IC TC74HC04P
ICC3	8-759-910-76	s IC CX-7913A

NOTE : Please see pages D-42 and D-43 for the part numbers of capacitors and resistors that are not listed in the parts list.

(SY-103 BOARD, BVH-3000PS/3100PS)

(SY-103 BOARD, BVH-3000PS/3100PS)

Ref.No. or Q'ty	Part No.	SP Description
ICC8	8-759-000-99	s IC MC74HC74N
ICC9	8-759-340-46	s IC HD14046BP
ICC10	8-759-909-16	s IC CX-7907A
ICC12	8-759-901-89	s IC SN74LS189AN
ICC13	8-759-202-26	s IC TC74HC138P
ICC14	8-759-202-55	s IC TC74HC244P
ICD1	8-759-202-11	s IC TC74HC00P
ICD2	8-759-202-74	s IC TC74HC04P
ICD3	8-759-202-14	s IC TC74HC08P
ICD4	8-759-202-34	s IC TC74HC257P
ICD5	8-759-901-89	s IC SN74LS189AN
ICD6	8-759-202-34	s IC TC74HC257P
ICD7	8-759-901-89	s IC SN74LS189AN
ICD8	8-759-202-27	s IC TC74HC157P
ICD9	8-759-203-40	s IC TC74HC393P
ICD10	8-759-202-74	s IC TC74HC04P
ICD11	8-759-203-40	s IC TC74HC393P
ICD12	8-759-202-34	s IC TC74HC257P
ICD14	8-759-202-33	s IC TC74HC240P
ICE1	8-759-202-11	s IC TC74HC00P
ICE3	8-759-938-68	s IC CXD1095Q
ICE5	8-759-000-99	s IC MC74HC74N
ICE6	8-759-202-97	s IC TC74HC165P
ICE7	8-759-202-55	s IC TC74HC244P
ICE8	8-759-901-89	s IC SN74LS189AN
ICE10	8-759-240-21	s IC TC4021BP
ICE11	8-759-240-21	s IC TC4021BP
ICE12	8-759-240-21	s IC TC4021BP
ICE13	8-759-240-21	s IC TC4021BP
ICE14	8-759-202-74	s IC TC74HC04P
ICF1	8-759-926-32	s IC AM26LS32PC
ICF2	8-759-926-30	s IC AM26LS30PC
ICF3	8-759-926-30	s IC AM26LS30PC
ICF4	8-759-202-21	s IC TC74HC32P
ICF5	8-759-202-11	s IC TC74HC00P
ICF6	8-759-007-19	s IC MC74HC4051N
ICF7	8-759-202-74	s IC TC74HC04P
ICF8	8-759-202-11	s IC TC74HC00P
ICF9	8-759-202-14	s IC TC74HC08P
ICF10	8-759-202-74	s IC TC74HC04P
ICF13	8-759-938-68	s IC CXD1095Q
ICF14	8-759-203-40	s IC TC74HC393P
ICF15	8-759-203-82	s IC TC74HC4520P
ICG1	8-759-926-32	s IC AM26LS32PC
ICG3	8-759-926-30	s IC AM26LS30PC
ICG4	8-759-202-21	s IC TC74HC32P
ICG5	8-759-202-14	s IC TC74HC08P
ICG6	8-759-007-20	s IC MC74HC4052N
ICG7	8-759-202-74	s IC TC74HC04P
ICG8	8-759-202-14	s IC TC74HC08P
ICG9	8-759-202-21	s IC TC74HC32P
ICG10	8-759-202-11	s IC TC74HC00P
ICG11	8-759-202-93	s IC TC74HC153P
ICG12	8-759-000-99	s IC MC74HC74N
ICG13	8-759-203-40	s IC TC74HC393P

Ref. No. or Q'ty	Part No.	SP Description
ICG14	8-759-107-56	s IC CXQ71011P
ICH1	8-759-202-17	s IC TC74HC14P
ICH2	8-759-202-27	s IC TC74HC157P
ICH3	8-759-202-27	s IC TC74HC157P
ICH4	8-759-202-27	s IC TC74HC157P
ICH5	8-759-202-55	s IC TC74HC244P
ICH6	8-759-107-51	s IC CXQ71051P
ICH7	8-759-103-24	s IC UPD7201AD
ICH8	8-752-806-91	s IC CXQ71054P
ICH10	8-752-328-10	s IC CXK5864BP-10L
ICH11	8-759-742-99	s IC, MBM27C256A-Y1A2-4-0
ICH12	8-759-742-98	s IC, MBM27C256A-Y0A2-4-0
ICH13	8-759-203-48	s IC TC74HC573P
ICH14	8-759-105-75	s IC UPD70108D-8
ICJ1	8-759-008-57	s IC MC34051P
ICJ2	8-759-202-21	s IC TC74HC32P
ICJ3	8-752-328-10	s IC CXK5864BP-10L
ICJ4	8-759-202-56	s IC TC74HC245P
ICJ5	8-759-105-76	s IC UPD71059C
ICJ8	8-759-202-15	s IC TC74HC10P
ICJ9	8-759-000-99	s IC MC74HC74N
ICJ10	8-759-202-26	s IC TC74HC138P
ICJ11	8-759-202-17	s IC TC74HC14P
ICJ12	8-759-202-14	s IC TC74HC08P
ICJ13	8-759-202-56	s IC TC74HC245P
ICK1	8-759-202-56	s IC TC74HC245P
ICK2	8-759-202-56	s IC TC74HC245P
ICK6	8-759-001-00	s IC MC74HC132N
ICK9	8-759-202-11	s IC TC74HC00P
ICK10	8-759-202-26	s IC TC74HC138P
ICK11	8-759-000-99	s IC MC74HC74N
ICK12	8-759-202-21	s IC TC74HC32P
ICK13	8-759-203-33	s IC TC74HC14P
L1	1-421-370-00	s COIL, CHOKE
L2	1-421-370-00	s COIL, CHOKE
L4	1-410-332-11	s INDUCTOR 47UH 10%
Q1	8-729-900-36	s TRANSISTOR DTC124ES
R27	1-215-476-00	s RES, METAL 200K 1% 1/6W
R45	1-247-743-11	s RES, CARBON 220 5% 1/2W
R46	1-247-743-11	s RES, CARBON 330 5% 1/2W
R56	1-215-465-00	s RES, METAL 68K 1% 1/6W
R57	1-215-443-00	s RES, METAL 8.2K 1% 1/6W
RB1	1-231-410-00	s RESISTOR BLOCK 10KX8
RB2	1-231-410-00	s RESISTOR BLOCK 10KX8
RB3	1-231-549-11	s BLOCK, RESISTOR 47KX4
RB4	1-235-005-00	s RESISTOR BLOCK 47KX8
RB5	1-235-005-00	s RESISTOR BLOCK 47KX8
RB6	1-235-005-00	s RESISTOR BLOCK 47KX8
RB7	1-231-533-00	s RESISTOR BLOCK 10KX4
RB8	1-231-410-00	s RESISTOR BLOCK 10KX8
RB9	1-231-533-00	s RESISTOR BLOCK 10KX4
RB10	1-231-410-00	s RESISTOR BLOCK 10KX8
RB11	1-231-533-00	s RESISTOR BLOCK 10KX4
RB12	1-231-410-00	s RESISTOR BLOCK 10KX8

NOTE : Please see pages D-42 and D-43 for the part numbers of capacitors and resistors that are not listed in the parts list.

D-100

(SY-103 BOARD, BVH-3000PS/3100PS)

Ref.No. or Q'ty	Part No.	SP Description
RB13	1-231-533-00	s RESISTOR BLOCK 10KX4
RB14	1-231-533-00	s RESISTOR BLOCK 10KX4
RB15	1-231-410-00	s RESISTOR BLOCK 10KX8
RB16	1-231-533-00	s RESISTOR BLOCK 10KX4
RB17	1-231-533-00	s RESISTOR BLOCK 10KX4
RB18	1-231-410-00	s RESISTOR BLOCK 10KX8
RB19	1-231-410-00	s RESISTOR BLOCK 10KX8
RB20	1-231-410-00	s RESISTOR BLOCK 10KX8
RB21	1-231-533-00	s RESISTOR BLOCK 10KX4
RB22	1-231-533-00	s RESISTOR BLOCK 10KX4
S2	1-552-539-00	s SWITCH, PUSH
X1	1-567-798-12	s CRYSTAL 14.7456MHZ
X2	1-567-795-11	s CRYSTAL 14.500MHZ
X3	1-567-794-11	s CRYSTAL 14.31818MHZ

VO-16 BOARD, BVH-3000PS/3100PS

Board No.  
1-621-101-12

Ref. No. or Q'ty	Part No.	SP Description
1pc	A-6011-115-A	o COMPLETE BCP, VO-16
2pcs	3-714-634-01	o LEVER, PC BOARD
2pcs	3-714-691-01	o PIN, SPRING
4pcs	7-622-207-05	s N 2.6, TYPE 2
4pcs	7-628-254-40	s SCREW +PS 2.6X12
9pcs	7-682-948-01	s SCREW +PSW 3X8
2pcs	7-685-133-19	s SCREW +BTP 2.6X6 TYPE2 N-S
C26	1-123-321-00	s CAP, ELECT 220uF 20% 16V
C81	1-131-374-00	s CAP, TANT 33uF 10% 16V
C105	1-124-445-00	s CAP, ELECT 100uF 20% 16V
C106	1-124-445-00	s CAP, ELECT 100uF 20% 16V
C107	1-124-445-00	s CAP, ELECT 100uF 20% 16V
C108	1-124-445-00	s CAP, ELECT 100uF 20% 16V
C109	1-124-445-00	s CAP, ELECT 100uF 20% 16V
C110	1-124-445-00	s CAP, ELECT 100uF 20% 16V
C111	1-124-445-00	s CAP, ELECT 100uF 20% 16V
C112	1-124-445-00	s CAP, ELECT 100uF 20% 16V
C113	1-124-445-00	s CAP, ELECT 100uF 20% 16V
C114	1-124-445-00	s CAP, ELECT 100uF 20% 16V
C115	1-124-445-00	s CAP, ELECT 100uF 20% 16V
C116	1-124-445-00	s CAP, ELECT 100uF 20% 16V
C117	1-124-445-00	s CAP, ELECT 100uF 20% 16V
C126	1-130-495-00	s CAP, MYLAR 0.1uF 5% 50V
C133	1-107-163-00	s CAP, MICA 47PF 5% 500V
C134	1-107-163-00	s CAP, MICA 47PF 5% 500V
C136	1-102-106-00	s CAP, CERAMIC 100PF 10% 50V
C137	1-102-106-00	s CAP, CERAMIC 100PF 10% 50V
C138	1-161-485-00	s CAP, CERAMIC 0.1uF 50V
C140	1-107-163-00	s CAP, MICA 47PF 5% 500V
C141	1-107-161-00	s CAP, MICA 39PF 5% 500V
C142	1-109-558-00	s CAP, MICA 750PF 5% 100V
C143	1-161-485-00	s CAP, CERAMIC 0.1uF 50V
C147	1-124-284-00	s CAP, ELECT, NONPOLAR 10uF 20% 16V
C148	1-130-495-00	s CAP, MYLAR 0.1uF 5% 50V
C149	1-109-554-00	s CAP, MICA 510PF 5% 100V
C150	1-130-491-00	s CAP, MYLAR 0.047uF 5% 50V
C152	1-130-471-00	s CAP, MYLAR 0.001uF 5% 50V
C153	1-130-473-00	s CAP, MYLAR 0.0015uF 5% 50V
C154	1-130-479-00	s CAP, MYLAR 0.0047uF 5% 50V
C155	1-107-169-00	s CAP, MICA 100PF 5% 500V
C156	1-109-557-00	s CAP, MICA 680PF 5% 100V
C157	1-107-163-00	s CAP, MICA 47PF 5% 500V
C159	1-102-106-00	s CAP, CERAMIC 100PF 10% 50V
C164	1-161-485-00	s CAP, CERAMIC 0.1uF 50V
C165	1-124-284-00	s CAP, ELECT, NONPOLAR 10uF 20% 16V
C166	1-130-471-00	s CAP, MYLAR 0.001uF 5% 50V
C167	1-130-471-00	s CAP, MYLAR 0.001uF 5% 50V
C168	1-130-471-00	s CAP, MYLAR 0.001uF 5% 50V
C169	1-130-478-00	s CAP, MYLAR 0.0039uF 5% 50V
C170	1-130-474-00	s CAP, MYLAR 0.0018uF 5% 50V
C171	1-130-491-00	s CAP, MYLAR 0.047uF 5% 50V
C172	1-131-347-00	s CAP, TANT 1uF 10% 35V
C173	1-136-156-00	s CAP, MYLAR 0.018uF 5% 50V

NOTE : Please see pages D-42 and D-43 for the part numbers of capacitors and resistors that are not listed in the parts list.

D-101

(VO-16 BOARD, BVH-3000PS/3100PS) Board No. 1-621-101-12

(VO-16 BOARD, BVH-3000PS/3100PS) Board No. 1-621-101-12

Ref. No. or Qty	Part No.	SP Description
C174	1-130-477-00	s CAP, MYLAR 0.0033uF 5% 50V
C175	1-130-471-00	s CAP, MYLAR 0.001uF 5% 50V
C176	1-130-471-00	s CAP, MYLAR 0.001uF 5% 50V
C177	1-130-478-00	s CAP, MYLAR 0.0039uF 5% 50V
C178	1-124-518-11	s CAP, ELECT 470uF 20% 6.3V
C179	1-124-518-11	s CAP, ELECT 470uF 20% 6.3V
C180	1-124-566-11	s CAP, ELECT 120uF 20% 6.3V
C181	1-124-566-11	s CAP, ELECT 120uF 20% 6.3V
C182	1-123-321-00	s CAP, ELECT 220uF 20% 16V
C183	1-123-321-00	s CAP, ELECT 220uF 20% 16V
C184	1-124-578-11	s CAP, ELECT 120uF 20% 16V
C185	1-124-578-11	s CAP, ELECT 120uF 20% 16V
C233	1-124-282-00	s CAP, ELECT, NONPOLAR 22uF 20% 25V
C239	1-124-445-00	s CAP, ELECT 100uF 20% 16V
C240	1-124-445-00	s CAP, ELECT 100uF 20% 16V
C241	1-124-445-00	s CAP, ELECT 100uF 20% 16V
C242	1-124-445-00	s CAP, ELECT 100uF 20% 16V
C243	1-124-445-00	s CAP, ELECT 100uF 20% 16V
C244	1-124-445-00	s CAP, ELECT 100uF 20% 16V
C245	1-124-445-00	s CAP, ELECT 100uF 20% 16V
C246	1-124-445-00	s CAP, ELECT 100uF 20% 16V
C247	1-124-445-00	s CAP, ELECT 100uF 20% 16V
C248	1-124-445-00	s CAP, ELECT 100uF 20% 16V
C249	1-124-445-00	s CAP, ELECT 100uF 20% 16V
C250	1-124-445-00	s CAP, ELECT 100uF 20% 16V
C251	1-124-445-00	s CAP, ELECT 100uF 20% 16V
C252	1-124-445-00	s CAP, ELECT 100uF 20% 16V
C253	1-124-445-00	s CAP, ELECT 100uF 20% 16V
C257	1-107-169-00	s CAP, MICA 100PF 5% 500V
C258	1-107-169-00	s CAP, MICA 100PF 5% 500V
C259	1-124-284-00	s CAP, ELECT, NONPOLAR 10uF 20% 16V
C260	1-130-479-00	s CAP, MYLAR 0.0047uF 5% 50V
C261	1-124-284-00	s CAP, ELECT, NONPOLAR 10uF 20% 16V
C262	1-130-495-00	s CAP, MYLAR 0.1uF 5% 50V
C263	1-109-554-00	s CAP, MICA 510PF 5% 100V
C264	1-130-491-00	s CAP, MYLAR 0.047uF 5% 50V
C267	1-130-477-00	s CAP, MYLAR 0.0033uF 5% 50V
C268	1-107-169-00	s CAP, MICA 100PF 5% 500V
C270	1-124-284-00	s CAP, ELECT, NONPOLAR 10uF 20% 16V
C271	1-124-284-00	s CAP, ELECT, NONPOLAR 10uF 20% 16V
C272	1-107-162-00	s CAP, MICA 43PF 5% 500V
C273	1-107-162-00	s CAP, MICA 43PF 5% 500V
C274	1-109-546-00	s CAP, MICA 300PF 5% 100V
C278	1-131-347-00	s CAP, TANT 1uF 10% 35V
C415	1-124-445-00	s CAP, ELECT 100uF 20% 16V
C416	1-124-445-00	s CAP, ELECT 100uF 20% 16V
C417	1-124-445-00	s CAP, ELECT 100uF 20% 16V
C418	1-124-445-00	s CAP, ELECT 100uF 20% 16V
C419	1-124-445-00	s CAP, ELECT 100uF 20% 16V
C420	1-124-445-00	s CAP, ELECT 100uF 20% 16V
C421	1-124-445-00	s CAP, ELECT 100uF 20% 16V

Ref. No. or Qty	Part No.	SP Description
C422	1-124-445-00	s CAP, ELECT 100uF 20% 16V
C423	1-124-445-00	s CAP, ELECT 100uF 20% 16V
C424	1-124-445-00	s CAP, ELECT 100uF 20% 16V
C425	1-124-445-00	s CAP, ELECT 100uF 20% 16V
C426	1-124-445-00	s CAP, ELECT 100uF 20% 16V
C427	1-124-445-00	s CAP, ELECT 100uF 20% 16V
C428	1-124-445-00	s CAP, ELECT 100uF 20% 16V
C429	1-124-445-00	s CAP, ELECT 100uF 20% 16V
C430	1-124-445-00	s CAP, ELECT 100uF 20% 16V
C431	1-123-321-00	s CAP, ELECT 220uF 20% 16V
C432	1-123-321-00	s CAP, ELECT 220uF 20% 16V
C433	1-123-321-00	s CAP, ELECT 220uF 20% 16V
C434	1-123-321-00	s CAP, ELECT 220uF 20% 16V
C439	1-102-074-00	s CAP, CERAMIC 0.001uF 10% 50V
C440	1-102-074-00	s CAP, CERAMIC 0.001uF 10% 50V
C441	1-102-074-00	s CAP, CERAMIC 0.001uF 10% 50V
C442	1-102-074-00	s CAP, CERAMIC 0.001uF 10% 50V
C446	1-124-767-00	s CAP, ELECT, NONPOLAR 2.2uF 20% 50V
C448	1-107-037-00	s CAP, MICA 82PF 5% 500V
C453	1-109-554-00	s CAP, MICA 510PF 5% 100V
C455	1-101-004-00	s CAP, CERAMIC 0.01uF 50V
C460	1-109-537-00	s CAP, MICA 120PF 5% 100V
C462	1-130-485-00	s CAP, MYLAR 0.015uF 5% 50V
C464	1-130-477-00	s CAP, MYLAR 0.0033uF 5% 50V
C467	1-102-106-00	s CAP, CERAMIC 100PF 10% 50V
C468	1-102-106-00	s CAP, CERAMIC 100PF 10% 50V
C469	1-102-106-00	s CAP, CERAMIC 100PF 10% 50V
C471	1-107-163-00	s CAP, MICA 47PF 5% 500V
C478	1-124-499-11	s CAP, ELECT, NONPOLAR 1uF 20% 50V
C479	1-109-783-00	s CAP, MICA 0.001uF 1% 100V
C481	1-123-321-00	s CAP, ELECT 220uF 20% 16V
C486	1-130-477-00	s CAP, MYLAR 0.0033uF 5% 50V
C487	1-130-495-00	s CAP, MYLAR 0.1uF 5% 50V
C488	1-130-477-00	s CAP, MYLAR 0.0033uF 5% 50V
C489	1-130-491-00	s CAP, MYLAR 0.047uF 5% 50V
C510	1-124-445-00	s CAP, ELECT 100uF 20% 16V
C515	1-124-767-00	s CAP, ELECT, NONPOLAR 2.2uF 20% 50V
C520	1-161-485-00	s CAP, CERAMIC 0.1uF 50V
C521	1-124-499-11	s CAP, ELECT, NONPOLAR 1uF 20% 50V
C526	1-124-445-00	s CAP, ELECT 100uF 20% 16V
C527	1-130-491-00	s CAP, MYLAR 0.047uF 5% 50V
C530	1-124-927-11	s CAP, ELECT 4.7uF 20% 50V
C532	1-124-445-00	s CAP, ELECT 100uF 20% 16V
C535	1-161-485-00	s CAP, CERAMIC 0.1uF 50V
C536	1-130-491-00	s CAP, MYLAR 0.047uF 5% 50V
C538	1-131-347-00	s CAP, TANT 1uF 10% 35V
C543	1-102-114-00	s CAP, CERAMIC 470PF 10% 50V
C554	1-161-485-00	s CAP, CERAMIC 0.1uF 50V
C600	1-130-475-11	s CAP, MYLAR 0.0022uF 5% 50V
CN303	1-506-748-11	s RECEP, DIN 96P MALE
CN304	1-506-748-11	s RECEP, DIN 96P MALE
CP1	1-162-617-11	s CERAMIC 0.022MF 50V
CP2	1-162-617-11	s CERAMIC 0.022MF 50V

NOTE : Please see pages D-42 and D-43 for the part numbers of capacitors and resistors that are not listed in the parts list.

(VO-16 BOARD, BVH-3000PS/3100PS) Board No. 1-621-101-12

(VO-16 BOARD, BVH-3000PS/3100PS) Board No. 1-621-101-12

Ref. No. or Q'ty	Part No.	SP	Description
CP3	1-162-617-11	s	CERAMIC 0.022MF 50V
CP4	1-162-617-11	s	CERAMIC 0.022MF 50V
CP5	1-162-617-11	s	CERAMIC 0.022MF 50V
CP6	1-162-617-11	s	CERAMIC 0.022MF 50V
CP7	1-162-617-11	s	CERAMIC 0.022MF 50V
CP8	1-162-617-11	s	CERAMIC 0.022MF 50V
CP9	1-162-617-11	s	CERAMIC 0.022MF 50V
CP10	1-162-617-11	s	CERAMIC 0.022MF 50V
CT1	1-141-254-00	s	CAP, TRIMMER 30PF
CT3	1-141-304-00	s	CAP, TRIMMER 10PF
D1	8-719-101-97	s	DIODE 1SS97-1
D2	8-719-101-97	s	DIODE 1SS97-1
D3	8-719-911-19	s	DIODE 1SS119
D4	8-719-911-19	s	DIODE 1SS119
D6	8-719-915-30	s	DIODE FC53M
D7	8-719-915-30	s	DIODE FC53M
D8	8-719-911-19	s	DIODE 1SS119
D9	8-719-109-70	s	DIODE RD3.9ESB
D10	8-719-911-19	s	DIODE 1SS119
D12	8-719-109-91	s	DIODE RD6.2ESB
D14	8-719-911-19	s	DIODE 1SS119
D15	8-719-911-19	s	DIODE 1SS119
D18	8-719-109-79	s	DIODE RD4.7ESB
D19	8-719-101-97	s	DIODE 1SS97-1
D21	8-719-109-79	s	DIODE RD4.7ESB
D22	8-719-109-87	s	DIODE RD5.6ESB
D24	8-719-911-19	s	DIODE 1SS119
D25	8-719-911-19	s	DIODE 1SS119
D26	8-719-911-19	s	DIODE 1SS119
D27	8-719-911-19	s	DIODE 1SS119
DL1	1-415-479-11	s	DELAY LINE 28ns
DL2	1-415-479-11	s	DELAY LINE 28ns
FB1	1-535-178-00	s	FERRITE BEAD
FB2	1-535-178-00	s	FERRITE BEAD
FB3	1-535-178-00	s	FERRITE BEAD
FB4	1-535-178-00	s	FERRITE BEAD
FL1	1-235-961-11	s	FILTER, LOW-PASS
FL2	1-235-961-11	s	FILTER, LOW-PASS
FL3	1-235-987-11	s	FILTER, LOW-PASS
IC1	8-749-936-61	s	IC BX-366A
IC2	8-749-936-51	s	IC BX-365A
IC3	8-720-002-91	s	TRANSISTOR TX-429M
IC4	8-741-124-40	s	IC BX-1244
IC5	8-749-936-51	s	IC BX-365A
IC6	8-749-936-51	s	IC BX-365A
IC7	8-759-990-82	s	IC TL082CP
IC8	8-752-015-81	s	IC CX20158
IC9	8-752-015-81	s	IC CX20158
IC10	8-759-900-00	s	IC SN74LS00N
IC11	8-759-001-16	s	IC MC10116L
IC12	8-759-001-16	s	IC MC10116L
IC13	8-759-001-16	s	IC MC10116L
IC14	8-743-931-10	s	IC BX-3931A
IC15	8-759-942-65	s	IC SN74265N
IC16	8-759-900-08	s	IC SN74LS08N
IC17	8-741-130-60	s	IC BX-1306
IC18	8-741-130-60	s	IC BX-1306

Ref. No. or Q'ty	Part No.	SP	Description
IC19	8-741-130-60	s	IC BX-1306
IC20	8-759-990-82	s	IC TL082CP
IC21	8-759-112-13	s	IC UPC1663C
IC22	8-759-112-13	s	IC UPC1663C
IC23	8-759-990-82	s	IC TL082CP
IC24	8-759-015-95	s	IC MC1595L
IC25	8-759-001-16	s	IC MC10116L
IC26	8-759-001-16	s	IC MC10116L
IC27	8-759-301-17	s	IC HD10117
IC29	8-741-130-60	s	IC BX-1306
IC31	8-759-906-85	s	IC AM685DL
IC32	8-759-001-16	s	IC MC10116L
IC33	8-759-301-04	s	IC HD10104
IC34	8-759-990-82	s	IC TL082CP
IC35	8-752-015-81	s	IC CX20158
IC36	8-759-990-82	s	IC TL082CP
IC37	8-749-936-51	s	IC BX-365A
IC38	8-741-124-40	s	IC BX-1244
IC39	8-749-936-61	s	IC BX-366A
IC40	8-749-936-61	s	IC BX-366A
IC41	8-749-936-61	s	IC BX-366A
IC42	8-759-990-82	s	IC TL082CP
IC43	8-759-201-47	s	IC TA7357AP
IC44	8-759-902-21	s	IC SN74LS221N
IC45	8-759-902-21	s	IC SN74LS221N
IC46	8-759-001-16	s	IC MC10116L
IC47	8-759-301-17	s	IC HD10117
IC48	8-759-001-16	s	IC MC10116L
IC49	8-759-301-04	s	IC HD10104
IC50	8-759-990-82	s	IC TL082CP
IC51	8-759-906-01	s	IC TL601CP
IC52	8-741-124-40	s	IC BX-1244
IC53	8-759-990-84	s	IC TL084CN
IC54	8-759-906-01	s	IC TL601CP
IC55	8-759-906-07	s	IC TL607CP
IC56	8-759-990-84	s	IC TL084CN
IC57	8-759-990-82	s	IC TL082CP
IC58	8-759-902-21	s	IC SN74LS221N
IC59	8-759-900-00	s	IC SN74LS00N
IC60	8-759-902-21	s	IC SN74LS221N
IC61	8-759-951-07	s	IC SN75107AN
IC62	8-759-901-23	s	IC SN74LS123N
IC63	8-759-900-00	s	IC SN74LS00N
IC64	8-759-901-23	s	IC SN74LS123N
IC65	8-759-901-23	s	IC SN74LS123N
IC66	8-759-942-65	s	IC SN74265N
IC67	8-759-990-82	s	IC TL082CP
IC68	8-752-015-81	s	IC CX20158
IC69	8-759-201-47	s	IC TA7357AP
IC70	8-759-902-21	s	IC SN74LS221N
IC71	8-759-902-21	s	IC SN74LS221N
IC72	8-759-900-00	s	IC SN74LS00N
IC73	8-759-902-21	s	IC SN74LS221N
IC74	8-759-990-82	s	IC TL082CP
IC75	8-759-906-07	s	IC TL607CP

NOTE : Please see pages D-42 and D-43 for the part numbers of capacitors and resistors that are not listed in the parts list.

(VO-16 BOARD, BVH-3000PS/3100PS) Board No. 1-621-101-12

(VO-16 BOARD, BVH-3000PS/3100PS) Board No. 1-621-101-12

Ref. No. or Qty	Part No.	SP	Description
IC76	8-759-951-07	s	IC SN75107AN
IC77	8-759-014-96	s	IC MC1496P
IC78	8-759-900-00	s	IC SN74LS00N
IC79	8-759-990-82	s	IC TL082CP
IC80	8-759-926-10	s	IC TL610CP
IC81	8-759-901-23	s	IC SN74LS123N
IC82	8-759-951-07	s	IC SN75107AN
IC85	8-759-900-00	s	IC SN74LS00N
IC87	8-759-900-05	s	IC SN74LS05N
IC88	8-759-951-07	s	IC SN75107AN
IC89	8-759-900-02	s	IC SN74LS02N
IC90	8-759-902-21	s	IC SN74LS221N
IC91	8-759-900-74	s	IC SN74LS74AN
IC92	8-759-901-63	s	IC SN74LS163AN
IC93	8-759-901-51	s	IC SN74LS151N
IC94	8-759-900-00	s	IC SN74LS00N
IC95	8-759-902-21	s	IC SN74LS221N
IC96	8-759-902-21	s	IC SN74LS221N
IC97	8-759-900-04	s	IC SN74LS04N
IC98	8-759-900-04	s	IC SN74LS04N
IC99	8-759-938-68	s	IC CXD1095Q
IC101	8-759-708-05	s	IC NJM78L05A
IC102	8-759-700-65	s	IC NJM79L05A
IC103	8-759-906-07	s	IC TL607CP
IC104	8-759-990-82	s	IC TL082CP
IC105	8-759-900-08	s	IC SN74LS08N
IC106	8-759-902-21	s	IC SN74LS221N
IC107	8-759-708-05	s	IC NJM78L05A
IC108	8-759-700-65	s	IC NJM79L05A
IC109	8-759-708-05	s	IC NJM78L05A
IC110	8-759-700-65	s	IC NJM79L05A
IC111	8-759-900-00	s	IC SN74LS00N
IC112	8-759-974-07	s	IC SN7407N
IC113	8-759-974-07	s	IC SN7407N
IC114	8-759-708-05	s	IC NJM78L05A
IC115	8-759-700-65	s	IC NJM79L05A
IC116	8-759-708-05	s	IC NJM78L05A
IC117	8-759-906-07	s	IC TL607CP
IC118	8-759-906-07	s	IC TL607CP
IC119	8-759-990-84	s	IC TL084CN
IC120	8-720-002-92	s	TRANSISTOR TX-429M
IC121	8-759-990-82	s	IC TL082CP
IC122	8-759-708-05	s	IC NJM78L05A
IC123	8-759-301-31	s	IC HD10131
L1	1-421-370-00	s	COIL, CHOKE
L2	1-421-370-00	s	COIL, CHOKE
L3	1-421-370-00	s	COIL, CHOKE
L4	1-421-370-00	s	COIL, CHOKE
L5	1-408-427-00	s	INDUCTOR 330UH 5%
L6	1-408-405-00	s	INDUCTOR 4.7UH 5%
L7	1-408-405-00	s	INDUCTOR 4.7UH 5%
L8	1-408-416-00	s	INDUCTOR 39UH 5%
L9	1-408-414-00	s	INDUCTOR 27UH 5%
L10	1-408-416-00	s	INDUCTOR 39UH 5%
L11	1-408-416-00	s	INDUCTOR 39UH 5%

Ref. No. or Qty	Part No.	SP	Description
L12	1-408-420-00	s	INDUCTOR 82UH 5%
L13	1-408-429-00	s	INDUCTOR 470UH 5%
L14	1-408-416-00	s	INDUCTOR 39UH 5%
L15	1-408-416-00	s	INDUCTOR 39UH 5%
L16	1-408-407-00	s	INDUCTOR 6.8UH 5%
L17	1-408-426-00	s	INDUCTOR 270UH 5%
L18	1-408-426-00	s	INDUCTOR 270UH 5%
L19	1-410-959-11	s	INDUCTOR 3.3UH 5%
L20	1-408-402-00	s	INDUCTOR 2.7UH 5%
L21	1-408-405-00	s	INDUCTOR 4.7UH 5%
L22	1-410-960-11	s	INDUCTOR 6.8UH 5%
L23	1-410-960-11	s	INDUCTOR 6.8UH 5%
L25	1-408-407-00	s	INDUCTOR 6.8UH 5%
L30	1-408-415-00	s	INDUCTOR 33UH 5%
Q1	8-729-679-82	s	TRANSISTOR 2SA798
Q2	8-729-302-07	s	TRANSISTOR 2SC2512
Q3	8-729-302-07	s	TRANSISTOR 2SC2512
Q4	8-729-302-07	s	TRANSISTOR 2SC2512
Q5	8-729-302-07	s	TRANSISTOR 2SC2512
Q6	8-729-100-88	s	TRANSISTOR 2SA1223
Q7	8-729-100-88	s	TRANSISTOR 2SA1223
Q8	8-729-302-07	s	TRANSISTOR 2SC2512
Q9	8-729-117-33	s	TRANSISTOR 2SC1733
Q10	8-729-302-07	s	TRANSISTOR 2SC2512
Q11	8-729-302-07	s	TRANSISTOR 2SC2512
Q12	8-729-302-07	s	TRANSISTOR 2SC2512
Q13	8-729-302-07	s	TRANSISTOR 2SC2512
Q14	8-729-302-07	s	TRANSISTOR 2SC2512
Q15	8-729-302-07	s	TRANSISTOR 2SC2512
Q16	8-729-302-07	s	TRANSISTOR 2SC2512
Q17	8-729-302-07	s	TRANSISTOR 2SC2512
Q18	8-729-302-07	s	TRANSISTOR 2SC2512
Q19	8-729-302-07	s	TRANSISTOR 2SC2512
Q21	8-729-112-06	s	TRANSISTOR 2SA1206
Q26	8-729-302-07	s	TRANSISTOR 2SC2512
Q27	8-729-302-07	s	TRANSISTOR 2SC2512
Q28	8-729-302-07	s	TRANSISTOR 2SC2512
Q29	8-729-112-06	s	TRANSISTOR 2SA1206
Q30	8-729-112-06	s	TRANSISTOR 2SA1206
Q31	8-729-302-07	s	TRANSISTOR 2SC2512
Q32	8-729-302-07	s	TRANSISTOR 2SC2512
Q33	8-729-302-07	s	TRANSISTOR 2SC2512
Q34	8-729-302-07	s	TRANSISTOR 2SC2512
Q35	8-729-302-07	s	TRANSISTOR 2SC2512
Q36	8-729-302-07	s	TRANSISTOR 2SC2512
Q37	8-729-302-07	s	TRANSISTOR 2SC2512
Q38	8-729-112-06	s	TRANSISTOR 2SA1206
Q39	8-729-112-06	s	TRANSISTOR 2SA1206
Q40	8-729-302-07	s	TRANSISTOR 2SC2512
Q41	8-729-112-06	s	TRANSISTOR 2SA1206
Q42	8-729-302-07	s	TRANSISTOR 2SC2512
Q43	8-729-105-71	s	TRANSISTOR 2SK523-K2
Q44	8-729-302-07	s	TRANSISTOR 2SC2512
Q45	8-729-900-61	s	TRANSISTOR DTA114ES
Q46	8-729-302-07	s	TRANSISTOR 2SC2512
Q47	8-729-302-07	s	TRANSISTOR 2SC2512
Q53	8-729-105-71	s	TRANSISTOR 2SK523-K2

NOTE : Please see pages D-42 and D-43 for the part numbers of capacitors and resistors that are not listed in the parts list.



Board No.  
(VO-16 BOARD, BVH-3000PS/3100PS) 1-621-101-12

Board No.  
(VO-16 BOARD, BVH-3000PS/3100PS) 1-621-101-12

Ref. No. or Q'ty	Part No.	SP Description
Q54	8-729-105-71	s TRANSISTOR 2SK523-K2
Q55	8-729-245-82	s TRANSISTOR 2SC2458-Y
Q57	8-729-112-06	s TRANSISTOR 2SA1206
Q58	8-729-112-06	s TRANSISTOR 2SA1206
Q59	8-729-302-07	s TRANSISTOR 2SC2512
Q60	8-729-302-07	s TRANSISTOR 2SC2512
Q61	8-729-302-07	s TRANSISTOR 2SC2512
Q62	8-729-302-07	s TRANSISTOR 2SC2512
Q63	8-729-112-06	s TRANSISTOR 2SA1206
Q64	8-769-162-00	s TRANSISTOR 2SK152-2
Q65	8-729-245-82	s TRANSISTOR 2SC2458-Y
Q66	8-729-611-53	s TRANSISTOR 2SA1115-F
Q67	8-729-611-53	s TRANSISTOR 2SA1115-F
Q68	8-729-611-53	s TRANSISTOR 2SA1115-F
R1	1-215-390-00	s RES, METAL 51 1% 1/6W
R3	1-215-414-00	s RES, METAL 510 1% 1/6W
R4	1-215-400-00	s RES, METAL 130 1% 1/6W
R8	1-215-401-11	s RES, METAL 150 1% 1/6W
R9	1-215-417-00	s RES, METAL 680 1% 1/6W
R17	1-215-432-00	s RES, METAL 3K 1% 1/6W
R18	1-215-409-00	s RES, METAL 330 1% 1/6W
R19	1-215-401-11	s RES, METAL 150 1% 1/6W
R23	1-215-409-00	s RES, METAL 330 1% 1/6W
R24	1-215-409-00	s RES, METAL 330 1% 1/6W
R32	1-215-401-11	s RES, METAL 150 1% 1/6W
R34	1-215-390-00	s RES, METAL 51 1% 1/6W
R37	1-215-413-00	s RES, METAL 470 1% 1/6W
R38	1-215-385-00	s RES, METAL 33 1% 1/6W
R39	1-215-423-00	s RES, METAL 1.2K 1% 1/6W
R40	1-215-380-00	s RES, METAL 20 1% 1/6W
R43	1-215-416-00	s RES, METAL 620 1% 1/6W
R48	1-215-424-00	s RES, METAL 1.3K 1% 1/6W
R49	1-215-424-00	s RES, METAL 1.3K 1% 1/6W
R50	1-215-413-00	s RES, METAL 470 1% 1/6W
R51	1-215-413-00	s RES, METAL 470 1% 1/6W
R56	1-215-395-00	s RES, METAL 82 1% 1/6W
R57	1-215-395-00	s RES, METAL 82 1% 1/6W
R58	1-215-400-00	s RES, METAL 130 1% 1/6W
R59	1-215-395-00	s RES, METAL 82 1% 1/6W
R60	1-215-395-00	s RES, METAL 82 1% 1/6W
R61	1-215-400-00	s RES, METAL 130 1% 1/6W
R71	1-215-441-00	s RES, METAL 6.8K 1% 1/6W
R72	1-215-409-00	s RES, METAL 330 1% 1/6W
R73	1-215-445-00	s RES, METAL 10K 1% 1/6W
R74	1-215-408-00	s RES, METAL 300 1% 1/6W
R75	1-215-401-11	s RES, METAL 150 1% 1/6W
R76	1-215-428-00	s RES, METAL 2K 1% 1/6W
R79	1-215-412-00	s RES, METAL 430 1% 1/6W
R80	1-215-405-00	s RES, METAL 220 1% 1/6W
R106	1-215-455-00	s RES, METAL 27K 1% 1/6W
R107	1-215-467-00	s RES, METAL 82K 1% 1/6W
R108	1-215-449-00	s RES, METAL 15K 1% 1/6W
R109	1-215-421-00	s RES, METAL 1K 1% 1/6W
R110	1-215-421-00	s RES, METAL 1K 1% 1/6W
R122	1-215-408-00	s RES, METAL 300 1% 1/6W
R125	1-215-401-11	s RES, METAL 150 1% 1/6W

Ref. No. or Q'ty	Part No.	SP Description
R126	1-215-405-00	s RES, METAL 220 1% 1/6W
R127	1-215-405-00	s RES, METAL 220 1% 1/6W
R128	1-215-417-00	s RES, METAL 680 1% 1/6W
R129	1-215-417-00	s RES, METAL 680 1% 1/6W
R134	1-215-417-00	s RES, METAL 680 1% 1/6W
R135	1-215-417-00	s RES, METAL 680 1% 1/6W
R136	1-215-417-00	s RES, METAL 680 1% 1/6W
R137	1-215-417-00	s RES, METAL 680 1% 1/6W
R138	1-215-409-00	s RES, METAL 330 1% 1/6W
R139	1-215-409-00	s RES, METAL 330 1% 1/6W
R140	1-215-417-00	s RES, METAL 680 1% 1/6W
R141	1-215-417-00	s RES, METAL 680 1% 1/6W
R142	1-215-409-00	s RES, METAL 330 1% 1/6W
R143	1-215-409-00	s RES, METAL 330 1% 1/6W
R144	1-215-417-00	s RES, METAL 680 1% 1/6W
R145	1-215-417-00	s RES, METAL 680 1% 1/6W
R146	1-215-417-00	s RES, METAL 680 1% 1/6W
R147	1-215-417-00	s RES, METAL 680 1% 1/6W
R148	1-215-413-00	s RES, METAL 470 1% 1/6W
R149	1-215-413-00	s RES, METAL 470 1% 1/6W
R155	1-215-443-00	s RES, METAL 8.2K 1% 1/6W
R156	1-215-434-00	s RES, METAL 3.6K 1% 1/6W
R163	1-215-433-00	s RES, METAL 3.3K 1% 1/6W
R164	1-215-415-00	s RES, METAL 560 1% 1/6W
R165	1-215-415-00	s RES, METAL 560 1% 1/6W
R184	1-215-445-00	s RES, METAL 10K 1% 1/6W
R185	1-215-445-00	s RES, METAL 10K 1% 1/6W
R190	1-215-397-00	s RES, METAL 100 1% 1/6W
R192	1-215-401-11	s RES, METAL 150 1% 1/6W
R193	1-215-401-11	s RES, METAL 150 1% 1/6W
R214	1-215-421-00	s RES, METAL 1K 1% 1/6W
R215	1-215-421-00	s RES, METAL 1K 1% 1/6W
R233	1-215-442-00	s RES, METAL 7.5K 1% 1/6W
R234	1-215-442-00	s RES, METAL 7.5K 1% 1/6W
R235	1-215-449-00	s RES, METAL 15K 1% 1/6W
R261	1-215-421-00	s RES, METAL 1K 1% 1/6W
R264	1-215-391-00	s RES, METAL 56 1% 1/6W
R268	1-215-391-00	s RES, METAL 56 1% 1/6W
R272	1-215-391-00	s RES, METAL 56 1% 1/6W
R276	1-215-391-00	s RES, METAL 56 1% 1/6W
R286	1-215-438-00	s RES, METAL 5.1K 1/6W 1%
R287	1-215-387-00	s RES, METAL 39 1% 1/6W
R288	1-215-387-00	s RES, METAL 39 1% 1/6W
R289	1-215-417-00	s RES, METAL 680 1% 1/6W
R290	1-215-417-00	s RES, METAL 680 1% 1/6W
R291	1-215-417-00	s RES, METAL 680 1% 1/6W
R292	1-215-438-00	s RES, METAL 5.1K 1/6W 1%
R296	1-215-437-00	s RES, METAL 4.7K 1% 1/6W
R309	1-215-400-00	s RES, METAL 130 1% 1/6W
R340	1-215-455-00	s RES, METAL 27K 1% 1/6W
R341	1-215-455-00	s RES, METAL 27K 1% 1/6W
R345	1-215-411-00	s RES, METAL 390 1% 1/6W
R349	1-215-439-00	s RES, METAL 5.6K 1% 1/6W
R350	1-215-401-11	s RES, METAL 150 1% 1/6W
R365	1-215-413-00	s RES, METAL 470 1% 1/6W

NOTE : Please see pages D-42 and D-43 for the part numbers of capacitors and resistors that are not listed in the parts list.

(VO-16 BOARD, BVH-3000PS/3100PS) Board No. 1-621-101-12

(VO-16 BOARD, BVH-3000PS/3100PS) Board No. 1-621-101-12

Ref. No. or Q'ty	Part No.	SP Description
R366	1-215-413-00	s RES, METAL 470 1% 1/6W
R372	1-215-399-00	s RES, METAL 120 1% 1/6W
R389	1-215-414-00	s RES, METAL 510 1% 1/6W
R392	1-215-429-00	s RES, METAL 2.2K 1% 1/6W
R393	1-215-438-00	s RES, METAL 5.1K 1% 1/6W
R415	1-215-380-00	s RES, METAL 20 1% 1/6W
R418	1-215-411-00	s RES, METAL 390 1% 1/6W
R423	1-215-458-00	s RES, METAL 36K 1% 1/6W
R433	1-215-413-00	s RES, METAL 470 1% 1/6W
R434	1-215-413-00	s RES, METAL 470 1% 1/6W
R439	1-215-390-00	s RES, METAL 51 1% 1/6W
R440	1-215-390-00	s RES, METAL 51 1% 1/6W
R441	1-215-397-00	s RES, METAL 100 1% 1/6W
R442	1-215-401-11	s RES, METAL 150 1% 1/6W
R443	1-215-401-11	s RES, METAL 150 1% 1/6W
R444	1-215-401-11	s RES, METAL 150 1% 1/6W
R445	1-215-401-11	s RES, METAL 150 1% 1/6W
R446	1-215-425-00	s RES, METAL 1.5K 1% 1/6W
R447	1-215-425-00	s RES, METAL 1.5K 1% 1/6W
R448	1-215-425-00	s RES, METAL 1.5K 1% 1/6W
R449	1-215-425-00	s RES, METAL 1.5K 1% 1/6W
R450	1-215-445-00	s RES, METAL 10K 1% 1/6W
R451	1-215-443-00	s RES, METAL 8.2K 1% 1/6W
R452	1-215-445-00	s RES, METAL 10K 1% 1/6W
R453	1-215-443-00	s RES, METAL 8.2K 1% 1/6W
R454	1-215-445-00	s RES, METAL 10K 1% 1/6W
R455	1-215-443-00	s RES, METAL 8.2K 1% 1/6W
R456	1-215-405-00	s RES, METAL 220 1% 1/6W
R457	1-215-405-00	s RES, METAL 220 1% 1/6W
R459	1-215-390-00	s RES, METAL 51 1% 1/6W
R460	1-215-390-00	s RES, METAL 51 1% 1/6W
R461	1-215-397-00	s RES, METAL 100 1% 1/6W
R462	1-215-390-00	s RES, METAL 51 1% 1/6W
R463	1-215-390-00	s RES, METAL 51 1% 1/6W
R464	1-215-397-00	s RES, METAL 100 1% 1/6W
R465	1-215-390-00	s RES, METAL 51 1% 1/6W
R466	1-215-390-00	s RES, METAL 51 1% 1/6W
R467	1-215-397-00	s RES, METAL 100 1% 1/6W
R468	1-215-385-00	s RES, METAL 33 1% 1/6W
R469	1-215-385-00	s RES, METAL 33 1% 1/6W
R470	1-215-397-00	s RES, METAL 100 1% 1/6W
R471	1-215-397-00	s RES, METAL 100 1% 1/6W
R472	1-215-390-00	s RES, METAL 51 1% 1/6W
R473	1-215-441-00	s RES, METAL 6.8K 1% 1/6W
R474	1-215-423-00	s RES, METAL 1.2K 1% 1/6W
R475	1-215-401-11	s RES, METAL 150 1% 1/6W
R476	1-215-401-11	s RES, METAL 150 1% 1/6W
R477	1-215-385-00	s RES, METAL 33 1% 1/6W
R478	1-215-385-00	s RES, METAL 33 1% 1/6W
R479	1-215-415-00	s RES, METAL 560 1% 1/6W
R480	1-215-427-00	s RES, METAL 1.8K 1% 1/6W
R482	1-215-401-11	s RES, METAL 150 1% 1/6W
R483	1-215-397-00	s RES, METAL 100 1% 1/6W
R484	1-215-423-00	s RES, METAL 1.2K 1% 1/6W
R485	1-215-441-00	s RES, METAL 6.8K 1% 1/6W
R486	1-215-442-00	s RES, METAL 7.5K 1% 1/6W

Ref. No. or Q'ty	Part No.	SP Description
R487	1-215-421-00	s RES, METAL 1K 1% 1/6W
R488	1-215-421-00	s RES, METAL 1K 1% 1/6W
R489	1-215-397-00	s RES, METAL 100 1% 1/6W
R490	1-215-397-00	s RES, METAL 100 1% 1/6W
R491	1-215-397-00	s RES, METAL 100 1% 1/6W
R492	1-215-397-00	s RES, METAL 100 1% 1/6W
R493	1-215-419-00	s RES, METAL 820 1% 1/6W
R495	1-215-373-31	s RES, METAL 10 1% 1/6W
R496	1-215-423-00	s RES, METAL 1.2K 1% 1/6W
R497	1-215-447-00	s RES, METAL 12K 1% 1/6W
R498	1-215-449-00	s RES, METAL 15K 1% 1/6W
R499	1-215-431-00	s RES, METAL 2.7K 1% 1/6W
R500	1-215-411-00	s RES, METAL 390 1% 1/6W
R502	1-215-402-00	s RES, METAL 160 1% 1/6W
R503	1-215-382-00	s RES, METAL 24 1% 1/6W
R507	1-215-417-00	s RES, METAL 680 1% 1/6W
R508	1-215-417-00	s RES, METAL 680 1% 1/6W
R509	1-215-390-00	s RES, METAL 51 1% 1/6W
R510	1-215-390-00	s RES, METAL 51 1% 1/6W
R511	1-215-397-00	s RES, METAL 100 1% 1/6W
R516	1-215-417-00	s RES, METAL 680 1% 1/6W
R517	1-215-417-00	s RES, METAL 680 1% 1/6W
R519	1-215-405-00	s RES, METAL 220 1% 1/6W
R520	1-215-405-00	s RES, METAL 220 1% 1/6W
R521	1-215-390-00	s RES, METAL 51 1% 1/6W
R522	1-215-390-00	s RES, METAL 51 1% 1/6W
R523	1-215-397-00	s RES, METAL 100 1% 1/6W
R530	1-215-421-00	s RES, METAL 1K 1% 1/6W
R531	1-215-445-00	s RES, METAL 10K 1% 1/6W
R532	1-215-453-00	s RES, METAL 22K 1% 1/6W
R533	1-215-454-00	s RES, METAL 24K 1% 1/6W
R534	1-215-429-00	s RES, METAL 2.2K 1% 1/6W
R537	1-215-449-00	s RES, METAL 15K 1% 1/6W
R539	1-215-401-11	s RES, METAL 150 1% 1/6W
R541	1-215-453-00	s RES, METAL 22K 1% 1/6W
R542	1-215-469-00	s RES, METAL 100K 1% 1/6W
R543	1-215-469-00	s RES, METAL 100K 1% 1/6W
R544	1-215-431-00	s RES, METAL 2.7K 1% 1/6W
R545	1-215-411-00	s RES, METAL 390 1% 1/6W
R547	1-215-388-00	s RES, METAL 43 1% 1/6W
R550	1-215-448-00	s RES, METAL 13K 1% 1/6W
R551	1-215-451-00	s RES, METAL 18K 1% 1/6W
R552	1-215-463-00	s RES, METAL 56K 1% 1/6W
R553	1-215-445-00	s RES, METAL 10K 1% 1/6W
R554	1-215-445-00	s RES, METAL 10K 1% 1/6W
R555	1-215-445-00	s RES, METAL 10K 1% 1/6W
R564	1-215-463-00	s RES, METAL 56K 1% 1/6W
R566	1-215-456-00	s RES, METAL 30K 1% 1/6W
R567	1-215-449-00	s RES, METAL 15K 1% 1/6W
R568	1-215-415-00	s RES, METAL 560 1% 1/6W
R569	1-215-415-00	s RES, METAL 560 1% 1/6W
R570	1-215-397-00	s RES, METAL 100 1% 1/6W
R574	1-215-439-00	s RES, METAL 5.6K 1% 1/6W
R575	1-215-424-00	s RES, METAL 1.3K 1% 1/6W
R576	1-215-401-11	s RES, METAL 150 1% 1/6W
R577	1-215-425-00	s RES, METAL 1.5K 1% 1/6W
R578	1-215-437-00	s RES, METAL 4.7K 1% 1/6W

NOTE: Please see pages D-42 and D-43 for the part numbers of capacitors and resistors that are not listed in the parts list.

Ref. No. or Qty	Part No.	SP Description
R583	1-215-437-00	s RES, METAL 4.7K 1% 1/6W
R584	1-215-469-00	s RES, METAL 100K 1% 1/6W
R585	1-215-437-00	s RES, METAL 4.7K 1% 1/6W
R587	1-215-437-00	s RES, METAL 4.7K 1% 1/6W
R588	1-215-435-00	s RES, METAL 3.9K 1% 1/6W
R591	1-215-397-00	s RES, METAL 100 1% 1/6W
R594	1-215-463-00	s RES, METAL 56K 1% 1/6W
R608	1-215-377-00	s RES, METAL 15 1% 1/6W
R609	1-215-377-00	s RES, METAL 15 1% 1/6W
R610	1-215-450-00	s RES, METAL 16K 1% 1/6W
R611	1-215-401-11	s RES, METAL 150 1% 1/6W
R612	1-215-401-11	s RES, METAL 150 1% 1/6W
RV1	1-230-841-11	s RES, ADJ, METAL 2K
RV2	1-230-837-11	s RES, ADJ, METAL 100
RV3	1-230-838-11	s RES, ADJ, METAL 200
RV4	1-230-837-11	s RES, ADJ, METAL 100
RV5	1-230-843-11	s RES, ADJ, METAL 10K
RV6	1-230-838-11	s RES, ADJ, METAL 200
RV7	1-230-739-21	s RES, VAR, CARBON 1K(B)
RV8	1-237-259-11	s RES, ADJ, METAL 2K
RV9	1-230-838-11	s RES, ADJ, METAL 200
RV10	1-230-845-11	s RES, ADJ, METAL 50K
RV11	1-230-843-11	s RES, ADJ, METAL 10K
RV12	1-230-843-11	s RES, ADJ, METAL 10K
RV13	1-230-836-11	s RES, ADJ, METAL 50
RV15	1-230-840-11	s RES, ADJ, METAL 1K
RV16	1-230-838-11	s RES, ADJ, METAL 200
RV17	1-230-839-11	s RES, ADJ, METAL 500
RV18	1-230-844-11	s RES, ADJ, METAL 20K
RV19	1-230-839-11	s RES, ADJ, METAL 500
RV20	1-230-839-11	s RES, ADJ, METAL 500
RV21	1-230-839-11	s RES, ADJ, METAL 500
RV22	1-230-839-11	s RES, ADJ, METAL 500
RV23	1-230-740-11	s RES, VAR, CARBON 5K(B)
RV24	1-230-842-11	s RES, ADJ, METAL 5K
RV25	1-230-839-11	s RES, ADJ, METAL 500
RV26	1-230-839-11	s RES, ADJ, METAL 500
RV27	1-230-839-11	s RES, ADJ, METAL 500
RV28	1-230-839-11	s RES, ADJ, METAL 500
RV29	1-230-841-11	s RES, ADJ, METAL 2K
RV30	1-230-842-11	s RES, ADJ, METAL 5K
RV31	1-230-838-11	s RES, ADJ, METAL 200
RV32	1-230-843-11	s RES, ADJ, METAL 10K
RV34	1-230-844-11	s RES, ADJ, METAL 20K
RV35	1-230-839-11	s RES, ADJ, METAL 500
RV36	1-230-839-11	s RES, ADJ, METAL 500
RV37	1-230-839-11	s RES, ADJ, METAL 500
RV39	1-230-842-11	s RES, ADJ, METAL 5K
RV40	1-230-844-11	s RES, ADJ, METAL 20K
RV41	1-230-836-11	s RES, ADJ, METAL 50
TH1	1-800-202-XX	s THERMISTOR S-10K
X1	1-527-933-00	s CRYSTAL 7.682000MHZ
X2	1-527-935-00	s CRYSTAL 8.900000MHZ

NOTE : Please see pages D-42 and D-43 for the part numbers of capacitors and resistors that are not listed in the parts list.

-----  
 VO-16 BOARD, BVH-3000PS/3100PS  
 -----

Board No.  
 1-621-101-13  
 & Higher

(VO-16 BOARD, BVH-3000PS/3100PS)

Board No.  
 1-621-101-13  
 & Higher

Ref. No. or Qty	Part No.	SP Description	Ref. No. or Qty	Part No.	SP Description
1pc	A-6011-115-A	o COMPLETE BCP, VO-16	C178	1-124-518-11	s CAP, ELECT 470uF 20% 6.3V
2pcs	3-714-634-01	o LEVER, PC BOARD	C179	1-124-518-11	s CAP, ELECT 470uF 20% 6.3V
2pcs	3-714-691-01	o PIN, SPRING	C180	1-124-518-11	s CAP, ELECT 470uF 20% 6.3V
4pcs	7-622-207-05	s N 2,6, TYPE 2	C181	1-124-518-11	s CAP, ELECT 470uF 20% 6.3V
4pcs	7-628-254-40	s SCREW +PS 2.6X12	C182	1-124-522-11	s CAP, ELECT 270uF 20% 16V
9pcs	7-682-948-01	s SCREW +PSW 3X8	C183	1-124-522-11	s CAP, ELECT 270uF 20% 16V
2pcs	7-685-133-19	s SCREW +BTP 2.6X6 TYPE2 N-S	C184	1-124-522-11	s CAP, ELECT 270uF 20% 16V
C26	1-123-321-00	s CAP, ELECT 220uF 20% 16V	C185	1-124-522-11	s CAP, ELECT 270uF 20% 16V
C81	1-131-374-00	s CAP, TANT 33uF 10% 16V	C233	1-124-284-00	s CAP, ELECT, NONPOLAR 10uF 20% 16V
C105	1-124-445-00	s CAP, ELECT 100uF 20% 16V	C239	1-124-445-00	s CAP, ELECT 100uF 20% 16V
C106	1-124-445-00	s CAP, ELECT 100uF 20% 16V	C240	1-124-445-00	s CAP, ELECT 100uF 20% 16V
C107	1-124-445-00	s CAP, ELECT 100uF 20% 16V	C241	1-124-445-00	s CAP, ELECT 100uF 20% 16V
C108	1-124-445-00	s CAP, ELECT 100uF 20% 16V	C242	1-124-445-00	s CAP, ELECT 100uF 20% 16V
C109	1-124-445-00	s CAP, ELECT 100uF 20% 16V	C243	1-124-445-00	s CAP, ELECT 100uF 20% 16V
C110	1-124-445-00	s CAP, ELECT 100uF 20% 16V	C244	1-124-445-00	s CAP, ELECT 100uF 20% 16V
C111	1-124-445-00	s CAP, ELECT 100uF 20% 16V	C245	1-124-445-00	s CAP, ELECT 100uF 20% 16V
C112	1-124-445-00	s CAP, ELECT 100uF 20% 16V	C246	1-124-445-00	s CAP, ELECT 100uF 20% 16V
C113	1-124-445-00	s CAP, ELECT 100uF 20% 16V	C247	1-124-445-00	s CAP, ELECT 100uF 20% 16V
C114	1-124-445-00	s CAP, ELECT 100uF 20% 16V	C248	1-124-445-00	s CAP, ELECT 100uF 20% 16V
C115	1-124-445-00	s CAP, ELECT 100uF 20% 16V	C249	1-124-445-00	s CAP, ELECT 100uF 20% 16V
C116	1-124-445-00	s CAP, ELECT 100uF 20% 16V	C250	1-124-445-00	s CAP, ELECT 100uF 20% 16V
C117	1-124-445-00	s CAP, ELECT 100uF 20% 16V	C251	1-124-445-00	s CAP, ELECT 100uF 20% 16V
C126	1-130-495-00	s CAP, MYLAR 0.1uF 5% 50V	C252	1-124-445-00	s CAP, ELECT 100uF 20% 16V
C135	1-107-163-00	s CAP, MICA 47PF 5% 500V	C253	1-124-445-00	s CAP, ELECT 100uF 20% 16V
C136	1-102-106-00	s CAP, CERAMIC 100PF 10% 50V	C257	1-107-169-00	s CAP, MICA 100PF 5% 500V
C137	1-102-106-00	s CAP, CERAMIC 100PF 10% 50V	C258	1-107-169-00	s CAP, MICA 100PF 5% 500V
C138	1-161-485-00	s CAP, CERAMIC 0.1uF 50V	C259	1-124-284-00	s CAP, ELECT, NONPOLAR 10uF 20% 16V
C140	1-107-163-00	s CAP, MICA 47PF 5% 500V	C260	1-130-479-00	s CAP, MYLAR 0.0047uF 5% 50V
C141	1-107-161-00	s CAP, MICA 39PF 5% 500V	C261	1-124-284-00	s CAP, ELECT, NONPOLAR 10uF 20% 16V
C142	1-109-558-00	s CAP, MICA 750PF 5% 100V	C262	1-130-495-00	s CAP, MYLAR 0.1uF 5% 50V
C143	1-161-485-00	s CAP, CERAMIC 0.1uF 50V	C263	1-109-554-00	s CAP, MICA 510PF 5% 100V
C147	1-124-284-00	s CAP, ELECT, NONPOLAR 10uF 20% 16V	C264	1-130-491-00	s CAP, MYLAR 0.047uF 5% 50V
C148	1-130-495-00	s CAP, MYLAR 0.1uF 5% 50V	C265	1-161-462-00	s CAP, CERAMIC 180PF 5% 50V
C149	1-109-554-00	s CAP, MICA 510PF 5% 100V	C266	1-161-462-00	s CAP, CERAMIC 180PF 5% 50V
C150	1-130-491-00	s CAP, MYLAR 0.047uF 5% 50V	C267	1-130-477-00	s CAP, MYLAR 0.0033uF 5% 50V
C151	1-161-462-00	s CAP, CERAMIC 180PF 5% 50V	C268	1-107-169-00	s CAP, MICA 100PF 5% 500V
C152	1-130-471-00	s CAP, MYLAR 0.001uF 5% 50V	C269	1-161-466-00	s CAP, CERAMIC 390PF 5% 50V
C153	1-130-473-00	s CAP, MYLAR 0.0015uF 5% 50V	C270	1-124-284-00	s CAP, ELECT, NONPOLAR 10uF 20% 16V
C155	1-107-169-00	s CAP, MICA 100PF 5% 500V	C271	1-124-284-00	s CAP, ELECT, NONPOLAR 10uF 20% 16V
C156	1-161-469-00	s CAP, CERAMIC 680PF 5% 50V	C272	1-107-162-00	s CAP, MICA 43PF 5% 500V
C157	1-107-163-00	s CAP, MICA 47PF 5% 500V	C273	1-107-162-00	s CAP, MICA 43PF 5% 500V
C159	1-102-106-00	s CAP, CERAMIC 100PF 10% 50V	C274	1-109-546-00	s CAP, MICA 300PF 5% 100V
C162	1-161-463-00	s CAP, CERAMIC 220PF 5% 50V	C278	1-131-347-00	s CAP, TANT 1uF 10% 35V
C163	1-161-467-00	s CAP, CERAMIC 470PF 5% 50V	C327	1-124-927-00	s CAP, ELECT 47 20% 100V
C164	1-161-485-00	s CAP, CERAMIC 0.1uF 50V	C328	1-124-927-00	s CAP, ELECT 47 20% 100V
C165	1-124-284-00	s CAP, ELECT, NONPOLAR 10uF 20% 16V	C340	1-124-927-00	s CAP, ELECT 47 20% 100V
C166	1-130-471-00	s CAP, MYLAR 0.001uF 5% 50V	C342	1-124-927-00	s CAP, ELECT 47 20% 100V
C167	1-130-471-00	s CAP, MYLAR 0.001uF 5% 50V	C398	1-123-321-00	s CAP, ELECT 220uF 20% 16V
C168	1-130-471-00	s CAP, MYLAR 0.001uF 5% 50V	C399	1-123-321-00	s CAP, ELECT 220uF 20% 16V
C169	1-130-478-00	s CAP, MYLAR 0.0039uF 5% 50V	C415	1-124-445-00	s CAP, ELECT 100uF 20% 16V
C170	1-130-474-00	s CAP, MYLAR 0.0033uF 5% 50V	C416	1-124-445-00	s CAP, ELECT 100uF 20% 16V
C171	1-130-491-00	s CAP, MYLAR 0.047uF 5% 50V	C417	1-124-445-00	s CAP, ELECT 100uF 20% 16V
C172	1-131-347-00	s CAP, TANT 1uF 10% 35V	C418	1-124-445-00	s CAP, ELECT 100uF 20% 16V
C174	1-130-477-00	s CAP, MYLAR 0.0033uF 5% 50V	C419	1-124-445-00	s CAP, ELECT 100uF 20% 16V
C175	1-130-471-00	s CAP, MYLAR 0.001uF 5% 50V			
C176	1-130-471-00	s CAP, MYLAR 0.001uF 5% 50V			
C177	1-130-478-00	s CAP, MYLAR 0.0039uF 5% 50V			

NOTE : Please see pages D-42 and D-43 for the part numbers of capacitors and resistors that are not listed in the parts list. D-101(a)

(VO-16 BOARD, BVH-3000PS/3100PS)  
Board No.  
1-621-101-13  
& Higher

(VO-16 BOARD, BVH-3000PS/3100PS)  
Board No.  
1-621-101-13  
& Higher

Ref. No. or Q'ty	Part No.	SP Description
C420	1-124-445-00	s CAP, ELECT 100uF 20% 16V
C421	1-124-445-00	s CAP, ELECT 100uF 20% 16V
C422	1-124-445-00	s CAP, ELECT 100uF 20% 16V
C423	1-124-445-00	s CAP, ELECT 100uF 20% 16V
C424	1-124-445-00	s CAP, ELECT 100uF 20% 16V
C425	1-124-445-00	s CAP, ELECT 100uF 20% 16V
C426	1-124-445-00	s CAP, ELECT 100uF 20% 16V
C427	1-124-445-00	s CAP, ELECT 100uF 20% 16V
C428	1-124-445-00	s CAP, ELECT 100uF 20% 16V
C429	1-124-445-00	s CAP, ELECT 100uF 20% 16V
C430	1-124-445-00	s CAP, ELECT 100uF 20% 16V
C431	1-123-321-00	s CAP, ELECT 220uF 20% 16V
C432	1-123-321-00	s CAP, ELECT 220uF 20% 16V
C433	1-123-321-00	s CAP, ELECT 220uF 20% 16V
C434	1-123-321-00	s CAP, ELECT 220uF 20% 16V
C439	1-102-074-00	s CAP, CERAMIC 0.001uF 10% 50V
C440	1-102-074-00	s CAP, CERAMIC 0.001uF 10% 50V
C441	1-102-074-00	s CAP, CERAMIC 0.001uF 10% 50V
C442	1-102-074-00	s CAP, CERAMIC 0.001uF 10% 50V
C444	1-161-457-00	s CAP, CERAMIC 68PF 5% 50V
C446	1-161-485-00	s CAP, CERAMIC 0.1uF 50V
C448	1-161-458-00	s CAP, CERAMIC 82PF 5% 50V
C453	1-109-554-00	s CAP, MICA 510PF 5% 100V
C455	1-101-004-00	s CAP, CERAMIC 0.01uF 50V
C460	1-161-460-00	s CAP, CERAMIC 120PF 5% 50V
C461	1-161-463-00	s CAP, CERAMIC 220PF 5% 50V
C462	1-130-485-00	s CAP, MYLAR 0.015uF 5% 50V
C463	1-161-463-00	s CAP, CERAMIC 220PF 5% 50V
C464	1-130-477-00	s CAP, MYLAR 0.0035uF 5% 50V
C467	1-102-106-00	s CAP, CERAMIC 100PF 10% 50V
C468	1-102-106-00	s CAP, CERAMIC 100PF 10% 50V
C469	1-102-106-00	s CAP, CERAMIC 100PF 10% 50V
C471	1-107-163-00	s CAP, MICA 47PF 5% 500V
C472	1-161-464-00	s CAP, CERAMIC 270PF 5% 50V
C473	1-161-464-00	s CAP, CERAMIC 270PF 5% 50V
C475	1-101-005-00	s CAP, CERAMIC 0.022uF 50V
C478	1-124-499-11	s CAP, ELECT, NONPOLAR 1uF 20% 50V
C479	1-109-783-00	s CAP, MICA 0.001uF 1% 100V
C481	1-123-321-00	s CAP, ELECT 220uF 20% 16V
C483	1-101-005-00	s CAP, CERAMIC 0.022uF 50V
C484	1-101-005-00	s CAP, CERAMIC 0.022uF 50V
C486	1-130-477-00	s CAP, MYLAR 0.0035uF 5% 50V
C487	1-130-495-00	s CAP, MYLAR 0.1uF 5% 50V
C488	1-130-477-00	s CAP, MYLAR 0.0035uF 5% 50V
C489	1-130-491-00	s CAP, MYLAR 0.047uF 5% 50V
C510	1-124-445-00	s CAP, ELECT 100uF 20% 16V
C515	1-124-767-00	s CAP, ELECT, NONPOLAR 2.2uF 20% 50V
C520	1-161-485-00	s CAP, CERAMIC 0.1uF 50V
C521	1-124-499-11	s CAP, ELECT, NONPOLAR 1uF 20% 50V
C526	1-124-445-00	s CAP, ELECT 100uF 20% 16V
C527	1-130-491-00	s CAP, MYLAR 0.047uF 5% 50V
C530	1-124-927-11	s CAP, ELECT 4.7uF 20% 50V
C532	1-124-445-00	s CAP, ELECT 100uF 20% 16V
C535	1-161-485-00	s CAP, CERAMIC 0.1uF 50V
C536	1-130-491-00	s CAP, MYLAR 0.047uF 5% 50V
C538	1-131-347-00	s CAP, TANT 1uF 10% 35V
C540	1-101-005-00	s CAP, CERAMIC 0.022uF 50V

Ref. No. or Q'ty	Part No.	SP Description
C541	1-161-461-00	s CAP, CERAMIC 150PF 10% 50V
C543	1-102-114-00	s CAP, CERAMIC 470PF 10% 50V
C545	1-161-485-00	s CAP, CERAMIC 0.1uF 50V
C546	1-130-480-00	s CAP, MYLAR 0.0056uF 5% 50V
C547	1-161-465-00	s CAP, CERAMIC 330PF 5% 50V
C549	1-161-485-00	s CAP, CERAMIC 0.1uF 50V
C550	1-161-485-00	s CAP, CERAMIC 0.1uF 50V
C552	1-161-485-00	s CAP, CERAMIC 0.1uF 50V
C553	1-161-485-00	s CAP, CERAMIC 0.1uF 50V
C554	1-161-485-00	s CAP, CERAMIC 0.1uF 50%
C555	1-161-485-00	s CAP, CERAMIC 0.1uF 50V
C556	1-124-767-00	s CAP, ELECT NONPOLAR 2.2uF 20% 50V
C557	1-101-005-00	s CAP, CERAMIC 0.022uF 50V
C558	1-101-005-00	s CAP, CERAMIC 0.022uF 50V
C559	1-130-483-00	s CAP, MYLAR 0.01uF 5% 50V
C560	1-130-483-00	s CAP, MYLAR 0.01uF 5% 50V
C561	1-101-005-00	s CAP, CERAMIC 0.022uF 50V
C562	1-101-005-00	s CAP, CERAMIC 0.022uF 50V
C563	1-101-005-00	s CAP, CERAMIC 0.022uF 50V
C564	1-101-005-00	s CAP, CERAMIC 0.022uF 50V
C565	1-101-005-00	s CAP, CERAMIC 0.022uF 50V
C567	1-130-472-00	s CAP, MYLAR 0.0012uF 5% 50V
C568	1-161-463-00	s CAP, CERAMIC 220PF 10% 50V
C570	1-101-005-00	s CAP, CERAMIC 0.022uF 50V
C571	1-101-005-00	s CAP, CERAMIC 0.022uF 50V
C572	1-101-005-00	s CAP, CERAMIC 0.022uF 50V
C577	1-101-005-00	s CAP, CERAMIC 0.022uF 50V
C600	1-130-475-11	s CAP, MYLAR 0.0022uF 5% 50V
C701	1-101-005-00	s CAP, CERAMIC 0.022uF 50V
C702	1-101-005-00	s CAP, CERAMIC 0.022uF 50V
C703	1-101-005-00	s CAP, CERAMIC 0.022uF 50V
C704	1-101-005-00	s CAP, CERAMIC 0.022uF 50V
C705	1-101-005-00	s CAP, CERAMIC 0.022uF 50V
C706	1-101-005-00	s CAP, CERAMIC 0.022uF 50V
C707	1-101-005-00	s CAP, CERAMIC 0.022uF 50V
C709	1-101-005-00	s CAP, CERAMIC 0.022uF 50V
C712	1-162-765-11	s CAP, CERAMIC 1000PF 5% 50V
C851	1-101-005-00	s CAP, CERAMIC 0.022uF 50V
C852	1-101-005-00	s CAP, CERAMIC 0.022uF 50V
C853	1-101-005-00	s CAP, CERAMIC 0.022uF 50V
C854	1-101-005-00	s CAP, CERAMIC 0.022uF 50V
CN303	1-506-748-11	s RECEP, DIN 96P MALE
CN304	1-506-748-11	s RECEP, DIN 96P MALE
CT1	1-141-254-00	s CAP, TRIMMER 30PF
CT2	1-141-260-00	s CAP, TRIMMER 50PF
CT3	1-141-304-21	s CAP, TRIMMER 10PF
D1	8-719-101-97	s DIODE 1SS97-1
D2	8-719-101-97	s DIODE 1SS97-1
D3	8-719-911-19	s DIODE 1SS119
D4	8-719-911-19	s DIODE 1SS119
D6	8-719-915-30	s DIODE FC53M
D7	8-719-915-30	s DIODE FC53M
D8	8-719-911-19	s DIODE 1SS119
D9	8-719-911-19	s DIODE 1SS119
D10	8-719-911-19	s DIODE 1SS119
D12	8-719-109-91	s DIODE RD6.2ESB
D14	8-719-911-19	s DIODE 1SS119
D15	8-719-911-19	s DIODE 1SS119

NOTE : Please see pages D-42 and D-43 for the part numbers of capacitors and resistors that are not listed in the parts list. D-102(a)

(VO-16 BOARD, BVH-3000PS/3100PS)  
Board No.  
1-621-101-13  
& Higher

(VO-16 BOARD, BVH-3000PS/3100PS)  
Board No.  
1-621-101-13  
& Higher

Ref. No. or Q'ty	Part No.	SP Description
D18	8-719-109-79	s DIODE RD4.7ESB
D19	8-719-101-97	s DIODE 1SS97-1
D21	8-719-109-79	s DIODE RD4.7ESB
D22	8-719-109-87	s DIODE RD5.6ESB
D23	8-719-911-19	s DIODE 1SS119
D24	8-719-911-19	s DIODE 1SS119
D25	8-719-911-19	s DIODE 1SS119
D26	8-719-911-19	s DIODE 1SS119
D27	8-719-110-15	s DIODE RD10ESB
DL1	1-415-479-11	s DELAY LINE 28nS
DL2	1-415-479-11	s DELAY LINE 28nS
FB5	1-535-178-00	s FERRITE BEAD
FB6	1-535-178-00	s FERRITE BEAD
FL1	1-235-961-12	s FILTER, LOW-PASS
FL2	1-235-961-12	s FILTER, LOW-PASS
FL3	1-231-621-00	s FILTER, LOW-PASS
IC1	8-749-901-03	s IC BX-366AL
IC2	8-749-900-63	s IC BX-365AL
IC3	8-720-002-91	s TRANSISTOR TX-429M
IC4	8-741-124-41	s IC BX-1244A
IC5	8-749-900-63	s IC BX-365AL
IC6	8-749-900-63	s IC BX-365AL
IC7	8-759-990-82	s IC TL082CP
IC8	8-752-015-81	s IC CX20158
IC9	8-752-015-81	s IC CX20158
IC10	8-759-900-00	s IC SN74LS00N
IC11	8-759-001-16	s IC MC10116L
IC12	8-759-301-31	s IC HD10131
IC13	8-759-001-16	s IC MC10116L
IC14	8-743-931-10	s IC BX-3931A
IC15	8-759-942-65	s IC SN74265N
IC16	8-759-900-08	s IC SN74LS08N
IC17	8-741-130-60	s IC BX-1306
IC18	8-741-130-60	s IC BX-1306
IC19	8-741-130-60	s IC BX-1306
IC20	8-759-990-82	s IC TL082CP
IC21	8-759-112-13	s IC UPC1663C
IC22	8-759-112-13	s IC UPC1663C
IC23	8-759-990-82	s IC TL082CP
IC24	8-759-015-95	s IC MC1595L
IC25	8-759-001-16	s IC MC10116L
IC26	8-759-001-16	s IC MC10116L
IC27	8-759-301-17	s IC HD10117
IC29	8-741-130-60	s IC BX-1306
IC31	8-759-906-85	s IC AM685DL
IC32	8-759-001-16	s IC MC10116L
IC33	8-759-301-04	s IC HD10104
IC34	8-759-990-82	s IC TL082CP
IC35	8-752-015-81	s IC CX20158
IC36	8-759-990-82	s IC TL082CP
IC37	8-749-900-63	s IC BX-365AL
IC38	8-741-124-41	s IC BX-1244A
IC39	8-749-901-03	s IC BX-366AL
IC40	8-749-901-03	s IC BX-366AL
IC41	8-749-901-03	s IC BX-366AL
IC42	8-759-990-82	s IC TL082CP
IC43	8-759-201-47	s IC TA7357AP
IC44	8-759-902-21	s IC SN74LS221N

Ref. No. or Q'ty	Part No.	SP Description
IC45	8-759-902-21	s IC SN74LS221N
IC46	8-759-001-16	s IC MC10116L
IC47	8-759-301-17	s IC HD10117
IC48	8-759-001-16	s IC MC10116L
IC49	8-759-301-04	s IC HD10104
IC50	8-759-990-82	s IC TL082CP
IC51	8-759-906-01	s IC TL601CP
IC52	8-741-124-41	s IC BX-1244A
IC53	8-759-990-82	s IC TL082CP
IC54	8-759-906-01	s IC TL601CP
IC55	8-759-906-07	s IC TL607CP
IC56	8-759-990-84	s IC TL084CN
IC57	8-759-990-82	s IC TL082CP
IC58	8-759-902-21	s IC SN74LS221N
IC59	8-759-900-00	s IC SN74LS00N
IC60	8-759-902-21	s IC SN74LS221N
IC61	8-759-951-07	s IC SN75107AN
IC62	8-759-901-23	s IC SN74LS123N
IC63	8-759-900-00	s IC SN74LS00N
IC64	8-759-901-23	s IC SN74LS123N
IC65	8-759-901-23	s IC SN74LS123N
IC66	8-759-942-65	s IC SN74265N
IC67	8-759-990-82	s IC TL082CP
IC68	8-752-015-81	s IC CX20158
IC69	8-759-201-47	s IC TA7357AP
IC70	8-759-902-21	s IC SN74LS221N
IC71	8-759-902-21	s IC SN74LS221N
IC72	8-759-900-00	s IC SN74LS00N
IC73	8-759-902-21	s IC SN74LS221N
IC74	8-759-990-82	s IC TL082CP
IC75	8-759-906-07	s IC TL607CP
IC76	8-759-951-07	s IC SN75107AN
IC77	8-759-014-96	s IC MC1496P
IC78	8-759-900-00	s IC SN74LS00N
IC79	8-759-990-82	s IC TL082CP
IC80	8-759-926-10	s IC TL610CP
IC81	8-759-901-23	s IC SN74LS123N
IC82	8-759-951-07	s IC SN75107AN
IC85	8-759-900-00	s IC SN74LS00N
IC87	8-759-900-05	s IC SN74LS05N
IC88	8-759-951-07	s IC SN75107AN
IC89	8-759-900-02	s IC SN74LS02N
IC90	8-759-902-21	s IC SN74LS221N
IC91	8-759-900-74	s IC SN74LS74AN
IC92	8-759-901-63	s IC SN74LS163AN
IC93	8-759-901-51	s IC SN74LS151N
IC94	8-759-900-00	s IC SN74LS00N
IC95	8-759-902-21	s IC SN74LS221N
IC96	8-759-902-21	s IC SN74LS221N
IC97	8-759-900-04	s IC SN74LS04N
IC98	8-759-900-04	s IC SN74LS04N
IC99	8-759-938-68	s IC CXD1095Q
IC101	8-759-708-05	s IC NJM78L05A
IC102	8-759-700-65	s IC NJM79L05A
IC103	8-759-906-07	s IC TL607CP
IC104	8-759-990-82	s IC TL082CP
IC105	8-759-900-08	s IC SN74LS08N
IC106	8-759-901-09	s IC SN74LS109AN

NOTE : Please see pages D-42 and D-43 for the part numbers of capacitors and resistors that are not listed in the parts list.

D-103(a)

(VO-16 BOARD, BVH-3000PS/3100PS)			Board No. 1-621-101-13 & Higher	(VO-16 BOARD, BVH-3000PS/3100PS)			Board No. 1-621-101-13 & Higher
Ref. No. or Q'ty	Part No.	SP Description		Ref. No. or Q'ty	Part No.	SP Description	
IC107	8-759-708-05	s IC NJM78L05A		Q4	8-729-302-07	s TRANSISTOR 2SC2512	
IC108	8-759-700-65	s IC NJM79L05A		Q5	8-729-302-07	s TRANSISTOR 2SC2512	
IC109	8-759-708-05	s IC NJM78L05A		Q6	8-729-100-88	s TRANSISTOR 2SA1223	
IC110	8-759-700-65	s IC NJM79L05A		Q7	8-729-100-88	s TRANSISTOR 2SA1223	
IC111	8-759-900-00	s IC SN74LS00N		Q8	8-729-302-07	s TRANSISTOR 2SC2512	
IC112	8-759-974-07	s IC SN7407N		Q9	8-729-117-33	s TRANSISTOR 2SC1733	
IC113	8-759-974-07	s IC SN7407N		Q10	8-729-302-07	s TRANSISTOR 2SC2512	
IC114	8-759-708-05	s IC NJM78L05A		Q11	8-729-302-07	s TRANSISTOR 2SC2512	
IC115	8-759-700-65	s IC NJM79L05A		Q12	8-729-302-07	s TRANSISTOR 2SC2512	
IC116	8-759-708-05	s IC NJM78L05A		Q13	8-729-302-07	s TRANSISTOR 2SC2512	
IC117	8-759-906-07	s IC TL607CP		Q14	8-729-302-07	s TRANSISTOR 2SC2512	
IC118	8-759-906-07	s IC TL607CP		Q15	8-729-302-07	s TRANSISTOR 2SC2512	
IC121	8-759-990-82	s IC TL082CP		Q16	8-729-302-07	s TRANSISTOR 2SC2512	
IC122	8-759-708-05	s IC NJM78L05A		Q17	8-729-302-07	s TRANSISTOR 2SC2512	
IC123	8-759-301-31	s IC HD10131		Q18	8-729-302-07	s TRANSISTOR 2SC2512	
IC124	8-759-700-65	s IC NJM79L05A		Q19	8-729-302-07	s TRANSISTOR 2SC2512	
IC125	8-759-901-23	s IC SN74LS123N		Q21	8-729-112-06	s TRANSISTOR 2SA1206	
IC126	8-759-902-21	s IC SN74LS221N		Q26	8-729-302-07	s TRANSISTOR 2SC2512	
IC127	8-759-900-00	s IC SN74LS00N		Q27	8-729-302-07	s TRANSISTOR 2SC2512	
IC128	8-759-902-21	s IC SN74LS221N		Q28	8-729-302-07	s TRANSISTOR 2SC2512	
IC129	8-759-900-00	s IC SN74LS00N		Q29	8-729-112-06	s TRANSISTOR 2SA1206	
IC130	8-759-901-23	s IC SN74LS123N		Q30	8-729-112-06	s TRANSISTOR 2SA1206	
IC131	8-759-202-11	s IC TC74HC00P		Q31	8-729-302-07	s TRANSISTOR 2SC2512	
IC132	8-759-900-00	s IC SN74LS00N		Q32	8-729-302-07	s TRANSISTOR 2SC2512	
IC133	8-759-906-07	s IC TL607CP		Q33	8-729-302-07	s TRANSISTOR 2SC2512	
IC134	8-759-906-07	s IC TL607CP		Q34	8-729-302-07	s TRANSISTOR 2SC2512	
IC135	8-759-990-82	s IC TL082CP		Q35	8-729-302-07	s TRANSISTOR 2SC2512	
IC136	8-759-990-84	s IC TL084CN		Q36	8-729-302-07	s TRANSISTOR 2SC2512	
IC137	8-759-700-65	s IC NJM79L05A		Q37	8-729-302-07	s TRANSISTOR 2SC2512	
IC138	8-759-951-07	s IC SN75107AN		Q38	8-729-112-06	s TRANSISTOR 2SA1206	
L1	1-421-370-00	s COIL, CHOKE		Q39	8-729-112-06	s TRANSISTOR 2SA1206	
L2	1-421-370-00	s COIL, CHOKE		Q40	8-729-302-07	s TRANSISTOR 2SC2512	
L3	1-421-370-00	s COIL, CHOKE		Q41	8-729-112-06	s TRANSISTOR 2SA1206	
L4	1-421-370-00	s COIL, CHOKE		Q42	8-729-302-07	s TRANSISTOR 2SC2512	
L5	1-408-427-00	s INDUCTOR 330UH 5%		Q43	8-729-105-71	s TRANSISTOR 2SK523-K2	
L6	1-408-405-00	s INDUCTOR 4.7UH 5%		Q44	8-729-302-07	s TRANSISTOR 2SC2512	
L7	1-408-405-00	s INDUCTOR 4.7UH 5%		Q45	8-729-900-61	s TRANSISTOR DTA114ES	
L8	1-408-416-00	s INDUCTOR 39UH 5%		Q46	8-729-302-07	s TRANSISTOR 2SC2512	
L9	1-408-414-00	s INDUCTOR 27UH 5%		Q47	8-729-302-07	s TRANSISTOR 2SC2512	
L10	1-408-416-00	s INDUCTOR 39UH 5%		Q53	8-729-105-71	s TRANSISTOR 2SK523-K2	
L11	1-408-416-00	s INDUCTOR 39UH 5%		Q54	8-729-105-71	s TRANSISTOR 2SK523-K2	
L12	1-408-420-00	s INDUCTOR 82UH 5%		Q55	8-729-245-82	s TRANSISTOR 2SC2458-Y	
L13	1-408-429-00	s INDUCTOR 470UH 5%		Q57	8-729-112-06	s TRANSISTOR 2SA1206	
L14	1-408-416-00	s INDUCTOR 39UH 5%		Q58	8-729-112-06	s TRANSISTOR 2SA1206	
L15	1-408-416-00	s INDUCTOR 39UH 5%		Q59	8-729-302-07	s TRANSISTOR 2SC2512	
L16	1-408-407-00	s INDUCTOR 6.8UH 5%		Q60	8-729-302-07	s TRANSISTOR 2SC2512	
L17	1-408-426-00	s INDUCTOR 270UH 5%		Q61	8-729-302-07	s TRANSISTOR 2SC2512	
L18	1-408-426-00	s INDUCTOR 270UH 5%		Q62	8-729-302-07	s TRANSISTOR 2SC2512	
L19	1-410-959-11	s INDUCTOR 3.3UH 5%		Q63	8-729-112-06	s TRANSISTOR 2SA1206	
L20	1-408-402-00	s INDUCTOR 2.7UH 5%		Q64	8-769-162-00	s TRANSISTOR 2SK152-2	
L21	1-408-405-00	s INDUCTOR 4.7UH 5%		Q65	8-729-245-82	s TRANSISTOR 2SC2458-Y	
L22	1-410-960-11	s INDUCTOR 6.8UH 5%		Q66	8-729-611-53	s TRANSISTOR 2SA1115-F	
L23	1-410-960-11	s INDUCTOR 6.8UH 5%		Q67	8-729-611-53	s TRANSISTOR 2SA1115-F	
L25	1-408-407-00	s INDUCTOR 6.8UH 5%		R1	1-215-390-00	s RES, METAL 51 1/2 1/6W	
Q1	8-729-679-82	s TRANSISTOR 2SA798		R3	1-215-414-00	s RES, METAL 510 1/2 1/6W	
Q2	8-729-302-07	s TRANSISTOR 2SC2512		R4	1-215-400-00	s RES, METAL 130 1/2 1/6W	
Q3	8-729-302-07	s TRANSISTOR 2SC2512		R8	1-215-401-11	s RES, METAL 150 1/2 1/6W	

NOTE : Please see pages D-42 and D-43 for the part numbers of capacitors and resistors that are not listed in the parts list. D-104(a)

(VO-16 BOARD, BVH-3000PS/3100PS)  
Board No.  
1-621-101-13  
& Higher

(VO-16 BOARD, BVH-3000PS/3100PS)  
Board No.  
1-621-101-13  
& Higher

Ref. No. or Q'ty	Part No.	SP Description
R9	1-215-417-00	s RES, METAL 680 1% 1/6W
R17	1-249-401-11	s RES, CARBON 47 5% 1/4W
R18	1-215-409-00	s RES, METAL 330 1% 1/6W
R19	1-215-401-11	s RES, METAL 150 1% 1/6W
R23	1-215-409-00	s RES, METAL 330 1% 1/6W
R24	1-215-409-00	s RES, METAL 330 1% 1/6W
R32	1-215-401-11	s RES, METAL 150 1% 1/6W
R34	1-215-390-00	s RES, METAL 51 1% 1/6W
R37	1-215-413-00	s RES, METAL 470 1% 1/6W
R38	1-215-385-00	s RES, METAL 33 1% 1/6W
R39	1-215-423-00	s RES, METAL 1.2K 1% 1/6W
R40	1-215-380-00	s RES, METAL 20 1% 1/6W
R43	1-215-416-00	s RES, METAL 620 1% 1/6W
R48	1-215-424-00	s RES, METAL 1.3K 1% 1/6W
R49	1-215-424-00	s RES, METAL 1.3K 1% 1/6W
R50	1-215-413-00	s RES, METAL 470 1% 1/6W
R51	1-215-413-00	s RES, METAL 470 1% 1/6W
R56	1-215-395-00	s RES, METAL 82 1% 1/6W
R57	1-215-395-00	s RES, METAL 82 1% 1/6W
R58	1-215-400-00	s RES, METAL 130 1% 1/6W
R59	1-215-417-00	s RES, METAL 680 1% 1/6W
R60	1-215-417-00	s RES, METAL 680 1% 1/6W
R71	1-215-441-00	s RES, METAL 6.8K 1% 1/6W
R72	1-215-409-00	s RES, METAL 330 1% 1/6W
R73	1-215-445-00	s RES, METAL 10K 1% 1/6W
R74	1-215-408-00	s RES, METAL 300 1% 1/6W
R75	1-215-401-11	s RES, METAL 150 1% 1/6W
R76	1-215-428-00	s RES, METAL 2K 1% 1/6W
R79	1-215-412-00	s RES, METAL 430 1% 1/6W
R80	1-215-405-00	s RES, METAL 220 1% 1/6W
R95	1-215-418-00	s RES, METAL 750 1% 1/6W
R106	1-215-455-00	s RES, METAL 27K 1% 1/6W
R107	1-215-467-00	s RES, METAL 82K 1% 1/6W
R108	1-215-449-00	s RES, METAL 15K 1% 1/6W
R109	1-215-421-00	s RES, METAL 1K 1% 1/6W
R110	1-215-421-00	s RES, METAL 1K 1% 1/6W
R122	1-215-408-00	s RES, METAL 300 1% 1/6W
R125	1-215-401-11	s RES, METAL 150 1% 1/6W
R126	1-215-405-00	s RES, METAL 220 1% 1/6W
R127	1-215-405-00	s RES, METAL 220 1% 1/6W
R128	1-215-417-00	s RES, METAL 680 1% 1/6W
R129	1-215-417-00	s RES, METAL 680 1% 1/6W
R134	1-215-417-00	s RES, METAL 680 1% 1/6W
R135	1-215-417-00	s RES, METAL 680 1% 1/6W
R136	1-215-417-00	s RES, METAL 680 1% 1/6W
R137	1-215-417-00	s RES, METAL 680 1% 1/6W
R138	1-215-409-00	s RES, METAL 330 1% 1/6W
R139	1-215-409-00	s RES, METAL 330 1% 1/6W
R140	1-215-417-00	s RES, METAL 680 1% 1/6W
R141	1-215-417-00	s RES, METAL 680 1% 1/6W
R142	1-215-409-00	s RES, METAL 330 1% 1/6W
R143	1-215-409-00	s RES, METAL 330 1% 1/6W
R144	1-215-417-00	s RES, METAL 680 1% 1/6W
R145	1-215-417-00	s RES, METAL 680 1% 1/6W
R146	1-215-417-00	s RES, METAL 680 1% 1/6W
R147	1-215-417-00	s RES, METAL 680 1% 1/6W
R148	1-215-413-00	s RES, METAL 470 1% 1/6W
R149	1-215-413-00	s RES, METAL 470 1% 1/6W

Ref. No. or Q'ty	Part No.	SP Description
R155	1-215-443-00	s RES, METAL 8.2K 1% 1/6W
R156	1-215-434-00	s RES, METAL 3.6K 1% 1/6W
R163	1-215-408-00	s RES, METAL 300 1% 1/6W
R164	1-215-415-00	s RES, METAL 560 1% 1/6W
R165	1-215-415-00	s RES, METAL 560 1% 1/6W
R166	1-215-446-00	s RES, METAL 11K 1% 1/6W
R184	1-215-445-00	s RES, METAL 10K 1% 1/6W
R185	1-215-445-00	s RES, METAL 10K 1% 1/6W
R190	1-215-397-00	s RES, METAL 100 1% 1/6W
R192	1-215-401-11	s RES, METAL 150 1% 1/6W
R193	1-215-401-11	s RES, METAL 150 1% 1/6W
R214	1-215-421-00	s RES, METAL 1K 1% 1/6W
R215	1-215-421-00	s RES, METAL 1K 1% 1/6W
R233	1-215-442-00	s RES, METAL 7.5K 1% 1/6W
R234	1-215-442-00	s RES, METAL 7.5K 1% 1/6W
R235	1-215-449-00	s RES, METAL 15K 1% 1/6W
R261	1-215-421-00	s RES, METAL 1K 1% 1/6W
R264	1-215-391-00	s RES, METAL 56 1% 1/6W
R268	1-215-391-00	s RES, METAL 56 1% 1/6W
R272	1-215-391-00	s RES, METAL 56 1% 1/6W
R276	1-215-391-00	s RES, METAL 56 1% 1/6W
R286	1-215-438-00	s RES, METAL 5.1K 1% 1/6W
R287	1-215-387-00	s RES, METAL 39 1% 1/6W
R288	1-215-387-00	s RES, METAL 39 1% 1/6W
R289	1-215-417-00	s RES, METAL 680 1% 1/6W
R290	1-215-417-00	s RES, METAL 680 1% 1/6W
R291	1-215-417-00	s RES, METAL 680 1% 1/6W
R292	1-215-435-00	s RES, METAL 3.9K 1% 1/6W
R296	1-215-437-00	s RES, METAL 4.7K 1% 1/6W
R309	1-215-401-31	s RES, METAL 150 1% 1/6W
R340	1-215-455-00	s RES, METAL 27K 1% 1/6W
R341	1-215-455-00	s RES, METAL 27K 1% 1/6W
R345	1-215-411-00	s RES, METAL 390 1% 1/6W
R349	1-215-439-00	s RES, METAL 5.6K 1% 1/6W
R350	1-215-401-11	s RES, METAL 150 1% 1/6W
R365	1-215-413-00	s RES, METAL 470 1% 1/6W
R366	1-215-413-00	s RES, METAL 470 1% 1/6W
R372	1-215-398-00	s RES, METAL 110 1% 1/6W
R389	1-215-414-00	s RES, METAL 510 1% 1/6W
R392	1-215-429-00	s RES, METAL 2.2K 1% 1/6W
R393	1-215-438-00	s RES, METAL 5.1K 1% 1/6W
R415	1-215-380-00	s RES, METAL 20 1% 1/6W
R418	1-215-411-00	s RES, METAL 390 1% 1/6W
R423	1-215-458-00	s RES, METAL 36K 1% 1/6W
R433	1-215-413-00	s RES, METAL 470 1% 1/6W
R434	1-215-413-00	s RES, METAL 470 1% 1/6W
R439	1-215-390-00	s RES, METAL 51 1% 1/6W
R440	1-215-390-00	s RES, METAL 51 1% 1/6W
R441	1-215-397-00	s RES, METAL 100 1% 1/6W
R442	1-215-401-11	s RES, METAL 150 1% 1/6W
R443	1-215-401-11	s RES, METAL 150 1% 1/6W
R444	1-215-401-11	s RES, METAL 150 1% 1/6W
R445	1-215-401-11	s RES, METAL 150 1% 1/6W
R446	1-215-425-00	s RES, METAL 1.5K 1% 1/6W
R447	1-215-425-00	s RES, METAL 1.5K 1% 1/6W
R448	1-215-425-00	s RES, METAL 1.5K 1% 1/6W
R449	1-215-425-00	s RES, METAL 1.5K 1% 1/6W
R450	1-215-445-00	s RES, METAL 10K 1% 1/6W

NOTE : Please see pages D-42 and D-43 for the part numbers of capacitors and resistors that are not listed in the parts list.

D-105(a)



(V0-16 BOARD, BVH-3000PS/3100PS)  
Board No.  
1-621-101-13  
& Higher

(V0-16 BOARD, BVH-3000PS/3100PS)  
Board No.  
1-621-101-13  
& Higher

Ref. No. or Q'ty	Part No.	SP Description
R451	1-215-443-00	s RES, METAL 8.2K 1% 1/6W
R452	1-215-445-00	s RES, METAL 10K 1% 1/6W
R453	1-215-443-00	s RES, METAL 8.2K 1% 1/6W
R454	1-215-445-00	s RES, METAL 10K 1% 1/6W
R455	1-215-443-00	s RES, METAL 8.2K 1% 1/6W
R456	1-215-405-00	s RES, METAL 220 1% 1/6W
R457	1-215-405-00	s RES, METAL 220 1% 1/6W
R459	1-215-390-00	s RES, METAL 51 1% 1/6W
R460	1-215-390-00	s RES, METAL 51 1% 1/6W
R461	1-215-397-00	s RES, METAL 100 1% 1/6W
R462	1-215-390-00	s RES, METAL 51 1% 1/6W
R463	1-215-390-00	s RES, METAL 51 1% 1/6W
R464	1-215-397-00	s RES, METAL 100 1% 1/6W
R465	1-215-390-00	s RES, METAL 51 1% 1/6W
R466	1-215-390-00	s RES, METAL 51 1% 1/6W
R467	1-215-397-00	s RES, METAL 100 1% 1/6W
R468	1-215-385-00	s RES, METAL 33 1% 1/6W
R469	1-215-385-00	s RES, METAL 33 1% 1/6W
R470	1-215-397-00	s RES, METAL 100 1% 1/6W
R471	1-215-397-00	s RES, METAL 100 1% 1/6W
R472	1-215-390-00	s RES, METAL 51 1% 1/6W
R473	1-215-441-00	s RES, METAL 6.8K 1% 1/6W
R474	1-215-423-00	s RES, METAL 1.2K 1% 1/6W
R475	1-215-401-11	s RES, METAL 150 1% 1/6W
R476	1-215-401-11	s RES, METAL 150 1% 1/6W
R477	1-215-385-00	s RES, METAL 33 1% 1/6W
R478	1-215-385-00	s RES, METAL 33 1% 1/6W
R479	1-215-415-00	s RES, METAL 560 1% 1/6W
R480	1-215-427-00	s RES, METAL 1.8K 1% 1/6W
R482	1-215-401-11	s RES, METAL 150 1% 1/6W
R483	1-215-397-00	s RES, METAL 100 1% 1/6W
R484	1-215-423-00	s RES, METAL 1.2K 1% 1/6W
R485	1-215-441-00	s RES, METAL 6.8K 1% 1/6W
R486	1-215-442-00	s RES, METAL 7.5K 1% 1/6W
R487	1-215-421-00	s RES, METAL 1K 1% 1/6W
R488	1-215-421-00	s RES, METAL 1K 1% 1/6W
R489	1-215-397-00	s RES, METAL 100 1% 1/6W
R490	1-215-397-00	s RES, METAL 100 1% 1/6W
R491	1-215-397-00	s RES, METAL 100 1% 1/6W
R492	1-215-397-00	s RES, METAL 100 1% 1/6W
R493	1-215-419-00	s RES, METAL 820 1% 1/6W
R495	1-215-373-31	s RES, METAL 10 1% 1/6W
R496	1-215-423-00	s RES, METAL 1.2K 1% 1/6W
R497	1-215-447-00	s RES, METAL 12K 1% 1/6W
R498	1-215-449-00	s RES, METAL 15K 1% 1/6W
R499	1-215-431-00	s RES, METAL 2.7K 1% 1/6W
R500	1-215-411-00	s RES, METAL 390 1% 1/6W
R502	1-215-402-00	s RES, METAL 160 1% 1/6W
R503	1-215-381-00	s RES, METAL 22 1% 1/6W
R507	1-215-411-00	s RES, METAL 680 1% 1/6W
R508	1-215-417-00	s RES, METAL 680 1% 1/6W
R509	1-215-390-00	s RES, METAL 51 1% 1/6W
R510	1-215-390-00	s RES, METAL 51 1% 1/6W
R511	1-215-397-00	s RES, METAL 100 1% 1/6W
R516	1-215-417-00	s RES, METAL 680 1% 1/6W
R517	1-215-417-00	s RES, METAL 680 1% 1/6W
R519	1-215-405-00	s RES, METAL 220 1% 1/6W

Ref. No. or Q'ty	Part No.	SP Description
R520	1-215-405-00	s RES, METAL 220 1% 1/6W
R521	1-215-390-00	s RES, METAL 51 1% 1/6W
R522	1-215-390-00	s RES, METAL 51 1% 1/6W
R523	1-215-397-00	s RES, METAL 100 1% 1/6W
R530	1-215-421-00	s RES, METAL 1K 1% 1/6W
R531	1-215-445-00	s RES, METAL 10K 1% 1/6W
R532	1-215-453-00	s RES, METAL 22K 1% 1/6W
R533	1-215-454-00	s RES, METAL 24K 1% 1/6W
R534	1-215-429-00	s RES, METAL 2.2K 1% 1/6W
R537	1-215-454-00	s RES, METAL 24K 1% 1/6W
R539	1-215-402-00	s RES, METAL 160 1% 1/6W
R547	1-215-388-00	s RES, METAL 43 1% 1/6W
R554	1-215-445-00	s RES, METAL 10K 1% 1/6W
R555	1-215-445-00	s RES, METAL 10K 1% 1/6W
R564	1-215-463-00	s RES, METAL 56K 1% 1/6W
R567	1-215-449-00	s RES, METAL 15K 1% 1/6W
R568	1-215-415-00	s RES, METAL 560 1% 1/6W
R569	1-215-415-00	s RES, METAL 560 1% 1/6W
R570	1-215-397-00	s RES, METAL 100 1% 1/6W
R572	1-215-377-00	s RES, METAL 15 1% 1/6W
R573	1-215-404-00	s RES, METAL 200 1% 1/6W
R574	1-215-439-00	s RES, METAL 5.6K 1% 1/6W
R575	1-215-424-00	s RES, METAL 1.3K 1% 1/6W
R576	1-215-401-11	s RES, METAL 150 1% 1/6W
R577	1-215-425-00	s RES, METAL 1.5K 1% 1/6W
R578	1-215-437-00	s RES, METAL 4.7K 1% 1/6W
R583	1-215-437-00	s RES, METAL 4.7K 1% 1/6W
R584	1-215-469-00	s RES, METAL 100K 1% 1/6W
R585	1-215-437-00	s RES, METAL 4.7K 1% 1/6W
R587	1-215-437-00	s RES, METAL 4.7K 1% 1/6W
R588	1-215-435-00	s RES, METAL 3.9K 1% 1/6W
R591	1-215-397-00	s RES, METAL 100 1% 1/6W
R594	1-215-463-00	s RES, METAL 56K 1% 1/6W
R596	1-215-453-00	s RES, METAL 22K 1% 1/6W
R608	1-215-377-00	s RES, METAL 15 1% 1/6W
R609	1-215-377-00	s RES, METAL 15 1% 1/6W
R610	1-215-450-00	s RES, METAL 16K 1% 1/6W
R611	1-215-401-11	s RES, METAL 150 1% 1/6W
R612	1-215-401-11	s RES, METAL 150 1% 1/6W
R615	1-215-493-00	s RES, METAL 1M 1% 1/6W
R618	1-215-399-00	s RES, METAL 120 1% 1/6W
R621	1-215-445-00	s RES, METAL 10K 1% 1/6W
R622	1-215-445-00	s RES, METAL 10K 1% 1/6W
R623	1-215-445-00	s RES, METAL 10K 1% 1/6W
R624	1-215-431-00	s RES, METAL 2.2K 1% 1/6W
R625	1-215-409-00	s RES, METAL 330 1% 1/6W
R631	1-215-431-00	s RES, METAL 2.2K 1% 1/6W
R632	1-215-409-00	s RES, METAL 330 1% 1/6W
R638	1-215-431-00	s RES, METAL 2.2K 1% 1/6W
R639	1-215-431-00	s RES, METAL 2.2K 1% 1/6W
R640	1-215-397-00	s RES, METAL 100 1% 1/6W
R641	1-215-432-00	s RES, METAL 3K 1% 1/6W
R642	1-215-447-00	s RES, METAL 12K 1% 1/6W
R643	1-215-452-00	s RES, METAL 20K 1% 1/6W
R648	1-215-448-00	s RES, METAL 13K 1% 1/6W
R652	1-215-445-00	s RES, METAL 10K 1% 1/6W
R654	1-215-380-00	s RES, METAL 22 1% 1/6W
R655	1-215-448-00	s RES, METAL 13K 1% 1/6W

NOTE : Please see pages D-42 and D-43 for the part numbers of capacitors and resistors that are not listed in the parts list.

(VO-16 BOARD, BVH-3000PS/3100PS)

Board No.  
1-621-101-13  
& Higher

Ref. No. or Qty	Part No.	SP Description
R656	1-215-449-00	s RES, METAL 15K 1% 1/6W
R657	1-215-397-00	s RES, METAL 100 1% 1/6W
R658	1-215-397-00	s RES, METAL 100 1% 1/6W
R705	1-215-383-00	s RES, METAL 27 1% 1/6W
R706	1-215-383-00	s RES, METAL 27 1% 1/6W
R707	1-215-403-00	s RES, METAL 180 1% 1/6W
R708	1-215-403-00	s RES, METAL 180 1% 1/6W
RV1	1-230-841-11	s RES, ADJ, METAL 2K
RV2	1-230-837-11	s RES, ADJ, METAL 100
RV3	1-230-838-11	s RES, ADJ, METAL 200
RV4	1-230-837-11	s RES, ADJ, METAL 100
RV5	1-230-843-11	s RES, ADJ, METAL 10K
RV6	1-230-838-11	s RES, ADJ, METAL 200
RV7	1-230-739-21	s RES, VAR, CARBON 1K(B)
RV8	1-237-259-11	s RES, ADJ, METAL 2K
RV11	1-230-843-11	s RES, ADJ, METAL 10K
RV12	1-230-843-11	s RES, ADJ, METAL 10K
RV13	1-237-254-11	s RES, ADJ, METAL 50
RV14	1-230-838-11	s RES, ADJ, METAL 200
RV15	1-230-840-11	s RES, ADJ, METAL 1K
RV16	1-230-838-11	s RES, ADJ, METAL 200
RV17	1-230-839-11	s RES, ADJ, METAL 500
RV18	1-230-844-11	s RES, ADJ, METAL 20K
RV19	1-230-839-11	s RES, ADJ, METAL 500
RV20	1-230-839-11	s RES, ADJ, METAL 500
RV21	1-230-839-11	s RES, ADJ, METAL 500
RV22	1-230-839-11	s RES, ADJ, METAL 500
RV23	1-230-740-11	s RES, VAR, CARBON 5K(B)
RV24	1-230-842-11	s RES, ADJ, METAL 5K
RV25	1-230-839-11	s RES, ADJ, METAL 500
RV26	1-230-839-11	s RES, ADJ, METAL 500
RV27	1-230-839-11	s RES, ADJ, METAL 500
RV28	1-230-839-11	s RES, ADJ, METAL 500
RV29	1-230-841-11	s RES, ADJ, METAL 2K
RV30	1-230-842-11	s RES, ADJ, METAL 5K
RV31	1-230-838-11	s RES, ADJ, METAL 200
RV32	1-230-843-11	s RES, ADJ, METAL 10K
RV34	1-230-844-11	s RES, ADJ, METAL 20K
RV35	1-230-839-11	s RES, ADJ, METAL 500
RV36	1-230-839-11	s RES, ADJ, METAL 500
RV37	1-230-839-11	s RES, ADJ, METAL 500
RV39	1-230-842-11	s RES, ADJ, METAL 5K
RV41	1-230-836-11	s RES, ADJ, METAL 50
TH1	1-800-202-XX	s THERMISTOR S-10K
X1	1-527-933-00	s CRYSTAL 7.682000MHz
X2	1-527-935-00	s CRYSTAL 8.900000MHz

VR-51 BOARD, BVH-3000PS/3100PS

Ref.No. Qty	Part No.	SP Description
1pc (for NTSC, PS except PS-A4)	A-6013-078-A	o COMPLETE PCB, VR-51
1pc (for PS-A4)	A-6013-090-A	o COMPLETE PCB, VR-51
4pcs	7-628-254-10	s SCREW +PS 2.6X6
4pcs	7-682-947-01	s SCREW +PSW 3X6
CN801	1-563-868-11	s RECEPT, DIN 44P FEMALE
CN802	1-563-868-11	s RECEPT, DIN 44P FEMALE
CN806 (for PS-A4)		
CN807 (for PS-A4)	1-560-300-00	o RECEPT, 1L 3P MALE
D1	8-719-911-19	s DIODE 1SS119
IC1	8-759-745-59	s IC NJM4559D
IC2	8-759-745-59	s IC NJM4559D
IC3	8-759-745-59	s IC NJM4559D
IC4	8-759-745-60	s IC NJM4560D
IC5	8-759-708-15	s IC NJM78L15A
IC6	8-759-700-70	s IC NJM79L15A
IC7	8-759-708-15	s IC NJM78L15A
J1	1-507-552-21	s JACK, PHONE
L1	1-421-370-00	s COIL, CHOKE
L2	1-421-370-00	s COIL, CHOKE
Q1	8-729-900-36	s TRANSISTOR DTC124ES
R1	1-247-693-11	s RES, CARBON 27 5% 1/4W
R2	1-247-693-11	s RES, CARBON 27 5% 1/4W
R7	1-215-418-00	s RES, METAL 750 1% 1/6W
R9	1-215-418-00	s RES, METAL 750 1% 1/6W
R42	1-247-737-11	s RES, CARBON 68 5% 1/2W
R50 (for PS-A4)	1-215-448-00	s RES, METAL 13K 1% 1/6W
RV1	1-228-550-00	s RES, VAR, CARBON 10K(A)x2
RV2	1-228-551-00	s RES, VAR, CARBON, WITH SW 2K(A)x2
RV3	1-224-919-00	s RES, ADJ, METAL 5K
RV4	1-230-340-11	s RES, VAR, CARBON, WITH SW 10K(A)
RV5	1-224-919-00	s RES, ADJ, METAL 5K
RV6	1-230-340-11	s RES, VAR, CARBON, WITH SW 10K(A)
RV7	1-224-919-00	s RES, ADJ, METAL 5K
RV8	1-230-340-11	s RES, VAR, CARBON, WITH SW 10K(A)
RV9	1-224-919-00	s RES, ADJ, METAL 5K
RV10	1-230-340-11	s RES, VAR, CARBON, WITH SW 10K(A)
RV11	1-224-919-00	s RES, ADJ, METAL 5K
RV12	1-230-340-11	s RES, VAR, CARBON, WITH SW 10K(A)
RV13	1-224-919-00	s RES, ADJ, METAL 5K
RV14	1-230-340-11	s RES, VAR, CARBON, WITH SW 10K(A)

NOTE : Please see pages D-42 and D-43 for the part numbers of capacitors and resistors that are not listed in the parts list.

D-107(a)

(VR-51 BOARD, BVH-3000PS/3100PS)

Ref. No. or Q'ty	Part No.	SP Description
RV15	1-224-919-00	s RES, ADJ, METAL 5K
RV16	1-230-341-11	s RES, VAR, CARBON,
RV17	1-228-549-00	s RES, VAR, CARBON WITH SW 10K
RV18	1-228-549-00	s RES, VAR, CARBON WITH SW 10K
RV19 (for PS-A4)		
RV20 (for PS-A4)		
	1-224-919-00	s RES, ADJ, METAL 5K
RY1	1-515-683-11	s RELAY

VS-30 BOARD, BVH-3000PS/3100PS

Ref.No. or Q'ty	Part No.	SP Description
1pc	A-6030-078-A	o VS-30 ASSY
1pc	A-6011-111-A	o COMPLETE PCB, VS-30
2pcs	3-576-921-01	s SPRING, COMPRESSION
2pcs	3-714-612-01	o SPACER, CONTROL PANEL
2pcs	3-845-334-11	s SCREW, ORNAMENTAL
4pcs	7-621-559-30	s SCREW, +K 2.6x5
4pcs	7-622-207-05	s N 2.6, TYPE 2
11pcs	7-623-415-01	s LW 10, B
2pcs	7-623-956-41	s WASHER 5.0 FIBER
2pcs	7-624-106-04	s STOP RING 3.0 TYPE-E
4pcs	7-628-254-40	s SCREW +PS 2.6X12
4pcs	7-682-948-01	s SCREW +PSW 3x8
2pcs	7-688-004-01	s W4, SMALL
C4	1-124-578-11	s CAP, ELECT 120uF 20% 16V
C8	1-124-578-11	s CAP, ELECT 120uF 20% 16V
C9	1-124-518-11	s CAP, ELECT 470uF 20% 6.3V
C12	1-124-566-11	s CAP, ELECT 120uF 20% 6.3V
C13	1-124-518-11	s CAP, ELECT 470uF 20% 6.3V
C16	1-124-566-11	s CAP, ELECT 120uF 20% 6.3V
C18	1-124-236-00	s CAP, ELECT 47uF 20% 16V
C21	1-124-284-00	s CAP, ELECT, NONPOLAR 10uF 20% 50V
C28	1-124-236-00	s CAP, ELECT 47uF 20% 16V
C29	1-124-767-00	s CAP, ELECT, NONPOLAR 2.2uF 20% 50V
C33	1-124-224-00	s CAP, ELECT 47uF 20% 6.3V
C36	1-124-224-00	s CAP, ELECT 47uF 20% 6.3V
C37	1-124-236-00	s CAP, ELECT 47uF 20% 16V
C39	1-124-236-00	s CAP, ELECT 47uF 20% 16V
C41	1-124-236-00	s CAP, ELECT 47uF 20% 16V
C42	1-124-224-00	s CAP, ELECT 47uF 20% 6.3V
C43	1-124-236-00	s CAP, ELECT 47uF 20% 16V
C44	1-124-224-00	s CAP, ELECT 47uF 20% 6.3V
C45	1-124-236-00	s CAP, ELECT 47uF 20% 16V
C53	1-124-236-00	s CAP, ELECT 47uF 20% 16V
C54	1-124-224-00	s CAP, ELECT 47uF 20% 6.3V
C55	1-124-224-00	s CAP, ELECT 47uF 20% 6.3V
C56	1-124-224-00	s CAP, ELECT 47uF 20% 6.3V
C59	1-124-224-00	s CAP, ELECT 47uF 20% 6.3V
C60	1-124-236-00	s CAP, ELECT 47uF 20% 16V
C61	1-124-236-00	s CAP, ELECT 47uF 20% 16V
C69	1-130-495-00	s CAP, MYLAR 0.1uF 5% 50V
C70	1-164-127-11	s CAP, CERAMIC 510PF 5% 50V
C71	1-130-491-00	s CAP, MYLAR 0.047uF 5% 50V
C73	1-162-757-11	s CAP, CERAMIC 220PF 5% 50V
C77	1-130-480-00	s CAP, MYLAR 0.0056uF 5% 50V
C90	1-124-284-00	s CAP, ELECT, NONPOLAR 10uF 20% 16V
C91	1-162-757-11	s CAP, CERAMIC 220PF 5% 50V
C93	1-102-110-00	s CERAMIC 220PF 10% 50V
C94	1-102-110-00	s CERAMIC 220PF 10% 50V
C100	1-162-806-11	s CAP, CERAMIC 0.1uF 10% 50V
CN320	1-563-762-11	o RECEP, DIN 20P MALE
CN321	1-563-455-11	s RECEP, DIN 44P MALE
CP1	1-162-617-11	s CERAMIC 0.022MF 50V
CP2	1-162-617-11	s CERAMIC 0.022MF 50V

NOTE : Please see pages D-42 and D-43 for the part numbers of capacitors and resistors that are not listed in the parts list.

## (VS-30 BOARD, BVH-3000PS/3100PS)

Ref.No. or Q'ty	Part No.	SP Description
CP3	1-162-617-11	s CERAMIC 0.022MF 50V
CP4	1-162-617-11	s CERAMIC 0.022MF 50V
CP5	1-162-617-11	s CERAMIC 0.022MF 50V
CP6	1-162-617-11	s CERAMIC 0.022MF 50V
CP7	1-162-617-11	s CERAMIC 0.022MF 50V
CP8	1-162-617-11	s CERAMIC 0.022MF 50V
CP9	1-162-617-11	s CERAMIC 0.022MF 50V
CP10	1-162-617-11	s CERAMIC 0.022MF 50V
CP11	1-162-617-11	s CERAMIC 0.022MF 50V
CP12	1-162-617-11	s CERAMIC 0.022MF 50V
IC1	8-749-901-03	s IC BX-366AL
IC2	8-749-901-03	s IC BX-366AL
IC3	8-749-901-03	s IC BX-366AL
IC4	8-759-900-00	s IC SN74LS00N
IC5	8-752-015-81	s IC CX20158
IC6	8-752-015-81	s IC CX20158
IC7	8-752-015-81	s IC CX20158
IC8	8-749-936-51	s IC BX-365A
IC9	8-749-936-51	s IC BX-365A
IC10	8-749-901-03	s IC BX-366AL
IC11	8-752-015-81	s IC CX20158
IC12	8-749-936-51	s IC BX-365A
IC13	8-759-990-82	s IC TLO82CP
IC14	8-759-201-47	s IC TA7357AP
IC15	8-759-902-21	s IC SN74LS221N
IC16	8-741-124-41	s IC BX-1244A
IC17	8-749-936-51	s IC BX-365A
IC18	8-749-901-03	s IC BX-366AL
L1	1-421-329-00	s COIL, CHOKE
L2	1-421-329-00	s COIL, CHOKE
L3	1-421-329-00	s COIL, CHOKE
L4	1-421-329-00	s COIL, CHOKE
L5	1-408-427-00	s INDUCTOR 330UH 5%
L6	1-408-427-00	s INDUCTOR 330UH 5%
Q1	8-729-203-21	s TRANSISTOR 2SK389-GR
Q2	8-729-203-21	s TRANSISTOR 2SK389-GR
R17	1-215-397-00	s RES, METAL 100 1% 1/6W
R18	1-215-397-00	s RES, METAL 100 1% 1/6W
R19	1-215-390-00	s RES, METAL 51 1% 1/6W
R24	1-215-393-00	s RES, METAL 68 1% 1/6W
R26	1-215-393-00	s RES, METAL 68 1% 1/6W
R30	1-215-393-00	s RES, METAL 68 1% 1/6W
R31	1-215-390-00	s RES, METAL 51 1% 1/6W
R35	1-215-390-00	s RES, METAL 51 1% 1/6W
R44	1-215-393-00	s RES, METAL 68 1% 1/6W
R58	1-215-451-00	s RES, METAL 18K 1% 1/6W
R59	1-215-433-00	s RES, METAL 3.3K 1% 1/6W
R68	1-215-393-00	s RES, METAL 68 1% 1/6W
R69	1-215-416-00	s RES, METAL 620 1% 1/6W
R101	1-214-702-00	s RES, METAL 75 1% 1/4W
R102	1-214-702-00	s RES, METAL 75 1% 1/4W
RV1	1-230-837-11	s RES, ADJ, METAL 100
RV2	1-230-845-11	s RES, ADJ, METAL 50K
RV3	1-230-840-11	s RES, ADJ, METAL 1K

## (VS-30 BOARD, BVH-3000PS/3100PS)

Ref.No. or Q'ty	Part No.	SP Description
RV4	1-230-838-11	s RES, ADJ, METAL 200
RY1	1-515-452-00	s RELAY, REED
RY2	1-515-452-00	s RELAY, REED
RY3	1-515-452-00	s RELAY, REED
RY4	1-515-452-00	s RELAY, REED
RY5	1-515-452-00	s RELAY, REED
RY6	1-515-452-00	s RELAY, REED
S631	1-552-078-00	s SWITCH, SLIDE
S632	1-552-078-00	s SWITCH, SLIDE

NOTE : Please see pages D-42 and D-43 for the part numbers of capacitors and resistors that are not listed in the parts list.

FRAME, BVH-3000PS/3100PS

Ref.No. or Q'ty	Part No.	SP Description
1pc	1-413-274-11	o REGULATOR, SWITCHING UR-20
1pc	1-515-618-12	s CLUTCH, ELECTROMAGNETIC
1pc	1-548-601-11	s COUNTER, ELECTROMAGNETIC
1pc (for PS)	1-556-371-00	s CORD, POWER 3P
CN1F (6P connector) Refer to KY-103 board.		
CN001F	1-509-984-00	o HOUSING, 1L 3P
	1-560-298-00	o CONTACT, FEMALE AWG22-28
CN002F	1-509-985-00	o HOUSING, 1L 4P
	1-560-298-00	o CONTACT, FEMALE AWG22-28
CN003F	Refer to DE-18 board.	
CN004F	1-509-984-00	o HOUSING, 1L 3P
	1-560-298-00	o CONTACT, FEMALE AWG22-28
CN006F	1-509-988-00	o HOUSING, 1L 8P
	1-560-298-00	o CONTACT, FEMALE AWG22-28
CN007F	1-509-985-00	o HOUSING, 1L 4P
	1-560-298-00	o CONTACT, FEMALE AWG22-28
CN008F	1-509-984-00	o HOUSING, 1L 3P
	1-560-298-00	o CONTACT, FEMALE AWG22-28
CN009F	1-509-984-00	o HOUSING, 1L 3P
	1-560-298-00	o CONTACT, FEMALE AWG22-28
CN010F	1-509-983-00	o HOUSING, 1L 2P
	1-560-298-00	o CONTACT, FEMALE AWG22-28
CN011F	1-509-984-00	o HOUSING, 1L 3P
	1-560-298-00	o CONTACT, FEMALE AWG22-28
CN021F	1-561-891-00	o HOUSING, PS 26P
	1-560-768-00	o CONTACT, FEMALE AWG24-28
CN022F	1-509-987-00	o HOUSING, 1L 6P
	1-560-298-00	o CONTACT, FEMALE AWG22-28
CN024F	1-509-985-00	o HOUSING, 1L 4P
	1-560-298-00	o CONTACT, FEMALE AWG22-28
CN101F (to CD-36 board)	1-561-888-00	o HOUSING, PS 10P
	1-560-768-00	o CONTACT, FEMALE AWG24-28
CN101F (to SP-01 board)	1-561-069-00	o HOUSING, 2P
	1-561-067-00	o CONTACT, FEMALE AWG14-20
CN102F (to CD-36 board)	1-561-889-00	o HOUSING, PS 16P
	1-560-768-00	o CONTACT, FEMALE AWG24-28
CN102F (to SP-01 board)	1-561-069-00	o HOUSING, 2P
	1-561-067-00	o CONTACT, FEMALE AWG14-20
CN103F (to CD-36 board)	1-509-984-00	o HOUSING, 1L 3P
	1-560-298-00	o CONTACT, FEMALE AWG22-28
CN103F (to SP-02 board)	1-561-069-00	o HOUSING, 2P
	1-561-067-00	o CONTACT, FEMALE AWG14-20

(FRAME, BVH-3000PS/3100PS)

Ref. No. or Q'ty	Part No.	SP Description
CN104F (to CD-36 board)	1-561-890-00	o HOUSING, PS 20P
	1-560-768-00	o CONTACT, FEMALE AWG24-28
CN104F (to SP-03 board)	1-561-069-	o HOUSING, 2P
	1-561-067-00	o CONTACT, FEMALE AWG14-20
CN105F	1-509-986-00	o HOUSING, 1L 5P
	1-560-298-00	o CONTACT, FEMALE AWG22-28
CN106F	1-509-985-00	o HOUSING, 1L 4P
	1-560-298-00	o CONTACT, FEMALE AWG22-28
CN107F	1-509-985-00	o HOUSING, 1L 4P
	1-560-298-00	o CONTACT, FEMALE AWG22-28
CN108F	1-563-119-11	o HOUSING, PS 10P
	1-563-115-11	o CONTACT, FEMALE AWG24-28
CN201F (4P connector to SP-01 board)	Refer to SP-01 board.	
CN201F (to RM-43 board)	1-561-071-00	o HOUSING, 6P
	1-561-067-00	o CONTACT, FEMALE AWG14-20
CN202F (to SP-01 board)	1-509-988-00	o HOUSING, 1L 8P
	1-560-298-00	o CONTACT, FEMALE AWG22-28
CN202F (to RM-43 board)	1-561-071-00	o HOUSING, 6P
	1-561-067-00	o CONTACT, FEMALE AWG14-20
CN203F (to SP-01 board)	1-509-989-00	o HOUSING, 1L 10P
	1-560-298-00	o CONTACT, FEMALE AWG22-28
CN203F (to RM-43 board)	1-561-071-00	o HOUSING, 6P
	1-561-067-00	o CONTACT, FEMALE AWG14-20
CN204F (to SP-02 board)	1-509-988-00	o HOUSING, 1L 8P
	1-560-298-00	o CONTACT, FEMALE AWG22-28
CN204F (10P connector to RM-43 board)	not replaceable	
CN205F (4P connector to SP-02 board)	Refer to SP-02 board.	
CN205F (10P connector to RM-43 board)	not replaceable	
CN206F (to SP-03 board)	1-509-984-00	o HOUSING, 1L 3P
	1-560-298-00	o CONTACT, FEMALE AWG22-28
CN206F (to RM-43 board)	1-509-987-00	o HOUSING, 1L 6P
CN403F	1-509-984-00	o HOUSING, 1L 3P
	1-560-298-00	o CONTACT, FEMALE AWG22-28
CN601F (10P connector)	Refer to MA-26 board.	
CN602F (3P connector)	Refer to MA-26 board.	
CN603F (10P connector)	Refer to MA-26 board.	
CN604F (3P connector)	Refer to MA-26 board.	
CN605F (3P connector)	Refer to MA-26 board.	

NOTE : Please see pages D-42 and D-43 for the part numbers of capacitors and resistors that are not listed in the parts list.

(FRAME, BVH-3000PS/3100PS)

Ref. No. or Qty	Part No.	SP Description
CN606F	(3P connector)	Refer to MA-26 board.
CN611	(A-1 LINE IN)	Refer to MA-26 board.
CN612	(A-2 LINE IN)	Refer to MA-26 board.
CN613	(A-3 LINE IN)	Refer to MA-26 board.
CN614	(A-4 LINE IN)	Refer to MA-26 board.
CN615	(A-1 LINE OUT)	Refer to MA-26 board.
CN616	(A-2 LINE OUT)	Refer to MA-26 board.
CN617	(A-3 LINE OUT)	Refer to MA-26 board.
CN618	(A-4 LINE OUT)	Refer to MA-26 board.
CN619	(MONITOR-L)	Refer to MA-26 board.
CN620	(MONITOR-R)	Refer to MA-26 board.
CN631F	(VIDEO IN)	Refer to VS-30 board.
CN632F	(VIDEO IN)	Refer to VS-30 board.
CN633F	(REF VIDEO IN)	Refer to VS-30 board.
CN634F	(REF VIDEO IN)	Refer to VS-30 board.
CN635F	(CF PULSE IN)	Refer to VS-30 board.
CN636F	(VIDEO-1 OUT)	Refer to VS-30 board.
CN637F	(VIDEO-2 OUT)	Refer to VS-30 board.
CN638F	(VIDEO-3 OUT)	Refer to VS-30 board.
CN639F	(FR PULSE OUT)	Refer to VS-30 board.
CN640F	(V MONITOR OUT)	Refer to VS-30 board.
CN641F	(WFM OUT)	Refer to VS-30 board.
CN651F	(REMOTE-3)	Refer to PA-56 board.
CN652F	(MONITOR SELECT)	Refer to PA-56 board.
CN653M	(TBC)	Refer to PA-56 board.
CN661F	(REMOTE-1)	Refer to SE-49 board.
CN662F	(REMOTE-2A IN)	Refer to SE-49 board.
CN663F	(REMOTE-2A OUT)	Refer to SE-49 board.
CN664F	(REMOTE-2A I/O)	Refer to SE-49 board.
CN701M	1-559-002-12 s	CABLE ASSY, 8P/8P 2m
	1-559-524-11 s	CABLE ASSY, 8P/8P 10m (OPTION)
CN705F	1-562-153-11 o	HOUSING, 8P
	1-563-088-11 o	CONTACT, FEMALE AWG24-30
CN706F	1-562-155-11 o	HOUSING, 10P
	1-563-088-11 o	CONTACT, FEMALE AWG24-30
CN707F	1-562-153-11 o	HOUSING, 8P
	1-563-088-11 o	CONTACT, FEMALE AWG24-30
CN708F	1-562-155-11 o	HOUSING, 10P
	1-563-088-11 o	CONTACT, FEMALE AWG24-30
CN803F	1-563-127-11 o	HOUSING, PS 26P
	1-563-115-11 o	CONTACT, FEMALE AWG24-28
CN804F	(for PS-A4)	
CN805F	(for PS-A4)	
CN806F	(for PS-A4)	
CN807F	(for PS-A4)	
	1-509-984-00 o	HOUSING, 1L 3P
	1-560-298-00 o	CONTACT, FEMALE AWG22-28
CN821F	1-563-122-11 o	HOUSING, PS 16P
	1-563-115-11 o	CONTACT, FEMALE AWG24-28

(FRAME, BVH-3000PS/3100PS)

Ref. No. or Qty	Part No.	SP Description
CN831F	1-562-155-11 o	HOUSING, 10P
	1-563-088-11 o	CONTACT, FEMALE AWG24-30
CN832F	1-562-148111 o	HOUSING, 3P
	1-563-088-11 o	CONTACT, FEMALE AWG24-30
CN901F	1-561-828-00 o	HOUSING, 3P
	1-561-067-00 o	CONTACT, FEMALE AWG14-20
CN902F	1-562-812-11 o	HOUSING, MIC 13P
	1-560-761-00 o	CONTACT, FEMALE AWG18-22
CN903F	1-509-987-00 o	HOUSING, 1L 6P
	1-560-298-00 o	CONTACT, FEMALE AWG22-28
CN904F	1-509-985-00 o	HOUSING, 1L 4P
	1-560-298-00 o	CONTACT, FEMALE AWG22-28
CN905F	1-562-810-11 o	HOUSING, MIC 5P
	1-560-761-00 o	CONTACT, FEMALE AWG18-22
CN906F	1-509-986-00 o	HOUSING, 1L 5P
	1-560-298-00 o	CONTACT, FEMALE AWG22-28
CN907F	1-561-858-00 o	HOUSING, MIC 17P
	1-560-761-00 o	CONTACT, FEMALE AWG18-22
CN908F	1-561-828-00 o	HOUSING, 3P
	1-561-067-00 o	CONTACT, FEMALE AWG14-20
H1	(V/S erase head)	
	8-825-725-10 s	HEAD, ERASE EF204-5102
H2	(audio/CTL erase head except PS-A4)	
	8-825-725-50 s	HEAD, ERASE EF204-5104B
H2	(audio/CTL erase head for PS-A4)	
	8-825-725-70 s	HEAD, ERASE EF204-5105A
H3	(audio/CTL R/P head except PS-A4)	
	8-825-771-01 s	HEAD, R/P PA77-5104F
H3	(audio/CTL R/P head for PS-A4)	
	8-825-737-61 s	HEAD, R/P PA77-5105B
H4	(audio monitor head except PS-A4)	
	8-825-770-91 s	HEAD, PB PA77-5102
H4	(audio monitor head for PS-A4)	
	8-825-737-71 s	HEAD, PB PA77-5105C
M1	(threading motor)	
	1-541-198-00 s	MOTOR, GEARED EN35-H1G9B
M2	(IP roller motor)	Refer to exploded view.
M3	(S-reel motor)	
	8-835-231-01 s	MOTOR, DC BHF-2202A
M4	(T-reel motor)	
	8-835-231-01 s	MOTOR, DC BHF-2202A
M5	(capstan motor)	
	8-835-232-01 s	MOTOR, DC BHF-2301A
M6	(drum motor)	not replaceable
M7	(fan on rear panel)	
	1-541-327-11 s	MOTOR, FAN, DC
M8	(fan on rear panel)	
	1-541-327-11 s	MOTOR, FAN, DC

NOTE : Please see pages D-42 and D-43 for the part numbers of capacitors and resistors that are not listed in the parts list.

(FRAME, BVH-3000PS/3100PS)

Ref. No.  
or Qty Part No. SP Description

M9 (fan on power unit)  
1-541-337-21 s MOTOR, FAN DC

M10 (S-side blower)  
1-541-424-11 s BLOWER

M11 (T-side blower)  
1-541-424-11 s BLOWER

ME1 (AUDIO-1 meter)  
1-520-450-12 s METER, VU

ME2 (AUDIO-2 meter)  
1-520-450-12 s METER, VU

ME3 (AUDIO-3/4 meter)  
1-520-450-12 s METER, VU

ME4 (VIDEO/RF meter)  
1-520-451-12 s METER, VIDEO/RF

PM1 (solenoid for S-reel brake)  
1-454-304-00 s SOLENOID

PM2 (solenoid for T-reel brake)  
1-454-304-00 s SOLENOID

PM3 (solenoid for pinch roller)  
1-454-432-11 s SOLENOID

S1 (POWER switch)  
1-570-936-11 s SWITCH, ROCKER

S631 (75-Ohm switch) Refer to VS-30 board.  
S632 (75-Ohm switch) Refer to VS-30 board.

TS1 (Thermal switch) Refer to SP-03 board.  
TS2 (Thermal switch) Refer to SP-03 board.  
TS201 (Thermal switch) Refer to SP-02 board.  
TS202 (Thermal switch) Refer to SP-02 board.  
TS301 (Thermal switch) Refer to SP-01 board.  
TS302 (Thermal switch) Refer to SP-01 board.

-----  
ACCESSORIES SUPPLIED, BVH-3000PS/3100PS  
-----

Ref.No.  
or Qty Part No. SP Description

1pc A-6001-007-A s EX-136 ASSY  
(Refer to "EX-136 board" for the components.)

1pc 1-506-421-00 s ADAPTOR, PLUG, PHONE  
1pc 1-565-515-11 s PLUG, D-SUB 37P MALE  
1pc 1-565-516-11 s PLUG, D-SUB 50P MALE  
1pc 1-563-378-11 s SHELL, D-SUB 37P  
1pc 1-563-379-11 s SHELL, D-SUB 50P

1pc 3-714-815-01 o SHEET, MAINTENANCE  
1pc 3-714-847-01 o SHEET, A, OVERLAY  
2pcs 3-714-847-11 o SHEET, B, OVERLAY  
2pcs 3-714-851-01 o LABEL, KEY ID  
4pcs 7-623-212-22 s SW 5, TYPE2

4pcs 7-682-578-04 s SCREW, #B5x16  
4pcs 7-688-005-03 s W5, SMALL

NOTE : Please see pages D-42 and D-43 for the  
part numbers of capacitors and resistors  
that are not listed in the parts list.

-----  
 OPTIONAL FIXTURE, BVH-3000PS/3100PS  
 -----

Ref.No. or Q'ty	Part No.	Description
	J-6040-160-A	PLATE, FLAT
	J-6040-460-A	SCREW, TAPERED
	J-6041-640-A	TENSION SCALE, 5kg
	J-6041-670-A	THICKNESS GAUGE
	J-6041-700-B	ALLEN WRENCH SET
	J-6041-770-A	TEST CLIP, IC, TC-16
	J-6041-780-A	TEST CLIP, IC, TC-20
	J-6043-720-A	BRAKE ADJUSTMENT FIXTURE
	J-6250-800-A	ADJUSTMENT GAUGE, DRUM ECCENTRICITY
	J-6250-810-A	ADJUSTMENT PIN, FOR ECCENTRICITY GAUGE
	J-6251-960-A	TENSION ADJUSTMENT TOOL
	J-6252-210-A	MICROSCOPE, HEAD TIP
	J-6252-330-A	TOOL KIT
	2-034-697-00	CLEANING PIECE
	7-700-733-01	ALIGNMENT SCREWDRIVER, SLOTTED HEAD
	7-700-751-02	NUT DRIVER, 5.5mm
	7-700-766-02	SCREWDRIVER, HEX, 1.4mm
	7-700-766-03	SCREWDRIVER, HEX, 2mm
	7-700-766-04	SCREWDRIVER, HEX, 2.5mm
	7-700-766-05	SCREWDRIVER, HEX, 3mm
	7-723-902-00	MIRROR, INSPECTION
	8-944-005-63	ALIGNMENT TAPE, BR5-2PS-A4



SECTION E  
CHANGED PARTS

=====  
UP TO #10999 (BVH-3000PS;EK)  
UP TO #11699 (BVH-3100PS;EK)  
=====

=====  
#11001 & UP (BVH-3000PS;EK)  
#11701 & UP (BVH-3100PS;EK)  
=====

ACCESSORIES SUPPLIED (BVH-3000PS/3100PS)

1pc 1-560-771-00 s PLUG, D-SUB 37P MALE.....1-565-515-11 s PLUG, D-SUB 37P MALE  
1pc 1-560-772-00 s PLUG, D-SUB 50P MALE.....1-565-516-11 s PLUG, D-SUB 50P MALE

=====  
UP TO #10799 (BVH-3000PS;EK)  
UP TO #11199 (BVH-3100PS;EK)  
=====

=====  
#10801 & UP (BVH-3000PS;EK)  
#11201 & UP (BVH-3100PS;EK)  
=====

V0-16 BOARD (BVH-3000PS/3100PS)

C233 1-124-282-00 s CAP, ELECT, NONPOLAR.....1-124-284-00 s CAP, ELECT, NONPOLAR  
22uF 20% 25V 10uF 20% 16V

=====  
UP TO #10899 (BVH-3000PS;EK)  
UP TO #11399 (BVH-3100PS;EK)  
=====

=====  
#10901 & UP (BVH-3000PS;EK)  
#11401 & UP (BVH-3100PS;EK)  
=====

VS-30 BOARD (BVH-3000PS/3100PS)

C100 NOT IN USE.....1-162-806-11 s CAP, CERAMIC 0.1uF 10% 50V  
C101 NOT IN USE.....1-107-157-00 s CAP, MICA 27pF 5% 500V

V0-16 BOARD (BVH-3000PS/3100PS)

R537 1-215-449-00 s RES, METAL 15K 1% 1/6W.....1-215-454-00 s RES, METAL 24K 1% 1/6W  
R539 1-215-401-00 s RES, METAL 150 1% 1/6W.....1-215-402-00 s RES, METAL 160 1% 1/6W

=====  
UP TO #10799 (BVH-3000PS;EK)  
UP TO #10999 (BVH-3100PS;EK)  
=====

=====  
#10801 & UP (BVH-3000PS;EK)  
#11001 & UP (BVH-3100PS;EK)  
=====

V0-16 BOARD (BVH-3000PS/3100PS)

R555 1-249-429-11 s RES, CARBON 10K 5% 1/4W.....1-249-430-11 s RES, CARBON 12K 5% 1/4W

CHANGED PARTS

=====  
UP TO #11099 (BVH-3000PS;EK)  
UP TO #11699 (BVH-3100PS;EK)  
=====

=====  
#11101 & UP (BVH-3000PS;EK)  
#11701 & UP (BVH-3100PS;EK)  
=====

VS-30 BOARD (BVH-3000PS/3100PS)

C70 1-109-554-00 s CAP, MICA 510PF 5% 500V.....1-164-127-11 s CAP, CERAMIC 510PF 5% 50V

=====  
UP TO #10799 (BVH-3000PS;EK)  
UP TO #11199 (BVH-3100PS;EK)  
=====

=====  
#10801 & UP (BVH-3000PS;EK)  
#11201 & UP (BVH-3100PS;EK)  
=====

AP-15 BOARD (BVH-3000PS/3100PS)

R33,35,39,40

1-215-477-00 s RES, METAL 220K 1% 1/6W.....1-215-453-00 s RES, METAL 22K 1% 1/6W

(for A4)

R457 1-249-415-11 s RES, CARBON 680 5% 1/4W.....1-249-417-11 s RES, METAL 1K 5% 1/4W

(for A4)

R458 1-247-897-11 s RES, CARBON 560K 5% 1/4W.....1-247-901-11 s RES, CARBON 820K 5% 1/4W

(for A4)

C445 1-130-487-00 s CAP, MYLAR 0.022uF 5% 50V.....1-130-485-00 s CAP, MYLAR 0.015uF 5% 50V

VO-16 BOARD (BVH-3000PS/3100PS)

R559 1-249-407-11 s RES, CARBON 150 5% 1/4W.....DELETED

C516 1-162-761-11 s CAP, CERAMIC 470PF 5% 50V.....DELETED

R801 1-249-385-11 s RES, CARBON 2.2 5% 1/4W.....DELETED

R554 1-249-429-11 s RES, CARBON 10K 5% 1/4W.....1-215-445-00 s RES, METAL 10K 1% 1/6W

R555 1-249-430-11 s RES, CARBON 12K 5% 1/4W.....1-215-445-00 s RES, METAL 10K 1% 1/6W

IC2,37 8-749-936-51 s IC, BX-365A.....8-749-900-63 s IC, BX-365AL

R17 1-215-432-00 s RES, METAL FILM 3 1% 1/6W.....1-249-401-11 s RES, CARBON (SMALL) 47 5% 1/4W

R503 1-215-382-00 s RES, METAL FILM 24 1% 1/6W.....1-215-381-00 s RES, METAL FILM 22 1% 1/6W

CK-27 BOARD (BVH-3000PS/BVH-3100PS)

C801 1-162-759-00 s CAP, CERAMIC 330PF 5% 50V.....1-162-710-11 s CAP, CERAMIC 100PF 5% 50V

=====
   
UP TO #10799 (BVH-3000PS;EK)
   
UP TO #10999 (BVH-3100PS;EK)
   
=====

=====
   
#10801 & UP (BVH-3000PS;EK)
   
#11001 & UP (BVH-3100PS;EK)
   
=====

CK-27 BOARD (BVH-3000PS/3100PS)

C804 1-102-111-00 s CAP, CERAMIC 270PF 10% 50V.....1-162-724-11 s CAP, CERAMIC 390PF 5% 50V

VO-16 BOARD (BVH-3000PS/3100PS)

R292 1-215-438-00 s RES, METAL 5.1K 1% 1/6W.....1-215-435-00 s RES, METAL 3.9K 1% 1/6W
   
R372 1-215-400-00 s RES, METAL 130 1% 1/6W.....1-215-398-00 s RES, METAL 110 1% 1/6W
   
R615 1-215-489-00 s RES, METAL 680K 1% 1/6W.....1-215-493-00 s RES, METAL 1M 1% 1/6W

=====
   
UP TO #10799 (BVH-3000PS;EK)
   
UP TO #11199 (BVH-3100PS;EK)
   
=====

=====
   
#10801 & UP (BVH-3000PS;EK)
   
#11201 & UP (BVH-3100PS;EK)
   
=====

SV-90 BOARD (BVH-3000PS/3100PS)

R51 1-249-441-11 s RES, CARBON 100K 5% 1/4W.....1-249-437-11 s RES, CARBON 47K 5% 1/4W
   
R80 1-247-891-00 s RES, CARBON 330K 5% 1/4W.....1-247-883-00 s RES, CARBON 150K 5% 1/4W
   
C45 1-130-471-00 s CAP, MYLAR 0.001uF 5% 50V.....1-130-479-00 s CAP, MYLAR 0.0047uF 5% 50V

=====
   
UP TO #10799 (BVH-3000PS;EK)
   
UP TO #10899 (BVH-3100PS;EK)
   
=====

=====
   
#10801 & UP (BVH-3000PS;EK)
   
#10901 & UP (BVH-3100PS;EK)
   
=====

SY-105 BOARD (BVH-3000PS/3100PS)

1CH11 8-759-780-41 s IC, EPROM 27C256-Y1A2-0-0.....8-759-783-80 s IC, EPROM 27C256-Y1A2-1-0
   
1CH12 8-759-780-40 s IC, EPROM 27C256-Y0A2-0-0.....8-759-783-79 s IC, EPROM 27C256-Y0A2-1-0

SV-90 BOARD (BVH-3000PS/3100PS)

1CN3 8-759-780-43 s IC, EPROM 27C256-V1U2-0-0.....8-759-783-76 s IC, EPROM 27C256-V1U2-1-0
   
1CN5 8-759-780-42 s IC, EPROM 27C256-V0U2-0-0.....8-759-783-75 s IC, EPROM 27C256-V0U2-1-0

**CHANGED PARTS**

=====  
UP TO #10799 (BVH-3000PS;EK)  
UP TO #11199 (BVH-3100PS;EK)  
=====

=====  
#10801 & UP (BVH-3000PS;EK)  
#11201 & UP (BVH-3100PS;EK)  
=====

CK-27 BOARD (BVH-3000PS/3100PS)

D20,21 8-719-911-19 s DIODE 1SS119.....DELETED

=====  
UP TO #10899 (BVH-3000PS;EK)  
UP TO #11199 (BVH-3100PS;EK)  
=====

=====  
#10901 & UP (BVH-3000PS;EK)  
#11201 & UP (BVH-3100PS;EK)  
=====

SV-90 BOARD (BVH-3000PS/3100PS)

ICN3 8-759-783-76 s IC, EPROM 27C256-V1U2-1-0.....8-759-784-82 s IC, MBM 27C256-V1U2-2-0  
ICN5 8-759-783-75 s IC, EPROM 27C256-V0U2-1-0.....8-759-784-81 s IC, MBM 27C256-V0U2-2-0

SY-103 BOARD (BVH-3000PS/BVH-3100PS)

ICH11 8-759-783-80 s IC, EPROM 27C256-Y1A2-1-0.....8-759-784-86 s IC, EPROM 27C256-Y1A2-2-0  
ICH12 8-759-783-79 s IC, EPROM 27C256-Y0A2-1-0.....8-759-784-85 s IC, EPROM 27C256-Y0A2-2-0

=====  
UP TO #10910 (BVH-3000PS;EK)  
UP TO #11699 (BVH-3100PS;EK)  
=====

=====  
#11001 & UP (BVH-3000PS;EK)  
#11701 & UP (BVH-3100PS;EK)  
=====

CK-27 BOARD (BVH-3000PS/3100PS)

C804 1-162-724-11 s CAP, CERAMIC 390PF 50V.....1-162-726-11 s CAP, CERAMIC 470PF 50V  
R804 1-215-431-00 s RES, METAL 2.7K 1% 1/6W.....1-215-425-00 s RES, METAL 1.5K 1% 1/6W  
R814 1-215-428-00 s RES, METAL 2K 1% 1/6W.....1-215-451-00 s RES, METAL 18K 1% 1/6W

RD-7 BOARD (BVH-3000PS/3100PS)

R327 1-215-486-00 s RES, METAL 510K 1% 1/6W.....1-215-483-00 s RES, METAL 390K 1% 1/6W  
R620 NOT IN USE.....1-249-429-11 s RES, CARBON 10K 5% 1/4W

=====  
 UP TO #10910 (BVH-3000PS;EK)  
 UP TO #11699 (BVH-3100PS;EK)  
 =====

=====  
 #11001 & UP (BVH-3000PS;EK)  
 #11701 & UP (BVH-3100PS;EK)  
 =====

VO-16 BOARD (BVH-3000PS/3100PS)

R705,706

NOT IN USE.....1-215-383-00 s RES, METAL 27 1 $\frac{1}{2}$  1/6W

R707,708

NOT IN USE.....1-215-403-00 s RES, METAL 180 1 $\frac{1}{2}$  1/6W

R292 1-215-438-00 s RES, METAL 5.1K 1 $\frac{1}{2}$  1/6W.....1-215-435-00 s RES, METAL 3.9K 1 $\frac{1}{2}$  1/6W

R372 1-215-400-00 s RES, METAL 130 1 $\frac{1}{2}$  1/6W.....1-215-398-00 s RES, METAL 110 1 $\frac{1}{2}$  1/6W

R615 1-215-489-00 s RES, METAL 680K 1 $\frac{1}{2}$  1/6W.....1-215-493-00 s RES, METAL 1M 1 $\frac{1}{2}$  1/6W

FB1,2,3,4

1-535-178-00 s RES, FERRITE.....DELETED

=====  
 UP TO #10999 (BVH-3000PS;EK)  
 UP TO #11599 (BVH-3100PS;EK)  
 =====

=====  
 #11001 & UP (BVH-3000PS;EK)  
 #11601 & UP (BVH-3100PS;EK)  
 =====

SV-90 BOARD (BVH-3000PS/3100PS)

ICN3 8-759-784-82 s IC, MBM 27C256-V1U2-2-0.....8-759-785-97 s IC, MBM 27C256A-V1U2-3-0

ICN5 8-759-784-81 s IC, MBM 27C256-V0U2-2-0.....8-759-785-98 s IC, MBM 27C256A-V0U2-3-0

=====  
 UP TO #10899 (BVH-3000PS;EK)  
 UP TO #11399 (BVH-3100PS;EK)  
 =====

=====  
 #10901 & UP (BVH-3000PS;EK)  
 #11401 & UP (BVH-3100PS;EK)  
 =====

SY-103 BOARD (BVH-3000PS/3100PS)

ICH11 8-759-784-86 s IC, MBM27C256-Y1A2-2-0.....8-759-786-12 s IC, MBM27C256A-Y1A2-3-0

ICH12 8-759-784-85 s IC, MBM27C256-Y0A2-2-0.....8-759-786-11 s IC, MBM27C256A-Y0A2-3-0

=====  
 UP TO #11099 (BVH-3000PS;EK)  
 UP TO #11999 (BVH-3100PS;EK)  
 =====

=====  
 #11101 & UP (BVH-3000PS;EK)  
 #12001 & UP (BVH-3100PS;EK)  
 =====

REEL TABLE ASSEMBLY (BVH-3000PS/3100PS)

SPRING COMPRESSION 3-558-760-00.....SPRING COMPRESSION 3-534-216-00

CHANGED PARTS

UP TO #11199 (BVH-3000PS;EK)  
UP TO #12299 (BVH-3100PS;EK)

#11201 & UP (BVH-3000PS;EK)  
#12301 & UP (BVH-3100PS;EK)

DD-7 BOARD (BVH-3000PS/3100PS)

Q12,13 8-769-350-01 s TRANSISTOR 2SC1762-1.....8-729-141-78 s TRANSISTOR 2SC3632-K  
Q5,8 8-769-350-02 s TRANSISTOR 2SC1762-2.....8-729-141-78 s TRANSISTOR 2SC3632-K  
Q4,6,7 8-769-360-01 s TRANSISTOR 2SA911-1.....8-729-118-43 s TRANSISTOR 2SA1413-L

RD-7 BOARD (BVH-3000PS/3100PS)

R98 1-215-457-00 s RES, METAL 33K 1% 1/6W.....1-215-456-00 s RES, METAL 30K 1% 1/6W

VO-16 BOARD (BVH-3000PS/3100PS)

D28 NOT IN USE.....8-719-911-19 s DIODE 1SS119

UP TO #11099 (BVH-3000PS;EK)  
UP TO #11999 (BVH-3100PS;EK)

#11101 & UP (BVH-3000PS;EK)  
#12001 & UP (BVH-3100PS;EK)

DS-19 BOARD (BVH-3000PS/3100PS)

CN005 NOT IN USE.....1-560-301-00 s RECEP 1L 4P MALE  
D21 NOT IN USE.....8-719-200-02 s DIODE 10E-2  
Q16 NOT IN USE.....8-729-900-61 s TRANSISTOR DTA114ES  
Q17 NOT IN USE.....8-729-378-84 s TRANSISTOR 2SD788-5  
R78 NOT IN USE.....1-249-413-11 s RES, CARBON 470 5% 1/4W  
R79 NOT IN USE.....1-249-425-11 s RES, CARBON 4.7K 5% 1/4W

UP TO #10999 (BVH-3000PS;EK)  
UP TO #11799 (BVH-3100PS;EK)

#11001 & UP (BVH-3000PS;EK)  
#11801 & UP (BVH-3100PS;EK)

VO-16 BOARD (BVH-3000PS/3100PS)

C851,852,853,854  
NOT IN USE.....1-101-005-00 s CAP, CERAMIC 0.022uF 50V  
C327,328,340,342  
1-101-005-00 s CAP, CERAMIC 0.022uF 50V.....1-124-927-11 s CAP, ELECT 4.7 20% 100V

=====
   
UP TO #10999 (BVH-3000PS;EK)
   
UP TO #11699 (BVH-3100PS;EK)
   
=====

=====
   
#11001 & UP (BVH-3000PS;EK)
   
#11701 & UP (BVH-3100PS;EK)
   
=====

SV-90 BOARD (BVH-3000PS/3100PS)

ICN3 8-759-785-97 s IC, MBM27C256-V1U2-3-0.....8-759-787-17 s IC, MBM27C256-V1U2-4-0
   
ICN5 8-759-785-98 s IC, MBM27C256-V0U2-3-0.....8-759-787-18 s IC, MBM27C256-V0U2-4-0

RD-7 BOARD (BVH-3000PS/3100PS)

ICM14 8-759-782-54 s IC, MBM27C64-RDU2-1-0.....8-759-787-19 s IC, MBM27C64-RDU2-2-0

=====
   
UP TO #11099 (BVH-3000PS;EK)
   
UP TO #12199 (BVH-3100PS;EK)
   
=====

=====
   
#11101 & UP (BVH-3000PS;EK)
   
#12201 & UP (BVH-3100PS;EK)
   
=====

SV-90 BOARD (BVH-3000PS/3100PS)

ICL12,N12,N14,N15,N17,N19
   
8-759-105-77 s IC UPD71054C.....8-752-806-91 s IC CXQ71054P

KC-14 BOARD (BVH-3000PS/3100PS)

BZ101 1-529-015-11 s BUZZER.....1-529-025-00 s BUZZER

RD-7 BOARD (BVH-3000PS/3100PS)

ICJ18,J19,J21,K15,K17,K18,K19,K21
   
8-759-105-77 s IC UPD71054C.....8-752-806-91 s IC CXQ71054P

SY-103 BOARD (BVH-3000PS/3100PS)

ICH8 8-759-105-77 s IC UPD71054C.....8-752-806-91 s IC CXQ71054P

=====
   
UP TO #10999 (BVH-3000PS;EK)
   
UP TO #11899 (BVH-3100PS;EK)
   
=====

=====
   
#11001 & UP (BVH-3000PS;EK)
   
#11901 & UP (BVH-3100PS;EK)
   
=====

FRONT PANEL ASSEMBLY (BVH-3000PS/3100PS)

PANEL ASSY, REEL o A-6004-166-B.....PANEL ASSY, REEL o A-6004-166-C

CHANGED PARTS

=====  
UP TO #11199 (BVH-3000PS;EK)  
UP TO #12399 (BVH-3100PS;EK)  
=====

=====  
#11201 & UP (BVH-3000PS;EK)  
#12401 & UP (BVH-3100PS;EK)  
=====

SV-90 BOARD (BVH-3000PS/3100PS)

10C7,C9 8-759-240-53 s TC4053BP.....8-759-208-10 s TC4053BPHB

10E4,E8,F10,F11  
8-759-240-51 s TC4051BP.....8-759-208-06 s TC4051BPHB

CK-27 BOARD (BVH-3000PS/3100PS)

10P2,P20  
8-759-240-53 s TC4053BP.....8-759-208-10 s TC4053BPHB

AU-88 BOARD (BVH-3000PS/3100PS)

10E20,721,722  
8-759-240-51 s TC4051BP.....8-759-208-06 s TC4051BPHB

=====  
UP TO #11299 (BVH-3000PS;EK)  
UP TO #12499 (BVH-3100PS;EK)  
=====

=====  
#11301 & UP (BVH-3000PS;EK)  
#12501 & UP (BVH-3100PS;EK)  
=====

VO-16 BOARD (BVH-3000PS/3100PS)

FL1,2 1-235-961-11 s FILTER, LOW-PASS.....1-235-961-12 s FILTER, LOW-PASS



=====  
UP TO #11099 (BVH-3000PS;EK)  
UP TO #11299 (BVH-3100PS;EK)  
=====

=====  
#11101 & UP (BVH-3000PS;EK)  
#11301 & UP (BVH-3100PS;EK)  
=====

RD-7 BOARD (BVH-3000PS/3100PS)

R98 1-215-456-00 S RES, METAL 30k 5% 2W.....1-215-455-00 S RES, METAL 27k 1% 1/6W

=====  
UP TO #11199 (BVH-3000PS;EK)  
UP TO #11499 (BVH-3100PS;EK)  
=====

=====  
#11201 & UP (BVH-3000PS;EK)  
#11501 & UP (BVH-3100PS;EK)  
=====

SV-90 BOARD (BVH-3000PS/3100PS)

ICN3 8-759-787-17 S IC MBM27C256A-V1U2-4-0.....8-759-741-94 S IC MBM27C256A-V1U3-0-0  
ICN5 8-759-787-18 S IC MBM27C256A-V0U2-4-0.....8-759-741-93 S IC MBM27C256A-V0U3-0-0

=====  
UP TO #11299 (BVH-3000PS;EK)  
UP TO #12599 (BVH-3100PS;EK)  
=====

=====  
#11301 & UP (BVH-3000PS;EK)  
#12601 & UP (BVH-3100PS;EK)  
=====

SY-103 BOARD (BVH-3000PS/3100PS)

ICH11 8-759-786-12 S IC MBM27C256A-Y1A2-3-0.....8-759-742-99 S IC MBM27C256A-Y1A2-4-0  
ICH12 8-759-786-11 S IC MBM27C256A-Y0A2-3-0.....8-759-742-98 S IC MBM27C256A-Y0A2-4-0

=====  
UP TO #11299 (BVH-3000PS;EK)  
UP TO #12699 (BVH-3100PS;EK)  
=====

=====  
#11301 & UP (BVH-3000PS;EK)  
#12701 & UP (BVH-3100PS;EK)  
=====

SV-90 BOARD (BVH-3000PS/3100PS)

ICN3 8-759-741-94 S IC MBM27C256A-V1U3-0-0.....8-759-742-76 S IC MBM27C256A-V1U3-1-0  
ICN5 8-759-741-93 S IC MBM27C256A-V0U3-0-0.....8-759-742-75 S IC MBM27C256A-V0U3-1-0

VO-16 BOARD (BVH-3000PS/3100PS)

C750 1-101-005-00 S CAP, CERAMIC 0.022uF 50V.....DELETED

**HANGED PARTS**

=====  
UP TO #11299 (BVH-3000PS;EK)  
UP TO #12799 (BVH-3100PS;EK)  
=====

=====  
#11301 & UP (BVH-3000PS;EK)  
#12801 & UP (BVH-3100PS;EK)  
=====

AU-88 BOARD (BVH-3000PS/3100PS)

IC6 8-759-202-17 S IC TC74HC14P.....8-759-916-20 S IC SN74HC14N

CK-27 BOARD (BVH-3000PS/3100PS)

ICN1, N2  
8-759-203-21 S IC TC74HC273P.....8-759-916-79 S IC SN74HC273N

DS-19 BOARD (BVH-3000PS/3100PS)

IC2 8-759-202-17 S IC TC74HC14P.....8-759-916-20 S IC SN74HC14N

KC-14 BOARD (BVH-3000PS/3100PS)

ICE7 8-759-000-99 S IC MC74HC74N.....8-759-916-29 S IC SN74HC74N

KY-103 BOARD (BVH-3000PS/3100PS)

IC7, 8, 9, 10, 11, 12  
8-759-203-21 S IC TC74HC273P.....8-759-916-79 S IC SN74HC273N

RD-7 BOARD (BVH-3000PS/3100PS)

ICK2, M15  
8-759-202-56 S IC TC74HC245P.....8-759-921-34 S IC SN74HC245N  
ICJ16 8-759-202-12 S IC TC74HC02P.....8-759-921-08 S IC SN74HC02N  
ICJ17 8-759-203-21 S IC TC74HC273P.....8-759-916-79 S IC SN74HC273N  
ICL15 8-759-202-95 S IC TC74HC155P.....8-759-232-62 S IC TC74HC155AP

SV-90 BOARD (BVH-3000PS/3100PS)

IC86, H10, K8  
8-759-202-12 S IC TC74HC02P.....8-759-921-08 S IC SN74HC02N  
ICD13, E17, F17  
8-759-202-27 S IC TC74HC157P.....8-759-916-50 S IC SN74HC157N  
ICD16, D17, M1, M2  
8-759-202-56 S IC TC74HC245P.....8-759-921-34 S IC SN74HC245N  
ICG7 8-759-202-33 S IC TC74HC240P.....8-759-916-65 S IC SN74HC240N  
ICH19 8-759-202-17 S IC TC74HC14P.....8-759-916-20 S IC SN74HC14N  
ICJ7, J9, J12, J20  
ICK11, M9, M10, N2  
8-759-202-22 S IC TC74HC74P.....8-759-916-29 S IC SN74HC74N

SY-103 BOARD (BVH-3000PS/3100PS)

C187 NOT IN USE.....1-102-110-00 S CAP, CERAMIC 220PF 10% 55V  
ICA1, B1, H1, J11  
8-759-202-17 S IC TC74HC14P.....8-759-916-20 S IC SN74HC14N  
ICA10, B7, C8, E5  
ICG12, J9, K11  
8-759-000-99 S IC MC74HC74N.....8-759-916-29 S IC TC74HC74N  
ICD8, H2, H3, H4  
8-759-202-27 S IC TC74HC157P.....8-759-916-50 S IC SN74HC157N  
ICD14 8-759-202-33 S IC TC74HC240P.....8-759-916-65 S IC SN74HC240N  
ICJ4, J13, K1, K2  
8-759-202-56 S IC TC74HC245P.....8-759-921-34 S IC SN74HC245N