

# SONY®

## VIDEOREORDER

# BVH-2000PS



The function control panel, side panels and handles in this photograph shown are optionally available.

Le panneau de contrôle des fonction, les panneaux latéraux et les poignées présentés sur cette photographie sont disponibles comme équipements en option.

Das hier abgebildete Bedienungspult, die Seitenteile und die Griffe sind gesondert lieferbares Zubehör.



## OPERATION AND MAINTENANCE MANUAL

### Volume 4 1st Edition (Revised 9)

Serial No. 10001 and Higher

### ご注意

このマニュアルに記載されている事柄の著作権は当社にあり、説明内容は機器購入者の使用を目的としています。

従って、当社の許可なしに無断で複写したり、説明内容(操作、保守等)と異なる目的で本マニュアルを使用することを禁止します。

### CONFIDENTIAL

The material contained in this manual consists of information that is the property of Sony Corporation and is intended solely for use by the purchasers of the equipment described in this manual.

Sony Corporation expressly prohibits the duplication of any portion of this manual or the use thereof for any purpose other than the operation or maintenance of the equipment described in this manual without the express written permission of Sony Corporation.

### CONFIDENTIEL

Le matériel contenu dans ce manuel consiste en informations qui sont la propriété de Sony Corporation et sont destinées exclusivement à l'usage des acquéreurs de l'équipement décrit dans ce manuel.

Sony Corporation interdit formellement la copie de quelque partie que ce soit de ce manuel ou son emploi pour tout autre but que des opérations ou entretiens de l'équipement à moins d'une permission écrite de Sony Corporation.

### VERTRAULICH

Das in dieser Anleitung enthaltene Material besteht aus Informationen, die Eigentum der Sony Corporation sind, und ausschließlich zum Gebrauch durch den Käufer der in dieser Anleitung beschriebenen Ausrüstung bestimmt sind.

Die Sony Corporation untersagt ausdrücklich die Vervielfältigung jeglicher Teile dieser Anleitung oder den Gebrauch derselben für irgendeinen anderen Zweck als die Bedienung oder Wartung der in dieser Anleitung beschriebenen Ausrüstung ohne ausdrückliche schriftliche Erlaubnis der Sony Corporation.

# TABLE OF CONTENTS

## Volume 1

- 1. OPERATION
- 1. FONCTIONNEMENT
- 1. BETRIEB

## Volume 2

- 2. INSTALLATION
- 3. PERIODIC CHECK & MAINTENANCE
- 4. SERVICE INFORMATION
- 5. THEORY OF OPERATION
- 6. REPLACEMENT
- 7. GENERAL INFORMATION FOR ALIGNMENT
- 8. PREPARATION FOR ALIGNMENT
- 9. POWER SUPPLY SYSTEM ALIGNMENT
- 10. TAPE PATH SYSTEM ALIGNMENT
- 11. SERVO SYSTEM ALIGNMENT
- 12. AUDIO SIGNAL SYSTEM ALIGNMENT
- 13. VIDEO SIGNAL SYSTEM ALIGNMENT
- 14. DT SYSTEM ALIGNMENT

## Volume 3

- A. BLOCK DIAGRAMS
- B. SEMICONDUCTOR PIN ASSIGNMENTS
- C. SCHEMATIC DIAGRAMS & BOARD LAYOUT

## Volume 4

### D. REPLACEABLE PARTS & OPTIONAL FIXTURE

Front Panel Assy	D-3
Power Supply Assy	D-6
Connector Panel Assy	D-9
Card Rack Assy	D-11
Level Control Panel Assy	D-13
Reel Table Assy	D-16
Tension Arm & Timer Roller Assy	D-19
Head Drum Assy	D-22
Movable Guide Assy	D-25
Capstan & Mini Tension Arm Assy	D-27
Stationary Head Assy	D-29
PC Board & Panel Bracket on Front	D-31
Tape Transport Rear Assy	D-33

### CARD RACK

AU-27 Board	D-37
AE-03 Board	D-39
EQ-02 Board	D-49
DM-25 Board	D-56 (5/5)
MD-14 Board	D-60 (5/5)
LG-02 Board (Serial No. #1XXXX)	D-64
LG-02 (A) Board (Serial No. #2XXXX)	D-65 (2/3)
SY-79 Board	D-66
SY-80 Board	D-67
SV-43 Board	D-69
RL-12 Board	D-70
CD-17 Board	D-74
SR-15 Board	D-77
DT-05 Board (For 02/04 Model)	D-80
MB-14 Board	D-83

### TAPE TRANSPORT

AP-06 Board	D-84
BE-02 Board	D-91
BE-03 Board	D-94
BE-04 Board	D-97
DR-13 Board (For 02/04 Model)	D-97
DR-20 Board (For 00 Model)	D-97
SL-07 Board (For 02/04 Model)	D-97
SL-08 Board (For 02/04 Model)	D-97
SL-09 Board (For 02/04 Model)	D-97
RP-09 Board	D-98
DD-01 Board (For 02/04 Model)	D-99
DA-07 Board	D-100
CA-09 Board	D-102
RA-05 Board	D-105
TT-01 Board	D-108

HM-06 Board	D-110
TM-16 Board	D-110
HM-05 Board	D-110
MOTOR Board	D-110
TD-05 Board	D-110
TH-03 Board	D-111
TR-07 Board	D-111
HD-06 Board	D-111
CEH-2 Board	D-111
HD-07 Board (For 00/02 Model)	D-111
HD-08 Board (For 04 Model)	D-111

## E. CHANGED PARTS

### LEVEL CONTROL PANEL

VR-05 Board (For 00/02 Model)	D-111
VR-07 Board (For 04 Model)	D-112
ML-02 Board (For 00/02 Model)	D-113
ML-03 Board (For 04 Model)	D-113
MS-07 Board (For 00/02 Model)	D-114
MS-08 Board (For 04 Model)	D-114

### POWER SUPPLY

AC-39 Board	D-114
FV-02 Board	D-116
VV-01 Board	D-117
FV-01 Board	D-119
PS-14 Board	D-122
CN-54 Board	D-125

### CONNECTOR PANEL

LA-02 Board	D-125
VM-01 Board	D-131
CN-37 Board	D-134
CN-49 Board	D-134


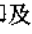
Frame	D-135
Accessories Supplied	D-139
Optional Fixture	D-139

## SECTION D

### REPLACEABLE PARTS AND OPTIONAL FIXTURE

#### 補修用部品注意事項

##### (1) 安全重要部品

分解図、電気部品表中、印及びで囲まれた部品は安全性を維持するために重要な部品である。従ってこれらの部品を交換するときには必ず指定の部品と交換すること。

##### (2) 部品の共通化

ソニーから供給される部品はセットに実装されているものと異なることがある。これは部品の共通化、改良等によるものである。

分解図や電気部品表には現時点での共通化された部品が記載されている。

##### (3) 部品の変更に関する情報はSECTION E CHANGED PARTSの項を参照のこと。

##### (4) 部品の在庫

部品表中、( )で示されている部品は交換頻度が低い部品であるので在庫していないことがあり、納期が長くなることもある。

##### (5) コンデンサー、インダクター、抵抗の単位

回路図、分解図、電気部品表中、特に明記したものを除き、下記の単位は省略されている。


コンデンサー： $\mu\text{F}$

インダクター： $\mu\text{H}$

抵抗： $\Omega$

#### Notes on Repair Parts

##### (1) Safety Related Components Warning

Components identified by shading marked with  on the exploded views and electrical spare parts list are critical to safe operation. Replace these components with Sony parts whose part numbers appear in this manual or in service bulletins and service manual supplements published by Sony.

##### (2) Standardization of Parts

Repair parts supplied from Sony Parts Center may not be always identical with the part which actually in use due to "accommodating the improved parts and/or engineering changes" or "standardization of genuine parts".

This manual's exploded views and electrical spare parts list are indicating the parts numbers of "the standardized genuine parts at present".

Regarding engineering parts changes in our engineering department, refer to SECTION E CHANGED PARTS.

##### (3) Stock of Parts

Parts marked with ( ) on the spare parts list are not normally required for routine service work. Orders for parts marked with ( ) will be processed, but allow for additional delivery time.

##### (5) Units for Capacitors, Inductors and Resistors

The following units are assumed in schematic diagrams, electrical parts list and exploded views unless otherwise specified:

Capacitors:  $\mu\text{F}$

Inductors:  $\mu\text{H}$

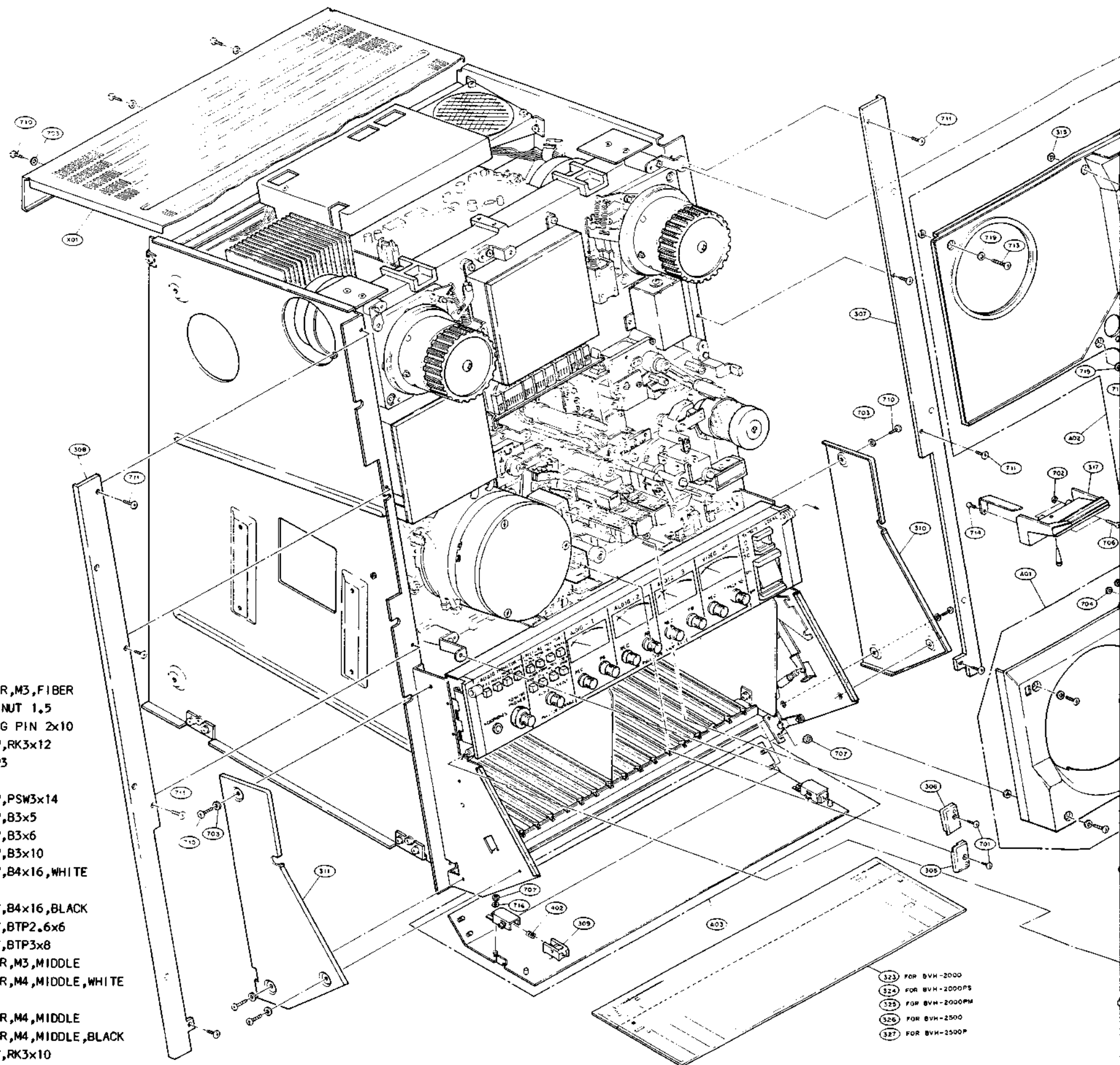
Resistors: ohm

## FRONT PANEL ASSEMBLIES (BVH-2000/2500)

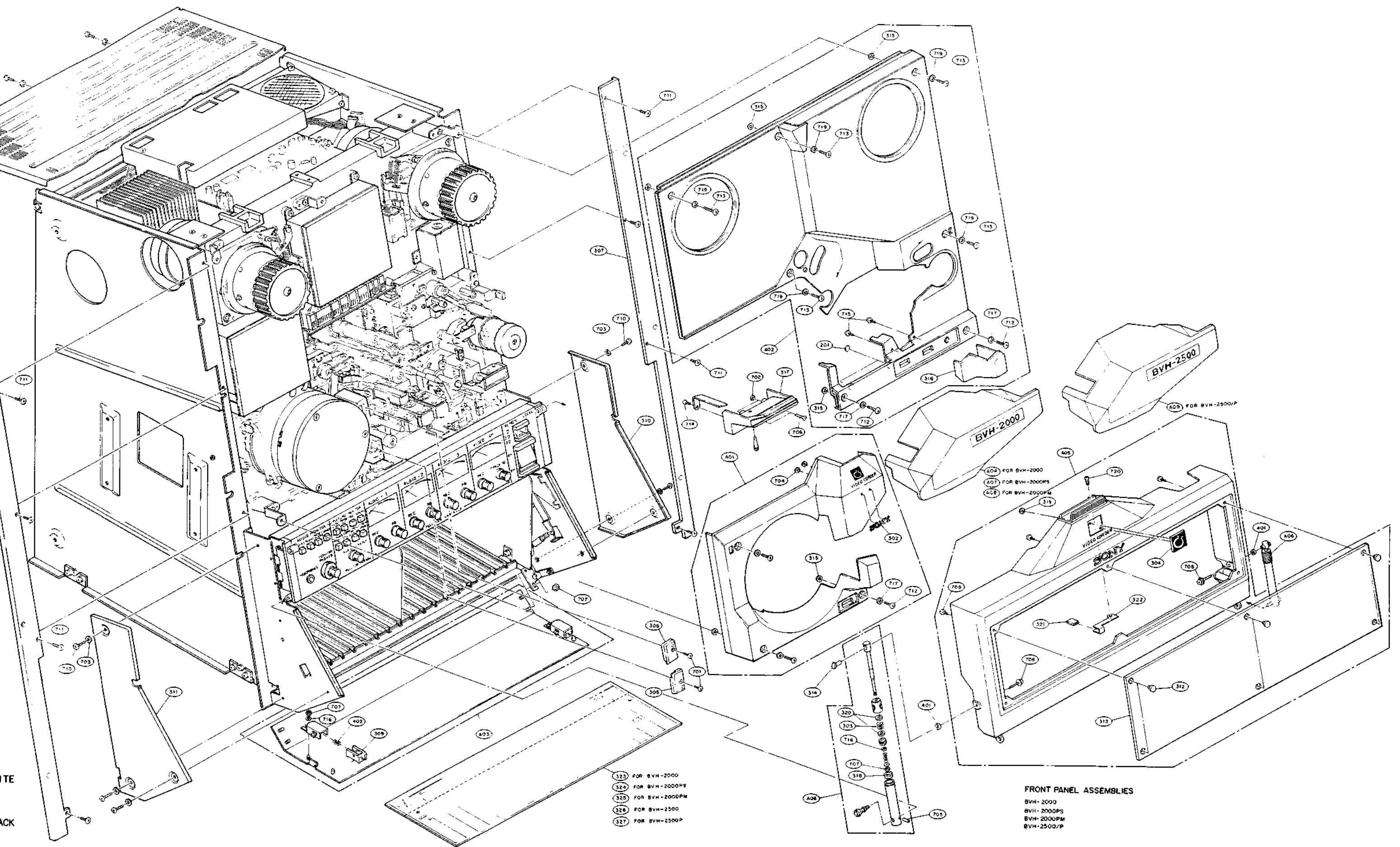
No.	Part No.	Description
A01 ( )	A-6004-108-A	PANEL ASSY,DRUM
A02 ( )	A-6004-127-B	PANEL ASSY,REEL
A03 ( )	A-6004-110-C	PANEL(1) ASSY,PCB INDICATION
A04 ( )	A-6004-112-A	COVER ASSY,HEAD (for BVH-2000)
A05 ( )	A-6004-113-B	COVER ASSY
A06 ( )	A-6004-114-C	DAMPER ASSY
A07 ( )	A-6004-118-A	COVER ASSY,HEAD (for BVH-2000PS)
A08 ( )	A-6004-120-A	COVER ASSY,HEAD (for BVH-2000PM)
A09 ( )	A-6004-128-A	COVER ASSY,HEAD (for BVH-2500)
X01 ( )	X-3673-646-0	LID ASSY,UPPER
201	2-523-667-00	CUSHION
302 ( )	3-566-707-00	EMBLEM,SONY
303	3-575-368-00	SPRING,COMPRESSION
304	3-657-977-00	EMBLEM,OMEGA
305 ( )	3-673-869-00	COVER(T),GUIDE
306 ( )	3-673-870-00	COVER(S),GUIDE
307 ( )	3-673-881-00	SASH(RIGHT),ORNAMENTAL
308 ( )	3-673-882-00	SASH(LEFT),ORNAMENTAL
309 ( )	3-673-883-00	KNOB LOCK
310 ( )	3-673-917-00	PLATE(R),ORNAMENTAL
311 ( )	3-673-918-00	PLATE(L),ORNAMENTAL
312 ( )	3-673-944-00	NUT,M3,ORNAMENTAL
313 ( )	3-673-946-00	GLASS,WINDOW
314	3-673-965-00	SHAFT,FITTING,DAMPER
315 ( )	3-673-968-00	STOPPER,SCREW
316 ( )	3-673-971-00	COVER,CAPSTAN
317 ( )	3-673-985-00	COVER,FRONT SHIELD
318 ( )	3-815-122-00	BUSHING,RUBBER
319	3-840-411-00	PUSH NUT 2.4
320	3-701-441-21	WASHER,M4,POLY
321 ( )	3-673-784-00	CAP
322 ( )	3-680-318-00	COVER,STOPPER
323	3-674-608-00	LABEL(1),PC BOARD (for BVH-2000)
324	3-674-685-00	LABEL(2),PC BOARD (for BVH-2000PS)
325	3-674-694-00	LABEL(3),PC BOARD (for BVH-2000PM)
326	3-680-356-01	LABEL,PC BOARD(1) (for BVH-2500)
327	3-680-376-01	LABEL(2),PC BOARD (for BVH-2500P)
401 ( )	4-324-412-00	SPACER
402	4-864-521-00	SPRING COMPRESSION
701	7-621-912-30	SCREW,B2.6x6
702	7-623-923-01	WASHER,M2.6,POLY

D-3

703	7-623-954-51	WASHER,M3,FIBER
704	7-624-200-11	PUSH NUT 1.5
705	7-626-301-31	SPRING PIN 2x10
706	7-682-350-04	SCREW,RK3x12
707	7-684-023-04	NUT,M3
708	7-686-531-01	SCREW,PSW3x14
709	7-686-623-04	SCREW,B3x5
710	7-686-624-09	SCREW,B3x6
711	7-686-626-04	SCREW,B3x10
712	7-686-639-04	SCREW,B4x16,WHITE
713	7-686-639-09	SCREW,B4x16,BLACK
714	7-687-603-14	SCREW,BTP2.6x6
715	7-687-614-14	SCREW,BTP3x8
716	7-688-003-11	WASHER,M3,MIDDLE
717	7-688-004-13	WASHER,M4,MIDDLE,WHITE
718	7-688-004-11	WASHER,M4,MIDDLE
719	7-688-004-12	WASHER,M4,MIDDLE,BLACK
720	7-682-349-04	SCREW,RK3x10



D-4



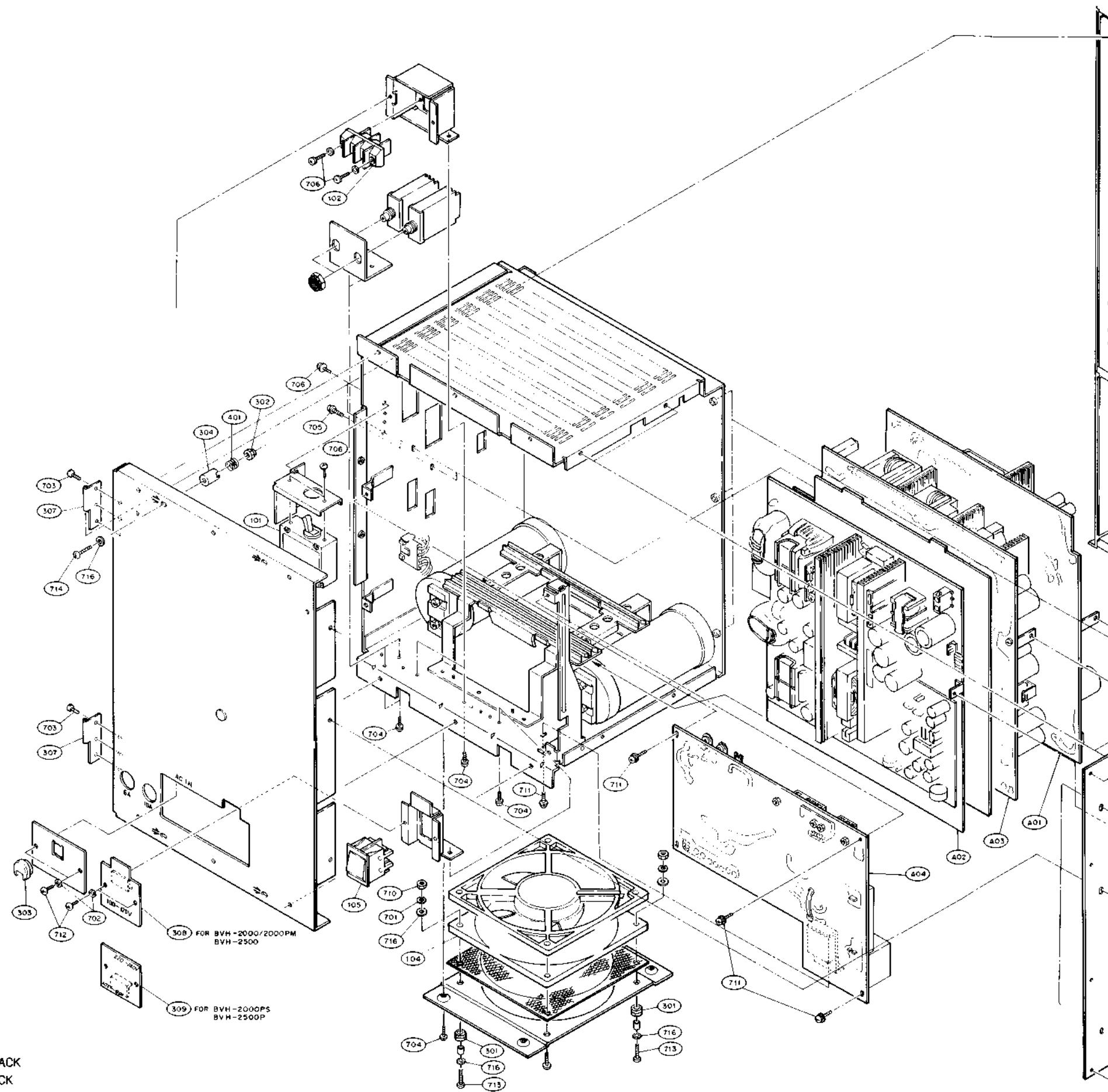
ITE  
ACK

- 323 FOR BVH-2000
- 324 FOR BVH-2000PS
- 325 FOR BVH-2000PM
- 326 FOR BVH-2500
- 327 FOR BVH-2500P

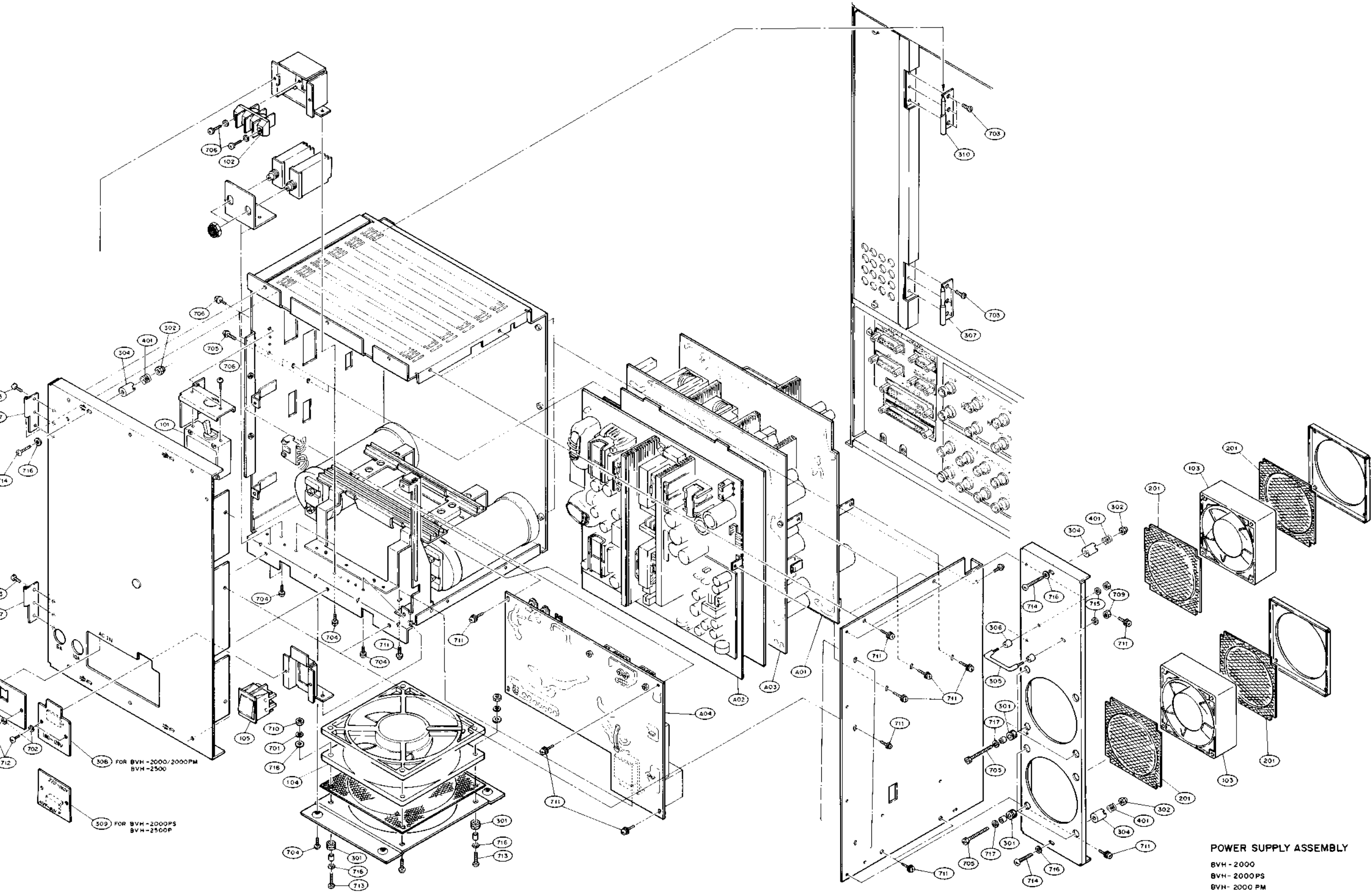
- FRONT PANEL ASSEMBLIES**  
 BVH-2000  
 BVH-2000PS  
 BVH-2000PM  
 BVH-2500/P

POWER SUPPLY ASSEMBLY (BVH-2000/2500)

No.	Part No.	Description
A01 ( )	A-4925-002-A	COMPLETE PCB,FV-01
A02 ( )	A-4925-004-A	COMPLETE PCB,FV-02
A03 ( )	A-4925-003-A	COMPLETE PCB,VV-01
A04 ( )	A-4925-001-A	COMPLETE PCB,AC-39
101	1-532-653-00	CIRCUIT PROTECTOR, 50mA/65V
102 ( )	1-536-712-11	TERMINAL BOARD,2P
103	1-541-170-21	FAN,DC 12V,FB-08812HA
104	1-541-203-00	FAN,DC 12V,FB-12C12L
105	1-554-145-00	SWITCH,ROCKER
201 ( )	2-252-609-00	COVER,FAN
301 ( )	3-630-837-00	BUSHING
302 ( )	3-680-316-00	NUT,M4,NYLON
303	3-649-728-00	STOPPER,CORD
304 ( )	3-651-849-00	SPACER,PANEL
305 ( )	3-657-653-00	ARM,GUARD
306 ( )	3-657-654-00	RING,ORNAMENTAL
307 ( )	3-673-774-00	HINGE
308 ( )	3-674-641-00	COVER,VS (for BVH-2000/PM) (for BVH-2500)
309 ( )	3-674-642-00	COVER,VS (for BVH-2000PS)
310 ( )	3-673-774-11	HINGE
401 ( )	3-303-890-01	SPRING,COMPRESSION
701	7-623-210-22	SPRING WASHER,M4
702	7-623-954-41	WASHER,M3,FIBER
703	7-686-624-09	SCREW,B3x6
704	7-682-547-09	SCREW,+B3x6
705	7-682-571-09	SCREW,B4x45
706	7-682-648-01	SCREW,+PS3x8
707	7-682-651-01	SCREW,PS3x14
708	7-682-948-01	SCREW,+PSW3x8
709	7-684-023-04	NUT,M3
710	7-684-024-04	NUT,M4
711	7-686-528-01	SCREW,PSW3x8
712	7-686-625-09	SCREW,B3x8
713	7-686-639-04	SCREW,B4x16
714	7-686-640-09	SCREW,B4x20
715	7-688-003-11	WASHER,M3,MIDDLE
716	7-688-004-12	WASHER,M4,MIDDLE,BLACK
717	7-688-005-02	WASHER,M5,SMALL,BLACK







D-7

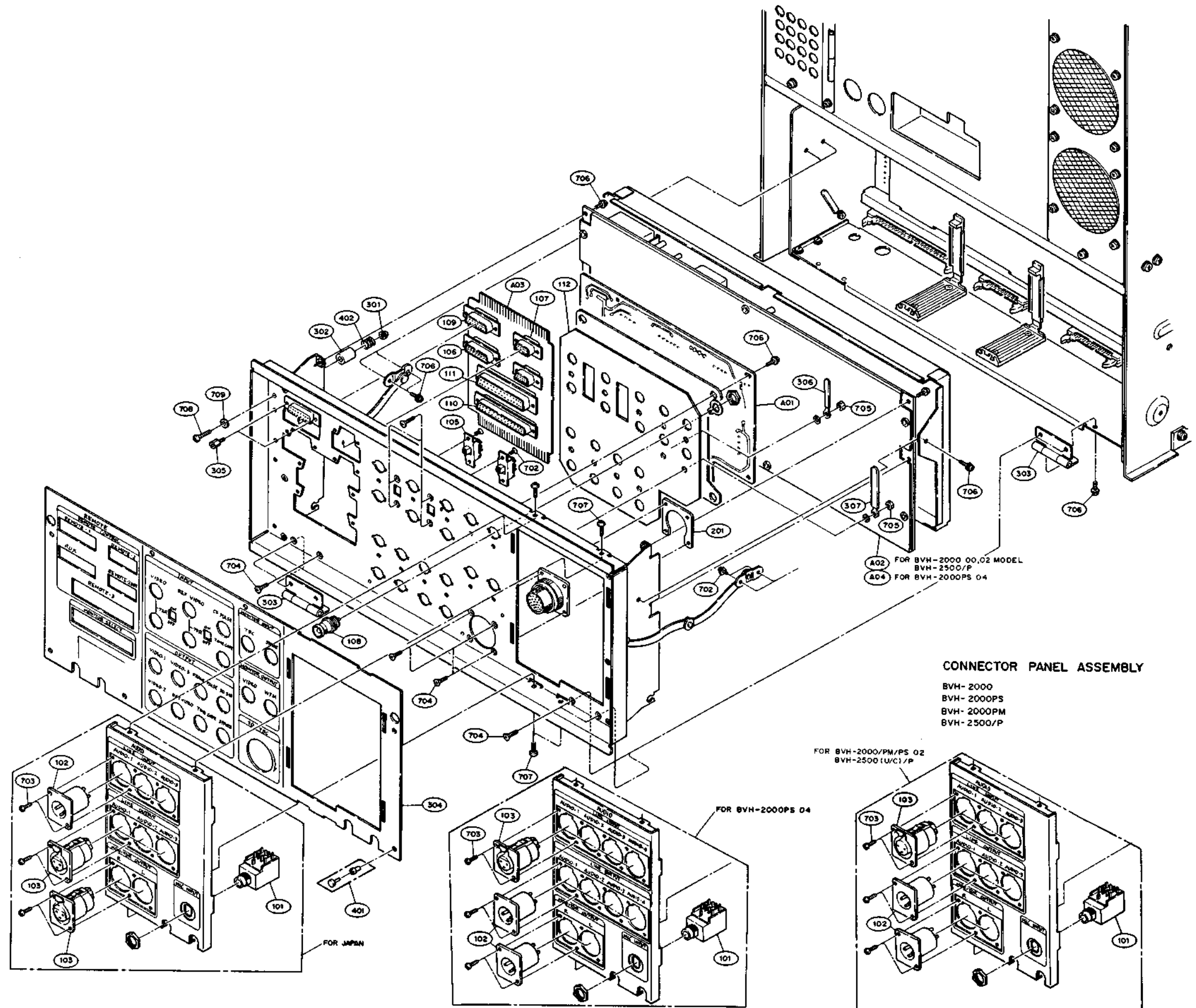
D-8

POWER SUPPLY ASSEMBLY

- BVH-2000
- BVH-2000PS
- BVH-2000 PM
- BVH-2500/P

## CONNECTOR PANEL ASSEMBLY (BVH-2000/2500)

No.	Part No.	Description
A01 ( )	A-6011-062-A	COMPLETE PCB, VM-01
A02 ( )	A-6013-043-A	COMPLETE PCB, LA-02 (for BVH-2000/PS/PM 00,02) (for BVH-2500)
A03 ( )	A-6025-082-A	COMPLETE PCB, CN-49
A04 ( )	A-6013-057-A	COMPLETE PCB, LA-02 (for BVH-2000PS 04)
101	1-507-552-21	JACK, PHONE
102	1-509-176-31	RECEP., XLR-3P, MALE
103	1-509-184-31	RECEP., XLR-3P, FEMALE
104	1-509-471-00	RECEP., 18P, FEMALE
105	1-552-078-00	SWITCH, SLIDE
106 ( )	1-560-769-00	RECEP., D-SUB, 15-PIN, MALE
107	1-561-655-00	RECEP., D-SUB, 9-PIN, FEMALE
108	1-561-781-21	RECEP., BNC
109 ( )	1-561-897-00	RECEP., D-SUB, 15-PIN, FEMALE
110 ( )	1-561-898-00	RECEP., D-SUB, 37-PIN, FEMALE
111 ( )	1-561-899-00	RECEP., D-SUB, 50-PIN, FEMALE
112 ( )	1-606-713-00	CN-37 BOARD (WITHOUT COMPONENT)
201	2-090-229-00	NUT, PLATE
301 ( )	3-680-316-00	NUT, M4, NYLON
302 ( )	3-651-849-00	SPACER, PANEL
303	3-651-875-00	HINGE, FRONT
304 ( )	3-673-859-02	LABEL, CONNECTOR
305 ( )	3-673-910-00	SCREW, CONNECTOR
306 ( )	3-701-822-00	HOLDER, WIRE
307 ( )	3-703-150-00	HOLDER, WIRE
401	4-812-134-11	RIVET, NYLON
402 ( )	3-303-890-01	SPRING, COMPRESSION
701	7-621-559-20	SCREW, K2, 6x4
702	7-621-559-30	SCREW, K2, 6x5
703	7-621-912-38	SCREW, B2, 6x6
704	7-682-247-09	SCREW, K3x6
705	7-684-023-04	NUT, M3
706	7-686-527-01	SCREW, PSW3x6
707	7-686-625-09	SCREW, B3x8
708	7-686-640-09	SCREW, B4x20
709	7-688-004-12	WASHER, M4, MIDDLE, BLACK



CONNECTOR PANEL ASSEMBLY

BVH- 2000  
BVH- 2000PS  
BVH- 2000PM  
BVH- 2500/P

FOR BVH-2000/PM/PS 02  
BVH-2500 (U/C)/P

FOR BVH-2000PS 04

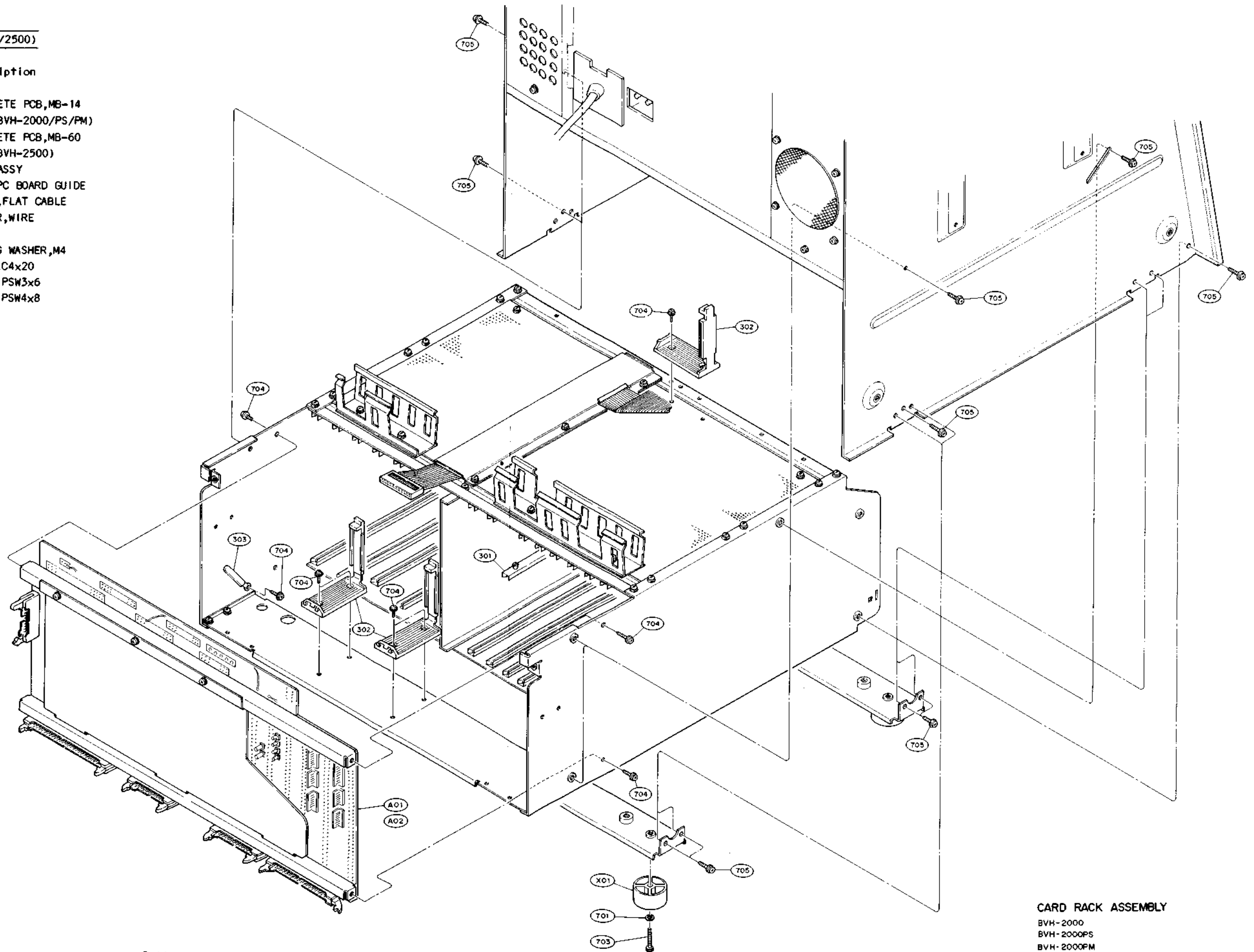
FOR JAPAN

CARD RACK ASSY

CARD RACK ASSY

CARD RACK ASSEMBLY BVH-2000/2500)

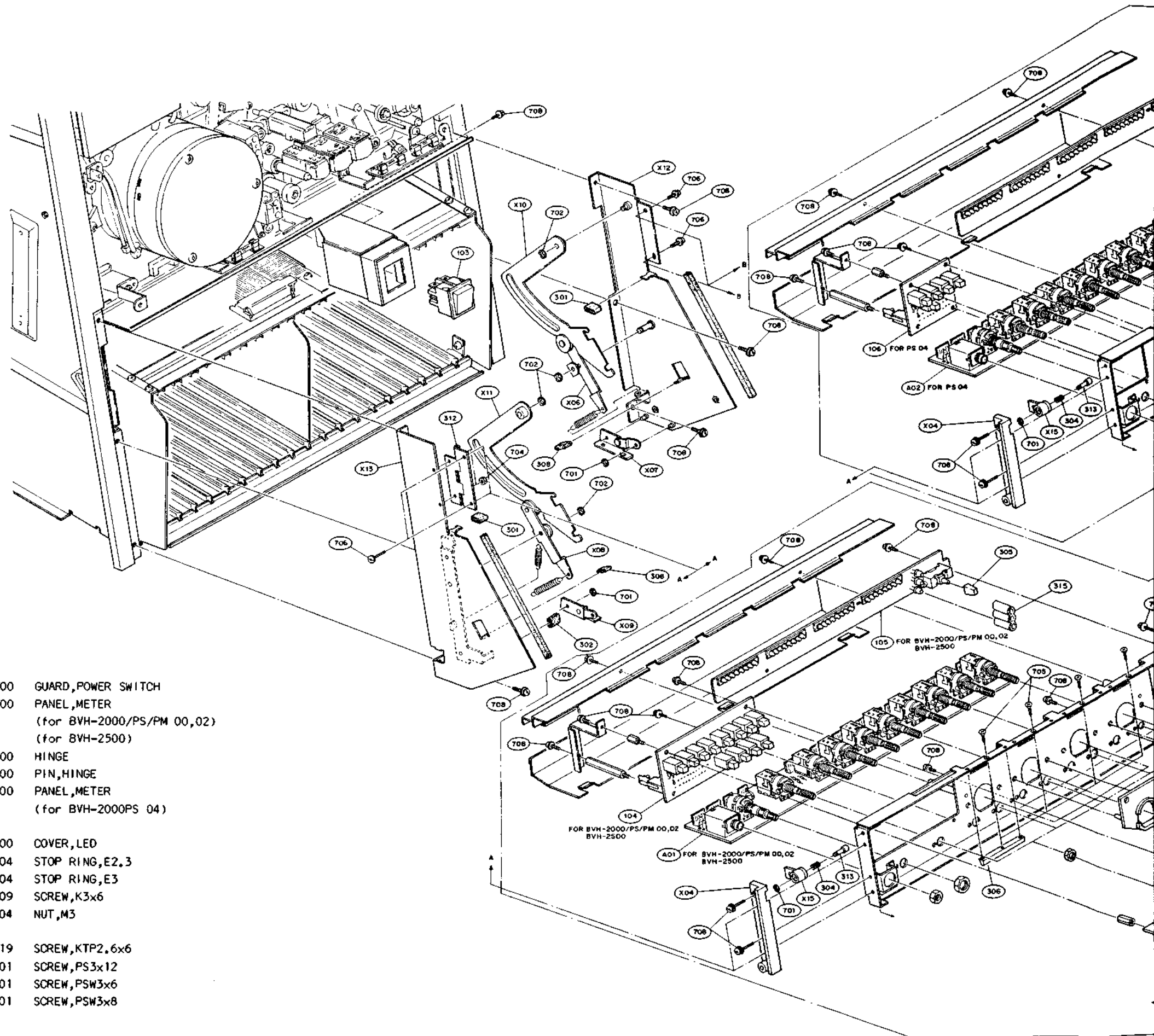
No.	Part No.	Description
A01 ( )	A-6025-083-A	COMPLETE PCB,MB-14 (for BVH-2000/PS/PM)
A02 ( )	A-6025-088-A	COMPLETE PCB,MB-60 (for BVH-2500)
X01	X-4836-202-X	FOOT ASSY
301 ( )	3-673-676-31	RAIL,PC BOARD GUIDE
302	3-673-796-02	CLAMP,FLAT CABLE
303 ( )	3-701-822-00	HOLDER,WIRE
701	7-623-210-22	SPRING WASHER,M4
703	7-683-425-04	SCREW,C4x20
704	7-686-527-01	SCREW,PSW3x6
705	7-686-548-01	SCREW,PSW4x8

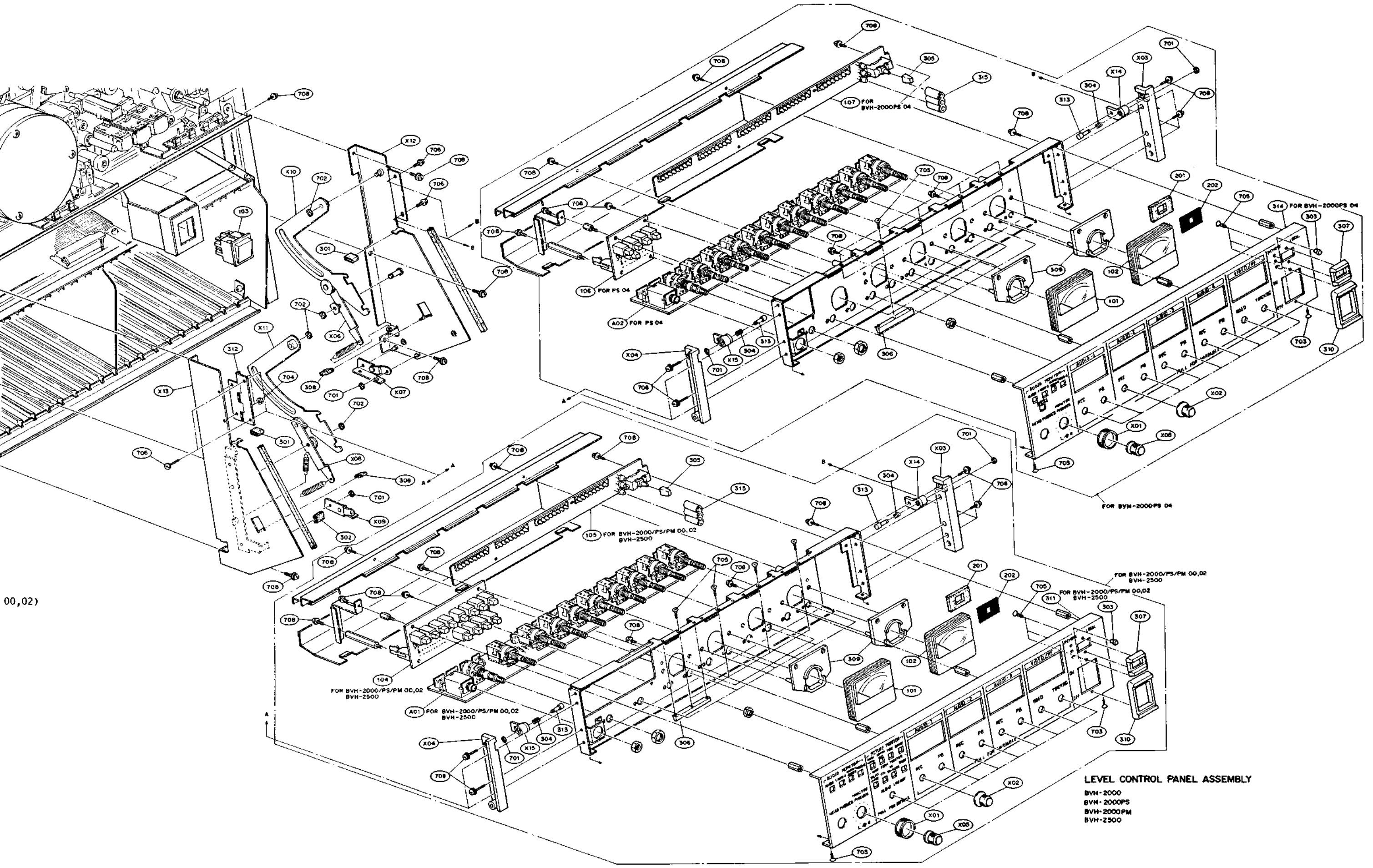


LEVEL CONTROL PANEL ASSEMBLY (BVH-2000/2500)

No.	Part No.	Description
A01 ( )	A-6013-042-A	COMPLETE PCB,VR-05 (for BVH-2000/PS/PM 00,02) (for BVH-2500)
A02 ( )	A-6013-056-A	COMPLETE PCB,VR-07 (for BVH-2000PS 04)
X01	X-3668-056-0	KNOB(W) ASSY,CONTROL
X02	X-3673-635-0	KNOB(I) ASSY,CONTROL
X03 ( )	X-3673-638-0	SASH(RIGHT) ASSY,METER
X04 ( )	X-3673-639-0	SASH(LEFT) ASSY,METER
X05	X-3673-650-0	KNOB(2) ASSY,CONTROL
X06 ( )	X-3673-657-0	SUPPORT(RIGHT) ASSY,ROLLER
X07 ( )	X-3673-658-0	SUPPORT(RIGHT) ASSY,STAY
X08 ( )	X-3673-659-0	SUPPORT(LEFT) ASSY,ROLLER
X09 ( )	X-3673-660-0	SUPPORT(LEFT) ASSY,STAY
X10 ( )	X-3673-661-0	ARM(RIGHT) ASSY,CAM
X11 ( )	X-3673-662-0	ARM(LEFT) ASSY,CAM
X12 ( )	X-3673-663-0	SUPPORT(RIGHT) ASSY,PANEL
X13 ( )	X-3673-664-0	SUPPORT(LEFT) ASSY,PANEL
X14 ( )	X-3673-667-0	HINGE,MAIN,RIGHT ASSY
X15 ( )	X-3673-668-0	HINGE,MAIN,LEFT ASSY
101	1-520-450-00	METER,VU
102	1-520-451-00	METER,VIDEO/RF
103	1-554-066-00	SWITCH,ROCKER
104 ( )	1-606-709-00	MS-07 BOARD (WITHOUT COMPONENT, for BVH-2000/PS/PM 00,02 for BVH-2500)
105 ( )	1-606-711-00	ML-02 BOARD (WITHOUT COMPONENT, for BVH-2000/PS/PM 00,02 for BVH-2500)
106 ( )	1-606-710-00	MS-08 BOARD (WITHOUT COMPONENT, for BVH-2000PS 04)
107 ( )	1-606-712-00	ML-03 BOARD (WITHOUT COMPONENT, for BVH-2000PS 04)
201 ( )	2-252-615-00	CUSHION,SWITCH
202 ( )	2-252-623-02	PLATE,SWITCH,LEVER
301	3-483-026-00	BRACKET,MOTOR THRUST
302 ( )	3-483-026-31	BRACKET,MOTOR THRUST
303	3-643-383-00	COVER,LAMP
304	3-664-718-00	SPRING COMPRESSION
305	3-668-028-00	KNOB(SMALL),LEVER SWITCH
306 ( )	3-673-653-00	MIRROR
307 ( )	3-673-769-00	GUARD,SWITCH
308 ( )	3-673-784-00	CAP
309 ( )	3-673-813-00	HOLDER,METER

310 ( )	3-673-842-00	GUARD,POWER SWITCH
311 ( )	3-673-886-00	PANEL,METER (for BVH-2000/PS/PM 00,02) (for BVH-2500)
312 ( )	3-673-922-00	HINGE
313 ( )	3-673-957-00	PIN,HINGE
314 ( )	3-674-658-00	PANEL,METER (for BVH-2000PS 04)
315 ( )	3-674-691-00	COVER,LED
701	7-624-105-04	STOP RING,E2,3
702	7-624-106-04	STOP RING,E3
703	7-682-247-09	SCREW,K3x6
704	7-684-023-04	NUT,M3
705	7-685-233-19	SCREW,KTP2.6x6
706	7-686-450-01	SCREW,PS3x12
707	7-686-527-01	SCREW,PSW3x6
708	7-686-528-01	SCREW,PSW3x8





00,02)

FOR BVH-2000/PS/PM 00,02  
BVH-2500

AO1 FOR BVH-2000/PS/PM 00,02  
BVH-2500

105 FOR BVH-2000/PS/PM 00,02  
BVH-2500

AO2 FOR PS 04

106 FOR PS 04

FOR BVH-2000/PS/PM 00,02  
BVH-2500

FOR BVH-2000/PS/PM 00,02  
BVH-2500

FOR BVH-2000/PS/PM 00,02  
BVH-2500

FOR BVH-2000PS 04

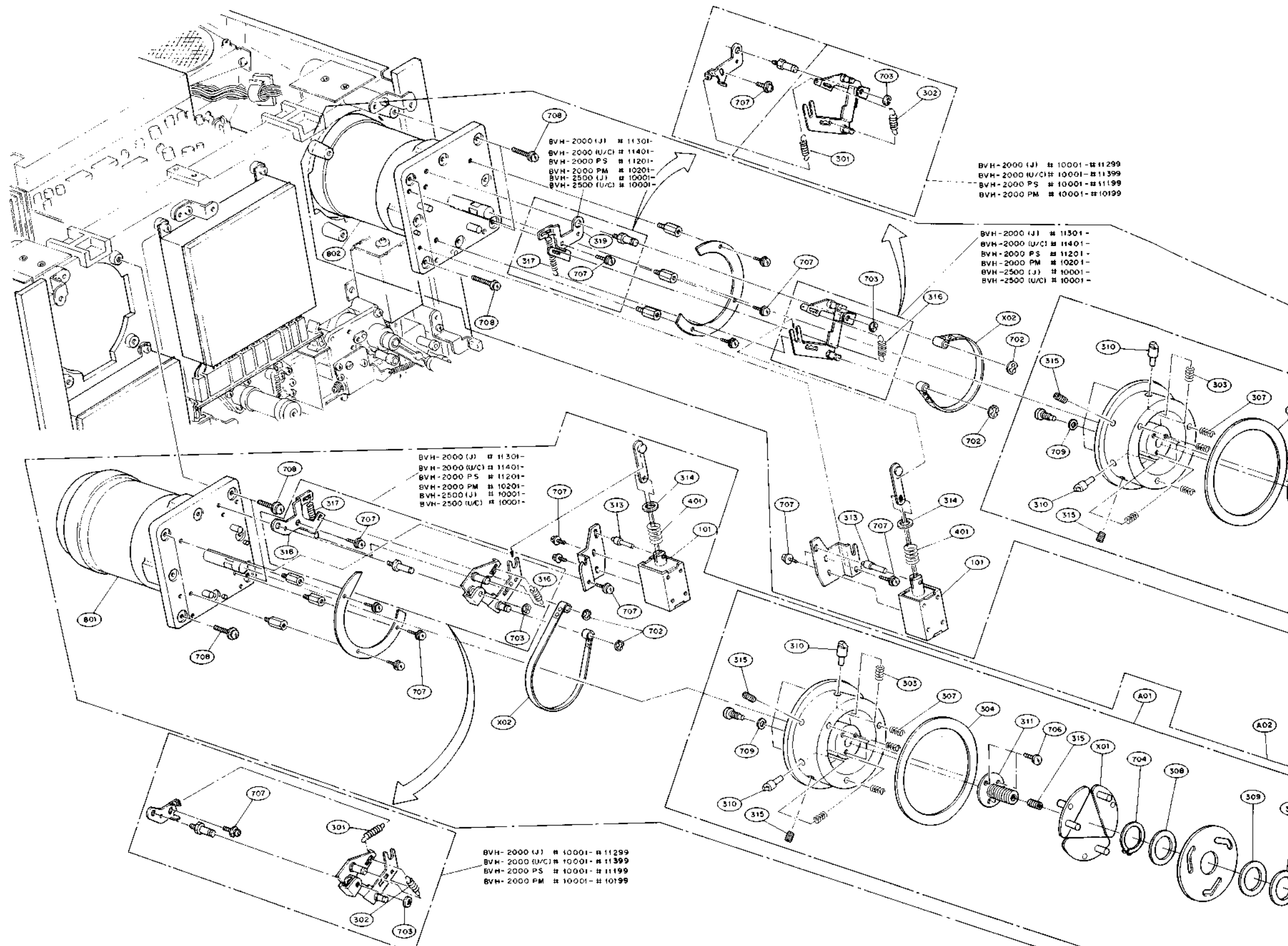
314 FOR BVH-2000PS 04

107 FOR  
BVH-2000PS 04

LEVEL CONTROL PANEL ASSEMBLY  
BVH-2000  
BVH-2000PS  
BVH-2000PM  
BVH-2500

REEL TABLE ASSEMBLY (BVH-2000/2500)

No.	Part No.	Description
A01 ( )	A-6039-016-B	TABLE ASSY, REEL
A02	A-6039-020-A	MOTOR ASSY, SUPPLY REEL
A03	A-6039-021-A	MOTOR ASSY, TAKE-UP REEL
X01 ( )	X-3651-315-0	CLAW ASSY, REEL
X02	X-3673-601-0	BAND ASSY, BRAKE
101	1-454-304-00	SOLENOID, 12V, 15/180 OHM
301	3-497-255-00	SPRING, TENSION
302	3-542-915-00	SPRING, TENSION
303	3-558-760-00	SPRING, COMPRESSION
304 ( )	3-651-371-02	SHEET, REEL
305 ( )	3-651-372-00	WASHER, REEL
306 ( )	3-651-373-00	COVER
307 ( )	3-651-375-00	SPRING, COMPRESSION
308 ( )	3-651-377-00	SHEET, FRICTION
309 ( )	3-651-378-00	SHEET, FRICTION ADJUSTMENT
310 ( )	3-673-680-00	PIN, REEL STOPPER
311 ( )	3-673-779-00	SHAFT, MAIN
312 ( )	3-673-780-00	KNOB, REEL RETAINER
313 ( )	3-673-810-00	PIN, SOLENOID
314	3-701-447-21	WASHER, M10, POLY
315	3-701-512-01	SET SCREW, 4x8
316	3-447-073-00	SPRING, TENSION
317	3-639-371-00	SPRING, TENSION
318 ( )	3-680-319-01	PLATE(S), STOPPER
319 ( )	3-680-320-01	PLATE(T), STOPPER
401	4-836-109-00	SPRING, COMPRESSION
701	7-623-711-07	WASHER, M20, WAVE
702	7-624-105-04	STOP RING, E2.3
703	7-624-106-04	STOP RING, E3
704	7-624-197-71	STOP RING, C20
705	7-682-388-04	SCREW, RK6x12
706	7-686-448-01	SCREW, PS3x8
707	7-686-527-01	SCREW, PSW3x8
708	7-686-552-01	SCREW, PSW4x16
709	7-688-003-01	WASHER, M3, SMALL
801	8-838-028-01	MOTOR, S REEL, BHF-2200A
802	8-838-028-11	MOTOR, T REEL, BHF-2200B



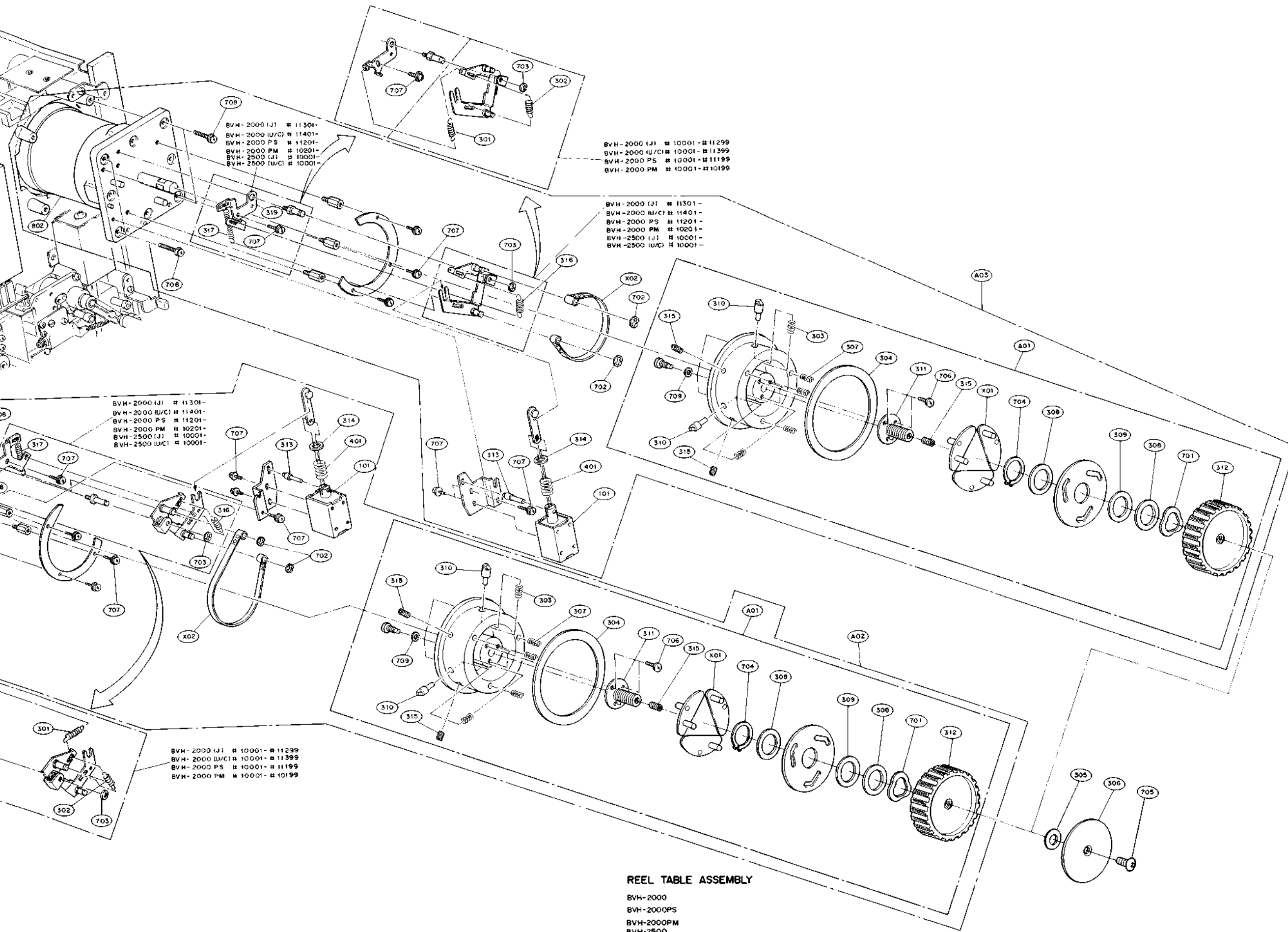
BVH-2000 (J) # 10001-#11299  
 BVH-2000 (U/C) # 10001-#11399  
 BVH-2000 PS # 10001-#11199  
 BVH-2000 PM # 10001-#10199

BVH-2000 (J) # 11301-  
 BVH-2000 (U/C) # 11401-  
 BVH-2000 PS # 11201-  
 BVH-2000 PM # 10201-  
 BVH-2500 (J) # 10001-  
 BVH-2500 (U/C) # 10001-

BVH-2000 (J) # 11301-  
 BVH-2000 (U/C) # 11401-  
 BVH-2000 PS # 11201-  
 BVH-2000 PM # 10201-  
 BVH-2500 (J) # 10001-  
 BVH-2500 (U/C) # 10001-

BVH-2000 (J) # 10001-#11299  
 BVH-2000 (U/C) # 10001-#11399  
 BVH-2000 PS # 10001-#11199  
 BVH-2000 PM # 10001-#10199

REEL TABLE ASSEMBLY  
 BVH-2000  
 BVH-2000PS  
 BVH-2000PM  
 BVH-2500



BVH-2000 (J) # 11301-  
 BVH-2000 (U/C) # 11401-  
 BVH-2000 PS # 11201-  
 BVH-2500 (J) # 10001-  
 BVH-2500 (U/C) # 10001-

BVH-2000 (J) # 10001-#11299  
 BVH-2000 (U/C) # 10001-#11399  
 BVH-2000 PS # 10001-#11199  
 BVH-2000 PM # 10001-#10199

BVH-2000 (J) # 11301-  
 BVH-2000 (U/C) # 11401-  
 BVH-2000 PS # 11201-  
 BVH-2000 PM # 10201-  
 BVH-2500 (J) # 10001-  
 BVH-2500 (U/C) # 10001-

BVH-2000 (J) # 11301-  
 BVH-2000 (U/C) # 11401-  
 BVH-2000 PS # 11201-  
 BVH-2000 PM # 10201-  
 BVH-2500 (J) # 10001-  
 BVH-2500 (U/C) # 10001-

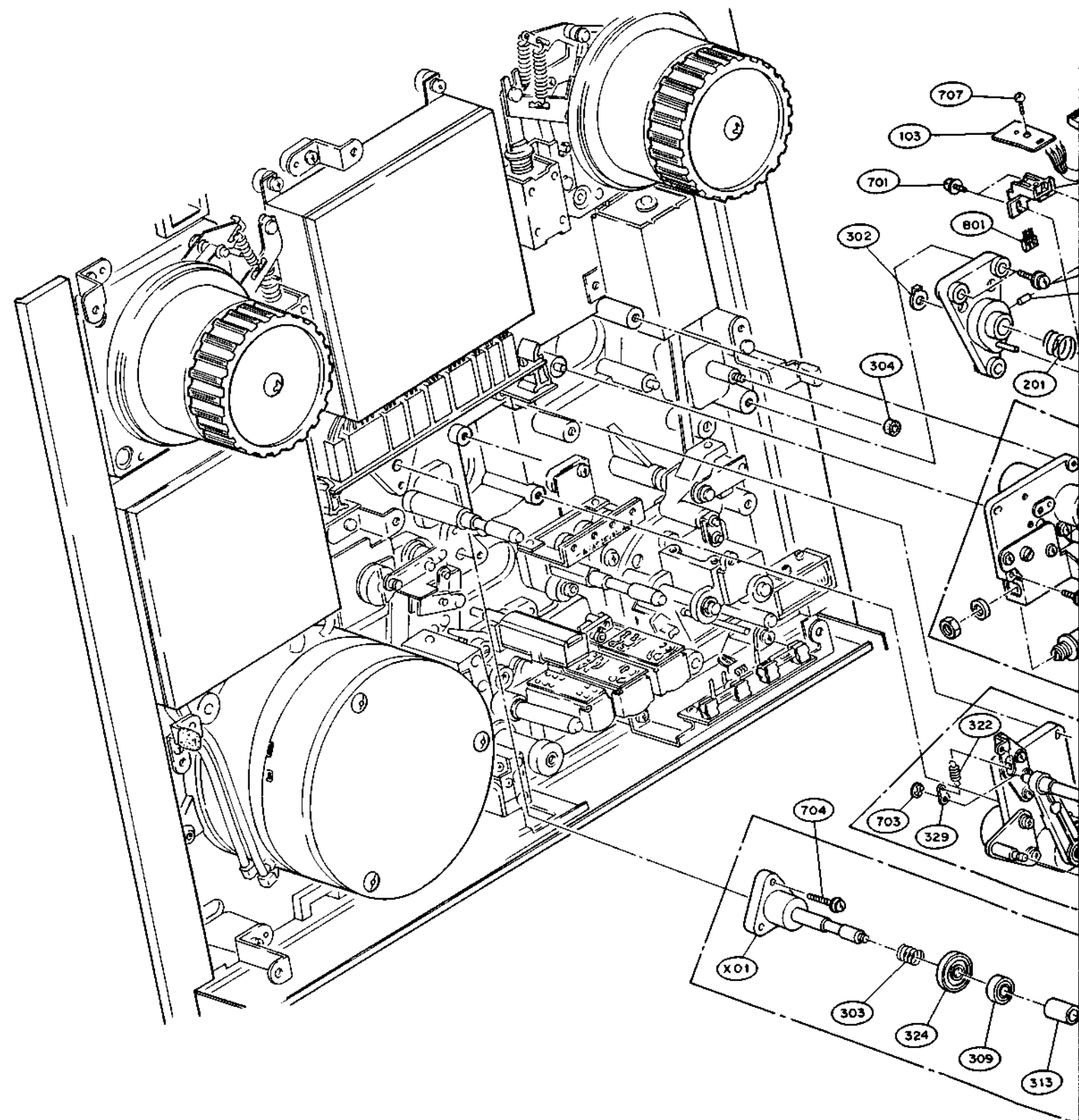
BVH-2000 (J) # 10001-#11299  
 BVH-2000 (U/C) # 10001-#11399  
 BVH-2000 PS # 10001-#11199  
 BVH-2000 PM # 10001-#10199

REEL TABLE ASSEMBLY

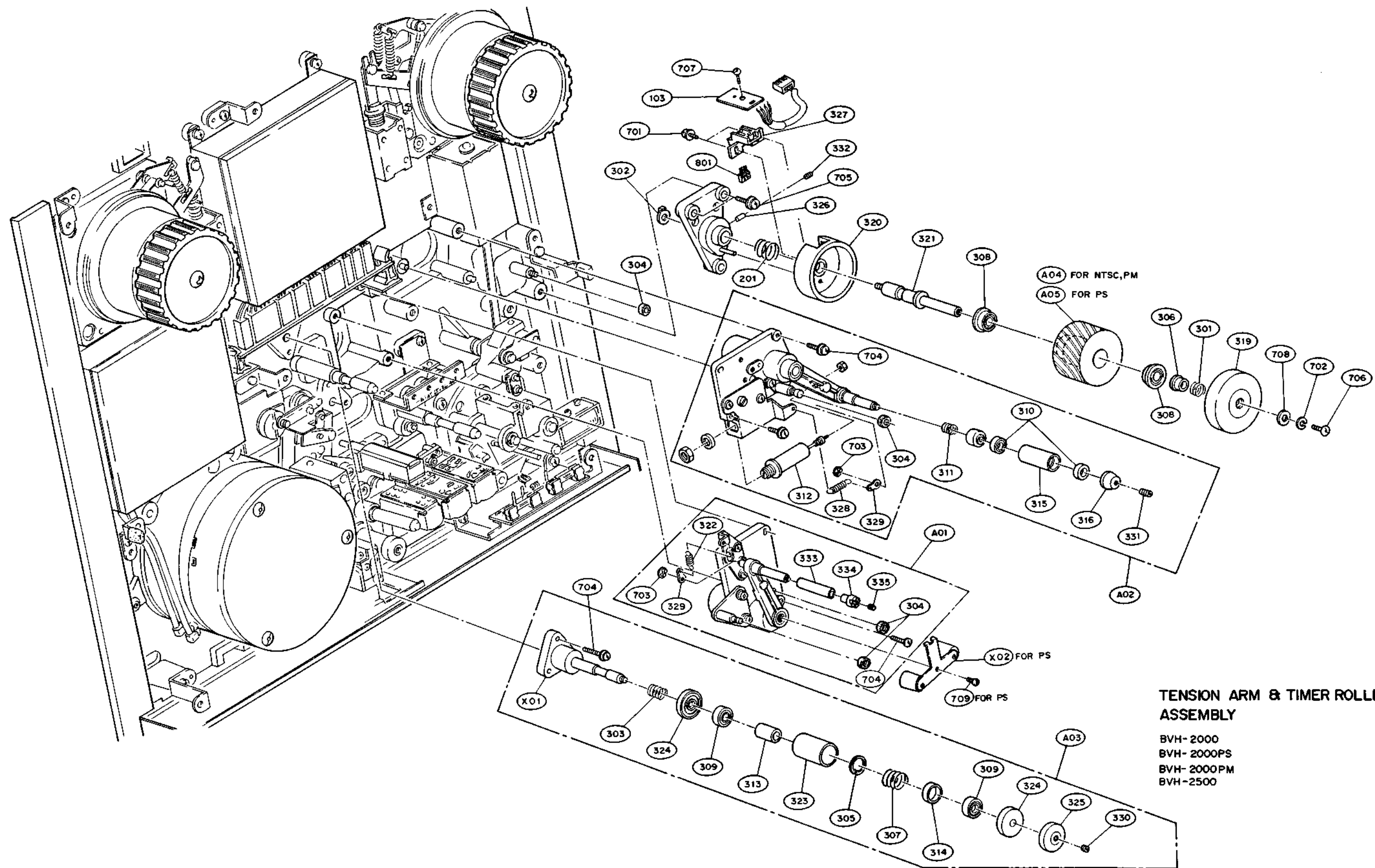
BVH-2000  
 BVH-2000PS  
 BVH-2000PM  
 BVH-2500

## TENSION ARM &amp; TIMER ROLLER ASSEMBLY (BVH-2000/2500)

No.	Part No.	Description	No.	Part No.	Description
A01	A-6042-018-C	ARM ASSY,S TENSION (A-6042-013-A:equivalent to A-6042-018-C)	319	( ) 3-673-627-00	FLANGE,CR UPPER
			320	( ) 3-673-628-00	FLANGE,CR LOWER
			321	( ) 3-673-629-00	SHAFT,CR
A02	A-6042-019-A	ARM ASSY,T TENSION (A-6042-014-A:equivalent to A-6042-019-A)	322	( ) 3-673-652-00	SPRING,TENSION
			323	( ) 3-673-660-00	ROLLER,GUIDE
A03	A-6046-028-A	ROLLER ASSY,GUIDE	324	( ) 3-673-662-00	FLANGE,GR
A04	( ) A-6045-018-C	ROLLER ASSY (for NTSC,PM)	325	( ) 3-673-663-00	FLANGE,GR UPPER
A05	( ) A-6045-019-C	ROLLER ASSY (for PS)	326	( ) 3-673-667-00	PIECE
			327	( ) 3-673-694-00	HOLDER,DME
X01	( ) X-3673-610-0	SHAFT ASSY,GR	328	3-673-758-00	SPRING,TENSION
X02	( ) X-3673-693-0	WEIGHT ASSY,BALANCE (for PS)	329	3-674-636-00	HOOK,SPRING
103	( ) 1-606-698-00	TR-07 BOARD	330	3-701-505-00	SET SCREW,3x3
201	2-263-515-00	SPRING,COMPRESSION	331	3-701-506-00	SET SCREW,3x4
301	3-148-662-00	SPRING,COMPRESSION	332	( ) 3-701-511-00	SET SCREW,4x6
			333	3-680-331-00	COLLAR,S-TENSION
302	3-534-233-00	NUT,ADJUSTMENT	334	3-680-332-00	CAP,S-TENSION
303	3-534-235-00	SPRING,COMPRESSION	335	3-701-505-00	SET SCREW 3x3
304	3-534-255-00	CUSHION,BRAKE	701	7-621-981-15	SCREW,PSW2.6x6
305	3-625-177-00	STOP RING 13	702	7-623-208-22	SPRING WASHER,M3
306	( ) 3-651-364-00	COLLAR,GR	703	7-624-193-07	STOP RING 2,GRIP
307	3-651-396-00	SPRING,COMPRESSION	704	7-686-452-01	SCREW,PS3x16
308	3-651-607-00	BEARING,BALL	705	( ) 7-686-553-01	SCREW,PSW4x20
309	3-656-948-00	BEARING,BALL	706	7-686-628-04	SCREW,B3x14
310	3-659-213-00	BEARING,BALL	707	( ) 7-687-603-24	SCREW,BTP2.6x6
311	( ) 3-663-116-00	SPRING,COMPRESSION	708	7-688-003-01	WASHER,M3,SMALL
312	3-673-614-00	DAMPER,AIR	709	7-686-624-04	SCREW,B3x6
313	3-673-616-00	COLLAR,GR	801	8-745-211-00	DME,DM-211
314	( ) 3-673-617-00	COLLAR,RETAINER,PRE-LOAD			
315	( ) 3-673-620-00	ROLLER,T ARM			
316	3-673-621-00	CAP,T ARM			





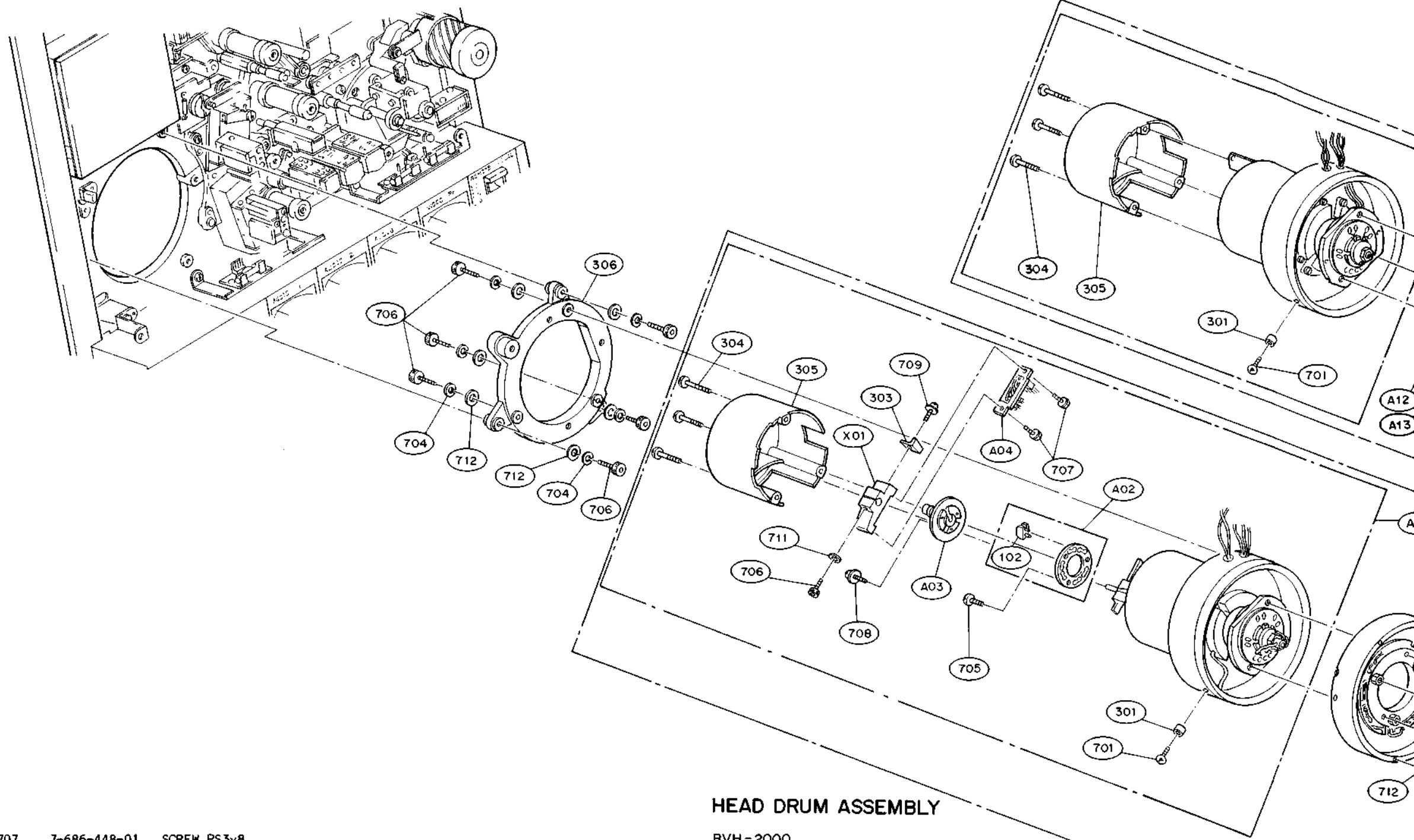


**TENSION ARM & TIMER ROLLER ASSEMBLY**

- BVH-2000
- BVH-2000PS
- BVH-2000PM
- BVH-2500

HEAD DRUM ASSEMBLY (BVH-2000)

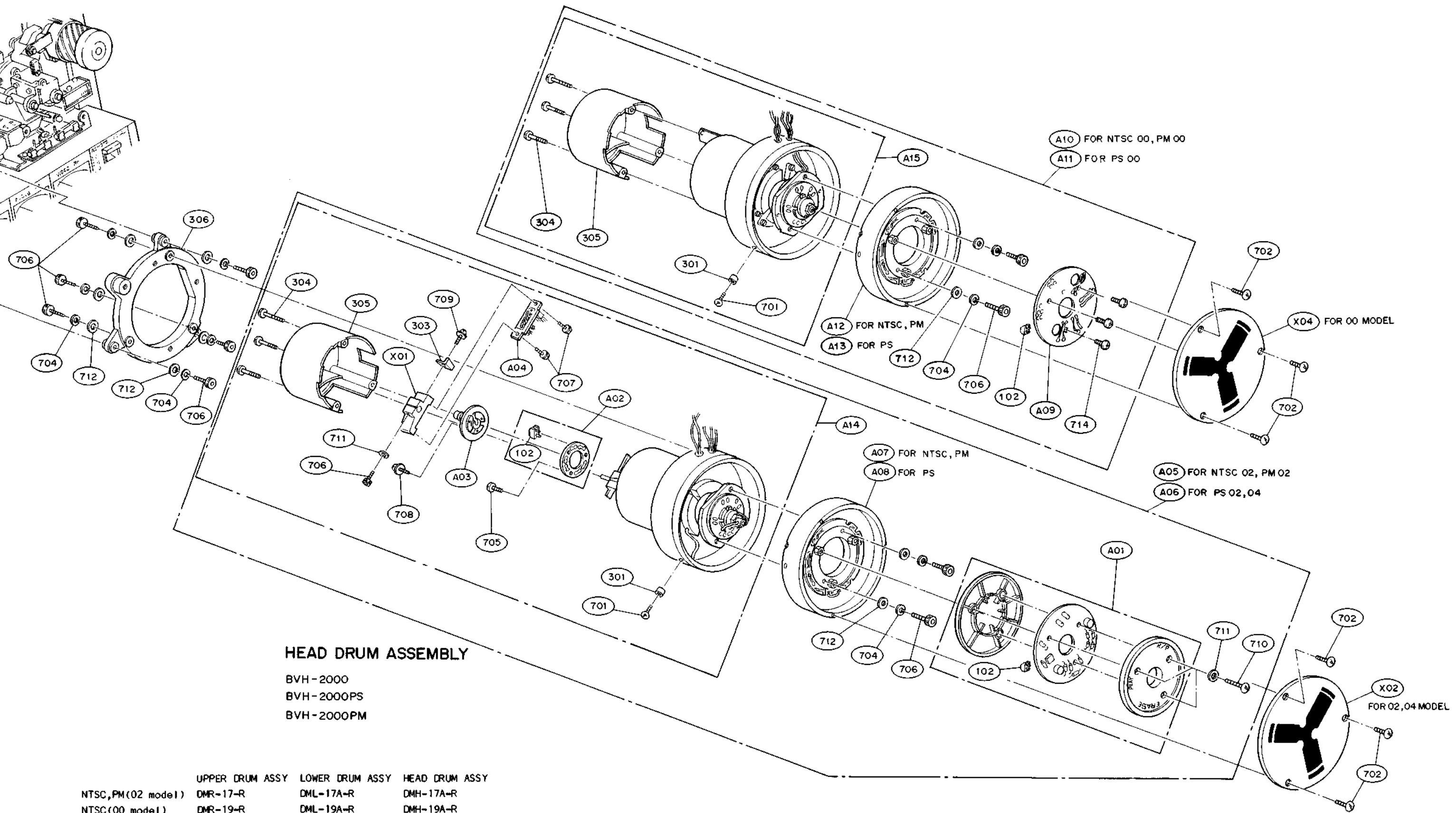
No.	Part No.	Description
A01 ( )	A-6049-008-A	COMPLETE PCB,DR-13 (A-6011-061-A:equivalent to A-6049-008-A)
A02 ( )	A-6026-023-A	MOUNTED PCB,SL-07
A03	A-6709-428-A	MOUNTED PCB,SL-08
A04	A-6709-429-B	MOUNTED PCB,SL-09
A05	A-6050-147-A	HEAD DRUM ASSY,DMH-17A-R (for NTSC 02,PM 02)
A06	A-6050-148-A	HEAD DRUM ASSY,DMH-18A-R (for PS 02,04)
A07	A-6052-046-A	UPPER DRUM ASSY,DMR-17-R (for NTSC 02,PM 02)
A08	A-6052-047-A	UPPER DRUM ASSY,DMR-18-R (for PS 02,04)
A09 ( )	A-6010-070-A	MOUNTED PCB,DR-20
A10	A-6050-158-A	HEAD DRUM ASSY,DMH-19A-R (for NTSC 00,PM 00)
A11	A-6050-160-A	HEAD DRUM ASSY,DMH-20A-R (for PS 00)
A12	A-6052-054-A	UPPER DRUM ASSY,DMR-19-R (for NTSC 00,PM 00)
A13	A-6052-055-A	UPPER DRUM ASSY,DMR-20-R (for PS 00)
A14	A-6053-021-A	LOWER DRUM ASSY,DML-17A-R (for 02,04)
A15	A-6053-022-A	LOWER DRUM ASSY,DML-19A-R (for 00)
X01 ( )	X-3673-405-0	FITTING BLOCK ASSY,FG
X02	X-3673-651-0	LID ASSY,DRUM
X04	X-3673-681-0	LID ASSY,DRUM
102	1-560-240-00	CONTACT
301 ( )	3-654-914-00	STOPPER,TAPE
303 ( )	3-673-423-00	PLATE,SCALE
304 ( )	3-673-432-00	SCREW,M4x20,COVER
305 ( )	3-673-434-00	COVER,SLIP RING
306	3-673-431-00	SLANT TABLE,DRUM
701	7-621-909-43	SCREW,P2,6x6
702	7-621-912-38	SCREW,B2,6x6
703	7-623-208-22	SPRING WASHER,M3
704	7-623-210-22	SPRING WASHER,M4
705	7-683-410-04	SCREW,C3x20
706	7-683-422-04	SCREW,C4x14
707	7-686-448-01	SCREW,PS3x8
708	7-686-450-01	SCREW,PS3x12
709	7-686-527-01	SCREW,PSW3x6
710	7-686-625-04	SCREW,B3x8
711	7-688-003-11	WASHER,M3,MIDDL
712	7-688-004-11	WASHER,M4,MIDDL
714	7-686-623-04	SCREW,B3x5



HEAD DRUM ASSEMBLY

BVH-2000  
 BVH-2000PS  
 BVH-2000PM

	UPPER DRUM ASSY	LOWER DRUM ASSY	HEAD DRUM ASSY
NTSC,PM(02 model)	DMR-17-R	DML-17A-R	DMH-17A-R
NTSC(00 model)	DMR-19-R	DML-19A-R	DMH-19A-R
PS(02,04 model)	DMR-18-R	DML-17A-R	DMH-18A-R
PS(00 model)	DMR-20-R	DML-19A-R	DMH-20A-R



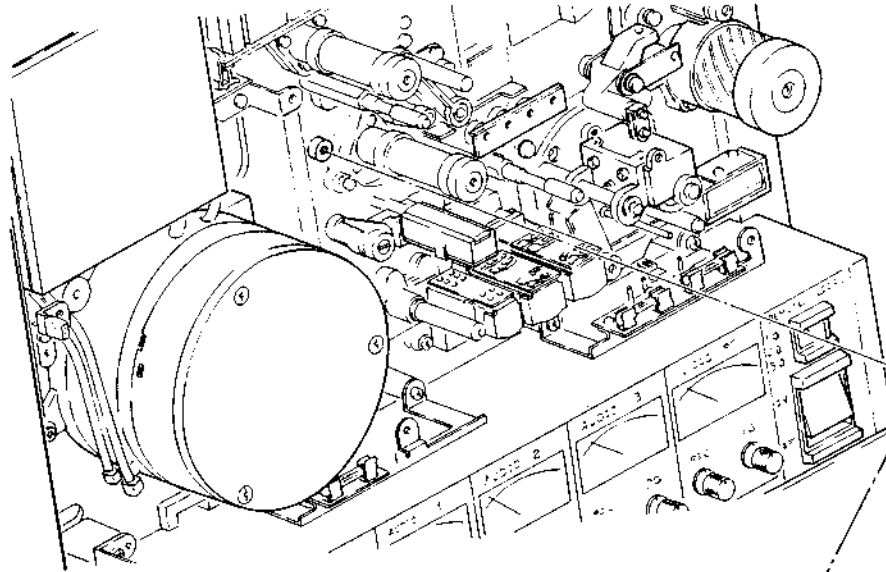
HEAD DRUM ASSEMBLY

BVH-2000  
 BVH-2000PS  
 BVH-2000PM

	UPPER DRUM ASSY	LOWER DRUM ASSY	HEAD DRUM ASSY
NTSC, PM(02 model)	DMR-17-R	DML-17A-R	DMH-17A-R
NTSC(00 model)	DMR-19-R	DML-19A-R	DMH-19A-R
PS(02,04 model)	DMR-18-R	DML-17A-R	DMH-18A-R
PS(00 model)	DMR-20-R	DML-19A-R	DMH-20A-R

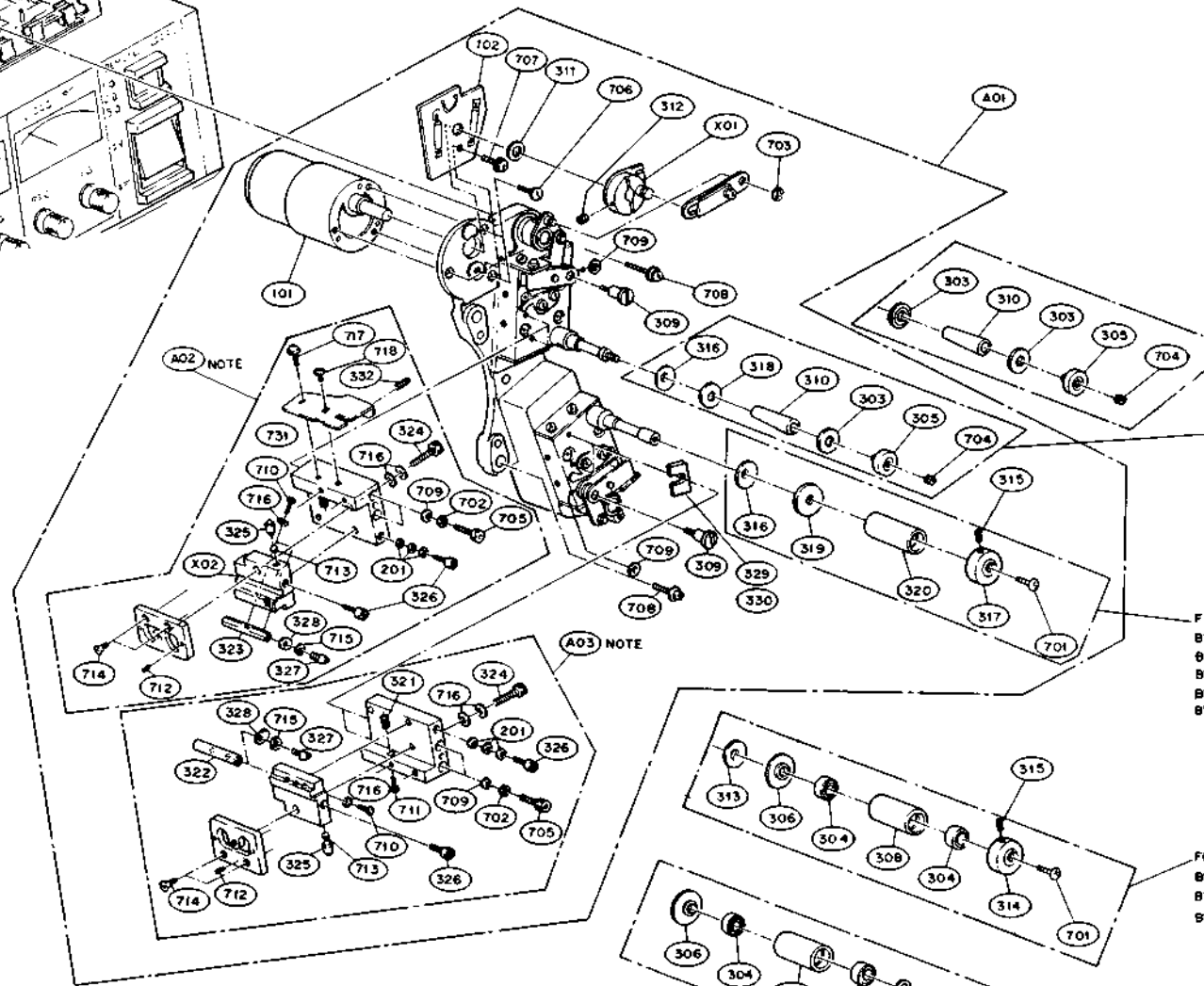
MOVABLE GUIDE ASSY

MOVABLE GUIDE ASSY



MOVABLE GUIDE ASSEMBLY (BVH-2000/2500)

No.	Part No.	Description
A01	A-6046-031-D	GUIDE ASSY,MOVABLE,TYPE B (A-6046-021-A: equivalent to A-6046-031-C) (for BVH-2000/PS/PM up to #1XXXX) (for BVH-2500 up to #10099) A-6046-034-B GUIDE ASSY,MOVABLE,TYPE A (for BVH-2000/PS/PM #2XXXX and higher) (for BVH-2500 #10101 and higher)
A02	A-6046-037-C	GUIDE ASSY,S SLANT (A-6046-022-B: equivalent to A-6046-037-A)
A03	A-6046-036-A	GUIDE ASSY,T SLANT,TYPE B (A-6046-023-B: equivalent to A-6046-036-A) (for BVH-2000/PS/PM up to #1XXXX) (for BVH-2500 up to #10099) A-6046-035-A GUIDE ASSY,T SLANT,TYPE A (for BVH-2000/PS/PM #2XXXX and higher) (for BVH-2500 #10101 and higher)



FORMER TAPER GUIDE  
BVH-2000(J) # 10001-11499  
BVH-2000(U/C) # 10001-11599  
BVH-2000 PS # 10001-11399  
BVH-2000 PM # 10001-10199

NEW TAPER GUIDE  
BVH-2000(J) # 11501-  
BVH-2000(U/C) # 11601-  
BVH-2000 PS # 11401-  
BVH-2000 PM # 11201-  
BVH-2500/P # 10001-

FIXED GUIDE 3  
BVH-2000(J) # 11501-  
BVH-2000(U/C) # 11601-  
BVH-2000 PS # 11401-  
BVH-2000 PM # 10201-  
BVH-2500/P # 10001-

FORMER GUIDE ROLLER 3  
BVH-2000 (J) # 10701-11499  
BVH-2000 (U/C) # 10801-11599  
BVH-2000 PS # 10601-11399

FORMER GUIDE ROLLER 3  
BVH-2000(J) # 10001-10699  
BVH-2000 (U/C) # 10001-10799  
BVH-2000 PS # 10001-10599  
BVH-2000 PM # 10001-10199

NOTE

For replacement of the components of A02 and A03, contact your SONY office.

X01 ( )	X-3673-619-0	DISK ASSY
X02	X-3673-620-0	HOLDER ASSY,S GUIDE
101	1-541-198-00	MOTOR,GEARED,DC12V EN35-H1G9B
102 ( )	1-606-701-00	TH-03 BOARD
201	2-529-922-00	WASHER(B)
301	3-564-333-21	SPRING,COMPRESSION
302	3-649-432-00	WASHER,THRUST
303	3-651-427-00	FLANGE,TAPE GUIDE
304	3-659-213-00	BEARING,BALL
305 ( )	3-673-647-00	CAP A
306 ( )	3-673-648-00	FLANGE
307 ( )	3-673-649-00	CAP B
308	3-673-650-00	ROLLER,T GUIDE
309 ( )	3-673-651-00	SHAFT,LEVER
310	3-673-725-00	GUIDE,TAPER
311	3-701-444-21	WASHER,M6,POLY
312	3-701-510-00	SET SCREW,4x4

No.	Part No.	Description
313	3-674-695-00	SPRING,HEIGHT ADJUSTMENT
314	3-674-696-00	FLANGE,HEIGHT ADJUSTMENT
315	3-701-505-00	SET SCREW,3x3
316 ( )	3-680-324-00	SPRING
317 ( )	3-680-325-00	FLANGE,HEIGHT ADJUSTMENT
318 ( )	3-680-326-00	FLANGE (S)
319 ( )	3-680-327-00	FLANGE (T)
320	3-680-328-02	GUIDE,T FIXED
321	3-513-234-00	SPRING,COMPRESSION
322	3-654-805-00	PIN(T),GUIDE
323	3-654-853-00	PIN(S),GUIDE
324	3-657-705-00	SCREW,C4x20
325	3-673-720-00	ROD,SLANT ADJUSTMENT
326	3-673-722-00	SCREW,ADJUSTMENT
327	3-674-683-00	SCREW,FITTING,FLANGE

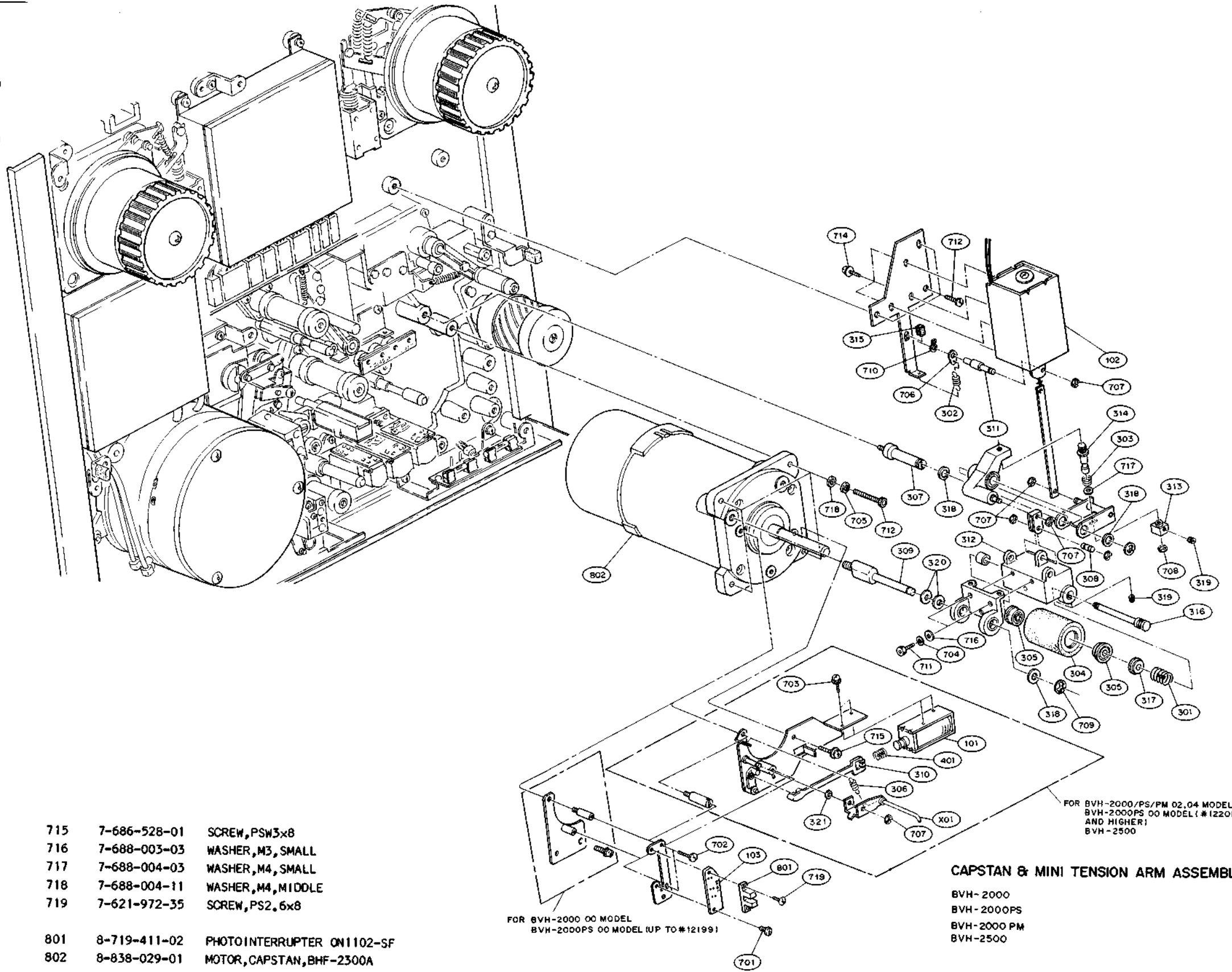
No.	Part No.	Description
328	3-680-321-00	FLANGE,GUIDE PIN
329	3-630-035-01	SPACER(+0.01)
330	3-630-035-11	SPACER(+0.02)
331 ( )	3-680-362-02	FENCE
332	3-701-507-01	SETScrew 3x5
701	7-621-912-48	SCREW,B2.6x8
702	7-623-208-22	SPRING WASHER,M3
703	7-624-106-04	STOP RING,E3
704	7-683-237-01	SET SCREW,3x3
705	7-683-406-04	SCREW,C3x12
706	7-686-447-01	SCREW,PS3x6

MOVABLE GUIDE ASSEMBLY

BVH-2000		
BVH-2000PS		
BVH-2000PM		
BVH-2500/P		
No.	Part No.	Description
707	7-686-528-01	SCREW,PSW3x8
708 ( )	7-686-553-01	SCREW,PSW4x20
709	7-688-003-01	WASHER,M3
710	7-621-259-42	SCREW,P2.6x6
711	7-621-259-62	SCREW,P2.6x10
712	7-621-732-08	SET SCREW,2x3
713	7-671-155-01	STEEL BALL 3.0
714	7-682-247-15	SCREW,K3x6
715	7-688-002-03	WASHER,M2.6,SMALL
716	7-688-004-03	WASHER,M4,SMALL
717	7-621-981-45	SCREW,PSW2.6x12
718	7-621-981-25	SCREW,PSW2.6x8

CAPSTAN & MINI TENSION ARM ASSEMBLY (BVH-2000/2500)

No.	Part No.	Description
X01	X-3673-669-0	ARM ASSY, MINI TENSION (for BVH-2000/PS/PM 02,04) (for BVH-2500)
101	1-454-263-21	SOLENOID, 12V, 60 OHM (for BVH-2000/PS/PM 02,04) (for BVH-2500)
102	1-454-305-00	SOLENOID, 12V 20/52 OHM
103 ( )	1-606-702-00	TD-05 BOARD (WITHOUT COMPONENT)
301	3-530-045-00	SPRING, COMPRESSION
302	3-534-217-00	SPRING, TENSION
303	3-534-236-00	SPRING, COMPRESSION
304	3-656-909-02	PINCH ROLLER
305	3-656-913-00	BEARING, BALL
306 ( )	3-673-652-00	SPRING, TENSION
307 ( )	3-673-656-00	SHAFT, LEVER
308 ( )	3-673-658-00	PIN(2), JOINT
309 ( )	3-673-659-00	SHAFT, PINCH ROLLER
310 ( )	3-673-738-00	ROD
311 ( )	3-673-748-00	PIN, JOINT
312 ( )	3-673-749-00	PINCH LEVER(1)
313 ( )	3-673-751-00	STOPPER
314 ( )	3-673-752-00	SHAFT, PRESS ADJUSTMENT
315 ( )	3-673-795-00	CUSHION
316 ( )	3-673-807-00	SHAFT, PINCH ROLLER
317 ( )	3-673-808-00	RETAINER, BEARING
318	3-701-445-21	WASHER, M7, POLY
319	3-701-505-00	SET SCREW, 3x3
320	3-701-445-11	WASHER, M7, POLY
321 ( )	3-680-322-00	SPRING, FRICTION
401	4-820-917-01	SPRING, COMPRESSION
701	7-621-972-25	SCREW, PS2.6x6
702	7-621-972-35	SCREW, PS2.6x8
703	7-621-981-05	SCREW, PSW2.6x5
704	7-623-208-22	SPRING WASHER, M3
705	7-623-210-22	SPRING WASHER, M4
706	7-623-508-01	LUG 3
707	7-624-105-04	STOP RING, E2, 3
708	7-624-106-04	STOP RING, E3
709	7-624-110-04	STOP RING, E6
710	7-624-193-08	STOP RING 3, GR1P
711	7-683-406-04	SCREW, C3x12
712	7-683-425-04	SCREW, C4x20
713	7-686-469-01	SCREW, PS4x10
714	7-686-527-01	SCREW, PSW3x6



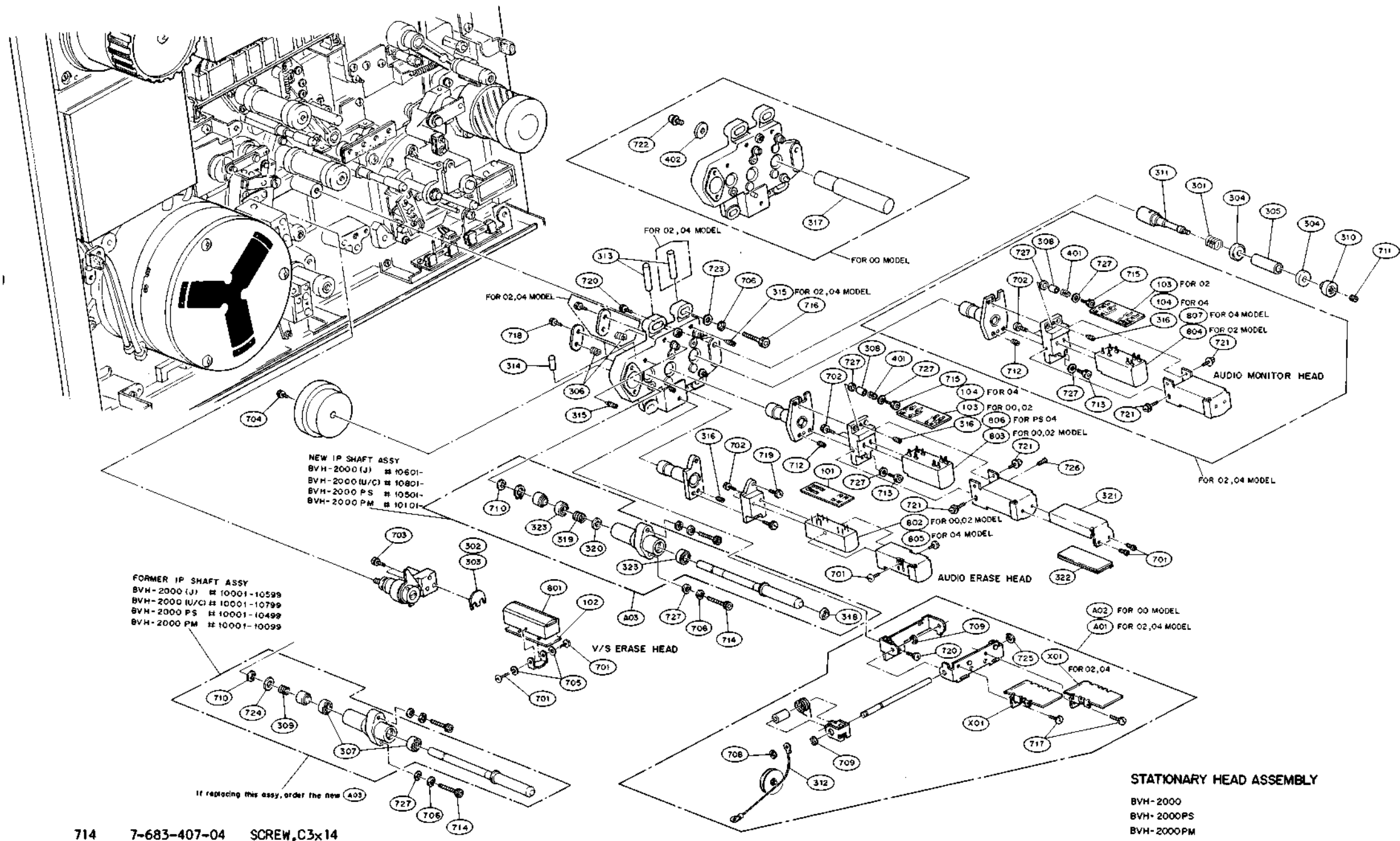
**CAPSTAN & MINI TENSION ARM ASSEMBLY**  
 BVH-2000  
 BVH-2000PS  
 BVH-2000 PM  
 BVH-2500

STATIONARY HEAD ASSY

STATIONARY HEAD ASSY

STATIONARY HEADS ASSEMBLY (BVH-2000)

No.	Part No.	Description
A01 ( )	A-6036-052-A	SHIELD ASSY,FRONT (for 02,04 model)
A02 ( )	A-6036-059-A	SHIELD ASSY,FRONT (for 00 model)
A03	A-6046-027-E	SHAFT ASSY,IP
X01 ( )	X-3673-611-0	PLATE ASSY,SHIELD
101 ( )	1-588-946-00	CEH-2 BOARD
102 ( )	1-606-679-00	HD-06 BOARD
103 ( )	1-606-680-00	HD-07 BOARD,for 00,02 model
104 ( )	1-606-681-00	HD-08 BOARD,for PS 04
301	3-650-523-00	SPRING,COMPRESSION
302	3-651-419-01	SPACER (B),ERASE HEAD
303	3-651-419-21	SPACER (B),ERASE HEAD
304	3-651-427-00	FLANGE,TAPE GUIDE
305	3-651-428-00	GUIDE,TAPE
306	3-653-350-00	SPRING,COMPRESSION
307	3-659-213-00	BEARING,BALL
308 ( )	3-661-588-00	SPACER
309 ( )	3-663-116-00	SPRING,COMPRESSION
310 ( )	3-673-647-00	CAP A
311 ( )	3-673-669-00	SHAFT,FIXED GUIDE
312	3-673-674-00	WIRE
313 ( )	3-673-696-01	ROD,LOCK
314 ( )	3-673-696-11	ROD,LOCK
315 ( )	3-673-906-00	SET SCREW,4x10,CONE POINT
316	3-673-907-00	SET SCREW,3x6,CONE POINT
317	3-674-665-00	GUIDE,DUMMY (for 00 model)
318 ( )	3-680-363-01	CAP,IP SHAFT
319 ( )	3-674-689-00	SPRING,COMPRESSION
320 ( )	3-674-690-00	SHIM
321 ( )	3-674-692-00	COVER,SHIELD,HEAD,R/P
322 ( )	3-674-693-00	INSULATOR
323	3-680-330-00	BEARING,BALL
401	4-812-546-01	SPRING,COMPRESSION
402	4-828-624-01	WASHER,DIA.16
701	7-621-911-08	SCREW,B2x3
702	7-621-972-25	SCREW,PS2.6x6
703	7-621-972-45	SCREW,PS2.6x10
704	7-621-981-15	SCREW,PSW2.6x6
705	7-623-205-22	SPRING WASHER,M2
706	7-623-208-22	SPRING WASHER,M3
707	7-623-210-22	SPRING WASHER,M4
708	7-624-105-04	STOP RING,E2.3
709	7-624-106-04	STOP RING,E3
710	7-624-108-04	STOP RING,E4
711	7-683-237-01	SET SCREW,3x3,FLAT POINT
713 ( )	7-683-405-04	SCREW,C3x10



714	7-683-407-04	SCREW,C3x14
715	7-683-408-04	SCREW,C3x16
716	7-683-425-04	SCREW,C4x20
717	7-686-446-01	SCREW,PS3x5
718	7-686-447-01	SCREW,PS3x6
719	7-686-448-01	SCREW,PS3x8
720	7-686-469-01	SCREW,PS4x10
721	7-686-527-01	SCREW,PSW3x6
722	7-686-548-01	SCREW,PSW4x8
723	7-688-004-11	WASHER,M4,MIDDLE
724	7-688-005-01	WASHER,M5,SMALL
725	7-624-193-01	STOP RING 4,GRIP
726	7-686-623-04	SCREW,B3x5
727	7-688-003-01	WASHER,M3,SMALL
801	8-825-725-10	HEAD,VIDEO/SYNC ERASE, EF204-5102

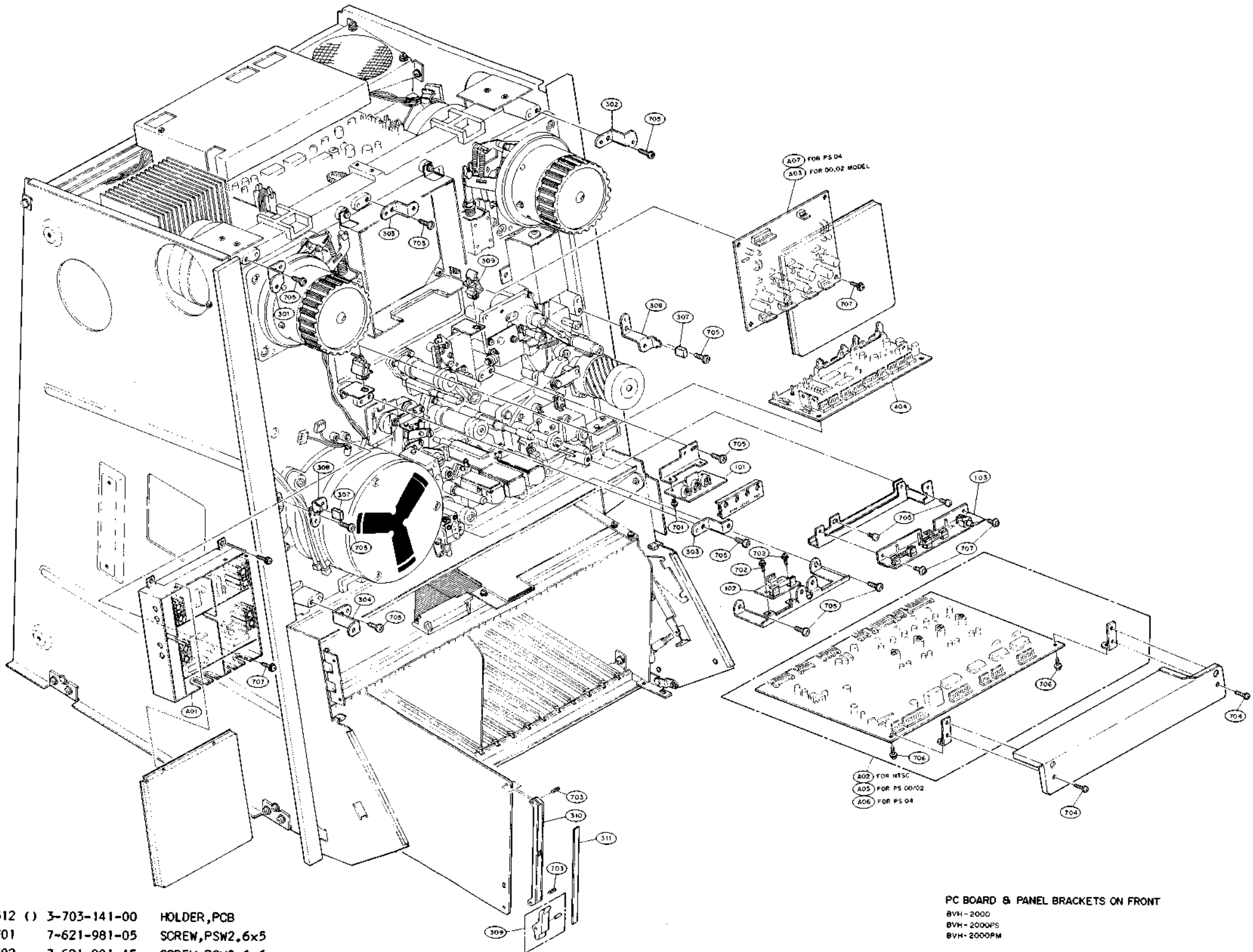
802	8-825-725-50	HEAD,AUDIO ERASE,EF204-5104B (for 00,02 model)
803	8-825-737-10	HEAD,AUDIO R/P,PA77-5104C (for 00,02 model)
804	8-825-737-20	HEAD,AUDIO MONITOR, PA77-5104D (for 02 model)
805	8-825-725-70	HEAD,AUDIO ERASE,EF204-5105A (for PS 04)
806	8-825-737-60	HEAD,AUDIO R/P,PA77-5105B (for PS 04)
807	8-825-737-70	HEAD,AUDIO MONITOR,PA77-5105C (for PS 04)

STATIONARY HEAD ASSEMBLY  
BVH-2000  
BVH-2000PS  
BVH-2000PM

PC BOARDS & PANEL BRACKETS ON FRONT (BVH-2000)

No.	Part No.	Description
A01 ( )	A-6011-063-A	COMPLETE PCB,RP-09
A02 ( )	A-6013-044-A	COMPLETE PCB,AP-06 (for NTSC,PM)
A03 ( )	A-6013-046-A	COMPLETE PCB,BE-03 (for 00,02 model)
A04 ( )	A-6025-084-A	COMPLETE PCB,TT-01
A05 ( )	A-6013-049-A	COMPLETE PCB,AP-06 (for PS 00/02)
A06 ( )	A-6013-052-A	COMPLETE PCB,AP-06 (for PS 04)
A07 ( )	A-6013-054-A	COMPLETE PCB,BE-03 (for PS 04)
101 ( )	1-606-676-00	BE-04 BOARD (WITHOUT COMPONENT)
102 ( )	1-606-699-00	HM-05 BOARD (WITHOUT COMPONENT)
103 ( )	1-609-959-00	TM-16 BOARD (WITHOUT COMPONENT)
301 ( )	3-673-677-00	BRACKET(1),PANEL
302 ( )	3-673-678-00	BRACKET(2),PANEL
303 ( )	3-673-679-01	BRACKET(3),PANEL
304 ( )	3-673-679-11	BRACKET(3),PANEL
307 ( )	3-673-784-00	CAP
308 ( )	3-673-785-00	BRACKET(4),PANEL
309 ( )	3-673-865-00	LEVER
310 ( )	3-673-867-00	PLATE,INDICATION,PC BOARD
311 ( )	3-674-611-00	LABEL,AU-27
311 ( )	3-674-612-00	LABEL,AE-03 (for 00,02 model)
311 ( )	3-674-613-00	LABEL,EQ-02
311 ( )	3-674-614-00	LABEL,DM-25
311 ( )	3-674-615-00	LABEL,MD-14
311 ( )	3-674-616-00	LABEL,LG-02 (for NTSC,PM up to #1XXXX)
311 ( )	3-674-616-11	LABEL,LG-02(A) (for NTSC,PM #2XXXX and higher)
311 ( )	3-674-617-00	LABEL,SY-79 (for 02,04 model)
311 ( )	3-674-618-00	LABEL,SY-80 (for NTSC,PM)
311 ( )	3-674-619-00	LABEL,SV-43
311 ( )	3-674-620-00	LABEL,RL-12
311 ( )	3-674-621-00	LABEL,CD-17 (for NTSC)
311 ( )	3-674-622-00	LABEL,SR-15 (for NTSC)
311 ( )	3-674-623-00	LABEL,DT-04 (for NTSC,PM)
311 ( )	3-674-624-00	LABEL,SY-80 (for PS)
311 ( )	3-674-625-03	LABEL,DT-05 (for PS)
311 ( )	3-674-626-00	LABEL,SR-15 (for PS,PM)
311 ( )	3-674-627-00	LABEL,LG-02 (for PS up to #1XXXX)
311 ( )	3-674-627-11	LABEL,LG-02(A) (for PS #2XXXX and higher)
311 ( )	3-674-628-00	LABEL,CD-17 (for PS,PM)
311 ( )	3-674-657-00	LABEL,AE-03 (for PS 04)
311 ( )	3-674-684-00	LABEL,SY-79 (for 00 model)

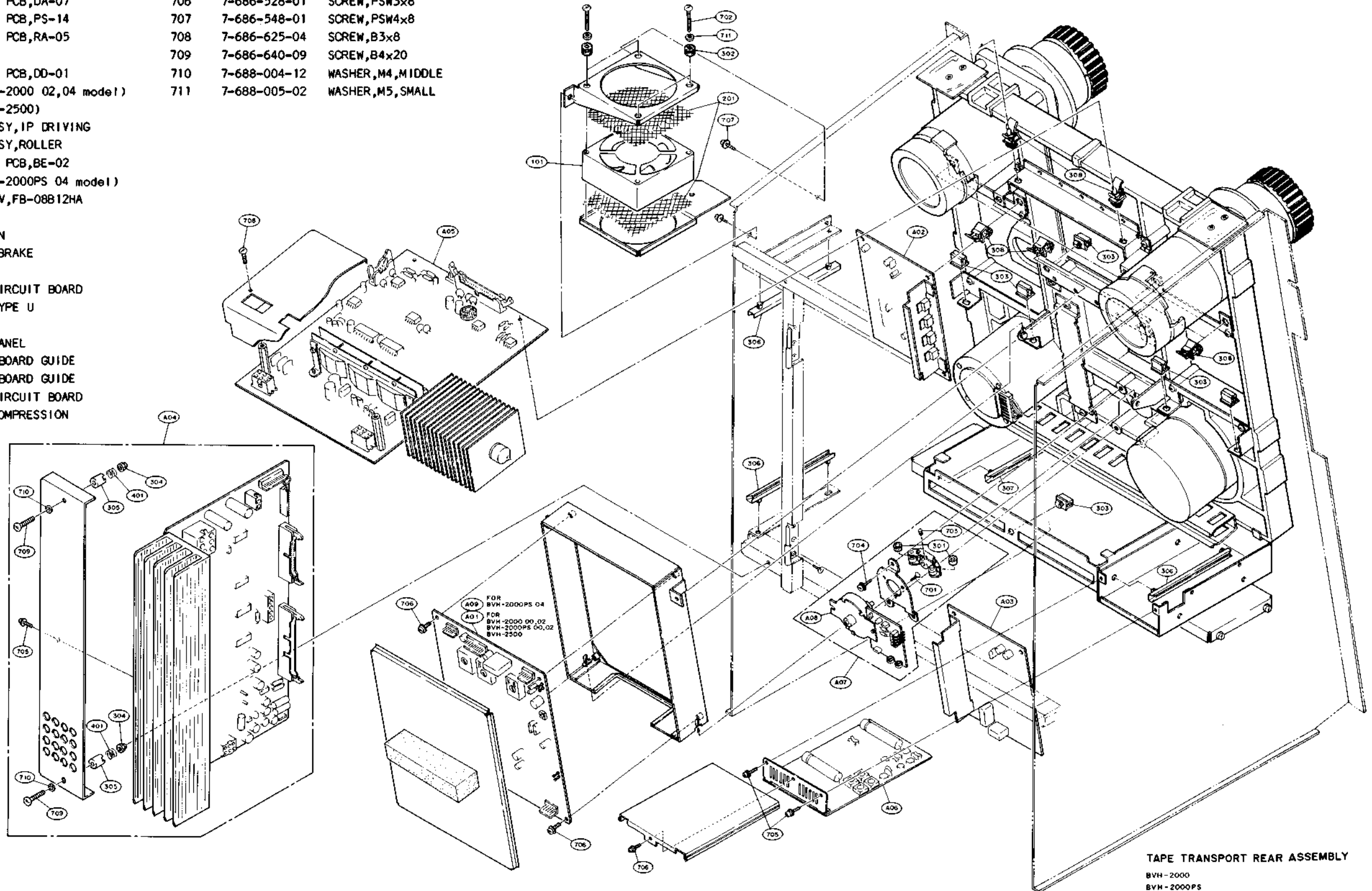
312 ( )	3-703-141-00	HOLDER,PCB
701	7-621-981-05	SCREW,PSW2.6x5
702	7-621-981-15	SCREW,PSW2.6x6
703 ( )	7-626-317-21	SPRING PIN 2.5x8
704	7-686-447-01	SCREW,PS3x6
705	7-686-469-01	SCREW,PS4x10
706	7-686-527-01	SCREW,PSW3x6
707	7-686-528-01	SCREW,PSW3x8



PC BOARD & PANEL BRACKETS ON FRONT  
 BVH-2000  
 BVH-2000PS  
 BVH-2000PM

TAPE TRANSPORT REAR ASSEMBLY (BVH-2000/2500)

No.	Part No.	Description	No.	Part No.	Description
			701	7-621-559-00	SCREW,K2.6x4
			702	7-682-571-09	SCREW,+B4x45
A01 ( )	A-6013-045-B	COMPLETE PCB,BE-02 (for BVH-2000 00,02 model) (for BVH-2500)	703	7-683-238-01	SET SCREW 3x4,FLAT POINT
			704	7-686-469-01	SCREW,PS4x10
A02 ( )	A-6015-064-A	COMPLETE PCB,CA-09	705	7-686-527-01	SCREW,PSW3x6
A03 ( )	A-6015-065-A	COMPLETE PCB,DA-07	706	7-686-528-01	SCREW,PSW3x8
A04 ( )	A-6023-030-A	COMPLETE PCB,PS-14	707	7-686-548-01	SCREW,PSW4x8
A05 ( )	A-6023-031-A	COMPLETE PCB,RA-05	708	7-686-625-04	SCREW,B3x8
			709	7-686-640-09	SCREW,B4x20
A06	A-6023-032-A	COMPLETE PCB,DD-01 (for BVH-2000 02,04 model) (for BVH-2500)	710	7-688-004-12	WASHER,M4,MIDDLE
			711	7-688-005-02	WASHER,M5,SMALL
A07 ( )	A-6037-022-A	MOTOR ASSY,IP DRIVING			
A08 ( )	A-6037-025-A	MOTOR ASSY,ROLLER			
A09 ( )	A-6013-053-B	COMPLETE PCB,BE-02 (for BVH-2000PS 04 model)			
101	1-541-170-21	FAN,DC12V,FB-08B12HA			
201 ( )	2-252-609-00	COVER,FAN			
301 ( )	3-534-255-00	CUSHION,BRAKE			
302 ( )	3-630-837-00	BUSHING			
303 ( )	3-642-310-00	HOLDER,CIRCUIT BOARD			
304 ( )	3-648-057-00	NUT,M4,TYPE U			
305 ( )	3-651-849-00	SPACER,PANEL			
306 ( )	3-673-676-11	RAIL,PC BOARD GUIDE			
307 ( )	3-673-676-21	RAIL,PC BOARD GUIDE			
308 ( )	3-703-141-00	HOLDER,CIRCUIT BOARD			
401 ( )	4-823-115-00	SPRING,COMPRESSION			



TAPE TRANSPORT REAR ASSEMBLY  
BVH-2000  
BVH-2000PS  
BVH-2000PM  
BVH-2500



Ref.No. or Q'ty	Part No.	Description
<u>AU-27 BOARD (BVH-2000PS/CARD RACK)</u>		
1pc	( ) A-6013-050-A	COMPLETE PCB,AU-27 (This assembly includes the following parts.)
C102,109,202,209	1-107-085-00	CAP,MICA 100PF 5% 50V
C180,280	1-107-210-00	CAP,MICA 22PF 5% 500V
C161	1-109-540-00	CAP,MICA 180PF 5% 100V
C267	1-109-541-00	CAP,MICA 200PF 5% 100V
C261,262	1-109-542-00	CAP,MICA 220PF 5% 100V
C167	1-109-543-00	CAP,MICA 240PF 5% 100V
C162	1-109-547-00	CAP,MICA 330PF 5% 100V
C163,263	1-109-549-00	CAP,MICA 390PF 5% 100V
C101,120,201,220	1-109-550-00	CAP,MICA 430PF 5% 100V
C108,208	1-109-553-00	CAP,MICA 470PF 5% 100V
C119,137,151,219,237, 251	1-109-559-00	CAP,MICA 820PF 5% 100V
C104,105,114,115,133, 134,139,140,146,147, 148,156,157,165,166, 204,205,214,215,233, 234,239,240,246,247, 248,256,257,265,266	1-123-318-00	CAP,ELECT 33 16V
C141,149,150,241,249, 250	1-123-332-00	CAP,ELECT 47 25V
C143,145,243,245	1-123-333-00	CAP,ELECT 100 25V
C171,172,173,174,175, 176,177,271,272,273, 274,275,276,277	1-123-356-00	CAP,ELECT 10 50V
C136,236	1-130-473-00	CAP,MYLAR 0.0015 5% 50V

Ref.No. or Q'ty	Part No.	Description
<u>(AU-27 BOARD,BVH-2000PS/CARD RACK)</u>		
C116,216	1-130-474-00	CAP,MYLAR 0.0018 5% 50V
C113,129,132,213,229, 232	1-130-475-00	CAP,MYLAR 0.0022 5% 50V
C152,252	(May be used or not.) 1-130-475-00	CAP,MYLAR 0.0022 5% 50V
C154,179,254,279	1-130-477-00	CAP,MYLAR 0.0033 5% 50V
C112,212	1-130-481-00	CAP,MYLAR 0.0068 5% 50V
C168,268	1-130-482-00	CAP,MYLAR 0.0082 5% 50V
C159,259	1-130-620-00	CAP,FILM 0.01 5% 50V
C110,111,130,131,210, 211,230,231	1-130-624-00	CAP,FILM 0.022 5% 50V
C169,269	1-130-632-00	CAP,FILM 0.1 5% 50V
C117,135,217,235	1-131-347-00	CAP,TANT 0.1 10% 35V
C160,260	1-131-369-00	CAP,TANT 4.7 10% 16V
C118,153,170,218,253, 270	1-131-371-00	CAP,TANT 10 10% 16V
C178,278	1-131-373-00	CAP,TANT 22 10% 16V
C103,203	1-131-381-00	CAP,TANT 47 10% 10V
C142,144,242,244	1-161-051-00	CAP,CERAMIC 0.01 10% 50V
RV111,211	1-224-937-00	RES,VAR,METAL 1K
RV101,102,104,107,110, 201,202,204,207,210	1-224-940-00	RES,VAR,METAL 10K
RV103,105,106,203,205, 206	1-224-941-00	RES,VAR,METAL 20K
RV108,109,208,209	1-228-580-00	RES,VAR,COMP 20K(B)

Ref.No. or Qty	Part No.	Description
(AU-27 BOARD,BVH-2000PS/CARD RACK)		
R102, 170, 202, 270	1-247-767-00	RES,CARBON 2.2 5% 1/6W
R105, 106, 115, 116, 119, 125, 135, 136, 141, 142, 149, 154, 160, 168, 169, 172, 182, 183, 194, 205, 206, 215, 216, 219, 225, 235, 236, 241, 242, 249, 254, 260, 268, 269, 272, 282, 283, 294, 331	1-247-807-00	RES,CARBON 100 5% 1/6W
R139, 239	1-247-815-00	RES,CARBON 220 5% 1/6W
R188, 288	1-247-821-00	RES,CARBON 390 5% 1/6W
R104, 204	1-247-828-00	RES,CARBON 750 5% 1/6W
R114, 134, 147, 148, 199, 214, 234, 247, 248, 299	1-247-831-00	RES,CARBON 1K 5% 1/6W
R118, 178, 218, 278	1-247-835-00	RES,CARBON 1.5K 5% 1/6W
R110, 210	1-247-836-00	RES,CARBON 1.6K 5% 1/6W
R101, 111, 121, 130, 138, 201, 211, 221, 230, 238	1-247-839-00	RES,CARBON 2.2K 5% 1/6W
R145, 165, 245, 265	1-247-845-00	RES,CARBON 3.9K 5% 1/6W
R167, 267	1-247-846-00	RES,CARBON 4.3K 5% 1/6W
R117, 120, 137, 140, 161, 217, 220, 237, 240, 261	1-247-847-00	RES,CARBON 4.7K 5% 1/6W
R150, 151, 250, 251	1-247-851-00	RES,CARBON 6.8K 5% 1/6W
R157, 162, 257, 262	1-247-853-00	RES,CARBON 8.2K 5% 1/6W

Ref.No. or Qty	Part No.	Description
(AU-27 BOARD,BVH-2000PS/CARD RACK)		
R124, 156, 158, 187, 190, 191, 192, 193, 195, 196, 224, 256, 258, 287, 290, 291, 293, 311, 312, 313, 314, 315, 316, 317, 321, 322, 323, 324, 325, 326, 327	1-247-855-00	RES,CARBON 10K 5% 1/6W
R198, 298	1-247-857-00	RES,CARBON 12K 5% 1/6W
R171, 271	1-247-860-00	RES,CARBON 16K 5% 1/6W
R107, 164, 207, 264	1-247-861-00	RES,CARBON 18K 5% 1/6W
R175, 181, 275, 281	1-247-863-00	RES,CARBON 22K 5% 1/6W
R108, 208	1-247-864-00	RES,CARBON 24K 5% 1/6W
R174, 274	1-247-867-00	RES,CARBON 33K 5% 1/6W
R197, 297	1-247-870-00	RES,CARBON 43K 5% 1/6W
R122, 222	1-247-871-00	RES,CARBON 47K 5% 1/6W
R144, 244	1-247-877-00	RES,CARBON 82K 5% 1/6W
R123, 146, 180, 185, 189, 223, 246, 280, 285, 289	1-247-879-00	RES,CARBON 100K 5% 1/6W
R284	1-247-881-00	RES,CARBON 120K 5% 1/6W
R112, 131, 212, 231	1-247-882-00	RES,CARBON 130K 5% 1/6W
R163, 263	1-247-883-00	RES,CARBON 150K 5% 1/6W
R184, 186, 286	1-247-887-00	RES,CARBON 220K 5% 1/6W
R113, 133, 213, 233	1-247-890-00	RES,CARBON 300K 5% 1/6W
R176, 276	1-247-895-00	RES,CARBON 470K 5% 1/6W
R155, 255	1-247-899-00	RES,CARBON 680K 5% 1/6W
R152, 153, 252, 253	1-247-903-00	RES,CARBON 1M 5% 1/6W

Ref.No. or Qty	Part No.	Description
(AU-27 BOARD,BVH-2000PS/CARD RACK)		
LV102,202	1-407-293-00	INDUCTOR,VAR,1.5mH
LV101,201	1-407-297-00	INDUCTOR,VAR,3.5mH
L102,202	1-407-494-00	INDUCTOR,MICRO,1.5mH 5%
TH101,201	1-800-200-00	THERMISTOR,S-3K
TPE101,106,107,108,109, 201,206,207,208,209	( ) 3-673-772-01	TERMINAL,TP
TP101,102,103,104,105, 106,107,108,109,201, 202,203,204,205,206, 207,208,209	( ) 3-673-772-41	TERMINAL,TP
1pc	( ) 3-673-865-00	LEVER,WITH PIN
1pc	( ) 3-673-867-00	PLATE,INDICATION, PC BOARD
1pc	( ) 3-674-611-00	LABEL(AU-27),PC BOARD
1pc	7-621-981-15	SCREW,PSW 2.6x6
2pcs	( ) 7-626-317-21	PIN,SPRING 2.5x8
D101,102,201,202	8-719-815-80	DIODE 1S1587
D1	8-719-911-06	DIODE 1S106
Q102,202	8-729-373-92	TRANSISTOR 2SB739
Q101,201	8-729-378-84	TRANSISTOR 2SD788
IC106,206	8-759-178-05	IC UPC78L05
IC101,201	8-759-305-50	IC CX550
IC102,104,105,108,109, 202,204,205,208,209	8-759-745-59	IC NJM4559D

Ref.No. or Qty	Part No.	Description
(AU-27 BOARD,BVH-2000PS/CARD RACK)		
IC107,207	8-759-745-60	IC NJM4560D
IC113,213	8-759-900-00	IC SN74LS00N,TTL
IC1,110,111,112,210,211, 212	8-759-921-91	IC TL191CN

AE-03 BOARD (BVH-2000PS/CARD RACK)

Board No ; 1-606-671-11 & 12  
Serial No; up to 10299

1pc ( ) A-6013-051-A COMPLETE PCB,AE-03  
(This assembly includes the following parts.)

If A-6013-051-A is not available, order  
A-6013-051-B.

1pc	( ) X-3673-641-0	PLATE ASSY,SHIELD
C4,15	1-107-210-00	CAP,MICA 22PF 5% 500V
C32	1-108-557-00	CAP,MYLAR 0.0012 5% 50V
C8	1-108-559-00	CAP,MYLAR 0.0015 5% 50V
C10,38,65	1-108-563-00	CAP,MYLAR 0.0022 5% 50V
C46	(May be used or not.)	
	1-108-563-00	CAP,MYLAR 0.0022 5% 50V
C14	1-108-565-00	CAP,MYLAR 0.0027 5% 50V
C45,69,76	1-108-567-00	CAP,MYLAR 0.0033 5% 50V
C154	1-108-573-00	CAP,MYLAR 0.0056 5% 50V
C64,151	1-108-575-00	CAP,MYLAR 0.0068 5% 50V
C51	1-108-579-00	CAP,MYLAR 0.01 5% 50V
C55	1-108-585-00	CAP,MYLAR 0.018 5% 50V

Ref.No. or Q'ty	Part No.	Description
(AE-03 BOARD,BVH-2000PS/CARD RACK)		
(Board No.1-606-671-11 & 12)		
C37,39	1-108-587-00	CAP,MYLAR 0.022 5% 50V
C7,140		(One of the following capacitors is used.)
	1-108-587-00	CAP,MYLAR 0.022 5% 50V
	1-108-591-00	CAP,MYLAR 0.033 5% 50V
C54,78	1-108-595-00	CAP,MYLAR 0.047 5% 50V
C148	1-109-527-00	CAP,MICA 47PF 5% 100V
C150	1-109-531-00	CAP,MICA 68PF 5% 100V
C53	1-109-542-00	CAP,MICA 220PF 5% 100V
C12	1-109-546-00	CAP,MICA 300PF 5% 100V
C187	1-109-547-00	CAP,MICA 330PF 5% 100V
C2	1-109-548-00	CAP,MICA 360PF 5% 100V
C33,146	1-109-553-00	CAP,MICA 470PF 5% 100V
C147	1-109-554-00	CAP,MICA 510PF 5% 100V
C149	1-109-555-00	CAP,MICA 560PF 5% 100V
C44	1-109-559-00	CAP,MICA 820PF 5% 100V
C3,5,9,11,19,20,25,26, 27,28,35,36,48,49,61, 63,70,71,73,74,141	1-123-332-00	CAP,ELECT 47 25V
C23,24,41,42	1-123-333-00	CAP,ELECT 100 25V
C16,17,21,22,56,57,62, 67,68,77,80,81,82	1-123-356-00	CAP,ELECT 10 50V
C66	1-131-345-00	CAP,TANT 0.47 10% 35V
C13,29,34	1-131-347-00	CAP,TANT 1 10% 35V
C31	1-131-349-00	CAP,TANT 2.2 10% 35V
C6,18,52,75,145	1-131-351-00	CAP,TANT 4.7 10% 35V
C72,144	1-131-381-00	CAP,TANT 47 10% 10V
C1,79,83,84	1-161-055-00	CAP,CERAMIC 0.022 10% 50V

Ref.No. or Q'ty	Part No.	Description
(AE-03 BOARD,BVH-2000PS/CARD RACK)		
(Board No.1-606-671-11 & 12)		
R110	1-214-108-00	RES,METAL 100 1% 1/4W
R140	1-214-127-00	RES,METAL 620 1% 1/4W
R138	1-214-133-00	RES,METAL 1.1K 1% 1/4W
R111	1-214-148-00	RES,METAL 4.7K 1% 1/4W
R108	1-214-156-00	RES,METAL 10K 1% 1/4W
RV12	1-224-937-00	RES,VAR,METAL 1K
RV1,3,4,6,9,13,16,17,32	1-224-940-00	RES,VAR,METAL 10K
RV2,5,8	1-224-941-00	RES,VAR,METAL 20K
RV15,18	1-224-943-00	RES,VAR,METAL 100K
RV28,29	1-228-580-00	RES,VAR,COMP 20K(B)
R246	1-247-104-00	RES,CARBON 75 5% 1/4W
R81	1-247-767-00	RES,CARBON 2.2 5% 1/6W
R27,28,37,38,86,100,101, 244	1-247-799-00	RES,CARBON 47 5% 1/6W
R128	1-247-804-00	RES,CARBON 75 5% 1/6W
R17,30,48,49,55,56,57, 82,107,113,115,118	1-247-807-00	RES,CARBON 100 5% 1/6W
R20,22,33,35,62,63,79, 80	1-247-815-00	RES,CARBON 220 5% 1/6W
R5,12,94,95	1-247-819-00	RES,CARBON 330 5% 1/6W
R66	1-247-821-00	RES,CARBON 390 5% 1/6W
R127	1-247-823-00	RES,CARBON 470 5% 1/6W
R6,39,41,67,68	1-247-827-00	RES,CARBON 680 5% 1/6W
R18,44,125	1-247-831-00	RES,CARBON 1K 5% 1/6W
R123,135	1-247-834-00	RES,CARBON 1.3K 5% 1/6W
R2,34	1-247-835-00	RES,CARBON 1.5K 5% 1/6W

Ref.No. or Qty	Part No.	Description
(AE-03 BOARD,BVH-2000PS/CARD RACK) (Board No.1-606-671-11 & 12)		
R24,25,59,69,131,134, 247	1-247-839-00	RES,CARBON 2.2K 5% 1/6W
R122,136 R53	1-247-840-00 1-247-845-00	RES,CARBON 2.4K 5% 1/6W RES,CARBON 3.9K 5% 1/6W
R3,16,73,114,141,142, 276	1-247-847-00	RES,CARBON 4.7K 5% 1/6W
R11,31 R43,51	1-247-850-00 1-247-851-00	RES,CARBON 6.2K 5% 1/6W RES,CARBON 6.8K 5% 1/6W
R14,23,60,61,102,119	1-247-852-00	RES,CARBON 7.5K 5% 1/6W
R47,74,77	1-247-853-00	RES,CARBON 8.2K 5% 1/6W
R13,45,46,103,106,116, 144,145,147,148,149, 150,151,152,153,154, 155,156,161,162,163, 164	1-247-855-00	RES,CARBON 10K 5% 1/6W
R132,143 R83	1-247-857-00 1-247-860-00	RES,CARBON 12K 5% 1/6W RES,CARBON 16K 5% 1/6W
R10,32,76	1-247-861-00	RES,CARBON 18K 5% 1/6W
R4,21,90,92,133	1-247-863-00	RES,CARBON 22K 5% 1/6W
R97,129	1-247-865-00	RES,CARBON 27K 5% 1/6W
R87,96,146	1-247-867-00	RES,CARBON 33K 5% 1/6W
R126,139 R1 R112	1-247-869-00 1-247-871-00 1-247-876-00	RES,CARBON 39K 5% 1/6W RES,CARBON 47K 5% 1/6W RES,CARBON 75K 5% 1/6W
R15,52,64,98,109,117, 130,250,252	1-247-879-00	RES,CARBON 100K 5% 1/6W

Ref.No. or Qty	Part No.	Description
(AE-03 BOARD,BVH-2000PS/CARD RACK) (Board No.1-606-671-11 & 12)		
R124,137 R99	1-247-880-00 1-247-881-00	RES,CARBON 110K 5% 1/6W RES,CARBON 120K 5% 1/6W
R78,84,251	1-247-883-00	RES,CARBON 150K 5% 1/6W
R93 R245 R19,65 R54 R42	1-247-886-00 1-247-887-00 1-247-891-00 1-247-895-00 1-247-899-00	RES,CARBON 200K 5% 1/6W RES,CARBON 220K 5% 1/6W RES,CARBON 330K 5% 1/6W RES,CARBON 470K 5% 1/6W RES,CARBON 680K 5% 1/6W
R40,50 LV2 L1 SW1,2	1-247-903-00 1-407-297-00 1-407-495-XX 1-553-440-00	RES,CARBON 1M 5% 1/6W INDUCTOR,VAR,3.5mH INDUCTOR,MICRO,1.8mH 5% SWITCH,TOGGLE
TP1,2,3,4,5,6,7,8,9,11, 17,18 ( )	3-673-805-01	TERMINAL,TP
TPE1,2,4,7,8,9 ( )	3-673-805-11	TERMINAL,TP
1pc	( ) 3-673-865-00	LEVER,WITH PIN
1pc	( ) 3-673-867-00	PLATE,INDICATION, PC BOARD
1pc 4pcs 2pcs	( ) 3-674-612-00 7-621-981-15 ( ) 7-626-317-21	LABEL(AE-03),PC BOARD SCREW,PSW 2.6x6 PIN,SPRING 2.5x8
D5 D1,2,8,9	8-719-156-25 8-719-815-55	DIODE RD5.6E-B2Z DIODE 1S1555
D3,4 Q7,9 Q2,4 Q3,5,8	8-719-815-80 8-729-117-54 8-729-177-32 8-729-373-92	DIODE 1S1587 TRANSISTOR 2SA1175 TRANSISTOR 2SD773 TRANSISTOR 2SB739
IC34 IC7 IC1,33	8-759-171-05 8-759-240-52 8-759-305-50	IC UPC7805H IC TC4052BP,CMOS IC CX550
IC2,6,8,9,11,14	8-759-745-59	IC NJM4559D
IC5	8-759-745-60	IC NJM4560D

Ref.No. or Qty	Part No.	Description
<b>(AE-03 BOARD, BVH-2000PS/CARD RACK)</b>		
<b>(Board No. 1-606-671-11 &amp; 12)</b>		
IC13	8-759-755-86	IC, PROM, MB7051-E1U1
IC21	8-759-900-00	IC SN74LS00N, TTL
IC20	8-759-900-02	IC SN74LS02N, TTL
IC22	8-759-900-04	IC SN74LS04N, TTL
IC19	8-759-901-25	IC SN74LS125AN, TTL
IC18	8-759-901-26	IC SN74LS126AN, TTL
IC15	8-759-906-01	IC TL601CP
IC3, 4, 10, 12	8-759-921-91	IC TL191CN
IC17	8-759-952-07	IC SN75207BN
IC16	8-759-990-82	IC TL082CP
Q1, 15	8-765-600-00	TRANSISTOR 2SC2593
Q6	8-769-194-00	TRANSISTOR 2SK43-4

**AE-03 BOARD (BVH-2000PS-00, 02/CARD RACK)**

Board No ; 1-606-671-13 & up  
 Serial No; 10301 & up

Ipc (for 00/02 model)  
 ( ) A-6013-051-B COMPLETE PCB, AE-03  
 (This assembly includes the following parts.)

Ipc ( ) X-3673-641-0 PLATE ASSY, SHIELD

C185, 186  
 1-102-106-00 CAP, CERAMIC  
 100PF 10% 50V

Ref.No. or Qty	Part No.	Description
<b>(AE-03 BOARD, BVH-2000PS-00, 02/CARD RACK)</b>		
<b>(Board No. 1-606-671-13 &amp; up)</b>		
C202	1-107-075-00	CAP, MICA 39PF 5% 50V
C203	1-107-158-00	CAP, MICA 30PF 5% 500V
C4, 15	1-107-210-00	CAP, MICA 22PF 5% 500V
C148	1-109-527-00	CAP, MICA 47PF 5% 100V
C150	1-109-531-00	CAP, MICA 68PF 5% 100V
C12	1-109-546-00	CAP, MICA 300PF 5% 100V
C153	1-109-547-00	CAP, MICA 330PF 5% 100V
C2	1-109-550-00	CAP, MICA 430PF 5% 100V
C33	1-109-553-00	CAP, MICA 470PF 5% 100V
C147	1-109-554-00	CAP, MICA 510PF 5% 100V
C149	1-109-555-00	CAP, MICA 560PF 5% 100V
C44	1-109-559-00	CAP, MICA 820PF 5% 100V
C3, 5, 9, 11, 19, 20, 25, 26, 27, 28, 35, 36, 48, 49, 61, 63, 70, 71, 73, 74, 141	1-123-332-00	CAP, ELECT 47 25V
C23, 24, 41, 42, 200, 201	1-123-333-00	CAP, ELECT 100 25V
C16, 17, 21, 22, 56, 57, 62, 67, 68, 77, 80, 81, 181, 182	1-123-356-00	CAP, ELECT 10 50V
C32	1-130-472-00	CAP, MYLAR 0.0012 5% 50V
C8	1-130-473-00	CAP, MYLAR 0.0015 5% 50V
C10, 146	1-130-474-00	CAP, MYLAR 0.0018 5% 50V
C38, 46, 65	1-130-475-00	CAP, MYLAR 0.0022 5% 50V
C14	1-130-476-00	CAP, MYLAR 0.0027 5% 50V
C45, 69, 76	1-130-477-00	CAP, MYLAR 0.0033 5% 50V
C154	1-130-480-00	CAP, MYLAR 0.0056 5% 50V
C64, 151	1-130-481-00	CAP, MYLAR 0.0068 5% 50V
C51	1-130-620-00	CAP, FILM 0.01 5% 50V
C37, 39	1-130-624-00	CAP, FILM 0.022 5% 50V

Ref.No. or Q'ty	Part No.	Description
(AE-03 BOARD,BVH-2000PS-00,02/CARD RACK) (Board No.1-606-671-13 & up)		
C184	1-131-295-61	CAP,TANT 100 10% 6.3V
C13,34,66	1-131-345-00	CAP,TANT 0.47 10% 35V
C29	1-131-347-00	CAP,TANT 1 10% 35V
C31	1-131-349-00	CAP,TANT 2.2 10% 35V
C6,18,52,75,145,189,190	1-131-351-00	CAP,TANT 4.7 10% 35V
C72	1-131-381-00	CAP,TANT 47 10% 10V
C7,55,140	1-136-156-00	CAP,FILM 0.018 5% 50V
C1,54,79,83,84	1-161-055-00	CAP,CERAMIC 0.022 10% 50V
R128	1-214-105-00	RES,METAL 75 1% 1/4W
R246	1-214-106-00	RES,METAL 82 1% 1/4W
R274	1-214-122-00	RES,METAL 390 1% 1/4W
R249	1-214-124-00	RES,METAL 470 1% 1/4W
R273	1-214-125-00	RES,METAL 510 1% 1/4W
R138	1-214-146-00	RES,METAL 3.9K 1% 1/4W
R119	1-214-153-00	RES,METAL 7.5K 1% 1/4W
R248	1-214-156-00	RES,METAL 10K 1% 1/4W
RV12	1-224-937-00	RES,VAR,METAL 1K
RV3,4,6,9,13,16,17,32	1-224-940-00	RES,VAR,METAL 10K
RV1,2,5,8	1-224-941-00	RES,VAR,METAL 20K
RV15,18	1-226-095-00	RES,VAR,METAL 200K
RV28,29	1-228-580-00	RES,VAR,COMP 20K(B)
R81,253,264,265,266,283	1-247-767-00	RES,CARBON 2.2 5% 1/6W
R27,28,37,38,79,80,86, 100,101,244,277,278	1-247-799-00	RES,CARBON 47 5% 1/6W

Ref.No. or Q'ty	Part No.	Description
(AE-03 BOARD,BVH-2000PS-00,02/CARD RACK) (Board No.1-606-671-13 & up)		
R5,12,17,20,22,30,33,35, 48,49,55,56,57,62,63, 82,94,95,107,115,118, 321,323	1-247-807-00	RES,CARBON 100 5% 1/6W
R279	1-247-819-00	RES,CARBON 330 5% 1/6W
R135	1-247-823-00	RES,CARBON 470 5% 1/6W
R6,39,41,67,68	1-247-827-00	RES,CARBON 680 5% 1/6W
R18,44,66	1-247-831-00	RES,CARBON 1K 5% 1/6W
R123	1-247-834-00	RES,CARBON 1.3K 5% 1/6W
R34	1-247-835-00	RES,CARBON 1.5K 5% 1/6W
R2,16,24,25,59,69,131, 134,275	1-247-839-00	RES,CARBON 2.2K 5% 1/6W
R122,136	1-247-840-00	RES,CARBON 2.4K 5% 1/6W
R53	1-247-845-00	RES,CARBON 3.9K 5% 1/6W
R73,141,276	1-247-847-00	RES,CARBON 4.7K 5% 1/6W
R31	1-247-850-00	RES,CARBON 6.2K 5% 1/6W
R43,51	1-247-851-00	RES,CARBON 6.8K 5% 1/6W
R11,60,61,102	1-247-852-00	RES,CARBON 7.5K 5% 1/6W
R47,74,77	1-247-853-00	RES,CARBON 8.2K 5% 1/6W
R13,14,23,45,46,144,145, 148,149,150,151,152, 153,154,155,156,161, 162,163,164,285,301, 302,303,304,305,306, 307,308,309,310,311, 312,313,314,315,316, 317	1-247-855-00	RES,CARBON 10K 5% 1/6W
R132	1-247-857-00	RES,CARBON 12K 5% 1/6W
R83	1-247-860-00	RES,CARBON 16K 5% 1/6W

Ref.No. or Qty	Part No.	Description
(AE-03 BOARD,BVH-2000PS-00,02/CARD RACK) (Board No.1-606-671-13 & up)		
R10,32,76	1-247-861-00	RES,CARBON 18K 5% 1/6W
R4,21,90,92,133	1-247-863-00	RES,CARBON 22K 5% 1/6W
R97	1-247-865-00	RES,CARBON 27K 5% 1/6W
R87,96,129,146	1-247-867-00	RES,CARBON 33K 5% 1/6W
R126,139	1-247-869-00	RES,CARBON 39K 5% 1/6W
R1	1-247-871-00	RES,CARBON 47K 5% 1/6W
R124,137	1-247-873-00	RES,CARBON 56K 5% 1/6W
R64	1-247-875-00	RES,CARBON 68K 5% 1/6W
R112	1-247-876-00	RES,CARBON 75K 5% 1/6W
R52,98,109,130,250,252, 286	1-247-879-00	RES,CARBON 100K 5% 1/6W
R15	1-247-880-00	RES,CARBON 110K 5% 1/6W
R99	1-247-881-00	RES,CARBON 120K 5% 1/6W
R78,251	1-247-883-00	RES,CARBON 150K 5% 1/6W
R93	1-247-886-00	RES,CARBON 200K 5% 1/6W
R54,245,287	1-247-887-00	RES,CARBON 220K 5% 1/6W
R65	1-247-895-00	RES,CARBON 470K 5% 1/6W
R19	1-247-898-00	RES,CARBON 620K 5% 1/6W
R42	1-247-899-00	RES,CARBON 680K 5% 1/6W
R40,50	1-247-903-00	RES,CARBON 1M 5% 1/6W
LV1	1-407-293-00	INDUCTOR,VAR,1.5mH
LV2	1-407-297-00	INDUCTOR,VAR,3.5mH
SW3	1-552-430-21	SWITCH,SLIDE
SW1,2	1-553-440-00	SWITCH,TOGGLE

Ref.No. or Qty	Part No.	Description
(AE-03 BOARD,BVH-2000PS-00,02/CARD RACK) (Board No.1-606-671-13 & up)		
TP1,2,3,4,5,6,7,8,9,11, 17,18,19		
TPE1,2,4,7,8,9,10,11	( ) 3-657-703-01	TERMINAL,TP
1pc	( ) 3-673-865-00	LEVER,WITH PIN
1pc	( ) 3-673-867-00	PLATE,INDICATION, PC BOARD
1pc	( ) 3-674-612-00	LABEL(AE-03),PC BOARD
4pcs	7-621-981-15	SCREW,PSW2.6x6
2pcs	( ) 7-626-317-21	PIN,SPRING 2.5x8
D5	8-719-156-07	DIODE RD5.6E-B
D1	8-719-815-55	DIODE 1S1555
D3,4	8-719-815-80	DIODE 1S1587
Q7,9	8-729-117-54	TRANSISTOR 2SA1175
Q2,4	8-729-177-32	TRANSISTOR 2SD773
Q3,5,8	8-729-373-92	TRANSISTOR 2SB739
IC34	8-759-178-05	IC UPC78L05
IC15	8-759-240-51	IC TC4051BP,CMOS
IC1,33	8-759-305-50	IC CX550
IC2,6,8,9,11,14	8-759-745-59	IC NJM4559D
IC5	8-759-745-60	IC NJM4560D
IC21	8-759-900-00	IC SN74LS00N,TTL
IC22	8-759-900-04	IC SN74LS04N,TTL
IC19	8-759-901-25	IC SN74LS125AN,TTL
IC18	8-759-901-26	IC SN74LS126AN,TTL
IC17	8-759-908-20	IC TL820CN



Ref.No. or Qty	Part No.	Description
(AE-03 BOARD,BVH-2000PS-00,02/CARD RACK) (Board No.1-606-671-13 & up)		
IC3,4,7,10,12	8-759-921-91	IC TL191CN
IC16	8-759-990-82	IC TL082CP
Q1,15	8-765-600-00	TRANSISTOR 2SC2593
Q6	8-769-194-00	TRANSISTOR 2SK43-4

Ref.No. or Qty	Part No.	Description
(AE-03 BOARD,BVH-2000PS-04/CARD RACK) (Board No.1-606-671-13 & up)		
C175	1-109-527-00	CAP,MICA 47PF 5% 100V
C150	1-109-531-00	CAP,MICA 68PF 5% 100V

C148  
(One of the following capacitors is used.)  
1-109-532-00 CAP,MICA 75PF 5% 100V  
1-109-535-00 CAP,MICA 100PF 5% 100V

C174	1-109-535-00	CAP,MICA 100PF 5% 100V
C94,171	1-109-537-00	CAP,MICA 120PF 5% 100V
C180	1-109-539-00	CAP,MICA 150PF 5% 100V
C166,188	1-109-540-00	CAP,MICA 180PF 5% 100V
C12	1-109-546-00	CAP,MICA 300PF 5% 100V

C157,165	1-109-549-00	CAP,MICA 390PF 5% 100V
C2,101	1-109-550-00	CAP,MICA 430PF 5% 100V

C33,92,129,164,183	1-109-553-00	CAP,MICA 470PF 5% 100V
--------------------	--------------	------------------------

C149	1-109-555-00	CAP,MICA 560PF 5% 100V
C153	1-109-557-00	CAP,MICA 680PF 5% 100V

C44,86,114	1-109-559-00	CAP,MICA 820PF 5% 100V
------------	--------------	------------------------

AE-03 BOARD (BVH-2000PS-04/CARD RACK)

Board No ; 1-606-671-13 & up  
Serial No; 10301 & up

1pc (for 04 model)  
( ) A-6013-055-A COMPLETE PCB,AE-03  
(This assembly includes the following parts.)

1pc	( ) X-3673-641-0	PLATE ASSY,SHIELD
C185,186	1-102-106-00	CAP,CERAMIC 100PF 10% 50V
C202	1-107-075-00	CAP,MICA 39PF 5% 50V
C203	1-107-158-00	CAP,MICA 30PF 5% 500V
C104	1-107-202-00	CAP,MICA 10PF 5% 500V
C4,15,161	1-107-210-00	CAP,MICA 22PF 5% 500V
C172	1-108-560-00	CAP,MYLAR 0.0016 5% 50V

C3,5,9,11,19,20,25,26, 27,28,35,36,48,49,61, 63,70,71,73,74,89,90, 95,96,102,103,110,111, 120,121,122,123,131, 132,141,142	1-123-332-00	CAP,ELECT 47 25V
---	--------------	------------------

C23,24,41,42,118,119, 137,138,200,201	1-123-333-00	CAP,ELECT 100 25V
--	--------------	-------------------

C16,17,21,22,56,57,62, 67,68,77,80,81,82,98, 99,100,116,117,125, 126,168,169,181,182	1-123-356-00	CAP,ELECT 10 50V
---	--------------	------------------

Ref.No. or Q'ty	Part No.	Description
(AE-03 BOARD,BVH-2000PS-04/CARD RACK)		
(Board No.1-606-671-13 & up)		
C64	1-130-471-00	CAP,MYLAR 0.001 5% 50V
C32, 128	1-130-472-00	CAP,MYLAR 0.0012 5% 50V
C8, 176	1-130-473-00	CAP,MYLAR 0.0015 5% 50V
C10, 146	1-130-474-00	CAP,MYLAR 0.0018 5% 50V
C38, 46, 88, 109, 113, 134	1-130-475-00	CAP,MYLAR 0.0022 5% 50V
C14	1-130-476-00	CAP,MYLAR 0.0027 5% 50V
C45, 69, 76, 87, 158	1-130-477-00	CAP,MYLAR 0.0033 5% 50V
C154, 177	1-130-480-00	CAP,MYLAR 0.0056 5% 50V
C106, 151	1-130-481-00	CAP,MYLAR 0.0068 5% 50V
C159	1-130-482-00	CAP,MYLAR 0.0082 5% 50V
C51, 93	1-130-620-00	CAP,FILM 0.01 5% 50V
C65	1-130-621-00	CAP,FILM 0.012 5% 50V
C162	1-130-622-00	CAP,FILM 0.015 5% 50V
C37, 39, 133, 135	1-130-624-00	CAP,FILM 0.022 5% 50V
C160, 173	1-130-632-00	CAP,FILM 0.1 5% 50V
C184	1-131-295-61	CAP,TANT 100 10% 6.3V
C156, 170	1-131-344-00	CAP,TANT 0.33 10% 35V
C13, 34, 66	1-131-345-00	CAP,TANT 0.47 10% 35V
C179	1-131-346-00	CAP,TANT 0.68 10% 35V
C29, 107, 124, 130	1-131-347-00	CAP,TANT 1 10% 35V
C178	1-131-348-00	CAP,TANT 1.5 10% 35V
C31, 127	1-131-349-00	CAP,TANT 2.2 10% 35V
C163	1-131-350-00	CAP,TANT 3.3 10% 35V
C6, 18, 52, 75, 91, 112, 145, 189, 190	1-131-351-00	CAP,TANT 4.7 10% 35V
C72	1-131-381-00	CAP,TANT 47 10% 10V
C7, 55, 105, 108, 140	1-136-156-00	CAP,FILM 0.018 5% 50V
C147	1-136-166-00	CAP,FILM 0.12 5% 50V

Ref.No. or Q'ty	Part No.	Description
(AE-03 BOARD,BVH-2000PS-04/CARD RACK)		
(Board No.1-606-671-13 & up)		
C1, 54, 78, 79, 83, 84, 115, 143	1-161-055-00	CAP,CERAMIC 0.022 10% 50V
R128	1-214-105-00	RES,METAL 75 1% 1/4W
R246	1-214-106-00	RES,METAL 82 1% 1/4W
R274	1-214-122-00	RES,METAL 390 1% 1/4W
R249	1-214-124-00	RES,METAL 470 1% 1/4W
R273	1-214-125-00	RES,METAL 510 1% 1/4W
R138	1-214-146-00	RES,METAL 3.9K 1% 1/4W
R119	1-214-153-00	RES,METAL 7.5K 1% 1/4W
R248	1-214-156-00	RES,METAL 10K 1% 1/4W
RV12, 35, 38	1-224-937-00	RES,VAR,METAL 1K
RV20	1-224-939-00	RES,VAR,METAL 5K
RV3, 4, 6, 9, 13, 16, 17, 19, 22, 24, 25, 27, 32, 34	1-224-940-00	RES,VAR,METAL 10K
RV1, 2, 5, 8, 23, 26, 33, 36	1-224-941-00	RES,VAR,METAL 20K
RV37	1-224-943-00	RES,VAR,METAL 100K
RV15, 18	1-226-095-00	RES,VAR,METAL 200K
RV28, 29, 30, 31	1-228-580-00	RES,VAR,COMP 20K(B)
R81	1-247-767-00	RES,CARBON 2.2 5% 1/6W
R27, 28, 37, 38, 79, 80, 86, 100, 101, 173, 174, 185, 186, 210, 211, 231, 232, 244, 267, 268, 277, 278	1-247-799-00	RES,CARBON 47 5% 1/6W
R5, 12, 17, 20, 22, 30, 33, 35, 48, 49, 55, 56, 57, 62, 63, 82, 94, 95, 107, 115, 118, 171, 180, 181, 192, 196, 201, 202, 203, 221, 222, 228, 229, 230, 236, 240, 321, 322, 323	1-247-807-00	RES,CARBON 100 5% 1/6W

Ref.No. or Qty	Part No.	Description
(AE-03 BOARD,BVH-2000PS-04/CARD RACK)		
(Board No.1-606-671-13 & up)		
R206,279	1-247-819-00	RES,CARBON 330 5% 1/6W
R200	1-247-821-00	RES,CARBON 390 5% 1/6W
R135	1-247-823-00	RES,CARBON 470 5% 1/6W
R6,39,41,67,68,195,212, 218,241,243	1-247-827-00	RES,CARBON 680 5% 1/6W
R18,44,66,214,239	1-247-831-00	RES,CARBON 1K 5% 1/6W
R123	1-247-834-00	RES,CARBON 1.3K 5% 1/6W
R34,255	1-247-835-00	RES,CARBON 1.5K 5% 1/6W
R2,16,24,25,59,69,131, 134,187,197,207,233, 242,275	1-247-839-00	RES,CARBON 2.2K 5% 1/6W
R122,136	1-247-840-00	RES,CARBON 2.4K 5% 1/6W
R177	1-247-841-00	RES,CARBON 2.7K 5% 1/6W
R97	1-247-843-00	RES,CARBON 3.3K 5% 1/6W
R53,226	1-247-845-00	RES,CARBON 3.9K 5% 1/6W
R73,141,160,204,205,276	1-247-847-00	RES,CARBON 4.7K 5% 1/6W
R31	1-247-850-00	RES,CARBON 6.2K 5% 1/6W
R43,51,213,224,281	1-247-851-00	RES,CARBON 6.8K 5% 1/6W
R11,60,61,102,234,235	1-247-852-00	RES,CARBON 7.5K 5% 1/6W
R47,74,77,165,168,220, 272	1-247-853-00	RES,CARBON 8.2K 5% 1/6W
R13,14,23,45,46,87,144, 145,147,148,149,150, 151,152,153,154,155, 156,161,162,163,164, 208,209,215,216,258, 263,264,266,270,271, 283,301,302,303,304, 305,306,307,308,309, 310,311,312,313,314, 315,316,317	1-247-855-00	RES,CARBON 10K 5% 1/6W

Ref.No. or Qty	Part No.	Description
(AE-03 BOARD,BVH-2000PS-04/CARD RACK)		
(Board No.1-606-671-13 & up)		
R132,175	1-247-857-00	RES,CARBON 12K 5% 1/6W
R261,282	1-247-859-00	RES,CARBON 15K 5% 1/6W
R83,172	1-247-860-00	RES,CARBON 16K 5% 1/6W
R10,32,76,167,178,193	1-247-861-00	RES,CARBON 18K 5% 1/6W
R4,21,90,92,133,254	1-247-863-00	RES,CARBON 22K 5% 1/6W
R194	1-247-864-00	RES,CARBON 24K 5% 1/6W
R179	1-247-865-00	RES,CARBON 27K 5% 1/6W
R129,146,183,188	1-247-867-00	RES,CARBON 33K 5% 1/6W
R126,139	1-247-869-00	RES,CARBON 39K 5% 1/6W
R256	1-247-870-00	RES,CARBON 43K 5% 1/6W
R124,137	1-247-873-00	RES,CARBON 56K 5% 1/6W
R189,262	1-247-874-00	RES,CARBON 62K 5% 1/6W
R64,265	1-247-875-00	RES,CARBON 68K 5% 1/6W
R112	1-247-876-00	RES,CARBON 75K 5% 1/6W
R1,52,98,109,130,176, 225,237,250,252,257, 260,286	1-247-879-00	RES,CARBON 100K 5% 1/6W
R15	1-247-880-00	RES,CARBON 110K 5% 1/6W
R99	1-247-881-00	RES,CARBON 120K 5% 1/6W
R78,93,96,169,251	1-247-883-00	RES,CARBON 150K 5% 1/6W
R9,54,198,227,245,259, 287	1-247-887-00	RES,CARBON 220K 5% 1/6W
R199,238	1-247-891-00	RES,CARBON 330K 5% 1/6W
R65	1-247-895-00	RES,CARBON 470K 5% 1/6W
R269	1-247-897-00	RES,CARBON 560K 5% 1/6W
R19	1-247-898-00	RES,CARBON 620K 5% 1/6W
R42,219	1-247-899-00	RES,CARBON 680K 5% 1/6W

Ref.No. or Q'ty	Part No.	Description
(AE-03 BOARD,BVH-2000PS-04/CARD RACK) (Board No.1-606-671-13 & up)		
R40,50,217,223	1-247-903-00	RES,CARBON 1M 5% 1/6W
LV1,6	1-407-293-00	INDUCTOR,VAR,1.5mH
LV2,3,4,5	1-407-297-00	INDUCTOR,VAR,3.5mH
SW3	1-552-430-21	SWITCH,SLIDE
SW1,2	1-553-440-00	SWITCH,TOGGLE
TP1,2,3,4,5,6,7,8,9,10, 11,12,13,14,15,16,17, 18,19		
TPE1,2,3,4,5,6,7,8,9,10, 11,12,13	( ) 3-657-703-01	TERMINAL,TP
1pc	( ) 3-673-865-00	LEVER,WITH PIN
1pc	( ) 3-673-867-00	PLATE,INDICATION, PC BOARD
1pc	( ) 3-674-657-00	LABEL(AE-03),PC BOARD
4 pcs	7-621-981-15	SCREW,PSW2.6x6
2 pcs	( ) 7-626-317-21	PIN,SPRING 2.5x8
D5	8-719-156-07	DIODE RD5.6E-B
D1	8-719-815-55	DIODE 1S1555
D3,4,6,7	8-719-815-80	DIODE 1S1587
Q7,9	8-729-117-54	TRANSISTOR 2SA1175
Q2,4,11,13	8-729-177-32	TRANSISTOR 2SD773
Q3,5,8,12,14	8-729-373-92	TRANSISTOR 2SB739

Ref.No. or Q'ty	Part No.	Description
(AE-03 BOARD,BVH-2000PS-04/CARD RACK) (Board No.1-606-671-13 & up)		
IC35	8-759-045-38	IC MC14538BCP,CMOS
IC34	8-759-178-05	IC UPC78L05
IC15	8-759-240-51	IC TC4051BP,CMOS
IC1,26,33	8-759-305-50	IC CX550
IC2,6,8,9,11,14,23,24, 27,30,32	8-759-745-59	IC NJM4559D
IC5,29	8-759-745-60	IC NJM4560D
IC21	8-759-900-00	IC SN74LS00N,TTL
IC22	8-759-900-04	IC SN74LS04N,TTL
IC20	8-759-900-08	IC SN74LS08N,TTL
IC19	8-759-901-25	IC SN74LS125AN,TTL
IC18	8-759-901-26	IC SN74LS126AN,TTL
IC17	8-759-908-20	IC TL820CN
IC3,4,7,10,12,13,25,28, 31	8-759-921-91	IC TL191CN
IC16	8-759-990-82	IC TL082CP
Q1,15	8-765-600-00	TRANSISTOR 2SC2593
Q6	8-769-194-00	TRANSISTOR 2SK43-4

Ref.No. or Q'ty	Part No.	Description	Ref.No. or Q'ty	Part No.	Description
<u>EQ-02 BOARD (BVH-2000PS/CARD RACK)</u>			<u>(EQ-02 BOARD, BVH-2000PS/CARD RACK)</u>		
Board No ; 1-606-659-11			(Board No. 1-606-659-11)		
Serial No; up to 10399			C77, 95, 100, 101		
1pc	( ) A-6011-067-A	COMPLETE PCB, EQ-02 (This assembly includes the following parts.)	1-123-330-00		CAP, ELECT 22 25V
If A-6011-067-A is not available, order A-6011-067-B.			063, 66	1-123-332-00	CAP, ELECT 47 25V
1pc	( ) X-3673-641-0	PLATE ASSY, SHIELD	C1, 12, 23, 26, 29, 36, 40, 47, 51, 58, 69, 70, 104, 130	1-123-333-00	CAP, ELECT 100 25V
C90, 93	1-102-106-00	CAP, CERAMIC 100PF 10% 50V	C87	1-123-379-00	CAP, ELECT 0.47 100V
C114	1-107-022-00	CAP, MICA 20PF 10% 500V	C125, 126	1-123-380-00	CAP, ELECT 1 100V
C115	1-107-106-00	CAP, MICA 9PF +/-0.5PF 50V	C127	1-123-567-00	CAP, ELECT 2200 10V
C83	1-107-157-00	CAP, MICA 27PF 5% 500V	C96	1-123-829-00	CAP, ELECT, NONPOLAR 2.2 50V
C21, 80	1-107-202-00	CAP, MICA 10PF 5% 500V	C65, 68	1-123-839-00	CAP, ELECT 1000 16V
C132	1-107-206-00	CAP, MICA 15PF 5% 500V	CV1	1-141-256-00	CAP, TRIMMER 8PF
C86	1-108-563-00	CAP, MYLAR 0.0022 5% 50V	C3, 5, 6, 7, 9, 11, 13, 14, 15, 16, 17, 18, 19, 22, 24, 25, 27, 28, 30, 31, 32, 33, 34, 35, 37, 38, 39, 41, 42, 43, 44, 45, 46, 48, 49, 50, 52, 53, 54, 55, 56, 57, 59, 60, 62, 71, 73, 74, 75, 76, 78, 79, 81, 84, 85, 89, 92, 94, 97, 98, 99, 102, 103, 105, 106, 107, 112, 113, 116, 135	1-161-051-00	CAP, CERAMIC 0.01 10% 50V
C120	1-108-567-00	CAP, MYLAR 0.0033 5% 50V	C72	1-161-055-00	CAP, CERAMIC 0.022 10% 50V
C122, 141	1-108-571-00	CAP, MYLAR 0.0047 5% 50V	C64, 67, 128	1-161-057-00	CAP, CERAMIC 0.033 10% 50V
C124	1-108-575-00	CAP, MYLAR 0.0068 5% 50V	RV22	1-224-934-00	RES, VAR, METAL 100
C123	1-108-591-00	CAP, MYLAR 0.033 5% 50V	RV9, 10, 11, 12, 15, 19	1-224-935-00	RES, VAR, METAL 200
C121	1-108-603-00	CAP, MYLAR 0.1 5% 50V	RV17, 21	1-224-936-00	RES, VAR, METAL 500
C136	1-109-527-00	CAP, MICA 47PF 5% 100V			
C108, 109, 110, 111	1-109-528-00	CAP, MICA 51PF 5% 100V			
C2, 4, 8, 10	1-109-531-00	CAP, MICA 68PF 5% 100V			
C134	1-109-532-00	CAP, MICA 75PF 5% 100V			
C119	1-109-535-00	CAP, MICA 100PF 5% 100V			
C117	1-109-538-00	CAP, MICA 130PF 5% 100V			
C20, 82	1-109-539-00	CAP, MICA 150PF 5% 100V			
C61, 88, 91, 118, 129, 131	1-123-307-00	CAP, ELECT 100 10V			

Ref.No. or Qty	Part No.	Description
(EQ-02 BOARD,BVH-2000PS/CARD RACK) (Board No.1-606-659-11)		
RV13, 14, 16, 18	1-224-937-00	RES,VAR,METAL 1K
RV27	1-224-938-00	RES,VAR,METAL 2K
RV23, 25, 28	1-224-939-00	RES,VAR,METAL 5K
RV24	1-224-940-00	RES,VAR,METAL 10K
RV26, 30	1-224-941-00	RES,VAR,METAL 20K
RV20	1-224-942-00	RES,VAR,METAL 50K
RV31, 32, 33	1-224-978-00	RES,VAR,METAL 50
RV1, 3, 5, 7	1-228-531-00	RES,VAR,COMP 200
RV2, 4, 6, 8	1-228-532-00	RES,VAR,COMP 5K
FL1, 2	1-235-105-00	FILTER,LOW-PASS 12MHZ
R18	(One of the following resistors is used.)	
	1-247-789-00	RES,CARBON 18 5% 1/6W
	1-247-795-00	RES,CARBON 33 5% 1/6W
R66, 94, 188, 263, 286, 287, 288	1-247-791-00	RES,CARBON 22 5% 1/6W
R285	(One of the following resistors is used.)	
	1-247-791-00	RES,CARBON 22 5% 1/6W
	1-247-795-00	RES,CARBON 33 5% 1/6W
R58, 61, 73, 100, 103, 115, 122, 126, 138, 139, 141, 161, 165, 261, 274	1-247-795-00	RES,CARBON 33 5% 1/6W
R26, 36, 46, 56, 62, 71, 78, 97, 153	1-247-800-00	RES,CARBON 51 5% 1/6W
R23, 33, 35, 43, 45, 53, 55	1-247-803-00	RES,CARBON 68 5% 1/6W

Ref.No. or Qty	Part No.	Description
(EQ-02 BOARD,BVH-2000PS/CARD RACK) (Board No.1-606-659-11)		
R74, 75, 120, 121, 147, 148, 163	1-247-804-00	RES,CARBON 75 5% 1/6W
R19, 20, 25, 29, 30, 39, 40, 49, 50, 65, 81, 82, 83, 89, 93, 101, 114, 127, 131, 144, 154, 155, 156, 159, 162, 167, 168, 173, 178, 180, 204, 208, 212, 213, 256, 257, 275, 276, 277	1-247-807-00	RES,CARBON 100 5% 1/6W
R289	1-247-809-00	RES,CARBON 110 5% 1/6W
R63, 64, 92, 95, 96, 123, 278	1-247-811-00	RES,CARBON 150 5% 1/6W
R90, 112, 129, 133, 145	1-247-814-00	RES,CARBON 200 5% 1/6W
R91	1-247-816-00	RES,CARBON 240 5% 1/6W
R70, 72, 140, 187, 245, 260, 264, 270	1-247-818-00	RES,CARBON 300 5% 1/6W
R21, 22, 31, 32, 41, 42, 51, 52, 119, 125, 152	1-247-819-00	RES,CARBON 330 5% 1/6W
R113, 223, 228, 229, 236	1-247-821-00	RES,CARBON 390 5% 1/6W
R59	1-247-822-00	RES,CARBON 430 5% 1/6W
R143, 175, 206, 246, 290	1-247-824-00	RES,CARBON 510 5% 1/6W
R68	1-247-825-00	RES,CARBON 560 5% 1/6W
R199	1-247-826-00	RES,CARBON 620 5% 1/6W
R76, 77, 135, 136, 146, 149	1-247-827-00	RES,CARBON 680 5% 1/6W
R166	1-247-828-00	RES,CARBON 750 5% 1/6W

Ref.No. or Q'ty	Part No.	Description	Ref.No. or Q'ty	Part No.	Description
(EQ-02 BOARD,BVH-2000PS/CARD RACK) (Board No.1-606-659-11)			(EQ-02 BOARD,BVH-2000PS/CARD RACK) (Board No.1-606-659-11)		
R221,222,226,227,231, 233,234,243,259	1-247-829-00	RES,CARBON 820 5% 1/6W	R241,244	1-247-864-00	RES,CARBON 24K 5% 1/6W
R57,60,67,79,80,84,85, 86,87,98,99,102,116, 124,128,130,134,142, 157,158,160,164,172, 176,192,198,200,203, 205,214,219,258,265, 273	1-247-831-00	RES,CARBON 1K 5% 1/6W	R1,2,3,4,5,6,7,8,217, 218	1-247-865-00	RES,CARBON 27K 5% 1/6W
R220,225,232,235	1-247-832-00	RES,CARBON 1.1K 5% 1/6W	R189,190,266,283	1-247-866-00	RES,CARBON 30K 5% 1/6W
R24,34,44,54,137,224, 230,237,238	1-247-836-00	RES,CARBON 1.6K 5% 1/6W	R247	1-247-867-00	RES,CARBON 33K 5% 1/6W
R169,174,179,186,191, 249,271	1-247-838-00	RES,CARBON 2K 5% 1/6W	R88	1-247-872-00	RES,CARBON 51K 5% 1/6W
R195	1-247-839-00	RES,CARBON 2.2K 5% 1/6W	R183	1-247-876-00	RES,CARBON 75K 5% 1/6W
R181,182	1-247-842-00	RES,CARBON 3K 5% 1/6W	R210,248,250,251,252, 253,255	1-247-879-00	RES,CARBON 100K 5% 1/6W
R132,209	1-247-843-00	RES,CARBON 3.3K 5% 1/6W	R254	1-247-882-00	RES,CARBON 130K 5% 1/6W
R194,240	1-247-847-00	RES,CARBON 4.7K 5% 1/6W	R197,202	1-247-888-00	RES,CARBON 240K 5% 1/6W
R201,272	1-247-848-00	RES,CARBON 5.1K 5% 1/6W	L1,6	1-407-169-XX	INDUCTOR,MICRO,100 5%
R170,207	1-247-849-00	RES,CARBON 5.6K 5% 1/6W	L4,5	1-407-170-XX	INDUCTOR,MICRO,120 5%
R171	1-247-850-00	RES,CARBON 6.2K 5% 1/6W	L9	1-407-179-XX	INDUCTOR,MICRO,1.2 5%
R69,117,118,150,151, 242,262	1-247-852-00	RES,CARBON 7.5K 5% 1/6W	LV5	1-408-658-00	INDUCTOR,VAR,2.7
R9,10,11,12,13,14,15,16, 104,105,106,107,108, 109,110,111,177,184, 215,216,267,269	1-247-855-00	RES,CARBON 10K 5% 1/6W	LV1,2,3,4	1-408-659-00	INDUCTOR,VAR,3.3
R185,193	1-247-857-00	RES,CARBON 12K 5% 1/6W	L2,3,7	1-409-339-00	COIL,SN
R211	1-247-859-00	RES,CARBON 15K 5% 1/6W	DL1	1-415-275-00	DELAY LINE,28nS
R196,268	1-247-863-00	RES,CARBON 22K 5% 1/6W	DL2	1-415-276-00	DELAY LINE,56nS
			FB1,2,3	1-535-178-00	FERRITE BEAD
			SW1	1-553-441-00	SWITCH,TOGGLE
			JP1,2	1-560-733-00	PIN,SHORT
			1pc	1-561-832-00	PLUG,SHORT
			4pcs	2-282-313-11	KNOB,CONTROL
			TP1,2,3,4,5,6,7,8,10,11, 12,13,14,15,16,17,18, 19	( ) 3-673-805-01	TERMINAL,TP
			TPE1,2,3,4,5	( ) 3-673-805-11	TERMINAL,TP

Ref.No. or Q'ty	Part No.	Description	Ref.No. or Q'ty	Part No.	Description
(EQ-02 BOARD,BVH-2000PS/CARD RACK) (Board No.1-606-659-11)			(EQ-02 BOARD,BVH-2000PS/CARD RACK) (Board No.1-606-659-11)		
1pc	( ) 3-673-865-00	LEVER,WITH PIN	IC23,24	8-759-902-21	IC SN74LS221N,TTL
1pc	( ) 3-673-867-00	PLATE,INDICATION, PC BOARD	IC9,11	8-759-906-07	IC TL607CP
1pc	( ) 3-674-613-00	LABEL(EQ-02),PC BOARD	IC3	8-759-906-85	IC AM685DL
6pcs	4-866-397-00	CUSHION,LED	IC8	8-759-926-10	IC TL610CP
4pcs	7-621-731-08	SET SCREW, 2x2.5,FLAT POINT	IC4	8-759-931-02	IC CA3102E
4pcs	7-621-981-15	SCREW,PSW 2.6x6	IC12	8-759-942-65	IC SN74265N,TTL
2pcs	( ) 7-626-317-21	PIN,SPRING 2.5x8	IC6	8-759-951-07	IC SN75107AN
D2	8-719-111-07	DIODE RD11E-B	IC10,28	8-759-990-82	IC TL082CP
D1	8-719-168-07	DIODE RD6.8E-B	IC5,7	8-759-990-84	IC TL084CN
D3,4,6	8-719-815-55	DIODE 1S1555	Q1,2,3,4,21,22,23,24,35	8-761-622-00	TRANSISTOR 2SC1636
Q13,14,38	8-729-110-53	TRANSISTOR 2SA1005	Q6,8,10,12,15,17,19,20, 26,27,28,29,31,32,33, 36,37	8-765-300-00	TRANSISTOR 2SC2009
Q5,7,9,11,16,18,25,30	8-729-117-33	TRANSISTOR 2SC1733	Q34,39	8-769-192-00	TRANSISTOR 2SK43-2
IC1,16,17	8-759-001-16	IC MC10116L,ECL			
IC18	8-759-001-98	IC MC10198L			
IC2	8-759-015-95	IC MC1595L			
IC20,25	8-759-900-00	IC SN74LS00N,TTL			
IC14	8-759-900-04	IC SN74LS04N,TTL			
IC13,15,22	8-759-900-08	IC SN74LS08N,TTL			
IC21	8-759-900-19	IC SN74128N,TTL			
IC19,26,27	8-759-901-23	IC SN74LS123N,TTL			



Ref.No. or Q'ty	Part No.	Description	Ref.No. or Q'ty	Part No.	Description
<u>EQ-02 BOARD (BVH-2000PS/CARD RACK)</u>			<u>(EQ-02 BOARD, BVH-2000PS/CARD RACK)</u>		
Board No ; 1-606-659-12, 13 & 14			(Board No. 1-606-659-12, 13 & 14)		
Serial No; 10401 to 12299			(Serial No; 10401 to 12299)		
1pc	( ) A-6011-067-B	COMPLETE PCB, EQ-02 (This assembly includes the following parts.)	C1, 7, 10, 23, 24, 31, 33, 40, 68, 76, 79, 140	1-123-333-00	CAP, ELECT 100 25V
1pc	( ) X-3673-641-0	PLATE ASSY, SHIELD	C134, 135	1-123-380-00	CAP, ELECT 1 100V
C98, 107	1-102-106-00	CAP, CERAMIC 100PF 10% 50V	C136	1-123-567-00	CAP, ELECT 2200 10V
C99	1-107-157-00	CAP, MICA 27PF 5% 500V	C111	1-123-829-00	CAP, ELECT, NONPOLAR 2.2 50V
C20, 75, 127, 142	1-107-202-00	CAP, MICA 10PF 5% 500V	C52, 57	1-123-839-00	CAP, ELECT 1000 16V
C32	1-107-205-00	CAP, MICA 13PF 5% 500V	CV2	1-141-240-00	CAP, TRIMMER 20PF
C92	1-108-563-00	CAP, MYLAR 0.0022 5% 50V	CV1	1-141-256-00	CAP, TRIMMER 8PF
C122, 123	1-108-567-00	CAP, MYLAR 0.0033 5% 50V	C2, 3, 5, 8, 11, 12, 14, 16, 17, 18, 19, 21, 22, 25, 26, 27, 28, 29, 30, 34, 35, 36, 37, 39, 41, 42, 43, 44, 45, 47, 50, 59, 61, 62, 63, 64, 65, 66, 67, 69, 70, 71, 72, 77, 78, 80, 83, 84, 85, 87, 88, 89, 90, 91, 93, 94, 97, 101, 105, 106, 109, 110, 112, 115, 116, 117, 118, 124, 126, 128, 139, 147	1-161-051-00	CAP, CERAMIC 0.01 10% 50V
C102	1-108-569-00	CAP, MYLAR 0.0039 5% 50V	C86	1-161-055-00	CAP, CERAMIC 0.022 10% 50V
C133	1-108-575-00	CAP, MYLAR 0.0068 5% 50V	C53, 56, 137	1-161-057-00	CAP, CERAMIC 0.033 10% 50V
C100	1-108-583-00	CAP, MYLAR 0.015 5% 50V	R20, 44	1-214-095-00	RES, METAL 30 1% 1/4W
C103	1-108-587-00	CAP, MYLAR 0.022 5% 50V	R301, 302, 303, 304	1-214-102-00	RES, METAL 56 1% 1/4W
C125	1-108-603-00	CAP, MYLAR 0.1 5% 50V	R9, 33	1-214-104-00	RES, METAL 68 1% 1/4W
C15, 58, 119, 120, 130	1-109-528-00	CAP, MICA 51PF 5% 100V	R19, 43	1-214-108-00	RES, METAL 100 1% 1/4W
C4, 6, 9, 13	1-109-531-00	CAP, MICA 68PF 5% 100V	R75, 79, 90, 133, 159, 167	1-214-112-00	RES, METAL 150 1% 1/4W
C73	1-109-532-00	CAP, MICA 75PF 5% 100V			
C131, 141	1-109-535-00	CAP, MICA 100PF 5% 100V			
C132	1-109-538-00	CAP, MICA 130PF 5% 100V			
C38, 95	1-109-539-00	CAP, MICA 150PF 5% 100V			
C60	1-109-540-00	CAP, MICA 180PF 5% 100V			
C51, 96, 104, 121, 129, 138	1-123-307-00	CAP, ELECT 100 10V			
C46, 82, 108, 113, 114	1-123-330-00	CAP, ELECT 22 25V			
C54, 55	1-123-332-00	CAP, ELECT 47 25V			

Ref.No. or Q'ty	Part No.	Description	Ref.No. or Q'ty	Part No.	Description
(EQ-02 BOARD,BVH-2000PS/CARD RACK) (Board No.1-606-659-12, 13 & 14) (Serial No; 10401 to 12299)			(EQ-02 BOARD,BVH-2000PS/CARD RACK) (Board No.1-606-659-12, 13 & 14) (Serial No; 10401 to 12299)		
R297	1-214-114-00	RES,METAL 180 1% 1/4W	R5,16,30,41,78,84,121, 131,163	1-247-800-00	RES,CARBON 51 5% 1/6W
R8,32	1-214-115-00	RES,METAL 200 1% 1/4W			
R112	1-214-130-00	RES,METAL 820 1% 1/4W			
R253	1-214-135-00	RES,METAL 1.3K 1% 1/4W	R146,147,188		
R191	1-214-136-00	RES,METAL 1.5K 1% 1/4W		1-247-804-00	RES,CARBON 75 5% 1/6W
R254	1-214-139-00	RES,METAL 2K 1% 1/4W	R1,3,12,14,25,27,36,39, 66,67,72,74,81,82,92, 106,113,114,115,122, 123,124,127,128,129, 136,137,138,148,150, 155,166,179,189,210, 214,215,230,251,256, 286,293,294		
R296	1-214-154-00	RES,METAL 8.2K 1% 1/4W		1-247-807-00	RES,CARBON 100 5% 1/6W
R211,220	1-214-156-00	RES,METAL 10K 1% 1/4W			
RV22	1-224-934-00	RES,VAR,METAL 100			
RV9,10,11,12					
	1-224-935-00	RES,VAR,METAL 200			
RV31,32,33,34					
	1-224-936-00	RES,VAR,METAL 500			
RV13,14,16,18					
	1-224-937-00	RES,VAR,METAL 1K	R285	1-247-810-00	RES,CARBON 130 5% 1/6W
RV27	1-224-938-00	RES,VAR,METAL 2K	R71,73,97,102,110,120, 149	1-247-814-00	RES,CARBON 200 5% 1/6W
RV23,25,28					
	1-224-939-00	RES,VAR,METAL 5K	R76	1-247-816-00	RES,CARBON 240 5% 1/6W
RV24	1-224-940-00	RES,VAR,METAL 10K			
			R94,111,139,171,172,175, 212,282,283,287	1-247-818-00	RES,CARBON 300 5% 1/6W
RV26,30,35					
	1-224-941-00	RES,VAR,METAL 20K	R2,4,13,15,26,28,37,38, 118,132	1-247-819-00	RES,CARBON 330 5% 1/6W
RV20	1-224-942-00	RES,VAR,METAL 50K			
			R55,60,151,258,264	1-247-821-00	RES,CARBON 390 5% 1/6W
RV1,3,5,7					
	1-228-531-00	RES,VAR,COMP 200(B)	R154,162	1-247-822-00	RES,CARBON 430 5% 1/6W
RV2,4,6,8			R280	1-247-823-00	RES,CARBON 470 5% 1/6W
	1-228-532-00	RES,VAR,COMP 5K(B)	R213,252	1-247-824-00	RES,CARBON 510 5% 1/6W
FL1,2	1-235-105-00	FILTER,LOW-PASS 12MHZ	R144	1-247-825-00	RES,CARBON 560 5% 1/6W
R298	1-247-767-00	RES,CARBON 2.2 5% 1/6W			
R7,18,31,42,77,80,101, 156			R99,100,107,116,135,141	1-247-827-00	RES,CARBON 680 5% 1/6W
	1-247-791-00	RES,CARBON 22 5% 1/6W			
R83,85,91,108,109,134, 140,142,157,158,168, 170,176,180,197					
	1-247-795-00	RES,CARBON 33 5% 1/6W	R190	1-247-828-00	RES,CARBON 750 5% 1/6W

Ref.No. or Q'ty	Part No.	Description
(EQ-02 BOARD,BVH-2000PS/CARD RACK) (Board No.1-606-659-12, 13 & 14) (Serial No; 10401 to 12299)		
R53,54,57,58,259,260, 262,263,281,284	1-247-829-00	RES,CARBON 820 5% 1/6W
R62,63,64,65,68,69,86, 87,88,89,93,98,104,105, 125,126,160,161,164, 165,169,174,177,192, 194,198,204,208,209, 217,219,228,234,241, 250,255	1-247-831-00	RES,CARBON 1K 5% 1/6W
R61,130,270,271	1-247-832-00	RES,CARBON 1.1K 5% 1/6W
R6,17,29,40,56,59,103, 261,265	1-247-836-00	RES,CARBON 1.6K 5% 1/6W
R227	1-247-837-00	RES,CARBON 1.8K 5% 1/6W
R193,202,203,226,231, 248,257,289	1-247-838-00	RES,CARBON 2K 5% 1/6W
R96	1-247-843-00	RES,CARBON 3.3K 5% 1/6W
R275	1-247-847-00	RES,CARBON 4.7K 5% 1/6W
R206,233,240	1-247-848-00	RES,CARBON 5.1K 5% 1/6W
R196	1-247-849-00	RES,CARBON 5.6K 5% 1/6W
R195,221,222,223,224, 225	1-247-850-00	RES,CARBON 6.2K 5% 1/6W
R117,119,143,145,152, 153,279	1-247-852-00	RES,CARBON 7.5K 5% 1/6W
R10,11,21,22,23,24,34, 35,173,178,181,182,183, 184,185,186,187,216, 235,238,243,244	1-247-855-00	RES,CARBON 10K 5% 1/6W

Ref.No. or Q'ty	Part No.	Description
(EQ-02 BOARD,BVH-2000PS/CARD RACK) (Board No.1-606-659-12, 13 & 14) (Serial No; 10401 to 12299)		
R199,207	1-247-857-00	RES,CARBON 12K 5% 1/6W
R247	1-247-859-00	RES,CARBON 15K 5% 1/6W
R205,239	1-247-863-00	RES,CARBON 22K 5% 1/6W
R277,278	1-247-864-00	RES,CARBON 24K 5% 1/6W
R45,46,47,48,49,50,51, 52,242,245	1-247-865-00	RES,CARBON 27K 5% 1/6W
R200,201,236	1-247-866-00	RES,CARBON 30K 5% 1/6W
R288	1-247-867-00	RES,CARBON 33K 5% 1/6W
R70	1-247-872-00	RES,CARBON 51K 5% 1/6W
R237	1-247-876-00	RES,CARBON 75K 5% 1/6W
R246,272,273,274,291, 292,295	1-247-879-00	RES,CARBON 100K 5% 1/6W
R290	1-247-882-00	RES,CARBON 130K 5% 1/6W
R218,229	1-247-888-00	RES,CARBON 240K 5% 1/6W
L9	1-407-179-XX	INDUCTOR,MICRO,1.2 5%
L5	1-408-399-00	INDUCTOR,MICRO,1.5 5%
L3,4	1-408-421-00	INDUCTOR,MICRO,100 5%
L6,7	1-408-422-00	INDUCTOR,MICRO,120 5%
L10	1-408-658-00	INDUCTOR,VAR,2.7
LV1,2,3,4	1-408-659-00	INDUCTOR,VAR,3.3
L1,2,8	1-409-339-00	COIL,SN
DL1	1-415-275-00	DELAY LINE,28nS
DL2	1-415-276-00	DELAY LINE,56nS
FBI,2,3	1-535-178-00	FERRITE BEAD
SW1	1-553-441-00	SWITCH,TOGGLE
JP1,2,3	1-560-733-00	PIN,SHORT
2pcs	1-561-832-00	PLUG,SHORT
TH1	1-800-202-00	THERMISTOR,S-10K
4pcs	2-282-313-11	KNOB,CONTROL

Ref.No. or Q'ty	Part No.	Description	Ref.No. or Q'ty	Part No.	Description
(EQ-02 BOARD,BVH-2000PS/CARD RACK) (Board No.1-606-659-12, 13 & 14) (Serial No; 10401 to 12299)			(EQ-02 BOARD,BVH-2000PS/CARD RACK) (Board No.1-606-659-12, 13 & 14) (Serial No; 10401 to 12299)		
TP1,2,3,4,5,6,7,8,10,11, 12,13,14,15,16,17,18, 19	( ) 3-673-805-01	TERMINAL,TP	IC4	8-759-906-85	IC AM685DL
TPE1,2,3,4,5,6	( ) 3-673-805-11	TERMINAL,TP	IC13	8-759-926-10	IC TL610CP
1pc	( ) 3-673-865-00	LEVER,WITH PIN	IC6	8-759-931-02	IC CA3102E
1pc	( ) 3-673-867-00	PLATE,INDICATION, PC BOARD	IC14	8-759-942-65	IC SN74265N,TTL
1pc	( ) 3-674-613-00	LABEL (EQ-02),PC BOARD	IC8	8-759-951-07	IC SN75107AN
6pcs	4-866-397-00	CUSHION,LED	IC5,10	8-759-990-82	IC TL082CP
4pcs	7-621-737-08	SET SCREW, 2.6x3,FLAT POINT	IC7,9	8-759-990-84	IC TL084CN
4pcs	7-621-981-15	SCREW,PSW2.6x6	Q3,6,7,10,29,30,31,32, 35	8-761-622-00	TRANSISTOR 2SC1636
2pcs	( ) 7-626-317-21	PIN,SPRING 2.5x8	Q2,5,9,12,14,15,16,18, 19,20,23,24,27,33,34, 37,40	8-765-300-00	TRANSISTOR 2SC2009
D5	8-719-100-27	DIODE RD4.7E-B2	Q28,36	8-769-192-00	TRANSISTOR 2SK43-2
D1	8-719-168-07	DIODE RD6.8E-B			
D2,3	8-719-815-55	DIODE 1S1555			
D6	8-719-815-80	DIODE 1S1587			
D17	8-729-105-72	TRANSISTOR 2SK523-L1			
Q25,26,38,39	8-729-110-53	TRANSISTOR 2SA1005			
Q1,4,8,11,13,21,22,41	8-729-117-33	TRANSISTOR 2SC1733			
IC1,2,17	8-759-001-16	IC MC10116L,ECL			
IC21	8-759-001-98	IC MC10198L			
IC3	8-759-015-95	IC MC1595L			
IC22,24	8-759-900-00	IC SN74LS00N,TTL			
IC15	8-759-900-04	IC SN74LS04N,TTL			
IC16,18	8-759-900-08	IC SN74LS08N,TTL			
IC23	8-759-900-19	IC SN74128N,TTL			
IC25,26	8-759-901-23	IC SN74LS123N,TTL			
IC19,20	8-759-902-21	IC SN74LS221N,TTL			
IC11,12	8-759-906-07	IC TL607CP			

Ref.No.  
or Q'ty      Part No.      Description

EQ-02 BOARD (BVH-2000PS/CARD RACK)

Board No ; 1-606-659-14 & up

Serial No; 22301 & up

1pc      ( ) A-6011-067-C      COMPLETE PCB,EQ-02  
(This assembly includes the following parts.)

1pc      ( ) X-3673-641-0      PLATE ASSY,SHIELD

C98,107      1-102-106-00      CAP,CERAMIC  
100PF 10% 50V

C99      1-107-157-00      CAP,MICA 27PF 5% 500V

C160      1-107-158-00      CAP,MICA 30PF 5% 500V

C127,142      1-107-202-00      CAP,MICA 10PF 5% 500V

C32      1-107-205-00      CAP,MICA 13PF 5% 500V

C60      1-107-208-00      CAP,MICA 18PF 5% 500V

C92      1-108-563-00      CAP,MYLAR 0.0022 5% 50V

C122,123      1-108-567-00      CAP,MYLAR 0.0033 5% 50V

C102      1-108-569-00      CAP,MYLAR 0.0039 5% 50V

C133      1-108-575-00      CAP,MYLAR 0.0068 5% 50V

C100      1-108-583-00      CAP,MYLAR 0.015 5% 50V

C103      1-108-587-00      CAP,MYLAR 0.022 5% 50V

C125      1-108-603-00      CAP,MYLAR 0.1 5% 50V

C15,58,119,120,130

1-109-528-00      CAP,MICA 51PF 5% 100V

C4,6,9,13,156,157,158,

159      1-109-531-00      CAP,MICA 68PF 5% 100V

C73      1-109-532-00      CAP,MICA 75PF 5% 100V

C131      1-109-535-00      CAP,MICA 100PF 5% 100V

C132      1-109-538-00      CAP,MICA 130PF 5% 100V

C38,95      1-109-539-00      CAP,MICA 150PF 5% 100V

C51,96,104,121,129,138

1-123-307-00      CAP,ELECT 100 10V

C46,82,108,113,114

1-123-330-00      CAP,ELECT 22 25V

C54,55      1-123-332-00      CAP,ELECT 47 25V

Ref.No.  
or Q'ty      Part No.      Description

(EQ-02 BOARD,BVH-2000PS/CARD RACK)

(Board No.1-606-659-14 & up)

(Serial No; 22301 & up)

C1,7,10,24,31,33,40,68,  
76,79,140

1-123-333-00      CAP,ELECT 100 25V

C134,135      1-123-380-00      CAP,ELECT 1 100V

C136      1-123-567-00      CAP,ELECT 2200 10V

C111      1-123-829-00      CAP,ELECT,NONPOLAR  
2.2 50V

C52,57      1-123-839-00      CAP,ELECT 1000 16V

CV1      1-141-256-00      CAP,TRIMMER 8PF

C2,3,5,8,11,12,14,19,26,

27,28,29,30,34,35,36,

37,39,41,42,43,44,45,

47,50,59,61,62,63,64,

65,66,67,69,70,71,72,

77,78,80,83,84,85,87,

88,89,90,91,93,94,97,

101,105,106,109,110,

112,115,116,117,118,

124,126,128,139,147

1-161-051-00      CAP,CERAMIC 0.01 10% 50V

C86,152,153,154,155

1-161-055-00      CAP,CERAMIC  
0.022 10% 50V

C53,56,137

1-161-057-00      CAP,CERAMIC  
0.033 10% 50V

C150,151      1-161-483-00      CAP,CERAMIC 0.1 10% 50V

R301,302,303,304

1-214-102-00      RES,METAL 56 1% 1/4W

R9,19,20,33,43,44

1-214-108-00      RES,METAL 100 1% 1/4W

R90,133,167

1-214-112-00      RES,METAL 150 1% 1/4W

Ref.No. or Q'ty	Part No.	Description
(EQ-02 BOARD,BVH-2000PS/CARD RACK) (Board No.1-606-659-14 & up) (Serial No; 22301 & up)		
R297	1-214-114-00	RES,METAL 180 1% 1/4W
R133	1-214-115-00	RES,METAL 200 1% 1/4W
R8,19,32,43	1-214-117-00	RES,METAL 240 1% 1/4W
R317,318,319,320	1-214-126-00	RES,METAL 320 1% 1/4W
R112	1-214-130-00	RES,METAL 820 1% 1/4W
R253	1-214-135-00	RES,METAL 1.3K 1% 1/4W
R191	1-214-136-00	RES,METAL 1.5K 1% 1/4W
R254	1-214-139-00	RES,METAL 2K 1% 1/4W
R296	1-214-154-00	RES,METAL 8.2K 1% 1/4W
R211,220,321	1-214-156-00	RES,METAL 10K 1% 1/4W
RV22	1-224-934-00	RES,VAR,METAL 100
RV9,10,11,12	1-224-935-00	RES,VAR,METAL 200
RV31,32,33,34	1-224-936-00	RES,VAR,METAL 500
RV13,14,16,18	1-224-937-00	RES,VAR,METAL 1K
RV27	1-224-938-00	RES,VAR,METAL 2K
RV23,25,28	1-224-939-00	RES,VAR,METAL 5K
RV24	1-224-940-00	RES,VAR,METAL 10K
RV26,30,35	1-224-941-00	RES,VAR,METAL 20K
RV36,37	1-228-470-00	RES,VAR,CERMET 500
RV1,3,5,7	1-228-531-00	RES,VAR,COMP 200(B)
RV2,4,6,8	1-228-532-00	RES,VAR,COMP 5K(B)
R298	1-247-767-00	RES,CARBON 2.2 5% 1/6W
R7,18,31,42,101,156	1-247-791-00	RES,CARBON 22 5% 1/6W

Ref.No. or Q'ty	Part No.	Description
(EQ-02 BOARD,BVH-2000PS/CARD RACK) (Board No.1-606-659-14 & up) (Serial No; 22301 & up)		
R85,91,108,109,134,140, 142,157,158,168,170, 176,180,197	1-247-795-00	RES,CARBON 33 5% 1/6W
R5,16,30,41,121,131,163	1-247-800-00	RES,CARBON 51 5% 1/6W
R146,147,188	1-247-804-00	RES,CARBON 75 5% 1/6W
R1,3,12,14,25,27,36,39, 82,92,106,113,114,115, 122,123,124,127,128, 129,136,137,138,148, 150,155,166,179,189, 210,214,215,230,251, 256,286,293,294	1-247-807-00	RES,CARBON 100 5% 1/6W
R285	1-247-810-00	RES,CARBON 130 5% 1/6W
R308	1-247-811-00	RES,CARBON 150 5% 1/6W
R102,110,120,149	1-247-814-00	RES,CARBON 200 5% 1/6W
R94,111,139,171,172,175, 212,282,283,287	1-247-818-00	RES,CARBON 300 5% 1/6W
R2,4,13,15,26,28,37,38, 97,118,132,154	1-247-819-00	RES,CARBON 330 5% 1/6W
R306	1-247-820-00	RES,CARBON 360 5% 1/6W
R55,60,151,258,264	1-247-821-00	RES,CARBON 390 5% 1/6W
R162	1-247-822-00	RES,CARBON 430 5% 1/6W
R280	1-247-823-00	RES,CARBON 470 5% 1/6W
R213,252	1-247-824-00	RES,CARBON 510 5% 1/6W
R144	1-247-825-00	RES,CARBON 560 5% 1/6W
R99,100,107,116,135,141	1-247-827-00	RES,CARBON 680 5% 1/6W
R190	1-247-828-00	RES,CARBON 750 5% 1/6W

Ref.No. or Qty	Part No.	Description	Ref.No. or Qty	Part No.	Description
(EQ-02 BOARD,BVH-2000PS/CARD RACK) (Board No.1-606-659-14 & up) (Serial No; 22301 & up)			(EQ-02 BOARD,BVH-2000PS/CARD RACK) (Board No.1-606-659-14 & up) (Serial No; 22301 & up)		
R53,54,57,58,259,260, 262,263,281,284	1-247-829-00	RES,CARBON 820 5% 1/6W	R199,207	1-247-857-00	RES,CARBON 12K 5% 1/6W
R87,89,98,104,105,125, 126,160,161,164,169, 174,177,192,194,198, 204,208,209,217,219, 228,234,241,250,255	1-247-831-00	RES,CARBON 1K 5% 1/6W	R247	1-247-859-00	RES,CARBON 15K 5% 1/6W
R61,130,270,271	1-247-832-00	RES,CARBON 1.1K 5% 1/6W	R205,239	1-247-863-00	RES,CARBON 22K 5% 1/6W
R307	1-247-834-00	RES,CARBON 1.3K 5% 1/6W	R277,278	1-247-864-00	RES,CARBON 24K 5% 1/6W
R6,17,29,40,56,59,261, 265	1-247-836-00	RES,CARBON 1.6K 5% 1/6W	R45,46,47,48,49,50,51, 52,242,245	1-247-865-00	RES,CARBON 27K 5% 1/6W
R227	1-247-837-00	RES,CARBON 1.8K 5% 1/6W	R200,201,236	1-247-866-00	RES,CARBON 30K 5% 1/6W
R193,202,203,226,231, 248,257,289	1-247-838-00	RES,CARBON 2K 5% 1/6W	R288	1-247-867-00	RES,CARBON 33K 5% 1/6W
R88,93,165	1-247-839-00	RES,CARBON 2.2K 5% 1/6W	R237	1-247-876-00	RES,CARBON 75K 5% 1/6W
R275	1-247-847-00	RES,CARBON 4.7K 5% 1/6W	R246,272,273,274,291, 292,295	1-247-879-00	RES,CARBON 100K 5% 1/6W
R206,233,240,309,310, 311,312,313,314,315, 316	1-247-848-00	RES,CARBON 5.1K 5% 1/6W	R290	1-247-882-00	RES,CARBON 130K 5% 1/6W
R96,103,196	1-247-849-00	RES,CARBON 5.6K 5% 1/6W	R218,229	1-247-888-00	RES,CARBON 240K 5% 1/6W
R195,221,222,223,224, 225	1-247-850-00	RES,CARBON 6.2K 5% 1/6W	L12,13,14,15,16	1-407-183-XX	INDUCTOR,MICRO,2.7 5%
R117,119,143,145,152, 153,279	1-247-852-00	RES,CARBON 7.5K 5% 1/6W	L5	1-408-399-00	INDUCTOR,MICRO,1.5 5%
R10,11,21,22,23,24,34, 35,173,178,181,182,183, 184,185,186,187,216, 235,238,243,244	1-247-855-00	RES,CARBON 10K 5% 1/6W	L3,4	1-408-421-00	INDUCTOR,MICRO,100 5%
			L6,7	1-408-422-00	INDUCTOR,MICRO,120 5%
			L10	1-408-658-00	INDUCTOR,VAR,2.7
			LV1,2,3,4	1-408-659-00	INDUCTOR,VAR,3.3
			L1,2,8	1-409-339-00	COIL,SN
			DL1	1-415-275-00	DELAY LINE,28nS
			DL2	1-415-276-00	DELAY LINE,56nS
			FBI,2,3	1-535-178-00	FERRITE BEAD
			SW1	1-553-441-00	SWITCH,TOGGLE
			JP1,2,3	1-560-733-00	PIN,SHORT
			CN11M(5P),12M(5P)	( ) 1-560-880-11	PLUG,20P (Cut off the pins as required.)
			2pcs	1-561-832-00	PLUG,SHORT

Ref.No. or Q'ty	Part No.	Description
(EQ-02 BOARD, BVH-2000PS/CARD RACK) (Board No. 1-606-659-14 & up) (Serial No; 22301 & up)		
CN11F (5P), 12F (5P)	( ) 1-561-971-00	SOCKET, 20P (Cut off the pins as required.)
1pc	( ) 1-612-751-11	PC BOARD, SW-81 WITHOUT COMPONENT
TH1	1-800-202-00	THERMISTOR, S-10K
4pcs	2-282-313-11	KNOB, CONTROL
TP1, 2, 3, 4, 5, 8, 10, 11, 12, 13, 14, 15, 16, 17, 18, 19	( ) 3-673-805-01	TERMINAL, TP
TPE1, 2, 3, 4, 5, 6	( ) 3-673-805-11	TERMINAL, TP
1pc	( ) 3-673-865-00	LEVER, WITH PIN
1pc	( ) 3-673-867-00	PLATE, INDICATION, PC BOARD
1pc	( ) 3-674-613-00	LABEL (EQ-02), PC BOARD
6pcs	4-866-397-00	CUSHION, LED
4pcs	7-621-737-08	SET SCREW, 2.6x3, FLAT POINT
4pcs	7-621-981-15	SCREW, PSW 2.6x6
2pcs	( ) 7-626-317-21	PIN, SPRING 2.5x8
D5	8-719-100-27	DIODE RD4, 7E-B2
D1	8-719-168-07	DIODE RD6, 8E-B
D2, 3	8-719-815-55	DIODE 1S1555
D6	8-719-815-80	DIODE 1S1587
Q17	8-729-105-72	TRANSISTOR 2SK523-L1
Q25, 26, 38, 39	8-729-110-53	TRANSISTOR 2SA1005
Q1, 4, 8, 11, 21, 22, 41	8-729-117-33	TRANSISTOR 2SC1733
IC1, 17	8-759-001-16	IC MC10116L, ECL
IC21	8-759-001-98	IC MC10198L
IC3	8-759-015-95	IC MC1595L
IC22, 24	8-759-900-00	IC SN74LS00N, TTL
IC15	8-759-900-04	IC SN74LS04N, TTL

Ref.No. or Q'ty	Part No.	Description
(EQ-02 BOARD, BVH-2000PS/CARD RACK) (Board No. 1-606-659-14 & up) (Serial No; 22301 & up)		
IC16, 18	8-759-900-08	IC SN74LS08N, TTL
IC23	8-759-900-19	IC SN74128N, TTL
IC25, 26	8-759-901-23	IC SN74LS123N, TTL
IC19, 20	8-759-902-21	IC SN74LS221N, TTL
IC27	8-759-906-01	IC TL601CP
IC11, 12	8-759-906-07	IC TL607CP
IC4	8-759-906-85	IC AM685DL
IC13	8-759-926-10	IC TL610CP
IC6	8-759-931-02	IC CA3102E
IC14	8-759-942-65	IC SN74265N, TTL
IC8	8-759-951-07	IC SN75107AN
IC5, 10	8-759-990-82	IC TL082CP
IC7, 9	8-759-990-84	IC TL084CN
Q3, 6, 7, 10, 29, 30, 31, 32, 35	8-761-622-00	TRANSISTOR 2SC1636
Q2, 5, 9, 12, 15, 16, 18, 19, 20, 23, 24, 27, 33, 34, 37, 40	8-765-300-00	TRANSISTOR 2SC2009
Q28, 36	8-769-192-00	TRANSISTOR 2SK43-2
<u>DM-25 BOARD (BVH-2000PS/CARD RACK)</u>		
Serial No; up to 12299		
1pc	( ) A-6011-068-A	COMPLETE PCB, DM-25 (This assembly includes the following parts.)
1pc	( ) X-3673-641-0	PLATE ASSY, SHIELD
C14, 69	1-102-106-00	CAP, CERAMIC 100PF 10% 50V
C76	1-107-026-00	CAP, MICA 5.1PF +/-0.5PF 500V
C144	1-107-080-00	CAP, MICA 62PF 5% 50V
C22, 67, 118, 127, 145	1-107-158-00	CAP, MICA 30PF 5% 500V



Ref.No. or Q'ty	Part No.	Description
(DM-25 BOARD,BVH-2000PS/CARD RACK)		
(Serial No; up to 12299)		
C81,82	1-107-159-00	CAP,MICA 33PF 5% 500V
C117,119	1-107-202-00	CAP,MICA 10PF 5% 500V
C92	1-107-204-00	CAP,MICA 12PF 5% 500V
C146	1-107-209-00	CAP,MICA 20PF 5% 500V
C143	1-108-555-00	CAP,MYLAR 0.001 5% 50V
C42	1-108-561-00	CAP,MYLAR 0.0018 5% 50V
C43	1-108-563-00	CAP,MYLAR 0.0022 5% 50V
C38,50	1-108-567-00	CAP,MYLAR 0.0033 5% 50V
C37	1-108-573-00	CAP,MYLAR 0.0056 5% 50V
C39	1-108-585-00	CAP,MYLAR 0.018 5% 50V
C54	1-108-587-00	CAP,MYLAR 0.022 5% 50V
C24	1-108-603-00	CAP,MYLAR 0.1 5% 50V
C40,47	1-109-528-00	CAP,MICA 51PF 5% 100V
C91	1-109-529-00	CAP,MICA 56PF 5% 100V
C55	1-109-531-00	CAP,MICA 68PF 5% 100V
C26,41,104	1-109-535-00	CAP,MICA 100PF 5% 100V
C56,115	1-109-539-00	CAP,MICA 150PF 5% 100V
C46	1-109-540-00	CAP,MICA 180PF 5% 100V
C10,11,31,53,58,100	1-109-541-00	CAP,MICA 200PF 5% 100V
C83	1-109-546-00	CAP,MICA 300PF 5% 100V
C45	1-109-548-00	CAP,MICA 360PF 5% 100V
C28	1-109-554-00	CAP,MICA 510PF 5% 100V
C60	1-109-602-00	CAP,MICA 0.001 1% 100V
C131	1-123-306-00	CAP,ELECT 47 10V
C7,63,110	1-123-307-00	CAP,ELECT 100 10V
C96,97,108	1-123-330-00	CAP,ELECT 22 25V
C1,4	1-123-332-00	CAP,ELECT 47 25V
C66,75,80,90,121,132	1-123-333-00	CAP,ELECT 100 25V
C30,140	1-123-379-00	CAP,ELECT 0.47 100V
C33	1-123-381-00	CAP,ELECT 2.2 100V
C9	1-123-567-00	CAP,ELECT 2200 10V

Ref.No. or Q'ty	Part No.	Description
(DM-25 BOARD,BVH-2000PS/CARD RACK)		
(Serial No; up to 12299)		
C73,74	1-123-829-00	CAP,ELECT,NONPOLAR 2.2 50V
C3,6	1-123-839-00	CAP,ELECT 1000 16V
CV2	1-141-240-00	CAP,TRIMMER 20PF
C13,15,19,20,21,23,25, 27,29,32,35,36,44,48, 52,57,59,61,62,64,65, 68,70,71,72,77,78,84, 85,86,87,88,89,93,94, 95,101,102,103,105,106, 107,109,112,113,114, 116,120,122,124,128, 130,133,136,137,138, 139,148	1-161-051-00	CAP,CERAMIC 0.01 10% 50V
C2,5,8	1-161-057-00	CAP,CERAMIC 0.033 10% 50V
R189,190,198	1-214-100-00	RES,METAL 47 1% 1/4W
R64,121,185,188	1-214-112-00	RES,METAL 150 1% 1/4W
R66	1-214-113-00	RES,METAL 160 1% 1/4W
R68,69	1-214-122-00	RES,METAL 390 1% 1/4W
R65	1-214-129-00	RES,METAL 750 1% 1/4W
R104	1-214-132-00	RES,METAL 1K 1% 1/4W
R213	1-214-138-00	RES,METAL 1.8K 1% 1/4W
R132,133	1-214-139-00	RES,METAL 2K 1% 1/4W
R41	1-214-140-00	RES,METAL 2.2K 1% 1/4W
R214	1-214-143-00	RES,METAL 3K 1% 1/4W
R42	1-214-144-00	RES,METAL 3.3K 1% 1/4W
R218	1-214-151-00	RES,METAL 6.2K 1% 1/4W
R43	1-214-155-00	RES,METAL 9.1K 1% 1/4W
R13,23,61,134,135,141	1-214-156-00	RES,METAL 10K 1% 1/4W
R40,59	1-214-160-00	RES,METAL 15K 1% 1/4W
R210	1-214-162-00	RES,METAL 18K 1% 1/4W
R30	1-214-165-00	RES,METAL 24K 1% 1/4W
R7	1-214-175-00	RES,METAL 62K 1% 1/4W
RV7,9	1-224-934-00	RES,VAR,METAL 100

Ref.No. or Q'ty	Part No.	Description
(DM-25 BOARD,BVH-2000PS/CARD RACK) (Serial No; up to 12299)		
RV4	1-224-935-00	RES,VAR,METAL 200
RV5,8,16	1-224-936-00	RES,VAR,METAL 500
RV14	1-224-937-00	RES,VAR,METAL 1K
RV3,6	1-224-939-00	RES,VAR,METAL 5K
RV2	1-224-940-00	RES,VAR,METAL 10K
RV10,11,15	1-224-941-00	RES,VAR,METAL 20K
RV12	1-224-942-00	RES,VAR,METAL 50K
RV1,13	1-224-943-00	RES,VAR,METAL 100K
RB1	1-231-407-00	RES BLOCK,2.2Kx8
LPF1	1-235-014-00	FILTER,LOW-PASS 5MHz
LPF2	1-235-104-00	FILTER,LOW-PASS 7.5MHz
R212	1-247-779-00	RES,CARBON 6.8 5% 1/6W
R70	1-247-787-00	RES,CARBON 15 5% 1/6W
R195	1-247-795-00	RES,CARBON 33 5% 1/6W
R90,91,118,119	1-247-800-00	RES,CARBON 51 5% 1/6W
R186	1-247-804-00	RES,CARBON 75 5% 1/6W
R57,72,74,106,110,122, 123,126,130,138,140, 143,145,161,164,168, 184,196,199,200,217	1-247-807-00	RES,CARBON 100 5% 1/6W
R71,73,75,89,149	1-247-811-00	RES,CARBON 150 5% 1/6W
R109,169	1-247-814-00	RES,CARBON 200 5% 1/6W
R166,215	1-247-817-00	RES,CARBON 270 5% 1/6W
R85,86,171	1-247-818-00	RES,CARBON 300 5% 1/6W
R177	1-247-819-00	RES,CARBON 330 5% 1/6W
R67,76,82,114	1-247-821-00	RES,CARBON 390 5% 1/6W

Ref.No. or Q'ty	Part No.	Description
(DM-25 BOARD,BVH-2000PS/CARD RACK) (Serial No; up to 12299)		
R160	1-247-823-00	RES,CARBON 470 5% 1/6W
R120,125	1-247-824-00	RES,CARBON 510 5% 1/6W
R129	1-247-825-00	RES,CARBON 560 5% 1/6W
R150	1-247-826-00	RES,CARBON 620 5% 1/6W
R175,181	1-247-827-00	RES,CARBON 680 5% 1/6W
R79,80,84,87,107,111, 112,113,116,117	1-247-829-00	RES,CARBON 820 5% 1/6W
R201	1-247-830-00	RES,CARBON 910 5% 1/6W
R9,11,50,51,54,108, 124,142,146,147,148, 152,187,193,197	1-247-831-00	RES,CARBON 1K 5% 1/6W
R77,81,88	1-247-832-00	RES,CARBON 1.1K 5% 1/6W
R78,83,115	1-247-836-00	RES,CARBON 1.6K 5% 1/6W
R5,16,17,56,102,127,128, 131,139,176,182	1-247-838-00	RES,CARBON 2K 5% 1/6W
R49	1-247-839-00	RES,CARBON 2.2K 5% 1/6W
R24,48,101,136	1-247-842-00	RES,CARBON 3K 5% 1/6W
R154	1-247-845-00	RES,CARBON 3.9K 5% 1/6W
R15,96,159,180	1-247-848-00	RES,CARBON 5.1K 5% 1/6W
R105	1-247-849-00	RES,CARBON 5.6K 5% 1/6W
R62	1-247-850-00	RES,CARBON 6.2K 5% 1/6W
R27,173	1-247-851-00	RES,CARBON 6.8K 5% 1/6W
R162,163	1-247-852-00	RES,CARBON 7.5K 5% 1/6W
R137	1-247-854-00	RES,CARBON 9.1K 5% 1/6W
R12,18,19,20,39,44,45, 46,58,100,156,157,158, 167,170,179,183,191, 194	1-247-855-00	RES,CARBON 10K 5% 1/6W

Ref.No. or Qty	Part No.	Description	Ref.No. or Qty	Part No.	Description
(DM-25 BOARD,BVH-2000PS/CARD RACK) (Serial No; up to 12299)			(DM-25 BOARD,BVH-2000PS/CARD RACK) (Serial No; up to 12299)		
R98,153	1-247-858-00	RES,CARBON 13K 5% 1/6W	TP1,2,3,4,5,6,7,8,9,10, 11,12,13,14		
R25	1-247-859-00	RES,CARBON 15K 5% 1/6W	( ) 3-673-805-01		TERMINAL,TP
R1,2	1-247-861-00	RES,CARBON 18K 5% 1/6W			
R55	1-247-862-00	RES,CARBON 20K 5% 1/6W			
R63	1-247-863-00	RES,CARBON 22K 5% 1/6W	TPE1,2,3,4,5,6		
			( ) 3-673-805-11		TERMINAL,TP
R32,34,192			1pc	( ) 3-673-865-00	LEVER,WITH PIN
	1-247-866-00	RES,CARBON 30K 5% 1/6W			
R36	1-247-867-00	RES,CARBON 33K 5% 1/6W	1pc	( ) 3-673-867-00	PLATE,INDICATION, PC BOARD
R174,208	1-247-870-00	RES,CARBON 43K 5% 1/6W			
R144,151	1-247-871-00	RES,CARBON 47K 5% 1/6W			
R202	1-247-872-00	RES,CARBON 51K 5% 1/6W	1pc	( ) 3-674-614-00	LABEL(DM-25),PC BOARD
R52	1-247-878-00	RES,CARBON 91K 5% 1/6W	6pcs	4-866-397-00	CUSHION,LED
			4pcs	7-621-981-15	SCREW,PSW 2.6x6
			2pcs	( ) 7-626-317-21	PIN,SPRING 2.5x8
R26,28,38,47,53,60,103, 178	1-247-879-00	RES,CARBON 100K 5% 1/6W	D10	8-719-100-27	DIODE RD4.7E-B2
R99	1-247-882-00	RES,CARBON 130K 5% 1/6W	D6,9	8-719-100-40	DIODE RD6.8E-B1
R210	1-247-890-00	RES,CARBON 300K 5% 1/6W	D12	8-719-139-07	DIODE RD3.9E-B
R22	1-247-892-00	RES,CARBON 360K 5% 1/6W			
R21,97	1-247-903-00	RES,CARBON 1M 5% 1/6W	D1,2,3,4,5,7,8,11,13		
L7	1-408-405-00	INDUCTOR,MICRO,4.7 5%	8-719-815-55		DIODE 1S1555
L12	1-408-409-00	INDUCTOR,MICRO,10 5%	Q3,4,9	8-729-110-53	TRANSISTOR 2SA1005
L5,6	1-408-416-00	INDUCTOR,MICRO,39 5%	Q15	8-729-699-51	TRANSISTOR 2SA995
L11	1-408-420-00	INDUCTOR,MICRO,82 5%	IC12,13	8-743-930-00	IC BX3930
L10	1-408-421-00	INDUCTOR,MICRO,100 5%			
L8,9	1-408-426-00	INDUCTOR,MICRO,270 5%	IC1,15,16,17	8-743-931-10	IC BX3931A
L1,2,3	1-409-339-00	COIL,SN			
SW2A	1-516-925-21	SWITCH,DIP,8-CKT	IC2,6	8-759-001-16	IC MC10116L,ECL
X1	1-527-935-00	CRYSTAL,8.9MHZ	IC4	8-759-001-98	IC MC10198L
			IC7	8-759-014-96	IC MC1496P
FBI,2,3,4,5,6,7,8,9,10, 11,12,13,14,15,16,17, 18,19,20	1-535-178-00	FERRITE BEAD	IC3A	8-759-245-28	IC TC45288P,CMOS
			IC5	8-759-301-17	IC HD10117,ECL
SW1	1-553-441-00	SWITCH,TOGGLE			

Ref.No. or Q'ty	Part No.	Description
(DM-25 BOARD, BVH-2000PS/CARD RACK) (Serial No; up to 12299)		
1C1C, 2D, 3C, 5B	8-759-900-00	IC SN74LS00N, TTL
1C1D	8-759-900-04	IC SN74LS04N, TTL
1C4E	8-759-900-08	IC SN74LS08N, TTL
1C1A, 3B	8-759-900-10	IC SN74LS10N, TTL
1C2E	8-759-900-74	IC SN74LS74AN, TTL
1C3D, 5A	8-759-901-23	IC SN74LS123N, TTL
1C2B	8-759-901-51	IC SN74LS151N, TTL
1C2C	8-759-901-63	IC SN74LS163AN, TTL
1C1B, 4A, 4B, 4C, 4D, 5C, 5D, 5E	8-759-902-21	IC SN74LS221N, TTL
1C9	8-759-926-10	IC TL610CP
1C10, 1E	8-759-951-07	IC SN75107AN
1C14	8-759-974-06	IC SN7406N, TTL
1C3, 8, 11	8-759-990-82	IC TL082CP
1C2F, 3F	8-759-990-84	IC TL084CN
Q11	8-761-622-00	TRANSISTOR 2SC1636
Q1, 5, 6, 7, 8, 10	8-765-300-00	TRANSISTOR 2SC2009
Q12, 13, 14	8-769-192-00	TRANSISTOR 2SK43-2

Ref.No. or Q'ty	Part No.	Description
<u>DM-25 BOARD (BVH-2000PS/CARD RACK)</u>		
Serial No; 22301 & up		
1pc	() A-6011-068-B	COMPLETE PCB, DM-25 (This assembly includes the following parts.)
1pc	() X-3673-641-0	PLATE ASSY, SHIELD
C14, 69	1-102-106-00	CAP, CERAMIC 100PF 10% 50V
C76	1-107-026-00	CAP, MICA 5,1PF +/-0,5PF 500V
C144	1-107-080-00	CAP, MICA 62PF 5% 50V
C22, 67, 118, 127, 145	1-107-158-00	CAP, MICA 30PF 5% 500V
C81, 82	1-107-159-00	CAP, MICA 33PF 5% 500V
C117, 119	1-107-202-00	CAP, MICA 10PF 5% 500V
C92	1-107-204-00	CAP, MICA 12PF 5% 500V
C146	1-107-209-00	CAP, MICA 20PF 5% 500V
C143	1-108-555-00	CAP, MYLAR 0.001 5% 50V
C42	1-108-561-00	CAP, MYLAR 0.0018 5% 50V
C43	1-108-563-00	CAP, MYLAR 0.0022 5% 50V
C38, 50	1-108-567-00	CAP, MYLAR 0.0033 5% 50V
C37	1-108-573-00	CAP, MYLAR 0.0056 5% 50V
C39	1-108-585-00	CAP, MYLAR 0.018 5% 50V
C54	1-108-587-00	CAP, MYLAR 0.022 5% 50V
C24	1-108-603-00	CAP, MYLAR 0.1 5% 50V
C40, 47	1-109-528-00	CAP, MICA 51PF 5% 100V
C91	1-109-529-00	CAP, MICA 56PF 5% 100V
C55	1-109-531-00	CAP, MICA 68PF 5% 100V

Ref.No. or Qty	Part No.	Description	Ref.No. or Qty	Part No.	Description
(DM-25 BOARD,BVH-2000PS/CARD RACK) (Serial No; 22301 & up)			(DM-25 BOARD,BVH-2000PS/CARD RACK) (Serial No; 22301 & up)		
C26,41,104	1-109-535-00	CAP,MICA 100PF 5% 100V	C13,15,19,20,21,23,25, 27,29,32,35,36,44,48, 52,57,59,61,62,64,65, 68,70,71,72,77,78,84, 85,86,87,88,89,93,94, 95,101,102,103,105,106, 107,109,112,113,114, 116,120,122,124,128, 130,133,136,137,138, 139,148	1-161-051-00	CAP,CERAMIC 0.01 10% 50V
C56,115	1-109-539-00	CAP,MICA 150PF 5% 100V	C149	1-161-055-00	CAP,CERAMIC 0.022 10% 50V
C46	1-109-540-00	CAP,MICA 180PF 5% 100V	C2,5,8	1-161-057-00	CAP,CERAMIC 0.033 10% 50V
C10,11,31,53,58,100	1-109-541-00	CAP,MICA 200PF 5% 100V	R189,190,198	1-214-100-00	RES,METAL 47 1% 1/4W
C83	1-109-546-00	CAP,MICA 300PF 5% 100V	R64,121,185,188	1-214-112-00	RES,METAL 150 1% 1/4W
C45	1-109-548-00	CAP,MICA 360PF 5% 100V	R66	1-214-113-00	RES,METAL 160 1% 1/4W
C28	1-109-554-00	CAP,MICA 510PF 5% 100V	R68,69	1-214-122-00	RES,METAL 390 1% 1/4W
C60	1-109-602-00	CAP,MICA 0.001 1% 100V	R65	1-214-129-00	RES,METAL 750 1% 1/4W
C131	1-123-306-00	CAP,ELECT 47 10V	R104	1-214-132-00	RES,METAL 1K 1% 1/4W
C7,63,110	1-123-307-00	CAP,ELECT 100 10V	R213	1-214-138-00	RES,METAL 1.8K 1% 1/4W
C96,97,108	1-123-330-00	CAP,ELECT 22 25V	R132,133	1-214-139-00	RES,METAL 2K 1% 1/4W
C1,4	1-123-332-00	CAP,ELECT 47 25V	R41	1-214-140-00	RES,METAL 2.2K 1% 1/4W
C66,75,80,90,121,132	1-123-333-00	CAP,ELECT 100 25V	R214	1-214-143-00	RES,METAL 3K 1% 1/4W
C30,140	1-123-379-00	CAP,ELECT 0.47 100V	R42	1-214-144-00	RES,METAL 3.3K 1% 1/4W
C33	1-123-381-00	CAP,ELECT 2.2 100V	R218	1-214-151-00	RES,METAL 6.2K 1% 1/4W
C9	1-123-567-00	CAP,ELECT 2200 10V	R43	1-214-155-00	RES,METAL 9.1K 1% 1/4W
C73,74	1-123-829-00	CAP,ELECT,NONPOLAR 2.2 50V	R13,23,61,134,135,141	1-214-156-00	RES,METAL 10K 1% 1/4W
C3,6	1-123-839-00	CAP,ELECT 1000 16V	R40,59	1-214-160-00	RES,METAL 15K 1% 1/4W
CV2	1-141-240-00	CAP,TRIMMER 20PF	R210	1-214-162-00	RES,METAL 18K 1% 1/4W
			R30	1-214-165-00	RES,METAL 24K 1% 1/4W
			R7	1-214-175-00	RES,METAL 62K 1% 1/4W
			RV7,9	1-224-934-00	RES,VAR,METAL 100

Ref.No. or Q'ty	Part No.	Description	Ref.No. or Q'ty	Part No.	Description
(DM-25 BOARD,BVH-2000PS/CARD RACK) (Serial No; 22301 & up)			(DM-25 BOARD,BVH-2000PS/CARD RACK) (Serial No; 22301 & up)		
RV4	1-224-935-00	RES,VAR,METAL 200	R160	1-247-823-00	RES,CARBON 470 5% 1/6W
RV5,8,16	1-224-936-00	RES,VAR,METAL 500	R120,125	1-247-824-00	RES,CARBON 510 5% 1/6W
RV14	1-224-937-00	RES,VAR,METAL 1K	R129	1-247-825-00	RES,CARBON 560 5% 1/6W
RV3,6	1-224-939-00	RES,VAR,METAL 5K	R150	1-247-826-00	RES,CARBON 620 5% 1/6W
RV2	1-224-940-00	RES,VAR,METAL 10K	R175,181	1-247-827-00	RES,CARBON 680 5% 1/6W
RV10,11,15			R79,80,84,87,107,111, 112,113,116,117		
	1-224-941-00	RES,VAR,METAL 20K		1-247-829-00	RES,CARBON 820 5% 1/6W
RV12	1-224-942-00	RES,VAR,METAL 50K	R201	1-247-830-00	RES,CARBON 910 5% 1/6W
RV1,13	1-224-943-00	RES,VAR,METAL 100K	R9,11,50,51,54,108, 124,142,146,147,148, 152,187,193,197		
RV17	1-224-978-00	RES,VAR,METAL 50		1-247-831-00	RES,CARBON 1K 5% 1/6W
RB1	1-231-407-00	RES BLOCK,2.2Kx8	R77,81,88		
LPF1	1-235-014-00	FILTER,LOW-PASS 5MHz		1-247-832-00	RES,CARBON 1.1K 5% 1/6W
LPF2	1-235-104-00	FILTER,LOW-PASS 7.5MHz	R78,83,115		
R118	1-247-767-00	RES,CARBON 2.2 5% 1/6W		1-247-836-00	RES,CARBON 1.6K 5% 1/6W
R212	1-247-779-00	RES,CARBON 6.8 5% 1/6W	R5,16,17,56,102,127,128, 131,139,176,182		
R70	1-247-787-00	RES,CARBON 15 5% 1/6W		1-247-838-00	RES,CARBON 2K 5% 1/6W
R195	1-247-795-00	RES,CARBON 33 5% 1/6W	R49	1-247-839-00	RES,CARBON 2.2K 5% 1/6W
R90,91	1-247-800-00	RES,CARBON 51 5% 1/6W	R24,48,101,136		
R72,74,186				1-247-842-00	RES,CARBON 3K 5% 1/6W
	1-247-804-00	RES,CARBON 75 5% 1/6W	R154	1-247-845-00	RES,CARBON 3.9K 5% 1/6W
R57,106,110,122,123, 126,130,138,140,143, 145,161,164,168,184, 196,199,200,217			R15,96,159,180		
	1-247-807-00	RES,CARBON 100 5% 1/6W		1-247-848-00	RES,CARBON 5.1K 5% 1/6W
R71,73,75,89,149			R105	1-247-849-00	RES,CARBON 5.6K 5% 1/6W
	1-247-811-00	RES,CARBON 150 5% 1/6W	R62	1-247-850-00	RES,CARBON 6.2K 5% 1/6W
R109,169	1-247-814-00	RES,CARBON 200 5% 1/6W	R27,173	1-247-851-00	RES,CARBON 6.8K 5% 1/6W
R166,215	1-247-817-00	RES,CARBON 270 5% 1/6W	R162,163	1-247-852-00	RES,CARBON 7.5K 5% 1/6W
R85,86,171			R137	1-247-854-00	RES,CARBON 9.1K 5% 1/6W
	1-247-818-00	RES,CARBON 300 5% 1/6W	R12,18,19,20,39,44,45, 46,58,100,156,157,158, 167,170,179,183,191, 194		
R177	1-247-819-00	RES,CARBON 330 5% 1/6W		1-247-855-00	RES,CARBON 10K 5% 1/6W
R67,76,82,114					
	1-247-821-00	RES,CARBON 390 5% 1/6W			

Ref.No. or Qty	Part No.	Description
(DM-25 BOARD,BVH-2000PS/CARD RACK) (Serial No; 22301 & up)		
R98,153	1-247-858-00	RES,CARBON 13K 5% 1/6W
R1,2,25	1-247-859-00	RES,CARBON 15K 5% 1/6W
R55	1-247-862-00	RES,CARBON 20K 5% 1/6W
R63	1-247-863-00	RES,CARBON 22K 5% 1/6W
R32,34,192	1-247-866-00	RES,CARBON 30K 5% 1/6W
R36	1-247-867-00	RES,CARBON 33K 5% 1/6W
R174,208	1-247-870-00	RES,CARBON 43K 5% 1/6W
R144,151	1-247-871-00	RES,CARBON 47K 5% 1/6W
R202	1-247-872-00	RES,CARBON 51K 5% 1/6W
R52	1-247-878-00	RES,CARBON 91K 5% 1/6W
R26,28,38,47,53,60,103, 178	1-247-879-00	RES,CARBON 100K 5% 1/6W
R99	1-247-882-00	RES,CARBON 130K 5% 1/6W
R210	1-247-890-00	RES,CARBON 300K 5% 1/6W
R22	1-247-892-00	RES,CARBON 360K 5% 1/6W
R21,97	1-247-903-00	RES,CARBON 1M 5% 1/6W
L7	1-408-405-00	INDUCTOR,MICRO,4.7 5%
L12	1-408-409-00	INDUCTOR,MICRO,10 5%
L5,6	1-408-416-00	INDUCTOR,MICRO,39 5%
L11	1-408-420-00	INDUCTOR,MICRO,82 5%
L10	1-408-421-00	INDUCTOR,MICRO,100 5%
L8,9	1-408-426-00	INDUCTOR,MICRO,270 5%
L1,2,3	1-409-339-00	COIL,SN
SW2A	1-516-925-21	SWITCH,DIP,8-CKT
X1	1-527-935-00	CRYSTAL,8.9MHz
FB1,2,3,4,5,6,7,8,9,10, 11,12,13,14,15,16,17, 18,19,20	1-535-178-00	FERRITE BEAD
SW1	1-553-441-00	SWITCH,TOGGLE

Ref.No. or Qty	Part No.	Description
(DM-25 BOARD,BVH-2000PS/CARD RACK) (Serial No; 22301 & up)		
TP1,2,3,4,5,6,7,8,9,10, 11,12,13,14	( ) 3-673-805-01	TERMINAL,TP
TPE1,2,3,4,5,6	( ) 3-673-805-11	TERMINAL,TP
1pc	( ) 3-673-865-00	LEVER,WITH PIN
1pc	( ) 3-673-867-00	PLATE,INDICATION, PC BOARD
1pc	( ) 3-674-614-00	LABEL(DM-25),PC BOARD
6pcs	4-866-397-00	CUSHION,LED
4pcs	7-621-981-15	SCREW,PSW 2.6x6
2pcs	( ) 7-626-317-21	PIN,SPRING 2.5x8
D10	8-719-100-27	DIODE RD4.7E-B2
D6,9	8-719-100-40	DIODE RD6.8E-B1
D12	8-719-139-07	DIODE RD3.9E-B
D1,2,3,4,5,7,8,11,13	8-719-815-55	DIODE 1S1555
Q12,13,14	8-729-105-71	TRANSISTOR 2SK523-K2
Q3,4,9	8-729-110-53	TRANSISTOR 2SA1005
Q15	8-729-699-51	TRANSISTOR 2SA995
IC12,13	8-743-930-00	IC BX3930
IC1,15,16,17	8-743-931-10	IC BX3931A
IC2,6	8-759-001-16	IC MC10116L,ECL
IC4	8-759-001-98	IC MC10198L
IC7	8-759-014-96	IC MC1496P
IC3A	8-759-245-28	IC TC4528BP,CMOS
IC5	8-759-301-17	IC HD10117,ECL

Ref.No. or Q'ty	Part No.	Description
(DM-25 BOARD, BVH-2000PS/CARD RACK) (Serial No; 22301 & up)		
IC1C, 2D, 3C, 5B	8-759-900-00	IC SN74LS00N, TTL
IC1D	8-759-900-04	IC SN74LS04N, TTL
IC4E	8-759-900-08	IC SN74LS08N, TTL
IC1A, 3B	8-759-900-10	IC SN74LS10N, TTL
IC2E	8-759-900-74	IC SN74LS74AN, TTL
IC3D, 5A	8-759-901-23	IC SN74LS123N, TTL
IC2B	8-759-901-51	IC SN74LS151N, TTL
IC2C	8-759-901-63	IC SN74LS163AN, TTL
IC1B, 4A, 4B, 4C, 4D, 5C, 5D, 5E	8-759-902-21	IC SN74LS221N, TTL
IC9	8-759-926-10	IC TL610CP
IC10, 1E	8-759-951-07	IC SN75107AN
IC14	8-759-974-06	IC SN7406N, TTL
IC3, 8, 11	8-759-990-82	IC TL082CP
IC2F, 3F	8-759-990-84	IC TL084CN
Q11	8-761-622-00	TRANSISTOR 2SC1636
Q1, 5, 6, 7, 8, 10	8-765-300-00	TRANSISTOR 2SC2009

Ref.No. or Q'ty	Part No.	Description
<u>MD-14 BOARD (BVH-2000PS/CARD RACK)</u>		
1pc	() A-6011-069-A	COMPLETE PCB, MD-14 (This assembly includes the following parts.)
1pc	() X-3673-641-0	PLATE ASSY, SHIELD
C82, 128	1-102-106-00	CAP, CERAMIC 100PF 10% 50V
C3, 12	1-107-044-00	CAP, MICA 3.3PF +/-0.5PF 500V
C501	1-107-046-00	CAP, MICA 4.7PF +/-0.5PF 500V
C42	1-107-048-00	CAP, MICA 6.8PF +/-0.5PF 500V
C18	1-107-074-00	CAP, MICA 36PF 5% 50V
C111	1-107-082-00	CAP, MICA 75PF 5% 50V
C99, 122, 510	1-107-158-00	CAP, MICA 30PF 5% 500V
C69	1-107-164-00	CAP, MICA 51PF 5% 500V
C70	1-107-167-00	CAP, MICA 75PF 5% 500V
C93, 150	1-107-169-00	CAP, MICA 100PF 5% 500V
C35, 41	1-107-202-00	CAP, MICA 10PF 5% 500V
C23	1-107-207-00	CAP, MICA 16PF 5% 500V
C94	1-108-555-00	CAP, MYLAR 0.001 5% 50V
C138	1-108-563-00	CAP, MYLAR 0.0022 5% 50V
C88	1-108-567-00	CAP, MYLAR 0.0033 5% 50V
C143	1-108-571-00	CAP, MYLAR 0.0047 5% 50V
C135	1-108-573-00	CAP, MYLAR 0.0056 5% 50V
C137	1-108-575-00	CAP, MYLAR 0.0068 5% 50V
C78, 79	1-108-579-00	CAP, MYLAR 0.01 5% 50V
C145	1-108-593-00	CAP, MYLAR 0.039 5% 50V
C124, 133	1-109-528-00	CAP, MICA 51PF 5% 100V
C8	1-109-531-00	CAP, MICA 68PF 5% 100V
C506	1-109-534-00	CAP, MICA 91PF 5% 100V
C102, 136	1-109-535-00	CAP, MICA 100PF 5% 100V
C62	1-109-538-00	CAP, MICA 130PF 5% 100V
C134, 139, 142	1-109-541-00	CAP, MICA 200PF 5% 100V



Ref.No. or Q'ty	Part No.	Description	Ref.No. or Q'ty	Part No.	Description
(MD-14 BOARD,BVH-2000PS/CARD RACK)			(MD-14 BOARD,BVH-2000PS/CARD RACK)		
C125,127	1-109-548-00	CAP,MICA 360PF 5% 100V	C52,55,148		
C25,74	1-109-553-00	CAP,MICA 470PF 5% 100V	1-161-057-00		CAP,CERAMIC 0.033 10% 50V
C100	1-109-557-00	CAP,MICA 680PF 5% 100V			
C60,108,401			C61,68	1-161-483-00	CAP,CERAMIC 0.1 10% 50V
	1-109-558-00	CAP,MICA 750PF 5% 100V	R27	1-214-106-00	RES,METAL 82 1% 1/4W
C505	1-109-559-00	CAP,MICA 820PF 5% 100V	R201	1-214-117-00	RES,METAL 240 1% 1/4W
C19	1-109-682-41	CAP,MICA 240PF 1% 500V	R29	1-214-130-00	RES,METAL 820 1% 1/4W
C149	1-123-307-00	CAP,ELECT 100 10V	R402	1-214-133-00	RES,METAL 1.1K 1% 1/4W
C9,45,48	1-123-322-00	CAP,ELECT 330 16V	R49,61	1-214-137-00	RES,METAL 1.6K 1% 1/4W
C73,75,76,77,91,92,104, 131,132,508,509			R28	1-214-140-00	RES,METAL 2.2K 1% 1/4W
	1-123-330-00	CAP,ELECT 22 25V	R145	1-214-141-00	RES,METAL 2.4K 1% 1/4W
C51,54	1-123-332-00	CAP,ELECT 47 25V	R243	1-214-164-00	RES,METAL 22K 1% 1/4W
C10,14,17,21,27,29,30, 65,66,71,97,109,114			R401	1-214-177-00	RES,METAL 75K 1% 1/4W
	1-123-333-00	CAP,ELECT 100 25V	RV9,17	1-224-934-00	RES,VAR,METAL 100
C147	1-123-567-00	CAP,ELECT 2200 10V	RV4,12,20		
C50	1-123-828-00	CAP,ELECT,NONPOLAR 1 50V		1-224-935-00	RES,VAR,METAL 200
C53,56	1-123-839-00	CAP,ELECT 1000 16V	RV7	1-224-936-00	RES,VAR,METAL 500
C28,32,84			RV5,11,19		
	1-123-880-11	CAP,ELECT,NONPOLAR 47 16V		1-224-937-00	RES,VAR,METAL 1K
CV1,2,3	1-141-240-00	CAP,TRIMMER 20PF	RV2,6,13,21		
CV4	1-141-256-00	CAP,TRIMMER 8PF		1-224-939-00	RES,VAR,METAL 5K
C1,2,4,5,6,7,11,13,15, 16,20,22,24,26,31,33, 34,36,37,38,39,40,46, 47,49,58,59,63,64,67, 72,80,81,83,85,86,87, 89,90,95,96,98,101, 103,105,107,110,112, 113,115,116,117,118, 119,120,121,123,126, 129,130,140,141,144, 146			RV3,14,15,22		
	1-161-051-00	CAP,CERAMIC 0.01 10% 50V		1-224-940-00	RES,VAR,METAL 10K
C502,503	1-161-055-00	CAP,CERAMIC 0.022 10% 50V	RV23	1-224-942-00	RES,VAR,METAL 50K
			RV1	1-224-978-00	RES,VAR,METAL 50
			RV10,18	1-230-144-00	RES,VAR,COMP 1K(B)
			FL1	1-235-104-00	FILTER,LOW-PASS 7.5MHz
			R19,20	1-247-211-00	RES,CARBON 62 5% 1/2W
			R110,120,200,211		
				1-247-783-00	RES,CARBON 10 5% 1/6W
			R403	1-247-787-00	RES,CARBON 15 5% 1/6W
			R257	1-247-790-00	RES,CARBON 20 5% 1/6W
			R45,57,65,90,99,100		
				1-247-791-00	RES,CARBON 22 5% 1/6W

Ref.No. or Qty	Part No.	Description
(MD-14 BOARD,BVH-2000PS/CARD RACK)		
R104,195	1-247-795-00	RES,CARBON 33 5% 1/6W
R123,216	1-247-799-00	RES,CARBON 47 5% 1/6W
R194,253	1-247-800-00	RES,CARBON 51 5% 1/6W
R1,6,35,84,121		
	1-247-804-00	RES,CARBON 75 5% 1/6W
R2,3,4,5,8,10,11,18,30, 31,32,38,54,56,58,63, 64,67,68,75,85,103, 105,106,107,108,109, 112,117,135,136,154, 175,196,197,198,199, 203,205,208,212,230, 232,250		
	1-247-807-00	RES,CARBON 100 5% 1/6W
R127,129	1-247-809-00	RES,CARBON 120 5% 1/6W
R34,207	1-247-811-00	RES,CARBON 150 5% 1/6W
R16,32,95,251		
	1-247-814-00	RES,CARBON 200 5% 1/6W
R66	1-247-817-00	RES,CARBON 270 5% 1/6W
R15,33,96,111,184,185, 224,225	1-247-818-00	RES,CARBON 300 5% 1/6W
R41,52,53,59,60,510		
	1-247-819-00	RES,CARBON 330 5% 1/6W
R7,17	1-247-820-00	RES,CARBON 360 5% 1/6W
R131,146,188,223		
	1-247-821-00	RES,CARBON 390 5% 1/6W
R122,213	1-247-822-00	RES,CARBON 430 5% 1/6W
R124,134	1-247-824-00	RES,CARBON 510 5% 1/6W
R39,46	1-247-825-00	RES,CARBON 560 5% 1/6W
R87,113,125,126,148,149, 150,151,204,217,218, 219,220,221,255		
	1-247-829-00	RES,CARBON 820 5% 1/6W

Ref.No. or Qty	Part No.	Description
(MD-14 BOARD,BVH-2000PS/CARD RACK)		
R9,25,55,79,80,88,93,94, 114,137,141,166,169, 170,190,192,202,209, 215,254,501		
	1-247-831-00	RES,CARBON 1K 5% 1/6W
R130,147,229		
	1-247-832-00	RES,CARBON 1.1K 5% 1/6W
R89,128	1-247-833-00	RES,CARBON 1.2K 5% 1/6W
R50,81,155,179		
	1-247-835-00	RES,CARBON 1.5K 5% 1/6W
R44,51,62,91,132,222		
	1-247-836-00	RES,CARBON 1.6K 5% 1/6W
R97,98,115,143,180,206, 237	1-247-838-00	RES,CARBON 2K 5% 1/6W
R72,78,118,214		
	1-247-839-00	RES,CARBON 2.2K 5% 1/6W
R189,191	1-247-840-00	RES,CARBON 2.4K 5% 1/6W
R193	1-247-841-00	RES,CARBON 2.7K 5% 1/6W
R158,162,177,178		
	1-247-842-00	RES,CARBON 3K 5% 1/6W
R26,83,92		
	1-247-843-00	RES,CARBON 3.3K 5% 1/6W
R22	1-247-844-00	RES,CARBON 3.6K 5% 1/6W
R42,246	1-247-845-00	RES,CARBON 3.9K 5% 1/6W
R14	1-247-847-00	RES,CARBON 4.7K 5% 1/6W
R40,171,174,181,245		
	1-247-848-00	RES,CARBON 5.1K 5% 1/6W
R101,102	1-247-850-00	RES,CARBON 6.2K 5% 1/6W
R236	1-247-852-00	RES,CARBON 7.5K 5% 1/6W
R37	1-247-853-00	RES,CARBON 8.2K 5% 1/6W

Ref.No. or Qty	Part No.	Description	Ref.No. or Qty	Part No.	Description
(MD-14 BOARD,BVH-2000PS/CARD RACK)			(MD-14 BOARD,BVH-2000PS/CARD RACK)		
R36,47,48,70,73,74,76, 77,86,142,144,156,159, 161,163,165,168,173, 176,182,186,187,226, 231,240,241,242,247, 248,249,256,502	1-247-855-00	RES,CARBON 10K 5% 1/6W	S1	1-553-440-00	SWITCH,TOGGLE
R244	1-247-858-00	RES,CARBON 13K 5% 1/6W	JP1,2,3,4,5,6	1-560-733-00	PIN,SHORT
R13,21,23,43,69,71	1-247-859-00	RES,CARBON 15K 5% 1/6W	JP1,4,5	1-561-832-00	PLUG,SHORT
R227,228	1-247-862-00	RES,CARBON 20K 5% 1/6W	TH1	1-800-200-00	THERMISTOR,S-3K
R133,233	1-247-863-00	RES,CARBON 22K 5% 1/6W	TP1,2,3,4,5,6,7,8,9,10 ( ) 3-673-805-01		TERMINAL,TP
R153,183,252	1-247-866-00	RES,CARBON 30K 5% 1/6W	TPE1,2,3,4,5 ( ) 3-673-805-11		TERMINAL,TP
R12	1-247-872-00	RES,CARBON 51K 5% 1/6W	1pc	( ) 3-673-865-00	LEVER,WITH PIN
R167	1-247-876-00	RES,CARBON 75K 5% 1/6W	1pc	( ) 3-673-867-00	PLATE,INDICATION, PC BOARD
R24,82,160,164,235,238, 239	1-247-879-00	RES,CARBON 100K 5% 1/6W	1pc	( ) 3-674-615-00	LABEL(MD-14),PC BOARD
R138,139,140,157,172, 505	1-247-903-00	RES,CARBON 1M 5% 1/6W	6pcs	4-866-397-00	CUSHION,LED
L13,14	1-407-159-XX	INDUCTOR,MICRO,15 5%	4pcs	7-621-981-15	SCREW,PSW 2.6x6
L12	1-407-162-XX	INDUCTOR,MICRO,27 5%	2pcs	( ) 7-626-317-21	PIN,SPRING 2.5x8
L10	1-407-166-XX	INDUCTOR,MICRO,56 5%	D1	8-719-111-07	DIODE RD11E-B
L1,2,3,4,7,11	1-407-169-XX	INDUCTOR,MICRO,100 5%	D4	8-719-143-07	DIODE RD4.3E-B
L9	1-407-182-XX	INDUCTOR,MICRO,2.2 5%	D11	8-719-168-07	DIODE RD6.8E-B
L5,6,15	1-409-339-00	COIL,SN	D2,5,6,12,14,15,17,18, 19,20,501		DIODE 1S1555
X1	1-527-933-00	CRYSTAL,7.682MHZ	D7,8,9,10	8-719-815-55	DIODE 1S1555-S
FB1,2,3,4,5,6,7,8,9,10, 11,12,13,14	1-535-178-00	FERRITE BEAD	D3,13,16	8-719-815-80	DIODE 1S1587
			Q1,2,7,11,12,13,19	8-729-110-53	TRANSISTOR 2SA1005
			Q3,4,22,24	8-729-117-33	TRANSISTOR 2SC1733

Ref.No. or Q'ty	Part No.	Description
(MD-14 BOARD, BVH-2000PS/CARD RACK)		
Q5, 6	8-729-177-43	TRANSISTOR 2SD774
Q17, 21	8-729-663-47	TRANSISTOR 2SC1364
Q14, 16	8-729-697-92	TRANSISTOR 2SA979
IC5, 12, 25	8-743-931-10	IC BX3931A
IC27	8-759-001-16	IC MC10116L, ECL
IC13	8-759-001-98	IC MC10198L
IC3	8-759-014-96	IC MC1496P
IC10	8-759-015-95	IC MC1595L
IC8	8-759-100-91	IC UPC91A
IC9	8-759-270-69	IC TA7069P
IC16	8-759-301-05	IC HD10105, ECL
IC26	8-759-301-17	IC HD10117, ECL
IC1	8-759-301-31	IC HD10131, ECL
IC30	8-759-900-00	IC SN74LS00N, TTL
IC33	8-759-900-02	IC SN74LS02N, TTL
IC21	8-759-900-04	IC SN74LS04N, TTL
IC31	8-759-900-10	IC SN74LS10N, TTL
IC36	8-759-901-23	IC SN74LS123N, TTL
IC28, 29, 34, 35, 37	8-759-902-21	IC SN74LS221N, TTL
IC14, 23, 32	8-759-906-07	IC TL607CP
IC2	8-759-906-85	IC AM685DL
IC19	8-759-951-07	IC SN75107AN
IC6, 7	8-759-957-09	IC FT5709M
IC4, 22	8-759-990-82	IC TL082CP
IC15, 17, 18, 20, 38	8-759-990-84	IC TL084CN
Q20	8-761-622-00	TRANSISTOR 2SC1636
Q8, 9, 10, 18, 23, 25	8-765-300-00	TRANSISTOR 2SC2009
Q15	8-769-192-00	TRANSISTOR 2SK43-2

Ref.No. or Q'ty	Part No.	Description
<u>LG-02 BOARD (BVH-2000PS/CARD RACK)</u>		
Serial No; up to 12299		
1pc	( ) A-6017-089-A	COMPLETE PCB, LG-02 (This assembly includes the following parts.)
C36	1-102-114-00	CAP, CERAMIC 470PF 10% 50V
C4	1-107-164-00	CAP, MICA 51PF 5% 500V
C6, 33, 34	1-108-555-00	CAP, MYLAR 0.001 5% 50V
C1, 2, 20, 27	1-123-330-00	CAP, ELECT 22 25V
C5	1-123-380-00	CAP, ELECT 1 100V
C3, 7, 8, 9, 10, 11, 12, 13, 14, 15, 16, 17, 18, 19, 35	1-161-055-00	CAP, CERAMIC 0.022 10% 50V
R12, 15	1-214-118-00	RES, METAL 270 1% 1/4W
RB1, 2, 3, 4, 5, 6, 7, 8, 9	1-231-410-00	RES BLOCK, 10Kx8
R2, 3, 5, 6, 13, 38	1-247-783-00	RES, CARBON 10 5% 1/6W
R39	1-247-819-00	RES, CARBON 330 5% 1/6W
R27, 36, 37	1-247-829-00	RES, CARBON 820 5% 1/6W
R19	1-247-831-00	RES, CARBON 1K 5% 1/6W
R16	1-247-838-00	RES, CARBON 2K 5% 1/6W
R17	1-247-842-00	RES, CARBON 3K 5% 1/6W
R9, 10, 11, 18, 20, 21, 22, 23, 24, 25, 26, 28, 29, 30, 31, 32, 33, 34, 35	1-247-855-00	RES, CARBON 10K 5% 1/6W
L1	1-409-339-00	COIL, SN
S1	1-516-923-21	SWITCH, DIP, 4-CKT
S2	1-516-925-21	SWITCH, DIP, 8-CKT
S3	1-553-440-00	SWITCH, TOGGLE
S4	1-553-441-21	SWITCH, TOGGLE

Ref.No. or Qty	Part No.	Description
(LG-02 BOARD,BVH-2000PS/CARD RACK) (Serial No; up to 12299)		
JP1,2,3,4,5,6,7,8,9	1-560-733-00	PIN,SHORT
2pcs	1-561-832-00	PLUG,SHORT
TP1,2,3,4,5,6,7,8,9,10, 11,12 ( )	3-673-805-01	TERMINAL,TP
TPE1,2,3	( ) 3-673-805-11	TERMINAL,TP
1pc	( ) 3-673-865-00	LEVER,WITH PIN
1pc	( ) 3-673-867-00	PLATE,INDICATION, PC BOARD
1pc	( ) 3-674-627-00	LABEL(LG-02),PC BOARD
6pcs	4-866-397-00	CUSHION,LED
1pc	7-621-981-15	SCREW,PSW 2.6x6
2pcs	( ) 7-626-317-21	PIN,SPRING 2.5x8
D1,2,3,4,5,6,7,8	8-719-911-06	DIODE 1SS106
D11	8-719-930-33	LED,GL3PR3,RED
D9	8-719-930-53	LED,GL3HY3,YEL
IC2G	8-759-040-46	IC MC14046BCP,CMOS
IC3I	8-759-645-17	IC M54517P
IC4E	8-759-756-26	IC,PROM,MB7051-L1A1
IC4F	8-759-756-27	IC,PROM,MB7051-L2A1
IC2H,3L,4I,5A,5E	8-759-900-00	IC SN74LS00N,TTL
IC2A,2B,2L,2M,3M,4L,4M, 5D,5L,5M	8-759-900-04	IC SN74LS04N,TTL
IC2K,5C	8-759-900-08	IC SN74LS08N,TTL
IC3H	8-759-900-11	IC SN74LS11N,TTL

Ref.No. or Qty	Part No.	Description
(LG-02 BOARD,BVH-2000PS/CARD RACK) (Serial No; up to 12299)		
IC4H,5G,5I	8-759-900-32	IC SN74LS32N,TTL
IC3B,3C,3D,3E,3F,3G,5B, 5F	8-759-900-74	IC SN74LS74AN,TTL
IC5H	8-759-900-86	IC SN74LS86N,TTL
IC1K,1L	8-759-901-38	IC SN74LS138N,TTL
IC2C,2D	8-759-901-61	IC SN74LS161AN,TTL
IC2J,3J,4J,5J	8-759-901-74	IC SN74LS174N,TTL
IC1E,4B,4C,4D	8-759-901-91	IC SN74LS191N,TTL
IC1F,1G,1I	8-759-902-40	IC SN74LS240N,TTL
IC1J	8-759-902-44	IC SN74LS244N,TTL
IC3K,4G,4K,5K	8-759-902-73	IC SN74LS273N,TTL
IC2E,3A	8-759-903-93	IC SN74LS393N,TTL
IC2F	8-759-906-24	IC SN74LS624N,TTL

**LG-02(A)**

Ref.No. or Qty	Part No.	Description
<u>LG-02(A) BOARD (BVH-2000PS/CARD RACK)</u>		
Serial No; 22301 & up		
1pc	( ) A-6017-103-A	COMPLETE PCB, LG-02(A) (This assembly includes the following parts.)
C36	1-102-114-00	CAP, CERAMIC 470PF 10% 50V
C4	1-107-164-00	CAP, MICA 51PF 5% 500V
C6, 33, 34	1-108-555-00	CAP, MYLAR 0.001 5% 50V
C1, 2, 20, 27	1-123-330-00	CAP, ELECT 22 25V
C5	1-123-380-00	CAP, ELECT 1 100V
C37	1-131-382-00	CAP, TANT 6.8 20% 6.3V
C3, 7, 8, 9, 10, 11, 12, 13, 14, 15, 16, 17, 18, 19, 35	1-161-055-00	CAP, CERAMIC 0.022 10% 50V
R12, 15	1-214-118-00	RES, METAL 270 1% 1/4W
RB1, 2, 3, 4, 5, 6, 7, 8, 9	1-231-410-00	RES BLOCK, 10Kx8
R2, 3, 5, 6, 13, 38	1-247-783-00	RES, CARBON 10 5% 1/6W
R39	1-247-819-00	RES, CARBON 330 5% 1/6W

Ref.No. or Qty	Part No.	Description
<u>(LG-02(A) BOARD, BVH-2000PS/CARD RACK)</u> (Serial No; 22301 & up)		
R27, 36, 37	1-247-829-00	RES, CARBON 820 5% 1/6W
R19	1-247-831-00	RES, CARBON 1K 5% 1/6W
R16	1-247-838-00	RES, CARBON 2K 5% 1/6W
R17	1-247-842-00	RES, CARBON 3K 5% 1/6W
R9, 10, 11, 18, 20, 21, 22, 23, 24, 25, 26, 28, 29, 30, 31, 32, 33, 34, 35, 40	1-247-855-00	RES, CARBON 10K 5% 1/6W
L1	1-409-339-00	COIL, SN
S1	1-516-923-21	SWITCH, DIP, 4-CKT
S2	1-516-925-21	SWITCH, DIP, 8-CKT
S3	1-553-440-00	SWITCH, TOGGLE
S4	1-553-441-21	SWITCH, TOGGLE
JP1, 2, 3, 4, 5, 6, 7, 8, 9	1-560-733-00	PIN, SHORT
2pcs	1-561-832-00	PLUG, SHORT
TP1, 2, 3, 4, 5, 6, 7, 8, 9, 10, 11, 12 ( )	3-673-805-01	TERMINAL, TP
TPE1, 2, 3	( ) 3-673-805-11	TERMINAL, TP

Ref.No. or Qty	Part No.	Description
(LG-02(A) BOARD,BVH-2000PS/CARD RACK) (Serial No; 22301 & up)		
1pc	( ) 3-673-865-00	LEVER,WITH PIN
1pc	( ) 3-673-867-00	PLATE,INDICATION, PC BOARD
1pc	( ) 3-674-627-11	LABEL(LG-02A),PC BOARD
6pcs	4-866-397-00	CUSHION,LED
1pc	7-621-981-15	SCREW,PSW 2.6x6
2pcs	( ) 7-626-317-21	PIN,SPRING 2.5x8
D1,2,3,4,5,6,7,8	8-719-911-06	DIODE 1SS106
D11	8-719-930-33	LED,GL3PR3,RED
D9	8-719-930-53	LED,GL3HY3,YEL
IC2G	8-759-040-46	IC MC14046BCP,CMOS
IC3I	8-759-645-17	IC M54517P
IC4F	8-759-756-27	IC,PROM,MB7051-L2A1
IC4E	8-759-761-39	IC,PROM,MB7051-L1A2
IC2H,3L,4I,5A,5E	8-759-900-00	IC SN74LS00N,TTL
IC2A,2B,2L,2M,3M,4L,4M, 5D,5L,5M	8-759-900-04	IC SN74LS04N,TTL
IC2K,5C	8-759-900-08	IC SN74LS08N,TTL
IC3H	8-759-900-11	IC SN74LS11N,TTL

Ref.No. or Qty	Part No.	Description
(LG-02(A) BOARD,BVH-2000PS/CARD RACK) (Serial No; 22301 & up)		
IC4H,5G,5I	8-759-900-32	IC SN74LS32N,TTL
IC3B,3C,3D,3E,3F,3G,5B, 5F	8-759-900-74	IC SN74LS74AN,TTL
IC5H	8-759-900-86	IC SN74LS86N,TTL
IC1K,1L	8-759-901-38	IC SN74LS138N,TTL
IC2C,2D	8-759-901-61	IC SN74LS161AN,TTL
IC2J,3J,4J,5J	8-759-901-74	IC SN74LS174N,TTL
IC1E,4B,4C,4D	8-759-901-91	IC SN74LS191N,TTL
IC1F,1G,1I	8-759-902-40	IC SN74LS240N,TTL
IC1J	8-759-902-44	IC SN74LS244N,TTL
IC3K,4G,4K,5K	8-759-902-73	IC SN74LS273N,TTL
IC2E,3A	8-759-903-93	IC SN74LS393N,TTL
IC2F	8-759-906-24	IC SN74LS624N,TTL

Ref.No. or Q'ty	Part No.	Description
<u>SY-79 BOARD (BVH-2000PS/CARD RACK)</u>		
1pc (for 02/04 model)	( ) A-6017-090-A	COMPLETE PCB,SY-79
1pc (for 00 model)	( ) A-6017-096-A	COMPLETE PCB,SY-79
(These ass'lies include the following parts.)		
1pc	( ) X-3673-641-0	PLATE ASSY,SHIELD
C59	1-102-115-00	CAP,CERAMIC 560PF 10% 50V
C62,63,64,65,66,67,68, 69	1-107-026-00	CAP,MICA 5.1PF +/-0.5PF 500V
C57,60	1-107-209-00	CAP,MICA 20PF 5% 500V
C47,58	1-108-555-00	CAP,MYLAR 0.001 5% 50V
C40	1-109-535-00	CAP,MICA 100PF 5% 100V
C31	1-123-307-00	CAP,ELECT 100 10V
C16,21,25,28,29	1-123-330-00	CAP,ELECT 22 25V
C42,48,49,52,56	1-123-380-00	CAP,ELECT 1 100V
C1,2,4,6,7,8,10,12,22, 34,36,38,44,46,50,55, 61	1-161-055-00	CAP,CERAMIC 0.022 10% 50V
RB1,2,3,5,6,7,8,9,28,29	1-231-410-00	RES BLOCK,10Kx8
RB26,27	1-231-533-00	RES BLOCK,10Kx4
CP1,2,3	1-235-106-00	CR PACK
R5,16	1-247-791-00	RES,CARBON 22 5% 1/6W
R4,23	1-247-814-00	RES,CARBON 200 5% 1/6W
R8,15,22	1-247-829-00	RES,CARBON 820 5% 1/6W
R9,10	1-247-831-00	RES,CARBON 1K 5% 1/6W
R3	1-247-838-00	RES,CARBON 2K 5% 1/6W
R1,2,6,7,12,13,14,17,18, 19,20,21,24,25	1-247-855-00	RES,CARBON 10K 5% 1/6W

Ref.No. or Q'ty	Part No.	Description
<u>(SY-79 BOARD,BVH-2000PS/CARD RACK)</u>		
L1	1-409-339-00	COIL,SN
S9	1-516-925-21	SWITCH,DIP,8-CKT
X1	1-527-827-00	CRYSTAL,4.9152MHz
S3	1-552-539-00	SWITCH,PUSH
S1,2	1-553-252-00	SWITCH,ROTARY
S6	1-553-440-00	SWITCH,TOGGLE
S4,5	1-553-441-00	SWITCH,TOGGLE
S7,8,10,11	1-553-925-00	SWITCH,ROTARY
S12 (for 00 model)	1-554-329-00	SWITCH,TOGGLE
JP1,2,3,4,5,6	1-560-733-00	PIN,SHORT
3pcs	1-561-832-00	PLUG,SHORT
TP1,2,3,4,5,6,7,8,9,10	( ) 3-673-805-01	TERMINAL,TP
TPE1,2,3	( ) 3-673-805-11	TERMINAL,TP
1pc	( ) 3-673-865-00	LEVER,WITH PIN
1pc	( ) 3-673-867-00	PLATE,INDICATION, PC BOARD
1pc (for 02/04 model)	( ) 3-674-617-00	LABEL(SY-79),PC BOARD
1pc (for 00 model)	( ) 3-674-684-00	LABEL(SY-79),PC BOARD
2pcs	4-866-397-00	CUSHION,LED
4pcs	7-621-981-15	SCREW,PSW2.6x6
2pcs	( ) 7-626-317-21	PIN,SPRING 2.5x8
ND1	8-719-901-68	LED,7-SEGMENT, GL-6R202,RED



Ref.No. or Q'ty	Part No.	Description
(SY-79 BOARD, BVH-2000PS/CARD RACK)		
D1,3	8-719-911-06	DIODE 1SS106
Q1	8-729-110-53	TRANSISTOR 2SA1005
IC5A, 6A	8-759-044-95	IC MC14495P, CMOS
IC5M, 5N	8-759-045-84	IC MC14584BCP, CMOS
IC4M	8-759-240-53	IC TC4053BP, CMOS
IC6K, 6L, 6M, 6N	8-759-645-16	IC M54516P
IC1I	8-759-761-34	IC, EPROM, MBM2732-71A3-1
IC1H	8-759-761-29	IC, EPROM, MBM2732-72U3-1
IC1G	8-759-761-30	IC, EPROM, MBM2732-73U3-3
IC1D	8-759-761-32	IC, EPROM, MBM2732-75U3-2
IC1K	8-759-762-53	IC, EPROM, MBM2732-70U3-3
IC1E	8-759-762-54	IC, EPROM, MBM2732-74U3-2
IC1C	8-759-762-55	IC, EPROM, MBM2732-76U3-3
IC3P, 4N	8-759-900-00	IC SN74LS00N, TTL
IC2L, 3Q	8-759-900-04	IC SN74LS04N, TTL
IC3M	8-759-900-08	IC SN74LS08N, TTL
IC3L	8-759-900-14	IC SN74LS14N, TTL
IC4D	8-759-900-20	IC SN74LS20N, TTL
IC3O, 5F, 6F	8-759-900-32	IC SN74LS32N, TTL
IC2D, 2E	8-759-901-28	IC MSM5128-12RS, CMOS
IC4E, 4F, 6E	8-759-901-38	IC SN74LS138N, TTL
IC5E	8-759-901-39	IC SN74LS139N, TTL
IC2A, 2B, 2C, 4B, 5I	8-759-902-40	IC SN74LS240N, TTL
IC1L, 1O, 1P, 5K, 5L	8-759-902-44	IC SN74LS244N, TTL
IC2O, 2P	8-759-902-45	IC SN74LS245N, TTL
IC4A, 5J, 6I, 6J	8-759-902-73	IC SN74LS273N, TTL

Ref.No. or Q'ty	Part No.	Description
(SY-79 BOARD, BVH-2000PS/CARD RACK)		
IC3N	8-759-903-65	IC SN74LS365AN, TTL
IC2K	8-759-903-93	IC SN74LS393N, TTL
IC1M	8-759-916-80	IC LH0080A, NMOS
IC2H	8-759-916-82	IC LH0082A, NMOS
IC2I	8-759-916-84	IC LH0084A, NMOS
IC4O, 4P	8-759-926-30	IC AM26LS30PC
IC4Q	8-759-926-32	IC AM26LS32PC

#### SY-80 BOARD (BVH-2000PS/CARD RACK)

1pc	() A-6017-091-A	COMPLETE PCB, SY-80 (This assembly includes the following parts.)
1pc	() X-3673-641-0	PLATE ASSY, SHIELD
C47	1-102-115-00	CAP, CERAMIC 560PF 10% 50V
C48, 49, 51	1-107-209-00	CAP, MICA 20PF 5% 500V
C25, 43	1-108-555-00	CAP, MYLAR 0.001 5% 50V
C45, 46	1-108-561-00	CAP, MYLAR 0.0018 5% 50V
C27	1-109-535-00	CAP, MICA 100PF 5% 100V
C1	1-123-307-00	CAP, ELECT 100 10V
C2, 28, 30, 36, 39	1-123-330-00	CAP, ELECT 22 25V
C22, 29	1-123-380-00	CAP, ELECT 1 100V
C44	1-161-043-00	CAP, CERAMIC 0.0022 10% 50V
C3, 5, 7, 11, 14, 16, 19, 23, 24, 50	1-161-055-00	CAP, CERAMIC 0.022 10% 50V
RB2	1-231-407-00	RES BLOCK, 2.2Kx8

Ref.No. or Qty	Part No.	Description	Ref.No. or Qty	Part No.	Description
(SY-80 BOARD,BVH-2000PS/CARD RACK)			(SY-80 BOARD,BVH-2000PS/CARD RACK)		
RB1,3,4,5,6,7,8,9	1-231-410-00	RES BLOCK,10Kx8	D1,2	8-719-911-06	DIODE 1SS106
R14,18	1-247-791-00	RES,CARBON 22 5% 1/6W	Q1	8-729-110-53	TRANSISTOR 2SA1005
R13,22,23	1-247-814-00	RES,CARBON 200 5% 1/6W	IC5A,5B	8-759-044-95	IC MC14495P,CMOS
R17,20,21	1-247-829-00	RES,CARBON 820 5% 1/6W	IC11	8-759-240-71	IC TC4071BP,CMOS
R10,11	1-247-831-00	RES,CARBON 1K 5% 1/6W	IC1F	8-759-762-56	IC,EPR0M,MBM2732-80U3-3
R4,5,12	1-247-838-00	RES,CARBON 2K 5% 1/6W	IC1D	8-759-762-57	IC,EPR0M,MBM2732-81U3-4
R1,2,3,6,7,8,15,16,19	1-247-855-00	RES,CARBON 10K 5% 1/6W	IC1C	8-759-762-58	IC,EPR0M,MBM2732-82U3-2
L1	1-409-339-00	COIL,SN	IC1G,3G,4L	8-759-900-00	IC SN74LS00N,TTL
S8,9	1-516-925-21	SWITCH,DIP,8-CKT	IC2G,4H,4I,5E,5K,5L,5M	8-759-900-04	IC SN74LS04N,TTL
X1	1-527-827-00	CRYSTAL,4.9152MHZ	IC1H,3L	8-759-900-08	IC SN74LS08N,TTL
S3,4	1-552-539-00	SWITCH,PUSH	IC3M,4M	8-759-900-14	IC SN74LS14N,TTL
S1,2	1-553-252-00	SWITCH,ROTARY	IC3E	8-759-900-20	IC SN74LS20N,TTL
S6	1-553-440-00	SWITCH,TOGGLE	IC2F,4J	8-759-900-32	IC SN74LS32N,TTL
S5	1-553-441-00	SWITCH,TOGGLE	IC3H,4E	8-759-900-74	IC SN74LS74AN,TTL
TP1,2,3,4,5,6,7,8	( ) 3-673-805-01	TERMINAL,TP	IC1B,1J	8-759-901-28	IC MSM5128-12RS,CMOS
TPE1,2,3	( ) 3-673-805-11	TERMINAL,TP	IC2D,2E,3F,4F	8-759-901-38	IC SN74LS138N,TTL
1pc	( ) 3-673-865-00	LEVER,WITH PIN	IC5F	8-759-901-39	IC SN74LS139N,TTL
1pc	( ) 3-673-867-00	PLATE,INDICATION, PC BOARD	IC4C	8-759-901-51	IC SN74LS151N,TTL
1pc	( ) 3-674-624-00	LABEL(SY-80),PC BOARD	IC1K,1L,1M	8-759-901-57	IC SN74LS157N,TTL
2pcs	4-866-397-00	CUSHION,LED	IC1A,2B,3B,4B	8-759-902-40	IC SN74LS240N,TTL
4pcs	7-621-981-15	SCREW,PSW 2.6x6	IC2H,2J,2N	8-759-902-44	IC SN74LS244N,TTL
2pcs	( ) 7-626-317-21	PIN,SPRING 2.5x8	IC2K,2L,2M	8-759-902-45	IC SN74LS245N,TTL
D3,4,5,6,7	8-719-815-55	DIODE 1S1555	IC5G,5H,5I,5J	8-759-902-73	IC SN74LS273N,TTL
ND1	8-719-901-68	LED,7-SEGMENT, GL-6R202,RED	IC4D	8-759-902-80	IC SN74LS280N,TTL
			IC3J	8-759-903-65	IC SN74LS365AN,TTL
			IC2I	8-759-916-80	IC LH0080A,NMOS
			IC3K	8-759-916-82	IC LH0082A,NMOS

Ref.No. or Q'ty	Part No.	Description
<u>SV-43 BOARD (BVH-2000PS/CARD RACK)</u>		
1pc	( ) A-6015-066-A	COMPLETE PCB,SV-43 (This assembly includes the following parts.)
1pc	( ) X-3673-641-0	PLATE ASSY,SHIELD
C32,34,37,39,41	1-102-106-00	CAP,CERAMIC 100PF 10% 50V
C30,31	1-108-595-00	CAP,MYLAR 0.047 5% 50V
C15,16,17,18,19,20,21, 26	1-123-822-00	CAP,ELECT 47 10V
C27	1-124-141-00	CAP,ELECT 330 10V
C42	1-131-381-00	CAP,TANT 47 10% 10V
C40	1-161-051-00	CAP,CERAMIC 0.01 10% 50V
C1,2,3,4,5,6,7,8,9,10, 11,12,13,14,22,23,24, 25,28,29,33,35,38	1-161-055-00	CAP,CERAMIC 0.022 10% 50V
RB1	1-231-385-00	RES BLOCK,4.7Kx8
RB2,3,4,5	1-235-109-00	RES BLOCK,22Kx8
R41,44	1-246-823-00	RES,CARBON 20 5% 1/6W
R2,3,6,7,10,11,32,46,47	1-247-783-00	RES,CARBON 10 5% 1/6W
R34,35	1-247-807-00	RES,CARBON 100 5% 1/6W
R42	1-247-814-00	RES,CARBON 200 5% 1/6W
R26	1-247-823-00	RES,CARBON 470 5% 1/6W
R39,40	1-247-829-00	RES,CARBON 820 5% 1/6W
R43	1-247-831-00	RES,CARBON 1K 5% 1/6W
R31	1-247-839-00	RES,CARBON 2.2K 5% 1/6W
R25,27,28,29,33	1-247-847-00	RES,CARBON 4.7K 5% 1/6W

Ref.No. or Q'ty	Part No.	Description
<u>(SV-43 BOARD,BVH-2000PS/CARD RACK)</u>		
R20,21,22,23,24,38	1-247-855-00	RES,CARBON 10K 5% 1/6W
R13,14,15,18,19,30,36, 37	1-247-863-00	RES,CARBON 22K 5% 1/6W
R16,17	1-247-879-00	RES,CARBON 100K 5% 1/6W
L1	1-408-417-00	INDUCTOR,MICRO,47 5%
L2	1-409-339-00	COIL,SN
S1	1-516-923-21	SWITCH,DIP,4-CKT
X1	1-527-936-00	CRYSTAL,10MHz
S2	1-553-441-00	SWITCH,TOGGLE
ON1M	( ) 1-560-760-00	RECEP,40P,MALE
TP1,2,3,4,5,6,7,8,9,10, 11,12,13,14	( ) 3-673-805-01	TERMINAL,TP
TPE1,2,3,4	( ) 3-673-805-11	TERMINAL,TP
1pc	( ) 3-673-865-00	LEVER,WITH PIN
1pc	( ) 3-673-867-00	PLATE,INDICATION, PC BOARD
1pc	( ) 3-674-619-00	LABEL(SV-43),PC BOARD
2pcs	4-866-397-01	CUSHION,LED
4pcs	7-621-981-15	SCREW,PSW 2.6x6
2pcs	( ) 7-626-317-21	PIN,SPRING 2.5x8
D1,3,4,5	8-719-815-55	DIODE 1S1555
ND1	8-719-901-68	LED,7-SEGMENT, GL-6R202,RED
D2	8-719-911-06	DIODE 1SS106
Q4	8-729-110-53	TRANSISTOR 2SA1005
Q1,2	8-729-117-54	TRANSISTOR 2SA1175
Q3	8-729-606-32	TRANSISTOR 2SC2603
IC5C	8-759-044-95	IC MC14495P,CMOS
IC2N	8-759-045-38	IC MC14538BCP,CMOS
IC1R	8-759-240-49	IC TC4049BP,CMOS

Ref.No. or Qty	Part No.	Description
(SV-43 BOARD, BVH-2000PS/CARD RACK)		
1C1P, 1Q, 5I, 6O	8-759-241-74	1C TC40174BP, CMOS
1C1N	8-759-245-20	1C TC4520BP, CMOS
1C2P, 2Q, 4I, 6N	8-759-345-03	1C HD14503BP, CMOS
1C1F	8-759-758-95	1C, EPROM, MEM2732-S2U3
1C1I	8-759-758-97	1C, EPROM, MEM2732-S4U3
1C6I	8-759-761-25	1C, EPROM, MEM2732-S7U3-2
1C6K	8-759-761-26	1C, EPROM, MEM2732-S8U3-2
1C1E	8-759-762-59	1C, EPROM, MEM2732-S1U3-3
1C1H	8-759-762-60	1C, EPROM, MEM2732-S3U3-3
1C5H, 5O	8-759-900-00	1C SN74LS00N, TTL
1C4G, 5P	8-759-900-02	1C SN74LS02N, TTL
1C4D	8-759-900-03	1C SN74LS03N, TTL
1C2R, 3O, 4F, 6C	8-759-900-04	1C SN74LS04N, TTL
1C4H, 4N	8-759-900-08	1C SN74LS08N, TTL
1C3H, 5F	8-759-900-10	1C SN74LS10N, TTL
1C4E	8-759-900-30	1C SN74LS30N, TTL
1C3G, 3I, 4O, 5E, 5N	8-759-900-32	1C SN74LS32N, TTL
1C4M, 5D, 5G	8-759-900-74	1C SN74LS74AN, TTL
1C6F	8-759-901-07	1C SN74LS107AN, TTL
1C1M, 6M	8-759-901-28	1C MSM5128-12RS, CMOS
1C1O, 3E	8-759-901-38	1C SN74LS138N, TTL
1C2O, 3D, 3F, 3N, 5M	8-759-901-39	1C SN74LS139N, TTL
1C3J, 3K, 3R, 4C, 4J, 4R, 5Q	8-759-902-44	1C SN74LS244N, TTL

Ref.No. or Qty	Part No.	Description
(SV-43 BOARD, BVH-2000PS/CARD RACK)		
1C1D, 4K, 6P	8-759-902-45	1C SN74LS245N, TTL
1C3P, 3Q, 4P, 4Q	8-759-906-70	1C SN74LS670N, TTL
1C6H	8-759-910-04	1C SN74S04N, TTL
1C2B, 3L	8-759-916-80	1C LH0080A, NMOS

---

RL-12 BOARD (BVH-2000PS/CARD RACK)

1pc	() A-6015-067-B	COMPLETE PCB, RL-12 (This assembly includes the following parts.)
1pc	() X-3673-641-0	PLATE ASSY, SHIELD
C113, 114	1-102-106-00	CAP, CERAMIC 100PF 10% 50V
C31, 32, 33, 34, 35, 42	1-102-114-00	CAP, CERAMIC 470PF 10% 50V
C116	1-107-044-00	CAP, MICA 3.3PF +/-0.5PF 500V
C111	1-108-566-00	CAP, MYLAR 0.003 5% 50V
C115	1-108-579-00	CAP, MYLAR 0.01 5% 50V
C112	1-108-581-00	CAP, MYLAR 0.012 5% 50V
C106, 108, 110	1-108-583-00	CAP, MYLAR 0.015 5% 50V

Ref.No. or Qty	Part No.	Description
(RL-12 BOARD,BVH-2000PS/CARD RACK)		
C105,107	1-108-591-00	CAP,MYLAR 0.033 5% 50V
C40,41	1-108-603-00	CAP,MYLAR 0.1 5% 50V
C21	1-123-611-00	CAP,ELECT 1 50V
C68	1-123-617-00	CAP,ELECT 10 16V
C46	1-123-620-00	CAP,ELECT 10 35V
C2,3,16,19,26,28,48,86, 88	1-123-821-00	CAP,ELECT 47 16V
C11,47,51,53,60,61,62, 80,81,90,93,94,96,101	1-123-822-00	CAP,ELECT 47 10V
C38,39	1-123-829-00	CAP,ELECT,NONPOLAR 2.2 50V
C102	1-124-141-00	CAP,ELECT 330 10V
C56,57,58,59,67,69	1-131-369-00	CAP,TANT 4.7 10% 16V
C17,20,22,23,25,30,43, 44	1-161-047-00	CAP,CERAMIC 0.0047 10% 50V
C5,6,7,8,9,10	1-161-049-00	CAP,CERAMIC 0.0068 10% 50V
C14	1-161-051-00	CAP,CERAMIC 0.01 10% 50V
C1,4,15,18,27,29,36,37, 45,49,50,52,54,55,70, 82,83,84,85,87,89,91, 92,95,97,100,103,104	1-161-055-00	CAP,CERAMIC 0.022 10% 50V
R78	1-214-117-00	RES,METAL 240 1% 1/4W
R32,175	1-214-129-00	RES,METAL 750 1% 1/4W
R30,31,64,106	1-214-136-00	RES,METAL 1.5K 1% 1/4W

Ref.No. or Qty	Part No.	Description
(RL-12 BOARD,BVH-2000PS/CARD RACK)		
R108	1-214-139-00	RES,METAL 2K 1% 1/4W
R36,37,110	1-214-143-00	RES,METAL 3K 1% 1/4W
R184	1-214-144-00	RES,METAL 3.3K 1% 1/4W
R185	1-214-151-00	RES,METAL 6.2K 1% 1/4W
R111,113	1-214-153-00	RES,METAL 7.5K 1% 1/4W
R41,43,62,81,85,91,92, 97,99,102,143,145,148, 150,193	1-214-156-00	RES,METAL 10K 1% 1/4W
R176	1-214-157-00	RES,METAL 11K 1% 1/4W
R77,87,153	1-214-158-00	RES,METAL 12K 1% 1/4W
R187	1-214-159-00	RES,METAL 13K 1% 1/4W
R80,94,98,100,103,104, 115,116,117	1-214-160-00	RES,METAL 15K 1% 1/4W
R89	1-214-162-00	RES,METAL 18K 1% 1/4W
R40,42,44,45,82,90,93, 95,96,144,146,186,188, 189	1-214-163-00	RES,METAL 20K 1% 1/4W
R149,151	1-214-165-00	RES,METAL 24K 1% 1/4W
R177	1-214-179-00	RES,METAL 91K 1% 1/4W
R58,123,124,135,141,178, 179,180,181,182,183	1-214-180-00	RES,METAL 100K 1% 1/4W
RV10	1-224-936-00	RES,VAR,METAL 500
RV7	1-224-937-00	RES,VAR,METAL 1K
RV11	1-224-938-00	RES,VAR,METAL 2K
RV1,2,3,4,5,6	1-224-939-00	RES,VAR,METAL 5K

Ref.No. or Q'ty	Part No.	Description
(RL-12 BOARD,BVH-2000PS/CARD RACK)		
RV9	1-224-940-00	RES,VAR,METAL 10K
RV12,13,15	1-224-941-00	RES,VAR,METAL 20K
RV8,20	1-224-942-00	RES,VAR,METAL 50K
RV14	1-228-533-00	RES,VAR,COMP 10K
RB1	1-231-399-00	RES BLOCK,330x8
R83,107,109	1-247-783-00	RES,CARBON 10 5% 1/6W
R79	1-247-815-00	RES,CARBON 220 5% 1/6W
R15,17,21,25,28,34,173	1-247-831-00	RES,CARBON 1K 5% 1/6W
R35	1-247-835-00	RES,CARBON 1.5K 5% 1/6W
R1,2,3,4,5,6,76	1-247-839-00	RES,CARBON 2.2K 5% 1/6W
R7,9,11,13,22,23,88	1-247-842-00	RES,CARBON 3K 5% 1/6W
R49,56	1-247-843-00	RES,CARBON 3.3K 5% 1/6W
R67,84	1-247-845-00	RES,CARBON 3.9K 5% 1/6W
R169	1-247-846-00	RES,CARBON 4.3K 5% 1/6W
R8,10,12,14,26,27,197	1-247-848-00	RES,CARBON 5.1K 5% 1/6W
R38,39,66,73,74,75,86, 114,155,156,157,158, 159,160,164,165,170, 190,191,192	1-247-855-00	RES,CARBON 10K 5% 1/6W
R196	1-247-860-00	RES,CARBON 16K 5% 1/6W
R54,55,195	1-247-862-00	RES,CARBON 20K 5% 1/6W
R154,161,172	1-247-863-00	RES,CARBON 22K 5% 1/6W

Ref.No. or Q'ty	Part No.	Description
(RL-12 BOARD,BVH-2000PS/CARD RACK)		
R194,200	1-247-877-00	RES,CARBON 82K 5% 1/6W
R46,50,51,168	1-247-879-00	RES,CARBON 100K 5% 1/6W
R57	1-247-883-00	RES,CARBON 150K 5% 1/6W
R16,18,19,20,24,29	1-247-885-00	RES,CARBON 180K 5% 1/6W
R52,53	1-247-887-00	RES,CARBON 220K 5% 1/6W
R174	1-247-891-00	RES,CARBON 330K 5% 1/6W
R48,167	1-247-893-00	RES,CARBON 390K 5% 1/6W
R72	1-247-895-00	RES,CARBON 470K 5% 1/6W
R47,112,147,152	1-247-903-00	RES,CARBON 1M 5% 1/6W
L1,2,3	1-408-417-00	INDUCTOR,MICRO,47 5%
L4,5,6	1-409-339-00	COIL,SN
S1	1-553-441-00	SWITCH,TOGGLE
1pc	2-282-313-11	KNOB,CONTROL
TP1,2,3,4,5,6,7,8,9,10, 11,12,13,14,15,16,17, 18,19,20,21	( ) 3-673-805-01	TERMINAL,TP
E1,2,3,4	( ) 3-673-805-11	TERMINAL,TP
1pc	( ) 3-673-865-00	LEVER,WITH PIN
1pc	( ) 3-673-867-00	PLATE,INDICATION, PC BOARD
1pc	( ) 3-674-620-00	LABEL(RL-12),PC BOARD
6pcs	4-866-397-00	CUSHION,LED
1pc	7-621-737-08	SET SCREW, 2.6x3,FLAT POINT

Ref.No. or Q'ty	Part No.	Description
(RL-12 BOARD,BVH-2000PS/CARD RACK)		
4pcs	7-621-981-15	SCREW,PSW 2.6x6
2pcs	( ) 7-626-317-21	PIN,SPRING 2.5x8
D40	8-719-156-07	DIODE RD5.6E-B
D4,5,6,7	8-719-400-25	LED,LN25RP,RED
D0,1,2,3	8-719-400-35	LED,LN35BP,GREEN
D8,9,10,11,12,13,14,15, 16,17,18,19,20,21,22, 23,24,25,26,27,28,29, 43,44,45,46,47,48		
	8-719-815-55	DIODE 1S1555
Q1	8-729-374-02	TRANSISTOR 2SB740
IC4	8-759-100-34	IC UPC648D
IC1,2,3	8-759-103-93	IC UPC393C
IC18,25,26		
	8-759-135-80	IC UPC358C
IC14,27	8-759-145-58	IC UPC4558C
IC21,2J,2L		
	8-759-182-53	IC UPD8253C-5,NMOS
IC1B	8-759-240-13	IC TC4013BP,CMOS
IC1C	8-759-240-30	IC TC4030BP,CMOS
IC6,21,22		
	8-759-240-51	IC TC4051BP,CMOS
IC23	8-759-240-52	IC TC4052BP,CMOS
IC29	8-759-240-53	IC TC4053BP,CMOS
IC2C,2D,2F,2Q,2R		
	8-759-241-74	IC TC40174BP,CMOS
IC2E,2M,2N,2O,2P		
	8-759-345-03	IC HD14503BP,CMOS
IC1H	8-759-755-84	IC,PROM,MB7051-R2U1
IC1E	8-759-755-85	IC,PROM,MB7052-R1U1
IC1P,3F	8-759-900-00	IC SN74LS00N,TTL

Ref.No. or Q'ty	Part No.	Description
(RL-12 BOARD,BVH-2000PS/CARD RACK)		
IC1N,1O,1T,2G,2T		
	8-759-900-04	IC SN74LS04N,TTL
IC1K	8-759-900-08	IC SN74LS08N,TTL
IC3O	8-759-900-32	IC SN74LS32N,TTL
IC1J,1M	8-759-900-74	IC SN74LS74AN,TTL
IC2S	8-759-900-86	IC SN74LS86N,TTL
IC1Q,3P	8-759-901-07	IC SN74LS107AN,TTL
IC3M	8-759-901-38	IC SN74LS138N,TTL
IC3N	8-759-901-39	IC SN74LS139N,TTL
IC1D,1F,1I,1S		
	8-759-901-74	IC SN74LS174N,TTL
IC1G	8-759-901-91	IC SN74LS191N,TTL
IC3G	8-759-901-97	IC SN74LS197N,TTL
IC2A	8-759-903-74	IC SN74LS374N,TTL
IC1L,1R	8-759-903-93	IC SN74LS393N,TTL
IC17	8-759-905-13	IC BA9101
IC11,12	8-759-906-01	IC TL601CP
IC13	8-759-910-83	IC TL072ACP
IC31	8-759-990-04	IC TL074CN
IC5,7,8,9,15,16,19,28		
	8-759-990-82	IC TL082CP

Ref.No. or Qty	Part No.	Description
<u>CD-17 BOARD (BVH-2000PS/CARD RACK)</u>		
1pc (This assembly includes the following parts.)	() A-6015-072-B	COMPLETE PCB,CD-17
1pc	() X-3673-641-0	PLATE ASSY,SHIELD
C211	1-102-106-00	CAP,CERAMIC 100PF 10% 50V
C210	1-102-113-00	CAP,CERAMIC 390PF 10% 50V
C205,206	1-102-125-00	CAP,CERAMIC 0.0047 10% 50V
C80	1-107-074-00	CAP,MICA 36PF 5% 50V
C20,22,68,114	1-107-085-00	CAP,MICA 100PF 5% 50V
C8,9,10,11,59,75,78,136, 138,162	1-108-555-00	CAP,MYLAR 0.001 5% 50V
C74,77,115	1-108-563-00	CAP,MYLAR 0.0022 5% 50V
C203	1-108-564-00	CAP,MYLAR 0.0024 5% 50V
C40,42	1-108-565-00	CAP,MYLAR 0.0027 5% 50V
C39,41	1-108-573-00	CAP,MYLAR 0.0056 5% 50V
C53,118,119,137,161,201, 204	1-108-579-00	CAP,MYLAR 0.01 5% 50V
C131	1-108-581-00	CAP,MYLAR 0.012 5% 50V
C60	1-108-583-00	CAP,MYLAR 0.015 5% 50V
C52,166	1-108-587-00	CAP,MYLAR 0.022 5% 50V
C5,35,36,37,38,49,152, 153	1-108-595-00	CAP,MYLAR 0.047 5% 50V
C73,76	1-108-603-00	CAP,MYLAR 0.1 5% 50V
C67	1-109-555-00	CAP,MICA 560PF 5% 100V
C19,81	1-109-561-00	CAP,MICA 0.001 5% 100V
C123,124,127	1-123-818-00	CAP,ELECT 22 25V

Ref.No. or Qty	Part No.	Description
<u>(CD-17 BOARD,BVH-2000PS/CARD RACK)</u>		
C4,13,23,26,30,31,43,44, 61,62,63,72,79	1-123-821-00	CAP,ELECT 47 16V
C32,132,141,144,147,149, 150,157	1-123-822-00	CAP,ELECT 47 10V
C159	1-124-141-00	CAP,ELECT 330 10V
C21	1-130-079-00	CAP,POLY 8600PF 1% 50V
C6,7	1-131-345-00	CAP,TANT 0.47 10% 35V
C121,165	1-131-371-00	CAP,TANT 10 10% 16V
C126	1-131-373-00	CAP,TANT 22 10% 16V
C120	1-131-374-00	CAP,TANT 33 10% 16V
CV1	1-141-260-00	CAP,TRIMMER 50PF
C122	1-161-039-00	CAP,CERAMIC 0.001 10% 50V
C3,18,24,25,27,28,33,50, 51,64,65,66,69,70,112, 113,116,117,128,130, 133,135,139,140,142, 143,145,146,148,151, 154,155,156,158,160	1-161-055-00	CAP,CERAMIC 0.022 10% 50V
R78	1-214-134-00	RES,METAL 1.2K 1% 1/4W
R82	1-214-138-00	RES,METAL 1.8K 1% 1/4W
R87	1-214-145-00	RES,METAL 3.6K 1% 1/4W
R29	1-214-146-00	RES,METAL 3.9K 1% 1/4W
R89	1-214-149-00	RES,METAL 5.1K 1% 1/4W
R13	1-214-151-00	RES,METAL 6.2K 1% 1/4W
R47,49,107,108	1-214-155-00	RES,METAL 9.1K 1% 1/4W
R28,46,48,88,105,106, 117,118	1-214-156-00	RES,METAL 10K 1% 1/4W
R7,27,38,42,122,123	1-214-160-00	RES,METAL 15K 1% 1/4W
R10,11	1-214-163-00	RES,METAL 20K 1% 1/4W
R43,50	1-214-167-00	RES,METAL 30K 1% 1/4W
R33,90	1-214-178-00	RES,METAL 82K 1% 1/4W
R198	1-214-180-00	RES,METAL 100K 1% 1/4W



Ref.No. or Q'ty	Part No.	Description	Ref.No. or Q'ty	Part No.	Description
(CD-17 BOARD,BVH-2000PS/CARD RACK)			(CD-17 BOARD,BVH-2000PS/CARD RACK)		
RV14,15,16,17	1-224-938-00	RES,VAR,METAL 2K	R1,2,3,5,16,17,18,19,25, 30,31,34,44,45,52,53, 55,56,57,58,59,60,63, 71,83,84,85,92,93,94, 96,97,109,110,111,112, 113,114,115,116,120, 130,138,139,147,148, 152,154,157,162,164, 165,166,167,169,175, 215,304,305		
RV2,3,6,7,8,9,10,11,12	1-224-940-00	RES,VAR,METAL 10K		1-247-855-00	RES,CARBON 10K 5% 1/6W
RV13	1-224-941-00	RES,VAR,METAL 20K			
RV5	1-224-942-00	RES,VAR,METAL 50K			
RV4	1-226-698-00	RES,VAR,CERMET 10K			
RV1	1-228-763-00	RES,VAR,CERMET 5K			
RB1	1-235-109-00	RES BLOCK,22Kx8			
R32,159,194,206,209	1-247-783-00	RES,CARBON 10 5% 1/6W	R121	1-247-857-00	RES,CARBON 12K 5% 1/6W
R68,86,91,174	1-247-799-00	RES,CARBON 47 5% 1/6W	R134,135	1-247-858-00	RES,CARBON 13K 5% 1/6W
R128	1-247-804-00	RES,CARBON 75K 5% 1/6W	R192,193	1-247-861-00	RES,CARBON 18K 5% 1/6W
R61,310	1-247-807-00	RES,CARBON 100 5% 1/6W	R65,178	1-247-862-00	RES,CARBON 20K 5% 1/6W
R216	1-247-823-00	RES,CARBON 470 5% 1/6W	R20,21,69,70,81,170,176, 180,181,182,185,200, 201	1-247-863-00	RES,CARBON 22K 5% 1/6W
R171	1-247-824-00	RES,CARBON 510 5% 1/6W	R125	1-247-864-00	RES,CARBON 24K 5% 1/6W
R36,37,39,41,95,99,101, 103,149,157,160,301, 302,303	1-247-831-00	RES,CARBON 1K 5% 1/6W	R172	1-247-865-00	RES,CARBON 27K 5% 1/6W
R51,54,100,102	1-247-835-00	RES,CARBON 1.5K 5% 1/6W	R4,9,64,168,179	1-247-866-00	RES,CARBON 30K 5% 1/6W
R67	1-247-837-00	RES,CARBON 1.8K 5% 1/6W	R136	1-247-869-00	RES,CARBON 39K 5% 1/6W
R66,119,131,133,186,196, 197	1-247-839-00	RES,CARBON 2.2K 5% 1/6W	R15,161	1-247-870-00	RES,CARBON 43K 5% 1/6W
R8	1-247-842-00	RES,CARBON 3K 5% 1/6W	R158	1-247-873-00	RES,CARBON 56K 5% 1/6W
R22,24,80	1-247-843-00	RES,CARBON 3.3K 5% 1/6W	R129	1-247-876-00	RES,CARBON 75K 5% 1/6W
R6,75,79,132,187,211	1-247-847-00	RES,CARBON 4.7K 5% 1/6W	R140	1-247-878-00	RES,CARBON 91K 5% 1/6W
R142,143	1-247-848-00	RES,CARBON 5.1K 5% 1/6W	R12,14,35,40,62,98,104, 151,173	1-247-879-00	RES,CARBON 100K 5% 1/6W
R124,156	1-247-850-00	RES,CARBON 6.2K 5% 1/6W	R163,214	1-247-886-00	RES,CARBON 200K 5% 1/6W
R141	1-247-851-00	RES,CARBON 6.8K 5% 1/6W	R188,189,190,191	1-247-895-00	RES,CARBON 470K 5% 1/6W
			R77	1-247-901-00	RES,CARBON 820K 5% 1/6W
			R202,203,204,207,212, 213	1-247-903-00	RES,CARBON 1M 5% 1/6W

Ref.No. or Q'ty	Part No.	Description	Ref.No. or Q'ty	Part No.	Description
(CD-17 BOARD, BVH-2000PS/CARD RACK)			(CD-17 BOARD, BVH-2000PS/CARD RACK)		
L3	1-408-421-00	INDUCTOR, MICRO, 100 5%	IC27, 4L	8-759-045-38	IC MC14538BCP, CMOS
L1, 2, 4	1-409-339-00	COIL, SN	IC26, 29	8-759-131-11	IC UPC311C
S3	1-516-925-21	SWITCH, DIP, 8-CKT	IC1, 2, 4, 25, 28, 35, 37		
S7	1-552-539-00	SWITCH, PUSH		8-759-145-58	IC UPC4558C
S1, 2	1-553-440-00	SWITCH, TOGGLE			
S4, 5, 6	1-554-027-00	SWITCH, ROTARY	IC3F, 5F, 5G, 5I, 5K		
S8	1-554-080-00	SWITCH, ROTARY		8-759-182-53	IC UPD8253C-5, NMOS
TPI, 2, 3, 4, 5, 6, 7, 8, 9, 10, 11, 12, 13, 14, 15, 16, 17, 18, 19, 20, 21, 23, 24, 30, 31	( ) 3-673-805-01	TERMINAL, TP	IC1C, 4K	8-759-240-11	IC TC4011BP, CMOS
TPE1, 2, 3, 4, 5, 6	( ) 3-673-805-11	TERMINAL, TP	IC1D, 2D, 4M	8-759-240-13	IC TC4013BP, CMOS
1pc	( ) 3-673-865-00	LEVER, WITH PIN	IC24	8-759-240-51	IC TC4051BP, CMOS
1pc	( ) 3-673-867-00	PLATE, INDICATION, PC BOARD	IC4E	8-759-240-71	IC TC4071BP, CMOS
1pc	( ) 3-674-628-00	LABEL (CD-17), PC BOARD	IC40	8-759-240-81	IC TC4081BP, CMOS
6pcs	4-866-397-00	CUSHION, LED	IC3E, 4H, 5Q	8-759-241-74	IC TC40174BP, CMOS
4pcs	7-621-981-15	SCREW, PSW 2.6x6	IC4D, 5M	8-759-245-20	IC TC4520BP, CMOS
2pcs	( ) 7-626-317-21	PIN, SPRING 2.5x8	IC4I, 4J, 5A, 5B, 5C, 5D, 5E	8-759-345-03	IC HD14503BP, CMOS
D1, 2, 3, 4, 5, 6, 7, 8, 9, 10, 11, 12, 13, 14, 15, 16, 18, 19, 20, 21, 22, 23, 24, 25, 26, 27, 28, 29, 30, 31, 32, 33, 34, 35, 36, 37, 38, 39, 40, 41, 42, 43, 44, 45, 46, 47	8-719-815-55	DIODE 1S1555	IC8	8-759-708-05	IC NJM78L05A
Q10, 18, 20	8-729-117-54	TRANSISTOR 2SA1175	IC11, 12, 13, 22, 23, 33, 34	8-759-745-60	IC NJM4560D
Q9, 19	8-729-364-12	TRANSISTOR 2SC641K	IC18	8-759-900-00	IC SN74LS00N, TTL
Q7, 8, 15	8-729-672-43	TRANSISTOR 2SC2724	IC3C, 4Q, 4S, 5R	8-759-900-04	IC SN74LS04N, TTL
IC31, 32	8-751-300-00	IC CX130	IC3D	8-759-900-14	IC SN74LS14N, TTL
			IC4P	8-759-900-32	IC SN74LS32N, TTL
			IC2C, 3B	8-759-900-74	IC SN74LS74AN, TTL
			IC19, 4N	8-759-900-86	IC SN74LS86N, TTL
			IC5N, 5O, 5P	8-759-901-07	IC SN74LS107AN, TTL

Ref.No. or Qty	Part No.	Description
(CD-17 BOARD,BVH-2000PS/CARD RACK)		
IC4B,4C,5L	8-759-901-38	IC SN74LS138N,TTL
IC7,17,2B,4G	8-759-902-21	IC SN74LS221N,TTL
IC4R	8-759-903-93	IC SN74LS393N,TTL
IC9,21	8-759-952-07	IC SN75207BN
IC3,5,6,14,15,16	8-759-990-82	IC TL082CP
Q1,11,12,13	8-761-622-00	TRANSISTOR 2SC1636
Q3,4,5,6,16,17,21,22,23	8-769-192-00	TRANSISTOR 2SK43-2

---

**SR-15 BOARD (BVH-2000PS/CARD RACK)**

1pc	( ) A-6015-073-A	COMPLETE PCB,SR-15 (This assembly includes the following parts.)
1pc	( ) X-3673-641-0	PLATE ASSY,SHIELD
C20	1-102-112-00	CAP,CERAMIC 330PF 10% 50V
C40	1-102-115-00	CAP,CERAMIC 560PF 10% 50V
C100	1-107-048-00	CAP,MICA 6.8PF +/-0.5PF 500V

Ref.No. or Qty	Part No.	Description
(SR-15 BOARD,BVH-2000PS/CARD RACK)		
C101	1-107-077-00	CAP,MICA 47PF 5% 50V
C13	1-107-085-00	CAP,MICA 100PF 5% 50V
C21,68,69,76	1-107-093-00	CAP,MICA 220PF 5% 50V
C65	1-107-160-00	CAP,MICA 36PF 5% 500V
C15,16	1-107-164-00	CAP,MICA 51PF 5% 500V
C34	1-107-166-00	CAP,MICA 62PF 5% 500V
C36	1-107-202-00	CAP,MICA 10PF 5% 500V
C64	1-107-206-00	CAP,MICA 15PF 5% 500V
C67	1-107-210-00	CAP,MICA 22PF 5% 500V
C9,10,26,87	1-108-555-00	CAP,MYLAR 0.001 5% 50V
C48	1-108-559-00	CAP,MYLAR 0.0015 5% 50V
C70,80	1-108-563-00	CAP,MYLAR 0.0022 5% 50V
C84	1-108-571-00	CAP,MYLAR 0.0047 5% 50V
C99	1-108-575-00	CAP,MYLAR 0.0068 5% 50V
C66,71,91	1-108-579-00	CAP,MYLAR 0.01 5% 50V
C6,59	1-108-587-00	CAP,MYLAR 0.022 5% 50V
C98	1-108-591-00	CAP,MYLAR 0.033 5% 50V
C33,78,79,102	1-108-595-00	CAP,MYLAR 0.047 5% 50V
C19,103	1-108-603-00	CAP,MYLAR 0.1 5% 50V
C11	1-109-553-00	CAP,MICA 470PF 5% 100V
C75	1-109-561-00	CAP,MICA 0.001 5% 100V
C41	1-123-611-00	CAP,ELECT 1 50V
C60	1-123-616-00	CAP,ELECT 4.7 25V
C63	1-123-818-00	CAP,ELECT 22 25V
C3,4,5,23,24,25,27,28, 35,37,38,42,43,44,46, 49,53,56,58	1-123-821-00	CAP,ELECT 47 16V

Ref.No. or Q'ty	Part No.	Description
(SR-15 BOARD,BVH-2000PS/CARD RACK)		
C14,62,73,77,82,83,86, 89	1-123-822-00	CAP,ELECT 47 10V
C93	1-124-141-00	CAP,ELECT 330 10V
C1,2,31,90	1-131-347-00	CAP,TANT 1 10% 35V
C7,8	1-131-373-00	CAP,TANT 22 10% 16V
C12,17,18,22,29,30,39, 45,47,50,51,52,54,55, 57,61,72,74,81,85,88, 92,94,95,96,97	1-161-055-00	CAP,CERAMIC 0.022 10% 50V
R51	1-214-118-00	RES,METAL 270 1% 1/4W
R53	1-214-120-00	RES,METAL 330 1% 1/4W
R15	1-214-130-00	RES,METAL 820 1% 1/4W
R54	1-214-134-00	RES,METAL 1.2K 1% 1/4W
R19	1-214-146-00	RES,METAL 3.9K 1% 1/4W
R18	1-214-156-00	RES,METAL 10K 1% 1/4W
R135	1-214-173-00	RES,METAL 51K 1% 1/4W
RV3	1-224-936-00	RES,VAR,METAL 500
RV4	1-224-938-00	RES,VAR,METAL 2K
RV6	1-224-940-00	RES,VAR,METAL 10K
RV7	1-224-941-00	RES,VAR,METAL 20K
RV1,2	1-224-943-00	RES,VAR,METAL 100K
RV5	1-228-533-00	RES,VAR,COMP 10K
R104,107,108,130,131, 132,146	1-247-783-00	RES,CARBON 10 5% 1/6W
R77,79,88	1-247-800-00	RES,CARBON 51 5% 1/6W
R46,87	1-247-804-00	RES,CARBON 75 5% 1/6W
R56,60,144,160	1-247-807-00	RES,CARBON 100 5% 1/6W

Ref.No. or Q'ty	Part No.	Description
(SR-15 BOARD,BVH-2000PS/CARD RACK)		
R21	1-247-811-00	RES,CARBON 150 5% 1/6W
R65,155	1-247-814-00	RES,CARBON 200 5% 1/6W
R158	1-247-815-00	RES,CARBON 220 5% 1/6W
R57	1-247-816-00	RES,CARBON 240 5% 1/6W
R78,117,124,154	1-247-823-00	RES,CARBON 470 5% 1/6W
R42	1-247-825-00	RES,CARBON 560 5% 1/6W
R24,134	1-247-827-00	RES,CARBON 680 5% 1/6W
R26,41,45,52,71,72,91, 94,101,103,110,111, 120,123,125	1-247-831-00	RES,CARBON 1K 5% 1/6W
R23,29,31	1-247-835-00	RES,CARBON 1.5K 5% 1/6W
R40,68,70	1-247-838-00	RES,CARBON 2K 5% 1/6W
R55,62,64,142	1-247-839-00	RES,CARBON 2.2K 5% 1/6W
R95	1-247-840-00	RES,CARBON 2.4K 5% 1/6W
R2,85,86,162	1-247-842-00	RES,CARBON 3K 5% 1/6W
R22,121,143	1-247-843-00	RES,CARBON 3.3K 5% 1/6W
R27	1-247-844-00	RES,CARBON 3.6K 5% 1/6W
R34,36,58,67	1-247-847-00	RES,CARBON 4.7K 5% 1/6W
R20,47,74,82,112,113	1-247-848-00	RES,CARBON 5.1K 5% 1/6W
R161	1-247-850-00	RES,CARBON 6.2K 5% 1/6W
R1	1-247-852-00	RES,CARBON 7.5K 5% 1/6W

Ref.No. or Qty	Part No.	Description
(SR-15 BOARD,BVH-2000PS/CARD RACK)		
R9,13,16,17,25,48,59,61, 76,89,90,92,93,100,102, 141,151,156	1-247-855-00	RES,CARBON 10K 5% 1/6W
R10,14,37,49	1-247-859-00	RES,CARBON 15K 5% 1/6W
R50,118	1-247-861-00	RES,CARBON 18K 5% 1/6W
R73,80,83,96	1-247-862-00	RES,CARBON 20K 5% 1/6W
R4,119,122,126,127,128, 139,148,150,152	1-247-863-00	RES,CARBON 22K 5% 1/6W
R30	1-247-866-00	RES,CARBON 30K 5% 1/6W
R28,33,97,99	1-247-871-00	RES,CARBON 47K 5% 1/6W
R5,39	1-247-872-00	RES,CARBON 51K 5% 1/6W
R43	1-247-875-00	RES,CARBON 68K 5% 1/6W
R11,12,35,38,66,136,140, 147,149	1-247-879-00	RES,CARBON 100K 5% 1/6W
R32	1-247-883-00	RES,CARBON 150K 5% 1/6W
R81,138	1-247-892-00	RES,CARBON 360K 5% 1/6W
R75	1-247-893-00	RES,CARBON 390K 5% 1/6W
R98	1-247-894-00	RES,CARBON 430K 5% 1/6W
R137	1-247-895-00	RES,CARBON 470K 5% 1/6W
R6	1-247-896-00	RES,CARBON 510K 5% 1/6W
R157,159	1-247-901-00	RES,CARBON 820K 5% 1/6W
R7,8,44,63,84	1-247-903-00	RES,CARBON 1M 5% 1/6W
LV1	1-407-569-00	INDUCTOR,VAR,10
L1	1-408-415-00	INDUCTOR,MICRO,33 5%
L2,3,4	1-409-339-00	COIL,SN

Ref.No. or Qty	Part No.	Description
(SR-15 BOARD,BVH-2000PS/CARD RACK)		
DL1	1-415-121-00	DELAY LINE,100nS
ME1	1-520-449-00	METER
CF1	1-527-497-00	FILTER,CERAMIC 4.55MHz
X1	1-527-521-00	CRYSTAL,17.732475MHz
S1,2	1-553-440-00	SWITCH,TOGGLE
1pc	2-282-313-11	KNOB,CONTROL
TP5,8,9,12,13,14,15,16, 22,23 ( )	3-673-772-41	TERMINAL,TP
TP1,2,3,4,17,25	( ) 3-673-805-01	TERMINAL,TP
TPE1,2,3,4,5	( ) 3-673-805-11	TERMINAL,TP
1pc	( ) 3-673-865-00	LEVER,WITH PIN
1pc	( ) 3-673-867-00	PLATE,INDICATION, PC BOARD
1pc	( ) 3-674-626-00	LABEL(SR-15),PC BOARD
6pcs	4-866-397-00	CUSHION,LED
1pc	7-621-737-08	SET SCREW, 2.6x3,FLAT POINT
4pcs	7-621-981-15	SCREW,PSW 2.6x6
2pcs	( ) 7-626-317-21	PIN,SPRING 2.5x8
D7	8-719-100-27	DIODE RD4.7E-B2
D6	8-719-175-07	DIODE RD7.5E
D2	8-719-713-92	DIODE 1S2139B
D1,3,4,8,9,10,11,12,13, 14,15,16	8-719-815-55	DIODE 1S1555
Q10	8-723-305-00	TRANSISTOR 2SK43-5

Ref.No. or Q'ty	Part No.	Description
(SR-15 BOARD, BVH-2000PS/CARD RACK)		
Q5	8-729-117-54	TRANSISTOR 2SA1175
Q3,4	8-729-364-12	TRANSISTOR 2SC641K
Q2, 7, 8, 13, 14, 15, 16, 19		
	8-729-603-50	TRANSISTOR 2SC403SP
Q17, 18	8-729-606-32	TRANSISTOR 2SC2603
IC12, 13	8-743-931-10	IC BX3931A
IC3	8-749-938-10	IC BX381
IC6	8-751-300-00	IC CX130
IC3K, 4I, 4K		
	8-759-045-38	IC MC14538BCP, CMOS
IC15, 16	8-759-115-90	IC UPC159A
IC4J, 5D	8-759-240-11	IC TC4011BP, CMOS
IC3E, 3N, 5I, 5L		
	8-759-240-13	IC TC4013BP, CMOS
IC5F, 5H	8-759-240-15	IC TC4015BP, CMOS
IC5K	8-759-240-40	IC TC4040BP, CMOS
IC5M	8-759-240-71	IC TC4071BP, CMOS
IC4N	8-759-241-74	IC TC40174BP, CMOS
IC4M, 5N	8-759-345-03	IC HD14503BP, CMOS
IC3D, 3H	8-759-900-00	IC SN74LS00N, TTL
IC5G	8-759-900-02	IC SN74LS02N, TTL
IC3C, 3J, 3O, 4O		
	8-759-900-04	IC SN74LS04N, TTL
IC4D	8-759-900-08	IC SN74LS08N, TTL
IC3L, 5C	8-759-900-32	IC SN74LS32N, TTL
IC4B, 4E, 4F, 4H		
	8-759-900-74	IC SN74LS74AN, TTL
IC3M	8-759-900-86	IC SN74LS86N, TTL
IC4C, 4L	8-759-901-07	IC SN74LS107AN, TTL
IC2C, 2D, 2E		
	8-759-901-12	IC SN74LS112AN, TTL

Ref.No. or Q'ty	Part No.	Description
(SR-15 BOARD, BVH-2000PS/CARD RACK)		
IC5J	8-759-901-57	IC SN74LS157N, TTL
IC4G, 5E	8-759-901-63	IC SN74LS163AN, TTL
IC3F	8-759-901-64	IC SN74LS164N, TTL
IC3I	8-759-902-21	IC SN74LS221N, TTL
IC9	8-759-905-27	IC NE527H
IC2F	8-759-910-10	IC SN74S10N, TTL
IC2G	8-759-910-11	IC SN74S11N, TTL
IC3B	8-759-941-23	IC SN74123N, TTL
IC14	8-759-951-07	IC SN75107AN
IC1, 2, 4, 5, 7, 8		
	8-759-990-82	IC TL082CP
Q9	8-761-622-00	TRANSISTOR 2SC1636
Q1, 6, 11, 12		
	8-769-192-00	TRANSISTOR 2SK43-2

DT-05 BOARD (BVH-2000PS-02, 04/CARD RACK)

1pc (for 02/04 model)  
 ( ) A-6015-074-B COMPLETE PCB, DT-05  
 (This assembly includes the following parts.)

1pc	( ) X-3673-678-0	PLATE ASSY, SHIELD(A)
C1, 2	1-107-077-00	CAP, MICA 47PF 5% 50V
C4	1-107-206-00	CAP, MICA 15PF 5% 500V
C74	1-109-535-00	CAP, MICA 100PF 5% 100V
C47, 52, 69, 75		
	1-109-540-00	CAP, MICA 180PF 5% 100V

Ref.No. or Q'ty	Part No.	Description	Ref.No. or Q'ty	Part No.	Description
(DT-05 BOARD,BVH-2000PS-02,04/CARD RACK)			(DT-05 BOARD,BVH-2000PS-02,04/CARD RACK)		
C66,72	1-109-542-00	CAP,MICA 220PF 5% 100V	R63,64,67,68		
C70	1-109-547-00	CAP,MICA 330PF 5% 100V		1-214-112-00	RES,METAL 150 1% 1/4W
C67,68,71,73			R119	1-214-120-00	RES,METAL 330 1% 1/4W
	1-109-561-00	CAP,MICA 0.001 5% 100V	R2,35,65,110		
C3,45,83,86,90,91,92,93, 117,118	1-123-356-00	CAP,ELECT 10 50V		1-214-124-00	RES,METAL 470 1% 1/4W
C6,11,17,23,25,33,34,36, 38	1-130-471-00	CAP,MYLAR 0.001 5% 50V	R12,13,45,46,112,127		
C32,35	1-130-473-00	CAP,MYLAR 0.0015 5% 50V		1-214-132-00	RES,METAL 1K 1% 1/4W
C31,37,40,42,53,80			R15,16,18,40,49,55		
	1-130-475-00	CAP,MYLAR 0.0022 5% 50V		1-214-139-00	RES,METAL 2K 1% 1/4W
C8,19,20,24,27,28,41,76			R14,39,48,80,81,82,84 142	1-214-143-00	RES,METAL 3K 1% 1/4W
	1-130-479-00	CAP,MYLAR 0.0047 5% 50V	R21,69,70,72,97		
C26,62,63				1-214-148-00	RES,METAL 4.7K 1% 1/4W
	1-130-483-00	CAP,MYLAR 0.01 5% 50V	R11,34,51		
C7,48,60	1-130-484-00	CAP,MYLAR 0.012 5% 50V		1-214-151-00	RES,METAL 6.2K 1% 1/4W
C18,65,119			R8	1-214-152-00	RES,METAL 6.8K 1% 1/4W
	1-130-485-00	CAP,MYLAR 0.015 5% 50V	R66,113	1-214-154-00	RES,METAL 8.2K 1% 1/4W
C5,10	1-130-487-00	CAP,MYLAR 0.022 5% 50V	R85	1-214-155-00	RES,METAL 9.1K 1% 1/4W
C13,14	1-130-491-00	CAP,MYLAR 0.047 5% 50V	R17,24,26,27,43,53,58, 59,60,62,83,86,88,102, 106,107,108,109,123, 125,129,130,131,132, 134,137,140		
C64	1-130-493-00	CAP,MYLAR 0.068 5% 50V		1-214-156-00	RES,METAL 10K 1% 1/4W
C21,43,44			R32	1-214-158-00	RES,METAL 12K 1% 1/4W
	1-131-341-00	CAP,TANT 0.1 10% 35V	R36	1-214-159-00	RES,METAL 13K 1% 1/4W
C15,16	1-131-342-00	CAP,TANT 0.15 10% 35V	R7,78,79,90		
C61	1-131-343-00	CAP,TANT 0.22 10% 35V		1-214-160-00	RES,METAL 15K 1% 1/4W
C9,12	1-131-345-00	CAP,TANT 0.47 10% 35V	R10	1-214-162-00	RES,METAL 18K 1% 1/4W
C22,39	1-131-351-00	CAP,TANT 4.7 10% 35V	R95,118,126		
C29,30	1-131-380-00	CAP,TANT 33 10% 10V		1-214-163-00	RES,METAL 20K 1% 1/4W
C46,77,78,79,81,82,85, 88,89,94,95,96,97,98, 99,100,101,102,103,104, 105,106,107,108,109, 110,111,112,113					
	1-161-051-00	CAP,CERAMIC 0.01 10% 50V			

Ref.No. or Qty	Part No.	Description
(DT-05 BOARD,BVH-2000PS-02,04/CARD RACK)		
R1,4,121,122	1-214-164-00	RES,METAL 22K 1% 1/4W
R28,100,143	1-214-165-00	RES,METAL 24K 1% 1/4W
R19,31	1-214-166-00	RES,METAL 27K 1% 1/4W
R124,128	1-214-170-00	RES,METAL 39K 1% 1/4W
R74,77,93	1-214-172-00	RES,METAL 47K 1% 1/4W
R144	1-214-175-00	RES,METAL 62K 1% 1/4W
R41,42,56,57	1-214-176-00	RES,METAL 68K 1% 1/4W
R29	1-214-178-00	RES,METAL 82K 1% 1/4W
R22,71,73,75,76,91,92, 103	1-214-179-00	RES,METAL 91K 1% 1/4W
R20,23,25,38,44,47,54, 89,101,104,105,111,114, 115,116,120,135,141	1-214-180-00	RES,METAL 100K 1% 1/4W
R9,87,94	1-224-938-00	RES,VAR,METAL 2K
R33,99	1-224-939-00	RES,VAR,METAL 5K
R3,5,6,50,52,96,98,138	1-224-940-00	RES,VAR,METAL 10K
R61	1-224-941-00	RES,VAR,METAL 20K
R30	1-224-942-00	RES,VAR,METAL 50K
R139	1-224-943-00	RES,VAR,METAL 100K
RB2	1-231-407-00	RES BLOCK,2.2Kx8
RB1	1-231-410-00	RES BLOCK,10Kx8
RB3	1-231-517-00	RES BLOCK,2.2Kx4
R37	1-247-891-00	RES,CARBON 330K 5% 1/6W
R117	1-247-895-00	RES,CARBON 470K 5% 1/6W
L1	1-409-339-00	COIL,SN
S1	1-516-923-21	SWITCH,DIP,4-CKT
X1	1-527-227-00	CRYSTAL,14.31818MHz
S3,4	1-552-509-00	SWITCH,DIP,1-CKT
S2	1-553-440-00	SWITCH,TOGGLE

Ref.No. or Qty	Part No.	Description
(DT-05 BOARD,BVH-2000PS-02,04/CARD RACK)		
TP1,2,3,4,5,6,7,8,9,10	( ) 3-673-805-01	TERMINAL,TP
TPE1,2,3	( ) 3-673-805-11	TERMINAL,TP
1pc	( ) 3-673-865-00	LEVER,WITH PIN
1pc	( ) 3-673-867-00	PLATE,INDICATION, PC BOARD
1pc	( ) 3-674-625-03	LABEL(DT-05),PC BOARD
4pcs	7-621-981-15	SCREW,PSW2.6x6
2pcs	( ) 7-626-317-21	PIN,SPRING 2.5x8
D8,9	8-719-156-07	DIODE RD5.6E-B
D1,2,3,4,5,6,7,10,11	8-719-911-19	DIODE 1SS119
Q1	8-729-368-90	TRANSISTOR 2SC689H
IC3H	8-759-040-46	IC MC14046BCP,CMOS
IC3G	8-759-045-26	IC MC14526BCP,CMOS
IC50	8-759-045-57	IC MC14557BCP,CMOS
IC1F,1H,1N,2J,2M,2P	8-759-145-58	IC UPC4558C
IC5H,5I	8-759-200-55	IC TC40H390P,CMOS
IC4M	8-759-240-01	IC TC4001BP,CMOS
IC3D,4D	8-759-240-08	IC TC4008BP,CMOS
IC40,4Q	8-759-240-11	IC TC4011BP,CMOS
IC3I,4I,4J	8-759-240-13	IC TC4013BP,CMOS
IC3P	8-759-240-15	IC TC4015BP,CMOS
IC2E	8-759-240-28	IC TC4028BP,CMOS
IC4G	8-759-240-43	IC TC4043BP,CMOS
IC3L,5L	8-759-240-69	IC TC4069UBP,CMOS
IC4L	8-759-240-71	IC TC4071BP,CMOS
IC5J	8-759-240-73	IC TC4073BP,CMOS
IC4H,4K,5G	8-759-240-81	IC TC4081BP,CMOS



Ref.No. or Qty	Part No.	Description
(DT-05 BOARD, BVH-2000PS-02, 04/CARD RACK)		
1C3E	8-759-241-75	1C TC40175BP, CMOS
1C5F	8-759-245-12	1C TC4512BP, CMOS
1C5M	8-759-345-38	1C HD14538BP, CMOS
1C5D	8-759-900-00	1C SN74LS00N, TTL
1C3K, 3Q, 4A, 5P	8-759-900-02	1C SN74LS02N, TTL
1C2B	8-759-900-10	1C SN74LS10N, TTL
1C3N, 5E	8-759-900-74	1C SN74LS74AN, TTL
1C2C	8-759-900-85	1C SN74LS85N, TTL
1C1Q	8-759-901-63	1C SN74LS163AN, TTL
1C5N	8-759-901-64	1C SN74LS164N, TTL
1C1C, 1D, 2D	8-759-901-74	1C SN74LS174N, TTL
1C2Q, 5C	8-759-901-75	1C SN74LS175N, TTL
1C1A, 1B, 3A, 3B, 4B	8-759-901-91	1C SN74LS191N, TTL
1C3F, 3J, 3M, 3O, 4F, 5C1, 5K	8-759-902-21	1C SN74LS221N, TTL
1C4C	8-759-903-74	1C SN74LS374N, TTL
1C5B	8-759-903-93	1C SN74LS393N, TTL
1C1C1	8-759-906-07	1C TL607CP
1C2A, 4E	8-759-906-69	1C SN74LS669N, TTL
1C2K	8-759-907-92	1C UA796HC-A
1C1I, 1M, 2H	8-759-921-91	1C TL191CN
1C4N	8-759-974-06	1C SN7406N, TTL
1C1E	8-759-980-02	1C DAC1C8BC
1C1P, 2F, 2N	8-759-990-04	1C TL074CN
1C1J, 1L, 2I	8-759-990-72	1C TL072CP

Ref.No. or Qty	Part No.	Description
<u>MB-14 BOARD (BVH-2000PS/CARD RACK)</u>		
1pc	( ) A-6025-083-A	COMPLETE PCB, MB-14 (This assembly includes the following parts.)
C2	1-125-235-00	CAP, ELECT 0.47F 5V
C1	1-161-051-00	CAP, CERAMIC 0.01 10% 50V
R2	1-247-118-00	RES, CARBON 300 5% 1/4W
R1	1-247-121-00	RES, CARBON 390 5% 1/4W
CN331, 332, 333, 334, 335, 336, 337, 338, 339, 340, 341, 342, 343, 344, 345, 346, 347, 348	1-508-892-00	CONNECTOR, PCB, 100P
CN327M	( ) 1-560-300-00	RECEP, 3P, MALE
CN303M, 306M	( ) 1-560-304-00	RECEP, 8P, MALE
CN302M, 305M	( ) 1-560-305-00	RECEP, 10P, MALE
CN301M, 304M	( ) 1-560-306-00	RECEP, 12P, MALE
CN317M	( ) 1-560-726-00	RECEP, 20P, MALE
CN315M, 324M	( ) 1-560-727-00	RECEP, 26P, MALE
CN314M, 325M	( ) 1-560-728-00	RECEP, 30P, MALE
CN323M	( ) 1-560-729-00	RECEP, 34P, MALE
CN322M	( ) 1-560-730-00	RECEP, 40P, MALE
CN313M	( ) 1-560-731-00	RECEP, 50P, MALE
CN316M, 326M	( ) 1-560-732-00	RECEP, 60P, MALE
CN321M	( ) 1-560-753-00	RECEP, 5P, MALE

Ref.No. or Qty	Part No.	Description
(MB-14 BOARD, BVH-2000PS/CARD RACK)		
CN307M, 308M, 309M, 310M, 311M, 312M		
	1-561-365-00	RECEP, COAXIAL, MALE
14pcs	7-686-527-01	SCREW, PSW 3x6
D3	8-719-200-02	DIODE 10E2
D1, 2	8-719-815-55	DIODE 1S1555

AP-06 BOARD (BVH-2000PS-00, 02/TTP)

1pc (for 00/02 model)  
( ) A-6013-049-A COMPLETE PCB, AP-06  
(This assembly includes the following parts.)

C101, 201	1-107-042-00	CAP, MICA 2.2PF +/-0.5PF 500V
C116, 216, 316, 501, 603, 623, 643, 683, 687	1-107-169-00	CAP, MICA 100PF 5% 500V
C106, 206, 306, 646	1-107-202-00	CAP, MICA 10PF 5% 500V
C301	1-107-208-00	CAP, MICA 18PF 5% 500V
C502, 606, 626	1-107-210-00	CAP, MICA 22PF 5% 500V

Ref.No. or Qty	Part No.	Description
(AP-06 BOARD, BVH-2000PS-00, 02/TTP)		
C641	1-108-559-00	CAP, MYLAR 0.0015 5% 50V
C503	1-108-560-00	CAP, MYLAR 0.0016 5% 50V
C704	1-108-567-00	CAP, MYLAR 0.0033 5% 50V
C506	1-108-571-00	CAP, MYLAR 0.0047 5% 50V
C642	1-108-579-00	CAP, MYLAR 0.01 5% 50V
C682	1-108-583-00	CAP, MYLAR 0.015 5% 50V
C602, 622	1-108-587-00	CAP, MYLAR 0.022 5% 50V
C107, 207, 307	1-108-603-00	CAP, MYLAR 0.1 5% 50V
C510	1-108-607-00	CAP, MYLAR 0.15 5% 50V
C117, 217	1-109-528-00	CAP, MICA 51PF 5% 100V
C317, 322	1-109-531-00	CAP, MICA 68PF 5% 100V
C114, 214	1-109-534-00	CAP, MICA 91PF 5% 100V
C314	1-109-545-00	CAP, MICA 270PF 5% 100V
C681	1-109-547-00	CAP, MICA 330PF 5% 100V
C102, 202, 601, 621	1-109-549-00	CAP, MICA 390PF 5% 100V
C686	1-109-553-00	CAP, MICA 470PF 5% 100V
C703	1-109-556-00	CAP, MICA 620PF 5% 100V
C121, 221	1-109-588-00	CAP, MICA 0.002 5% 500V
C321	1-109-595-00	CAP, MICA 0.0039 5% 500V
C113, 213, 313	1-109-668-00	CAP, MICA 62PF 5% 500V
C511	1-109-677-00	CAP, MICA 150PF 5% 500V
C688	1-123-298-00	CAP, ELECT 470 6.3V
C119, 120, 219, 220, 319, 320, 504, 505, 507, 508, 604, 605, 624, 625, 644, 645	1-123-318-00	CAP, ELECT 33 16V
C104, 204, 304, 610, 613, 630, 633, 650, 653, 684, 685	1-123-332-00	CAP, ELECT 47 25V
C1, 2, 110, 111, 210, 211, 310, 311	1-123-333-00	CAP, ELECT 100 25V

Ref.No. or Qty	Part No.	Description	Ref.No. or Qty	Part No.	Description
(AP-06 BOARD,BVH-2000PS-00,02/TTP)			(AP-06 BOARD,BVH-2000PS-00,02/TTP)		
C689	1-123-356-00	CAP,ELECT 10 50V	R606,626,646,686		
C702	1-123-828-00	CAP,ELECT,NONPOLAR 1 50V		1-247-817-00	RES,CARBON 270 5% 1/6W
C701	1-123-831-00	CAP,ELECT,NONPOLAR 10 50V	R524	1-247-822-00	RES,CARBON 430 5% 1/6W
C108,115,208,215,308,315			R601,621	1-247-827-00	RES,CARBON 680 5% 1/6W
	1-131-351-00	CAP,TANT 4.7 10% 35V	R329,332	1-247-828-00	RES,CARBON 750 5% 1/6W
C118,218,318,513,519, 609,629,649			R507,508,518,608,609, 628,629,648,649,681		
	1-131-353-00	CAP,TANT 10 10% 35V		1-247-831-00	RES,CARBON 1K 5% 1/6W
C514	1-131-381-00	CAP,TANT 47 10% 10V	R514,641	1-247-833-00	RES,CARBON 1.2K 5% 1/6W
C105,205,305,518,608, 628,648	1-131-429-00	CAP,TANT 470 20% 3.15V	R129,132,133,229,232, 233,333,523		
C3,4,103,109,112,203, 209,212,303,309,312, 611,612,631,632,651, 652	1-161-055-00	CAP,CERAMIC 0.022 10% 50V		1-247-835-00	RES,CARBON 1.5K 5% 1/6W
R516	1-210-828-00	RES,CARBON 4.7M 5% 1/4W	R687	1-247-836-00	RES,CARBON 1.6K 5% 1/6W
R115,116,215,216,315, 316	1-247-783-00	RES,CARBON 10 5% 1/6W	R302	1-247-838-00	RES,CARBON 2K 5% 1/6W
R605,625,645			R104,204,304,505		
	1-247-793-00	RES,CARBON 27 5% 1/6W		1-247-839-00	RES,CARBON 2.2K 5% 1/6W
R105,205,305,685			R123,223,501,502		
	1-247-799-00	RES,CARBON 47 5% 1/6W		1-247-843-00	RES,CARBON 3.3K 5% 1/6W
R118,218,318			R113,117,119,213,217, 219,313,317,319		
	1-247-803-00	RES,CARBON 68 5% 1/6W		1-247-847-00	RES,CARBON 4.7K 5% 1/6W
R106,120,121,206,220, 221,306,320,321,509, 517,688,689			R108,208,308		
	1-247-807-00	RES,CARBON 100 5% 1/6W		1-247-849-00	RES,CARBON 5.6K 5% 1/6W
R131,231,331			R101,201,301		
	1-247-815-00	RES,CARBON 220 5% 1/6W		1-247-850-00	RES,CARBON 6.2K 5% 1/6W
			R109,111,209,211,309, 311,323,642		
				1-247-851-00	RES,CARBON 6.8K 5% 1/6W
			R110,210,310,682		
				1-247-852-00	RES,CARBON 7.5K 5% 1/6W
			R324,510	1-247-857-00	RES,CARBON 12K 5% 1/6W
			R511	1-247-858-00	RES,CARBON 13K 5% 1/6W
			R503	1-247-859-00	RES,CARBON 15K 5% 1/6W

Ref.No. or Qty	Part No.	Description
(AP-06 BOARD,BVH-2000PS-00,02/TTP)		
R103,203,303,506,603, 623,643,683	1-247-861-00	RES,CARBON 18K 5% 1/6W
R107,112,122,125,207, 212,222,225,307,312, 322,325,512,513,519, 525	1-247-863-00	RES,CARBON 22K 5% 1/6W
R102,202,602,622	1-247-864-00	RES,CARBON 24K 5% 1/6W
R124,224	1-247-867-00	RES,CARBON 33K 5% 1/6W
R526,701	1-247-871-00	RES,CARBON 47K 5% 1/6W
R127,128,227,228,327, 328	1-247-872-00	RES,CARBON 51K 5% 1/6W
R126,130,226,230,326, 330,522,703	1-247-879-00	RES,CARBON 100K 5% 1/6W
R520	1-247-880-00	RES,CARBON 110K 5% 1/6W
R114,214,314	1-247-887-00	RES,CARBON 220K 5% 1/6W
R521,702	1-247-893-00	RES,CARBON 390K 5% 1/6W
R604,624	1-247-897-00	RES,CARBON 560K 5% 1/6W
R504,644,684	1-247-903-00	RES,CARBON 1M 5% 1/6W
L301	1-407-171-XX	INDUCTOR,MICRO,150 5%
L101,201	1-407-175-XX	INDUCTOR,MICRO,330 5%
L501	1-407-176-XX	INDUCTOR,MICRO,390 5%
LV101,201,301	1-407-301-00	INDUCTOR,VAR,9mH
L102,202	1-407-502-00	INDUCTOR,MICRO,6.8mH 5%
RY501	1-515-198-00	RELAY,12V 250-OHM

Ref.No. or Qty	Part No.	Description
(AP-06 BOARD,BVH-2000PS-00,02/TTP)		
RY101,201,301	1-515-309-11	RELAY,5V 200-OHM
FB1,2	1-535-178-00	FERRITE BEAD
CN361M	() 1-560-302-00	RECEP,5P,MALE
CN360M	() 1-560-304-00	RECEP,8P,MALE
CN363M	() 1-560-305-00	RECEP,10P,MALE
CN364M	() 1-560-306-00	RECEP,12P,MALE
CN354M,355M	() 1-560-310-00	RECEP,4P,MALE
CN353M	() 1-560-311-00	RECEP,5P,MALE
CN351M	() 1-560-312-00	RECEP,6P,MALE
CN356M	() 1-560-313-00	RECEP,8P,MALE
CN357M	() 1-560-314-00	RECEP,10P,MALE
CN350M,352M	() 1-560-315-00	RECEP,12P,MALE
TP101,102,103,201,202, 203,301,302,303,501	() 3-657-703-01	TERMINAL,TP
TPE101,102,201,202,301, 302,501	() 3-673-805-11	TERMINAL,TP
2pcs	7-686-527-01	SCREW,PSW 3x6
D101,201,301,501,502, 503,504,701	8-719-815-55	DIODE 1S1555
D505,506	8-719-930-33	LED,GL3PR3,RED
Q102,103,202,203,302, 303	8-729-102-35	TRANSISTOR 2SK162
Q101,105,106,201,205, 206,301,305,306	8-729-307-58	TRANSISTOR 2SC1775A

Ref.No. or Q'ty	Part No.	Description
(AP-06 BOARD, BVH-2000PS-00, 02/TTP)		
Q109, 209, 309, 602, 622, 642	8-729-373-92	TRANSISTOR 2SB739
Q108, 208, 308, 501, 601, 621, 641	8-729-378-84	TRANSISTOR 2SD788
Q107, 207, 307	8-729-387-28	TRANSISTOR 2SA872-E
Q104, 204, 304	8-729-679-82	TRANSISTOR 2SA798
IC501, 601, 602, 603, 605	8-759-305-50	IC CX550
IC101, 201, 301	8-759-745-59	IC NJM4559D
IC502	8-759-990-82	IC TL082CP
Q502	8-761-622-00	TRANSISTOR 2SC1636
Q503, 701	8-769-192-00	TRANSISTOR 2SK43-2

Ref.No. or Q'ty	Part No.	Description
<u>AP-06 BOARD (BVH-2000PS-04/TTP)</u>		
1pc (for 04 model)		
() A-6013-052-A COMPLETE PCB, AP-06 (This assembly includes the following parts.)		
C101, 201, 401	1-107-042-00	CAP, MICA 2.2PF +/-0.5PF 500V
C116, 216, 316, 416, 501, 603, 623, 643, 663, 683, 687	1-107-169-00	CAP, MICA 100PF 5% 500V
C106, 206, 306, 406, 646	1-107-202-00	CAP, MICA 10PF 5% 500V
C301	1-107-208-00	CAP, MICA 18PF 5% 500V
C502, 606, 626, 666	1-107-210-00	CAP, MICA 22PF 5% 500V
C641	1-108-559-00	CAP, MYLAR 0.0015 5% 50V
C503	1-108-560-00	CAP, MYLAR 0.0016 5% 50V
C704	1-108-567-00	CAP, MYLAR 0.0033 5% 50V
C506	1-108-571-00	CAP, MYLAR 0.0047 5% 50V
C642	1-108-579-00	CAP, MYLAR 0.01 5% 50V
C682	1-108-583-00	CAP, MYLAR 0.015 5% 50V
C602, 622, 662	1-108-587-00	CAP, MYLAR 0.022 5% 50V
C107, 207, 307, 407	1-108-603-00	CAP, MYLAR 0.1 5% 50V
C510	1-108-607-00	CAP, MYLAR 0.15 5% 50V
C117, 217, 417	1-109-528-00	CAP, MICA 51PF 5% 100V
C317, 322	1-109-531-00	CAP, MICA 68PF 5% 100V
C114, 214, 414	1-109-534-00	CAP, MICA 91PF 5% 100V

Ref.No. or Q'ty	Part No.	Description	Ref.No. or Q'ty	Part No.	Description
(AP-06 BOARD,BVH-2000PS-04/TTP)			(AP-06 BOARD,BVH-2000PS-04/TTP)		
C314	1-109-545-00	CAP,MICA 270PF 5% 100V	C108,115,208,215,308, 315,408,415		
C681	1-109-547-00	CAP,MICA 330PF 5% 100V		1-131-351-00	CAP,TANT 4.7 10% 35V
C102,202,402,601,621, 661	1-109-549-00	CAP,MICA 390PF 5% 100V	C118,218,318,418,513, 519,609,629,649,669		
C686	1-109-553-00	CAP,MICA 470PF 5% 100V		1-131-353-00	CAP,TANT 10 10% 35V
C703	1-109-556-00	CAP,MICA 620PF 5% 100V	C514	1-131-381-00	CAP,TANT 47 20% 10V
C121,221,421	1-109-588-00	CAP,MICA 0.002 5% 500V	C105,205,305,405,518, 608,628,648,668		
C321	1-109-595-00	CAP,MICA 0.0039 5% 500V		1-131-429-00	CAP,TANT 470 20% 3.15V
C113,213,313,413	1-109-668-00	CAP,MICA 62PF 5% 500V	C3,4,103,109,112,203, 209,212,303,309,312, 403,409,412,611,612, 631,632,651,652,671, 672		
C511	1-109-677-00	CAP,MICA 150PF 5% 500V		1-161-055-00	CAP,CERAMIC 0.022 10% 50V
C688	1-123-298-00	CAP,ELECT 470 6.3V	R516	1-210-828-00	RES,CARBON 4.7M 5% 1/4W
C119,120,219,220,319, 320,419,420,504,505, 507,508,604,605,624, 625,644,645,664,665	1-123-318-00	CAP,ELECT 33 16V	R115,116,215,216,315, 316,415,416		
C104,204,304,404,610, 613,630,633,650,653, 670,673,684,685	1-123-332-00	CAP,ELECT 47 25V		1-247-783-00	RES,CARBON 10 5% 1/6W
C1,2,110,111,210,211, 310,311,410,411	1-123-333-00	CAP,ELECT 100 25V	R605,625,645,665		
C689	1-123-356-00	CAP,ELECT 10 50V		1-247-793-00	RES,CARBON 27 5% 1/6W
C702	1-123-828-00	CAP,ELECT,NONPOLAR 1 50V	R105,205,305,405,685		
C701	1-123-831-00	CAP,ELECT,NONPOLAR 10 50V		1-247-799-00	RES,CARBON 47 5% 1/6W
			R118,218,318,418		
				1-247-803-00	RES,CARBON 68 5% 1/6W
			R106,120,121,206,220, 221,306,320,321,406, 420,421,509,517,688, 689		
				1-247-807-00	RES,CARBON 100 5% 1/6W
			R131,231,331,431		
				1-247-815-00	RES,CARBON 220 5% 1/6W

Ref.No. or Q'ty	Part No.	Description
(AP-06 BOARD,BVH-2000PS-04/TTP)		
R606,626,646,666,686	1-247-817-00	RES,CARBON 270 5% 1/6W
R524	1-247-822-00	RES,CARBON 430 5% 1/6W
R601,621,661	1-247-827-00	RES,CARBON 680 5% 1/6W
R329,332	1-247-828-00	RES,CARBON 750 5% 1/6W
R507,508,518,608,609, 628,629,648,649,668, 669,681	1-247-831-00	RES,CARBON 1K 5% 1/6W
R514,641	1-247-833-00	RES,CARBON 1.2K 5% 1/6W
R129,132,133,229,232, 233,333,429,432,433, 523	1-247-835-00	RES,CARBON 1.5K 5% 1/6W
R687	1-247-836-00	RES,CARBON 1.6K 5% 1/6W
R302	1-247-838-00	RES,CARBON 2K 5% 1/6W
R104,204,304,404,505	1-247-839-00	RES,CARBON 2.2K 5% 1/6W
R123,223,423,501,502	1-247-843-00	RES,CARBON 3.3K 5% 1/6W
R113,117,119,213,217, 219,313,317,319,413, 417,419	1-247-847-00	RES,CARBON 4.7K 5% 1/6W
R108,208,308,408	1-247-849-00	RES,CARBON 5.6K 5% 1/6W
R101,201,301,401	1-247-850-00	RES,CARBON 6.2K 5% 1/6W
R109,111,209,211,309, 311,323,409,411,642	1-247-851-00	RES,CARBON 6.8K 5% 1/6W

Ref.No. or Q'ty	Part No.	Description
(AP-09 BOARD,BVH-2000PS-04/TTP)		
R110,210,310,410,682	1-247-852-00	RES,CARBON 7.5K 5% 1/6W
R324,510	1-247-857-00	RES,CARBON 12K 5% 1/6W
R511	1-247-858-00	RES,CARBON 13K 5% 1/6W
R503	1-247-859-00	RES,CARBON 15K 5% 1/6W
R103,203,303,403,506, 603,623,643,663,683	1-247-861-00	RES,CARBON 18K 5% 1/6W
R107,112,122,125,207, 212,222,225,307,312, 322,325,407,412,422, 425,512,513,519,525	1-247-863-00	RES,CARBON 22K 5% 1/6W
R102,202,402,602,622, 662	1-247-864-00	RES,CARBON 24K 5% 1/6W
R124,224,424	1-247-867-00	RES,CARBON 33K 5% 1/6W
R526,701	1-247-871-00	RES,CARBON 47K 5% 1/6W
R127,128,227,228,327, 328,427,428	1-247-872-00	RES,CARBON 51K 5% 1/6W
R126,130,226,230,326, 330,426,430,522,703	1-247-879-00	RES,CARBON 100K 5% 1/6W
R520	1-247-880-00	RES,CARBON 110K 5% 1/6W
R114,214,314,414	1-247-887-00	RES,CARBON 220K 5% 1/6W
R521,702	1-247-893-00	RES,CARBON 390K 5% 1/6W
R604,624,664	1-247-897-00	RES,CARBON 560K 5% 1/6W
R504,644,684	1-247-903-00	RES,CARBON 1M 5% 1/6W

Ref.No. or Q'ty	Part No.	Description
(AP-06 BOARD,BVH-2000PS-04/TTP)		
L301	1-407-171-XX	INDUCTOR,MICRO,150 5%
L101,201,401	1-407-175-XX	INDUCTOR,MICRO,330 5%
L501	1-407-176-XX	INDUCTOR,MICRO,390 5%
LV101,201,301,401	1-407-301-00	INDUCTOR,VAR,9mH
L102,202,402	1-407-502-00	INDUCTOR,MICRO,6.8mH 5%
RY501	1-515-198-00	RELAY,12V 250-OHM
RY101,201,301,401	1-515-309-11	RELAY,5V 200-OHM
FB1,2	1-535-178-00	FERRITE BEAD
CN362M ( )	1-560-301-00	RECEP,4P,MALE
CN361M,365M ( )	1-560-302-00	RECEP,5P,MALE
CN360M ( )	1-560-304-00	RECEP,8P,MALE
CN363M ( )	1-560-305-00	RECEP,10P,MALE
CN364M ( )	1-560-306-00	RECEP,12P,MALE
CN354M,355M ( )	1-560-310-00	RECEP,4P,MALE
CN353M ( )	1-560-311-00	RECEP,5P,MALE
CN351M ( )	1-560-312-00	RECEP,6P,MALE
CN356M ( )	1-560-313-00	RECEP,8P,MALE
CN357M ( )	1-560-314-00	RECEP,10P,MALE
CN350M,352M ( )	1-560-315-00	RECEP,12P,MALE
TP101,102,103,201,202,203,301,302,303,401,402,403,501 ( )	3-657-703-01	TERMINAL,TP

Ref.No. or Q'ty	Part No.	Description
(AP-06 BOARD,BVH-2000PS-04/TTP)		
TPE101,102,201,202,301,302,401,402,501 ( )	3-673-805-11	TERMINAL,TP
2pcs	7-686-527-01	SCREW,PSW3x6
D101,201,301,401,501,502,503,504,701	8-719-815-55	DIODE 1S1555
D505,506	8-719-930-33	LED GL3PR3,LED
Q102,103,202,203,302,303,402,403	8-729-102-35	TRANSISTOR 2SK162
Q101,105,106,201,205,206,301,305,306,401,405,406	8-729-307-58	TRANSISTOR 2SC1775A
Q109,209,309,409,602,622,642,662	8-729-373-92	TRANSISTOR 2SB739
Q108,208,308,408,501,601,621,641,661	8-729-378-84	TRANSISTOR 2SD788
Q107,207,307,407	8-729-387-28	TRANSISTOR 2SA872-E
Q104,204,304,404	8-729-679-82	TRANSISTOR 2SA798
IC501,601,602,603,604,605	8-759-305-50	IC CX550
IC101,201,301,401	8-759-745-59	IC NJM4559D



Ref.No. or Q'ty	Part No.	Description
(AP-06 BOARD, BVH-2000PS-04/TTP)		
1C502	8-759-990-82	IC TL082CP
Q502	8-761-622-00	TRANSISTOR 2SC1636
Q503,701	8-769-192-00	TRANSISTOR 2SK43-2

BE-02 BOARD (BVH-2000PS/TTP)

Board No; 1-606-674-11 & 12  
Serial No; up to 11399

1pc (for 00/02 model)

( ) A-6013-045-A COMPLETE PCB, BE-02

1pc (for 04 model)

( ) A-6013-053-A COMPLETE PCB, BE-02

(These ass'ies include the following parts.)

If A-6013-045-A is not available, order  
A-6013-045-B.

If A-6013-053-A is not available, order  
A-6013-053-B.

Q35&36, 37&38

X-3673-687-0 TRANSISTOR KIT

This part is the kit of 2SD774-3 and  
2SB734-3.

Replace the following two transistors  
at the same time.

Q35&36 Q37&38

2SD774-3 should be used for Q35 and 37.  
2SB734-3 should be used for Q36 and 38.

Q1&2, 3&4, 5&6, 7&8, 50&52

X-3673-694-0 TRANSISTOR KIT

This part is the kit of 2SC2690A-Q and  
2SA1220A-Q or 2SC2690A-P and 2SA1220A-P.

Replace the following two transistors  
at the same time.

Q1&2 Q3&4 Q5&6 Q7&8 Q50&52

2SC2690A-Q or 2SC2690A-P should be used  
for Q1, 3, 5, 7 and 52.

2SA1220A-Q or 2SA1220A-P should be used  
for Q2, 4, 6, 8 and 50.

Ref.No. or Q'ty	Part No.	Description
(BE-02 BOARD, BVH-2000PS/TTP)		
(Board No. 1-606-674-11 & 12)		
C63	1-107-044-00	CAP, MICA 3.3PF +/-0.5PF 500V

C34, 35, 36, 37, 40, 42, 44,  
46, 66, 70

1-107-077-00 CAP, MICA 47PF 5% 50V

C29 1-108-567-00 CAP, MYLAR 0.0033 5% 50V  
C67 1-109-530-00 CAP, MICA 62PF 5% 100V

C16, 18, 20, 22

1-109-533-00 CAP, MICA 82PF 5% 100V

C68, 71 1-109-557-00 CAP, MICA 680PF 5% 100V

C38, 39 1-109-573-00 CAP, MICA 470PF 5% 500V

C5 1-109-576-00 CAP, MICA 620PF 5% 500V

C85 1-109-577-00 CAP, MICA 680PF 5% 500V

C6 (for 00/02 model)

1-109-587-00 CAP, MICA 0.0018 5% 500V

C6 (for 04 model)

1-109-590-00 CAP, MICA 0.0024 5% 500V

C4 (for 04 model),

1, 2, 3 1-109-685-00 CAP, MICA 330PF 5% 500V

C82, 83 1-123-323-00 CAP, ELECT 470 16V

C56, 62 1-123-330-00 CAP, ELECT 22 25V

C7, 8, 9, 10, 17, 19, 21, 23,  
76, 77, 84

1-123-332-00 CAP, ELECT 47 25V

C30, 31, 32, 33, 41, 43, 45,  
47, 73, 74, 79, 80

1-123-356-00 CAP, ELECT 10 50V

C11 1-123-380-00 CAP, ELECT 1 100V

C61, 86, 87, 88, 89, 91

1-131-341-00 CAP, TANT 0.1 10% 35V

Ref.No. or Qty	Part No.	Description
(BE-02 BOARD, BVH-2000PS/TTP) (Board No. 1-606-674-11 & 12) C48, 49, 50, 51		
	1-131-342-00	CAP, TANT 0.15 10% 35V
C58	1-131-344-00	CAP, TANT 0.33 10% 35V
C24, 90	1-131-346-00	CAP, TANT 0.68 10% 35V
C103, 104, 105, 106		
	1-131-348-00	CAP, TANT 1.5 10% 35V
C81	1-131-349-00	CAP, TANT 2.2 10% 35V
C60	1-131-350-00	CAP, TANT 3.3 10% 35V
C57, 65, 69, 72		
	1-131-353-00	CAP, TANT 10 10% 35V
CV4 (for 04 model), 1, 2, 3, 5		
	1-141-155-00	CAP, TRIMMER 600PF
C12, 13, 14, 15, 25, 26, 27, 28, 59, 64, 75, 78, 100, 101, 102		
	1-161-055-00	CAP, CERAMIC 0.022 10% 50V
R144	1-214-105-00	RES, METAL 75 1% 1/4W
R139	1-214-118-00	RES, METAL 270 1% 1/4W
R148	1-214-140-00	RES, METAL 2.2K 1% 1/4W
R146	1-214-144-00	RES, METAL 3.3K 1% 1/4W
R138	1-214-152-00	RES, METAL 6.8K 1% 1/4W
R118, 119, 120		
	1-214-164-00	RES, METAL 22K 1% 1/4W
R147	1-214-170-00	RES, METAL 39K 1% 1/4W
R130	1-214-172-00	RES, METAL 47K 1% 1/4W
R129	1-214-179-00	RES, METAL 91K 1% 1/4W
RV1	1-224-934-00	RES, VAR, METAL 100
RV7	1-224-935-00	RES, VAR, METAL 200
RV8	1-224-939-00	RES, VAR, METAL 5K
RV2, 3, 4, 5, 6		
	1-224-941-00	RES, VAR, METAL 20K
RV9 (for 04 model) 1-228-460-00		
	1-228-460-00	RES, VAR, CERMET 20K

Ref.No. or Qty	Part No.	Description
(BE-02 BOARD, BVH-2000PS/TTP) (Board No. 1-606-674-11 & 12) R189 (for 04 model) (One of the following resistors is used.)		
	1-247-071-00	RES, CARBON 1 5% 1/4W
	1-247-075-00	RES, CARBON 2.2 5% 1/4W
	1-247-077-00	RES, CARBON 3.3 5% 1/4W
	1-247-079-00	RES, CARBON 4.7 5% 1/4W
	1-247-081-00	RES, CARBON 6.8 5% 1/4W
	1-247-083-00	RES, CARBON 10 5% 1/4W
R1, 2, 3, 5, 6, 173		
	1-247-071-00	RES, CARBON 1 5% 1/4W
R7, 8, 9, 10, 11, 12, 13, 14		
	1-247-075-00	RES, CARBON 2.2 5% 1/4W
R174 (for 04 model) 1-247-079-00		
	1-247-079-00	RES, CARBON 4.7 5% 1/4W
R23, 24	1-247-105-00	RES, CARBON 82 5% 1/4W
R165, 166	1-247-767-00	RES, CARBON 2.2 5% 1/6W
R94, 95, 97, 98		
	1-247-775-00	RES, CARBON 4.7 5% 1/6W
R93, 96	1-247-783-00	RES, CARBON 10 5% 1/6W
R36, 38, 40, 42, 58, 60, 62, 64, 65, 66, 67, 68, 117, 142, 145, 156, 158, 172		
	1-247-807-00	RES, CARBON 100 5% 1/6W
R154, 204, 205, 206, 207		
	1-247-815-00	RES, CARBON 220 5% 1/6W
R115	1-247-817-00	RES, CARBON 270 5% 1/6W
R29	1-247-823-00	RES, CARBON 470 5% 1/6W
R31, 32, 33, 34, 104, 131, 140, 151, 155		
	1-247-831-00	RES, CARBON 1K 5% 1/6W
R15, 16, 17, 18, 19, 20, 21, 22		
	1-247-835-00	RES, CARBON 1.5K 5% 1/6W
R51, 52	1-247-838-00	RES, CARBON 2K 5% 1/6W

Ref.No. or Q'ty	Part No.	Description	Ref.No. or Q'ty	Part No.	Description
(BE-02 BOARD,BVH-2000PS/TTP) (Board No.1-606-674-11 & 12) R25,26,27,28,105,132, 141,152,157,164			(BE-02 BOARD,BVH-2000PS/TTP) (Board No.1-606-674-11 & 12) R47,48,49,50,133,134, 135,136,137		
	1-247-839-00	RES,CARBON 2.2K 5% 1/6W		1-247-879-00	RES,CARBON 100K 5% 1/6W
R53,54,55,56	1-247-841-00	RES,CARBON 2.7K 5% 1/6W	R200,201,202,203	1-247-889-00	RES,CARBON 270K 5% 1/6W
R73 (for 04 model), 74 (for 04 model)	1-247-843-00	RES,CARBON 3.3K 5% 1/6W	LV2 (for 04 model), 1	1-407-261-00	INDUCTOR,VAR,100
R30,35,57,59,61,63,69, 70,71,72,102,103,107, 112,113,114,143,149, 167,168,169,170,171	1-247-847-00	RES,CARBON 4.7K 5% 1/6W	LV3	1-407-284-00	INDUCTOR,VAR,1mH
R79,83,87,91	1-247-850-00	RES,CARBON 6.2K 5% 1/6W	LV4,5,6,7,8	1-407-301-00	INDUCTOR,VAR,9mH
R110,159	1-247-851-00	RES,CARBON 6.8K 5% 1/6W	L1 (for 04 model)	1-408-424-00	INDUCTOR,MICRO,180 5%
R116 (for 00/02 model)	1-247-853-00	RES,CARBON 8.2K 5% 1/6W	T1	1-433-196-00	TRANSFORMER,BIAS
R37,39,41,43	1-247-854-00	RES,CARBON 9.1K 5% 1/6W	RY1 (for 04 model)	1-515-196-00	RELAY,12V 250-OHM
R76 (for 04 model), 44,45,46,78,82,86,90, 106,109,121,122,123, 124,125,126,127,128, 150,153,160,161,162, 163,184,185,186,187, 188,208,209,210,211	1-247-855-00	RES,CARBON 10K 5% 1/6W	CN384M,387M ( ) 1-560-301-00	RECEP,4P,MALE	
R77,81,85,89,108	1-247-859-00	RES,CARBON 15K 5% 1/6W	CN386M ( ) 1-560-302-00	RECEP,5P,MALE	
R100	1-247-860-00	RES,CARBON 16K 5% 1/6W	CN381M,383M ( ) 1-560-303-00	RECEP,6P,MALE	
R75 (for 04 model), 80,84,88,92,99,101,111, 176,177,178,179,180, 181,182,183	1-247-863-00	RES,CARBON 22K 5% 1/6W	CN388M ( ) 1-560-304-00 CN382M ( ) 1-560-305-00 CN385M ( ) 1-560-725-00	RECEP,8P,MALE RECEP,10P,MALE RECEP,16P,MALE	
			TH1,3,4,5,6 1-800-198-XX	THERMISTOR,S-1K	
			TH2 1-800-202-XX	THERMISTOR,S-10K	
			TP10 (for 04 model), 1,2,3,4,5,6,7,8,9 ( ) 3-640-328-00	TERMINAL,TP	

Ref.No. or Q'ty	Part No.	Description	Ref.No. or Q'ty	Part No.	Description
(BE-02 BOARD, BVH-2000PS/TTP) (Board No. 1-606-674-11 & 12)			<u>BE-02 BOARD (BVH-2000PS/TTP)</u>		
TPE1 (for 00/02 model), 2 (for 00/02 model), 3 (for 00/02 model), 4 (for 00/02 model) ( ) 3-640-328-00			Board No; 1-606-674-13 & up Serial No; 11401 & up  1pc (for 00/02 model) ( ) A-6013-045-B COMPLETE PCB, BE-02		
TPE1 (for 04 model), 2 (for 04 model), 3 (for 04 model), 4 (for 04 model) ( ) 3-640-805-11			1pc (for 04 model) ( ) A-6013-053-B COMPLETE PCB, BE-02 (These ass'ies include the following parts.)		
D1 (for 04 model), 7, 14 8-719-815-55			Q16&17, 20&21 X-3673-687-0 TRANSISTOR KIT This part is the kit of 2SD774-3 and 2SB734-3. Replace the following two transistors at the same time. Q16&17 Q20&21 2SD774-3 should be used for Q16 and 20. 2SB734-3 should be used for Q17 and 21.		
D12, 13 8-719-815-80			Q3&4, 103&104, 203&204, 303&304, 403&404 X-3673-694-0 TRANSISTOR KIT This part is the kit of 2SC2690A-Q and 2SA1220A-Q or 2SC2690A-P and 2SA1220A-P. Replace the following two transistors at the same time. Q3&4 Q103&104 Q203&204 Q303&304 Q403&404 2SC2690A-Q or 2SC2690-A-P should be used for Q3, 103, 203, 303 and 403. 2SA1220A-Q or 2SA1220A-P should be used for Q4, 104, 204, 304 and 404.		
D6, 8, 9, 10, 11, 15, 20, 21, 22, 23 8-719-911-06			O60 1-102-074-00 CAP, CERAMIC 0.001 10% 50V		
D17, 18, 19 8-729-169-02			C50 1-107-044-00 CAP, MICA 3.3PF +/-0.5PF 500V		
Q41, 43, 51 8-729-307-28			C19, 20, 21, 22, 109, 110, 111, 112, 209, 210, 211, 212, 309, 310, 311, 312, 409, 410, 411, 412 1-107-202-00 CAP, MICA 10PF 5% 500V		
Q21, 22, 23, 24, 42, 44, 45, 49 8-729-307-58			C101, 201, 301, 401 1-108-563-00 CAP, MYLAR 0.0022 5% 50V		
Q30 (for 04 model), 9, 11, 13, 15, 20, 31, 32, 33, 34, 39, 40, 47, 48 8-729-612-77					
Q29 (for 04 model), 10, 12, 14, 16, 25, 26, 27, 28, 46 8-729-663-47					
IC11 8-759-045-84					
IC1, 2, 3, 4 8-759-115-90					
IC6, 8, 10 8-759-900-32					
IC12 8-759-900-59					
IC5, 7, 9 8-759-990-82					

Ref.No. or Qty	Part No.	Description	Ref.No. or Qty	Part No.	Description
(BE-02 BOARD,BVH-2000PS/TTP) (Board No.1-606-674-13 & up)			(BE-02 BOARD,BVH-2000PS/TTP) (Board No.1-606-674-13 & up)		
C31	1-108-567-00	CAP,MYLAR 0.0033 5% 50V	C30	1-131-346-00	CAP,TANT 0.68 10% 35V
C12	1-108-573-00	CAP,MYLAR 0.0056 5% 50V	C45	1-131-347-00	CAP,TANT 1 10% 35V
C14	1-108-575-00	CAP,MYLAR 0.0068 5% 50V	C10	1-131-350-00	CAP,TANT 3.3 10% 35V
C23,24,113,114,213,214, 313,314,413,414	1-108-579-00	CAP,MYLAR 0.01 5% 50V	C7,8,9	1-131-353-00	CAP,TANT 10 10% 35V
C102,202,302,402	1-108-583-00	CAP,MYLAR 0.015 5% 50V	CV4 (for 04 model), 1,2,3,5	1-141-155-00	CAP,TRIMMER 600PF
C16,106,206,306,406	1-108-587-00	CAP,MYLAR 0.022 5% 50V	C27,29,36,38,40,41,42, 43,44,51,53,116,118, 216,218,316,318,416, 418	1-161-055-00	CAP,CERAMIC 0.022 10% 50V
C46	1-109-527-00	CAP,MICA 47PF 5% 100V	R64,69	1-214-084-00	RES,METAL 10 1% 1/4W
C17,107,207,307,407	1-109-542-00	CAP,MICA 220PF 5% 100V	R55,56	1-214-108-00	RES,METAL 100 1% 1/4W
C32,33	1-109-573-00	CAP,MICA 470PF 5% 500V	R13,15	1-214-118-00	RES,METAL 270 1% 1/4W
C5	1-109-576-00	CAP,MICA 620PF 5% 500V	R1,2,34,103,203,303,403	1-214-124-00	RES,METAL 470 1% 1/4W
C25	1-109-577-00	CAP,MICA 680PF 5% 500V	R4,7,10,14,20,22,25,42, 45,46,106,109,206,209, 306,309,406,409	1-214-132-00	RES,METAL 1K 1% 1/4W
C6	1-109-590-00	CAP,MICA 0.0024 5% 500V	R21,105,205,305,405	1-214-134-00	RES,METAL 1.2K 1% 1/4W
C3 (for 04 model), 4 (for 04 model)	1-109-677-00	CAP,MICA 150PF 5% 500V	R35,36	1-214-139-00	RES,METAL 2K 1% 1/4W
C18,47,108,208,308,408	1-109-678-00	CAP,MICA 160PF 1% 500V	R5,8,11,23,24,107,108, 207,208,307,308,407, 408	1-214-140-00	RES,METAL 2.2K 1% 1/4W
C3 (for 00/02 model), 1,2	1-109-685-00	CAP,MICA 330PF 5% 500V	R49 (for 04 model), 50 (for 04 model), 44	1-214-144-00	RES,METAL 3.3K 1% 1/4W
C35,37	1-123-323-00	CAP,ELECT 470 16V	R3,6,9,12,32,33,43,60, 61,65,66,101,104,201, 204,301,304,401,404	1-214-148-00	RES,METAL 4.7K 1% 1/4W
C26,28,39,52,54,115,117, 215,217,315,317,415, 417	1-123-332-00	CAP,ELECT 47 25V			
C11,13,48,49,103,104, 203,204,303,304,403, 404	1-123-356-00	CAP,ELECT 10 50V			
C15,34,105,205,305,405	1-123-380-00	CAP,ELECT 1 100V			

Ref.No. or Qty	Part No.	Description
(BE-02 BOARD,BVH-2000PS/TTP)		
(Board No.1-606-674-13 & up)		
R30	1-214-152-00	RES,METAL 6.8K 1% 1/4W
R48 (for 04 model), 29,31,37,38,52,113,213, 313,413	1-214-156-00	RES,METAL 10K 1% 1/4W
R112,212,312,412	1-214-158-00	RES,METAL 12K 1% 1/4W
R47 (for 04 model), 17,28,57,58,59	1-214-164-00	RES,METAL 22K 1% 1/4W
R16	1-214-166-00	RES,METAL 27K 1% 1/4W
R53	1-214-172-00	RES,METAL 47K 1% 1/4W
R54	1-214-174-00	RES,METAL 56K 1% 1/4W
RV1	1-224-934-00	RES,VAR,METAL 100
RV2,3,4,5	1-224-936-00	RES,VAR,METAL 500
RV9	1-224-941-00	RES,VAR,METAL 20K
RV11 (for 04 model), 10	1-226-277-00	RES,VAR,METAL 10
RV6	1-228-455-00	RES,VAR,CERMET 500
RV8	1-228-461-00	RES,VAR,CERMET 50K
R189 (for 04 model)	(One of the following resistor is used.)	
	1-247-071-00	RES,CARBON 1 5% 1/4W
	1-247-075-00	RES,CARBON 2.2 5% 1/4W
	1-247-077-00	RES,CARBON 3.3 5% 1/4W
	1-247-079-00	RES,CARBON 4.7 5% 1/4W
	1-247-081-00	RES,CARBON 6.8 5% 1/4W
	1-247-083-00	RES,CARBON 10 5% 1/4W
R41,51	1-247-071-00	RES,CARBON 1 5% 1/4W
R189 (for 00/02 model)	1-247-075-00	RES,CARBON 2.2 5% 1/4W

Ref.No. or Qty	Part No.	Description
(BE-02 BOARD,BVH-2000PS/TTP)		
(Board No.1-606-674-13 & up)		
R26,27,62,63,67,68,110, 111,210,211,310,311, 410,411	1-247-077-00	RES,CARBON 3.3 5% 1/4W
R420	1-247-094-00	RES,CARBON 30 5% 1/4W
R39,40	1-247-105-00	RES,CARBON 82 5% 1/4W
R80	1-247-823-00	RES,CARBON 470 5% 1/6W
R75	1-247-871-00	RES,CARBON 47K 5% 1/6W
R76	1-247-873-00	RES,CARBON 56K 5% 1/6W
R18	1-247-887-00	RES,CARBON 220K 5% 1/6W
R102,202,302,402	1-247-893-00	RES,CARBON 390K 5% 1/6W
LV2 (for 04 model), 1	1-407-261-00	INDUCTOR,VAR 100
LV3	1-407-284-00	INDUCTOR,VAR 1mH
LV4,5,6,7,8	1-407-297-00	INDUCTOR,VAR 3.5mH
L2	1-407-499-00	INDUCTOR,MICRO,3.9mH 5%
L1 (for 04 model)	1-408-424-00	INDUCTOR,MICRO,180 5%
T1	1-433-196-00	TRANSFORMER,BIAS
RY1 (for 04 model)	1-515-196-00	RELAY,12V 250-OHM
X1	1-527-478-00	CRYSTAL,14.31818MHZ
CN384M,387M	( ) 1-560-301-00	RECEP,4P,MALE
CN386M	( ) 1-560-302-00	RECEP,5P,MALE
CN381M,383M	( ) 1-560-303-00	RECEP,6P,MALE
CN388M	( ) 1-560-304-00	RECEP,8P,MALE
CN382M	( ) 1-560-305-00	RECEP,10P,MALE
CN385M	( ) 1-560-725-00	RECEP,16P,MALE

Ref.No. or Q'ty	Part No.	Description	Ref.No. or Q'ty	Part No.	Description
(BE-02 BOARD,BVH-2000PS/TTP) (Board No.1-606-674-13 & up)			(BE-02 BOARD,BVH-2000PS/TTP) (Board No.1-606-674-13 & up)		
TH101,201,301,401	1-800-198-XX	THERMISTOR,S-1K	IC9,10,11,101,201,301, 401	8-759-990-82	IC TL082CP
TP10 (for 04 model)					
1,2,3,4,6,7,8,9,11,12, 13,14,15,16	( ) 3-640-328-00	TERMINAL,TP			
TPE1,2,3,4	( ) 3-673-805-11	TERMINAL,TP			
D10 (for 04 model)					
6,7,8,101,102,103,201, 202,203,301,302,303, 401,402,403	8-719-815-55	DIODE 1S1555			
D1,2,3,4,5,9,104,105, 204,205,304,305,404, 405	8-719-911-06	DIODE 1SS106			
Q8,9,10	8-729-169-02	TRANSISTOR 2SC2690A			
Q12 (for 04 model)					
2,6,7,14,18,102,202, 302,402	8-729-602-68	TRANSISTOR 2SA1026-8			
Q13 (for 04 model)					
1,5,11,15,19,101,201, 301,401	8-729-663-47	TRANSISTOR 2SC1364			
IC7	8-759-045-84	IC MC14584BCP,CMOS			
IC4,5,6	8-759-900-32	IC SN74LS32N,TTL			
IC8	8-759-900-59	IC HI 1-201,CMOS			
IC1	8-759-903-93	IC SN74LS393N,TTL			
IC2	8-759-942-65	IC SN74265N,TTL			
IC3	8-759-974-06	IC SN7406N,TTL			

Ref.No. or Qty	Part No.	Description
<u>BE-03 BOARD (BVH-2000PS-00,02/TTP)</u>		
1pc (for 00/02 model)		
() A-6013-046-A COMPLETE PCB, BE-03		
(This assembly includes the following parts.)		
C101, 201, 301	1-108-559-00	CAP, MYLAR 0.0015 5% 50V
C102, 202, 302	1-108-575-00	CAP, MYLAR 0.0068 5% 50V
C11, 12, 13, 14, 15, 16	1-108-587-00	CAP, MYLAR 0.022 5% 50V
C20, 21, 22	1-108-603-00	CAP, MYLAR 0.1 5% 50V
C32, 33	1-109-575-00	CAP, MICA 560PF 5% 500V
C34	1-109-577-00	CAP, MICA 680PF 5% 500V
C10, 19	1-123-321-00	CAP, ELECT 220 16V
C5	1-123-356-00	CAP, ELECT 10 50V
C28, 29, 30	1-123-379-00	CAP, ELECT 0.47 100V
C103, 203, 303	1-123-380-00	CAP, ELECT 1 100V
C36, 37, 38	(May be used or not.)	
	1-131-341-00	CAP, TANT 0.1 10% 35V
	1-131-343-00	CAP, TANT 0.22 10% 35V
	1-131-344-00	CAP, TANT 0.33 10% 35V
	1-131-345-00	CAP, TANT 0.47 10% 35V
C6, 7, 8	1-131-349-00	CAP, TANT 2.2 10% 35V
C24, 25, 26	1-131-350-00	CAP, TANT 3.3 10% 35V
R102, 202, 302	1-214-124-00	RES, METAL 470 1% 1/4W
R71, 72	1-214-132-00	RES, METAL 1K 1% 1/4W

Ref.No. or Qty	Part No.	Description
(BE-03 BOARD, BVH-2000PS-00,02/TTP)		
R107, 207, 307		
	1-214-140-00	RES, METAL 2200 1% 1/4W
R104, 204, 304	1-214-144-00	RES, METAL 3300 1% 1/4W
R106, 206, 306	1-214-156-00	RES, METAL 10K 1% 1/4W
R103, 203, 303	1-214-164-00	RES, METAL 22K 1% 1/4W
R65, 66	1-247-083-00	RES, CARBON 10 5% 1/4W
R67	1-247-103-00	RES, CARBON 68 5% 1/4W
R53, 54, 55, 57, 58, 59	1-247-807-00	RES, CARBON 100 5% 1/6W
R46, 48, 50	1-247-823-00	RES, CARBON 470 5% 1/6W
R61, 62, 63	1-247-830-00	RES, CARBON 910 5% 1/6W
R37, 39, 41	1-247-831-00	RES, CARBON 1K 5% 1/6W
R17, 18, 19, 20, 21, 22	1-247-835-00	RES, CARBON 1.5K 5% 1/6W
R30, 32, 34, 38, 40, 42	1-247-839-00	RES, CARBON 2.2K 5% 1/6W
R29, 31	1-247-852-00	RES, CARBON 7.5K 5% 1/6W
R25, 26, 27, 33	1-247-855-00	RES, CARBON 10K 5% 1/6W
R45, 47, 49	1-247-856-00	RES, CARBON 11K 5% 1/6W
R13, 14, 15	1-247-861-00	RES, CARBON 18K 5% 1/6W



Ref.No. or Qty	Part No.	Description
(BE-03 BOARD, BVH-2000PS-00, 02/TTP)		
R101, 201, 301	1-247-893-00	RES, CARBON 390K 5% 1/6W
LV1, 2	1-407-285-00	INDUCTOR, VAR, 1.5mH
LV3	1-407-286-00	INDUCTOR, VAR, 2.2mH
T1, 2, 3	1-433-196-00	TRANSFORMER, BIAS
CN376M ( )	1-560-300-00	RECEP, 3P, MALE
CN373M, 374M	( ) 1-560-302-00	RECEP, 5P, MALE
CN371M, 372M	( ) 1-560-303-00	RECEP, 6P, MALE
CN375M ( )	1-560-304-00	RECEP, 8P, MALE
TH1, 2, 3	1-800-200-00	THERMISTOR, S-3K
TP11, 12, 21, 22, 31, 32	( ) 3-640-328-00	TERMINAL, TP
TPE1 ( )	3-673-805-11	TERMINAL, TP
D101, 201, 301	8-719-815-55	DIODE 1S1555
Q5, 6, 7, 102, 202, 302	8-729-117-54	TRANSISTOR 2SA1175
Q9, 10, 11, 12, 13, 14	8-729-177-43	TRANSISTOR 2SD774
Q17, 18, 19, 101, 201, 301	8-729-663-47	TRANSISTOR 2SC1364
IC1, 2, 3	8-759-990-82	IC TL082CP

Ref.No. or Qty	Part No.	Description
<u>BE-03 BOARD (BVH-2000PS-04/TTP)</u>		
1pc (for 04 model)		
( ) A-6013-054-A COMPLETE PCB, BE-03		
(This assembly includes the following parts.)		
C101, 201, 301, 401	1-108-559-00	CAP, MYLAR 0.0015 5% 50V
C102, 202, 302, 402	1-108-575-00	CAP, MYLAR 0.0068 5% 50V
C11, 12, 13, 14, 15, 16, 17, 18	1-108-587-00	CAP, MYLAR 0.022 5% 50V
C20, 21, 22, 23	1-108-603-00	CAP, MYLAR 0.1 5% 50V
C32, 33, 35	1-109-575-00	CAP, MICA 560PF 5% 500V
C34	1-109-577-00	CAP, MICA 680PF 5% 500V
C10, 19	1-123-321-00	CAP, ELECT 220 16V
C5	1-123-356-00	CAP, ELECT 10 25V
C28, 29, 30, 31	1-123-379-00	CAP, ELECT 0.47 50V
C103, 203, 303, 403	1-123-380-00	CAP, ELECT 1 50V
C36, 37, 38, 39	(May be used or not.)	
	1-131-341-00	CAP, TANT 0.1 10% 35V
	1-131-343-00	CAP, TANT 0.22 10% 35V
	1-131-344-00	CAP, TANT 0.33 10% 35V
	1-131-345-00	CAP, TANT 0.47 10% 35V
C6, 7, 8, 9	1-131-349-00	CAP, TANT 2.2 10% 35V
C24, 25, 26, 27	1-131-350-00	CAP, TANT 3.3 10% 35V

Ref.No. or Q'ty	Part No.	Description
(BE-03 BOARD,BVH-2000PS-04/TTP)		
R102,202,302,402	1-214-124-00	RES,METAL 470 1% 1/4W
R71,72	1-214-132-00	RES,METAL 1K 1% 1/4W
R107,207,307,407	1-214-140-00	RES,METAL 2200 1% 1/4W
R104,204,304,404	1-214-144-00	RES,METAL 3300 1% 1/4W
R106,206,306,406	1-214-156-00	RES,METAL 10K 1% 1/4W
R103,203,303,403	1-214-164-00	RES,METAL 22K 1% 1/4W
C65,66,68	1-247-083-00	RES,CARBON 10 5% 1/4W
R67	1-247-103-00	RES,CARBON 68 5% 1/4W
R53,54,55,56,57,58,59, 60	1-247-807-00	RES,CARBON 100 5% 1/6W
R46,48,50,52	1-247-823-00	RES,CARBON 470 5% 1/6W
R61,62,63,64	1-247-830-00	RES,CARBON 910 5% 1/6W
R37,39,41,43	1-247-831-00	RES,CARBON 1K 5% 1/6W
R17,18,19,20,21,22,23, 24	1-247-835-00	RES,CARBON 1.5K 5% 1/6W
R30,32,34,36,38,40,42, 44	1-247-839-00	RES,CARBON 2.2K 5% 1/6W
R29,31,35	1-247-852-00	RES,CARBON 7.5K 5% 1/6W
R25,26,27,28,33	1-247-855-00	RES,CARBON 10K 5% 1/6W

Ref.No. or Q'ty	Part No.	Description
(BE-03 BOARD,BVH-2000PS-04/TTP)		
R45,47,49,51	1-247-856-00	RES,CARBON 11K 5% 1/6W
R13,14,15,16	1-247-861-00	RES,CARBON 18K 5% 1/6W
R101,201,301,401	1-247-893-00	RES,CARBON 390K 5% 1/6W
LV1,2,4	1-407-285-00	INDUCTOR,VAR,1.5mH
LV3	1-407-286-00	INDUCTOR,VAR,2.2mH
T1,2,3,4	1-433-196-00	TRANSFORMER,BIAS
CN376M ( )	1-560-300-00	RECEP,3P,MALE
CN373M,374M	( ) 1-560-302-00	RECEP,5P,MALE
CN371M,372M	( ) 1-560-303-00	RECEP,6P,MALE
CN375M ( )	1-560-304-00	RECEP,8P,MALE
TH1,2,3,4	1-800-200-00	THERMISTOR,S-3K
TP11,12,21,22,31,32,41, 42	3-640-328-00	TERMINAL,TP
TPE1	3-673-805-11	TERMINAL,TP
D101,201,301,401	8-719-815-55	DIODE 1S1555
Q5,6,7,8,102,202,302, 402	8-729-117-54	TRANSISTOR 2SA1175
Q9,10,11,12,13,14,15,16	8-729-177-43	TRANSISTOR 2SD774
Q17,18,19,20,101,201, 301,401	8-729-663-47	TRANSISTOR 2SC1364
IC1,2,3	8-759-990-82	IC TL082CP

Ref.No. or Q'ty	Part No.	Description
<u>BE-04 BOARD (BVH-2000PS/TTP)</u>		
1pc	( ) 1-606-676-00	PC BOARD, BE-04, WITHOUT COMPONENT
RV4 (for 04 model), 1,2,3	1-224-945-00	RES, VAR, METAL 200
CN377M	( ) 1-560-302-00	RECEP, 5P, MALE
1pc (for 00/02 model)	3-644-002-00	CUSHION, HANDLE
2pcs	7-621-981-15	SCREW, PSW 2.6x6

DR-13 BOARD (BVH-2000PS-02,04/TTP-DRUM ASSY)

1pc (for 02/04 model)	( ) A-6049-008-A	COMPLETE PCB, DR-13 (This assembly includes the following parts.)
C2,3,4	1-131-522-00	CAP, TANT 10 20% 25V
C1	1-131-526-00	CAP, TANT 33 20% 10V
R3	1-247-884-00	RES, CARBON 160K 5% 1/6W
R4	1-247-783-00	RES, CARBON 10 5% 1/6W
R2	1-247-831-00	RES, CARBON 1K 5% 1/6W
R1	1-247-838-00	RES, CARBON 2K 5% 1/6W
L1,2,3	1-408-096-00	INDUCTOR, MICRO, 470 5%
34pcs	1-560-240-00	CONTACT
2pcs	7-621-259-42	SCREW +P 2.6x6
2pcs	7-682-147-13	SCREW +P 3x6
2pcs	7-684-023-01	NUT, M3
4pcs	7-688-003-13	WASHER, M3, MIDDLE
D2,3	8-719-109-07	DIODE RD39E-B
D1,4	8-719-900-95	DIODE V09G
D5,6,7,8	8-719-911-19	DIODE 1SS119
IC2,3	8-741-115-60	IC BX1156
IC1	8-759-377-43	IC HA17741GS
Q1	8-769-194-00	TRANSISTOR 2SK43-4

Ref.No. or Q'ty	Part No.	Description
<u>DR-20 BOARD (BVH-2000PS-00/TTP-DRUM ASSY)</u>		
1pc (for 00 model)	( ) A-6010-070-A	MOUNTED PCB, DR-20 (This assembly includes the following parts.)
17pcs	1-560-240-00	CONTACT

SL-07 BOARD (BVH-2000PS-02,04/TTP-DRUM ASSY)

1pc (for 02/04 model)	( ) A-6026-023-A	MOUNTED PCB, SL-07 (This assembly includes the following parts.)
6pcs	1-560-240-00	CONTACT

SL-08 BOARD (BVH-2000PS-02,04/TTP-DRUM ASSY)

1pc (for 02/04 model)	A-6709-428-A	MOUNTED PCB, SL-08
-----------------------	--------------	--------------------

SL-09 BOARD (BVH-2000PS-02,04/TTP-DRUM ASSY)

1pc (for 02/04 model)	A-6709-429-A	MOUNTED PCB, SL-09 (This assembly includes the following parts.)
1pc	1-508-937-00	RECEP, 8P, MALE

Ref.No. or Q'ty	Part No.	Description
<b>RP-09 BOARD (BVH-2000PS/TTP)</b>		
1pc	( ) A-6011-063-A	COMPLETE PCB,RP-09 (This assembly includes the following parts.)
C6,7,37,38	1-107-158-00	CAP,MICA 30PF 5% 500V
C8,39	1-107-162-00	CAP,MICA 43PF 5% 500V
C5,16,36	1-108-567-00	CAP,MYLAR 0.0033 5% 50V
C49	1-108-595-00	CAP,MYLAR 0.047 5% 50V
C10,41		(One of the following capacitors is used)
	1-108-525-00	CAP,MICA 39PF 5% 100V
	1-109-528-00	CAP,MICA 51PF 5% 100V
C1,4	1-123-321-00	CAP,ELECT 220 16V
C35,66	1-123-330-00	CAP,ELECT 22 25V
C11,14,17,31,32,42,44, 47,62,63	1-123-333-00	CAP,ELECT 100 25V
C26,27,57,58	1-123-380-00	CAP,ELECT 1 100V
C9,13,15,18,19,20,21,23, 24,25,28,29,30,34,40, 43,46,48,50,51,52,54, 55,56,59,60,61,65,70	1-161-051-00	CAP,CERAMIC 0.01 10% 50V
C2,3,12,33,45,64	1-161-057-00	CAP,CERAMIC 0.033 10% 50V
C71	1-161-483-00	CAP,CERAMIC 0.1 10% 50V
R20,68	1-214-101-00	RES,METAL 51 1% 1/4W
R74,84	1-214-112-00	RES,METAL 150 1% 1/4W
RV1,3	1-224-934-00	RES,VAR,METAL 100
RV2,4	1-224-978-00	RES,VAR,METAL 50
R49,97	1-247-196-00	RES,CARBON 15 5% 1/2W
R30,31,78,79	1-247-211-00	RES,CARBON 62 5% 1/2W

Ref.No. or Q'ty	Part No.	Description
<b>(RP-09 BOARD,BVH-2000PS/TTP)</b>		
R19,67	1-247-783-00	RES,CARBON 10 5% 1/6W
R5,6,53,54	1-247-787-00	RES,CARBON 15 5% 1/6W
R11,14,35,38,42,46,47, 61,64,82,85,90,93,95	1-247-795-00	RES,CARBON 33 5% 1/6W
R18,50,51,57,98,99	1-247-800-00	RES,CARBON 51 5% 1/6W
R27,28,76,77	1-247-802-00	RES,CARBON 62 5% 1/6W
R22,32,34,37,69,80	1-247-807-00	RES,CARBON 100 5% 1/6W
R29,71	1-247-814-00	RES,CARBON 200 5% 1/6W
R12,13,60,62	1-247-816-00	RES,CARBON 240 5% 1/6W
R41,43,44,45,48,86,89, 91,92,94,96,101	1-247-818-00	RES,CARBON 300 5% 1/6W
R39,87	1-247-820-00	RES,CARBON 360 5% 1/6W
R8,21,26,33,36,55,81,83, 102,110,112	1-247-831-00	RES,CARBON 1K 5% 1/6W
R9,56	1-247-834-00	RES,CARBON 1.3K 5% 1/6W
R23,24,70,73,75	1-247-838-00	RES,CARBON 2K 5% 1/6W
R7,15,25,59,63,	1-247-842-00	RES,CARBON 3K 5% 1/6W
R17,52,65,72,100	1-247-848-00	RES,CARBON 5.1K 5% 1/6W

Ref.No. or Q'ty	Part No.	Description
(RP-09 BOARD, BVH-2000PS/TTP)		
R10,58	1-247-854-00	RES,CARBON 9.1K 5% 1/6W
R1,2,3,4,16,66	1-247-855-00	RES,CARBON 10K 5% 1/6W
L1,2,3,4,6,7,8,9	1-407-169-XX	INDUCTOR,MICRO,100 5%
L5,10	1-407-177-XX	INDUCTOR,MICRO,470 5%
LV1,2	1-408-660-00	INDUCTOR,VAR,1.8
T1,2,3,4	1-427-519-00	TRANSFORMER,OUTPUT
RY1,2	1-515-309-21	RELAY,12V 1K-0HM
FB1,2,3,4,5,6,7,8,9,10	1-535-178-00	FERRITE BEAD
CN263M,265M,267M,269M	( ) 1-560-300-00	RECEP,3P,MALE
CN262M	( ) 1-560-301-00	RECEP,4P,MALE
CN261M	( ) 1-560-302-00	RECEP,5P,MALE
CN264M,266M,268M,270M	1-561-365-00	RECEP,COAXIAL,MALE
TP2,4,5,6,8	( ) 3-673-772-41	TERMINAL,TP
8pcs	7-686-446-01	SCREW,PS 3x5
D1,2	8-719-815-55	DIODE 1S1555
Q1,2,4,8,9,10,16,20,21,22	8-729-110-53	TRANSISTOR 2SA1005
Q5,6,11,12,17,18,23,24	8-729-125-20	TRANSISTOR 2SC1252
Q3,15	8-729-177-43	TRANSISTOR 2SD774
IC2,4	8-741-115-60	IC BX1156
IC1,3	8-743-930-00	IC BX3930
Q7,13,14,19,25,26	8-765-300-00	TRANSISTOR 2SC2009

Ref.No. or Q'ty	Part No.	Description
DD-01 BOARD (BVH-2000PS-02,04/TTP)		
1pc (for 02/04 model)		
( ) A-6023-032-A COMPLETE PCB,DD-01 (This assembly includes the following parts.)		
C7	1-101-810-00	CAP,CERAMIC 100PF 5% 500V
C3	1-109-676-00	CAP,MICA 130PF 5% 500V
C1,2	1-119-398-00	CAP,ELECT 10 350V
C4	1-123-330-00	CAP,ELECT 22 25V
C5	1-123-333-00	CAP,ELECT 100 25V
C6	1-161-057-00	CAP,CERAMIC 0.033 10% 50V
R5,6	1-206-696-00	RES,METAL 22K 5% 2W
R28	1-213-125-00	RES,METAL 33 5% 1W
RV1	1-224-938-00	RES,VAR,METAL 2K
R15,18,19	1-244-925-00	RES,CARBON 150K 5% 1/2W
R1,2	1-246-529-00	RES,CARBON 220K 5% 1/4W
R17	1-246-540-00	RES,CARBON 620K 5% 1/4W
R30	1-247-078-00	RES,CARBON 3.9 5% 1/4W
R20,25	1-247-081-00	RES,CARBON 6.8 5% 1/4W
R36,37	1-247-085-00	RES,CARBON 12 5% 1/4W
R22,27	1-247-089-00	RES,CARBON 18 5% 1/4W
R4,7	1-247-101-00	RES,CARBON 56 5% 1/4W
R23	1-247-106-00	RES,CARBON 91 5% 1/4W
R13,16	1-247-119-00	RES,CARBON 330 5% 1/4W
R3,8	1-247-120-00	RES,CARBON 360 5% 1/4W
R9	1-247-121-00	RES,CARBON 390 5% 1/4W
R33	1-247-138-00	RES,CARBON 2K 5% 1/4W
R12,14	1-247-142-00	RES,CARBON 3K 5% 1/4W
R10,11	1-247-150-00	RES,CARBON 6.2K 5% 1/4W
R29	1-247-151-00	RES,CARBON 6.8K 5% 1/4W

Ref.No. or Q'ty	Part No.	Description
(DD-01 BOARD, BVH-2000PS-02, 04/TTP)		
R31, 34, 35	1-247-155-00	RES, CARBON 10K 5% 1/4W
R32	1-247-159-00	RES, CARBON 15K 5% 1/4W
R21, 26	1-247-167-00	RES, CARBON 33K 5% 1/4W
R24	1-247-171-00	RES, CARBON 47K 5% 1/4W
CN282M ( )	1-560-302-00	RECEP, 5P, MALE
CN281M, 283M		
( )	1-560-304-00	RECEP, 8P, MALE
1pc ( )	3-674-643-00	BRACKET, DD
2pcs	7-686-527-01	SCREW, PSW 3x6
D3, 4, 5, 6	8-719-110-00	DIODE RD100E
D7, 8, 9, 10		
	8-719-815-55	DIODE 1S1555
D1, 2	8-719-900-95	DIODE V09G
Q4, 15	8-729-117-54	TRANSISTOR 2SA1175
Q1, 14, 17	8-729-663-47	TRANSISTOR 2SC1364
IC1	8-759-377-23	IC HA17723G
Q2, 7, 8, 9, 10, 13		
	8-763-420-00	TRANSISTOR 2SC1762
Q3, 5, 6, 11, 12, 16		
	8-765-141-00	TRANSISTOR 2SA911

Ref.No. or Q'ty	Part No.	Description
(DA-07 BOARD (BVH-2000PS/TTP))		
1pc ( )	A-6015-065-A	COMPLETE PCB, DA-07 (This assembly includes the following parts.)
C34	1-101-810-00	CAP, CERAMIC 100PF 5% 500V
C33, 36, 37, 38		
	1-102-106-00	CAP, CERAMIC 100PF 10% 50V
C1, 20	1-123-307-00	CAP, ELECT 100 10V
C13, 17	1-123-333-00	CAP, ELECT 100 25V
C29	1-123-356-00	CAP, ELECT 10 50V
C4	1-123-379-00	CAP, ELECT 0.47 100V
C12	1-123-388-00	CAP, ELECT 100 100V
C5, 35	1-130-620-00	CAP, FILM 0.01 5% 50V
C25	1-130-628-00	CAP, FILM 0.047 5% 50V
C7	1-130-632-00	CAP, FILM 0.1 5% 50V
C11	1-130-636-00	CAP, FILM 0.22 5% 50V
C2, 6, 8, 9, 10, 14, 15, 16, 18, 19, 21, 22, 23, 24, 26, 27, 28, 30, 31, 32		
	1-161-055-00	CAP, CERAMIC 0.022 10% 50V
R29	1-214-086-00	RES, METAL 12 1% 1/4W
R80	1-214-133-00	RES, METAL 1.1K 1% 1/4W
R24	1-214-147-00	RES, METAL 4.3K 1% 1/4W
R54, 55, 56, 57		
	1-214-156-00	RES, METAL 10K 1% 1/4W
R82	1-214-166-00	RES, METAL 27K 1% 1/4W
R10	1-214-167-00	RES, METAL 30K 1% 1/4W
R7	1-214-169-00	RES, METAL 36K 1% 1/4W
R8	1-214-170-00	RES, METAL 39K 1% 1/4W
R50	1-217-152-11	RES, METAL 0.33 10% 2W
RB1	1-231-533-00	RES BLOCK, 10Kx4
R102	1-247-100-00	RES, CARBON 51 5% 1/4W

Ref.No. or Q'ty	Part No.	Description
(DA-07 BOARD,BVH-2000PS/TTP)		
R13,15,19	1-247-123-00	RES,CARBON 470 5% 1/4W
R2	1-247-139-00	RES,CARBON 2.2K 5% 1/4W
R3,4,14,18,21	1-247-142-00	RES,CARBON 3K 5% 1/4W
R28	1-247-773-00	RES,CARBON 3.9 5% 1/6W
R73,77	1-247-811-00	RES,CARBON 150 5% 1/6W
R69,70,95,96,98,99	1-247-816-00	RES,CARBON 240 5% 1/6W
R12,17,22	1-247-823-00	RES,CARBON 470 5% 1/6W
R44,46,49	1-247-824-00	RES,CARBON 510 5% 1/6W
R39	1-247-825-00	RES,CARBON 560 5% 1/6W
R63,64,65	1-247-827-00	RES,CARBON 680 5% 1/6W
R33,34,43,45,47	1-247-829-00	RES,CARBON 820 5% 1/6W
R6,11,16,20,51,79	1-247-831-00	RES,CARBON 1K 5% 1/6W
R88	1-247-837-00	RES,CARBON 1.8K 5% 1/6W
R1,9	1-247-838-00	RES,CARBON 2K 5% 1/6W
R48,87	1-247-839-00	RES,CARBON 2.2K 5% 1/6W
R41	1-247-841-00	RES,CARBON 2.7K 5% 1/6W
R66,89	1-247-843-00	RES,CARBON 3.3K 5% 1/6W
R25,53	1-247-846-00	RES,CARBON 4.3K 5% 1/6W
R35,83	1-247-848-00	RES,CARBON 5.1K 5% 1/6W
R38	1-247-850-00	RES,CARBON 6.2K 5% 1/6W
R26,27,37,42,59,61,67, 68,74,81,84	1-247-855-00	RES,CARBON 10K 5% 1/6W

Ref.No. or Q'ty	Part No.	Description
(DA-07 BOARD,BVH-2000PS/TTP)		
R85,86	1-247-857-00	RES,CARBON 12K 5% 1/6W
R32	1-247-859-00	RES,CARBON 15K 5% 1/6W
R72,75	1-247-861-00	RES,CARBON 18K 5% 1/6W
R52	1-247-862-00	RES,CARBON 20K 5% 1/6W
R100	1-247-864-00	RES,CARBON 24K 5% 1/6W
R101	1-247-865-00	RES,CARBON 27K 5% 1/6W
R40,62,92,93	1-247-869-00	RES,CARBON 39K 5% 1/6W
R23	1-247-872-00	RES,CARBON 51K 5% 1/6W
R31	1-247-874-00	RES,CARBON 62K 5% 1/6W
R90	1-247-879-00	RES,CARBON 100K 5% 1/6W
R58	1-247-881-00	RES,CARBON 120K 5% 1/6W
R78	1-247-886-00	RES,CARBON 200K 5% 1/6W
R30	1-247-887-00	RES,CARBON 220K 5% 1/6W
R71,76,97	1-247-895-00	RES,CARBON 470K 5% 1/6W
R91	1-247-896-00	RES,CARBON 510K 5% 1/6W
L1,2,3	1-407-885-00	INDUCTOR,MICRO,0.1mH 5%
L4	1-408-405-00	INDUCTOR,MICRO,4.7 5%
CN115M	( ) 1-535-173-00	TERMINAL,INSERT
CN117M	( ) 1-560-178-00	RECEP,6P,MALE
CN112M	( ) 1-560-302-00	RECEP,5P,MALE
CN116M	( ) 1-560-723-00	RECEP,3P,MALE
CN114M	( ) 1-560-724-00	RECEP,10P,MALE
CN111M	( ) 1-560-726-00	RECEP,20P,MALE
TP4,5,6,7	( ) 3-673-805-01	TERMINAL,TP
TPE2,3	( ) 3-673-805-11	TERMINAL,TP
4pcs	7-686-449-01	SCREW,PS 3x10
2pcs	7-686-528-01	SCREW,PSW 3x8
D17	8-719-182-07	DIODE RD8,2E
D1	8-719-200-02	DIODE 10E2

Ref.No. or Qty	Part No.	Description
(DA-07 BOARD, BVH-2000PS/TTP)		
D8, 9, 10, 12, 13, 14, 15, 16, 18, 20	8-719-815-55	DIODE 1S1555
D2, 3, 4, 5, 6, 7	8-719-911-55	DIODE U05G
D19	8-719-981-01	DIODE ERA81-004
Q16, 18, 20	8-729-195-23	TRANSISTOR 2SA952
Q6, 8, 10, 11, 12	8-729-201-32	TRANSISTOR 2SA1013
Q5, 7, 9, 17, 19, 21	8-729-238-32	TRANSISTOR 2SC2383
Q1	8-729-318-63	TRANSISTOR 2SA1186
Q2, 3, 4, 13, 14, 15	8-729-383-73	TRANSISTOR 2SC2837
Q22	8-729-663-47	TRANSISTOR 2SC1364
IC8, 9, 10	8-759-103-93	IC UPC393C
IC7	8-759-135-80	IC UPC358C
IC1, 2, 3, 4	8-759-145-58	IC UPC4558C
IC6	8-759-220-74	IC TC40H074P, CMOS
IC5	8-759-755-17	IC, PROM, MB7051-A1U1

Ref.No. or Qty	Part No.	Description
(CA-09 BOARD (BVH-2000PS/TTP))		
1pc	( ) A-6015-064-A	COMPLETE PCB, CA-09 (This assembly includes the following parts.)
Q2, 3, 10, 11, 18 & 19	X-3673-686-0	TRANSISTOR KIT, 2SC1890A This part is the kit of six transistors. Replace Q2, 3, 10, 11, 18 & 19 at the same time.
C47, 50, 53	1-102-074-00	CAP, CERAMIC 0.001 10% 50V
C14	1-102-106-00	CAP, CERAMIC 100PF 10% 50V
C17, 38	1-102-109-00	CAP, CERAMIC 180PF 10% 50V
C48, 51, 54	1-102-110-00	CAP, CERAMIC 220PF 10% 50V
C5, 42	1-108-595-00	CAP, MYLAR 0.047 5% 50V
C18, 40, 45	1-108-603-00	CAP, MYLAR 0.1 5% 50V
C39	1-108-611-00	CAP, MYLAR 0.22 5% 50V
C8, 10, 30, 55	1-123-307-00	CAP, ELECT 100 10V
C22, 28	1-123-333-00	CAP, ELECT 100 25V
C1	1-123-356-00	CAP, ELECT 10 50V
C37	1-123-360-00	CAP, ELECT 100 50V
C3	1-123-379-00	CAP, ELECT 0.47 100V
C2, 4, 6, 7, 9, 11, 12, 13, 15, 16, 19, 20, 21, 23, 24, 25, 26, 27, 29, 31, 32, 33, 34, 35, 36, 41, 43, 44, 46, 49, 52, 56	1-161-055-00	CAP, CERAMIC 0.022 10% 50V



Ref.No. or Qty	Part No.	Description
(CA-09 BOARD,BVH-2000PS/TTP)		
R140,141	1-214-101-00	RES,METAL 51 1% 1/4W
R10	1-214-133-00	RES,METAL 1.1K 1% 1/4W
R17	1-214-143-00	RES,METAL 3K 1% 1/4W
R42,64	1-214-147-00	RES,METAL 4.3K 1% 1/4W
R39,62	1-214-151-00	RES,METAL 6.2K 1% 1/4W
R34,35,36,73,75,76,77	1-214-156-00	RES,METAL 10K 1% 1/4W
R33	1-214-163-00	RES,METAL 20K 1% 1/4W
R18,31	1-214-165-00	RES,METAL 24K 1% 1/4W
R9	1-214-166-00	RES,METAL 27K 1% 1/4W
R27	1-214-173-00	RES,METAL 51K 1% 1/4W
R22,23,24	1-214-278-00	RES,METAL 5.6K 0.25% 1/8W
R70,71,72	1-215-243-00	RES,METAL 22K 0.1% 1/6W
R74	1-217-153-00	RES,METAL 0.47 10% 2W
R41,63	1-247-776-00	RES,CARBON 5.1 5% 1/6W
R91,109,127	1-247-783-00	RES,CARBON 10 5% 1/6W
R97,98,115,116,133,134	1-247-779-00	RES,CARBON 6.8 5% 1/6W
R90,108,126	1-247-804-00	RES,CARBON 75 5% 1/6W
R43,45	1-247-811-00	RES,CARBON 150 5% 1/6W
R93,111,129	1-247-814-00	RES,CARBON 200 5% 1/6W
R96,114,132	1-247-815-00	RES,CARBON 220 5% 1/6W
R50,51,55,56,59,79	1-247-816-00	RES,CARBON 240 5% 1/6W

Ref.No. or Qty	Part No.	Description
(CA-09 BOARD,BVH-2000PS/TTP)		
R38,61	1-247-824-00	RES,CARBON 510 5% 1/6W
R15	1-247-825-00	RES,CARBON 560 5% 1/6W
R89,107,125	1-247-828-00	RES,CARBON 750 5% 1/6W
R67,69	1-247-829-00	RES,CARBON 820 5% 1/6W
R8,48,49,84,85,88,102, 103,106,120,121,124, 138	1-247-831-00	RES,CARBON 1K 5% 1/6W
R16	1-247-833-00	RES,CARBON 1.2K 5% 1/6W
R92,110,128	1-247-838-00	RES,CARBON 2K 5% 1/6W
R13	1-247-839-00	RES,CARBON 2.2K 5% 1/6W
R6	1-247-840-00	RES,CARBON 2.4K 5% 1/6W
R94,112,130	1-247-842-00	RES,CARBON 3K 5% 1/6W
R4,20,29	1-247-848-00	RES,CARBON 5.1K 5% 1/6W
R26	1-247-850-00	RES,CARBON 6.2K 5% 1/6W
R137	1-247-851-00	RES,CARBON 6.8K 5% 1/6W
R2,3,11,21,32,44,53,58, 65,78,80,81,82,86,99, 100,104,117,118,122, 135,139	1-247-855-00	RES,CARBON 10K 5% 1/6W
R5	1-247-856-00	RES,CARBON 11K 5% 1/6W
R1,7	1-247-857-00	RES,CARBON 12K 5% 1/6W
R136	1-247-859-00	RES,CARBON 15K 5% 1/6W
R46	1-247-861-00	RES,CARBON 18K 5% 1/6W
R28	1-247-862-00	RES,CARBON 20K 5% 1/6W
R25,83,87,101,105,119, 123	1-247-863-00	RES,CARBON 22K 5% 1/6W

Ref.No. or Q'ty	Part No.	Description
(CA-09 BOARD, BVH-2000PS/TTP)		
R14	1-247-864-00	RES,CARBON 24K 5% 1/6W
R66	1-247-865-00	RES,CARBON 27K 5% 1/6W
R19	1-247-866-00	RES,CARBON 30K 5% 1/6W
R68,95,113,131		
	1-247-869-00	RES,CARBON 39K 5% 1/6W
R47	1-247-879-00	RES,CARBON 100K 5% 1/6W
R12	1-247-886-00	RES,CARBON 200K 5% 1/6W
R30	1-247-889-00	RES,CARBON 270K 5% 1/6W
R52,57,60		
	1-247-895-00	RES,CARBON 470K 5% 1/6W
R37,40,54		
	1-247-903-00	RES,CARBON 1M 5% 1/6W
L1,2,3	1-407-885-00	INDUCTOR,MICRO,0.1mH 5%
CN105M ( )	1-535-173-00	TERMINAL, INSERT
CN103M ( )	1-560-178-00	RECEP, 6P, MALE
CN104M ( )	1-560-723-00	RECEP, 3P, MALE
CN102M ( )	1-560-724-00	RECEP, 10P, MALE
CN101M ( )	1-560-726-00	RECEP, 20P, MALE
TP1,2,3,4,5,6,7		
( )	3-673-805-01	TERMINAL, TP
TPE1,2 ( )	3-673-805-11	TERMINAL, TP
6pcs	7-686-449-01	SCREW, PS 3x10
2pcs	7-686-528-01	SCREW, PSW 3x8
D4	8-719-182-07	DIODE RD8.2E
D21,22,23,24,25,26		
	8-719-200-02	DIODE 10E2
D2,3,5,6,7,8,9,10,11,12, 13,14,15,16,17,18,19, 20		
	8-719-815-55	DIODE 1S1555
D1	8-719-981-01	DIODE ERA81-004

Ref.No. or Q'ty	Part No.	Description
(CA-09 BOARD, BVH-2000PS/TTP)		
Q7,15,23	8-725-412-00	TRANSISTOR 2SC1124
Q6,14,22	8-727-632-00	TRANSISTOR 2SA706
Q5,13,21	8-729-177-43	TRANSISTOR 2SD774
Q9,17,25	8-729-318-63	TRANSISTOR 2SA1186
Q1	8-729-374-02	TRANSISTOR 2SB740
Q8,16,24	8-729-383-73	TRANSISTOR 2SC2837
Q4,12,20	8-729-663-47	TRANSISTOR 2SC1364
IC1,11,12		
	8-759-103-93	IC UPC393C
IC10	8-759-135-80	IC UPC358C
IC2,3,4,6,15,16		
	8-759-145-58	IC UPC4558C
IC14	8-759-220-74	IC TC40H074P, CMOS
IC13	8-759-240-49	IC TC4049BP, CMOS
IC5,9	8-759-240-52	IC TC4052BP, CMOS
IC8	8-759-240-81	IC TC4081BP, CMOS
IC7	8-759-745-60	IC NJM4560D

Ref.No. or Qty	Part No.	Description	Ref.No. or Qty	Part No.	Description
<u>RA-05 BOARD (BVH-2000PS/TTP)</u>			<u>(RA-05 BOARD,BVH-2000PS/TTP)</u>		
1pc	(1) A-6023-031-B	COMPLETE PCB,RA-05 (This assembly includes the following parts.)	R53,54,56,231,232,233	1-214-096-00	RES,METAL 33 1% 1/4W
C50,52	1-102-074-00	CAP,CERAMIC 0.001 10% 50V	R139,145,299,304	1-214-116-00	RES,METAL 220 1% 1/4W
C30,75,86,87,88,89,90, 91	1-102-106-00	CAP,CERAMIC 100PF 10% 50V	R143,149,298,308	1-214-125-00	RES,METAL 510 1% 1/4W
C4,5,6,8,51,55,56,57	1-108-555-00	CAP,MYLAR 0.001 5% 50V	R290	1-214-133-00	RES,METAL 1.1K 1% 1/4W
C16,64	1-108-571-00	CAP,MYLAR 0.0047 5% 50V	R36,37,39,40,41,42,196, 197,198,199,201,202	1-214-139-00	RES,METAL 2K 1% 1/4W
C22,58	1-108-583-00	CAP,MYLAR 0.015 5% 50V	R52,236	1-214-144-00	RES,METAL 3.3K 1% 1/4W
C18,60	1-108-595-00	CAP,MYLAR 0.047 5% 50V	R126,254	1-214-146-00	RES,METAL 3.9K 1% 1/4W
C20,61	1-108-603-00	CAP,MYLAR 0.1 5% 50V	R18,19,20,183,184,185	1-214-148-00	RES,METAL 4.7K 1% 1/4W
C40	1-123-307-00	CAP,ELECT 100 10V	R140,141,144,146,300, 301,303,305	1-214-151-00	RES,METAL 6.2K 1% 1/4W
C92,93	1-123-308-00	CAP,ELECT 220 10V	R13,14,15,180,181,182	1-214-154-00	RES,METAL 8.2K 1% 1/4W
C35,84	1-123-332-00	CAP,ELECT 47 25V	R58,74,105,109,114,120, 125,152,155,230,245, 258,260,263,266,267, 296,297	1-214-156-00	RES,METAL 10K 1% 1/4W
C7,42,46,54	1-123-333-00	CAP,ELECT 100 50V	R77,115,228,256	1-214-158-00	RES,METAL 12K 1% 1/4W
C12,34,68,77,78	1-123-356-00	CAP,ELECT 10 50V	R76,229	1-214-160-00	RES,METAL 15K 1% 1/4W
C13,69	1-123-369-00	CAP,ELECT 4.7 63V	R117,259	1-214-162-00	RES,METAL 18K 1% 1/4W
C11,67	1-123-380-00	CAP,ELECT 1 100V	R16,17,22,163,164,166	1-214-164-00	RES,METAL 22K 1% 1/4W
C1,2	1-123-388-00	CAP,ELECT 100 100V	R293	1-214-166-00	RES,METAL 27K 1% 1/4W
C94	1-131-373-00	CAP,TANT 22 10% 16V	R116,255	1-214-170-00	RES,METAL 39K 1% 1/4W
C3,9,14,15,17,19,21,23, 25,27,28,29,31,33,36, 37,38,39,41,43,44,45, 47,48,49,62,63,65,66, 70,71,72,73,76,80,81, 82,83	1-161-055-00	CAP,CERAMIC 0.022 10% 50V	R79,215	1-214-175-00	RES,METAL 62K 1% 1/4W
R34,35,69,70,190,191, 224,225	1-214-088-00	RES,METAL 15 1% 1/4W			

Ref.No. or Qty	Part No.	Description
(RA-05 BOARD,BVH-2000PS/TTP)		
R21, 113, 142, 147, 165, 302, 306, 311	1-214-180-00	RES,METAL 100K 1% 1/4W
R23, 167	1-217-152-11 $\Delta$	RES,METAL 0.33 10% 2W
RV1, 6	1-224-939-00	RES,VAR,METAL 5K
RV2, 5	1-224-942-00	RES,VAR,METAL 50K
R24, 25, 26, 168, 178, 179	1-247-121-00	RES,CARBON 390 5% 1/4W
R320, 334	1-247-131-00	RES,CARBON 1K 5% 1/4W
R1, 2, 3, 10, 11, 12, 157, 158, 159, 172, 173, 174	1-247-139-00 $\Delta$	RES,CARBON 2.2K 5% 1/4W
R4, 5, 6, 160, 161, 162	1-247-771-00	RES,CARBON 3.3 5% 1/6W
R148, 150, 307, 309	1-247-800-00	RES,CARBON 51 5% 1/6W
R135, 138	1-247-805-00	RES,CARBON 82 5% 1/6W
R66, 93, 95, 96, 98, 100, 275, 276, 277, 280, 281, 282	1-247-816-00	RES,CARBON 240 5% 1/6W
R27, 28, 29, 30, 31, 32, 175, 176, 177, 188, 189, 192	1-247-819-00	RES,CARBON 330 5% 1/6W
R61, 242	1-247-824-00	RES,CARBON 510 5% 1/6W
R71, 133, 223, 252, 283, 289	1-247-831-00	RES,CARBON 1K 5% 1/6W
R50, 186	1-247-834-00	RES,CARBON 1.3K 5% 1/6W
R119, 262	1-247-837-00	RES,CARBON 1.8K 5% 1/6W
R51, 112, 235, 270	1-247-838-00	RES,CARBON 2K 5% 1/6W
R7, 8, 9, 55, 68, 121, 169, 170, 171, 226, 234, 264, 325, 330	1-247-839-00	RES,CARBON 2.2K 5% 1/6W

Ref.No. or Qty	Part No.	Description
(RA-09 BOARD,BVH-2000PS/TTP)		
R33, 187	1-247-843-00	RES,CARBON 3.3K 5% 1/6W
R123, 285	1-247-844-00	RES,CARBON 3.6K 5% 1/6W
R72, 219, 327	1-247-845-00	RES,CARBON 3.9K 5% 1/6W
R90, 108, 154, 214, 294, 313, 314	1-247-848-00	RES,CARBON 5.1K 5% 1/6W
R118, 261	1-247-849-00	RES,CARBON 5.6K 5% 1/6W
R80, 128, 216, 247	1-247-850-00	RES,CARBON 6.2K 5% 1/6W
R64, 246	1-247-851-00	RES,CARBON 6.8K 5% 1/6W
R130, 248, 329, 337, 338	1-247-853-00	RES,CARBON 8.2K 5% 1/6W
R38, 43, 44, 46, 47, 48, 49, 92, 101, 102, 103, 104, 106, 110, 122, 136, 151, 153, 156, 194, 200, 203, 204, 221, 222, 253, 265, 268, 272, 273, 291, 292, 295, 316, 317	1-247-855-00	RES,CARBON 10K 5% 1/6W
R75, 89, 211, 220, 284, 287	1-247-857-00	RES,CARBON 12K 5% 1/6W
R86, 206	1-247-858-00	RES,CARBON 13K 5% 1/6W
R57, 238, 321, 335	1-247-859-00	RES,CARBON 15K 5% 1/6W
R134, 137	1-247-861-00	RES,CARBON 18K 5% 1/6W
R315, 318	1-247-862-00	RES,CARBON 20K 5% 1/6W
R82, 85, 124, 207, 217, 257	1-247-863-00	RES,CARBON 22K 5% 1/6W
R78, 213	1-247-864-00	RES,CARBON 24K 5% 1/6W
R127, 212	1-247-870-00	RES,CARBON 43K 5% 1/6W
R45, 83, 111, 195, 269, 319, 324, 326, 331, 339	1-247-872-00	RES,CARBON 51K 5% 1/6W

Ref.No. or Q'ty	Part No.	Description	Ref.No. or Q'ty	Part No.	Description
(RA-05 BOARD,BVH-2000PS/TTP)			(RA-05 BOARD,BVH-2000PS/TTP)		
R65,243	1-247-874-00	RES,CARBON 62K 5% 1/6W	TP1,2,3,4,5,7,8,9,10,13,		
R107,271	1-247-875-00	RES,CARBON 68K 5% 1/6W	14,15,16,17,19,20,21,		
R60,239	1-247-876-00	RES,CARBON 75K 5% 1/6W	22,25,26		
R131,250	1-247-878-00	RES,CARBON 91K 5% 1/6W	( ) 3-673-772-21		TERMINAL,TP
R63,193,240,310,322,323, 332,333	1-247-879-00	RES,CARBON 100K 5% 1/6W	TP23,24 ( ) 3-673-805-01		TERMINAL,TP
R59,237	1-247-882-00	RES,CARBON 130K 5% 1/6W	TPE1,2 ( ) 3-673-805-11		TERMINAL,TP
R62,241	1-247-883-00	RES,CARBON 150K 5% 1/6W	2pcs 4-866-397-00		CUSHION,LED
R210,312	1-247-885-00	RES,CARBON 180K 5% 1/6W	4pcs 7-621-981-25		SCREW,PSW 2.6x8
R67,87,88,91,205,208, 209,244,286,288	1-247-886-00	RES,CARBON 200K 5% 1/6W	4pcs 7-686-447-01		SCREW,PS 3x6
R73,227	1-247-893-00	RES,CARBON 390K 5% 1/6W	1pc 7-686-448-01		SCREW,PS 3x8
R94,97,99,132,251,274, 278,279,328,336	1-247-895-00	RES,CARBON 470K 5% 1/6W	12pcs 7-686-450-01		SCREW,PS 3x12
R129,249	1-247-902-00	RES,CARBON 910K 5% 1/6W	4pcs 7-686-527-01		SCREW,PSW 3x6
R81,218	1-247-903-00	RES,CARBON 1M 5% 1/6W	D25,26,54,55		
L2,3	1-407-885-00	INDUCTOR,MICRO,0.1mH 5%	8-719-151-07		DIODE RD5.1E-B
L1	1-409-339-00	COIL,SN	D13,14,15,41,42,43		
CN201M ( )	1-535-173-00	TERMINAL,INSERT	8-719-175-07		DIODE RD7.5E
S1	1-554-047-00	SWITCH,REED	D7,8,9,38,39,40		
CN207M,208M,209M	( ) 1-560-178-00	RECEP,6P,MALE	8-719-200-02		DIODE 10E2
CN202M,204M	( ) 1-560-303-00	RECEP,6P,MALE	D10,11,12,16,17,18,21, 22,23,24,27,34,35,36, 37,44,45,46,49,50,51, 52,53,56,58,59,60,61, 62,63		DIODE 1S1555
CN205M,206M	( ) 1-560-724-00	RECEP,10P,MALE	D20,47		DIODE 1SS106
CN203M ( )	1-560-729-00	RECEP,34P,MALE	D1,2,3,4,5,6,28,29,30, 31,32,33		
1 pc	( ) 1-609-900-00	PC BOARD,SW-14 WITHOUT COMPONENT	8-719-911-55		DIODE U05G
3 pcs	3-534-816-00	SUPPORT	D57		DIODE ERA81-004
			Q47,54		TRANSISTOR 2SA1156
			Q22,45		TRANSISTOR 2SA1175
			Q19,44		TRANSISTOR 2SD774
			Q13,14,15,36,37,38		
			8-729-195-23		TRANSISTOR 2SA952
			Q4,5,6,27,28,29		
			8-729-201-32		TRANSISTOR 2SA1013

Ref.No. or Q'ty	Part No.	Description
(RA-05 BOARD, BVH-2000PS/TTP)		
Q7, 8, 9, 30, 31, 32	8-729-238-32	TRANSISTOR 2SC2383
Q48, 53	8-729-255-12	TRANSISTOR 2SC2551
Q10, 11, 12, 33, 34, 35	8-729-377-32	TRANSISTOR 2SC2773-0
Q1, 2, 3, 24, 25, 26	8-729-383-73	TRANSISTOR 2SC2837
Q16, 17, 18, 20, 21, 23, 39, 40, 41, 42, 43, 46, 49, 50, 51, 52, 55, 56	8-729-663-47	TRANSISTOR 2SC1364
IC5	8-759-045-38	IC MC14538BCP, CMOS
IC9, 10, 13, 23, 26, 27, 28	8-759-103-93	IC UPC393C
IC14	8-759-135-80	IC UPC358C
IC6, 7, 11, 12, 15, 16, 21, 22, 24, 25, 29, 30	8-759-145-58	IC UPC4558C
IC4	8-759-240-13	IC TC4013BP, CMOS
IC2, 18, 19	8-759-240-30	IC TC4030BP, CMOS
IC1, 17	8-759-755-17	IC, PROM, MB7051-A1U1
IC3	8-759-900-32	IC SN74LS32N, TTL
IC8, 20	8-759-990-82	IC TL082CP

Ref.No. or Q'ty	Part No.	Description
TT-01 BOARD (BVH-2000PS/TTP)		
ipc	( ) A-6025-084-A	COMPLETE PCB, TT-01 (This assembly includes the following parts.)
C20	1-102-106-00	CAP, CERAMIC 100PF 10% 50V
C18	1-108-587-00	CAP, MYLAR 0.022 5% 50V
C17	1-108-595-00	CAP, MYLAR 0.047 5% 50V
C4	1-123-307-00	CAP, ELECT 100 10V
C21, 22	1-123-330-00	CAP, ELECT 22 25V
C16	1-123-332-00	CAP, ELECT 47 25V
C5, 8, 11, 12	1-123-333-00	CAP, ELECT 100 25V
C9	1-123-356-00	CAP, ELECT 10 50V
C1, 2, 3, 6, 7, 10, 13, 14, 15, 19, 23	1-161-055-00	CAP, CERAMIC 0.022 10% 50V
R15	1-212-370-00	RES, METAL 6.8 5% 1W
R40, 41	1-214-116-00	RES, METAL 220 1% 1/4W
R26, 37	1-214-125-00	RES, METAL 510 1% 1/4W
R12, 13, 35	1-214-132-00	RES, METAL 1K 1% 1/4W
R31	1-214-141-00	RES, METAL 2.4K 1% 1/4W
R27, 28, 38, 39	1-214-151-00	RES, METAL 6.2K 1% 1/4W
R30, 32, 34, 36	1-214-170-00	RES, METAL 39K 1% 1/4W
R23, 25	1-214-180-00	RES, METAL 100K 1% 1/4W
R29, 33	1-214-350-00	RES, METAL 5.6K 0.1% 1/8W
RV2	1-228-305-00	RES, VAR, CERMET 1K
RV1	1-228-307-00	RES, VAR, CERMET 5K
RB1	1-231-410-00	RES BLOCK, 10Kx8
R18, 19, 20, 21, 22, 24	1-247-800-00	RES, CARBON 51 5% 1/6W

Ref.No. or Qty	Part No.	Description	Ref.No. or Qty	Part No.	Description
(TT-01 BOARD,BVH-2000PS/TTP)			(TT-01 BOARD,BVH-2000PS/TTP)		
R7	1-247-817-00	RES,CARBON 270 5% 1/6W	D4,5	8-719-100-28	DIODE RD4.7E-B3
R46	1-247-818-00	RES,CARBON 300 5% 1/6W	D6,7	8-719-151-07	DIODE RD5.1E-B
R59	1-247-825-00	RES,CARBON 560 5% 1/6W	D2,3,9,10,11,12,13,14, 15,16	8-719-200-02	DIODE 10E2
R53	1-247-827-00	RES,CARBON 680 5% 1/6W	D1,8	8-719-815-55	DIODE 1S1555
R55	1-247-828-00	RES,CARBON 750 5% 1/6W	Q1	8-729-117-54	TRANSISTOR 2SA1175
R11,49,56	1-247-831-00	RES,CARBON 1K 5% 1/6W	Q10,17,18	8-729-177-43	TRANSISTOR 2SD774
R60,61	1-247-833-00	RES,CARBON 1.2K 5% 1/6W	Q6	8-729-373-92	TRANSISTOR 2SB739
R16,17	1-247-834-00	RES,CARBON 1.3K 5% 1/6W	Q5	8-729-378-84	TRANSISTOR 2SD788
R2,6,10	1-247-839-00	RES,CARBON 2.2K 5% 1/6W	Q15,16	8-729-398-62	TRANSISTOR 2SC1986
R5,54	1-247-842-00	RES,CARBON 3K 5% 1/6W	Q2,3,4,7,8,9,11,12,13, 14	8-729-606-32	TRANSISTOR 2SC2603
R14	1-247-847-00	RES,CARBON 4.7K 5% 1/6W	IC6	8-759-045-84	IC MC14584BCP,CMOS
R4,9	1-247-853-00	RES,CARBON 8.2K 5% 1/6W	IC1,4	8-759-145-58	IC UPC4558C
R1,3,8,48,50,57,58	1-247-855-00	RES,CARBON 10K 5% 1/6W	IC5	8-759-240-30	IC TC4030BP,CMOS
R44,47	1-247-859-00	RES,CARBON 15K 5% 1/6W	IC2,3	8-759-700-10	IC NJM4558DMD
R51,52	1-247-863-00	RES,CARBON 22K 5% 1/6W	IC7	8-759-900-05	IC SN74LS05N,TTL
R42	1-247-883-00	RES,CARBON 150K 5% 1/6W			
R45	1-247-896-00	RES,CARBON 510K 5% 1/6W			
R43	1-247-901-00	RES,CARBON 820K 5% 1/6W			
L2	1-408-421-00	INDUCTOR,MICRO,100 5%			
L1,3	1-409-339-00	COIL,SN			
CN007M ( )	1-560-299-00	RECEP,2P,MALE			
CN001M,008M,009M ( )	1-560-300-00	RECEP,3P,MALE			
CN005M,006M ( )	1-560-301-00	RECEP,4P,MALE			
CN003M,004M ( )	1-560-302-00	RECEP,5P,MALE			
CN002M ( )	1-560-305-00	RECEP,10P,MALE			
CN010M ( )	1-560-729-00	RECEP,34P,MALE			
TP1	3-673-805-01	TERMINAL,TP			
TPE2	3-673-805-11	TERMINAL,TP			
4pcs	4-866-397-00	CUSHION,LED			

**HM-06/TM-16, HM-05, MOTOR, TD-05, TH-03**

Ref.No.  
or Q'ty Part No. Description

HM-06 OR TM-16 BOARD (BVH-2000PS/TTP)

HM-06 Board Applicable Serial No.  
10001 - 11199

TM-16 Board Applicable Serial No.  
11201 & up

1pc (for HM-06 board)  
( ) 1-606-700-00 PC BOARD, HM-06,  
WITHOUT COMPONENT

1pc (for TM-16 board)  
( ) 1-609-959-00 PC BOARD, TM-16,  
WITHOUT COMPONENT

R1 1-214-134-00 RES, METAL 1.2K 1% 1/4W  
R4 1-214-138-00 RES, METAL 1.8K 1% 1/4W  
R3 1-214-175-00 RES, METAL 62K 1% 1/4W  
R2 1-214-178-00 RES, METAL 82K 1% 1/4W  
R5 1-214-958-00 RES, METAL 560K 1% 1/4W

4pcs 1-517-072-00 HOLDER, LAMP  
TM2,3 1-548-119-00 HOURS METER

S1 (for TM-16 board)  
1-553-441-21 SWITCH, TOGGLE

CN022M ( ) 1-560-310-00 RECEPTACLE, 4P, MALE  
TP1,2 ( ) 3-673-805-01 TERMINAL, TP  
TPE ( ) 3-673-805-11 TERMINAL, TP  
2pcs 7-621-981-15 SCREW, PSW 2.6x6

HM-05 BOARD (BVH-2000PS/TTP)

1pc ( ) 1-606-699-00 PC BOARD, HM-05,  
WITHOUT COMPONENT

R2 1-214-165-00 RES, METAL 24K 1% 1/4W  
R1 1-214-170-00 RES, METAL 39K 1% 1/4W  
R3 1-214-788-00 RES, METAL 300K 1% 1/4W  
2pcs 1-517-072-00 HOLDER, LAMP  
TM1 1-548-119-00 HOURS METER

CN021M ( ) 1-560-310-00 RECEPTACLE, 4P, MALE  
TP1 ( ) 3-673-805-01 TERMINAL, TP  
TPE ( ) 3-673-805-11 TERMINAL, TP  
2pcs 7-621-981-15 SCREW, PSW 2.6x6

Ref.No.  
or Q'ty Part No. Description

MOTOR BOARD (BVH-2000PS/TTP)

1pc ( ) 1-602-615-11 PC BOARD, MOTOR,  
WITHOUT COMPONENT

C301,302 1-108-577-00 CAP, MYLAR 0.0082 5% 50V  
R305,306,312,313  
1-214-108-00 RES, METAL 100 1% 1/4W  
R301 1-214-116-00 RES, METAL 220 1% 1/4W  
R316 1-214-124-00 RES, METAL 470 1% 1/4W  
R302,303,304,309,310,  
311 1-214-132-00 RES, METAL 1K 1% 1/4W  
R307,314 1-214-174-00 RES, METAL 56K 1% 1/4W  
R308,315 1-214-180-00 RES, METAL 100K 1% 1/4W  
RT301 1-224-490-00 RES, VAR, METAL 4.7K  
RT302 1-224-660-00 RES, VAR, METAL 1K

TP-01,02,6  
( ) 1-536-354-00 TERMINAL, TP

CN024M ( ) 1-560-301-00 RECEPTACLE, 4P, MALE  
H301,302 8-719-800-17 DIODE 1N4148  
D301 8-719-936-08 DIODE 1N4148  
Q301,303 8-729-141-42 TRANSISTOR 2SD414-R  
Q302,304 8-729-154-82 TRANSISTOR 2SB548-R  
IC301 8-759-700-58 IC NJM4558DFA

TD-05 BOARD (BVH-2000PS/TTP)

1pc ( ) 1-606-702-00 PC BOARD, TD-05,  
WITHOUT COMPONENT

CN006F ( ) 1-509-985-00 PLUG, HOUSING, 4P  
( ) 1-560-298-00 CONTACT, FEMALE

1pc 7-621-972-25 SCREW, PS 2.6x6  
1pc 7-621-972-35 SCREW, PS 2.6x8

PH1 8-719-411-02 PHOTO INTERRUPTER,  
ON1102S.S0

TH-03 BOARD (BVH-2000PS/TTP)

1pc ( ) 1-606-701-00 PC BOARD, TH-03,  
WITHOUT COMPONENT

S1,2 1-553-117-41 SWITCH, REED  
CN023M ( ) 1-560-311-00 RECEPTACLE, 5P, MALE



Ref.No. or Qty	Part No.	Description
<u>TR-07 BOARD (BVH-2000PS/TTP)</u>		
1pc	( ) 1-606-698-00	PC BOARD,TR-07, WITHOUT COMPONENT
CN005F	( ) 1-509-985-00 ( ) 1-560-298-00	PLUG,HOUSING,4P CONTACT,FEMALE
2pcs	7-687-603-14	SCREW,BTP 2.6x6
DME1	8-745-211-00 ( ) 3-673-694-00	DME DM211 HOLDER,DME

Ref.No. or Qty	Part No.	Description
<u>HD-06 BOARD (BVH-2000PS/TTP)</u>		
1pc	( ) 1-606-679-00	PC BOARD,HD-06, WITHOUT COMPONENT

Ref.No. or Qty	Part No.	Description
<u>CEH-2 BOARD (BVH-2000PS/TTP)</u>		
1pc	( ) 1-588-946-00	PC BOARD,CEH-2, WITHOUT COMPONENT

Ref.No. or Qty	Part No.	Description
<u>HD-07 BOARD (BVH-2000PS-00,02/TTP)</u>		
2pcs (for 02 model) 1pc (for 00 model)	( ) 1-606-680-00	PC BOARD,HD-07, WITHOUT COMPONENT

Ref.No. or Qty	Part No.	Description
<u>HD-08 BOARD (BVH-2000PS-04/TTP)</u>		
2pcs (for 04 model)	( ) 1-606-681-00	PC BOARD,HD-08 WITHOUT COMPONENT

Ref.No. or Qty	Part No.	Description
<u>VR-05 BOARD (BVH-2000PS-00,02/LEVEL COONT PNL)</u>		
1pc (for 00/02 model)	( ) A-6013-042-A	COMPLETE PCB,VR-05 (This assembly includes the following parts.)
C1,3	1-123-333-00	CAP,ELECT 100 25V
C6,7,9,10,12,13	1-131-341-00	CAP,TANT 0.1 10% 35V
C11,14	1-131-359-00	CAP,TANT 10 10% 25V
C5,8	1-131-373-00	CAP,TANT 22 10% 16V
C2,4	1-161-055-00	CAP,CERAMIC 0.022 10% 50V
R1,2	1-206-473-00	RES,METAL 27 5% 2W
RV3,5,7,9,11,13	1-224-919-00	RES,VAR,METAL 5K
RV15	1-224-920-00	RES,VAR,METAL 10K
RV4,6,8,10,12,14	1-228-548-00	RES WITH SW,VAR,CARBON 10K(A)
RV16,17	1-228-549-00	RES WITH SW,VAR,CARBON 10K(B)
RV1	1-228-550-00	RES,VAR,CARBON 10K(A)x2
RV2	1-228-551-00	RES WITH SW,VAR,CARBON 2K(A)x2
R12,13,16,19,20,23,27, 28,30,31	1-247-807-00	RES,CARBON 100 5% 1/6W
R8,10	1-247-813-00	RES,CARBON 180 5% 1/6W
R7,9	1-247-828-00	RES,CARBON 750 5% 1/6W
R3,4,5,6	1-247-836-00	RES,CARBON 1.6K 5% 1/6W

Ref.No. or Q'ty	Part No.	Description
(VR-05 BOARD, BVH-2000PS-00, 02/LEVEL CONT PNL)		
R33, 35, 36, 38, 39, 41	1-247-843-00	RES, CARBON 3.3K 5% 1/6W
R17, 24, 32	1-247-850-00	RES, CARBON 6.2K 5% 1/6W
R14, 15, 21, 22	1-247-855-00	RES, CARBON 10K 5% 1/6W
R11, 18, 25	1-247-862-00	RES, CARBON 20K 5% 1/6W
R34, 37, 40	1-247-869-00	RES, CARBON 39K 5% 1/6W
R26, 29	1-247-879-00	RES, CARBON 100K 5% 1/6W
J1	1-507-552-21	JACK, PHONE
CN802M, 803M	( ) 1-560-301-00	RECEP, 4P, MALE
CN805M, 808M	( ) 1-560-302-00	RECEP, 5P, MALE
CN800M, 801M, 812M	( ) 1-560-303-00	RECEP, 6P, MALE
CN811M	( ) 1-560-304-00	RECEP, 8P, MALE
CN804M, 806M, 810M	( ) 1-560-305-00	RECEP, 10P, MALE
CN807M, 809M	( ) 1-560-306-00	RECEP, 12P, MALE
IC1, 2, 3	8-759-745-59	IC NJM4559D

Ref.No. or Q'ty	Part No.	Description
VR-07 BOARD (BVH-2000PS-04/LEVEL CONT PNL)		
1pc (for 04 model)		
( ) A-6013-056-A COMPLETE PCB, VR-07 (This assembly includes the following parts.)		
C1, 3	1-123-333-00	CAP, ELECT 100 25V
C5, 6, 8, 9, 12, 13, 16, 17	1-131-341-00	CAP, TANT 0.1 10% 35V
C7, 10, 11, 14, 15, 18	1-131-359-00	CAP, TANT 10 10% 25V
C2, 4	1-161-055-00	CAP, CERAMIC 0.022 10% 50V
R1, 2	1-206-473-00	RES, METAL 27 5% 2W
RV2, 4, 6, 8, 10, 12, 14, 16	1-224-919-00	RES, VAR, METAL 5K
RV18	1-224-920-00	RES, VAR, METAL 10K
RV3, 5, 7, 9, 11, 13, 15, 17	1-228-548-00	RES WITH SW, VAR, CARBON 10K (A)
RV19, 20	1-228-549-00	RES WITH SW, VAR, CARBON 10K (B)
RV1	1-228-550-00	RES, VAR, CARBON 10K (A) x2
R6, 7, 9, 11, 16, 17, 19, 21, 27, 28, 30, 32, 38, 39, 41, 43	1-247-807-00	RES, CARBON 100 5% 1/6W
R5, 10, 15, 20, 25, 31, 36, 42	1-247-843-00	RES, CARBON 3.3K 5% 1/6W

Ref.No. or Qty	Part No.	Description
(VR-07 BOARD, BVH-2000PS-04/LEVEL CONT PNL)		
R12, 22, 33, 44	1-247-850-00	RES, CARBON 6.2K 5% 1/6W
R3, 13, 23, 34	1-247-862-00	RES, CARBON 20K 5% 1/6W
R4, 14, 24, 35	1-247-869-00	RES, CARBON 39K 5% 1/6W
R8, 18, 26, 29, 37, 40	1-247-879-00	RES, CARBON 100K 5% 1/6W
J1	1-507-552-21	JACK, PHONE
CN802M, 803M	( ) 1-560-301-00	RECEP, 4P, MALE
CN805M, 808M	( ) 1-560-302-00	RECEP, 5P, MALE
CN800M, 801M, 812M	( ) 1-560-303-00	RECEP, 6P, MALE
CN811M	( ) 1-560-304-00	RECEP, 8P, MALE
CN804M, 806M, 810M	( ) 1-560-305-00	RECEP, 10P, MALE
CN807M, 809M	( ) 1-560-306-00	RECEP, 12P, MALE
IC1, 2, 3, 4	8-759-745-59	IC NJM4559D

Ref.No. or Qty	Part No.	Description
ML-02 BOARD (BVH-2000PS-00, 02/LEVEL CONT PNL)		
1pc (for 00/02 model)		
	( ) 1-606-711-00	PC BOARD, ML-02, WITHOUT COMPONENT
R1, 2, 3, 4	1-247-121-00	RES, CARBON 390 5% 1/4W
R5	1-247-233-00	RES, CARBON 510 5% 1/2W
CN811F	( ) 1-509-988-00	PLUG, HOUSING, 8P
	( ) 1-560-298-00	CONTACT, FEMALE
SW1	1-516-994-00	SWITCH, SLIDE
6pcs	4-866-397-00	CUSHION, LED
D33, 34, 35	8-719-952-51	LED, AA5525S, ORG
D1, 2, 3, 4, 5, 6, 7, 8, 9, 10, 11, 12, 13, 14, 15, 16, 17, 18, 19, 20, 21, 22, 23, 24, 25, 26, 27, 28, 29, 30, 31, 32	8-719-955-25	LED, PY5525S, YEL

ML-03 BOARD (BVH-2000PS-04/LEVEL CONT PNL)

1pc (for 04 model)		
	( ) 1-606-712-00	PC BOARD, ML-03 WITHOUT COMPONENT
R1, 2, 3, 4, 5	1-247-121-00	RES, CARBON 390 5% 1/4W
R6	1-247-233-00	RES, CARBON 510 5% 1/2W
CN811F	( ) 1-509-988-00	PLUG, HOUSING, 8P
	( ) 1-560-298-00	CONTACT, FEMALE
SW1	1-516-994-00	SWITCH, SLIDE
6pcs	4-866-397-00	CUSHION, LED
D41, 42, 43	8-719-952-51	LED, AA5525S, ORG

Ref.No. or Q'ty	Part No.	Description
<u>(ML-03 BOARD, BVH-2000PS-04/LEVEL CONT FNL)</u>		
D1,2,3,4,5,6,7,8,9,10, 11,12,13,14,15,16,17, 18,19,20,21,22,23,24, 25,26,27,28,29,30,31, 32,33,34,35,36,37,38, 39,40	8-719-955-25	LED, PY5525S, YEL

MS-07 BOARD (BVH-2000PS-00,02/LEVEL CONT FNL)

1pc	( ) 1-606-709-00	PC BOARD, MS-07, WITHOUT COMPONENT
R1,2,3,4,5,6,7,8,9,10, 11,12	1-247-811-00	RES, CARBON 150 5% 1/6W
SW1,2,3,4,5,6,7,8,9,10, 11,12	1-554-048-00	SWITCH, PUSH
CN821M	( ) 1-560-729-00	RECEP, 34P, MALE

MS-08 BOARD (BVH-2000PS-04/LEVEL CONT FNL)

1pc (for 04 model)	( ) 1-606-710-00	PC BOARD, MS-08 WITHOUT COMPONENT
R1,2,3,4,5	1-247-811-00	RES, CARBON 150 5% 1/6W
SW1,2,3,4,5	1-554-048-00	SWITCH, PUSH
CN821M	( ) 1-560-729-00	RECEP, 34P, MALE

Ref.No. or Q'ty	Part No.	Description
--------------------	----------	-------------

AC-39 BOARD (BVH-2000PS/POWER SUPPLY)

1pc ( ) A-4925-001-A  $\Delta$  COMPLETE PCB, AC-39

(This assembly includes the following parts.)

C323	1-123-885-00	CAP, ELECT 47 10V
C315,316	1-123-890-00	CAP, ELECT 2.2 400V

C322,324,330,331	1-123-903-00	CAP, ELECT 47 16V
------------------	--------------	-------------------

C321,325	1-124-115-00	CAP, ELECT 10 16V
C332	1-124-116-00	CAP, ELECT 22 16V
C320	1-124-164-00	CAP, ELECT 4.7 50V
C317	1-130-777-00	CAP, POLY 0.1 5% 100V
C318,319	1-130-781-00	CAP, POLY 0.22 5% 100V

C301,302,304	1-130-917-00	$\Delta$ CAP, POLY 0.1 20% 250V
--------------	--------------	---------------------------------

C305,306,307,308,309, 310,311,312,313,314, 326,327,328,329	1-130-926-00	$\Delta$ CAP, POLY 0.0033 20% 250V
--	--------------	------------------------------------

R301	1-202-726-00	$\Delta$ RES, COMP 3.9M 10% 1/2W
------	--------------	----------------------------------

R316,317	1-205-677-00	RES, WIREWOUND 1K 5% 5W
R315,341	1-205-678-00	RES, WIREWOUND 16K 5% 5W

R302,303,360	1-205-679-00	RES, WIREWOUND 3.3 5% 20W
--------------	--------------	---------------------------

R306	1-212-372-00	RES, METAL 10 5% 1W
R333	1-214-475-00	RES, METAL 68K 5% 2W
R304,305	1-214-918-00	RES, METAL 160K 1% 1/2W
RV303	1-228-867-00	RES, VAR, METAL 2K

RV301,302	1-228-868-00	RES, VAR, METAL 10K
-----------	--------------	---------------------

Ref.No. or Qty	Part No.	Description
(AC-39 BOARD,BVH=2000PS/POWER SUPPLY)		
R323,350	1-246-525-00	RES,CARBON 150K 5% 1/4W
R336	1-246-543-00	RES,CARBON 820K 5% 1/4W
R332,358	1-247-083-00	RES,CARBON 10 5% 1/4W
R319,324,325,337	1-247-107-00	RES,CARBON 100 5% 1/4W
R314,318,326,331,338, 339,347,359	1-247-131-00	RES,CARBON 1K 5% 1/4W
R309	1-247-141-00	RES,CARBON 2.7K 5% 1/4W
R310,330	1-247-143-00	RES,CARBON 3.3K 5% 1/4W
R312,335	1-247-147-00	RES,CARBON 4.7K 5% 1/4W
R322,329	1-247-149-00	RES,CARBON 5.6K 5% 1/4W
R308	1-247-152-00	RES,CARBON 7.5K 5% 1/4W
R311,313,328,348,353	1-247-155-00	RES,CARBON 10K 5% 1/4W
R352	1-247-159-00	RES,CARBON 15K 5% 1/4W
R356	1-247-161-00	RES,CARBON 18K 5% 1/4W
R349,354	1-247-167-00	RES,CARBON 33K 5% 1/4W
R357	1-247-171-00	RES,CARBON 47K 5% 1/4W
R351,355	1-247-175-00	RES,CARBON 68K 5% 1/4W
R327	1-247-232-00	RES,CARBON 470 5% 1/2W
R321,334,342,346	1-247-281-00	RES,CARBON 51K 5% 1/2W
R344,345	1-247-269-00	RES,CARBON 16K 5% 1/2W
R320,343	1-247-270-00	RES,CARBON 18K 5% 1/2W
R307,340	1-247-766-00	RES,CARBON 200K 5% 1/2W
L301,302	1-421-532-00	COIL,CHOKE
L303	1-421-534-00	TRANSFORMER,CHOKE
L306	1-441-855-00	COIL,CHOKE
L304,305	1-459-215-00	COIL,CHOKE
CN309F,310F	( ) 1-509-984-00	PLUG,HOUSING,3P
	( ) 1-560-298-00	CONTACT,FEMALE
RY301	1-515-474-00	RELAY,12V 180-OHM
F301	1-532-496-00	FUSE,109°C

Ref.No. or Qty	Part No.	Description
(AC-39 BOARD,BVH=2000PS/POWER SUPPLY)		
CN303M	( ) 1-560-176-00	RECEP,2P,MALE
CN312M	( ) 1-560-177-00	RECEP,4P,MALE
CN309M,310M	( ) 1-560-300-00	RECEP,3P,MALE
CN305M,311M	( ) 1-560-310-00	RECEP,4P,MALE
C306M	( ) 1-560-753-00	RECEP,5P,MALE
CN308M	( ) 1-560-888-00	RECEP,3P,MALE
CN307M	( ) 1-560-889-00	RECEP,5P,MALE
CN304F	( ) 1-561-977-00	RECEP,2P,FEMALE
CN301F	( ) 1-561-978-00	RECEP,3P,FEMALE
CN302F	( ) 1-561-979-00	RECEP,4P,FEMALE
D332	8-719-100-34	DIODE RD5,6E-B1
D303,304,314,318,323	8-719-100-40	DIODE RD6,8E-B1
D334	8-719-100-56	DIODE RD10E-B1
D306,307	8-719-100-70	DIODE RD15E-B1
D310	8-719-100-98	DIODE RD30E-B2
D311	8-719-104-17	DIODE 2P5M
D308	8-719-107-87	DIODE 03P2M
D312,313,321,322	8-719-110-00	DIODE RD100E
D309,320	8-719-200-02	DIODE 10E2
PH301	8-719-411-12	PHOTOINTERRUPTER ON1102
D301	8-719-500-07	DIODE S25VB60
D302,305,315,316,317, 319,324,325,326,327, 333	8-719-815-55	DIODE 1S1555
D328,329,330,331	8-719-911-55	DIODE U05G

Ref.No. or Q'ty	Part No.	Description
(AC-39 BOARD, BVH-2000PS/POWER SUPPLY)		
Q304	8-729-177-43	TRANSISTOR 2SD774
Q303	8-729-217-33	TRANSISTOR 2SC1173
Q302, 308	8-729-612-77	TRANSISTOR 2SA1027R
Q301, 305, 306, 307, 309	8-729-663-47	TRANSISTOR 2SC1364
IC301	8-759-132-40	IC UPC324C

FV-02 BOARD (BVH-2000PS/POWER SUPPLY)

1pc ( ) A-4925-004-A  $\Delta$  COMPLETE PCB, FV-02

(This assembly includes the following parts.)

1pc ( ) A-4925-011-A COMPLETE PCB, FV-03  
 1pc ( ) A-4925-012-A COMPLETE PCB, CT-36-2  
 1pc ( ) A-4925-013-A COMPLETE PCB, CT-36-3

Q601&602,  
 603&604 X-3673-684-0 TRANSISTOR 2SC2555, 2pcs  
 This part is the kit of two transistors.  
 Replace Q601&602 at the same time.  
 Replace Q603&604 at the same time.

C617, 633 1-108-587-00 CAP, MYLAR 0.022 5% 50V  
 C635, 636 1-123-324-00 CAP, ELECT 1000 16V

C603, 604, 619, 620  
 1-123-601-00 CAP, ELECT 4.7 250V

Ref.No. or Q'ty	Part No.	Description
(FV-02 BOARD, BVH-2000PS/POWER SUPPLY)		
C613, 629, 640, 684, 691	1-123-961-00	CAP, ELECT 330 16V
C608, 609, 610, 624, 625 626, 699	1-124-129-00	CAP, ELECT 2200 25V
C602, 618	1-125-290-00	CAP, ELECT 47 400V
C611, 612, 614, 615, 616, 627, 628, 630, 631, 632, 637, 638, 639, 641, 681, 682, 683, 685, 690, 692	1-130-777-00	CAP, POLY 0.1 10% 100V
C601	1-130-808-00	CAP, POLY 0.22 10% 400V
C605, 621	1-161-740-00 $\Delta$	CAP, CERAMIC 470PF 10% 400V

C606, 622, 642, 643, 644  
 1-161-741-00  $\Delta$  CAP, CERAMIC  
 0.001 10% 400V

C607, 623, 634  
 1-161-742-00  $\Delta$  CAP, CERAMIC  
 0.0022 20% 400V

C686, 687, 688, 689  
 1-161-915-00 CAP, CERAMIC  
 0.001 10% 500V  
 R604, 613 1-205-622-00 RES, WIREWOUND 33 5% 5W

R606, 615, 618  
 1-205-623-00 RES, WIREWOUND 47 5% 5W  
 R605, 614 1-205-631-00 RES, WIREWOUND 15 5% 5W  
 R603, 612 1-205-641-00 RES, WIREWOUND 330 5% 5W  
 R607, 616 1-205-657-00 RES, WIREWOUND 150 5% 5W  
 R621 1-244-941-00 RES, CARBON 680K 5% 1/2W  
 R608, 617 1-247-079-00 RES, CARBON 4.7 5% 1/4W

R601, 602, 610, 611  
 1-247-087-00 RES, CARBON 15 5% 1/4W

Ref.No. or Qty	Part No.	Description
(FV-02 BOARD, BVH-2000PS/POWER SUPPLY)		
R619	1-247-123-00	RES,CARBON 470 5% 1/4W
R609,620	1-247-244-00	RES,CARBON 1500 5% 1/2W
L681	1-421-225-00	FILTER,LINE
L610	1-421-259-00	FILTER,LINE
L609	1-421-370-00	COIL,CHOKE
L608	1-421-431-00	COIL,CHOKE

T603,606	1-421-460-00	TRANSFORMER,CURRENT
----------	--------------	---------------------

L601	1-421-470-21	FILTER,LINE
L603,606	1-421-506-00	COIL,CHOKE
L602,605	1-421-531-00	COIL,CHOKE
L604,607	1-421-535-00	FILTER,LINE
L682	1-421-538-00	FILTER,LINE

T602,605	1-447-106-00	TRANSFORMER,DRIVE
----------	--------------	-------------------

T601	1-447-329-00	TRANSFORMER,CONVERTER
------	--------------	-----------------------

T604	1-447-330-00	TRANSFORMER,CONVERTER
------	--------------	-----------------------

S602	1-554-047-00	SWITCH,THERMAL REED 90°C
S601	1-554-047-21	SWITCH,THERMAL REED 70°C
CN601M	( ) 1-560-176-00	RECEP,2P,MALE
CN603M	( ) 1-560-300-00	RECEP,3P,MALE
CN602M	( ) 1-560-305-00	RECEP,10P,MALE

CN930M,931M	( ) 1-560-309-00	RECEP,3P,MALE
-------------	------------------	---------------

CN926M	( ) 1-560-314-00	RECEP,10P,MALE
CN927M	( ) 1-560-887-00	RECEP,17P,MALE
D608	8-719-100-67	DIODE RD13E-B1
D607	8-719-300-29	DIODE CTG-31S
D603,606	8-719-820-15	LED,TLG115A,GRN

D601,602,604,605	8-719-902-43	DIODE ESAD33-02CS
------------------	--------------	-------------------

Q605	8-729-331-53	TRANSISTOR 2SC2315
------	--------------	--------------------

Ref.No. or Qty	Part No.	Description
-------------------	----------	-------------

VV-01 BOARD (BVH-2000PS/POWER SUPPLY)

1pc	( ) A-4925-003-A	COMPLETE PCB,VV-01
-----	------------------	--------------------

(This assembly includes the following parts.)

4pcs	( ) A-4925-006-A	COMPLETE PCB,CT-37
3pcs	( ) A-4925-015-A	COMPLETE PCB,CT-36-7

Q201&202, 205&206, 209&210	X-3673-684-0	TRANSISTOR 2SC2555,2pcs
This part is the kit of two transistors.		
Replace Q201&Q202 at the same time.		
Replace Q205&Q206 at the same time.		
Replace Q209&Q210 at the same time.		

C212,227,241	1-106-190-00	CAP,MYLAR 0.0056 5% 100V
--------------	--------------	-----------------------------

C265,266,267	1-108-377-00	CAP,MYLAR 0.01 10% 100V
--------------	--------------	-------------------------

C208,214,222,229,237, 244,252	1-108-587-00	CAP,MYLAR 0.022 5% 50V
----------------------------------	--------------	------------------------

C204,205,219,220,234, 235	1-123-601-00	CAP,ELECT 4.7 250V
------------------------------	--------------	--------------------

C217,232,247,255	1-123-961-00	CAP,ELECT 330 16V
------------------	--------------	-------------------

C216,231,246,254	1-124-131-00	CAP,ELECT 47 100V
------------------	--------------	-------------------

C211,213,215,226,228, 230,242,243,245,250, 251,253	1-124-132-00	CAP,ELECT 330 100V
--	--------------	--------------------

C202,203	1-125-290-00	CAP,ELECT 47 400V
----------	--------------	-------------------

C207,209,218,223,224, 233,238,239,248,256, 260,261,262,263,264	1-130-777-00	CAP,POLY,0.1 10% 100V
--	--------------	-----------------------

C201	1-130-808-00	CAP,POLY,0.22 10% 400V
------	--------------	------------------------

Ref.No.  
or Qty Part No. Description

(VV-01 BOARD,BVH-2000PS/POWER SUPPLY)

C210,225,240

1-161-740-00  $\Delta$  CAP,CERAMIC  
470PF 10% 400V

C206,221,236,249,257,

258,259 1-161-741-00  $\Delta$  CAP,CERAMIC  
0.001 10% 400V

R205,215,223,232,238,

247,256 1-205-623-00 RES,WIREWOUND 47 5% 5W

R207,208,224,225,241,

242,252,253  
1-205-624-00 RES,WIREWOUND 100 5% 5W

R201,218,235

1-205-625-00 RES,WIREWOUND 220 5% 5W

R206,221,239

1-205-657-00 RES,WIREWOUND 150 5% 5W

R212,229,246,255

1-217-596-00 RES,METAL 0.05 10% 2W

R262

1-244-941-00 RES,CARBON 680K 5% 1/2W

R213,230,249,257

1-247-071-00 RES,CARBON 1 5% 1/4W

R204,222,240

1-247-080-00 RES,CARBON 5.6 5% 1/4W

R202,203,219,220,236,

237 1-247-087-00 RES,CARBON 15 5% 1/4W

R214,231,250,258

1-247-107-00 RES,CARBON 100 5% 1/4W

R216,233,248,263

1-247-125-00 RES,CARBON 560 5% 1/4W

R211,228,244

1-247-161-00 RES,CARBON 18K 5% 1/4W

Ref.No.  
or Qty Part No. Description

(VV-01 BOARD,BVH-2000PS/POWER SUPPLY)

R209,226,245

1-247-167-00 RES,CARBON 33K 5% 1/4W

R217,234,251

1-247-168-00 RES,CARBON 36K 5% 1/4W

R210,227,243

1-247-176-00 RES,CARBON 75K 5% 1/4W

R254

1-247-274-00 RES,CARBON 27K 5% 1/2W

L205,210,215,220

1-421-329-00 COIL,CHOKE

L206,211,216,221

1-421-458-00 FILTER,LINE

T202,206,210

1-421-460-00  $\Delta$  TRANSFORMER,CURRENT

L201

1-421-470-21 FILTER,LINE

L202,207,212,217

1-421-539-00 COIL,CHOKE

L204,209,214,219

1-421-540-00 COIL,CHOKE

T204,208,212,213

1-437-114-00 TRANSFORMER,DRIVE

T203,207,211

1-447-106-00  $\Delta$  TRANSFORMER,DRIVE

T201,205

1-447-334-00  $\Delta$  TRANSFORMER,CONVERTER

T209

1-447-335-00  $\Delta$  TRANSFORMER,CONVERTER

CN201M ( ) 1-560-176-00

RECEP,2P,MALE

CN202M,203M

( ) 1-560-303-00

RECEP,6P,MALE



Ref.No. or Qty	Part No.	Description
(VV-01 BOARD, BVH-2000PS/POWER SUPPLY)		
CN925M	(1) 1-560-313-00	RECEP, 8P, MALE
CN924M	(1) 1-560-886-00	RECEP, 11P, MALE
D204, 208, 212, 216		
	8-719-300-29	DIODE CTG-31S
D201, 205, 209, 213		
	8-719-300-52	DIODE CTU-38R
D202, 206, 210, 214		
	8-719-300-53	DIODE CTU-38S
D203, 207, 211, 215		
	8-719-981-01	DIODE ERA81-004
Q204, 208, 212, 214		
	8-729-177-43	TRANSISTOR 2SD774
Q203, 207, 211, 213		
	8-729-994-43	TRANSISTOR 2SC2944

Ref.No. or Qty	Part No.	Description
FV-01 BOARD (BVH-2000PS/POWER SUPPLY)		

1pc (1) A-4925-002-A  $\Delta$  COMPLETE PCB, FV-01

(This assembly includes the following parts.)

1pc	(1) A-4925-005-A	COMPLETE PCB, CT-36-1
1pc	(1) A-4925-007-A	COMPLETE PCB, CT-38
1pc	(1) A-4925-008-A	COMPLETE PCB, PA-19
1pc	(1) A-4925-009-A	COMPLETE PCB, ST-21
1pc	(1) A-4925-014-A	COMPLETE PCB, CT-36-4
Q101&102, 103&104 X-3673-684-0 TRANSISTOR 2SC2555, 2pcs This part is the kit of two transistors. Replace Q101&102 at the same time. Replace Q103&104 at the same time.		
Q105&106 X-3673-685-0 TRANSISTOR 2SC2654, 2pcs This part is the kit of two transistors. Replace Q105&106 at the same time.		
C180	1-108-555-00	CAP, MYLAR 0.001 5% 50V
C112, 135	1-108-587-00	CAP, MYLAR 0.022 5% 50V
C175, 177, 179		
	1-123-356-00	CAP, ELECT 10 50V
C103, 104, 123, 124		
	1-123-601-00	CAP, ELECT 4.7 250V
C127, 128, 148, 151, 152, 153, 154, 155, 156, 157, 158, 159, 160, 161, 162, 163, 164, 165, 166, 167, 168, 169, 170, 174, 176, 178 1-123-876-00 CAP, ELECT 330 25V		
C121, 146, 150		
	1-123-961-00	CAP, ELECT 330 16V
C113, 114, 115, 116, 117		
	1-123-962-00	CAP, ELECT 2200 16V
C137, 171, 172		
	1-124-126-00	CAP, ELECT 47 25V

Ref.No. or Q'ty	Part No.	Description
(FV-01 BOARD, BVH-2000PS/POWER SUPPLY)		
C140, 141, 143, 144	1-124-129-00	CAP, ELECT 2200 25V
C102, 122	1-125-290-00	CAP, ELECT 47 400V
C181	1-130-711-00	△ CAP, POLY 0.22 20% 250V
C106, 107, 108, 111, 118, 119, 120, 132, 133, 134, 139, 145, 147, 149	1-130-777-00	CAP, POLY 0.1 10% 100V
C101, 125	1-130-808-00	CAP, POLY 0.22 10% 400V
C173	1-130-918-00	CAP, POLYPROPYLENE 200PF 5% 50V
C105, 126, 138, 142	1-161-740-00	△ CAP, CERAMIC 470PF 10% 400V
C109, 129, 130, 131	1-161-741-00	△ CAP, CERAMIC 0.001 10% 400V
C110	1-161-742-00	△ CAP, CERAMIC 0.0022 20% 400V
C136	1-161-925-00	CAP, CERAMIC 100PF 10% 500V
R110, 116, 117	1-205-622-00	RES, WIREWOUND 33 5% 5W
R119	1-205-623-00	RES, WIREWOUND 47 5% 5W
R105, 118	1-205-625-00	RES, WIREWOUND 220 5% 5W
R109	1-205-631-00	RES, WIREWOUND 15 5% 5W
R101, 102, 111, 112	1-205-657-00	RES, WIREWOUND 150 5% 5W
R141, 142	1-205-658-00	RES, WIREWOUND 0.22 5% 5W
R135, 138	1-206-656-00	RES, METAL 470 5% 2W
R123	1-217-596-00	RES, METAL 0.05 10% 2W
R106, 120	1-247-079-00	RES, CARBON 4.7 5% 1/4W

Ref.No. or Q'ty	Part No.	Description
(FV-01 BOARD, BVH-2000PS/POWER SUPPLY)		
R103, 104, 113, 114	1-247-087-00	RES, CARBON 15 5% 1/4W
R126, 127	1-247-099-00	RES, CARBON 47 5% 1/4W
R134	1-247-107-00	RES, CARBON 100 5% 1/4W
R137, 140	1-247-108-00	RES, CARBON 110 5% 1/4W
R122, 133, 144, 145	1-247-131-00	RES, CARBON 1K 5% 1/4W
R131, 136, 139	1-247-143-00	RES, CARBON 3300 5% 1/4W
R132	1-247-147-00	RES, CARBON 4700 5% 1/4W
R107, 108, 143	1-247-200-00	RES, CARBON 22 5% 1/2W
R129	1-247-232-00	RES, CARBON 470 5% 1/2W
R115, 130	1-247-242-00	RES, CARBON 1200 5% 1/2W
R128	1-247-246-00	RES, CARBON 1800 5% 1/2W
R121	1-247-264-00	RES, CARBON 10K 5% 1/2W
L112, 132	1-421-225-00	FILTER, LINE
L107, 109	1-421-370-00	COIL, CHOKE
L111, 113, 115, 117, 118, 120, 122, 124, 126, 128, 130	1-421-421-00	COIL, CHOKE
L106, 108	1-421-431-00	COIL, CHOKE
L133	1-421-458-00	FILTER, LINE
T103, 107	1-421-460-00	△ TRANSFORMER, CURRENT
L101	1-421-470-21	FILTER, LINE
L103, 104	1-421-506-00	COIL, CHOKE
L102	1-421-533-00	COIL, CHOKE
L105	1-421-535-00	FILTER, LINE
L119	1-421-536-00	FILTER, LINE
L114, 116, 121, 123, 125, 127, 129, 131	1-421-537-00	FILTER, LINE

Ref.No. or Q'ty	Part No.	Description
(FV-01 BOARD,BVH-2000PS/POWER SUPPLY)		
T109	1-437-116-00	TRANSFORMER,PULSE
T106	1-447-053-00	TRANSFORMER, CONVERTER
T102, 105	1-447-106-00	TRANSFORMER, DRIVE
T101	1-447-328-00	TRANSFORMER, CONVERTER
T104	1-447-331-00	TRANSFORMER, CONVERTER
T108	1-447-332-00	TRANSFORMER, CONVERTER
L110	1-459-123-00	COIL, CHOKE
RY101, 102	1-515-482-00	RELAY, REED, 12V 340-OHM
S102	1-554-047-00	SWITCH, THERMAL REED 90°C
S101	1-554-047-21	SWITCH, THERMAL REED 70°C
CN101M ( )	1-560-176-00	RECEP, 2P, MALE
CN103M, 105M ( )	1-560-300-00	RECEP, 3P, MALE
CN102M, 104M ( )	1-560-301-00	RECEP, 4P, MALE
CN106M ( )	1-560-305-00	RECEP, 10P, MALE
CN107M ( )	1-560-306-00	RECEP, 12P, MALE
CN928M ( )	1-560-311-00	RECEP, 5P, MALE
CN923M ( )	1-560-312-00	RECEP, 6P, MALE
CN921M ( )	1-560-315-00	RECEP, 12P, MALE
CN922F ( )	1-561-086-00	PLUG, HOUSING, 9P
( )	1-561-067-00	CONTACT, FEMALE
D149, 150, 154	8-719-100-70	DIODE RD15E-B1
D153	8-719-100-87	DIODE RD22E-B3

Ref.No. or Q'ty	Part No.	Description
(FV-01 BOARD,BVH-2000PS/POWER SUPPLY)		
D105, 107, 108, 109, 110, 111, 112, 113, 114, 115, 116, 117, 118, 119, 120, 121, 122, 123, 124, 125, 126, 127, 128, 129, 130, 131, 132, 133, 134, 135, 136, 137, 138, 139, 140, 141, 142, 143, 144, 145	8-719-104-07	DIODE F114F
D106	8-719-200-02	DIODE 10E2
D101, 102	8-719-300-29	DIODE CTG-31S
D152	8-719-815-85	DIODE 1S1585
D146, 147, 148, 151	8-719-820-15	LED, TLG115A, GRN
D103, 104	8-719-902-43	DIODE ESAD33-02CS
Q109, 111	8-729-178-54	TRANSISTOR 2SC2785
Q107	8-729-194-57	TRANSISTOR 2SC945-P
Q112, 113	8-729-217-33	TRANSISTOR 2SC1173
Q108, 110	8-729-331-53	TRANSISTOR 2SC2315
IC102	8-759-178-05	IC UPC78L05
IC101	8-759-245-28	IC TC4528BP, CMOS

Ref.No. or Qty	Part No.	Description
<u>PS-14 BOARD (BVH-2000PS/POWER SUPPLY)</u>		
1pc	( ) A-6023-030-A	COMPLETE PCB,PS-14 (This assembly includes the following parts.)
C6, 16, 20, 25, 33, 38, 47, 50, 56, 60, 63, 68, 73	1-102-110-00	CAP,CERAMIC 220PF 10% 50V
C8, 17, 21, 26, 32, 37, 46, 51, 55, 59, 64, 67, 72	1-102-121-00	CAP,CERAMIC 0.0022 10% 50V
C18, 22, 34, 48, 57, 61, 88, 89, 90, 91, 92	1-123-308-00	CAP,ELECT 220 10V
C31	1-123-321-00	CAP,ELECT 220 50V
C24	1-123-332-00	CAP,ELECT 47 25V
C15, 19, 36, 44, 49, 54, 58, 62, 66, 71, 75, 98, 100	1-123-333-00	CAP,ELECT 100 25V
C102	1-123-356-00	CAP,ELECT 10 50V
C82	1-123-372-00	CAP,ELECT 33 63V
C10, 28, 40, 52, 70, 83, 118	1-123-380-00	CAP,ELECT 1 100V
C76, 81	1-123-851-00	CAP,ELECT 330 25V
C3, 4	1-123-862-00	CAP,ELECT 220 25V
C13, 42	1-123-880-11	CAP,ELECT, NONPOLAR 47 16V
C84, 86, 93, 95, 97	1-123-963-00	CAP,ELECT 100 25V
C9, 14, 27, 41, 43, 45, 53, 65, 103, 104, 105, 106, 107, 108, 109, 110, 111, 112, 113, 114, 115, 116, 117	1-161-055-00	CAP,CERAMIC 0.022 10% 50V

Ref.No. or Qty	Part No.	Description
<u>(PS-14 BOARD, BVH-2000PS/POWER SUPPLY)</u>		
C1, 2, 5, 77, 78, 79, 80, 85, 87, 94, 96, 99, 101	1-161-926-00	CAP,CERAMIC 0.22 10% 50V
R70, 111	1-212-364-00	RES,METAL 2.2 5% 1W
R58	1-212-366-00	RES,METAL 3.3 5% 1W
R75, 78	1-213-135-00	RES,METAL 220 5% 1W
R141, 144, 145	1-213-140-00	RES,METAL 560 5% 1W
R231	1-214-111-00	RES,METAL 130 1% 1/4W
R232	1-214-129-00	RES,METAL 750 1% 1/4W
R269	1-214-132-00	RES,METAL 1K 1% 1/4W
R89, 101	1-214-136-00	RES,METAL 1.5K 1% 1/4W
R207, 218	1-214-140-00	RES,METAL 2.2K 1% 1/4W
R155, 178, 191	1-214-144-00	RES,METAL 3.3K 1% 1/4W
R67, 108, 124	1-214-147-00	RES,METAL 4.3K 1% 1/4W
R135, 163, 200, 212	1-214-149-00	RES,METAL 5.1K 1% 1/4W
R96	1-214-150-00	RES,METAL 5.6K 1% 1/4W
R85, 87, 151, 153, 174, 176, 185, 187, 221, 223	1-214-151-00	RES,METAL 6.2K 1% 1/4W
R98	1-214-152-00	RES,METAL 6.8K 1% 1/4W
R133, 161, 198, 210	1-214-153-00	RES,METAL 7.5K 1% 1/4W
R69, 110, 122	1-214-158-00	RES,METAL 12K 1% 1/4W
R68, 109, 123	1-214-163-00	RES,METAL 20K 1% 1/4W

Ref.No. or Qty	Part No.	Description
(PS-14 BOARD,BVH-2000PS/POWER SUPPLY)		
R226,230	1-214-164-00	RES,METAL 22K 1% 1/4W
R86,97,134,152,162,175, 186,199,211,222	1-214-167-00	RES,METAL 30K 1% 1/4W
R126	1-214-170-00	RES,METAL 39K 1% 1/4W
R259	1-217-212-00	RES,WIREWOUND 10 10% 2W
R10,13,37,43,46,49	1-217-237-00	RES,WIREWOUND 0.1 10% 3W
R1,4,7,16,19,22,25	1-217-241-00	RES,WIREWOUND 0.22 10% 3W
R28,31,34,40,52,55	1-217-243-00	RES,WIREWOUND 0.33 10% 3W
R260,261	1-217-259-00	RES,WIREWOUND 6.8 10% 3W
R258	1-217-294-00	RES,WIREWOUND 4.7 10% 5W
RV1,2,3,4,5,6,7,8,9,10, 11,12,13	1-224-940-00	RES,VAR,METAL 10K
R79,104,129,242,243,245, 249,251	1-247-078-00	RES,CARBON 3.9 5% 1/4W
R240	1-247-082-00	RES,CARBON 8.2 5% 1/4W
R267	1-247-120-00	RES,CARBON 360 5% 1/4W
R265,270	1-247-131-00	RES,CARBON 1K 5% 1/4W
R266	1-247-137-00	RES,CARBON 1.8K 5% 1/4W
R279	1-247-158-00	RES,CARBON 13K 5% 1/4W
R61	1-247-180-00	RES,CARBON 1 5% 1/2W
R234,235,236,238,239, 241,244,246,247,248, 250,252,253,255,256	1-247-783-00	RES,CARBON 10 5% 1/6W
R205,216	1-247-807-00	RES,CARBON 100 5% 1/6W
R2,5,8,11,14,29,32,35, 38,41,44,48,51,53,56	1-247-815-00	RES,CARBON 220 5% 1/6W

Ref.No. or Qty	Part No.	Description
(PS-14 BOARD,BVH-2000PS/POWER SUPPLY)		
R277	1-247-816-00	RES,CARBON 240K 5% 1/6W
R15	1-247-819-00	RES,CARBON 330 5% 1/6W
R39,45	1-247-820-00	RES,CARBON 360 5% 1/6W
R12	1-247-821-00	RES,CARBON 390 5% 1/6W
R17,20,23,26	1-247-822-00	RES,CARBON 430 5% 1/6W
R276	1-247-824-00	RES,CARBON 510 5% 1/6W
R47,50	1-247-827-00	RES,CARBON 680 5% 1/6W
R59,62,268	1-247-831-00	RES,CARBON 1K 5% 1/6W
R74,81,93,115,117	1-247-839-00	RES,CARBON 2.2K 5% 1/6W
R42	1-247-840-00	RES,CARBON 2.4K 5% 1/6W
R88,100	1-247-842-00	RES,CARBON 3K 5% 1/6W
R64,66,80,83,92,95,105, 106,120,130,132,146, 149,159,169,172,184, 194,195,215,219,254, 262,263	1-247-843-00	RES,CARBON 3.3K 5% 1/6W
R33,36,54,57,148,170, 182,272,273,274,275	1-247-847-00	RES,CARBON 4.7K 5% 1/6W
R60,63	1-247-848-00	RES,CARBON 5.1K 5% 1/6W
R30	1-247-849-00	RES,CARBON 5.6K 5% 1/6W
R154,177,190	1-247-850-00	RES,CARBON 6.2K 5% 1/6W
R73,114,116,139,140,166, 168,203,204,264,271	1-247-855-00	RES,CARBON 10K 5% 1/6W
R227	1-247-856-00	RES,CARBON 11K 5% 1/6W
R3,6,9	1-247-860-00	RES,CARBON 16K 5% 1/6W
R18,21,24,27	1-247-863-00	RES,CARBON 22K 5% 1/6W

Ref.No. or Qty	Part No.	Description
(PS-14 BOARD,BVH-2000PS/POWER SUPPLY)		
R72,113	1-247-869-00	RES,CARBON 39K 5% 1/6W
R71,112,125,137,164,201	1-247-870-00	RES,CARBON 43K 5% 1/6W
R65,82,94,107,118,131, 147,158,171,183,206, 217,233	1-247-871-00	RES,CARBON 47K 5% 1/6W
R138,165,202	1-247-872-00	RES,CARBON 51K 5% 1/6W
R209,220	1-247-877-00	RES,CARBON 82K 5% 1/6W
L1	1-407-713-00	INDUCTOR,MICRO,470 10%
RY1	1-515-452-00	RELAY,REED,5V 380-OHM
1pc	1-554-047-00	SWITCH,THERMAL REED 90°C
CN913M ( )	1-560-176-00	RECEP,2P,MALE
CN911M,912M	( ) 1-560-178-00	RECEP,6P,MALE
CN905M,918M	( ) 1-560-300-00	RECEP,3P,MALE
CN917M ( )	1-560-302-00	RECEP,5P,MALE
CN916M ( )	1-560-303-00	RECEP,6P,MALE
CN903M,915M	( ) 1-560-306-00	RECEP,12P,MALE
CN902M ( )	1-560-729-00	RECEP,34P,MALE
CN901M ( )	1-560-731-00	RECEP,50P,MALE
CN914M ( )	1-560-752-00	RECEP,9P,MALE
CN904M ( )	1-560-753-00	RECEP,5P,MALE
19pcs	2-832-007-00	BUSHING(K),INSULATING
2pcs	( ) 3-303-890-01	SPRING,COMPRESSION
2pcs	( ) 3-651-849-00	SPACER,PANEL
TP23,24,25,26	( ) 3-673-772-41	TERMINAL,TP
TP1,2,3,4,5,6,7,8,9,10, 11,12,13,14,15,16,17, 18,19,20,21,22	( ) 3-673-805-01	TERMINAL,TP
TPE1,2,3,4,5,6	( ) 3-673-805-11	TERMINAL,TP

Ref.No. or Qty	Part No.	Description
(PS-14 BOARD,BVH-2000PS/POWER SUPPLY)		
2pcs	3-680-316-00	NUT,M4,NYLON
19pcs	7-628-254-45	SCREW,PS 2.6x12
1pc	7-686-447-01	SCREW,PS 3x6
8pcs	7-686-527-01	SCREW,PSW 3x6
2pcs	7-686-640-09	SCREW,B 4x20
6pcs	( ) 7-687-603-24	SCREW,BTP 2.6x6
2pcs	7-688-004-12	WASHER,M4,MIDDLE
D18	8-719-151-07	DIODE RD5,1E-B
D1,2,3,4,5,6,7,8,9,10, 11,12,13,15,17,20,21	8-719-815-55	DIODE 1S1555
D14	8-719-901-89	DIODE 1SS84
Q24,33,36,39,44,53	8-729-117-54	TRANSISTOR 2SA1175
Q20,22,31,37,51,54,55	8-729-177-43	TRANSISTOR 2SD774
Q21,25,28,40,45,48	8-729-374-02	TRANSISTOR 2SB740
Q27,29,42,47,50	8-729-606-32	TRANSISTOR 2SC2603
Q23,32,35,38,43,52	8-729-625-91	TRANSISTOR 2SC2259
Q26,30,41,46,49	8-729-697-92	TRANSISTOR 2SA979
Q1,2,3,6,7,8,9,10,11,12, 14,18,19	8-729-810-62	TRANSISTOR 2SD1061-R
Q4,5,13,15,16,17	8-729-882-52	TRANSISTOR 2SB825-R

Ref.No. or Q'ty	Part No.	Description
<u>(PS-14 BOARD, BVH-2000PS/POWER SUPPLY)</u>		
IC14	8-759-103-93	IC UPC393C
IC2,6,8,10,11,12	8-759-145-57	IC UPC4557C
IC13	8-759-178-05	IC UPC78L05
IC1,3,4,5,7,9	8-759-377-23	IC HA17723G

CN-54 BOARD (BVH-2000PS/POWER SUPPLY)

1pc	( ) 1-607-596-00	PC BOARD, CN-54, WITHOUT COMPONENT
C471,472,473	1-124-129-00	CAP,ELECT 2200 25V
R471	1-205-658-00	RES,WIREWOUND 0.22 5% 5W
CN470M,471M	1-560-300-00	RECEP,3P,MALE

Ref.No. or Q'ty	Part No.	Description
--------------------	----------	-------------

LA-02 BOARD (BVH-2000PS-00,02/CN FNL)

1pc (for 00/02 model)	( ) A-6013-043-A	COMPLETE PCB, LA-02 (This assembly includes the following parts.)
Q4&9,12&17,104&108, 204&208,301&306	X-3673-688-0	TRANSISTOR KIT, 2SC1162 & 2SA715 This part is the kit of 2SC1162 & 2SA715 Replace the following two transistors at the same time. Q4&9            Q12&17            Q104&108 Q204&208      Q310&306 2SC1162 should be used for Q4,12,104, 204 and 301. 2SA715 should be used for Q7,17,108, 208 and 306.
C18,33,104,117,204,217, 303,318,321	1-107-077-00	CAP,MICA 47PF 5% 50V
C30,45,101,119,201,219, 306,317,323,324,325	1-107-085-00	CAP,MICA 100PF 5% 50V
C27,42,113,213,313	1-107-208-00	CAP,MICA 18PF 5% 500V
C22,37,110,210,308	1-108-579-00	CAP,MYLAR 0.01 5% 50V
C11	1-108-587-00	CAP,MYLAR 0.022 5% 50V
C23,38,109,209,309	1-109-547-00	CAP,MICA 330PF 5% 100V
C118,218,328	1-109-553-00	CAP,MICA 470PF 5% 100V
C326	1-123-318-00	CAP,ELECT 33 16V
C21,36,107,207,307	1-123-321-00	CAP,ELECT 220 16V

Ref.No. or Q'ty	Part No.	Description	Ref.No. or Q'ty	Part No.	Description
(LA-02 BOARD,BVH-2000PS-00,02/CN PNL) C17,26,32,41,105,114, 205,214,302,312			(LA-02 BOARD,BVH-2000PS-00,02/CN PNL) R35,37,58,60,109,119, 209,219,310,312		
	1-123-323-00	CAP,ELECT 470 16V		1-247-073-00	RES,CARBON 1.5 5% 1/4W
C1,2,3,4	1-123-330-00	CAP,ELECT 22 25V	R27,44,50,67,102,124, 202,224,301,321	1-247-075-00	RES,CARBON 2.2 5% 1/4W
C5,8,9,19,28,34,43,103, 112,116,121,203,212, 216,221,304,314,316, 319,322,327	1-123-333-00	CAP,ELECT 100 25V	R38,61,120,220,313	1-247-093-00	RES,CARBON 27 5% 1/4W
C12,14,24,39,330,331	1-123-356-00	CAP,ELECT 10 50V	R48,71,123,223,322	1-247-775-00	RES,CARBON 4.7 5% 1/6W
C329	1-131-240-00	CAP,TANT 47 20% 16V	R28,51,101,201,302	1-247-799-00	RES,CARBON 47 5% 1/6W
C108,120,208,220,310, 320	1-131-359-00	CAP,TANT 10 10% 25V	R29,30,42,52,53,65,106, 107,114,206,207,214, 303,304,318,338	1-247-807-00	RES,CARBON 100 5% 1/6W
C6,7,10,13,15,16,20,25, 29,31,35,40,44,102, 106,111,115,202,206, 211,215,301,305,311, 315	1-161-055-00	CAP,CERAMIC 0.022 10% 50V	R49,72,122,222,323	1-247-813-00	RES,CARBON 180 5% 1/6W
R19	1-206-447-00	RES,METAL 2.2 5% 2W	R127,130,134,227,230, 234,325,327,328,330, 336	1-247-815-00	RES,CARBON 220 5% 1/6W
R41,64,115,215,317	1-214-132-00	RES,METAL 1K 1% 1/4W	R40,63,116,216,316	1-247-818-00	RES,CARBON 300 5% 1/6W
R31,54,105,205,305,	1-214-164-00	RES,METAL 22K 1% 1/4W	R18,33,34,56,57,110,111, 210,211,308,309	1-247-819-00	RES,CARBON 330 5% 1/6W
RV1,2,101,201,301	1-224-934-00	RES,VAR,METAL 100	R135,235,339	1-247-822-00	RES,CARBON 430 5% 1/6W
RV102,202,302	1-224-941-00	RES,VAR,METAL 20K	R125,126,131,132,225, 226,231,232,331,332, 335,341,342	1-247-826-00	RES,CARBON 620 5% 1/6W
RB1	1-231-410-00	RES BLOCK,10Kx8			
RB2	1-231-533-00	RES BLOCK,10Kx4			



Ref.No. or Qty	Part No.	Description	Ref.No. or Qty	Part No.	Description
(LA-02 BOARD,BVH-2000PS-00,02/CN PNL)			(LA-02 BOARD,BVH-2000PS-00,02/CN PNL)		
R36,59,108,208,311	1-247-831-00	RES,CARBON 1K 5% 1/6W	T102,202,302	1-423-189-00	TRANSFORMER,INPUT
R1,2,11	1-247-839-00	RES,CARBON 2.2K 5% 1/6W	T1,2,101,201,301	1-427-518-00	TRANSFORMER,AUDIO OUTPUT
R26	1-247-843-00	RES,CARBON 3.3K 5% 1/6W	CN610M,611M	( ) 1-560-301-00	RECEP,4P,MALE
R15,129,229,329	1-247-845-00	RES,CARBON 3.9K 5% 1/6W	CN604M,607M	( ) 1-560-302-00	RECEP,5P,MALE
R14,20,21,22,23,24,25, 121,221,324	1-247-847-00	RES,CARBON 4.7K 5% 1/6W	CN608M,609M,613M	( ) 1-560-303-00	RECEP,6P,MALE
R73	1-247-849-00	RES,CARBON 5.6K 5% 1/6W	CN602M,603M	( ) 1-560-304-00	RECEP,8P,MALE
R133,233,340	1-247-851-00	RES,CARBON 6.8K 5% 1/6W	CN605M,614M,615M	( ) 1-560-305-00	RECEP,10P,MALE
R43,46,66,69,112,113, 212,213,319,320	1-247-853-00	RES,CARBON 8.2K 5% 1/6W	CN606M,612M	( ) 1-560-306-00	RECEP,12P,MALE
R4,5,6,7,8,9,10	1-247-855-00	RES,CARBON 10K 5% 1/6W	JP101,102,103,104,105, 106,107,201,202,203, 204,205,206,207,301, 302,303,304,305,306, 307	1-560-733-00	PIN,SHORT
R128,228,334,337	1-247-861-00	RES,CARBON 18K 5% 1/6W	CN601M	1-560-755-00	RECEP,16P,MALE
R47,70,103,203,307,326	1-247-863-00	RES,CARBON 22K 5% 1/6W	12pcs	1-561-832-00	PLUG,SHORT
R17	1-247-864-00	RES,CARBON 24K 5% 1/6W	TP1,2,3,4,5,6,7,8,101, 102,103,104,105,201, 202,203,204,205,301, 302,303,304,305,306, 307,308	( ) 3-673-805-01	TERMINAL,TP
R12,32,55,104,204,306	1-247-865-00	RES,CARBON 27K 5% 1/6W	TPE1,2,3,4,5,6,101,102, 103,104,105,201,202, 203,204,205,301,302, 303,304,305,306,307, 308	( ) 3-673-805-11	TERMINAL,TP
R3	1-247-869-00	RES,CARBON 39K 5% 1/6W			
R39,45,62,68,117,118, 217,218,314,315,333	1-247-871-00	RES,CARBON 47K 5% 1/6W			
R74	1-247-874-00	RES,CARBON 62K 5% 1/6W			
R13	1-247-877-00	RES,CARBON 82K 5% 1/6W			
R16	1-247-879-00	RES,CARBON 100K 5% 1/6W			

Ref.No. or Q'ty	Part No.	Description
(LA-02 BOARD, BVH-2000PS-00, 02/CN PNL)		
10pcs	7-621-981-15	SCREW, PSW 2.6x6
7pcs	7-686-527-01	SCREW, PSW 3x6
2pcs	7-686-528-01	SCREW, PSW 3x8
D4	8-719-151-07	DIODE RD5, 1E-B
D1, 2, 3, 5, 6, 101, 201, 301	8-719-815-55	DIODE 1S1555
D7, 8	8-719-911-19	DIODE 1SS119
Q5, 13, 105, 205, 302	8-729-307-58	TRANSISTOR 2SC1775A
Q1	8-729-387-28	TRANSISTOR 2SA872-E
Q11, 19, 106, 206, 308	8-729-658-32	TRANSISTOR 2SC1583
Q2, 3	8-729-663-47	TRANSISTOR 2SC1364
Q7, 15, 102, 202, 304	8-729-699-51	TRANSISTOR 2SA995
IC7	8-759-178-05	IC UPC78L05
IC4	8-759-240-28	IC TC4028BP, CMOS
IC5, 6	8-759-240-51	IC TC4051BP, CMOS
IC3	8-759-241-75	IC TC40175BP, CMOS
IC101, 201, 301, 302	8-759-305-50	IC CX550
IC1	8-759-645-17	IC M54517P
IC2	8-759-901-48	IC SN74LS148N, TTL
IC303	8-759-921-91	IC TL191CN
Q6, 10, 14, 18, 103, 107, 203, 207, 303, 307	8-761-622-00	TRANSISTOR 2SC1636
Q8, 16, 101, 201, 305	8-765-020-00	TRANSISTOR 2SA884

Ref.No. or Q'ty	Part No.	Description
<u>LA-02 BOARD (BVH-2000PS-04/CN PNL)</u>		
1pc	( ) A-6013-057-A	COMPLETE PCB, LA-02 (This assembly includes the following parts.)
Q4&9, 12&17, 104&108, 204&208, 301&306, 401&406	X-3673-688-0	TRANSISTOR KIT, 2SC1162 & 2SA715 This part is the kit of 2SC1162 & 2SA715. Replace the following two transistors at the same time. Q4&9 Q12&17 Q104&108 Q204&208 Q310&306 2SC1162 should be used for Q4, 12, 104, 204 and 301. 2SA715 should be used for Q7, 17, 108, 208 and 306.
C18, 33, 104, 117, 204, 217, 303, 318, 321, 403, 417	1-107-077-00	CAP, MICA 47PF 5% 50V
C30, 45, 101, 119, 201, 219, 306, 317, 323, 324, 325, 406, 419	1-107-085-00	CAP, MICA 100PF 5% 50V
C27, 42, 113, 213, 313, 413	1-107-208-00	CAP, MICA 18PF 5% 500V
C22, 37, 110, 210, 308, 408	1-108-579-00	CAP, MYLAR 0.01 5% 50V
C11	1-108-587-00	CAP, MYLAR 0.022 5% 50V
C23, 38, 109, 209, 309, 409	1-109-547-00	CAP, MICA 330PF 5% 100V
C118, 218, 328, 421	1-109-553-00	CAP, MICA 470PF 5% 100V
C326	1-123-318-00	CAP, ELECT 33 16V
C21, 36, 107, 207, 307, 407	1-123-321-00	CAP, ELECT 220 16V

Ref.No. or Q'ty	Part No.	Description	Ref.No. or Q'ty	Part No.	Description
(LA-02 BOARD,BVH-2000PS-04/CN PNL)			(LA-02 BOARD,BVH-2000PS-04/CN PNL)		
C17,26,32,41,105,114, 205,214,302,312,402, 412	1-123-323-00	CAP,ELECT 470 16V	412	1-247-073-00	RES,CARBON 1.5 5% 1/4W
C1,2,3,4	1-123-330-00	CAP,ELECT 22 25V	R27,44,50,67,102,124, 202,224,301,321,401, 421	1-247-075-00	RES,CARBON 2.2 5% 1/4W
C5,8,9,19,28,34,43,103, 112,116,121,203,212, 216,221,304,314,316, 319,322,327,404,414, 418,420	1-123-333-00	CAP,ELECT 100 25V	R38,61,120,220,313,413	1-247-093-00	RES,CARBON 27 5% 1/4W
C12,14,24,39,330,331	1-123-336-00	CAP,ELECT 10 50V	R48,71,123,223,322,422	1-247-775-00	RES,CARBON 4.7 5% 1/6W
C329	1-131-240-00	CAP,TANT 47 20% 16V	R28,51,101,201,302,402	1-247-799-00	RES,CARBON 47 5% 1/6W
C108,120,208,220,310, 320,410,416	1-131-359-00	CAP,TANT 10 10% 25V	R29,30,42,52,53,65,106, 107,114,206,207,214, 303,304,318,338,403, 404,418	1-247-807-00	RES,CARBON 100 5% 1/6W
C6,7,10,13,15,16,20,25, 29,31,35,40,44,102, 106,111,115,202,206, 211,215,301,305,311, 315,401,405,411,415	1-161-055-00	CAP,CERAMIC 0.022 10% 50V	R49,72,122,222,323,423	1-247-813-00	RES,CARBON 180 5% 1/6W
R19	1-206-447-00	RES,METAL 2.2 5% 2W	R127,130,134,227,230, 234,325,327,328,330, 336,425,427,430	1-247-815-00	RES,CARBON 220 5% 1/6W
R41,64,115,215,317,417	1-214-132-00	RES,METAL 1K 1% 1/4W	R40,63,116,216,316,416	1-247-818-00	RES,CARBON 300 5% 1/6W
R31,54,105,205,305,405	1-214-164-00	RES,METAL 22K 1% 1/4W	R18,33,34,56,57,110,111, 210,211,308,309,408, 409	1-247-819-00	RES,CARBON 330 5% 1/6W
RV1,2,101,201,301,401	1-224-934-00	RES,VAR,METAL 100	R135,235,339,432	1-247-822-00	RES,CARBON 430 5% 1/6W
RV102,202,302,402	1-224-941-00	RES,VAR,METAL 20K	R125,126,131,132,225, 226,231,232,331,332, 335,341,342,428,429, 434,435	1-247-826-00	RES,CARBON 620 5% 1/6W
RB1	1-231-410-00	RES BLOCK,10Kx8			
RB2	1-231-533-00	RES BLOCK,10Kx4			

Ref.No. or Q'ty	Part No.	Description
(LA-02 BOARD,BVH-2000PS-04/CN PNL)		
R36,59,108,208,311,411	1-247-831-00	RES,CARBON 1K 5% 1/6W
R1,2,11	1-247-839-00	RES,CARBON 2.2K 5% 1/6W
R26	1-247-843-00	RES,CARBON 3.3K 5% 1/6W
R15,129,229,329,426	1-247-845-00	RES,CARBON 3.9K 5% 1/6W
R14,20,21,22,23,24,25, 121,221,324,424	1-247-847-00	RES,CARBON 4.7K 5% 1/6W
R73	1-247-849-00	RES,CARBON 5.6K 5% 1/6W
R133,233,340,433	1-247-851-00	RES,CARBON 6.8K 5% 1/6W
R43,46,66,69,112,113, 212,213,319,320,419, 420	1-247-853-00	RES,CARBON 8.2K 5% 1/6W
R4,5,6,7,8,9,10	1-247-855-00	RES,CARBON 10K 5% 1/6W
R128,228,334,337,431	1-247-861-00	RES,CARBON 18K 5% 1/6W
R47,70,103,203,307,326, 407	1-247-863-00	RES,CARBON 22K 5% 1/6W
R17	1-247-864-00	RES,CARBON 24K 5% 1/6W
R12,32,55,104,204,306, 406	1-247-865-00	RES,CARBON 27K 5% 1/6W
R3	1-247-869-00	RES,CARBON 39K 5% 1/6W
R39,45,62,68,117,118, 217,218,314,315,333, 414,415	1-247-871-00	RES,CARBON 47K 5% 1/6W
R74	1-247-874-00	RES,CARBON 62K 5% 1/6W
R13	1-247-877-00	RES,CARBON 82K 5% 1/6W
R16	1-247-879-00	RES,CARBON 100K 5% 1/6W

Ref.No. or Q'ty	Part No.	Description
(LA-02 BOARD,BVH-2000PS-04/CN PNL)		
T102,202,302,402	1-423-189-00	TRANSFORMER, INPUT
T1,2,101,201,301,401	1-427-518-00	TRANSFORMER,AUDIO OUTPUT
CN610M,611M	( ) 1-560-301-00	RECEP,4P,MALE
CN604M,607M	( ) 1-560-302-00	RECEP,5P,MALE
CN608M,609M,613M	( ) 1-560-303-00	RECEP,6P,MALE
CN602M,603M	( ) 1-560-304-00	RECEP,8P,MALE
CN605M,614M,615M	( ) 1-560-305-00	RECEP,10P,MALE
CN606M,612M	( ) 1-560-306-00	RECEP,12P,MALE
JP101,102,103,104,105, 106,107,201,202,203, 204,205,206,207,301, 302,303,304,305,306, 307,401,402,403,404, 405,406,407	1-560-733-00	PIN,SHORT
CN601M 16pcs	1-560-755-00 1-561-832-00	RECEP,16P,MALE PLUG,SHORT
TP1,2,3,4,5,6,7,8,101, 102,103,104,105,201, 202,203,204,205,301, 302,303,304,305,306, 307,308,401,402,403, 404,405	( ) 3-673-805-01	TERMINAL,TP

Ref.No. or Q'ty	Part No.	Description
(LA-02 BOARD, BVH-2000PS-04/CN PNL)		
TPE1, 2, 3, 4, 5, 6, 101, 102, 103, 104, 105, 201, 202, 203, 204, 205, 301, 302, 303, 304, 305, 306, 307, 308, 401, 402, 403, 404, 405	( ) 3-673-805-11	TERMINAL, TP
12pcs	7-621-981-15	SCREW, PSW 2.6x6
7pcs	7-686-527-01	SCREW, PSW 3x6
2pcs	7-686-528-01	SCREW, PSW 3x8
D4	8-719-151-07	DIODE RD5, 1E-B
D1, 2, 3, 5, 6, 101, 201, 301, 401	8-719-815-55	DIODE 1S1555
D7, 8	8-719-911-19	DIODE 1SS119
Q5, 13, 105, 205, 302, 402	8-729-307-58	TRANSISTOR 2SC1775A
Q1	8-729-387-28	TRANSISTOR 2SA872-E
Q11, 19, 106, 206, 308, 408	8-729-658-32	TRANSISTOR 2SC1583
Q2, 3	8-729-663-47	TRANSISTOR 2SC1364
Q7, 15, 102, 202, 304, 404	8-729-699-51	TRANSISTOR 2SA995
IC7	8-759-178-05	IC UPC78L05
IC4	8-759-240-28	IC TC4028BP, CMOS
IC5, 6	8-759-240-51	IC TC4051BP, CMOS
IC3	8-759-241-75	IC TC40175BP, CMOS
IC101, 201, 301, 302, 401	8-759-305-50	IC CX550
IC1	8-759-645-17	IC M54517P
IC2	8-759-901-48	IC SN74LS148N, TTL
IC303	8-759-921-91	IC TL191CN
Q6, 10, 14, 18, 103, 107, 203, 207, 303, 307, 403, 407	8-761-622-00	TRANSISTOR 2SC1636

Ref.No. or Q'ty	Part No.	Description
(LA-02 BOARD, BVH-2000PS-04/CN PNL)		
Q8, 16, 101, 201, 305, 405	8-765-020-00	TRANSISTOR 2SA884

VM-01 BOARD (BVH-2000PS/CN PNL)

Board No; 1-606-658-11 & 12

Serial No; up to 11199

1pc	( ) A-6011-062-A	COMPLETE PCB, VM-01 (This assembly includes the following parts.)
C10, 11	1-107-037-00	CAP, MICA 82PF 5% 500V
C13, 42, 62, 65, 68	1-107-047-00	CAP, MICA 5.6PF +/-0.5PF 500V
C21	1-107-077-00	CAP, MICA 47PF 5% 50V
C37	1-107-169-00	CAP, MICA 100PF 5% 500V
C6	1-107-202-00	CAP, MICA 10PF 5% 500V
C29	1-107-209-00	CAP, MICA 20PF 5% 500V
C31	1-108-567-00	CAP, MYLAR 0.0033 5% 50V
C35	1-108-575-00	CAP, MYLAR 0.0068 5% 50V
C2, 4	1-108-587-00	CAP, MYLAR 0.022 5% 50V
C19	1-108-593-00	CAP, MYLAR 0.039 5% 50V
C7	1-109-538-00	CAP, MICA 130PF 5% 100V
C36	1-109-539-00	CAP, MICA 150PF 5% 100V
C28	1-123-306-00	CAP, ELECT 47 6.3V
C83	1-123-308-00	CAP, ELECT 220 6.3V
C95, 96	1-123-318-00	CAP, ELECT 33 16V
C79, 81	1-123-321-00	CAP, ELECT 220 16V
C94	1-123-333-00	CAP, ELECT 100 16V

Ref.No. or Qty	Part No.	Description
(VM-01 BOARD,BVH-2000PS/CN PNL) (Board No.1-606-658-11 & 12)		
C17	1-123-379-00	CAP,ELECT 0.47 50V
C44,47,50,57,58	1-123-880-11	CAP,ELECT NONPOLAR 47 16V
C1,3,8,9,12,14,15,16,18, 20,22,23,24,25,26,27, 30,32,33,34,38,39,40, 41,43,45,46,48,49,51, 52,53,54,55,56,59,60, 61,63,64,66,67,69,70, 71,72,73,74,75,76,77, 88,89,90,91,92,93	1-161-051-00	CAP,CERAMIC 0.01 10% 50V
C5,78,80,82,84,85,86	1-161-057-00	CAP,CERAMIC 0.033 10% 50V
R102,104,105,132	1-214-100-00	RES,METAL 47 1% 1/4W
R107,108,109,112,116	1-214-101-00	RES,METAL 51 1% 1/4W
R32,81,128,130,134	1-214-104-00	RES,METAL 68 1% 1/4W
R89,90,91,92	1-214-105-00	RES,METAL 75 1% 1/4W
R106	1-214-108-00	RES,METAL 100 1% 1/4W
R88,93	1-214-112-00	RES,METAL 150 1% 1/4W
RV1,2,3,4,6,7,8	1-224-935-00	RES,VAR,CERMET 200
RV5	1-228-302-00	RES,VAR,CERMET 100
RB1,2	1-231-410-00	RES BLOCK,10Kx8
RB3,4	1-231-533-00	RES BLOCK,10Kx4
R17	1-247-767-00	RES,CARBON 2.2 5% 1/6W

Ref.No. or Qty	Part No.	Description
(VM-01 BOARD,BVH-2000PS/CN PNL) (Board No.1-606-658-11 & 12)		
R140,141,142,143,144, 145,146,147,148,149, 150,151	1-247-787-00	RES,CARBON 15K 5% 1/6W
R18,31,84,119,122,125	1-247-795-00	RES,CARBON 33 5% 1/6W
R114	1-247-800-00	RES,CARBON 51 5% 1/6W
R23,27,33,34,35,41,49, 68,85,94,96,98,99,100, 101,103,110,111,113, 115,127,129,131,133, 136,139,152	1-247-807-00	RES,CARBON 100 5% 1/6W
R26,28,82,118,121,124	1-247-811-00	RES,CARBON 150 5% 1/6W
R39	1-247-814-00	RES,CARBON 200 5% 1/6W
R21,65	1-247-818-00	RES,CARBON 300 5% 1/6W
R40	1-247-819-00	RES,CARBON 330 5% 1/6W
R38	1-247-820-00	RES,CARBON 360 5% 1/6W
R22,30	1-247-822-00	RES,CARBON 430 5% 1/6W
R69,70	1-247-827-00	RES,CARBON 680 5% 1/6W
R62,67,86,87	1-247-831-00	RES,CARBON 1K 5% 1/6W
R64	1-247-833-00	RES,CARBON 1.2K 5% 1/6W
R24	1-247-838-00	RES,CARBON 2K 5% 1/6W
R3,6,7,14,25	1-247-839-00	RES,CARBON 2.2K 5% 1/6W
R73	1-247-842-00	RES,CARBON 3K 5% 1/6W
R29,83,117,120,123	1-247-843-00	RES,CARBON 3.3K 5% 1/6W
R77	1-247-845-00	RES,CARBON 3.9K 5% 1/6W
R1,2,4,5,8,9,10,11	1-247-847-00	RES,CARBON 4.7K 5% 1/6W

Ref.No. or Q'ty	Part No.	Description
(VM-01 BOARD,BVH-2000PS/CN PNL) (Board No.1-606-658-11 & 12)		
R42,43,44,60,61,80	1-247-848-00	RES,CARBON 5.1K 5% 1/6W
R15,20,36,46,47,50,53, 55,56,58,66,71,72,74, 78,79,95,97,137,138	1-247-855-00	RES,CARBON 10K 5% 1/6W
R154	1-247-857-00	RES,CARBON 12K 5% 1/6W
R76	1-247-858-00	RES,CARBON 13K 5% 1/6W
R63	1-247-863-00	RES,CARBON 22K 5% 1/6W
R37,48	1-247-866-00	RES,CARBON 30K 5% 1/6W
R12,13	1-247-869-00	RES,CARBON 39K 5% 1/6W
R45	1-247-872-00	RES,CARBON 51K 5% 1/6W
R19,51,57,75,126,135	1-247-879-00	RES,CARBON 100K 5% 1/6W
R153	1-247-885-00	RES,CARBON 180K 5% 1/6W
R54,59	1-247-892-00	RES,CARBON 360K 5% 1/6W
R52	1-247-903-00	RES,CARBON 1M 5% 1/6W
L2	1-407-169-XX	INDUCTOR,MICRO,100 5%
L1	1-407-183-XX	INDUCTOR,MICRO,2.7 5%
L3,4,5	1-409-339-00	COIL,SN
RY1,2,3,4,5,6,7,8	1-515-452-00	RELAY,REED,5V 380-OHM
FB1,2,3,4,5,8,9,10,11, 14,15,16,17,18,19,20, 21,22,23,24,25,26,27, 28,29,30,31,32,33	1-535-178-00	FERRITE BEAD
S1,2,3	1-553-441-00	SWITCH,TOGGLE
CN656M,658M	( ) 1-560-310-00	RECEP,4P,MALE
CN653M	( ) 1-560-312-00	RECEP,6P,MALE
CN654M,655M	( ) 1-560-313-00	RECEP,8P,MALE

Ref.No. or Q'ty	Part No.	Description
(VM-01 BOARD,BVH-2000PS/CN PNL) (Board No.1-606-658-11 & 12)		
CN652M	( ) 1-560-314-00	RECEP,10P,MALE
CN657M	( ) 1-560-315-00	RECEP,12P,MALE
CN651M	( ) 1-560-756-00	RECEP,20P,MALE
TP1,2,3	( ) 3-673-805-01	TERMINAL,TP
TPE1,2	( ) 3-673-805-11	TERMINAL,TP
6pcs	4-866-397-00	CUSHION,LED
D14	8-719-168-07	DIODE RD6,8E-B
D1,2,3,4,5,6,7,8,13	8-719-815-55	DIODE 1S1555
D9,10,11,12	8-719-815-59	DIODE 1S1555-S
Q1,2	8-723-302-00	TRANSISTOR 2SK43-2
Q4,5	8-729-110-53	TRANSISTOR 2SA1005
IC10,12,22,29,30,31	8-743-930-00	IC BX3930
IC9,11,13,21,23,24,25, 26,27,28,32,33,34,35	8-743-931-10	IC BX3931A
IC3,4	8-759-240-13	IC TC4013BP,CMOS
IC5	8-759-245-55	IC TC4555BP,CMOS
IC6,7,8	8-759-645-17	IC M54517P
IC17	8-759-901-23	IC SN74LS123N,TTL
IC1,2	8-759-901-48	IC SN74LS148N,TTL
IC19	8-759-942-65	IC SN74265N,TTL
IC18	8-759-951-07	IC SN75107AN
IC20	8-759-974-06	IC SN7406N,TTL
IC14	8-759-990-82	IC TL082CP
IC15,16	8-759-990-84	IC TL084CN
Q3	8-761-622-00	TRANSISTOR 2SC1636
Q6	8-765-300-00	TRANSISTOR 2SC2009

Ref.No. or Qty	Part No.	Description
<u>VM-01 BOARD (BVH-2000PS/CN PNL)</u>		
Board No; 1-606-658-13 & up		
Serial No; 11201 & up		
1pc	( ) A-6011-062-A	COMPLETE PCB,VM-01 (This assembly includes the following parts.)
C10	1-107-160-00	CAP,MICA 36PF 5% 500V
C37	1-107-169-00	CAP,MICA 100PF 5% 500V
C11	1-107-170-00	CAP,MICA 110PF 5% 500V
C6	1-107-202-00	CAP,MICA 10PF 5% 500V
C42	1-107-204-00	CAP,MICA 12PF 5% 500V
C29	1-107-209-00	CAP,MICA 20PF 5% 500V
C31	1-108-567-00	CAP,MYLAR 0.0033 5% 50V
C35	1-108-575-00	CAP,MYLAR 0.0068 5% 50V
C2,4	1-108-587-00	CAP,MYLAR 0.022 5% 50V
C19	1-108-593-00	CAP,MYLAR 0.039 5% 50V
C7	1-109-538-00	CAP,MICA 130PF 5% 100V
C21,36	1-109-539-00	CAP,MICA 150PF 5% 100V
C28	1-123-306-00	CAP,ELECT 47 10V
C83	1-123-308-00	CAP,ELECT 220 10V
C95,96	1-123-318-00	CAP,ELECT 33 16V
C79,81	1-123-321-00	CAP,ELECT 220 16V
C94	1-123-333-00	CAP,ELECT 100 25V
C17	1-123-379-00	CAP,ELECT 0.47 100V
C47	1-123-880-11	CAP,ELECT,NONPOLAR 47 16V
C44,50,57,58	1-123-901-00	CAP,ELECT 2.2 50V
C1,3,8,9,15,16,18,20,22, 23,24,25,26,27,30,32, 33,34,38,39,40,41,43, 45,46,48,49,51,52,53, 54,61,63,64,66,67,69, 70,71,72,73,74,75,76, 77,88,89,90,91,92,93, 103,104,105,106,107, 108,109,110,120,121	1-161-051-00	CAP,CERAMIC 0.01 10% 50V

Ref.No. or Qty	Part No.	Description
<u>(VM-01 BOARD,BVH-2000PS/CN PNL)</u> (Board No.1-606-658-13 & up) C5,78,80,82,84,85,86		
	1-161-057-00	CAP,CERAMIC 0.033 10% 50V
R102,104,105,132	1-214-100-00	RES,METAL 47 1% 1/4W
R107,108,109,112,116	1-214-101-00	RES,METAL 51 1% 1/4W
R32,81,128,130,134	1-214-104-00	RES,METAL 68 1% 1/4W
R89,90,91,92	1-214-105-00	RES,METAL 75 1% 1/4W
R106	1-214-108-00	RES,METAL 100 1% 1/4W
R88,93	1-214-112-00	RES,METAL 150 1% 1/4W
R83	1-214-139-00	RES,METAL 2K 1% 1/4W
R117,120,123	1-214-156-00	RES,METAL 10K 1% 1/4W
RV2	1-224-935-00	RES,VAR,METAL 200
RV4,6,7,8	1-224-936-00	RES,VAR,METAL 500
RV1,3	1-224-937-00	RES,VAR,METAL 1K
RV5	1-228-302-00	RES,VAR,CERMET 100
RB1,2,3,4,5,6	1-231-533-00	RES BLOCK,10Kx4
R17	1-247-767-00	RES,CARBON 2.2 5% 1/6W
R140,141,142,143,144, 145,146,147,148,149, 150,151,169,170,171, 172,173,174,175,176, 179,180,185,186,188, 189,191,192,194,195, 196,197,198,199	1-247-787-00	RES,CARBON 15 5% 1/6W



Ref.No. or Qty	Part No.	Description	Ref.No. or Qty	Part No.	Description
(VM-01 BOARD,BVH-2000PS/CN PNL) (Board No.1-606-658-13 & up)			(VM-01 BOARD,BVH-2000PS/CN PNL) (Board No.1-606-658-13 & up)		
R18,85	1-247-795-00	RES,CARBON 33 5% 1/6W	R76	1-247-858-00	RES,CARBON 13K 5% 1/6W
R114	1-247-800-00	RES,CARBON 51 5% 1/6W	R63	1-247-863-00	RES,CARBON 22K 5% 1/6W
R23,27,33,34,35,41,49, 68,84,94,96,98,100,101, 103,111,113,115,119, 122,125,127,129,131, 133,139,152,157,159, 166,178,181,182,184, 187,190,193,200	1-247-807-00	RES,CARBON 100 5% 1/6W	R37,48	1-247-866-00	RES,CARBON 30K 5% 1/6W
R26,40	1-247-811-00	RES,CARBON 150 5% 1/6W	R12,13	1-247-869-00	RES,CARBON 39K 5% 1/6W
R21,65	1-247-818-00	RES,CARBON 300 5% 1/6W	R45	1-247-872-00	RES,CARBON 51K 5% 1/6W
R38	1-247-820-00	RES,CARBON 360 5% 1/6W	R19,51,57,75,126,135 1-247-879-00	RES,CARBON 100K 5% 1/6W	
R22	1-247-822-00	RES,CARBON 430 5% 1/6W	R95,155,160,165 1-247-886-00	RES,CARBON 200K 5% 1/6W	
R82,118,121,124,156,158, 161,162,163,164,167, 168	1-247-823-00	RES,CARBON 470 5% 1/6W	R54	1-247-892-00	RES,CARBON 360K 5% 1/6W
R69,70	1-247-827-00	RES,CARBON 680 5% 1/6W	R52	1-247-903-00	RES,CARBON 1M 5% 1/6W
R25,62,67,86,87 1-247-831-00	RES,CARBON 1K 5% 1/6W	L1	1-408-401-00	INDUCTOR,MICRO 2.2 5%	
R64	1-247-833-00	RES,CARBON 1.2K 5% 1/6W	L2	1-408-421-00	INDUCTOR,MICRO 100 5%
R24	1-247-838-00	RES,CARBON 2K 5% 1/6W	L3,4,5	1-409-339-00	COIL,SN
R3,6,7,14 1-247-839-00	RES,CARBON 2.2K 5% 1/6W	RY1,2,3,4,5,6,7,8 1-515-452-00	RELAY,REED,5V 380-OHM		
R73	1-247-842-00	RES,CARBON 3K 5% 1/6W	FB1	1-535-178-00	FERRITE BEAD
R77	1-247-845-00	RES,CARBON 3.9K 5% 1/6W	S1,2,3	1-553-441-00	SWITCH,TOGGLE
R1,2,4,5,8,9,10,11 1-247-847-00	RES,CARBON 4.7K 5% 1/6W	CN656M,658M ( ) 1-560-310-00	RECEP,4P,MALE		
R42,43,44,60,61,80 1-247-848-00	RES,CARBON 5.1K 5% 1/6W	CN653M ( ) 1-560-312-00	RECEP,6P,MALE		
R15,20,36,46,47,50,53, 55,56,58,66,71,72,74, 78,79,97,137,138 1-247-855-00	RES,CARBON 10K 5% 1/6W	CN654M,655M ( ) 1-560-313-00	RECEP,8P,MALE		
		CN652M ( ) 1-560-314-00	RECEP,10P,MALE		
		CN657M ( ) 1-560-315-00	RECEP,12P,MALE		
		CN651M ( ) 1-560-756-00	RECEP,20P,MALE		
		TPE1,2 ( ) 3-673-772-01	TERMINAL,TP		
		TP1,2,3 ( ) 3-673-772-41	TERMINAL,TP		
		6pcs 4-866-397-00	CUSHION,LED		
		D14 8-719-168-07	DIODE RD6.8E-B		
		D1,2,3,4,5,6,7,8,13 8-719-815-55	DIODE 1S1555		

Ref.No. or Qty	Part No.	Description
(VM-01 BOARD, BVH-2000PS/CN PNL) (Board No. 1-606-658-13 & up)		
D9, 10, 11, 12		
	8-719-815-59	DIODE 1S1555-S
Q1, 2	8-723-302-00	TRANSISTOR 2SK43-2
Q4, 5	8-729-110-53	TRANSISTOR 2SA1005
Q8, 9, 10, 11		
	8-729-215-12	TRANSISTOR 2SK150A
IC12, 22, 29, 30, 31		
	8-743-930-00	IC BX-3930
IC9, 11, 13, 21, 23, 24, 25, 26, 32, 33, 34, 35		
	8-743-931-10	IC BX-3931A
IC3, 4	8-759-240-13	IC TC40138P, CMOS
IC5	8-759-245-55	IC TC4555BP, CMOS
IC6, 7, 8	8-759-645-17	IC M54517P
IC17	8-759-901-23	IC SN74LS123N, TTL
IC1, 2	8-759-901-48	IC SN74LS148N, TTL
IC19	8-759-942-65	IC SN74265N, TTL
IC18	8-759-951-07	IC SN75107AN, TTL
IC20	8-759-974-06	IC SN7406N, TTL
IC14	8-759-990-82	IC TL082CP
IC15, 16	8-759-990-84	IC TL084CN
Q3	8-761-622-00	TRANSISTOR 2SC1636
Q6	8-765-300-00	TRANSISTOR 2SC2009

Ref.No. or Qty	Part No.	Description
<u>CN-37 BOARD (BVH-2000PS/CN PNL)</u>		
1pc	() 1-606-713-00	PC BOARD, CN-37, WITHOUT COMPONENT

Ref.No. or Qty	Part No.	Description
<u>CN-49 BOARD (BVH-2000PS/CN PNL)</u>		
1pc	() A-6025-082-A	COMPLETE PCB, CN-49 (This assembly includes the following parts.)
CN663M	1-560-769-00	RECEP, D-SUB 15-PIN, MALE
CN662F, 664F	1-561-655-00	RECEP, D-SUB 9-PIN, FEMALE
CN661F	1-561-897-00	RECEP, D-SUB 15-PIN, FEMALE
CN666F	1-561-898-00	RECEP, D-SUB 37-PIN, FEMALE
CN665F	1-561-899-00	RECEP, D-SUB 50-PIN, FEMALE

Ref.No. or Qty	Part No.	Description	Ref.No. or Qty	Part No.	Description
<u>FRAME (BVH-2000PS)</u>			(FRAME,BVH-2000PS)		
M1	-----	MOTOR,THREADING included in MOVABLE GUIDE ASSY. See the exploded view,MOVABLE GUIDE ASSY block.	CN007F	( ) 1-509-983-00 ( ) 1-560-298-00	PLUG,HOUSING,2P CONTACT,FEMALE
M2	-----	MOTOR,IP ROLLER included in IP ROLLER MOTOR ASSY. See the exploded view,TAPE TRANSPORT REAR ASSY block.	CN103F	(to FV-01 board), 105F (to FV-01 board), 603F (to FV-02 board), 001F,008F,009F,263F, 265F,267F,269F,309F, 376F,470F,471F,905F, 930F,931F	
RV1	-----	POTENTIOMETER,S-TENSION included in S TENSION ARM ASSY. See the exploded view,TENSION ARM & TIMER ROLLER ASSY block.		( ) 1-509-984-00 ( ) 1-560-298-00	PLUG,HOUSING,3P CONTACT,FEMALE
RV2	-----	POTENTIOMETER,T-TENSION included in T TENSION ARM ASSY. See the exploded view,TENSION ARM & TIMER ROLLER ASSY block.	CN362F	(for 04 model), 102F (to FV-01 board), 104F (to FV-01 board), 305F (to AC-39 board), 311F (to AC-39 board), 021F,022F,024F,262F, 354F,355F,384F,387F, 610F,611F,656F,658F, 803F	
C011,012	1-125-289-00	CAP,ELECT 4700 200V		( ) 1-509-985-00	PLUG,HOUSING,4P
R601,602	1-214-105-00	RES,METAL 75 1/2 1/4W		( ) 1-560-298-00	CONTACT,FEMALE
1pc	1-452-266-21	RING,FG MAGNET			
PM4	1-454-263-21	SOLENOID,12V 60-OHM	CN282F	(for 02/04 model), 365F (for 04 model), 003F,004F,023F,112F, 261F,353F,361F,373F, 374F,377F,386F,604F, 607F,805F,808F,917F, 928F	
PM1,2	1-454-304-00	SOLENOID,12V 15/180-OHM		( ) 1-509-986-00 ( ) 1-560-298-00	PLUG,HOUSING,5P CONTACT,FEMALE
PM3	1-454-305-00	SOLENOID,12V 20/52-OHM			
CN631F	1-507-552-21	JACK,PHONE	CN202F	(to RA-05 board), 202F (to VV-01 board), 203F (to VV-01 board), 204F,351F,371F,372F, 381F,383F,608F,609F, 613F,653F,800F,801F, 812F,916F,923F	
CN626M (for 04 model), 625M,627M,628M,629M, 630M	1-509-176-31	RECEP,XLR3P,MALE		( ) 1-509-987-00 ( ) 1-560-298-00	PLUG,HOUSING,6P CONTACT,FEMALE
CN624F (for 04 model), 621F,622F,623F	1-509-184-31	RECEP,XLR3P,FEMALE			
CN640F	1-509-471-00	RECEP,18P,FEMALE			

# FRAME

Ref.No. or Qty	Part No.	Description	Ref.No. or Qty	Part No.	Description
(FRAME, BVH-2000PS)			(FRAME, BVH-2000PS)		
	CN281F (for 02/04 model),			CN364F (for 02/04 model),	
	283F (for 02/04 model),			301F (to MB-14 board),	
	291F (for 02/04 model),			304F (to MB-14 board),	
	303F (to MB-14 board),			107F, 350F, 352F, 606F,	
	306F (to MB-14 board),			612F, 657F, 807F, 809F,	
	602F (to LA-02 board),			903F, 915F, 921F	
	603F (to LA-02 board),			( ) 1-561-056-00	PLUG, HOUSING, 12P
	292F, 356F, 360F, 375F,			( ) 1-560-298-00	CONTACT, FEMALE
	388F, 654F, 655F, 811F,				
	925F				
	( ) 1-509-988-00	PLUG, HOUSING, 8P			
	( ) 1-560-298-00	CONTACT, FEMALE			
	CN106F (to CAPSTAN MOTOR),			CN101F (to FV-01 board),	
	106F (to FV-01 board),			201F (to VV-01 board),	
	302F (to MB-14 board),			303F (to AC-39 board),	
	305F (to MB-14 board),			601F (to FV-02 board),	
	602F (to FV-02 board),			913F	
	002F, 357F, 363F, 382F,			( ) 1-561-069-00	PLUG, HOUSING, 2P
	605F, 614F, 615F, 652F,			( ) 1-561-067-00	CONTACT, FEMALE
	804F, 806F, 810F, 926F				
	( ) 1-509-989-00	PLUG, HOUSING, 10P			
	( ) 1-560-298-00	CONTACT, FEMALE			
	ME4 (for 04 model),			CN304M (to AC-39 board)	
	1, 2, 3	1-520-450-00	METER, VU	( ) 1-561-069-00	PLUG, HOUSING, 2P
				( ) 1-561-068-00	CONTACT, MALE
	ME5	1-520-451-00	METER, VIDEO/RF		
	CB301	1-532-653-00	△ CIRCUIT PROTECTOR, 50mA/65V		
	CB302	1-532-654-00	△ CIRCUIT BREAKER, 6A/240V		
	CB303	1-532-655-00	△ CIRCUIT BREAKER, 10A/240V		
	TB001 ( ) 1-536-712-00	TERMINAL BOARD, 2P		CN312F (to AC-39 board)	
	M7, 8, 9	1-541-170-21	FAN, DC 12V, FB-08B12HA	( ) 1-561-070-00	PLUG, HOUSING, 4P
	M301	1-541-203-00	FAN, DC 12V, FB-12C12L	( ) 1-561-067-00	CONTACT, FEMALE
	S601, 602	1-552-078-00	SWITCH, SLIDE		
	S1	1-554-066-00	△ SWITCH, ROCKER		
	S301	1-554-145-00	△ SWITCH, ROCKER		
	ipc	1-556-371-00	△ CORD, POWER		
				CN929F ( ) 1-561-070-00	△ PLUG, HOUSING, 4P
				( ) 1-561-067-00	△ CONTACT, FEMALE
				CN302M (to AC-39 board)	
				( ) 1-561-070-00	PLUG, HOUSING, 4P
				( ) 1-561-068-00	CONTACT, MALE
				CN103F (to CA-09 board),	
				117F, 207F, 209F	
				( ) 1-561-071-00	PLUG, HOUSING, 6P
				1-535-206-00	CONTACT, FEMALE
				CN208F, 911F, 912F	
				( ) 1-561-071-00	PLUG, HOUSING, 6P
				( ) 1-561-067-00	CONTACT, FEMALE
				CN914F ( ) 1-561-072-00	PLUG, HOUSING, 9P
				( ) 1-561-067-00	CONTACT, FEMALE

Ref.No. or Q'ty	Part No.	Description	Ref.No. or Q'ty	Part No.	Description
(FRAME, BVH-2000PS)			(FRAME, BVH-2000PS)		
CN922M	( ) 1-561-072-00	PLUG, HOUSING, 9P	CN101F (to CA-09 board),		
	( ) 1-561-068-00	CONTACT, MALE	111F	( ) 1-561-890-00	PLUG, HOUSING, 20P
				( ) 1-560-768-00	CONTACT, FEMALE
CN929M	( ) 1-561-084-00	PLUG, HOUSING, 4P	CN314F	( ) 1-561-892-00	PLUG, HOUSING, 30P
	( ) 1-561-068-00	CONTACT, MALE		( ) 1-560-767-00	CONTACT, FEMALE
CN671F, 672F, 673F, 674F,				( ) 1-560-768-00	CONTACT, FEMALE
675F, 676F, 677F, 678F,					for AWG22-24
679F, 680F, 681F, 682F,					CONTACT, FEMALE
683F, 684F, 685F, 686F,					for AWG24-28
687F, 688F			CN325F	( ) 1-561-892-00	PLUG, HOUSING, 30P
	1-561-781-21	RECEP, BNC		( ) 1-560-768-00	CONTACT, FEMALE
CN104F (to CA-09 board),			CN203F (to RA-05 board),		
308F (to AC-39 board),			010F	( ) 1-561-893-00	PLUG, HOUSING, 34P
116F	( ) 1-561-828-00	PLUG, HOUSING, 3P		( ) 1-560-768-00	CONTACT, FEMALE
	( ) 1-561-067-00	CONTACT, FEMALE	CN902F	( ) 1-561-893-00	PLUG, HOUSING, 34P
CN301M (to AC-39 board)				( ) 1-560-767-00	CONTACT, FEMALE
	( ) 1-561-828-00	PLUG, HOUSING, 3P		( ) 1-560-768-00	CONTACT, FEMALE
	( ) 1-561-068-00	CONTACT, MALE			for AWG22-24
CN924F	( ) 1-561-857-00	PLUG, HOUSING, 11P			CONTACT, FEMALE
	( ) 1-560-761-00	CONTACT, FEMALE	CN322F	( ) 1-561-894-00	PLUG, HOUSING, 40P
CN927F	( ) 1-561-858-00	PLUG, HOUSING, 17P		( ) 1-560-767-00	CONTACT, FEMALE
	( ) 1-560-761-00	CONTACT, FEMALE		( ) 1-560-768-00	CONTACT, FEMALE
CN306F (to AC-39 board),					for AWG24-28
307F (to AC-39 board),			CN313F	( ) 1-561-895-00	PLUG, HOUSING, 50P
321F, 904F				( ) 1-560-768-00	CONTACT, FEMALE
	( ) 1-561-863-00	PLUG, HOUSING, 5P	CN901F	( ) 1-561-895-00	PLUG, HOUSING, 50P
	( ) 1-561-067-00	CONTACT, FEMALE		( ) 1-560-767-00	CONTACT, FEMALE
CN701F	1-561-888-00	PLUG, HOUSING, 10P		( ) 1-560-768-00	CONTACT, FEMALE
	( ) 1-560-768-00	CONTACT, FEMALE			for AWG22-24
CN317F	( ) 1-561-890-00	PLUG, HOUSING, 20P			CONTACT, FEMALE
	( ) 1-560-767-00	CONTACT, FEMALE	CN326F	( ) 1-561-896-00	PLUG, HOUSING, 60P
		for AWG22-24		( ) 1-560-768-00	CONTACT, FEMALE
	( ) 1-560-768-00	CONTACT, FEMALE			for AWG24-28
		for AWG24-28	1pc	1-933-205-00	FLAT CABLE ASSY,
					"DSH-1", 60P
					Includes CN316F & 667F.

**FRAME**

Ref.No. or Q'ty	Part No.	Description	Ref.No. or Q'ty	Part No.	Description
(FRAME,BVH-2000PS) 1pc (for 02/04 model)	1-933-206-00	COAXIAL CABLE ASSY, "CCH-1"	(FRAME,BVH-2000PS) H4 (for 02 model)	8-825-737-20	HEAD,AUDIO MONITOR, PA77-5104D
Includes CN264F,266F,268F,270F,271F,272F,307F,308F, 309F,310F,311F & 312F.			H3 (for 04 model)	8-825-737-60	HEAD,AUDIO R/P, PA77-5105B
1pc	1-933-220-00	FLAT CABLE ASSY, "CPH-2",26P	H4 (for 04 model)	8-825-737-70	HEAD,AUDIO MONITOR, PA77-5105C
Includes CN324F & 702F.			M3	8-838-028-01	MOTOR,DC,S-REEL, BHF-2200A
1pc	( ) 1-933-221-00	FLAT CABLE ASSY, "DSH-2",60P	M4	8-838-028-11	MOTOR,DC,T-REEL, BHF-2200B
Includes CN315F,601F,651F,668F & 821F.			M5	8-838-029-01	MOTOR,DC,CAPSTAN, BHF-2300A
1pc	1-933-222-00	FLAT CABLE ASSY, "ASH-1",34P			
Includes CN261F,323F,385F & 810F.					
1pc (for 00 model)	1-933-561-00	COAXIAL CABLE ASSY "CCH-2"			
Includes CN264F,266F,268F,270F,307F,308F, 311&312.					
H1	8-825-725-10	HEAD,VIDEO/SYNC ERASE, EF204-5102			
H2 (for 00/02 model)	8-825-725-50	HEAD,AUDIO ERASE, EF204-5104B			
H2 (for 04 model)	8-825-725-70	HEAD,AUDIO ERASE, EF204-5105A			
H3 (for 00/02 model)	8-825-737-10	HEAD,AUDIO R/P, PA77-5104C			

Ref.No. or Qty	Part No.	Description
<b>ACCESSORIES SUPPLIED (BVH-2000PS)</b>		
1pc	1-506-421-00	ADAPTOR, PLUG, PHONE
1pc	1-560-771-00	PLUG, D-SUB, 37-PIN, MALE
1pc	1-560-772-00	PLUG, D-SUB, 50-PIN, MALE
2pcs	2-360-798-01	SCREW LOCK, D-SUB, 37-PIN
2pcs	2-360-798-21	SCREW LOCK, D-SUB, 50-PIN
1pc	3-674-685-00	PC BOARD INDICATION LABEL
1pc	3-680-323-01	PLASTIC SHELL, D-SUB, 37-PIN
1pc	3-680-323-11	PLASTIC SHELL, D-SUB, 50-PIN
6pcs	7-682-578-04	SCREW, +B 5x16
1pc	commercially available	REEL, EMPTY, R1-11V
1pc	A-6001-005-A	EXTENSION BOARD, EB-10 (This assembly includes the following parts.)
R3	1-247-115-00	RES, CARBON 220 5% 1/4W
R1,2	1-247-126-00	RES, CARBON 620 5% 1/4W
1pc	1-508-892-00	CONNECTOR, PCB, 100P
178pcs	( ) 3-657-235-00	TERMINAL, TP
6pcs	7-621-981-15	SCREW, PSW2.6x6
4pcs	7-684-023-04	NUT, M3
4pcs	7-686-448-01	SCREW, PS3x8
D2	8-719-913-50	LED, GL3PG5, GRN
D3	8-719-930-33	LED, GL3PR3, RED
D1	8-719-930-53	LED, GL3HY3, YEL

**OPTIONAL FIXTURE (BVH-2000PS)**

2-034-697-00	CLEANING PIECE
7-700-733-01	ALIGNMENT SCREWDRIVER, SLOTTED HEAD
7-721-050-61	SCREWDRIVER, TOTSU, 2mm
7-721-050-62	SCREWDRIVER, TOTSU, 2.6mm
8-944-005-63	ALIGNMENT TAPE, BR5-2PS-A4

Ref.No. or Qty	Part No.	Description
<b>(OPTIONAL FIXTURE, BVH-2000PS)</b>		
	J-6041-770-A	IC TEST CLIP, TC-16
	J-6041-780-A	IC TEST CLIP, TC-20
	Manufacturer; AP Products Incorporated P.O. BOX 697, 72 Corwin Drive Painesville, Ohio 44077, USA TEL: (216) 354-2101	
	J-6043-640-A	SWITCHING REGULATOR ADJUSTMENT FIXTURE
	J-6043-720-A	BRAKE ADJUSTMENT FIXTURE
	When using the following fixture, contact your sony service office.	
	J-6043-870-A	GUIDE FLANGE FIXTURE (This fixture includes the following spacer.)
	J-6044-000-A	SPACER
	commercially available DEMAGNETIZER, SONY HE-4	
	J-6043-230-A	BVH-2000 TOOL KIT (This kit consists of the following.)
	J-6041-700-A	ALLEN WRENCH SET, L-SHAPED HEX.
	7-700-751-02	NUT DRIVER, 5.5mm
	7-700-766-02	SCREWDRIVER, HEX, 1.4mm
	7-700-766-03	SCREWDRIVER, HEX, 2mm
	7-700-766-04	SCREWDRIVER, HEX, 2.5mm
	7-721-050-63	SCREWDRIVER, TOTSU, 3mm
	7-721-050-64	SCREWDRIVER, TOTSU, 4mm
	J-6040-160-A	PLATE, FLAT
	J-6040-460-A	SCREW, TAPERED This part contains two screws.
	J-6040-750-B	ADJUSTMENT GAUGE, DRUM ECCENTRICITY
	J-6041-630-A	TENSION SCALE, 200g
	J-6041-640-A	TENSION SCALE, 5kg
	J-6041-670-A	THICKNESS GAUGE
	J-6042-670-A	TENSION SCALE, 1kg
	J-6043-120-A	TENSION ADJUSTMENT TOOL
	J-6043-380-A	CARRYING CASE

SECTION E  
CHANGED PARTS

=====  
UP TO #10099 (BVH-2000PS)  
=====

=====  
#10101 & UP (BVH-2000PS)  
=====

AU-27 BOARD (BVH-2000PS/CARD RACK)

C512,252

1-108-563-00 CAP,MYLAR 0.022 5% 50V.....May be used or not.  
1-108-563-00 CAP,MYLAR 0.022 5% 50V

AE-03 BOARD (BVH-2000PS/CARD RACK)

C46 1-108-563-00 CAP,MYLAR 0.022 5% 50V.....May be used or not.  
1-108-563-00 CAP,MYLAR 0.022 5% 50V

DM-25 BOARD (BVH-2000PS/CARD RACK)

C118 1-109-526-00 CAP,MICA 43PF 5% 100V.....1-107-158-00 CAP,MICA 30PF 5% 500V  
L4 1-407-169-XX INDUCTOR,MICRO,100 5%.....DELETED  
R172 1-247-814-00 RES,CARBON 200 5% 1/6W.....1-247-795-00 RES,CARBON 33 5% 1/6W

RL-12 BOARD (BVH-2000PS/CARD RACK)

C32 1-108-559-00 CAP,MYLAR 0.0015 5% 50V.....1-102-114-00 CAP,CERAMIC 470PF 10% 50V  
C110 NOT IN USE.....1-108-581-00 CAP,MYLAR 0.012 5% 50V  
C111 NOT IN USE.....1-108-565-00 CAP,MYLAR 0.0027 5% 50V  
C112 NOT IN USE.....1-108-579-00 CAP,MYLAR 0.01 5% 50V  
R50,51 1-247-887-00 RES,CARBON 220K 5% 1/6W.....1-247-879-00 RES,CARBON 100K 5% 1/6W  
  
R83 1-247-807-00 RES,CARBON 100 5% 1/6W.....1-247-783-00 RES,CARBON 10 5% 1/6W  
R194 NOT IN USE.....1-247-877-00 RES,CARBON 82K 5% 1/6W  
R195 NOT IN USE.....1-247-862-00 RES,CARBON 20K 5% 1/6W  
R196 NOT IN USE.....1-247-860-00 RES,CARBON 16K 5% 1/6W



**CHANGED PARTS**

\*\*\*\*\*  
UP TO #10099 (BVH-2000PS)  
\*\*\*\*\*

\*\*\*\*\*  
#10101 & UP (BVH-2000PS)  
\*\*\*\*\*

AP-06 BOARD (BVH-2000PS/TTP)

R524 1-247-887-00 RES,CARBON 220K 5% 1/6W.....1-247-815-00 RES,CARBON 220 5% 1/6W

BE-02 BOARD (BVH-2000PS/TTP)

R184, 185, 186, 187, 188  
NOT IN USE.....1-247-855-00 RES,CARBON 10K 5% 1/6W

PS-14 BOARD (BVH-2000PS/POWER SUPPLY)

C3,4 1-123-997-00 CAP,ELECT 220 25V.....1-123-862-00 CAP,ELECT 220 25V

C84, 86, 93, 95, 97, 98,  
100 1-123-996-00 CAP,ELECT 100 25V.....1-123-963-00 CAP,ELECT 100 25V

=====
   
UP TO #10199 (BVH-2000PS)
   
=====

=====
   
#10201 & UP (BVH-2000PS)
   
=====

AE-03 BOARD (BVH-2000PS/CARD RACK)

C7,140 1-108-587-00 CAP,MYLAR 0.022 5% 50V.....One of the following capacitors is used.
   
1-108-587-00 CAP,MYLAR 0.022 5% 50V
   
1-109-591-00 CAP,MYLAR 0.033 5% 50V

EQ-02 BOARD (BVH-2000PS/CARD RACK)

C114 1-107-047-00 CAP,MICA 5.6PF +/-0.5PF 500V.....1-107-022-00 CAP,MICA 20PF 10% 500V
   
C115 1-107-202-00 CAP,MICA 10PF 5% 500V.....1-107-106-00 CAP,MICA 9PF +/-0.5PF 50V
   
D5 8-719-815-55 DIODE 1S1555.....DELETED
   
D6 NOT IN USE.....8-719-815-55 DIODE 1S1555
   
R18 1-246-762-00 RES,CARBON 18 5% 1/6W.....One of the following resistors is used.
   
1-247-788-00 RES,CARBON 18 5% 1/6W
   
1-247-795-00 RES,CARBON 33 5% 1/6W
   
R239 1-247-865-00 RES,CARBON 27K 5% 1/6W.....DELETED
   
R240 1-247-864-00 RES,CARBON 24K 5% 1/6W.....1-247-847-00 RES,CARBON 4.7K 5% 1/6W
   
R285 1-247-795-00 RES,CARBON 33 5% 1/6W.....One of the following resistors is used.
   
1-247-791-00 RES,CARBON 22 5% 1/6W
   
1-247-795-00 RES,CARBON 33 5% 1/6W
   
R289 NOT IN USE.....1-247-808-00 RES,CARBON 110 5% 1/6W
   
R290 NOT IN USE.....1-247-824-00 RES,CARBON 510 5% 1/6W
   
RV25 1-224-938-00 RES,VAR,METAL 2K.....1-224-939-00 RES,VAR,METAL 5K
   
RV29 1-224-941-00 RES,VAR,METAL 20K.....DELETED
   
RV30 1-224-940-00 RES,VAR,METAL 10K.....1-224-941-00 RES,VAR,METAL 20K

MD-14 BOARD (BVH-2000PS/CARD RACK)

C601 May be used or not. ....1-109-531-00 CAP,MICA 68PF 5% 100V
   
1-109-531-00 CAP,MICA 68PF 5% 100V
   
R509 One of the following resistors is used. ....1-247-859-00 RES,CARBON 15K 5% 1/6W
   
1-247-857-00 RES,CARBON 12K 5% 1/6W
   
1-247-859-00 RES,CARBON 15K 5% 1/6W

LG-02 BOARD (BVH-2000PS/CARD RACK)

JP8,9 NOT IN USE.....1-560-733-00 PIN,SHORT
   
2pcs NOT IN USE.....1-561-832-00 PLUG,SHORT

**CHANGED PARTS**

=====
   
UP TO #10199 (BVH-2000PS)
   
=====

=====
   
#10201 & UP (BVH-2000PS)
   
=====

RL-12 BOARD (BVH-2000PS/CARD RACK)

R7	1-247-846-00	RES,CARBON 4.3K 5% 1/6W
R8	1-247-851-00	RES,CARBON 6.8K 5% 1/6W
R9	1-247-846-00	RES,CARBON 4.3K 5% 1/6W
R10	1-247-851-00	RES,CARBON 6.8K 5% 1/6W
R11	1-247-846-00	RES,CARBON 4.3K 5% 1/6W
R12	1-247-851-00	RES,CARBON 6.8K 5% 1/6W
R13	1-247-846-00	RES,CARBON 4.3K 5% 1/6W
R14	1-247-851-00	RES,CARBON 6.8K 5% 1/6W
R22,23	1-247-846-00	RES,CARBON 4.3K 5% 1/6W
R26,27	1-247-851-00	RES,CARBON 6.8K 5% 1/6W

1-247-842-00	RES,CARBON 3K 5% 1/6W
1-247-848-00	RES,CARBON 5.1K 5% 1/6W
1-247-842-00	RES,CARBON 3K 5% 1/6W
1-247-848-00	RES,CARBON 5.1K 5% 1/6W
1-247-842-00	RES,CARBON 3K 5% 1/6W
1-247-848-00	RES,CARBON 5.1K 5% 1/6W
1-247-842-00	RES,CARBON 3K 5% 1/6W
1-247-848-00	RES,CARBON 5.1K 5% 1/6W
1-247-842-00	RES,CARBON 3K 5% 1/6W
1-247-848-00	RES,CARBON 5.1K 5% 1/6W

BE-02 BOARD (BVH-2000PS/TTP)

R79,83,87,91		
	1-247-849-00	RES,CARBON 5.6K 5% 1/6W
TP1,2,3,4,5,6,7,8,9		
	3-673-805-01	TERMINAL,TP
1pc	7-623-924-01	WASHER,M3,NYLON
1pc	7-684-023-04	NUT,M3
1pc	7-686-447-01	SCREW,PS3x6

1-247-850-00	RES,CARBON 6.2K 5% 1/6W
3-640-328-00	TERMINAL,TP
DELETED	
DELETED	
DELETED	

PS-14 BOARD (BVH-2000PS/POWER SUPPLY)

C35	1-123-356-00	CAP,ELECT 10 50V
C40,52,70		
	1-123-356-00	CAP,ELECT 10 50V
C98,100		
	1-123-963-00	CAP,ELECT 100 25V

DELETED	
1-123-380-00	CAP,ELECT 1 100V
DELETED	

=====
   
UP TO #10199 (BVH-2000PS)
   
=====

(PS-14 BOARD, BVH-2000PS/POWER SUPPLY)

C117	NOT IN USE	
C118	NOT IN USE	
D16, 19	8-719-815-55	DIODE 1S1555
IC4	8-759-145-57	IC UPC4557C
Q34	8-729-177-43	TRANSISTOR 2SD774
R30	1-247-821-00	RES,CARBON 390 5% 1/6W
R116	1-247-843-00	RES,CARBON 3.3K 5% 1/6W
R119	1-247-847-00	RES,CARBON 4.7K 5% 1/6W
R120	1-247-839-00	RES,CARBON 2.2K 5% 1/6W
R122	1-214-150-00	RES,METAL 5.6K 1% 1/4W
R123	1-214-167-00	RES,METAL 30K 1% 1/4W
R124	1-214-152-00	RES,METAL 6.8K 1% 1/4W
R125	1-247-842-00	RES,CARBON 3K 5% 1/6W
R126	1-214-136-00	RES,METAL 1.5K 1% 1/4W
R260, 261		
	1-217-296-00	RES,WIREWOUND 6.8 10% 5W
R265	1-247-841-00	RES,CARBON 2.7K 5% 1/6W
R266	1-247-837-00	RES,CARBON 1.8K 5% 1/6W
R267	1-247-820-00	RES,CARBON 360 5% 1/6W
R270	1-213-143-00	RES,METAL 1K 5% 1W
R275	1-247-855-00	RES,CARBON 10K 5% 1/6W
R276	1-247-831-00	RES,CARBON 1K 5% 1/4W
R277	1-247-831-00	RES,CARBON 1K 5% 1/4W
R278	1-213-143-00	RES,METAL 1K 5% 1W

=====
   
#10201 & UP (BVH-2000PS)
   
=====

1-161-055-00	CAP,CERAMIC 0.022 10% 50V
1-123-380-00	CAP,ELECT 1 100V
DELETED	
8-759-377-23	IC HA17723G
DELETED	
1-247-849-00	RES,CARBON 5.6K 5% 1/6W
1-247-855-00	RES,CARBON 10K 5% 1/6W
DELETED	
1-247-843-00	RES,CARBON 3.3K 5% 1/6W
1-214-158-00	RES,METAL 12K 1% 1/4W
1-214-163-00	RES,METAL 20K 1% 1/4W
1-214-147-00	RES,METAL 4.3K 1% 1/4W
1-247-870-00	RES,CARBON 43K 5% 1/6W
1-214-170-00	RES,METAL 39K 1% 1/4W
DELETED	
1-247-131-00	RES,CARBON 1K 5% 1/4W
1-247-137-00	RES,CARBON 1.8K 5% 1/4W
1-247-120-00	RES,CARBON 360 5% 1/4W
1-247-131-00	RES,CARBON 1K 5% 1/4W
1-247-847-00	RES,CARBON 4.7K 5% 1/6W
1-247-824-00	RES,CARBON 510 5% 1/6W
1-247-816-00	RES,CARBON 240 5% 1/6W
DELETED	

**CHANGED PARTS**

=====
   
UP TO #10299 (BVH-2000PS)
   
=====

=====
   
#10301 & UP (BVH-2000PS)
   
=====

AU-27 BOARD (BVH-2000PS/CARD RACK)

TPE102,103,105,202,
   
203,205

	3-673-805-11	TERMINAL,TP.....	DELETED
1pc	3-654-058-00	SPACER 3x3.....	DELETED
1pc	7-623-924-01	WASHER,M3,NYLON.....	DELETED
1pc	7-684-023-04	NUT,M3.....	DELETED
1pc	7-686-449-01	SCREW,PS3x10.....	DELETED

AE-03 BOARD (BVH-2000PS/CARD RACK)

1pc (for 00/02 model)

A-6013-051-A	COMPLETE PCB,AE-03.....	A-6013-051-B	COMPLETE PCB,AE-03
--------------	-------------------------	--------------	--------------------

New board can be used instead of former board.

DM-25 BOARD (BVH-2000PS/CARD RACK)

R27	1-247-855-00	RES,CARBON 10K 5% 1/6W.....	1-247-851-00	RES,CARBON 6.8K 5% 1/6W
R202	1-247-867-00	RES,CARBON 33K 5% 1/6W.....	1-247-878-00	RES,CARBON 91K 5% 1/6W
R203	NOT IN USE.....		1-247-783-00	RES,CARBON 10 5% 1/6W
R204	NOT IN USE.....		1-247-843-00	RES,CARBON 3.3K 5% 1/6W
TP14	NOT IN USE.....		3-673-805-01	TERMINAL,TP

MD-14 BOARD (BVH-2000PS/CARD RACK)

C60	1-109-541-00	CAP,MICA 200PF 5% 100V.....	1-109-558-00	CAP,MICA 750PF 5% 100V
C62	1-109-532-00	CAP,MICA 75PF 5% 100V.....	1-107-085-00	CAP,MICA 100PF 5% 50V
C108	1-109-541-00	CAP,MICA 200PF 5% 100V.....	1-109-558-00	CAP,MICA 750PF 5% 100V
C111	1-109-532-00	CAP,MICA 75PF 5% 100V.....	1-107-082-00	CAP,MICA 75PF 5% 50V

=====  
 UP TO #10299 (BVH-2000PS)  
 =====

=====  
 #10301 & UP (BVH-2000PS)  
 =====

(MD-14 BOARD, BVH-2000PS/CARD RACK)

C504, 505	NOT IN USE.....	1-109-559-00	CAP, MICA 820PF 5% 100V
C506, 507	NOT IN USE.....	1-109-534-00	CAP, MICA 91PF 5% 100V
C508, 509	NOT IN USE.....	1-123-330-00	CAP, ELECT 22 25V
C601	1-109-531-00	CAP, MICA 68PF 5% 100V.....	DELETED
D21, 22	8-719-815-55	DIODE 1S1555.....	DELETED
IC11, 24	8-759-930-54	IC CA3054.....	DELETED
L8	1-407-164-XX	INDUCTOR, MICRO, 39 5%.....	1-407-159-XX INDUCTOR, MICRO, 15 5%
L9	1-407-187-XX	INDUCTOR, MICRO, 5.6 5%.....	1-407-159-XX INDUCTOR, MICRO, 15 5%
L13	1-407-164-XX	INDUCTOR, MICRO, 39 5%.....	1-407-159-XX INDUCTOR, MICRO, 15 5%
L14	1-407-187-XX	INDUCTOR, MICRO, 5.6 5%.....	1-407-159-XX INDUCTOR, MICRO, 15 5%
Q22	NOT IN USE.....	8-729-117-33	TRANSISTOR 2SC1733
Q23	NOT IN USE.....	8-765-300-00	TRANSISTOR 2SC2009
Q24	NOT IN USE.....	8-729-117-33	TRANSISTOR 2SC1733
Q25	NOT IN USE.....	8-765-300-00	TRANSISTOR 2SC2009
R110	1-247-849-00	RES, CARBON 5.6K 5% 1/6W.....	1-247-783-00 RES, CARBON 10 5% 1/6W
R111	1-247-799-00	RES, CARBON 47 5% 1/6W.....	1-247-818-00 RES, CARBON 300 5% 1/6W
R112	1-247-843-00	RES, CARBON 3.3K 5% 1/6W.....	1-247-807-00 RES, CARBON 100 5% 1/6W
R113	1-247-843-00	RES, CARBON 3.3K 5% 1/6W.....	1-247-829-00 RES, CARBON 820 5% 1/6W
R114	1-247-823-00	RES, CARBON 470 5% 1/6W.....	1-247-831-00 RES, CARBON 1K 5% 1/6W
R115	1-247-855-00	RES, CARBON 10K 5% 1/6W.....	1-247-838-00 RES, CARBON 2K 5% 1/6W
R116	1-247-847-00	RES, CARBON 4.7K 5% 1/6W.....	1-247-811-00 RES, CARBON 150 5% 1/6W
R118	1-247-823-00	RES, CARBON 470 5% 1/6W.....	1-247-831-00 RES, CARBON 1K 5% 1/6W
R119	1-247-839-00	RES, CARBON 2.2K 5% 1/6W.....	DELETED
R120	1-247-847-00	RES, CARBON 4.7K 5% 1/6W.....	1-247-783-00 RES, CARBON 10 5% 1/6W
R121	1-247-818-00	RES, CARBON 300 5% 1/6W.....	1-247-807-00 RES, CARBON 100 5% 1/6W
R122	1-247-819-00	RES, CARBON 330 5% 1/6W.....	1-247-822-00 RES, CARBON 430 5% 1/6W
R200	1-247-849-00	RES, CARBON 5.6K 5% 1/6W.....	1-247-783-00 RES, CARBON 10 5% 1/6W
R201	1-247-799-00	RES, CARBON 47 5% 1/6W.....	1-247-818-00 RES, CARBON 300 5% 1/6W
R202	1-247-823-00	RES, CARBON 470 5% 1/6W.....	1-247-831-00 RES, CARBON 1K 5% 1/6W
R203	1-247-843-00	RES, CARBON 3.3K 5% 1/6W.....	1-247-807-00 RES, CARBON 100 5% 1/6W

# CHANGED PARTS

=====

UP TO #10299 (BVH-2000PS)

=====

=====

#10301 & UP (BVH-2000PS)

=====

(MD-14 BOARD, BVH-2000PS/CARD RACK)

R204	1-247-843-00	RES,CARBON 3.3K 5% 1/6W.....	1-247-829-00	RES,CARBON 820 5% 1/6W
R206	1-247-855-00	RES,CARBON 10K 5% 1/6W.....	1-247-838-00	RES,CARBON 2K 5% 1/6W
R207	1-247-847-00	RES,CARBON 4.7K 5% 1/6W.....	1-247-811-00	RES,CARBON 150 5% 1/6W
R209	1-247-823-00	RES,CARBON 470 5% 1/6W.....	1-247-831-00	RES,CARBON 1K 5% 1/6W
R210	1-247-839-00	RES,CARBON 2.2K 5% 1/6W.....	DELETED	
R211	1-247-847-00	RES,CARBON 4.7K 5% 1/6W.....	1-247-783-00	RES,CARBON 10 5% 1/6W
R212	1-247-818-00	RES,CARBON 300 5% 1/6W.....	1-247-807-00	RES,CARBON 100 5% 1/6W
R213	1-247-819-00	RES,CARBON 330 5% 1/6W.....	1-247-822-00	RES,CARBON 430 5% 1/6W
R257	NOT IN USE.....		1-247-790-00	RES,CARBON 20 5% 1/6W

R503, 504

1-247-828-00 RES,CARBON 750 5% 1/6W.....DELETED

R506, 507

1-247-800-00 RES,CARBON 51 5% 1/6W.....DELETED

R508 1-247-831-00 RES,CARBON 1K 5% 1/6W.....DELETED

R509 1-247-859-00 RES,CARBON 15K 5% 1/6W.....DELETED

R510 1-247-855-00 RES,CARBON 10K 5% 1/6W.....DELETED

RV8 1-224-938-00 RES,VAR,METAL 2K.....DELETED

RV10 1-228-532-00 RES,VAR,COMP 5K.....1-226-988-00 RES,VAR,COMP 1K(B)

RV11 1-224-936-00 RES,VAR,METAL 500.....1-224-937-00 RES,VAR,METAL 1K

RV12 1-224-936-00 RES,VAR,METAL 500.....1-224-935-00 RES,VAR,METAL 200

RV16 1-224-938-00 RES,VAR,METAL 2K.....DELETED

RV18 1-228-532-00 RES,VAR,COMP 5K.....1-226-988-00 RES,VAR,COMP 1K(B)

RV19 1-224-936-00 RES,VAR,METAL 500.....1-224-937-00 RES,VAR,METAL 1K

RV20 1-224-936-00 RES,VAR,METAL 500.....1-224-935-00 RES,VAR,METAL 200

LG-02 BOARD (BVH-2000PS/CARD RACK)

IC11 NOT IN USE.....8-759-202-40 IC SN74LS240N,TTL

RB8 NOT IN USE.....1-231-410-00 RES BLOCK,10Kx8

S2 NOT IN USE.....1-516-925-21 SWITCH,DIP,8-CKT

=====  
 UP TO #10299 (BVH-2000PS)  
 =====

=====  
 #10301 & UP (BVH-2000PS)  
 =====

SY-80 BOARD (BVH-2000PS/CARD RACK)

R22 NOT IN USE

1-247-814-00 RES,CARBON 200 5% 1/6W

RL-12 BOARD (BVH-2000PS/CARD RACK)

C12 1-123-821-00 CAP,ELECT 47 16V  
 C66 1-108-591-00 CAP,MYLAR 0.033 5% 50V

DELETED  
 DELETED

C113,114  
 NOT IN USE

1-102-106-00 CAP,CERAMIC 100PF 10% 50V

D38,39,41,42  
 8-719-815-55 DIODE 1S1555

DELETED

D45,46,47,48  
 8-719-911-19 DIODE 1SS119

8-719-815-55 DIODE 1S1555

IC3P NOT IN USE  
 R30 1-214-128-00 RES,METAL 680 1% 1/4W  
 R31 1-214-129-00 RES,METAL 750 1% 1/4W  
 R32 1-214-121-00 RES,METAL 360 1% 1/4W  
 R33 1-214-088-00 RES,METAL 15 1% 1/4W

8-759-901-07 IC SN74LS107AN,TTL  
 1-214-136-00 RES,METAL 1.5K 1% 1/4W  
 1-214-136-00 RES,METAL 1.5K 1% 1/4W  
 1-214-129-00 RES,METAL 750 1% 1/4W  
 DELETED

R58 1-247-886-00 RES,CARBON 200K 5% 1/6W  
 R60 1-247-886-00 RES,CARBON 200K 5% 1/6W  
 R62 1-247-862-00 RES,CARBON 20K 5% 1/6W  
 R64 1-247-855-00 RES,CARBON 10K 5% 1/6W  
 R65 1-247-783-00 RES,CARBON 10 5% 1/6W

1-214-180-00 RES,METAL 100K 1% 1/4W  
 DELETED  
 1-214-156-00 RES,METAL 10K 1% 1/4W  
 1-214-136-00 RES,METAL 1.5K 1% 1/4W  
 DELETED

R68 1-247-862-00 RES,CARBON 20K 5% 1/6W  
 R70 1-247-855-00 RES,CARBON 10K 5% 1/6W  
 R71 1-247-783-00 RES,CARBON 10 5% 1/6W  
 R101 1-214-156-00 RES,METAL 10K 1% 1/4W  
 R105 1-247-862-00 RES,CARBON 20K 5% 1/6W

DELETED  
 DELETED  
 DELETED  
 DELETED  
 DELETED

R106 1-247-862-00 RES,CARBON 20K 5% 1/6W  
 R107 NOT IN USE  
 R108 1-247-881-00 RES,CARBON 120K 5% 1/6W  
 R109 NOT IN USE  
 R110 1-247-881-00 RES,CARBON 120K 5% 1/6W

1-214-136-00 RES,METAL 1.5K 1% 1/4W  
 1-247-783-00 RES,CARBON 10 5% 1/6W  
 1-214-139-00 RES,METAL 2K 1% 1/4W  
 1-247-783-00 RES,CARBON 10 5% 1/6W  
 1-214-167-00 RES,METAL 30K 1% 1/4W



**CHANGED PARTS**

=====
   
UP TO #10299 (BVH-2000PS)
   
=====

=====
   
#10301 & UP (BVH-2000PS)
   
=====

(RL-12 BOARD, BVH-2000PS/CARD RACK)

R111,113	1-214-156-00	RES,METAL 10K 1% 1/4W.....	1-214-153-00	RES,METAL 7.5K 1% 1/4W
R142,166	1-247-783-00	RES,CARBON 10 5% 1/6W.....	DELETED	
R171	1-247-863-00	RES,CARBON 22K 5% 1/6W.....	DELETED	
R174	1-247-879-00	RES,CARBON 100K 5% 1/6W.....	1-247-891-00	RES,CARBON 330K 5% 1/6W
R188,189	NOT IN USE.....		1-214-163-00	RES,METAL 20K 1% 1/4W
R190,191,192	NOT IN USE.....		1-247-855-00	RES,CARBON 10K 5% 1/6W
R193	NOT IN USE.....		1-214-180-00	RES,METAL 100K 1% 1/4W
RV7	1-224-935-00	RES,VAR,METAL 200.....	1-224-937-00	RES,VAR,METAL 1K
TP12,19,20,21	NOT IN USE.....		3-673-805-01	TERMINAL,TP

CD-17 BOARD (BVH-2000PS/CARD RACK)

C2	1-123-821-00	CAP,ELECT 47 16V.....	DELETED	
C14,15	1-161-055-00	CAP,CERAMIC 0.022 10% 50V.....	DELETED	
C16,29,34	1-123-821-00	CAP,ELECT 47 16V.....	DELETED	
C35,36,37,38	1-108-589-00	CAP,MYLAR 0.027 5% 50V.....	1-108-595-00	CAP,MYLAR 0.047 5% 50V
C39	1-108-579-00	CAP,MYLAR 0.01 5% 50V.....	1-108-573-00	CAP,MYLAR 0.0056 5% 50V
C40	1-108-571-00	CAP,MYLAR 0.0047 5% 50V.....	1-108-565-00	CAP,MYLAR 0.0027 5% 50V
C41	1-108-579-00	CAP,MYLAR 0.01 5% 50V.....	1-108-573-00	CAP,MYLAR 0.0056 5% 50V
C42	1-108-571-00	CAP,MYLAR 0.0047 5% 50V.....	1-108-565-00	CAP,MYLAR 0.0027 5% 50V
C71	1-123-821-00	CAP,ELECT 47 16V.....	DELETED	
C121	1-131-369-00	CAP,TANT 4.7 10% 16V.....	1-131-371-00	CAP,TANT 10 10% 16V
C134	1-123-822-00	CAP,ELECT 47 10V.....	DELETED	
C164	NOT IN USE.....		1-108-579-00	CAP,MYLAR 0.01 5% 50V
C165	NOT IN USE.....		1-131-371-00	CAP,TANT 10 10% 16V
D17	8-719-815-55	DIODE 1S1555.....	DELETED	
D45,46,47	NOT IN USE.....		8-719-815-55	DIODE 1S1555

=====

=====

(CD-17 BOARD, BVH-2000PS/CARD RACK)

IC1C NOT IN USE  
 IC1D NOT IN USE  
 IC1E 8-759-240-13 IC TC4013BP,CMOS  
 IC2E 8-759-240-11 IC TC4011BP,CMOS  
 IC9,21 8-759-951-07 IC SN75107AN  
  
 IC36 8-759-906-01 IC TL601CP  
 IC37 NOT IN USE

8-759-240-11 IC TC4011BP,CMOS  
 8-759-240-13 IC TC4013BP,CMOS  
 DELETED  
 DELETED  
 8-759-952-07 IC SN75207BN  
  
 DELETED  
 8-759-145-58 IC UPC4558C

Q21,22,23  
 NOT IN USE

8-723-302-00 TRANSISTOR 2SK43-2

R23 1-247-783-00 RES,CARBON 10 5% 1/6W  
 R26 1-247-799-00 RES,CARBON 47 5% 1/6W  
 R35 1-247-871-00 RES,CARBON 47K 5% 1/6W  
 R36,37 1-247-823-00 RES,CARBON 470 5% 1/6W  
 R38 1-247-855-00 RES,CARBON 10K 5% 1/6W

DELETED  
 DELETED  
 1-247-879-00 RES,CARBON 100K 5% 1/6W  
 1-247-831-00 RES,CARBON 1K 5% 1/6W  
 1-214-160-00 RES,METAL 15K 1% 1/4W

R39 1-247-823-00 RES,CARBON 470 5% 1/6W  
 R40 1-247-871-00 RES,CARBON 47K 5% 1/6W  
 R41 1-247-823-00 RES,CARBON 470 5% 1/6W  
 R42 1-247-855-00 RES,CARBON 10K 5% 1/6W  
 R43 1-247-862-00 RES,CARBON 20K 5% 1/6W

1-247-831-00 RES,CARBON 1K 5% 1/6W  
 1-247-879-00 RES,CARBON 100K 5% 1/6W  
 1-247-831-00 RES,CARBON 1K 5% 1/6W  
 1-214-160-00 RES,METAL 15K 1% 1/4W  
 1-214-167-00 RES,METAL 30K 1% 1/4W

R46 1-247-855-00 RES,CARBON 10K 5% 1/6W  
 R47 1-247-855-00 RES,CARBON 10K 5% 1/6W  
 R48 1-247-855-00 RES,CARBON 10K 5% 1/6W  
 R49 1-247-855-00 RES,CARBON 10K 5% 1/6W  
 R50 1-247-862-00 RES,CARBON 20K 5% 1/6W

1-214-156-00 RES,METAL 10K 1% 1/4W  
 1-214-155-00 RES,METAL 9.1K 1% 1/4W  
 1-214-156-00 RES,METAL 10K 1% 1/4W  
 1-214-155-00 RES,METAL 9.1K 1% 1/4W  
 1-214-167-00 RES,METAL 30K 1% 1/4W

R74 1-247-783-00 RES,CARBON 10 5% 1/6W  
 R98 1-247-871-00 RES,CARBON 47K 5% 1/6W

DELETED  
 1-247-879-00 RES,CARBON 100K 5% 1/6W

R99,101,103  
 1-247-823-00 RES,CARBON 470 5% 1/6W

1-247-831-00 RES,CARBON 1K 5% 1/6W

R104 1-247-871-00 RES,CARBON 47K 5% 1/6W

1-247-879-00 RES,CARBON 100K 5% 1/6W

R105,106  
 1-247-855-00 RES,CARBON 10K 5% 1/6W

1-214-156-00 RES,METAL 10K 1% 1/4W

R107,108  
 1-247-855-00 RES,CARBON 10K 5% 1/6W

1-214-155-00 RES,METAL 9.1K 1% 1/4W

**CHANGED PARTS**

=====
   
UP TO #10299 (BVH-2000PS)
   
=====

=====
   
#10301 & UP (BVH-2000PS)
   
=====

(CD-17 BOARD,BVH-2000PS/CARD RACK)

R119	1-247-855-00	RES,CARBON 10K 5% 1/6W.....	1-247-839-00	RES,CARBON 2.2K 5% 1/6W
R126	1-214-163-00	RES,METAL 20K 1% 1/4W.....	DELETED	
R127	1-214-167-00	RES,METAL 30K 1% 1/4W.....	DELETED	
R142, 143				
	1-247-855-00	RES,CARBON 10K 5% 1/6W.....	1-247-848-00	RES,CARBON 5.1K 5% 1/6W
R144, 145				
	1-247-855-00	RES,CARBON 10K 5% 1/6W.....	DELETED	
R159	1-247-799-00	RES,CARBON 47 5% 1/6W.....	1-247-783-00	RES,CARBON 10 5% 1/6W
R160	1-247-823-00	RES,CARBON 470 5% 1/6W.....	1-247-831-00	RES,CARBON 1K 5% 1/6W
R183, 184				
	1-247-863-00	RES,CARBON 22K 5% 1/6W.....	DELETED	
R188, 189, 190, 191				
	1-247-888-00	RES,CARBON 240K 5% 1/6W.....	1-247-895-00	RES,CARBON 470K 5% 1/6W
R194	NOT IN USE.....		1-247-783-00	RES,CARBON 10 5% 1/6W
R200, 201				
	NOT IN USE.....		1-247-863-00	RES,CARBON 22K 5% 1/6W
R202, 203, 204				
	NOT IN USE.....		1-247-903-00	RES,CARBON 1M 5% 1/6W
R206	NOT IN USE.....		1-247-783-00	RES,CARBON 10 5% 1/6W
R207	NOT IN USE.....		1-247-903-00	RES,CARBON 1M 5% 1/6W
R209	NOT IN USE.....		1-247-783-00	RES,CARBON 10 5% 1/6W
R211	NOT IN USE.....		1-247-847-00	RES,CARBON 4.7K 5% 1/6W
R212, 213				
	NOT IN USE.....		1-247-903-00	RES,CARBON 1M 5% 1/6W
R214	NOT IN USE.....		1-247-886-00	RES,CARBON 200K 5% 1/6W
RV1	1-224-939-00	RES,VAR,METAL 5K.....	1-228-763-00	RES,VAR,CERMET 5K
RV4	1-224-940-00	RES,VAR,METAL 10K.....	1-226-698-00	RES,VAR,CERMET 10K
RV14, 15, 16, 17				
	NOT IN USE.....		1-224-938-00	RES,VAR,METAL 2K

=====

UP TO #10299 (BVH-2000PS)

=====

SR-15 BOARD (BVH-2000PS/CARD RACK)

C98 1-161-055-00 CAP,CERAMIC 0.022 10% 50V  
 C101 1-107-048-00 CAP,MICA 6.8PF +/-0.5PF 500V  
 C102 NOT IN USE  
 C103 NOT IN USE  
 C104 1-161-051-00 CAP,CERAMIC 0.01 10% 50V  
 IC11 8-759-990-82 IC TL082CP

IC15,16

NOT IN USE

R66 1-247-881-00 RES,CARBON 120K 5% 1/6W  
 R68 1-247-862-00 RES,CARBON 20K 5% 1/6W  
 R69 1-247-847-00 RES,CARBON 4.7K 5% 1/6W  
 R70 1-247-862-00 RES,CARBON 20K 5% 1/6W  
 R71,72 1-247-855-00 RES,CARBON 10K 5% 1/6W

R161 NOT IN USE  
 R162 NOT IN USE

=====

#10301 & UP (BVH-2000PS)

=====

1-108-591-00 CAP,MYLAR 0.033 5% 50V  
 1-107-077-00 CAP,MICA 47PF 5% 50V  
 1-108-595-00 CAP,MYLAR 0.047 5% 50V  
 1-108-603-00 CAP,MYLAR 0.1 5% 50V  
 DELETED  
 DELETED

8-759-115-90 IC UPC159A

1-247-879-00 RES,CARBON 100K 5% 1/6W  
 1-247-838-00 RES,CARBON 2K 5% 1/6W  
 DELETED  
 1-247-838-00 RES,CARBON 2K 5% 1/6W  
 1-247-831-00 RES,CARBON 1K 5% 1/6W

1-247-850-00 RES,CARBON 6.2K 5% 1/6W  
 1-247-842-00 RES,CARBON 3K 5% 1/6W

MB-14 BOARD (BVH-2000PS/CARD RACK)

R2 NOT IN USE

1-247-118-00 RES,CARBON 300 5% 1/4W

AP-06 BOARD (BVH-2000PS/TTP)

C506 1-108-577-00 CAP,MYLAR 0.0082 5% 50V  
 R507 1-247-814-00 RES,CARBON 200 5% 1/6W

1-108-571-00 CAP,MYLAR 0.0047 5% 50V  
 1-247-831-00 RES,CARBON 1K 5% 1/6W

BE-02 BOARD (BVH-2000PS/TTP)

C60 1-131-353-00 CAP,TANT 10 10% 35V  
 R115 1-247-831-00 RES,CARBON 1K 5% 1/6W  
 R116 1-247-839-00 RES,CARBON 2.2K 5% 1/6W

1-131-350-00 CAP,TANT 3.3 10% 35V  
 1-247-817-00 RES,CARBON 270 5% 1/6W  
 1-247-853-00 RES,CARBON 8.2K 5% 1/6W

**CHANGED PARTS**

=====

UP TO #10299 (BVH-2000PS)

=====

TT-01 BOARD (BVH-2000PS/TTP)

RV1      1-224-938-00    RES,VAR,METAL 2K  
RV2      1-224-936-00    RES,VAR,METAL 500

VM-01 BOARD (BVH-2000PS/CN PNL)

R152      NOT IN USE

=====

#10301 & UP (BVH-2000PS)

=====

1-228-306-00    RES,VAR,CERMET 2K  
1-228-304-00    RES,VAR,CERMET 500

1-247-807-00    RES,CARBON 100 5% 1/6W

=====

=====

UP TO #10399 (BVH-2000PS)

#10401 & UP (BVH-2000PS)

AU-27 BOARD (BVH-2000PS/CARD RACK)

TPE104,204

3-673-805-11 TERMINAL,TP,.....DELETED

EQ-02 BOARD (BVH-2000PS/CARD RACK)

1pc A-6011-067-A COMPLETE PCB,EQ-02.....A-6011-067-B COMPLETE PCB,EQ-02  
 New board can be used instead of former board.

SY-79 BOARD (BVH-2000PS/CARD RACK)

C61 NOT IN USE.....1-161-055-00 CAP,CERAMIC 0.022 10% 50V  
 R23 NOT IN USE.....1-247-814-00 RES,CARBON 200 5% 1/6W  
 R24,25 NOT IN USE.....1-247-855-00 RES,CARBON 10K 5% 1/6W  
 TP9 NOT IN USE.....3-673-805-01 TERMINAL,TP

AP-06 BOARD (BVH-2000PS/TTP)

D506 NOT IN USE.....8-719-930-33 LED,GL3PR3,RED

BE-03 BOARD (BVH-2000PS/TTP)

C39 (for 04 model),  
 36,37,38

May be used or not. ....	May be used or not.
1-131-341-00 CAP,TANT 0.1 10% 35V	1-131-341-00 CAP,TANT 0.1 10% 35V
1-131-343-00 CAP,TANT 0.22 10% 35V	1-131-343-00 CAP,TANT 0.22 10% 35V
	1-131-344-00 CAP,TANT 0.33 10% 35V
	1-131-345-00 CAP,TANT 0.47 10% 35V

STATIONARY HEADS ASSEMBLY (BVH-2000PS)

(For 04 model)

1pc NOT IN USE.....3-674-692-00 COVER,SHIELD,HEAD,R/P  
 1pc NOT IN USE.....3-674-693-00 INSULATOR

# CHANGED PARTS

=====

UP TO #10499 (BVH-2000PS)

=====

=====

#10501 & UP (BVH-2000PS)

=====

## AE-03 BOARD (BVH-2000PS/CARD RACK)

R16	1-247-847-00	RES,CARBON 4.7K 5% 1/6W.....	1-247-839-00	RES,CARBON 2.2K 5% 1/6W
R285	NOT IN USE.....		1-247-855-00	RES,CARBON 10K 5% 1/6W
RV1	1-224-940-00	RES,VAR,METAL 10K.....	1-224-941-00	RES,VAR,METAL 20K
RV33	1-224-940-00	RES,VAR,METAL 10K.....	DELETED	

## EQ-02 BOARD (BVH-2000PS/CARD RACK)

C81	1-161-051-00	CAP,CERAMIC 0.01 10% 50V.....	DELETED	
C100	1-108-575-00	CAP,MYLAR 0.0068 5% 50V.....	1-108-583-00	CAP,MYLAR 0.015 5% 50V
C102	1-108-561-00	CAP,MYLAR 0.0018 5% 50V.....	1-108-569-00	CAP,MYLAR 0.0039 5% 50V
C103	1-108-579-00	CAP,MYLAR 0.01 5% 50V.....	1-108-587-00	CAP,MYLAR 0.022 5% 50V
C147	NOT IN USE.....		1-161-051-00	CAP,CERAMIC 0.01 10% 50V
R191	1-247-807-00	RES,CARBON 100 5% 1/6W.....	1-214-136-00	RES,METAL 1.5K 1% 1/4W
R211,220	1-247-838-00	RES,CARBON 2K 5% 1/6W.....	1-214-156-00	RES,METAL 10K 1% 1/4W

## DM-25 BOARD (BVH-2000PS/CARD RACK)

C33	1-123-380-00	CAP,ELECT 1 100V.....	1-123-381-00	CAP,ELECT 2.2 100V
-----	--------------	-----------------------	--------------	--------------------

## MD-14 BOARD (BVH-2000PS/CARD RACK)

R89	1-247-835-00	RES,CARBON 1.5K 5% 1/6W.....	1-247-833-00	RES,CARBON 1.2K 5% 1/6W
-----	--------------	------------------------------	--------------	-------------------------

## SV-43 BOARD (BVH-2000PS/CARD RACK)

(For O4 model)

IC1E	8-759-756-90	IC,EPROM,MBM2732-S1U2.....	8-759-757-48	IC,EPROM,MBM2732-S1U2
IC1F	8-759-756-91	IC,EPROM,MBM2732-S2U2.....	8-759-757-68	IC,EPROM,MBM2732-S2U2
IC1H	8-759-756-92	IC,EPROM,MBM2732-S3U2.....	8-759-757-52	IC,EPROM,MBM2732-S3U2
IC6I	8-759-756-94	IC,EPROM,MBM2732-S7U2.....	8-759-757-53	IC,EPROM,MBM2732-S7U2

## RL-12 BOARD (BVH-2000PS-00,02/CARD RACK)

R110	1-214-167-00	RES,METAL 30K 1% 1/4W.....	1-214-143-00	RES,METAL 3K 1% 1/4W
R193	1-214-180-00	RES,METAL 100K 1% 1/4W.....	1-214-156-00	RES,METAL 10K 1% 1/4W

UP TO #10499 (BVH-2000PS)

#10501 & UP (BVH-2000PS)

AP-06 BOARD (BVH-2000PS/TTP)

C114,214

1-109-542-00 CAP,MICA 220PF 5% 100V.....1-109-534-00 CAP,MICA 91PF 5% 100V

(For 04 model)

C414 1-109-542-00 CAP,MICA 220PF 5% 100V.....1-109-534-00 CAP,MICA 91PF 5% 100V

L102,202

NOT IN USE.....1-407-502-00 INDUCTOR,MICRO,6.8mH 5%

(For 04 model)

L402 NOT IN USE.....1-407-502-00 INDUCTOR,MICRO,6.8mH 5%

R123,223

1-247-851-00 RES,CARBON 6.8K 5% 1/6W.....1-247-843-00 RES,CARBON 3.3K 5% 1/6W

(For 04 model)

R423 1-247-851-00 RES,CARBON 6.8K 5% 1/6W.....1-247-843-00 RES,CARBON 3.3K 5% 1/6W

RP-09 BOARD (BVH-2000PS/TTP)

R39 1-247-801-00 RES,CARBON 56 5% 1/6W.....1-247-820-00 RES,CARBON 360 5% 1/6W

R40 1-247-818-00 RES,CARBON 300 5% 1/6W.....DELETED

R73 1-247-838-00 RES,CARBON 2K 5% 1/6W.....1-247-842-00 RES,CARBON 3K 5% 1/6W

R87 1-247-801-00 RES,CARBON 56 5% 1/6W.....1-247-820-00 RES,CARBON 360 5% 1/6W

R88 1-247-818-00 RES,CARBON 300 5% 1/6W.....DELETED

R98 1-247-783-00 RES,CARBON 10 5% 1/6W.....1-247-800-00 RES,CARBON 51 5% 1/6W

RV5 1-224-938-00 RES,VAR,METAL 2K.....DELETED

RV6 1-224-934-00 RES,VAR,METAL 100.....DELETED

TP3,7 3-673-772-41 TERMINAL,TP.....X-3640-302-0 TERMINAL,TP

DA-07 BOARD (BVH-2000PS/TTP)

(For 00 model)

L4 NOT IN USE.....1-407-186-XX INDUCTOR,MICRO 4.7 5%

R102 NOT IN USE.....1-247-100-00 RES,CARBON 51 5% 1/4W

PS-14 BOARD (BVH-2000PS/POWER SUPPLY)

R140,168,204

1-247-839-00 RES,CARBON 2.2K 5% 1/6W.....1-247-855-00 RES,CARBON 10K 5% 1/6W

VM-01 BOARD (BVH-2000PS/CN FNL)

R30 1-247-819-00 RES,CARBON 330 5% 1/6W.....1-247-822-00 RES,CARBON 430 5% 1/6W

R153 NOT IN USE.....1-247-885-00 RES,CARBON 180K 5% 1/6W

R154 NOT IN USE.....1-247-857-00 RES,CARBON 12K 5% 1/6W



**CHANGED PARTS**

\*\*\*\*\*  
 UP TO #10499 (BVH-2000PS)  
 \*\*\*\*\*

\*\*\*\*\*  
 #10501 & UP (BVH-2000PS)  
 \*\*\*\*\*

CONNECTOR PANEL ASSEMBLY (BVH-2000PS)

1pc      3-701-822-00    HOLDER, WIRE.....3-703-150-00    HOLDER, WIRE

MOVABLE GUIDE ASSEMBLY (BVH-2000PS)

1pc      3-564-333-21    SPRING, COMPRESSION.....DELETED  
 1pc      3-649-432-00    WASHER, THRUST.....DELETED  
 1pc      3-673-649-00    CAP B.....DELETED  
 1pc      NOT IN USE.....3-674-695-00    SPRING, HEIGHT ADJUSTMENT  
 1pc      NOT IN USE.....3-674-696-00    FLANGE, HEIGHT ADJUSTMENT  
  
 1pc      NOT IN USE.....3-701-505-00    SET SCREW, 3x3

STATIONARY HEADS ASSEMBLY (BVH-2000PS)

1pc      A-6046-027-A    SHAFT ASSY, IP.....A-6046-027-B    SHAFT ASSY, IP  
 1pc      3-663-116-00    SPRING, COMPRESSION.....DELETED  
 1pc      NOT IN USE.....3-674-689-00    SPRING, COMPRESSION  
 1pc      NOT IN USE.....3-674-690-00    SHIM

=====

=====

UP TO #10599 (BVH-2000PS)

---

AE-03 BOARD (BVH-2000PS/CARD RACK)

(For 04 model)

C180	1-109-547-00	CAP,MICA 330PF 5% 100V.....	1-109-539-00	CAP,MICA 150PF 5% 100V
R280	1-247-863-00	RES,CARBON 22K 5% 1/6W.....	DELETED	
RV37	NOT IN USE.....		1-224-943-00	RES,VAR,METAL 100K

---

DM-25 BOARD (BVH-2000PS/CARD RACK)

R13	1-247-848-00	RES,CARBON 5.1K 5% 1/6W.....	1-214-156-00	RES,METAL 10K 1% 1/4W
R22	1-247-885-00	RES,CARBON 180K 5% 1/6W.....	1-247-892-00	RES,CARBON 360K 5% 1/6W
R23	1-247-848-00	RES,CARBON 5.1K 5% 1/6W.....	1-214-156-00	RES,METAL 10K 1% 1/4W
R40	1-247-866-00	RES,CARBON 30K 5% 1/6W.....	1-214-160-00	RES,METAL 15K 1% 1/4W
R41	1-247-834-00	RES,CARBON 1.3K 5% 1/6W.....	1-214-140-00	RES,METAL 2.2K 1% 1/4W
R42	1-247-831-00	RES,CARBON 1K 5% 1/6W.....	1-214-144-00	RES,METAL 3.3K 1% 1/4W
R43	1-247-846-00	RES,CARBON 4.3K 5% 1/6W.....	1-214-155-00	RES,METAL 9.1K 1% 1/4W
R210	1-247-853-00	RES,CARBON 8.2K 5% 1/6W.....	1-214-162-00	RES,METAL 18K 1% 1/4W

---

SY-79 BOARD (BVH-2000PS/CARD RACK)

C31	1-123-333-00	CAP,ELECT 100 25V.....	1-123-307-00	CAP,ELECT 100 10V
-----	--------------	------------------------	--------------	-------------------

---

SY-80 BOARD (BVH2000PS/CARD RACK)

C1	1-123-333-00	CAP,ELECT 100 25V.....	1-123-307-00	CAP,ELECT 100 10V
----	--------------	------------------------	--------------	-------------------

---

SV-43 BOARD (BVH-2000PS/CARD RACK)

(For 00/02 model)

IC1E	8-759-756-90	IC,EPROM,MBM2732-S1U2.....	8-759-757-48	IC,EPROM,MBM2732-S1U2
IC1F	8-759-756-91	IC,EPROM,MBM2732-S2U2.....	8-759-757-68	IC,EPROM,MBM2732-S2U2
IC1H	8-759-756-92	IC,EPROM,MBM2732-S3U2.....	8-759-757-52	IC,EPROM,MBM2732-S3U2
IC6I	8-759-756-94	IC,EPROM,MBM2732-S7U2.....	8-759-757-53	IC,EPROM,MBM2732-S7U2

**CHANGED PARTS**

=====  
UP TO #10599 (BVH-2000PS)  
=====

=====  
#10601 & UP (BVH-2000PS)  
=====

CD-17 BOARD (BVH-2000PS/CARD RACK)

IC8      8-759-178-05    IC UPC78L05.....8-759-978-05    IC UA78L05AV

SR-15 BOARD (BVH-2000PS/CARD RACK)

R104      NOT IN USE.....1-247-783-00    RES,CARBON 10 5% 1/6W  
R105      1-247-783-00    RES,CARBON 10 5% 1/6W.....DELETED  
R157      1-247-903-00    RES,CARBON 1M 5% 1/6W.....1-247-901-00    RES,CARBON 820K 5% 1/6W

RP-09 BOARD (BVH-2000PS/TTP)

IC2,4      8-743-929-00    IC BX3929.....8-741-115-60    IC BX1156

VV-01 BOARD (BVH-2000PS/POWER SUPPLY)

R215, 232, 247, 256  
          1-205-652-00    RES,WIREWOUND 68 5% 5W.....1-205-623-00    RES,WIREWOUND 47 5% 5W

HEAD DRUM ASSEMBLY (BVH-2000PS)

(For 00 model)

1pc      A-6053-019-A    GROUND ASSY,SHAFT.....DELETED  
1pc      X-3651-203-0    SCREW ASSY,GROUND.....DELETED

UP TO #10699 (BVH-2000PS)

#10701 & UP (BVH-2000PS)

AU-27 BOARD (BVH-2000PS/CARD RACK)

R108,208

1-247-862-00 RES,CARBON 20K 5% 1/6W.....1-247-864-00 RES,CARBON 24K 5% 1/6W

AE-03 BOARD (BVH-2000PS/CARD RACK)

R119 1-247-852-00 RES,CARBON 7.5K 5% 1/6W.....1-214-153-00 RES,METAL 7.5K 1% 1/4W

R128 1-247-804-00 RES,CARBON 75 5% 1/6W.....1-214-105-00 RES,METAL 75 1% 1/4W

R129 1-247-865-00 RES,CARBON 27K 5% 1/6W.....1-247-867-00 RES,CARBON 33K 5% 1/6W

(For 04 model)

R206 1-247-827-00 RES,CARBON 680 5% 1/6W.....1-247-819-00 RES,CARBON 330 5% 1/6W

EQ-02 BOARD (BVH-2000PS/CARD RACK)

C501 NOT IN USE.....May be used or not.

1-107-019-00 CAP,MICA 1PF +/-0.5PF 500V

4pcs 7-621-731-08 SET SCREW,2x2.5,FLAT POINT.....7-621-737-08 SET SCREW,2.6x3,FLAT POINT

DM-25 BOARD (BVH-2000PS/CARD RACK)

C34 1-161-051-00 CAP,CERAMIC 0.01 10% 50V.....DELETED

C49 1-108-567-00 CAP,MYLAR 0.0033 5% 50V.....DELETED

C50 1-102-112-00 CAP,CERAMIC 330PF 10% 50V.....1-108-567-00 CAP,MYLAR 0.0033 5% 50V

C111 1-108-559-00 CAP,MYLAR 0.0015 5% 50V.....DELETED

C115 1-109-534-00 CAP,MICA 91PF 5% 100V.....1-109-539-00 CAP,MICA 150PF 5% 50V

C141 1-109-539-00 CAP,MICA 150PF 5% 100V.....DELETED

C142 1-109-541-00 CAP,MICA 200PF 5% 100V.....DELETED

C143 1-108-571-00 CAP,MYLAR 0.0047 5% 50V.....1-108-555-00 CAP,MYLAR 0.001 5% 50V

C144 1-107-209-00 CAP,MICA 20PF 5% 500V.....1-107-080-00 CAP,MICA 62PF 5% 50V

C145 NOT IN USE.....1-107-158-00 CAP,MICA 30PF 5% 500V

CV1 1-141-240-00 CAP,TRIMMER 20PF.....DELETED

IC5A NOT IN USE.....8-759-901-23 IC SN74LS123N,TTL

L12 1-407-161-XX INDUCTOR,MICRO 22 5%.....1-407-157-XX INDUCTOR,MICRO 10 5%

Q2 8-729-110-53 TRANSISTOR 2SA1005.....DELETED

Q16,17 8-729-699-51 TRANSISTOR 2SA955.....DELETED

# CHANGED PARTS

=====
   
UP TO #10699 (BVH-2000PS)
   
=====

=====
   
#10701 & UP (BVH-2000PS)
   
=====

(DM-25 BOARD, BVH-2000PS/CARD RACK)

R6	1-247-847-00	RES,CARBON 4.7K 5% 1/6W.....	1-214-151-00	RES,METAL 6.2K 1% 1/4W
R7	1-247-852-00	RES,CARBON 7.5K 5% 1/6W.....	1-214-175-00	RES,METAL 62K 1% 1/4W
R29	1-247-862-00	RES,CARBON 20K 5% 1/6W.....	DELETED	
R30	1-247-866-00	RES,CARBON 30K 5% 1/6W.....	One of the following resistors is used.	
			1-214-165-00	RES,METAL 24K 1% 1/4W
			1-247-865-00	RES,CARBON 27K 5% 1/6W
R31,33,35				
	1-247-862-00	RES,CARBON 20K 5% 1/6W.....	DELETED	
R36	1-247-866-00	RES,CARBON 30K 5% 1/6W.....	1-247-867-00	RES,CARBON 33K 5% 1/6W
R37	1-247-855-00	RES,CARBON 10K 5% 1/6W.....	DELETED	
R59	1-247-864-00	RES,CARBON 24K 5% 1/6W.....	1-247-861-00	RES,CARBON 18K 5% 1/6W
R62	1-247-852-00	RES,CARBON 7.5K 5% 1/6W.....	One of the following resistors is used.	
			1-247-850-00	RES,CARBON 6.2K 5% 1/6W
			1-247-852-00	RES,CARBON 7.5K 5% 1/6W
R66	1-214-114-00	RES,METAL 180 1% 1/4W.....	1-214-113-00	RES,METAL 160 1% 1/4W
R67	1-214-123-00	RES,METAL 430 1% 1/4W.....	1-247-821-00	RES,CARBON 390 1% 1/6W
R92	1-247-807-00	RES,CARBON 100 5% 1/6W.....	DELETED	
R93	1-247-842-00	RES,CARBON 3K 5% 1/6W.....	DELETED	
R94	1-247-858-00	RES,CARBON 13K 5% 1/6W.....	DELETED	
R95	1-247-861-00	RES,CARBON 18K 5% 1/6W.....	DELETED	
R165	1-247-807-00	RES,CARBON 100 5% 1/6W.....	DELETED	
R205	1-247-840-00	RES,CARBON 2.4K 5% 1/6W.....	DELETED	
R206	1-247-848-00	RES,CARBON 5.1K 5% 1/6W.....	DELETED	
R207	1-247-838-00	RES,CARBON 2K 5% 1/6W.....	DELETED	
R208	1-247-863-00	RES,CARBON 22K 5% 1/6W.....	1-247-870-00	RES,CARBON 43K 5% 1/6W
R209	1-247-824-00	RES,CARBON 510 5% 1/6W.....	DELETED	
R211	1-247-824-00	RES,CARBON 510 5% 1/6W.....	DELETED	
R212	NOT IN USE.....		1-247-779-00	RES,CARBON 6.8 5% 1/6W
RV7	1-224-937-00	RES,VAR,METAL 1K.....	1-224-934-00	RES,VAR,METAL 100
RV15	NOT IN USE.....		1-224-940-00	RES,VAR,METAL 10K
RV16	NOT IN USE.....		1-224-936-00	RES,VAR,METAL 500

=====
   
MD-14 BOARD (BVH-2000PS/CARD RACK)
   
=====

C401	NOT IN USE.....	1-109-558-00	CAP,TANT 750PF 5% 100V	
JP5,6	NOT IN USE.....	1-560-733-00	PIN,SHORT	
JP5	NOT IN USE.....	1-561-832-00	PLUG,SHORT	
R145	1-247-836-00	RES,CARBON 1.6K 5% 1/6W.....	1-214-141-00	RES,METAL 2.4K 1% 1/4W
R401	NOT IN USE.....	1-214-177-00	RES,METAL 75K 1% 1/4W	
R402	NOT IN USE.....	1-214-133-00	RES,METAL 1.1K 1% 1/4W	
RV23	NOT IN USE.....	1-224-942-00	RES,VAR,METAL 50K	

=====  
 UP TO #10699 (BVH-2000PS)  
 =====

=====  
 #10701 & UP (BVH-2000PS)  
 =====

SY-79 BOARD (BVH-2000PS/CARD RACK)

(For 02/04 model)

IC1C	8-759-758-56	IC, EPROM, MBM2732-76A1.....	8-759-758-53	IC, EPROM, MBM2732-76U2-1
IC1D	8-759-758-55	IC, EPROM, MBM2732-75A1.....	8-759-758-02	IC, EPROM, MBM2732-75U2
IC1E	8-759-758-49	IC, EPROM, MBM2732-74A1.....	8-759-758-01	IC, EPROM, MBM2732-74U2
IC1G	8-759-758-48	IC, EPROM, MBM2732-73A1.....	8-759-758-00	IC, EPROM, MBM2732-73U2
IC1H	8-759-758-47	IC, EPROM, MBM2732-72A1.....	8-759-757-99	IC, EPROM, MBM2732-72U2
IC1I	8-759-758-46	IC, EPROM, MBM2732-71A1.....	8-759-758-51	IC, EPROM, MBM2732-71A2-2
IC1K	8-759-758-45	IC, EPROM, MBM2732-70A1.....	8-759-757-97	IC, EPROM, MBM2732-70U2

SY-80 BOARD (BVH-2000PS/CARD RACK)

(For 02/04 model)

IC1C	NOT IN USE.....	8-759-758-08	IC, EPROM, MBM2732-82U2	
IC1D	8-759-758-58	IC, EPROM, MBM2732-81A1.....	8-759-758-54	IC, EPROM, MBM2732-81U2-1
IC1F	8-759-859-57	IC, EPROM, MBM2732-80A1.....	8-759-758-06	IC, EPROM, MBM2732-80U2

RL-12 BOARD (BVH-2000PS/CARD RACK)

1pc	7-621-731-08	SET SCREW, 2x2.5, FLAT POINT.....	7-621-737-08	SET SCREW, 2.6x3, FLAT POINT
-----	--------------	-----------------------------------	--------------	------------------------------

CD-17 BOARD (BVH-2000PS/CARD RACK)

C164	1-108-579-00	CAP, MYLAR 0.01 5% 50V.....	DELETED
------	--------------	-----------------------------	---------

SR-15 BOARD (BVH-2000PS/CARD RACK)

1pc	7-621-731-08	SET SCREW, 2x2.5, FLAT POINT.....	7-621-737-08	SET SCREW, 2.6x3, FLAT POINT
-----	--------------	-----------------------------------	--------------	------------------------------

DT-05 BOARD (BVH-2000PS-02,04/CARD RACK)

IC3L	NOT IN USE.....	8-759-240-69	IC TC4069UBP, CMOS	
RB3	1-231-407-00	RES BLOCK, 2.2Kx8.....	1-231-517-00	RES BLOCK, 2.2Kx4
S1	1-516-925-21	SWITCH, DIP, 8-CKT.....	1-516-923-21	SWITCH, DIP, 4-CKT
S2	NOT IN USE.....	1-553-440-00	SWITCH, TOGGLE	
TP8, 9, 10	NOT IN USE.....	3-673-805-01	TERMINAL, TP	
TPE4	3-673-805-11	TERMINAL, TP.....	DELETED	
1pc	3-674-625-00	LABEL (DT-05), PC BOARD.....	3-674-625-03	LABEL (DT-05), PC BOARD

**CHANGED PARTS**

=====  
UP TO #10699 (BVH-2000PS)  
=====

=====  
#10701 & UP (BVH-2000PS)  
=====

DR-13 BOARD (BVH-2000PS-02,04/TTP-DRUM ASSY)

IC2,3 8-743-929-00 IC BX3929.....8-741-115-60 IC BX1156

RP-09 BOARD (BVH-2000PS/TTP)

C67 1-107-043-00 CAP,MICA 2.7PF +/-0.5PF 500V.....DELETED

DA-07 BOARD (BVH-2000PS/TTP)

(For 02/04 model)

L4 NOT IN USE.....1-407-186-XX INDUCTOR,MICRO 4.7 5%  
R102 NOT IN USE.....1-247-100-00 RES,CARBON 51 5% 1/4W

STATIONARY HEADS ASSEMBLY (BVH-2000PS)

(For 00/02 model)

1pc NOT IN USE.....3-674-692-00 COVER,SHIELD,HEAD,R/P  
1pc NOT IN USE.....3-674-693-00 INSULATOR

=====  
 UP TO #10799 (BVH-2000PS)  
 =====

=====  
 #10801 & UP (BVH-2000PS)  
 =====

AE-03 BOARD (BVH-2000PS/CARD RACK)

(For 00/02 model).

C180	1-109-539-00	CAP,MICA 150PF 5% 100V.....	DELETED	
R9	1-247-893-00	RES,CARBON 390K 5% 1/6W.....	DELETED	
R11	1-247-850-00	RES,CARBON 6.2K 5% 1/6W.....	1-247-852-00	RES,CARBON 7.5K 5% 1/6W
R54	1-247-895-00	RES,CARBON 470K 5% 1/6W.....	1-247-887-00	RES,CARBON 220K 5% 1/6W
R280	1-247-863-00	RES,CARBON 22K 5% 1/6W.....	DELETED	

(For 04 model)

R11	1-247-850-00	RES,CARBON 6.2K 5% 1/6W.....	1-247-852-00	RES,CARBON 7.5K 5% 1/6W
R54	1-247-895-00	RES,CARBON 470K 5% 1/6W.....	1-247-887-00	RES,CARBON 220K 5% 1/6W
R194	1-247-862-00	RES,CARBON 20K 5% 1/6W.....	1-247-864-00	RES,CARBON 24K 5% 1/6W
R227	1-247-895-00	RES,CARBON 470K 5% 1/6W.....	1-247-887-00	RES,CARBON 220K 5% 1/6W

EQ-02 BOARD (BVH-2000PS/CARD RACK)

Q17	8-765-300-00	TRANSISTOR 2SC2009.....	8-769-193-09	TRANSISTOR 2SK43-3
R294	NOT IN USE.....		1-247-807-00	RES,CARBON 100 5% 1/6W

CD-17 BOARD (BVH-2000PS/CARD RACK)

R51,54	1-247-852-00	RES,CARBON 7.5K 5% 1/6W.....	1-247-835-00	RES,CARBON 1.5K 5% 1/6W
--------	--------------	------------------------------	--------------	-------------------------

BE-02 BOARD (BVH-2000PS/TTP)

R144	One of the following resistors is used. ....	1-214-105-00	RES,METAL 75 1% 1/4W
	1-214-105-00	RES,METAL 75 1% 1/4W	
	1-214-108-00	RES,METAL 100 1% 1/4W	
RV7	1-224-934-00	RES,VAR,CERMET 100.....	1-224-935-00 RES,VAR,METAL 200



**CHANGED PARTS**

\*\*\*\*\*  
UP TO #10799 (BVH-2000PS)  
\*\*\*\*\*

\*\*\*\*\*  
#10801 & UP (BVH-2000PS)  
\*\*\*\*\*

PS-14 BOARD (BVH-2000PS/POWER SUPPLY)

C98,100 NOT IN USE.....1-123-333-00 CAP,ELECT 100 10V  
CN918M NOT IN USE.....1-560-300-00 RECEPT,3P,MALE  
R260,261  
NOT IN USE.....1-217-259-00 RES,WIREWOUND 6.8 10% 3W  
TP23,24,25,26  
NOT IN USE.....3-673-772-41 TERMINAL,TP

LEVEL CONTROL PANEL ASSEMBLY (BVH-2000PS)

1pc NOT IN USE.....3-674-691-00 COVER,LED

TENSION ARM & TIMER ROLLER ASSEMBLY (BVH-2000PS)

1pc NOT IN USE.....X-3673-693-0 WEIGHT ASSY,BALANCE

STATIONARY HEADS ASSEMBLY (BVH-2000PS)

1pc NOT IN USE.....3-642-436-00 CAP,OIL RESERVOIR

UP TO #10899 (BVH-2000PS)

#10901 & UP (BVH-2000PS)

AE-03 BOARD (BVH-2000PS/CARD RACK)

(For 04 model)

C148 1-109-535-00 CAP,MICA 100PF 5% 100V.....One of the following capacitors is used.  
 1-109-532-00 CAR,MICA 75PF 5% 100V  
 1-109-535-00 CAR,MICA 100PF 5% 100V

EQ-02 BOARD (BVH-2000PS/CARD RACK)

R295 NOT IN USE.....1-247-879-00 RES,CARBON 100K 5% 1/6W  
 RV35 NOT IN USE.....1-224-941-00 RES,VAR,METAL 20K

DM-25 BOARD (BVH-2000PS/CARD RACK)

R30 One of the following resistors is used. ....1-214-165-00 RES,METAL 24K 1% 1/4W  
 1-214-165-00 RES,METAL 24K 1% 1/4W  
 1-247-865-00 RES,CARBON 27K 5% 1/6W  
 R62 One of the following resistors is used. ....1-247-850-00 RES,CARBON 6.2K 5% 1/6W  
 1-247-850-00 RES,CARBON 6.2K 5% 1/6W  
 1-247-852-00 RES,CARBON 7.5K 5% 1/6W  
 R202 1-247-878-00 RES,CARBON 91K 5% 1/6W.....1-247-872-00 RES,CARBON 51K 5% 1/6W  
 RV13 1-224-942-00 RES,VAR,METAL 50K.....1-224-943-00 RES,VAR,METAL 100K

MD-14 BOARD (BVH-2000PS/CARD RACK)

R403 NOT IN USE.....1-247-787-00 RES,CARBON 15 5% 1/6W

REEL TABLE ASSEMBLY (BVH-2000PS)

2pcs A-6039-016-A TABLE ASSY,REEL.....A-6039-016-B TABLE ASSY,REEL

CAPSTAN & MINI TENSION ARM ASSEMBLY (BVH-2000PS)

1pc 3-701-445-21 WASHER,M7,POLY.....DELETED  
 2pcs NOT IN USE.....3-701-445-11 WASHER,M7,POLY

**CHANGED PARTS**

\*\*\*\*\*  
 UP TO #10999 (BVH-2000PS)  
 \*\*\*\*\*

\*\*\*\*\*  
 #11001 & UP (BVH-2000PS)  
 \*\*\*\*\*

AE-03 BOARD (BVH-2000PS/CARD RACK)

C189, 190  
 1-131-369-00 CAP,TANT 4.7 10% 16V.....1-131-351-00 CAP,TANT 4.7 10% 35V

JP1,2 NOT IN USE.....1-560-733-00 PIN,SHORT

(For 04 model)

R184 1-247-823-00 RES,CARBON 470 5% 1/6W.....DELETED

(For 00/02 model)

R283 NOT IN USE.....1-247-767-00 RES,CARBON 2.2 5% 1/6W

R284 May be used or not. ....1-247-887-00 RES,CARBON 220K 5% 1/6W  
 1-247-887-00 RES,CARBON 220K 5% 1/6W

R288 NOT IN USE.....1-247-891-00 RES,CARBON 330K 5% 1/6W

(For 04 model)

RV38 NOT IN USE.....1-228-456-00 RES,VAR,CERMET 1K

1pc NOT IN USE.....1-561-832-00 PLUG,SHORT

SR-15 BOARD (BVH-2000PS/CARD RACK)

R6 1-247-895-00 RES,CARBON 470K 5% 1/6W.....1-247-896-00 RES,CARBON 510K 5% 1/6W

BE-04 BOARD (BVH-2000PS/TTP)

2pcs 7-621-981-05 SCREW,PSW 2.6x5.....7-621-981-15 SCREW,PSW 2.6x6

RP-09 BOARD (BVH-2000PS/TTP)

TP3, 7 X-3640-302-0 TERMINAL,TP.....3-673-772-41 TERMINAL,TP

TH-03 BOARD (BVH-2000PS/TTP)

S1,2 1-552-180-00 SWITCH,REED.....1-553-117-41 SWITCH,REED

=====

UP TO #11099 (BVH-2000PS)

=====

=====

#11101 & UP (BVH-2000PS)

=====

MD-14 BOARD (BVH-2000PS/CARD RACK)

R201 1-247-818-00 RES,CARBON 300 5% 1/6W.....1-214-117-00 RES,METAL 240 1% 1/4W

RP-09 BOARD (BVH-2000PS/TTP)

TP3,7 3-673-772-41 TERMINAL,TP.....DELETED

PS-14 BOARD (BVH-2000PS/POWER SUPPLY)

2pcs 3-648-057-00 NUT,M4,TYPE U.....3-680-316-00 NUT,M4,NYLON  
 19pcs 7-686-448-01 SCREW,PS 3x8.....7-686-450-01 SCREW,PS 3x12

POWER SUPPLY ASSEMBLY (BVH-2000PS)

2pcs 3-648-057-00 NUT,M4,TYPE U.....3-680-316-00 NUT,M4,NYLON

CONNECTOR PANEL ASSEMBLY (BVH-2000PS)

2pcs 3-648-057-00 NUT,M4,TYPE U.....3-680-316-00 NUT,M4,NYLON

# CHANGED PARTS

=====

=====

UP TO #11199 (BVH-2000PS)

=====

AU-27 BOARD (BVH-2000PS/CARD RACK)

#11201 & UP (BVH-2000PS)

=====

C149	1-123-318-00	CAP,ELECT 33 16V.....	1-123-332-00	CAP,ELECT 47 25V
C171	1-123-356-00	CAP,ELECT 10 50V.....	1-123-356-00	CAP,ELECT 10 50V
C249	1-123-318-00	CAP,ELECT 33 16V.....	1-123-332-00	CAP,ELECT 47 25V

AE-03 BOARD (BVH-2000PS/CARD RACK)

C202	NOT IN USE.....	1-107-075-00	CAP,MICA 39PF 5% 50V
------	-----------------	--------------	----------------------

MD-14 BOARD (BVH-2000PS/CARD RACK)

R49,61	1-247-836-00	RES,CARBON 1.6K 5% 1/6W.....	1-214-137-00	RES,METAL 1.6K 1% 1/4W
R193	1-247-847-00	RES,CARBON 4.7K 5% 1/6W.....	1-247-841-00	RES,METAL 2.7K 5% 1/6W

LG-02 BOARD (BVH-2000PS/CARD RACK)

C35	NOT IN USE.....	1-161-055-00	CAP,CERAMIC 0.022 10% 50V
R38	NOT IN USE.....	1-247-783-00	RES,CARBON 10 5% 1/6W
RB9	NOT IN USE.....	1-231-410-00	RES BLOCK, 10Kx8

SV-43 BOARD (BVH-2000PS/CARD RACK)

IC1E	8-759-757-48	IC,EPROM,MBM2732-S1U2.....	8-759-758-94	IC,EPROM,MBM2732-S1U3
IC1F	8-759-757-68	IC,EPROM,MBM2732-S2U2.....	8-759-758-95	IC,EPROM,MBM2732-S2U3
IC1H	8-759-757-52	IC,EPROM,MBM2732-S3U2.....	8-759-758-96	IC,EPROM,MBM2732-S3U3
IC1I	8-759-756-93	IC,EPROM,MBM2732-S4U2.....	8-759-758-97	IC,EPROM,MBM2732-S4U3
IC6I	8-759-757-53	IC,EPROM,MBM2732-S7U2.....	8-759-758-98	IC,EPROM,MBM2732-S7U3
IC6K	8-759-756-95	IC,EPROM,MBM2732-S8U2.....	8-759-758-99	IC,EPROM,MBM2732-S8U3

RL-12 BOARD (BVH-2000PS/CARD RACK)

C98,99	1-161-039-00	CAP,CERAMIC 0.001 10% 50V.....	DELETED
R162, 163	1-247-863-00	RES,CARBON 22K 5% 1/6W.....	DELETED

AP-06 BOARD (BVH-2000PS/TTP)

(For 00/02 model)

R514	1-247-847-00	RES,CARBON 4.7K 5% 1/6W.....	1-247-833-00	RES,CARBON 1.2K 5% 1/6W
R524	1-247-815-00	RES,CARBON 220 5% 1/6W.....	1-247-822-00	RES,CARBON 430 5% 1/6W

UP TO #11199 (BVH-2000PS)

#11201 & UP (BVH-2000PS)

(AP-06 BOARD, BVH-2000PS/TTP)

(For 04 model)

C404	1-123-318-00	CAP, ELECT 33 16V.....	1-123-332-00	CAP, ELECT 47 25V
R514	1-247-847-00	RES, CARBON 4.7K 5% 1/6W.....	1-247-833-00	RES, CARBON 1.2K 1/6W
R524	1-247-815-00	RES, CARBON 220 5% 1/6W.....	1-247-822-00	RES, CARBON 430 5% 1/6W

BE-02 BOARD (BVH-2000PS/TTP)

Q1&2, 3&4, 5&6, 7&8	X-3673-687-0	TRANSISTOR KIT.....	X-3673-694-0	TRANSISTOR KIT
Q17, 18, 19	8-729-117-43	TRANSISTOR 2SD774.....	8-729-169-02	TRANSISTOR 2SC2690A
Q50&52	X-3673-687-0	TRANSISTOR KIT.....	X-3673-694-0	TRANSISTOR KIT

RA-05 BOARD (BVH-2000PS/TTP)

1pc	A-6023-031-A	COMPLETE PCB, RA-05.....	A-6023-031-B	COMPLETE PCB, RA-05
1pc	NOT IN USE.....		1-609-900-00	PC BOARD, SW-14
C92, 93	NOT IN USE.....		1-123-308-00	CAP, ELECT 220 10V
Q47	NOT IN USE.....		8-729-115-64	TRANSISTOR 2SA1156
Q48	NOT IN USE.....		8-729-255-12	TRANSISTOR 2SC2551
Q49, 50, 51, 52	NOT IN USE.....		8-729-663-47	TRANSISTOR 2SC1364
Q53	NOT IN USE.....		8-729-255-12	TRANSISTOR 2SC2551
Q54	NOT IN USE.....		8-729-115-64	TRANSISTOR 2SA1156
Q55, 56	NOT IN USE.....		8-729-663-47	TRANSISTOR 2SC1364
R83, 84	1-247-807-00	RES, CARBON 100 5% 1/6W.....	DELETED	
R320	NOT IN USE.....		1-247-131-00	RES, CARBON 1K 5% 1/4W
R321	NOT IN USE.....		1-247-859-00	RES, CARBON 15K 5% 1/6W
R322, 323	NOT IN USE.....		1-247-879-00	RES, CARBON 100K 5% 1/6W
R324	NOT IN USE.....		1-247-872-00	RES, CARBON 1K 5% 1/6W
R325	NOT IN USE.....		1-247-839-00	RES, CARBON 2.2K 5% 1/6W
R326	NOT IN USE.....		1-247-872-00	RES, CARBON 1K 5% 1/6W
R327	NOT IN USE.....		1-247-845-00	RES, CARBON 3.9K 5% 1/6W
R328	NOT IN USE.....		1-247-895-00	RES, CARBON 470K 5% 1/6W
R329	NOT IN USE.....		1-247-853-00	RES, CARBON 8.2K 5% 1/6W
R330	NOT IN USE.....		1-247-839-00	RES, CARBON 2.2K 5% 1/6W
R331	NOT IN USE.....		1-247-872-00	RES, CARBON 1K 5% 1/6W

**CHANGED PARTS**

=====
   
UP TO #11199 (BVH-2000PS)
   
=====

=====
   
#11201 & UP (BVH-2000PS)
   
=====

(RA-05 BOARD, BVH-2000PS/TTP)

R332, 333  
 NOT IN USE.....1-247-879-00 RES, CARBON 100K 5% 1/6W

R334 NOT IN USE.....1-247-131-00 RES, CARBON 1K 5% 1/4W

R335 NOT IN USE.....1-247-859-00 RES, CARBON 15K 5% 1/6W

R336 NOT IN USE.....1-247-895-00 RES, CARBON 470K 5% 1/6W

R337, 338  
 NOT IN USE.....1-247-853-00 RES, CARBON 8.2K 5% 1/6W

R339 NOT IN USE.....1-247-872-00 RES, CARBON 1K 5% 1/6W

TP11, 12  
 3-673-805-01 TERMINAL, TP.....DELETED

TP23, 24, 25, 26  
 NOT IN USE.....3-673-805-01 TERMINAL, TP

2pcs 7-686-527-01 SCREW, PSW3x6.....4pcs

HM-06 OR TM-16 BOARD (BVH-2000PS/TTP)

1pc HM-06 BOARD ASSY.....DELETED

1pc NOT IN USE.....TM-16 BOARD ASSY

FRONT PANEL ASSEMBLY (BVH-2000PS)

1pc A-6004-109-A PANEL ASSY, REEL.....A-6004-127-A PANEL ASSY, REEL

REEL TABLE ASSEMBLY (BVH-2000PS)

2pcs NOT IN USE.....3-447-073-00 SPRING, TENSION

2pcs 3-497-255-00 SPRING, TENSION.....DELETED

2pcs 3-542-915-00 SPRING, TENSION.....DELETED

2pcs NOT IN USE.....3-639-371-02 SPRING, TENSION

CAPSTAN & MINI TENSION ARM ASSY (BVH-2000PS)

1pc NOT IN USE.....3-680-322-00 SPRING

=====  
 UP TO # 11299 (BVH-2000PS)  
 =====

=====  
 #11301 & UP (BVH-2000PS)  
 =====

SY-79 BOARD (BVH-2000PS/CARD RACK)

C62,63,64,65,66,67,68,  
 69 NOT IN USE.....1-107-026-00 CAP,MICA 5,1PF+/-0,5PF 500V

C70 NOT IN USE.....1-107-209-00 CAP,MICA 20PF 5% 500V

(For 00 model)

ICIB 8-759-757-87 IC, EPROM,MBM2732-77Y1.....DELETED  
 ICIC 8-759-757-86 IC, EPROM,MBM2732-76Y1.....8-759-759-18 IC, EPROM,MBM2732-76U3  
 ICID 8-759-757-85 IC, EPROM,MBM2732-75Y1.....8-759-759-17 IC, EPROM,MBM2732-75U3  
 ICIE 8-759-757-84 IC, EPROM,MBM2732-74Y1.....8-759-759-16 IC, EPROM,MBM2732-74U3  
 ICIG 8-759-757-83 IC, EPROM,MBM2732-73Y1.....8-759-759-15 IC, EPROM,MBM2732-73U3  
 ICIH 8-759-757-82 IC, EPROM,MBM2732-72Y1.....8-759-759-14 IC, EPROM,MBM2732-72U3  
 ICII 8-759-757-81 IC, EPROM,MBM2732-71Y1.....8-759-759-11 IC, EPROM,MBM2732-71A3  
 ICIK 8-759-757-80 IC, EPROM,MBM2732-70Y1.....8-759-759-12 IC, EPROM,MBM2732-70U3

(For 02/04 model)

ICIC 8-759-758-03 IC, EPROM,MBM2732-76U2-1.....8-759-759-18 IC, EPROM,MBM2732-76U3  
 ICID 8-759-758-02 IC, EPROM,MBM2732-75U2.....8-759-759-17 IC, EPROM,MBM2732-75U3  
 ICIE 8-759-758-01 IC, EPROM,MBM2732-74U2.....8-759-759-16 IC, EPROM,MBM2732-74U3  
 ICIG 8-759-758-00 IC, EPROM,MBM2732-73U2.....8-759-759-15 IC, EPROM,MBM2732-73U3  
 ICIH 8-759-757-99 IC, EPROM,MBM2732-72U2.....8-759-759-14 IC, EPROM,MBM2732-72U3  
 ICII 8-759-758-04 IC, EPROM,MBM2732-71A2-2.....8-759-759-11 IC, EPROM,MBM2732-71A3  
 ICIK 8-759-757-97 IC, EPROM,MBM2732-70U2.....8-759-759-12 IC, EPROM,MBM2732-70U3

RB26,27  
 NOT IN USE.....1-231-533-00 RES BLOCK,10Kx4

RB28,29  
 NOT IN USE.....1-231-410-00 RES BLOCK,10Kx8

SY-80 BOARD (BVH-2000PS/CARD RACK)

C51 NOT IN USE.....1-107-209-00 CAP,MICA 20PF 5% 500V

(For 00 model)

ICIC 8-759-757-90 IC, EPROM,MBM2732-82Y1.....8-759-759-21 IC, EPROM,MBM2732-82U3  
 ICID 8-759-757-89 IC, EPROM,MBM2732-81Y1.....8-759-759-40 IC, EPROM,MBM2732-81U3  
 ICIF 8-759-757-88 IC, EPROM,MBM2732-80Y1.....8-759-759-39 IC, EPROM,MBM2732-80U3

(For 02/04 model)

ICIC 8-759-758-08 IC, EPROM,MBM2732-82U2.....8-759-759-21 IC, EPROM,MBM2732-82U3  
 ICID 8-759-758-07 IC, EPROM,MBM2732-81U2-1.....8-759-759-40 IC, EPROM,MBM2732-81U3  
 ICIF 8-759-758-06 IC, EPROM,MBM2732-80U2.....8-759-759-39 IC, EPROM,MBM2732-80U3

IC2N NOT IN USE.....8-759-902-44 IC SN74LS244N,TTL  
 R25 NOT IN USE.....1-247-814-00 RES,CARBON 200 5% 1/6W



# CHANGED PARTS

\*\*\*\*\*  
 UP TO #11299 (BVH-2000PS)  
 \*\*\*\*\*

\*\*\*\*\*  
 #11301 & UP (BVH-2000PS)  
 \*\*\*\*\*

SV-43 BOARD (BVH-2000PS/CARD RACK)

C27 1-123-309-00 CAP,ELECT 330 10V.....1-124-141-00 CAP,ELECT 330 10V

RL-12 BOARD (BVH-2000PS/CARD RACK)

C102 1-123-309-00 CAP,ELECT 330 10V.....1-124-141-00 CAP,ELECT 330 10V  
 C110 1-108-581-00 CAP,MYLAR 0.012 5% 50V.....1-108-583-00 CAP,MYLAR 0.015 5% 50V  
 C111 1-108-565-00 CAP,MYLAR 0.0027 5% 50V.....1-108-566-00 CAP,MYLAR 0.003 5% 50V  
 C112 1-108-579-00 CAP,MYLAR 0.01 5% 50V.....1-108-581-00 CAP,MYLAR 0.012 5% 50V

CD-17 BOARD (BVH-2000PS/CARD RACK)

C159 1-123-309-00 CAP,ELECT 330 10V.....1-124-141-00 CAP,ELECT 330 10V

SR-15 BOARD (BVH-2000PS/CARD RACK)

C93 1-123-309-00 CAP,ELECT 330 10V.....1-124-141-00 CAP,ELECT 330 10V

TT-01 BOARD (BVH-2000PS/TTP)

R31 1-214-145-00 RES,METAL 3.6K 1% 1/4W.....1-214-141-00 RES,METAL 2.4K 1% 1/4W  
 R35 1-214-134-00 RES,METAL 1.2K 1% 1/4W.....1-214-132-00 RES,METAL 1K 1% 1/4W  
 RV1 1-228-306-00 RES,VAR,CERMET 2K.....1-228-307-00 RES,VAR,CERMET 5K  
 RV2 1-228-304-00 RES,VAR,CERMET 500.....1-228-305-00 RES,VAR,CERMET 1K

ACCESSORIES SUPPLIED (BVH-2000PS)

2pcs NOT IN USE.....2-360-798-01 SCREW LOCK,D-SUB,37-PIN  
 2pcs NOT IN USE.....2-360-798-21 SCREW LOCK,D-SUB,50-PIN  
 1pc NOT IN USE.....3-680-323-01 PLASTIC SHELL,D-SUB,37-PIN  
 1pc NOT IN USE.....3-680-323-11 PLASTIC SHELL,D-SUB,50-PIN

=====

=====

UP TO #11399 (BVH-2000PS)

#11401 & UP (BVH-2000PS)

=====

AE-03 BOARD (BVH-2000PS/CARD RACK)

(For 04 model)

RV38 1-228-456-00 RES,VAR,CERMET 1K.....1-224-937-00 RES,VAR,METAL 1K

=====

MD-14 BOARD (BVH-2000PS/CARD RACK)

RV10, 18

1-226-988-00 RES,VAR,COMP 1K(B).....1-230-144-00 RES,VAR,COMP 1K(B)

=====

LG-02 BOARD (BVH-2000PS/CARD RACK)

R4 1-247-783-00 RES,CARBON 10 5% 1/6W.....DELETED

R5,6 NOT IN USE.....1-247-783-00 RES,CARBON 10 5% 1/6W

=====

BE-02 BOARD (BVH-2000PS/TTP)

(For 00/02 model)

1pc A-6013-045-A COMPLETE PCB,BE-02.....A-6013-045-B COMPLETE PCB,BE-02  
New board can be used instead of former board.

(For 04 model)

1pc A-6013-053-A COMPLETE PCB,BE-02.....A-6013-053-B COMPLETE PCB,BE-02  
New board can be used instead of former board.

=====

BE-03 BOARD (BVH-2000PS/TTP)

(For 00/02 model)

C1,2,3 1-131-347-00 CAP,TANT 1 10% 35V.....DELETED

C101 NOT IN USE.....1-108-559-00 CAP,MYLAR 0.0015 5% 50V

C102 NOT IN USE.....1-108-575-00 CAP,MYLAR 0.0068 5% 50V

C103 NOT IN USE.....1-123-380-00 CAP,ELECT 1 100V

C201 NOT IN USE.....1-108-559-00 CAP,MYLAR 0.0015 5% 50V

C202 NOT IN USE.....1-108-575-00 CAP,MYLAR 0.0068 5% 50V

C203 NOT IN USE.....1-123-380-00 CAP,ELECT 1 100V

C301 NOT IN USE.....1-108-559-00 CAP,MYLAR 0.0015 5% 50V

C302 NOT IN USE.....1-108-575-00 CAP,MYLAR 0.0068 5% 50V

C303 NOT IN USE.....1-123-380-00 CAP,ELECT 1 100V

D1,2,3 8-719-815-55 DIODE 1S1555.....DELETED

D101,201,301

NOT IN USE.....8-719-815-55 DIODE 1S1555

IC1,2,3

NOT IN USE.....8-759-990-82 IC TL082CP

# CHANGED PARTS

=====
   
UP TO #11399 (BVH-2000PS)
   
=====

=====
   
#11401 & UP (BVH-2000PS)
   
=====

(BE-03 BOARD, BVH-2000PS/TTP)

(For 00/02 model)

Q1,2,3	8-729-117-54	TRANSISTOR 2SA1175.....	DELETED	
Q101	NOT IN USE.....	8-729-663-47	TRANSISTOR 2SC1364	
Q102	NOT IN USE.....	8-729-117-54	TRANSISTOR 2SA1175	
Q201	NOT IN USE.....	8-729-663-47	TRANSISTOR 2SC1364	
Q202	NOT IN USE.....	8-729-117-54	TRANSISTOR 2SA1175	
Q301	NOT IN USE.....	8-729-663-47	TRANSISTOR 2SC1364	
Q302	NOT IN USE.....	8-729-117-54	TRANSISTOR 2SA1175	
R1,2,3	1-247-859-00	RES,CARBON 15K 5% 1/6W.....	DELETED	
R5,6,7	1-247-841-00	RES,CARBON 2.7K 5% 1/6W.....	DELETED	
R9,10,11	1-247-847-00	RES,CARBON 4.7K 5% 1/6W.....	DELETED	
R71,72	NOT IN USE.....	1-214-132-00	RES,METAL 1K 1% 1/4W	
R101	NOT IN USE.....	1-247-893-00	RES,CARBON 390K 5% 1/6W	
R102	NOT IN USE.....	1-214-124-00	RES,METAL 470 1% 1/4W	
R103	NOT IN USE.....	1-214-164-00	RES,METAL 22K 1% 1/4W	
R104	NOT IN USE.....	1-214-144-00	RES,METAL 3.3K 1% 1/4W	
R106	NOT IN USE.....	1-214-156-00	RES,METAL 10K 1% 1/4W	
R107	NOT IN USE.....	1-214-140-00	RES,METAL 2.2K 1% 1/4W	
R201	NOT IN USE.....	1-247-893-00	RES,CARBON 390K 5% 1/6W	
R202	NOT IN USE.....	1-214-124-00	RES,METAL 470 1% 1/4W	
R203	NOT IN USE.....	1-214-164-00	RES,METAL 22K 1% 1/4W	
R204	NOT IN USE.....	1-214-144-00	RES,METAL 3.3K 1% 1/4W	
R206	NOT IN USE.....	1-214-156-00	RES,METAL 10K 1% 1/4W	
R207	NOT IN USE.....	1-214-140-00	RES,METAL 2.2K 1% 1/4W	
R301	NOT IN USE.....	1-247-893-00	RES,CARBON 390K 5% 1/6W	
R302	NOT IN USE.....	1-214-124-00	RES,METAL 470 1% 1/4W	
R303	NOT IN USE.....	1-214-164-00	RES,METAL 22K 1% 1/4W	
R304	NOT IN USE.....	1-214-144-00	RES,METAL 3.3K 1% 1/4W	
R306	NOT IN USE.....	1-214-156-00	RES,METAL 10K 1% 1/4W	
R307	NOT IN USE.....	1-214-140-00	RES,METAL 2.2K 1% 1/4W	
TP11, 12,21,22,31,32	NOT IN USE.....	3-640-328-00	TERMINAL,TP	
TPE1	NOT IN USE.....	3-673-805-11	TERMINAL,TP	

=====  
 UP TO #11399 (BVH-2000PS)  
 =====

=====  
 #11401 & UP (BVH-2000PS)  
 =====

(BE-03 BOARD, BVH-2000PS/TTP)

(For 04 model)

C1,2,3,4

1-131-347-00 CAP,TANT 1 10% 35V.....DELETED

C101	NOT IN USE.....	1-108-559-00	CAP,MYLAR 0.0015 5% 50V
C102	NOT IN USE.....	1-108-575-00	CAP,MYLAR 0.0068 5% 50V
C103	NOT IN USE.....	1-123-380-00	CAP,ELECT 1 100V
C201	NOT IN USE.....	1-108-559-00	CAP,MYLAR 0.0015 5% 50V
C202	NOT IN USE.....	1-108-575-00	CAP,MYLAR 0.0068 5% 50V
C203	NOT IN USE.....	1-123-380-00	CAP,ELECT 1 100V
C301	NOT IN USE.....	1-108-559-00	CAP,MYLAR 0.0015 5% 50V
C302	NOT IN USE.....	1-108-575-00	CAP,MYLAR 0.0068 5% 50V
C303	NOT IN USE.....	1-123-380-00	CAP,ELECT 1 100V
C401	NOT IN USE.....	1-108-559-00	CAP,MYLAR 0.0015 5% 50V
C402	NOT IN USE.....	1-108-575-00	CAP,MYLAR 0.0068 5% 50V
C403	NOT IN USE.....	1-123-380-00	CAP,ELECT 1 100V

D1,2,3,4

8-719-815-55 DIODE 1S1555.....DELETED

D101,201,301,401

NOT IN USE.....8-719-815-55 DIODE 1S1555

IC1,2,3

NOT IN USE.....8-759-990-82 IC TL082CP

Q1,2,3,4

8-729-117-54 TRANSISTOR 2SA1175.....DELETED

Q101	NOT IN USE.....	8-729-663-47	TRANSISTOR 2SC1364
Q102	NOT IN USE.....	8-729-117-54	TRANSISTOR 2SA1175
Q201	NOT IN USE.....	8-729-663-47	TRANSISTOR 2SC1364
Q202	NOT IN USE.....	8-729-117-54	TRANSISTOR 2SA1175
Q301	NOT IN USE.....	8-729-663-47	TRANSISTOR 2SC1364
Q302	NOT IN USE.....	8-729-117-54	TRANSISTOR 2SA1175
Q401	NOT IN USE.....	8-729-663-47	TRANSISTOR 2SC1364
Q402	NOT IN USE.....	8-729-117-54	TRANSISTOR 2SA1175

R1,2,3,4

1-247-859-00 RES,CARBON 15K 5% 1/6W.....DELETED

R5,6,7,8

1-247-841-00 RES,CARBON 2.7K 5% 1/6W.....DELETED

# CHANGED PARTS

=====  
 UP TO #11399 (BVH-2000PS)  
 =====

=====  
 #11401 & UP (BVH-2000PS)  
 =====

(BE-03 BOARD, BVH-2000PS/TTP)

(For 04 model)

R9, 10, 11, 12

1-247-847-00 RES,CARBON 4.7K 5% 1/6W.....DELETED

R71, 72	NOT IN USE.....	1-214-132-00	RES,METAL 1K 1% 1/4W
R101	NOT IN USE.....	1-247-893-00	RES,CARBON 390K 5% 1/6W
R102	NOT IN USE.....	1-214-124-00	RES,METAL 470 1% 1/4W
R103	NOT IN USE.....	1-214-164-00	RES,METAL 22K 1% 1/4W
R104	NOT IN USE.....	1-214-144-00	RES,METAL 3.3K 1% 1/4W
R106	NOT IN USE.....	1-214-156-00	RES,METAL 10K 1% 1/4W
R107	NOT IN USE.....	1-214-140-00	RES,METAL 2.2K 1% 1/4W
R201	NOT IN USE.....	1-247-893-00	RES,CARBON 390K 5% 1/6W
R202	NOT IN USE.....	1-214-124-00	RES,METAL 470 1% 1/4W
R203	NOT IN USE.....	1-214-164-00	RES,METAL 22K 1% 1/4W
R204	NOT IN USE.....	1-214-144-00	RES,METAL 3.3K 1% 1/4W
R206	NOT IN USE.....	1-214-156-00	RES,METAL 10K 1% 1/4W
R207	NOT IN USE.....	1-214-140-00	RES,METAL 2.2K 1% 1/4W
R301	NOT IN USE.....	1-247-893-00	RES,CARBON 390K 5% 1/6W
R302	NOT IN USE.....	1-214-124-00	RES,METAL 470 1% 1/4W
R303	NOT IN USE.....	1-214-164-00	RES,METAL 22K 1% 1/4W
R304	NOT IN USE.....	1-214-144-00	RES,METAL 3.3K 1% 1/4W
R306	NOT IN USE.....	1-214-156-00	RES,METAL 10K 1% 1/4W
R307	NOT IN USE.....	1-214-140-00	RES,METAL 2.2K 1% 1/4W
R401	NOT IN USE.....	1-247-893-00	RES,CARBON 390K 5% 1/6W
R402	NOT IN USE.....	1-214-124-00	RES,METAL 470 1% 1/4W
R403	NOT IN USE.....	1-214-164-00	RES,METAL 22K 1% 1/4W
R404	NOT IN USE.....	1-214-144-00	RES,METAL 3.3K 1% 1/4W
R406	NOT IN USE.....	1-214-156-00	RES,METAL 10K 1% 1/4W
R407	NOT IN USE.....	1-214-140-00	RES,METAL 2.2K 1% 1/4W

TP11, 12, 21, 22, 31, 32,

41, 42

NOT IN USE.....3-640-328-00 TERMINAL, TP

TPE1 NOT IN USE.....3-673-805-11 TERMINAL, TP

=====

UP TO #11399 (BVH-2000PS)

=====

=====

#11401 & UP (BVH-2000PS)

=====

MOVABLE GUIDE ASSY (BVH-2000PS)

1pc	A-6046-031-A	GUIDE ASSY,MOVABLE.....	A-6046-031-B	GUIDE ASSY,MOVABLE
2pcs	3-651-427-00	FLANGE,TAPE GUIDE.....	1pc	
2pcs	3-659-213-00	BEARING,BALL.....	DELETED	
1pc	3-673-648-00	FLANGE.....	DELETED	
1pc	3-673-650-00	ROLLER,T GUIDE.....	DELETED	
1pc	3-673-725-00	GUIDE,TAPER.....	3-673-725-02	GUIDE,TAPER
1pc	3-674-695-00	SPRING,HEIGHT ADJUSTMENT.....	DELETED	
1pc	3-674-696-00	FLANGE,HEIGHT ADJUSTMENT.....	DELETED	
2pcs	NOT IN USE.....	3-680-324-00	SPRING(2),HEIGHT ADJUSTMENT	
1pc	NOT IN USE.....	3-680-325-00	FLANGE(2),HEIGHT ADJUSTMENT	
1pc	NOT IN USE.....	3-680-326-00	FLANGE(S)	
1pc	NOT IN USE.....	3-680-327-00	FLANGE(T)	
1pc	NOT IN USE.....	3-680-328-00	GUIDE,T FIXED	

**CHANGED PARTS**

=====
   
UP TO #11499 (BVH-2000PS)
   
=====

=====
   
#11501 & UP (BVH-2000PS)
   
=====

DM-25 BOARD (BVH-2000PS/CARD RACK)

C76	1-107-205-00	CAP,MICA 13PF 5% 500V.....	1-107-026-00	CAP,MICA 5.1PF +/-0.5PF 500V
C146	NOT IN USE.....		1-107-209-00	CAP,MICA 20PF 5% 500V
C148	NOT IN USE.....		1-161-051-00	CAP,CERAMIC 0.01 10% 50V
D13	NOT IN USE.....		8-719-815-55	DIODE 1S1555
L5,6	1-407-164-XX	INDUCTOR,MICRO,39 5%.....	1-408-416-00	INDUCTOR,MICRO,39 5%
L7	1-407-186-XX	INDUCTOR,MICRO,4.7 5%.....	1-408-405-00	INDUCTOR,MICRO,4.7 5%
L8,9	1-407-174-XX	INDUCTOR,MICRO,270 5%.....	1-408-426-00	INDUCTOR,MICRO,270 5%
L10	1-407-169-XX	INDUCTOR,MICRO,100 5%.....	1-408-421-00	INDUCTOR,MICRO,100 5%
L11	1-407-168-XX	INDUCTOR,MICRO,82 5%.....	1-408-420-00	INDUCTOR,MICRO,82 5%
L12	1-407-157-XX	INDUCTOR,MICRO,10 5%.....	1-408-409-00	INDUCTOR,MICRO,10 5%
R6	1-214-151-00	RES,METAL 6.2K 1% 1/4W.....	DELETED	
R59	1-247-861-00	RES,CARBON 18K 5% 1/6W.....	1-214-160-00	RES,METAL 15K 1% 1/4W
R61	1-247-855-00	RES,CARBON 10K 5% 1/6W.....	1-214-156-00	RES,METAL 10K 1% 1/4W
R65	1-247-832-00	RES,CARBON 1.1K 5% 1/6W.....	1-214-129-00	RES,METAL 750 1% 1/4W
R68,69	1-247-824-00	RES,CARBON 510 5% 1/6W.....	1-214-122-00	RES,METAL 390 1% 1/4W
R70	1-247-807-00	RES,CARBON 100 5% 1/6W.....	1-247-787-00	RES,CARBON 15 5% 1/6W
R98	1-247-855-00	RES,CARBON 10K 5% 1/6W.....	1-247-858-00	RES,CARBON 13K 5% 1/6W
R103	1-247-849-00	RES,CARBON 5.6K 5% 1/6W.....	1-247-879-00	RES,CARBON 100K 5% 1/6W
R104	1-247-832-00	RES,CARBON 1.1K 5% 1/6W.....	1-214-132-00	RES,METAL 1K 1% 1/4W
R132,133	1-247-838-00	RES,CARBON 2K 5% 1/6W.....	1-214-139-00	RES,METAL 2K 1% 1/4W
R134,135	1-247-855-00	RES,CARBON 10K 5% 1/6W.....	1-214-156-00	RES,METAL 10K 1% 1/4W
R141	1-247-843-00	RES,CARBON 3.3K 5% 1/6W.....	1-214-156-00	RES,METAL 10K 1% 1/4W
R203	1-247-783-00	RES,CARBON 10 5% 1/6W.....	DELETED	
R204	1-247-843-00	RES,CARBON 3.3K 5% 1/6W.....	DELETED	
R213	NOT IN USE.....		1-214-138-00	RES,METAL 1.8K 1% 1/4W
R214	NOT IN USE.....		1-214-143-00	RES,METAL 3K 1% 1/4W
R215	NOT IN USE.....		1-247-817-00	RES,CARBON 270 5% 1/6W
R217	NOT IN USE.....		1-247-807-00	RES,CARBON 100 5% 1/6W
R218	NOT IN USE.....		1-214-151-00	RES,METAL 6.2K 1% 1/4W
RV15	1-224-940-00	RES,VAR,METAL 10K.....	1-224-941-00	RES,VAR,METAL 20K

UP TO #11499 (BVH-2000PS)

#11501 & UP (BVH-2000PS)

LG-02 BOARD (BVH-2000PS/CARD RACK)

S4 1-553-441-00 SWITCH, TOGGLE.....1-553-441-21 SWITCH, TOGGLE

SV-43 BOARD (BVH-2000PS/CARD RACK)

IC1H 8-759-758-96 IC, EPROM, MBM2732-S3U3.....8-759-759-65 IC, EPROM, MBM2732-S3U3-1

BE-02 BOARD (BVH-2000PS/TTP)

C25 1-109-577-00 CAP, MICA 680PF 5% 500V.....1-109-166-00 CAP, MICA 680PF 5% 300V

RA-05 BOARD (BVH-2000PS/TTP)

RV3,4 1-224-943-00 RES, VAR, METAL 100K.....DELETED  
 TP6,18 3-673-805-00 TERMINAL, TP.....DELETED

PS-14 BOARD (BVH-2000PS/POWER SUPPLY)

19pcs NOT IN USE.....7-688-003-01 WASHER, M3, SMALL

ACCESSORIES SUPPLIED (BVH-2000PS)

1pc NOT IN USE.....3-674-685-00 PCB BOARD INDICATION LABEL

FRONT PANEL ASSY (BVH-2000PS)

1pc A-6004-121-A PANEL (2) ASSY, PCB INDICATION.....A-6004-110-C PANEL (2) ASSY, PCB INDICATION  
 (for PS)  
 2pcs A-6004-114-A DAMPER ASSY.....A-6004-114-C DAMPER ASSY



**CHANGED PARTS**

=====
   
UP TO #11599 (BVH-2000PS)
   
=====

=====
   
#11601 & UP (BVH-2000PS)
   
=====

EQ-02 BOARD (BVH-2000PS/CARD RACK)

Ipc	1-561-832-00	PLUG,SHORT.....	2pcs	
C46	1-123-333-00	CAP,ELECT 100 25V.....	1-123-330-00	CAP,ELECT 22 25V
C48,49	1-161-051-00	CAP,CERAMIC 0.01 10% 50V.....	DELETED	
D4	8-719-815-55	DIODE 1S1555.....	DELETED	
D5	8-719-110-07	DIODE RD10E.....	8-719-100-27	DIODE RD4.7E-B2
D6	NOT IN USE.....		8-719-815-80	DIODE 1S1587
L3,4	1-407-169-XX	INDUCTOR,MICRO,100 5%.....	1-408-421-00	INDUCTOR,MICRO,100 5%
L5	1-407-180-XX	INDUCTOR,MICRO,1.5 5%.....	1-408-399-00	INDUCTOR,MICRO,1.5 5%
L6,7	1-407-170-XX	INDUCTOR,MICRO,120 5%.....	1-408-422-00	INDUCTOR,MICRO,120 5%
L9	1-407-179-00	INDUCTOR,MICRO,1.2 5%.....	1-408-398-00	INDUCTOR,MICRO,1.2 5%
L10	NOT IN USE.....		1-408-658-00	INDUCTOR,VAR,2.7
LV5	1-408-658-00	INDUCTOR,VAR,2.7.....	DELETED	
JP3	NOT IN USE.....		1-560-733-00	PIN,SHORT
R8	1-247-814-00	RES,CARBON 200 5% 1/6W.....	1-214-115-00	RES,METAL 200 1% 1/4W
R9	1-247-803-00	RES,CARBON 68 5% 1/6W.....	1-214-104-00	RES,METAL 68 1% 1/4W
R19	1-247-807-00	RES,CARBON 100 5% 1/6W.....	1-214-108-00	RES,METAL 100 1% 1/4W
R20	1-247-794-00	RES,CARBON 30 5% 1/6W.....	1-214-095-00	RES,METAL 30 1% 1/4W
R32	1-247-814-00	RES,CARBON 200 5% 1/6W.....	1-214-115-00	RES,METAL 200 1% 1/4W
R33	1-247-803-00	RES,CARBON 68 5% 1/6W.....	1-214-104-00	RES,METAL 68 1% 1/4W
R43	1-247-807-00	RES,CARBON 100 5% 1/6W.....	1-214-108-00	RES,METAL 100 1% 1/4W
R44	1-247-794-00	RES,CARBON 30 5% 1/6W.....	1-214-095-00	RES,METAL 30 1% 1/4W
R112	1-247-824-00	RES,CARBON 510 5% 1/6W.....	1-214-130-00	RES,METAL 820 1% 1/4W
R253	1-247-843-00	RES,CARBON 3.3K 5% 1/6W.....	1-214-135-00	RES,METAL 1.3K 1% 1/4W
R254	1-247-849-00	RES,CARBON 5.6K 5% 1/6W.....	1-214-139-00	RES,METAL 2K 1% 1/4W
R296	NOT IN USE.....		1-214-154-00	RES,METAL 8.2K 1% 1/4W
R297	NOT IN USE.....		1-214-114-00	RES,METAL 180 1% 1/4W
R298	NOT IN USE.....		1-247-767-00	RES,CARBON 2.2 5% 1/6W
R301,302,303,304	NOT IN USE.....		1-214-102-00	RES,METAL 56 1% 1/4W
RV21	1-228-290-00	RES,VAR,CERMET 500.....	DELETED	
RV31,32,33,34	1-224-978-00	RES,VAR,METAL 50.....	1-224-936-00	RES,VAR,METAL 500
TH1	NOT IN USE.....		1-800-202-00	THERMISTOR,S-10K

DM-25 BOARD (BVH-2000PS/CARD RACK)

R167	1-247-831-00	RES,CARBON 1K 5% 1/6W.....	1-247-855-00	RES,CARBON 10K 5% 1/6W
------	--------------	----------------------------	--------------	------------------------

=====

=====

SY-79 BOARD (BVH-2000PS/CARD RACK)

IC1C	8-759-759-18	IC, EPROM, MBM2732-76U3.....	8-759-759-50	IC, EPROM, MBM2732-76U3-1
IC1D	8-759-759-17	IC, EPROM, MBM2732-75U3.....	8-759-759-49	IC, EPROM, MBM2732-75U3-1
IC1G	8-759-759-15	IC, EPROM, MBM2732-73U3.....	8-759-759-79	IC, EPROM, MBM2732-73U3-1
IC1K	8-759-759-12	IC, EPROM, MBM2732-70U3.....	8-759-759-48	IC, EPROM, MBM2732-70U3-1

SY-80 BOARD (BVH-2000PS/CARD RACK)

IC1D	8-759-759-40	IC, EPROM, MBM2732-81U3.....	8-759-759-80	IC, EPROM, MBM2732-81U3-2
------	--------------	------------------------------	--------------	---------------------------

CD-17 BOARD (BVH-2000PS/CARD RACK)

C167	NOT IN USE.....	1-108-564-00	CAP, MYLAR 0.0024 5% 50V
------	-----------------	--------------	--------------------------

BE-02 BOARD (BVH-2000PS/TTP)

(For 04 model)

R174	1-247-075-00	RES, CARBON 2.2 5% 1/4W.....	DELETED
RV11	NOT IN USE.....	1-226-277-00	RES, VAR, METAL 10

TENSION ARM & TIMER ROLLER (BVH-2000PS)

1pc	A-6042-018-A	ARM ASSY, S TENSION.....	A-6042-018-B	ARM ASSY, S TENSION
1pc	NOT IN USE.....	3-680-331-00		COLLAR, S TENSION
1pc	NOT IN USE.....	3-680-332-01		CAP, S TENSION

STATIONARY HEAD ASSY (BVH-2000PS)

1pc	A-6046-027-B	SHAFT ASSY, IP.....	A-6046-027-D	SHAFT ASSY, IP
2pcs	3-659-213-00	BEARING, BALL.....	DELETED	
2pcs	NOT IN USE.....	3-680-330-00		BEARING, BALL

**CHANGED PARTS**

=====

=====

AE-03 BOARD (BVH-2000PS-04/CARD RACK)

L1      1-407-494-00    INDUCTOR,MICRO,1.5mH 5%.....DELETED  
LV1     NOT IN USE.....1-407-268-00    INDUCTOR,VAR,1.5mH

MOVABLE GUIDE ASSEMBLY (BVH-2000PS)

1pc     A-6046-022-A    GUIDE ASSY,S SLANT.....A-6046-022-B    GUIDE ASSY,S SLANT  
1pc     A-6046-023-A    GUIDE ASSY,T SLANT.....A-6046-023-B    GUIDE ASSY,T SLANT  
1pc     A-6046-031-B    GUIDE ASSY,MOVABLE.....A-6046-031-C    GUIDE ASSY,MOVABLE

\*\*\*\*\*  
UP TO #11799 (BVH-2000PS)  
\*\*\*\*\*

\*\*\*\*\*  
#11801 & UP (BVH-2000PS)  
\*\*\*\*\*

EQ-02 BOARD (BVH-2000PS/CARD RACK)

L9      1-408-398-00    INDUCTOR,MICRO,1.2 5%.....1-407-179-XX    INDUCTOR,MICRO,1.2 5%

BE-02 BOARD (BVH-2000PS/TTP)

C25      1-109-166-00    CAP,MICA 680PF 5% 300V.....1-109-577-00    CAP,MICA 680PF 5% 500V

# CHANGED PARTS

=====

UP TO #11899 (BVH-2000PS)

=====

=====

#11901 & UP (BVH-2000PS)

=====

AU-27 BOARD (BVH-2000PS/CARD RACK)

TP101, 102, 103, 104, 105,  
106, 107, 108, 109, 201,  
202, 203, 204, 205, 206,  
207, 208, 209

3-673-805-01 TERMINAL, TP.....3-673-772-41 TERMINAL, TP

TPE101, 106, 107, 108,  
109, 201, 206, 207,  
208, 209

3-673-805-11 TERMINAL, TP.....3-673-772-01 TERMINAL, TP

AE-03 BOARD (BVH-2000PS/CARD RACK)

C203 NOT IN USE.....1-107-158-00 CAP, MICA 30PF 5% 500V

MD-14 BOARD (BVH-2000PS/CARD RACK)

(For 00 model)

1pc A-6011-072-A COMPLETE PCB, MD-14.....A-6011-069-A COMPLETE PCB, MD-14

C8 1-109-530-00 CAP, MICA 62PF 5% 100V.....1-109-531-00 CAP, MICA 68PF 5% 100V

R243 1-247-864-00 RES, CARBON 24K 5% 1/6W.....1-214-164-00 RES, METAL 22K 1% 1/4W

SY-79 BOARD (BVH-2000PS/CARD RACK)

IC4G 8-759-901-51 IC SN74LS151N, TTL.....DELETED

IC5G 8-759-900-74 IC SN74LS74AN, TTL.....DELETED

IC5H 8-759-902-80 IC SN74LS280N, TTL.....DELETED

TP10 NOT IN USE.....3-673-805-01 TERMINAL, TP

SY-80 BOARD (BVH-2000PS/CARD RACK)

(For 00 model)

1pc A-6017-097-A COMPLETE PCB, SY-80.....A-6017-091-A COMPLETE PCB, SY-80

SV-43 BOARD (BVH-2000PS/CARD RACK)

1pc A-6015-071-A COMPLETE PCB, SV-43.....A-6015-066-A COMPLETE PCB, SV-43

RL-12 BOARD (BVH-2000PS/CARD RACK)

1pc A-6015-067-A COMPLETE PCB, RL-12.....A-6015-067-B COMPLETE PCB, RL-12

C116 NOT IN USE.....1-107-044-00 CAP, MICA 3.3PF +/-0.5PF 500V

R197 NOT IN USE.....1-247-848-00 RES, CARBON 5.1K 5% 1/6W

IC3G NOT IN USE.....8-759-901-97 IC SN74LS197N, TTL

=====  
 UP TO #11899 (BVH-2000PS)  
 =====

=====  
 #11901 & UP (BVH-2000PS)  
 =====

CD-17 BOARD (BVH-2000PS/CARD RACK)

1pc	A-6015-072-A	COMPLETE PCB,CD-17.....	A-6015-072-B	COMPLETE PCB,CD-17
C167	1-108-564-00	CAP,MYLAR 0,0024 5% 50V.....	DELETED	
C201	NOT IN USE.....		1-108-579-00	CAP,MYLAR 0,01 5% 50V
C203	NOT IN USE.....		1-108-564-00	CAP,MYLAR 0,0024 5% 50V
C204	NOT IN USE.....		1-108-579-00	CAP,MYLAR 0,01 5% 50V
C205,206				
	NOT IN USE.....		1-102-125-00	CAP,CERAMIC 0,0047 10% 50V
C210	NOT IN USE.....		1-102-113-00	CAP,CERAMIC 390PF 10% 50V
IC3D	8-759-900-04	IC SN74LS04N,TTL.....	8-759-900-14	IC SN74LS14N,TTL
R301,302,303				
	NOT IN USE.....		1-247-831-00	RES,CARBON 1K 5% 1/6W
R304,305				
	NOT IN USE.....		1-247-855-00	RES,CARBON 10K 5% 1/6W
R310	NOT IN USE.....		1-247-807-00	RES,CARBON 100 5% 1/6W
TP30,31	NOT IN USE.....		3-673-805-01	TERMINAL,TP

RA-05 BOARD (BVH-2000PS/TTP)

TP4,5,7,8,9,10,16,17, 19,20,21,22,25,26	3-673-805-01	TERMINAL,TP.....	3-673-772-21	TERMINAL,TP
--	--------------	------------------	--------------	-------------

BE-02 BOARD (BVH-2000PS/TTP)

C60	NOT IN USE.....	1-102-074-00	CAP,CERAMIC 0,001 10% 50V
R40	NOT IN USE.....	1-247-094-00	RES,CARBON 30 5% 1/4W
R75	NOT IN USE.....	1-247-871-00	RES,CARBON 47 5% 1/6W
R76	NOT IN USE.....	1-247-873-00	RES,CARBON 56 5% 1/6W
R80	NOT IN USE.....	1-247-823-00	RES,CARBON 470 5% 1/6W

VM-01 BOARD (BVH-2000PS/CN PNL)

TP1,2,3	3-673-805-01	TERMINAL,TP.....	3-673-772-41	TERMINAL,TP
TPE1,2	3-673-805-11	TERMINAL,TP.....	3-673-772-01	TERMINAL,TP

**CHANGED PARTS**

=====
   
UP TO #11999 (BVH-2000PS)
   
=====

=====
   
#12001 & UP (BVH-2000PS)
   
=====

DM-25 BOARD (BVH-2000PS/CARD RACK)

C98	1-161-051-00	CAP,CERAMIC 0.01 10% 50V.....	DELETED		
C99	1-109-535-00	CAP,MICA 100PF 5% 100V.....	DELETED		
R52	1-247-871-00	RES,CARBON 100K 5% 1/6W.....	1-247-878-00	RES,CARBON 91K 5% 1/6W	
R146	1-247-832-00	RES,CARBON 1.1K 5% 1/6W.....	1-247-831-00	RES,CARBON 1K 5% 1/6W	
R210	NOT IN USE.....		1-247-890-00	RES,CARBON 300K 5% 1/6W	

SR-15 BOARD (BVH-2000PS/CARD RACK)

TP5	3-673-805-01	TERMINAL,TP.....	3-673-772-41	TERMINAL,TP
TP6,7	3-673-805-01	TERMINAL,TP.....	DELETED	
TP8,9	3-673-805-01	TERMINAL,TP.....	3-673-772-41	TERMINAL,TP
TP10,11	3-673-805-01	TERMINAL,TP.....	DELETED	
TP12,13,14,15,16	3-673-805-01	TERMINAL,TP.....	3-673-772-41	TERMINAL,TP
TP18,19,20,21	3-673-805-01	TERMINAL,TP.....	DELETED	
TP22,23	3-673-805-01	TERMINAL,TP.....	3-673-772-41	TERMINAL,TP
TP24	3-673-805-01	TERMINAL,TP.....	DELETED	

MOVABLE GUIDE ASSEMBLY (BVH-2000PS)

lpc	3-680-328-00	GUIDE,T FIXED.....	3-680-328-02	GUIDE,T FIXED
-----	--------------	--------------------	--------------	---------------

=====

UP TO #12099 (BVH-2000PS)

=====

=====

#12101 & UP (BVH-2000PS)

=====

MD-14 BOARD (BVH-2000PS/CARD RACK)

D4      8-719-139-07    DIODE RD3.9E-B.....8-719-143-07    DIODE RD4.3E-B

RL-12 BOARD (BVH-2000PS/CARD RACK)

IC13     8-759-990-82    IC TL082CP.....8-759-910-83    IC TL072ACP

PS-14 BOARD (BVH-2000PS/POWER SUPPLY)

19pcs    4-026-252-00    WASHER, INSULATING.....2-832-007-00    BUSHING(K), INSULATING

19pcs    NOT IN USE.....7-621-981-45    SCREW,PSW2.6x12

19pcs    7-686-450-01    SCREW,PS3x12.....DELETED

19pcs    7-686-003-01    WASHER,M3,SMALL.....DELETED

POWER SUPPLY ASSEMBLY (BVH-2000PS)

2pcs     3-673-774-00    HINGE.....1pc

1pc     NOT IN USE.....3-673-774-11    HINGE



**CHANGED PARTS**

=====  
UP TO #12199 (BVH-2000PS)  
=====

=====  
#12201 & UP (BVH-2000PS)  
=====

LG-02 BOARD (BVH-2000PS/CARD RACK)

C36	NOT IN USE.....	1-102-114-00	CAP,CERAMIC 470PF 10% 50V
R39	NOT IN USE.....	1-247-819-00	RES,CARBON 330 5% 1/6W

RL-12 BOARD (BVH-2000PS/CARD RACK)

R47	1-247-877-00	RES,CARBON 82K 5% 1/6W.....	1-247-903-00	RES,CARBON 1M 5% 1/6W
R200	NOT IN USE.....	1-247-877-00	RES,CARBON 82K 5% 1/6W	
RV20	NOT IN USE.....	1-224-942-00	RES,VAR,METAL 50K	

=====
   
UP TO #12199 (BVH-2000PS)
   
=====

=====
   
#12201 & UP (BVH-2000PS)
   
=====

RP-09 BOARD (BVH-2000PS/CARD RACK)

C49	1-161-926-00	CAP,CERAMIC 0.22 10% 50V.....	1-108-595-00	CAP,MYLAR 0.047 5% 50V
C70	NOT IN USE.....		1-161-051-00	CAP,CERAMIC 0.01 10% 50V
C71	NOT IN USE.....		1-161-483-00	CAP,CERAMIC 0.1 10% 50V
D2	NOT IN USE.....		8-719-815-00	DIODE 1S1555
R72	1-247-831-00	RES,CARBON 1K 5% 1/6W.....	1-247-848-00	RES,CARBON 5.1K 5% 1/6W
R73	1-247-842-00	RES,CARBON 3K 5% 1/6W.....	1-247-838-00	RES,CARBON 2K 5% 1/6W
R74,84	1-247-807-00	RES,CARBON 100 5% 1/6W.....	1-214-112-00	RES,METAL 150 1% 1/4W
R110,112	NOT IN USE.....		1-247-831-00	RES,CARBON 1K 5% 1/6W

AP-06 BOARD (BVH-2000PS/TTP)

(For 00/02 model)

R523	1-247-835-00	RES,CARBON 1.5K 5% 1/6W.....	1-247-833-00	RES,CARBON 1.2K 5% 1/6W
------	--------------	------------------------------	--------------	-------------------------

CAPSTAN & MINI TENSION ARM ASSEMBLY (BVH-2000PS)

(For 00 model)

PM4	NOT IN USE.....	1-454-263-21	SOLENOID,12V,60-OHM
1pc	NOT IN USE.....	X-3673-669-0	ARM ASSY,MINI TENSION
1pc	NOT IN USE.....	3-673-652-00	SPRING,TENSION
1pc	NOT IN USE.....	3-673-738-00	ROD
1pc	NOT IN USE.....	3-680-322-00	SPRING,FRICITION
1pc	NOT IN USE.....	4-820-917-01	SPRING,COMPRESSION
2pcs	NOT IN USE.....	7-621-981-05	SCREW,PSW2.6x5
1pc	NOT IN USE.....	7-624-105-04	STOP RING,E2.3
1pc	NOT IN USE.....	7-686-528-01	SCREW,PSW3x8

**CHANGED PARTS**

=====
   
UP TO #12299 (BVH-2000PS)
   
=====

=====
   
#22301 & UP (BVH-2000PS)
   
=====

AE-03 BOARD (BVH-2000PS/CARD RACK)

C13	1-131-347-00	CAP,TANT 1 10% 35V.....	1-131-345-00	CAP,TANT 0.47 10% 35V
R15	1-247-887-00	RES,CARBON 220K 5% 1/6W.....	1-247-880-00	RES,CARBON 110K 5% 1/6W
R19	1-247-891-00	RES,CARBON 330K 5% 1/6W.....	1-247-898-00	RES,CARBON 620K 5% 1/6W

MD-14 BOARD (BVH-2000PS/CARD RACK)

C61	1-161-051-00	CAP,CERAMIC 0.01 10% 50V.....	1-161-483-00	CAP,CERAMIC 0.1 10% 50V
C62	1-107-085-00	CAP,MICA 100PF 5% 50V.....	1-109-538-00	CAP,MICA 130PF 5% 100V
C68	1-161-051-00	CAP,CERAMIC 0.01 10% 50V.....	1-161-483-00	CAP,CERAMIC 0.1 10% 50V
C504	1-109-559-00	CAP,CERAMIC 820PF 5% 100V.....	DELETED	
C507	1-109-534-00	CAP,MICA 91PF 5% 100V.....	DELETED	
C510	NOT IN USE.....		1-107-158-00	CAP,MICA 30PF 5% 500V
CV4	NOT IN USE.....		1-141-256-00	CAP,TRIMMER 8PF
L8	1-407-159-XX	INDUCTOR,MICRO,15 5%.....	DELETED	
L9	1-407-159-XX	INDUCTOR,MICRO,15 5%.....	1-407-182-XX	INDUCTOR,MICRO,2.2 5%
R116	1-247-811-00	RES,CARBON 150 5% 1/6W.....	DELETED	
R118	1-247-831-00	RES,CARBON 1K 5% 1/6W.....	1-247-839-00	RES,CARBON 2.2K 5% 1/6W
R121	1-247-807-00	RES,CARBON 100 5% 1/6W.....	1-247-804-00	RES,CARBON 75 5% 1/6W
R510	NOT IN USE.....		1-247-819-00	RES,CARBON 330 5% 1/6W

SY-79 BOARD (BVH-2000PS/CARD RACK)

IC1C	8-759-759-50	IC,EPROM,MBM2732-76U3-1.....	8-759-761-33	IC,EPROM,MBM2732-76U3-2
IC1D	8-759-759-49	IC,EPROM,MBM2732-75U3-1.....	8-759-761-32	IC,EPROM,MBM2732-75U3-2
IC1E	8-759-759-16	IC,EPROM,MBM2732-74U3.....	8-759-761-31	IC,EPROM,MBM2732-74U3-1
IC1G	8-759-759-79	IC,EPROM,MBM2732-73U3-1.....	8-759-761-30	IC,EPROM,MBM2732-73U3-3
IC1H	8-759-759-14	IC,EPROM,MBM2732-72U3.....	8-759-761-29	IC,EPROM,MBM2732-72U3-1
IC1I	8-759-759-11	IC,EPROM,MBM2732-71A3.....	8-759-761-34	IC,EPROM,MBM2732-71A3-1
IC1K	8-759-759-48	IC,EPROM,MBM2732-70U3-1.....	8-759-761-27	IC,EPROM,MBM2732-70U3-2

SY-80 BOARD (BVH-2000PS/CARD RACK)

IC1C	8-759-759-21	IC,EPROM,MBM2732-82U3.....	8-759-761-37	IC,EPROM,MBM2732-82U3-1
IC1D	8-759-759-80	IC,EPROM,MBM2732-81U3-2.....	8-759-761-36	IC,EPROM,MBM2732-81U3-3
IC1F	8-759-759-39	IC,EPROM,MBM2732-80U3-1.....	8-759-761-35	IC,EPROM,MBM2732-80U3-2

SV-43 BOARD (BVH-2000PS/CARD RACK)

IC1E	8-759-758-94	IC,EPROM,MBM2732-S1U3.....	8-759-761-24	IC,EPROM,MBM2732-S1U3-2
IC6I	8-759-758-98	IC,EPROM,MBM2732-S7U3.....	8-759-761-25	IC,EPROM,MBM2732-S7U3-2
IC6K	8-759-758-99	IC,EPROM,MBM2732-S8U3.....	8-759-761-26	IC,EPROM,MBM2732-S8U3-2

=====

=====

SR-15 BOARD (BVH-2000PS/CARD RACK)

R108 NOT IN USE.....1-247-783-00 RES,CARBON 10 5% 1/6W  
 R109 1-247-783-00 RES,CARBON 10 5% 1/6W.....DELETED

BE-02 BOARD (BVH-2000PS/TTP)

(For 04 model)

C3,4 1-109-685-00 CAP,MICA 330PF 5% 50V.....1-109-677-00 CAP,MICA 150PF 5% 50V

DA-07 BOARD (BVH-2000PS/TTP)

C5 1-108-579-00 CAP,MYLAR 0.01 5% 50V.....1-130-620-00 CAP,FILM 0.01 5% 50V  
 C7 1-108-603-00 CAP,MYLAR 0.1 5% 50V.....1-130-632-00 CAP,FILM 0.1 5% 50V  
 C11 1-108-611-00 CAP,MYLAR 0.22 5% 50V.....1-130-636-00 CAP,FILM 0.22 5% 50V  
 C25 1-108-595-00 CAP,MYLAR 0.047 5% 50V.....1-130-628-00 CAP,FILM 0.047 5% 50V  
 C35 1-108-579-00 CAP,MYLAR 0.01 5% 50V.....1-130-620-00 CAP,FILM 0.01 5% 50V  
 D19 8-719-815-55 DIODE 1S1555.....8-719-981-01 DIODE ERA81-004  
 L4 1-407-186-XX INDUCTOR,MICRO,4.7 5%.....1-408-405-00 INDUCTOR,MICRO,4.7 5%  
 TP1,2,3 3-673-805-01 TERMINAL,TP.....DELETED  
 TPE1 3-673-805-11 TERMINAL,TP.....DELETED

CA-09 BOARD (BVH-2000PS/TTP)

D1 8-719-815-55 DIODE 1S1555.....8-719-981-01 DIODE ERA81-004

RA-05 BOARD (BVH-2000PS/TTP)

D57 8-719-815-55 DIODE 1S1555.....8-719-981-01 DIODE ERA81-004

PS-14 BOARD (BVH-2000PS/POWER SUPPLY)

19pcs 7-621-981-45 SCREW,PSW 2.6x12.....7-628-254-45 SCREW,PS 2.6x12

TENSION ARM & TIMER ROLLER ASSEMBLY (BVH-2000PS)

1pc A-6045-019-B ROLLER ASSY.....A-6045-019-C ROLLER ASSY

**CHANGED PARTS**

=====  
UP TO #22399 (BVH-2000PS)  
=====

=====  
#22401 & UP (BVH-2000PS)  
=====

CD-17 BOARD (BVH-2000PS/CARD RACK)

C129 1-107-202-00 CAP,MICA 10PF 5% 50V.....DELETED  
C211 NOT IN USE.....1-102-106-00 CAP,CERAMIC 100PF 10% 50V  
CV1 NOT IN USE.....1-141-240-00 CAP,TRIMMER 20PF

AP-06 BOARD (BVH-2000PS/TTP)

(For 00/02 model)

R523 1-247-833-00 RES,CARBON 1.2K 5% 1/6W.....1-247-835-00 RES,CARBON 1.5K 5% 1/6W

=====

UP TO #22499 (BVH-2000PS)

=====

=====

#22501 & UP (BVH-2000PS)

=====

EQ-02 BOARD (BVH-2000PS/CARD RACK)

R165      1-247-831-00    RES,CARBON 1K 5% 1/6W.....1-247-839-00    RES,CARBON 2.2K 5% 1/6W

AP-06 BOARD (BVH-2000PS/TTP)

(For 00/02 model)

C116,216,316,501,603,  
623,643,683,687

1-107-085-00    CAP,MICA 100PF 5% 50V.....1-107-169-00    CAP,MICA 100PF 5% 500V

TP101,102,103,201,202,  
203,301,302,303,501

3-673-805-01    TERMINAL,TP.....3-657-703-01    TERMINAL,TP

(For 04 model)

C116,216,316,416,501,  
603,623,643,663,683,  
687

1-107-085-00    CAP,MICA 100PF 5% 50V.....1-107-169-00    CAP,MICA 100PF 5% 500V

TP101,102,103,201,202,  
203,301,302,305,401  
402,403,501

3-673-805-01    TERMINAL,TP.....3-657-703-01    TERMINAL,TP

**CHANGED PARTS**

\*\*\*\*\*  
 UP TO #22599 (BVH-2000PS)  
 \*\*\*\*\*

\*\*\*\*\*  
 #22601 & UP (BVH-2000PS)  
 \*\*\*\*\*

AE-03 BOARD (BVH-2000PS/CARD RACK)

R124	1-247-882-00	RES,CARBON 130K 5% 1/6W.....	1-247-873-00	RES,CARBON 56K 5% 1/6W
R137	1-247-880-00	RES,CARBON 110K 5% 1/6W.....	1-247-873-00	RES,CARBON 56K 5% 1/6W
R284	1-247-887-00	RES,CARBON 220K 5% 1/6W.....	DELETED	
R288	1-247-891-00	RES,CARBON 330K 5% 1/6W.....	DELETED	
RV15,18	1-224-943-00	RES,VAR,METAL 100K.....	1-226-095-00	RES,VAR,METAL 200K

EQ-02 BOARD (BVH-2000PS/CARD RACK)

R96	1-247-843-00	RES,CARBON 3.3K 5% 1/6W.....	1-247-849-00	RES,CARBON 5.6K 5% 1/6W
R97	1-247-814-00	RES,CARBON 200 5% 1/6W.....	1-247-819-00	RES,CARBON 330 5% 1/6W
R103	1-247-836-00	RES,CARBON 1.6K 5% 1/6W.....	1-247-849-00	RES,CARBON 5.6K 5% 1/6W
R154	1-247-822-00	RES,CARBON 430 5% 1/6W.....	1-247-819-00	RES,CARBON 330 5% 1/6W

DM-25 BOARD (BVH-2000PS/CARD RACK)

R1,2	1-247-861-00	RES,CARBON 18K 5% 1/6W.....	1-247-859-00	RES,CARBON 15K 5% 1/6W
R72,74	1-247-807-00	RES,CARBON 100 5% 1/6W.....	1-247-804-00	RES,CARBON 75 5% 1/6W
RV17	NOT IN USE.....		1-224-978-00	RES,VAR,METAL 50

CD-17 BOARD (BVH-2000PS/CARD RACK)

R141	1-247-855-00	RES,CARBON 10K 5% 1/6W.....	1-247-851-00	RES,CARBON 6.8K 5% 1/6W
------	--------------	-----------------------------	--------------	-------------------------

\*\*\*\*\*  
 UP TO #22699 (BVH-2000PS)  
 \*\*\*\*\*

\*\*\*\*\*  
 #22701 & UP (BVH-2000PS)  
 \*\*\*\*\*

DM-25 BOARD (BVH-2000PS/CARD RACK)

C102	1-161-051-00	CAP,CERAMIC 0.01 10% 50V.....	DELETED	
R118	1-247-800-00	RES,CARBON 51 5% 1/6W.....	1-247-767-00	RES,CARBON 2.2 5% 1/6W

LG-02(A) BOARD (BVH-2000PS/CARD RACK)

C37	NOT IN USE.....	1-131-382-00	CAP,TANT 6.8 20% 6.3V
R40	NOT IN USE.....	1-247-855-00	RES,CARBON 10K 5% 1/6W



# CHANGED PARTS

UP TO #22799 (BVH-2000PS)

#22801 & UP (BVH-2000PS)

## AE-03 BOARD (BVH-2000PS/CARD RACK)

C34	1-131-347-00	CAP,TANT 1 10% 35V.....	1-131-345-00	CAP,TANT 0.47 10% 35V
R64	1-247-879-00	RES,CARBON 100K 5% 1/6W.....	1-247-875-00	RES,CARBON 68K 5% 1/6W
R65	1-247-891-00	RES,CARBON 330K 5% 1/6W.....	1-247-895-00	RES,CARBON 470K 5% 1/6W

## CD-17 BOARD (BVH-2000PS/CARD RACK)

CV1	1-141-240-00	CAP,TRIMMER 20PF.....	1-141-260-00	CAP,TRIMMER 50PF
-----	--------------	-----------------------	--------------	------------------

## DT-05 BOARD (BVH-2000PS/CARD RACK)

C119	NOT IN USE.....	1-130-485-00	CAP,MYLAR 0.015 5% 50V	
IC4Q	NOT IN USE.....	8-759-240-11	IC TL4011BP,CMOS	
R7	1-214-151-00	RES,METAL 6.2K 1% 1/4W.....	1-214-160-00	RES,METAL 15K 1% 1/4W
R141	NOT IN USE.....	1-214-180-00	RES,METAL 100K 1% 1/4W	
R142	NOT IN USE.....	1-214-143-00	RES,METAL 3K 1% 1/4W	

## PS-14 BOARD (BVH-2000PS/POWER SUPPLY)

2pcs	4-823-115-00	SPRING,COMPRESSION.....	3-303-890-01	SPRING,COMPRESSION
------	--------------	-------------------------	--------------	--------------------

## POWER SUPPLY ASSEMBLY (BVH-2000PS)

6pcs	4-823-115-00	SPRING,COMPRESSION.....	3-303-890-01	SPRING,COMPRESSION
------	--------------	-------------------------	--------------	--------------------

## CONNECTOR PANEL ASSEMBLY (BVH-2000PS)

4pcs	4-823-115-00	SPRING,COMPRESSION.....	3-303-890-01	SPRING,COMPRESSION
------	--------------	-------------------------	--------------	--------------------

## STATIONARY HEADS ASSEMBLY (BVH-2000PS)

1pc	A-6046-027-D	SHAFT ASSY,1P.....	A-6046-027-E	SHAFT ASSY,1P
1pc	NOT IN USE.....	3-680-363-01	CAP,1P SHAFT	

\*\*\*\*\*  
 UP TO #22899 (BVH-2000PS)  
 \*\*\*\*\*

\*\*\*\*\*  
 #22901 & UP (BVH-2000PS)  
 \*\*\*\*\*

AU-27 BOARD (BVH-2000PS/CARD RACK)

C110,111

1-108-587-00 CAP,MYLAR 0.022 5% 50V.....1-130-624-00 CAP,FILM 0.022 5% 50V

C112 1-108-575-00 CAP,MYLAR 0.0068 5% 50V.....1-130-481-00 CAP,MYLAR 0.0068 5% 50V

C113 1-108-563-00 CAP,MYLAR 0.0022 5% 50V.....1-130-475-00 CAP,MYLAR 0.0022 5% 50V

C116 1-108-561-00 CAP,MYLAR 0.0018 5% 50V.....1-130-474-00 CAP,MYLAR 0.0018 5% 50V

C129 1-108-563-00 CAP,MYLAR 0.0022 5% 50V.....1-130-475-00 CAP,MYLAR 0.0022 5% 50V

C130,131

1-108-587-00 CAP,MYLAR 0.022 5% 50V.....1-130-624-00 CAP,FILM 0.022 5% 50V

C132 1-108-563-00 CAP,MYLAR 0.0022 5% 50V.....1-130-475-00 CAP,MYLAR 0.0022 5% 50V

C136 1-108-559-00 CAP,MYLAR 0.0015 5% 50V.....1-130-473-00 CAP,MYLAR 0.0015 5% 50V

C152 1-108-563-00 CAP,MYLAR 0.0022 5% 50V.....1-130-475-00 CAP,MYLAR 0.0022 5% 50V

C154 1-108-567-00 CAP,MYLAR 0.0033 5% 50V.....1-130-477-00 CAP,MYLAR 0.0033 5% 50V

C159 1-108-579-00 CAP,MYLAR 0.01 5% 50V.....1-130-620-00 CAP,FILM 0.01 5% 50V

C168 1-108-577-00 CAP,MYLAR 0.0082 5% 50V.....1-130-482-00 CAP,MYLAR 0.0082 5% 50V

C169 1-108-603-00 CAP,MYLAR 0.1 5% 50V.....1-130-632-00 CAP,FILM 0.1 5% 50V

C179 1-108-567-00 CAP,MYLAR 0.0033 5% 50V.....1-130-477-00 CAP,MYLAR 0.0033 5% 50V

C210,211

1-108-587-00 CAP,MYLAR 0.022 5% 50V.....1-130-624-00 CAP,FILM 0.022 5% 50V

C212 1-108-575-00 CAP,MYLAR 0.0068 5% 50V.....1-130-481-00 CAP,MYLAR 0.0068 5% 50V

C213 1-108-563-00 CAP,MYLAR 0.0022 5% 50V.....1-130-475-00 CAP,MYLAR 0.0022 5% 50V

C216 1-108-561-00 CAP,MYLAR 0.0018 5% 50V.....1-130-474-00 CAP,MYLAR 0.0018 5% 50V

C229 1-108-563-00 CAP,MYLAR 0.0022 5% 50V.....1-130-475-00 CAP,MYLAR 0.0022 5% 50V

C230,231

1-108-587-00 CAP,MYLAR 0.022 5% 50V.....1-130-624-00 CAP,FILM 0.022 5% 50V

C232 1-130-475-00 CAP,MYLAR 0.0022 5% 50V.....1-130-475-00 CAP,MYLAR 0.0022 5% 50V

C236 1-108-559-00 CAP,MYLAR 0.0015 5% 50V.....1-130-473-00 CAP,MYLAR 0.0015 5% 50V

C252 1-108-563-00 CAP,MYLAR 0.0022 5% 50V.....1-130-475-00 CAP,MYLAR 0.0022 5% 50V

C254 1-108-567-00 CAP,MYLAR 0.0033 5% 50V.....1-130-477-00 CAP,MYLAR 0.0033 5% 50V

C259 1-108-579-00 CAP,MYLAR 0.01 5% 50V.....1-130-620-00 CAP,FILM 0.01 5% 50V

C268 1-108-577-00 CAP,MYLAR 0.0082 5% 50V.....1-130-482-00 CAP,MYLAR 0.0082 5% 50V

C269 1-108-603-00 CAP,MYLAR 0.1 5% 50V.....1-130-632-00 CAP,FILM 0.1 5% 50V

C279 1-108-567-00 CAP,MYLAR 0.0033 5% 50V.....1-130-477-00 CAP,MYLAR 0.0033 5% 50V

L101,201

1-407-494-00 INDUCTOR,MICRO,1.5mH 5%.....DELETED

LY102,202

NOT IN USE.....1-407-293-00 INDUCTOR,VAR,1.5mH

# CHANGED PARTS

=====

=====

(AU-27 BOARD, BVH-2000PS, CARD RACK)

R311, 312, 313, 314, 315,  
316, 317, 321, 322, 323,  
324, 325, 326, 327

NOT IN USE.....1-247-855-00 RES, CARBON 10K 5% 1/6W

R331 NOT IN USE.....1-247-807-00 RES, CARBON 100 5% 1/6W

-----

AE-03 BOARD (BVH-2000PS-00, 02/CARD RACK)

(For 00/02 model)

C7 1-108-585-00 CAP, MYLAR 0.018 5% 50V.....1-136-156-00 CAP, FILM 0.018 5% 50V  
 C8 1-108-559-00 CAP, MYLAR 0.0015 5% 50V.....1-130-473-00 CAP, MYLAR 0.0015 5% 50V  
 C10 1-108-561-00 CAP, MYLAR 0.0018 5% 50V.....1-130-474-00 CAP, MYLAR 0.0018 5% 50V  
 C14 1-108-565-00 CAP, MYLAR 0.0027 5% 50V.....1-130-476-00 CAP, MYLAR 0.0027 5% 50V  
 C32 1-108-557-00 CAP, MYLAR 0.0012 5% 50V.....1-130-472-00 CAP, MYLAR 0.0012 5% 50V

C37 1-108-587-00 CAP, MYLAR 0.022 5% 50V.....1-130-624-00 CAP, FILM 0.022 5% 50V  
 C38 1-108-563-00 CAP, MYLAR 0.0022 5% 50V.....1-130-475-00 CAP, MYLAR 0.0022 5% 50V  
 C39 1-108-587-00 CAP, MYLAR 0.022 5% 50V.....1-130-624-00 CAP, FILM 0.022 5% 50V  
 C45 1-108-567-00 CAP, MYLAR 0.0033 5% 50V.....1-130-477-00 CAP, MYLAR 0.0033 5% 50V  
 C46 1-108-563-00 CAP, MYLAR 0.0022 5% 50V.....1-130-475-00 CAP, MYLAR 0.0022 5% 50V

C51 1-108-579-00 CAP, MYLAR 0.01 5% 50V.....1-130-620-00 CAP, FILM 0.01 5% 50V  
 C55 1-108-585-00 CAP, MYLAR 0.018 5% 50V.....1-136-156-00 CAP, FILM 0.018 5% 50V  
 C64 1-108-575-00 CAP, MYLAR 0.0068 5% 50V.....1-130-481-00 CAP, MYLAR 0.0068 5% 50V  
 C65 1-108-563-00 CAP, MYLAR 0.0022 5% 50V.....1-130-475-00 CAP, MYLAR 0.0022 5% 50V  
 C69, 76 1-108-567-00 CAP, MYLAR 0.0033 5% 50V.....1-130-477-00 CAP, MYLAR 0.0033 5% 50V

C140 1-108-585-00 CAP, MYLAR 0.018 5% 50V.....1-136-156-00 CAP, FILM 0.018 5% 50V  
 C146 1-108-561-00 CAP, MYLAR 0.0018 5% 50V.....1-130-474-00 CAP, MYLAR 0.0018 5% 50V  
 C151 1-108-575-00 CAP, MYLAR 0.0068 5% 50V.....1-130-481-00 CAP, MYLAR 0.0068 5% 50V  
 C154 1-108-573-00 CAP, MYLAR 0.0056 5% 50V.....1-130-480-00 CAP, MYLAR 0.0056 5% 50V  
 JP1, 2 1-560-733-00 PIN, SHORT.....DELETED

L1 1-407-494-00 INDUCTOR, MICRO 1.5mH 5%.....DELETED

LV1 NOT IN USE.....1-407-293-00 INDUCTOR, VAR, 1.5mH

R303, 304, 305, 306, 307,  
308, 309, 310, 311, 312,  
313, 314, 315, 316, 317

NOT IN USE.....1-247-855-00 RES, CARBON 10K 5% 1/6W

R321, 323

NOT IN USE.....1-247-807-00 RES, CARBON 100 5% 1/6W

SW3 NOT IN USE.....1-552-430-21 SWITCH, SLIDE

=====
   
UP TO #22899 (BVH-2000PS)
   
=====

=====
   
#22901 & UP (BVH-2000PS)
   
=====

(AE-03 BOARD, BVH-2000PS-00, 02/CARD RACK)

TP1, 2, 3, 4, 5, 6, 7, 8, 9,
   
11, 17, 18, 19

3-673-805-01 TERMINAL, TP.....3-657-703-01 TERMINAL, TP

TPE1, 2, 4, 7, 8, 9, 10, 11

3-673-805-11 TERMINAL, TP.....3-657-703-01 TERMINAL, TP

1pc 1-561-832-00 PLUG, SHORT.....DELETED

AE-03 BOARD (BVH-2000PS-04/CARD RACK)

(For 04 model)

C7	1-108-585-00	CAP, MYLAR 0.018 5% 50V.....	1-136-156-00	CAP, FILM 0.018 5% 50V
C8	1-108-559-00	CAP, MYLAR 0.0015 5% 50V.....	1-130-473-00	CAP, MYLAR 0.0015 5% 50V
C10	1-108-561-00	CAP, MYLAR 0.0018 5% 50V.....	1-130-474-00	CAP, MYLAR 0.0018 5% 50V
C14	1-108-565-00	CAP, MYLAR 0.0027 5% 50V.....	1-130-476-00	CAP, MYLAR 0.0027 5% 50V
C32	1-108-557-00	CAP, MYLAR 0.0012 5% 50V.....	1-130-472-00	CAP, MYLAR 0.0012 5% 50V
C37	1-108-587-00	CAP, MYLAR 0.022 5% 50V.....	1-130-624-00	CAP, FILM 0.022 5% 50V
C38	1-108-563-00	CAP, MYLAR 0.0022 5% 50V.....	1-130-475-00	CAP, MYLAR 0.0022 5% 50V
C39	1-108-587-00	CAP, MYLAR 0.022 5% 50V.....	1-130-624-00	CAP, FILM 0.022 5% 50V
C45	1-108-567-00	CAP, MYLAR 0.0033 5% 50V.....	1-130-477-00	CAP, MYLAR 0.0033 5% 50V
C46	1-108-563-00	CAP, MYLAR 0.0022 5% 50V.....	1-130-475-00	CAP, MYLAR 0.0022 5% 50V
C51	1-108-579-00	CAP, MYLAR 0.01 5% 50V.....	1-130-620-00	CAP, FILM 0.01 5% 50V
C55	1-108-585-00	CAP, MYLAR 0.018 5% 50V.....	1-136-156-00	CAP, FILM 0.018 5% 50V
C64	1-108-555-00	CAP, MYLAR 0.001 5% 50V.....	1-130-471-00	CAP, MYLAR 0.001 5% 50V
C65	1-108-581-00	CAP, MYLAR 0.012 5% 50V.....	1-130-621-00	CAP, FILM 0.012 5% 50V
C69, 76, 87	1-108-567-00	CAP, MYLAR 0.0033 5% 50V.....	1-130-477-00	CAP, MYLAR 0.0033 5% 50V
C86	1-108-563-00	CAP, MYLAR 0.0022 5% 50V.....	1-130-475-00	CAP, MYLAR 0.0022 5% 50V
C93	1-108-579-00	CAP, MYLAR 0.01 5% 50V.....	1-130-620-00	CAP, FILM 0.01 5% 50V
C105, 108	1-108-585-00	CAP, MYLAR 0.018 5% 50V.....	1-136-156-00	CAP, FILM 0.018 5% 50V
C106	1-108-575-00	CAP, MYLAR 0.0068 5% 50V.....	1-130-481-00	CAP, MYLAR 0.0068 5% 50V
C109, 113	1-108-563-00	CAP, MYLAR 0.0022 5% 50V.....	1-130-475-00	CAP, MYLAR 0.0022 5% 50V
C128	1-108-557-00	CAP, MYLAR 0.0012 5% 50V.....	1-130-472-00	CAP, MYLAR 0.0012 5% 50V
C133	1-108-587-00	CAP, MYLAR 0.022 5% 50V.....	1-130-624-00	CAP, FILM 0.022 5% 50V

# CHANGED PARTS

=====

=====

(AE-03 BOARD, BVH-2000PS-04/CARD RACK)

C134	1-108-563-00	CAP,MYLAR 0.0022 5% 50V.....	1-130-475-00	CAP,MYLAR 0.0022 5% 50V
C135	1-108-587-00	CAP,MYLAR 0.022 5% 50V.....	1-130-624-00	CAP,FILM 0.022 5% 50V
C140	1-108-585-00	CAP,MYLAR 0.018 5% 50V.....	1-136-156-00	CAP,FILM 0.018 5% 50V
C146	1-108-561-00	CAP,MYLAR 0.0018 5% 50V.....	1-130-474-00	CAP,MYLAR 0.0018 5% 50V
C147	1-108-605-00	CAP,MYLAR 0.12 5% 50V.....	1-136-166-00	CAP,FILM 0.12 5% 50V
C151	1-108-575-00	CAP,MYLAR 0.0068 5% 50V.....	1-130-481-00	CAP,MYLAR 0.0068 5% 50V
C154	1-108-573-00	CAP,MYLAR 0.0056 5% 50V.....	1-130-480-00	CAP,MYLAR 0.0056 5% 50V
C158	1-108-567-00	CAP,MYLAR 0.0033 5% 50V.....	1-130-477-00	CAP,MYLAR 0.0033 5% 50V
C159	1-108-577-00	CAP,MYLAR 0.0082 5% 50V.....	1-130-482-00	CAP,MYLAR 0.0082 5% 50V
C160	1-108-603-00	CAP,MYLAR 0.1 5% 50V.....	1-130-632-00	CAP,FILM 0.1 5% 50V
C162	1-108-583-00	CAP,MYLAR 0.015 5% 50V.....	1-130-622-00	CAP,FILM 0.015 5% 50V
C173	1-108-603-00	CAP,MYLAR 0.1 5% 50V.....	1-130-632-00	CAP,FILM 0.1 5% 50V
C176	1-108-559-00	CAP,MYLAR 0.0015 5% 50V.....	1-130-473-00	CAP,MYLAR 0.0015 5% 50V
C177	1-108-573-00	CAP,MYLAR 0.0056 5% 50V.....	1-130-480-00	CAP,MYLAR 0.0056 5% 50V
J1,2	1-560-733-00	PIN,SHORT.....	DELETED	
L3	1-407-494-00	INDUCTOR,MICRO,1.5mH 5%.....	DELETED	
LV1	1-407-268-00	INDUCTOR,VAR,1.5mH.....	1-407-293-00	INDUCTOR,VAR 1.5mH
LV6	NOT IN USE.....		1-407-293-00	INDUCTOR,VAR 1.5mH
R301, 302, 303, 304, 305, 306, 307, 308, 309, 310, 311, 312, 313, 314, 315, 316, 317	NOT IN USE.....		1-247-855-00	RES,CARBON 10K 5% 1/6W
R321, 322, 323	NOT IN USE.....		1-247-807-00	RES,CARBON 100 5% 1/6W
SW3	NOT IN USE.....		1-552-430-21	SWITCH,SLIDE
TP1,2,3,4,5,6,7,8,9, 10, 11, 12, 13, 14, 15, 16, 17, 18, 19	3-673-805-01	TERMINAL,TP.....	3-657-703-01	TERMINAL,TP
TPE1,2,3,4,5,6,7,8, 9, 10, 11, 12, 13	3-673-805-11	TERMINAL,TP.....	3-657-703-01	TERMINAL,TP
1pc	1-561-832-00	PLUG,SHORT.....	DELETED	

UP TO #22899 (BVH-2000PS)

#22901 & UP (BVH-2000PS)

SY-79 BOARD (BVH-2000PS/CARD RACK)

ICIC	8-759-761-33	IC, EPROM, MBM2732-76U3-2.....	8-759-762-55	IC, EPROM, MBM2732-76U3-3
ICIE	8-759-761-31	IC, EPROM, MBM2732-74U3-1.....	8-759-762-54	IC, EPROM, MBM2732-74U3-2
ICIK	8-759-761-27	IC, EPROM, MBM2732-70U3-2.....	8-759-762-53	IC, EPROM, MBM2732-70U3-3

SY-80 BOARD (BVH-2000PS/CARD RACK)

ICIC	8-759-761-37	IC, EPROM, MBM2732-82U3-1.....	8-759-762-58	IC, EPROM, MBM2732-82U3-2
ICID	8-759-761-36	IC, EPROM, MBM2732-81U3-3.....	8-759-762-57	IC, EPROM, MBM2732-81U3-4
ICIF	8-759-761-35	IC, EPROM, MBM2732-80U3-2.....	8-759-762-56	IC, EPROM, MBM2732-80U3-3

SV-43 BOARD (BVH-2000PS/CARD RACK)

ICIE	8-759-761-24	IC, EPROM, MBM2732-S1U3-2.....	8-759-762-59	IC, EPROM, MBM2732-S1U3-3
ICIH	8-759-759-65	IC, EPROM, MBM2732-S3U3-1.....	8-759-762-60	IC, EPROM, MBM2732-S3U3-3

BE-02 BOARD (BVH-2000PS/TTP)

RV8	1-228-460-00	RES, VAR CERMET 20K.....	1-228-461-00	RES, VAR CERMET 50K
-----	--------------	--------------------------	--------------	---------------------

FRONT PANEL ASSEMBLY (BVH-2000PS)

1 pc	A-6004-127-A	PANEL ASSY, REEL.....	A-6004-127-B	PANEL ASSY, REEL
------	--------------	-----------------------	--------------	------------------

**CHANGED PARTS**

\*\*\*\*\*  
UP TO #23099 (BVH-2000PS)  
\*\*\*\*\*

\*\*\*\*\*  
#23101 & UP (BVH-2000PS)  
\*\*\*\*\*

RA-05 BOARD (BVH-2000PS/TTP)

C94	NOT IN USE.....	1-131-373-00	CAP,TANT 22 10% 16V
D62,63	NOT IN USE.....	8-719-815-55	DIODE 1S1555

