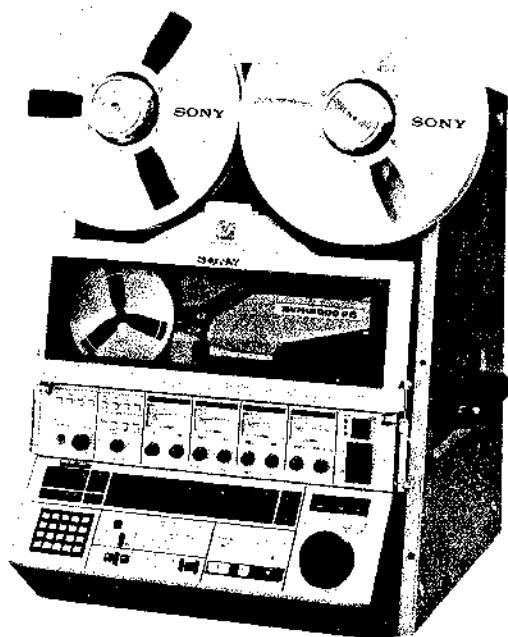


SONY®

VIDEOCODER

BVH-2000PS BVH-2180PS



BVH-2000PS

The function control panel, side panels and handles in this photograph shown are optionally available.

Le panneau de contrôle des fonction, les panneaux latéraux et les poignées présentés sur cette photographie sont disponibles comme équipements en option.

Das hier abgebildete Bedienungspult, die Seitenteile und die Griffe sind gesondert lieferbares Zubehör.



OPERATION AND MAINTENANCE MANUAL

Volume 2 3rd Edition (Revised 9)

BVH-2000PS Serial No. 33401 and Higher

BVH-2180PS Serial No. 10001 and Higher

TABLE OF CONTENTS

Volume 1

1. OPERATION
1. FONCTIONNEMENT
1. BETRIEB
2. INSTALLATION
3. PERIODIC CHECK & MAINTENANCE
4. SERVICE INFORMATION
5. THEORY OF OPERATION
6. REPLACEMENT
7. GENERAL INFORMATION FOR ALIGNMENT
8. PREPARATION FOR ALIGNMENT
9. POWER SUPPLY ALIGNMENT
10. TAPE PATH SYSTEM ALIGNMENT
11. SERVO SYSTEM ALIGNMENT
12. AUDIO SIGNAL SYSTEM ALIGNMENT
13. VIDEO SIGNAL SYSTEM ALIGNMENT
14. DT SYSTEM ALIGNMENT

Volume 2

A. BLOCK DIAGRAMS

Audio-1 & 2 Signal System	A-4
AU-27/AP/LA-02/VR/MS Boards	
Audio-3 Signal System (00/02)	A-7
AE-03/AP/LA-02/VR Boards	
Audio-3 & 4 Signal System (04)	A-9(5/7)
AE-03/AP/LA-02/VR Boards	
Bias/Erase	A-10
BE-02/03/04 Boards	
Video Signal System Overall Block Diagram (02/04)	A-13
Video Signal System Overall Block Diagram (00)	A-16
MD-14 Board; Video Modulator	A-19
DQ-02 Board; Video PB Equalizer	A-25
DM-25 Board; Video Demodulator	A-28
DT-05 Board; DT Control	A-31
Servo System Overall Block Diagram	A-37
SV-43 Board; Servo CPU	A-40
RL-12 Board; Reel Servo	A-43
CD-17 Board; Capstan/Drum Servo	A-45
SR-15 Board; Servo Ref. Signal Generator	A-47
DA-07 Board; Drum Motor Driver	A-49
CA-09 Board; Capstan Motor Driver	A-51
RA-05 Board; Reel Motor Driver	A-53
LG-02 (A) Board; Logic	A-55
SY-79 Board; System Control CPU-1	A-57
SY-80 Board; System Control CPU-2	A-59
Power Supply (1/2)	A-61
AC-39/FV-01 Boards	
Power Supply (2/2)	A-63
VV-02/FV-02/PS-14 Boards	

B. SEMICONDUCTOR PIN ASSIGNMENTS

Semiconductor Index	B-1
Diode	B-5
Transistor	B-5
IC	B-7
PROM	B-45

C. SCHEMATIC DIAGRAMS & BOARD LAYOUT

CARD RACK

AU-27 Board; Audio-1, 2 REC EQ/PB Amp . . .	C-4
AE-03 Board; Audio-3 REC EQ/PB Amplifier . .	C-10
EQ-02 Board; Video PB Equalizer	C-16
DM-25 Board; Video Demodulator	C-22
MD-14 Board; Video Modulator	C-28
LG-02 Board; Logic	C-34
SY-79 Board; System Control CPU-1	C-40
SY-80 Board; System Control CPU-2	C-52
SV-43 Board; Servo CPU	C-58
RL-12 Board; Reel Servo	C-65
CD-17 Board; Capstan/Drum Servo	C-78
SR-15 Board; Servo Ref. Signal Generator . . .	C-90
DT-05 Board; DT Control	C-96
MB-14A Board; Mother Board	C-105
Frame Wiring; Card Rack	C-111

TAPE TRANSPORT

AP-12 Board; Audio/CTL REC/PB Preamplifier .	C-115
BE-02 Board; Audio Bias/Erase Oscillator . . .	C-122
BE-03 Board; Audio Bias Amplifier	C-128
BE-04 Board; Audio Bias Level Adj.	C-128
Head Drum (02/04)	C-133
DR-13 Board; Video/Sync PB Amp (Play Head)	
DR-14 Board; Rotary Head Relaying	
DR-15 Board; Rotary Head Relaying	
DR-16 Board; Rotary Head Relaying	
SL-07 Board; Slip Ring Relaying	
SL-08 Board; Slip Ring Relaying	
SL-09 Board; Slip Ring Relaying	
Head Drum (00)	C-136(2/5)
DR-14 Board; Rotary Head Relaying	
DR-15 Board; Rotary Head Relaying	
DR-16 Board; Rotary Head Relaying	
DR-20 Board; Rotary Head Relaying	
RP-09 Board; Video R/P Amp (R/P Head)	C-137
DD-03 Board; DT Driver	C-141
DA-07 Board; Drum Motor Driver	C-144
CA-09 Board; Capstan Motor Driver	C-147
RA-05 Board; Reel Motor Driver	C-151
TT-01 Board; TTP AUX	C-156
RS-17 Board; Reel Size Sensor (for BVH-2180) .	C-161
Frame Wiring; Tape Transport	C-163
HM-05 Board; Head Hours Meter	
TM-16 Board; Running/Op Hours Meter	
TD-05 Board; Tape Detector	
TH-03 Board; Threading Motor	
MOTOR Board; IP Roller Motor Driver	
TR-07 Board; Timer Roller Sensor	
HD-06 Board; Video/Sync Erase Head	
CEH-2 Board; Audio/CTL Erase Head	
HD-07 Board; Audio/CTL R/P, Monitor Head	
HD-08 Board; Audio/CTL R/P, Monitor Head	
RS-18 Board; Reel Size Sensor (for BVH-2180)	

LEVEL CONTROL PANEL

VR-05 Board; Level Control/Indicator	C-169
VR-07 Board; Level Control/Indicator	C-172(2/5)
Frame Wiring; Level Control Panel	C-173
ML-02 Board; Meter Lamp	
MS-07 Board; Monitor Select	
ML-03 Board; Meter Lamp	
MS-08 Board; Monitor Select	

POWER SUPPLY

AC-39 Board; Primary Rectifier	C-178
FV-02 Board; Switching Regulator	C-183
VV-01 Board; Switching Regulator	C-187
FV-01 Board; Switching Regulator	C-191
PS-14 Board; Series Regulator	C-195
Frame Wiring; Power Supply	C-207
CN-54 Board; Fan Motor Relaying	

CONNECTOR PANEL

LA-02 Board; Audio Line IN/OUT Amplifier . .	C-214
VM-01 Board; Video Buffer/Monitor Select . . .	C-220
Frame Wiring; Audio/Video CN Panel	C-225
CN-37 Board; Video Connector Panel	
Frame Wiring; Remote Connector Panel	C-230
CN-49 Board; Remote Connector Panel	

D. REPLACEABLE PARTS & OPTIONAL FIXTURE

Front Panel Assy	D-2
Power Supply Assy	D-5
Connector Panel Assy	D-8
Card Rack Assy	D-11
Level Control Panel Assy	D-14
Reel Table Assy	D-17
Tension Arm & Timer Roller Assy	D-20
Head Drum Assy	D-23
Movable Guide Assy	D-26
Capstan & Mini Tension Arm Assy	D-29
Stationary Head Assy	D-31
PC Board & Panel Bracket on Front	D-33
Tape Transport Rear Assy	D-35

CARD RACK

AU-27 Board	D-39
AE-03 Board	D-41
EQ-02 Board	D-48
EQ-11 Board	D-51
DM-25 Board	D-52
MD-14 Board	D-55
LG-02(A) Board	D-59
SY-79 Board	D-60
SY-80 Board	D-62
SV-43 Board	D-63
RL-12 Board	D-65
CD-17 Board	D-68
SR-15 Board	D-71(5/5)
DT-05 Board (For 02/04 Model)	D-75
MB-14A Board	D-77

TAPE TRANSPORT

AP-12 Board	D-78
BE-02 Board	D-84
BE-03 Board	D-87
BE-04 Board	D-90
DR-13 Board (For 02/04 Model)	D-90
DR-20 Board (For 00 Model)	D-90
SL-07 Board (For 02/04 Model)	D-91
SL-08 Board (For 02/04 Model)	D-91
SL-09 Board (For 02/04 Model)	D-91
RP-09 Board	D-91
DD-03 Board (For 02/04 Model)	D-93
DA-07 Board	D-93
CA-09 Board	D-95
RA-05 Board	D-98
TT-01 Board	D-101

RS-17 Board (For BVH-2180PS)	D-103
RS-18 Board (For BVH-2180PS)	D-103
TM-16 Board	D-103
HM-05 Board	D-104
MOTOR Board	D-104
TD-05 Board	D-104
TH-03 Board	D-104
TR-07 Board	D-105
HD-06 Board	D-105
CEH-2 Board	D-105
HD-07 Board (For 00/02 Model)	D-105
HD-08 Board (For 04 Model)	D-105

LEVEL CONTROL PANEL

VR-05 Board (For 00/02 Model)	D-105
VR-07 Board (For 04 Model)	D-106
ML-02 Board (For 00/02 Model)	D-107
ML-03 Board (For 04 Model)	D-108
MS-07 Board (For 00/02 Model)	D-108
MS-08 Board (For 04 Model)	D-108

POWER SUPPLY

AC-39 Board	D-108
FV-02 Board	D-110
VV-01 Board	D-112
FV-01 Board	D-113
PS-14 Board	D-116
CN-54 Board	D-119

CONNECTOR PANEL

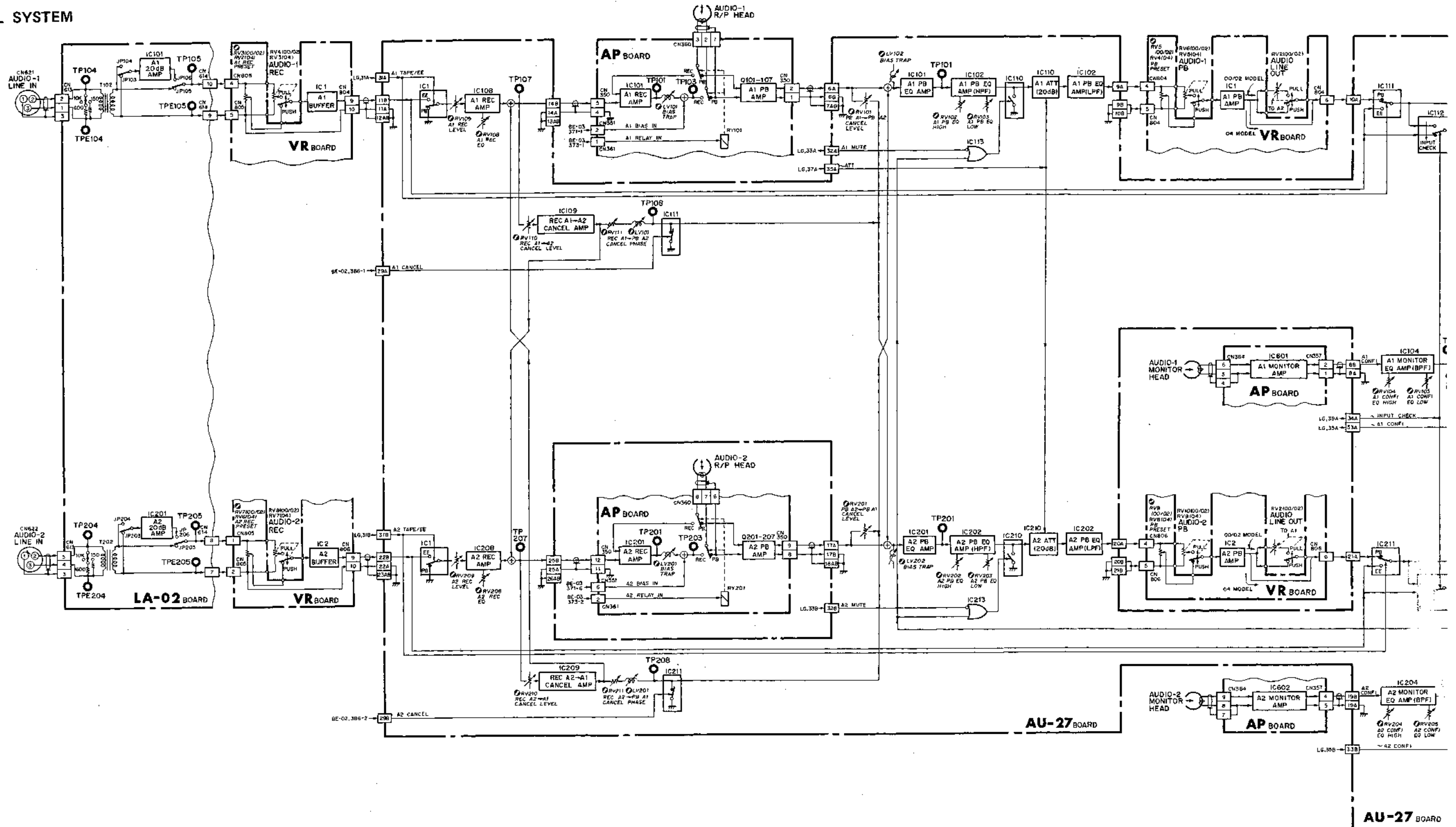
LA-02 Board	D-119
VM-01 Board	D-125
CN-37 Board	D-127
CN-49 Board	D-128

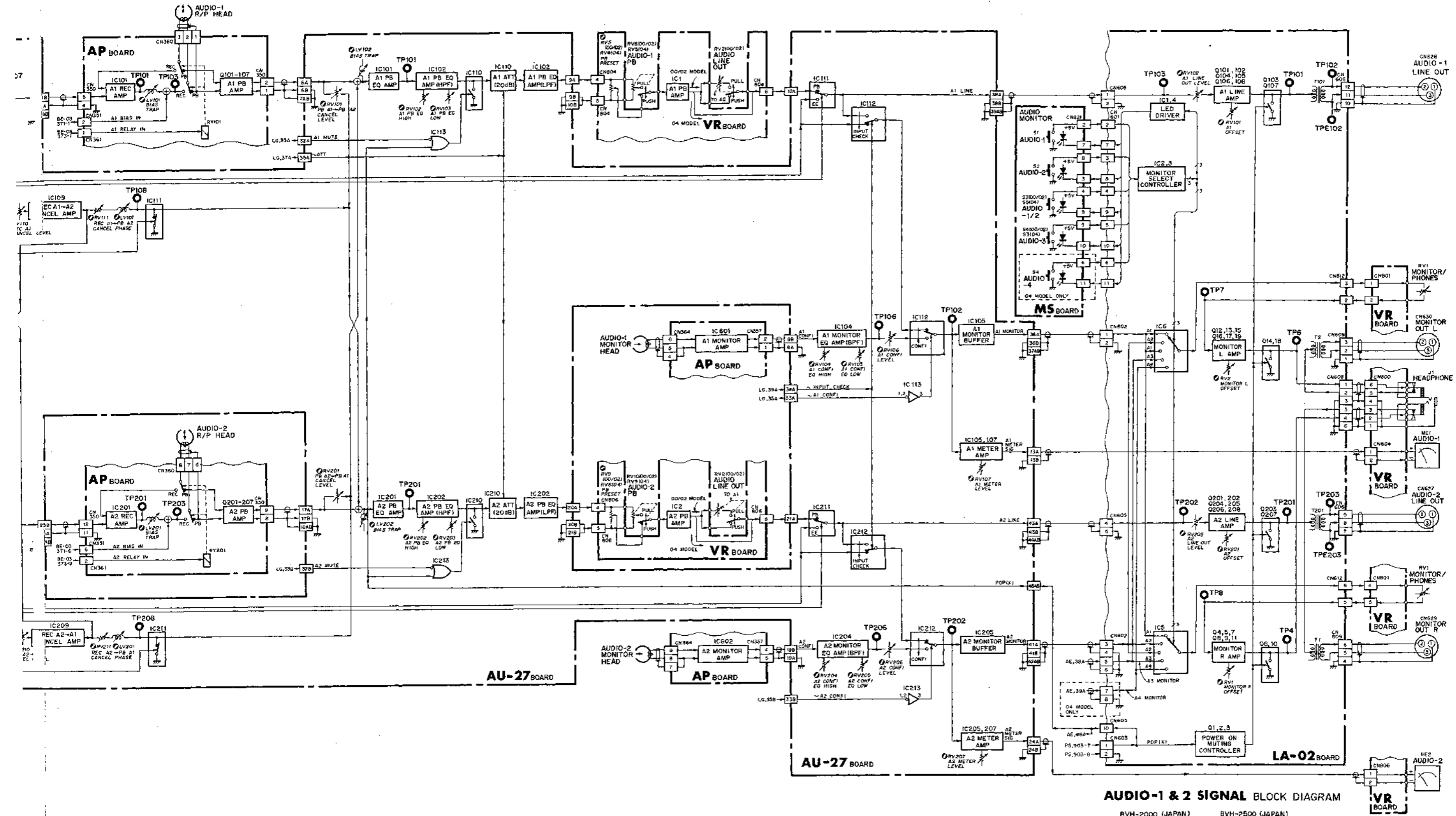
Frame	D-128
Accessories Supplied	D-132
Optional Fixture	D-133

E. CHANGED PARTS

AUDIO-1 & 2 SIGNAL SYSTEM

AU-27 BOARD
AP BOARD
LA-02 BOARD
VR BOARD
MS BOARD



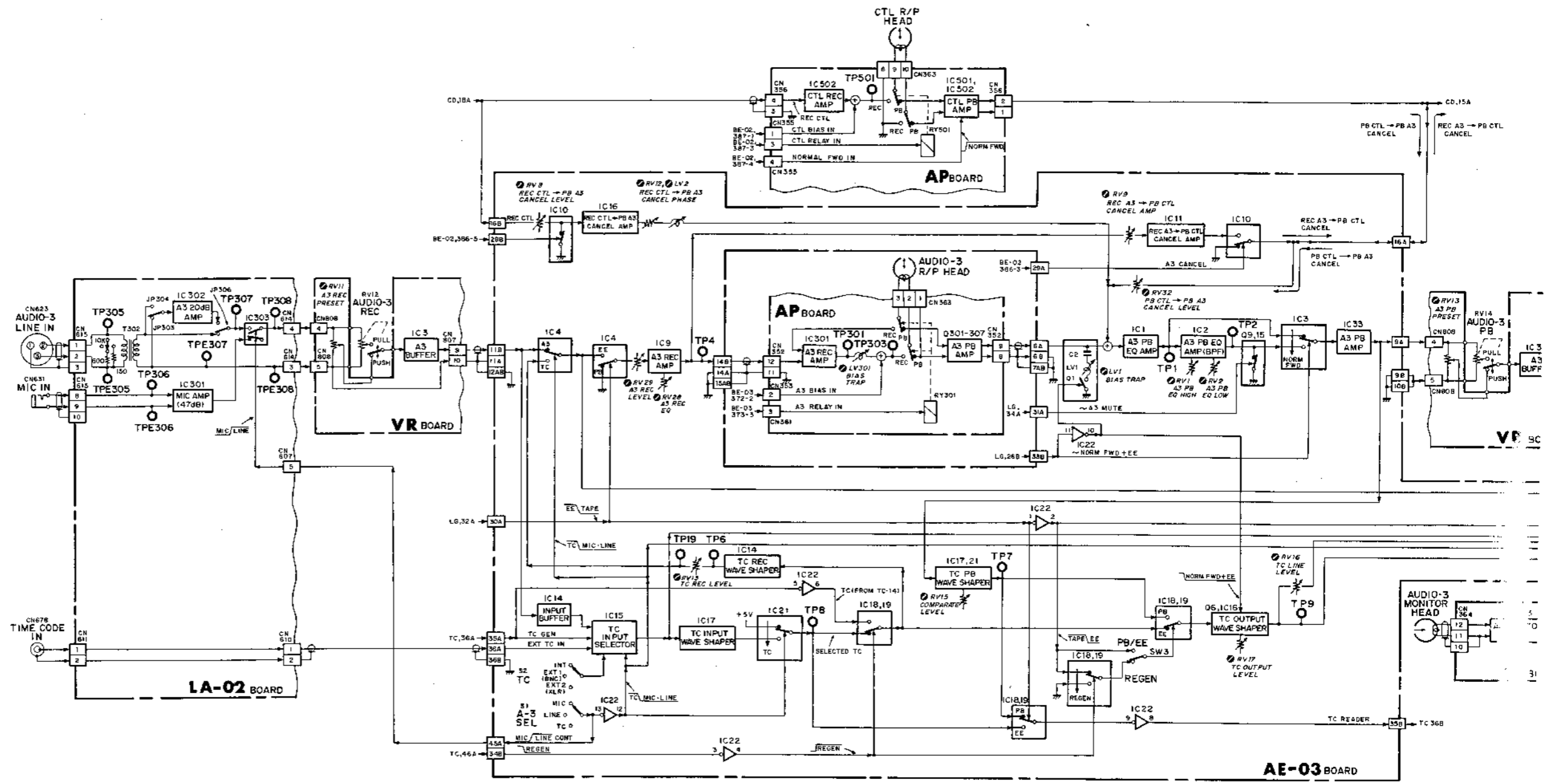


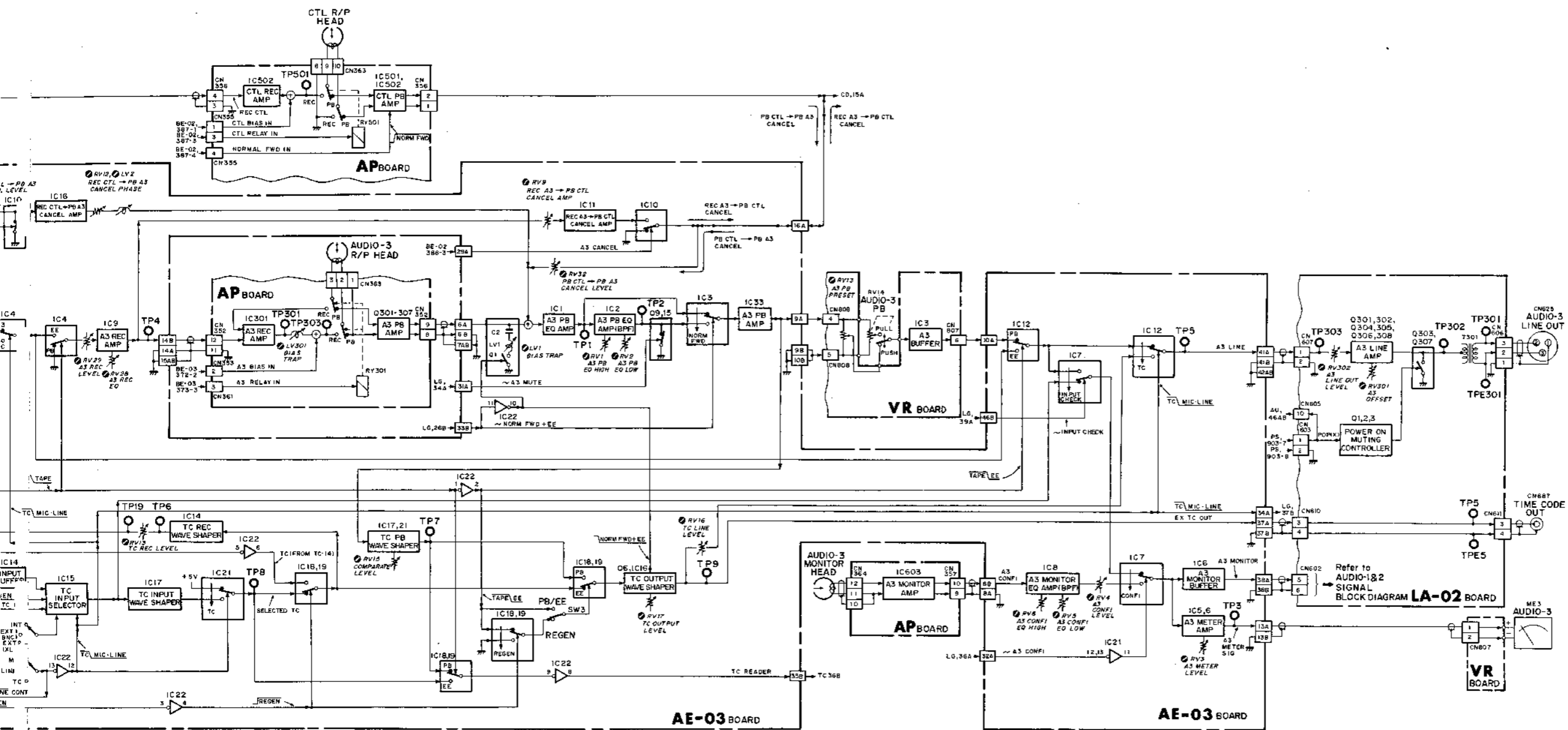
AUDIO-1 & 2 SIGNAL BLOCK DIAGRAM

- BVH-2000 (JAPAN)
- BVH-2000 (US/CANADA)
- BVH-2000PS (AEP)
- BVH-2000PM (BRZ)
- BVH-2180 (JAPAN)
- BVH-2180 (US/CANADA)
- BVH-2180PS (AEP)
- BVH-2180PM (BRZ)
- BVH-2500 (JAPAN)
- BVH-2500 (US/CANADA)
- BVH-2500P(AEP)

AUDIO-3 SIGNAL SYSTEM

AE-03 BOARD
AP BOARD
LA-02 BOARD
VR BOARD



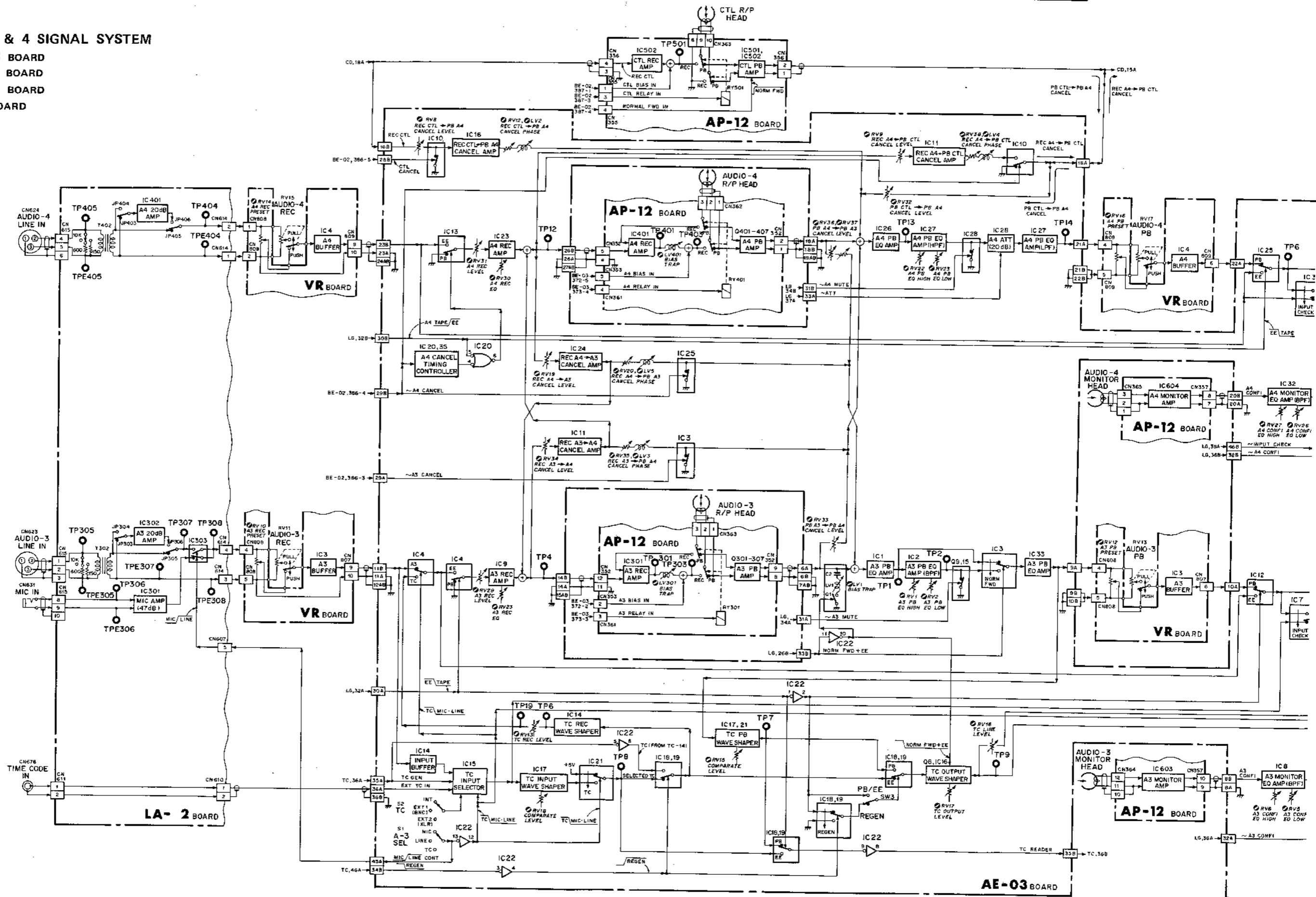


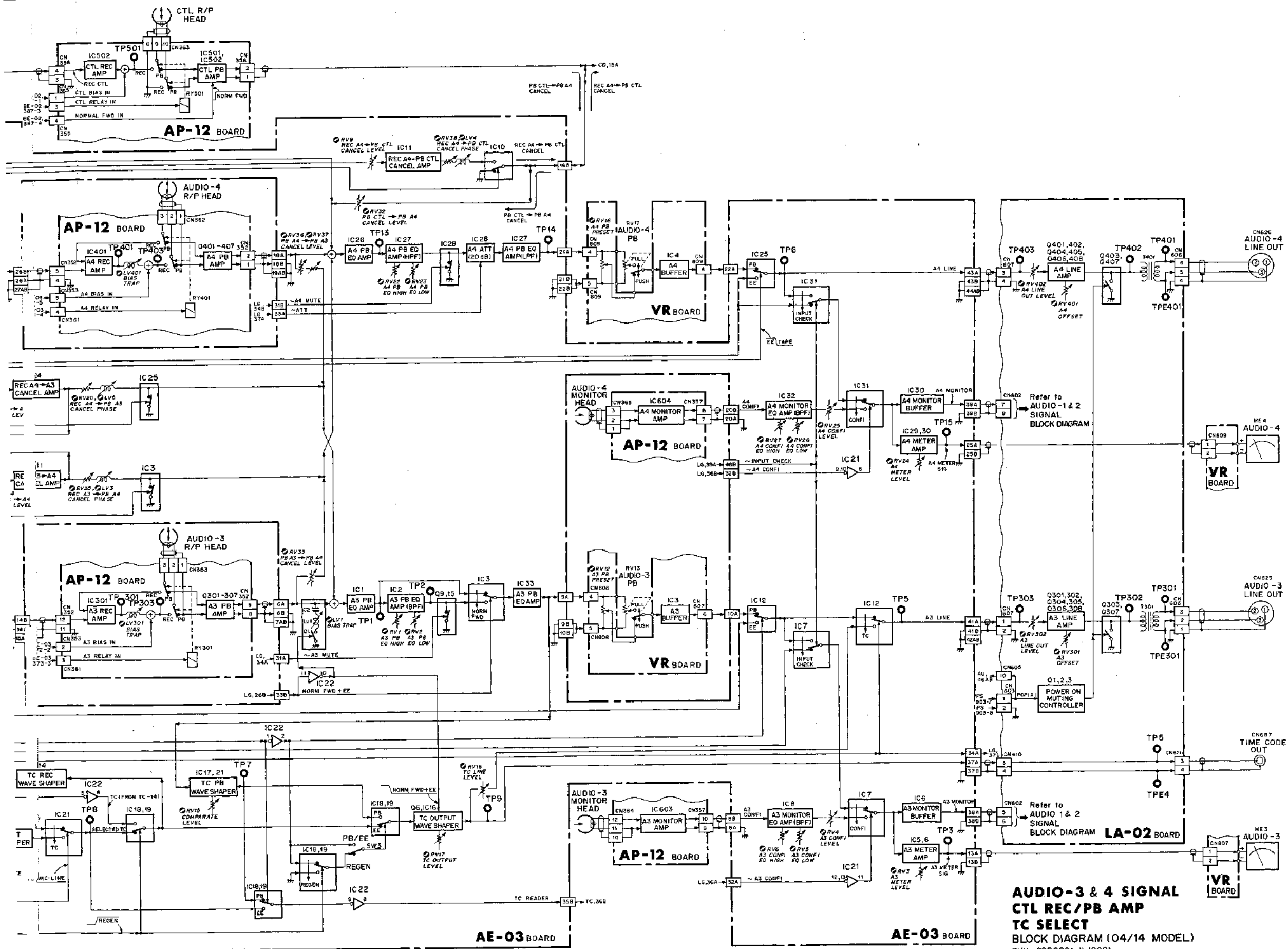
**AUDIO-3 SIGNAL
CTL REC/PB AMP
TC SELECT**

BLOCK DIAGRAM (00/10/02/12 MODEL)

- BVH-2000(J) ;# 10501-
- BVH-2000(U/C) ;# 10501-
- BVH-2000 PS ;# 10301-
- BVH-2000 PM ;# 10001-
- BVH-2180(J) ;# 10001-
- BVH-2180(U/C) ;# 10001-
- BVH-2180 PS ;# 10001-
- BVH-2180 PM ;# 10001-
- BVH-2500(J) ;# 10001-
- BVH-2500(U/C) ;# 10001-
- BVH-2500P ;# 10001-

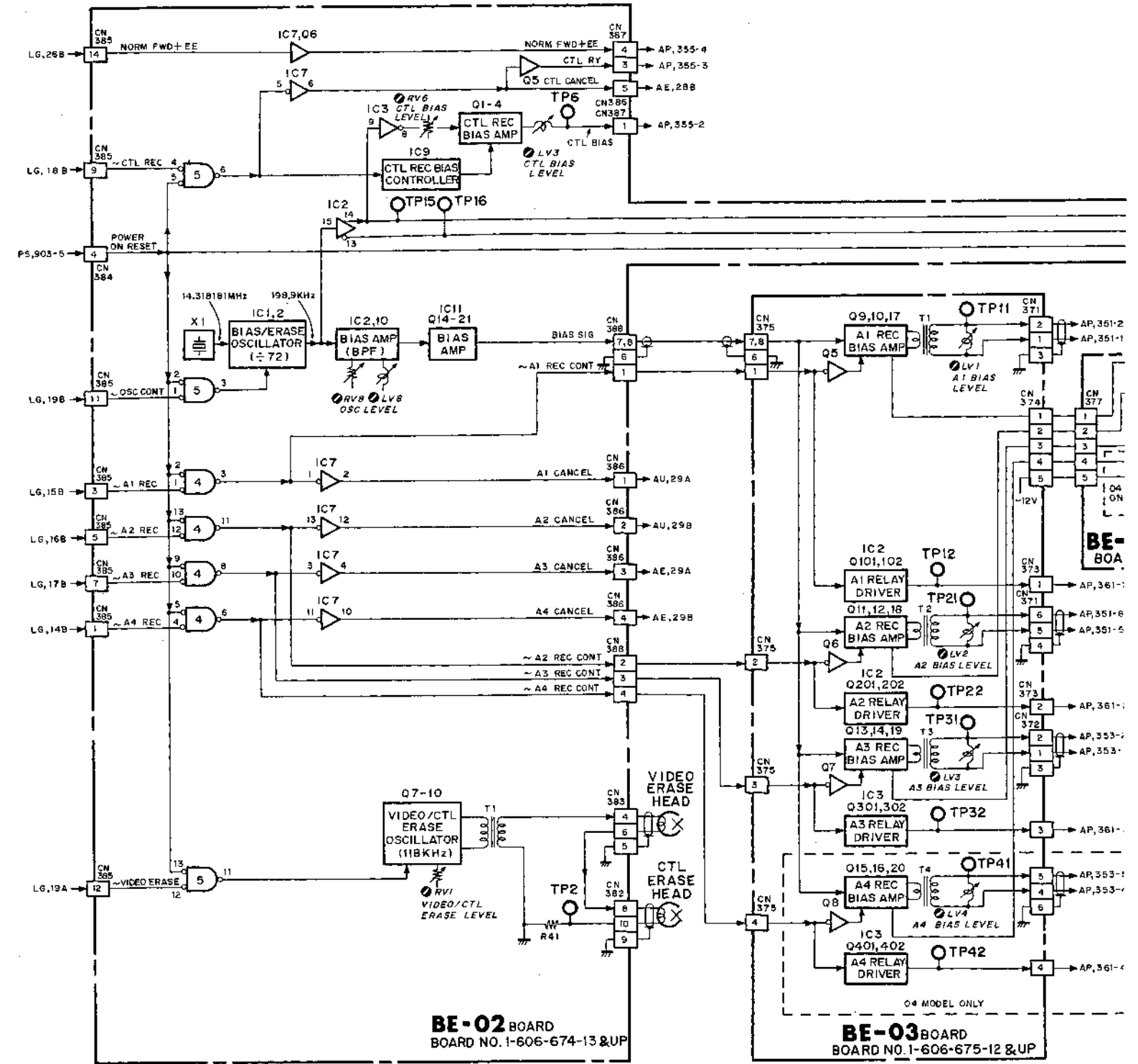
AUDIO-3 & 4 SIGNAL SYSTEM
AE-03 BOARD
AP-12 BOARD
LA-02 BOARD
VR BOARD

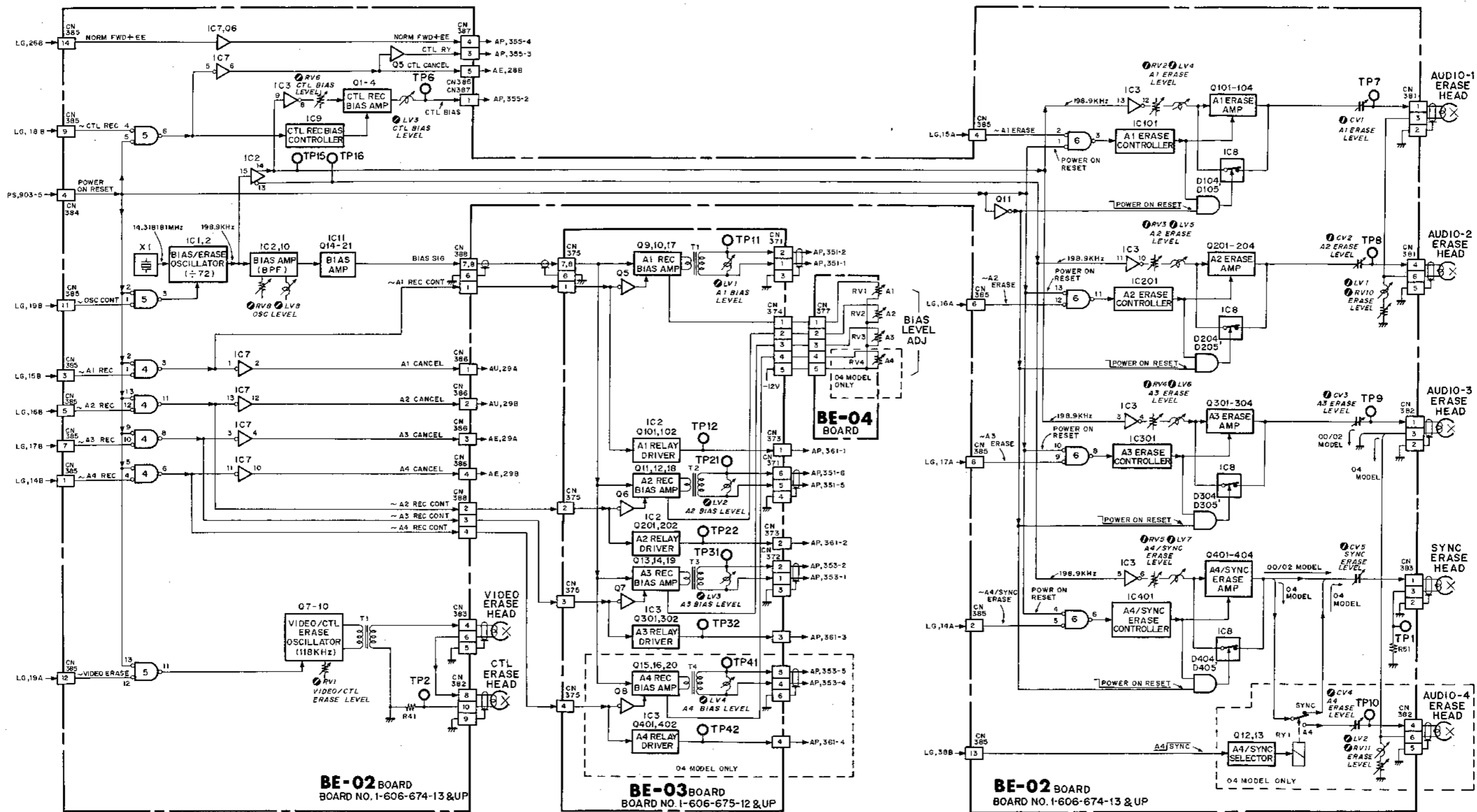




**AUDIO-3 & 4 SIGNAL
CTL REC/PB AMP
TC SELECT
BLOCK DIAGRAM (04/14 MODEL)**
BVH-2000PS; # 10001-
9VH-2180PS; # 10001-

BIAS/ERASE
BE-02 BOARD
BE-03 BOARD
BE-04 BOARD

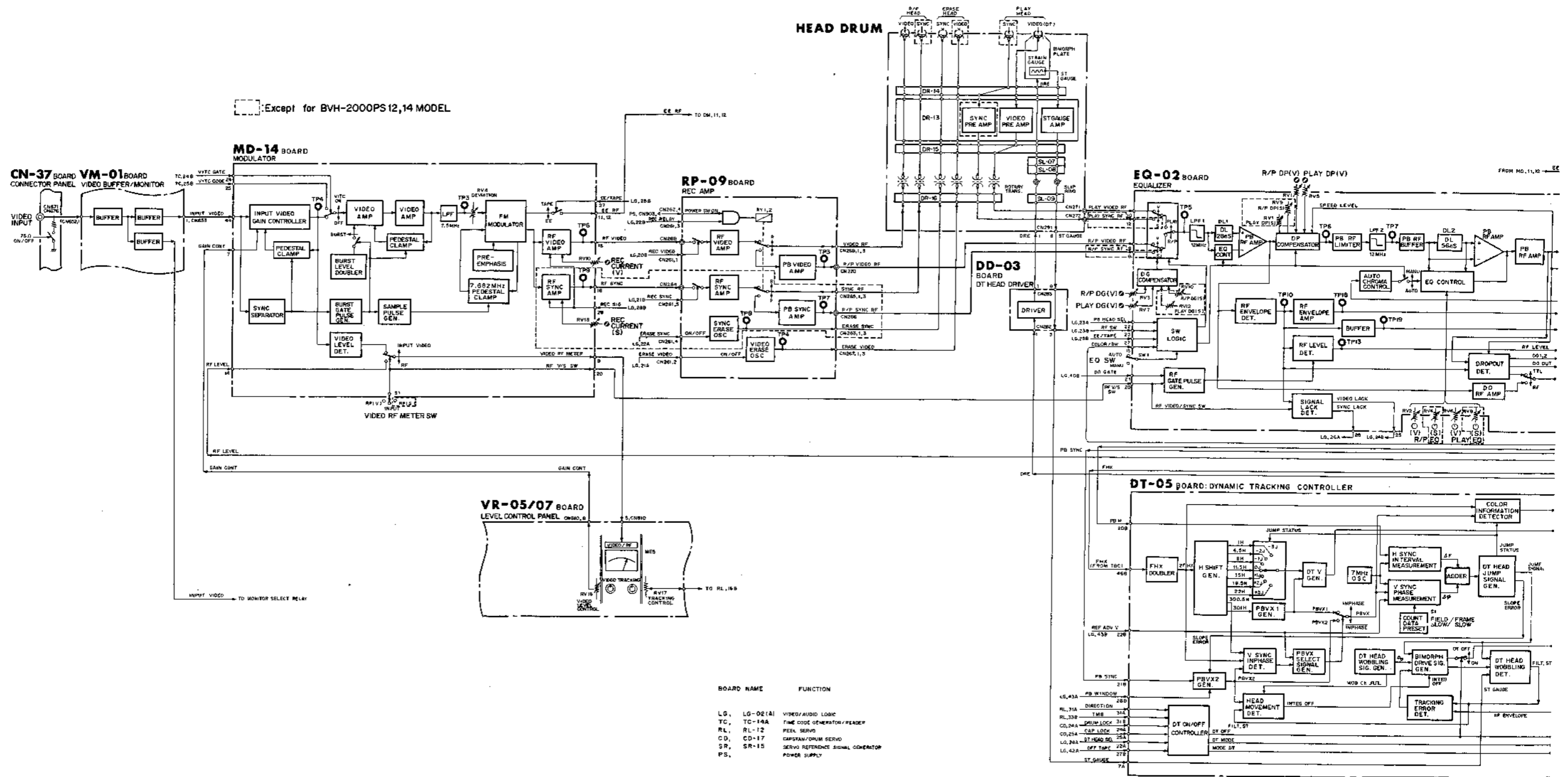


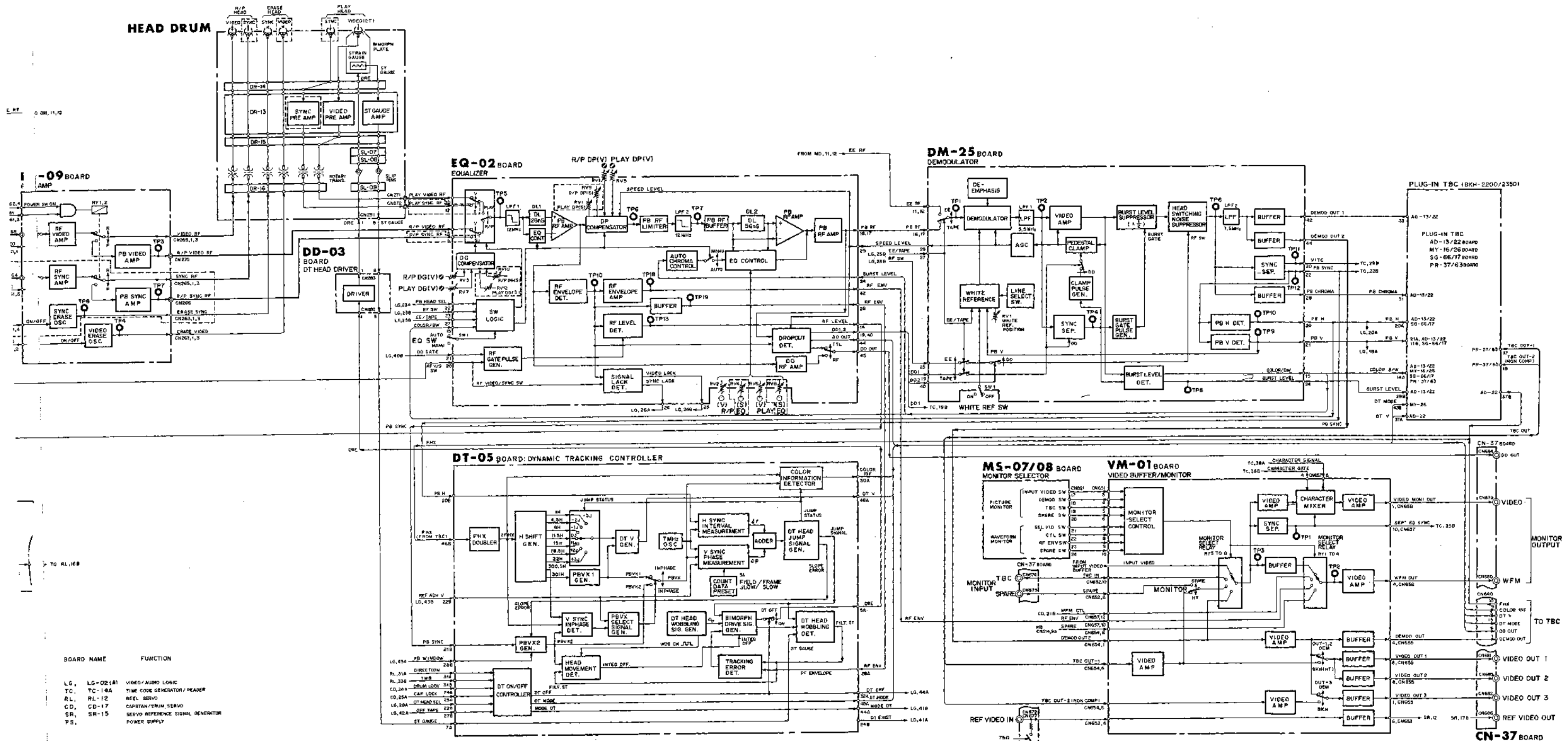


**AUDIO BIAS/ERASE AMP
VIDEO ERASE AMP
BLOCK DIAGRAM**

BVH-2000(J) ;# 10501-	BVH-2500(J) ;# 10001-
BVH-2000(U/C) ;# 10501-	BVH-2500(U/C) ;# 10001-
BVH-2000(PS) ;# 10301-	BVH-2500(P) ;# 10001-
BVH-2000(PM) ;# 10001-	
BVH-2180(J) ;# 10001-	
BVH-2180(U/C) ;# 10001-	
BVH-2180(PS) ;# 10001-	
BVH-2180(PM) ;# 10001-	

VIDEO SIGNAL SYSTEM OVERALL BLOCK DIAGRAM
FOR 02/12/04/14 MODELS

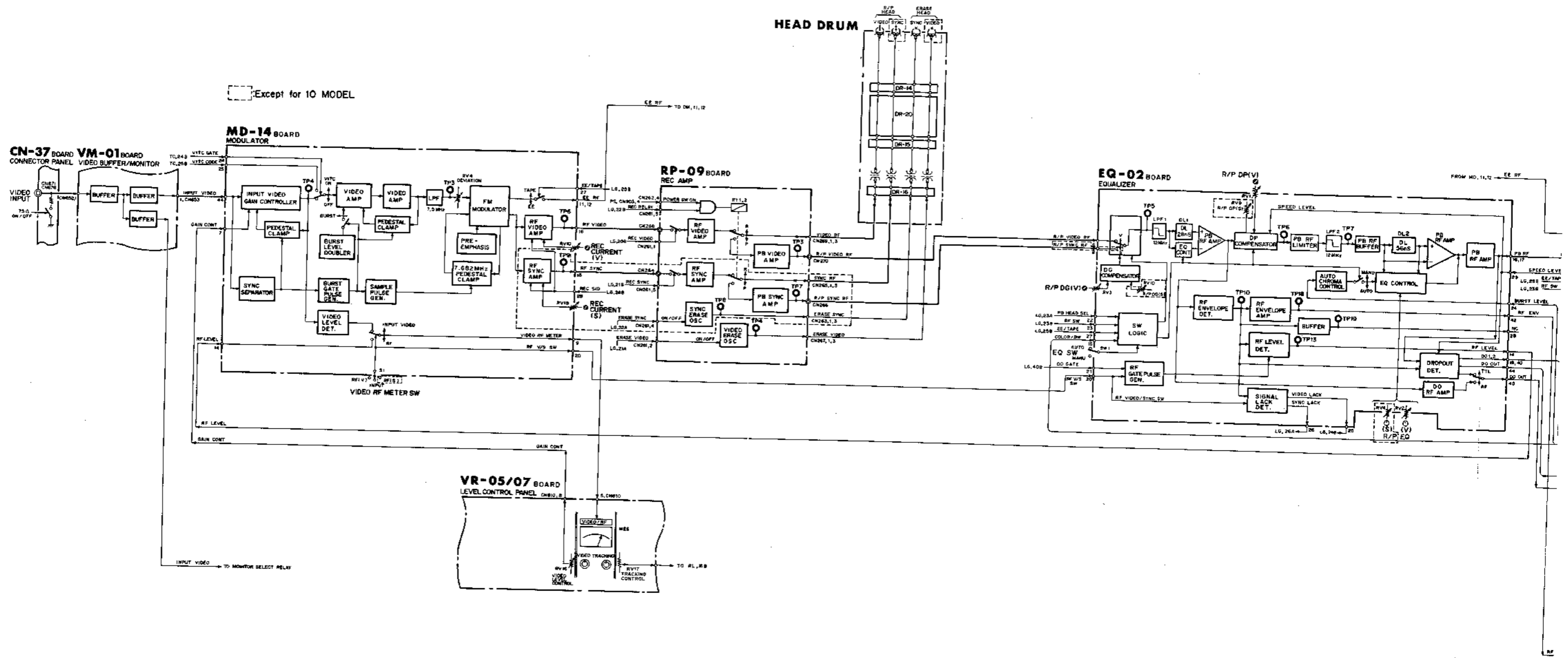




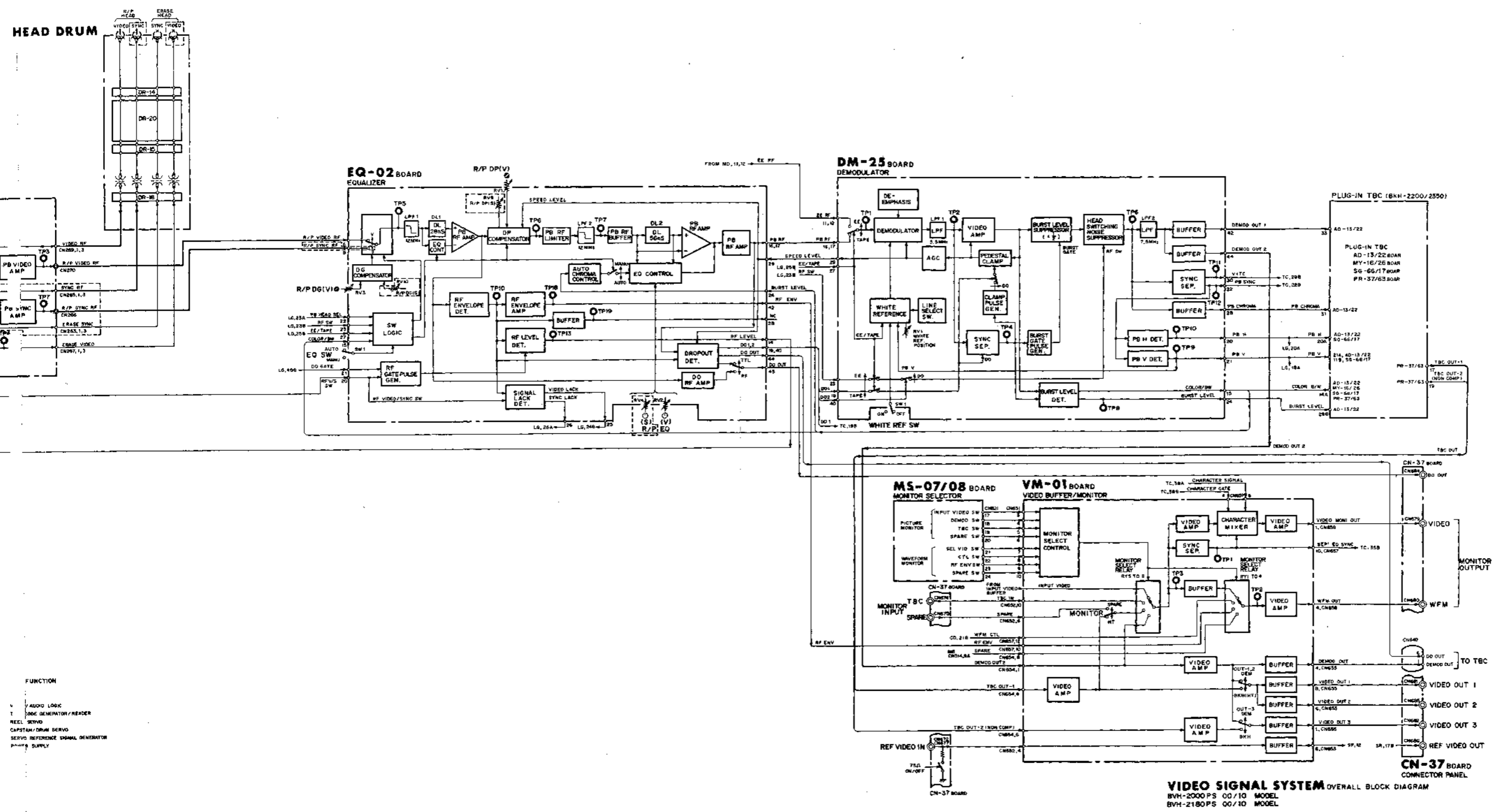
BOARD NAME	FUNCTION
LG, LG-02/1A	VIDEO/AUDIO LOGIC
TC, TC-10A	TIME CODE GENERATOR/HEADER
RL, RL-12	REEL SERVO
CD, CD-17	CAPSTAN/PERIM SERVO
SR, SR-15	SERVO REFERENCE SIGNAL GENERATOR
P.S.	POWER SUPPLY

VIDEO SIGNAL SYSTEM OVERALL BLOCK DIAGRAM
 BVH-2000PS 02/12/04/14 MODELS
 BVH-2180PS 02/12/04/14 MODELS

VIDEO SIGNAL SYSTEM OVERALL BLOCK DIAGRAM; FOR 00/10 MODEL

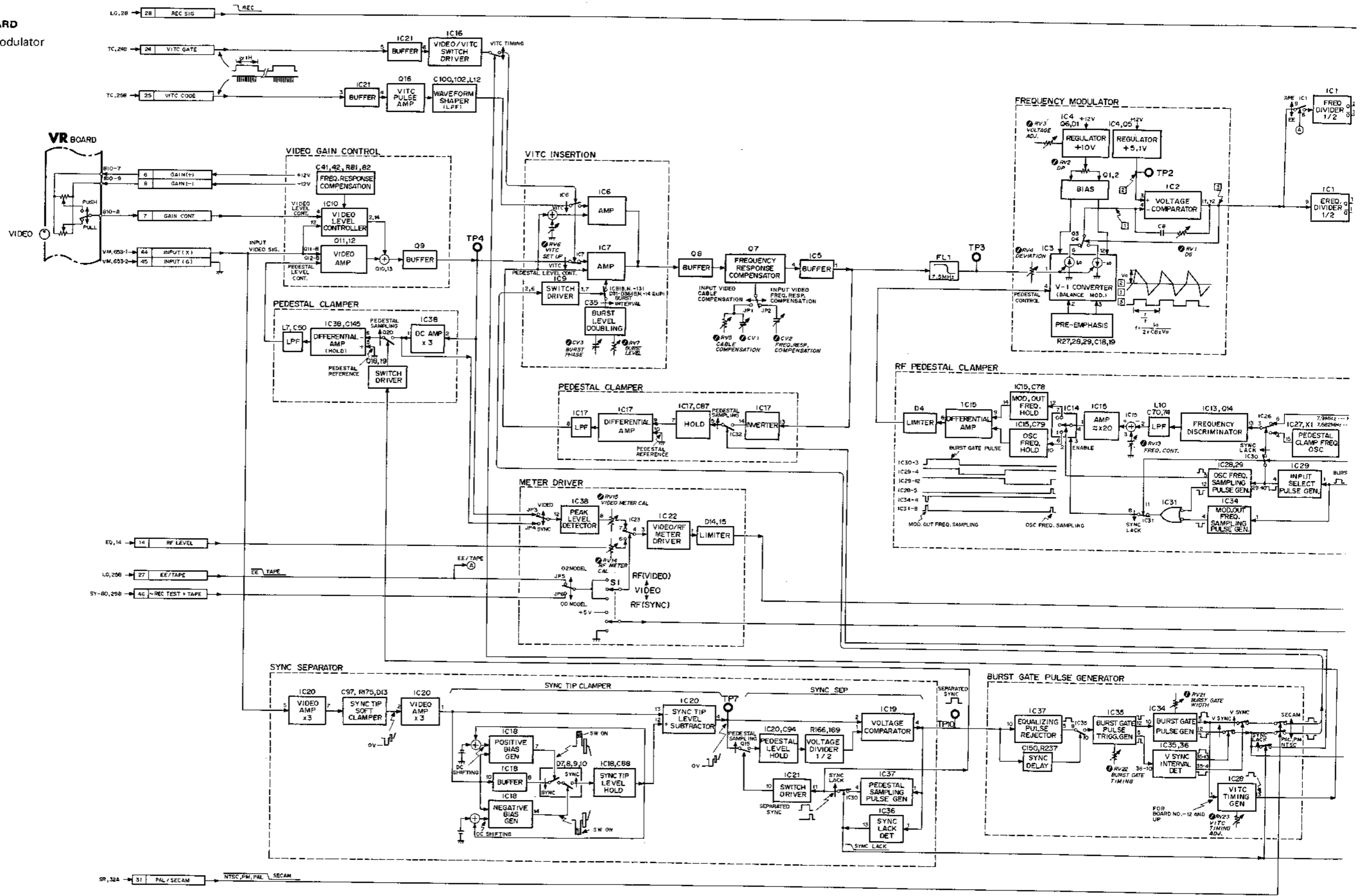


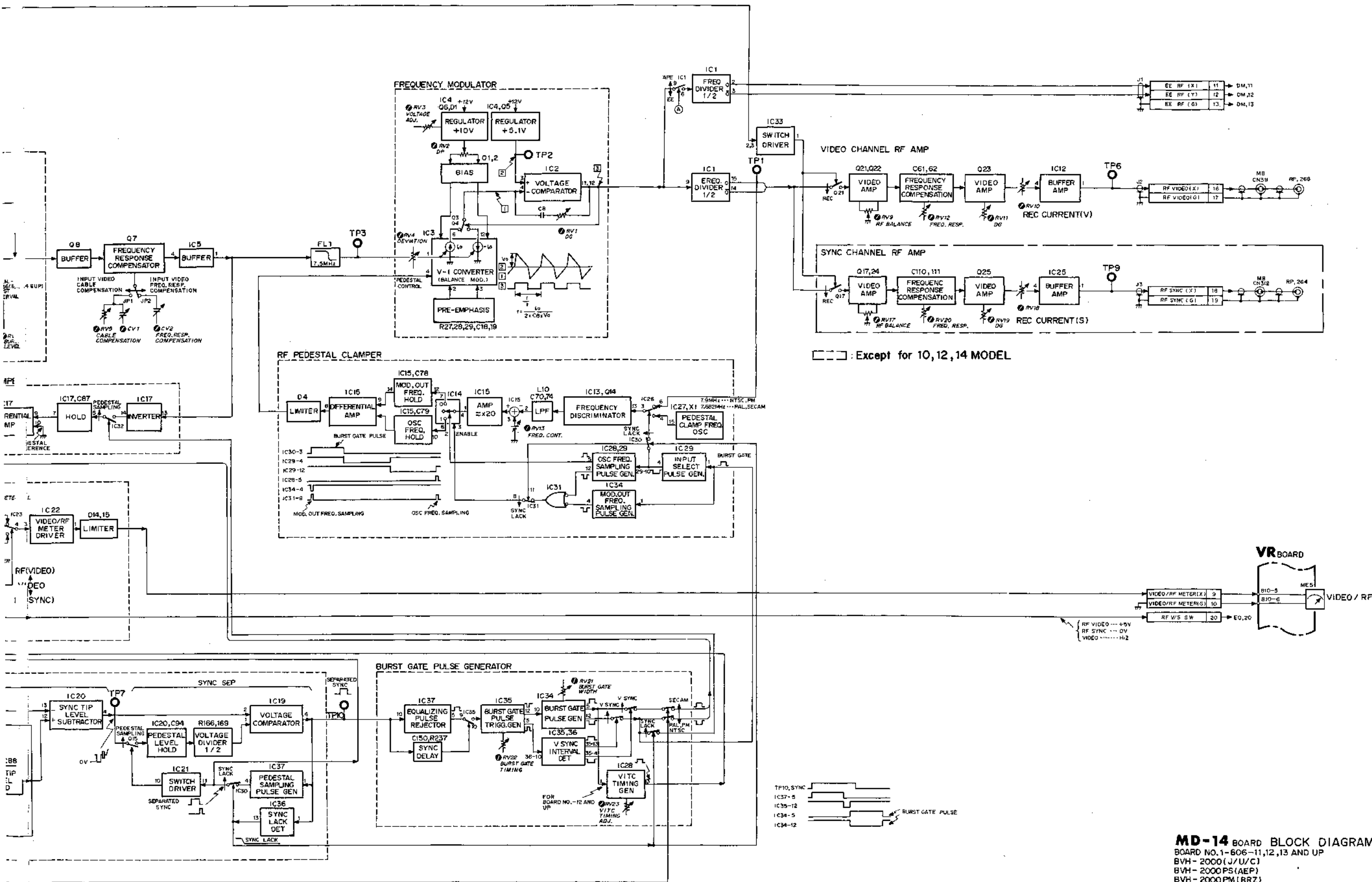
BOARD NAME	FUNCTION
LG, LG-021A	VIDEO/AUDIO LOGIC
TC, TC-10A	TIME CODE GENERATOR/READER
RL, RL-12	NEEL SERVO
CD, CD-17	CAPSTAN/DRUM SERVO
SR, SR-15	SERVO REFERENCE SIGNAL GENERATOR
P.S.	POWER SUPPLY



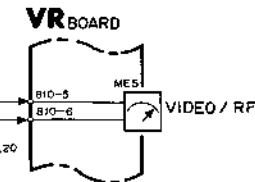
VIDEO SIGNAL SYSTEM OVERALL BLOCK DIAGRAM
 BVH-2000PS 00/10 MODEL
 BVH-2180PS 00/10 MODEL

MD-14 BOARD
Video Modulator



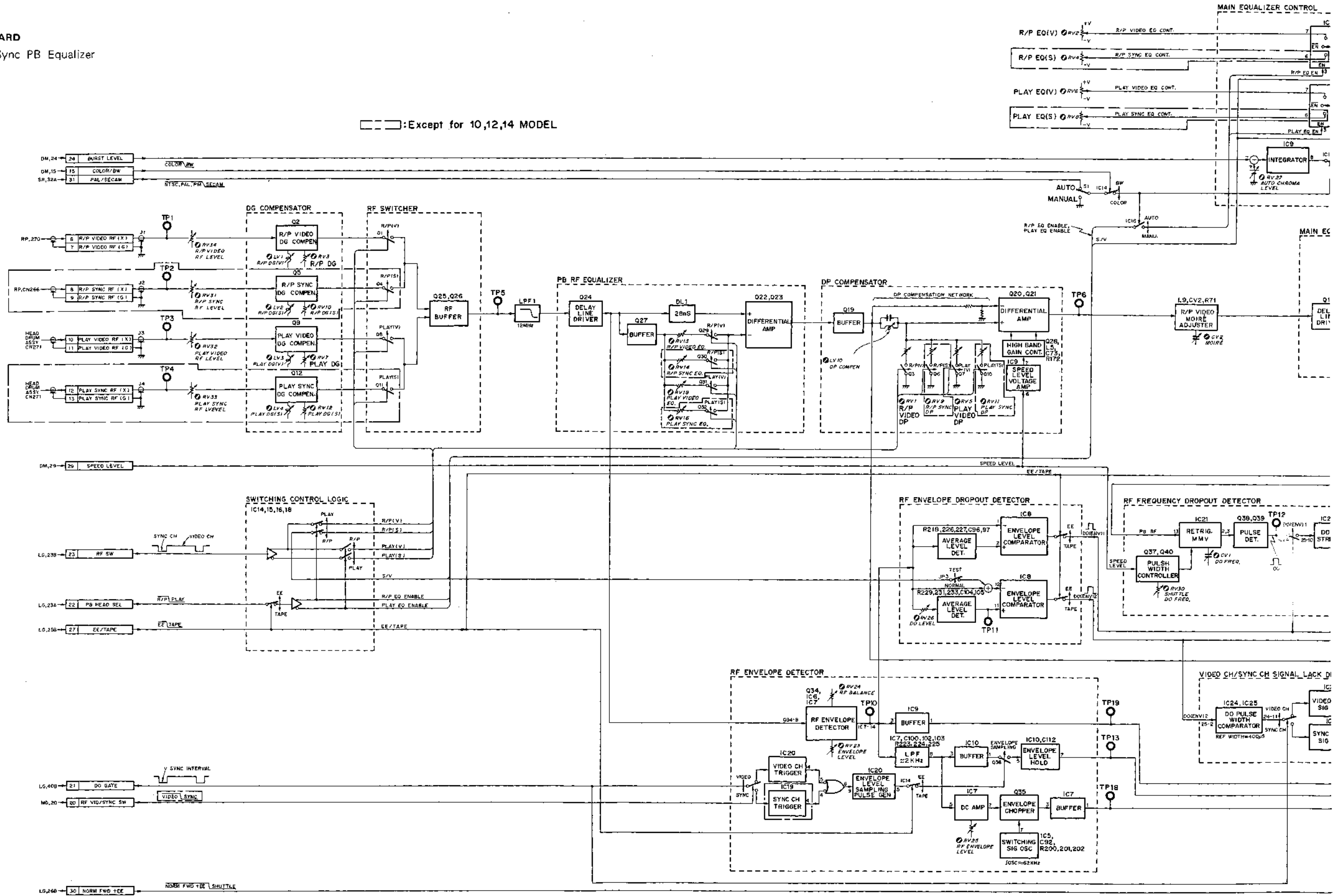


Except for 10, 12, 14 MODEL

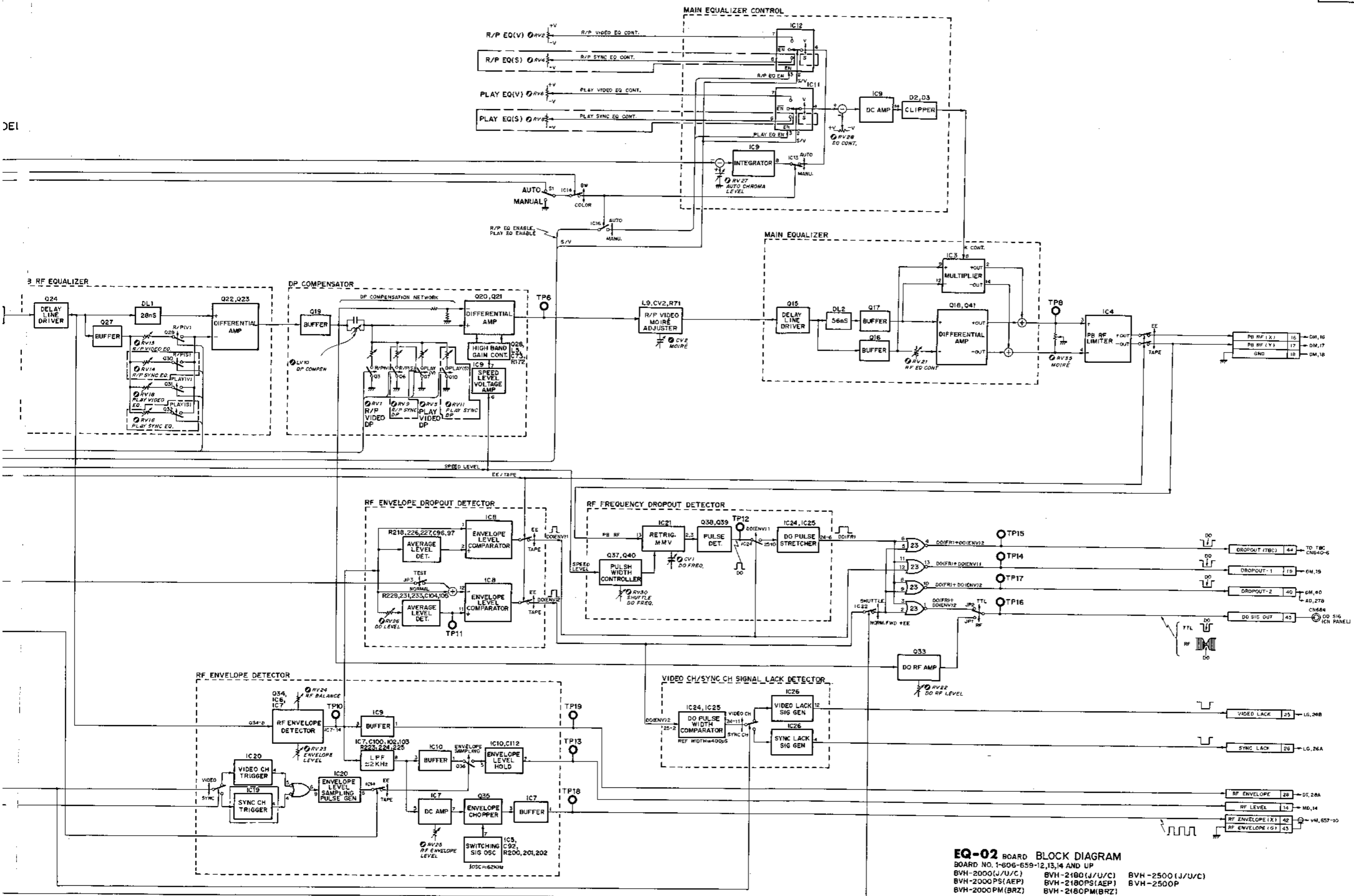


MD-14 BOARD BLOCK DIAGRAM
 BOARD NO. 1-606-11, 12, 13 AND UP
 BVH-2000 (J/U/C)
 BVH-2000PS (AEP)
 BVH-2000PM (BRZ)
 BVH-2180 (J/U/C)
 BVH-2180PS (AEP)
 BVH-2180PM (BRZ)

EQ-02 BOARD
Video/Sync PB Equalizer

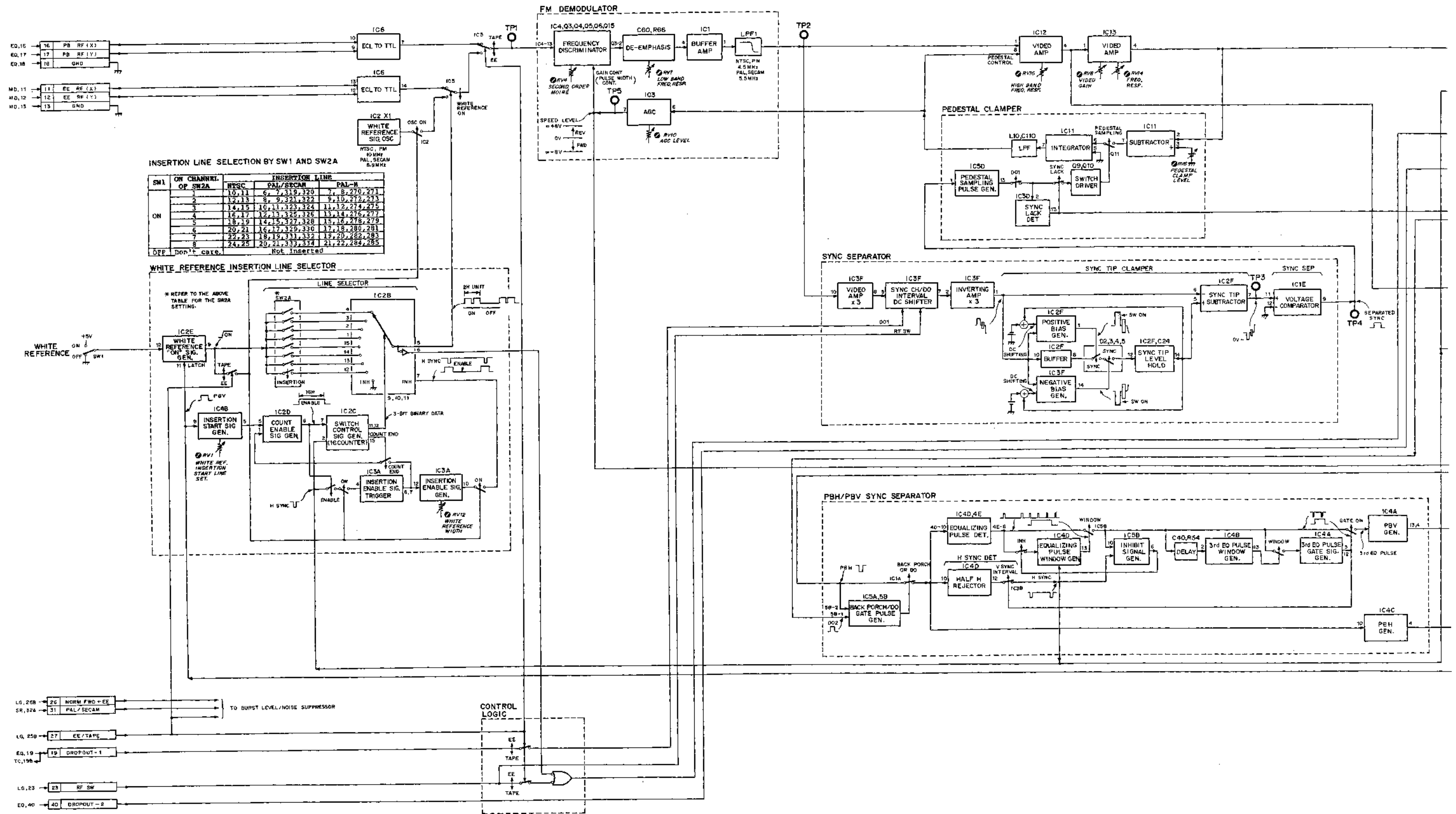


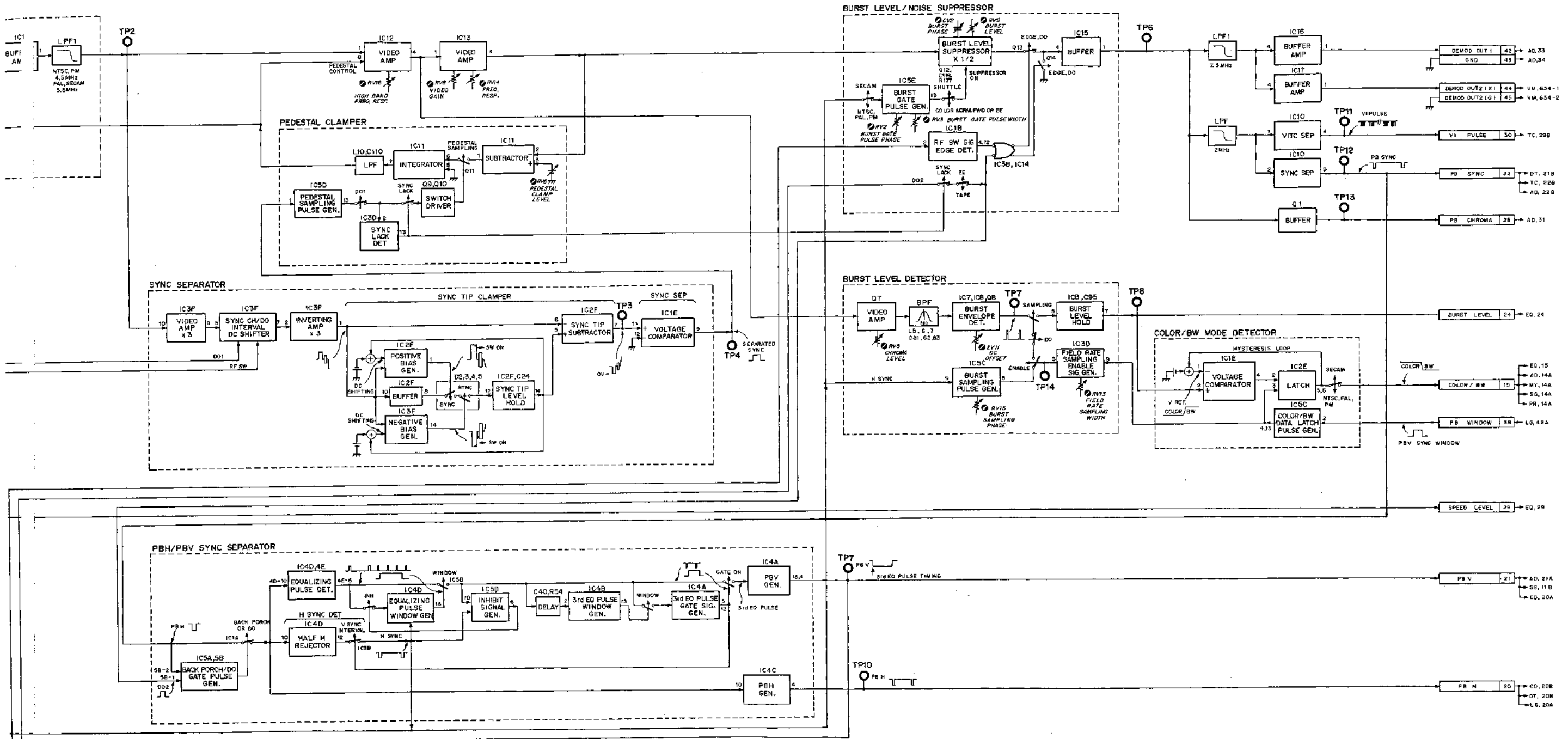
DEI



EQ-02 BOARD BLOCK DIAGRAM
 BOARD NO. 1-806-659-12,13,14 AND UP
 BVH-2000(J/U/C) BVH-2180(J/U/C) BVH-2500(J/U/C)
 BVH-2000PS(AEP) BVH-2180PS(AEP) BVH-2500P
 BVH-2000PM(BRZ) BVH-2180PM(BRZ)

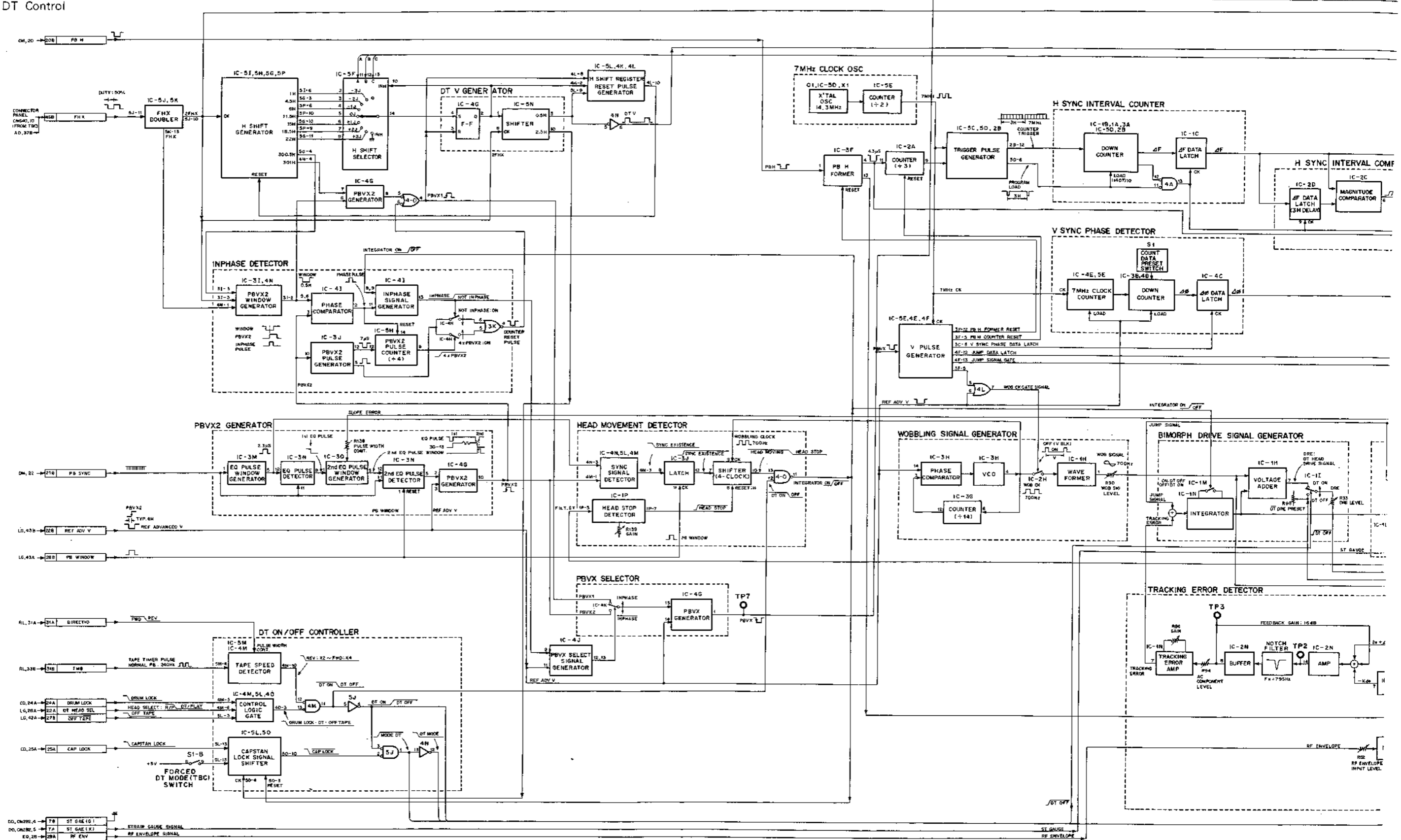
DM-25 BOARD
Video Demodulator

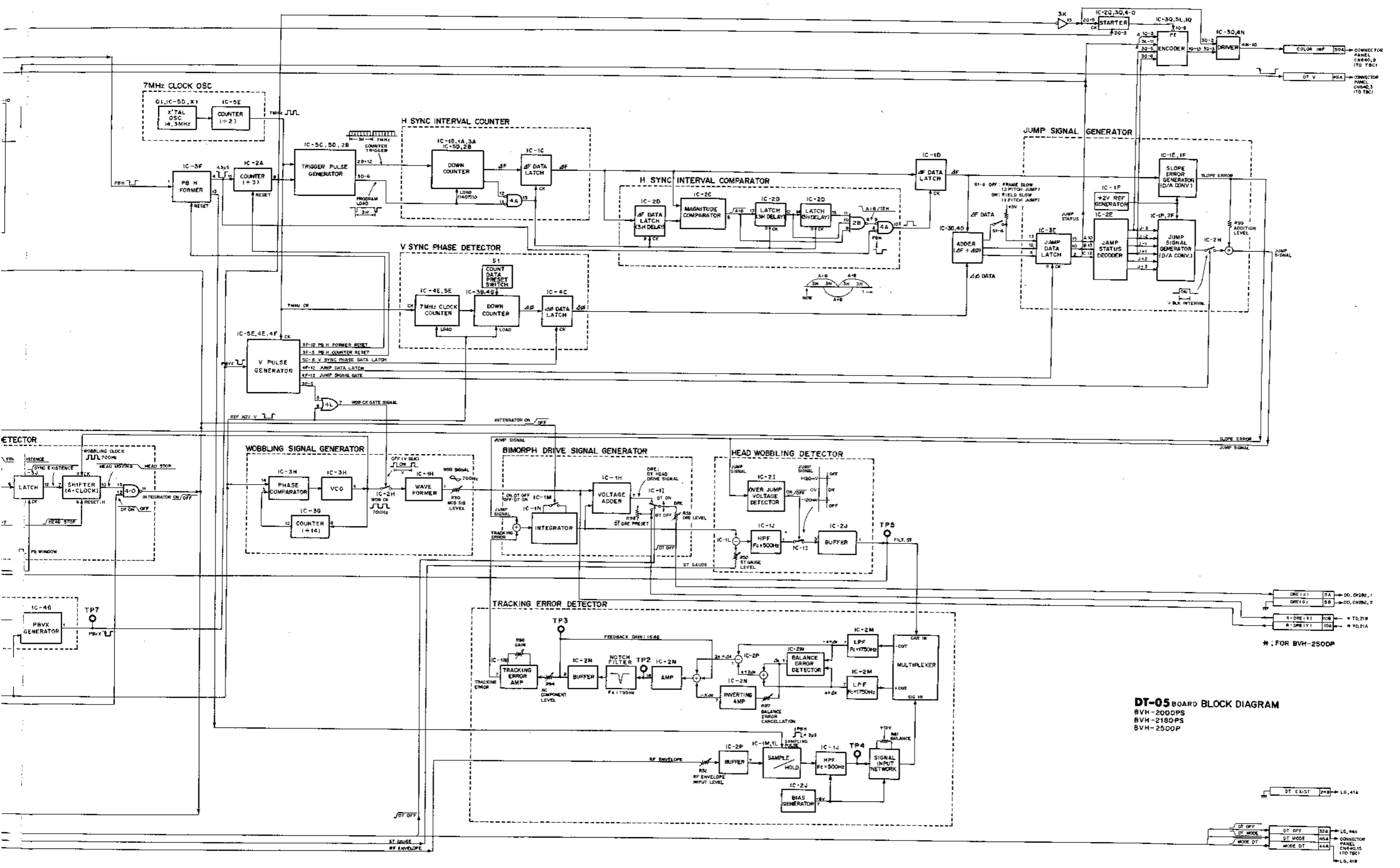




DM-25 BOARD BLOCK DIAGRAM
 BOARD NO. 1-606-661-11,12,13 AND UP
 BVH-2000(J/U/C) BVH-2180(J/U/C)
 BVH-2000PS(AEP) BVH-2180PS(AEP)
 BVH-2000PM(BRZ) BVH-2180PM(BRZ)

DT-05 BOARD; FOR 02/12/04/14 MODEL
DT Control

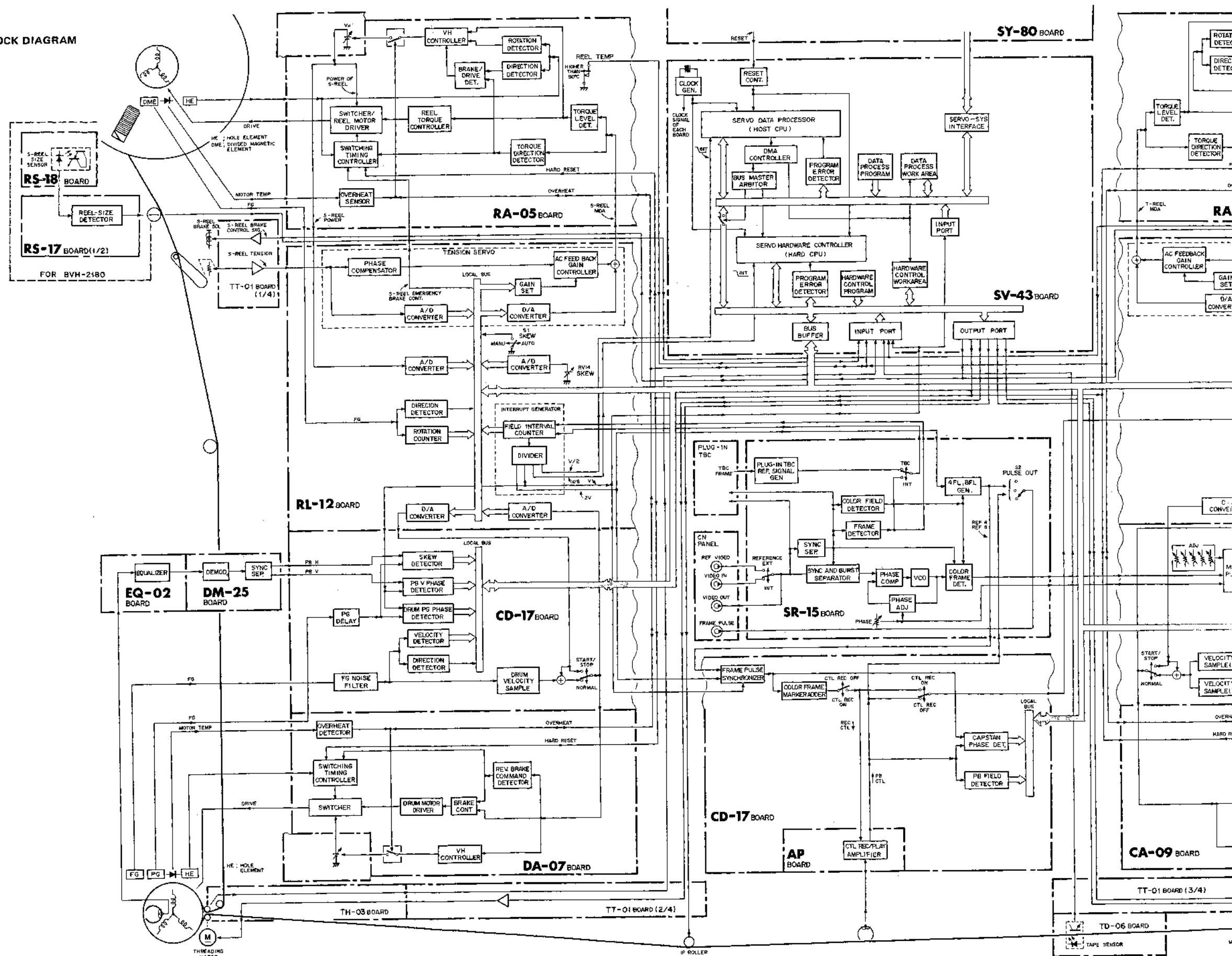


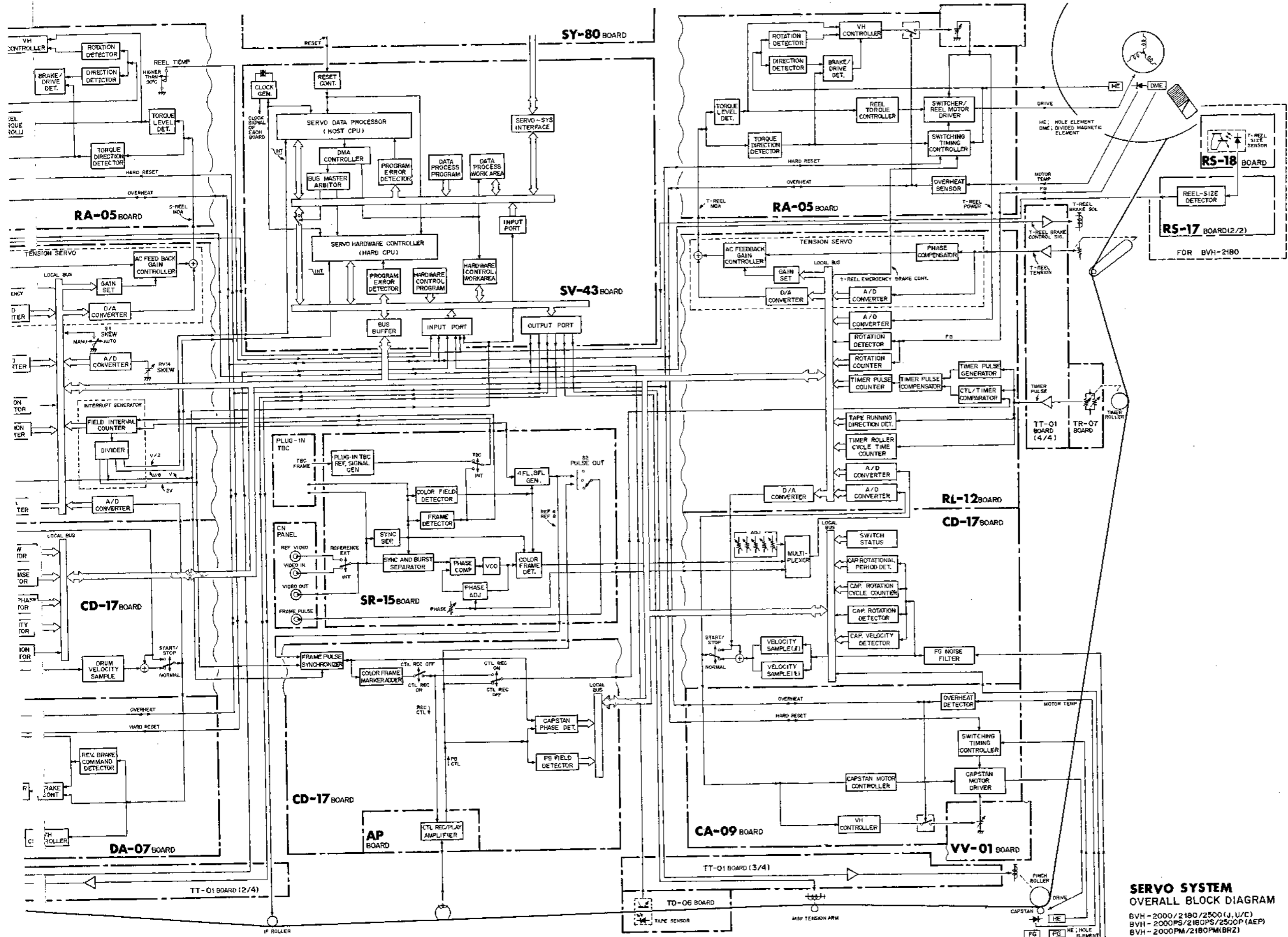


DT-05 BOARD BLOCK DIAGRAM
 BVH-2000PS
 BVH-2180PS
 BVH-2500P

* : FOR BVH-2500P

SERVO SYSTEM OVERALL BLOCK DIAGRAM

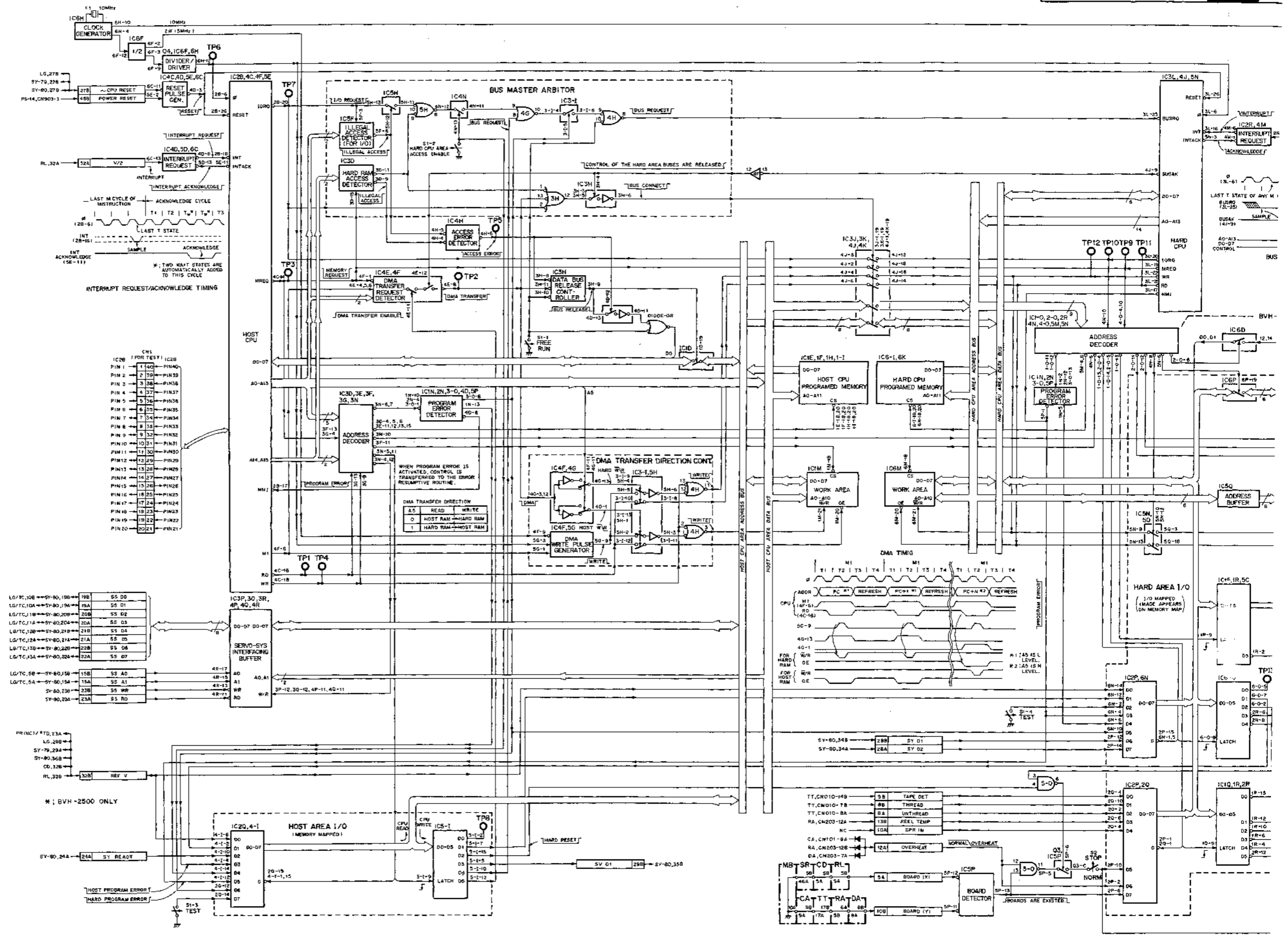


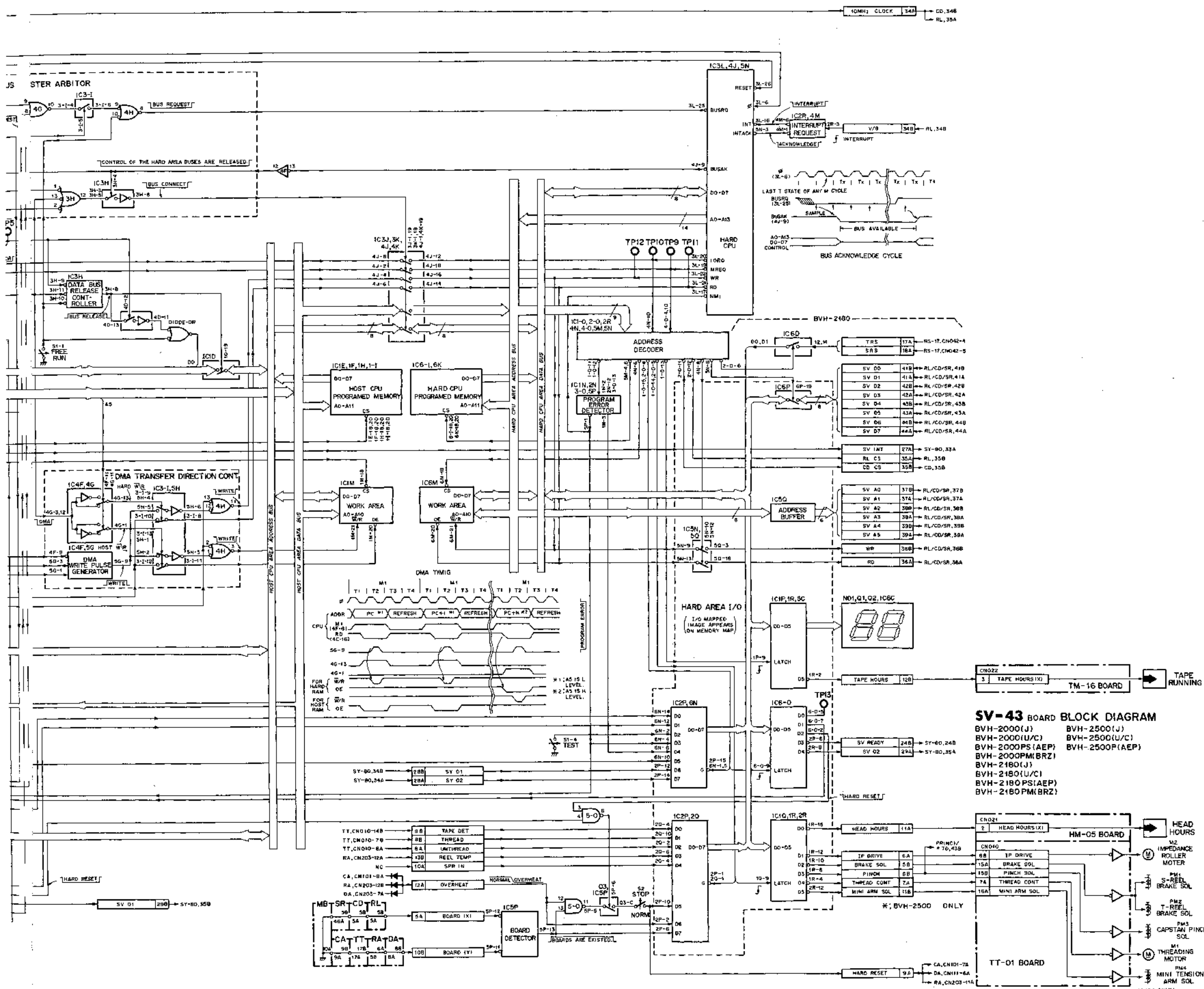


SERVO SYSTEM OVERALL BLOCK DIAGRAM

BVH - 2000/2180/2500 (J, U/C)
BVH - 2000PS/2180PS/2500P (AEP)
BVH - 2000PM/2180PM(BRZ)

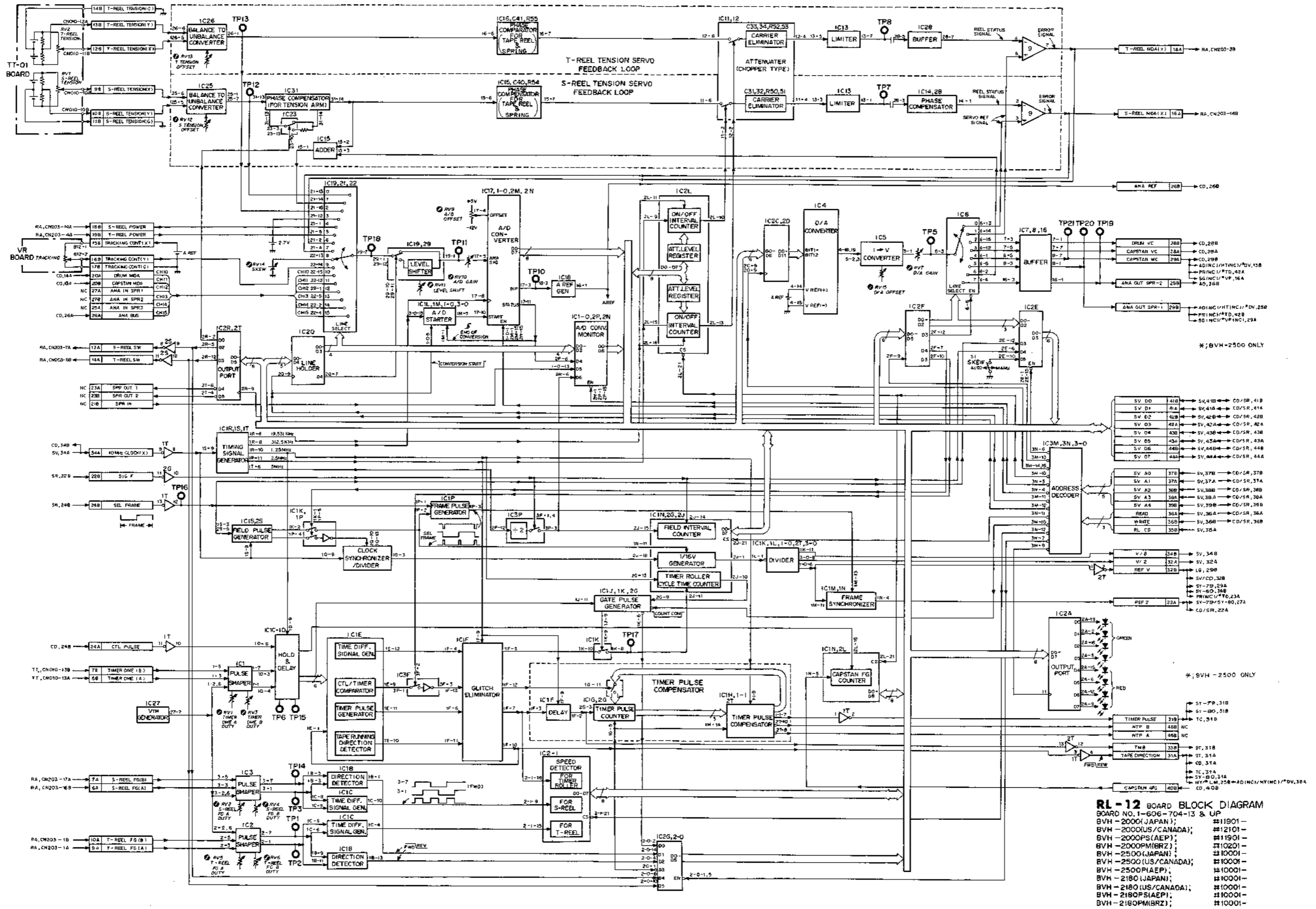
SV-43 BOARD
Servo CPU





SV-43 BOARD BLOCK DIAGRAM
 BVH-2000(J) BVH-2500(J)
 BVH-2000(U/C) BVH-2500(U/C)
 BVH-2000PS(AEP) BVH-2500PS(AEP)
 BVH-2000PM(BRZ)
 BVH-2180(J)
 BVH-2180(U/C)
 BVH-2180PS(AEP)
 BVH-2180PM(BRZ)

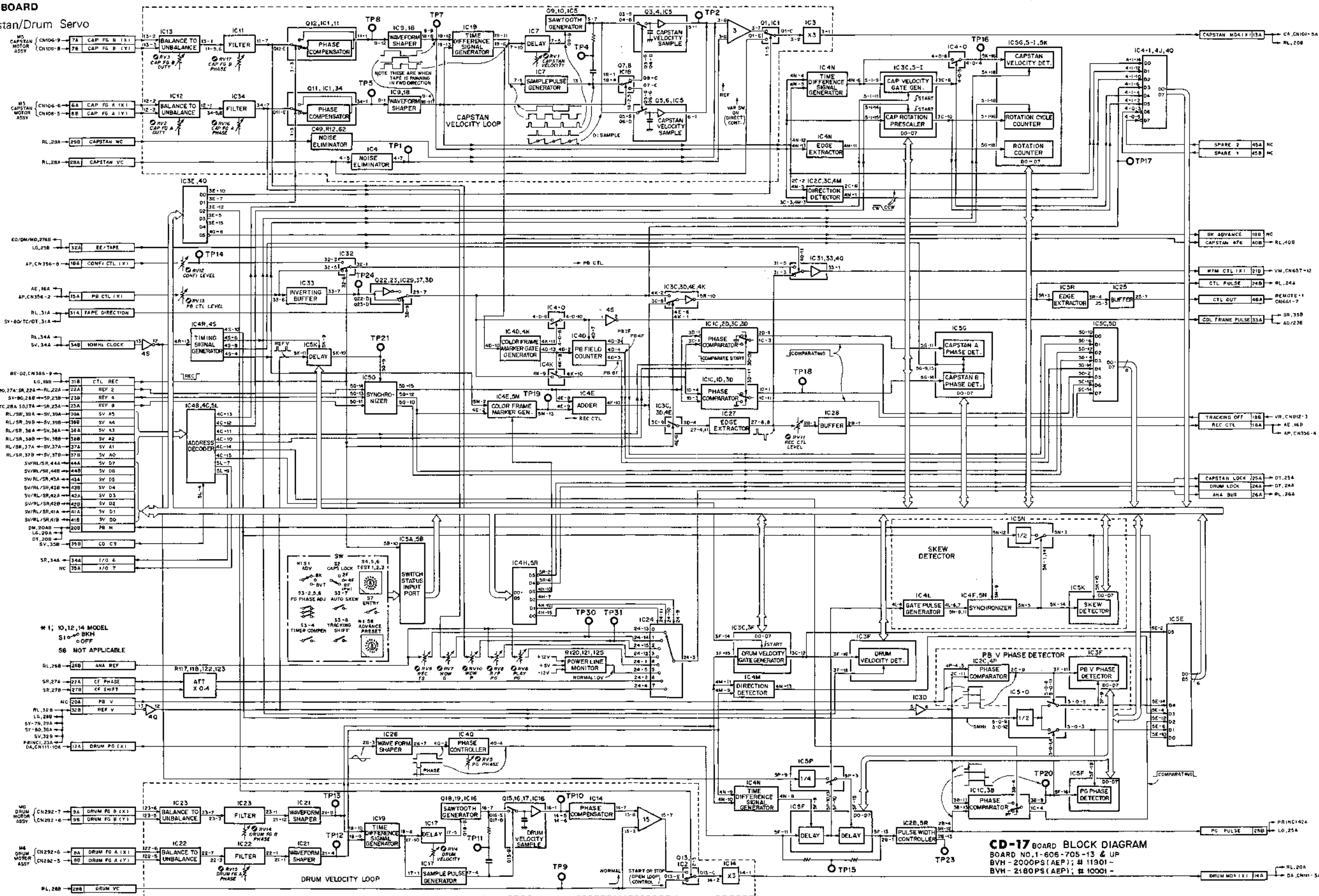
RL-12 BOARD
Reel Servo



RL-12 BOARD BLOCK DIAGRAM
 BOARD NO. 1-606-704-13 & UP
 BVH - 2000(JAPAN); #11901-
 BVH - 2000(U.S./CANADA); #12101-
 BVH - 2000PS(AEP); #11901-
 BVH - 2000PM(BRZ); #10201-
 BVH - 2500(JAPAN); #10001-
 BVH - 2500(U.S./CANADA); #10001-
 BVH - 2500(AEP); #10001-
 BVH - 2180(JAPAN); #10001-
 BVH - 2180(U.S./CANADA); #10001-
 BVH - 2180PS(AEP); #10001-
 BVH - 2180PM(BRZ); #10001-

CD-17 BOARD

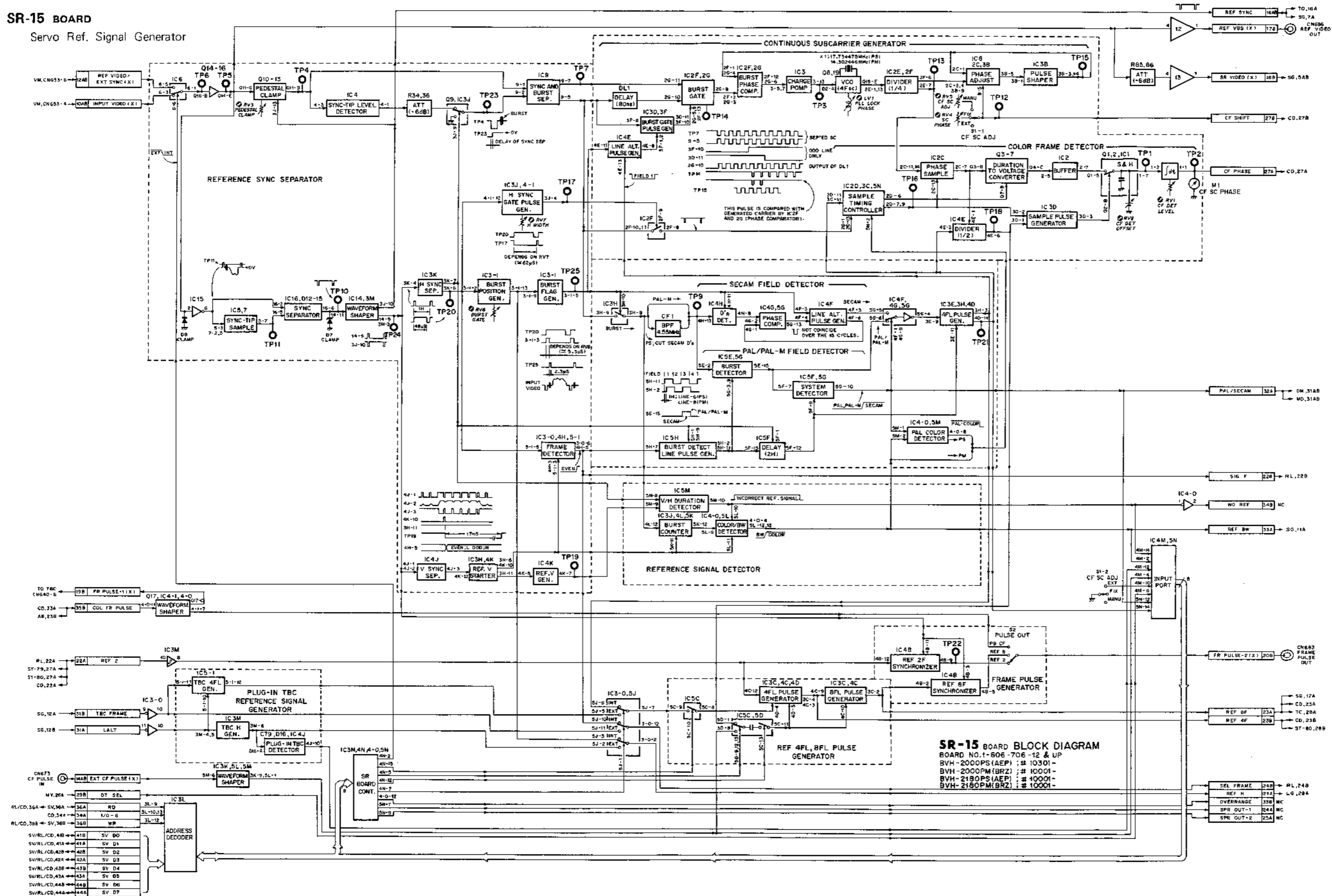
Capstan/Drum Servo



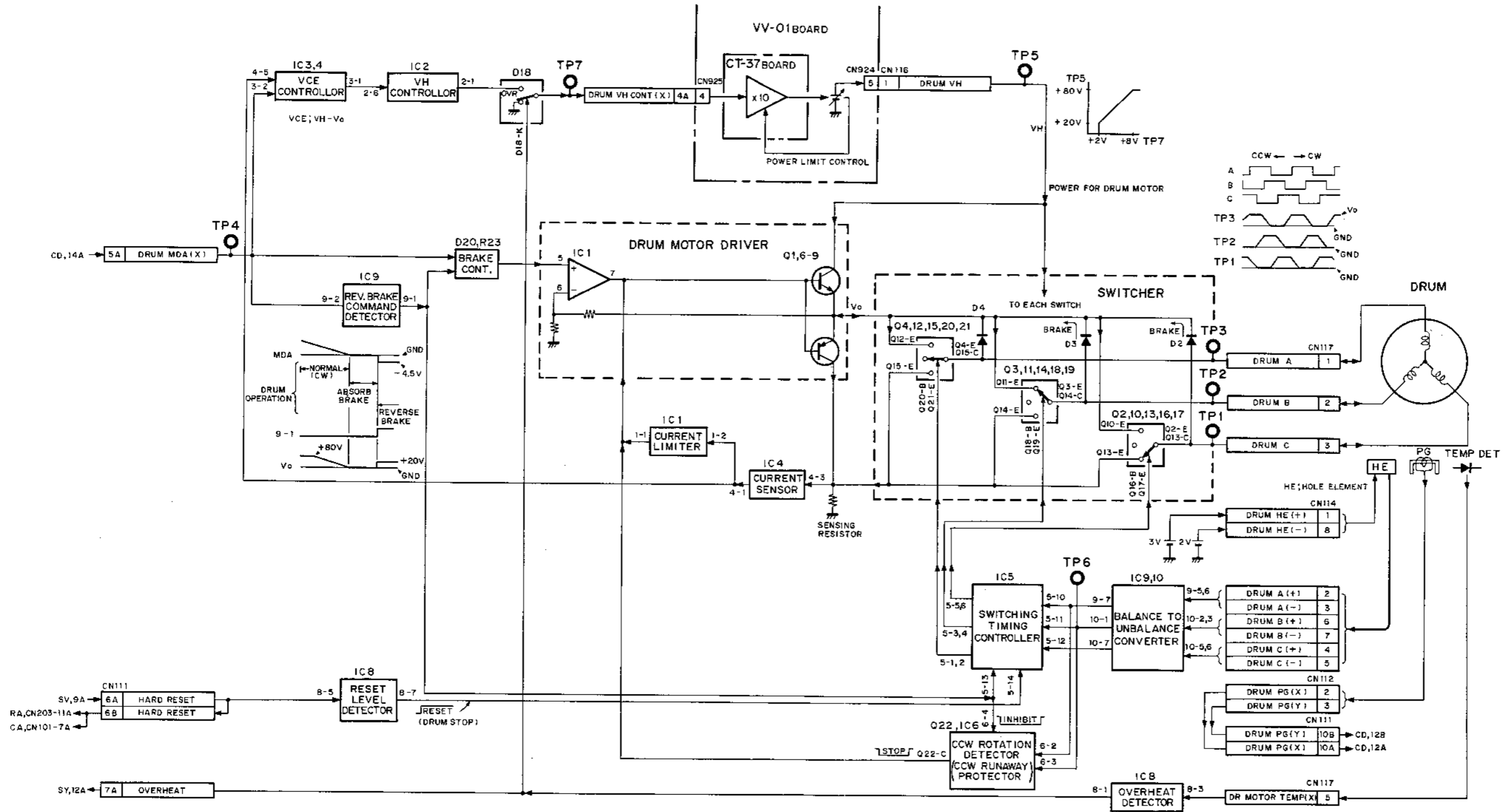
CD-17 BOARD BLOCK DIAGRAM
 BOARD NO. 1-606-705-13 & UP
 BVH - 2000PS (AEP); # 11901 -
 BVH - 2180PS (AEP); # 10001 -

SR-15 BOARD

Servo Ref. Signal Generator



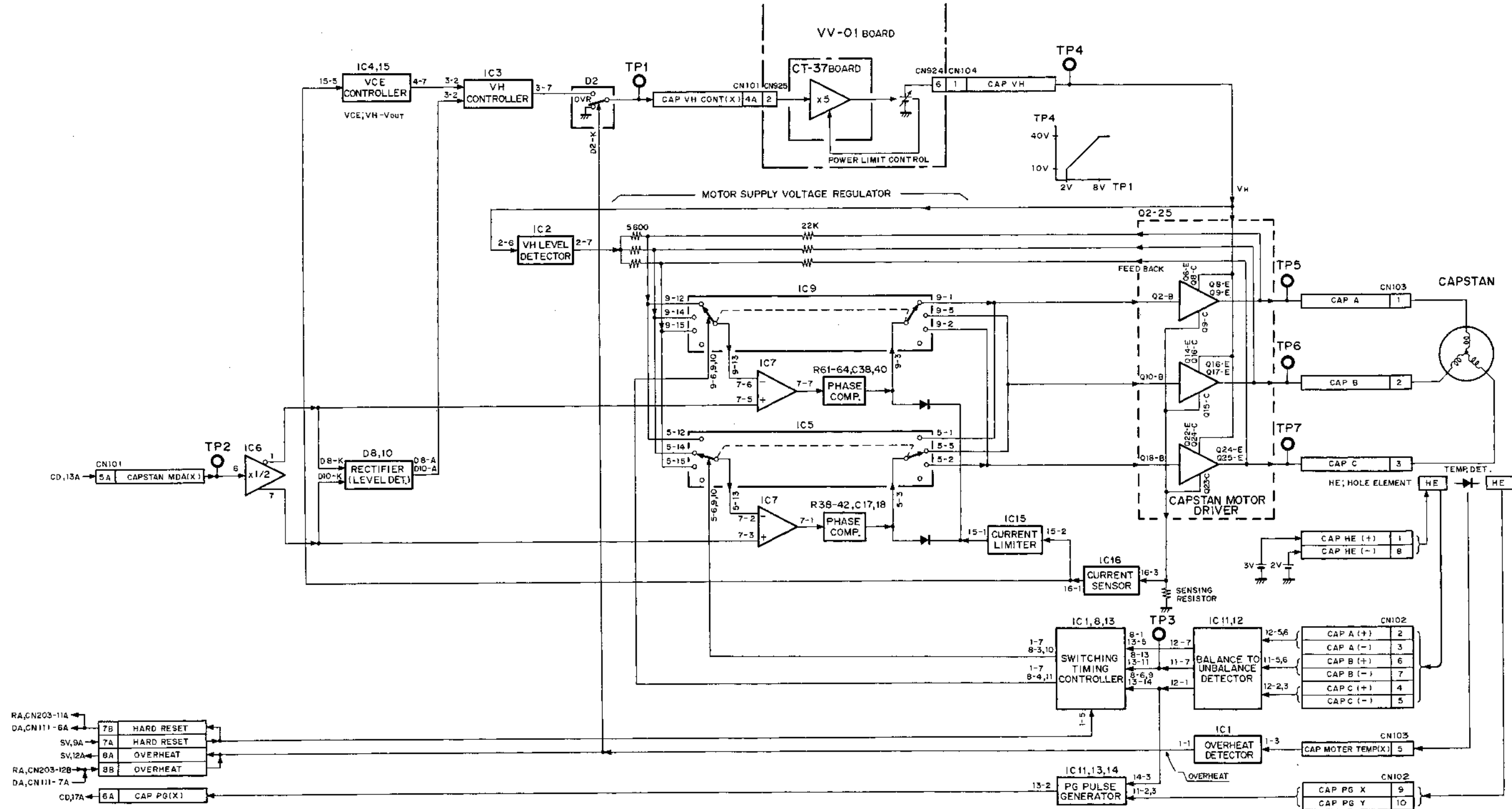
DA-07 BOARD
Drum Motor Driver



DA-07 BOARD BLOCK DIAGRAM
 BVH-2000(JAPAN) BVH-2180(JAPAN)
 BVH-2000(US/CANADA) BVH-2180(US/CANADA)
 BVH-2000PS(AEP) BVH-2180PS(AEP)
 BVH-2000PM(BRZ) BVH-2180PM(BRZ)
 BVH-2500(JAPAN)
 BVH-2500(US/CANADA)
 BVH-2500P(AEP)

CA-09 BOARD

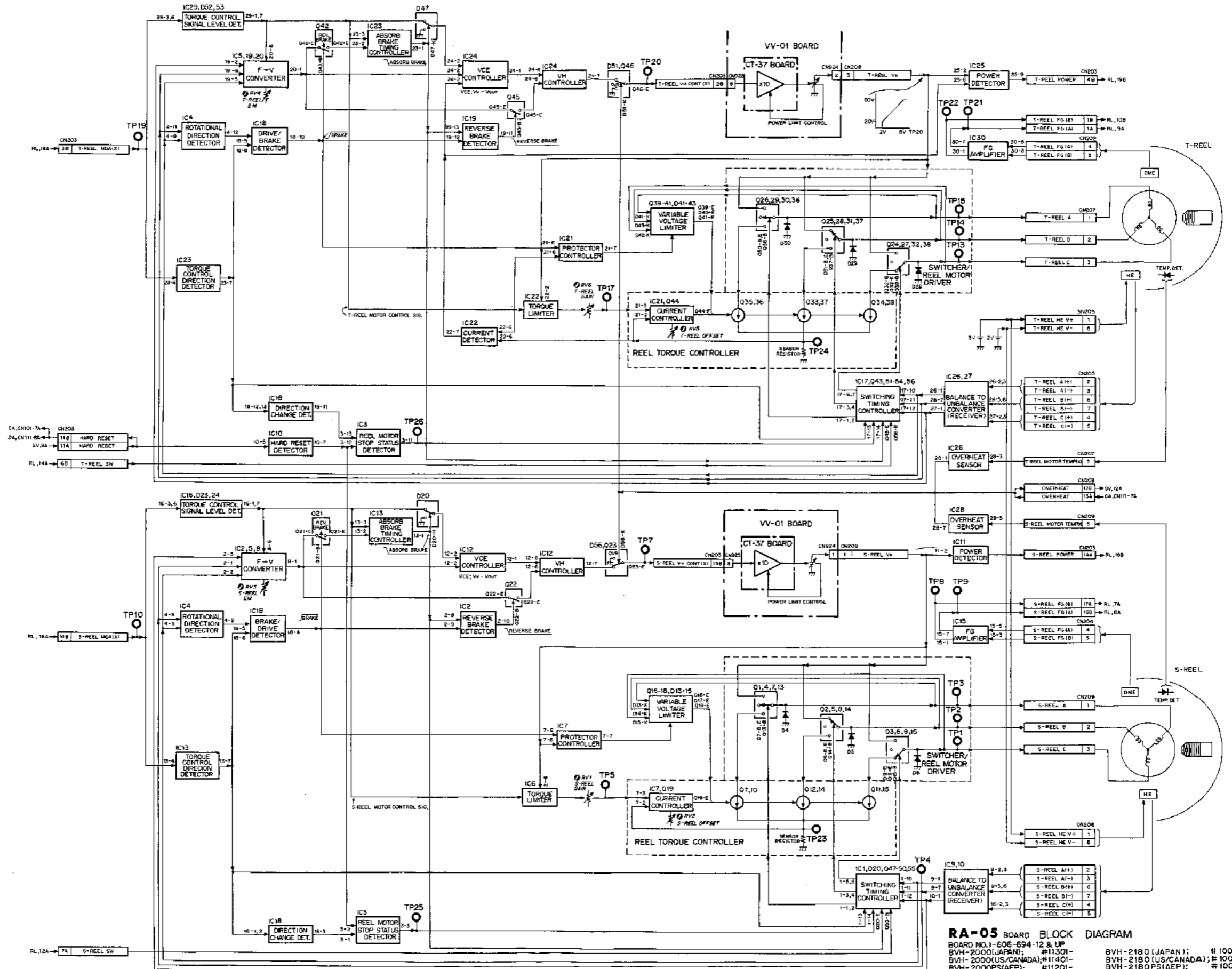
Capstan Motor Driver



RA, CN203-11A	7B	HARD RESET
DA, CN111-6A	7A	HARD RESET
SV, 9A	8A	OVERHEAT
SV, 12A	8B	OVERHEAT
RA, CN203-12B	8B	OVERHEAT
DA, CN111-7A	8A	OVERHEAT
CD, 17A	6A	CAP PG(X)

CA-09 BOARD BLOCK DIAGRAM
 BVH-2000(JAPAN) BVH-2180(JAPAN)
 BVH-2000(US/CANADA) BVH-2180(US/CANADA)
 BVH-2000PS(AEP) BVH-2180PS(AEP)
 BVH-2000PM(BRZ) BVH-2180PM(BRZ)
 BVH-2500(JAPAN)
 BVH-2500(US/CANADA)
 BVH-2500P(AEP)

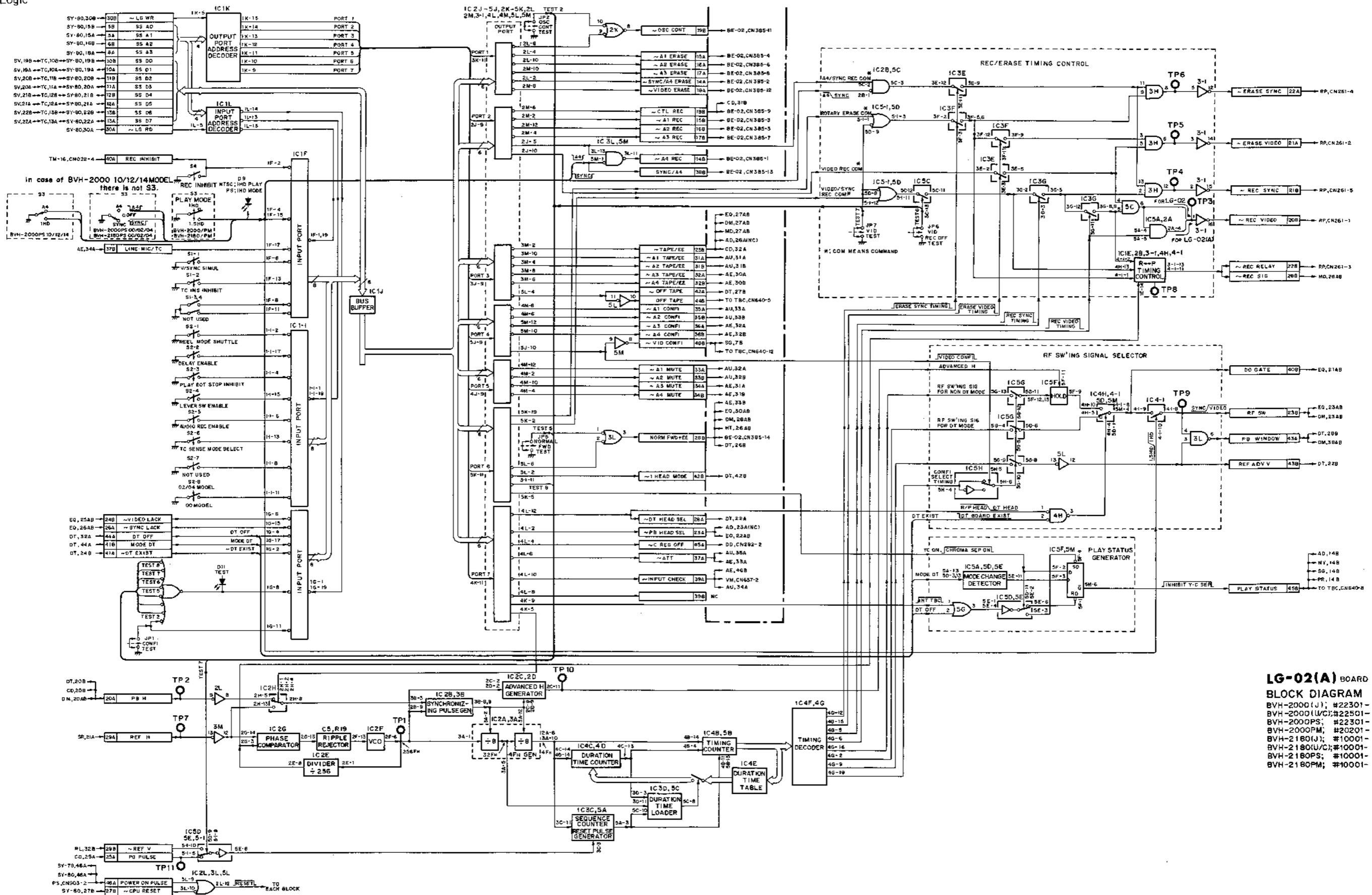
RA-05 BOARD
Reel Motor Driver



RA-05 BOARD BLOCK DIAGRAM
 BOARD NO.1-606-694-12 & UP
 BVH-2000(JAPAN); #11301-
 BVH-2000(US/CANADA); #11401-
 BVH-2000PS(AEP); #11201-
 BVH-2000PM(BRZ); #10201-
 BVH-2500(JAPAN); #10001-
 BVH-2500(US/CANADA); #10001-
 BVH-2500PS(AEP); #10001-
 BVH-2180(JAPAN); #10001-
 BVH-2180(US/CANADA); #10001-
 BVH-2180PS(AEP); #10001-
 BVH-2180PM(BRZ); #10001-

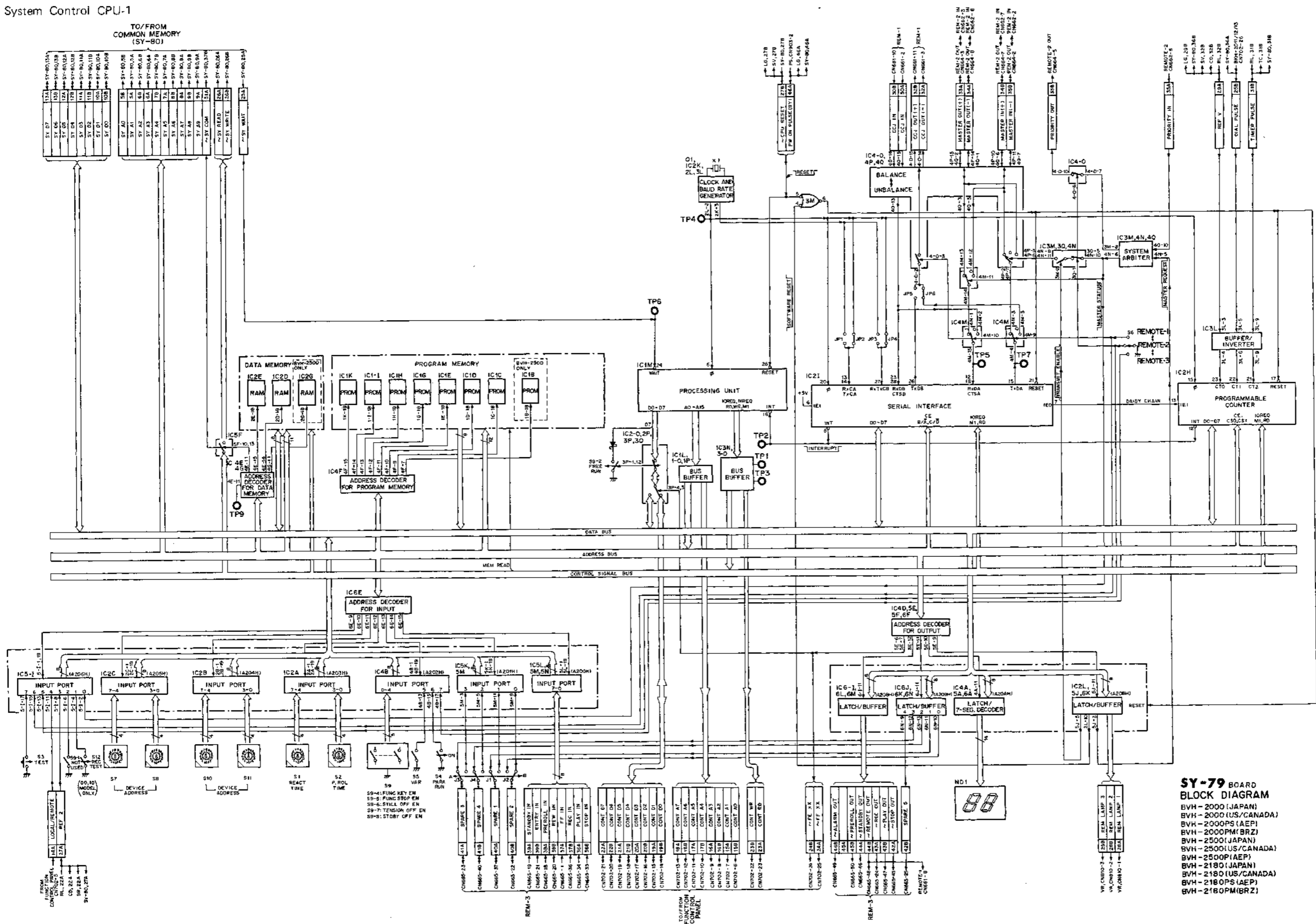
LG-02(A) BOARD

Logic



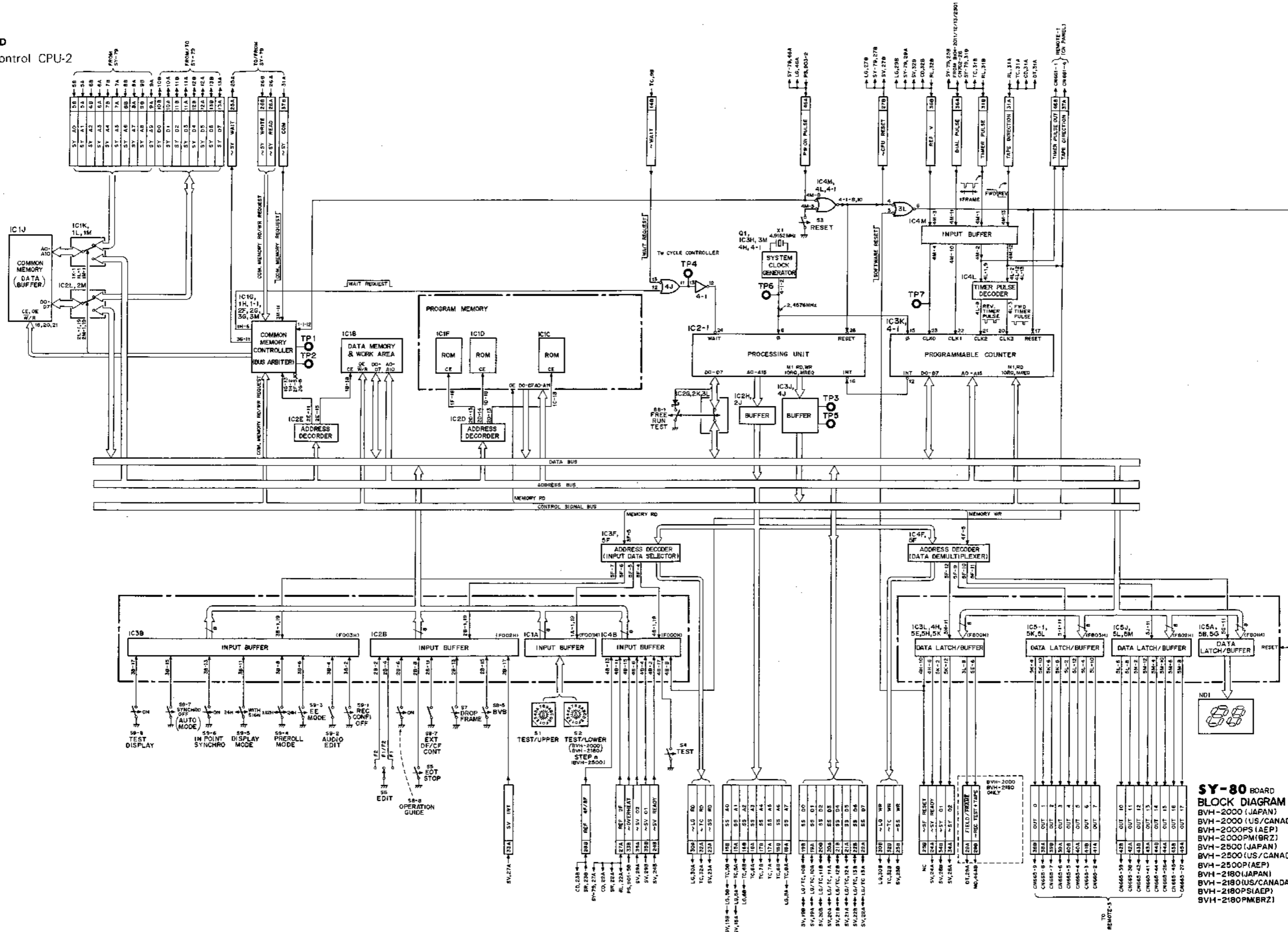
LG-02(A) BOARD
BLOCK DIAGRAM
 BVH-2000(J); #22301-
 BVH-2000(L/C); #22501-
 BVH-2000PS; #22501-
 BVH-2000PM; #20201-
 BVH-2180(J); #10001-
 BVH-2180(L/C); #10001-
 BVH-2180PS; #10001-
 BVH-2180PM; #10001-

SY-79 BOARD
System Control CPU-1



**SY-79 BOARD
BLOCK DIAGRAM**
 BVH-2000 (JAPAN)
 BVH-2000 (US/CANADA)
 BVH-2000PS (AEP)
 BVH-2000PM (BRZ)
 BVH-2500 (JAPAN)
 BVH-2500 (US/CANADA)
 BVH-2500P (AEP)
 BVH-2180 (JAPAN)
 BVH-2180 (US/CANADA)
 BVH-2180PS (AEP)
 BVH-2180PM (BRZ)

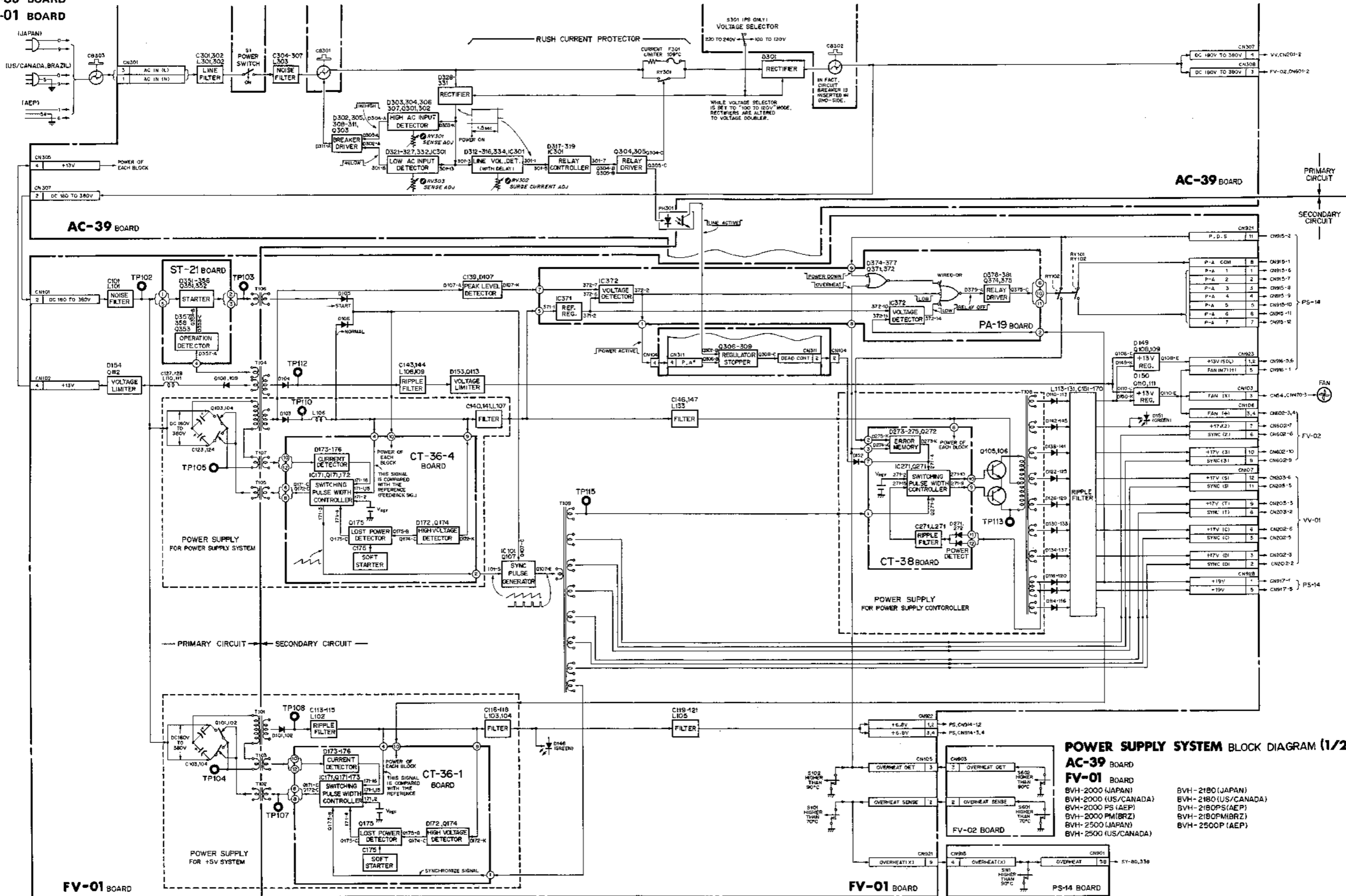
SY-80 BOARD
System Control CPU-2



**SY-80 BOARD
BLOCK DIAGRAM**
 BVH-2000 (JAPAN)
 BVH-2000 (US/CANADA)
 BVH-2000PS (AEP)
 BVH-2000PM (BRZ)
 BVH-2500 (JAPAN)
 BVH-2500 (US/CANADA)
 BVH-2500PS (AEP)
 BVH-2180 (JAPAN)
 BVH-2180PS (AEP)
 BVH-2180PM (BRZ)

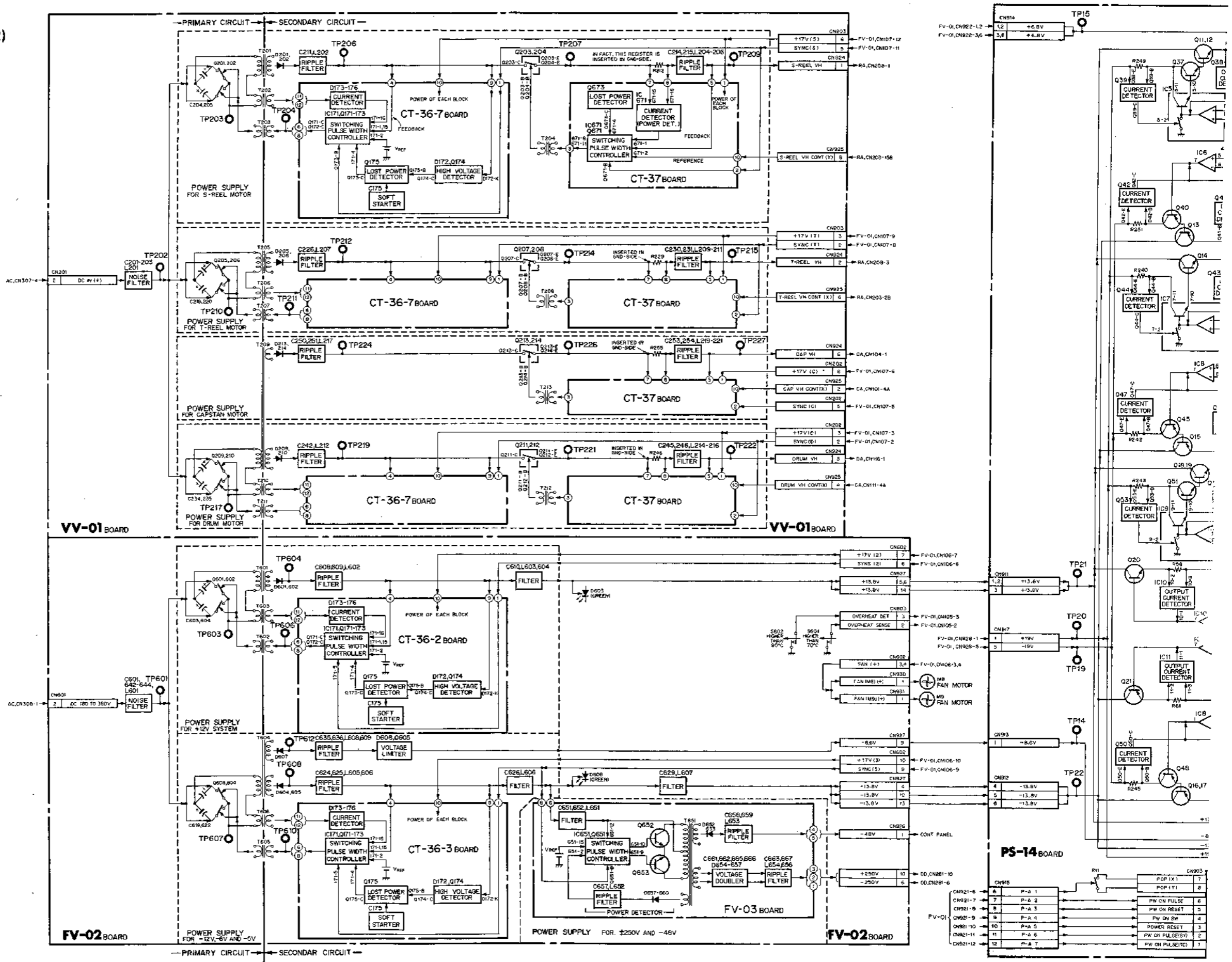
POWER SUPPLY SYSTEM (1/2)

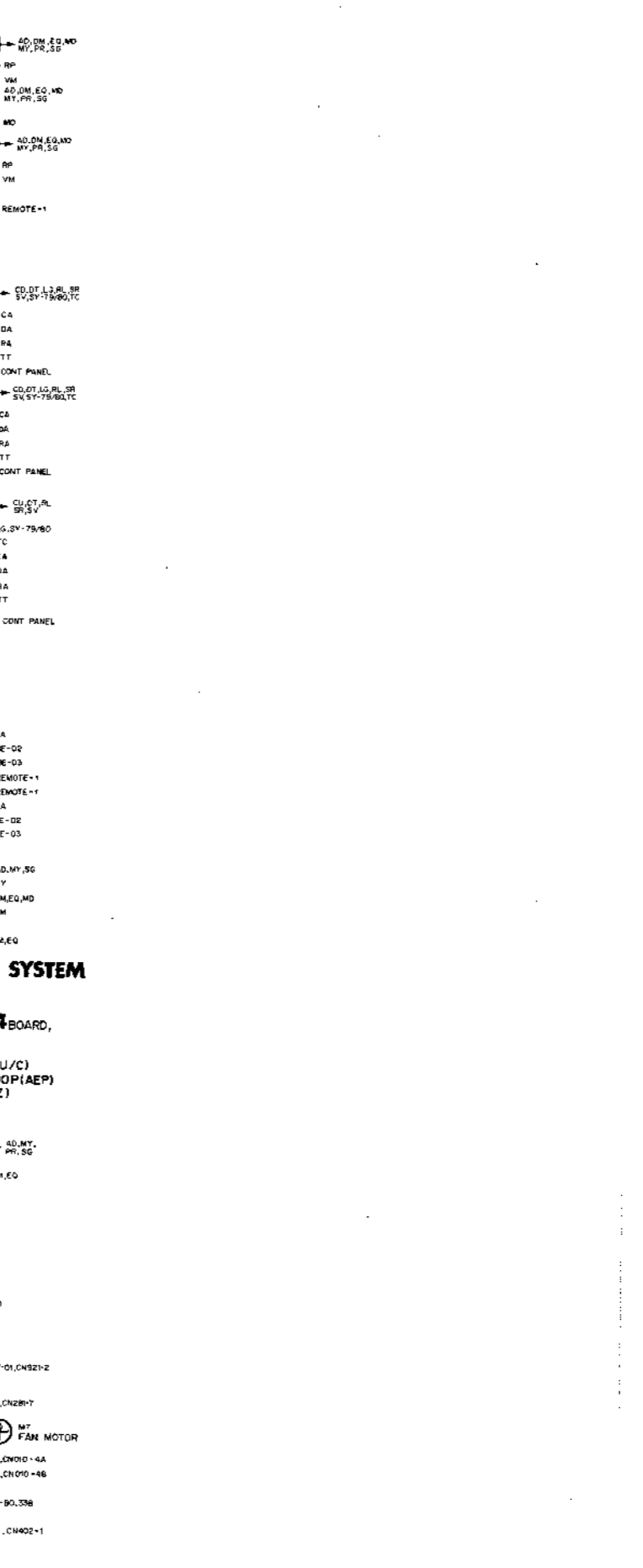
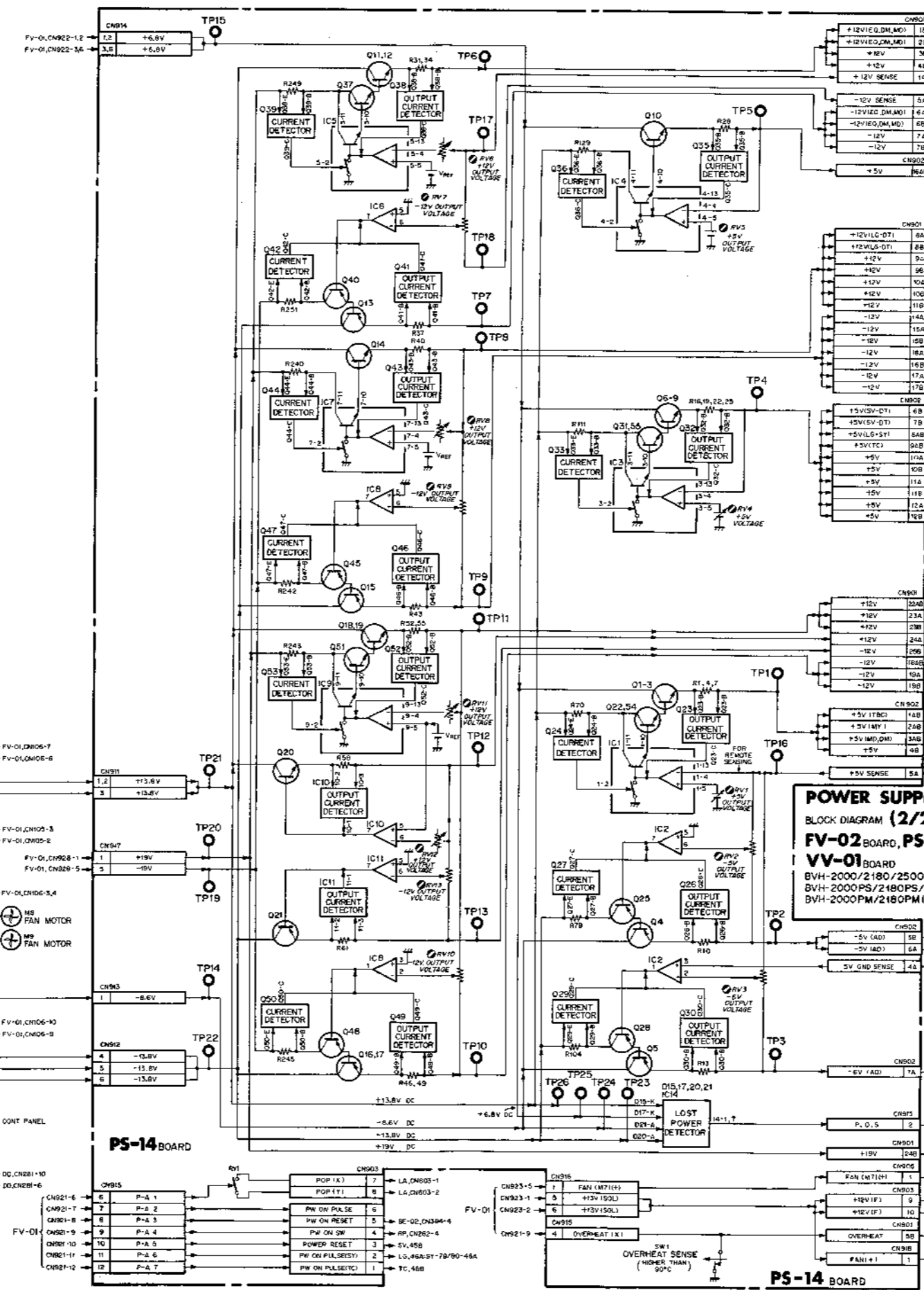
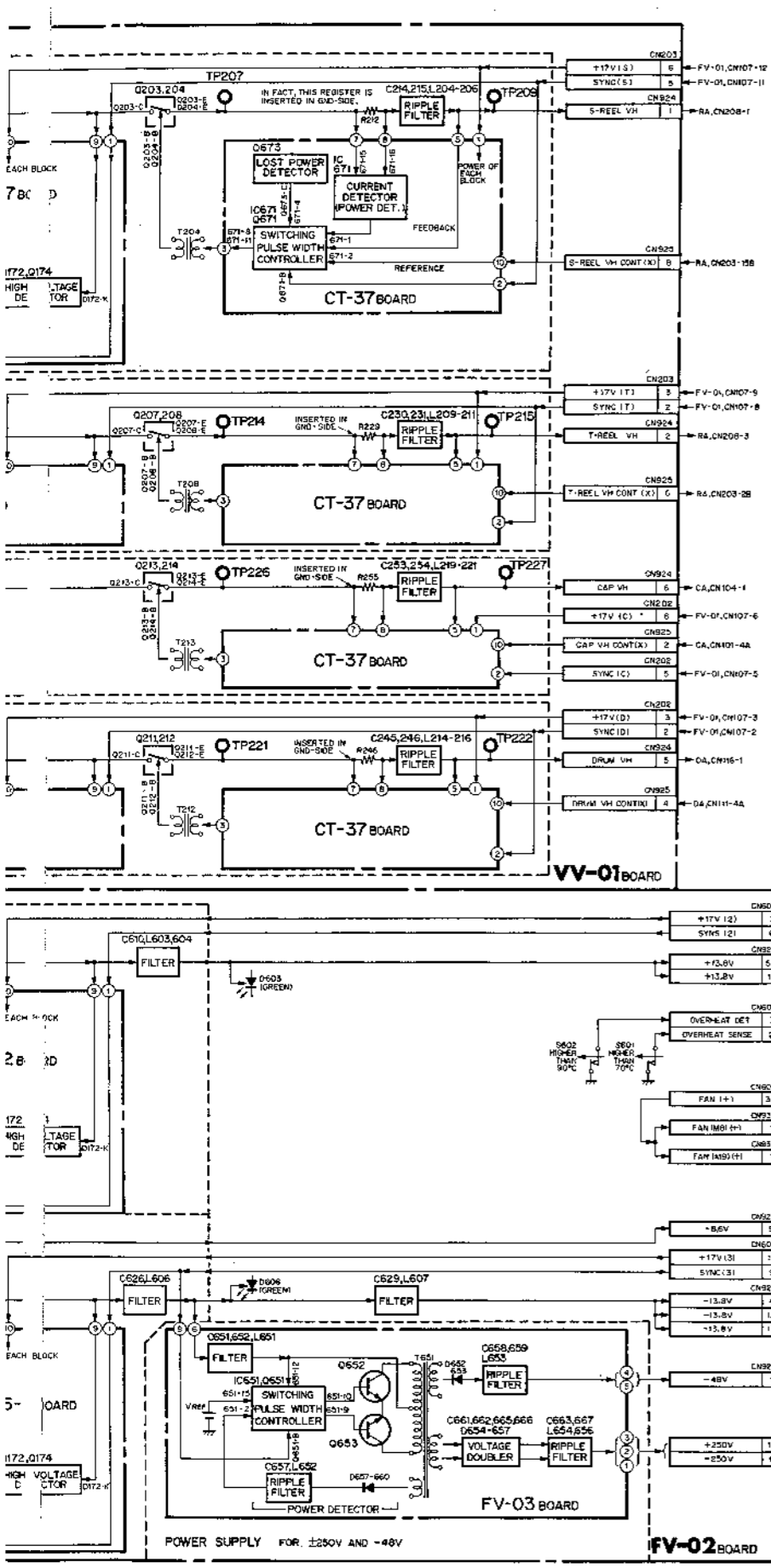
AC-39 BOARD
FV-01 BOARD



POWER SUPPLY SYSTEM (2/2)

PS-14 BOARD
VV-01 BOARD
FV-02 BOARD

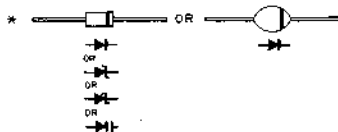




**POWER SUPPLY SYSTEM
 BLOCK DIAGRAM (2/2)
 FV-02 BOARD, PS-14 BOARD,
 VV-01 BOARD**
 BVH-2000/2180/2500(J/U/C)
 BVH-2000PS/2180PS/2500P(AEP)
 BVH-2000PM/2180PM(BRZ)

SECTION B
SEMICONDUCTOR PIN ASSIGNMENTS

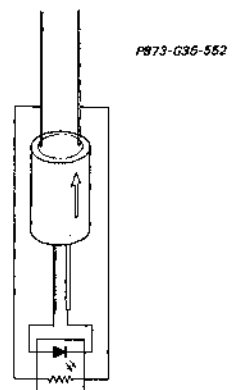
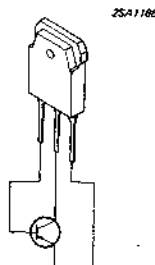
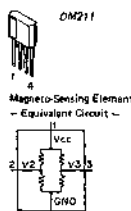
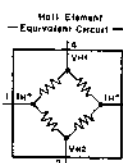
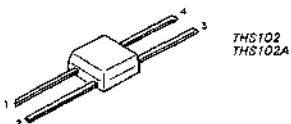
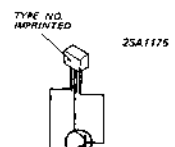
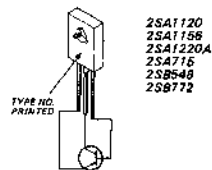
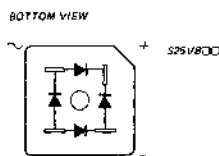
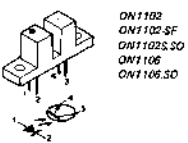
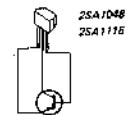
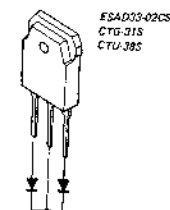
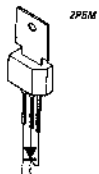
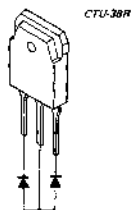
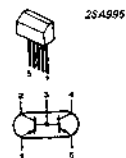
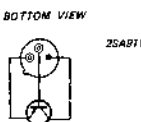
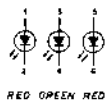
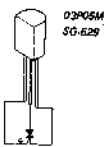
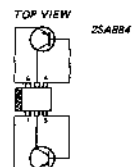
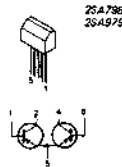
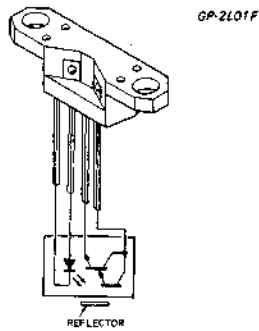
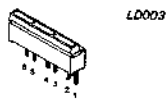
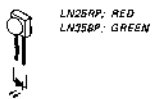
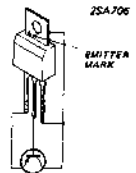
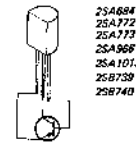
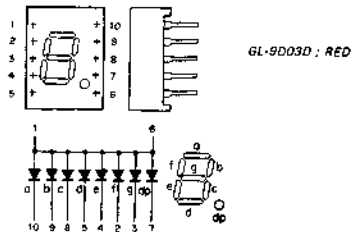
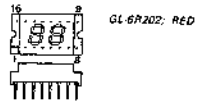
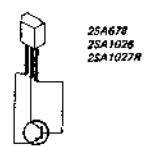
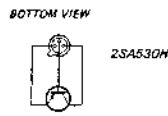
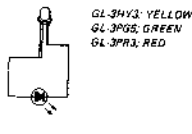
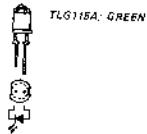
TYPE	PAGE	TYPE	PAGE	TYPE	PAGE	TYPE	PAGE
03P05M.....	B-5	2SA1175.....	B-5	2SC2603.....	B-6	CX7907A.....	B-12
10E-1.....	*	2SA1186.....	B-5	2SC2654.....	B-6	CX7912.....	B-14
10E-2.....	*	2SA1220A.....	B-5	2SC2690A.....	B-6	CX7912A.....	B-14
1N4148H.....	*	2SB548.....	B-5	2SC2724.....	B-6	CX7913.....	B-16
1S1555.....	*	2SB733.....	B-6	2SC2752.....	B-6	CX7913A.....	B-18
1S1585.....	*						
1S1587.....	*	2SB734.....	B-6	2SC2773.....	B-6	CX20016A-2.....	B-9
1S2076.....	*	2SB739.....	B-5	2SC2785.....	B-6	CX20051A.....	B-9
1S2139.....	*	2SB740.....	B-5	2SC2837.....	B-6	CX20060.....	B-8
1S2473.....	*	2SB772.....	B-5	2SC2878.....	B-6		
1S2687.....	*	2SB825.....	B-6	2SC2901.....	B-6	DAC-1C8BC.....	B-20
						DM211.....	B-5
1SS53.....	*	2SC403.....	B-6	2SC2944.....	B-6	DTC144ES.....	B-6
1SS84.....	*	2SC634A.....	B-6	2SC3068.....	B-6		
1SS106.....	*	2SC641K.....	B-6	2SC3559.....	B-6	EQA01-08R.....	*
1SS119.....	*	2SC689H.....	B-6	2SD313HP.....	B-6	EQA02-05.....	*
1SS120.....	*	2SC710.....	B-6	2SD414.....	B-6	EQA02-06.....	*
				2SD773.....	B-6	EQA02-07.....	*
1SS133.....	*	2SC945.....	B-6	2SD774.....	B-6	EQA02-08.....	*
1SS148.....	*	2SC1124.....	B-6	2SD778.....	B-6	EQA02-10.....	*
1SZ52.....	*	2SC1126.....	B-6	2SD788.....	B-6	EQB01-13.....	*
		2SC1162.....	B-6			ERAB1-004.....	*
		2SC1173.....	B-6	2SD789.....	B-6	ERB12-01RK.....	*
2N2369.....	B-6			2SD809.....	B-6	ERB12-02RK.....	*
2P5M.....	B-5	2SC1252.....	B-6	2SD862.....	B-6	ERB12-04RK.....	*
		2SC1363.....	B-6	2SD882.....	B-6	ESAD33-02CS.....	B-5
2SA530H.....	B-5	2SC1364.....	B-6	2SD1061.....	B-6		
2SA678.....	B-5	2SC1474.....	B-6			F114.....	*
2SA684.....	B-5	2SC1475.....	B-6	2SK43.....	B-6	FT5709M.....	B-20
2SA706.....	B-5			2SK107.....	B-6		
2SA715.....	B-5	2SC1583.....	B-6	2SK109.....	B-6	GL3HY3.....	B-5
		2SC1633.....	B-6	2SK150A.....	B-6	GL3PG5.....	B-5
2SA733.....	B-5	2SC1634.....	B-6	2SK162.....	B-6	GL3PR3.....	B-5
2SA772.....	B-5	2SC1636.....	B-6	2SK523.....	B-6	GL6R202.....	B-5
2SA773.....	B-5	2SC1733.....	B-6			GL9D03D.....	B-5
2SA798.....	B-5			AA5525S.....	B-5	GP2L01F.....	B-5
2SA844.....	B-5	2SC1762.....	B-6	AD9685BD.....	B-7		
		2SC1775.....	B-6	AM26LS30PC.....	B-7	HA12017.....	B-8
2SA872.....	B-5	2SC1775A.....	B-6	AM26LS32AC.....	B-7	HA17458GS.....	B-20
2SA872A.....	B-5	2SC1815.....	B-6	AM26LS32PC.....	B-7	HA17723G.....	B-42
2SA884.....	B-5	2SC1890A.....	B-6	AM685DL.....	B-7	HA17741GS.....	B-20
2SA911.....	B-5						
2SA925.....	B-5	2SC1908.....	B-6	BA6993.....	B-43	HD10105.....	B-24
		2SC1986.....	B-6	BA9101.....	B-7	HD10116.....	B-24
2SA952.....	B-5	2SC2001.....	B-6	BX363A.....	B-8	HD10117.....	B-24
2SA966.....	B-5	2SC2009.....	B-6	BX381.....	B-8	HD10124.....	B-24
2SA979.....	B-5	2SC2011.....	B-6	BX1040.....	B-7	HD10125.....	B-24
2SA995.....	B-5					HD10131.....	B-24
2SA1005.....	B-5	2SC2012.....	B-6	BX1156.....	B-8		
		2SC2021.....	B-6	BX3929.....	B-8	HD14001BP.....	B-36
2SA1013.....	B-5	2SC2236.....	B-6	BX3930.....	B-8	HD14011BP.....	B-36
2SA1015.....	B-5	2SC2259.....	B-6	BX3931.....	B-8	HD14013BP.....	B-36
2SA1026.....	B-5	2SC2315.....	B-6	BX3931A.....	B-8	HD14040BP.....	B-37
2SA1027R.....	B-5					HD14046BP.....	B-37
2SA1048.....	B-5	2SC2383.....	B-6	CA3054.....	B-8		
		2SC2458.....	B-6	CA3102E.....	B-8	HD14051BP.....	B-37
2SA1115.....	B-5	2SC2551.....	B-6	CTG-31S.....	B-5	HD14052BP.....	B-38
2AS1120.....	B-5	2SC2555.....	B-6	CTU-38R.....	B-5	HD14053BP.....	B-38
2SA1156.....	B-5	2SC2593.....	B-6	CTU-38S.....	B-5	HD14069BP.....	B-38
						HD14069UBP.....	B-38
				CX130.....	B-8		
				CX550.....	B-8	HD14503BP.....	B-39
				CX773A.....	B-10	HD14538BP.....	B-39
				CX773B.....	B-10	HD7406P.....	B-26
				CX7903.....	B-9	HD74HC107P.....	B-41
				CX7907.....	B-12	HD74HC132P.....	B-41
						HD74LS86P.....	B-27
						HD75107A.....	B-35
						HD75107AP.....	B-35
						HD75452P.....	B-35



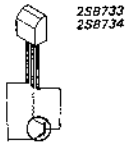
SEMICONDUCTOR INDEX

TYPE	PAGE	TYPE	PAGE	TYPE	PAGE	TYPE	PAGE
HI1-0201.....	B-20	MC14053BCP.....	B-38	SN74LS00N.....	B-25	SN74LS241N.....	B-32
HM6116LP.....	B-20	MC14069UBCP.....	B-38	SN74LS02N.....	B-25	SN74LS243N.....	B-32
HM6168HP.....	B-23	MC14071BCP.....	B-38	SN74LS03N.....	B-25	SN74LS244N.....	B-32
JC501.....	B-6	MC14073BCP.....	B-38	SN7404N.....	B-25	SN74LS245N.....	B-33
LD003.....	B-5	MC14081BCP.....	B-38	SN74LS04N.....	B-25	SN74LS257N.....	B-33
LH0080.....	B-21	MC14174BCP.....	B-40	SN74S04N.....	B-25	SN74265N.....	B-33
LH0080A.....	B-21	MC14175BCP.....	B-40	SN74LS05N.....	B-25	SN74LS265N.....	B-33
LH0082.....	B-21	MC14495P.....	B-38	SN7406N.....	B-26	SN74LS273N.....	B-33
LH0082A.....	B-21	MC14503BCP.....	B-39	SN74LS08N.....	B-26	SN74LS280N.....	B-33
LH0084.....	B-22	MC14507BCP.....	B-37	SN74LS10N.....	B-26	SN74LS365AN.....	B-33
LH0084A.....	B-22	MC14512BCP.....	B-39	SN74S10N.....	B-26	SN74LS367AN.....	B-34
LM358P.....	B-43	MC14520BCP.....	B-39	SN74LS11N.....	B-26	SN74LS368AN.....	B-34
LN25RP.....	B-5	MC14526BCP.....	B-39	SN74S11N.....	B-26	SN74LS373N.....	B-34
LN35BP.....	B-5	MC14528BCP.....	B-39	SN74LS12N.....	B-26	SN74LS374N.....	B-34
M54516P.....	B-22	MC14538BCP.....	B-39	SN74LS14N.....	B-26	SN74LS375N.....	B-34
M54517P.....	B-22	MC14555BCP.....	B-40	SN74LS20N.....	B-26	SN74LS390N.....	B-34
MB3759.....	B-22	MC14557BCP.....	B-40	SN74LS27N.....	B-26	SN74LS393N.....	B-35
MB7051.....	B-45	MC14584BCP.....	B-40	SN74LS30N.....	B-26	SN74LS624N.....	B-35
MB7052.....	B-46	MC1496P.....	B-43	SN74LS32N.....	B-27	SN74LS669N.....	B-35
MB7053.....	B-46	MC1595L.....	B-24	SN74LS74AN.....	B-27	SN74LS670N.....	B-35
MB7054.....	B-47	MC1596G.....	B-43	SN74S74N.....	B-27	SN75107AN.....	B-35
MB8168.....	B-23	MC74HC107P.....	B-41	SN74LS85N.....	B-27	SN75207BN.....	B-35
MB84001B.....	B-36	MC74HC132P.....	B-41	SN74LS86N.....	B-27	SN75452BP.....	B-35
MB84011B.....	B-36	MSM4011RS.....	B-36	SN74LS107AN.....	B-27	TA7069P.....	B-41
MB84013B.....	B-36	MSM5128.....	B-20	SN74LS112AN.....	B-27	TC4001BP.....	B-36
MB84049UB.....	B-37	NE527H.....	B-25	SN74120N.....	B-27	TC4008BP.....	B-36
MB84052B.....	B-38	NE527N.....	B-25	SN74123N.....	B-28	TC4011BP.....	B-36
MB84053B.....	B-38	NJM2903D.....	B-25	SN74LS123AN.....	B-28	TC4011BP.....	B-36
MB84069UB.....	B-38	NJM4558D.....	B-25	SN74LS125AN.....	B-28	TC4013BP.....	B-36
MB84081B.....	B-38	NJM4559D.....	B-25	SN74LS126AN.....	B-28	TC4015BP.....	B-36
MB84520B.....	B-39	NJM4560D.....	B-25	SN74128N.....	B-28	TC4028BP.....	B-36
MB8747.....	B-23	NJM78L05.....	B-25	SN74LS138N.....	B-28	TC4030BP.....	B-37
MBM2732A.....	B-38	ON1102.....	B-5	SN74LS139N.....	B-28	TC4040BP.....	B-37
MC1496P.....	B-43	ON1106.....	B-5	SN74LS148N.....	B-28	TC4043BP.....	B-37
MC1595L.....	B-24	P873-G35-552.....	B-5	SN74LS151N.....	B-29	TC4046BP.....	B-37
MC10105L.....	B-24	PY5525S.....	B-5	SN74LS153N.....	B-29	TC4049BP.....	B-37
MC10115L.....	B-24	RD3.9E.....	*	SN74LS157N.....	B-29	TC4051BP.....	B-37
MC10116L.....	B-24	RD4.7E.....	*	SN74LS161AN.....	B-29	TC4052BP.....	B-38
MC10117L.....	B-24	RD5.1E.....	*	SN74LS162AN.....	B-29	TC4053BP.....	B-38
MC10124L.....	B-24	RD5.6E.....	*	SN74LS163AN.....	B-30	TC4069UBP.....	B-38
MC10125L.....	B-24	RD6.8E.....	*	SN74LS164N.....	B-30	TC4071BP.....	B-38
MC10131L.....	B-24	RD7.5E.....	*	SN74S169N.....	B-30	TC4073BP.....	B-38
MC10198L.....	B-24	RD8.2E.....	*	SN74LS174N.....	B-30	TC4081BP.....	B-38
MC14001BCP.....	B-36	RD10E.....	*	SN74LS175N.....	B-30	TC4512BP.....	B-39
MC14008BCP.....	B-36	RD11E.....	*	SN74S189N.....	B-31	TC4520BP.....	B-39
MC14011BCP.....	B-36	RD13E.....	*	SN74LS191N.....	B-31	TC4528BP.....	B-39
MC14013BCP.....	B-36	RD15E.....	*	SN74LS193N.....	B-31	TC4539BP.....	B-40
MC14015BCP.....	B-36	RD18E.....	*	SN74LS195AN.....	B-32	TC4555BP.....	B-40
MC14043BCP.....	B-37	RD22E.....	*	SN74LS197N.....	B-32	TC40174BP.....	B-40
MC14046BCP.....	B-37	RD30E.....	*	SN74LS221N.....	B-32	TC40175BP.....	B-40
MC14049UBCP.....	B-37	RD39E.....	*	SN74LS240N.....	B-32	TC40H074P.....	B-40
MC14051BCP.....	B-37	RD100E.....	*	SN74LS241N.....	B-32	TC40H368P.....	B-40
MC14052BCP.....	B-38	S1B01-02.....	*	SN74LS243N.....	B-32	TC40H390P.....	B-41
		S25VB60.....	B-5	SN74LS244N.....	B-32	TC504013BP.....	B-41
				SN74LS245N.....	B-33		
				SN74LS257N.....	B-33		
				SN74265N.....	B-33		
				SN74LS265N.....	B-33		
				SN74LS273N.....	B-33		
				SN74LS280N.....	B-33		
				SN74LS365AN.....	B-33		
				SN74LS367AN.....	B-34		
				SN74LS368AN.....	B-34		
				SN74LS373N.....	B-34		
				SN74LS374N.....	B-34		
				SN74LS375N.....	B-34		
				SN74LS390N.....	B-34		
				SN74LS393N.....	B-35		
				SN74LS624N.....	B-35		
				SN74LS669N.....	B-35		
				SN74LS670N.....	B-35		
				SN75107AN.....	B-35		
				SN75207BN.....	B-35		
				SN75452BP.....	B-35		
				TA7069P.....	B-41		
				TC4001BP.....	B-36		
				TC4008BP.....	B-36		
				TC4011BP.....	B-36		
				TC4013BP.....	B-36		
				TC4015BP.....	B-36		
				TC4028BP.....	B-36		
				TC4030BP.....	B-37		
				TC4040BP.....	B-37		
				TC4043BP.....	B-37		
				TC4046BP.....	B-37		
				TC4049BP.....	B-37		
				TC4051BP.....	B-37		
				TC4052BP.....	B-38		
				TC4053BP.....	B-38		
				TC4069UBP.....	B-38		
				TC4071BP.....	B-38		
				TC4073BP.....	B-38		
				TC4081BP.....	B-38		
				TC4512BP.....	B-39		
				TC4520BP.....	B-39		
				TC4528BP.....	B-39		
				TC4539BP.....	B-40		
				TC4555BP.....	B-40		
				TC40174BP.....	B-40		
				TC40175BP.....	B-40		
				TC40H074P.....	B-40		
				TC40H368P.....	B-40		
				TC40H390P.....	B-41		
				TC504013BP.....	B-41		

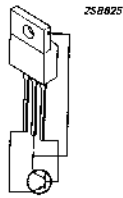
TYPE	PAGE	TYPE	PAGE
TC5501P.....	B-41	UPD4001BC.....	B-36
TC5501P-1.....	B-41	UPD4011BC.....	B-36
TC74HC107P.....	B-41	UPD4013BC.....	B-36
TC74HC132P.....	B-41	UPD4015BC.....	B-36
TC74HC4538P.....	B-44		
TD62105P.....	B-41	UPD4028BC.....	B-36
THS102.....	B-5	UPD4030BC.....	B-37
THS102A.....	B-5		
		UPD4040C.....	B-37
TL072ACP.....	B-41	UPD4049C.....	B-37
TL072CP.....	B-41	UPD4051BC.....	B-37
TL074CN.....	B-41		
TL081CP.....	B-41	UPD4053BC.....	B-38
TL082CP.....	B-41	UPD4069UBC.....	B-38
		UPD4071BC.....	B-38
TL084CN.....	B-41	UPD4073BC.....	B-38
TL191CN.....	B-42	UPD4081BC.....	B-38
TL489CP.....	B-42		
TL601CP.....	B-42	UPD4584BC.....	B-40
TL607CP.....	B-42	UPD5501LC-1.....	B-41
		UPD8253C-5.....	B-45
TL610CP.....	B-42		
TL820CP.....	B-42	US1035.....	*
TLG115A.....	B-5		
		V06C.....	*
U05E.....	*	V09C.....	*
U05G.....	*	V09G.....	*
UA78L05AWV.....	B-43		
UA723CN.....	B-42		
UA723DC.....	B-42		
UA796HCA.....	B-43		
UA796HC.....	B-43		
UPC78L05.....	B-43		
UPC78L05A.....	B-43		
UPC78L12.....	B-43		
UPC91A.....	B-43		
UPC159A.....	B-43		
UPC311C.....	B-43		
UPC318C.....	B-43		
UPC319C.....	B-43		
UPC324C.....	B-43		
UPC339C.....	B-43		
UPC358C.....	B-43		
UPC393C.....	B-43		
UPC648D.....	B-44		
UPC649C.....	B-44		
UPC4082C.....	B-41		
UPC4556C.....	B-44		
UPC4557C.....	B-44		
UPC4558C.....	B-25		
UPD780C.....	B-21		



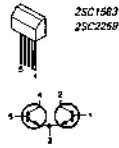
TRANSISTOR



2SB733
2SB734

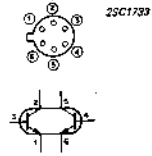


2SB825

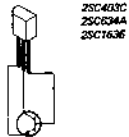


2SC1583
2SC2259

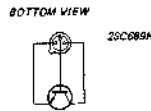
BOTTOM VIEW



2SC1783

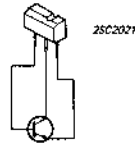


2SC433C
2SC534A
2SC1636

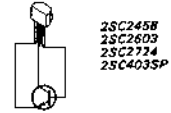


BOTTOM VIEW

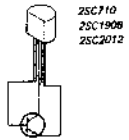
2SC685H



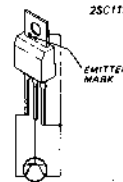
2SC2021



2SC245B
2SC2603
2SC2724
2SC4035P

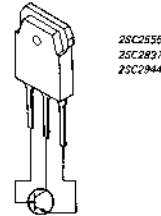


2SC710
2SC1909
2SC2012

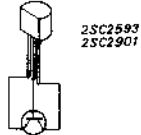


2SC1124

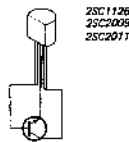
EMITTER MARK



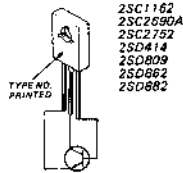
2SC2555
2SC2827
2SC2944



2SC2593
2SC2901

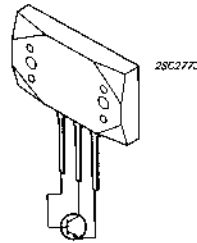


2SC1126
2SC2009
2SC2011

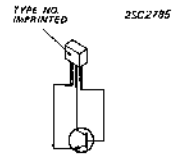


TYPE NO. PRINTED

2SC1162
2SC2590A
2SC2752
2SD414
2SD809
2SD862
2SD882

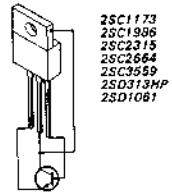


2SC2773

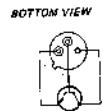


TYPE NO. IMPRINTED

2SC2785

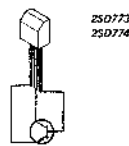


2SC1173
2SC1906
2SC2315
2SC2664
2SC3559
2SD313MP
2SD1081

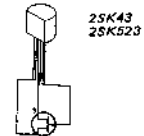


BOTTOM VIEW

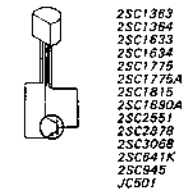
2N2369
2SC1252
2SC1762



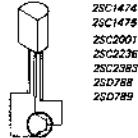
2SD773
2SD774



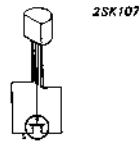
2SK43
2SK523



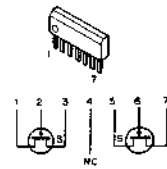
2SC1363
2SC1364
2SC1633
2SC1634
2SC1775
2SC1775A
2SC1815
2SC1890A
2SC2351
2SC2378
2SC3068
2SC641K
2SC945
JC801



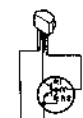
2SC1474
2SC1478
2SC2001
2SC2236
2SC2363
2SD788
2SD789



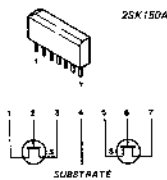
2SK107



2SK109

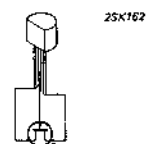


DTC144ES (R1=47K, R2=47K)



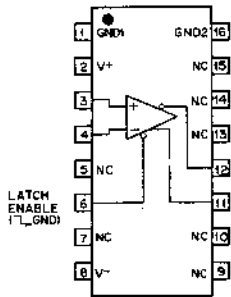
2SK150A

SUBSTRATE

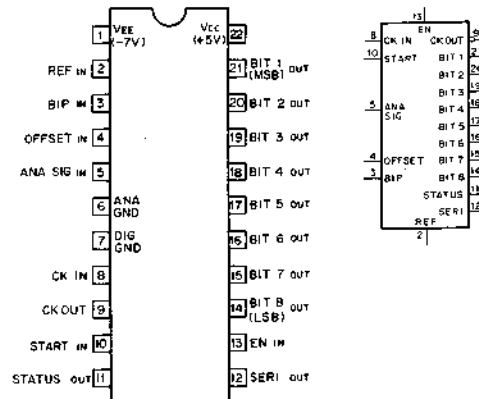


2SK162

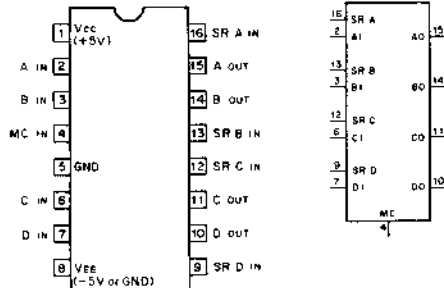
AD9685BD (ANALOG DEVICES)
 AM685DL (ADVANCED MICRO DEVICES)
 VOLTAGE COMPARATOR
 (OPEN EMITTER OUTPUTS)
 — TOP VIEW —



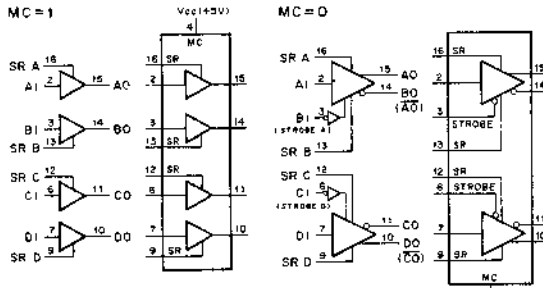
BA9101 (ROHM)
 8-BIT A/D CONVERTER WITH 3-STATE OUTPUT CONTROL
 — TOP VIEW —



AM26LS30PC (ADVANCED MICRO DEVICE)
 LINE DRIVER
 — TOP VIEW —



MC: MODE CONTROL
 SR: SLEW RATE CONTROL

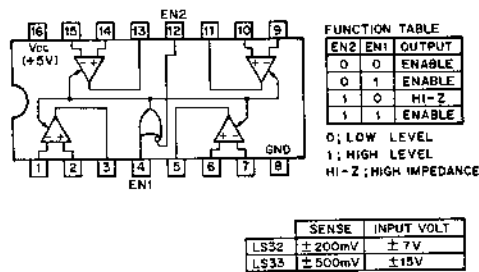


INPUTS	OUTPUTS
MC	A TO D
1	0
1	1

0: LOW LEVEL X: DONT CARE
 1: HIGH LEVEL HI-Z: HIGH IMPEDANCE

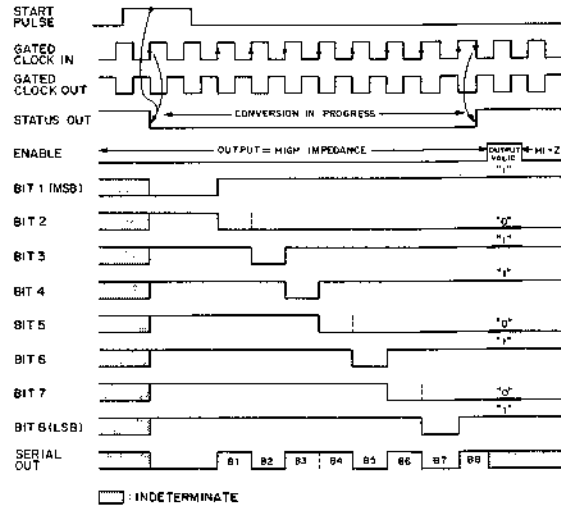
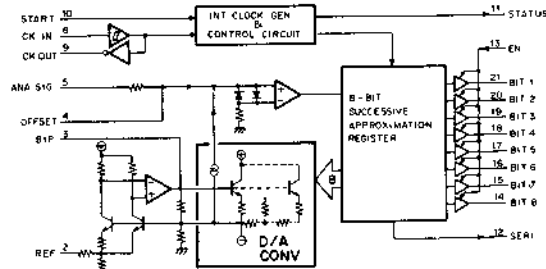
INPUTS	OUTPUTS				
MC	STROBE	A	B	C	D
0	0	0	0	1	0
0	0	1	1	0	0
0	1	X	HI-Z	HI-Z	HI-Z

AM26LS32AC (TI)
 AM26LS32PC (ADVANCED MICRO DEVICE)
 HIGH SPEED DIFFERENTIAL LINE RECEIVER
 — TOP VIEW —

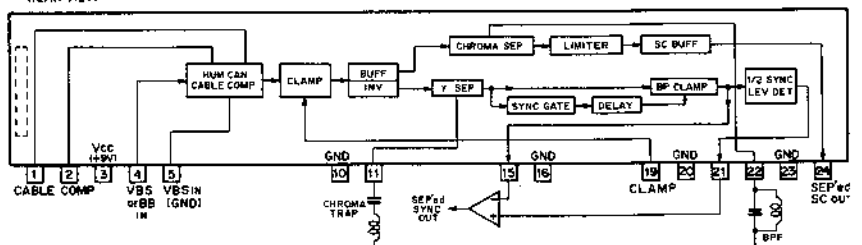


REF: REFERENCE VOLTAGE ADJUST
 BIP: BIPOlar OFFSET IN
 CK IN: EXTERNAL CLOCK or CKX IN
 CK OUT: INVERTED CLOCK OUT

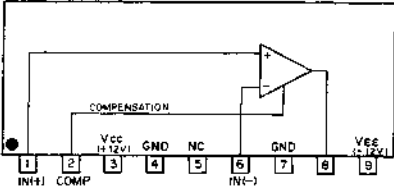
START: CONVERSION START PULSE IN
 STATUS: STATUS FLAG OUT
 SERI: SERIAL OUT
 EN: OUTPUT ENABLE



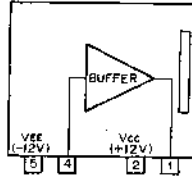
BX1040 (SONY)
 SYNC SEPARATOR
 — REAR VIEW —



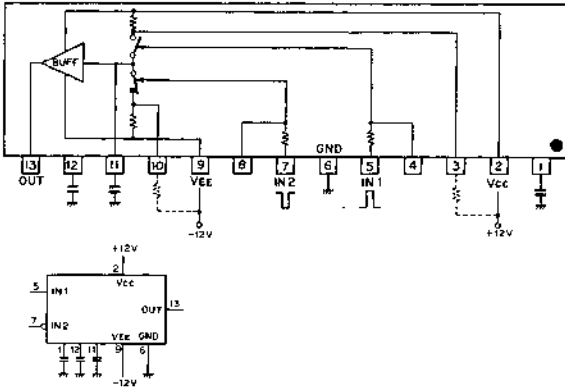
BX365A (SONY)
A7015
VIDEO AMPLIFIER
— SIDE VIEW —



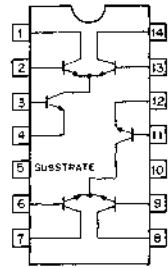
BX3931 (SONY)
BX3931A (SONY)
HYBRID VIDEO WIDEBAND
BUFFER AMPLIFIER
—IMPRINTED SIDE—



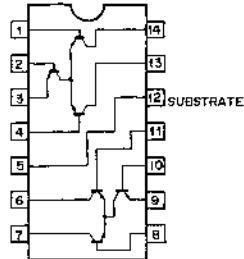
BX381 (SONY)
PHASE COMPARATOR
—SIDE VIEW—



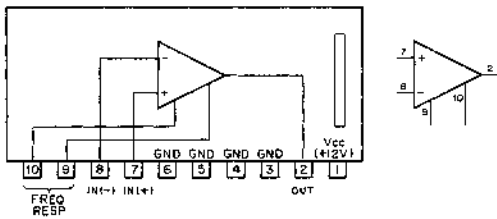
CA3054 (RCA)
DIFFERENTIAL AMPLIFIER
—TOP VIEW—



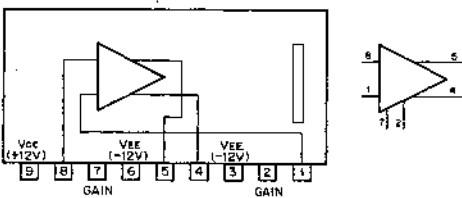
CA3102(RCA)
HIGH FREQ DIFFERENTIAL AMPLIFIER
—TOP VIEW—



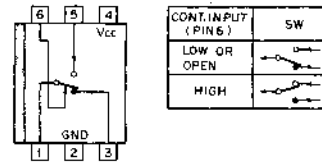
BX1156 (SONY)
BX3929 (SONY)
HYBRID VIDEO RF PREAMPLIFIER
—IMPRINTED SIDE—



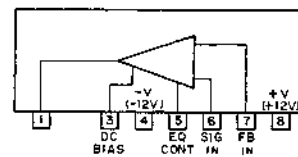
BX3930 (SONY)
HYBRID VIDEO WIDEBAND DIFFERENTIAL AMPLIFIER
—IMPRINTED SIDE—



CX130 (SONY)
CX20080 (SONY)
ANALOG SWITCH
— TOP VIEW —

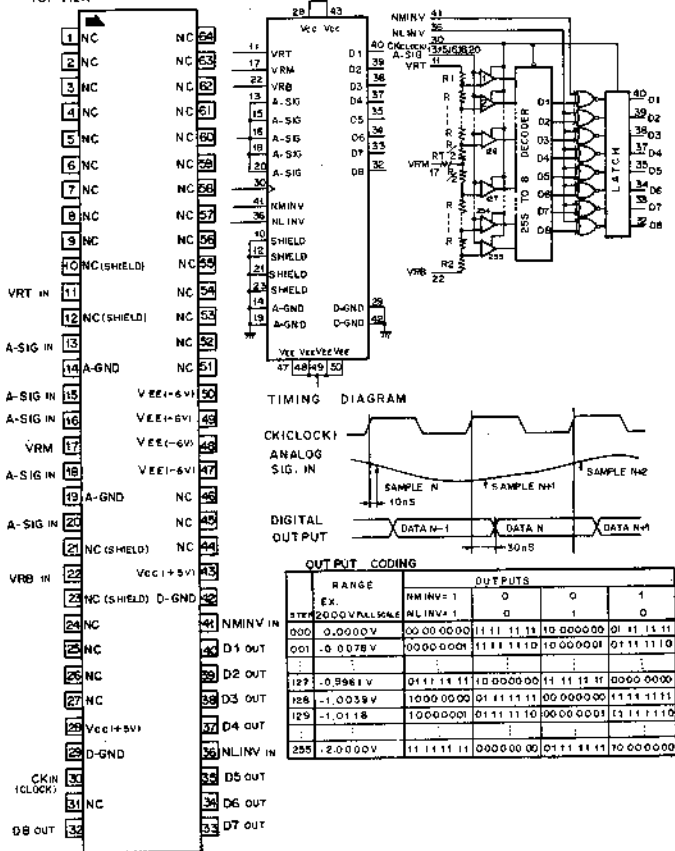


CX550 (SONY)
HA12017 (HITACHI)
AUDIO PREAMPLIFIER
— SIDE VIEW —

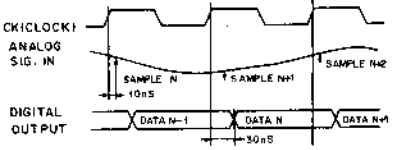


**CX20016 (SONY)
CX20016A (SONY)
CX20016A-2 (SONY)
TDC1007J (TRW)
BIPOLAR/TTL 8-BIT VIDEO A/D CONVERTER**

— TOP VIEW —



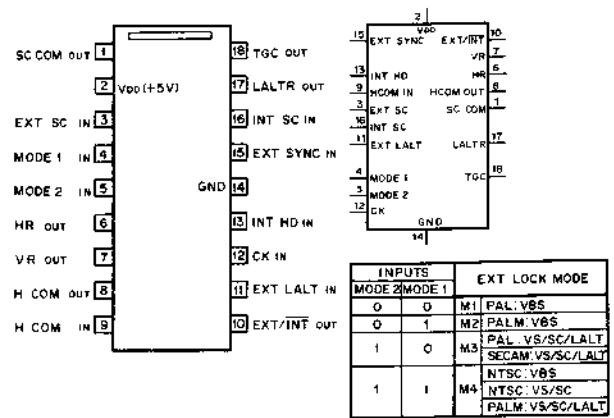
TIMING DIAGRAM



RANGE	OUTPUTS
EX. 200.0000V	0 0 0 0 0 0 0 0
000.0000V	00 00 00 00 11 11 11 11
001.0000V	00 00 00 00 10 00 00 00
002.0000V	01 11 11 11 10 00 00 00
003.0000V	01 11 11 11 10 00 00 00
004.0000V	01 11 11 11 10 00 00 00
005.0000V	01 11 11 11 10 00 00 00
006.0000V	01 11 11 11 10 00 00 00
007.0000V	01 11 11 11 10 00 00 00
008.0000V	01 11 11 11 10 00 00 00
009.0000V	01 11 11 11 10 00 00 00
010.0000V	01 11 11 11 10 00 00 00
011.0000V	01 11 11 11 10 00 00 00
012.0000V	01 11 11 11 10 00 00 00
013.0000V	01 11 11 11 10 00 00 00
014.0000V	01 11 11 11 10 00 00 00
015.0000V	01 11 11 11 10 00 00 00
016.0000V	01 11 11 11 10 00 00 00
017.0000V	01 11 11 11 10 00 00 00
018.0000V	01 11 11 11 10 00 00 00
019.0000V	01 11 11 11 10 00 00 00
020.0000V	01 11 11 11 10 00 00 00
021.0000V	01 11 11 11 10 00 00 00
022.0000V	01 11 11 11 10 00 00 00
023.0000V	01 11 11 11 10 00 00 00
024.0000V	01 11 11 11 10 00 00 00
025.0000V	01 11 11 11 10 00 00 00

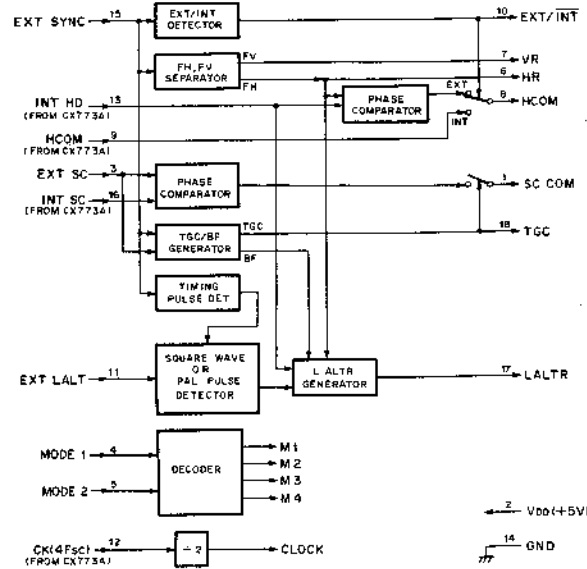
**CX7903 (SONY)
C-MOS GENLOCK DRIVER FOR CX773A**

— TOP VIEW —



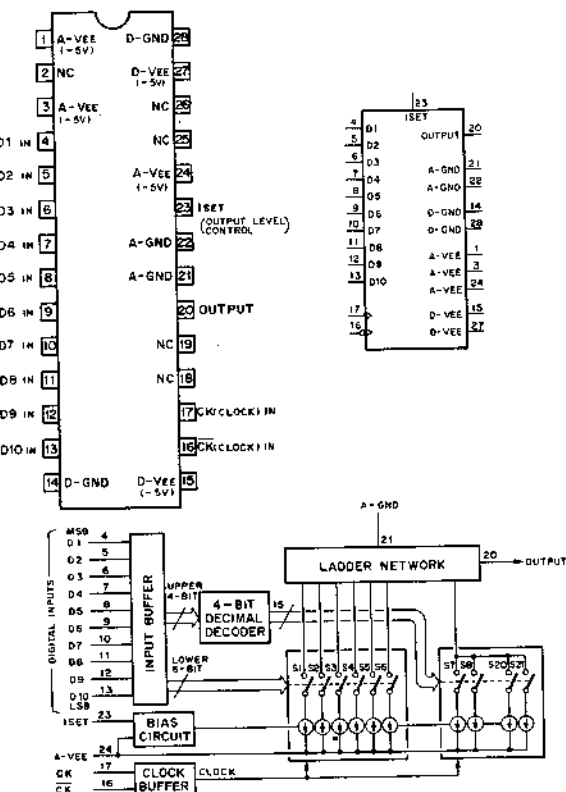
INPUTS		EXT LOCK MODE	
MODE 2	MODE 1	M1	M2
0	0	M1	PAL VBS
0	1	M2	PALM VBS
1	0	M3	PAL VS/SC/LALT
1	1	M4	NTSC VS/SC
			PALM VS/SC/LALT

0 : LOW LEVEL
1 : HIGH LEVEL

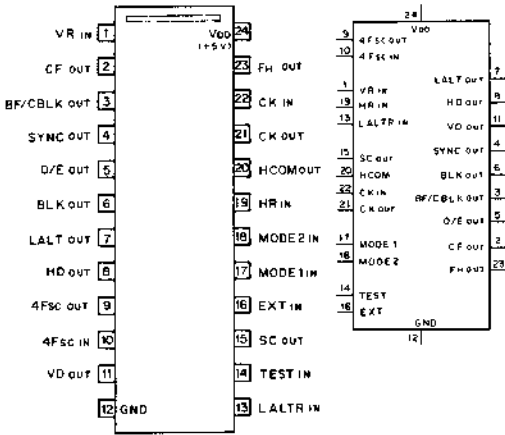


**CX20051 (SONY)
CX20051A (SONY)
10-BIT D/A CONVERTER (JECL INPUT)**

— TOP VIEW —



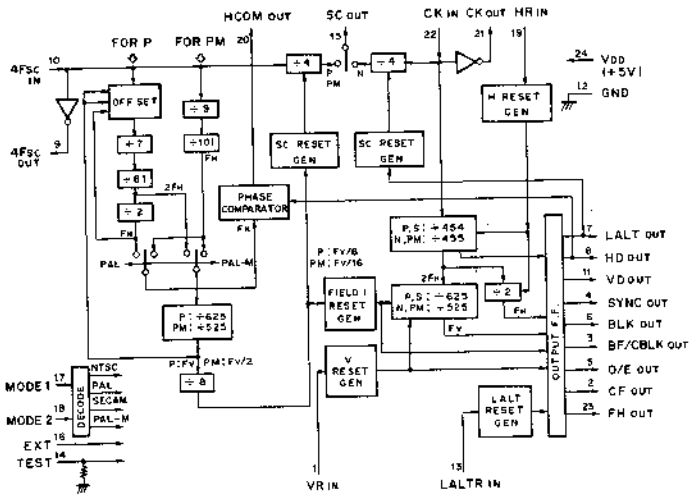
CX773A (SONY)
 CX773A-1 (SONY)
 CX773B (SONY)
 CMOS SYNC GENERATOR (NTSC, PAL-M, PAL, SECAM)
 - TOP VIEW -



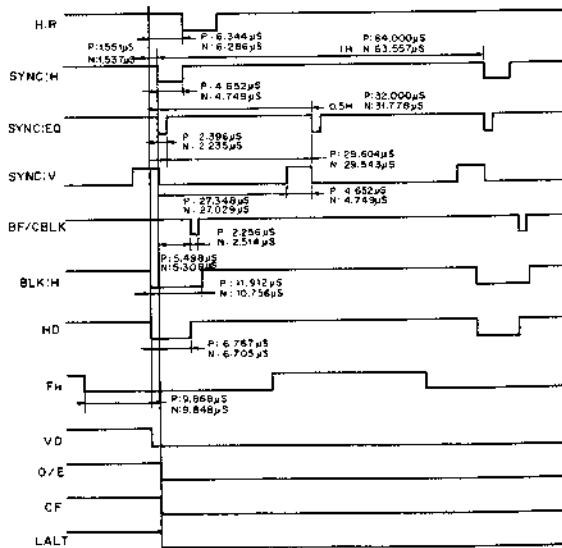
O/E : ODD/EVEN FIELD
 CF : COLOR FRAME PULSE
 HCOM : H COMPARATOR

SYSTEM	4Fsc	CLOCK	MODE1	MODE2	SYSTEM	EXT	TEST	FUNCTION
NTSC	910 FH	910 FH	0	0	NTSC	0	0	INTERNAL
PAL	1135 FH + 2FV	908 FH	0	1	SECAM	0	1	INVALID
PALM	908 FH	910 FH	1	0	PALM	1	0	EXT
SECAM		908 FH	1	1	PAL	1	1	TEST

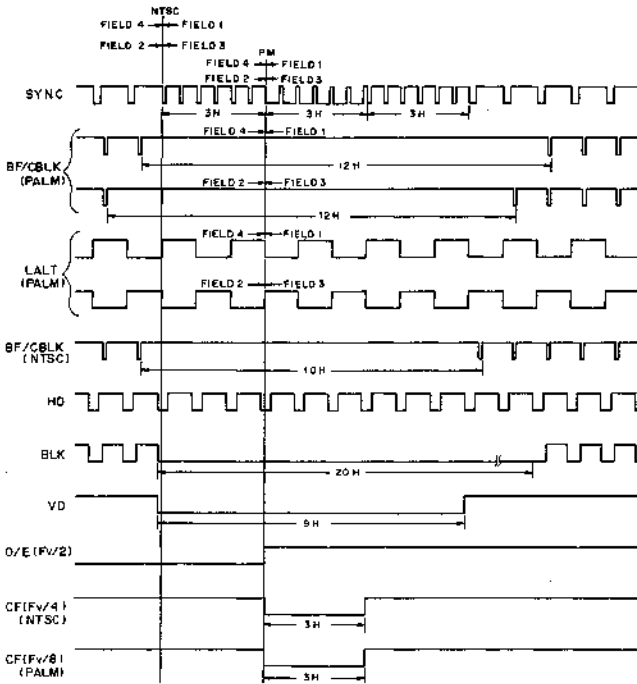
0 : LOW LEVEL (GND)
 1 : HIGH LEVEL (VDD)
 TEST '0' : OPEN (INTERNALLY PULLED DOWN)



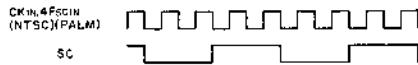
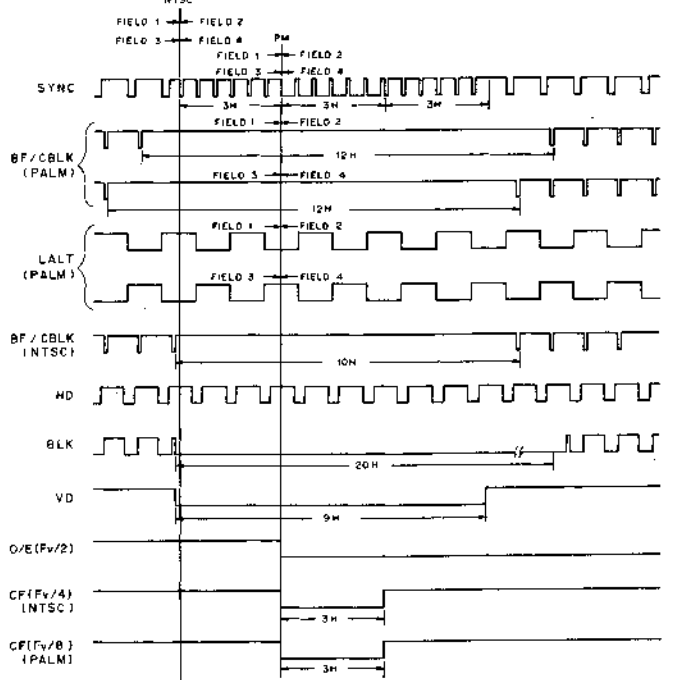
P: PAL, SECAM
 N: NTSC, PALM



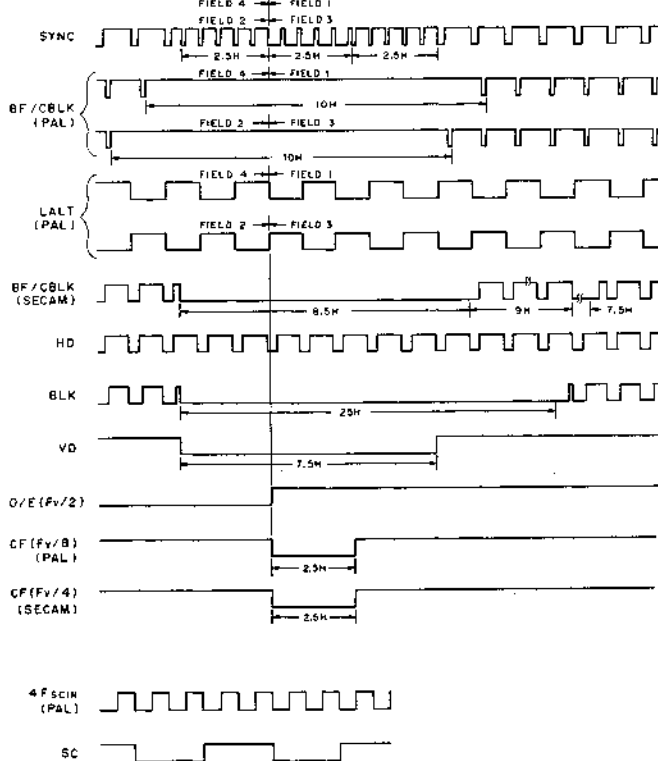
NTSC, PAL-M (FIELD 1,3)



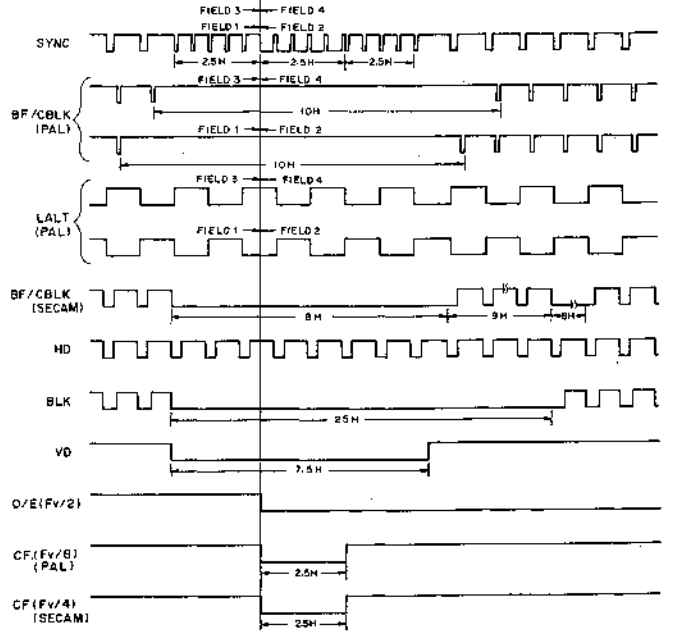
NTSC, PAL-M (FIELD 2,4)



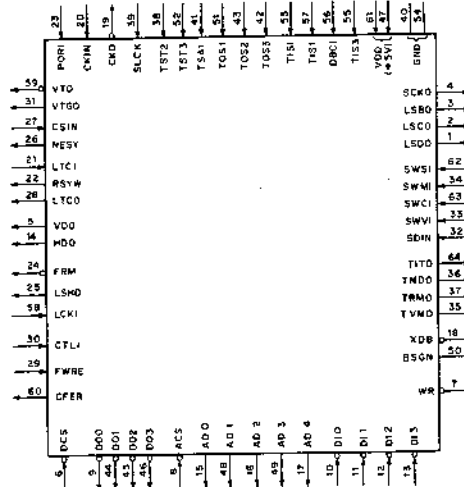
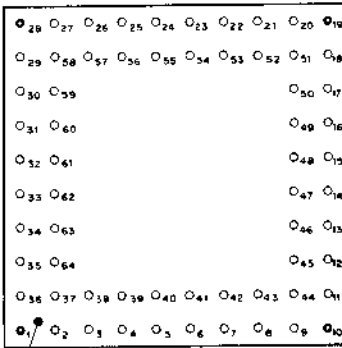
PAL, SECAM (FIELD 1,3)



PAL, SECAM (FIELD 4,2)

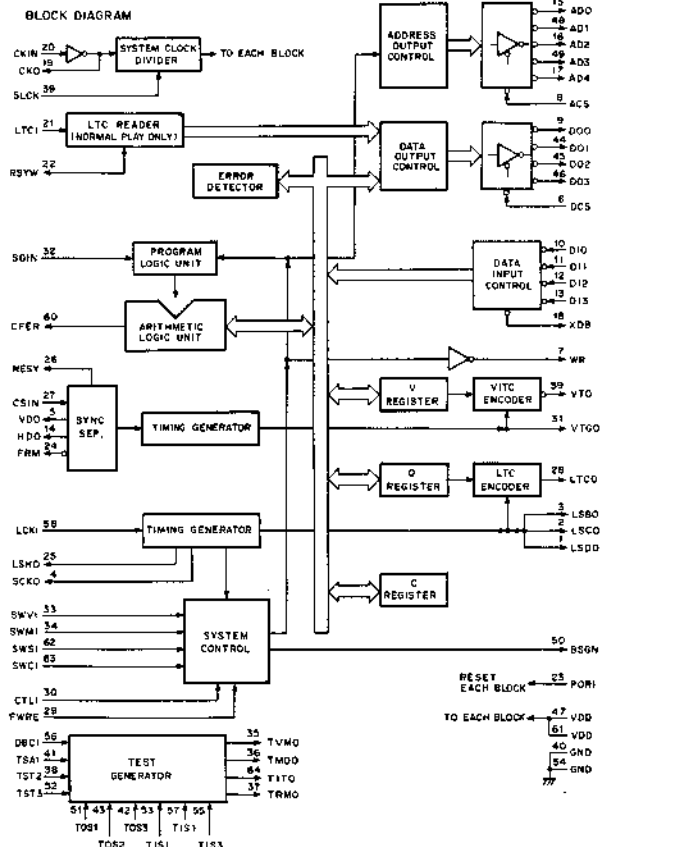


CX7907 (SONY)
 CX7907A (SONY)
 C-MOS TIME CODE GENERATOR
 — TOP VIEW —



PIN ASSIGNMENT

Pin No.	IN	OUT	SYMBOL	Pin No.	IN	OUT	SYMBOL	Pin No.	IN	OUT	SYMBOL	Pin No.	IN	OUT	SYMBOL
1		o	LSBO	17		o	AD4	33	o		SWVI	49		o	AD3
2		o	LSCO	18		o	XDB	34	o		SWMI	50		o	BSGN
3		o	LSBO	19		o	CRD	35	o	o	TVMO	51	o	o	TOS1
4		o	STRG	20	o		CRIN	36	o	o	TRMO	52	o	o	TST2
5		o	VDD	21	o		LTCI	37	o	o	TRMO	53	o	o	TIS1
6	o		DCS	22	o	o	RSYW	38	o	o	TST2	54	o	o	GND
7		o	WR	23	o	o	PORI	39	o	o	SLCK	55	o	o	TIS3
8	o		ACS	24	o	o	PRM	40	o	o	GND	56	o	o	DBCI
9		o	DO0	25	o	o	LSHO	41	o	o	TSR1	57	o	o	TIS1
10	o		DIO	26	o	o	NESY	42	o	o	TOS2	58	o	o	LCKI
11	o		D11	27	o	o	CSIN	43	o	o	AD2	59	o	o	VDD
12	o		D12	28	o	o	LTCO	44	o	o	DO1	60	o	o	CFER
13	o		D13	29	o	o	HDO	45	o	o	DO2	61	o	o	VDD(+5V)
14	o		HDO	30	o	o	AD1	46	o	o	DO3	62	o	o	SWSI
15	o		ADD	31	o	o	VDDO	47	o	o	VDD(+5V)	63	o	o	SWCI
16	o		AD2	32	o	o	SDIN	48	o	o	AD1	64	o	o	TITO



FUNCTIONAL PIN DEFINITION

Pin No.	SYMBOL	DESCRIPTION
8	ACS	ADDRESS LINE CHIP SELECT INPUT
15	AD0	ADDRESS LINE CHIP SELECT INPUT
48	AD1	ADDRESS DATA OUTPUT
16	AD2	ADDRESS DATA OUTPUT
49	AD3	ADDRESS DATA OUTPUT
17	AD4	ADDRESS DATA OUTPUT
50	BSGN	BUSY GENERATOR OUTPUT
CFER	COLOR FRAME ERROR FLAG OUTPUT	
20	CKIN	SYSTEM CLOCK INPUT
19	CRD	CLOCK OUTPUT
27	CSIN	COMPOSITE SYNC INPUT
30	CTDI	CTL(DITHER) SIGNAL INPUT (1)
6	DCS	DATA LINE CHIP SELECT INPUT (NEGATIVE-LOGIC)
10	DIO	
11	D11	DATA BUS INPUT (NEGATIVE-LOGIC)
12	D12	
13	D13	
9	DO0	
44	DO1	DATA BUS OUTPUT (NEGATIVE-LOGIC)
30	DO2	
46	DO3	
24	FRM	FRAME SIGNAL OUTPUT (NEGATIVE-LOGIC)
14	HDO	HORIZONTAL SYNC DRIVE OUTPUT
58	LCKI	LTC CLOCK INPUT (SMPT-E 9.6kHz/PBU 8kHz)
3	LSBO	LTC SYNCHRONOUS SIGNAL B OUTPUT
2	LSCO	LTC SYNCHRONOUS SIGNAL C OUTPUT
1	LSDO	LTC SYNCHRONOUS SIGNAL D OUTPUT
25	LSHO	LTC SYNCHRONOUS SIGNAL H OUTPUT
21	LTCI	LTC INPUT
28	LTCO	LTC SIGNAL OUTPUT
26	NESY	LOST-SYNC FLAG OUTPUT
23	PORI	POWER ON RESET INPUT
22	RSYM	READ SYNC WORD OUTPUT
4	SCKO	SWITCHES SIGNAL IN CLOCK OUTPUT
32	SDIN	SERIAL DATA INPUT
39	SLCK	SELECT CLOCK INPUT
63	SWCI	SWITCHES SIGNAL C INPUT
34	SWMI	SWITCHES SIGNAL M INPUT
62	SWSI	SWITCHES SIGNAL S INPUT
33	SWVI	SWITCHES SIGNAL V INPUT
5	VDD	VERTICAL SYNC DRIVE OUTPUT
31	VDDO	VITC GATE SIGNAL OUTPUT
59	VDD	VITC SIGNAL OUTPUT (NEGATIVE-LOGIC)
7	WR	WRITE SIGNAL OUTPUT (NEGATIVE-LOGIC)
18	XDB	EXTERNAL DATA BUS IN FLAG OUTPUT (NEGATIVE-LOGIC)
47	VDD	POWER LINE (+5V)
40	GND	GND LINE
54	GND	GND LINE
56	DBCI	
57	TIS1	
55	TIS3	
53	TIS1	
51	TOS1	TEST INPUT (TO BE CONNECTED WITH GND)
43	TOS2	
42	TOS3	
41	TSR1	
38	TST2	
52	TST3	
44	TITO	
36	TNDO	TEST OUTPUT (TO BE LEFT OPEN)
37	TRMO	
35	TVMO	

#32 SDIN

LSDO	LSCO	LSBO	SDIN	FUNCTION
0	0	0	0	INCREASE IN BIT 'FR OF U1'
0	0	0	1	INCREASE IN BIT 'FT OF U2'
0	0	1	0	INCREASE IN BIT 'SE OF U3'
0	0	1	1	INCREASE IN BIT 'ST OF U4'
0	1	0	0	INCREASE IN BIT 'MN OF U5'
0	1	0	1	INCREASE IN BIT 'MT OF U6'
0	1	1	0	INCREASE IN BIT 'HR OF U7'
0	1	1	1	INCREASE IN BIT 'HT OF U8'

NOTE: INFLUENCED BIT IS DECIDED BY FIRST 2 BITS OF SWCI.

#62 SWSI

LSDO	LSCO	LSBO	SWSI	FUNCTION
0	0	0	FBS1*	VITC FIELD MARK/ LTC PHASE CORRECTION POSITION SELECT
0	0	1	FBS2*	VITC FIELD MARK/ LTC PHASE CORRECTION POSITION SELECT
0	1	0	FBS3*	VITC FIELD MARK/ LTC PHASE CORRECTION POSITION SELECT
0	1	1	0	PHASE CORRECTION ON
0	1	1	1	PHASE CORRECTION OFF
1	0	0	S1**	SIGNAL FORMAT SELECT
1	0	1	S2**	SIGNAL FORMAT SELECT
1	1	0	S4**	SIGNAL FORMAT SELECT
1	1	1	X	X; DON'T CARE.

#63 SWCI

LSBO	LSCO	LSBO	SWCI	FUNCTION
0	0	0	0	U-BIT IN/OUT DATA SELECT*1
0	0	0	1	TIME DATA SELECT*1
0	0	1	0	CTL DATA SELECT*1
0	0	1	1	TIME/U-BIT
0	1	0	0	DATA RESET ON*2
0	1	0	1	DATA RESET OFF
0	1	1	0	TIME DATA LOAD
0	1	1	1	TIME DATA RTN
1	0	0	0	EXTERNAL DATA LOAD*2
1	0	0	1	EXTRAPOLATION ON
1	0	1	0	EXTRAPOLATION OFF
1	1	0	1	X
1	1	1	X	X

#33 SWVI

LSDO	LSCO	LSBO	SWVI	FUNCTION
0	0	0	SW1A†	VITC POSITION SELECT A
0	0	1	SW1B†	VITC POSITION SELECT A
0	1	0	SW1C†	VITC POSITION SELECT B
0	1	1	SW1D†	VITC POSITION SELECT B
1	0	0	SW2A†	VITC POSITION SELECT B
1	0	1	SW2B†	VITC POSITION SELECT B
1	1	0	SW2C†	VITC POSITION SELECT B
1	1	1	SW2D†	VITC POSITION SELECT B

*: VITC FIELD MARK/LTC PHASE CORRECTION POSITION SELECT

FBS3	FBS2	FBS1	FIELD MARK POSITION	LTC BIT No.
0	0	0	AS1	10
0	0	1	AS2	11
0	1	0	AS3	27
0	1	1	AS4	43
1	0	0	AS5	58
1	0	1	AS6	59
1	1	0	-	-
1	1	1	-	-

NOTE: LTC PHASE CORRECTION BIT OF CX7907 IS FIXED ON BIT-63.

** : SIGNAL FORMAT SELECT

S4	S2	S1	FORMAT	FRAME
0	0	0	FILM	24
0	0	1	NOT ALLOWED	-
0	1	0	PAL/SECAM	25
0	1	1	NOT ALLOWED	-
1	1	0	NTSC NDP	30
1	1	1	NTSC DF	30

DF: DROP FRAME
NDP: NON DROP FRAME
X: DON'T CARE.

0: LOW LEVEL
1: HIGH LEVEL

†: VITC POSITION SELECT

SW1D	SW1C	SW1B	SW1A	INSERTION LINE
SW2D	SW2C	SW2B	SW2A	NTSC PAL/SECAM
0	0	0	0	LINE 25
0	0	0	1	LINE 22, 315
0	0	1	0	21
0	0	1	1	22
0	1	0	0	21
0	1	0	1	20
0	1	1	0	12
0	1	1	1	18
1	0	0	0	17
1	0	0	1	16
1	0	1	0	15
1	0	1	1	14
1	1	0	0	13
1	1	0	1	12
1	1	1	0	11
1	1	1	1	10

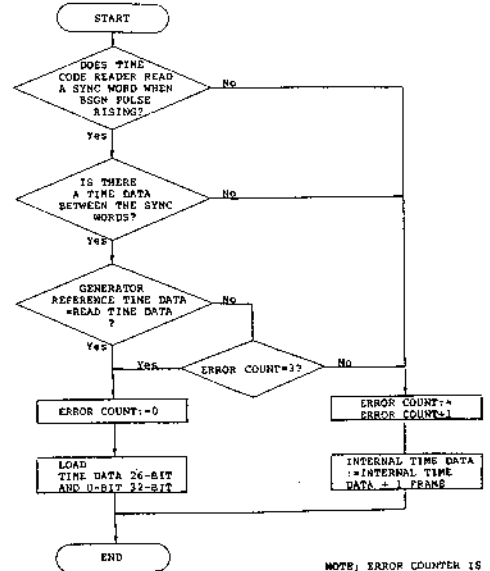
#34 SWMI

LSDO	LSCO	LSBO	SWMI	FUNCTION
0	0	0	X	INSERT SWMI DATA INTO BIT 'AS1' (NEGATIVE-LOGIC)
0	0	1	X	INSERT SWMI DATA INTO BIT 'AS2' (NEGATIVE-LOGIC)
0	1	0	X	INSERT SWMI DATA INTO BIT 'AS3' (NEGATIVE-LOGIC)
0	1	1	X	INSERT SWMI DATA INTO BIT 'AS4' (NEGATIVE-LOGIC)
1	0	0	X	INSERT SWMI DATA INTO BIT 'AS5' (NEGATIVE-LOGIC)
1	0	1	X	INSERT SWMI DATA INTO BIT 'AS6' (NEGATIVE-LOGIC)
1	1	0	0	COLOR FRAME LOCK IN FIELD 1
1	1	1	0	COLOR FRAME OFF
1	1	1	1	COLOR FRAME ON

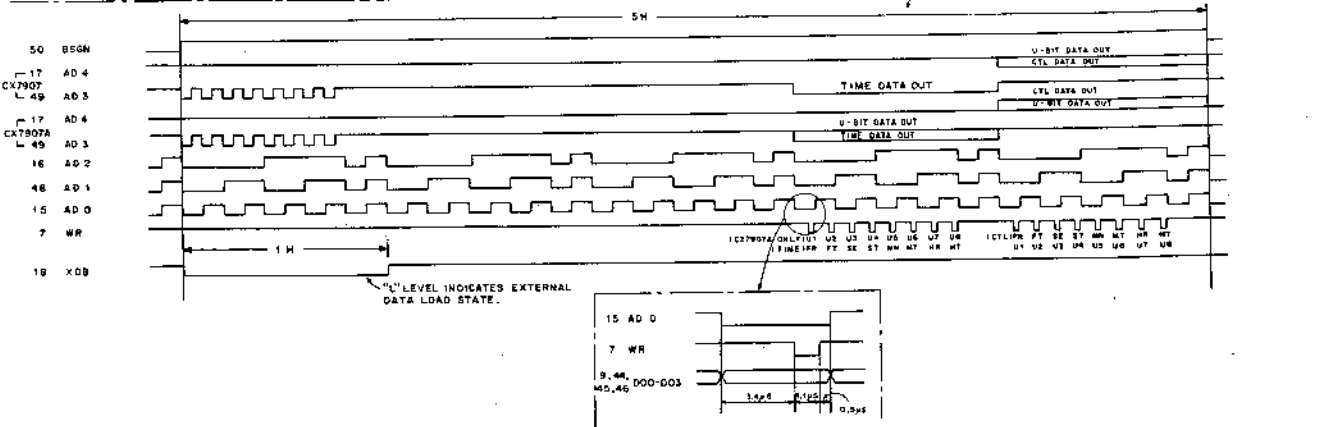
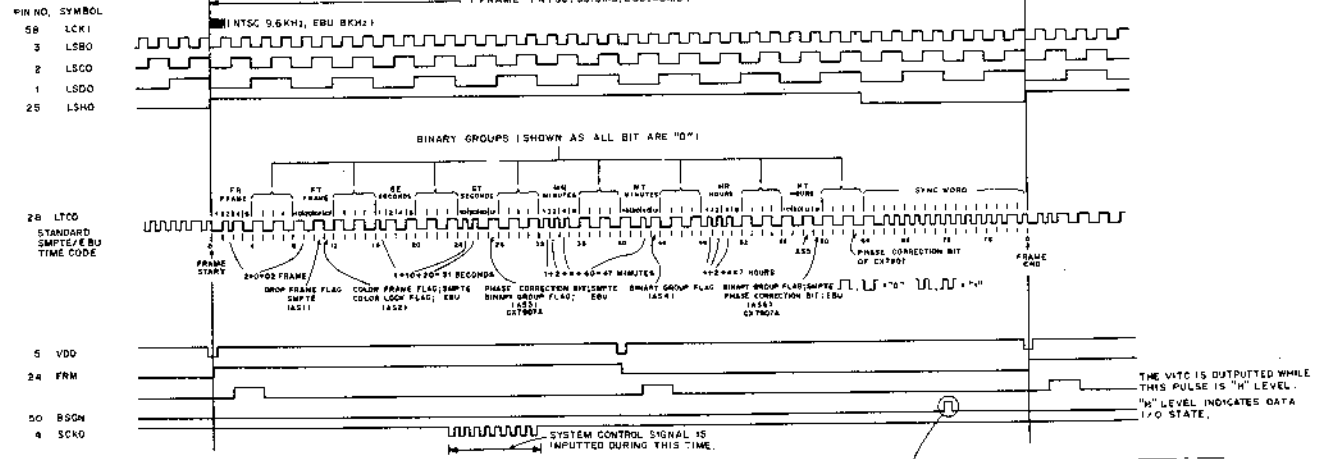
X: DON'T CARE.

X: DON'T CARE.
*1: REFER TO TIMING CHART (DATA OUT).
*2: INFLUENCED DATA IS DECIDED BY FIRST 2 BITS OF SWCI.

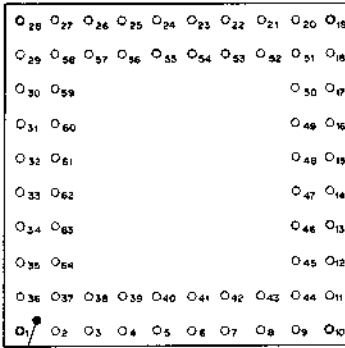
ERROR BYPASS ALGORITHM



TIMING CHART



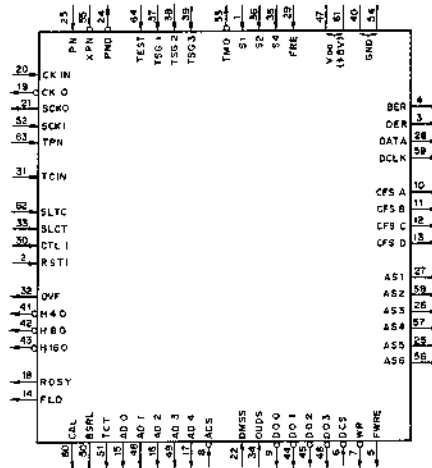
CX7912 (SONY)
CX7912A (SONY)
C-MOS TIME CODE READER
— TOP VIEW —



INDEX DOT

PIN ASSIGNMENT

PIN NO.	IN	OUT	SYMBOL	PIN NO.	IN	OUT	SYMBOL	PIN NO.	IN	OUT	SYMBOL
1	○	ST	17	○	AD 4	33	○	SLCT	49	○	AD 3
2	○	RST1	18	○	AD5	34	○	QU05	50	○	BSRL
3	○	DER	19	○	CK 0	35	○	54	51	○	TCT
4	○	BER	20	○	CK IN	36	○	92	52	○	SK1
5	○	FWRE	21	○	SK0	37	○	TS0 1	53	○	TMO
6	○	OC5	22	○	DMS5	38	○	TS0 2	54	○	END
7	○	WR	23	○	PN	39	○	TEG 3	55	○	XPN
8	○	ACS	24	○	PND	40	○	GND	56	○	AS6
9	○	DO 0	25	○	AS5	41	○	H4 0	57	○	AS4
10	○	CFS A	26	○	AS3	42	○	H8 0	58	○	AS2
11	○	CFS B	27	○	AS1	43	○	H16 0	59	○	DCLK
12	○	CFS C	28	○	DATA	44	○	DO 1	60	○	CAL
13	○	CFS D	29	○	FRE	45	○	DO 2	61	○	VDDP5V1
14	○	FLD	30	○	CTL 1	46	○	DO3	62	○	SLTC
15	○	AD 0	31	○	TC IN	47	○	VDDP5V2	63	○	TPN
16	○	AD 2	32	○	OVF	48	○	AD 1	64	○	TEST



MODE SELECT

SLCT	SLYC	MODE
0	0	AUTO
0	1	TIME CODE
1	0	CFL
1	1	AUTO

CTL COUNT

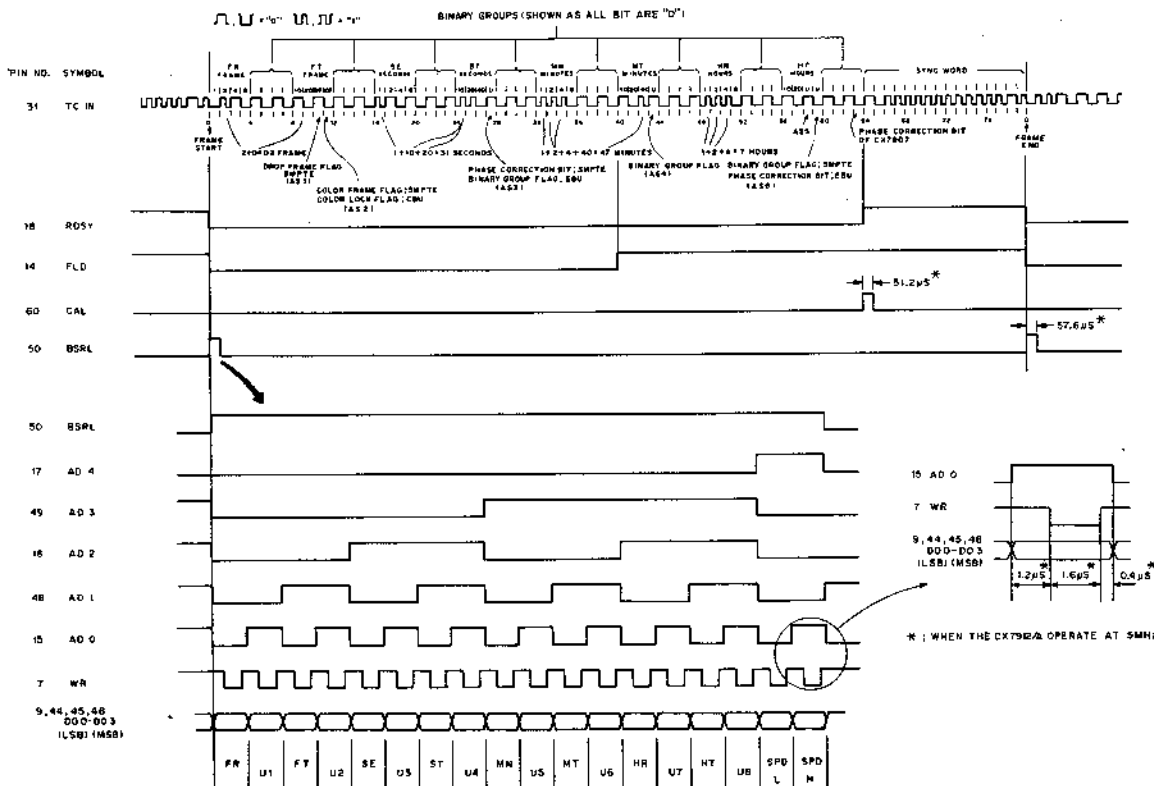
RST1	AST1	COUNT
0	X	DOWN COUNT
1	X	UP COUNT
X	X	RESET

SIGNAL FORMAT SELECT

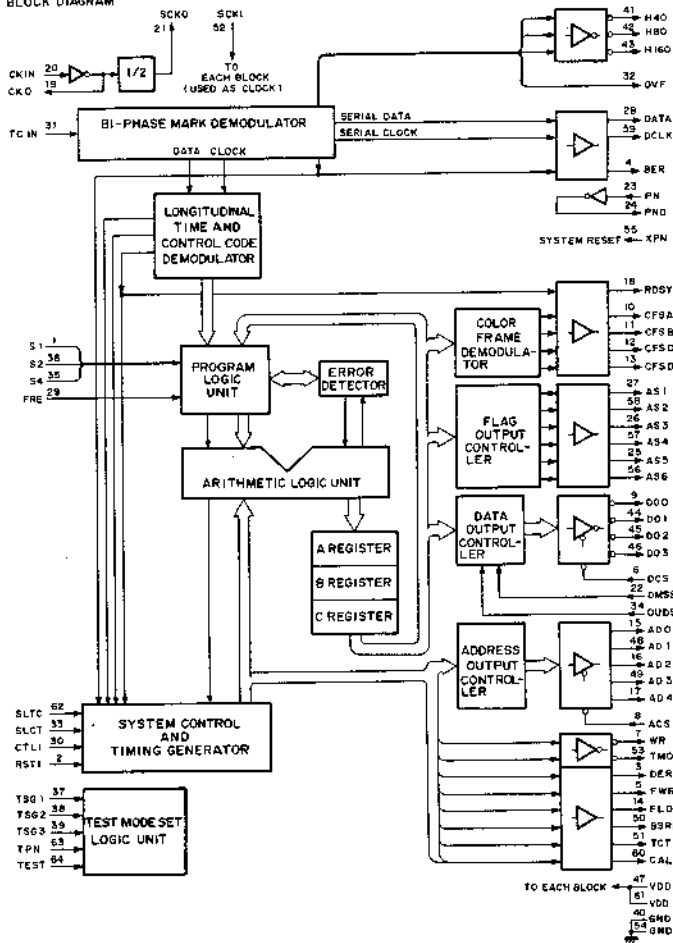
S4	S2	S1	FORMAT	FRAME
0	0	0	FILM	24
0	0	1		
0	1	0	NOT ALLOWED	
0	1	1		
1	0	0	PAL SECAM	25
1	0	1	NOT ALLOWED	
1	1	0	NTSC (NON-DROP FRAME)	30
1	1	1	NTSC (DROP FRAME)	30

0: LOW LEVEL
1: HIGH LEVEL
X: DON'T CARE

TIMING CHART



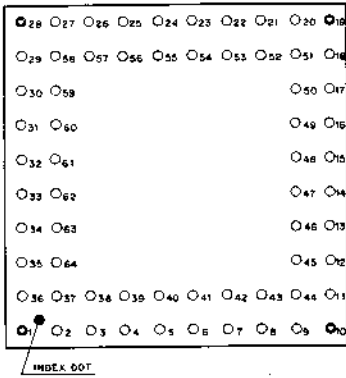
BLOCK DIAGRAM



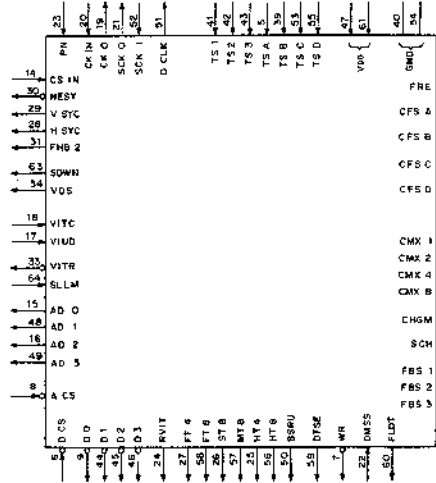
FUNCTIONAL PIN DEFINITION

Pin No.	SYMBOL	DESCRIPTION	
8	ACS	ADDRESS LINE OUTPUT ENABLE (NEGATIVE-LOGIC)	
15	AD0	ADDRESS DATA OUTPUT	
16	AD1		
17	AD2		
18	AD3		
19	AD4		
26	AS1	PARALLEL DATA OUTPUT	
27	AS2		
28	AS3		
29	AS4		
30	AS5		
4	BER	BI-PHASE MARK ERROR (8BIT ERROR) OUTPUT	
23	PN	DATA OUT FLAG OUTPUT	
24	PND	CALCULATE OUT FLAG OUTPUT	
55	XPN	DEMULATED COLOR FRAME OUTPUT	
10	CPSA		
11	CPSB		
12	CPSB		
13	CPSD	CLOCK INPUT	
20	CKIN		
19	CKO		
30	CTL1		
28	DATA		
59	DCLK		
6	DCS		DATA LINE OUTPUT ENABLE (NEGATIVE-LOGIC)
3	DBR		DEMULATED DATA ERROR OUTPUT
22	DMSE		ASSIGNED DATA SELECT
9	DO0		DATA OUTPUT (NEGATIVE-LOGIC)
44	DO1		
45	DO2		
46	DO3		
14	FLD	FIELD DATA OUTPUT	
29	FRE	CTL DIRECTION SIGNAL INPUT	
5	FNRE	DEMULATED DIRECTION SIGNAL OUTPUT	
41	H40	SPEED RANGE FLAG 4 OUTPUT (NEGATIVE-LOGIC)	
42	H80	SPEED RANGE FLAG 8 OUTPUT (NEGATIVE-LOGIC)	
43	H160	SPEED RANGE FLAG 16 OUTPUT (NEGATIVE-LOGIC)	
34	OUDE	ERROR BYPASS ON/OFF SELECT	
32	OVF	OVERFLOW FLAG OUTPUT	
23	PN	POWER ON SIGNAL INPUT	
24	PND	POWER ON SIGNAL OUTPUT (NEGATIVE-LOGIC)	
18	RDSY	READ SYNC WORD DATA OUTPUT	
2	RST1	CTL TIMER RESET INPUT (1)	
1	S1	SIGNAL FORMAT SELECT S1	
36	S2	SIGNAL FORMAT SELECT S2	
35	S4	SIGNAL FORMAT SELECT S4	
52	SCT1	SYSTEM CLOCK INPUT	
21	SCKO	SYSTEM CLOCK OUTPUT	
33	SLCT	SELECT CTL INPUT	
62	SLPC	SELECT LTC INPUT	
62	SR	SYSTEM RESET SIGNAL INPUT (NEGATIVE-LOGIC)	
31	TCIN	LONGITUDINAL TIME AND CONTROL CODE INPUT	
51	TCT	INPUT SELECT FLAG OUTPUT	
53	TMO	TIME OVER SIGNAL OUTPUT (NEGATIVE-LOGIC)	
7	NR	WRITE SIGNAL OUTPUT (NEGATIVE-LOGIC)	
47	VDD	POWER LINE (+5V)	
61	VDD	GND LINE	
40	GND		
54	GND		
54	TEST	TEST MODE SET INPUT (TO BE CONNECTED WITH GND)	
63	TPN		
37	TSG1		
38	TSG2		
55	TSG3		

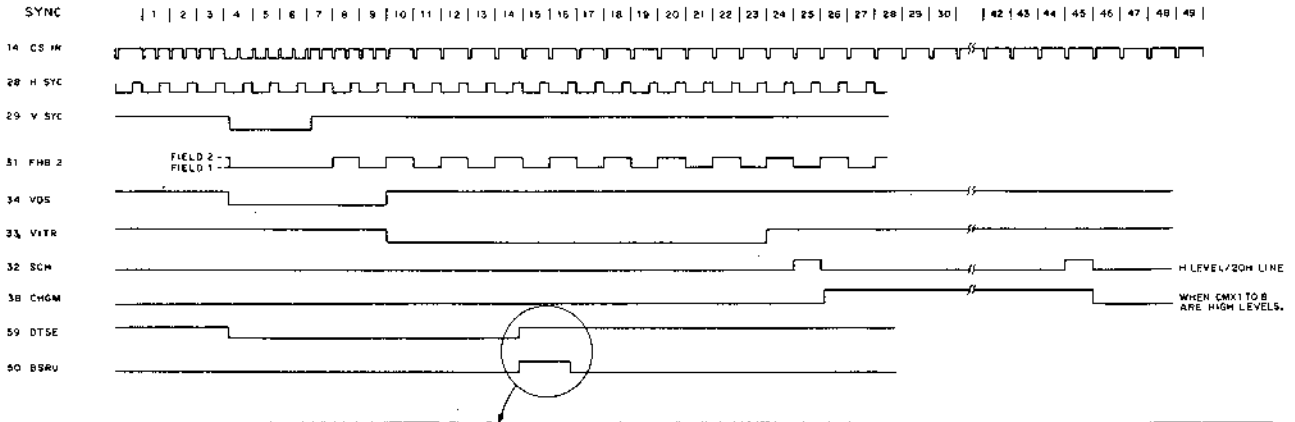
CX7913 (SONY)
C-MOS VITC (VERTICAL INTERVAL TIME CODE) READER
- TOP VIEW -



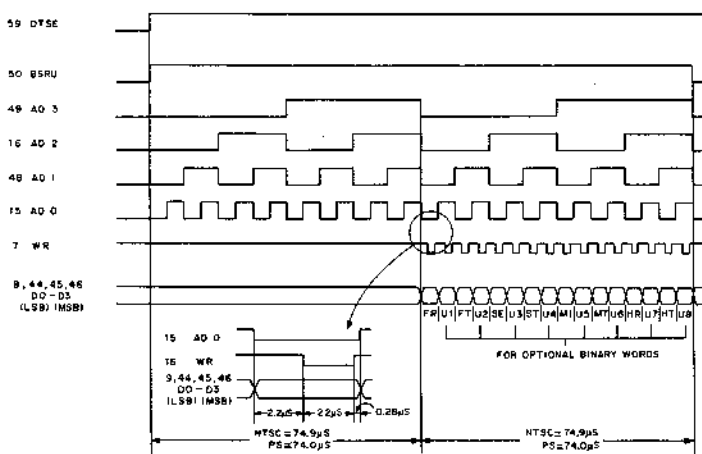
PIN NO.	IN	OUT	SYMBOL	PIN NO.	IN	OUT	SYMBOL	PIN NO.	IN	OUT	SYMBOL	PIN NO.	IN	OUT	SYMBOL
1			CMX 1	17			VIUD	33			VITR	49			AD 3
2			CMX 2	18			VITC	34			VDS	50			BSRU
3			CMX 4	19			CK 0	35			FBS 3	51			D CLK
4			CMX 6	20			CK IN	36			FBS 1	52			SCK 1
5			TS A	21			SCK 0	37			FBS 2	53			TS C
6			D C S	22			DMSS	38			CHGM	54			GND
7			WR	23			PN	39			TS B	55			TS 0
8			A C S	24			RVIT	40			GRD	56			MT B
9			D 0	25			MT A	41			TS 1	57			MT B
10			CFS A	26			ST B	42			TS 2	58			FT B
11			CFS B	27			PT A	43			TS 3	59			DTSE
12			CFS C	28			H SYNC	44			D 1	60			FLDT
13			CFS D	29			V SYNC	45			D 2	61			VDD+5V
14			CS IN	30			NEST	46			D 3	62			FRE
15			AD 0	31			FHB 2	47			WDD+5V	63			SOWN
16			AD 2	32			SCH	48			AD 1	64			SLLM



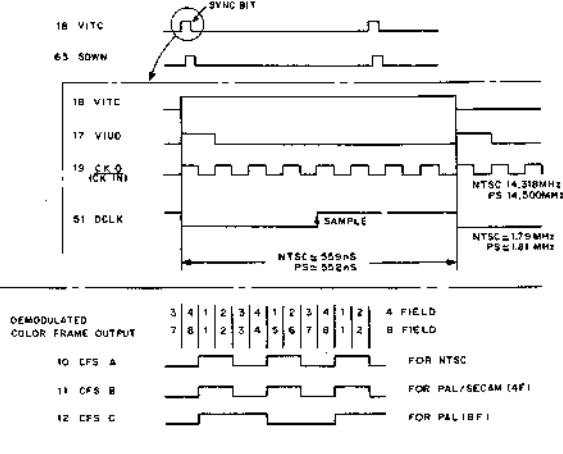
TIMING CHART



DATA OUTPUT



DEMODULATED



#36,37,35 FBS1-FBS3 FIELD BIT DATA SELECT

FBS 3	FBS 2	FBS 1	#60 FLDT. OUTPUTS
0	0	0	FT 4
0	0	1	FT 8
0	1	0	ST 8
0	1	1	MT 8
1	0	0	HT 4
1	0	1	HT 8
1	1	0	---
1	1	1	---

#1,2,3,4 CHARACTER MIX TIMING SELECT

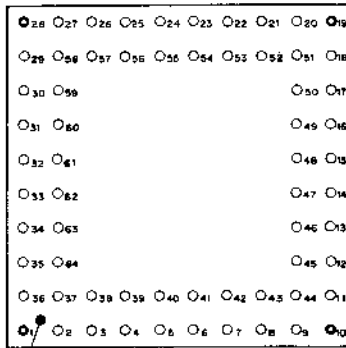
CMX 4	CMX 3	CMX 2	CMX 1	INSERTION LINES#38 CMCM IS HIGH	
				NTSC	PAL/SECAM
0	0	0	0	---	---
0	0	0	1	---	---
0	0	1	0	---	---
0	0	1	1	---	283-282, 575-554
0	1	0	0	246-245	245-242, 555-574
0	1	0	1	226-245	223-242, 535-554
0	1	1	0	206-225	203-222, 515-534
0	1	1	1	186-205	183-202, 495-514
1	0	0	0	166-185	163-182, 475-494
1	0	0	1	146-165	143-162, 455-474
1	0	1	0	126-145	123-142, 435-454
1	0	1	1	106-125	103-122, 415-434
1	1	0	0	86-105	83-102, 395-414
1	1	0	1	66-85	63-82, 375-394
1	1	1	0	46-65	43-62, 355-374
1	1	1	1	26-45	23-42, 335-354

NOTE 0, LOW LEVEL
1, HIGH LEVEL

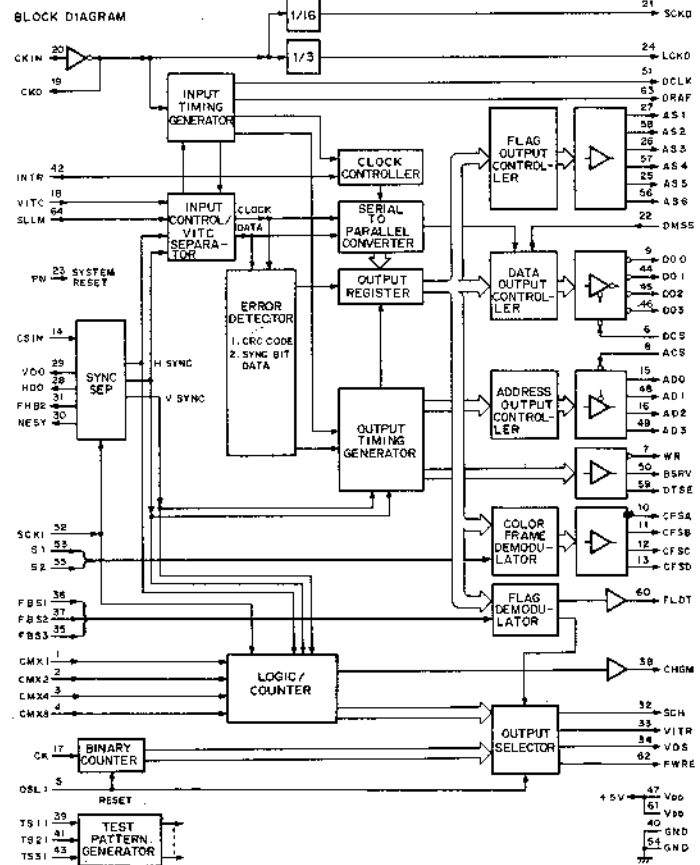
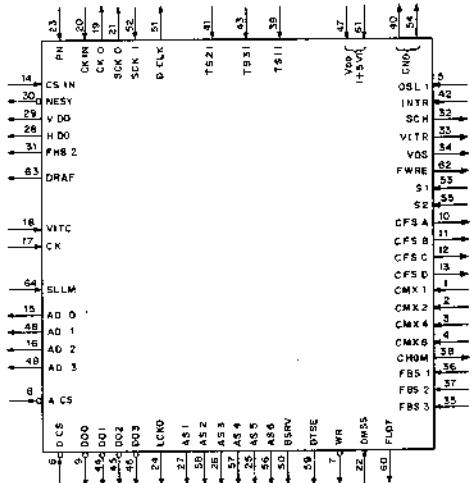
FUNCTIONAL PIN DEFINITION

Pin No.	SYMBOL	DESCRIPTION
8	ACS	ADDRESS LINE CHIP SELECT INPUT (NEGATIVE LOGIC)
15	AD 0	ADDRESS LINE
48	AD 1	
46	AD 2	
49	AD 3	
90	BSRU	DATA BUS OUTPUT STATE
10	DFS A	DEMODULATED COLOR FRAME OUTPUT
11	DFS B	
12	DFS C	
13	DFS D	
38	CHGM	CHARACTER MIX GATE SIG OUTPUT
39	CK IN	CLOCK IN
19	CK D	CLOCK OUT
1	CMX 1	CHARACTER MIX TIMING SELECT INPUT
2	CMX 2	
3	CMX 3	
4	CMX 4	
14	CS IN	COMPOSITE SYNC IC SYNC INPUT
51	D CLK	DATA SAMPLING CLOCK OUTPUT
6	D CS	DATA LINE CHIP SELECT (NEGATIVE LOGIC)
22	DMSS	DATA MIX SEPARATE SELECT INPUT
9	D 0	PARALLEL OUTPUT DATA LINE (NEGATIVE LOGIC)
46	D 1	
45	D 2	
48	D 3	
69	DTSE	VALID DATA OUTPUT STATE
36	FBS 1	FIELD BIT DATA SELECT
37	FBS 2	
35	FBS 3	
31	FHS 2	1/2 H SYNC OUTPUT
60	FLDT	FIELD BIT DATA OUTPUT
62	FRE	FORWARD/REVERSE OUTPUT (LOW LEVEL, FORWARD)
22	FT 4	SPECIFIED BIT DATA OUTPUT
58	FT 8	
28	H SYNC	
25	HT 4	SPECIFIED BIT DATA OUTPUT
66	HT 8	
57	MT 8	
39	NESY	D SYNC INPUT STATE (NEGATIVE LOGIC)
73	PI	RESET INPUT
24	RVIT	SERIAL OUTPUT DATA LINE
32	SCH	CHARACTER MIX GATE OUTPUT
21	SCK 0	SYSTEM CLOCK OUTPUT (1/16 CLOCK)
52	SCK 1	SYSTEM CLOCK INPUT
63	SDWN	INTERNAL SYNC OUTPUT
64	SLLM	READ SIZE SELECT
26	ST 8	SPECIFIED BIT DATA OUTPUT
34	VDS	INTERNAL SYNC OUTPUT
18	VITC	CLIPPED VIDEO INPUT
33	VITR	VITC READ STATE OUTPUT (NEGATIVE LOGIC)
17	VJUD	CLIPPED VIDEO EDGE INPUT
29	V SYNC	V SYNC OUTPUT
7	WR	WRITE SIGNAL OUTPUT (NEGATIVE LOGIC)
47	VDD	DC +5V SUPPLY
61	VDD	
40	GND	
54	GND	
41	TS 1	GROUND REFERENCE
42	TS 2	
43	TS 3	
5	TS A	
28	TS B	TEST INPUT (CONNECT WITH GND)
63	TS C	
35	TS D	
36	TS D	

CX7913A (SONY)
C-MOS VITC (VERTICAL INTERVAL TIME CODE) READER
- TOP VIEW -



Pin No.	In	Out	Symbol	Pin No.	In	Out	Symbol	Pin No.	In	Out	Symbol	Pin No.	In	Out	Symbol
1			CMX 1	17			CK	33			VITR	49			AD3
2			CMX 2	18			VITC	34			VDS	50			BSRV
3			CMX 4	19			CK 0	35			FBS 3	51			D CLK
4			CMX 8	20			CK IN	36			FBS 1	52			SK 1
5			OSL 1	21			SK 0	37			FBS 2	53			S1
6			D CS	22			DMSS	38			CHGM	54			GND
7			WR	23			PN	39			TS11	55			S2
8			A CS	24			LCKO	40			GND	56			AS6
9			DO 0	25			AS5	41			TS21	57			AS4
10			CFS A	26			AS3	42			INTR	58			AS2
11			CFS B	27			AS1	43			TS31	59			DTSE
12			CFS C	28			VDO	44			DO 1	60			FLDT
13			CFS D	29			VDD	45			DO 2	61			YMK(+5V)
14			CS IN	30			NESY	46			DO 3	62			FWRE
15			AD 0	31			FHB 2	47			YMK(+5V)	63			DRAF
16			AD 2	32			SCH	48			AD 1	64			SLLM



FUNCTIONAL PIN DEFINITION

Pin No.	SYMBOL	DESCRIPTION
8	ACS	ADDRESS LINE ENABLE INPUT
15	AD0	ADDRESS LINE ENABLE INPUT
48	AD1	ADDRESS DATA OUTPUT
16	AD2	ADDRESS DATA OUTPUT
49	AD3	ADDRESS DATA OUTPUT
27	AS1	PARALLEL DATA OUTPUT
58	AS2	
26	AS3	
57	AS4	
25	AS5	
56	AS6	
50	BSRV	DATA OUT FLAG OUTPUT
11	CFS A	DEMODULATED COLOR FRAME OUTPUT
12	CFS C	
13	CFS D	
38	CHGM	
17	CK	INTERNAL COUNTER CLOCK OUTPUT
20	CKIN	CLOCK INPUT
19	CKO	CLOCK OUTPUT (NEGATIVE-LOGIC)
2	CMX 1	CHARACTER V POSITION SELECT INPUT
3	CMX 2	
4	CMX 4	
14	CMX 8	
51	DCLK	VITC READ CLOCK OUTPUT
6	DCS	DATA LINE ENABLE INPUT
9	DO0	DATA OUT (NEGATIVE-LOGIC)
44	DO 1	
45	DO 2	
46	DO 3	
63	DRAF	VITC SYNCHRONIZE SIGNAL 0 OUTPUT
59	DTSE	VITC DATA SEARCH FLAG OUTPUT
36	FBS 1	FIELD MARK POSITION SELECT 1 INPUT
37	FBS 2	FIELD MARK POSITION SELECT 2 INPUT
35	FBS 3	FIELD MARK POSITION SELECT 3 INPUT
31	FHB 2	PH/2 SIGNAL OUTPUT
60	FLDT	FIELD DATA OUTPUT
62	FWRE	TAPE DIRECTION SIGNAL OUTPUT
28	HDO	HORIZONTAL SYNC DRIVE OUTPUT
42	INTR	INTERRUPT REQUEST INPUT
24	LCKO	LTC CLOCK OUTPUT
30	NESY	LOST-SYNC FLAG OUTPUT
5	OSL 1	OUTPUT SIGNAL SELECT 1 INPUT
23	PN	POWER ON RESET INPUT
53	S1	SIGNAL FORMAT SELECT S1 INPUT
55	S2	SIGNAL FORMAT SELECT S2 INPUT
32	SCH	OUTPUT SIGNAL SCH
52	SCKT	SYSTEM CLOCK INPUT
21	SCKO	SYSTEM CLOCK OUTPUT
64	SLLM	READ SIZE SELECT INPUT
29	VDO	VERTICAL SYNC DRIVE OUTPUT
34	VDS	OUTPUT SIGNAL VDS
18	VITC	VITC SIGNAL INPUT
33	VITR	OUTPUT SIGNAL VITR
7	WR	WRITE SIGNAL OUTPUT (NEGATIVE-LOGIC)
47	VDD	POWER LINE (+5V)
61	VDD	
63	VDD	
40	GND	GND LINE
54	GND	
51	GND	
39	TS11	TEST INPUT
41	TS21	
43	TS31	

#1,2,3,4 CMX1 TO 8; CHARACTER V POSITION SELECT

CMX8	CMX4	CMX2	CMX1	INSERTION LINE (#38 CHGM IS H LEVEL)	
				NTSC	PAL/SECAM
0	0	0	0	---	---
0	0	0	1	---	284-303
0	0	1	0	---	596-615
0	0	1	1	---	264-283
0	0	1	1	---	576-595
0	1	0	0	227-246	224-243
0	1	0	1	207-226	204-223
0	1	1	0	187-206	184-203
0	1	1	1	167-186	164-183
1	0	0	0	147-166	144-163
1	0	0	1	127-146	124-143
1	0	1	0	107-126	104-123
1	0	1	1	87-106	84-103
1	1	0	0	67-86	64-83
1	1	0	1	47-66	44-63
1	1	1	0	27-46	24-43
1	1	1	1	---	---

#36,37,35 FBS1 TO FBS3; FIELD DATA SELECT

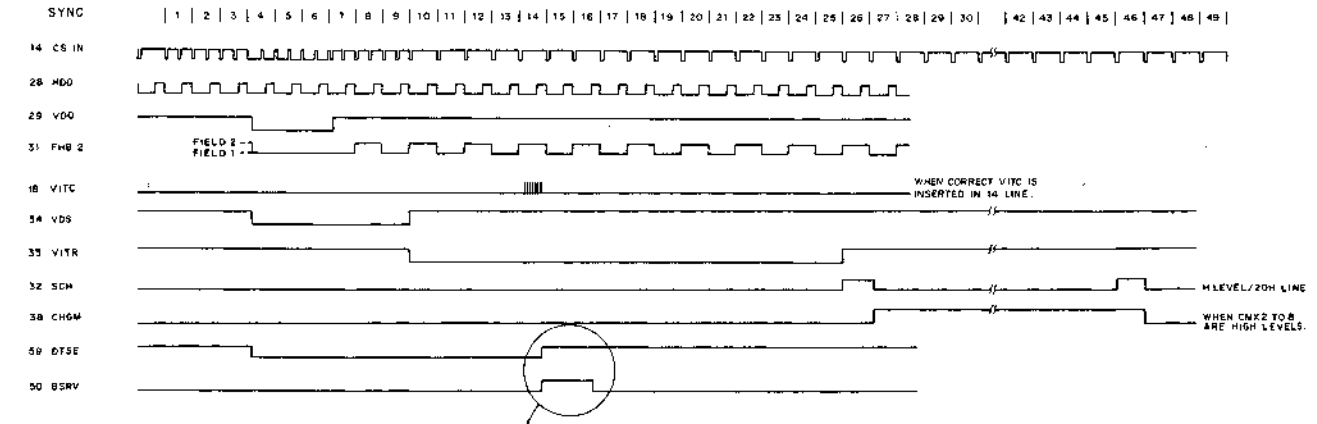
FBS3	FBS2	FBS1	#60 FLDT OUTPUT
0	0	0	AS1 (VITC BIT No.14)
0	0	1	AS2 (VITC BIT No.15)
0	1	0	AS3 (VITC BIT No.35)
0	1	1	AS4 (VITC BIT No.55)
1	0	0	AS5 (VITC BIT No.74)
1	0	1	AS6 (VITC BIT No.75)
1	1	0	---
1	1	1	---

#53,55 S1,S2; SIGNAL FORMAT SELECT

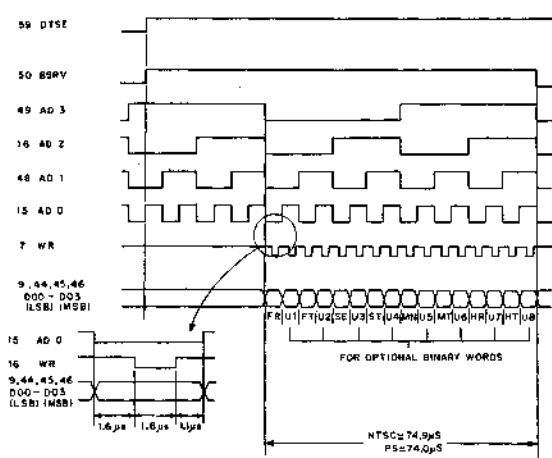
S2	S1	#13 CFSD FORMAT
0	0	UNSPECIFIED
0	1	---
1	0	NTSC NON DROP FRAME
1	1	NTSC DROP FRAME

0:LOW LEVEL
1:HIGH LEVEL

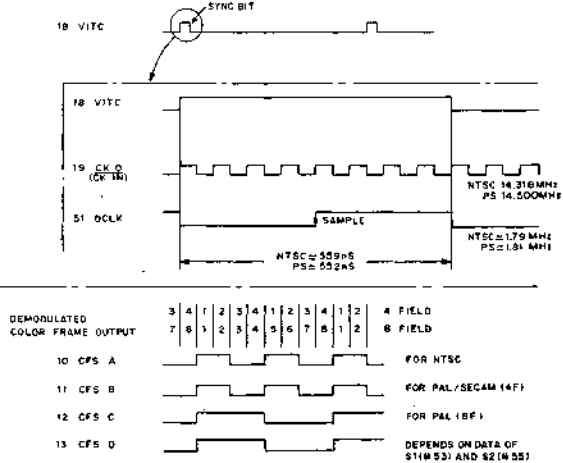
TIMING CHART



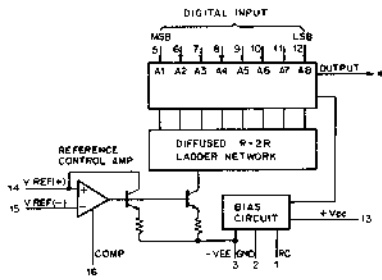
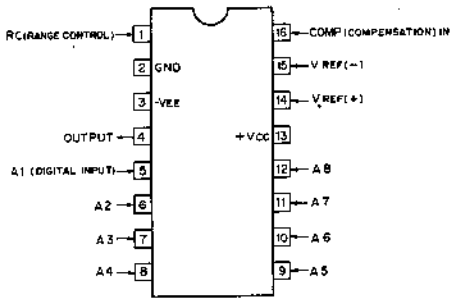
DATA OUTPUT



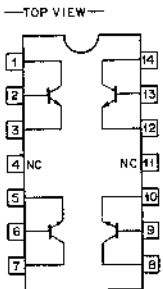
DEMODULATED



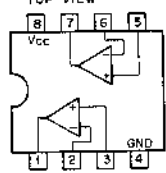
OAC-1C88C (DATEL)
8-BIT DIGITAL-TO-ANALOG CONVERTER
- TOP VIEW -



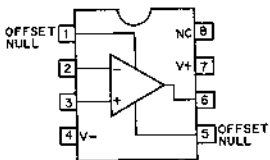
FT5709M (FUJITSU)
TRANSISTOR ARRAY
- TOP VIEW -



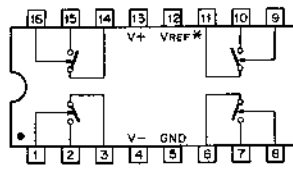
HA17458GS (HITACHI)
OPERATIONAL AMPLIFIER
- TOP VIEW -



HA17741GS (HITACHI)
OPERATIONAL AMPLIFIER
- TOP VIEW -



H11-0201-5 (HARRIS)
H11-201 (HARRIS)
C-MOS ANALOG SWITCH
- TOP VIEW -



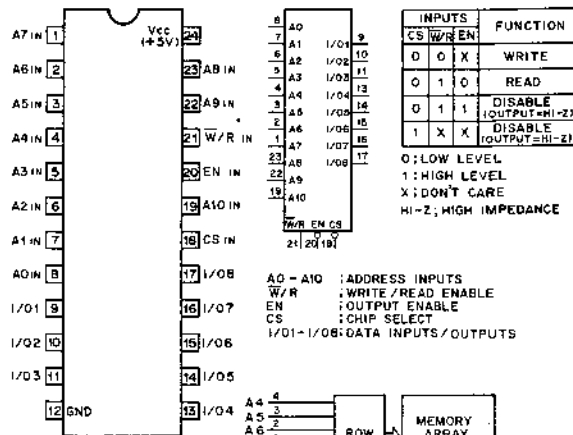
CONT IN	SW
0	
1	

0 : LOW LEVEL
1 : HIGH LEVEL

* NOTE

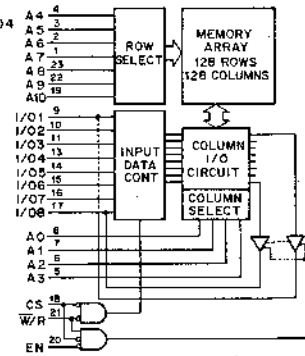
INTERFACE	VREF CONNECTION
TTL	OPEN
C-MOS	VDD ≤ 5.5V ; OPEN
	VDD > 5.5V ; TO VDD

- HM6116LP-2 (HITACHI) (ACCESS TIME = 120 ns)
 - HM6116LP-3 (HITACHI) (ACCESS TIME = 150 ns)
 - HM6116LP-4 (HITACHI) (ACCESS TIME = 200 ns)
 - MSM5128-12RS (OKI) (ACCESS TIME = 120 ns)
 - MSM5128-15RS (OKI) (ACCESS TIME = 150 ns)
 - MSM5128-20RS (OKI) (ACCESS TIME = 200 ns)
- C-MOS 16384(2048x8)-BIT HIGH SPEED STATIC RAM
- TOP VIEW -

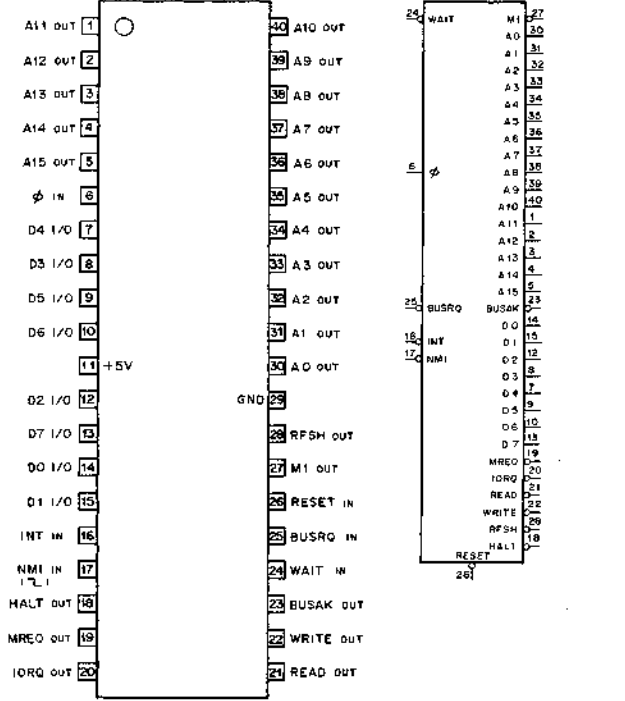


INPUTS			FUNCTION
CS	W/R	EN	
0	0	X	WRITE
0	1	0	READ
0	1	1	DISABLE (OUTPUT=HI-Z)
1	X	X	DISABLE (OUTPUT=HI-Z)

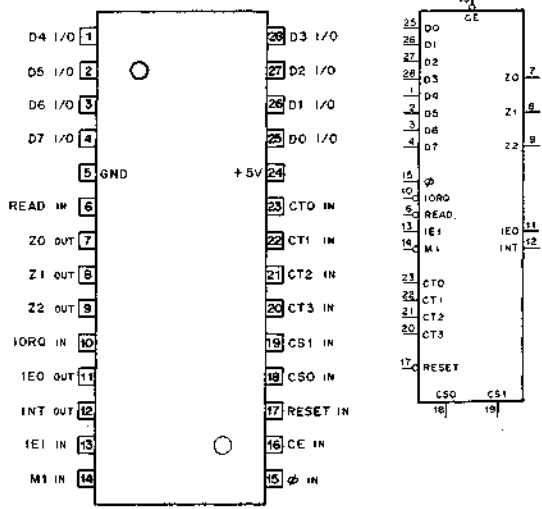
0 : LOW LEVEL
1 : HIGH LEVEL
X : DON'T CARE
HI-Z : HIGH IMPEDANCE



LH0080 (SHARP)
 LH0080A (SHARP)
 μPD780C (NEC)
 μPD780C-1 (NEC)
 Z80 (ZILOG)
 Z80A (ZILOG)
 N-MOS 8-BIT MICROPROCESSOR
 - TOP VIEW -



LH0082 (SHARP)
 LH0082A (SHARP)
 Z80-CTC (ZILOG)
 Z80A-CTC (ZILOG)
 N-MOS COUNTER TIMER CIRCUIT
 - TOP VIEW -

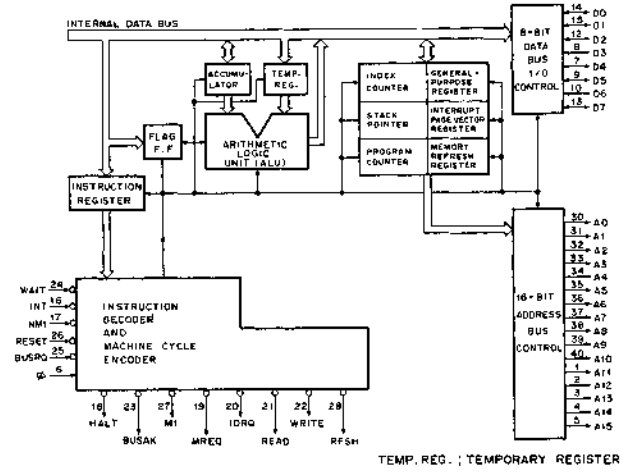


φ : SYSTEM CLOCK
 CE : CHIP ENABLE
 CS0, CS1 : CHANNEL SELECT
 CTO-CT3 : EXTERNAL CLOCK/TIMER TRIGGER
 D0-D7 : 3-STATE DATA INPUT/OUTPUT
 IE1 : INTERRUPT ENABLE INPUT
 IE0 : INTERRUPT ENABLE OUTPUT
 INT : INTERRUPT REQUEST (OPEN DRAIN)
 IORQ : I/O REQUEST
 M1 : MACHINE CYCLE 1
 READ : READ CYCLE STATUS
 Z0-Z2 : ZERO COUNT/TIME OUT

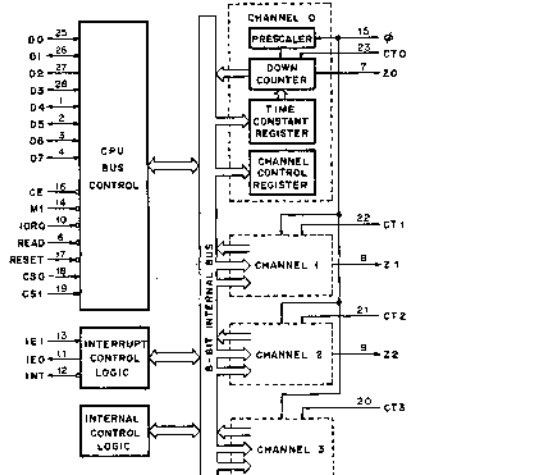
CHANNEL SELECT FUNCTION

CS1	CS0	SELECTED CHANNEL
0	0	0
0	1	1
1	0	2
1	1	3

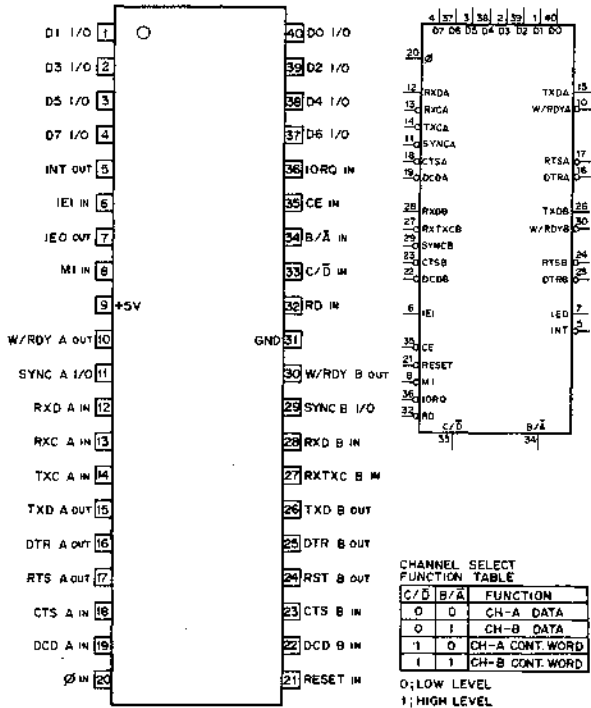
0: LOW LEVEL
 1: HIGH LEVEL



φ : CLOCK
 A0-A15 : 3-STATE ADDRESS OUTPUT
 BUSAK : BUS ACKNOWLEDGE
 BUSRQ : BUS REQUEST
 D0-D7 : 3-STATE DATA INPUT/OUTPUT
 HALT : HALT STATE
 INT : INTERRUPT REQUEST
 IORQ : 3-STATE I/O REQUEST
 M1 : MACHINE CYCLE 1
 MREQ : 3-STATE MEMORY REQUEST
 NMI : NON-MASKABLE INTERRUPT (DOWN EDGE TRIGGER)
 READ : 3-STATE MEMORY READ
 RFSH : REFRESH
 WRITE : 3-STATE MEMORY WRITE



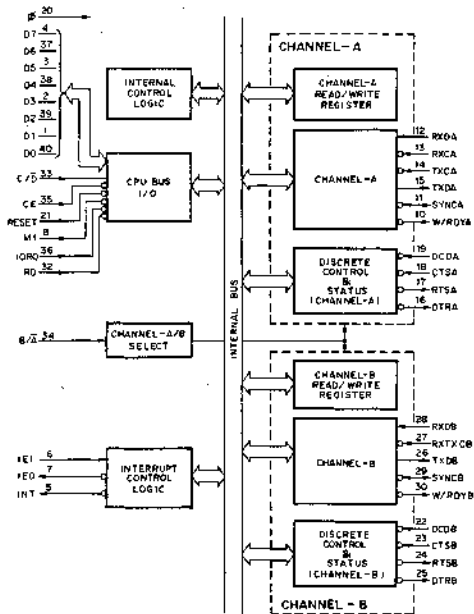
LH0084 (SHARP)
LH0084A (SHARP)
Z80-SIO/O (ZiLOG)
Z80A-SIO/O (ZiLOG)
 N-MOS 2-CHANNEL SERIAL INPUT/OUTPUT
 FOR MICROCOMPUTER SYSTEM
 - TOP VIEW -



CHANNEL SELECT FUNCTION TABLE

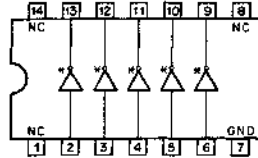
C/D	B/A	FUNCTION
0	0	CH-A DATA
0	1	CH-B DATA
1	0	CH-A CONT. WORD
1	1	CH-B CONT. WORD

0; LOW LEVEL
 1; HIGH LEVEL

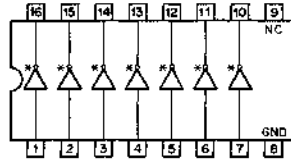


- Ø : SYSTEM CLOCK IN
- D7-D0 : DATA I/O
- C/D : CONTROL/DATA SELECT IN
- CE : CHIP ENABLE IN
- M1 : MACHINE CYCLE 1 IN
- IORQ : I/O REQUEST IN
- RD : READ IN
- B/A : CHANNEL B/A SELECT IN
- IE1 : INTERRUPT ENABLE IN
- IE0 : INTERRUPT ENABLE OUT
- INT : INTERRUPT OUT
- RXD : RECEIVE DATA IN
- RXC : RECEIVE CLOCK IN
- TXC : TRANSMIT CLOCK IN
- TXD : TRANSMIT DATA OUT
- SYNC : EXTERNAL CHARACTER SYNCHRONIZATION I/O
- W/RDY : WAIT/READY OUT
- DCD : DATA CARRIER DETECT IN
- CTS : CLEAR TO SEND IN
- RTS : REQUEST TO SEND OUT
- DTR : DATA TERMINAL READY OUT

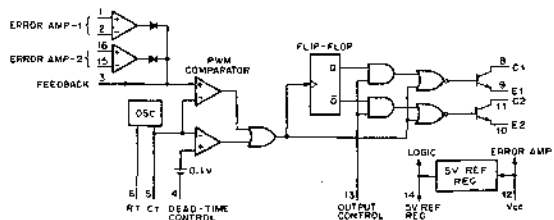
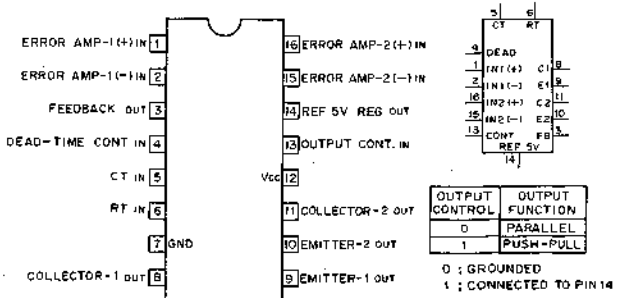
M54516P (MITSUBISHI)
 INVERTER WITH OPEN-COLLECTOR
 (DARLINGTON-CONNECTED TRANSISTOR ARRAY)
 - TOP VIEW -



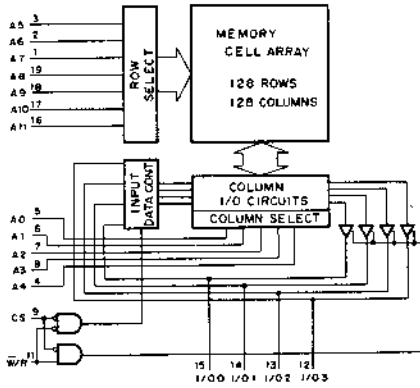
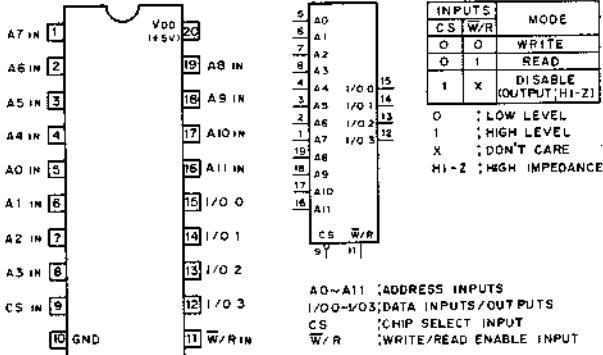
M54517P (MITSUBISHI)
 INVERTER WITH OPEN-COLLECTOR
 (DARLINGTON-CONNECTED TRANSISTOR ARRAY)
 - TOP VIEW -



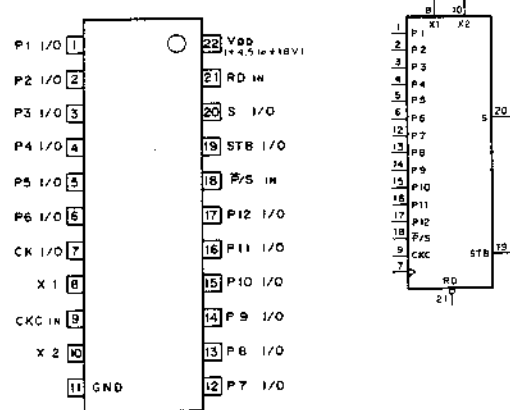
MB3759 (FUJITSU)
 PWM POWER CONTROL
 -TOP VIEW-



HM6168HP-45 (HITACHI) (ACCESS TIME = 45 nS)
 HM6168HP-55 (HITACHI) (ACCESS TIME = 55 nS)
 HM6168HP-70 (HITACHI) (ACCESS TIME = 70 nS)
 MB8168-45 (FUJITSU) (ACCESS TIME = 45 nS)
 MB8168-55 (FUJITSU) (ACCESS TIME = 55 nS)
 MB8168-70 (FUJITSU) (ACCESS TIME = 70 nS)
 MB8168-90 (FUJITSU) (ACCESS TIME = 90 nS)
 N-MOS 16384-BIT (4096x4) STATIC RAM
 — TOP VIEW —



MB8747 (FUJITSU)
 CMOS SERIAL TO/FROM PARALLEL CONVERTER WITH OSCILLATOR
 — TOP VIEW —

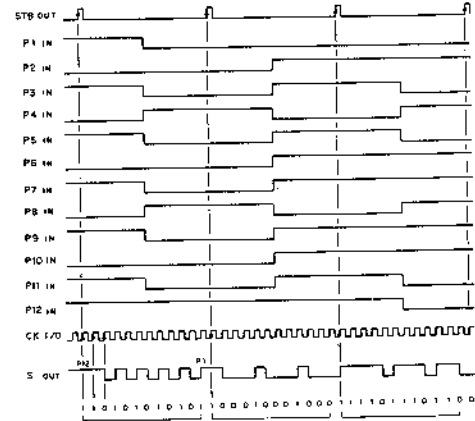


P1 to P12 : PARALLEL DATA IN/OUT
 CK : CLOCK IN/OUT
 CKC : CLOCK I/O CONTROL IN
 X1, X2 : XTAL
 P/S : PARALLEL/SERIAL CONTROL IN
 STB : STROBE
 S : SERIAL DATA IN/OUT

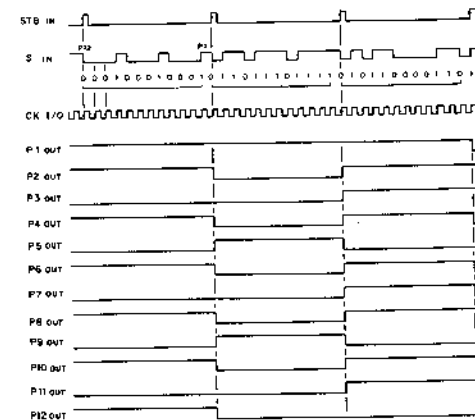
CKC	CK	RD	P/S	MODE	P1 to P12	S	STB
0	OUT	0	0	OPEN	IN	HI-Z	OUT
0	IN	0	1	RESET	0	IN	IN
1	IN	1	0	P → S	IN	OUT	OUT
1	IN	1	1	S → P	OUT	IN	IN

0 : LOW LEVEL
 1 : HIGH LEVEL
 HI-Z : HIGH IMPEDANCE
 P → S : PARALLEL → SERIAL CONV
 S → P : SERIAL → PARALLEL CONV

P/S = 0 RD = 1 (PARALLEL → SERIAL CONV)

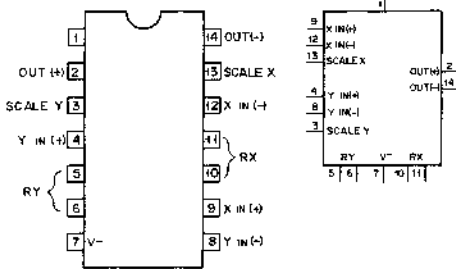


P/S = 1 RD = 1 (SERIAL → PARALLEL CONV)



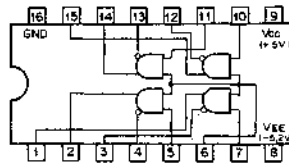
MC1595L (MOTOROLA)
LINEAR MULTIPLIER

—TOP VIEW—



MC10124L (MOTOROLA)
HD10124 (HITACHI)
ECL TTL-TO-ECL TRANSLATOR

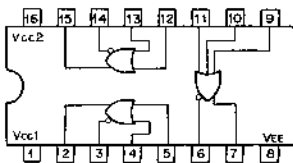
—TOP VIEW—



MC10105L (MOTOROLA)
HD10105 (HITACHI)

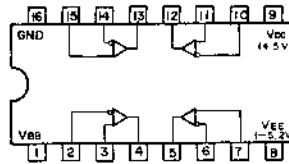
ECL 2-3-2-INPUT OR/NOR GATE

—TOP VIEW—



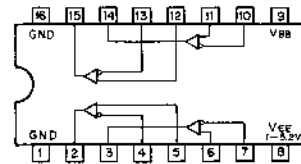
MC10125L (MOTOROLA)
HD10125 (HITACHI)
ECL ECL-TO-TTL TRANSLATOR

—TOP VIEW—



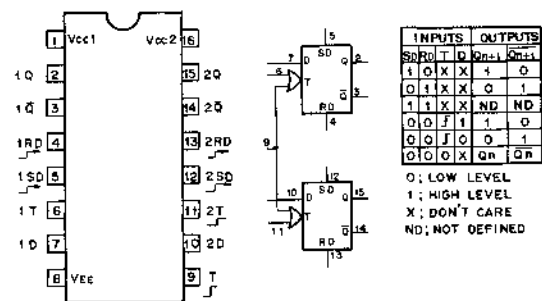
MC10115L (MOTOROLA)
ECL LINE RECEIVER

—TOP VIEW—



MC10131L (MOTOROLA)
HD10131 (HITACHI)
ECL D-TYPE FLIP FLOP

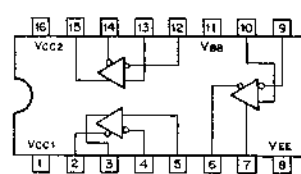
—TOP VIEW—



MC10116L (MOTOROLA)
HD10116 (HITACHI)

ECL DIFFERENTIAL OR/NOR LINE RECEIVER

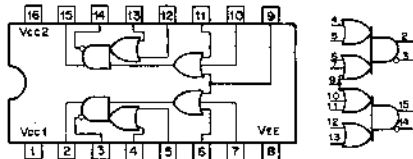
—TOP VIEW—



MC10117L (MOTOROLA)
HD10117 (HITACHI)

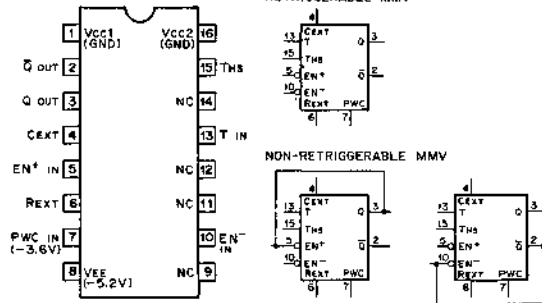
ECL 2-WIDE 2-3-INPUT OR-AND/OR-AND-INVERT GATE

—TOP VIEW—



MC10198L (MOTOROLA)
RETRIGGERABLE MONOSTABLE MULTIVIBRATOR

—TOP VIEW—



T : CLOCK TRIGGER INPUT
THS : HIGH-SPEED CLOCK TRIGGER INPUT
EN+ : TRIGGER POSITIVE ENABLE
EN- : TRIGGER NEGATIVE ENABLE
PWC : EXTERNAL PULSE WIDTH CONTROL

OUTPUT PULSE WIDTH: PWQ
PWQ = 1.19 · CEXT (REXT + 20k)
WHERE

PWQ = SEC
CEXT = FARADS
REXT = OHMS
VEE = -5.2V
PWC = -3.6V

NOTE: - SELECT REXT RANGING FROM ZERO TO 16k OHMS.
- SELECT CEXT GREATER THAN 20PF.

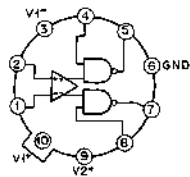
FUNCTION TABLE

EN+	EN-	TRIG. SLOPE
0	0	f L
0	1	f L
1	0	f L
1	1	DISABLE

0; LOW LEVEL
1; HIGH LEVEL

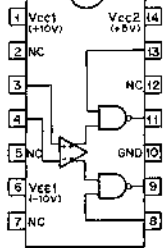
NE527H (SIGNETICS)
VOLTAGE COMPARATOR

- BOTTOM VIEW -



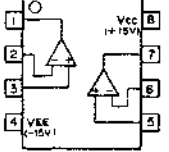
NE527N (SIGNETICS)
VOLTAGE COMPARATOR

- TOP VIEW -



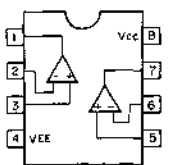
NJM2903D (JRC)
OPERATIONAL AMPLIFIER

- TOP VIEW -



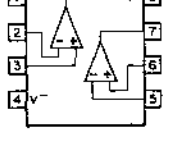
NJM4558D (JRC)
NJM4558DFA (JRC)
NJM4558DMD (JRC)
μPC4558C (NEC)
OPERATIONAL AMPLIFIER

- TOP VIEW -



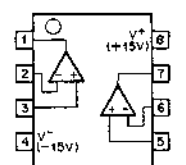
NJM4559D (JRC)
OPERATIONAL AMPLIFIER

- TOP VIEW -

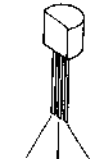


NJM4560D (JRC)
NJM4560DD (JRC)
NJM4560DN (JRC)
NJM4560DX (JRC)
OPERATIONAL AMPLIFIER

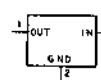
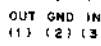
- TOP VIEW -



NJM78L? ?A (JRC)
VOLTAGE REGULATOR

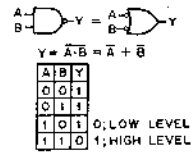
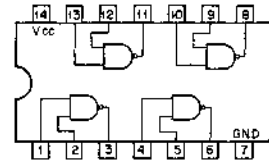


- 2V NJM78L02A
- 5V NJM78L05A
- 6V NJM78L06A
- 8V NJM78L08A
- 9V NJM78L09A
- 12V NJM78L12A
- 15V NJM78L15A



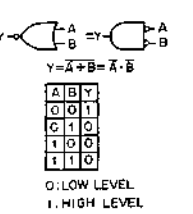
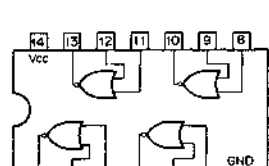
SN7400N (TI)
M53200P (MITSUBISHI)
SN74S00N (TI)
SN74LS00N (TI)
HD74LS00P (HITACHI)
TTL NAND GATE

- TOP VIEW -



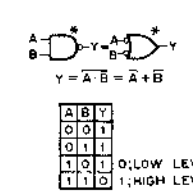
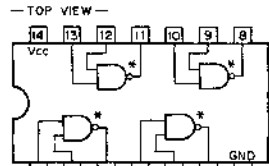
SN7402N (TI)
M53202P (MITSUBISHI)
SN74S02N (TI)
SN74LS02N (TI)
TTL 2-INPUT POSITIVE-NOR GATE

- TOP VIEW -



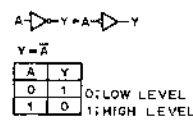
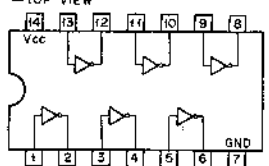
SN7403N (TI)
SN74L03N (TI)
SN74S03N (TI)
SN74LS03N (TI)
TTL 2-INPUT POSITIVE-NAND GATE WITH OPEN-COLLECTOR

- TOP VIEW -



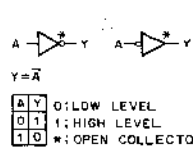
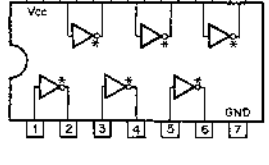
SN7404N (TI)
M53204P (MITSUBISHI)
SN74L04N (TI)
SN74S04N (TI)
SN74LS04N (TI)
HD74LS04P (HITACHI)
TTL INVERTER

- TOP VIEW -

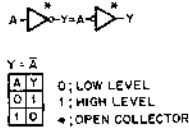
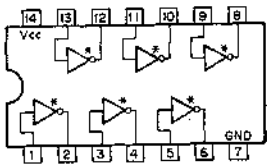


SN7405N (TI)
SN74LS05N (TI)
74LS05PC (FSC)
TTL INVERTER WITH OPEN-COLLECTOR

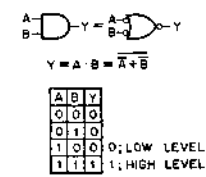
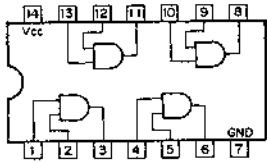
- TOP VIEW -



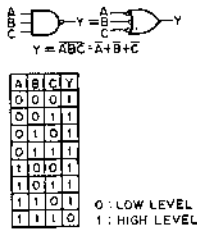
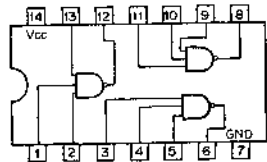
SN7406N (TI)
HD7406P (HITACHI)
M53206P (MITSUBISHI)
TTL INVERTER BUFFER/DRIVER WITH OPEN-COLLECTOR
— TOP VIEW —



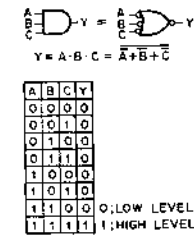
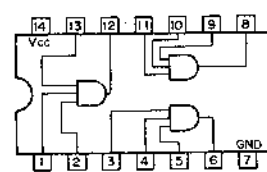
SN7408N (TI)
SN74S08N (TI)
SN74LS08N (TI)
HD74LS08P (HITACHI)
TTL 2-INPUT POSITIVE-AND GATE
— TOP VIEW —



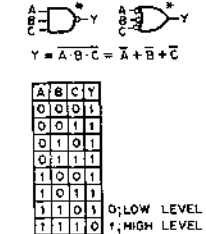
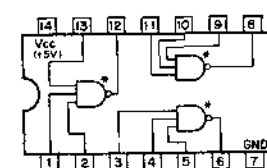
SN7410N (TI)
SN74LS10N (TI)
SN74S10N (TI)
SN74LS10N (TI)
HD74LS10P (HITACHI)
TTL 3-INPUT POSITIVE NAND GATE
— TOP VIEW —



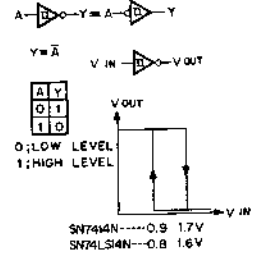
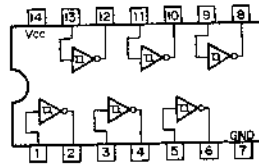
SN74H11N (TI)
SN74S11N (TI)
SN74LS11N (TI)
TTL 3-INPUT POSITIVE-AND GATE
— TOP VIEW —



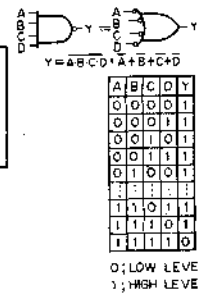
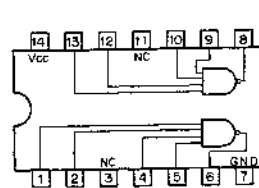
SN7412N (TI)
SN74LS12N (TI)
TTL 3-INPUT POSITIVE-NAND GATE WITH OPEN-COLLECTOR OUTPUT
— TOP VIEW —



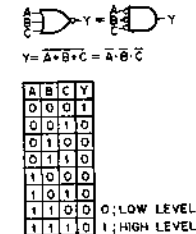
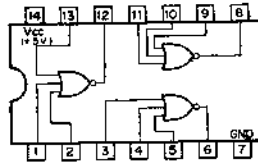
SN7414N (TI)
SN74LS14N (TI)
TTL SCHMITT TRIGGER INVERTER
— TOP VIEW —



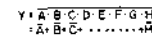
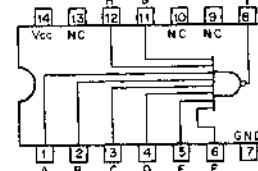
SN7420N (TI)
SN74S20N (TI)
SN74LS20N (TI)
TTL 4-INPUT POSITIVE NAND GATE
— TOP VIEW —



SN7427N (TI)
SN74LS27N (TI)
TTL 3-INPUT POSITIVE-NOR GATE
— TOP VIEW —

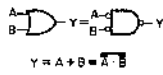
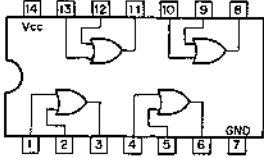


SN7430N (TI)
SN74S30N (TI)
SN74LS30N (TI)
HD74LS30P (HITACHI)
TTL 8-INPUT NAND GATE
— TOP VIEW —



SN 7432N (TI)
 SN 74S32N (TI)
 SN 74LS32N (TI)
 HD 74LS32P (HITACHI)
 MB74LS32 (FUJITSU)
 M74LS32P (MITSUBISHI)

TTL 2-INPUT POSITIVE-OR GATE
 - TOP VIEW -

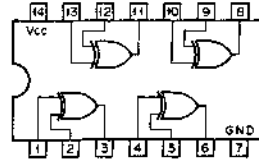


A	B	Y
0	0	0
0	1	1
1	0	1
1	1	1

0: LOW LEVEL
 1: HIGH LEVEL

SN7486N (TI)
 SN74S86N (TI)
 SN74LS86N (TI)
 HD74LS86P (HITACHI)

TTL EXCLUSIVE OR GATE
 - TOP VIEW -

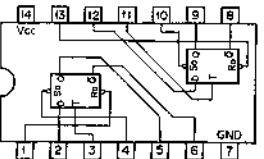


A	B	Y
0	0	0
0	1	1
1	0	1
1	1	0

0: LOW LEVEL
 1: HIGH LEVEL

SN7474N (TI)
 M53274P (MITSUBISHI)
 SN74H74N (TI)
 SN74L74N (TI)
 SN74S74N (TI)
 SN74LS74N (TI)
 HD74LS74P (HITACHI)

TTL D-TYPE FLIP FLOP WITH DIRECT SET/RESET
 - TOP VIEW -

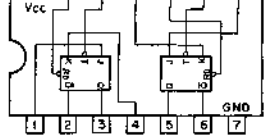


INPUTS		OUTPUTS	
Set	Rst	Qn+1	Qn+1'
0	1	X	1
1	0	X	0
0	0	X	1*
1	1	1	0
1	1	0	1
1	1	Qn	Qn'

0: LOW LEVEL
 1: HIGH LEVEL
 X: DON'T CARE
 *: NONSTABLE

SN74LS107AN (TI)
 HD74LS107P (HITACHI)

TTL J-K FLIP FLOP WITH DIRECT RESET
 - TOP VIEW -

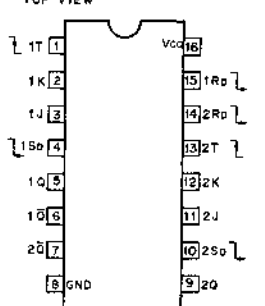


INPUTS				OUT	
Rd	T	J	K	Qn+1	Qn+1'
0	X	X	X	0	0
1	1	0	0	Qn	Qn'
1	1	0	1	0	1
1	1	1	0	1	0
1	1	1	1	Qn	Qn'
1	1	1	X	X	Qn

0: LOW LEVEL
 1: HIGH LEVEL
 X: DON'T CARE

SN74S112N (TI)
 SN74LS112AN (TI)

TTL J-K FLIP-FLOP WITH DIRECT SET/RESET
 - TOP VIEW -

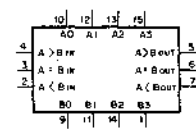
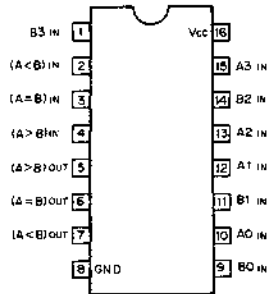


INPUTS				OUTPUTS		
SD	Rd	T	J	K	Qn+1	Qn+1'
0	1	X	X	X	1	0
1	0	X	X	X	0	1
0	0	X	X	X	1*	1*
			0	0	Qn	Qn'
			0	1	0	1
			1	0	1	0
			1	1	Qn	Qn'
			1	1	X	Qn

0: LOW LEVEL
 1: HIGH LEVEL
 X: DON'T CARE
 *: NONSTABLE

SN7485N (TI)
 SN74S85N (TI)
 SN74LS85N (TI)

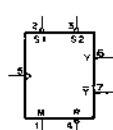
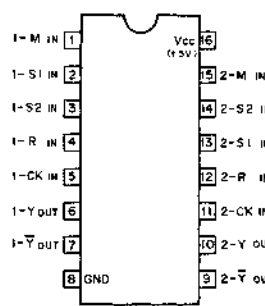
TTL 4-BIT MAGNITUDE COMPARATOR
 - TOP VIEW -



	INPUTS				CASCADING			OUTPUTS			
	A3	B3	A2	B2	A1	B1	A0	B0	A < B	A = B	A > B
A > B	A3 > B3	X	X	X	X	X	X	X	0	0	1
	A3 = B3	A2 > B2	X	X	X	X	X	X	0	0	1
	A3 = B3	A2 = B2	A1 > B1	X	X	X	X	X	0	0	1
	A3 = B3	A2 = B2	A1 = B1	A0 > B0	X	X	X	X	0	0	1
A < B	A3 < B3	X	X	X	X	X	X	X	1	0	0
	A3 = B3	A2 < B2	X	X	X	X	X	X	1	0	0
	A3 = B3	A2 = B2	A1 < B1	X	X	X	X	X	1	0	0
	A3 = B3	A2 < B2	X	X	X	X	X	X	1	0	0

0: LOW LEVEL
 1: HIGH LEVEL
 X: DON'T CARE

SN74120N (TI)
 TTL PULSE SYNCHRONIZER/DRIVER
 - TOP VIEW -



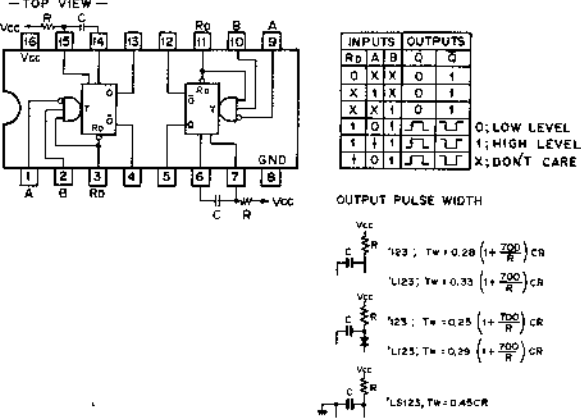
INPUT M	OUTPUT MODE
0	TRAIN OF PULSES
1	SINGLE PULSE

INPUTS	FUNCTION
R S1 S2	
X 0 X	PASS OUTPUT PULSES
X X 0	PASS OUTPUT PULSES
0 1 1	INHIBIT OUTPUT PULSES
1 1 1	START OUTPUT PULSES
1 1 1	START OUTPUT PULSES
1 1 1	STOP OUTPUT PULSES
1 1 1	CONTINUE

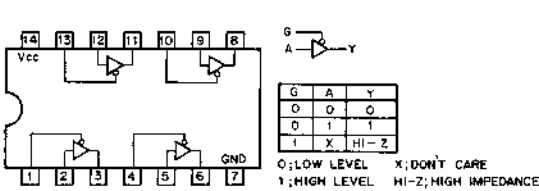
S1, S2: START COMMAND INPUTS
 R: STOP COMMAND INPUT
 M: MODE CONTROL INPUT
 Y, Z: SYNCHRONIZED PULSE OUTPUT

0: LOW LEVEL
 1: HIGH LEVEL
 X: DON'T CARE

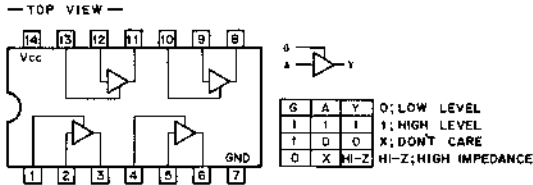
SN74123N (T1)
 SN74LS123N (T1)
 SN74LS123N (T1)
 SN74LS123NS(T1)
 HD74LS123P (HITACHI)
 TTL RETRIGGERABLE MONOSTABLE MULTIVIBRATOR WITH DIRECT RESET



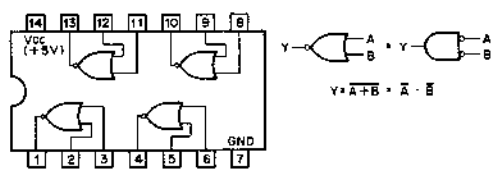
SN74125N
 SN74LS125AN
 TTL BUS BUFFER GATES WITH 3-STATE OUTPUT



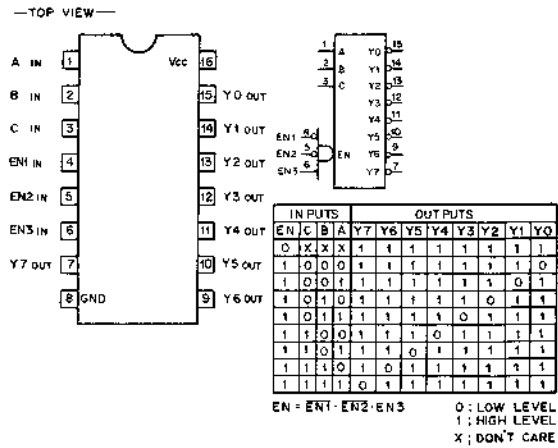
SN74LS126AN (T1)
 TTL BUS BUFFER GATE WITH 3-STATE OUTPUT



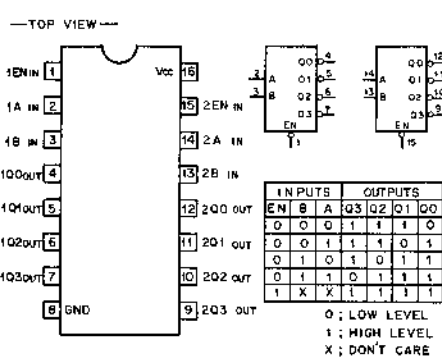
SN74128N (T1)
 TTL 50-ohm LINE DRIVER



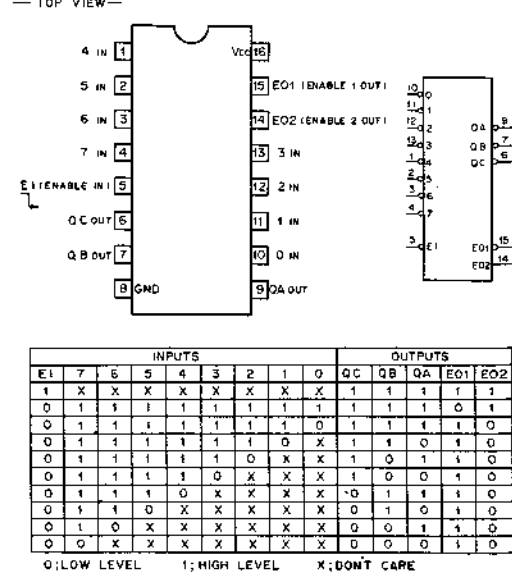
SN74S138N (T1)
 SN74LS138N (T1)
 HD74LS138P (HITACHI)
 MB74LS138 (FUJITSU)
 M74LS138P (MITSUBISHI)
 TTL 3-TO-8-LINE DECODER/DEMULTIPLXER



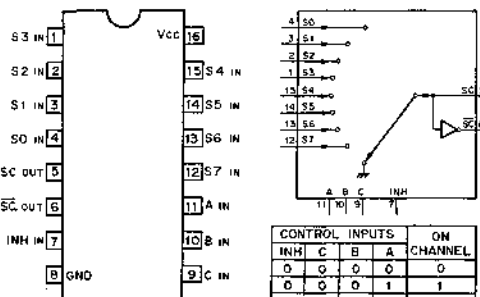
SN74S139N (T1)
 SN74LS139N (T1)
 TTL 2-TO-4-LINE DECODER/DEMULTIPLXER



SN74148N (T1)
 SN74LS148N (T1)
 TTL 8-TO-3-LINE PRIORITY ENCODER



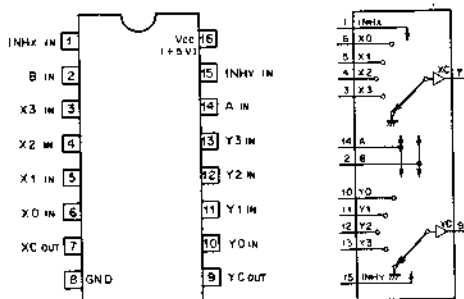
SN74151AN (TI)
SN74LS151N (TI)
SN74LS151N (TI)
TTL 8-LINE-TO-1-LINE DATA SELECTOR/MULTIPLEXER
- TOP VIEW -



CONTROL INPUTS				ON CHANNEL
INH	C	B	A	CHANNEL
0	0	0	0	0
0	0	0	1	1
0	0	1	0	2
0	0	1	1	3
0	1	0	0	4
0	1	0	1	5
0	1	1	0	6
0	1	1	1	7
1	X	X	X	GND

0: LOW LEVEL
1: HIGH LEVEL
X: DON'T CARE

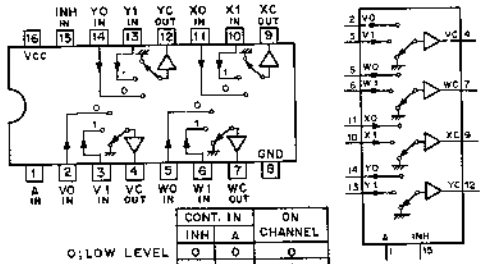
SN74153N (TI)
SN74LS153N (TI)
SN74LS153N (TI)
SN74S153N (TI)
HD74LS153P (HITACHI)
M74LS153P (MITSUBISHI)
MB74LS153 (FUJITSU)
TTL 4-LINE-TO-1-LINE DATA SELECTOR/MULTIPLEXER
- TOP VIEW -



CONTROL IN			ON CHANNEL
INH	B	A	CHANNEL
0	0	0	0
0	0	1	1
0	1	0	2
0	1	1	3
1	X	X	GND

0: LOW LEVEL
1: HIGH LEVEL
X: DON'T CARE

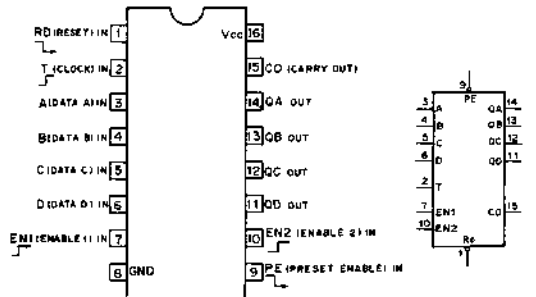
SN74157N (TI)
SN74LS157N (TI)
SN74S157N (TI)
SN74LS157N (TI)
HD74LS157P (HITACHI)
MB74LS157 (FUJITSU)
M74LS157P (MITSUBISHI)
TTL 2-LINE-TO-1-LINE DATA SELECTOR/MULTIPLEXER
- TOP VIEW -



CONT. IN		ON CHANNEL
INH	A	CHANNEL
0	0	0
0	1	1
1	X	GND

0: LOW LEVEL
1: HIGH LEVEL
X: DON'T CARE

SN74161N (TI)
SN74LS161AN (TI)
HD74LS161P (HITACHI)
TTL PRESETTABLE SYNCHRONOUS 4-BIT BINARY COUNTER
- TOP VIEW -



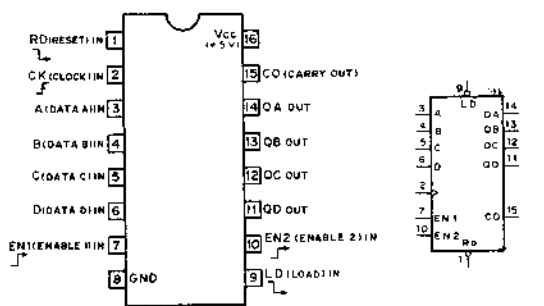
MODE SELECTION				MODE
Rd	PE	EN1	EN2	MODE
0	X	X	X	RESET (ASYNCHRONOUS)
1	0	X	X	PRESET (SYNCHRONOUS)
1	1	0	X	NO COUNT
1	1	X	0	NO COUNT
1	1	1	1	COUNT

COUNT	OUTPUTS			
	QB	QC	QB	QA
0	0	0	0	0
1	0	0	0	1
2	0	0	1	0
3	0	0	1	1
4	0	1	0	0
5	0	1	0	1
6	0	1	1	0
7	0	1	1	1
8	1	0	0	0
9	1	0	0	1
10	1	0	1	0
11	1	0	1	1
12	1	1	0	0
13	1	1	0	1
14	1	1	1	0
15	1	1	1	1

0: LOW LEVEL
1: HIGH LEVEL
X: DON'T CARE

CARRY OUTPUT "CO"
CO IS HIGH WHEN EN2 INPUT IS HIGH AND COUNT IS "15".

SN74162N (TI)
SN74LS162AN (TI)
SN74S162N (TI)
TTL PRESETTABLE SYNCHRONOUS 4-BIT DECADE COUNTER
- TOP VIEW -

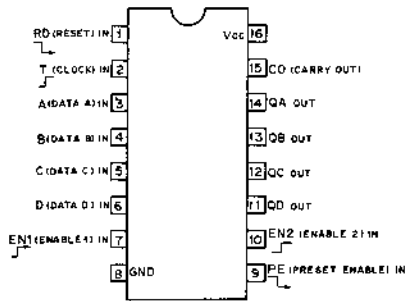


MODE SELECTION				MODE
Rd	LD	EN1	EN2	MODE
0	X	X	X	RESET (ASYNCHRONOUS)
1	0	X	X	PRESET (SYNCHRONOUS)
1	1	0	X	NO COUNT
1	1	X	0	NO COUNT
1	1	1	1	COUNT

COUNT	OUTPUTS				
	QB	QC	QB	QA	CO
0	0	0	0	0	0
1	0	0	0	1	0
2	0	0	1	0	0
3	0	0	1	1	0
4	0	1	0	0	0
5	0	1	0	1	0
6	0	1	1	0	0
7	0	1	1	1	0
8	1	0	0	0	0
9	1	0	0	1	1

CARRY OUTPUT "CO"
CO IS HIGH WHEN EN2 INPUT IS HIGH AND COUNT IS "9".

SN74163N (TI)
 SN74S163N (TI)
 SN74LS163AN (TI)
 HD74LS163P (HITACHI)
 TTL PRESETTABLE SYNCHRONOUS 4-BIT BINARY COUNTER
 - TOP VIEW -

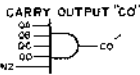


MODE SELECTION

CONTROL	INPUTS			MODE
RD	PE	EN1	EN2	
0	X	X	X	RESET (SYNCHRONOUS)
1	0	X	X	PRESET (SYNCHRONOUS)
1	1	0	X	NO COUNT
1	1	X	0	NO COUNT
1	1	1	1	COUNT

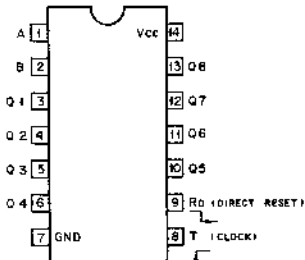
COUNT SEQUENCE

COUNT	QD	QC	QB	QA
0	0	0	0	0
1	0	0	0	1
2	0	0	1	0
3	0	0	1	1
4	0	1	0	0
5	0	1	0	1
6	0	1	1	0
7	0	1	1	1
8	1	0	0	0
9	1	0	0	1
10	1	0	1	0
11	1	0	1	1
12	1	1	0	0
13	1	1	0	1
14	1	1	1	0
15	1	1	1	1



CO IS HIGH WHEN EN2 INPUT IS HIGH AND COUNT IS 15.

SN74164N (TI)
 SN74L164N (TI)
 SN74LS164N (TI)
 HD74LS164P (HITACHI)
 TTL 8-BIT PARALLEL-OUT SERIAL SHIFT REGISTER
 - TOP VIEW -

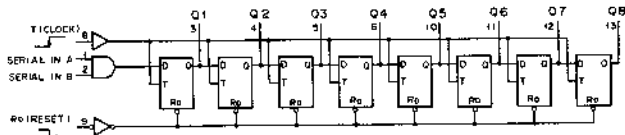


INPUTS

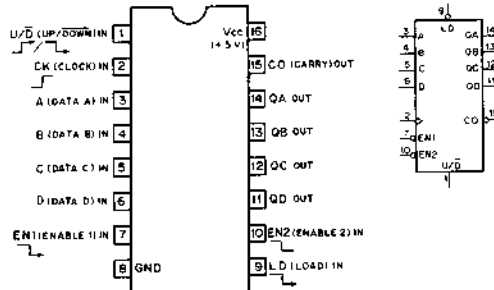
Rd	T	A	B	Q1	Q2	...	Q8
0	X	X	X	0	0	...	0
1	0	X	X	Q1	Q2	...	Q8
1	1	1	1	Q1n	Q7n
1	1	0	X	Q1n	Q7n
1	1	X	0	Q1n	Q7n

OUTPUTS

0: LOW LEVEL
 1: HIGH LEVEL
 X: DON'T CARE



SN74S169N (TI)
 TTL PRESETTABLE SYNCHRONOUS 4-BIT BINARY UP/DOWN COUNTER
 - TOP VIEW -



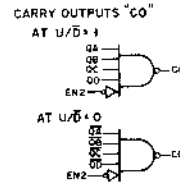
MODE SELECTION

INPUTS				MODE
LD	EN1	EN2	U/D	
0	X	X	X	PRESET
X	1	X	X	NO COUNT
X	X	1	X	NO COUNT
1	0	0	1	UP COUNT
1	0	0	0	DOWN COUNT

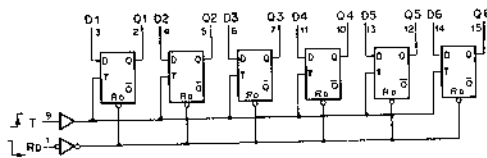
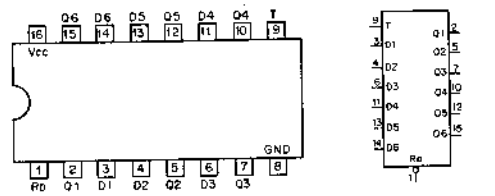
COUNT SEQUENCE

COUNT	OUTPUTS			
	QD	QC	QB	QA
0	0	0	0	0
1	0	0	0	1
2	0	0	1	0
3	0	0	1	1
4	0	1	0	0
5	0	1	0	1
6	0	1	1	0
7	0	1	1	1
8	1	0	0	0
9	1	0	0	1
10	1	0	1	0
11	1	0	1	1
12	1	1	0	0
13	1	1	0	1
14	1	1	1	0
15	1	1	1	1

0: LOW LEVEL
 1: HIGH LEVEL
 X: DON'T CARE



SN74174N (TI)
 SN74S174N (TI)
 SN74LS174N (TI)
 HD74LS174P (HITACHI)
 MB74LS174 (FUJITSU)
 M74LS174P (MITSUBISHI)
 TTL D-TYPE FLIP-FLOP WITH DIRECT RESET
 - TOP VIEW -

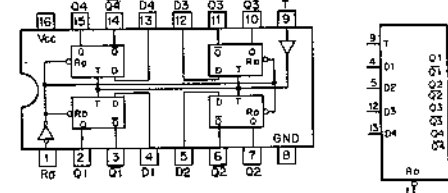


EACH FLIP-FLOP

INPUTS		OUT
Rd	T	Q
0	X	0
1	1	0
1	1	1
1	0	X

0: LOW LEVEL
 1: HIGH LEVEL
 X: DON'T CARE

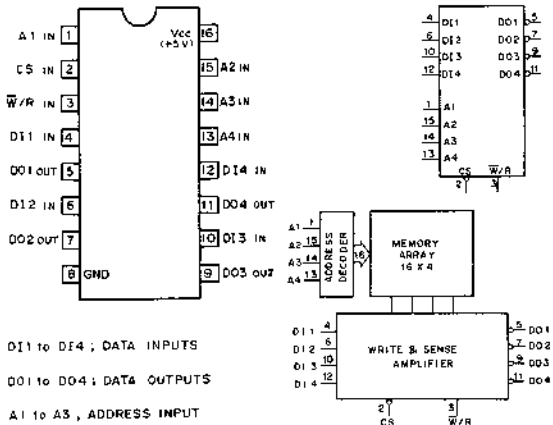
SN74175N (TI)
 SN74S175N (TI)
 SN74LS175N (TI)
 HD74LS175P (HITACHI)
 TTL D-TYPE FLIP-FLOP WITH CLEAR
 - TOP VIEW -



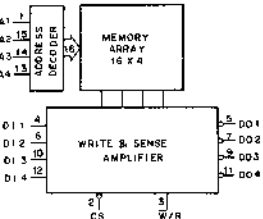
Rd	T	Q	Q	Q
0	X	X	0	1
1	1	1	1	0
1	1	0	0	1
1	0	X	Qn	Qn

0: LOW LEVEL
 1: HIGH LEVEL
 X: DON'T CARE

SN74S189AN (TI)
SN74S189N (TI)
 TTL 64-BIT RAM WITH 3-STATE OUTPUT
 — TOP VIEW —



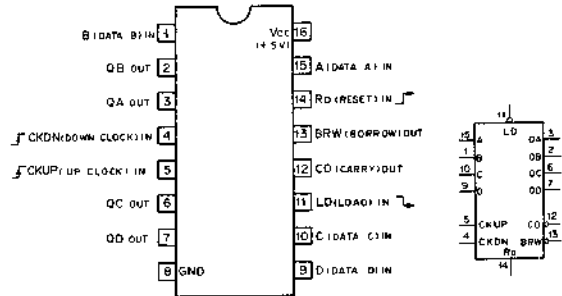
DI1 to DI4 ; DATA INPUTS
 DO1 to DO4 ; DATA OUTPUTS
 A1 to A3 , ADDRESS INPUT
 CS ; CHIP SELECT INPUT
 W/R ; WRITE/READ ENABLE IN



CS	W/R	FUNCTION	OUTPUTS
0	0	WRITE	HIGH IMPEDANCE
0	1	READ	COMPLEMENT OF DATA ENTERED
1	X	INHIBIT	HIGH IMPEDANCE

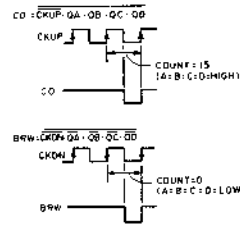
0 ; LOW LEVEL
 1 ; HIGH LEVEL
 X ; DON'T CARE

SN74193N (TI)
SN74LS193N (TI)
MB74LS193 (FUJITSU)
 TTL PRESETTABLE SYNCHRONOUS 4-BIT UP/DOWN COUNTER
 — TOP VIEW —



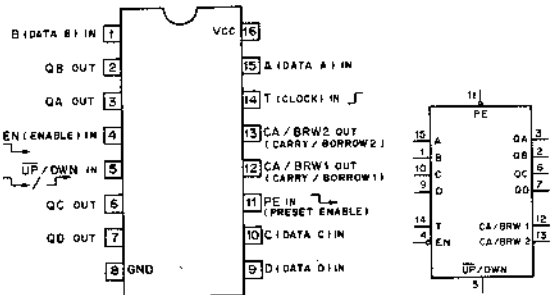
CONTROL INPUTS				MODE
RD	LD	CKUP	CKDN	RESET TO ZERO
1	X	X	X	RESET TO ZERO
0	0	X	X	PRESET
0	1	1	1	UP COUNT
0	1	1	1	DOWN COUNT
0	1	1	1	NO COUNT

COUNT	OUTPUTS			
	QD	QC	QB	QA
0	0	0	0	0
1	0	0	0	1
2	0	0	1	0
3	0	0	1	1
4	0	1	0	0
5	0	1	0	1
6	0	1	1	0
7	0	1	1	1
8	1	0	0	0
9	1	0	0	1
10	1	0	1	0
11	1	0	1	1
12	1	1	0	0
13	1	1	0	1
14	1	1	1	0
15	1	1	1	1



0 ; LOW LEVEL
 1 ; HIGH LEVEL
 X ; DON'T CARE

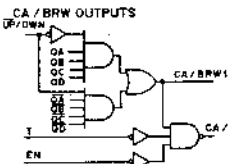
SN74191N (TI)
SN74LS191N (TI)
 TTL PRESETTABLE SYNCHRONOUS 4-BIT BINARY UP/DOWN COUNTER
 — TOP VIEW —



CONTROL INPUTS			MODE
PE	EN	UP/DWN	MODE
0	X	X	PRESET (ASYNCHRONOUS)
1	1	X	NO COUNT
1	0	0	UP COUNT
1	0	1	DOWN COUNT

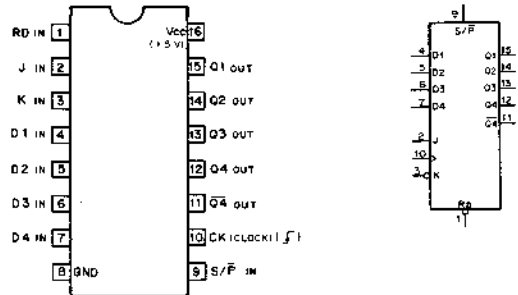
COUNT	OUTPUTS			
	QD	QC	QB	QA
0	0	0	0	0
1	0	0	0	1
2	0	0	1	0
3	0	0	1	1
4	0	1	0	0
5	0	1	0	1
6	0	1	1	0
7	0	1	1	1
8	1	0	0	0
9	1	0	0	1
10	1	0	1	0
11	1	0	1	1
12	1	1	0	0
13	1	1	0	1
14	1	1	1	0
15	1	1	1	1

0 ; LOW LEVEL
 1 ; HIGH LEVEL
 X ; DON'T CARE.



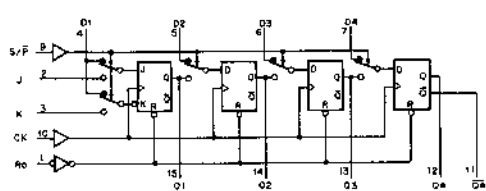
CA / BRW1 OUTPUT IS HIGH WHEN COUNT IS "15" AT UP-COUNT OR WHEN COUNT IS "0" AT DOWN COUNT.
 CA / BRW2 OUTPUT IS LOW WHEN BOTH THE CLOCK AND EN INPUTS ARE LOW AND CA / BRW1 OUTPUT IS HIGH.

SN74LS195AN (TI)
SN74S195N (TI)
 TTL 4-BIT PARALLEL-ACCESS SHIFT REGISTER
 — TOP VIEW —

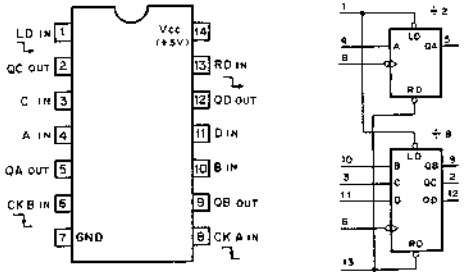


INPUTS				OUTPUTS									
RD	S/P	CK	J	K	D1	D2	D3	D4	Q1	Q2	Q3	Q4	Q4
0	X	X	X	X	X	X	X	0	0	0	0	0	1
1	0	1	X	X	d1	d2	d3	d4	d1	d2	d3	d4	d4
1	1	0	X	X	X	X	X	X	Q1o	Q2o	Q3o	Q4o	Q4o
1	1	1	0	1	X	X	X	X	Q1n	Q2n	Q3n	Q4n	Q4n
1	1	1	1	0	X	X	X	X	0	Q1n	Q2n	Q3n	Q4n
1	1	1	1	1	X	X	X	X	1	Q1n	Q2n	Q3n	Q4n
1	1	1	1	1	0	X	X	X	Q1n	Q2n	Q3n	Q3n	Q4n

0 ; LOW LEVEL
 1 ; HIGH LEVEL
 X ; DON'T CARE



SN74LS197N (TI)
SN74LS241N (TI)
HD74LS241P (HITACHI)
 TTL PRESETTABLE DIVIDE-BY-2 AND DIVIDE-BY-8 (4-BIT BINARY) COUNTER
 — TOP VIEW —



COUNT SEQUENCE

÷ 2 SECTION

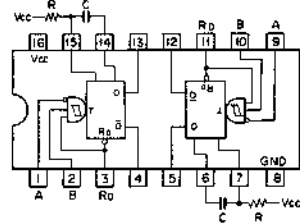
COUNT	RD	LD	QA
0	1	1	0
1	1	1	1
X	1	0	SET TO A
0	0	X	0

0; LOW LEVEL
 1; HIGH LEVEL
 X; DON'T CARE

÷ 8 SECTION

COUNT	RD	LD	QD	QC	QB
0	1	1	0	0	0
1	1	1	0	0	1
2	1	1	0	1	0
3	1	1	0	1	1
4	1	1	1	0	0
5	1	1	1	0	1
6	1	1	1	1	0
7	1	1	1	1	1
X	1	0	0	C	B
0	0	X	0	0	0

SN74221N (TI)
SN74LS221N (TI)
HD74LS221P (HITACHI)
 TTL MONOSTABLE MULTIVIBRATOR WITH SCHMITT TRIGGER INPUT
 — TOP VIEW —



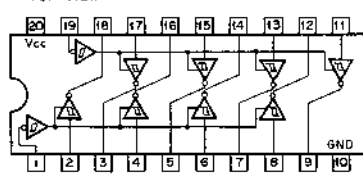
INPUTS

RD	A	B	Q	D
0	X	X	0	1
X	1	X	0	1
X	X	0	0	1
1	0	1	1	1
1	1	1	1	1
1	0	1	1	1
1	0	1	1	1

0; LOW LEVEL
 1; HIGH LEVEL
 X; DON'T CARE

OUTPUT PULSE WIDTH = 0.7CR

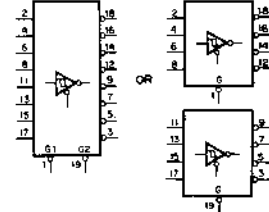
SN74LS240N (TI)
SN74LS240N (TI)
HD74LS240P (HITACHI)
 TTL 3-STATE SCHMITT TRIGGER INVERTER/LINE DRIVER
 — TOP VIEW —



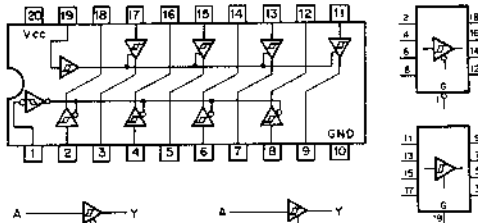
INPUTS

G	A	Y
0	0	1
0	1	0
1	X	HI-Z

0; LOW LEVEL
 1; HIGH LEVEL
 X; DON'T CARE
 HI-Z; HIGH IMPEDANCE



SN74LS241N (TI)
SN74LS241N (TI)
HD74LS241P (HITACHI)
 TTL 3-STATE SCHMITT TRIGGER BUFFER/LINE DRIVER
 — TOP VIEW —



INPUTS

G	A	Y
0	0	0
0	1	1
1	0	HI-Z
1	1	HI-Z

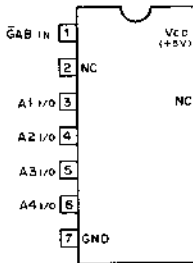
HI-Z; HIGH IMPEDANCE

INPUTS

G	A	Y
0	0	HI-Z
0	1	HI-Z
1	0	0
1	1	1

HI-Z; HIGH IMPEDANCE

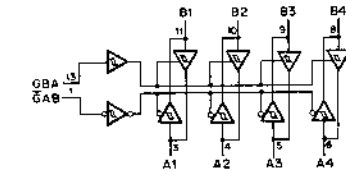
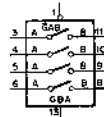
SN74LS243N (TI)
 TTL BUS TRANSCEIVERS WITH 3-STATE OUTPUT
 — TOP VIEW —



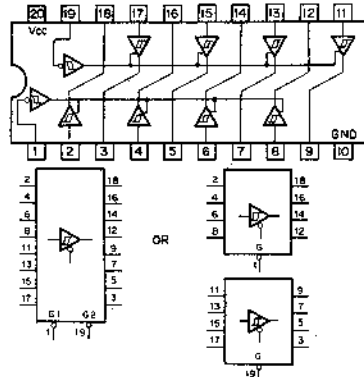
GAB GBA OPERATION

GAB	GBA	A to B
0	0	A to B
0	1	DON'T USE
1	0	HI-Z
1	1	B to A

0; LOW LEVEL
 1; HIGH LEVEL
 HI-Z; HIGH IMPEDANCE



SN74LS244N (TI)
HD74LS244P (HITACHI)
M74LS244P (MITSUBISHI)
 TTL 3-STATE SCHMITT TRIGGER BUFFER/DRIVER
 — TOP VIEW —

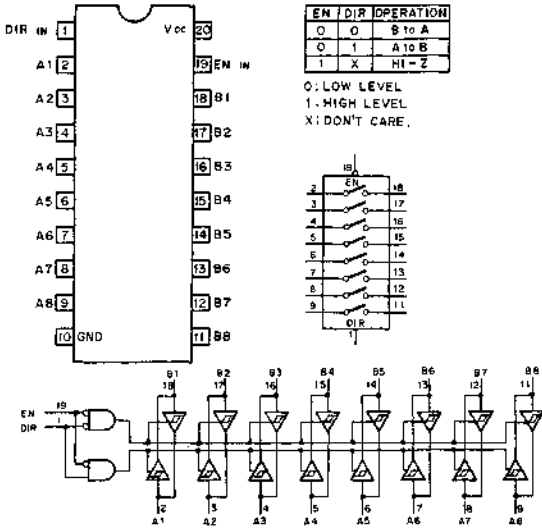


INPUTS

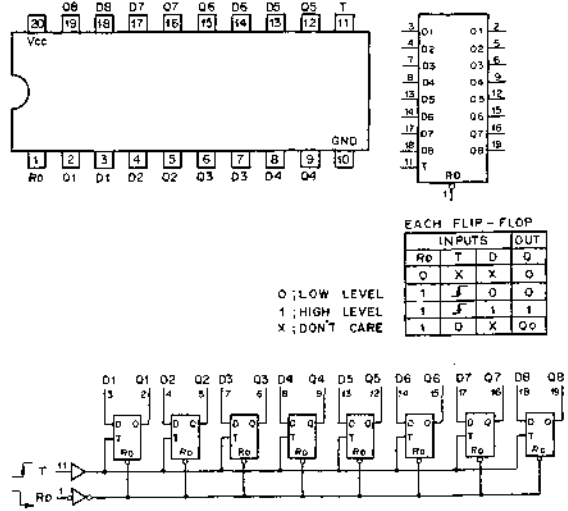
G	A	Y
0	0	0
0	1	1
1	X	HI-Z

0; LOW LEVEL
 1; HIGH LEVEL
 X; DON'T CARE
 HI-Z; HIGH IMPEDANCE

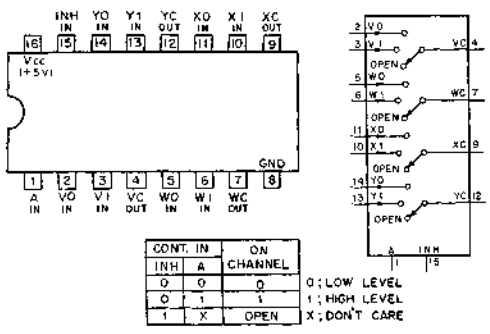
SN74LS245N (T1)
TTL BILATERAL SCHMITT TRIGGER BUS TRANSCEIVERS WITH 3-STATE OUTPUT
— TOP VIEW —



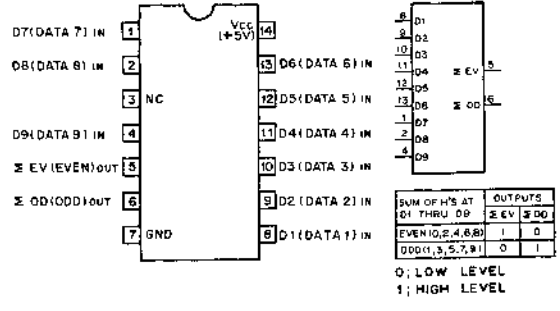
SN74273N (T1)
SN74LS273N (T1)
M74LS273P (MITSUBISHI)
TTL D-TYPE FLIP-FLOP WITH DIRECT RESET
— TOP VIEW —



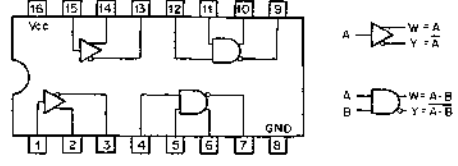
SN74LS257AN (T1)
TTL 2-LINE-TO-1-LINE DATA SELECTOR/MULTIPLEXER
— TOP VIEW —



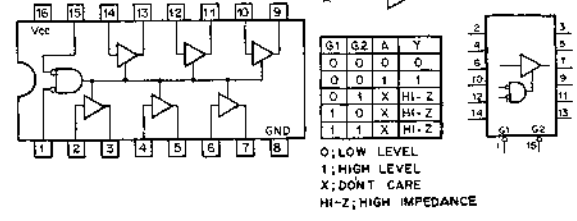
SN74LS280N (T1)
TTL 9-BIT ODD/EVEN PARITY GENERATOR/CHECKER
— TOP VIEW —



SN74265N (T1)
TTL COMPLEMENTARY-OUTPUT ELEMENT
— TOP VIEW —

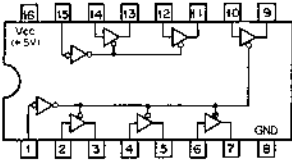


SN74LS365AN (T1)
SN74365AN (T1)
TTL 3-STATE BUS DRIVER
— TOP VIEW —



SN74367AN (TI)
SN74LS367AN (TI)
TTL BUS DRIVER WITH 3-STATE OUTPUTS

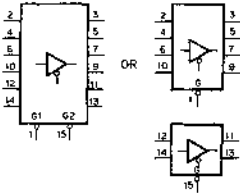
— TOP VIEW —



G A Y

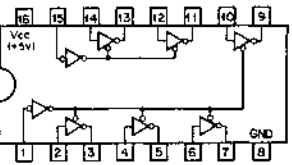
0	0	0
0	1	1
1	X	HI-Z

0; LOW LEVEL
1; HIGH LEVEL
X; DON'T CARE
HI-Z; HIGH IMPEDANCE



SN74368AN (TI)
SN74LS368AN (TI)
TTL BUS INVERTER WITH 3-STATE OUTPUTS

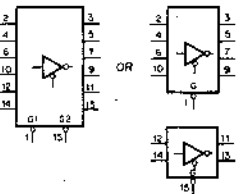
— TOP VIEW —



G A Y

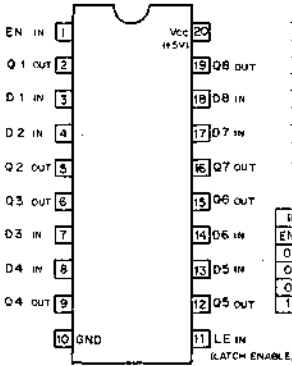
0	0	1
0	1	0
1	X	HI-Z

0; LOW LEVEL
1; HIGH LEVEL
X; DON'T CARE
HI-Z; HIGH IMPEDANCE



SN74LS373N (TI)
SN74S373N (TI)
TTL 3-STATE OUTPUTS OCTAL LATCHES

— TOP VIEW —



INPUTS OUT

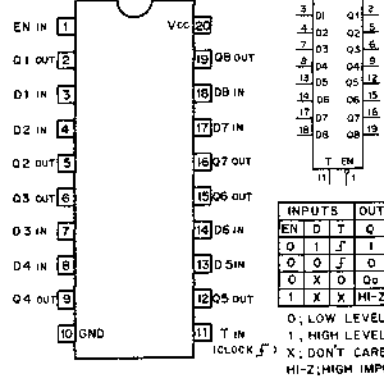
EN	D	LE	Q
0	1	1	1
0	0	1	0
0	X	0	Q ₀
1	X	X	HI-Z

HI-Z; HIGH IMPEDANCE
0; LOW LEVEL
1; HIGH LEVEL
X; DON'T CARE



SN74LS374N (TI)
SN74S374N (TI)
TTL 3-STATE OUTPUTS OCTAL D-TYPE FLIP-FLOP

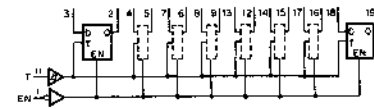
— TOP VIEW —



INPUTS OUT

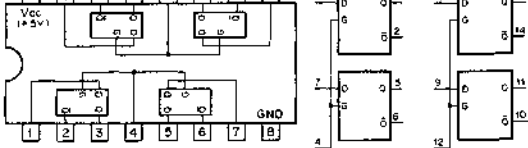
EN	D	T	Q
0	1	1	1
0	0	1	0
0	X	0	Q ₀
1	X	X	HI-Z

0; LOW LEVEL
1; HIGH LEVEL
X; DON'T CARE
HI-Z; HIGH IMPEDANCE



SN74LS375N (TI)
TTL BISTABLE LATCH

— TOP VIEW —



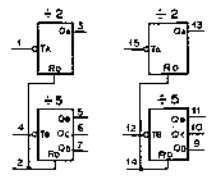
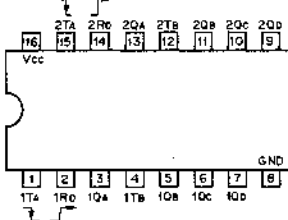
D C Q Q

0	1	0	1
1	1	1	0
X	0	Q ₀	Q ₀

0; LOW LEVEL
1; HIGH LEVEL
X; DON'T CARE

SN74390N (TI)
SN74LS390N (TI)
TTL DIVIDE-BY-2 AND DIVIDE-BY-5 COUNTER

— TOP VIEW —



COUNT SEQUENCE

÷2 SECTION	
COUNT	Q _A
0	0
1	1

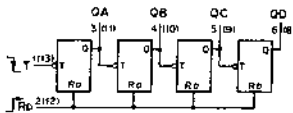
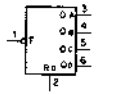
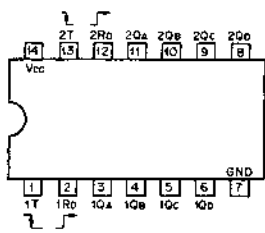
÷5 SECTION			
COUNT	Q _A	Q _C	Q _B
0	0	0	0
1	0	0	1
2	0	1	0
3	0	1	1
4	1	0	0

RESET/COUNT FUNCTION

R ₀	Q ₀	Q _C	Q _B	Q _A
1	0	0	0	0
0	COUNT			

0; LOW LEVEL
1; HIGH LEVEL

SN74393N (TI)
SN74LS393N (TI)
 TTL 4-BIT BINARY COUNTER
 —TOP VIEW—



COUNT SEQUENCE

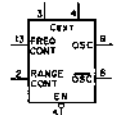
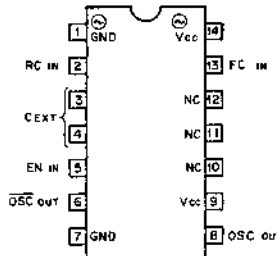
COUNT	Qd	Qc	Qb	Qa
0	0	0	0	0
1	0	0	0	1
2	0	0	1	0
3	0	0	1	1
4	0	1	0	0
5	0	1	0	1
6	0	1	1	0
7	0	1	1	1
8	1	0	0	0
9	1	0	0	1
10	1	0	1	0
11	1	0	1	1
12	1	1	0	0
13	1	1	0	1
14	1	1	1	0
15	1	1	1	1

RESET/COUNT FUNCTION

Rd	Qd	Qc	Qb	Qa
1	0	0	0	0
0	COUNT			

0: LOW LEVEL
 1: HIGH LEVEL

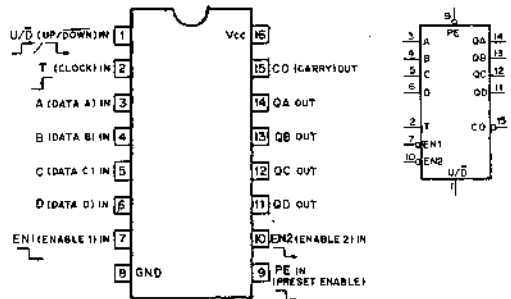
SN74LS624N (TI)
 TTL VOLTAGE CONTROLLED OSCILLATOR
 —TOP VIEW—



EN	OSC	OSC
0	ENABLE	ENABLE
1	LOW	HIGH

0: LOW LEVEL
 1: HIGH LEVEL

SN74LS669N (TI)
 TTL PRESETTABLE SYNCHRONOUS 4-BIT BINARY UP/DOWN COUNTER
 —TOP VIEW—

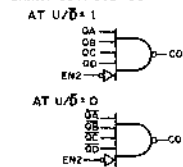


MODE SELECTION

PE	EN1	EN2	U/D	MODE
0	X	X	X	PRESET
X	1	X	X	NO COUNT
X	X	1	X	NO COUNT
1	0	0	1	UP COUNT
1	0	0	0	DOWN COUNT

0: LOW LEVEL
 1: HIGH LEVEL
 X: DON'T CARE

CARRY OUTPUTS "CO"

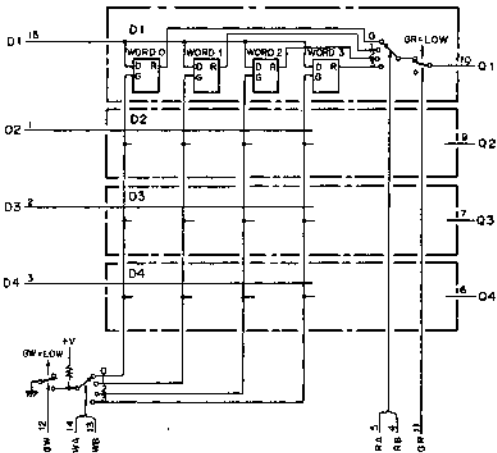
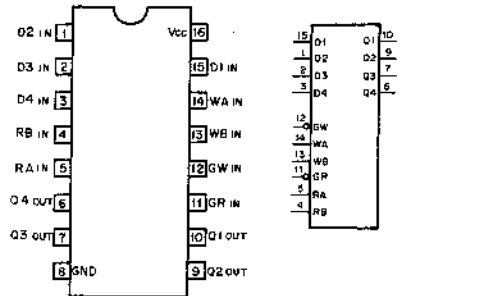


COUNT SEQUENCE

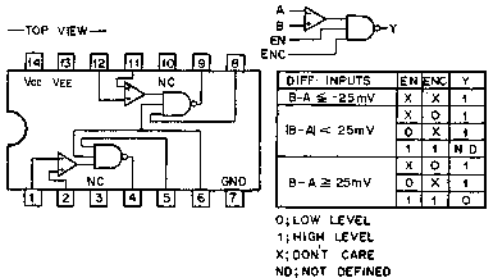
COUNT	Qd	Qc	Qb	Qa
0	0	0	0	0
1	0	0	0	1
2	0	0	1	0
3	0	0	1	1
4	0	1	0	0
5	0	1	0	1
6	0	1	1	0
7	0	1	1	1
8	1	0	0	0
9	1	0	0	1
10	1	0	1	0
11	1	0	1	1
12	1	1	0	0
13	1	1	0	1
14	1	1	1	0
15	1	1	1	1

↑ UP COUNT
 ↓ DOWN COUNT

SN74LS670N(TI)
 TTL 4-BY-4 REGISTER FILES WITH 3-STATE OUTPUT
 —TOP VIEW—



SN75107AN (TI)
SN75107BN (TI)
HD75107A (HITACHI)
HD75107AP (HITACHI)
 LINE RECEIVER
 —TOP VIEW—

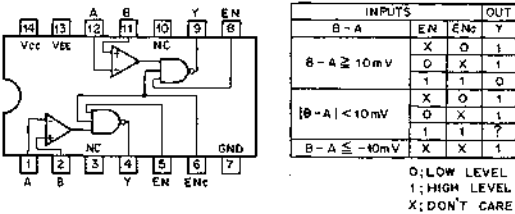


DIFF. INPUTS

B-A	EN	ENC	Y
B-A ≤ -25mV	X	X	1
B-A < 25mV	X	0	1
	0	X	1
B-A < 25mV	1	1	ND
	X	0	1
B-A ≥ 25mV	0	X	1
	1	1	0

0: LOW LEVEL
 1: HIGH LEVEL
 X: DON'T CARE
 ND: NOT DEFINED

SN75207BN (TI)
 BIPOlar LINE RECEIVER (TTL COMPATIBLE)
 —TOP VIEW—

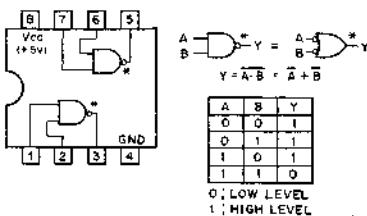


INPUTS

B-A	EN	ENC	Y
B-A ≤ -10mV	X	X	1
B-A < 10mV	0	X	1
	X	0	1
B-A < 10mV	1	1	?
	X	X	1

0: LOW LEVEL
 1: HIGH LEVEL
 X: DON'T CARE

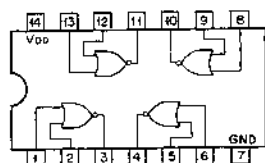
SN75452BP (TI)
HD75452P (HITACHI)
 TTL PERIPHERAL POSITIVE-NAND DRIVER
 WITH OPEN-COLLECTOR
 —TOP VIEW—



A	B	Y
0	0	1
0	1	1
1	0	1
1	1	0

0: LOW LEVEL
 1: HIGH LEVEL

TC4001BP (TOSHIBA)
 TC4001UBP (TOSHIBA)
 μPD4001BC (NEC)
 M884001B (FUJITSU)
 MSM4001 (OKI)
 HD14001BP (HITACHI)
 MC14001BCP (MOTOROLA)
 MC14001UBCP (MOTOROLA)
 C-MOS 2-INPUT NOR GATE
 - TOP VIEW -

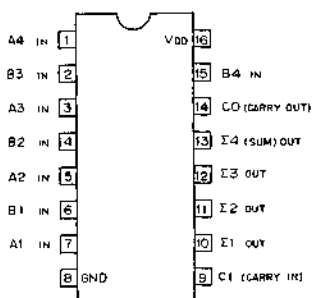


$$Y = \overline{A+B} = \overline{A} \cdot \overline{B}$$

A	B	Y
0	0	1
0	1	0
1	0	0
1	1	0

0: LOW LEVEL
 1: HIGH LEVEL

TC4008BP (TOSHIBA)
 MC14008BCP (MOTOROLA)
 C-MOS 4-BIT FULL ADDER
 - TOP VIEW -

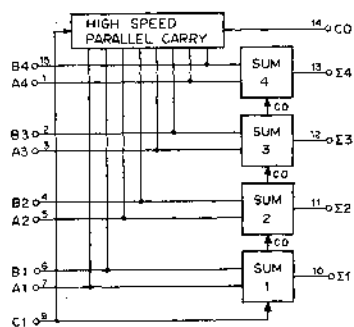


A1	B1	S1
A2	B2	S2
A3	B3	S3
A4	B4	S4
C1	CO	

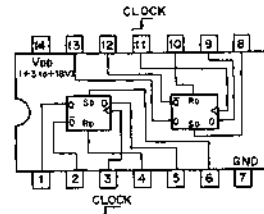
ONE STAGE

C1	B1	A1	CO	S1
0	0	0	0	0
0	0	1	0	1
0	1	0	0	1
0	1	1	1	0
1	0	0	0	1
1	0	1	1	0
1	1	0	1	0
1	1	1	1	1

0: LOW LEVEL
 1: HIGH LEVEL



TC4013BP (TOSHIBA)
 TC504013BP (TOSHIBA)
 C-MOS D-TYPE FLIP FLOP WITH DIRECT SET/RESET
 - TOP VIEW -

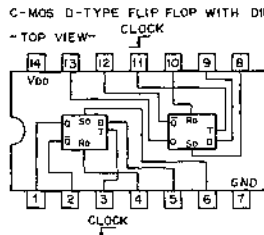


DIRECT R-S FLIP FLOP		D-TYPE FLIP FLOP	
SR	Q	CKn	Qn+1
0	0	0	Q
0	1	0	0
1	0	0	1
1	1	0	1

CLOCK CK: $\begin{cases} \text{CKn: BEFORE CLOCK} \\ \text{CKn+1: AFTER CLOCK} \end{cases}$

0: LOW LEVEL
 1: HIGH LEVEL

M884013B (FUJITSU)
 M884013M (FUJITSU)
 μPD4013BC (NEC)
 μPD4013C (NEC)
 HD14013BP (HITACHI)
 MC14013BCP (MOTOROLA)
 C-MOS D-TYPE FLIP FLOP WITH DIRECT SET / RESET
 - TOP VIEW -

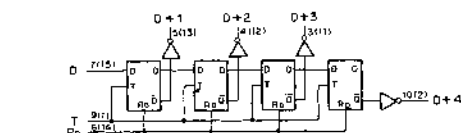
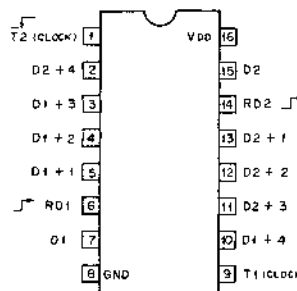


DIRECT R-S FLIP FLOP		D-TYPE FLIP FLOP	
SR	Q	In	In+1
0	0	0	Q
0	1	0	0
1	0	0	1
1	1	0	1

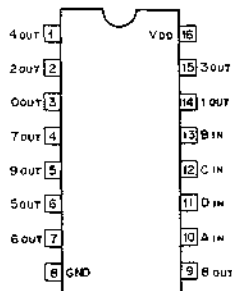
CLOCK T: $\begin{cases} \text{In: BEFORE CLOCK} \\ \text{In+1: AFTER CLOCK} \end{cases}$

0: LOW LEVEL
 1: HIGH LEVEL

TC4015BP (TOSHIBA)
 μPD4015C (NEC)
 μPD4015BC (NEC)
 MC14015BCP (MOTOROLA)
 C-MOS DUAL 4-STAGE STATIC SHIFT REGISTER WITH DIRECT RESET
 - TOP VIEW -



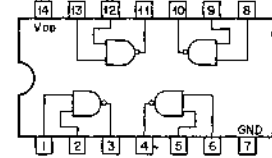
TC4028BP (TOSHIBA)
 μPD4028C (NEC)
 C-MOS BCD TO DECIMAL DECODER
 - TOP VIEW -



STATE	0	1	2	3	4	5	6	7	8	9
INPUTS	0	0	0	0	1	0	0	0	0	0
OUTPUTS	0	0	0	0	1	0	0	0	0	0
1	0	0	0	1	0	0	0	0	0	0
2	0	0	1	0	0	0	0	0	0	0
3	0	0	1	1	0	0	0	0	0	0
4	0	1	0	0	0	0	0	0	0	0
5	0	1	0	1	0	0	0	0	0	0
6	0	1	1	0	0	0	0	0	0	0
7	0	1	1	1	0	0	0	0	0	0
8	1	X	X	X	0	0	0	0	0	0
9	1	X	X	1	0	0	0	0	0	0

0: LOW LEVEL
 1: HIGH LEVEL
 X: DON'T CARE

TC4011BP (TOSHIBA)
 TC4011UBP (TOSHIBA)
 μPD4011BC (NEC)
 MSM4011RS (OKI)
 M884011B (FUJITSU)
 HD14011BP (HITACHI)
 MC14011BCP (MOTOROLA)
 MC14011UBCP (MOTOROLA)
 C-MOS 2-INPUT NAND GATE
 - TOP VIEW -

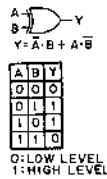
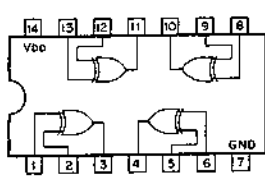


$$Y = \overline{A \cdot B} = \overline{A} + \overline{B}$$

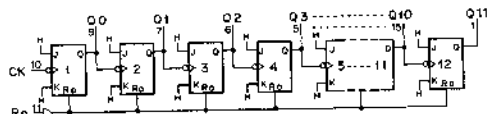
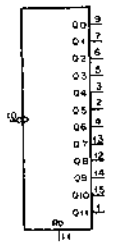
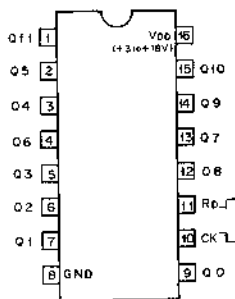
A	B	Y
0	0	1
0	1	1
1	0	1
1	1	0

0: LOW LEVEL
 1: HIGH LEVEL

TC4030BP (TOSHIBA)
 μPD4030BC (NEC)
 μPD4030C (NEC)
 MC14507CP (MOTOROLA)
 C-MOS EXCLUSIVE OR GATE
 -TOP VIEW-



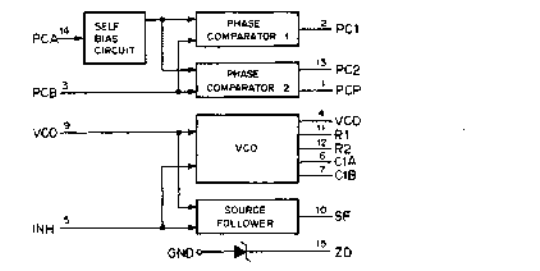
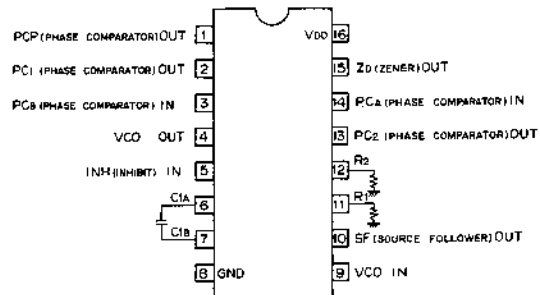
TC4040BP (TOSHIBA)
 HD14040BP (HITACHI)
 MB94040B (FUJITSU)
 μPD4040C (NEC)
 C-MOS 12-STAGE RIPPLE CARRY BINARY COUNTER/DRIVER
 -TOP VIEW-



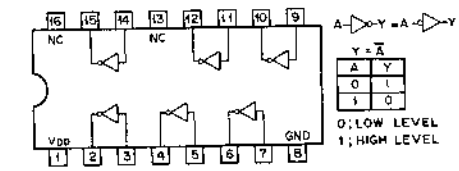
COUNT	Q11	Q10	Q9	Q8	Q7	Q6	Q5	Q4	Q3	Q2	Q1	Q0	RD	Q11	Q10
0	0	0	0	0	0	0	0	0	0	0	0	0	0	1	ALL LOW
1	0	0	0	0	0	0	0	0	0	0	0	1	0	COUNT	
2	0	0	0	0	0	0	0	0	0	0	1	0			
3	0	0	0	0	0	0	0	0	0	1	0	0			
...			
4095	1	1	1	1	1	1	1	1	1	1	1	1			

0: LOW LEVEL
 1: HIGH LEVEL

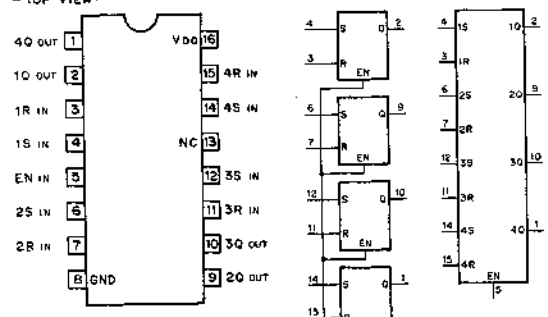
TC4046BP (TOSHIBA)
 HD14046BP (HITACHI)
 MC14046BCP (MOTOROLA)
 C-MOS PHASE LOCKED LOOP
 -TOP VIEW-



TC4049BP (TOSHIBA)
 μPD4049C (NEC)
 MB84049B (FUJITSU)
 MB84049U (FUJITSU)
 MC14049UBCP (MOTOROLA)
 C-MOS INVERTING TYPE BUFFER/CONVERTER
 -TOP VIEW-



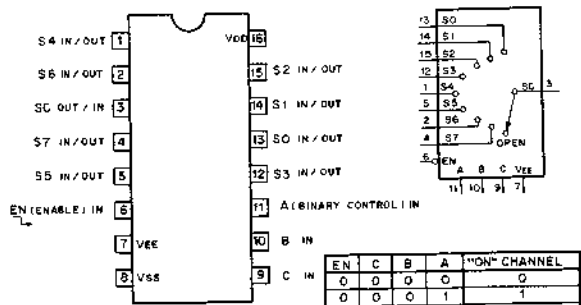
TC4043BP (TOSHIBA)
 MC14043BCP (MOTOROLA)
 C-MOS 3-STATE OUTPUT NOR R-S LATCH
 -TOP VIEW-



EN	S	R	Q
0	X	X	HIGH IMPEDANCE
1	0	0	NO CHANGE
1	0	1	0
1	1	0	1
1	1	1	1

0: LOW LEVEL
 1: HIGH LEVEL
 X: DON'T CARE

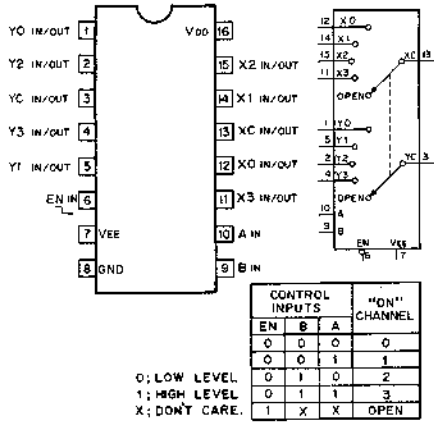
TC4051BP (TOSHIBA)
 μPD4051BC (NEC)
 HD14051BP (HITACHI)
 MC14051BCP (MOTOROLA)
 C-MOS 8-CHANNEL MULTIPLEXER/DEMULTIPLEXER
 -TOP VIEW-



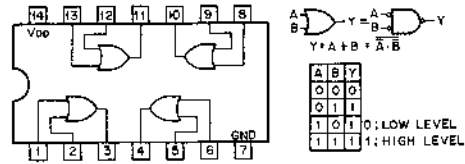
EN	C	B	A	"ON" CHANNEL
0	0	0	0	0
0	0	0	1	1
0	0	1	0	2
0	0	1	1	3
0	1	0	0	4
0	1	0	1	5
0	1	1	0	6
0	1	1	1	7
1	X	X	X	OPEN

0: LOW LEVEL
 1: HIGH LEVEL
 X: DON'T CARE

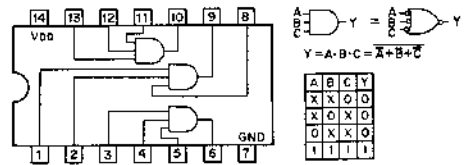
TC4052BP (TOSHIBA)
 MB84052B (FUJITSU)
 HD14052BP (HITACHI)
 MC14052BCP (MOTOROLA)
 C-MOS 4-CHANNEL MULTIPLEXER / DEMULTIPLEXER
 - TOP VIEW -



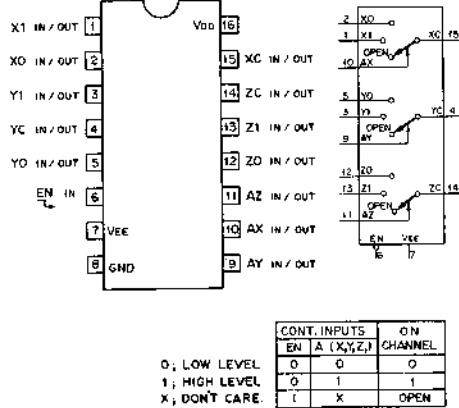
TC4071BP (TOSHIBA)
 μPD4071BC (NEC)
 MC14071BCP (MOTOROLA)
 C-MOS 2-INPUT OR GATE
 - TOP VIEW -



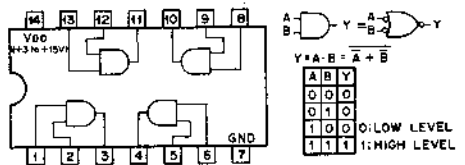
TC4073BP (TOSHIBA)
 μPD4073BC (NEC)
 MC14073BCP (MOTOROLA)
 C-MOS 3-INPUT POSITIVE AND GATE
 - TOP VIEW -



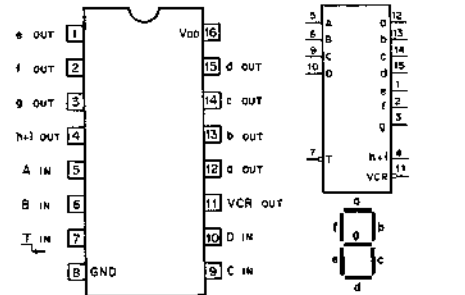
TC4053BP (TOSHIBA)
 MSM4053 (OKI)
 MB84053B (FUJITSU)
 HD14053BP (HITACHI)
 μPD4053BC (NEC)
 MC14053BCP (MOTOROLA)
 C-MOS 2-CHANNEL MULTIPLEXER / DEMULTIPLEXER
 - TOP VIEW -



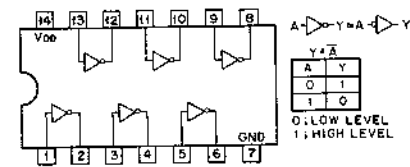
TC4081BP (TOSHIBA)
 MB84081B (FUJITSU)
 MC14081BCP (MOTOROLA)
 μPD4081BC (NEC)
 C-MOS 2-INPUT AND GATE
 - TOP VIEW -



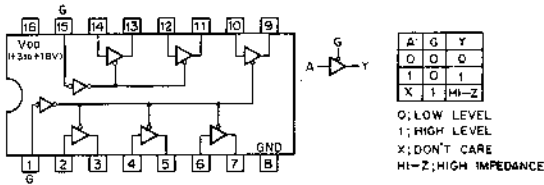
MC14495P (MOTOROLA)
 C-MOS BCD-TO-SEVEN-SEGMENT 4-BIT LATCH/DECODER DRIVER
 - TOP VIEW -



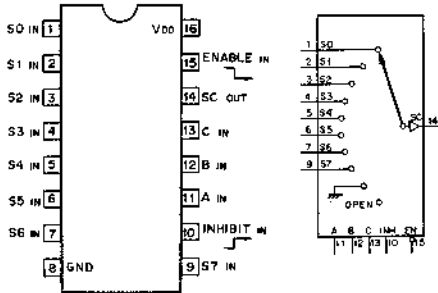
TC4069UBP (TOSHIBA)
 μPD4069C (NEC)
 μPD4069UBC (NEC)
 MB84069B (FUJITSU)
 MB84069UB (FUJITSU)
 HD14069BP (HITACHI)
 HD14069UBP (HITACHI)
 MC14069UBCP (MOTOROLA)
 C-MOS INVERTER
 - TOP VIEW -



HD14503BP (HITACHI)
MC14503BCP (MOTOROLA)
C-MOS NON-INVERTING 3-STATE BUFFER
- TOP VIEW -



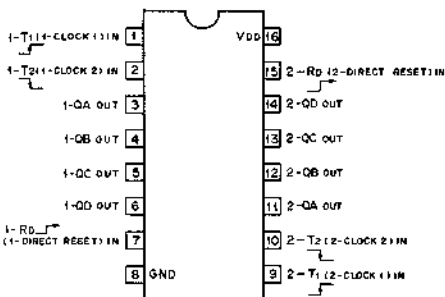
TC4512BP (TOSHIBA)
MC14512BCP (MOTOROLA)
C-MOS 9-CHANNEL DATA SELECTOR/MULTIPLEXER
- TOP VIEW -



CONTROL INPUTS	OUTPUT
EN/INH	C B A SC
0 0 0 0	S0
0 0 0 1	S1
0 0 0 1	S2
0 0 1 1	S3
0 0 1 0	S4
0 0 1 0	S5
0 0 1 1	S6
0 1 1 1	S7
0 1 X X X	GND
1 X X X X	OPEN

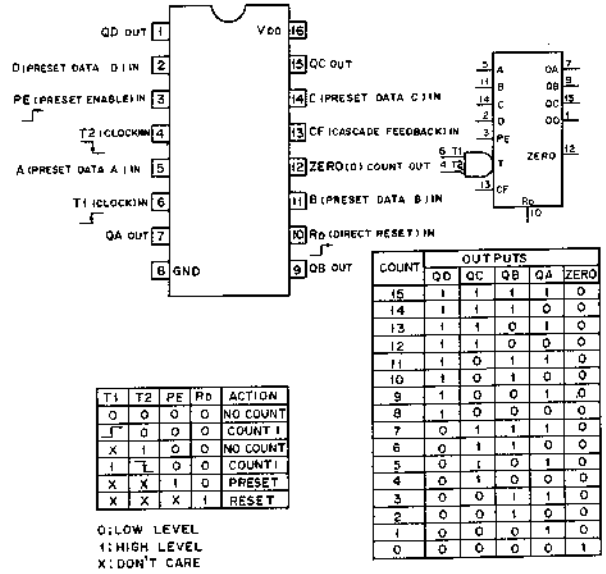
0: LOW LEVEL
1: HIGH LEVEL
X: DON'T CARE

TC4520BP (TOSHIBA)
MB84520B (FUJITSU)
MC14520BCP (MOTOROLA)
C-MOS DUAL 4-BIT BINARY UP COUNTER
- TOP VIEW -

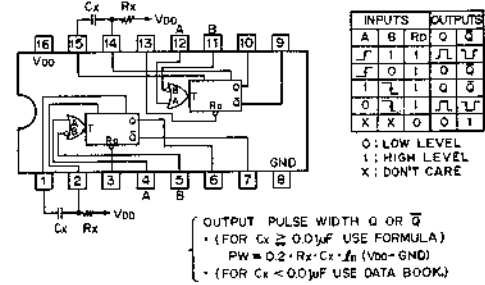


T1	T2	Rd	ACTION
0	1	0	INCREMENT COUNTER
0	1	0	INCREMENT COUNTER
X	X	0	NO CHANGE
X	0	0	NO CHANGE
0	0	0	NO CHANGE
1	0	0	NO CHANGE
X	X	1	QA THRU QD = 0

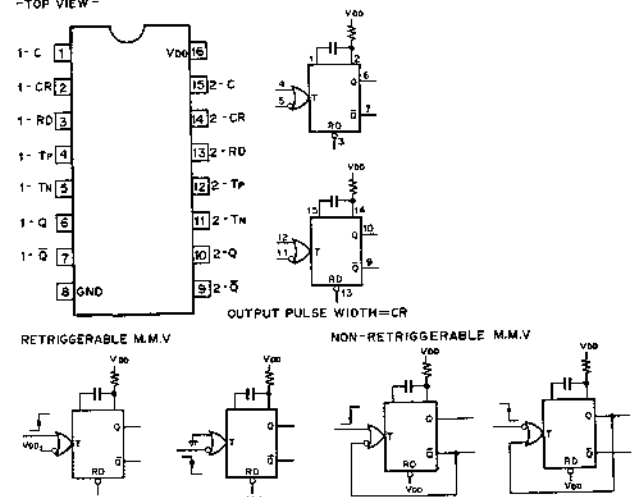
MC14526 BCP (MOTOROLA)
C-MOS PROGRAMMABLE DIVIDE-BY-N 4-BIT BINARY DOWN COUNTER
- TOP VIEW -



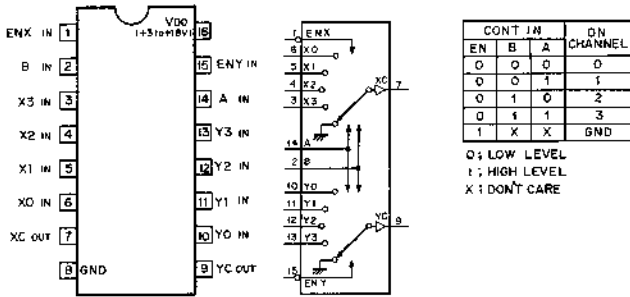
TC4528BP (TOSHIBA)
μPD4528C (NEC)
MC14528BCP (MOTOROLA)
C-MOS RETRIGGERABLE / RESETTABLE MMV
- TOP VIEW -



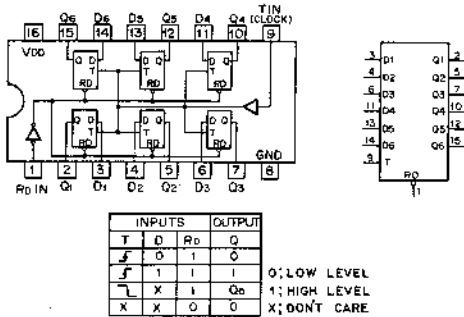
HD14538BP (HITACHI)
MC14538BCP (MOTOROLA)
C-MOS DUAL RETRIGGERABLE/NON-RETRIGGERABLE MONOSTABLE MULTIVIBRATOR
- TOP VIEW -



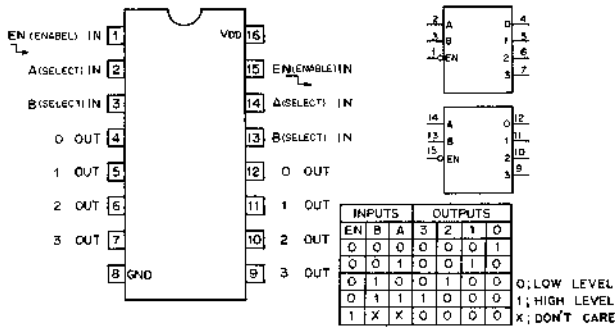
MC14539BCP (MOTOROLA)
TC4539BP (TOSHIBA)
MPD4539BC (NEC)
C-MOS DUAL 4-CHANNEL DATA SELECTOR/MULTIPLEXER
—TOP VIEW—



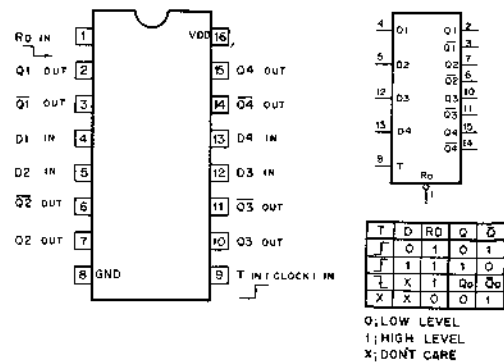
TC40174BP (TOSHIBA)
MC14174BCP (MOTOROLA)
C-MOS D-TYPE FLIP-FLOP
—TOP VIEW—



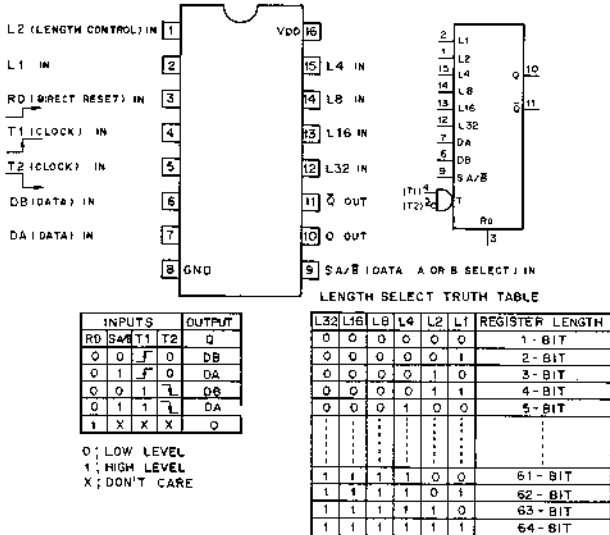
TC4555BP (TOSHIBA)
MC14555BCP (MOTOROLA)
C-MOS BINARY TO 1-OF-4 DECODER / DEMULTIPLEXER
—TOP VIEW—



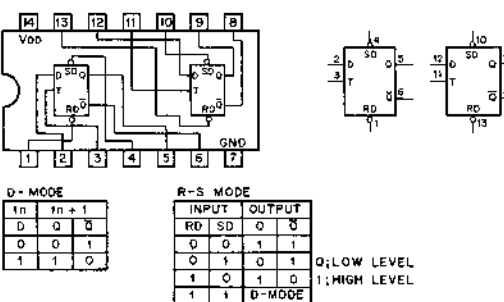
TC40175BP (TOSHIBA)
MC14175BCP (MOTOROLA)
C-MOS D-TYPE FLIP-FLOP
—TOP VIEW—



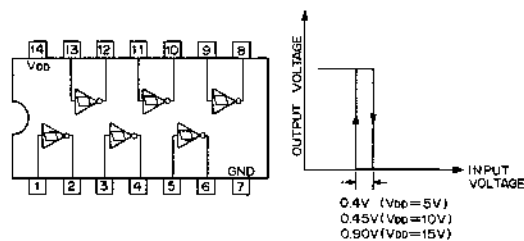
MC14557BCP (MOTOROLA)
C-MOS 1-TO-64-BIT VARIABLE LENGTH SHIFT REGISTER
—TOP VIEW—



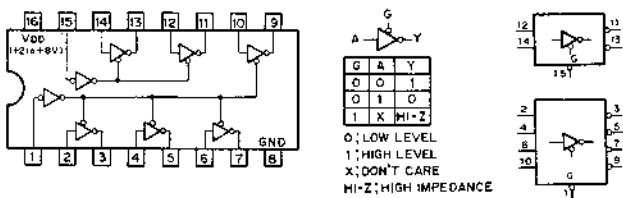
TC40H074P (TOSHIBA)
C-MOS HIGH SPEED D-TYPE FLIP-FLOP WITH DIRECT SET/RESET
—TOP VIEW—



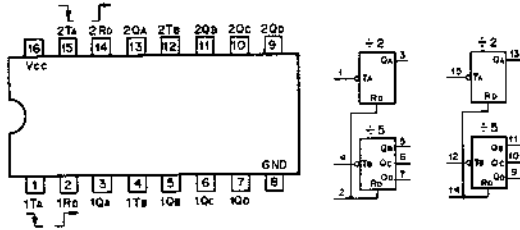
MPD4584BC (NEC)
MC14584BCP (MOTOROLA)
C-MOS SCHMITT TRIGGER INVERTER
—TOP VIEW—



TC40H368P (TOSHIBA)
C-MOS INVERTING 3-STATE BUFFER
—TOP VIEW—



TC40H390P (TOSHIBA)
C-MOS DIVIDE-BY-2 AND DIVIDE-BY-5 COUNTER
— TOP VIEW —



COUNT SEQUENCE

÷ 2 SECTION

COUNT	QA
0	0
1	1

÷ 5 SECTION

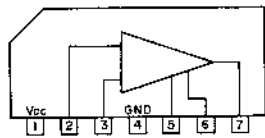
COUNT	QA	QB	QC	QD
0	0	0	0	0
1	0	0	1	0
2	0	1	0	0
3	0	1	1	0
4	1	0	0	0

RESET/COUNT FUNCTION

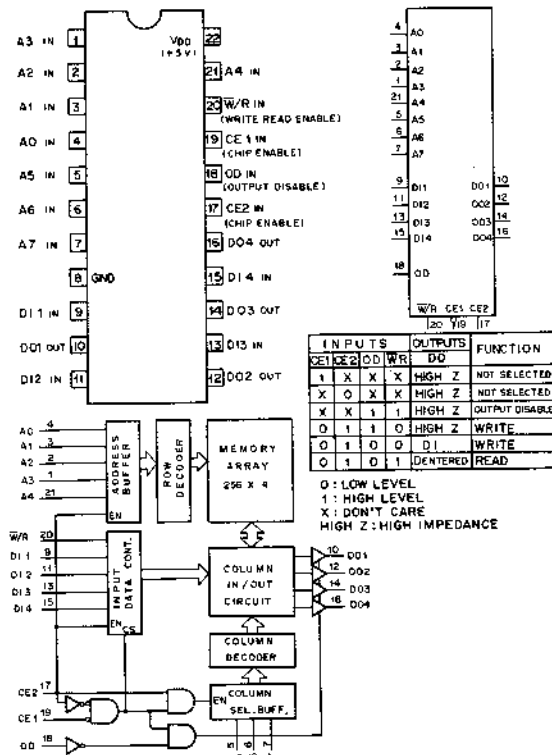
Rd	Qa	Qb	Qc	Qd
1	0	1	0	0
0	COUNT			

0: LOW LEVEL
1: HIGH LEVEL

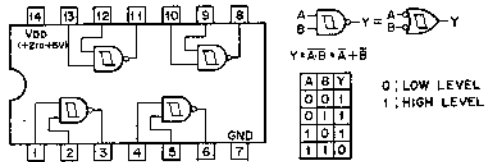
TA7069P (TOSHIBA)
VIDEO AMPLIFIER
— SIDE VIEW —



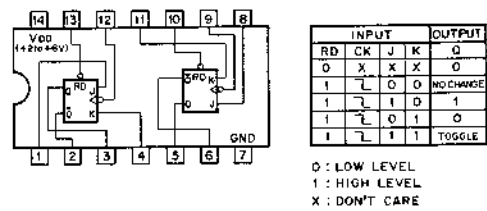
TC6501P (TOSHIBA) (ACCESS TIME = 450 nS)
TC6501P-1 (TOSHIBA) (ACCESS TIME = 650 nS)
UPD5101C-1 (NEC) (ACCESS TIME = 450 nS)
5101L-1 (INTEL) (ACCESS TIME = 450 nS)
C-MOS 1024-BIT(256x4) STATIC RAM
— TOP VIEW —



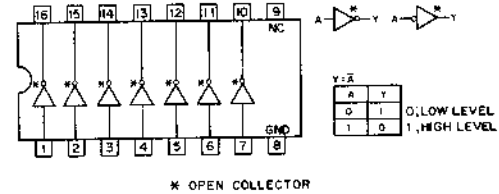
TC74HC107P (TOSHIBA)
HD74HC107P (HITACHI)
MC74HC107N (MOTOROLA)
C-MOS DUAL J-K FLIP-FLOPS
— TOP VIEW —



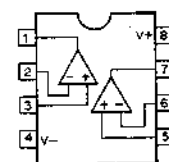
TC74HC132P (TOSHIBA)
HD74HC132P (HITACHI)
MC74HC132N (MOTOROLA)
C-MOS 2-INPUT HAND SCHMITT TRIGGER
— TOP VIEW —



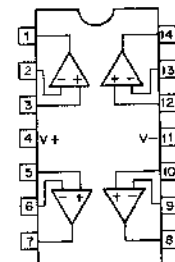
TD62105P (TOSHIBA)
TTL INVERTING DRIVER WITH OPEN COLLECTOR
— TOP VIEW —



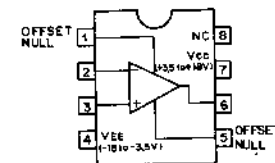
TLO72CP (TI)
TLO72ACP (TI)
TLO72BCP (TI)
OPERATIONAL AMPLIFIER
(LOW-NOISE, JFET-INPUT)
— TOP VIEW —



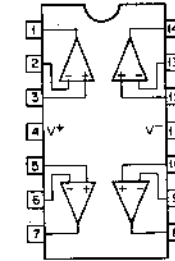
TLO74CN (TI)
TLO74ACN (TI)
TLO74BCN (TI)
OPERATIONAL AMPLIFIER
(LOW-NOISE, JFET-INPUT)
— TOP VIEW —



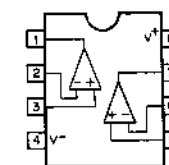
TLO81CP (TI)
OPERATIONAL AMPLIFIER
(JFET-INPUT)
— TOP VIEW —



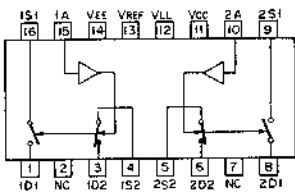
TLO84CN (TI)
TLO84ACN (TI)
TLO84BCN (TI)
OPERATIONAL AMPLIFIER
(JFET-INPUT)
— TOP VIEW —



TLO82CP (TI)
μPC4082C (NEC)
TLO82ACP (TI)
TLO82BCP (TI)
OPERATIONAL AMPLIFIER
(JFET-INPUT)
— TOP VIEW —



TL191CN (TI)
TWIN DUAL COMPLEMENTARY
BI-MOS ANALOG SWITCH
— TOP VIEW —

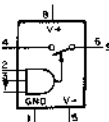
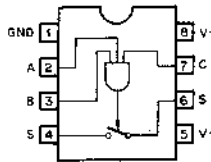


A	S1/S2
1	ON/OFF
0	OFF/ON

0; LOW LEVEL
1; HIGH LEVEL



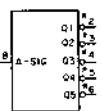
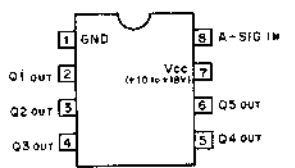
TL610CP (TI)
MOS ANALOG SWITCH
— TOP VIEW —



CONT IN			S
A	B	C	S
0	X	X	OFF/OPEN
X	0	X	OFF/OPEN
X	X	0	OFF/OPEN
1	1	1	ON/CLOSED

0; LOW LEVEL
1; HIGH LEVEL
X; DON'T CARE

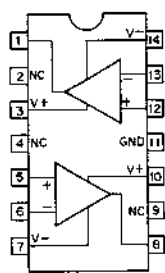
TL489CP (TI)
5-STEP ANALOG LEVEL DETECTOR WITH OPEN COLLECTOR OUTPUT
— TOP VIEW —



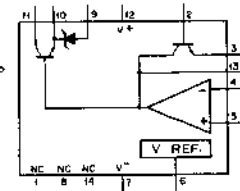
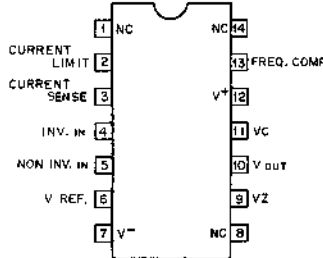
INPUT A-SIG (V)	Q5	Q4	Q3	Q2	Q1
≤ 0.2	1	1	1	1	1
$0.2 \leq 0.4$	1	1	1	1	0
$0.4 \leq 0.6$	1	1	1	0	0
$0.6 \leq 0.8$	1	1	0	0	0
$0.8 \leq 1.0$	1	0	0	0	0
≥ 1.0	0	0	0	0	0

0; LOW LEVEL
1; HIGH LEVEL

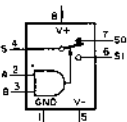
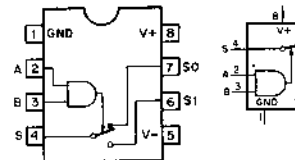
TL820CN (TI)
VOLTAGE COMPARATOR
(DIFFERENTIAL INPUTS)
— TOP VIEW —



uA723CN (TI)
uA723DC (FSC)
HA1723G (HITACHI)
VOLTAGE REGULATOR
— TOP VIEW —



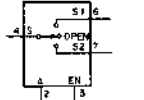
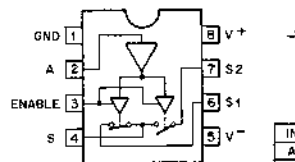
TL601CP (TI)
P-MOS ANALOG SWITCH
— TOP VIEW —



CONT IN		ON CHANNEL
A	B	S0
0	0	S0
0	1	S0
1	0	S0
1	1	S1

0; LOW LEVEL
1; HIGH LEVEL

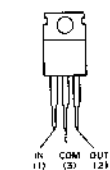
TL607CP (TI)
SN72607P (TI)
MOS ANALOG SWITCH
— TOP VIEW —



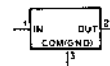
INPUTS		SW
A	EN	
X	0	OPEN
0	1	S2
1	1	S1

0; LOW LEVEL
1; HIGH LEVEL
X; DON'T CARE

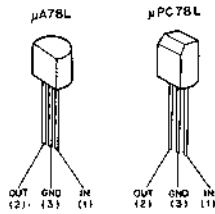
uA7800UC (FSC)
uPC14300H (NEC)
uPC7800H (NEC)
POSITIVE VOLTAGE REGULATOR (IA)



5V	uA7805UC	F57805	uPC14305H	uPC7805H
6V	uA7806UC			
8V	uA7808UC		uPC14308H	uPC7808H
9.5V	uA7809UC			
12V	uA7812UC	F57812	uPC14312H	uPC7812H
15V	uA7815UC	F57815	uPC14315H	uPC7815H
18V	uA7818UC		uPC14318H	uPC7818H
24V	uA7824UC	F57824	uPC14324H	uPC7824H

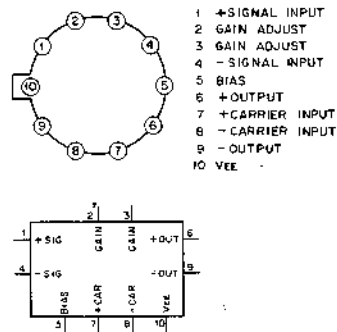


μA78L□□AWV (FSC)
μA78L□□ACL (TI)
μPC78L□□ (NEC)
μPC78L□□A (NEC)
 POSITIVE VOLTAGE REGULATOR (100mA)

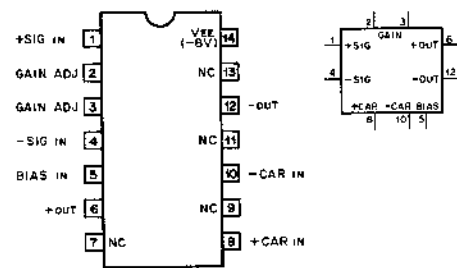


2.6V	μA78L26AWV	μA78L02ACL	μPC78L05 (A)
5V	μA78L05AWV	μA78L05ACL	
6.2V	μA78L62AWV	μA78L06ACL	
8V	μA78L82AWV	μA78L08ACL	μPC78L08
9.2V	μA78L92AWV	μA78L09ACL	
10V	μA78L10AWV	μA78L10ACL	
12V	μA78L12AWV	μA78L12ACL	μPC78L12
15V	μA78L15AWV	μA78L15ACL	μPC78L15
18V	μA78L18AWV		
24V	μA78L24AWV		

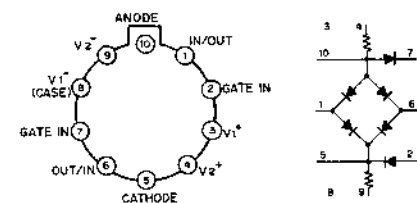
μA796HC (FSC)
μA796HCA (FSC)
MC1596G (MOTOROLA)
 DOUBLE-BALANCED MOD/DEM.



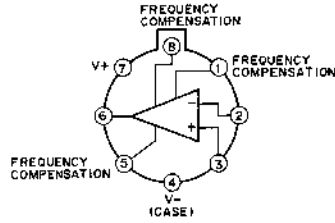
μA796PC (FSC)
MC1496P (MOTOROLA)
 BALANCED MODULATOR / DEMODULATOR



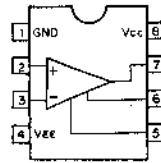
μPC91A (NEC)
 ANALOG SWITCH



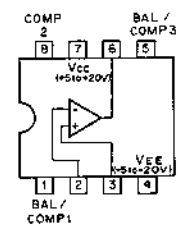
μPC159A (NEC)
 OPERATIONAL AMPLIFIER
 (HIGH SPEED, WIDE BANDWIDTH)



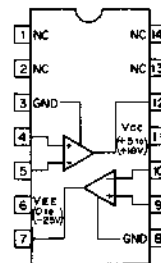
μPC311C (NEC)
 VOLTAGE COMPARATOR



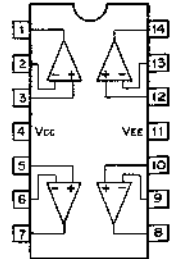
μPC318C (NEC)
 HIGH-PERFORMANCE OPERATIONAL AMPLIFIER



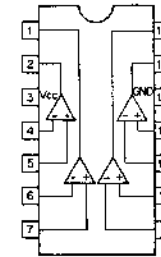
μPC272C (NEC)
μPC319C (NEC)
 DUAL VOLTAGE COMPARATOR



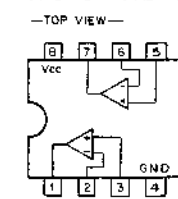
μPC324C (NEC)
 QUAD. OP. AMPLIFIER



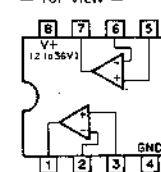
μPC339C (NEC)
 COMPARATOR



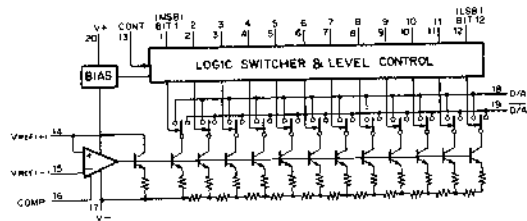
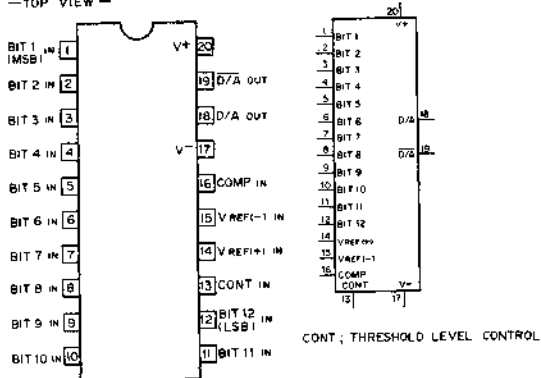
μPC358C (NEC)
LM358P (TI)
 DUAL OPERATIONAL AMPLIFIERS



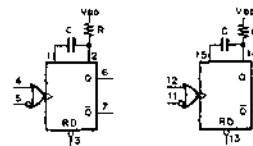
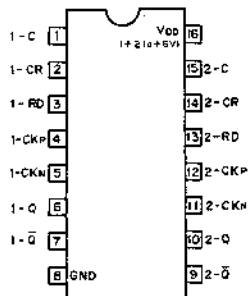
μPC393C (NEC)
μPC393G (NEC)
BA6993 (ROHM)
 VOLTAGE COMPARATOR



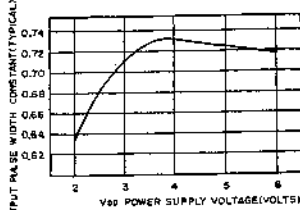
μPC6480 (NEC)
12-BIT D/A CONVERTER WITH OPEN COLLECTOR OUTPUT
— TOP VIEW —



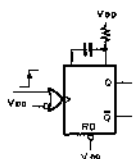
TC74HC4538P (TOSHIBA)
CMOS DUAL RETRIGGERABLE/NON-RETRIGGERABLE MONOSTABLE MULTIVIBRATOR
— TOP VIEW —



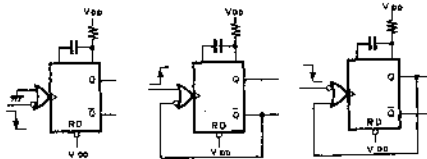
OUTPUT PULSE WIDTH = k · C · R



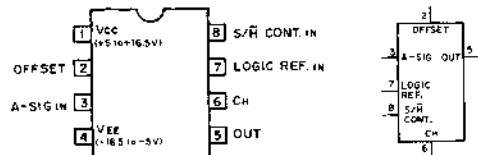
RETRIGGERABLE M.M.V.



NON-RETRIGGERABLE M.M.V.

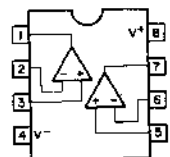


μPC649C (NEC)
SAMPLE AND HOLD CIRCUIT
— TOP VIEW —

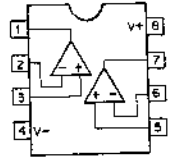


S/H CONT.; SAMPLE/HOLD CONTROL
CH; EXTERNAL HOLD CAPACITOR

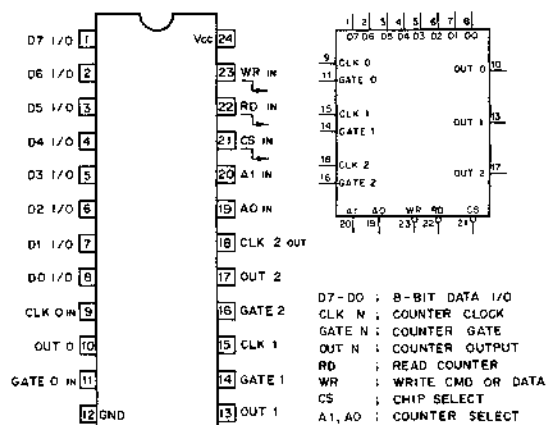
μPC4556C (NEC)
OPERATIONAL AMPLIFIER
(WIDE BAND, DECOMPENSATED)
— TOP VIEW —



μPC4557C (NEC)
OPERATIONAL AMPLIFIER
(WIDE BAND, LOW NOISE)
— TOP VIEW —



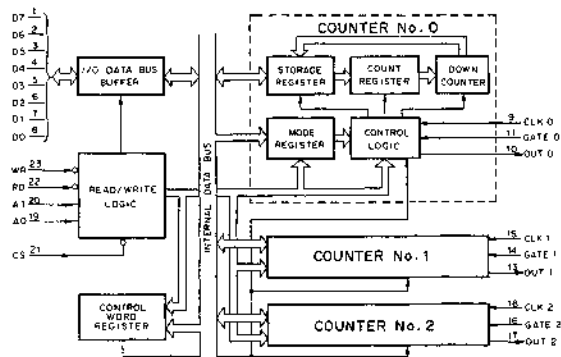
**JPD8253C-5 (NEC)
8253-5 (INTEL)
N-MOS PROGRAMMABLE INTERVAL TIMER**
- TOP VIEW -



FUNCTION TABLE

INPUTS					FUNCTION
CS	RD	WR	A1	AO	
0	1	0	0	0	Load Counter No. 0
0	1	0	0	1	Load Counter No. 1
0	1	0	1	0	Load Counter No. 2
0	1	0	1	1	Control Word
0	0	1	0	0	Read Counter 0
0	0	1	0	1	Read Counter 1
0	0	1	1	0	Read Counter 2
0	0	1	1	1	No-Operation (HI-Z)
1	X	X	X	X	Disable (HI-Z)
0	1	1	X	X	No-Operation (HI-Z)

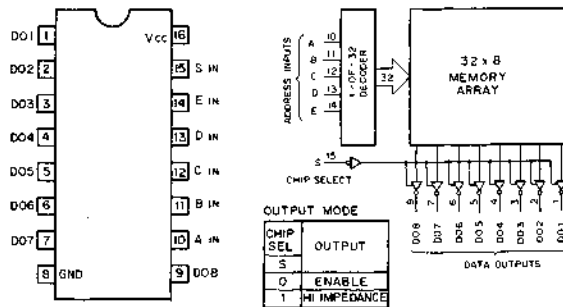
0: LOW LEVEL
1: HIGH LEVEL
X: DON'T CARE
HI-Z: HIGH IMPEDANCE



CONTROL WORD FORMAT

D7	D6	D5	D4	D3	D2	D1	D0
SC1	SC2	RL1	RL0	M2	M1	M0	BCD
BCD OPERATION							
0 16-BIT BINARY							
1 BCD(4-DECADE)							
M2 M1 M0 MODE							
0 0 0 0							
0 0 1 1							
X 1 0 2							
X 1 1 3							
1 0 0 4							
1 0 1 5							
RL1 RL0 OPERATION							
0 0 COUNTER LATCHING							
0 1 READ/LOAD LSB ONLY							
1 0 READ/LOAD MSB ONLY							
1 1 LSB FIRST THEN MSB							
SC1 SC0 SELECTED COUNTER							
0 0 COUNTER No. 0							
0 1 COUNTER No. 1							
1 0 COUNTER No. 2							
1 1 ILLEGAL							

**MB7051 (FUJITSU)
256-BIT (32x8) PROM (3-STATE OUTPUT)**
- TOP VIEW -



MB7051-A1U1
PROGRAMMED DATA

WORD (ADDRESS)	DATA OUTPUTS (IN HEXA DECIMAL)
0-15	31, 1E, 14, 1B, 21, 34, 20, 3F, 3F, 2D, 16, 27, 1B, 39, 1E, 3F, 16-31
16-31	3F, 3F, 3F, 3F, 3F, 3F, 3F, 3F, 3F, 3F, 3F, 3F, 3F, 3F, 3F, 3F, 3F, 3F

MB7051-E1U1
PROGRAMMED DATA

WORD (ADDRESS)	DATA OUTPUTS (IN HEXA DECIMAL)
0-15	04, 03, 04, 01, 01, 03, 01, 03, 04, 03, 04, 01, 01, 04, 01, 04
16-31	03, 04, 02, 01, 01, 04, 01, 03, 04, 04, 02, 03, 04, 01, 01, 04

MB7051-L1A1
PROGRAMMED DATA

WORD (ADDRESS)	DATA OUTPUTS (IN HEXA DECIMAL)
0-15	FF, FB, F1, FD, FF, DF, FF, FA, 4D, 1A, 4D, FF, 1D, DF, FC, FF, 16-31
16-31	D5, B9, B4, AF, F2, D9, F2, 7E, 44, C3, F1, FD, FD, FE, 1C, FC

MB7051-L1U1
PROGRAMMED DATA

WORD (ADDRESS)	DATA OUTPUTS (IN HEXA DECIMAL)
0-15	FF, FF, FF, FF, FF, FF, FF, FF, 7F, 81, DF, FF, FF, FF, FF, FF, 16-31
16-31	45, B9, B9, B2, F1, DA, F1, B9, B4, 91, F1, FC, FF, FD, FC, FC

MB7051-L2A1
PROGRAMMED DATA

WORD (ADDRESS)	DATA OUTPUTS (IN HEXA DECIMAL)
0-15	3A, 3A, 38, B8, 98, B8, BE, BE, B6, B7, 37, 33, 31, B1, B1, B7, 16-31
16-31	B7, B6, B6, B6, FB, F6, F6, B6, B6, 96, 96, 96, 96, 9E, 9E, 3A

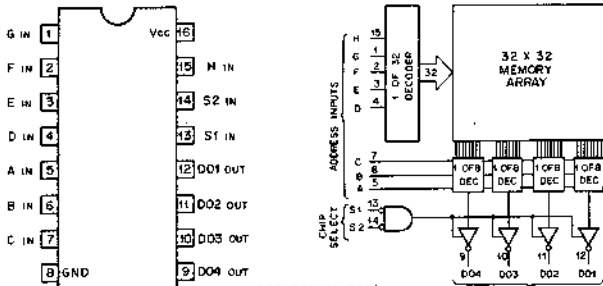
MB7051-L2U1
PROGRAMMED DATA

WORD (ADDRESS)	DATA OUTPUTS (IN HEXA DECIMAL)
0-15	3A, 3A, 38, B8, 9A, B8, BE, BE, B6, B7, 37, 33, 31, B1, B1, B7, 16-31
16-31	B7, B6, B6, B6, FB, F6, F6, B6, B6, 96, 96, 96, 96, 9E, 9E, 3A

MB7051-R2U1
PROGRAMMED DATA

WORD (ADDRESS)	DATA OUTPUTS (IN HEXA DECIMAL)
0-15	10, 10, 01, 05, 0E, 0F, 1E, 1E, 20, 10, 01, 05, 0F, 1E, 1E, 1E, 1E, 16-31
16-31	1E, 1E, 00, 00, 0A, 0B, 11, 3F, 17, 17, 00, 01, 0A, 0B, 1E, 1E

MB7052 (FUJITSU)
1024-BIT (256x4) PROM (3-STATE OUTPUT)
- TOP VIEW -



WORD/ADDRESS TABLE

WORD	ADDRESS INPUTS							
	H	G	F	E	D	C	B	A
0	0	0	0	0	0	0	0	0
1	0	0	0	0	0	0	0	1
2	0	0	0	0	0	0	1	0
3	0	0	0	0	0	0	1	1
4	0	0	0	0	0	1	0	0
5	0	0	0	0	0	1	0	1
6	0	0	0	0	1	0	0	0
7	0	0	0	0	1	0	0	1
8	0	0	0	1	0	0	0	0
9	0	0	0	1	0	0	0	1
10	0	0	1	0	0	0	0	0
11	0	0	1	0	0	0	0	1
12	0	0	1	0	1	0	0	0
13	0	0	1	0	1	0	0	1
14	0	0	1	1	0	0	0	0
15	0	0	1	1	0	0	0	1

DATA CODE/ACTUAL DATA

DATA CODE	ACTUAL DATA			
	DO4	DO3	DO2	DO1
0	0	0	0	0
1	1	0	0	0
2	2	0	0	1
3	3	0	0	1
4	4	0	1	0
5	5	0	1	0
6	6	0	1	1
7	7	0	1	1
8	8	1	0	0
9	9	1	0	0
10	A	1	0	1
11	B	1	0	1
12	C	1	1	0
13	D	1	1	0
14	E	1	1	1
15	F	1	1	1

DATA OUTPUTS

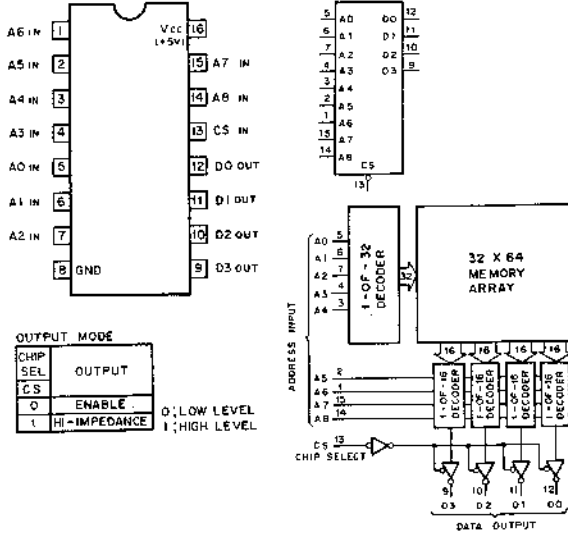
CHIP SEL	S1	S2	OUTPUT	
			DO4	DO3
0	0	0	ENABLE	
X	1	X	HI-IMPEDANCE	
1	X	X	HI-IMPEDANCE	

0; LOW LEVEL
1; HIGH LEVEL
X; DON'T CARE

MB7052-R1U1
PROGRAMMED DATA

WORD (ADDRESS)	DATA OUTPUTS (IN HEXADECIMAL)
0 - 15	0.3.6.1.7.2.3.2.2.3.2.7.1.6.3.0.
16 - 31	0.3.6.1.7.2.3.2.2.3.2.7.1.6.3.0.
32 - 47	8.B.E.9.F.A.B.A.A.B.A.F.9.E.B.8.
48 - 63	0.3.6.1.7.2.3.2.2.3.2.7.1.6.3.0.
64 - 79	4.3.6.5.7.6.7.2.2.7.6.7.5.6.3.4.
80 - 95	C.B.E.D.F.E.F.A.A.F.E.P.D.E.B.C.
96 - 111	4.3.6.5.7.6.7.2.2.7.6.7.5.6.3.4.
112 - 127	4.3.6.5.7.6.7.2.2.7.6.7.5.6.3.4.
128 - 143	0.3.6.1.7.2.3.2.2.3.2.7.1.6.3.0.
144 - 159	0.3.6.1.7.2.3.2.2.3.2.7.1.6.3.0.
160 - 175	8.B.E.9.F.A.B.A.A.B.A.P.9.E.B.8.
176 - 191	0.3.6.1.7.2.3.2.2.3.2.7.1.6.3.0.
192 - 207	4.3.6.5.7.6.7.2.2.7.6.7.5.6.3.4.
208 - 223	C.B.E.D.F.E.F.A.A.F.E.P.D.E.B.C.
224 - 239	4.3.6.5.7.6.7.2.2.7.6.7.5.6.3.4.
240 - 255	4.3.6.5.7.6.7.2.2.7.6.7.5.6.3.4.

MB7053 (FUJITSU)
2048-BIT (512x4) PROM (3-STATE OUTPUT)
- TOP VIEW -



OUTPUT MODE

CHIP SEL	OUTPUT
0	ENABLE
1	HI-IMPEDANCE

0; LOW LEVEL
1; HIGH LEVEL

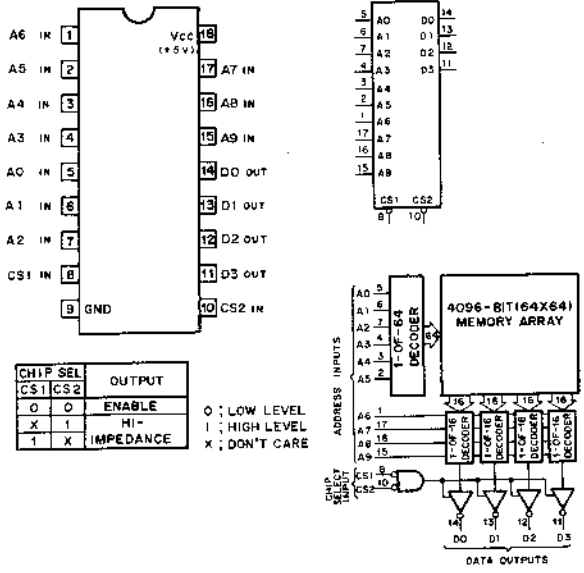
WORD/ADDRESS TABLE

WORD	ADDRESS INPUTS								
	A8	A7	A6	A5	A4	A3	A2	A1	A0
0	000	0	0	0	0	0	0	0	0
1	001	0	0	0	0	0	0	0	1
2	002	0	0	0	0	0	0	1	0
3	003	0	0	0	0	0	0	1	1
4	004	0	0	0	0	0	1	0	0
5	005	0	0	0	0	0	1	0	1
6	006	0	0	0	0	0	1	1	0
7	007	0	0	0	0	0	1	1	1
8	008	0	0	0	0	1	0	0	0
9	009	0	0	0	0	1	0	0	1
10	00A	0	0	0	0	1	0	1	0
11	00B	0	0	0	0	1	0	1	1
12	00C	0	0	0	0	1	1	0	0
13	00D	0	0	0	0	1	1	0	1
14	00E	0	0	0	0	1	1	1	0
15	00F	0	0	0	0	1	1	1	1
16	010	0	0	0	1	0	0	0	0
17	011	0	0	0	1	0	0	0	1
18	012	0	0	0	1	0	0	1	0
19	013	0	0	0	1	0	0	1	1
20	014	0	0	0	1	0	1	0	0
21	015	0	0	0	1	0	1	0	1
22	016	0	0	0	1	0	1	1	0
23	017	0	0	0	1	0	1	1	1
24	018	0	0	1	0	0	0	0	0
25	019	0	0	1	0	0	0	0	1
26	01A	0	0	1	0	0	0	1	0
27	01B	0	0	1	0	0	0	1	1
28	01C	0	0	1	0	1	0	0	0
29	01D	0	0	1	0	1	0	0	1
30	01E	0	0	1	0	1	0	1	0
31	01F	0	0	1	0	1	0	1	1

DATA CODE/ACTUAL DATA

DATA CODE	ACTUAL DATA			
	D3	D2	D1	D0
0	0	0	0	0
1	1	0	0	0
2	2	0	0	1
3	3	0	0	1
4	4	0	1	0
5	5	0	1	0
6	6	0	1	1
7	7	0	1	1
8	8	1	0	0
9	9	1	0	0
10	A	1	0	1
11	B	1	0	1
12	C	1	1	0
13	D	1	1	0
14	E	1	1	1
15	F	1	1	1

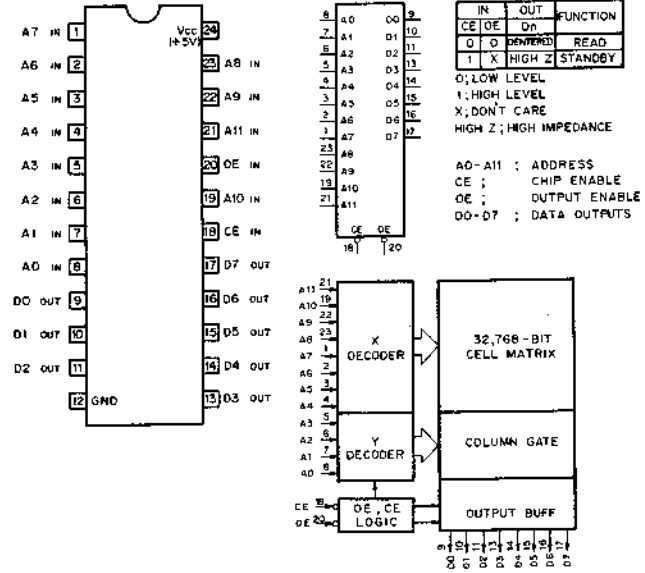
MB7054 (FUJITSU)
 uPB426D (NEC)
 4096-BIT (1024x4) PROM (3-STATE OUTPUT)
 - TOP VIEW -



CHIP SEL	OUTPUT	
CS1 CS2	0 0	ENABLE
	X 1	HI-IMPEDANCE
	1 X	IMPEDANCE

0 : LOW LEVEL
 1 : HIGH LEVEL
 X : DON'T CARE

M8M2732A-35Z (FUJITSU)
 M5L2732K (MITSUBISHI)
 2732 (INTEL)
 32K (4K-8) UV ERASABLE PROM
 - TOP VIEW -



IN	OUT	FUNCTION
CE/OE	DN	READ
0	0	STANDBY
1	X	HIGH Z

0 : LOW LEVEL
 1 : HIGH LEVEL
 X : DON'T CARE
 HIGH Z : HIGH IMPEDANCE

A0-A11 : ADDRESS
 CE : CHIP ENABLE
 OE : OUTPUT ENABLE
 D0-D7 : DATA OUTPUTS

WORD/ADDRESS TABLE

WORD	ADDRESS INPUTS									
	A9	A8	A7	A6	A5	A4	A3	A2	A1	A0
0	000	0	0	0	0	0	0	0	0	0
1	001	0	0	0	0	0	0	0	0	1
2	002	0	0	0	0	0	0	0	0	1
...
9	009	0	0	0	0	0	0	1	0	0
10	00A	0	0	0	0	0	0	1	0	1
11	00B	0	0	0	0	0	0	1	0	1
12	00C	0	0	0	0	0	0	1	1	0
13	00D	0	0	0	0	0	0	1	1	1
14	00E	0	0	0	0	0	0	1	1	1
15	00F	0	0	0	0	0	0	1	1	1
16	010	0	0	0	0	0	1	0	0	0
...
1021	3FD	1	1	1	1	1	1	1	1	0
1022	3FE	1	1	1	1	1	1	1	1	0
1023	3FF	1	1	1	1	1	1	1	1	1

IN HEXADESIMAL
 IN DECIMAL

DATA CODE/ACTUAL DATA

DATA CODE	ACTUAL DATA			
	D3	D2	D1	D0
0	0	0	0	0
1	1	0	0	0
2	2	0	0	1
3	3	0	0	1
4	4	0	1	0
5	5	0	1	0
6	6	0	1	1
7	7	0	1	1
8	8	1	0	0
9	9	1	0	0
10	A	1	0	1
11	B	1	0	1
12	C	1	1	0
13	D	1	1	0
14	E	1	1	1
15	F	1	1	1

IN HEXADESIMAL
 IN DECIMAL

SECTION C
SCHEMATIC DIAGRAM & BOARD LAYOUT



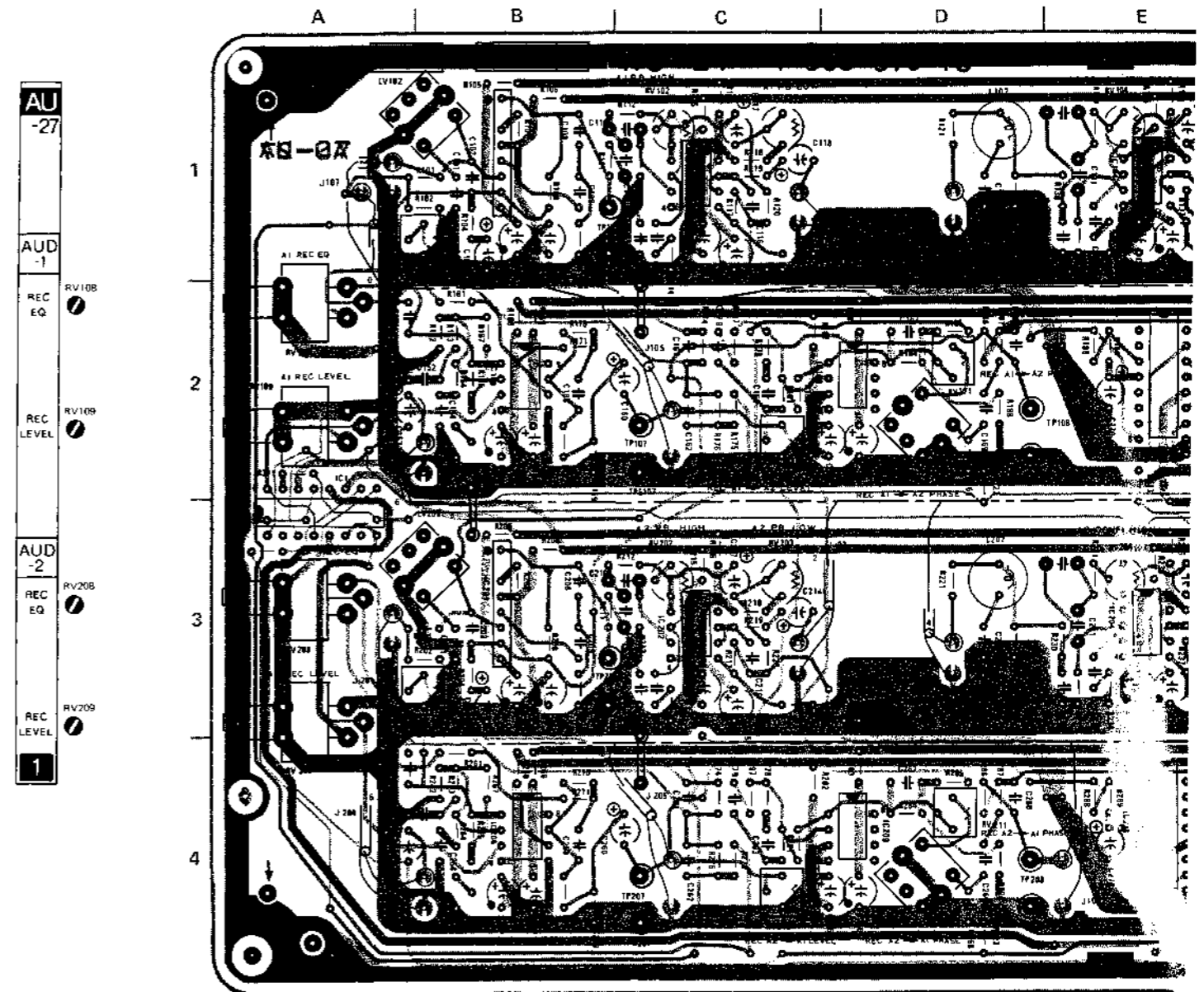
BVH-218u/PS/PM C-1 C-2 C-3
BVH-2000/PS/PM

BVH-2500/P C-1 C-2 C-3

C-1

C-2 ~ C-3

AU-27 BOARD (1-606-670-16)
Component Side



1-606-670-16 COMPONENT SIDE

AU-27

AUD-1

REC EQ RV108

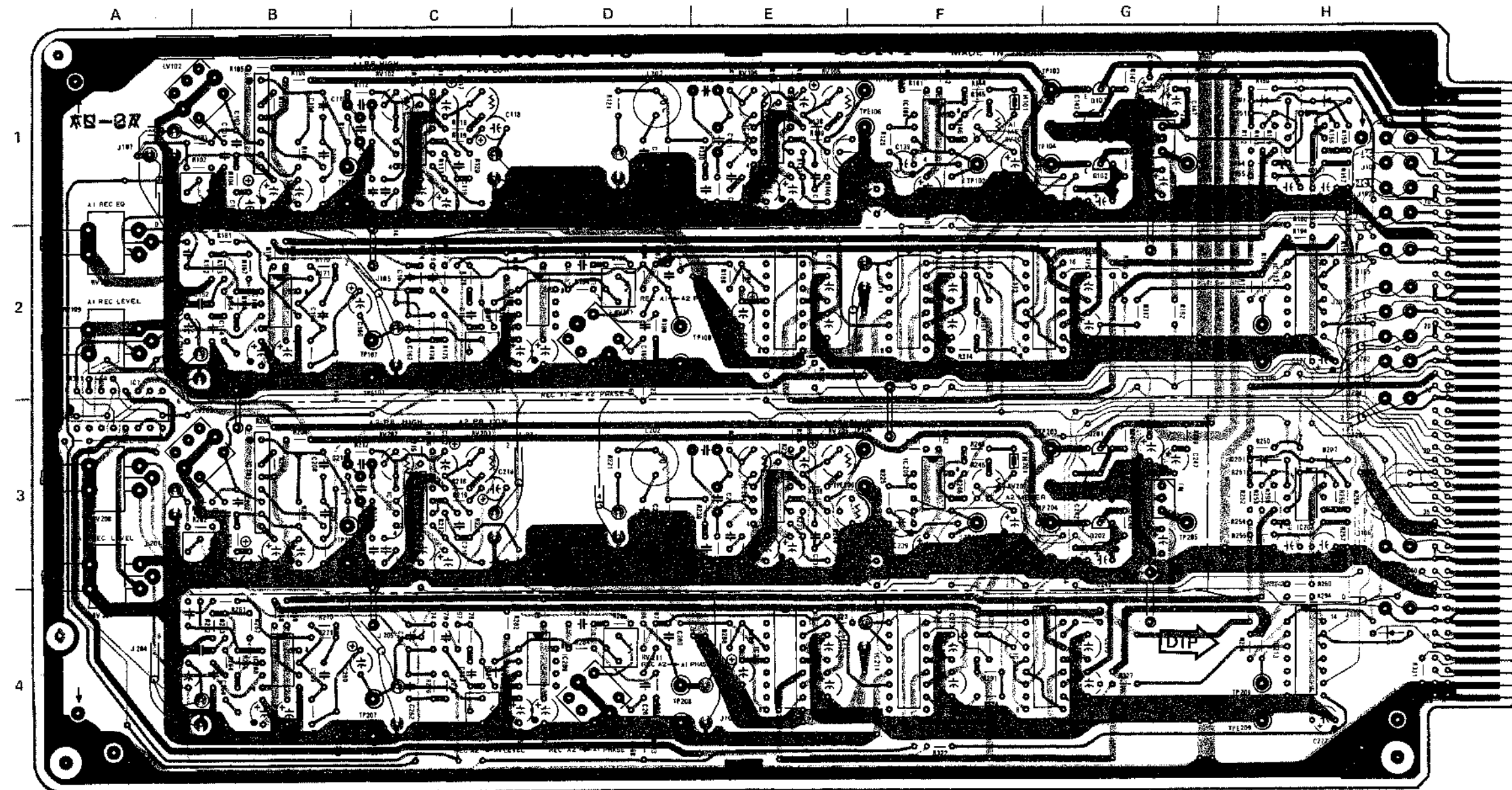
REC LEVEL RV109

AUD-2

REC EQ RV208

REC LEVEL RV209

1



1-606-670-16 COMPONENT SIDE

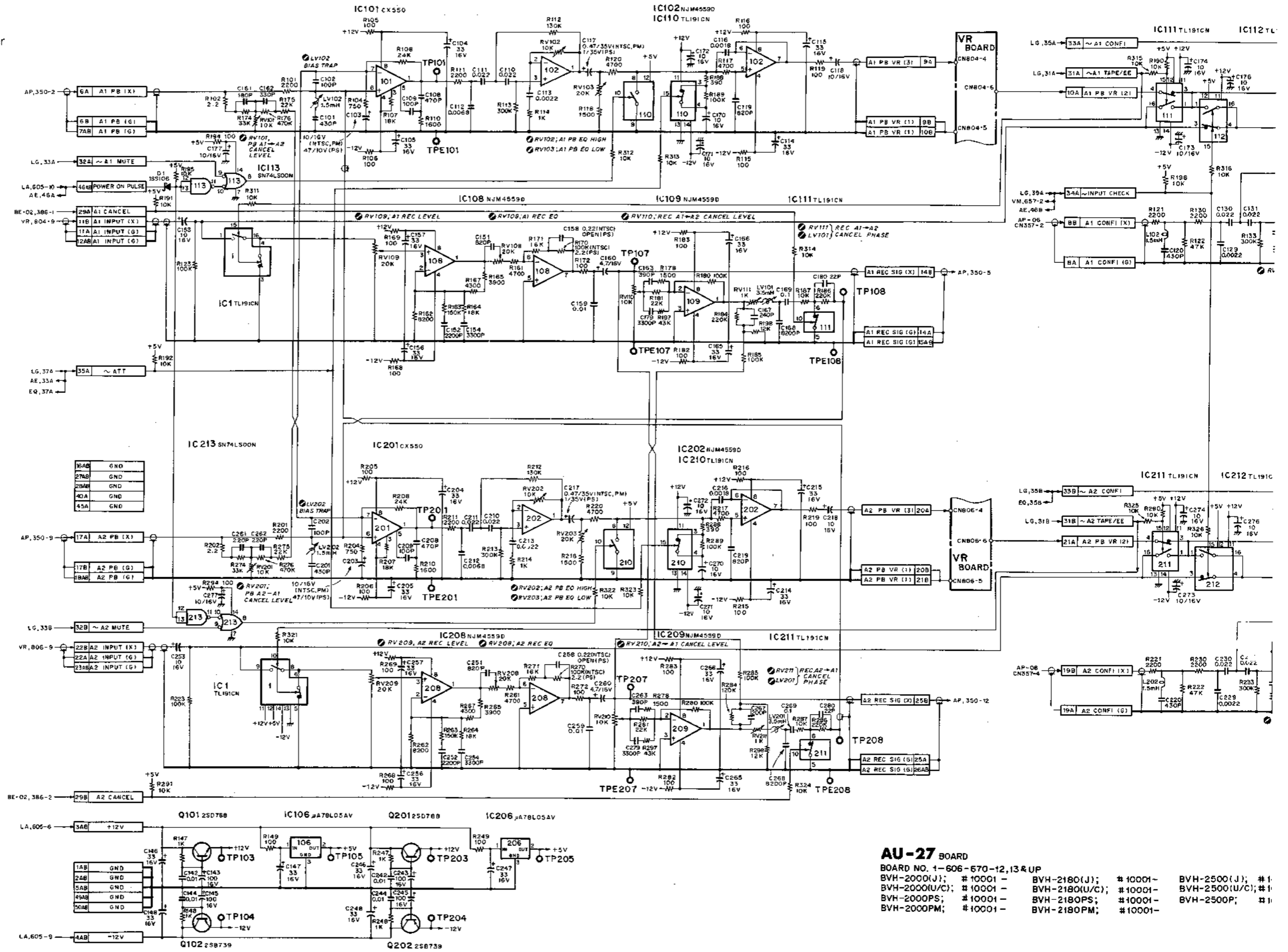
1-606-670-16 SOLDER SIDE

AU-27 (1-606-670-13 & UP)

BVH-2000/PS/PM
BVH-2180/PS/PM
BVH-2500/P

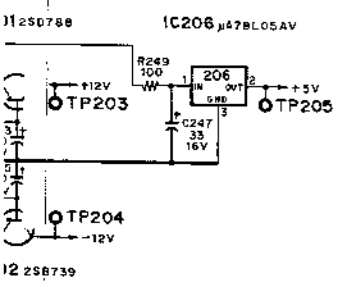
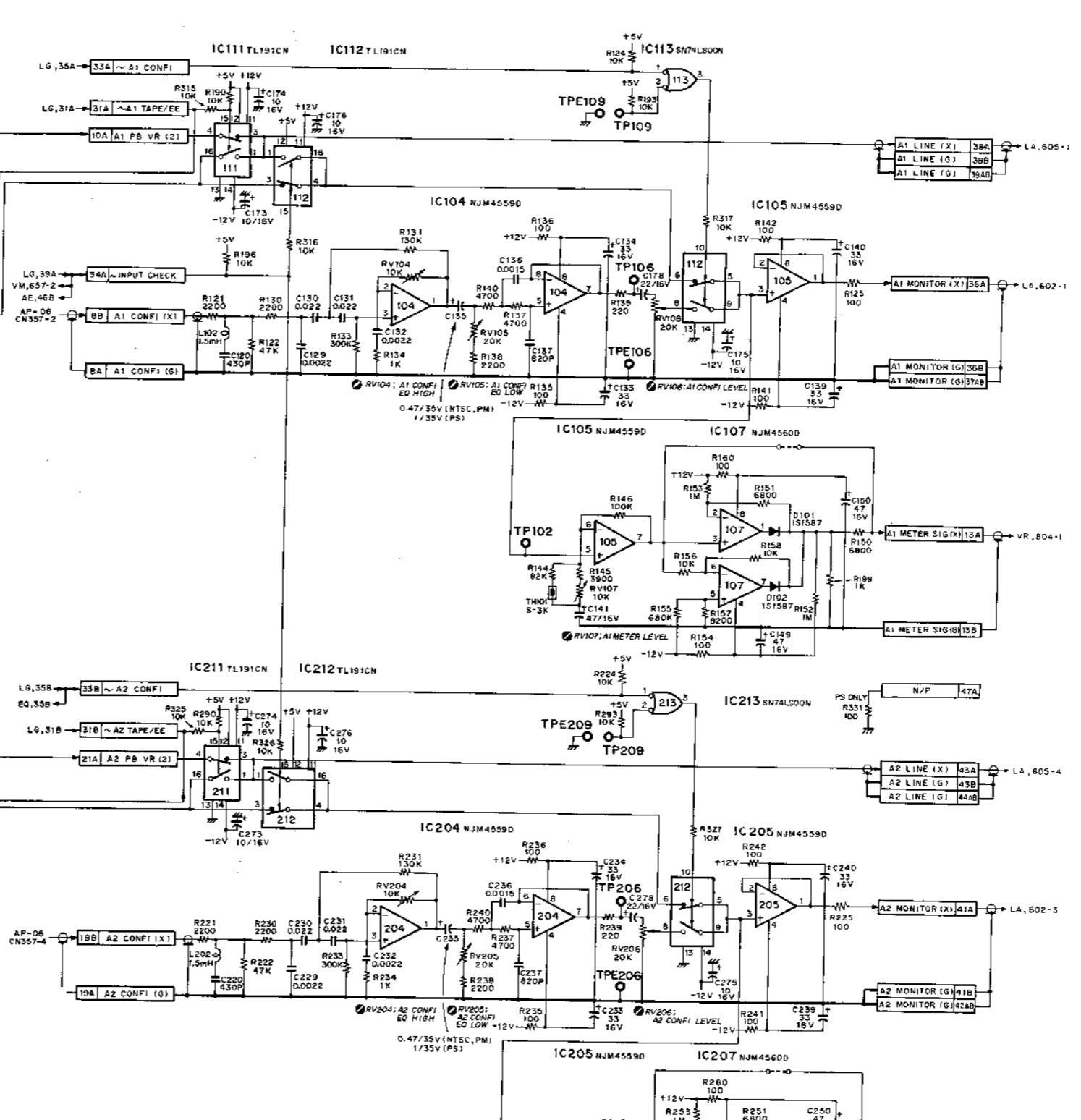
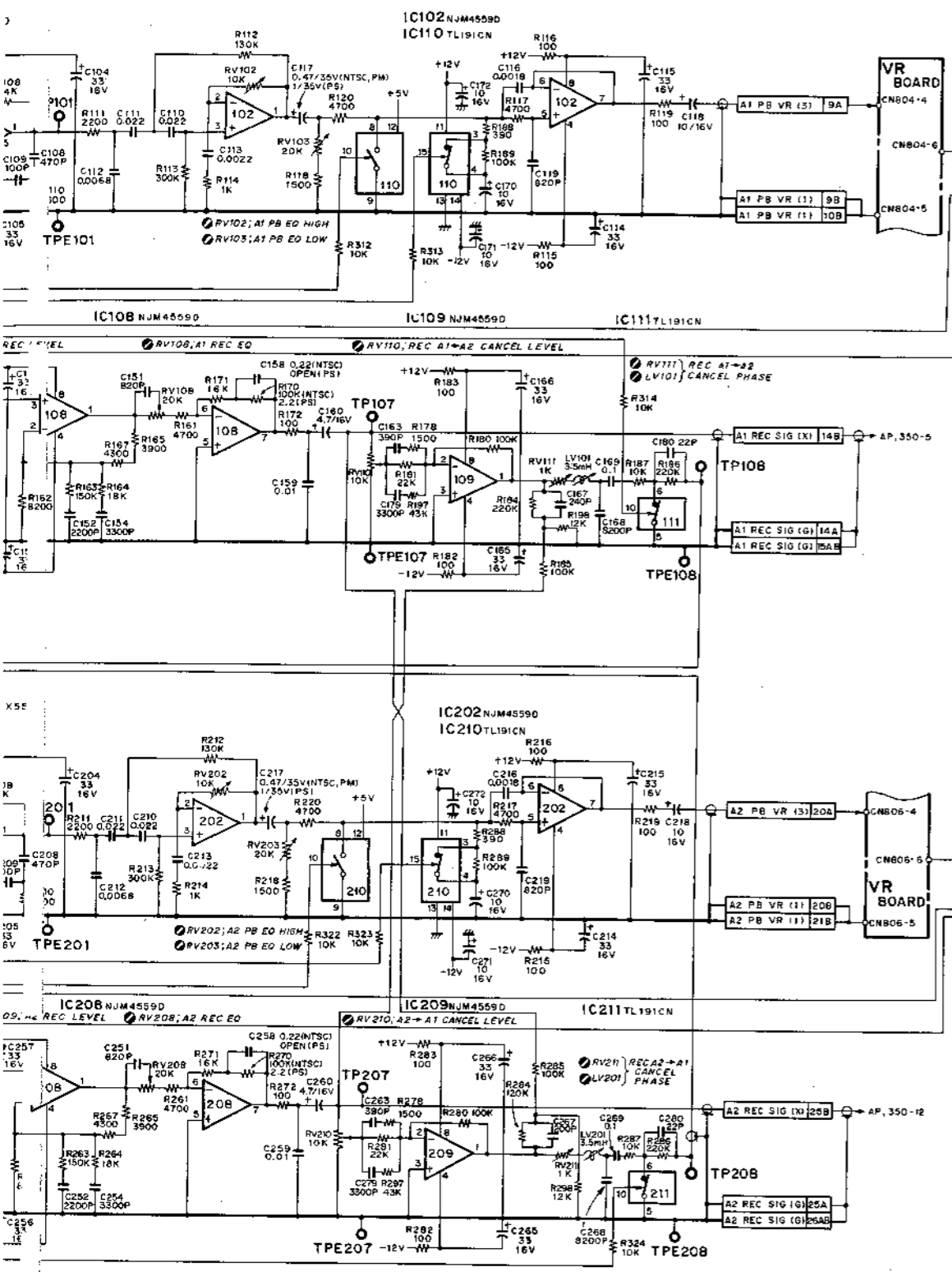
- D1 4H
- D101 1H
- D102 3H
- Q201 3H
- Q202 3H
- IC1 3A
- IC101 1B
- IC102 1C
- IC104 1E
- IC105 1F
- IC106 1G
- IC107 1H
- IC108 2B
- IC109 2D
- IC110 2E
- IC111 2F
- IC112 2G
- IC113 2H
- IC201 3B
- IC202 3C
- IC204 3E
- IC205 3F
- IC206 3G
- IC207 3H
- IC208 4B
- IC209 4D
- IC210 4E
- IC211 4F
- IC212 4G
- IC213 4H
- J1 1H
- J2 3H
- LV101 2D
- LV102 1B
- LV201 4D
- LV202 3B
- Q101 1G
- Q102 1G
- Q201 3G
- Q202 3G
- RV101 1B
- RV102 1C
- RV103 1C
- RV104 1E
- RV105 1E
- RV106 1F
- RV107 1F
- RV108 2A
- RV109 2A
- RV110 2C
- RV111 2D
- RV201 3B
- RV202 3C
- RV203 3C
- RV204 3E
- RV205 3E
- RV206 3F
- RV207 3F
- RV208 3A
- RV209 3A
- RV210 4C
- RV211 2D
- TH101 1F
- TH202 3F
- TP101 1C
- TP102 1F
- TP103 1G
- TP104 1G
- TP105 1G
- TP106 1F
- TP107 2C
- TP108 2D
- TP109 2H
- TP201 3C
- TP202 3F
- TP203 3G
- TP204 3G
- TP205 3G
- TP206 3F
- TP207 4C
- TP208 4D
- TP209 4H
- TPE101 1C
- TPE106 1F
- TPE107 2C
- TPE108 2D
- TPE109 2H
- TPE201 3C
- TPE206 3F
- TPE207 1C
- TPE208 4D
- TPE209 4H

AU-27 BOARD
Audio-1, 2 REC EQ/PB Amplifier



AU-27 BOARD
 BOARD NO. 1-606-670-12,13 & UP
 BVH-2000(J); #10001 - BVH-2180(J); #10001 - BVH-2500(J); #1
 BVH-2000(U/C); #10001 - BVH-2180(U/C); #10001 - BVH-2500(U/C); #1
 BVH-2000PS; #10001 - BVH-2180PS; #10001 - BVH-2500P; #1
 BVH-2000PM; #10001 - BVH-2180PM; #10001 -

C-9
 C-8
 C-7
 BVH-2180/PS/PM
 BVH-2000/PS/PM
 C-9
 C-8
 C-7
 BVH-2500/P



AU-27 BOARD
BOARD NO. 1-606-670-12,13 & UP

BVH-2000(J); #10001-	BVH-2180(J); #10001-	BVH-2500(J); #10001-
BVH-2000(U/C); #10001-	BVH-2180(U/C); #10001-	BVH-2500(U/C); #10001-
BVH-2000PS; #10001-	BVH-2180PS; #10001-	BVH-2500P; #10001-
BVH-2000PM; #10001-	BVH-2180PM; #10001-	

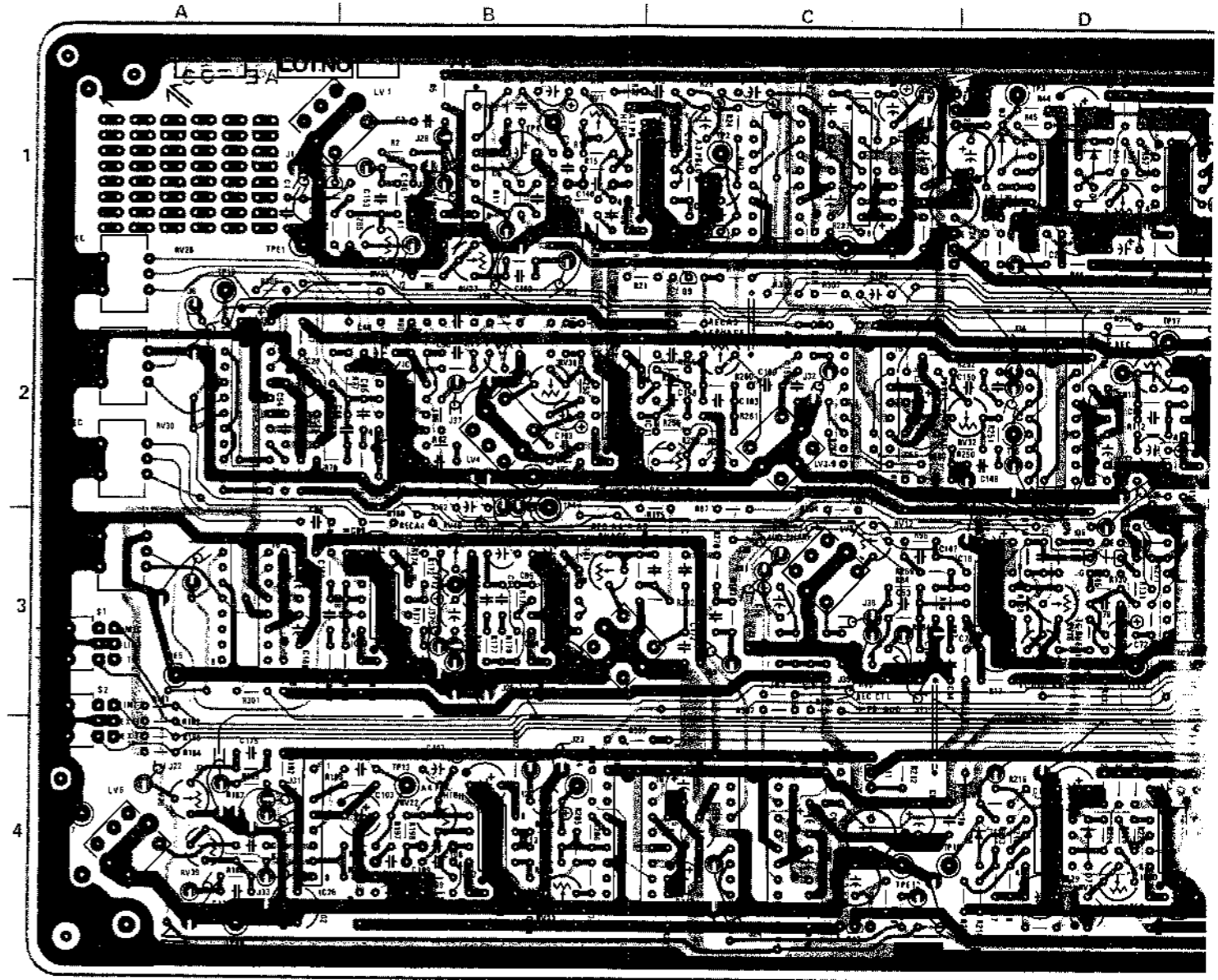
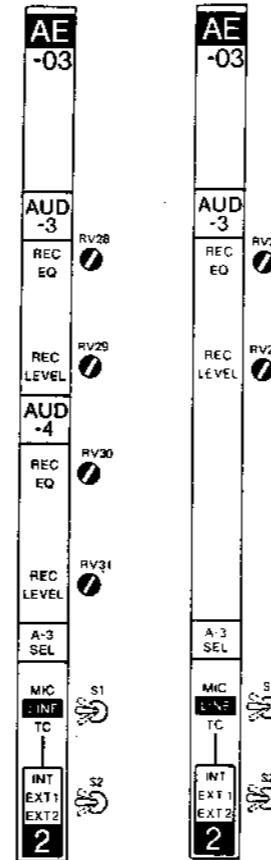
AE-03 BOARD (1-606-671-17)

Component Side

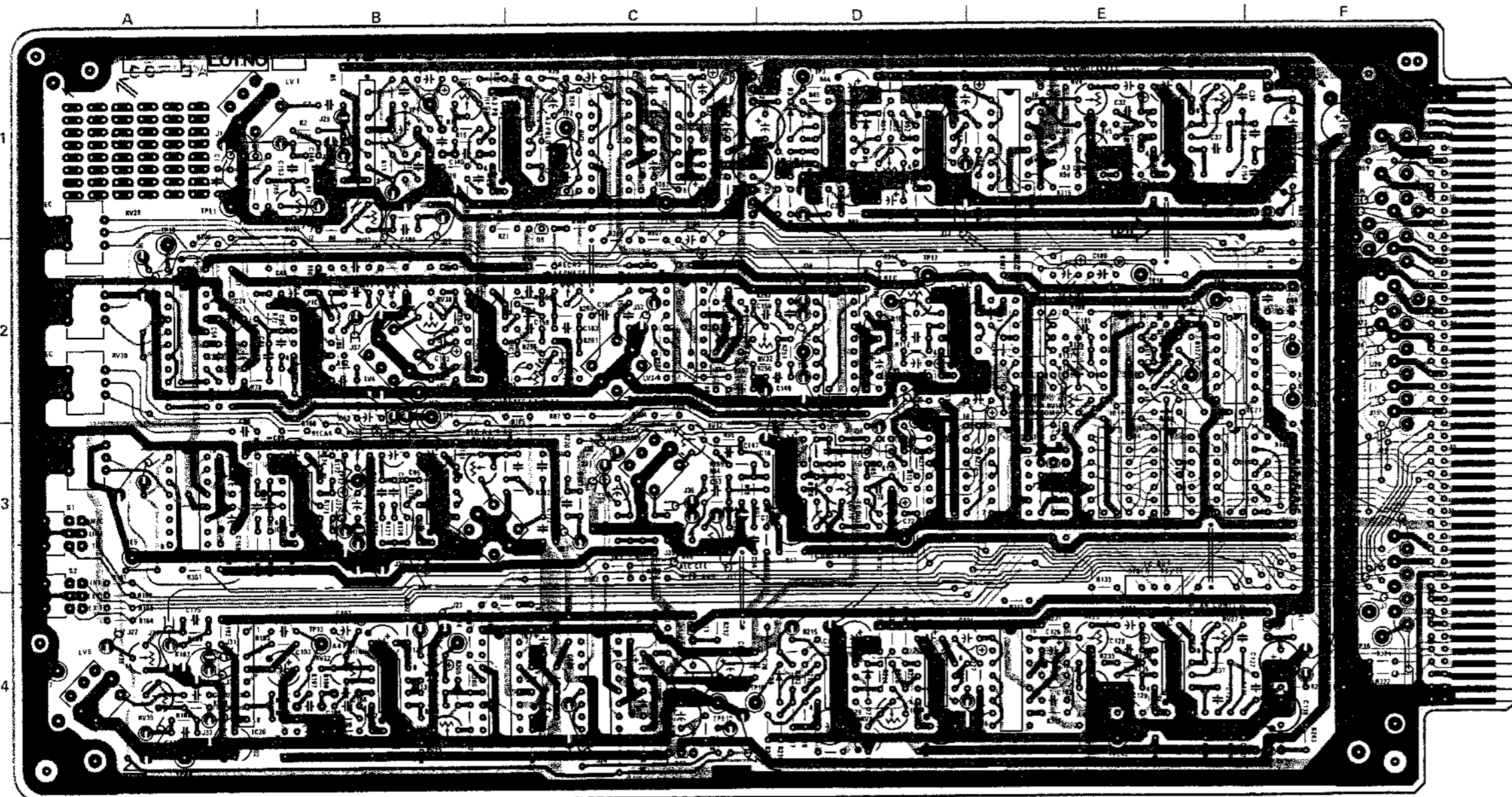
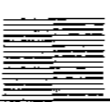
BVH-2000PS
BVH-2180PS
(for 04/14
models)

BVH-2000/PS/PM
BVH-2180/PS/PM
(for 02/12/00/10
models)

BVH-2500/P



1-606-671-17 COMPONENT SIDE



AE-03 (1-606-671-16 & UP)			AE-03 (1-606-671-16 & UP)		
BVH-2000/PM			BVH-2000PS		RV1 1B
BVH-2180/PM			BVH-2180PS		RV2 1C
			(04/14 MODEL)		RV3 1D
BVH-2000PS				D1 1A	RV4 1E
BVH-2180PS				D3 1D	RV5 1E
(00/10/02/12 MODEL)				D4 1D	RV6 1E
				D5 3E	RV8 3C
BVH-2500/P				D6 4D	RV9 2B
D1 1A	RV1 1B			D7 4D	RV12 3C
D3 1D	RV2 1C				RV15 2E
D4 1D	RV3 1D	IC1 1B			RV16 3D
D5 3E	RV4 1E	IC2 1C			RV17 3D
IC1 1B	RV5 1E	IC3 1C			RV18 2E
IC2 1C	RV6 1E	IC4 2A			RV19 3B
IC3 1C	RV8 3C	IC5 1D			RV20 3B
IC4 2A	RV9 2B	IC6 1D			RV22 4B
IC5 1D	RV12 3C	IC7 1E			RV23 4B
IC6 1D	RV13 2C	IC8 1E			RV24 4D
IC7 1E	RV15 2E	IC9 2B			RV25 4E
IC8 1E	RV16 3D	IC10 2C			RV26 4E
IC9 2B	RV17 3D	IC11 2B			RV27 4E
IC10 2C	RV18 2E	IC12 2D			RV28 1A
IC11 2B	RV28 1A	IC13 3A			RV29 2A
IC12 2D	RV29 2A	IC14 2D			RV30 2A
IC13 3A	RV32 2D	IC15 2E			RV31 3A
IC14 2D	RV33 1B	IC16 3D			RV32 2D
IC15 2E	S1 3A	IC17 2E			RV33 1B
IC16 3D	S2 4A	IC18 3E			RV34 2C
IC17 2E	SW5 4E	IC19 3E			RV35 2C
IC18 3E		IC20 3E			RV36 4A
IC19 3E	TP1 1B	IC21 2F			RV37 1B
IC21 2F	TP2 1C	IC22 3F			RV38 2B
IC22 3F	TP3 1D	IC23 3B			
IC23 3B	TP4 2B	IC24 3D			S1 3A
IC24 3D	TP5 2D	IC25 4C			S2 4A
IC25 4C	TP6 2D	IC26 4A			SW3 4E
IC26 4A	TP7 2E	IC27 4B			
IC27 4B	TP8 2E	IC28 4B			TP1 1B
IC28 4B	TP9 4F	IC29 4D			TP2 1C
IC29 4D	TP11 2F	IC30 4D			TP3 1D
IC30 4D	TP17 2D	IC31 4E			TP4 2B
IC31 4E	TP18 2E	IC32 4E			TP5 2D
IC32 4E	TP19 2A	IC33 1C			TP6 2D
IC33 1C		IC34 2F			TP7 2E
IC34 2F		IC35 3D			TP8 2E
					TP9 4F
					TP10 2F
					TP11 2F
					TP12 3B
					TP13 4B
					TP14 4B
					TP15 4D
					TP16 4F
					TP17 2D
					TP18 2E
					TP19 2A
					TPE1 1A
					TPE2 2B
					TPE3 2F
					TPE4 2F
					TPE5 3A
					TPE6 4A
					TPE7 4A
					TPE8 3D
					TPE9 4F
					TPE10 1C
					TPE11 1E
					TPE12 4C
					TPE13 4E

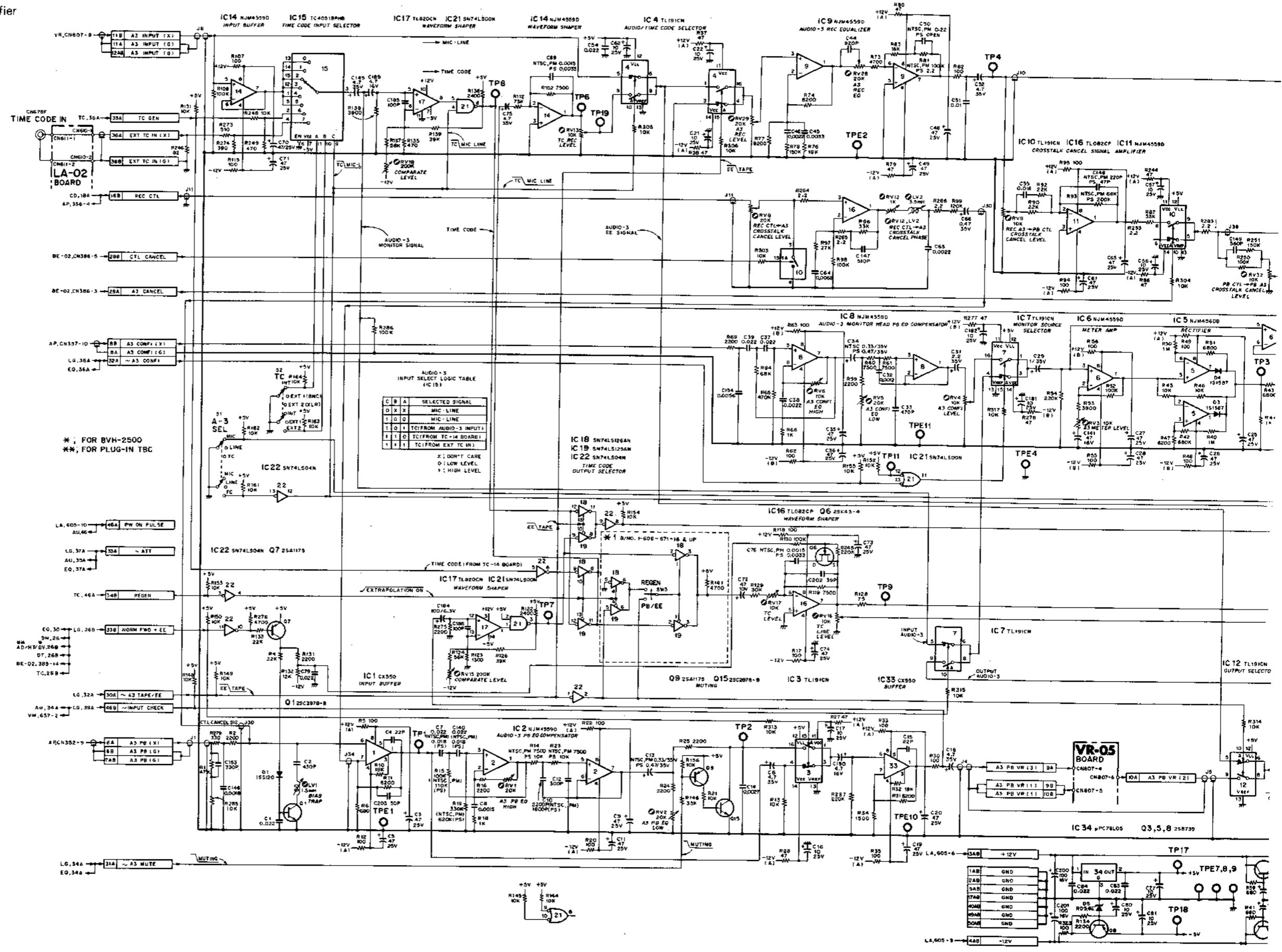
1-606-671-17 COMPONENT SIDE

1-606-671-17 SOLDER SIDE

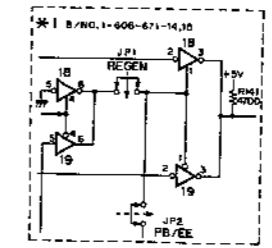
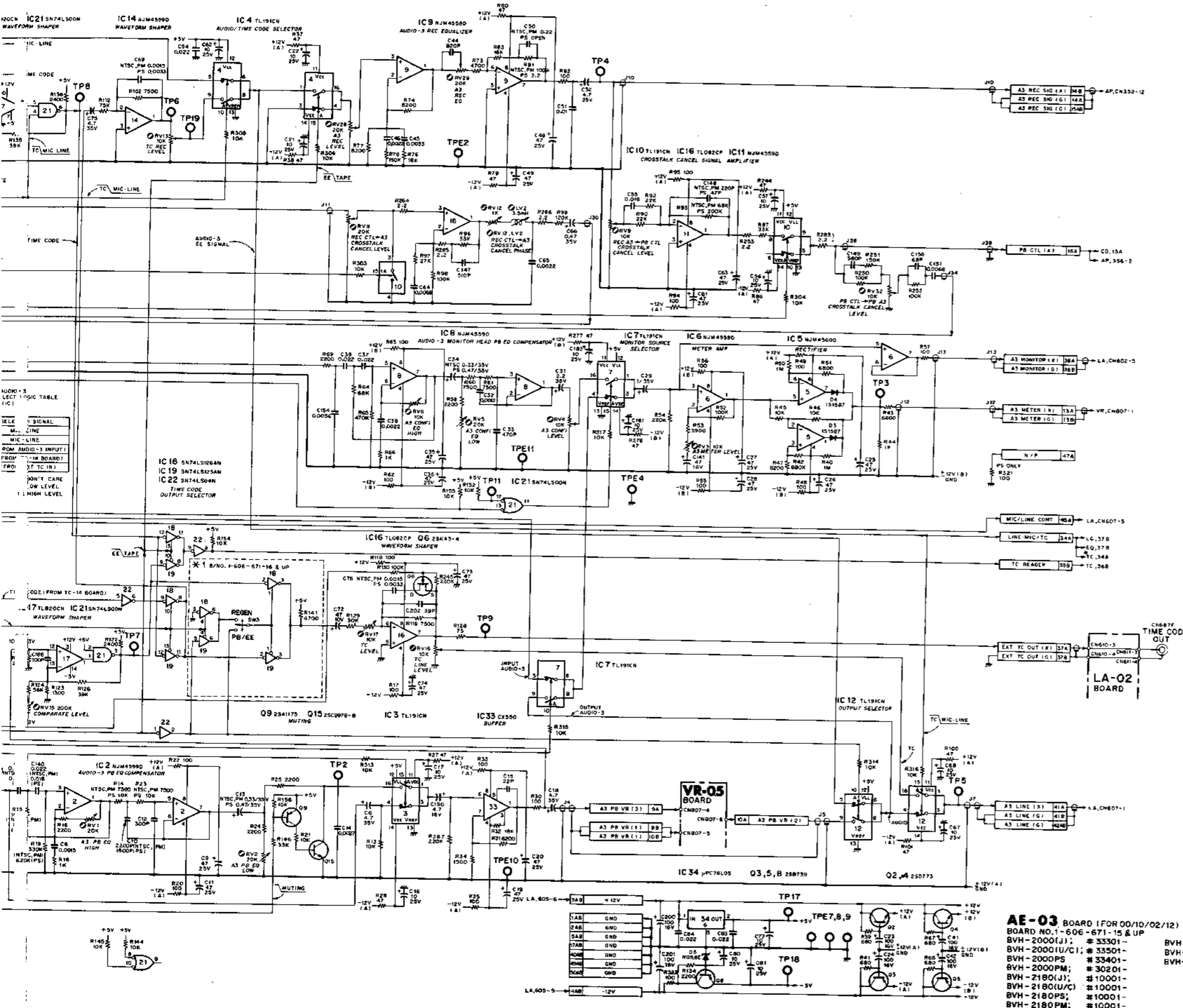
C-12
C-11
C-10
BVH-2500/P
BVH-2000/PS/PM
BVH-2180/PS/PM

AE-03 BOARD

Audio-3 REC EQ/PB Amplifier

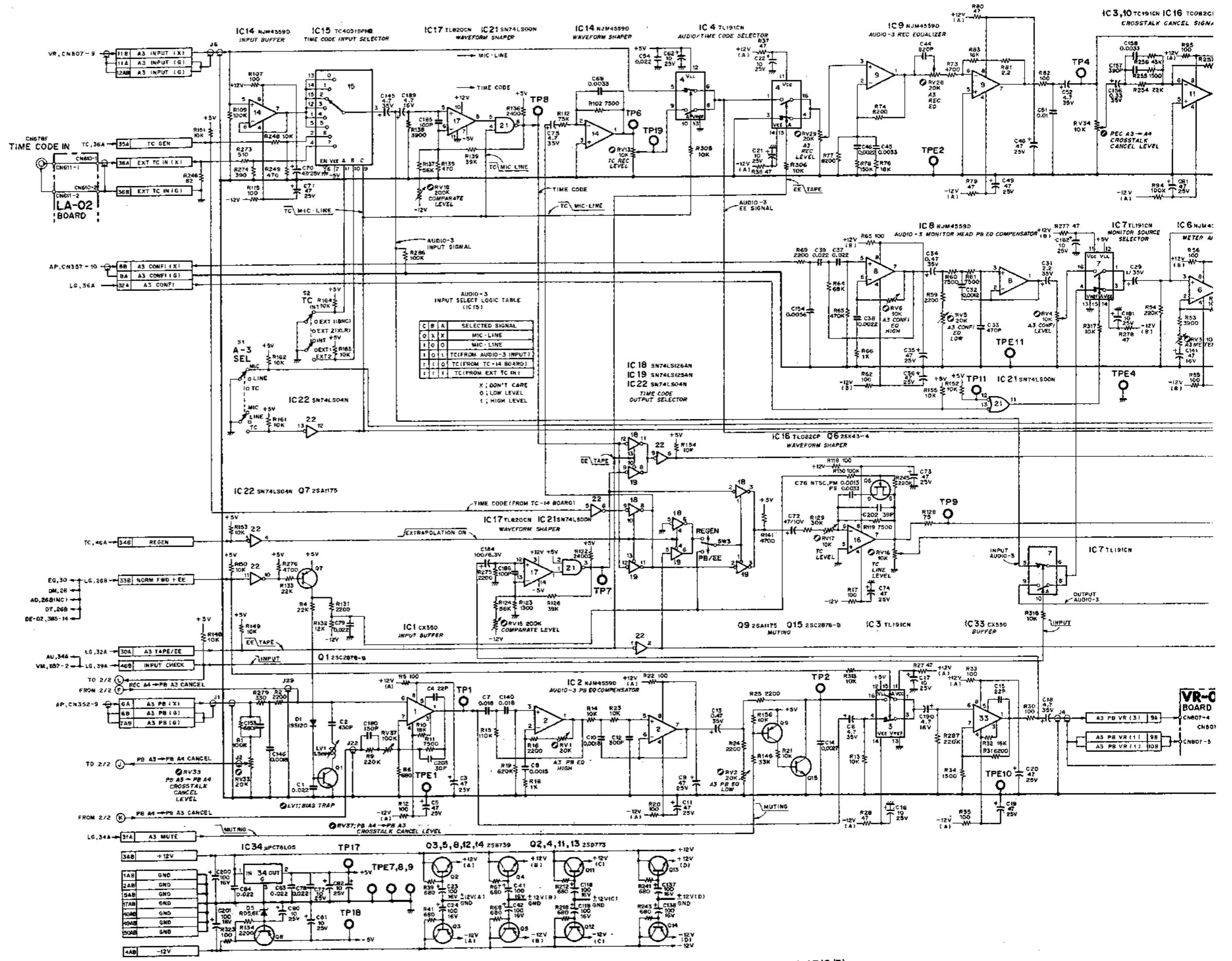


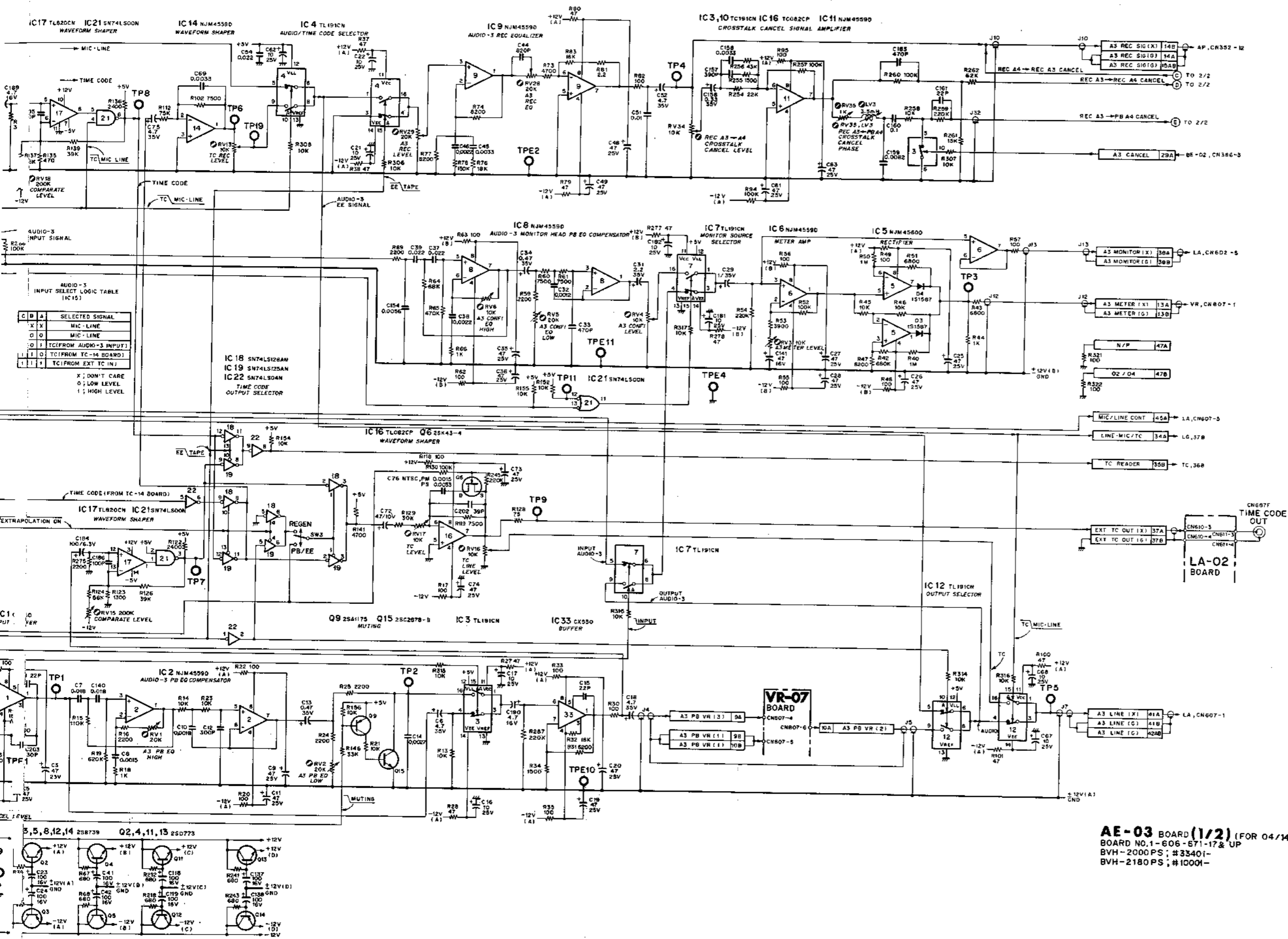
*: FOR BVH-2500
 **: FOR PLUG-IN TBC



- AE-03 BOARD (FOR 00/10/02/12)**
 BOARD NO. 1-606-671-15 & UP
- | | |
|-----------------------|------------------------|
| BVH-2000(J); #3301- | BVH-2500(J); #10001- |
| BVH-2000(U/C); #3301- | BVH-2500(U/C); #10001- |
| BVH-2000PS; #3301- | BVH-2500PS; #10001- |
| BVH-2000PM; #30201- | BVH-2500PM; #10001- |
| BVH-2180(J); #10001- | BVH-2180(U/C); #10001- |
| BVH-2180PS; #10001- | BVH-2180PM; #10001- |

AE-03 BOARD (1/2); FOR 04 MODEL
Audio-3 REC EQ/PB Amplifier





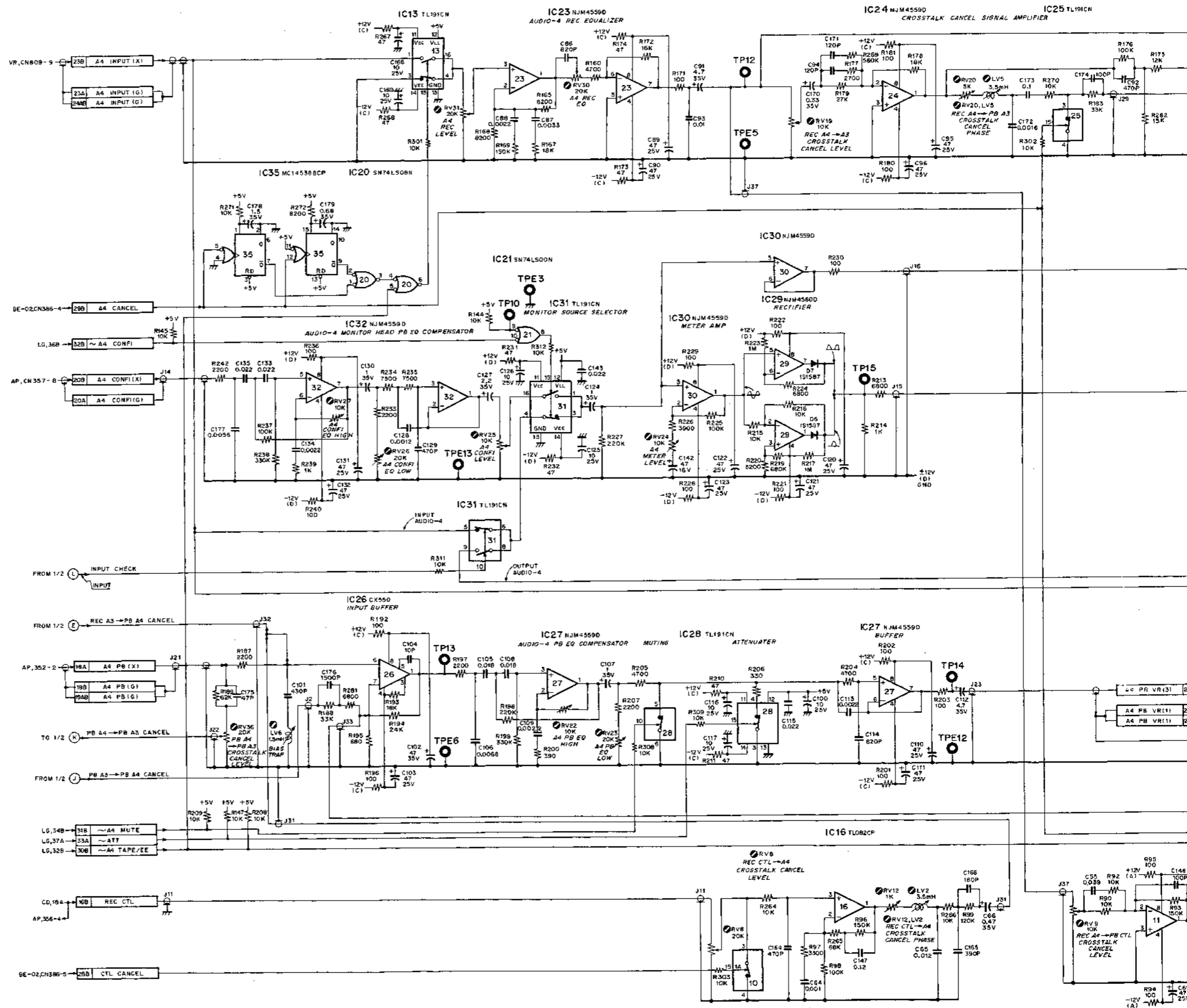
AUDIO-3 INPUT SELECT LOGIC TABLE (IC15)

C	B	A	SELECTED SIGNAL
X	X	X	MIC-LINE
0	0	0	MIC-LINE
0	1	1	TC(FROM AUDIO-3 INPUT)
1	1	0	TC(FROM TC-14 BOARD)
1	1	1	TC(FROM EXT TC IN)

X; DON'T CARE
0; LOW LEVEL
1; HIGH LEVEL

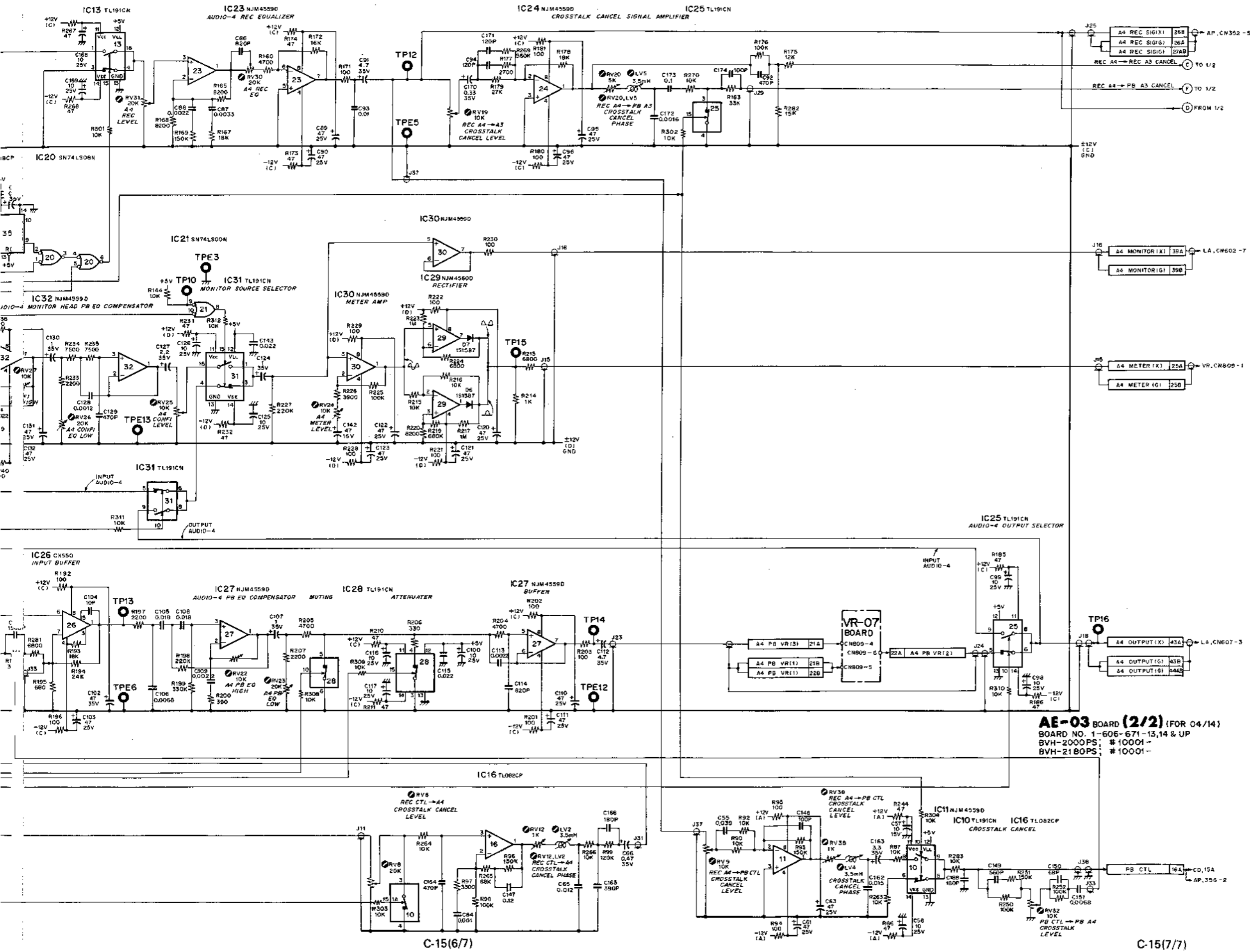
AE-03 BOARD (1/2) (FOR 04/14)
 BOARD NO.1-606-671-17& UP
 BVH-2000PS; #3340-
 BVH-2180PS; #1000-

AE-03 BOARD (2/2); FOR 04/14 MODEL
Audio-4 REC EQ/PB Amplifier



C-15(5/7)

C-15(6/7)



AE-03 BOARD (2/2) (FOR 04/14)
 BOARD NO. 1-606-671-13,14 & UP
 BVH-2000PS; #10001-
 BVH-2180PS; #10001-

C-15(6/7)

C-15(7/7)

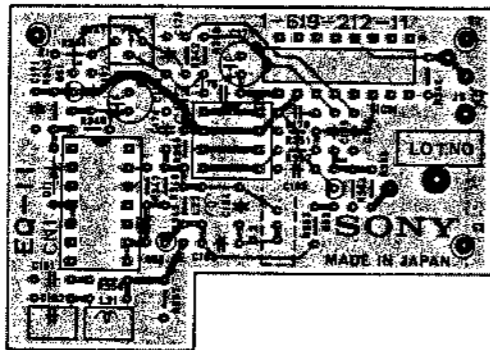
EQ-02 BOARD (1-606-659-15)

Component Side

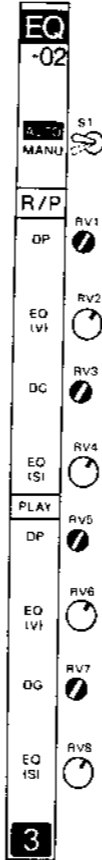
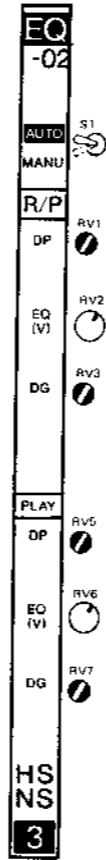
(For 10, 12, 14 MODEL)

EQ-11 BOARD (1-619-212-11)

Component Side

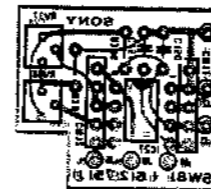


■ 1-619-212-11 COMPONENT SIDE
■ 1-619-212-11 SOLDER SIDE



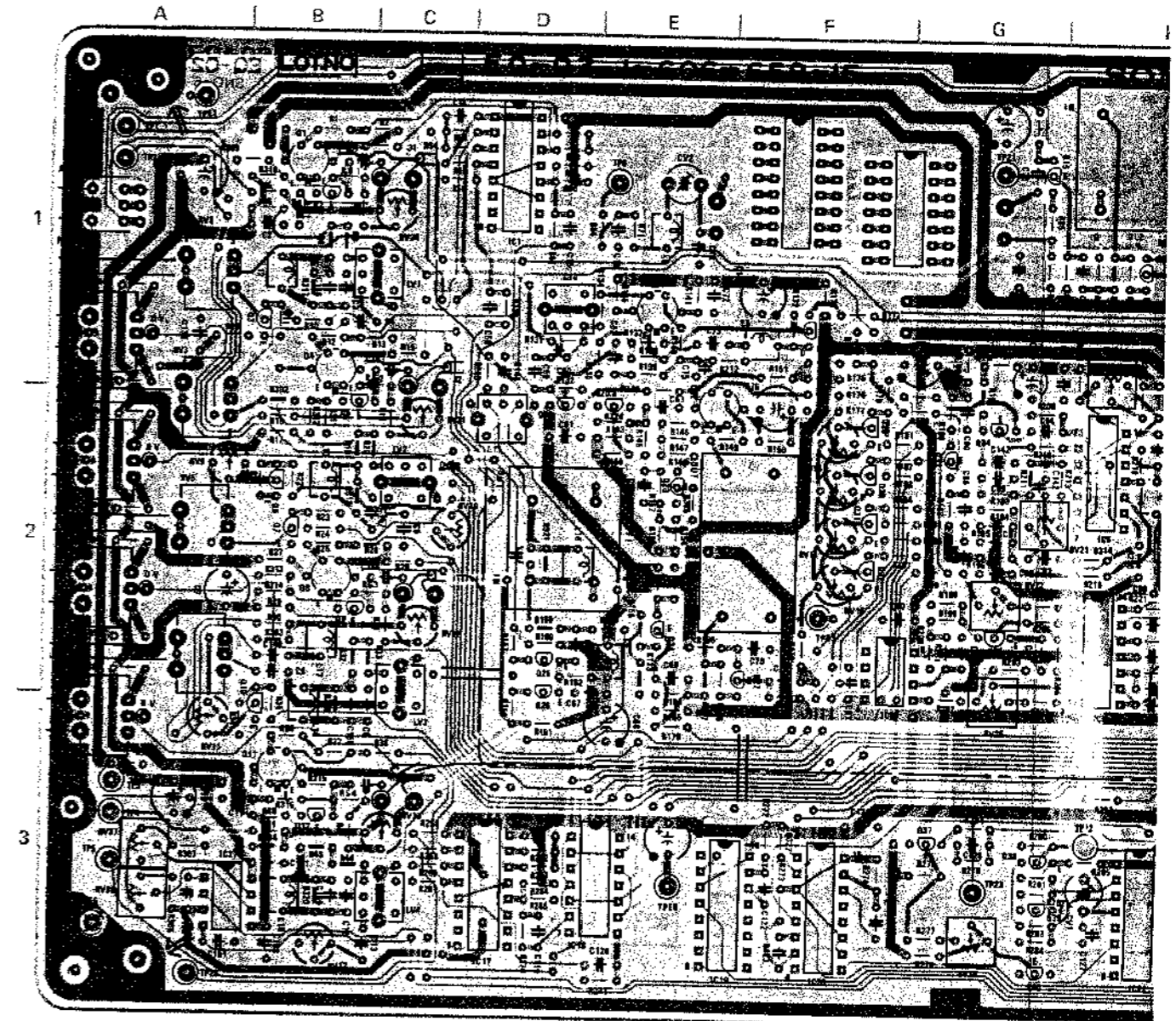
This board is used only with EQ-02 older than Part No. 1-606-659-15

SW-81 BOARD (1-612-751-11)
Solder Side



■ 1-612-751-11 SOLDER SIDE

For PS

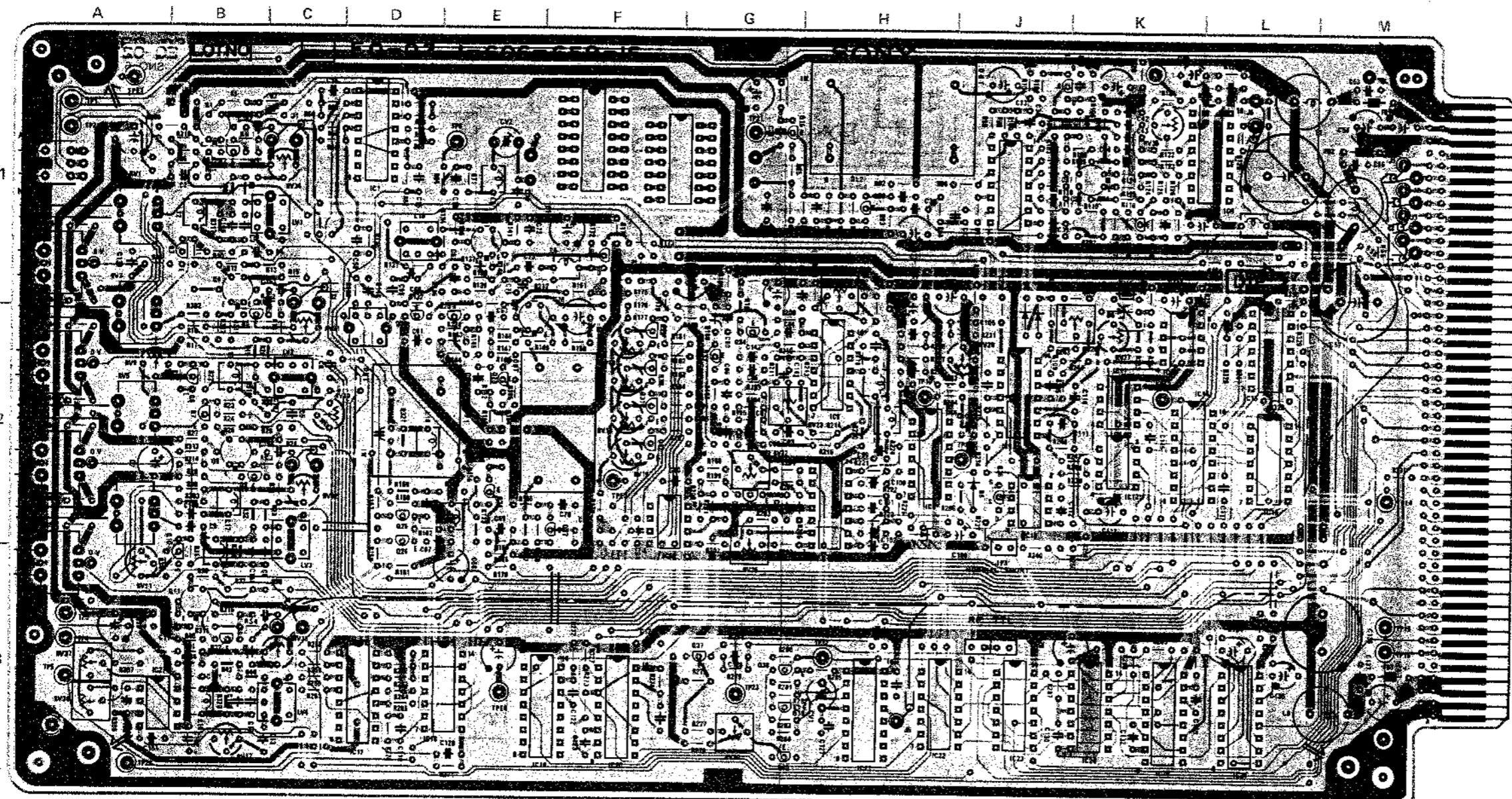


■ 1-606-659-15 COMPONENT SIDE

EQ-02 (1-606-659-15 & UPI)

BVH-2000/PS/PM
 BVH-2180/PS/PM
 BVH-2500/P

CV1 3M	Q50 2F
(NTSC, PM)	Q31 2F
CV2 1E	Q32 2F
	Q33 2G
	Q34 2G
D1 2H	Q35 2G
D2 2J	Q56 2J
D3 2J	Q37 3G
D5 2K	Q38 3G
D6 2J	Q39 3G
	Q40 3G
DL1 2F	Q41 1K
DL2 1H	
IC1 1D	RV1 1A
IC3 1J	RV2 1A
IC4 1L	RV3 2A
IC5 2F	RV4 2A
IC6 2H	RV5 2A
IC7 2H	RV6 2A
IC8 2H	RV7 2A
IC9 2J	RV8 3A
IC10 2J	RV9 2A
IC11 2K	RV10 2C
IC12 2K	RV11 3A
IC13 2K	RV12 3B
IC14 2L	RV13 3F
IC15 2L	RV14 2F
IC16 2L	RV15 2F
IC17 3D	RV16 2F
IC18 3D	RV17 2F
IC19 3E	RV22 2G
IC20 3F	RV23 2G
IC21 3H	RV24 1H
IC22 3H	RV25 2G
IC23 3J	RV26 2J
IC24 3K	RV27 2K
IC25 3K	RV28 2K
IC26 3L	RV29 3G
	RV30 3G
	RV31 2C
	RV32 2C
	RV33 3C
(PS/P)	RV34 1C
IC27 3B	RV35 1K
JP1 3J	(PS/P)
JP2 3J	RV36 3A
JP3 2J	RV37 3A
LV1 1C	S1 1A
LV2 2C	
LV3 2C	TH1 1K
LV4 3C	
	TP1 1A
O1 1B	TP2 1A
O2 1B	TP3 3A
O3 1B	TP4 3A
O4 1B	TP5 3A
O5 2B	
O6 2B	(NTSC, PM)
O7 2B	TP6 1E
O8 2B	
O9 2B	TP8 1K
O10 3B	TP10 2H
O11 3B	TP11 2J
O12 3B	TP12 3H
O13 3B	TP13 3H
O14 3B	TP14 3H
O15 1G	TP15 3H
O16 1H	TP16 3H
O17 1J	TP21 1G
O18 1K	TP22 3A
O19 2D	TP23 3G
O20 2E	
O21 1E	TPE1 1A
O22 2E	TPE2 2K
O23 2E	TPE3 2F
O24 2E	TPE4 2M
O25 2D	TPE5 3A
O26 2D	TPE6 3E
O27 2E	
O28 1F	
O29 2F	



EQ-02

MANU

R/P

DP

EO IVI

EO ISI

PLAY

DP

EO IVI

EO ISI

3

S1

RV1

RV2

RV3

RV4

RV5

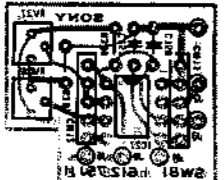
RV6

RV7

RV8

1-606-659-15 COMPONENT SIDE

1-606-659-15 SOLDER SIDE



1-612-751-11 SOLDER SIDE

C-18

C-17

C-16

VH-2000/PS/PM

VH-2180/PS/PM

C-18

C-17

C-16

BVH-2500/P

C-21
C-20
C-19
BVH-2180/PS/PM
BVH-2000/PS/PM
C-21
C-20
C-19
BVH-2500/P

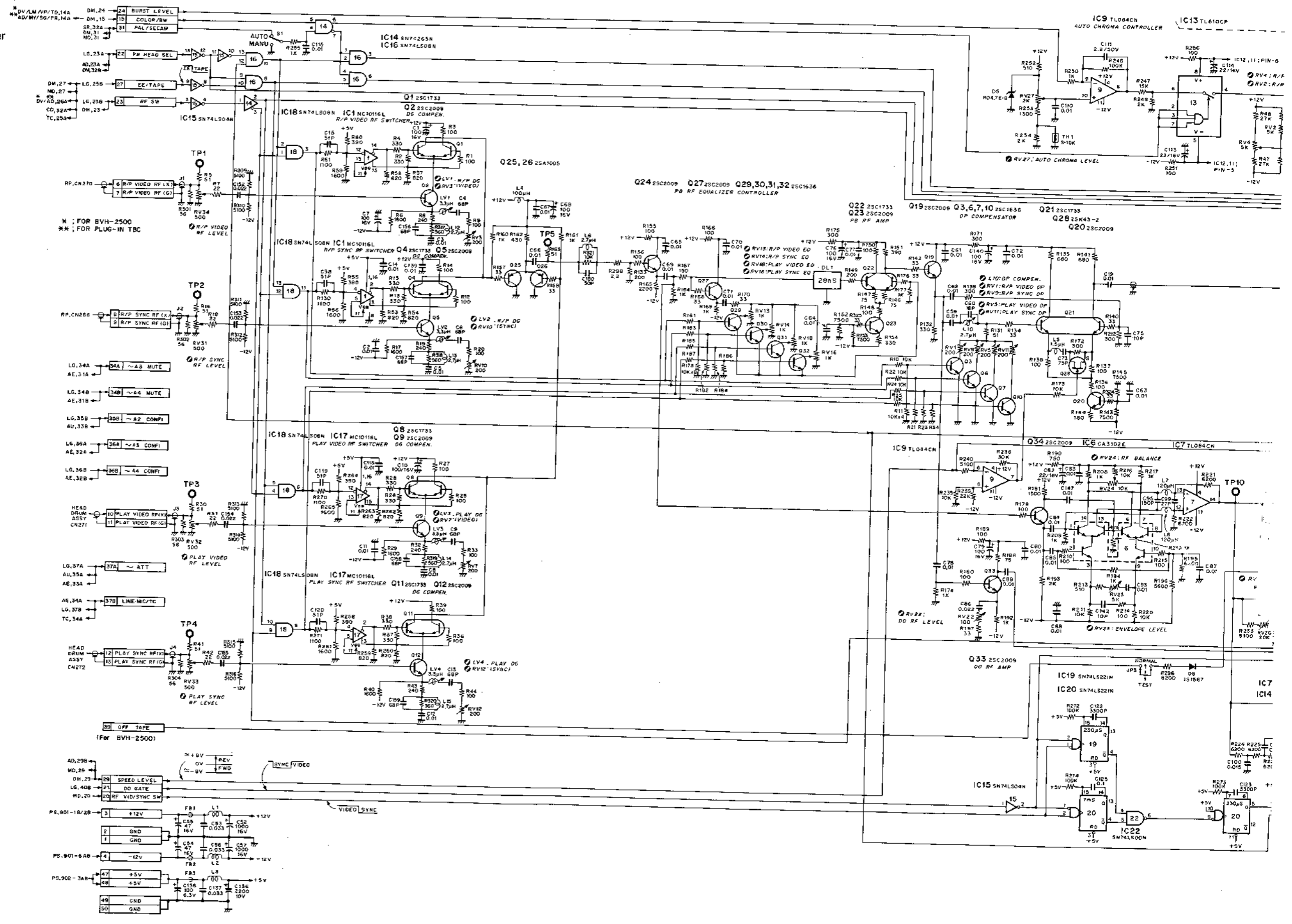
2000PS; #22301 - 34699 1-606-659-14, 15
2180PS; #10001 - 10599
2500P; #10001 - 10699

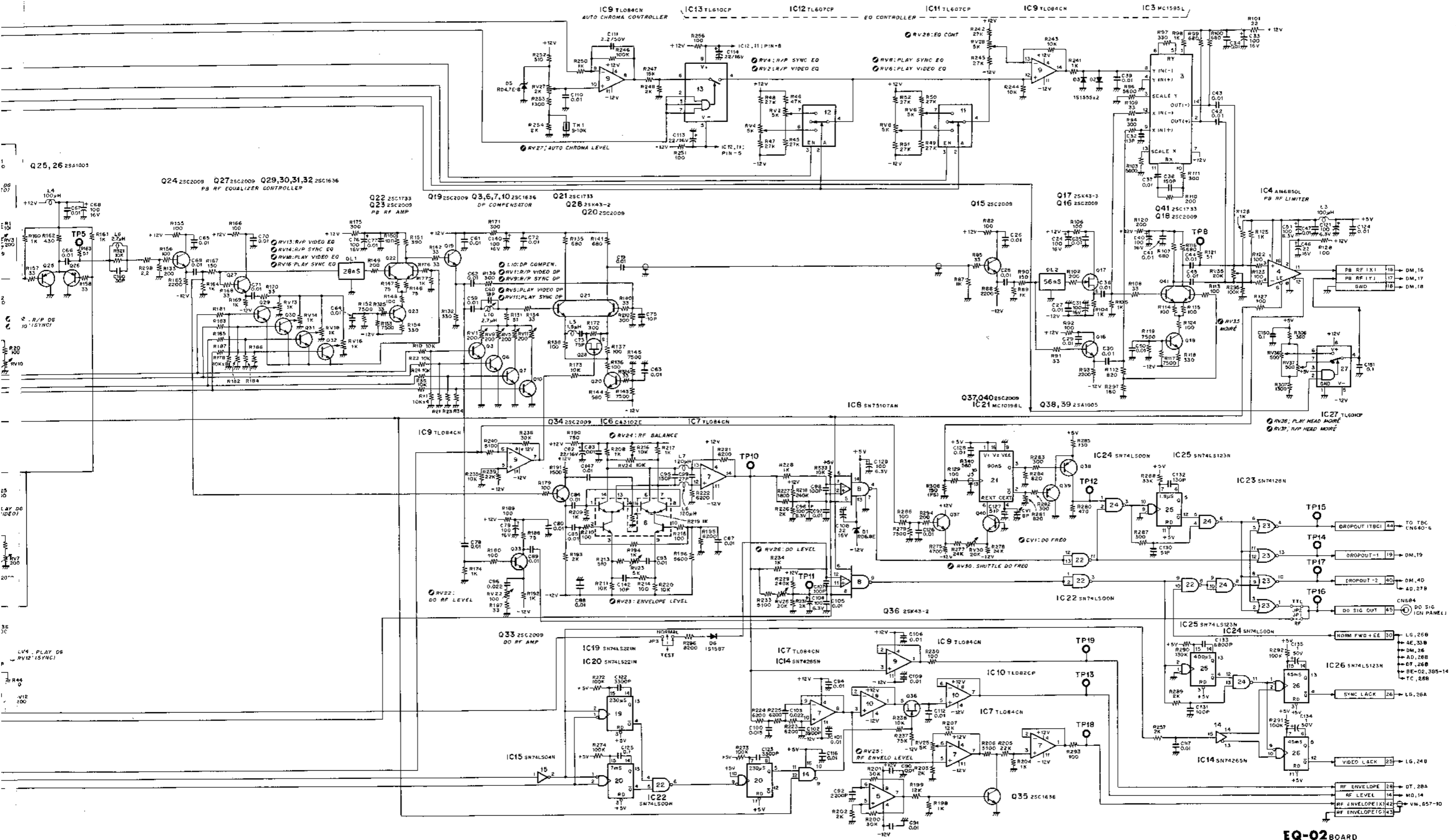
CARD RACK EQ-02

EQ-02 CARD RACK

1-606-659-14, 15 2000PS; #22301 - 34699
2180PS; #10001 - 10599
2500P; #10001 - 10699

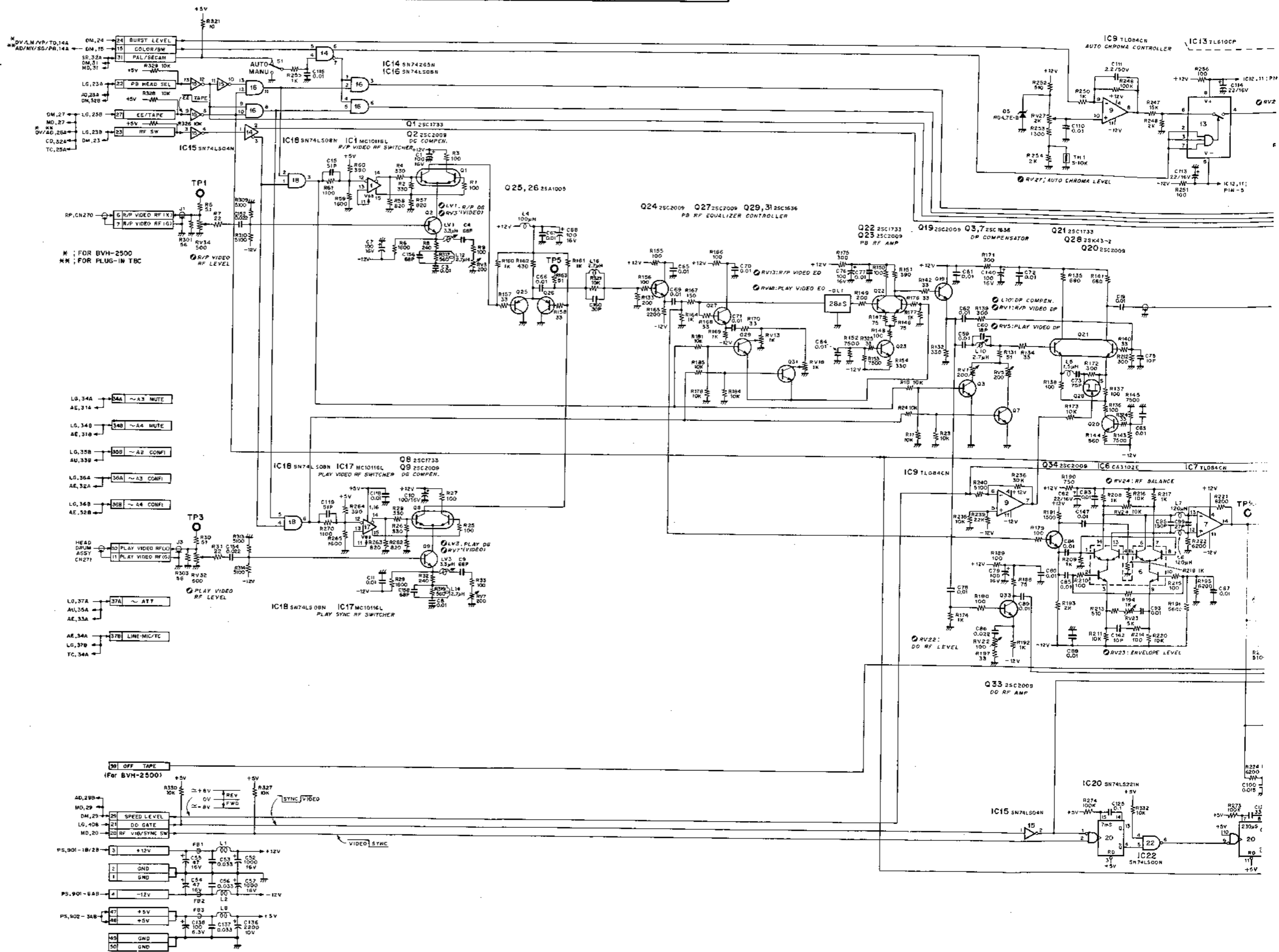
EQ-02 BOARD
Video/Sync PB Equalizer

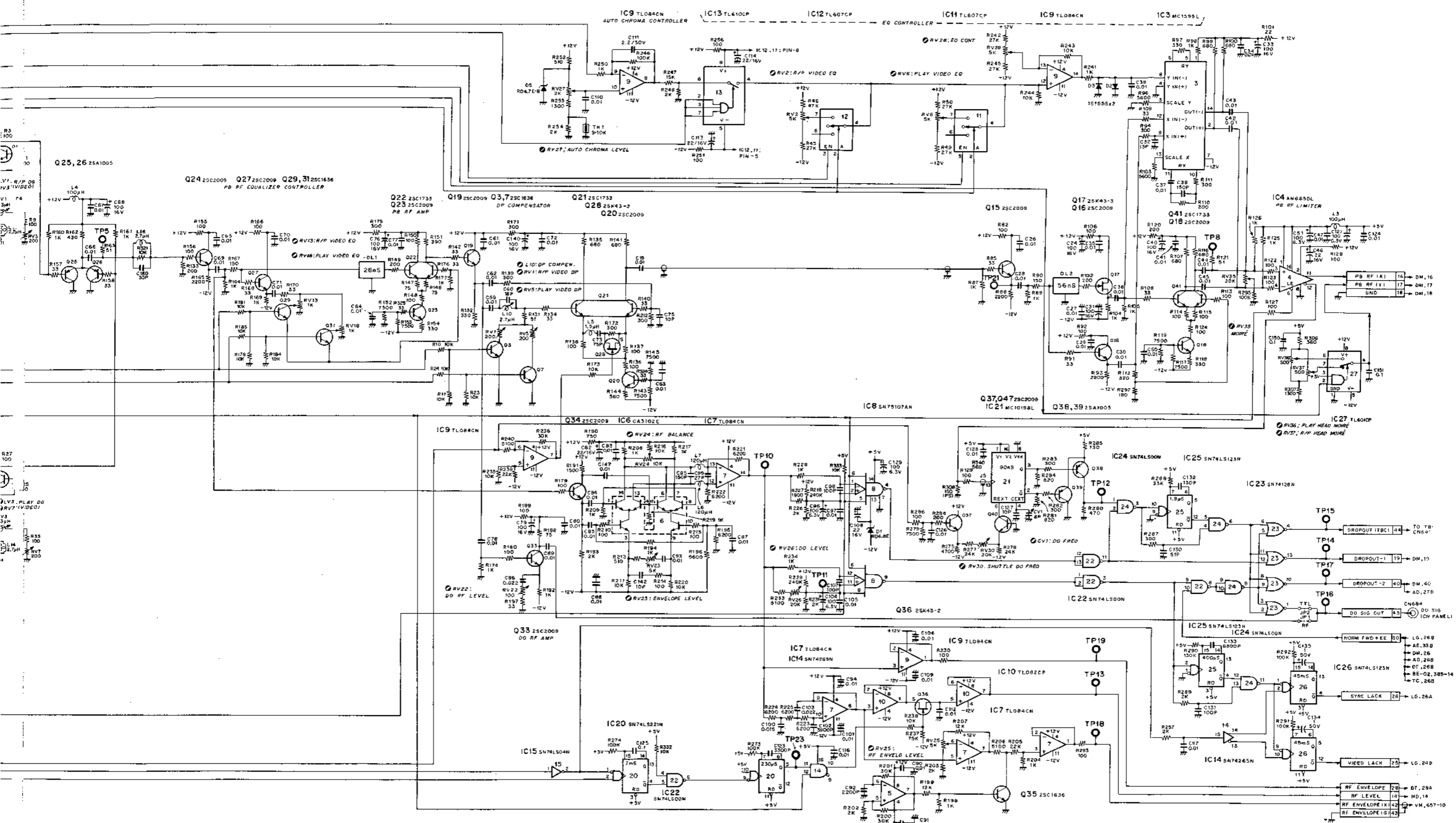




EQ-02 BOARD
 BOARD NO. 1-606-659-14,15
 BVH-2000PS(AEP); # 22301-34699
 BVH-2180PS(AEP); # 10001-10599
 BVH-2500P(AEP); # 10001-10699

EQ-02 BOARD
Video/Sync PB Equalizer



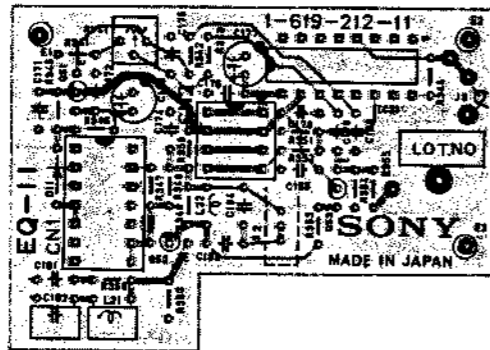


EQ-02 BOARD (FOR 10/12/14)
BOARD NO. 1-606-659-14,15
BVH-2000PS(AEP); # 34301-34699

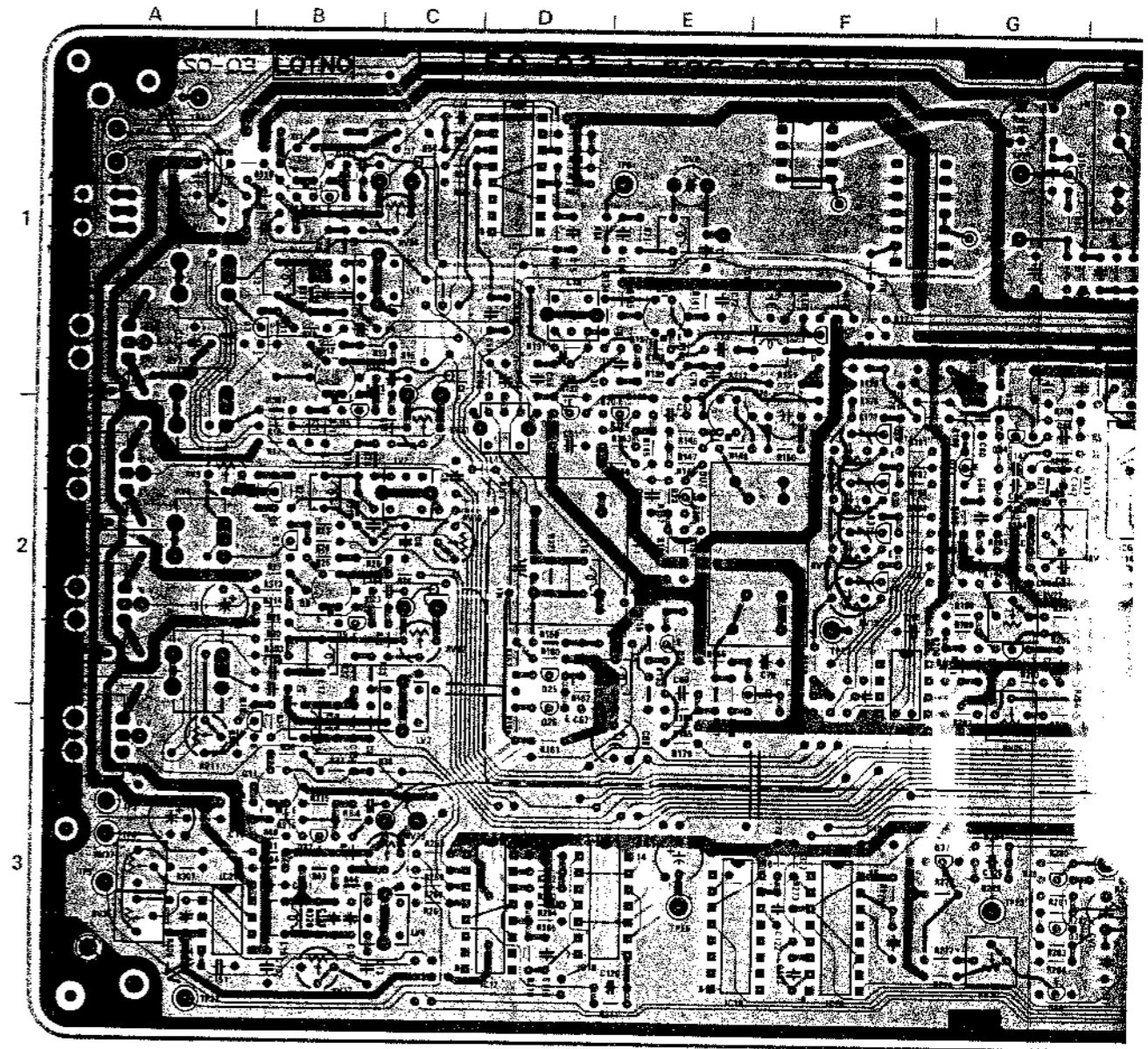
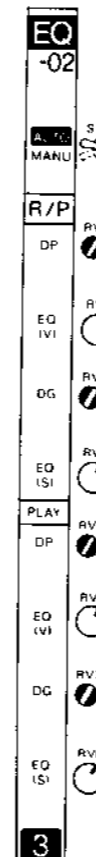
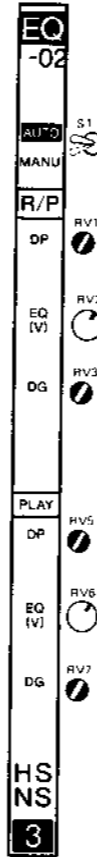
EQ-02 BOARD (1-606-659-17)
Component Side

(For 10, 12, 14 MODEL)

EQ-11 BOARD (1-619-212-11)
Component Side



1-619-212-11 COMPONENT SIDE
1-619-212-11 SOLDER SIDE

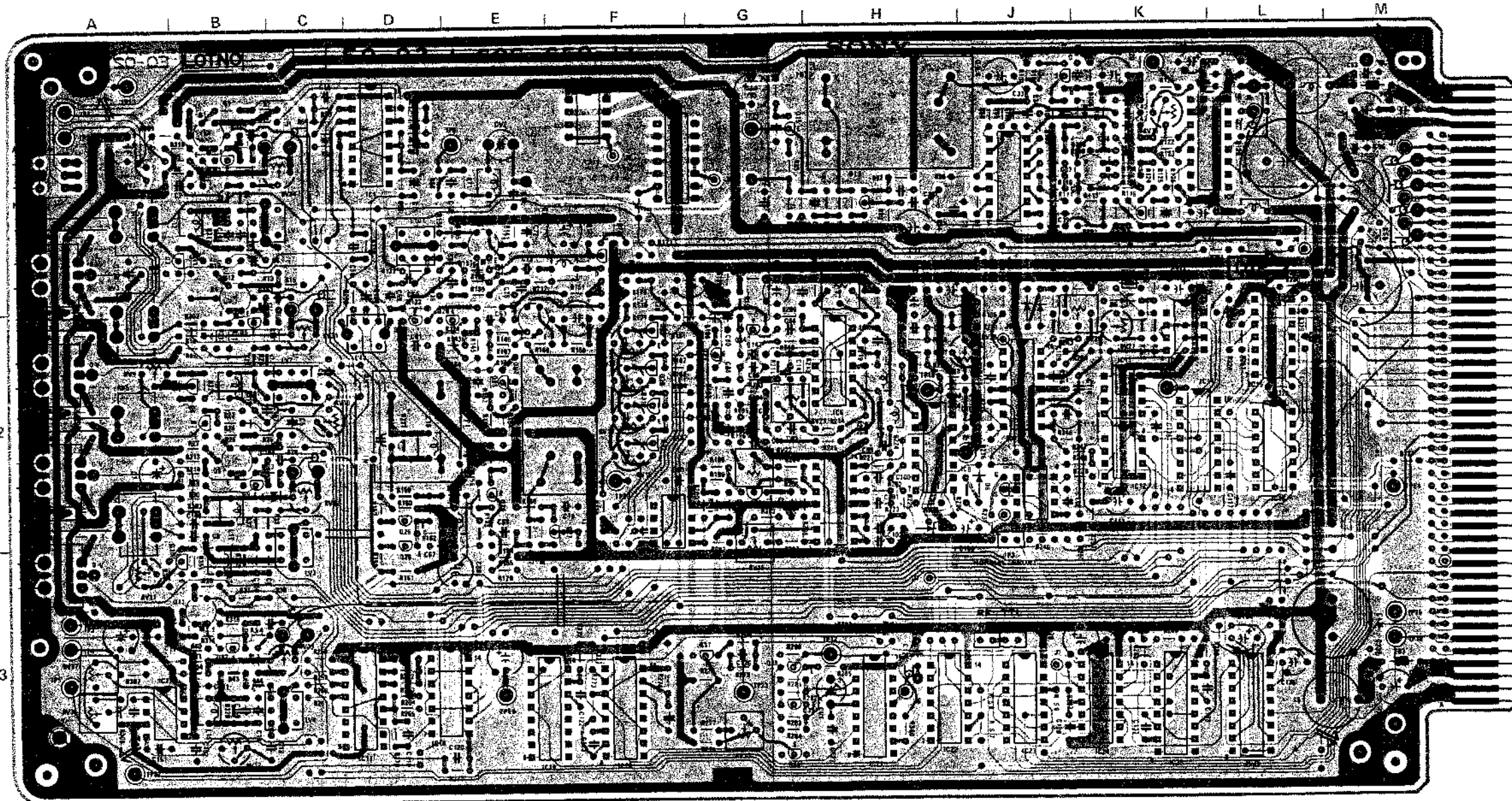


1-606-659-17 COMPONENT SIDE

EQ-02 (1-606-659-16 & up)

BVH-2000/PS/PM
BVH-2180/PS/PM
BVH-2500/P

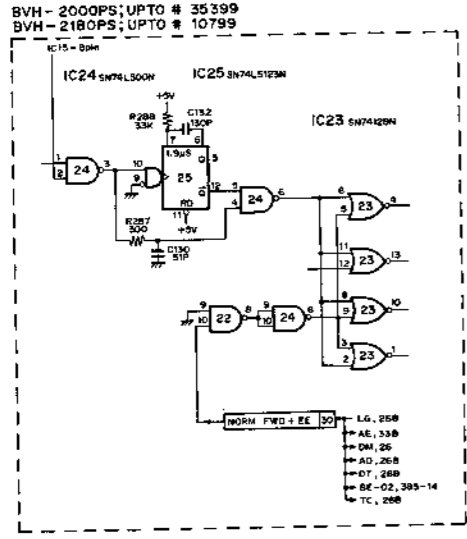
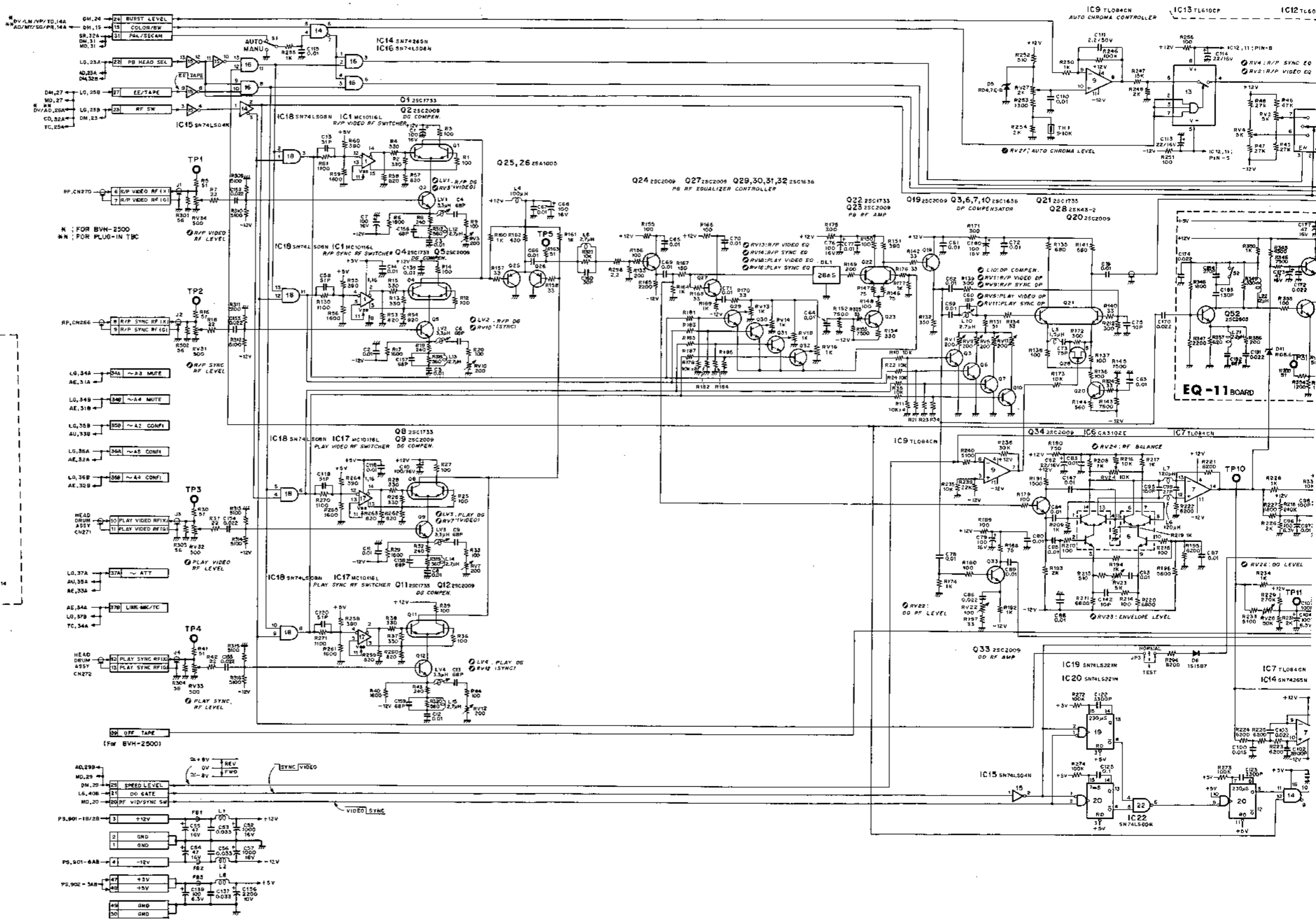
CV1	3H	Q30	2F
		Q31	2F
	(NTSC,PM)	Q32	2F
CV2	1E	Q33	2G
		Q34	2G
D1	2H	Q35	2G
D2	2J	Q36	2J
D3	2J	Q37	3G
D5	2K	Q38	3G
D6	2J	Q39	3G
		Q40	3G
DL1	2F	Q41	1K
DL2	1H		
IC1	1D	RV1	1A
IC3	1J	RV2	1A
IC4	1L	RV3	2A
IC5	2F	RV4	2A
IC6	2H	RV5	2A
IC7	2H	RV6	2A
IC8	2H	RV7	2A
IC9	2J	RV8	3A
IC10	2J	RV9	2A
IC11	2K	RV10	2C
IC12	2K	RV11	3A
IC13	2K	RV12	3B
IC14	2L	RV13	2F
IC15	2L	RV14	2F
IC16	2L	RV16	2F
IC17	3D	RV22	2G
IC18	3D	RV23	2G
IC19	3E	RV24	1H
IC20	3F	RV25	2D
IC21	3H	RV26	2J
IC22	3H	RV27	2K
IC23	3J	RV28	2K
IC24	3K	RV30	3G
IC25	3K	RV31	2G
IC26	3L	RV32	2C
		RV33	3C
		RV34	1K
		RV35	1K
	(PS/P)		
IC27	3B		
		(PS/P)	
JP1	3J	RV36	3A
JP2	3J	RV37	3A
JP3	2J		
		S1	1A
LV1	1C	TH1	1K
LV2	2C		
LV3	2C		
LV4	3C		
		TP1	1A
Q1	1B	TP2	1A
Q2	1B	TP3	3A
Q3	1B	TP4	3A
Q4	1B	TP5	3A
Q5	2B		
Q6	2B		
Q7	2B		
Q8	2B		
Q9	2B		
Q10	3B	TP8	1K
Q11	3B	TP10	2H
Q12	3B	TP11	2J
Q13	3B	TP12	3H
Q14	1G	TP15	3H
Q15	1H	TP16	3H
Q17	1J	TP21	1G
Q18	1K	TP22	3A
Q19	2D	TP23	3G
Q20	2E		
Q21	1E	TPE1	1A
Q22	2E	TPE2	2K
Q23	2E	TPE3	2F
Q24	2E	TPE4	2H
Q25	2D	TPE5	3A
Q26	2D	TPE6	3E
Q27	2E		
Q28	1F		
Q29	2F		

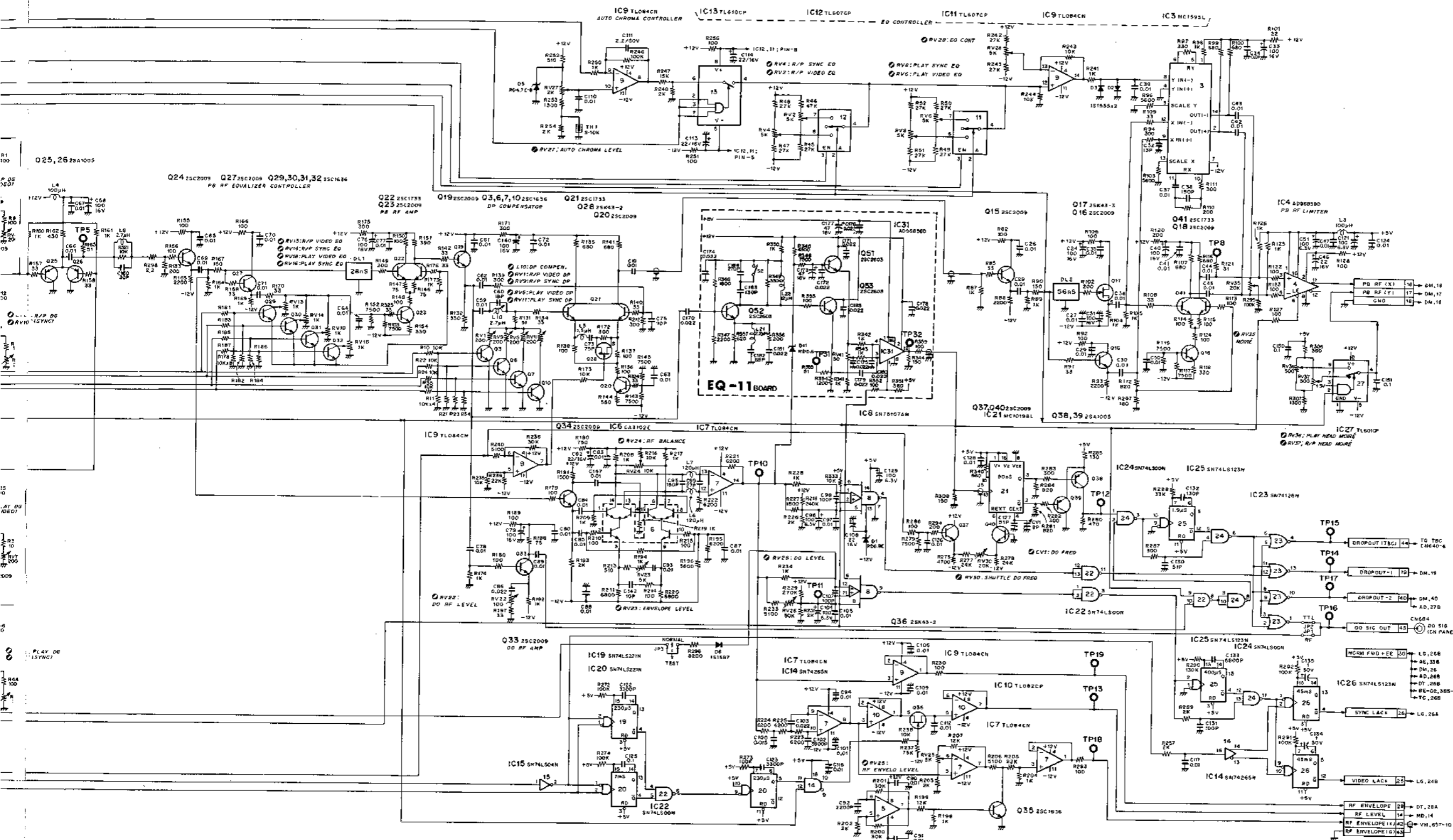


1-606-659-17 COMPONENT SIDE

1-606-659-17 SOLDER SIDE

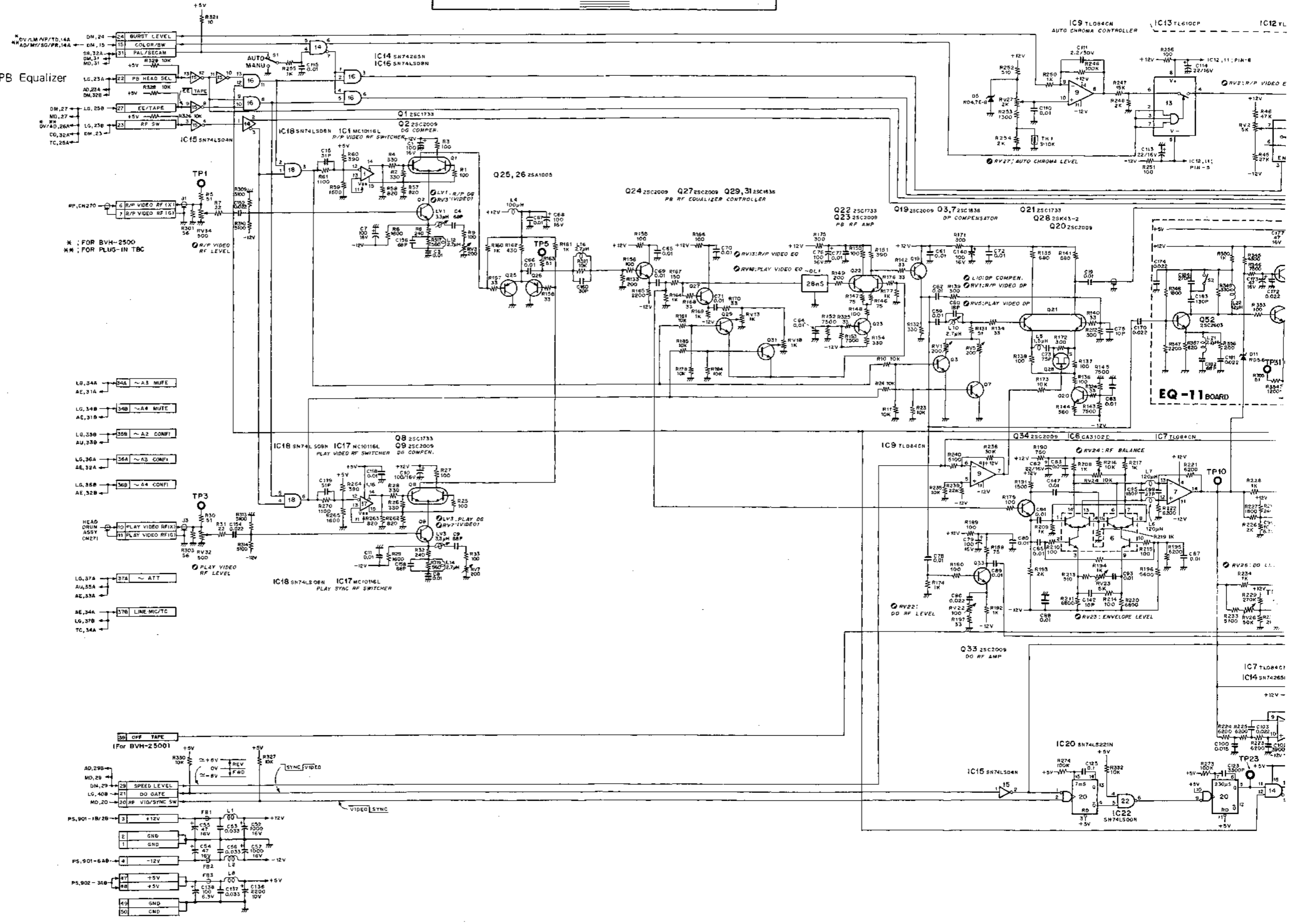
EQ-02 BOARD
Video/Sync PB Equalizer





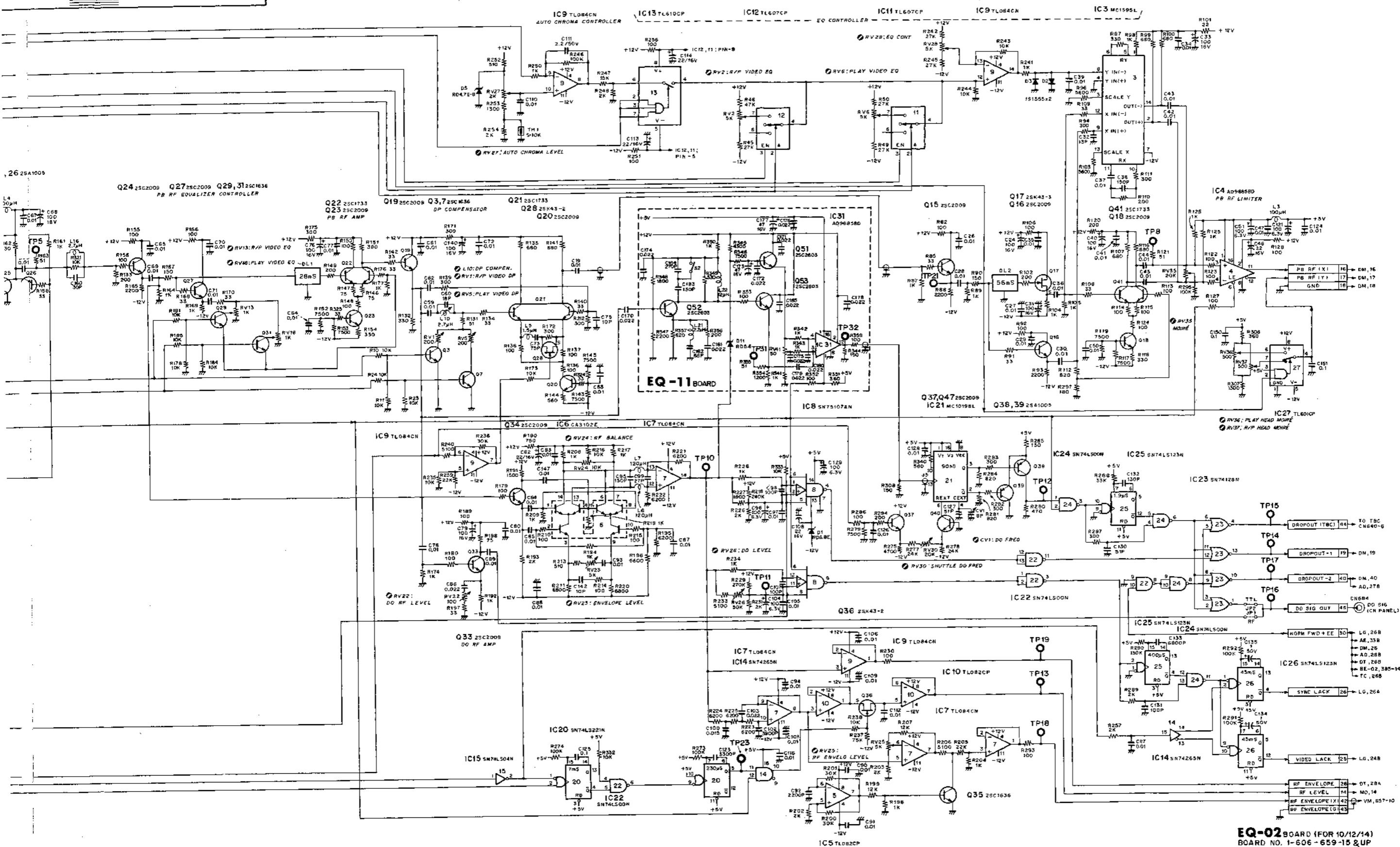
EQ-02 BOARD
 BOARD NO. 1-606-659-15 & UP
 BVH-2000PS(AEP); # 34701-
 BVH-2180PS(AEP); # 10601-

EQ-02 BOARD
Video/Sync PB Equalizer



* : FOR BVH-2500
** : FOR PLUS-IN TBC

- LG, 34A ~ 34A ~ A3 MUTE
- AE, 31A ~ 34B ~ A4 MUTE
- LG, 34B ~ 34B ~ A4 MUTE
- AE, 31B ~ 34C ~ A5 MUTE
- LG, 35B ~ 35B ~ A2 CONF1
- AU, 33B ~ 35A ~ A3 CONF1
- AE, 32A ~ 35B ~ A4 CONF1
- LG, 35B ~ 35B ~ A4 CONF1
- AE, 32B ~ 35C ~ A5 CONF1
- HEAD DRUM AS9Y CN271
- LG, 37A ~ 37A ~ ATT
- AU, 35A ~ 37B ~ LINE MIC/TC
- AE, 33A ~ 37C ~ LINE MIC/TC
- LG, 37B ~ 37B ~ LINE MIC/TC
- TC, 34A ~ 37C ~ LINE MIC/TC



EQ-02 BOARD (FOR 10/12/14)
 BOARD NO. 1-606-659-15 & UP
 BVM-2000PS(AEP); # 34701-

CARD RACK DM-25

1-606-661-14

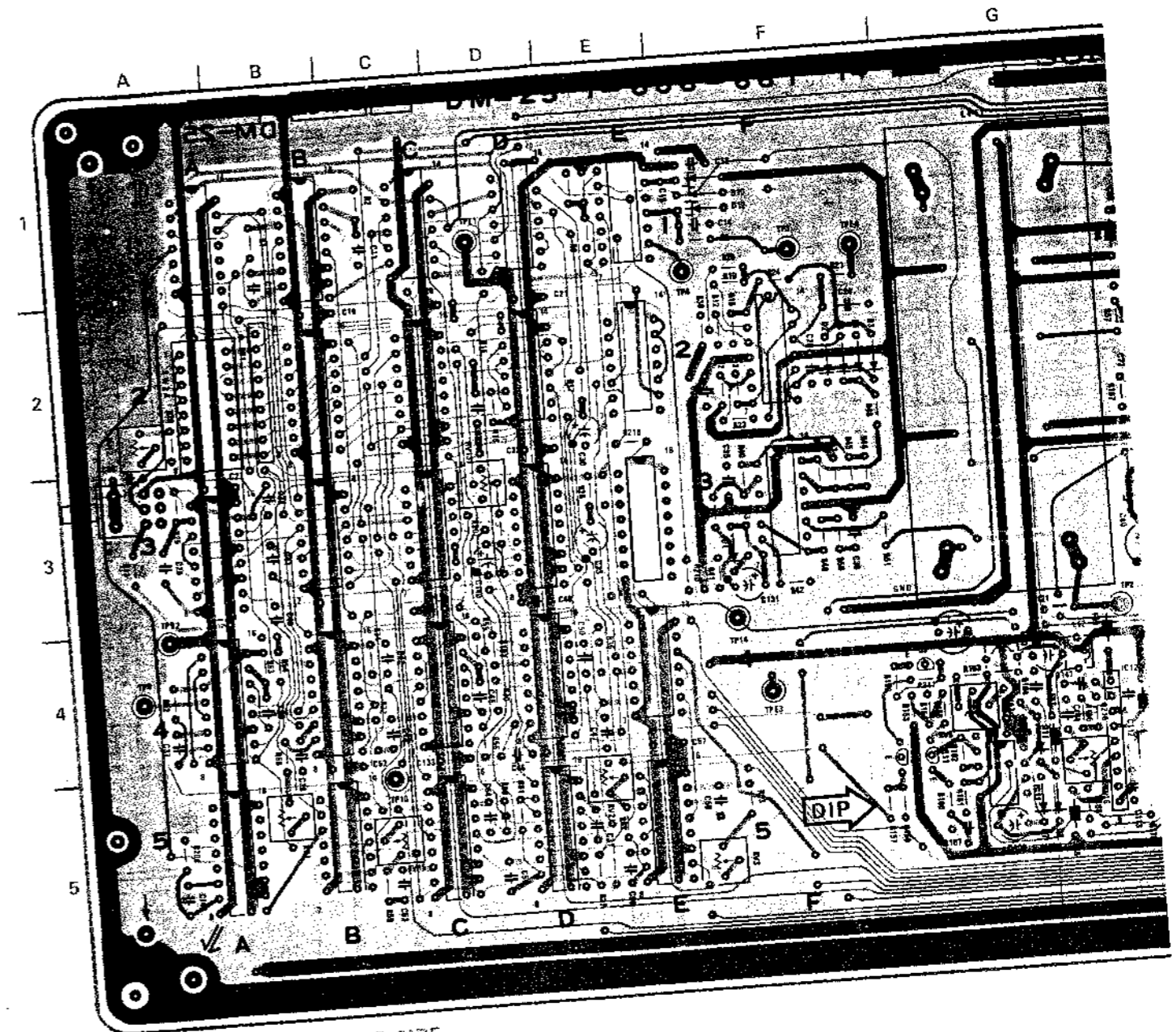
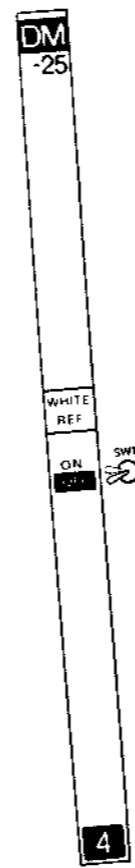
2000PS: #22301 - 33799
2180PS: #10001 - 10199
2500P: #10001 - 10599

2500(J): #10201 - 10999
2500(U/C): #10201 - 11599

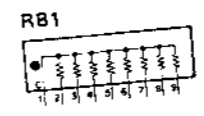
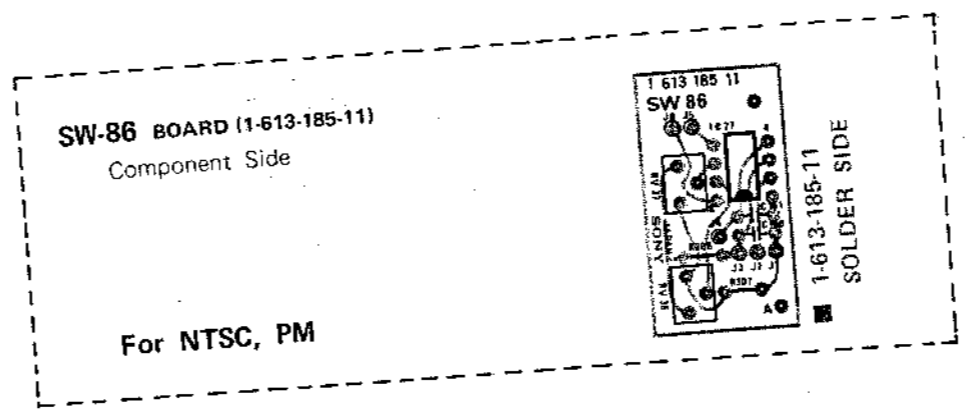
2000PS: #22301 - 33799
2180PS: #10001 - 10199
2500P: #10001 - 10599
2500(J): #10201 - 10999
2500(U/C): #10201 - 11599
1-606-661-14

CARD RACK DM-25 DM

DM-25 BOARD (1-606-661-14)
Component Side



1-606-661-14 COMPONENT SIDE



2000PS: #22301 - 33799
 2180PS: #10001 - 10199
 2500P: #10001 - 10599

2500(J): #10201 - 10999
 2500(U/C): #10201 - 11599

1-606-661-14

CARD RACK DM-25

DM-25 CARD RACK

1-606-661-14

2000PS: #22301 - 33799
 2180PS: #10001 - 10199
 2500P: #10001 - 10599

2500(J): #10201 - 10999
 2500(U/C): #10201 - 11599

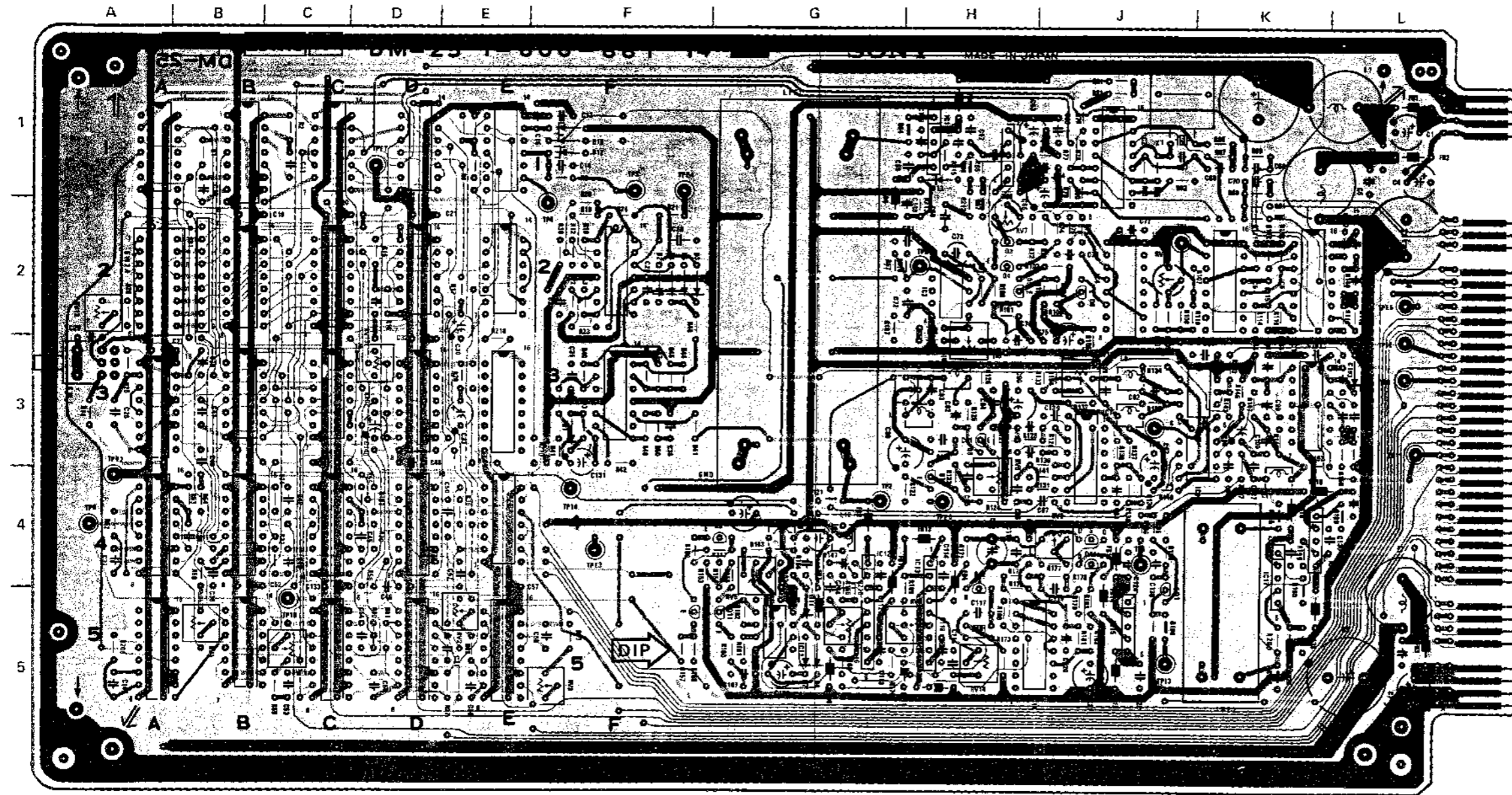
C-24
 C-23
 C-22

DM-25

WHITE REF

ON

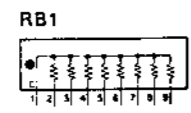
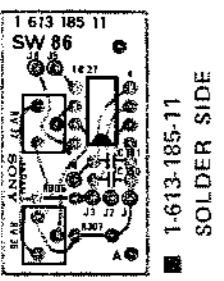
4



DM-25 (1-606-661-14)

BVH-2000/PS/PM			
BVH-2180/PS/PM			
BVH-2500/P			
GV2	4H	05	2H
D1	3F	07	4H
D2	2F	08	3H
D3	2F	09	4G
D4	2F	010	5F
D5	2F	011	5G
D6	3L	012	4H
D7	5G	013	4J
D8	5G	014	4J
D9	1F	015	1H
D10	1F		
D11	5G	RB1	2B
D12	1F		
D13	1H	RV1	5B
		RV2	5C
IC1	1H	RV3	5F
IC1A		RV4	2J
IC1B		RV5	4H
IC1C		RV6	4G
IC1D		RV7	2H
IC1E		RV8	5H
IC2	1J	RV9	4J
IC2B		RV10	3H
IC2C		RV11	3J
IC2D		RV12	2A
IC2E		RV13	3D
IC2F		RV14	5H
IC3	2H	RV15	5C
IC3A		RV16	5G
IC3B		RV17	2J
IC3C			
IC3D			
IC3E			
IC4	2J	(SW-86 BOARD)	
IC4A		RV36	1A
IC4B		RV37	1A
IC4C		SW1	3A
IC4D		SW2A	
IC4E		TP1	2J
IC5	2K	TP2	4G
IC5A		TP3	1F
IC5B		TP4	1F
IC5C		TP5	2H
IC5D		TP6	4J
IC5E		TP7	3J
IC6	2K	TP8	3L
IC7	3J	TP9	4A
IC8	3K	TP10	5C
IC9	3K	TP11	3L
IC10	3K	TP12	3L
IC11	5G	TP13	5J
IC12	5G	TP14	4F
IC13	5H		
IC14	5J	(SW-86 BOARD)	
IC15	4K	TPA	2A
IC16	4K		
IC17	4K	TPE1	1D
		TPE2	4A
		TPE3	4F
		TPE4	1F
		TPE5	4H
		TPE6	2L
D1	4J		
D2	2H		
D3	2H		
D4	2H		
		X1	1J

BVH-2000/PS/PM
 BVH-2180/PS/PM
 C-27(4)
 C-24
 C-27(3/13)
 C-23
 C-27(2/13)
 J-22
 BVH-2500
 BVH-2500P



C-23

C-24

2000PS: #22301 - 33799
 2180PS: #10001 - 10199
 2500P: #10001 - 10599

2500(J): #10201 - 10201
 2500(U/C): #10201 - 10201

1-606-661-14

CARD RACK DM-25

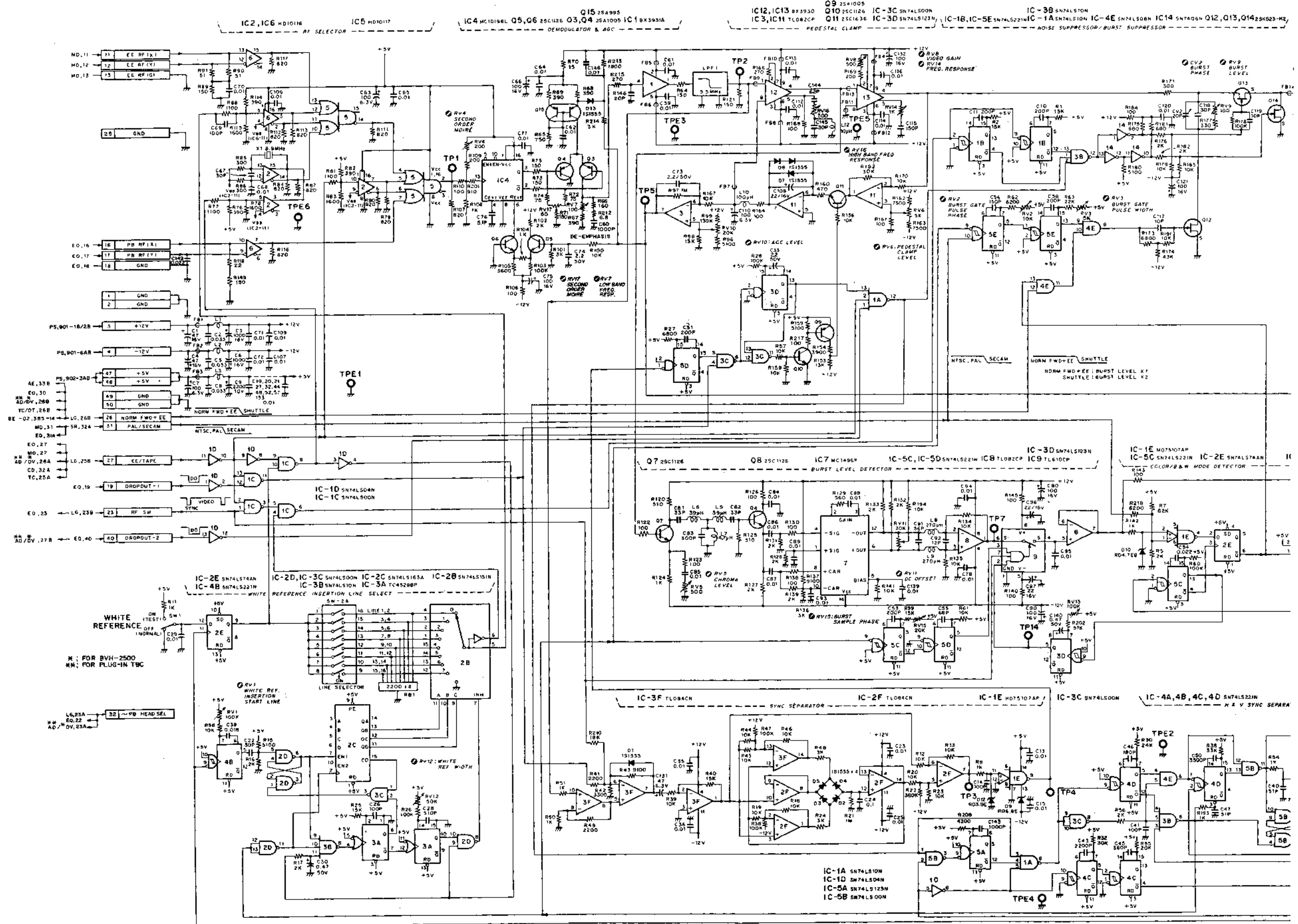
DM-25 CARD RACK

1-606-661-14

2000PS: #22301 - 33799
 2180PS: #10001 - 10199
 2500P: #10001 - 10599

2500(J): #10201 - 10201
 2500(U/C): #10201 - 10201

DM-25 BOARD
 Video Demodulator



C-27

BVH-2180/PS/IPM
 BVH-2000/PS/IPM

C-27

C-26

C-25

BVH-2500P

BVH-2500

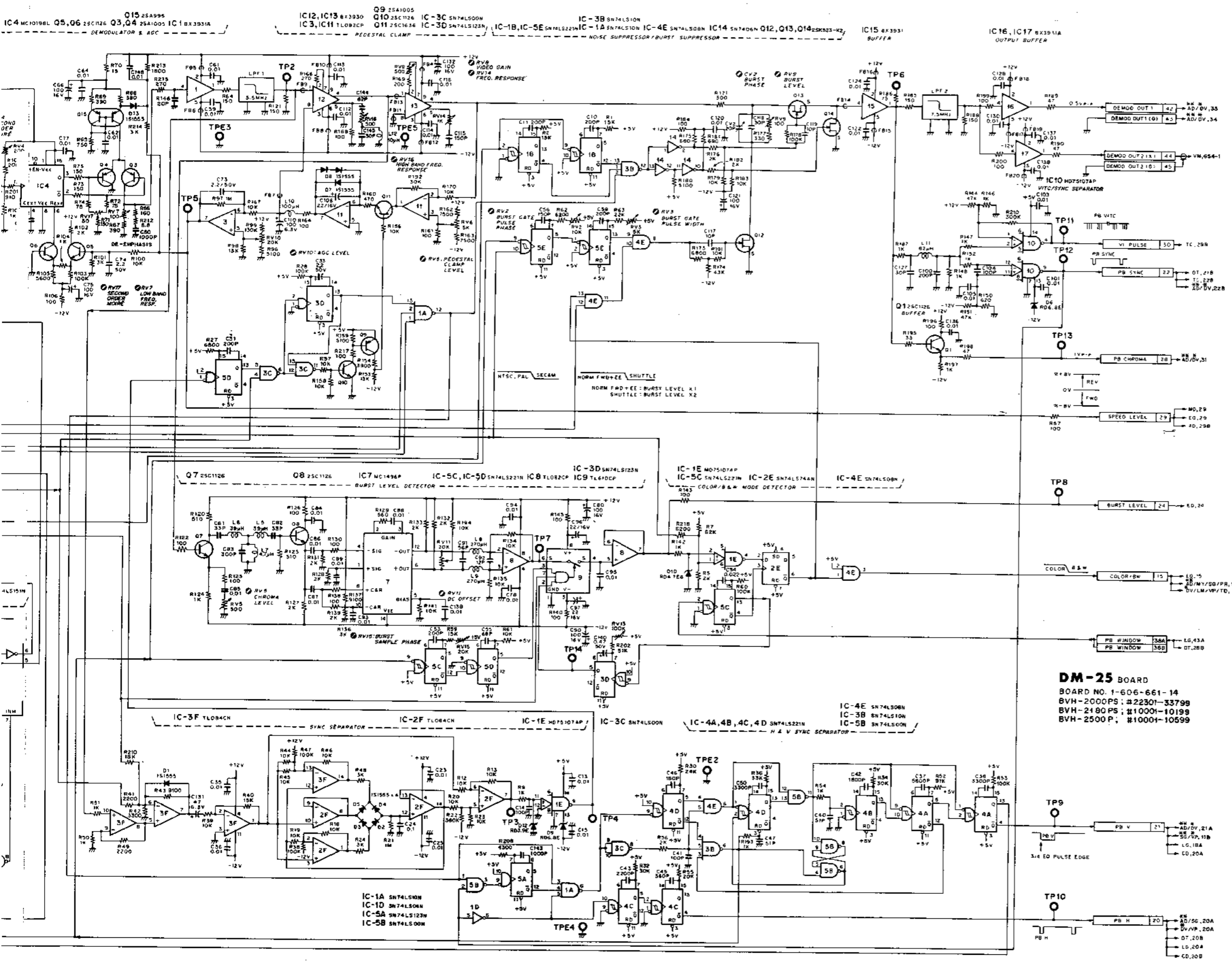
C-27(7/7)

C-27(6/7)

C-27(5/7)

C-25

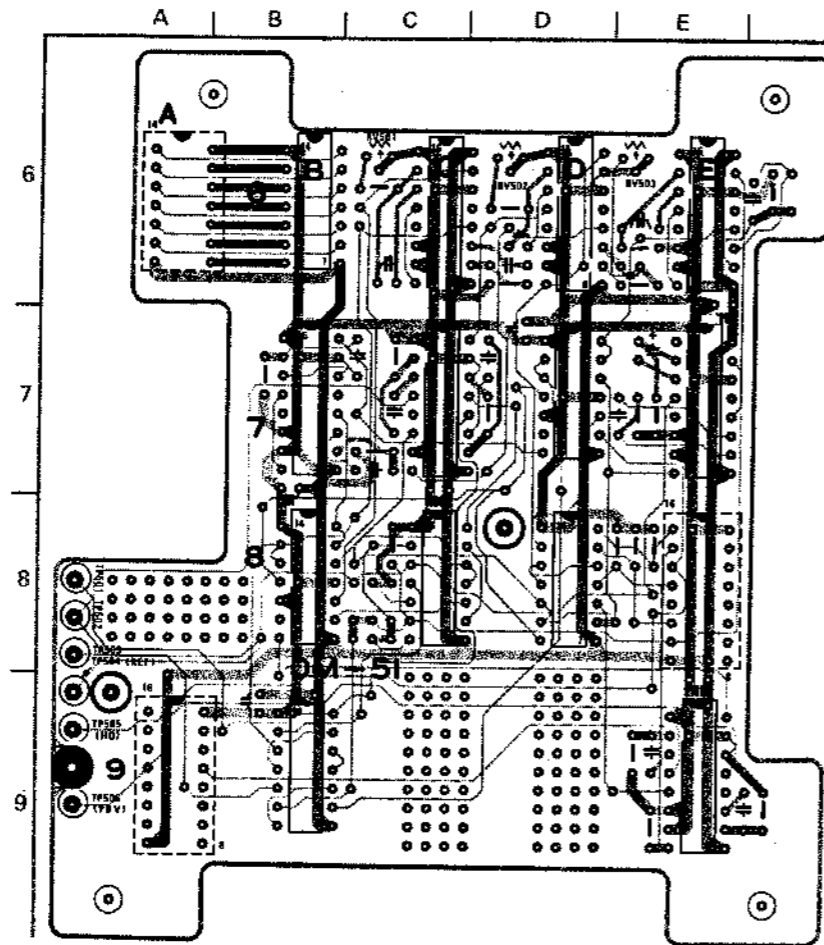
C-26



DM-25 BOARD
BOARD NO. 1-606-661-14
BVH-2000PS; #22301-33799
BVH-2180PS; #10001-10199
BVH-2500P; #10001-10599

DM-51 BOARD (1-616-409-11)

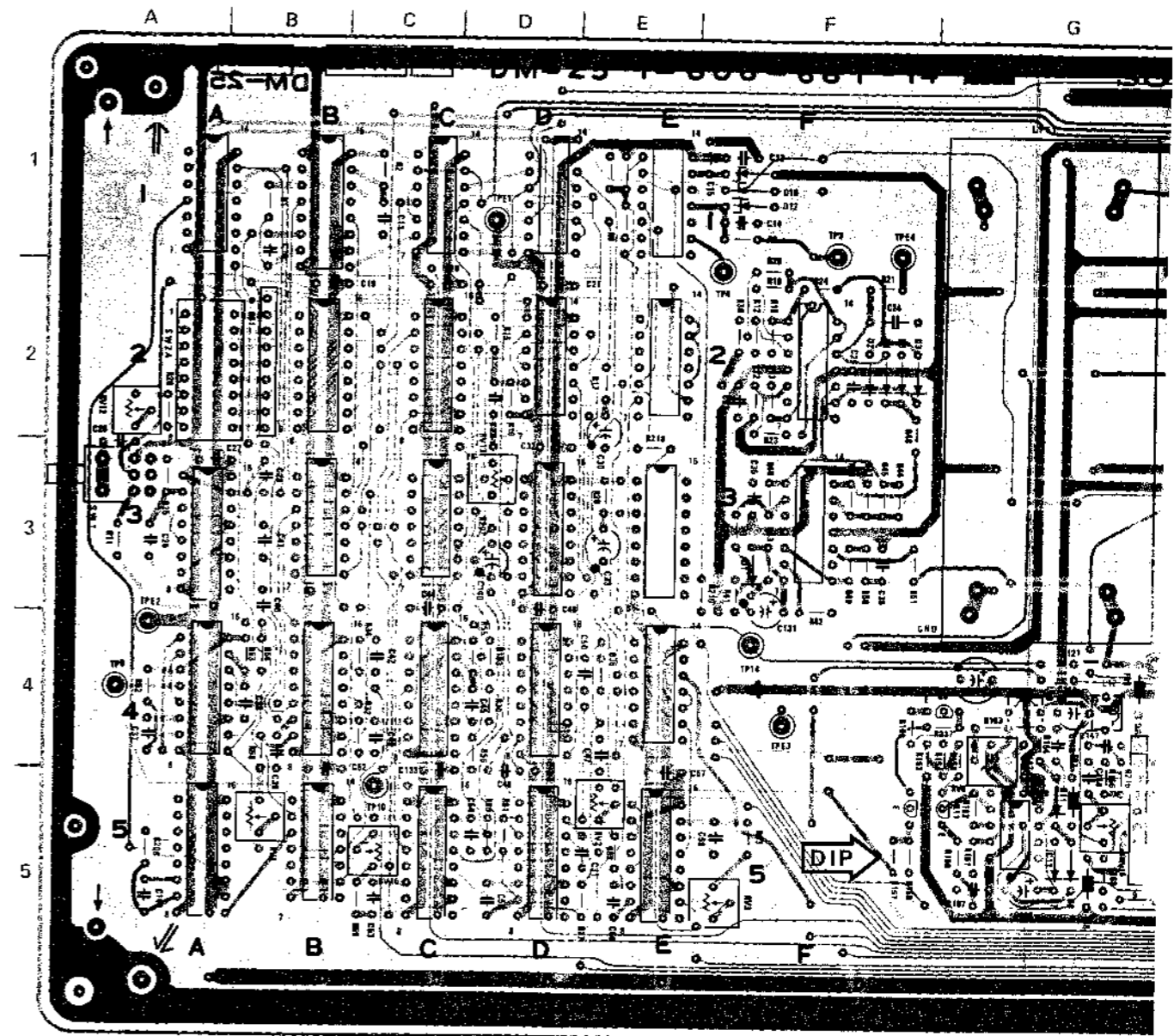
Solder Side



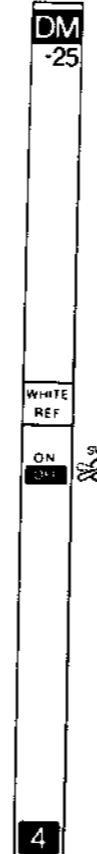
■ 1-616-409-11 COMPONENT SIDE
■ 1-616-409-11 SOLDER SIDE

DM-25 BOARD (1-606-661-14)

Component Side



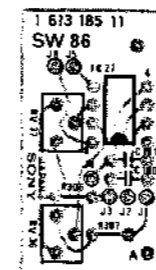
■ 1-606-661-14 COMPONENT SIDE



SW-86 BOARD (1-613-185-11)

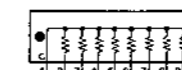
Component Side

For NTSC, PM



1-613-185-11
SOLDER SIDE

RB1



2000PS; #33801 - 34399 1-606-661-14
 2180PS; #10201 - 10599
 2500P; #10601 - 10699

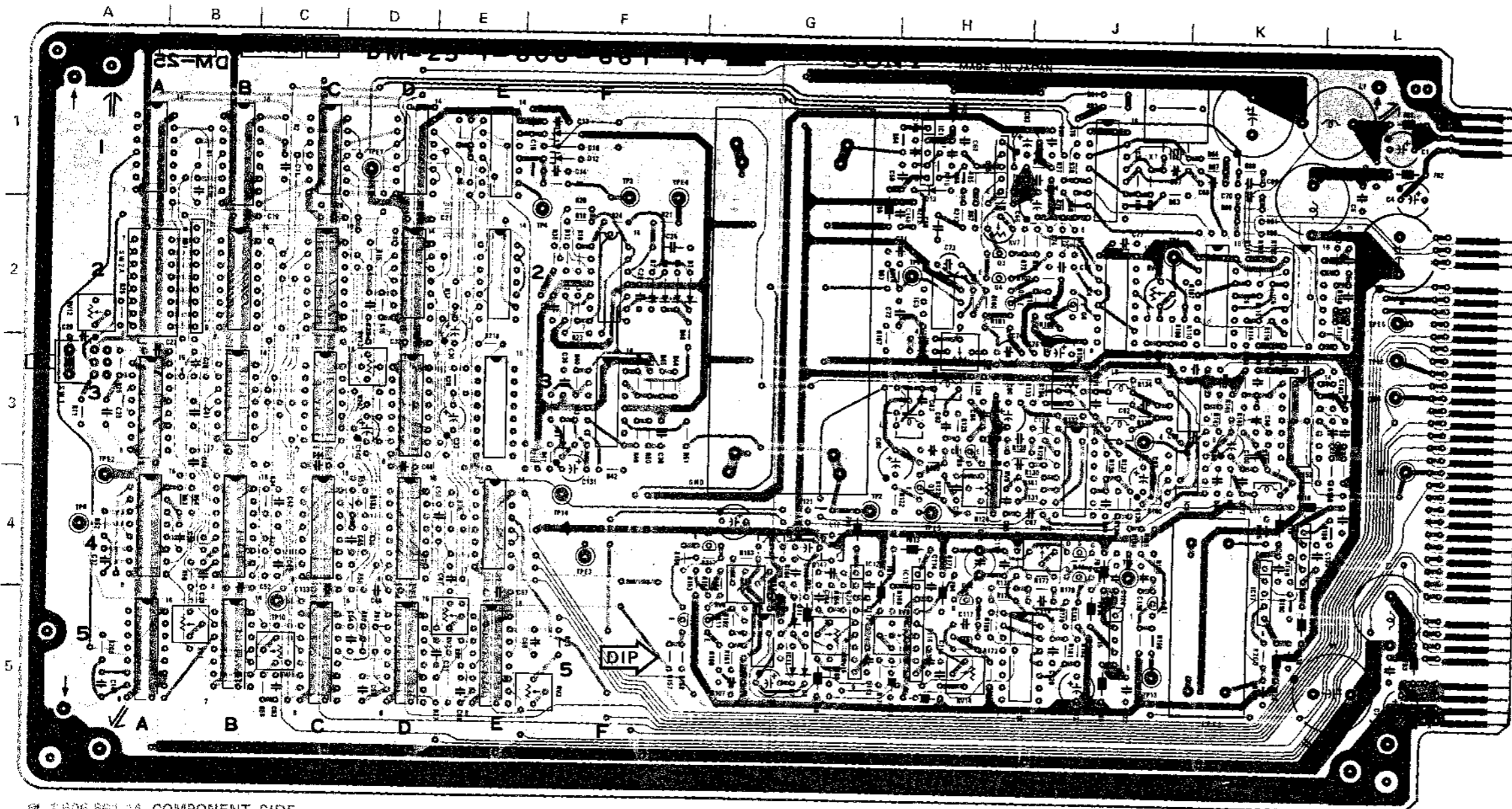
CARD RACK DM-25 DM-25 CARD RACK

1-606-661-14 2000PS; #33801 - 34399
 2180PS; #10201 - 10599
 2500P; #10601 - 10699

A-25 BOARD (1-606-661-14)

Component Side

BVH-2000PS



DM-25 (1-606-661-14)

- BVH-2000PS
 - BVH-2180PS
 - BVH-2500P
- | | | | |
|---------------|----|---------------|----|
| CV2 | 4H | Q5 | 2H |
| D1 | 3F | Q6 | 2J |
| D2 | 2F | Q7 | 4H |
| D3 | 2F | Q8 | 3H |
| D4 | 2F | Q9 | 4G |
| D5 | 2F | Q10 | 5F |
| D6 | 3L | Q11 | 5G |
| D7 | 5G | Q12 | 4H |
| D8 | 5G | Q13 | 4J |
| D9 | 1F | Q14 | 4J |
| D10 | 1F | Q15 | 1H |
| D11 | 5G | RB1 | 2B |
| D12 | 1F | | |
| D13 | 1H | RV1 | 5B |
| | | RV2 | 5C |
| | | RV3 | 5F |
| IC1 | 1H | RV4 | 2J |
| IC1A | | RV5 | 4H |
| IC1B | | RV6 | 4G |
| IC1C | | RV7 | 2H |
| IC1D | | RV8 | 5H |
| IC1E | | RV9 | 4J |
| IC2 | 1J | RV10 | 3H |
| IC2B | | RV11 | 3J |
| IC2C | | RV12 | 2A |
| IC2D | | RV13 | 3D |
| IC2E | | RV14 | 5H |
| IC2F | | RV15 | 5C |
| IC3 | 2H | RV16 | 5G |
| IC3A | | RV17 | 2J |
| IC3B | | RV501 | 6C |
| IC3C | | RV502 | 6D |
| IC3D | | RV503 | 6E |
| IC3F | | | |
| IC4 | 2J | | |
| IC4A | | (SW-86 BOARD) | |
| IC4B | | RV36 | 1A |
| IC4C | | RV37 | 1A |
| IC4D | | | |
| IC4E | | SW1 | 5A |
| IC5 | 2K | SW2A | |
| IC5A | | | |
| IC5B | | TP1 | 2J |
| IC5C | | TP2 | 4G |
| IC5D | | TP3 | 1F |
| IC5E | | TP4 | 1F |
| IC6 | 2K | TP5 | 2H |
| IC6B | | TP6 | 4J |
| IC6C | | TP7 | 5J |
| IC6D | | TP8 | 3L |
| IC6E | | TP9 | 4A |
| IC7 | 5J | TP10 | 5C |
| IC7B | | TP11 | 3L |
| IC7C | | TP12 | 3L |
| IC7D | | TP13 | 5J |
| IC7E | | TP14 | 4F |
| IC8 | 3K | | |
| IC8B | | (SW-86 BOARD) | |
| IC8C | | TPA | 2A |
| IC8D | | | |
| IC9 | 3K | TP501 | 8A |
| IC9B | | TP502 | 8A |
| IC9E | | TP503 | 8A |
| IC10 | 3K | TP504 | 9A |
| IC11 | 5G | TP505 | 9A |
| IC12 | 5G | TP506 | 9A |
| IC13 | 5H | | |
| IC14 | 5J | TPE1 | 1D |
| IC15 | 5J | TPE2 | 4A |
| IC16 | 4K | TPE3 | 4F |
| IC17 | 4K | TPE4 | 1F |
| | | TPE5 | 4H |
| | | TPE6 | 2L |
| (SW-86 BOARD) | | | |
| IC27 | 1A | X1 | 1J |
| J501 | 8B | | |
| J502 | 8B | | |
| J503 | 8B | | |
| Q1 | 4J | | |
| Q3 | 2H | | |
| Q4 | 2H | | |

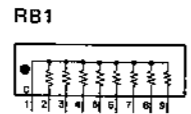
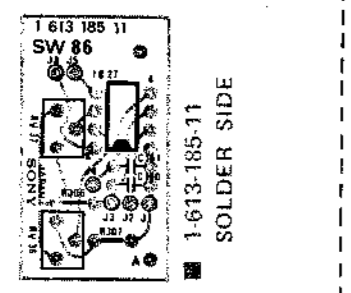
M 25

WHITE REF

4

1-606-661-14 COMPONENT SIDE

1-606-661-14 SOLDER SIDE



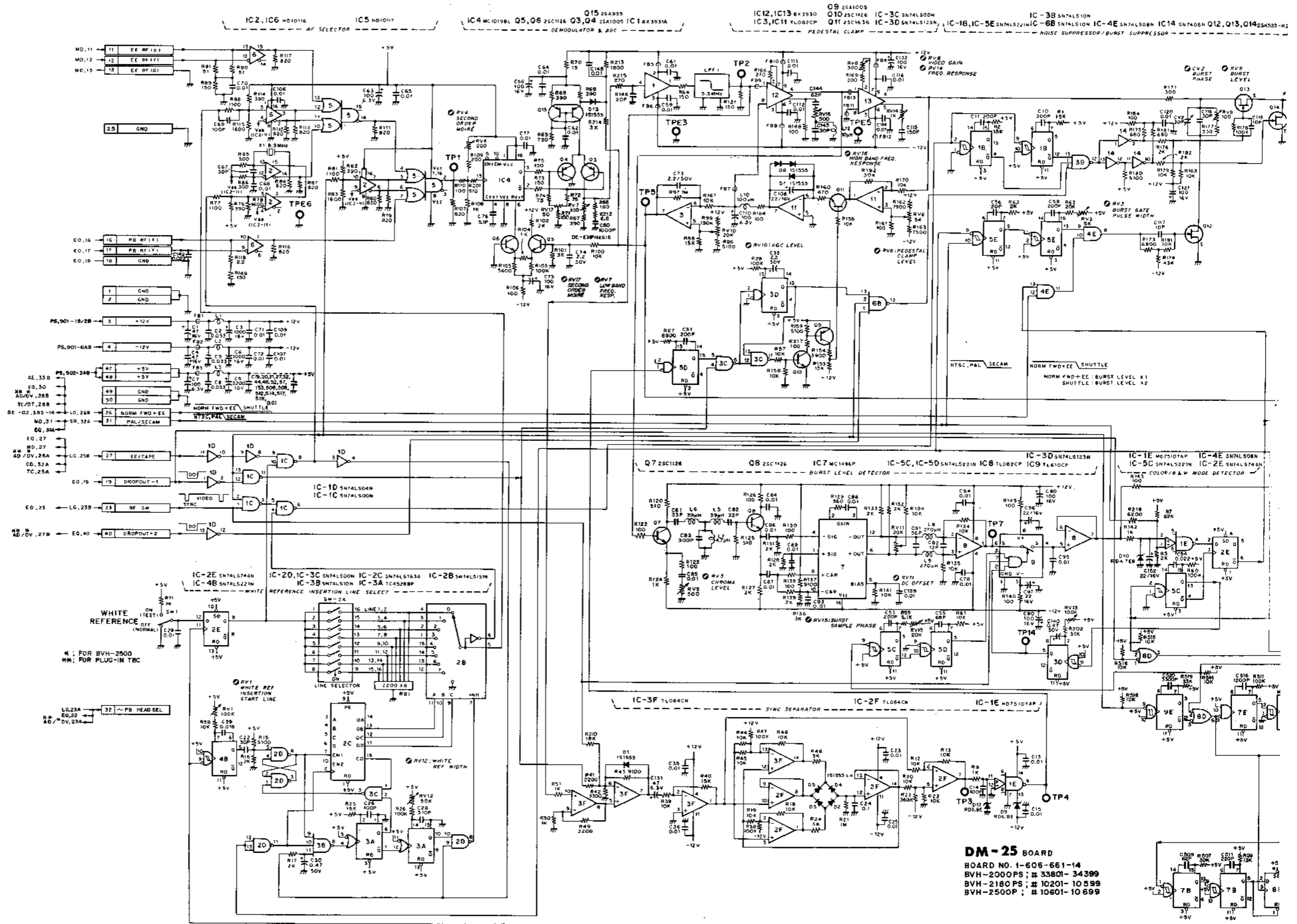
C-27(3/13)

C-27(4/13)

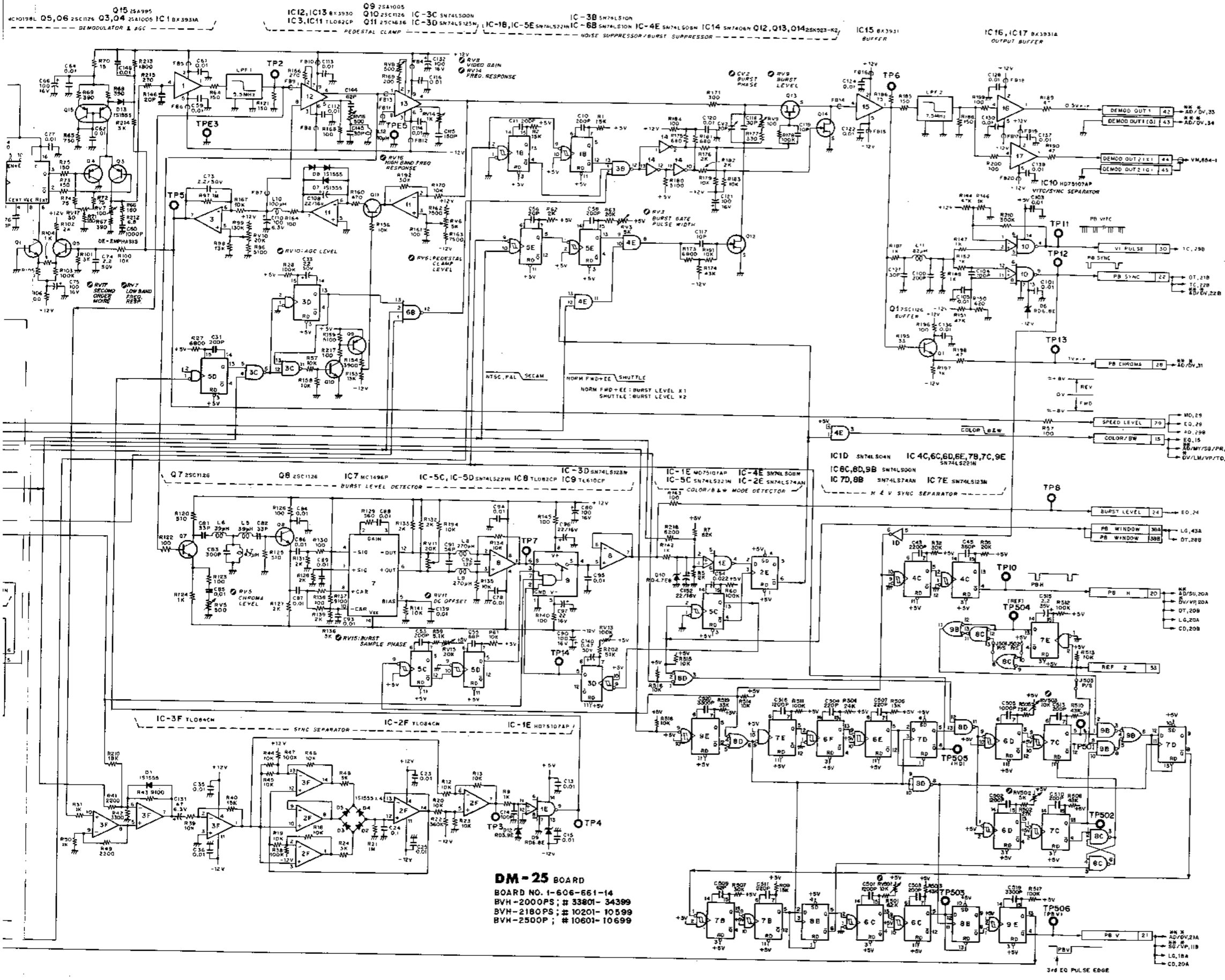
C-27(4/13)
 C-27(3/13)
 C-27(2/13)

BVH-2500P

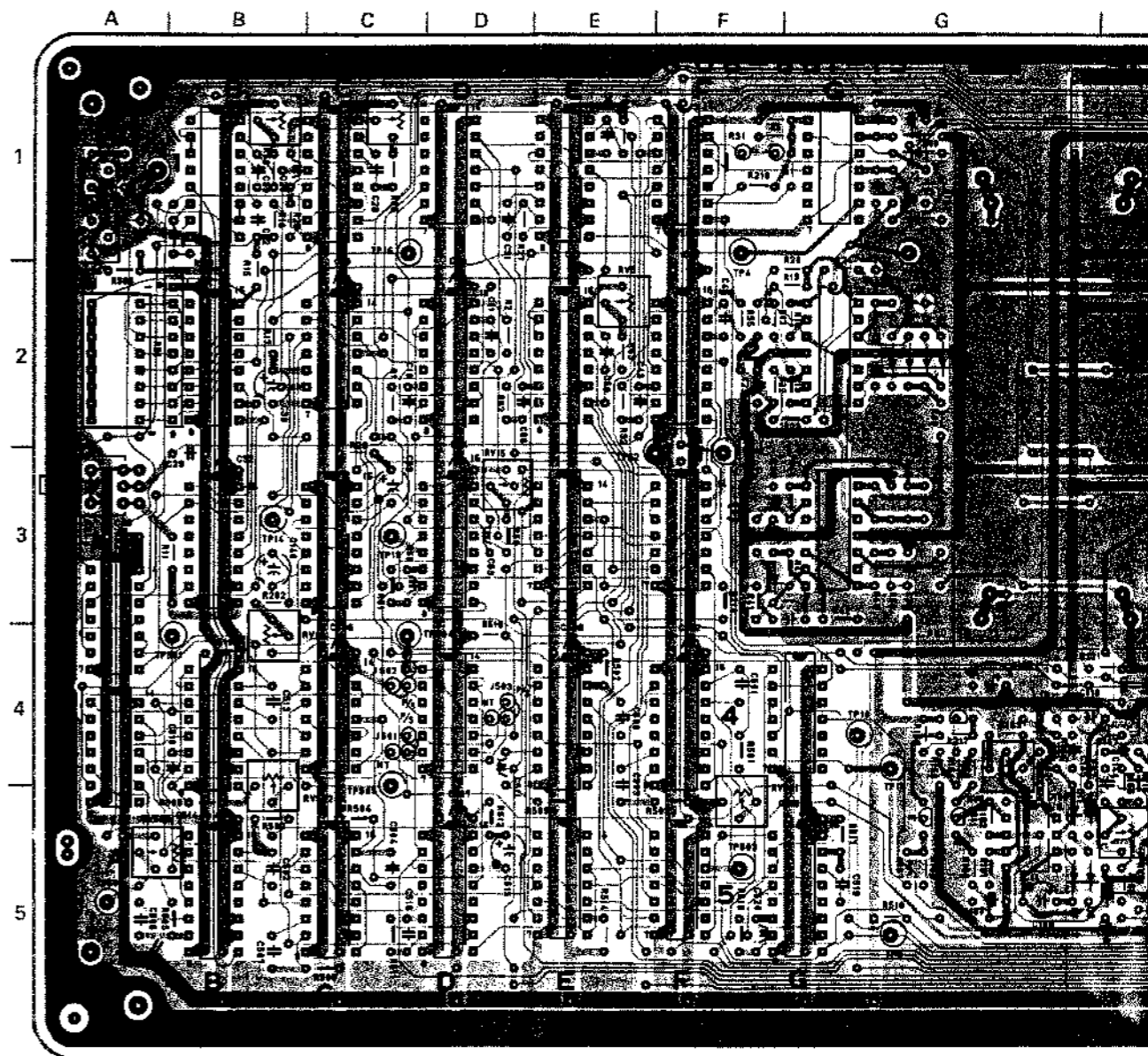
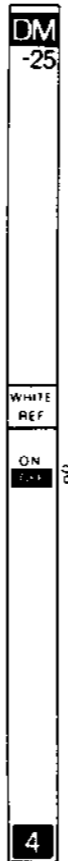
DM-25 BOARD
Video Demodulator



DM-25 BOARD
 BOARD NO. 1-606-661-14
 BVH-2000PS; # 33801- 34399
 BVH-2180PS; # 10201- 10599
 BVH-2500P; # 10601- 10699

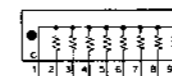


DM-25 BOARD (1-606-661-15)
Component Side



1-606-661-15 COMPONENT SIDE

RB1



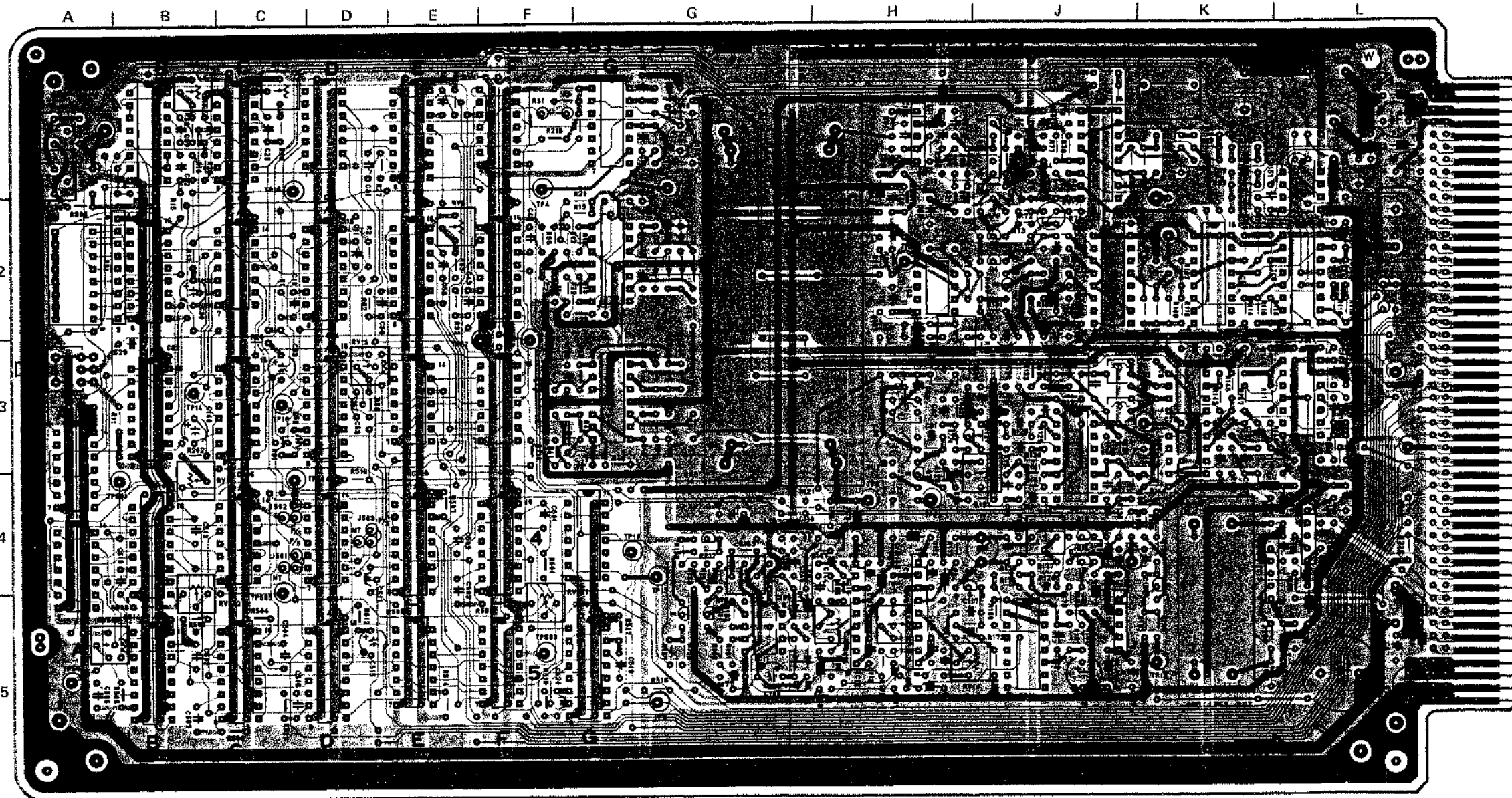


DM-25

WHITE REF

ON

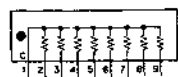
4



1-606-661-15 COMPONENT SIDE

1-606-661-15 SOLDER SIDE

RB1



C-27(9/13)

DM-25 (1-606-661-15 & UP)

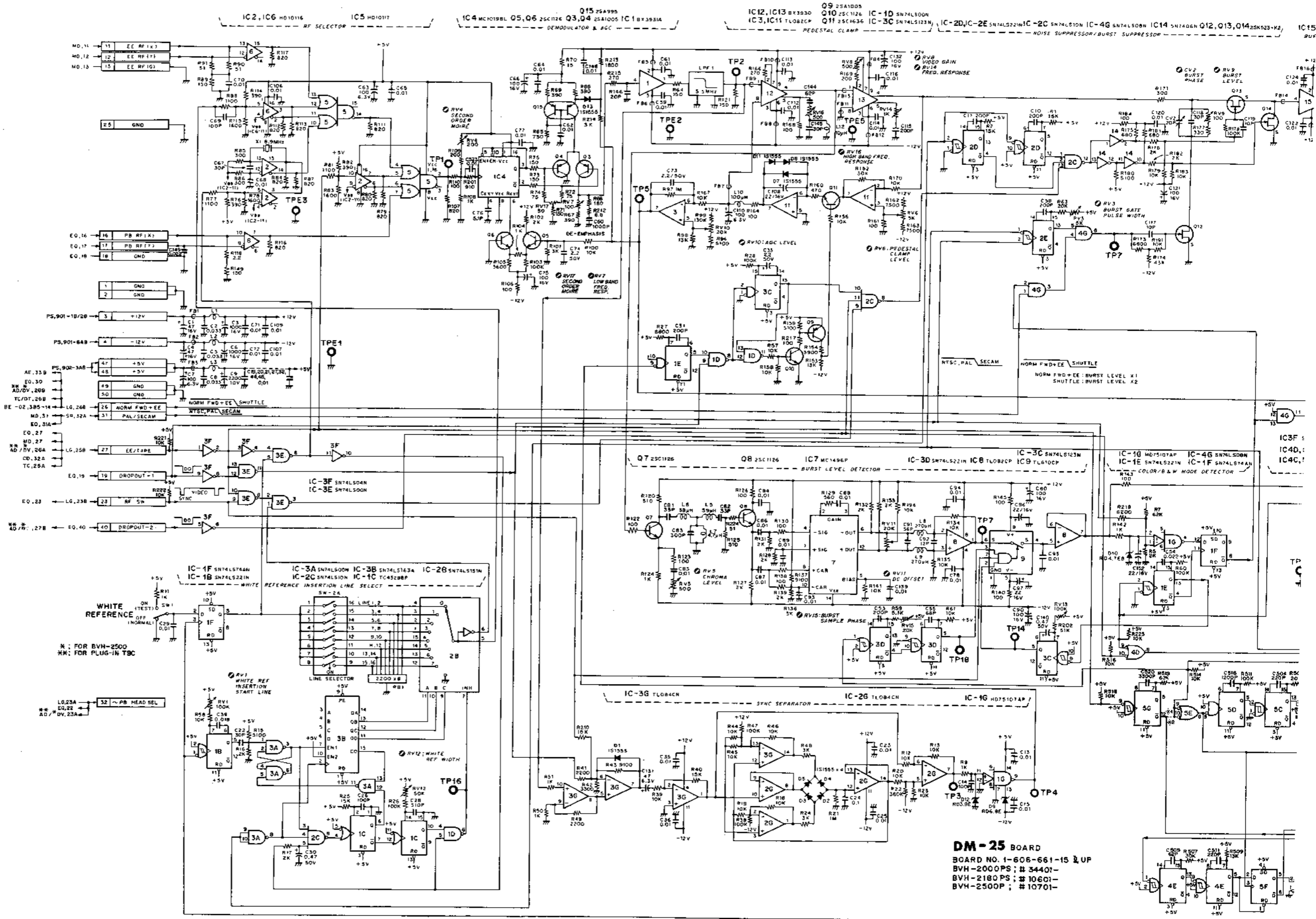
BVH-2000/PS/PM
BVH-2180/PS/PM
BVH-2500/P

CV2	4J	Q5	2J
D1	3F	Q6	2J
D2	2B	Q7	4H
D3	2B	Q8	3H
D4	2B	Q9	4G
D5	2B	Q10	5G
D6	3L	Q11	5G
D7	5G	Q12	4H
D8	5G	Q13	4J
D9	1G	Q14	4J
D10	1G	Q15	1J
D11	5G	RB1	2B
D12	1G		
D13	1H	RV1	1B
		RV2	2E
IC1	1H	RV3	2K
IC18		RV4	4J
IC1C		RV5	4G
IC1D		RV6	2J
IC1E		RV7	3H
IC1F		RV8	4J
IC1G		RV9	4J
IC2	1J	RV10	3H
IC2B		RV11	3J
IC2C		RV12	2C
IC2D		RV13	4B
IC2E		RV14	5H
IC2F		RV15	3D
IC2G		RV16	3H
IC2H		RV17	2J
IC3	2H	RV18	1A
IC3A		RV19	1A
IC3B		RV20	5F
IC3C		RV21	4B
IC3D		RV22	5A
IC3E			
IC3F		SW1	3A
IC3G		SW2A	
IC4	2J		
IC4A		TP1	2K
IC4B		TP2	4H
IC4C		TP3	1G
IC4D		TP4	1F
IC4E		TP5	2H
IC4F		TP6	4J
IC4G		TP7	3K
IC5	2K	TP8	3L
IC5B		TP9	5G
IC5C		TP10	4G
IC5D		TP11	3L
IC5E		TP12	3F
IC5F		TP13	5K
IC5G		TP14	3B
IC6	2L	TP15	2C
IC7	3J	TP16	4G
IC8	3K	TP17	3C
IC9	3K	TP18	3C
IC10	3L	TP19	5A
IC11	5G	TP20	5F
IC12	5H	TP21	4C
IC13	5H	TP22	4C
IC14	5J		
IC15	5J	TPE1	1A
IC16	4L	TPE2	3F
IC17	4K	TPE3	4H
IC18	2L	TPE4	1K
Q1	4K	X1	1J
Q3	2J		
Q4	2J		

BVH-2500/P C-27(8/13) C-27(9/13) C-27(10/13)
BVH-2000/PM C-27(2/7) C-27(3) C-27(4/7)
BVH-2000PS C-27(8/13) C-27(9) C-27(10/13)

C-27(10/13)

DM-25 BOARD
Video Demodulator



DM-25 BOARD
 BOARD NO. 1-606-661-15 & UP
 BVH-2000PS; # 3440-
 BVH-2180PS; # 10601-
 BVH-2500P; # 10701-

C-27(13/13)
 C-27(12/13)
 C-27(11/13)
 C-27(10/13)
 C-27(9/13)
 C-27(8/13)
 C-27(7/13)
 C-27(6/13)
 C-27(5/13)
 C-27(4/13)
 C-27(3/13)
 C-27(2/13)
 C-27(1/13)



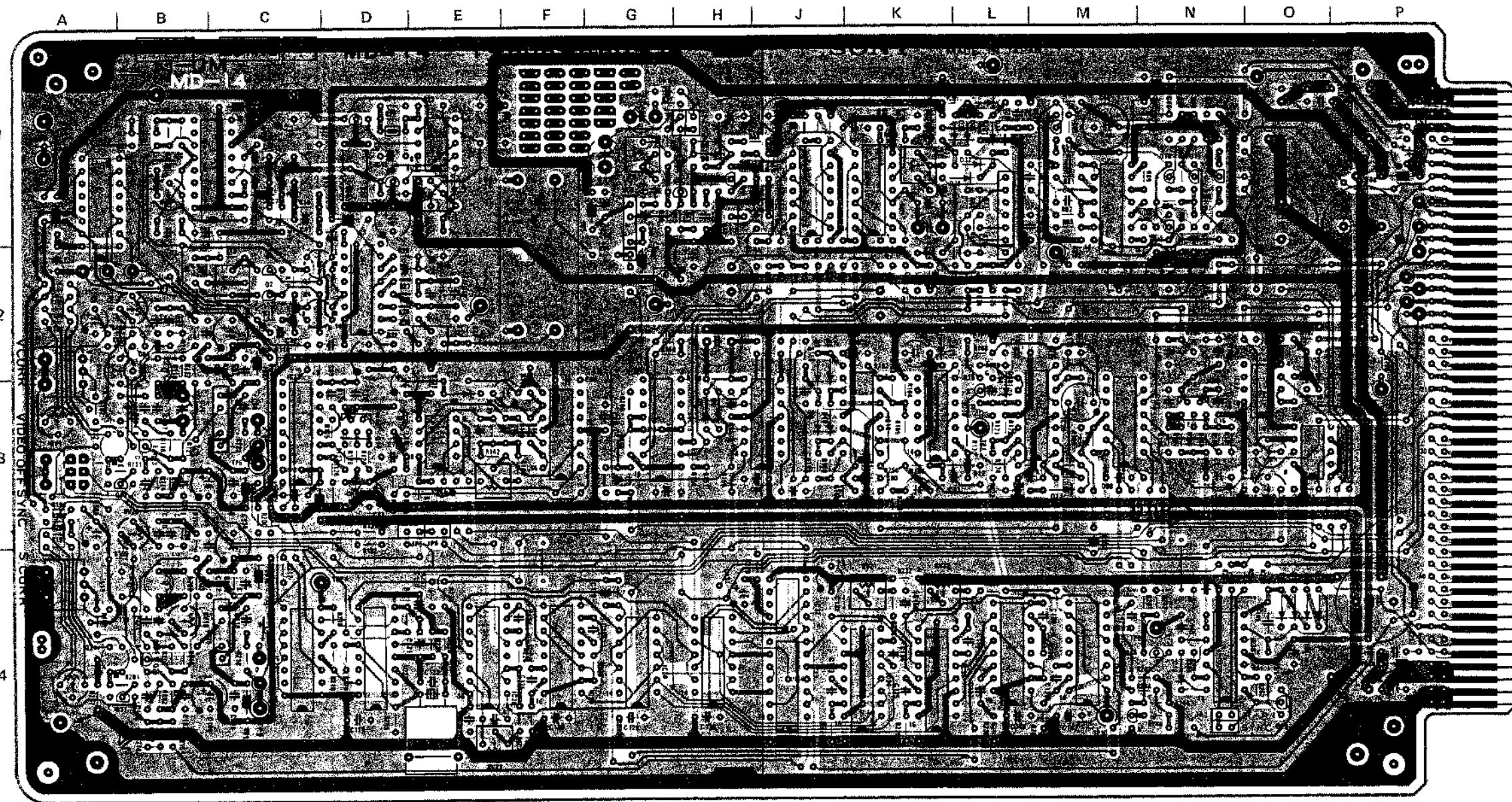
2, 14 MODEL)

MD-14

MD-14

RE CUR (V) RV10
METER
RF (V) S1
NS

REC CUR (V) RV10
METER
RF (V) S1
REC CUR (V) RV18



1-606-660-14 COMPONENT SIDE

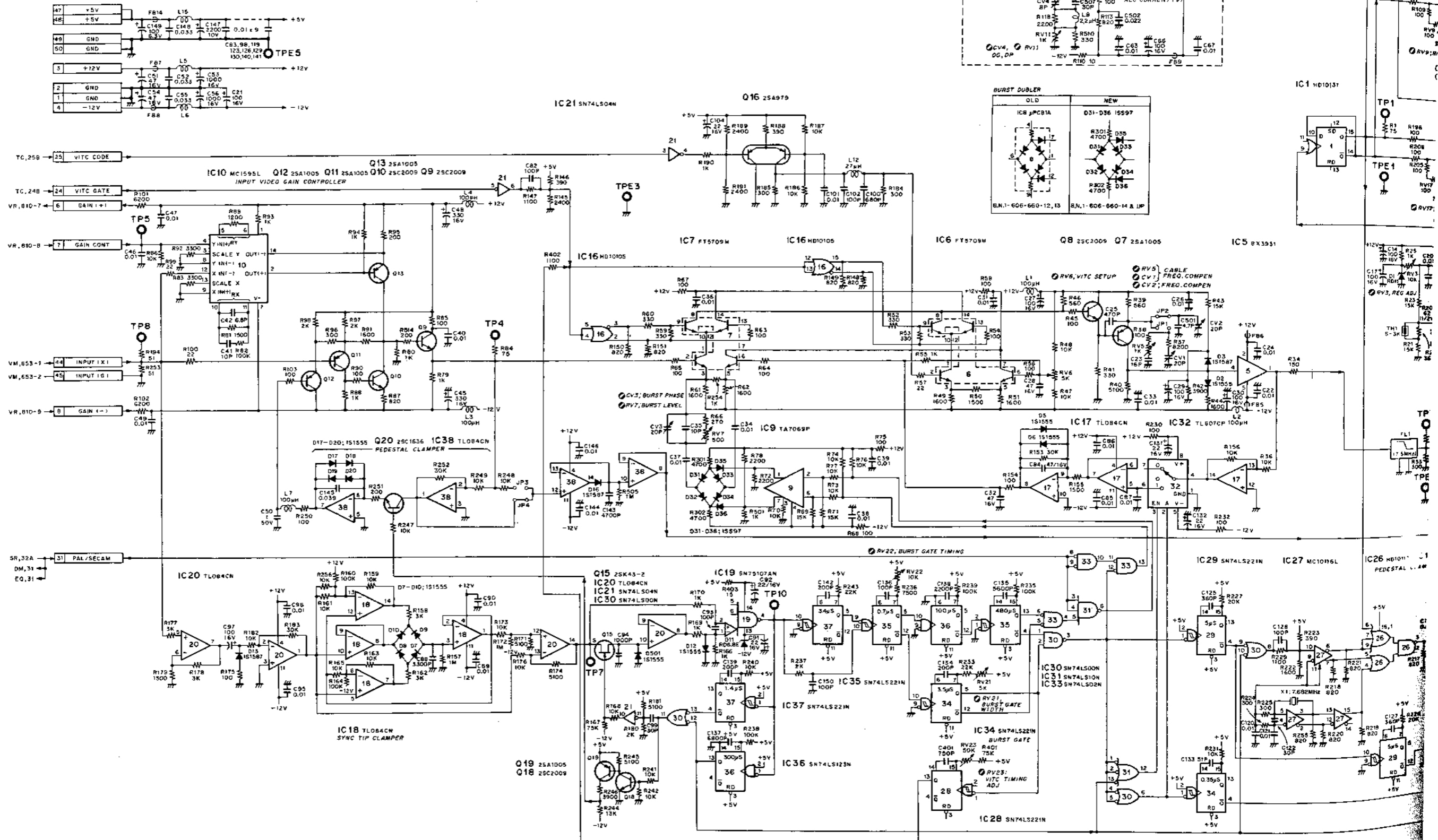
1-606-660-14 SOLDER SIDE

MD-14 (1-606-660-14 & UP)

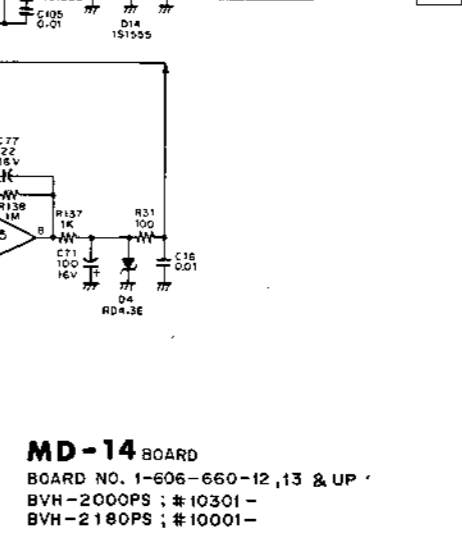
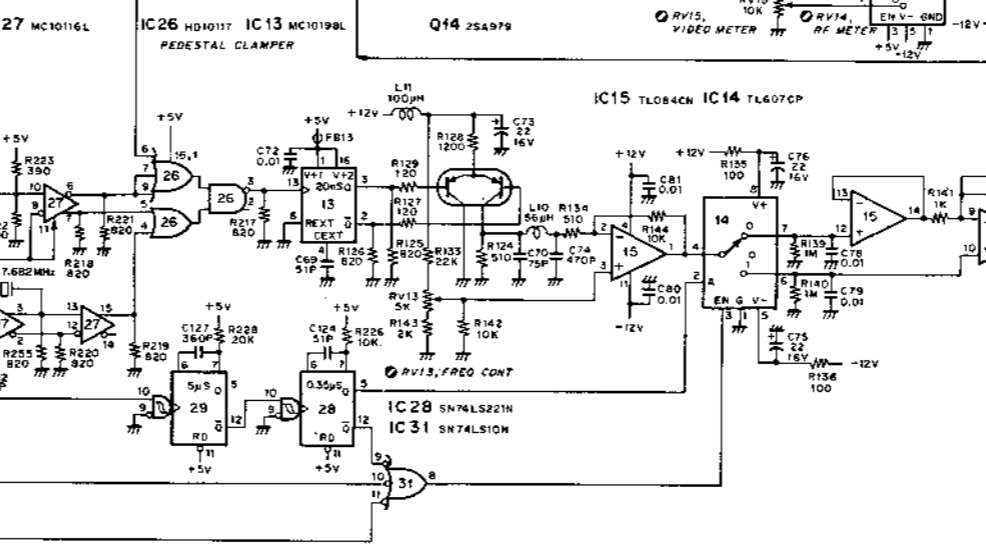
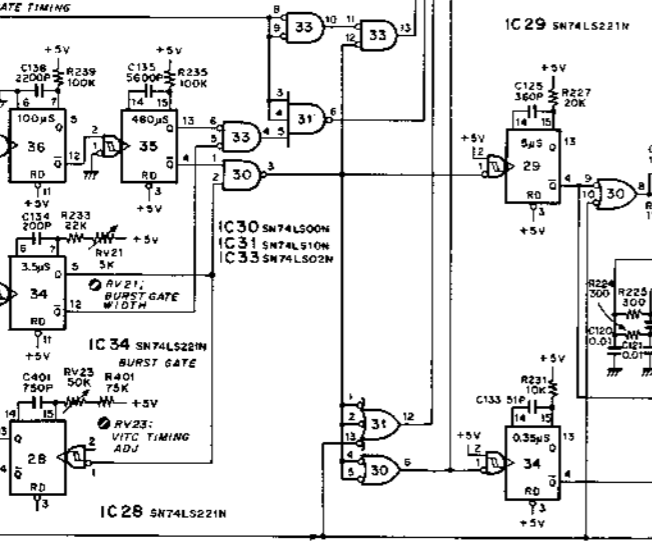
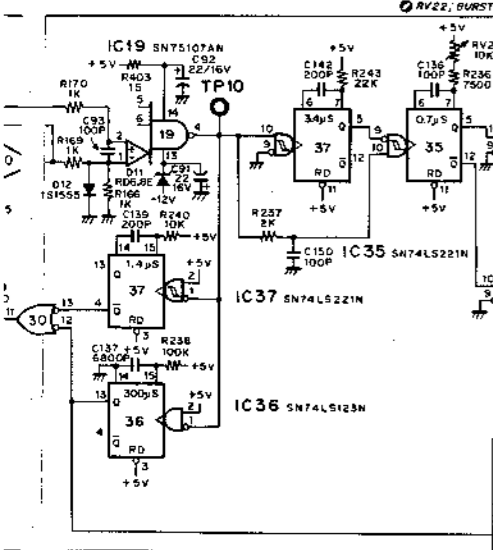
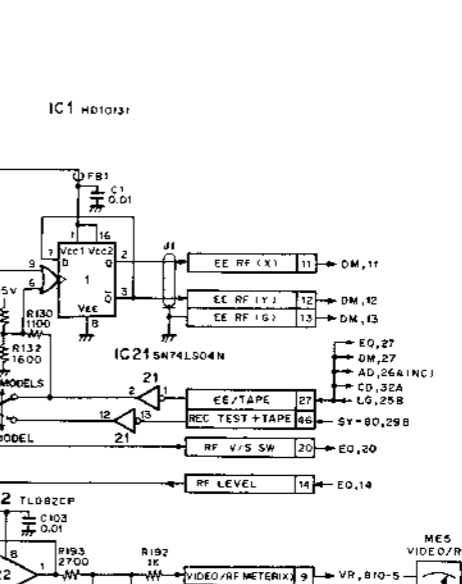
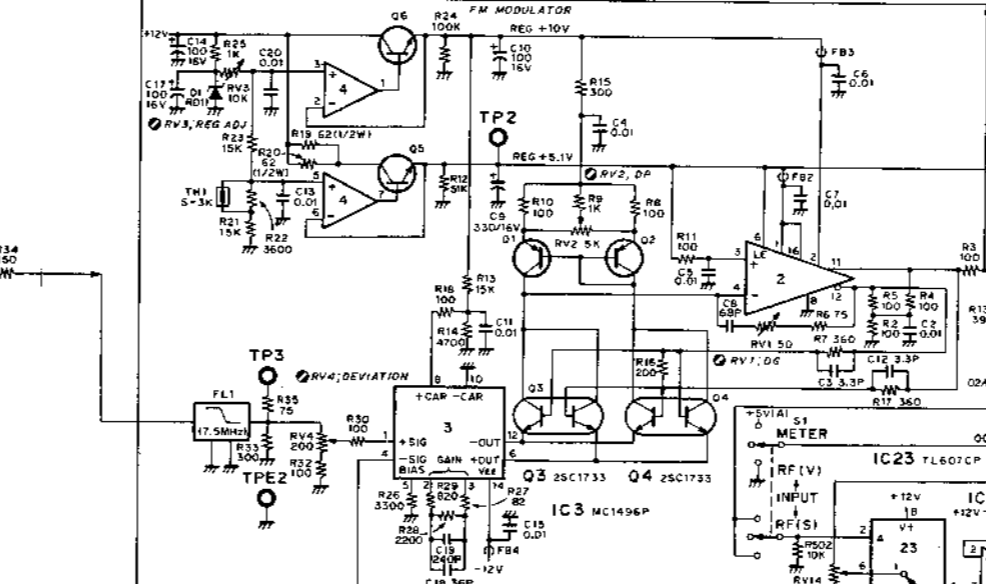
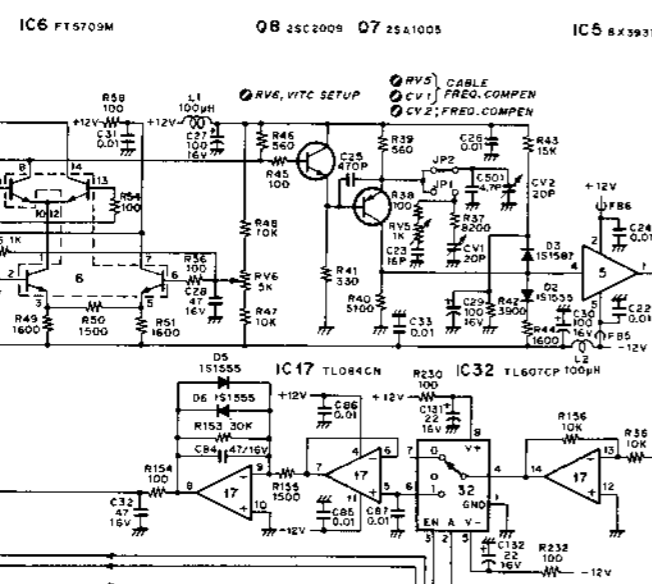
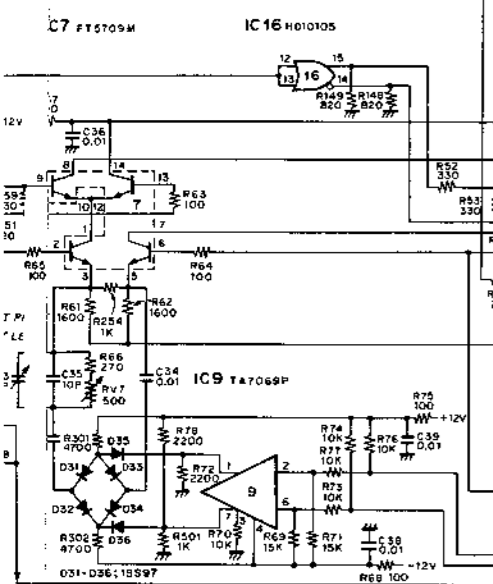
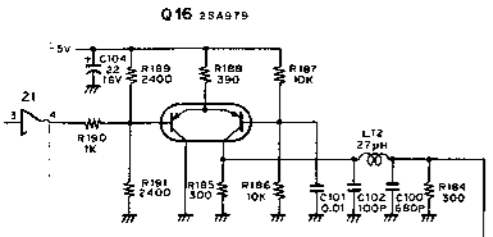
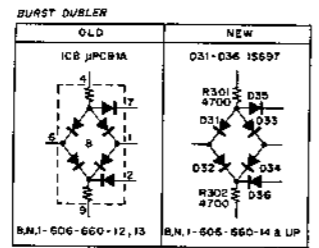
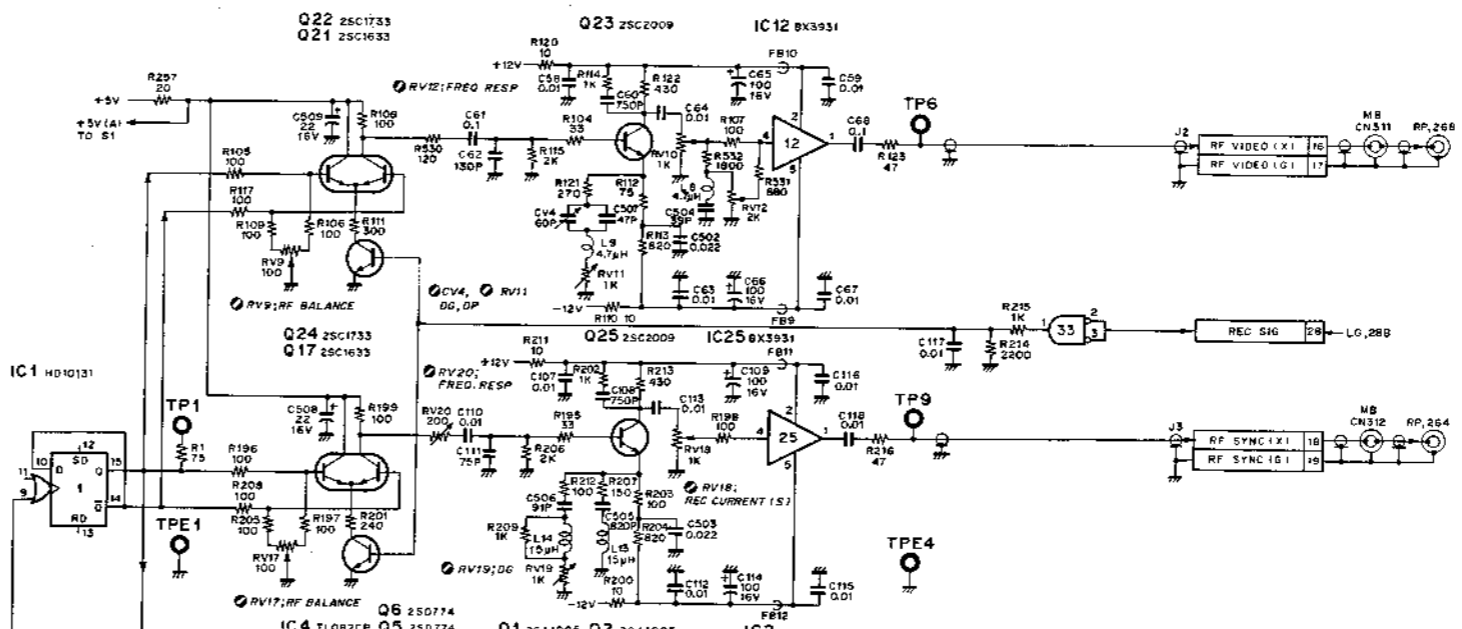
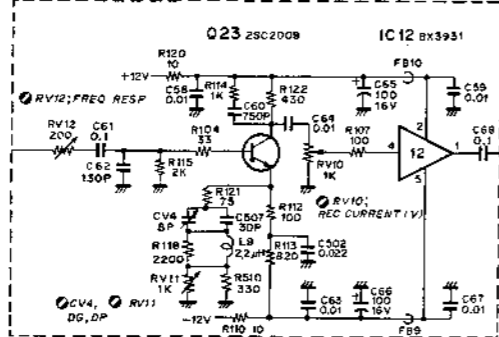
BVH-2000/PS/PW
BVH-2180/PS/PW

- CV1 1G
- CV2 1G
- CV3 1K
- (PS)
- CV4 3B
- D1 1E
- D2 1H
- D3 1H
- D4 3E
- D5 3H
- D6 3H
- D7 3J
- D8 5J
- D9 5J
- D10 5J
- D11 2K
- D12 3L
- D13 3H
- D14 3P
- D15 3P
- D16 4N
- D17 4P
- D18 4P
- D19 4P
- D20 4P
- D31 1L
- D32 1L
- D33 1L
- D34 1L
- D35 1L
- D36 1L
- D501 3L
- IC1 1A
- IC2 1B
- IC3 20
- IC4 1E
- IC5 1G
- IC6 1J
- IC7 1K
- IC9 1L
- IC10 1M
- IC12 3C
- IC13 3C
- IC14 3E
- IC15 3F
- IC16 3G
- IC17 3J
- IC18 3K
- IC19 3K
- IC20 3M
- IC21 3M
- IC22 3P
- IC23 3P
- IC25 4C
- IC26 4C
- IC27 4D
- IC28 4E
- IC29 4F
- IC30 4G
- IC31 4H
- IC32 4J
- IC33 4J
- IC34 4K
- IC35 4K
- IC36 4L
- IC37 4H
- IC38 4N
- JP1 1H
- JP2 1H
- JP3 4N
- JP4 4N
- JP5 5E
- JP6 5E
- O1 2C
- O2 2C
- O3 2C
- O4 2C
- O5 1D
- O6 1D
- O7 1H
- O8 1H
- O9 1H
- O10 1H
- O11 1H
- O12 1H
- O13 1H
- O14 3D
- O15 3L
- O16 3N
- O17 4B
- O18 4N
- O19 4H
- O20 4P
- O21 3H
- O22 3A
- O23 3B
- O24 4A
- O25 4B
- RV1 1B
- RV2 2C
- RV3 1E
- RV4 2E
- RV5 1G
- RV6 1J
- RV7 1K
- RV9 3A
- RV10 2A
- RV11 2B
- RV12 2B
- RV13 3E
- RV14 3P
- RV15 3P
- RV17 4A
- RV18 4A
- RV19 4B
- RV20 3B
- RV21 4K
- RV22 4K
- RV23 4E
- S1 3A
- TH1 1D
- TP1 1A
- TP2 1B
- TP3 2E
- TP4 2M
- TP5 1P
- TP6 3C
- TP7 3L
- TP8 3Q
- TP9 4C
- TP10 4H
- TPE1 1A
- TPE2 2G
- TPE3 1L
- TPE4 4C
- TPE5 4H
- X1 4E

MD-14 BOARD
Video Modulator

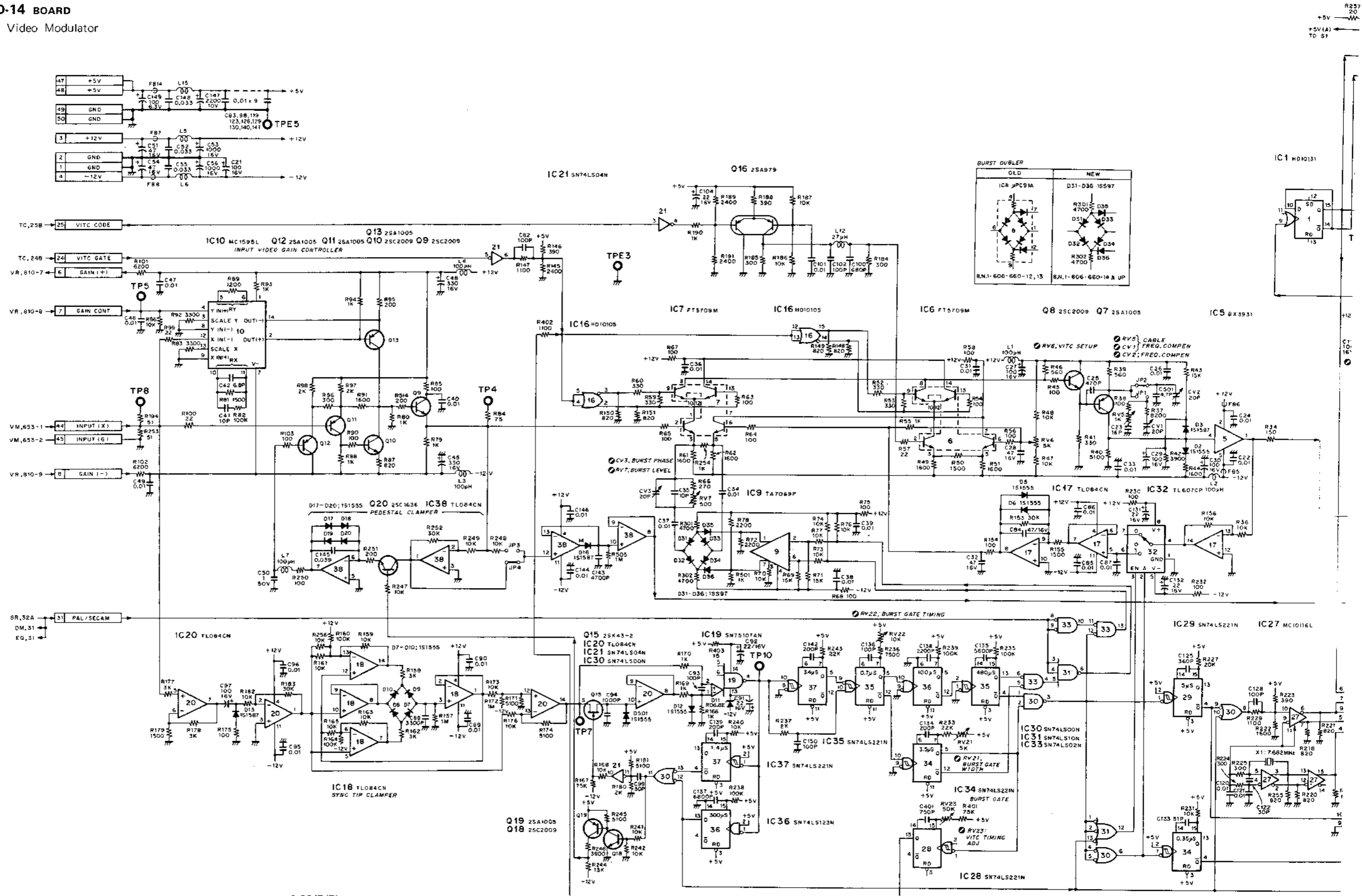


OLD UP TO #34999 (BVH-2000PS)
UP TO #10699 (BVH-2180PS)



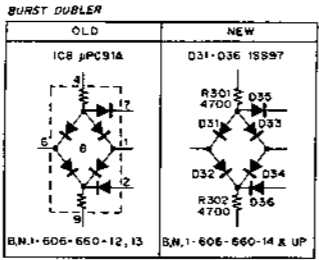
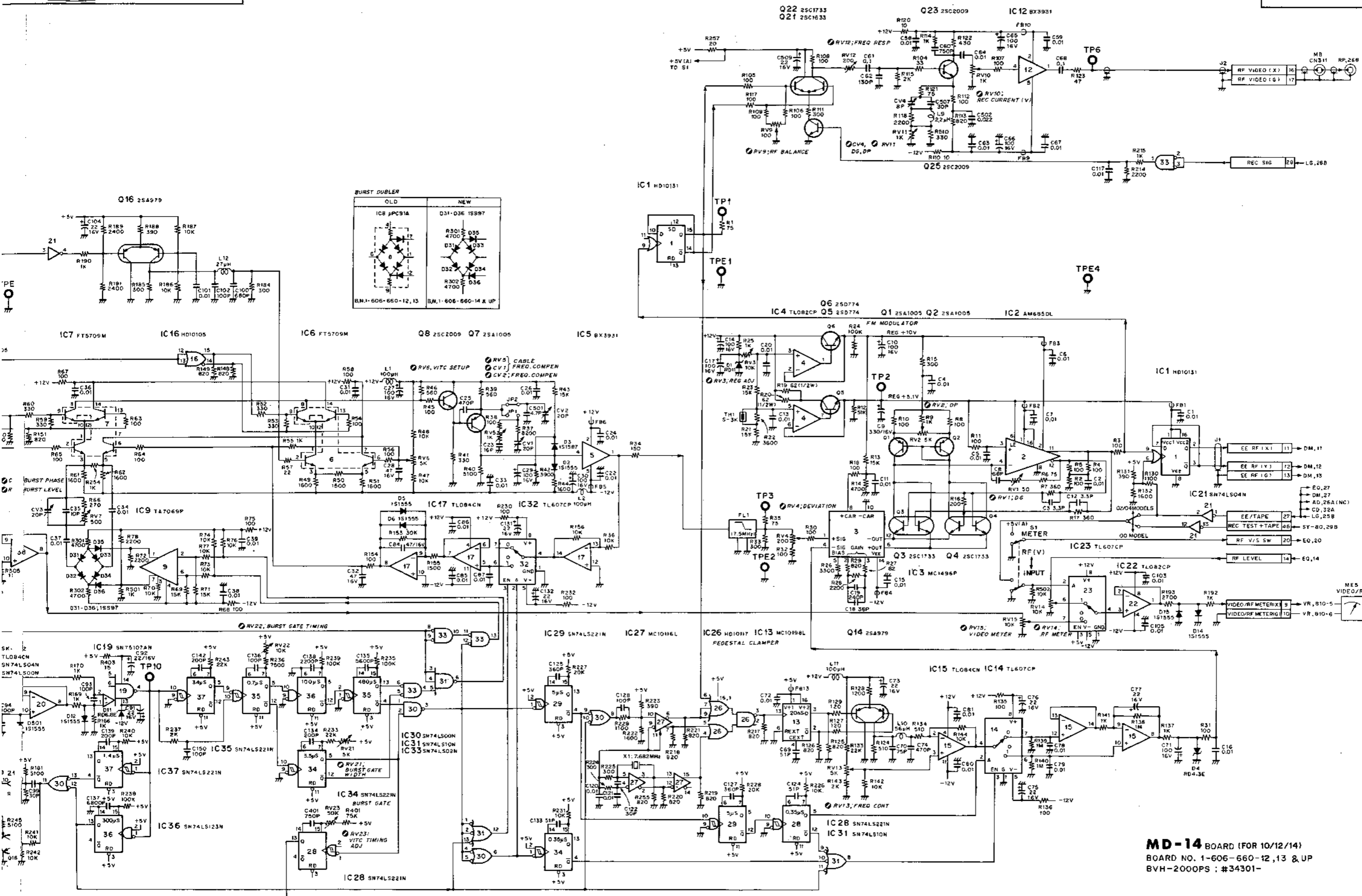
MD-14 BOARD
BOARD NO. 1-606-660-12, 13 & UP
BVH-2000PS; #10301-
BVH-2180PS; #10001-

MD-14 BOARD
Video Modulator



C-33(5/7)

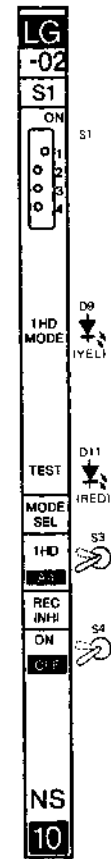
C-33(6/7)



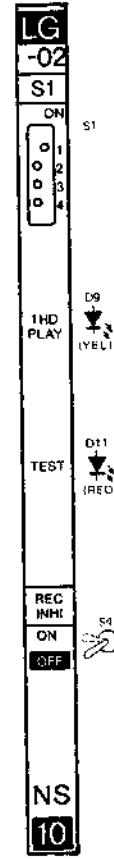
MD-14 BOARD (FOR 10/12/14)
 BOARD NO. 1-606-660-12,13 & U
 BVH-2000PS : #34301-

LG-02(A) BOARD (1-606-682-14)
Component Side

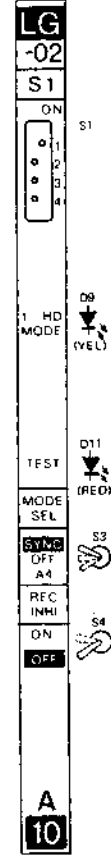
BVH-2000PS
(For 10, 12, 14 MODEL)



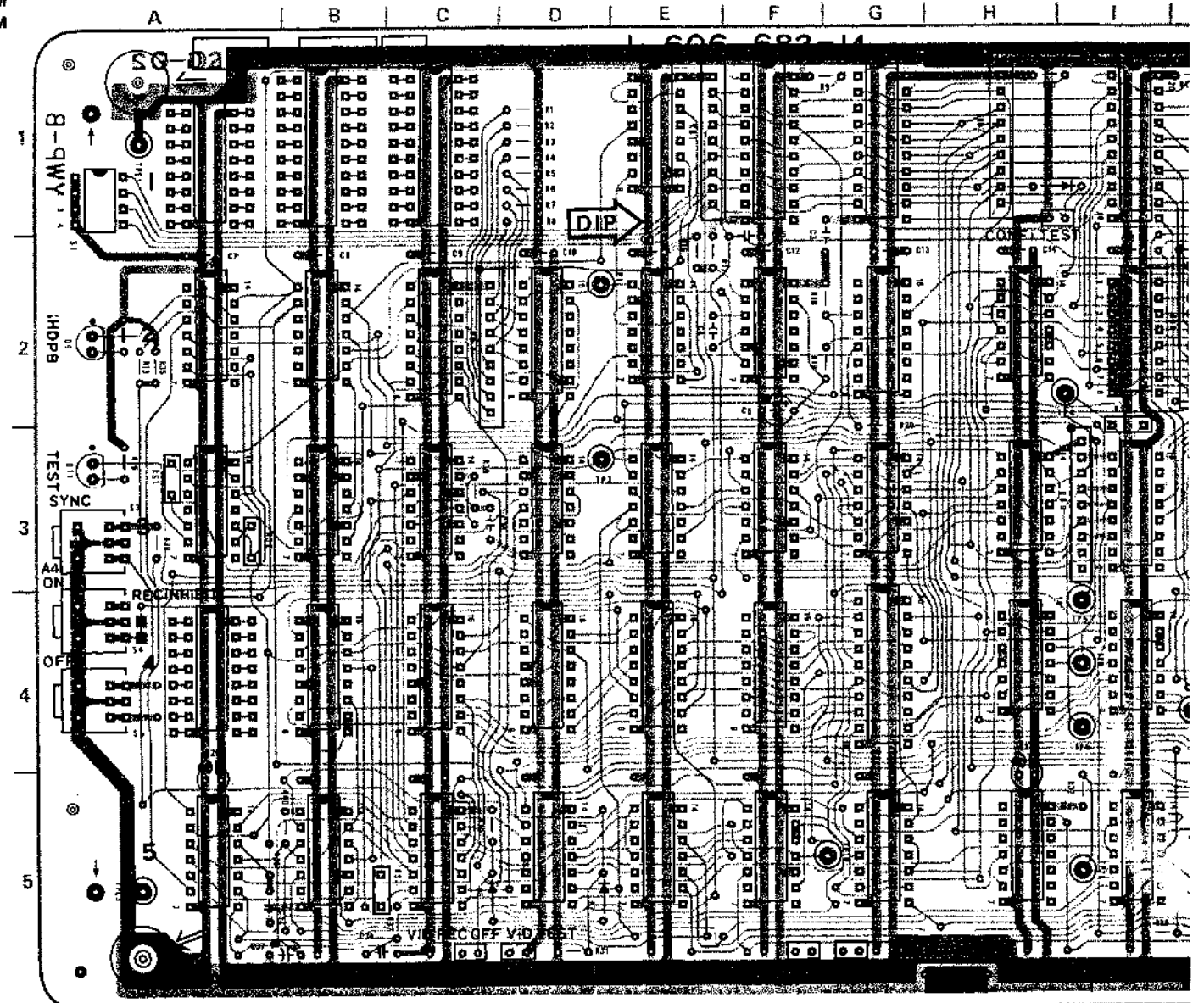
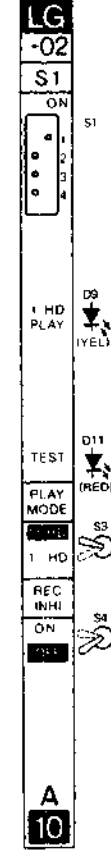
BVH-2000
(For 10, 12 MODEL)



BVH-2000PS
BVH-2180PS

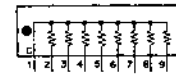


BVH-2000/PM
BVH-2180/PM

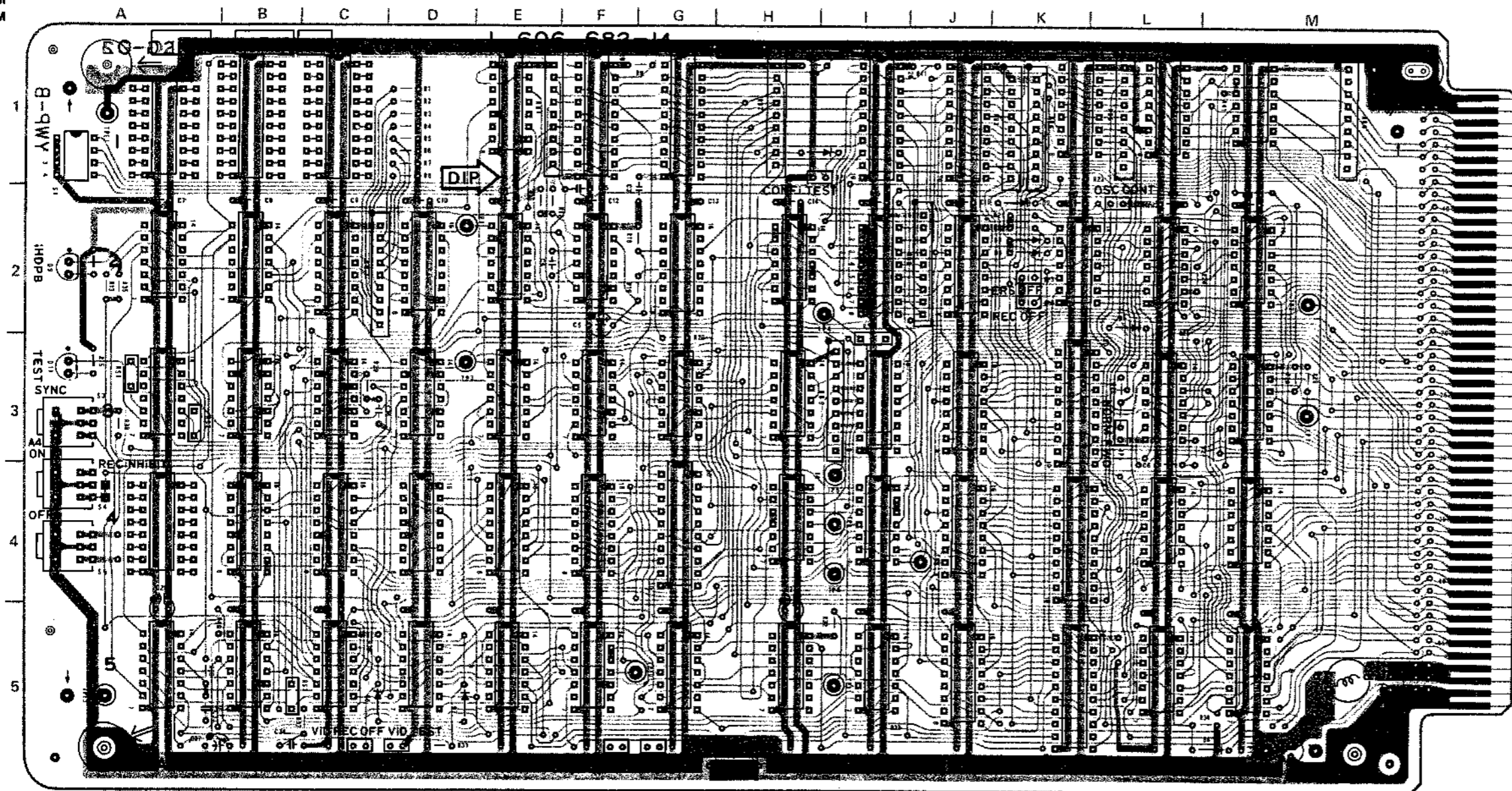
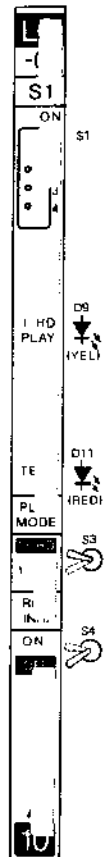


1-606-682-14 COMPONENT SIDE

RB1, 2, 3, 4, 5, 6, 7, 8, 9



BV 2000/PM
BV 2180/PM



LG-02(A) (1-606-682-13 & UP)

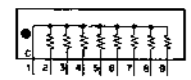
BVH-2000/PS/PM
BVH-2180/PS/PM

D1	1H	JP1	1H
D2	2K	JP2	2L
D3	2K	JP3	2K
D4	2K	JP4	2K
D5	2L	JP5	3L
D6	5C	JP6	5C
D7	3D	JP7	5D
D8	3M	JP8	5M
D9	2A	JP9	5D
D11	3A		
IC1A		RB1	1E
IC1C		RB2	1H
IC1E		RB3	1K
IC1F		RB4	1K
IC1G		RB5	1L
IC1H		RB6	1H
IC1I		RB7	2C
IC1J		RB8	2J
IC1K		RB9	3J
IC1L			
IC2A	S1	1A	
IC2B	S2	2I	
IC2C	S3	3A	
IC2D	S4	4A	
IC2E			
IC2F	TP1	2D	
IC2G	TP2	2M	
IC2H	TP3	3D	
IC2J	TP4	2I	
IC2K	TP5	4I	
IC2L	TP6	4I	
IC2M	TP7	3M	
IC3A	TP8	4I	
IC3B	TP9	4I	
IC3C	TP10	5F	
IC3D	TP11	5I	
IC3E	TP12	5M	
IC3F			
IC3G	TPE1	1A	
IC3H	TPE2	1M	
IC3I	TPE3	5A	
IC3J			
IC3K			
IC3L			
IC3M			
IC4B			
IC4C			
IC4D			
IC4E			
IC4F			
IC4G			
IC4H			
IC4I			
IC4J			
IC4K			
IC4L			
IC4M			
IC5A			
IC5B			
IC5C			
IC5D			
IC5E			
IC5F			
IC5G			
IC5H			
IC5I			
IC5J			
IC5K			
IC5L			
IC5M			

1-606-682-14 COMPONENT SIDE

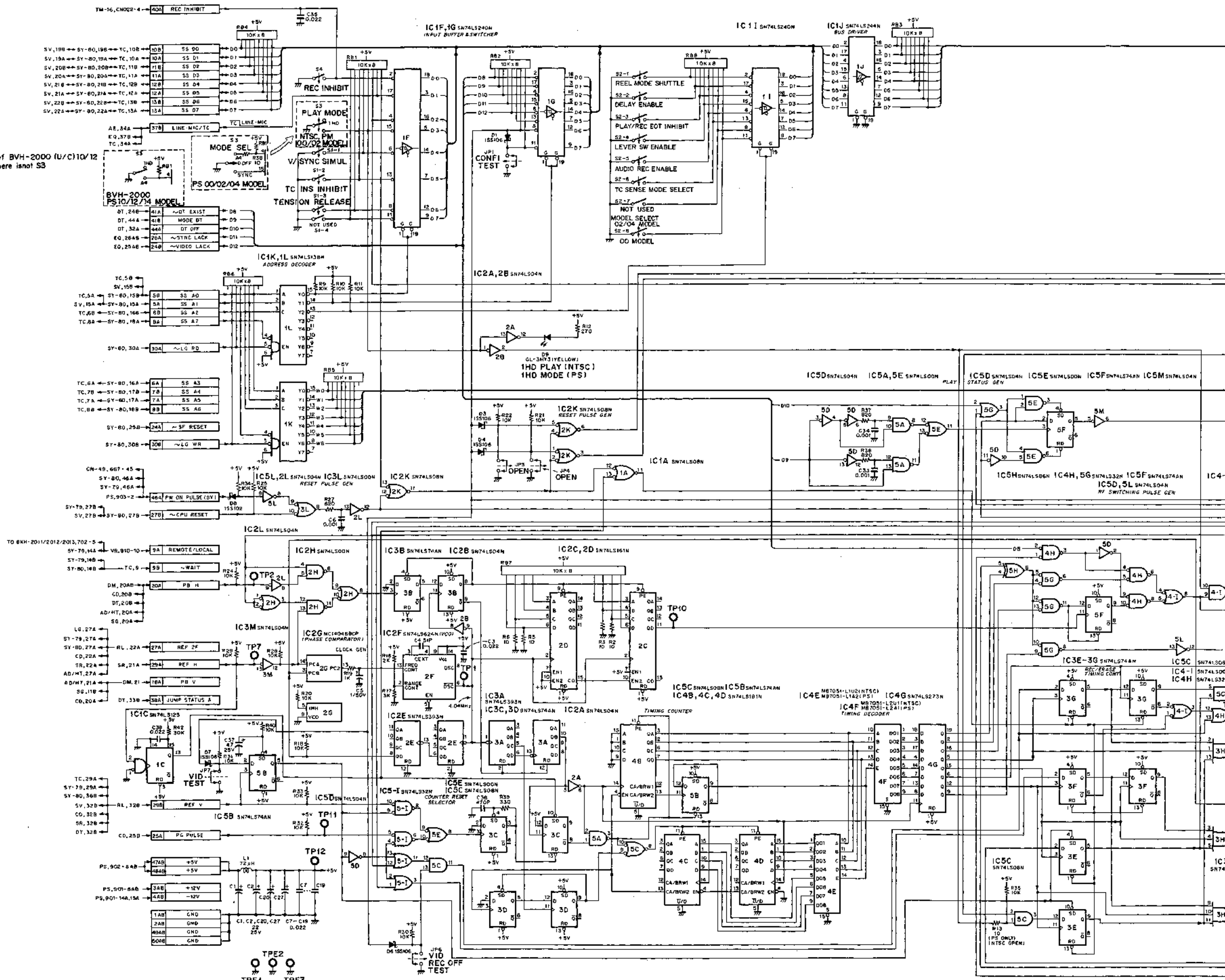
1-606-682-14 SOLDER SIDE

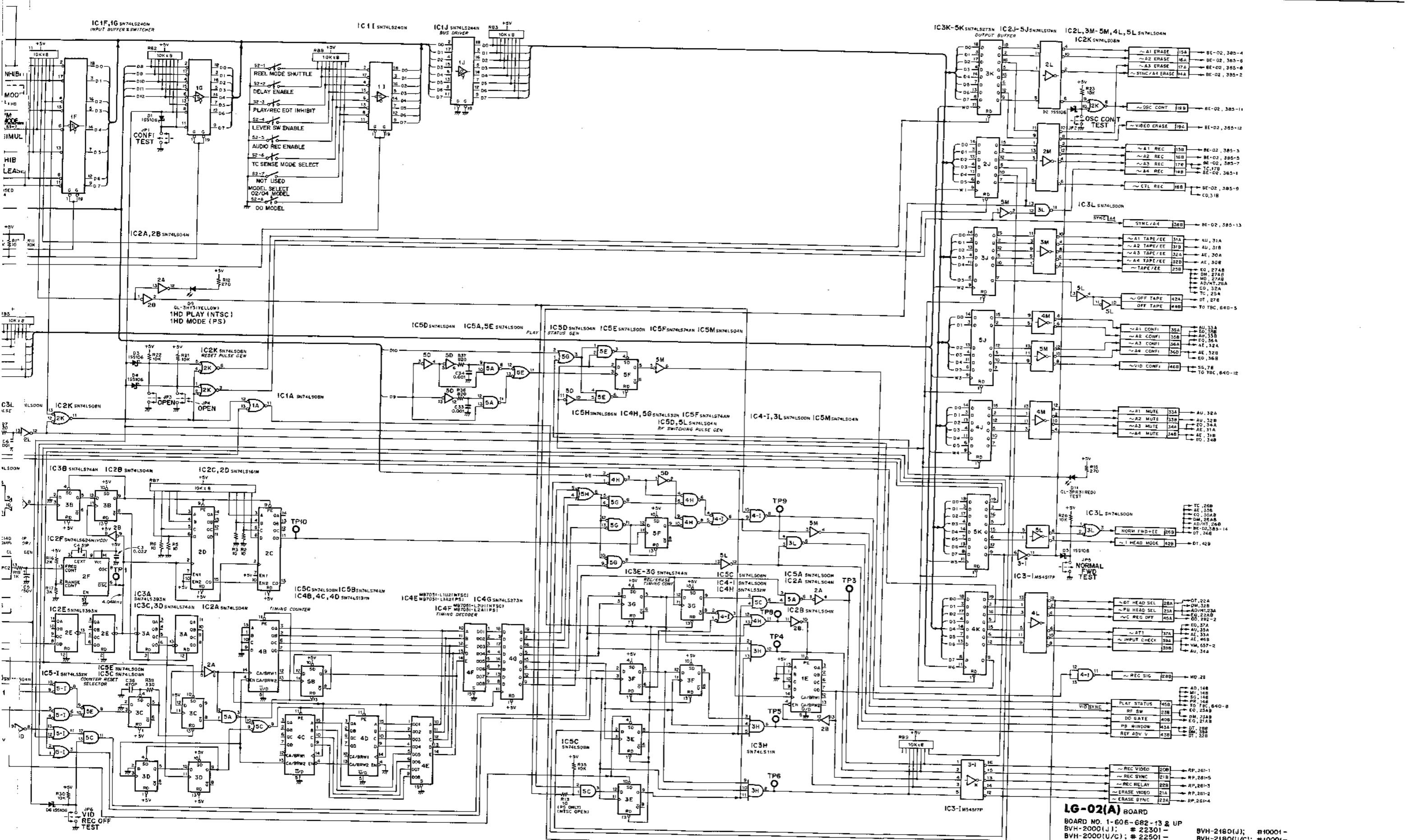
RB1, 2, 3, 4, 5, 6, 7, 8, 9



LG-02(A) BOARD LOGIC

* In case of BVH-2000 (U/C)10/12 MODEL, there is not S3





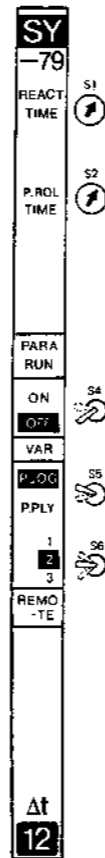
C-38

LG-02(A) BOARD
 BOARD NO. 1-606-682-13 & UP
 BVH-2000(J); # 22301- BVH-2180(J); # 10001-
 BVH-2000(U/C); # 22501- BVH-2180(U/C); # 10001-
 BVH-2000PS; # 22301- BVH-2180PS; # 10001-
 BVH-2000PM; # 20201- BVH-2180PM; # 10001-

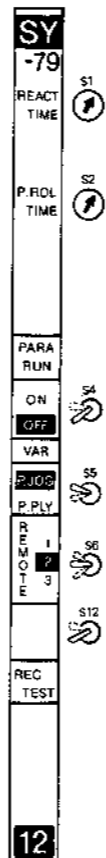
C-39

SY-79 BOARD (1-606-683-14)
Component Side

BVH-2500/P

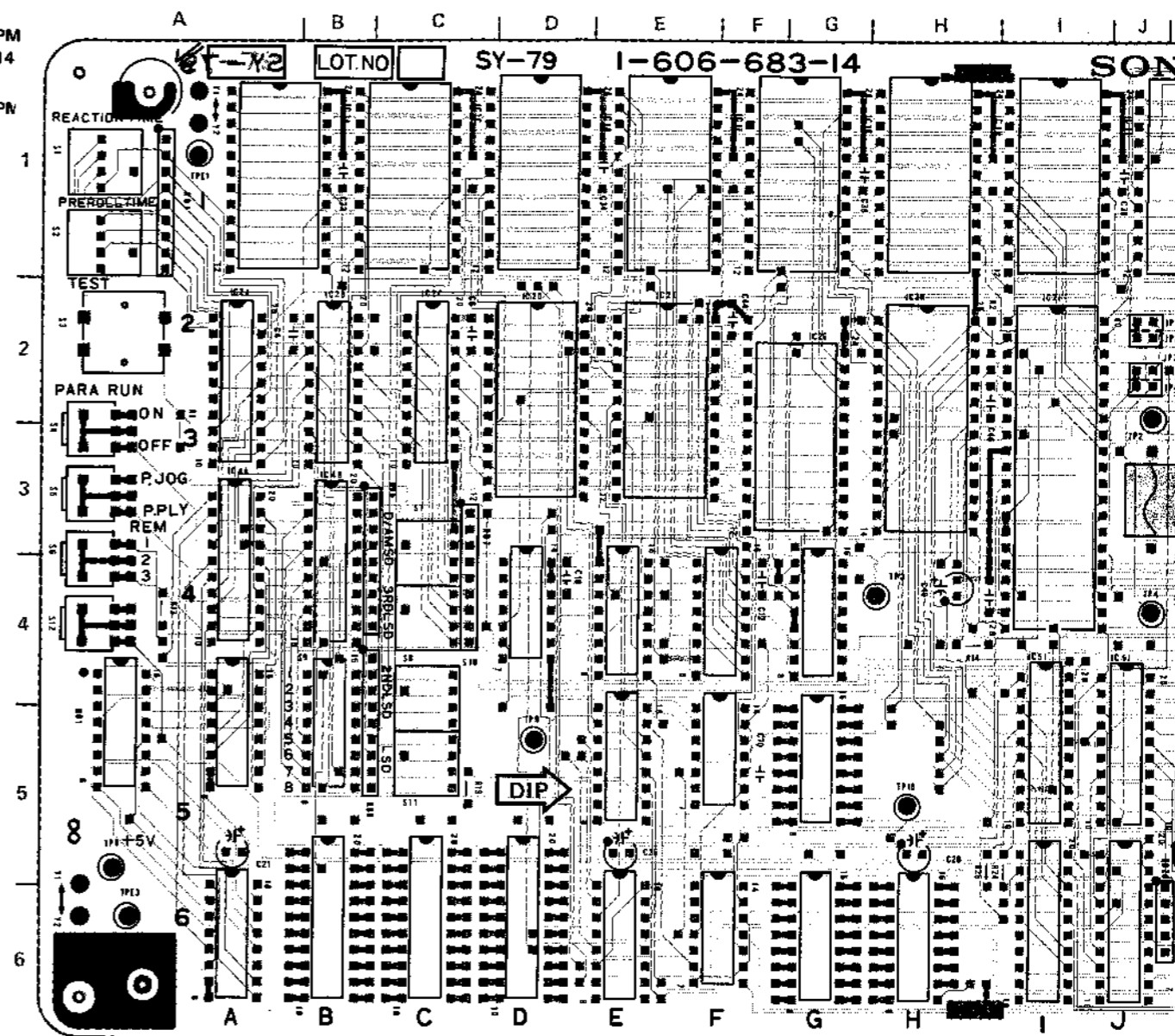
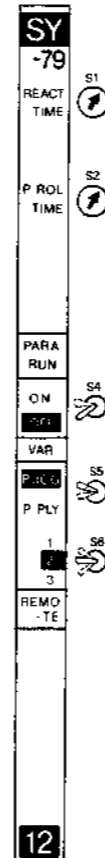


BVH-2000/PS
(for 00/10 models)



BVH-2000/PS/PM
(for 02/12/04/14 models)

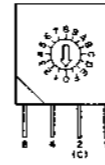
BVH-2180/PS/PM



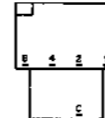
1-606-683-14 COMPONENT SIDE

S1, 2

-SIDE VIEW-



-BOTTOM VIEW-



TYPE S-1011

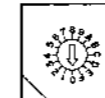


POS. TION	PIN NO.
1	1
2	2
3	3
4	4
5	5
6	6
7	7
8	8
9	9
10	10

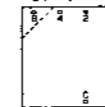
O = ON

S7, 8, 10, 11

-TOP VIEW-



-BOTTOM VIEW-



TYPE S-1010

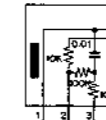


POS. TION	PIN NO.
1	1
2	2
3	3
4	4
5	5
6	6
7	7
8	8
9	9
10	10

O = ON

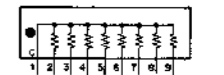
CP1, 2, 3

-SIDE VIEW-



RB1, 2, 3, 5, 6, 7, 8, 9, 28, 29

-SIDE VIEW-



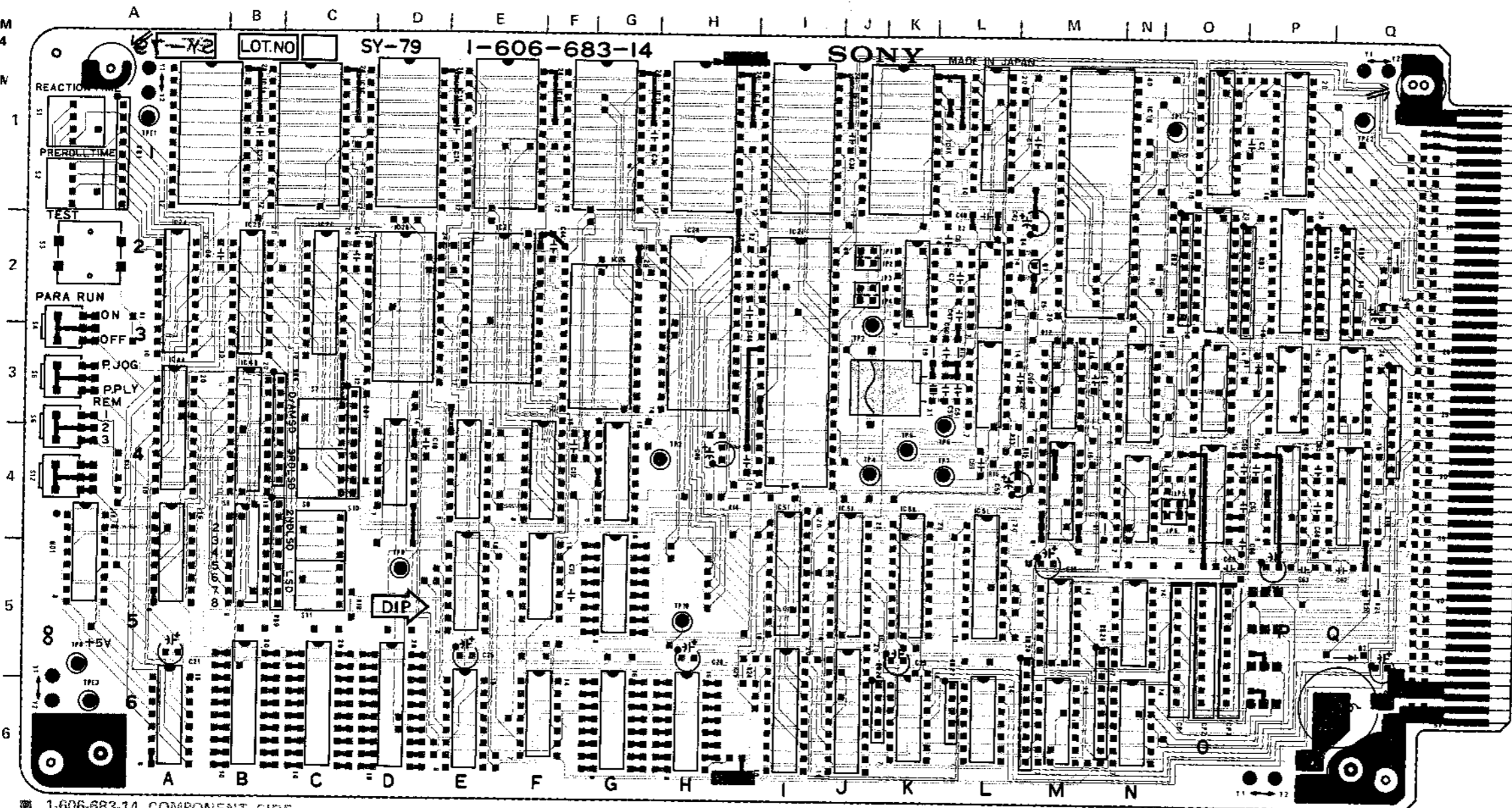
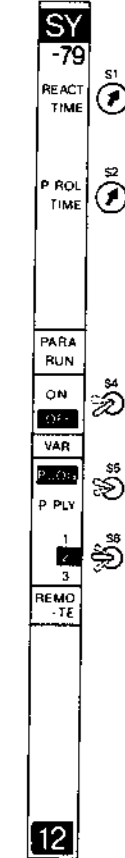
RB26, 27

-SIDE VIEW-



00/PS BVH-2000/PS/PM
 10 (del) (for 02/12/04/14 models)
 BVH-2180/PS/PM

79
 ACT TIME
 VOL TIME
 RA JY
 N
 AR
 38
 39
 40
 41
 42
 ST



1-606-683-14 COMPONENT SIDE

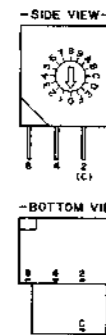
1-606-683-14 SOLDER SIDE

SY-79 (1-606-683-14 & UP)
 BVH-2000/PS/PM
 BVH-2180/PS/PM
 BVH-2500/P

CP1 50	IC6A
CP2 50	IC6E
CP3 5P	IC6F
	IC6J
D1 3P	IC6K
D3 5Q	IC6L
	IC6M
	IC6N
(BVH-2500/P)	
IC1C	JP1 2J
IC1D	JP2 2J
IC1E	JP3 2J
IC1G	JP4 2J
IC1H	JP5 40
IC1I	JP6 40
IC1K	
IC1L	ND1 5A
IC1M	
IC1O	Q1 2M
IC1P	
IC2A	RB1 1A
IC2B	RB2 20
IC2C	RB3 2P
IC2D	RB5 20
IC2E	RB6 4C
IC2H	RB7 4C
IC2I	RB8 3Q
IC2K	RB9 5C
IC2L	RB26 5K
IC2O	RB27 6L
IC2P	RB28 6M
IC3L	RB29 6M
IC3M	
IC3N	S1 1A
IC3O	S2 1A
IC3P	S3 2A
IC3Q	S4 3A
IC4A	S5 3A
IC4B	S6 4A
IC4D	S7 4C
IC4E	S8 4C
IC4F	S9 5B
	S10 5C
	S11 5C
(BVH-2500/P)	
IC4G	
	(OO MODEL)
IC4N	S12 4A
IC4O	
IC4P	TP1 1Q
IC4Q	TP2 2J
IC5A	TP3 4H
IC5E	TP4 4J
IC5F	TP5 4K
IC5I	TP6 4L
IC5J	TP7 4L
IC5K	TP8 5A
IC5L	TP9 5D
IC5M	TP10 5H
IC5N	
	TPE1 1A
	TPE2 1Q
	TPE3 6A
	X1 3L

C-42
C-41
C-40
BVH-2000/PS/PM
BVH-2180/PS/PM
C-72
C-71
C-70
BVH-2500/P

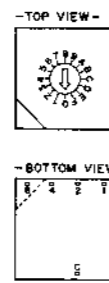
S1, 2



TYPE S-10H

POSITION	PIN NO
1	1
2	2
3	3
4	4
5	5
6	6
7	7
8	8
9	9
A	10
B	11
C	12
D	13
E	14
F	15

S7, 8, 10, 11

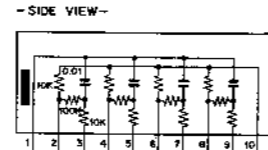


TYPE S-1010

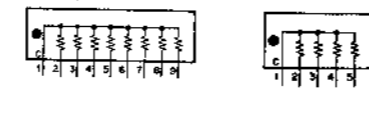
POSITION	PIN NO
1	1
2	2
3	3
4	4
5	5
6	6
7	7
8	8
9	9
A	10
B	11
C	12
D	13
E	14
F	15

C-41

CP1, 2, 3



RB1, 2, 3, 5, 6, 7, 8, 9, RB26, 27, 28, 29

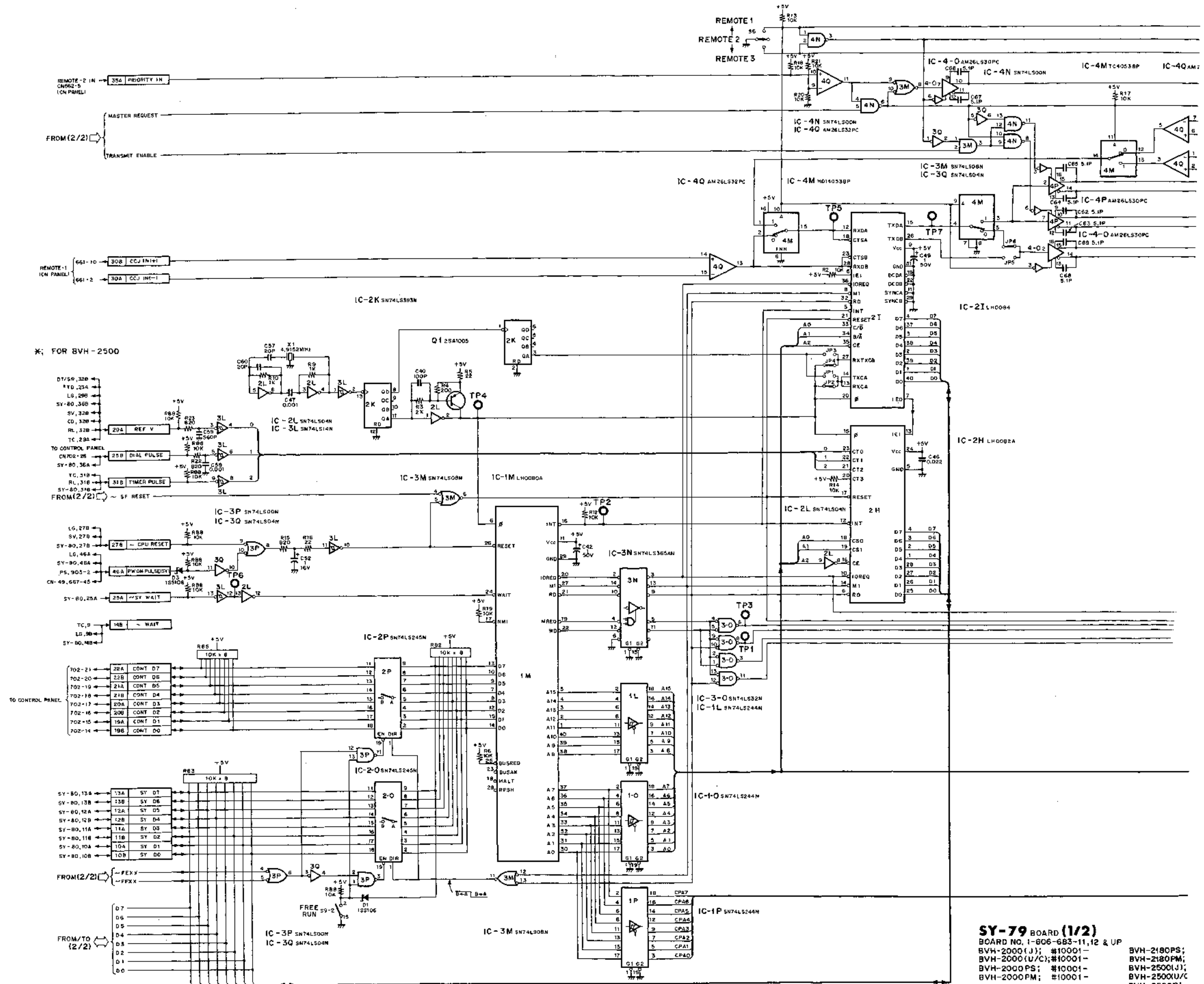


C-42

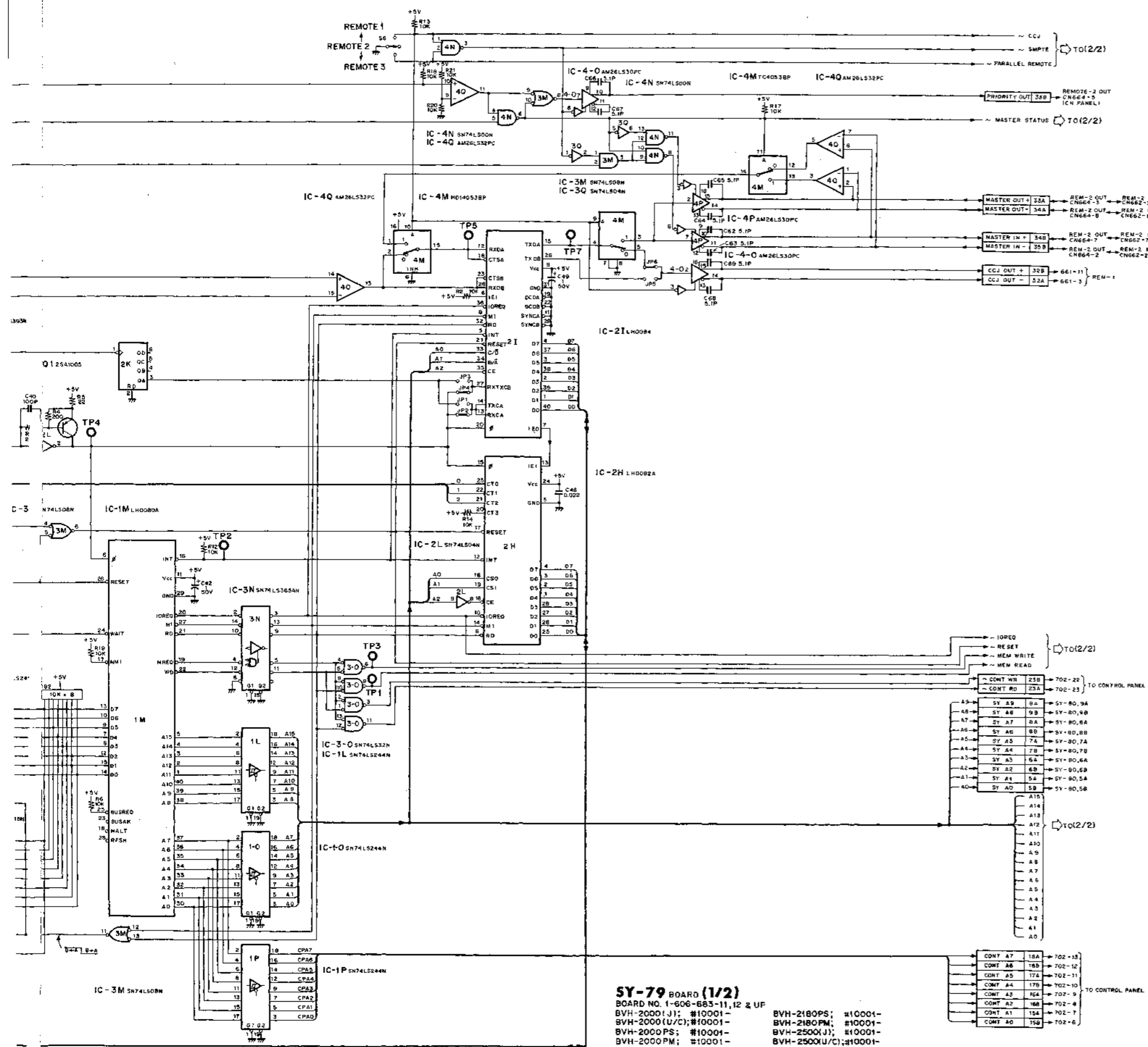
SY-79 BOARD (1/2)
System Control CPU-1

BVH-2180/PS/PM
BVH-2000/PS/PM

C-45
C-44
C-43
C-75
C-74
C-73
BVH-2500/P



SY-79 BOARD (1/2)
 BOARD NO. 1-606-683-11, 12 & UP
 BVH-2000 (J); #10001-
 BVH-2000 (U/C); #10001-
 BVH-2000 PS; #10001-
 BVH-2000 PM; #10001-
 BVH-2180 (J); #10001-
 BVH-2180 (U/C); #10001-
 BVH-2500 P;
 BVH-2500 PS;
 BVH-2500 PM;
 BVH-2500 U/C;
 BVH-2500 P;

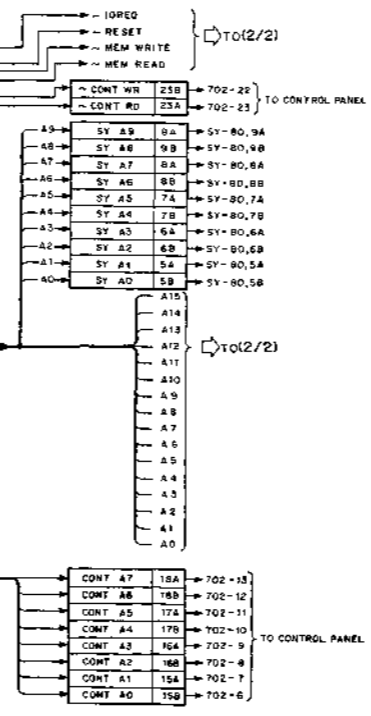


SY-79 BOARD (1/2)
 BOARD NO. 1-606-683-11, 12 & 4P

BVH-2000(J); #10001-	BVH-2180PS; #10001-
BVH-2000(U/C); #10001-	BVH-2180PM; #10001-
BVH-2000PS; #10001-	BVH-2500(J); #10001-
BVH-2000PM; #10001-	BVH-2500(U/C); #10001-
BVH-2180(J); #10001-	BVH-2500P; #10001-
BVH-2180(U/C); #10001-	

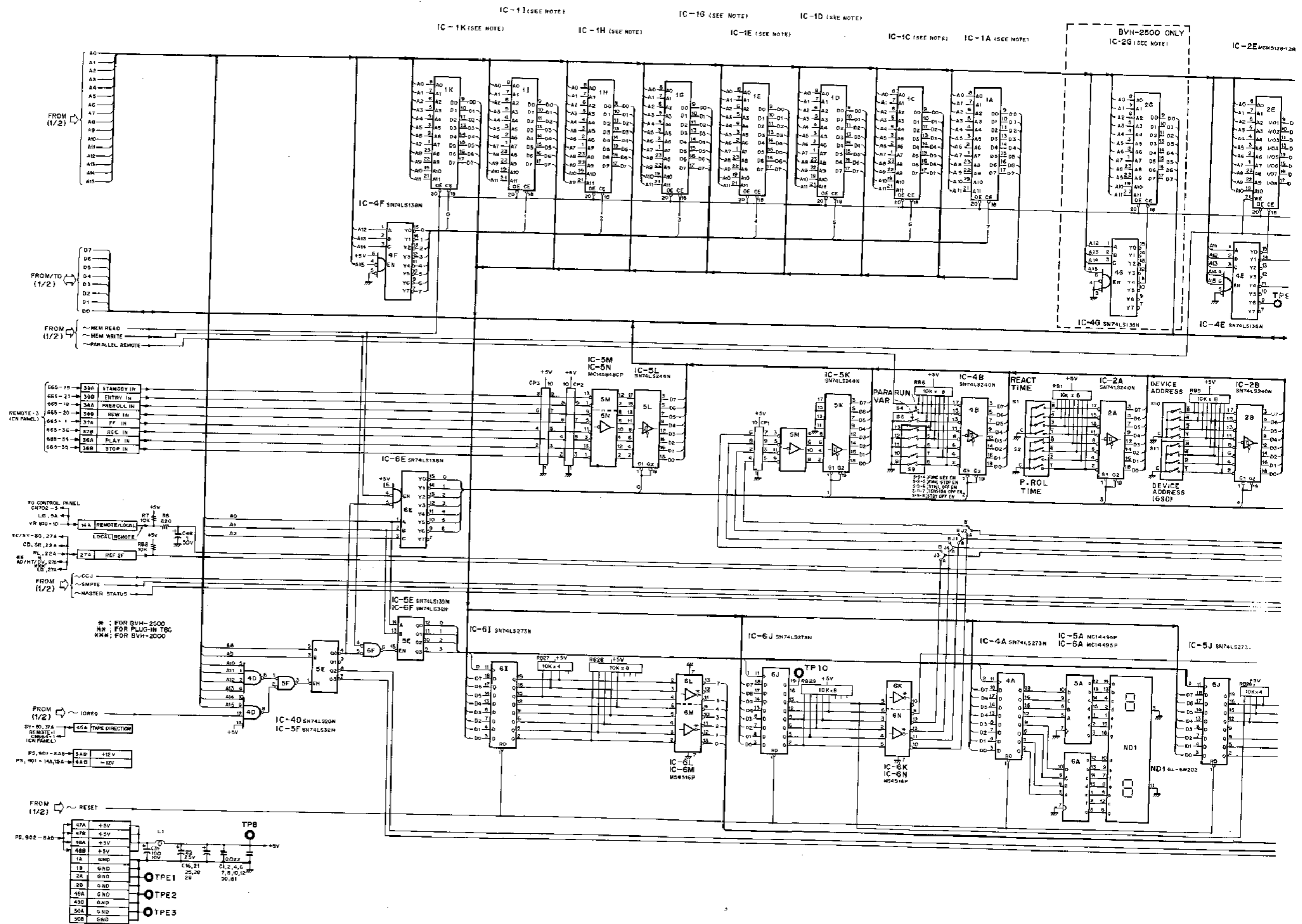
C-44

C-45

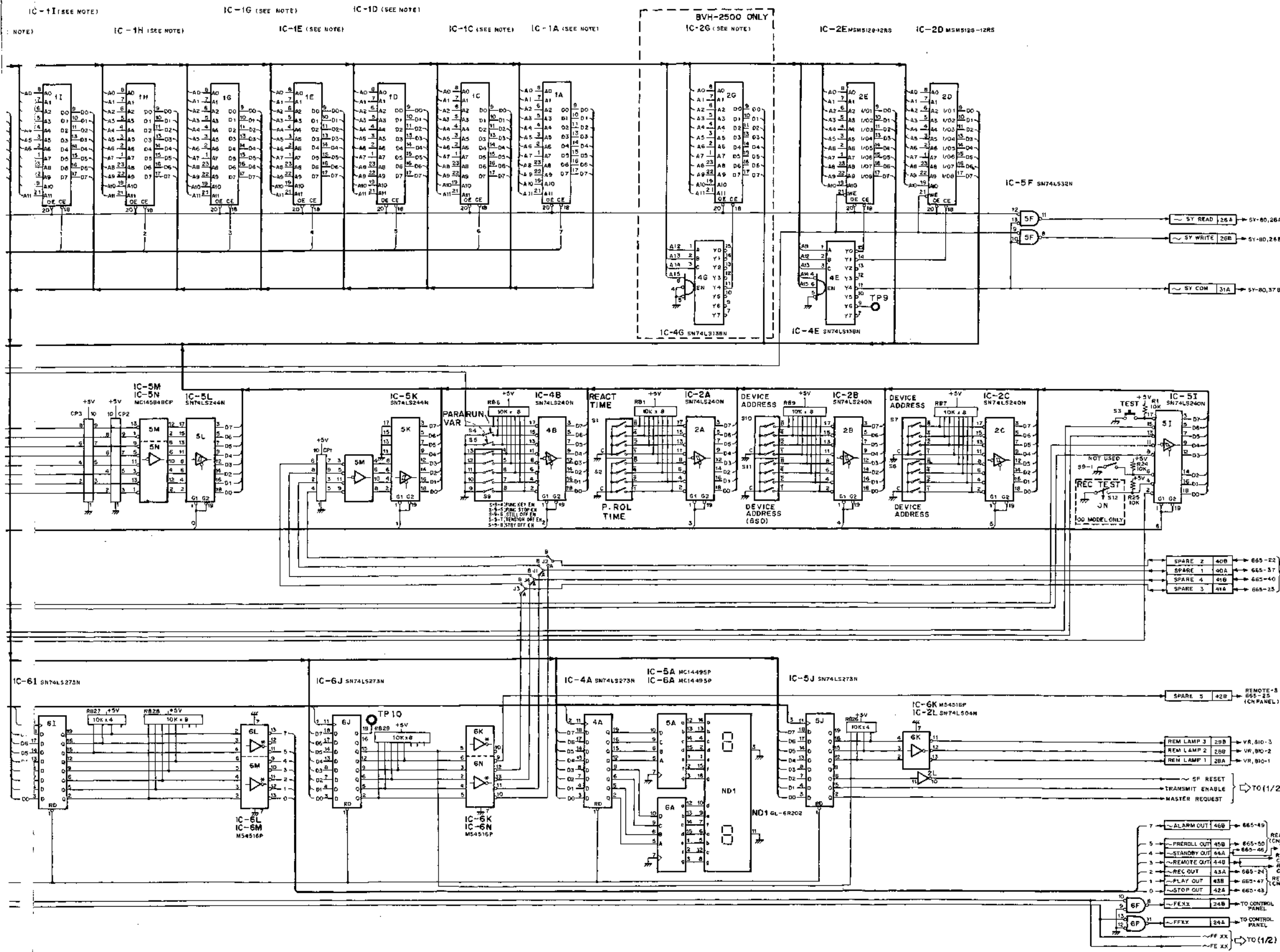


SY-79 BOARD (2/2)
System Control CPU-1

BVH-2180/PS/PM C-51
BVH-2000/PS/PM C-48



* : FOR BVH-2500
 ** : FOR PLUG-IN TBC
 *** : FOR BVH-2000



NOTE; EPROM

REF. No.	TYPE No.		
	BVH-2000/PS/PM BVH-2180/PS/PM	BVH-2500	BVH-2500P
IC-1A	*2732-7703-5	2732-77C2	2732-77D1
IC-1C	2732-7603-6	2732-76C2	2732-76D1
IC-1D	2732-7503-5	2732-75C2	2732-75D1
IC-1E	2732-7403-5	2732-74C2	2732-74D1
IC-1G	2732-7303-5	2732-73C2	2732-73D1
IC-1H	2732-7203-5	2732-72C2	2732-72D1
IC-1I (NASC)	2732-7103-5	2732-71C2	---
IC-1I (PS/PM)	2732-71A3-5	---	2732-71D1
IC-1I (PM)	2732-71B3-5	---	---
IC-1K	2732-7003-6	2732-70C2	2732-70D1
IC-2G	NOT USED	*2732-7CC2	2732-7CD1

*IC-2G is added to the BVH-2500 with serial No. shown below.
 Japan: #10201 and up
 US/Canada: #10301 and up

*IC-1A is added to the BVH-2000/2180 series with serial No. shown below.
 BVH-2000
 Japan: #35401 and up
 US/Canada: #35701 and up
 PM: #30701 and up
 PS: #35501 and up
 BVH-2180
 Japan: #11001 and up
 US/Canada: #11101 and up
 PM: #10001 and up
 PS: #10801 and up

SY-79 BOARD (2/2)
 BOARD NO. 1-606-683-11,12 & UP

BVH-2000(J); #10001-	BVH-2500(J); #10001-
BVH-2000(U/C); #10001-	BVH-2500(U/C); #10001-
BVH-2000 PS; #10001-	BVH-2500P; #10001-
BVH-2000 PM; #10001-	
BVH-2180(J); #10001-	
BVH-2180(U/C); #10001-	
BVH-2180PS; #10001-	
BVH-2180 PM; #10001-	

SY-80 BOARD (1-606-684-13)

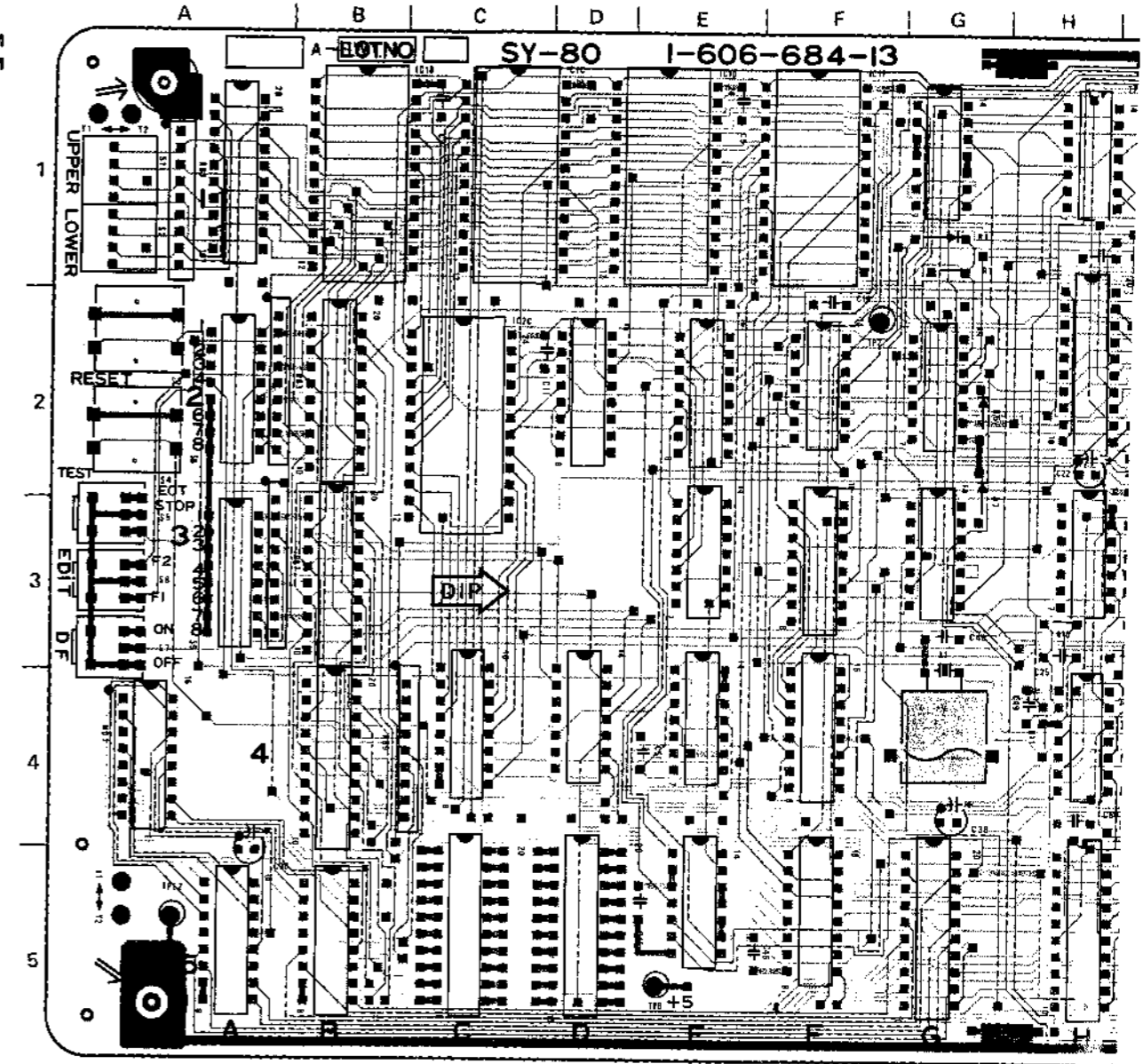
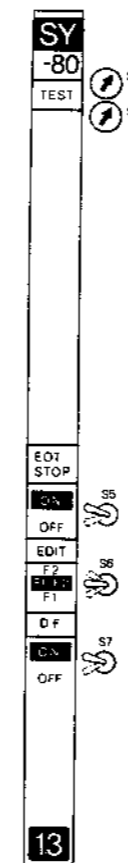
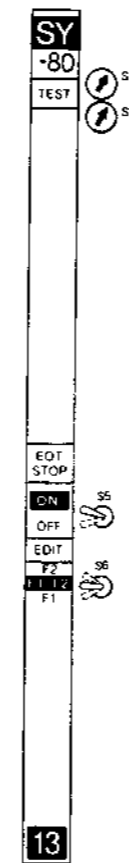
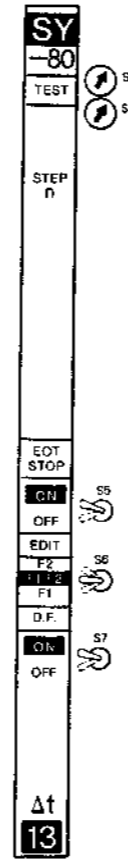
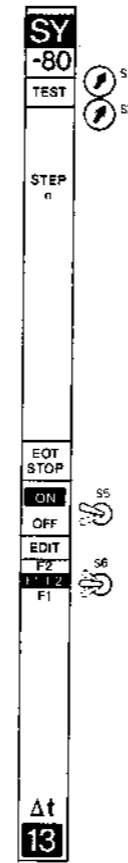
Component Side

BVH-2500P

BVH-2500

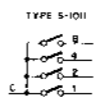
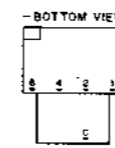
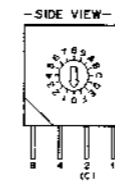
BVH-2000PS
BVH-2180PS

BVH-2000/PM
BVH-2180/PM



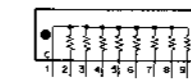
1-606-684-13 COMPONENT SIDE

S1, 2.



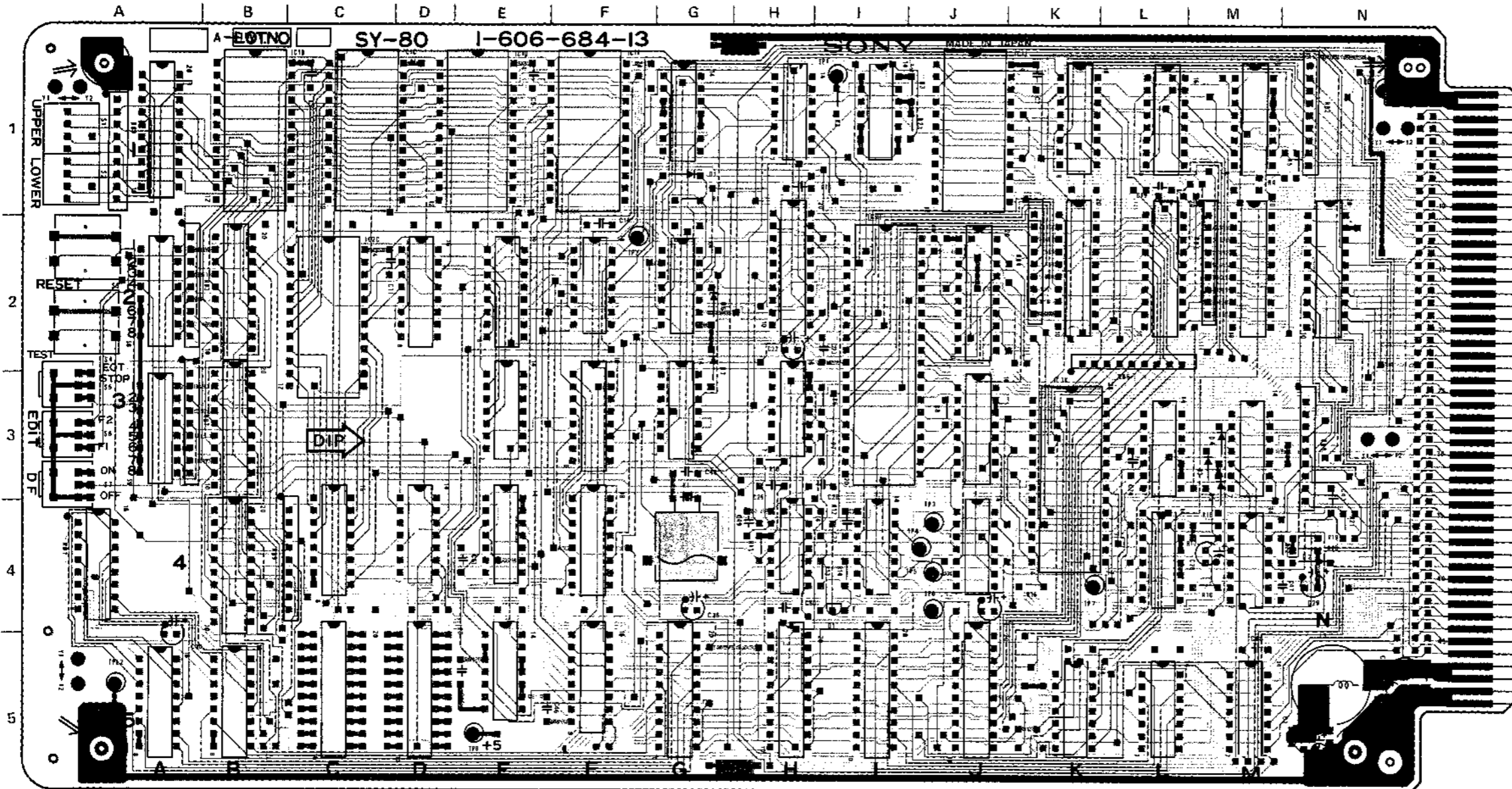
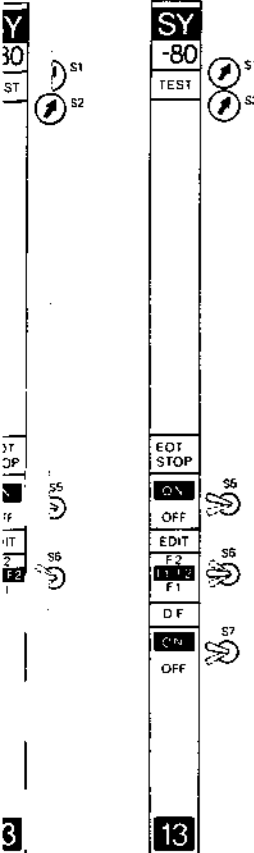
POSN	PIN NO
D	1
D	2
1	3
1	4
2	5
2	6
3	7
3	8
4	9
4	10
5	11
5	12
A	1
A	2
B	3
B	4
C	5
C	6
D	7
D	8
E	9
E	10
F	11
F	12

RB1, 2, 3, 4, 5, 6, 7, 8, 9



1-2 OPS
4-2 OPS

BVH-2000/PM
BVH-2180/PM



SY-80 (1-606-684-13 & UP)

BVH-2000/PS/PM
BVH-2180/PS/PM
BVH-2500/P

- D1 1G
- D2 4M
- D3 3M
- (BVH-2500/P)
- D4 3M
- D5 3M
- D6 2G
- D7 3G
- IC1A
- IC1B
- (BVH-2500/P)
- IC1C
- IC1D
- IC1E
- IC1F
- IC1G
- IC1H
- IC1I
- IC1J
- IC1K
- IC1L
- IC1M
- IC2B
- IC2C
- IC2E
- IC2F
- IC2G
- IC2H
- IC2I
- IC2J
- IC2K
- IC2L
- IC2M
- IC2N
- IC3B
- IC3E
- IC3F
- IC3G
- IC3H
- IC3J
- IC3K
- IC3L
- IC3M
- IC4B
- IC4C
- IC4D
- IC4E
- IC4F
- IC4H
- IC4I
- IC4J
- IC4L
- IC4M
- IC5A
- IC5B
- IC5E
- IC5F
- IC5G
- IC5H
- IC5I
- IC5J
- IC5K
- IC5L
- IC5M
- NO1 4A
- O1 4I
- RB1 1A
- RB2 1M
- RB3 2A
- RB4 2K
- RB5 2M
- RB6 2L
- RB7 3A
- RB8 3M
- RB9 4C
- (NTSC, PM)
- S1 1A
- S2 1A
- S3 2A
- S4 2A
- S5 3A
- S6 3A
- S7 3A
- S8 2A
- S9 3A
- TP1 1I
- TP2 2F
- TP3 4J
- TP4 4J
- TP5 4J
- TP6 4J
- TP7 4K
- TP8 5E
- TPE1 1M
- TPE2 5A
- TPE3 5H
- X1 4C

54

C-53

C-52

BVH-2000/PS/PM

BVH-2180/PS/PM

C-53

C-52

BVH-2000/PS/PM

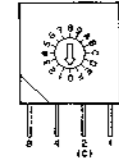
BVH-2180/PS/PM

1-606-684-13 COMPONENT SIDE

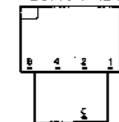
1-606-684-13

S1, 2.

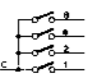
-SIDE VIEW-



-BOTTOM VIEW-

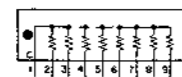


TYPE S-101



POSITION	PIN NO.
0	1
1	2
2	3
3	4
4	5
5	6
6	7
7	8
8	9
9	10
A	11
B	12
C	13
D	14
E	15
F	16
G	17
H	18
I	19
J	20
K	21
L	22
M	23
N	24
O	25
P	26
Q	27
R	28
S	29
T	30

RB1, 2, 3, 4, 5, 6, 7, 8, 9



C-53

C-54

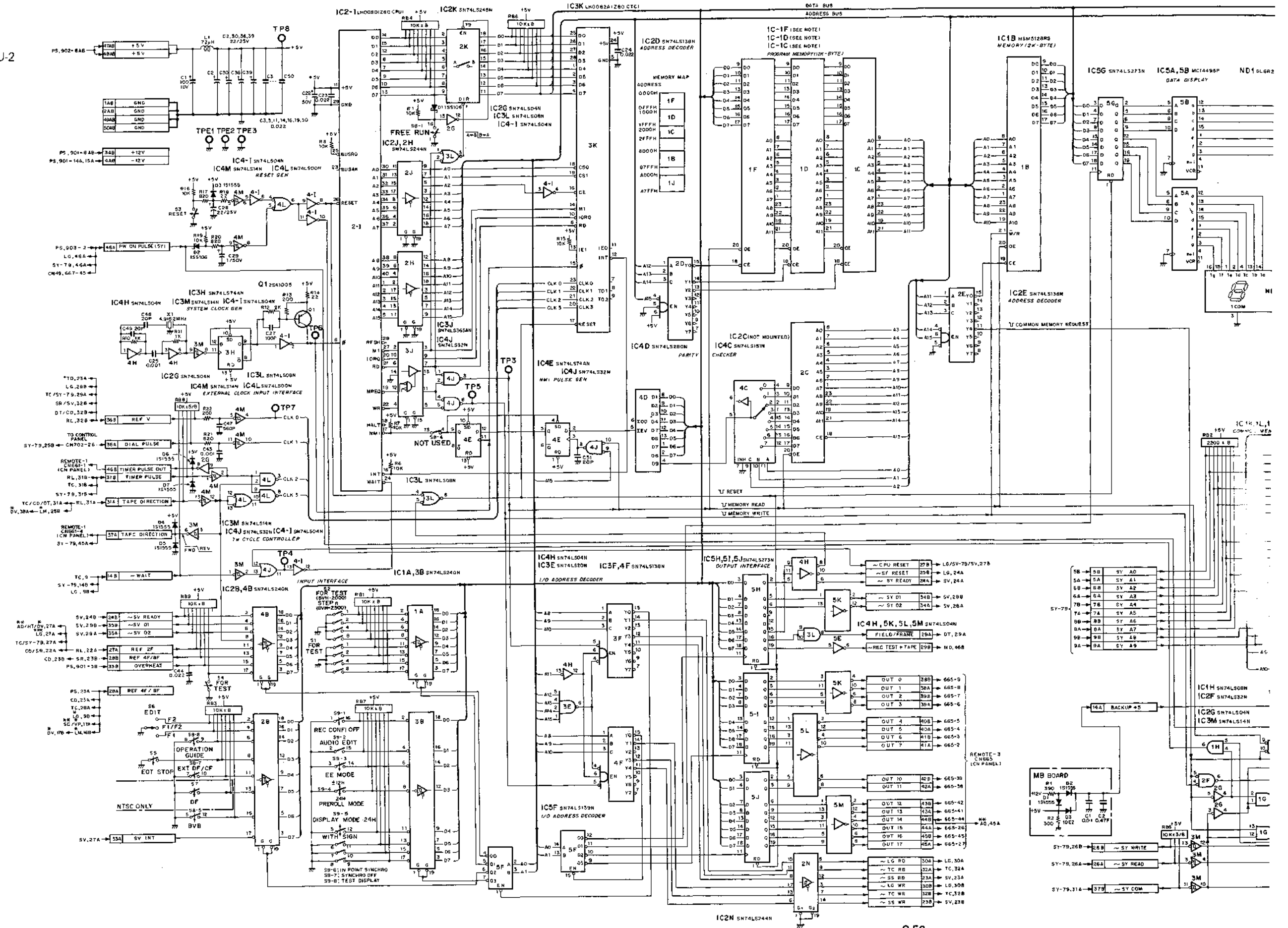
C-84

C-83

C-82

BVH-2500/P

SY-80 BOARD
System Control CPU-2



C-55

C-56

C-57

C-56

C-55

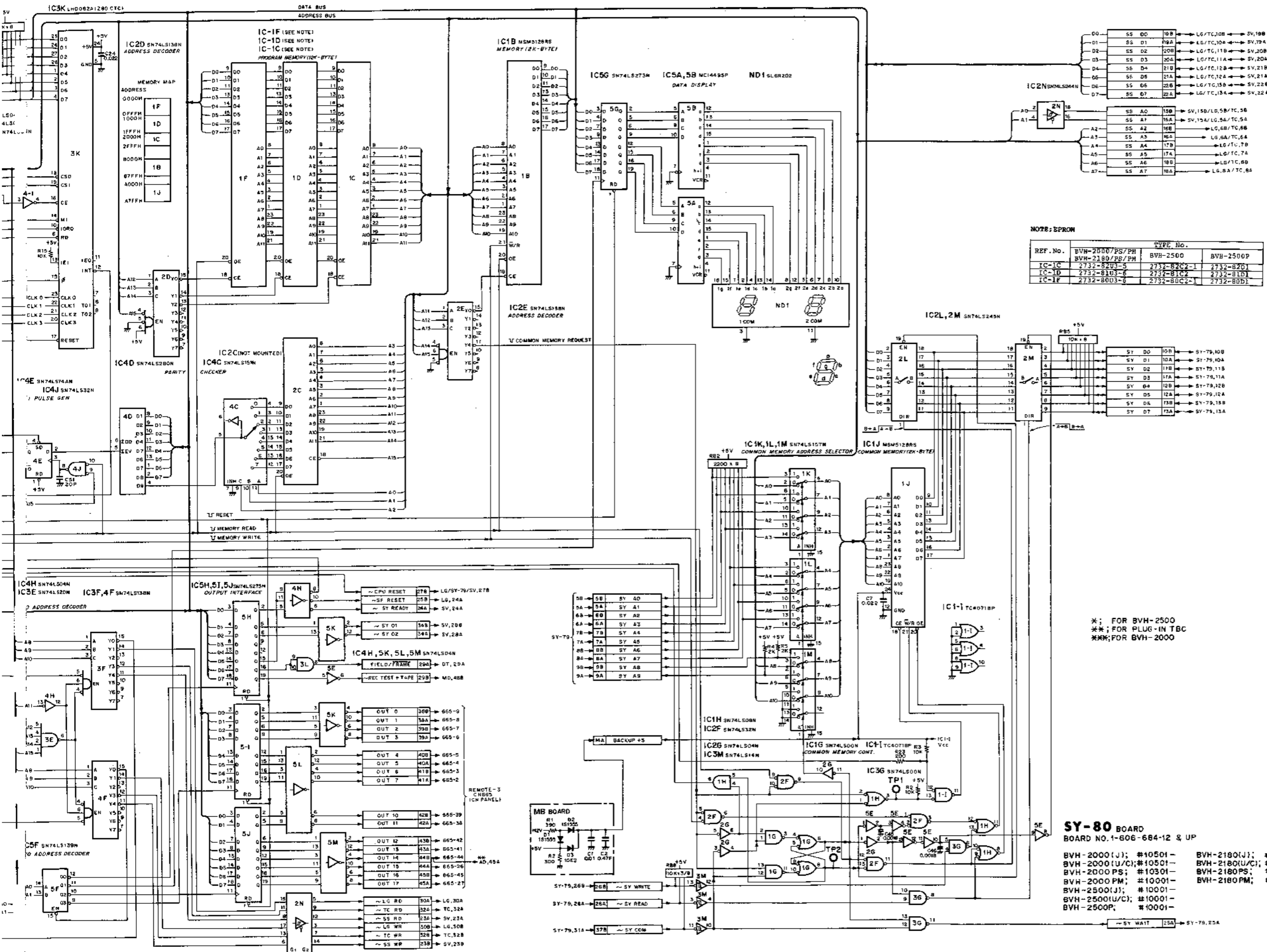
BVH-2180/PS/PM
BVH-2000/PS/PM

C-87

C-86

C-85

BVH-2500/P



NOTE: EPROM

REF. No.	BVH-2000/PS/PM	BVH-2180/PS/PM	BVH-2500	BVH-2500P
IC-IC	2732-8203-5	2732-8202-1	2732-8201	2732-8201
IC-ID	2732-8103-5	2732-8102	2732-8101	2732-8101
IC-IF	2732-8003-5	2732-8002-1	2732-8001	2732-8001

*; FOR BVH-2500
 **; FOR PLUG-IN TBC
 ***; FOR BVH-2000

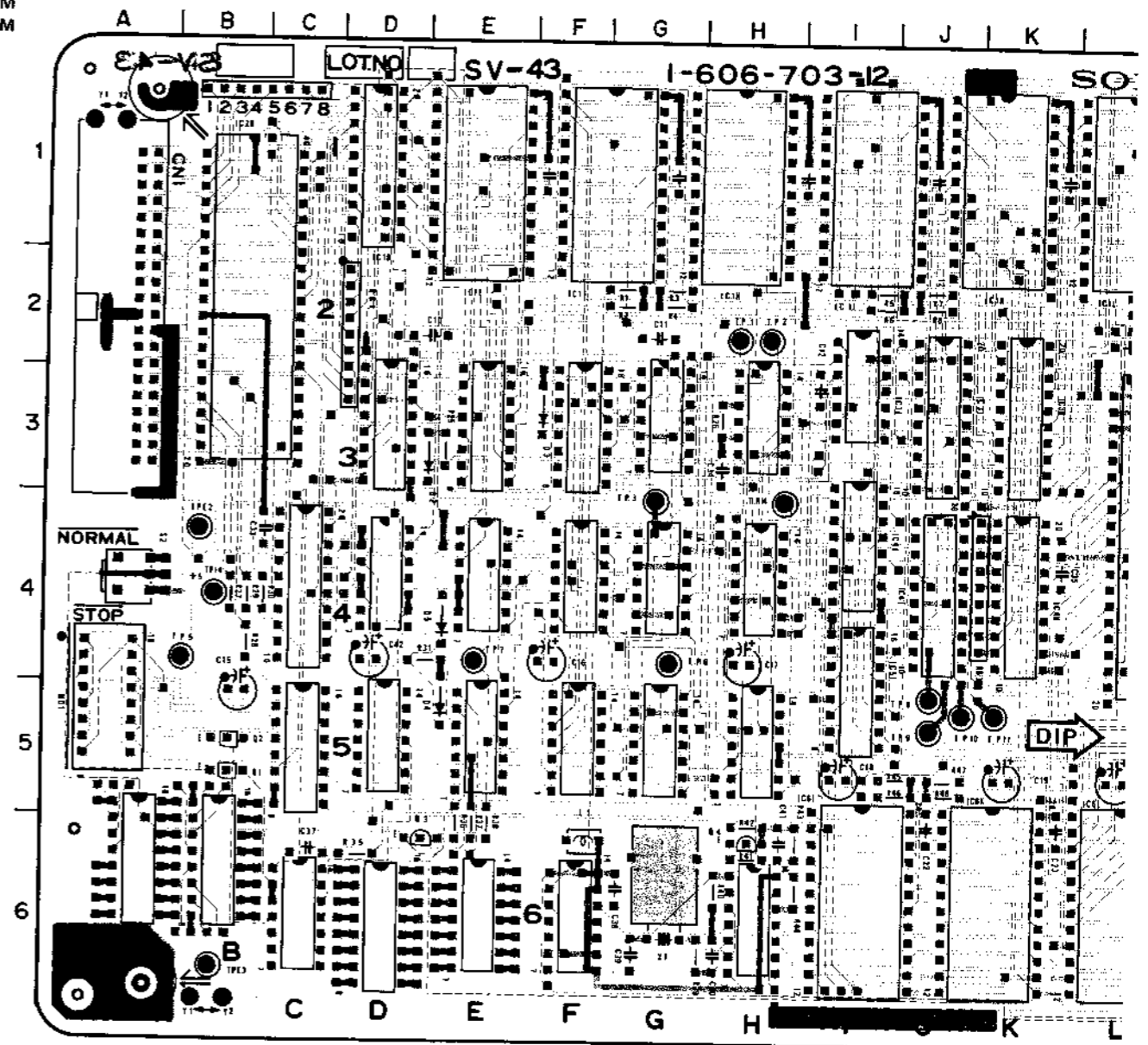
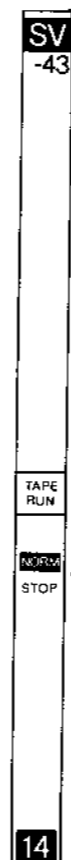
SY-80 BOARD
 BOARD NO. 1-606-684-12 & UP

- BVH-2000(J); #10501-
- BVH-2000(U/C); #10501-
- BVH-2000 PS; #10301-
- BVH-2000 PM; #10001-
- BVH-2500(J); #10001-
- BVH-2500(U/C); #10001-
- BVH-2500P; #10001-
- BVH-2180(J); #10001-
- BVH-2180(U/C); #10001-
- BVH-2180 PS; #10001-
- BVH-2180 PM; #10001-

SV-43 BOARD (1-606-703-12)
Component Side

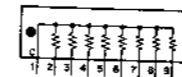
BVH-2500/P

BVH-2000/PS/PM
BVH-2180/PS/PM

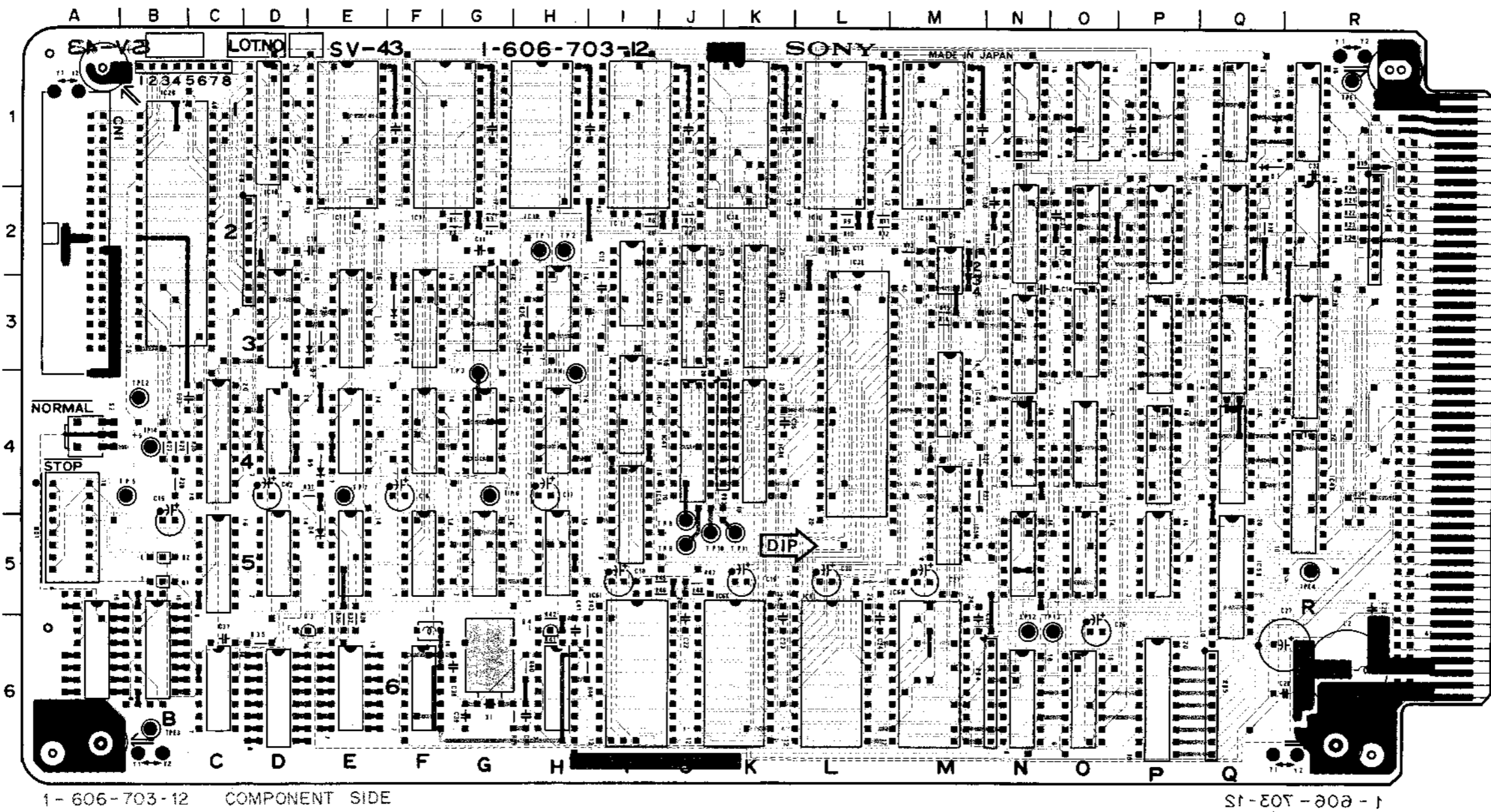
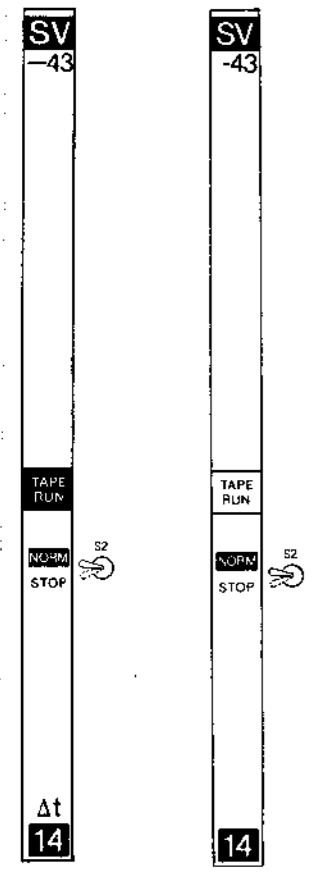


1-606-703-12 COMPONENT SIDE

RB1, 2, 3, 4, 5

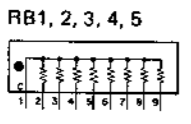


BVH-2500/P BVH-2000/PS/PM
BVH-2180/PS/PM



SV-43 (1-606-703-12 & UP)

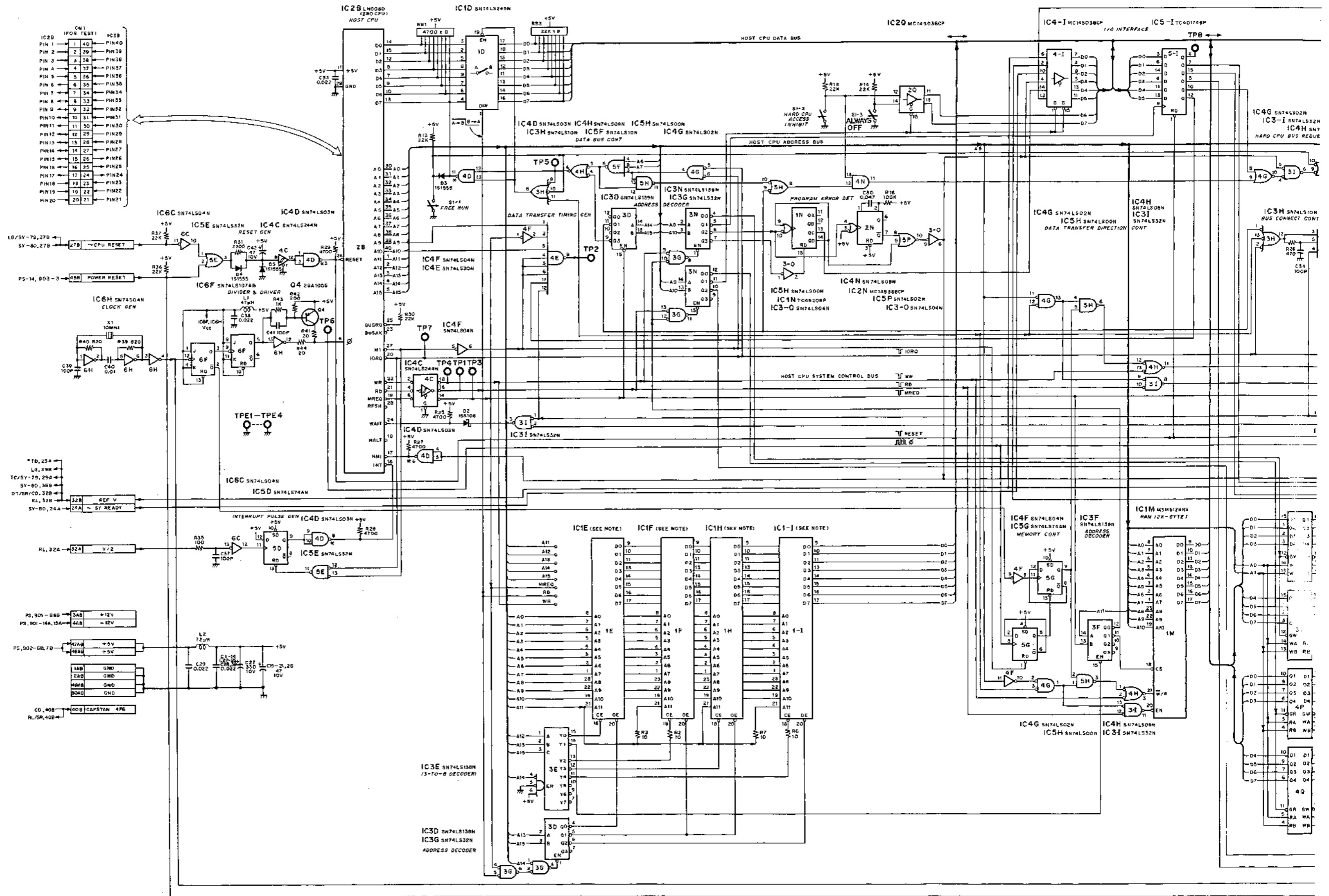
BVH-2000/PS/PM	IC5F
BVH-2180/PS/PM	IC5G
BVH-2500/P	IC5H
	IC5I
	IC5J
	IC5K
	IC5L
	IC5M
	IC5N
	IC5O
	IC5P
	IC5Q
	IC5R
	IC5S
	IC5T
	IC5U
	IC5V
	IC5W
	IC5X
	IC5Y
	IC5Z
	IC6A
	IC6B
	IC6C
	IC6D
	IC6E
	IC6F
	IC6G
	IC6H
	IC6I
	IC6J
	IC6K
	IC6L
	IC6M
	IC6N
	IC6O
	IC6P
	IC6Q
	IC6R
	IC6S
	IC6T
	IC6U
	IC6V
	IC6W
	IC6X
	IC6Y
	IC6Z
	IC7A
	IC7B
	IC7C
	IC7D
	IC7E
	IC7F
	IC7G
	IC7H
	IC7I
	IC7J
	IC7K
	IC7L
	IC7M
	IC7N
	IC7O
	IC7P
	IC7Q
	IC7R
	IC7S
	IC7T
	IC7U
	IC7V
	IC7W
	IC7X
	IC7Y
	IC7Z
	IC8A
	IC8B
	IC8C
	IC8D
	IC8E
	IC8F
	IC8G
	IC8H
	IC8I
	IC8J
	IC8K
	IC8L
	IC8M
	IC8N
	IC8O
	IC8P
	IC8Q
	IC8R
	IC8S
	IC8T
	IC8U
	IC8V
	IC8W
	IC8X
	IC8Y
	IC8Z
	IC9A
	IC9B
	IC9C
	IC9D
	IC9E
	IC9F
	IC9G
	IC9H
	IC9I
	IC9J
	IC9K
	IC9L
	IC9M
	IC9N
	IC9O
	IC9P
	IC9Q
	IC9R
	IC9S
	IC9T
	IC9U
	IC9V
	IC9W
	IC9X
	IC9Y
	IC9Z
	IC0A
	IC0B
	IC0C
	IC0D
	IC0E
	IC0F
	IC0G
	IC0H
	IC0I
	IC0J
	IC0K
	IC0L
	IC0M
	IC0N
	IC0O
	IC0P
	IC0Q
	IC0R
	IC0S
	IC0T
	IC0U
	IC0V
	IC0W
	IC0X
	IC0Y
	IC0Z
	IC1A
	IC1B
	IC1C
	IC1D
	IC1E
	IC1F
	IC1G
	IC1H
	IC1I
	IC1J
	IC1K
	IC1L
	IC1M
	IC1N
	IC1O
	IC1P
	IC1Q
	IC1R
	IC1S
	IC1T
	IC1U
	IC1V
	IC1W
	IC1X
	IC1Y
	IC1Z
	IC2A
	IC2B
	IC2C
	IC2D
	IC2E
	IC2F
	IC2G
	IC2H
	IC2I
	IC2J
	IC2K
	IC2L
	IC2M
	IC2N
	IC2O
	IC2P
	IC2Q
	IC2R
	IC2S
	IC2T
	IC2U
	IC2V
	IC2W
	IC2X
	IC2Y
	IC2Z
	IC3A
	IC3B
	IC3C
	IC3D
	IC3E
	IC3F
	IC3G
	IC3H
	IC3I
	IC3J
	IC3K
	IC3L
	IC3M
	IC3N
	IC3O
	IC3P
	IC3Q
	IC3R
	IC3S
	IC3T
	IC3U
	IC3V
	IC3W
	IC3X
	IC3Y
	IC3Z
	IC4A
	IC4B
	IC4C
	IC4D
	IC4E
	IC4F
	IC4G
	IC4H
	IC4I
	IC4J
	IC4K
	IC4L
	IC4M
	IC4N
	IC4O
	IC4P
	IC4Q
	IC4R
	IC4S
	IC4T
	IC4U
	IC4V
	IC4W
	IC4X
	IC4Y
	IC4Z
	IC5A
	IC5B
	IC5C
	IC5D
	IC5E

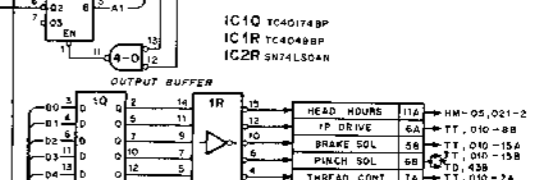
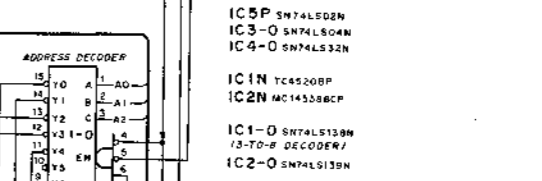
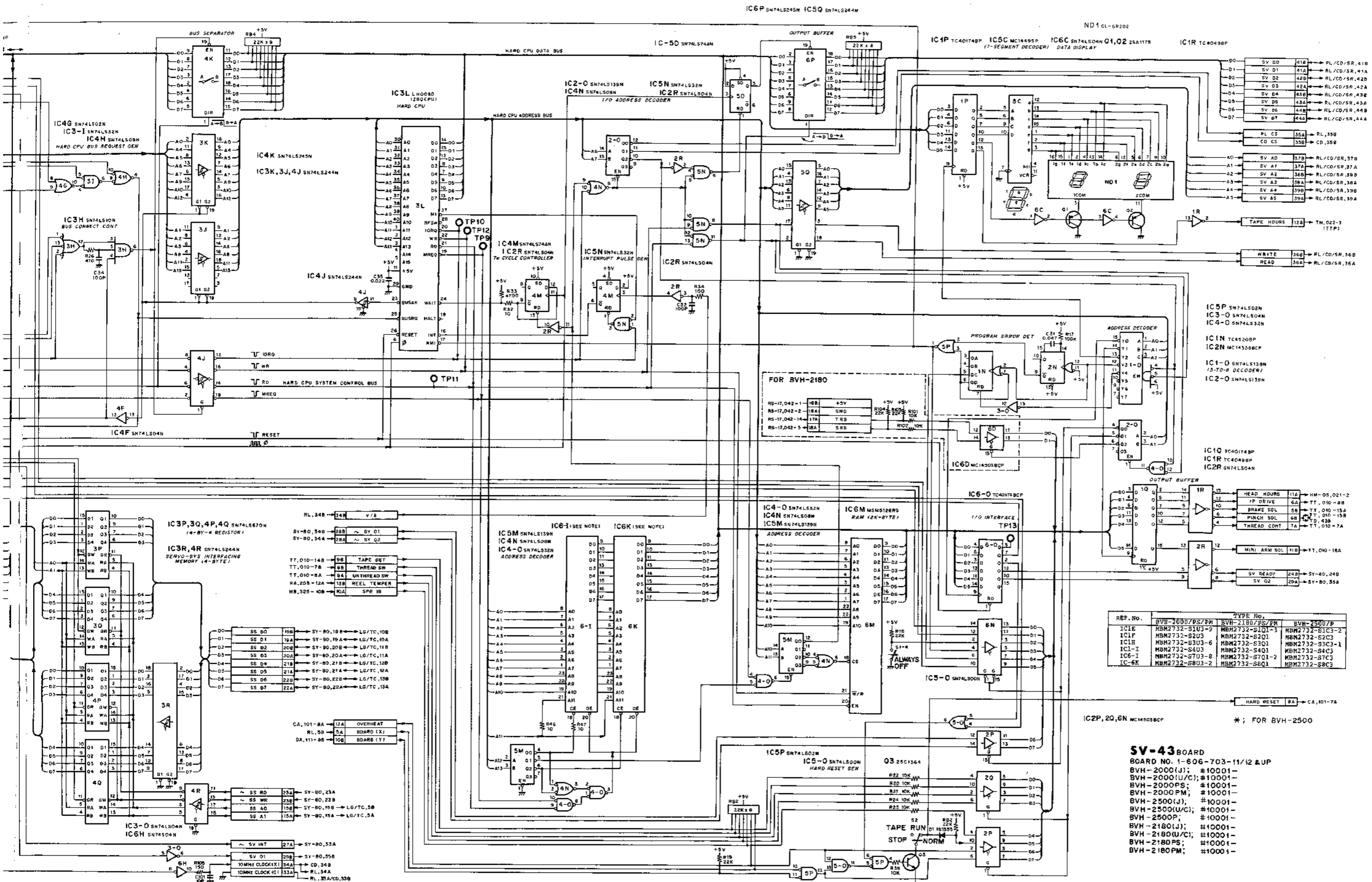


1-606-703-12 COMPONENT SIDE

1-606-703-12

SV-43 BOARD
Servo CPU





REF. NO.	BVH-2000/PS/PM	TYPE No.	BVH-2180/PS/PM	BVH-2500/P
IC1E	MBM2732-S1U3-9	MBM2732-S1U3-3	MBM2732-S1C3-2	
IC1F	MBM2732-S2U3	MBM2732-S2U3	MBM2732-S2C3	
IC1H	MBM2732-S3U3-6	MBM2732-S3U3	MBM2732-S3C3-1	
IC1I	MBM2732-S4U3	MBM2732-S4U3	MBM2732-S4C3	
IC6-I	MBM2732-S7U3-8	MBM2732-S7U3-2	MBM2732-S7C3	
IC6-K	MBM2732-S8U3-2	MBM2732-S8U3	MBM2732-S8C3	

SV-43 BOARD
 BOARD NO. 1-606-703-11/12 & UP
 BVH-2000(J); #10001-
 BVH-2000(U/C); #10001-
 BVH-2000PS; #10001-
 BVH-2000PM; #10001-
 BVH-2500(J); #10001-
 BVH-2500(U/C); #10001-
 BVH-2500P; #10001-
 BVH-2180(J); #10001-
 BVH-2180(U/C); #10001-
 BVH-2180PS; #10001-
 BVH-2180PM; #10001-

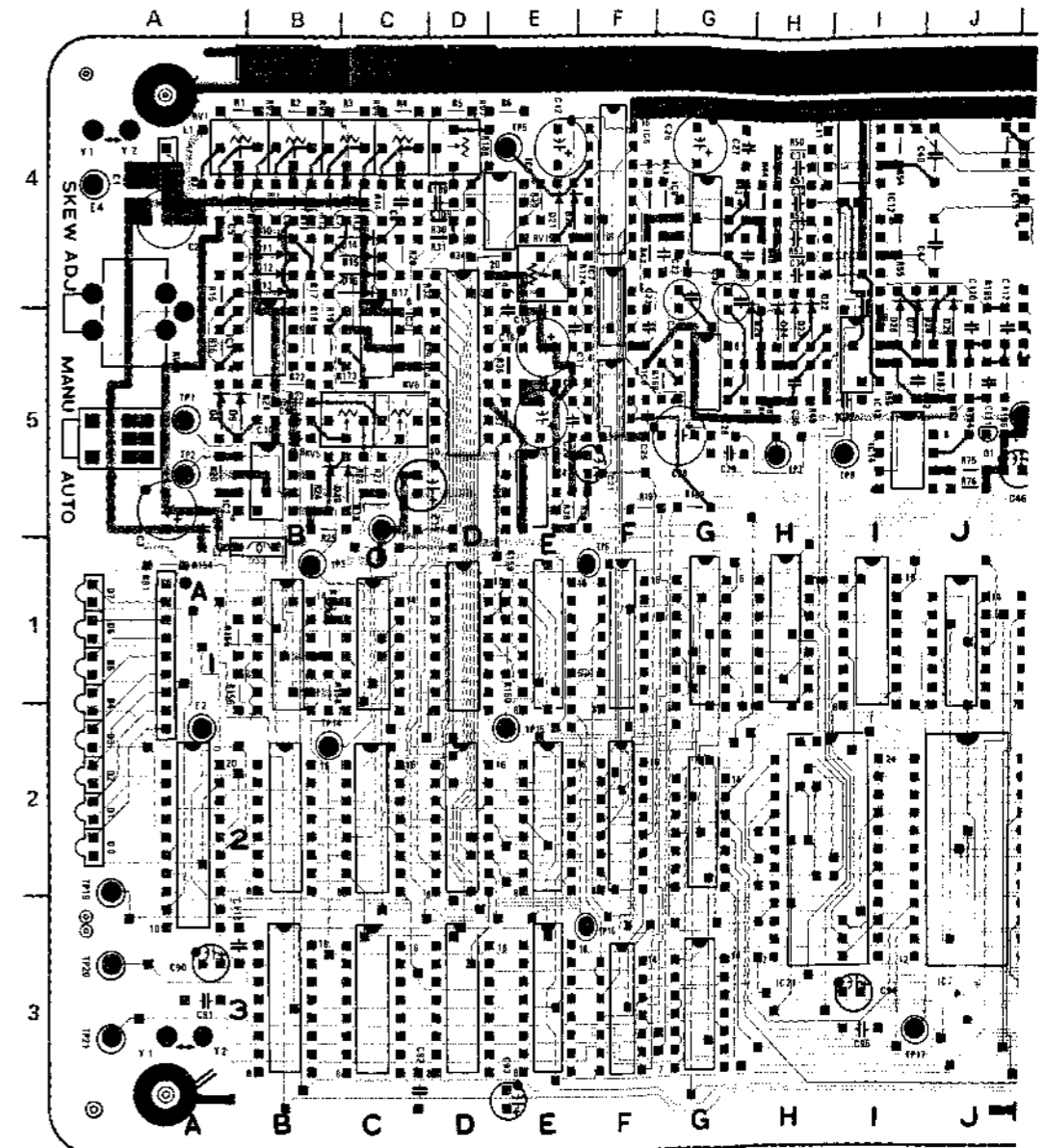
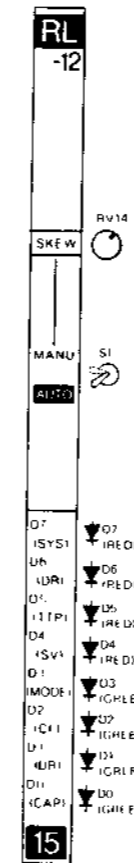
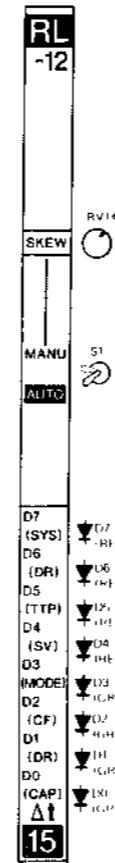


RL-12 BOARD (1-606-704-13)

Component Side

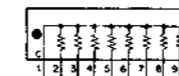
BVH-2500P

BVH-2000/PS/PM
BVH-2180/PS/PM
BVH-2500



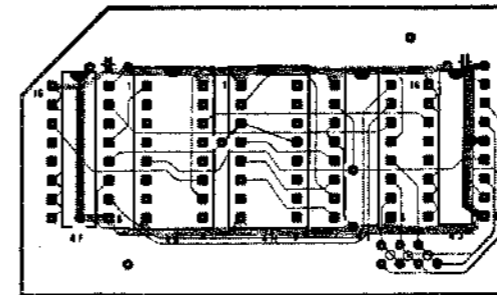
1-606-704-13 COMPONENT SIDE

RB1

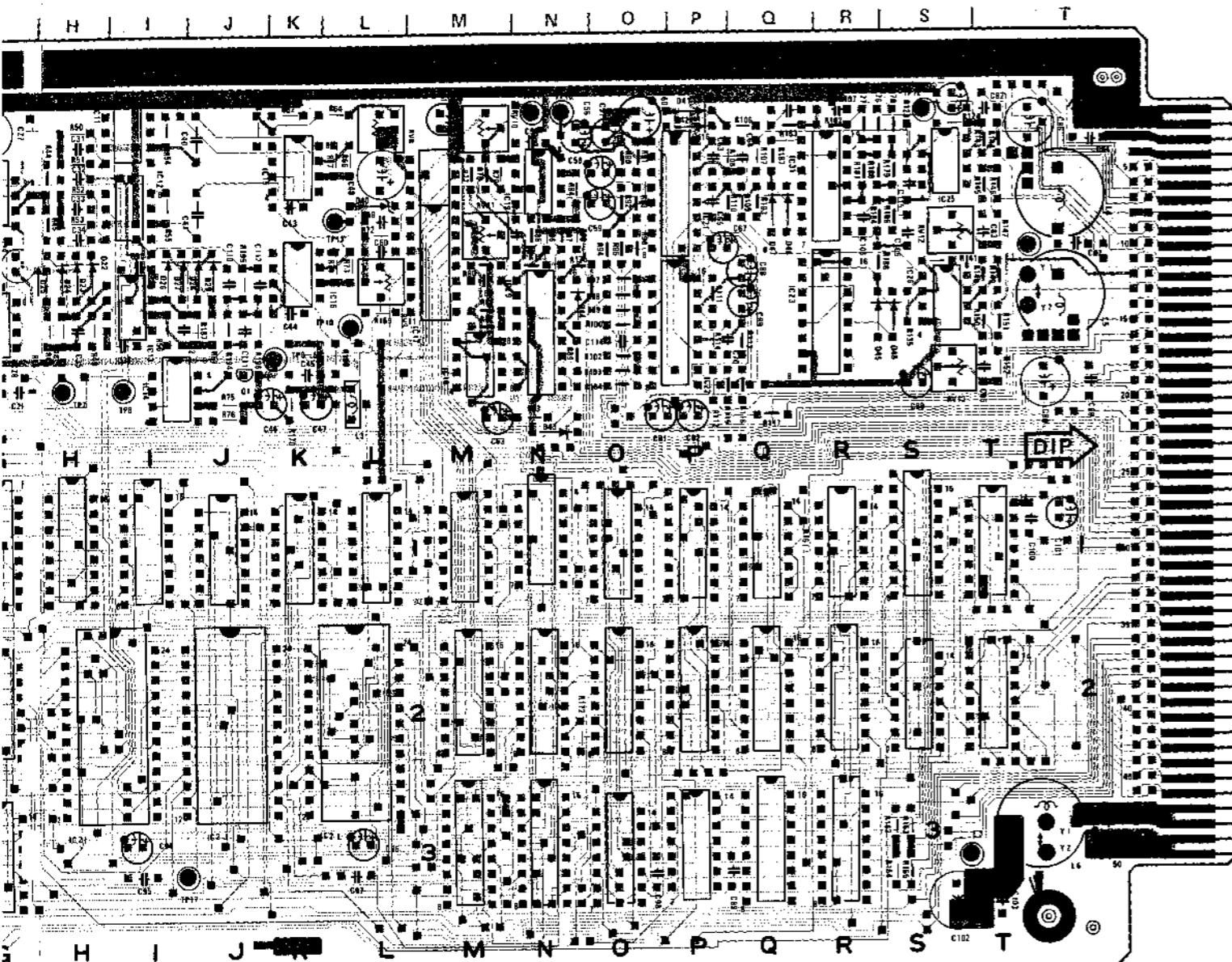


RS-20 BOARD (1-615-381-11)

Solder Side



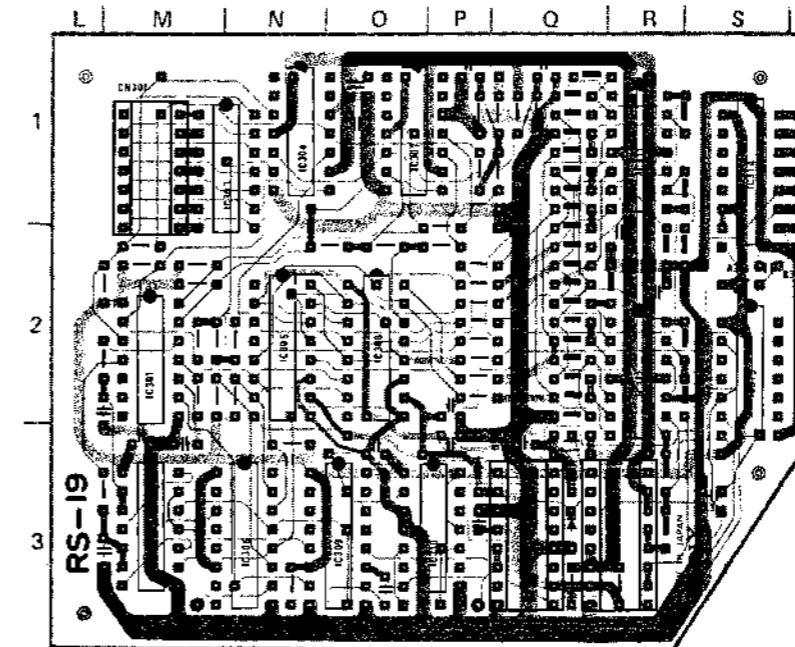
■ 1-615-381-11 COMPONENT SIDE
■ 1-615-381-11 SOLDER SIDE



■ 1-606-704-13 SOLDER SIDE

RS-19 BOARD (1-613-752-11)

Solder Side



■ 1-613-752-11 COMPONENT SIDE
■ 1-613-752-11 SOLDER SIDE

FOR BVH-2500P

RL-12 (1-606-704-13)

BVH-2000/PS/PM
BVH-2180/PS/PM
BVH-2500/P

(RS-19 BOARD)	IC3	5C
CN501 1M	IC5F	
CR502 30	IC5G	
CN503 3R	IC5M	
	IC5H	
D0	IC30	
D1	IC3P	
D2	IC4	50
D3		
D4	(RS-20 BOARD)	
D5	IC4F	
D6	IC4I	
D7	IC4J	
D8	IC5	4E
D9	IC6	4F
D10	IC7	4F
D11	IC8	5F
D12	IC9	4G
D13	IC11	4I
D14	IC12	4I
D15	IC13	5I
D16	IC14	5I
D17	IC15	4K
D18	IC16	5K
D19	IC17	5M
D20	IC18	5M
D21	IC19	4N
D22	IC21	4P
D23	IC22	5P
D24	IC23	5R
D25	IC25	4S
D26	IC26	5S
D27	IC27	5E
D28	IC28	5G
D29	IC29	5M
D40	IC31	4R
D43		
D44		
D45	(RS-19 BOARD)	
D46	IC301 2M	
D47	IC302 2M	
D48	IC303 1N	
D50	IC304 1N	
D51	IC305 2M	
(RS-19 BOARD)	IC306 5M	
D301 3P	IC307 1P	
	IC308 20	
	IC309 30	
E1	IC310 3P	
E2	IC311 1R	
E3	IC312 2R	
E4	IC313 2S	
	IC314 1S	
IC1	Q1	5J
IC1B		
IC1C		
IC1D	(RS-19 BOARD)	
IC1E	Q502 3Q	
IC1F		
IC1G	RB1	1A
IC1H		
IC1I	RV1	4A
IC1J	RV2	4B
IC1K	RV3	4C
IC1L	RV4	4C
IC1M	RV5	5C
IC1N	RV6	5C
IC1O	RV7	4D
IC1P	RV8	4L
IC1Q	RV9	5L
IC1R	RV10	4M
IC1S	RV11	4M
IC1T	RV12	4S
IC2	RV13	5S
IC2A	RV14	5A
IC2C	RV15	4E
IC2D	RV20	40
IC2E		
IC2F	S1	5A
IC2G		
IC2I	TP1	5A
IC2J	TP2	5A
IC2L	TP3	1B
IC2M	TP4	5C
IC2N	TP5	4E
IC2O	TP6	1F
IC2P	TP7	5M
IC2Q	TP8	5I
IC2R	TP9	5K
IC2S	TP10	5L
IC2T	TP11	4N
	TP12	4S
	TP13	4L
	TP14	2B
	TP15	2E
	TP16	3F
	TP17	3I
	TP18	4N
	TP19	2A
	TP20	3A
	TP21	3A

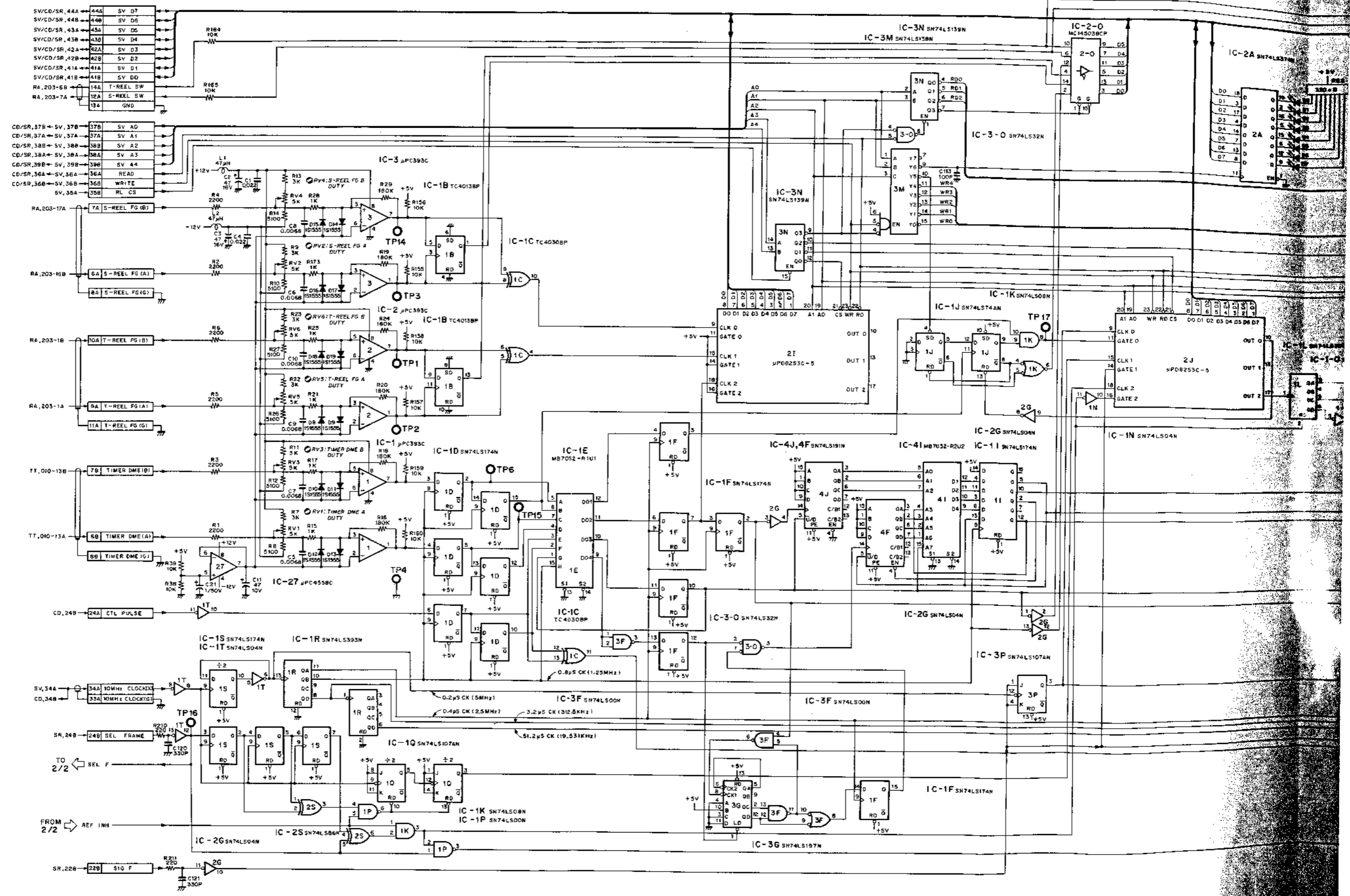
2180 M
BVH-2000/PS/PM C
C-70 C-71
C-107(I)
C-107(G/37)
C-107(S/37)
BVH-2500/P

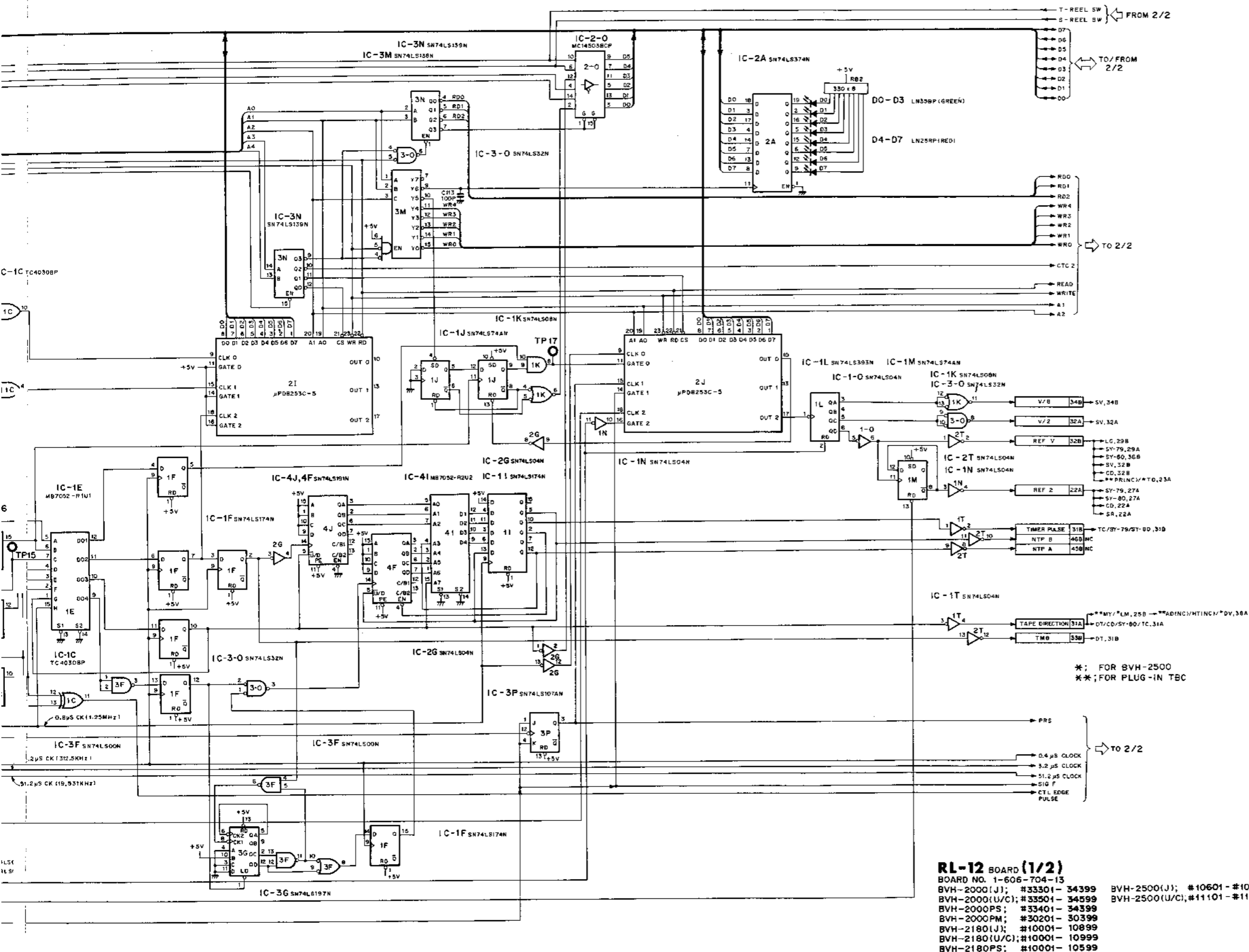
2500(J); #10601 - #10799 1-606-704-13
2500(U/C); #11101 - #11399

CARD RACK RL-12 (1/2) RL-12 (1/2) CARD RACK

1-606-704-13 2500(J); #10601 - #10799
2500(U/C); #11101 - #11399

RL-12 BOARD (1/2)
Reel Servo





*; FOR BVH-2500
 **; FOR PLUG-IN TEC

→ TO 2/2

→ TO 2/2

→ TO 2/2

→ TO 2/2

- RL-12 BOARD (1/2)**
 BOARD NO. 1-606-704-13
- | | |
|-------------------------------|--------------------------------|
| BVH-2000(J); #33301 - 34399 | BVH-2500(J); #10601 - #10799 |
| BVH-2000(U/C); #33501 - 34599 | BVH-2500(U/C); #11101 - #11399 |
| BVH-2000PS; #33401 - 34399 | |
| BVH-2000PM; #30201 - 30399 | |
| BVH-2180(J); #10001 - 10899 | |
| BVH-2180(U/C); #10001 - 10999 | |
| BVH-2180PS; #10001 - 10599 | |

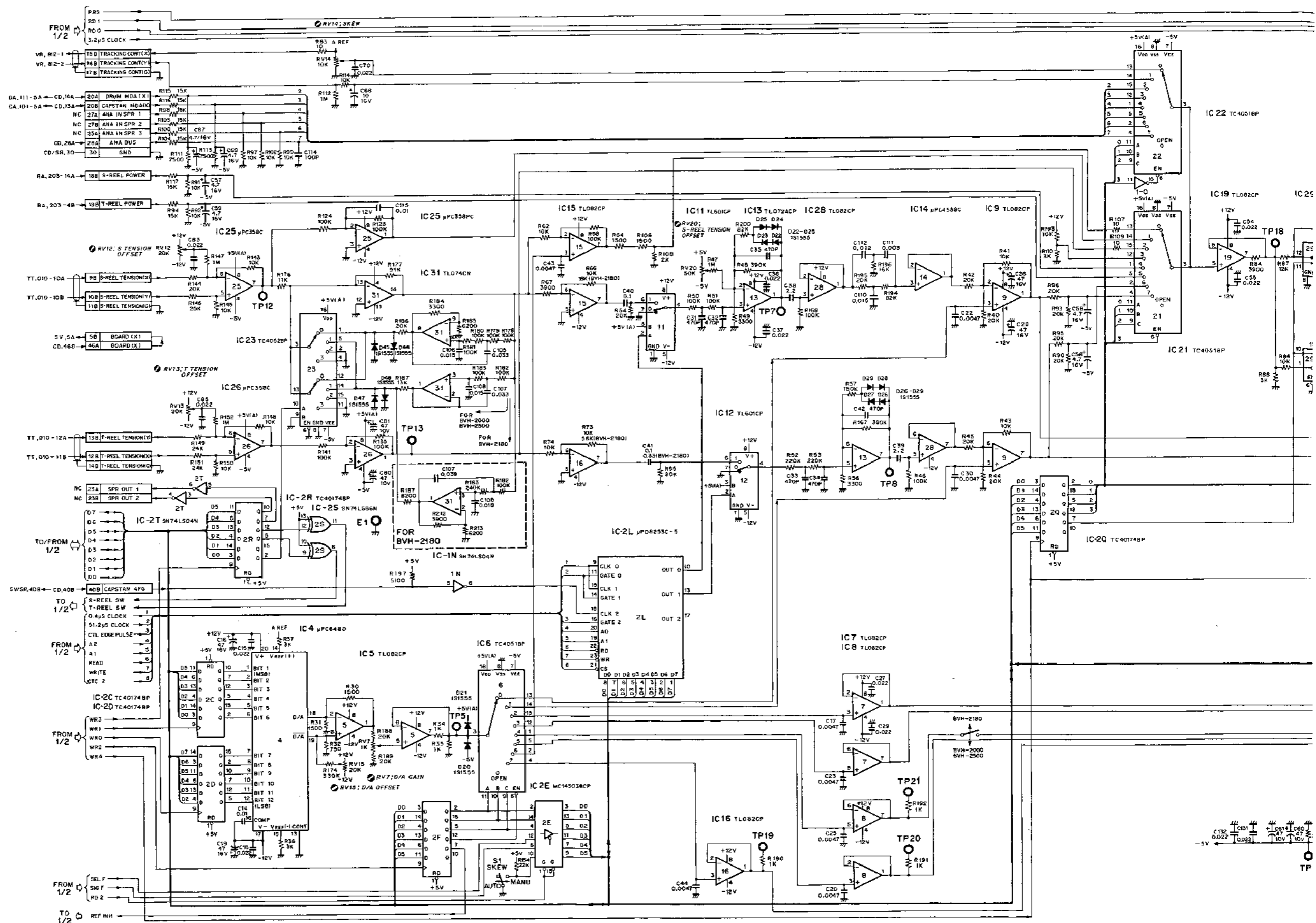
2500(J); #10601 - #10799 1-606-704-13
2500(U/C); #11101 - #11399

CARD RACK RL-12 (2/2)

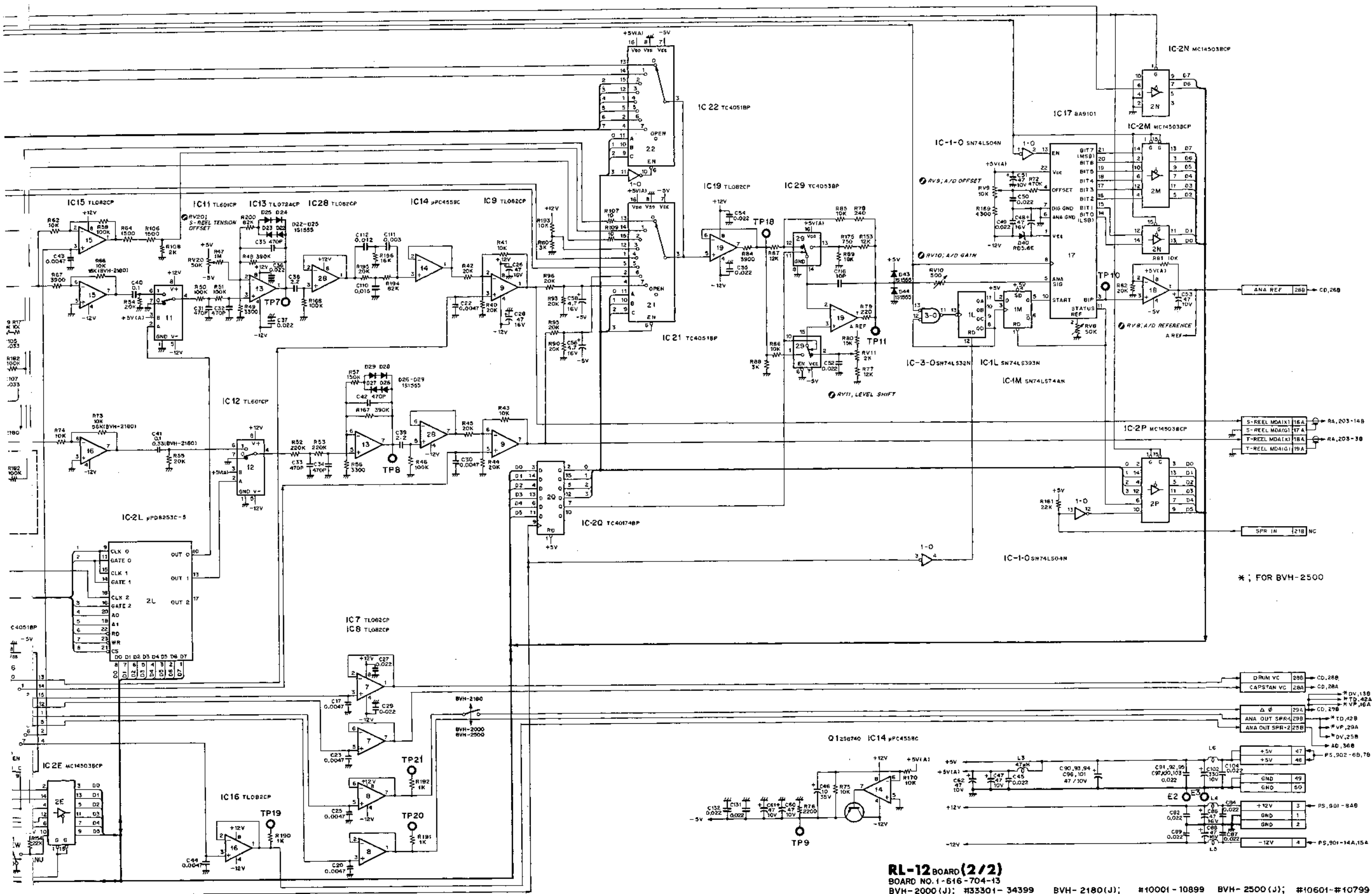
RL-12 (2/2) CARD RACK

1-606-704-13 2500(J); #10601 - #10799
2500(U/C); #11101 - #11399

RL-12 BOARD (2/2)
Reel Servo



BVH-2180/PS/PM
BVH-2000/PS/PM
C-76
C-77
C-1'
C-107(12/37)
C-107(11/37)
BVH-2500



* ; FOR BVH-2500

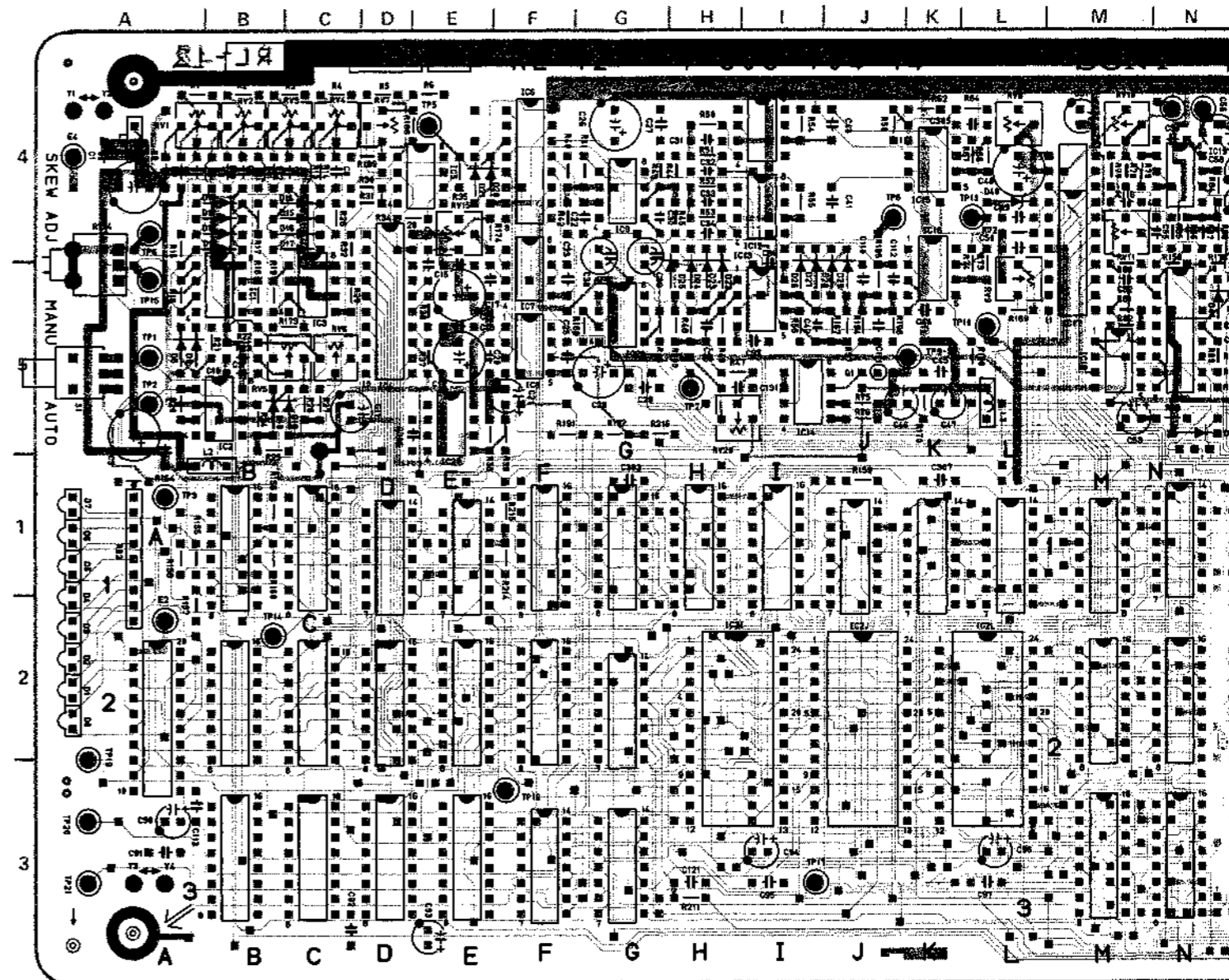
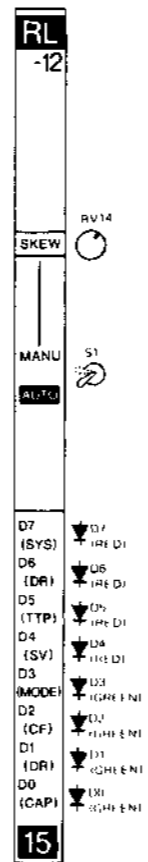
RL-12 BOARD (2/2)

BOARD NO. 1-616-704-13

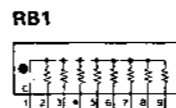
- BVH-2000 (J); #33301 - 34399
- BVH-2000 (U/C); #33501 - 34599
- BVH-2000PS; #33401 - 34399
- BVH-2000PM; #30201 - 30399
- BVH-2180 (J); #10001 - 10899
- BVH-2180 (U/C); #10001 - 10999
- BVH-2180PS; #10001 - 10599
- BVH-2500 (J); #10601 - #10799
- BVH-2500 (U/C); #11101 - #11399

RL-12 BOARD (1-606-704-14)

Component Side



1-606-704-14 COMPONENT SIDE



RL-12 (1-606-704-14 & UP)

BVH-2000/PS/PM
BVH-2100/PS/PM

(RS-19 BOARD)
IC3 3C
CN301 1M
CN302 3Q
CN303 3R

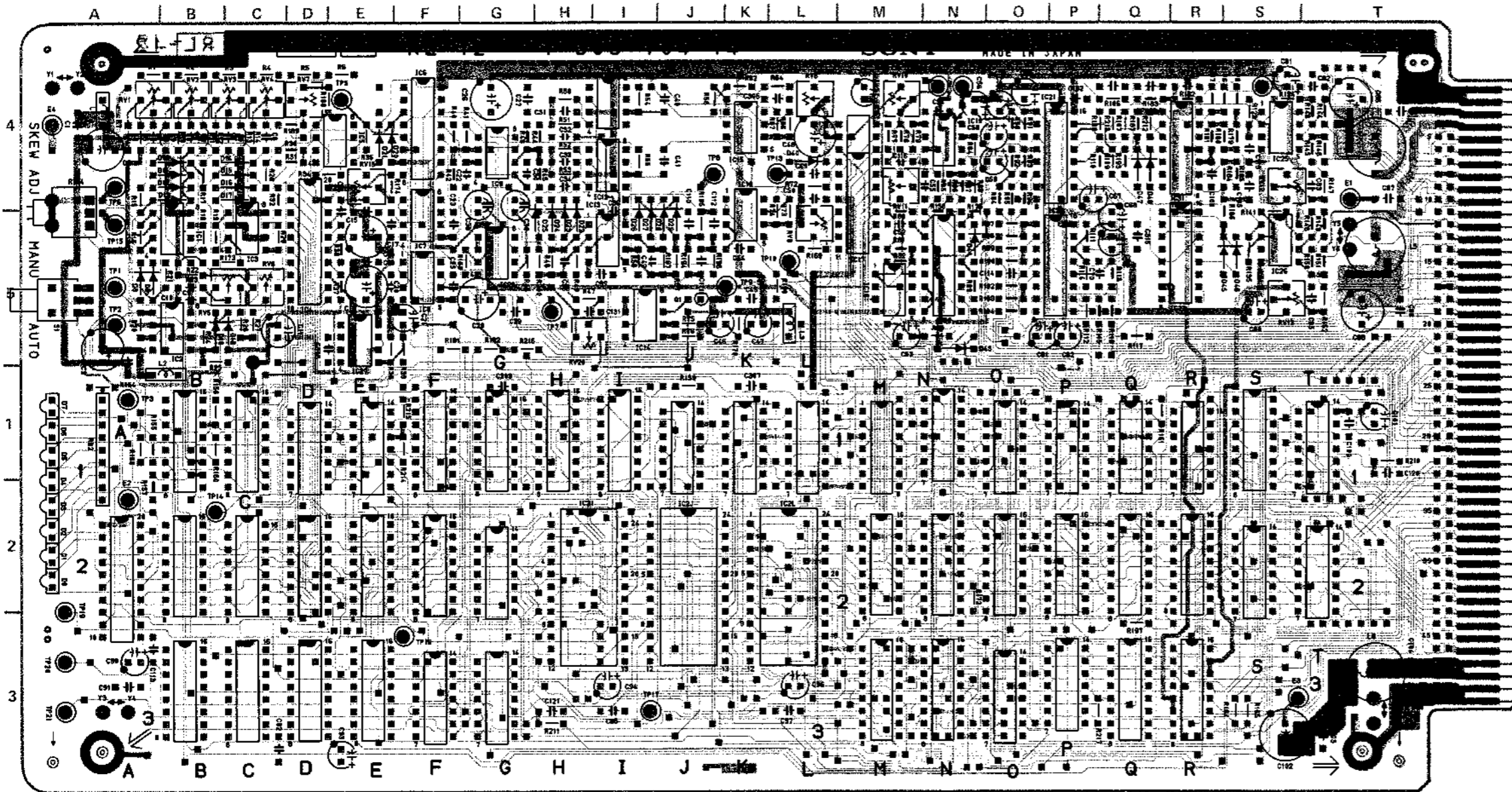
D0	2A	IC30
D1	2A	IC3P
D2	2A	IC4
D3	2A	IC5 5D
D4	1A	IC6 4E
D5	1A	IC7 4F
D6	1A	IC8 5F
D7	1A	IC9 4G
D8	5A	IC11 4I
D9	5A	IC12 4I
D10	4B	IC13 5I
D11	4B	IC14 5I
D12	4B	IC15 4K
D13	4B	IC16 5K
D14	4C	IC17 5N
D15	4C	IC18 5N
D16	4C	IC19 4N
D17	4C	IC21 4P
D18	5C	IC22 5P
D19	5C	IC23 5R
D20	4E	IC25 4S
D21	4E	IC26 5S
D22	5H	IC27 5E
D23	5H	IC28 5Q
D24	5H	IC29 5N
D25	5H	IC31 4R
D26	5I	
D27	5I	

(RS-19 BOARD)

D28	5J	IC301 2M
D29	5J	IC302 2M
D40	4I	IC303 1M
D43	5N	IC304 1N
D44	5N	IC305 2N
D45	5S	IC306 3N
D46	5S	IC307 1P
D47	4D	IC308 2O
D48	4D	IC309 3O
D50	5H	IC310 3P
D51	5H	IC311 1R
		IC312 2P
		IC313 1S
		IC314 1S

(RS-19 BOARD)
D301 3P
D302 3Q

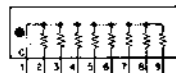
E1	4T	O1 5J
E2	2A	R82 1A
E3	3T	
E4	4A	
IC1	5B	RV1 4A
IC1B		RV2 5B
IC1C		RV3 4C
IC1D		RV4 4C
IC1E		RV5 5C
IC1F		RV6 5C
IC1G		RV7 4D
IC1H		RV8 4L
IC1I		RV9 5L
IC1J		RV10 4M
IC1K		RV11 4M
IC1L		RV12 4S
IC1M		RV13 5S
IC1N		RV14 5A
IC1O		RV15 4E
IC1P		RV20 5H
IC1Q		
IC1R		S1 5A
IC1S		TP1 5A
IC1T		TP2 5A
IC2	5B	TP3 1B
IC2A		TP5 4E
IC2B		TP6 4A
IC2C		TP7 5H
IC2D		TP8 5J
IC2E		TP9 5K
IC2F		TP10 5L
IC2G		TP11 4M
IC2J		TP12 4S
IC2K		TP13 4L
IC2L		TP14 2B
IC2M		TP15 5A
IC2N		TP16 3F
IC2O		TP17 3I
IC2P		TP18 4M
IC2Q		TP19 2A
IC2R		TP20 3A
IC2S		TP21 3A
IC2T		



1-606-704-14 COMPONENT SIDE

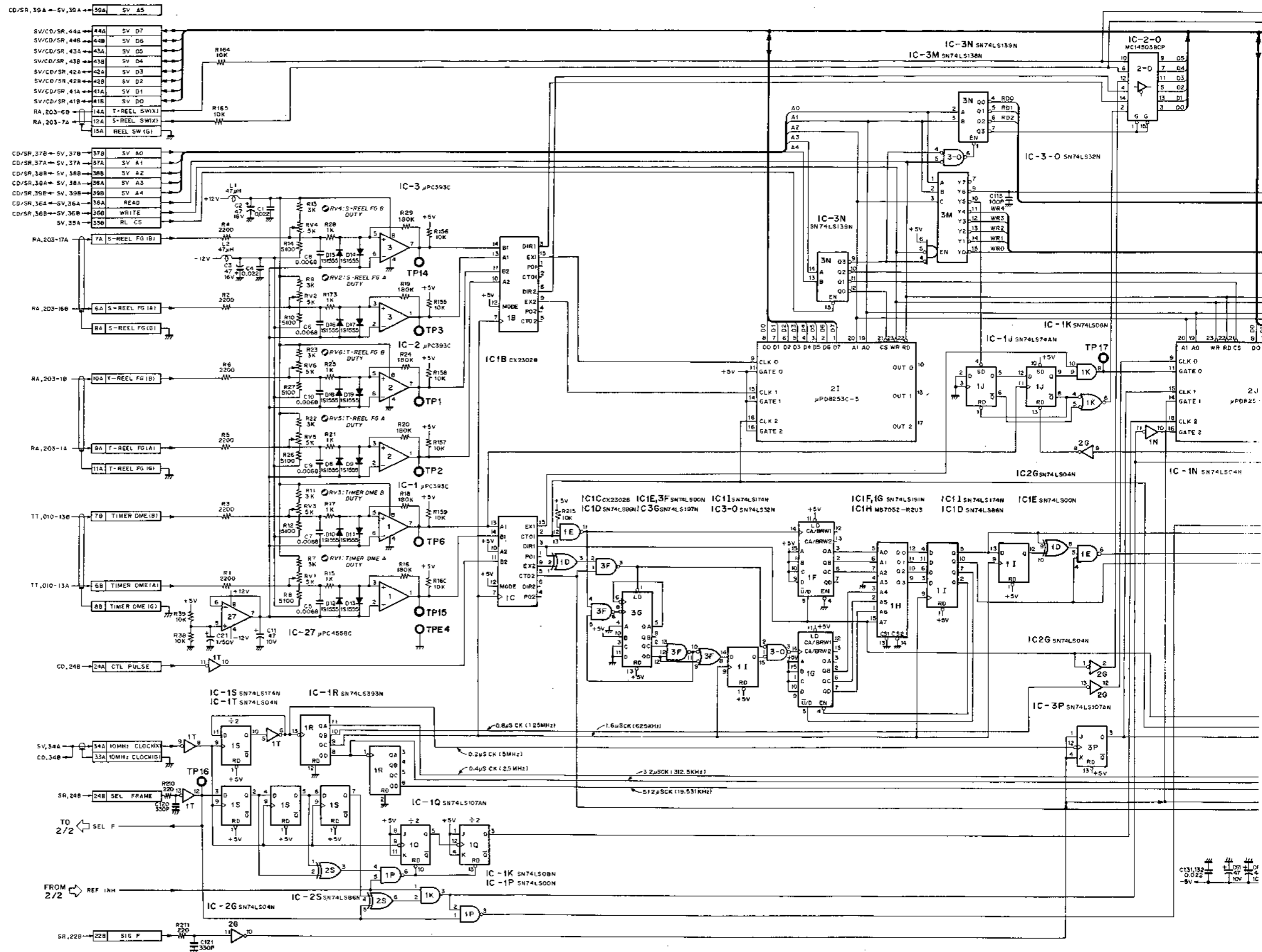
1-606-704-14 SOLDER SIDE

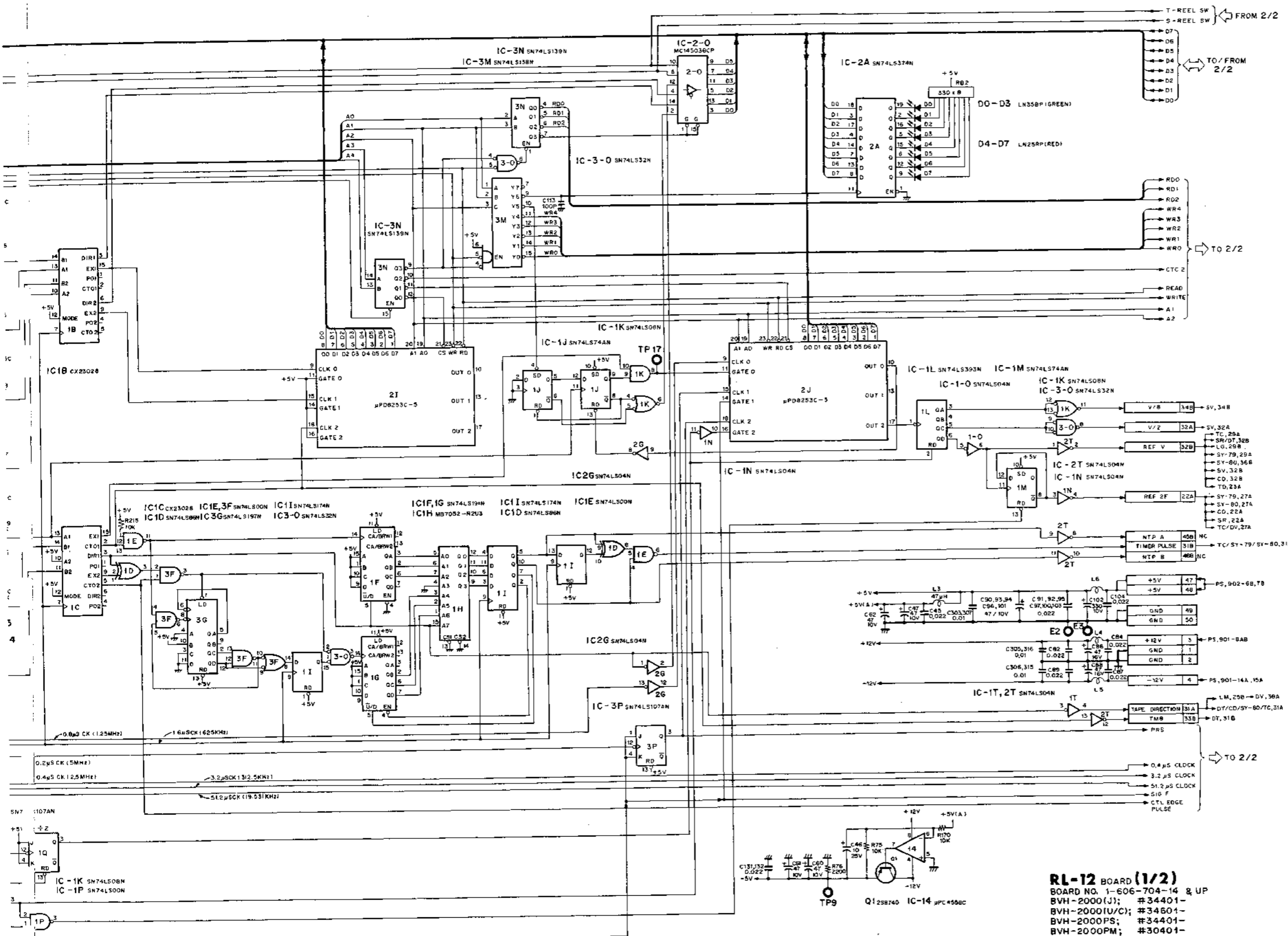
RB1



RL-12 BOARD (1/2)

Reel Servo

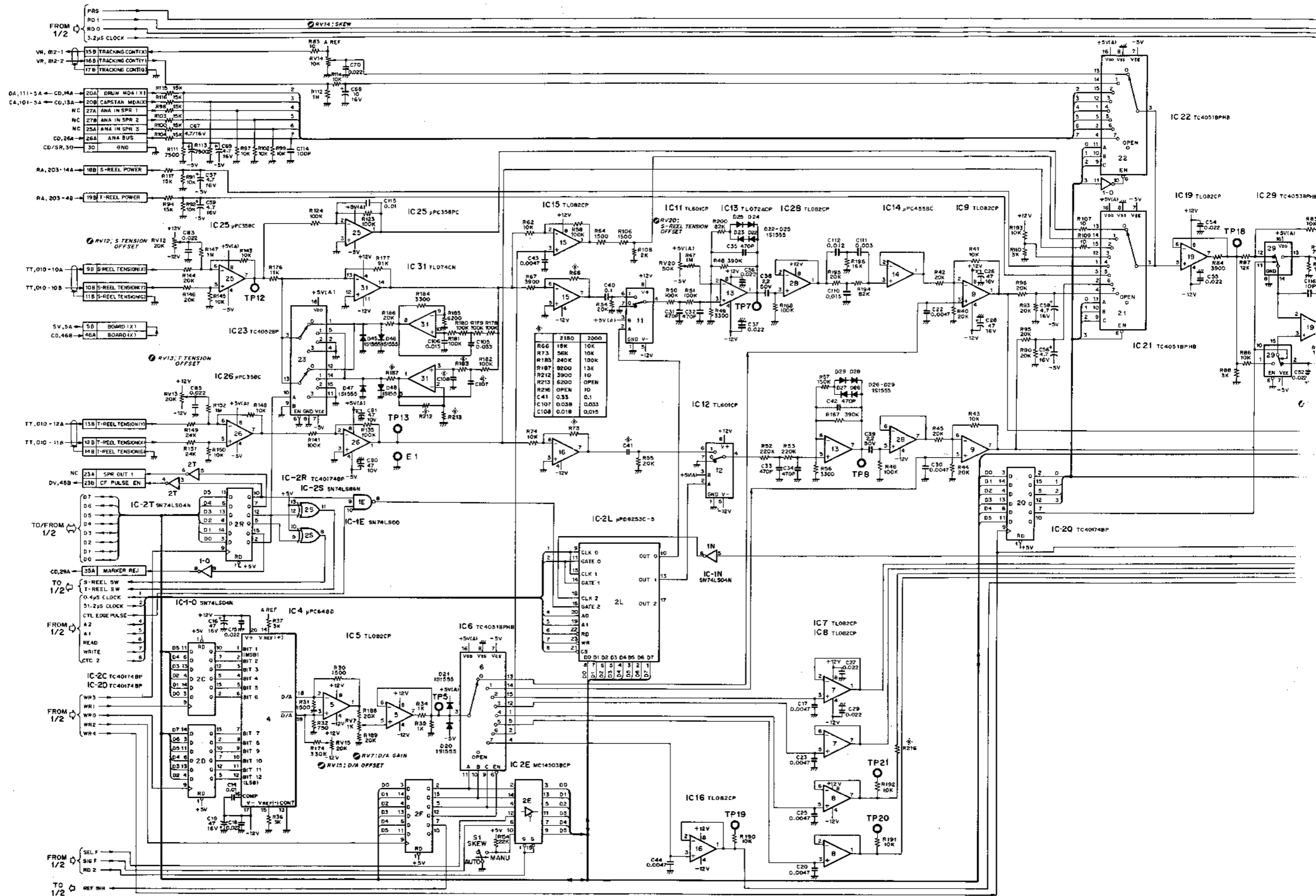


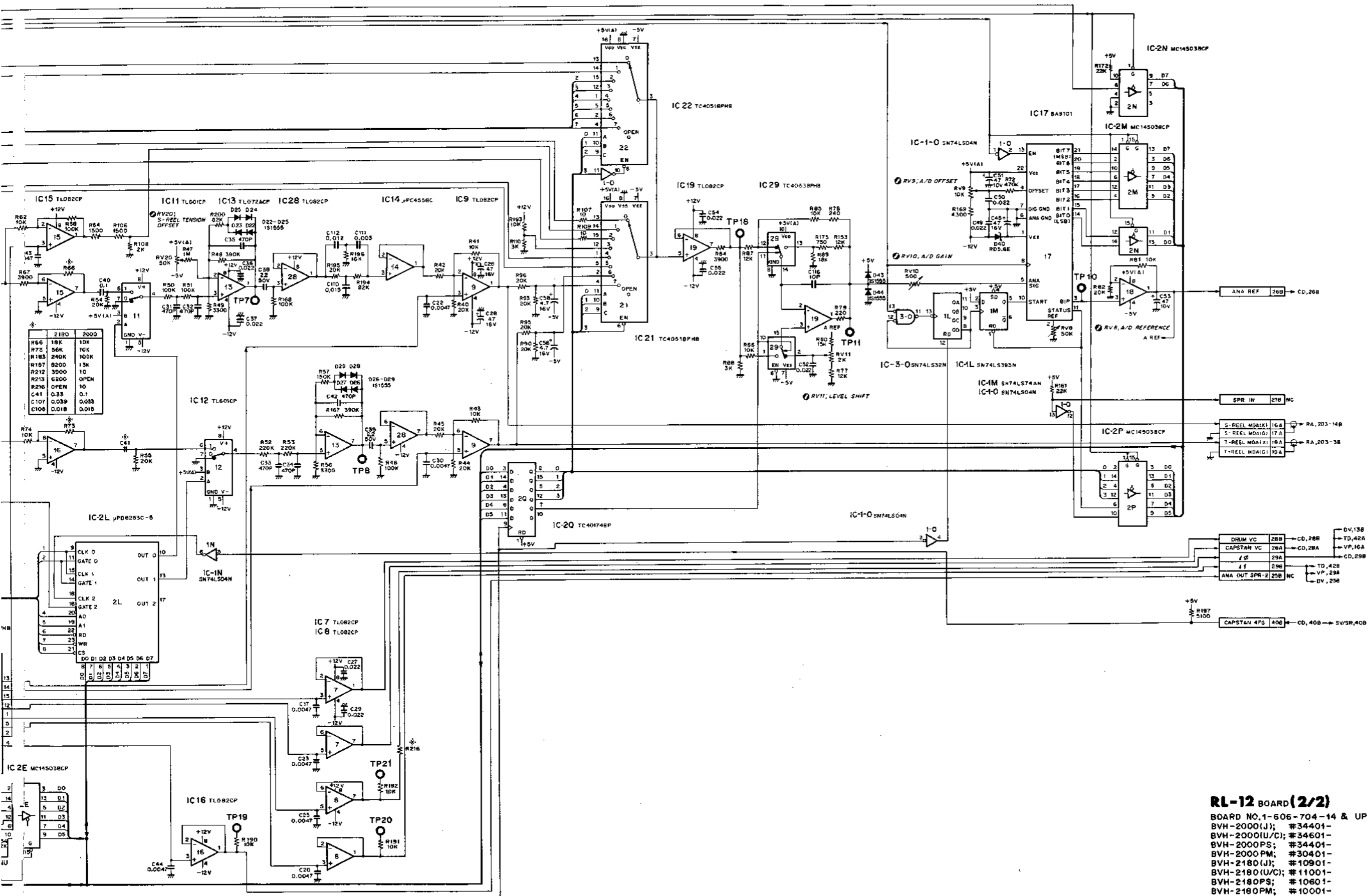


RL-12 BOARD (1/2)
 BOARD NO. 1-606-704-14 & UP
 BVH-2000(J); #34401-
 BVH-2000(I/C); #34601-
 BVH-2000(PS); #34401-
 BVH-2000(PM); #30401-
 BVH-2180(J); #10901-
 BVH-2180(PS); #10601-
 BVH-2180(PM); #10001-

RL-12 BOARD (2/2)

Reel Servo



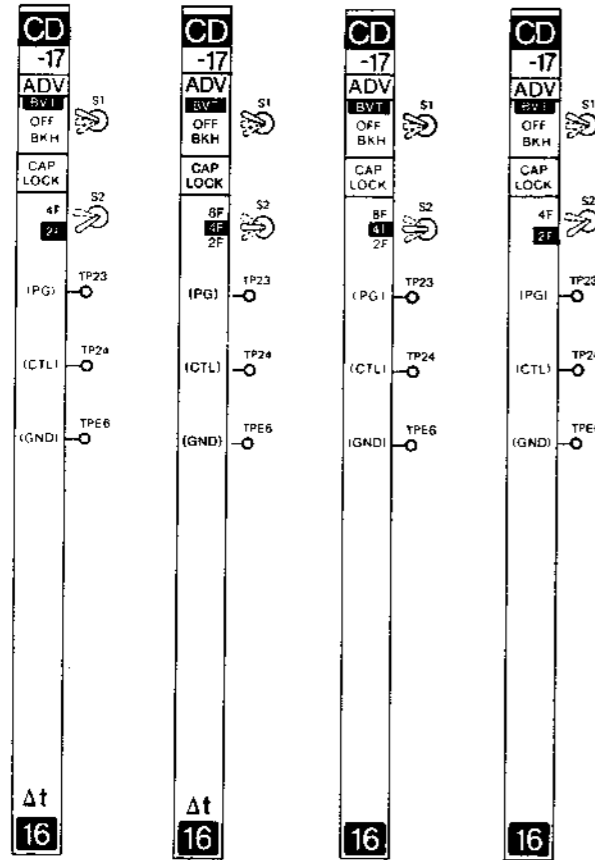


RL-12 BOARD (2/2)

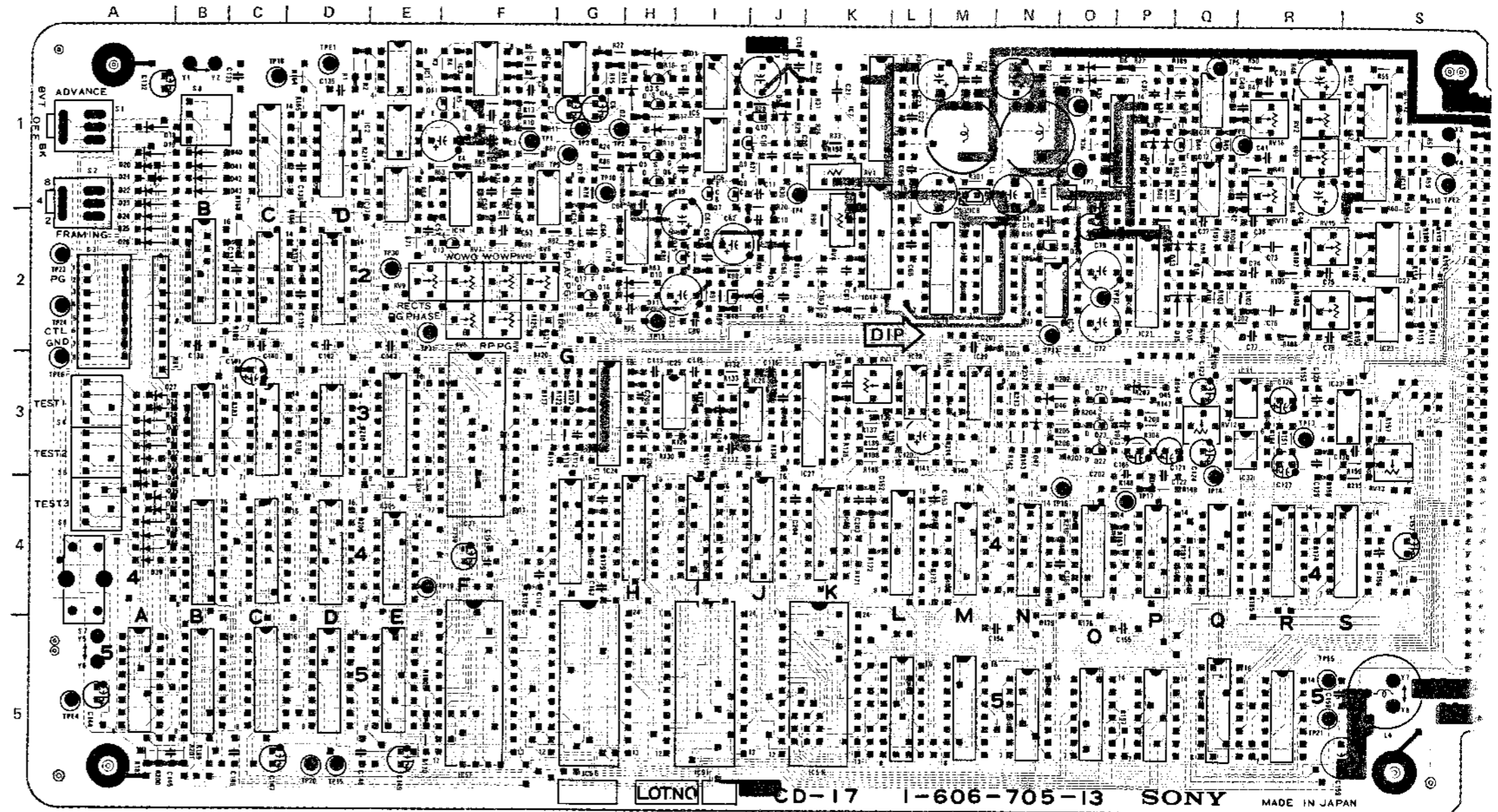
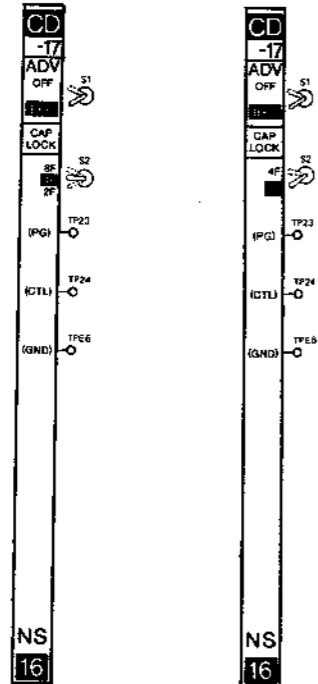
BOARD NO. 1-606-704-14 & UP
 BVH-2000(J); #34401-
 BVH-2000(U/C); #34601-
 BVH-2000PS; #34401-
 BVH-2000PM; #30401-
 BVH-2180(J); #10901-
 BVH-2180(U/C); #11001-
 BVH-2180PS; #10601-
 BVH-2180PM; #10001-

CD-17 BOARD (1-606-705-13) Component Side

BVH-2500 BVH-2500P BVH-2000PS/PM BVH-2000 BVH-2180PS/PM BVH-2180



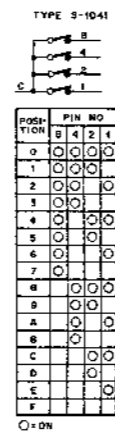
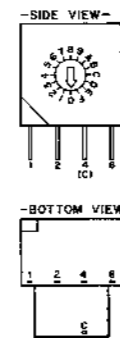
BVH-2000PS (For 10/12/14 MODEL) BVH-2000 (For 10/12 MODEL)



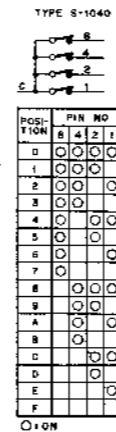
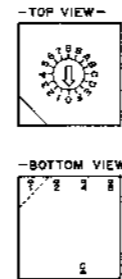
1-606-705-13 COMPONENT SIDE

1-606-705-13 SOLDER SIDE

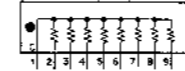
S4, 5, 6

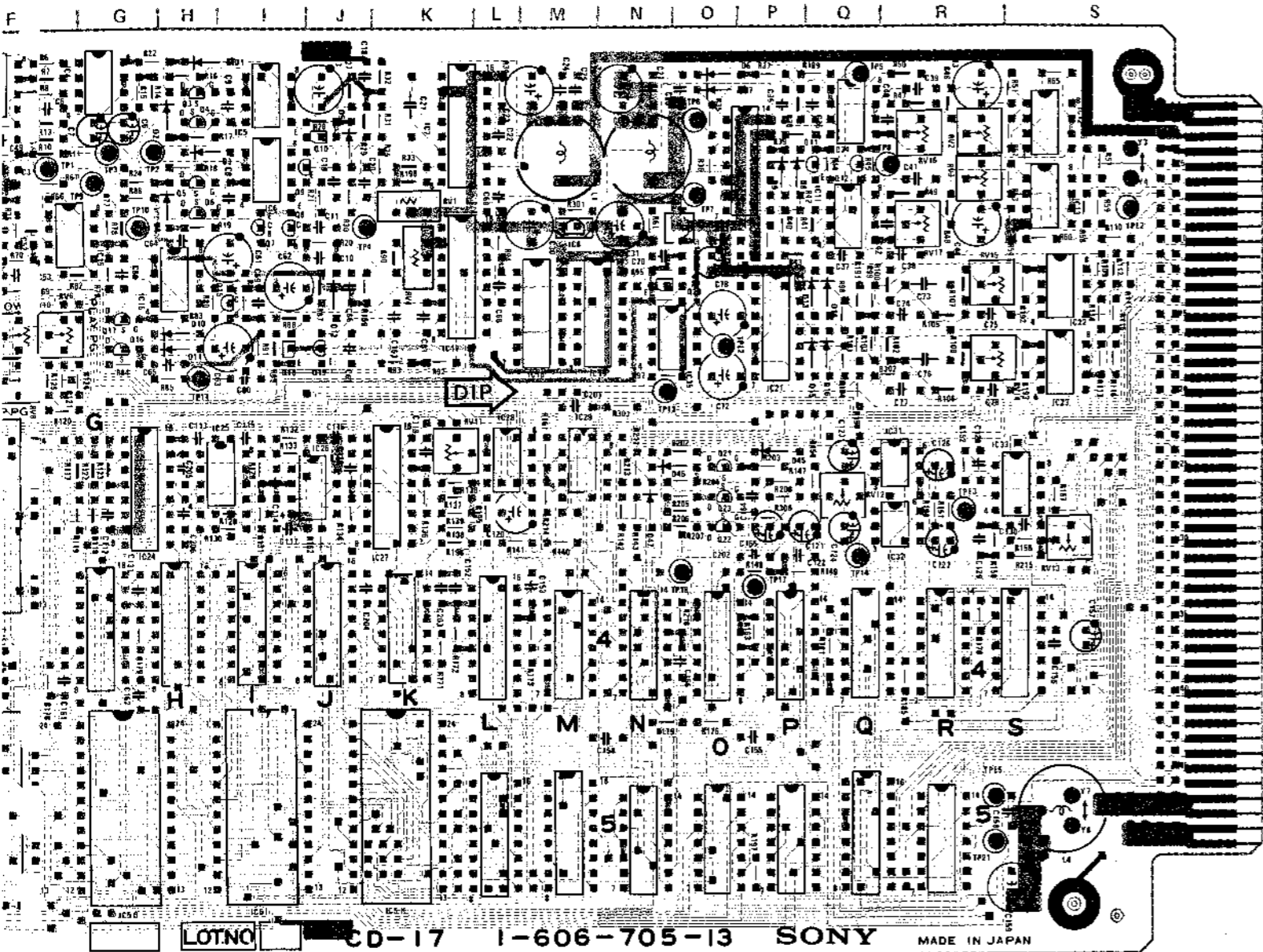


S8

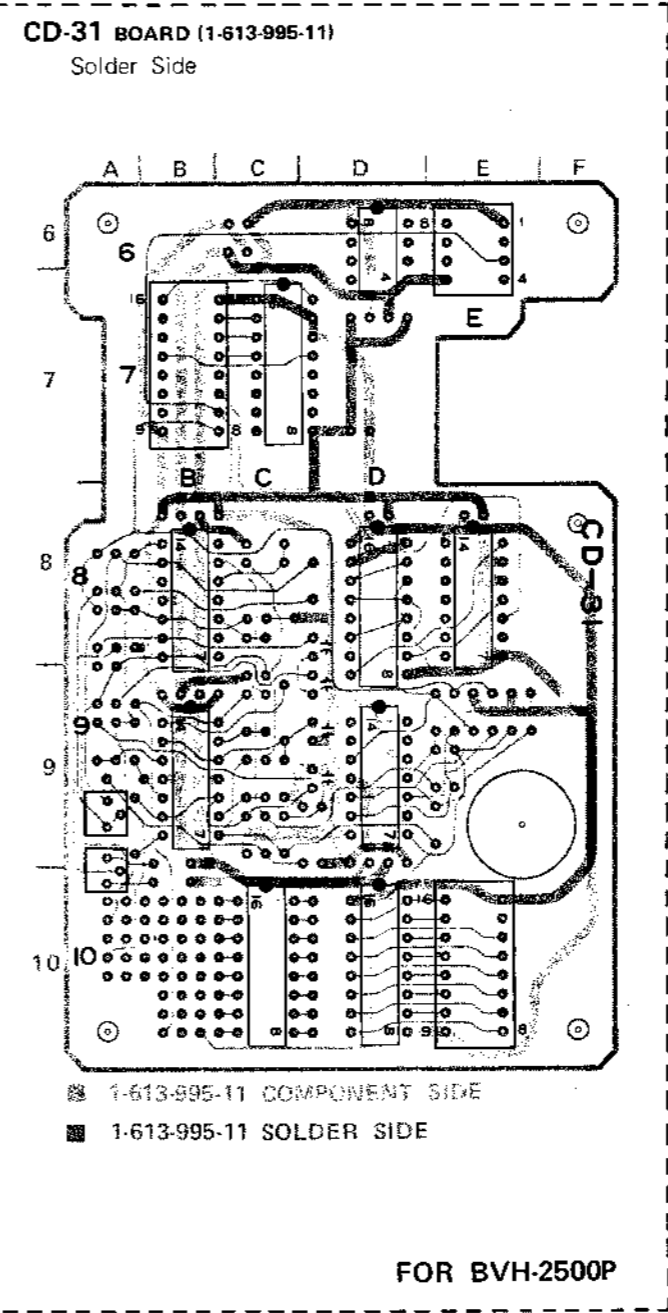


RB1





1-606-705-13 SOLDER SIDE



CD-17 (1-606-705-13)

BVH-2000/PS/PM
BVH-2160/PS/PM
BVH-2500/P

(PS/P)	IC5 II	RV1 1K
CV1 3R	IC5A	RV2 1R
D1 1H	IC5B	RV3 1R
D2 1H	IC5C	RV4 2K
D3 1H	IC5D	RV5 2F
D4 1H	IC5E	RV6 2F
D5 1J	(NTSC/PS/PM)	RV7 2F
D6 1O	IC5F	RV8 2F
D7 1O		RV9 2E
D8 1P	IC5G	RV10 2F
D9 1P	IC5H	RV11 3K
D10 2H	IC5I	RV12 3O
D11 2H	IC5J	RV13 3S
D12 2J	IC5L	RV14 2R
D13 2O	IC5M	RV15 2R
D14 2O	IC5N	RV16 1R
D15 2O	IC5P	RV17 1R
D16 2O	IC5Q	(CD-31 BOARD)
D18 1A	IC5R	RV401 9A
D19 1A	IC6 II	RV402 9A
D20 1A	IC7 1K	
D21 1A		S1 1A
D22 1A	(CD-31 BOARD)	S2 1A
D23 1A	IC7C	S3 2A
D24 2A		S4 3A
D25 2A	IC8 1M	S5 3A
D26 2A		S6 4A
D27 3A	(CD-31 BOARD)	S7 4A
D28 3A	IC8B	S8 1B
D29 3A	IC8C	
D30 3A	IC8E	TP1 1F
D31 3A		TP2 1B
D32 3A		TP3 1G
D33 3A	IC9 1P	TP4 1J
D34 4A	(CD-31 BOARD)	TP5 1Q
D35 4A	IC9B	TP6 1O
D36 4A	IC9D	TP7 1O
D37 4A	IC10D	TP8 1R
D38 4A		TP9 1B
D39 4A	IC11 1Q	TP10 1G
D40 1B	IC12 1S	TP11 2H
D41 1B	IC13 1S	TP12 2O
D42 1B	IC14 1F	TP13 2N
D43 1B	IC15 1F	TP14 3Q
	IC16 2H	TP15 3D
(PS-P)	IC17 2K	TP16 4O
D44 4A	IC18 2M	TP17 4P
D45 3P	IC19 2N	TP18 1C
D46 3M	IC21 2P	TP19 4E
	IC22 2S	TP20 5D
D47 3H	IC23 2S	TP21 3R
(CD-31 BOARD)	IC24 3G	TP22 2A
D401 9A	IC25 3H	TP24 2A
D402 9C	IC26 3J	TP30 2E
D403 9D		TP31 2E
D404 9D	(PS/P)	
IC1	IC27 3K	(CD-31 BOARD)
IC1E		TP401 10A
IC1C	IC28 3L	TP402 10A
IC1D	IC29 3M	TP403 10B
IC2	IC31 3R	TP404 10B
IC2E	IC32 3R	
	IC33 3S	TPE1 1D
IC2C	IC34 1Q	TPE2 1S
IC2D	IC35 2O	TPE3 3R
IC3	IC37 1E	TPE4 5A
IC3B		TPE5 3R
IC3C	01 1E	TPE6 3A
IC3E	03 1H	
IC3F	04 1H	
IC4	05 1H	
IC4B	06 1H	
IC4C	07 1I	
IC4D	08 1I	
IC4E	09 1I	
IC4G	010 1J	
IC4H	011 1Q	
IC4I	012 1Q	
IC4J	013 2F	
IC4K	015 2I	
IC4L	016 2O	
IC4M	017 2P	
IC4N	018 2I	
IC4O	019 2J	
IC4P	020 2N	
IC4Q	021 3O	
IC4R	022 3O	
IC4S	(PS/P)	
	Q23 3O	
	RB1 2A	

BVH-2000/PS/PM C-78
 BVH-2160/PS/PM C-79
 BVH-2500/P C-108
 C-109
 C-110
 C-80

2500(J); #10001 - 10799 1-606-705-13
2500(U/C); #10001 - 11399

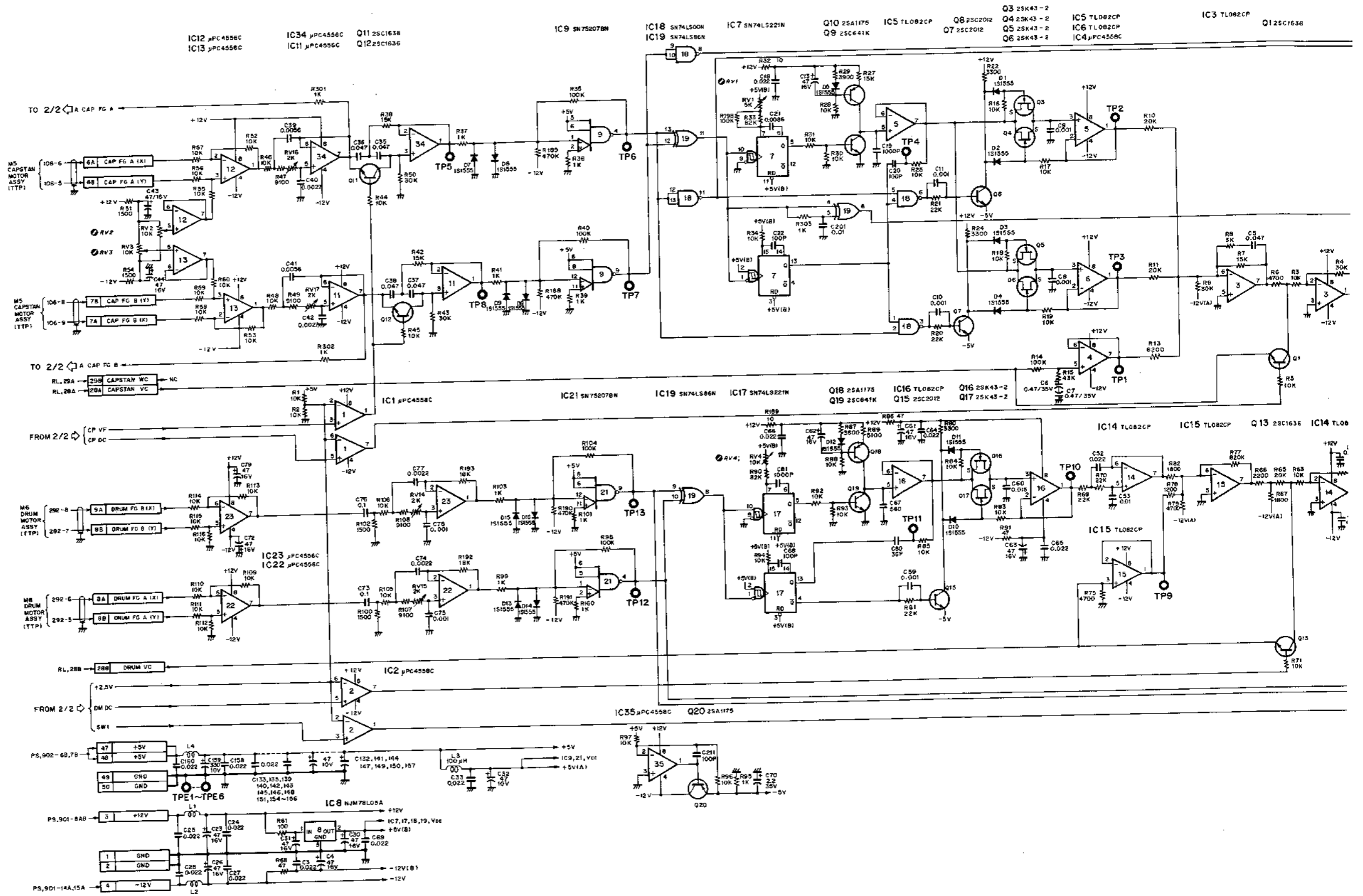
CARD RACK CD-17 (1/2)

CD-17 (1/2) CARD RACK

1-606-705-13 2500(J); #10001 - 10799
2500(U/C); #10001 - 11399

CD-17 BOARD (1/2)

Capstan/Drum Servo



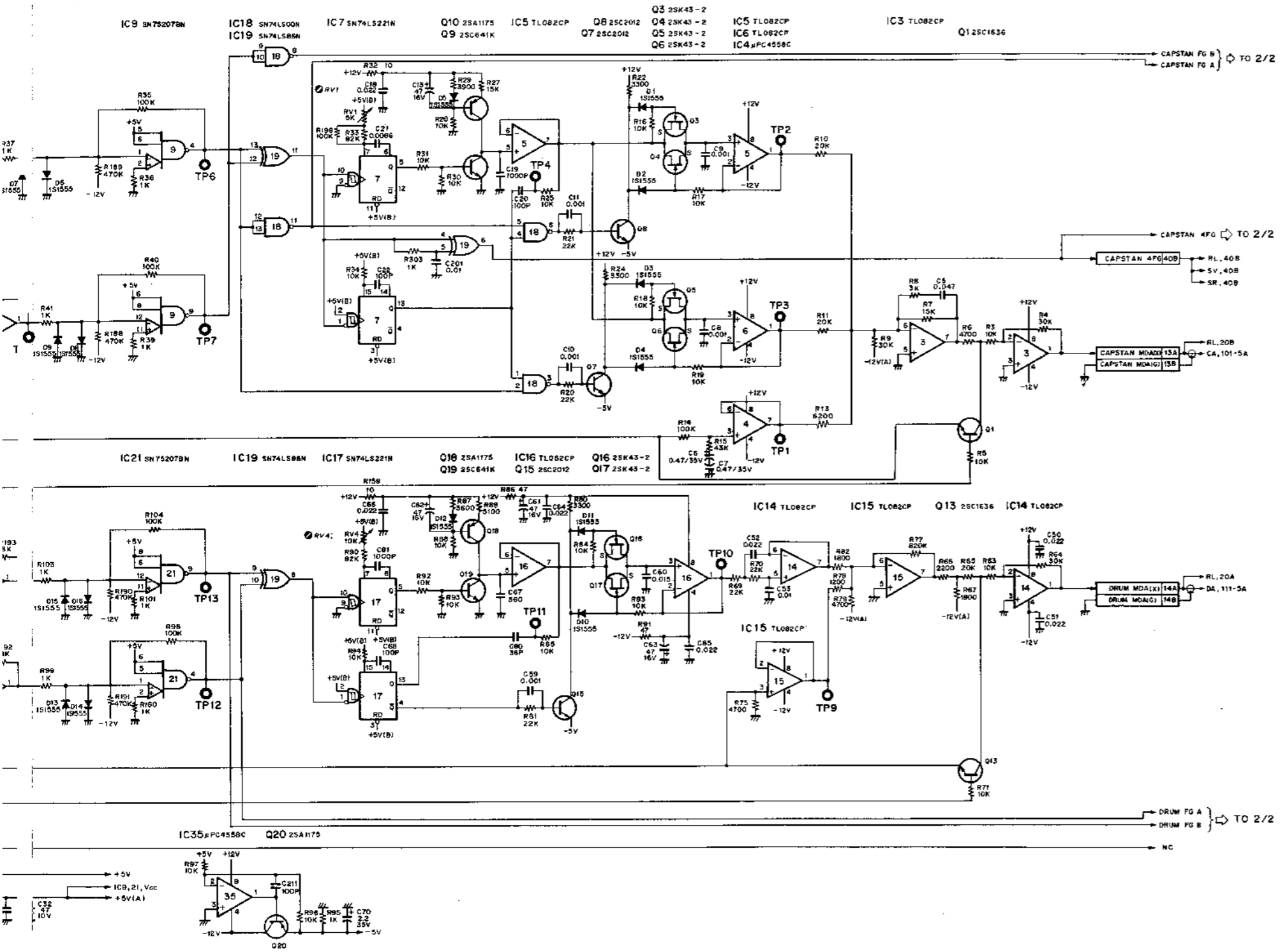
BVH-2180/PS/PM
BVR-2000/PS/PM

C-113

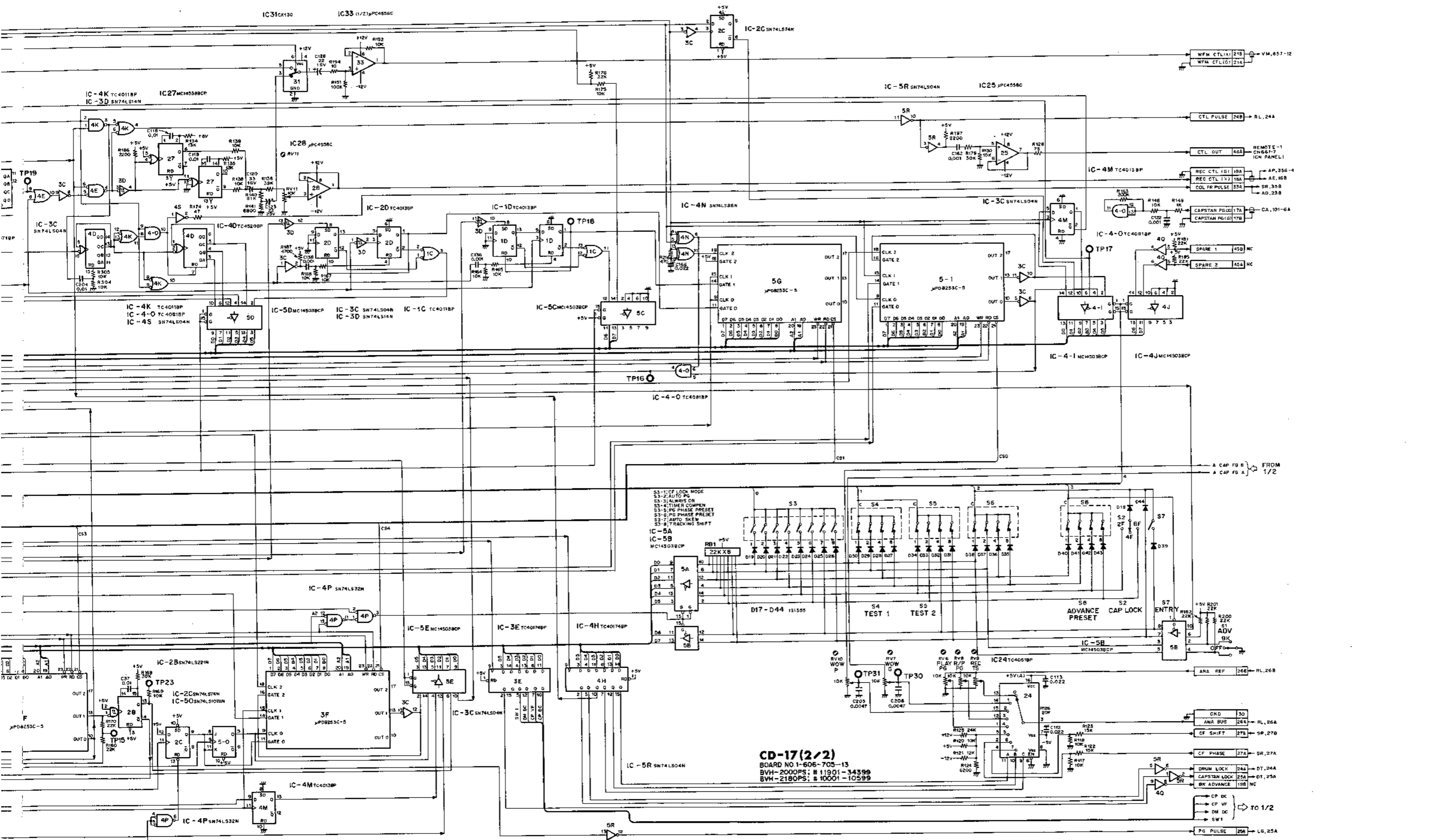
C-112

C-111

BVH-2500/P



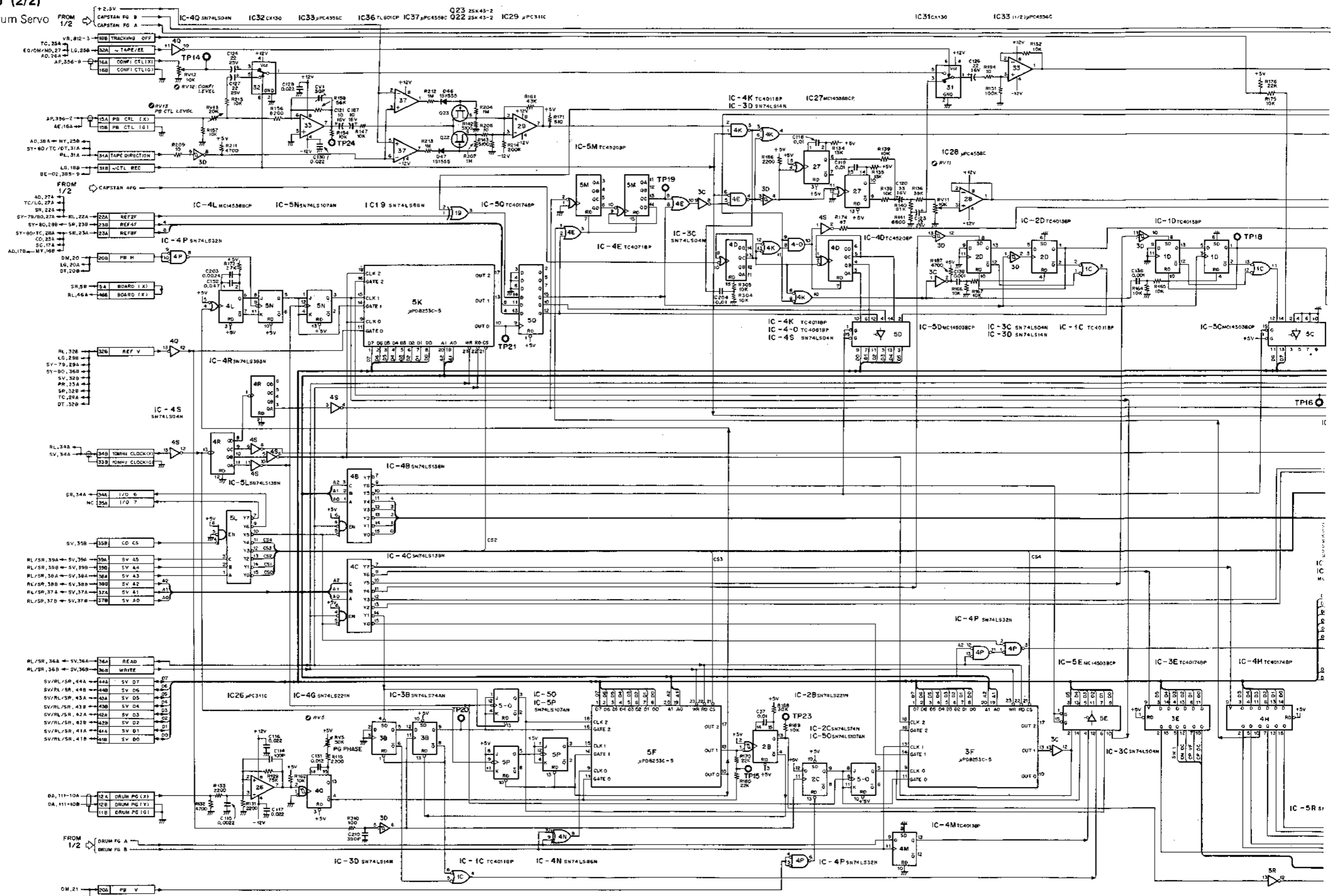
CD-17 (1/2)
BOARD NO. 1-606-705-13
BVH - 2000PS; # 11901-34399
BVH - 2180PS; # 10001-10599

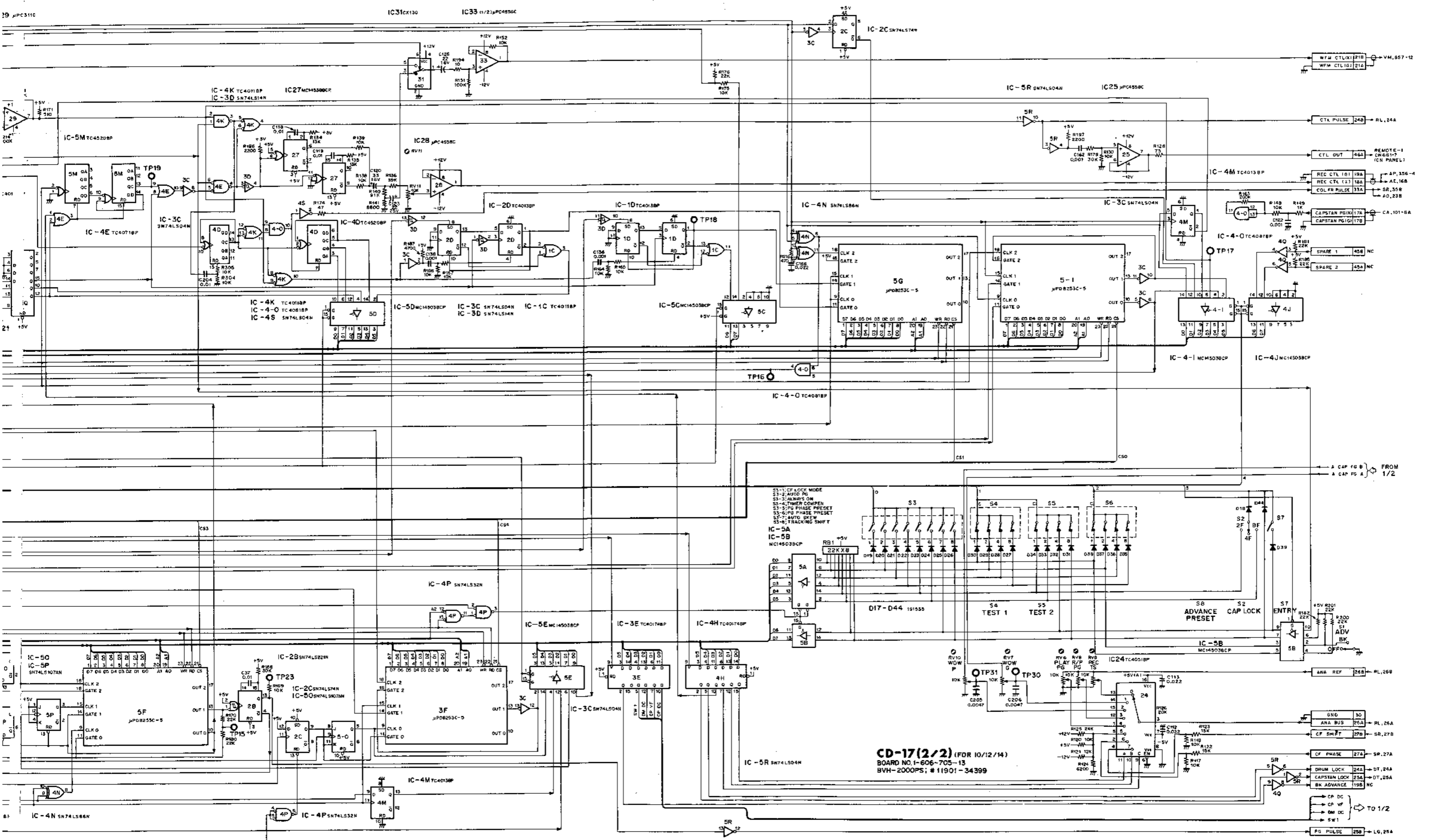


CD-17 (2/2)
 BOARD NO 1-606-705-13
 BVH-2000PS; # 11901-34399
 BVH-2180PS; # 10001-10599

CD-17 BOARD (2/2)

Capstan/Drum Servo





CD-17(2/2) (FOR 10/12/14)
 BOARD NO. I-606-705-13
 BVH-2000PS; # 11901-34399

CD-17 BOARD (1-606-705-14) Component Side

BVH-2500

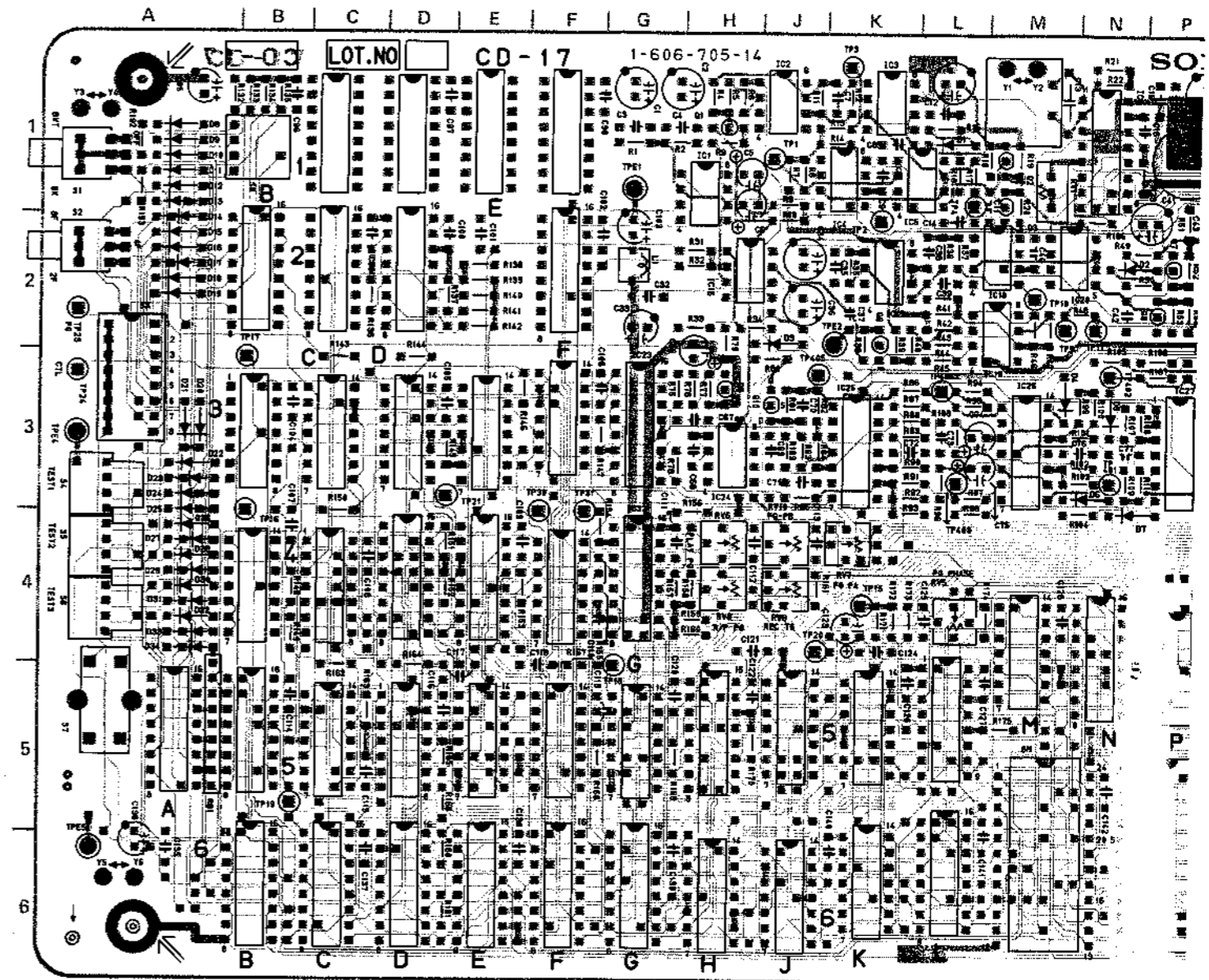
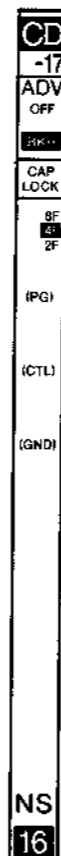
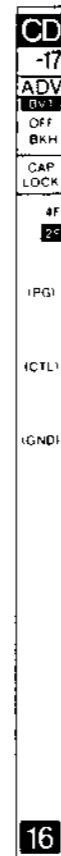
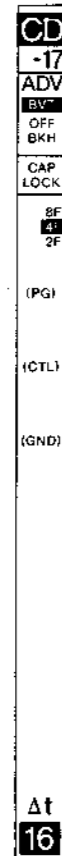
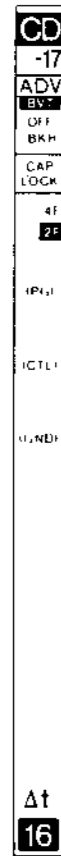
BVH-2500P

BVH-2000PS/PM
BVH-2180PS/PM

BVH-2000
BVH-2180

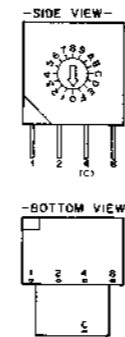
BVH-2000PS
(For 10/12/14 MODEL)

BVH-2000
(For 10/12 MODEL)



1-606-705-14 COMPONENT SIDE

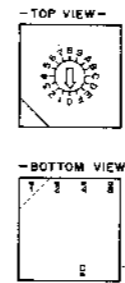
S4, 5, 6



TYPE S-1041

POSITION	PIN NO	1	2	3	4
0					
1					
2					
3					
4					
5					
6					
7					
8					
9					
A					
B					
C					
D					
E					
F					

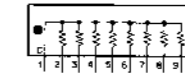
S8

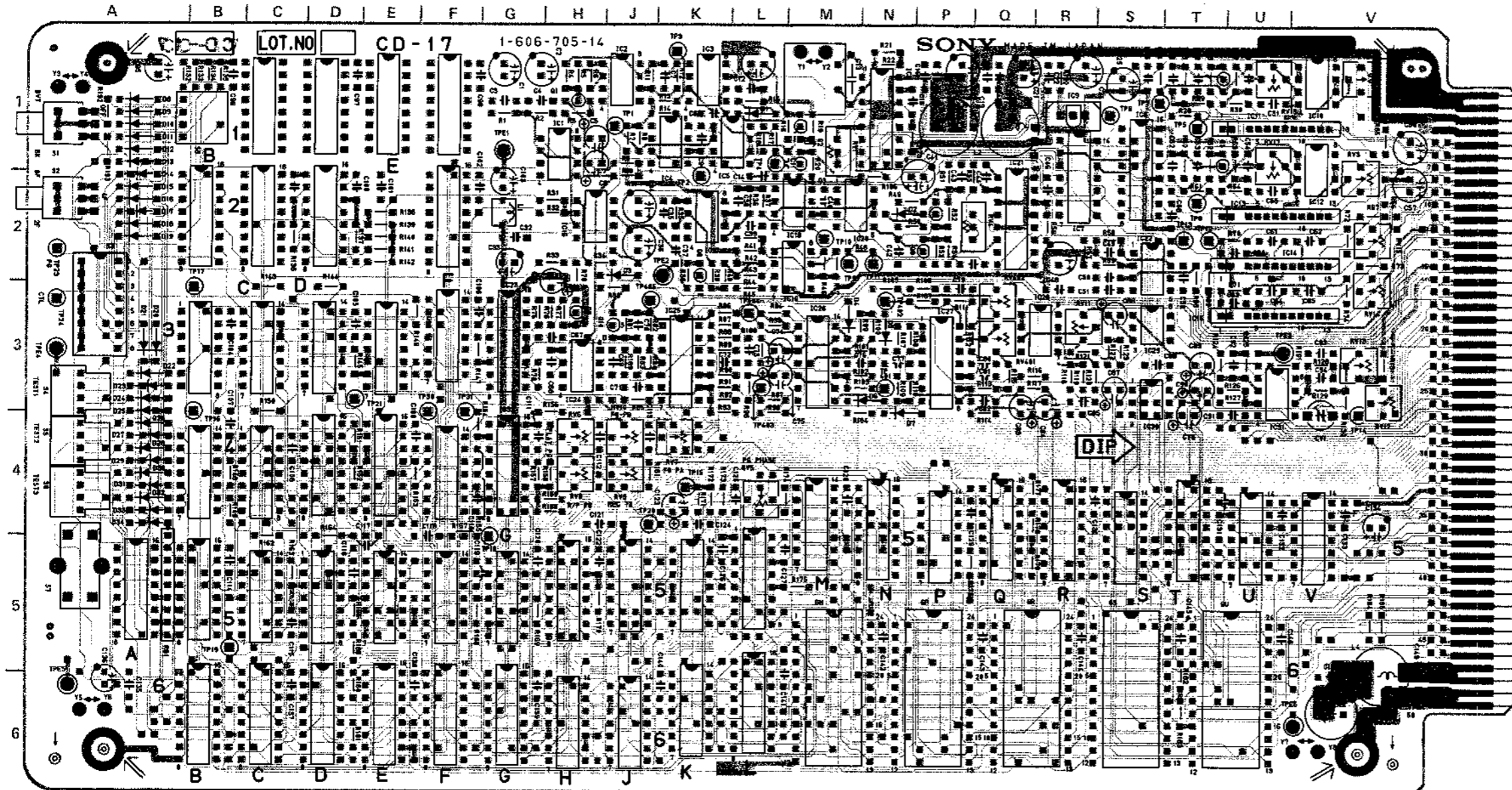


TYPE S-1040

POSITION	PIN NO	1	2	3	4
0					
1					
2					
3					
4					
5					
6					
7					
8					
9					
A					
B					
C					
D					
E					
F					

RB1





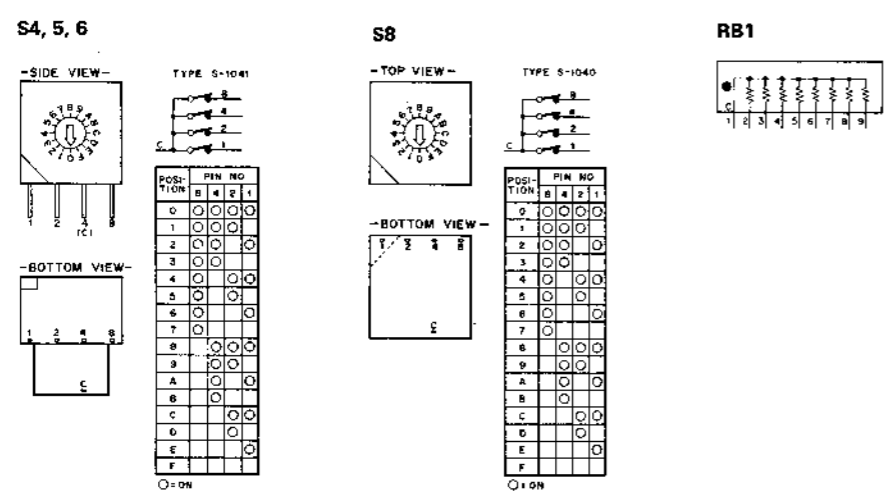
1-606-705-14 COMPONENT SIDE

1-606-705-14 SOLDER SIDE

CD-17 (1-606-705-14 & UP)

BWH-2000/PS/PM
BWH-2180/PS/PM
BWH-2500/P

(PS/P)	IC5 IL	RV1 IM
CY1 3V	IC5A	RV2 IY
D1 1L	IC5B	RV3 IV
D2 2N	IC5C	RV4 3P
D3 2J	IC5D	RV5 4L
	IC5E	RV6 4H
(PS/P)	IC5F	RV7 4K
D4 3K	IC5G	RV8 4H
D5 3N	IC5H	RV9 4J
D6 3M	IC5J	RV10 4J
D7 3N	IC5I	RV11 3R
	IC5K	RV12 2V
D8 1A	IC5L	RV13 2V
D9 1A	IC5M	RV14 2V
D10 1A	IC5N	RV15 2V
D11 1A	IC5P	RV16 1U
D12 1A	IC5Q	RV17 1U
D13 1A	IC5R	
D14 1A	IC5S	(PS/P)
D15 2A	IC5T	RV401 3R
D16 2A	IC5U	RV402 2O
D17 2A	IC5V	
D18 2A	IC6 IN	S1 1A
D19 2A	IC6	S2 2A
	IC6B	S3 2A
(PS/P)	IC6C	S4 3A
D20 3A	IC6E	S5 4A
D21 3A	IC6F	S6 4A
D22 3A	IC6G	S7 5A
D23 3A	IC6H	S8 1B
D24 3A	IC6J	
D25 3A	IC6K	TP1 1J
D26 4A	IC6L	TP2 1K
D27 4A	IC6M	TP3 1K
D28 4A	IC6P	TP4 1L
D29 4A	IC6R	TP5 1T
D30 4A	IC6S	TP6 1S
D31 4A	IC6U	TP7 1S
D32 4A	IC7 2R	TP8 1S
D33 4A	IC8 1S	TP9 2M
D34 4A	IC9 1R	TP10 2M
	IC10 1V	TP11 2M
IC1 1H	IC11 1U	TP12 2T
IC2 1E	IC12 2V	TP13 2T
IC2B	IC13 2U	TP14 3V
(PS/P)	IC14 2V	TP15 4K
IC3 1K	IC15 3U	TP16 4B
IC3C	IC16 2M	TP17 2B
IC3D	IC17 2K	TP18 5G
IC3E	IC18 2M	TP19 5B
(PS/P)	IC19 2M	TP20 4J
IC3F	IC20 2L	TP21 3E
	IC21 2O	TP22 2A
IC4 1K	IC22 2S	TP23 3A
IC4B		TP24 3A
IC4C	(PS/P)	TP30 3F
IC4D	IC23 3G	TP31 3F
IC4E		TP401 3F
IC4F	IC24 3H	(PS/P)
	IC25 3K	TP402 3H
		TP403 3L
		TP404 3L
		TP405 3J
		TPE1 1G
		TPE2 2J
		TPE3 3U
		TPE4 3A
		TPE5 6A
		TPE6 6V

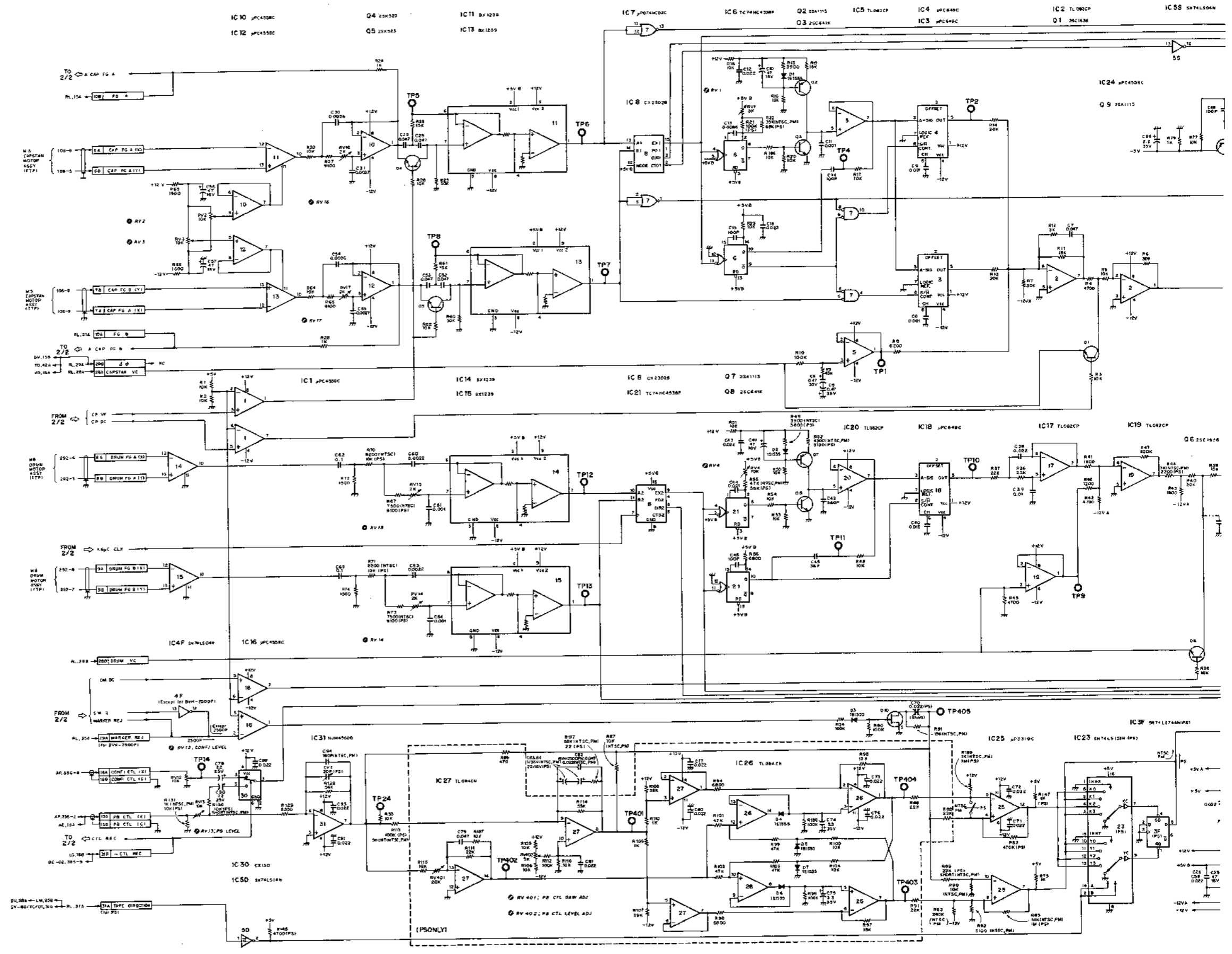


C-89(9/25)

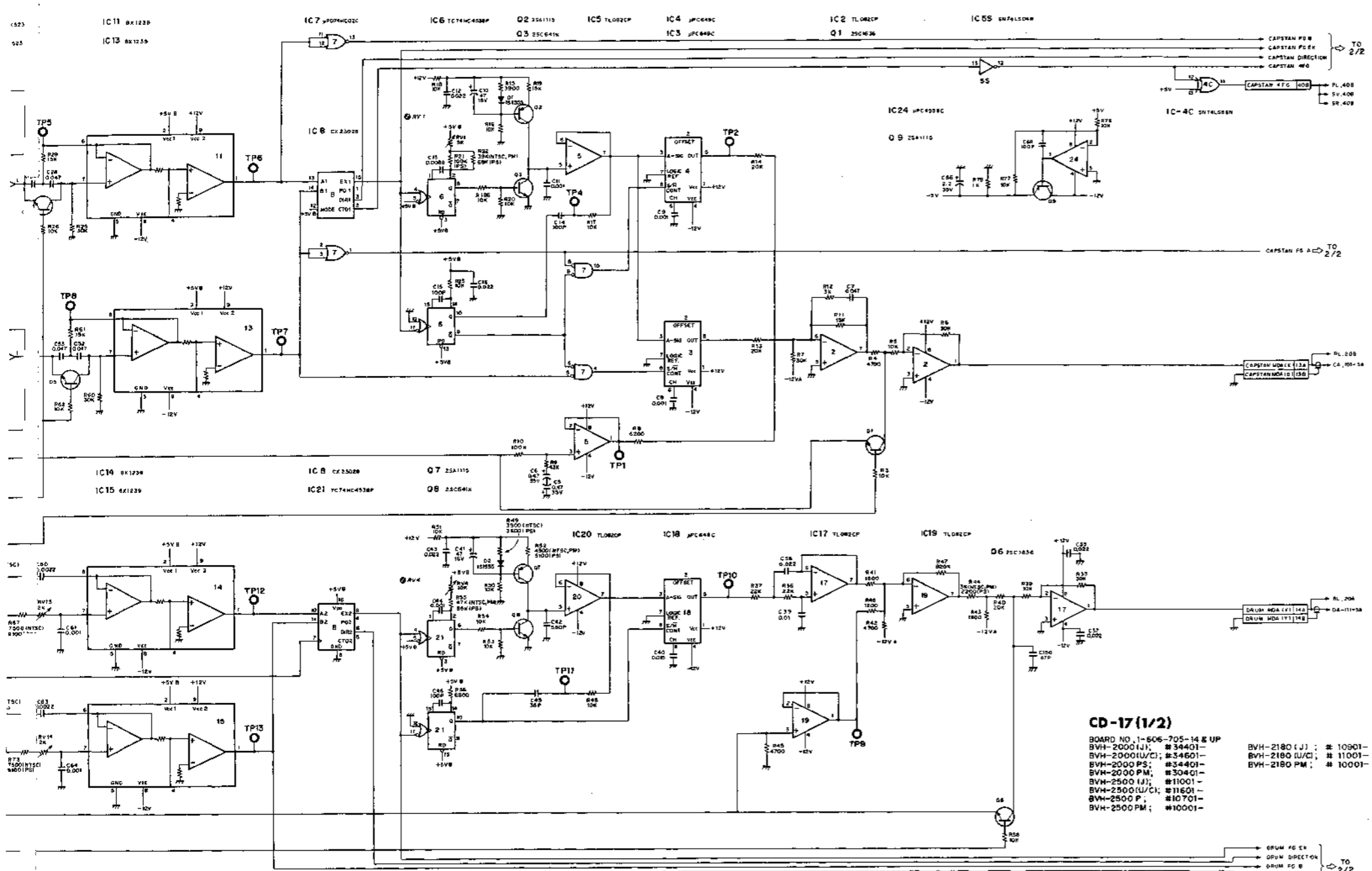
C-89(10/25)

BVH-2500 C-119(14/25) C-119(15/25) C-119(16/25) C-119(17/25) C-119(18/25) C-119(19/25) C-119(20/25) C-119(21/25) C-119(22/25) C-119(23/25) C-119(24/25) C-119(25/25)
 BVH-2500P C-119(1/25) C-119(2/25) C-119(3/25) C-119(4/25) C-119(5/25) C-119(6/25) C-119(7/25) C-119(8/25) C-119(9/25) C-119(10/25) C-119(11/25) C-119(12/25) C-119(13/25) C-119(14/25) C-119(15/25) C-119(16/25) C-119(17/25) C-119(18/25) C-119(19/25) C-119(20/25) C-119(21/25) C-119(22/25) C-119(23/25) C-119(24/25) C-119(25/25)

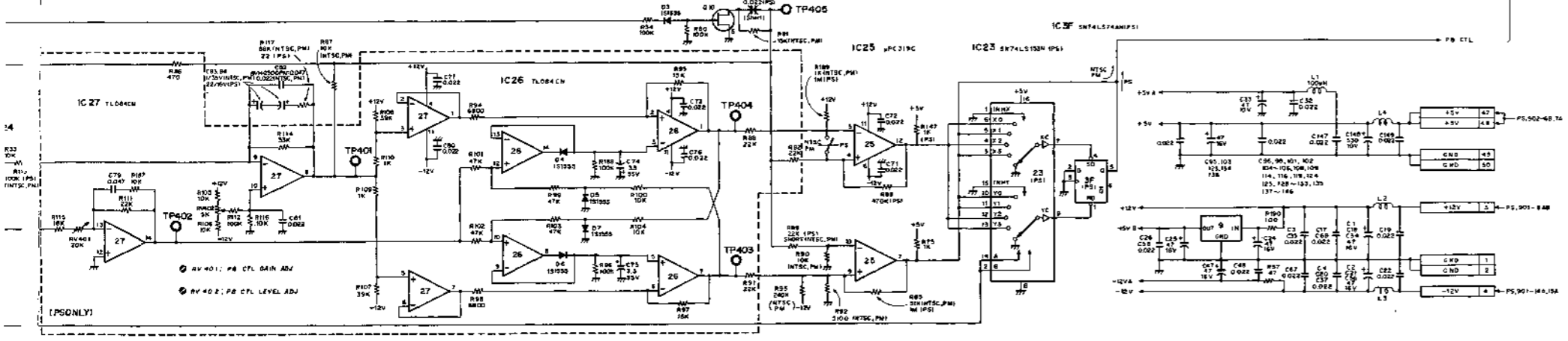
CD-17 BOARD (1/2)
Capstan/Drum Servo



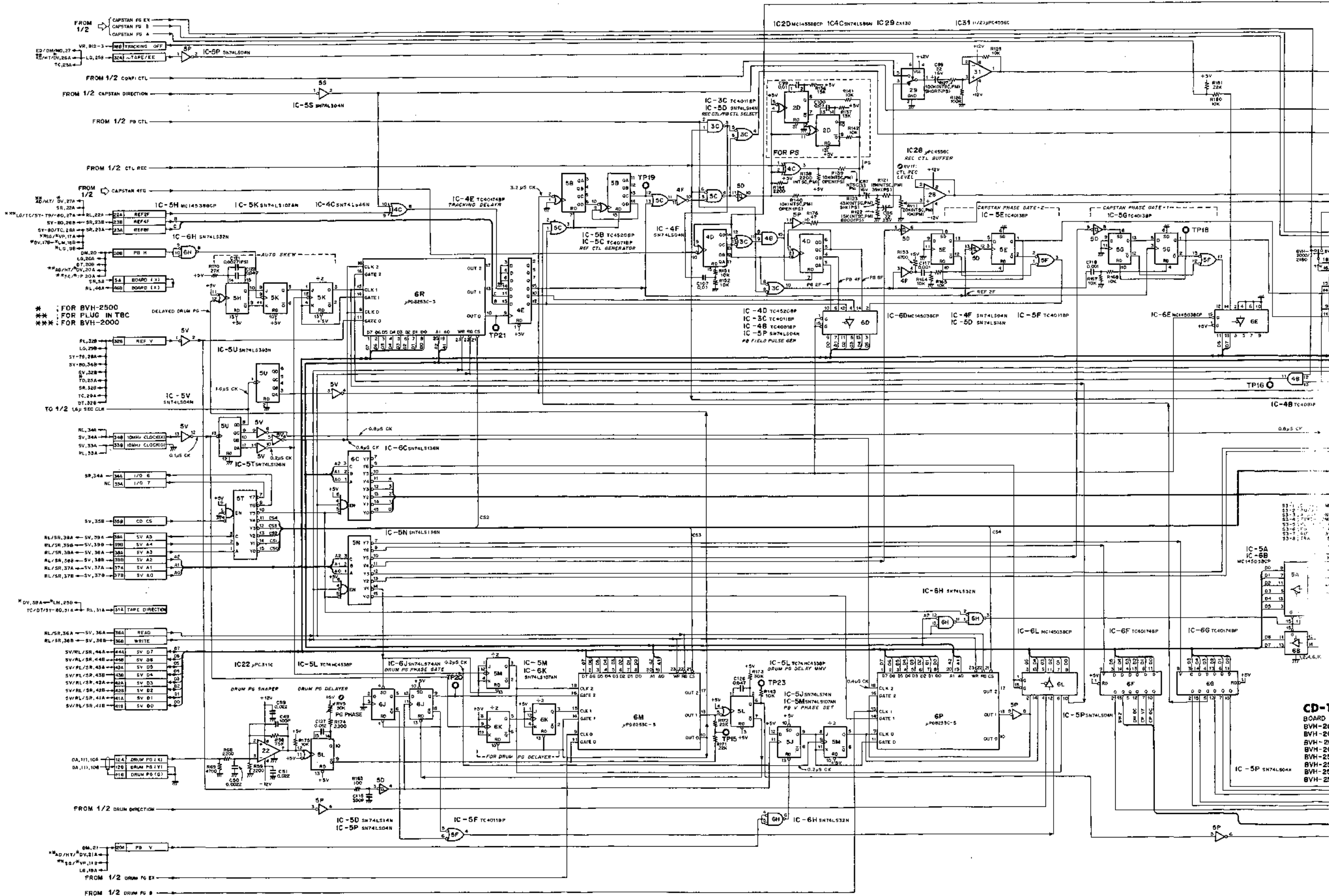
BVH-2500P
 BVH-2500
 C-119(5/13)
 C-119(17/25)
 C-119(6/13)
 C-119(18/25)
 C-119(7/13)
 C-119(1)
 BVH-
 /PS/PM
 C-89(11/25)
 C-89(12/25)
 C-89(13/25)



CD-17 (1/2)
 BOARD NO. 1-606-705-14 & UP
 BVH-2000 IJ; # 34401-
 BVH-2000 IJ/C; # 34601-
 BVH-2000 PS; # 34401-
 BVH-2000 PM; # 30401-
 BVH-2500 IJ; # 11001-
 BVH-2500 IJ/C; # 11601-
 BVH-2500 P; # 10701-
 BVH-2500 PM; # 10001-
 BVH-2180 IJ; # 10001-
 BVH-2180 IJ/C; # 11001-
 BVH-2180 PM; # 10001-

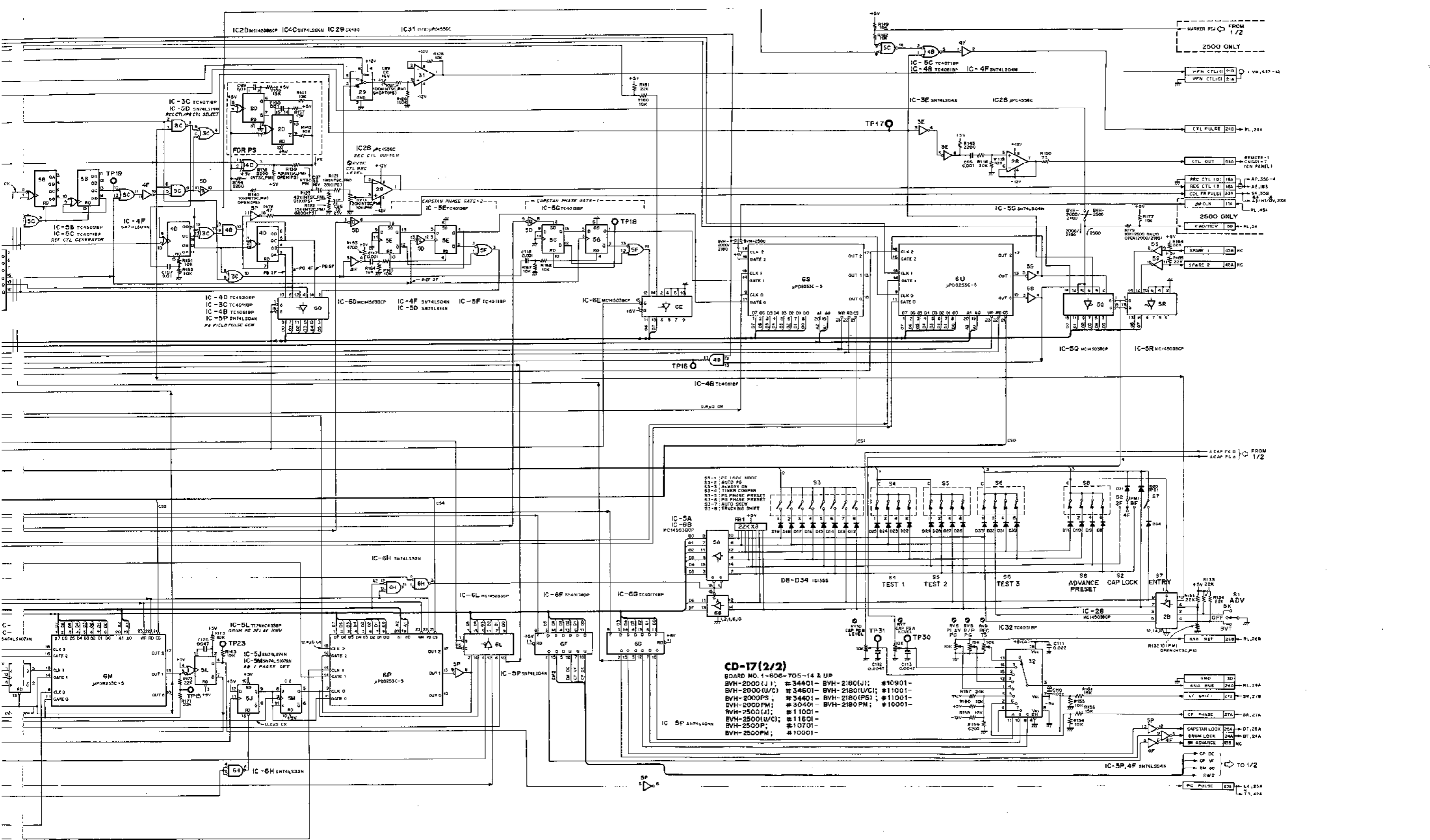


CD-17 BOARD (2/2)
Capstan/Drum Servo



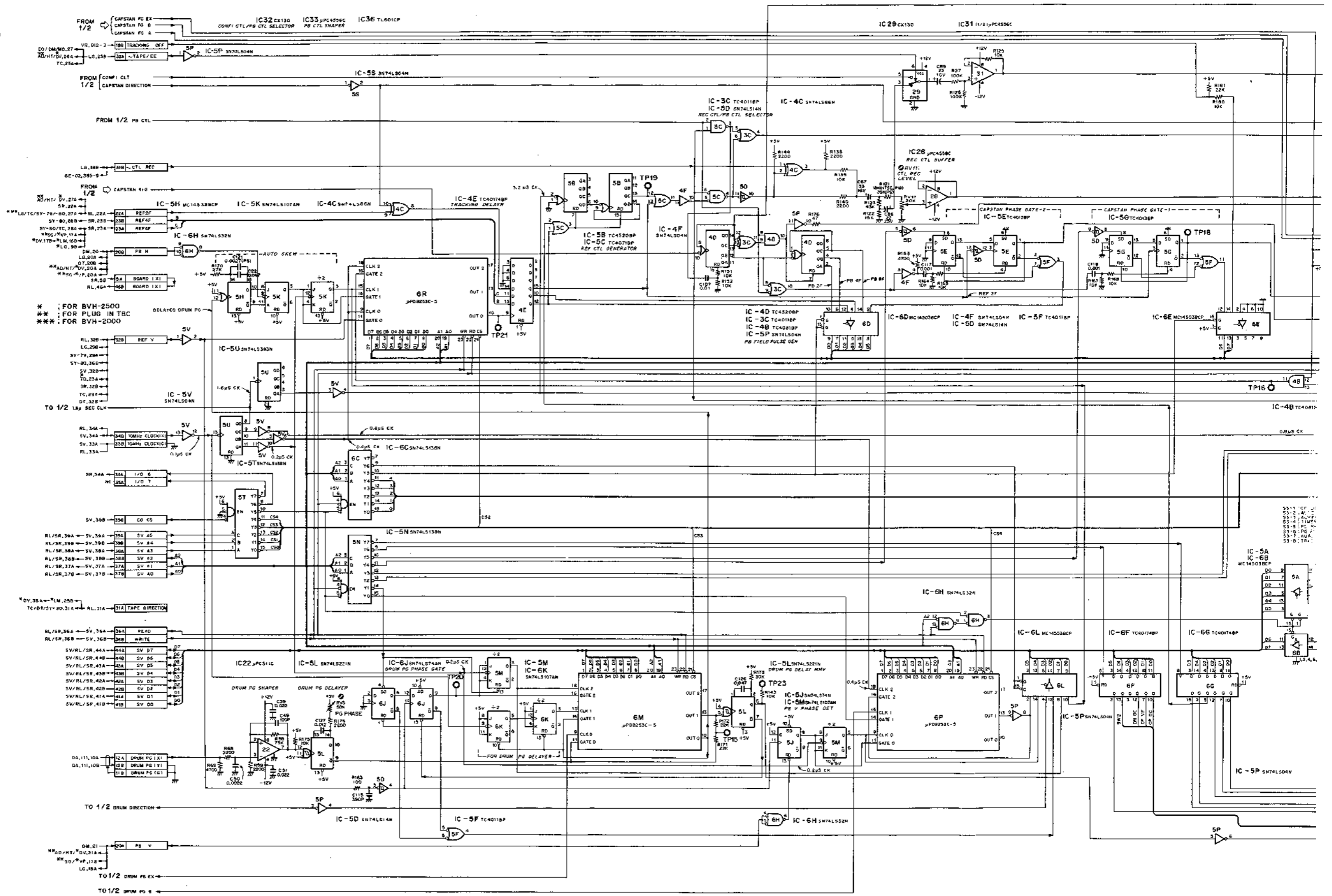
C-89(19/25)
C-89(18/25)
C-89(17/25)
'S/PM
BVH-2
C-119(13/13)
C-119(12/13)
C-119(24/25)
C-119(23/25)
C-119(11/13)
C-119(10/13)
BVH-2500P
BVH-2500

CD-1
BOARD 1
BVH-2C
BVH-2C
BVH-2C
BVH-2C
BVH-2C
BVH-2C
BVH-2C
IC-5P SNTALS04N

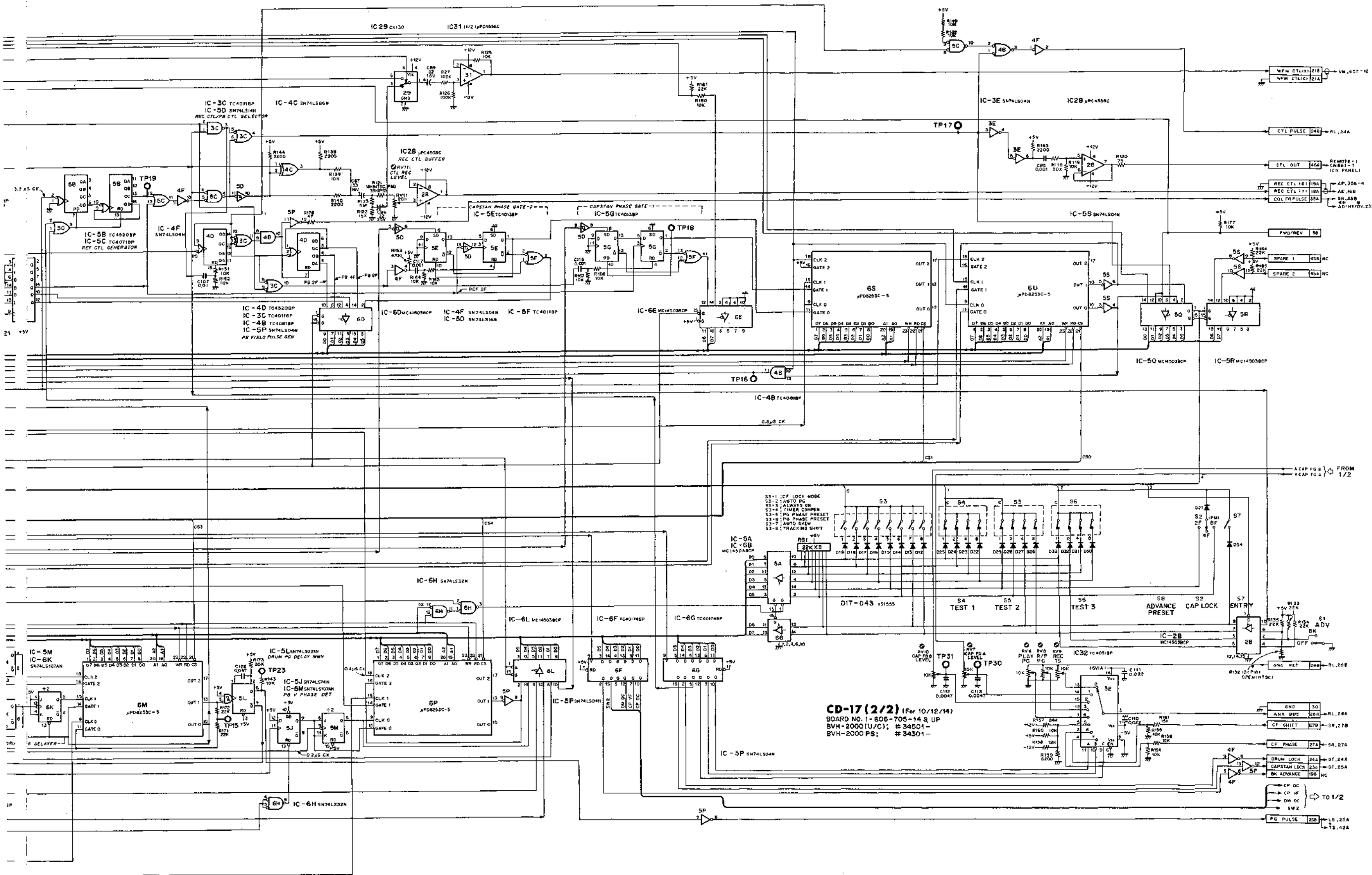


CD-17 (2/2)
 BOARD NO. 1-606-705-14 & UP
 BVH-2000(J); # 34401- BVH-2180(J); # 10901-
 BVH-2000(U/C); # 34601- BVH-2180(U/C); # 11001-
 BVH-2000(P); # 30401- BVH-2180(P); # 11001-
 BVH-2000(PM); # 30401- BVH-2180(PM); # 10001-
 BVH-2500(J); # 11001-
 BVH-2500(U/C); # 11601-
 BVH-2500(P); # 10701-
 BVH-2500(PM); # 10001-

CD-17 BOARD (2/2)
Capstan/Drum Servo



* FOR BVH-2500
 ** FOR PLUG IN TBC
 *** FOR BVH-2000

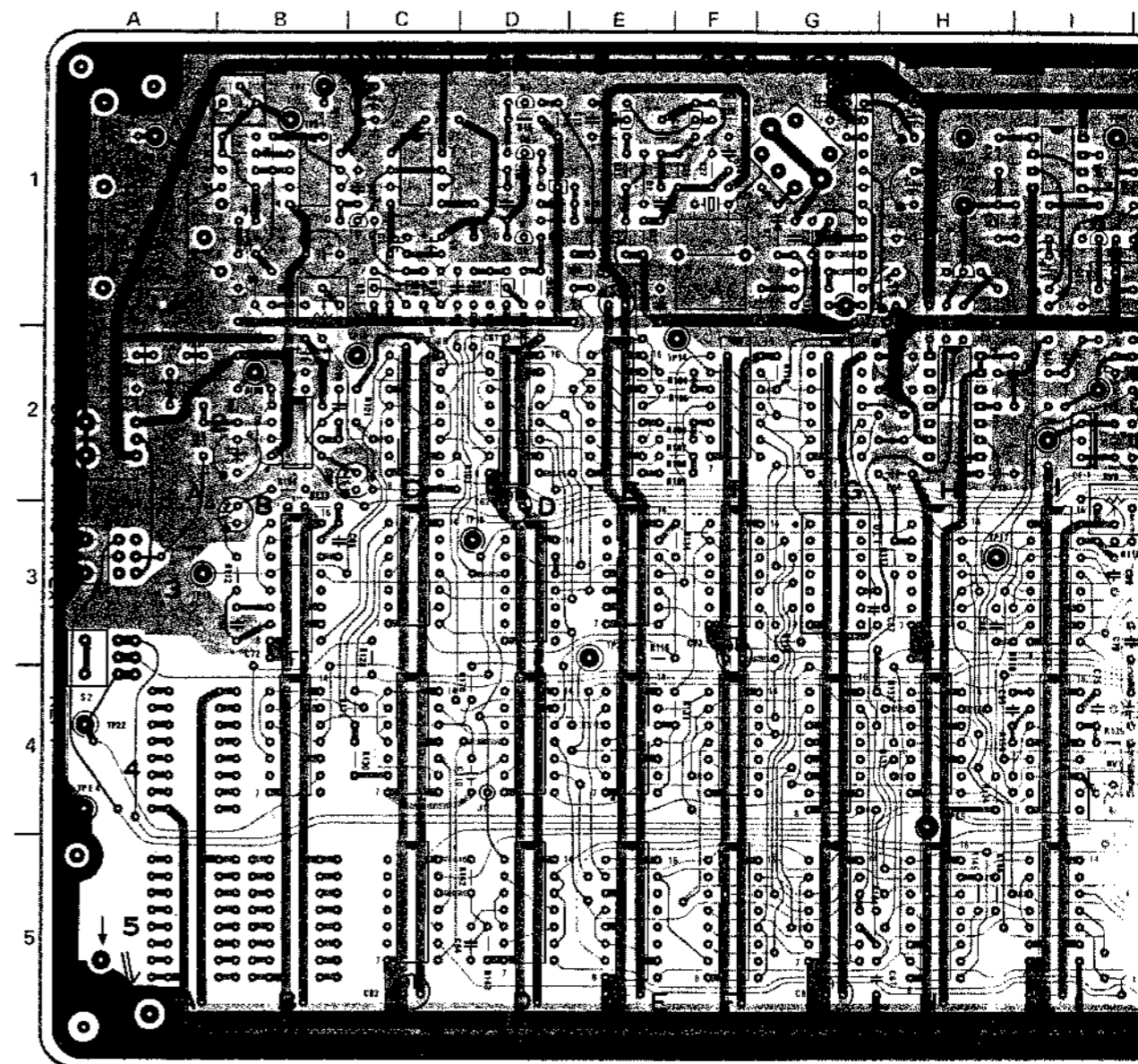
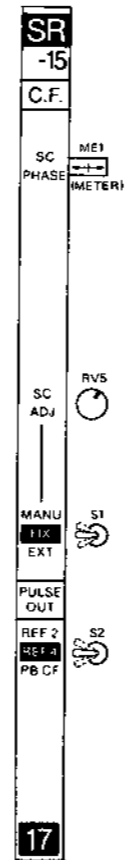
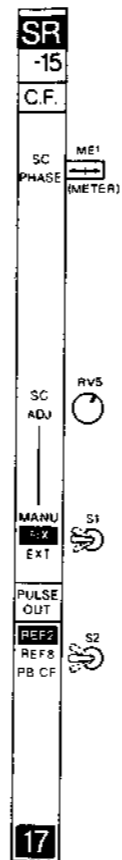


SR-15 BOARD (1-606-706-14)

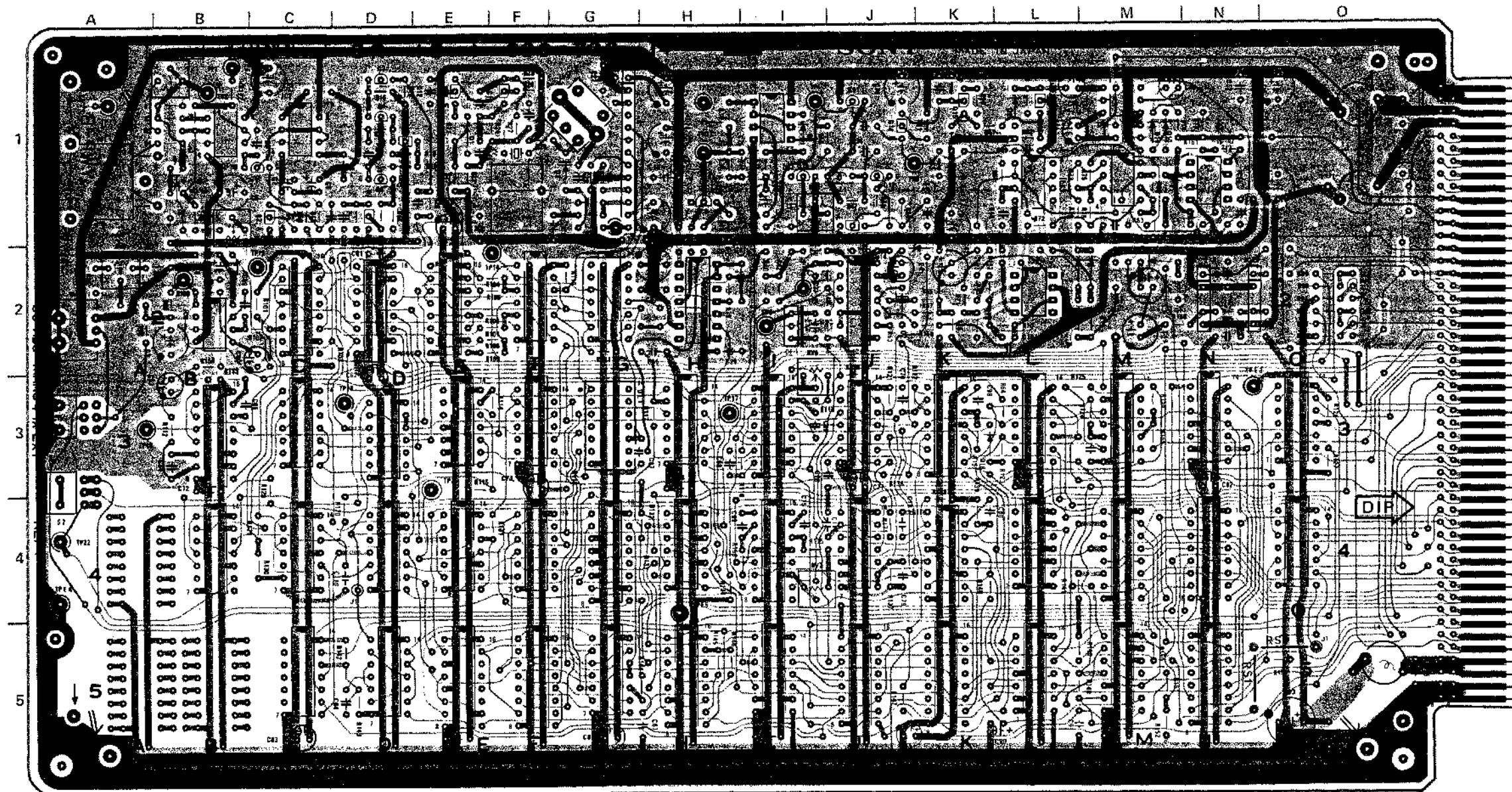
Component Side

BVH-2000PS/PM
BVH-2180PS/PM
BVH-2500P

BVH-2000
BVH-2180
BVH-2500



1-606-706-14 COMPONENT SIDE



1-606-706-14 COMPONENT SIDE

1-606-706-14 SOLDER SIDE

SR-15 (1-606-706-13 & 14)

BVH-2000/PS/PM	IC6	1M	
BVH-2180/PS/PM	IC7	1M	
BVH-2500/P	IC8	2B	
	IC9	2H	
D1	1E	IC12	2N
D2	1G	IC13	2N
D3	1I	IC14	2J
D4	2H	IC15	1N
D6	2J	IC16	2L
D7	2J		
D8	2M	LV1	1G
D9	1L		
D10	1M	ME1	1A
D11	1M		
D12	2M	O1	1C
D13	2L	O2	1C
D14	2M	O3	1D
D15	2L	O4	1D
D16	3K	O5	1D
		O6	1D
DL1	3G	O7	1D
		O8	1F
IC1	1B	O9	1H
IC2	1C	O10	1I
IC3C		O11	1J
IC3D		O12	1J
IC3E		O13	1J
IC3F		O14	1J
IC3G		O15	1K
IC3	1G	O16	1L
IC3B		O17	2D
IC3C		O18	2D
IC3D		O19	1E
(P, PS, PM)		RV1	1B
IC5E		RV2	1B
		RV3	1I
IC5F		RV4	2A
IC5H		RV5	2A
IC5J		RV6	3I
IC5K		RV7	4I
IC5L		S1	3A
IC5M		S2	3A
IC5N			
IC30		TP1	1B
IC4	1I	TP2	1B
IC4B		TP3	1B
IC4C		TP4	1I
IC4D		TP5	1J
IC4E			
(P, PS, PM)		(P, PS, PM)	
IC4F		TP8	2I
IC4G		TP9	2I
IC4H		TP12	2B
IC4I		TP13	2C
IC4J		TP14	1F
IC4K		TP15	3A
IC4L		TP16	3D
IC4M		TP17	3H
IC4N		TP22	4A
IC4O		TP23	1H
IC5	1L	TP25	3E
IC5C		TPE1	1A
IC5D		TPE2	1H
(P, PS, PM)		TPE3	5N
IC5E		TPE4	4A
IC5F		TPE5	4I
IC5G			
IC5H		X1	1F
IC5I			
IC5J			
IC5K			
IC5L			
IC5M			
IC5N			

100 /PM
180 /PM
500P

SR
-15
C.F.

SC PHASE
METER

SC ADJ
RV5

MANU
FIX
EXT

PULSE
OUT

REF 2
PB CF

17

BVH-2000
BVH-2180
BVH-2500

SR
-15
C.F.

SC PHASE
METER

SC ADJ
RV5

MANU
FIX
EXT

PULSE
OUT

REF 2
PB CF

17

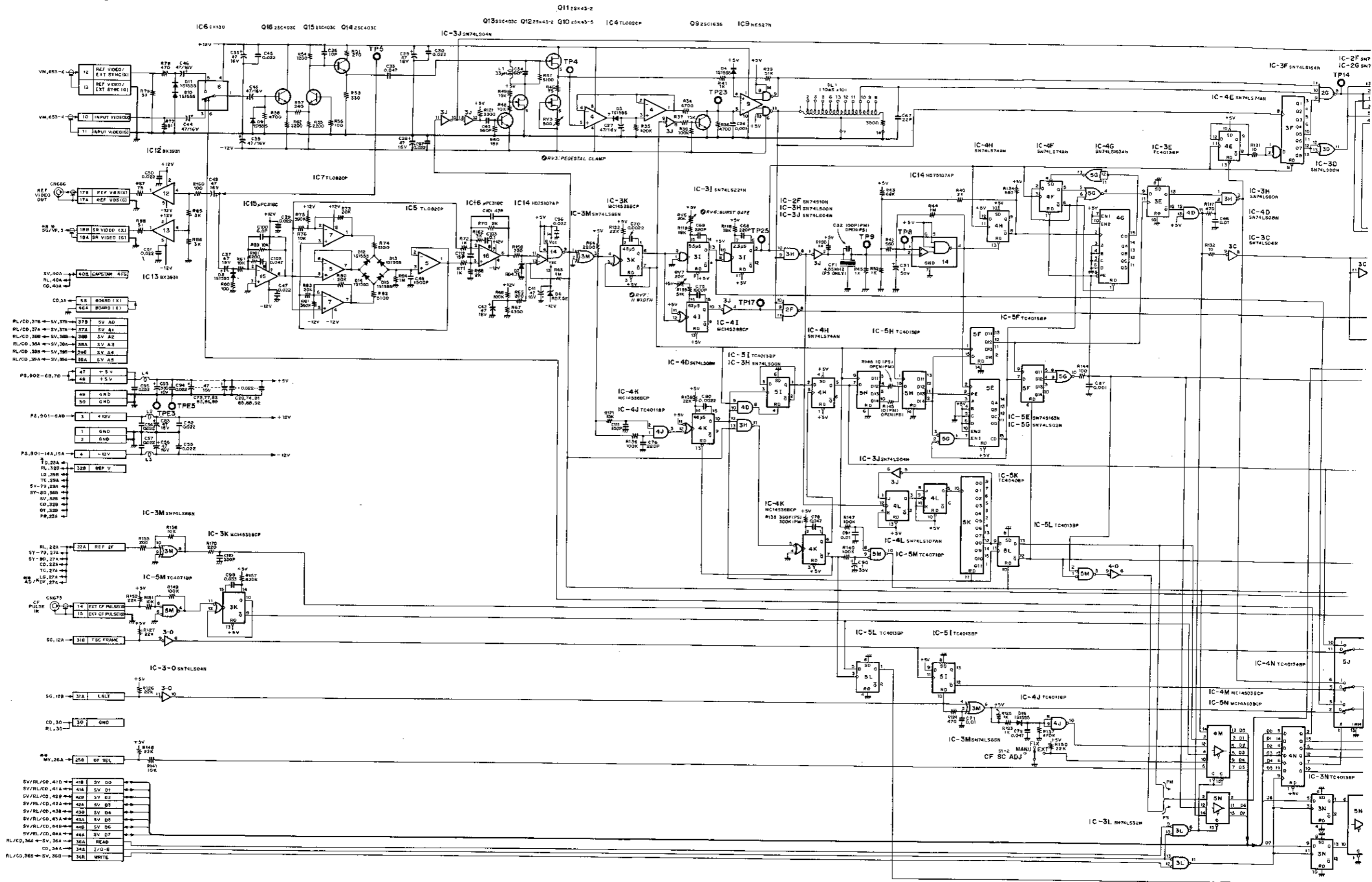
SR-15 BOARD

Servo Ref. Signal Generator

C-95

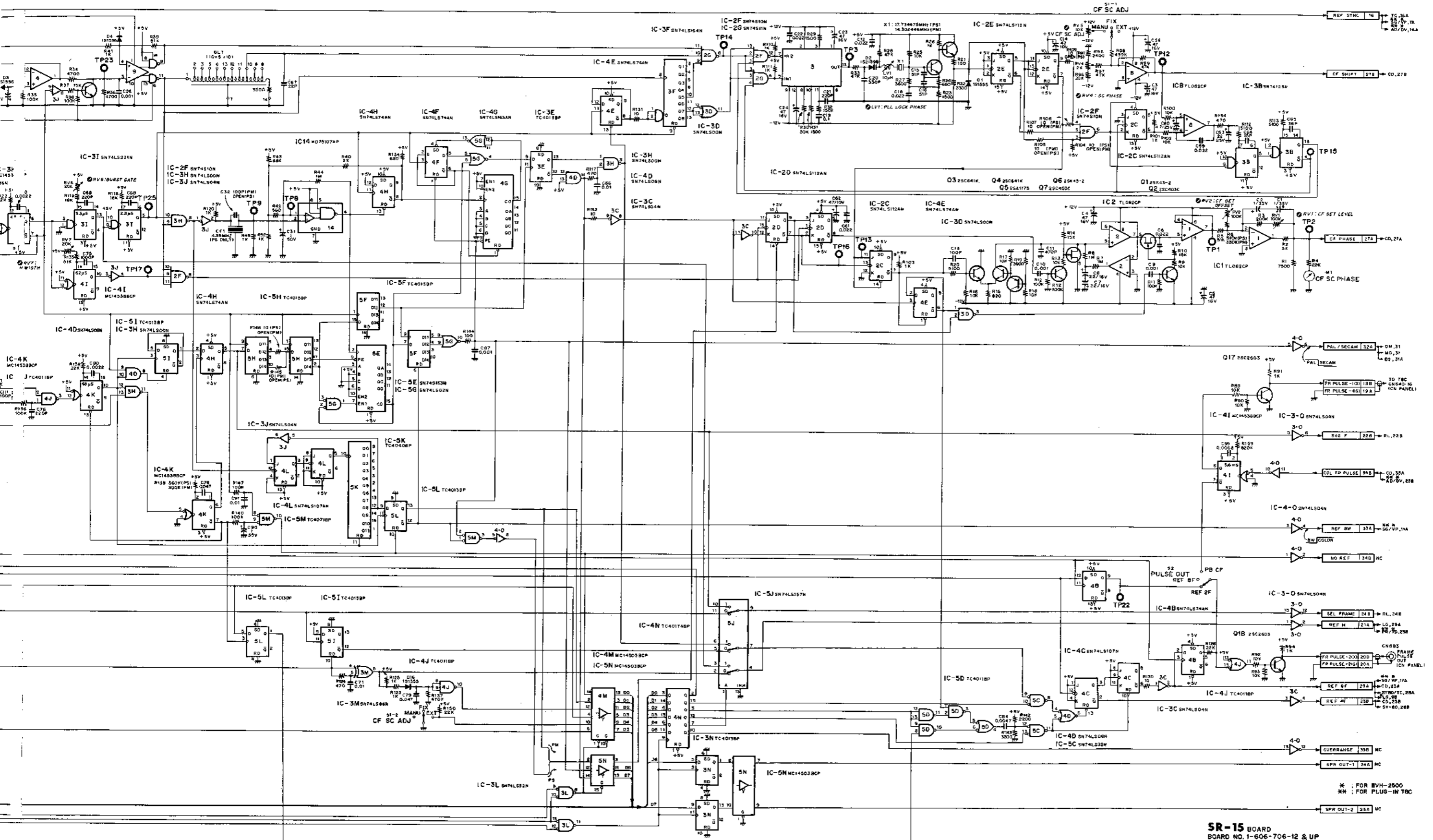
J4

BVH-2180/PS/PM
BVH-2000/PS/PM
C-93



1YLDZCP Q925C436 IC9M5527N

IC3B381 Q825C403C Q1925C403C



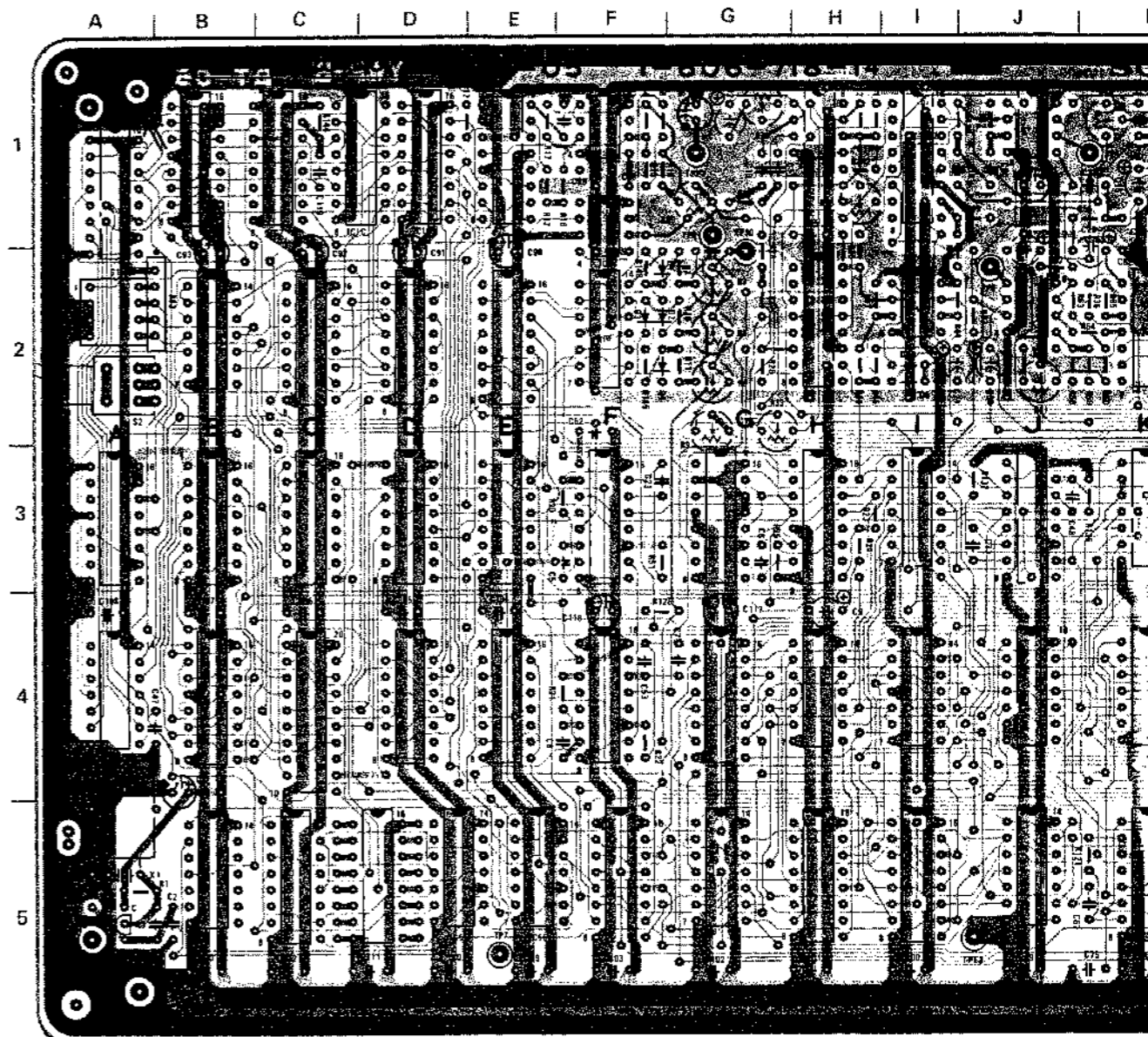
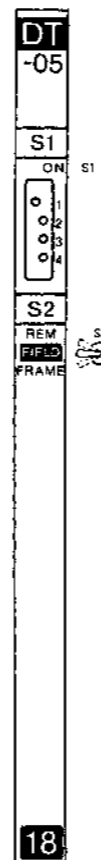
C-94

C-95

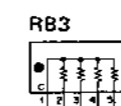
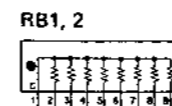
SR-15 BOARD
 BOARD NO. 1-606-706-12 & UP
 BVH-2000PS; #10301- BVH-2180PS; #10001-
 BVH-2000PM; #10001- BVH-2180PM; #10001-
 BVH-2500P; #10001-
 BVH-2500PM; #10001-

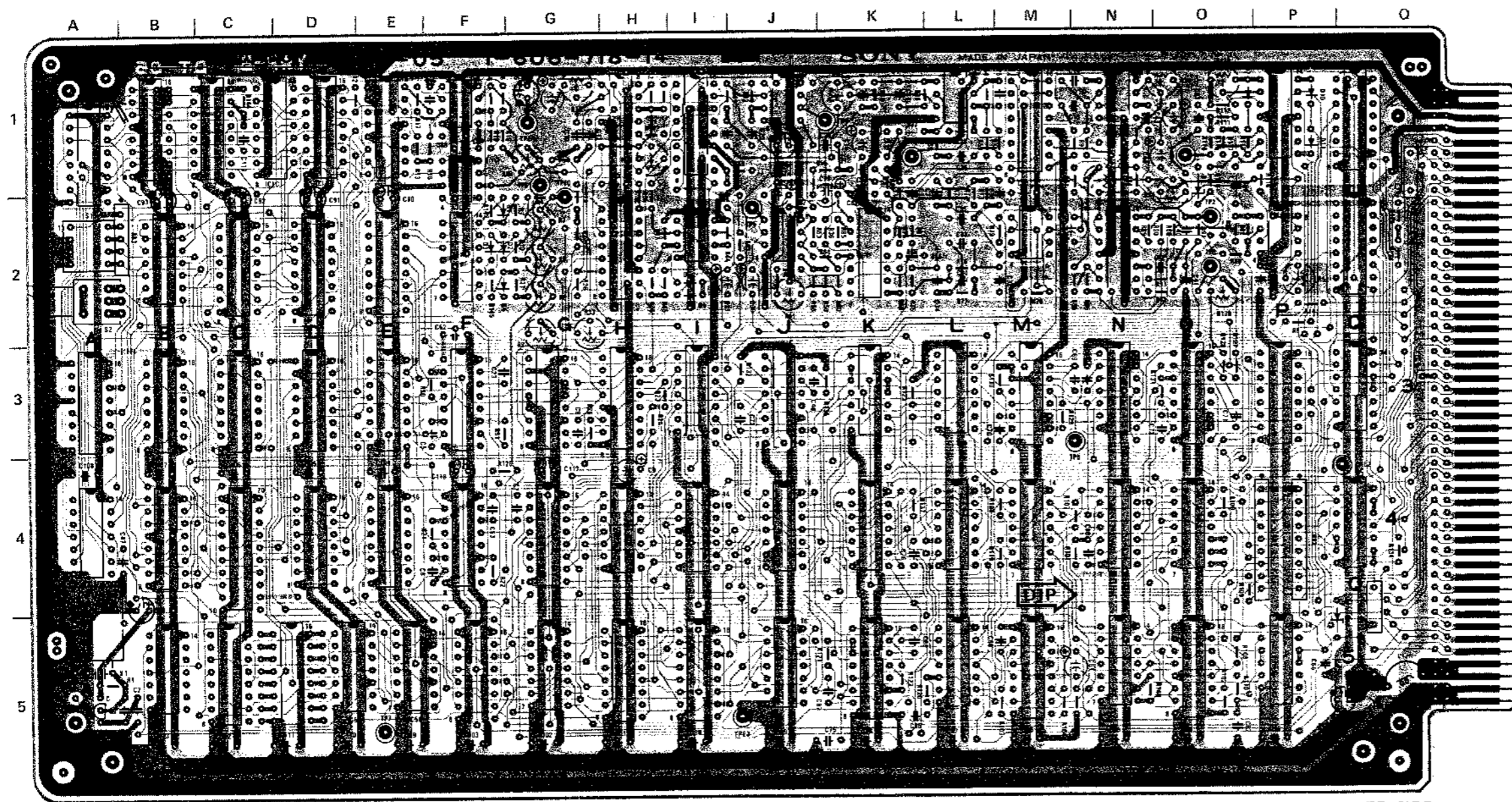
* : FOR BVH-2500
 ** : FOR PLUG-IN TBC

DT-05 BOARD (1-606-718-14)
Component Side



1-606-718-14 COMPONENT SIDE





DT-05 (1-606-718-13 & UP)

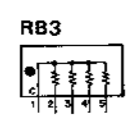
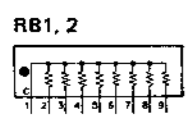
BVH-2000PS
BVH-2160PS
(02/12/04/14 MODEL)

BVH-2500P

D1	2F	IC4G
D2	2F	IC4H
D3	2F	IC4I
D4	2F	IC4J
D5	2I	IC4K
D6	2I	IC4L
D7	1P	IC4M
D8	1O	IC4N
D9	5Q	IC4O
D10	1P	IC4Q
D11	1P	IC58
		IC5C
IC1	1F	IC5C1
IC1A		IC5D
IC1B		IC5E
IC1C		IC5F
IC1C1		IC5G
IC1D		IC5H
IC1E		IC5I
IC1F		IC5J
IC1N		IC5K
IC1A		IC5L
IC1J		IC5M
IC1L		IC5N
IC1M		IC5O
IC1N		IC5P
IC1Q		
IC1P	Q1	5A
IC2A		
IC2B	R3	2G
IC2C	R5	2G
IC2D	R6	2G
IC2E	R9	2G
IC2F	R30	1G
IC2H	R33	2G
IC2I	R50	1K
IC2J	R52	2P
IC2K	R61	2J
IC2M	R87	1K
IC2N	R94	1O
IC2P	R96	1O
IC2Q	R98	1H
IC3A	R99	1G
IC3B	R138	2O
IC3D	R159	1O
IC3E		
IC3F	RB1	4P
IC3G	RB2	4P
IC3H	RB3	2A
IC3I		
IC3J	S1	3C
IC3K	S2	2A
IC3L	S3	1O
IC3M	S4	4O
IC3N		
IC3O	TP1	1O
IC3P	TP2	2O
IC3Q	TP3	2O
IC4A	TP4	1K
IC4B	TP5	2J
IC4C	TP6	1P
IC4D	TP7	5C
IC4E	TP8	3A
IC4F	TP9	1K
	TP10	1G
	TPE1	1G
	TPE2	3Q
	TPE3	5J
	X1	5A

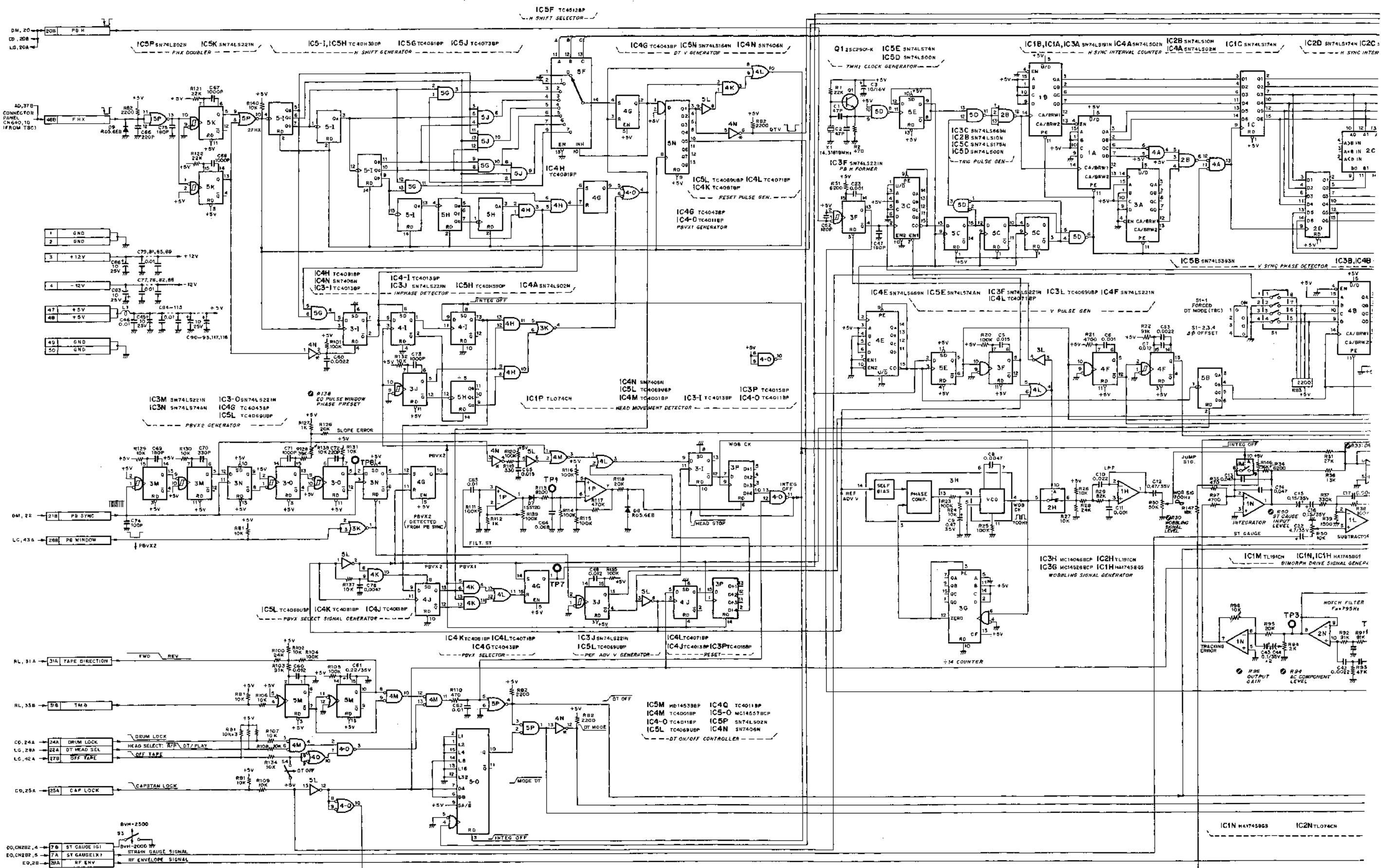
1-606-718-14 COMPONENT SIDE

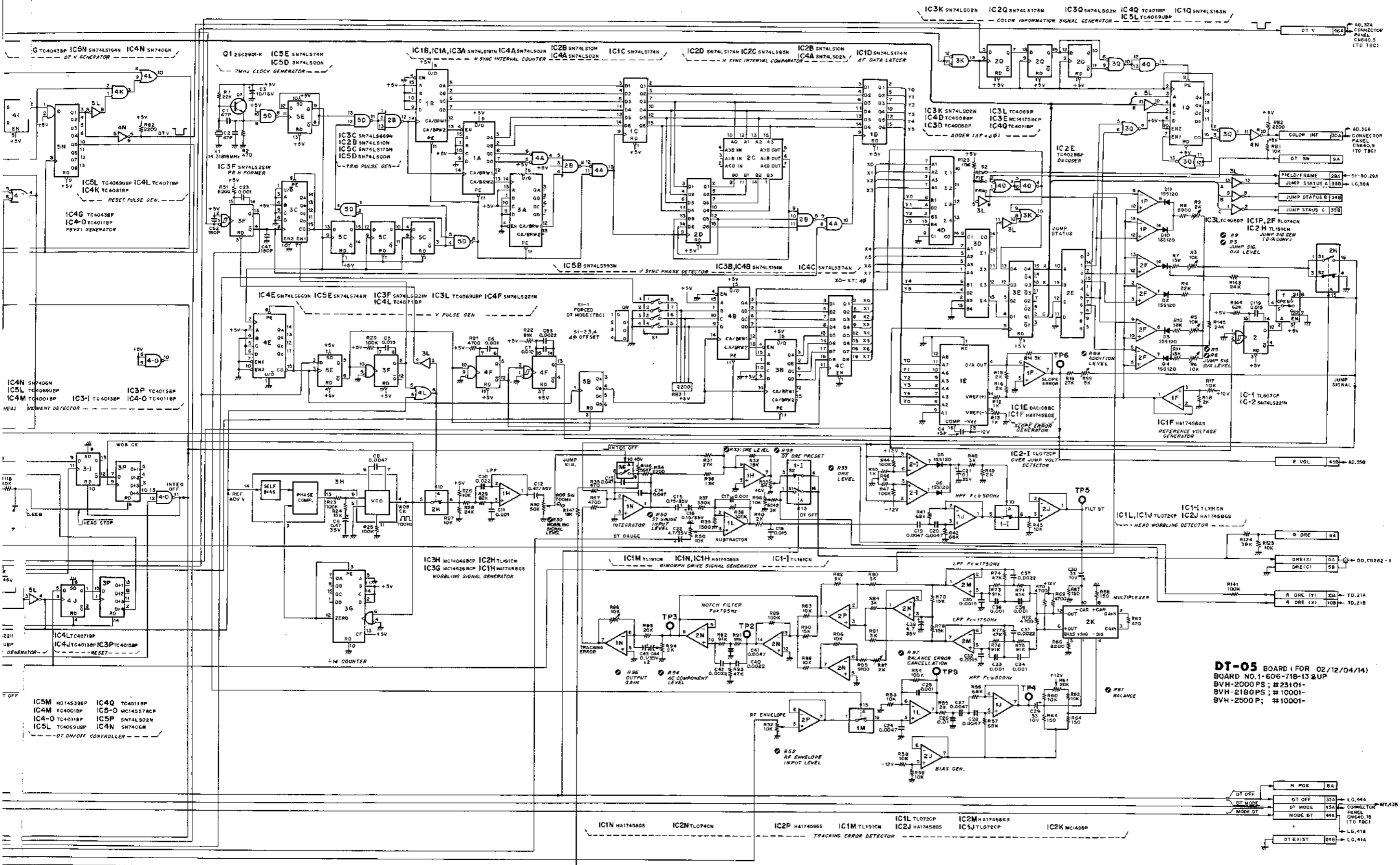
1-606-718-14 SOLDER SIDE



DT-05 BOARD; FOR 02/12/04/14 MODEL
DT Control

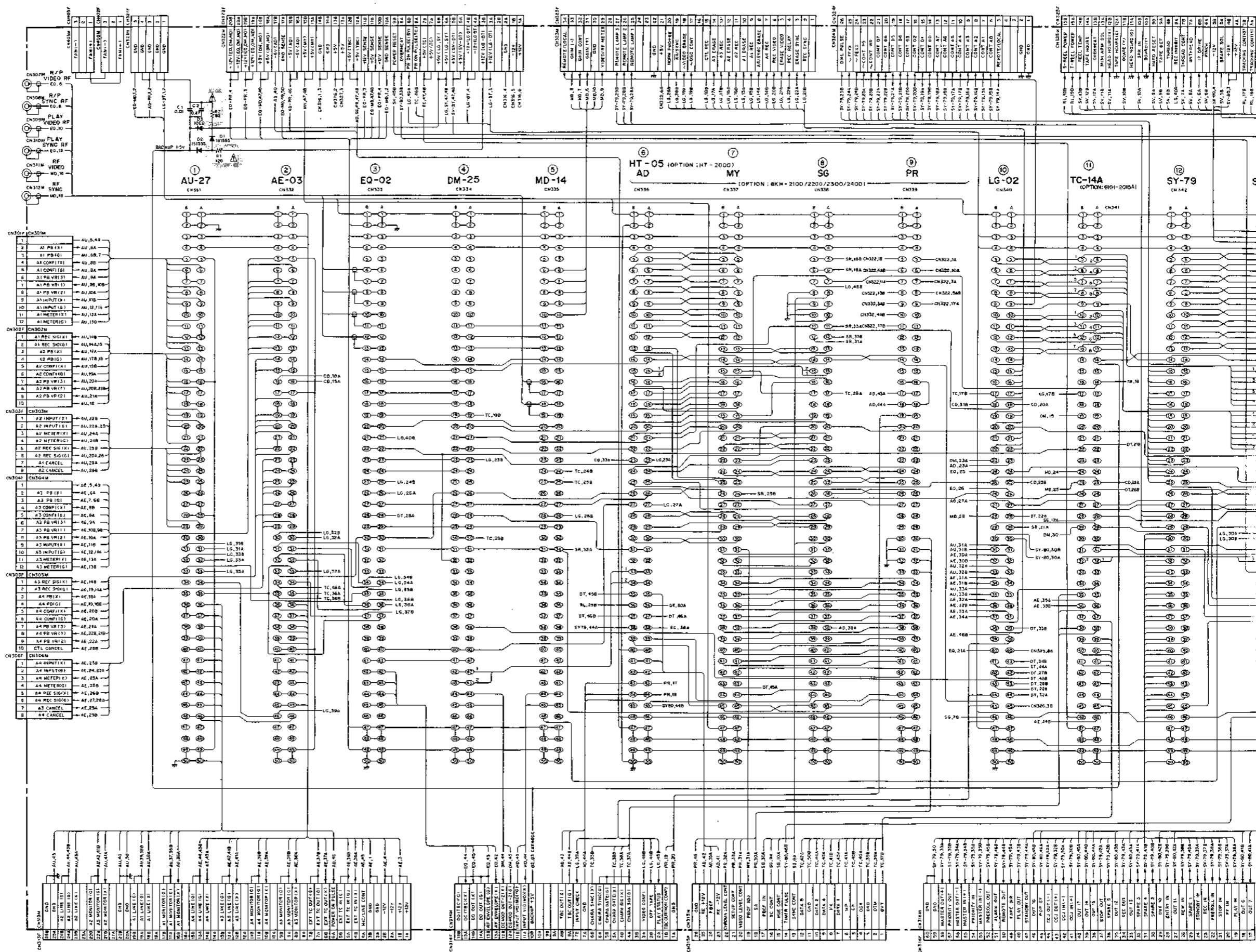
C-101
D
C-99
BVH-2000PS
BVH-2180PS

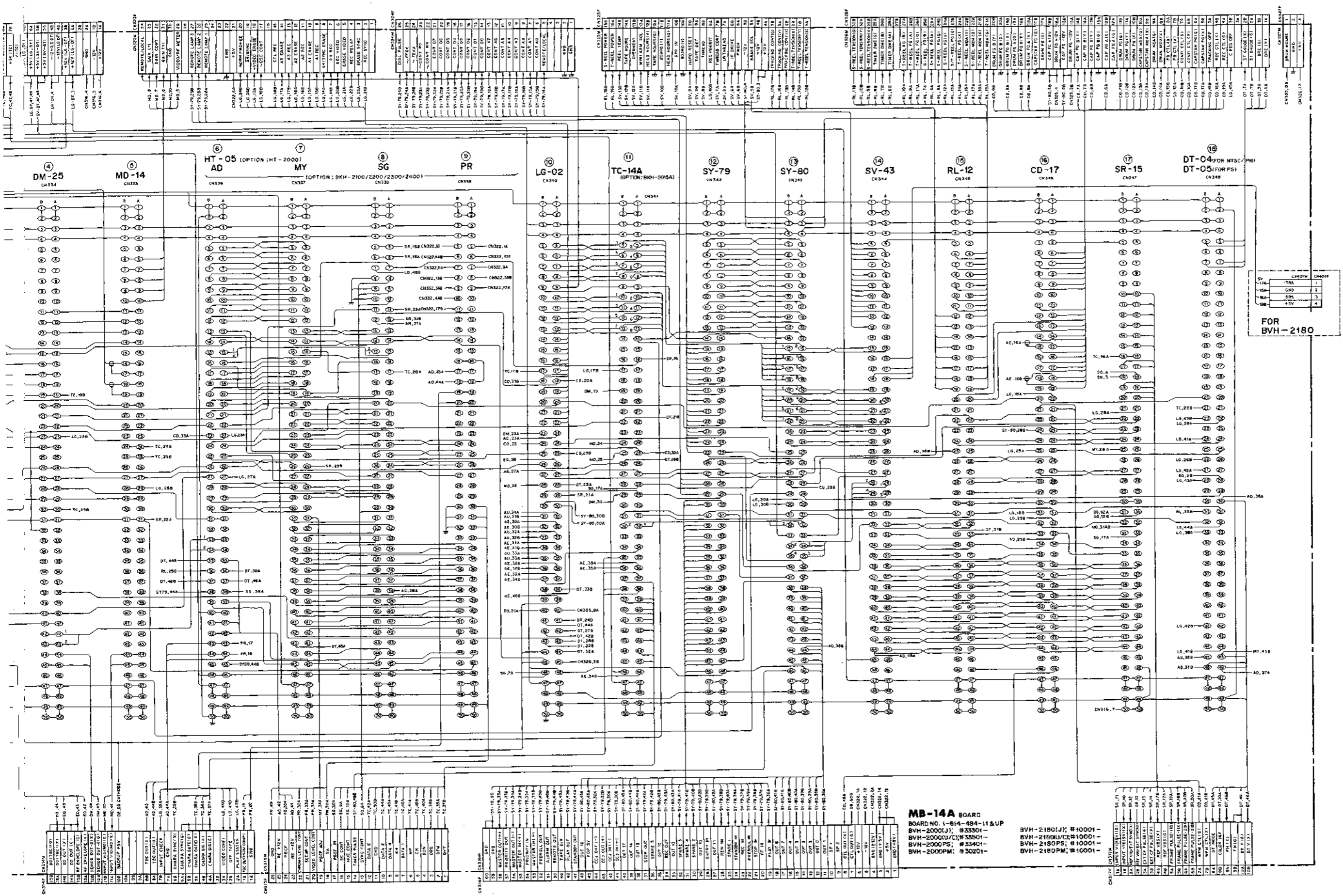




DT-05 BOARD (FOR 02/12/04/14)
 BOARD NO. 1-606-718-13 SUP
 BVH-2000 P; #23101-
 BVH-2180 P; #10001-
 BVH-2500 P; #10001-

MB-14A BOARD
Mother Board





C-106

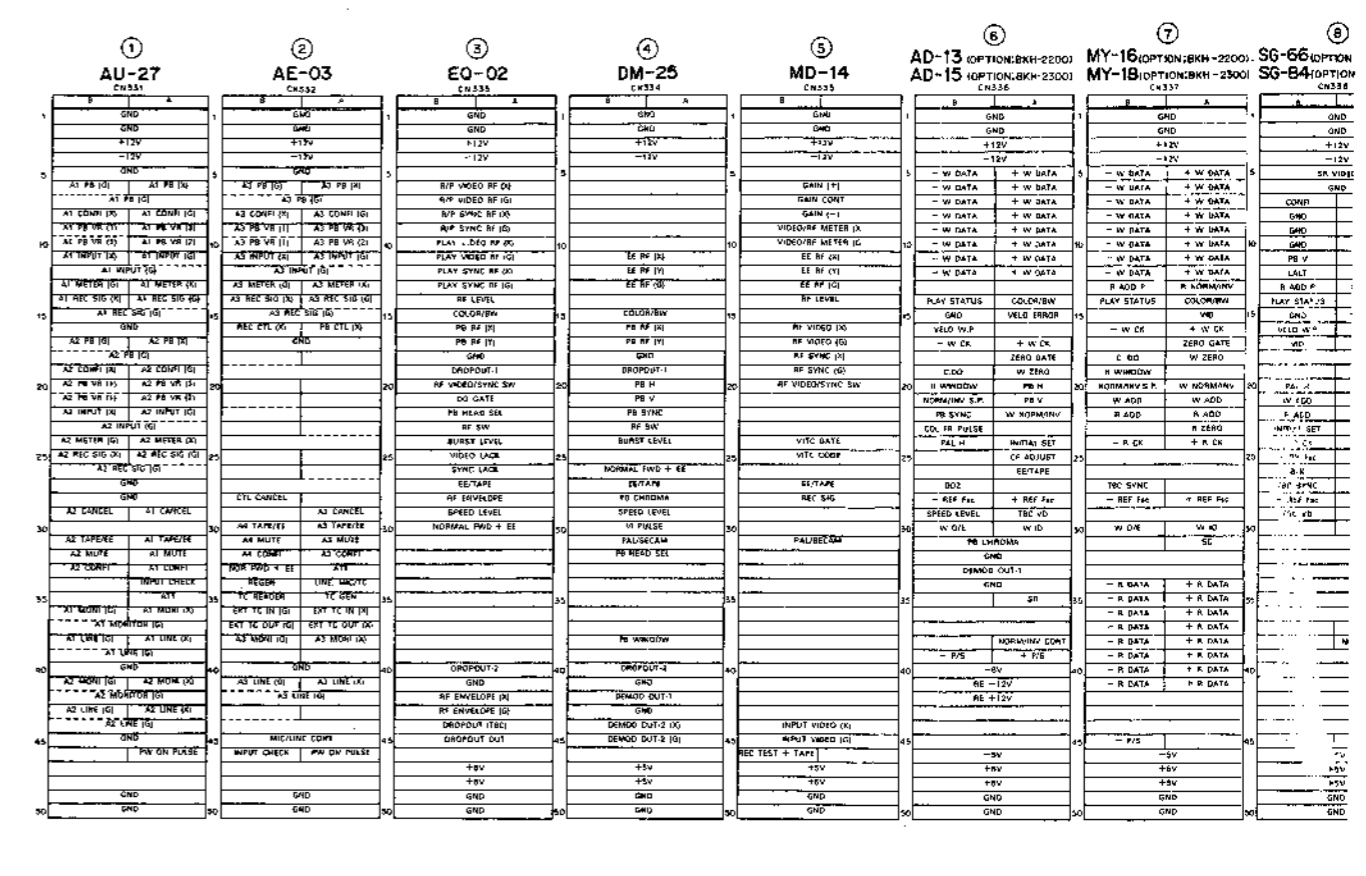
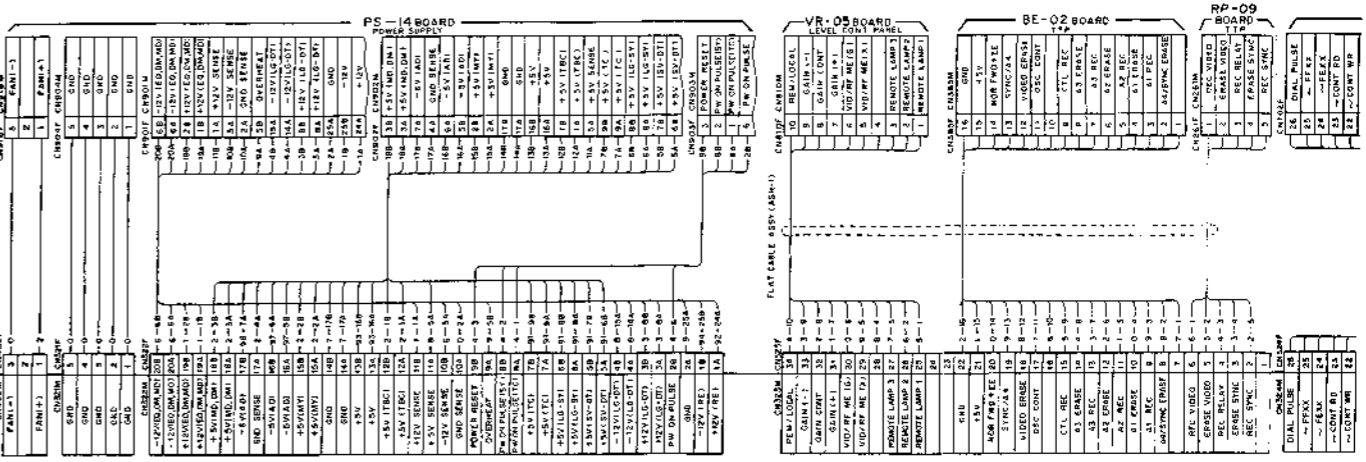
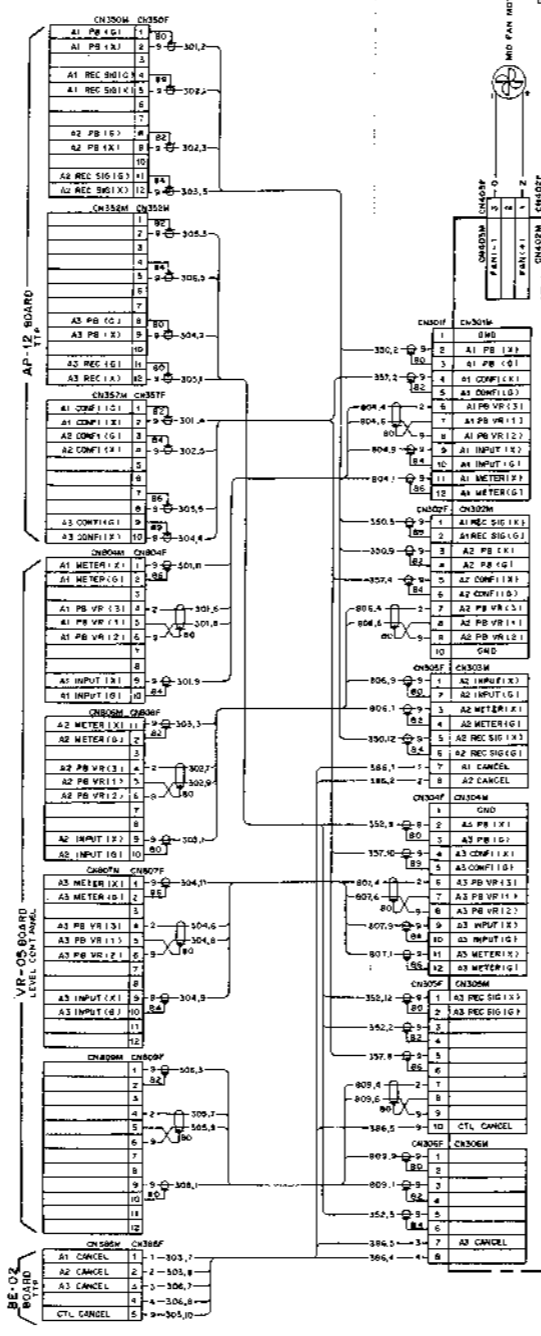
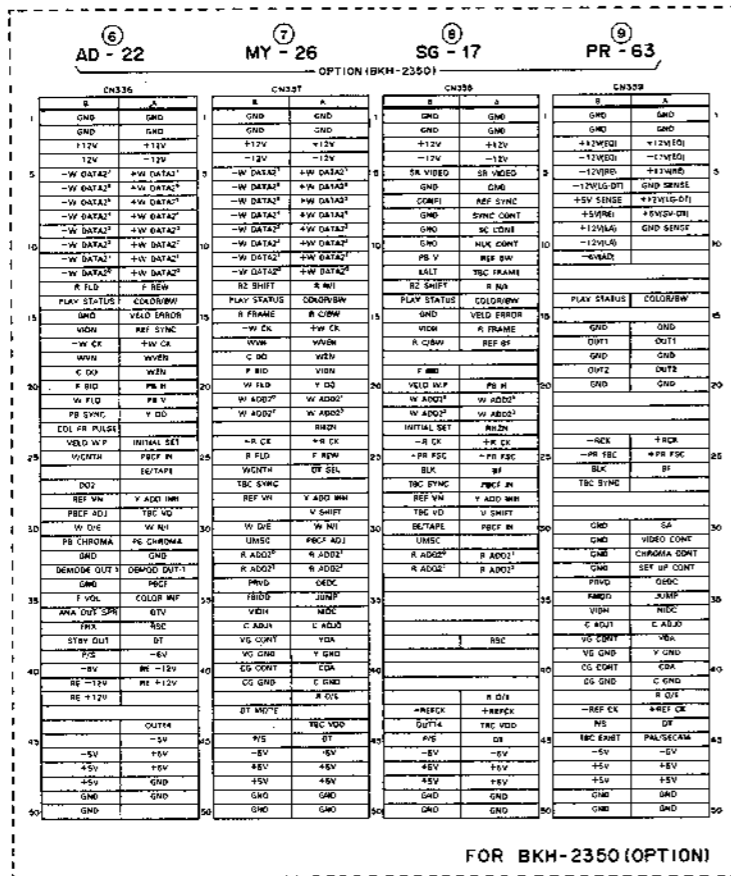
C-107

MB-14A BOARD
 BOARD NO. 1-614-484-11 & P
 BVH-2000(J); #33301-
 BVH-2000(U); #33501-
 BVH-2000(S); #33401-
 BVH-2000(PM); #30201-

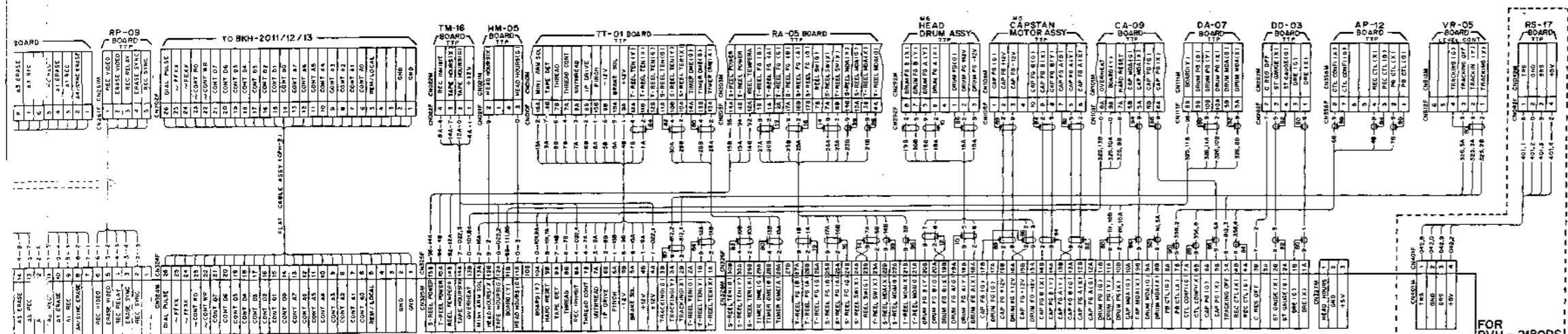
BVH-2180(J); #10001-
 BVH-2180(U); #10001-
 BVH-2180(S); #10001-
 BVH-2180(PM); #10001-

NO.	DESCRIPTION	NO.	DESCRIPTION
1	RELAY	101	RELAY
2	RELAY	102	RELAY
3	RELAY	103	RELAY
4	RELAY	104	RELAY
5	RELAY	105	RELAY
6	RELAY	106	RELAY
7	RELAY	107	RELAY
8	RELAY	108	RELAY
9	RELAY	109	RELAY
10	RELAY	110	RELAY
11	RELAY	111	RELAY
12	RELAY	112	RELAY
13	RELAY	113	RELAY
14	RELAY	114	RELAY
15	RELAY	115	RELAY
16	RELAY	116	RELAY
17	RELAY	117	RELAY
18	RELAY	118	RELAY
19	RELAY	119	RELAY
20	RELAY	120	RELAY
21	RELAY	121	RELAY
22	RELAY	122	RELAY
23	RELAY	123	RELAY
24	RELAY	124	RELAY
25	RELAY	125	RELAY
26	RELAY	126	RELAY
27	RELAY	127	RELAY
28	RELAY	128	RELAY
29	RELAY	129	RELAY
30	RELAY	130	RELAY
31	RELAY	131	RELAY
32	RELAY	132	RELAY
33	RELAY	133	RELAY
34	RELAY	134	RELAY
35	RELAY	135	RELAY
36	RELAY	136	RELAY
37	RELAY	137	RELAY
38	RELAY	138	RELAY
39	RELAY	139	RELAY
40	RELAY	140	RELAY
41	RELAY	141	RELAY
42	RELAY	142	RELAY
43	RELAY	143	RELAY
44	RELAY	144	RELAY
45	RELAY	145	RELAY
46	RELAY	146	RELAY
47	RELAY	147	RELAY
48	RELAY	148	RELAY
49	RELAY	149	RELAY
50	RELAY	150	RELAY
51	RELAY	151	RELAY
52	RELAY	152	RELAY
53	RELAY	153	RELAY
54	RELAY	154	RELAY
55	RELAY	155	RELAY
56	RELAY	156	RELAY
57	RELAY	157	RELAY
58	RELAY	158	RELAY
59	RELAY	159	RELAY
60	RELAY	160	RELAY
61	RELAY	161	RELAY
62	RELAY	162	RELAY
63	RELAY	163	RELAY
64	RELAY	164	RELAY
65	RELAY	165	RELAY
66	RELAY	166	RELAY
67	RELAY	167	RELAY
68	RELAY	168	RELAY
69	RELAY	169	RELAY
70	RELAY	170	RELAY
71	RELAY	171	RELAY
72	RELAY	172	RELAY
73	RELAY	173	RELAY
74	RELAY	174	RELAY
75	RELAY	175	RELAY
76	RELAY	176	RELAY
77	RELAY	177	RELAY
78	RELAY	178	RELAY
79	RELAY	179	RELAY
80	RELAY	180	RELAY
81	RELAY	181	RELAY
82	RELAY	182	RELAY
83	RELAY	183	RELAY
84	RELAY	184	RELAY
85	RELAY	185	RELAY
86	RELAY	186	RELAY
87	RELAY	187	RELAY
88	RELAY	188	RELAY
89	RELAY	189	RELAY
90	RELAY	190	RELAY
91	RELAY	191	RELAY
92	RELAY	192	RELAY
93	RELAY	193	RELAY
94	RELAY	194	RELAY
95	RELAY	195	RELAY
96	RELAY	196	RELAY
97	RELAY	197	RELAY
98	RELAY	198	RELAY
99	RELAY	199	RELAY
100	RELAY	200	RELAY

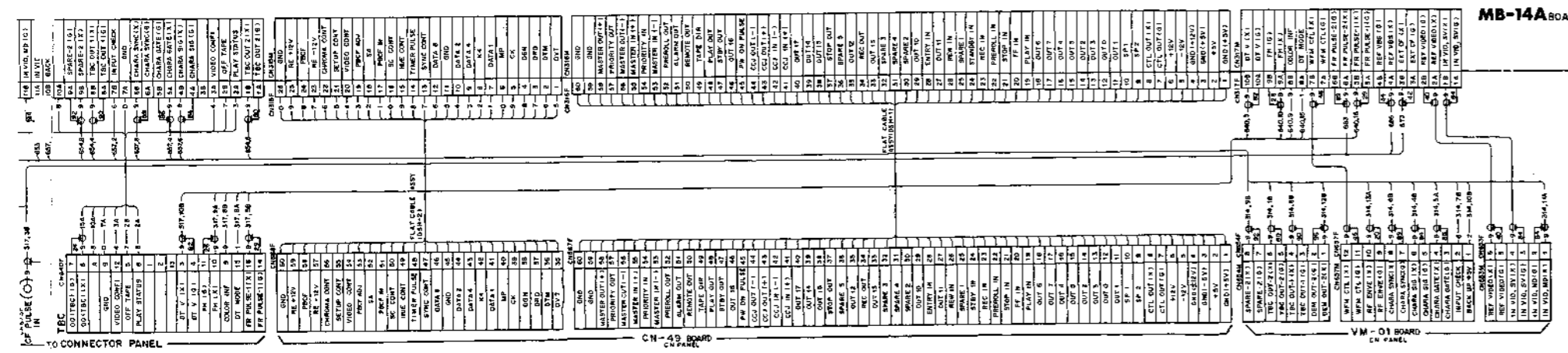
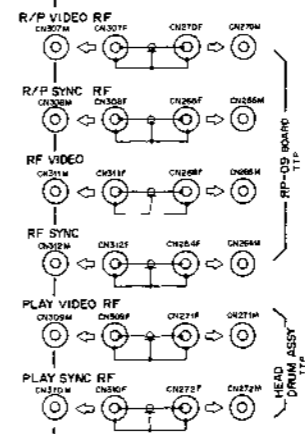
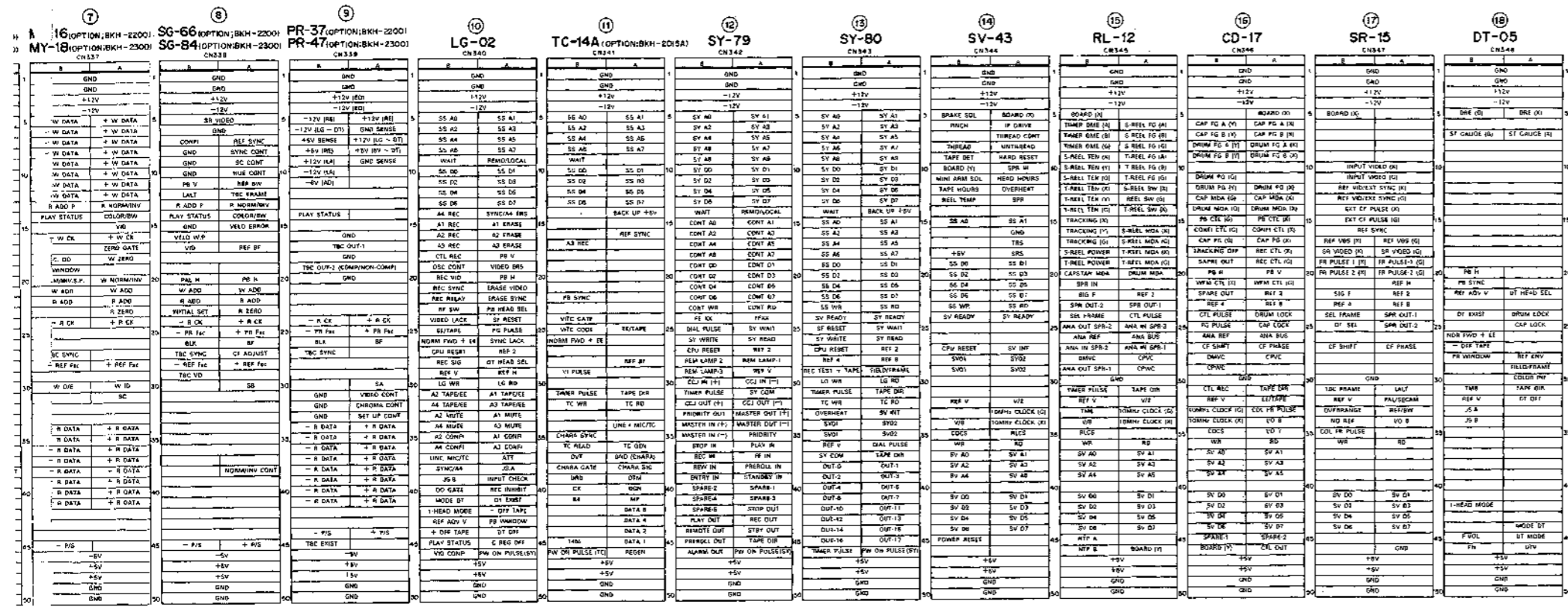
FRAME WIRING; CARD RACK; FOR 00/02 MODELS



C-114 C-113 C-112 C-111 C-110 C-109 C-108 C-107 C-106 C-105 C-104 C-103 C-102 C-101 C-100 C-99 C-98 C-97 C-96 C-95 C-94 C-93 C-92 C-91 C-90 C-89 C-88 C-87 C-86 C-85 C-84 C-83 C-82 C-81 C-80 C-79 C-78 C-77 C-76 C-75 C-74 C-73 C-72 C-71 C-70 C-69 C-68 C-67 C-66 C-65 C-64 C-63 C-62 C-61 C-60 C-59 C-58 C-57 C-56 C-55 C-54 C-53 C-52 C-51 C-50 C-49 C-48 C-47 C-46 C-45 C-44 C-43 C-42 C-41 C-40 C-39 C-38 C-37 C-36 C-35 C-34 C-33 C-32 C-31 C-30 C-29 C-28 C-27 C-26 C-25 C-24 C-23 C-22 C-21 C-20 C-19 C-18 C-17 C-16 C-15 C-14 C-13 C-12 C-11 C-10 C-9 C-8 C-7 C-6 C-5 C-4 C-3 C-2 C-1



FOR BVH-2180PS

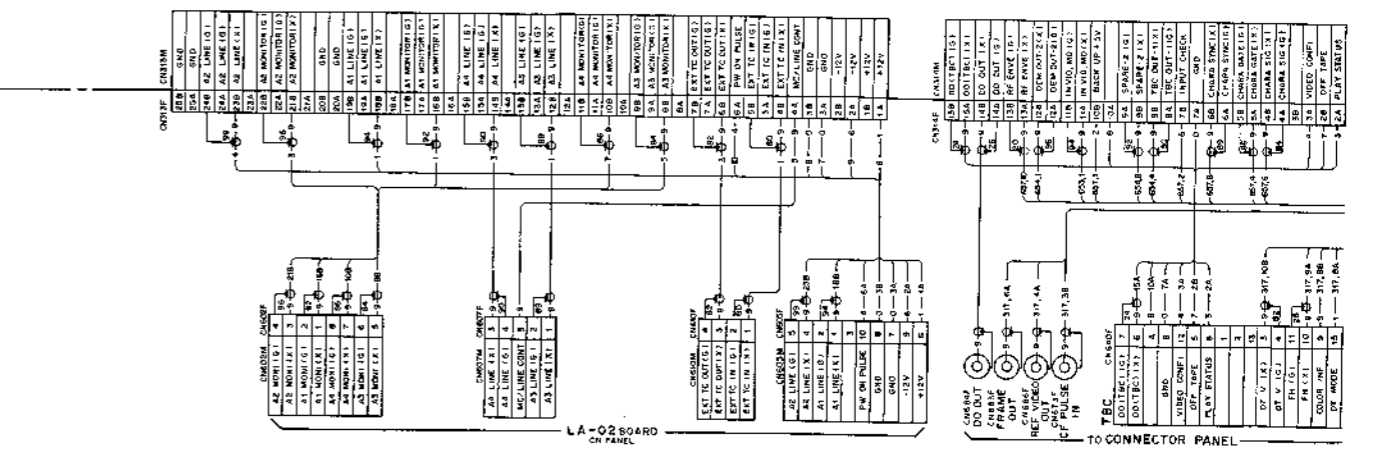
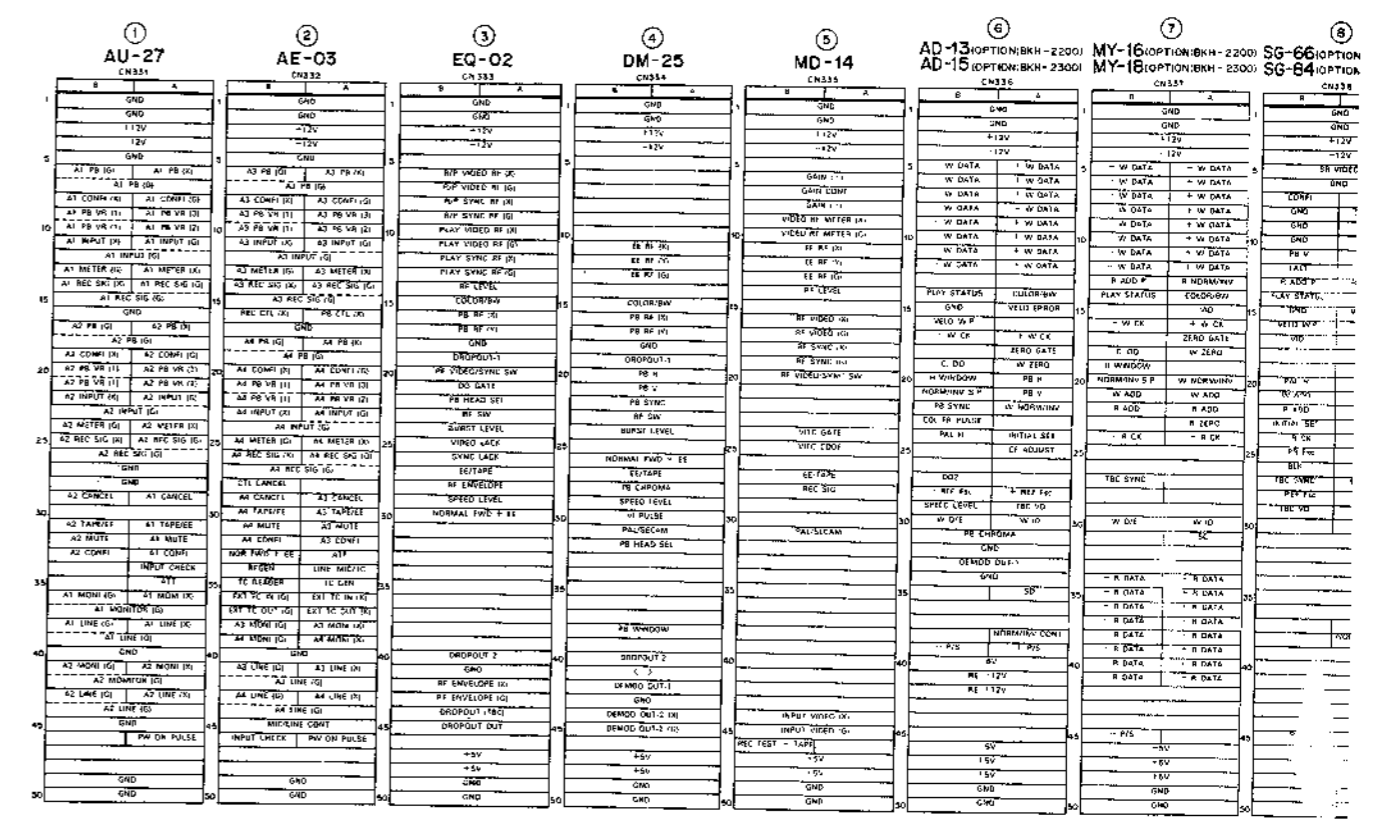
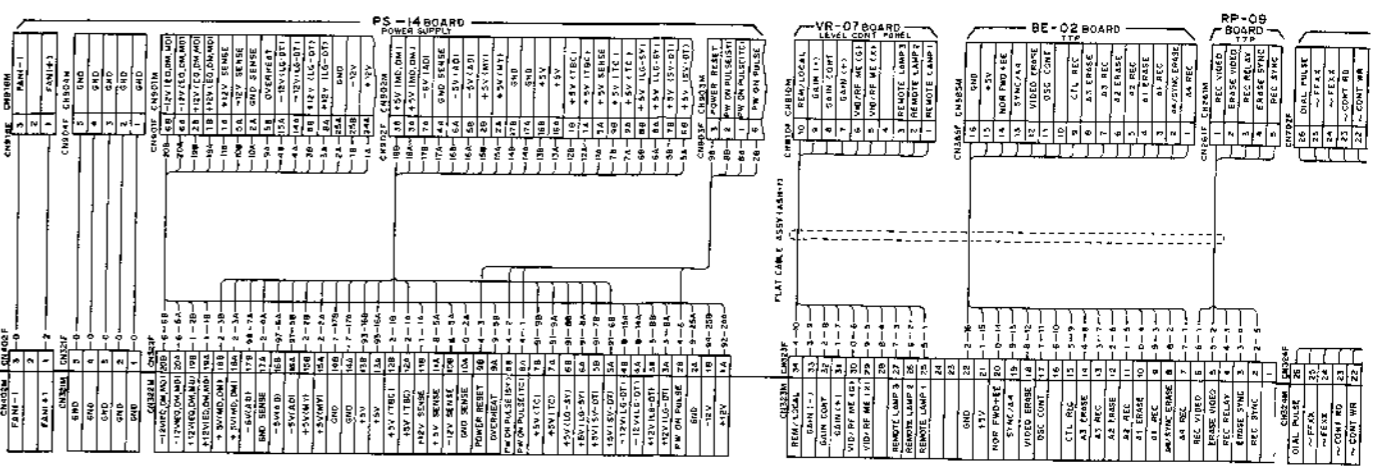
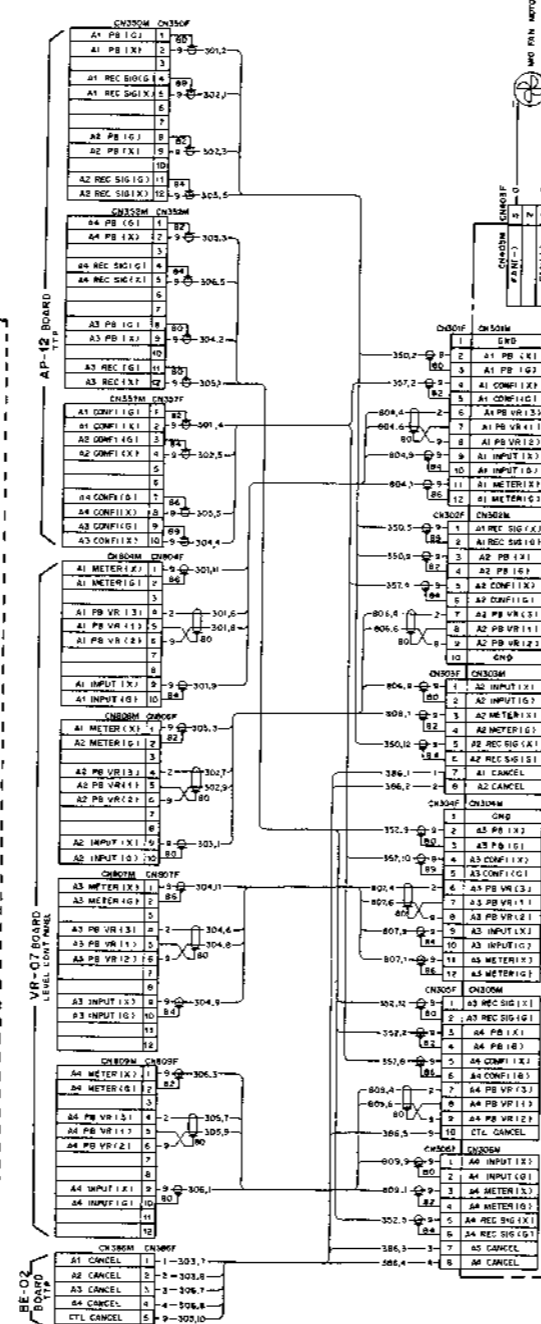
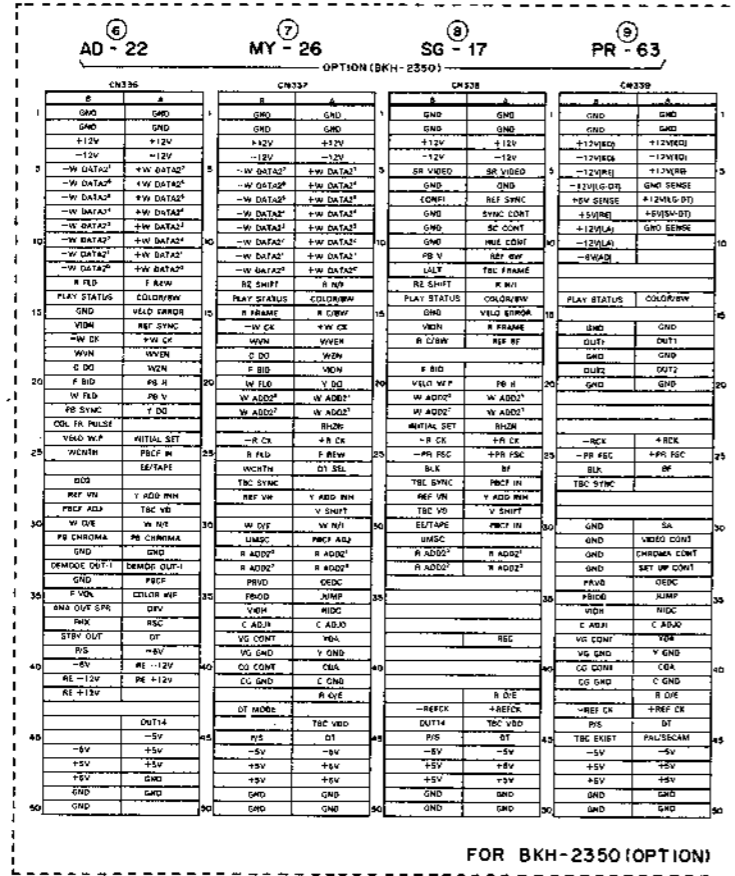


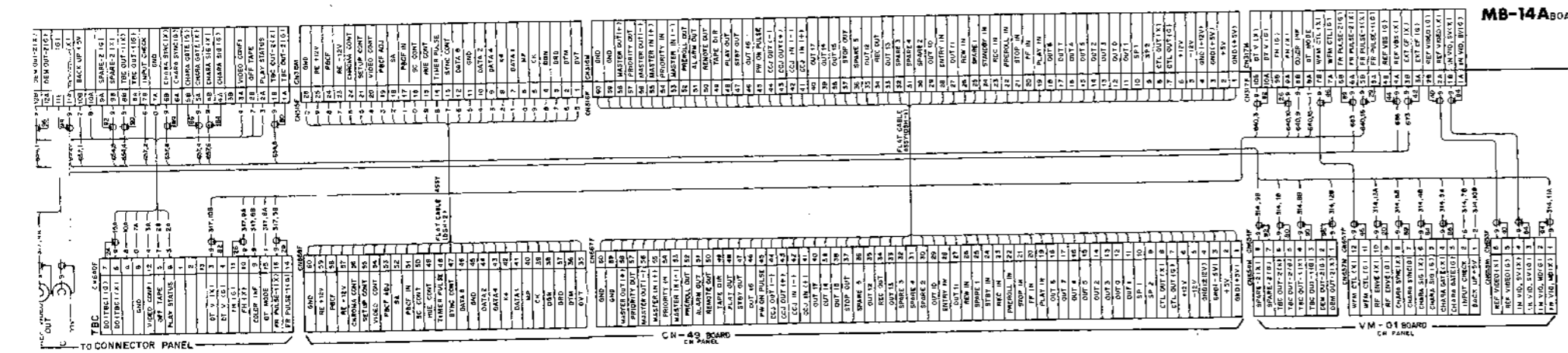
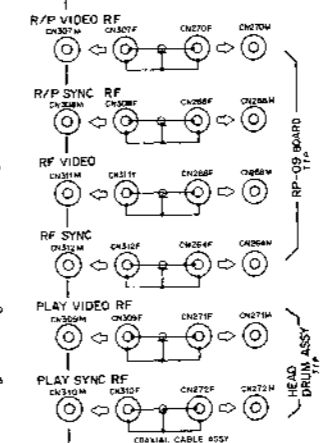
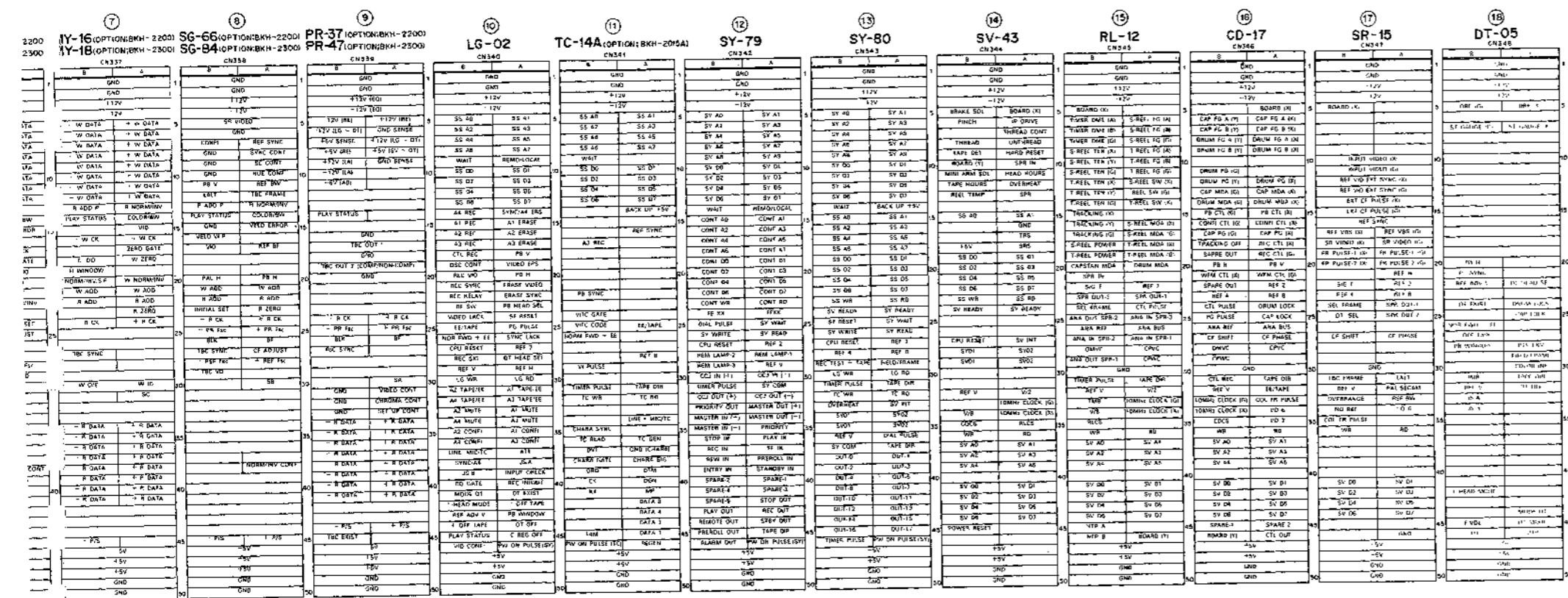
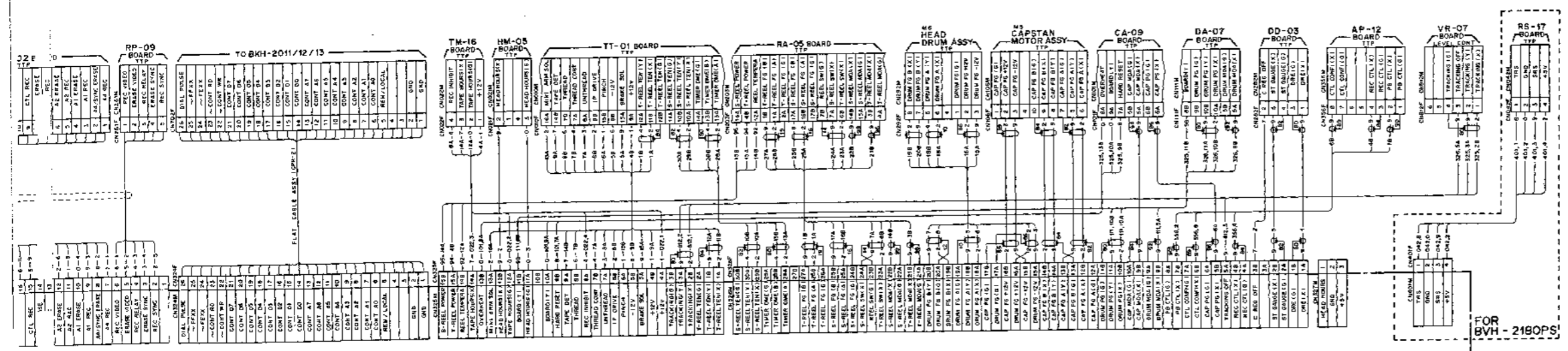
MB-14A BOARD

FRAME WIRING CARD RACK (00/02)

BVH-2000PS; H 83401-
BVH-2180PS; H 10001-

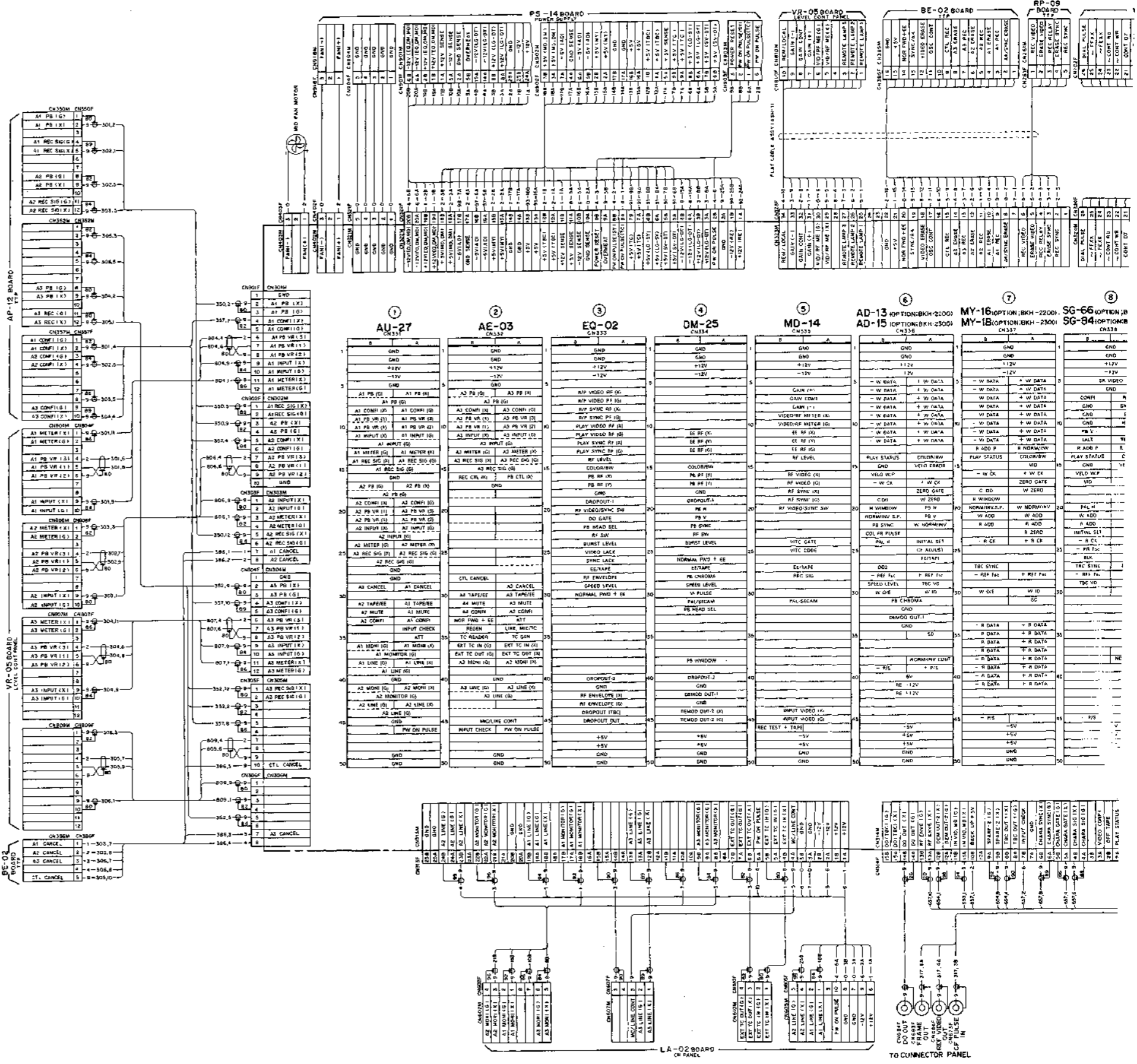
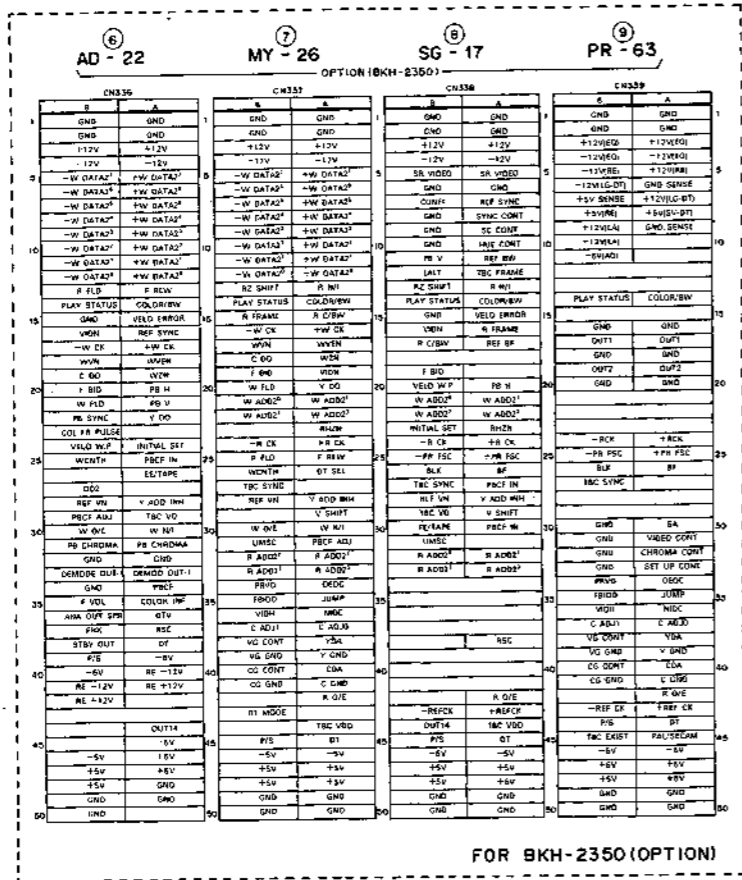
FRAME WIRING; CARD RACK; FOR 04 MODEL





**FRAME WIRING
CARD RACK (04)**
BVH-2000PS (FOR 04); #33401-
BVH-2180PS (FOR 04); #10001-

FRAME WIRING; CARD RACK; FOR 10/12 MODELS

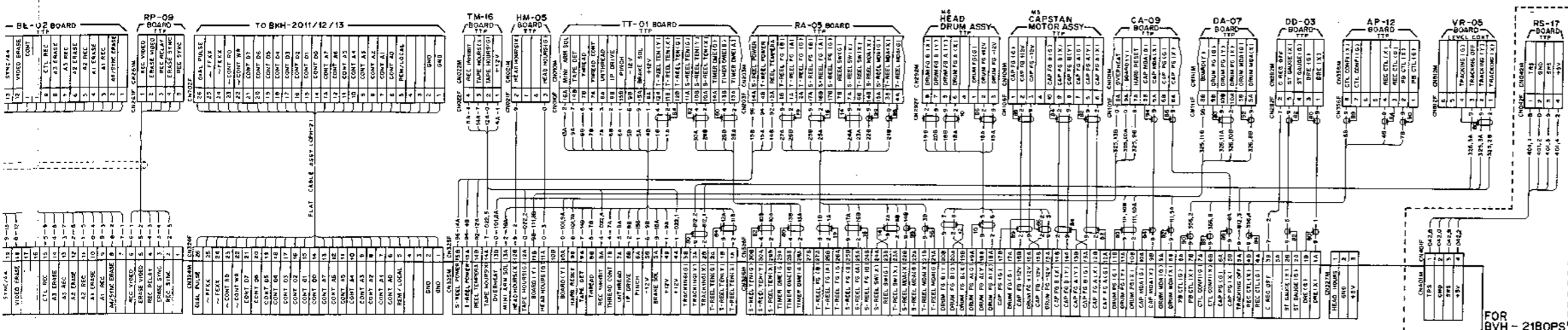


C-114(10/17)

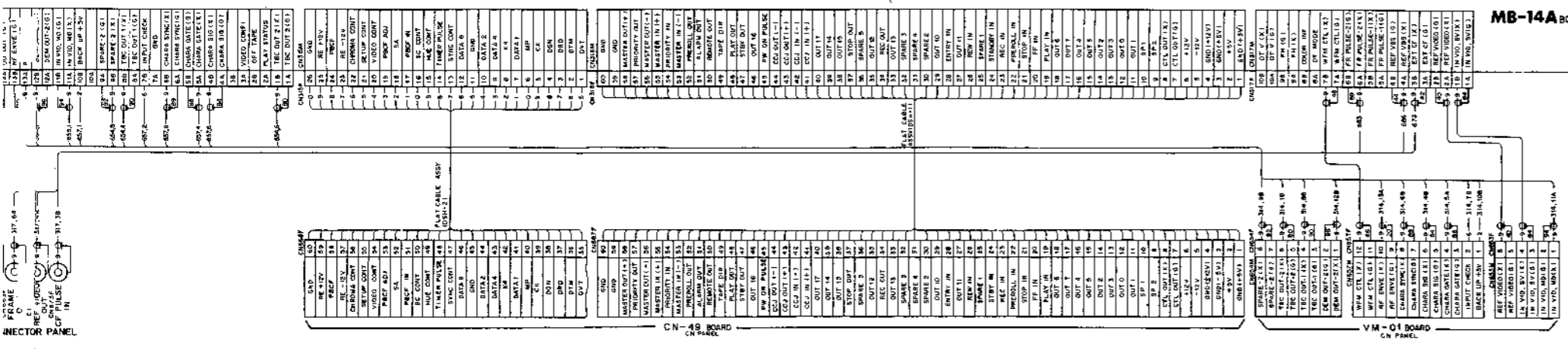
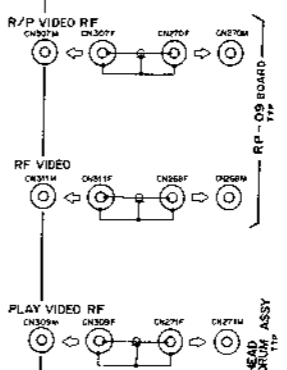
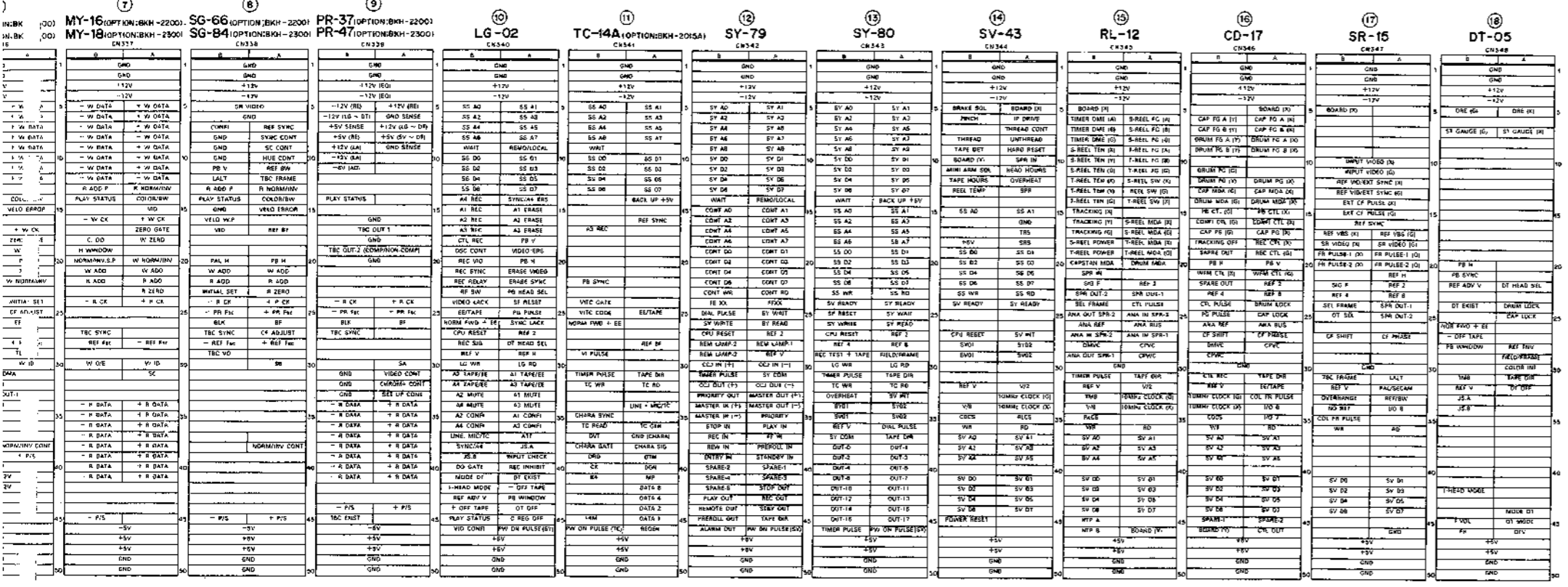
C-114(17/9)

C-114(6/9)

BVH-2000PM

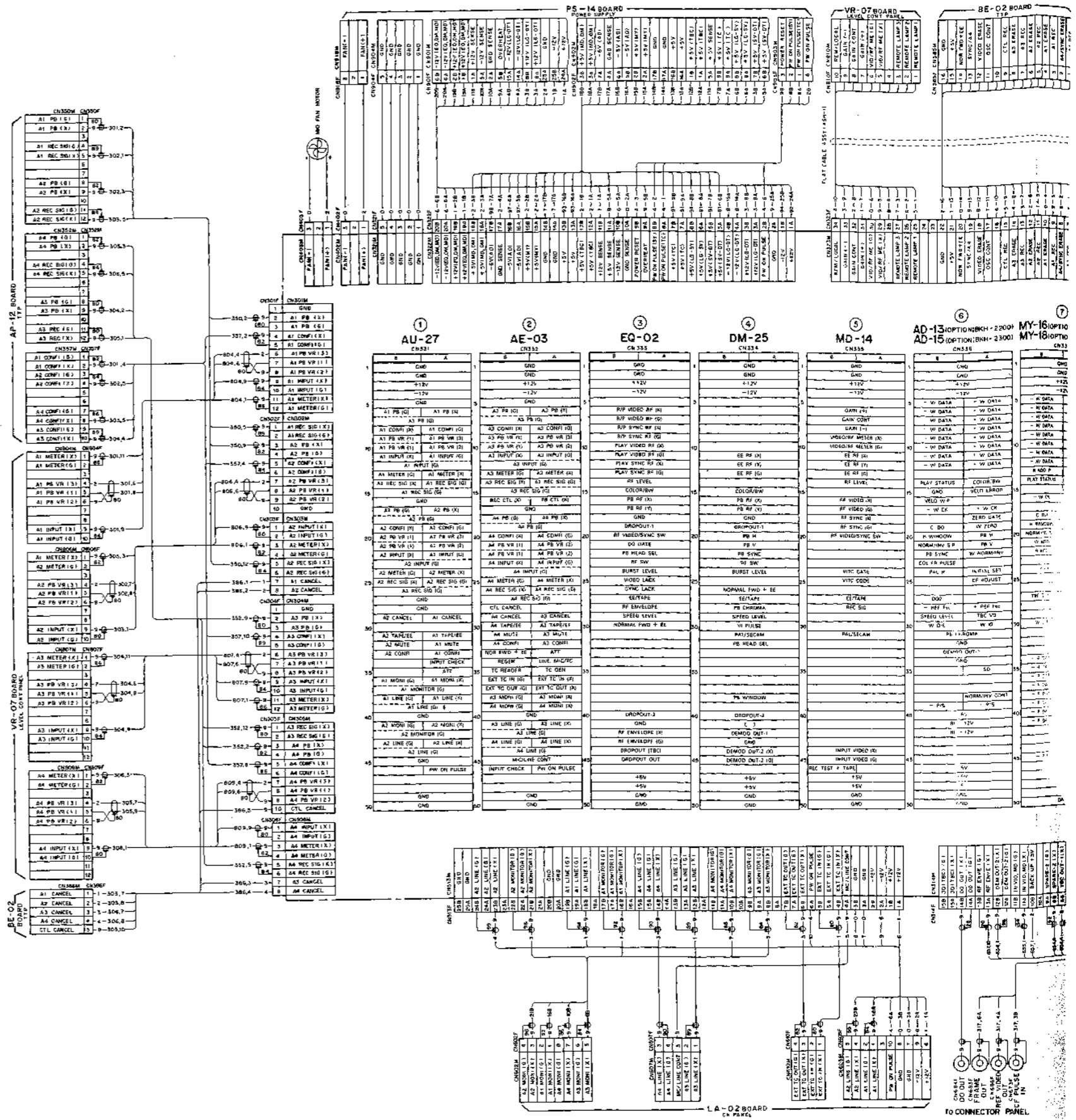
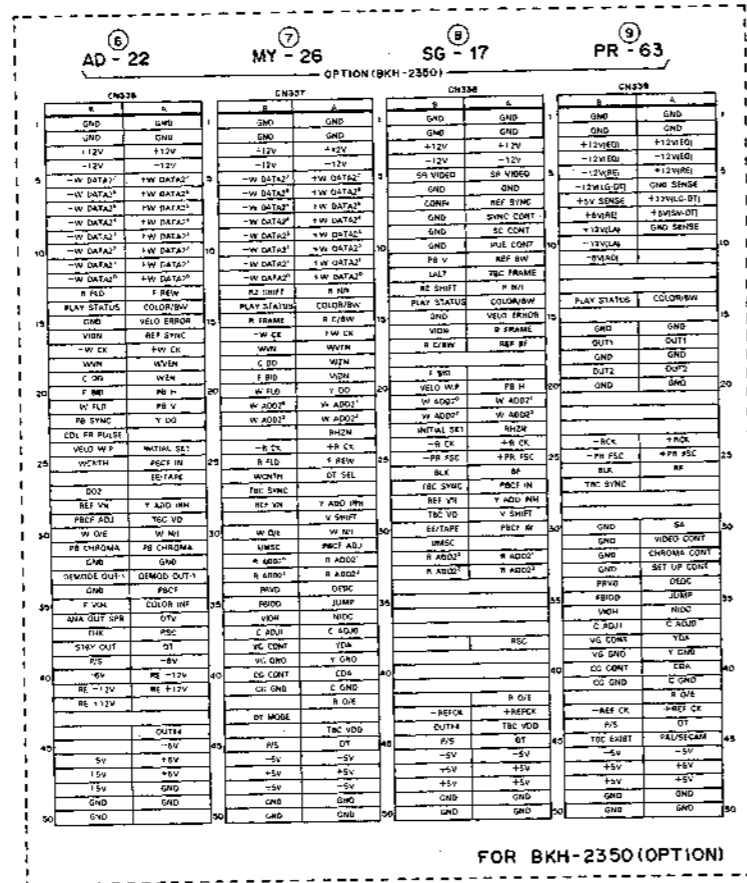


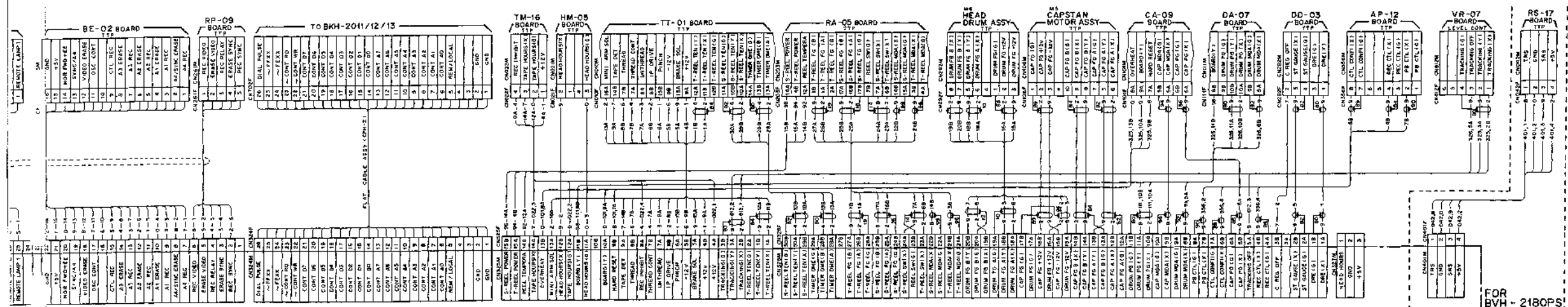
FOR BVH - 2180PS



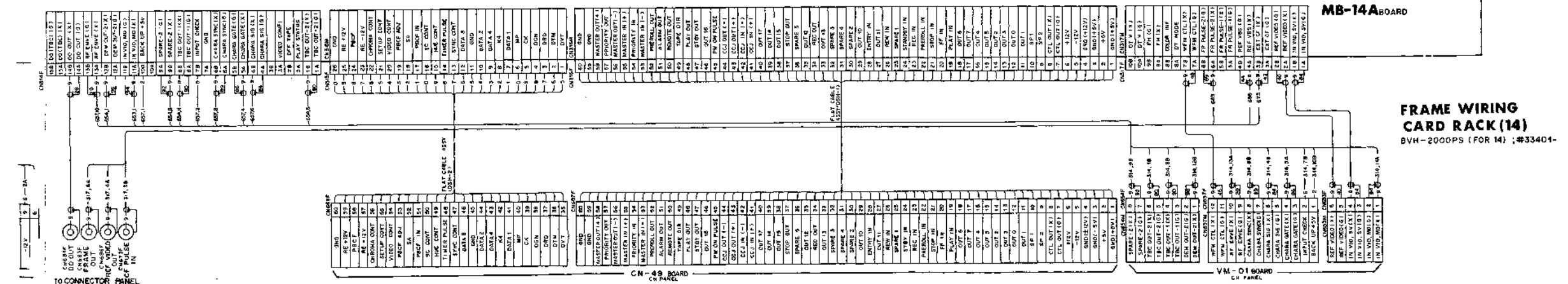
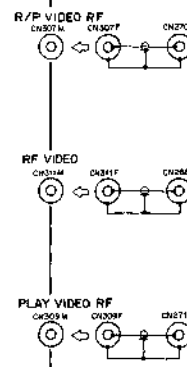
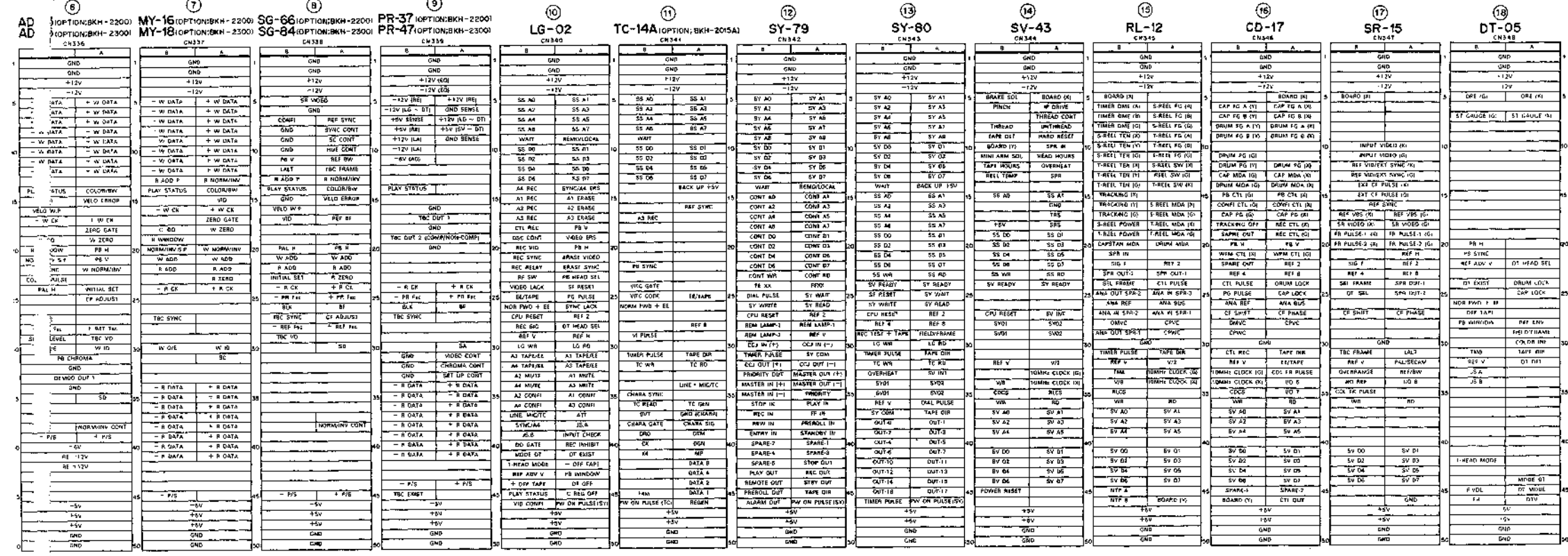
FRAME WIRING CARD RACK (10/12) BVH-200PS; #33401-

FRAME WIRING; CARD RACK; FOR 14 MODEL



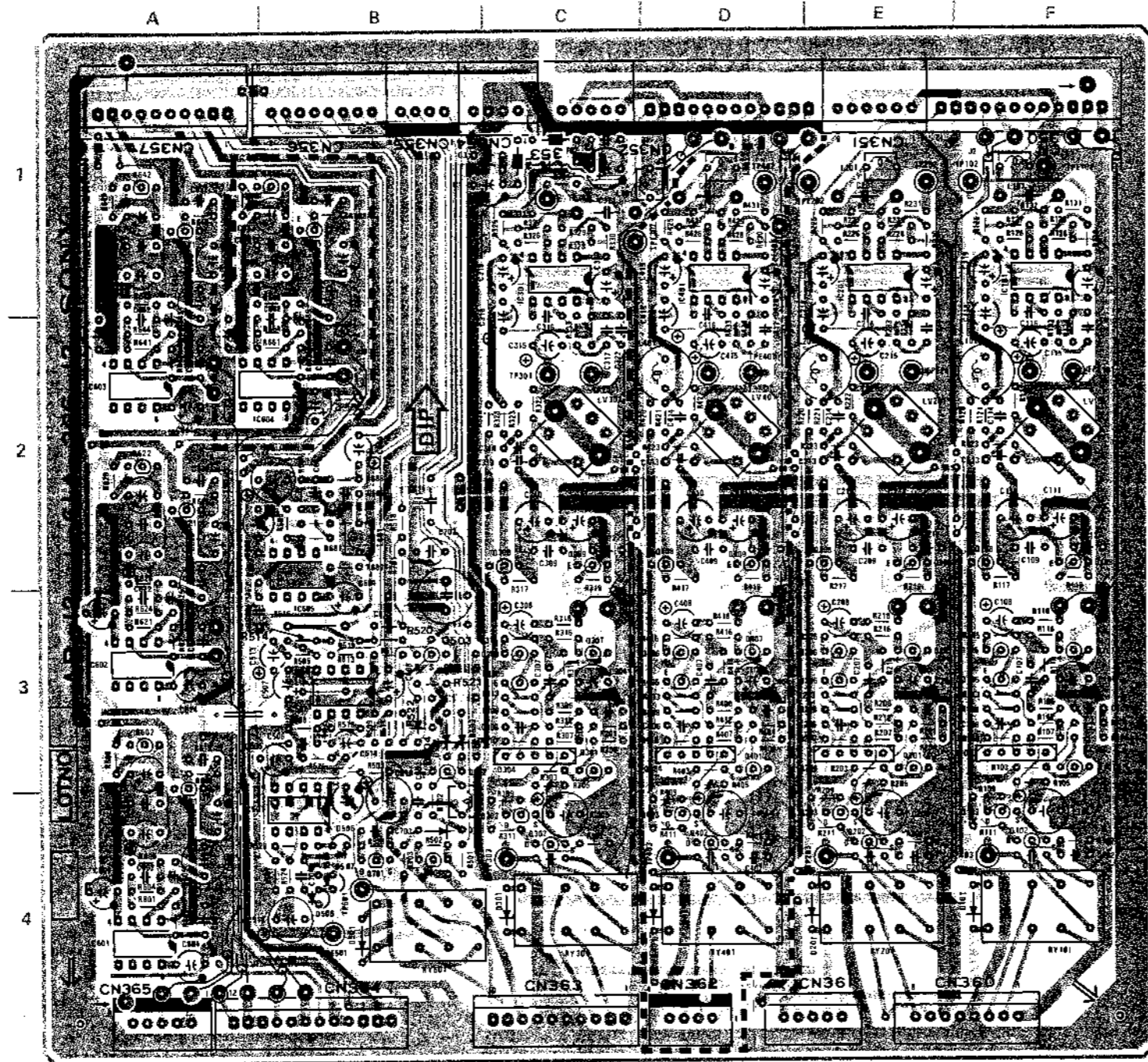


FOR BVH - 2180PS!



FRAME WIRING CARD RACK (14) BVH-2000PS (FOR 14) #33401-

AP-12 BOARD (1-614-366-11 & UP)
Component Side



1-614-366-12 COMPONENT SIDE

1-614-366-12 SOLDER SIDE

AP-12 (1-614-366-11 & UP)

- BVH-2000/PM
- BVH-2180/PM
- BVH-2000PS
- BVH-2180PS
- (00/10/02/12 MODEL)
- BVH-2500/P
- CN350M 1F
- CN351M 1E
- CN352M 1D
- CN353M 1C
- CN354M 1C
- CN355M 1B
- CN356M 1B
- CN357M 1A
- CN360M 4F
- CN361M 4E
- CN363M 4C
- CN364M 4B
- D101 4F
- D201 4E
- D301 4C
- D501 4B
- D502 3B
- D503 3B
- (PS)
- D504 3B
- D505 4B
- D506 4B
- D507 4B
- D701 4B
- FBI 1C
- FB2 1C
- IC101 1F
- IC201 1E
- IC301 1C
- IC501 4B
- IC502 3B
- IC601 4A
- IC602 3A
- IC603 2A
- IC605 2A
- IC605 2B
- LV101 2F
- LV201 2E
- LV301 2C
- Q101 3F
- Q102 4F
- Q103 4F
- Q104 3F
- Q105 3F
- Q106 3F
- Q107 3F
- Q108 2F
- Q109 2F
- Q201 3E
- Q202 4E
- Q203 4E
- Q204 3E
- Q205 3E
- Q206 3E
- Q207 3E
- Q208 2E
- Q209 2E
- Q301 3C
- Q302 4C
- Q303 4C
- Q304 3C
- Q305 3C
- Q306 3C

AP-12 (1-614-366-11 & UP)

- BVH-2000PS
- BVH-2180PS
- (04/14 MODEL)
- CN350M 1F
- CN351M 1E
- CN352M 1D
- CN353M 1C
- CN354M 1C
- CN355M 1B
- CN356M 1B
- CN357M 1A
- CN360M 4F
- CN361M 4E
- CN362M 4D
- CN363M 4A
- CN363M 4C
- CN364M 4B
- O101 4F
- O201 4E
- O301 4C
- O401 4C
- O501 4B
- O502 3B
- O503 3B
- O504 3B
- O505 4B
- O506 4B
- O701 4B
- FBI 1C
- FB2 1C
- IC101 1F
- IC201 1E
- IC301 1C
- IC401 1D
- IC501 4B
- IC502 3B
- IC601 4A
- IC602 3A
- IC603 2A
- IC604 2B
- IC605 2B
- LV101 2F
- LV201 2E
- LV301 2C
- LV401 2D
- Q101 3F
- Q102 4F
- Q103 4F
- Q104 3F
- Q105 3F
- Q106 3F
- Q107 3F
- Q108 2F
- Q201 3E
- Q202 4E
- Q203 4E
- Q204 3E
- Q205 3E
- Q206 3E
- Q207 3E
- Q208 2E
- Q209 2E
- Q301 3C
- Q302 4C
- Q303 4C
- Q304 3C
- Q305 3C
- Q306 3C

AP-12 BOARD

Audio/CTL, REC/PB Preamplifier

C-121

20

C-119

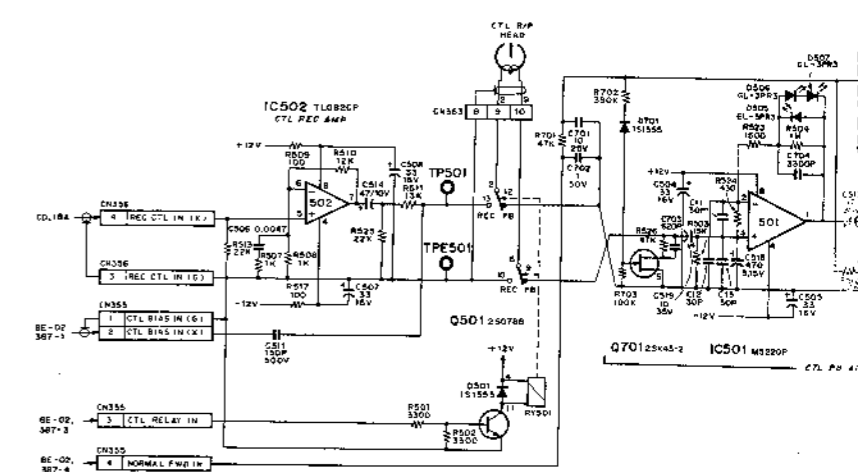
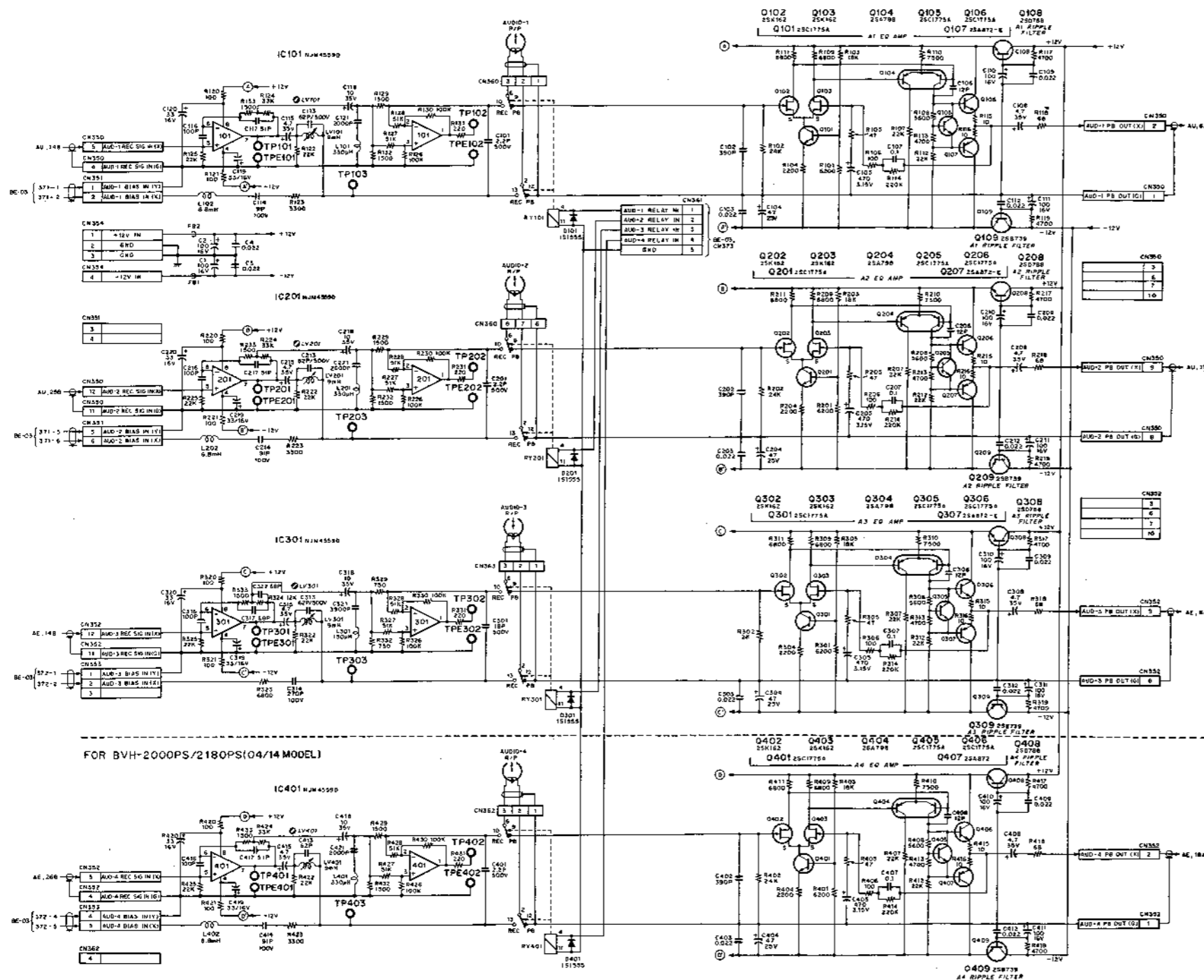
BVH-2180/PS/PM
BVH-2000/PS/PM

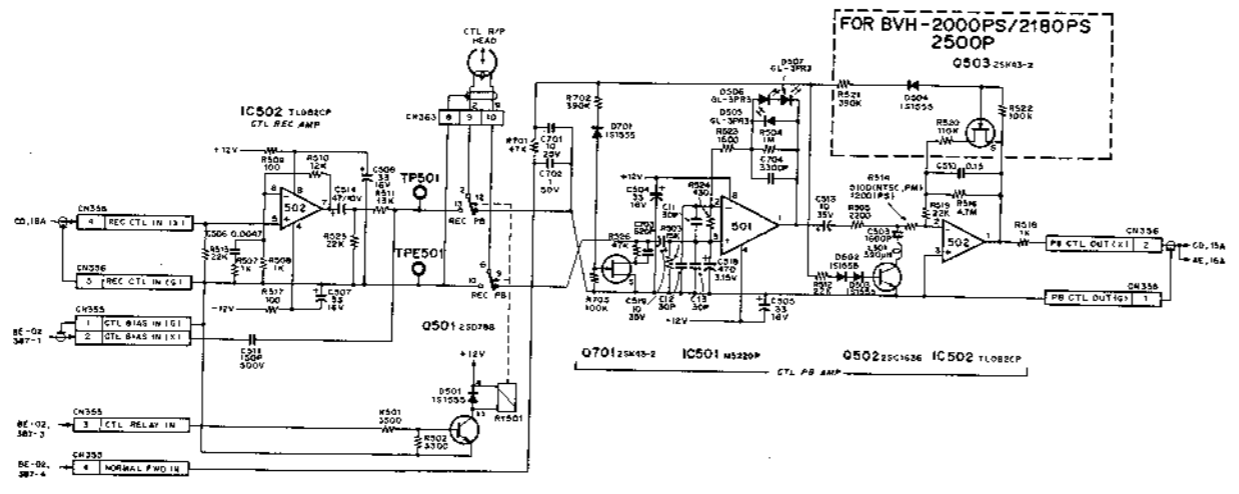
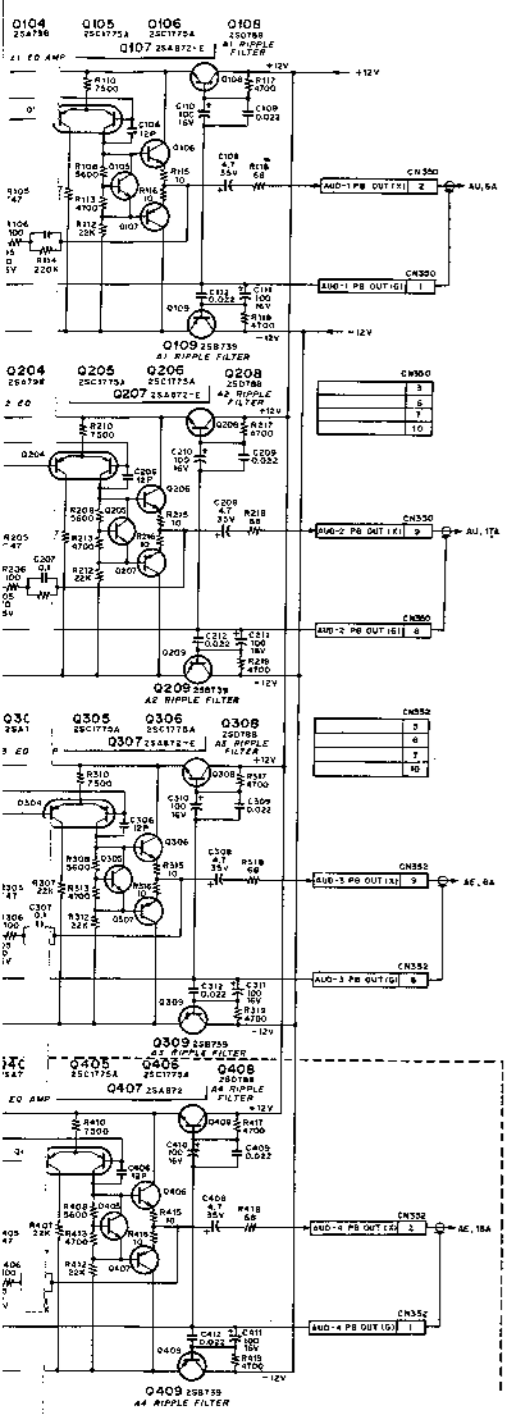
C-151(7/7)

C-151(6/7)

J-151(5/7)

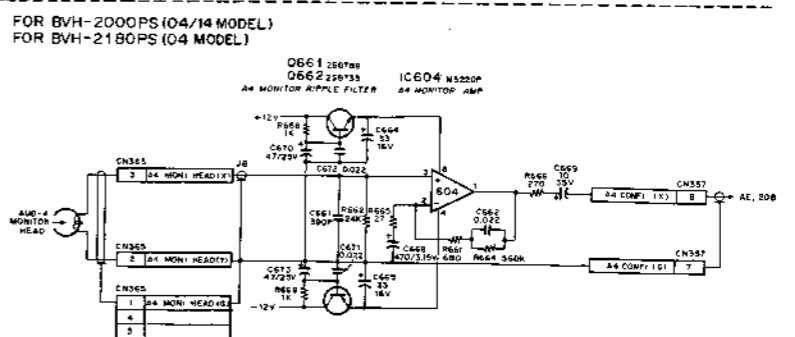
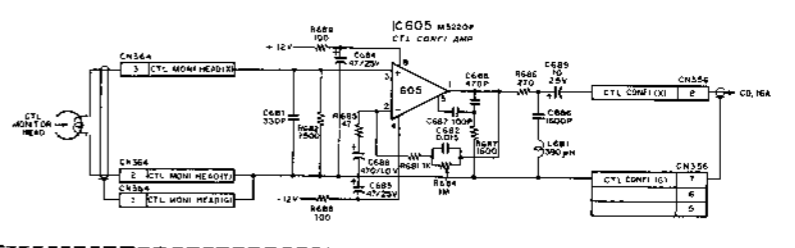
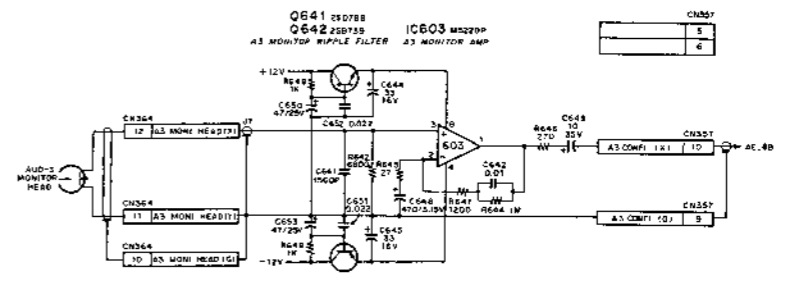
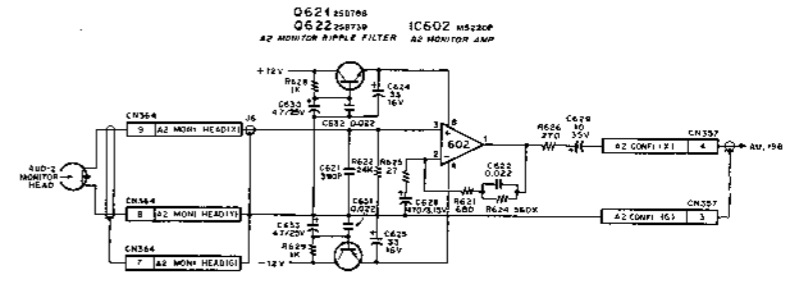
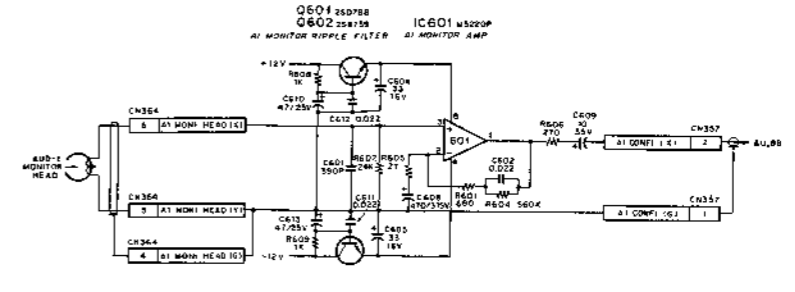
BVH-2500/P



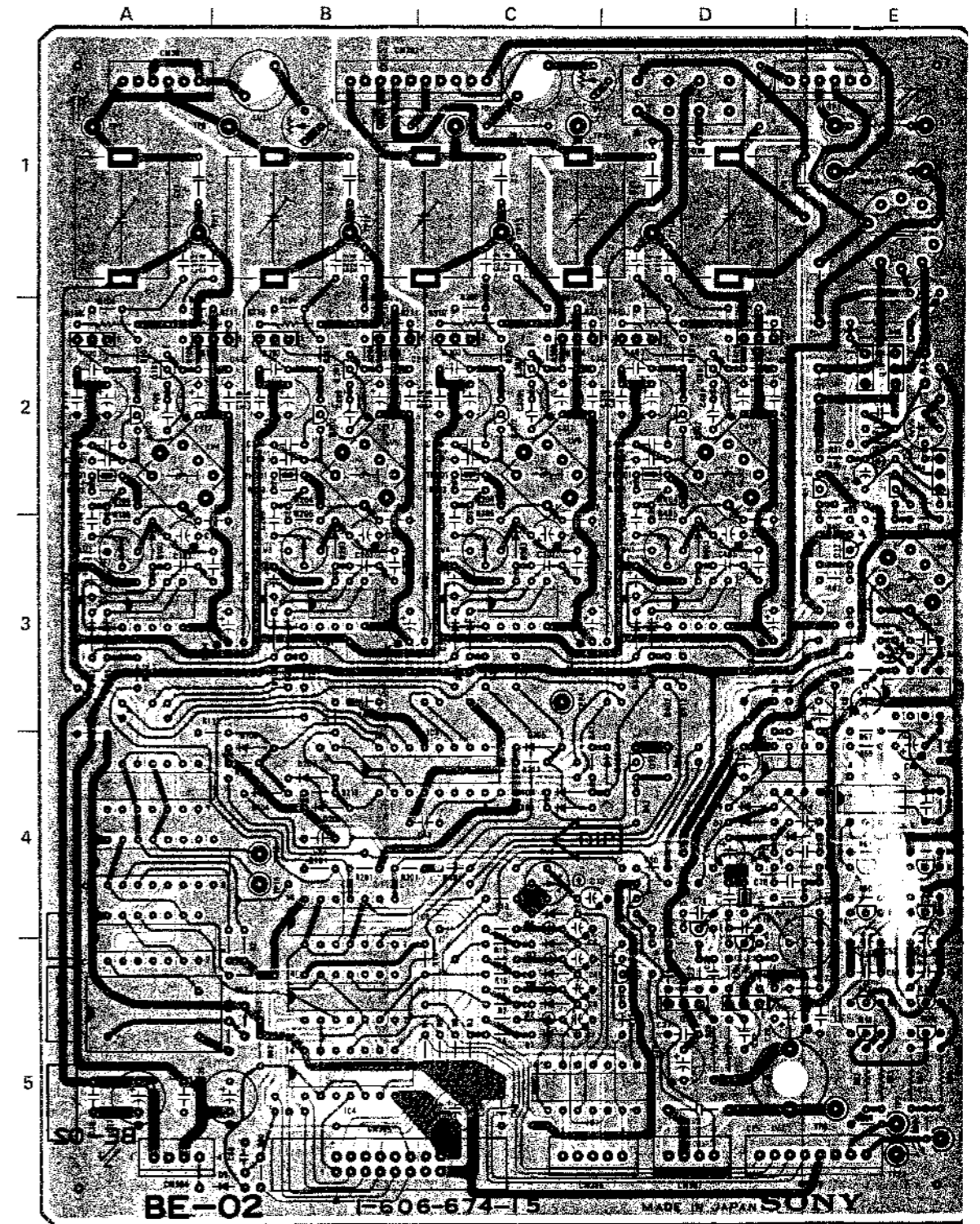


CH350	4
CH351	5
CH352	6
CH353	7

- AP-12 BOARD**
 BOARD NO. 1-814-366-11 & UP
 BVH-2000(I); #33301-
 BVH-2000(U/G); #33501-
 BVH-2000PS; #33401-
 BVH-2000PM; #30201-
 BVH-2500(I); #11001-
 BVH-2500(U/G); #11501-
 BVH-2500P; #10701-
 BVH-2180(I); #10001-
 BVH-2180(U/G); #10004-
 BVH-2180PS; #10001-
 BVH-2180PM; #10001-

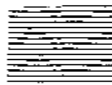


BE-02 BOARD (1-606-674-14, 15)
Component Side

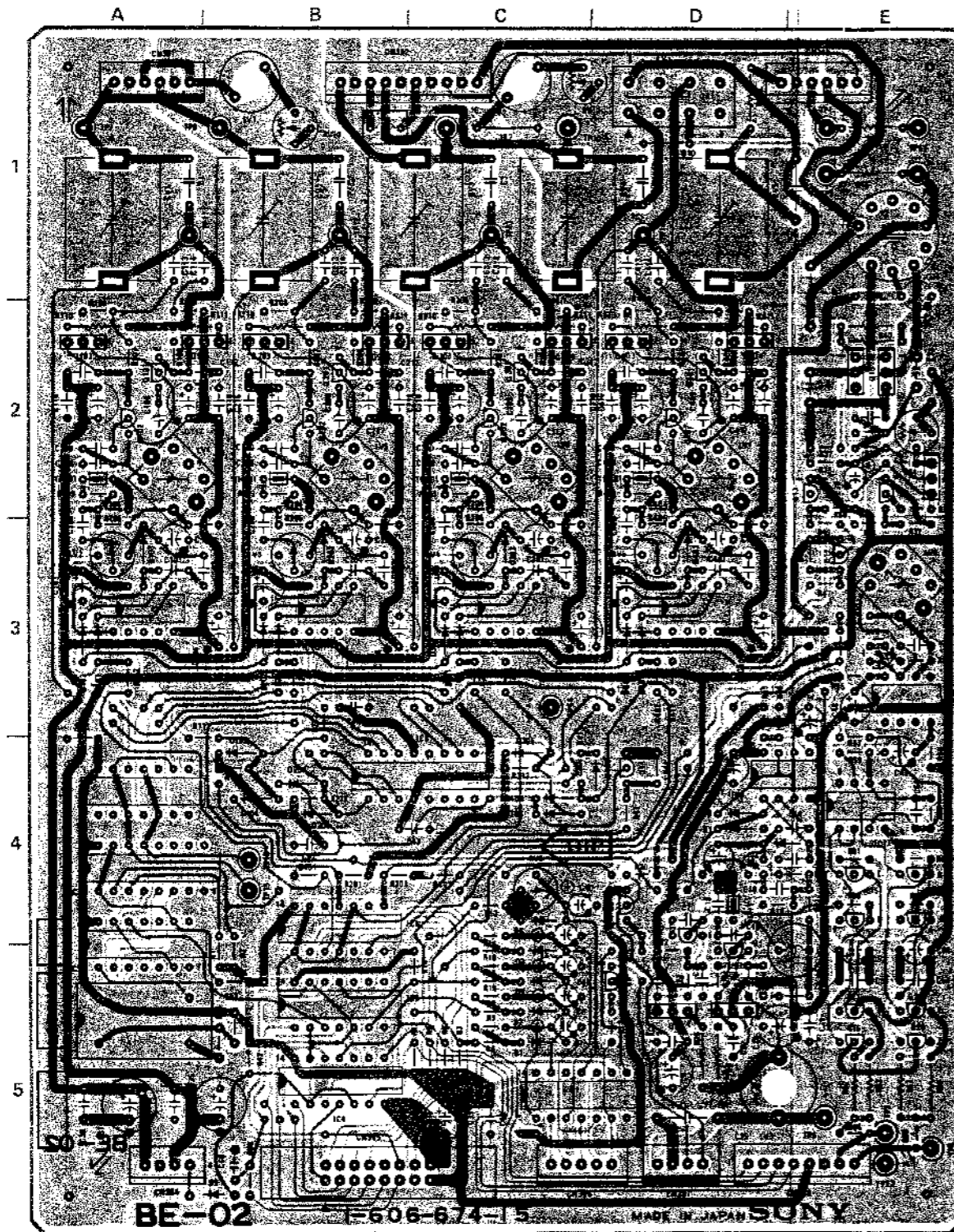


1-606-674-15
COMPONENT SIDE

1-606-674-15
SOLDER SIDE



BE-02 BOARD (1-606-674-14, 15)
Component Side



1-606-674-15
COMPONENT SIDE

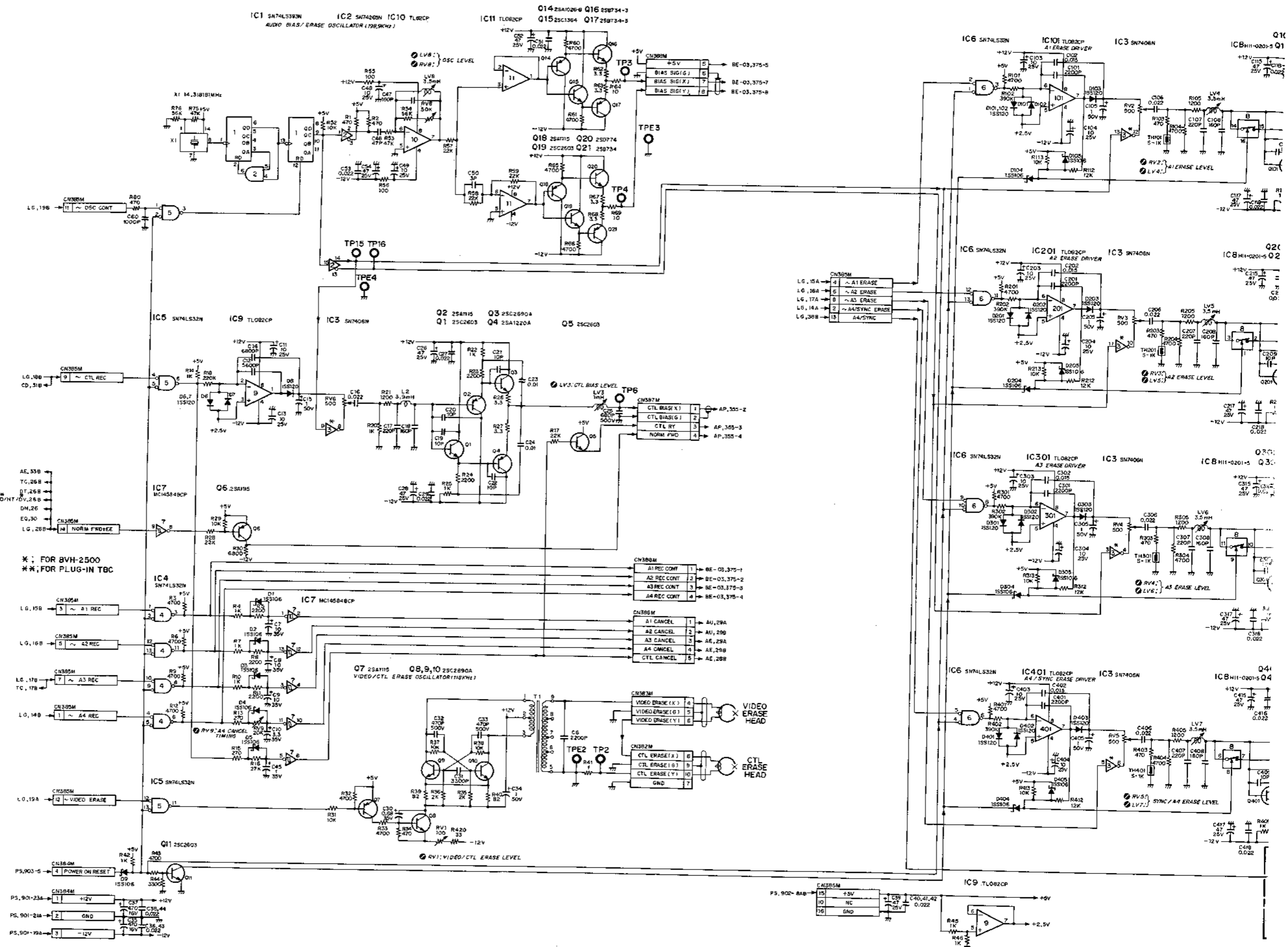
1-606-674-15
SOLDER SIDE

BE-02 (1-606-674-14 & UP)

BVH-2000/PS/PK
BVH-2180/PS/PK
BVH-2500/P

CN381M	06	4D	
1A	07	2E	
CN382M	08	2E	
1C	09	2E	
CN383M	Q10	2E	
1E	Q11	4D	
CN384M			
5A	(PS 04 MODEL)		
CN385M	Q12	3E	
5B	Q13	2E	
CN386M			
5D	Q14	4E	
CN387M	Q15	4E	
5D	Q16	5E	
CN388M	Q17	5E	
5E	Q18	4E	
	Q19	4E	
CV1	IA	Q20	5E
CV2	IB	Q21	5E
CV3	IC	Q101	2A
		Q102	2A
(PS 04 MODEL)		Q103	2A
CV4	1C	Q104	2B
		Q201	2B
CV5	1D	Q202	2B
		Q203	2B
D1	5C	Q204	2B
D2	5C	Q301	2C
D3	5C	Q302	2C
D4	4C	Q303	2C
D5	5C	Q304	2C
D6	4D	Q401	2D
D7	4D	Q402	2D
D8	4E	Q403	2D
D9	5B	Q404	2D
D10	1D		
D101	3A	RV1	2E
D102	3A	RV2	3A
D103	3A	RV3	3B
D104	4B	RV4	3C
D105	4B	RV5	3D
D201	3B	RV6	4D
D202	3B	RV8	3E
D203	3B	RV9	4C
D204	4B	RV10	1B
D205	4B		
D301	3C	(PS 04 MODEL)	
D302	3C	RV11	1D
D303	3C		
D304	4C	(PS 04 MODEL)	
D305	4C	RV1	1D
D401	3D		
D402	3D	T1	1E
D403	3D		
D404	4C	TH101	2A
D405	4D	TH201	2B
		TH301	2C
		TH401	2D
IC1	5A		
IC2	4A		
IC3	4A	TP1	1E
IC4	5B	TP2	1E
IC5	5B	TP3	5E
IC6	4B	TP4	5E
IC7	5D	TP6	5E
IC8	4C	TP7	1A
IC9	4D	TP8	1B
IC10	3E	TP9	1C
IC11	4E		
IC101	3A	(PS 04 MODEL)	
IC201	3B	TF10	1C
IC301	3C		
IC401	3D		
L2	5E		
LV1	1B	TF11	1A
		TF12	1B
		TF13	1C
		TF14	1D
		TF15	4B
		TF16	4B
(PS 04 MODEL)			
LV2	1C	TP21	1E
		TP22	1E
LV3	5D	TP23	5E
LV4	2A	TP24	3C
LV5	2B		
LV6	2C	X1	5A
LV7	2D		
LV8	3E		
Q1	5D		
Q2	5D		
Q3	5D		
Q4	5D		
Q5	5D		

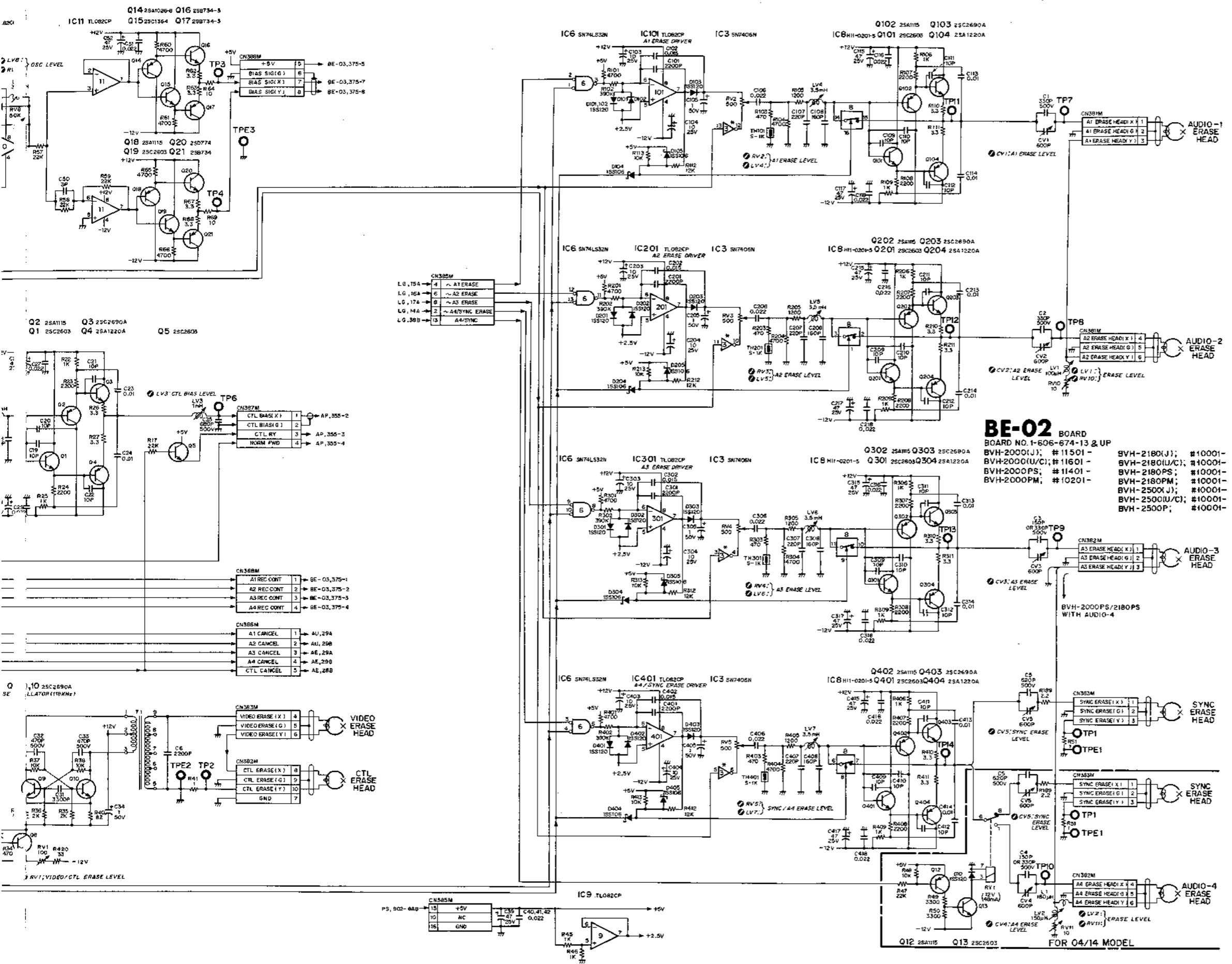
BE-02 BOARD
Audio Bias/Erase Oscillator



C-125

C-126

C-127
 C-125
 C-157
 C-156
 C-155
 C-154
 C-153
 C-152
 C-151
 C-150
 C-149
 C-148
 C-147
 C-146
 C-145
 C-144
 C-143
 C-142
 C-141
 C-140
 C-139
 C-138
 C-137
 C-136
 C-135
 C-134
 C-133
 C-132
 C-131
 C-130
 C-129
 C-128
 C-127
 C-126
 C-125
 C-124
 C-123
 C-122
 C-121
 C-120
 C-119
 C-118
 C-117
 C-116
 C-115
 C-114
 C-113
 C-112
 C-111
 C-110
 C-109
 C-108
 C-107
 C-106
 C-105
 C-104
 C-103
 C-102
 C-101
 C-100
 C-99
 C-98
 C-97
 C-96
 C-95
 C-94
 C-93
 C-92
 C-91
 C-90
 C-89
 C-88
 C-87
 C-86
 C-85
 C-84
 C-83
 C-82
 C-81
 C-80
 C-79
 C-78
 C-77
 C-76
 C-75
 C-74
 C-73
 C-72
 C-71
 C-70
 C-69
 C-68
 C-67
 C-66
 C-65
 C-64
 C-63
 C-62
 C-61
 C-60
 C-59
 C-58
 C-57
 C-56
 C-55
 C-54
 C-53
 C-52
 C-51
 C-50
 C-49
 C-48
 C-47
 C-46
 C-45
 C-44
 C-43
 C-42
 C-41
 C-40
 C-39
 C-38
 C-37
 C-36
 C-35
 C-34
 C-33
 C-32
 C-31
 C-30
 C-29
 C-28
 C-27
 C-26
 C-25
 C-24
 C-23
 C-22
 C-21
 C-20
 C-19
 C-18
 C-17
 C-16
 C-15
 C-14
 C-13
 C-12
 C-11
 C-10
 C-9
 C-8
 C-7
 C-6
 C-5
 C-4
 C-3
 C-2
 C-1



BE-02 BOARD
 BOARD NO. 1-606-674-13 & UP

BVH-2000(J); #11501-	BVH-2180(J); #10001-
BVH-2000(U/C); #11601-	BVH-2180(U/C); #10001-
BVH-2000(PS); #11401-	BVH-2180(PS); #10001-
BVH-2000(PM); #10201-	BVH-2180(PM); #10001-
	BVH-2500(J); #10001-
	BVH-2500(U/C); #10001-
	BVH-2500(P); #10001-

BVH-2000(PS)/2180(PS) WITH AUDIO-4

BE-03

Co

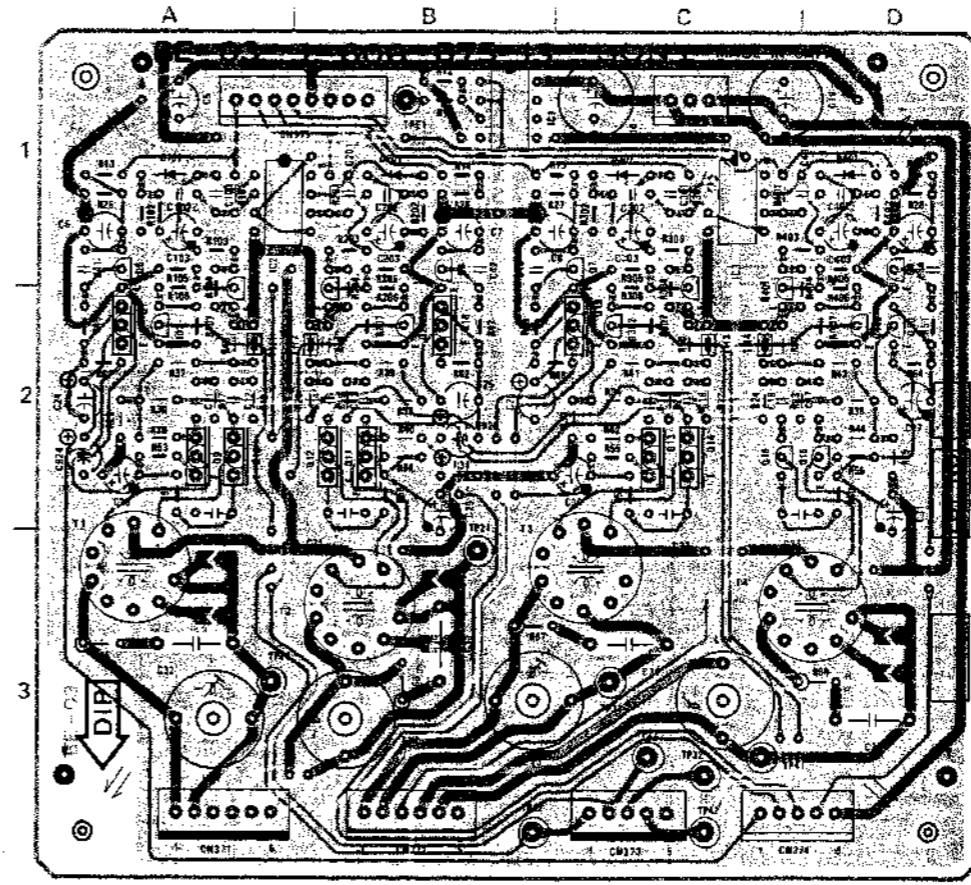


BE-04

Co



BE-03 BOARD (1-606-675-12, 13)
Component Side



1-606-675-13 COMPONENT SIDE

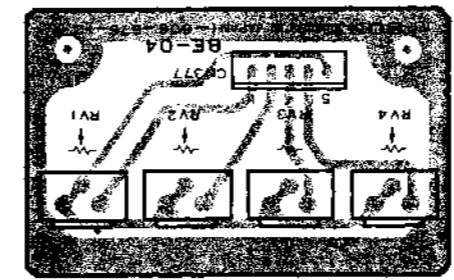
1-606-675-13

BE-03 (1-606-675-12 & UP)

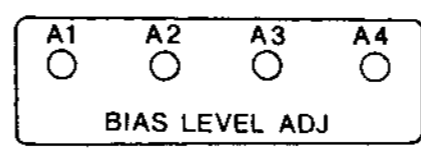
BVH-2000/PS/PM
BVH-2010/PS/PM
BVH-2500P

CN371H	Q17 2A
CN372M	Q18 2B
CN373M	Q19 2C
CN374H	(PS 04 MODEL) Q20 2D
CN375M	Q101 1A
CN376M	Q201 1B
	Q202 2B
	Q301 1C
	Q302 2C
D101 1A	
D201 1B	(PS 04 MODEL)
D301 1C	Q401 1D
	Q402 2D
(PS 04 MODEL)	
D401 1D	TH1 2A
	TH2 2B
IC1 1B	TH3 2C
IC2 1A	
IC3 1C	(PS 04 MODEL)
	TH4 2C
LV1 3A	TP11 3A
LV2 3B	TP12 3B
LV3 3C	TP21 3B
	TP22 3C
(PS 04 MODEL)	TP31 3C
LV4 3C	TP32 3C
O5 1A	
O6 1B	(PS 04 MODEL)
O7 1C	TP41 3C
	TP42 3C
(PS 04 MODEL)	
Q8 1D	TPC1 1B
O9 2A	
Q10 2A	
Q11 2B	
Q12 2B	
Q13 2C	
Q14 2C	
(PS 04 MODEL)	
O15 2D	
O16 2C	

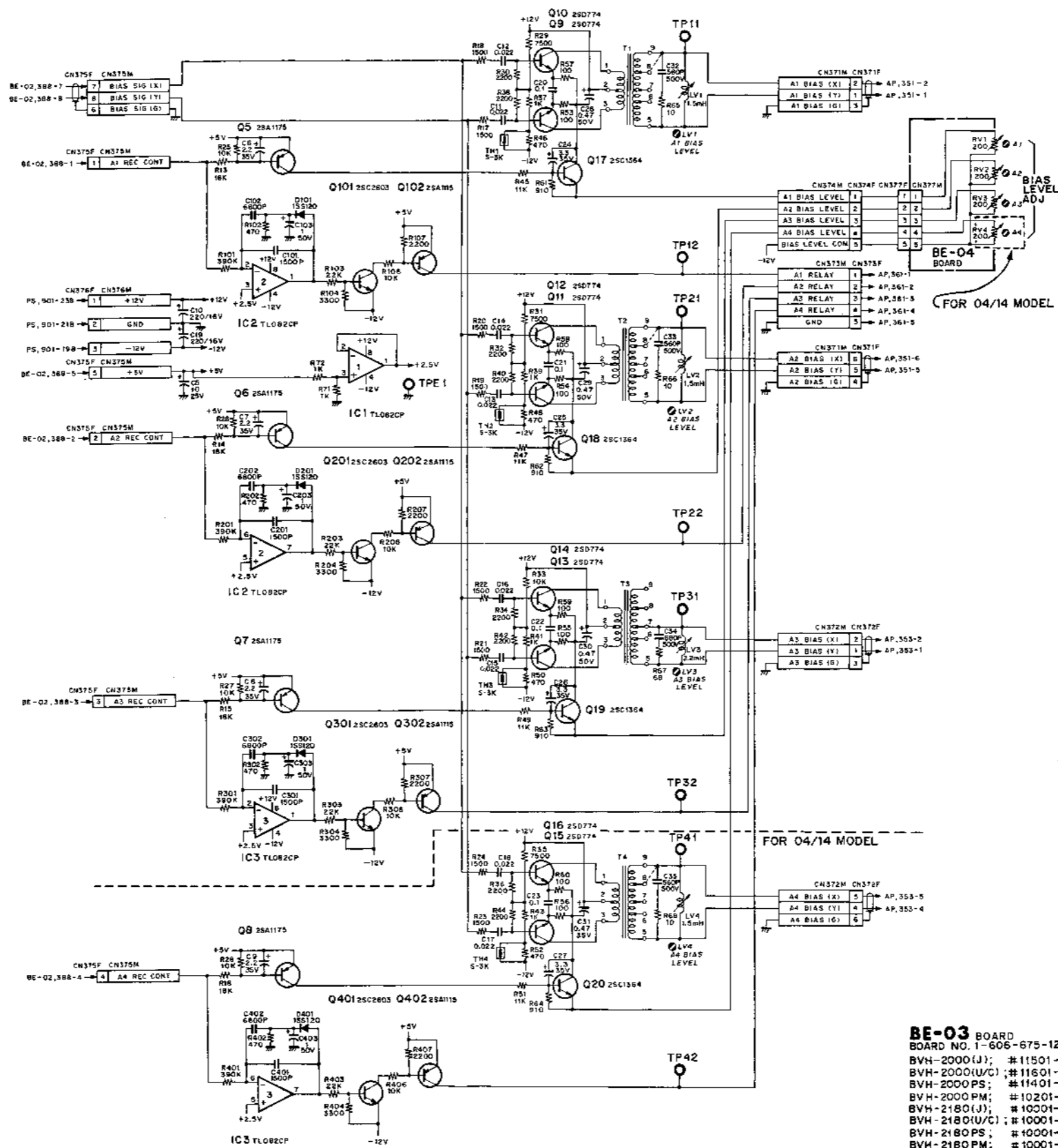
BE-04 BOARD (1-606-676-12)
Component Side



1-606-676-12



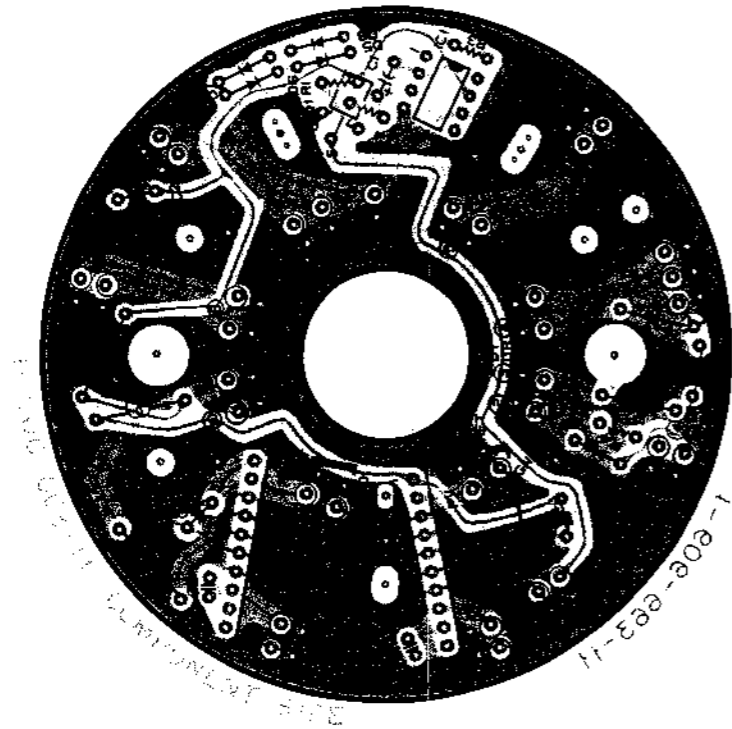
BE-03/BE-04 BOARD
Audio Bias Amplifier
Audio Bias Level Adj.



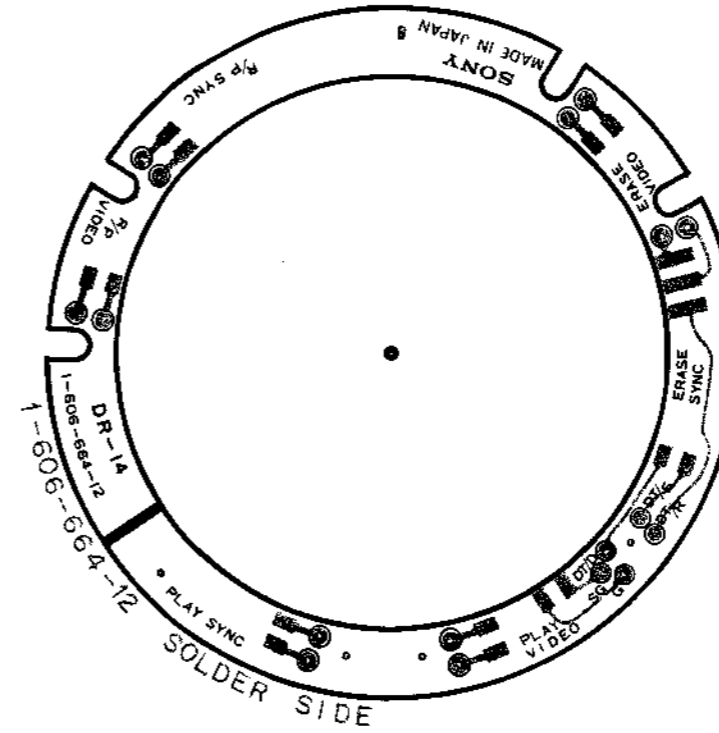
- BE-03 BOARD**
BOARD NO. 1-606-675-12 & UP
- | | |
|------------------------|------------------------|
| BVH-2000(J); #11501- | BVH-2500(J); #10001- |
| BVH-2000(U/C); #11601- | BVH-2500(U/C); #10001- |
| BVH-2000(P); #11401- | BVH-2500(P); #10001- |
| BVH-2000(PM); #10201- | |
| BVH-2180(J); #10001- | |
| BVH-2180(U/C); #10001- | |
| BVH-2180(P); #10001- | |
| BVH-2180(PM); #10001- | |

BV, 1, 2, 30/PS, 1, 2, 3, 4, 5, 6, 7, 8, 9, 10, 11, 12, 13, 14, 15, 16, 17, 18, 19, 20, 21, 22, 23, 24, 25, 26, 27, 28, 29, 30, 31, 32, 33, 34, 35, 36, 37, 38, 39, 40, 41, 42, 43, 44, 45, 46, 47, 48, 49, 50, 51, 52, 53, 54, 55, 56, 57, 58, 59, 60, 61, 62, 63, 64, 65, 66, 67, 68, 69, 70, 71, 72, 73, 74, 75, 76, 77, 78, 79, 80, 81, 82, 83, 84, 85, 86, 87, 88, 89, 90, 91, 92, 93, 94, 95, 96, 97, 98, 99, 100

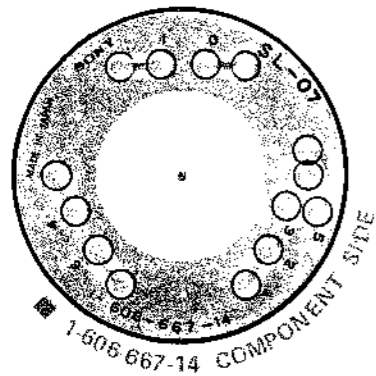
DR-13 BOARD (1-606-663-11)
Component Side



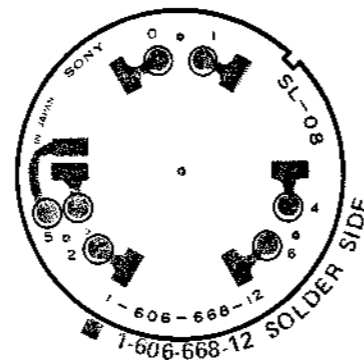
DR-14 BOARD (1-606-664-12)
Solder Side



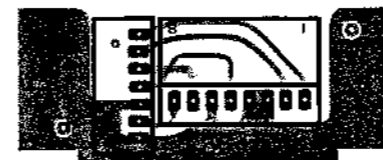
SL-07 BOARD (1-606-667-14)
Component Side



SL-08 BOARD (1-606-668-12)
Solder Side

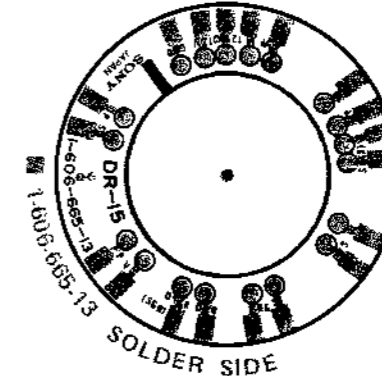


SL-09 BOARD (1-606-669-16)
Component Side



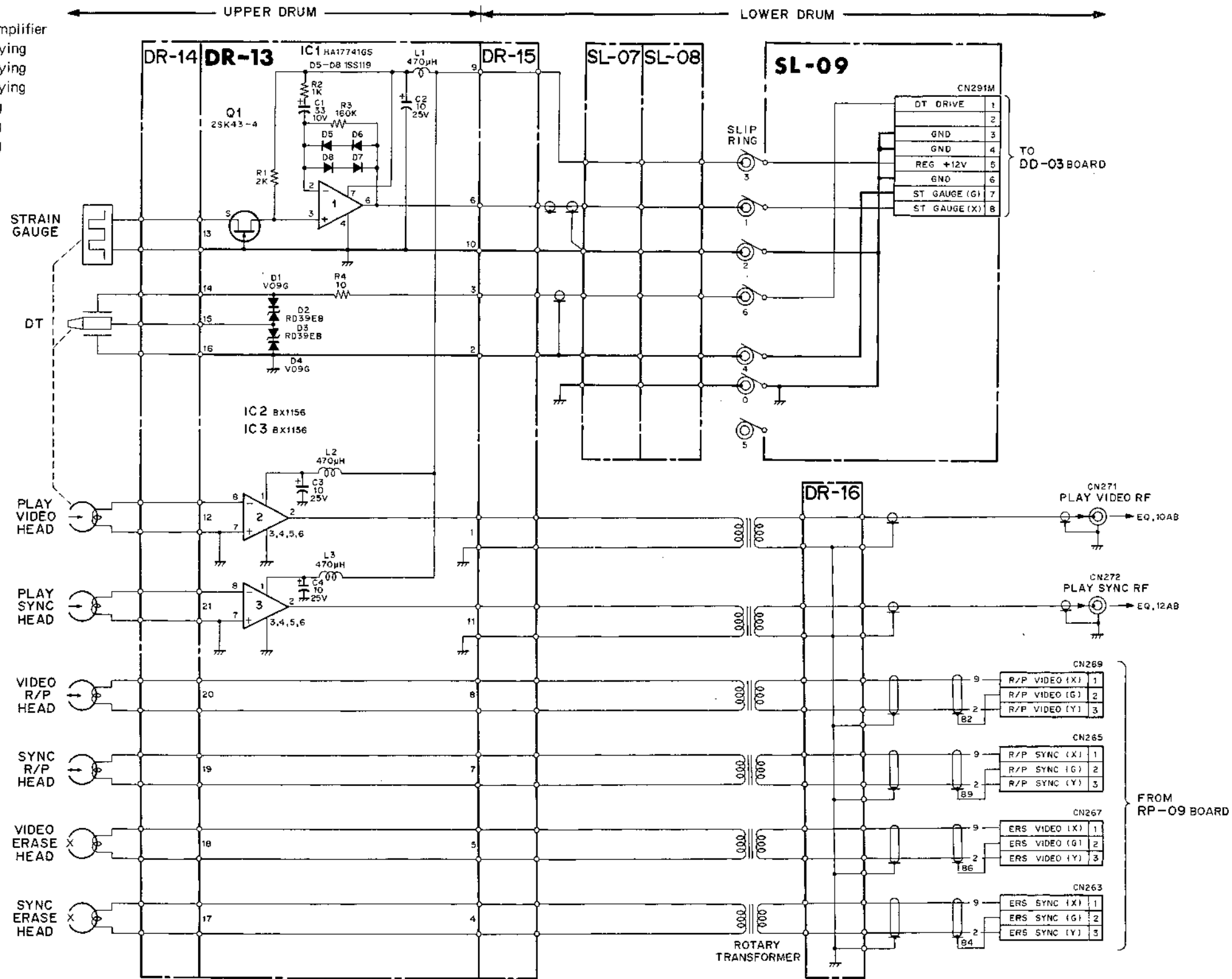
- 1-606-669-16 COMPONENT SIDE
- 1-606-669-16 SOLDER SIDE

DR-15 BOARD (1-606-665-13)
Solder Side



HEAD DRUM ; FOR 02/04 MODEL

- DR-13 BOARD: Video/Sync PB Amplifier
- DR-14 BOARD: Rotary Head Relaying
- DR-15 BOARD: Rotary Head Relaying
- DR-16 BOARD: Rotary Head Relaying
- SL-07 BOARD: Slip Ring Relaying
- SL-08 BOARD: Slip Ring Relaying
- SL-09 BOARD: Slip Ring Relaying

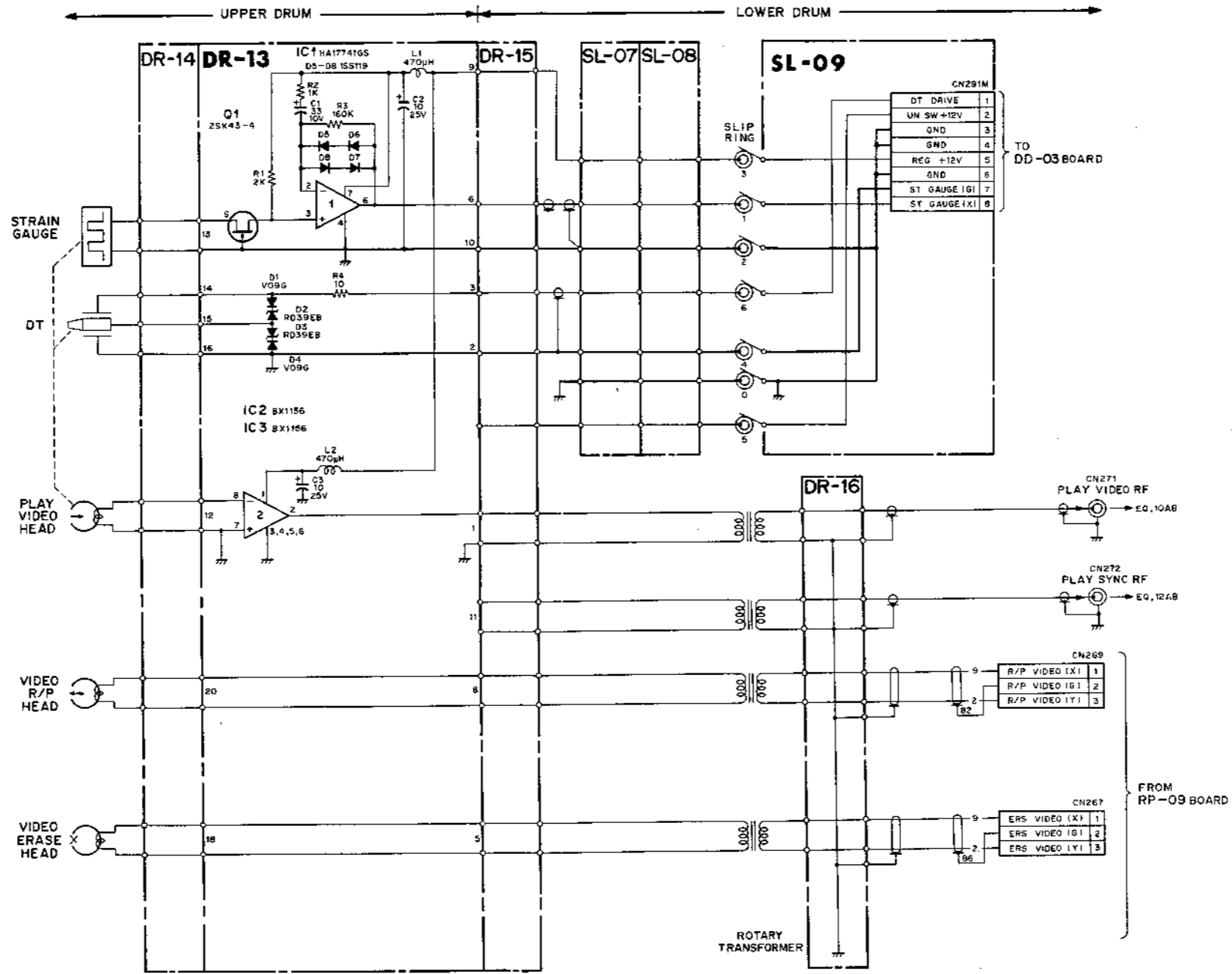


HEAD DRUM ASSY; DMH-17A-R (FOR NTSC, PM 02 MODEL)
 UPPER DRUM ASSY; DMH-18A-R (FOR PS 02/04 MODEL)
 LOWER DRUM ASSY; DMR-17-R (FOR NTSC, PM 02 MODEL)
 DMR-18-R (FOR PS 02/04 MODEL)
 DML-17A-R

HEAD DRUM (FOR 02/04)
 BVH-2000(J); #10001- BVH-2180(J); #10001-
 BVH-2000(U/C); #10001- BVH-2180(U/C); #10001-
 BVH-2000PS; #10001- BVH-2180PS; #10001-
 BVH-2000PM; #10001- BVH-2180PM; #10001-

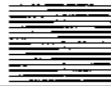
HEAD DRUM; FOR 12/14 MODEL

- DR-13 BOARD: Video/Sync PB Amplifier
- DR-14 BOARD: Rotary Head Relaying
- DR-15 BOARD: Rotary Head Relaying
- DR-16 BOARD: Rotary Head Relaying
- SL-07 BOARD: Slip Ring Relaying
- SL-08 BOARD: Slip Ring Relaying
- SL-09 BOARD: Slip Ring Relaying

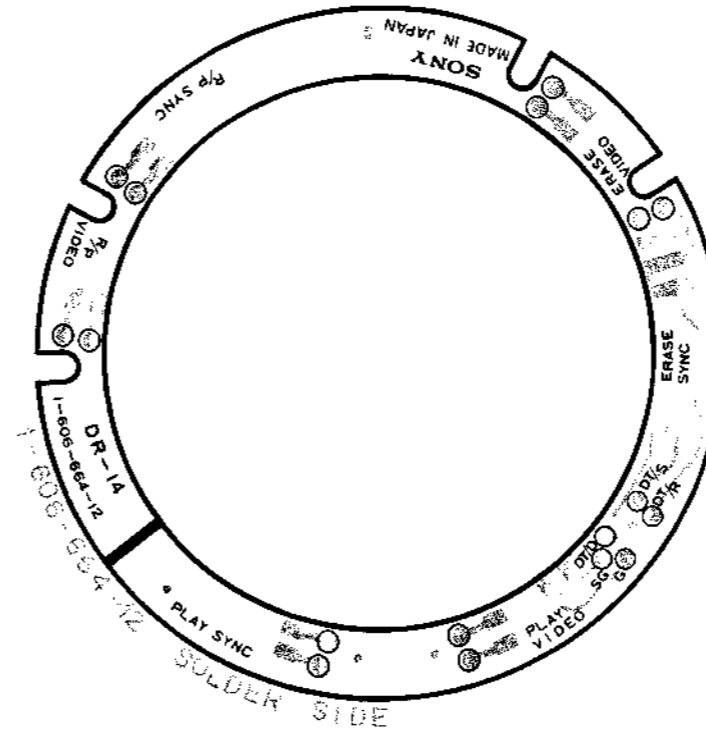


HEAD DRUM ASSY; DMH-29A-R (FOR NTSC 12 MODEL)
 DMH-30A-R (FOR PS 12/14 MODEL)
 UPPER DRUM ASSY; DMR-29-R (FOR NTSC 12 MODEL)
 DMR-30-R (FOR PS 12/14 MODEL)
 LOWER DRUM ASSY; DML-17A-R

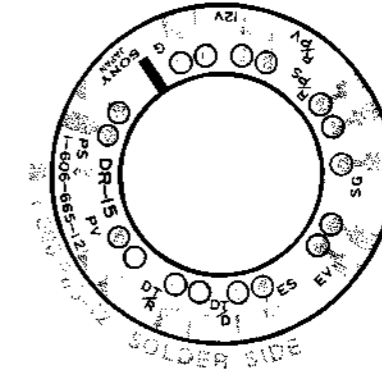
HEAD DRUM (FOR 12/14)
 BVH-2000 (U/C); #34501-
 9VH-2000PS; #34301-



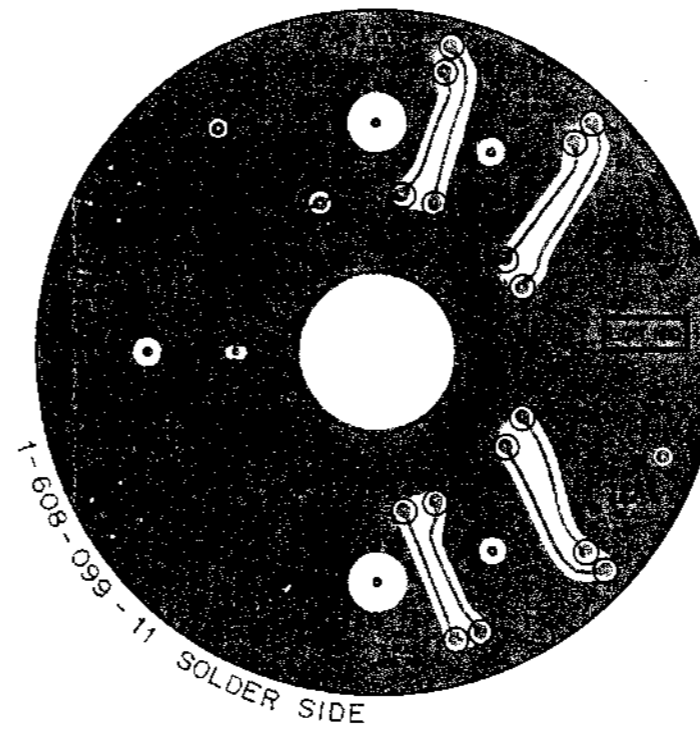
DR-14 BOARD (1-606-664-12)
Solder Side

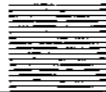


DR-15 BOARD (1-606-665-12)
Solder Side



DR-20 BOARD (1-608-099-11)
Component Side



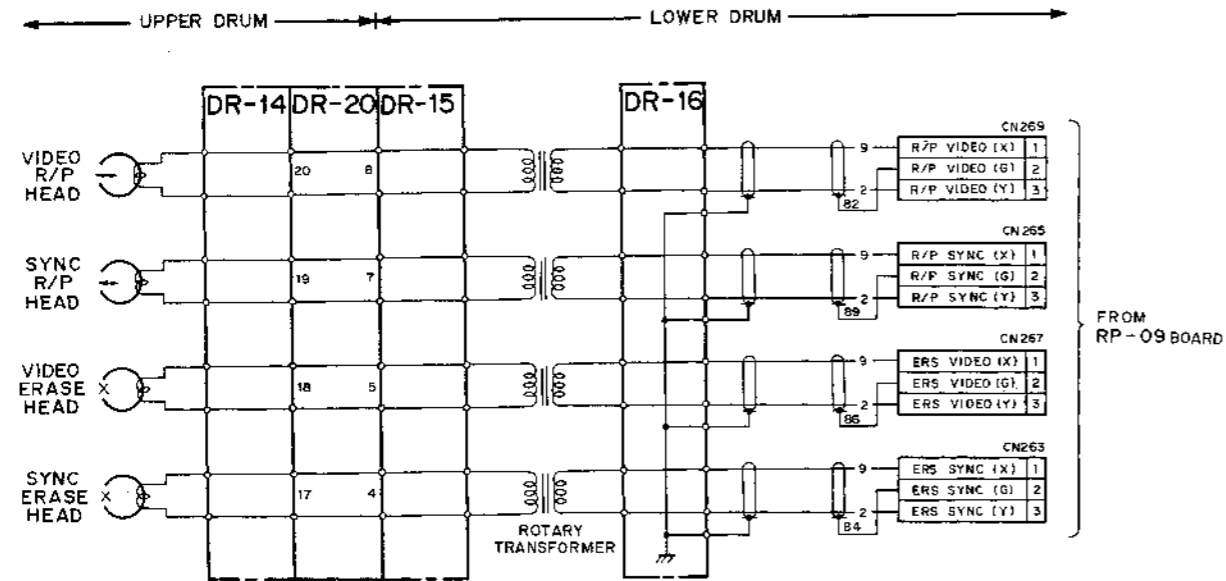


HEAD DRUM; FOR 00 MODEL

DR-14 BOARD: Rotary Head Relaying

DR-15 BOARD: Rotary Head Relaying

DR-20 BOARD: Rotary Head Relaying

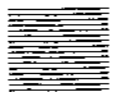


HEAD DRUM ASSY; DMH-19A-R (FOR NTSC, PM 00 MODEL)
 DMH-20A-R (FOR PS, 00 MODEL)
 UPPER DRUM ASSY; DMR-19-R (FOR NTSC, PM 00 MODEL)
 DMR-20-R (FOR PS 00 MODEL)
 LOWER DRUM ASSY; DML-19A-R

HEAD DRUM (FOR 00 MODEL)

BVH-2000(J); #10001-
 BVH-2000(U/C); #10001-
 BVH-2000PS; #10001-



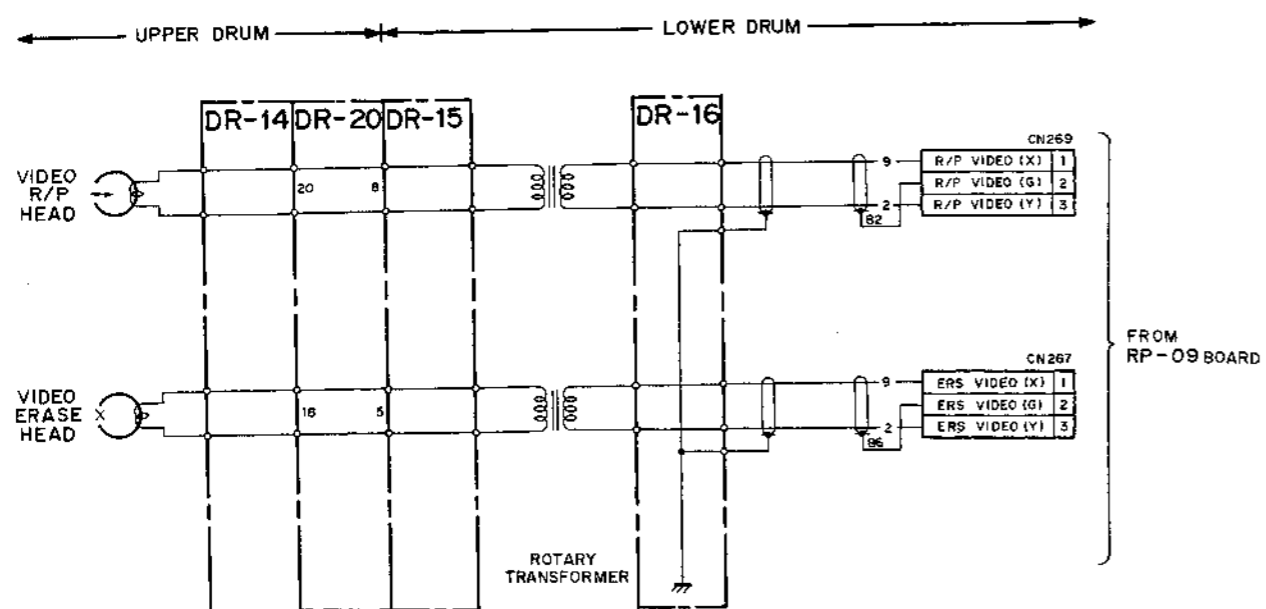


HEAD DRUM; FOR 10 MODEL

DR-14 BOARD: Rotary Head Relaying

DR-15 BOARD: Rotary Head Relaying

DR-20 BOARD: Rotary Head Relaying



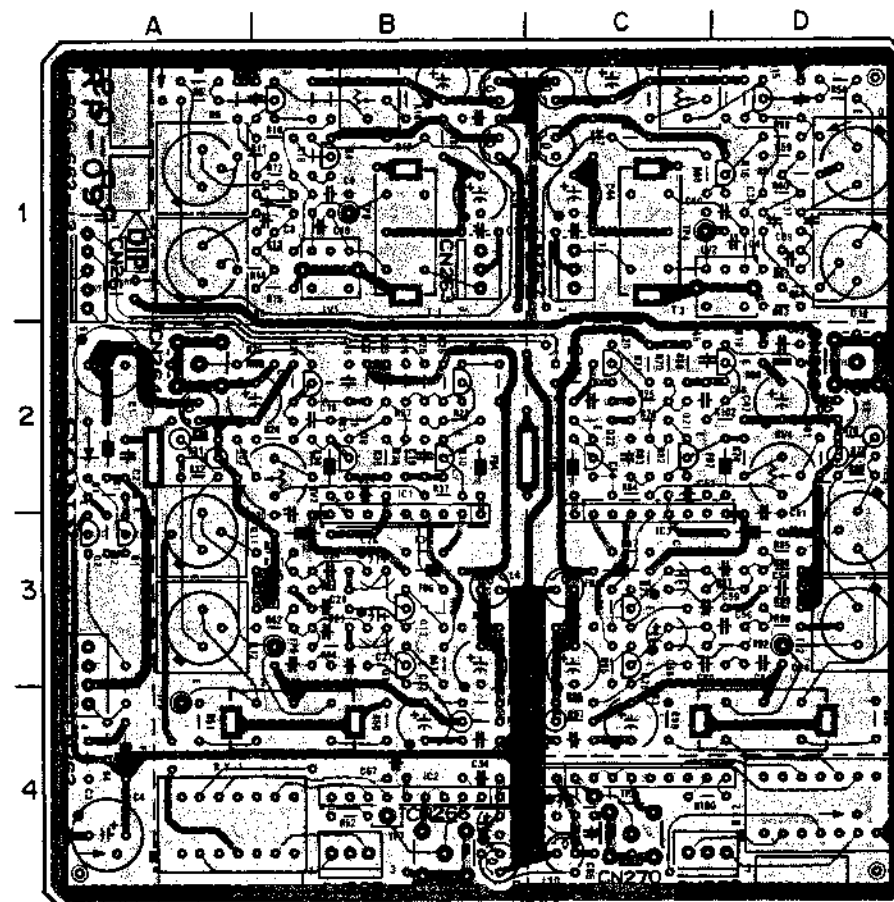
- HEAD DRUM ASSY; DMH-31A-R (FOR NTSC 10 MODEL)
- DMH-32A-R (FOR PS 10 MODEL)
- UPPER DRUM ASSY; DMR-31-R (FOR NTSC 10 MODEL)
- DMR-32-R (FOR PS 10 MODEL)
- LOWER DRUM ASSY; DML-19A-R

HEAD DRUM (FOR 10 MODEL)

- BVH-2000(U/C); #34501-
- BVH-2000PS; #34301-



RP-09 BOARD (1-606-662-12)
Component Side



1-606-662-12 COMPONENT SIDE

SI-S88-808-1

RP-09 (1-606-662-12 & 1P)

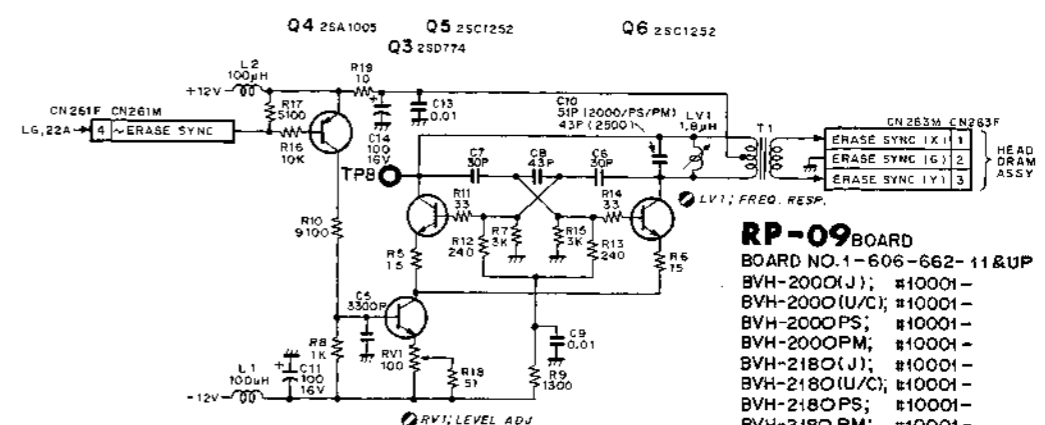
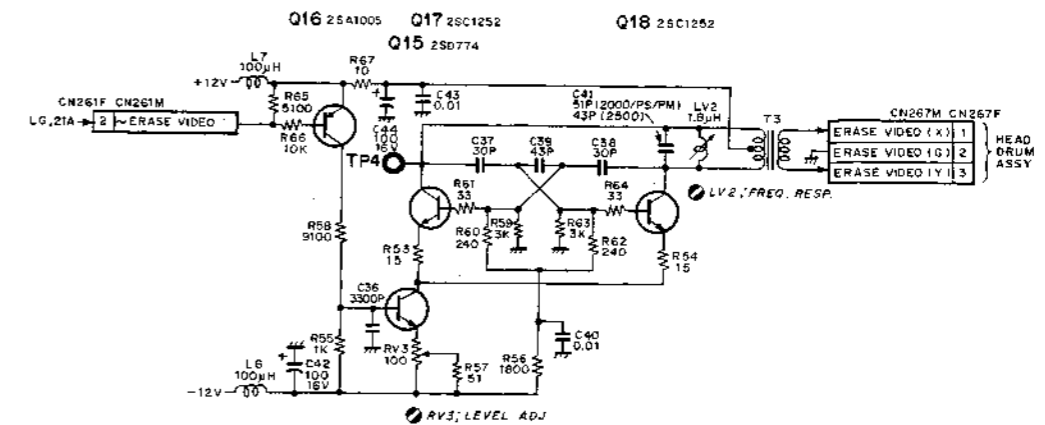
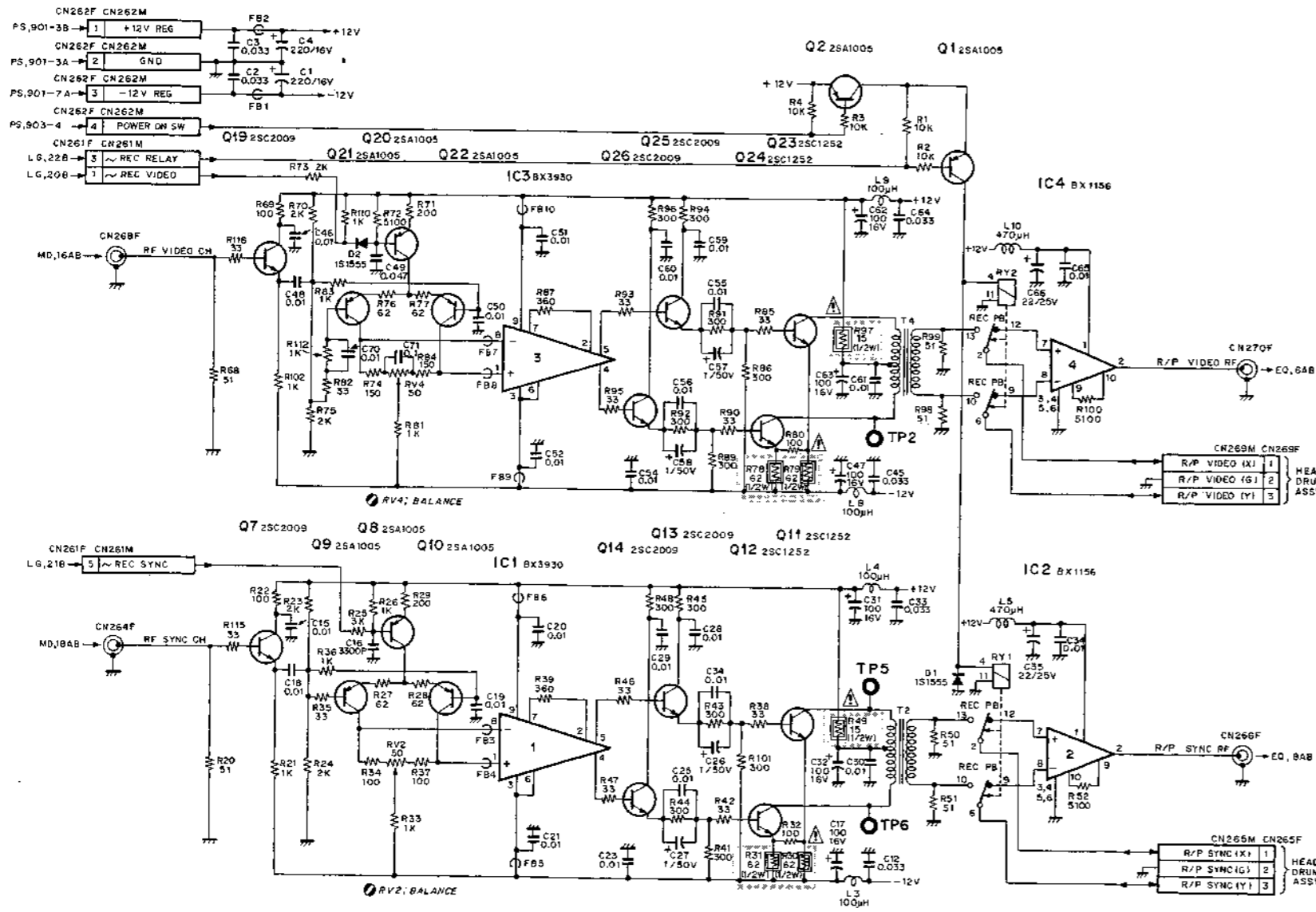
BVH-2000/PS/PM
BVH-2180/PS/PM
BVH-2500/P

CN251M	RV1	1B
1A	RV2	2B
CN262M	RV3	1C
3A	RV4	2D
CN263M	RY1	4A
1B	RY2	4D
CN264M		
2A	TP2	3D
CN265M	TP3	4C
4B	TP4	1C
CN266M	TP5	3B
4B	TP6	4A
CN267M	TP7	4B
1C	TP8	1B
CN268M		
2D		
CN269M		
4C		
CN270M		
4C		
D1	2A	
D2	2C	
IC1	2B	
IC2	4B	
IC3	2C	
IC4	4C	
LV1	1B	
LV2	1D	
Q1	3A	
Q2	3A	
Q3	1B	
Q4	1B	
Q5	1A	
Q6	1A	
Q7	2B	
Q8	2B	
Q9	2B	
Q10	2B	
Q11	3A	
Q12	3A	
Q13	3B	
Q14	3B	
Q15	1D	
Q16	1D	
Q17	1D	
Q18	1D	
Q19	2D	
Q20	2C	
Q21	2C	
Q22	2C	
Q23	3D	
Q24	3D	
Q25	3C	
Q26	3C	

RP-09 BOARD

Video/Sync R/P Amplifier (For R/P Head)

BVH-2180/PS/PM
BVH-2000/PS/PM
C-140
C-139
C-170
C-169
BVH-2500/P

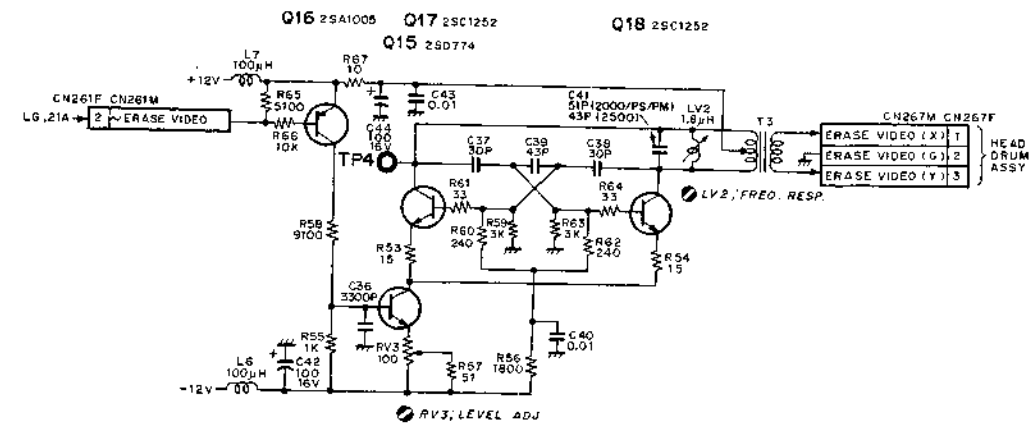
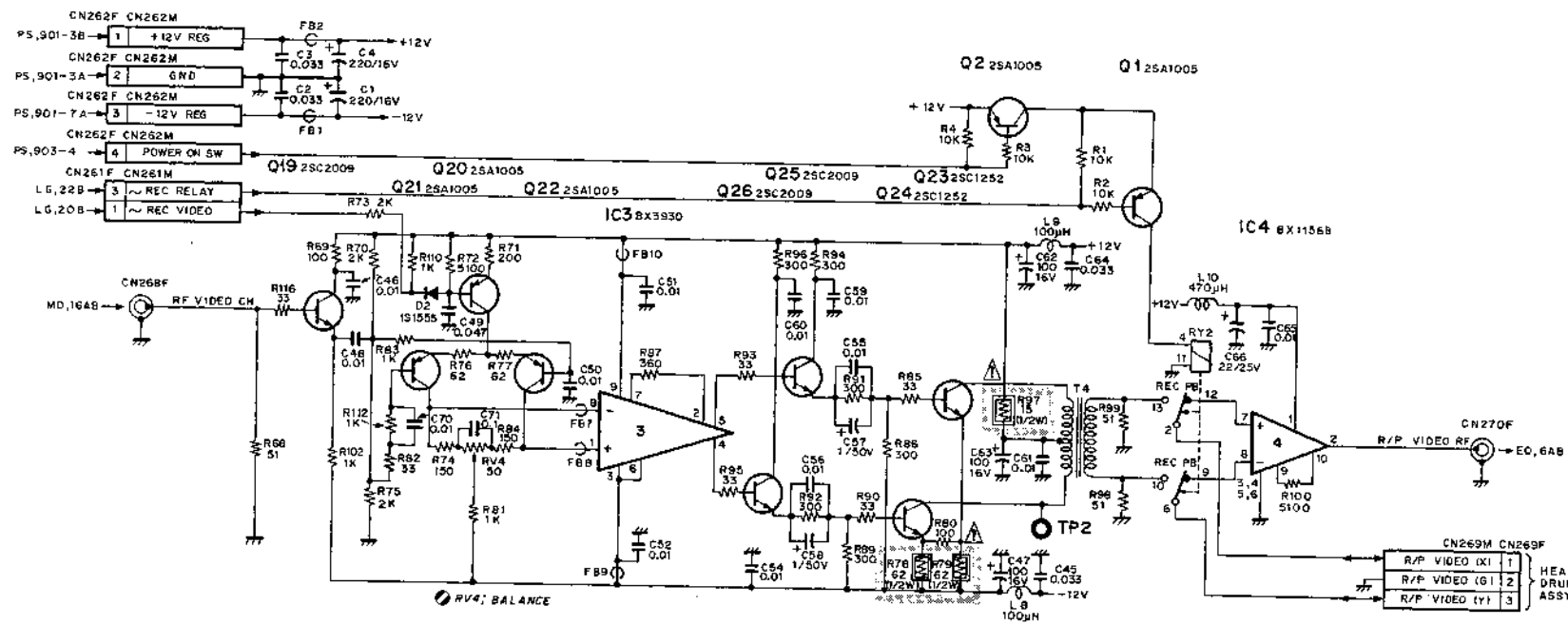


- RP-09 BOARD**
 BOARD NO. 1-606-662-11 & UP
- BVH-2000(J); #10001-
 - BVH-2000(U/C); #10001-
 - BVH-2000(PS); #10001-
 - BVH-2000(PM); #10001-
 - BVH-2180(J); #10001-
 - BVH-2180(U/C); #10001-
 - BVH-2180(PS); #10001-
 - BVH-2180(PM); #10001-
 - BVH-2500(J); #10001-
 - BVH-2500(U/C); #10001-
 - BVH-2500(P); #10001-



RP-09 BOARD

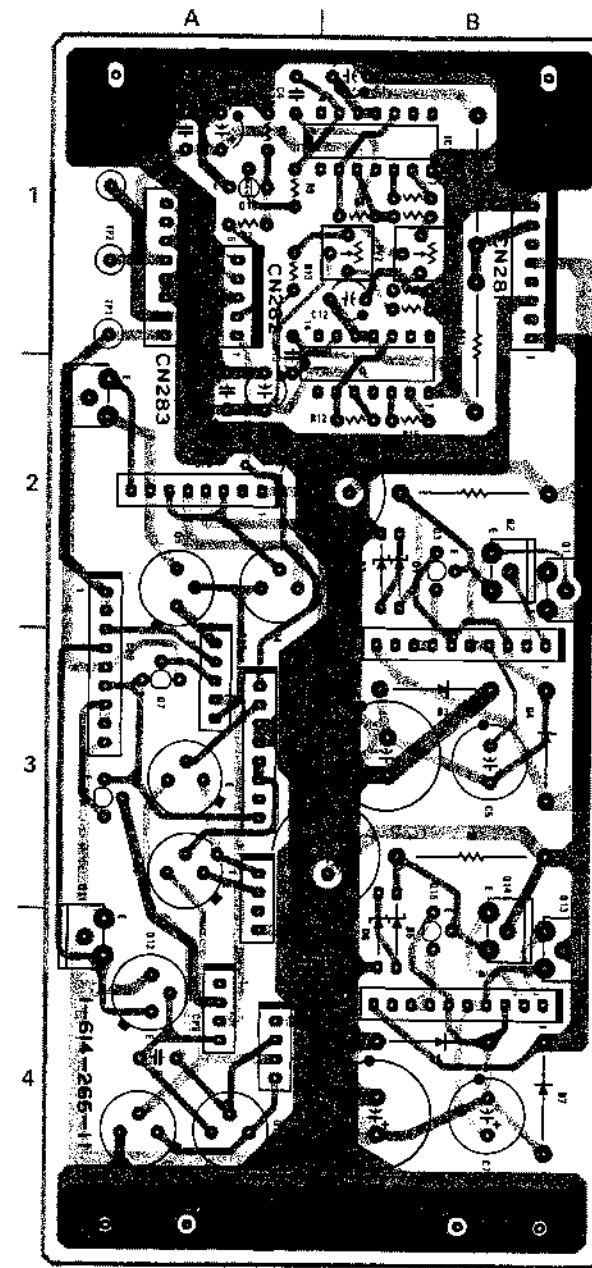
Video/Sync R/P Amplifier (For R/P Head)



RP-09 BOARD (FOR 10/12/14)
 BOARD NO.1-606-662-11&UP
 BVH-2000(LI/C); # 34501-
 BVH-2000PS; # 34301-



DD-03 BOARD (1-614-265-11)
Component Side

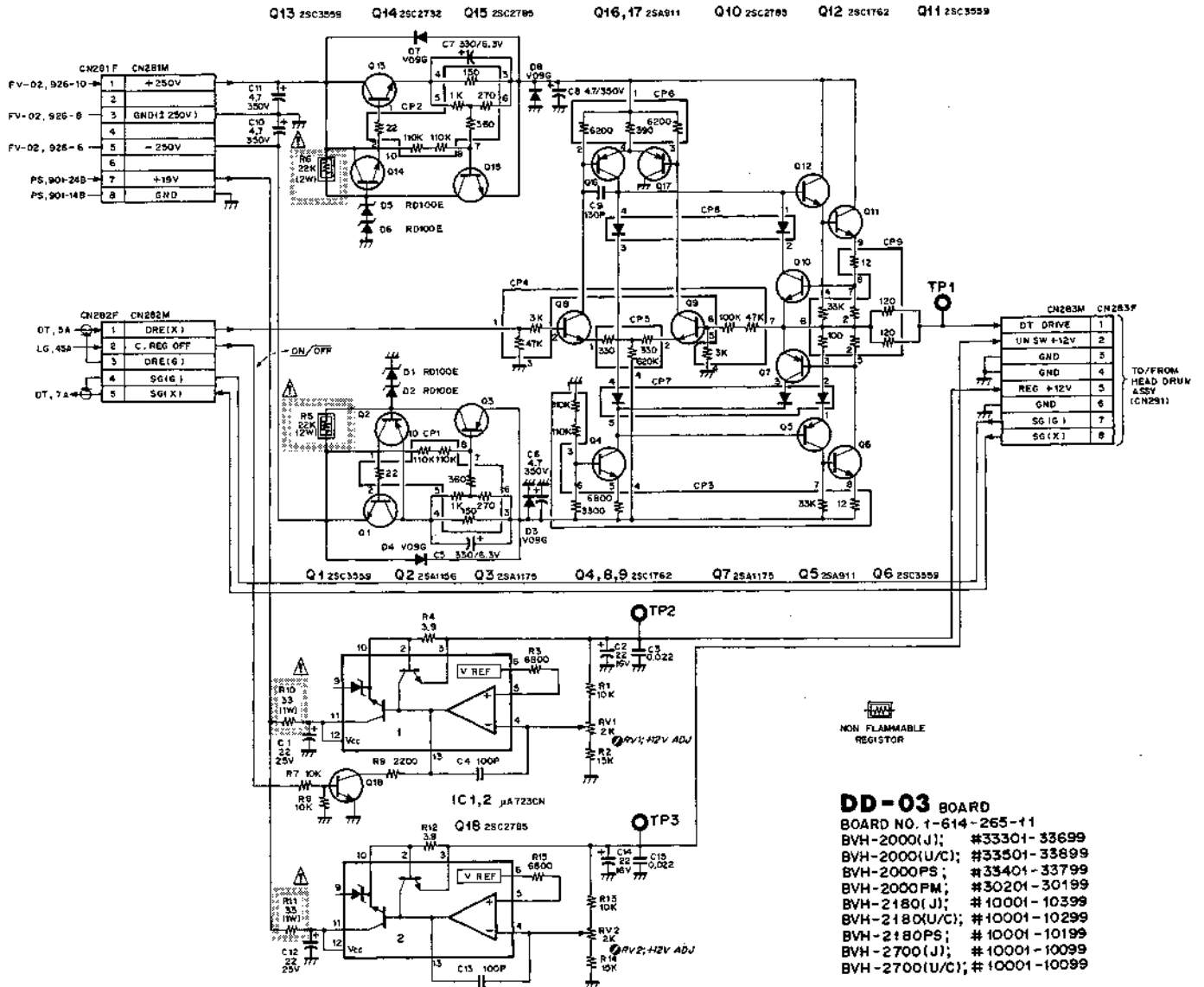


■ 1-614-265-11 COMPONENT SIDE
■ 1-614-265-11 SOLDER SIDE

DD-03 (1-614-265-11)

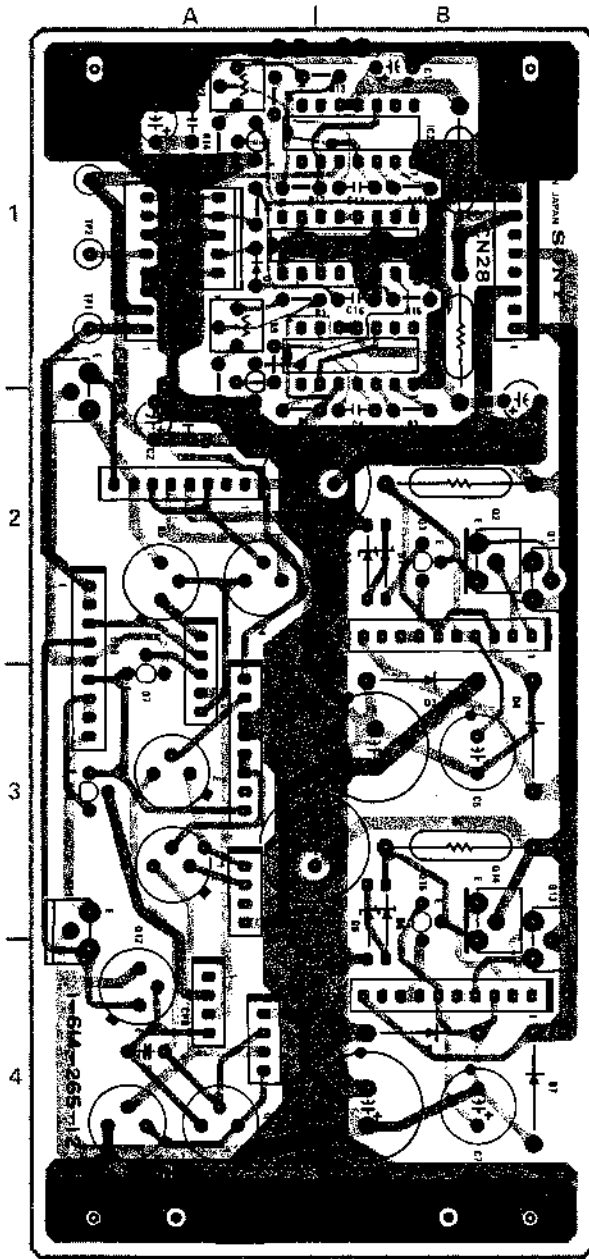
- BVH-2000 (02/12 MODEL)
- BVH-2000PS (02/12/04/14 MODEL)
- BVH-2000PM
- BVH-2180/PS/PM
- CN281M 1B
- CN282M 1A
- CN283M 1A
- CP1 3B
- CP2 4B
- CP3 2A
- CP4 3A
- CP5 3A
- CP6 4A
- CP7 3A
- CP8 4A
- CP9 3A
- D1 2B
- D2 2B
- D3 3B
- D4 3B
- D5 4B
- D6 4B
- D7 4B
- D8 4B
- IC1 1B
- IC2 2B
- Q1 2B
- Q2 2B
- Q3 2B
- Q4 2A
- Q5 2A
- Q6 2A
- Q7 3A
- Q8 3A
- Q9 3A
- Q10 3A
- Q11 4A
- Q12 4A
- Q13 4B
- Q14 4B
- Q15 4B
- Q16 4A
- Q17 4A
- Q18 2A
- RV1 1A
- RV2 1A
- TP1 1A
- TP2 1A
- TP3 1A

DD-03 BOARD
DT Drive



DD-03 BOARD (1-614-265-12)

Component Side



- 1-614-265-12 COMPONENT SIDE
- 1-614-265-12 SOLDER SIDE

DD-03 (1-614-265-12 & UP)

BVH-2000
(02 MODEL)

BVH-2000PS
(02/04 MODEL)

BVH-2000PN
BVH-2180/PS/PM
BVH-2500/P

CN281M 1B
CN282M 1A
CN283M 1A

CP1 3B
CP2 4B
CP3 2A
CP4 3A
CP5 3A
CP6 4A
CP7 3A
CP8 4A
CP9 3A

D1 2B
D2 2B
D3 3B
D4 3B
D5 4B
D6 4B
D7 4B
D8 4B
D9 1A

IC1 1B
IC2 2B
IC3 3B

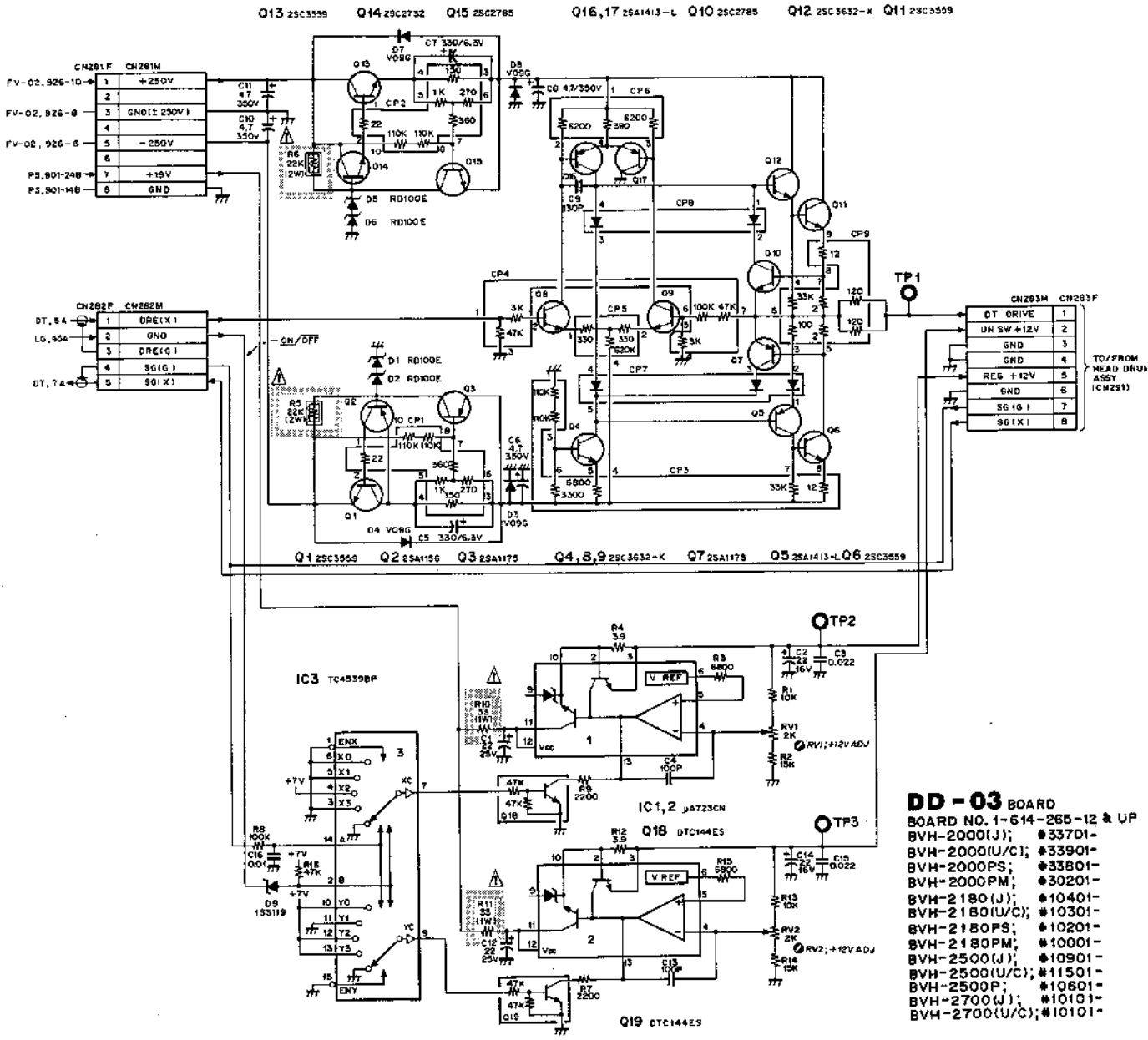
Q1 2B
Q2 2B
Q3 2B
Q4 2A
Q5 2A
Q6 2A
Q7 3A
Q8 3A
Q9 3A
Q10 3A
Q11 4A
Q12 4A
Q13 4B
Q14 4B
Q15 4B
Q16 4A
Q17 4A
Q18 2A
Q19 1A

RV1 1A
RV2 1A

TP1 1A
TP2 1A
TP3 1A

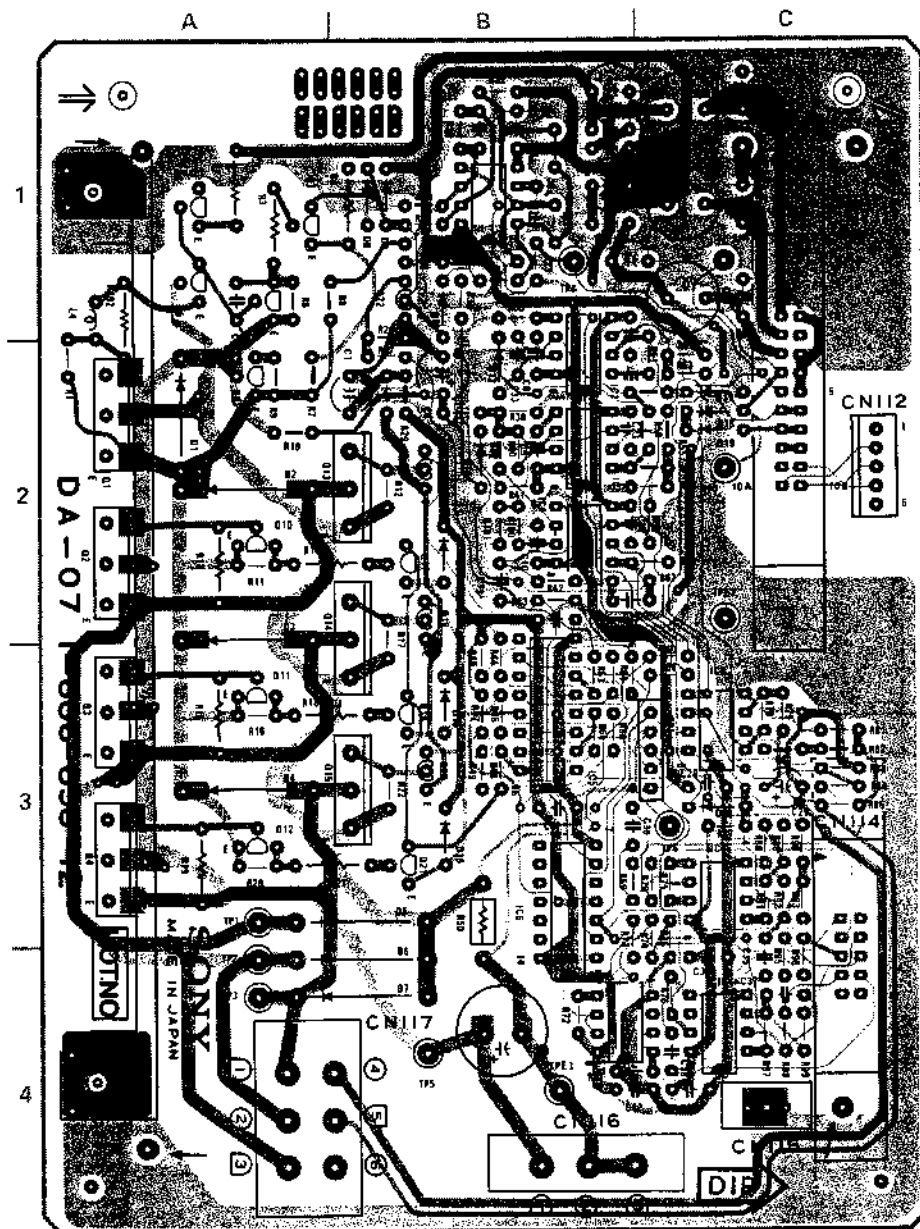
DD-03 BOARD
DT Drive

143(3)
C-143
BVH-2000PM



DA-07 BOARD (1-606-696-12)

Component Side



DA-07 (1-606-696-12 & UP)

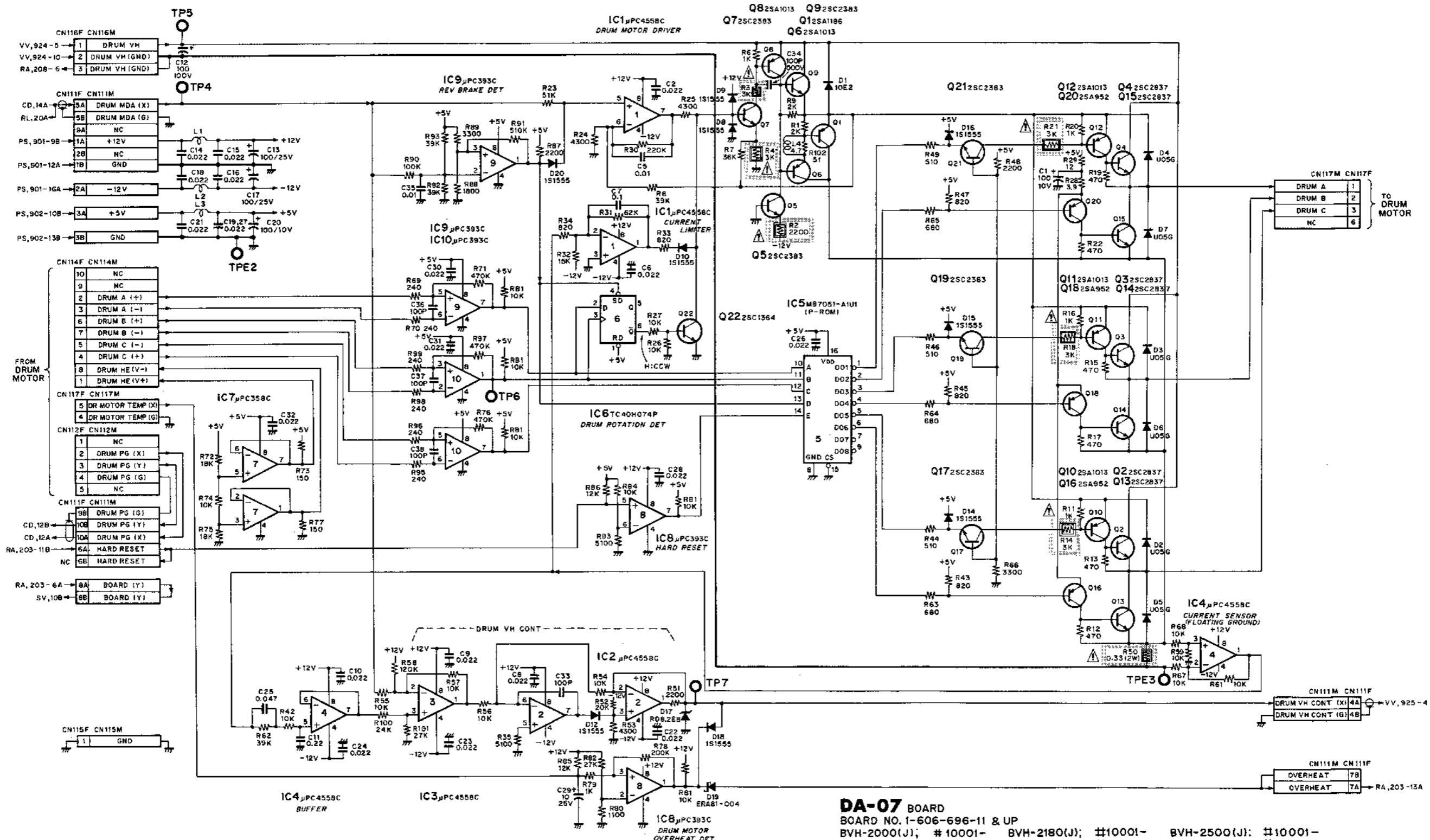
BVH-2000/PS/PM
 BVH-2180/PS/PM
 BVH-2500/P

CN111M	TP4	1B
CN112M	TP5	4B
CN114M	TP6	3C
CN115M	TP7	2C
CN116M	TPE2	2C
CN117M	TPE3	4B
D1	2A	
D2	2A	
D3	3A	
D4	3A	
D5	3B	
D6	4B	
D7	4B	
D8	1B	
D9	1B	
D10	1B	
D12	2B	
D13	2B	
D14	2B	
D15	3B	
D16	3B	
D17	2C	
D18	2C	
D19	2C	
D20	3C	
IC1	1B	
IC2	2B	
IC3	2B	
IC4	2B	
IC5	3B	
IC6	3B	
IC7	4B	
IC8	3C	
IC9	3C	
IC10	4C	
Q1	2A	
Q2	2A	
Q3	3A	
Q4	3A	
Q5	1A	
Q6	1A	
Q7	1A	
Q8	1A	
Q9	2A	
Q10	2A	
Q11	3A	
Q12	3A	
Q13	2B	
Q14	3B	
Q15	3B	
Q16	2B	
Q17	2B	
Q18	2B	
Q19	3B	
Q20	3B	
Q21	3B	
Q22	1B	
RB1	3C	

■ 1-606-696-12
 COMPONENT SIDE

■ 1-606-696-12
 SOLDER SIDE

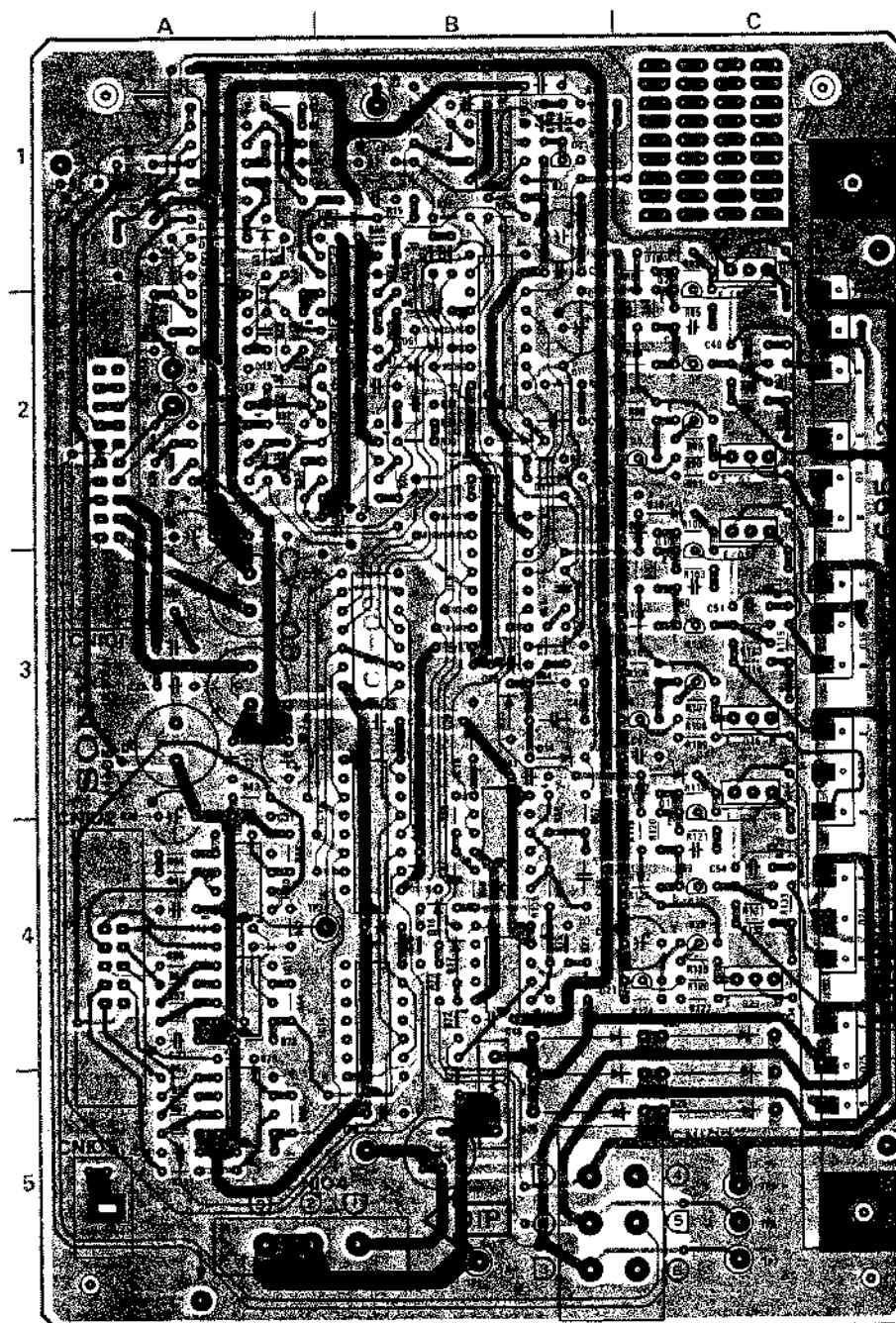
DA-07 BOARD
Drum Motor Driver



DA-07 BOARD
 BOARD NO. 1-606-696-11 & UP
 BVH-2000(J); # 10001- BVH-2180(J); #10001- BVH-2500(J); #10001-
 BVH-2000(U/C); # 10001- BVH-2180(U/C) #10001- BVH-2500(U/C) #10001-
 BVH-2000(PS); # 10001- BVH-2180(PS); #10001- BVH-2500(P); #10001-
 BVH-2000(PM); # 10001- BVH-2180(PM); #10001-

C-145
BVH-2000/PS/PM
BVH-2000/PS/PM
C-145

CA-09 BOARD (1-606-695-12)
Component Side



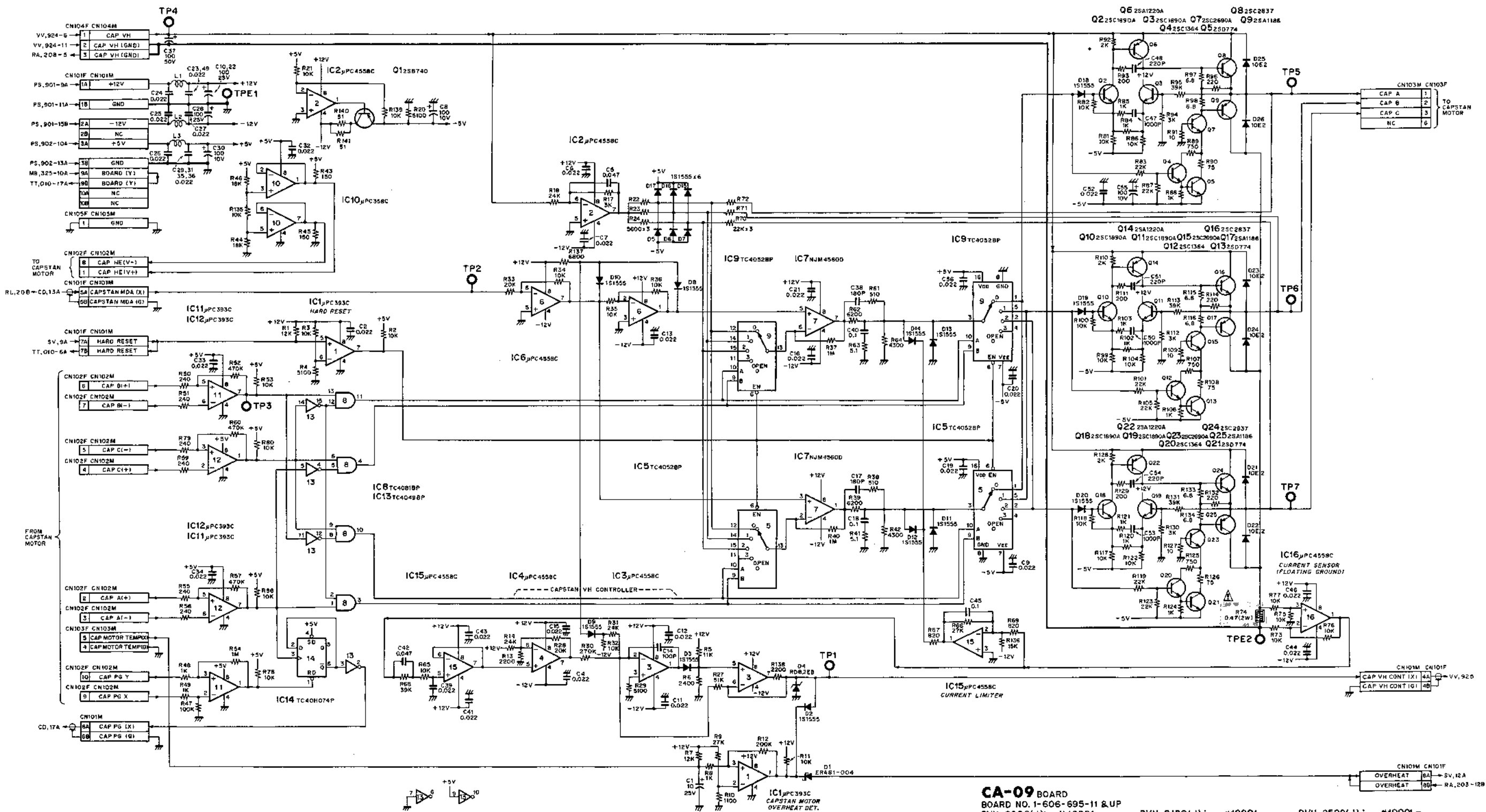
■ 1-606-695-12 COMPONENT SIDE
■ 1-606-695-12 SOLDER SIDE

CA-09 (1-606-695-11 & UP)

BVH-2000/PS/PM	TP1	2A
BVH-2180/PS/PM	TP2	2A
BVH-2500/P	TP3	4A
	TP4	5B
CN101M	TP5	5C
	TP6	5C
CN102M	TP7	5C
		4A
CN103M	TPF1	1B
	TPF2	5B
CN104M		
		5A
CN105M		5A
D1	1A	
D2	1A	
D3	1A	
D4	2A	
D5	2B	
D6	2B	
D7	2B	
D8	2A	
D9	2A	
D10	2B	
D11	2B	
D12	2B	
D13	3B	
D14	3B	
D15	4B	
D16	4B	
D17	4B	
D18	1C	
D19	2C	
D20	3C	
D21	4C	
D22	4B	
D23	5C	
D24	5B	
D25	5C	
D26	5B	
IC1	1A	
IC2	1B	
IC3	2A	
IC4	1B	
IC5	2B	
IC6	2A	
IC7	2A	
IC8	3B	
IC9	3B	
IC10	4A	
IC11	4A	
IC12	5A	
IC13	3B	
IC14	4B	
IC15	3B	
IC16	4B	
Q1	1B	
Q2	2C	
Q3	2C	
Q4	2C	
Q5	2C	
Q6	2C	
Q7	2C	
Q8	2C	
Q9	2C	
Q10	3C	
Q11	3C	
Q12	3C	
Q13	3C	
Q14	2C	
Q15	3C	
Q16	3C	
Q17	3C	
Q18	3C	
Q19	4C	
Q20	4C	
Q21	4C	
Q22	3C	
Q23	4C	
Q24	4C	
Q25	4C	

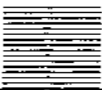
CA-09 BOARD

Capstan Motor Driver



- CA-09 BOARD**
 BOARD NO. 1-606-695-11 & UP
- | | | |
|------------------------|------------------------|------------------------|
| BVH-2000(J); #10001- | BVH-2180(J); #10001- | BVH-2500(J); #10001- |
| BVH-2000(U/C); #10001- | BVH-2180(U/C); #10001- | BVH-2500(U/C); #10001- |
| BVH-2000PS; #10001- | BVH-2180PS; #10001- | BVH-2500P; #10001- |
| BVH-2000PM; #10001- | BVH-2180PM; #10001- | |

C-150
BVH-2000/PS/PM
D/PS
C-49

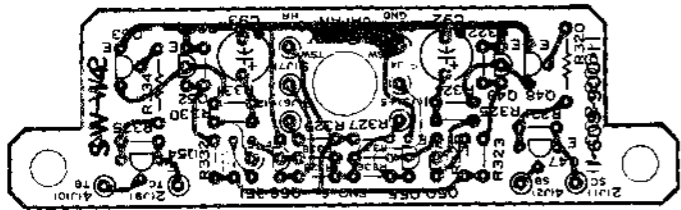


RA-05 BOARD (1-606-694-13, 14)

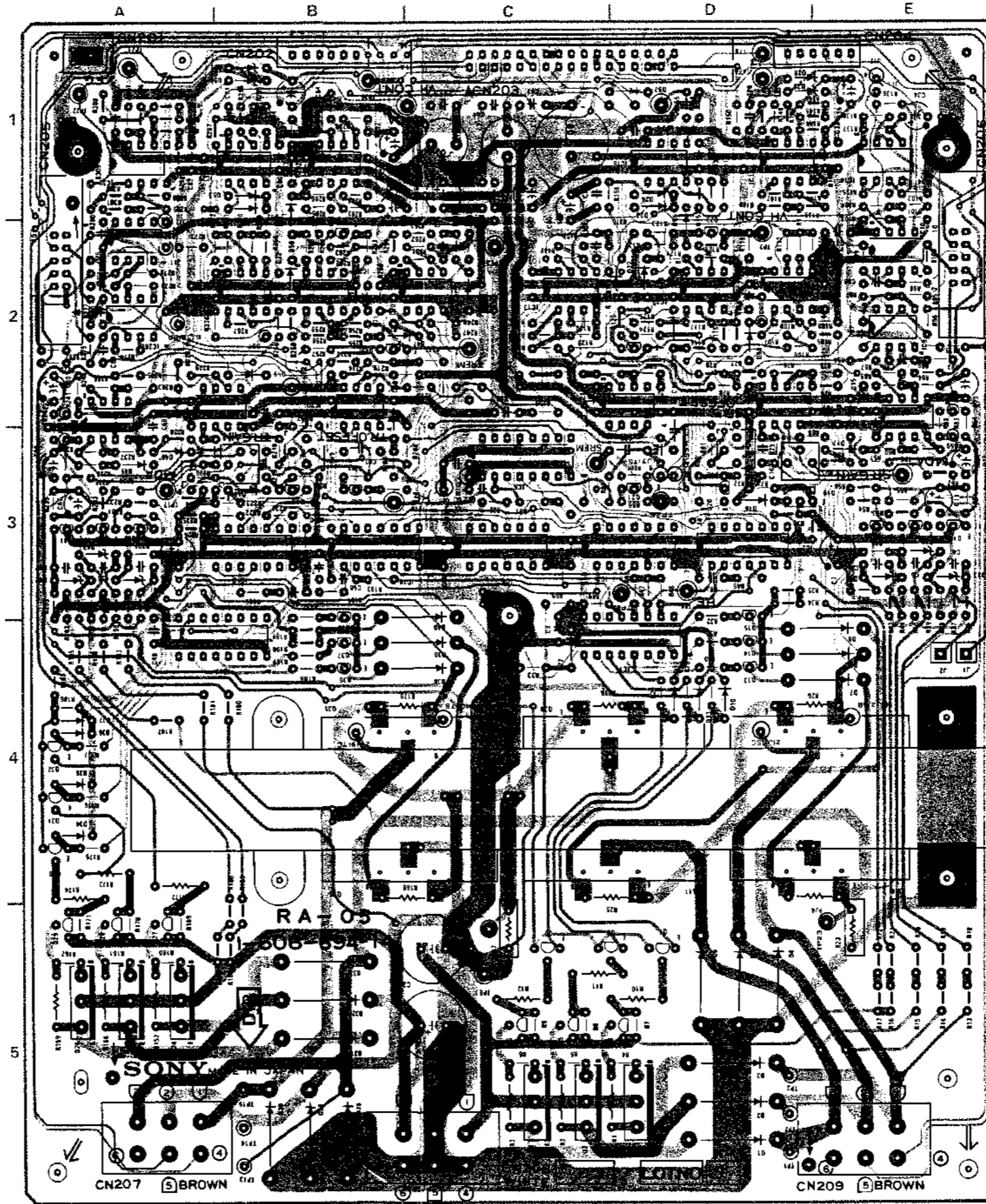
Component Side

SW-14 BOARD (1-609-900-11)

Component Side



1-609-900-11



1-606-694-14 COMPONENT SIDE

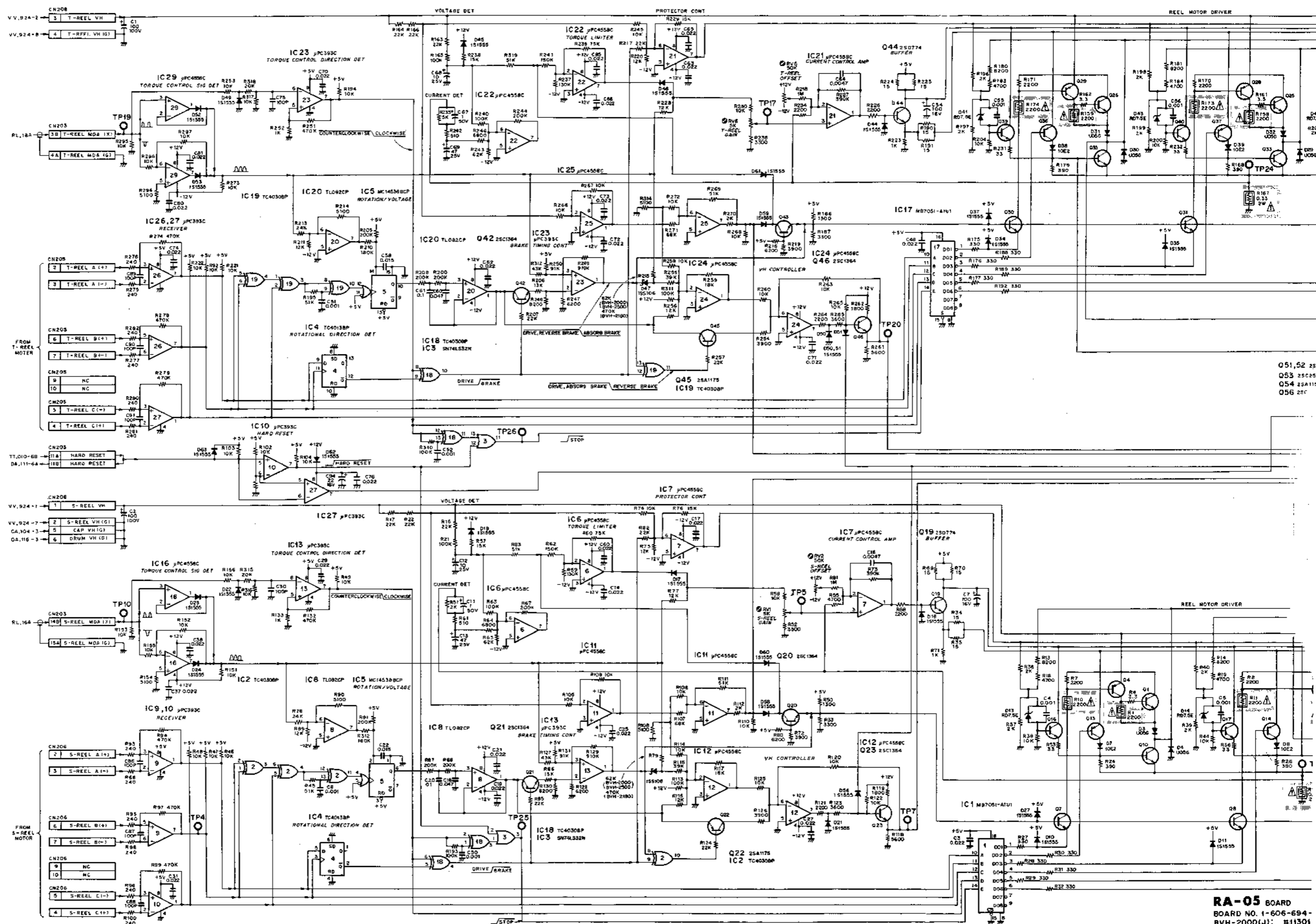
1-606-694-14

RA-05 (1-606-694-13 & UP)

BVH-2000/PS/PM
BVH-2180/PS/PM
BVH-2500/P

CN201H	Q1	30
1A	Q2	3C
CN202M	Q3	3C
1B	Q4	3D
CN203M	Q5	3C
1C	Q6	3C
CN204M	Q7	3D
1E	Q8	3C
CN205M	Q9	3C
2A	Q10	4E
CN206M	Q11	4D
2E	Q12	4E
CN207M	Q13	4D
3A	Q14	4D
CN208M	Q15	3D
3C	Q16	3E
CN209H	Q17	3E
5E	Q18	3E
	Q19	3D
D1	Q20	3D
D2	Q21	3D
D3	Q22	2D
D4	Q23	2D
D5	Q24	3A
D6	Q25	3A
D7	Q26	3A
D8	Q27	3A
D9	Q28	3A
D10	Q29	3A
D11	Q30	4A
D12	Q31	4A
D13	Q32	4A
D14	Q33	4B
D15	Q34	4D
D16	Q35	4B
D17	Q36	4B
D18	Q37	4B
D20	Q38	3B
D21	Q39	3A
D22	Q40	3A
D23	Q41	3A
D24	Q42	3B
D25	Q43	3B
D26	Q44	3A
D27	Q45	2B
D28	Q46	2B
D29		
D30		(SW-14 BOARD)
D31	Q47	4D
D32	Q48	3D
D33	Q49	3D
D34	Q50	4C
D35	Q51	4C
D36	Q52	3B
D37	Q53	3B
D38	Q54	4B
D39	Q55	4C
D40	Q56	4C
D41		
D42	RV1	3D
D43	RV2	3D
D44	RV3	3B
D45	RV5	3B
D46		
D47	TP1	5D
D48	TP2	5D
D49	TP3	5D
D50	TP4	3D
D51	TP5	3E
D52	TP6	2D
D53	TP7	1D
D54	TP8	1D
D55	TP9	1D
D56	TP10	1D
D57	TP13	5B
D58	TP14	5B
D59	TP15	5B
D60	TP16	5B
D61	TP17	3A
D62	TP19	1B
D63	TP20	1B
	TP21	1A
	TP22	1A
IC1	TP23	5E
IC2	TP24	3C
IC3	TP25	3D
IC4	TP26	3D
IC5		
IC6	TPE1	3C
IC7	TPE2	2C
IC8		
IC9		
IC10		
IC11		
IC12		
IC13		
IC14		
IC15		
IC16		
IC17		
IC18		
IC19		
IC20		
IC21		
IC22		
IC23		
IC24		
IC25		
IC26		
IC27		
IC28		
IC29		
IC30		

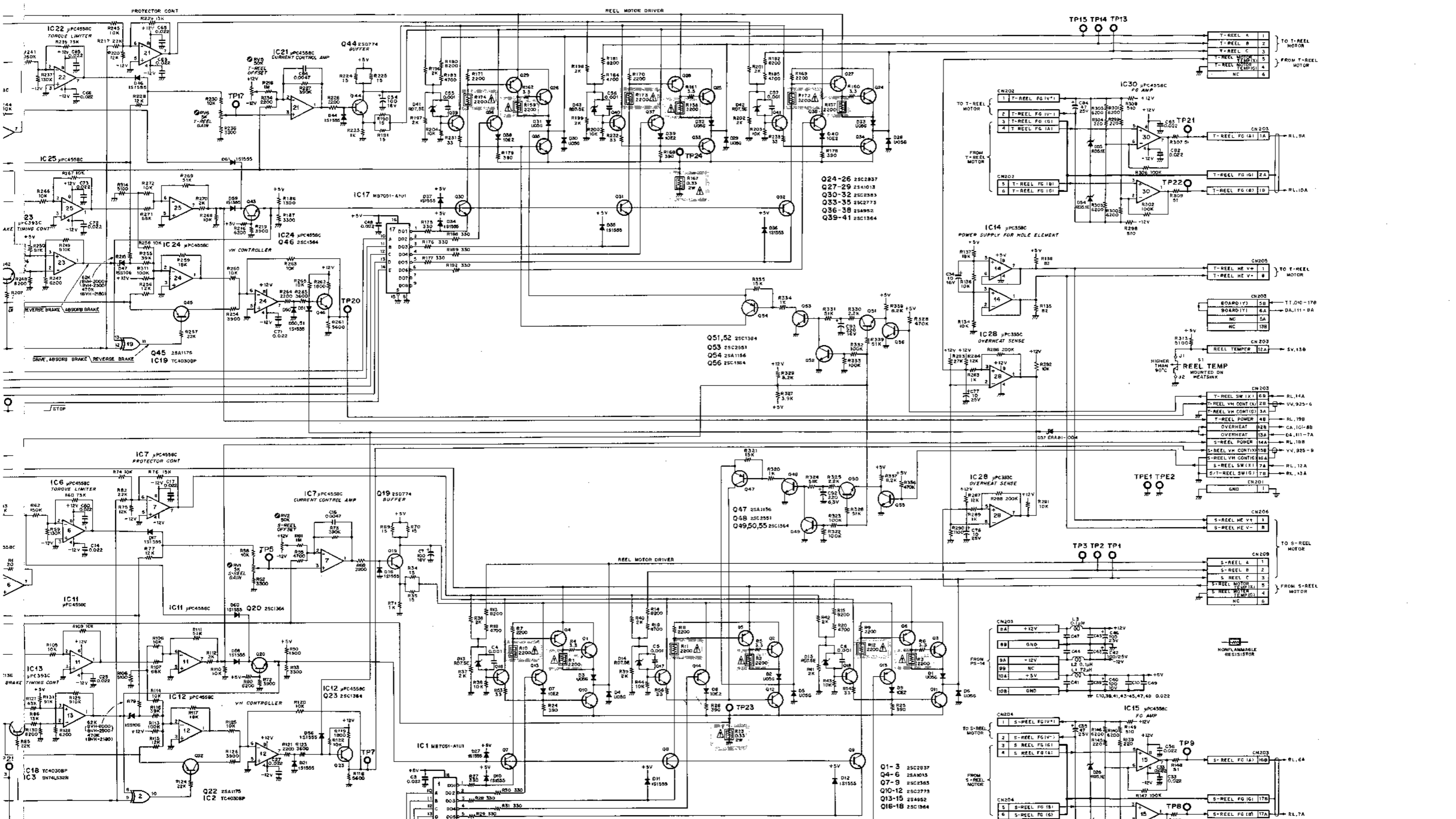
RA-05 BOARD
Reel Motor Driver



051,52 2S
053 25C05
054 25A11C
056 25C

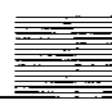
RA-05 BOARD
BOARD NO. 1-606-694-
BVH-2000(U); #11301
BVH-2000(U/C); #11401
BVH-2000PS; #11201
BVH-2000PM; #10201

BVH-2180/PS/PM C-154
BVH-2000/PS/PM C-153
BVH-2500/P C-185
C-184
C-183

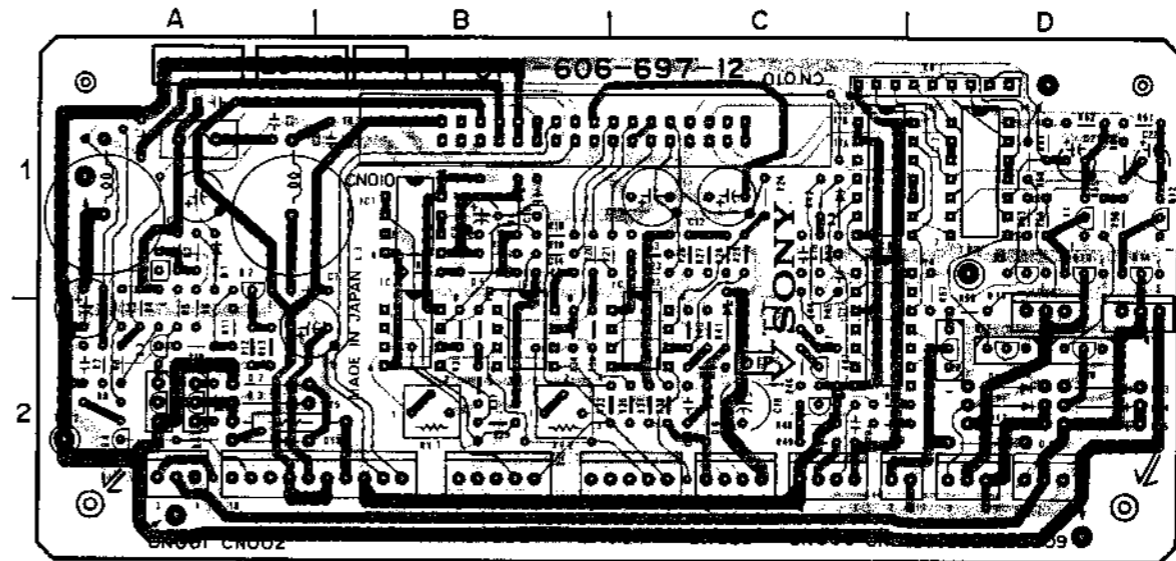


RA-05 BOARD
 BOARD NO. 1-606-694-12 & UP

BVH-2000(J); #11301-	BVH-2180(J); #10001-	BVH-2500(J); #10001-
BVH-2000(U/C); #11401-	BVH-2180(U/C); #10001-	BVH-2500(U/C); #10001-
BVH-2000PS; #11201-	BVH-2180PS; #10001-	BVH-2500P; #10001-
BVH-2000PM; #10201-	BVH-2180PM; #10001-	



TT-01 BOARD (1-606-697-12)
Component Side

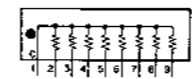


1-606-697-12 COMPONENT SIDE

TT-01 (1-606-697-12 & UP)

BVH-2000/PS/PM	IC1	1B
BVH-2180/PS/PM	IC2	2B
BVH-2500/P	IC3	2B
	IC4	2C
CNO01M	IC5	1C
CNO02M	IC6	2C
	IC7	1D
CNO03M	Q1	1A
	Q2	1A
CNO04M	Q3	2A
	Q4	2A
CNO05M	Q5	2A
	Q6	2A
CNO06M	Q7	2C
	Q8	2C
CNO07M	Q9	1D
	Q10	2D
CNO08M	Q11	1D
	Q12	1D
CNO09M	Q13	1D
	Q14	1D
CNO10M	Q15	2D
	Q16	2D
	Q17	2D
	Q18	2D
D1	1A	
D2	2A	
D3	2A	RB1 1D
D4	1B	
D5	1B	RV1 2B
D6	2C	RV2 2B
D7	2C	
D8	1C	TP1 1D
D9	2D	
D10	2D	TPE2 2A
D11	2D	
D12	2D	
D13	2D	
D14	2D	
D15	2D	
D16	2A	

RB1



(156)

C-157

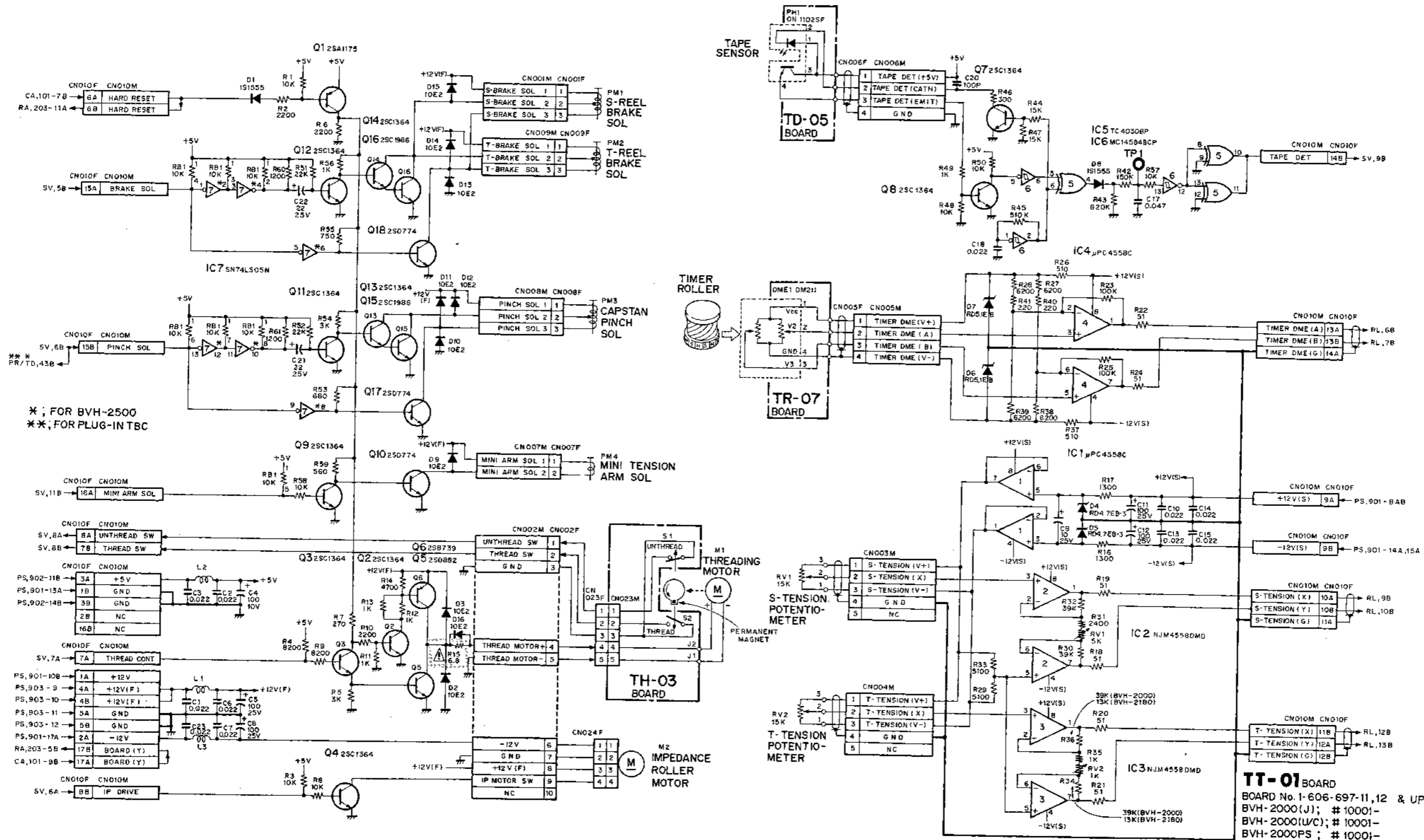
C-158

TT-01 BOARD

TTP AUX (Solenoid, Motor Driver etc.)

RS.1

C-162
C-160
C-159
C-191
C-191
C-190
C-189
BVH-2500/P



* ; FOR BVH-2500
** ; FOR PLUG-IN TBC

TT-01 BOARD
 BOARD No. 1-606-697-11,12 & UP
 BVH-2000(J); # 10001-
 BVH-2000(L/C); # 10001-
 BVH-2000PS; # 10001-
 BVH-2000PM; # 10001-
 BVH-2180(J); # 10001-
 BVH-2180(L/C); # 10001-
 BVH-2180PS; # 10001-
 BVH-2180PM; # 10001-

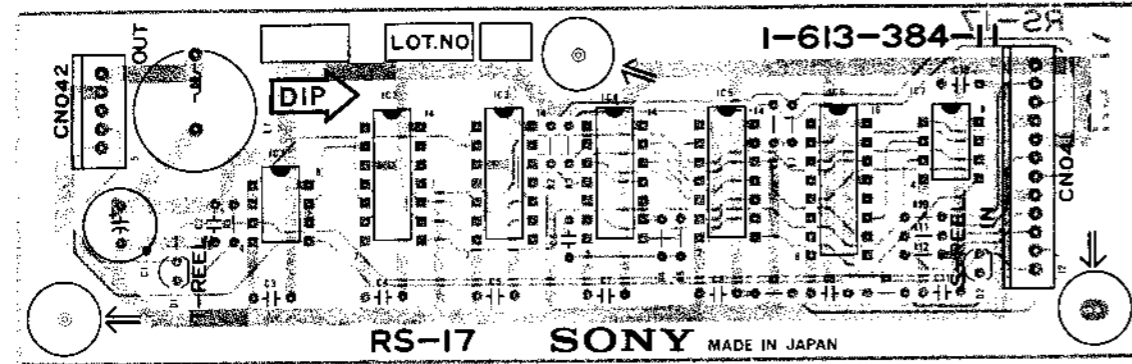
C-159

C-160

RS

RS-17 BOARD (1-613-384-11)

Component Side

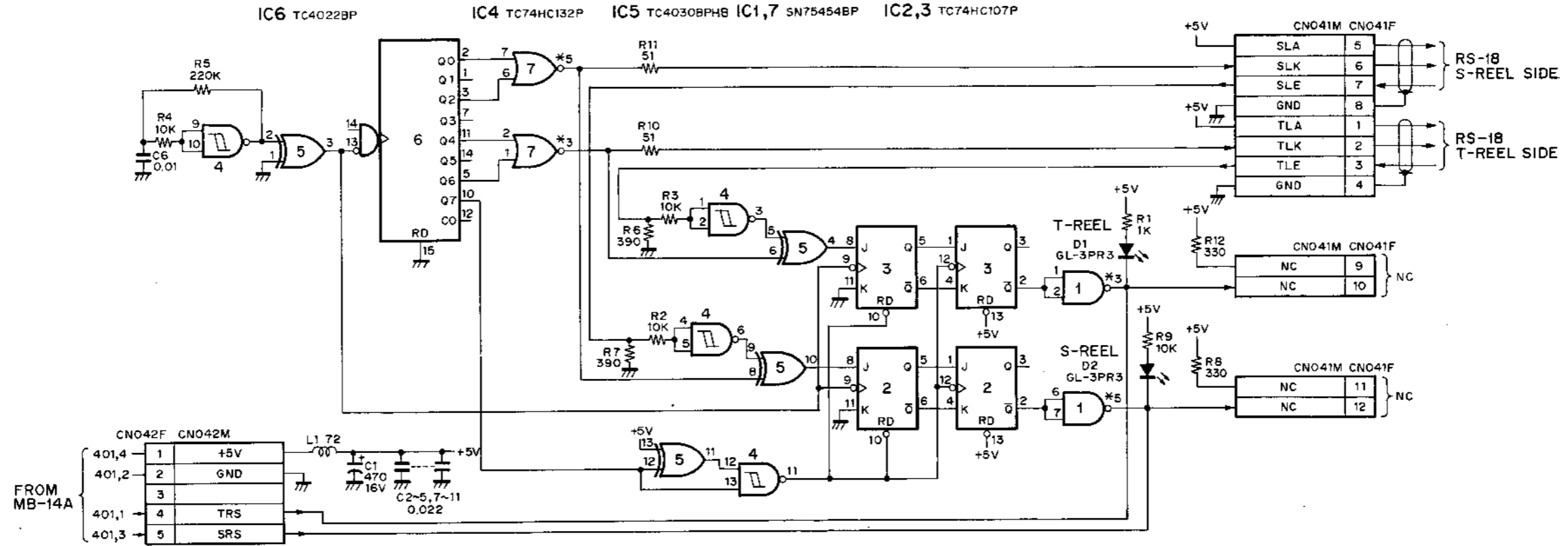


1-613-384-11 COMPONENT SIDE

1-613-384-11 SOLDER SIDE

RS-17 BOARD

Reel Size Sensor



RS-17 BOARD

BOARD NO. 1-613-384-11 & UP
 BVH-2180(J); #10001-
 BVH-2180(U/C); #10001-
 BVH-2180PS; #10001-
 BVH-2180PM; #10001-

RS-18 BOARD (1-613-389-11)

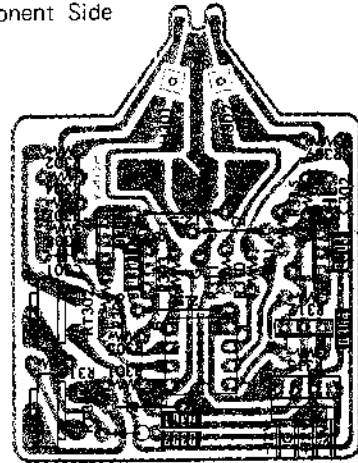
Solder Side
(FOR BVH-2180)



1-613-389-11
SOLDER SIDE

MOTOR BOARD (1-602-615-11)

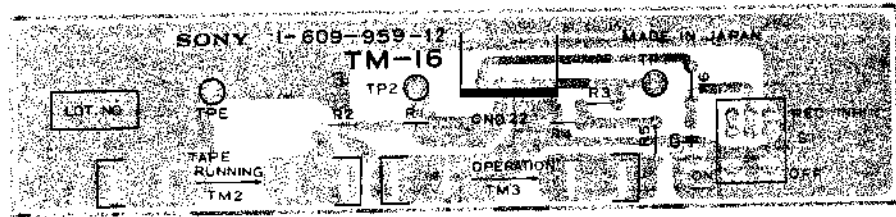
Component Side



1-602-615-11
SOLDER SIDE

TM-16 BOARD (1-609-959-12)

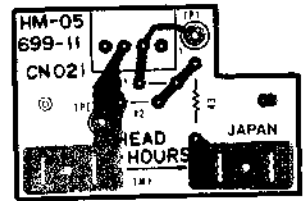
Component Side



1-609-959-12 SOLDER SIDE

HM-05 BOARD (1-606-699-11)

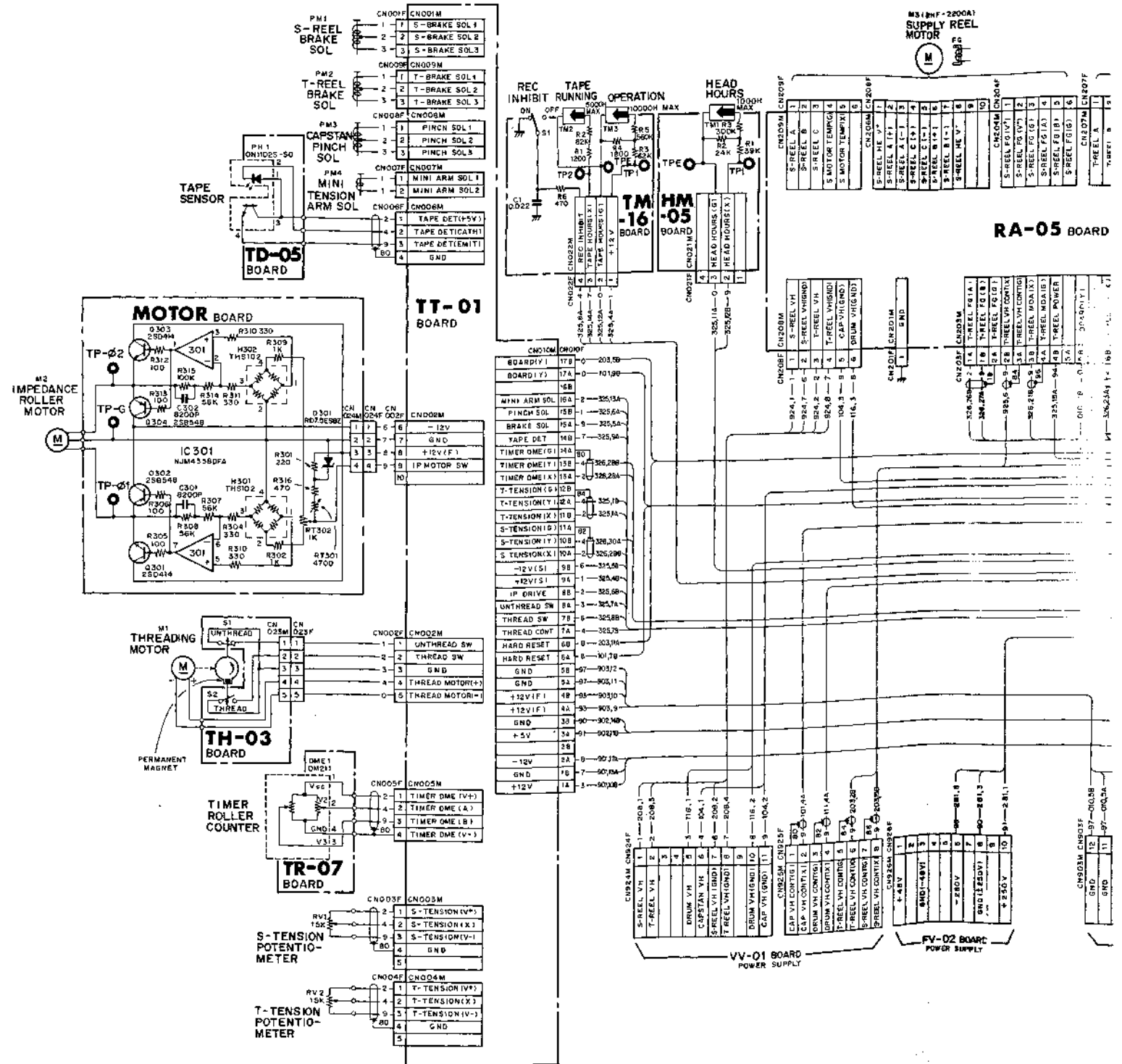
Component Side



1-606-699-11 SOLDER SIDE

FRAME WIRING (1/2); TAPE TRANSPORT; FOR 02/04 MODEL

- HM-05 BOARD: Head Hours Meter
- TM-16 BOARD: Tape Running/Operation Hours Meter & REC Inhibit Switch
- TD-05 BOARD: Tape Detector
- TH-03 BOARD: Threading Motor
- TR-07 BOARD: Timer Roller Sensor
- MOTOR BOARD: Impedance Roller Motor
- RS-18 BOARD: Reel Size Sensor



TD-05 BOARD (1-606-702-12)

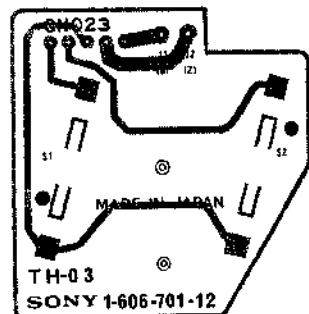
Component Side



1-606-702-12 SOLDER SIDE

TH-03 BOARD (1-606-701-12)

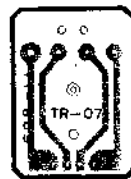
Solder Side



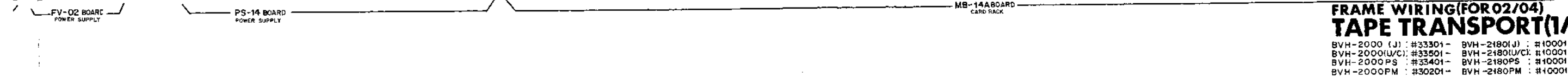
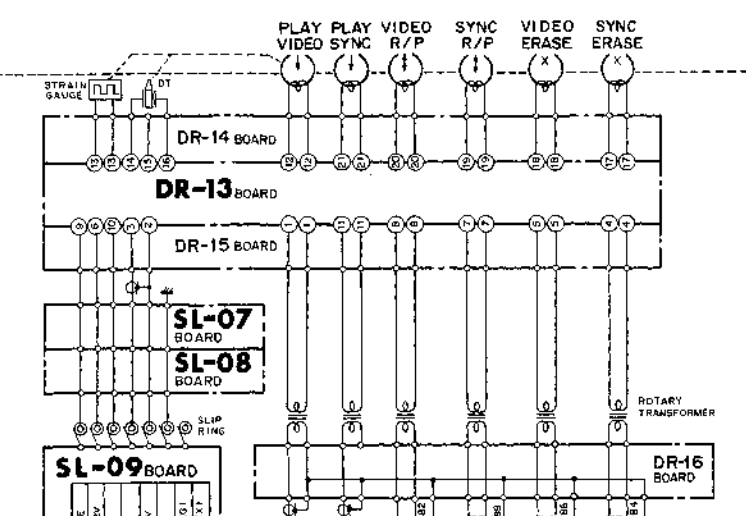
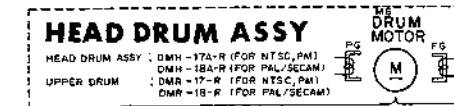
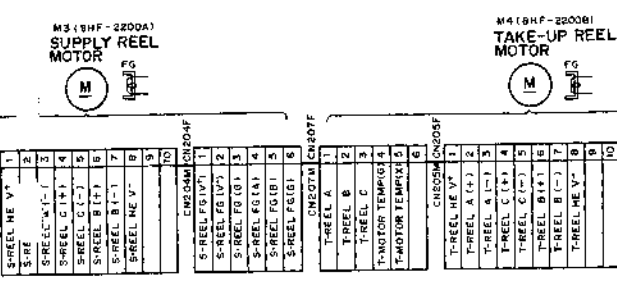
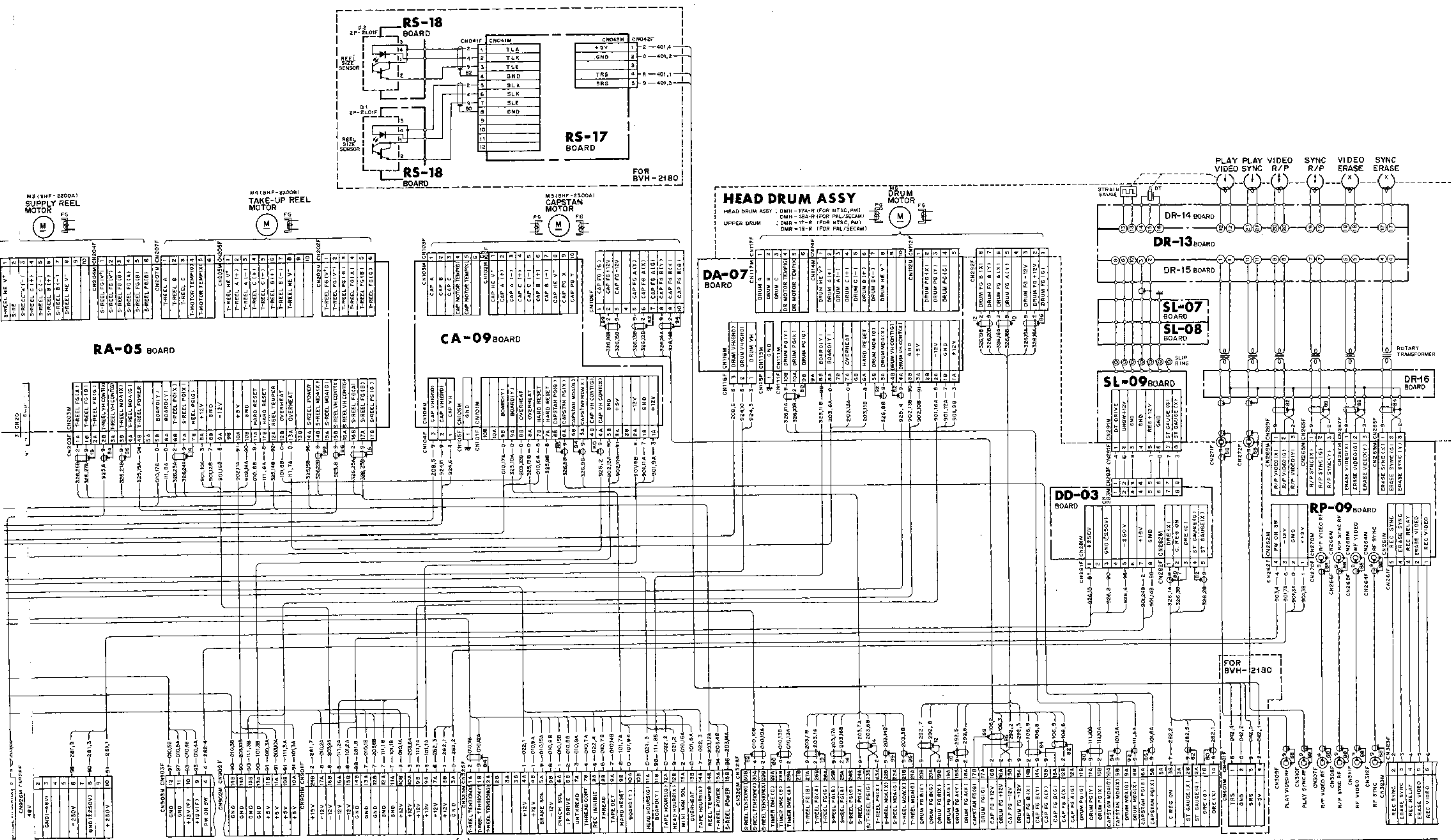
1-606-701-12
SOLDER SIDE

TR-07 BOARD (1-606-698-11)

Solder Side



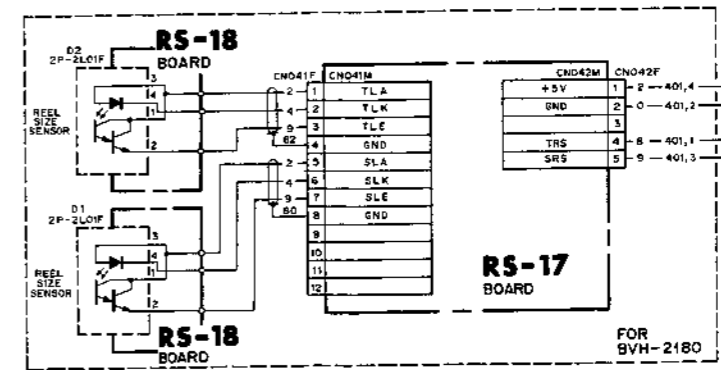
1-606-698-11
SOLDER SIDE



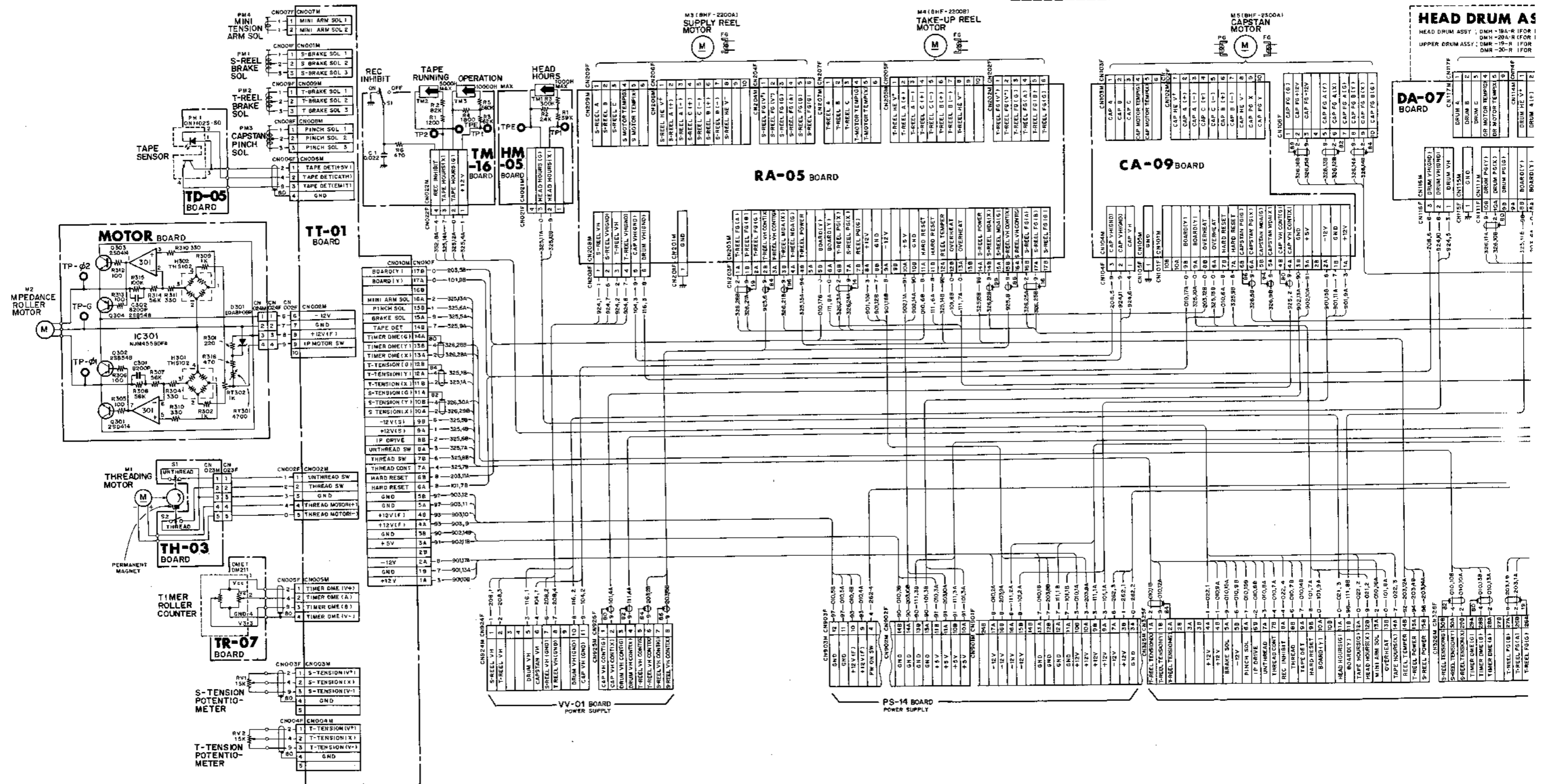
FRAME WIRING (FOR 02/04) TAPE TRANSPORT (1/2)
 BVH-2000 (J): #33301-1 BVH-2480 (J): #10001-1
 BVH-2000 (W/C): #33301-2 BVH-2480 (W/C): #10001-2
 BVH-2000 (P/S): #35401-1 BVH-2180 (P/S): #10001-1
 BVH-2000 (P/M): #30201-1 BVH-2180 (P/M): #10001-1

FRAME WIRING (1/2); TAPE TRANSPORT; FOR 00 MODEL

- HM-05 BOARD: Head Hours Meter
- TM-16 BOARD: Tape Running/Operation Hours Meter & REC Inhibit Switch
- TD-05 BOARD: Tape Detector
- TH-03 BOARD: Threading Motor
- TR-07 BOARD: Timer Roller Sensor
- MOTOR BOARD: Impedance Roller Motor
- RS-18 BOARD: Reel Size Sensor



FOR 8VH-2180

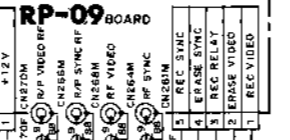
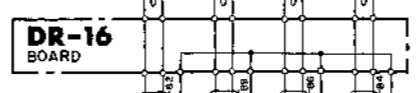
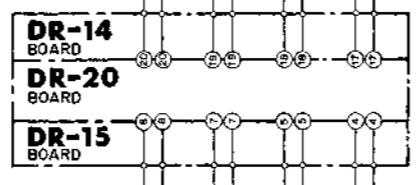
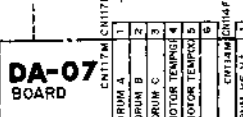




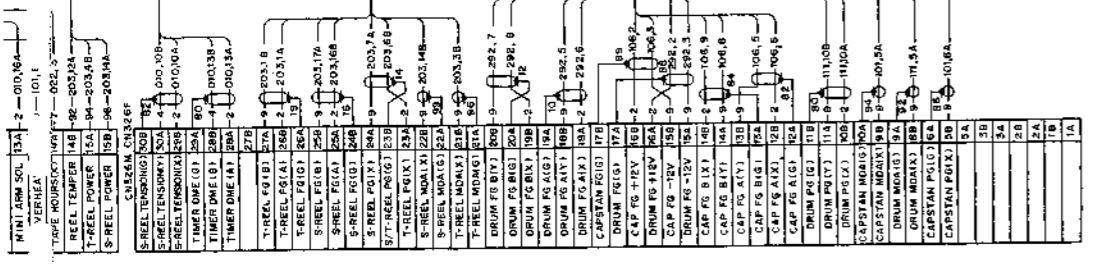
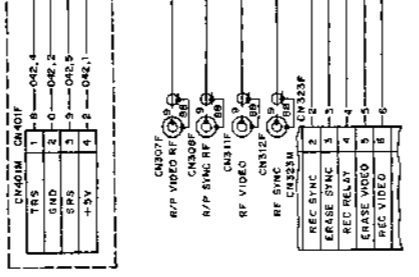
1.4
1.2
1.1
1.3
90

HEAD DRUM ASSY

HEAD DRUM ASSY : DMH-18A-R (FOR NTSC, FM)
DMH-20A-R (FOR PS1)
UPPER DRUM ASSY : DMH-18-R (FOR NTSC, FM)
DMH-20-R (FOR PS1)



FOR BVH-2180



FRAME WIRING (FOR 00)
TAPE TRANSPORT (1/2)

- | | |
|----------------------------|---------------------------|
| BVH-2000 (J) : # 33301- | BVH-2180 (J) : # 10001- |
| BVH-2000 (U/C) : # 333501- | BVH-2180 (U/C) : # 10001- |
| BVH-2000 PS : # 33401- | BVH-2180 PS : # 10001- |
| BVH-2000 PM : # 30201- | BVH-2180 PM : # 10001- |

RS-18 BOARD (1-613-389-11)

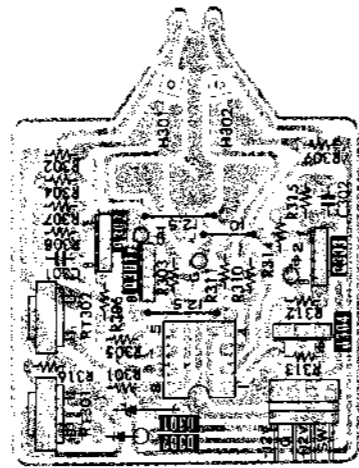
Solder Side
(FOR BVH-2180)



1-613-389-11
SOLDER SIDE

MOTOR BOARD (1-602-615-11)

Component Side



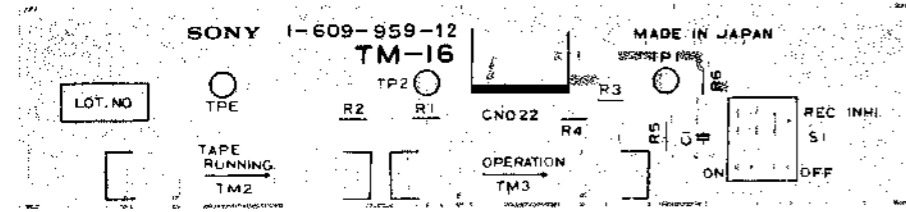
1-602-615-11
SOLDER SIDE

TM-16 BOARD (1-609-959-12)

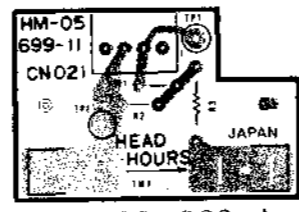
Component Side

HM-05 BOARD (1-606-699-11)

Component Side



1-609-959-12 SOLDER SIDE



1-606-699-11 SOLDER SIDE

TD-05 BOARD (1-606-702-12)

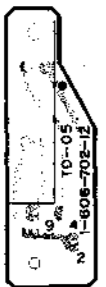
Component Side

TH-03 BOARD (1-606-701-12)

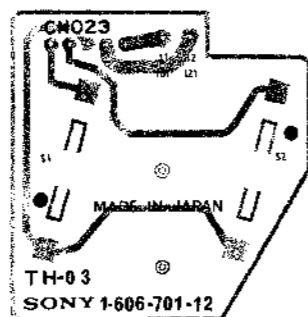
Solder Side

TR-07 BOARD (1-606-698-11)

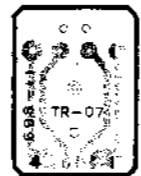
Solder Side



1-606-702-12 SOLDER SIDE



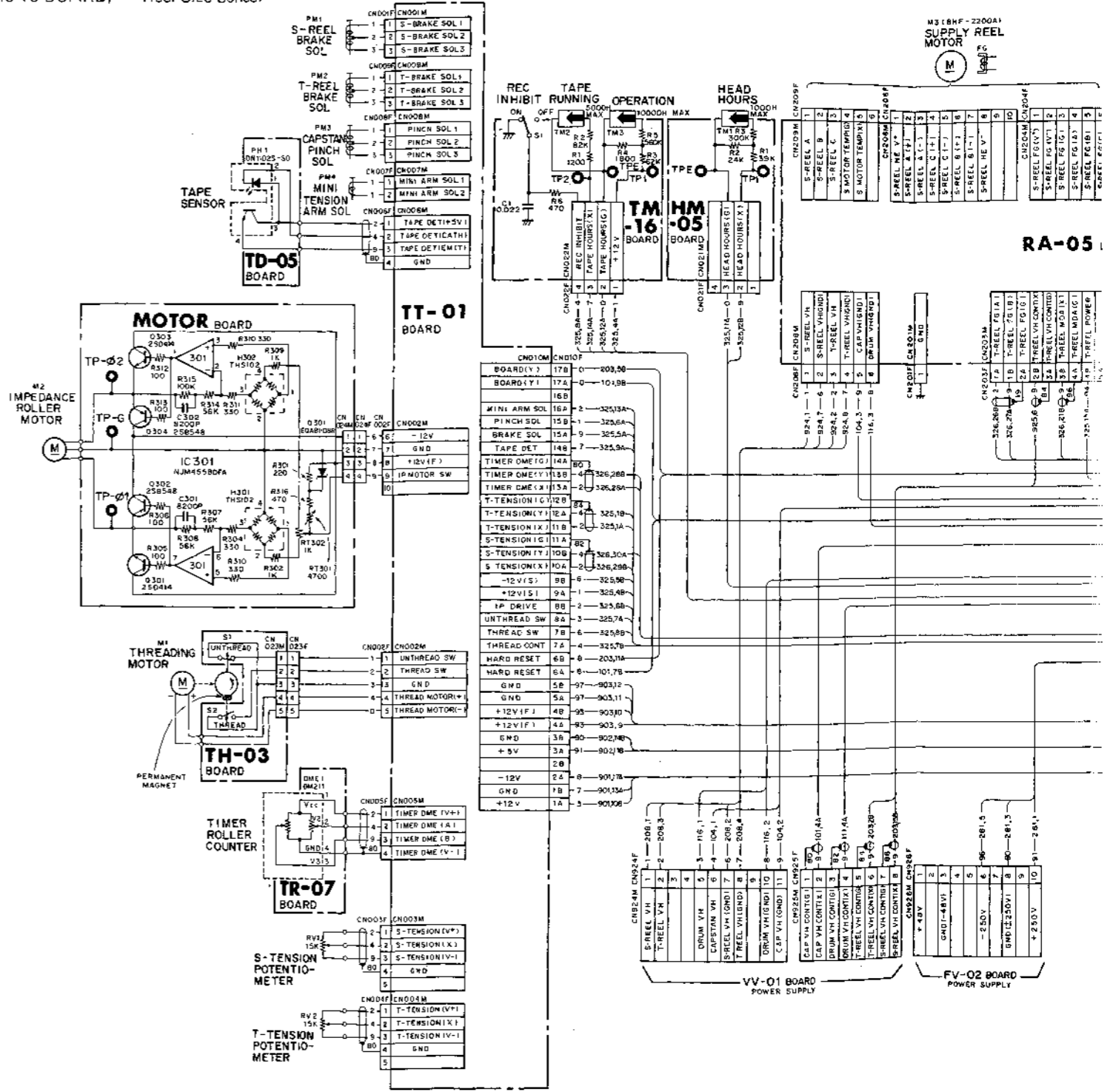
1-606-701-12 SOLDER SIDE



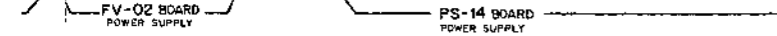
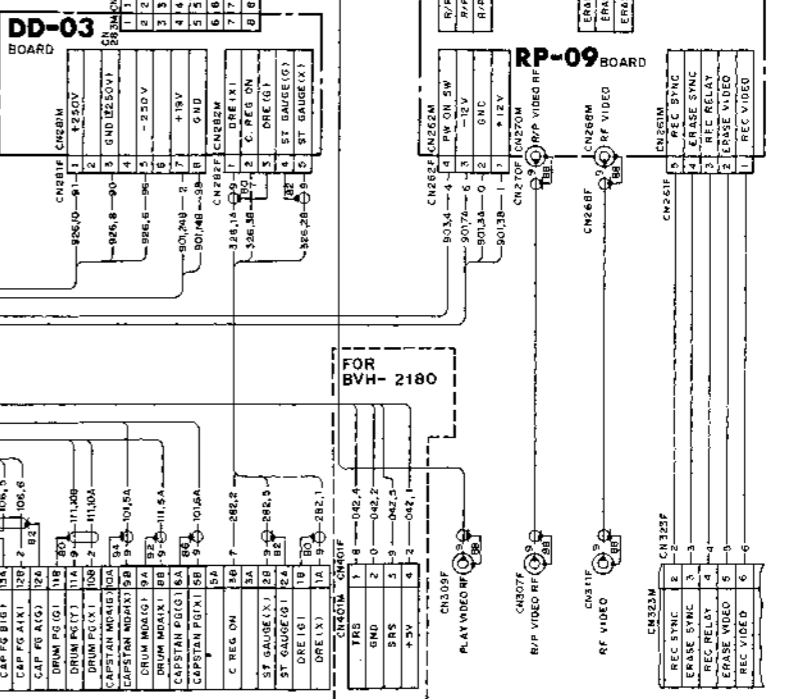
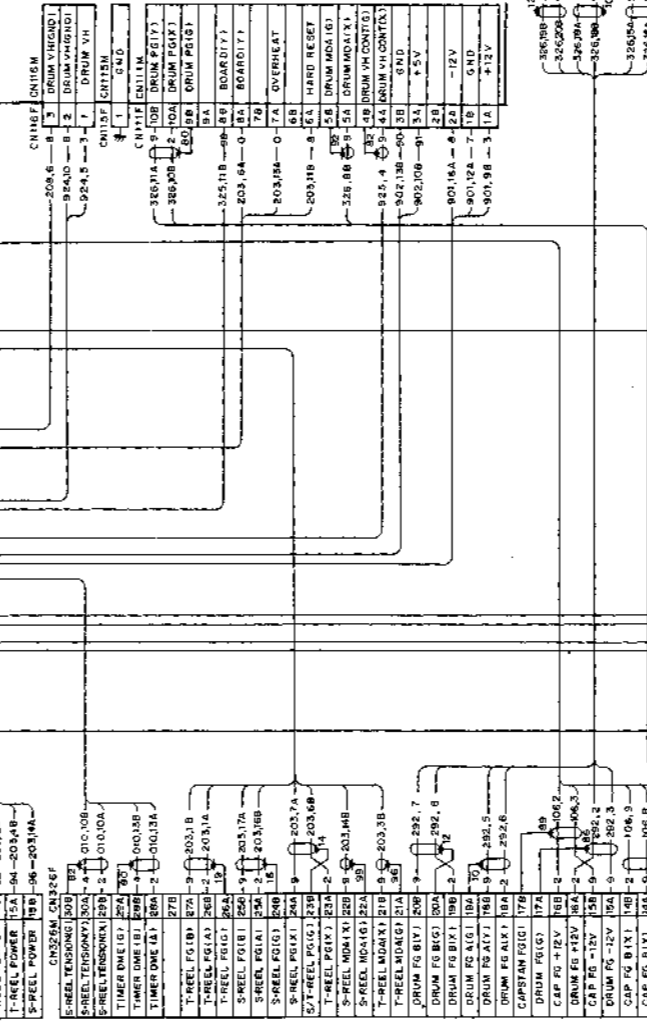
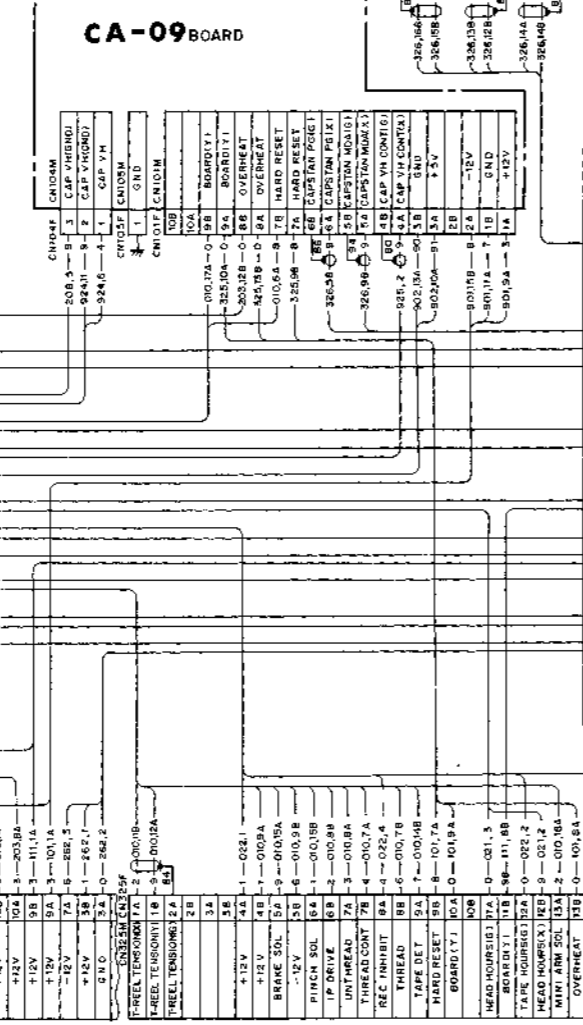
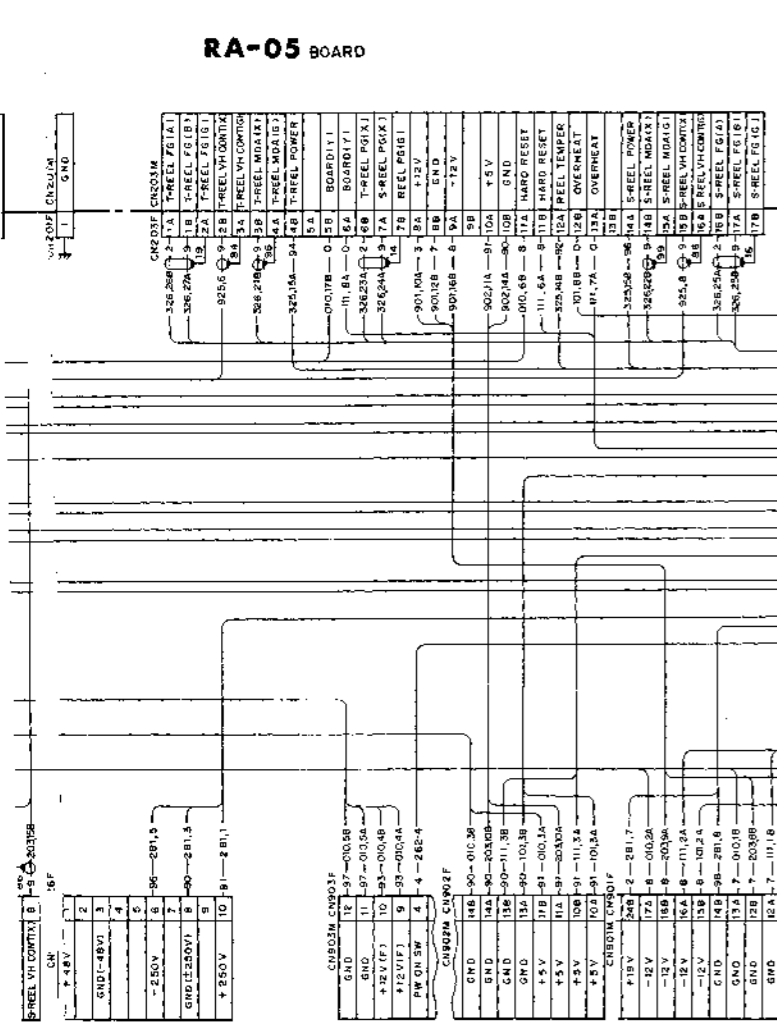
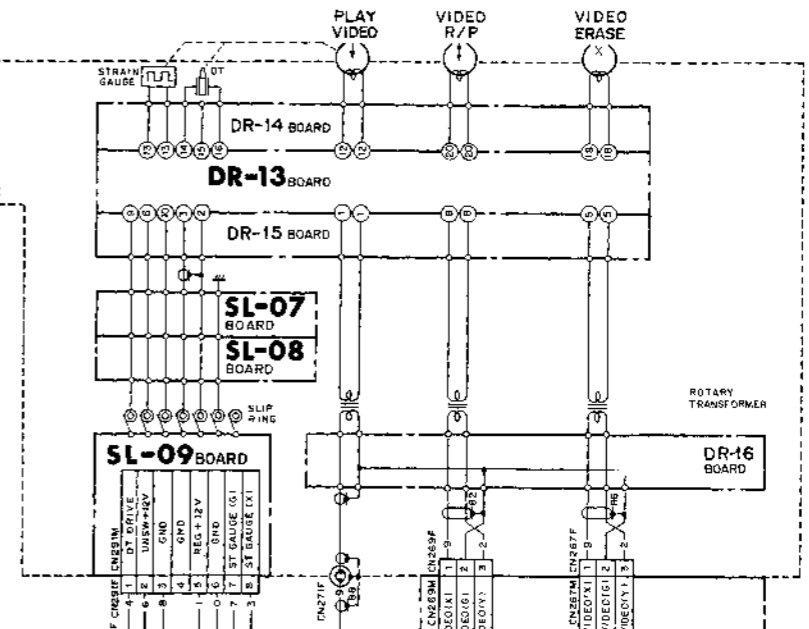
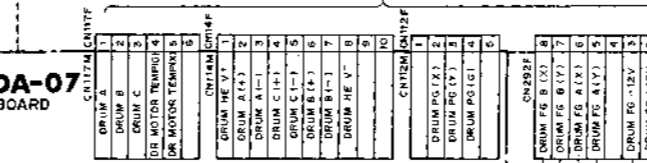
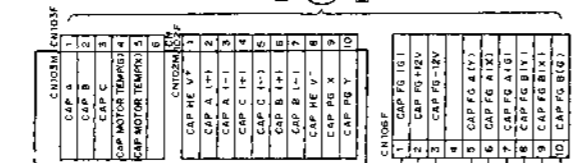
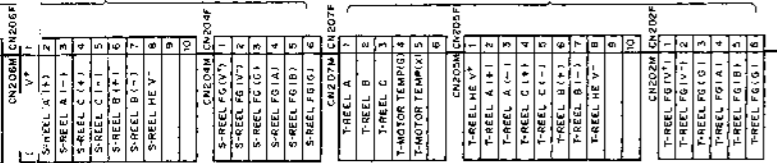
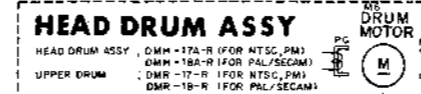
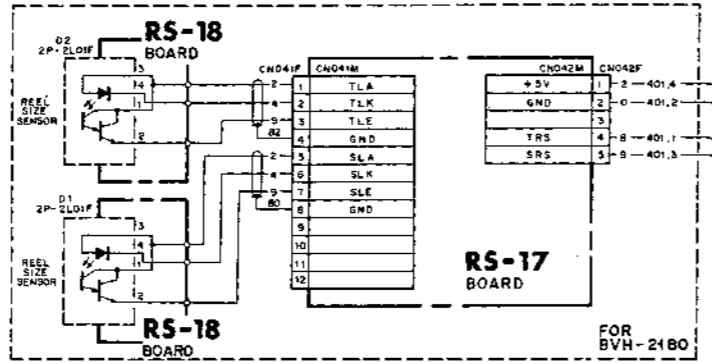
1-606-698-11 SOLDER SIDE

FRAME WIRING (1/2); TAPE TRANSPORT; FOR 12/14 MODEL

- HM-05 BOARD: Head Hours Meter
- TM-16 BOARD: Tape Running/Operation Hours Meter & REC Inhibit Switch
- TD-05 BOARD: Tape Detector
- TH-03 BOARD: Threading Motor
- TR-07 BOARD: Timer Roller Sensor
- MOTOR BOARD: Impedance Roller Motor
- RS-17 BOARD: Reel Size Sensor
- RS-18 BOARD: Reel Size Sensor



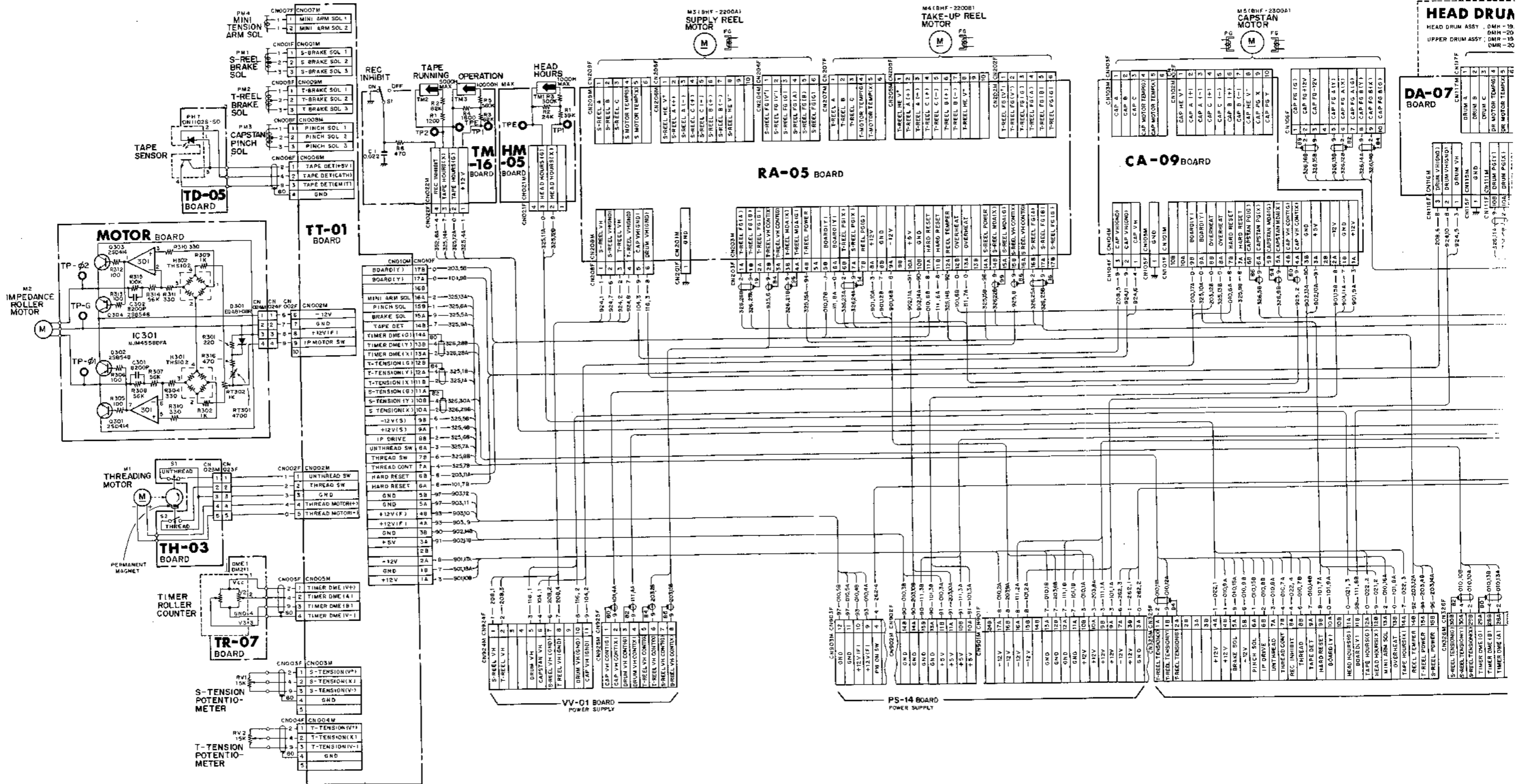
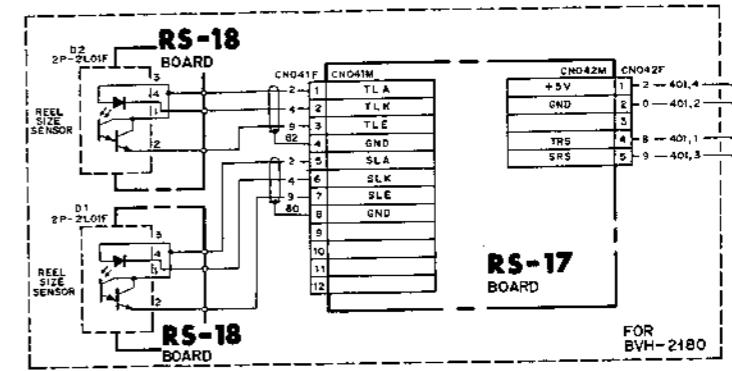
C-166(6/14)

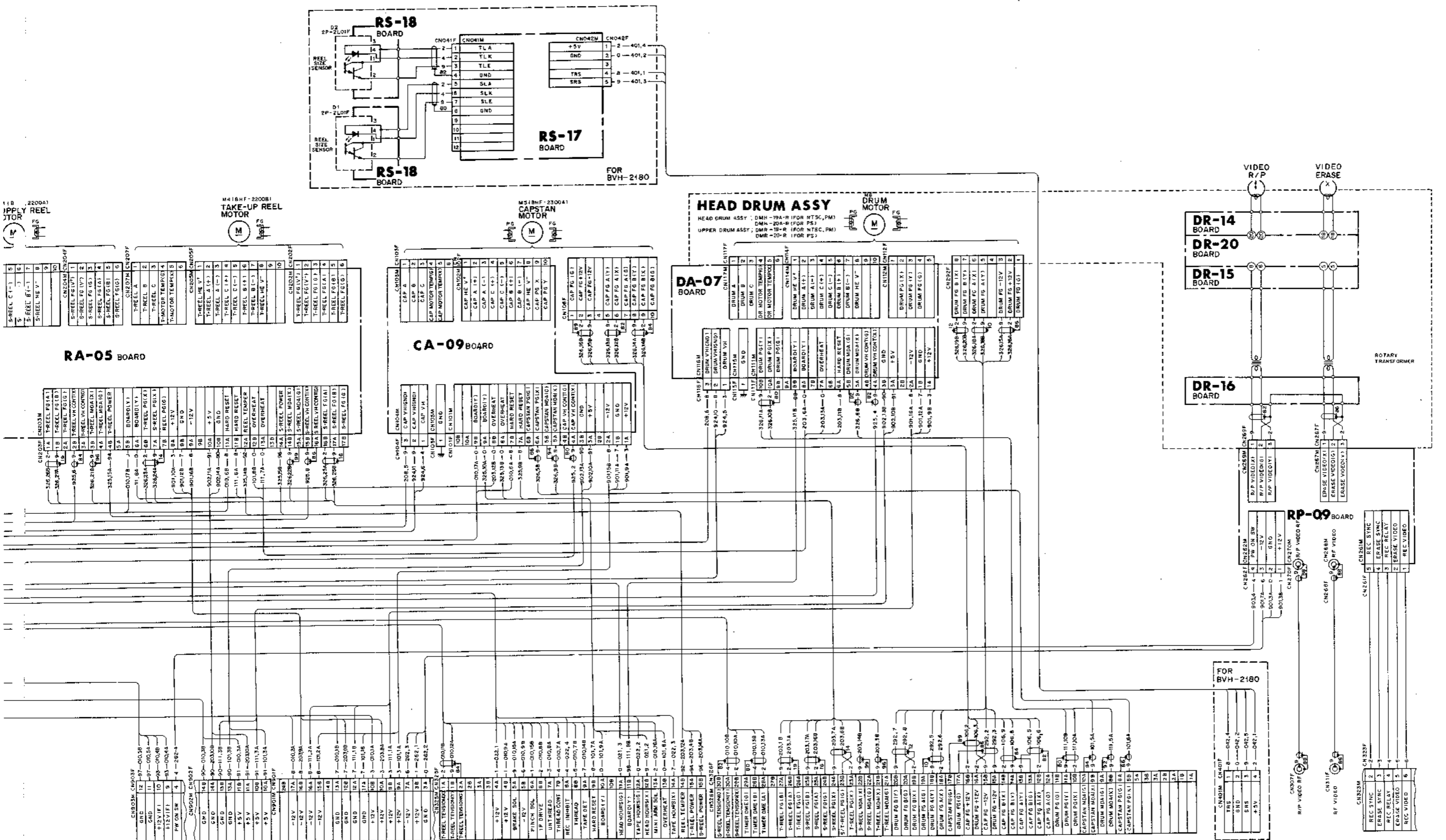


FRAME WIRING (FOR 12/14)
TAPE TRANSPORT (1/2)
BVH-2000(U/C); #34501-
BVH-2000PS; #34301-

FRAME WIRING (1/2); TAPE TRANSPORT; FOR 10 MODEL

- HM-05 BOARD: Head Hours Meter
- TM-16 BOARD: Tape Running/Operation Hours Meter & REC Inhibit Switch
- TD-05 BOARD: Tape Detector
- TH-03 BOARD: Threading Motor
- TR-07 BOARD: Timer Roller Sensor
- MOTOR BOARD: Impedance Roller Motor



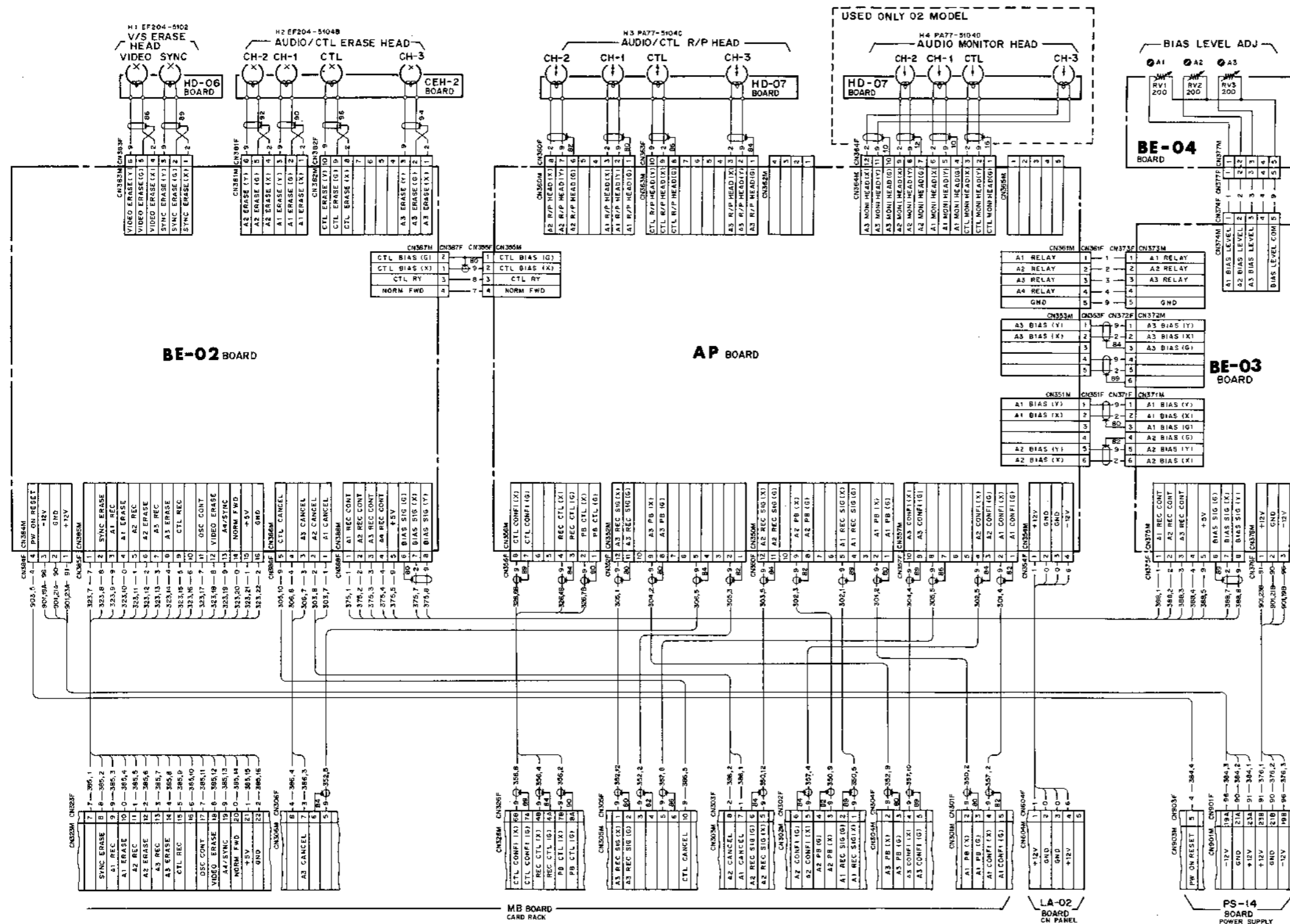
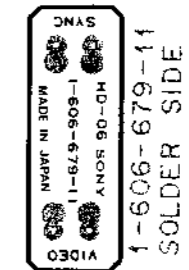


FRAME WIRING (FOR 10) TAPE TRANSPORT (1/2)
 BVH-2000(U/C); # 34501-
 BVH-2000PS; # 34301-

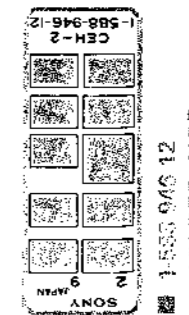
FRAME WIRING (2/2); TAPE TRANSPORT; FOR 00/10/02/12 MODEL

HD-06 BOARD: Video/Sync Erase Head
CEH-2 BOARD: Audio/CTL Erase Head
HD-07 BOARD: Audio/CTL R/P, Monitor Head

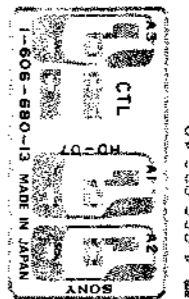
HD-06 BOARD (1-606-679-11)
Solder Side



CEH-2 BOARD (1-588-946-12)
Solder Side



HD-07 BOARD (1-606-680-13)
Solder Side



FRAME WIRING FOR BVH-2000/2180/PS/PM 00/10/02/12
TAPE TRANSPORT(2/2)

- BVH-2000(J); #10001-
- BVH-2000(U/C); #10001-
- BVH-2000 PS; #10001-
- BVH-2000 PM; #10001-
- BVH-2180(J); #10001-
- BVH-2180(U/C); #10001-
- BVH-2180 PS; #10001-
- BVH-2180 PM; #10001-

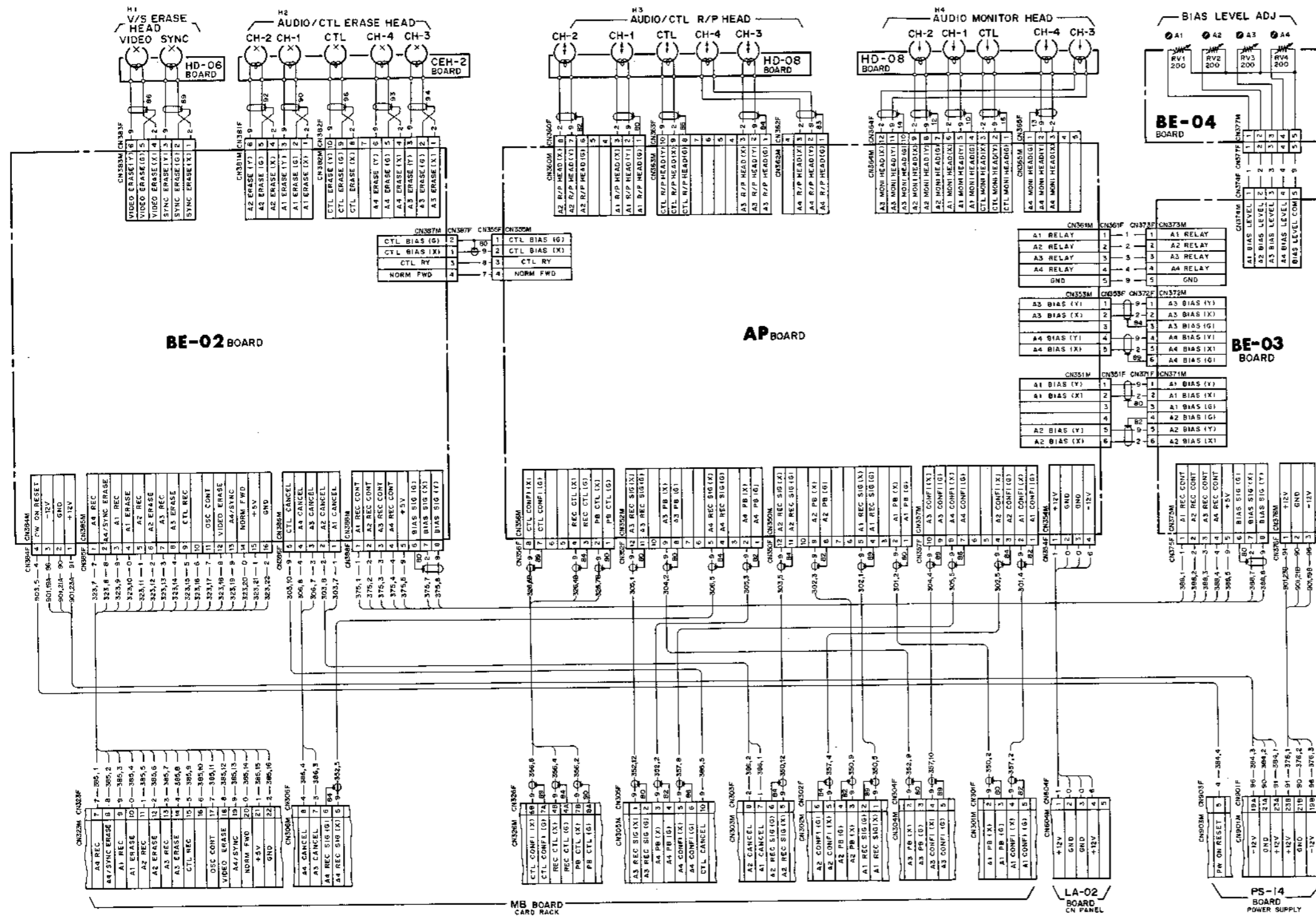
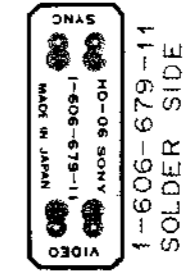
168
7
PM
-200
C-11
BVH-2000/JP

FRAME WIRING (2/2); TAPE TRANSPORT; FOR 04/14 MODEL

HD-06 BOARD; Video/Sync Erase Head
 CEH-2 BOARD; Audio/CTL Erase Head
 HD-08 BOARD; Audio/CTL R/P, Monitor Head

HD-06 BOARD (1-606-679-11)

Solder Side



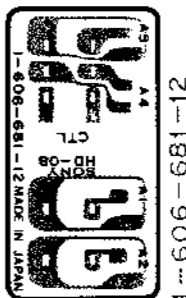
CEH-2 BOARD (1-588-946-11)

Solder Side



HD-08 BOARD (1-606-681-12)

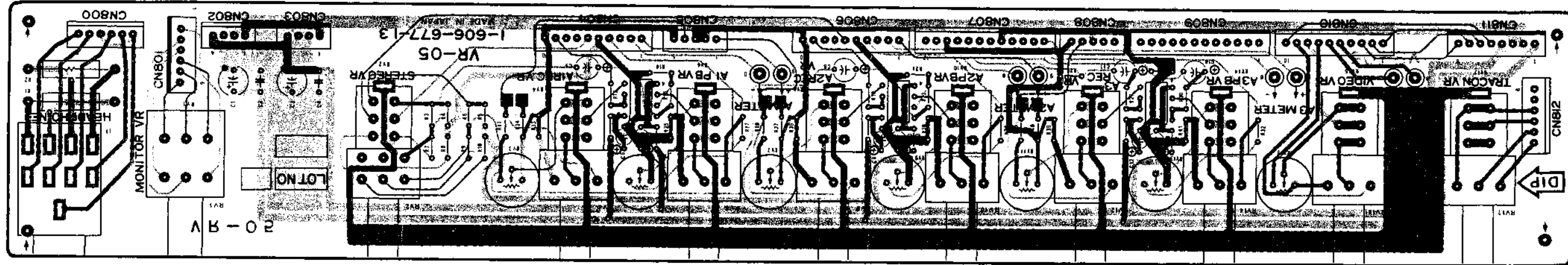
Solder Side



FRAME WIRING (FOR 04/14)
 TAPE TRANSPORT(2/2)

BVH-2000PS;#10001-
 BVH-2180PS;#10001-

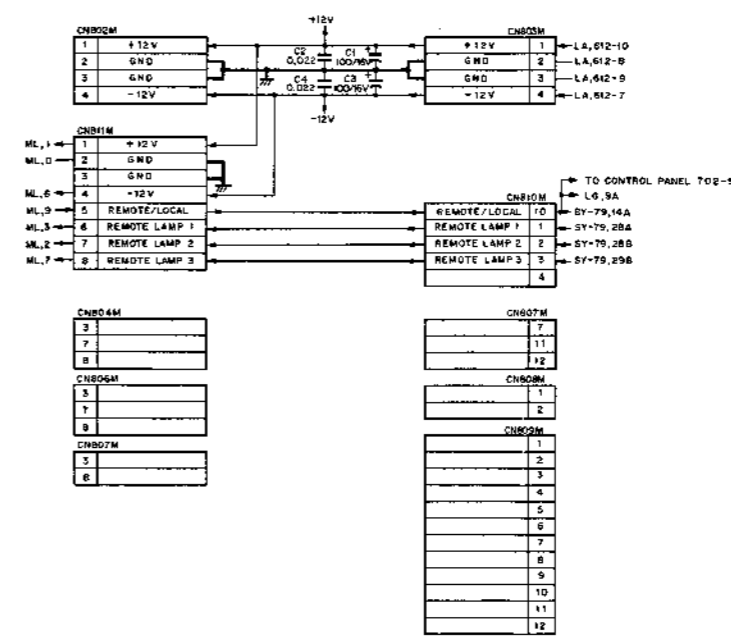
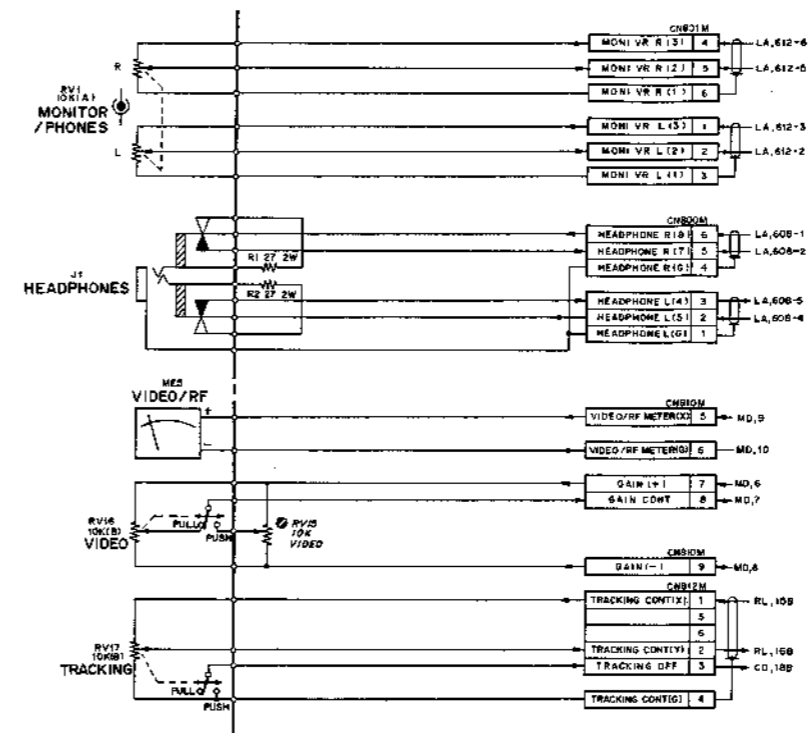
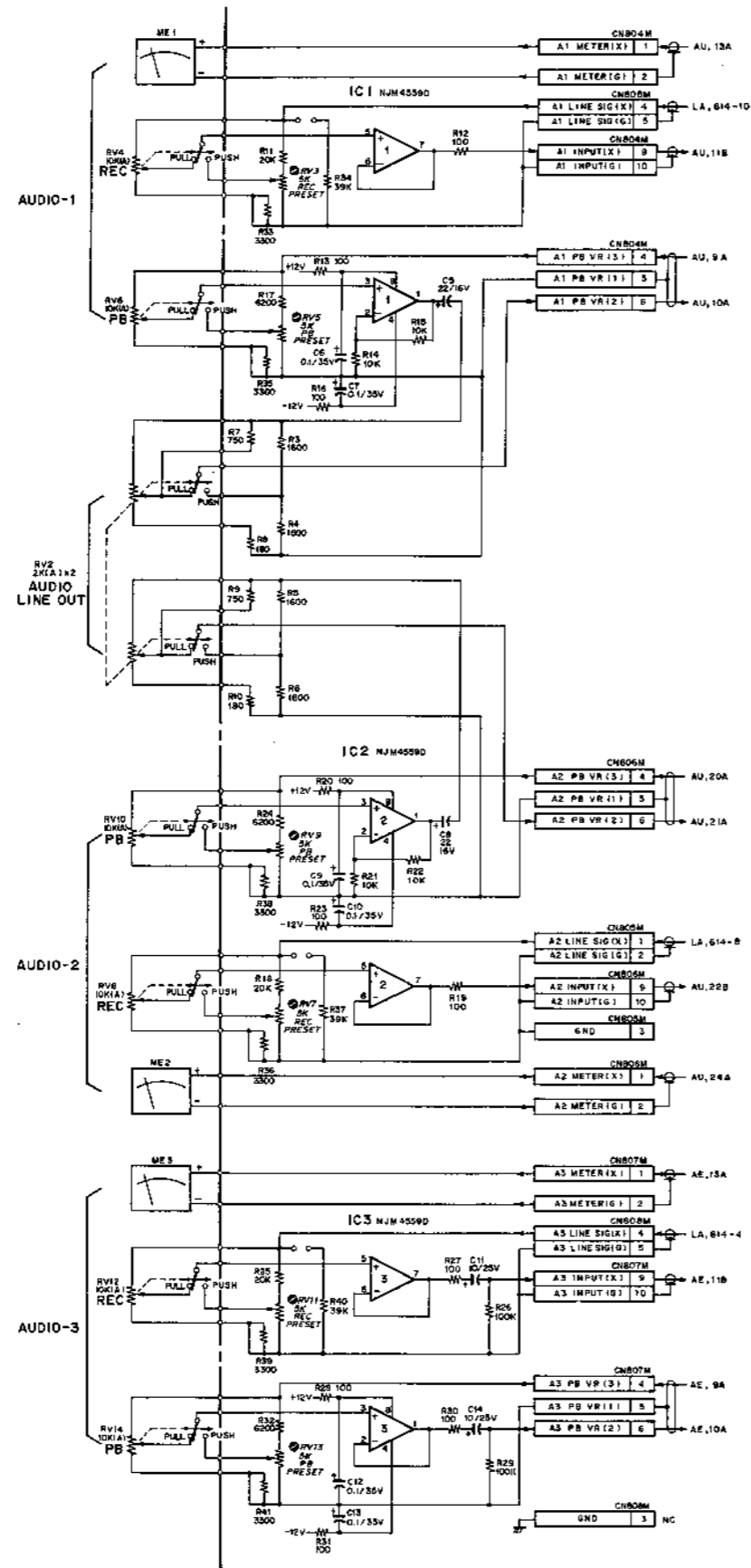
VR-05 BOARD (1-606-677-13) : FOR 00/10/02/12 MODEL
Component Side



1-606-677-13 COMPONENT SIDE

1-606-677-13

VR-05 BOARD; FOR 00/10/02/12 MODEL
Level Control/Indicator



CN804M	1	2	3	4
CN805M	1	2	3	4
CN806M	1	2	3	4
CN807M	1	2	3	4
CN808M	1	2	3	4
CN809M	1	2	3	4
CN810M	1	2	3	4
CN811M	1	2	3	4
CN812M	1	2	3	4

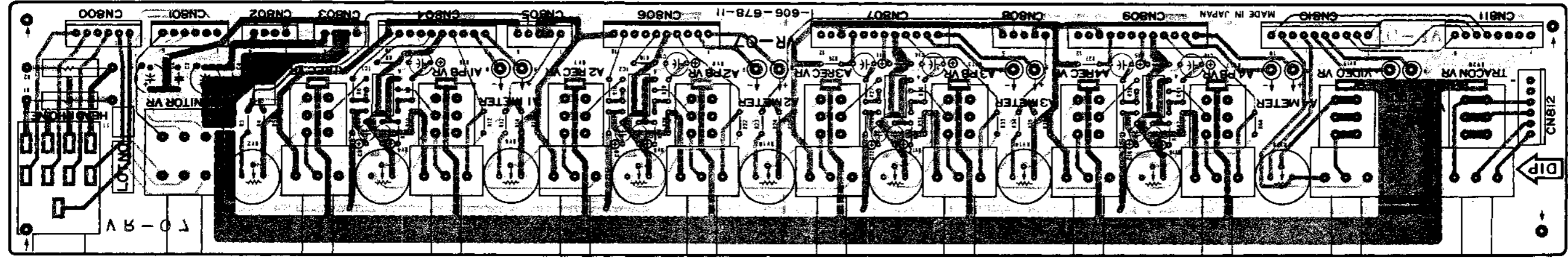
VR-05 BOARD FOR BVH-2000/PS/PM 00/10/02/12 MODEL, BVH-2180/PS/PM 00/02 MODEL & BVH-2500/P

- BVH-2000(J); #10001-
- BVH-2000(U/C); #10001-
- BVH-2000PS; #10001-
- BVH-2000PM; #10001-
- BVH-2180(J); #10001-
- BVH-2180(U/C); #10001-
- BVH-2180PS; #10001-
- BVH-2180PM; #10001-
- BVH-2500(J); #10001-
- BVH-2500(U/C); #10001-
- BVH-2500P; #10001-

BVH-2500/P C-201 C-202 C-172 BVH-2000/PS/PM 1 0/PS C-172

VR-07 BOARD (1-606-678-11) ; FOR 04/14 MODEL

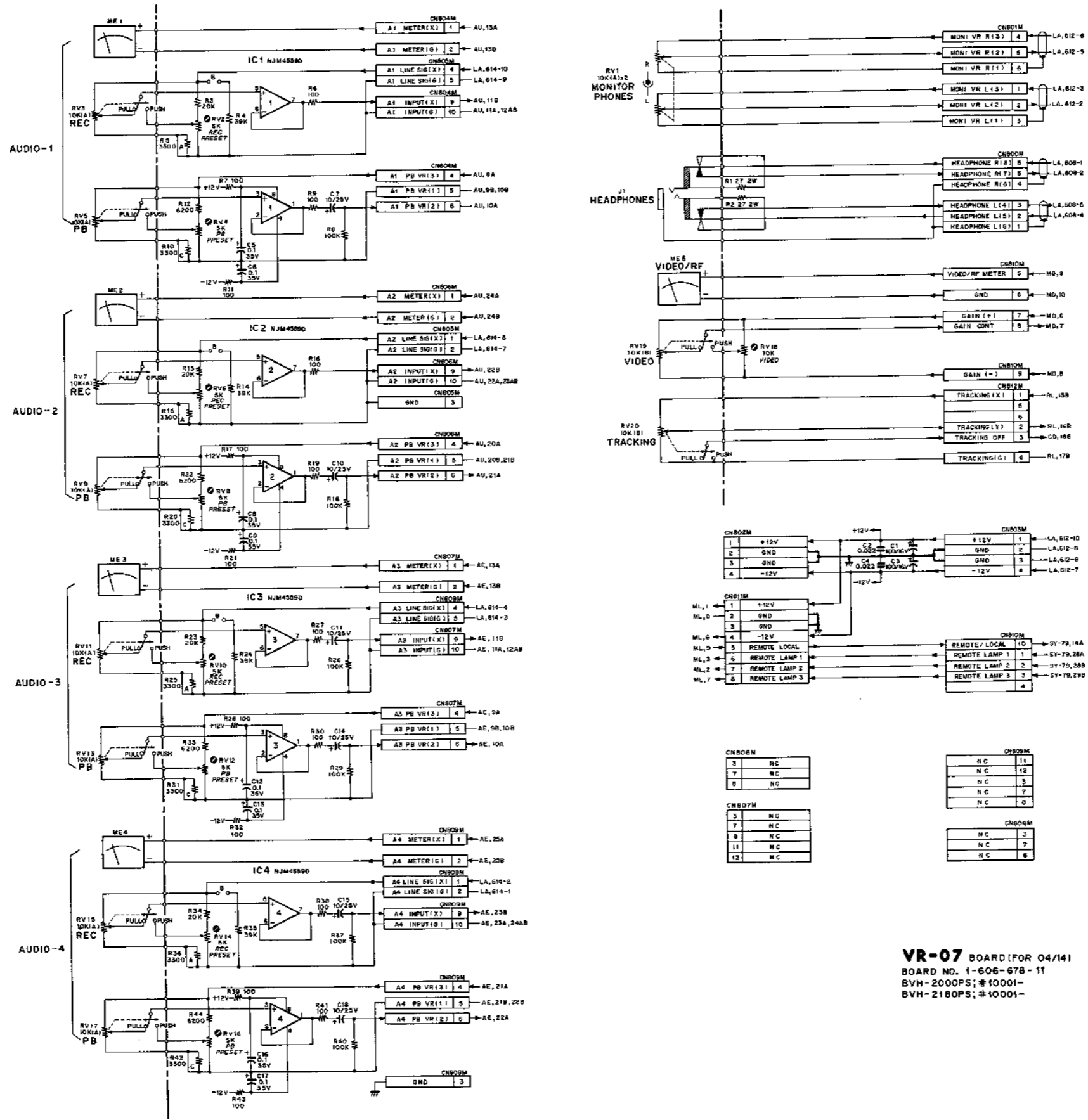
Component Side



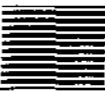
1-606-678-11 COMPONENT SIDE

1-606-678-11

VR-07 BOARD; FOR 04/14 MODEL
Level Control/Indicator

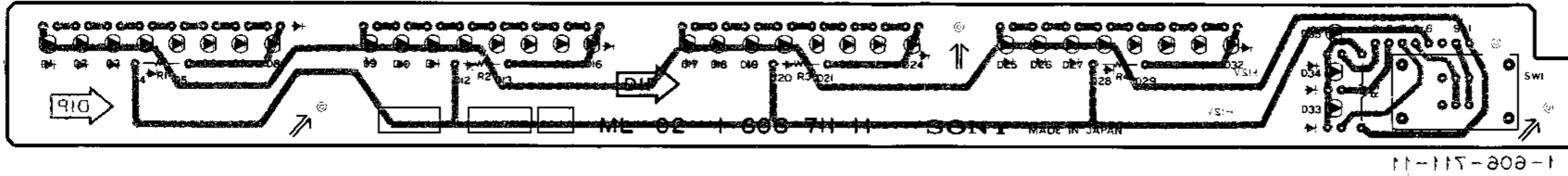


VR-07 BOARD (FOR 04/14)
BOARD NO. 1-606-678-11
BVH-2000PS; #10001-
BVH-2180PS; #10001-



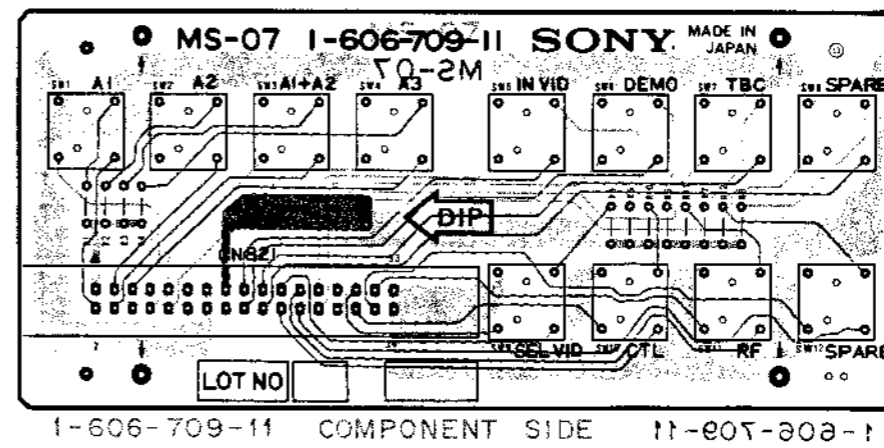
ML-02 BOARD (1-606-711-11) ; FOR 00/10/02/12 MODEL

Component Side



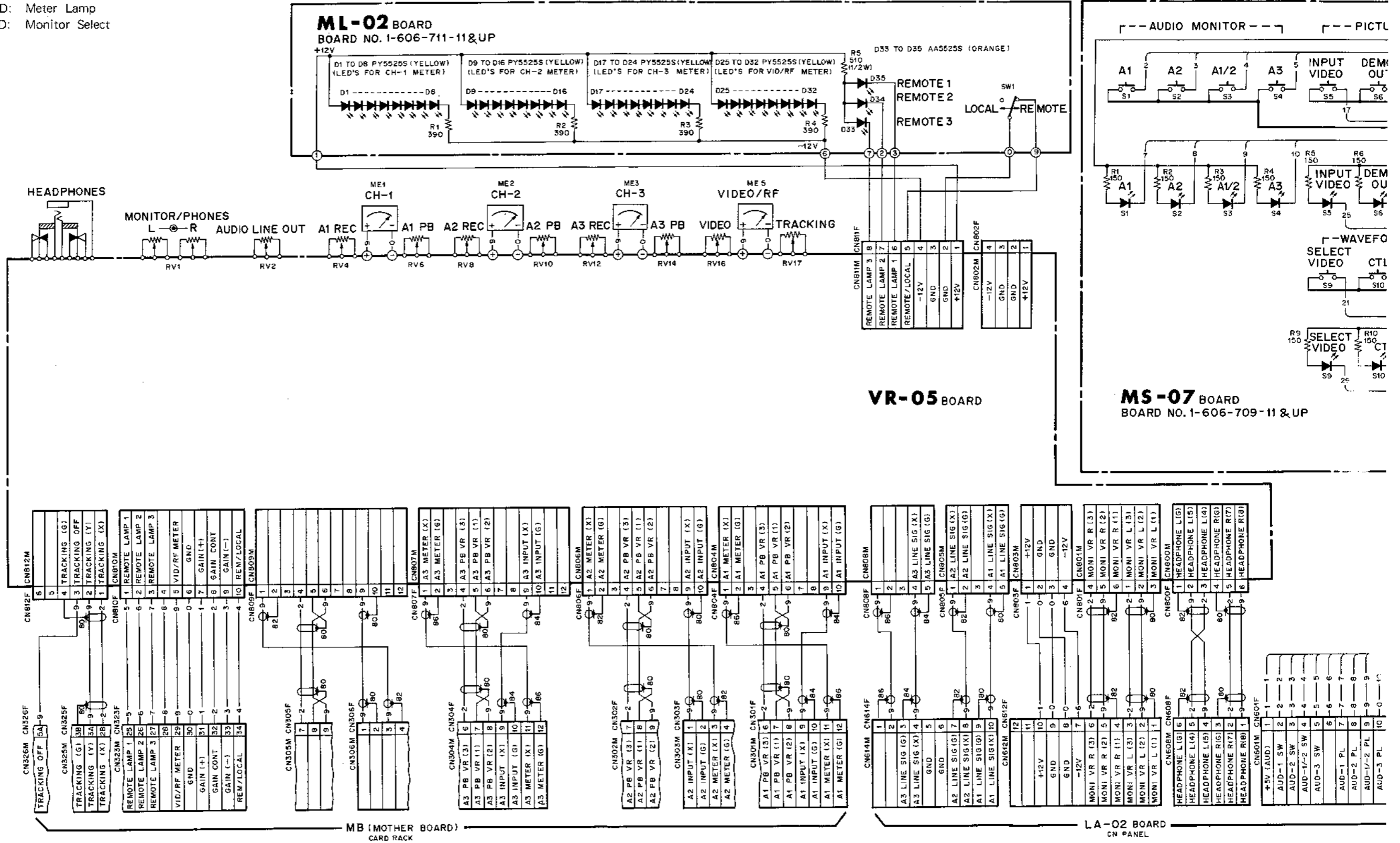
MS-07 BOARD (1-606-709-11)

Component Side



FRAME WIRING; LEVEL CONTROL PANEL; FOR 00/10/02/12 MODEL

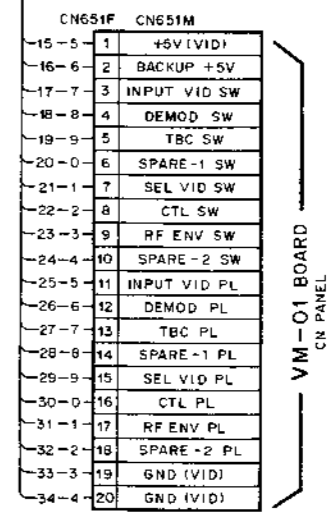
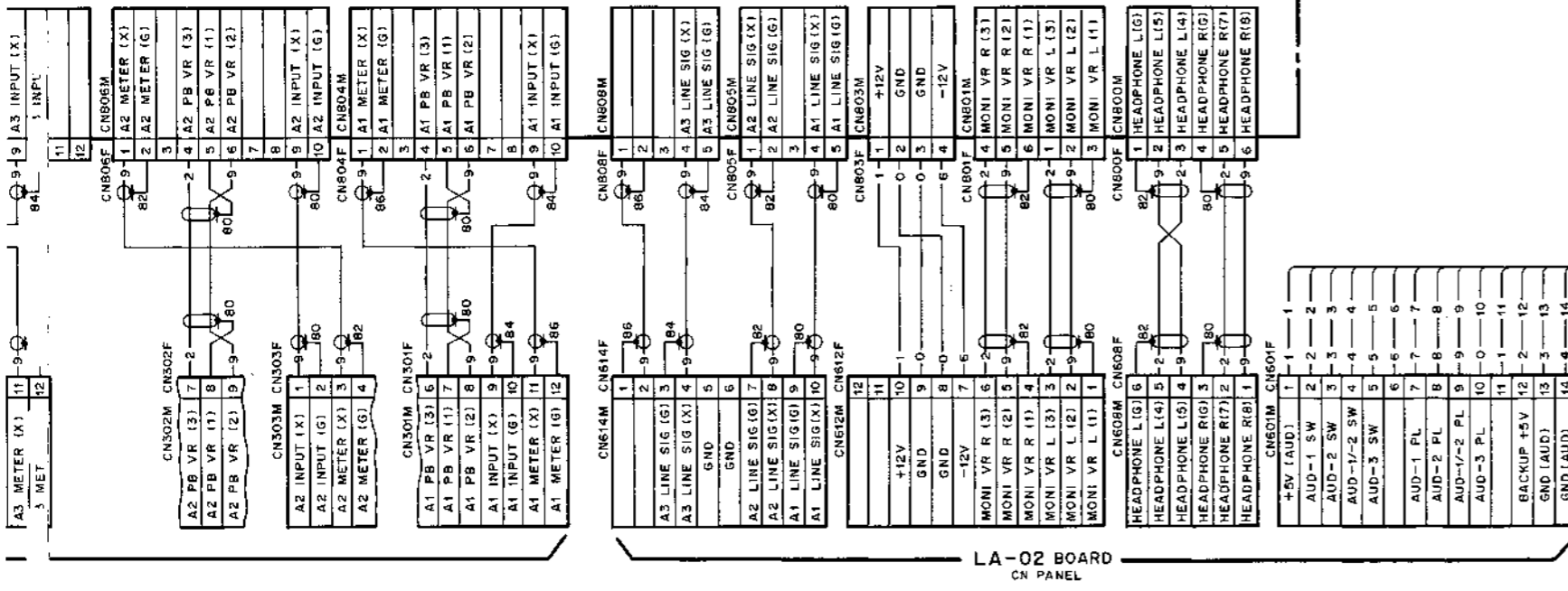
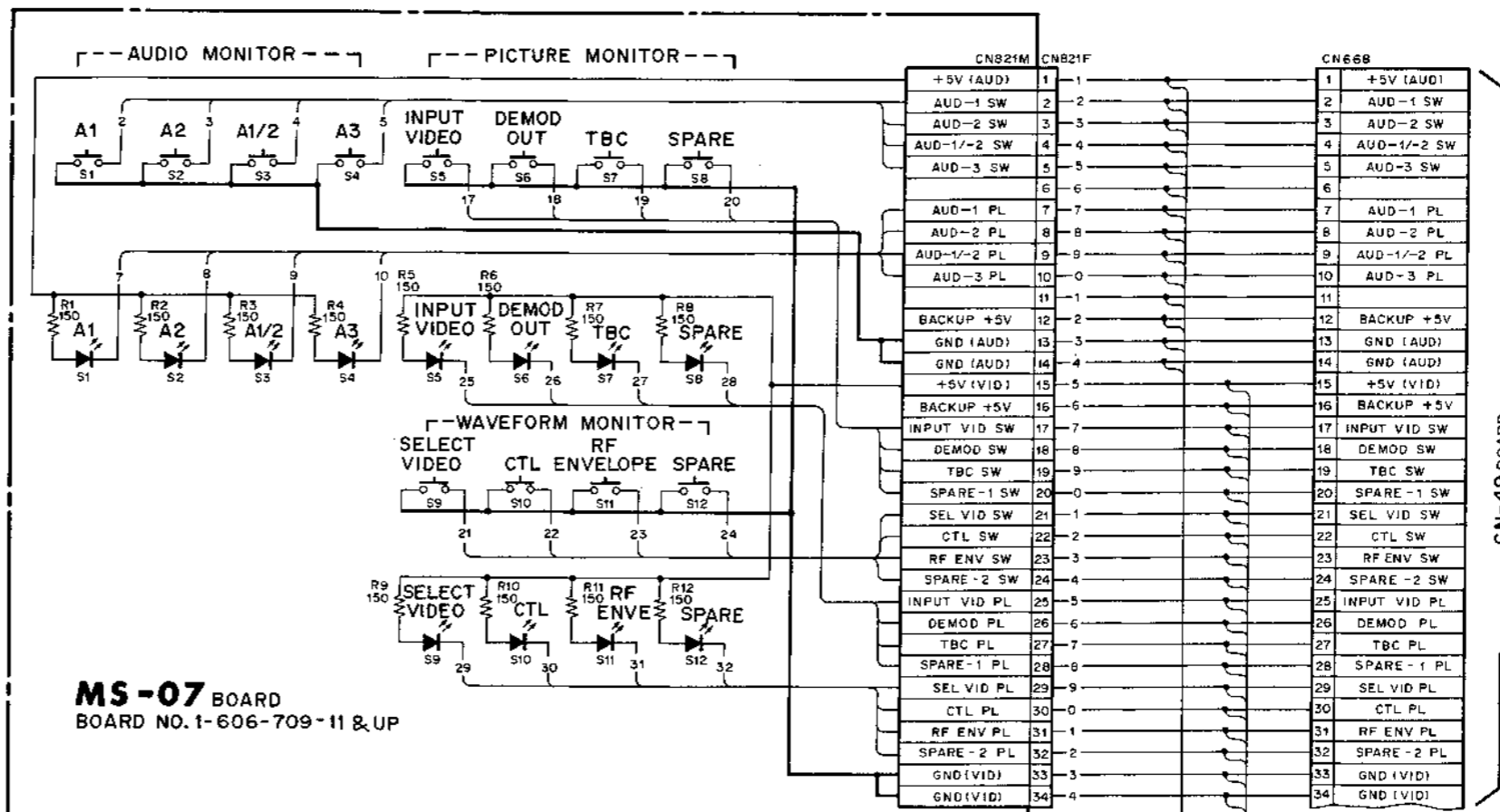
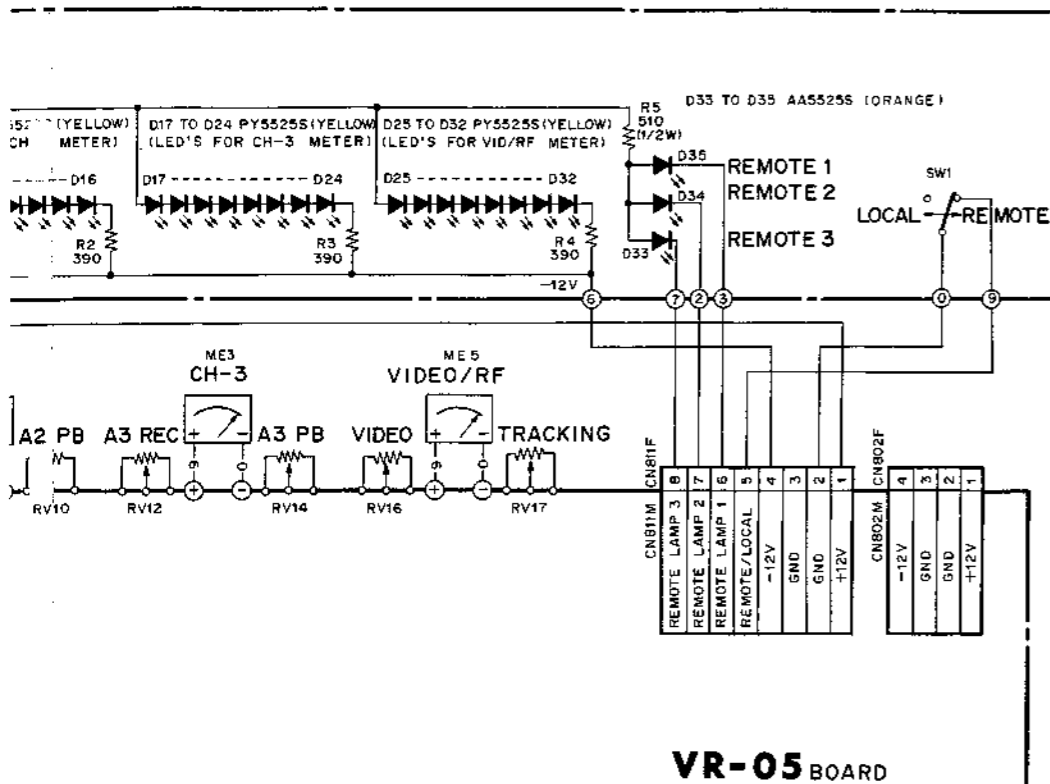
ML-02 BOARD: Meter Lamp
MS-07 BOARD: Monitor Select



BVH-2180/PS/PM
BVH-2000/PS/PM

C-205 C-206 C-207

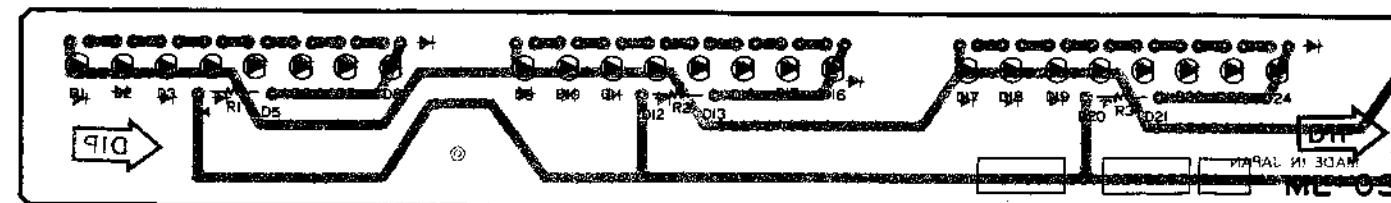
BVH-2500/P



FRAME WIRING FOR BVH-2000/PS/PM 00/10/02/12 MODEL, BVH-2180/PS/PM 00/02 MODEL, & BVH-2500/P

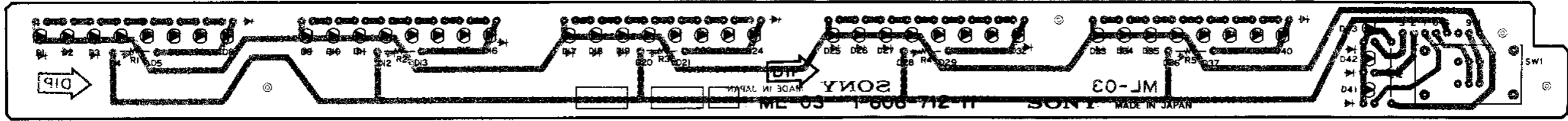
- | | | |
|------------------------|------------------------|------------------------|
| BVH-2000(J); #10001- | BVH-2180(J); #10001- | BVH-2500(J); #10001- |
| BVH-2000(U/C); #10001- | BVH-2180(U/C); #10001- | BVH-2500(U/C); #10001- |
| BVH-2000PS; #10001- | BVH-2180PS; #10001- | BVH-2500P; #10001- |
| BVH-2000PM; #10001- | BVH-2180PM; #10001- | |

ML-03 BOARD (1-606-712-11)
Component Side



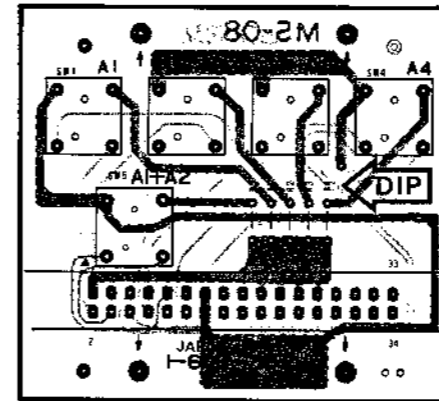


ML-03 BOARD (1-606-712-11)
Component Side



11-606-712-11

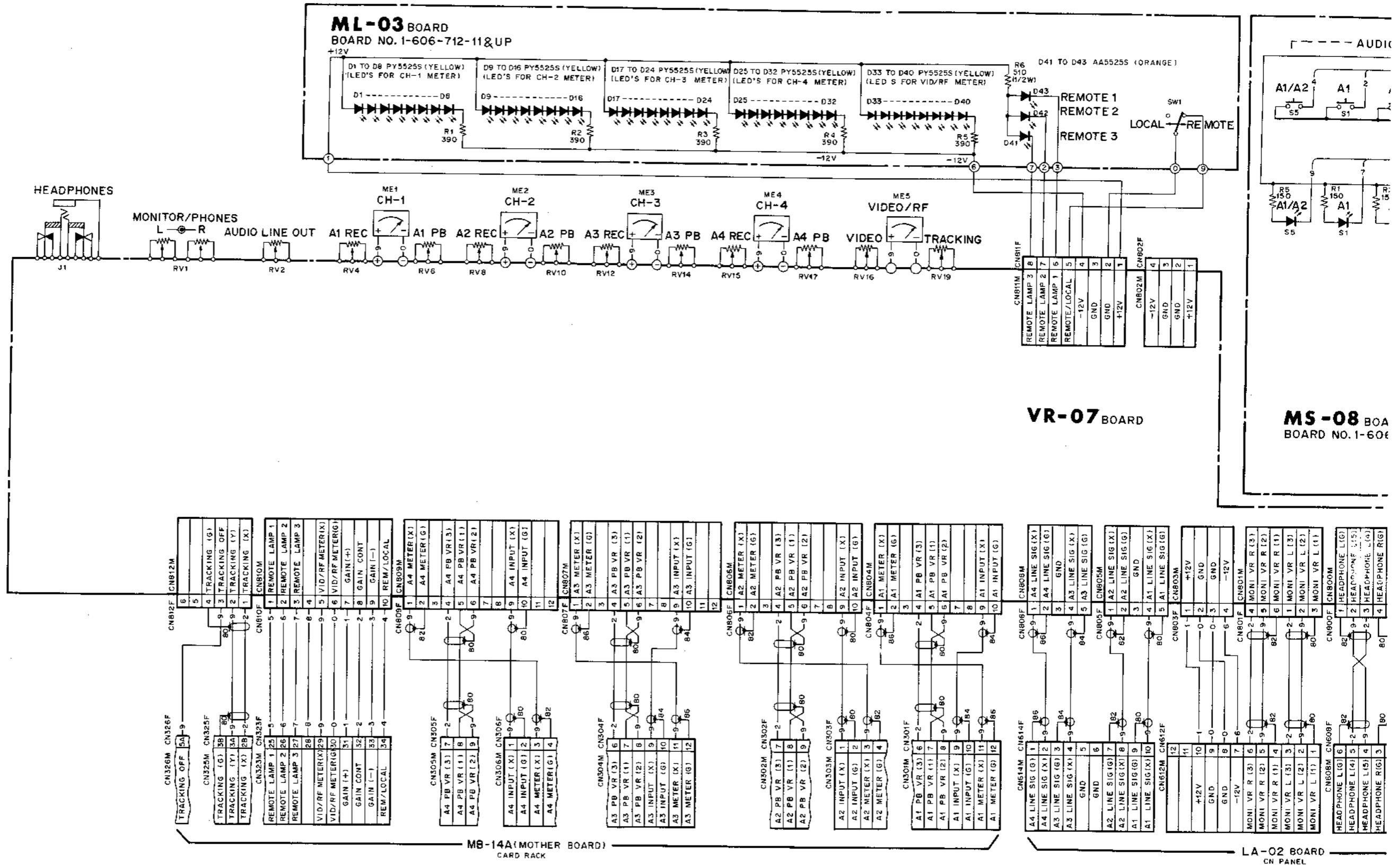
MS-08 BOARD (1-606-710-11)
Component Side

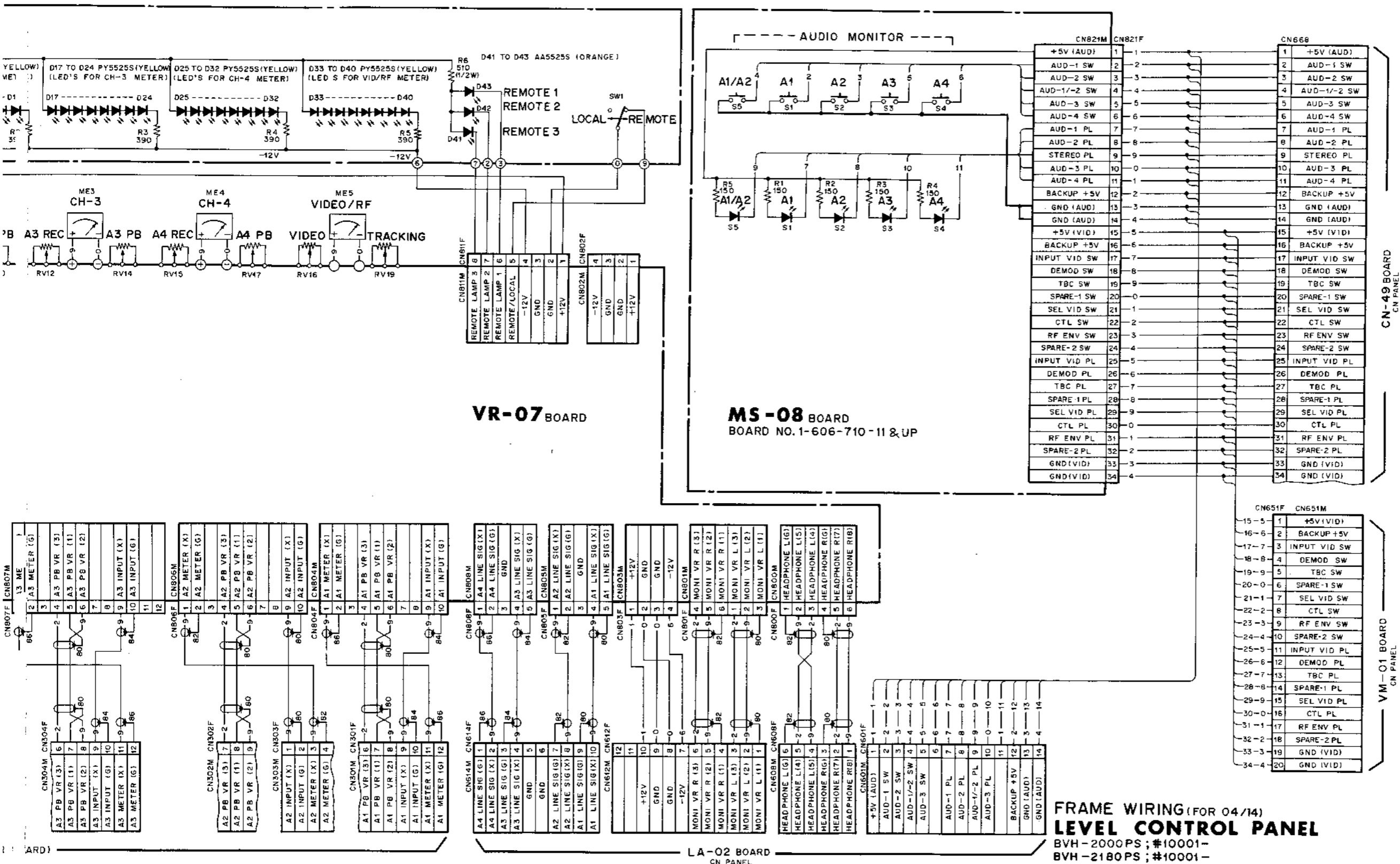


1-606-710-11
COMPONENT SIDE

FRAME WIRING; LEVEL CONTROL PANEL; FOR 04/14 MODEL

ML-03 BOARD; Meter Lamp
MS-08 BOARD; Monitor Select

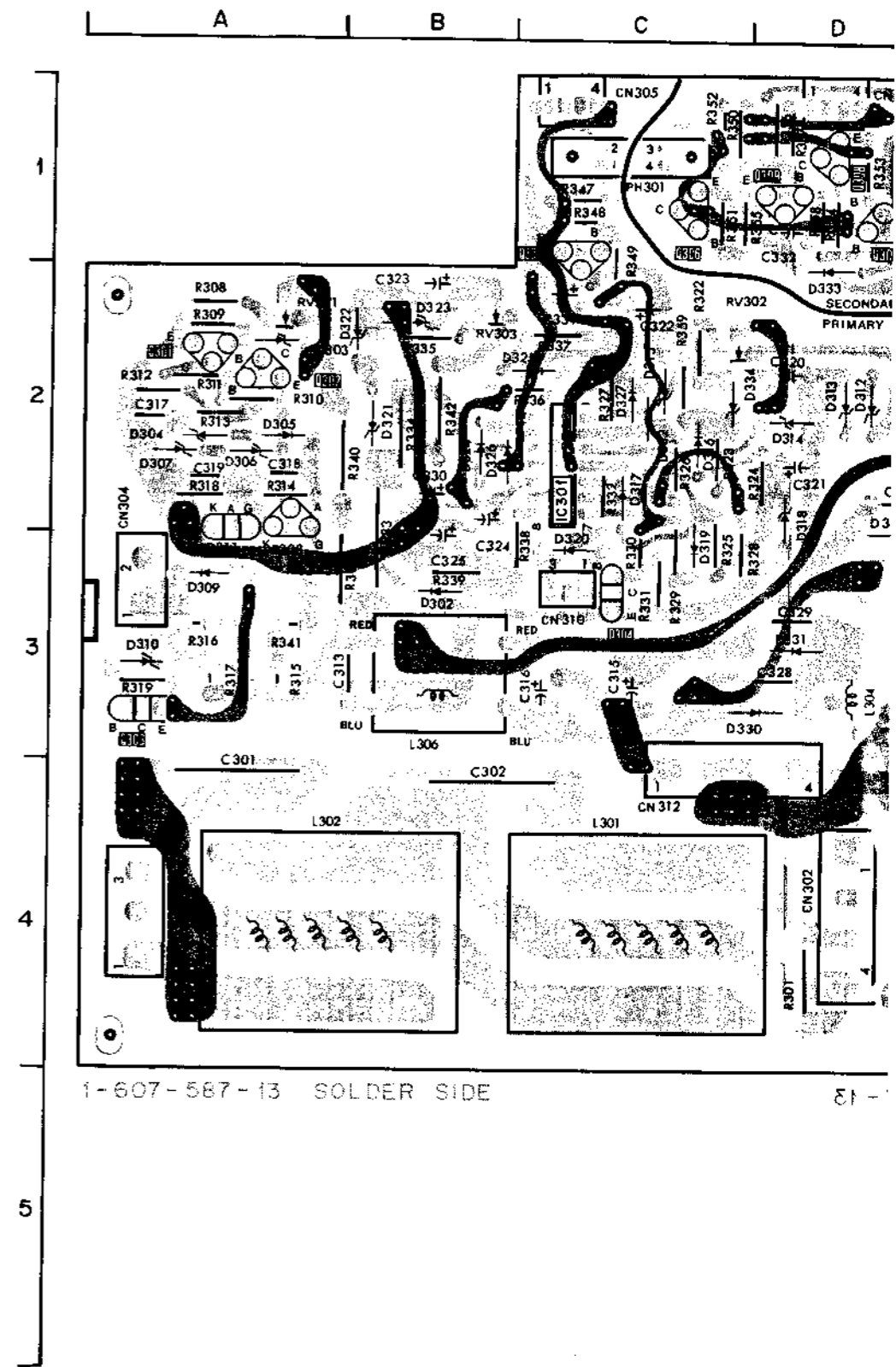


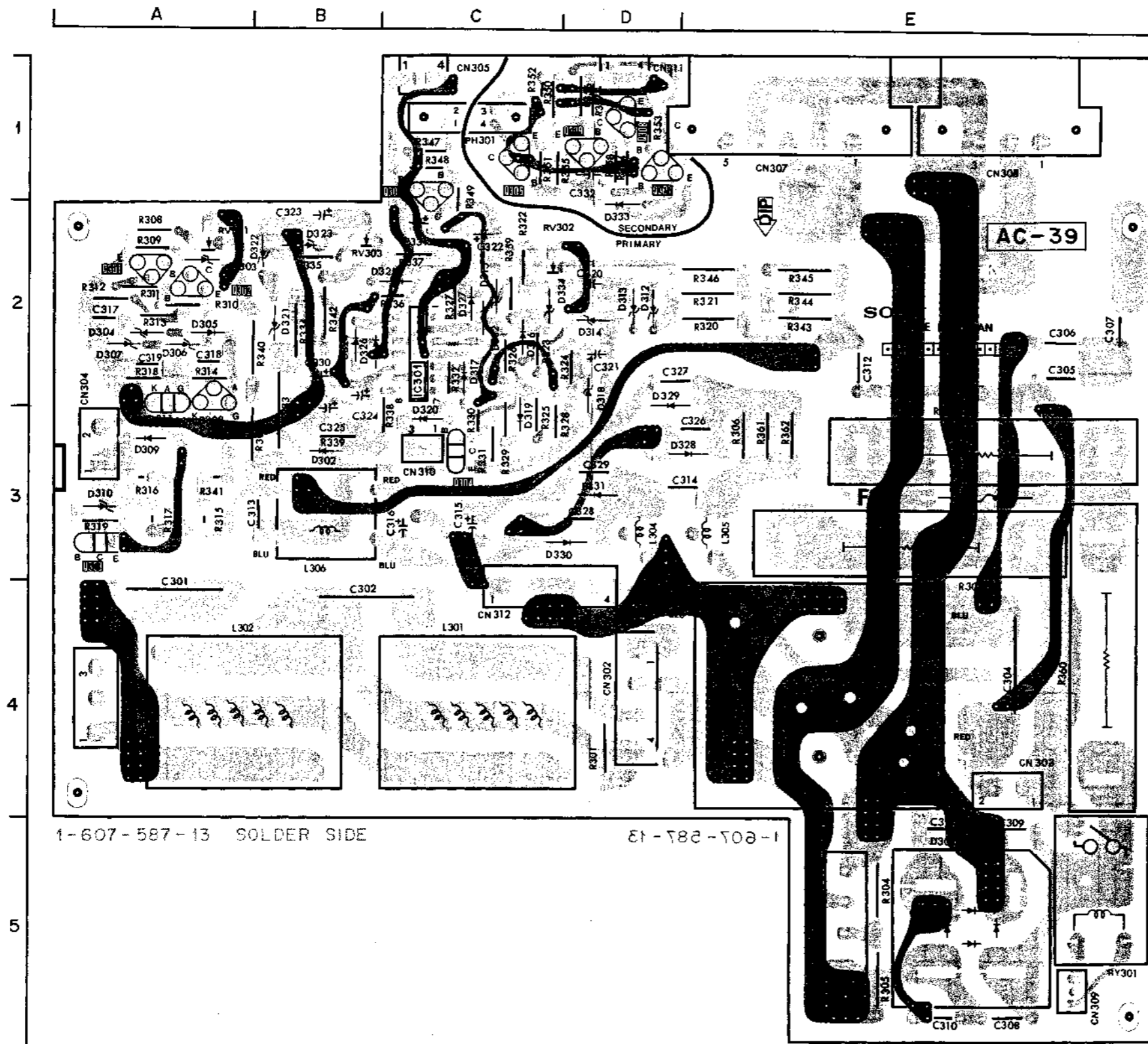


C-177(6/7)

C-177(7/7)

AC-39 BOARD (1-607-587-13)
Solder Side





1-607-587-13 SOLDER SIDE

1-607-587-13

AC-39 (1-607-587-13 & UP)

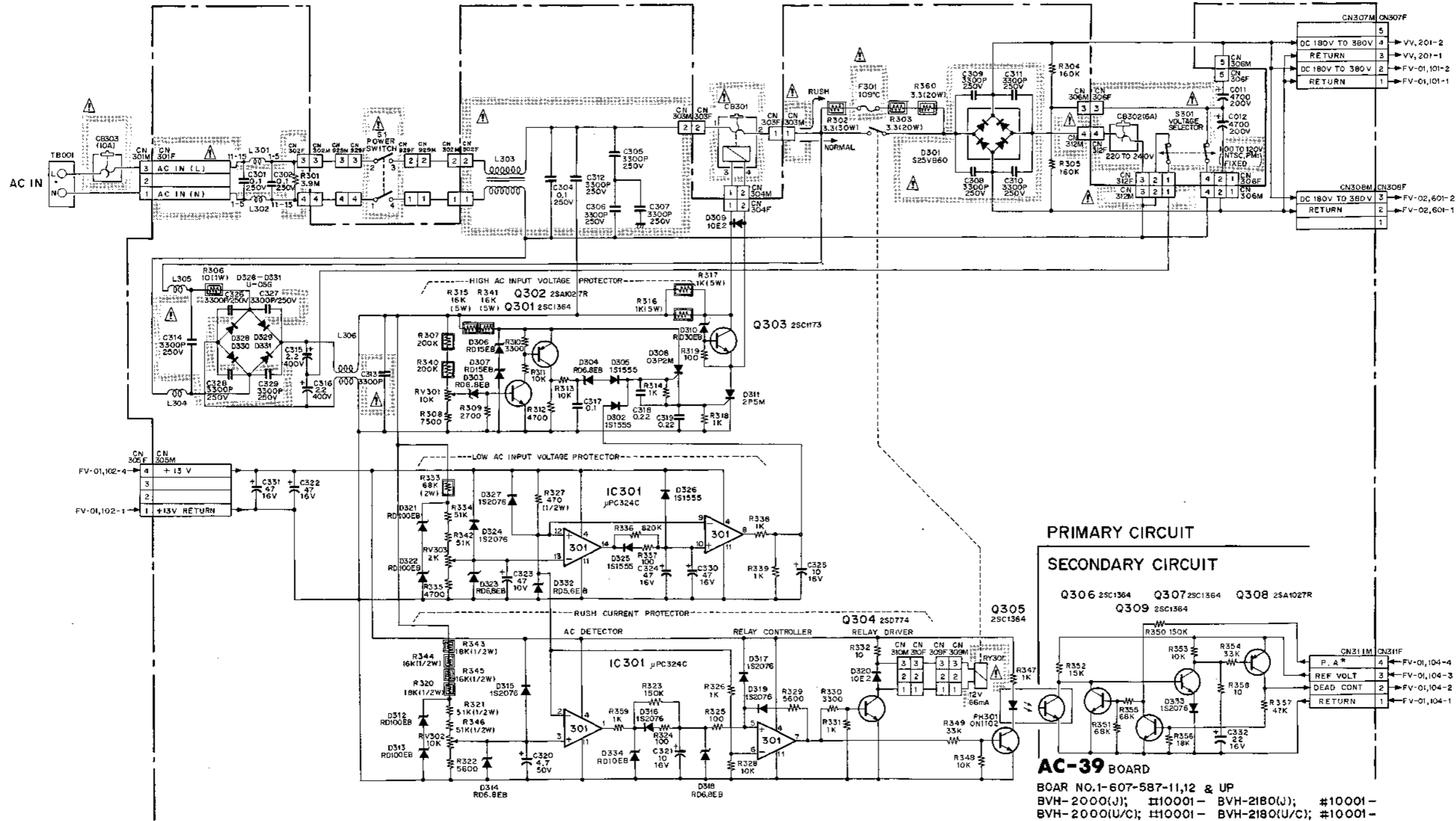
BVH-2000/PS/PM
 BVH-2180/PS/PM
 BVH-2500/P

- CN301F
- CN302F
- CN303M
- CN304F
- CN305M
- CN306M
- CN307M
- CN308M
- CN309M
- CN310M
- CN311M
- CN312M
- D301 5E
- D302 5B
- D303 2A
- D304 2A
- D305 2A
- D306 2A
- D307 2A
- D308 2A
- D309 3A
- D310 3A
- D311 2A
- D312 2D
- D313 2D
- D314 2D
- D315 2C
- D316 2C
- D317 2C
- D318 2D
- D319 3C
- D320 3C
- D321 2B
- D322 2B
- D323 2B
- D324 2B
- D325 2C
- D326 2B
- D327 2C
- D328 3E
- D329 2D
- D330 3D
- D331 3D
- D332 2C
- D333 2D
- D334 2C
- IC301 2C
- PH301 1C
- Q301 2A
- Q302 2A
- Q303 3A
- Q304 3C
- Q305 1C
- Q306 1C
- Q307 1D
- Q308 1D
- Q309 1D
- RV301 2A
- RV302 2C
- RV303 2B
- RV301 5E

AC-39 BOARD
Primary Rectifier

POWER SUPPLY AC-39

AC-39 POWER SUPPLY



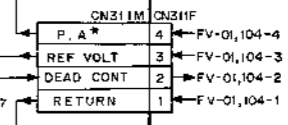
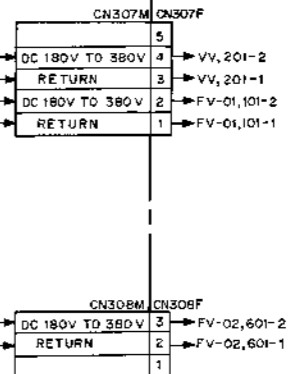
PRIMARY CIRCUIT

SECONDARY CIRCUIT

Q306 25C1364 Q307 25C1364 Q308 25A1027R
Q309 25C1364

AC-39 BOARD

- BOARD NO.1-607-587-11,12 & UP
- BVH-2000(J); #10001- BVH-2180(J); #10001-
 - BVH-2000(U/C); #10001- BVH-2180(U/C); #10001-
 - BVH-2000(PS); #10001- BVH-2180(PS); #10001-
 - BVH-2000(PM); #10001- BVH-2180(PM); #10001-
 - BVH-2500(J); #10001-
 - BVH-2500(U/C); #10001-
 - BVH-2500(P); #10001-

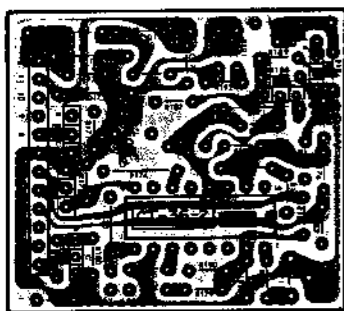


POWER SUPPLY FV-02

FV-02 POWER SUPPLY

CT-36-2 BOARD
(1-607-591-23)

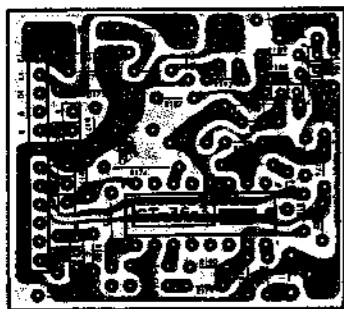
Solder Side



1-607-591-23
SOLDER SIDE
ES-122-Y08-1

CT-36-3 BOARD
(1-607-591-33)

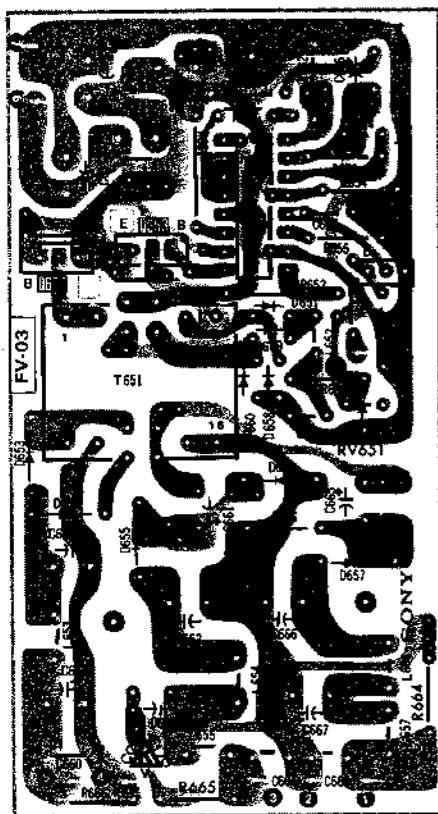
Solder Side



1-607-591-33
SOLDER SIDE
ES-122-Y08-1

FV-03 BOARD
(1-607-597-14)

Solder Side

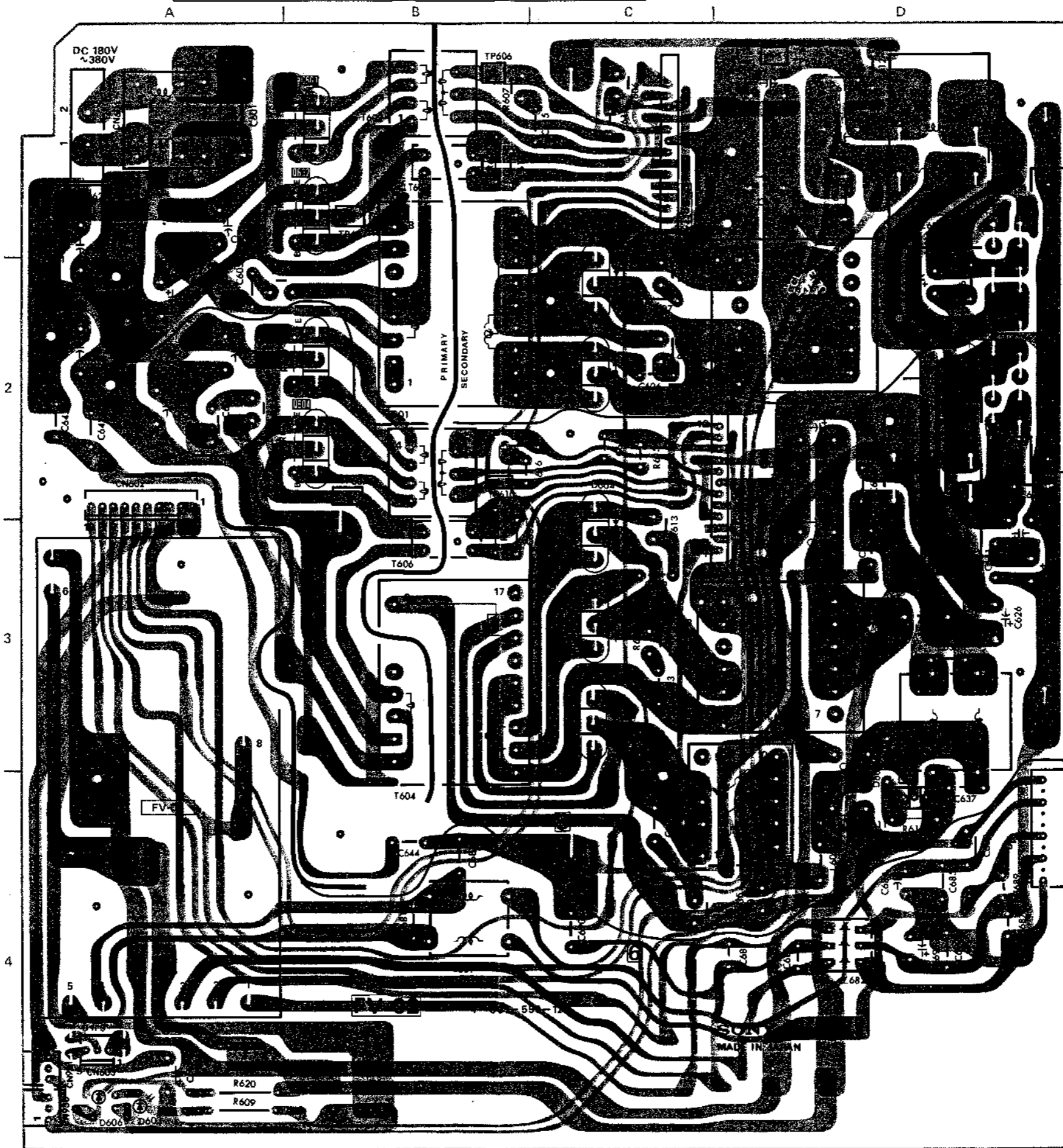


1-607-597-14
SOLDER SIDE

1-607-597-14
COMPONENT SIDE

FV-02 BOARD
(1-607-590-12)

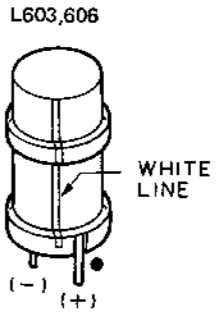
Solder Side



1-607-590-12 COMPONENT SIDE

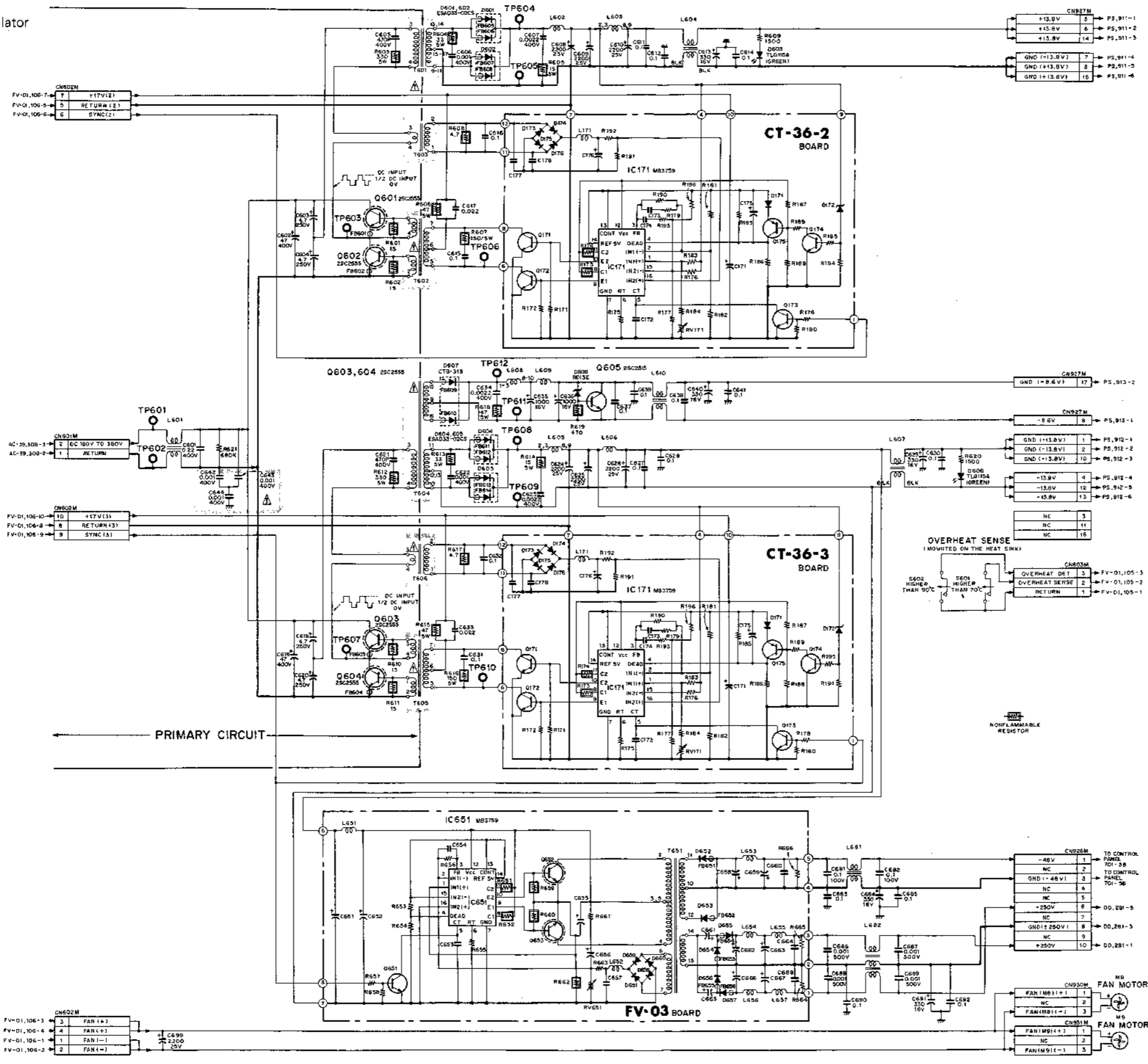
1-607-590-12 SOLDER SIDE

- FV-02 (1-607-590-11 & UP)
- BVH-2000/PS/PM
- BVH-2180/PS/PM
- BVH-2500/P
- CN601M 1A
- CN602M 2A
- CN603M 4A
- CN926M 4D
- CN927M 2D
- CN930M 4A
- CN931M 4A
- D601 2C
- D602 2C
- D603 4A
- D604 3C
- D605 3C
- D606 4A
- D607 3C
- D608 3D
- O601 1B
- O602 1B
- O603 2B
- O604 2B
- O605 4D
- S601 4C
- S602 4C
- TP601 1A
- TP602 1A
- TP603 1B
- TP604 2C
- TP605 1D
- TP606 1B
- TP607 2B
- TP608 3C
- TP609 2D
- TP610 2B
- TP611 4D
- TP612 3C



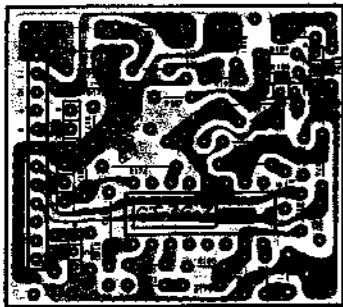
FV-02 BOARD
Switching Regulator

POWER SUPPLY FV-02 FV-02 POWER SUPPLY



FV-02 BOARD
 BOARD NO. 1-607-590-11 & UP
 BVH-2000(J); #10001-
 BVH-2000(U/C); #10001-
 BVH-2000PS; #10001-
 BVH-2000PM; #10001-
 BVH-2180(J); #10001-
 BVH-2180(U/C); #10001-
 BVH-2180PS; #10001-
 BVH-2180PM; #10001-
 BVH-2500(J); #10001-
 BVH-2500(U/C); #10001-
 BVH-2500PS; #10001-
 BVH-2500PM; #10001-

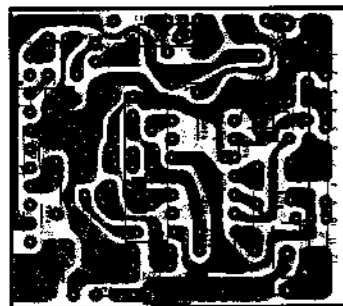
CT-36-7 BOARD
(1-607-591-53)
Solder Side



1-607-591-53
SOLDER SIDE
82-102-100-1

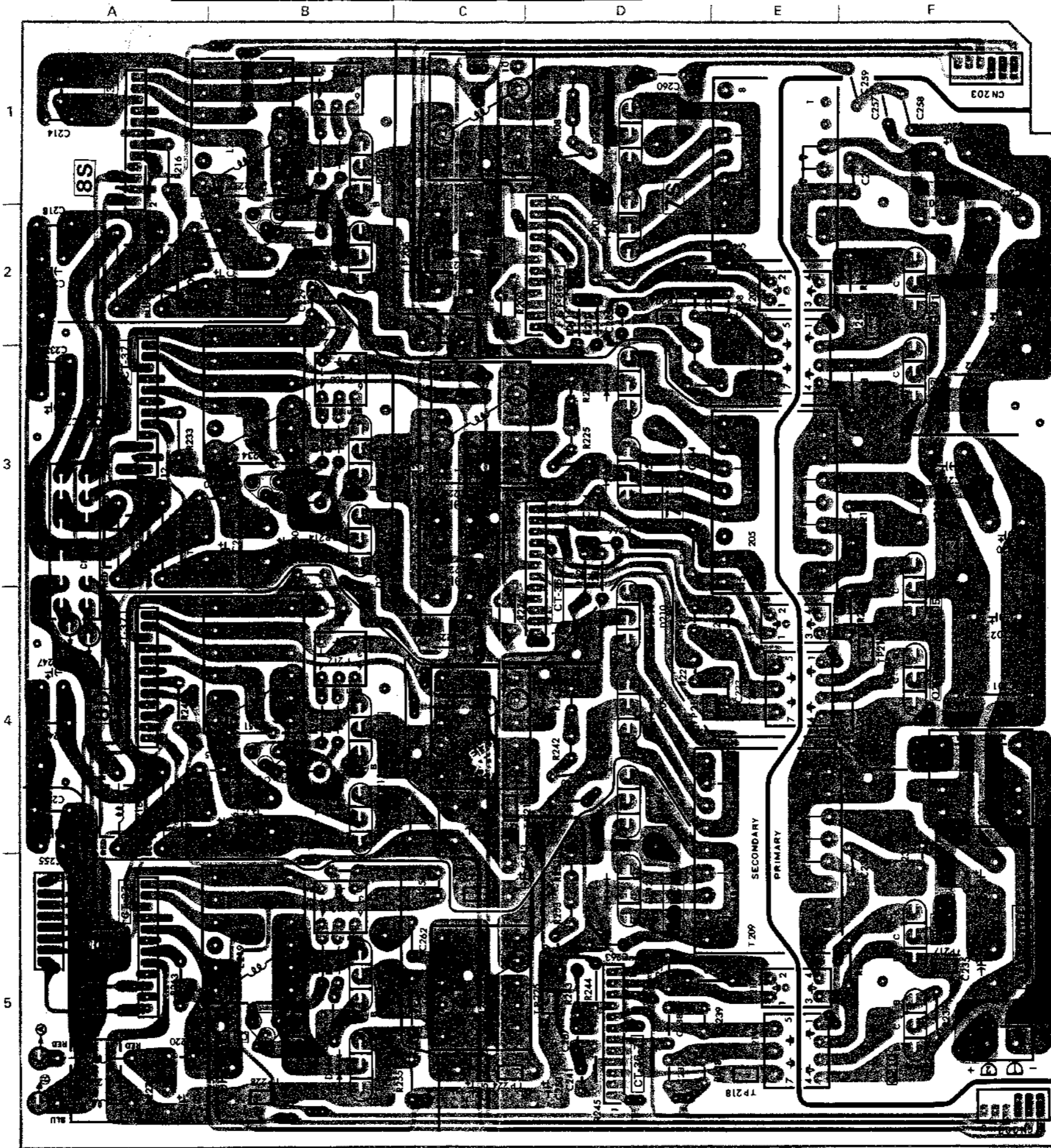
VV-01 BOARD
(1-607-589-13)
Solder Side

CT-37 BOARD
(1-607-592-13)
Solder Side



1-607-592-13
SOLDER SIDE
81-502-100-1

C-187



1-607-589-13 SOLDER SIDE

1-607-589-13 COMPONENT SIDE

VV-01 (1-607-589-12 & UP)

BVH-2000/PS/PM
BVH-2180/PS/PM
BVH-2500/P

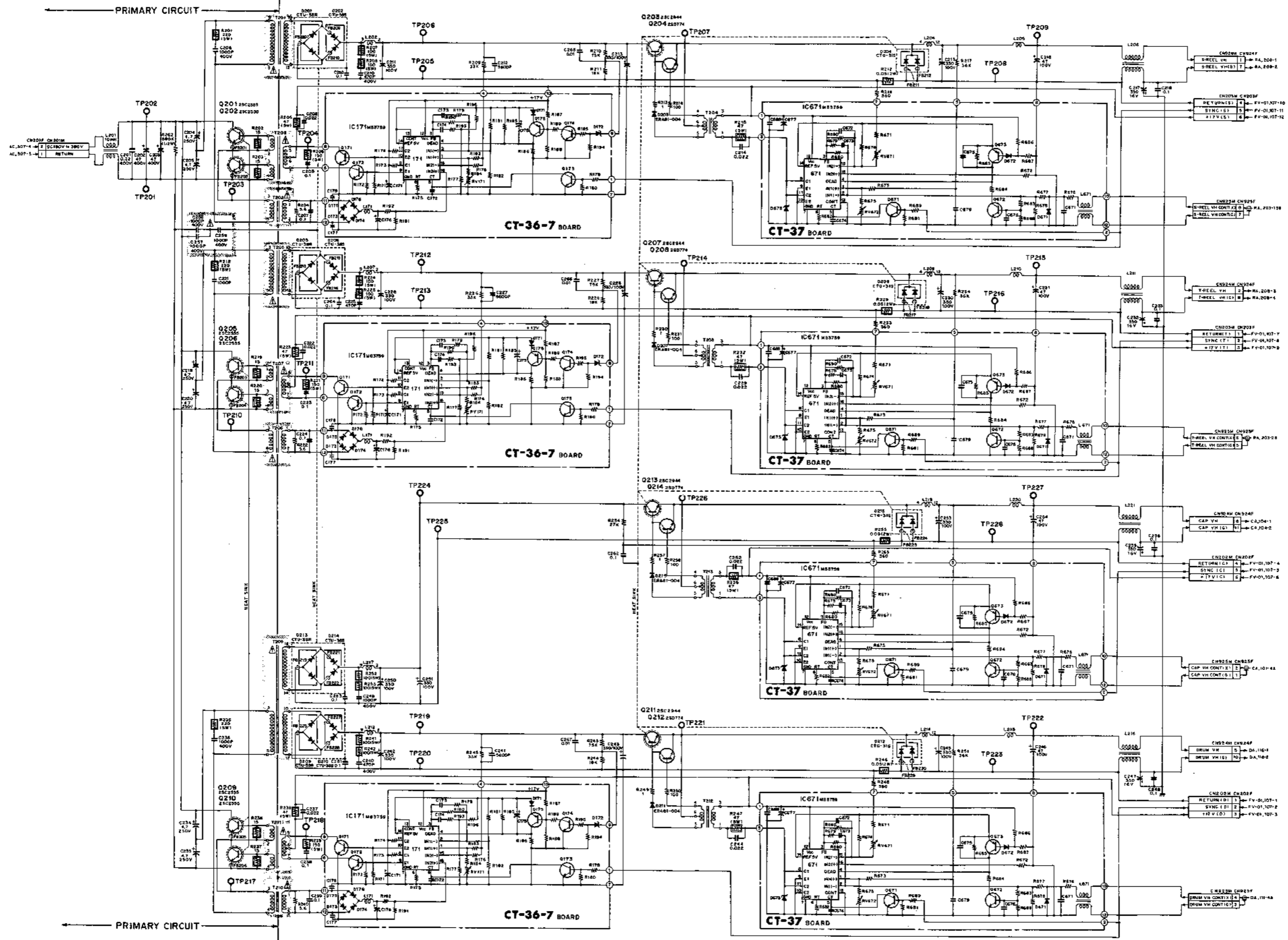
CN201M 5F
CN202M 5F
CN203M 1F
CN924M 3A
CN925M 5A

D201 2D
D202 1D
D203 1B
D204 2B
D205 3D
D206 3D
D207 3B
D208 3B
D209 4D
D210 4D
D211 4B
D212 4B
D213 5D
D214 4D
D215 5B
D216 5B

Q201 2F
Q202 3F
Q203 1B
Q204 2B
Q205 3F
Q206 4F
Q207 3B
Q208 3B
Q209 5F
Q210 5F
Q211 4B
Q212 4B
Q213 5B
Q214 5B

TP201 3F
TP202 3F
TP203 2F
TP204 2D
TP205 2C
TP206 2C
TP207 2B
TP208 2B
TP209 2A
TP210 4F
TP211 4D
TP212 3C
TP213 3C
TP214 3B
TP215 3A
TP216 3B
TP217 5F
TP218 5E
TP219 4C
TP220 5C
TP221 4B
TP222 4A
TP223 4B
TP224 5C
TP225 5D
TP226 5B
TP227 5A
TP228 5B

C-188

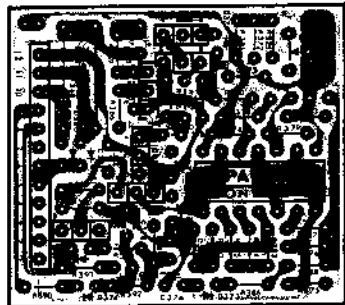


VV-01 BOARD
 BOARD NO. 1-507-509-11 & UP
 BVH-2000(J); #10001-
 BVH-2000(U/C); #10001-
 BVH-2000PS; #10001-
 BVH-2000PM; #10001-
 BVH-2180(U/C); #10001-
 BVH-2180PS; #10001-
 BVH-2180PM; #10001-
 BVH-2500(U/C); #10001-
 BVH-2500PS; #10001-

C-190
 BVH-2000/PS/PM
 C-190
 C-220
 C-219
 BVH-2500/P

PA-19 BOARD
(1-607-594-14)

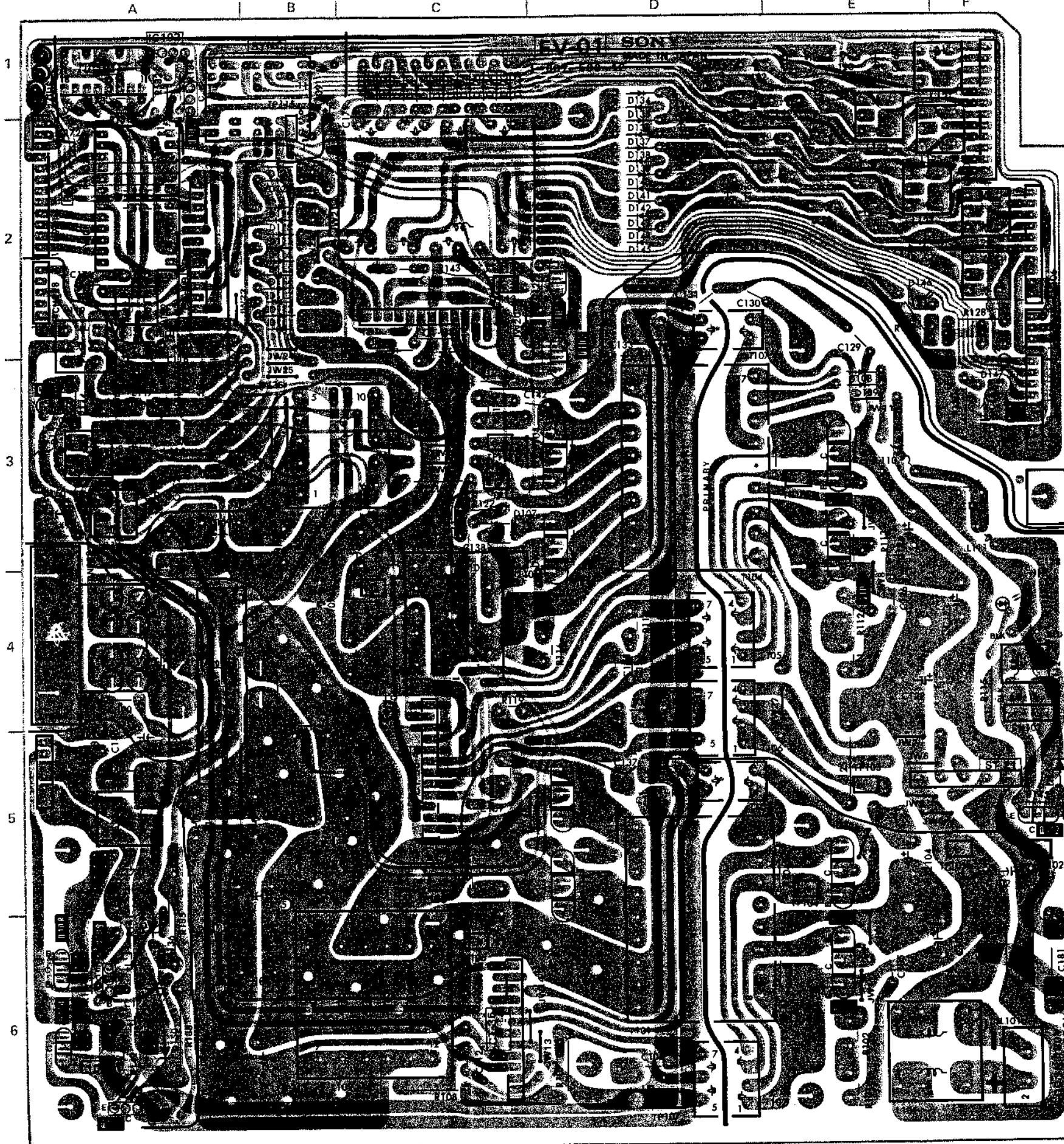
Solder Side



1-607-594-14
SOLDER SIDE
41-902-708-1

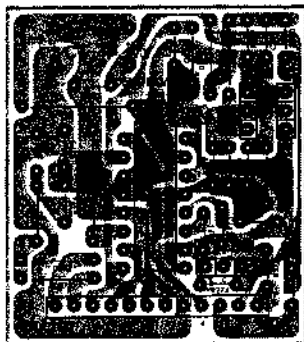
FV-01 BOARD
(1-607-588-12)

Solder Side



CT-38 BOARD
(1-607-593-13)

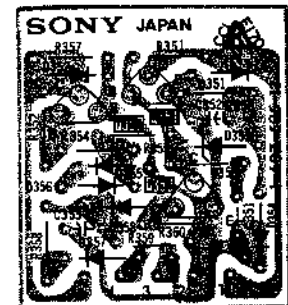
Solder Side



1-607-593-13
SOLDER SIDE
1-607-593-13
COMPONENT SIDE

ST-21 BOARD
(1-607-595-13)

Solder Side



1-607-595-13
SOLDER SIDE
1-607-595-13
COMPONENT SIDE

L103,104

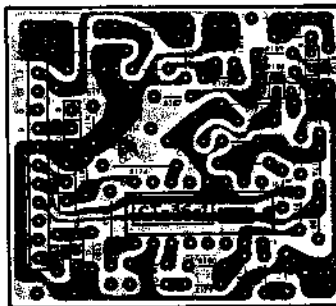
WHITE LINE

(-)

(+)

CT-36-1 BOARD
(1-607-591-13)

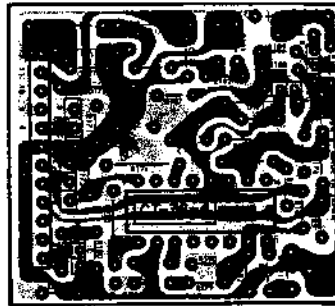
Solder Side



1-607-591-13
SOLDER SIDE
41-902-708-1

CT-36-4 BOARD
(1-607-591-43)

Solder Side



1-607-591-43
SOLDER SIDE
41-902-708-1

FV-01 (1-607-588-11 & UP)

BVH-2000/PS/PM
BVH-2180/PS/PM
BVH-2500/P

1-607-588-12 COMPONENT SIDE

CN101M 6F
CN102M 4F
CN103M 3F
CN104M 3F
CN105M 2F
CN106M 2F
CN107M 2F
CN921M 2A
CN922F 4A
CN923M 5A
CN928M 2A

D101 5D
D102 5D
D103 3D
D104 3D
D105 4D
D106 4C
D107 3C
D108 3E
D109 3E
D110 2B
D111 2B
D112 2B
D113 2B
D114 2B
D115 2B
D116 2B
D117 2B
D118 2B
D119 2B
D120 2B
D121 2B
D122 1C
D123 1C
D124 1C
D125 1C
D126 1C
D127 1C
D128 1C
D129 1C
D130 1C
D131 1C
D132 1C
D133 1C
D134 1D
D135 1D
D136 2D
D137 2D
D138 2D
D139 2D
D140 2D
D141 2D
D142 2D
D143 2D
D144 2D
D145 2D
D146 2E
D147 3F
D148 4F
D149 6A
D150 6A
D151 3F
D152 2C
D153 3A
D154 5F

IC101 1A
IC102 1A

Q101 6E
Q102 5E
Q103 3E
Q104 3E
Q105 2D
Q106 2D
Q107 1A
Q108 6A
Q109 6A
Q110 6A
Q111 6A
Q112 5F
Q113 3A

RY101 2A
RY102 2A

S101 4D
S102 6D

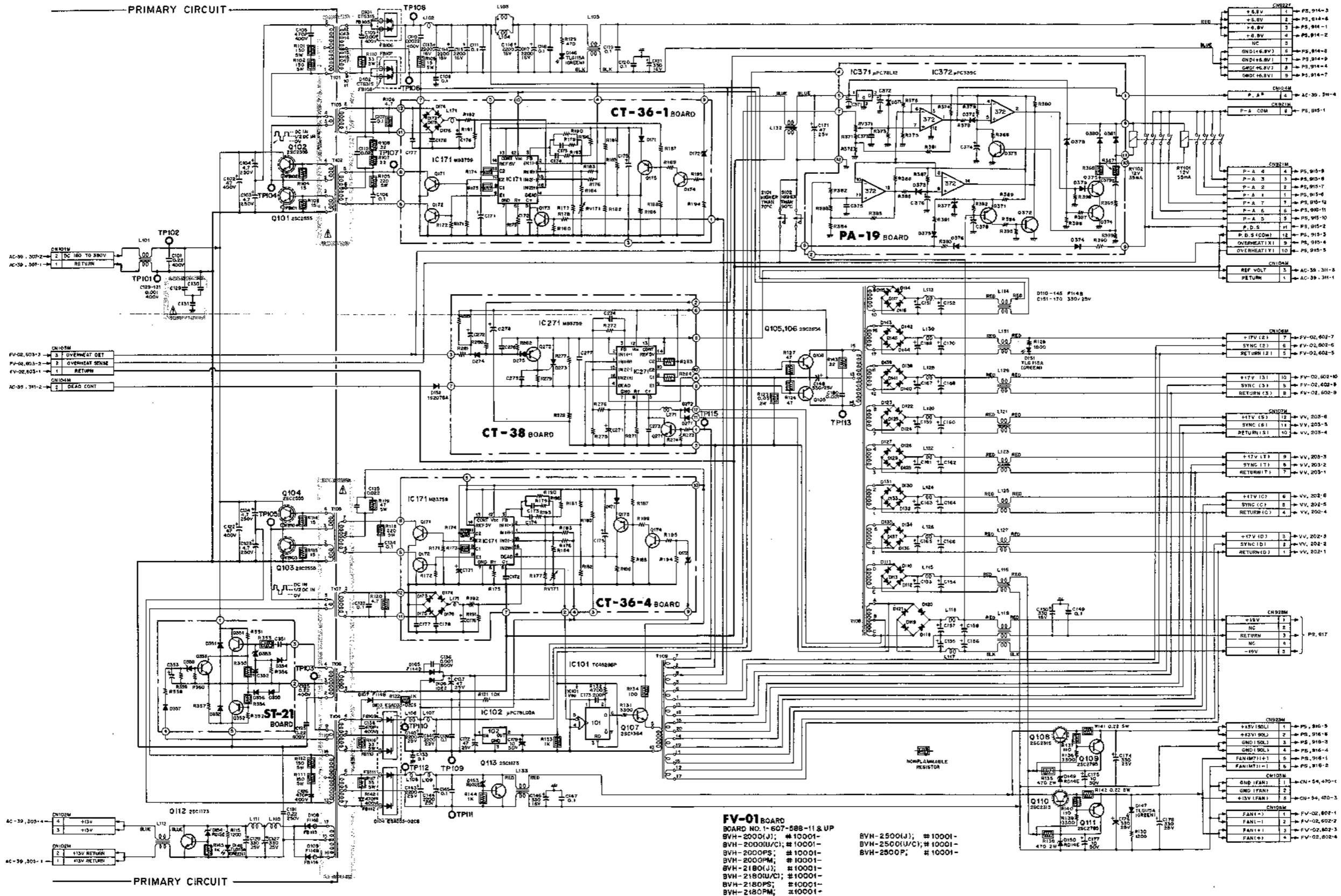
TP101 5F
TP102 5F
TP103 5E
TP104 5E
TP105 3E
TP106 6C
TP107 6D
TP108 6D
TP109 6C
TP110 5C
TP111 5C
TP112 5C
TP113 2B
TP114 4D

1-607-588-12 SOLDER SIDE

FV-01 BOARD
Switching Regulator

POWER SUPPLY **FV-01**

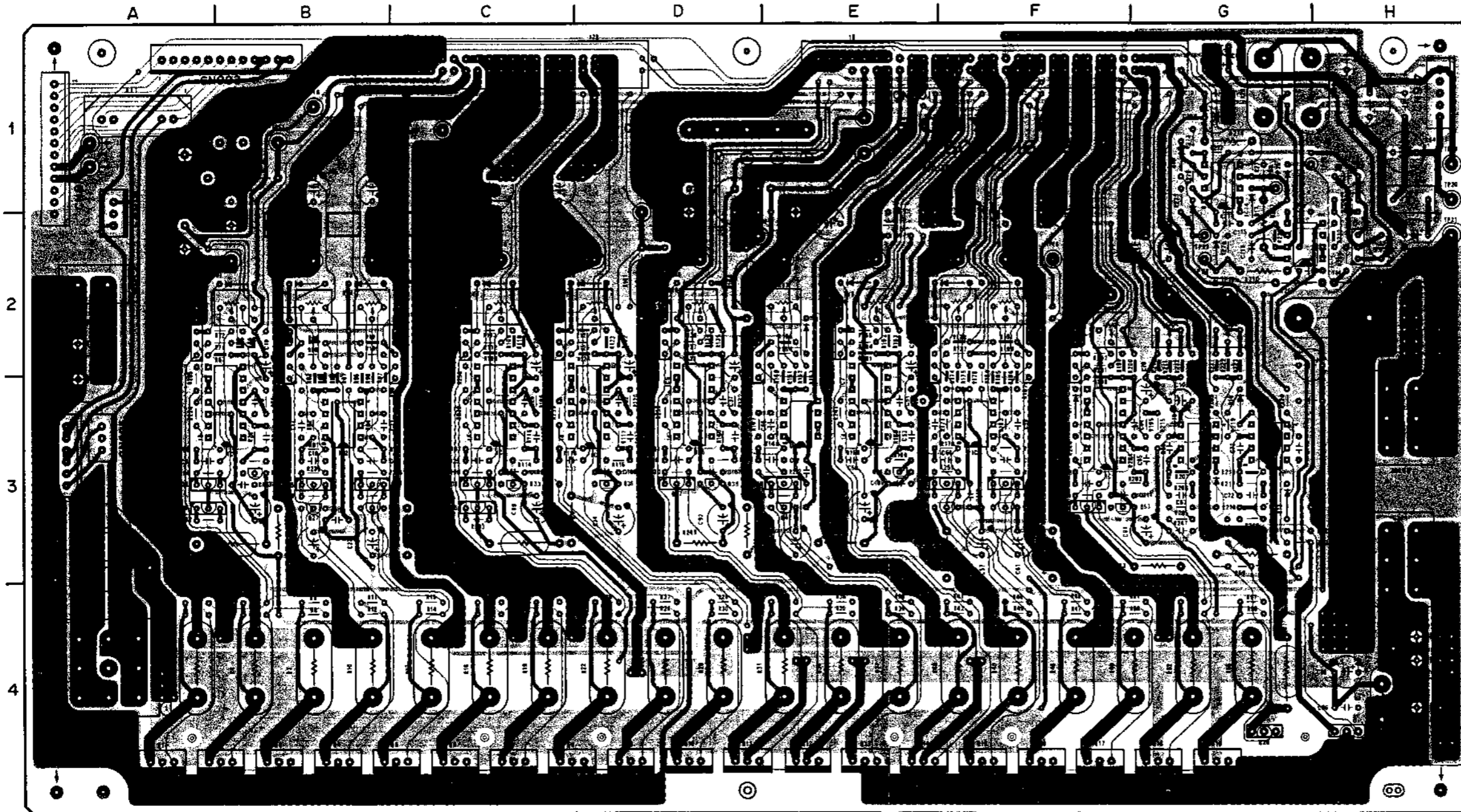
FV-01 POWER SUPPLY



FV-01 BOARD
BOARD NO. 1-607-588-11 & UP
BVH-2000(U); # 10001-
BVH-2000(U/C); # 10001-
BVH-2000PS; # 10001-
BVH-2000PM; # 10001-
BVH-2180(U); # 10001-
BVH-2180(U/C); # 10001-
BVH-2180PS; # 10001-
BVH-2180PM; # 10001-
BVH-2500(U); # 10001-
BVH-2500(U/C); # 10001-
BVH-2500P; # 10001-



PS-14 BOARD (1-606-716-13)
Component Side



PS-14 (1-606-716-13 & UP)

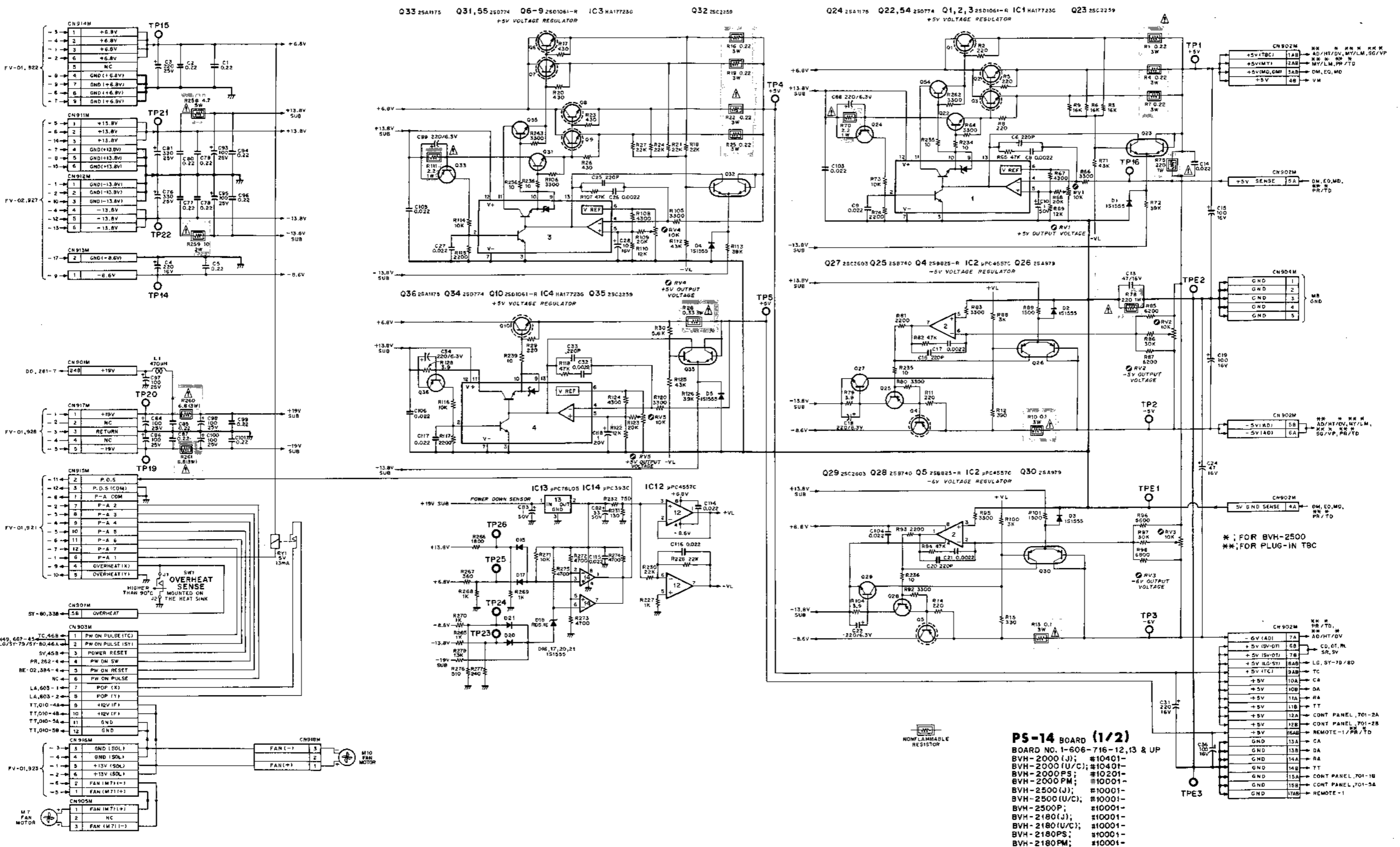
BVH-2000/PS/PM	020	4G
BVH-2180/PS/PM	021	4H
BVH-2500/P	022	3A
	023	2A
CH901H	024	3B
	025	3B
CH902M	026	2B
	027	3B
CH903M	028	3B
	029	3B
CH904H	030	2C
	031	3C
CH905M	032	2C
	033	3C
CH911M	035	2C
	036	3C
CH912M	037	3D
	038	2D
CH913M	039	3D
	040	3E
CH914M	041	2D
	042	3E
CH915M	043	2E
	044	3E
CH916M	045	3F
	046	2E
CH917M	047	3F
	048	3F
CH918M	049	2F
	050	3F
	051	3F
	052	2F
01	2B	
02	2B	
03	2B	
04	2C	
05	2D	
06	2D	
07	2E	
08	2E	
09	2F	
D10	2F	
D11	3F	
D12	3G	
D13	3G	
D14	3G	
D15	1G	
D17	1G	
D18	1G	
D20	1G	
D21	2G	
	RV13	2G
IC1	3B	
IC2	3B	
IC3	3C	
IC4	3D	
IC5	3D	
IC6	3E	
IC7	3E	
IC8	3F	
IC9	3F	
IC10	3G	
IC11	3G	
IC12	2H	
IC13	2H	
IC14	1G	
	TP1	2B
	TP2	2B
	TP3	2B
	TP4	2C
	TP5	2D
	TP6	2D
	TP7	2E
	TP8	2E
	TP9	2F
	TP10	2F
	TP11	2F
	TP12	2G
	TP13	2G
	TP14	3A
	TP15	3A
	TP16	1B
	TP17	2D
	TP18	1E
	TP19	1H
	TP20	1H
	TP21	2H
	TP22	4H
	TP23	2G
	TP24	2G
	TP25	1G
	TP26	1H
01	4A	
02	4B	
03	4B	
04	4B	
05	4C	
06	4C	
07	4C	
08	4C	
09	4D	
010	4D	
011	4D	
012	4E	
013	4E	
014	4E	
015	4F	
016	4F	
017	4F	
018	4B	
019	4G	
	TPE1	1B
	TPE2	1C
	TPE3	1D
	TPE4	2D
	TPE5	1E
	TPE6	2F

1-606-716-13 COMPONENT SIDE

1-606-716-13

PS-14 BOARD (1/2)
Series Regulator

POWER SUPPLY PS-14 (1/2) PS-14 (1/2) POWER SUPPLY



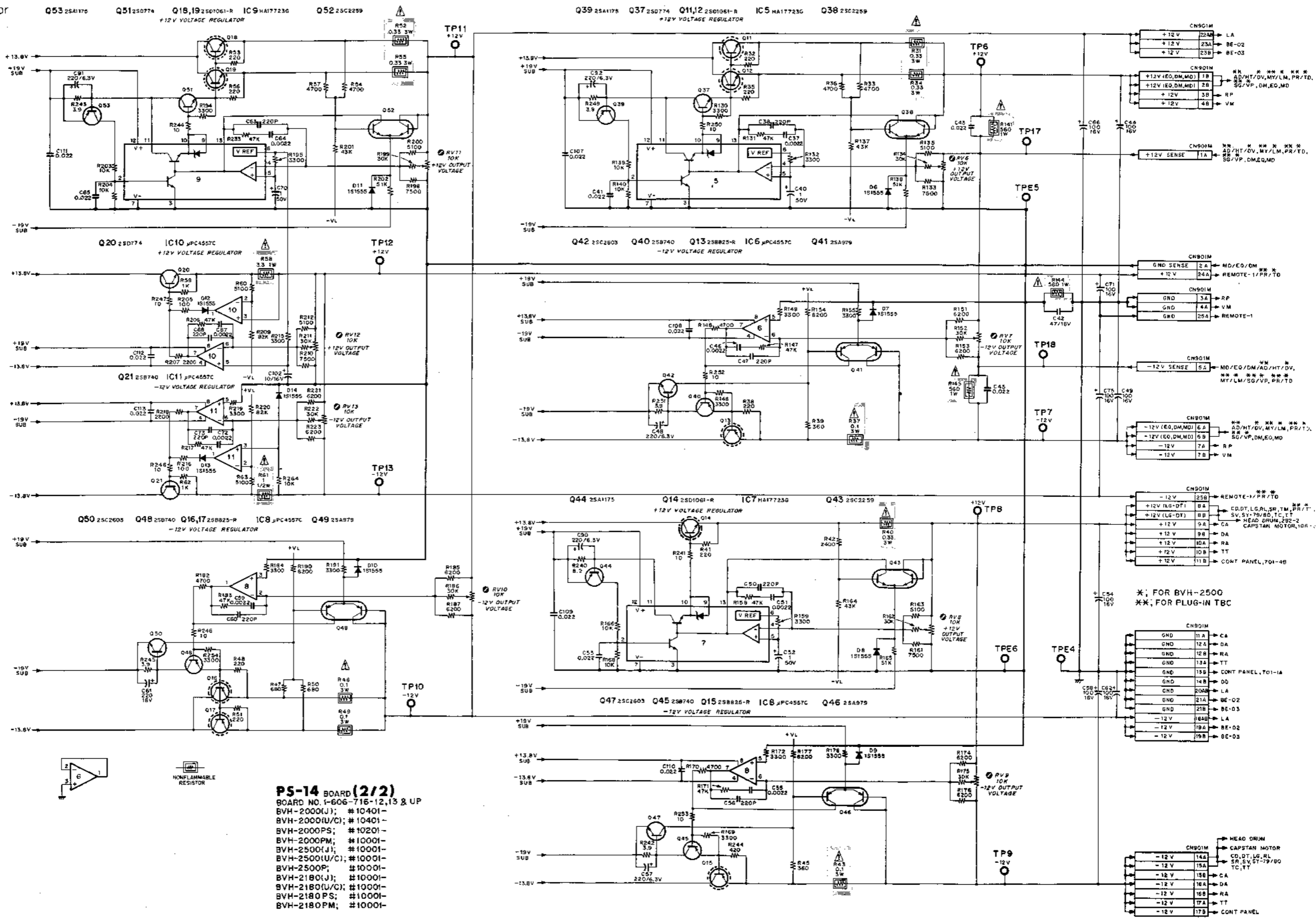
PS-14 BOARD (1/2)
BOARD NO. 1-606-716-12,13 & UP
BVH-2000 (J); #10401-
BVH-2000 (U/C); #10401-
BVH-2000 PS; #10201-
BVH-2000 PM; #10001-
BVH-2500 (J); #10001-
BVH-2500 (U/C); #10001-
BVH-2500 P; #10001-
BVH-2180 (J); #10001-
BVH-2180 (U/C); #10001-
BVH-2180 PS; #10001-
BVH-2180 PM; #10001-

1	AD/HT/DV	MM	MM	MM	MM
2	CD, OT, RL	MM	MM	MM	MM
3	LG, SY-78/80	MM	MM	MM	MM
4	TC	MM	MM	MM	MM
5	CA	MM	MM	MM	MM
6	DA	MM	MM	MM	MM
7	RA	MM	MM	MM	MM
8	TT	MM	MM	MM	MM
9	CONT PANEL, 701-2A	MM	MM	MM	MM
10	CONT PANEL, 701-1B	MM	MM	MM	MM
11	CONT PANEL, 701-5A	MM	MM	MM	MM
12	REMOTE-1	MM	MM	MM	MM
13	CA	MM	MM	MM	MM
14	DA	MM	MM	MM	MM
15	RA	MM	MM	MM	MM
16	TT	MM	MM	MM	MM
17	CONT PANEL, 701-2B	MM	MM	MM	MM
18	CONT PANEL, 701-1A	MM	MM	MM	MM
19	CONT PANEL, 701-5B	MM	MM	MM	MM
20	REMOTE-1	MM	MM	MM	MM

C-198
BVH-2000/PS/PM
C-198
BVH-2500/P
C-227
C-228

PS-14 BOARD (2/2)

Series Regulator



PS-14 BOARD (2/2)
 BOARD NO. I-606-716-12,13 & UP
 BVH-2000(J); # 10401-
 BVH-2000(U/C); # 10401-
 BVH-2000PS; # 10201-
 BVH-2000PM; # 10001-
 BVH-2500(J); # 10001-
 BVH-2500(U/C); # 10001-
 BVH-2500P; # 10001-
 BVH-2180(J); # 10001-
 BVH-2180(U/C); # 10001-
 BVH-2180PS; # 10001-
 BVH-2180PM; # 10001-

C-201

C-202

BVH-2180/PS/PM
BVH-2000/PS/PM

C-233

C-232

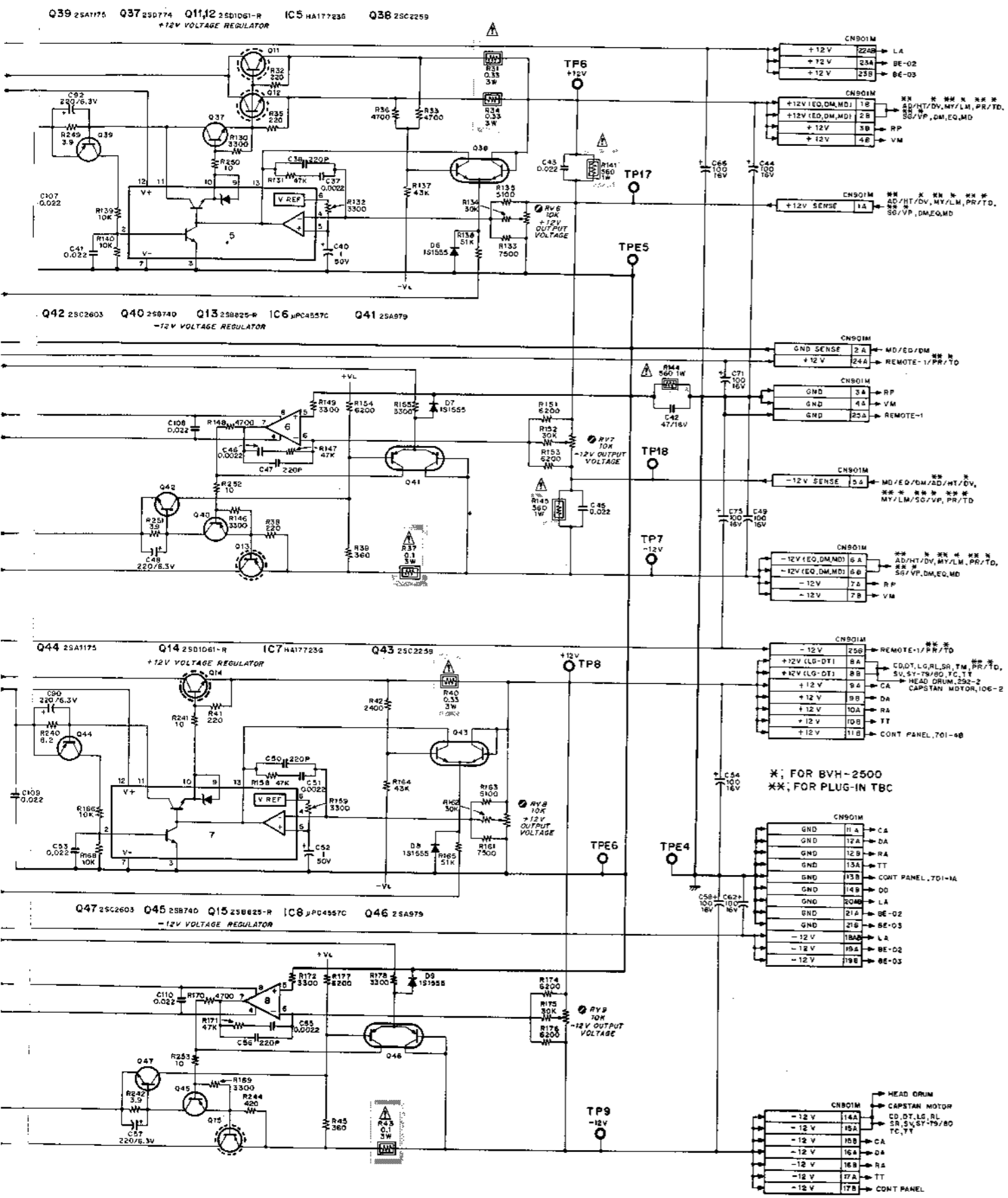
C-231

BVH-2500/P

C-203

J2

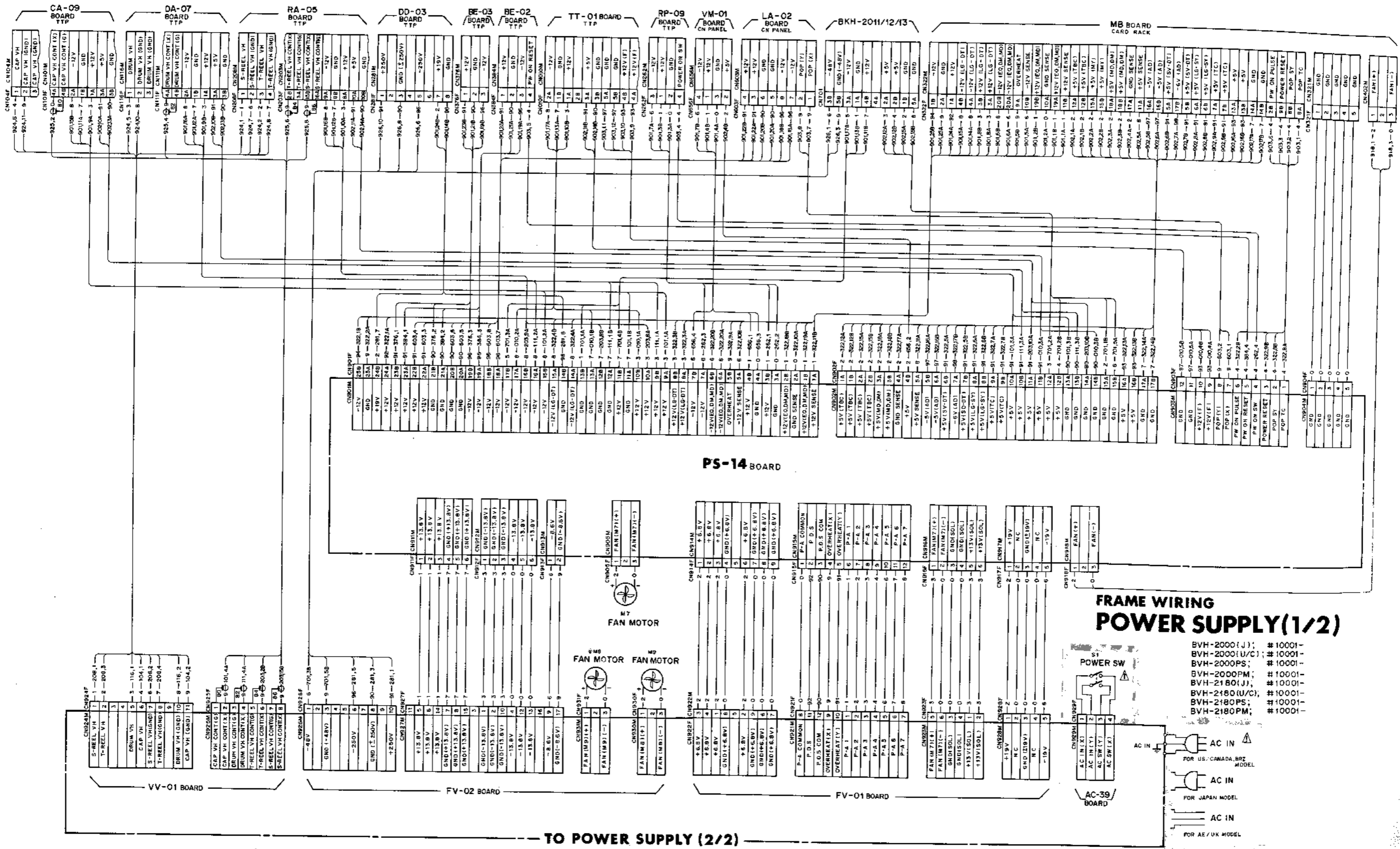
C-201



C-202

C-203

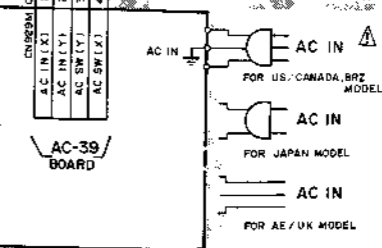
FRAME WIRING (1/2) ; POWER SUPPLY



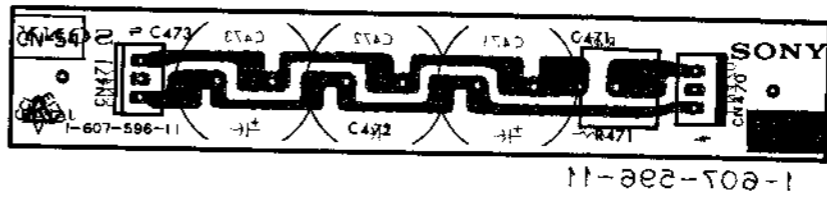
*In case of 10/12/14 MODEL, there is not MB.

FRAME WIRING
POWER SUPPLY(1/2)

- BVH-2000(J); #10001-
- BVH-2000(U/C); #10001-
- BVH-2000PS; #10001-
- BVH-2000PM; #10001-
- BVH-2180(J); #10001-
- BVH-2180(U/C); #10001-
- BVH-2180PS; #10001-
- BVH-2180PM; #10001-

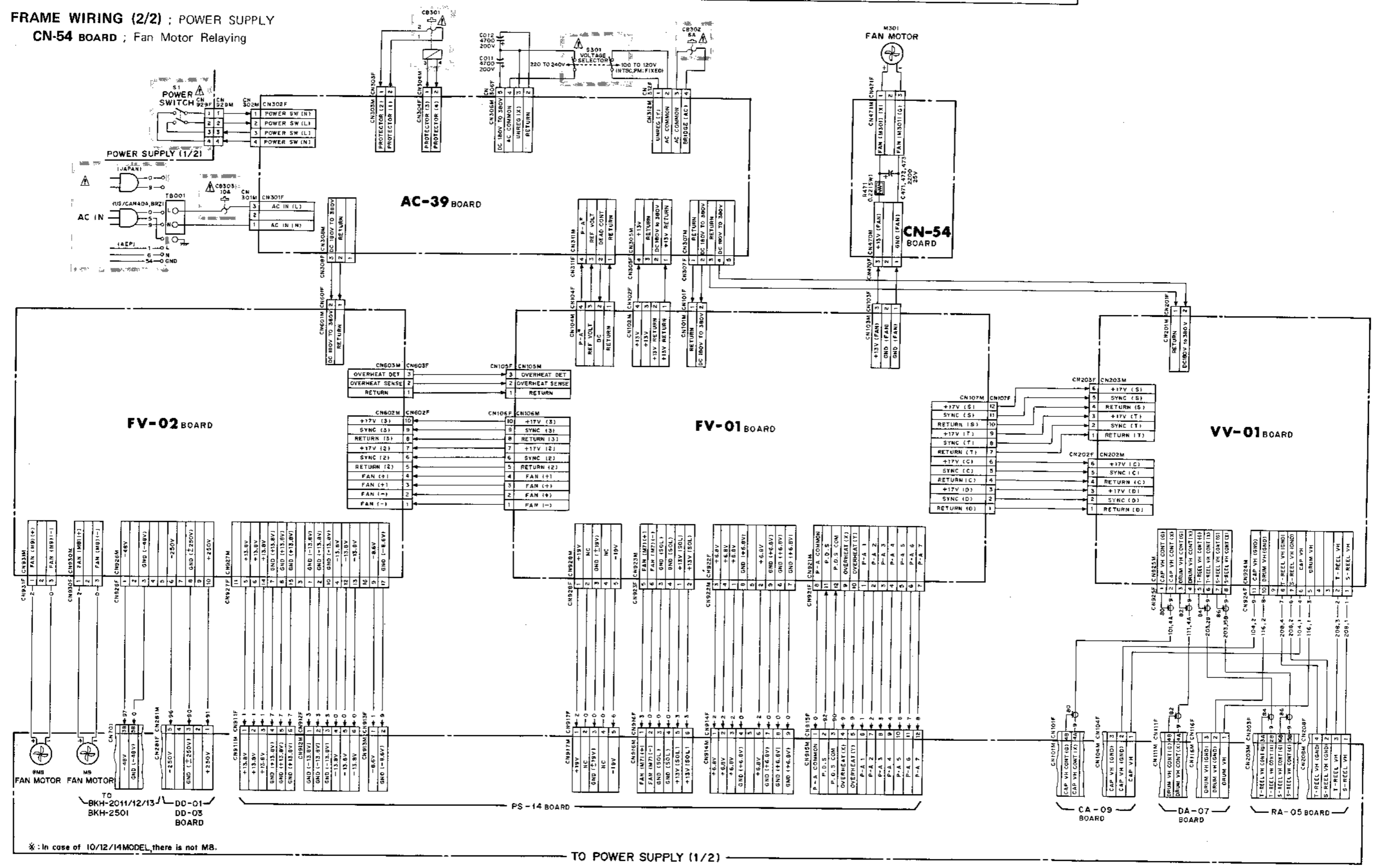


CN-54 BOARD (1-607-596-11)
Component Side



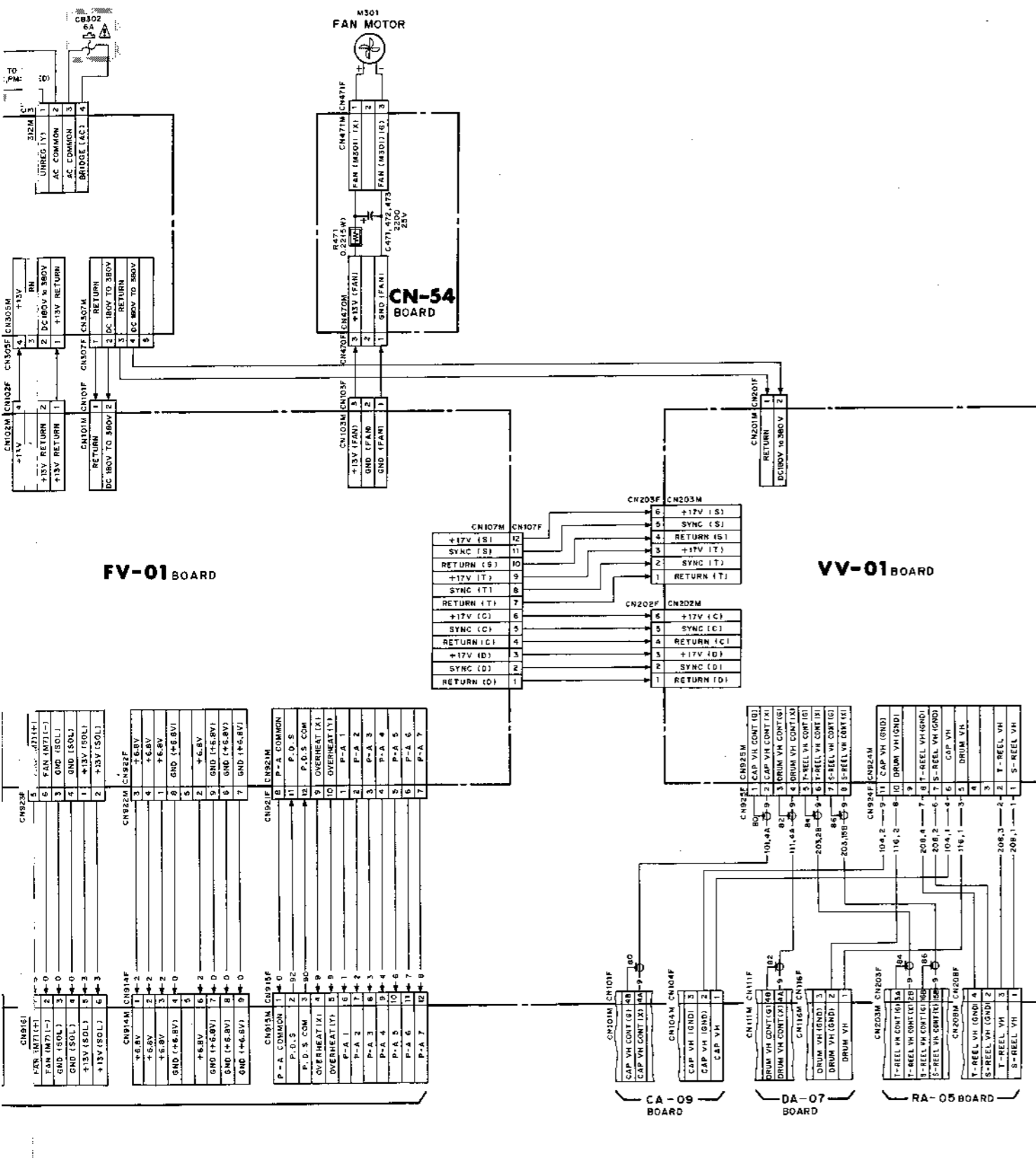
**FRAME WIRING (2/2) ; POWER SUPPLY
CN-54 BOARD ; Fan Motor Relaying**

BVH-2180/PS/PM C-213
BVH-2000/PS/PM C-211
BVH-2500/P C-241
C-242 C-243



**FRAME WIRING
POWER SUPPLY (2/2)**

BVH-2000(J); #10001-	BVH-2180(J); #10001-	BVH-2500(J); #10001-
BVH-2000(U/C); #10001-	BVH-2180(U/C); #10001-	BVH-2500(U/C); #10001-
BVH-2000(PS); #10001-	BVH-2180(PS); #10001-	BVH-2500(PS); #10001-
BVH-2000(PM); #10001-	BVH-2180(PM); #10001-	



**FRAME WIRING
POWER SUPPLY (2/2)**

- BVH-2000(J); #10001-
- BVH-2000(U/C); #10001-
- BVH-2000PS; #10001-
- BVH-2000PM; #10001-
- BVH-2180(J); #10001-
- BVH-2180(U/C); #10001-
- BVH-2180PS; #10001-
- BVH-2180PM; #10001-
- BVH-2500(J); #10001-
- BVH-2500(U/C); #10001-
- BVH-2500P; #10001-

LA-02 BOARD (1-606-672-13)
Component Side

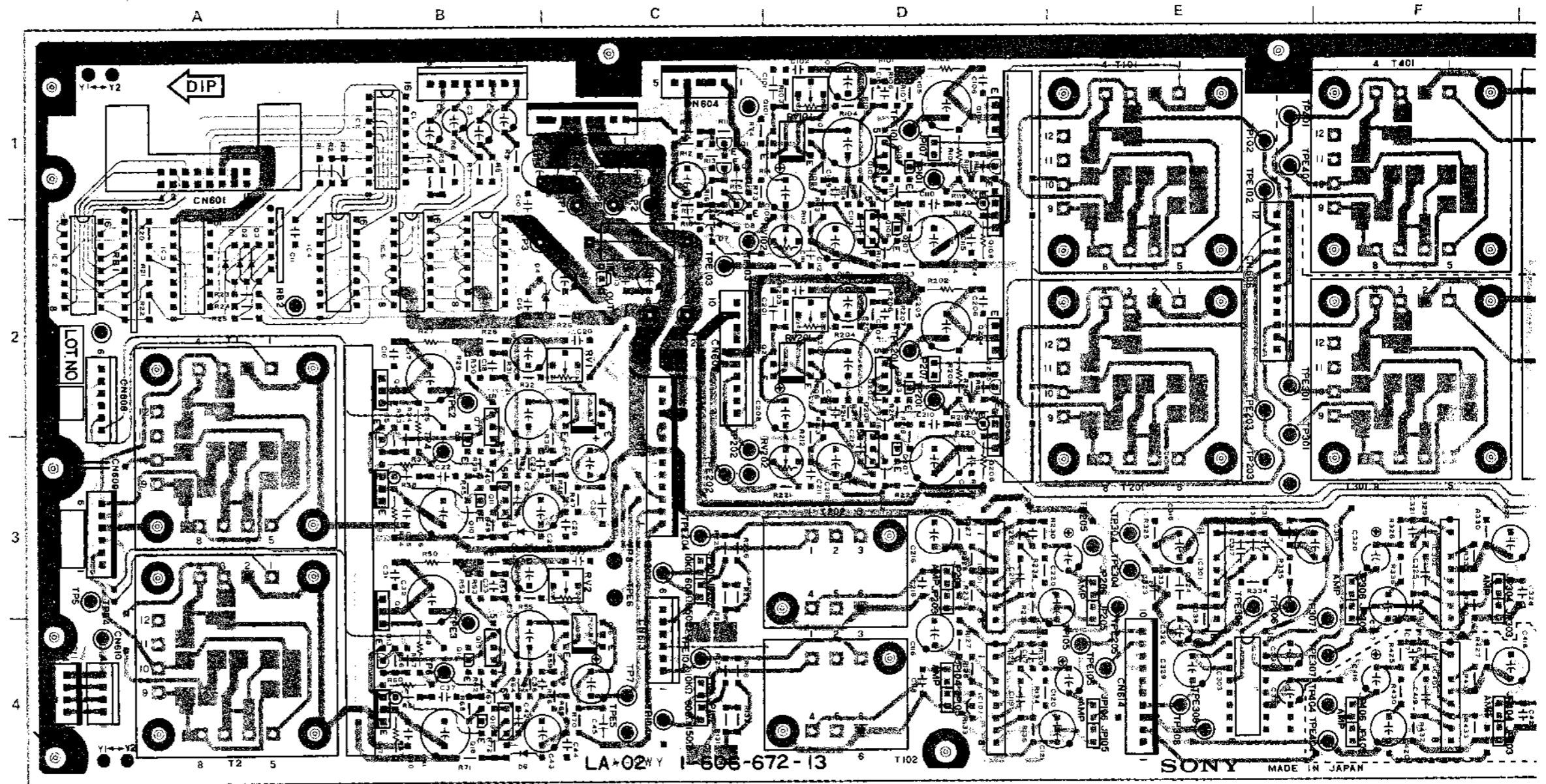
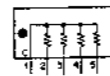


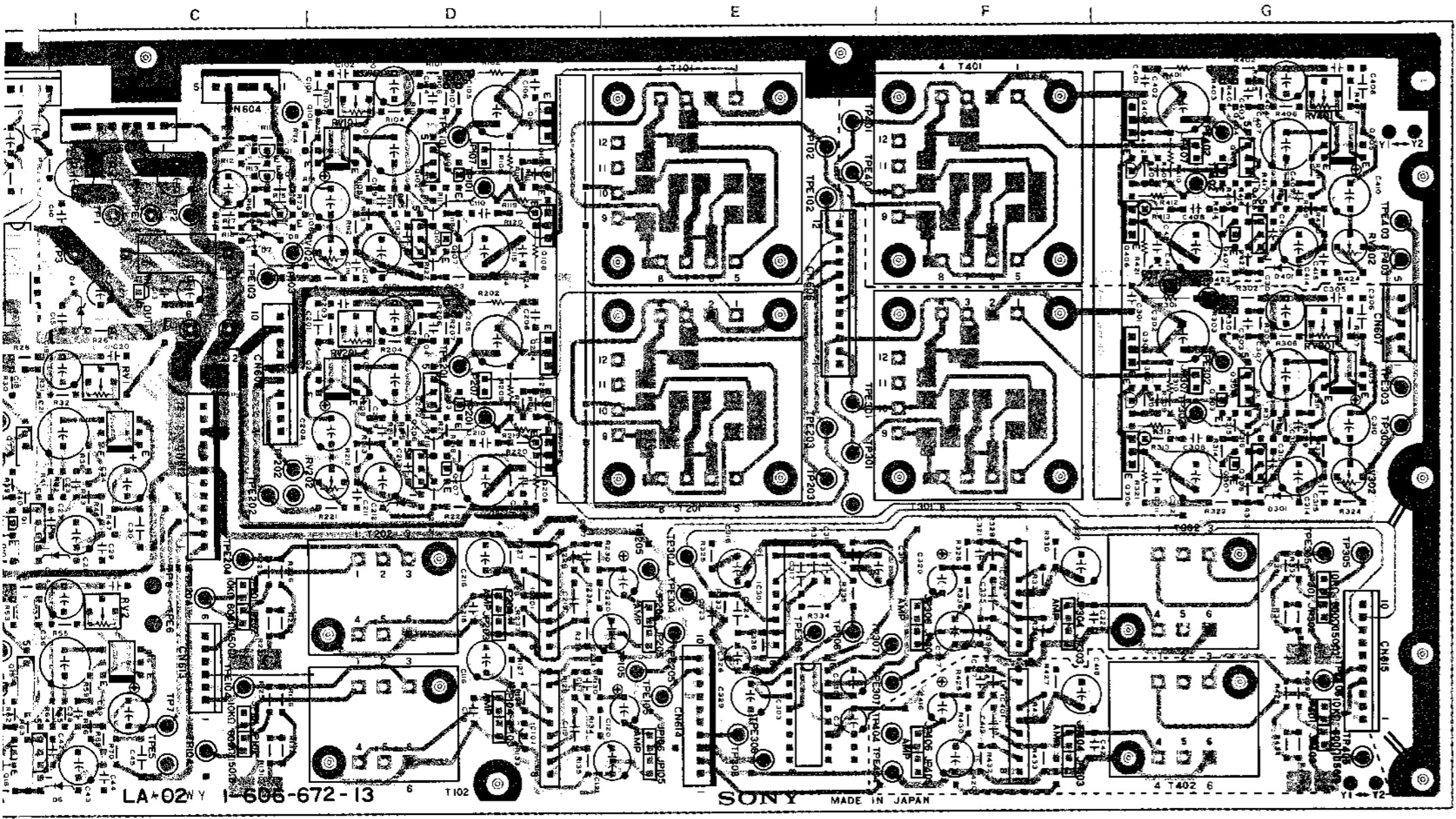
図 1-606-672-13 COMPONENT SIDE

RB1



C-214

C-215



LA-02 (1-606-672-12 & UP)

BVH-2000/PM

BVH-2000/PS
(00/10/02/12 MODEL)

BVH-2180/PS/PM

BVH-2500/P

- CN601M 1A Q201 2D
- CN602M 1B Q202 2D
- CN603M 1C Q203 2D
- CN604M 1C Q204 2D
- CN605M 2C Q205 2D
- CN606M 2E Q206 3D
- CN607M 2G Q207 3D
- CN608M 3A Q208 3D
- CN609M 3A Q301 2G
- CN610M 4A Q302 2G
- CN611M 4A Q303 2G
- CN612M 3C Q304 2G
- CN613M 4C Q305 2G
- CN614M 4E Q306 3G
- CN615M 4G Q307 3G
- CN616M 4E Q308 3G

- D1 2A
- D2 2A
- D3 2A
- D4 2B
- D5 3B
- D6 4B
- D7 2C
- D8 2C
- D101 2D
- D201 3D
- D301 3G

- IC1 1B
- IC2 2A
- IC3 2A
- IC4 2B
- IC5 2B
- IC6 2B
- IC7 2C
- IC101 4D
- IC201 3D
- IC301 3E
- IC302 3F
- IC303 4E

- JP101 4C
- JP102 4C
- JP103 4D
- JP104 4D
- JP105 4E
- JP106 4E
- JP107 1D
- JP201 3C
- JP202 3C
- JP203 3E
- JP204 3C
- JP205 3E
- JP206 3E
- JP207 2D
- JP301 3G
- JP302 3G
- JP303 4F
- JP304 3F
- JP305 4F
- JP306 3F
- JP307 2G
- JP308 4E

- TP1 1C
- TP2 1C
- TP3 2B
- TP4 4A
- TP5 4C
- TP6 4C
- TP7 1D
- TP8 1E
- TP9 1E
- TP10 2C
- TP11 2C
- TP12 2C
- TP13 2C
- TP14 4C
- TP15 4C
- TP16 4C
- TP17 4F
- TP18 4E

- Q1 1C
- Q2 1C
- Q3 1C
- Q4 2B
- Q5 3B
- Q6 3B
- Q7 3B
- Q8 3C
- Q9 3B
- Q10 3B
- Q11 3B
- Q12 4B
- Q13 4B
- Q14 4B
- Q15 4B
- Q16 4C
- Q17 4B
- Q18 4B
- Q19 4B
- Q101 1D
- Q102 1D
- Q103 1D
- Q104 1D
- Q105 1D
- Q106 2D
- Q107 2D
- Q108 2D

LA-02 (1-605-672-12 & UP)

BVH-2000/PS
(04/14 MODEL)

- CN601M 1A Q1 1C
- CN602M 1B Q2 1C
- CN603M 1C Q4 2B
- CN604M 1C Q5 3B
- CN605M 2C Q6 3B
- CN606M 2E Q7 3B
- CN607M 2G Q8 3C
- CN608M 3A Q9 3B
- CN609M 3A Q10 3B
- CN610M 4A Q11 3B
- CN611M 4A Q12 4B
- CN612M 3C Q13 4B
- CN613M 4C Q14 4B
- CN614M 4E Q15 4B
- CN615M 4G Q16 4C
- CN616M 4E Q17 4B
- CN617M 4E Q18 4B
- CN618M 4E Q19 4B
- CN619M 4E Q20 1D
- CN620M 4E Q21 1D
- CN621M 4E Q22 1D
- CN622M 4E Q23 1D
- CN623M 4E Q24 1D
- CN624M 4E Q25 1D
- CN625M 4E Q26 1D
- CN626M 4E Q27 1D
- CN627M 4E Q28 1D
- CN628M 4E Q29 1D
- CN629M 4E Q30 1D

- D1 2A
- D2 2A
- D3 2A
- D4 2B
- D5 3B
- D6 4B
- D7 2C
- D8 2C
- D101 2D
- D201 3D
- D301 3G
- D401 2G

- IC1 1B
- IC2 2A
- IC3 2A
- IC4 2B
- IC5 2B
- IC6 2B
- IC7 2C
- IC101 4D
- IC201 3D
- IC301 3E
- IC302 3F
- IC303 4E
- IC401 4F

- JP101 4C
- JP102 4C
- JP103 4D
- JP104 4D
- JP105 4E
- JP106 4E
- JP107 1D
- JP201 3C
- JP202 3C
- JP203 3E
- JP204 3C
- JP205 3E
- JP206 3E
- JP207 2D
- JP301 3G
- JP302 3G
- JP303 4F
- JP304 3F
- JP305 4F
- JP306 3F
- JP307 2G
- JP308 4E

- RB1 2A
- RB2 2A
- RV1 2C
- RV2 3C
- RV101 1D
- RV102 2D
- RV201 2D
- RV202 3D
- RV301 2G
- RV302 3G
- RV401 1G
- RV402 2G

- TP1 1C
- TP2 1C
- TP3 2B
- TP4 4A
- TP5 4C
- TP6 4C
- TP7 1D
- TP8 1E
- TP9 1E
- TP10 2C
- TP11 2C
- TP12 2C
- TP13 2C
- TP14 4C
- TP15 4C
- TP16 4C
- TP17 4F
- TP18 4E
- TP19 4E
- TP20 4E
- TP21 4E
- TP22 4E
- TP23 4E
- TP24 4E
- TP25 4E
- TP26 4E
- TP27 4E
- TP28 4E
- TP29 4E
- TP30 4E

- Q1 1C
- Q2 1C
- Q3 1C
- Q4 2B
- Q5 3B
- Q6 3B
- Q7 3B
- Q8 3C
- Q9 3B
- Q10 3B
- Q11 3B
- Q12 4B
- Q13 4B
- Q14 4B
- Q15 4B
- Q16 4C
- Q17 4B
- Q18 4B
- Q19 4B
- Q101 1D
- Q102 1D
- Q103 1D
- Q104 1D
- Q105 1D
- Q106 2D
- Q107 2D
- Q108 2D

1-606-672-13

LA-02 BOARD

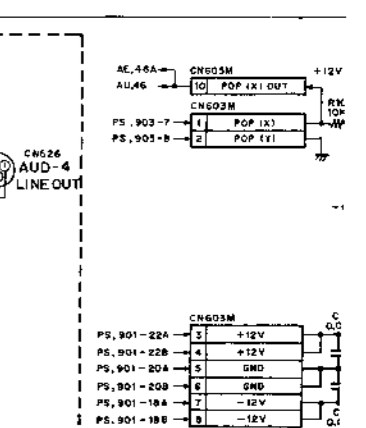
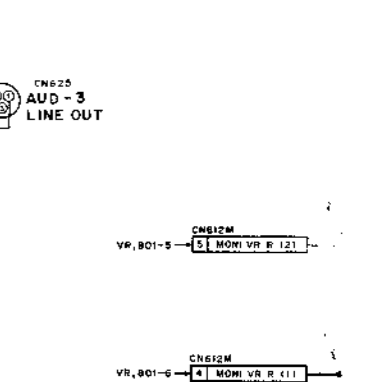
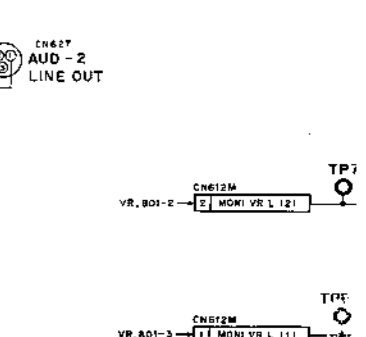
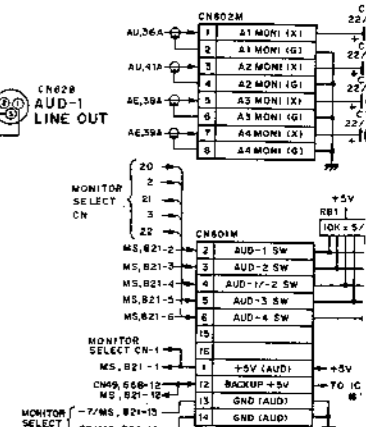
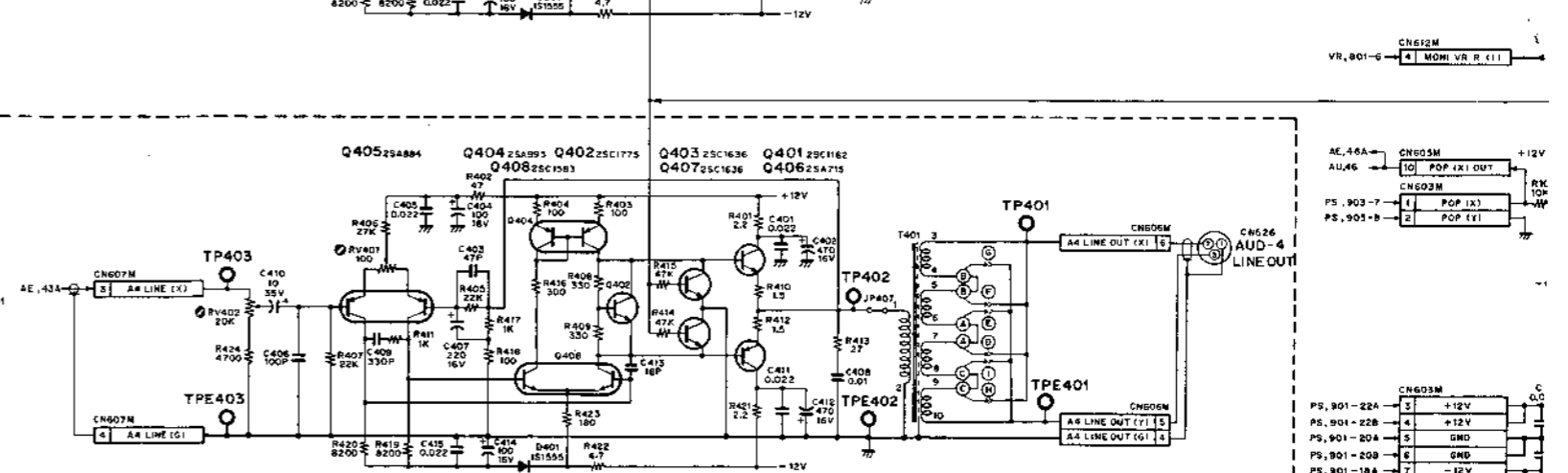
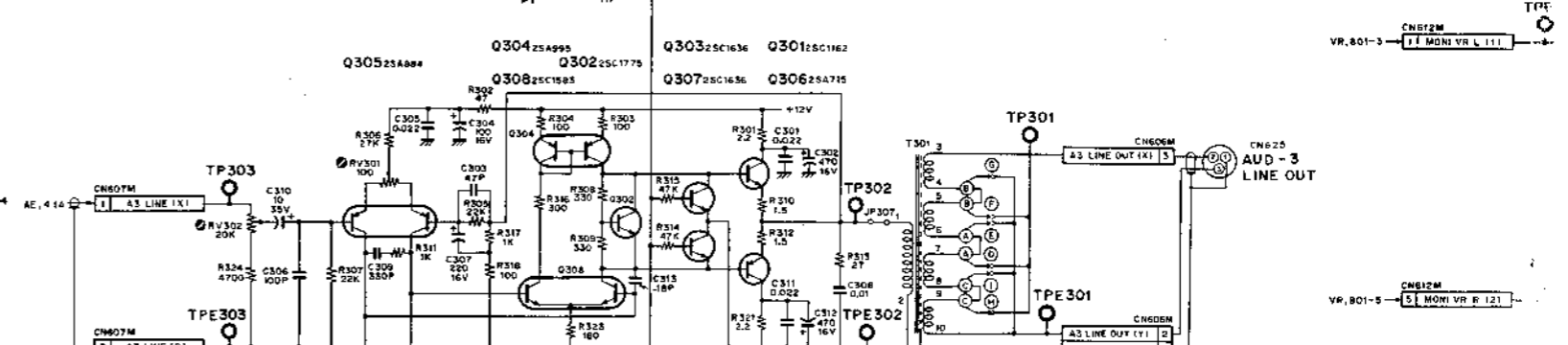
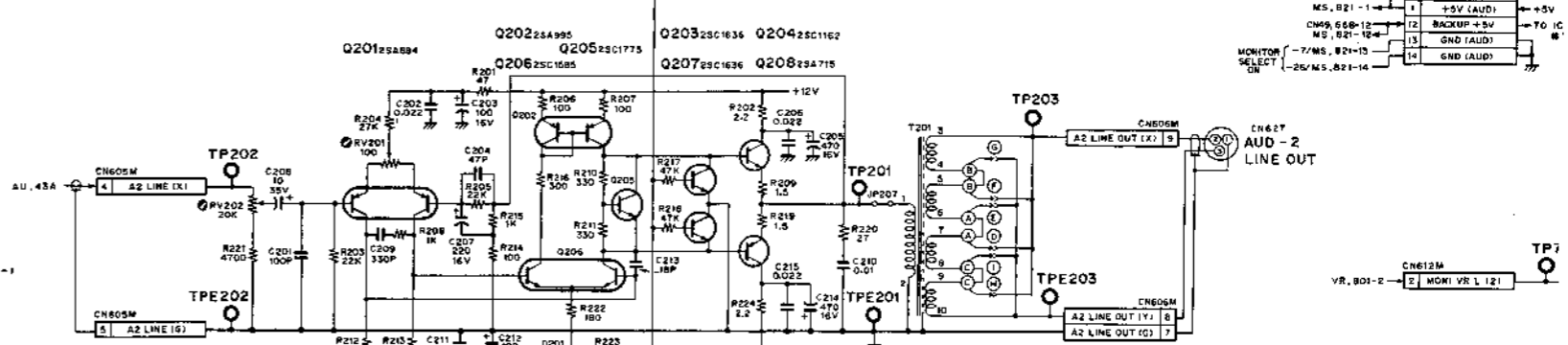
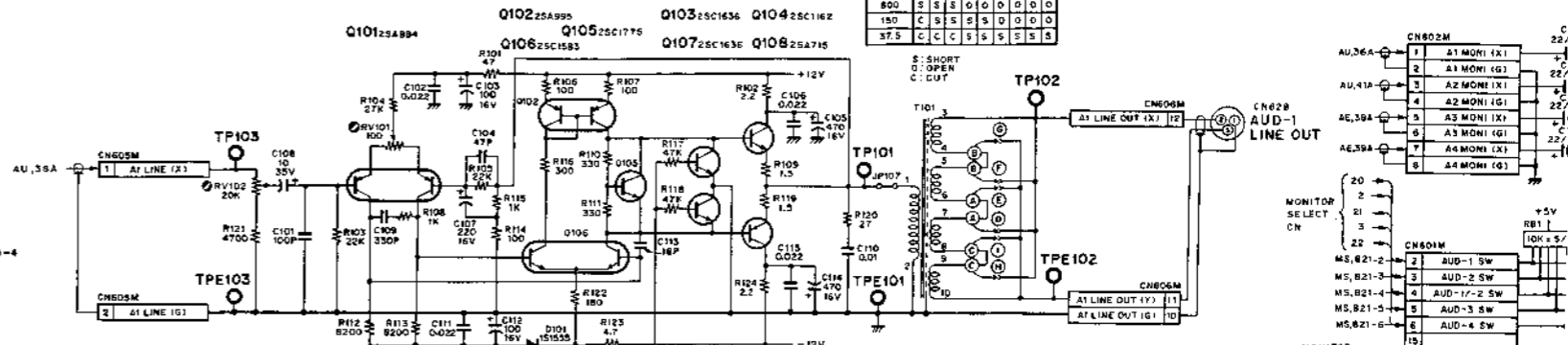
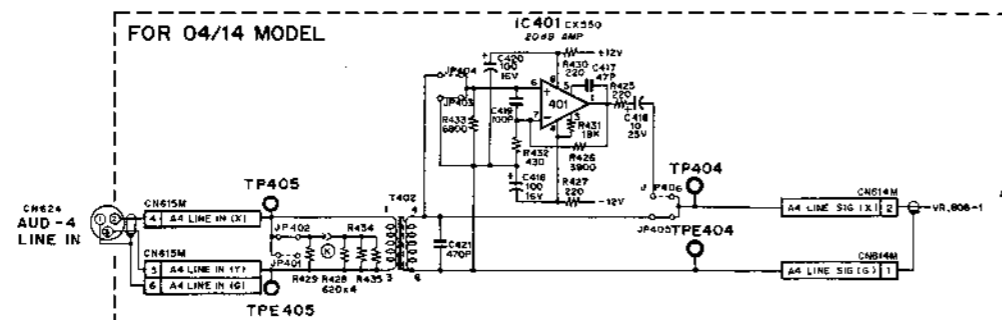
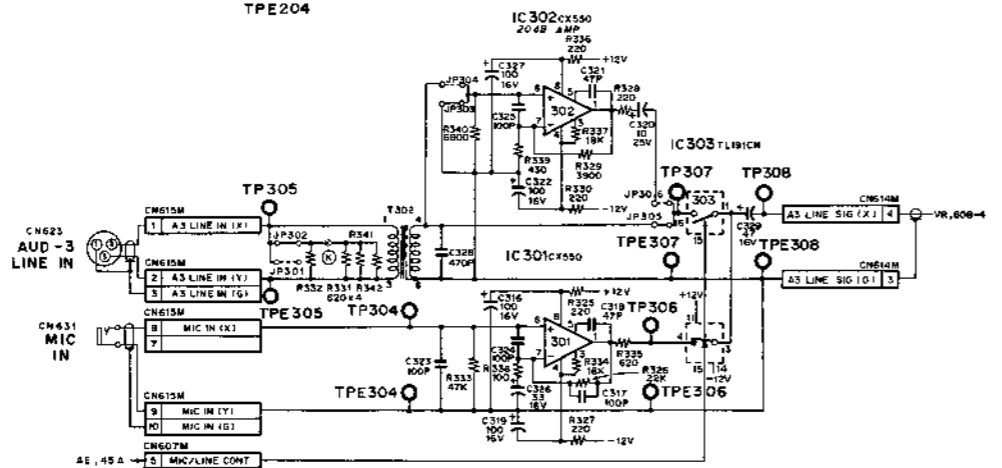
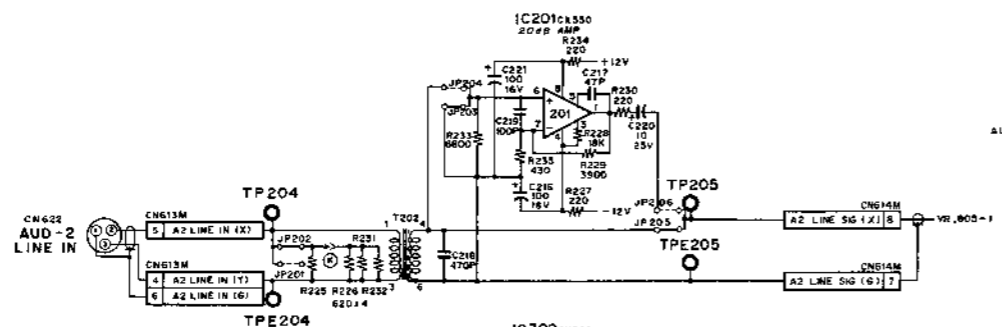
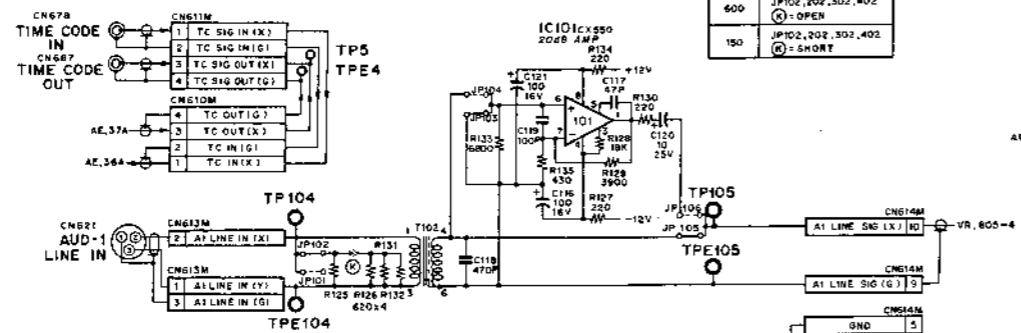
Audio Line IN/OUT Amplifier

INPUT IMPEDANCE CHANGES

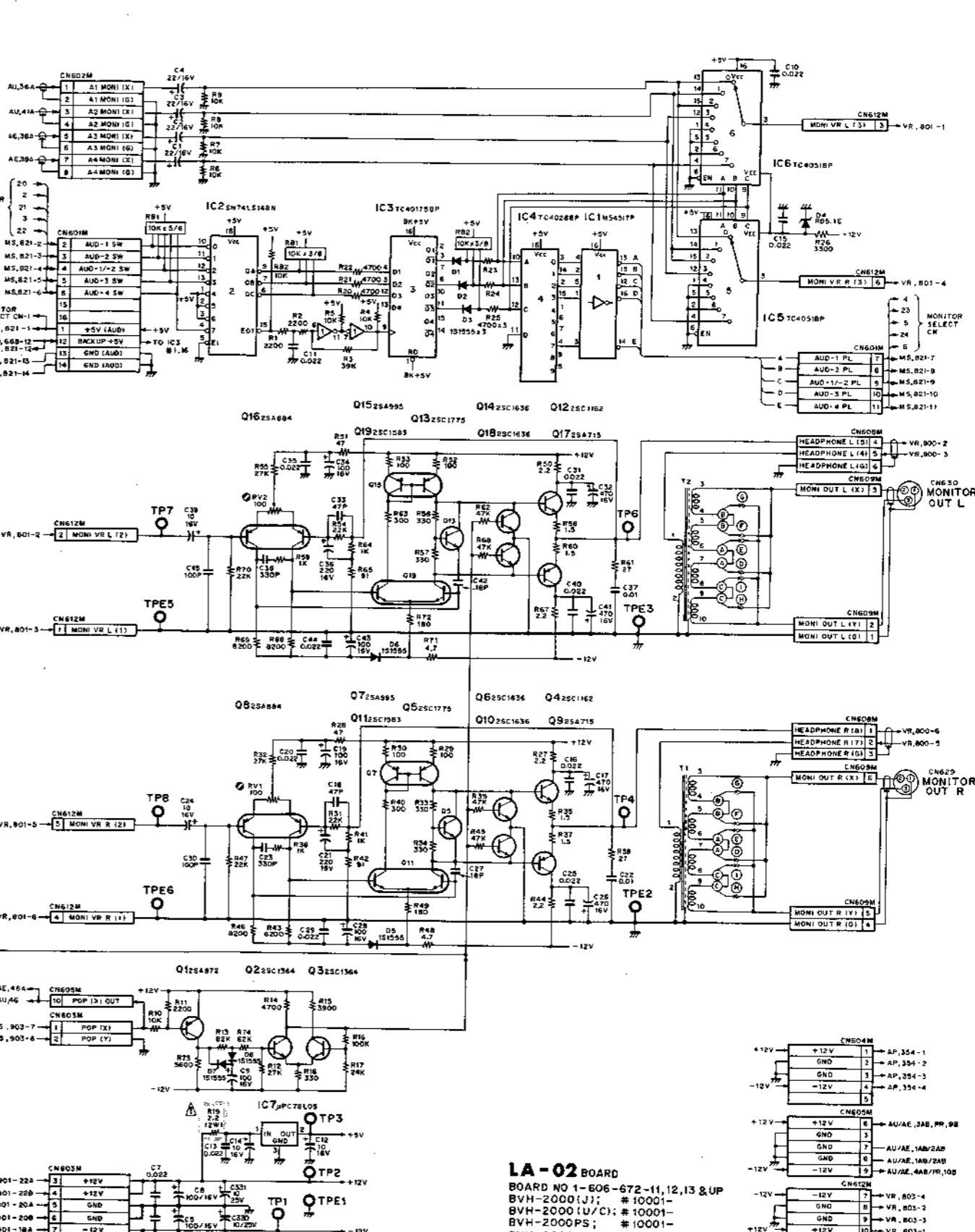
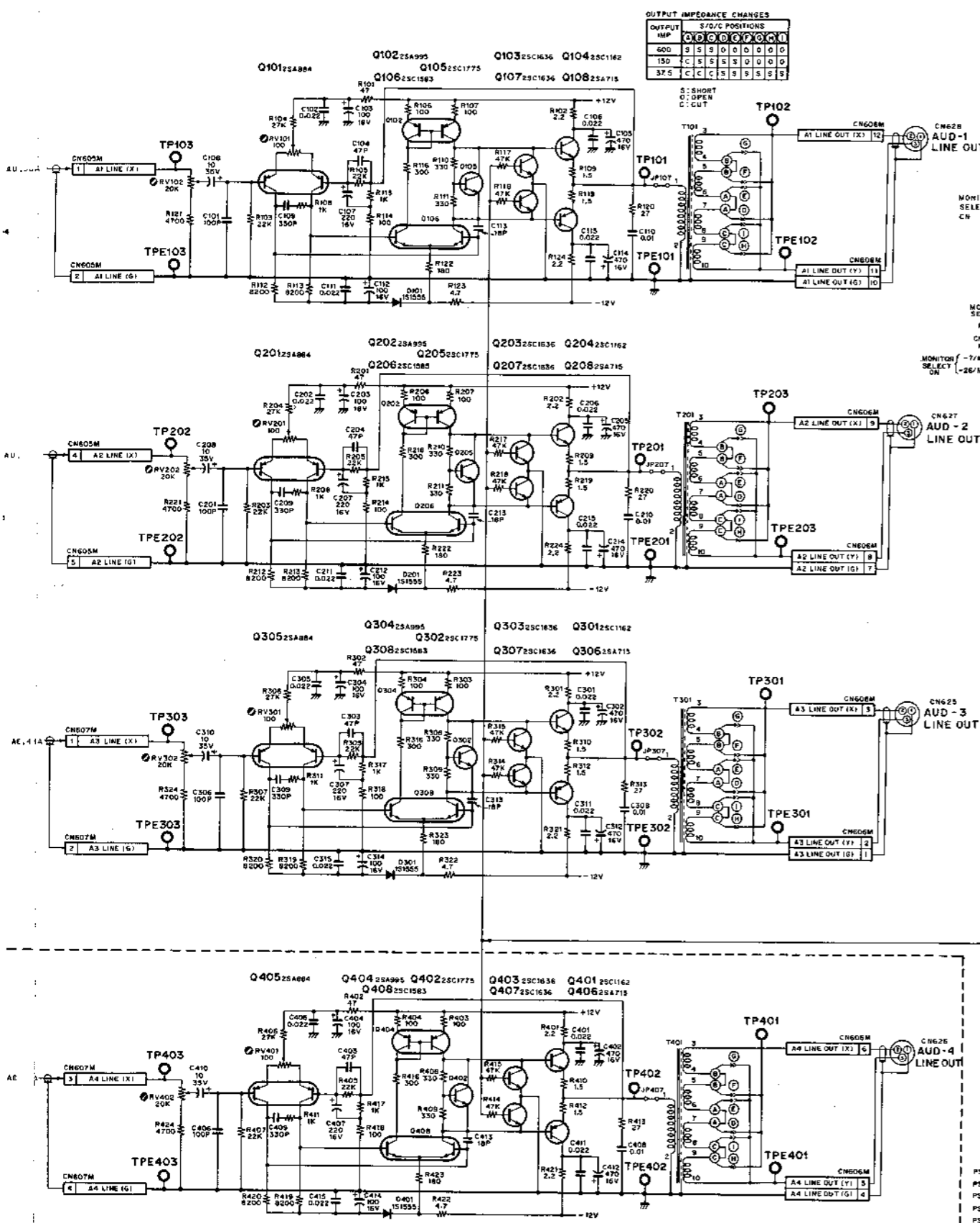
INPUT IMP	JUMPER POSITIONS (ALL CHANNELS)
80K	JP101, 201, 301, 401 ① OPEN
600	JP102, 202, 302, 402 ② OPEN
150	JP102, 202, 302, 402 ③ SHORT

OUTPUT IMPEDANCE CHANGES

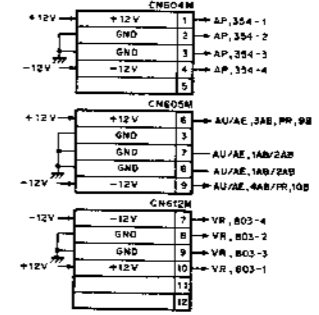
OUTPUT IMP	S/O/C POSITIONS
800	① ② ③ ④ ⑤ ⑥ ⑦ ⑧ ⑨ ⑩ ⑪ ⑫
150	① ② ③ ④ ⑤ ⑥ ⑦ ⑧ ⑨ ⑩ ⑪ ⑫
37.5	① ② ③ ④ ⑤ ⑥ ⑦ ⑧ ⑨ ⑩ ⑪ ⑫



BVH-2180/PS/PM C-219
 BVH-2000/PS/PM C-217
 BVH-2180/PS/PM C-249
 BVH-2000/PS/PM C-248
 BVH-2500/P C-247

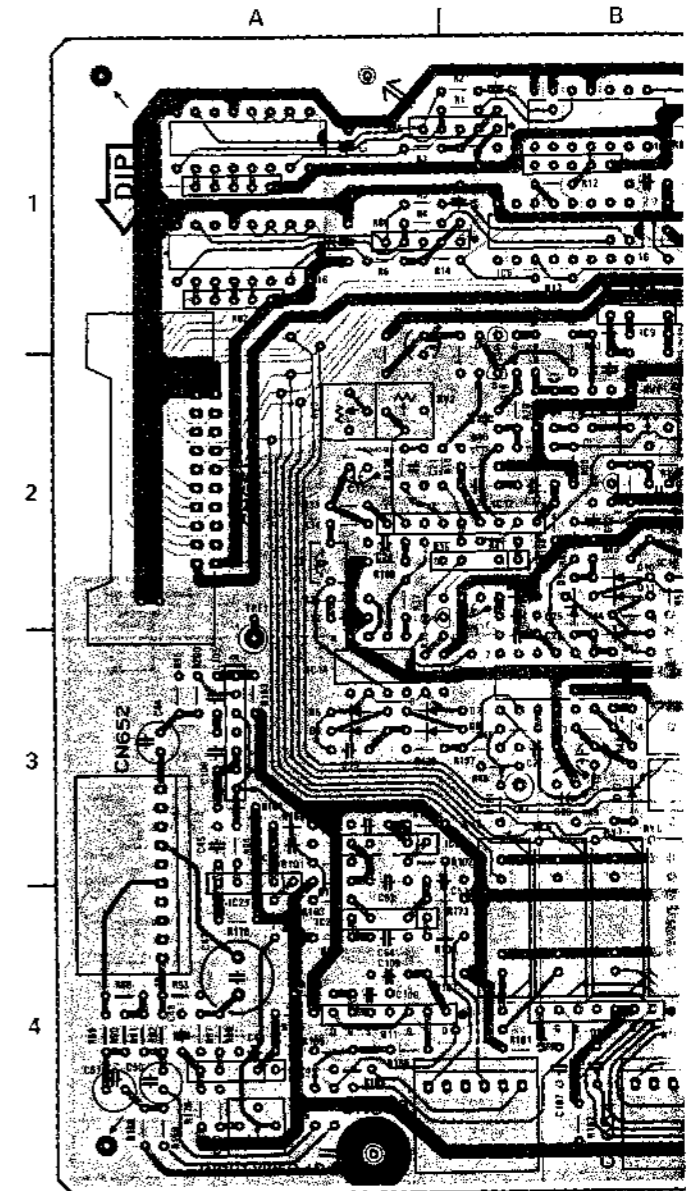


- LA-02 BOARD**
- BOARD NO 1-606-672-11, 12, 13 & UP
- BVH-2000(IJ); #10001-
 - BVH-2000(IU/C); #10001-
 - BVH-2000PS; #10001-
 - BVH-2000PM; #10001-
 - BVH-2180(IJ); #10001-
 - BVH-2180(U/C); #10001-
 - BVH-2180PS; #10001-
 - BVH-2180PM; #10001-
 - BVH-2500(IJ); #10001-
 - BVH-2500(IU/C); #10001-
 - BVH-2500P; #10001-



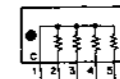
VM-01 BOARD (1-606-658-14)

Component Side



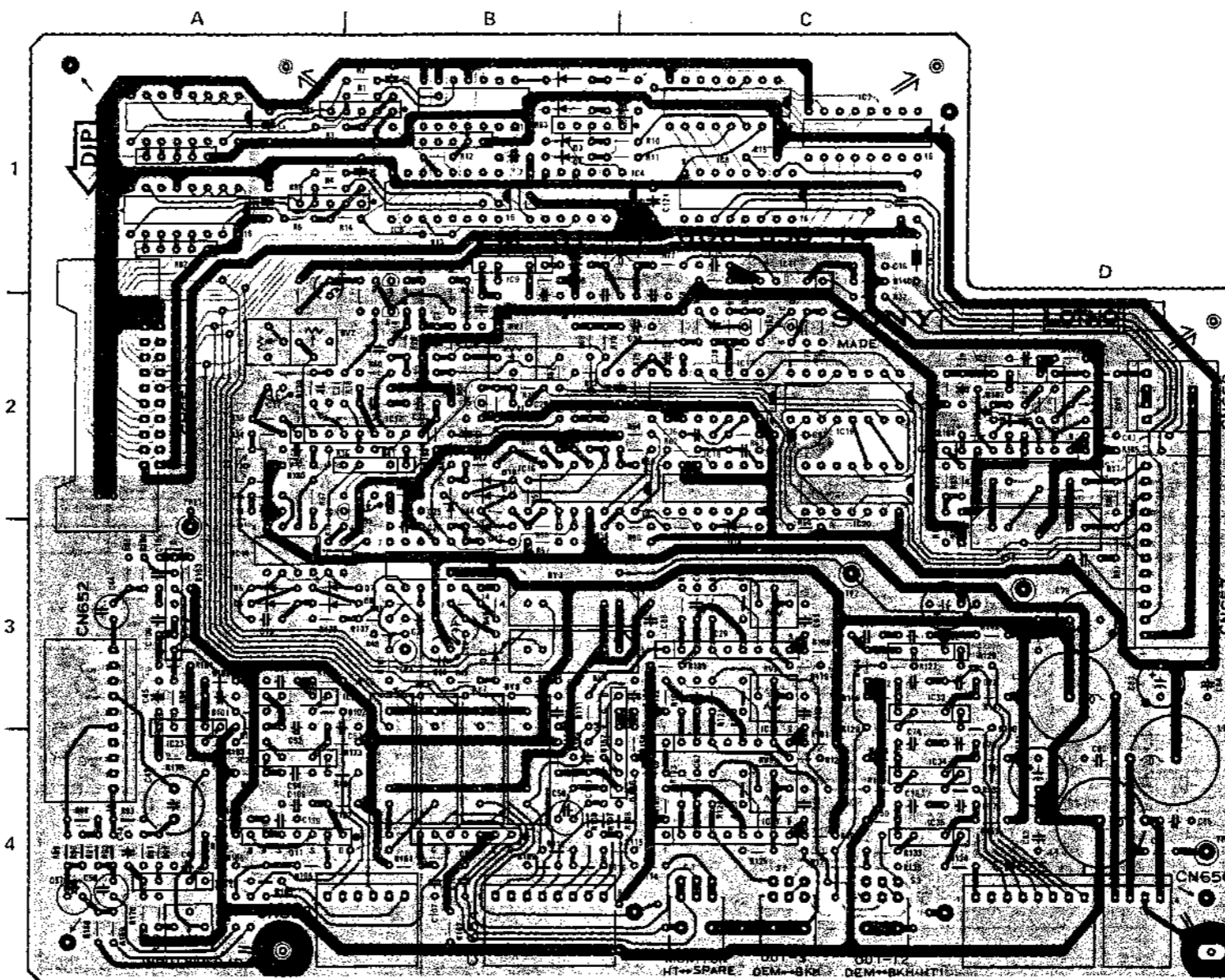
1-606-658-14 COMPONENT SIDE

RB1, 2, 3, 4, 5, 6



VM-01 BOARD (1-606-658-14)

Component Side



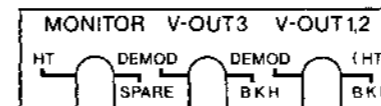
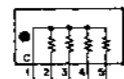
1-606-658-14 COMPONENT SIDE

1-606-658-14 SOLDER SIDE

VM-01 (1-606-658-14 & UP)
 BVH-2000/PS/PM
 BVH-2180/PS/PM
 BVH-2500/P

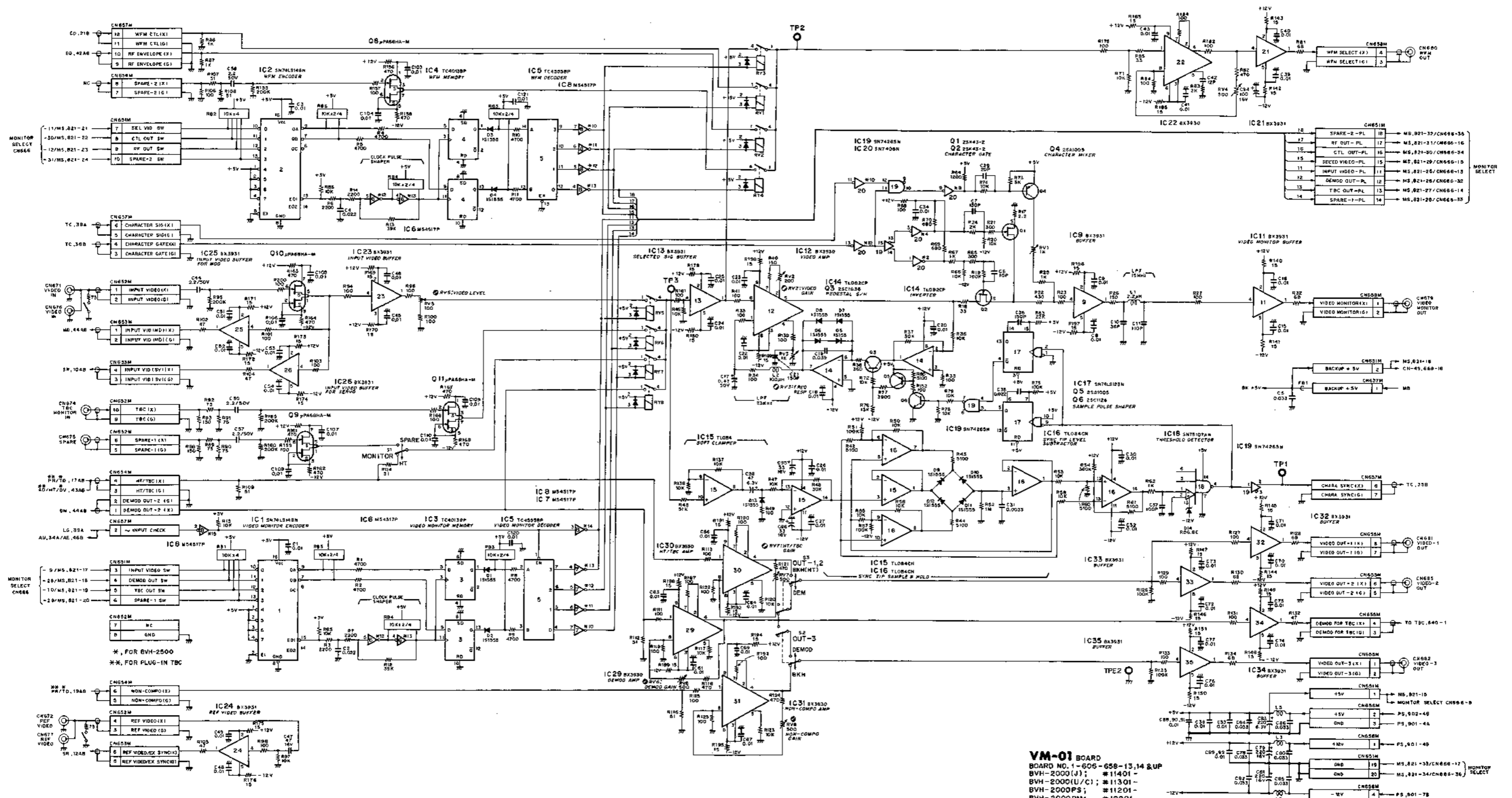
CN651M	01	2B	
2A	02	2B	
CN652M	03	2B	
3A	04	2B	
CN653M	05	2C	
4A	06	2C	
CN654M	08	4B	
4B	09	4B	
CN655M	Q10	3A	
4D	Q11	4A	
CN656M			
4D	RB1	1A	
CN657M	RB2	1A	
3D	RB3	1B	
CN658M	RB4	1B	
2D	RB5	1B	
	RB6	1A	
D1	1B		
D2	1B	RV1	2B
D3	1B	RV2	2A
D4	1B	RV3	2A
D5	3A	RV4	2D
D6	3A	RV5	4A
D7	3A	RV6	3C
D8	3A	RV7	3C
D9	2B	RV8	4C
D10	2B		
D11	2B	RY1	2D
D12	3B	RY2	3D
D13	3B	RY3	3B
D14	3C	RY4	3B
		RY5	4B
IC1	1A	RY6	4B
IC2	1A	RY7	4B
IC3	1B	RY8	4B
IC4	1B		
IC5	1C	S1	4C
IC6	1B	S2	4C
IC7	1C	S3	4C
IC8	1C		
IC9	2B	TP1	3D
IC11	2C	TP2	3C
IC12	2B	TP3	3B
IC13	2B		
IC14	3A	TPE1	3A
IC15	3B	TPE2	4D
IC16	2B		
IC17	2C		
IC18	2C		
IC19	2C		
IC20	2C		
IC21	2D		
IC22	2D		
IC23	4A		
IC24	4A		
IC25	3A		
IC26	4A		
IC29	3C		
IC30	4C		
IC31	4C		
IC32	3C		
IC33	3C		
IC34	4C		
IC35	4C		

RB1, 2, 3, 4, 5, 6



VM-01 BOARD
Video Buffer/Monitor Select

C-224
BVH-2180/PS/PM
BVH-2000/PS/PM

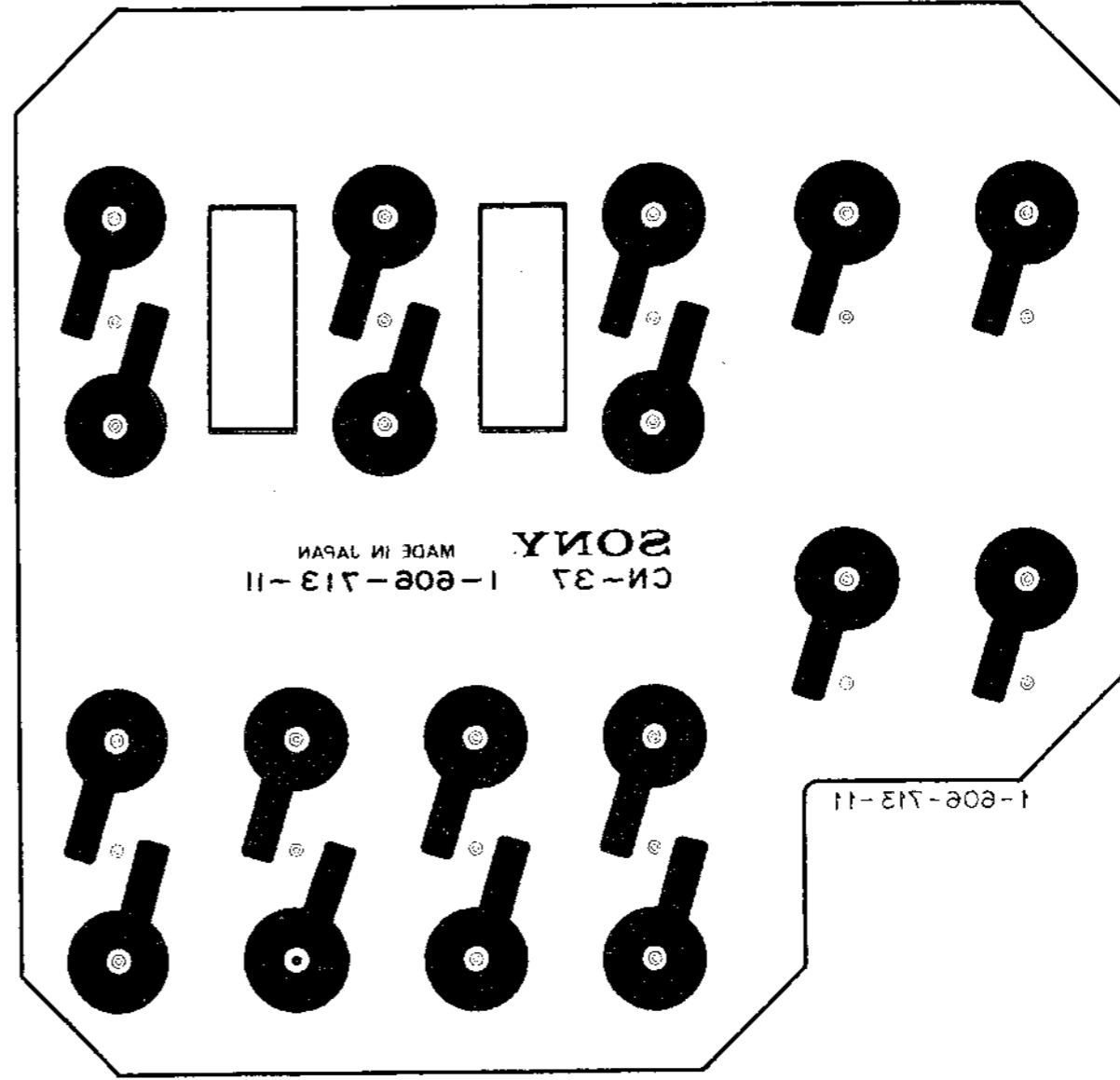


VM-01 BOARD
 BOARD NO. 1-506-656-13,14 & UP
 BVH-2000(J); #11401
 BVH-2000(U/C); #11301-
 BVH-2000PS; #11201-
 BVH-2000PM; #10201-
 BVH-2180(J); #10001-
 BVH-2180(U/C); #10001-
 BVH-2180PS; #10001-
 BVH-2180PM; #10001-
 BVH-2500(U/C); #10001-
 BVH-2500P; #10001-

C-254
C-253
BVH-2500/P



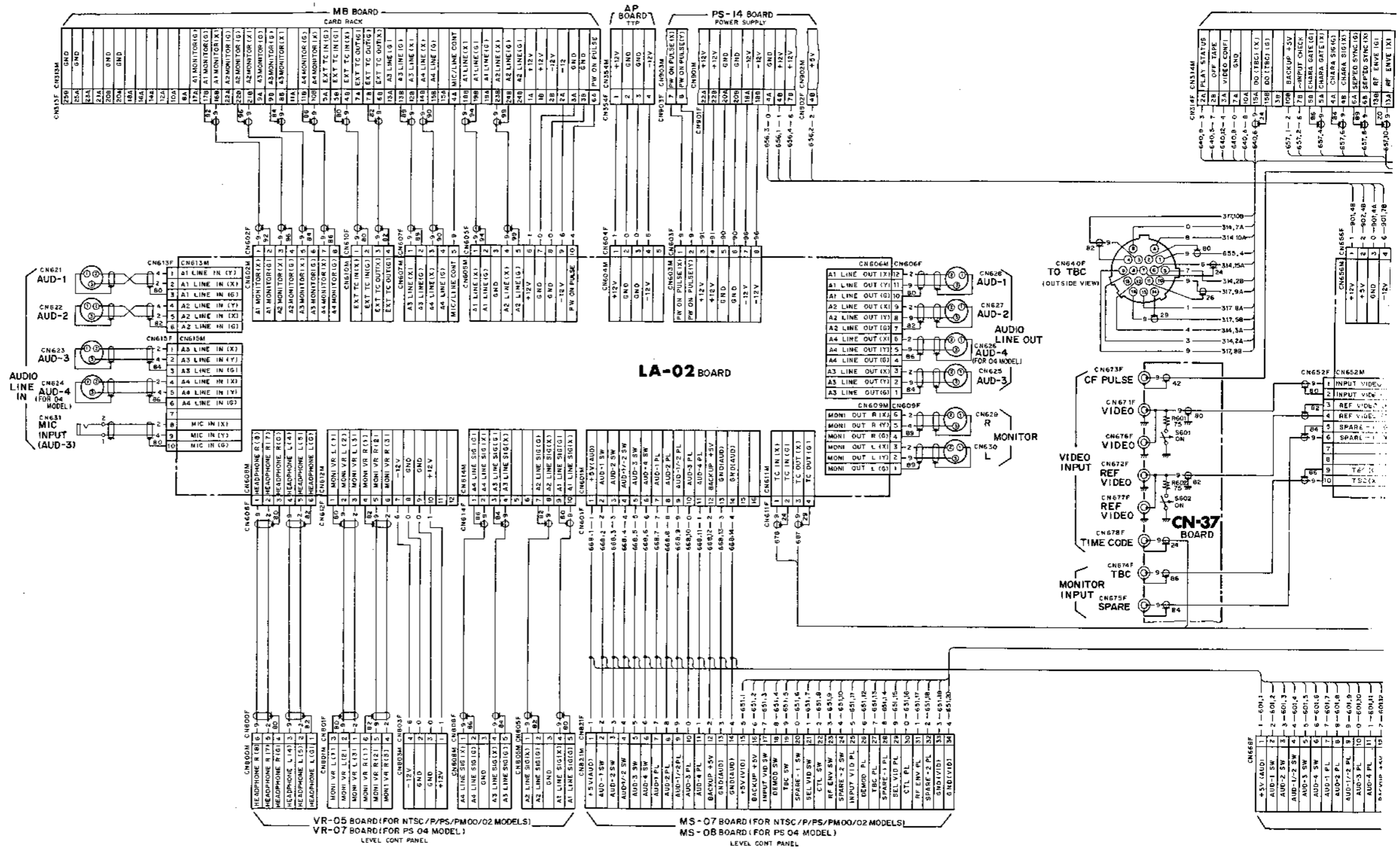
CN-37 BOARD (1-606-713-11)
Component Side

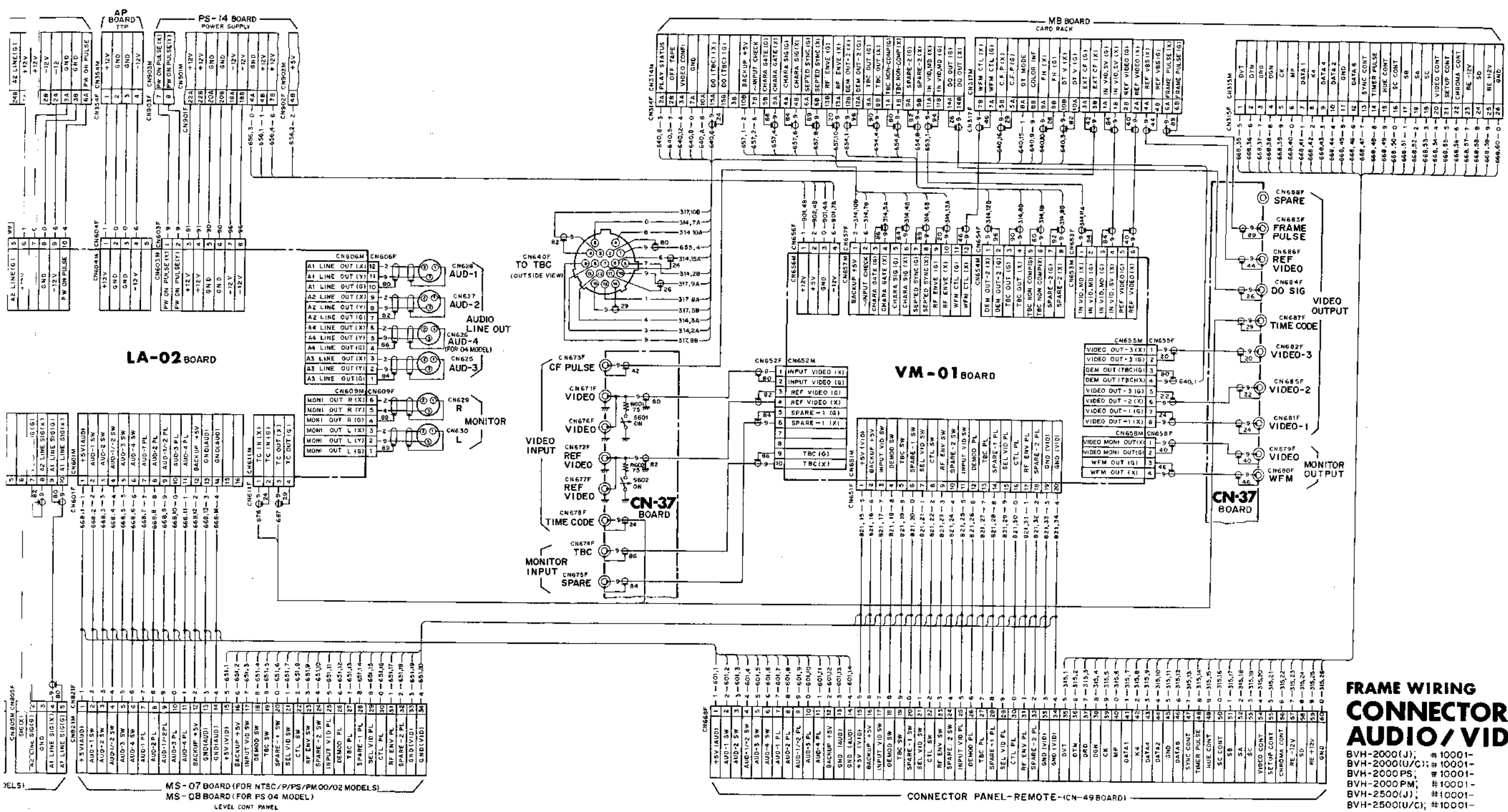


FRAME WIRING - AUDIO/VIDEO ; CONNECTOR PANEL
CN-37 BOARD ; Video Connector Panel

BVH-2180/PS/PM C-227
BVH-2000/PS/PM C-227

BVH-2500/P C-257
C-258 C-259



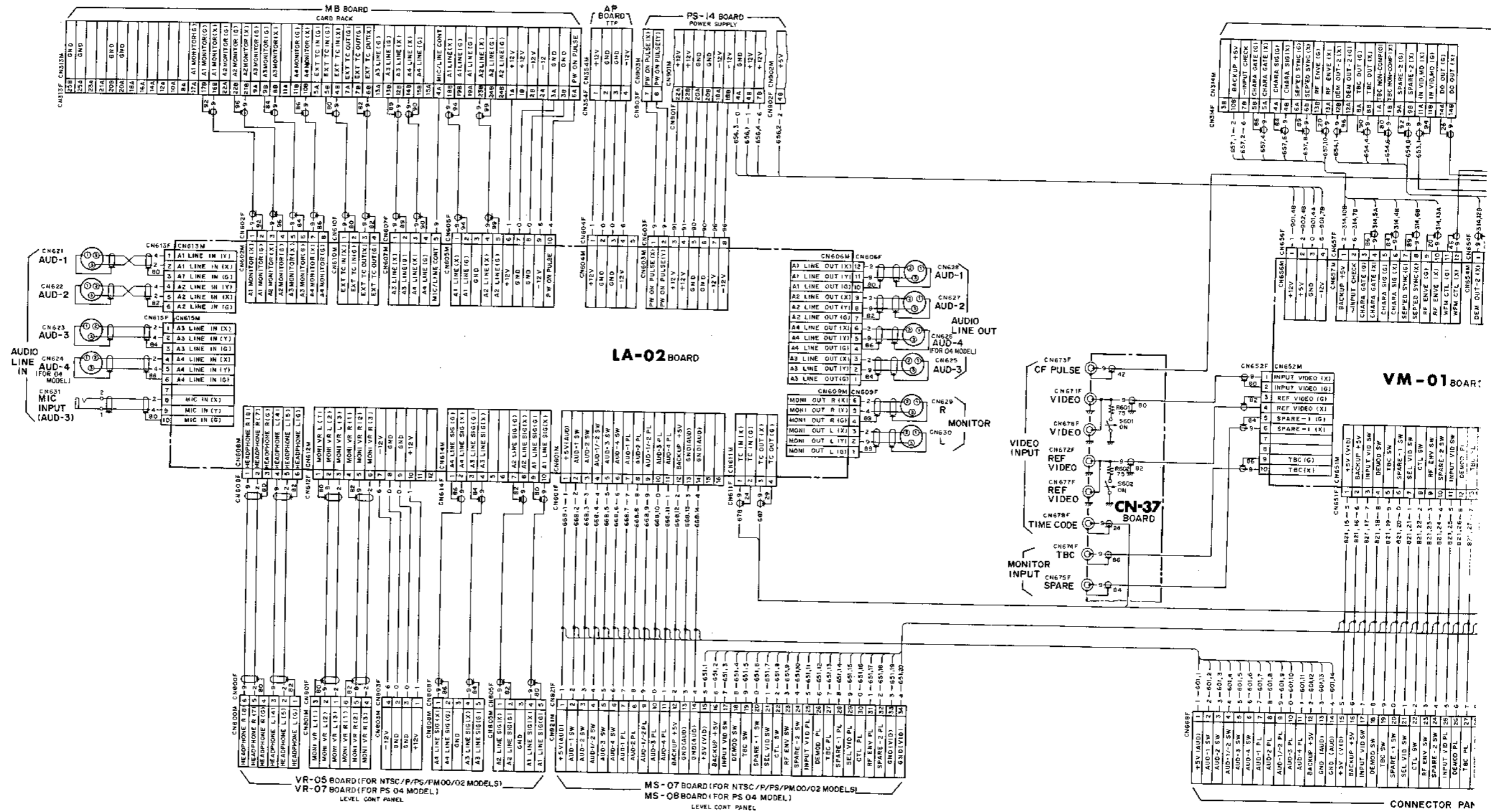


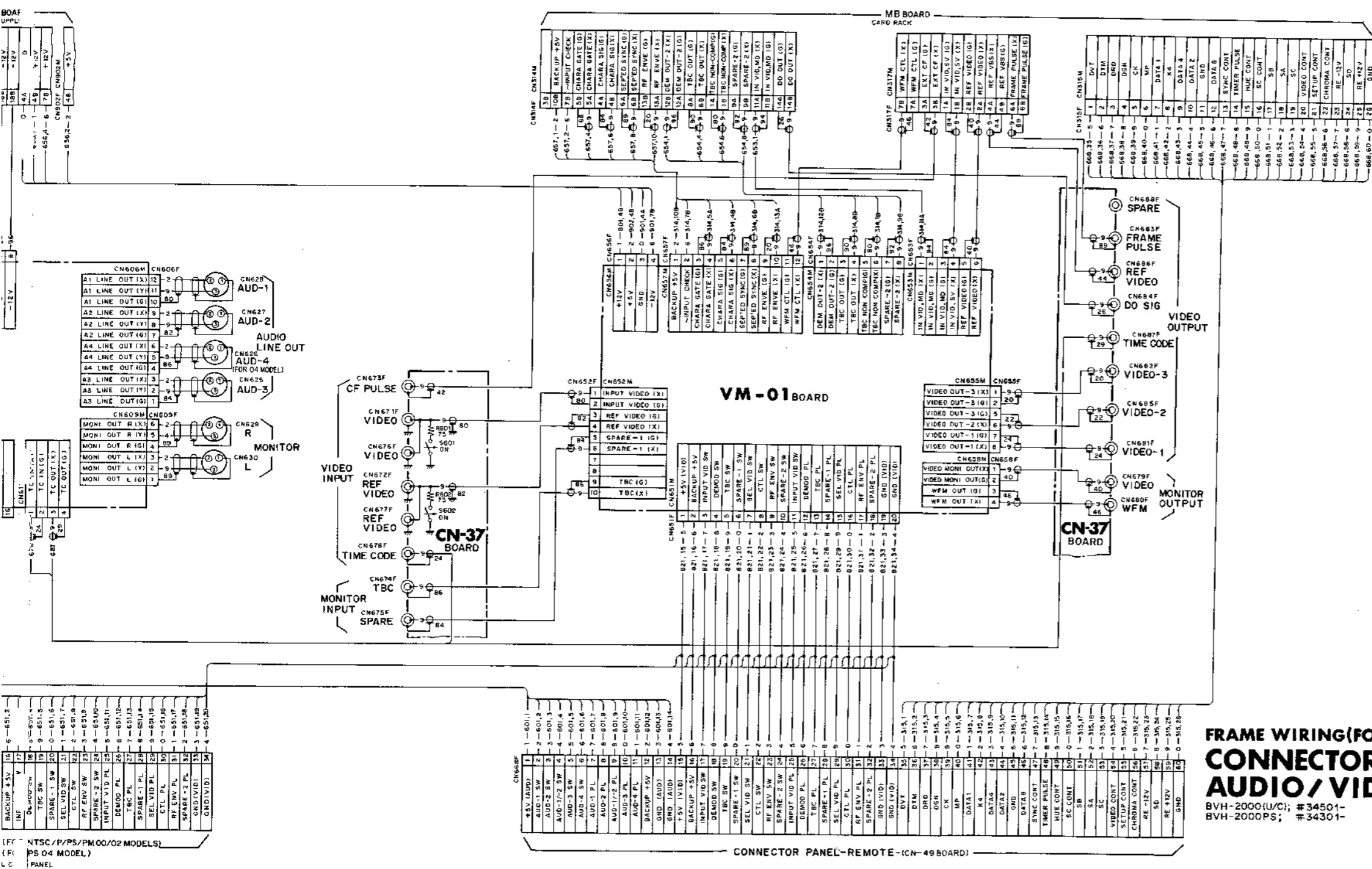
**FRAME WIRING
CONNECTOR PANEL
AUDIO/VIDEO**

BVH-2000(J); #10001-
 BVH-2000(U/C); #10001-
 BVH-2000(P); #10001-
 BVH-2000(PM); #10001-
 BVH-2500(J); #10001-
 BVH-2500(U/C); #10001-
 BVH-2500(P); #10001-
 BVH-2180(J); #10001-
 BVH-2180(U/C); #10001-
 BVH-2180(P); #10001-
 BVH-2180(PM); #10001-



FRAME WIRING - AUDIO/VIDEO ; CONNECTOR PANEL (FOR 10/12/14 MODEL)
CN-37 BOARD ; Video Connector Panel

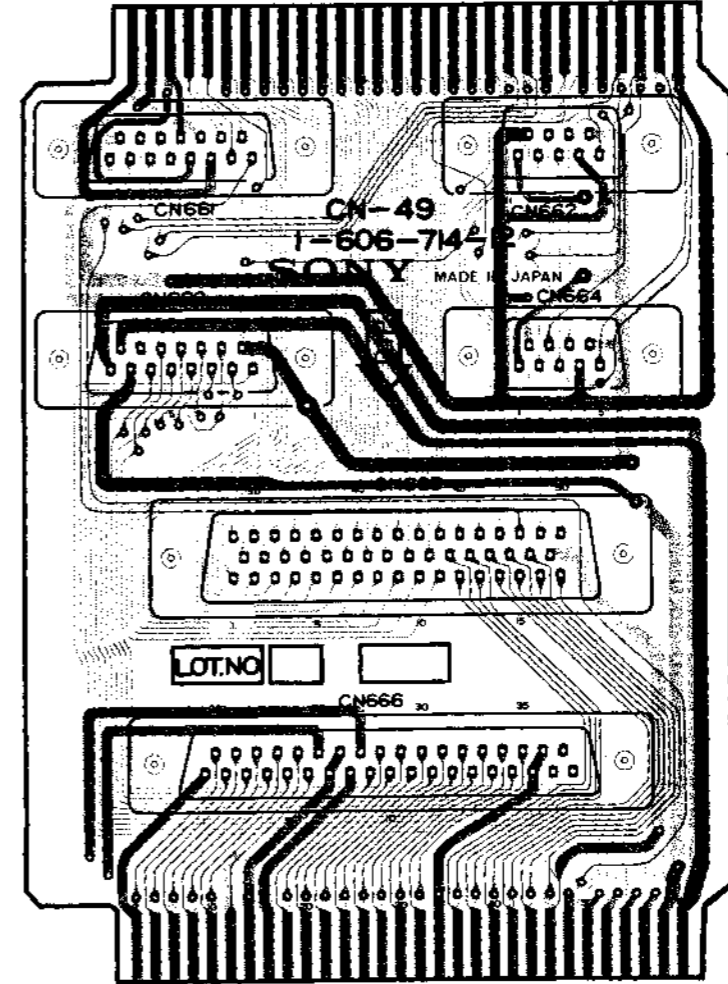




FRAME WIRING (FOR 10/12/14)
CONNECTOR PANEL
AUDIO / VIDEO

BVH-2000 (U/C): # 34501-
 BVH-2000PS: # 34301-

CN-49 BOARD (1-606-714-12)
Component Side



1-606-714-12 COMPONENT SIDE ST-PT-808-1

(230)

C-231

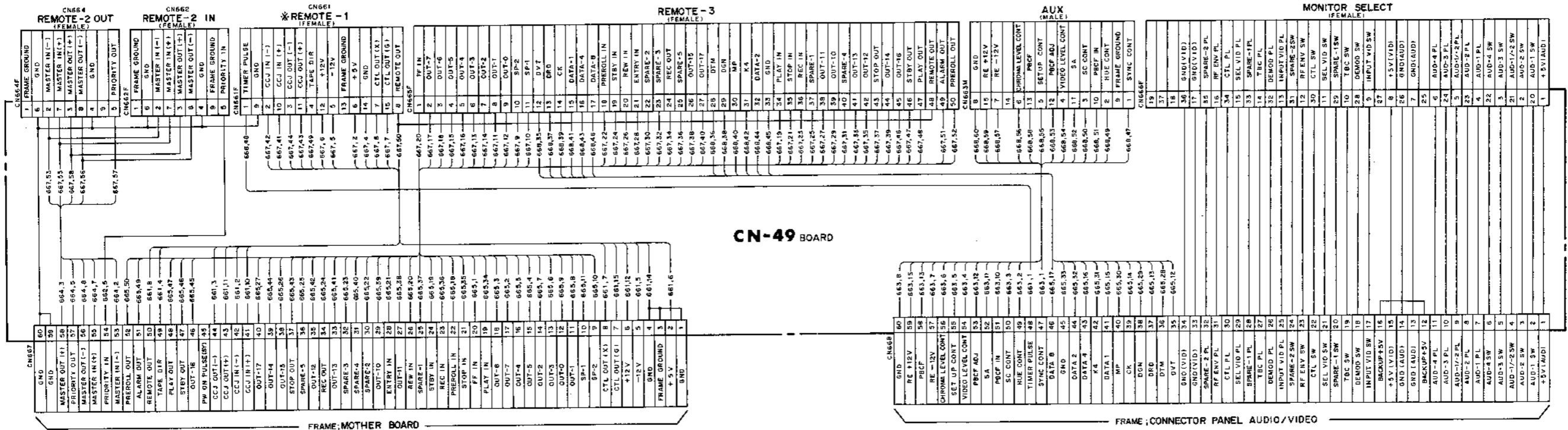
C-232

BVH-2000/PS/PM
BVH-2180/PS/PM
C-230
231
C-232

BVH-2500/f
C-260
C-261
C-262

CONNECTOR PANEL CN-49 FRAME WIRING-REMOTE FRAME WIRING-REMOTE CN-49 CONNECTOR PANEL

FRAME WIRING - REMOTE ; CONNECTOR PANEL
CN-49 BOARD: Remote Connector Panel



*:In case of 10/12/14 MODEL, there is not REMOTE-1.


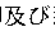
- FRAME WIRING
CONNECTOR PANEL-REMOTE**
- BVH-2000(J); #10001-
 - BVH-2000(U/C); #10001-
 - BVH-2000PS; #10001-
 - BVH-2000PM; #10001-
 - BVH-2500(J); #10001-
 - BVH-2500(U/C); #10001-
 - BVH-2500P; #10001-
 - BVH-2180(J); #10001-
 - BVH-2180(U/C); #10001-
 - BVH-2180PS; #10001-
 - BVH-2180PM; #10001-

SECTION D

REPLACEABLE PARTS AND OPTIONAL FIXTURE

補修用部品注意事項

(1) 安全重要部品

分解図、電気部品表中、印及びで囲まれた部品は安全性を維持するために重要な部品である。従ってこれらの部品を交換するときには必ず指定の部品と交換すること。

(2) 部品の共通化

ソニーから供給される部品はセットに実装されているものと異なることがある。これは部品の共通化、改良等によるものである。

分解図や電気部品表には現時点での共通化された部品が記載されている。

(3) 部品の変更に関する情報は SECTION E CHANGED PARTS の項を参照のこと。

(4) 部品の在庫

部品表中、() で示されている部品は交換頻度が低い部品であるので在庫していないことがあり、納期が長くなることがある。

(5) コンデンサー、インダクター、抵抗の単位

回路図、分解図、電気部品表中、特に明記したものを除き、下記の単位は省略されている。


コンデンサー； μF

インダクター； μH

抵抗； Ω

Notes on Repair Parts

(1) Safety Related Components Warning

Components identified by shading marked with  on the exploded views and electrical spare parts list are critical to safe operation. Replace these components with Sony parts whose part numbers appear in this manual or in service bulletins and service manual supplements published by Sony.

(2) Standardization of Parts

Repair parts supplied from Sony Parts Center may not be always identical with the part which actually in use due to "accommodating the improved parts and/or engineering changes" or "standardization of genuine parts".

This manual's exploded views and electrical spare parts list are indicating the parts numbers of "the standardized genuine parts at present".

(3) Regarding engineering parts changes in our engineering department, refer to SECTION E CHANGED PARTS.

(4) Stock of Parts

Parts marked with () on the spare parts list are not normally required for routine service work. Orders for parts marked with () will be processed, but allow for additional delivery time.

(5) Units for Capacitors, Inductors and Resistors

The following units are assumed in schematic diagrams, electrical parts list and exploded views unless otherwise specified:

Capacitors: μF

Inductors: μH

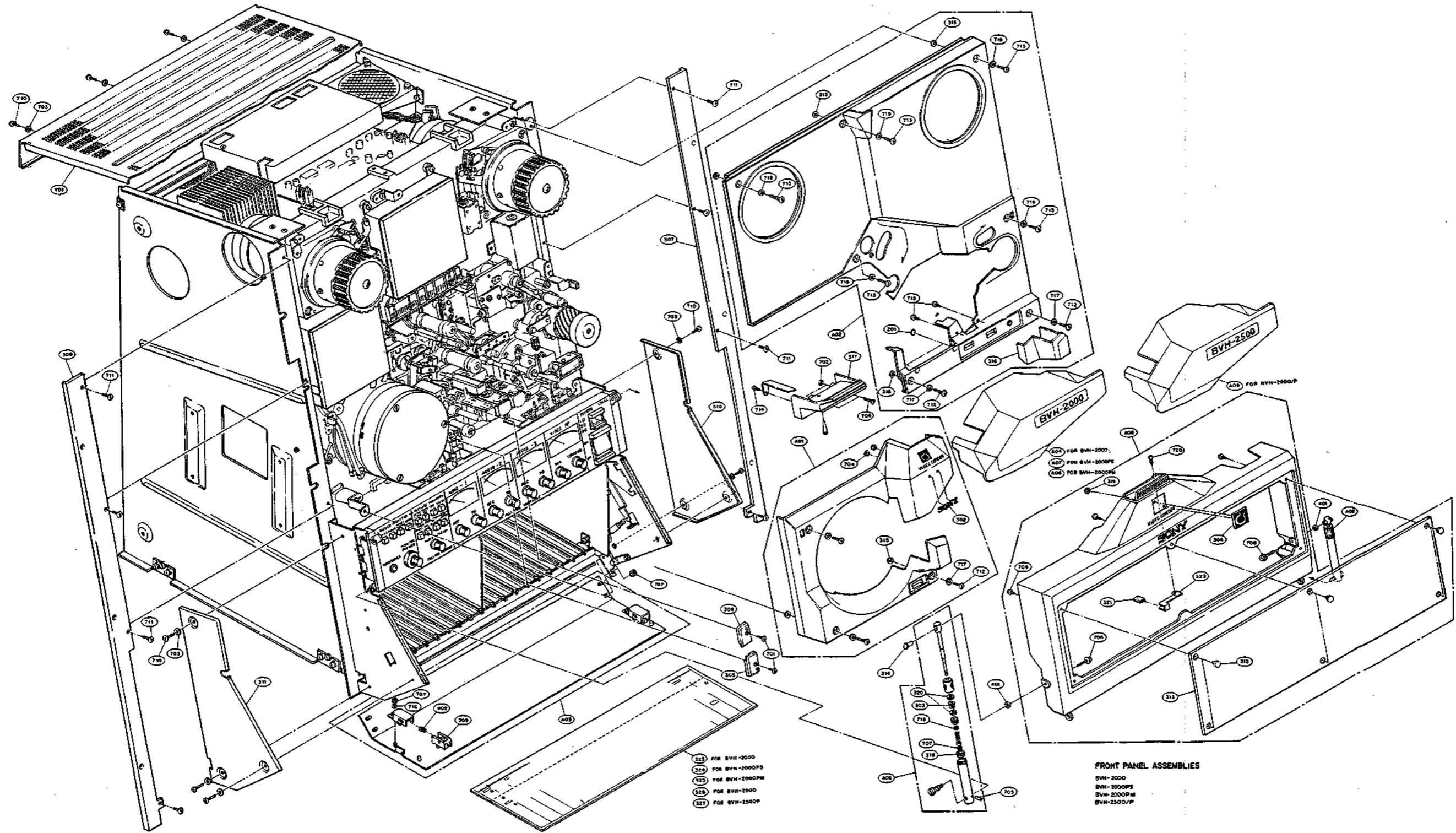
Resistors: ohm

FRONT PANEL ASSY

FRONT PANEL ASSEMBLIES (BVH-2000/2500/2700)

No.	Part No.	Description	No.	Part No.	Description
A01 ()	A-6004-108-A	PANEL ASSY, DRUM	319	3-840-411-00	PUSH NUT 2.4
A02 ()	A-6004-127-C	PANEL ASSY, REEL	320	3-701-441-21	WASHER, M4, POLY
A03 ()	A-6004-110-C	PANEL(1) ASSY, PCB INDICATION	321 ()	3-673-784-00	CAP
A04 ()	A-6004-112-B	COVER ASSY, HEAD (for BVH-2000)	322 ()	3-680-318-00	COVER, STOPPER
()	A-6004-151-A	COVER ASSY(NS), HEAD (for BVH-2000 10, 12)	323	3-680-378-01	LABEL(4), PC BOARD (for BVH-2000)
A05 ()	A-6004-113-B	COVER ASSY (for BVH-2000/PS/PM) (for BVH-2500/P)	324	3-680-379-01	LABEL(5), PC BOARD (for BVH-2000PS)
			325	3-674-694-00	LABEL(3), PC BOARD (for BVH-2000PM)
A06 ()	A-6004-114-C	DAMPER ASSY	326	3-680-356-01	LABEL, PC BOARD(1) (for BVH-2500)
A07 ()	A-6004-118-A	COVER ASSY, HEAD (for BVH-2000PS)	327	3-680-376-01	LABEL(2), PC BOARD (for BVH-2500P)
()	A-6004-150-A	COVER(PS) ASSY, HEAD (for BVH-2000PS 10, 12, 14)	328	3-693-018-01	LABEL(HS), PC BOARD (for BVH-2700)
A08 ()	A-6004-120-A	COVER ASSY, HEAD (for BVH-2000PM)			
A09 ()	A-6004-128-A	COVER ASSY, HEAD (for BVH-2500)	329 ()	3-673-946-11	GLASS, WINDOW (for BVH-2700)
()	A-6004-138-A	COVER ASSY, HEAD (for BVH-2500P)	401 ()	4-324-412-00	SPACER
A10 ()	A-6004-148-A	COVER ASSY, HEAD (for BVH-2700)	402	4-864-521-00	SPRING COMPRESSION
			701	7-621-912-30	SCREW, B2.6x6
			702	7-623-923-01	WASHER, M2.6, POLY
A11 ()	A-6004-149-A	COVER ASSY (for BVH-2700)	703	7-623-954-51	WASHER, M3, FIBER
X01 ()	X-3673-646-3	LID ASSY, UPPER	704	7-624-200-11	PUSH NUT 1.5
201	2-523-667-00	CUSHION	705	7-626-301-31	SPRING PIN 2x10
302 ()	3-566-707-00	EMBLEM, SONY	706	7-682-350-04	SCREW, RK3x12
303	3-575-368-00	SPRING, COMPRESSION	707	7-684-023-04	NUT, M3
			708	7-686-531-01	SCREW, PSW3x14
304	3-657-977-00	EMBLEM, OMEGA	709	7-686-623-04	SCREW, B3x5
305 ()	3-673-869-00	COVER(T), GUIDE	710	7-686-624-09	SCREW, B3x6
306 ()	3-673-870-00	COVER(S), GUIDE	711	7-686-626-04	SCREW, B3x10
307 ()	3-673-881-00	SASH(RIGHT), ORNAMENTAL	712	7-686-639-04	SCREW, B4x16, WHITE
308 ()	3-673-882-00	SASH(LEFT), ORNAMENTAL			
			713	7-686-639-09	SCREW, B4x16, BLACK
309 ()	3-673-883-00	KNOB LOCK	714	7-685-133-14	SCREW, BTP2.6x6
310 ()	3-673-917-00	PLATE(R), ORNAMENTAL	715	7-687-614-14	SCREW, BTP3x8
311 ()	3-673-918-00	PLATE(L), ORNAMENTAL	716	7-688-003-11	WASHER, M3, MIDDLE
312 ()	3-673-944-00	NUT, M3, ORNAMENTAL	717	7-688-004-13	WASEHR, M4, MIDDLE, WHITE
313 ()	3-673-946-00	GLASS, WINDOW (for BVH-2000/PS/PM) (for BVH-2500/P)	718	7-688-004-11	WASHER, M4, MIDDLE
			719	7-688-004-12	WASHER, M4, MIDDLE, BLACK
			720	7-682-349-04	SCREW, RK3x10
314	3-673-965-00	SHAFT, FITTING, DAMPER			
315 ()	3-673-968-00	STOPPER, SCREW			
316 ()	3-673-971-02	COVER, CAPSTAN			
317 ()	3-673-985-00	COVER, FRONT SHIELD			
318 ()	3-815-122-00	BUSHING, RUBBER			

FRONT PANEL ASSY FRONT PANEL ASSY



FRONT PANEL ASSEMBLIES
 BVH-2000
 BVH-2000PS
 BVH-2000PM
 BVH-2500P

FRONT PANEL ASSY

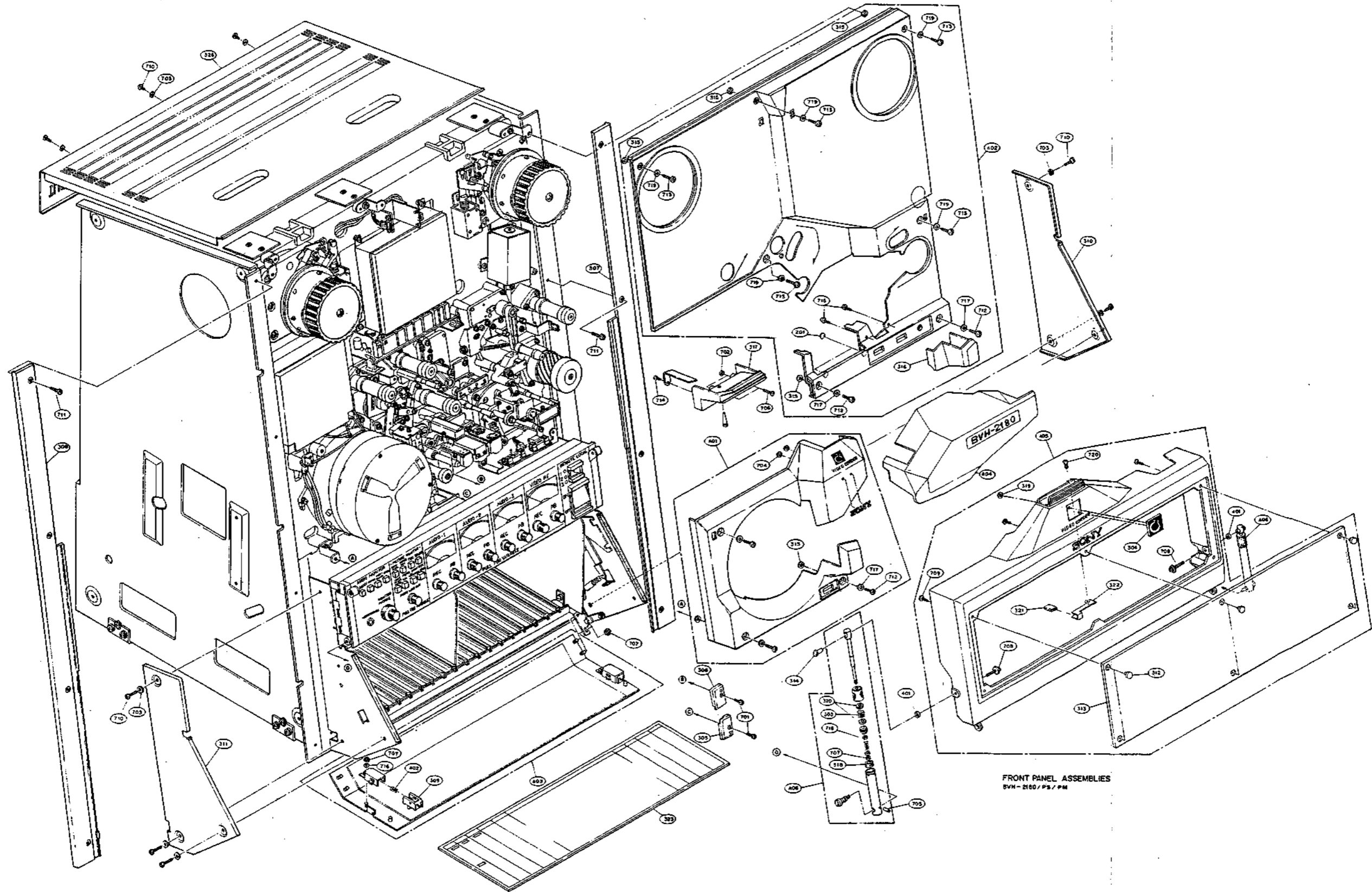
FRONT PANEL ASSEMBLIES (BVH-2180)

No.	Part No.	Description	No.	Part No.	Description
A01 ()	A-6004-108-A	PANEL ASSY, DRUM	326 ()	3-690-559-01	LID, UPPER
A02 ()	A-6004-146-B	PANEL ASSY, REEL	401 ()	4-324-412-00	SPACER
A03 ()	A-6004-110-C	PANEL(1) ASSY, PCB INDICATION	402	4-864-521-00	SPRING COMPRESSION
A04 ()	A-6004-142-A	COVER ASSY, HEAD (for BVH-2180)	701	7-621-912-30	SCREW, B2.6x6
()	A-6004-143-A	COVER ASSY, HEAD (for BVH-2180PM)	702	7-623-923-01	WASHER, M2.6, POLY
()	A-6004-144-A	COVER ASSY, HEAD (for BVH-2180PS)	703	7-623-954-51	WASHER, M3, FIBER
A05 ()	A-6004-145-A	COVER ASSY	704	7-624-200-11	PUSH NUT 2
A06 ()	A-6004-114-C	DAMPER ASSY	705	7-626-301-31	SPRING PIN 2x10
201	2-523-667-00	CUSHION	706	7-682-350-04	SCREW, RK3x12
303	3-575-368-00	SPRING, COMPRESSION	707	7-684-023-04	NUT, M3
304	3-657-977-00	EMBLEM, OMEGA	708	7-686-531-01	SCREW, PSW3x14
305 ()	3-673-869-00	COVER(T), GUIDE	709	7-686-623-04	SCREW, B3x5
306 ()	3-673-870-00	COVER(S), GUIDE	710	7-686-624-09	SCREW, B3x6
307 ()	3-690-518-01	SASH(RIGHT), ORNAMENTAL	711	7-686-625-04	SCREW, B3x8
308 ()	3-690-519-01	SASH(LEFT), ORNAMENTAL	712	7-686-639-04	SCREW, B4x16, WHITE
309 ()	3-673-883-00	KNOB LOCK	713	7-686-639-09	SCREW, B4x16, BLACK
310 ()	3-673-917-00	PLATE(R), ORNAMENTAL	714	7-687-603-14	SCREW, BTP2.6x6
311 ()	3-673-918-00	PLATE(L), ORNAMENTAL	715	7-687-614-14	SCREW, BTP3x8
312 ()	3-673-944-00	NUT, M3, ORNAMENTAL	716	7-688-003-11	WASHER, M3, MIDDLE
313 ()	3-673-946-00	GLASS, WINDOW	717	7-688-004-11	WASHER, M4, MIDDLE, WHITE
314	3-673-965-00	SHAFT, FITTING, DAMPER	718	7-688-004-11	WASHER, M4, MIDDLE
315 ()	3-673-968-00	STOPPER, SCREW	719	7-688-004-12	WASHER, M4, MIDDLE, BLACK
316 ()	3-673-971-02	COVER, CAPSTAN	720	7-682-349-04	SCREW, RK3x10
317 ()	3-673-985-00	COVER, FRONT SHIELD			
318 ()	3-815-122-00	BUSHING, RUBBER			
319	3-840-411-00	PUSH NUT 2.4			
320	3-701-441-21	WASHER, M4, POLY			
321 ()	3-673-784-00	CAP			
322 ()	3-680-318-00	COVER, STOPPER			
323	3-680-378-01	LABEL(4), PC BOARD (for BVH-2180)			
324	3-680-379-01	LABEL(5), PC BOARD (for BVH-2180PS)			
325	3-674-694-02	LABEL(3), PC BOARD (for BVH-2180PM)			

FRONT PANEL ASSY

FRONT PANEL ASSY

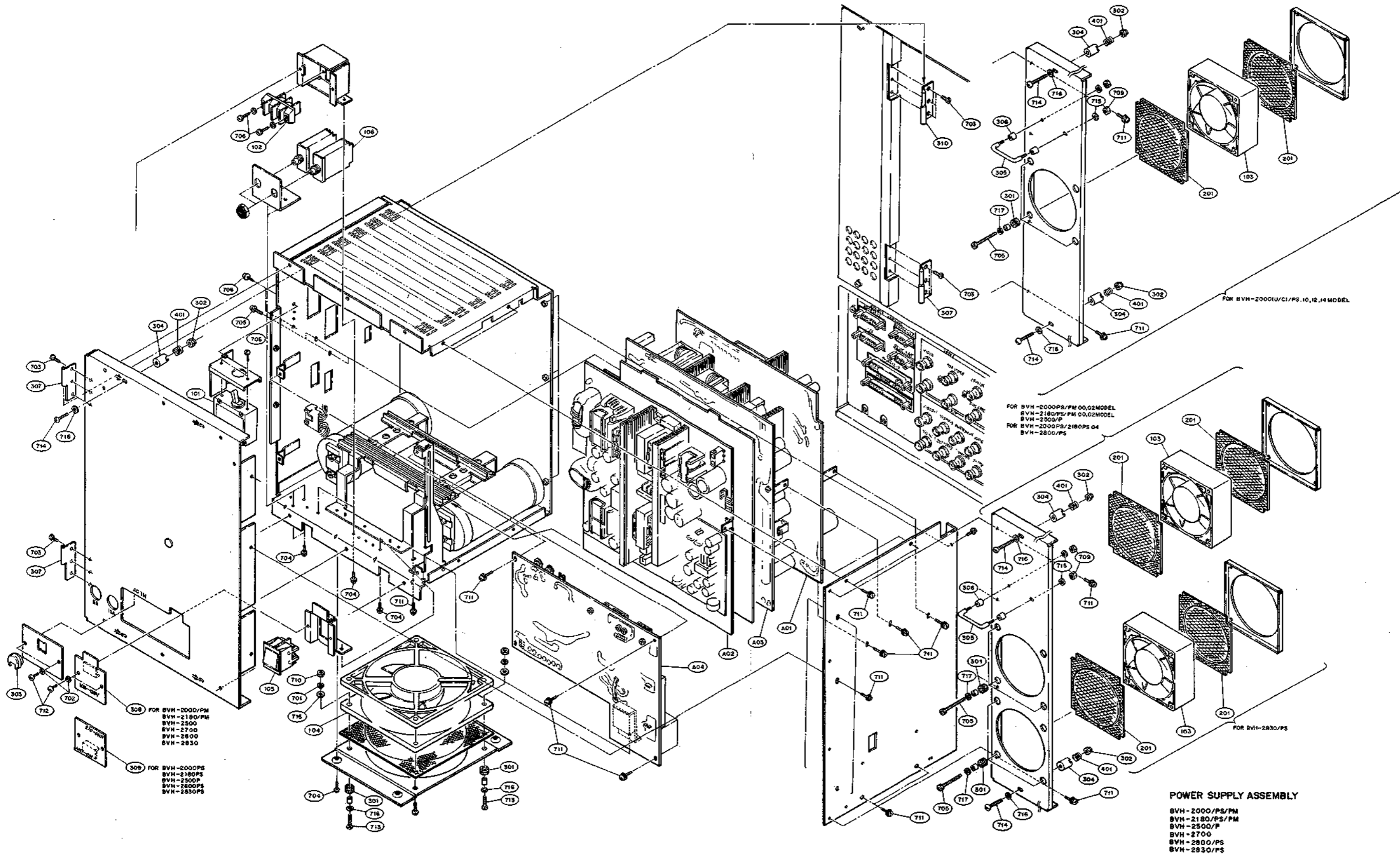
BVH-2180



BVH-2180
(J, U/C, PS, PM)

D-3(a)

D-4(a)



POWER SUPPLY ASSEMBLY (BVH-2000/2180/2500/2700/2800/2830)

No.	Part No.	Description	No.	Part No.	Description
A01	() A-4925-002-B	△ COMPLETE PCB, FV-01	705	7-682-570-09	SCREW, B4x40
A02	() A-4925-004-B	△ COMPLETE PCB, FV-02	706	7-682-648-01	SCREW, +PS3x8
A03	() A-4925-003-B	△ COMPLETE PCB, VV-01	707	7-682-651-01	SCREW, PS3x14
A04	() A-4925-001-A	△ COMPLETE PCB, AC-39	708	7-682-948-01	SCREW, +PSW3x8
101	1-532-653-00	△ CIRCUIT PROTECTOR, 50mA/65V	709	7-684-023-04	NUT, M3
102	() 1-536-712-00	△ TERMINAL BOARD, 2P	710	7-684-024-04	NUT, M4
103	1-541-327-11	FAN, DC 12V	711	7-686-528-01	SCREW, PSW3x8
104	1-541-203-00	FAN, DC 12V	712	7-686-625-09	SCREW, B3x8
105	1-554-145-00	△ SWITCH, ROCKER	713	7-686-639-04	SCREW, B4x16
106	1-532-655-00	CIRCUIT BREAKER	714	7-686-640-09	SCREW, B4x20
201	() 2-252-609-00	COVER, FAN	715	7-688-003-11	WASHER, M3, MIDDLE
301	() 3-630-837-00	BUSHING	716	7-688-004-12	WASHER, M4, MIDDLE, BLACK
302	() 3-680-316-00	NUT, M4, NYLON	717	7-688-005-02	WASHER, M5, SMALL, BLACK
303	3-649-728-00	△ STOPPER, CORD			
304	() 3-651-849-00	SPACER, PANEL			
305	() 3-657-653-00	ARM, GUARD			
306	() 3-657-654-00	RING, ORNAMENTAL			
307	() 3-673-774-00	HINGE			
308	() 3-674-641-00	COVER, VS (for BVH-2000/PM) (for BVH-2180/PM) (for BVH-2500) (for BVH-2700) (for BVH-2800) (for BVH-2830)			
309	() 3-674-642-00	COVER, VS (for BVH-2000PS) (for BVH-2180PS) (for BVH-2500P) (for BVH-2800PS) (for BVH-2830PS)			
310	() 3-673-774-11	HINGE			
401	() 3-303-890-01	SPRING, COMPRESSION			
701	7-623-210-22	SPRING WASHER, M4			
702	7-623-954-51	WASHER, M3, FIBER			
703	7-686-624-09	SCREW, B3x6			
704	7-682-547-09	SCREW, +B3x6			

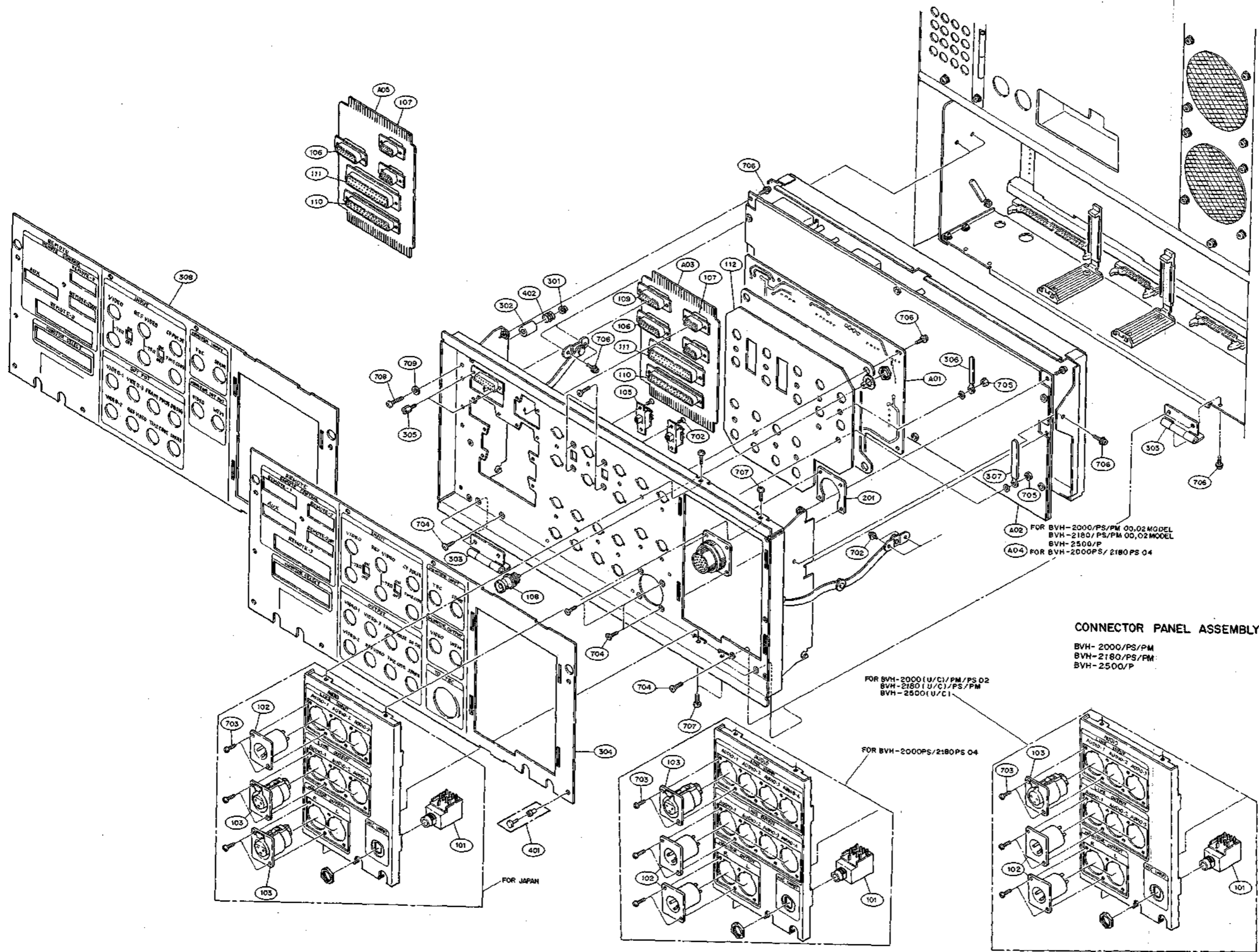
CONNECTOR PANEL ASSY

CONNECTOR PANEL ASSEMBLY (BVH-2000/2180/2500)

No.	Part No.	Description	No.	Part No.	Description
			703	7-621-912-38	SCREW, B2.6x6
A01 ()	A-6011-062-A	COMPLETE PCB, VM-01	704	7-682-247-09	SCREW, K3x6
A02 ()	A-6013-043-A	COMPLETE PCB, LA-02 (for BVH-2000/PS/PM 00,02) (for BVH-2180/PS/PM 00,02) (for BVH-2500/P)	705	7-684-023-04	NUT, M3
			706	7-686-527-01	SCREW, PSW3x6
			707	7-686-625-09	SCREW, B3x8
A03 ()	A-6025-082-A	COMPLETE PCB, CN-49 (for NTSC, PS, PM, 00,02,04 MODEL)	708	7-686-640-09	SCREW, B4x20
			709	7-688-004-12	WASHER, M4, MIDDLE, BLACK
A04 ()	A-6013-057-A	COMPLETE PCB, LA-02 (for BVH-2000PS/2180PS 04)			
A05 ()	A-6025-095-A	COMPLETE PCB, CN-49 (for 10,12,14 MODEL)			
101	1-507-552-21	JACK, PHONE			
102	1-509-176-51	RECEPTACLE 3P, MALE			
103	1-509-184-51	RECEPTACLE 3P, FEMALE			
104	1-509-471-00	RECEP., 18P, FEMALE			
105	1-552-078-00	SWITCH, SLIDE			
106	1-560-769-00	RECEP., D-SUB, 15-PIN, MALE			
107	1-561-655-00	RECEP., D-SUB, 9-PIN, FEMALE			
108	1-561-781-21	RECEP., BNC			
109	1-561-897-00	RECEP., D-SUB, 15-PIN, FEMALE			
110	1-561-898-00	RECEP., D-SUB, 37-PIN, FEMALE			
111	1-561-899-00	RECEP., D-SUB, 50-PIN, FEMALE			
112 ()	1-606-713-00	CN-37 BOARD (WITHOUT COMPONENT)			
201	2-090-229-00	NUT, PLATE (for NTSC, PS, PM, 00,02,04 MODEL)			
301	3-680-316-00	NUT, M4, NYLON			
302 ()	3-651-849-00	SPACER, PANEL			
303	3-651-875-00	HINGE, FRONT			
304 ()	3-673-859-04	LABEL, CONNECTOR (FOR BVH-2000/PS/PM 00,02 BVH-2180/PS/PM 00,02 BVH-2500/P FOR BVH-2000PS/2180PS 04)			
305 ()	3-673-910-00	SCREW, CONNECTOR			
306 ()	3-701-822-00	HOLDER, WIRE			
307 ()	3-703-150-11	CLAMP			
308 ()	3-693-059-02	LABEL(NS) CONNECTOR (for BVH-2000(U/C)PS 10,12,14)			
401	4-812-134-11	RIVET, NYLON			
402 ()	3-303-890-01	SPRING, COMPRESSION			
701	7-621-559-20	SCREW, K2.6x4			
702	7-621-559-30	SCREW, K2.6x5			

CONNECTOR PANEL ASSY

CONNECTOR PANEL ASSY



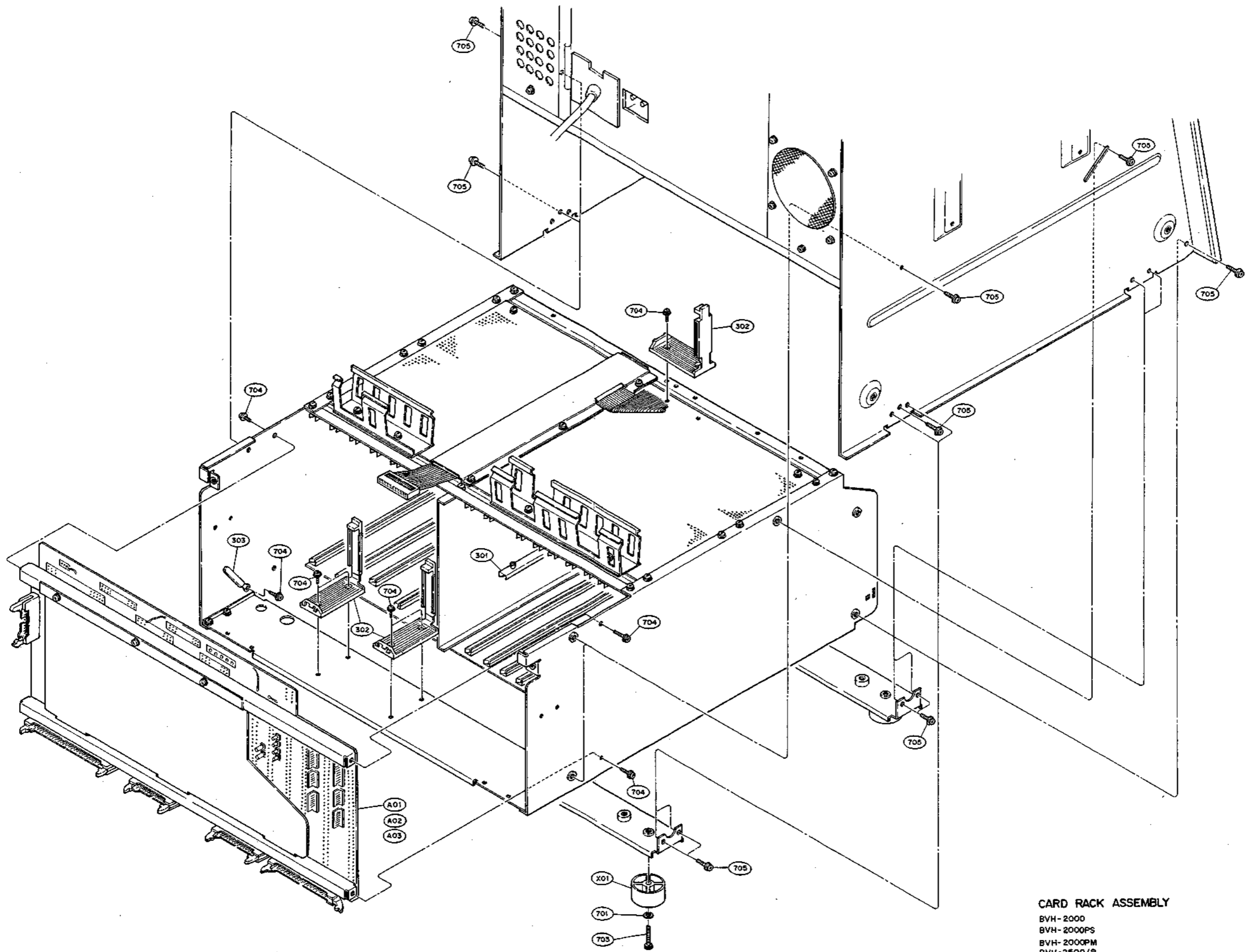
CONNECTOR PANEL ASSEMBLY

BVH-2000/PS/PM
 BVH-2180/PS/PM
 BVH-2500/P

FOR BVH-2000(U/C)/PM/PS D2
 BVH-2180(U/C)/PS/PM
 BVH-2500(U/C)

FOR BVH-2000PS/2180PS 04

CARD RACK ASSY CARD RACK ASSY



CARD RACK ASSEMBLY
 BVH-2000
 BVH-2000PS
 BVH-2000PM
 BVH-2500/P

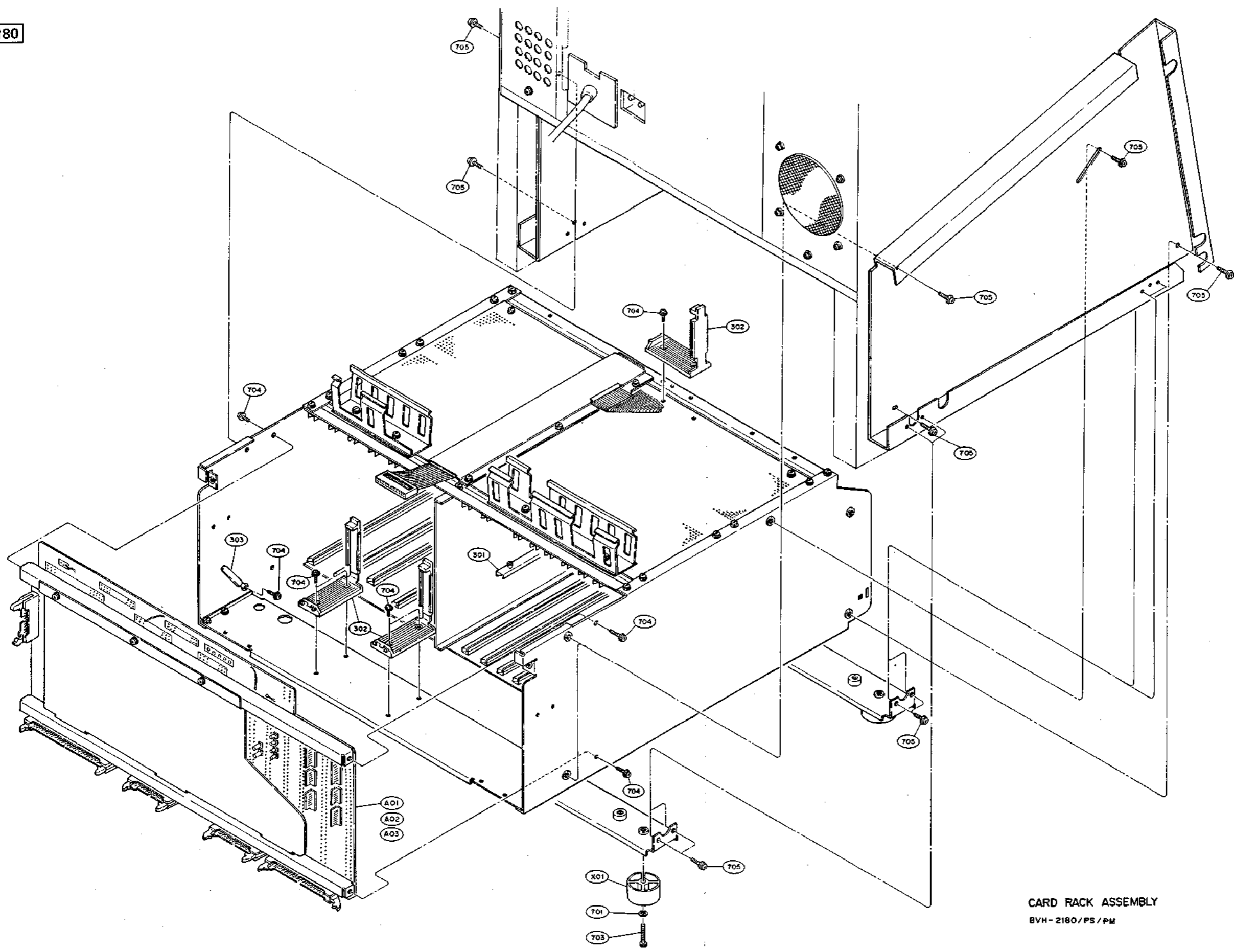
CARD RACK ASSY

CARD RACK ASSEMBLY (BVH-2000/2180/2500/2700)

No.	Part No.	Description
A01 ()	A-6025-092-A	COMPLETE PCB,MB-14A (for BVH-2000/PS/PM) (for BVH-2180/PS/PM)
A02 ()	A-6025-088-A	COMPLETE PCB,MB-60 (for BVH-2500/P)
A03 ()	A-6025-094-A	COMPLETE PCB,MB-74 (for BVH-2700)
X01	X-4836-202-X	FOOT ASSY
301 ()	3-673-676-31	RAIL,PC BOARD GUIDE
302	3-673-796-02	CLAMP,FLAT CABLE
303 ()	3-701-822-00	HOLDER,WIRE
701	7-623-210-22	SPRING WASHER,M4
703	7-683-425-04	SCREW,C4x20
704	7-686-527-01	SCREW,PSW3x6
705	7-686-548-01	SCREW,PSW4x8

CARD RACK ASSY CARD RACK ASSY

BVH-2180



D-11(a)

CARD RACK ASSEMBLY
BVH-2180/PS/PM

D-12(a)

BVH-2180
(J, U/C, PS, PM)

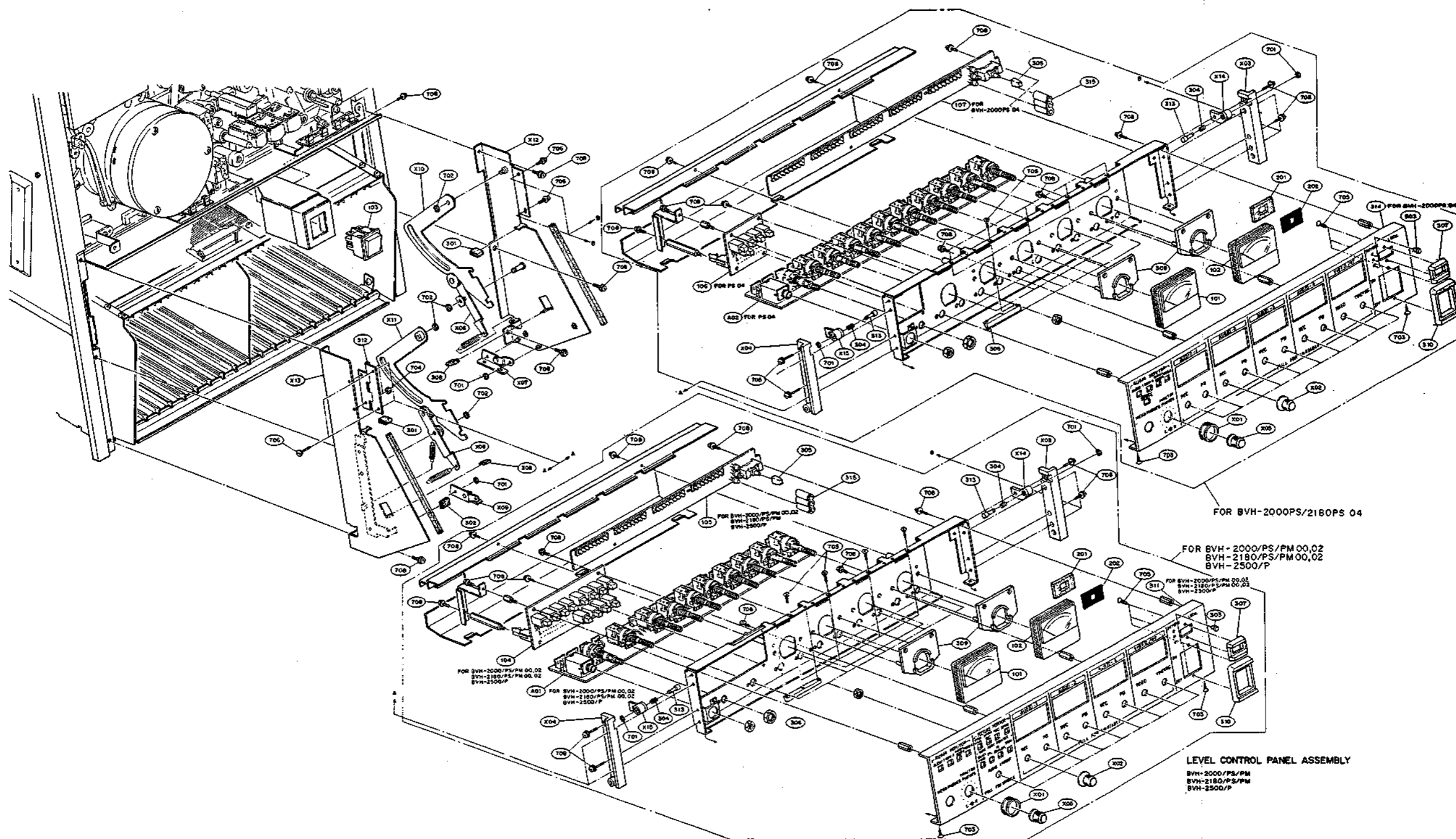
CARD RACK ASSEMBLY (BVH-2000/2180/2500/2700)

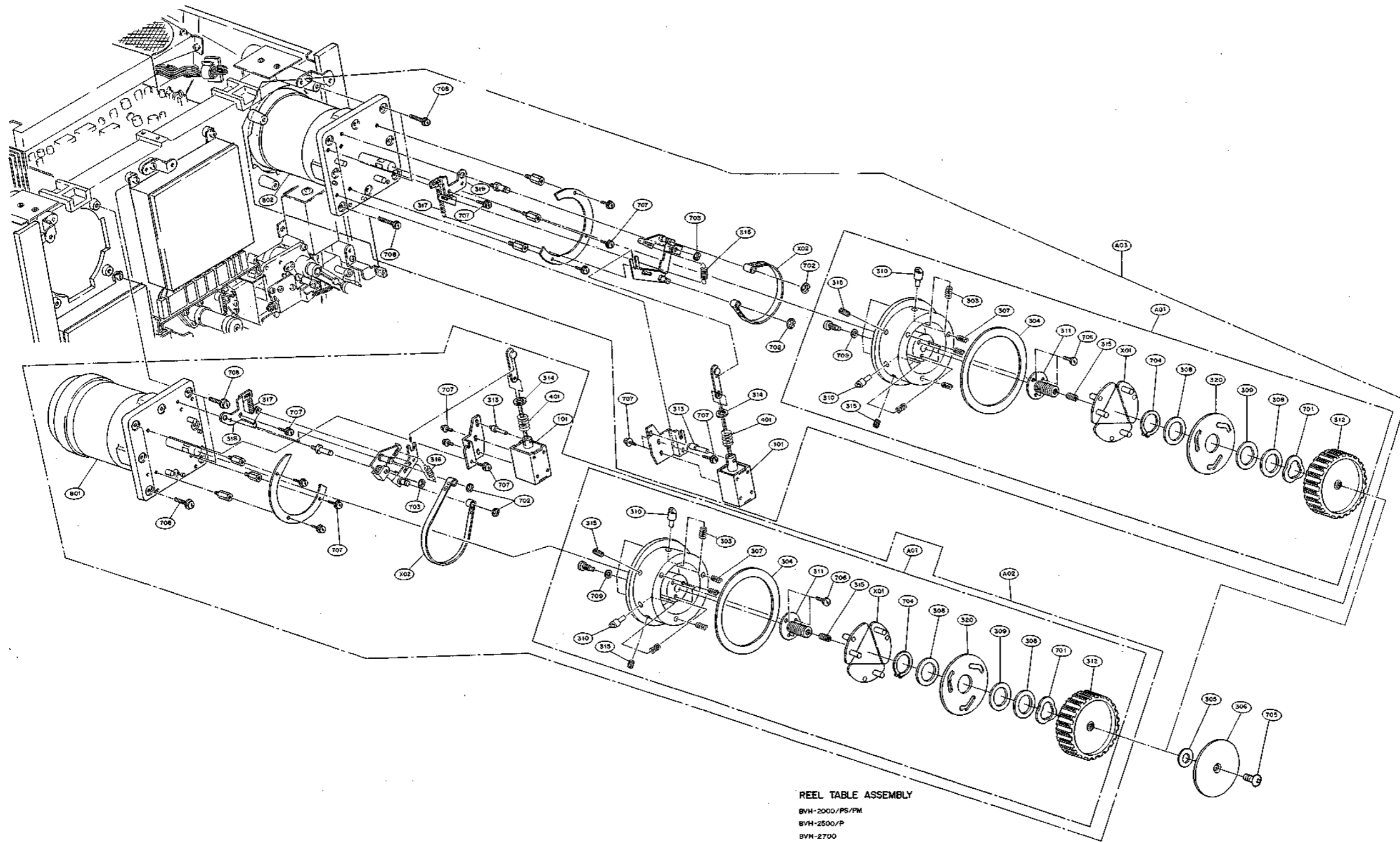
No.	Part No.	Description
A01 ()	A-6025-092-A	COMPLETE PCB,MB-14A (for BVH-2000/PS/PM) (for BVH-2180/PS/PM)
A02 ()	A-6025-088-A	COMPLETE PCB,MB-60 (for BVH-2500/P)
A03 ()	A-6025-094-A	COMPLETE PCB,MB-74 (for BVH-2700)
X01	X-4836-202-X	FOOT ASSY
301 ()	3-673-676-31	RAIL,PC BOARD GUIDE
302	3-673-796-02	CLAMP,FLAT CABLE
303 ()	3-701-822-00	HOLDER,WIRE
701	7-623-210-22	SPRING WASHER,M4
703	7-683-425-04	SCREW,C4x20
704	7-686-527-01	SCREW,PSW3x6
705	7-686-548-01	SCREW,PSW4x8

LEVEL CONTROL PANEL

LEVEL CONTROL PANEL ASSEMBLY (BVH-2000/2180/2500)

No.	Part No.	Description	No.	Part No.	Description
A01 ()	A-6013-042-A	COMPLETE PCB, VR-05 (for BVH-2000/PS/PM 00,02) (for BVH-2180/PS/PM 00,02) (for BVH-2500/P)	305	3-688-028-00	KNOB(SMALL), LEVER SWITCH
A02 ()	A-6013-056-A	COMPLETE PCB, VR-07 (for BVH-2000PS/2180PS 04)	306 ()	3-673-653-00	MIRROR
X01	X-3668-056-0	KNOB(W) ASSY, CONTROL	307 ()	3-673-769-00	GUARD, SWITCH
X02	X-3673-635-0	KNOB(I) ASSY, CONTROL	308 ()	3-673-784-00	CAP
X03 ()	X-3673-638-0	SASH(RIGHT) ASSY, METER	309 ()	3-673-813-00	HOLDER, METER
X04 ()	X-3673-639-0	SASH(LEFT) ASSY, METER	310 ()	3-673-842-00	GUARD, POWER SWITCH
X05	X-3673-650-0	KNOB(2) ASSY, CONTROL	311 ()	3-673-886-00	PANEL, METER (for BVH-2000/PS/PM 00,02) (for BVH-2180/PS/PM 00,02) (for BVH-2500/P)
X06 ()	X-3673-657-0	SUPPORT(RIGHT) ASSY, ROLLER	312 ()	3-673-922-00	HINGE
X07 ()	X-3673-658-0	SUPPORT(RIGHT) ASSY, STAY	313 ()	3-673-957-00	PIN, HINGE
X08 ()	X-3673-659-0	SUPPORT(LEFT) ASSY, ROLLER	314 ()	3-674-658-00	PANEL, METER (for BVH-2000PS/2180PS 04)
X09 ()	X-3673-660-0	SUPPORT(LEFT) ASSY, STAY	315 ()	3-674-691-00	COVER, LED
X10 ()	X-3673-661-0	ARM(RIGHT) ASSY, CAM	701	7-624-105-04	STOP RING, E2.3
X11 ()	X-3673-662-0	ARM(LEFT) ASSY, CAM	702	7-624-106-04	STOP RING, E3
X12 ()	X-3673-663-0	SUPPORT(RIGHT) ASSY, PANEL	703	7-682-247-09	SCREW, K3x6
X13 ()	X-3673-664-0	SUPPORT(LEFT) ASSY, PANEL	704	7-684-023-04	NUT, M3
X14 ()	X-3673-667-0	HINGE, MAIN, RIGHT ASSY	705	7-685-233-14	SCREW, K2.6x6
X15 ()	X-3673-668-0	HINGE, MAIN, LEFT ASSY	706	7-686-450-01	SCREW, PS3x12
101	1-520-450-12	METER, VU	707	7-686-527-01	SCREW, PSW3x6
102	1-520-451-12	METER, VIDEO/RF	708	7-686-528-01	SCREW, PSW3x8
103	1-554-066-00	SWITCH, ROCKER			
104 ()	1-606-709-00	MS-07 BOARD (WITHOUT COMPONENT, for BVH-2000/PS/PM 00,02 for BVH-2180/PS/PM 00,02 for BVH-2500/P)			
105 ()	1-606-711-00	ML-02 BOARD (WITHOUT COMPONENT, for BVH-2000/PS/PM 00,02 for BVH-2180/PS/PM 00,02 for BVH-2500/P)			
106 ()	1-606-710-00	MS-08 BOARD (WITHOUT COMPONENT, for BVH-2000PS/2180PS 04)			
107 ()	1-606-712-00	ML-03 BOARD (WITHOUT COMPONENT, for BVH-2000PS/2180PS 04)			
201 ()	2-252-615-00	CUSHION, SWITCH			
202 ()	2-252-623-02	PLATE, SWITCH, LEVER			
301	3-483-026-00	BRACKET, MOTOR THRUST			
302 ()	3-483-026-31	BRACKET, MOTER THRUST			
303	3-643-383-00	COVER, LAMP			
304	3-644-718-00	SPRING COMPRESSION			





REEL TABLE ASSEMBLY
BVH-2000/PS/PM
BVH-2500/P
BVH-2700

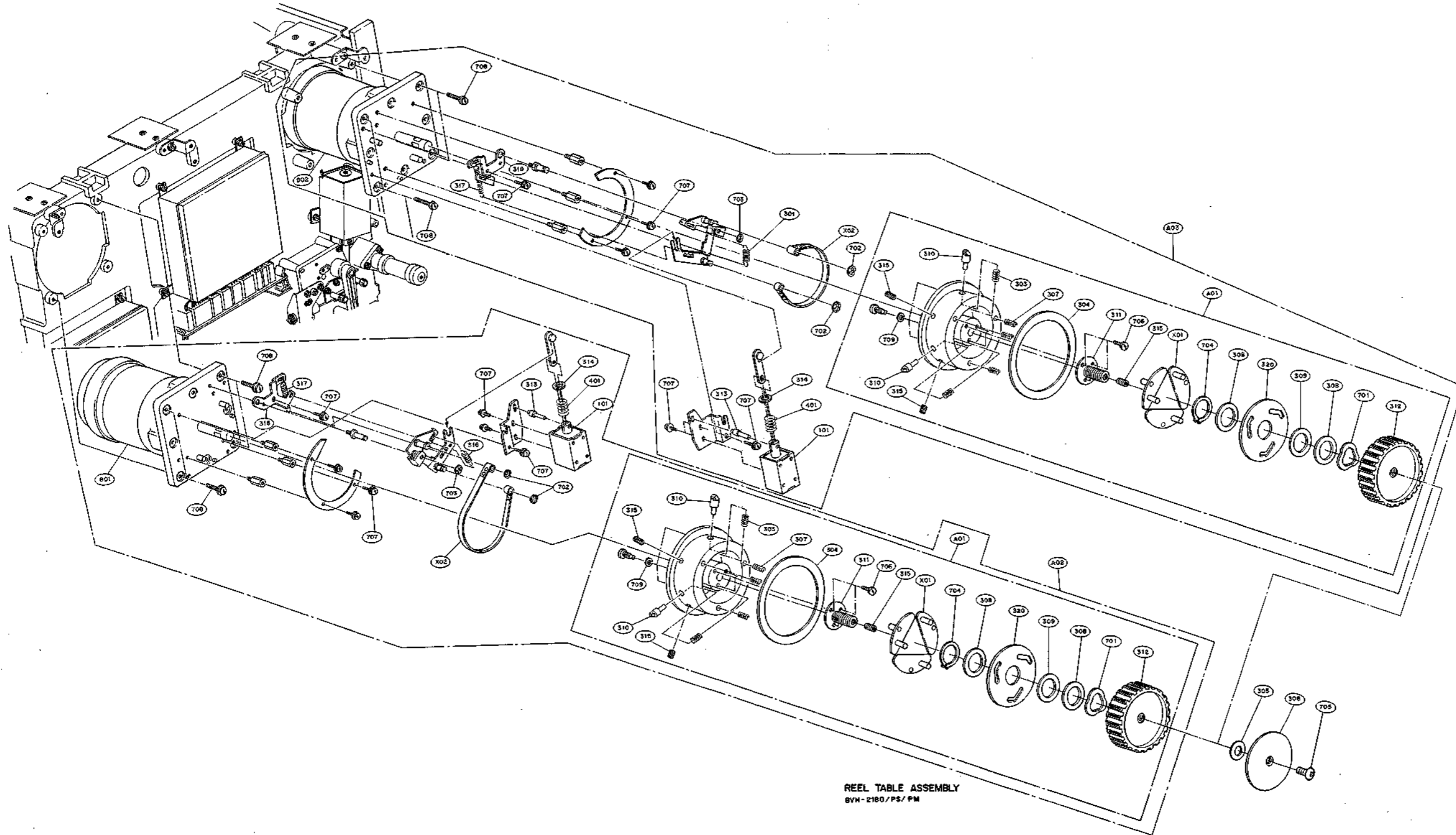
REEL TABLE

REEL TABLE ASSEMBLY (BVH-2000/2500/2700)

No.	Part No.	Description
A01 ()	A-6039-016-B	TABLE ASSY, REEL
A02	A-6039-020-A	MOTOR ASSY, SUPPLY REEL
A03	A-6039-021-A	MOTOR ASSY, TAKE-UP REEL
X01 ()	X-3651-315-0	CLAW ASSY, REEL
X02	X-3673-601-0	BAND ASSY, BRAKE
101	1-454-304-00	SOLENOID, 12V, 15/180 OHM
303	3-558-760-00	SPRING, COMPRESSION
304 ()	3-651-371-02	SHEET, REEL
305 ()	3-651-372-00	WASHER, REEL
306 ()	3-651-373-00	COVER
307 ()	3-651-375-00	SPRING, COMPRESSION
308 ()	3-651-377-00	SHEET, FRICTION
309 ()	3-651-378-00	SHEET, FRICTION ADJUSTMENT
310 ()	3-673-680-00	PIN, REEL STOPPER
311 ()	3-673-779-00	SHAFT, MAIN
312 ()	3-673-780-00	KNOB, REEL RETAINER
313 ()	3-673-810-00	PIN, SOLENOID
314	3-701-447-21	WASHER, M10, POLY
315	3-701-512-01	SET SCREW, 4x8
316	3-447-073-00	SPRING, TENSION
317	3-639-371-00	SPRING, TENSION
318 ()	3-680-319-01	PLATE(S), STOPPER
319 ()	3-680-320-01	PLATE(T), STOPPER
320 ()	3-673-711-02	CAM, REEL
401	4-836-109-00	SPRING, COMPRESSION
701	7-623-711-07	WASHER, M20, WAVE
702	7-624-105-04	STOP RING, E2.3
703	7-624-106-04	STOP RING, E3
704	7-624-197-71	STOP RING, C20
705	7-682-388-04	SCREW, RK6x12
706	7-686-448-01	SCREW, PS3x8
707	7-686-527-01	SCREW, PSW3x8
708	7-686-552-01	SCREW, PSW4x16
709	7-688-003-01	WASHER, M3, SMALL
801	8-838-028-01	MOTOR, S REEL, BHF-2200A
802	8-838-028-11	MOTOR, T REEL, BHF-2200B

REEL TABLE ASSY REEL TABLE ASSY

BVH-2180



D-17(a)

D-18(a)

BVH-2180
(J, U/C, PS, PM)

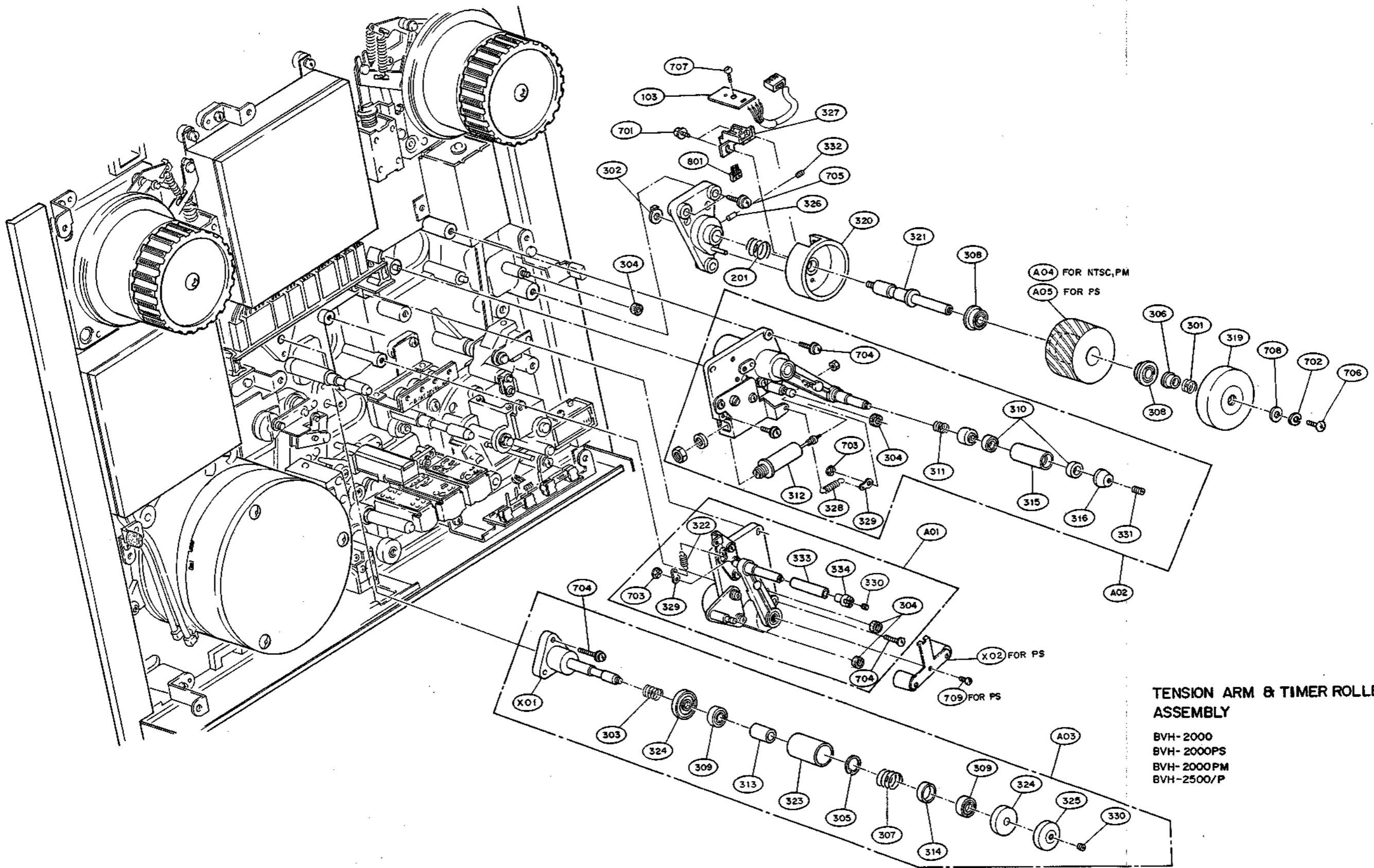
REEL TABLE ASSEMBLY (BVH-2180)

No.	Part No.	Description
A01 ()	A-6039-016-B	TABLE ASSY, REEL
A02	A-6039-024-A	MOTOR ASSY, SUPPLY REEL
A03	A-6039-025-A	MOTOR ASSY, TAKE-UP REEL
X01 ()	X-3651-315-0	CLAW ASSY, REEL
X02	X-3673-601-0	BAND ASSY, BRAKE
101	1-454-304-21	SOLENOID, 12V, 15/180 OHM
301	3-573-962-00	SPRING, TENSION
303	3-558-760-00	SPRING, COMPRESSION
304 ()	3-651-371-02	SHEET, REEL
305 ()	3-651-372-00	WASHER, REEL
306 ()	3-651-373-00	COVER
307 ()	3-651-375-00	SPRING, COMPRESSION
308 ()	3-651-377-00	SHEET, FRICTION
309 ()	3-651-378-00	SHEET, FRICTION ADJUSTMENT
310 ()	3-673-680-00	PIN, REEL STOPPER
311 ()	3-673-779-00	SHAFT, MAIN
312 ()	3-673-780-00	KNOB, REEL RETAINER
313 ()	3-673-810-00	PIN, SOLENOID
314	3-701-447-21	WASHER, M10, POLY
315	3-701-512-01	SET SCREW, 4x8
316	3-690-558-01	SPRING, TENSION
317	3-690-557-01	SPRING, TENSION
318 ()	3-680-319-01	PLATE(S), STOPPER
319 ()	3-680-320-01	PLATE(T), STOPPER
320 ()	3-673-711-02	CAM, REEL
401	4-836-109-00	SPRING, COMPRESSION
701	7-623-711-07	WASHER, M20, WAVE
702	7-624-105-04	STOP RING, E2, 3
703	7-624-106-04	STOP RING, E3
704	7-624-197-71	STOP RING, C20
705	7-682-388-04	SCREW, RK6x12
706	7-686-448-01	SCREW, PS3x6
707	7-686-527-01	SCREW, PSW3x8
708	7-686-552-01	SCREW, PSW4x16
709	7-688-003-01	WASHER, M3, SMALL
801	8-838-088-01	MOTOR, S REEL, BHF-2201A
802	8-838-089-01	MOTOR, T REEL, BHF-2201B

TENSION ARM & TIMER ROLLER

TENSION ARM & TIMER ROLLER ASSEMBLY (BVH-2000/2180/2500/2700)

No.	Part No.	Description	No.	Part No.	Description
A01	A-6042-018-C	ARM ASSY,S TENSION	319 ()	3-673-627-00	FLANGE,CR UPPER
A02	A-6042-019-A	ARM ASSY,T TENSION (for BVH-2000/PS/PM) (for BVH-2500/P) (for BVH-2700)	320 ()	3-673-628-00	FLANGE,CR LOWER
	A-6042-021-A	ARM ASSY,T TENSION (for BVH-2180/PS/PM)	321 ()	3-673-629-00	SHAFT,CR
A03	A-6046-028-A	ROLLER ASSY,GUIDE	322 ()	3-673-652-02	SPRING,TENSION
A04	A-6045-018-C	ROLLER ASSY (for NTSC,PM)	323 ()	3-673-660-00	ROLLER,GUIDE
A05	A-6045-019-C	ROLLER ASSY (for PS,P)	324 ()	3-673-662-00	FLANGE,GR
X01 ()	X-3673-610-0	SHAFT ASSY,GR	325 ()	3-673-663-00	FLANGE,GR UPPER
X02 ()	X-3673-693-0	WEIGHT ASSY,BALANCE (for PS,P)	326 ()	3-673-667-00	PIECE
103 ()	1-606-698-00	TR-07 BOARD	327 ()	3-673-694-00	HOLDER,DME
201	2-263-515-00	SPRING,COMPRESSION	328	3-673-758-00	SPRING,TENSION (for BVH-2000/PS/PM) (for BVH-2500/P) (for BVH-2700)
301 ()	3-148-662-00	SPRING,COMPRESSION		3-690-507-01	SPRING,TENSION (for BVH-2180/PS/PM)
302	3-534-233-00	NUT,ADJUSTMENT	329	3-674-636-00	HOOK,SPRING
303	3-534-235-00	SPRING,COMPRESSION	330	3-701-505-00	SET SCREW,3x3
304 ()	3-534-255-00	CUSHION,BRAKE	331	3-701-506-01	SET SCREW,3x4
305	3-625-177-00	STOP RING 13	332	3-701-511-00	SET SCREW,4x6
306 ()	3-651-364-00	COLLAR,GR	333	3-680-331-01	COLLAR,S-TENSION
307	3-651-396-00	SPRING,COMPRESSION	334	3-680-332-01	CAP,S-TENSION
308	3-651-607-00	BEARING,BALL	701	7-621-981-15	SCREW,PSW2.6x6
309	3-656-948-00	BEARING,BALL	702	7-623-208-22	SPRING WASHER,M3
310	3-659-213-00	BEARING,BALL	703	7-624-193-07	STOP RING 2,GRIP
311 ()	3-663-116-00	SPRING,COMPRESSION	704	7-686-452-01	SCREW,PS3x16
312	3-673-614-00	DAMPER,AIR	705 ()	7-686-553-01	SCREW,PSW4x20
313	3-673-616-00	COLLAR,GR	706	7-686-628-04	SCREW,B3x14
314 ()	3-673-617-00	COLLAR,RETAINER,PRE-LOAD	707 ()	7-685-133-14	SCREW,BTP2.6x6
315 ()	3-673-620-00	ROLLER,T ARM	708	7-688-003-01	WASHER,M3,SMALL
316	3-673-621-00	CAP,T ARM	709	7-686-624-04	SCREW,B3x6
			801	8-745-211-00	DME,DM-211



TENSION ARM & TIMER ROLLER ASSEMBLY

BVH-2000
BVH-2000PS
BVH-2000PM
BVH-2500/P

TENSION ARM & TIMER ROLLER

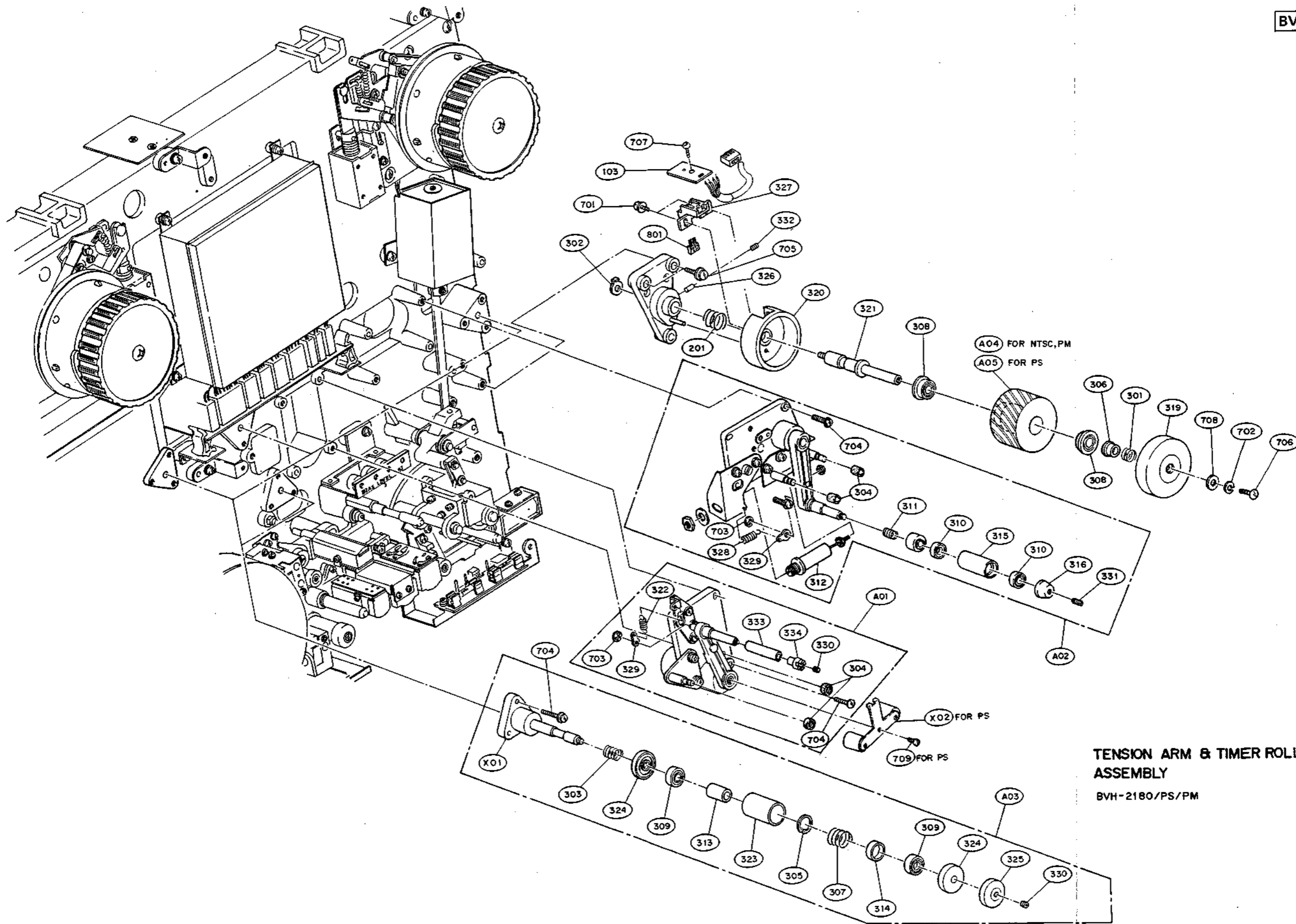
TENSION ARM & TIMER ROLLER ASSEMBLY (BVH-2000/2180/2500/2700)

No.	Part No.	Description	No.	Part No.	Description
A01	A-6042-018-C	ARM ASSY,S TENSION	319 ()	3-673-627-00	FLANGE,CR UPPER
			320 ()	3-673-628-00	FLANGE,CR LOWER
A02	A-6042-019-A	ARM ASSY,T TENSION (for BVH-2000/PS/PM) (for BVH-2500/P) (for BVH-2700)	321 ()	3-673-629-00	SHAFT,CR
			322 ()	3-673-652-02	SPRING,TENSION
			323 ()	3-673-660-00	ROLLER,GUIDE
	A-6042-021-A	ARM ASSY,T TENSION (for BVH-2180/PS/PM)	324 ()	3-673-662-00	FLANGE,GR
			325 ()	3-673-663-00	FLANGE,GR UPPER
A03	A-6046-028-A	ROLLER ASSY,GUIDE	326 ()	3-673-667-00	PIECE
A04	A-6045-018-C	ROLLER ASSY (for NTSC,PM)	327 ()	3-673-694-00	HOLDER,DME
A05	A-6045-019-C	ROLLER ASSY (for PS,P)	328	3-673-758-00	SPRING,TENSION (for BVH-2000/PS/PM) (for BVH-2500/P) (for BVH-2700)
X01 ()	X-3673-610-0	SHAFT ASSY,GR			
X02 ()	X-3673-693-0	WEIGHT ASSY,BALANCE (for PS,P)			
103 ()	1-606-698-00	TR-07 BOARD		3-690-507-01	SPRING,TENSION (for BVH-2180/PS/PM)
201	2-263-515-00	SPRING,COMPRESSION			
301 ()	3-148-662-00	SPRING,COMPRESSION			
			329	3-674-636-00	HOOK,SPRING
302	3-534-233-00	NUT,ADJUSTMENT	330	3-701-505-00	SET SCREW,3x3
303	3-534-235-00	SPRING,COMPRESSION	331	3-701-506-01	SET SCREW,3x4
304 ()	3-534-255-00	CUSHION,BRAKE	332	3-701-511-00	SET SCREW,4x6
305	3-625-177-00	STOP RING 13	333	3-680-331-01	COLLAR,S-TENSION
306 ()	3-651-364-00	COLLAR,GR			
			334	3-680-332-01	CAP,S-TENSION
307	3-651-396-00	SPRING,COMPRESSION	701	7-621-981-15	SCREW,PSW2.6x6
308	3-651-607-00	BEARING,BALL	702	7-623-208-22	SPRING WASHER,M3
309	3-656-948-00	BEARING,BALL	703	7-624-193-07	STOP RING 2,GRIIP
310	3-659-213-00	BEARING,BALL	704	7-686-452-01	SCREW,PS3x16
311 ()	3-663-116-00	SPRING,COMPRESSION			
			705 ()	7-686-553-01	SCREW,PSW4x20
312	3-673-614-00	DAMPER,AIR	706	7-686-628-04	SCREW,B3x14
313	3-673-616-00	COLLAR,GR	707 ()	7-685-133-14	SCREW,BTP2.6x6
314 ()	3-673-617-00	COLLAR,RETAINER,PRE-LOAD	708	7-688-003-01	WASHER,M3,SMALL
315 ()	3-673-620-00	ROLLER,T ARM	709	7-686-624-04	SCREW,B3x6
316	3-673-621-00	CAP,T ARM	801	8-745-211-00	DME,DM-211

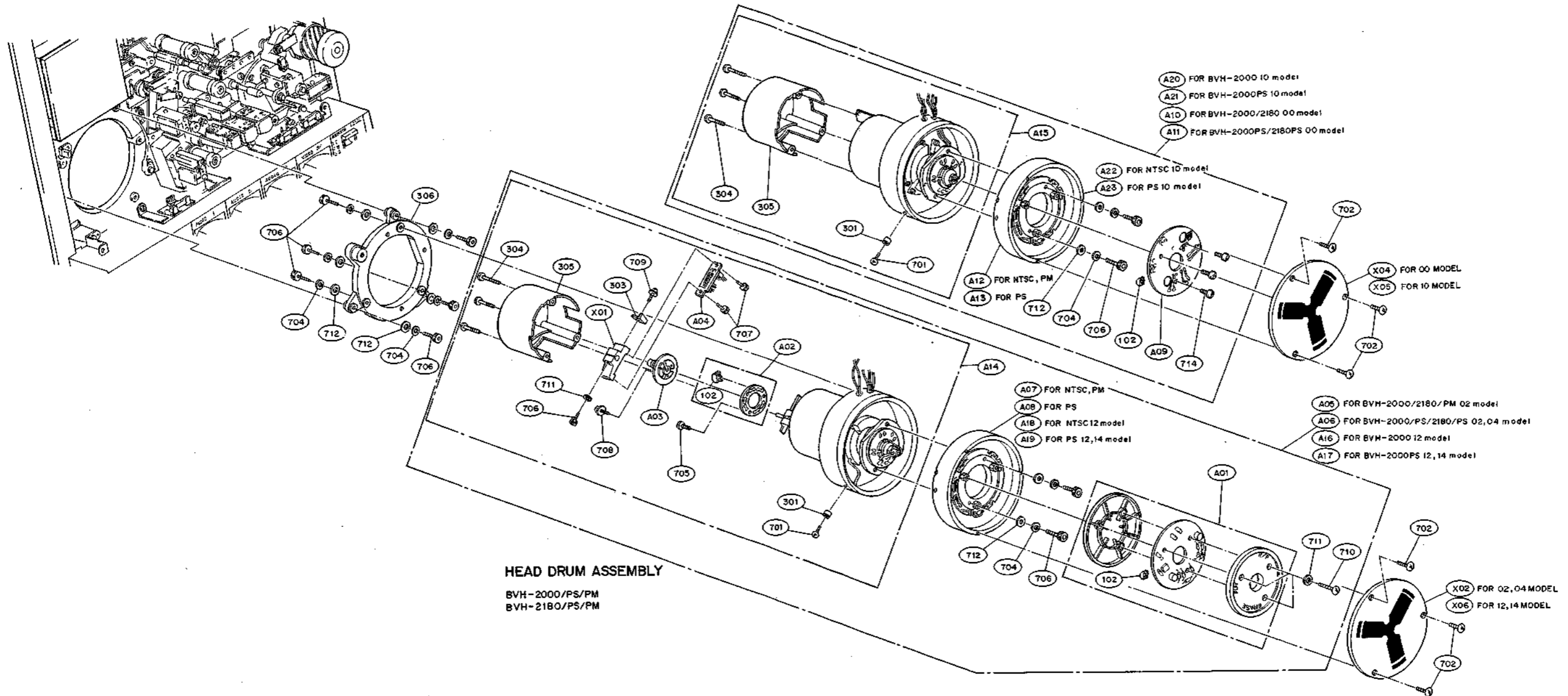
TENSION ARM & TIMER ROLLER

TENSION ARM & TIMER ROLLER

BVH-2180



TENSION ARM & TIMER ROLLER ASSEMBLY
BVH-2180/PS/PM



HEAD DRUM ASSEMBLY (BVH-2000/2180)

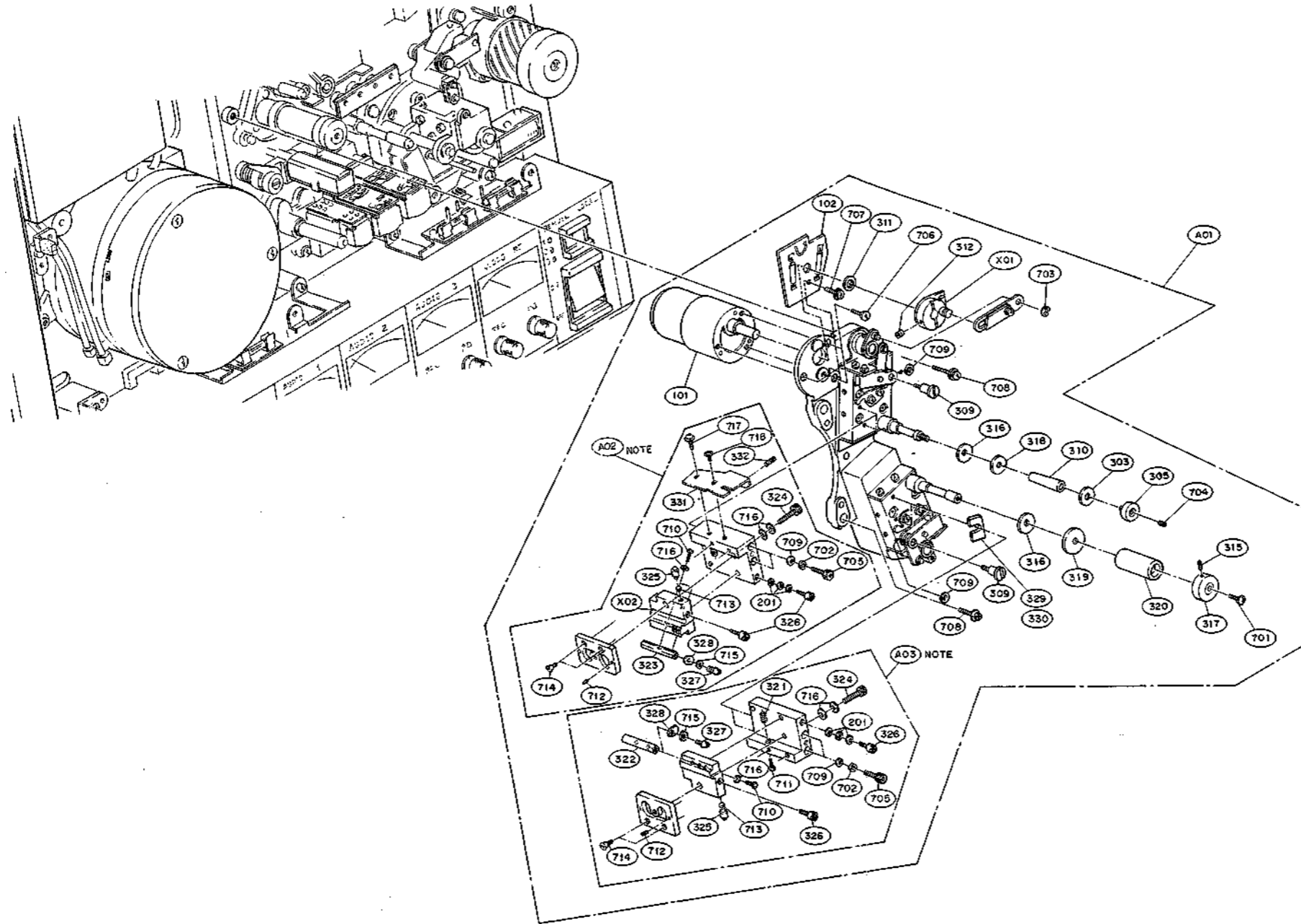
No.	Part No.	Description	No.	Part No.	Description
A01	() A-6049-008-A	COMPLETE PCB,DR-13R	A21	A-6050-429-A	HEAD DRUM ASSY,DMH-32A-R (for PS 10)
A02	() A-6026-023-B	MOUNTED PCB,SL-07	A22	A-6052-084-A	UPPER DRUM ASSY,DMR-31-R (for NTSC 10)
A03	A-6709-428-B	MOUNTED PCB,SL-08	A23	A-6052-086-A	UPPER DRUM ASSY,DMR-32-R (for PS 10)
A04	A-6709-429-C	MOUNTED PCB,SL-09	X01	() X-3673-405-0	FITTING BLOCK ASSY,FG
A05	A-6050-147-A	HEAD DRUM ASSY,DMH-17A-R (for NTSC 02,PM 02)	X02	X-3673-651-0	LID ASSY,DRUM
A06	A-6050-148-A	HEAD DRUM ASSY,DMH-18A-R (for PS 02,04)	X04	X-3673-681-0	LID ASSY,DRUM
A07	A-6052-046-A	UPPER DRUM ASSY,DMR-17-R (for NTSC 02,PM 02)	X05	X-3673-707-1	LID ASSY(NS),DRUM
A08	A-6052-047-A	UPPER DRUM ASSY,DMR-18-R (for PS 02,04)	X06	X-3673-708-1	LID ASSY(NS),DRUM
A09	() A-6010-070-A	MOUNTED PCB,DR-20 (Except for 12,14)	102	1-560-240-00	CONTACT
A10	A-6050-158-A	HEAD DRUM ASSY,DMH-19A-R (for NTSC 00,PM 00)	301	() 3-654-914-00	STOPPER,TAPE
A11	A-6050-160-A	HEAD DRUM ASSY,DMH-20A-R (for PS 00)	303	() 3-673-423-00	PLATE,SCALE
A12	A-6052-054-A	UPPER DRUM ASSY,DMR-19-R (for NTSC 00,PM 00)	304	() 3-673-432-00	SCREW,M3x20,COVER
A13	A-6052-055-A	UPPER DRUM ASSY,DMR-20-R (for PS 00)	305	() 3-673-434-00	COVER,SLIP RING
A14	A-6053-021-A	LOWER DRUM ASSY,DML-17A-R (for 02,04,12,14)	306	3-673-431-00	SLANT TABLE,DRUM
A15	A-6053-022-A	LOWER DRUM ASSY,DML-19A-R (for 00,10)	701	7-621-909-43	SCREW,P2,6x6
A16	A-6050-423-A	HEAD DRUM ASSY,DMH-29A-R (for NTSC 12)	702	7-621-912-38	SCREW,B2,6x6
A17	A-6050-425-A	HEAD DRUM ASSY,DMH-30A-R (for PS 12,14)	703	7-623-208-22	SPRING WASHER,M3
A18	A-6052-080-A	UPPER DRUM ASSY,DMR-29-R (for NTSC 12)	704	7-623-210-22	SPRING WASHER,M4
A19	A-6052-082-A	UPPER DRUM ASSY,DMR-30-R (for PS 12,14)	705	7-683-410-04	SCREW,C3x20
A20	A-6050-427-A	HEAD DRUM ASSY,DMH-31A-R (for NTSC 10)	706	7-683-422-04	SCREW,C4x14
			707	7-686-448-01	SCREW,PS3x8
			708	7-686-450-01	SCREW,PS3x12
			709	7-686-527-01	SCREW,PSW3x6
			710	7-686-625-04	SCREW,B3x8
			711	7-688-003-11	WASHER,M3,MIDDL
			712	7-688-004-11	WASHER,M4,MIDDL
			714	7-686-623-04	SCREW,B3x5

	UPPER DRUM ASSY	LOWER DRUM ASSY	HEAD DRUM ASSY
NTSC,PM(02 model)	DMR-17-R	DML-17A-R	DMH-17A-R
NTSC(00 model)	DMR-19-R	DML-19A-R	DMH-19A-R
PS(02,04 model)	DMR-18-R	DML-17A-R	DMH-18A-R
PS(00 model)	DMR-20-R	DML-19A-R	DMH-20A-R
NTSC (12 model)	DMR-29-R	DML-17A-R	DMH-29A-R
NTSC (10 model)	DMR-31-R	DML-19A-R	DMH-31A-R
PS (12,14 model)	DMR-30-R	DML-17A-R	DMH-30A-R
PS (10 model)	DMR-32-R	DML-19A-R	DMH-32A-R

MOVABLE GUIDE ASSY

MOVABLE GUIDE ASSEMBLY (BVH-2000/2180/2500/2700)

No.	Part No.	Description	No.	Part No.	Description
A01	A-6046-034-B	GUIDE ASSY,MOVABLE,TYPE A (for BVH-2000/PS/PM) (for BVH-2180/PS/PM) (for BVH-2500/P)	330	3-630-035-11	SPACER(+0.02)
	A-6046-046-A	GUIDE ASSY,MOVABLE,TYPE HS (for BVH-2700)	331 ()	3-680-362-01	FENCE
A02	A-6046-037-C	GUIDE ASSY,S SLANT	332	3-701-507-00	SETSCREW 3x5
A03	A-6046-035-A	GUIDE ASSY,T SLANT,TYPE A (for BVH-2000/PS/PM) (for BVH-2180/PS/PM) (for BVH-2500/P)	701	7-621-912-38	SCREW,B2.6x6
	A-6046-047-A	GUIDE ASSY,T SLANT,TYPE HS (for BVH-2700)	702	7-623-208-22	SPRING WASHER,M3
X01 ()	X-3673-619-0	DISK ASSY	703	7-624-106-04	STOP RING,E3
X02	X-3673-620-0	HOLDER ASSY,S GUIDE	704	7-683-237-01	SET SCREW,3x3
101	1-541-198-00	MOTOR,GEARED,DC12V EN35-H1G9B	705	7-683-406-04	SCREW,C3x12
102 ()	1-606-701-00	TH-03 BOARD	706	7-686-447-01	SCREW,PS3x6
201	2-529-922-00	WASHER(B)	707	7-686-528-01	SCREW,PSW3x8
303	3-651-427-03	FLANGE,TAPE GUIDE	708 ()	7-686-553-01	SCREW,PSW4x20
304	3-659-213-00	BEARING,BALL	709	7-688-003-01	WASHER,M3
305 ()	3-673-647-00	CAP A	710	7-621-259-42	SCREW,P2.6x6
309 ()	3-673-651-00	SHAFT,LEVER	711	7-621-259-62	SCREW,P2.6x10
310	3-673-725-02	GUIDE,TAPER	712	7-621-732-08	SET SCREW,2x3
311	3-701-444-21	WASHER,M6,POLY	713	7-671-155-01	STEEL BALL 3,0
312	3-701-510-00	SET SCREW,4x4	714	7-682-247-15	SCREW,K3x6
315	3-701-505-00	SET SCREW,3x3	715	7-688-002-03	WASHER,M2.6,SMALL
316 ()	3-680-324-00	SPRING	716	7-688-004-03	WASHER,M4,SMALL
317 ()	3-680-325-00	FLANGE,HEIGHT ADJUSTMENT	717	7-621-981-45	SCREW,PSW2.6x12
318 ()	3-680-326-00	FLANGE(S)	718	7-621-981-25	SCREW,PSW2.6x8
319 ()	3-680-327-00	FLANGE (T)			
320	3-680-328-02	GUIDE,T FIXED			
321	3-513-234-00	SPRING,COMPRESSION			
322	3-654-805-00	PIN(T),GUIDE			
323	3-654-835-00	PIN(S),GUIDE			
324	3-657-705-11	SCREW,C4x20			
325	3-673-720-00	ROD,SLANT ADJUSTMENT			
326	3-673-722-00	SCREW,ADJUSTMENT			
327	3-674-683-00	SCREW,FITTING,FLANGE			
328	3-680-321-00	FLANGE,GUIDE PIN			
329	3-630-035-01	SPACER(+0.01)			



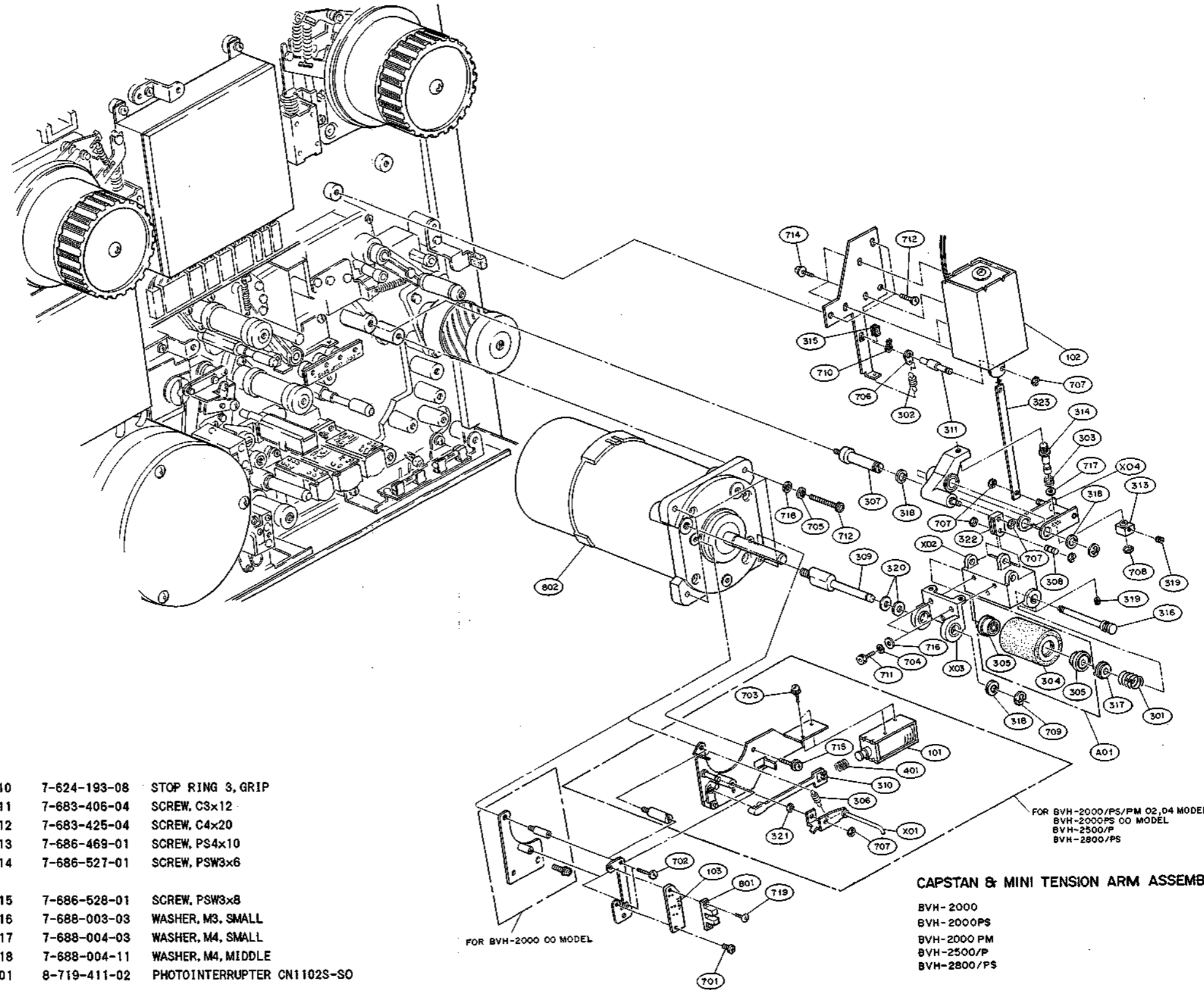
Note:
For replacement of the components of A02 and A03, contact your
SONY Office.

CAPSTAN & MINI TENSION ARM ASSEMBLY (BVH-2000/2500/2800)

No.	Part No.	Description
A01	A-6035-036-A	ROLLER ASSY
X01	() X-3673-669-0	ARM ASSY, MINI TENSION (for BVH-2000/PS/PM 02, 04) (for BVH-2500) (for BVH-2800/PS)
X02	() X-3673-671-1	PINCH LEVER (1) ASSY
X03	() X-3673-672-2	PINCH LEVER (2) ASSY
X04	() X-3673-628-2	LEVER (2) ASSY, JOINT
101	1-454-263-21	SOLENOID, 12V, 60 OHM (for BVH-2000/PS/PM 02, 04) (for BVH-2500/P) (for BVH-2800/PS)
102	1-454-305-00	SOLENOID, 12V 20/52 OHM
103	() 1-606-702-00	TD-05 BOARD (WITHOUT COMPONENT)
301	3-530-045-00	SPRING, COMPRESSION
302	3-534-217-00	SPRING, TENSION
303	3-534-236-00	SPRING, COMPRESSION
304	3-656-909-02	PINCH ROLLER
305	3-656-913-00	BEARING, BALL
306	() 3-673-652-00	SPRING, TENSION
307	() 3-673-656-00	SHAFT, LEVER
308	() 3-673-658-00	PIN (2), JOINT
309	() 3-673-659-00	SHAFT, PINCH ROLLER
310	() 3-673-738-00	ROD
311	() 3-673-748-00	PIN, JOINT
313	() 3-673-751-00	STOPPER
314	() 3-673-752-00	SHAFT, PRESS ADJUSTMENT
315	() 3-673-795-00	CUSHION
316	() 3-673-807-00	SHAFT, PINCH ROLLER
317	() 3-673-808-00	RETAINER, BEARING
318	3-701-445-21	WASHER, M7, POLY
319	3-701-505-00	SET SCREW, 3x3
320	3-701-445-11	WASHER, M7, POLY
321	() 3-680-322-00	SPRING, FRICTION
322	() 3-673-657-02	JOINT
323	() 3-673-747-01	JOINT (2)
401	4-820-917-01	SPRING, COMPRESSION
701	7-621-972-25	SCREW, PS2, 6x6
702	7-621-972-35	SCREW, PS2, 6x8
703	7-621-981-05	SCREW, PSW2, 6x5
704	7-623-208-22	SPRING WASHER, M3
705	7-623-210-22	SPRING WASHER, M4
706	7-623-508-01	LUG 3
707	7-624-105-04	STOP RING, E2, 3
708	7-624-106-04	STOP RING, E3
709	7-624-110-04	STOP RING, E6

D-29

710	7-624-193-08	STOP RING 3, GRIP
711	7-683-406-04	SCREW, C3x12
712	7-683-425-04	SCREW, C4x20
713	7-686-469-01	SCREW, PS4x10
714	7-686-527-01	SCREW, PSW3x6
715	7-686-528-01	SCREW, PSW3x8
716	7-688-003-03	WASHER, M3, SMALL
717	7-688-004-03	WASHER, M4, SMALL
718	7-688-004-11	WASHER, M4, MIDDLE
801	8-719-411-02	PHOTOINTERRUPTER CN1102S-SO
802	8-838-029-01	MOTOR, CAPSTAN, BHF-2300A



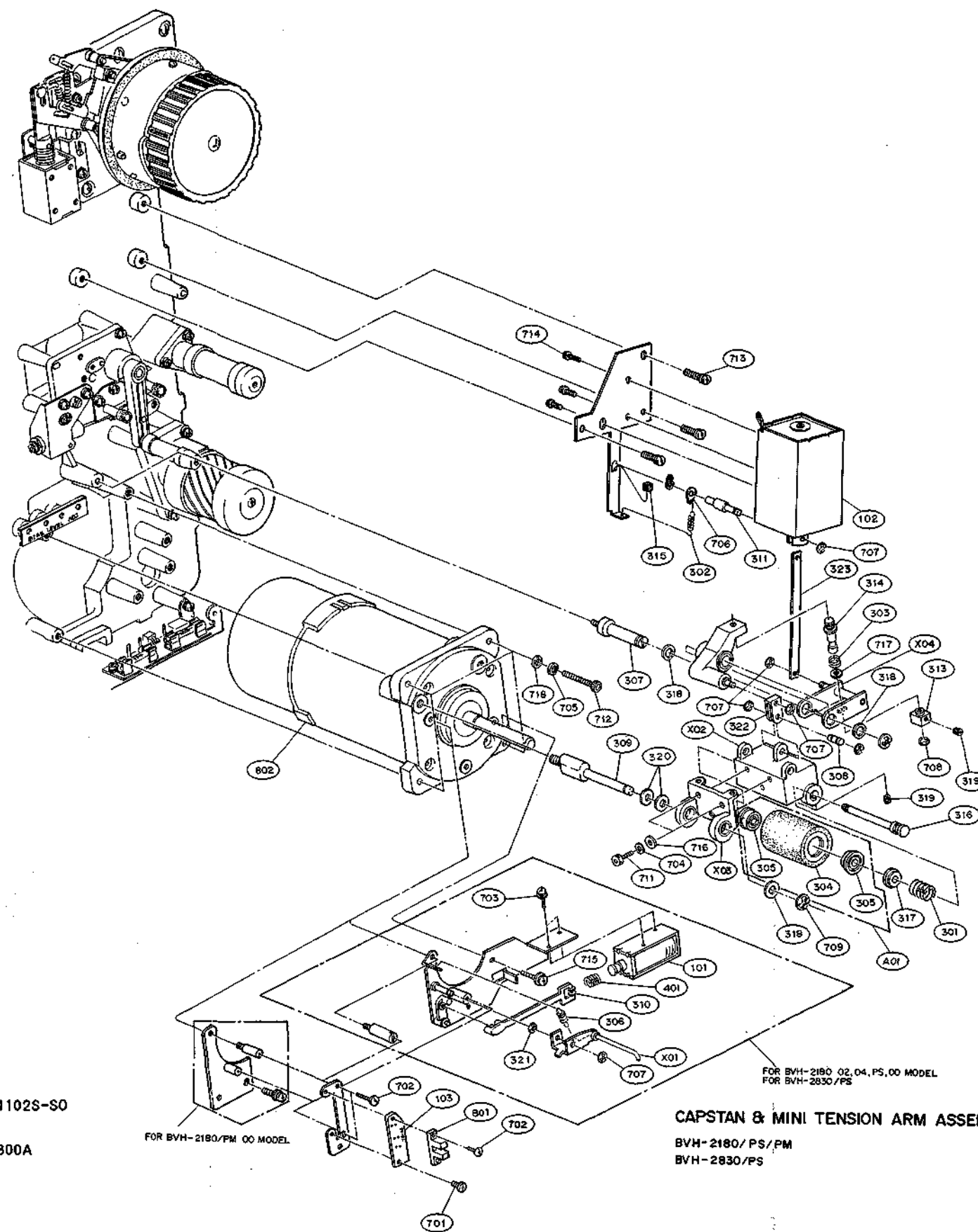
CAPSTAN & MINI TENSION ARM ASSEMBLY

BVH-2000
BVH-2000PS
BVH-2000 PM
BVH-2500/P
BVH-2800/PS

BVH-2180

CAPSTAN & MINI TENSION ARM ASSEMBLY (BVH-2180/2830)

No.	Part No.	Description
A01	A-6035-036-A	ROLLER ASSY
X01 ()	X-3673-669-0	ARM ASSY, MINI TENSION
X02 ()	X-3673-671-1	PINCH LEVER (1) ASSY
X03 ()	X-3673-672-2	PINCH LEVER (2) ASSY
X04 ()	X-3673-628-2	LEVER (2) ASSY, JOINT
101	1-454-263-21	SOLENOID, 12V, 60 OHM
102	1-454-305-00	SOLENOID, 12V 20/52 OHM
103 ()	1-606-702-00	TD-05 BOARD (WITHOUT COMPONENT)
301	3-530-045-00	SPRING, COMPRESSION
302	3-534-217-00	SPRING, TENSION
303	3-534-236-00	SPRING, COMPRESSION
304	3-656-909-02	PINCH ROLLER
305	3-656-913-00	BEARING, BALL
306 ()	3-673-652-00	SPRING, TENSION
307 ()	3-673-656-00	SHAFT, LEVER
308 ()	3-673-658-00	PIN (2), JOINT
309 ()	3-673-659-00	SHAFT, PINCH ROLLER
310 ()	3-673-738-00	ROD
311 ()	3-673-748-00	PIN, JOINT
313 ()	3-673-751-00	STOPPER
314 ()	3-673-752-00	SHAFT, PRESS ADJUSTMENT
315 ()	3-673-795-00	CUSHION
316 ()	3-673-807-00	SHAFT, PINCH ROLLER
317 ()	3-673-808-00	RETAINER, BEARING
318	3-701-445-21	WASHER, M7, POLY
319	3-701-505-00	SET SCREW, 3x3
320	3-701-445-11	WASHER, M7, POLY
321 ()	3-680-322-00	SPRING, FRICTION
322 ()	3-673-657-02	JOINT
323 ()	3-673-747-01	JOINT (2)
401	4-820-917-01	SPRING, COMPRESSION
701	7-621-972-25	SCREW, PS2, 6x6
702	7-621-972-35	SCREW, PS2, 6x8
703	7-621-981-05	SCREW, PSW2, 6x5
704	7-623-208-22	SPRING WASHER, M3
705	7-623-210-22	SPRING WASHER, M4
706	7-623-508-01	LUG 3
707	7-624-105-04	STOP RING, E2, 3
708	7-624-106-04	STOP RING, E3
709	7-624-110-04	STOP RING, E6
710	7-624-193-08	STOP RING 3, GRIP
711	7-683-406-04	SCREW, C3x12
712	7-683-425-04	SCREW, C4x20
713	7-686-469-01	SCREW, PS4x10
714	7-686-527-01	SCREW, PSW3x6
715	7-686-528-01	SCREW, PSW3x8
716	7-688-003-03	WASHER, M3, SMALL
717	7-688-004-03	WASHER, M4, SMALL
718	7-688-004-11	WASHER, M4, MIDDLE
801	8-719-411-02	PHOTOINTERRUPTER CN1102S-S0
802	8-838-029-01	MOTOR, CAPSTAN, BHF-2300A



CAPSTAN & MINI TENSION ARM ASSEMBLY
BVH-2180/PS/PM
BVH-2830/PS

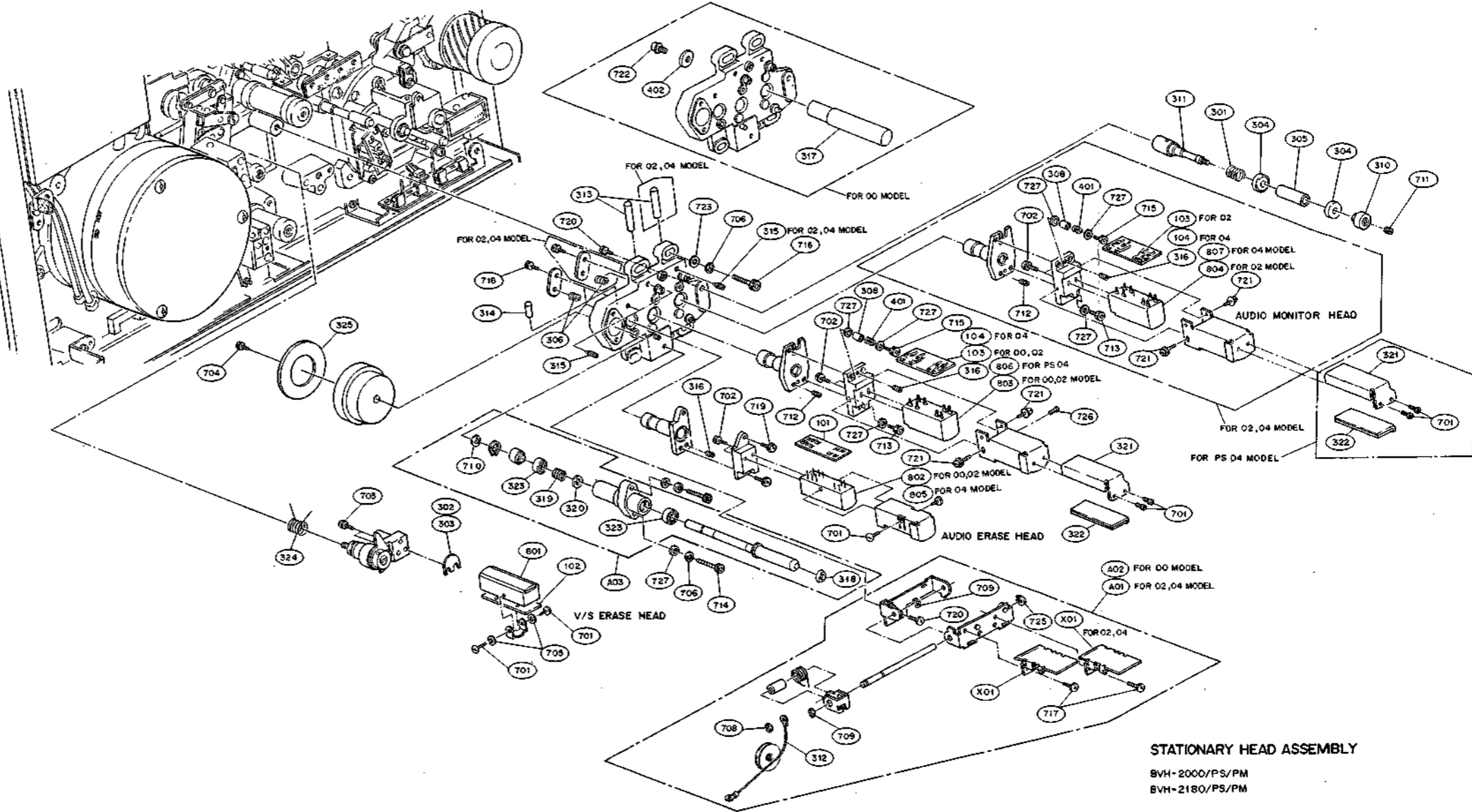


STATIONARY HEAD ASSY

STATIONARY HEAD ASSY

STATIONARY HEADS ASSEMBLY (BVH-2000/2180/2500)

No.	Part No.	Description
A01 ()	A-6036-052-A	SHIELD ASSY,FRONT (for 02,04 model)
A02 ()	A-6036-059-A	SHIELD ASSY,FRONT (for 00 model)
A03	A-6046-027-E	SHAFT ASSY, IP
X01 ()	X-3673-611-0	PLATE ASSY,SHIELD
101 ()	1-588-946-00	CEH-2 BOARD
102 ()	1-606-679-00	HD-06 BOARD
103 ()	1-606-680-00	HD-07 BOARD,for 00,02 model
104 ()	1-606-681-00	HD-08 BOARD,for PS 04
301	3-650-523-00	SPRING,COMPRESSION
302	3-651-419-01	SPACER (B),ERASE HEAD
303	3-651-419-21	SPACER (B),ERASE HEAD
304	3-651-427-00	FLANGE,TAPE GUIDE
305	3-651-428-00	GUIDE,TAPE
306	3-653-350-00	SPRING,COMPRESSION
308 ()	3-661-588-00	SPACER
310 ()	3-673-647-00	CAP A
311 ()	3-673-669-02	SHAFT,FIXED GUIDE
312	3-673-674-00	WIRE
313 ()	3-673-696-01	ROD,LOCK
314 ()	3-673-696-11	ROD,LOCK
315 ()	3-673-906-00	SET SCREW,4x10,CONE POINT
316	3-673-907-00	SET SCREW,3x6,CONE POINT
317	3-674-665-00	GUIDE,DUMMY (for 00 model)
318 ()	3-680-363-01	CAP, IP SHAFT
319 ()	3-674-689-00	SPRING,COMPRESSION
320 ()	3-674-690-00	SHIM
321 ()	3-674-692-00	COVER,SHIELD,HEAD,R/P
322 ()	3-674-693-00	INSULATOR
323	3-659-213-00	BEARING,BALL
324 ()	3-673-791-02	SPRING,TORSION
325	3-673-686-00	PLATE, FRICTION
401	4-812-546-01	SPRING,COMPRESSION,(B)
402	4-828-624-01	WASHER,DIA. 16
701	7-621-911-08	SCREW,B2x3
702	7-621-972-25	SCREW,PS2.6x6
703	7-621-972-45	SCREW,PS2.6x10
704	7-621-981-15	SCREW,PSW2.6x6
705	7-623-205-22	SPRING WASHER,M2
706	7-623-208-22	SPRING WASHER,M3
707	7-623-210-22	SPRING WASHER,M4
708	7-624-105-04	STOP RING,E2,3
709	7-624-106-04	STOP RING,E3
710	7-624-108-04	STOP RING,E4
711	7-683-237-01	SET SCREW,3x3,FLAT POINT
713	7-683-405-04	SCREW,C3x10
714	7-683-407-04	SCREW,C3x14
715	7-683-408-04	SCREW,C3x16
716	7-683-425-04	SCREW,C4x20
717	7-686-446-01	SCREW,PS3x5
718	7-686-447-01	SCREW,PS3x6
719	7-686-448-01	SCREW,PS3x8
720	7-686-469-01	SCREW,PS4x10
721	7-686-527-01	SCREW,PSW3x6
722	7-686-548-01	SCREW,PSW4x8
723	7-688-004-11	WASHER,M4,MIDDLE
725	7-624-193-01	STOP RING 4,GRIP



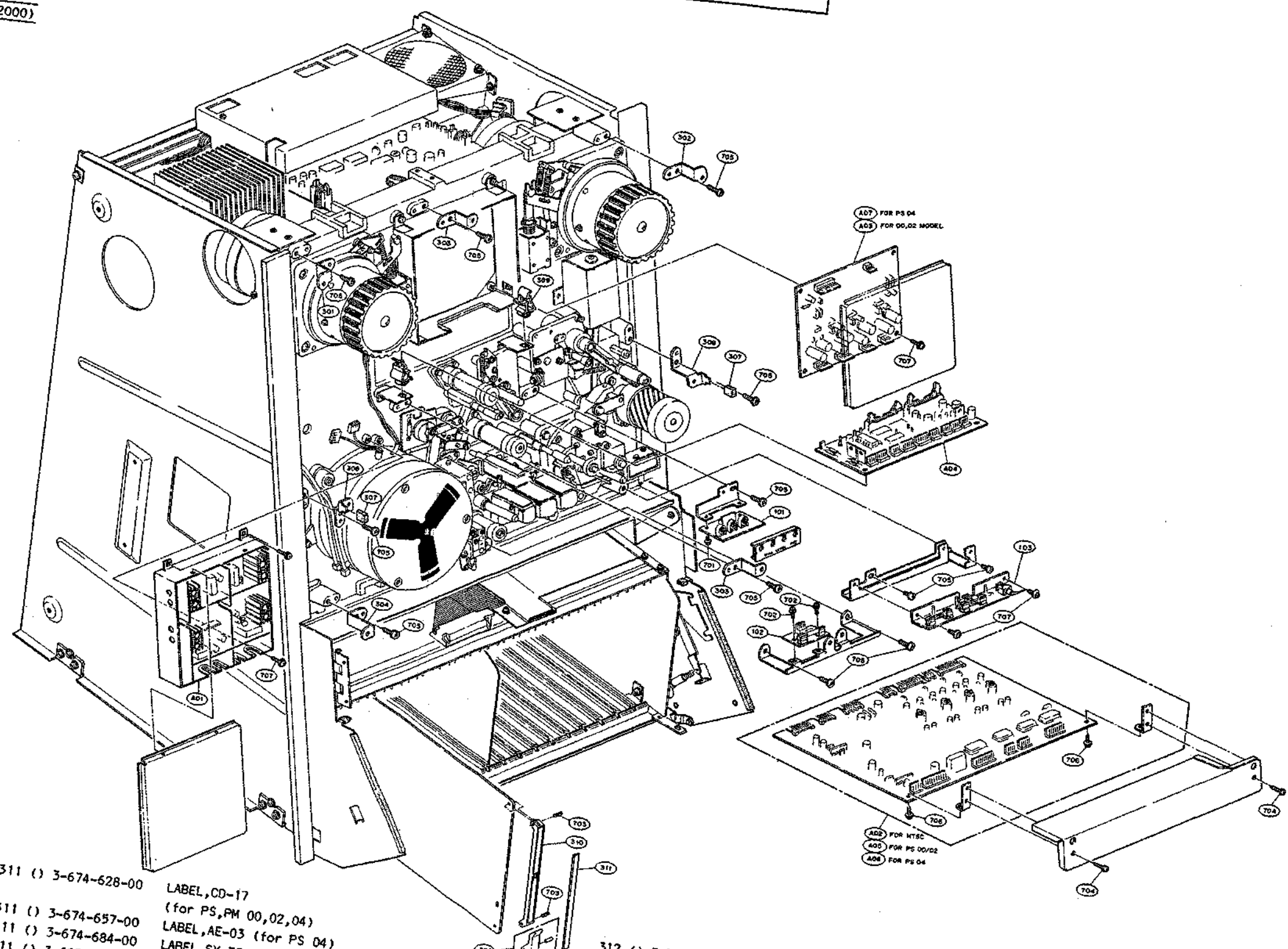
STATIONARY HEAD ASSEMBLY
BVH-2000/PS/PM
BVH-2180/PS/PM

Note: BVH-2500 series has only 02 model.

PC BOARD & PANEL BRACKET

PC BOARD & PANEL BRACKET

PC BOARDS & PANEL BRACKETS ON FRONT (BVH-2000)



- No. Part No. Description
- A01 () A-6011-063-A COMPLETE PCB,RP-09
- A02 () A-6013-067-A COMPLETE PCB,AP-12 (for NTSC,PM)
- A03 () A-6013-046-A COMPLETE PCB,BE-03 (for 00,02 model)
- A04 () A-6025-084-A COMPLETE PCB,TT-01
- A05 () A-6013-068-A COMPLETE PCB,AP-12 (for PS 00/02)
- A06 () A-6013-069-A COMPLETE PCB,AP-12 (for PS 04)
- A07 () A-6013-054-A COMPLETE PCB,BE-03 (for PS 04)
- 101 () 1-606-676-00 BE-04 BOARD (WITHOUT COMPONENT)
- 102 () 1-606-699-00 HM-05 BOARD (WITHOUT COMPONENT)
- 103 () 1-609-959-00 TM-16 BOARD (WITHOUT COMPONENT)
- 301 () 3-673-677-00 BRACKET(1),PANEL
- 302 () 3-673-678-00 BRACKET(2),PANEL
- 303 () 3-673-679-01 BRACKET(3),PANEL
- 304 () 3-673-679-11 BRACKET(3),PANEL
- 307 () 3-673-784-00 CAP
- 308 () 3-673-785-00 BRACKET(4),PANEL
- 309 () 3-673-865-00 LEVER
- 310 () 3-673-867-00 PLATE,INDICATION,PC BOARD
- 311 () 3-674-611-00 LABEL,AU-27
- 311 () 3-674-612-00 LABEL,AE-03 (for 00,02 model)
- 311 () 3-674-613-00 LABEL,E0-02 (for NTSC,PS,PM 00,02,04)
- 311 () 3-674-614-00 LABEL,DM-25
- 311 () 3-674-615-00 LABEL,MD-14 (for NTSC,PS,PM 00,02,04)
- 311 () 3-674-616-11 LABEL,LG-02(A) (for NTSC 00,02)
- 311 () 3-674-617-00 LABEL,SY-79 (for 02,04 model)
- 311 () 3-674-618-00 LABEL,SY-80 (for NTSC,PM)
- 311 () 3-674-619-00 LABEL,SY-43
- 311 () 3-674-620-00 LABEL,RL-12
- 311 () 3-674-621-00 LABEL,CD-17 (for NTSC 00,02)
- 311 () 3-674-622-00 LABEL,SR-15 (for NTSC)
- 311 () 3-674-623-00 LABEL,DT-04 (for NTSC,PM)
- 311 () 3-674-624-00 LABEL,SY-80 (for PS)
- 311 () 3-674-625-03 LABEL,DT-05 (for PS)
- 311 () 3-674-626-00 LABEL,SR-15 (for PS,PM)
- 311 () 3-674-627-11 LABEL,LG-02(A) (for NTSC,PS,PM 00,02,04)
- 311 () 3-674-628-00 LABEL,CD-17 (for PS,PM 00,02,04)
- 311 () 3-674-657-00 LABEL,AE-03 (for PS 04)
- 311 () 3-674-684-00 LABEL,SY-79 (for 00 model)
- 311 () 3-693-052-01 LABEL(PS-NS) LG-02 (for PS 10,12,14)
- 311 () 3-693-053-01 LABEL(PS-NS) CD-17 (for PS 10,12,14)
- 311 () 3-693-055-01 LABEL(NS) MD-14 (for 10,12,14)
- 311 () 3-693-056-01 LABEL(NS) E0-02 (for 10,12,14)
- 311 () 3-693-057-01 LABEL(NS) LG-02 (for U/C 10,12)
- 311 () 3-693-058-01 LABEL(NS) CD-17 (for U/C 10,12)

- 312 () 3-703-141-00 HOLDER,PCB
- 701 7-621-981-05 SCREW,PSW2,6x5
- 702 7-621-981-15 SCREW,PSW2,6x6
- 703 () 7-626-317-21 SPRING PIN 2.5x8
- 704 7-686-447-01 SCREW,PS3x6
- 705 7-686-469-01 SCREW,PS4x10
- 706 7-686-527-01 SCREW,PSW3x6
- 707 7-686-528-01 SCREW,PSW3x8

PC BOARD & PANEL BRACKETS ON FRONT
BVH-2000
BVH-2000PS
BVH-2000PM

D-33

D-34

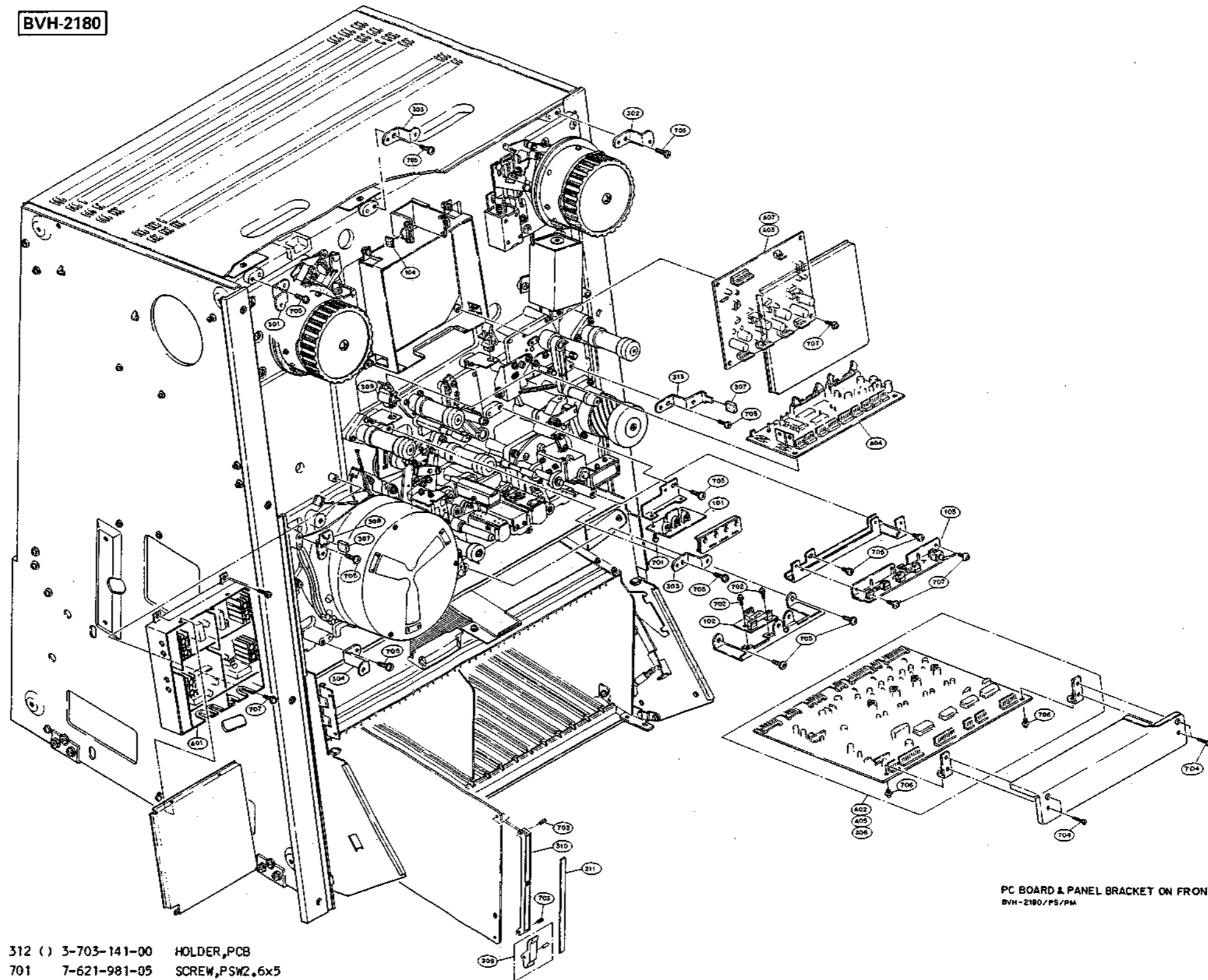


BVH-2180

PC BOARDS & PANEL BRACKETS ON FRONT (BVH-2180)

No.	Part No.	Description
A01 ()	A-6011-063-A	COMPLETE PCB,RP-09
A02 ()	A-6013-067-A	COMPLETE PCB,AP-12 (for NTSC,PM)
A03 ()	A-6013-046-A	COMPLETE PCB,BE-03 (for 00,02 model)
A04 ()	A-6025-091-A	COMPLETE PCB,TT-01
A05 ()	A-6013-068-A	COMPLETE PCB,AP-12 (for PS 00/02)
A06 ()	A-6013-069-A	COMPLETE PCB,AP-12 (for PS 04)
A07 ()	A-6013-054-A	COMPLETE PCB,BE-03 (for PS 04)
101 ()	1-606-676-00	BE-04 BOARD (WITHOUT COMPONENT)
102 ()	1-606-699-00	HM-05 BOARD (WITHOUT COMPONENT)
103 ()	1-609-959-12	TM-16 BOARD (WITHOUT COMPONENT)
104 ()	1-613-389-11	RS-18 BOARD (WITHOUT COMPONENT)
301 ()	3-673-677-00	BRACKET(1),PANEL
302 ()	3-673-678-00	BRACKET(2),PANEL
303 ()	3-673-679-01	BRACKET(3),PANEL
304 ()	3-673-679-11	BRACKET(3),PANEL
307 ()	3-673-784-00	CAP
308 ()	3-673-785-00	BRACKET(4),PANEL
309 ()	3-673-865-00	LEVER
310 ()	3-673-867-00	PLATE,INDICATION,PC BOARD
311 ()	3-674-611-00	LABEL,AU-27
311 ()	3-674-612-00	LABEL,AE-03 (for 00,02 model)
311 ()	3-674-613-00	LABEL,EQ-02
311 ()	3-674-614-00	LABEL,DM-25
311 ()	3-674-615-00	LABEL,MD-14
311 ()	3-674-616-11	LABEL,LG-02(A)
311 ()	3-674-617-00	LABEL,SY-79 (for 02,04 model)
311 ()	3-674-618-00	LABEL,SY-80 (for NTSC,PM)
311 ()	3-690-530-01	LABEL,SV-43
311 ()	3-690-531-01	LABEL,RL-12
311 ()	3-674-621-00	LABEL,CD-17 (for NTSC)
311 ()	3-674-622-00	LABEL,SR-15 (for NTSC)
311 ()	3-674-623-00	LABEL,DT-04 (for NTSC,PM)
311 ()	3-674-624-00	LABEL,SY-80 (for PS)
311 ()	3-674-625-03	LABEL,DT-05 (for PS)
311 ()	3-674-626-00	LABEL,SR-15 (for PS,PM)
311 ()	3-674-627-11	LABEL,LG-02(A)
311 ()	3-674-628-00	LABEL,CD-17 (for PS,PM)
311 ()	3-674-657-00	LABEL,AE-03 (for PS 04)
311 ()	3-674-684-00	LABEL,SY-79 (for 00 model)
312 ()	3-703-141-00	HOLDER,PCB
701	7-621-981-05	SCREW,PSW2,6x5
702	7-621-981-15	SCREW,PSW2,6x6
703 ()	7-626-317-21	SPRING PIN 2,5x8
704	7-686-447-01	SCREW,PS3x6
705	7-686-469-01	SCREW,PS4x10
706	7-686-527-01	SCREW,PSW3x6
707	7-686-528-01	SCREW,PSW3x8

D-33(a)

PC BOARD & PANEL BRACKET ON FRONT
BVH-2180/PS/PM

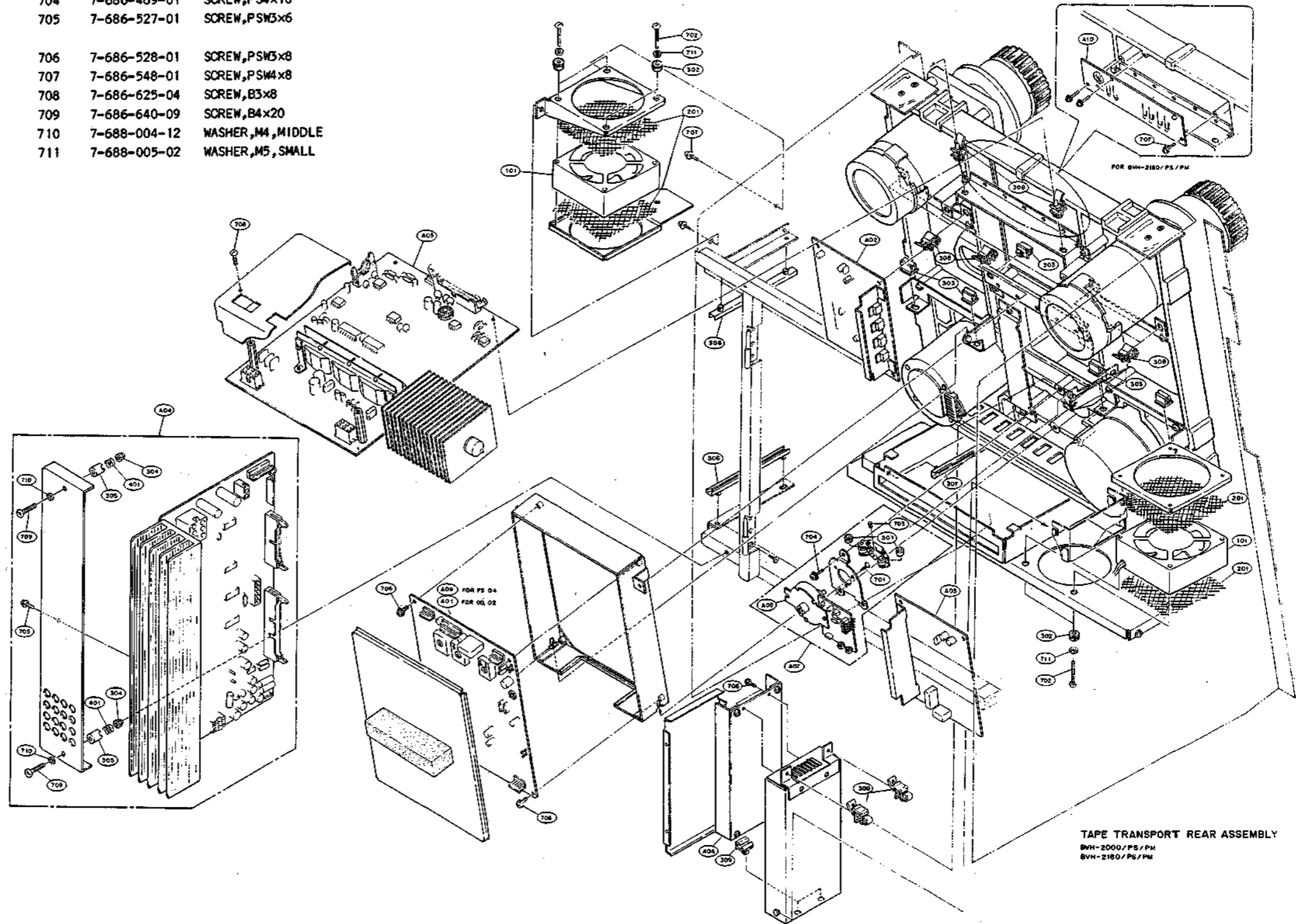
D-34(a)

BVH-2180
(J, U/C, PS, PM)

TAPE TRANSPORT REAR ASSEMBLY (BVH-2000/2180/2500)

No.	Part No.	Description
A01 ()	A-6013-045-B	COMPLETE PCB,BE-02 (for BVH-2000/2180/PS/PM) 00,02 model) (for BVH-2500/P)
A02 ()	A-6015-064-A	COMPLETE PCB,CA-09
A03 ()	A-6015-065-A	COMPLETE PCB,DA-07
A04 ()	A-6023-030-A	COMPLETE PCB,PS-14
A05 ()	A-6023-031-A	COMPLETE PCB,RA-05
A06	A-6023-032-A	COMPLETE PCB,DD-01 (for BVH-2500)
	A-6023-035-A	COMPLETE PCB,DD-03 (for BVH-2000/PS/PM) (for BVH-2180/PS/PM)
A07 ()	A-6037-022-A	MOTOR ASSY,IP DRIVING
A08 ()	A-6037-025-A	MOTOR ASSY,ROLLER
A09 ()	A-6013-053-B	COMPLETE PCB,BE-02 (for BVH-2000PS 04 model) (for BVH-2180PS 04 model)
A10 ()	A-6025-093-A	COMPLETE PCB,RS-17 (for BVH-2180/PS/PM)
101	1-541-170-21	FAN,DC12V,FB-08B12HA
201 ()	2-252-609-00	COVER,FAN
301 ()	3-534-255-00	CUSHION,BRAKE
302 ()	3-630-837-00	BUSHING
303 ()	3-642-310-00	HOLDER,CIRCUIT BOARD
304 ()	3-680-316-00	NUT,M4,NYLON
305 ()	3-651-849-00	SPACER,PANEL
306 ()	3-673-676-11	RAIL,PC BOARD GUIDE
307 ()	3-673-676-21	RAIL,PC BOARD GUIDE
308 ()	3-703-141-00	HOLDER,CIRCUIT BOARD
309 ()	3-703-072-00	HOLDER,CIRCUIT BOARD
401 ()	3-303-890-01	SPRING,COMPRESSION

701	7-621-559-00	SCREW,K2.6x4
702	7-682-571-09	SCREW,+B4x45
703	7-683-238-01	SET SCREW 3x4,FLAT POINT
704	7-686-469-01	SCREW,PS4x10
705	7-686-527-01	SCREW,PSW3x6
706	7-686-528-01	SCREW,PSW3x8
707	7-686-548-01	SCREW,PSW4x8
708	7-686-625-04	SCREW,B3x8
709	7-686-640-09	SCREW,B4x20
710	7-688-004-12	WASHER,M4,MIDDLE
711	7-688-005-02	WASHER,M5,SMALL



TAPE TRANSPORT REAR ASSEMBLY
BVH-2000/PS/PM
BVH-2180/PS/PM



Ref.No. or Qty	Part No.	Description	Ref.No. or Qty	Part No.	Description
<u>AU-27 BOARD (BVH-2000PS, 2180PS/CARD RACK)</u>			<u>(AU-27 BOARD, CARD RACK)</u>		
1pc	() A-6013-050-A	COMPLETE PCB, AU-27 (This assembly includes the following parts.)	C113, 129, 132, 213, 229, 232	1-130-475-00	CAP, MYLAR 0.0022 5% 50V
C102, 109, 202, 209	1-107-085-00	CAP, MICA 100PF 5% 50V	C152, 252 (May be used or not.)	1-130-475-00	CAP, MYLAR 0.0022 5% 50V
C180, 280	1-107-210-00	CAP, MICA 22PF 5% 500V	C154, 179, 254, 279	1-130-477-00	CAP, MYLAR 0.0033 5% 50V
C161	1-109-540-00	CAP, MICA 180PF 5% 100V	C112, 212	1-130-481-00	CAP, MYLAR 0.0068 5% 50V
C267	1-109-541-00	CAP, MICA 200PF 5% 100V	C168, 268	1-130-482-00	CAP, MYLAR 0.0082 5% 50V
C261, 262	1-109-542-00	CAP, MICA 220PF 5% 100V	C159, 259	1-130-620-00	CAP, FILM 0.01 5% 50V
C167	1-109-543-00	CAP, MICA 240PF 5% 100V	C110, 111, 130, 131, 210, 211, 230, 231	1-130-624-00	CAP, FILM 0.022 5% 50V
C162	1-109-547-00	CAP, MICA 330PF 5% 100V	C169, 269	1-130-632-00	CAP, FILM 0.1 5% 50V
C163, 263	1-109-549-00	CAP, MICA 390PF 5% 100V	C117, 135, 217, 235	1-131-347-00	CAP, TANT 0.1 10% 35V
C101, 120, 201, 220	1-109-550-00	CAP, MICA 430PF 5% 100V	C160, 260	1-131-369-00	CAP, TANT 4.7 10% 16V
C104, 105, 114, 115, 133, 134, 139, 140, 146, 147, 148, 156, 157, 165, 166, 204, 205, 214, 215, 233, 234, 239, 240, 246, 247, 248, 256, 257, 265, 266	1-123-318-00	CAP, ELECT 33 16V	C118, 153, 170, 218, 253, 270	1-131-371-00	CAP, TANT 10 10% 16V
C141, 149, 150, 241, 249, 250	1-123-332-00	CAP, ELECT 47 25V	C178, 278	1-131-373-00	CAP, TANT 22 10% 16V
C143, 145, 243, 245	1-123-333-00	CAP, ELECT 100 25V	C103, 203	1-131-381-00	CAP, TANT 47 10% 10V
C171, 172, 173, 174, 175, 176, 177, 271, 272, 273, 274, 275, 276, 277	1-123-356-00	CAP, ELECT 10 50V	C142, 144, 242, 244	1-161-051-00	CAP, CERAMIC 0.01 10% 50V
C108, 208	1-130-467-00	CAP, MYLAR 470PF 5% 50V	RV111, 211	1-224-937-00	RES, VAR, METAL 1K
C119, 137, 151, 219, 237, 251	1-130-470-00	CAP, MYLAR 820PF 5% 50V	RV101, 102, 104, 107, 110, 201, 202, 204, 207, 210	1-224-940-00	RES, VAR, METAL 10K
C136, 236	1-130-473-00	CAP, MYLAR 0.0015 5% 50V	RV103, 105, 106, 203, 205, 206	1-224-941-00	RES, VAR, METAL 20K
C116, 216	1-130-474-00	CAP, MYLAR 0.0018 5% 50V	RV108, 109, 208, 209	1-228-580-00	RES, VAR, COMP 20K(B)

Ref.No. or Qty	Part No.	Description
(AU-27 BOARD,CARD RACK)		
R102,170,202,270	1-247-767-00	RES,CARBON 2.2 5% 1/6W
R105,106,115,116,119, 125,135,136,141,142, 149,154,160,168,169, 172,182,183,194,205, 206,215,216,219,225, 235,236,241,242,249, 254,260,268,269,272, 282,283,294,331	1-247-807-00	RES,CARBON 100 5% 1/6W
R139,239	1-247-815-00	RES,CARBON 220 5% 1/6W
R188,288	1-247-821-00	RES,CARBON 390 5% 1/6W
R104,204	1-247-828-00	RES,CARBON 750 5% 1/6W
R114,134,147,148,199, 214,234,247,248,299	1-247-831-00	RES,CARBON 1K 5% 1/6W
R118,178,218,278	1-247-835-00	RES,CARBON 1.5K 5% 1/6W
R110,210	1-247-836-00	RES,CARBON 1.6K 5% 1/6W
R101,111,121,130,138, 201,211,221,230,238	1-247-839-00	RES,CARBON 2.2K 5% 1/6W
R145,165,245,265	1-247-845-00	RES,CARBON 3.9K 5% 1/6W
R167,267	1-247-846-00	RES,CARBON 4.3K 5% 1/6W
R117,120,137,140,161, 217,220,237,240,261	1-247-847-00	RES,CARBON 4.7K 5% 1/6W
R150,151,250,251	1-247-851-00	RES,CARBON 6.8K 5% 1/6W
R157,162,257,262	1-247-853-00	RES,CARBON 8.2K 5% 1/6W

Ref.No. or Qty	Part No.	Description
(AU-27 BOARD,CARD RACK)		
R124,156,158,187,190, 191,192,193,195,196, 224,256,258,287,290, 291,293,311,312,313, 314,315,316,317,321, 322,323,324,325,326, 327	1-247-855-00	RES,CARBON 10K 5% 1/6W
R198,298	1-247-857-00	RES,CARBON 12K 5% 1/6W
R171,271	1-247-860-00	RES,CARBON 16K 5% 1/6W
R107,164,207,264	1-247-861-00	RES,CARBON 18K 5% 1/6W
R175,181,275,281	1-247-863-00	RES,CARBON 22K 5% 1/6W
R108,208	1-247-864-00	RES,CARBON 24K 5% 1/6W
R174,274	1-247-867-00	RES,CARBON 33K 5% 1/6W
R197,297	1-247-870-00	RES,CARBON 43K 5% 1/6W
R122,222	1-247-871-00	RES,CARBON 47K 5% 1/6W
R144,244	1-247-877-00	RES,CARBON 82K 5% 1/6W
R123,146,180,185,189, 223,246,280,285,289	1-247-879-00	RES,CARBON 100K 5% 1/6W
R284	1-247-881-00	RES,CARBON 120K 5% 1/6W
R112,131,212,231	1-247-882-00	RES,CARBON 130K 5% 1/6W
R163,263	1-247-883-00	RES,CARBON 150K 5% 1/6W
R184,186,286	1-247-887-00	RES,CARBON 220K 5% 1/6W
R113,133,213,233	1-247-890-00	RES,CARBON 300K 5% 1/6W
R176,276	1-247-895-00	RES,CARBON 470K 5% 1/6W
R155,255	1-247-899-00	RES,CARBON 680K 5% 1/6W
R152,153,252,253	1-247-903-00	RES,CARBON 1M 5% 1/6W

Ref.No. or Qty	Part No.	Description
(AU-27 BOARD,CARD RACK)		
LV102,202	1-407-293-00	INDUCTOR,VAR,1.5mH
LV101,201	1-407-297-00	INDUCTOR,VAR,3.5mH
L102,202	1-407-494-00	INDUCTOR,MICRO,1.5mH 5%
TH101,201	1-800-200-00	THERMISTOR,S-3K
TPE101,106,107,108,109, 201,206,207,208,209	() 3-673-772-01	TERMINAL,TP
TP101,102,103,104,105, 106,107,108,109,201, 202,203,204,205,206, 207,208,209	() 3-673-772-41	TERMINAL,TP
1pc	() 3-673-865-00	LEVER,WITH PIN
1pc	() 3-673-867-00	PLATE,INDICATION, PC BOARD
1pc	() 3-674-611-00	LABEL(AU-27),PC BOARD
1pc	7-621-981-15	SCREW,PSW 2.6x6
2pcs	() 7-626-317-21	PIN,SPRING 2.5x8
D101,102,201,202	8-719-815-80	DIODE 1S1587
D1	8-719-911-06	DIODE 1SS106
Q102,202	8-729-373-92	TRANSISTOR 2SB739
Q101,201	8-729-378-84	TRANSISTOR 2SD788
IC106,206	8-759-178-05	IC UPC78L05
IC101,201	8-759-302-65	IC HA12017
IC102,104,105,108,109, 202,204,205,208,209	8-759-745-59	IC NJM4559D

Ref.No. or Qty	Part No.	Description
(AU-27 BOARD,CARD RACK)		
IC107,207	8-759-745-60	IC NJM4560D
IC113,213	8-759-900-00	IC SN74LS00N,TTL
IC1,110,111,112,210,211, 212	8-759-921-91	IC TL191CN

AE-03 BOARD (BVH-2000PS-00,02,10,12/2180PS-00,02)

1pc (for 00/02/10/12 model)		
() A-6013-051-B COMPLETE PCB,AE-03 (This assembly includes the following parts.)		
1pc	() X-3673-641-0	PLATE ASSY,SHIELD
C185,186	1-102-106-00	CAP,CERAMIC 100PF 10% 50V
C202	1-107-075-00	CAP,MICA 39PF 5% 50V
C148	1-107-077-00	CAP,MICA 47PF 5% 50V
C150	1-107-081-00	CAP,MICA 68PF 5% 50V
C203	1-107-158-00	CAP,MICA 30PF 5% 500V
C4,15	1-107-210-00	CAP,MICA 22PF 5% 500V
C12	1-109-546-00	CAP,MICA 300PF 5% 100V
C153	1-109-547-00	CAP,MICA 330PF 5% 100V
C2	1-109-550-00	CAP,MICA 430PF 5% 100V
C147	1-109-554-00	CAP,MICA 510PF 5% 100V
C3,5,9,11,19,20,25,26, 27,28,35,36,48,49,61, 63,70,71,73,74,141	1-123-332-00	CAP,ELECT 47 25V

Ref.No. or Qty	Part No.	Description
(AE-03 BOARD,2000PS-00,02,10,12/ 2180PS-00,02,CARD RACK)		
C23,24,41,42,200,201	1-123-333-00	CAP,ELECT 100 25V
C16,17,21,22,56,57,62, 67,68,77,80,81,181,182	1-123-356-00	CAP,ELECT 10 50V
C33	1-130-467-00	CAP,MYLAR 470PF 5% 50V
C149	1-130-468-00	CAP,MYLAR 560PF 5% 50V
C44	1-130-470-00	CAP,MYLAR 820PF 5% 50V
C32	1-130-472-00	CAP,MYLAR 0.0012 5% 50V
C8	1-130-473-00	CAP,MYLAR 0.0015 5% 50V
C10,146	1-130-474-00	CAP,MYLAR 0.0018 5% 50V
C38,46,65	1-130-475-00	CAP,MYLAR 0.0022 5% 50V
C14	1-130-476-00	CAP,MYLAR 0.0027 5% 50V
C45,69,76	1-130-477-00	CAP,MYLAR 0.0033 5% 50V
C154	1-130-480-00	CAP,MYLAR 0.0056 5% 50V
C64,151	1-130-481-00	CAP,MYLAR 0.0068 5% 50V
C51	1-130-620-00	CAP,FILM 0.01 5% 50V
C37,39	1-130-624-00	CAP,FILM 0.022 5% 50V
C184	1-131-295-61	CAP,TANT 100 10% 6.3V
C13,34,66	1-131-345-00	CAP,TANT 0.47 10% 35V
C29	1-131-347-00	CAP,TANT 1 10% 35V
C31	1-131-349-00	CAP,TANT 2.2 10% 35V
C6,18,52,75,145,189,190	1-131-351-00	CAP,TANT 4.7 10% 35V
C72	1-131-381-00	CAP,TANT 47 10% 10V
C7,55,140	1-136-156-00	CAP,FILM 0.018 5% 50V
C1,54,79,83,84	1-161-055-00	CAP,CERAMIC 0.022 10% 50V

Ref.No. or Qty	Part No.	Description
(AE-03 BOARD,2000PS-00,02,10,12/ 2180PS-00,02,CARD RACK)		
R128	1-215-394-00	RES,METAL 75 1% 1/6W
R246	1-215-395-00	RES,METAL 82 1% 1/6W
R274	1-215-411-00	RES,METAL 390 1% 1/6W
R249	1-215-413-00	RES,METAL 470 1% 1/6W
R273	1-215-414-00	RES,METAL 510 1% 1/6W
R138	1-215-435-00	RES,METAL 3.9K 1% 1/6W
R119	1-215-442-00	RES,METAL 7.5K 1% 1/6W
R248	1-215-445-00	RES,METAL 10K 1% 1/6W
RV12	1-224-937-00	RES,VAR,METAL 1K
RV3,4,6,9,13,16,17,32	1-224-940-00	RES,VAR,METAL 10K
RV1,2,5,8	1-224-941-00	RES,VAR,METAL 20K
RV15,18	1-226-095-00	RES,VAR,METAL 200K
RV28,29	1-228-580-00	RES,VAR,COMP 20K(B)
R81,253,264,265,266,283	1-247-767-00	RES,CARBON 2.2 5% 1/6W
R27,28,37,38,79,80,86, 100,101,244,277,278	1-247-799-00	RES,CARBON 47 5% 1/6W
R5,12,17,20,22,30,33,35, 48,49,55,56,57,62,63, 82,94,95,107,115,118, 321,323	1-247-807-00	RES,CARBON 100 5% 1/6W
R279	1-247-819-00	RES,CARBON 330 5% 1/6W
R135	1-247-823-00	RES,CARBON 470 5% 1/6W
R6,39,41,67,68	1-247-827-00	RES,CARBON 680 5% 1/6W
R18,44,66	1-247-831-00	RES,CARBON 1K 5% 1/6W
R123	1-247-834-00	RES,CARBON 1.3K 5% 1/6W
R34	1-247-835-00	RES,CARBON 1.5K 5% 1/6W
R2,16,24,25,59,69,131, 134,275	1-247-839-00	RES,CARBON 2.2K 5% 1/6W
R122,136	1-247-840-00	RES,CARBON 2.4K 5% 1/6W
R53	1-247-845-00	RES,CARBON 3.9K 5% 1/6W

Ref. No. or Q'ty	Part No.	Description
(AE-03 BOARD, 2000PS-00, 02, 10, 12/ 2180PS-00, 02, CARD RACK)		
R73, 141, 276	1-247-847-00	RES, CARBON 4. 7K 5% 1/6W
R31	1-247-850-00	RES, CARBON 6. 2K 5% 1/6W
R43, 51	1-247-851-00	RES, CARBON 6. 8K 5% 1/6W
R11, 60, 61, 102	1-247-852-00	RES, CARBON 7. 5K 5% 1/6W
R47, 74, 77	1-247-853-00	RES, CARBON 8. 2K 5% 1/6W
R13, 14, 21, 23, 45, 46, 144, 145, 148, 149, 150, 151, 152, 153, 154, 155, 156, 161, 162, 163, 164, 285, 301, 302, 303, 304, 305, 306, 307, 308, 309, 310, 311, 312, 313, 314, 315, 316, 317	1-247-855-00	RES, CARBON 10K 5% 1/6W
R132	1-247-857-00	RES, CARBON 12K 5% 1/6W
R83	1-247-860-00	RES, CARBON 16K 5% 1/6W
R10, 32, 76	1-247-861-00	RES, CARBON 18K 5% 1/6W
R4, 90, 92, 133	1-247-863-00	RES, CARBON 22K 5% 1/6W
R97	1-247-865-00	RES, CARBON 27K 5% 1/6W
R129	1-247-866-00	RES, CARBON 30K 5% 1/6W
R87, 96, 146	1-247-867-00	RES, CARBON 33K 5% 1/6W
R126, 139	1-247-869-00	RES, CARBON 39K 5% 1/6W
R1	1-247-871-00	RES, CARBON 47K 5% 1/6W
R124, 137	1-247-873-00	RES, CARBON 56K 5% 1/6W
R64	1-247-875-00	RES, CARBON 68K 5% 1/6W
R112	1-247-876-00	RES, CARBON 75K 5% 1/6W
R52, 98, 109, 130, 250, 252, 286	1-247-879-00	RES, CARBON 100K 5% 1/6W
R15	1-247-880-00	RES, CARBON 110K 5% 1/6W
R99	1-247-881-00	RES, CARBON 120K 5% 1/6W

Ref. No. or Q'ty	Part No.	Description
(AE-03 BOARD, 2000PS-00, 02, 10, 12/ 2180PS-00, 02, CARD RACK)		
R78, 251	1-247-883-00	RES, CARBON 150K 5% 1/6W
R93	1-247-886-00	RES, CARBON 200K 5% 1/6W
R54, 245, 287	1-247-887-00	RES, CARBON 220K 5% 1/6W
R65	1-247-895-00	RES, CARBON 470K 5% 1/6W
R19	1-247-898-00	RES, CARBON 620K 5% 1/6W
R42	1-247-899-00	RES, CARBON 680K 5% 1/6W
R40, 50	1-247-903-00	RES, CARBON 1M 5% 1/6W
LV1	1-407-293-00	INDUCTOR, VAR, 1. 5mH
LV2	1-407-297-00	INDUCTOR, VAR, 3. 5mH
SW3	1-552-430-21	SWITCH, SLIDE
SW1, 2	1-553-440-00	SWITCH, TOGGLE
TP1, 2, 3, 4, 5, 6, 7, 8, 9, 11, 17, 18, 19		
TPE1, 2, 4, 7, 8, 9, 10, 11	() 3-657-703-01	TERMINAL, TP
1pc	() 3-673-865-00	LEVER, WITH PIN
1pc	() 3-673-867-00	PLATE, INDICATION, PC BOARD
1pc	() 3-674-612-00	LABEL (AE-03), PC BOARD
4pcs	7-621-981-15	SCREW, PSW2. 6x6
2pcs	() 7-626-317-21	PIN, SPRING 2. 5x8
D5	8-719-156-07	DIODE RD5. 6E-B
D1	8-719-815-55	DIODE 1S1555
D3, 4	8-719-815-80	DIODE 1S1587
Q7, 9	8-729-117-54	TRANSISTOR 2SA1175
Q2, 4	8-729-177-32	TRANSISTOR 2SD773
Q1, 15	8-729-201-05	TRANSISTOR 2SC2878-B
Q3, 5, 8	8-729-373-92	TRANSISTOR 2SB739
IC34	8-759-178-05	IC UPC78L05
IC15	8-759-208-06	IC TC4051BPHB
IC1, 33	8-759-302-65	IC HA12017
IC2, 6, 8, 9, 11, 14	8-759-745-59	IC NJM4559D

Ref.No. or Qty	Part No.	Description
(AE-03 BOARD, 2000PS-00, 02, 10, 12/ 2180PS-00, 02, CARD RACK)		
IC5	8-759-745-60	IC NJM4560D
IC21	8-759-900-00	IC SN74LS00N, TTL
IC22	8-759-900-04	IC SN74LS04N, TTL
IC19	8-759-901-25	IC SN74LS125AN, TTL
IC18	8-759-901-26	IC SN74LS126AN, TTL
IC17	8-759-908-20	IC TL820CN
IC3, 4, 7, 10, 12	8-759-921-91	IC TL191CN
IC16	8-759-990-82	IC TL082CP
Q6	8-769-194-00	TRANSISTOR 2SK43-4
<hr/>		
AE-03 BOARD (BVH-2000PS-04, 14/2180PS-04, CARD RACK)		
1pc (for 04/14 model)		
() A-6013-055-A COMPLETE PCB, AE-03		
(This assembly includes the following parts.)		
1pc	() X-3673-641-0	PLATE ASSY, SHIELD
C185, 186	1-102-106-00	CAP, CERAMIC 100PF 10% 50V
C202	1-107-075-00	CAP, MICA 39PF 5% 50V
C175	1-107-077-00	CAP, MICA 47PF 5% 50V
C150	1-107-081-00	CAP, MICA 68PF 5% 50V
C174	1-107-085-00	CAP, MICA 100PF 5% 50V
C94, 171	1-107-087-00	CAP, MICA 120PF 5% 50V
C180	1-107-089-00	CAP, MICA 150PF 5% 50V
C166, 188	1-107-091-00	CAP, MICA 180PF 5% 50V
C203	1-107-158-00	CAP, MICA 30PF 5% 500V
C104	1-107-202-00	CAP, MICA 10PF 5% 500V
C4, 15, 161	1-107-210-00	CAP, MICA 22PF 5% 500V
C172	1-108-560-00	CAP, MYLAR 0.0016 5% 50V

Ref.No. or Qty	Part No.	Description
(AE-03 BOARD, 2000PS-04, 14/2180PS-04, CARD RACK)		
C148		
(One of the following capacitors is used.)		
	1-109-532-00	CAP, MICA 75PF 5% 100V
	1-107-085-00	CAP, MICA 100PF 5% 50V
C12	1-109-546-00	CAP, MICA 300PF 5% 100V
C157, 165	1-109-549-00	CAP, MICA 390PF 5% 100V
C2, 101	1-109-550-00	CAP, MICA 430PF 5% 100V
C3, 5, 9, 11, 19, 20, 25, 26, 27, 28, 35, 36, 48, 49, 61, 63, 70, 71, 73, 74, 89, 90, 95, 96, 102, 103, 110, 111, 120, 121, 122, 123, 131, 132, 141, 142	1-123-332-00	CAP, ELECT 47 25V
C23, 24, 41, 42, 118, 119, 137, 138, 200, 201	1-123-333-00	CAP, ELECT 100 25V
C16, 17, 21, 22, 56, 57, 62, 67, 68, 77, 80, 81, 82, 98, 99, 100, 116, 117, 125, 126, 168, 169, 181, 182	1-123-356-00	CAP, ELECT 10 50V
C33, 92, 129, 164, 183	1-130-467-00	CAP, MYLAR 470PF 5% 50V
C149	1-130-468-00	CAP, MYLAR 560PF 5% 50V
C153	1-130-469-00	CAP, MYLAR 680PF 5% 50V
C44, 86, 114	1-130-470-00	CAP, MYLAR 820PF 5% 50V
C64	1-130-471-00	CAP, MYLAR 0.001 5% 50V
C32, 128	1-130-472-00	CAP, MYLAR 0.0012 5% 50V
C8, 176	1-130-473-00	CAP, MYLAR 0.0015 5% 50V
C10, 146	1-130-474-00	CAP, MYLAR 0.0018 5% 50V
C38, 46, 88, 109, 113, 134	1-130-475-00	CAP, MYLAR 0.0022 5% 50V
C14	1-130-476-00	CAP, MYLAR 0.0027 5% 50V
C45, 69, 76, 87, 158	1-130-477-00	CAP, MYLAR 0.0033 5% 50V

Ref.No. or Qty	Part No.	Description
(AE-03 BOARD, 2000PS-04, 14/2180PS-04, CARD RACK)		
C154, 177	1-130-480-00	CAP, MYLAR 0.0056 5% 50V
C106, 151	1-130-481-00	CAP, MYLAR 0.0068 5% 50V
C159	1-130-482-00	CAP, MYLAR 0.0082 5% 50V
C51, 93	1-130-620-00	CAP, FILM 0.01 5% 50V
C65	1-130-621-00	CAP, FILM 0.012 5% 50V
C162	1-130-622-00	CAP, FILM 0.015 5% 50V
C37, 39, 133, 135	1-130-624-00	CAP, FILM 0.022 5% 50V
C160, 173	1-130-632-00	CAP, FILM 0.1 5% 50V
C184	1-131-295-61	CAP, TANT 100 10% 6.3V
C156, 170	1-131-344-00	CAP, TANT 0.33 10% 35V
C13, 34, 66	1-131-345-00	CAP, TANT 0.47 10% 35V
C179	1-131-346-00	CAP, TANT 0.68 10% 35V
C29, 107, 124, 130	1-131-347-00	CAP, TANT 1 10% 35V
C178	1-131-348-00	CAP, TANT 1.5 10% 35V
C31, 127	1-131-349-00	CAP, TANT 2.2 10% 35V
C163	1-131-350-00	CAP, TANT 3.3 10% 35V
C6, 18, 52, 75, 91, 112, 145, 189, 190	1-131-351-00	CAP, TANT 4.7 10% 35V
C72	1-131-381-00	CAP, TANT 47 10% 10V
C7, 105, 108, 140	1-136-156-00	CAP, FILM 0.018 5% 50V
C55	1-136-160-00	CAP, FILM 0.039 5% 50V
C147	1-136-166-00	CAP, FILM 0.12 5% 50V
C1, 54, 78, 79, 83, 84, 115, 143	1-161-055-00	CAP, CERAMIC 0.022 10% 50V
R128	1-215-394-00	RES, METAL 75 1% 1/6W
R246	1-215-395-00	RES, METAL 82 1% 1/6W
R274	1-215-411-00	RES, METAL 390 1% 1/6W
R249	1-215-413-00	RES, METAL 470 1% 1/6W

Ref.No. or Qty	Part No.	Description
(AE-03 BOARD, 2000PS-04, 14/2180PS-04, CARD RACK)		
R273	1-215-414-00	RES, METAL 510 1% 1/6W
R138	1-215-435-00	RES, METAL 3.9K 1% 1/6W
R119	1-215-442-00	RES, METAL 7.5K 1% 1/6W
R248	1-215-445-00	RES, METAL 10K 1% 1/6W
RV12, 35, 38	1-224-937-00	RES, VAR, METAL 1K
RV20	1-224-939-00	RES, VAR, METAL 5K
RV3, 4, 6, 9, 13, 16, 17, 19, 22, 24, 25, 27, 32, 34	1-224-940-00	RES, VAR, METAL 10K
RV1, 2, 5, 8, 23, 26, 33, 36	1-224-941-00	RES, VAR, METAL 20K
RV37	1-224-943-00	RES, VAR, METAL 100K
RV15, 18	1-226-095-00	RES, VAR, METAL 200K
RV28, 29, 30, 31	1-230-742-11	RES, VAR, CARBON 20K (B)
R81	1-247-767-00	RES, CARBON 2.2 5% 1/6W
R27, 28, 37, 38, 79, 80, 86, 100, 101, 173, 174, 185, 186, 210, 211, 231, 232, 244, 267, 268, 277, 278	1-247-799-00	RES, CARBON 47 5% 1/6W
R5, 12, 17, 20, 22, 30, 33, 35, 48, 49, 55, 56, 57, 62, 63, 82, 94, 95, 107, 115, 118, 171, 180, 181, 192, 196, 201, 202, 203, 221, 222, 228, 229, 230, 236, 240, 321, 322, 323	1-247-807-00	RES, CARBON 100 5% 1/6W
R206, 279	1-247-819-00	RES, CARBON 330 5% 1/6W
R200	1-247-821-00	RES, CARBON 390 5% 1/6W
R135	1-247-823-00	RES, CARBON 470 5% 1/6W
R6, 39, 41, 67, 68, 195, 212, 218, 241, 243	1-247-827-00	RES, CARBON 680 5% 1/6W

Ref.No. or Q'ty	Part No.	Description
(AE-03 BOARD, 2000PS-04, 14/2180PS-04, CARD RACK)		
R18, 44, 66, 214, 239	1-247-831-00	RES, CARBON 1K 5% 1/6W
R123	1-247-834-00	RES, CARBON 1.3K 5% 1/6W
R34, 255	1-247-835-00	RES, CARBON 1.5K 5% 1/6W
R2, 16, 24, 25, 59, 69, 131, 134, 187, 197, 207, 233, 242, 275	1-247-839-00	RES, CARBON 2.2K 5% 1/6W
R122, 136	1-247-840-00	RES, CARBON 2.4K 5% 1/6W
R177	1-247-841-00	RES, CARBON 2.7K 5% 1/6W
R97	1-247-843-00	RES, CARBON 3.3K 5% 1/6W
R53, 226	1-247-845-00	RES, CARBON 3.9K 5% 1/6W
R73, 141, 160, 204, 205, 276	1-247-847-00	RES, CARBON 4.7K 5% 1/6W
R31	1-247-850-00	RES, CARBON 6.2K 5% 1/6W
R43, 51, 213, 224, 281	1-247-851-00	RES, CARBON 6.8K 5% 1/6W
R11, 60, 61, 102, 234, 235	1-247-852-00	RES, CARBON 7.5K 5% 1/6W
R47, 74, 77, 165, 168, 220, 272	1-247-853-00	RES, CARBON 8.2K 5% 1/6W
R13, 14, 21, 23, 45, 46, 87, 144, 145, 147, 148, 149, 150, 151, 152, 153, 154, 155, 156, 161, 162, 163, 164, 208, 209, 215, 216, 258, 263, 264, 266, 270, 271, 283, 301, 302, 303, 304, 305, 306, 307, 308, 309, 310, 311, 312, 313, 314, 315, 316, 317	1-247-855-00	RES, CARBON 10K 5% 1/6W
R132, 175	1-247-857-00	RES, CARBON 12K 5% 1/6W
R261, 282	1-247-859-00	RES, CARBON 15K 5% 1/6W
R83, 172	1-247-860-00	RES, CARBON 16K 5% 1/6W

Ref.No. or Q'ty	Part No.	Description
(AE-03 BOARD, 2000PS-04, 14/2180PS-04, CARD RACK)		
R10, 32, 76, 167, 178, 193	1-247-861-00	RES, CARBON 18K 5% 1/6W
R4, 133, 254	1-247-863-00	RES, CARBON 22K 5% 1/6W
R194	1-247-864-00	RES, CARBON 24K 5% 1/6W
R179	1-247-865-00	RES, CARBON 27K 5% 1/6W
R129	1-247-866-00	RES, CARBON 30K 5% 1/6W
R146, 183, 188	1-247-867-00	RES, CARBON 33K 5% 1/6W
R126, 139	1-247-869-00	RES, CARBON 39K 5% 1/6W
R256	1-247-870-00	RES, CARBON 43K 5% 1/6W
R124, 137	1-247-873-00	RES, CARBON 56K 5% 1/6W
R189, 262	1-247-874-00	RES, CARBON 62K 5% 1/6W
R64, 265	1-247-875-00	RES, CARBON 68K 5% 1/6W
R112	1-247-876-00	RES, CARBON 75K 5% 1/6W
R1, 52, 98, 109, 130, 176, 225, 237, 250, 252, 257, 260, 286	1-247-879-00	RES, CARBON 100K 5% 1/6W
R15	1-247-880-00	RES, CARBON 110K 5% 1/6W
R99	1-247-881-00	RES, CARBON 120K 5% 1/6W
R78, 93, 96, 169, 251	1-247-883-00	RES, CARBON 150K 5% 1/6W
R9, 54, 198, 227, 245, 259, 287	1-247-887-00	RES, CARBON 220K 5% 1/6W
R199, 238	1-247-891-00	RES, CARBON 330K 5% 1/6W
R65	1-247-895-00	RES, CARBON 470K 5% 1/6W
R269	1-247-897-00	RES, CARBON 560K 5% 1/6W
R19	1-247-898-00	RES, CARBON 620K 5% 1/6W
R42, 219	1-247-899-00	RES, CARBON 680K 5% 1/6W
R40, 50, 217, 223	1-247-903-00	RES, CARBON 1M 5% 1/6W
R90, 92	1-249-429-11	RES, CARBON 10K 5% 1/6W
LV1, 6	1-407-293-00	INDUCTOR, VAR, 1.5mH
LV2, 3, 4, 5	1-407-297-00	INDUCTOR, VAR, 3.5mH

Ref. No. or Q'ty	Part No.	Description	Ref. No. or Q'ty	Part No.	Description
(AE-03 BOARD, 2000PS-04, 14/2180PS-04, CARD RACK)			(AE-03 BOARD, 2000PS-04, 14/2180PS-04, CARD RACK)		
SW3	1-552-430-21	SWITCH, SLIDE	IC18	8-759-901-26	IC SN74LS126AN, TTL
SW1, 2	1-553-440-00	SWITCH, TOGGLE	IC17	8-759-908-20	IC TL820CN
TP1, 2, 3, 4, 5, 6, 7, 8, 9, 10, 11, 12, 13, 14, 15, 16, 17, 18, 19			IC3, 4, 7, 10, 12, 13, 25, 28, 31	8-759-921-91	IC TL191CN
TPE1, 2, 3, 4, 5, 6, 7, 8, 9, 10, 11, 12, 13			IC16	8-759-990-82	IC TL082CP
()	3-657-703-01	TERMINAL, TP	Q6	8-769-194-00	TRANSISTOR 2SK43-4
1pc	() 3-673-865-00	LEVER, WITH PIN			
1pc	() 3-673-867-00	PLATE, INDICATION, PC BOARD			
1pc	() 3-674-657-00	LABEL (AE-03), PC BOARD			
4pcs	7-621-981-15	SCREW, PSW2, 6x6			
2pcs	() 7-626-317-21	PIN, SPRING 2.5x8			
D5	8-719-156-07	DIODE RD5.6E-B			
D1	8-719-815-55	DIODE 1S1555			
D3, 4, 6, 7	8-719-815-80	DIODE 1S1587			
Q7, 9	8-729-117-54	TRANSISTOR 2SA1175			
Q2, 4, 11, 13	8-729-177-32	TRANSISTOR 2SD773			
Q1, 15	8-729-201-05	TRANSISTOR 2SC2878-B			
Q3, 5, 8, 12, 14	8-729-373-92	TRANSISTOR 2SB739			
IC35	8-759-045-38	IC MC14538BCP, CMOS			
IC34	8-759-178-05	IC UPC78L05			
IC15	8-759-208-06	IC TC4051BPHB			
IC1, 26, 33	8-759-302-65	IC HA12017			
IC2, 6, 8, 9, 11, 14, 23, 24, 27, 30, 32	8-759-745-59	IC NJM4559D			
IC5, 29	8-759-745-60	IC NJM4560D			
IC21	8-759-900-00	IC SN74LS00N, TTL			
IC22	8-759-900-04	IC SN74LS04N, TTL			
IC20	8-759-900-08	IC SN74LS08N, TTL			
IC19	8-759-901-25	IC SN74LS125AN, TTL			

Ref.No. or Qty	Part No.	Description
<u>EQ-02 BOARD (BVH-2000PS,2180PS/CARD RACK)</u>		
1pc	() A-6011-067-D	COMPLETE PCB,EQ-02 WITH EQ-11
1pc	() A-6011-095-B	COMPLETE PCB,EQ-02 WITH EQ-11
(For BVH-2000PS 10,12,14 model)		
(This assembly includes the following parts.)		
1pc	() X-3673-641-0	PLATE ASSY,SHIELD
C98,107	1-102-106-00	CAP,CERAMIC 100PF 10% 50V
C15,58,119,120,127,130	1-107-078-00	CAP,MICA 51PF 5% 50V
C4,6,9,13,156,157,158, 159	1-107-081-00	CAP,MICA 68PF 5% 50V
C73	1-107-082-00	CAP,MICA 75PF 5% 50V
C99	1-107-157-00	CAP,MICA 27PF 5% 500V
C160	1-107-158-00	CAP,MICA 30PF 5% 500V
C142	1-107-202-00	CAP,MICA 10PF 5% 500V
C32	1-107-205-00	CAP,MICA 13PF 5% 500V
C60	1-107-208-00	CAP,MICA 18PF 5% 500V
C131	1-109-535-00	CAP,MICA 100PF 5% 100V
C132	1-109-538-00	CAP,MICA 130PF 5% 100V
C38,95	1-109-539-00	CAP,MICA 150PF 5% 100V
C134,135	1-123-380-00	CAP,ELECT 1 100V
C136	1-123-567-00	CAP,ELECT 2200 10V
C52,57	1-123-839-00	CAP,ELECT 1000 16V
C1,7,10,24,31,33,40,51, 68,76,79,96,104,121, 129,138,140	1-124-445-00	CAP,ELECT 100 16V
C54,55	1-124-474-00	CAP,ELECT 47 16V
C46,82,108,113,114	1-124-481-00	CAP,ELECT 22 35V
C111	1-124-656-00	CAP,ELECT,NONPOLAR 2.2 50V
C92	1-130-475-00	CAP,MYLAR 0.0022 5% 50V
C122,123	1-130-477-00	CAP,MYLAR 0.0033 5% 50V
C102	1-130-478-00	CAP,MYLAR 0.0039 5% 50V

Ref.No. or Qty	Part No.	Description
<u>(EQ-02 BOARD,BVH-2000PS,2180PS/CARD RACK)</u>		
C133	1-130-481-00	CAP,MYLAR 0.0068 5% 50V
C100	1-130-485-00	CAP,MYLAR 0.015 5% 50V
C103	1-130-487-00	CAP,MYLAR 0.022 5% 50V
C125	1-130-495-00	CAP,MYLAR 0.1 5% 50V
CV1	1-141-256-00	CAP,TRIMMER 8PF
C3,5,8,12,19,28,30,36, 37,39,42,43,44,45,59, 62,66,69,71,78,84,85, 87,89,93,97,105,112, 115,117,126,147	1-161-051-00	CAP,CERAMIC 0.01 10% 50V
C86,152,153,154,155	1-161-055-00	CAP,CERAMIC 0.022 10% 50V
C53,56,137	1-161-057-00	CAP,CERAMIC 0.033 10% 50V
C150,151	1-161-483-00	CAP,CERAMIC 0.1 10% 50V
C2,11,14,26,27,29,34,35, 41,47,50,61,63,64,65, 67,70,72,77,80,83,88, 90,91,94,101,106,109, 110,116,118,124,128, 139,170	1-162-596-00	CAP,CERAMIC 0.022 25V
R301,302,303,304	1-215-391-00	RES,METAL 56 1% 1/6W
R9,20,33,44	1-215-397-00	RES,METAL 100 1% 1/6W
R90,167	1-215-401-00	RES,METAL 150 1% 1/6W
R297	1-215-403-00	RES,METAL 180 1% 1/6W
R133	1-215-404-00	RES,METAL 200 1% 1/6W
R8,19,32,43	1-215-406-00	RES,METAL 240 1% 1/6W
R317,318,319,320	1-215-415-00	RES,METAL 560 1% 1/6W
R112	1-215-419-00	RES,METAL 820 1% 1/6W

Ref.No. or Qty	Part No.	Description	Ref.No. or Qty	Part No.	Description
(EQ-02 BOARD, BVH-2000PS, 2180PS/CARD RACK)			(EQ-02 BOARD, BVH-2000PS, 2180PS/CARD RACK)		
R253	1-215-424-00	RES, METAL 1.3K 1% 1/6W	R1, 3, 12, 14, 25, 27, 36, 39,		
R191	1-215-425-00	RES, METAL 1.5K 1% 1/6W	82, 92, 106, 113, 114, 115,		
R254	1-215-428-00	RES, METAL 2K 1% 1/6W	122, 123, 124, 127, 128,		
R211, R220	1-215-441-00	RES, METAL 6.8K 1% 1/6W	129, 136, 137, 138, 148,		
R296	1-215-443-00	RES, METAL 8.2K 1% 1/6W	150, 155, 156, 166, 179,		
R321	1-215-445-00	RES, METAL 10K 1% 1/6W	180, 189, 210, 214, 215,		
RV36, 37	1-224-926-00	RES, VAR, METAL 500	230, 251, 256, 286, 293,		
RV9, 10, 11, 12	1-224-935-00	RES, VAR, METAL 200	359	1-247-807-00	RES, CARBON 100 5% 1/6W
RV31, 32, 33, 34	1-224-936-00	RES, VAR, METAL 500	R285	1-247-810-00	RES, CARBON 130 5% 1/6W
RV13, 14, 16, 18	1-224-937-00	RES, VAR, METAL 1K	R308	1-247-811-00	RES, CARBON 150 5% 1/6W
RV27	1-224-938-00	RES, VAR, METAL 2K	R102, 110, 120, 149, 294	1-247-814-00	RES, CARBON 200 5% 1/6W
RV35	1-224-941-00	RES, VAR, METAL 20K	R94, 111, 139, 171, 172, 175,		
RV26	1-224-942-00	RES, VAR, METAL 50K	212, 282, 283, 287		
RV22	1-230-837-11	RES, ADJ, CERMET 100	1-247-818-00		RES, CARBON 300 5% 1/6W
RV23, 25, 28	1-230-842-11	RES, ADJ, CERMET 5K	R2, 4, 13, 15, 26, 28, 37, 38,		
RV24	1-230-843-11	RES, ADJ, CERMET 10K	97, 118, 132, 154		
RV30	1-230-844-11	RES, ADJ, CERMET 20K	1-247-819-00		RES, CARBON 330 5% 1/6W
RV1, 3, 5, 7	1-230-738-00	RES, VAR, COMP 200(B)	R306	1-247-820-00	RES, CARBON 360 5% 1/6W
RV2, 4, 6, 8	1-230-740-00	RES, VAR, COMP 5K(B)	R55, 60, 151, 258, 264		
R7, 18, 31, 42, 101	1-247-791-00	RES, CARBON 22 5% 1/6W	1-247-821-00		RES, CARBON 390 5% 1/6W
R85, 91, 108, 109, 134, 140,			R162	1-247-822-00	RES, CARBON 430 5% 1/6W
142, 157, 158, 168, 170,			R280	1-247-823-00	RES, CARBON 470 5% 1/6W
176, 197, 324, 325	1-247-795-00	RES, CARBON 33 5% 1/6W	R213, 252	1-247-824-00	RES, CARBON 510 5% 1/6W
R5, 16, 30, 41, 121, 131, 163	1-247-800-00	RES, CARBON 51 5% 1/6W	R144	1-247-825-00	RES, CARBON 560 5% 1/6W
R146, 147, 188	1-247-804-00	RES, CARBON 75 5% 1/6W	R99, 100, 107, 116, 135, 141		
			1-247-827-00		RES, CARBON 680 5% 1/6W
			R190	1-247-828-00	RES, CARBON 750 5% 1/6W
			R53, 54, 57, 58, 259, 260,		
			262, 263, 281, 284		
			1-247-829-00		RES, CARBON 820 5% 1/6W
			R87, 89, 98, 104, 105, 125,		
			126, 160, 161, 164, 169,		
			174, 177, 192, 194, 198,		
			204, 208, 209, 217, 219,		
			228, 234, 241, 250, 225		
			1-247-831-00		RES, CARRON 1K 5% 1/6W

Ref.No. or Qty	Part No.	Description	Ref.No. or Qty	Part No.	Description
(EQ-02 BOARD,BVH-2000PS,2180PS/CARD RACK)			(EQ-02 BOARD,BVH-2000PS,2180PS/CARD RACK)		
R61,130,270,271	1-247-832-00	RES,CARBON 1.1K 5% 1/6W	R200,201,236	1-247-866-00	RES,CARBON 30K 5% 1/6W
R307	1-247-834-00	RES,CARBON 1.3K 5% 1/6W	R288	1-247-867-00	RES,CARBON 33K 5% 1/6W
R6,17,29,40,56,59,261, 265	1-247-836-00	RES,CARBON 1.6K 5% 1/6W	R237	1-247-876-00	RES,CARBON 75K 5% 1/6W
R227	1-247-837-00	RES,CARBON 1.8K 5% 1/6W	R246,272,273,274,291, 292,295	1-247-879-00	RES,CARBON 100K 5% 1/6W
R193,202,203,226,231, 248,257,289	1-247-838-00	RES,CARBON 2K 5% 1/6W	R290	1-247-882-00	RES,CARBON 130K 5% 1/6W
R88,93,165	1-247-839-00	RES,CARBON 2.2K 5% 1/6W	R218	1-247-888-00	RES,CARBON 240K 5% 1/6W
R275	1-247-847-00	RES,CARBON 4.7K 5% 1/6W	R229	1-247-889-00	RES,CARBON 270K 5% 1/6W
R206,233,240,309,310, 311,312,313,314,315, 316	1-247-848-00	RES,CARBON 5.1K 5% 1/6W	R340	1-249-414-11	RES,CARBON 560 5% 1/6W
R96,103,196	1-247-849-00	RES,CARBON 5.6K 5% 1/6W	R10,11,21,22,23,24,34, 35,173,178,181,182, 183,184,185,186,187, 216,235,238,243,244, 326,327,328,329,330, 331,333	1-249-429-11	RES,CARBON 10K 5% 1/6W
R195,221,222,223,224, 225	1-247-850-00	RES,CARBON 6.2K 5% 1/6W	L5	1-408-399-00	INDUCTOR,MICRO,1.5 5%
R117,119,143,145,152, 153,279	1-247-852-00	RES,CARBON 7.5K 5% 1/6W	L12,13,14,15,16	1-408-402-00	INDUCTOR,MICRO,2.7 5%
R199,207	1-247-857-00	RES,CARBON 12K 5% 1/6W	L3,4	1-408-421-00	INDUCTOR,MICRO,100 5%
R247	1-247-859-00	RES,CARBON 15K 5% 1/6W	L6,7	1-408-422-00	INDUCTOR,MICRO,120 5%
R205,239	1-247-863-00	RES,CARBON 22K 5% 1/6W	L10	1-408-658-00	INDUCTOR,VAR,2.7
R277,278	1-247-864-00	RES,CARBON 24K 5% 1/6W	LV1,2,3,4	1-408-659-00	INDUCTOR,VAR,3.3
R45,46,47,48,49,50,51, 52,242,245	1-247-865-00	RES,CARBON 27K 5% 1/6W	DL1	1-415-275-00	DELAY LINE,28nS
			DL2	1-415-276-00	DELAY LINE,56nS
			L1,2,8	1-421-370-00	COIL,CHOKE
			FB1,2,3	1-535-178-00	FERRITE BEAD
			S1	1-553-441-00	SWITCH,TOGGEL
			2pcs	1-563-859-11	RECEPTACLE CONNECTOR 2P
			JP1,2,3	1-566-385-11	PIN,CONNECTOR 2P
			TH1	1-800-202-00	THERMISTOR,S-10K
			4pcs	2-282-313-00	KNOB,CONTROL
			TP1,2,3,4,5,8,10,11,12, 15,16,21,22	() 3-657-703-01	TERMINAL,TP
			TPE1,2,3,4,5,6	() 3-673-805-11	TERMINAL,TP

Ref.No. or Q'ty	Part No.	Description	Ref.No. or Q'ty	Part No.	Description
(EQ-02 BOARD, BVH-2000PS, 2180PS/CARD RACK)			(EQ-02 BOARD, BVH-2000PS, 2180PS/CARD RACK)		
1pc	() 3-673-865-00	LEVER, WITH PIN	Q3, 6, 7, 10, 29, 30, 31, 32,		
1pc	() 3-673-867-00	PLATE, INDICATION, PC BOARD	35	8-761-622-00	TRANSISTOR 2SC1636
1pc	() 3-674-613-01	LABEL(EQ-02), PC BOARD			
TP6	() 3-693-032-01	TERMINAL, TP	Q2, 5, 9, 12, 15, 16, 18, 19,		
1pc	() 3-693-056-01	LABEL NS (EQ-02), PC BOARD	20, 23, 24, 27, 33, 34, 37,		
			40	8-765-300-00	TRANSISTOR 2SC2009
4pcs	7-621-737-08	SET SCREW, 2.6x3, FLAT POINT	Q28, 36	8-769-192-00	TRANSISTOR 2SK43-2
4pcs	7-621-981-15	SCREW, PSW 2.6x6			
2pcs	7-626-317-21	PIN, SPRING 2.5x8			
D5	8-719-100-27	DIODE RD4.7E-B2	<u>EQ-11 Board</u>		
D1	8-719-168-07	DIODE RD6.8E-B	1pc	() A-6026-051-A	MOUNTED PCB, EQ-11
D2, 3	8-719-815-55	DIODE 1S1555	C182	1-109-531-00	CAP, MICA 68PF 5% 100V
D6	8-719-815-80	DIODE 1S1587	C183	1-109-538-00	CAP, MICA 130PF 5% 100V
Q17	8-729-105-72	TRANSISTOR 2SK523-L1	C184	1-109-545-00	CAP, MICA 270PF 5% 100V
Q25, 26, 38, 39			C173, 177	1-124-236-00	CAP, ELECT 47 20% 16V
	8-729-110-53	TRANSISTOR 2SA1005	C171, 172, 174, 175, 176, 178, 179, 180, 181, 185		
Q1, 4, 8, 11, 21, 22, 41				1-162-596-00	CAP, CERAMIC 0.022 25V
	8-729-117-33	TRANSISTOR 2SC1733	RV41	1-228-452-00	RES, ADJ, CERMET 50
IC1, 17	8-759-001-16	IC MC10116L, ECL	R355	1-247-800-00	RES, CARBON 51 5% 1/6W
IC21	8-759-001-98	IC MC10198L	R344	1-247-811-00	RES, CARBON 150 5% 1/6W
IC3	8-759-015-95	IC MC1595L	R356	1-247-814-00	RES, CARBON 200 5% 1/6W
IC22, 24	8-759-900-00	IC SN74LS00N, TTL	R349	1-247-819-00	RES, CARBON 330 5% 1/6W
IC15	8-759-900-04	IC SN74LS04N, TTL	R351	1-247-820-00	RES, CARBON 360 5% 1/6W
IC16, 18	8-759-900-08	IC SN74LS08N, TTL	R357	1-247-826-00	RES, CARBON 620 5% 1/6W
IC23	8-759-900-19	IC SN74128N, TTL	R341, 342, 343, 350		
IC25, 26	8-759-901-23	IC SN74LS123N, TTL		1-247-831-00	RES, CARBON 1K 5% 1/6W
IC19, 20	8-759-902-21	IC SN74LS221N, TTL	R354	1-247-833-00	RES, CARBON 1.2K 5% 1/6W
IC27	8-759-906-01	IC TL601CP	R348	1-247-837-00	RES, CARBON 1.8K 5% 1/6W
IC11, 12	8-759-906-07	IC TL607CP	R347	1-247-839-00	RES, CARBON 2.2K 5% 1/6W
IC13	8-759-926-10	IC TL610CP	R345	1-247-846-00	RES, CARBON 4.3K 5% 1/6W
IC6	8-759-931-02	IC CA3102E	R346	1-247-852-00	RES, CARBON 7.5K 5% 1/6W
IC4	8-759-939-93	IC AD9685BD	R352, 353	1-249-405-11	RES, CARBON 100 5% 1/6W
IC14	8-759-942-65	IC SN74265N, TTL	L21	1-408-401-00	INDUCTOR, MICRO 2.2
IC8	8-759-951-07	IC SN75107AN	L22	1-408-410-00	INDUCTOR, MICRO 12
IC5, 10	8-759-990-82	IC TL082CP	S2	1-570-374-11	SWITCH, SLIDE
IC7, 9	8-759-990-84	IC TL084CN	CN2	() 1-566-086-11	PLUG, DIL 8P
			CN1	() 1-566-087-11	PLUG, DIL 14P
			D11	8-719-156-07	DIODE RD5.6E-B
			Q51, 52, 53	8-729-606-33	TRANSISTOR 2SC2603
			IC31	8-759-939-93	IC AD9685BD

Ref.No. or Qty	Part No.	Description	Ref.No. or Qty	Part No.	Description
<u>DM-25 BOARD (BVH-2000PS,2180PS/CARD RACK)</u>			<u>(DM-25 BOARD,CARD RACK)</u>		
Board No; 1-606-661-11,12,13,14			(Board No.1-606-661-11,12,13,14)		
1pc	() A-6011-068-B	COMPLETE PCB,DM-25 (COMPLETE PCB,DM-25 Includes MOUNT PCB,DM-51.)	C45	1-109-548-00	CAP,MICA 360PF 5% 100V
1pc	() A-6026-048-A	MOUNT PCB,DM-51	C28	1-109-554-00	CAP,MICA 510PF 5% 100V
(COMPLETE PCB,DM-25 consists of the following parts.)			C60	1-109-602-00	CAP,MICA 0.001 1% 100V
1pc	() X-3673-641-0	PLATE ASSY,SHIELD	C131	1-123-306-00	CAP,ELECT 47 10V
C14,69	1-102-106-00	CAP,CERAMIC 100PF 10% 50V	C7,63,110	1-123-307-00	CAP,ELECT 100 10V
C76	1-107-026-00	CAP,MICA 5.1PF +/-0.5PF 500V	C96,97,108	1-123-330-00	CAP,ELECT 22 25V
C144	1-107-080-00	CAP,MICA 62PF 5% 50V	C1,4	1-123-332-00	CAP,ELECT 47 25V
C22,67,118,127,145	1-107-158-00	CAP,MICA 30PF 5% 500V	C66,75,80,90,121,132	1-123-333-00	CAP,ELECT 100 25V
C81,82	1-107-159-00	CAP,MICA 33PF 5% 500V	C30,140	1-123-379-00	CAP,ELECT 0.47 100V
C117,119	1-107-202-00	CAP,MICA 10PF 5% 500V	C33	1-123-381-00	CAP,ELECT 2.2 100V
C92	1-107-204-00	CAP,MICA 12PF 5% 500V	C9	1-123-567-00	CAP,ELECT 2200 10V
C56,146	1-107-209-00	CAP,MICA 20PF 5% 500V	C73,74	1-123-829-00	CAP,ELECT,NONPOLAR 2.2 50V
C24	1-108-603-00	CAP,MYLAR 0.1 5% 50V	C3,6	1-123-839-00	CAP,ELECT 1000 16V
C91	1-109-529-00	CAP,MICA 56PF 5% 100V	CV2	1-141-240-00	CAP,TRIMMER 20PF
C509	1-109-530-00	CAP,MICA 62PF 5% 100V	C13,15,19,20,21,23,25, 27,29,32,35,36,44,48, 52,57,59,61,62,64,65, 68,70,71,72,77,78,84, 85,86,87,88,89,93,94, 95,101,103,105,106,107, 109,112,113,114,116, 120,122,124,128,130, 133,136,137,138,139, 148	1-161-051-00	CAP,CERAMIC 0.01 10% 50V
C26,104	1-109-535-00	CAP,MICA 100PF 5% 100V	C149	1-161-055-00	CAP,CERAMIC 0.022 10% 50V
C115	1-109-539-00	CAP,MICA 150PF 5% 100V	C2,5,8	1-161-057-00	CAP,CERAMIC 0.033 10% 50V
C10,11,31,53,58,100,503, 510,513	1-109-541-00	CAP,MICA 200PF 5% 100V	R189,190,198	1-214-100-00	RES,METAL 47 1% 1/4W
C504,507,511	1-109-542-00	CAP,MICA 220PF 5% 100V	R64,121,185,188	1-214-112-00	RES,METAL 150 1% 1/4W
C83	1-109-546-00	CAP,MICA 300PF 5% 100V			
C45	1-109-548-00	CAP,MICA 360PF 5% 100V			
C28	1-109-554-00	CAP,MICA 510PF 5% 100V			
C60	1-109-602-00	CAP,MICA 0.001 1% 100V			
C131	1-123-306-00	CAP,ELECT 47 10V			
C7,63,110	1-123-307-00	CAP,ELECT 100 10V			
C1,4	1-123-332-00	CAP,ELECT 47 25V			

Ref.No. or Q'ty	Part No.	Description
(DM-25 BOARD,CARD RACK)		
(Board No.1-606-661-11,12,13,14)		
R66	1-214-113-00	RES,METAL 160 1% 1/4W
R68,69	1-214-122-00	RES,METAL 390 1% 1/4W
R65	1-214-129-00	RES,METAL 750 1% 1/4W
R104	1-214-132-00	RES,METAL 1K 1% 1/4W
R213	1-214-138-00	RES,METAL 1.8K 1% 1/4W
R132,133	1-214-139-00	RES,METAL 2K 1% 1/4W
R41	1-214-140-00	RES,METAL 2.2K 1% 1/4W
R214	1-214-143-00	RES,METAL 3K 1% 1/4W
R42	1-214-144-00	RES,METAL 3.3K 1% 1/4W
R218	1-214-151-00	RES,METAL 6.2K 1% 1/4W
R43	1-214-155-00	RES,METAL 9.1K 1% 1/4W
R13,23,61,134,135,141	1-214-156-00	RES,METAL 10K 1% 1/4W
R40,59	1-214-160-00	RES,METAL 15K 1% 1/4W
R210	1-214-162-00	RES,METAL 18K 1% 1/4W
R30	1-214-165-00	RES,METAL 24K 1% 1/4W
R7	1-214-175-00	RES,METAL 62K 1% 1/4W
RV7,9	1-224-934-00	RES,VAR,METAL 100
RV4	1-224-935-00	RES,VAR,METAL 200
RV5,8,16	1-224-936-00	RES,VAR,METAL 500
RV14	1-224-937-00	RES,VAR,METAL 1K
RV3,6	1-224-939-00	RES,VAR,METAL 5K
RV2	1-224-940-00	RES,VAR,METAL 10K
RV10,11,15	1-224-941-00	RES,VAR,METAL 20K
RV12	1-224-942-00	RES,VAR,METAL 50K
RV1,13	1-224-943-00	RES,VAR,METAL 100K
RV17	1-224-978-00	RES,VAR,METAL 50
RB1	1-231-407-00	RES BLOCK,2.2Kx8
LPF1	1-235-014-00	FILTER,LOW-PASS 5MHz
LPF2	1-235-104-00	FILTER,LOW-PASS 7.5MHz
R118	1-247-767-00	RES,CARBON 2.2 5% 1/6W
R212	1-247-779-00	RES,CARBON 6.8 5% 1/6W
R70	1-247-787-00	RES,CARBON 15 5% 1/6W
R195	1-247-795-00	RES,CARBON 33 5% 1/6W
R90,91	1-247-800-00	RES,CARBON 51 5% 1/6W

Ref.No. or Q'ty	Part No.	Description
(DM-25 BOARD,CARD RACK)		
(Board No.1-606-661-11,12,13,14)		
R72,74,186	1-247-804-00	RES,CARBON 75 5% 1/6W
R57,106,110,122,123, 126,130,138,140,143, 145,161,164,168,184, 196,199,200,217	1-247-807-00	RES,CARBON 100 5% 1/6W
R71,73,75,89,149	1-247-811-00	RES,CARBON 150 5% 1/6W
R109,169	1-247-814-00	RES,CARBON 200 5% 1/6W
R166,215	1-247-817-00	RES,CARBON 270 5% 1/6W
R85,86,171	1-247-818-00	RES,CARBON 300 5% 1/6W
R177	1-247-819-00	RES,CARBON 330 5% 1/6W
R67,76,82,114	1-247-821-00	RES,CARBON 390 5% 1/6W
R160	1-247-823-00	RES,CARBON 470 5% 1/6W
R120,125	1-247-824-00	RES,CARBON 510 5% 1/6W
R129	1-247-825-00	RES,CARBON 560 5% 1/6W
R150	1-247-826-00	RES,CARBON 620 5% 1/6W
R175,181	1-247-827-00	RES,CARBON 680 5% 1/6W
R79,80,84,87,107,111, 112,113,116,117	1-247-829-00	RES,CARBON 820 5% 1/6W
R201	1-247-830-00	RES,CARBON 910 5% 1/6W
R9,11,50,51,54,108, 124,142,146,147,148, 152,187,193,197	1-247-831-00	RES,CARBON 1K 5% 1/6W
R77,81,88	1-247-832-00	RES,CARBON 1.1K 5% 1/6W
R78,83,115	1-247-836-00	RES,CARBON 1.6K 5% 1/6W

Ref.No. or Qty	Part No.	Description	Ref.No. or Qty	Part No.	Description
(DM-25 BOARD,CARD RACK) (Board No.1-606-661-11,12,13,14) R5,16,17,56,102,127,128, 131,139,176,182			(DM-25 BOARD,CARD RACK) (Board No.1-606-661-11,12,13,14)		
	1-247-838-00	RES,CARBON 2K 5% 1/6W	R21,97	1-247-903-00	RES,CARBON 1M 5% 1/6W
R49	1-247-839-00	RES,CARBON 2.2K 5% 1/6W	L7	1-408-405-00	INDUCTOR,MICRO,4.7 5%
R24,48,101,136	1-247-842-00	RES,CARBON 3K 5% 1/6W	L12	1-408-409-00	INDUCTOR,MICRO,10 5%
R154	1-247-845-00	RES,CARBON 3.9K 5% 1/6W	L5,6	1-408-416-00	INDUCTOR,MICRO,39 5%
R15,96,159,180	1-247-848-00	RES,CARBON 5.1K 5% 1/6W	L11	1-408-420-00	INDUCTOR,MICRO,82 5%
R105	1-247-849-00	RES,CARBON 5.6K 5% 1/6W	L10	1-408-421-00	INDUCTOR,MICRO,100 5%
R62	1-247-850-00	RES,CARBON 6.2K 5% 1/6W	L8,9	1-408-426-00	INDUCTOR,MICRO,270 5%
R27,173	1-247-851-00	RES,CARBON 6.8K 5% 1/6W	L1,2,3	1-409-339-00	COIL,SN
R162,163	1-247-852-00	RES,CARBON 7.5K 5% 1/6W	SW2A	1-516-925-21	SWITCH,DIP,8-CKT
R137	1-247-854-00	RES,CARBON 9.1K 5% 1/6W	X1	1-527-935-00	CRYSTAL,8.9MHz
R12,18,19,20,39,44,45, 46,58,100,156,157,158, 167,170,179,183,191, 194	1-247-855-00	RES,CARBON 10K 5% 1/6W	FB1,2,3,4,5,6,7,8,9,10, 11,12,13,14,15,16,17, 18,19,20	1-535-178-00	FERRITE BEAD
R98,153	1-247-858-00	RES,CARBON 13K 5% 1/6W	SW1	1-553-441-00	SWITCH,TOGGLE
R1,2,25	1-247-859-00	RES,CARBON 15K 5% 1/6W	TP1,2,3,4,5,6,7,8,9,10, 11,12,13,14	() 3-673-805-01	TERMINAL,TP
R55	1-247-862-00	RES,CARBON 20K 5% 1/6W	TPE1,2,3,4,5,6	() 3-673-805-11	TERMINAL,TP
R63	1-247-863-00	RES,CARBON 22K 5% 1/6W	1pc	() 3-673-865-00	LEVER,WITH PIN
R32,34,192	1-247-866-00	RES,CARBON 30K 5% 1/6W	1pc	() 3-673-867-00	PLATE,INDICATION, PC BOARD
R36	1-247-867-00	RES,CARBON 33K 5% 1/6W	6pcs	() 3-674-614-00	LABEL(DM-25),PC BOARD
R174,208	1-247-870-00	RES,CARBON 43K 5% 1/6W	4pcs	4-866-397-00	CUSHION,LED
R144,151	1-247-871-00	RES,CARBON 47K 5% 1/6W	2pcs	7-621-981-15	SCREW,PSW 2.6x6
R202	1-247-872-00	RES,CARBON 51K 5% 1/6W		() 7-626-317-21	PIN,SPRING 2.5x8
R52	1-247-878-00	RES,CARBON 91K 5% 1/6W	D10	8-719-100-27	DIODE RD4,7E-B2
R26,28,38,47,53,60,103, 178	1-247-879-00	RES,CARBON 100K 5% 1/6W	D6,9	8-719-100-40	DIODE RD6,8E-B1
R99	1-247-882-00	RES,CARBON 130K 5% 1/6W	D12	8-719-139-07	DIODE RD3,9E-B
R210	1-247-890-00	RES,CARBON 300K 5% 1/6W	D1,2,3,4,5,7,8,11,13	8-719-815-55	DIODE 1S1555
R22	1-247-892-00	RES,CARBON 360K 5% 1/6W	Q12,13,14	8-729-105-71	TRANSISTOR 2SK523-K2
			Q3,4,9	8-729-110-53	TRANSISTOR 2SA1005
			Q15	8-729-699-51	TRANSISTOR 2SA995

Ref.No. or Qty	Part No.	Description
(DM-25 BOARD,CARD RACK)		
(Board No.1-606-661-11,12,13,14)		
IC12,13	8-743-930-00	IC BX3930
IC1,15,16,17	8-743-931-10	IC BX3931A
IC2,6	8-759-001-16	IC MC10116L,ECL
IC4	8-759-001-98	IC MC10198L
IC7	8-759-014-96	IC MC1496P
IC3A	8-759-245-28	IC TC4528BP,CMOS
IC5	8-759-301-17	IC HD10117,ECL
IC1C,2D,3C,5B	8-759-900-00	IC SN74LS00N,TTL
IC1D	8-759-900-04	IC SN74LS04N,TTL
IC4E	8-759-900-08	IC SN74LS08N,TTL
IC1A,3B	8-759-900-10	IC SN74LS10N,TTL
IC2E	8-759-900-74	IC SN74LS74AN,TTL
IC3D,5A	8-759-901-23	IC SN74LS123N,TTL
IC2B	8-759-901-51	IC SN74LS151N,TTL
IC2C	8-759-901-63	IC SN74LS163AN,TTL
IC1B,4A,4B,4C,4D,5C,5D, 5E	8-759-902-21	IC SN74LS221N,TTL
IC9	8-759-926-10	IC TL610CP
IC10,1E	8-759-951-07	IC SN75107AN
IC14	8-759-974-06	IC SN7406N,TTL
IC3,8,11	8-759-990-82	IC TL082CP
IC2F,3F	8-759-990-84	IC TL084CN
Q11	8-761-622-00	TRANSISTOR 2SC1636
Q1,5,6,7,8,10	8-765-300-00	TRANSISTOR 2SC2009

Ref.No. or Qty	Part No.	Description
<u>DM-25 BOARD (BVH-2000PS,2180PS/CARD RACK)</u>		
Board No; 1-606-661-15 & up		
1pc	() A-6011-068-C	COMPLETE PCB,DM-25 (COMPLETE PCB,DM-25 includes MOUNT PCB,DM-51)
1pc	() A-6026-048-A	MOUNT PCB,DM-51 (COMPLETE PCB,DM-25 consists of the following parts.)
1pc	() X-3673-641-0	PLATE ASSY,SHIELD
C14,69	1-102-106-00	CAP,CERAMIC 100PF 10% 50V
C76	1-107-026-00	CAP,MICA 5.1PF +/-0.5PF 500V
C144	1-107-080-00	CAP,MICA 62PF 5% 50V
C145	1-107-084-00	CAP,MICA 91PF 5% 50V
C22,67,118,127,145	1-107-158-00	CAP,MICA 30PF 5% 500V
C81,82	1-107-159-00	CAP,MICA 33PF 5% 500V
C117,119	1-107-202-00	CAP,MICA 10PF 5% 500V
C92	1-107-204-00	CAP,MICA 12PF 5% 500V
C146	1-107-209-00	CAP,MICA 20PF 5% 500V
C91	1-109-529-00	CAP,MICA 56PF 5% 100V
C509	1-109-530-00	CAP,MICA 62PF 5% 100V
C55	1-109-531-00	CAP,MICA 68PF 5% 100V
C26,104	1-109-535-00	CAP,MICA 100PF 5% 100V
C10,11,31,53,58,100,115, 503,510,513	1-109-541-00	CAP,MICA 200PF 5% 100V
C504,507,511	1-109-542-00	CAP,MICA 220PF 5% 100V
C83	1-109-546-00	CAP,MICA 300PF 5% 100V
C45	1-109-548-00	CAP,MICA 360PF 5% 100V
C28	1-109-554-00	CAP,MICA 510PF 5% 100V
C60	1-109-602-00	CAP,MICA 1000PF 1% 100V
C501,502	1-109-622-00	CAP,MICA 1200PF 1% 100V
C96,97,108,152	1-123-317-00	CAP,ELECT 22 20% 16V

Ref.No. or Q'ty	Part No.	Description	Ref.No. or Q'ty	Part No.	Description
(DM-25 BOARD, BVH-2000PS, 2180PS/CARD RACK) (Board No.1-606-661-15 & up)			(DM-25 BOARD, BVH-2000PS, 2180PS/CARD RACK) (Board No.1-606-661-15 & up)		
C30,140	1-123-351-00	CAP,ELECT 0.47 20% 50V	R64,121,185,188		
C33,515	1-123-353-00	CAP,ELECT 2.2 20% 50V	1-215-401-11	RES,METAL 150 1% 1/6W	
C9	1-123-567-00	CAP,ELECT 2200 20% 10V	R66	1-215-402-00	RES,METAL 160 1% 1/6W
C3,6	1-123-839-00	CAP,ELECT 1000 20% 16V	R68,69	1-215-411-00	RES,METAL 390 1% 1/6W
C7,63,66,75,80,90,110, 121,132	1-124-445-00	CAP,ELECT 100 20% 16V	R65	1-215-418-00	RES,METAL 750 1% 1/6W
C1,4,131	1-124-474-00	CAP,ELECT NONPOLAR 47 20% 16V	R104	1-215-421-00	RES,METAL 1K 1% 1/6W
C73,74	1-124-656-00	CAP,ELECT NONPOLAR 2.2 20% 50V	R213	1-215-427-00	RES,METAL 1.8K 1% 1/6W
C505	1-130-471-00	CAP,MYLAR 0.001 5% 50V	R132,133	1-215-428-00	RES,METAL 2K 1% 1/6W
C516,521	1-130-472-00	CAP,MYLAR 0.0012 5% 50V	R41	1-215-429-00	RES,METAL 2.2K 1% 1/6W
C43	1-130-475-00	CAP,MYLAR 0.0022 5% 50V	R214	1-215-432-00	RES,METAL 3K 1% 1/6W
C519,520	1-130-477-00	CAP,MYLAR 0.0033 5% 50V	R42	1-215-433-00	RES,METAL 3.3K 1% 1/6W
C39	1-130-486-00	CAP,MYLAR 0.018 5% 50V	R59	1-215-438-00	RES,METAL 5.1K 1% 1/6W
C54	1-130-487-00	CAP,MYLAR 0.022 5%	R218	1-215-440-00	RES,METAL 6.2K 1% 1/6W
C24	1-130-495-00	CAP,MYLAR 0.1 5% 50V	R43	1-215-444-00	RES,METAL 9.1K 1% 1/6W
CV2	1-141-240-00	CAP,TRIMMER 20PF	R13,23,59,61,134,135, 141	1-215-445-00	RES,METAL 10K 1% 1/6W
C62,68,70,85,86,87,88, 89,93,95,139,149	1-161-051-00	CAP,CERAMIC 0.01 10% 50V	R509	1-215-448-00	RES,METAL 13K 1% 1/6W
C2,5,8	1-161-057-00	CAP,CERAMIC 0.033 10% 50V	R40,506	1-215-449-00	RES,METAL 15K 1% 1/6W
C523	1-162-306-31	CAP,CERAMIC 0.01 30% 16V	R210	1-215-451-00	RES,METAL 18K 1% 1/6W
C13,15,19,20,21,23,25, 27,29,32,35,36,44,48, 59,61,64,65,71,72,77, 78,84,94,101,103,105, 106,107,109,112,113, 114,116,120,122,124, 128,130,136,137,138, 148,506,508,512,514, 517,518	1-162-596-00	CAP,CERAMIC 0.022 25V	R504	1-215-452-00	RES,METAL 20K 1% 1/6W
R224	1-214-526-00	RES,METAL 51 1% 1/8W	R502	1-215-454-00	RES,METAL 24K 1% 1/6W
R72,74	1-214-530-00	RES,METAL 75 1% 1/8W	R521	1-215-455-00	RES,METAL 27K 1% 1/6W
R71,73,75	1-214-537-00	RES,METAL 150 1% 1/8W	R507	1-215-456-00	RES,METAL 30K 1% 1/6W
R212	1-215-382-00	RES,METAL 24 1% 1/6W	R505	1-215-459-00	RES,METAL 39K 1% 1/6W
R189,190,198	1-215-389-00	RES,METAL 47 1% 1/6W	R503,508,510	1-215-460-00	RES,METAL 43K 1% 1/6W
			R7,501,519	1-215-464-00	RES,METAL 62K 1% 1/6W
			R511,512	1-215-469-00	RES,METAL 100K 1% 1/6W
			R517	1-215-476-00	RES,METAL 200K 1% 1/6W
			RV7	1-224-934-00	RES,VAR,METAL 100
			RV4	1-224-935-00	RES,VAR,METAL 200
			RV17	1-228-452-00	RES,VAR,CERMET 50
			RV5,8,16	1-230-839-11	RES,VAR,CERMET 500
			RV14	1-230-840-11	RES,VAR,CERMET 1K
			RV3,6,502	1-230-842-11	RES,VAR,CERMET 5K

Ref.No. or Qty	Part No.	Description
(DM-25 BOARD, BVH-2000PS, 2180PS/CARD RACK) (Board No. 1-606-661-15 & up)		
RV501, 503	1-230-843-11	RES, VAR, CERMET 10K
RV10, 11, 15	1-230-844-11	RES, VAR, CERMET 20K
RV12	1-230-845-11	RES, VAR, CERMET 50K
RV1, 13	1-230-846-11	RES, VAR, CERMET 100K
RV9	1-230-837-11	RES, VAR, METAL 100
RB1	1-231-407-00	RES, BLOCK 2.2x8
LPF1	1-235-014-00	FILTER, LOW PASS 5MHz
LPF2	1-235-104-00	FILTER, LOW PASS 7.5MHz
R212	1-247-779-00	RES, CARBON 6.8 5% 1/6W
R70	1-247-787-00	RES, CARBON 15 5% 1/6W
R195	1-247-795-00	RES, CARBON 33 5% 1/6W
R90, 91	1-247-800-00	RES, CARBON 51 5% 1/6W
R186	1-247-804-00	RES, CARBON 75 5% 1/6W
R57, 106, 110, 122, 123, 126, 130, 138, 140, 143, 145, 161, 164, 168, 184, 196, 199, 200, 217	1-247-807-00	RES, CARBON 100 5% 1/6W
R89, 149	1-247-811-00	RES, CARBON 150 5% 1/6W
R109, 169	1-247-814-00	RES, CARBON 200 5% 1/6W
R166, 215	1-247-817-00	RES, CARBON 270 5% 1/6W
R85, 86, 171	1-247-818-00	RES, CARBON 300 5% 1/6W
R177	1-247-819-00	RES, CARBON 330 5% 1/6W
R67, 76, 82, 114	1-247-821-00	RES, CARBON 390 5% 1/6W
R160	1-247-823-00	RES, CARBON 470 5% 1/6W
R120, 125	1-247-824-00	RES, CARBON 510 5% 1/6W
R129	1-247-825-00	RES, CARBON 560 5% 1/6W
R150	1-247-826-00	RES, CARBON 620 5% 1/6W
R175, 181	1-247-827-00	RES, CARBON 680 5% 1/6W

Ref.No. or Qty	Part No.	Description
(DM-25 BOARD, BVH-2000PS, 2180PS/CARD RACK) (Board No. 1-606-661-15 & up)		
R79, 80, 84, 87, 107, 111, 112, 113, 116, 117	1-247-829-00	RES, CARBON 820 5% 1/6W
R201	1-247-830-00	RES, CARBON 910 5% 1/6W
R9, 11, 50, 51, 108, 124, 142, 146, 147, 148, 152, 187, 197	1-247-831-00	RES, CARBON 1K 5% 1/6W
R77, 81, 88	1-247-832-00	RES, CARBON 1.1K 5% 1/6W
R78, 83, 115	1-247-836-00	RES, CARBON 1.6K 5% 1/6W
R5, 16, 17, 102, 127, 128, 131, 139, 176, 182	1-247-838-00	RES, CARBON 2K 5% 1/6W
R49	1-247-839-00	RES, CARBON 2.2K 5% 1/6W
R24, 48, 101, 136	1-247-842-00	RES, CARBON 3K 5% 1/6W
R154	1-247-845-00	RES, CARBON 3.9K 5% 1/6W
R6	1-247-847-00	RES, CARBON 4.7K 5% 1/6W
R15, 96, 159, 180	1-247-848-00	RES, CARBON 5.1K 5% 1/6W
R105	1-247-849-00	RES, CARBON 5.6K 5% 1/6W
R27, 173	1-247-851-00	RES, CARBON 6.8K 5% 1/6W
R162, 163	1-247-852-00	RES, CARBON 7.5K 5% 1/6W
R137	1-247-854-00	RES, CARBON 9.1K 5% 1/6W
R98, 153	1-247-858-00	RES, CARBON 13K 5% 1/6W
R1, 2, 25	1-247-859-00	RES, CARBON 15K 5% 1/6W
R55, 63	1-247-862-00	RES, CARBON 20K 5% 1/6W

Ref.No. or Qty	Part No.	Description	Ref.No. or Qty	Part No.	Description
(DM-25 BOARD, BVH-2000PS, 2180PS/CARD RACK) (Board No. 1-606-661-15 & up)			(DM-25 BOARD, BVH-2000PS, 2180PS/CARD RACK) (Board No. 1-606-661-15 & up)		
R32, 192	1-247-866-00	RES, CARBON 30K 5% 1/6W	4pcs	7-621-981-15	SCREW, PSW 2.6x6
R174	1-247-870-00	RES, CARBON 43K 5% 1/6W	2pcs	7-626-317-21	PIN, SPRING 2.5x8
R202	1-247-872-00	RES, CARBON 51K 5% 1/6W	D10	8-719-100-27	DIODE RD4.7E-B
R26, 28, 38, 47, 60, 103, 178	1-247-879-00	RES, CARBON 100K 5% 1/6W	D6, 9	8-719-100-40	DIODE RD6.8E-B1
R99	1-247-882-00	RES, CARBON 130K 5% 1/6W	D12	8-719-139-07	DIODE RD3.9E-B
R211	1-247-890-00	RES, CARBON 300K 5% 1/6W	D1, 2, 3, 4, 5, 7, 8, 11, 13	8-719-815-55	DIODE 1S1555
R22	1-247-892-00	RES, CARBON 360K 5% 1/6W	Q12, 13, 14	8-729-105-71	TRANSISTOR 2SK523-K2
R21, 97	1-247-903-00	RES, CARBON 1M 5% 1/6W	Q3, 4, 9	8-729-110-53	TRANSISTOR 2SA1005
R12, 18, 19, 20, 39, 44, 45, 46, 58, 100, 156, 157, 158, 167, 170, 179, 183, 191, 194, 221, 222, 223, 513, 514, 516, 518	1-249-429-11	RES, CARBON 10K 5% 1/6W	Q15	8-729-699-51	TRANSISTOR 2SA995
R144, 151	1-249-437-11	RES, CARBON 47K 5% 1/6W	IC12, 13	8-749-930-00	IC BX3930
L7	1-408-405-00	INDUCTOR, MICRO 4.7	IC1, 15, 16, 17	8-749-931-10	IC BX3931
L12	1-408-409-00	INDUCTOR, MICRO 10	IC2, 6	8-759-001-16	IC MC10116L, ECL
L5, 6	1-408-416-00	INDUCTOR, MICRO 39	IC4	8-759-001-98	IC MC10198L
L11	1-408-420-00	INDUCTOR, MICRO 82	IC7	8-759-014-96	IC MC1496P
L10	1-408-421-00	INDUCTOR, MICRO 100	IC1C	8-759-245-28	IC TC4528BP, CMOS
L8, 9	1-408-426-00	INDUCTOR, MICRO 270	IC5	8-759-301-17	IC HD10117, ECL
L1, 2, 3	1-421-370-00	COIL, CHOKE	IC1D, 3A, 3E, 4A, 4D, 5E	8-759-900-00	IC SN74LS00N, TTL
X1	1-527-935-00	CRYSTAL 8.900MHZ	IC3F	8-759-900-04	IC SN74LS04N, TTL
FB1, 2, 3, 4, 5, 6, 7, 8, 9, 10, 11, 12, 13, 14, 15, 16, 17, 18, 19, 20	1-535-178-00	FERRITE BEAD	IC4G	8-759-900-08	IC SN74LS08N, TTL
SW1	1-553-441-00	SWITCH, TOGGLE	IC2C	8-759-900-10	IC SN74LS10N, TTL
SW2A	1-570-623-11	SWITCH, DIP, 8-CKT	IC1F, 4C, 5F	8-759-900-74	IC SN74LS74AN, TTL
TP1, 2, 3, 4, 5, 6, 7, 8, 9, 10, 11, 12, 13, 14, 16, 17, 18, 501, 502, 503, 504, 505 () 3-657-703-01		TERMINAL, TP	IC3C, 5D	8-759-901-23	IC SN74LS123N, TTL
TPE1, 2, 3, 4 () 3-673-805-11		TERMINAL, TP	IC2B	8-759-901-51	IC SN74LS151N, TTL
1pc () 3-673-865-00		LEVER, WITH PIN	IC3B	8-759-901-63	IC SN74LS163AN, TTL
1pc () 3-673-867-00		PLATE, INDICATION, PC BOARD	IC1B, 1E, 2D, 2E, 2F, 3D, 4B, 4E, 4F, 5B, 5C, 5G	8-759-902-21	IC SN74LS221N, TTL
1pc () 3-674-614-00		LABEL (DM-25), PC BOARD	IC9	8-759-926-10	IC TL610CP
			IC10, 1G	8-759-951-07	IC SN75107AN, TTL
			IC14	8-759-974-06	IC SN7406N, TTL
			IC3, 8, 11	8-759-990-82	IC TL082CP
			IC2G, 3G	8-759-990-84	IC TL084CN
			Q11	8-761-622-00	TRANSISTOR 2SC1636
			Q1, 5, 6, 7, 8, 10	8-765-300-00	TRANSISTOR 2SC2009

Ref.No. or Qty	Part No.	Description	Ref.No. or Qty	Part No.	Description
<u>MD-14 BOARD (BVH-2000PS,2180PS/CARD RACK)</u>			<u>(MD-14 BOARD,CARD RACK)</u>		
1pc	() A-6011-069-A	COMPLETE PCB,MD-14	C134,139,142	1-109-541-00	CAP,MICA 200PF 5% 100V
	() A-6011-096-A	COMPLETE PCB,MD-14	C125,127	1-109-548-00	CAP,MICA 360PF 5% 100V
	(For BVH-2000PS 10,12,14 model)		C25,74	1-109-553-00	CAP,MICA 470PF 5% 100V
	(This assembly includes the following parts.)		C100	1-109-557-00	CAP,MICA 680PF 5% 100V
1pc	() X-3673-641-0	PLATE ASSY,SHIELD	C60,108,401	1-109-558-00	CAP,MICA 750PF 5% 100V
C82,128	1-102-106-00	CAP,CERAMIC 100PF 10% 50V	C505	1-109-559-00	CAP,MICA 820PF 5% 100V
C3,12	1-107-044-00	CAP,MICA 3.3PF +/-0.5PF 500V	C19	1-109-682-41	CAP,MICA 240PF 1% 500V
C501	1-107-046-00	CAP,MICA 4.7PF +/-0.5PF 500V	C149	1-123-307-00	CAP,ELECT 100 10V
C42	1-107-048-00	CAP,MICA 6.8PF +/-0.5PF 500V	C9,45,48	1-123-322-00	CAP,ELECT 330 16V
C18	1-107-074-00	CAP,MICA 36PF 5% 50V	C73,75,76,77,91,92,104, 131,132,508,509	1-123-330-00	CAP,ELECT 22 25V
C507	1-107-077-00	CAP,MICA 47PF 5% 50V	C51,54	1-123-332-00	CAP,ELECT 47 25V
C111	1-107-082-00	CAP,MICA 75PF 5% 50V	C10,14,17,21,27,29,30, 65,66,71,97,109,114	1-123-333-00	CAP,ELECT 100 25V
C99,122	1-107-158-00	CAP,MICA 30PF 5% 500V	C147	1-123-567-00	CAP,ELECT 2200 10V
C69	1-107-164-00	CAP,MICA 51PF 5% 500V	C50	1-123-828-00	CAP,ELECT,NONPOLAR 1 50V
C70	1-107-167-00	CAP,MICA 75PF 5% 500V	C53,56	1-123-839-00	CAP,ELECT 1000 16V
C93,150	1-107-169-00	CAP,MICA 100PF 5% 500V	C28,32,84	1-123-880-11	CAP,ELECT,NONPOLAR 47 16V
C35,41	1-107-202-00	CAP,MICA 10PF 5% 500V	CV1,2,3	1-141-240-00	CAP,TRIMMER 20PF
C23	1-107-207-00	CAP,MICA 16PF 5% 500V	CV4	1-141-260-00	CAP,TRIMMER 60PF
C94	1-108-555-00	CAP,MYLAR 0.001 5% 50V	C1,2,4,5,6,7,11,13,15, 16,20,22,24,26,31,33, 34,36,37,38,39,40,46, 47,49,58,59,63,64,67, 72,80,81,83,85,86,87, 89,90,95,96,98,101, 103,105,107,110,112, 113,115,116,117,118, 119,120,121,123,126, 129,130,140,141,144, 146	1-161-051-00	CAP,CERAMIC 0.01 10% 50V
C138	1-108-563-00	CAP,MYLAR 0.0022 5% 50V			
C88	1-108-567-00	CAP,MYLAR 0.0033 5% 50V			
C143	1-108-571-00	CAP,MYLAR 0.0047 5% 50V			
C135	1-108-573-00	CAP,MYLAR 0.0056 5% 50V			
C137	1-108-575-00	CAP,MYLAR 0.0068 5% 50V			
C78,79	1-108-579-00	CAP,MYLAR 0.01 5% 50V			
C145	1-108-593-00	CAP,MYLAR 0.039 5% 50V			
C504	1-109-525-00	CAP,MICA 39PF 5% 100V			
C124,133	1-109-528-00	CAP,MICA 51PF 5% 100V			
C8	1-109-531-00	CAP,MICA 68PF 5% 100V			
C506	1-109-534-00	CAP,MICA 91PF 5% 100V			
C102,136	1-109-535-00	CAP,MICA 100PF 5% 100V			
C62	1-109-538-00	CAP,MICA 130PF 5% 100V			

Ref.No. or Qty	Part No.	Description	Ref.No. or Qty	Part No.	Description
(MD-14 BOARD,CARD RACK)			(MD-14 BOARD,CARD RACK)		
C502,503	1-161-055-00	CAP,CERAMIC 0.022 10% 50V	R57,99,100	1-247-791-00	RES,CARBON 22 5% 1/6W
C52,55,148	1-161-057-00	CAP,CERAMIC 0.033 10% 50V	R104,195	1-247-795-00	RES,CARBON 33 5% 1/6W
C61,68	1-161-483-00	CAP,CERAMIC 0.1 10% 50V	R123,216	1-247-799-00	RES,CARBON 47 5% 1/6W
R27	1-214-106-00	RES,METAL 82 1% 1/4W	R194,253	1-247-800-00	RES,CARBON 51 5% 1/6W
R201	1-214-117-00	RES,METAL 240 1% 1/4W	R1,6,35,84,112	1-247-804-00	RES,CARBON 75 5% 1/6W
R29	1-214-130-00	RES,METAL 820 1% 1/4W	R2,3,4,5,8,10,11,18,30, 31,32,38,45,54,56,58, 63,64,65,67,68,75,85, 90,103,105,106,107,108, 109,112,117,135,136, 154,175,196,197,198, 199,203,205,208,212, 230,232,250		
R402	1-214-133-00	RES,METAL 1.1K 1% 1/4W		1-247-807-00	RES,CARBON 100 5% 1/6W
R49,61	1-214-137-00	RES,METAL 1.6K 1% 1/4W	R127,129,530	1-247-809-00	RES,CARBON 120 5% 1/6W
R28	1-214-140-00	RES,METAL 2.2K 1% 1/4W	R34,207	1-247-811-00	RES,CARBON 150 5% 1/6W
R145	1-214-141-00	RES,METAL 2.4K 1% 1/4W	R16,32,95,251,514	1-247-814-00	RES,CARBON 200 5% 1/6W
R243	1-214-164-00	RES,METAL 22K 1% 1/4W	R66,121	1-247-817-00	RES,CARBON 270 5% 1/6W
R401	1-214-177-00	RES,METAL 75K 1% 1/4W	R15,33,96,111,184,185, 224,225	1-247-818-00	RES,CARBON 300 5% 1/6W
R19,20	1-214-835-00	RES,METAL 62 1% 1/2W	R41,52,53,59,60	1-247-819-00	RES,CARBON 330 5% 1/6W
R301,302	1-215-437-00	RES,METAL 4.7K 1% 1/4W	R7,17	1-247-820-00	RES,CARBON 360 5% 1/6W
RV9,17	1-224-934-00	RES,VAR,METAL 100	R131,146,188,223	1-247-821-00	RES,CARBON 390 5% 1/6W
RV20	1-224-935-00	RES,VAR,METAL 200	R122,213	1-247-822-00	RES,CARBON 430 5% 1/6W
RV11,19	1-224-937-00	RES,VAR,METAL 1K	R124,134	1-247-824-00	RES,CARBON 510 5% 1/6W
RV12	1-224-938-00	RES,VAR,METAL 2K	R39,46	1-247-825-00	RES,CARBON 560 5% 1/6W
RV14,15	1-224-940-00	RES,VAR,METAL 10K	R87,113,125,126,148,149, 150,151,204,217,218, 219,220,221,255	1-247-829-00	RES,CARBON 820 5% 1/6W
RV23	1-224-942-00	RES,VAR,METAL 50K			
RV1	1-224-978-00	RES,VAR,METAL 50			
RV10,18	1-230-739-11	RES,VAR,CARBON 1K			
RV4	1-230-838-11	RES,VAR,METAL 200			
RV7	1-230-839-11	RES,VAR,METAL 500			
RV5	1-230-840-11	RES,VAR,METAL 1K			
RV2,6,13,21	1-230-842-11	RES,VAR,METAL 5K			
RV3,22	1-230-843-11	RES,VAR,METAL 10K			
FL1	1-235-104-00	FILTER,LOW-PASS 7.5MHZ			
R110,120,200,211	1-247-783-00	RES,CARBON 10 5% 1/6W			
R403	1-247-787-00	RES,CARBON 15 5% 1/6W			
R257	1-247-790-00	RES,CARBON 20 5% 1/6W			

Ref.No. or Qty	Part No.	Description	Ref.No. or Qty	Part No.	Description
(MD-14 BOARD,CARD RACK) R9,25,55,79,80,88,93,94, 114,137,141,166,169, 170,190,192,202,209, 215,254,501	1-247-831-00	RES,CARBON 1K 5% 1/6W	(MD-14 BOARD,CARD RACK) R36,47,48,70,73,74,76, 77,86,142,144,156,159, 161,163,165,168,173, 176,182,186,187,226, 231,240,241,242,247, 248,249,256,502	1-247-855-00	RES,CARBON 10K 5% 1/6W
R130,147,229	1-247-832-00	RES,CARBON 1.1K 5% 1/6W	R244	1-247-858-00	RES,CARBON 13K 5% 1/6W
R89,128	1-247-833-00	RES,CARBON 1.2K 5% 1/6W	R13,21,23,43,69,71	1-247-859-00	RES,CARBON 15K 5% 1/6W
R50,81,155,179	1-247-835-00	RES,CARBON 1.5K 5% 1/6W	R227,228	1-247-862-00	RES,CARBON 20K 5% 1/6W
R44,51,62,91,132,222	1-247-836-00	RES,CARBON 1.6K 5% 1/6W	R133,233	1-247-863-00	RES,CARBON 22K 5% 1/6W
R97,98,115,143,180,206, 237	1-247-838-00	RES,CARBON 2K 5% 1/6W	R153,183,252	1-247-866-00	RES,CARBON 30K 5% 1/6W
R72,78,214	1-247-839-00	RES,CARBON 2.2K 5% 1/6W	R12	1-247-872-00	RES,CARBON 51K 5% 1/6W
R189,191	1-247-840-00	RES,CARBON 2.4K 5% 1/6W	R167	1-247-876-00	RES,CARBON 75K 5% 1/6W
R193	1-247-841-00	RES,CARBON 2.7K 5% 1/6W	R24,82,160,164,235,238, 239	1-247-879-00	RES,CARBON 100K 5% 1/6W
R158,162,177,178	1-247-842-00	RES,CARBON 3K 5% 1/6W	R138,139,140,157,172, 505	1-247-903-00	RES,CARBON 1M 5% 1/6W
R26,83,92	1-247-843-00	RES,CARBON 3.3K 5% 1/6W	R531	1-249-415-11	RES,CARBON 680 5% 1/6W
R22	1-247-844-00	RES,CARBON 3.6K 5% 1/6W	R532	1-249-420-11	RES,CARBON 1.8K 5% 1/6W
R42,246	1-247-845-00	RES,CARBON 3.9K 5% 1/6W	L13,14	1-407-159-XX	INDUCTOR,MICRO,15 5%
R14	1-247-847-00	RES,CARBON 4.7K 5% 1/6W	L12	1-407-162-XX	INDUCTOR,MICRO,27 5%
R40,171,174,181,245	1-247-848-00	RES,CARBON 5.1K 5% 1/6W	L10	1-407-166-XX	INDUCTOR,MICRO,56 5%
R101,102	1-247-850-00	RES,CARBON 6.2K 5% 1/6W	L7	1-407-169-XX	INDUCTOR,MICRO,100 5%
R236	1-247-852-00	RES,CARBON 7.5K 5% 1/6W	L8,9	1-407-186-XX	INDUCTOR,MICRO,4.7 5%
R37	1-247-853-00	RES,CARBON 8.2K 5% 1/6W	L1,2,3,4,11	1-408-421-00	INDUCTOR,MICRO,100 5%
			L5,6,15	1-421-370-00	COIL,CHOKE
			X1	1-527-933-00	CRYSTAL,7.682MHz
			FB1,2,3,4,5,6,7,8,9,10, 11,12,13,14	1-535-178-00	FERRITE BEAD
			S1	1-553-440-00	SWITCH,TOGGLE
			JP1,4,5	1-563-859-11	RECEPTACLE, CONNECTOR 2P

Ref.No. or Q'ty	Part No.	Description	Ref.No. or Q'ty	Part No.	Description
(MD-14 BOARD,CARD RACK)			(MD-14 BOARD,CARD RACK)		
JP1,2,3,4,5,6			IC27	8-759-001-16	IC MC10116L,ECL
	1-566-385-11	PIN,CONNECTOR 2P	IC13	8-759-001-98	IC MC10198L
TH1	1-800-200-00	THERMISTOR,S-3K	IC3	8-759-014-96	IC MC1496P
TP1,2,3,4,5,6,7,8,9,10			IC10	8-759-015-95	IC MC1595L
	() 3-657-703-01	TERMINAL,TP	IC9	8-759-270-69	IC TA7069P
TPE1,2,3,4,5			IC16	8-759-301-05	IC HD10105,ECL
	() 3-673-805-11	TERMINAL,TP	IC26	8-759-301-17	IC HD10117,ECL
1pc	() 3-673-865-00	LEVER,WITH PIN	IC1	8-759-301-31	IC HD10131,ECL
1pc	() 3-673-867-00	PLATE,INDICATION, PC BOARD	IC30	8-759-900-00	IC SN74LS00N,TTL
1pc	() 3-674-615-00	LABEL(MD-14),PC BOARD	IC33	8-759-900-02	IC SN74LS02N,TTL
1pc	() 3-693-055-01	LABEL NS (MD-14),PC BOARD	IC21	8-759-900-04	IC SN74LS04N,TTL
4pcs	7-621-981-15	SCREW,PSW 2.6x6	IC31	8-759-900-10	IC SN74LS10N,TTL
2pcs	() 7-626-317-21	PIN,SPRING 2.5x8	IC36	8-759-901-23	IC SN74LS123N,TTL
D31,32,33,34,35,36			IC28,29,34,35,37		
	8-719-101-97	DIODE 1SS97-1		8-759-902-21	IC SN74LS221N,TTL
D1	8-719-111-07	DIODE RD11E-B	IC14,23,32		
D4	8-719-143-07	DIODE RD4.3E-B		8-759-906-07	IC TL607CP
D11	8-719-168-07	DIODE RD6.8E-B	IC2	8-759-906-85	IC AM6850L
D2,5,6,12,14,15,17,18, 19,20,501			IC19	8-759-951-07	IC SN75107AN
	8-719-815-55	DIODE 1S1555	IC6,7	8-759-957-09	IC FT5709M
D7,8,9,10			IC4,22	8-759-990-82	IC TL082CP
	8-719-815-59	DIODE 1S1555-S	IC15,17,18,20,38		
D3,13,16	8-719-815-80	DIODE 1S1587		8-759-990-84	IC TL084CN
Q1,2,7,11,12,13,19			Q20	8-761-622-00	TRANSISTOR 2SC1636
	8-729-110-53	TRANSISTOR 2SA1005	Q8,9,10,18,23,25		
Q3,4,22,24				8-765-300-00	TRANSISTOR 2SC2009
	8-729-117-33	TRANSISTOR 2SC1733	Q15	8-769-192-00	TRANSISTOR 2SK43-2
Q5,6	8-729-177-43	TRANSISTOR 2SD774			
Q17,21	8-729-606-32	TRANSISTOR 2SC2603			
Q14,16	8-729-697-92	TRANSISTOR 2SA979			
IC5,12,25					
	8-743-931-10	IC BX3931A			

Ref.No. or Q'ty	Part No.	Description	Ref.No. or Q'ty	Part No.	Description
<u>LG-02(A) BOARD (BVH-2000PS,2180PS/CARD RACK)</u>			<u>(LG-02(A) BOARD,CARD RACK)</u>		
1pc	() A-6017-103-A	COMPLETE PCB, LG-02(A)	S4	1-553-441-21	SWITCH, TOGGLE
	() A-6017-122-A	COMPLETE PCB, LG-02(A)	2pcs	1-563-859-11	RECEPTACLE, CONNECTOR 2P
	(For BVH-2000PS 10,12, 14 model)		JP1,2,3,4,5,6,7,8,9		
(This assembly includes the following parts.)				1-566-385-11	PIN, CONNECTOR 2P
C36	1-102-114-00	CAP,CERAMIC 470PF 10% 50V	TP1,2,3,4,5,6,7,8,9,10,		
C4	1-107-164-00	CAP,MICA 51PF 5% 500V	11,12 () 3-657-703-01		TERMINAL, TP
C6,33,34	1-108-555-00	CAP,MYLAR 0.001 5% 50V	TPE1,2,3		
C38	1-108-587-00	CAP,MYLAR 0.022 5% 50V	() 3-673-805-11		TERMINAL, TP
C1,2,20,27	1-123-330-00	CAP,ELECT 22 25V	1pc	() 3-673-865-00	LEVER, WITH PIN
C5	1-123-380-00	CAP,ELECT 1 100V	1pc	() 3-673-867-00	PLATE, INDICATION, PC BOARD
C37	1-123-616-00	CAP,ELECT 4.7 25V	1pc	() 3-674-627-11	LABEL (LG-02A), PC BOARD
C3,7,8,9,10,11,12,13,14,			1pc	() 3-693-052-01	LABEL PS-NS (LG-02A), PC BOARD
15,16,17,18,19,35			4pcs	4-866-397-00	CUSHION, LED
	1-161-055-00	CAP,CERAMIC 0.022 10% 50V	1pc	7-621-981-15	SCREW, PSW 2.6x6
R12,15	1-214-118-00	RES,METAL 270 1% 1/4W	2pcs	() 7-626-317-21	PIN, SPRING 2.5x8
R42	1-215-456-00	RES,METAL 30K 1% 1/6W	D1,2,3,4,5,6,7,8		
RB1,2,3,4,5,6,7,8,9	1-231-410-00	RES BLOCK, 10Kx8	8-719-911-06		DIODE 1SS106
R2,3,5,6,13,38	1-247-783-00	RES,CARBON 10 5% 1/6W	D11	8-719-930-33	LED, GL3PR3, RED
R39	1-247-819-00	RES,CARBON 330 5% 1/6W	D9	8-719-930-53	LED, GL3HY3, YEL
R27,36,37	1-247-829-00	RES,CARBON 820 5% 1/6W	IC2G	8-759-040-46	IC MC14046BCP, CMOS
R19	1-247-831-00	RES,CARBON 1K 5% 1/6W	IC31	8-759-645-17	IC M54517P
R16	1-247-838-00	RES,CARBON 2K 5% 1/6W	IC4F	8-759-756-27	IC, PROM, MB7051-L2A1
R17	1-247-842-00	RES,CARBON 3K 5% 1/6W	IC4E	8-759-761-39	IC, PROM, MB7051-L1A2
R9,10,11,18,20,21,22,23,			IC2H,3L,4I,5A,5E		
24,25,26,28,29,30,31,			8-759-900-00		IC SN74LS00N, TTL
32,33,34,35,40	1-247-855-00	RES,CARBON 10K 5% 1/6W	IC2A,2B,2L,2M,3M,4L,4M,		
			5D,5L,5M		
L1	1-421-370-00	COIL, CHOKE	8-759-900-04		IC SN74LS04N, TTL
S1	1-516-923-21	SWITCH, DIP, 4-CKT	IC1A,2K,5C		
S2	1-516-925-21	SWITCH, DIP, 8-CKT	8-759-900-08		IC SN74LS08N, TTL
S3	1-553-440-00	SWITCH, TOGGLE	IC3H	8-759-900-11	IC SN74LS11N, TTL
			IC4H,5G,5I		
			8-759-900-32		IC SN74LS32N, TTL

Ref.No. or Qty	Part No.	Description
(LG-02(A) BOARD,CARD RACK)		
IC3B,3C,3D,3E,3F,3G,5B, 5F	8-759-900-74	IC SN74LS74AN,TTL
IC5H	8-759-900-86	IC SN74LS86N,TTL
IC1C	8-759-901-23	IC SN74LS123N,TTL
IC1K,1L	8-759-901-38	IC SN74LS138N,TTL
IC2C,2D	8-759-901-61	IC SN74LS161AN,TTL
IC2J,3J,4J,5J	8-759-901-74	IC SN74LS174N,TTL
IC1E,4B,4C,4D	8-759-901-91	IC SN74LS191N,TTL
IC1F,1G,1I	8-759-902-40	IC SN74LS240N,TTL
IC1J	8-759-902-44	IC SN74LS244N,TTL
IC3K,4G,4K,5K	8-759-902-73	IC SN74LS273N,TTL
IC2E,3A	8-759-903-93	IC SN74LS393N,TTL
IC2F	8-759-906-24	IC SN74LS624N,TTL
<u>SY-79 BOARD (BVH-2000PS,2180PS/CARD RACK)</u>		
1pc (for 02/04/12/14 model)	() A-6017-090-A	COMPLETE PCB,SY-79
1pc (for 00/10 model)	() A-6017-096-A	COMPLETE PCB,SY-79
(These ass'ies include the following parts.)		
1pc	() X-3673-641-0	PLATE ASSY,SHIELD
C59	1-102-115-00	CAP,CERAMIC 560PF 10% 50V
C62,63,64,65,66,67,68, 69	1-107-026-00	CAP,MICA 5.1PF +/-0.5PF 500V
C40	1-107-085-00	CAP,MICA 100PF 5% 50V

Ref.No. or Qty	Part No.	Description
(SY-79 BOARD,CARD RACK)		
C57,60	1-107-209-00	CAP,MICA 20PF 5% 500V
C47,58	1-108-555-00	CAP,MYLAR 0.001 5% 50V
C31	1-123-307-00	CAP,ELECT 100 10V
C16,21,25,28,29	1-123-330-00	CAP,ELECT 22 25V
C48,49,52,56	1-123-380-00	CAP,ELECT 1 100V
C42	1-124-255-00	CAP,ELECT 1 20% 50V
C1,2,4,6,7,8,10,12,22, 34,36,38,44,46,50,55, 61	1-161-055-00	CAP,CERAMIC 0.022 10% 50V
RB1,2,3,5,6,7,8,9,28,29	1-231-410-00	RES BLOCK,10Kx8
RB26,27	1-231-533-00	RES BLOCK,10Kx4
CP1,2,3	1-235-106-00	CR PACK
R5,16	1-247-791-00	RES,CARBON 22 5% 1/6W
R4,23	1-247-814-00	RES,CARBON 200 5% 1/6W
R8,15,22	1-247-829-00	RES,CARBON 820 5% 1/6W
R9,10	1-247-831-00	RES,CARBON 1K 5% 1/6W
R3	1-247-838-00	RES,CARBON 2K 5% 1/6W
R1,2,6,7,12,13,14,17,18, 19,20,21,24,25	1-247-855-00	RES,CARBON 10K 5% 1/6W
L1	1-409-339-00	COIL,SN
S9	1-516-925-21	SWITCH,DIP,8-CKT
X1	1-527-827-00	CRYSTAL,4.9152MHz
S3	1-552-539-00	SWITCH,PUSH
S1,2	1-553-252-00	SWITCH,ROTARY
S6	1-553-440-00	SWITCH,TOGGLE
S4,5	1-553-441-00	SWITCH,TOGGLE
S7,8,10,11	1-553-925-00	SWITCH,ROTARY
S12 (for 00 model)	1-554-329-00	SWITCH,TOGGLE
3pcs	1-565-413-11	RECEPTACLE,CONNECTOR 2P

Ref.No. or Q'ty	Part No.	Description	Ref.No. or Q'ty	Part No.	Description
(SY-79 BOARD,CARD RACK) JP1,2,3,4,5,6	1-566-385-11	PIN,CONNECTOR 2P	(SY-79 BOARD,CARD RACK) IC4D	8-759-900-20	IC SN74LS20N,TTL
TP1,2,3,4,5,6,7,8,9,10 () 3-673-805-01		TERMINAL,TP	IC30,5F,6F	8-759-900-32	IC SN74LS32N,TTL
TPE1,2,3 () 3-673-805-11		TERMINAL,TP	IC2D,2E	8-759-901-28	IC MSM5128-12RS,CMOS
1pc () 3-673-865-00		LEVER,WITH PIN	IC4E,4F,6E	8-759-901-38	IC SN74LS138N,TTL
1pc () 3-673-867-00		PLATE,INDICATION, PC BOARD	IC5E	8-759-901-39	IC SN74LS139N,TTL
1pc (for 02/04 model) () 3-674-617-00		LABEL(SY-79),PC BOARD	IC2A,2B,2C,4B,5I	8-759-902-40	IC SN74LS240N,TTL
1pc (for 00 model) () 3-674-684-00		LABEL(SY-79),PC BOARD	IC1L,10,1P,5K,5L	8-759-902-44	IC SN74LS244N,TTL
2pcs 4-866-397-00		CUSHION,LED	IC20,2P	8-759-902-45	IC SN74LS245N,TTL
4pcs 7-621-981-15		SCREW,PSW2.6x6	IC4A,5J,6I,6J	8-759-902-73	IC SN74LS273N,TTL
2pcs () 7-626-317-21		PIN,SPRING 2.5x8	IC3N	8-759-903-65	IC SN74LS365AN,TTL
ND1 8-719-901-68		LED,7-SEGMENT, GL-6R202,RED	IC2K	8-759-903-93	IC SN74LS393N,TTL
D1,3 8-719-911-06		DIODE 1SS106	IC1M	8-759-916-80	IC LH0080A,NMOS
Q1 8-729-110-53		TRANSISTOR 2SA1005	IC2H	8-759-916-82	IC LH0082A,NMOS
IC5A,6A 8-759-044-95		IC MC14495P,CMOS	IC2I	8-759-916-84	IC LH0084A,NMOS
IC5M,5N 8-759-045-84		IC MC14584BCP,CMOS	IC40,4P	8-759-926-30	IC AM26LS30PC
IC4M 8-759-240-53		IC TC4053BP,CMOS	IC4Q	8-759-926-32	IC AM26LS32PC
IC6K,6L,6M,6N 8-759-645-16		IC M54516P			
IC1H 8-759-772-27		IC,EPROM,2732-72U3-5			
IC1I 8-759-772-33		IC,EPROM,2732-71A3-5			
IC1G 8-759-772-28		IC,EPROM,2732-73U3-5			
IC1E 8-759-772-29		IC,EPROM,2732-74U3-5			
IC1D 8-759-772-30		IC,EPROM,2732-75U3-5			
IC1A 8-759-772-32		IC,EPROM,2732-77U3-5			
IC1K 8-759-778-55		IC,EPROM,2732-70U3-6			
IC1C 8-759-778-56		IC,EPROM,2732-76U3-6			
IC3P,4N 8-759-900-00		IC SN74LS00N,TTL			
IC2L,3Q 8-759-900-04		IC SN74LS04N,TTL			
IC3M 8-759-900-08		IC SN74LS08N,TTL			
IC3L 8-759-900-14		IC SN74LS14N,TTL			

Ref.No. or Q'ty	Part No.	Description
<u>SY-80 BOARD (BVH-2000PS,2180PS/CARD RACK)</u>		
1pc (This assembly includes the following parts.)	() A-6017-091-A	COMPLETE PCB,SY-80
1pc	() X-3673-641-0	PLATE ASSY,SHIELD
C47	1-102-115-00	CAP,CERAMIC 560PF 10% 50V
C27	1-107-085-00	CAP,MICA 100PF 5% 50V
C48,49,51	1-107-209-00	CAP,MICA 20PF 5% 500V
C25,43	1-108-555-00	CAP,MYLAR 0.001 5% 50V
C45,46	1-108-561-00	CAP,MYLAR 0.0018 5% 50V
C1	1-123-307-00	CAP,ELECT 100 10V
C2,28,30,36,39	1-123-330-00	CAP,ELECT 22 25V
C22,29	1-123-380-00	CAP,ELECT 1 100V
C44	1-161-043-00	CAP,CERAMIC 0.0022 10% 50V
C3,5,7,11,14,16,19,23, 24,50	1-161-055-00	CAP,CERAMIC 0.022 10% 50V
RB2	1-231-407-00	RES BLOCK,2.2Kx8
RB1,3,4,5,6,7,8,9	1-231-410-00	RES BLOCK,10Kx8
R14,18	1-247-791-00	RES,CARBON 22 5% 1/6W
R13,22,23	1-247-814-00	RES,CARBON 200 5% 1/6W
R17,20,21	1-247-829-00	RES,CARBON 820 5% 1/6W
R10,11	1-247-831-00	RES,CARBON 1K 5% 1/6W
R4,5,12	1-247-838-00	RES,CARBON 2K 5% 1/6W
R1,2,3,6,7,8,15,16,19	1-247-855-00	RES,CARBON 10K 5% 1/6W

Ref.No. or Q'ty	Part No.	Description
<u>(SY-80 BOARD,CARD RACK)</u>		
L1	1-409-339-00	COIL,SN
S8,9	1-516-925-21	SWITCH,DIP,8-CKT
X1	1-527-827-00	CRYSTAL,4.9152MHZ
S3,4	1-552-539-00	SWITCH,PUSH
S1,2	1-553-252-00	SWITCH,ROTARY
S6	1-553-440-00	SWITCH,TOGGLE
S5	1-553-441-00	SWITCH,TOGGLE
TP1,2,3,4,5,6,7,8	() 3-673-805-01	TERMINAL,TP
TPE1,2,3	() 3-673-805-11	TERMINAL,TP
1pc	() 3-673-865-00	LEVER,WITH PIN
1pc	() 3-673-867-00	PLATE,INDICATION, PC BOARD
1pc	() 3-674-624-00	LABEL(SY-80),PC BOARD
2pcs	3-621-124-01	SPASER
4pcs	7-621-981-15	SCREW,PSW 2.6x6
2pcs	() 7-626-317-21	PIN,SPRING 2.5x8
D3,4,5,6,7	8-719-815-55	DIODE 1S1555
ND1	8-719-901-68	LED,7-SEGMENT, GL-6R202,RED
D1,2	8-719-911-06	DIODE 1SS106
Q1	8-729-110-53	TRANSISTOR 2SA1005
IC5A,5B	8-759-044-95	IC MC14495P,CMOS
IC11	8-759-240-71	IC TC4071BP,CMOS
IC1D	8-759-772-36	IC,EPROM,2732-81U3-6
IC1C	8-759-772-37	IC,EPROM,2732-82U3-5
IC1F	8-759-776-20	IC,EPROM,2732-80U3-6
IC1G,3G,4L	8-759-900-00	IC SN74LS00N,TTL
IC2G,4H,4I,5E,5K,5L,5M	8-759-900-04	IC SN74LS04N,TTL

Ref.No. or Qty	Part No.	Description
(SY-80 BOARD,CARD RACK)		
IC1H,3L	8-759-900-08	IC SN74LS08N,TTL
IC3M,4M	8-759-900-14	IC SN74LS14N,TTL
IC3E	8-759-900-20	IC SN74LS20N,TTL
IC2F,4J	8-759-900-32	IC SN74LS32N,TTL
IC3H,4E	8-759-900-74	IC SN74LS74AN,TTL
IC1B,1J	8-759-901-28	IC MSM5128-12RS,CMOS
IC2D,2E,3F,4F	8-759-901-38	IC SN74LS138N,TTL
IC5F	8-759-901-39	IC SN74LS139N,TTL
IC4C	8-759-901-51	IC SN74LS151N,TTL
IC1K,1L,1M	8-759-901-57	IC SN74LS157N,TTL
IC1A,2B,3B,4B	8-759-902-40	IC SN74LS240N,TTL
IC2H,2J,2N	8-759-902-44	IC SN74LS244N,TTL
IC2K,2L,2M	8-759-902-45	IC SN74LS245N,TTL
IC5G,5H,5I,5J	8-759-902-73	IC SN74LS273N,TTL
IC4D	8-759-902-80	IC SN74LS280N,TTL
IC5J	8-759-903-65	IC SN74LS365AN,TTL
IC2I	8-759-916-80	IC LH0080A,NMOS
IC3K	8-759-916-82	IC LH0082A,NMOS

Ref.No. or Qty	Part No.	Description
<u>SV-43 BOARD (BVH-2000PS,2180PS/CARD RACK)</u>		
1pc (for BVH-2000PS)	() A-6015-066-A	COMPLETE PCB,SV-43
1pc (for BVH-2180PS)	() A-6015-088-A	COMPLETE PCB,SV-43
(These ass'ies includes the following parts.)		
1pc	() X-3673-641-0	PLATE ASSY,SHIELD
C32,34,37,39,41	1-102-106-00	CAP,CERAMIC 100PF 10% 50V
C101	1-107-202-00	CAP,MICA 10PF 5% 500V
C15,16,17,18,19,20,21, 26	1-123-822-00	CAP,ELECT 47 10V
C27	1-124-141-00	CAP,ELECT 330 10V
C30,31	1-130-491-00	CAP,MYLAR 0.047 5% 50V
C42	1-131-381-00	CAP,TANT 47 10% 10V
C40	1-161-051-00	CAP,CERAMIC 0.01 10% 50V
C1,2,3,4,5,6,7,8,9,10, 11,12,13,14,22,23,24, 25,28,29,33,35,38	1-161-055-00	CAP,CERAMIC 0.022 10% 50V
RB1	1-231-385-00	RES BLOCK,4.7Kx8
RB2,3,4,5	1-235-109-00	RES BLOCK,22Kx8
R2,3,6,7,10,11,32,46,47	1-247-783-00	RES,CARBON 10 5% 1/6W
R41,44	1-247-790-00	RES,CARBON 20 5% 1/6W
R34,35	1-247-807-00	RES,CARBON 100 5% 1/6W
R105	1-247-811-00	RES,CARBON 150 5% 1/6W
R42	1-247-814-00	RES,CARBON 200 5% 1/6W
R26	1-247-823-00	RES,CARBON 470 5% 1/6W
R39,40	1-247-829-00	RES,CARBON 820 5% 1/6W

Ref.No. or Qty	Part No.	Description
(SV-43 BOARD,CARD RACK)		
R43	1-247-831-00	RES,CARBON 1K 5% 1/6W
R31	1-247-839-00	RES,CARBON 2.2K 5% 1/6W
R25,27,28,29,33	1-247-847-00	RES,CARBON 4.7K 5% 1/6W
R20,21,22,23,24,38	1-247-855-00	RES,CARBON 10K 5% 1/6W
(for BVH-2180PS)		
R101,102	1-247-855-00	RES,CARBON 10K 5% 1/6W
R13,14,15,18,19,30,36, 37	1-247-863-00	RES,CARBON 22K 5% 1/6W
(for BVH-2180)		
R103,104	1-247-863-00	RES,CARBON 22K 5% 1/6W
R16,17	1-247-879-00	RES,CARBON 100K 5% 1/6W
L1	1-408-417-00	INDUCTOR,MICRO,47 5%
L2	1-409-339-00	COIL,SN
S1	1-516-923-21	SWITCH,DIP,4-CKT
X1	1-527-936-00	CRYSTAL,10MHZ
S2	1-553-441-00	SWITCH,TOGGLE
CN1M	() 1-560-760-00	RECEP,40P,MALE
TP1,2,3,4,5,6,7,8,9,10, 11,12,13,14	() 3-673-805-01	TERMINAL,TP
TPE1,2,3,4	() 3-673-805-11	TERMINAL,TP
1pc	() 3-673-865-00	LEVER,WITH PIN
1pc	() 3-673-867-00	PLATE,INDICATION, PC BOARD
1pc	() 3-674-619-00	LABEL(SV-43),PC BOARD
2pcs	4-866-397-01	CUSHION,LED
4pcs	7-621-981-15	SCREW,PSW 2.6x6
2pcs	() 7-626-317-21	PIN,SPRING 2.5x8
D1,3,4,5	8-719-815-55	DIODE 1S1555
ND1	8-719-901-68	LED,7-SEGMENT, GL-6R202,RED
D2	8-719-911-06	DIODE 1SS106
Q4	8-729-110-53	TRANSISTOR 2SA1005
Q1,2	8-729-117-54	TRANSISTOR 2SA1175

Ref.No. or Qty	Part No.	Description
(SV-43 BOARD,CARD RACK)		
Q3	8-729-606-32	TRANSISTOR 2SC2603
IC5C	8-759-044-95	IC MC14495P,CMOS
IC2N	8-759-045-38	IC MC14538BCP,CMOS
IC1R	8-759-240-49	IC TC4049BP,CMOS
IC1P,1Q,5I,6O	8-759-241-74	IC TC40174BP,CMOS
IC1N	8-759-245-20	IC TC4520BP,CMOS
IC2P,2Q,4I,6N	8-759-345-03	IC HD14503BP,CMOS
(for BVH-2180PS)		
IC6D	8-759-345-03	IC HD14503BP,CMOS
(for BVH-2000PS)		
IC1F	8-759-758-95	IC,EPROM,MBM2732-S2U3
IC1I	8-759-758-97	IC,EPROM,MBM2732-S4U3
IC6K	8-759-761-26	IC,EPROM,MBM2732-S8U3-2
IC1E	8-759-769-76	IC,EPROM,MBM2732-S1U3-9
IC1H	8-759-764-06	IC,EPROM,MBM2732-S3U3-6
IC6I	8-759-765-47	IC,EPROM,MBM2732-S7U3-8
(for BVH-2180PS)		
IC1F	8-759-764-32	IC,EPROM,MBM2732-S2Q1
IC1I	8-759-764-34	IC,EPROM,MBM2732-S4Q1
IC6I	8-759-765-48	IC,EPROM,MBM2732-S7Q1-2
IC6K	8-759-764-36	IC,EPROM,MBM2732-S8Q1
IC1E	8-759-769-77	IC,EPROM,MBM2732-S1Q1-3
IC1H	8-759-764-33	IC,EPROM,MBM2732-S3Q1
IC5H,5O	8-759-900-00	IC SN74LS00N,TTL
IC4G,5P	8-759-900-02	IC SN74LS02N,TTL
IC4D	8-759-900-03	IC SN74LS03N,TTL
IC2R,3O,4F,6C	8-759-900-04	IC SN74LS04N,TTL
IC4H,4N	8-759-900-08	IC SN74LS08N,TTL
IC3H,5F	8-759-900-10	IC SN74LS10N,TTL
IC4E	8-759-900-30	IC SN74LS30N,TTL
IC3G,3I,4O,5E,5N	8-759-900-32	IC SN74LS32N,TTL
IC4M,5D,5G	8-759-900-74	IC SN74LS74AN,TTL
IC6F	8-759-901-07	IC SN74LS107AN,TTL
IC1M,6M	8-759-901-28	IC MSM5128-12RS,CMOS
IC1O,3E	8-759-901-38	IC SN74LS138N,TTL

Ref.No. or Qty	Part No.	Description
(SV-43 BOARD, CARD RACK)		
IC20, 3D, 3F, 3N, 5M	8-759-901-39	IC SN74LS139N, TTL
IC3J, 3K, 3R, 4C, 4J, 4R, 5Q	8-759-902-44	IC SN74LS244N, TTL
IC1D, 4K, 6P	8-759-902-45	IC SN74LS245N, TTL
IC3P, 3Q, 4P, 4Q	8-759-906-70	IC SN74LS670N, TTL
IC6H	8-759-910-04	IC SN74S04N, TTL
IC2B, 3L	8-759-916-80	IC LH0080A, NMOS

Ref.No. or Qty	Part No.	Description
<u>RL-12 BOARD (BVH-2000PS, 2180PS/CARD RACK)</u>		
1pc (for BVH-2000PS)	() A-6015-067-C	COMPLETE PCB, RL-12
1pc (for BVH-2180PS)	() A-6015-089-A	COMPLETE PCB, RL-12
(These ass'ies includes the following parts.)		
1pc () X-3673-641-0		PLATE ASSY, SHIELD
C113, 114	1-102-106-00	CAP, CERAMIC 100PF 10% 50V
C120, 121	1-102-112-00	CAP, CERAMIC 330PF 10% 50V
C31, 32, 33, 34, 35, 42	1-102-114-00	CAP, CERAMIC 470PF 10% 50V
C116	1-107-202-00	CAP, MICA 10PF 5% 500V
C111	1-108-566-00	CAP, MYLAR 0.003 5% 50V
C21	1-123-611-00	CAP, ELECT 1 50V
C2, 3, 16, 19, 26, 28, 48, 86, 88	1-123-821-00	CAP, ELECT 47 16V
C102	1-124-141-00	CAP, ELECT 330 10V
C11, 47, 51, 53, 60, 61, 62, 80, 81, 90, 93, 94, 96, 101	1-124-236-00	CAP, ELECT 47 16V
C46, 68	1-124-240-00	CAP, ELECT 10 25V
C38, 39	1-124-656-00	CAP, ELECT NONPOLAR 2.2 50V
C115	1-130-483-00	CAP, MYLAR 0.01 5% 50V
C112	1-130-484-00	CAP, MYLAR 0.012 5% 50V
C106, 110	1-130-485-00	CAP, MYLAR 0.015 5% 50V
(for BVH-2000PS)		
C108	1-130-485-00	CAP, MYLAR 0.015 5% 50V
(for BVH-2180PS)		
C108	1-130-486-00	CAP, MYLAR 0.018 5% 50V
C105	1-130-489-00	CAP, MYLAR 0.033 5% 50V
(for BVH-2000PS)		
C107	1-130-489-00	CAP, MYLAR 0.033 5% 50V
(for BVH-2180PS)		
C107	1-130-490-00	CAP, MYLAR 0.039 5% 50V
C40	1-130-495-00	CAP, MYLAR 0.1 5% 50V
(for BVH-2000PS)		
C41	1-130-495-00	CAP, MYLAR 0.1 5% 50V
C56, 57, 58, 59, 67, 69	1-131-369-00	CAP, TANT 4.7 10% 16V

Ref.No. or Qty	Part No.	Description	Ref.No. or Qty	Part No.	Description
(RL-12 BOARD,CARD RACK) C17,20,22,23,25,30,44	1-161-047-00	CAP,CERAMIC 0.0047 10% 50V	(RL-12 BOARD,CARD RACK) R77,87,153	1-215-447-00	RES,METAL 12K 1% 1/6W
C5,6,7,8,9,10	1-161-049-00	CAP,CERAMIC 0.0068 10% 50V	(for BVH-2000PS) R187	1-215-448-00	RES,METAL 13K 1% 1/6W
C14	1-161-051-00	CAP,CERAMIC 0.01 10% 50V	R80,94,98,100,103,104, 115,116,117	1-215-449-00	RES,METAL 15K 1% 1/6W
(for BVH-2180PS) C41	1-161-897-00	CAP,CERAMIC 0.33 50V	R89	1-215-451-00	RES,METAL 18K 1% 1/6W
C1,4,15,18,27,29,36,37, 45,49,50,52,54,55,70, 82,83,84,85,87,89,91, 92,95,97,100,103,104, 131,132	1-162-596-00	CAP,CERAMIC 0.022 25V	R40,42,44,45,82,90,93, 95,96,144,146,186,188, 189	1-215-452-00	RES,METAL 20K 1% 1/6W
(for BVH-2000PS) R212	1-215-373-31	RES,METAL 10 1% 1/6W	R149,151	1-215-454-00	RES,METAL 24K 1% 1/6W
R78	1-215-406-00	RES,METAL 240 1% 1/6W	R177	1-215-468-00	RES,METAL 91K 1% 1/6W
R32,175	1-215-418-00	RES,METAL 750 1% 1/6W	R58,123,124,135,141, 178,179,180,181,182, 1-215-469-00	RES,METAL 100K 1% 1/6W	
R30,31,64,106	1-215-425-00	RES,METAL 1.5K 1% 1/6W	(for BVH-2000PS) R183	1-215-469-00	RES,METAL 100K 1% 1/6W
R108	1-215-428-00	RES,METAL 2K 1% 1/6W	RV10	1-224-936-00	RES,VAR,CERMET 500
R36,37,110	1-215-432-00	RES,METAL 3K 1% 1/6W	RV7	1-224-937-00	RES,VAR,CERMET 1K
R184	1-215-433-00	RES,METAL 3.3K 1% 1/6W	RV11	1-224-938-00	RES,VAR,CERMET 2K
(for BVH-2180PS) R212	1-215-435-00	RES,METAL 3.9K 1% 1/6W	RV1,2,3,4,5,6	1-224-939-00	RES,VAR,CERMET 5K
R185	1-215-440-00	RES,METAL 6.2K 1% 1/6W	RV9	1-224-940-00	RES,VAR,CERMET 10K
(for BVH-2180PS) R213	1-215-440-00	RES,METAL 6.2K 1% 1/6W	RV12,13,15	1-224-941-00	RES,VAR,CERMET 20K
R111,113	1-215-442-00	RES,METAL 7.5K 1% 1/6W	RV8,20	1-224-942-00	RES,VAR,CERMET 50K
(for BVH-2180PS) R187	1-215-443-00	RES,METAL 8.2K 1% 1/6W	RV14	1-230-741-21	RES,VAR,CARBON 10K
R41,43,62,81,85,91,92, 97,99,102,143,145,148, 150,193	1-215-445-00	RES,METAL 10K 1% 1/6W	RB2	1-231-399-00	RES,BLOCK 330x8
R176	1-215-446-00	RES,METAL 11K 1% 1/6W	R83,107,109	1-247-783-00	RES,CARBON 10 5% 1/6W
			(for BVH-2000PS) R216	1-247-783-00	RES,CARBON 10 5% 1/6W

Ref.No. or Qty	Part No.	Description
(RL-12 BOARD,CARD RACK) R79,210,211	1-247-815-00	RES,CARBON 220 5% 1/6W
R15,17,21,25,28,34,173	1-247-831-00	RES,CARBON 1K 5% 1/6W
R35	1-247-835-00	RES,CARBON 1.5K 5% 1/6W
R1,2,3,4,5,6,76	1-247-839-00	RES,CARBON 2.2K 5% 1/6W
R7,9,11,13,22,23,88	1-247-842-00	RES,CARBON 3K 5% 1/6W
R49,56	1-247-843-00	RES,CARBON 3.3K 5% 1/6W
R67,84	1-247-845-00	RES,CARBON 3.9K 5% 1/6W
R169	1-247-846-00	RES,CARBON 4.3K 5% 1/6W
R8,10,12,14,26,27,197	1-247-848-00	RES,CARBON 5.1K 5% 1/6W
R196	1-247-860-00	RES,CARBON 16K 5% 1/6W
(for BVH-2180PS) R66	1-247-861-00	RES,CARBON 18K 5% 1/6W
R54,55,195	1-247-862-00	RES,CARBON 20K 5% 1/6W
R154,161,172	1-247-863-00	RES,CARBON 22K 5% 1/6W
(for BVH-2180PS) R73	1-247-873-00	RES,CARBON 56K 5% 1/6W
R194,200	1-247-877-00	RES,CARBON 82K 5% 1/6W
R46,50,51,168	1-247-879-00	RES,CARBON 100K 5% 1/6W
R57	1-247-883-00	RES,CARBON 150K 5% 1/6W
R16,18,19,20,24,29	1-247-885-00	RES,CARBON 180K 5% 1/6W
R52,53	1-247-887-00	RES,CARBON 220K 5% 1/6W
(for BVH-2180PS) R183	1-247-888-00	RES,CARBON 240K 5% 1/6W
R174	1-247-891-00	RES,CARBON 330K 5% 1/6W
R48,167	1-247-893-00	RES,CARBON 390K 5% 1/6W

Ref.No. or Qty	Part No.	Description
(RL-12 BOARD,CARD RACK) R72	1-247-895-00	RES,CARBON 470K 5% 1/6W
R47,112,147,152	1-247-903-00	RES,CARBON 1M 5% 1/6W
R38,39,74,75,86,114,155, 156,157,158,159,160, 164,165,170,190,191, 192,215,217	1-249-429-11	RES,CARBON 10K 5% 1/6W
(for BVH-2000PS) R66,73	1-249-429-11	RES,CARBON 10K 5% 1/6W
L1,2,3	1-408-417-00	INDUCTOR,MICRO 47 5%
L4,5,6	1-421-370-00	COIL,CHOKE
S1	1-553-441-00	SWITCH,TOGGLE
TP1,2,3,4,5,6,7,8,9,10, 11,12,13,14,15,16,17, 18,19,20,21	() 3-673-805-01	TERMINAL,TP
TPE1,2,3,4	() 3-673-805-11	TERMINAL,TP
1pc	() 3-673-865-00	LEVER,WITH PIN
1pc	() 3-673-867-00	PLATE,INDICATION,PC BOARD
(for BVH-2000PS) 1pc	() 3-674-620-01	LABEL(RL-12),PC BOARD
(for BVH-2180PS) 1pc	() 3-690-531-01	LABEL(RL-12),PC BOARD
1pc	7-621-737-08	SCREW,2.6x3
4pcs	7-621-981-15	SCREW,PSW 2.6x6
2pcs	7-626-317-21	PIN,SPRING 2.5x8
D40	8-719-156-07	DIODE RD5.6E-B
D301,302	8-719-175-07	DIODE RD7.5E
D4,5,6,7	8-719-400-25	LED,LN25RP,RED
D0,1,2,3	8-719-400-35	LED,LN35BP,GREEN
D8,9,10,11,12,13,14,15, 16,17,18,19,20,21,22, 23,24,25,26,27,28,29, 43,44,45,46,47,48	8-719-815-55	DIODE 1S1555
Q1	8-729-374-02	TRANSISTOR 2SB740
IC4	8-759-100-34	IC UPC648D
IC1,2,3	8-759-103-93	IC UPC393C

Ref. No. or Q'ty	Part No.	Description
(RL-12 BOARD, CARD RACK)		
IC18, 25, 26	8-759-135-80	IC UPC358C
IC14, 27	8-759-145-58	IC UPC4558C
IC2I, 2J, 2L	8-759-182-53	IC UPD8253C-5, NMOS
IC6, 21, 22	8-759-208-06	IC TC4051BPHB
IC23	8-759-208-08	IC TC4052BPHB
IC29	8-759-208-10	IC TC4053BPHB
IC2C, 2D, 2F, 2Q, 2R	8-759-241-74	IC TC40174BP, CMOS
IC2E, 2M, 2N, 2O, 2P	8-759-345-03	IC HD14503BP, CMOS
IC1H	8-759-766-61	IC, PROM, MB7052-R2U3
IC1E, 1P, 3F	8-759-900-00	IC SN74LS00N, TTL
IC1N, 1O, 1T, 2G, 2T	8-759-900-04	IC SN74LS04N, TTL
IC1K	8-759-900-08	IC SN74LS08N, TTL
IC3O	8-759-900-32	IC SN74LS32N, TTL
IC1J, 1M	8-759-900-74	IC SN74LS74AN, TTL
IC1D, 2S	8-759-900-86	IC SN74LS86N, TTL
IC1Q, 3P	8-759-901-07	IC SN74LS107AN, TTL
IC3M	8-759-901-38	IC SN74LS138N, TTL
IC3N	8-759-901-39	IC SN74LS139N, TTL
IC1I, 1S	8-759-901-74	IC SN74LS174N, TTL
IC1F, 1G	8-759-901-91	IC SN74LS191N, TTL
IC3G	8-759-901-97	IC SN74LS197N, TTL
IC2A	8-759-903-74	IC SN74LS374N, TTL
IC1L, 1R	8-759-903-93	IC SN74LS393N, TTL
IC17	8-759-905-13	IC BA9101
IC11, 12	8-759-906-01	IC TL601CP
IC1B, 1C	8-759-910-43	IC CX2302B
IC13	8-759-910-83	IC TL072ACP
IC31	8-759-990-04	IC TL074CN
IC5, 7, 8, 9, 15, 16, 19, 28	8-759-990-82	IC TL082CP

Ref. No. or Q'ty	Part No.	Description

RS-20 BOARD (BVH-2000PS, 2180PS/CARD RACK)		

BVH-2000PS #33401-34399		
BVH-2180PS #10001-10599		
(Board No. 1-615-381-11)		
IC4F	8-759-901-91	IC SN74LS191N
IC4J	8-759-901-91	IC SN74LS191N
IC4I	8-759-763-27	IC MB7052-R2U2
CN4G	1-566-088-11	PLUG, DIL 16P
CN4H	1-566-088-11	PLUG, DIL 16P

CD-17 BOARD (BVH-2000PS, 2180PS/CARD RACK)		

Board No; 1-606-075-11, 12, 13		
1pc	() A-6015-072-B	COMPLETE PCB, CD-17
	() A-6015-096-A	COMPLETE PCB, CD-17
(For BVH-2000PS 10, 12, 14 model)		
(This assembly includes the following parts.)		
1pc	() X-3673-641-0	PLATE ASSY, SHIELD
C211	1-102-106-00	CAP, CERAMIC 100PF 10% 50V
C210	1-102-113-00	CAP, CERAMIC 390PF 10% 50V
C205, 206	1-102-125-00	CAP, CERAMIC 0.0047 10% 50V
C80	1-107-074-00	CAP, MICA 36PF 5% 50V
C20, 22, 68, 114		
	1-107-085-00	CAP, MICA 100PF 5% 50V
C8, 9, 10, 11, 59, 75, 78, 136, 138, 162		
	1-108-555-00	CAP, MYLAR 0.001 5% 50V
C74, 77, 115		
	1-108-563-00	CAP, MYLAR 0.0022 5% 50V

Ref. No. or Q'ty	Part No.	Description	Ref. No. or Q'ty	Part No.	Description
(CD-17 BOARD, CARD RACK) (Board No. 1-606-075-11, 12, 13)			(CD-17 BOARD, CARD RACK) (Board No. 1-606-075-11, 12, 13)		
C203	1-108-564-00	CAP, MYLAR 0.0024 5% 50V	R78	1-214-134-00	RES, METAL 1.2K 1% 1/4W
C40, 42	1-108-565-00	CAP, MYLAR 0.0027 5% 50V	R82	1-214-138-00	RES, METAL 1.8K 1% 1/4W
C39, 41	1-108-573-00	CAP, MYLAR 0.0056 5% 50V	R87	1-214-145-00	RES, METAL 3.6K 1% 1/4W
C53, 118, 119, 137, 161, 201, 204	1-108-579-00	CAP, MYLAR 0.01 5% 50V	R29	1-214-146-00	RES, METAL 3.9K 1% 1/4W
C131	1-108-581-00	CAP, MYLAR 0.012 5% 50V	R89	1-214-149-00	RES, METAL 5.1K 1% 1/4W
C60	1-108-583-00	CAP, MYLAR 0.015 5% 50V	R13	1-214-151-00	RES, METAL 6.2K 1% 1/4W
C52, 166	1-108-587-00	CAP, MYLAR 0.022 5% 50V	R47, 49, 107, 108	1-214-155-00	RES, METAL 9.1K 1% 1/4W
C5, 35, 36, 37, 38, 152, 153	1-108-595-00	CAP, MYLAR 0.047 5% 50V	R28, 46, 48, 88, 105, 106, 117, 118	1-214-156-00	RES, METAL 10K 1% 1/4W
C73, 76	1-108-603-00	CAP, MYLAR 0.1 5% 50V	R7, 27, 38, 42, 122, 123	1-214-160-00	RES, METAL 15K 1% 1/4W
C67	1-109-555-00	CAP, MICA 560PF 5% 100V	R10, 11	1-214-163-00	RES, METAL 20K 1% 1/4W
C19, 81	1-109-561-00	CAP, MICA 0.001 5% 100V	R43, 50	1-214-167-00	RES, METAL 30K 1% 1/4W
C123, 124, 127	1-123-818-00	CAP, ELECT 22 25V	R33, 90	1-214-178-00	RES, METAL 82K 1% 1/4W
C4, 13, 23, 26, 30, 31, 43, 44, 61, 62, 63, 72, 79	1-123-821-00	CAP, ELECT 47 16V	R198	1-214-180-00	RES, METAL 100K 1% 1/4W
C32, 132, 141, 144, 147, 149, 150, 157	1-123-822-00	CAP, ELECT 47 10V	RV14, 15, 16, 17	1-224-938-00	RES, VAR, METAL 2K
C159	1-124-141-00	CAP, ELECT 330 10V	RV2, 3, 6, 7, 8, 9, 10, 11, 12	1-224-940-00	RES, VAR, METAL 10K
C21	1-130-079-00	CAP, POLY 8600PF 1% 50V	RV13	1-224-941-00	RES, VAR, METAL 20K
C6, 7	1-131-345-00	CAP, TANT 0.47 10% 35V	RV5	1-224-942-00	RES, VAR, METAL 50K
C70	1-131-349-00	CAP, TANT 2.2 35V	RV4	1-226-698-00	RES, VAR, CERMET 10K
C121, 165	1-131-371-00	CAP, TANT 10 10% 16V	RV1	1-228-763-00	RES, VAR, CERMET 5K
C126	1-131-373-00	CAP, TANT 22 10% 16V	RB1	1-235-109-00	RES BLOCK, 22Kx8
C120	1-131-374-00	CAP, TANT 33 10% 16V	R32, 159, 194, 206, 209	1-247-783-00	RES, CARBON 10 5% 1/6W
CV1	1-141-260-00	CAP, TRIMMER 50PF	R68, 86, 91, 174	1-247-799-00	RES, CARBON 47 5% 1/6W
C122	1-161-039-00	CAP, CERAMIC 0.001 10% 50V	R128	1-247-804-00	RES, CARBON 75 5% 1/6W
C3, 18, 24, 25, 27, 28, 33, 50, 51, 64, 65, 66, 69, 112, 113, 116, 117, 128, 130, 133, 135, 139, 140, 142, 143, 145, 146, 148, 151, 154, 155, 156, 158, 160	1-161-055-00	CAP, CERAMIC 0.022 10% 50V	R61, 310	1-247-807-00	RES, CARBON 100 5% 1/6W
			R216	1-247-823-00	RES, CARBON 470 5% 1/6W
			R171	1-247-824-00	RES, CARBON 510 5% 1/6W
			R36, 37, 39, 41, 95, 99, 101, 103, 149, 157, 160, 301, 302, 303	1-247-831-00	RES, CARBON 1K 5% 1/6W

Ref. No. or Q'ty	Part No.	Description	Ref. No. or Q'ty	Part No.	Description
(CD-17 BOARD, CARD RACK) (Board No. 1-606-075-11, 12, 13)			(CD-17 BOARD, CARD RACK) (Board No. 1-606-075-11, 12, 13)		
R51, 54, 100, 102	1-247-835-00	RES, CARBON 1.5K 5% 1/6W	R136	1-247-869-00	RES, CARBON 39K 5% 1/6W
R67	1-247-837-00	RES, CARBON 1.8K 5% 1/6W	R15, 161	1-247-870-00	RES, CARBON 43K 5% 1/6W
R66, 119, 131, 133, 186, 196, 197	1-247-839-00	RES, CARBON 2.2K 5% 1/6W	R158	1-247-873-00	RES, CARBON 56K 5% 1/6W
R8	1-247-842-00	RES, CARBON 3K 5% 1/6W	R129	1-247-876-00	RES, CARBON 75K 5% 1/6W
R22, 24, 80	1-247-843-00	RES, CARBON 3.3K 5% 1/6W	R140	1-247-878-00	RES, CARBON 91K 5% 1/6W
R6, 75, 79, 132, 187, 211	1-247-847-00	RES, CARBON 4.7K 5% 1/6W	R14, 35, 40, 98, 104, 151, 173	1-247-879-00	RES, CARBON 100K 5% 1/6W
R142, 143	1-247-848-00	RES, CARBON 5.1K 5% 1/6W	R163, 214	1-247-886-00	RES, CARBON 200K 5% 1/6W
R124, 156	1-247-850-00	RES, CARBON 6.2K 5% 1/6W	R188, 189, 190, 191	1-247-895-00	RES, CARBON 470K 5% 1/6W
R141	1-247-851-00	RES, CARBON 6.8K 5% 1/6W	R77	1-247-901-00	RES, CARBON 820K 5% 1/6W
R1, 2, 3, 5, 16, 17, 18, 19, 25, 30, 31, 34, 44, 45, 52, 53, 55, 56, 57, 58, 59, 60, 63, 71, 83, 84, 85, 92, 93, 94, 96, 97, 109, 110, 111, 112, 113, 114, 115, 116, 120, 130, 138, 139, 147, 148, 152, 154, 157, 162, 164, 165, 166, 167, 169, 175, 215, 304, 305	1-247-855-00	RES, CARBON 10K 5% 1/6W	R202, 203, 204, 207, 212, 213	1-247-903-00	RES, CARBON 1M 5% 1/6W
R121	1-247-857-00	RES, CARBON 12K 5% 1/6W	L3	1-408-421-00	INDUCTOR, MICRO, 100 5%
R134, 135	1-247-858-00	RES, CARBON 13K 5% 1/6W	L1, 2, 4	1-409-339-00	COIL, SN
R192, 193	1-247-861-00	RES, CARBON 18K 5% 1/6W	S3	1-516-925-21	SWITCH, DIP, 8-CKT
R65, 178	1-247-862-00	RES, CARBON 20K 5% 1/6W	S7	1-552-539-00	SWITCH, PUSH
R20, 21, 69, 70, 81, 170, 176, 180, 181, 182, 185, 200, 201	1-247-863-00	RES, CARBON 22K 5% 1/6W	S1, 2	1-553-440-00	SWITCH, TOGGLE
R125	1-247-864-00	RES, CARBON 24K 5% 1/6W	S1 (NS)	1-554-441-00	SWITCH, TOGGLE
R172	1-247-865-00	RES, CARBON 27K 5% 1/6W	S4, 5, 6	1-554-027-00	SWITCH, ROTARY
R4, 9, 64, 168, 179	1-247-866-00	RES, CARBON 30K 5% 1/6W	S8	1-554-080-00	SWITCH, ROTARY
			TP1, 2, 3, 4, 5, 6, 7, 8, 9, 10, 11, 12, 13, 14, 15, 16, 17, 18, 19, 20, 21, 23, 24, 30, 31	() 3-673-805-01	TERMINAL, TP
			TPE1, 2, 3, 4, 5, 6	() 3-673-805-11	TERMINAL, TP
			1pc	() 3-673-865-00	LEVER, WITH PIN
			1pc	() 3-673-867-00	PLATE, INDICATION, PC BOARD
			1pc	() 3-674-628-00	LABEL (CD-17), PC BOARD
			1pc	() 3-693-053-01	LABEL PS-NS (CD-17), PC BOARD
			6pcs	4-866-397-00	CUSHION, LED
			4pcs	7-621-981-15	SCREW, PSW 2.6x6
			2pcs	() 7-626-317-21	PIN, SPRING 2.5x8

Ref. No. or Q'ty	Part No.	Description	Ref. No. or Q'ty	Part No.	Description
(CD-17 BOARD, CARD RACK) (Board No. 1-606-075-11, 12, 13)			(CD-17 BOARD, CARD RACK) (Board No. 1-606-075-11, 12, 13)		
D1, 2, 3, 4, 5, 6, 7, 8, 9, 10, 11, 12, 13, 14, 15, 16, 18, 19, 20, 21, 22, 23, 24, 25, 26, 27, 28, 29, 30, 31, 32, 33, 34, 35, 36, 37, 38, 39, 40, 41, 42, 43, 44, 45, 46, 47	8-719-815-55	DIODE 1S1555	IC18	8-759-900-00	IC SN74LS00N, TTL
Q10, 18, 20	8-729-117-54	TRANSISTOR 2SA1175	IC3C, 4Q, 4S, 5R	8-759-900-04	IC SN74LS04N, TTL
Q9, 19	8-729-364-12	TRANSISTOR 2SC641K	IC3D	8-759-900-14	IC SN74LS14N, TTL
Q7, 8, 15	8-729-672-43	TRANSISTOR 2SC2724	IC4P	8-759-900-32	IC SN74LS32N, TTL
IC31, 32	8-751-300-00	IC CX130	IC2C, 3B	8-759-900-74	IC SN74LS74AN, TTL
IC27, 4L	8-759-045-38	IC MC14538BCP, CMOS	IC19, 4N	8-759-900-86	IC SN74LS86N, TTL
IC26, 29	8-759-131-11	IC UPC311C	IC5N, 5O, 5P	8-759-901-07	IC SN74LS107AN, TTL
IC1, 2, 4, 25, 28, 35, 37	8-759-145-58	IC UPC4558C	IC4B, 4C, 5L	8-759-901-38	IC SN74LS138N, TTL
IC3F, 5F, 5G, 5I, 5K	8-759-182-53	IC UPD8253C-5, NMOS	IC7, 17, 2B, 4G	8-759-902-21	IC SN74LS221N, TTL
IC1C, 4K	8-759-240-11	IC TC4011BP, CMOS	IC4R	8-759-903-93	IC SN74LS393N, TTL
IC1D, 2D, 4M	8-759-240-13	IC TC4013BP, CMOS	IC9, 21	8-759-952-07	IC SN75207BN
IC24	8-759-240-51	IC TC4051BP, CMOS	IC3, 5, 6, 14, 15, 16	8-759-990-82	IC TL082CP
IC4E	8-759-240-71	IC TC4071BP, CMOS	Q1, 11, 12, 13	8-761-622-00	TRANSISTOR 2SC1636
IC40	8-759-240-81	IC TC4081BP, CMOS	Q3, 4, 5, 6, 16, 17, 21, 22, 23	8-769-192-00	TRANSISTOR 2SK43-2
IC3E, 4H, 5Q	8-759-241-74	IC TC40174BP, CMOS			
IC4D, 5M	8-759-245-20	IC TC4520BP, CMOS			
IC4I, 4J, 5A, 5B, 5C, 5D, 5E	8-759-345-03	IC HD14503BP, CMOS			
IC8	8-759-708-05	IC NJM78L05A			
IC11, 12, 13, 22, 23, 33, 34	8-759-745-60	IC NJM4560D			

Ref.No. or Qty	Part No.	Description	Ref.No. or Qty	Part No.	Description
<u>CD-17 BOARD (BVH-2000PS,2180PS/CARD RACK)</u>			<u>(CD-17 BOARD,BVH-2000PS,2180PS/CARD RACK)</u>		
Board No; 1-606-075-14 & up			(Board No.1-606-075-14 & up)		
1pc	() A-6015-072-C	COMPLETE PCB,CD-17	C127	1-130-484-00	CAP,MYLAR 0.012 5% 50V
	() A-6015-096-A	COMPLETE PCB,CD-17	C40	1-130-485-00	CAP,MYLAR 0.015 5% 50V
	(For BVH-2000PS 10,12,14 model)		C38	1-130-487-00	CAP,MYLAR 0.022 5% 50V
(This assembly includes the following parts.)			C7,28,29,52,53,79,122,		
			126	1-130-491-00	CAP,MYLAR 0.047 5% 50V
1pc	() X-3673-641-0	PLATE ASSY,SHIELD	C62,65	1-130-495-00	CAP,MYLAR 0.1 5% 50V
C11	1-102-074-00	CAP,CERAMIC 0.001 10% 50V	C5,6	1-131-345-00	CAP,TANT 0.47 10% 35V
C68	1-102-106-00	CAP,CERAMIC 100PF 10% 50V	C66	1-131-349-00	CAP,TANT 2.2 10% 35V
C115	1-102-113-00	CAP,CERAMIC 390PF 10% 50V	C74,75	1-131-350-00	CAP,TANT 3.3 10% 35V
C112,113	1-102-125-00	CAP,CERAMIC 0.0047 10% 50V	C83,84,86,89	1-131-373-00	CAP,TANT 22 10% 16V
C45	1-107-074-00	CAP,MICA 36PF 5% 50V	C87	1-131-374-00	CAP,TANT 33 10% 16V
C150	1-107-077-00	CAP,MICA 47PF 5% 50V	CV1	1-141-260-00	TRIMER,CERAMIC
C14,15,46,49	1-107-085-00	CAP,MICA 100PF 5% 50V	C3,4,12,16,17,19,20,22,		
C42	1-109-555-00	CAP,MICA 560PF 5% 100V	26,32,35,37,43,48,51,		
C44	1-109-561-00	CAP,MICA 0.001 5% 100V	58,59,67,69,71,72,73,		
C148	1-124-141-00	CAP,ELECT 330 10V	76,77,80,81,88,91,93,		
C78,90	1-124-234-00	CAP,ELECT 22 25V	96,98,101,102,104,105,		
			106,108,109,110,111,		
			114,116,119,124,125,		
			128,129,130,131,132,		
			133,135,137,138,139,		
			140,141,142,143,144,		
			145,146,147,149		
			1-162-596-00	CAP,CERAMIC 0.022 25V	
C1,2,10,18,21,24,25,33,			R109,110	1-215-421-00	CAP,METAL 1K 1% 1/6W
34,36,41,47,56,57,95,			R46	1-215-423-00	RES,METAL 1.2K 1% 1/6W
103,123,134,136			R41	1-215-427-00	RES,METAL 1.8K 1% 1/6W
1-124-236-00	CAP,ELECT 47 16V		R49	1-215-434-00	RES,METAL 3.6K 1% 1/6W
C13	1-130-079-00	CAP,POLY 8600PF 1% 50V	R15	1-215-435-00	RES,METAL 3.9K 1% 1/6W
C8,9,61,64,85,117,118	1-130-471-00	CAP,MYLAR 0.001 5% 50V	R52	1-215-438-00	RES,METAL 5.1K 1% 1/6W
C50,60,63	1-130-475-00	CAP,MYLAR 0.0022 5% 50V	R8	1-215-440-00	RES,METAL 6.2K 1% 1/6W
C31,55,121	1-130-476-00	CAP,MYLAR 0.0027 5% 50V	R56	1-215-441-00	RES,METAL 6.8K 1% 1/6W
C30,54	1-130-480-00	CAP,MYLAR 0.0056 5% 50V	R27,63,67,73	1-215-444-00	RES,METAL 9.1K 1% 1/6W
C39,99,100,107	1-130-483-00	CAP,MYLAR 0.01 5% 50V	R16,30,50,64,70,71,154,		
			155	1-215-445-00	RES,METAL 10K 1% 1/6W
			R11,19,29,61,156,161		
			1-215-449-00	RES,METAL 15K 1% 1/6W	

Ref.No. or Qty	Part No.	Description	Ref.No. or Qty	Part No.	Description
(CD-17 BOARD, BVH-2000PS, 2180PS/CARD RACK) (Borad No. 1-606-075-14 & up)			(CD-17 BOARD, BVH-2000PS, 2180PS/CARD RACK) (Borad No. 1-606-075-14 & up)		
R13, 14	1-215-452-00	RES, METAL 20K 1% 1/6W	R1, 2, 3, 5, 17, 20, 23, 26, 33,		
R25, 60	1-215-456-00	RES, METAL 30K 1% 1/6W	38, 39, 48, 53, 54, 62, 76,		
R55	1-215-463-00	RES, METAL 56K 1% 1/6W	77, 100, 104, 105, 106, 116,		
R22	1-215-465-00	RES, METAL 68K 1% 1/6W	119, 125, 130, 131, 141,		
R21	1-215-469-00	RES, METAL 100K 1% 1/6W	142, 143, 149, 151, 152,		
			160, 162, 164, 165, 167,		
			168, 175, 177, 180, 186,		
RV14, 15, 16, 17	1-224-938-00	RES, VAR, METAL 2K	187	1-247-855-00	RES, CARBON 10K 5% 1/6W
RV402	1-224-939-00	RES, VAR, METAL 5K			
RV2, 3, 6, 7, 8, 9, 10, 11, 12	1-224-940-00	RES, VAR, METAL 10K	R158	1-247-857-00	RES, CARBON 12K 5% 1/6W
			R136, 137	1-247-858-00	RES, CARBON 13K 5% 1/6W
			R95, 97	1-247-859-00	RES, CARBON 15K 5% 1/6W
RV13, 401	1-224-941-00	RES, VAR, METAL 20K	R115	1-247-861-00	RES, CARBON 18K 5% 1/6W
RV5	1-224-942-00	RES, VAR, METAL 50K			
RV4	1-228-120-00	RES, VAR, CERMET 20K	R40	1-247-862-00	RES, CARBON 20K 5% 1/6W
RV1	1-228-763-00	RES, VAR, CERMET 5K	R36, 37, 82, 88, 89, 91, 133,		
RB1	1-235-109-00	RES BLOCK, 22Kx8	134, 135, 171, 172, 181,		
R117	1-247-791-00	RES, CARBON 22 5% 1/6W	184, 185	1-247-863-00	RES, CARBON 22K 5% 1/6W
R57, 176	1-247-799-00	RES, CARBON 47 5% 1/6W			
R120	1-247-804-00	RES, CARBON 75 5% 1/6W	R157	1-247-864-00	RES, CARBON 24K 5% 1/6W
R163, 190	1-247-807-00	RES, CARBON 100 5% 1/6W	R170	1-247-865-00	RES, CARBON 27K 5% 1/6W
R86	1-247-823-00	RES, CARBON 470 5% 1/6W			
			R6, 7, 35, 118, 173		
R24, 28, 75, 79, 147	1-247-831-00	RES, CARBON 1K 5% 1/6W	1-247-866-00		RES, CARBON 30K 5% 1/6W
R65, 66, 72, 74	1-247-835-00	RES, CARBON 1.5K 5% 1/6W	R114	1-247-867-00	RES, CARBON 33K 5% 1/6W
R43	1-247-837-00	RES, CARBON 1.8K 5% 1/6W	R107, 108, 121		
			1-247-869-00		RES, CARBON 39K 5% 1/6W
R44, 59, 68, 144, 145, 174	1-247-839-00	RES, CARBON 2.2K 5% 1/6W			
			R9	1-247-870-00	RES, CARBON 43K 5% 1/6W
R12	1-247-842-00	RES, CARBON 3K 5% 1/6W			
			R99, 101, 102, 103		
R4, 42, 45, 69, 146, 153	1-247-847-00	RES, CARBON 4.7K 5% 1/6W	1-247-871-00		RES, CARBON 47K 5% 1/6W
R129, 159	1-247-850-00	RES, CARBON 6.2K 5% 1/6W	R128	1-247-873-00	RES, CARBON 56K 5% 1/6W
			R58	1-247-876-00	RES, CARBON 75K 5% 1/6W
R94, 98, 122	1-247-851-00	RES, CARBON 6.8K 5% 1/6W	R123	1-247-878-00	RES, CARBON 91K 5% 1/6W
			R10, 34, 80, 96, 112, 113,		
			126, 188	1-247-879-00	RES, CARBON 100K 5% 1/6W
			R83	1-247-895-00	RES, CARBON 470K 5% 1/6W

Ref.No. or Q'ty	Part No.	Description	Ref.No. or Q'ty	Part No.	Description
(CD-17 BOARD, BVH-2000PS, 2180PS/CARD RACK) (Board No. 1-606-075-14 & up)			(CD-17 BOARD, BVH-2000PS, 2180PS/CARD RACK) (Board No. 1-606-075-14 & up)		
R47	1-247-901-00	RES,CARBON 820K 5% 1/6W	Q4, 5, 10	8-729-105-71	TRANSISTOR 2SK523
R85, 189	1-247-903-00	RES,CARBON 1M 5% 1/6W	Q3, 8	8-729-364-12	TRANSISTOR 2SC641K
R111	1-249-433-11	RES,CARBON 22K 5% 1/6W	Q2, 7, 9	8-729-600-60	TRANSISTOR 2SA1115
L1	1-408-421-00	INDUCTOR, MICRO, 100 5%	IC11, 13, 14, 15		
L2, 3, 4	1-421-370-00	COIL, CHOKE	8-741-123-90	IC BX1239	
S3	1-516-925-21	SWITCH, DIP, 8-CKT	IC29, 30	8-751-300-00	IC CX130
S7	1-552-539-00	SWITCH, PUSH	IC2B, 5A, 5Q, 5R, 6B, 6D, 6E, 6L	8-759-345-03	IC MC14503BCP, CMOS
S1, 2	1-553-440-00	SWITCH, TOGGLE	IC2D, 5H	8-759-045-38	IC MC14538BCP, CMOS
S1(NS)	1-553-441-00	SWITCH, TOGGLE	IC3, 4, 18	8-759-101-83	IC UPC649C
S4, 5, 6	1-554-027-00	SWITCH, ROTARY	IC25	8-759-103-19	IC UPC319C
S8	1-554-080-00	SWITCH, ROTARY	IC7	8-759-104-31	IC UPD74HC02C
TP4, 5, 8, 9, 10, 11, 14, 15, 16, 17, 18, 19, 20, 21, 23, 24, 30, 31, 401, 402, 403, 404, 405	() 3-657-703-01	TERMINAL, TP	IC22	8-759-131-11	IC UPC311C
TPE1, 2, 3, 4, 5, 6	() 3-673-805-11	TERMINAL, TP	IC1, 10, 12, 16, 24, 28	8-759-145-58	IC UPC4558C
1pc	() 3-673-865-00	LEVER, WITH PIN	IC6M, 6P, 6R, 6S, 6U	8-759-182-53	IC UPD8253C-5, NMOS
1pc	() 3-673-867-00	PLATE, INDICATION, PC BOARD	IC6, 21, 5L	8-759-203-83	IC TC74HC4538P, CMOS
1pc	() 3-674-628-00	LABEL(CD-17), PC BOARD	IC5E, 5G	8-759-205-76	IC TC40138P
1pc	() 3-693-053-01	LABEL PS-NS (CD-17), PC BOARD	IC3C, 5F	8-759-240-11	IC TC4011BP, CMOS
TP6, 7, 12, 13	() 3-693-032-01	TERMINAL, TP	IC32	8-759-240-51	IC TC4051BP, CMOS
1pc	7-621-981-15	SCREW, PSW 2.6x6	IC5C	8-759-240-71	IC TC4071BP, CMOS
1pc	7-626-317-21	PIN, SPRING 2.5x8	IC4B	8-759-240-81	IC TC4081BP, CMOS
D1, 2, 3, 4, 5, 6, 7, 8, 9, 10, 11, 12, 13, 14, 15, 16, 17, 18, 19, 20, 21, 22, 23, 24, 25, 26, 27, 28, 29, 30, 31, 32, 33, 34	8-719-815-55	DIODE 1S1555	IC4E, 6F, 6G	8-759-241-74	IC TC40174BP, CMOS
			IC4D, 5B	8-759-245-20	IC TC4520BP, CMOS
			IC9	8-759-708-05	IC NJM78L05A
			IC31	8-759-745-60	IC NJM4560D
			IC3D	8-759-900-00	IC SN74LS00N, TTL
			IC3E, 4F, 5P, 5S, 5V	8-759-900-04	IC SN74LS04N, TTL

Ref.No. or Qty	Part No.	Description
(CD-17 BOARD, BVH-2000PS, 2180PS/CARD RACK) (Board No. 1-606-075-14 & up)		
IC5D	8-759-900-14	IC SN74LS14N, TTL
IC6H	8-759-900-32	IC SN74LS32N, TTL
IC3F, 5J, 6J	8-759-900-74	IC SN74LS74AN, TTL
IC4C	8-759-900-86	IC SN74LS86N, TTL
IC5K, 5M, 6K	8-759-901-07	IC SN74LS107AN, TTL
IC5N, 5T, 6C	8-759-901-38	IC SN74LS138N, TTL
IC23	8-759-901-53	IC SN74LS153N, TTL
IC5U	8-759-903-93	IC SN74LS393N, TTL
IC8	8-759-910-43	IC CX23028
IC2, 5, 17, 19, 20	8-759-990-82	IC TL082CP
IC26, 27	8-759-990-84	IC TL084CP
Q1, 6	8-761-622-00	TRANSISTOR 2SC1636

Ref.No. or Qty	Part No.	Description
<u>SR-15 BOARD (BVH-2000PS, 2180PS/CARD RACK)</u>		
ipc	() A-6015-073-A	COMPLETE PCB, SR-15 (This assembly includes the following parts.)
ipc	() X-3673-641-0	PLATE ASSY, SHIELD
C111	1-102-106-00	CAP, CERAMIC 100PF 10% 50V
C20, 110	1-102-112-00	CAP, CERAMIC 330PF 10% 50V
C40	1-102-115-00	CAP, CERAMIC 560PF 10% 50V
C100	1-107-048-00	CAP, MICA 6.8PF +/-0.5PF 500V
C101	1-107-077-00	CAP, MICA 47PF 5% 50V
C13	1-107-085-00	CAP, MICA 100PF 5% 50V
C21, 68, 69, 76	1-107-093-00	CAP, MICA 220PF 5% 50V
C65	1-107-160-00	CAP, MICA 36PF 5% 500V
C15, 16	1-107-164-00	CAP, MICA 51PF 5% 500V
C34	1-107-166-00	CAP, MICA 62PF 5% 500V
C36	1-107-202-00	CAP, MICA 10PF 5% 500V
C64, 112	1-107-206-00	CAP, MICA 15PF 5% 500V
C67	1-107-210-00	CAP, MICA 22PF 5% 500V
C9, 10, 26, 87	1-108-555-00	CAP, MYLAR 0.001 5% 50V
C48	1-108-559-00	CAP, MYLAR 0.0015 5% 50V
C70, 80	1-108-563-00	CAP, MYLAR 0.0022 5% 50V
C84	1-108-571-00	CAP, MYLAR 0.0047 5% 50V
C99	1-108-575-00	CAP, MYLAR 0.0068 5% 50V
C66, 71, 91	1-108-579-00	CAP, MYLAR 0.01 5% 50V
C6, 59	1-108-587-00	CAP, MYLAR 0.022 5% 50V
C98	1-108-591-00	CAP, MYLAR 0.033 5% 50V

Ref.No. or Q'ty	Part No.	Description	Ref.No. or Q'ty	Part No.	Description
(SR-15 BOARD,CARD RACK) C33,78,79,102	1-108-595-00	CAP,MYLAR 0.047 5% 50V	(SR-15 BOARD,CARD RACK) R104,107,108,130,131, 132,146	1-247-783-00	RES,CARBON 10 5% 1/6W
C19,103	1-108-603-00	CAP,MYLAR 0.1 5% 50V	R77,79,88	1-247-800-00	RES,CARBON 51 5% 1/6W
C11	1-109-553-00	CAP,MICA 470PF 5% 100V			
C75	1-109-561-00	CAP,MICA 0.001 5% 100V	R46,87	1-247-804-00	RES,CARBON 75 5% 1/6W
C41	1-123-611-00	CAP,ELECT 1 50V			
C60	1-123-616-00	CAP,ELECT 4.7 25V	R56,60,144,160	1-247-807-00	RES,CARBON 100 5% 1/6W
C63	1-123-818-00	CAP,ELECT 22 25V			
C3,4,5,23,24,25,27,28, 35,37,38,42,43,44,46, 49,53,56,58	1-123-821-00	CAP,ELECT 47 16V	R21	1-247-811-00	RES,CARBON 150 5% 1/6W
C14,62,73,77,82,83,86, 89	1-123-822-00	CAP,ELECT 47 10V	R65,155	1-247-814-00	RES,CARBON 200 5% 1/6W
C93	1-124-141-00	CAP,ELECT 330 10V	R158,170	1-247-815-00	RES,CARBON 220 5% 1/6W
C1,2,31,90	1-131-347-00	CAP,TANT 1 10% 35V	R57	1-247-816-00	RES,CARBON 240 5% 1/6W
C7,8	1-131-373-00	CAP,TANT 22 10% 16V	R78,117,124,154	1-247-823-00	RES,CARBON 470 5% 1/6W
C12,17,18,22,29,30,39, 45,47,50,51,52,54,55, 57,61,72,74,81,85,88, 92,94,95,96,97	1-161-055-00	CAP,CERAMIC 0.022 10% 50V	R42	1-247-825-00	RES,CARBON 560 5% 1/6W
R51	1-214-118-00	RES,METAL 270 1% 1/4W	R24,134	1-247-827-00	RES,CARBON 680 5% 1/6W
R53	1-214-120-00	RES,METAL 330 1% 1/4W	R26,41,45,52,71,72,91, 94,101,103,110,111, 120,123,125	1-247-831-00	RES,CARBON 1K 5% 1/6W
R15	1-214-130-00	RES,METAL 820 1% 1/4W	R23,29,31	1-247-835-00	RES,CARBON 1.5K 5% 1/6W
R54	1-214-134-00	RES,METAL 1.2K 1% 1/4W	R40,68,70	1-247-838-00	RES,CARBON 2K 5% 1/6W
R19	1-214-146-00	RES,METAL 3.9K 1% 1/4W	R55,62,64,142	1-247-839-00	RES,CARBON 2.2K 5% 1/6W
R18	1-214-156-00	RES,METAL 10K 1% 1/4W	R95	1-247-840-00	RES,CARBON 2.4K 5% 1/6W
R135	1-214-173-00	RES,METAL 51K 1% 1/4W	R2,85,86,162	1-247-842-00	RES,CARBON 3K 5% 1/6W
RV3	1-224-936-00	RES,VAR,METAL 500	R22,121,143	1-247-843-00	RES,CARBON 3.3K 5% 1/6W
RV4	1-224-938-00	RES,VAR,METAL 2K			
RV6,7	1-224-941-00	RES,VAR,METAL 20K			
RV1,2	1-224-943-00	RES,VAR,METAL 100K			
RV5	1-230-741-21	RES,VAR,CARBON 10K			

Ref.No. or Qty	Part No.	Description	Ref.No. or Qty	Part No.	Description
(SR-15 BOARD,CARD RACK)			(SR-15 BOARD,CARD RACK)		
R27	1-247-844-00	RES,CARBON 3.6K 5% 1/6W	R98	1-247-894-00	RES,CARBON 430K 5% 1/6W
R67	1-247-846-00	RES,CARBON 4.3K 5% 1/6W	R137	1-247-895-00	RES,CARBON 470K 5% 1/6W
R34,36,58	1-247-847-00	RES,CARBON 4.7K 5% 1/6W	R6	1-247-896-00	RES,CARBON 510K 5% 1/6W
R20,47,74,82,112,113	1-247-848-00	RES,CARBON 5.1K 5% 1/6W	R157,159	1-247-901-00	RES,CARBON 820K 5% 1/6W
R161	1-247-850-00	RES,CARBON 6.2K 5% 1/6W	R7,8,44,63,84	1-247-903-00	RES,CARBON 1M 5% 1/6W
R1	1-247-852-00	RES,CARBON 7.5K 5% 1/6W	LV1	1-407-569-00	INDUCTOR,VAR,10
R9,13,16,17,25,48,59,61, 76,89,90,92,93,100,102, 141,151,156	1-247-855-00	RES,CARBON 10K 5% 1/6W	L1	1-408-415-00	INDUCTOR,MICRO,33 5%
R10,14,37,49,171	1-247-859-00	RES,CARBON 15K 5% 1/6W	DL1	1-415-121-00	DELAY LINE,100nS
R50,118,119	1-247-861-00	RES,CARBON 18K 5% 1/6W	L2,3,4	1-421-370-00	COIL,CHOKE
R73,80,83,96	1-247-862-00	RES,CARBON 20K 5% 1/6W	ME1	1-520-449-00	METER
R4,122,126,127,128,139, 148,150,152	1-247-863-00	RES,CARBON 22K 5% 1/6W	CF1	1-527-497-00	FILTER,CERAMIC 4.55MHz
R30	1-247-866-00	RES,CARBON 30K 5% 1/6W	X1	1-527-521-00	CRYSTAL,17.732475MHz
R28,33,97,99	1-247-871-00	RES,CARBON 47K 5% 1/6W	S1,2	1-553-440-00	SWITCH,TOGGLE
R5,39	1-247-872-00	RES,CARBON 51K 5% 1/6W	1pc	2-282-313-11	KNOB,CONTROL
R43	1-247-875-00	RES,CARBON 68K 5% 1/6W	TP2,5,8,9,12,13,14,15, 16,22,23	() 3-657-703-01	TERMINAL,TP
R11,12,35,38,66,136,140, 147,149	1-247-879-00	RES,CARBON 100K 5% 1/6W	TPE1,2,3,4,5	() 3-673-805-11	TERMINAL,TP
R32	1-247-883-00	RES,CARBON 150K 5% 1/6W			
R3	1-247-886-00	RES,CARBON 200K 5% 1/6W			
R81,138	1-247-892-00	RES,CARBON 360K 5% 1/6W			
R75	1-247-893-00	RES,CARBON 390K 5% 1/6W			

Ref.No. or Qty	Part No.	Description	Ref.No. or Qty	Part No.	Description
(SR-15 BOARD,CARD RACK)			(SR-15 BOARD,CARD RACK)		
1pc	() 3-673-865-00	LEVER,WITH PIN	IC4N	8-759-241-74	IC TC40174BP,CMOS
1pc	() 3-673-867-00	PLATE,INDICATION, PC BOARD	IC4M,5N	8-759-345-03	IC HD14503BP,CMOS
1pc	() 3-674-626-00	LABEL(SR-15),PC BOARD	IC3D,3H	8-759-900-00	IC SN74LS00N,TTL
TP1,3,4,17,25	() 3-693-032-01	TERMINAL,TP	IC5G	8-759-900-02	IC SN74LS02N,TTL
1pc	7-621-737-08	SET SCREW, 2.6x3,FLAT POINT	IC3C,3J,3O,4O	8-759-900-04	IC SN74LS04N,TTL
4pcs	7-621-981-15	SCREW,PSW 2.6x6	IC4D	8-759-900-08	IC SN74LS08N,TTL
2pcs	() 7-626-317-21	PIN,SPRING 2.5x8	IC3L,5C	8-759-900-32	IC SN74LS32N,TTL
D7	8-719-100-27	DIODE RD4.7E-B2	IC4B,4E,4F,4H	8-759-900-74	IC SN74LS74AN,TTL
D6	8-719-175-07	DIODE RD7.5E	IC3M	8-759-900-86	IC SN74LS86N,TTL
D2	8-719-713-92	DIODE IS2139B	IC4C,4L	8-759-901-07	IC SN74LS107AN,TTL
D1,3,4,8,9,10,11,12,13, 14,15,16	8-719-815-55	DIODE IS1555	IC2C,2D,2E	8-759-901-12	IC SN74LS112AN,TTL
Q10	8-723-305-00	TRANSISTOR 2SK43-5	IC5J	8-759-901-57	IC SN74LS157N,TTL
Q5	8-729-117-54	TRANSISTOR 2SA1175	IC4G	8-759-901-63	IC SN74LS163AN,TTL
Q3,4	8-729-364-12	TRANSISTOR 2SC641K	IC3F	8-759-901-64	IC SN74LS164N,TTL
Q2,7,8,13,14,15,16,19	8-729-603-50	TRANSISTOR 2SC403SP	IC3I	8-759-902-21	IC SN74LS221N,TTL
Q17,18	8-729-606-32	TRANSISTOR 2SC2603	IC2F	8-759-910-10	IC SN74S10N,TTL
IC12,13	8-743-931-10	IC BX3931A	IC2G	8-759-910-11	IC SN74S11N,TTL
IC3	8-749-938-10	IC BX381	IC5E	8-759-911-63	IC SN74S163N,TTL
IC6	8-751-300-00	IC CX130	IC9	8-759-918-23	IC NE527N
IC3K,4I,4K	8-759-045-38	IC MC145388CP,CMOS	IC3B	8-759-941-23	IC SN74123N,TTL
IC15,16	8-759-103-92	IC UPC318C	IC14	8-759-951-07	IC SN75107AN
IC4J,5D	8-759-240-11	IC TC4011BP,CMOS	IC1,2,4,5,7,8	8-759-990-82	IC TL082CP
IC3E,3N,5I,5L	8-759-240-13	IC TC4013BP,CMOS	Q9	8-761-622-00	TRANSISTOR 2SC1636
IC5F,5H	8-759-240-15	IC TC4015BP,CMOS	Q1,6,11,12	8-769-192-00	TRANSISTOR 2SK43-2
IC5K	8-759-240-40	IC TC4040BP,CMOS			
IC5M	8-759-240-71	IC TC4071BP,CMOS			

Ref.No. or Q'ty	Part No.	Description	Ref.No. or Q'ty	Part No.	Description
<u>DT-05 BOARD. (BVH-2000PS-02,04,12,14/2180PS-02,04)</u>			<u>(DT-05 BOARD,CARD RACK)</u>		
1pc (for 02/04/12/14 model)			C15,16	1-131-342-00	CAP,TANT 0.15 10% 35V
() A-6015-074-B COMPLETE PCB,DT-05			C61	1-131-343-00	CAP,TANT 0.22 10% 35V
(This assembly includes the following parts.)			C9,12	1-131-345-00	CAP,TANT 0.47 10% 35V
1pc	() X-3673-678-0	PLATE ASSY,SHIELD(A)	C22,39	1-131-351-00	CAP,TANT 4.7 10% 35V
C1,2	1-107-077-00	CAP,MICA 47PF 5% 50V	C29,30	1-131-380-00	CAP,TANT 33 10% 10V
C4	1-107-206-00	CAP,MICA 15PF 5% 500V	C46,77,78,79,81,82,85, 88,89,94,95,96,97,98, 99,100,101,102,103,104, 105,106,107,108,109, 110,111,112,113	1-161-051-00	CAP,CERAMIC 0.01 10% 50V
C74	1-109-535-00	CAP,MICA 100PF 5% 100V	R63,64,67,68	1-214-112-00	RES,METAL 150 1% 1/4W
C47,52,69,75	1-109-540-00	CAP,MICA 180PF 5% 100V	R119	1-214-120-00	RES,METAL 330 1% 1/4W
C66,72	1-109-542-00	CAP,MICA 220PF 5% 100V	R2,35,65,110	1-214-124-00	RES,METAL 470 1% 1/4W
C70	1-109-547-00	CAP,MICA 330PF 5% 100V	R12,13,45,46,112,127	1-214-132-00	RES,METAL 1K 1% 1/4W
C67,68,71,73	1-109-561-00	CAP,MICA 0.001 5% 100V	R39	1-214-136-00	RES,METAL 1.5K 1% 1/4W
C3,45,83,86,90,91,92,93, 117,118	1-123-356-00	CAP,ELECT 10 50V	R15,16,18,40,49,55	1-214-139-00	RES,METAL 2K 1% 1/4W
C6,11,17,23,25,33,34,36, 38	1-130-471-00	CAP,MYLAR 0.001 5% 50V	R14,48,80,81,82,84,142	1-214-143-00	RES,METAL 3K 1% 1/4W
C32,35	1-130-473-00	CAP,MYLAR 0.0015 5% 50V	R21,69,70,72,97	1-214-148-00	RES,METAL 4.7K 1% 1/4W
C31,37,40,42,53,80	1-130-475-00	CAP,MYLAR 0.0022 5% 50V	R34,51	1-214-151-00	RES,METAL 6.2K 1% 1/4W
C8,19,20,24,27,28,41,76	1-130-479-00	CAP,MYLAR 0.0047 5% 50V	R8	1-214-152-00	RES,METAL 6.8K 1% 1/4W
C26,62,63	1-130-483-00	CAP,MYLAR 0.01 5% 50V	R66,113	1-214-154-00	RES,METAL 8.2K 1% 1/4W
C7,48,60	1-130-484-00	CAP,MYLAR 0.012 5% 50V	R85	1-214-155-00	RES,METAL 9.1K 1% 1/4W
C18,65,119	1-130-485-00	CAP,MYLAR 0.015 5% 50V	R17,24,26,27,43,53,58, 59,60,62,83,86,88,102, 106,107,108,109,123, 125,129,130,131,132, 134,137,140	1-214-156-00	RES,METAL 10K 1% 1/4W
C5,10	1-130-487-00	CAP,MYLAR 0.022 5% 50V	R11,36	1-214-159-00	RES,METAL 13K 1% 1/4W
C13,14	1-130-491-00	CAP,MYLAR 0.047 5% 50V			
C64	1-130-493-00	CAP,MYLAR 0.068 5% 50V			
C21,43,44	1-131-341-00	CAP,TANT 0.1 10% 35V			

Ref.No. or Qty	Part No.	Description	Ref.No. or Qty	Part No.	Description
(DT-05 BOARD,CARD RACK)			(DT-05 BOARD,CARD RACK)		
R7,78,79,90	1-214-160-00	RES,METAL 15K 1% 1/4W	RB1	1-231-410-00	RES BLOCK,10Kx8
R10,18	1-214-162-00	RES,METAL 18K 1% 1/4W	RB3	1-231-517-00	RES BLOCK,2.2Kx4
R95,118,126	1-214-163-00	RES,METAL 20K 1% 1/4W	R146	1-247-873-00	RES,CARBON 56K 5% 1/6W
R1,4,121,122	1-214-164-00	RES,METAL 22K 1% 1/4W	R37	1-247-891-00*	RES,CARBON 330K 5% 1/6W
R28,100,143,145	1-214-165-00	RES,METAL 24K 1% 1/4W	R117	1-247-895-00	RES,CARBON 470K 5% 1/6W
R19,31	1-214-166-00	RES,METAL 27K 1% 1/4W	R147	1-249-432-11	RES,CARBON 18K 5% 1/6W
R124,128	1-214-170-00	RES,METAL 39K 1% 1/4W	L1	1-421-370-00	COIL,CHOKE
R74,77,93	1-214-172-00	RES,METAL 47K 1% 1/4W	S1	1-516-923-21	SWITCH,DIP,4-CKT
R144	1-214-175-00	RES,METAL 62K 1% 1/4W	X1	1-527-227-00	CRYSTAL,14.31818MHZ
R41,42,56,57	1-214-176-00	RES,METAL 68K 1% 1/4W	S3,4	1-552-509-00	SWITCH,DIP,1-CKT
R29	1-214-178-00	RES,METAL 82K 1% 1/4W	S2	1-553-440-00	SWITCH,TOGGLE
R22,71,73,75,76,91,92, 103	1-214-179-00	RES,METAL 91K 1% 1/4W	TP1,2,3,4,5,6,7,8,9,10 () 3-693-032-01		TERMINAL,TP
R20,23,25,38,44,47,54, 89,101,104,105,111,114, 115,116,120,135,141	1-214-180-00	RES,METAL 100K 1% 1/4W	TPE1,2,3 () 3-673-805-11		TERMINAL,TP
R9,87,94	1-224-938-00	RES,VAR,METAL 2K	1pc () 3-673-865-00		LEVER,WITH PIN
R33,99	1-224-939-00	RES,VAR,METAL 5K	1pc () 3-673-867-00		PLATE,INDICATION, PC BOARD
R3,5,6,50,52,96,98,138	1-224-940-00	RES,VAR,METAL 10K	1pc () 3-674-625-03		LABEL(DT-05),PC BOARD
R61	1-224-941-00	RES,VAR,METAL 20K	4pcs 7-621-981-15		SCREW,PSW2.6x6
R30	1-224-942-00	RES,VAR,METAL 50K	2pcs () 7-626-317-21		PIN,SPRING 2.5x8
R139	1-224-943-00	RES,VAR,METAL 100K	D8,9 8-719-156-07		DIODE RD5.6E-B
RB2	1-231-407-00	RES BLOCK,2.2Kx8	D1,2,3,4,5,6,7,10,11 8-719-911-19		DIODE 1SS119
			Q1 8-729-190-12		TRANSISTOR 2SC2901
			IC2K 8-759-014-96		IC MC1496P
			IC3H 8-759-040-46		IC MC14046BCP,CMOS
			IC3G 8-759-045-26		IC MC14526BCP,CMOS
			IC50 8-759-045-57		IC MC14557BCP,CMOS
			IC1F,1H,1N,2J,2M,2P 8-759-145-58		IC UPC4558C
			IC5H,5I 8-759-200-55		IC TC40H390P,CMOS
			IC4M 8-759-240-01		IC TC4001BP,CMOS
			IC3D,4D 8-759-240-08		IC TC4008BP,CMOS
			IC40,4Q 8-759-240-11		IC TC4011BP,CMOS

Ref.No. or Qty	Part No.	Description
(DT-05 BOARD,CARD RACK)		
IC3I,4I,4J	8-759-240-13	IC TC4013BP,CMOS
IC3P	8-759-240-15	IC TC4015BP,CMOS
IC2E	8-759-240-28	IC TC4028BP,CMOS
IC4G	8-759-240-43	IC TC4043BP,CMOS
IC3L,5L	8-759-240-69	IC TC4069UBP,CMOS
IC4L	8-759-240-71	IC TC4071BP,CMOS
IC5J	8-759-240-73	IC TC4073BP,CMOS
IC4H,4K,5G	8-759-240-81	IC TC4081BP,CMOS
IC3E	8-759-241-75	IC TC40175BP,CMOS
IC5F	8-759-245-12	IC TC4512BP,CMOS
IC5M	8-759-345-38	IC HD14538BP,CMOS
IC5D	8-759-900-00	IC SN74LS00N,TTL
IC3K,3Q,4A,5P	8-759-900-02	IC SN74LS02N,TTL
IC2B	8-759-900-10	IC SN74LS10N,TTL
IC3N,5E	8-759-900-74	IC SN74LS74AN,TTL
IC2C	8-759-900-85	IC SN74LS85N,TTL
IC1Q	8-759-901-63	IC SN74LS163AN,TTL
IC5N	8-759-901-64	IC SN74LS164N,TTL
IC1C,1D,20	8-759-901-74	IC SN74LS174N,TTL
IC20,5C	8-759-901-75	IC SN74LS175N,TTL
IC1A,1B,3A,3B,4B	8-759-901-91	IC SN74LS191N,TTL
IC2,3F,3J,3M,3O,4F,5K	8-759-902-21	IC SN74LS221N,TTL
IC4C	8-759-903-74	IC SN74LS374N,TTL
IC5B	8-759-903-93	IC SN74LS393N,TTL
IC1	8-759-906-07	IC TL607CP
IC2A,4E	8-759-906-69	IC SN74LS669N,TTL

Ref.No. or Qty	Part No.	Description
(DT-05 BOARD,CARD RACK)		
IC1I,1M,2H	8-759-921-91	IC TL191CN
IC4N	8-759-974-06	IC SN7406N,TTL
IC1E	8-759-980-02	IC DAC1C8BC
IC1P,2F,2N	8-759-990-04	IC TL074CN
IC1J,1L,2I	8-759-990-72	IC TL072CP

MB-14A BOARD (BVH-2000PS,2180PS/CARD RACK)

1pc () A-6025-092-A COMPLETE PCB,MB-14
(This assembly includes the following parts.)

C2 1-125-235-00 CAP,ELECT 0.47F 5V
C1 1-161-051-00 CAP,CERAMIC 0.01 10% 50V

R1 1-213-132-00 Δ RES,METAL 120 5% 1W

R2 1-247-214-00 Δ RES,CARBON 82 5% 1/2W

CN331,332,333,334,335,
336,337,338,339,340,
341,342,343,344,345,
346,347,348
1-508-892-00 CONNECTOR,PCB,100P

CN327M,402M,403M
() 1-560-300-00 RECEP,3P,MALE

CN401M () 1-560-301-00 RECEP,4P,MALE

CN303M,306M
() 1-560-304-00 RECEP,8P,MALE

CN302M,305M
() 1-560-305-00 RECEP,10P,MALE

Ref.No. or Q'ty	Part No.	Description
(MB-14A BOARD,CARD RACK)		
CN301M,304M		
()	1-560-306-00	RECEP,12P,MALE
CN317M	() 1-560-726-00	RECEP,20P,MALE
CN315M,324M		
()	1-560-727-00	RECEP,26P,MALE
CN314M,325M		
()	1-560-728-00	RECEP,30P,MALE
CN323M	() 1-560-729-00	RECEP,34P,MALE
CN322M	() 1-560-730-00	RECEP,40P,MALE
CN313M	() 1-560-731-00	RECEP,50P,MALE
CN316M,326M		
()	1-560-732-00	RECEP,60P,MALE
CN321M	() 1-560-753-00	RECEP,5P,MALE
CN307M,308M,309M,310M, 311M,312M		
	1-561-365-00	RECEP,COAXIAL,MALE
17pcs	7-686-527-01	SCREW,PSW 3x6
D3	8-719-200-02	DIODE 10E2
D1,2	8-719-815-55	DIODE 1S1555

Ref.No. or Q'ty	Part No.	Description
<u>AP-12 BOARD (BVH-2000PS-00,02,10,12/2180PS-00,02)</u>		
1pc (for 00/02/10/12 model)		
() A-6013-068-A COMPLETE PCB,AP-12		
(This assembly includes the following parts.)		
C116,216,316		
	1-102-106-00	CAP,CERAMIC 100PF 10% 50V
C101,201	1-107-042-00	CAP,MICA 2.2PF +/-0.5PF 500V
C511	1-107-173-00	CAP,MICA 150PF 5% 500V
C106,206,306		
	1-107-204-00	CAP,MICA 12PF 5% 500V
C301	1-107-208-00	CAP,MICA 18PF 5% 500V
C503,686	1-108-560-00	CAP,MYLAR 0.0016 5% 50V
C117,217	1-109-528-00	CAP,MICA 51PF 5% 100V
C317,322	1-109-531-00	CAP,MICA 68PF 5% 100V
C114,214	1-109-534-00	CAP,MICA 91PF 5% 100V
C314	1-109-545-00	CAP,MICA 270PF 5% 100V
C681	1-109-547-00	CAP,MICA 330PF 5% 100V
C102,202,601,621		
	1-109-549-00	CAP,MICA 390PF 5% 100V
C703	1-109-556-00	CAP,MICA 620PF 5% 100V
C121,221	1-109-588-00	CAP,MICA 0.002 5% 500V
C321	1-109-595-00	CAP,MICA 0.0039 5% 500V
C113,213,313		
	1-109-668-00	CAP,MICA 62PF 5% 500V
C702	1-124-002-11	CAP,ELECT,NONPOLAR 1 50V
C701	1-124-006-11	CAP,ELECT,NONPOLAR 10 50V
C1,2,110,111,210,211, 310,311	1-124-445-00	CAP,ELECT 100 20% 16V
C688	1-124-472-11	CAP,ELECT 470 20% 10V
C104,204,304,610,613, 630,633,650,653,684, 685	1-124-477-11	CAP,ELECT 47 20% 25V
C119,120,219,220,319, 320,504,505,507,508, 604,605,624,625,644, 645	1-124-896-00	CAP,ELECT 33 20% 16V

Ref.No. or Q'ty	Part No.	Description	Ref.No. or Q'ty	Part No.	Description
(AP-12 BOARD, 2000PS-00,02,10,12/2180PS-00,02,TTP)			(AP-12 BOARD, 2000PS-00,02,10,12/2180PS-00,02,TTP)		
C689	1-124-907-00	CAP,ELECT 10 20% 50V	R511	1-215-448-00	RES,METAL 13K 1% 1/6W
C641	1-130-473-00	CAP,MYLAR 0.0015 5% 50V	R102,202,602,622		
C704	1-130-477-00	CAP,MYLAR 0.0033 5% 50V		1-215-454-00	RES,METAL 24K 1% 1/6W
C506	1-130-479-00	CAP,MYLAR 0.0047 5% 50V	R127,128,227,228,327,		
C642	1-130-483-00	CAP,MYLAR 0.01 5% 50V	328	1-215-462-00	RES,METAL 51K 1% 1/6W
C682	1-130-485-00	CAP,MYLAR 0.015 5% 50V	R520	1-215-470-00	RES,METAL 110K 1% 1/6W
C602,622	1-130-487-00	CAP,MYLAR 0.022 5% 50V	R115,116,215,216,315,		
C107,207,307			316	1-247-783-00	RES,CARBON 10 5% 1/6W
	1-130-495-00	CAP,MYLAR 0.1 5% 50V	R605,625,645		
C510	1-130-497-00	CAP,MYLAR 0.15 5% 50V		1-247-793-00	RES,CARBON 27 5% 1/6W
C108,115,208,215,308,315			R105,205,305,685		
	1-131-351-00	CAP,TANT 4.7 10% 35V		1-247-799-00	RES,CARBON 47 5% 1/6W
C118,218,318,513,609,			R118,218,318		
629,649	1-131-353-00	CAP,TANT 10 10% 35V		1-247-803-00	RES,CARBON 68 5% 1/6W
C514	1-131-381-00	CAP,TANT 47 10% 10V	R106,120,121,206,220,		
C519	1-131-427-00	CAP,TANT 220 20% 6.3V	221,306,320,321,509,		
C105,205,305,518,608,			517,688,689		
628,648	1-131-429-00	CAP,TANT 470 20% 3.15V		1-247-807-00	RES,CARBON 100 5% 1/6W
C3,4,103,109,112,203,			R131,231,331		
209,212,303,309,312,				1-247-815-00	RES,CARBON 220 5% 1/6W
611,612,631,632,651,			R606,626,646,686		
652	1-161-055-00	CAP,CERAMIC 0.022 10% 50V		1-247-817-00	RES,CARBON 270 5% 1/6W
C11,12,13			R601,621	1-247-827-00	RES,CARBON 680 5% 1/6W
	1-163-168-00	CAP,CHIP CERAMIC 30PF 5% 50V	R507,508,518,608,609,		
R516	1-210-828-00	RES,CARBON 4.7M 5% 1/4W	628,629,648,649,681		
R524	1-215-412-00	RES,METAL 430 1% 1/6W		1-247-831-00	RES,CARBON 1K 5% 1/6W
R329,332	1-215-418-00	RES,METAL 750 1% 1/6W	R514,641	1-247-833-00	RES,CARBON 1.2K 5% 1/6W
R302	1-215-428-00	RES,METAL 2K 1% 1/6W	R129,132,133,229,232,		
R101,201,301			233,333,523		
	1-215-440-00	RES,METAL 6.2K 1% 1/6W		1-247-835-00	RES,CARBON 1.5K 5% 1/6W
R110,210,310,682			R104,204,304,505		
	1-215-442-00	RES,METAL 7.5K 1% 1/6W		1-247-839-00	RES,CARBON 2.2K 5% 1/6W

Ref.No. or Qty	Part No.	Description	Ref.No. or Qty	Part No.	Description
(AP-12 BOARD, 2000PS-00, 02, 10, 12/2180PS-00, 02, TTP)			(AP-12 BOARD, 2000PS-00, 02, 10, 12/2180PS-00, 02, TTP)		
R123, 223, 501, 502	1-247-843-00	RES, CARBON 3.3K 5% 1/6W	L102, 202	1-407-502-00	INDUCTOR, MICRO, 6.8mH 5%
			RY501	1-515-477-00	RELAY, 12V
R113, 117, 119, 213, 217, 219, 313, 317, 319	1-247-847-00	RES, CARBON 4.7K 5% 1/6W	RY101, 201, 301	1-515-518-00	RELAY, 5V
R108, 208, 308	1-247-849-00	RES, CARBON 5.6K 5% 1/6W	FB1, 2	1-535-178-00	FERRITE BEAD
R109, 111, 209, 211, 309, 311, 323, 642	1-247-851-00	RES, CARBON 6.8K 5% 1/6W	CN361M ()	1-560-302-00	RECEP, 5P, MALE
R324, 510	1-247-857-00	RES, CARBON 12K 5% 1/6W	CN360M ()	1-560-304-00	RECEP, 8P, MALE
R503	1-247-859-00	RES, CARBON 15K 5% 1/6W	CN363M ()	1-560-305-00	RECEP, 10P, MALE
R103, 203, 303	1-247-861-00	RES, CARBON 18K 5% 1/6W	CN364M ()	1-560-306-00	RECEP, 12P, MALE
R107, 112, 122, 125, 207, 212, 222, 225, 307, 312, 322, 325, 512, 513, 519, 525	1-247-863-00	RES, CARBON 22K 5% 1/6W	CN354M, 355M	() 1-560-310-00	RECEP, 4P, MALE
R124, 224	1-247-867-00	RES, CARBON 33K 5% 1/6W	CN353M ()	1-560-311-00	RECEP, 5P, MALE
R526, 701	1-247-871-00	RES, CARBON 47K 5% 1/6W	CN351M ()	1-560-312-00	RECEP, 6P, MALE
R126, 130, 226, 230, 326, 330, 522, 703	1-247-879-00	RES, CARBON 100K 5% 1/6W	CN356M ()	1-560-313-00	RECEP, 8P, MALE
R114, 214, 314	1-247-887-00	RES, CARBON 220K 5% 1/6W	CN357M ()	1-560-314-00	RECEP, 10P, MALE
R521, 702	1-247-893-00	RES, CARBON 390K 5% 1/6W	CN350M, 352M	() 1-560-315-00	RECEP, 12P, MALE
R604, 624	1-247-897-00	RES, CARBON 560K 5% 1/6W	TP101, 102, 103, 201, 202, 203, 301, 302, 303, 501	() 3-673-703-01	TERMINAL, TP
R504, 644, 684	1-247-903-00	RES, CARBON 1M 5% 1/6W	TPE101, 102, 201, 202, 301, 302, 501	() 3-657-703-01	TERMINAL, TP
L301	1-408-423-00	INDUCTOR, MICRO, 150 5%	2pcs	7-686-527-01	SCREW, PSW 3x6
L101, 201	1-408-427-00	INDUCTOR, MICRO, 330 5%	D101, 201, 301, 501, 502, 503, 504, 701	8-719-815-55	DIODE 1S1555
L501, 681	1-408-428-00	INDUCTOR, MICRO, 390 5%	D505, D506, D507	8-719-930-33	LED, GL3PR3, RED
LV101, 201, 301	1-407-301-00	INDUCTOR, VAR, 9mH	Q102, 103, 202, 203, 302, 303	8-729-102-35	TRANSISTOR 2SK162
			Q101, 105, 106, 201, 205, 206, 301, 305, 306	8-729-307-58	TRANSISTOR 2SC1775A

Ref.No. or Q'ty	Part No.	Description
(AP-12 BOARD, 2000PS-00, 02, 10, 12/2180PS-00, 02, TTP)		
Q109, 209, 309, 602, 622, 642	8-729-373-92	TRANSISTOR 2SB739
Q108, 208, 308, 501, 601, 621, 641	8-729-378-84	TRANSISTOR 2SD788
Q107, 207, 307	8-729-387-28	TRANSISTOR 2SA872-E
Q104, 204, 304	8-729-679-82	TRANSISTOR 2SA798
IC501, 601, 602, 603, 605	8-759-602-01	IC M5220P
IC101, 201, 301	8-759-745-59	IC NJM4559D
IC502	8-759-990-82	IC TL082CP
Q502	8-761-622-00	TRANSISTOR 2SC1636
Q503, 701	8-769-192-00	TRANSISTOR 2SK43-2

Ref.No. or Q'ty	Part No.	Description
(AP-12 BOARD, 2000PS-04, 14/2180PS-04, TTP)		
C301	1-107-208-00	CAP, MICA 18PF 5% 500V
C503, 686	1-108-560-00	CAP, MYLAR 0.0016 5% 50V
C117, 217, 417	1-109-528-00	CAP, MICA 51PF 5% 100V
C317, 322	1-109-531-00	CAP, MICA 68PF 5% 100V
C114, 214, 414	1-109-534-00	CAP, MICA 91PF 5% 100V
C314	1-109-545-00	CAP, MICA 270PF 5% 100V
C681	1-109-547-00	CAP, MICA 330PF 5% 100V
C102, 202, 402, 601, 621, 661	1-109-549-00	CAP, MICA 390PF 5% 100V
C703	1-109-556-00	CAP, MICA 620PF 5% 100V
C121, 221, 421	1-109-588-00	CAP, MICA 0.002 5% 500V
C321	1-109-595-00	CAP, MICA 0.0039 5% 500V
C113, 213, 313, 413	1-109-668-00	CAP, MICA 62PF 5% 500V
C702	1-124-002-11	CAP, ELECT, NONPOLAR 1 50V
C701	1-124-006-11	CAP, ELECT, NONPOLAR 10 50V

AP-12 BOARD (BVH-2000PS-04, 14/2180PS-04/TTP)

1pc (for 04, 14 model)
 () A-6013-069-A COMPLETE PCB, AP-12
 (This assembly includes the following parts.)

C116, 216, 316, 416	1-102-106-00	CAP, CERAMIC 100PF 10% 50V
C101, 201, 401	1-107-042-00	CAP, MICA 2.2PF +/-0.5PF 500V
C106, 206, 306, 406	1-107-204-00	CAP, MICA 12PF 5% 500V

C1, 2, 110, 111, 210, 211, 310, 311, 410, 411	1-124-445-00	CAP, ELECT 100 20% 16V
C104, 204, 304, 404, 610, 613, 630, 633, 650, 653, 670, 673, 684, 685	1-124-477-11	CAP, ELECT 47 20% 25V
C119, 120, 219, 220, 319, 320, 419, 420, 504, 505, 507, 508, 604, 605, 624, 625, 644, 645, 664, 665	1-124-896-00	CAP, ELECT 33 20% 16V
C689	1-124-907-00	CAP, ELECT 10 20% 50V

Ref.No. or Q'ty	Part No.	Description
(AP-12 BOARD, 2000PS-04, 14/2180PS-04, TTP)		
C641	1-130-473-00	CAP,MYLAR 0.0015 5% 50V
C704	1-130-477-00	CAP,MYLAR 0.0033 5% 50V
C506	1-130-479-00	CAP,MYLAR 0.0047 5% 50V
C642	1-130-483-00	CAP,MYLAR 0.01 5% 50V
C682	1-130-485-00	CAP,MYLAR 0.015 5% 50V
C602,622,662	1-130-487-00	CAP,MYLAR 0.022 5% 50V
C107,207,307,407	1-130-495-00	CAP,MYLAR 0.1 5% 50V
C510	1-130-497-00	CAP,MYLAR 0.15 5% 50V
C108,115,208,215,308, 315,408,415	1-131-351-00	CAP,TANT 4.7 10% 35V
C118,218,318,418,513, 609,629,649,669	1-131-353-00	CAP,TANT 10 10% 35V
C514	1-131-381-00	CAP,TANT 47 20% 10V
C519	1-131-427-00	CAP,TANT 220 20% 6.3V
C105,205,305,405,518, 608,628,648,668	1-131-429-00	CAP,TANT 470 20% 3.15V
C3,4,103,109,112,203, 209,212,303,309,312, 403,409,412,611,612, 631,632,651,652,671, 672	1-161-055-00	CAP,CERAMIC 0.022 10% 50V
C11,12,13	1-163-168-00	CAP,CHIP CERAMIC 30PF 5% 50V
R516	1-210-828-00	RES,CARBON 4.7M 5% 1/4W
R524	1-215-412-00	RES,METAL 430 1% 1/6W
R329,332	1-215-418-00	RES,METAL 750 1% 1/6W
R302	1-215-428-00	RES,METAL 2K 1% 1/6W
R101,201,301,401	1-215-440-00	RES,METAL 6.2K 1% 1/6W

Ref.No. or Q'ty	Part No.	Description
(AP-12 BOARD, 2000PS-04, 14/2180PS-04, TTP)		
R110,210,310,410,682	1-215-442-00	RES,METAL 7.5K 1% 1/6W
R511	1-215-448-00	RES,METAL 13K 1% 1/6W
R102,202,402,602,622, 662	1-215-454-00	RES,METAL 24K 1% 1/6W
R127,128,227,228,327, 328,427,428	1-215-462-00	RES,METAL 51K 1% 1/6W
R520	1-215-470-00	RES,METAL 110K 1% 1/6W
R115,116,215,216,315, 316,415,416	1-247-783-00	RES,CARBON 10 5% 1/6W
R605,625,645,665	1-247-793-00	RES,CARBON 27 5% 1/6W
R105,205,305,405,685	1-247-799-00	RES,CARBON 47 5% 1/6W
R118,218,318,418	1-247-803-00	RES,CARBON 68 5% 1/6W
R106,120,121,206,220, 221,306,320,321,406, 420,421,509,517,688, 689	1-247-807-00	RES,CARBON 100 5% 1/6W
R131,231,331,431	1-247-815-00	RES,CARBON 220 5% 1/6W
R606,626,646,666,686	1-247-817-00	RES,CARBON 270 5% 1/6W
R601,621,661	1-247-827-00	RES,CARBON 680 5% 1/6W
R507,508,518,608,609, 628,629,648,649,668, 669,681	1-247-831-00	RES,CARBON 1K 5% 1/6W
R514,641	1-247-833-00	RES,CARBON 1.2K 5% 1/6W
R129,132,133,229,232, 233,333,429,432,433, 523	1-247-835-00	RES,CARBON 1.5K 5% 1/6W

Ref.No. or Qty	Part No.	Description
(AP-12 BOARD, 2000PS-04, 14/2180PS-04, TTP)		
R104, 204, 304, 404, 505	1-247-839-00	RES, CARBON 2.2K 5% 1/6W
R123, 223, 423, 501, 502	1-247-843-00	RES, CARBON 3.3K 5% 1/6W
R113, 117, 119, 213, 217, 219, 313, 317, 319, 413, 417, 419	1-247-847-00	RES, CARBON 4.7K 5% 1/6W
R108, 208, 308, 408	1-247-849-00	RES, CARBON 5.6K 5% 1/6W
R109, 111, 209, 211, 309, 311, 323, 409, 411, 642	1-247-851-00	RES, CARBON 6.8K 5% 1/6W
R324, 510	1-247-857-00	RES, CARBON 12K 5% 1/6W
R511	1-247-858-00	RES, CARBON 13K 5% 1/6W
R503	1-247-859-00	RES, CARBON 15K 5% 1/6W
R103, 203, 303, 403	1-247-861-00	RES, CARBON 18K 5% 1/6W
R107, 112, 122, 125, 207, 212, 222, 225, 307, 312, 322, 325, 407, 412, 422, 425, 512, 513, 519, 525	1-247-863-00	RES, CARBON 22K 5% 1/6W
R124, 224, 424	1-247-867-00	RES, CARBON 33K 5% 1/6W
R526, 701	1-247-871-00	RES, CARBON 47K 5% 1/6W
R126, 130, 226, 230, 326, 330, 426, 430, 522, 703	1-247-879-00	RES, CARBON 100K 5% 1/6W
R114, 214, 314, 414	1-247-887-00	RES, CARBON 220K 5% 1/6W
R521, 702	1-247-893-00	RES, CARBON 390K 5% 1/6W
R604, 624, 664	1-247-897-00	RES, CARBON 560K 5% 1/6W

Ref.No. or Qty	Part No.	Description
(AP-12 BOARD, 2000PS-04, 14/2180PS-04, TTP)		
R504, 644, 684	1-247-903-00	RES, CARBON 1M 5% 1/6W
L301	1-408-423-00	INDUCTOR, MICRO, 150 5%
L101, 201, 401	1-408-427-00	INDUCTOR, MICRO, 330 5%
L501, 681	1-408-428-00	INDUCTOR, MICRO, 390 5%
LV101, 201, 301, 401	1-407-301-00	INDUCTOR, VAR, 9mH
L102, 202, 402	1-407-502-00	INDUCTOR, MICRO, 6.8mH 5%
RY501	1-515-477-00	RELAY, 12V
RY101, 201, 301, 401	1-515-518-00	RELAY, 5V
FB1, 2	1-535-178-00	FERRITE BEAD
CN362M ()	1-560-301-00	RECEP, 4P, MALE
CN361M, 365M ()	1-560-302-00	RECEP, 5P, MALE
CN360M ()	1-560-304-00	RECEP, 8P, MALE
CN363M ()	1-560-305-00	RECEP, 10P, MALE
CN364M ()	1-560-306-00	RECEP, 12P, MALE
CN354M, 355M ()	1-560-310-00	RECEP, 4P, MALE
CN353M ()	1-560-311-00	RECEP, 5P, MALE
CN351M ()	1-560-312-00	RECEP, 6P, MALE
CN356M ()	1-560-313-00	RECEP, 8P, MALE
CN357M ()	1-560-314-00	RECEP, 10P, MALE
CN350M, 352M ()	1-560-315-00	RECEP, 12P, MALE
TP101, 102, 103, 201, 202, 203, 301, 302, 303, 401, 402, 403, 501 ()	3-657-703-01	TERMINAL, TP

Ref.No. or Qty	Part No.	Description
(AP-12 BOARD, 2000PS-04, 14/2180PS-04, TTP)		
TPE101, 102, 201, 202, 301, 302, 401, 402, 501	() 3-673-805-11	TERMINAL, TP
2pcs	7-686-527-01	SCREW, PSW3x6
D101, 201, 301, 401, 501, 502, 503, 504, 701	8-719-815-55	DIODE 1S155
D505, 506, 507	8-719-930-33	LED GL3PR3, LED
Q102, 103, 202, 203, 302, 303, 402, 403	8-729-102-35	TRANSISTOR 2SK162
Q101, 105, 106, 201, 205, 206, 301, 305, 306, 401, 405, 406	8-729-307-58	TRANSISTOR 2SC1775A
Q109, 209, 309, 409, 602, 622, 642, 662	8-729-373-92	TRANSISTOR 2SB739
Q108, 208, 308, 408, 501, 601, 621, 641, 661	8-729-378-84	TRANSISTOR 2SD788
Q107, 207, 307, 407	8-729-387-28	TRANSISTOR 2SA872-E
Q104, 204, 304, 404	8-729-679-82	TRANSISTOR 2SA798
IC501, 601, 602, 603, 604, 605	8-759-602-01	IC M5220P
IC101, 201, 301, 401	8-759-745-59	IC NJM4559D
IC502	8-759-990-82	IC TL082CP
Q502	8-761-622-00	TRANSISTOR 2SC1636
Q503, 701	8-769-192-00	TRANSISTOR 2SK43-2

Ref.No. or Qty	Part No.	Description
<u>BE-02 BOARD (BVH-2000PS, 2180PS/TTP)</u>		
1pc (for 00/02 model)	() A-6013-045-B	COMPLETE PCB, BE-02
1pc (for 04 model)	() A-6013-053-B	COMPLETE PCB, BE-02
1pc (for 10/12 model)	() A-6013-076-A	COMPLETE PCB, BE-02
1pc (for 14 model)	() A-6013-075-A	COMPLETE PCB, BE-02
(These ass'ies include the following parts.)		
Q16&17, 20&21	X-3673-687-0	TRANSISTOR KIT
This part is the kit of 2SD774-3 and 2SB734-3.		
Replace the following two transistors at the same time.		
Q16&17	Q20&21	
2SD774-3 should be used for Q16 and 20.		
2SB734-3 should be used for Q17 and 21.		
Q3&4, 103&104, 203&204, 303&304, 403&404	X-3673-694-0	TRANSISTOR KIT
This part is the kit of 2SC2690A-Q and 2SA1220A-Q or 2SC2690A-P and 2SA1220A-P.		
Replace the following two transistors at the same time.		
Q3&4	Q103&104	Q203&204
Q303&304	Q403&404	
2SC2690A-Q or 2SC2690A-P should be used for Q3, 103, 203, 303 and 403.		
2SA1220A-Q or 2SA1220A-P should be used for Q4, 104, 204, 304 and 404.		
C60	1-102-074-00	CAP, CERAMIC 0.001 10% 50V
C50	1-107-044-00	CAP, MICA 3.3PF +/-0.5PF 500V
C46	1-107-077-51	CAP, MICA 47PF 5% 500V
C3 (for 04/14 model),	4 (for 04/14 model)	
	1-107-173-00	CAP, MICA 150PF 5% 500V
C3 (for 00/02/10/12 model),	1, 2	1-107-181-00 CAP, MICA 330PF 5% 500V

Ref.No. or Qty	Part No.	Description	Ref.No. or Qty	Part No.	Description
(BE-02 BOARD, TTP)			(BE-02 BOARD, TTP)		
C19, 20, 21, 22, 109, 110, 111, 112, 209, 210, 211, 212, 309, 310, 311, 312, 409, 410, 411, 412	1-107-202-00	CAP, MICA 10PF 5% 500V	C30	1-131-346-00	CAP, TANT 0.68 10% 35V
C101, 201, 301, 401	1-108-563-00	CAP, MYLAR 0.0022 5% 50V	C45	1-131-347-00	CAP, TANT 1 10% 35V
C31	1-108-567-00	CAP, MYLAR 0.0033 5% 50V	C10	1-131-350-00	CAP, TANT 3.3 10% 35V
C12	1-108-573-00	CAP, MYLAR 0.0056 5% 50V	C7, 8, 9	1-131-353-00	CAP, TANT 10 10% 35V
C14	1-108-575-00	CAP, MYLAR 0.0068 5% 50V	CV4 (for 04/14 model), 1, 2, 3, 5	1-141-155-00	CAP, TRIMMER 600PF
C23, 24, 113, 114, 213, 214, 313, 314, 413, 414	1-108-579-00	CAP, MYLAR 0.01 5% 50V	C27, 29, 36, 38, 40, 41, 42, 43, 44, 51, 53, 116, 118, 216, 218, 316, 318, 416, 418	1-161-055-00	CAP, CERAMIC 0.022 10% 50V
C102, 202, 302, 402	1-108-583-00	CAP, MYLAR 0.015 5% 50V	R420	1-214-096-00	RES, METAL 33 1% 1/6W
C16, 106, 206, 306, 406	1-108-587-00	CAP, MYLAR 0.022 5% 50V	R64, 69	1-215-373-00	RES, METAL 10 1% 1/6W
C17, 107, 207, 307, 407	1-109-542-00	CAP, MICA 220PF 5% 100V	R55, 56	1-215-397-00	RES, METAL 100 1% 1/6W
C5	1-109-576-00	CAP, MICA 620PF 5% 500V	R13, 15	1-215-407-00	RES, METAL 270 1% 1/6W
C25	1-109-577-00	CAP, MICA 680PF 5% 500V	R1, 2, 34, 80, 103, 203, 303, 403	1-215-413-00	RES, METAL 470 1% 1/6W
C6	1-109-589-00	CAP, MICA 0.0022 5% 500V	R4, 7, 10, 14, 20, 22, 25, 42, 45, 46, 106, 109, 206, 209, 306, 309, 406, 409	1-215-421-00	RES, METAL 1K 1% 1/6W
C18, 47, 108, 208, 308, 408	1-109-678-00	CAP, MICA 160PF 1% 500V	R21, 105, 205, 305, 405	1-215-423-00	RES, METAL 1.2K 1% 1/6W
C32, 33	1-109-689-00	CAP, MICA 470PF 5% 500V	R35, 36	1-215-428-00	RES, METAL 2K 1% 1/6W
C35, 37	1-123-323-00	CAP, ELECT 470 16V	R5, 8, 11, 23, 24, 107, 108, 207, 208, 307, 308, 407, 408	1-215-429-00	RES, METAL 2.2K 1% 1/6W
C26, 28, 39, 52, 54, 115, 117, 215, 217, 315, 317, 415, 417	1-123-332-00	CAP, ELECT 47 25V	R49 (for 04/14 model), 50 (for 04/14 model), 44	1-215-433-00	RES, METAL 3.3K 1% 1/6W
C11, 13, 48, 49, 103, 104, 203, 204, 303, 304, 403, 404	1-123-356-00	CAP, ELECT 10 50V	R3, 6, 9, 12, 32, 33, 43, 60, 61, 65, 66, 101, 104, 201, 204, 301, 304, 401, 404	1-215-437-00	RES, METAL 4.7K 1% 1/6W
C15, 34, 105, 205, 305, 405	1-123-380-00	CAP, ELECT 1 100V	R30	1-215-441-00	RES, METAL 6.8K 1% 1/6W

Ref.No. or Q'ty	Part No.	Description	Ref.No. or Q'ty	Part No.	Description
(BE-02 BOARD,TTP) R48 (for 04/14 model), 29,31,37,38,52,113,213, 313,413	1-215-445-00	RES,METAL 10K 1% 1/6W	(BE-02 BOARD,TTP) R26,27,62,63,67,68,110, 111,210,211,310,311, 410,411	1-247-077-00	RES,CARBON 3.3 5% 1/4W
R112,212,312,412	1-215-447-00	RES,METAL 12K 1% 1/6W	R39,40	1-247-105-00	RES,CARBON 82 5% 1/4W
R47 (for 04/14 model), 17,28,57,58,59	1-215-453-00	RES,METAL 22K 1% 1/6W	LV1	1-407-261-00	INDUCTOR,VAR 100
R16	1-215-455-00	RES,METAL 27K 1% 1/6W	LV2 (for 04/14 model)	1-407-262-00	INDUCTOR,VAR 150
R53,75	1-215-461-00	RES,METAL 47K 1% 1/6W	LV3	1-407-284-00	INDUCTOR,VAR 1mH
R54,76	1-215-463-00	RES,METAL 56K 1% 1/6W	LV4,5,6,7,8	1-407-297-00	INDUCTOR,VAR 3.5mH
R18	1-215-477-00	RES,METAL 220K 1% 1/6W	L2	1-407-499-00	INDUCTOR,MICRO,3.9mH 5%
R102,202,302,402	1-215-483-00	RES,METAL 390K 1% 1/6W	L1 (for 04/14 model)	1-408-424-00	INDUCTOR,MICRO,180 5%
RV6	1-228-455-00	RES,VAR,CERMET 500	T1	1-433-196-00	TRANSFORMER,BIAS
RV8	1-228-461-00	RES,VAR,CERMET 50K	RY1 (for 04/14 model)	1-515-196-00	RELAY,12V 250-OHM
RV11 (for 04/14 model), 10	1-230-834-11	RES,VAR,METAL 10	X1	1-527-478-00	CRYSTAL,14,31818MHz
RV1	1-230-837-11	RES,VAR,METAL 100	CN384M,387M	() 1-560-301-00	RECEP,4P,MALE
RV2,3,4,5	1-230-839-11	RES,VAR,METAL 500	CN386M	() 1-560-302-00	RECEP,5P,MALE
RV9	1-230-844-11	RES,VAR,METAL 20K	CN381M,383M	() 1-560-303-00	RECEP,6P,MALE
R189 (for 04/14 model) (One of the following resistor is used.)	1-247-071-00	RES,CARBON 1 5% 1/4W	CN388M	() 1-560-304-00	RECEP,8P,MALE
	1-247-075-00	RES,CARBON 2.2 5% 1/4W	CN382M	() 1-560-305-00	RECEP,10P,MALE
	1-247-077-00	RES,CARBON 3.3 5% 1/4W	CN385M	() 1-560-725-00	RECEP,16P,MALE
	1-247-079-00	RES,CARBON 4.7 5% 1/4W			
	1-247-081-00	RES,CARBON 6.8 5% 1/4W			
	1-247-083-00	RES,CARBON 10 5% 1/4W			
R41,51	1-247-071-00	RES,CARBON 1 5% 1/4W			
R189 (for 00/10/02/12 model)	1-247-075-00	RES,CARBON 2.2 5% 1/4W			

Ref.No. or Qty	Part No.	Description	Ref.No. or Qty	Part No.	Description
(BE-02 BOARD, TTP)			<u>BE-03 BOARD (BVH-2000PS-00, 02, 10, 12/2180PS-00, 02)</u>		
TH101, 201, 301, 401	1-800-198-XX	THERMISTOR, S-1K	Ipc (for 00/02/10/12 model)		
TP10 (for 04/14 model)			() A-6013-046-A COMPLETE PCB, BE-03		
1, 2, 3, 4, 6, 7, 8, 9, 11, 12, 13, 14, 15, 16	() 3-657-703-01	TERMINAL, TP	(This assembly includes the following parts.)		
TPE1, 2, 3, 4			C101, 201, 301	1-108-559-00	CAP, MYLAR 0.0015 5% 50V
() 3-673-805-11	TERMINAL, TP		C102, 202, 302	1-108-575-00	CAP, MYLAR 0.0068 5% 50V
D10 (for 04/14 model)			C11, 12, 13, 14, 15, 16	1-108-587-00	CAP, MYLAR 0.022 5% 50V
6, 7, 8, 101, 102, 103, 201, 202, 203, 301, 302, 303, 401, 402, 403	8-719-815-55	DIODE 1S1555	C20, 21, 22	1-108-603-00	CAP, MYLAR 0.1 5% 50V
D1, 2, 3, 4, 5, 9, 104, 105, 204, 205, 304, 305, 404, 405	8-719-911-06	DIODE 1SS106	C32, 33	1-109-575-00	CAP, MICA 560PF 5% 500V
Q8, 9, 10	8-729-169-02	TRANSISTOR 2SC2690A	C34	1-109-577-00	CAP, MICA 680PF 5% 500V
Q12 (for 04/14 model)			C10, 19	1-123-321-00	CAP, ELECT 220 16V
2, 6, 7, 14, 18, 102, 202, 302, 402	8-729-602-68	TRANSISTOR 2SA1026-8	C5	1-123-356-00	CAP, ELECT 10 50V
Q13 (for 04/14 model)			C28, 29, 30	1-123-379-00	CAP, ELECT 0.47 100V
1, 5, 11, 15, 19, 101, 201, 301, 401	8-729-606-32	TRANSISTOR 2SC2603	C103, 203, 303	1-123-380-00	CAP, ELECT 1 100V
IC7	8-759-045-84	IC MC14584BCP, CMOS	C6, 7, 8	1-131-349-00	CAP, TANT 2.2 10% 35V
IC4, 5, 6	8-759-900-32	IC SN74LS32N, TTL	C24, 25, 26	1-131-350-00	CAP, TANT 3.3 10% 35V
IC8	8-759-900-59	IC H11-201, CMOS	R102, 202, 302	1-215-413-00	RES, METAL 470 1% 1/6W
IC1	8-759-903-93	IC SN74LS393N, TTL	R71, 72	1-215-421-00	RES, METAL 1K 1% 1/6W
IC2	8-759-942-65	IC SN74265N, TTL	R107, 207, 307	1-215-429-00	RES, METAL 2200 1% 1/6W
IC3	8-759-974-06	IC SN7406N, TTL	R104, 204, 304	1-215-433-00	RES, METAL 3300 1% 1/6W
IC9, 10, 11, 101, 201, 301, 401	8-759-990-82	IC TL082CP	R106, 206, 306	1-215-445-00	RES, METAL 10K 1% 1/6W

Ref. No. or Q'ty	Part No.	Description
(BE-03 BOARD, 2000PS-00, 02, 10, 12/2180PS-00, 02, TTP) R103, 203, 303		
	1-215-453-00	RES. METAL 22K 1% 1/6W
R65, 66	1-247-083-00	RES. CARBON 10 5% 1/4W
R67	1-247-103-00	RES. CARBON 68 5% 1/4W
R53, 54, 55, 57, 58, 59		
	1-247-807-00	RES. CARBON 100 5% 1/6W
R46, 48, 50		
	1-247-823-00	RES. CARBON 470 5% 1/6W
R61, 62, 63		
	1-247-830-00	RES. CARBON 910 5% 1/6W
R37, 39, 41		
	1-247-831-00	RES. CARBON 1K 5% 1/6W
R17, 18, 19, 20, 21, 22		
	1-247-835-00	RES. CARBON 1.5K 5% 1/6W
	1-247-839-00	RES. CARBON 2.2K 5% 1/6W
R29, 31	1-247-852-00	RES. CARBON 7.5K 5% 1/6W
R25, 26, 27, 33		
	1-247-855-00	RES. CARBON 10K 5% 1/6W
R45, 47, 49		
	1-247-856-00	RES. CARBON 11K 5% 1/6W
R13, 14, 15		
	1-247-861-00	RES. CARBON 18K 5% 1/6W
R101, 201, 301		
	1-247-893-00	RES. CARBON 390K 5% 1/6W
LV1, 2	1-407-285-00	INDUCTOR, VAR, 1.5mH
LV3	1-407-286-00	INDUCTOR, VAR, 2.2mH
T1, 2, 3	1-433-196-00	TRANSFORMER, BIAS
CN376M ()	1-560-300-00	RECEP, 3P, MALE
CN373M, 374M		
	() 1-560-302-00	RECEP, 5P, MALE

Ref. No. or Q'ty	Part No.	Description
(BE-03 BOARD, 2000PS-00, 02, 10, 12/2180PS-00, 02, TTP) CN371M, 372M		
	() 1-560-303-00	RECEP, 6P, MALE
CN375M ()	1-560-304-00	RECEP, 8P, MALE
TH1, 2, 3	1-800-200-00	THERMISTOR, S-3K
TP11, 12, 21, 22, 31, 32		
	() 3-640-328-00	TERMINAL, TP
TPE1	() 3-673-805-11	TERMINAL, TP
D101, 201, 301		
	8-719-815-55	DIODE 1S1555
Q5, 6, 7, 102, 202, 302		
	8-729-117-54	TRANSISTOR 2SA1175
Q9, 10, 11, 12, 13, 14		
	8-729-177-43	TRANSISTOR 2SD774
Q17, 18, 19	8-729-600-27	TRANSISTOR 2SC1364-7
Q101, 201, 301		
	8-729-606-32	TRANSISTOR 2SC2603
IC1, 2, 3	8-759-990-82	IC TL082CP
----- BE-03 BOARD (BVH-2000PS-04, 14/2180PS-04/TTP) -----		
1pc (for 04, 14 model)		
	() A-6013-054-A	COMPLETE PCB, BE-03
(This assembly includes the following parts.)		
C101, 201, 301, 401		
	1-108-559-00	CAP, MYLAR 0.0015 5% 50V
C102, 202, 302, 402		
	1-108-575-00	CAP, MYLAR 0.0068 5% 50V
C11, 12, 13, 14, 15, 16, 17,		
18	1-108-587-00	CAP, MYLAR 0.022 5% 50V

Ref.No. or Q'ty	Part No.	Description
(BE-03 BOARD,2000PS-04,14/2180PS-04,TTP)		
C32,33,35	1-109-575-00	CAP,MICA 560PF 5% 500V
C34	1-109-577-00	CAP,MICA 680PF 5% 500V
C10,19	1-123-321-00	CAP,ELECT 220 16V
C5	1-123-356-00	CAP,ELECT 10 25V
C28,29,30,31	1-123-379-00	CAP,ELECT 0.47 50V
C103,203,303,403	1-123-380-00	CAP,ELECT 1 50V
C20,21,22,23	1-130-495-00	CAP,MYLAR 0.1 5% 50V
C6,7,8,9	1-131-349-00	CAP,TANT 2.2 10% 35V
C24,25,26,27	1-131-350-00	CAP,TANT 3.3 10% 35V
R102,202,302,402	1-215-413-00	RES,METAL 470 1% 1/6W
R71,72	1-215-421-00	RES,METAL 1K 1% 1/6W
R107,207,307,407	1-215-429-00	RES,METAL 2200 1% 1/6W
R104,204,304,404	1-215-433-00	RES,METAL 3300 1% 1/6W
R106,206,306,406	1-215-445-00	RES,METAL 10K 1% 1/6W

R103,203,303,403	1-215-453-00	RES,METAL 22K 1% 1/6W
C65,66,68	1-247-083-00	RES,CARBON 10 5% 1/4W
R67	1-247-103-00	RES,CARBON 68 5% 1/4W
R53,54,55,56,57,58,59, 60	1-247-807-00	RES,CARBON 100 5% 1/6W

Ref.No. or Q'ty	Part No.	Description
(BE-03 BOARD,2000PS-04,14/2180PS-04,TTP)		
R46,48,50,52	1-247-823-00	RES,CARBON 470 5% 1/6W
R61,62,63,64	1-247-830-00	RES,CARBON 910 5% 1/6W
R37,39,41,43	1-247-831-00	RES,CARBON 1K 5% 1/6W
R17,18,19,20,21,22,23, 24	1-247-835-00	RES,CARBON 1.5K 5% 1/6W
R30,32,34,36,38,40,42, 44	1-247-839-00	RES,CARBON 2.2K 5% 1/6W
R29,31,35	1-247-852-00	RES,CARBON 7.5K 5% 1/6W
R25,26,27,28,33	1-247-855-00	RES,CARBON 10K 5% 1/6W
R45,47,49,51	1-247-856-00	RES,CARBON 11K 5% 1/6W
R13,14,15,16	1-247-861-00	RES,CARBON 18K 5% 1/6W
R101,201,301,401	1-247-893-00	RES,CARBON 390K 5% 1/6W
LV1,2,4	1-407-285-00	INDUCTOR, VAR, 1.5mH
LV3	1-407-286-00	INDUCTOR, VAR, 2.2mH
T1,2,3,4	1-433-196-00	TRANSFORMER,BIAS

CN376M	() 1-560-300-00	RECEP,3P,MALE
--------	------------------	---------------

CN373M,374M	() 1-560-302-00	RECEP,5P,MALE
-------------	------------------	---------------

CN371M,372M	() 1-560-303-00	RECEP,6P,MALE
-------------	------------------	---------------

Ref.No. or Q'ty	Part No.	Description
<u>BE-03 BOARD (2000PS-04, 14/2180PS-04, TTP)</u>		
CN375M	() 1-560-304-00	RECEP, 8P, MALE
TH1, 2, 3, 4	1-800-200-00	THERMISTOR, S-3K
TP11, 12, 21, 22, 31, 32, 41, 42	3-640-328-00	TERMINAL, TP
TPE1	3-673-805-11	TERMINAL, TP
D101, 201, 301, 401	8-719-815-55	DIODE 1S1555
Q5, 6, 7, 8, 102, 202, 302, 402	8-729-117-54	TRANSISTOR 2SA1175
Q9, 10, 11, 12, 13, 14, 15, 16	8-729-177-43	TRANSISTOR 2SD774
Q17, 18, 19, 20	8-729-600-27	TRANSISTOR 2SC634-7
Q101, 201, 301, 401	8-729-606-32	TRANSISTOR 2SC2603
IC1, 2, 3	8-759-990-82	IC TL082CP

BE-04 BOARD (BVH-2000PS, 2180PS/TTP)

1pc	() 1-606-676-00	PC BOARD, BE-04, WITHOUT COMPONENT
RV4 (for 04/14 model), 1, 2, 3	1-224-945-00	RES, VAR, METAL 200
CN377M	() 1-560-302-00	RECEP, 5P, MALE
1pc (for 00/02/10/12 model)	3-644-002-00	CUSHION, HANDLE
2pcs	7-621-981-15	SCREW, PSW 2.6x6

Ref.No. or Q'ty	Part No.	Description
<u>DR-13 BOARD (BVH-2000PS-02, 04, 12, 14/2180PS-02, 04)</u>		

1pc (for 02/04/12/14 model)		
() A-6049-008-A COMPLETE PCB, DR-13 (This assembly includes the following parts.)		
C2, 3, 4	1-131-522-00	CAP, TANT 10 20% 25V
C1	1-131-526-00	CAP, TANT 33 20% 10V
R3	1-247-884-00	RES, CARBON 160K 5% 1/6W
R4	1-247-783-00	RES, CARBON 10 5% 1/6W
R2	1-247-831-00	RES, CARBON 1K 5% 1/6W
R1	1-247-838-00	RES, CARBON 2K 5% 1/6W
L1, 2, 3	1-408-096-00	INDUCTOR, MICRO, 470 5%
34pcs	1-560-240-00	CONTACT
2pcs	7-621-259-42	SCREW +P 2.6x6
2pcs	7-682-147-13	SCREW +P 3x6
2pcs	7-684-023-01	NUT, M3
4pcs	7-688-003-13	WASHER, M3, MIDDLE
D2, 3	8-719-109-07	DIODE RD39E-B
D1, 4	8-719-900-95	DIODE V09G
D5, 6, 7, 8	8-719-911-19	DIODE ISS119
IC2, 3	8-741-115-62	IC BX1156B
IC1	8-759-377-43	IC HA17741GS
Q1	8-769-194-00	TRANSISTOR 2SK43-4

DR-20 BOARD (BVH-2000PS-00, 10/2180PS-00)

1pc (for 00/10 model)		
() A-6010-070-A MOUNTED PCB, DR-20 (This assembly includes the following parts.)		
17pcs	1-560-240-00	CONTACT

Ref.No.
or Qty Part No. Description

SL-07 BOARD (BVH-2000PS-02,04,12,14/2180PS-02,04)

1pc (for 02/04/12/14 model)
() A-6026-023-B MOUNTED PCB,SL-07
(This assembly includes the following parts.)

7pcs 1-560-240-00 CONTACT

SL-08 BOARD (BVH-2000PS-02,04,12,14/2180PS-02,04)

1pc (for 02/04/12/14 model)
A-6709-428-B MOUNTED PCB,SL-08

SL-09 BOARD (BVH-2000PS-02,04,12,14/2180PS-02,04)

1pc (for 02/04/12/14 model)
A-6709-429-C MOUNTED PCB,SL-09
(This assembly includes the following parts.)

1pc 1-508-937-00 RECEP,8P,MALE

Ref.No.
or Qty Part No. Description

RP-09 BOARD (BVH-2000PS,2180PS/TTP)

1pc () A-6011-063-A COMPLETE PCB,RP-09
1pc () A-6011-097-A COMPLETE PCB,RP-09
(For BVH-2000PS 10,12,14 model)
(This assembly includes the following parts.)

C6,7,37,38

1-107-158-00 CAP,MICA 30PF 5% 500V

C8,39 1-107-162-00 CAP,MICA 43PF 5% 500V

C5,16,36 1-108-567-00 CAP,MYLAR 0.0033 5% 50V

C49 1-108-595-00 CAP,MYLAR 0.047 5% 50V

C10,41

(One of the following capacitors is used)

1-108-525-00 CAP,MICA 39PF 5% 100V

1-109-528-00 CAP,MICA 51PF 5% 100V

C1,4 1-123-321-00 CAP,ELECT 220 16V

C35,66 1-123-330-00 CAP,ELECT 22 25V

C11,14,17,31,32,42,44,
47,62,63

1-123-333-00 CAP,ELECT 100 25V

C26,27,57,58

1-123-380-00 CAP,ELECT 1 100V

C9,13,15,18,19,20,21,23,

24,25,28,29,30,34,40,

43,46,48,50,51,52,54,

55,56,59,60,61,65,70

1-161-051-00 CAP,CERAMIC 0.01 10% 50V

C2,3,12,33,45,64

1-161-057-00 CAP,CERAMIC
0.033 10% 50V

C71 1-161-483-00 CAP,CERAMIC 0.1 10% 50V

R20,68 1-214-101-00 RES,METAL 51 1% 1/4W

R74,84 1-214-112-00 RES,METAL 150 1% 1/4W

RV1,3 1-224-934-00 RES,VAR,METAL 100

RV2,4 1-224-978-00 RES,VAR,METAL 50

R49,97 1-247-196-00 Δ RES,CARBON 15 5% 1/2W

R30,31,78,79

1-247-211-00 Δ RES,CARBON 62 5% 1/2W

Ref.No. or Qty	Part No.	Description
(RP-09 BOARD,TTP)		
R19,67	1-247-783-00	RES,CARBON 10 5% 1/6W
R5,6,53,54	1-247-787-00	RES,CARBON 15 5% 1/6W
R11,14,35,38,42,46,47, 61,64,82,85,90,93,95, 115,116	1-247-795-00	RES,CARBON 33 5% 1/6W
R18,50,51,57,98,99	1-247-800-00	RES,CARBON 51 5% 1/6W
R27,28,76,77	1-247-802-00	RES,CARBON 62 5% 1/6W
R22,32,34,37,69,80	1-247-807-00	RES,CARBON 100 5% 1/6W
R29,71	1-247-814-00	RES,CARBON 200 5% 1/6W
R12,13,60,62	1-247-816-00	RES,CARBON 240 5% 1/6W
R41,43,44,45,48,86,89, 91,92,94,96,101	1-247-818-00	RES,CARBON 300 5% 1/6W
R39,87	1-247-820-00	RES,CARBON 360 5% 1/6W
R8,21,26,33,36,55,81,83, 102,110,112	1-247-831-00	RES,CARBON 1K 5% 1/6W
R9,56	1-247-834-00	RES,CARBON 1.3K 5% 1/6W
R23,24,70,73,75	1-247-838-00	RES,CARBON 2K 5% 1/6W
R7,15,25,59,63,	1-247-842-00	RES,CARBON 3K 5% 1/6W
R17,52,65,72,100	1-247-848-00	RES,CARBON 5.1K 5% 1/6W
R10,58	1-247-854-00	RES,CARBON 9.1K 5% 1/6W
R1,2,3,4,16,66	1-247-855-00	RES,CARBON 10K 5% 1/6W

Ref.No. or Qty	Part No.	Description
(RP-09 BOARD,TTP)		
L1,2,3,4,6,7,8,9	1-407-169-XX	INDUCTOR,MICRO,100 5%
L5,10	1-407-177-XX	INDUCTOR,MICRO,470 5%
LV1,2	1-408-660-00	INDUCTOR,VAR,1.8
T1,2,3,4	1-427-519-00	TRANSFORMER,OUTPUT
RY1,2	1-515-309-21	RELAY,12V 1K-OHM
FB1,2,3,4,5,6,7,8,9,10	1-535-178-00	FERRITE BEAD
CN263M,265M,267M,269M	() 1-560-300-00	RECEP,3P,MALE
CN262M	() 1-560-301-00	RECEP,4P,MALE
CN261M	() 1-560-302-00	RECEP,5P,MALE
CN264M,266M,268M,270M	1-561-365-00	RECEP,COAXIAL,MALE
TP2,4,5,6,8	() 3-673-772-41	TERMINAL,TP
8pcs	7-686-446-01	SCREW,PS 3x5
D1,2	8-719-815-55	DIODE 1S1555
Q1,2,4,8,9,10,16,20,21, 22	8-729-110-53	TRANSISTOR 2SA1005
Q5,6,11,12,17,18,23,24	8-729-125-20	TRANSISTOR 2SC1252
Q3,15	8-729-177-43	TRANSISTOR 2SD774
IC2,4	8-741-115-62	IC BX1156B
IC1,3	8-743-930-00	IC BX3930
Q7,13,14,19,25,26	8-765-300-00	TRANSISTOR 2SC2009

Ref. No. or Q'ty	Part No.	Description
DD-03 BOARD (BVH-2000PS-02, 04, 12, 14/2180PS-02, 04)		
1pc (for 02/04/12/14 model)		
() A-6023-035-B COMPLETE PCB, DD-03		
(This assembly includes the following parts.)		
C4, 13	1-102-106-00	CAP, CERAMIC 100PF 10% 50V
C9	1-109-676-00	CAP, MICA 130PF 5% 500V
C6, 8, 10, 11	1-123-007-00	CAP, ELECT 4.7 350V
C5, 7	1-123-309-00	CAP, ELECT 330 10V
C1, 2, 12, 14	1-123-330-00	CAP, ELECT 22 25V
C16	1-130-483-00	CAP, MYLAR 0.01 5% 50V
C3, 15	1-161-055-00	CAP, CERAMIC 0.022 10% 50V
R5, 6	1-206-696-00	RES, METAL 22K 5% 2W
R10, 11	1-213-125-00	RES, METAL 33 5% 1W
RV1, 2	1-228-292-00	RES. VAR, CERMET 2K
CP1, 2	1-232-711-11	CIRCUIT BLOCK
CP3	1-232-712-11	CIRCUIT BLOCK
CP4	1-232-713-11	CIRCUIT BLOCK
CP5	1-232-714-11	CIRCUIT BLOCK
CP6	1-232-715-11	CIRCUIT BLOCK
CP7	1-232-716-11	CIRCUIT BLOCK
CP8	1-232-717-11	CIRCUIT BLOCK
CP9	1-232-718-11	CIRCUIT BLOCK
R4, 12	1-247-773-00	RES, CARBON 3.9 5% 1/6W
R7, 9	1-247-839-00	RES, CARBON 2.2K 5% 1/6W
R3, 15	1-247-851-00	RES, CARBON 6.8K 5% 1/6W
R1, 13	1-247-855-00	RES, CARBON 10K 5% 1/6W
R2, 14	1-247-859-00	RES, CARBON 15K 5% 1/6W
R16	1-247-871-00	RES, CARBON 47K 5% 1/6W
R8	1-247-879-00	RES, CARBON 100K 5% 1/6W
CN282M ()	1-560-302-00	RECAP, 5P, MALE
CN281M, 283M		
	() 1-560-304-00	RECEP, 8P, MALE
TP1, 2, 3		
	() 3-673-772-41	TERMINAL, TP

Ref. No. or Q'ty	Part No.	Description
DD-03 BOARD, TTP)		
8pcs	7-686-528-01	SCREW, PSW 3x8
D1, 2, 5, 6	8-719-110-00	DIODE RD100E
D3, 4, 7, 8	8-719-900-95	DIODE V09G
D9	8-719-911-19	DIODE 1SS119
Q2	8-729-115-64	TRANSISTOR 2SA1156
Q3, 7	8-729-117-54	TRANSISTOR 2SA1175
Q14	8-729-175-22	TRANSISTOR 2SC2752
Q10, 15	8-729-178-54	TRANSISTOR 2SC2785
Q1, 6, 11, 13		
	8-729-204-94	TRANSISTOR 2SC3559
Q18, 19	8-719-900-89	TRANSISTOR DTC144ES
IC3	8-759-245-39	IC TC4539BP, CMOS
IC1, 2	8-759-377-23	IC HA17723G
Q4, 8, 9, 12		
	8-729-141-78	TRANSISTOR 2SC3632-K
Q5, 16, 17	8-729-118-43	TRANSISTOR 2SA1413-L

DA-07 BOARD (BVH-2000PS, 2180PS/TTP)

1pc () A-6015-065-A COMPLETE PCB, DA-07		
(This assembly includes the following parts.)		
C34	1-101-810-00	CAP, CERAMIC 100PF 5% 500V
C33, 36, 37, 38		
	1-102-106-00	CAP, CERAMIC 100PF 10% 50V
C1, 20	1-123-307-00	CAP, ELECT 100 10V
C13, 17	1-123-333-00	CAP, ELECT 100 25V
C29	1-123-356-00	CAP, ELECT 10 50V
C4	1-123-379-00	CAP, ELECT 0.47 100V
C12	1-123-388-00	CAP, ELECT 100 100V

Ref.No. or Qty	Part No.	Description
(DA-07 BOARD,TTP)		
C5,35	1-130-483-00	CAP,MYLAR 0.01 5% 50V
C25	1-130-491-00	CAP,MYLAR 0.047 5% 50V
C7	1-130-495-00	CAP,MYLAR 0.1 5% 50V
C11	1-136-169-00	CAP,MYLAR 0.22 5% 50V
C2,6,8,9,10,14,15,16,18, 19,21,22,23,24,26,27, 28,30,31,32		
	1-161-055-00	CAP,CERAMIC 0.022 10% 50V
R29	1-215-375-31	RES,METAL 12 1% 1/6W
R80	1-215-422-00	RES,METAL 1.1K 1% 1/6W
R24	1-215-436-00	RES,METAL 4.3K 1% 1/6W
R54,55,56,57		
	1-215-445-00	RES,METAL 10K 1% 1/6W
R82	1-215-455-00	RES,METAL 27K 1% 1/6W
R10	1-215-456-00	RES,METAL 30K 1% 1/6W
R7	1-215-458-00	RES,METAL 36K 1% 1/6W
R8	1-215-459-00	RES,METAL 39K 1% 1/6W
R50	1-217-152-11	RES,METAL 0.33 10% 2W
RB1	1-231-533-00	RES BLOCK,10Kx4
R102	1-247-100-00	RES,CARBON 51 5% 1/4W
R13,15,19		
	1-247-123-00	RES,CARBON 470 5% 1/4W
R2	1-247-139-00	RES,CARBON 2.2K 5% 1/4W
R3,4,14,18,21		
	1-247-142-00	RES,CARBON 3K 5% 1/4W
R28	1-247-773-00	RES,CARBON 3.9 5% 1/6W
R73,77	1-247-811-00	RES,CARBON 150 5% 1/6W
R69,70,95,96,98,99		
	1-247-816-00	RES,CARBON 240 5% 1/6W
R12,17,22		
	1-247-823-00	RES,CARBON 470 5% 1/6W

Ref.No. or Qty	Part No.	Description
(DA-07 BOARD,TTP)		
R44,46,49	1-247-824-00	RES,CARBON 510 5% 1/6W
R39	1-247-825-00	RES,CARBON 560 5% 1/6W
R63,64,65		
	1-247-827-00	RES,CARBON 680 5% 1/6W
R33,34,43,45,47		
	1-247-829-00	RES,CARBON 820 5% 1/6W
R6,11,16,20,79		
	1-247-831-00	RES,CARBON 1K 5% 1/6W
R88	1-247-837-00	RES,CARBON 1.8K 5% 1/6W
R1,9	1-247-838-00	RES,CARBON 2K 5% 1/6W
R48,51,87		
	1-247-839-00	RES,CARBON 2.2K 5% 1/6W
R41	1-247-841-00	RES,CARBON 2.7K 5% 1/6W
R66,89	1-247-843-00	RES,CARBON 3.3K 5% 1/6W
R25,53	1-247-846-00	RES,CARBON 4.3K 5% 1/6W
R35,83	1-247-848-00	RES,CARBON 5.1K 5% 1/6W
R38	1-247-850-00	RES,CARBON 6.2K 5% 1/6W
R26,27,37,42,59,61,67, 68,74,81,84		
	1-247-855-00	RES,CARBON 10K 5% 1/6W
R85,86	1-247-857-00	RES,CARBON 12K 5% 1/6W
R32	1-247-859-00	RES,CARBON 15K 5% 1/6W
R72,75	1-247-861-00	RES,CARBON 18K 5% 1/6W
R52	1-247-862-00	RES,CARBON 20K 5% 1/6W
R100	1-247-864-00	RES,CARBON 24K 5% 1/6W
R101	1-247-865-00	RES,CARBON 27K 5% 1/6W
R40,62,92,93		
	1-247-869-00	RES,CARBON 39K 5% 1/6W
R23	1-247-872-00	RES,CARBON 51K 5% 1/6W
R31	1-247-874-00	RES,CARBON 62K 5% 1/6W
R90	1-247-879-00	RES,CARBON 100K 5% 1/6W
R58	1-247-881-00	RES,CARBON 120K 5% 1/6W
R78	1-247-886-00	RES,CARBON 200K 5% 1/6W
R30	1-247-887-00	RES,CARBON 220K 5% 1/6W

Ref.No. or Qty	Part No.	Description
(DA-07 BOARD, TTP)		
R71,76,97	1-247-895-00	RES,CARBON 470K 5% 1/6W
R91	1-247-896-00	RES,CARBON 510K 5% 1/6W
L1,2,3	1-407-885-00	INDUCTOR,MICRO,0.1mH 5%
L4	1-408-405-00	INDUCTOR,MICRO,4.7 5%
CN115M ()	1-535-173-00	TERMINAL, INSERT
CN117M ()	1-560-178-00	RECEP,6P,MALE
CN112M ()	1-560-302-00	RECEP,5P,MALE
CN116M ()	1-560-723-00	RECEP,3P,MALE
CN114M ()	1-560-724-00	RECEP,10P,MALE
CN111M ()	1-560-726-00	RECEP,20P,MALE
TP4,5,6,7		
()	3-673-805-01	TERMINAL, TP
TPE2,3 () 3-673-805-11 TERMINAL, TP		
4 pcs	7-686-449-01	SCREW,PS 3x10
2 pcs	7-686-528-01	SCREW,PSW 3x8
D17	8-719-182-07	DIODE RD8.2E
D1	8-719-200-02	DIODE 10E2
D8,9,10,12,13,14,15,16, 18,20	8-719-815-55	DIODE 1S1555
D2,3,4,5,6,7	8-719-911-55	DIODE U05G
D19	8-719-981-01	DIODE ERA81-004
Q16,18,20	8-729-195-23	TRANSISTOR 2SA952
Q6,8,10,11,12	8-729-201-32	TRANSISTOR 2SA1013
Q5,7,9,17,19,21	8-729-238-32	TRANSISTOR 2SC2383
Q1	8-729-318-63	TRANSISTOR 2SA1186
Q2,3,4,13,14,15	8-729-383-73	TRANSISTOR 2SC2837
Q22	8-729-663-47	TRANSISTOR 2SC1364

Ref.No. or Qty	Part No.	Description
(DA-07 BOARD, TTP)		
IC8,9,10	8-759-103-93	IC UPC393C
IC7	8-759-135-80	IC UPC358C
IC1,2,3,4	8-759-145-58	IC UPC4558C
IC6	8-759-220-74	IC TC40H074P,CMOS
IC5	8-759-755-17	IC,PROM,MB7051-A1U1

CA-09 BOARD (BVH-2000PS,2180PS/TTP)

1pc () A-6015-064-A COMPLETE PCB,CA-09
(This assembly includes the following parts.)

Q2,3,10,11,18 & 19	X-3673-686-0	TRANSISTOR KIT,2SC1890A
This part is the kit of six transistors. Replace Q2,3,10,11,18 & 19 at the same time.		
C47,50,53	1-102-074-00	CAP,CERAMIC 0.001 10% 50V
C14	1-102-106-00	CAP,CERAMIC 100PF 10% 50V
C17,38	1-102-109-00	CAP,CERAMIC 180PF 10% 50V
C48,51,54	1-102-110-00	CAP,CERAMIC 220PF 10% 50V
C5,42	1-108-595-00	CAP,MYLAR 0.047 5% 50V
C18,40,45	1-108-603-00	CAP,MYLAR 0.1 5% 50V

Ref.No. or Q'ty	Part No.	Description	Ref.No. or Q'ty	Part No.	Description
(CA-09 BOARD,TTP)			(CA-09 BOARD,TTP)		
C39	1-108-611-00	CAP,MYLAR 0.22 5% 50V	R97,98,115,116,133,134	1-247-779-00	RES,CARBON 6.8 5% 1/6W
C8,10,30,55	1-123-307-00	CAP,ELECT 100 10V	R90,108,126	1-247-804-00	RES,CARBON 75 5% 1/6W
C22,28	1-123-333-00	CAP,ELECT 100 25V	R43,45	1-247-811-00	RES,CARBON 150 5% 1/6W
C1	1-123-356-00	CAP,ELECT 10 50V	R93,111,129	1-247-814-00	RES,CARBON 200 5% 1/6W
C37	1-123-360-00	CAP,ELECT 100 50V	R96,114,132	1-247-815-00	RES,CARBON 220 5% 1/6W
C3	1-123-379-00	CAP,ELECT 0.47 100V	R50,51,55,56,59,79	1-247-816-00	RES,CARBON 240 5% 1/6W
C2,4,6,7,9,11,12,13,15, 16,19,20,21,23,24,25, 26,27,29,31,32,33,34, 35,36,41,43,44,46,49, 52,56	1-161-055-00	CAP,CERAMIC 0.022 10% 50V	R38,61	1-247-824-00	RES,CARBON 510 5% 1/6W
R22,23,24	1-214-278-00	RES,METAL 5.6K 0.25% 1/8W	R15	1-247-825-00	RES,CARBON 560 5% 1/6W
R140,141	1-215-390-00	RES,METAL 51 1% 1/6W	R89,107,125	1-247-828-00	RES,CARBON 750 5% 1/6W
R10	1-215-422-00	RES,METAL 1.1K 1% 1/6W	R67,69	1-247-829-00	RES,CARBON 820 5% 1/6W
R17	1-215-432-00	RES,METAL 3K 1% 1/6W	R8,48,49,84,85,88,102, 103,106,120,121,124,	1-247-831-00	RES,CARBON 1K 5% 1/6W
R42,64	1-215-436-00	RES,METAL 4.3K 1% 1/6W	R16	1-247-833-00	RES,CARBON 1.2K 5% 1/6W
R39,62	1-215-440-00	RES,METAL 6.2K 1% 1/6W	R92,110,128	1-247-838-00	RES,CARBON 2K 5% 1/6W
R34,35,36,73,75,76,77	1-215-445-00	RES,METAL 10K 1% 1/6W	R13,138	1-247-839-00	RES,CARBON 2.2K 5% 1/6W
R33	1-215-452-00	RES,METAL 20K 1% 1/6W	R6	1-247-840-00	RES,CARBON 2.4K 5% 1/6W
R18,31	1-215-454-00	RES,METAL 24K 1% 1/6W	R94,112,130	1-247-842-00	RES,CARBON 3K 5% 1/6W
R9	1-215-455-00	RES,METAL 27K 1% 1/6W	R4,20,29	1-247-848-00	RES,CARBON 5.1K 5% 1/6W
R27	1-215-462-00	RES,METAL 51K 1% 1/6W	R26	1-247-850-00	RES,CARBON 6.2K 5% 1/6W
R70,71,72	1-215-243-00	RES,METAL 22K 0.1% 1/6W	R137	1-247-851-00	RES,CARBON 6.8K 5% 1/6W
R74	1-217-153-00	RES,METAL 0.47 10% 2W	R2,3,11,21,32,44,53,58, 65,78,80,81,82,86,99, 100,104,117,118,122, 135,139	1-247-855-00	RES,CARBON 10K 5% 1/6W
R41,63	1-247-776-00	RES,CARBON 5.1 5% 1/6W			
R91,109,127	1-247-783-00	RES,CARBON 10 5% 1/6W			

Ref.No. or Q'ty	Part No.	Description	Ref.No. or Q'ty	Part No.	Description
(CA-09 BOARD,TTP)			(CA-09 BOARD,TTP)		
R5	1-247-856-00	RES,CARBON 11K 5% 1/6W	D2,3,5,6,7,8,9,10,11,12, 13,14,15,16,17,18,19, 20	8-719-815-55	DIODE 1S1555
R1,7	1-247-857-00	RES,CARBON 12K 5% 1/6W	D1	8-719-981-01	DIODE ERA81-004
R136	1-247-859-00	RES,CARBON 15K 5% 1/6W	Q7,15,23	8-729-106-92	TRANSISTOR 2SC2690A
R46	1-247-861-00	RES,CARBON 18K 5% 1/6W	Q5,13,21	8-729-177-43	TRANSISTOR 2SD774
R28	1-247-862-00	RES,CARBON 20K 5% 1/6W	Q6,14,22	8-729-122-02	TRANSISTOR 2SA1220A
R25,83,87,101,105,119, 123	1-247-863-00	RES,CARBON 22K 5% 1/6W	Q9,17,25	8-729-318-63	TRANSISTOR 2SA1186
R14	1-247-864-00	RES,CARBON 24K 5% 1/6W	Q1	8-729-374-02	TRANSISTOR 2SB740
R66	1-247-865-00	RES,CARBON 27K 5% 1/6W	Q8,16,24	8-729-383-73	TRANSISTOR 2SC2837
R19	1-247-866-00	RES,CARBON 30K 5% 1/6W	Q4,12,20	8-729-663-47	TRANSISTOR 2SC1364
R68,95,113,131	1-247-869-00	RES,CARBON 39K 5% 1/6W	IC1,11,12	8-759-103-93	IC UPC393C
R47	1-247-879-00	RES,CARBON 100K 5% 1/6W	IC10	8-759-135-80	IC UPC358C
R12	1-247-886-00	RES,CARBON 200K 5% 1/6W	IC2,3,4,6,15,16	8-759-145-58	IC UPC4558C
R30	1-247-889-00	RES,CARBON 270K 5% 1/6W	IC14	8-759-220-74	IC TC40H074P,CMOS
R52,57,60	1-247-895-00	RES,CARBON 470K 5% 1/6W	IC13	8-759-240-49	IC TC4049BP,CMOS
R37,40,54	1-247-903-00	RES,CARBON 1M 5% 1/6W	IC5,9	8-759-240-52	IC TC4052BP,CMOS
L1,2,3	1-407-885-00	INDUCTOR,MICRO,0.1mH 5%	IC8	8-759-240-81	IC TC4081BP,CMOS
CN105M ()	1-535-173-00	TERMINAL,INSERT	IC7	8-759-745-60	IC NJM4560D
CN103M ()	1-560-178-00	RECEP,6P,MALE			
CN104M ()	1-560-723-00	RECEP,3P,MALE			
CN102M ()	1-560-724-00	RECEP,10P,MALE			
CN101M ()	1-560-726-00	RECEP,20P,MALE			
TP1,2,3,4,5,6,7	() 3-673-805-01	TERMINAL,TP			
TPE1,2	() 3-673-805-11	TERMINAL,TP			
6pcs	7-686-449-01	SCREW,PS 3x10			
2pcs	7-686-528-01	SCREW,PSW 3x8			
D4	8-719-182-07	DIODE R08.2E			
D21,22,23,24,25,26	8-719-200-02	DIODE 10E2			

Ref.No. or Qty	Part No.	Description	Ref.No. or Qty	Part No.	Description
<u>RA-05 BOARD (BVH-2000PS,2180PS/TTP)</u>			<u>(RA-05 BOARD,TTP)</u>		
1pc (for BVH-2000PS)	() A-6023-031-B	COMPLETE PCB,RA-05	R34,35,69,70,190,191, 224,225	1-215-377-00	RES,METAL 15 1% 1/6W
1pc (for BVH-2180PS)	() A-6023-034-A	COMPLETE PCB,RA-05	R53,54,56,231,232,233	1-215-385-00	RES,METAL 33 1% 1/6W
(These ass'ies Includes the following parts.)			R139,145,299,304	1-215-405-00	RES,METAL 220 1% 1/6W
C50,52	1-102-074-00	CAP,CERAMIC 0.001 10% 50V	R143,149,298,308	1-215-414-00	RES,METAL 510 1% 1/6W
C30,75,86,87,88,89,90, 91	1-102-106-00	CAP,CERAMIC 100PF 10% 50V	R290	1-215-422-00	RES,METAL 1.1K 1% 1/6W
C4,5,6,8,51,55,56,57	1-108-555-00	CAP,MYLAR 0.001 5% 50V	R36,37,39,40,41,42,196, 197,198,199,201,202	1-215-428-00	RES,METAL 2K 1% 1/6W
C16,64	1-108-571-00	CAP,MYLAR 0.0047 5% 50V	R52,236	1-215-433-00	RES,METAL 3.3K 1% 1/6W
C22,58	1-108-583-00	CAP,MYLAR 0.015 5% 50V	R126,254	1-215-435-00	RES,METAL 3.9K 1% 1/6W
C18,60	1-108-595-00	CAP,MYLAR 0.047 5% 50V	R18,19,20,183,184,185	1-215-437-00	RES,METAL 4.7K 1% 1/6W
C20,61	1-108-603-00	CAP,MYLAR 0.1 5% 50V	R140,141,144,146,300, 301,303,305	1-215-440-00	RES,METAL 6.2K 1% 1/6W
C40	1-123-307-00	CAP,ELECT 100 10V	R13,14,15,180,181,182	1-215-443-00	RES,METAL 8.2K 1% 1/6W
C92,93	1-123-308-00	CAP,ELECT 220 10V	R58,74,105,109,114,120, 125,152,155,230,245, 258,260,263,266,267, 296,297	1-215-445-00	RES,METAL 10K 1% 1/6W
C35,84	1-123-332-00	CAP,ELECT 47 25V	R77,115,228,256	1-215-447-00	RES,METAL 12K 1% 1/6W
C7,42,46,54	1-123-333-00	CAP,ELECT 100 50V	R76,229	1-215-449-00	RES,METAL 15K 1% 1/6W
C12,34,68,77,78	1-123-356-00	CAP,ELECT 10 50V	R117,259	1-215-451-00	RES,METAL 18K 1% 1/6W
C13,69	1-123-369-00	CAP,ELECT 4.7 63V	R16,17,22,163,164,166	1-215-453-00	RES,METAL 22K 1% 1/6W
C11,67	1-123-380-00	CAP,ELECT 1 100V	R293	1-215-455-00	RES,METAL 27K 1% 1/6W
C1,2	1-123-388-00	CAP,ELECT 100 100V	R116,255	1-215-459-00	RES,METAL 39K 1% 1/6W
C94	1-131-373-00	CAP,TANT 22 10% 16V			
C3,9,14,15,17,19,21,23, 25,27,28,29,31,33,36, 37,38,39,41,43,44,45, 47,48,49,62,63,65,66, 70,71,72,73,76,80,81, 82,83	1-161-055-00	CAP,CERAMIC 0.022 10% 50V			

Ref.No. or Q'ty	Part No.	Description	Ref.No. or Q'ty	Part No.	Description
(RA-05 BOARD, TTP) (for BVH-2000PS)			(RA-05 BOARD, TTP)		
R79,215	1-215-464-00	RES,METAL 62K 1% 1/6W	R7,8,9,68,121,169,170, 171,226,234,264,325, 330	1-247-839-00	RES,CARBON 2.2K 5% 1/6W
R21,113,142,147,165,302, 306,311	1-215-469-00	RES,METAL 100K 1% 1/6W	R33,187	1-247-843-00	RES,CARBON 3.3K 5% 1/6W
R23,167	1-217-152-11	RES,METAL 0.33 10% 2W	R123,285	1-247-844-00	RES,CARBON 3.6K 5% 1/6W
RV1,6	1-230-842-11	RES,VAR,METAL 5K	R72,219,327	1-247-845-00	RES,CARBON 3.9K 5% 1/6W
RV2,5	1-230-845-11	RES,VAR,METAL 50K	R55	1-247-847-00	RES,CARBON 4.7K 5% 1/6W
R24,25,26,168,178,179	1-247-121-00	RES,CARBON 390 5% 1/4W	R90,108,154,214,294,313, 314	1-247-848-00	RES,CARBON 5.1K 5% 1/6W
R320,334	1-247-131-00	RES,CARBON 1K 5% 1/4W	R118,261	1-247-849-00	RES,CARBON 5.6K 5% 1/6W
R1,2,3,10,11,12,157,158, 159,172,173,174	1-247-139-00	RES,CARBON 2.2K 5% 1/4W	R80,128,216,247	1-247-850-00	RES,CARBON 6.2K 5% 1/6W
R55	1-247-425-11	RES,CARBON 47K 5% 1/6W	R64,246	1-247-851-00	RES,CARBON 6.8K 5% 1/6W
R4,5,6,160,161,162	1-247-771-00	RES,CARBON 3.3 5% 1/6W	R130,248,329,337,338	1-247-853-00	RES,CARBON 8.2K 5% 1/6W
R148,150,307,309	1-247-800-00	RES,CARBON 51 5% 1/6W	R38,43,44,46,47,48,49, 92,101,102,103,104,106, 110,122,136,151,153, 156,194,200,203,204, 221,222,253,265,268, 272,273,291,292,295, 316,317	1-247-855-00	RES,CARBON 10K 5% 1/6W
R135,138	1-247-805-00	RES,CARBON 82 5% 1/6W	R75,89,211,220,284,287	1-247-857-00	RES,CARBON 12K 5% 1/6W
R66,93,95,96,98,100,275, 276,277,280,281,282	1-247-816-00	RES,CARBON 240 5% 1/6W	R86,206	1-247-858-00	RES,CARBON 13K 5% 1/6W
R27,28,29,30,31,32,175, 176,177,188,189,192	1-247-819-00	RES,CARBON 330 5% 1/6W	R57,238,321,335	1-247-859-00	RES,CARBON 15K 5% 1/6W
R61,242	1-247-824-00	RES,CARBON 510 5% 1/6W	R134,137	1-247-861-00	RES,CARBON 18K 5% 1/6W
R71,133,223,252,283,289	1-247-831-00	RES,CARBON 1K 5% 1/6W	R315,318	1-247-862-00	RES,CARBON 20K 5% 1/6W
R50,186	1-247-834-00	RES,CARBON 1.3K 5% 1/6W	R82,85,124,207,217,257	1-247-863-00	RES,CARBON 22K 5% 1/6W
R119,262	1-247-837-00	RES,CARBON 1.8K 5% 1/6W	R78,213	1-247-864-00	RES,CARBON 24K 5% 1/6W
R51,112,235,270	1-247-838-00	RES,CARBON 2K 5% 1/6W	R127,212	1-247-870-00	RES,CARBON 43K 5% 1/6W

Ref.No. or Q'ty	Part No.	Description	Ref.No. or Q'ty	Part No.	Description
(RA-05 BOARD, TTP)			(RA-05 BOARD, TTP)		
R45, 83, 111, 195, 269, 319, 324, 326, 331, 339	1-247-872-00	RES, CARBON 51K 5% 1/6W	1pc	() 1-609-900-11	PC BOARD, SW-14 WITHOUT COMPONENT
R65, 243	1-247-874-00	RES, CARBON 62K 5% 1/6W	3pcs	3-534-816-00	SUPPORT
R107, 271	1-247-875-00	RES, CARBON 68K 5% 1/6W	TP1, 2, 3, 4, 5, 7, 8, 9, 10, 13, 14, 15, 16, 17, 19, 20, 21, 22, 25, 26	() 3-673-772-21	TERMINAL, TP
R60, 239	1-247-876-00	RES, CARBON 75K 5% 1/6W	TP23, 24	() 3-673-805-01	TERMINAL, TP
R131, 250	1-247-878-00	RES, CARBON 91K 5% 1/6W	TPE1, 2	() 3-673-805-11	TERMINAL, TP
R63, 193, 240, 310, 322, 323, 332, 333	1-247-879-00	RES, CARBON 100K 5% 1/6W	2pcs	4-866-397-00	CUSHION, LED
R59, 237	1-247-882-00	RES, CARBON 130K 5% 1/6W	4pcs	7-621-981-25	SCREW, PSW 2.6x8
R62, 241	1-247-883-00	RES, CARBON 150K 5% 1/6W	6pcs	7-623-208-22	SPRING WASHER, M2
R210, 312	1-247-885-00	RES, CARBON 180K 5% 1/6W	6pcs	7-682-657-01	SCREW, +PS 3x40
R67, 87, 88, 91, 205, 208, 209, 244, 286, 288	1-247-886-00	RES, CARBON 200K 5% 1/6W	6pcs	7-684-023-04	NUT, M3
R73, 227	1-247-893-00	RES, CARBON 390K 5% 1/6W	4pcs	7-686-447-01	SCREW, PS 3x6
R94, 97, 99, 132, 251, 274, 278, 279, 328, 336	1-247-895-00	RES, CARBON 470K 5% 1/6W	1pc	7-686-448-01	SCREW, PS 3x8
(for BVH-2180PS)			4pcs	7-686-527-01	SCREW, PSW 3x6
R79, 215	1-247-859-00	RES, CARBON 470K 5% 1/6W	D25, 26, 54, 55	8-719-151-07	DIODE RD5.1E-B
R129, 249	1-247-902-00	RES, CARBON 910K 5% 1/6W	D13, 14, 15, 41, 42, 43	8-719-175-07	DIODE RD7.5E
R81, 218	1-247-903-00	RES, CARBON 1M 5% 1/6W	D7, 8, 9, 38, 39, 40	8-719-200-02	DIODE 10E2
L2, 3	1-407-885-00	INDUCTOR, MICRO, 0.1mH 5%	D10, 11, 12, 16, 17, 18, 21, 22, 23, 24, 27, 34, 35, 36, 37, 44, 45, 46, 49, 50, 51, 52, 53, 56, 58, 59, 60, 61, 62, 63	8-719-815-55	DIODE 1S1555
L1	1-409-339-00	COIL, SN	D20, 47	8-719-911-06	DIODE 1SS106
CN201M ()	1-535-173-00	TERMINAL, INSERT	D1, 2, 3, 4, 5, 6, 28, 29, 30, 31, 32, 33	8-719-911-55	DIODE U05G
CN207M, 208M, 209M	() 1-560-178-00	RECEP, 6P, MALE	D57	8-719-981-01	DIODE ERA81-004
CN202M, 204M	() 1-560-303-00	RECEP, 6P, MALE	Q47, 54	8-729-115-64	TRANSISTOR 2SA1156
CN205M, 206M	() 1-560-724-00	RECEP, 10P, MALE	Q22, 45	8-729-117-54	TRANSISTOR 2SA1175
CN203M ()	1-560-729-00	RECEP, 34P, MALE	Q19, 44	8-729-177-43	TRANSISTOR 2SD774
S1	1-570-258-12	SWITCH, THERMAL REED 90°C			

Ref.No. or Qty	Part No.	Description
(RA-05 BOARD, TTP)		
Q13,14,15,36,37,38	8-729-195-23	TRANSISTOR 2SA952
Q4,5,6,27,28,29	8-729-201-32	TRANSISTOR 2SA1013
Q7,8,9,30,31,32	8-729-238-32	TRANSISTOR 2SC2383
Q48,53	8-729-255-12	TRANSISTOR 2SC2551
Q10,11,12,33,34,35	8-729-377-32	TRANSISTOR 2SC2773-0
Q1,2,3,24,25,26	8-729-383-73	TRANSISTOR 2SC2837
Q16,17,18,20,21,23,39, 40,41,42,43,46,49,50, 51,52,55,56	8-729-606-32	TRANSISTOR 2SC2603
IC5	8-759-045-38	IC MC14538BCP,CMOS
IC9,10,13,23,26,27,28	8-759-103-93	IC UPC393C
IC14	8-759-135-80	IC UPC358C
IC6,7,11,12,15,16,21,22, 24,25,29,30	8-759-145-58	IC UPC4558C
IC4	8-759-240-13	IC TC4013BP,CMOS
IC2,18,19	8-759-240-30	IC TC4030BP,CMOS
IC1,17	8-759-755-17	IC,PROM,MB7051-A1U1
IC3	8-759-900-32	IC SN74LS32N,TTL
IC8,20	8-759-990-82	IC TL082CP

Ref.No. or Qty	Part No.	Description
<u>TT-01 BOARD (BVH-2000PS,2180PS/TTP)</u>		
1pc (for BVH-2000PS)		
	() A-6025-084-A	COMPLETE PCB,TT-01
1pc (for BVH-2180PS)		
	() A-6025-091-A	COMPLETE PCB,TT-01
(These ass'ies includes the following parts.)		
C20	1-102-106-00	CAP,CERAMIC 100PF 10% 50V
C18	1-108-587-00	CAP,MYLAR 0.022 5% 50V
C17	1-108-595-00	CAP,MYLAR 0.047 5% 50V
C4	1-123-307-00	CAP,ELECT 100 10V
C21,22	1-123-330-00	CAP,ELECT 22 25V
C16	1-123-332-00	CAP,ELECT 47 25V
C5,8,11,12	1-123-333-00	CAP,ELECT 100 25V
C9	1-123-356-00	CAP,ELECT 10 50V
C1,2,3,6,7,10,13,14,15, 19,23	1-161-055-00	CAP,CERAMIC 0.022 10% 50V
R15	1-212-370-00	RES,METAL 6.8 5% 1W
R40,41	1-214-116-00	RES,METAL 220 1% 1/4W
R26,37	1-214-125-00	RES,METAL 510 1% 1/4W
R12,13,35	1-214-132-00	RES,METAL 1K 1% 1/4W
R31	1-214-141-00	RES,METAL 2.4K 1% 1/4W
R27,28,38,39	1-214-151-00	RES,METAL 6.2K 1% 1/4W
(for BVH-2180PS)		
R34,36	1-214-159-00	RES,METAL 13K 1% 1/4W
(for BVH-2000PS)		
R34,36	1-214-170-00	RES,METAL 39K 1% 1/4W

Ref.No. or Qty	Part No.	Description	Ref.No. or Qty	Part No.	Description
(TT-01 BOARD,TTP)			(TT-01 BOARD,TTP)		
R30,32	1-214-170-00	RES,METAL 39K 1% 1/4W	CN002M ()	1-560-305-00	RECEP,10P,MALE
R23,25	1-214-180-00	RES,METAL 100K 1% 1/4W	CN010M ()	1-560-729-00	RECEP,34P,MALE
R29,33	1-214-350-00	RES,METAL 5.6K 0.1% 1/8W	TP1	() 3-673-805-01	TERMINAL,TP
RV2	1-228-305-00	RES,VAR,CERMET 1K	TPE2	() 3-673-805-11	TERMINAL,TP
RV1	1-228-307-00	RES,VAR,CERMET 5K	4pcs	4-866-397-00	CUSHION,LED
RB1	1-231-410-00	RES BLOCK,10Kx8	D4,5	8-719-100-28	DIODE RD4.7E-B3
R18,19,20,21,22,24	1-247-800-00	RES,CARBON 51 5% 1/6W	D6,7	8-719-151-07	DIODE RD5.1E-B
R7	1-247-817-00	RES,CARBON 270 5% 1/6W	D2,3,9,10,11,12,13,14, 15,16	8-719-200-02	DIODE 10E2
R46	1-247-818-00	RES,CARBON 300 5% 1/6W	D1,8	8-719-815-55	DIODE 1S1555
R59	1-247-825-00	RES,CARBON 560 5% 1/6W	Q1	8-729-117-54	TRANSI STOR 2SA1175
R53	1-247-827-00	RES,CARBON 680 5% 1/6W	Q10,17,18	8-729-177-43	TRANSI STOR 2SD774
R55	1-247-828-00	RES,CARBON 750 5% 1/6W	Q6	8-729-373-92	TRANSI STOR 2SB739
R11,49,56	1-247-831-00	RES,CARBON 1K 5% 1/6W	Q5	8-729-378-84	TRANSI STOR 2SD788
R60,61	1-247-833-00	RES,CARBON 1.2K 5% 1/6W	Q15,16	8-729-398-63	TRANSI STOR 2SC1986-Y
R16,17	1-247-834-00	RES,CARBON 1.3K 5% 1/6W	Q2,3,4,7,8,9,11,12,13, 14	8-729-606-32	TRANSI STOR 2SC2603
R2,6,10	1-247-839-00	RES,CARBON 2.2K 5% 1/6W	IC6	8-759-045-84	IC MC14584BCP,CMOS
R5,54	1-247-842-00	RES,CARBON 3K 5% 1/6W	IC1,4	8-759-145-58	IC UPC4558C
R14	1-247-847-00	RES,CARBON 4.7K 5% 1/6W	IC5	8-759-240-30	IC TC4030BP,CMOS
R4,9	1-247-853-00	RES,CARBON 8.2K 5% 1/6W	IC2,3	8-759-700-10	IC NJM4558DMD
R1,3,8,48,50,57,58	1-247-855-00	RES,CARBON 10K 5% 1/6W	IC7	8-759-900-05	IC SN74LS05N,TTL
R44,47	1-247-859-00	RES,CARBON 15K 5% 1/6W			
R51,52	1-247-863-00	RES,CARBON 22K 5% 1/6W			
R42	1-247-883-00	RES,CARBON 150K 5% 1/6W			
R45	1-247-896-00	RES,CARBON 510K 5% 1/6W			
R43	1-247-901-00	RES,CARBON 820K 5% 1/6W			
L2	1-408-421-00	INDUCTOR,MICRO,100 5%			
L1,3	1-409-339-00	COIL,SN			
CN007M ()	1-560-299-00	RECEP,2P,MALE			
CN001M,008M,009M ()	1-560-300-00	RECEP,3P,MALE			
CN005M,006M ()	1-560-301-00	RECEP,4P,MALE			
CN003M,004M ()	1-560-302-00	RECEP,5P,MALE			

Ref. No. or Q'ty	Part No.	Description

RS-17 BOARD (BVH-2180PS/TTP)		

1pc	() A-6025-093-A	COMPLETE PCB, RS-17 (This assembly includes the following parts.)
C6	1-108-579-00	CAP, MYLAR 0.01 5% 50V
C1	1-124-142-00	CAP, ELECT 470 10V
C2, 3, 4, 5, 7, 8, 9, 10, 11	1-161-055-00	CAP, CERAMIC 0.022 10% 50V
R10, 11	1-247-800-00	RES, CARBON 51 5% 1/6W
R8, 12	1-247-819-00	RES, CARBON 330 5% 1/6W
R6, 7	1-247-821-00	RES, CARBON 390 5% 1/6W
R1, 9	1-247-831-00	RES, CARBON 1.0K 5% 1/6W
R2, 3, 4	1-247-855-00	RES, CARBON 10K 5% 1/6W
R5	1-247-887-00	RES, CARBON 220K 5% 1/6W
L1	1-409-339-00	COIL, SN
CN042M	() 1-560-302-00	RECEP, 5P, MALE
CN041M	() 1-560-306-00	RECEP, 12P, MALE
D1, 2	8-719-930-33	LED, GL-3PR3, RED
IC4	8-759-001-00	IC MC74HC132N, CMOS
IC2, 3	8-759-202-83	IC TC74HC107P, CMOS
IC5	8-759-207-73	IC TC4030BPHB
IC6	8-759-240-22	IC TC4022BP, CMOS
IC1, 7	8-759-954-54	IC SN75454BP, TTL

Ref. No. or Q'ty	Part No.	Description

TM-16 BOARD (BVH-2000PS, 2180PS/TTP)		

1pc	() 1-609-959-12	PC BOARD, TM-16, WITHOUT COMPONENT
C1	1-161-055-00	CAP, CERAMIC 0.022 10% 50V
R1	1-215-423-00	RES, METAL 1.2K 1% 1/6W
R4	1-215-427-00	RES, METAL 1.8K 1% 1/6W
R3	1-215-464-00	RES, METAL 62K 1% 1/6W
R2	1-215-467-00	RES, METAL 82K 1% 1/6W
R5	1-215-487-00	RES, METAL 560K 1% 1/6W
4pcs	1-517-072-00	HOLDER, LAMP
TM2, 3	1-548-119-00	HOURS METER
S1	1-553-441-21	SWITCH, TOGGLE
CN022M	() 1-560-310-00	RECEP, 4P, MALE
TP1, 2	() 3-673-805-01	TERMINAL, TP
TPE	() 3-673-805-11	TERMINAL, TP
2pcs	7-621-981-15	SCREW, PSW 2.6x6

RS-18 BOARD (BVH-2180PS/TTP)

1pc	() 1-613-389-11	PC BOARD, RS-18 WITHOUT COMPONENT
CN041F	() 1-561-056-00	PLUG, HOUSING, 12P
	() 1-560-298-00	CONTACT, FEMALE
1pc	() 3-701-822-00	HOLDER, WIRE
4pcs	7-686-447-01	SCREW, PS3x6
1pc	7-686-527-01	SCREW, PSW3x6
D1, 2	8-719-919-39	DIODE GP-2L01F

HM-05, MOTOR, TD-05, TH-03

Ref.No. or Q'ty	Part No.	Description
<u>HM-05 BOARD (BVH-2000PS,2180PS/TTP)</u>		
1pc	() 1-606-699-00	PC BOARD, HM-05, WITHOUT COMPONENT
R2	1-214-165-00	RES, METAL 24K 1% 1/4W
R1	1-214-170-00	RES, METAL 39K 1% 1/4W
R3	1-214-788-00	RES, METAL 300K 1% 1/4W
2pcs	1-517-072-00	HOLDER, LAMP
TM1	1-548-119-00	HOURS METER
CN021M	() 1-560-310-00	RECEP, 4P, MALE
TP1	() 3-673-805-01	TERMINAL, TP
TPE	() 3-673-805-11	TERMINAL, TP
2pcs	7-621-981-15	SCREW, PSW 2.6x6

Ref.No. or Q'ty	Part No.	Description
<u>MOTOR BOARD (BVH-2000PS,2180PS/TTP)</u>		
1pc	() 1-602-615-11	PC BOARD, MOTOR, WITHOUT COMPONENT
C301,302	1-108-577-00	CAP, MYLAR 0.0082 5% 50V
R305,306,312,313	1-214-108-00	RES, METAL 100 1% 1/4W
R301	1-214-116-00	RES, METAL 220 1% 1/4W
R316	1-214-124-00	RES, METAL 470 1% 1/4W
R302,303,304,309,310, 311	1-214-132-00	RES, METAL 1K 1% 1/4W
R307,314	1-214-174-00	RES, METAL 56K 1% 1/4W
R308,315	1-214-180-00	RES, METAL 100K 1% 1/4W
RT301	1-224-490-00	RES, VAR, METAL 4.7K
RT302	1-224-660-00	RES, VAR, METAL 1K
TP-01,02,G	() 1-536-354-00	TERMINAL, TP

Ref.No. or Q'ty	Part No.	Description
<u>(MOTOR BOARD, TTP)</u>		
CN024M	() 1-560-301-00	RECEP, 4P, MALE
H301,302	8-719-800-17	DIODE THS102A
D301	8-719-110-03	DIODE RD7.5ESB2
Q301,303	8-729-141-42	TRANSISTOR 2SD414-R
Q302,304	8-729-154-82	TRANSISTOR 2SB548-R
IC301	8-759-700-58	IC NJM4558DFA

Ref.No. or Q'ty	Part No.	Description
<u>TD-05 BOARD (BVH-2000PS,2180PS/TTP)</u>		
1pc	() 1-606-702-00	PC BOARD, TD-05, WITHOUT COMPONENT
CN006F	() 1-509-985-00	PLUG, HOUSING, 4P
	() 1-560-298-00	CONTACT, FEMALE
1pc	7-621-972-25	SCREW, PS 2.6x6
1pc	7-621-972-35	SCREW, PS 2.6x8
PH1	8-719-411-02	PHOTO INTERRUPTER, ON1102S, S0

Ref.No. or Q'ty	Part No.	Description
<u>TH-03 BOARD (BVH-2000PS,2180PS/TTP)</u>		
1pc	() 1-606-701-00	PC BOARD, TH-03, WITHOUT COMPONENT
S1,2	1-553-117-41	SWITCH, REED
CN023M	() 1-560-311-00	RECEP, 5P, MALE

Ref.No. or Qty	Part No.	Description
<u>TR-07 BOARD (BVH-2000PS,2180PS/TTP)</u>		
1pc	() 1-606-698-00	PC BOARD,TR-07, WITHOUT COMPONENT
CN005F	() 1-509-985-00 () 1-560-298-00	PLUG,HOUSING,4P CONTACT,FEMALE
2pcs	7-687-603-14	SCREW,BTP 2.6x6
DME1	8-745-211-00 () 3-673-694-00	DME DM211 HOLDER,DME

Ref.No. or Qty	Part No.	Description
<u>HD-07 BOARD (BVH-2000PS-00,02,10,12/2180PS-00,02/TTP)</u>		
2pcs (for 02/12 model) 1pc (for 00/10 model)	() 1-606-680-00	PC BOARD,HD-07, WITHOUT COMPONENT

<u>HD-08 BOARD (BVH-2000PS-04/14,2180PS-04/TTP)</u>		
2pcs (for 04/14 model)	() 1-606-681-00	PC BOARD,HD-08 WITHOUT COMPONENT

<u>HD-06 BOARD (BVH-2000PS,2180PS/TTP)</u>		
1pc	() 1-606-679-00	PC BOARD,HD-06, WITHOUT COMPONENT

<u>VR-05 BOARD (BVH-2000PS-00,02,10,12/2180PS-00,02)</u>		
1pc (for 00/02/10/12 model)	() A-6013-042-A	COMPLETE PCB,VR-05 (This assembly includes the following parts.)
C1,3	1-123-333-00	CAP,ELECT 100 25V
C6,7,9,10,12,13	1-131-341-00	CAP,TANT 0.1 10% 35V
C11,14	1-131-359-00	CAP,TANT 10 10% 25V
C5,8	1-131-373-00	CAP,TANT 22 10% 16V
C2,4	1-161-055-00	CAP,CERAMIC 0.022 10% 50V

<u>CEH-2 BOARD (BVH-2000PS,2180PS/TTP)</u>		
1pc	() 1-588-946-00	PC BOARD,CEH-2, WITHOUT COMPONENT

Ref.No. or Q'ty	Part No.	Description
(VR-05 BOARD, LEVEL CONT PNL)		
R1, 2	1-206-473-00	RES, METAL 27 5% 2W
RV3, 5, 7, 9, 11, 13	1-224-919-00	RES, VAR, METAL 5K
RV15	1-224-920-00	RES, VAR, METAL 10K
RV4, 6, 8, 10, 12, 14	1-228-548-00	RES WITH SW, VAR, CARBON 10K(A)
RV16, 17	1-228-549-00	RES WITH SW, VAR, CARBON 10K(B)
RV1	1-228-550-00	RES, VAR, CARBON 10K(A)x2
RV2	1-228-551-00	RES WITH SW, VAR, CARBON 2K(A)x2
R12, 13, 16, 19, 20, 23, 27, 28, 30, 31	1-247-807-00	RES, CARBON 100 5% 1/6W
R8, 10	1-247-813-00	RES, CARBON 180 5% 1/6W
R7, 9	1-247-828-00	RES, CARBON 750 5% 1/6W
R3, 4, 5, 6	1-247-836-00	RES, CARBON 1.6K 5% 1/6W
R33, 35, 36, 38, 39, 41	1-247-843-00	RES, CARBON 3.3K 5% 1/6W
R17, 24, 32	1-247-850-00	RES, CARBON 6.2K 5% 1/6W
R14, 15, 21, 22	1-247-855-00	RES, CARBON 10K 5% 1/6W
R11, 18, 25	1-247-862-00	RES, CARBON 20K 5% 1/6W
R34, 37, 40	1-247-869-00	RES, CARBON 39K 5% 1/6W
R26, 29	1-247-879-00	RES, CARBON 100K 5% 1/6W
J1	1-507-552-21	JACK, PHONE
CN802M, 803M	() 1-560-301-00	RECEP, 4P, MALE

Ref.No. or Q'ty	Part No.	Description
(VR-05 BOARD, LEVEL CONT PNL)		
CN805M, 808M	() 1-560-302-00	RECEP, 5P, MALE
CN800M, 801M, 812M	() 1-560-303-00	RECEP, 6P, MALE
CN811M	() 1-560-304-00	RECEP, 8P, MALE
CN804M, 806M, 810M	() 1-560-305-00	RECEP, 10P, MALE
CN807M, 809M	() 1-560-306-00	RECEP, 12P, MALE
IC1, 2, 3	8-759-745-59	IC NJM4559D
<hr/>		
VR-07 BOARD (BVH-2000PS-04/14, 2180PS-04)		
Ipc (for 04/14 model)		
() A-6013-056-A COMPLETE PCB, VR-07		
(This assembly includes the following parts.)		
C1, 3	1-123-333-00	CAP, ELECT 100 25V
C5, 6, 8, 9, 12, 13, 16, 17	1-131-341-00	CAP, TANT 0.1 10% 35V
C7, 10, 11, 14, 15, 18	1-131-359-00	CAP, TANT 10 10% 25V
C2, 4	1-161-055-00	CAP, CERAMIC 0.022 10% 50V
R1, 2	1-206-473-00	RES, METAL 27 5% 2W
RV2, 4, 6, 8, 10, 12, 14, 16	1-224-919-00	RES, VAR, METAL 5K

Ref.No. or Qty	Part No.	Description
(VR-07 BOARD, LEVEL CONT PNL)		
RV18	1-224-920-00	RES, VAR, METAL 10K
RV3, 5, 7, 9, 11, 13, 15, 17	1-228-548-00	RES WITH SW, VAR, CARBON 10K(A)
RV19, 20	1-228-549-00	RES WITH SW, VAR, CARBON 10K(B)
RV1	1-228-550-00	RES, VAR, CARBON 10K(A) x2
R6, 7, 9, 11, 16, 17, 19, 21, 27, 28, 30, 32, 38, 39, 41, 43	1-247-807-00	RES, CARBON 100 5% 1/6W
R5, 10, 15, 20, 25, 31, 36, 42	1-247-843-00	RES, CARBON 3.3K 5% 1/6W
R12, 22, 33, 44	1-247-850-00	RES, CARBON 6.2K 5% 1/6W
R3, 13, 23, 34	1-247-862-00	RES, CARBON 20K 5% 1/6W
R4, 14, 24, 35	1-247-869-00	RES, CARBON 39K 5% 1/6W
R8, 18, 26, 29, 37, 40	1-247-879-00	RES, CARBON 100K 5% 1/6W
J1	1-507-552-21	JACK, PHONE
CN802M, 803M	() 1-560-301-00	RECEP, 4P, MALE
CN805M, 808M	() 1-560-302-00	RECEP, 5P, MALE
CN800M, 801M, 812M	() 1-560-303-00	RECEP, 6P, MALE
CN811M	() 1-560-304-00	RECEP, 8P, MALE
CN804M, 806M, 810M	() 1-560-305-00	RECEP, 10P, MALE

Ref.No. or Qty	Part No.	Description
(VR-07 BOARD, LEVEL CONT PNL)		
CN807M, 809M	() 1-560-306-00	RECEP, 12P, MALE
IC1, 2, 3, 4	8-759-745-59	IC NJM4559D

ML-02 BOARD (BVH-2000PS-00, 02, 10, 12/2180PS-00, 02)

1pc (for 00/02/10/12 model)		
() 1-606-711-00	PC BOARD, ML-02, WITHOUT COMPONENT	
R1, 2, 3, 4	1-247-121-00	RES, CARBON 390 5% 1/4W
R5	1-247-233-00	RES, CARBON 510 5% 1/2W
CN811F	() 1-509-988-00	PLUG, HOUSING, 8P
	() 1-560-298-00	CONTACT, FEMALE
SW1	1-516-994-00	SWITCH, SLIDE
6pcs	4-866-397-00	CUSHION, LED
D33, 34, 35	8-719-952-51	LED, AA5525S, ORG
D1, 2, 3, 4, 5, 6, 7, 8, 9, 10, 11, 12, 13, 14, 15, 16, 17, 18, 19, 20, 21, 22, 23, 24, 25, 26, 27, 28, 29, 30, 31, 32	8-719-955-25	LED, PY5525S, YEL

Ref.No. or Qty	Part No.	Description
ML-03 BOARD (BVH-2000PS-04/14,2180PS-04)		
1pc (for 04/14 model)	() 1-606-712-00	PC BOARD,ML-03 WITHOUT COMPONENT
R1,2,3,4,5	1-247-121-00	RES,CARBON 390 5% 1/4W
R6	1-247-233-00	RES,CARBON 510 5% 1/2W
CN811F	() 1-509-988-00 () 1-560-298-00	PLUG,HOUSING,8P CONTACT,FEMALE
SW1	1-516-994-00	SWITCH,SLIDE
6pcs	4-866-397-00	CUSHION,LED
D41,42,43	8-719-952-51	LED,AA5525S,ORG
D1,2,3,4,5,6,7,8,9,10, 11,12,13,14,15,16,17, 18,19,20,21,22,23,24, 25,26,27,28,29,30,31, 32,33,34,35,36,37,38, 39,40	8-719-955-25	LED,PY5525S,YEL

Ref.No. or Qty	Part No.	Description
MS-07 BOARD (BVH-2000PS-00,02,10,12/2180PS-00,02)		
1pc (for 00/02/10/12 model)	() 1-606-709-00	PC BOARD,MS-07 WITHOUT COMPONENT
R1,2,3,4,5,6,7,8,9,10, 11,12	1-247-811-00	RES,CARBON 150 5% 1/6W
SW1,2,3,4,5,6,7,8,9,10, 11,12	1-554-048-00	SWITCH,PUSH
CN821M	() 1-560-729-00	RECEP,34P,MALE

Ref.No. or Qty	Part No.	Description
MS-08 BOARD (BVH-2000PS-04/14,2180PS-04)		
1pc (for 04/14 model)	() 1-606-710-00	PC BOARD,MS-08 WITHOUT COMPONENT
R1,2,3,4,5	1-247-811-00	RES,CARBON 150 5% 1/6W
SW1,2,3,4,5	1-554-048-00	SWITCH,PUSH
CN821M	() 1-560-729-00	RECEP,34P,MALE

AC-39 BOARD (BVH-2000PS,2180PS/POWER SUPPLY)

1pc () A-4925-001-A Δ COMPLETE PCB,AC-39

(This assembly includes the following parts.)

C323	1-123-885-00	CAP,ELECT 47 10V
C315,316	1-123-890-00	CAP,ELECT 2.2 400V
C322,324,330,331	1-123-903-00	CAP,ELECT 47 16V
C321,325	1-124-115-00	CAP,ELECT 10 16V
C332	1-124-116-00	CAP,ELECT 22 16V
C320	1-124-164-00	CAP,ELECT 4.7 50V
C317	1-130-777-00	CAP,POLY 0.1 10% 100V
C318,319	1-130-781-00	CAP,POLY 0.22 10% 100V
C301,302,304	1-130-917-00	Δ CAP,POLY 0.1 20% 250V

Ref. No. or Q'ty	Part No.	Description
(AC-39 BOARD, POWER SUPPLY)		
C305, 306, 307, 308, 309, 310, 311, 312, 313, 314, 326, 327, 328, 329	1-130-926-00	△ CAP. POLY 0.0033 20% 250V
R301	1-202-726-00	△ RES. COMP 3.9M 10% 1/2W
R316, 317	1-205-677-00	△ RES. WIREWOUND 1K 5% 5W
R315, 341	1-205-678-00	△ RES. WIREWOUND 16K 5% 5W
R302, 303, 360	1-205-679-00	△ RES. WIREWOUND 3.3 5% 20W
R306	1-215-857-11	△ RES. METAL 10 5% 1W
R333	1-215-903-11	△ RES. METAL 68K 5% 2W
R304, 305	1-214-918-00	RES. METAL 160K 1% 1/2W
RV303	1-228-867-00	RES. VAR. METAL 2K
RV301, 302	1-228-868-00	RES. VAR. METAL 10K
R323, 350	1-246-525-00	RES. CARBON 150K 5% 1/4W
R336	1-246-543-00	RES. CARBON 820K 5% 1/4W
R332, 358	1-247-083-00	RES. CARBON 10 5% 1/4W
R319, 324, 325, 337	1-247-107-00	RES. CARBON 100 5% 1/4W
R314, 318, 326, 331, 338, 339, 347, 359	1-247-131-00	RES. CARBON 1K 5% 1/4W
R309	1-247-141-00	RES. CARBON 2.7K 5% 1/4W
R310, 330	1-247-143-00	RES. CARBON 3.3K 5% 1/4W
R312, 335	1-247-147-00	RES. CARBON 4.7K 5% 1/4W
R322, 329	1-247-149-00	RES. CARBON 5.6K 5% 1/4W
R308	1-247-152-00	RES. CARBON 7.5K 5% 1/4W
R311, 313, 328, 348, 353	1-247-155-00	RES. CARBON 10K 5% 1/4W
R352	1-247-159-00	RES. CARBON 15K 5% 1/4W
R356	1-247-161-00	RES. CARBON 18K 5% 1/4W
R349, 354	1-247-167-00	RES. CARBON 33K 5% 1/4W
R357	1-247-171-00	RES. CARBON 47K 5% 1/4W

Ref. No. or Q'ty	Part No.	Description
(AC-39 BOARD, POWER SUPPLY)		
R351, 355	1-247-175-00	RES. CARBON 68K 5% 1/4W
R327	1-247-232-00	RES. CARBON 470 5% 1/2W
R321, 334, 342, 346	1-247-281-00	RES. CARBON 51K 5% 1/2W
R344, 345	1-247-269-00	RES. CARBON 16K 5% 1/2W
R320, 343	1-247-270-00	RES. CARBON 18K 5% 1/2W
R307, 340	1-214-920-00	△ RES. CARBON 200K 5% 1/2W
L301, 302	1-421-532-00	COIL, CHOKE
L303	1-421-534-00	△ TRANSFORMER, CHOKE
L306	1-441-855-00	COIL, CHOKE
L304, 305	1-459-215-00	COIL, CHOKE
CN309F, 310F	() 1-509-984-00	PLUG, HOUSING, 3P
	() 1-560-298-00	CONTACT, FEMALE
RY301	1-515-450-00	△ RELAY, 12V 180-OHM
F301	1-532-496-00	△ FUSE, 109C
CN303M	() 1-560-176-00	△ RECEP, 2P, MALE
CN312M	() 1-560-177-00	△ RECEP, 4P, MALE
CN309M, 310M	() 1-560-300-00	RECEP, 3P, MALE
CN305M, 311M	() 1-560-310-00	RECEP, 4P, MALE
C306M	() 1-560-753-00	RECEP, 5P, MALE
CN308M	() 1-560-888-00	RECEP, 3P, MALE
CN307M	() 1-560-889-00	RECEP, 5P, MALE
CN304F	() 1-561-977-00	△ RECEP, 2P, FEMALE
CN301F	() 1-561-978-00	△ RECEP, 3P, FEMALE
CN302F	() 1-561-979-00	△ RECEP, 4P, FEMALE
D332	8-719-100-34	DIODE RD5. 6E-B1

Ref.No. or Q'ty	Part No.	Description
(AC-39 BOARD, POWER SUPPLY)		
D303,304,314,318,323		
	8-719-100-40	DIODE RD6.8E-B1
D334	8-719-100-56	DIODE RD10E-B1
D306,307	8-719-100-70	DIODE RD15E-B1
D310	8-719-100-98	DIODE RD30E-B2
D311	8-719-104-17	DIODE 2P5M
D308	8-719-107-87	DIODE 03P2M
D312,313,321,322		
	8-719-110-00	DIODE RD100E
D309,320	8-719-200-02	DIODE 10E2
PH301	8-719-411-12	PHOTO INTERRUPTER OM1102
D301	8-719-500-07	DIODE S25YB60
D302,305,315,316,317, 319,324,325,326,327, 333		
	8-719-815-55	DIODE 1S1555
D328,329,330,331		
	8-719-911-55	DIODE U05G
Q304	8-729-177-43	TRANSISTOR 2SD774
Q303	8-729-217-33	TRANSISTOR 2SC1173
Q302,308	8-729-612-77	TRANSISTOR 2SA1027R
Q301,305,306,307,309		
	8-729-663-47	TRANSISTOR 2SC1364
IC301	8-759-132-40	IC UPC324C

Ref.No. or Q'ty	Part No.	Description
FV-02 BOARD (BVH-2000PS,2180PS/POWER SUPPLY)		

1pc () A-4925-004-B Δ COMPLETE PCB, FV-02

(This assembly includes the following parts.)

1pc () A-4925-011-B COMPLETE PCB, FV-03
 1pc () A-4925-012-A COMPLETE PCB, CT-36-2
 1pc () A-4925-013-A COMPLETE PCB, CT-36-3

Q601&602,
603&604 X-3673-684-0 TRANSISTOR 2SC2555, 2pcs
 This part is the kit of two transistors.
 Replace Q601&602 at the same time.
 Replace Q603&604 at the same time.

O617,633 1-108-587-00 CAP, MYLAR 0.022 5% 50V

O635,636 1-123-324-00 CAP, ELECT 1000 16V

O603,604,619,620
 1-123-601-00 CAP, ELECT 4.7 250V

O613,629,640,684,691
 1-123-961-00 CAP, ELECT 330 16V

O608,609,610,624,625
 626,699 1-124-129-00 CAP, ELECT 2200 25V

O602,618 1-125-290-00 CAP, ELECT 47 400V

O611,612,614,615,616,
 627,628,630,631,632,
 637,638,639,641,681,
 682,683,685,690,692
 1-130-777-00 CAP, POLY 0.1 10% 100V

O601 1-130-808-00 CAP, POLY 0.22 10% 400V

O605,621 1-161-740-00 Δ CAP, CERAMIC
 470PF 10% 400V

O606,622,642,643,644
 1-161-741-00 Δ CAP, CERAMIC
 0.001 10% 400V

Ref.No.
or Qty Part No. Description

(FV-02 BOARD,POWER SUPPLY)

C607,623,634

1-161-742-00 Δ CAP,CERAMIC
0.0022 20% 400V

C686,687,688,689

1-161-915-00 CAP,CERAMIC
0.001 10% 500V

R604,613 1-205-622-00 RES,WIREWOUND 33 5% 5W

R606,615,618

1-205-623-00 RES,WIREWOUND 47 5% 5W

R605,614 1-205-631-00 RES,WIREWOUND 15 5% 5W

R603,612 1-205-641-00 RES,WIREWOUND 330 5% 5W

R607,616 1-205-657-00 RES,WIREWOUND 150 5% 5W

R621 1-244-941-00 RES,CARBON 680K 5% 1/2W

R608,617 1-247-079-00 RES,CARBON 4.7 5% 1/4W

R601,602,610,611

1-247-087-00 RES,CARBON 15 5% 1/4W

R619 1-247-123-00 RES,CARBON 470 5% 1/4W

R609,620 1-247-244-00 RES,CARBON 1500 5% 1/2W

L681 1-421-225-00 FILTER,LINE

L610 1-421-259-00 FILTER,LINE

L609 1-421-370-00 COIL,CHOKE

L608 1-421-431-00 COIL,CHOKE

T603,606 1-421-460-00 Δ TRANSFORMER,CURRENT

L601 1-421-470-21 FILTER,LINE

L603,606 1-421-506-00 COIL,CHOKE

L602,605 1-421-531-00 COIL,CHOKE

L604,607 1-421-535-00 FILTER,LINE

L682 1-421-538-00 FILTER,LINE

T602,605 1-447-106-00 Δ TRANSFORMER,DRIVE

T601 1-447-329-00 Δ TRANSFORMER,CONVERTER

T604 1-447-330-00 Δ TRANSFORMER,CONVERTER

Ref.No.
or Qty Part No. Description

(FV-02 BOARD,POWER SUPPLY)

FB601,602,603,604,605,
606,607,608,609,610,
611,612,613,614

1-543-060-00 BEAD,FERRITE

S602 1-554-047-00 SWITCH,THERMAL REED 90°C

S601 1-554-047-21 SWITCH,THERMAL REED 70°C

CN601M () 1-560-176-00 RECEP,2P,MALE

CN603M () 1-560-300-00 RECEP,3P,MALE

CN602M () 1-560-305-00 RECEP,10P,MALE

CN930M,931M

() 1-560-309-00 RECEP,3P,MALE

CN926M () 1-560-314-00 RECEP,10P,MALE

CN927M () 1-560-887-00 RECEP,17P,MALE

D608 8-719-100-67 DIODE RD13E-B1

D607 8-719-300-29 DIODE CTG-31S

D603,606 8-719-820-15 LED,TLG115A,GRN

D601,602,604,605

8-719-902-43 DIODE ESAD33-02CS

Q605 8-729-331-53 TRANSISTOR 2SC2315

Ref.No. or Qty	Part No.	Description
<u>VV-01 BOARD (BVH-2000PS,2180PS/POWER SUPPLY)</u>		
1pc	() A-4925-003-B	△ COMPLETE PCB,VV-01
(This assembly includes the following parts.)		
4pcs	() A-4925-006-A	COMPLETE PCB,CT-37
3pcs	() A-4925-015-A	COMPLETE PCB,CT-36-7
Q201&202, 205&206, 209&210	X-3673-684-0	TRANSISTOR 2SC2555,2pcs This part is the kit of two transistors. Replace Q201&Q202 at the same time. Replace Q205&Q206 at the same time. Replace Q209&Q210 at the same time.
C212,227,241	1-106-190-00	CAP,MYLAR 0.0056 5% 100V
C265,266,267	1-108-377-00	CAP,MYLAR 0.01 10% 100V
C208,214,222,229,237, 244,252	1-108-587-00	CAP,MYLAR 0.022 5% 50V
C204,205,219,220,234, 235	1-123-601-00	CAP,ELECT 4.7 250V
C217,232,247,255	1-123-961-00	CAP,ELECT 330 16V
C216,231,246,254	1-124-131-00	CAP,ELECT 47 100V
C211,213,215,226,228, 230,242,243,245,250, 251,253	1-124-132-00	CAP,ELECT 330 100V
C202,203	1-125-290-00	CAP,ELECT 47 400V
C207,209,218,223,224, 233,238,239,248,256, 260,261,262,263,264	1-130-777-00	CAP,POLY,0.1 10% 100V

Ref.No. or Qty	Part No.	Description
(VV-01 BOARD,POWER SUPPLY)		
C201	1-130-808-00	CAP,POLY,0.22 10% 400V
C210,225,240	1-161-740-00	△ CAP,CERAMIC 470PF 10% 400V
C206,221,236,249,257, 258,259	1-161-741-00	△ CAP,CERAMIC 0.001 10% 400V
R205,215,223,232,238, 247,256	1-205-623-00	RES,WIREWOUND 47 5% 5W
R207,208,224,225,241, 242,252,253	1-205-624-00	RES,WIREWOUND 100 5% 5W
R201,218,235	1-205-625-00	RES,WIREWOUND 220 5% 5W
R206,221,239	1-205-657-00	RES,WIREWOUND 150 5% 5W
R212,229,246,255	1-217-596-00	RES,METAL 0.05 10% 2W
R262	1-244-941-00	RES,CARBON 680K 5% 1/2W
R213,230,249,257	1-247-071-00	RES,CARBON 1 5% 1/4W
R204,222,240	1-247-080-00	RES,CARBON 5.6 5% 1/4W
R202,203,219,220,236, 237	1-247-087-00	RES,CARBON 15 5% 1/4W
R214,231,250,258	1-247-107-00	RES,CARBON 100 5% 1/4W
R216,233,248,263	1-247-125-00	RES,CARBON 560 5% 1/4W
R211,228,244	1-247-161-00	RES,CARBON 18K 5% 1/4W

Ref. No. or Q'ty	Part No.	Description
(VV-01 BOARD, POWER SUPPLY)		
R209, 226, 245	1-247-167-00	RES. CARBON 33K 5% 1/4W
R217, 234, 251	1-247-168-00	RES. CARBON 36K 5% 1/4W
R210, 227, 243	1-247-176-00	RES. CARBON 75K 5% 1/4W
R254	1-247-274-00	RES. CARBON 27K 5% 1/2W
L205, 210, 215, 220	1-421-329-00	COIL, CHOKE
L206, 211, 216, 221	1-421-458-00	FILTER, LINE
T202, 206, 210	1-421-460-00	TRANSFORMER, CURRENT
L201	1-421-470-21	FILTER, LINE
L202, 207, 212, 217	1-421-539-00	COIL, CHOKE
L204, 209, 214, 219	1-421-540-00	COIL, CHOKE
T204, 208, 212, 213	1-437-114-00	TRANSFORMER, DRIVE
T203, 207, 211	1-447-106-00	TRANSFORMER, DRIVE
T201, 205	1-447-334-00	TRANSFORMER, CONVERTER
T209	1-447-335-00	TRANSFORMER, CONVERTER
FB201, 202, 203, 204, 205, 206, 207, 209, 210, 211, 212, 213, 215, 216, 217, 218, 219, 221, 222, 223, 224, 225, 227, 228, 229, 230	1-543-060-00	BEAD, FERRITE
CN201M	() 1-560-176-00	RECEP, 2P, MALE

Ref. No. or Q'ty	Part No.	Description
(VV-01 BOARD, POWER SUPPLY)		
CN202M, 203M	() 1-560-303-00	RECEP, 6P, MALE
CN925M	() 1-560-313-00	RECEP, 8P, MALE
CN924M	() 1-560-886-00	RECEP, 11P, MALE
D204, 208, 212, 216	8-719-300-29	DIODE CTG-31S
D201, 205, 209, 213	8-719-300-52	DIODE CTU-38R
D202, 206, 210, 214	8-719-300-53	DIODE CTU-38S
D203, 207, 211, 215	8-719-981-01	DIODE ERA81-004
Q204, 208, 212, 214	8-729-177-43	TRANSISTOR 2SD774
Q203, 207, 211, 213	8-729-906-51	TRANSISTOR 2SC2944-02

FV-01 BOARD (BVH-2000PS, 2180PS/POWER SUPPLY)

1pc () A-4925-002-B TRANSFORMER, COMPLETE PCB, FV-01

(This assembly includes the following parts.)

1pc	() A-4925-005-A	COMPLETE PCB, CT-36-1
1pc	() A-4925-007-A	COMPLETE PCB, CT-38
1pc	() A-4925-008-A	COMPLETE PCB, PA-19
1pc	() A-4925-009-A	COMPLETE PCB, ST-21
1pc	() A-4925-014-A	COMPLETE PCB, CT-36-4

Ref.No. or Q'ty	Part No.	Description
(FV-01 BOARD,POWER SUPPLY)		
Q101&102, 103&104	X-3673-684-0	TRANSISTOR 2SC2555,2pcs This part is the kit of two transistors. Replace Q101&102 at the same time. Replace Q103&104 at the same time.
Q105&106	X-3673-685-0	TRANSISTOR 2SC2654,2pcs This part is the kit of two transistors. Replace Q105&106 at the same time.
C180	1-106-172-00	CAP,MYLAR 0.001 5% 100V
C112,135	1-108-587-00	CAP,MYLAR 0.022 5% 50V
C175,177,179	1-123-356-00	CAP,ELECT 10 50V
C103,104,123,124	1-123-601-00	CAP,ELECT 4.7 250V
C127,128,148,151,152, 153,154,155,156,157, 158,159,160,161,162, 163,164,165,166,167, 168,169,170,174,176, 178	1-123-876-00	CAP,ELECT 330 25V
C121,146,150	1-123-961-00	CAP,ELECT 330 16V
C113,114,115,116,117	1-123-962-00	CAP,ELECT 2200 16V
C137,171,172	1-124-126-00	CAP,ELECT 47 25V
C140,141,143,144	1-124-129-00	CAP,ELECT 2200 25V
C102,122	1-125-290-00	CAP,ELECT 47 400V
C181	1-130-711-00	△ CAP,POLY 0.22 20% 250V
C106,107,108,111,118, 119,120,132,133,134, 139,145,147,149	1-130-777-00	CAP,POLY 0.1 10% 100V

Ref.No. or Q'ty	Part No.	Description
(FV-01 BOARD,POWER SUPPLY)		
C101,125	1-130-808-00	CAP,POLY 0.22 10% 400V
C173	1-130-918-00	CAP,POLYPROPYLENE 200PF 5% 50V
C105,126,138,142	1-161-740-00	△ CAP,CERAMIC 470PF 10% 400V
C109,129,130,131	1-161-741-00	△ CAP,CERAMIC 0.001 10% 400V
C110	1-161-742-00	△ CAP,CERAMIC 0.0022 20% 400V
C136	1-161-925-00	CAP,CERAMIC 100PF 10% 500V
R110,116,117	1-205-622-00	RES,WIREWOUND 33 5% 5W
R119	1-205-623-00	RES,WIREWOUND 47 5% 5W
R105,118	1-205-625-00	RES,WIREWOUND 220 5% 5W
R109	1-205-631-00	RES,WIREWOUND 15 5% 5W
R101,102,111,112	1-205-657-00	RES,WIREWOUND 150 5% 5W
R141,142	1-205-658-00	RES,WIREWOUND 0.22 5% 5W
R135,138	1-206-656-00	RES,METAL 470 5% 2W
R123	1-217-596-00	RES,METAL 0.05 10% 2W
R106,120	1-247-079-00	RES,CARBON 4.7 5% 1/4W
R103,104,113,114	1-247-087-00	RES,CARBON 15 5% 1/4W
R126,127	1-247-099-00	RES,CARBON 47 5% 1/4W
R134	1-247-107-00	RES,CARBON 100 5% 1/4W
R137,140	1-247-108-00	RES,CARBON 110 5% 1/4W
R122,133,144,145	1-247-131-00	RES,CARBON 1K 5% 1/4W
R131,136,139	1-247-143-00	RES,CARBON 3300 5% 1/4W

Ref.No. or Q'ty	Part No.	Description	Ref.No. or Q'ty	Part No.	Description
(FV-01 BOARD,POWER SUPPLY)			(FV-01 BOARD,POWER SUPPLY)		
R132	1-247-147-00	RES,CARBON 4700 5% 1/4W	RY101,102	1-515-482-00	RELAY,REED,12V 340-OHM
R107,108,143	1-247-200-00	RES,CARBON 22 5% 1/2W	FB101,102,103,104,105, 106,107,108,109,110, 111,112,113,114		
R129	1-247-232-00	RES,CARBON 470 5% 1/2W	1-543-060-00		BEAD,FERRITE
R115,130	1-247-242-00	RES,CARBON 1200 5% 1/2W	S102	1-554-047-00	SWITCH,THERMAL REED 90°C
R128	1-247-246-00	RES,CARBON 1800 5% 1/2W	S101	1-554-047-21	SWITCH,THERMAL REED 70°C
R121	1-247-264-00	RES,CARBON 10K 5% 1/2W	CN101M ()	1-560-176-00	RECEP,2P,MALE
L112,132	1-421-225-00	FILTER,LINE	CN103M,105M		
L107,109	1-421-370-00	COIL,CHOKE	() 1-560-300-00		RECEP,3P,MALE
L111,113,115,117,118, 120,122,124,126,128, 130	1-421-421-00	COIL,CHOKE	CN102M,104M		
L106,108	1-421-431-00	COIL,CHOKE	() 1-560-301-00		RECEP,4P,MALE
L133	1-421-458-00	FILTER,LINE	CN106M ()	1-560-305-00	RECEP,10P,MALE
T103,107	1-421-460-00	△ TRANSFORMER,CURRENT	CN107M ()	1-560-306-00	RECEP,12P,MALE
L101	1-421-470-21	FILTER,LINE	CN928M ()	1-560-311-00	RECEP,5P,MALE
L103,104	1-421-506-00	COIL,CHOKE	CN923M ()	1-560-312-00	RECEP,6P,MALE
L102	1-421-533-00	COIL,CHOKE	CN921M ()	1-560-315-00	RECEP,12P,MALE
L105	1-421-535-00	FILTER,LINE	CN922F ()	1-561-086-00	PLUG,HOUSING,9P
L119	1-421-536-00	FILTER,LINE	() 1-561-067-00		CONTACT,FEMALE
L114,116,121,123,125, 127,129,131	1-421-537-21	FILTER,LINE	D149,150,154		
T109	1-437-116-00	TRANSFORMER,PULSE	8-719-100-70		DIODE RD15E-B1
T106	1-447-053-00	△ TRANSFORMER,CONVERTER	D153	8-719-100-87	DIODE RD22E-B3
T102,105	1-447-106-00	△ TRANSFORMER,DRIVE	D105,107,108,109,110, 111,112,113,114,115, 116,117,118,119,120, 121,122,123,124,125, 126,127,128,129,130, 131,132,133,134,135, 136,137,138,139,140, 141,142,143,144,145		
T101	1-447-328-00	△ TRANSFORMER,CONVERTER	8-719-104-07		DIODE F114F
T104	1-447-331-00	△ TRANSFORMER,CONVERTER	D106	8-719-200-02	DIODE 10E2
T108	1-447-332-00	TRANSFORMER,CONVERTER	D101,102	8-719-300-29	DIODE CTG-31S
L110	1-459-123-00	COIL,CHOKE	D152	8-719-815-85	DIODE 1S1585

Ref.No. or Qty	Part No.	Description
(FV-01 BOARD,POWER SUPPLY)		
D146,147,148,151	8-719-820-15	LED,TLG115A,GRN
D103,104	8-719-902-43	DIODE ESAD33-02CS
Q109,111	8-729-178-54	TRANSISTOR 2SC2785
Q107	8-729-194-57	TRANSISTOR 2SC945-P
Q112,113	8-729-217-33	TRANSISTOR 2SC1173
Q108,110	8-729-331-53	TRANSISTOR 2SC2315
IC102	8-759-178-05	IC UPC78L05
IC101	8-759-245-28	IC TC4528BP,CMOS

PS-14 BOARD (BVH-2000PS,2180PS/POWER SUPPLY)

1pc () A-6023-030-A COMPLETE PCB,PS-14
(This assembly includes the following parts.)

C6,16,20,25,33,38,47,50, 56,60,63,68,73	1-102-110-00	CAP,CERAMIC 220PF 10% 50V
C8,17,21,26,32,37,46,51, 55,59,64,67,72	1-102-121-00	CAP,CERAMIC 0.0022 10% 50V
C18,22,34,48,57,61,88, 89,90,91,92	1-123-308-00	CAP,ELECT 220 10V
C31	1-123-321-00	CAP,ELECT 220 16V
C24	1-123-332-00	CAP,ELECT 47 25V
C15,19,36,44,49,54,58, 62,66,71,75,98,100	1-123-333-00	CAP,ELECT 100 25V

Ref.No. or Qty	Part No.	Description
(PS-14 BOARD,POWER SUPPLY)		
C102	1-123-356-00	CAP,ELECT 10 50V
C82	1-123-372-00	CAP,ELECT 33 63V
C10,28,40,52,70,83,118	1-123-380-00	CAP,ELECT 1 100V
C76,81	1-123-851-00	CAP,ELECT 330 25V
C3,4	1-123-862-00	CAP,ELECT 220 25V
C13,42	1-123-880-11	CAP,ELECT,NONPOLAR 47 16V
C84,86,93,95,97	1-123-963-00	CAP,ELECT 100 25V
C9,14,27,41,43,45,53,65, 103,104,105,106,107, 108,109,110,111,112, 113,114,115,116,117	1-161-055-00	CAP,CERAMIC 0.022 10% 50V

C1,2,5,77,78,79,80,85, 87,94,96,99,101	1-161-926-00	CAP,CERAMIC 0.22 10% 50V
---	--------------	--------------------------

R70,111	1-212-364-00	RES,METAL 2.2 5% 1W
---------	--------------	---------------------

R58	1-212-366-00	RES,METAL 3.3 5% 1W
-----	--------------	---------------------

R75,78	1-213-135-00	RES,METAL 220 5% 1W
--------	--------------	---------------------

R141,144,145	1-213-140-00	RES,METAL 560 5% 1W
--------------	--------------	---------------------

R231	1-214-111-00	RES,METAL 130 1% 1/4W
------	--------------	-----------------------

R232	1-214-129-00	RES,METAL 750 1% 1/4W
------	--------------	-----------------------

R269	1-214-132-00	RES,METAL 1K 1% 1/4W
------	--------------	----------------------

R89,101	1-214-136-00	RES,METAL 1.5K 1% 1/4W
---------	--------------	------------------------

R207,218	1-214-140-00	RES,METAL 2.2K 1% 1/4W
----------	--------------	------------------------

R155,178,191	1-214-144-00	RES,METAL 3.3K 1% 1/4W
--------------	--------------	------------------------

R67,108,124	1-214-147-00	RES,METAL 4.3K 1% 1/4W
-------------	--------------	------------------------

Ref.No. or Qty	Part No.	Description
(PS-14 BOARD,POWER SUPPLY)		
R135,163,200,212	1-214-149-00	RES,METAL 5.1K 1% 1/4W
R96	1-214-150-00	RES,METAL 5.6K 1% 1/4W
R85,87,151,153,174,176, 185,187,221,223	1-214-151-00	RES,METAL 6.2K 1% 1/4W
R98	1-214-152-00	RES,METAL 6.8K 1% 1/4W
R133,161,198,210	1-214-153-00	RES,METAL 7.5K 1% 1/4W
R69,110,122	1-214-158-00	RES,METAL 12K 1% 1/4W
R68,109,123	1-214-163-00	RES,METAL 20K 1% 1/4W
R226,230	1-214-164-00	RES,METAL 22K 1% 1/4W
R86,97,134,152,162,175, 186,199,211,222	1-214-167-00	RES,METAL 30K 1% 1/4W
R126	1-214-170-00	RES,METAL 39K 1% 1/4W
R259	1-217-212-00	RES,WIREWOUND 10 10% 2W
R10,13,37,43,46,49	1-217-237-00	RES,WIREWOUND 0.1 10% 3W
R1,4,7,16,19,22,25	1-217-241-00	RES,WIREWOUND 0.22 10% 3W
R28,31,34,40,52,55	1-217-243-00	RES,WIREWOUND 0.33 10% 3W
R260,261	1-217-259-00	RES,WIREWOUND 6.8 10% 3W
R258	1-217-294-00	RES,WIREWOUND 4.7 10% 5W
RV1,2,3,4,5,6,7,8,9,10, 11,12,13	1-230-843-11	RES,VAR,METAL 10K

Ref.No. or Qty	Part No.	Description
(PS-14 BOARD,POWER SUPPLY)		
R79,104,129,242,243,245, 249,251	1-247-078-00	RES,CARBON 3.9 5% 1/4W
R240	1-247-082-00	RES,CARBON 8.2 5% 1/4W
R267	1-247-120-00	RES,CARBON 360 5% 1/4W
R265,270	1-247-131-00	RES,CARBON 1K 5% 1/4W
R266	1-247-137-00	RES,CARBON 1.8K 5% 1/4W
R279	1-247-158-00	RES,CARBON 13K 5% 1/4W
R61	1-247-180-00	RES,CARBON 1 5% 1/2W
R234,235,236,238,239, 241,244,246,247,248, 250,252,253,255,256	1-247-783-00	RES,CARBON 10 5% 1/6W
R205,216	1-247-807-00	RES,CARBON 100 5% 1/6W
R2,5,8,11,14,29,32,35, 38,41,44,48,51,53,56	1-247-815-00	RES,CARBON 220 5% 1/6W
R277	1-247-816-00	RES,CARBON 240K 5% 1/6W
R15	1-247-819-00	RES,CARBON 330 5% 1/6W
R39,45	1-247-820-00	RES,CARBON 360 5% 1/6W
R12	1-247-821-00	RES,CARBON 390 5% 1/6W
R17,20,23,26	1-247-822-00	RES,CARBON 430 5% 1/6W
R276	1-247-824-00	RES,CARBON 510 5% 1/6W
R47,50	1-247-827-00	RES,CARBON 680 5% 1/6W
R59,62,268	1-247-831-00	RES,CARBON 1K 5% 1/6W
R74,81,93,115,117	1-247-839-00	RES,CARBON 2.2K 5% 1/6W
R42	1-247-840-00	RES,CARBON 2.4K 5% 1/6W
R88,100	1-247-842-00	RES,CARBON 3K 5% 1/6W
R64,66,80,83,92,95,105, 106,120,130,132,146, 149,159,169,172,184, 194,195,215,219,254, 262,263	1-247-843-00	RES,CARBON 3.3K 5% 1/6W

Ref.No. or Q'ty	Part No.	Description
(PS-14 BOARD,POWER SUPPLY)		
R33,36,54,57,148,170, 182,272,273,274,275	1-247-847-00	RES,CARBON 4.7K 5% 1/6W
R60,63	1-247-848-00	RES,CARBON 5.1K 5% 1/6W
R30	1-247-849-00	RES,CARBON 5.6K 5% 1/6W
R154,177,190	1-247-850-00	RES,CARBON 6.2K 5% 1/6W
R73,114,116,139,140,166, 168,203,204,264,271	1-247-855-00	RES,CARBON 10K 5% 1/6W
R227	1-247-856-00	RES,CARBON 11K 5% 1/6W
R3,6,9	1-247-860-00	RES,CARBON 16K 5% 1/6W
R18,21,24,27	1-247-863-00	RES,CARBON 22K 5% 1/6W
R72,113	1-247-869-00	RES,CARBON 39K 5% 1/6W
R71,112,125,137,164,201	1-247-870-00	RES,CARBON 43K 5% 1/6W
R65,82,94,107,118,131, 147,158,171,183,206, 217,233	1-247-871-00	RES,CARBON 47K 5% 1/6W
R138,165,202	1-247-872-00	RES,CARBON 51K 5% 1/6W
R209,220	1-247-877-00	RES,CARBON 82K 5% 1/6W
L1	1-407-713-00	INDUCTOR,MICRO,470 10%
RY1	1-515-452-00	RELAY,REED,5V 380-OHM
CN913M	() 1-560-176-00	RECEP,2P,MALE
CN911M,912M	() 1-560-178-00	RECEP,6P,MALE
CN905M,918M	() 1-560-300-00	RECEP,3P,MALE
CN917M	() 1-560-302-00	RECEP,5P,MALE
CN916M	() 1-560-303-00	RECEP,6P,MALE

Ref.No. or Q'ty	Part No.	Description
(PS-14 BOARD,POWER SUPPLY)		
CN903M,915M	() 1-560-306-00	RECEP,12P,MALE
CN902M	() 1-560-729-00	RECEP,34P,MALE
CN901M	() 1-560-731-00	RECEP,50P,MALE
CN914M	() 1-560-752-00	RECEP,9P,MALE
CN904M	() 1-560-753-00	RECEP,5P,MALE
1pc	1-570-258-12	SWITCH,THERMAL REED 90°C
19pcs	2-832-007-00	BUSHING(K),INSULATING
2pcs	() 3-303-890-01	SPRING,COMPRESSION
2pcs	() 3-651-849-00	SPACER,PANEL
TP23,24,25,26	() 3-673-772-41	TERMINAL,TP
TP1,2,3,4,5,6,7,8,9,10, 11,12,13,14,15,16,17, 18,19,20,21,22	() 3-673-805-01	TERMINAL,TP
TPE1,2,3,4,5,6	() 3-673-805-11	TERMINAL,TP
2pcs	3-680-316-00	NUT,M4,NYLON
19pcs	7-628-254-45	SCREW,PS 2.6x12
1pc	7-686-447-01	SCREW,PS 3x6
8pcs	7-686-527-01	SCREW,PSW 3x6
2pcs	7-686-640-09	SCREW,B 4x20
6pcs	() 7-687-603-24	SCREW,BTP 2.6x6
2pcs	7-688-004-12	WASHER,M4,MIDDLE
D18	8-719-151-07	DIODE RD5.1E-B
D1,2,3,4,5,6,7,8,9,10, 11,12,13,15,17,20,21	8-719-815-55	DIODE 1S1555
D14	8-719-901-89	DIODE 1SS84
Q24,33,36,39,44,53	8-729-117-54	TRANSISTOR 2SA1175
Q20,22,31,37,51,54,55	8-729-177-43	TRANSISTOR 2SD774
Q21,25,28,40,45,48	8-729-374-02	TRANSISTOR 2SB740

Ref.No. or Qty	Part No.	Description
(PS-14 BOARD, POWER SUPPLY)		
Q27, 29, 42, 47, 50	8-729-606-32	TRANSISTOR 2SC2603
Q23, 32, 35, 38, 43, 52	8-729-625-91	TRANSISTOR 2SC2259
Q26, 30, 41, 46, 49	8-729-697-92	TRANSISTOR 2SA979
Q1, 2, 3, 6, 7, 8, 9, 10, 11, 12, 14, 18, 19	8-729-810-62	TRANSISTOR 2SD1061-R
Q4, 5, 13, 15, 16, 17	8-729-882-52	TRANSISTOR 2SB825-R
IC14	8-759-103-93	IC UPC393C
IC2, 6, 8, 10, 11, 12	8-759-145-57	IC UPC4557C
IC13	8-759-178-05	IC UPC78L05
IC1, 3, 4, 5, 7, 9	8-759-377-23	IC HA17723G
<u>CN-54 BOARD (BVH-2000PS, 2180PS/POWER SUPPLY)</u>		
1pc	() 1-607-596-00	PC BOARD, CN-54, WITHOUT COMPONENT
C471, 472, 473	1-124-129-00	CAP, ELECT 2200 25V
R471	1-205-658-00	RES, WIREWOUND 0.22 5% 5W
CN470M, 471M	1-560-300-00	RECEP, 3P, MALE

Ref.No. or Qty	Part No.	Description
<u>LA-02 BOARD (BVH-2000PS-00, 02, 10, 12/2180PS-00, 02/CN PNL)</u>		
1pc (for 00/02/10/12 model)		
() A-6013-043-A COMPLETE PCB, LA-02 (This assembly includes the following parts.)		
Q4&9, 12&17, 104&108, 204&208, 301&306	X-3673-688-0	TRANSISTOR KIT, 2SC1162 & 2SA715 This part is the kit of 2SC1162 & 2SA715 Replace the following two transistors at the same time.
	Q4&9	Q12&17 Q104&108
	Q204&208	Q310&306
	2SC1162 should be used for Q4, 12, 104, 204 and 301.	
	2SA715 should be used for Q7, 17, 108, 208 and 306.	
C18, 33, 104, 117, 204, 217, 303, 318, 321	1-107-077-00	CAP, MICA 47PF 5% 50V
C30, 45, 101, 119, 201, 219, 306, 317, 323, 324, 325	1-107-085-00	CAP, MICA 100PF 5% 50V
C27, 42, 113, 213, 313	1-107-208-00	CAP, MICA 18PF 5% 500V
C22, 37, 110, 210, 308	1-108-579-00	CAP, MYLAR 0.01 5% 50V
C11	1-108-587-00	CAP, MYLAR 0.022 5% 50V
C23, 38, 109, 209, 309	1-109-547-00	CAP, MICA 330PF 5% 100V
C118, 218, 328	1-109-553-00	CAP, MICA 470PF 5% 100V
C326	1-123-318-00	CAP, ELECT 33 16V
C21, 36, 107, 207, 307	1-123-321-00	CAP, ELECT 220 16V

Ref.No. or Q'ty	Part No.	Description	Ref.No. or Q'ty	Part No.	Description
(LA-02 BOARD, 2000PS-00, 02, 10, 12/2180PS-00, 02, CN PNL) C17, 26, 32, 41, 105, 114, 205, 214, 302, 312	1-123-323-00	CAP, ELECT 470 16V	(LA-02 BOARD, 2000PS-00, 02, 10, 12/2180PS-00, 02, CN PNL) R27, 44, 50, 67, 102, 124, 202, 224, 301, 321	1-247-075-00	RES, CARBON 2.2 5% 1/4W
C1, 2, 3, 4	1-123-330-00	CAP, ELECT 22 25V	R38, 61, 120, 220, 313	1-247-093-00	RES, CARBON 27 5% 1/4W
C5, 8, 9, 19, 28, 34, 43, 103, 112, 116, 121, 203, 212, 216, 221, 304, 314, 316, 319, 322, 327	1-123-333-00	CAP, ELECT 100 25V	R48, 71, 123, 223, 322	1-247-775-00	RES, CARBON 4.7 5% 1/6W
C12, 14, 24, 39, 330, 331	1-123-356-00	CAP, ELECT 10 50V	R28, 51, 101, 201, 302	1-247-799-00	RES, CARBON 47 5% 1/6W
C329	1-131-240-00	CAP, TANT 47 20% 16V	R29, 30, 52, 53, 106, 107, 114, 206, 207, 214, 303, 304, 318, 338	1-247-807-00	RES, CARBON 100 5% 1/6W
C108, 120, 208, 220, 310, 320	1-131-359-00	CAP, TANT 10 10% 25V	R49, 72, 122, 222, 323	1-247-813-00	RES, CARBON 180 5% 1/6W
C6, 7, 10, 13, 15, 16, 20, 25, 29, 31, 35, 40, 44, 102, 106, 111, 115, 202, 206, 211, 215, 301, 305, 311, 315	1-161-055-00	CAP, CERAMIC 0.022 10% 50V	R127, 130, 134, 227, 230, 234, 325, 327, 328, 330, 336	1-247-815-00	RES, CARBON 220 5% 1/6W
R19	1-206-447-00	RES, METAL 2.2 5% 2W	R40, 63, 116, 216, 316	1-247-818-00	RES, CARBON 300 5% 1/6W
R42, 65	1-215-396-00	RES, METAL 91 1% 1/6W	R18, 33, 34, 56, 57, 110, 111, 210, 211, 308, 309	1-247-819-00	RES, CARBON 330 5% 1/6W
R41, 64, 115, 215, 317	1-215-421-00	RES, METAL 1K 1% 1/6W	R135, 235, 339	1-247-822-00	RES, CARBON 430 5% 1/6W
R31, 54, 105, 205, 305,	1-215-453-00	RES, METAL 22K 1% 1/6W	R125, 126, 131, 132, 225, 226, 231, 232, 331, 332, 335, 341, 342	1-247-826-00	RES, CARBON 620 5% 1/6W
RV102, 202, 302	1-224-941-00	RES, VAR, METAL 20K	R36, 59, 108, 208, 311	1-247-831-00	RES, CARBON 1K 5% 1/6W
RV1, 2, 101, 201, 301	1-230-837-11	RES, VAR, METAL 100	R1, 2, 11	1-247-839-00	RES, CARBON 2.2K 5% 1/6W
RB1	1-231-410-00	RES BLOCK, 10Kx8	R26	1-247-843-00	RES, CARBON 3.3K 5% 1/6W
RB2	1-231-533-00	RES BLOCK, 10Kx4	R15, 129, 229, 329	1-247-845-00	RES, CARBON 3.9K 5% 1/6W
R35, 37, 58, 60, 109, 119, 209, 219, 310, 312	1-247-073-00	RES, CARBON 1.5 5% 1/4W			

Ref.No. or Qty	Part No.	Description	Ref.No. or Qty	Part No.	Description
(LA-02 BOARD, 2000PS-00, 02, 10, 12/2180PS-00, 02, CN PNL) R14, 20, 21, 22, 23, 24, 25, 121, 221, 324	1-247-847-00	RES, CARBON 4.7K 5% 1/6W	(LA-02 BOARD, 2000PS-00, 02, 10, 12/2180PS-00, 02, CN PNL) CN604M, 607M	() 1-560-302-00	RECEP, 5P, MALE
R73	1-247-849-00	RES, CARBON 5.6K 5% 1/6W	CN608M, 609M, 613M	() 1-560-303-00	RECEP, 6P, MALE
R133, 233, 340	1-247-851-00	RES, CARBON 6.8K 5% 1/6W	CN602M, 603M	() 1-560-304-00	RECEP, 8P, MALE
R43, 46, 66, 69, 112, 113, 212, 213, 319, 320	1-247-853-00	RES, CARBON 8.2K 5% 1/6W	CN605M, 614M, 615M	() 1-560-305-00	RECEP, 10P, MALE
R4, 5, 6, 7, 8, 9, 10	1-247-855-00	RES, CARBON 10K 5% 1/6W	CN606M, 612M	() 1-560-306-00	RECEP, 12P, MALE
R128, 228, 334, 337	1-247-861-00	RES, CARBON 18K 5% 1/6W	CN601M 12pcs	1-560-755-00 1-563-859-11	RECEP, 16P, MALE RECEPTACLE, CONNECTOR 2P
R47, 70, 103, 203, 307, 326	1-247-863-00	RES, CARBON 22K 5% 1/6W	JP101, 102, 103, 104, 105, 106, 107, 201, 202, 203, 204, 205, 206, 207, 301, 302, 303, 304, 305, 306, 307	1-566-385-11	PIN, CONNECTOR 2P
R17	1-247-864-00	RES, CARBON 24K 5% 1/6W	TP1, 2, 3, 4, 5, 6, 7, 8, 101, 102, 103, 104, 105, 201, 202, 203, 204, 205, 301, 302, 303, 304, 305, 306, 307, 308	() 3-673-805-01	TERMINAL, TP
R12, 32, 55, 104, 204, 306	1-247-865-00	RES, CARBON 27K 5% 1/6W	TPE1, 2, 3, 4, 5, 6, 101, 102, 103, 104, 105, 201, 202, 203, 204, 205, 301, 302, 303, 304, 305, 306, 307, 308	() 3-673-805-11	TERMINAL, TP
R3	1-247-869-00	RES, CARBON 39K 5% 1/6W			
R39, 45, 62, 68, 117, 118, 217, 218, 314, 315, 333	1-247-871-00	RES, CARBON 47K 5% 1/6W			
R74	1-247-874-00	RES, CARBON 62K 5% 1/6W			
R13	1-247-877-00	RES, CARBON 82K 5% 1/6W			
R16	1-247-879-00	RES, CARBON 100K 5% 1/6W			
T102, 202, 302	1-423-260-11	TRANSFORMER, INPUT	10pcs 7-621-981-15		SCREW, PSW 2.6x6
T1, 2, 101, 201, 301	1-427-518-00	TRANSFORMER, AUDIO OUTPUT	2pcs 7-686-527-01		SCREW, PSW 3x6
CN610M, 611M	() 1-560-301-00	RECEP, 4P, MALE	7pcs 7-686-528-01		SCREW, PSW 3x8
			D4 8-719-151-07		DIODE RD5, 1E-B
			D1, 2, 3, 5, 6, 101, 201, 301	8-719-815-55	DIODE 1S1555
			D7, 8	8-719-911-19	DIODE 1SS119

Ref.No. or Q'ty	Part No.	Description	Ref.No. or Q'ty	Part No.	Description
(LA-02 BOARD, 2000PS-00, 02, 10, 12/2180PS-00, 02, CN PNL) Q5, 13, 105, 205, 302			LA-02 BOARD (BVH-2000PS-04/14, 2180PS-04/CN PNL)		
	8-729-307-58	TRANSISTOR 2SC1775A	1pc	() A-6013-057-A	COMPLETE PCB, LA-02 (This assembly includes the following parts.)
Q1	8-729-387-28	TRANSISTOR 2SA872-E	Q4&9, 12&17, 104&108, 204&208, 301&306, 401&406	X-3673-688-0	TRANSISTOR KIT, 2SC1162 & 2SA715
Q11, 19, 106, 206, 308	8-729-658-32	TRANSISTOR 2SC1583	This part is the kit of 2SC1162 & 2SA715. Replace the following two transistors at the same time.		
Q2, 3	8-729-606-32	TRANSISTOR 2SC2603	Q4&9	Q12&17	Q104&108
Q7, 15, 102, 202, 304	8-729-699-51	TRANSISTOR 2SA995	Q204&208	Q310&306	
IC7	8-759-178-05	IC UPC78L05	2SC1162 should be used for Q4, 12, 104, 204 and 301.		
IC4	8-759-240-28	IC TC4028BP, CMOS	2SA715 should be used for Q7, 17, 108, 208 and 306.		
IC5, 6	8-759-240-51	IC TC4051BP, CMOS			
IC3	8-759-241-75	IC TC40175BP, CMOS			
IC101, 201, 301, 302	8-759-302-65	IC HA12017	C18, 33, 104, 117, 204, 217, 303, 318, 321, 403, 417	1-107-077-00	CAP, MICA 47PF 5% 50V
IC1	8-759-645-17	IC M54517P			
IC2	8-759-901-48	IC SN74LS148N, TTL	C30, 45, 101, 119, 201, 219, 306, 317, 323, 324, 325, 406, 419	1-107-085-00	CAP, MICA 100PF 5% 50V
IC303	8-759-921-91	IC TL191CN			
Q6, 10, 14, 18, 103, 107, 203, 207, 303, 307	8-761-622-00	TRANSISTOR 2SC1636	C27, 42, 113, 213, 313, 413	1-107-208-00	CAP, MICA 18PF 5% 500V
Q8, 16, 101, 201, 305	8-765-020-00	TRANSISTOR 2SA884	C22, 37, 110, 210, 308, 408	1-108-579-00	CAP, MYLAR 0.01 5% 50V
			C11	1-108-587-00	CAP, MYLAR 0.022 5% 50V
			C23, 38, 109, 209, 309, 409	1-109-547-00	CAP, MICA 330PF 5% 100V
			C118, 218, 328, 421	1-109-553-00	CAP, MICA 470PF 5% 100V
			C326	1-123-318-00	CAP, ELECT 33 16V
			C21, 36, 107, 207, 307, 407	1-123-321-00	CAP, ELECT 220 16V

Ref.No. or Qty	Part No.	Description	Ref.No. or Qty	Part No.	Description
(LA-02 BOARD, 2000PS-04, 14/2180PS-04, CN PNL) C17, 26, 32, 41, 105, 114, 205, 214, 302, 312, 402, 412	1-123-323-00	CAP, ELECT 470 16V	(LA-02 BOARD, 2000PS-04, 14/2180PS-04, CN PNL) R35, 37, 58, 60, 109, 119, 209, 219, 310, 312, 410, 412	1-247-073-00	RES, CARBON 1.5 5% 1/4W
C1, 2, 3, 4	1-123-330-00	CAP, ELECT 22 25V	R27, 44, 50, 67, 102, 124, 202, 224, 301, 321, 401, 421	1-247-075-00	RES, CARBON 2.2 5% 1/4W
C5, 8, 9, 19, 28, 34, 43, 103, 112, 116, 121, 203, 212, 216, 221, 304, 314, 316, 319, 322, 327, 404, 414, 418, 420	1-123-333-00	CAP, ELECT 100 25V	R38, 61, 120, 220, 313, 413 1-247-093-00		RES, CARBON 27 5% 1/4W
C12, 14, 24, 39, 330, 331 1-123-356-00		CAP, ELECT 10 50V	R48, 71, 123, 223, 322, 422 1-247-775-00		RES, CARBON 4.7 5% 1/6W
C329	1-131-240-00	CAP, TANT 47 20% 16V	R28, 51, 101, 201, 302, 402 1-247-799-00		RES, CARBON 47 5% 1/6W
C108, 120, 208, 220, 310, 320, 410, 416 1-131-359-00		CAP, TANT 10 10% 25V	R29, 30, 52, 53, 106, 107, 114, 206, 207, 214, 303, 304, 318, 338, 403, 404, 418 1-247-807-00		RES, CARBON 100 5% 1/6W
C6, 7, 10, 13, 15, 16, 20, 25, 29, 31, 35, 40, 44, 102, 106, 111, 115, 202, 206, 211, 215, 301, 305, 311, 315, 401, 405, 411, 415 1-161-055-00		CAP, CERAMIC 0.022 10% 50V	R49, 72, 122, 222, 323, 423 1-247-813-00		RES, CARBON 180 5% 1/6W
R19	1-206-447-00	RES, METAL 2.2 5% 2W	R127, 130, 134, 227, 230, 234, 325, 327, 328, 330, 336, 425, 427, 430 1-247-815-00		RES, CARBON 220 5% 1/6W
R42, 65	1-215-396-00	RES, METAL 91 1% 1/6W	R40, 63, 116, 216, 316, 416 1-247-818-00		RES, CARBON 300 5% 1/6W
R41, 64, 115, 215, 317, 417 1-215-421-00		RES, METAL 1K 1% 1/6W	R18, 33, 34, 56, 57, 110, 111, 210, 211, 308, 309, 408, 409 1-247-819-00		RES, CARBON 330 5% 1/6W
R31, 54, 105, 205, 305, 405 1-215-453-00		RES, METAL 22K 1% 1/6W	R135, 235, 339, 432 1-247-822-00		RES, CARBON 430 5% 1/6W
RV102, 202, 302, 402 1-224-941-00		RES, VAR, METAL 20K	R125, 126, 131, 132, 225, 226, 231, 232, 331, 332, 335, 341, 342, 428, 429, 434, 435 1-247-826-00		RES, CARBON 620 5% 1/6W
RV1, 2, 101, 201, 301, 401 1-230-837-11		RES, VAR, CERMET 100	R36, 59, 108, 208, 311, 411 1-247-831-00		RES, CARBON 1K 5% 1/6W
RB1	1-231-410-00	RES BLOCK, 10Kx8			
RB2	1-231-533-00	RES BLOCK, 10Kx4			

Ref.No. or Qty	Part No.	Description
(LA-02 BOARD,2000PS-04,14/2180PS-04,CN PNL)		
R1,2,11	1-247-839-00	RES,CARBON 2.2K 5% 1/6W
R26	1-247-843-00	RES,CARBON 3.3K 5% 1/6W
R15,129,229,329,426	1-247-845-00	RES,CARBON 3.9K 5% 1/6W
R14,20,21,22,23,24,25, 121,221,324,424	1-247-847-00	RES,CARBON 4.7K 5% 1/6W
R73	1-247-849-00	RES,CARBON 5.6K 5% 1/6W
R133,233,340,433	1-247-851-00	RES,CARBON 6.8K 5% 1/6W
R43,46,66,69,112,113, 212,213,319,320,419, 420	1-247-853-00	RES,CARBON 8.2K 5% 1/6W
R4,5,6,7,8,9,10	1-247-855-00	RES,CARBON 10K 5% 1/6W
R128,228,334,337,431	1-247-861-00	RES,CARBON 18K 5% 1/6W
R47,70,103,203,307,326, 407	1-247-863-00	RES,CARBON 22K 5% 1/6W
R17	1-247-864-00	RES,CARBON 24K 5% 1/6W
R12,32,55,104,204,306, 406	1-247-865-00	RES,CARBON 27K 5% 1/6W
R3	1-247-869-00	RES,CARBON 39K 5% 1/6W
R39,45,62,68,117,118, 217,218,314,315,333, 414,415	1-247-871-00	RES,CARBON 47K 5% 1/6W
R74	1-247-874-00	RES,CARBON 62K 5% 1/6W
R13	1-247-877-00	RES,CARBON 82K 5% 1/6W
R16	1-247-879-00	RES,CARBON 100K 5% 1/6W
T102,202,302,402	1-423-260-11	TRANSFORMER, INPUT

Ref.No. or Qty	Part No.	Description
(LA-02 BOARD,2000PS-04,14/2180PS-04,CN PNL)		
T1,2,101,201,301,401	1-427-518-00	TRANSFORMER,AUDIO OUTPUT
CN610M,611M	() 1-560-301-00	RECEP,4P,MALE
CN604M,607M	() 1-560-302-00	RECEP,5P,MALE
CN608M,609M,613M	() 1-560-303-00	RECEP,6P,MALE
CN602M,603M	() 1-560-304-00	RECEP,8P,MALE
CN605M,614M,615M	() 1-560-305-00	RECEP,10P,MALE
CN606M,612M	() 1-560-306-00	RECEP,12P,MALE
JP101,102,103,104,105, 106,107,201,202,203, 204,205,206,207,301, 302,303,304,305,306, 307,401,402,403,404, 405,406,407	1-560-733-00	PIN,SHORT
CN601M	1-560-755-00	RECEP,16P,MALE
16pcs	1-561-832-00	PLUG,SHORT
TP1,2,3,4,5,6,7,8,101, 102,103,104,105,201, 202,203,204,205,301, 302,303,304,305,306, 307,308,401,402,403, 404,405	() 3-673-805-01	TERMINAL,TP
TPE1,2,3,4,5,6,101,102, 103,104,105,201,202, 203,204,205,301,302, 303,304,305,306,307, 308,401,402,403,404, 405	() 3-673-805-11	TERMINAL,TP

Ref.No. or Q'ty	Part No.	Description
(LA-02 BOARD,2000PS-04,14/2180PS-04,CN PNL)		
12pcs	7-621-981-15	SCREW,PSW 2,6x6
7pcs	7-686-527-01	SCREW,PSW 3x6
2pcs	7-686-528-01	SCREW,PSW 3x8
D4	8-719-151-07	DIODE RD5,1E-B
D1,2,3,5,6,101,201,301, 401	8-719-815-55	DIODE 1S1555
D7,8	8-719-911-19	DIODE 1SS119
Q5,13,105,205,302,402	8-729-307-58	TRANSISTOR 2SC1775A
Q1	8-729-387-28	TRANSISTOR 2SA872-E
Q11,19,106,206,308,408	8-729-658-32	TRANSISTOR 2SC1583
Q2,3	8-729-663-47	TRANSISTOR 2SC1364
Q7,15,102,202,304,404	8-729-699-51	TRANSISTOR 2SA995
IC7	8-759-178-05	IC UPC78L05
IC4	8-759-240-28	IC TC4028BP,CMOS
IC5,6	8-759-240-51	IC TC4051BP,CMOS
IC3	8-759-241-75	IC TC40175BP,CMOS
IC101,201,301,302,401	8-759-305-50	IC CX550
IC1	8-759-645-17	IC M54517P
IC2	8-759-901-48	IC SN74LS148N,TTL
IC303	8-759-921-91	IC TL191CN
Q6,10,14,18,103,107,203, 207,303,307,403,407	8-761-622-00	TRANSISTOR 2SC1636
Q8,16,101,201,305,405	8-765-020-00	TRANSISTOR 2SA884

Ref.No. or Q'ty	Part No.	Description
<u>VM-01 BOARD (BVH-2000PS,2180PS/CN PNL)</u>		
1pc	() A-6011-062-A	COMPLETE PCB,VM-01 (This assembly includes the following parts.)
C31	1-106-184-00	CAP,MYLAR 0.0033 5% 100V
C10	1-107-160-00	CAP,MICA 36PF 5% 500V
C37	1-107-169-00	CAP,MICA 100PF 5% 500V
C11	1-107-170-00	CAP,MICA 110PF 5% 500V
C6	1-107-202-00	CAP,MICA 10PF 5% 500V
C42	1-107-204-00	CAP,MICA 12PF 5% 500V
C29	1-107-209-00	CAP,MICA 20PF 5% 500V
C2,4,35	1-108-587-00	CAP,MYLAR 0.022 5% 50V
C19	1-108-593-00	CAP,MYLAR 0.039 5% 50V
C7	1-109-538-00	CAP,MICA 130PF 5% 100V
C21,36	1-109-539-00	CAP,MICA 150PF 5% 100V
C28	1-123-306-00	CAP,ELECT 47 10V
C83	1-123-308-00	CAP,ELECT 220 10V
C95,96	1-123-318-00	CAP,ELECT 33 16V
C79,81	1-123-321-00	CAP,ELECT 220 16V
C94	1-123-333-00	CAP,ELECT 100 25V
C17	1-123-379-00	CAP,ELECT 0.47 100V
C47	1-123-880-11	CAP,ELECT,NONPOLAR 47 16V
C44,50,57,58	1-123-901-00	CAP,ELECT 2.2 50V
C1,3,8,9,15,16,18,20,22, 23,24,25,26,27,30,32, 33,34,38,39,40,41,43, 45,46,48,49,51,52,53, 54,61,63,64,66,67,69, 70,71,72,73,74,75,76, 77,88,89,90,91,92,93, 103,104,105,106,107, 108,109,110,120,121	1-161-051-00	CAP,CERAMIC 0.01 10% 50V
C5,78,80,82,84,85,86	1-161-057-00	CAP,CERAMIC 0.033 10% 50V

Ref.No. or Q'ty	Part No.	Description
(VM-01 BOARD,CN PNL) R102, 104, 105, 132	1-214-100-00	RES,METAL 47 1% 1/4W
R107, 108, 109, 112, 116	1-214-101-00	RES,METAL 51 1% 1/4W
R32, 81, 128, 130, 134	1-214-104-00	RES,METAL 68 1% 1/4W
R89, 90, 91, 92	1-214-105-00	RES,METAL 75 1% 1/4W
R106	1-214-108-00	RES,METAL 100 1% 1/4W
R88, 93	1-214-112-00	RES,METAL 150 1% 1/4W
R83	1-214-139-00	RES,METAL 2K 1% 1/4W
R117, 120, 123	1-214-156-00	RES,METAL 10K 1% 1/4W
RV5	1-228-302-00	RES,VAR,CERMET 100
RV2	1-230-838-11	RES,VAR,METAL 200
RV4, 6, 7, 8	1-230-839-11	RES,VAR,METAL 500
RV1, 3	1-230-840-11	RES,VAR,METAL 1K
RB1, 2, 3, 4, 5, 6	1-231-533-00	RES BLOCK, 10Kx4
R17	1-247-767-00	RES,CARBON 2.2 5% 1/6W
R140, 141, 142, 143, 144, 145, 146, 147, 148, 149, 150, 151, 169, 170, 171, 172, 173, 174, 175, 176, 179, 180, 185, 186, 188, 189, 191, 192, 194, 195, 196, 197, 198, 199	1-247-787-00	RES,CARBON 15 5% 1/6W
R18, 85	1-247-795-00	RES,CARBON 33 5% 1/6W
R114	1-247-800-00	RES,CARBON 51 5% 1/6W

Ref.No. or Q'ty	Part No.	Description
(VM-01 BOARD,CN PNL) R23, 27, 33, 34, 35, 41, 49, 68, 84, 94, 96, 98, 100, 101, 103, 111, 113, 115, 119, 122, 125, 127, 129, 131, 133, 139, 152, 157, 159, 166, 178, 181, 182, 184, 187, 190, 193, 200	1-247-807-00	RES,CARBON 100 5% 1/6W
R26, 40	1-247-811-00	RES,CARBON 150 5% 1/6W
R21, 65	1-247-818-00	RES,CARBON 300 5% 1/6W
R38	1-247-820-00	RES,CARBON 360 5% 1/6W
R22	1-247-822-00	RES,CARBON 430 5% 1/6W
R82, 118, 121, 124, 156, 158, 161, 162, 163, 164, 167, 168	1-247-823-00	RES,CARBON 470 5% 1/6W
R69, 70	1-247-827-00	RES,CARBON 680 5% 1/6W
R25, 62, 67, 86, 87	1-247-831-00	RES,CARBON 1K 5% 1/6W
R64	1-247-833-00	RES,CARBON 1.2K 5% 1/6W
R24	1-247-838-00	RES,CARBON 2K 5% 1/6W
R3, 6, 7, 14	1-247-839-00	RES,CARBON 2.2K 5% 1/6W
R73	1-247-842-00	RES,CARBON 3K 5% 1/6W
R77	1-247-845-00	RES,CARBON 3.9K 5% 1/6W
R1, 2, 4, 5, 8, 9, 10, 11	1-247-847-00	RES,CARBON 4.7K 5% 1/6W
R42, 43, 44, 60, 61, 80	1-247-848-00	RES,CARBON 5.1K 5% 1/6W
R15, 20, 36, 46, 47, 50, 53, 55, 56, 58, 66, 71, 72, 74, 78, 79, 97, 137, 138	1-247-855-00	RES,CARBON 10K 5% 1/6W
R76	1-247-858-00	RES,CARBON 13K 5% 1/6W
R63	1-247-863-00	RES,CARBON 22K 5% 1/6W
R37, 48	1-247-866-00	RES,CARBON 30K 5% 1/6W
R12, 13	1-247-869-00	RES,CARBON 39K 5% 1/6W

Ref.No. or Q'ty	Part No.	Description	Ref.No. or Q'ty	Part No.	Description
(VM-01 BOARD,CN PNL)			(VM-01 BOARD,CN PNL)		
R45	1-247-872-00	RES,CARBON 51K 5% 1/6W	Q4,5	8-729-110-53	TRANSISTOR 2SA1005
R19,51,57,75,126,135	1-247-879-00	RES,CARBON 100K 5% 1/6W	Q8,9,10,11	8-759-108-01	TRANSISTOR UPA68HA-M
R95,155,160,165	1-247-886-00	RES,CARBON 200K 5% 1/6W	IC12,22,29,30,31	8-743-930-00	IC BX-3930
R54	1-247-892-00	RES,CARBON 360K 5% 1/6W	IC9,11,13,21,23,24,25, 26,32,33,34,35	8-743-931-10	IC BX-3931A
R52	1-247-903-00	RES,CARBON 1M 5% 1/6W	IC3,4	8-759-240-13	IC TC4013BP,CMOS
L1	1-408-401-00	INDUCTOR,MICRO 2.2 5%	IC5	8-759-245-55	IC TC4555BP,CMOS
L2	1-408-421-00	INDUCTOR,MICRO 100 5%	IC6,7,8	8-759-645-17	IC M54517P
L3,4,5	1-409-339-00	COIL,SN	IC17	8-759-901-23	IC SN74LS123N,TTL
RY1,2,3,4,5,6,7,8	1-515-452-00	RELAY,REED,5V 380-OHM	IC1,2	8-759-901-48	IC SN74LS148N,TTL
FB1	1-535-178-00	FERRITE BEAD	IC19	8-759-942-65	IC SN74265N,TTL
S1,2,3	1-553-441-00	SWITCH,TOGGLE	IC18	8-759-951-07	IC SN75107AN,TTL
CN656M,658M	() 1-560-310-00	RECEP,4P,MALE	IC20	8-759-974-06	IC SN7406N,TTL
CN653M	() 1-560-312-00	RECEP,6P,MALE	IC14	8-759-990-82	IC TL082CP
CN654M,655M	() 1-560-313-00	RECEP,8P,MALE	IC15,16	8-759-990-84	IC TL084CN
CN652M	() 1-560-314-00	RECEP,10P,MALE	Q3	8-761-622-00	TRANSISTOR 2SC1636
CN657M	() 1-560-315-00	RECEP,12P,MALE	Q6	8-765-300-00	TRANSISTOR 2SC2009
CN651M	() 1-560-756-00	RECEP,20P,MALE	<u>CN-37 BOARD (BVH-2000PS,2180PS/CN PNL)</u>		
TPE1,2	() 3-673-772-01	TERMINAL,TP	1pc	() 1-606-713-00	PC BOARD,CN-37, WITHOUT COMPONENT
TP1,2,3	() 3-673-772-41	TERMINAL,TP			
6pcs	4-866-397-00	CUSHION,LED			
D14	8-719-168-07	DIODE RD6.8E-B			
D1,2,3,4,5,6,7,8,13	8-719-815-55	DIODE 1S1555			
D9,10,11,12	8-719-815-59	DIODE 1S1555-S			
Q1,2	8-723-302-00	TRANSISTOR 2SK43-2			

CN-49, FRAME

Ref.No. or Qty	Part No.	Description
<u>CN-49 BOARD (BVH-2000PS,2180PS/CN PNL)</u>		
1pc	() A-6025-082-A	COMPLETE PCB,CN-49
	() A-6025-095-A	COMPLETE PCB,CN-49
		(For BVH-2000PS 10,12,14 model)
(This assembly includes the following parts.)		
CN663M	1-560-769-00	RECEP,D-SUB 15-PIN,MALE
CN662F,664F		
	1-561-655-00	RECEP,D-SUB 9-PIN,FEMALE
CN661F	1-561-897-00	RECEP,D-SUB 15-PIN,FEMALE
CN666F	1-561-898-00	RECEP,D-SUB 37-PIN,FEMALE
CN665F	1-561-899-00	RECEP,D-SUB 50-PIN,FEMALE

Ref.No. or Qty	Part No.	Description
<u>FRAME (BVH-2000PS,2180PS)</u>		
M1	-----	MOTOR,THREADING Included in MOVABLE GUIDE ASSY. See the exploded view,MOVABLE GUIDE ASSY block.
M2	-----	MOTOR,IP ROLLER included in IP ROLLER MOTOR ASSY. See the exploded view,TAPE TRANSPORT REAR ASSY block.
RV1	-----	POTENTIOMETER,S-TENSION Included in S TENSION ARM ASSY. See the exploded view,TENSION ARM & TIMER ROLLER ASSY block.
RV2	-----	POTENTIOMETER,T-TENSION included in T TENSION ARM ASSY. See the exploded view,TENSION ARM & TIMER ROLLER ASSY block.
C011,012	1-125-289-00	CAP,ELECT 4700 200V
R601,602	1-214-105-00	RES,METAL 75 1% 1/4W
1pc	1-452-266-21	RING,FG MAGNET
PM4	1-454-263-21	SOLENOID,12V 60-OHM
PM1,2	1-454-304-00	SOLENOID,12V 15/180-OHM
PM3	1-454-305-00	SOLENOID,12V 20/52-OHM
CN631F	1-507-552-21	JACK,PHONE
CN626M (for 04/14 model), 625M,627M,628M,629M, 630M	1-509-176-31	RECEP,XLR3P,MALE
CN624F (for 04/14 model), 621F,622F,623F	1-509-184-31	RECEP,XLR3P,FEMALE
CN640F	1-509-471-00	RECEP,18P,FEMALE
CN007F ()	1-509-983-00	PLUG,HOUSING,2P
()	1-560-298-00	CONTACT,FEMALE

Ref. No. or Q'ty	Part No.	Description
(FRAME)		
	CN103F (to FV-01 board).	
	105F (to FV-01 board).	
	603F (to FV-02 board).	
	001F, 008F, 009F, 283F,	
	265F, 267F, 269F, 309F,	
	376F, 402F, 403F, 470F,	
	471F, 905F, 918F, 930F,	
	931F () 1-509-984-00	PLUG, HOUSING, 3P
	() 1-560-298-00	CONTACT, FEMALE
		925F
	CN362F (for 04/14 model).	
	102F (to FV-01 board).	
	104F (to FV-01 board).	
	305F (to AC-39 board).	
	311F (to AC-39 board).	
	021F, 022F, 024F, 262F.	
	354F, 355F, 384F, 387F,	
	401F (for BVH-2180PS),	
	610F, 611F, 656F, 658F,	
	803F	
	() 1-509-985-00	PLUG, HOUSING, 4P
	() 1-560-298-00	CONTACT, FEMALE
	CN282F (for 02/12/04/14 model).	
	365F (for 04/14 model).	
	003F, 004F, 023F.	
	042F (for BVH-2180PS).	
	112F, 261F, 353F, 361F,	
	373F, 374F, 377F, 386F,	
	604F, 607F, 805F, 808F,	
	917F, 928F	
	() 1-509-986-00	PLUG, HOUSING, 5P
	() 1-560-298-00	CONTACT, FEMALE
	CN202F (to RA-05 board).	
	202F (to VV-01 board).	
	203F (to VV-01 board).	
	204F, 351F, 371F, 372F,	
	381F, 383F, 608F, 609F,	
	613F, 653F, 800F, 801F,	
	812F, 916F, 923F	
	() 1-509-987-00	PLUG, HOUSING, 6P
	() 1-560-298-00	CONTACT, FEMALE

Ref. No. or Q'ty	Part No.	Description
(FRAME)		
	CN281F (for 02/04 model).	
	283F (for 02/04 model).	
	291F (for 02/04 model).	
	303F (to MB-14 board).	
	306F (to MB-14 board).	
	602F (to LA-02 board).	
	603F (to LA-02 board).	
	292F, 356F, 360F, 375F,	
	388F, 654F, 655F, 811F.	
		925F
	() 1-509-988-00	PLUG, HOUSING, 8P
	() 1-560-298-00	CONTACT, FEMALE
	CN106F (to CAPSTAN MOTOR).	
	106F (to FV-01 board).	
	302F (to MB-14 board).	
	305F (to MB-14 board).	
	602F (to FV-02 board).	
	002F, 357F, 363F, 382F,	
	605F, 614F, 615F, 652F,	
	804F, 806F, 810F, 926F	
	() 1-509-989-00	PLUG, HOUSING, 10P
	() 1-560-298-00	CONTACT, FEMALE
	ME4 (for 04/14 model).	
	1, 2, 3 1-520-450-00	METER, VU
	ME5 1-520-451-00	METER, VIDEO/RF
	CB301 1-532-653-00	CIRCUIT PROTECTOR, 50mA/65V
	CB302 1-532-654-00	CIRCUIT BREAKER, 6A/240V
	CB303 1-532-655-00	CIRCUIT BREAKER, 10A/240V
	TB001 () 1-536-712-00	TERMINAL BOARD, 2P
	M7, 8, 9, 10 1-541-170-21	FAN, DC 12V, FB-08B12HA
	M301 1-541-203-00	FAN, DC 12V, FB-12C12L
	S601, 602 1-552-078-00	SWITCH, SLIDE
	S1 1-554-066-00	SWITCH, SEESAW
	S301 1-554-145-00	SWITCH, ROCKER
	1pc 1-556-371-00	CORD, POWER

FRAME

Ref.No. or Qty	Part No.	Description	Ref.No. or Qty	Part No.	Description
(FRAME)			(FRAME)		
CN041F (for BVH-2180PS), 364F (for 02/12/04/14 model), 301F (to MB-14 board), 304F (to MB-14 board), 107F,350F,352F,606F, 612F,657F,807F,809F, 903F,915F,921F	() 1-561-056-00 () 1-560-298-00	PLUG,HOUSING,12P CONTACT,FEMALE	CN929M () 1-561-084-00 () 1-561-068-00		PLUG,HOUSING,4P CONTACT,MALE
			CN671F,672F,673F,674F, 675F,676F,677F,678F, 679F,680F,681F,682F, 683F,684F,685F,686F, 687F,688F	1-561-781-21	RECEP,BNC
CN101F (to FV-01 board), 201F (to VV-01 board), 303F (to AC-39 board), 601F (to FV-02 board), 913F	() 1-561-069-00 () 1-561-067-00	PLUG,HOUSING,2P CONTACT,FEMALE	CN104F (to CA-09 board), 308F (to AC-39 board), 116F () 1-561-828-00 () 1-561-067-00		PLUG,HOUSING,3P CONTACT,FEMALE
CN304M (to AC-39 board)	() 1-561-069-00 () 1-561-068-00	PLUG,HOUSING,2P CONTACT,MALE	CN301M (to AC-39 board) () 1-561-828-00 () 1-561-068-00		PLUG,HOUSING,3P CONTACT,MALE
CN312F (to AC-39 board)	() 1-561-070-00 () 1-561-067-00	PLUG,HOUSING,4P CONTACT,FEMALE	CN924F () 1-561-857-00 () 1-560-761-00		PLUG,HOUSING,11P CONTACT,FEMALE
CN929F () 1-561-070-00 () 1-561-067-00	PLUG,HOUSING,4P CONTACT,FEMALE		CN927F () 1-561-858-00 () 1-560-761-00		PLUG,HOUSING,17P CONTACT,FEMALE
CN302M (to AC-39 board)	() 1-561-070-00 () 1-561-068-00	PLUG,HOUSING,4P CONTACT,MALE	CN306F (to AC-39 board), 307F (to AC-39 board), 321F,904F () 1-561-863-00 () 1-561-067-00		PLUG,HOUSING,5P CONTACT,FEMALE
CN103F (to CA-09 board), 117F,207F,209F	() 1-561-071-00 1-535-206-00	PLUG,HOUSING,6P CONTACT,FEMALE	CN701F 1-561-888-00 () 1-560-768-00		PLUG,HOUSING,10P CONTACT,FEMALE
CN208F,911F,912F	() 1-561-071-00 () 1-561-067-00	PLUG,HOUSING,6P CONTACT,FEMALE	CN317F () 1-561-890-00 () 1-560-767-00 () 1-560-768-00		PLUG,HOUSING,20P CONTACT,FEMALE for AWG22-24 CONTACT,FEMALE for AWG24-28
CN914F () 1-561-072-00 () 1-561-067-00	PLUG,HOUSING,9P CONTACT,FEMALE		CN101F (to CA-09 board), 111F () 1-561-890-00 () 1-560-768-00		PLUG,HOUSING,20P CONTACT,FEMALE
CN922M () 1-561-072-00 () 1-561-068-00	PLUG,HOUSING,9P CONTACT,MALE				

Ref.No. or Qty	Part No.	Description	Ref.No. or Qty	Part No.	Description
(FRAME) CN314F	() 1-561-892-00 () 1-560-767-00 () 1-560-768-00	PLUG, HOUSING, 30P CONTACT, FEMALE for AWG22-24 CONTACT, FEMALE for AWG24-28	(FRAME) 1pc	1-933-220-00	FLAT CABLE ASSY, "CPH-2", 26P includes CN324F & 702F.
CN325F	() 1-561-892-00 () 1-560-768-00	PLUG, HOUSING, 30P CONTACT, FEMALE	1pc	() 1-933-221-00	FLAT CABLE ASSY, "DSH-2", 60P includes CN315F, 601F, 651F, 668F & 821F.
CN203F (to RA-05 board), 010F	() 1-561-893-00 () 1-560-768-00	PLUG, HOUSING, 34P CONTACT, FEMALE	1pc	1-933-222-00	FLAT CABLE ASSY, "ASH-1", 34P includes CN261F, 323F, 385F & 810F.
CN902F	() 1-561-893-00 () 1-560-767-00 () 1-560-768-00	PLUG, HOUSING, 34P CONTACT, FEMALE for AWG22-24 CONTACT, FEMALE for AWG24-28	1pc (for 00/10 model) 1-933-561-00	1-933-561-00	COAXIAL CABLE ASSY "CCH-2" includes CN264F, 266F, 268F, 270F, 307F, 308F, 311&312.
CN322F	() 1-561-894-00 () 1-560-767-00 () 1-560-768-00	PLUG, HOUSING, 40P CONTACT, FEMALE for AWG22-24 CONTACT, FEMALE for AWG24-28	H1	8-825-725-10	HEAD, VIDEO/SYNC ERASE, EF204-5102
CN313F	() 1-561-895-00 () 1-560-768-00	PLUG, HOUSING, 50P CONTACT, FEMALE	H2 (for 00/10/02/12 model) 8-825-725-50	8-825-725-50	HEAD, AUDIO ERASE, EF204-5104B
CN901F	() 1-561-895-00 () 1-560-767-00 () 1-560-768-00	PLUG, HOUSING, 50P CONTACT, FEMALE for AWG22-24 CONTACT, FEMALE for AWG24-28	H2 (for 04/14 model) 8-825-725-70	8-825-725-70	HEAD, AUDIO ERASE, EF204-5105A
CN326F	() 1-561-896-00 () 1-560-768-00	PLUG, HOUSING, 60P CONTACT, FEMALE	H3 (for 00/02/10/12 model) 8-825-771-01	8-825-771-01	HEAD PA77-5104F
1pc	1-933-205-00	FLAT CABLE ASSY, "DSH-1", 60P includes CN316F & 667F.	H4 (for 02/12 model) 8-825-771-01	8-825-771-01	HEAD PA77-5104F
1pc (for 02/12/04/14 model)	1-933-206-00	COAXIAL CABLE ASSY, "CCH-1" includes CN264F, 266F, 268F, 270F, 271F, 272F, 307F, 308F, 309F, 310F, 311F & 312F.	H3 (for 04/14 model) 8-825-737-60	8-825-737-60	HEAD, AUDIO R/P, PA77-5105B
			H4 (for 04/14 model) 8-825-737-70	8-825-737-70	HEAD, AUDIO MONITOR, PA77-5105C
			M3	8-838-028-01	MOTOR, DC, S-REEL, BHF-2200A

FRAME, ACCESSORIES

Ref.No. or Qty	Part No.	Description
(FRAME)		
M4	8-838-028-11	MOTOR,DC,T-REEL, BHF-2200B
M5	8-838-029-01	MOTOR,DC,CAPSTAN, BHF-2300A

Ref.No. or Qty	Part No.	Description
ACCESSORIES SUPPLIED (BVH-2000PS,2180PS)		
1pc	1-506-421-00	ADAPTOR,PLUG,PHONE
1pc	1-560-771-00	PLUG,D-SUB,37-PIN,MALE
1pc	1-560-772-00	PLUG,D-SUB,50-PIN,MALE
1pc	1-563-378-11	SHELL,METAL PLATING,D-SUB,37P
1pc	1-563-379-11	SHELL,METAL PLATING,D-SUB,50P
1pc	3-680-379-01	PC BOARD INDICATION PANEL
6pcs	7-682-578-04	SCREW,#B 5x16
6pcs	7-623-212-22	SPRING WASHER,M5
6pcs	7-688-005-03	WASHER,M5,SMALL
1pc		commercially available REEL,EMPTY,R1-11V (for 2000) REEL,EMPTY,R1-14V (for 2180)
1pc	A-6001-005-A	EXTENSION BOARD,EB-10 (This assembly includes the following parts.)
R3	1-247-115-00	RES,CARBON 220 5% 1/4W
R1,2	1-247-126-00	RES,CARBON 620 5% 1/4W
1pc	1-508-892-00	CONNECTOR,PCB,100P
178pcs	() 3-657-235-00	TERMINAL,TP
6pcs	7-621-981-15	SCREW,PSW2.6x6
4pcs	7-684-023-04	NUT,M3
4pcs	7-686-448-01	SCREW,PS3x8
D2	8-719-913-50	LED,GL3PG5,GRN
D3	8-719-930-33	LED,GL3PR3,RED
D1	8-719-930-53	LED,GL3HY3,YEL
1pc	() A-6030-052-A	STOPPER ASSY,PC BOARD

Ref.No. or Qty	Part No.	Description
<u>OPTIONAL FIXTURE (BVH-2000PS,2180PS)</u>		
	2-034-697-00	CLEANING PIECE
	7-700-733-01	ALIGNMENT SCREWDRIVER, SLOTTED HEAD
	7-721-050-61	SCREWDRIVER, TOTSU, 2mm
	7-721-050-62	SCREWDRIVER, TOTSU, 2.6mm
	8-944-005-63	ALIGNMENT TAPE, BR5-2PS-A4
	J-6041-770-A	IC TEST CLIP, TC-16
	J-6041-780-A	IC TEST CLIP, TC-20
	Manufacturer; AP Products Incorporated P.O. BOX 697, 72 Corwin Drive Painesville, Ohio 44077, USA TEL: (216) 354-2101	

- J-6043-640-A SWITCHING REGULATOR
ADJUSTMENT FIXTURE
- J-6043-720-A BRAKE ADJUSTMENT FIXTURE

When using the following fixture, contact
your sony service office.
J-6043-870-A GUIDE FLANGE FIXTURE
(This fixture includes the following spacer.)
J-6044-000-A SPACER

commercially available
DEMAGNETIZER, SONY HE-4

J-6043-230-C BVH-2000 TOOL KIT
(This kit consists of the following.)

- J-6041-700-A ALLEN WRENCH SET,
L-SHAPED HEX.
- 7-700-751-02 NUT DRIVER, 5.5mm
- 7-700-766-02 SCREWDRIVER, HEX, 1.4mm
- 7-700-766-03 SCREWDRIVER, HEX, 2mm
- 7-700-766-04 SCREWDRIVER, HEX, 2.5mm

Ref.No. or Qty	Part No.	Description
<u>(OPTIONAL FIXTURE)</u>		
	7-721-050-63	SCREWDRIVER, TOTSU, 3mm
	7-721-050-64	SCREWDRIVER, TOTSU, 4mm
	J-6040-160-A	PLATE, FLAT
	J-6040-460-A	SCREW, TAPERED This part contains two screws.
	J-6250-800-A	ADJUSTMENT GAUGE, DRUM ECCENTRICITY
	J-6041-640-A	TENSION SCALE, 5kg
	J-6041-670-A	THICKNESS GAUGE
	J-6043-120-B	TENSION ADJUSTMENT TOOL
	J-6043-380-A	CARRYING CASE

SECTION E
CHANGED PARTS

=====

UP TO #33399 (BVH-2000PS)

=====

=====

#33401 & UP (BVH-2000PS)

=====

MB-14A BOARD (BVH-2000PS,2180PS/CARD RACK)

CN402M, 403M
1-560-309-00 RECEP, 3P, MALE.....1-560-300-00 RECEP, 3P, MALE

=====

UP TO #33499 (BVH-2000PS)

=====

=====

#33501 & UP (BVH-2000PS)

=====

MD-14 BOARD (BVH-2000PS,2180PS/CARD RACK)

C507 NOT IN USE.....1-107-158-00 CAP, MICA 30PF 5% 500V
C510 1-107-158-00 CAP, MICA 30PF 5% 500V.....DELETED

D31, 32, 33, 34, 35, 36
NOT IN USE.....8-719-101-98 DIODE 1SS97

IC8 8-759-100-91 IC UPC91A.....DELETED

L1, 2, 3, 4
1-407-169-XX INDUCTOR, MICRO, 100 5%.....1-408-421-00 INDUCTOR, MICRO, 100 5%

L5, 6 1-409-339-00 COIL, SN.....1-421-329-00 COIL, CHOKE
L11 1-407-169-00 INDUCTOR, MICRO, 100 5%.....1-408-421-00 INDUCTOR, MICRO, 100 5%
L15 1-409-339-00 COIL, SN.....1-421-329-00 COIL, CHOKE

R301, 302
NOT IN USE.....1-215-437-00 RES, METAL 4.7K 1% 1/6W

RV10, 18
1-230-144-00 RES, VAR, COMP 1K(B).....1-230-739-11 RES, VAR, CARBON 1K

TP1, 2, 3, 4, 5, 6, 7, 8, 9, 10
3-673-805-01 TERMINAL, TP.....3-657-703-01 TERMINAL, TP

CD-17 BOARD (BVH-2000PS,2180PS/CARD RACK)

C49 1-108-595-00 CAP, MYLAR 0.047 5% 50V.....DELETED
C12, 62 1-247-879-00 RES, CARBON 100K 5% 1/6W.....DELETED

CHANGED PARTS

=====

UP TO #33599 (BVH-2000PS)

=====

=====

#33601 & UP (BVH-2000PS)

=====

MD-14 BOARD (BVH-2000PS, 2180PS/CARD RACK)

R514 1-247-807-00 RES,CARBON 100 5% 1/6W.....1-247-814-00 RES,CARBON 200 5% 1/6W

SY-79 BOARD (BVH-2000PS, 2180PS/CARD RACK)

IC1C	8-759-762-55	IC, EPROM, MBM2732-76U3-3.....	8-759-764-20	IC, EPROM, MBM2732-76U3-4
IC1D	8-759-761-32	IC, EPROM, MBM2732-75U3-2.....	8-759-764-19	IC, EPROM, MBM2732-75U3-3
IC1E	8-759-762-54	IC, EPROM, MBM2732-74U3-2.....	8-759-764-18	IC, EPROM, MBM2732-74U3-3
IC1G	8-759-761-30	IC, EPROM, MBM2732-73U3-3.....	8-759-764-17	IC, EPROM, MBM2732-73U3-4
IC1I	8-759-761-34	IC, EPROM, MBM2732-71A3-1.....	8-759-764-15	IC, EPROM, MBM2732-71A3-2
IC1K	8-759-762-53	IC, EPROM, MBM2732-70U3-3.....	8-759-764-13	IC, EPROM, MBM2732-70U3-4

SY-80 BOARD (BVH-2000PS, 2180PS/CARD RACK)

IC1C	8-759-762-58	IC, EPROM, MBM2732-82U3-2.....	8-759-764-23	IC, EPROM, MBM2732-82U3-3
IC1D	8-759-762-57	IC, EPROM, MBM2732-81U3-4.....	8-759-764-22	IC, EPROM, MBM2732-81U3-5
IC1F	8-759-762-56	IC, EPROM, MBM2732-80U3-3.....	8-759-764-21	IC, EPROM, MBM2732-80U3-4

RA-05 BOARD (BVH-2000PS, 2180PS/TTP)

R55 1-247-839-00 RES,CARBON 2.2K 5% 1/6W.....1-247-847-00 RES,CARBON 4.7K 5% 1/6W

=====
UP TO #33699 (BVH-2000PS)
UP TO #10099 (BVH-2180PS)
=====

=====
#33701 & UP (BVH-2000PS)
#10101 & UP (BVH-2180PS)
=====

SV-43 BOARD (BVH-2000PS,2180PS/CARD RACK)

(for BVH-2180PS)

IC1E	8-759-765-12	IC, EPROM, MBM2732-S1Q1-1.....	8-759-765-69	IC, EPROM, MBM2732-S1Q1-2
IC6I	8-759-764-35	IC, EPROM, MBM2732-S7Q1.....	8-759-765-48	IC, EPROM, MBM2732-S7Q1-2

RP-09 BOARD (BVH-2000PS,2180PS/TTP)

IC2,4	8-741-115-60	IC BX1156.....	8-741-115-62	IC BX1156B
-------	--------------	----------------	--------------	------------

CHANGED PARTS

=====
 UP TO #33799 (BVH-2000PS)
 UP TO #10199 (BVH-2180PS)
 =====

=====
 #33801 & UP (BVH-2000PS)
 #10201 & UP (BVH-2180PS)
 =====

DM-25 BOARD (BVH-2000PS,2180PS/CARD RACK)

1pc	NOT IN USE.....	A-6026-048-A	MOUNT PCB,DM-51
4pcs	NOT IN USE.....	4-812-134-11	RIVET NYLON,3.5
C30	1-123-379-00	CAP,ELECT 0.47 100V.....	1-124-253-00 CAP,ELECT 0.47 50V
C33	1-123-381-00	CAP,ELECT 2.2 100V.....	1-124-257-00 CAP,ELECT 2.2 50V
C37	1-108-573-00	CAP,MYLAR 0.0056 5% 50V.....	DELETED
C38	1-108-567-00	CAP,MYLAR 0.0033 5% 50V.....	DELETED
C39	1-108-585-00	CAP,MYLAR 0.018 5% 50V.....	1-130-486-00 CAP,MYLAR 0.018 5% 50V
C40	1-109-528-00	CAP,MICA 51PF 5% 100V.....	DELETED
C41	1-109-535-00	CAP,MICA 100PF 5% 100V.....	DELETED
C42	1-108-561-00	CAP,MYLAR 0.0018 5% 50V.....	DELETED
C43	1-108-563-00	CAP,MYLAR 0.0022 5% 50V.....	1-130-475-00 CAP,MYLAR 0.0022 5% 50V
C46	1-109-540-00	CAP,MICA 180PF 5% 100V.....	DELETED
C47	1-109-528-00	CAP,MICA 51PF 5% 100V.....	DELETED
C50	1-108-567-00	CAP,MYLAR 0.0033 5% 50V.....	DELETED
C54	1-108-587-00	CAP,MYLAR 0.022 5% 50V.....	1-130-487-00 CAP,MYLAR 0.022 5% 50V
C56	1-109-539-00	CAP,MICA 150PF 5% 100V.....	1-107-209-00 CAP,MICA 20PF 5% 500V
C96, 97, 108	1-123-330-00	CAP,ELECT 22 25V.....	1-124-234-00 CAP,ELECT 22 16V
C140	1-123-379-00	CAP,ELECT 0.47 100V.....	1-124-253-00 CAP,ELECT 0.47 50V
C143	1-108-555-00	CAP,MYLAR 0.001 5% 50V.....	DELETED
C152	NOT IN USE.....	1-124-234-00	CAP,ELECT 22 16V
C501,502	NOT IN USE.....	1-161-907-00	CAP,CERAMIC 0.0012 5% 50V
C503	NOT IN USE.....	1-109-541-00	CAP,MICA 200PF 5% 100V
C504	NOT IN USE.....	1-109-542-00	CAP,MICA 220PF 5% 100V
C505	NOT IN USE.....	1-130-471-00	CAP,MYLAR 0.001 5% 50V
C506	NOT IN USE.....	1-162-136-00	CAP,CERAMIC 0.01 50V
C507	NOT IN USE.....	1-109-542-00	CAP,MICA 220PF 5% 100V
C508	NOT IN USE.....	1-162-136-00	CAP,CERAMIC 0.01 50V
C509	NOT IN USE.....	1-109-530-00	CAP,MICA 62PF 5% 100V
C510	NOT IN USE.....	1-109-541-00	CAP,MICA 200PF 5% 100V
C511	NOT IN USE.....	1-109-542-00	CAP,MICA 220PF 5% 100V
C512	NOT IN USE.....	1-162-136-00	CAP,CERAMIC 0.01 50V
C513	NOT IN USE.....	1-109-541-00	CAP,MICA 200PF 5% 100V
C514	NOT IN USE.....	1-162-136-00	CAP,CERAMIC 0.01 50V
C515	NOT IN USE.....	1-124-257-00	CAP,ELECT 2.2 50V
C516	NOT IN USE.....	1-130-472-00	CAP,MYLAR 0.0012 5% 50V

=====
 UP TO #33799 (BVH-2000PS)
 UP TO #10199 (BVH-2180PS)
 =====

=====
 #33801 & UP (BVH-2000PS)
 #10201 & UP (BVH-2180PS)
 =====

(DM-25 BOARD BVH-2000PS,2180PS/CARD RACK)

C517,518	NOT IN USE.....	1-162-136-00	CAP,CERAMIC 0.01 50V
C519,520	NOT IN USE.....	1-130-477-00	CAP,MYLAR 0.0033 5% 50V
CN6A	NOT IN USE.....	1-564-929-11	CONNECTOR,PCB,14P
CN8E,9A	NOT IN USE.....	1-564-930-11	CONNECTOR,PCB,16P
IC1A	8-759-900-10 IC SN74LS10N,TTL.....	DELETED	
IC4A,4D	8-759-902-21 IC SN74LS221N,TTL.....	DELETED	
IC5A	8-759-901-23 IC SN74LS123N,TTL.....	DELETED	
IC5B	8-759-900-00 IC SN74LS00N,TTL.....	DELETED	
IC6B	NOT IN USE.....	8-759-900-10	IC SN74LS10N,TTL
IC6C,6D,6E,7B,7C	NOT IN USE.....	8-759-902-21	IC SN74LS221N,TTL
IC7D	NOT IN USE.....	8-759-900-74	IC SN74LS74AN,TTL
IC7E	NOT IN USE.....	8-759-901-23	IC SN74LS123N,TTL
IC8B	NOT IN USE.....	8-759-900-74	IC SN74LS74AN,TTL
IC8C,8D,9B	NOT IN USE.....	8-759-900-00	IC SN74LS00N,TTL
IC9E	NOT IN USE.....	8-759-902-21	IC SN74LS201N,TTL
R30	1-214-165-00 RES,METAL 24K 1% 1/4W.....	DELETED	
R34	1-247-866-00 RES,CARBON 30K 5% 1/6W.....	DELETED	
R36	1-247-867-00 RES,CARBON 33K 5% 1/6W.....	DELETED	
R52	1-247-878-00 RES,CARBON 91K 5% 1/6W.....	DELETED	
R53	1-247-879-00 RES,CARBON 100K 5% 1/6W.....	DELETED	
R54	1-247-831-00 RES,CARBON 1K 5% 1/6W.....	DELETED	
R56	1-247-838-00 RES,CARBON 2K 5% 1/6W.....	DELETED	
R59	1-214-160-00 RES,METAL 15K 1% 1/4W.....	1-214-149-00	RES,METAL 5.1K 1% 1/4W
R62	1-247-850-00 RES,CARBON 6.2K 5% 1/6W.....	1-247-838-00	RES,CARBON 2K 5% 1/6W
R63	1-247-863-00 RES,CARBON 22K 5% 1/6W.....	1-247-862-00	RES,CARBON 20K 5% 1/6W
R193	1-247-831-00 RES,CARBON 1K 5% 1/6W.....	DELETED	
R208	1-247-870-00 RES,CARBON 43K 1/6W.....	DELETED	
R501	NOT IN USE.....	1-215-464-00	RES,METAL 62K 1% 1/6W
R502	NOT IN USE.....	1-215-455-00	RES,METAL 27K 1% 1/6W
R503	NOT IN USE.....	1-215-460-00	RES,METAL 43K 1% 1/6W
R504	NOT IN USE.....	1-215-454-00	RES,METAL 24K 1% 1/6W
R505	NOT IN USE.....	1-215-466-00	RES,METAL 75K 1% 1/6W

CHANGED PARTS

=====

UP TO #33799 (BVH-2000PS)

UP TO #10199 (BVH-2180PS)

=====

=====

#33801 & UP (BVH-2000PS)

#10201 & UP (BVH-2180PS)

=====

DM-25 BOARD BVH-2000PS,2180PS/CARD RACK)

R506	NOT IN USE.....	1-215-448-00	RES,METAL 13K 1% 1/6W
R507	NOT IN USE.....	1-215-456-00	RES,METAL 30K 1% 1/6W
R508	NOT IN USE.....	1-215-460-00	RES,METAL 43K 1% 1/6W
R509	NOT IN USE.....	1-215-448-00	RES,METAL 13K 1% 1/6W
R510	NOT IN USE.....	1-215-460-00	RES,METAL 43K 1% 1/6W
R511,512			
	NOT IN USE.....	1-215-469-00	RES,METAL 100K 1% 1/6W
R513,514,515,516			
	NOT IN USE.....	1-215-445-00	RES,METAL 10K 1% 1/6W
R517	NOT IN USE.....	1-215-469-00	RES,METAL 100K 1% 1/6W
R518	NOT IN USE.....	1-215-445-00	RES,METAL 10K 1% 1/6W
R519	NOT IN USE.....	1-215-457-00	RES,METAL 33K 1% 1/6W
RV501	NOT IN USE.....	1-228-474-00	RES,VAR,CERMET 10K
RV502	NOT IN USE.....	1-228-473-00	RES,VAR,CERMET 5K
RV503	NOT IN USE.....	1-228-474-00	RES,VAR,CERMET 10K
TP501,502,503,504,505,506			
	NOT IN USE.....	2-296-824-01	TERMINAL,TP
TPE1	3-673-805-11	TERMINAL,TP.....	DELETED

MD-14 BOARD (BVH-2000PS,2180PS/CARD RACK)

L5,6,15	1-421-329-00	COIL,CHOKE.....	1-421-370-00	COIL,CHOKE
R65	1-247-791-00	RES,CARBON 22 5% 1/6W.....	1-247-807-00	RES,CARBON 100 5% 1/6W

LG-02(A) BOARD (BVH-2000PS,2180PS/CARD RACK)

L1	1-421-329-00	COIL,CHOKE.....	1-421-370-00	COIL,CHOKE
----	--------------	-----------------	--------------	------------

SR-15 BOARD (BVH-2000PS,2180PS/CARD RACK)

L2,3,4	1-421-329-00	COIL,CHOKE.....	1-421-370-00	COIL,CHOKE
--------	--------------	-----------------	--------------	------------

=====
 UP TO #33799 (BVH-2000PS)
 UP TO #10199 (BVH-2180PS)
 =====

=====
 #33801 & UP (BVH-2000PS)
 #10201 & UP (BVH-2180PS)
 =====

DT-05 BOARD (BVH-2000PS,2180PS/CARD RACK)

L1 1-421-329-00 COIL,CHOKE.....1-421-370-00 COIL,CHOKE

DD-03 BOARD (BVH-2000PS-02,04/2180PS-02,04)

1pc (for 02/04 model)
 A-6023-035-A COMPLETE PCB,DD-03.....A-6023-035-B COMPLETE PCB,DD-03

C16 NOT IN USE.....1-130-483-00 CAP,MYLAR 0.01 5% 50V
 D9 NOT IN USE.....8-719-911-19 DIODE 1SS119
 IC3 NOT IN USE.....8-759-245-39 IC TC4539BP,CMOS
 R7 1-247-855-00 RES,CARBON 10K 5% 1/6W.....1-247-839-00 RES,CARBON 2.2K 5% 1/6W
 R8 1-247-855-00 RES,CARBON 10K 5% 1/6W.....1-247-879-00 RES,CARBON 100K 5% 1/6W

R16 NOT IN USE.....1-247-871-00 RES,CARBON 47K 5% 1/6W
 Q18 8-729-178-54 TRANSISTOR 2SC2785.....8-729-900-89 TRANSISTOR DTC144ES
 Q19 NOT IN USE.....8-729-900-89 TRANSISTOR DTC144ES

RA-05 BOARD (BVH-2000PS,2180PS/TTP)

6pcs NOT IN USE.....7-623-208-22 SPRING WASHER,M2
 6pcs NOT IN USE.....7-682-657-01 SCREW,+PS 3x40
 6pcs NOT IN USE.....7-684-023-04 NUT,M3
 12pcs 7-686-450-01 SCREW,PS 3x12.....DELETED

CHANGED PARTS

=====
UP TO #33899 (BVH-2000PS)
UP TO #10299 (BVH-2180PS)
=====

=====
#33901 & UP (BVH-2000PS)
#10301 & UP (BVH-2180PS)
=====

SY-43 BOARD (BVH-2000PS,2180PS/CARD RACK)

(for BVH-2000PS)

IC61 8-759-764-38 IC, EPROM, MBM2732-S7U3-7.....8-759-765-47 IC, EPROM, MBM2732-S7U3-8

=====
 UP TO #33999 (BVH-2000PS)
 UP TO #10399 (BVH-2180PS)
 =====

=====
 #34001 & UP (BVH-2000PS)
 #10401 & UP (BVH-2180PS)
 =====

SL-07 BOARD (BVH-2000PS-02,04/BVH-2180PS-02,04)

1pc A-6026-023-A MOUNTED PCB,SL-07.....A-6026-023-B MOUNTED PCB,SL-07

SL-08 BOARD (BVH-2000PS-02,04/BVH-2180PS-02,04)

1pc A-6079-428-A MOUNTED PCB,SL-08.....A-6079-428-B MOUNTED PCB,SL-08

SL-09 BOARD (BVH-2000PS-02,04/BVH-2180PS-02,04)

1pc A-6079-429-B MOUNTED PCB,SL-09.....A-6079-429-C MOUNTED PCB,SL-09

=====
 UP TO #34099 (BVH-2000PS)
 #10399 (BVH-2180PS)
 =====

=====
 #34101 & UP (BVH-2000PS)
 #10401 & UP (BVH-2180PS)
 =====

SR-15 BOARD (BVH-2000PS,2180PS/CARD RACK)

R67 1-247-847-00 RES,CARBON 4.7K 5% 1/6W.....1-247-846-00 RES,CARBON 4.3K 5% 1/6W

=====
 UP TO #34199 (BVH-2000PS)
 UP TO #10399 (BVH-2180PS)
 =====

=====
 #34201 & UP (BVH-2000PS)
 #10401 & UP (BVH-2180PS)
 =====

DT-05 BOARD (BVH-2000PS,2180PS/CARD RACK)

R39 1-214-143-00 RES,METAL 3K 1% 1/4W.....1-214-136-00 RES,METAL 1.5K 1% 1/4W
 R146 1-247-859-00 RES,CARBON 15K 5% 1/6W.....1-247-873-00 RES,CARBON 56K 5% 1/6W
 R147 NOT IN USE.....1-249-432-11 RES,CARBON 18K 5% 1/6W

=====
 UP TO #34299 (BVH-2000PS)
 UP TO #10499 (BVH-2180PS)
 =====

=====
 #34301 & UP (BVH-2000PS)
 #10501 & UP (BVH-2180PS)
 =====

AP-12 BOARD (BVH-2000PS,2180PS)

1C501,601,602,603,604,
 605 8-759-700-04 IC NJM2043D-D.....8-759-602-01 IC M5220P
 D507 NOT IN USE.....8-719-930-33 LED,GL3PR3,RED

CHANGED PARTS

=====

UP TO #34599 (BVH-2000PS)

UP TO #10599 (BVH-2180PS)

=====

=====

#34601 & UP (BVH-2000PS)

#10601 & UP (BVH-2180PS)

=====

DM-25 BOARD (BVH-2000PS,2180PS/CARD RACK)

C523 NOT IN USE.....1-162-306-31 CAP,CERAMIC 0.01 30% 16V

=====

UP TO #34699 (BVH-2000PS)

UP TO #10599 (BVH-2180PS)

=====

=====

#34701 & UP (BVH-2000PS)

#10601 & UP (BVH-2180PS)

=====

EQ-02 BOARD (BVH-2000PS,2180PS/CARD RACK)

(EQ-11 BOARD)

S2 1-553-510-00 SWITCH,SLIDE.....1-570-374-11 SWITCH,SLIDE

=====

UP TO #34799 (BVH-2000PS)

UP TO #10699 (BVH-2180PS)

=====

=====

#34801 & UP (BVH-2000PS)

#10701 & UP (BVH-2180PS)

=====

EQ-02 BOARD (BVH-2000PS,2180PS/CARD RACK)

C127 1-107-202-00 CAP,MICA 10PF 5% 500V.....1-107-078-00 CAP,MICA 51PF 5% 50V

R211,220

1-215-445-00 RES,METAL 10K 1% 1/6W.....1-215-441-00 RES,METAL 6.8K 1% 1/6W

RV26 1-224-941-00 RES,VAR,METAL 20K.....1-224-942-00 RES,VAR,METAL 50K

R229 1-247-888-00 RES,CARBON 240K 5% 1/6W.....1-247-889-00 RES,CARBON 270K 5% 1/6W

=====

UP TO #34899 (BVH-2000PS)

UP TO #10599 (BVH-2180PS)

=====

=====

#34901 & UP (BVH-2000PS)

#10601 & UP (BVH-2180PS)

=====

CD-17 BOARD (BVH-2000PS,2180PS/CARD RACK)

C70 1-130-487-00 CAP,MYLAR 0.022 5% 50V.....DELETED

R56 1-247-847-00 RES,CARBON 4.7K 5% 1/6W.....1-215-441-00 RES,METAL 6.8K 1% 1/6W

=====

UP TO #34899 (BVH-2000PS)

UP TO #10699 (BVH-2180PS)

=====

=====

#34901 & UP (BVH-2000PS)

#10701 & UP (BVH-2180PS)

=====

AE-03 BOARD (BVH-2000PS,2180PS/CARD RACK)

C148	1-109-527-00	CAP,MICA 47PF 5% 100V.....	1-107-077-00	CAP,MICA 47PF 5% 50V
C150	1-109-531-00	CAP,MICA 68PF 5% 100V.....	1-107-081-00	CAP,MICA 68PF 5% 50V
C33	1-109-553-00	CAP,MICA 470PF 5% 100V.....	1-130-467-00	CAP,MYLAR 470PF 5% 50V
C149	1-109-555-00	CAP,MICA 560PF 5% 100V.....	1-130-468-00	CAP,MYLAR 560PF 5% 50V
C44	1-109-559-00	CAP,MICA 820PF 5% 100V.....	1-130-470-50	CAP,MYLAR 820PF 5% 50V
R128	1-214-105-00	RES,METAL 75 1% 1/4W.....	1-215-394-00	RES,METAL 75 1% 1/6W
R246	1-214-106-00	RES,METAL 82 1% 1/4W.....	1-215-395-00	RES,METAL 82 1% 1/6W
R274	1-214-122-00	RES,METAL 390 1% 1/4W.....	1-215-411-00	RES,METAL 390 1% 1/6W
R249	1-214-124-00	RES,METAL 470 1% 1/4W.....	1-215-413-00	RES,METAL 470 1% 1/6W
R273	1-214-125-00	RES,METAL 510 1% 1/4W.....	1-215-414-00	RES,METAL 510 1% 1/6W
R138	1-214-146-00	RES,METAL 3.9K 1% 1/4W.....	1-215-435-00	RES,METAL 3.9K 1% 1/6W
R119	1-214-153-00	RES,METAL 7.5K 1% 1/4W.....	1-215-442-00	RES,METAL 7.5K 1% 1/6W
R248	1-214-156-00	RES,METAL 10K 1% 1/4W.....	1-215-445-00	RES,METAL 10K 1% 1/6W
R21	1-247-863-00	RES,CARBON 22K 5% 1/6W.....	1-247-855-00	RES,CARBON 10K 5% 1/6W
R129	1-247-867-00	RES,CARBON 33K 5% 1/6W.....	1-247-866-00	RES,CARBON 30K 5% 1/6W

DM-25 BOARD (BVH-2000PS,2180PS/CARD RACK)

C115	1-109-539-00	CAP,MICA 150PF 5% 100V.....	1-109-541-00	CAP,MICA 200PF 5% 100V
------	--------------	-----------------------------	--------------	------------------------

SY-79 BOARD (BVH-2000PS,2180PS/CARD RACK)

C42	1-123-352-00	CAP,ELECT 1 50V.....	1-124-255-00	CAP,ELECT 1 20% 50V
-----	--------------	----------------------	--------------	---------------------

VM-01 BOARD (BVH-2000PS,2180PS/CN PNL)

C35	1-108-575-00	CAP,MYLAR 6800PF 5% 50V.....	1-108-587-00	CAP,MYLAR 0.022 5% 50V
-----	--------------	------------------------------	--------------	------------------------

=====

UP TO #34999 (BVH-2000PS)

UP TO #10799 (BVH-2180PS)

=====

=====

#35001 & UP (BVH-2000PS)

#10801 & UP (BVH-2180PS)

=====

LA-02 BOARD (BVH-2000PS,2180PS/CN PNL)

TP102,202,302,402 (for 04,14)				
	1-423-189-00	TRANSFORMER, INPUT.....	1-423-260-11	TRANSFORMER, INPUT

AP-12 BOARD (BVH-2000PS,2180PS)

C116,216,316,416 (for 04,14)				
	1-107-169-00	CAP,MICA 100PF 10% 50V.....	1-102-106-00	CAP,CERAMIC 100PF 10% 50V

C521,522,523				
NOT IN USE			1-107-158-00	CAP,MICA 30PF 5% 500V

BVH-2000PS
BVH-2180PS

CHANGED PARTS

=====
UP TO #34799 (BVH-2000PS)
UP TO #10699 (BVH-2180PS)
=====

=====
#34801 & UP (BVH-2000PS)
#10701 & UP (BVH-2180PS)
=====

CA-09 BOARD (BVH-2000PS,2180PS/TTP)

R138 1-247-831-00 RES,CARBON 1K 5% 1/6W.....1-247-839-00 RES,CARBON 2.2K 5% 1/6W

DA-07 BOARD (BVH-2000PS,2180PS/TTP)

R51 1-247-831-00 RES,CARBON 1K 5% 1/6W.....1-247-839-00 RES,CARBON 2.2K 5% 1/6W

=====
UP TO #34899 (BVH-2000PS)
UP TO #10699 (BVH-2180PS)
=====

=====
#34901 & UP (BVH-2000PS)
#10701 & UP (BVH-2180PS)
=====

EQ-02 BOARD (BVH-2000PS,2180PS/CARD RACK)

(EQ-11 BOARD)

R359 NOT IN USE.....1-249-405-11 RES,CARBON 100 5% 1/6W

=====
UP TO #34999 (BVH-2000PS)
UP TO #10799 (BVH-2180PS)
=====

=====
#35001 & UP (BVH-2000PS)
#10801 & UP (BVH-2180PS)
=====

DM-25 BOARD (BVH-2000PS,2180PS/CARD RACK)

R504 1-215-454-00 RES,METAL 24K 1% 1/6W.....1-215-452-00 RES,METAL 20K 1% 1/6W
R506 1-215-448-00 RES,METAL 13K 1% 1/6W.....1-215-449-00 RES,METAL 15K 1% 1/6W

CD-17 BOARD (BVH-2000PS,2180PS/CARD RACK)

C150 NOT IN USE.....1-107-077-00 CAP,MICA 47PF 5% 50V

=====

UP TO #34999 (BVH-2000PS)

UP TO #10799 (BVH-2180PS)

=====

=====

#35001 & UP (BVH-2000PS)

#10801 & UP (BVH-2180PS)

=====

AP-12 BOARD (BVH-2000PS,2180PS/TTP)

C521,522,523
 NOT IN USE.....1-107-158-00 CAP,MICA 30PF 5% 500V

C116,216,316,416 (for 04,14)
 1-107-169-00 CAP,MICA 100PF 5% 500V.....1-102-106-00 CAP,MICA 100PF 10% 50V

MD-14 BOARD (BVH-2000PS,2180PS/CARD RACK)

C504 NOT IN USE.....1-109-525-00 CAP,MICA 39PF 5% 100V
 C507 1-107-158-00 CAP,MICA 30PF 5% 500V.....1-107-077-00 CAP,MICA 47PF 5% 50V
 CV4 1-414-256-00 CAP,TRIMMER 20PF.....1-141-260-00 CAP,TRIMMER 60PF
 L8 NOT IN USE.....1-407-186-XX INDUCTOR,MICRO 4.7 5%
 L9 1-407-182-XX INDUCTOR,MICRO 2.2 5%.....1-407-186-XX INDUCTOR,MICRO 4.7 5%

R118 1-247-839-00 RES,CARBON 2.2K 5% 1/6W.....DELETED
 R510 1-247-819-00 RES,CARBON 330 5% 1/6W.....DELETED
 R112 1-247-807-00 RES,CARBON 100 5% 1/6W.....1-247-804-00 RES,CARBON 75 5% 1/6W
 R121 1-247-804-00 RES,CARBON 75 5% 1/6W.....1-247-817-00 RES,CARBON 270 5% 1/6W
 R530 NOT IN USE.....1-247-809-00 RES,CARBON 120 5% 1/6W

R531 NOT IN USE.....1-249-415-11 RES,CARBON 680 5% 1/6W
 R532 NOT IN USE.....1-249-420-11 RES,CARBON 1.8K 5% 1/6W

=====

UP TO #35099 (BVH-2000PS)

UP TO #10799 (BVH-2180PS)

=====

=====

#35101 & UP (BVH-2000PS)

#10801 & UP (BVH-2180PS)

=====

CD-17 BOARD (BVH-2000PS,2180PS/CARD RACK)

IC10,12 8-759-745-60 IC NJM4560D.....8-759-145-58 IC UPC4558C

DT-05 BOARD (BVH-2000PS,2180PS/CARD RACK)

TP1,2,3,4,5,6,7,8,9,10
 3-657-703-01 TERMINAL,TP.....3-693-032-01 TERMINAL,TP

CHANGED PARTS

=====
 UP TO #35099 (BVH-2000PS)
 UP TO #10799 (BVH-2180PS)
 =====

=====
 #35101 & UP (BVH-2000PS)
 #10801 & UP (BVH-2180PS)
 =====

CA-09 BOARD (BVH-2000PS,2180PS/TTP)

R140,141

1-214-101-00 RES,METAL 51 1% 1/4W.....1-215-390-00 RES,METAL 51 1% 1/6W

R10 1-214-133-00 RES,METAL 1.1K 1% 1/4W.....1-215-422-00 RES,METAL 1.1K 1% 1/6W

R17 1-214-143-00 RES,METAL 3K 1% 1/4W.....1-215-432-00 RES,METAL 3K 1% 1/6W

R42,64 1-214-147-00 RES,METAL 4.3K 1% 1/4W.....1-215-436-00 RES,METAL 4.3K 1% 1/6W

R39,62 1-214-151-00 RES,METAL 6.2K 1% 1/4W.....1-215-440-00 RES,METAL 6.2K 1% 1/6W

R34,35,36,73,75,76,77

1-214-156-00 RES,METAL 10K 1% 1/4W.....1-215-445-00 RES,METAL 10K 1% 1/6W

R33 1-214-163-00 RES,METAL 20K 1% 1/4W.....1-215-452-00 RES,METAL 20K 1% 1/6W

R18,31 1-214-165-00 RES,METAL 24K 1% 1/4W.....1-215-454-00 RES,METAL 24K 1% 1/6W

R9 1-214-166-00 RES,METAL 27K 1% 1/4W.....1-215-455-00 RES,METAL 27K 1% 1/6W

R27 1-214-173-00 RES,METAL 51K 1% 1/4W.....1-215-462-00 RES,METAL 51K 1% 1/6W

DA-07 BOARD (BVH-2000PS,2180PS/TTP)

R29 1-214-086-00 RES,METAL 12 1% 1/4W.....1-215-375-31 RES,METAL 12 1% 1/6W

R80 1-214-133-00 RES,METAL 1.1K 1% 1/4W.....1-215-422-00 RES,METAL 1.1K 1% 1/6W

R24 1-214-147-00 RES,METAL 4.3K 1% 1/4W.....1-215-436-00 RES,METAL 4.3K 1% 1/6W

R54,55,56,57

1-214-156-00 RES,METAL 10K 1% 1/4W.....1-215-445-00 RES,METAL 10K 1% 1/6W

R82 1-214-166-00 RES,METAL 27K 1% 1/4W.....1-215-455-00 RES,METAL 27K 1% 1/6W

R10 1-214-167-00 RES,METAL 30K 1% 1/4W.....1-215-456-00 RES,METAL 30K 1% 1/6W

R7 1-214-169-00 RES,METAL 36K 1% 1/4W.....1-215-458-00 RES,METAL 36K 1% 1/6W

R8 1-214-170-00 RES,METAL 39K 1% 1/4W.....1-215-459-00 RES,METAL 39K 1% 1/6W

=====

UP TO #35099 (BVH-2000PS)

UP TO #10799 (BVH-2180PS)

=====

=====

#35101 & UP (BVH-2000PS)

#10801 & UP (BVH-2180PS)

=====

RA-05 BOARD (BVH-2000PS,2180PS/TTP)

R34,35,69,70,190,191, 224,225	1-214-088-00	RES,METAL 15 1% 1/4W.....	1-215-377-00	RES,METAL 15 1% 1/6W
R53,54,56,231,232,233	1-214-096-00	RES,METAL 33 1% 1/4W.....	1-215-385-00	RES,METAL 33 1% 1/6W
R139,145,299,304	1-214-116-00	RES,METAL 220 1% 1/4W.....	1-215-405-00	RES,METAL 220 1% 1/6W
R143,149,298,308,	1-214-125-00	RES,METAL 510 1% 1/4W.....	1-215-414-00	RES,METAL 510 1% 1/6W
R290	1-214-133-00	RES,METAL 1.1K 1% 1/4W.....	1-215-422-00	RES,METAL 1.1K 1% 1/6W
R36,37,39,40,41,42, 196,197,198,199,201, 202	1-214-139-00	RES,METAL 2K 1% 1/4W.....	1-215-428-00	RES,METAL 2K 1% 1/6W
R52,236	1-214-144-00	RES,METAL 3.3K 1% 1/4W.....	1-215-433-00	RES,METAL 3.3K 1% 1/6W
R126,254	1-214-146-00	RES,METAL 3.9K 1% 1/4W.....	1-215-435-00	RES,METAL 3.9K 1% 1/6W
R18,19,20,183,184,185	1-214-148-00	RES,METAL 4.7K 1% 1/4W.....	1-215-437-00	RES,METAL 4.7K 1% 1/6W
R140,141,144,146,300, 301,303,305	1-214-151-00	RES,METAL 6.2K 1% 1/4W.....	1-215-440-00	RES,METAL 6.2K 1% 1/6W
R13,14,15,180,181,182	1-214-154-00	RES,METAL 8.2K 1% 1/4W.....	1-215-443-00	RES,METAL 8.2K 1% 1/6W
R58,74,105,109,114, 120,125,152,155,230, 245,258,260,263,266, 267,296,297	1-214-156-00	RES,METAL 10K 1% 1/4W.....	1-215-445-00	RES,METAL 10K 1% 1/6W
R77,115,228,256	1-214-158-00	RES,METAL 12K 1% 1/4W.....	1-215-447-00	RES,METAL 12K 1% 1/6W
R76,229	1-214-160-00	RES,METAL 15K 1% 1/4W.....	1-215-449-00	RES,METAL 15K 1% 1/6W
R117,259	1-214-162-00	RES,METAL 18K 1% 1/4W.....	1-215-451-00	RES,METAL 18K 1% 1/6W

CHANGED PARTS

=====
UP TO #35099 (BVH-2000PS)
UP TO #10799 (BVH-2180PS)
=====

=====
#35101 & UP (BVH-2000PS)
#10801 & UP (BVH-2180PS)
=====

(RA-05 BOARD BVH-2000PS,2180PS/TTP)

R16,17,22,163,164,166
1-214-164-00 RES,METAL 22K 1% 1/4W.....1-215-453-00 RES,METAL 22K 1% 1/6W

R293 1-214-166-00 RES,METAL 27K 1% 1/4W.....1-215-455-00 RES,METAL 27K 1% 1/6W

R116,255
1-214-170-00 RES,METAL 39K 1% 1/4W.....1-215-459-00 RES,METAL 39K 1% 1/6W

R21,113,142,147,165,
302,306,311
1-214-180-00 RES,METAL 100K 1% 1/4W.....1-215-469-00 RES,METAL 100K 1% 1/6W

R79,215 1-214-175-00 RES,METAL 62K 1% 1/4W.....1-215-464-00 RES,METAL 62K 1% 1/6W

LG-02(A) BOARD (BVH-2000PS,2180PS/CARD RACK)

IC1A NOT IN USE.....8-759-900-08 IC SN74LS08N

BE-03 BOARD (BVH-2000PS,2180PS/TTP)

C20,21,22,23
1-108-603-00 CAP,MYLAR 0.1 5% 50V.....1-130-495-00 CAP,MYLAR 0.1 5% 50V

MD-14 BOARD (BVH-2000PS,2180PS/CARD RACK)

R19,20 1-247-211-00 RES,CARBON 62 5% 1/2W.....1-214-835-00 RES,METAL 62 1% 1/2W

=====
 UP TO #34799 (BVH-2000PS)
 UP TO #10699 (BVH-2180PS)
 =====

=====
 #34801 & UP (BVH-2000PS)
 #10701 & UP (BVH-2180PS)
 =====

SV-43 BOARD (BVH-2000PS,2180PS/CARD RACK)

(BVH-2000PS)

IC1E 8-759-764-37 IC, EPROM, MBM2732-S1U3-7.....8-759-769-76 IC, EPROM, MBM2732-S1U3-9

(BVH-2180PS)

IC1E 8-759-765-69 IC, EPROM, MBM2732-S101-2.....8-759-769-77 IC, EPROM, MBM2732-S101-3

=====
 UP TO #34999 (BVH-2000PS)
 UP TO #10799 (BVH-2180PS)
 =====

=====
 #35001 & UP (BVH-2000PS)
 #10801 & UP (BVH-2180PS)
 =====

DM-25 BOARD (BVH-2000PS,2180PS/CARD RACK)

R519 1-215-457-00 RES, METAL 33K 1% 1/6W.....1-215-462-00 RES, METAL 51K 1% 1/6W
 R517 1-215-469-00 RES, METAL 100K 1% 1/6W.....1-215-474-00 RES, METAL 160K 1% 1/6W

=====
 UP TO #35199 (BVH-2000PS)
 UP TO #10799 (BVH-2180PS)
 =====

=====
 #35201 & UP (BVH-2000PS)
 #10801 & UP (BVH-2180PS)
 =====

CONNECTOR PANEL ASSY (BVH-2000PS,2180PS)

1pc 3-673-859-02 LABEL, CONNECTOR.....3-673-859-04 LABEL, CONNECTOR
 1pc 3-693-059-01 LABEL (NS) CONNECTOR.....3-693-059-02 LABEL (NS) CONNECTOR

=====
 UP TO #35299 (BVH-2000PS)
 UP TO #10799 (BVH-2180PS)
 =====

=====
 #35301 & UP (BVH-2000PS)
 #10801 & UP (BVH-2180PS)
 =====

EO-02 BOARD (BVH-2000PS,2180PS/CARD RACK)

(EO-11 BOARD)

CN1 1-564-929-11 PLUG, DIL 14P.....1-566-087-11 PLUG, DIL 14P
 CN2 1-564-928-11 PLUG, DIL 8P.....1-566-086-11 PLUG, DIL 8P

AE-03 BOARD (BVH-2000PS,2180PS/CARD RACK)

R90,92 1-247-863-00 RES, CARBON 22K 5% 1/6W.....1-249-429-11 RES, CARBON 10K 5% 1/6W
 C55 1-136-156-00 RES, FILM 0.018 5% 50V.....1-136-160-00 CAP, FILM 0.039 5% 50V

=====
 UP TO #35399 (BVH-2000PS)
 UP TO #10799 (BVH-2180PS)
 =====

=====
 #35401 & UP (BVH-2000PS)
 #10801 & UP (BVH-2180PS)
 =====

SR-15 BOARD (BVH-2000PS,2180PS/CARD RACK)

IC5E 8-759-901-63 IC SN74LS163AN, TTL.....8-759-911-63 IC SN74S163N, TTL

CHANGED PARTS

=====
 UP TO #35499 (BVH-2000PS)
 UP TO #10799 (BVH-2180PS)
 =====

=====
 #35501 & UP (BVH-2000PS)
 #10801 & UP (BVH-2180PS)
 =====

SY-79 BOARD (BVH-2000PS,2180PS/CARD RACK)

IC1A	NOT IN USE.....	8-759-772-32	IC, EPROM, 2732-77U3-5
IC1C	8-759-764-20 IC, EPROM, 2732-76U3-4.....	8-759-772-31	IC, EPROM, 2732-76U3-5
IC1D	8-759-764-19 IC, EPROM, 2732-75U3-3.....	8-759-772-30	IC, EPROM, 2732-75U3-5
IC1E	8-759-764-18 IC, EPROM, 2732-74U3-3.....	8-759-772-29	IC, EPROM, 2732-74U3-5
IC1G	8-759-764-17 IC, EPROM, 2732-73U3-4.....	8-759-772-28	IC, EPROM, 2732-73U3-5
IC1H	8-759-764-29 IC, EPROM, 2732-72U3-1.....	8-759-772-27	IC, EPROM, 2732-72U3-5
IC1K	8-759-764-13 IC, EPROM, 2732-70U3-4.....	8-759-772-25	IC, EPROM, 2732-70U3-5
IC1I	8-759-764-15 IC, EPROM, 2732-71A3-2.....	8-759-772-33	IC, EPROM, 2732-71A3-5

SY-80 BOARD (BVH-2000PS,2180PS/CARD RACK)

IC1C	8-759-764-23 IC, EPROM, 2732-82U3-3.....	8-759-772-37	IC, EPROM, 2732-82U3-5
IC1D	8-759-764-22 IC, EPROM, 2732-81U3-5.....	8-759-772-36	IC, EPROM, 2732-81U3-6
IC1F	8-759-764-21 IC, EPROM, 2732-80U3-4.....	8-759-772-35	IC, EPROM, 2732-80U3-5

BE-02 BOARD (BVH-2000PS,2180PS/TTP)

C32,33	1-109-573-00 CAP,MICA 470PF 5% 500V.....	1-109-689-00	CAP,MICA 470PF 5% 500V	
R80	1-247-823-00 RES,CARBON 470 5% 1/6W.....	1-215-413-00	RES,METAL 470 1% 1/6W	
R420	1-247-094-00 RES,CARBON 30 5% 1/4W.....	1-214-096-00	RES,METAL 33 1% 1/4W	
R75	1-247-871-00 RES,CARBON 47K 5% 1/6W.....	1-215-461-00	RES,METAL 47K 1% 1/6W	
R76	1-247-873-00 RES,CARBON 56K 5% 1/6W.....	1-215-463-00	RES,METAL 56K 1% 1/6W	
R18	1-247-887-00 RES,CARBON 220K 5% 1/6W.....	1-215-477-00	RES,METAL 220K 1% 1/6W	
R102, 202, 302, 402	1-247-893-00 RES,CARBON 390K 5% 1/6W.....	1-215-415-00	RES,METAL 390K 1% 1/6W	
RV10	1-226-277-00 RES, VAR, METAL 10.....	1-230-834-11	RES, VAR, METAL 10	
RV1	1-224-934-00 RES, VAR, METAL 100.....	1-230-837-11	RES, VAR, METAL 100	
RV2,3,4,5	1-224-936-00 RES, VAR, METAL 500.....	1-230-839-11	RES, VAR, METAL 500	
RV9	1-224-936-00 RES, VAR, METAL 20K.....	1-230-844-11	RES, VAR, METAL 20K	
TP10(for 04/14 model)	1,2,3,4,5,6,7,8,9, 11,12,13,14,15,16 3-640-328-00	TERMINAL, TP.....	3-657-703-01	TERMINAL, TP

FRONT PANEL ASSY (BVH-2000PS,2180PS)

(BVH-2000PS)	1pc A-6004-127-B	PANEL ASSY,REEL.....	A-6004-127-C	PANEL ASSY,REEL
(BVH-2180PS)	1pc A-6004-146-A	PANEL ASSY,REEL.....	A-6004-146-B	PANEL ASSY,REEL
	1pc 3-673-971-00	COVER,CAPSTAN.....	3-673-971-02	COVER,CAPSTAN

=====
 UP TO #35399 (BVH-2000PS)
 UP TO #10799 (BVH-2180PS)
 =====

=====
 #35401 & UP (BVH-2000PS)
 #10801 & UP (BVH-2180PS)
 =====

CD-17 BOARD (BVH-2000PS,2180PS/CARD RACK)

TP3 3-657-703-01 TERMINAL, TP.....DELETED

LA-02 BOARD (BVH-2000PS,2180PS/CN PNL)

R42,65 1-247-807-00 RES,CARBON 100 5% 1/6W.....1-215-396-00 RES,METAL 91 1% 1/6W

R41,64,115,215,317,
 417(for 04,14)

1-214-132-00 RES,METAL 1K 1% 1/4W.....1-215-421-00 RES,METAL 1K 1% 1/6W

R31,54,105,205,305,
 405(for 04,14)

1-214-164-00 RES,METAL 22K 1% 1/4W.....1-215-453-00 RES,METAL 22K 1% 1/6W

=====
 UP TO #35699 (BVH-2000PS)
 UP TO #10799 (BVH-2180PS)
 =====

=====
 #35701 & UP (BVH-2000PS)
 #10801 & UP (BVH-2180PS)
 =====

DM-25 BOARD (BVH-2000PS,2180PS/CARD RACK)

SW2A 1-516-925-21 SWITCH,DIP,8-CKT.....1-570-623-11 SWITCH,DIP,8-CKT
 RV1,13 1-224-943-00 RES,VAR,CERMET 100K.....1-230-846-11 RES,VAR,CERMET 100K

RV3,6,502
 1-224-939-00 RES,VAR,CERMET 5K.....1-230-842-11 RES,VAR,CERMET 5K

RV5,8,16
 1-224-936-00 RES,VAR,CERMET 500.....1-230-839-11 RES,VAR,CERMET 500

RV9 1-228-288-00 RES,VAR,METAL 100.....1-230-837-11 RES,VAR,METAL 100

RV10,11,15
 1-224-941-00 RES,VAR,CERMET 20K.....1-230-844-11 RES,VAR,CERMET 20K

RV12 1-224-942-00 RES,VAR,CERMET 50K.....1-230-845-11 RES,VAR,CERMET 50K

RV14 1-224-937-00 RES,VAR,CERMET 1K.....1-230-840-11 RES,VAR,CERMET 1K

RV501,503
 1-224-940-00 RES,VAR,CERMET 10K.....1-230-843-11 RES,VAR,CERMET 10K

CHANGED PARTS

=====

UP TO #35699 (BVH-2000PS)

UP TO #10799 (BVH-2180PS)

=====

=====

#35701 & UP (BVH-2000PS)

#10801 & UP (BVH-2180PS)

=====

VM-01 BOARD (BVH-2000PS,2180PS/CN PNL)

RV1,3	1-224-937-00	RES,VAR,METAL 1K.....	1-230-840-11	RES,VAR,METAL 1K
RV2	1-224-935-00	RES,VAR,METAL 200.....	1-230-838-11	RES,VAR,METAL 200
RV4,6,7,8				
	1-224-936-00	RES,VAR,METAL 500.....	1-230-839-11	RES,VAR,METAL 500

PS-14 BOARD (BVH-2000PS,2180PS/POWER SUPPLY)

RV1,2,3,4,5,6,7,8,9,				
10,11,12,13				
	1-224-940-00	RES,VAR,METAL 10K.....	1-230-843-11	RES,VAR,METAL 10K

RA-05 BOARD (BVH-2000PS,2180PS/TTP)

RV1,6	1-224-939-00	RES,VAR,METAL 5K.....	1-230-842-11	RES,VAR,METAL 5K
RV2,5	1-224-942-00	RES,VAR,METAL 50K.....	1-230-845-11	RES,VAR,METAL 50K

LA-02 BOARD (BVH-2000PS,2180PS/CN PNL)

RV1,2,101,201,301,401(for 04,14)				
	1-224-941-00	RES,VAR,METAL 20K.....	1-230-837-11	RES,VAR,METAL 20K

DD-03 BOARD (BVH-2000PS,2180PS/TTP)

RV1,2	1-228-292-00	RES,VAR,CERMET 2K.....	1-230-841-11	RES,VAR,CERMET 2K
-------	--------------	------------------------	--------------	-------------------

EQ-02 BOARD (BVH-2000PS,2180PS/CARD RACK)

RV22	1-228-288-00	RES,ADJ,CERMET 100.....	1-230-837-11	RES,ADJ,CERMET 100
RV23,25,28				
	1-228-293-00	RES,ADJ,CERMET 5K.....	1-230-842-11	RES,ADJ,CERMET 5K
RV24	1-228-294-00	RES,ADJ,CERMET 10K.....	1-230-843-11	RES,ADJ,CERMET 10K
RV30	1-228-295-00	RES,ADJ,CERMET 20K.....	1-230-844-11	RES,ADJ,CERMET 20K

=====
 UP TO #35699 (BVH-2000PS)
 UP TO #10799 (BVH-2180PS)
 =====

=====
 #35701 & UP (BVH-2000PS)
 #10801 & UP (BVH-2180PS)
 =====

MD-14 BOARD (BVH-2000PS,2180PS/CARD RACK)

RV2,6,13,21

1-224-939-00 RES,VAR,METAL 5K.....1-230-842-11 RES,VAR,METAL 5K

RV3,22 1-224-940-00 RES,VAR,METAL 10K.....1-230-843-11 RES,VAR,METAL 10K

RV4 1-224-935-00 RES,VAR,METAL 200.....1-230-838-11 RES,VAR,METAL 200

RV7 1-224-936-00 RES,VAR,METAL 500.....1-230-839-11 RES,VAR,METAL 500

RV5 1-224-937-00 RES,VAR,METAL 1K.....1-230-840-11 RES,VAR,METAL 1K

CONNECTOR PANEL ASSY (BVH-2500P)

3pcs 1-509-176-31 RECEP,XLR-3P,MALE.....1-509-176-51 RECEPTACLE 3P,MALE

3pcs 1-509-184-31 RECEP,XLR-3P,FEMALE.....1-509-184-51 RECEPTACLE 3P,MALE

SR-15 BOARD (BVH-2000PS,2180PS/CARD RACK)

TP1,3,4,17,25

3-657-703-01 TERMINAL,TP.....3-693-032-01 TERMINAL,TP

=====
 UP TO #35499 (BVH-2000PS)
 UP TO #10799 (BVH-2180PS)
 =====

=====
 #35501 & UP (BVH-2000PS)
 #10801 & UP (BVH-2180PS)
 =====

SY-80 BOARD (BVH-2000PS,2180PS/CARD RACK)

1C1F 8-759-772-35 IC, EPROM,2732-80U3-5.....8-759-776-20 IC, EPROM,2732-80U3-6

=====
 UP TO #35699 (BVH-2000PS)
 UP TO #10899 (BVH-2180PS)
 =====

=====
 #35701 & UP (BVH-2000PS)
 #10901 & UP (BVH-2180PS)
 =====

AP-12 BOARD (BVH-2000PS,2180PS/TTP)

C521,522,523

1-107-158-00 CAP,MICA 30PF 5% 500V.....DELETED

C11,12,13

NOT IN USE.....1-163-168-00 CAP,CHIP CERAMIC 30PF 5% 50V

C511 1-109-677-00 CAP,MICA 150PF 5% 500V.....1-107-173-00 CAP,MICA 150PF 5% 500V

C688 1-123-298-00 CAP,ELECT 470 6.3V.....1-124-472-11 CAP,ELECT 470 20% 10V

C664,C665 (for 04/14 model)

119,120,219,220,319,

320,504,505,507,508,

604,605,624,625,644,

645 1-123-318-00 CAP,ELECT 33 16V.....1-124-896-00 CAP,ELECT 33 20% 16V

CHANGED PARTS

=====

UP TO #35699 (BVH-2000PS)

UP TO #10899 (BVH-2180PS)

=====

=====

#35701 & UP (BVH-2000PS)

#10901 & UP (BVH-2180PS)

=====

(AP-12 BOARD BVH-2000PS,2180PS/TTP)

C404,670,673(for 04/14 model)

104,204,304,610,613,

630,633,650,653,684,

685

1-123-332-00 CAP,ELECT 47 25V.....1-124-477-11 CAP,ELECT 47 20% 25V

C410,411(for 04/14 model)

1,2,110,111,210,211,

310,311

1-123-333-00 CAP,ELECT 100 25V.....1-124-445-00 CAP,ELECT 100 20% 16V

C689 1-123-356-00 CAP,ELECT 10 50V.....1-124-907-00 CAP,ELECT 10 20% 50V

RY401(for 04/14 model)

101,201,301

1-515-309-00 RELAY,5V 200-OHM.....1-515-518-00 RELAY,5V

RY501 1-515-309-21 RELAY,12V 1K-OHM.....1-515-477-00 RELAY,12V

EQ-02 BOARD (BVH-2000PS,2180PS/CARD RACK)

JP1,2,3 1-560-733-00 PIN,SHORT.....1-566-385-11 PIN,CONNECTOR 2P

2pcs 1-561-832-00 PLUG,SHORT.....1-563-859-11 RECEPTACLE,CONNECTOR 2P

MD-14 BOARD (BVH-2000PS,2180PS/CARD RACK)

JP1,2,3,4,5,6

1-560-733-00 PIN,SHORT.....1-566-385-11 PIN,CONNECTOR 2P

JP1,4,5 1-561-832-00 PLUG,SHORT.....1-563-859-11 RECEPTACLE,CONNECTOR 2P

LG-02(A) BOARD (BVH-2000PS,2180PS/CARD RACK)

JP1,2,3,4,5,6,7,8,9

1-560-733-00 PIN,SHORT.....1-566-385-11 PIN,CONNECTOR 2P

2pcs 1-561-832-00 PLUG,SHORT.....1-563-859-11 RECEPTACLE,CONNECTOR 2P

SY-79 BOARD (BVH-2000PS,2180PS/CARD RACK)

JP1,2,3,4,5,6

1-560-733-00 PIN,SHORT.....1-566-385-11 PIN,CONNECTOR 2P

3pcs 1-561-832-00 PLUG,SHORT.....1-563-859-11 RECEPTACLE,CONNECTOR 2P

=====

UP TO #35699 (BVH-2000PS)

UP TO #10899 (BVH-2180PS)

=====

=====

#35701 & UP (BVH-2000PS)

#10901 & UP (BVH-2180PS)

=====

LA-02 BOARD (BVH-2000PS,2180PS/CN PNL)

JP101,102,103,104,105,

106,107,201,202,203,

204,205,206,207,301,

302,303,304,305,306,

307 1-560-733-00 PIN,SHORT.....1-566-385-11 PIN,CONNECTOR 2P

12pcs 1-561-832-00 PLUG,SHORT.....1-563-859-11 RECEPTACLE,CONNECTOR 2P

=====

UP TO #35799 (BVH-2000PS)

UP TO #10899 (BVH-2180PS)

=====

=====

#35801 & UP (BVH-2000PS)

#10901 & UP (BVH-2180PS)

=====

LEVEL CONTROL PANEL (BVH-2000PS,2180PS)

1pc 1-520-451-00 METER,VIDEO/RF.....1-520-451-12 METER,VIDEO/RF

3pcs 1-520-450-00 METER,VU.....1-520-451-12 METER,VU

=====

UP TO #35699 (BVH-2000PS)

UP TO #10899 (BVH-2180PS)

=====

=====

#35701 & UP (BVH-2000PS)

#10901 & UP (BVH-2180PS)

=====

SR-15 BOARD (BVH-2000PS,2180PS/CARD RACK)

C112 NOT IN USE.....1-107-206-00 CAP,MICA 15PF 5% 50V

=====

UP TO #35799 (BVH-2000PS)

UP TO #10899 (BVH-2180PS)

=====

=====

#35801 & UP (BVH-2000PS)

#10901 & UP (BVH-2180PS)

=====

AU-27 BOARD (BVH-2000PS,2180PS/CARD RACK)

C108,208

1-109-553-00 CAP,MICA 470PF 5% 100V.....1-130-467-00 CAP,MYLAR 470PF 5% 50V

C119,137,151,219,237,

251 1-109-559-00 CAP,MICA 820PF 5% 100V.....1-130-470-00 CAP,MYLAR 820PF 5% 50V

CHANGED PARTS

=====

UP TO #35999 (BVH-2000PS)
UP TO #10999 (BVH-2180PS)
=====

=====

#36001 & UP (BVH-2000PS)
#11001 & UP (BVH-2180PS)
=====

DM-25 BOARD (BVH-2000PS,2180PS/CARD RACK)

R519 1-215-462-00 RES,METAL 51K 1% 1/6W.....1-215-464-00 RES,METAL 62K 1% 1/6W
R517 1-215-474-00 RES,METAL 160K 1% 1/6W.....1-215-476-00 RES,METAL 200K 1% 1/6W

=====

UP TO #35999 (BVH-2000PS)
UP TO #11099 (BVH-2180PS)
=====

=====

#36001 & UP (BVH-2000PS)
#11101 & UP (BVH-2180PS)
=====

SY-79 BOARD (BVH-2000PS,2180PS/CARD RACK)

IC1K 8-759-772-25 IC,EPROM,2732-70U3-5.....8-759-778-55 IC,EPROM,2732-70U3-6
IC1C 8-759-772-31 IC,EPROM,2732-76U3-5.....8-759-778-56 IC,EPROM,2732-76U3-6

=====

UP TO #36099 (BVH-2000PS)
UP TO #11499 (BVH-2180PS)
=====

=====

#36101 & UP (BVH-2000PS)
#11501 & UP (BVH-2180PS)
=====

FRAME (BVH-2000PS,2180PS)

H3 8-825-737-10 HEAD,AUDIO R/P,PA77-5104C.....8-825-771-01 HEAD PA77-5104F
H4 8-825-737-20 HEAD,AUDIO MONITOR,PA77-5104D.....8-825-771-01 HEAD PA77-5104F

=====

UP TO #36999 (BVH-2000PS)
UP TO #11599 (BVH-2180PS)
=====

=====

#37001 & UP (BVH-2000PS)
#11601 & UP (BVH-2180PS)
=====

SY-79 BOARD (BVH-2000PS,2180PS/CARD RACK)

3pcs 1-563-859-11 RECEPTACLE, CONNECTOR 2P.....1-565-413-11 RECEPTACLE, CONNECTOR 2P

=====

UP TO #35999 (BVH-2000PS)
UP TO #11499 (BVH-2180PS)
=====

=====

#36001 & UP (BVH-2000PS)
#11501 & UP (BVH-2180PS)
=====

BE-03 BOARD (BVH-2000PS-04,14/BVH-2180PS-04,14)

Q17,18,19,20
8-729-606-32 TRANSISTOR 2SC2603.....8-729-600-27 TRANSISTOR 2SC634-7

=====

UP TO #36199 (BVH-2000PS)
UP TO #11799 (BVH-2180PS)

=====

=====

#36201 & UP (BVH-2000PS)
#11801 & UP (BVH-2180PS)

=====

DD-03 BOARD (BVH-2000PS, 2180PS/TTP)

Q4, 8, 9, 12	8-763-420-00	TRANSISTOR 2SC1762.....	8-729-141-78	TRANSISTOR 2SC3632-K
Q5, 16, 17	8-765-141-00	TRANSISTOR 2SA911.....	8-729-118-43	TRANSISTOR 2SA1413-L