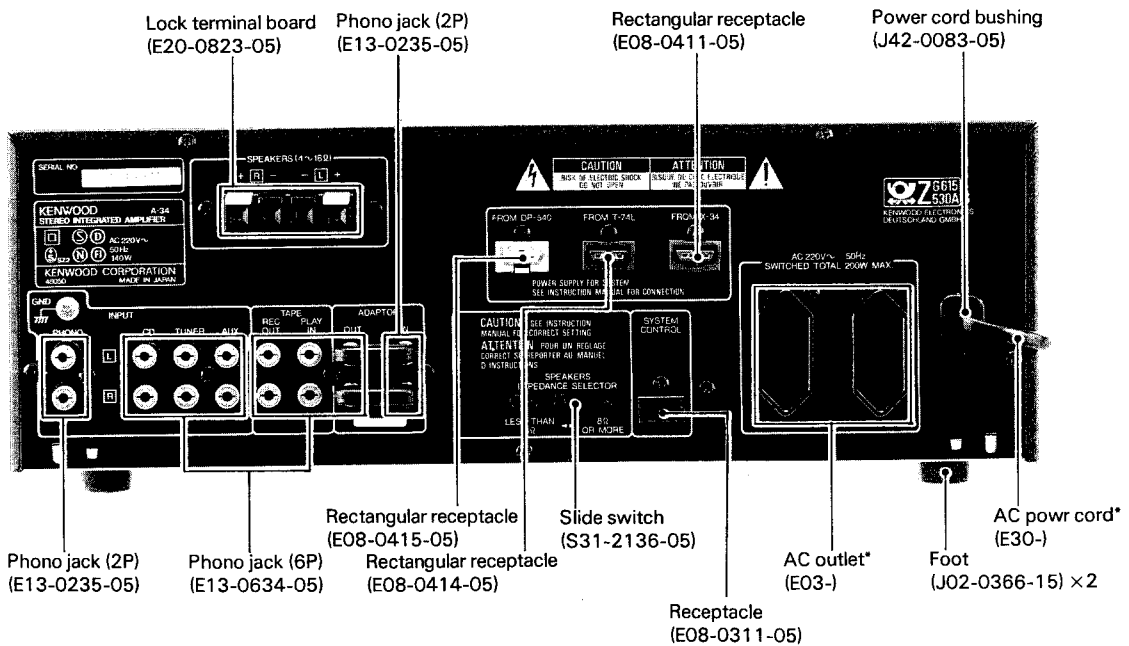
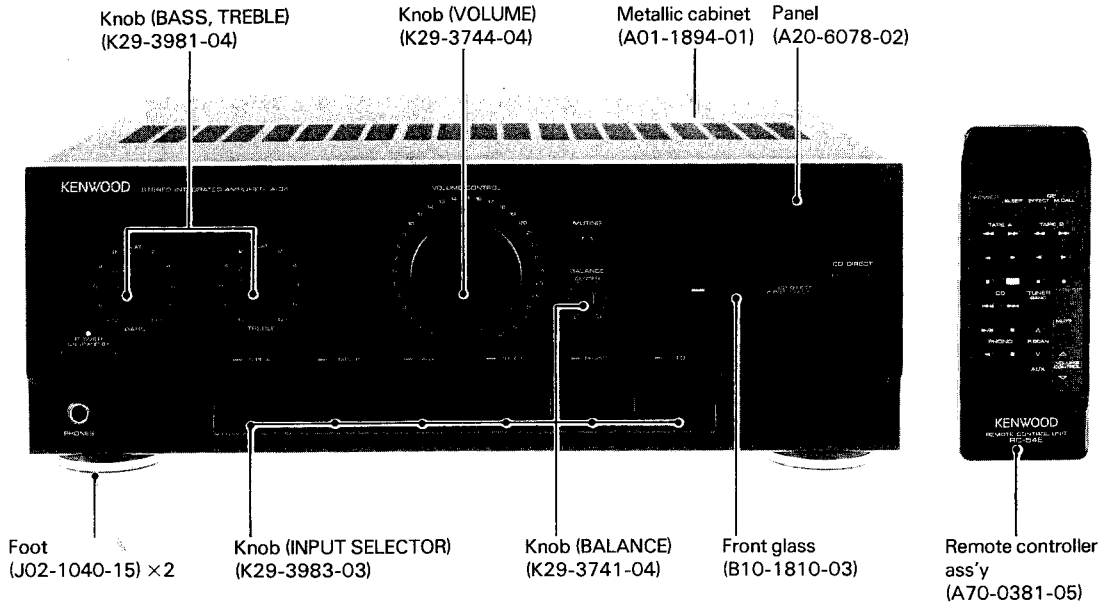


A-34/54

SERVICE MANUAL

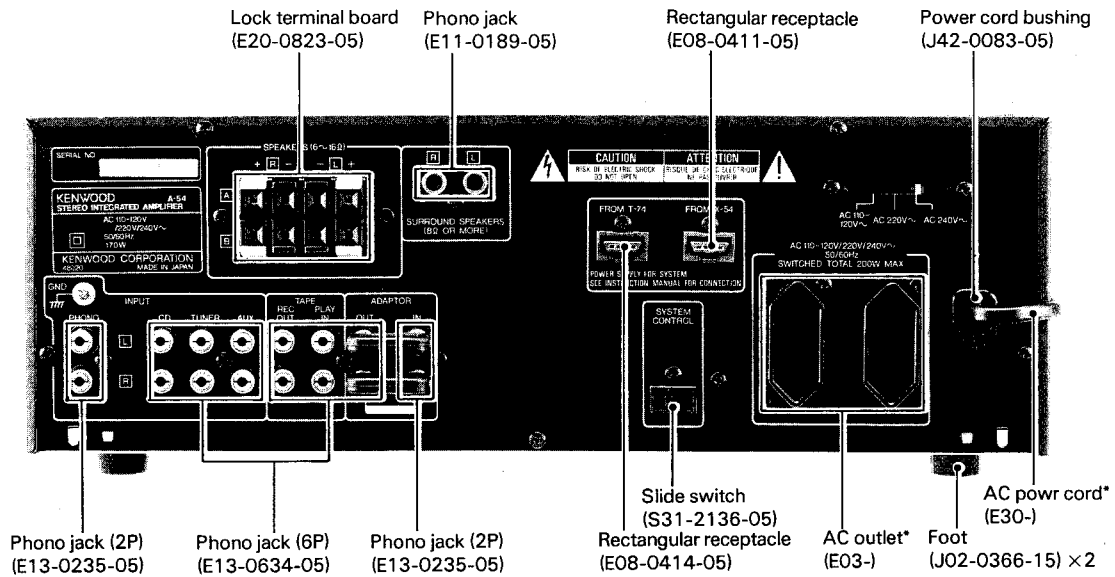
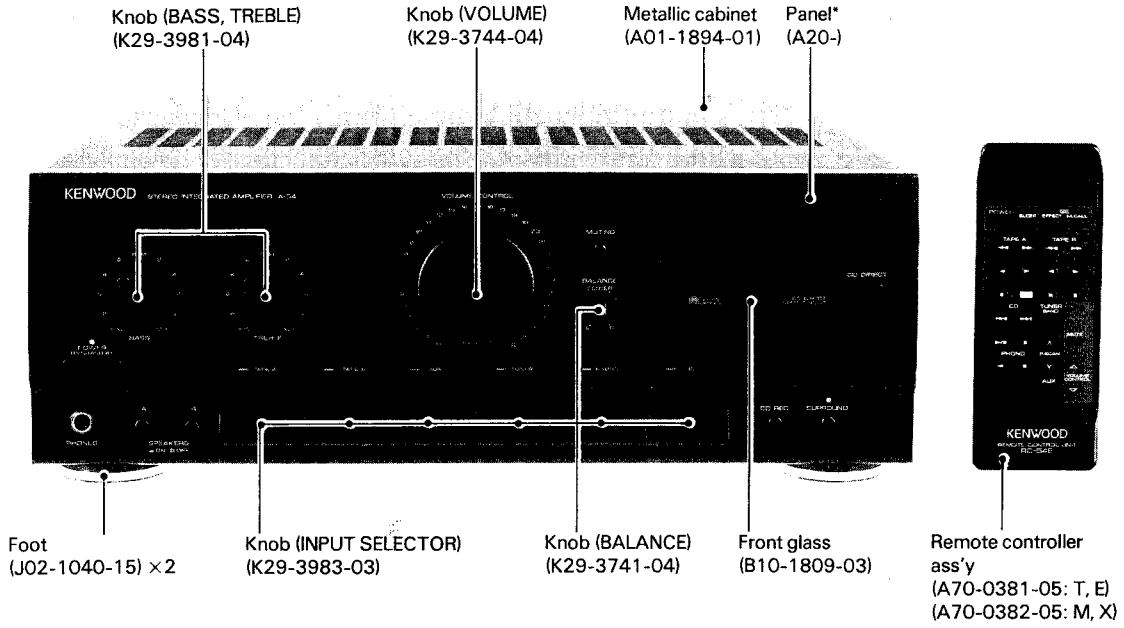
[A-34]



*Refer to parts list on page 14.

A-34/54

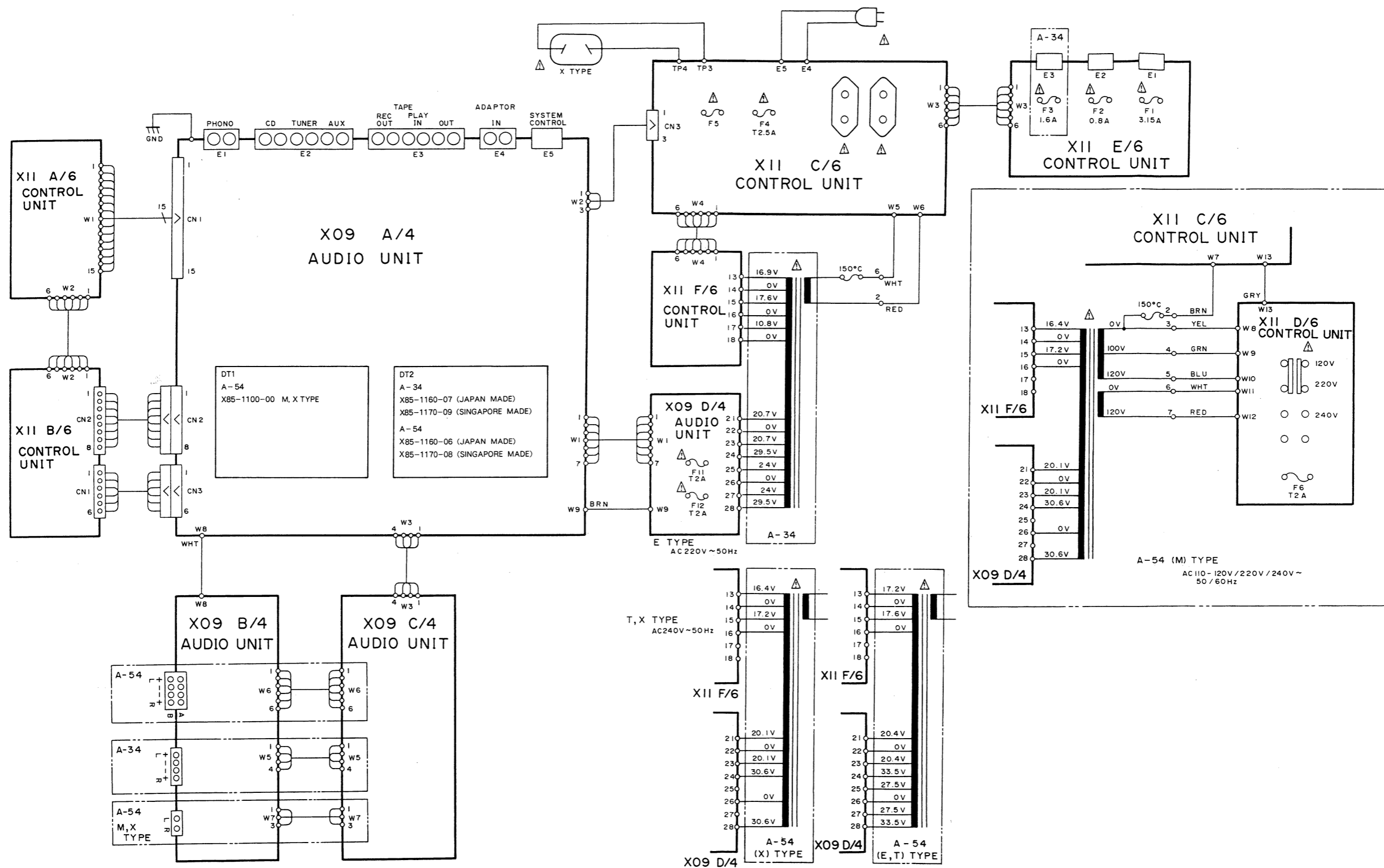
[A-54]



*Refer to parts list on page 14.

A-34/54 A-34/54

WIRING DIAGRAM

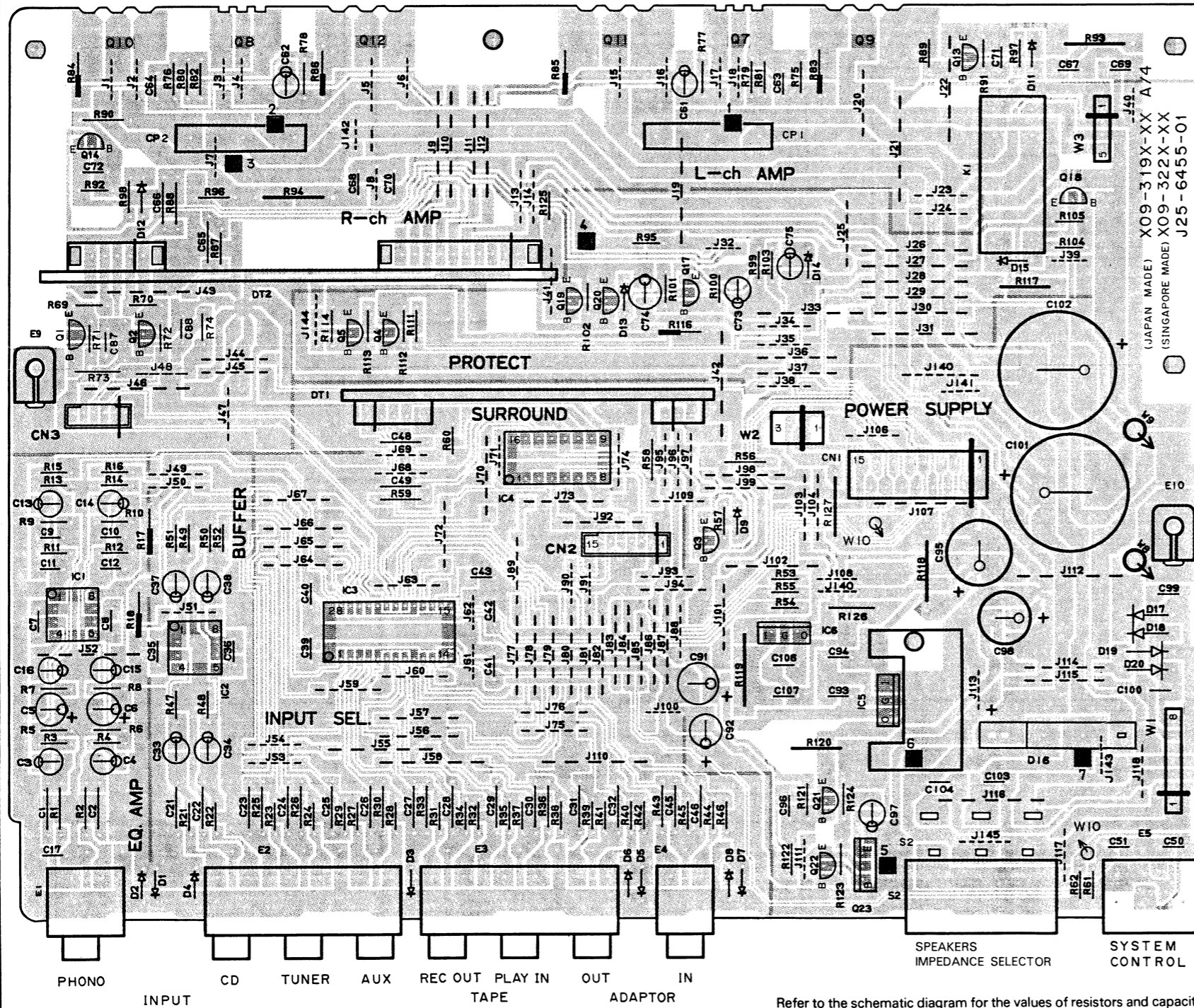
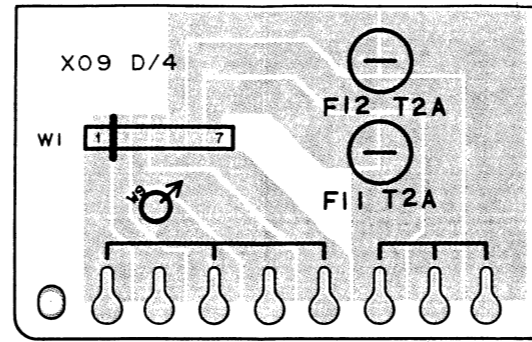


A34 / 54

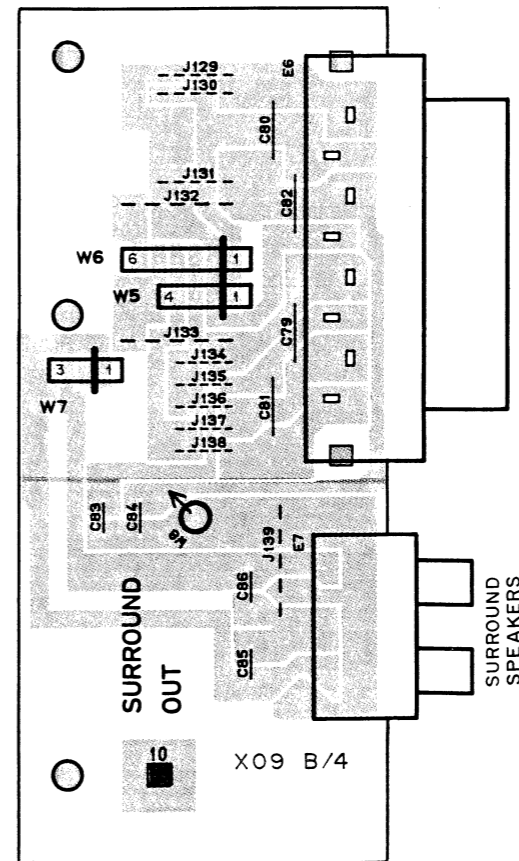
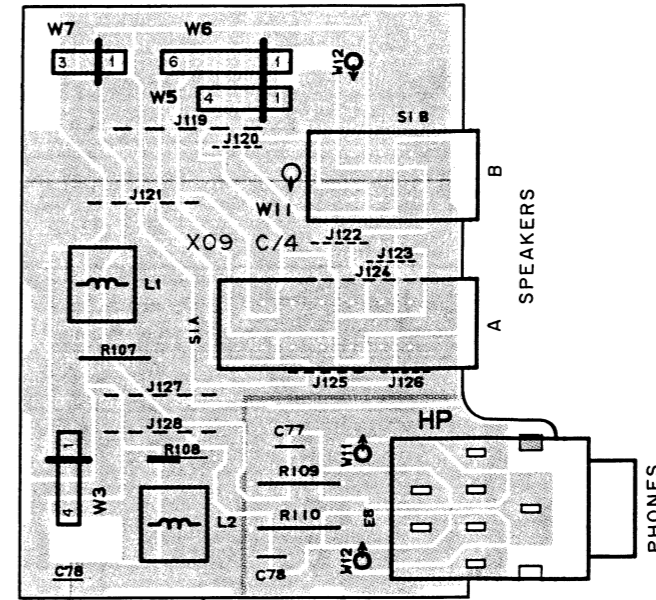
DESTINATION	AUDIO UNIT	CONTROL UNIT	POWER TRANSFORMER	DT-1	DT-2	FUSE F5
A-34	X	X09-3190-71	X11-2930-72	L07-0142-05	NO	X85-1160-07
	T	X09-3192-71	X11-2930-53			
	E	X09-3192-71	X11-2932-72			
A-54	X	X09-3190-21	X11-2930-71	L07-0211-05	X85-1100-00	T2A
	M	X09-3190-21	X11-2930-21	L07-0140-05		T2A
	T	X09-3192-70	X11-2930-52	L07-0139-05	NO	T1.6A
	E		X11-2932-71	L07-0138-05		

PC BOARD (Component Side View)

AUDIO UNIT



Refer to the schematic diagram for the values of resistors and capacitors.



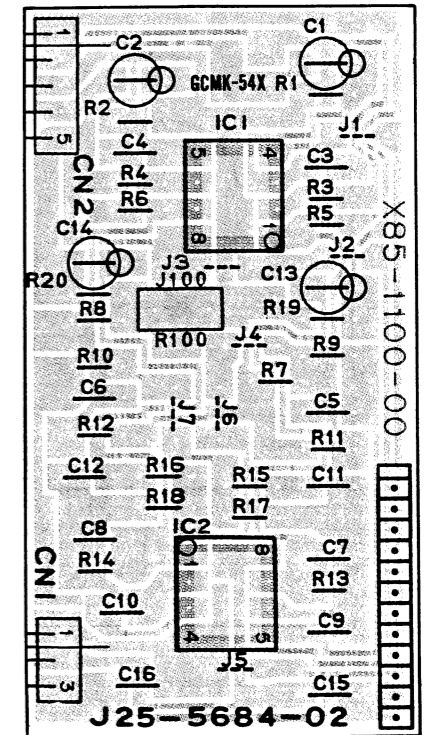
X85-1100-00

Ref. No.	IC	Q	Address
1			5I
2			6I

X09-319X-XX

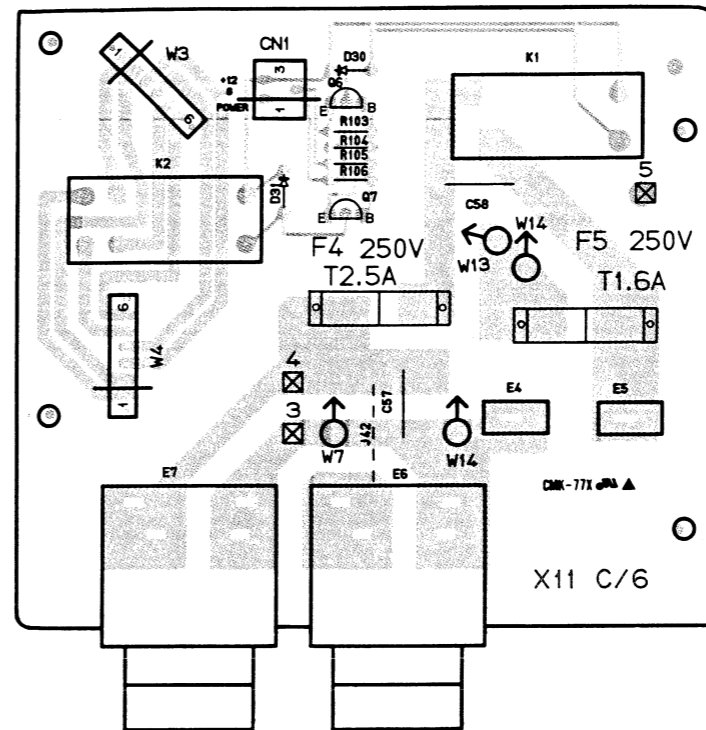
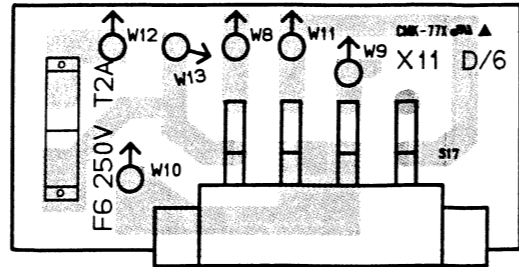
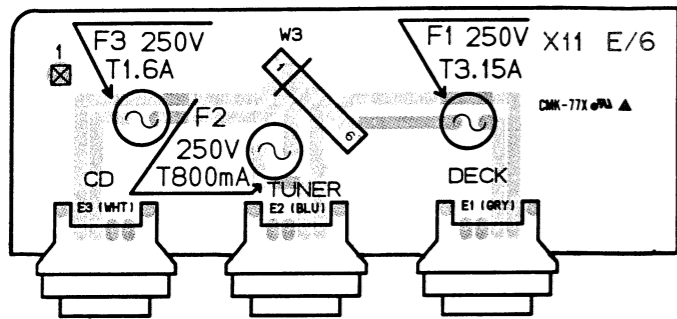
Ref. No.	IC	Q	Address
1			4A
2			4A
3			5D
4			4C
5			4B
7			2D
8			2B
9			2E
10			2A
11			2D
12			2B
13			2E
14			3A
17			4D
18			3F
19			4C
20			4D
21			6E
22			6E
23			6E
1			5A
2			5A
3			5B
4			4C
5			5E
6			5E

PRE AMPLIFIER UNIT

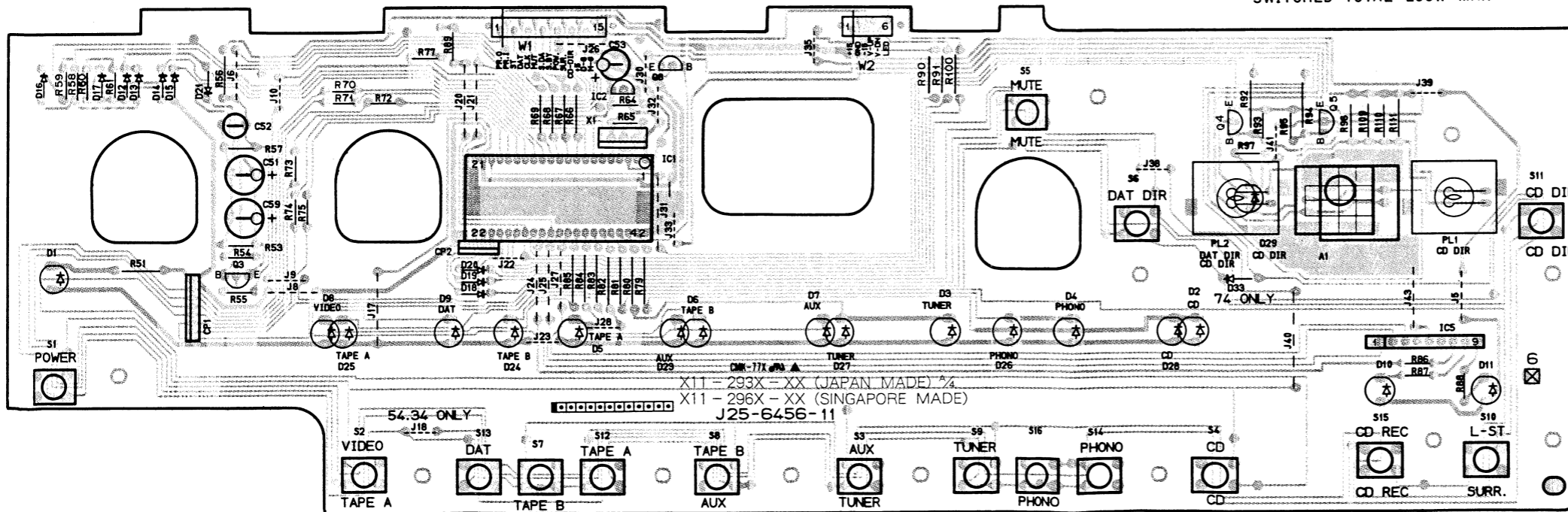
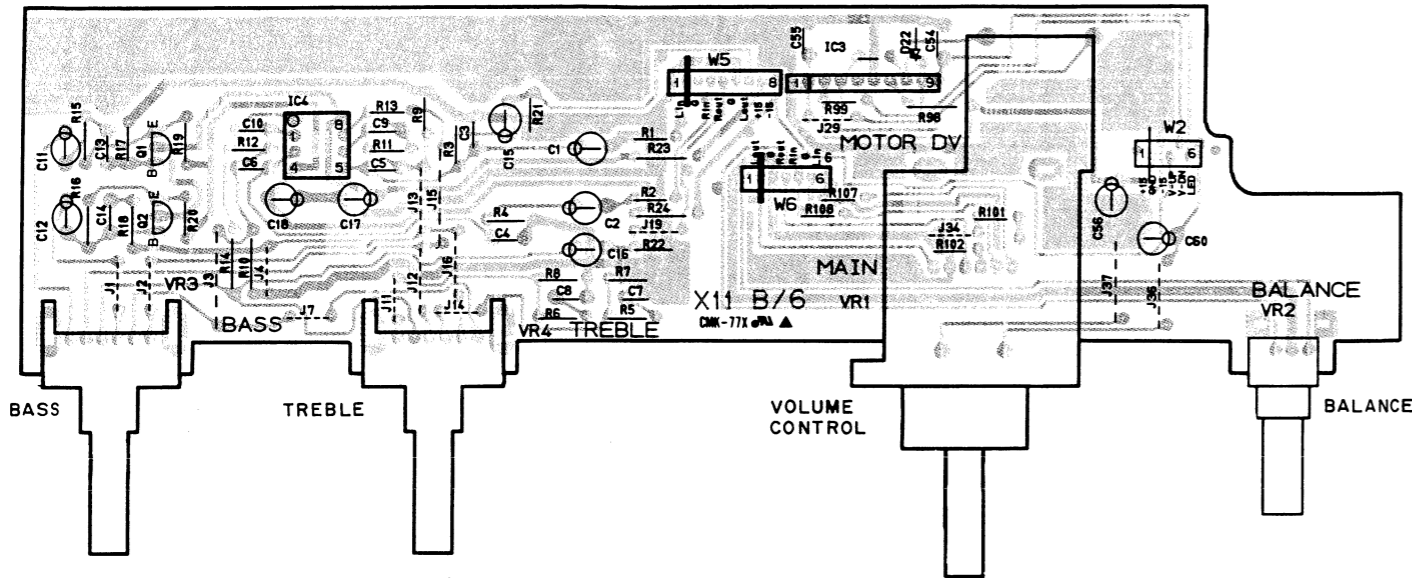


PC BOARD (Component Side View)

CONTROL UNIT



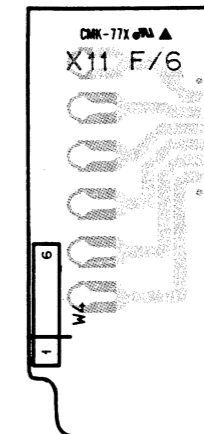
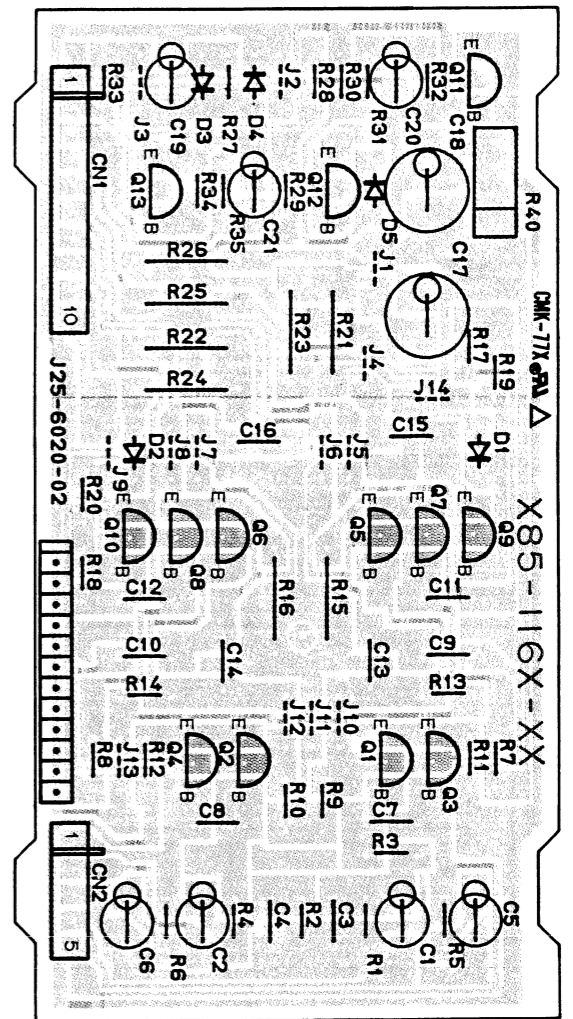
AC 110 - 120V / 220V / 240V ~
50 / 60Hz
SWITCHED TOTAL 200W MAX



X11 - 293X - XX (JAPAN MADE) 7/4
X11 - 296X - XX (SINGAPORE MADE)
J25-6456-11

Refer to the schematic diagram for the values of resistors and capacitors.

MAIN AMPLIFIER UNIT



X85-11XX-XX

Ref. No.	IC	Q	Address
1		2S	
2		2T	
3		2S	
4		2T	
5		3S	
6		3T	
7		3S	
8		3T	
9		3S	
10		3T	

X11-293X-XX

Ref. No.	IC	Q	Address	Ref. No.	IC	Q	Address
1		3K		1		5M	
2		3K		2		5N	
3		6L		3		3N	
4		5P		4		3L	
5		5Q		5		6Q	
6		2Q					
7		2Q					
8		5N					

PARTS LIST

* New Parts

Parts without Parts No. are not supplied.

Les articles non mentionnés dans le Parts No. ne sont pas fournis.

Teile ohne Parts No. werden nicht geliefert.

Ref. No. 参照番号	Address 位置	New Parts 新	Parts No. 部品番号	Description 部品名 / 規格	Desti- nation 仕 向	Re- marks 備考
C E F G H	2B 1A 2C 2A, 1C 1B, 2B		N30-3006-46 N89-3006-45 N89-3006-46 N89-3008-45 N89-3008-46	PAN HEAD MACHINE SCREW BINDING HEAD TAPTITE SCREW BINDING HEAD TAPTITE SCREW BINDING HEAD TAPTITE SCREW BINDING HEAD TAPTITE SCREW		
J	2B		N89-4008-45	BINDING HEAD TAPTITE SCREW		
AUDIO UNIT (X09-319X-XX : J, X09-322X-XX : S)						
C1 C3 C3 C5 C5	,2 ,4 ,4 ,6 ,6		C91-0749-05 CE04KW1V100M CE04LW1V100M CE04KW1A101M CE04LW1A101M	CERAMIC 220PF K ELECTRO 10UF 35WV ELECTRO 10UF 35WV ELECTRO 100UF 10WV ELECTRO 100UF 10WV		J S S S S
C7 C9 C11 C13 C13	,8 ,10 ,12 ,14 ,14		CK45FB1H561K CF92FV1H123J CF92FV1H332J CE04KW1V100M CE04LW1V100M	CERAMIC 560PF K MF 0.012UF J MF 3300PF J ELECTRO 10UF 35WV ELECTRO 10UF 35WV		J S S S S
C15 C15 C17 C21 C33	,16 ,16 -32 ,34		CE04KW1E470M CE04LW1E470M CK45FF1H103Z C91-0749-05 CE04KW1V4R7M	ELECTRO 47UF 25WV ELECTRO 47UF 25WV CERAMIC 0.010UF Z CERAMIC 220PF K ELECTRO 4.7UF 35WV		J S S J S
C33 C35 C37 C37 C39	,34 ,36 ,38 ,38 -41		CE04LW1V4R7M CC45FSL1H221J CE04KW1C220M CE04LW1C220M CK45FF1H103Z	ELECTRO 4.7UF 35WV CERAMIC 220PF J ELECTRO 22UF 16WV ELECTRO 22UF 16WV CERAMIC 0.010UF Z		S J S S S
C42 C45 C48 C50 C61	,43 ,46 ,49 ,51 ,62		CK45FB1H102K C91-0749-05 C91-0769-05 CK45FB1H471K CE04KW1C220M	CERAMIC 0.001UF K CERAMIC 220PF K CERAMIC 0.01UF K CERAMIC 470PF K ELECTRO 22UF 16WV	MX	5 J S
C61 C63 C67 C67 C67	,62 ,64 -70 -70 ,68		CE04LW1C220M CK45FF1H103Z CF92FV1H104J CF92FV1H104J CF92FV1H473J	ELECTRO 22UF 16WV CERAMIC 0.010UF Z MF 0.10UF J MF 0.10UF J MF 0.047UF J	ET MX	5 5 3 5
C71 C73 C73 C74 C74	,72 		CK45FB1H222K CE04KW1H4R7M CE04LW1H4R7M CE04KW1A221M CE04LW1A221M	CERAMIC 2200PF K ELECTRO 4.7UF 50WV ELECTRO 4.7UF 50WV ELECTRO 220UF 10WV ELECTRO 220UF 10WV		J S S S S
C75 C75 C77 C79 C79	 ,78 -82 ,80		CE04KW1C220M CE04LW1C220M CC45FSL1H221J C91-0757-05 C91-0757-05	ELECTRO 22UF 16WV ELECTRO 22UF 16WV CERAMIC 220PF J CERAMIC 1000PF K CERAMIC 1000PF K	ET ET	5 3
C83 C87 C91 C91 C92	,84 ,88 		CK45FB1H561K CK45FF1H103Z CE04KW1C331M CE04LW1C331M CE04KW1C101M	CERAMIC 560PF K CERAMIC 0.010UF Z ELECTRO 330UF 16WV ELECTRO 330UF 16WV ELECTRO 100UF 16WV	ET	J S S S S
C92 C93	 ,94		CE04LW1C101M CF92FV1H104J	ELECTRO 100UF 16WV MF 0.10UF J		S

E: Scandinavia & Europe K: USA P: Canada
Y: PX (Far East, Hawaii) T: England M: Other Areas
Y: AAFES (Europe) X: Australia

5: A-54 J: Japan made
3: A-34 S: Singapore made

⚠ indicates safety critical components.

PARTS LIST

* New Parts

Parts without Parts No. are not supplied.

Les articles non mentionnés dans le Parts No. ne sont pas fournis.

Teile ohne Parts No. werden nicht geliefert.

Ref. No. 参照番号	Address 位置	New Parts 新	Parts No. 部品番号	Description 部品名 / 規格	Desti- nation 仕 向	Re- marks 備考
C95 C95 C96 C97 C97			CE04KW1V102M CE04LW1V102M CF92FV1H103J CE04KW1E470M CE04LW1E470M	ELECTRO 1000UF 35WV ELECTRO 1000UF 35WV MF 0.010UF J ELECTRO 47UF 25WV ELECTRO 47UF 25WV		J S J S
C98 C98 C99 C101,102 C101,102			CE04KW1V471M CE04LW1V471M CK45FF1H103Z C90-1588-05 C90-1790-05	ELECTRO 470UF 35WV ELECTRO 470UF 35WV CERAMIC 0.010UF Z ELECTRO 4700UF 50WV ELECTRO 4700UF 56WV		J S 3 5
C103,104 C105 C106 C107			CK45FF1H103Z CF92FV1H104J CE04KW1H010M CF92FV1H104J	CERAMIC 0.010UF Z MF 0.10UF J ELECTRO 1.0UF 50WV MF 0.10UF J		J S
E1 E2 E4 E5 E6			E13-0235-05 E13-0634-05 E13-0235-05 E08-0311-05 E20-0459-05	PHONE JACK PHONE PHONE JACK CD, TUN, AUX TAPE, GEQ PHONE JACK GEQ IN RECEPTACLE SYSTEM CONTROL LOCK TERMINAL BOARD SPEAKERS		3 3 3 3
E6 E7 E8 E8		*	E20-0823-05 E13-0254-05 E11-0189-05 E11-0198-05	LOCK TERMINAL BOARD SPEAKERS PHONE JACK SURROUND SPEAKER PHONE JACK PHONES PHONE JACK PHONES	MX	5 5 5 3
F11	,12		F53-0018-05	FUSE		J
L1	,2		L39-0085-05	PHASE-COMPENSATION COIL		J
A B D G H	1B 2C 1B 1B 1B		N09-0333-05 N09-1445-05 N35-3008-45 N89-3008-45 N89-3008-46	TAPPING SCREW (3X12) SET SCREW (M3X8) BINDING HEAD MACHINE SCREW BINDING HEAD TAPTITE SCREW BINDING HEAD TAPTITE SCREW		J S S S
CP1 CP1 R17 R17 R83	,2 ,2 ,18 ,18 -86		R90-0187-05 R90-0840-05 RD14AB2E100J RD14NB2E100J RD14AB2E4R7J	MULTI-COMP 0.22X2 K 5W COMPOSITE ELEMENTS FL-PROOF RD 10 J 1/4W RD 10 J 1/4W FL-PROOF RD 4.7 J 1/4W		J S J J
R83 R93 R93 R107 R107	-86 ,94 ,94 		RD14NB2E4R7J RS14DB3D100J RS14KB3D100J RS14DB3A100J RS14KB3A100J	RD 4.7 J 1/4W FL-PROOF RS 10 J 2W FL-PROOF RS 10 J 2W FL-PROOF RS 10 J 1W FL-PROOF RS 10 J 1W		S J S J S
R108 R108 R109,110 R109,110 R116	 		RD14AB2E100J RD14NB2E100J RS14DB3A331J RS14KB3A331J RD14AB2E2R2J	FL-PROOF RD 10 J 1/4W RD 10 J 1/4W FL-PROOF RS 330 J 1W FL-PROOF RS 330 J 1W FL-PROOF RD 2.2 J 1/4W		J J S S J
R116 R117 R117 R118 R118	 		RD14NB2E2R2J RS14DB3A271J RS14KB3A271J RS14DB3D101J RS14KB3D101J	RD 2.2 J 1/4W FL-PROOF RS 270 J 1W FL-PROOF RS 270 J 1W FL-PROOF RS 100 J 2W FL-PROOF RS 100 J 2W		S J S J S
R119 R119 R128	 		RS14DB3D221J RS14KB3D221J RS14DB3A560J	FL-PROOF RS 220 J 2W FL-PROOF RS 220 J 2W FL-PROOF RS 56 J 1W		J S J

E: Scandinavia & Europe K: USA P: Canada
Y: PX (Far East, Hawaii) T: England M: Other Areas
Y: AAFES (Europe) X: Australia

5: A-54 J: Japan made
3: A-34 S: Singapore made

⚠ indicates safety critical components.

PARTS LIST

× New Parts

Parts without Parts No. are not supplied.

Les articles non mentionnés dans le Parts No. ne sont pas fournis.

Teile ohne Parts No. werden nicht geliefert.

Ref. No. 参照番号	Address 位置	New Parts 新	Parts No. 部品番号	Description 部品名/規格	Desti- nation 仕向	Re- marks 備考
R128			RS14KB3A560J	FL-PROOF RS 56 J 1W		S
K1		*	S51-2093-05	MAGNETIC RELAY		
S1			S42-2176-05	MULTIPLE PUSH SWITCH SPEAKERS	ET	5
S2			S31-2136-05	SLIDE SWITCH IMPEDANCE SELECT		5
S2			S31-2136-05	SLIDE SWITCH IMPEDANCE SELECT		3
D1 -9			HSS104	DIODE		
D1 -9			1SS133	DIODE		
D11 -13			HSS104A	DIODE		
D11 -13			1SS131	DIODE		
D14			HZS4.7N(B)	ZENER DIODE		
D14			RD4.7ES(B)	ZENER DIODE		
D15			HSS104A	DIODE		
D15			1SS131	DIODE		
D16			D3SBA20F03	DIODE		3
D16			D5SBA20F03	DIODE		5
D16			RBV-402LFA	DIODE		3
D16			RBV-602LFA	DIODE		5
D17 -20			S5566B	DIODE		
IC1			NJM4580D-D	IC		
IC1			UPC4570C-A	IC		
IC2			NJM4565D	IC(OP AMP X2)		
IC3			TC9164N	IC(16CH BILATERAL SELECTOR SW)		
IC4			TC9215P	IC(ANALOG SWITCH X 6)		
IC5			AN7815F	IC(VOLTAGE REGULATOR/ +15V)		
IC5			UPC7815HF	IC(VOLTAGE REGULATOR/ +15V)		
IC6			LM2940CT-5.0	IC(LOW VOLTAGE REGULATOR)		
Q1 ,2			2SC2878(B)	TRANSISTOR		
Q3			2SA733(A)(Q,P)	TRANSISTOR		
Q3			2SA933S(Q,R)	TRANSISTOR		
Q4			2SC1740S(Q,R)	TRANSISTOR		
Q4			2SC945(A)(Q,P)	TRANSISTOR		
Q5			2SA733(A)(Q,P)	TRANSISTOR		
Q5			2SA933S(Q,R)	TRANSISTOR		
Q7 ,8			2SC4137	TRANSISTOR		
Q9 ,10			2SD2231*5	TRANSISTOR		3
Q9 ,10		*	2SD2254	TRANSISTOR	MX	5
Q9 ,10		*	2SD2275	TRANSISTOR	ET	5
Q11 ,12			2SB1476*5	TRANSISTOR		3
Q11 ,12		*	2SB1492	TRANSISTOR	MX	5
Q11 ,12		*	2SB1502	TRANSISTOR	ET	5
Q13 ,14			2SC1845(F,E)	TRANSISTOR		
Q17			2SA992(F,E)	TRANSISTOR		
Q18			2SC2003(L,K)	TRANSISTOR		
Q19 ,20			2SC1740S(Q,R)	TRANSISTOR		
Q19 ,20			2SC945(A)(Q,P)	TRANSISTOR		
Q21 ,22			2SA733(A)(Q,P)	TRANSISTOR		
Q21 ,22			2SA933S(Q,R)	TRANSISTOR		
Q23			2SD1266(Q,P)	TRANSISTOR		
CONTROL UNIT (X11-293X-XX : J, X11-296X-XX : S)						
640	2B	*	A33-0117-04	REFLECTOR		5
641	2B	*	B11-0233-04	SMOKED FILTER		5
D1			B30-1291-05	LED		
D10			B30-1291-05	LED	ET	5

E: Scandinavia & Europe K: USA P: Canada
Y: PX(Far East, Hawaii) T: England M: Other Areas
Y: AAFES(Europe) X: Australia

5: A-54 J: Japan made
3: A-34 S: Singapore made

⚠ indicates safety critical components.

PARTS LIST

× New Parts

Parts without Parts No. are not supplied.

Les articles non mentionnés dans le Parts No. ne sont pas fournis.

Teile ohne Parts No. werden nicht geliefert.

Ref. No. 参照番号	Address 位置	New Parts 新	Parts No. 部品番号	Description 部品名/規格	Desti- nation 仕向	Re- marks 備考
D10 ,11			B30-1291-05	LED	MX	5
D23 -28			B30-1291-05	LED		5
D23 -29			B30-1291-05	LED		3
PL2		*	B30-1292-05	LAMP (12V 100MA)		5
C1 ,2			CE04KW1H3R3M	ELECTRO 3.3UF 50WV		J
C1 ,2			CE04LW1H3R3M	ELECTRO 3.3UF 50WV		S
C3 ,4			CF92FV1H221J	MF 220PF J		
C5 ,6			CF92FV1H561J	MF 560PF J		
C7 ,8			CF92FV1H683J	MF 0.068UF J		
C9 ,10			CF92FV1H561J	MF 560PF J		
C11 ,12			CE04KW1V100M	ELECTRO 10UF 35WV		J
C11 ,12			CE04LW1V100M	ELECTRO 10UF 35WV		S
C13 ,14			CF92FV1H203J	MF 0.020UF J		
C15 ,16			CE04KW1H4R7M	ELECTRO 4.7UF 50WV		J
C15 ,16			CE04LW1H4R7M	ELECTRO 4.7UF 50WV		S
C17 ,18			CE04KW1E470M	ELECTRO 47UF 25WV		J
C17 ,18			CE04LW1E470M	ELECTRO 47UF 25WV		S
C51			CE04JW0J221M	ELECTRO 220UF 6.3WV		
C52			C90-1283-05	ELECTRO 3.3UF 50WV		
C53			CE04JW1A101M	ELECTRO 100UF 10WV		
C54 ,55			CK45FF1H103Z	CERAMIC 0.010UF Z		
C56			CE04KW1E101M	ELECTRO 100UF 25WV		J
C56			CE04LW1E101M	ELECTRO 100UF 25WV		S
C57 ,58			C91-0971-05	FILM 0.01UF 250WV		
C59			CE04JW0J221M	ELECTRO 220UF 6.3WV		
C60			CE04KW1HR47M	ELECTRO 0.47UF 50WV		J
C60			CE04LW1HR47M	ELECTRO 0.47UF 50WV		S
C61			CE04JW1H010M	ELECTRO 1.0UF 50WV		
E1			E08-0411-05	RECTANGULAR RECEPTACLE DECK		
E2		*	E08-0414-05	RECTANGULAR RECEPTACLE TUNER		
E3		*	E08-0415-05	RECTANGULAR RECEPTACLE CD		
E6 ,7			E03-0108-05	AC OUTLET	EM	5
E6 ,7			E03-0108-05	AC OUTLET	E	3
E6 ,7			E03-0109-05	AC OUTLET	T	
F1		*	F53-0021-05	FUSE		
F2		*	F53-0015-05	FUSE		
F3		*	F53-0018-05	FUSE		3
F4			F05-2525-05	FUSE (SEMKO) (250V T2.5A)		
F5			F05-1222-05	FUSE (SEMKO) (250V T1.25A)	ET	5
F5			F05-4025-05	FUSE (SEMKO) (250V T4A)	M	5
F5			F06-1022-05	FUSE		3
F5			F06-2021-05	FUSE (SEMKO) (250V T2A)	X	5
F6			F06-2021-05	FUSE (SEMKO) (250V T2A)	M	5
645	1B		J13-0075-05	FUSE CLIP		
X1			L78-0218-05	RESONATOR 4.19MHz		
CP1			R90-0819-05	MULTIPLE RESISTOR		
CP2			R90-0850-05	MULTIPLE RESISTOR		
VR1		*	R29-5045-05	POTENTIOMETER MASTER VOLUME		
VR2		*	R05-5035-05	POTENTIOMETER BALANCE		
VR3 ,4		*	R06-5198-05	POTENTIOMETER BASS, TREBLE		
K1			S51-1052-05	MAGNETIC RELAY		
K2			S51-2094-05	MAGNETIC RELAY		

E: Scandinavia & Europe K: USA P: Canada
Y: PX(Far East, Hawaii) T: England M: Other Areas
Y: AAFES(Europe) X: Australia

5: A-54 J: Japan made
3: A-34 S: Singapore made

⚠ indicates safety critical components.

PARTS LIST

× New Parts

Parts without Parts No. are not supplied.

Les articles non mentionnes dans le Parts No. ne sont pas fournis.

Telle ohne Parts No. werden nicht geliefert.

Ref. No. 参照番号	Address 位置	New Parts 新	Parts No. 部品番号	Description 部品名 / 規格	Desti- nation 仕 向	Re- marks 備考
S1 -5			S40-1064-05	PUSH SWITCH		
S7 ,8			S40-1064-05	PUSH SWITCH		
S10 ,11			S40-1064-05	PUSH SWITCH	MX	5
S11			S40-1064-05	PUSH SWITCH	ET	5
S11			S40-1064-05	PUSH SWITCH		3
S15 ,16			S40-1064-05	PUSH SWITCH		5
S16			S40-1064-05	PUSH SWITCH		3
S17			S31-2322-05	SLIDE SWITCH	M	5
D12 -21			HSS104	DIODE		
D12 -21			1SS133	DIODE		
D22			HZS2.7N(B2)	ZENER DIODE		
D22			RD2.7ES(B2)	ZENER DIODE		
D30 ,31			HSS104	DIODE		
D30 ,31			1SS133	DIODE		
IC1		*	UPD75004CU-067	IC(MICROPROCESSOR)		
IC2			PST529D	IC		
IC3			TAB409S	IC(MOTOR CONTROL)		
IC4			UPC4570C-A	IC		
IC5			TD62554S	IC(4CH TRANSISTOR ARRAY)		5
Q1 ,2			2SC1845(F,E)	TRANSISTOR		
Q3			2SA733(A)(Q,P)	TRANSISTOR		
Q3			2SA933S(Q,R)	TRANSISTOR		
Q5			2SC2320(E,F)	TRANSISTOR		
Q6 ,7			2SC2003(L,K)	TRANSISTOR		
Q8			DTA124ES	DIGITAL TRANSISTOR		
A1			W02-1043-05	OPTIC RECEIVING MODULE		
A1		*	W02-1046-05	ELECTRIC CIRCUIT MODULE		
PRE AMPLIFIER UNIT (X85-1100-00)						
C1 ,2			CE04KW1H010M	ELECTRO 1.0UF 50WV	MX	5
C3			CK45FB1H391K	CERAMIC 390PF K	MX	5
C4			CK45FB1H391K	CERAMIC 390PF K	MX	5
C5 ,6			CF92FV1H153J	MF 0.015UF J	MX	5
C7 -10			CK45FB1H391K	CERAMIC 390PF K	MX	5
C11 ,12			CK45FB1H222K	CERAMIC 2200PF K	MX	5
C13 ,14			CE04KW1H010M	ELECTRO 1.0UF 50WV	MX	5
C15 ,16			CK45FF1H103Z	CERAMIC 0.010UF Z	MX	5
IC1 ,2			UPC4570C-A	IC	MX	5
MAIN AMPLIFIER UNIT (X85-116X-XX : J, X85-117X-XX : S)						
C1 ,2			CE04KW1H010M	ELECTRO 1.0UF 50WV		J
C1 ,2			CE04LW1H010M	ELECTRO 1.0UF 50WV		S
C3 ,4			CC45FSL1H221J	CERAMIC 220PF J		
C5 ,6			CE04KW1A101M	ELECTRO 100UF 10WV		J
C5 ,6			CE04LW1H101M	ELECTRO 100UF 50WV		S
C7 ,8			CC45FSL1H680J	CERAMIC 68PF J		
C9 ,10			CC45FSL1H020C	CERAMIC 2.0PF C		
C11 -14			CC45FSL1H680J	CERAMIC 68PF J		
C15 ,16			CC45FSL1H221J	CERAMIC 220PF J		
C17 ,18			CE04KW1H470M	ELECTRO 47UF 50WV		J
C17 ,18			CE04LW1H470M	ELECTRO 47UF 50WV		S
C20			CE04KW1E330M	ELECTRO 33UF 25WV		J
C20			CE04LW1E330M	ELECTRO 33UF 25WV		S
C21			CE04KW1H2R2M	ELECTRO 2.2UF 50WV		J
C21			CE04LW1H2R2M	ELECTRO 2.2UF 50WV		S

E: Scandinavia & Europe K: USA P: Canada
 Y: PX(Far East, Hawaii) T: England M: Other Areas
 Y: AAFES(Europe) X: Australia

5: A-54 J: Japan made
 3: A-34 S: Singapore made

⚠ indicates safety critical components.

PARTS LIST

× New Parts

Parts without Parts No. are not supplied.

Les articles non mentionnes dans le Parts No. ne sont pas fournis.

Telle ohne Parts No. werden nicht geliefert.

Ref. No. 参照番号	Address 位置	New Parts 新	Parts No. 部品番号	Description 部品名 / 規格	Desti- nation 仕 向	Re- marks 備考
R15 ,16			RD14AB2E271J	FL-PROOF RD 270 J 1/4W		J
R15 ,16			RD14GB2E271J	FL-PROOF RD 270 J 1/4W		S
R21 -24			RD14AB2E221J	FL-PROOF RD 220 J 1/4W		J
R21 -24			RD14GB2E221J	FL-PROOF RD 220 J 1/4W		S
R25 ,26			RD14AB2E470J	FL-PROOF RD 47 J 1/4W		J
R25 ,26			RD14GB2E470J	FL-PROOF RD 47 J 1/4W		S
D1 ,2			HSS104	DIODE		
D1 ,2			1SS133	DIODE		
Q1 -4			2SA992(F,E)	TRANSISTOR		
Q5 -8			2SC1845(F,E)	TRANSISTOR		
Q9 ,10			2SA992(F,E)	TRANSISTOR		

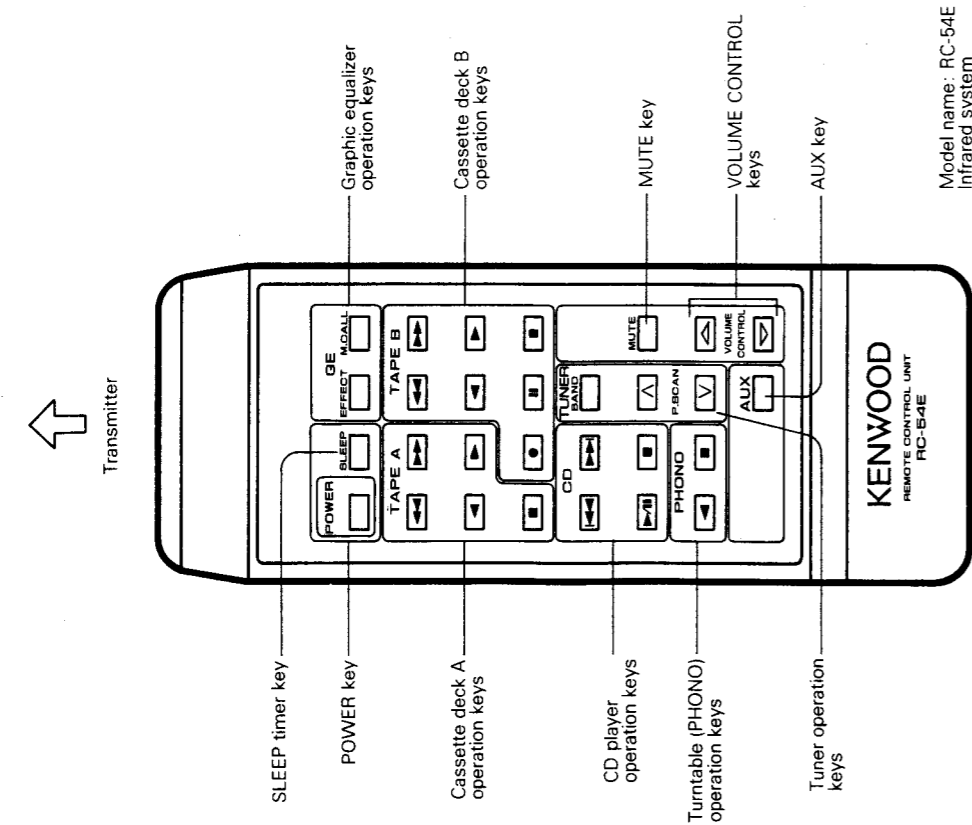
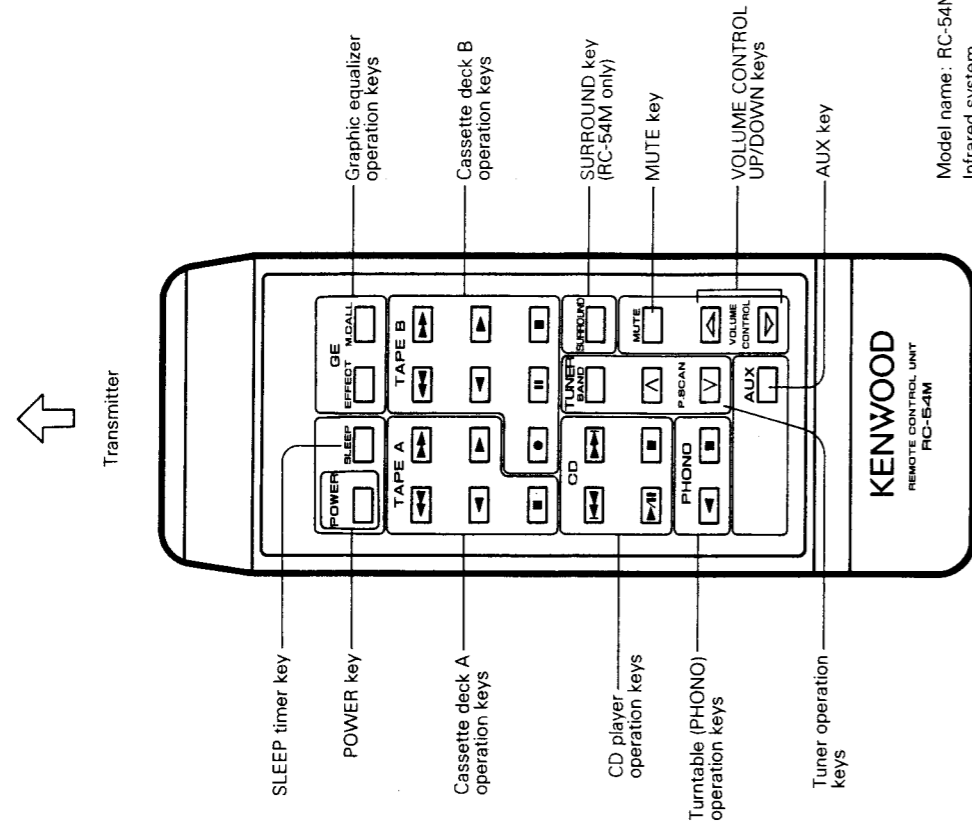
E: Scandinavia & Europe K: USA P: Canada
 Y: PX(Far East, Hawaii) T: England M: Other Areas
 Y: AAFES(Europe) X: Australia

5: A-54 J: Japan made
 3: A-34 S: Singapore made

⚠ indicates safety critical components.

REMOTE CONTROL UNIT

SPECIFICATIONS



A-34

Continuous power output
(DIN) at 1 kHz 8 Ω: 40 W+40 W
(IEC/NF) at 8 Ω: 40 W+40 W

Total harmonic distortion
at 1/2 rated power: 0.02%

Signal to noise ratio (IHF '66)
PHONO (MM): 72 dB
CD, TUNER, AUX, TAPE: . 96 dB

Signal to noise ratio (DIN at 50 mW output)
PHONO (MM): 58 dB
CD, TUNER, AUX, TAPE:.. 60 dB

Input sensitivity/Impedance
PHONO (MM): 2.5 mV/47 kΩ
CD, TUNER, AUX, TAPE:.. 200 mV/47 kΩ

Frequency response
(20 Hz to 50,000 Hz): +0 dB, -3 dB

Tone controls
BASS: ±10 dB (at 100 Hz)
TREBLE: ±10 dB (at 10 kHz)

Output level/impedance
TAPE REC: 200 mV/3.3 kΩ

General

Power consumption: 140 W (IEC)
Dimension: W: 360 mm
H: 129 mm
D: 375 mm
Weight (net): 6.9 kg

A-54

Continuous power output
(DIN) at 1 kHz 8 Ω: 55 W+55 W
(IEC/NF) at 8 Ω: 55 W+55 W

Total harmonic distortion
at 1/2 rated power: 0.02%

Signal to noise ratio (IHF '66)
PHONO (MM): 76 dB
CD, TUNER, AUX, TAPE: . 96 dB

Signal to noise ratio (DIN at 50 mW output)
PHONO (MM): 58 dB
CD, TUNER, AUX, TAPE:.. 60 dB

Input sensitivity/Impedance
PHONO (MM): 2.5 mV/47 kΩ
CD, TUNER, AUX, TAPE:.. 200 mV/47 kΩ

Frequency response
(20 Hz to 50,000 Hz): +0 dB, -3 dB

Tone controls
BASS: ±10 dB (at 100 Hz)
TREBLE: ±10 dB (at 10 kHz)

Output level/impedance
TAPE REC: 200 mV/3.3 kΩ

General

Power consumption: 170 W (IEC)
Dimension: W: 360 mm
H: 129 mm
D: 375 mm
Weight (net): 7.3 kg

Note:
KENWOOD follows a policy of continuous advancements in development. For this reason specifications may be changed without notice.

KENWOOD CORPORATION

Shionogi Shibuya Building, 17-5, 2-chome Shibuya, Shibuya-ku, Tokyo 150, Japan

KENWOOD U.S.A. CORPORATION
2201 East Dominguez Street, Long Beach, CA 90810;
550 Clark Drive, Mount Olive, NJ 07828, U.S.A.

KENWOOD ELECTRONICS CANADA INC.
P.O. BOX 1075, 959 Gana Court, Mississauga, Ontario, Canada L4T 4C2

TRIO-KENWOOD U.K. LIMITED
KENWOOD House, Dwight Road, Watford, Herts., WD1 8EB United Kingdom

KENWOOD ELECTRONICS BENELUX N.V.
Mechelsesteenweg 418 B-1930 Zaventem, Belgium

KENWOOD ELECTRONICS DEUTSCHLAND GMBH
Rembrücker-Str. 15, 6056 Heusenstamm, West Germany

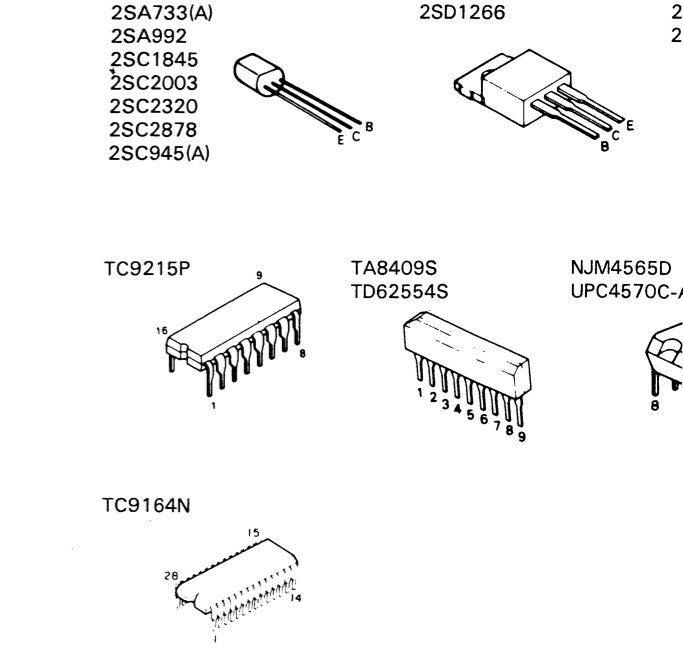
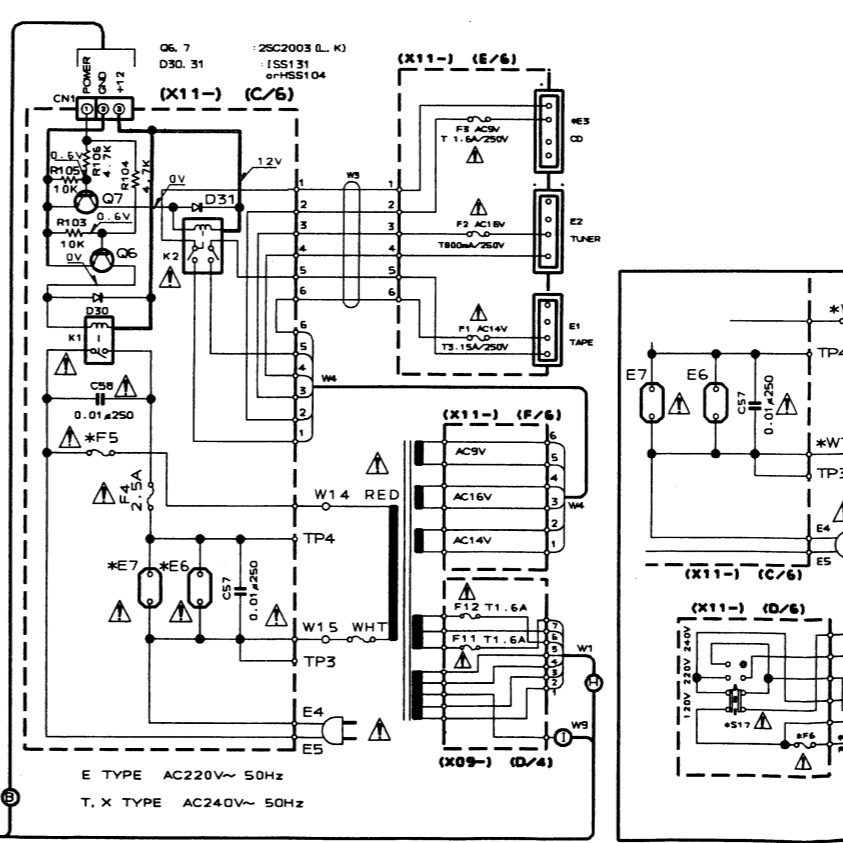
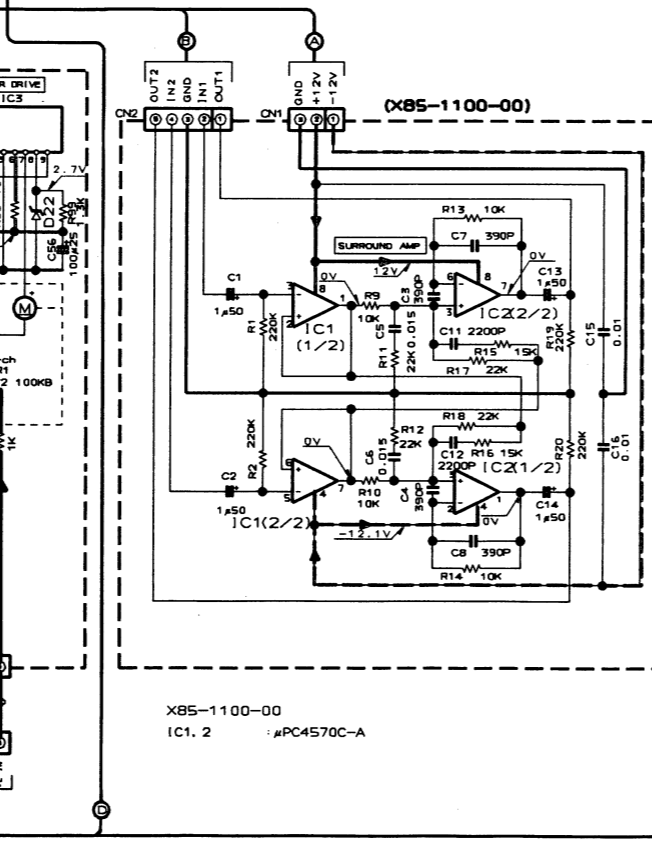
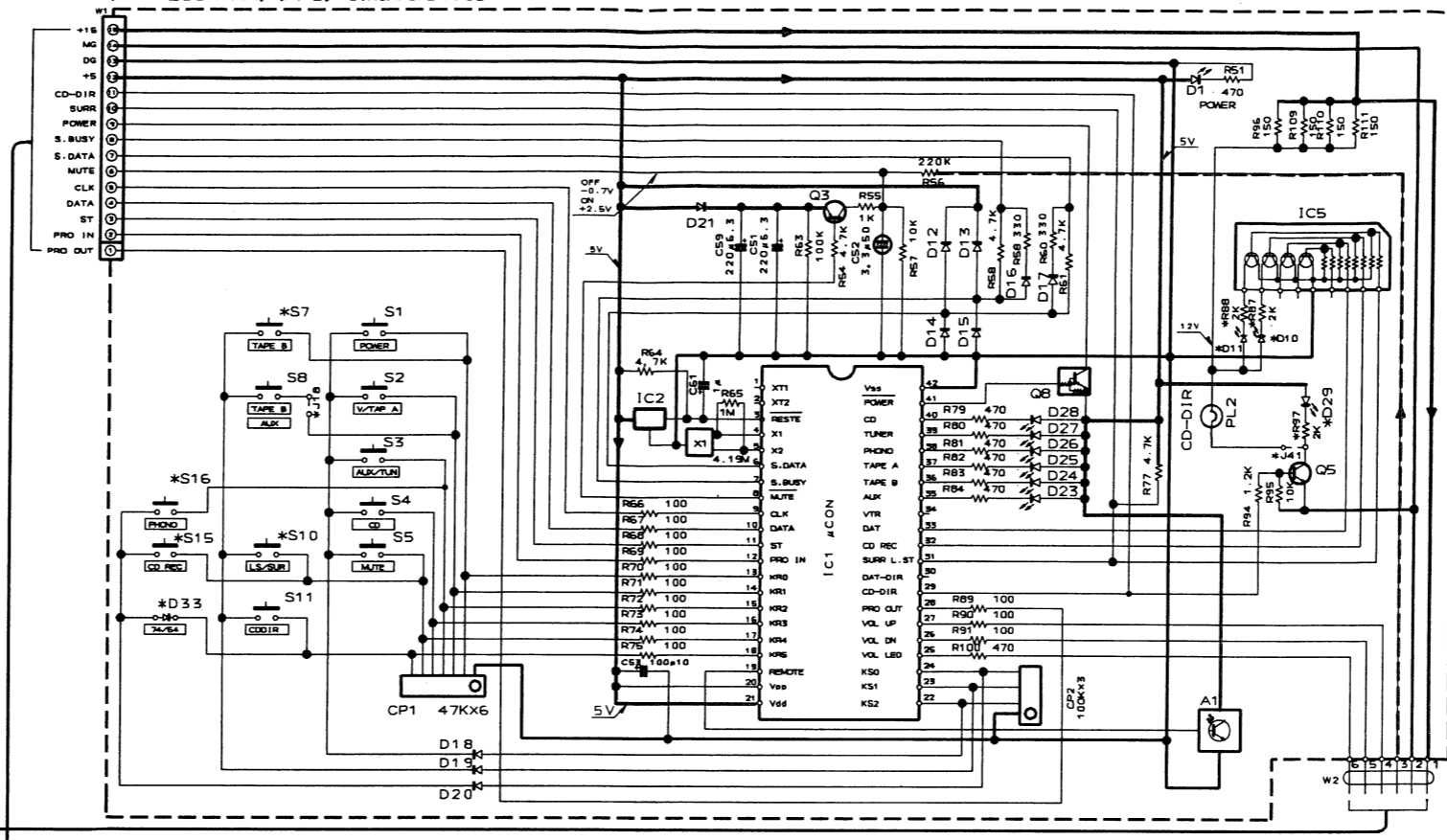
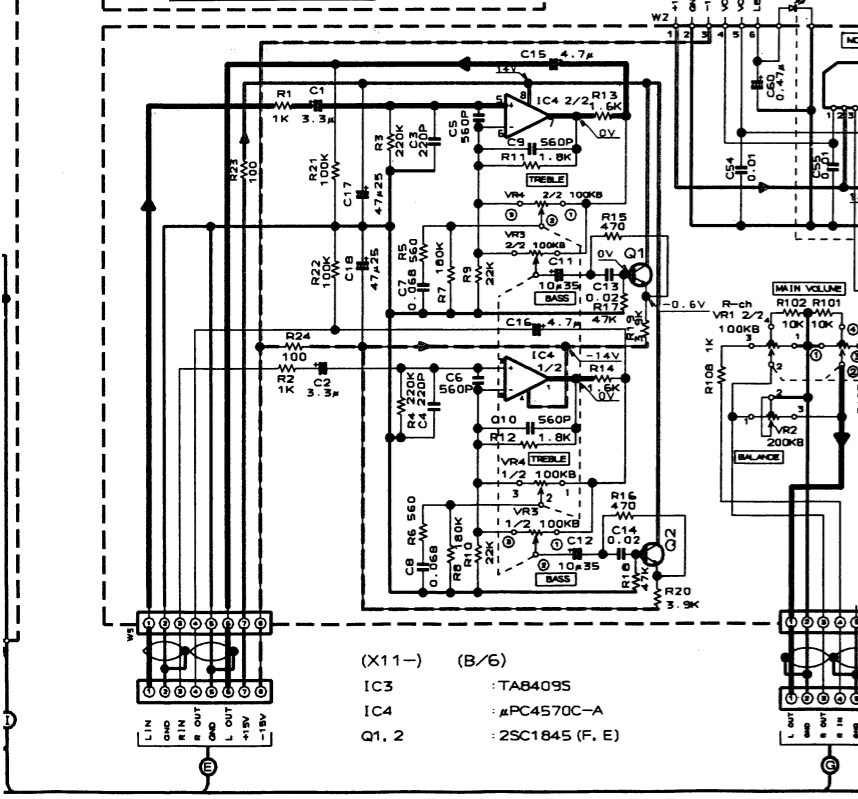
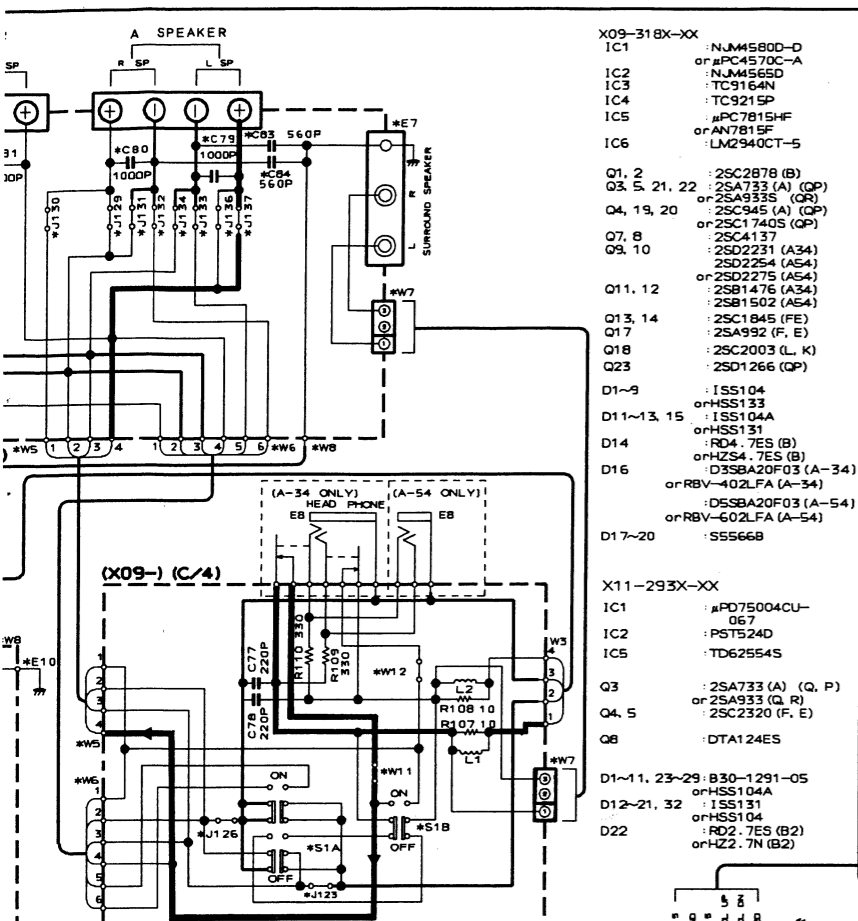
TRIO-KENWOOD FRANCE S.A.
13 Boulevard Ney, 75018 Paris, France

KENWOOD LINEAR S.p.A.
20125, MILANO-VIA ARBE, 50, ITALY

KENWOOD ELECTRONICS AUSTRALIA PTY. LTD. (INCORPORATED IN N.S.W.)
4E Woodcock Place, Lane Cove, N.S.W. 2086, Australia

KENWOOD & LEE ELECTRONICS, LTD.
Wang Kee Building, 4th Floor, 34-37, Connaught Road, Central, Hong Kong

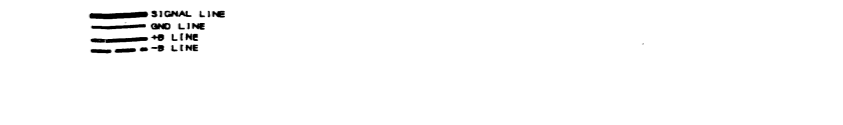
(X11-293X-XX) (A/6)
(X11-296X-XX) (A/6) SINGAPORE MADE

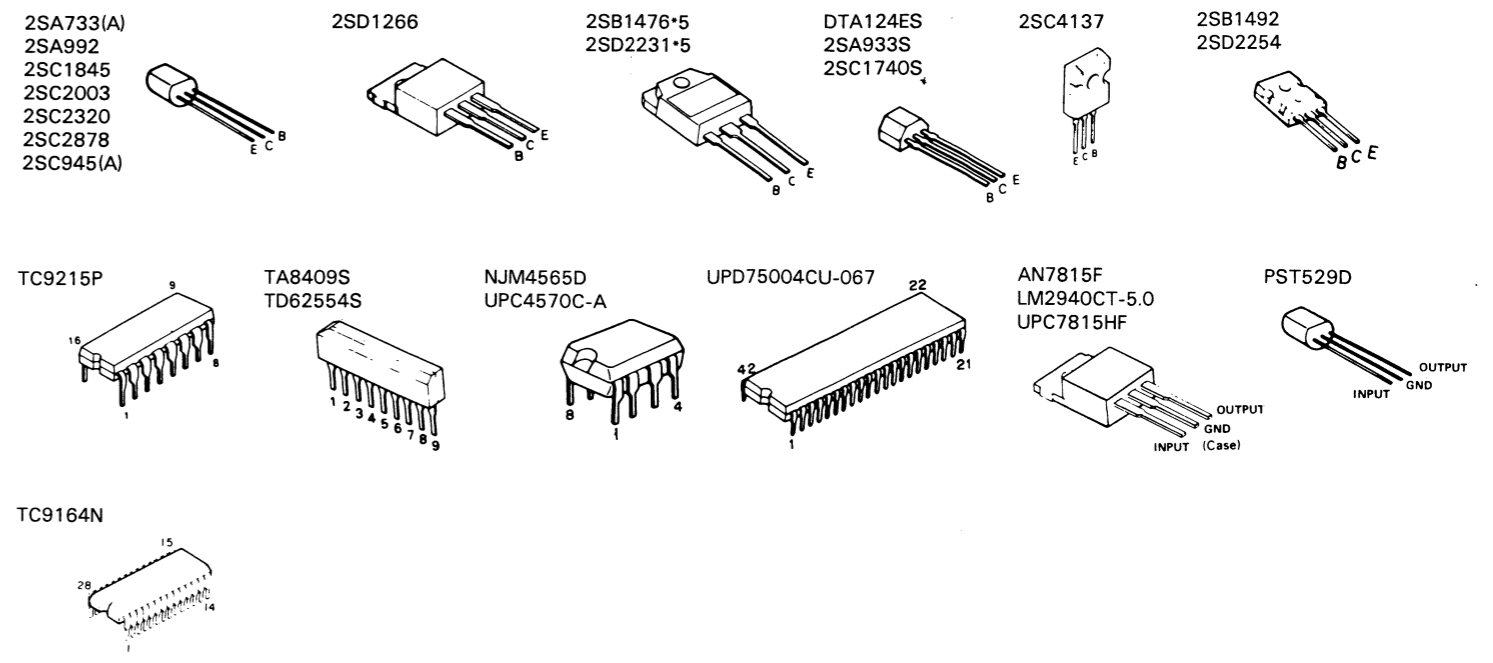
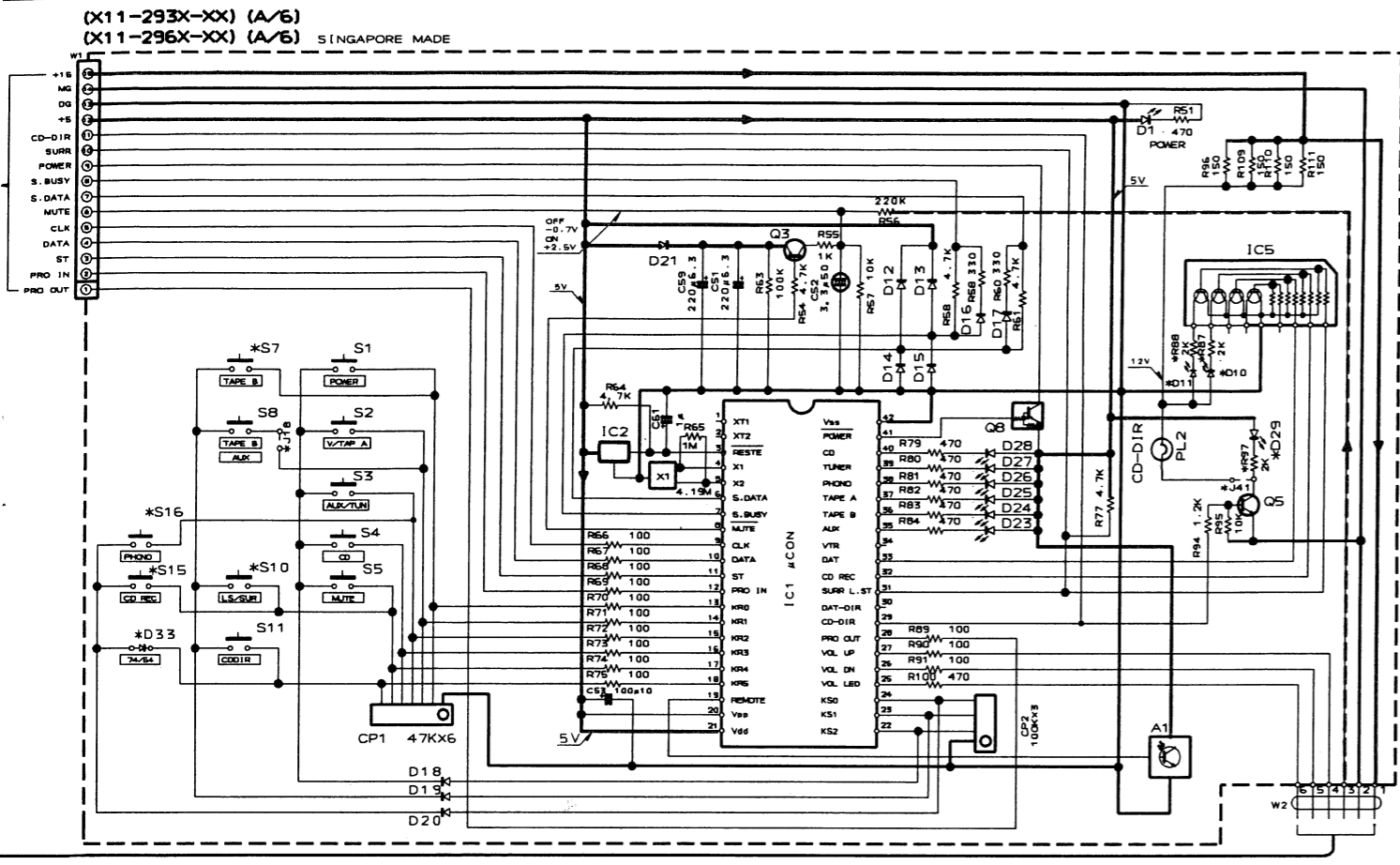


CAUTION: For continued safety, replace parts only with manufacturer's recommended parts list. ⚠ Indicates safety critical component risk of electric shock, leakage-current or re shall be carried out (exposed parts are acc the supply circuit) before the appliance is r er.

J143	J145	A	B	C	D	E	F	G	H	J	K	L	M	N	Q	
NO	NO	A-34 (E, T, X)	38.5V	39.3V	0V	11.2V	11.9V	25.9V	39.2V	-39.2V	-27.7V	-21.0V	-15.6V	10.0V	AC29.2/23.9	AC29.2/23.9
NO	NO	A-54 (E, T)	45.0V	45.8V	1.1V	11.5V	12.1V	25.9V	45.8V	-45.8V	-27.7V	-21.5V	-15.4V	9.8V	AC33.5/27.4	AC33.5/27.4
YES	YES	A-54 (M, X)	41.0V	41.7V	1.1V	11.2V	11.8V	25.2V	41.8V	-41.8V	-27.0V	-20.5V	-15.6V	9.3V	AC30.5	AC30.5
NO	NO															

X11-293X-XX		D10	D11	D29	E3	E6.7	F3	F5	F6	IC5	J41	S10	S15	S17	PL2	R87	R88	R97	W7-13	W14-15	
A-34	E 2-72	NO	NO	YES	YES	E03 010805	1.6A	1A	NO	NO	NO	NO	NO	NO	NO	NO	NO	NO	2K	NO	YES
	T 0-53	NO	NO	YES	YES	E03 010905	1.6A	1A	NO	NO	NO	NO	NO	NO	NO	NO	NO	NO	2K	NO	YES
	X 0-72	NO	NO	YES	YES	NO	NO	NO	NO	NO	NO	NO	NO	NO	NO	NO	NO	NO	2K	NO	YES
A-54	E 2-71	YES	NO	NO	NO	E03 010805	NO	1.25	NO	YES	YES	NO	YES	NO	YES	2K	NO	NO	NO	NO	YES
	T 0-52	YES	NO	NO	NO	E03 010905	NO	1.25	NO	YES	YES	NO	YES	NO	YES	2K	NO	NO	NO	NO	YES
	M 0-21	YES	YES	NO	NO	E03 010805	NO	4A	2A	YES	YES	YES	YES	YES	YES	2K	2K	NO	NO	YES	NO
X 0-71	YES	YES	NO	NO	NO	NO	NO	2A	NO	YES	YES	YES	YES	YES	YES	2K	2K	NO	NO	YES	NO



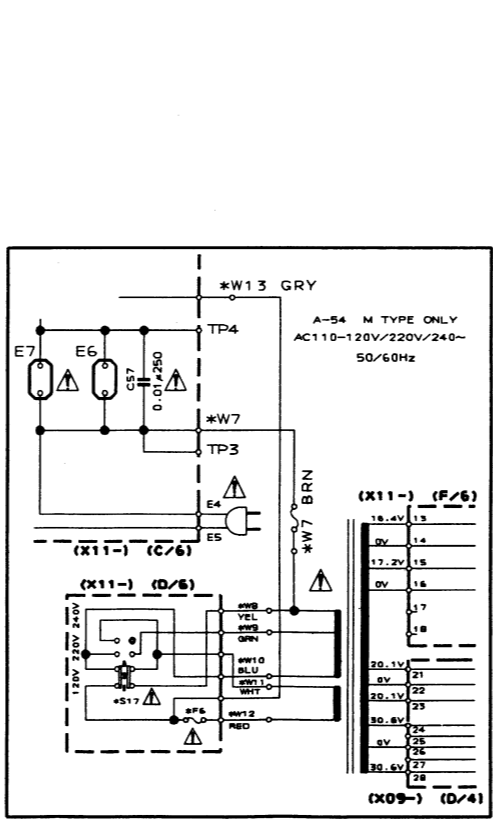
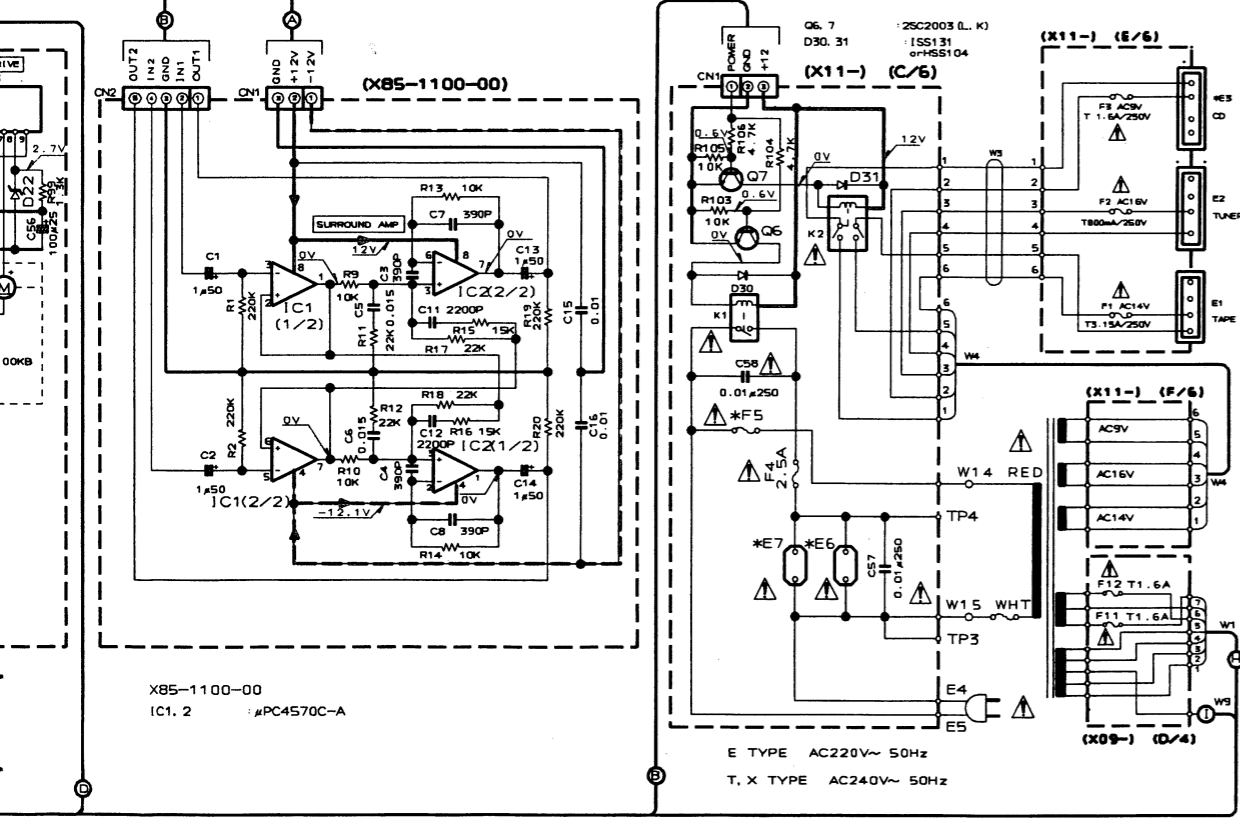


CAUTION: For continued safety, replace safety critical components only with manufacturer's recommended parts (refer to parts list). ⚠ Indicates safety critical components. To reduce the risk of electric shock, leakage-current or resistance measurements shall be carried out (exposed parts are acceptably insulated from the supply circuit) before the appliance is returned to the customer.

DC voltages are as measured with a high impedance voltmeter. Values may vary slightly due to variations between individual instruments or/and units.

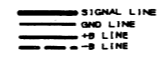
Les tensions c.c. doivent être mesurées avec un voltmètre à haute impédance. Les valeurs peuvent différer légèrement du fait des variations inhérentes aux appareils et aux instruments de mesure individuels.

Die angegebenen Gleichspannungswerte wurden mit einem hochohmigen Spannungsmesser gemessen. Dabei schwanken die Meßwerte aufgrund von Unterschieden zwischen einzelnen Instrumenten oder Geräten u. U. geringfügig.

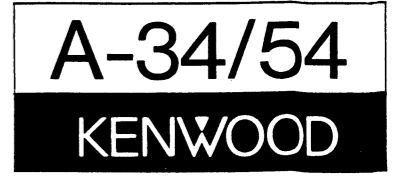


M	N	O
6V	10.0V	AC29.2/23.9
4V	9.8V	AC33.5/27.4
6	9.3V	AC30.5

X11-293X-XX		D10	D11	D29	E3	E6.7	F3	F5	F6	IC5	J41	S10	S15	S17	PL2	R87	R88	R97	W7-13	W14-15	
A-34	E	2-72	NO	NO	YES	YES	E03 010805	1.6A	1A	NO	NO	NO	NO	NO	NO	NO	NO	NO	2K	NO	YES
	T	0-53	NO	NO	YES	YES	E03 010905	1.6A	1A	NO	NO	NO	NO	NO	NO	NO	NO	NO	2K	NO	YES
	X	0-72	NO	NO	YES	YES	NO	1.6A	1A	NO	NO	NO	NO	NO	NO	NO	NO	NO	2K	NO	YES
A-54	E	2-71	YES	NO	NO	NO	E03 010805	NO	1.25	NO	YES	YES	NO	YES	NO	YES	2K	NO	NO	NO	YES
	T	0-52	YES	NO	NO	NO	E03 010905	NO	1.25	NO	YES	YES	NO	YES	NO	YES	2K	NO	NO	NO	YES
	M	0-21	YES	YES	NO	NO	E03 010805	NO	4A	2A	YES	YES	YES	YES	YES	YES	2K	2K	NO	YES	NO
X	0-71	YES	YES	NO	NO	NO	NO	2A	NO	YES	YES	YES	NO	YES	2K	2K	NO	NO	NO	YES	



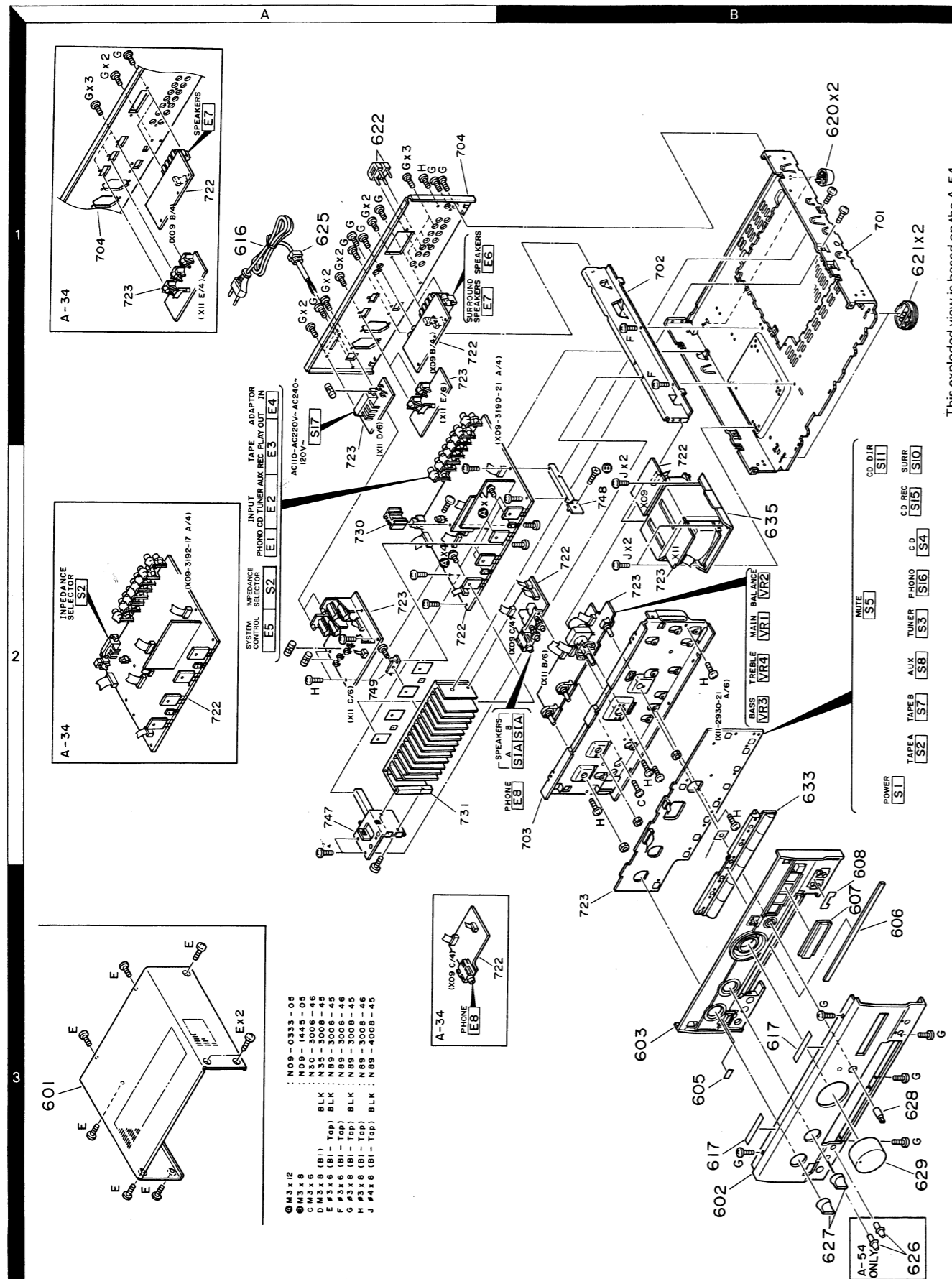
Y36-4202-72



EXPLODED VIEW (MECHANISM)

PARTS LIST

× New Parts
 Parts without Parts No. are not supplied.
 Les articles non mentionnés dans le Parts No. ne sont pas fournis.
 Teile ohne Parts No. werden nicht geliefert.



This exploded view is based on the A-54.

Ref. No.	Address	New Parts	Parts No.	Description	Destination	Remark
参照番号	位置	新	部品番号	部品名/規格	仕向	備考
A-34 (JAPAN MADE)						
601	1A	*	A01-1894-01	METALLIC CABINET		
602	2A	*	A20-6078-02	PANEL		
603	2A	*	B01-0470-01	PANEL ESCUTCHEON		
605	2A	*	B03-2478-04	DRESSING PLATE		
606	2A	*	B03-2661-03	DRESSING PLATE		
607	2A	*	B10-1810-03	FRONT GLASS		
608	2A	*	B11-0232-04	SMOKED FILTER		T
-			B46-0096-13	WARRANTY CARD		X
-			B46-0122-13	WARRANTY CARD		E
-			B46-0143-13	WARRANTY CARD		T
△ 616	1C		E30-0459-05	AC POWER CORD		E
△ 616	1C		E30-1341-05	AC POWER CORD		X
△ 616	1C		E30-1416-05	AC POWER CORD		T
E6			E03-0114-05	AC OUTLET		X
617	2A		G13-0439-04	CUSHION		
-		*	H01-8863-04	ITEM CARTON CASE		
-		*	H10-5050-02	POLYSTYRENE FOAMED FIXTURE		
-		*	H10-5051-02	POLYSTYRENE FOAMED FIXTURE		
-			H25-0224-04	PROTECTION BAG (800X400X0.03)		
-			H25-0232-04	PROTECTION BAG (235X350X0.03)		
620	2C		J02-0366-15	FOOT		
621	2C		J02-1040-05	FOOT		
622	1C		J12-0091-05	PIN		
△ 625	1C		J42-0083-05	POWER CORD BUSHING		
-			J61-0307-05	WIRE BAND		
627	2A	*	K29-3981-04	KNOB BASS, TREBLE		
628	2A	*	K29-3741-04	KNOB BALANCE		
629	2A	*	K29-3744-04	KNOB VOLUME		
633	2A, 2B	*	K29-3983-03	KNOB INPUT SELECTOR		
△ 635	2B	*	L07-0141-05	POWER TRANSFORMER		E
△ 635	2B	*	L07-0142-05	POWER TRANSFORMER		T
E	1A		N89-3006-45	BINDING HEAD TAPTITE SCREW		
F	2C		N89-3006-46	BINDING HEAD TAPTITE SCREW		
G	2A, 1C		N89-3008-45	BINDING HEAD TAPTITE SCREW		
H	1B, 2B		N89-3008-46	BINDING HEAD TAPTITE SCREW		
J	2B		N89-4008-45	BINDING HEAD TAPTITE SCREW		
A-34 (SINGAPORE MADE)						
601	1A	*	A01-1894-01	METALLIC CABINET		
602	2A	*	A20-6078-02	PANEL		
603	2A	*	B01-0470-01	PANEL ESCUTCHEON		
605	2A	*	B03-2478-04	DRESSING PLATE		
606	2A	*	B03-2661-03	DRESSING PLATE		
607	2A	*	B10-1810-03	FRONT GLASS		
608	2A	*	B11-0232-04	SMOKED FILTER		
-			B46-0096-13	WARRANTY CARD		X
-			B46-0122-13	WARRANTY CARD		E
-			B46-0143-13	WARRANTY CARD		T
△ 616	1C		E30-0459-05	AC POWER CORD		E
△ 616	1C		E30-1341-05	AC POWER CORD		X
△ 616	1C		E30-1416-05	AC POWER CORD		T

E: Scandinavia & Europe K: USA P: Canada
 Y: PX (Far East, Hawaii) T: England M: Other Areas
 Y: AAFES (Europe) X: Australia

5: A-54 J: Japan made
 3: A-34 S: Singapore m

△ indicates safety critical component

ARTS LIST

pas fournis.

Description 部品名 / 規格	Destination 仕向	Remarks 備考
PAN MADE)		
METALLIC CABINET PANEL		
PANEL ESCUTCHEON DRESSING PLATE DRESSING PLATE FRONT GLASS SMOKED FILTER	T	
WARRANTY CARD WARRANTY CARD WARRANTY CARD	X E T	
AC POWER CORD AC POWER CORD AC POWER CORD AC OUTLET	E X T X	
CUSHION		
ITEM CARTON CASE POLYSTYRENE FOAMED FIXTURE POLYSTYRENE FOAMED FIXTURE PROTECTION BAG (800X400X0.03) PROTECTION BAG (235X350X0.03)		
FOOT FOOT PIN POWER CORD BUSHING WIRE BAND		
KNOB BASS, TREBLE KNOB BALANCE KNOB VOLUME KNOB INPUT SELECTOR		
POWER TRANSFORMER POWER TRANSFORMER	E TX	
BINDING HEAD TAPTITE SCREW BINDING HEAD TAPTITE SCREW BINDING HEAD TAPTITE SCREW BINDING HEAD TAPTITE SCREW		
GAPORE MADE)		
METALLIC CABINET PANEL		
PANEL ESCUTCHEON DRESSING PLATE DRESSING PLATE FRONT GLASS SMOKED FILTER		
WARRANTY CARD WARRANTY CARD WARRANTY CARD	X E T	
AC POWER CORD AC POWER CORD AC POWER CORD	E X T	

5: A-54 J: Japan made
3: A-34 S: Singapore made

△ indicates safety critical components.

15

PARTS LIST

× New Parts

Parts without Parts No. are not supplied.

Les articles non mentionnés dans le Parts No. ne sont pas fournis.

Teile ohne Parts No. werden nicht geliefert.

Ref. No. 参照番号	Address 位置	New Parts 新	Parts No. 部品番号	Description 部品名 / 規格	Destination 仕向	Remarks 備考
E6			E03-0114-05	AC OUTLET	X	
617	2A		G13-0439-04	CUSHION		
-		*	H01-8868-04	ITEM CARTON CASE	ET	
-		*	H01-8907-04	ITEM CARTON CASE	X	
-		*	H10-5052-02	POLYSTYRENE FOAMED FIXTURE		
-		*	H10-5053-02	POLYSTYRENE FOAMED FIXTURE		
-		*	H25-0224-04	PROTECTION BAG (800X400X0.03)		
-			H25-0232-04	PROTECTION BAG (235X350X0.03)		
620	2C		J02-0366-15	FOOT		
621	2C		J02-1040-05	FOOT		
622	1C		J12-0091-05	PIN		
625	1C		J42-0083-05	POWER CORD BUSHING		
-			J61-0307-05	WIRE BAND		
627	2A	*	K29-3981-04	KNOB BASS, TREBLE		
628	2A	*	K29-3741-04	KNOB BALANCE		
629	2A	*	K29-3744-04	KNOB VOLUME		
633	2A, 2B	*	K29-3983-03	KNOB INPUT SELECTOR		
635	2B	*	L07-0141-05	POWER TRANSFORMER	E	
635	2B	*	L07-0142-05	POWER TRANSFORMER	TX	
E	1A		N89-3006-45	BINDING HEAD TAPTITE SCREW		
F	2C		N89-3006-46	BINDING HEAD TAPTITE SCREW		
G	2A, 1C		N89-3008-45	BINDING HEAD TAPTITE SCREW		
H	1B, 2B		N89-3008-46	BINDING HEAD TAPTITE SCREW		
J	2B		N89-4008-45	BINDING HEAD TAPTITE SCREW		
A-54 (JAPAN MADE)						
601	1A	*	A01-1894-01	METALLIC CABINET		
602	2A	*	A20-6076-02	PANEL	ET	
602	2A	*	A20-6077-02	PANEL	MX	
603	2A	*	B01-0469-01	PANEL ESCUTCHEON		
605	2A	*	B03-2478-04	DRESSING PLATE		
606	2A	*	B03-2661-03	DRESSING PLATE		
607	2A	*	B10-1809-03	FRONT GLASS		
608	2A	*	B11-0232-04	SMOKED FILTER		
-			B46-0096-13	WARRANTY CARD	X	
-			B46-0122-13	WARRANTY CARD	E	
-			B46-0143-13	WARRANTY CARD	T	
616	1C		E30-0459-05	AC POWER CORD	EM	
616	1C		E30-1341-05	AC POWER CORD	X	
616	1C		E30-1416-05	AC POWER CORD	T	
E6			E03-0114-05	AC OUTLET	X	
617	2A		G13-0439-04	CUSHION		
-		*	H01-8862-04	ITEM CARTON CASE		
-		*	H10-5050-02	POLYSTYRENE FOAMED FIXTURE		
-		*	H10-5051-02	POLYSTYRENE FOAMED FIXTURE		
-		*	H25-0224-04	PROTECTION BAG (800X400X0.03)		
-		*	H25-0232-04	PROTECTION BAG (235X350X0.03)	BTX	
620	2C		J02-0366-15	FOOT		
621	2C		J02-1040-05	FOOT		
622	1C		J12-0091-05	PIN		
625	1C		J42-0083-05	POWER CORD BUSHING		
-			J61-0307-05	WIRE BAND		

E: Scandinavia & Europe K: USA P: Canada
Y: PX (Far East, Hawaii) T: England M: Other Areas
Y: AAFES (Europe) X: Australia

5: A-54 J: Japan made
3: A-34 S: Singapore made

△ indicates safety critical components.

A-34/54

A-34/54

PARTS LIST

× New Parts

Parts without Parts No. are not supplied.

Les articles non mentionnés dans le Parts No. ne sont pas fournis.

Teile ohne Parts No. werden nicht geliefert.

Ref. No. 参照番号	Address 位置	New Parts 新	Parts No. 部品番号	Description 部品名 / 規格	Destination 仕向	Remarks 備考
627	2A	*	K29-3981-04	KNOB BASS, I		
628	2A	*	K29-3741-04	KNOB BALSNC		
629	2A	*	K29-3744-04	KNOB VOLUME		
633	2A, 2B	*	K29-3983-03	KNOB INPUT		
636	2A	*	K27-2021-04	KNOB SPEAKE		
635	2B	*	L07-0138-05	POWER TRANS		
635	2B	*	L07-0139-05	POWER TRANS		
635	2B	*	L07-0140-05	POWER TRANS		
635	2B	*	L07-0211-05	POWER TRANS		
C	2B		N30-3006-46	PAN HEAD M/		
E	1A		N89-3006-45	BINDING HE/		
F	2C		N89-3006-46	BINDING HE/		
G	2A, 1C		N89-3008-45	BINDING HE/		
H	1B, 2B		N89-3008-46	BINDING HE/		
J	2B		N89-4008-45	BINDING HE/		
A-54 (SINGAPORE MAI						
601	1A	*	A01-1894-01	METALLIC CA		
602	2A	*	A20-6076-02	PANEL		
602	2A	*	A20-6077-02	PANEL		
603	2A	*	B01-0469-01	PANEL ESCUC		
605	2A	*	B03-2478-04	DRESSING PI		
606	2A	*	B03-2661-03	DRESSING PI		
607	2A	*	B10-1809-03	FRONT GLAS		
608	2A	*	B11-0232-04	SMOKED FIL		
-			B46-0096-13	WARRANTY C.		
-			B46-0122-13	WARRANTY C.		
-			B46-0143-13	WARRANTY C.		
616	1C		E30-0459-05	AC POWER C		
616	1C		E30-1341-05	AC POWER C		
616	1C		E30-1416-05	AC POWER C		
E6			E03-0114-05	AC OUTLET		
617	2A		G13-0439-04	CUSHION		
-		*	H01-8866-04	ITEM CARTO		
-		*	H01-8867-04	ITEM CARTO		
-		*	H10-5052-02	POLYSTYREN		
-		*	H10-5053-02	POLYSTYREN		
-		*	H25-0224-04	PROTECTION		
-			H25-0232-04	PROTECTION		
620	2C		J02-0366-15	FOOT		
621	2C		J02-1040-05	FOOT		
622	1C		J12-0091-05	PIN		
625	1C		J42-0083-05	POWER CORD		
-			J61-0307-05	WIRE BAND		
626	2A	*	K27-2021-04	KNOB SPEAK		
627	2A	*	K29-3981-04	KNOB BASS,		
628	2A	*	K29-3741-04	KNOB BALAN		
629	2A	*	K29-3744-04	KNOB VOLUM		
633	2A, 2B	*	K29-3983-03	KNOB INPUT		
635	2B	*	L07-0138-05	POWER TRAN		
635	2B	*	L07-0139-05	POWER TRAN		
635	2B	*	L07-0140-05	POWER TRAN		
635	2B	*	L07-0211-05	POWER TRAN		

E: Scandinavia & Europe K: USA P: Canada
Y: PX (Far East, Hawaii) T: England M: Other Areas
Y: AAFES (Europe) X: Australia

16

PARTS LIST

※ New Parts
Parts without Parts No. are not supplied.
Les articles non mentionnés dans le Parts No. ne sont pas fournis.
Teile ohne Parts No. werden nicht geliefert.

Ref. No. 参照番号	Address 位置	New Parts 新	Parts No. 部品番号	Description 部品名 / 規格	Desti- nation 仕 向	Re- marks 備考
E6			E03-0114-05	AC OUTLET	X	
617	2A		G13-0439-04	CUSHION		
-		*	H01-8868-04	ITEM CARTON CASE	ET	
-		*	H01-8907-04	ITEM CARTON CASE	X	
-		*	H10-5052-02	POLYSTYRENE FOAMED FIXTURE		
-		*	H10-5053-02	POLYSTYRENE FOAMED FIXTURE		
-		*	H25-0224-04	PROTECTION BAG (800X400X0.03)		
-			H25-0232-04	PROTECTION BAG (235X350X0.03)		
620	2C		J02-0366-15	FOOT		
621	2C		J02-1040-05	FOOT		
622	1C		J12-0091-05	PIN		
625	1C		J42-0083-05	POWER CORD BUSHING		
-			J61-0307-05	WIRE BAND		
627	2A	*	K29-3981-04	KNOB BASS, TREBLE		
628	2A	*	K29-3741-04	KNOB BALANCE		
629	2A	*	K29-3744-04	KNOB VOLUME		
633	2A, 2B	*	K29-3983-03	KNOB INPUT SELECTOR		
635	2B	*	L07-0141-05	POWER TRANSFORMER	E	
635	2B	*	L07-0142-05	POWER TRANSFORMER	TX	
E	1A		N89-3006-45	BINDING HEAD TAPTITE SCREW		
F	2C		N89-3006-46	BINDING HEAD TAPTITE SCREW		
G	2A, 1C		N89-3008-45	BINDING HEAD TAPTITE SCREW		
H	1B, 2B		N89-3008-46	BINDING HEAD TAPTITE SCREW		
J	2B		N89-4008-45	BINDING HEAD TAPTITE SCREW		
A-54 (JAPAN MADE)						
601	1A	*	A01-1894-01	METALLIC CABINET		
602	2A	*	A20-6076-02	PANEL	ET	
602	2A	*	A20-6077-02	PANEL	MX	
603	2A	*	B01-0469-01	PANEL ESCUTCHEON		
605	2A	*	B03-2478-04	DRESSING PLATE		
606	2A	*	B03-2661-03	DRESSING PLATE		
607	2A	*	B10-1809-03	FRONT GLASS		
608	2A	*	B11-0232-04	SMOKED FILTER		
-			B46-0096-13	WARRANTY CARD	X	
-			B46-0122-13	WARRANTY CARD	E	
-			B46-0143-13	WARRANTY CARD	T	
616	1C		E30-0459-05	AC POWER CORD	EM	
616	1C		E30-1341-05	AC POWER CORD	X	
616	1C		E30-1416-05	AC POWER CORD	T	
E6			E03-0114-05	AC OUTLET	X	
617	2A		G13-0439-04	CUSHION		
-		*	H01-8862-04	ITEM CARTON CASE	ET	
-		*	H10-5050-02	POLYSTYRENE FOAMED FIXTURE	MX	
-		*	H10-5051-02	POLYSTYRENE FOAMED FIXTURE		
-		*	H25-0224-04	PROTECTION BAG (800X400X0.03)		
-		*	H25-0232-04	PROTECTION BAG (235X350X0.03)	ETX	
620	2C		J02-0366-15	FOOT		
621	2C		J02-1040-05	FOOT		
622	1C		J12-0091-05	PIN		
625	1C		J42-0083-05	POWER CORD BUSHING		
-			J61-0307-05	WIRE BAND		

E: Scandinavia & Europe K: USA P: Canada
Y: PX (Far East, Hawaii) T: England M: Other Areas
Y: AAFES (Europe) X: Australia

5: A-54 J: Japan made
3: A-34 S: Singapore made

▲ indicates safety critical components.

PARTS LIST

※ New Parts
Parts without Parts No. are not supplied.
Les articles non mentionnés dans le Parts No. ne sont pas fournis.
Teile ohne Parts No. werden nicht geliefert.

Ref. No. 参照番号	Address 位置	New Parts 新	Parts No. 部品番号	Description 部品名 / 規格	Desti- nation 仕 向	Re- marks 備考
627	2A	*	K29-3981-04	KNOB BASS, TREBLE		
628	2A	*	K29-3741-04	KNOB BALANCE		
629	2A	*	K29-3744-04	KNOB VOLUME		
633	2A, 2B	*	K29-3983-03	KNOB INPUT SELECTOR		
636	2A	*	K27-2021-04	KNOB SPEAKERS		
635	2B	*	L07-0138-05	POWER TRANSFORMER	E	
635	2B	*	L07-0139-05	POWER TRANSFORMER	T	
635	2B	*	L07-0140-05	POWER TRANSFORMER	M	
635	2B	*	L07-0211-05	POWER TRANSFORMER	X	
C	2B		N30-3006-46	PAN HEAD MACHINE SCREW		
E	1A		N89-3006-45	BINDING HEAD TAPTITE SCREW		
F	2C		N89-3006-46	BINDING HEAD TAPTITE SCREW		
G	2A, 1C		N89-3008-45	BINDING HEAD TAPTITE SCREW		
H	1B, 2B		N89-3008-46	BINDING HEAD TAPTITE SCREW		
J	2B		N89-4008-45	BINDING HEAD TAPTITE SCREW		
A-54 (SINGAPORE MADE)						
601	1A	*	A01-1894-01	METALLIC CABINET		
602	2A	*	A20-6076-02	PANEL	ET	
602	2A	*	A20-6077-02	PANEL	MX	
603	2A	*	B01-0469-01	PANEL ESCUTCHEON		
605	2A	*	B03-2478-04	DRESSING PLATE		
606	2A	*	B03-2661-03	DRESSING PLATE		
607	2A	*	B10-1809-03	FRONT GLASS		
608	2A	*	B11-0232-04	SMOKED FILTER		
-			B46-0096-13	WARRANTY CARD	X	
-			B46-0122-13	WARRANTY CARD	E	
-			B46-0143-13	WARRANTY CARD	T	
616	1C		E30-0459-05	AC POWER CORD	EM	
616	1C		E30-1341-05	AC POWER CORD	X	
616	1C		E30-1416-05	AC POWER CORD	T	
E6			E03-0114-05	AC OUTLET	X	
617	2A		G13-0439-04	CUSHION		
-		*	H01-8866-04	ITEM CARTON CASE	ET	
-		*	H01-8867-04	ITEM CARTON CASE	MX	
-		*	H10-5052-02	POLYSTYRENE FOAMED FIXTURE		
-		*	H10-5053-02	POLYSTYRENE FOAMED FIXTURE		
-		*	H25-0224-04	PROTECTION BAG (800X400X0.03)		
-			H25-0232-04	PROTECTION BAG (235X350X0.03)	ETX	
620	2C		J02-0366-15	FOOT		
621	2C		J02-1040-05	FOOT		
622	1C		J12-0091-05	PIN		
625	1C		J42-0083-05	POWER CORD BUSHING		
-			J61-0307-05	WIRE BAND		
626	2A	*	K27-2021-04	KNOB SPEAKERS		
627	2A	*	K29-3981-04	KNOB BASS, TREBLE		
628	2A	*	K29-3741-04	KNOB BALANCE		
629	2A	*	K29-3744-04	KNOB VOLUME		
633	2A, 2B	*	K29-3983-03	KNOB INPUT SELECTOR		
635	2B	*	L07-0138-05	POWER TRANSFORMER	E	
635	2B	*	L07-0139-05	POWER TRANSFORMER	T	
635	2B	*	L07-0140-05	POWER TRANSFORMER	M	
635	2B	*	L07-0211-05	POWER TRANSFORMER	X	

E: Scandinavia & Europe K: USA P: Canada
Y: PX (Far East, Hawaii) T: England M: Other Areas
Y: AAFES (Europe) X: Australia

5: A-54 J: Japan made
3: A-34 S: Singapore made

▲ indicates safety critical components.