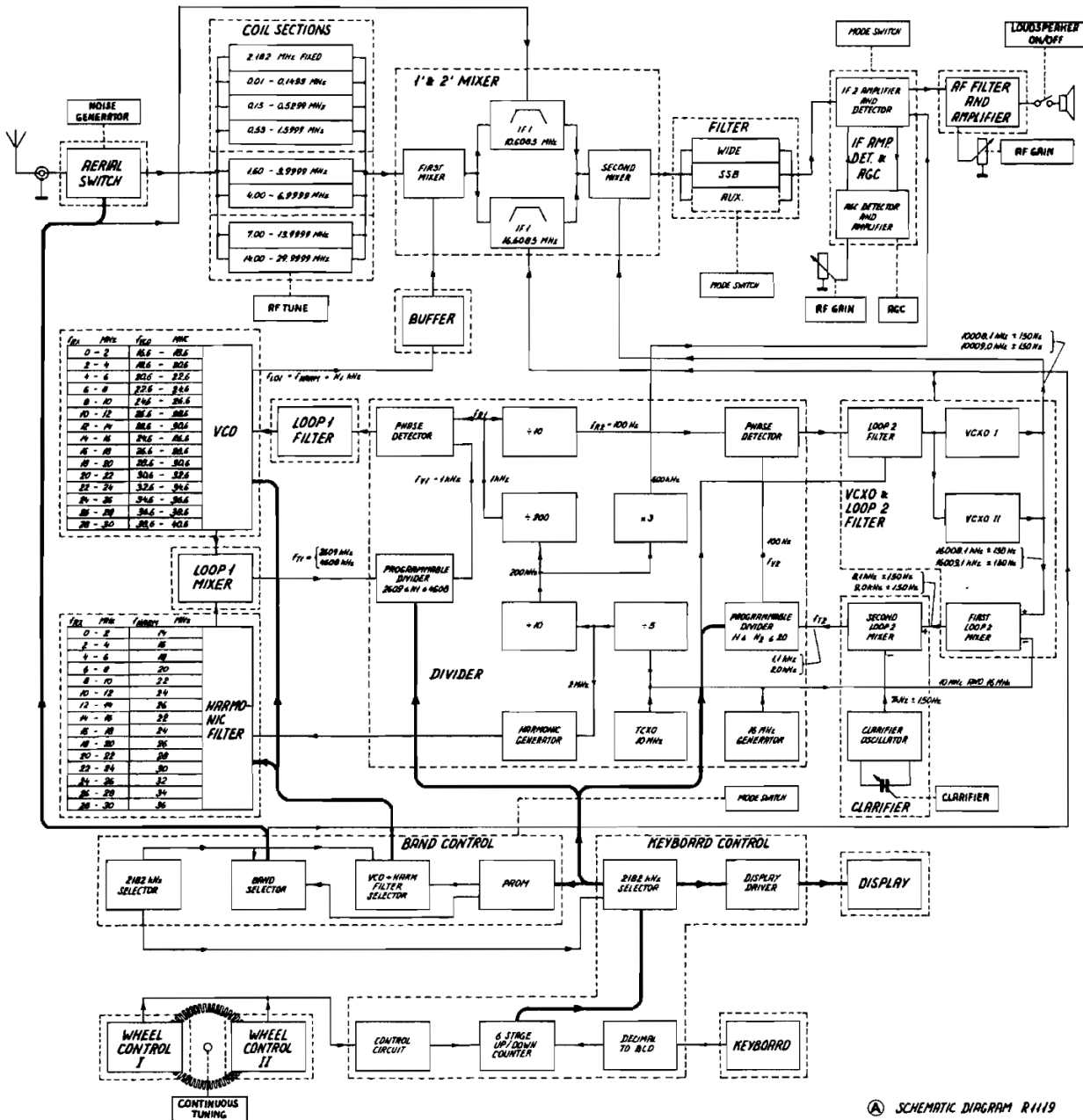


PRINCIPLE OF OPERATION



RECEIVER R1119

The SAILOR R1119 is a fully synthesized double superheterodyne receiver with 10.6085 MHz or 16.6085 MHz 1st IF and 600 kHz 2nd IF.

The signal from the aerial is led through the BAND FILTER UNIT to the FIRST MIXER, where the aerial signal is mixed with the f_{L01} signal having frequency resolution of 1 kHz, and thus giving a 1st IF frequency range from 10.6081 MHz to 10.6090 MHz or 16.6081 MHz to 16.6090 MHz.