

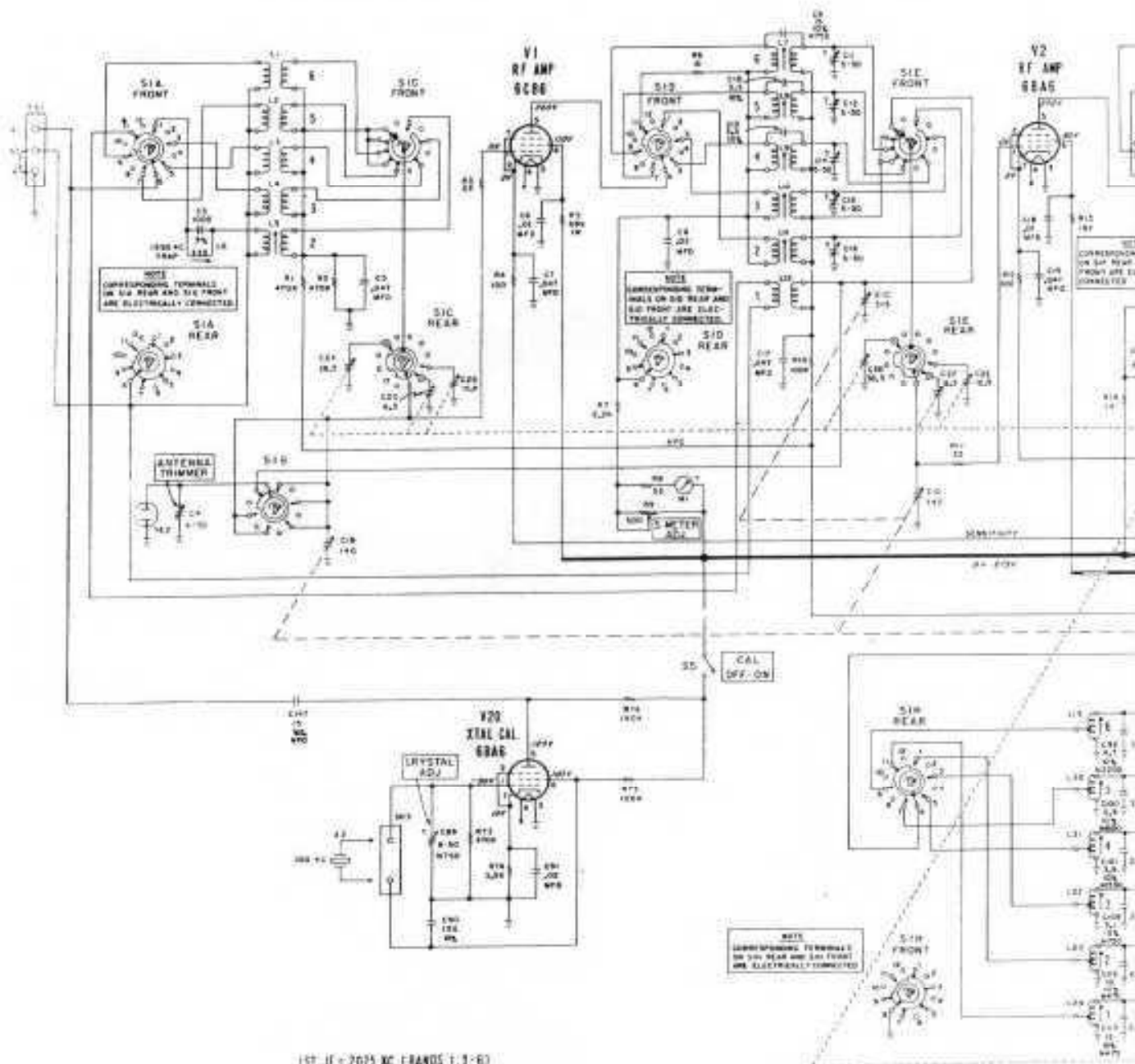
## SERVICE PARTS LISTS (Cont.)

Schematic Symbol	Description	Hallcrafters Part Number	Schematic Symbol	Description	Hallcrafters Part Number
<b>TUBES AND DIAL LAMPS</b>			<b>MISCELLANEOUS (Cont)</b>		
V-1,10	6CB6: 1st RF Amp, AVC Amp	90X6CB6		Grommet, rubber, "S" meter	16B362
V-2,4,6,7,8 16,20	6BA6: 2nd RF Amp, 2nd Mixer, 1st 50 KC IF Amp, 2nd 50 KC IF Amp, 3rd 50 KC IF Amp, BFO Amp, Xtal Cal.	90X6BA6		Grommet, rubber, tuning gang rear support	16A180
V-3	6U8: 1st Oscillator-Mixer	90X6U8		Holder, fuse	6A451
V-5	12AT7: 2nd conv. oscillator	90X12AT7		Insignia, "h"	7B485
V-9	6AL5: Detector and ANL	90X6AL5		Knob assembly, MAIN TUNING and BAND SPREAD TUNING	41B25314
V-11	12AU7: AVC Rect. and 50 KC Cath. Fol.	90X12AU7		Calibrated plate (0-100)	83B454
V-12	12AX7: Audio Amp and Phase Inv.	90X12AX7		Knob, phenolic	15B693
V-13,14	6V6GT: Audio Output	90X6V6GT		Spring	75B294
V-15	6C4: BFO	90X6C4		Button plug	17B138
V-17	5U4G Rectifier	90X5U4G		Hub	77B717
V-18	OD3: Voltage Regulator	90XOD3		Knob, ANTENNA TRIMMER	15A061
V-19	4H4: Current Regulator	90X4H4		Knob, BAND SELECTOR	15C743
LM-1,2	Lamp, pilot; type 44	39A003		Knob, BAND WIDTH	15B679
LM-3	Lamp, pilot; type 47	39A004		Knob, LOCK	15B699
				Knob, PITCH	15B677
				Knob, pointer set	15B676
				Knob, RESPONSE	15B678
				Knob, SENSITIVITY and VOLUME	15A097
	<b>MISCELLANEOUS</b>		NE-2	Lamp, neon glow, GE type NE2, 1/25 W., 65V AC starting	39A012
	Belt, drive; Band Selector	14B374	PL-1	Line cord and plug	87A3644
	Cabinet, complete	41X25313		Loggug scale, tuning dial	83C475
	Clip, gang shield; top section	76B148		Lock, line cord	76A397
	Clip, gang shield; bottom section	76B149	M-1	Meter, "S", 0-5 ma	82C248
	Cnnplig flexible (for Band Selector shaft)			Panel, front	68D241
	3-5/8" overall	29B222		Retainer, tube, V-17	76A1032
	3-1/8" overall	29B224		Shaft, extension, Antenna Trimmer	74B635
X-1	Crystal, 1500 KC	19B1890		Shaft, Band Selector	
X-2	Crystal, 2125 KC	19B1891		10-3/4" long	74B636
X-3	Crystal, 100 KC	19B1886		11-1/4" long	74B702
	Detent, Band Selector switch	62C073		Snap-in tri-mount	5A006
	Dial, band spread toning	83D466		Terminal board, steelite, 3 post type lugs (used as tie strip for oscillator padders)	41X25346
	Dial, main tuning	83D470		Terminal strip, antenna (A1-A2-G)	88B935
	Dial pointer assembly	41C25327		Terminal strip, speaker (G-3,2-8-500)	88B936
	Escutcheon, front panel	7D466			
	Foot, mtg.; rubber	16A029			
F-1	Fuse, 3 amp 250V; type 3AG	39A301			
	Gear drive assembly, complete	41X25311			
	Glass, band spread toning dial	22B413			
	Glass, main tuning dial	22B412			

## VOLTAGES

Voltage readings taken under the following conditions:

1. Line voltage—117 volts, 60 cycles AC.
  2. Antenna terminals shorted, Band Selector at Band 1 (535—17 MC), Sensitivity at "10", Rep. Standby at "Rec", CW-AM-SSB at "AM", ANL and CAL at "OFF", AVC at "On" and Band Width at "10 KC".
  3. All voltages measured between tube socket terminals and chassis unless otherwise specified.
  4. DC voltages measured with VTVM, AC voltages with 1000 shunt per volt meter.
  5. Voltage readings for Y20 taken with CAL switch at "On".
  6. Voltage readings for V15 and V16 taken with CW-AM-SSB switch at "CW" and "SSB".
  7. Voltage readings shown for V5 are for Bands 1, 3, 4, 5, and 6. For Band 2, the readings of the two triode sections are reversed.
- ⊙ Voltage varies depending on value of screen dropping resistor R30. Use upper value if R30 is 120K, lower value if R30 is 210K.
- ◆ Voltage varies with setting of tuning gang.

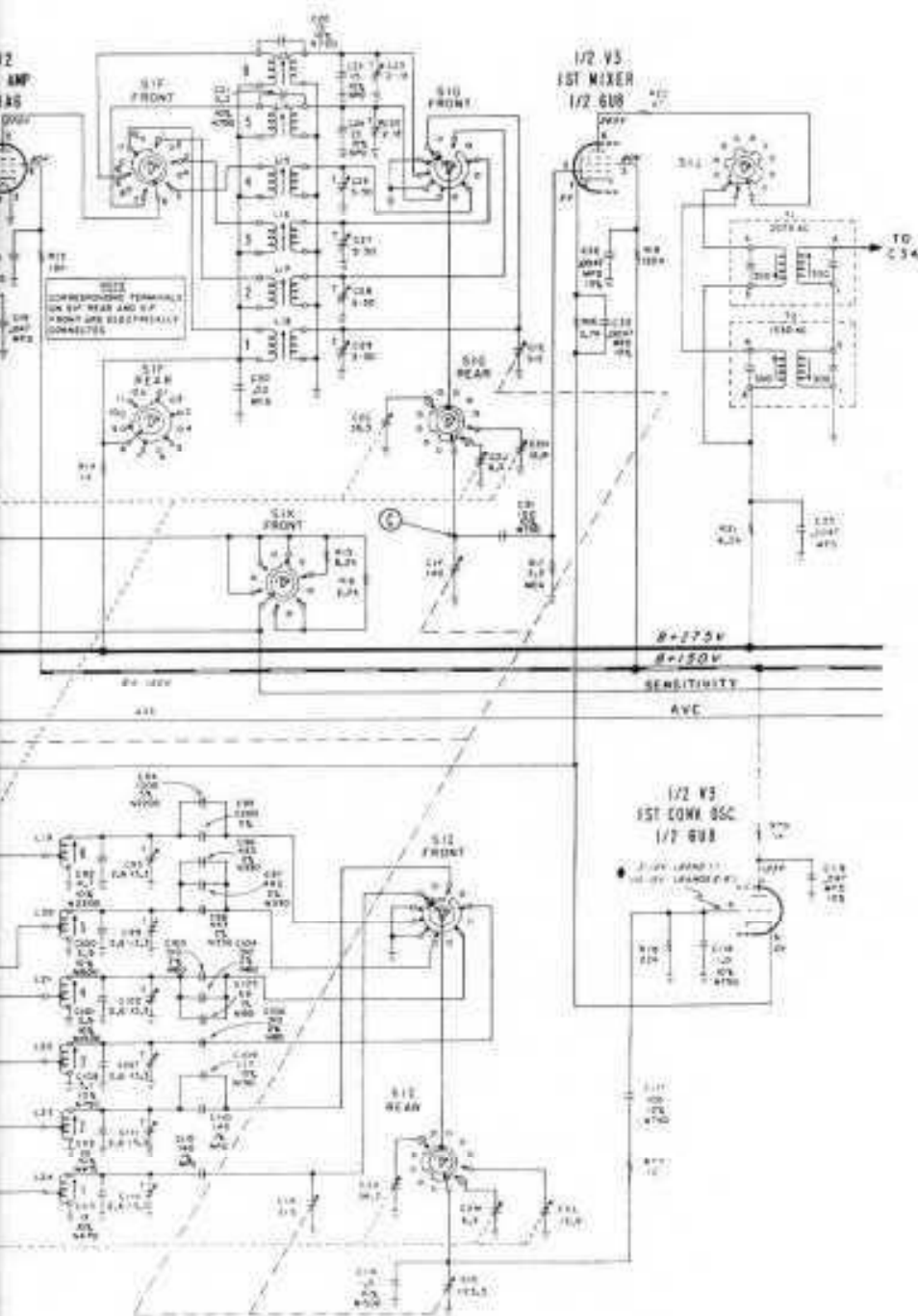


1ST IF = 2075 KC (BANDS 1, 3-6)  
 1550 KC (BAND 2)  
 2ND IF = 507 KC

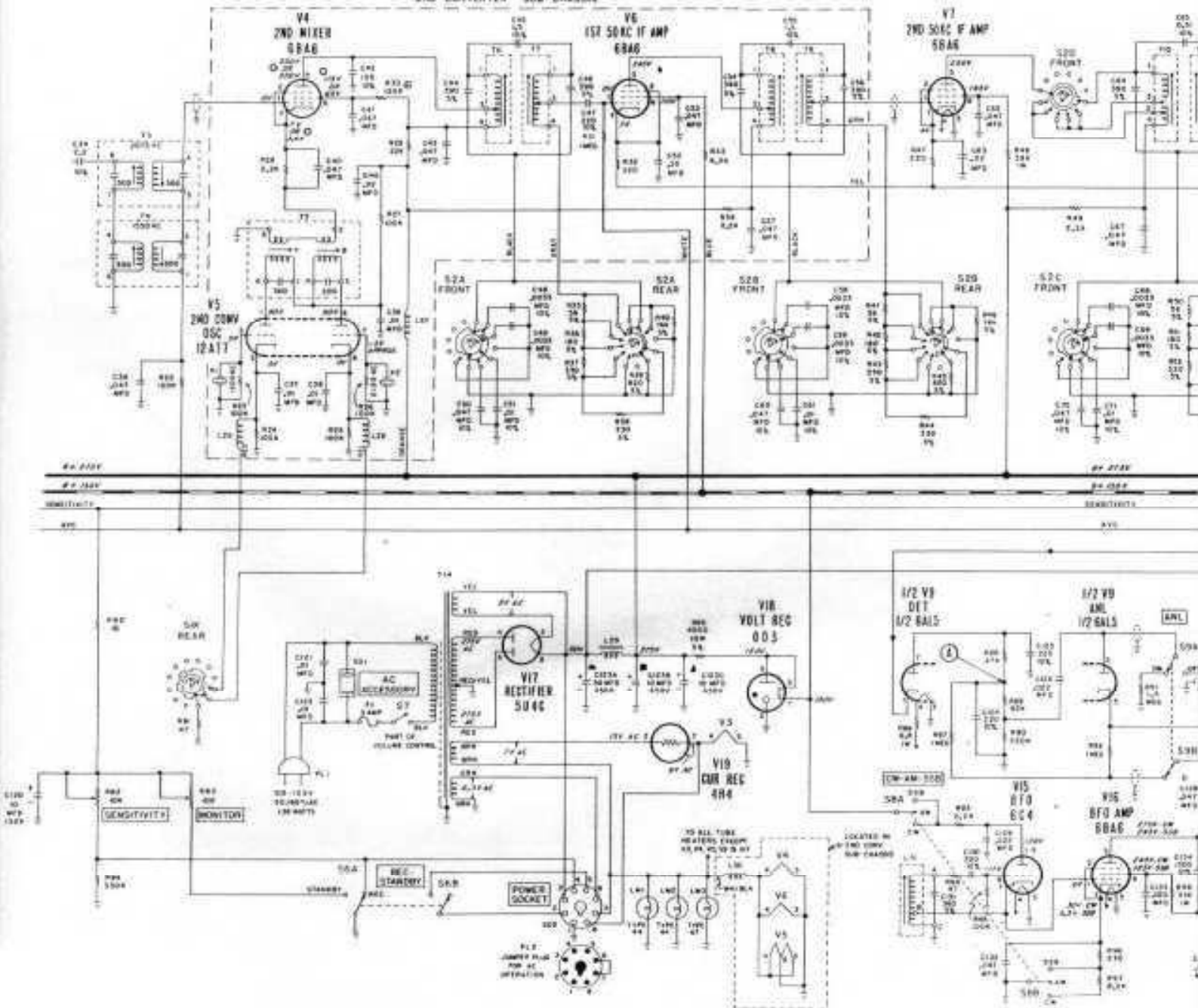
### NOTES

1. Resistor values in ohms and capacitor values in microfarads unless otherwise specified.
  2. Unless otherwise specified, resistors are 1/2-watt and 10%, except 450-ohm capacitors are 20%, and 450-ohm disc capacitors are 100-10%.
  3. Terminal arrangement shown for switches S1, S2, and S3 is as viewed from front of set.
  4. Band Selector switch S1 shown in Band 1 position (335-1.7 MC).
  5. Band Width switch S2 shown in "10 KC" position.
  6. Response switch S3 shown in "Best Beat" position.
  7. Values and tolerances are nominal and variations may be found; it is recommended that the value of any replacement component to the nominal value of the part being replaced.
- ⊕ 330K for early production sets. When servicing 2nd converter subassembly, check value of R10; if 330K, remove and replace with 120K resistor.

⊕ Check.



2ND CONVERTER SUB-CHASSIS



# MODELS SX-88 & SX-88U RUN 1

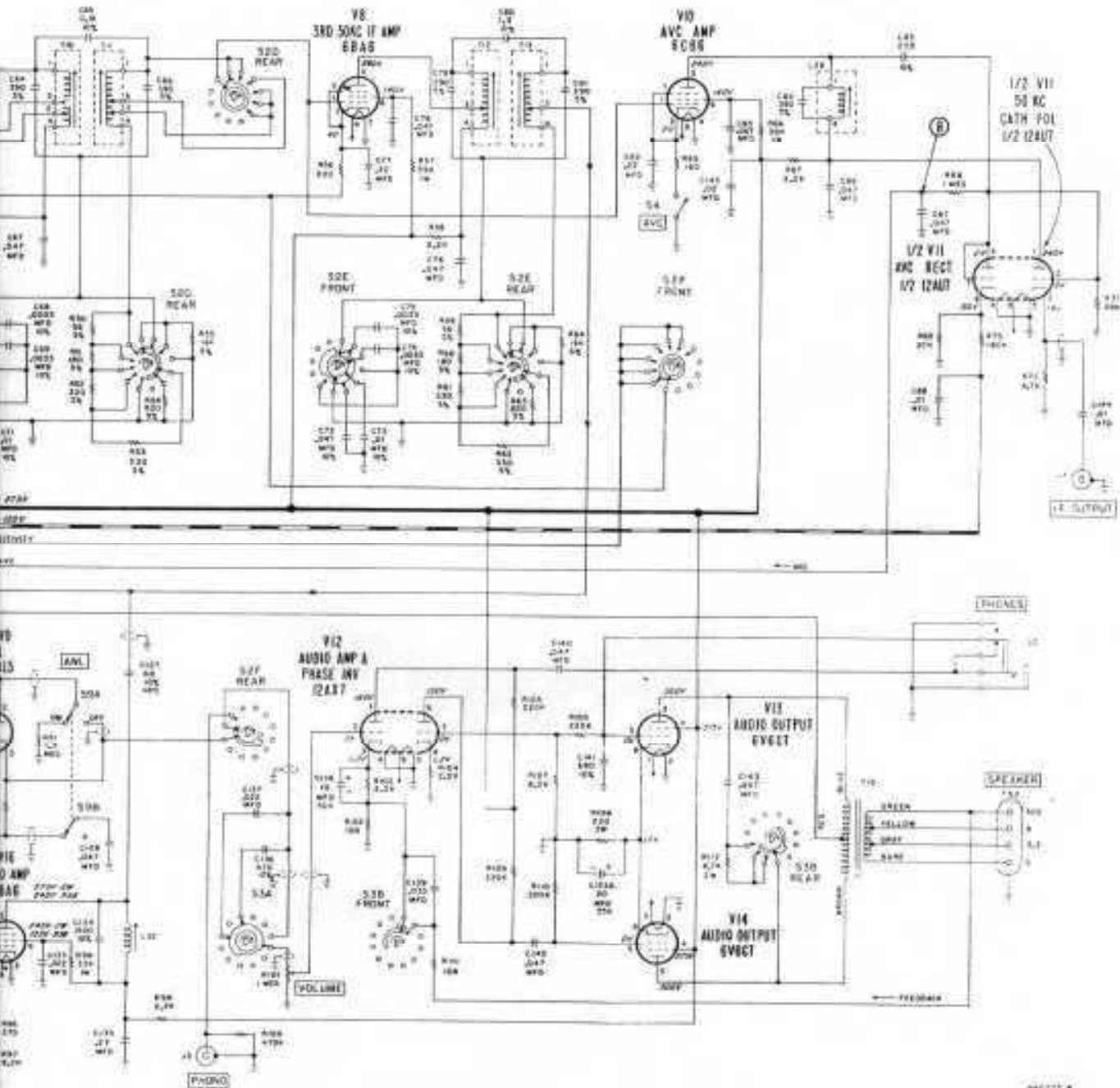


Fig. 20. Schematic Diagram