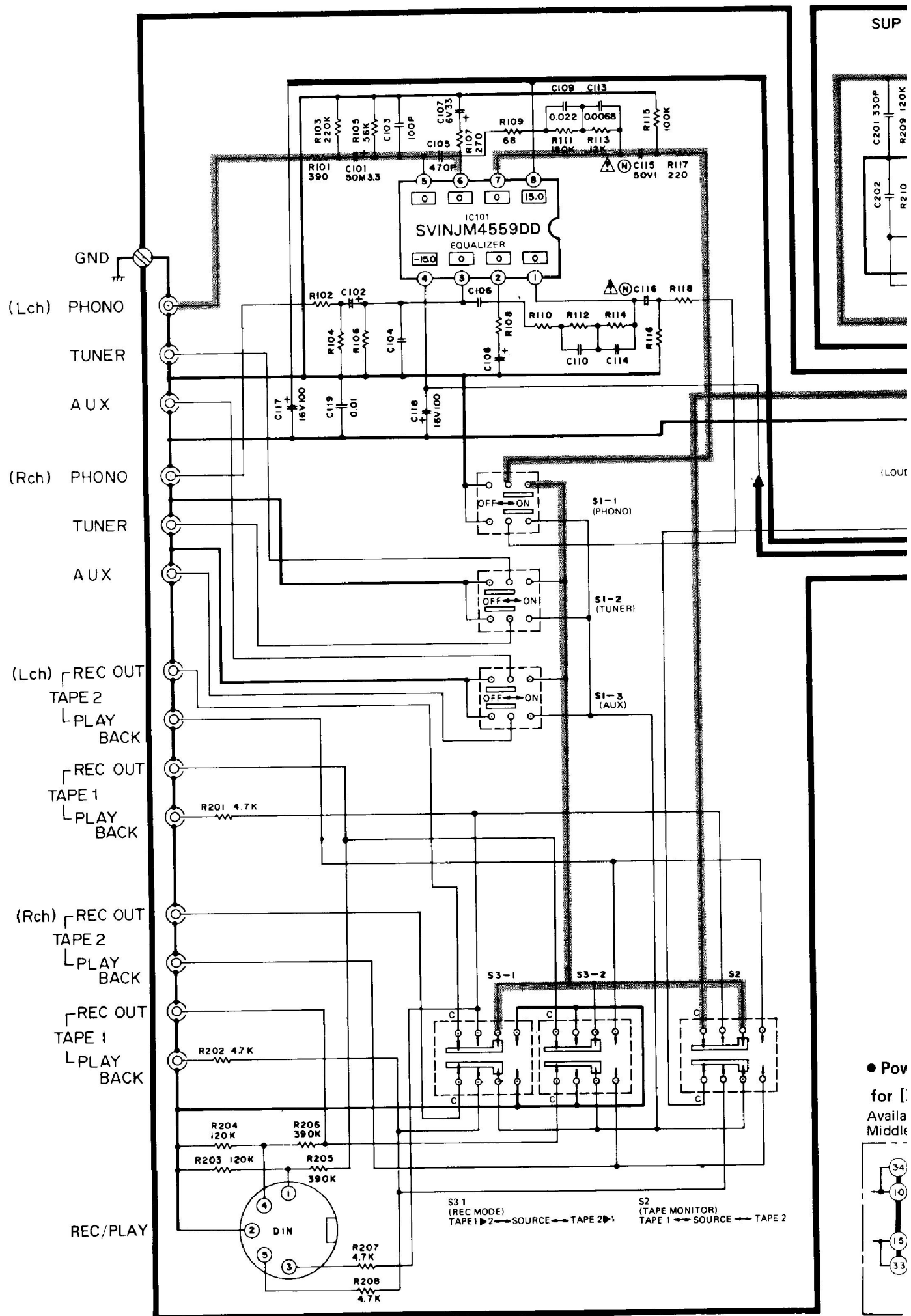
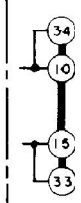


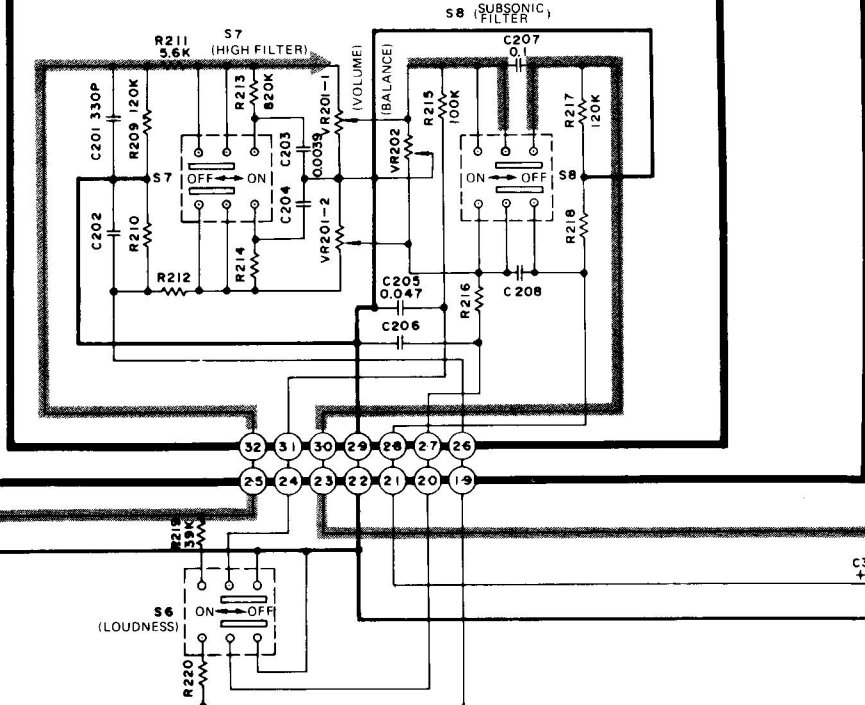
A
B
C
D
E
F



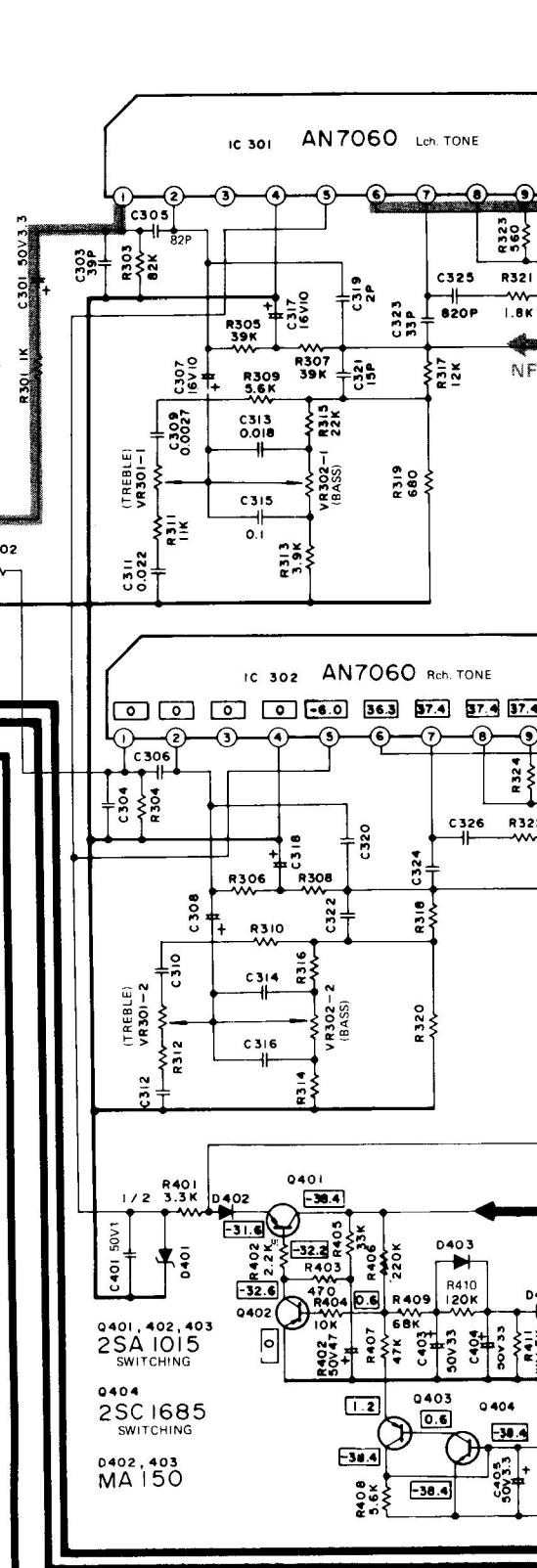
● Pov
for [Avila
Middle



SUP 18970B



SUP 18970A

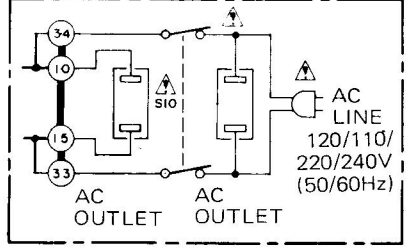


Notes:

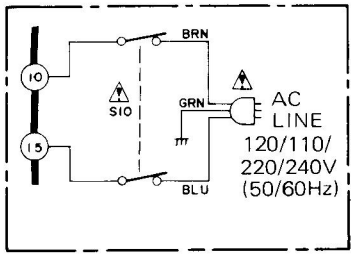
1. S1-1 ~ S1-3: Input selector switch in "phono" position.
(phono ↔ tuner ↔ aux)
2. S2: Tape monitor switch in "source" position.
(tape 1 ↔ source ↔ tape 2)
3. S3-1, S3-2: Recording mode switch in "source" position.
(tape 1 ▶ 2 ↔ source ↔ tape 2 ▶ 1)
4. S4: Remote speaker switch in "off" position.
5. S5: Main speaker switch in "on" position.
6. S6: Loudness switch in "off" position.
7. S7: High filter switch in "off" position.
8. S8: Subsonic filter switch in "off" position.
9. S9: Voltage adjust switch in "240V" position.
240V ↔ 220V ↔ 110V ↔ 120V
10. S10: Power source switch in "on" position.
11. Indicated voltage values are the standard values for the unit measured by the DC electronic circuit tester (high-impedance) with the chassis taken as standard. Therefore, there may exist some errors in the voltage values, depending on the internal impedance of the DC circuit tester.
12. Signal lines of left channel
Positive (⊕) voltage lines
13. Indicates that only parts specified by the manufacturer be used for safety.

• Power source circuit for [XA] and [XAL]

for [XA]
Available in Asia, Latin America,
Middle East and Africa.



for [XAL]
Available in Australia.



D401
MA1062

D404, 405
SVDSRIK 2

D406, 407
MA1150

Negative

0301, 302
2SA1123
PRE DRIVE

0301, 302
20A90

0303, 304
2-0A99

