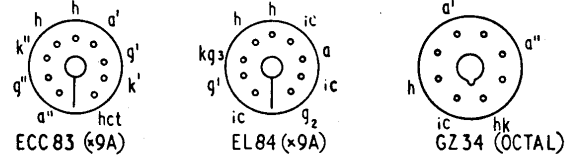


On later amplifiers, Fuse F1, here shown as 1 amp., is in fact rated at 2 amp. This also applies to the references on pages 10 and 15.



ALL PLUGS & SOCKETS VIEWED FROM REAR

Fig. 8. Schematic circuit diagram of stereo hi-fi power amplifier Type A1A.

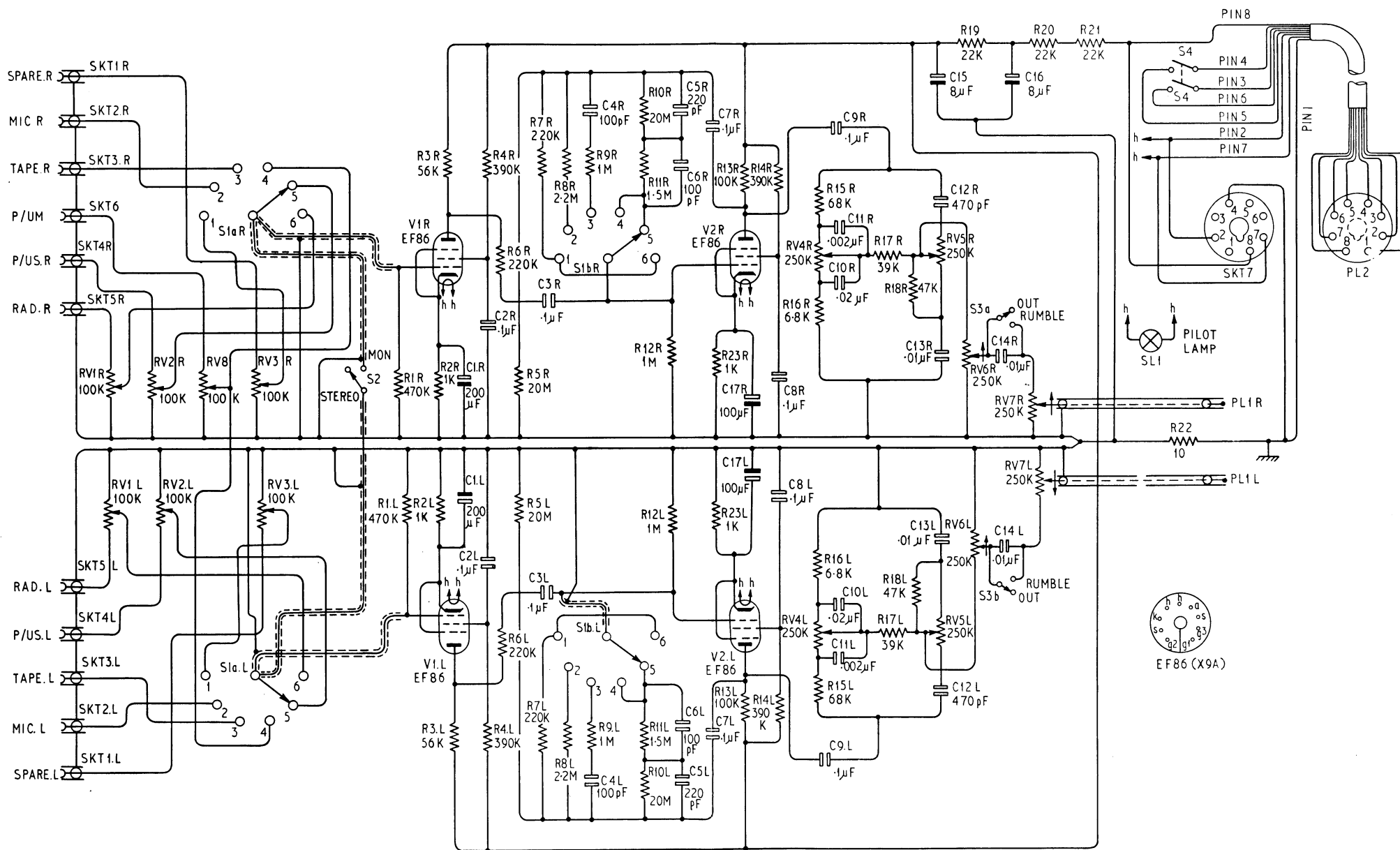


Fig. 10. Schematic circuit diagram of stereo hi-fi control unit Type A1A.