

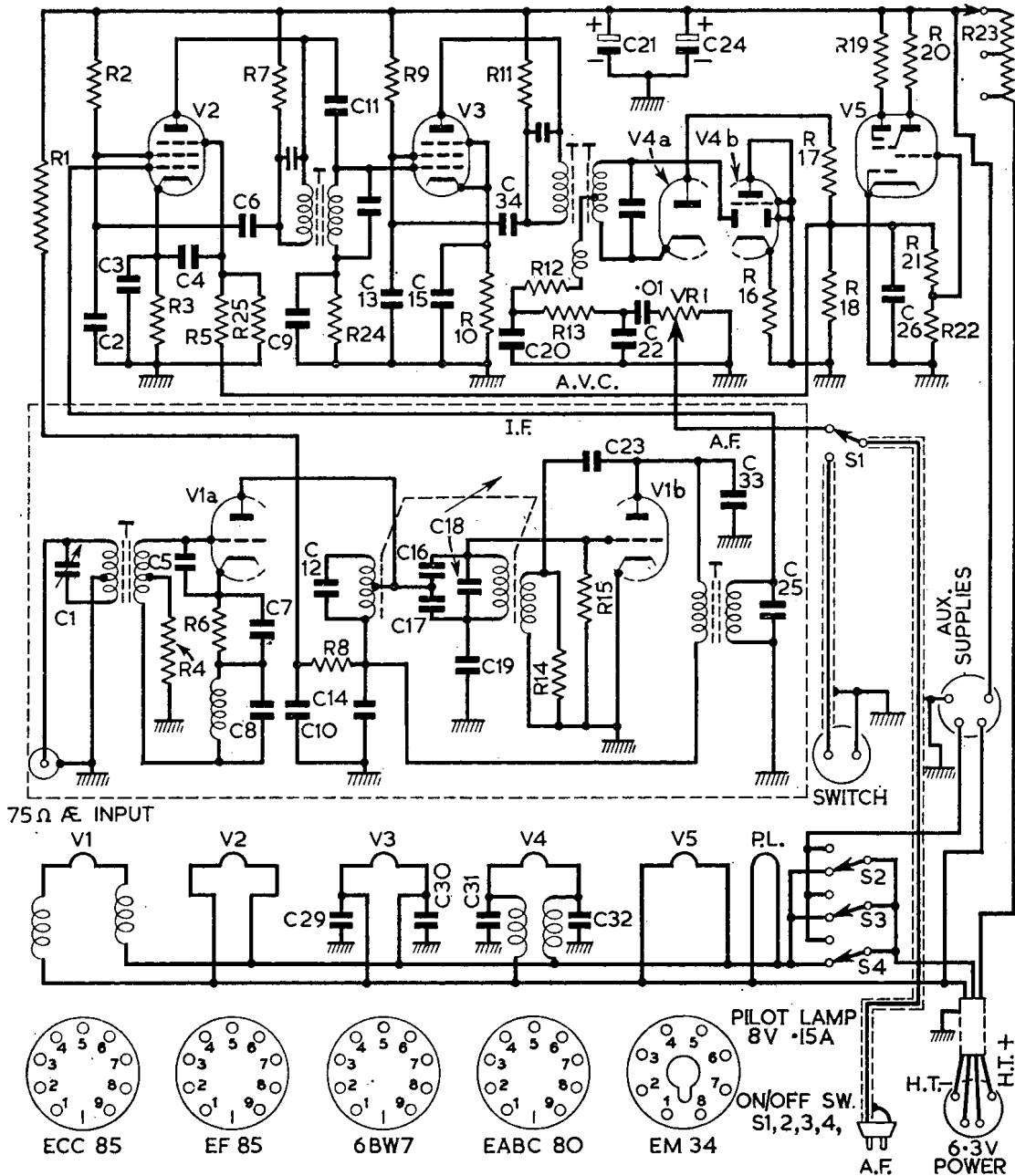
ARMSTRONG

FM56 Tuner

General Description : Five-valve V.H.F. tuner unit intended for use with high-fidelity amplifier and separate power supply. I.F. : 10.7 Mc/s.

Valves : (V1) ECC85 ; (V2) EF85 ; (V3) 6BW7 ; (V4) EABC80 ; (V5) EM34.

Capacitors.				Resistors.					
C1	30 pF. max.	C13	0.003	C25	15 pF.	R1	2.7k	R13	27k
C2	0.003	C14	570 pF.	C26	0.4 (350 v.)	R2	68k (5%)	R14	2.2k
C3	0.001	C15	0.003	C27	0.003	R3	330	R15	1M
C4	0.01	C16	39 pF.	C28	0.003	R4	120	R16	1.5k
C5	8.2 pF.	C17	39 pF.	C29	0.003	R5	1M	R17	1.5k
C6	0.001	C18	30 pF. max.	C30	0.003	R6	220	R18	47k
C7	1000 pF.	C19	30 pF. max.	C31	0.003	R7	3.9k	R19	1M
C8	47 pF.	C20	220 pF.	C32	0.003	R8	4.7k (1W)	R20	1M
C9	0.003	C21	16	C33	12 pF.	R9	68k (5%)	R21	1M
C10	2200 pF.	C22	0.001	C34	0.001	R10	330	R22	270k (5%)
C11	0.001	C23	18 pF.			R11	5.6k	R23	4k (10W)
C12	30 pF. max.	C24	16			R12	47	R24	100k (5%)
								R25	270k (5%)



Note : C27 and C28, not shown, are decoupling capacitors to heater of V2.