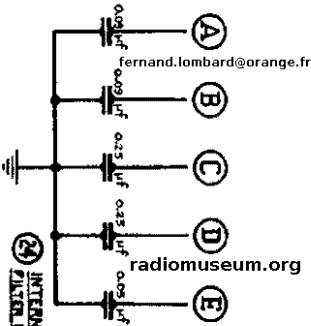


FIG. 2—Schematic Wiring Diagram

FOR ALIGNMENT AND VOLTAGE, SEE INDEX

IF=125 KC



No. on Figs.	Description	Part No.
1	Resistor (10,000 ohms) (Brown-Black-Orange)	33-1000
2	Antenna Transformer (Model 264)	32-1157
3	Tuning Condenser Assembly (Model 265) (Model 265)	31-1091
4	Wave-Band Switch	31-1037
5	Compensating Condenser (Antenna)	42-1057
6	Detector Transformer	Part of 3
7	Resistor (70,000 ohms) (Violet-Black-Orange)	32-1158
8	Condenser (Bakelite block type, .05 mfd, twin)	5385
9	Resistor (500 ohms—Flexible wirewound)	3615-AJ
10	Condenser (.09 mfd.—Bakelite block type)	4989-AB
11	Compensating Condenser (Det.)	Part of 3
12	Compensating Condenser (Det. H. F.)	Part of 3
13	Condenser (.0008 mid—Mica)	5878
14	Compensating Condenser (H. F. Series)	04000-S
15	Oscillator Transformer	32-1159
16	Compensating Condenser (Osc. Long Wave)	04000-D
17	Compensating Condenser (L. F. Series)	04000-S
18	Resistor (50,000 ohms) (Green-Brown-Orange)	6098
19	Compensating Condenser (1st I. F. Pt.)	04000-A
20	First I. F. Transformer	32-1160
21	Compensating Condenser (1st I. F. Sec.)	04000-A
22	Resistor (390 ohms—Flexible wirewound)	33-9010
23	Condenser (.09 mid.—Bakelite block)	4989-D
24	Condenser (Metal Case; 25—.09—.09—25—.05)	30-4044
25	Resistor (2 megohms) (Red-Black-Green)	6972
26	Compensating Condenser (2d I. F. Pt.)	04000-M
27	2d I. F. Transformer	32-1223
28	Condenser (.00011 mid.—Mica)	30-1031
29	Resistor (25,000 ohms) (Red-Green-Orange)	39-1013
30	Resistor (50,000 ohms) (Green-Brown-Orange)	6098
31	Condenser (.00025 mid.—Bakelite Black)	8317-B
32	Condenser (.01 mid.—Bakelite block)	3903-AM
33	"On-Off" Switch and Volume Control	33-5006
34	Resistor (1 megohm) (Brown-Black-Green)	33-1086
35	Condenser (.09 mid.—Bakelite block)	4989-D
36	Resistor (1 megohm) (White-White-Orange)	4411
37	Resistor (25,000 ohms) (Red-Green-Orange)	3656
38	Resistor (10,000 ohms) (Brown-Black-Orange)	4412
39	Resistor (13,000 ohms) (Brown-Orange-Orange)	3788
40	Condenser (.00025 mid.—Mica)	3092

41	Condenser (.01 mfd.—Bakelite block)	3093 W
42	Resistor (70,000 ohms) (Violet-Black-Orange)	5385
43	Resistor (70,000 ohms) (Violet-Black-Orange)	5385
44	Resistor (.5 meg.) (Yellow-White-Yellow)	4517
45	Tone Control (Two-position)	30-4046
46	Condensers in Tone Control	Part of 45
47	Output Transformer (S-7 Speaker)	32-7019
48	Voice Coil and Cone Assembly (S-7)	36-3157
49	Field Coil and Pot Assembly	36-3039
50	Condenser (Electrolytic) (8 mfd.—8 mfd)	30-5028
51	Resistor (Wirewound; 235, 32 ohms)	7998
52	Power Transformer	8046*
53	Condenser (.015 mfd.—Bakelite block)	32-7074
54	Shadow Tuner (Model 265 only)	3793-Z
55	Pilot Lamp for Shadow Tuner (Model 265 only)	6497
56	Phonograph Jack (Model 265 only)	Part of 54
57	42-E OUTPUT	6585
58	75 OUTPUT	
59	75 OUTPUT	
60	RECTIFIER	

*Model 265 only.

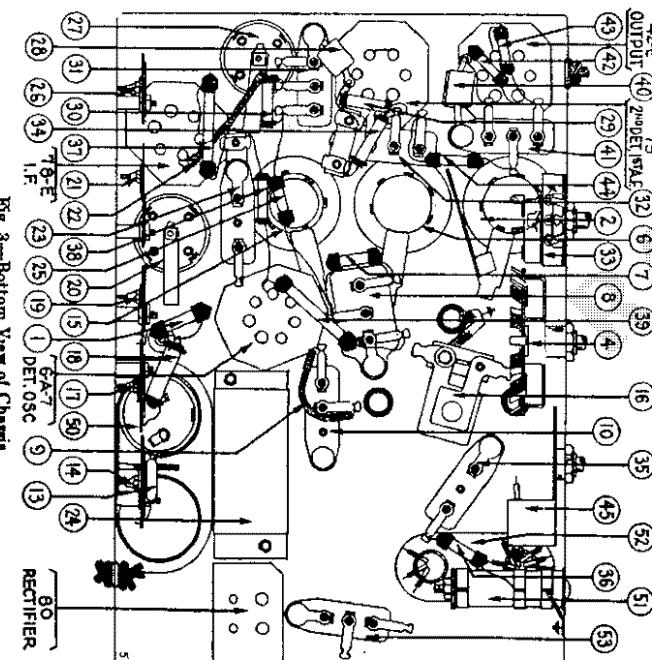


Fig. 3—Bottom View of Chassis