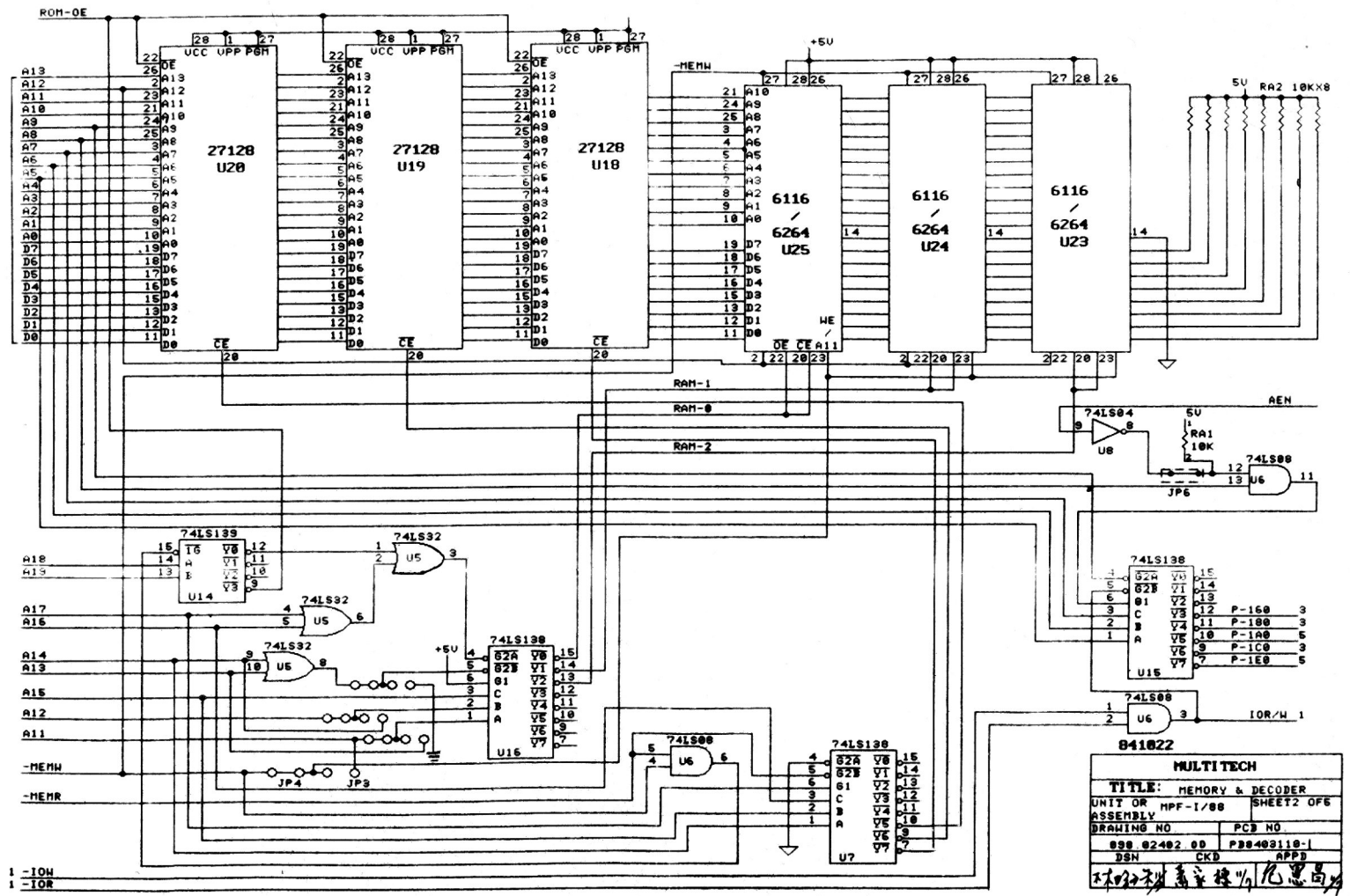


<b>MULTITECH</b>	
<b>TITLE: CPU &amp; BUS</b>	
UNIT OR ASSEMBLY	MPF-I/88 SHEET 1 OF 5
DRAWING NO.	PCB NO.
098.02401.00	PB8403110-1
DSN	CKD APPD
林和利 蕭家標 何凡思 昌	

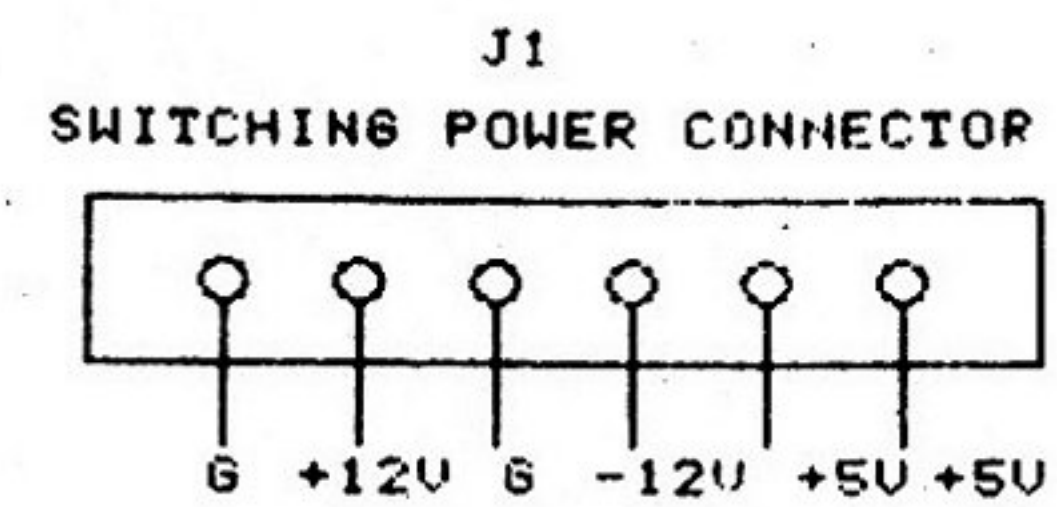
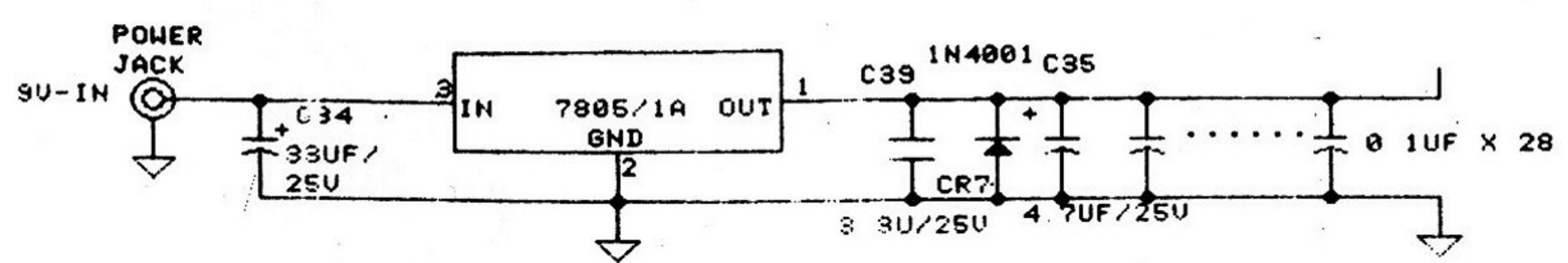
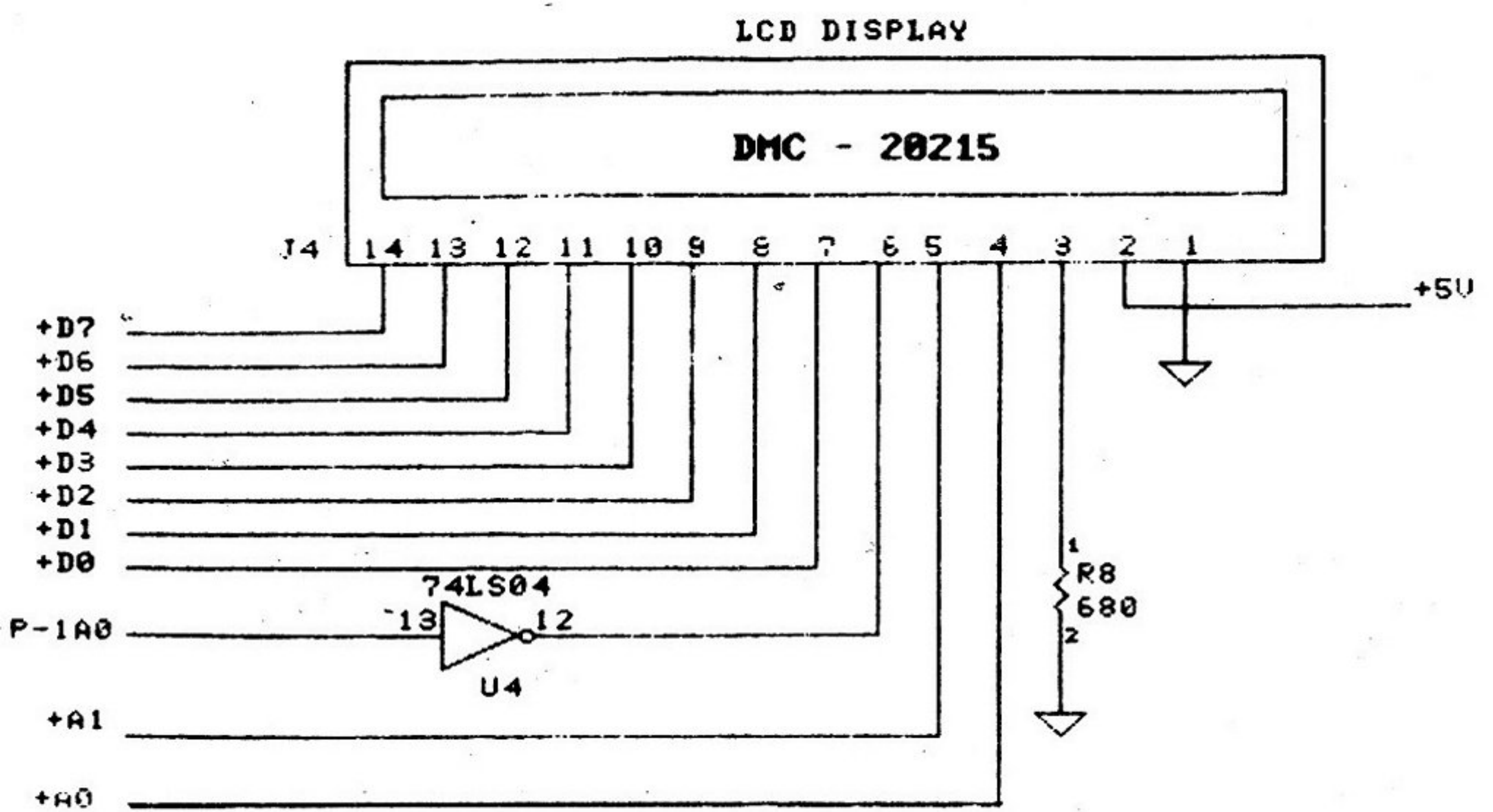


841022

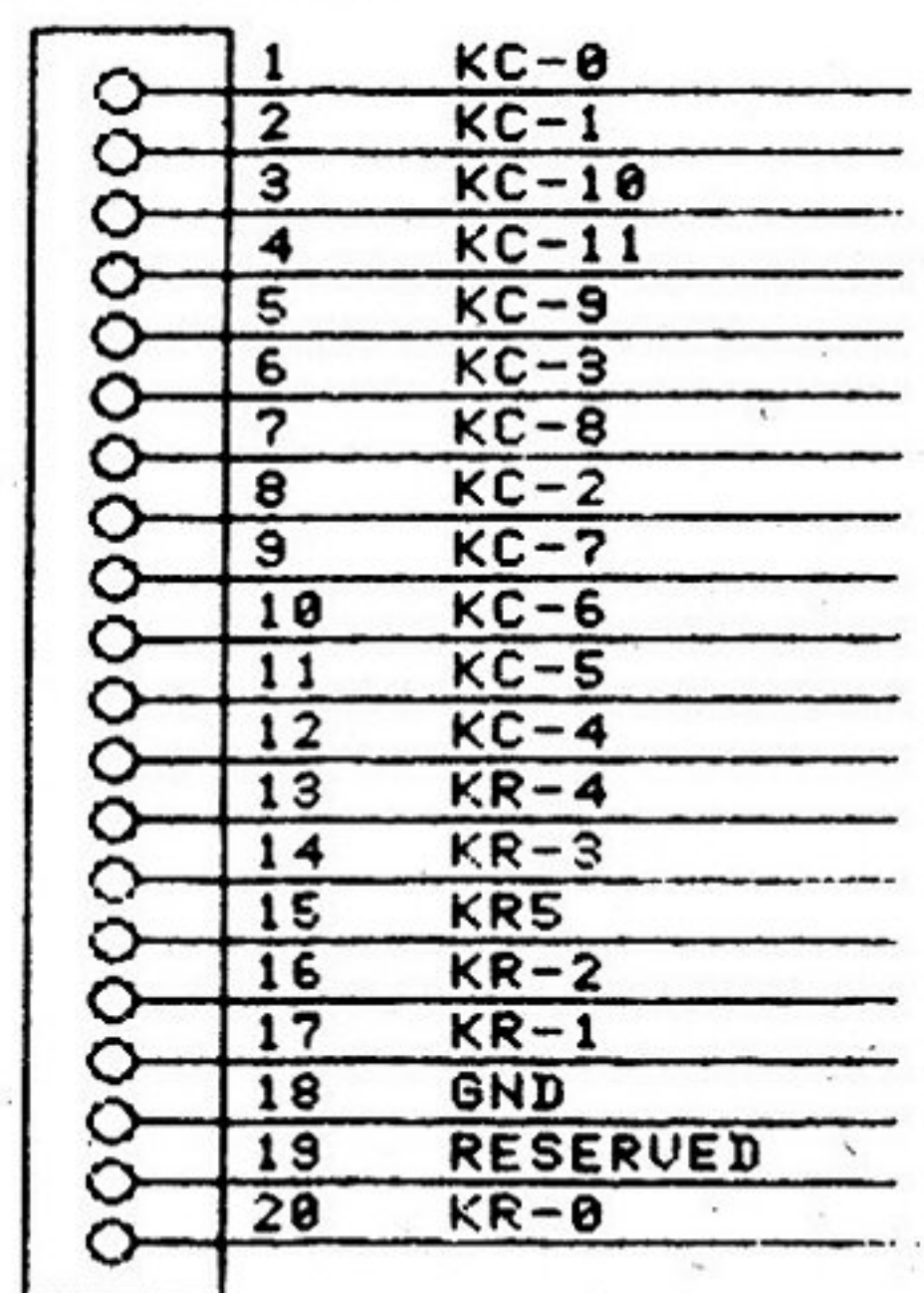
<b>MULTITECH</b>			
<b>TITLE: MEMORY &amp; DECODER</b>			
UNIT OR MPF-1/88 SHEET2 OF5			
ASSEMBLY			
DRAWING NO		PCB NO	
899-02402-00		P88403110-1	
DSN		APP3	
CKD		APP3	

环境友好 绿色技术 亿思高科

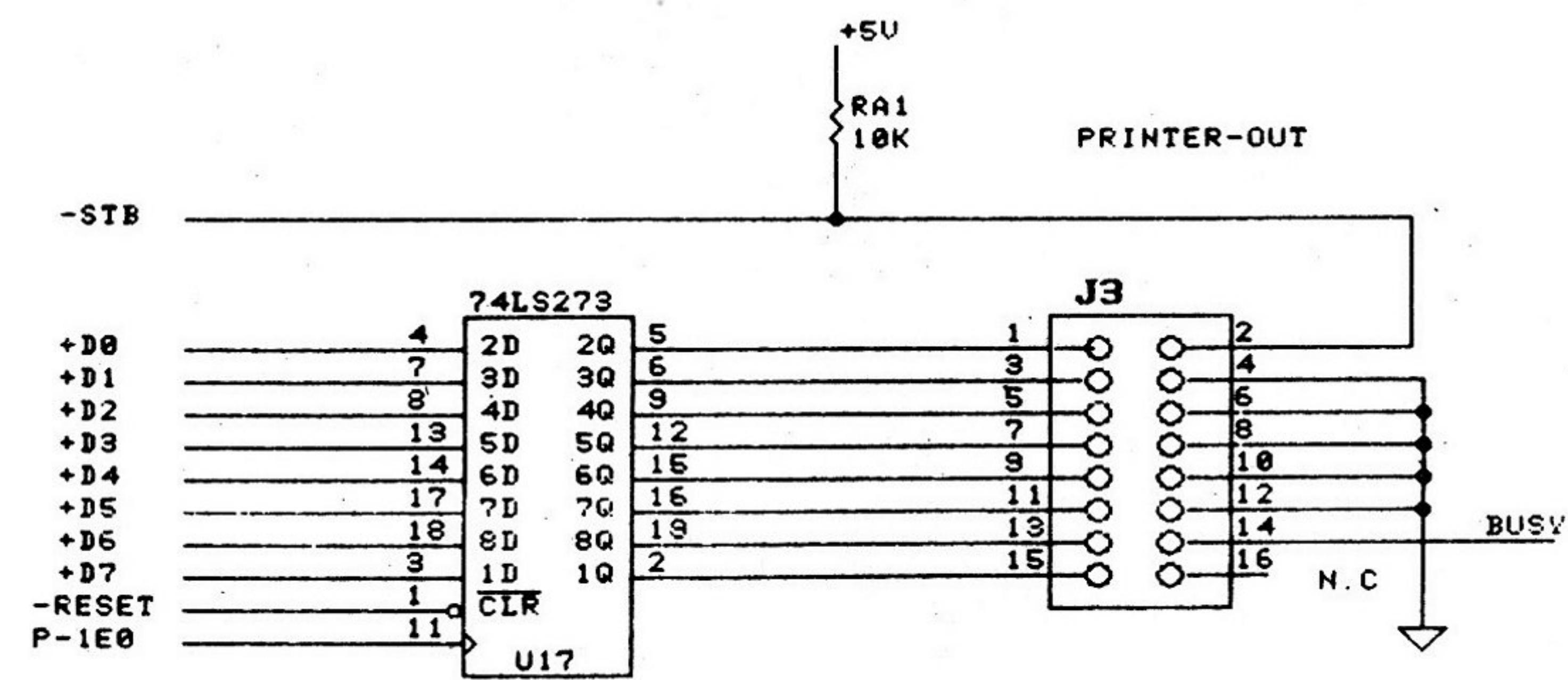
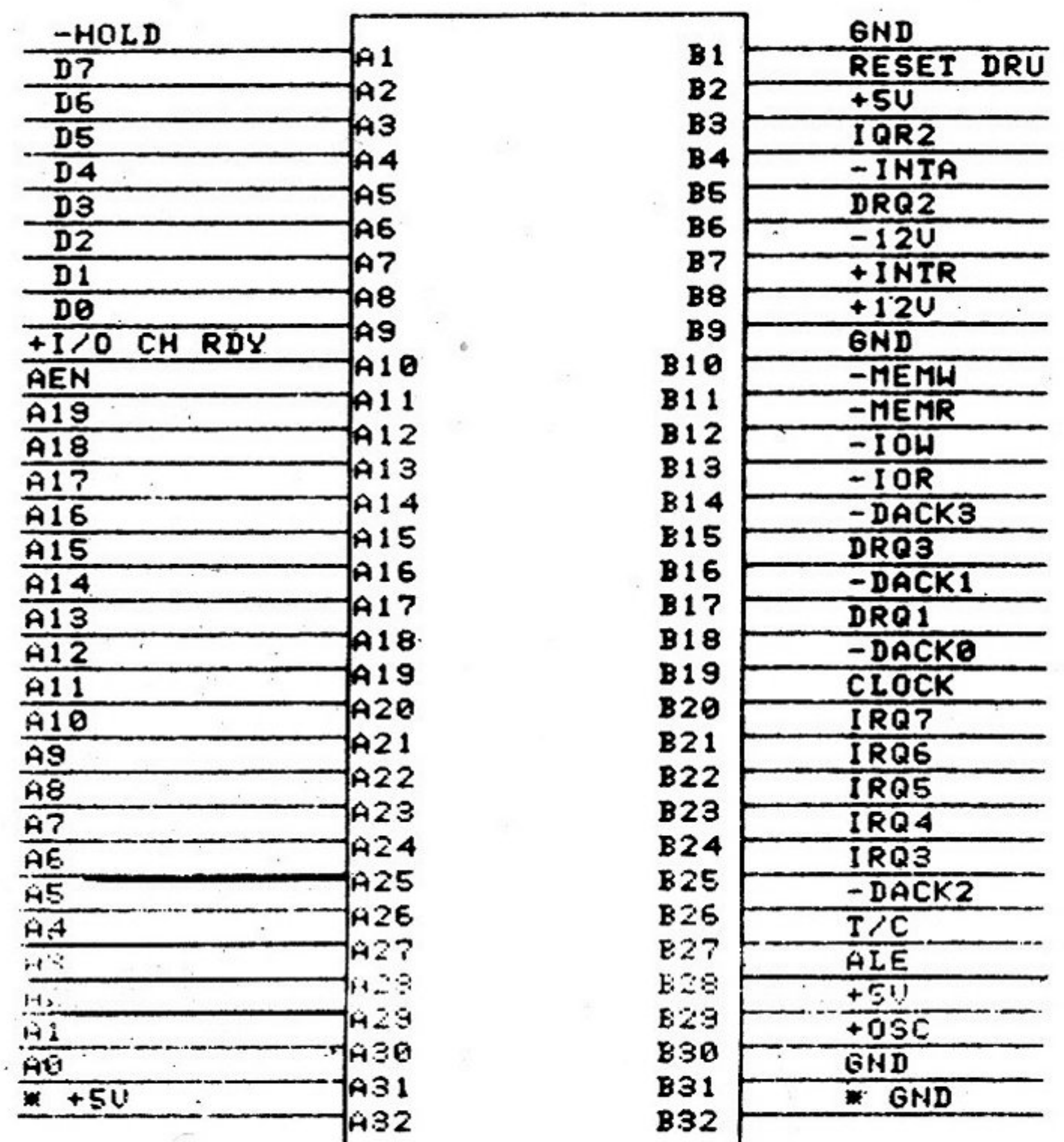
1 - IOM  
1 - IOR



J5  
KEYBOARD I/O



62 PIN EXPANSION BUS

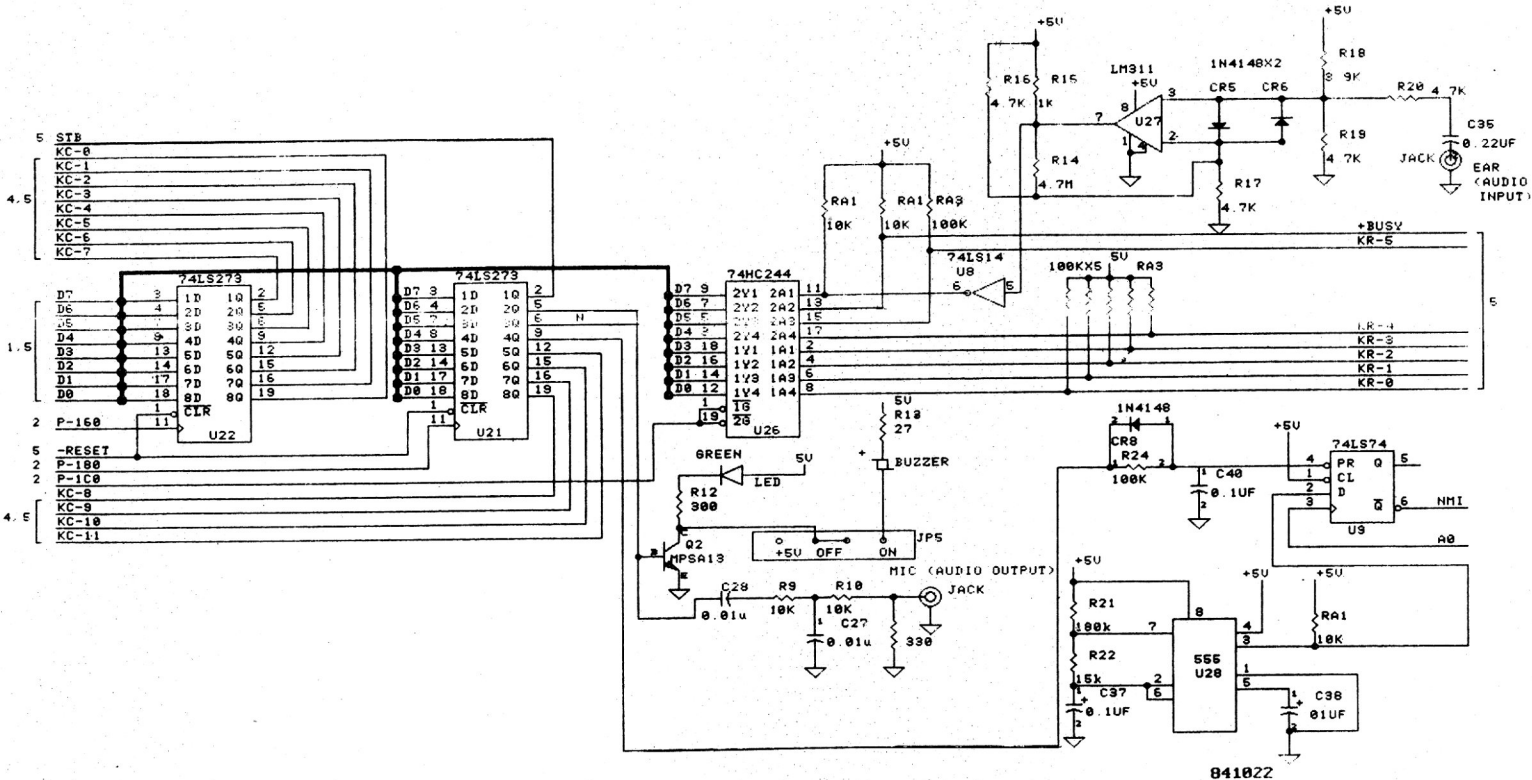


NOTE \* IS 64 PIN CARD EDGE ONLY

841022

MULTITECH	
TITLE: LCD & PRINTER	
UNIT OF ASSEMBLY	SHEETS OF 5
MPF-1/88	
DRAWING NO.	PCB NO.
098 02405 00	PB8403110-1
DSN	CKD APPD

林和利 蕭家棟 倪恩昌



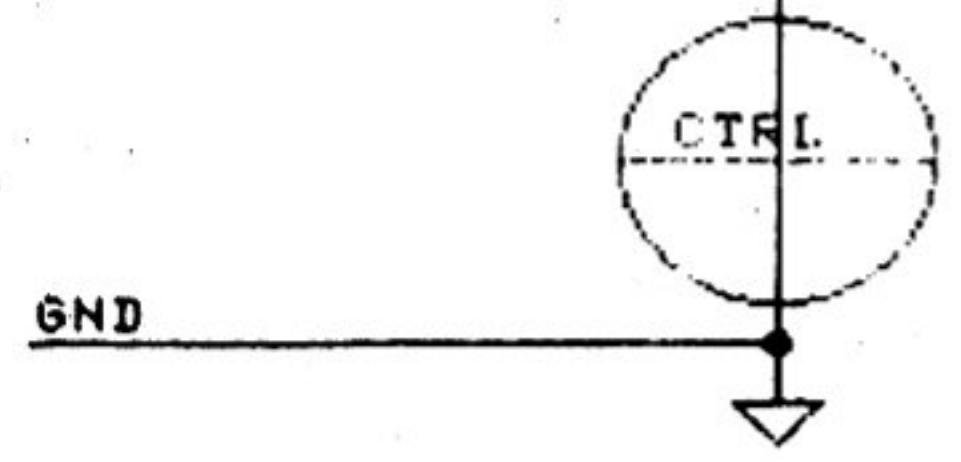
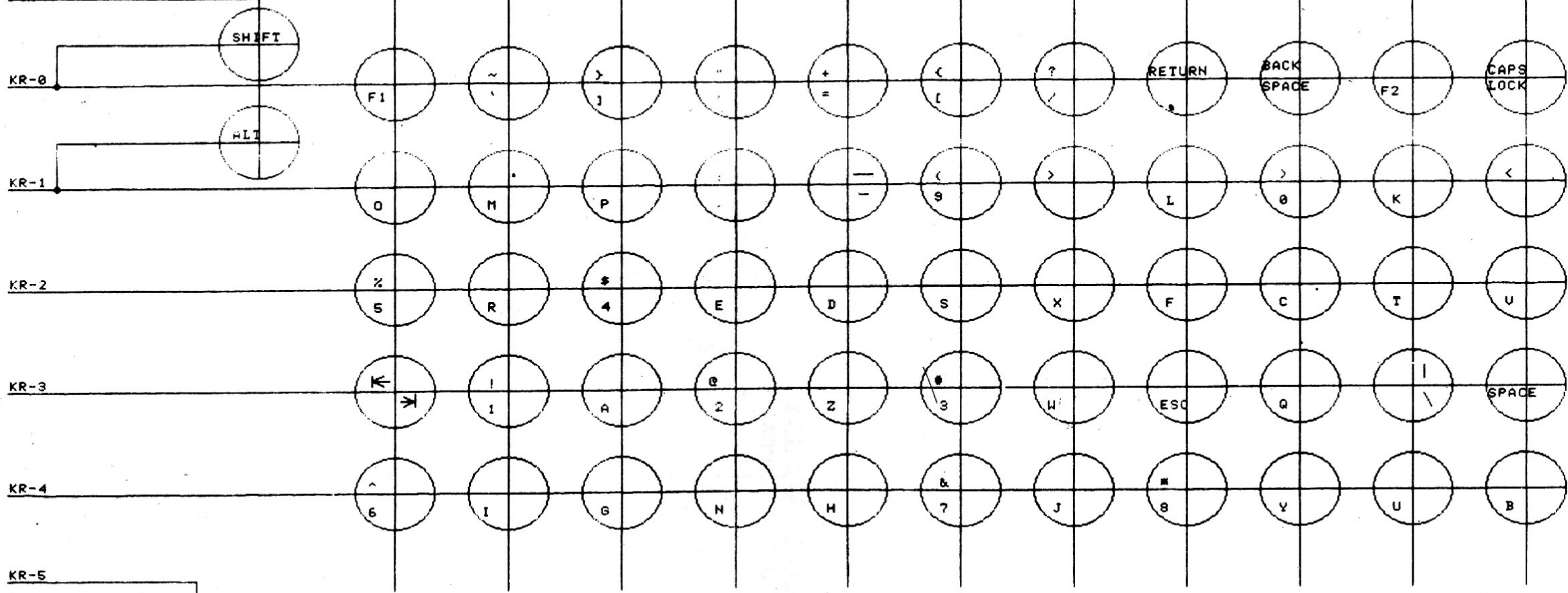
841022

MULTI TECH

TITLE: KEYBOARD & TAPE	
UNIT OR ASSEMBLY	MPF-1/88 SHEETS 3 OF 5
DRAWING NO.	PCB NO.
098.02403.00	PB9403118-1
DSN	CKD APPD

木知榮 美家珠 化忠昌

KC-0  
 KC-1  
 KC-2  
 KC-3  
 KC-4  
 KC-5  
 KC-6  
 KC-7  
 KC-8  
 KC-9  
 KC-10  
 KC-11



841022

<b>MULTITECH</b>	
<b>TITLE: KEYBOARD MATRIX</b>	
UNIT OR ASSEMBLY MPF-1/88	SHEET 4 OF 6
DRAWING NO. 099.02404.00	PCB NO. PB8403110-1
DSN	CKD APPD
林吟珠 梁家棟 阮惠昌	