

Figure 3. Static Convergence Adjustment

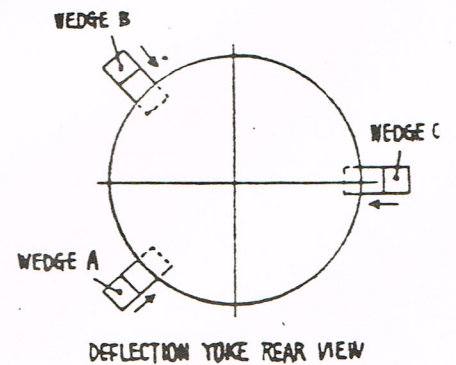
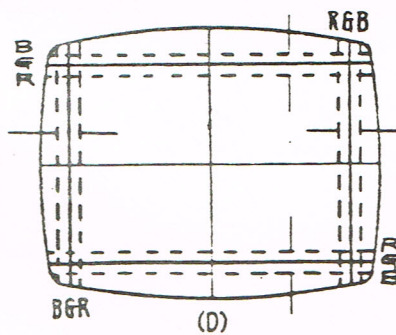
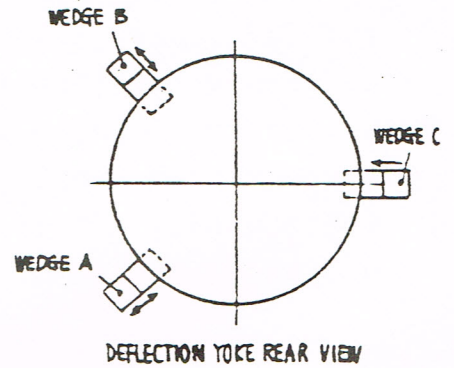
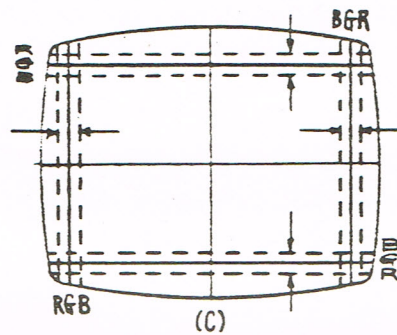
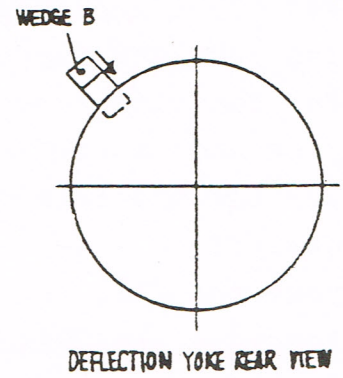
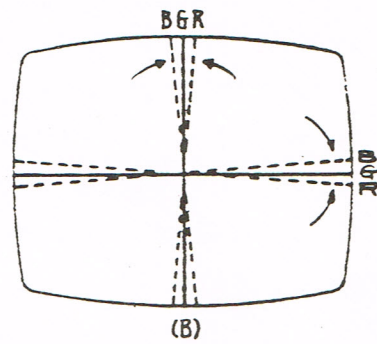
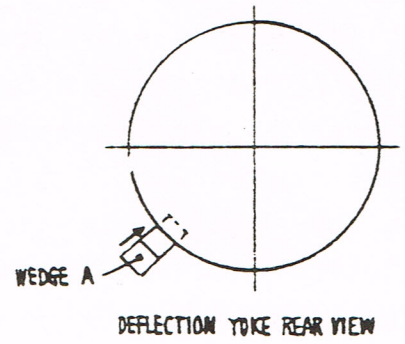
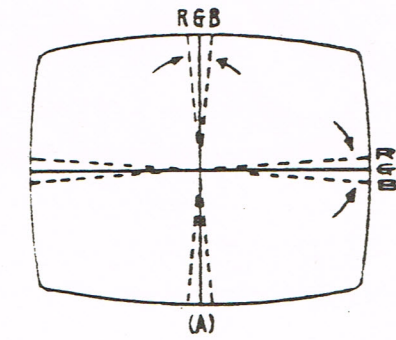


Figure 4. Dynamic Convergence Adjustment