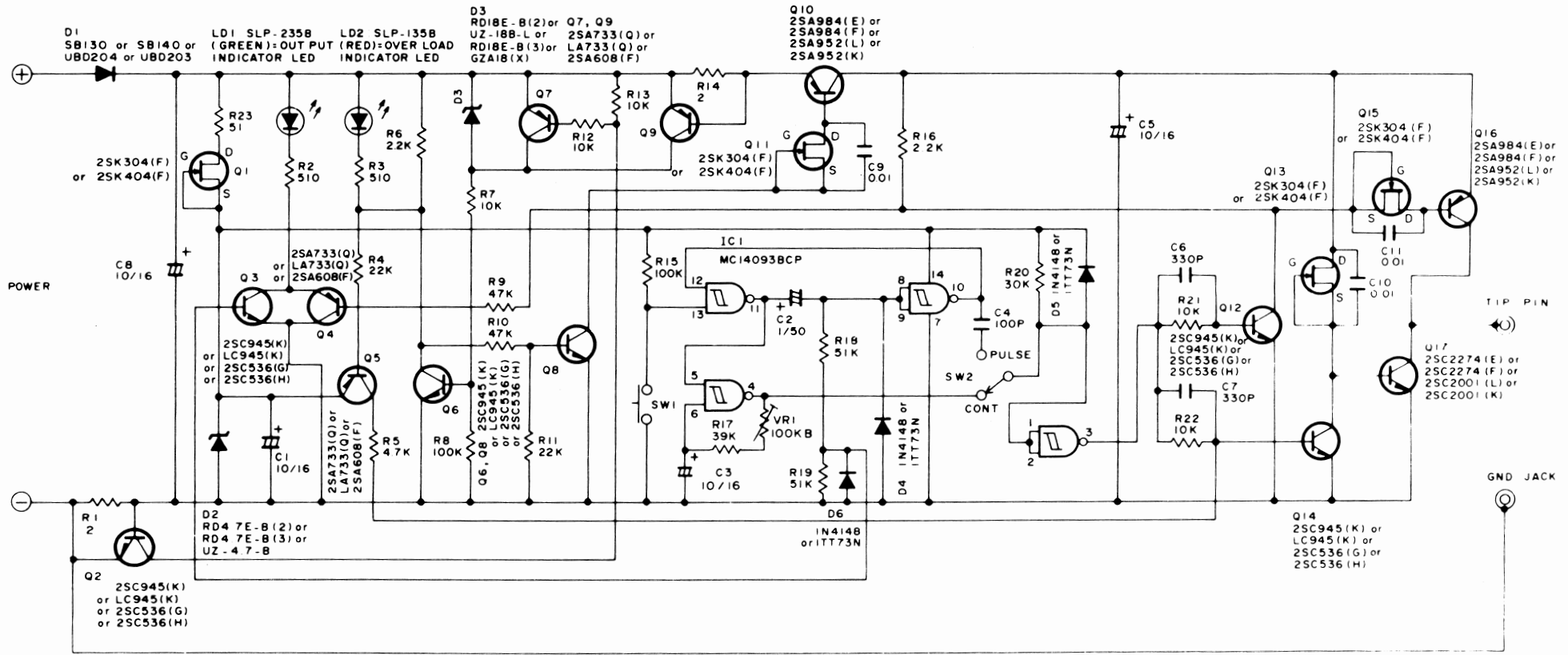


SCHEMATIC DIAGRAM



- NOTES
- 1) ALL RESISTANCE VALUES ARE INDICATED IN "OHM" (K = 10^3 OHM, M = 10^6 OHM).
 - 2) ALL CAPACITANCE VALUES ARE INDICATED IN " μ F" (P = 10^{-6} μ F).