



# **NQ811B**

---

**CD Receiver**

---

**User Manual**

[www.nakamichicaraudio.com](http://www.nakamichicaraudio.com)



**CONTENTS**

INTRODUCTION.....	1 EN
ACCESSORY LIST.....	1 EN
DIMENSIONS.....	1 EN
OVERVIEW OF THE COMPONENTS.....	2 EN
Remove Panel	
Remote Control	
GENERAL OPERATION.....	3 EN
Power On/Off	
Removing The Front Panel	
Volume Up And Down	
Mute On/Off	
Changing The Modes	
Setting The Audio/Menu	
Display	
Auxiliary Input Jack	
Reset	
RADIO OPERATION.....	4 EN
Switch Between Europe/USA/Asian/Russian Frequency	
Change Bands	
To Store / Recall Preset Stations	
Manual Tuning	
Seek Tuning	
Automatic Store Preset Station	
CD/USB OPERATION.....	5-6 EN
Insert/Eject CD	
USB Connection	
Select Next Track Or Previous Track	
Fast Forward/Reverse	
Play/Pause	
Introduction Scan	
Repeating The Track	
Playing All Tracks In Random	
Folder/Track Navigation	
BLUETOOTH OPERATION.....	7-8 EN
Pair And Connect	
Make A Call	
Redial Last Dialed Number	
Answer A Call	
Reject A Call Or End A Call	
Switch Audio Between Car Audio And Mobile Phone	
Adjust Talk Volume	
Audio Streaming (A2DP)	
APP OPERATION.....	8 EN
SPECIFICATION .....	9 EN

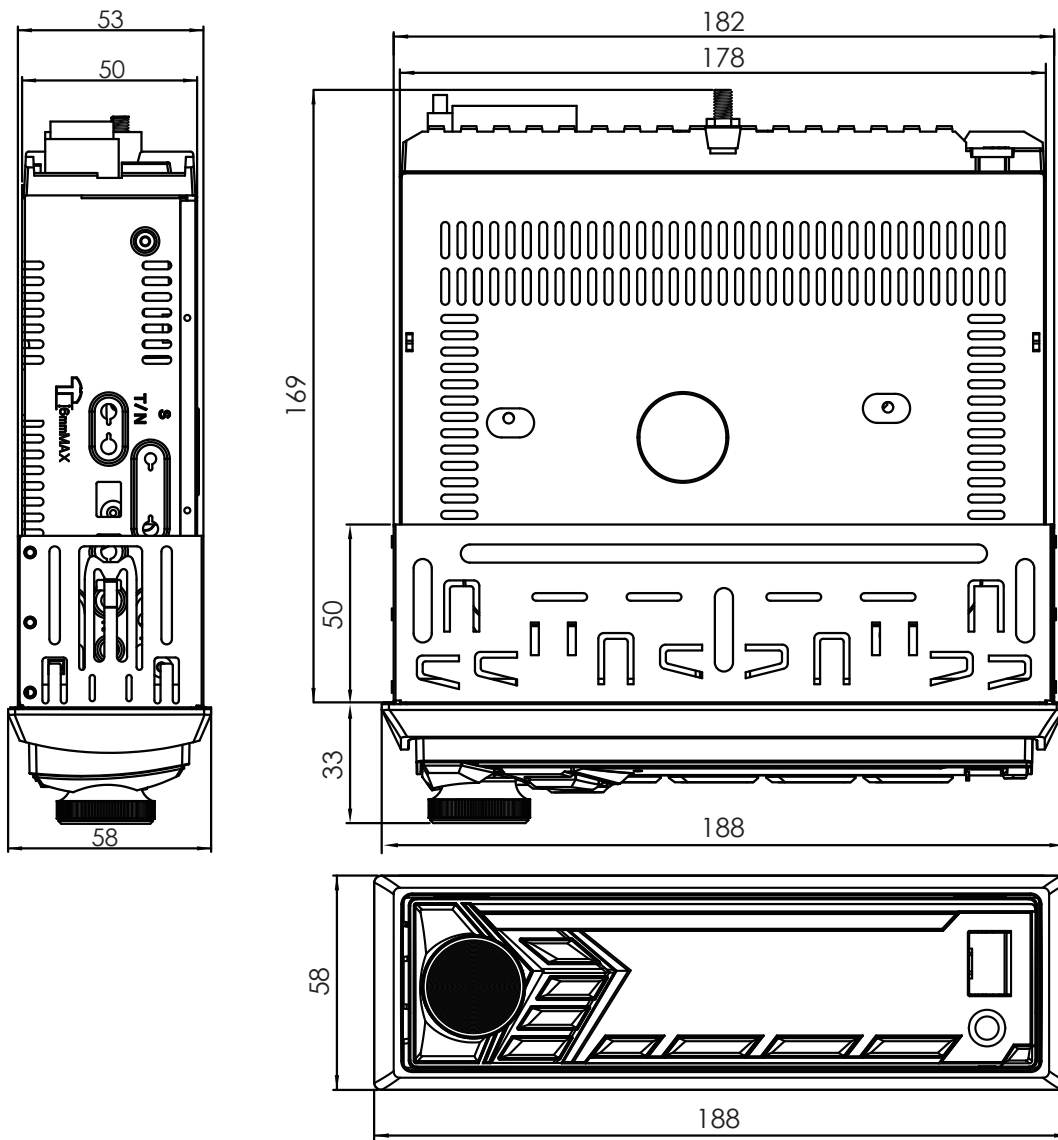
## INTRODUCTION

Thank you for your purchase, and welcome to Nakamichi! In order to enjoy the better service from us, please keep your original invoice well and complete. You'd better post the copy of back to the appointed service agent of Nakamichi so that you may get more technical support.

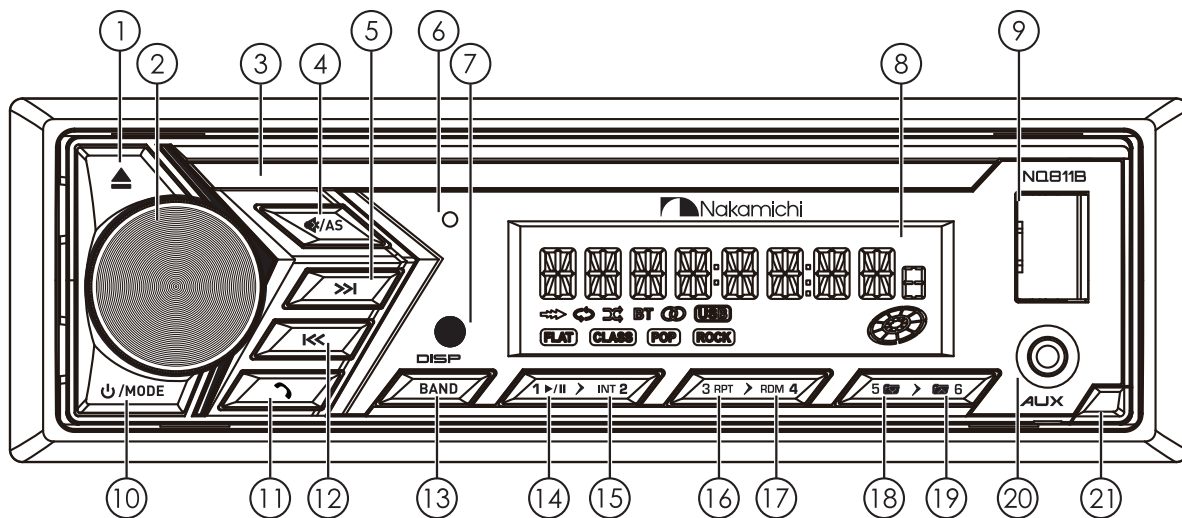
## ACCESSORY LIST

1. User Manual	1pc	2. CD Receiver	1pc
3. ISO Male Connector	2pcs	4. Metal Accessories	1set
5. Remote Control	1pc		

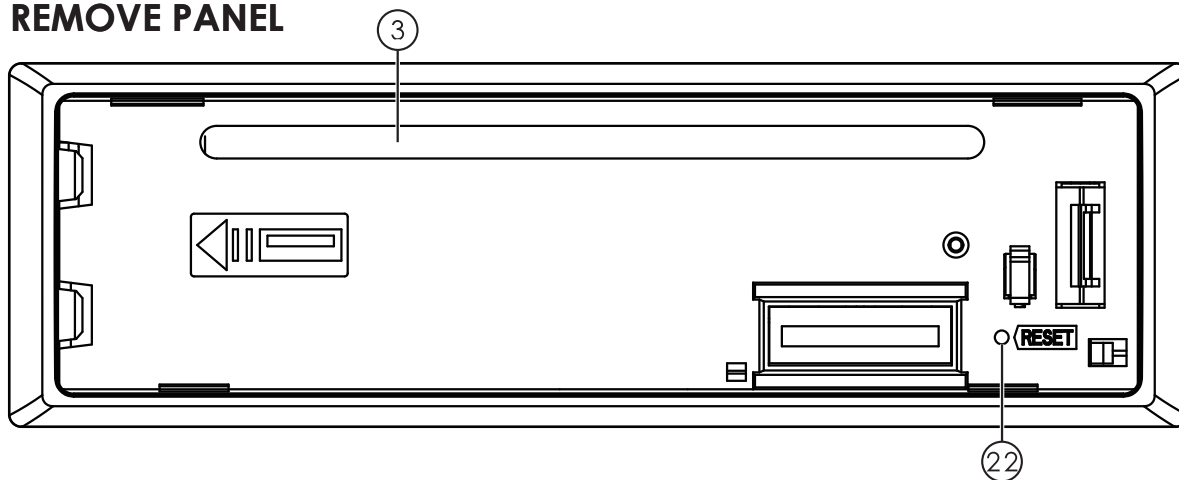
## Dimensions(Unit: mm)



## OVERVIEW OF THE COMPONENTS

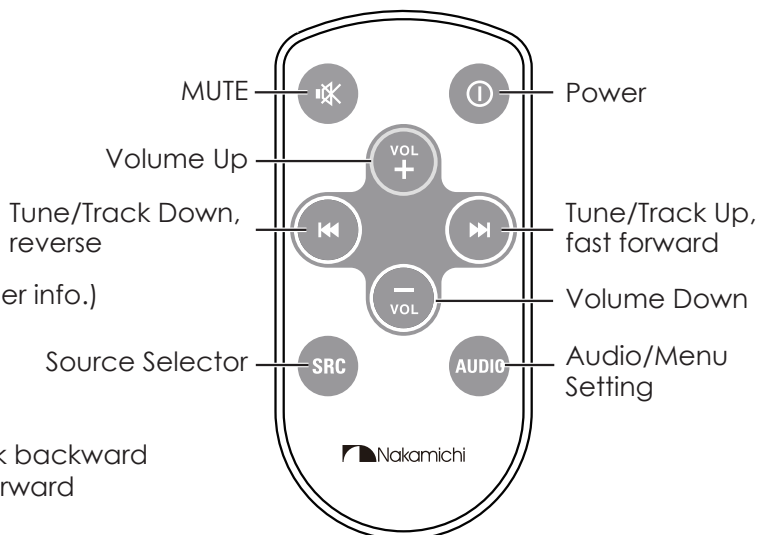


## REMOVE PANEL



1. Eject CD
2. Volume knob, SEL(Push for Audio/Menu Setting)
3. Disc Slot
4. Mute, AS(Auto Store Preset Station)
5. Tune/Track Up, fast forward
6. Hands-free Microphone
7. IR Remote Sensor
8. LCD Display
9. USB Port
10. Power on/off, Mode(Source)
11. Answer Call, End Call(Long press)
12. Tune/Track down, reverse
13. Band, Disp(Display clock time and other info.)
14. Preset #1, Play/Pause
15. Preset #2, Intro Scan
16. Preset #3, Repeat
17. Preset #4, Random
18. Preset #5, Folder Down, Jump 10 Track backward
19. Preset #6, Folder Up, Jump 10 Track forward
20. Aux Input Socket
21. Release (For detach the front panel)
22. Reset

## REMOTE CONTROL



## GENERAL OPERATION

### Power On/Off

- Press the any button to turn the unit on.
- Press and hold the /MODE button to turn the unit off.


### Removing The Front Panel

Press the **RELEASE** button to detach the front panel.

### Volume Up And Down

Rotate the **Volume** knob to adjust the volume level.

### Mute On/Off

Briefly press the  button to toggle mute on or off.

### Changing The Modes

Press the /MODE to select between Radio, Disc, USB(with USB device inserted), AUX-IN(auxiliary input) and BT(Bluetooth) modes.

### Setting The Audio/Menu

- Press **Volume**(SEL) button momentarily to select between the audio/menu functions: BASS, TREBLE, BALANCE, FADER, EQ USER/FLAT/CLASSIC/ROCK/POP, LOUD OFF/ON, BEEP OFF/ON, CLOCK 24/12, CLOCK SETTING, BT MENU/AUTO, DISTANT/LOCAL, STEREO/MONO, AREA EU/US/AS/RU.
- Rotate the **Volume** knob to adjust or activate your desired function /audio.

### Display

- With the unit on, press and hold **DISP** to display clock time.
- Press and hold **DISP** to toggle display between various displayed information.

### Auxiliary Input Jack

Using a 3.5mm cable to connect a external device such as MP3 players, CD players etc. to the auxiliary input jack on front panel. Then you can hear the sound of other playback devices such as MP3 players, CD players etc. through your car speakers.

### Reset

Push the **RESET** button(behind the front panel) with a thin object with a pointed end to reset the unit back to the factory default settings.

## RADIO OPERATION

### Switch Between Europe /USA/Asian/Russian Frequency

In radio mode, press the **Volume** button momentarily to choose the "AREA EU/US/AS/RU" item, then rotate it to switch between EU(europe),US(USA), AS(Asian), RU(Russian) frequency. The system will change the frequency setting in about 3 seconds.

### Change Bands

In radio mode, shortly press the **BAND/DISP** to select between the FM1, FM2, FM3 and AM1(MW1), AM2(MW2) bands.

### To Store / Recall Preset Stations

The radio can be stored 6 preset stations for each band (FM1, FM2, FM3, AM1 and AM2) for a total of 30 preset stations.

- To memorize a station:

Press and hold the desired preset buttons (1-6) to save a radio station.

- To recall a preset station:

Briefly press the respective station button (1-6) to recall the corresponding preset station.

### Manual Tuning

In the radio mode:

Briefly press the **>>I** or **I<<** button to search the next or previous frequency step by step.

### Seek Tuning

In radio mode:

Press and hold the **>>I** or **I<<** button to seek to next or previous strong station.

### Automatic Store Preset Station

Press and hold **AS** for more than 2 seconds to store 18 FM stations and 12 AM(MW) stations automatically.

## CD/USB OPERATION

### Insert CD

With the label facing up, insert a standard size CD into the CD slot. Playback will begin automatically.

### Eject CD

Press ▲ (Eject button) to eject the CD.

### USB Connection

If you would like to playback files contained in a USB stick, please insert the stick into the USB port. The MP3/WMA and other music files will be played automatically.

Note: The USB port of this car radio is also designed for charging for iPhone/andriod mobile phone. The charging current consumption is 1 ampere.

### Select Next Track Or Previous Track

In the CD/USB mode, briefly press the >>| or |<< button to play the next or previous track.

### Fast Forward/Reverse

Press and hold the >>| or |<< button to fast forward or reverse a track.

### Play / Pause

Press the ▶/|| button to interrupt the CD/USB playback (pause function). Press this button again to continue the playback.

### Introduction Scan

Press **INT** to plays first 10 seconds of each track on CD/USB.

Press again to cancel the INT function.

- INT ON - Plays the first 10 seconds of each track.
- INT OFF - Cancels the INT function.

### Repeating The Track

Press **RPT** to toggle between RPT FLD, RPT ALL, and RPT ONE.

- RPT FLD - Continuously repeats all files in current folder.
- RPT ALL - Plays all tracks on CD/USB device.
- RPT ONE - Continuously repeats selected track.

### Playing All Tracks In Random

Press **RDM** to play songs in random order, press again to cancel the RDM function.



## CD/USB OPERATION

- RDM ON - Plays all tracks in random order.
- RDM OFF - Cancels the RDM function.

### Folder/Track Navigation

- Press the  or  button to select the previous or the next folder. Folder access is only available on devices with more than one folder.

- Press and hold the  or  buttons to jump 10 tracks backward or forward. It is required that over 10 tracks be available on the storage medium.

## BLUETOOTH OPERATION

### Pair And Connect

Before using the Bluetooth device as a handsfree system for a Bluetooth enabled mobile phone for the first time, you must pair and connect the two devices as follows:

1. In any mode, prior to pairing and connecting, the BT logo on the LCD indicating that no device is connected. The head unit broadcasts the pairing signal constantly when no devices are connected. Activate the Bluetooth on your device before beginning the pairing process.
2. When your phone finds the car audio system, the "NAKAMICHI" name will be displayed on your phone screen.
3. Choose the "NAKAMICHI" from your mobile phone list to pair and connect with the car audio system. Upon confirming, the BT logo will stop flashing.
4. When pairing is complete, the mobile phone audio will automatically transfer to the car audio system whenever a call is made or received, or when the mobile phone plays music.

### Note:

For more details of bluetooth pairing, please refer to the owner's manual for your mobile phone.


### Make A Call

- To make a call, dial the call directly from the paired mobile phone.

### Redial Last Dialed Number

Press and hold the  button to redial the last dialed phone number.


### Answer A Call

- When the mobile phone is called, the incoming telephone number displays on the LCD display, press the  button to answer the incoming call.

### Reject Or End A Call

Press the  button to reject, press and hold the  to end the call.

### Switch Audio Between Car Audio And Mobile Phone

During a call, press the  button to switch the audio source from the car audio system back to your mobile phone.

## BLUETOOTH OPERATION

### Adjust Call Volume

- During a call, use **Volume** knob or **VOL+/VOL-** button to adjust the call volume level.
- Use the **MUTE** button to mute sound.

### Audio Streaming (A2DP)

The head unit supports A2DP wireless streaming audio from a Bluetooth mobile device directly to your head unit.

The following functions can be used to control the music:

- Press the **>>|** button to skip to the next available audio track.
- Press the **|<<** button to skip to the previous audio track.
- Press the **▶/||** button to toggle between play and pause during music playback.

## APP OPERATION

Using the application from NAKAMICHI, you can wireless remote control the car audio of NQ811B head unit with Apple & Android devices.

Please go to the APPLE APP Store or Google Play Store and search NAKAMICHI app, after downloading the APP, install it on your Apple & Android devices.



Connect your smartphone to NQ811B through bluetooth, then tap the APP and turn on it on your smartphone.

Now you can control the audio and the RDS function (Optional) of NQ811B head unit by your smartphone.

## SPECIFICATIONS

### General

Power supply Requirement :	DC 12V
Maximum power output :	50W X 4CH
Speaker impedance :	4 - 8 Ohm
Unit Dimensions(WxHxD) :	178 X 160 X 50 mm
Weight:	1.3 kg
Fuse :	10 A

### Radio

#### FM

Frequency Range:	87.5 MHz - 107.9 MHz (USA) 87.5 MHz - 108.0MHz (EUROPE)
------------------	--

Channel step:	200 KHz(USA) 50 KHz(EUROPE)
---------------	--------------------------------

#### AM

Frequency Range:	530 KHz - 1710 KHz (USA) 522-1620 KHz(EUROPE)
------------------	--

Channel step:	10 KHz(USA) 9 KHz(EUROPE)
---------------	------------------------------

### CD/USB

Usable Audio Formats:	CD/MP3/WMA
-----------------------	------------

USB Port Type:	2.0
----------------	-----

USB Charging:	5V/1A
---------------	-------

Frequency Response:	20 Hz - 20KHz
---------------------	---------------

S/N Ratio:	60dB
------------	------

### BT

BT Profile supports:	A2DP, AVRCP, HFP
----------------------	------------------

Range of frequency:	2.4GHz spectrum
---------------------	-----------------





[www.nakamichicaraudio.com](http://www.nakamichicaraudio.com)