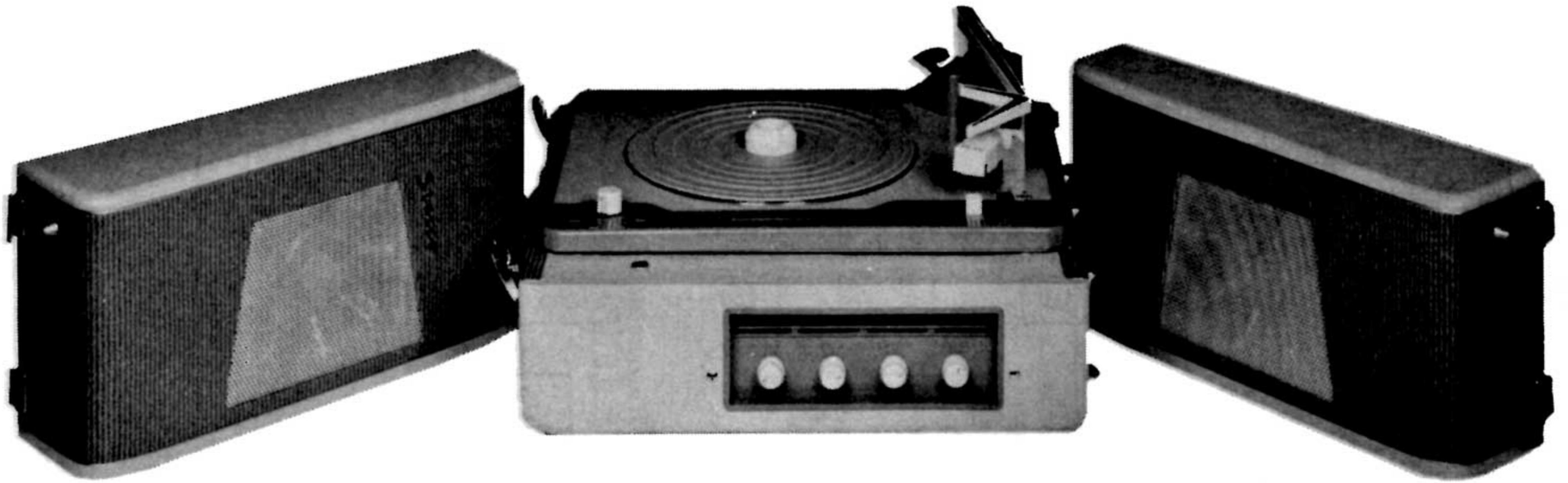
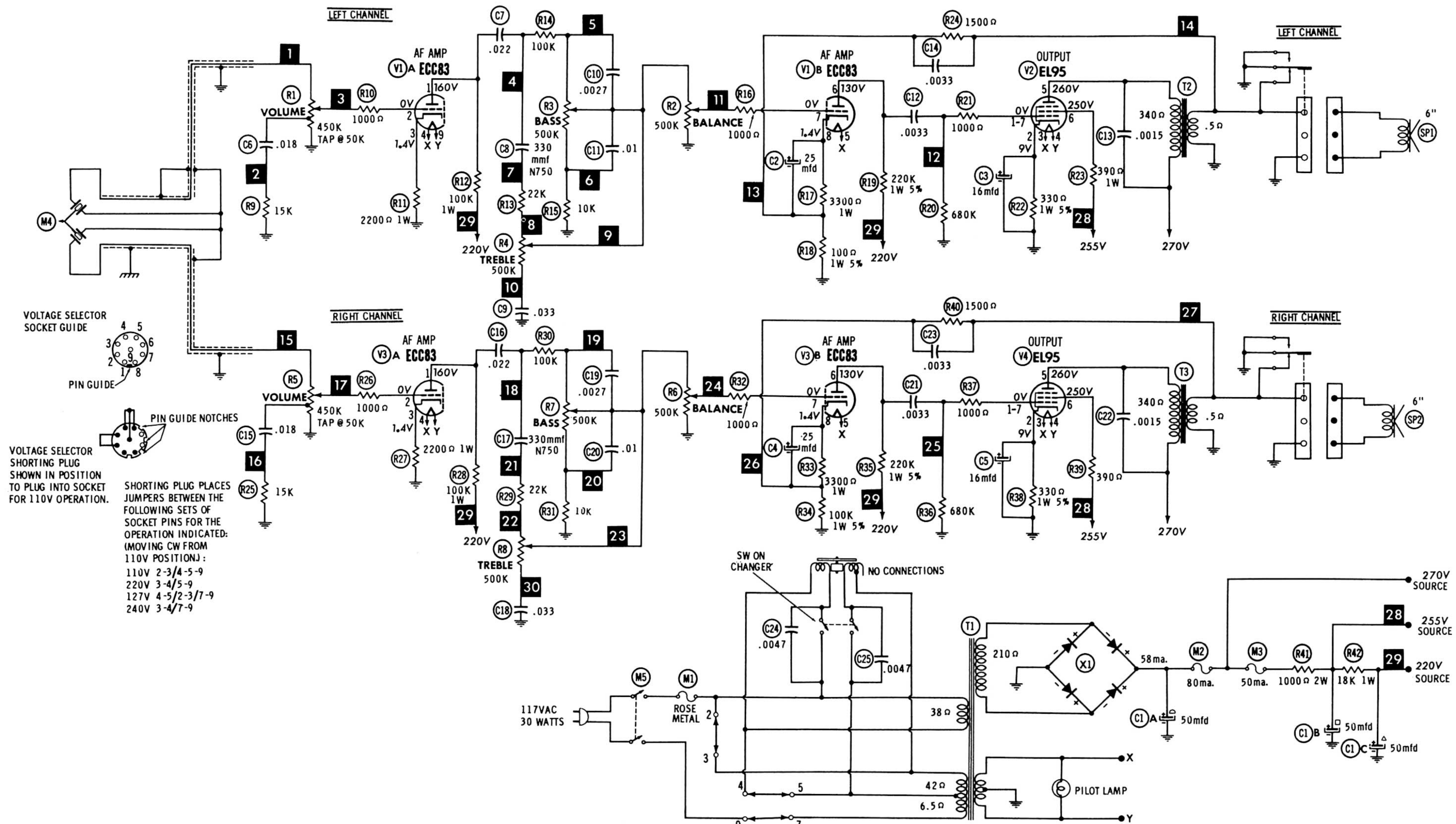


**MERCURY MODEL
AG-9115/54A**



TYPE SET	Mercury Model AG-9115/54A		
SUPPLIER	Mercury Record Corporation, 35 East Wacker Drive, Chicago 1, Illinois		
TYPE SET	AC Operated 4 Tube Stereo Phono Amplifier With 4 Speed Automatic Record Changer		
POWER SUPPLY	110 - 125/220-245 Volts AC, 50-60 Cycles	RATING	30 Watts, .31 Amp. @117 Volts AC

FOR SERVICE ON RECORD CHANGER PART #AG1015 - SEE SIMILAR PHILIPS AG1015



VOLTAGE SELECTOR SOCKET GUIDE

PIN GUIDE

PIN GUIDE NOTCHES

VOLTAGE SELECTOR SHORTING PLUG SHOWN IN POSITION TO PLUG INTO SOCKET FOR 110V OPERATION.

SHORTING PLUG PLACES JUMPERS BETWEEN THE FOLLOWING SETS OF SOCKET PINS FOR THE OPERATION INDICATED: (MOVING CW FROM 110V POSITION):

- 110V 2-3/4-5-9
- 220V 3-4/5-9
- 127V 4-5/2-3/7-9
- 240V 3-4/7-9

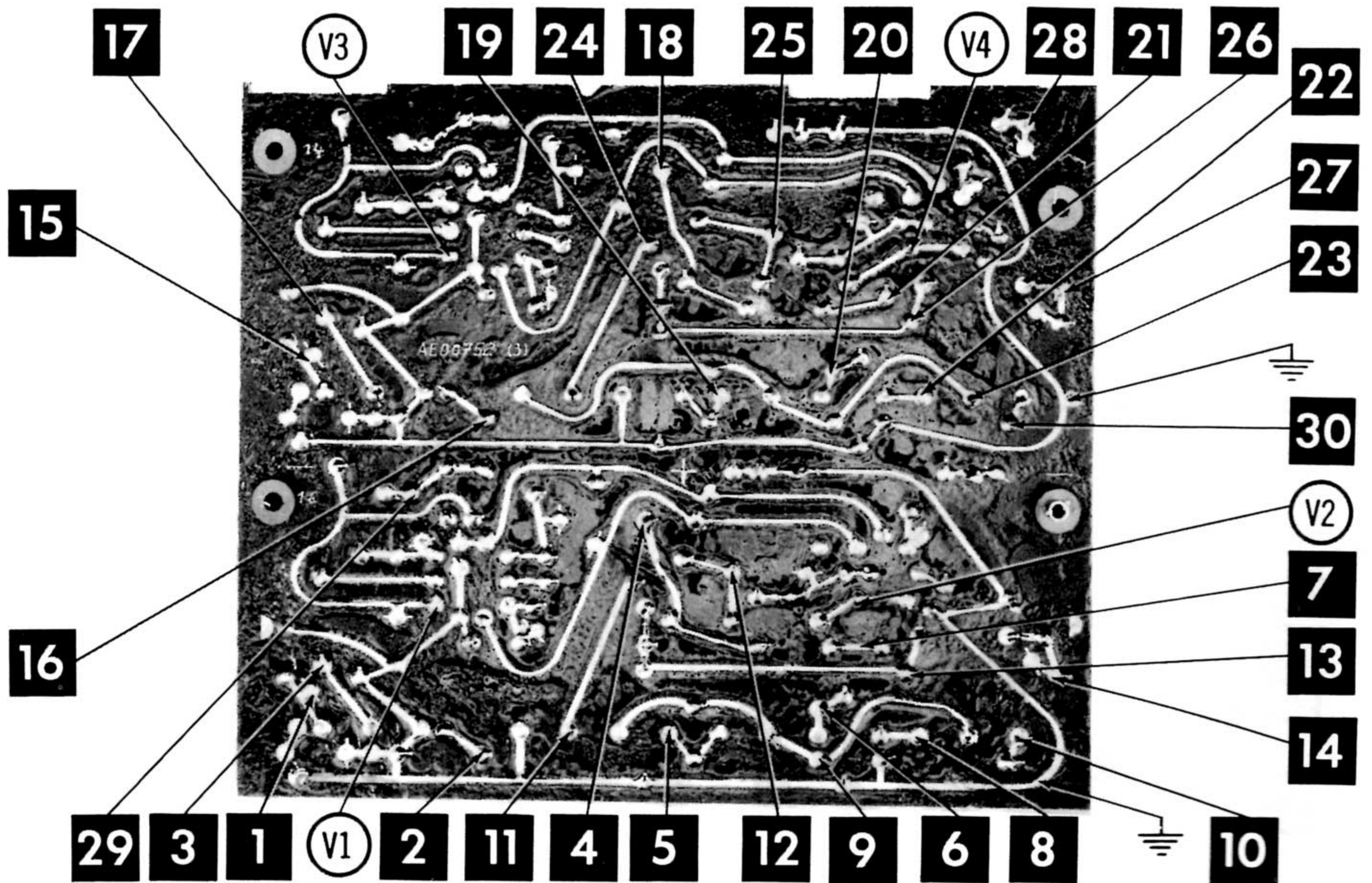
RESISTANCE READINGS

ITEM	TUBE	Pin 1	Pin 2	Pin 3	Pin 4	Pin 5	Pin 6	Pin 7	Pin 8	Pin 9
V1	ECC83	†119K	1K	2.2K	FIL	FIL	†239K	1K	3.4K	FIL
V2	EL95	680K	330Ω	FIL	FIL	340Ω	1.4K	680K		
V3	ECC83	†119K	1K	2.2K	FIL	FIL	†239K	1K	3.4K	FIL
V4	EL95	680K	330Ω	FIL	FIL	340Ω	1.4K	680K		

† MEASURED FROM OUTPUT OF X1.

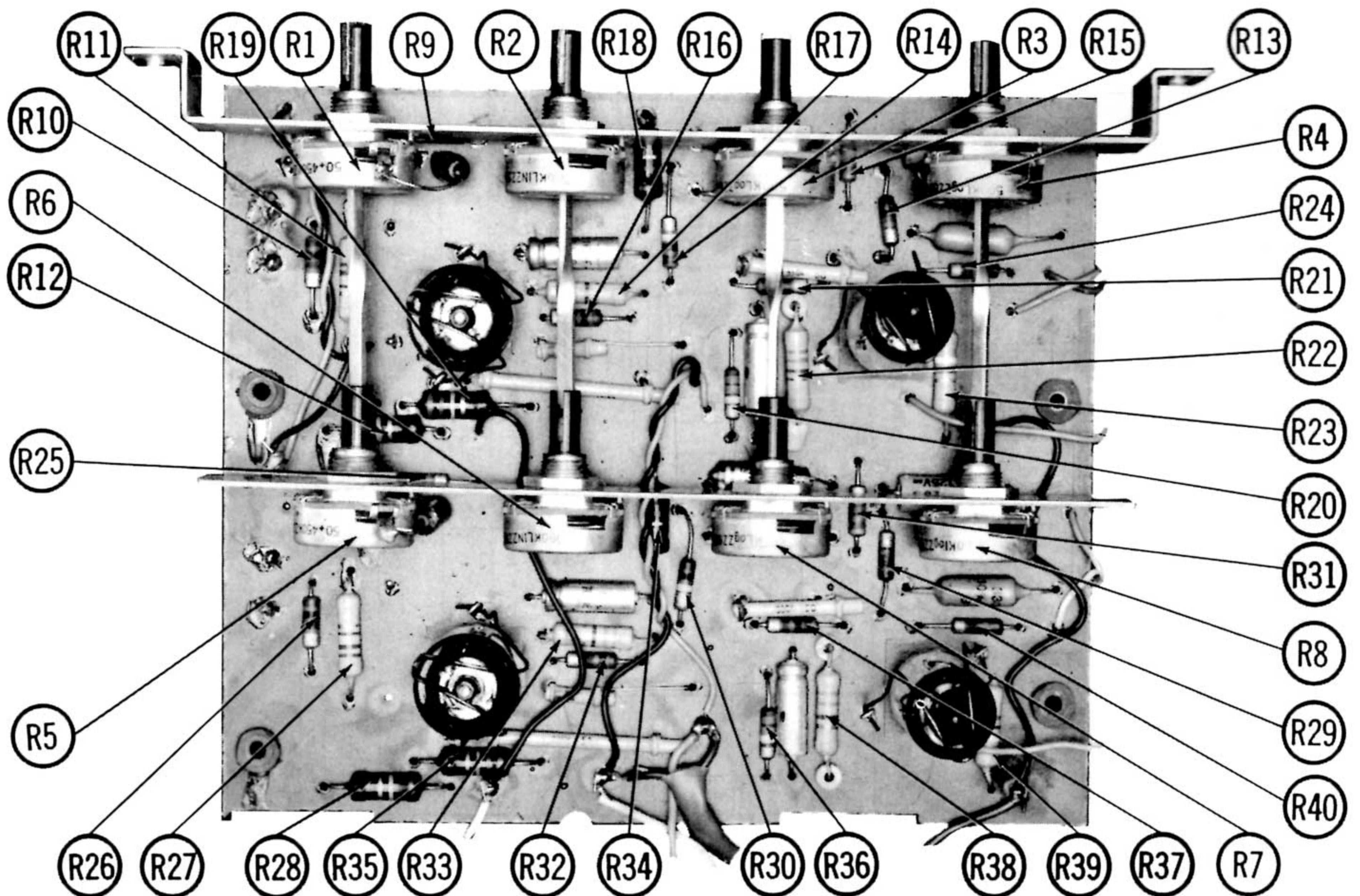
1. Voltage measurements taken with vacuum tube voltmeter.
2. All controls set for normal operation, no signal applied.
3. Measured values are from socket pin or terminal to common ground.
4. All terminals viewed from bottom unless otherwise designated.
5. Numbers assigned to terminals may not be found on the unit.
6. Supply voltage maintained at rated value for voltage readings.

**MERCURY MODEL
AG-9115/54A**



PRINTED BOARD

ARROWS INDICATING TUBE LOCATIONS ARE POINTING TO PIN 1 UNLESS OTHERWISE INDICATED



CHASSIS TOP VIEW—RESISTOR IDENT

PARTS LIST AND DESCRIPTIONS

TUBES

◆ AMPEREX ◆			◆ GENERAL ELECTRIC ◆			◆ RCA ◆			◆ RAYTHEON ◆			◆ SYLVANIA ◆		
ITEM No.	USE	TYPE	ITEM No.	USE	TYPE									
V1	AF Amp.	ECC83	V3	AF Amp.	ECC83									
V2	Output	EL95	V4	Output	EL95									

POWER RECTIFIERS

ITEM No.	MEASURED CURRENT	ORIGINAL Part or Type No.	RECTIFIERS		
			MALLORY PART No.	RCA PART No.	SARKES TARZIAN PART No.
X1	.058A	SR250B100*		1N1764 †	2F4 †

* Selenium † Silicon, 4 Required

ELECTROLYTIC CAPACITORS

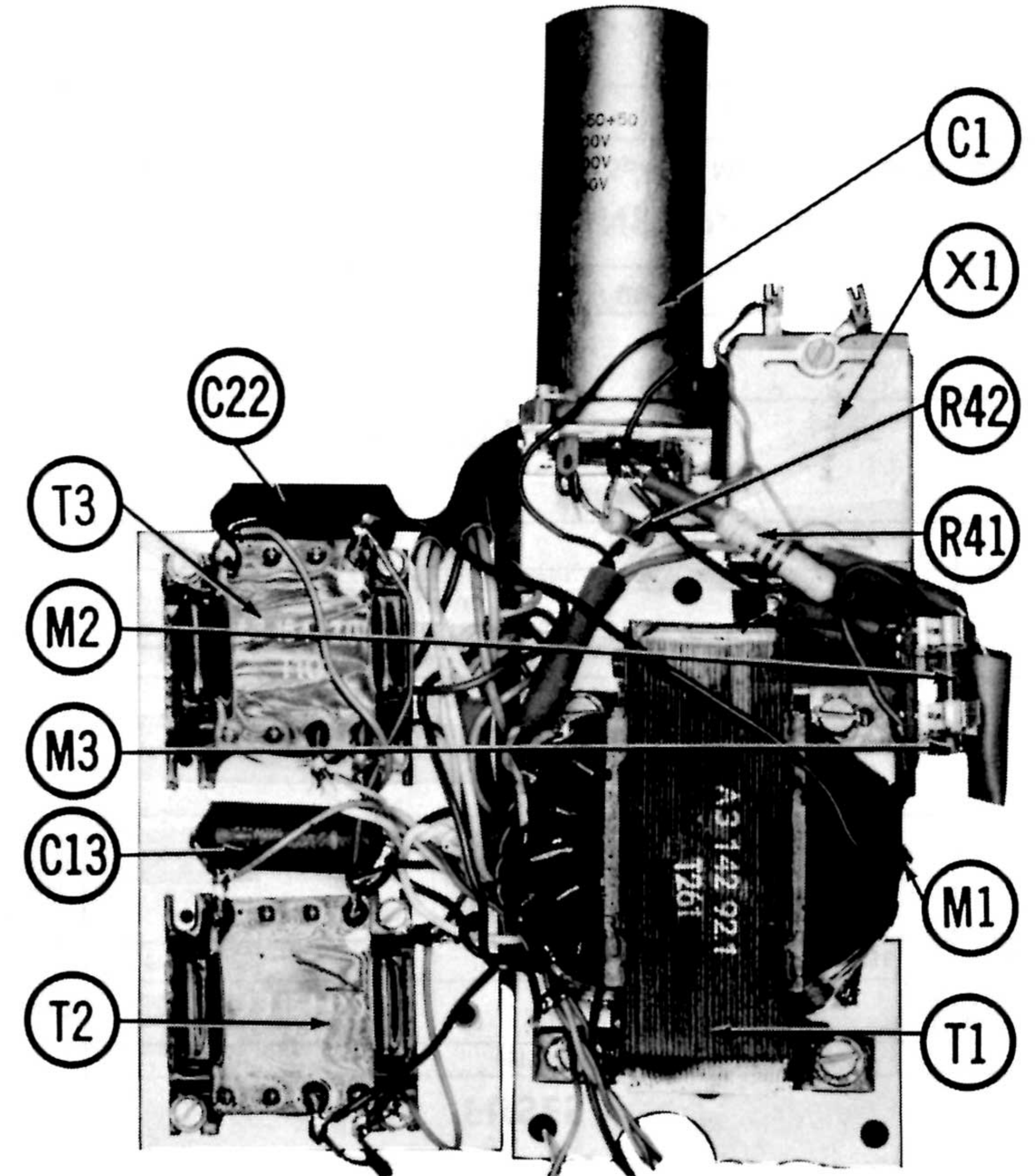
ITEM No.	RATING		REPLACEMENT DATA						
	CAP.	VOLT.	MERCURY PART No.	AEROVOX PART No.	CORNELL-DUBILIER PART No.	GENERAL ELECTRIC PART No.	MALLORY PART No.	PYRAMID PART No.	SPRAGUE PART No.
C1A	50	300	913/M50+50+50				FP330.9		TVLS-3580.7*
B	50	300							
C	50	300							
C2	25	10	C425AF/D25	PTT42	NLW25-10	MT1-11	TT10X25	MLV25-10	TE-1118
C3	16	16	909/X16	PTT67	NLW15-15	MT1-11	TT25X15	MLV15-15	TE-1156
C4	25	10	C425AF/D25	PTT42	NLW25-10	MT1-11	TT10X25	MLV25-10	TE-1118
C5	16	16	909/X16	PTT67	NLW15-15	MT1-11	TT25X15	MLV15-15	TE-1156

* Not normally in distributor's stock. Available thru distributor on order to manufacturer.

FIXED CAPACITORS

ITEM No.	RATING	REMARKS	REPLACEMENT DATA					
			AEROVOX PART No.	CENTRALAB PART No.	CORNELL-DUBILIER PART No.	ELMENCO PART No.	MALLORY PART No.	SPRAGUE PART No.
C6	.018 125V		P288N-02	DD-203	CUB4S2	4DP-2-203	GEM-412	4TM-S20
C7	.022		SI 20000	DD-203	BYB6S2	CCD-203	B-120	5HK-S20
C8	.330 N750		N750-SI 330	TCN-330	C10T33U	CCTN-301	CN7-333	10TCU-T33
C9	.033 125V		P288N-033	DD-303	CUB6S33	6DP-1-333	GEM-6133	6TM-S33
C10	.0027 125V		P288N-003	D6-272	DPMS6D27	6DP-1-272	GEM-623	6PS-D27
C11	.01 125V		P288N-01	D6-103	CUB4S1	4DP-1-103	GEM-411	4TM-S10
C12	.0033		SI 3300	D6-332	LI0D33	CCD 332	B-233	10TS-D33
C13	.0015 300V		P488N-0015	D6-152	CUB6D15	6DP-1-152	GEM-6215	6TM-D15
C14	.0033 400V		P488N-0033	D6-332	CUB6D33	6DP-1-332	GEM-6233	6TM-D33
C15	.018 125V		P288N-02	DD-203	CUB4S2	4DP-2-203	GEM-412	4TM-S20

POWER CHASSIS



PARTS LIST AND DESCRIPTIONS (Continued)

FIXED CAPACITORS (cont)

ITEM No.	RATING	REMARKS	REPLACEMENT DATA					
			AEROVOX PART No.	CENTRALAB PART No.	CORNELL-DUBILIER PART No.	ELMENCO PART No.	MALLORY PART No.	SPRAGUE PART No.
C16	.022		SI 20000	DD-203	BYB6S2	CCD-203	B-120	5HK-S20
C17	330 N750		N750-SI 330	TCN-330	C10T33U	CCTN-301	CN7-330	10TCU-T33
C18	.033 125V		P288N-033	DD-303	CUB6S33	4DP-1-333	GEM-6133	6TM-S33
C19	.0027 125V		P288N-003	D6-272	DPMS6D27	6DP-1-272	GEM-623	6PS-D27
C20	.01		P288N-01	D6-103	CUB4SI	4DP-1-103	GEM-411	4TM-S10
C21	.0033		SI 3300	D6-332	L10D33	CCD-332	B-233	10TS-D33
C22	.0015 300V		P488N-0015	D6-152	CUB6D15	6DP-1-152	GEM-6215	6TM-D15
C23	.0033 400V		P488N-0033	D6-332	CUB6D33	6DP-1-332	GEM-6233	6TM-D33
C24	.0047		SI 4700	D6-472	BYA10D47M	CCD-472	B-247	5HK-D47
C25	.0047		SI 4700	D6-472	BYA10D47M	CCD-472	B-247	5HK-D47

FUSES

ITEM No.	TYPE	RATING	REPLACEMENT DATA					
			MERCURY PART No.		LITTELFUSE PART No.		BUSS PART No.	
			FUSE	HOLDER	FUSE	HOLDER	FUSE	HOLDER
M1	Rose Metal (Spring Loaded)							
M2		80MA		212001		GMA 1		
M3		50MA		212.500		GMA 1/2		

PHONO CARTRIDGE & NEEDLES

*NEEDLE LISTINGS SHOWN ARE FOR RESPECTIVE REPLACEMENT CARTRIDGES ONLY.

ITEM No.	REPLACEMENT DATA								NOTES
	MERCURY PART No.		ASTATIC PART No.		ELECTRO-VOICE PART No.		SONOTONE PART No.		
	CARTRIDGE	NEEDLE*	CARTRIDGE	NEEDLE*	CARTRIDGE	NEEDLE*	CARTRIDGE	NEEDLE*	
M4	AG3305								

CONTROLS

All wattages 1/2 watt, or less, unless otherwise listed.

ITEM No.	USE	RESIST-ANCE	REPLACEMENT DATA				
			MERCURY PART No.	CENTRALAB PART No.	CLAROSTAT PART No.	CTS-IRC PART No.	MALLORY PART No.
R1	Volume, Left	450K 50K Tap	E098ZZ61				FA55T54, RU55T54, OF812, IS3937*
R2	Balance, Left	500K	B164035				FA55A, RU55A, OF812, IS3937*
R3	Bass, Left	500K	B164036				FA55A, RU55A, OF812, IS3937*
R4	Treble, Left	500K	B164036				FA55A, RU55A, OF812, IS3937*
R5	Volume, Right	450K 50K Tap	E098ZZ61				FA55T54, RU55T54, OF812, IS3937*
R6	Balance, Right	500K	B164035				FA55A, RU55A, OF812, IS3937*
R7	Bass, Right	500K	B164036				FA55A, RU55A, OF812, IS3937*
R8	Treble, Right	500K	B164036				FA55A, RU55A, OF812, IS3937*

MISCELLANEOUS

ITEM No.	PART NAME	MERCURY PART No.	NOTES
M5	Switch	AE00774	Power On-Off (DPST)

CABINETS & CABINET PARTS

(When Ordering Cabinets & Cabinet Parts, Specify Model, Chassis & Color)

NAME	PART NO.	DESCRIPTION
Handle	AE01350	
Knob	AE57024	
Case	AE01378	

* Squeeze control end of outer shaft until tines touch. Force inner shaft thru compressed end of outer shaft. Proceed in normal manner.

RESISTORS

All wattages 1/2 watt, or less, unless otherwise listed.

ITEM No.	REPLACEMENT DATA		RATING	REPLACEMENT DATA		ITEM No.	RATING	REPLACEMENT DATA	
	IRC PART No.	WORKMAN PART No.		REMARKS	IRC PART No.			WORKMAN PART No.	REMARKS
R9			15K			R26	1000Ω		
R10			1000Ω			R27	2200Ω 1W		
R11			2200Ω 1W			R28	100K 1W		
R12			100K 1W			R29	22K		
R13			22K			R30	100K		
R14			100K			R31	10K		
R15			10K			R32	1000Ω		
R16			1000Ω			R33	3300Ω		
R17			3300Ω 1W			R34	100K 5% 1W		
R18			100Ω 5% 1W			R35	220K 5% 1W		
R19			220K 5% 1W			R36	680K		
R20			680K			R37	1000Ω		
R21			1000Ω			R38	330Ω 5% 1W		
R22			330Ω 5% 1W			R39	390Ω		
R23			390Ω 1W			R40	1500Ω		
R24			1500Ω			R41	1000Ω 2W		
R25			15K			R42	18K 1W		

TRANSFORMER (POWER)

ITEM No.	REPLACEMENT DATA					NOTES
	RATING		MERCURY PART No.	Merit PART No.	Stancor PART No.	
	PRI.	SEC.				
T1	117VAC @ .310A	235VAC @ .058A	A314292			
	SEC. 3	SEC. 4	SEC. 5			
	6.3V @ 1.1A					

TRANSFORMER (AUDIO OUTPUT)

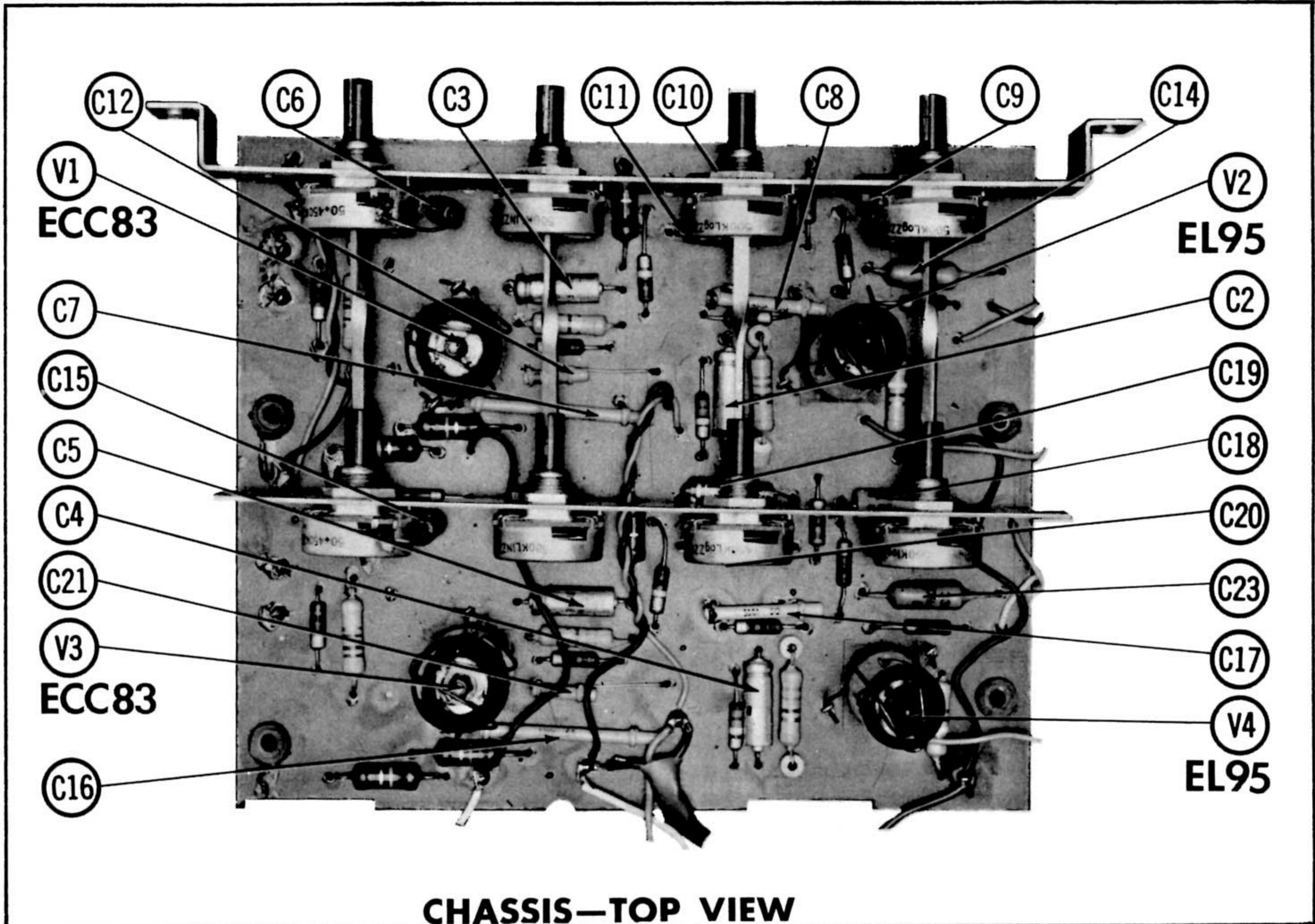
ITEM No.	REPLACEMENT DATA					NOTES
	IMPEDANCE		MERCURY PART No.	Merit PART No.	Stancor PART No.	
	PRI.	SEC.				
T2	9000Ω	3-4Ω	A315412			
T3	9000Ω	3-4Ω	A315412			

SPEAKER

ITEM No.	TYPE		REPLACEMENT DATA		NOTES
	SIZE	FIELD	MERCURY PART No.	QUAM PART No.	
SP1	6"	PM	AD3721		
SP2	6"	PM	AD3721		

WIRING DATA

General-use Unshielded Hook-up Wire	Use BELDEN No. 8530 (Solid) Available in 12 Colors
Power Cord	8524 (Stranded) Available in 12 Colors
Power Cord (Interlock Type)	17106 (Plastic) or 17126 (Rubber) - 6 Ft.
Low-Loss Shielded Lead (Interconnecting)	17109 (Plastic) or 17129 (Rubber) - 9 Ft.
Phono Pick-up Arm Cable	8874 (Rubber) or 8895 (Plastic)
	8401 or 8421
	8430 (Two Conductor-Unshielded)
	8429 (Two Conductor-Shielded)
	8419 (Three Conductor-Shielded)



CHASSIS—TOP VIEW