

Stewart-Warner Corp.

Model: R-176

Chassis:

Year:

Power:

Circuit:

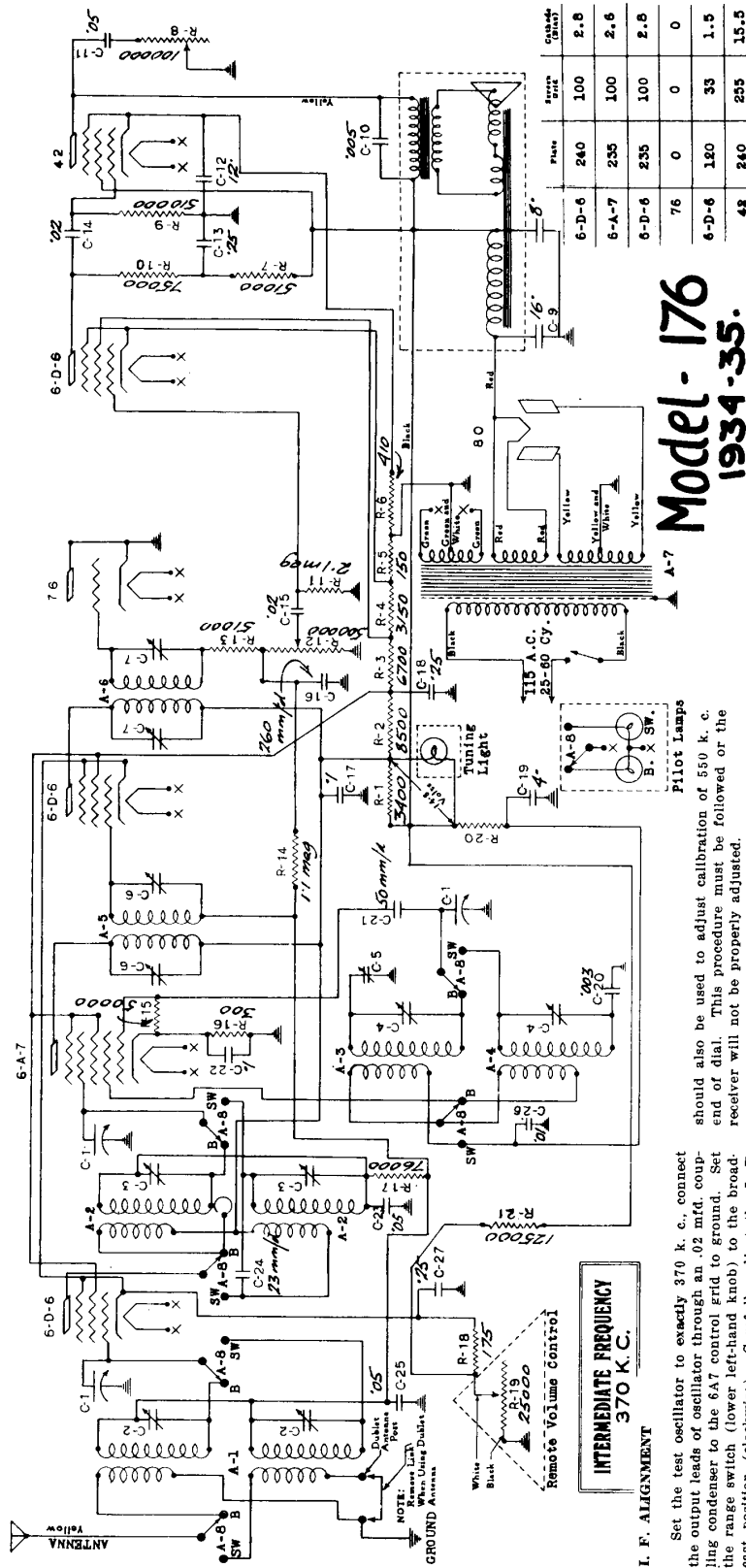
IF:

Tubes:

Bands:

Resources

[Radio College Of Canada - STEWART WARNER 20](#)



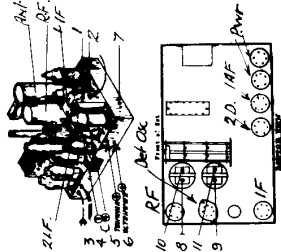
Model-176 1934-35.

output. Generally, two peaks will be found. Align on the peak secured with the trimmer screw farthest out. Then adjust trimmer No. 11 (short wave R. F. shunt trimmer) for maximum output. (When adjusting trimmer No. 11 two peaks may be found. The correct one is when trimmer is turned farthest in). Then adjust trimmer No. 10 (short wave antenna shunt trimmer) for maximum output.

4. With a strong 15,000 k. c. signal from the oscillator, tune the receiver to 14260 k. c. and check for the image signal which should be weaker than 15,000 k. c. signal. If the 14260 signal is as strong as the 15,000 it shows that trimmer No. 11 is not properly adjusted. If no signal is received at 14,260 k. c., but one at 15,740 k. c., it shows that trimmer No. 5 is aligned on wrong frequency, and thus both No. 5 and 11 must be readjusted at the proper frequency.

NOTE: After completing the alignment, all of the trimmers except padding trimmer should be locked in place with ambroid or some similar cement in order that they will not be jarred out of adjustment.

NOTE: The short jumper wire between the two-ground clips on rear top of set must be in place or the sensitivity will be poor at 6,000 k. c. (6 megacycles).



Warm eye view