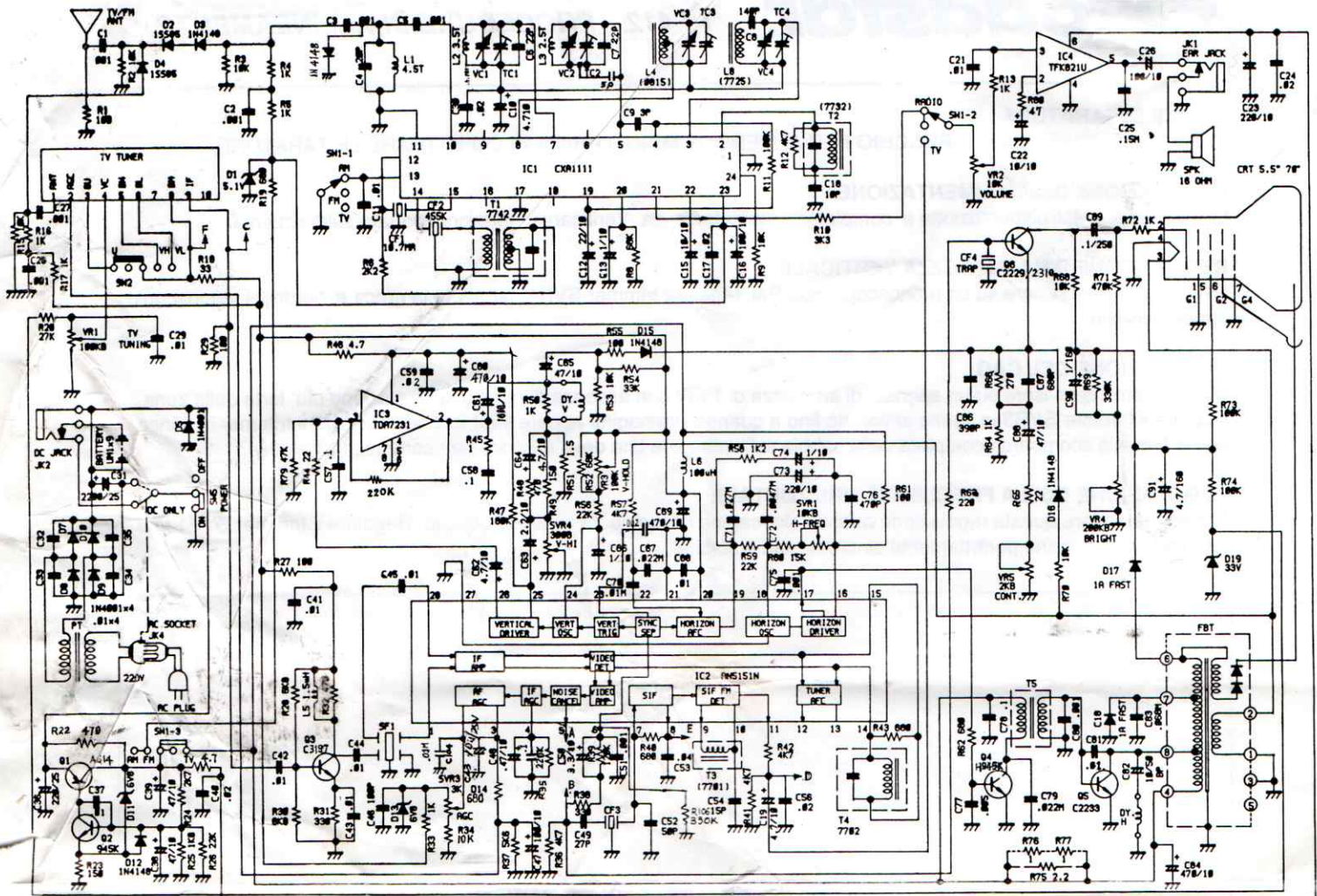
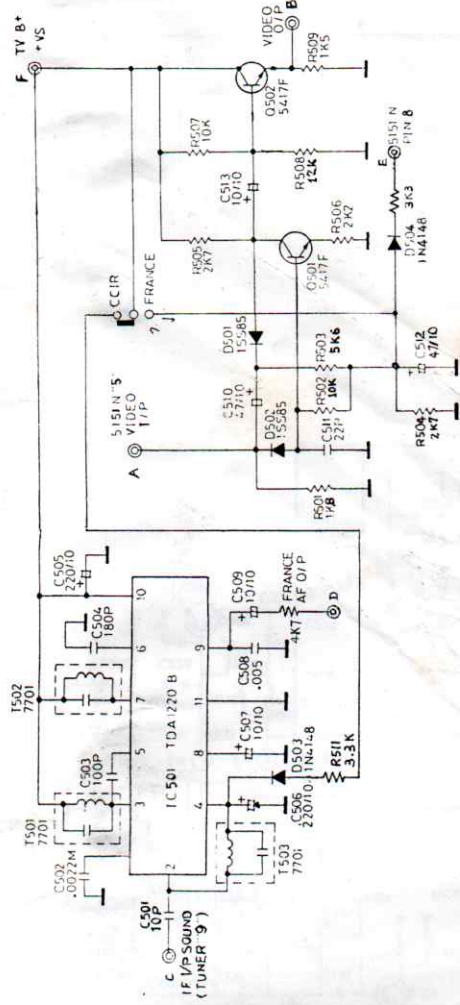


# SCHMATIC DIAGRAM



CRT 5.5" 7"

# FRANCE PCB



# MUTING CCT

