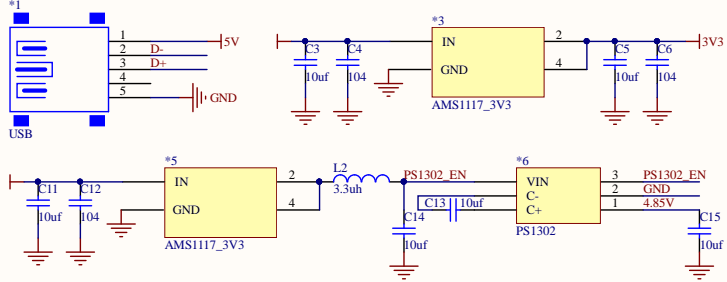
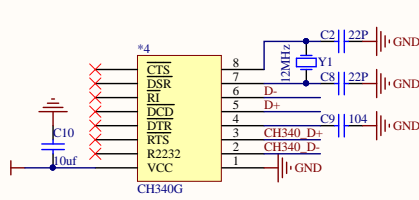


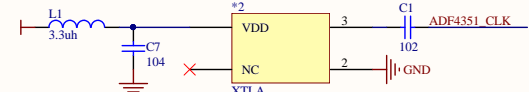
### POWER



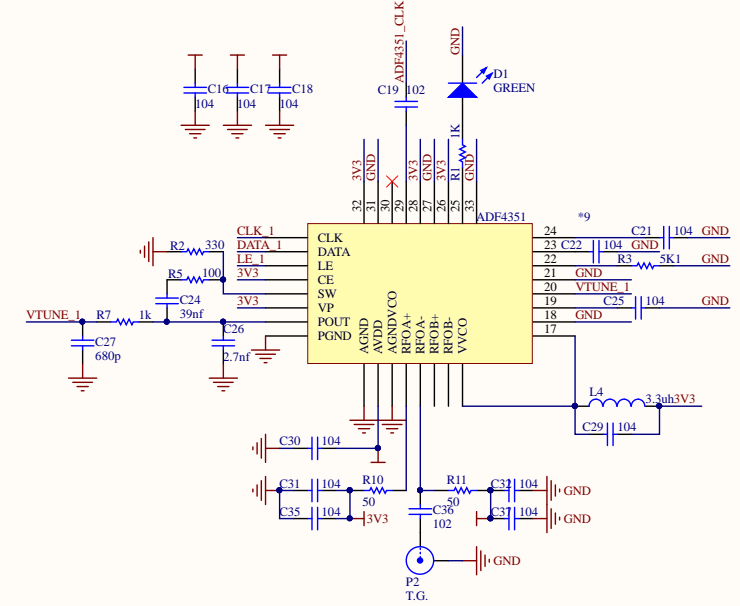
### USART



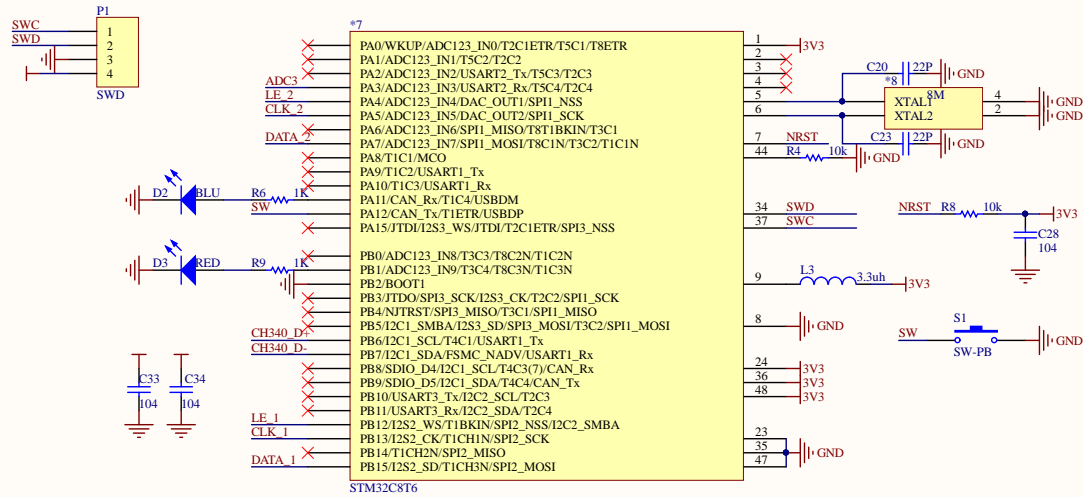
### 有源晶振



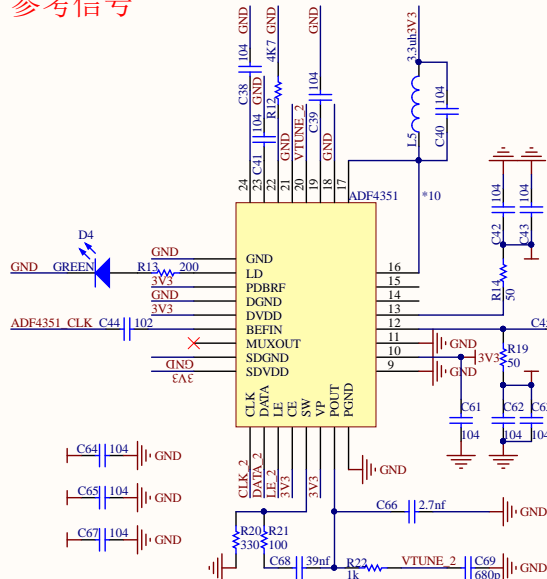
### 跟踪源



### MCU

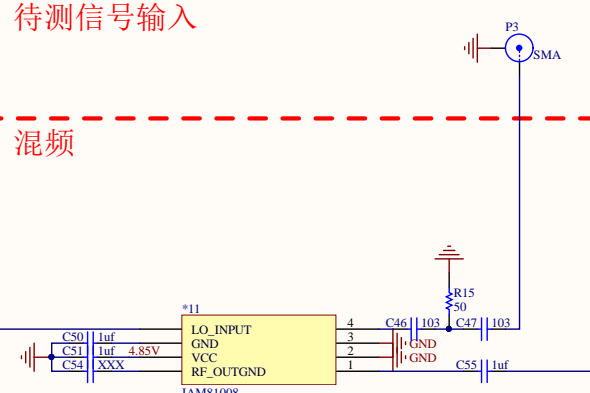


### 参考信号

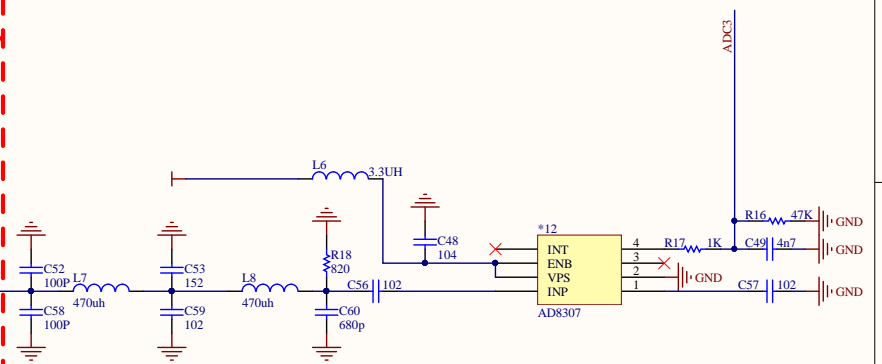


### 待测信号输入

### 混频



### 检波器



Title		
Size	Number	Revision
A3		
Date:	2019/3/9	Sheet of
File:	C:\Users\l\ADP4351频谱仪_SchDoc	Drawn By:

Comment	Description	Designator	Footprint	LibRef	Quantity
USB		*1	MICRO_USB_直插	USB	1
XTLA		*2	XTAL_5070	有源晶振	1
AMS1117_3V3		*3, *5	SOT223_N	AMS1117_3V3	2
CH340G		*4	SO-16_N	CH340G	1
PS1302		*6	PS3120	PS1302	1
STM32C8T6		*7	LOFP_48	STM32C8T6	1
8M		*8	5032_4_8M	Component_1	1
ADF4351		*9, *10	LFCSF_32_5X5MM(CP-32-2)	ADF4351	2
IAM81008		*11	SO8_N	IAM81008	1
AD8307		*12	SO8_N	AD8307	1
102	Capacitor	C1, C19, C36, C44, C45, C56, C57, C59	C0603	Cap	8
22P	Capacitor	C2, C8, C20, C23	C0603	Cap	4
10uf	Capacitor	C3, C5, C10, C11, C13, C14, C15	C0603	Cap	7
104	Capacitor	C4, C6, C7, C9, C12, C16, C17, C18, C21, C22, C25, C28, C29, C30, C31, C32, C33, C34, C35, C37, C38, C39, C40, C41, C42, C43, C48, C61, C62, C63, C64, C65, C67	C0603	Cap	33
39nf	Capacitor	C24, C68	C0603	Cap	2
2.7nf	Capacitor	C26, C66	C0603	Cap	2
680p	Capacitor	C27, C60, C69	C0603	Cap	3
103	Capacitor	C46, C47	C0603	Cap	2
4n7	Capacitor	C49	C0603	Cap	1
1uf	Capacitor	C50, C51, C55	C0603	Cap	3
100P	Capacitor	C52, C58	C0603	Cap	2
152	Capacitor	C53	C0603	Cap	1
XXX	Capacitor	C54	C0603	Cap	1
GREEN	Typical INFRARED GaAs LED	D1, D4	D0603	LED0	2
BLU	Typical INFRARED GaAs LED	D2	D0603	LED0	1
RED	Typical INFRARED GaAs LED	D3	D0603	LED0	1
3.3uh	Inductor	L1, L2, L3, L4, L5, L6	L0603	Inductor	6
470uh	Inductor	L7, L8	PCBComponent_1	Inductor	2
SWD	Header, 4-Pin	P1	HDR1X4	Header 4	1
T.G.	SMB Straight Connector	P2	SMA-KE 偏角	SMB	1
SMA	SMB Straight Connector	P3	SMA-KE 偏角	SMB	1
1K	Semiconductor Resistor	R1, R6, R7, R9, R17, R22	R0603	Res Semi	6
330	Semiconductor Resistor	R2, R20	R0603	Res Semi	2
5K1	Semiconductor Resistor	R3	R0603	Res Semi	1
10k	Semiconductor Resistor	R4, R8	R0603	Res Semi	2
100	Semiconductor Resistor	R5, R21	R0603	Res Semi	2
50	Semiconductor Resistor	R10, R11, R14, R15, R19	R0603	Res Semi	5
4K7	Semiconductor Resistor	R12	R0603	Res Semi	1
200	Semiconductor Resistor	R13	R0603	Res Semi	1
47K	Semiconductor Resistor	R16	R0603	Res Semi	1
820	Semiconductor Resistor	R18	R0603	Res Semi	1
SW-PB	Switch	S1	SMT_5252_SW_4	SW-PB	1
12MHz	Crystal Oscillator	Y1	XTAL_49S	XTAL_2	1