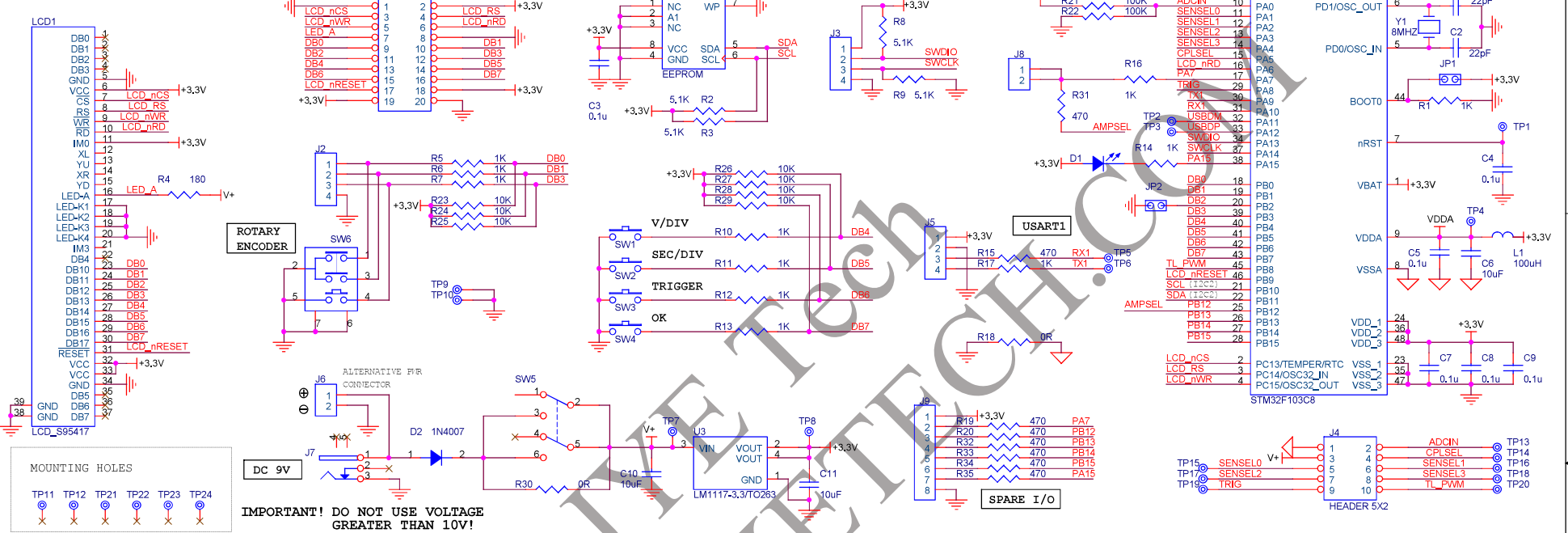
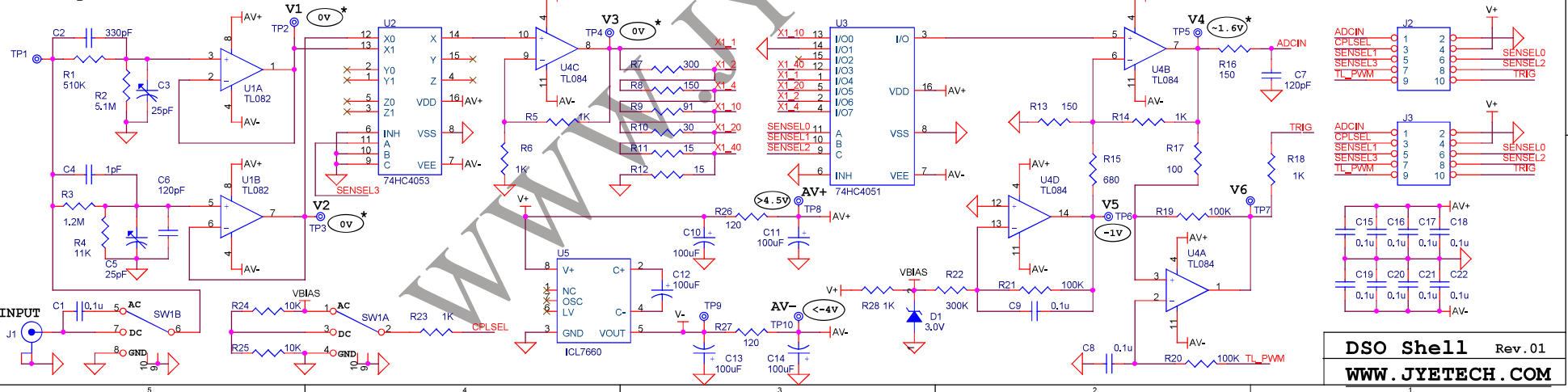
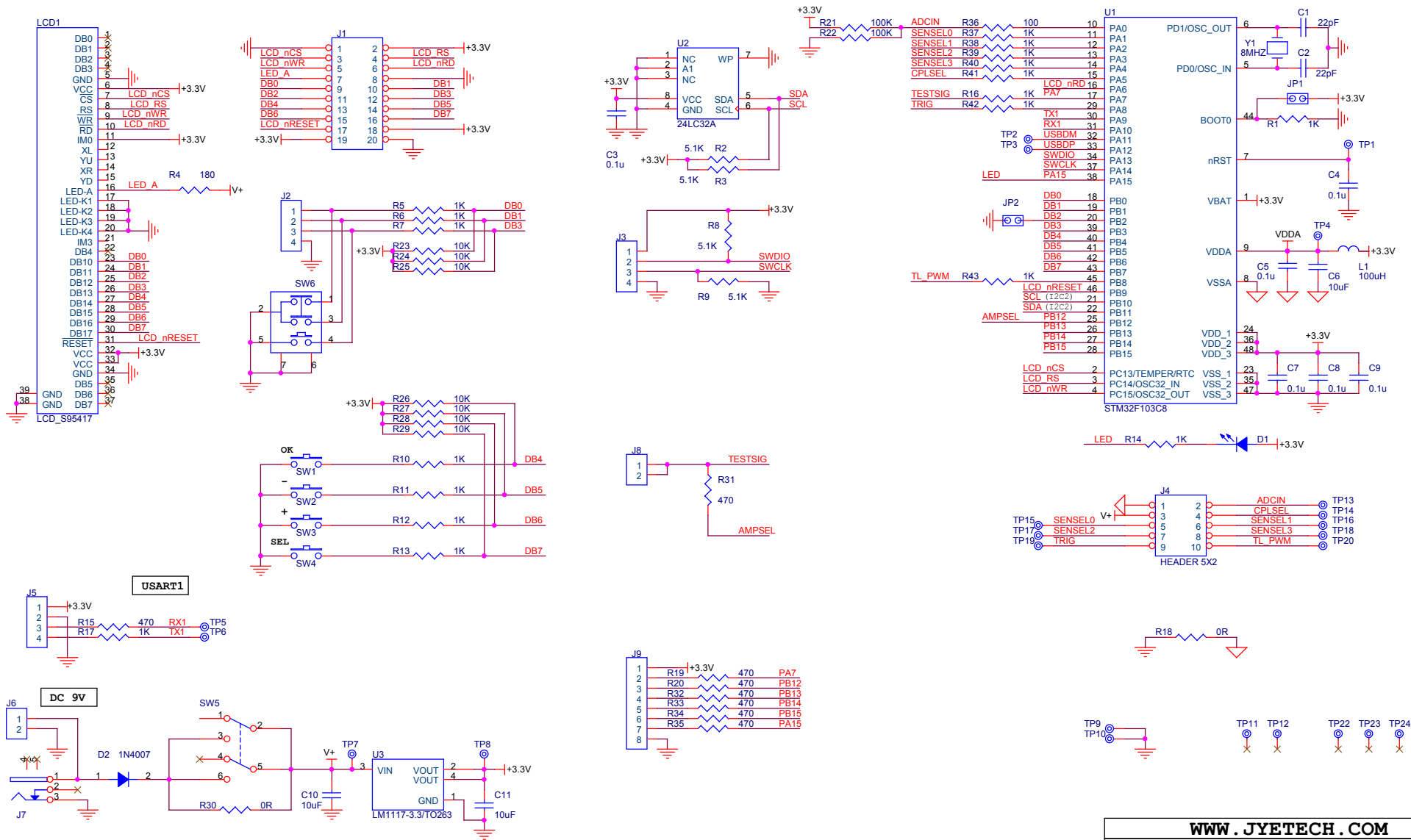


Main Board

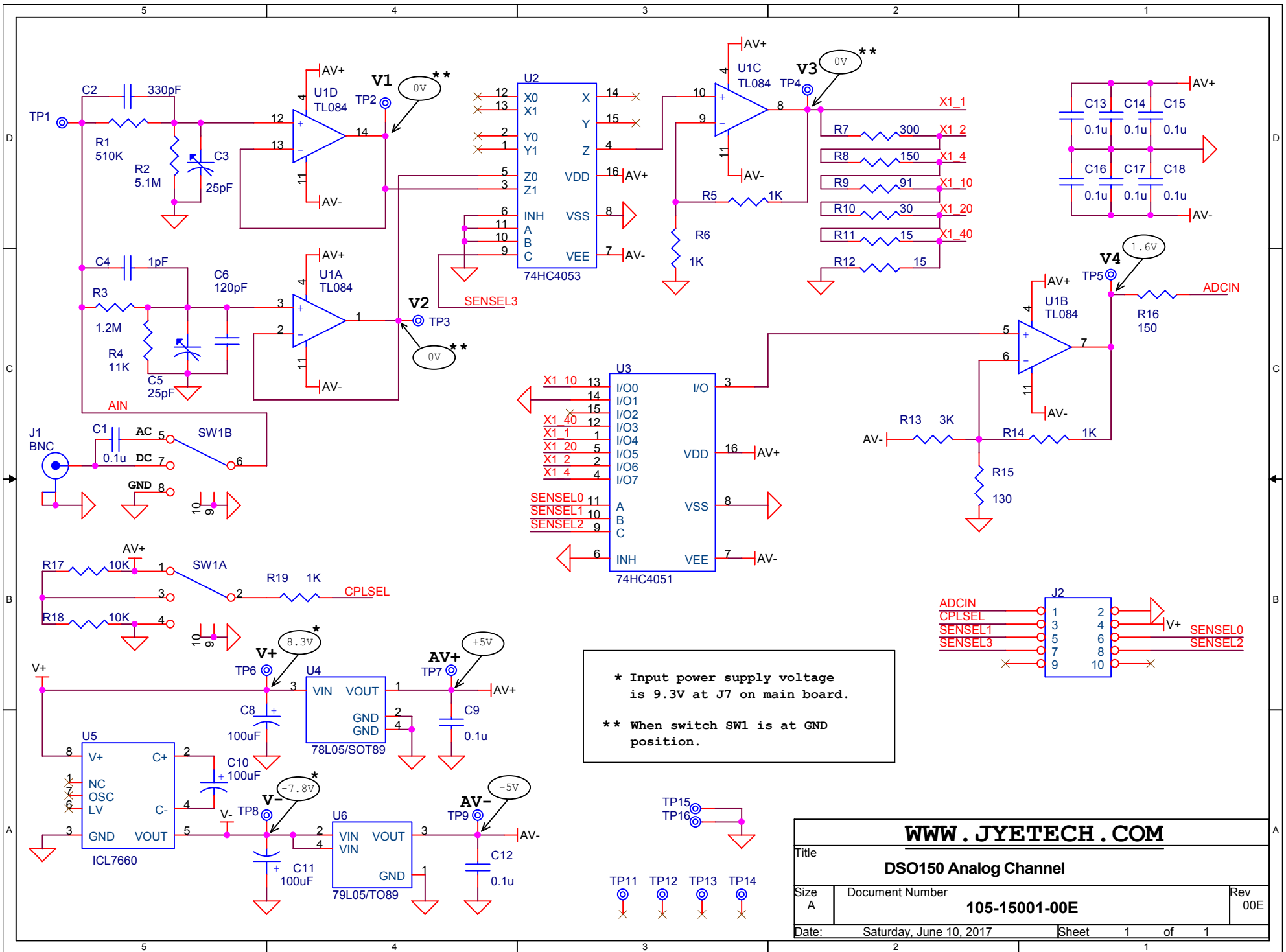


Analogue Board



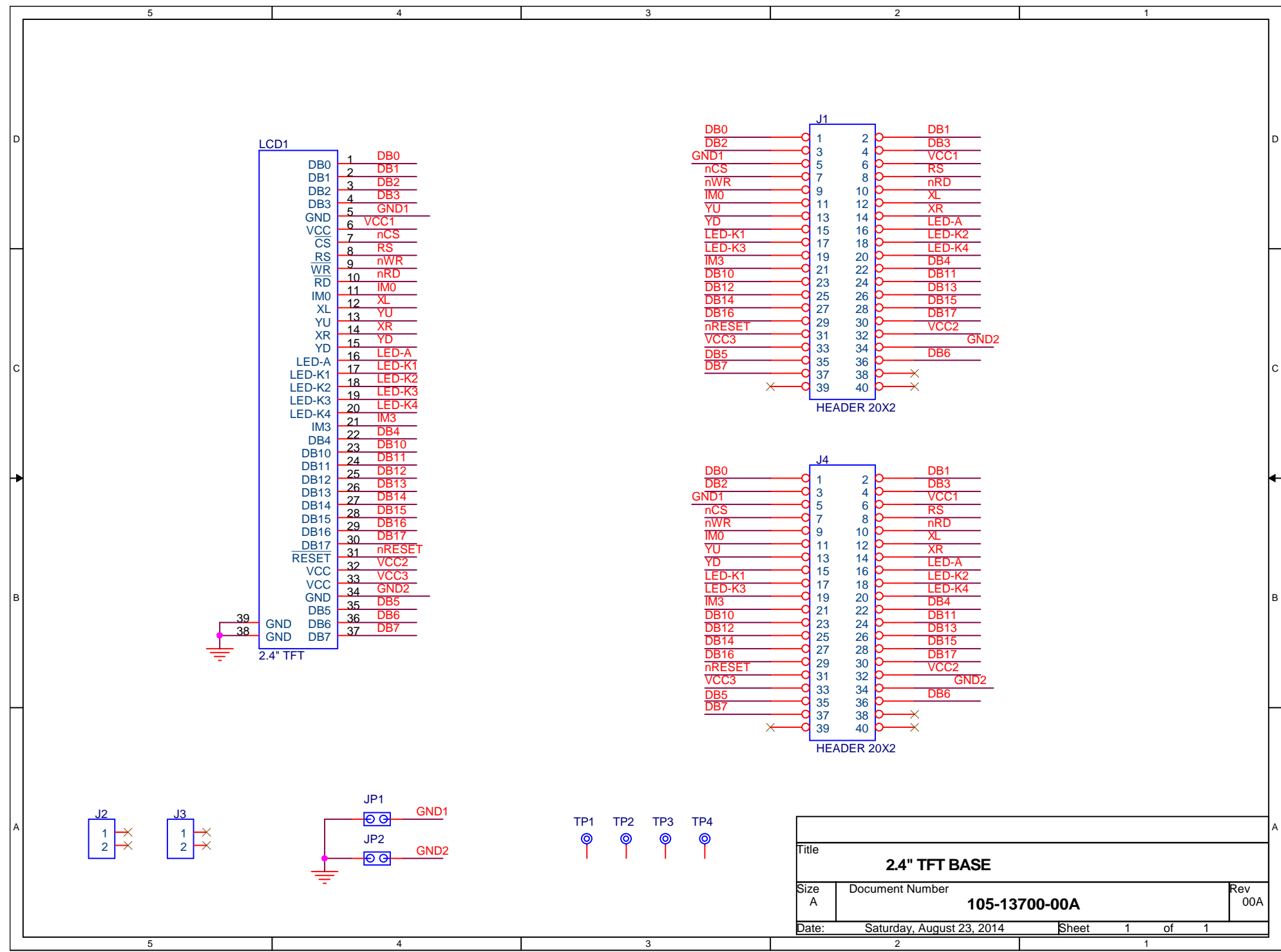


WWW.JYETECH.COM		
Title		
DSO 150 MAIN BOARD		
Size B	Document Number	Rev
	105-15000-00E	00E
Date:	Monday, April 17, 2017	Sheet 1 of 1



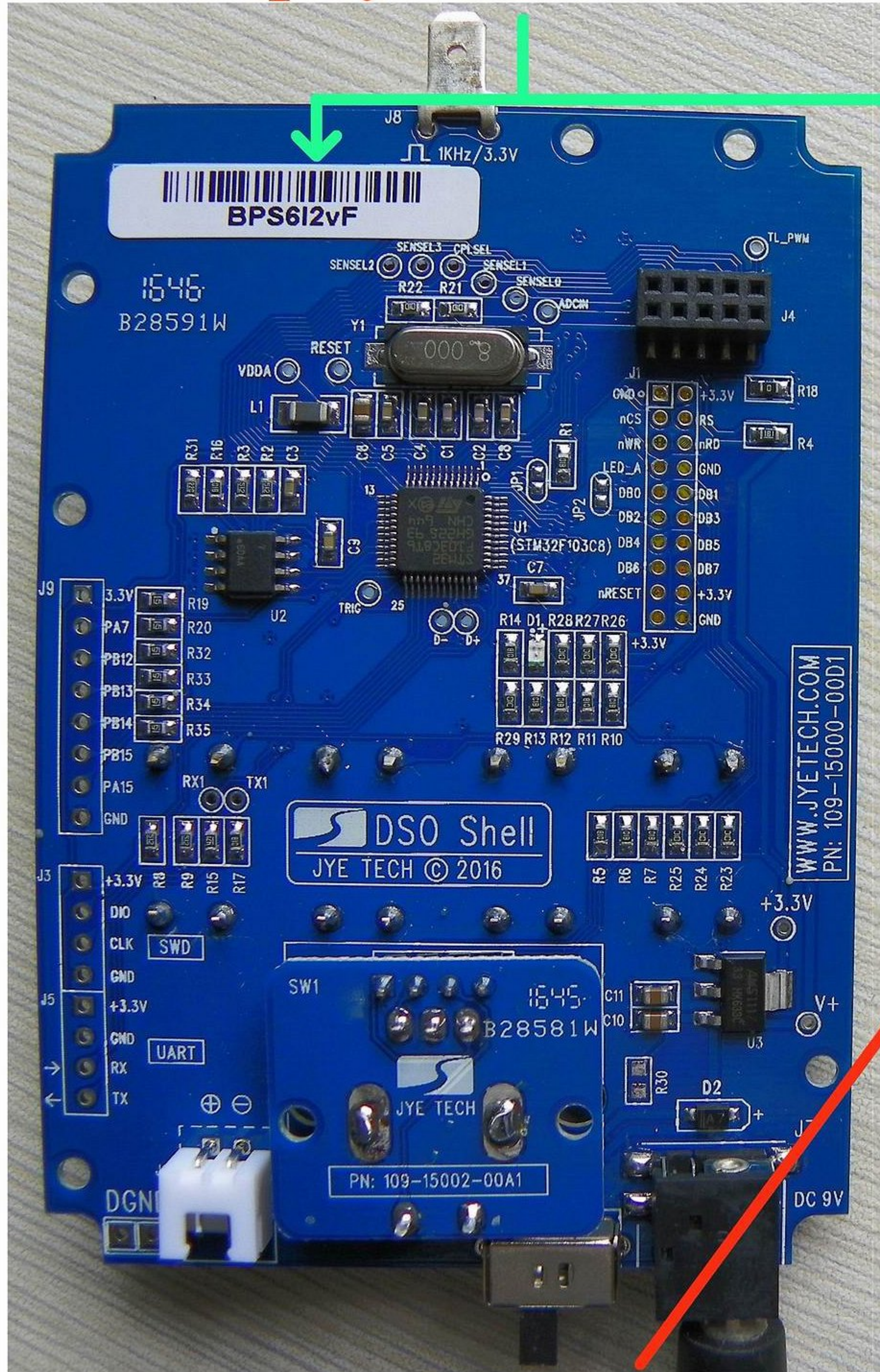
WWW.JYETECH.COM

Title		
DSO150 Analog Channel		
Size A	Document Number	Rev 00E
	105-15001-00E	
Date:	Saturday, June 10, 2017	Sheet 1 of 1

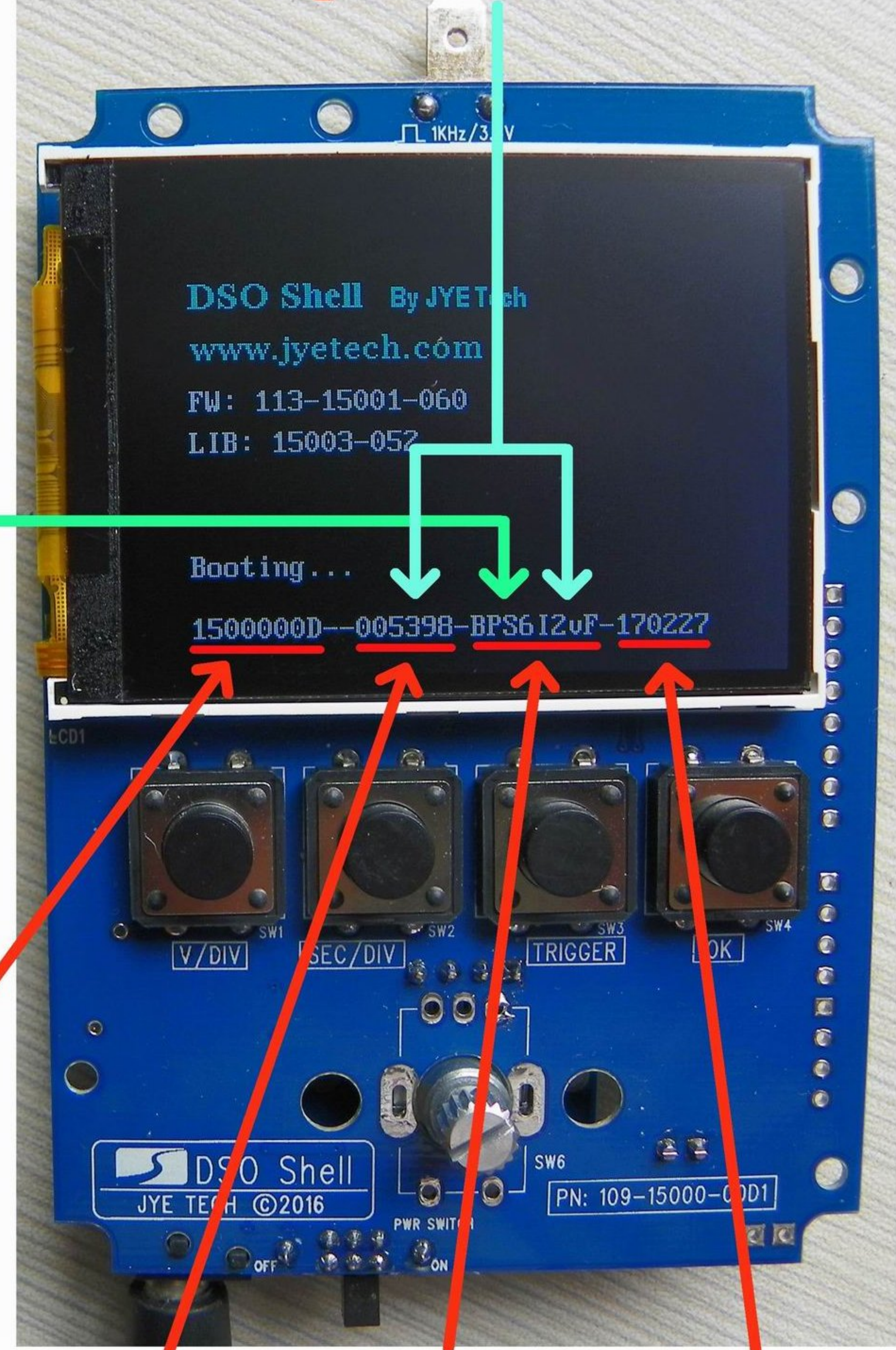


Title		
2.4" TFT BASE		
Size	Document Number	Rev
A	105-13700-00A	00A
Date:	Saturday, August 23, 2014	Sheet 1 of 1

1. Board ID on sticker matches that displayed on screen



2. Serial number and board ID are unique to each board



PCB version Serial number Board ID Date code