

R.F. POWER TRIODE

ABRIDGED DATA

R.F. power triode of glass construction, radiation cooled anode, intended primarily for industrial service.

Anode dissipation:

continuous operation, forced-air cooling	0.8	kW max
duty factor 0.2, natural cooling	1.5	kW max
Anode voltage	6.0	kV max
Frequency for full ratings	50	MHz max

Output power (class C oscillator):

duty factor 1.0	2.7	kW
duty factor 0.5	3.7	kW
duty factor 0.2	4.6	kW

GENERAL

Electrical

Filament	thoriated tungsten
Filament voltage (see note 1)	6.3 V
Filament current	32.5 A
Amplification factor ($V_a = 4.0\text{kV}$, $I_a = 190\text{mA}$)	22
Mutual conductance ($V_a = 1.0\text{kV}$, $I_a = 3.0\text{A}$)	9.0 mA/V
Mutual conductance ($V_a = 4.0\text{kV}$, $I_a = 190\text{mA}$)	5.1 mA/V
Inter-electrode capacitances:	
grid to anode	6.2 pF
grid to filament	10.5 pF
anode to filament	0.25 pF

Mechanical

Overall length	251mm (9.900 inches) max
Overall diameter	155mm (6.102 inches) max
Net weight	0.7kg (1½ pounds) approx
Base (see note 2)	special
Mounting position	vertical only, base down

COOLING

The bulb and seal temperatures must not exceed ~~the values given below:~~

bulb temperature	350	°C
seal temperature	220	°C

For continuous operation a low velocity air flow is ~~necessary to limit the bulb and seal temperatures.~~ Natural cooling is normally ~~adequate when the valve is operated intermittently or with reduced input.~~

R.F. POWER OSCILLATOR (Class C, d.c. anode supply)

MAXIMUM RATINGS (Absolute values)

Duty factor	1.0	0.5	0.2	
Averaging time	—	10	5.0	s max
Anode voltage	6.0	6.0	6.0	kV max
Anode current	750	1100	1400	mA max
Anode dissipation	800	1200	1500	W max
Grid voltage (negative value)	1.25	1.25	1.25	kV max
Grid current (at maximum anode dissipation)	300	375	400	mA max
Grid dissipation	120	150	175	W max
Grid to filament resistance	10	10	10	kΩ max
Operating frequency	50	50	50	MHz max

TYPICAL OPERATING CONDITIONS

	Forced-air Cooling	Natural Cooling		
Duty factor	1.0	0.5	0.2	
On period	—	5.0	1.0	s
Off period	—	5.0	4.0	s
Anode voltage	5.0	5.0	5.0	kV
Grid voltage	−565	−530	−620	V
from grid resistor	2.22	1.93	1.75	kΩ
Anode current	700	960	1200	mA
Grid current (approx)	255	275	355	mA
Anode dissipation	788	1100	1380	W
Anode load resistance	3.8	2.8	2.2	kΩ
Feedback ratio (see note 3)	0.2	0.22	0.23	
Output power	2.7	3.7	4.6	kW
Efficiency	77.5	77	77	%
Effective output power to load (see note 4)	2.3	3.1	3.9	kW

R.F. POWER OSCILLATOR

(Class C, anode supply from unfiltered single phase, full-wave rectifier)

MAXIMUM RATINGS (Absolute values)

Duty factor	1.0	0.5	0.2	
Averaging time	—	10	5.0	s max
Anode voltage	5.4	5.4	5.4	kV max
Anode current	670	1000	1250	mA max
Anode dissipation	800	1200	1500	W max
Grid voltage (negative value)	1.25	1.25	1.25	kV max
Grid current (at maximum anode dissipation)	270	400	500	mA max
Grid dissipation	120	150	175	W max
Grid to filament resistance	10	10	10	k Ω max
Operating frequency	50	50	50	MHz max

TYPICAL OPERATING CONDITIONS

	Forced-air Cooling	Natural Cooling		
Duty factor	1.0	0.5	0.2	
On period	—	5.0	1.0	s
Off period	—	5.0	4.0	s
Anode voltage	4.5	4.5	4.5	kV
Grid voltage	-375	-375	-385	V
from grid resistor	2.2	1.5	1.4	k Ω
Anode current	600	760	870	mA
Grid current (approx)	170	250	275	mA
Anode dissipation	750	1100	1400	W
Anode load resistance	3.8	3.3	2.6	k Ω
Feedback ratio (see note 3)	0.17	0.2	0.2	
Output power	2.55	3.13	3.6	kW
Efficiency	77	74	72	%
Effective output power to load (see note 4)	2.2	2.6	3.0	kW

R.F. POWER OSCILLATOR

(Class C, anode supply from unfiltered three phase, half-wave rectifier)

MAXIMUM RATINGS (Absolute values)

Duty factor	1.0	0.5	0.2	
Averaging time	—	10	5.0	s max
Anode voltage	6.0	6.0	6.0	kV max
Anode current	750	1100	1400	mA max
Anode dissipation	800	1200	1500	W max
Grid voltage (negative value)	1.25	1.25	1.25	kV max
Grid current (at maximum anode dissipation)	300	450	560	mA max
Grid dissipation	120	150	175	W max
Grid to filament resistance	10	10	10	k Ω max
Operating frequency	50	50	50	MHz max

TYPICAL OPERATING CONDITIONS

	Forced-air Cooling	Natural Cooling		
Duty factor	1.0	0.5	0.2	
On period	—	5.0	1.0	s
Off period	—	5.0	4.0	s
Output voltage (r.m.s.) from transformer	4.25	4.25	4.25	kV
Anode voltage	5.0	5.0	5.0	kV
Grid voltage	-400	-410	-400	V
from grid resistor	2.16	2.10	1.65	k Ω
Anode current	700	740	900	mA
Grid current (approx)	185	195	240	mA
Anode dissipation	780	960	1200	W
Anode load resistance	3.8	3.4	2.4	k Ω
Feedback ratio (see note 3)	0.16	0.17	0.17	
Output power	2.7	2.74	3.3	kW
Efficiency	78	74	73	%
Effective output power to load (see note 4)	2.3	2.32	2.8	kW

R.F. POWER OSCILLATOR

(Class C, anode supply unrectified a.c.)

MAXIMUM RATINGS (Absolute values)

	1.0	0.5	0.2	
Duty factor	1.0	0.5	0.2	
Averaging time	—	10	5.0	s max
Output voltage (r.m.s.) from transformer	5.6	5.6	5.6	kV max
Anode current (see note 5)	400	600	750	mA max
Anode dissipation	800	1200	1500	W max
Grid voltage (negative value)	1.25	1.25	1.25	kV max
Grid current (at maximum anode dissipation) (see note 5)	160	240	300	mA max
Grid dissipation	120	150	175	W max
Grid to filament resistance	10	10	10	k Ω max
Operating frequency	50	50	50	MHz max

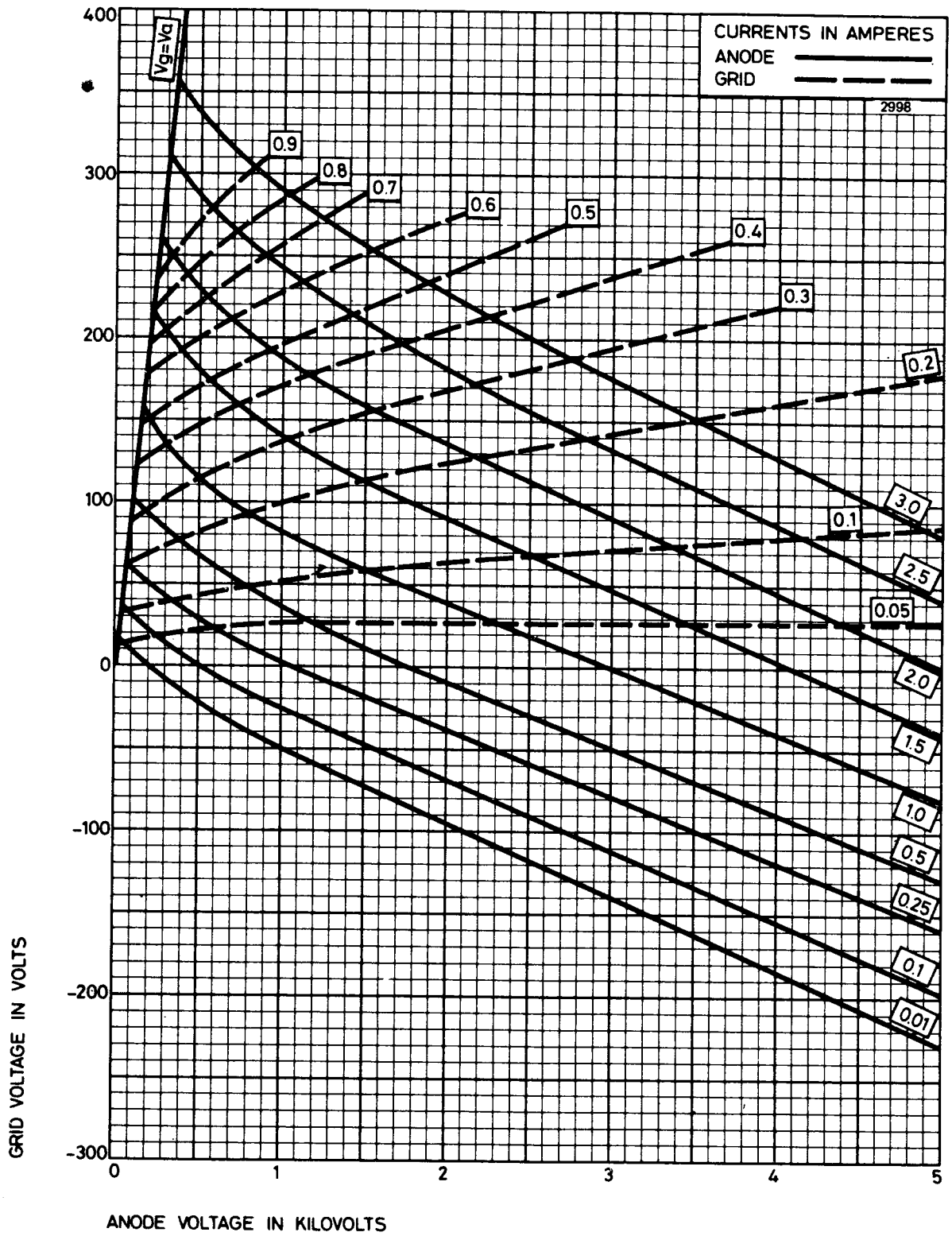
TYPICAL OPERATING CONDITIONS

	Forced-air Cooling	Natural Cooling		
Duty factor	1.0	0.5	0.2	
On period	—	5.0	1.0	s
Off period	—	5.0	4.0	s
Output voltage (r.m.s.) from transformer	5.2	5.2	5.2	kV
Grid voltage	-180	-180	-180	V
from grid resistor	1.56	1.06	0.82	k Ω
Anode current (see note 5)	360	540	675	mA
Grid current (approx) (see note 5)	115	170	220	mA
Anode dissipation	520	870	1170	W
Anode load resistance	3.2	2.2	1.7	k Ω
Feedback ratio (see note 3)	0.15	0.2	0.23	
Output power	1.56	2.24	2.73	kW
Efficiency	75	72	70	%
Effective output power to load (see note 4)	1.3	1.9	2.3	kW

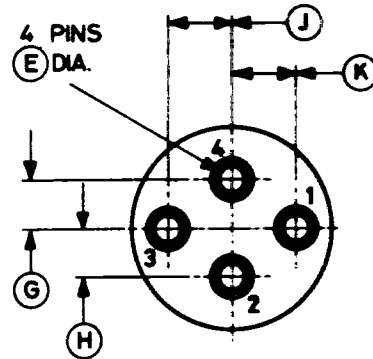
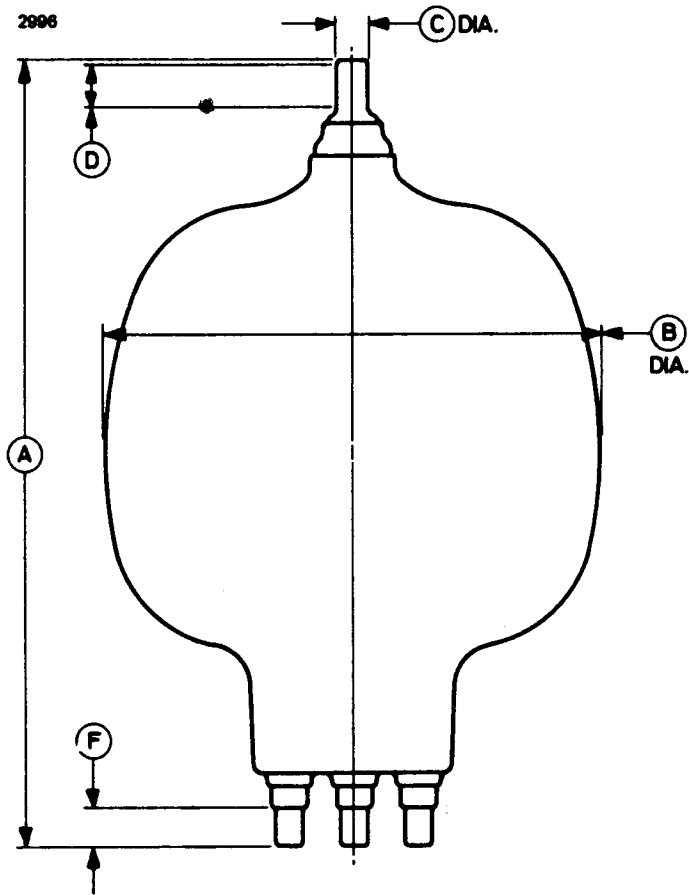
NOTES

1. Temporary fluctuations up to +5% or -10% in filament voltage are permissible.
2. The design of the base socket must ensure that no strain is applied to the glass to metal seals. Where clamps are used for connecting to the base pins or top cap, the leads must be flexible. Allowance must be made for variations of up to 3% in the specified pin positions in any direction.
3. The feedback ratio is defined as $\frac{V_{g(pk)}}{V_{a(pk)}}$
where $V_{g(pk)}$ = peak r.f. grid voltage in volts
and $V_{a(pk)}$ = peak r.f. anode voltage in volts.
4. Effective output power to load = $\eta_a (P_{out} - P_{drive})$
where η_a = efficiency of anode circuit = 85%
 P_{out} = output power of valve to anode circuit
 P_{drive} = drive power fed back to grid circuit.
5. Averaged over one cycle of supply frequency.

TYPICAL CONSTANT CURRENT CHARACTERISTICS



OUTLINE (All dimensions without limits are nominal)



Pin	Element
1	Grid
2	Filament
3	Grid
4	Filament
Cap	Anode

Ref	Millimetres	Inches	Ref	Millimetres	Inches
A	251.0 max	9.900 max	F	12.00	0.472
B	155.0 max	6.102 max	G*	15.00	0.591
C	9.50	0.374	H*	15.00	0.591
D	12.70 min	0.500 min	J*	20.00	0.787
E	9.00	0.354	K*	20.00	0.787

Inch dimensions have been derived from millimetres.

* Allowance must be made for variations of up to 3% in the specified pin positions in any direction.

High Power Triodes

