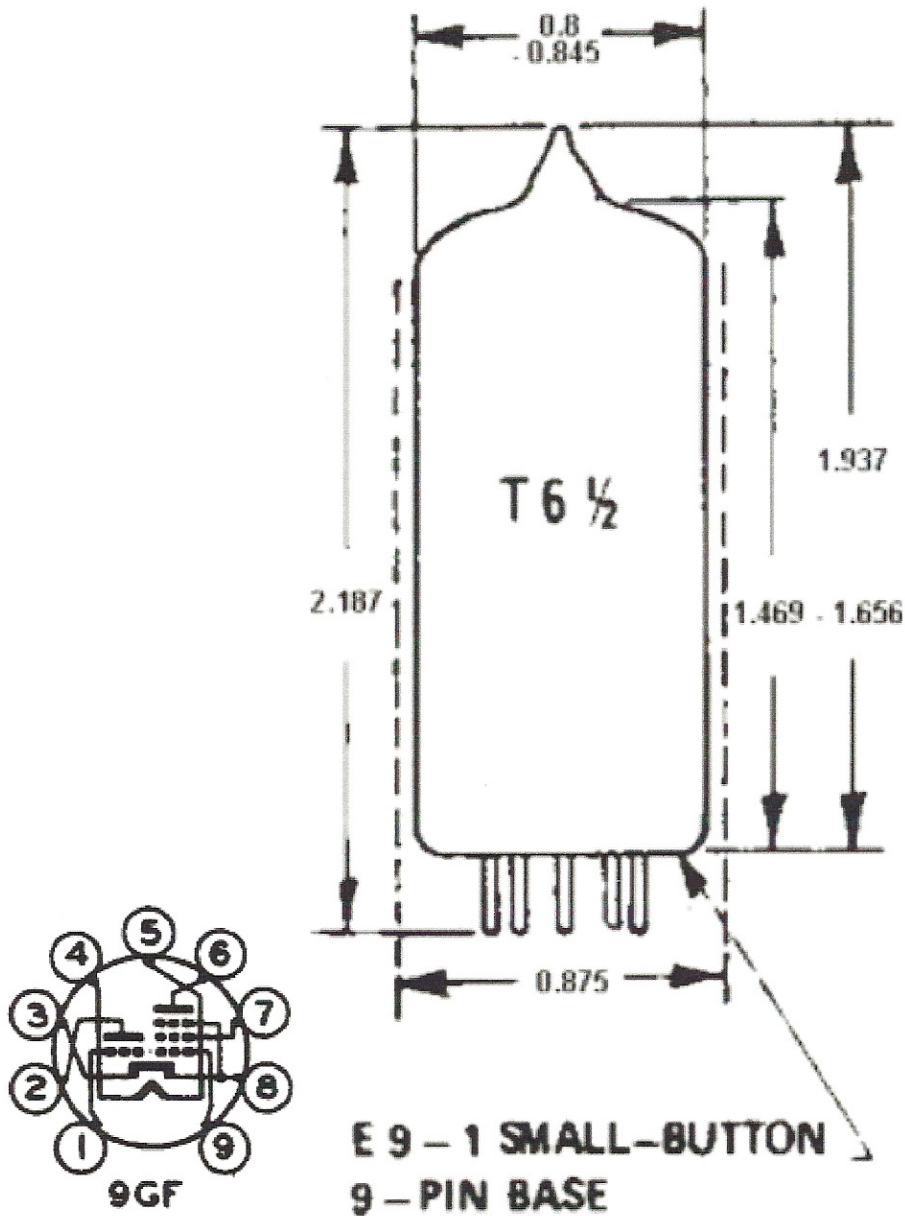


7GS7
Medium-Mu Triode - Sharp-Cutoff pentode

Base & Bulb (RCA RC-29 - 1975)



Application

Miniature type used as combined oscillator and mixer tube in color and BW TV receivers utilizing and if in the order of 40 MHz. Requires miniature 9-contact socket.

Mechanical Data

Outline	6-2
EIA Base	9GF

Electrical Data

Heater Voltage 7.6 V
Heater Current 0.3 A

For other characteristics and typical operation, see [6GS7](#)