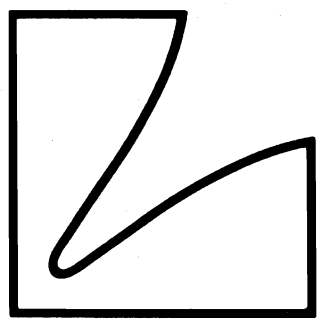
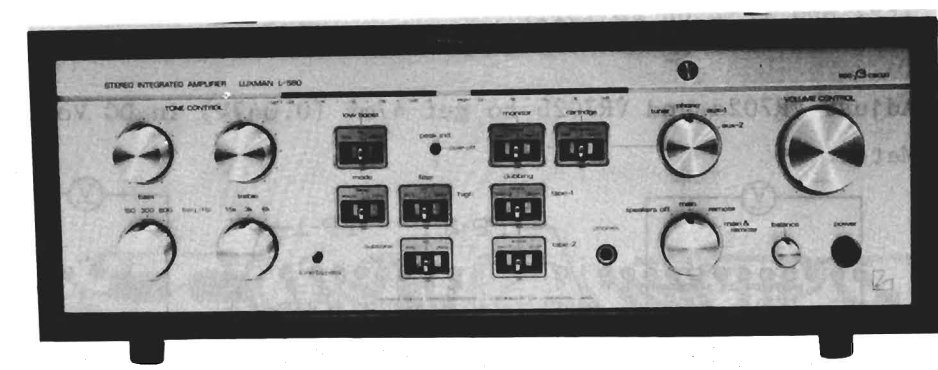


SERVICE MANUAL



SOLID STATE STEREO INTEGRATED AMPLIFIER **L580**



LUX CORPORATION, JAPAN
1-1, 1-CHOME, SHINSENRI-NISHIMACHI, TOYONAKASHI,
OSAKA, JAPAN PHONE: 06-834-0004 TELEX: J63694

ALIGNMENT PROCEDURE

(1) Setup the Amplifier

VOLUME CONTROL	Minimum
TONE SW.	Defeate
FILTER SW.	Off
SPEAKER SW.	Main & Remote

(2) Turn on the power switch and wait 3 minites for warm up.

DC. Offset Adjustment

(1) Connect DC Voltage Meter at Speaker terminal.

(2) Adjust on PB1311

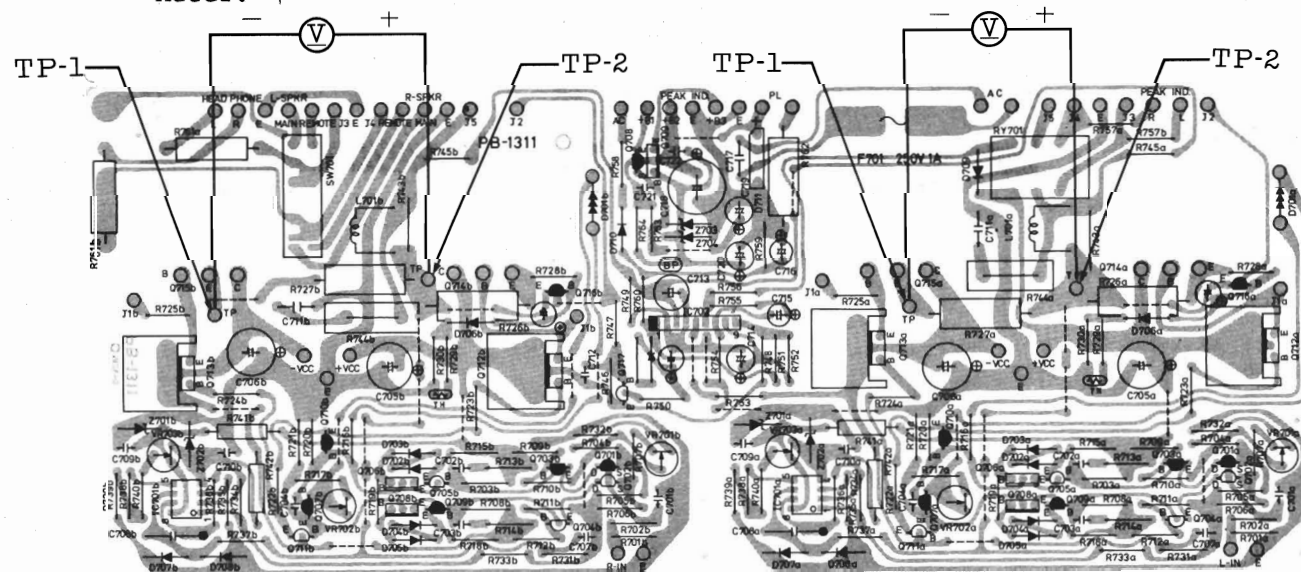
- VR703a - Left channel
- VR703b - Right channel

to get 0 (Zero) Volt in DC Voltage Meter.

Bias (Idle Current) Adjustment.

(1) As shown in < Fig.-1 > Connect DC Voltage Meter between TP-1 and TP-2 on PB-1311.

(2) Adjust VR702a and VR702b to get 47mV (0.047V) in DC Voltage Meter.



< Fig.-1 >

Noise Adjustment for Power Amplifier

(1) Connect AC Voltage Meter at Speaker terminal.

(2) Adjust VR701a and VR701b to get minimum Value in AC Voltage Meter.

(3) After the adjustment, make sure that Vol. Positions of VR701a and VR701b Stay with in ± 60 degree of the Center Position.

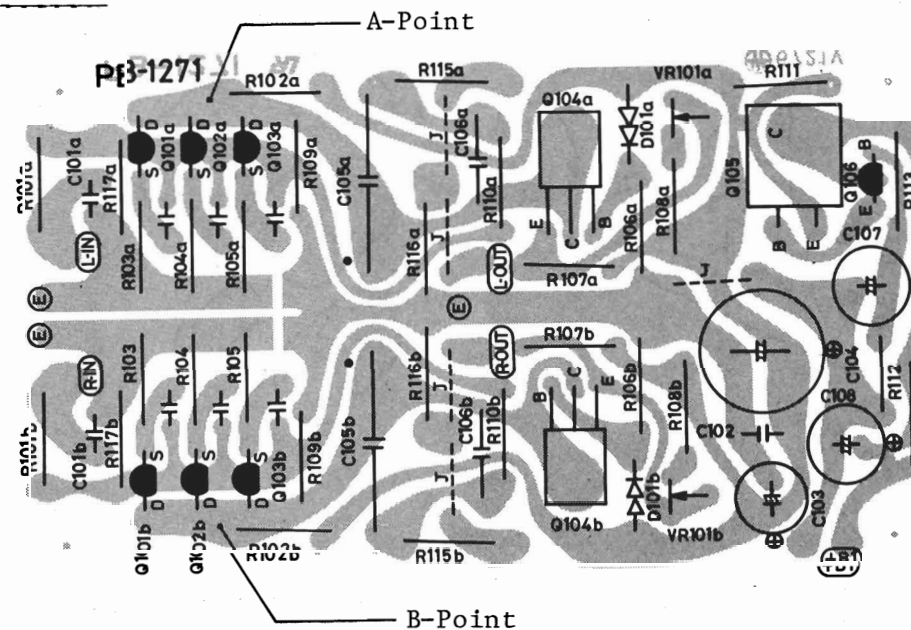
(4) If the Vol. Positions stay outside ± 60 degree of the center position, add a resister 2.0 - 3.0K ohm in Parallel to R703ab or R708ab (470 ohm).

Adjustment of Drain Voltage of Head Amplifier (Pre-Pre Amp)

(1) Adjust VR101b to get 9 Volt at A-Point on PB1271 (See Fig. -3).

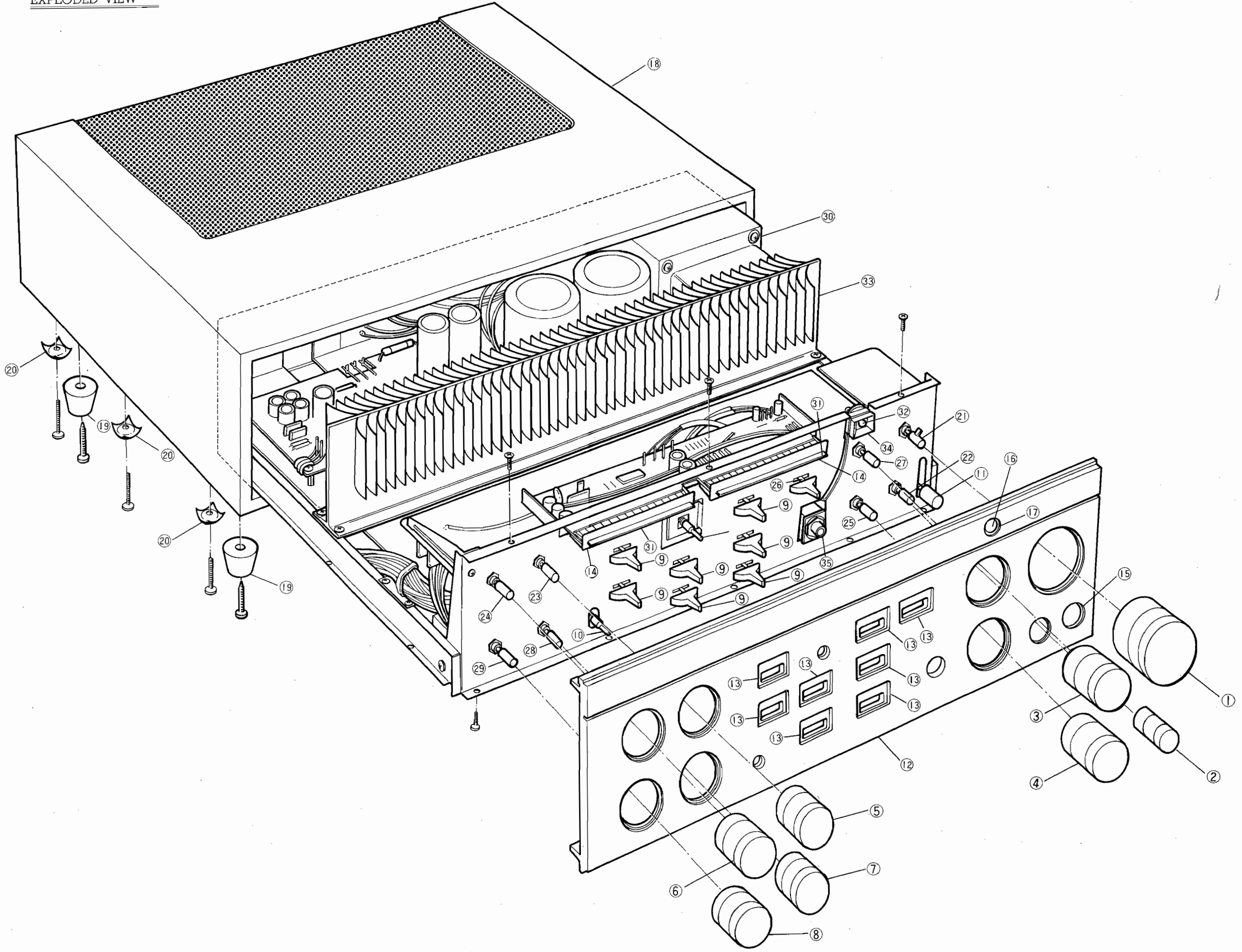
(2) Adjust VR101a to get 9 Volt at B-Point on PB1271 (See Fig. -3).

PB-1271



< Fig.-3 >

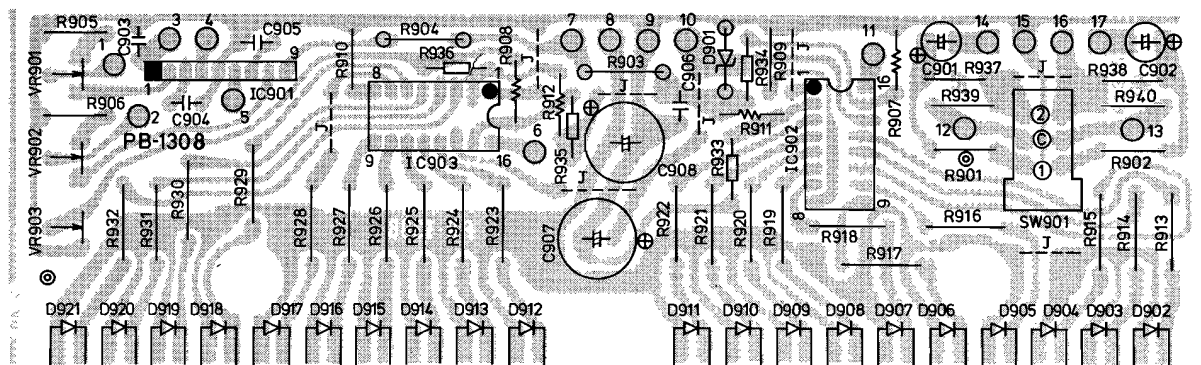
EXPLODED VIEW



Power Indicators Level Adjust

- (1) Put 1 KHZ sine wave into the tuner input with the Volume at Maxmum.
- (2) Adjust the input level to obtain 28.3V at the output level.
- (3) Adjust the VR901 and VR902 on the PB1308 so that the 100W indicator L.E.D. should light up.
- (4) Adjust the input Level to get 0.4V at the output level.
- (5) Adjust the VR903 on the PB1308 to let only the 0.02W indicator LED illuminate at the left channel.
- (6) Again Set the Output at 28.3V, and adjust the VR901 to illuminate the 100W LED.
- (7) Repeat the step (3) - (6) to let the output level corresponds to the indicator of LED'S without touching the VR902.

PB-1308



< Fig.-2 >

REPLACEMENT PARTS LIST...(Exploded View)

REF. NO.	STOCK NO.	DESCRIPTION
< Knob >		
1	WH1096	Volume Control
2	WH1098	Balance Control
3	WH1097	Input Selecto
4	WH1097	Speaker Selector
5	WH1097	Treble Control
6	WH1097	Bass Control
7	WH1097	Treble Turnover
8	WH1097	Bass Turnover
9	WJ1121	Lever Switch
10	WJ1127	Tone Bypass, Power Ind.
11	WJ1125	Power Switch
< Front Panel Ass'y >		
12	WA1195	Front Panel
13	WJ1123	Escutcheon (Lever SW.)
14	WJ1121	(L.E.D.)
15	WE1051	Protector (Power SW.)
16	WG1004	Pilot Lamp Cover
17	WG1011	Pilot Lamp Acrylic
< Wooden Case Ass'y >		
18	WB1081	Wooden Case
19	WN1018	Foot
20	UR1125	Fixing Metal
< Variable Resistor >		
21	RV0256	Volme Cont.
22	RV0231	Balance Cont.
23	RV0233	Treble Cont.
24	RV0233	Bass Cont.
< Switch >		
25	SR0126	Speaker Selector (Rotary)
	SZ0126R	(Wire)
	SS0126R	(SW. Slide)
26	SL0053	Phono Selector (Lever)
	SZ0053L	(Wire)
	SS0053	(SW. Slide)
27	SR0125	Input Selector
28	SR0128	Treble Turnover
29	SR0128	Bass Turnover
SW501	SL0051	Tape Monitor
SW503	SL0052	Dubbing Tape-1
SW502	SL0052	Tape-2
SW403	SL0050	High Cut Filter
SW402	SL0050	Subsonic Filter
SW404	SL0050	Low Boost
SW401	SL0050	Mode
SW603	SP0129	Tone by Pass
SW002	SP0161	Power Indicator
SW001	SP0063	Power Switch
SW003a,b	SS0014	Signal Processing

REF. NO.	STOCK NO.	DESCRIPTION
< Power Transformer >		
30	PT2460A	P2460A (U)
30	PT2460E	P2460E (E)
< Indicator >		
31	TD0134	Output Level TLR205 (LED)
32	AL0039	Pilot Lamp
33	BE1073	Heat Shink
34	WZ0002	Holder Lamp.
35	AJ0014	Head Phon Jack
< Rear Panel >		
	UC1169	Rear Panel (U)
	UC1181	(E)
	AC0050	AC Outlet (U)
	AC0010	(E)
	BU0033	Bushing, Power Cord (U)
	BU0039	(E)
< Power Cord >		
	BK0019	UP-720-001 (120V) (U)
	BK0029	1337R (220V) (E)
< Terminal >		
	AT0110	Speaker
	AT0128	MM.MC-1, MC-2
	AT0127	Tuner
	AT0128	AUX-1, AUX-2
	AT0128	Tape-1 (Rec Out, Moni.)
	AT0128	Tape-2 (Rec Out, Moni.)
	AT0128	Processor (From, to.)
	AG0063	GND
	AS0002	DIN (E)

E: 220V (with Line Voltage Selectors)

U: 120V Only

Replacement Parts List ... (P.C.B.)

REMARKS

Capacitor: My...Mylar, El...Electrolitic, St...Styrol, Ce...Ceramic
 Mi...Mica, Ta...Tantalum, Lp...Line pass(AC Cap.)
 Tm...Trimmer, Ac...AC Capacitor, Fi...Film Cap.

Resistor: Rd...Carbon, Rc...Cement, Rm...Metal Film, Rf...Flame proof
 Ro...Oxid Metal,
 +5%,0.25W, unless specified otherwise.

PB-1271 Head Amp. (Pre-Pre Amplifier)

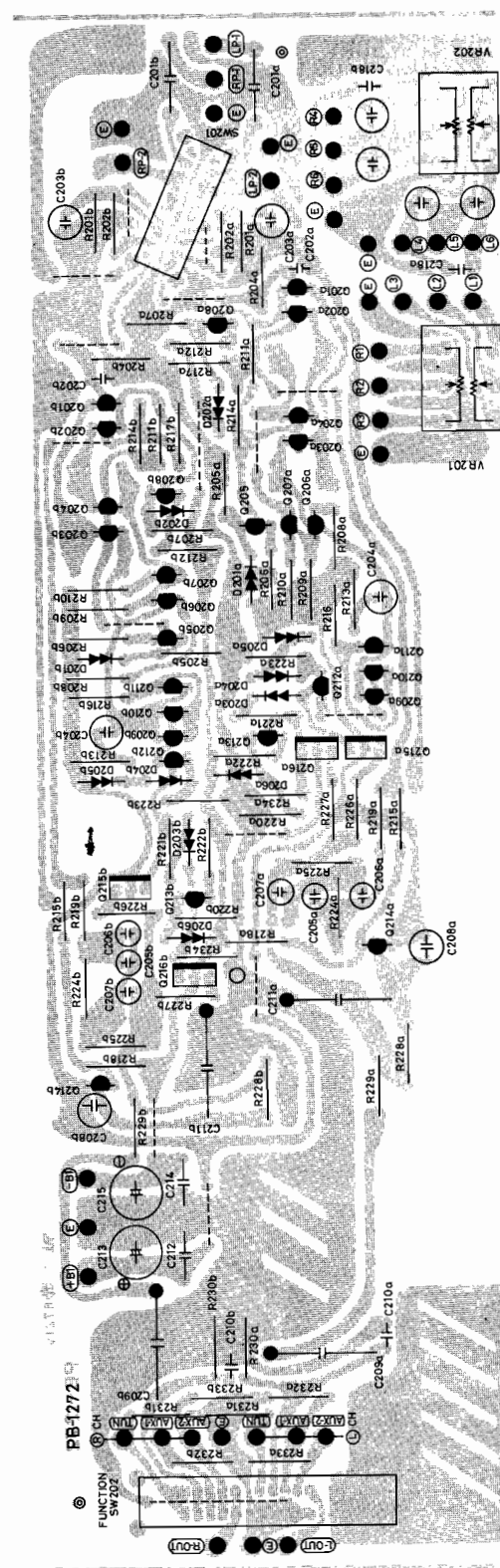
SYMBOL NO.	PARTS NO.	DESCRIPTION
C101AB	CQ0267	CAPACITOR 100pF 50WV St
C102	CQ0012	CAPACITOR 0.027μF 50WV My
C104	CE0846	CAPACITOR 470μF 35WV E1
C105AB	CE2042	CAPACITIR 47μF 50WV E1
C107	CE0854	CAPACITOR 10μF 50WV E1
C108	CE0843	CAPACITOR 100μF 35WV E1
Q102AB	TF0027	FET 2SK147-GR-PA1R
Q103AB	TF0027	FET 2SK147-GR-PA1R
Q104AB	TR0286	TRANSISTOR 2SB649
Q105	TR5012	TRANSISTOR 2SD880
Q106	TR5004	TRANSISTOR 2SC2240
R101AB	RD1518	RESISTOR 2.2 OHM 0.5W +/-5%
R102AB	RD0030	RESISTOR 10K OHM
R104AB	RD1531	RESISTOR 6.8 OHM 0.5W +/-5%
R105AB	RD1531	RESISTOR 6.8 OHM 0.5W +/-5%
R106AB	RD0035	RESISTOR 4.7K OHM
R107AB	RD0362	RESISTOR 220 OHM 0.5W +/-5%
R108AB	RD0061	RESISTOR 47 OHM
R109AB	RD0032	RESISTOR 8.2K OHM
R110AB	RD0133	RESISTOR 560 OHM 0.5W +/-5%
R112	RD0021	RESISTOR 56K OHM
R113	RD0035	RESISTOR 4.7K OHM
R115AB	RD0139	RESISTOR 100 OHM 0.5W +/-5%
R116AB	RD0013	RESISTOR 220K OHM
R117AB	RD0056	RESISTOR 100 OHM
V101AB	RT0094	SEMI FIXED RESISTOR 100 OHM(B) CR19R

PB-1272B Equalizer Amp.

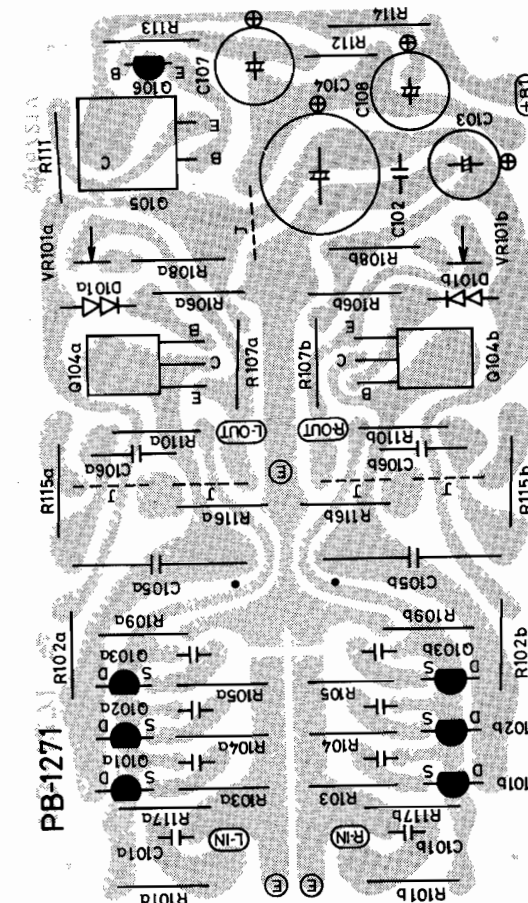
C201AB	CQ0953	CAPACITOR 1μF 100WV My
C202AB	CM0127	CAPACITOR 56pF 500WV Mi
C203AB	CQ0267	CAPACITOR 100pF 50WV St
C204AB	CQ0258	CAPACITOR 6800pF 50WV St
C205AB	CQ1204	CAPACITOR 0.22pF 1000WV St
C206AB	CQ0267	CAPACITOR 100pF 50WV St
C207AB	CQ1202	CAPACITOR 6400pF 50WV St
C208AB	CQ0170	CAPACITOR 470pF 50WV St
C209AB	CQ0954	CAPACITOR 2.2μF 100WV My
C210AB	CQ0267	CAPACITOR 100pF 50WV St
C211AB	CQ0954	CAPACITOR 2.2μF 100WV My
C212	CQ0954	CAPACITOR 2.2μF 100WV My
C213	CE0860	CAPACITOR 330μF 50WV E1

SYMBOL NO.	PARTS NO.	DESCRIPTION			
C214	CQ0954	CAPACITOR	2.2 μ F	100WV	My
C215	CE0860	CAPACITOR	330 μ F	50WV	E1
C216AB	CQ0258	CAPACITOR	6800pF	50WV	St
C217AB	CQ0258	CAPACITOR	6800pF	50WV	St
C218AB	CQ0031	CAPACITOR	0.033 μ F	50WV	My
D202AB	TV0030	VARISTOR	KB265C4		
D203AB	TV0030	VARISTOR	KB265C4		
D204AB	TV0030	VARISTOR	KB265C4		
D205AB	TV0030	VARISTOR	KB265C4		
D206AB	TV0030	VARISTOR	KB265C4		
Q201AB	TF0020	FET 2SK163-L-PAIR			
Q202AB	TF0020	FET 2SK163-L-PAIR			
Q203AB	TF0020	FET 2SK163-L-PAIR			
Q204AB	TF0020	FET 2SK163-L-PAIR			
Q206AB	TR0091	TRANSISTOR 2SA836			
Q207AB	TR0091	TRANSISTOR 2SA836			
Q208AB	TR0196	TRANSISTOR 2SD668			
Q209AB	TR0091	TRANSISTOR 2SA836			
Q210AB	TR0091	TRANSISTOR 2SA836			
Q211AB	TR0091	TRANSISTOR 2SA836			
Q212AB	TR0197	TRANSISTOR 2SB716			
Q213AB	TR0090	TRANSISTOR 2SD756			
Q214AB	TR0165	TRANSISTOR 2SC1775A			
Q215AB	TR0196	TRANSISTOR 2SD668			
Q216AB	TR0192	TRANSISTOR 2SB648			
R201AB	RD0051	RESISTOR	270 OHM		
R202AB	RD0004	RESISTOR	1M OHM		
R204AB	RD0022	RESISTOR	47K OHM		
R206AB	RD0024	RESISTOR	33K OHM		
R207AB	RD0024	RESISTOR	33K OHM		
R208AB	RD0058	RESISTOR	82 OHM		
R209AB	RD0041	RESISTOR	1.5K OHM		
R210AB	RD0058	RESISTOR	82 OHM		
R211AB	RD0027	RESISTOR	18K OHM		
R212AB	RD0055	RESISTOR	120 OHM		
R213AB	RD0069	RESISTOR	10 OHM		
R215AB	RD0309	RESISTOR	20K OHM		
R216AB	RD0061	RESISTOR	47 OHM		
R217AB	RD0049	RESISTOR	390 OHM		
R218AB	RD0024	RESISTOR	33K OHM		
R219AB	RD0047	RESISTOR	560 OHM		
R220AB	RD0024	RESISTOR	33K OHM		
R221AB	RD0061	RESISTOR	47 OHM		
R222AB	RD0055	RESISTOR	120 OHM		
R223AB	RD0020	RESISTOR	68K OHM		
R224AB	RD0023	RESISTOR	39K OHM		
R225AB	RD0009	RESISTOR	470K OHM		
R226AB	RD0066	RESISTOR	18 OHM		
R227AB	RD0066	RESISTOR	18 OHM		
R228AB	RD0004	RESISTOR	1M OHM		
R229AB	RD0052	RESISTOR	220 OHM		
R230AB	RD0013	RESISTOR	220K OHM		
R231AB	RD0004	RESISTOR	1M OHM		
R232AB	RD0004	RESISTOR	1M OHM		
R233AB	RD0004	RESISTOR	1M OHM		
R234AB	RD0017	RESISTOR	100K OHM		

PB-1272



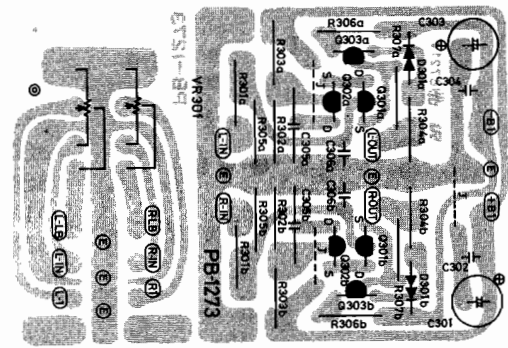
PB-1271



PB-1273B Buffer Amp.

SYMBOL NO.	PARTS NO.	DESCRIPTION
C301	CE0843	CAPACITOR 100μF 35WV E1
C302	CQ0012	CAPACITOR 0.027μF 50WV My
C303	CE0843	CAPACITOR 100μF 35WV E1
C304	CQ0012	CAPACITOR 0.027μF 50WV My
D301AB	TV0030	VARISTOR KB265C4
Q301AB	TF0020	FET 2SK163-L-PAIR
Q302AB	TR0174	TRANSISTOR 2SC1345
R301AB	RD0052	RESISTOR 220 OHM
R304AB	RD0025	RESISTOR 27K OHM
R305AB	RD0009	RESISTOR 470K OHM
R306AB	RD0055	RESISTOR 120 OHM
R307AB	RD0069	RESISTOR 10 OHM
VR301	RV0256	VARIABLE RESISTOR 60Kx2

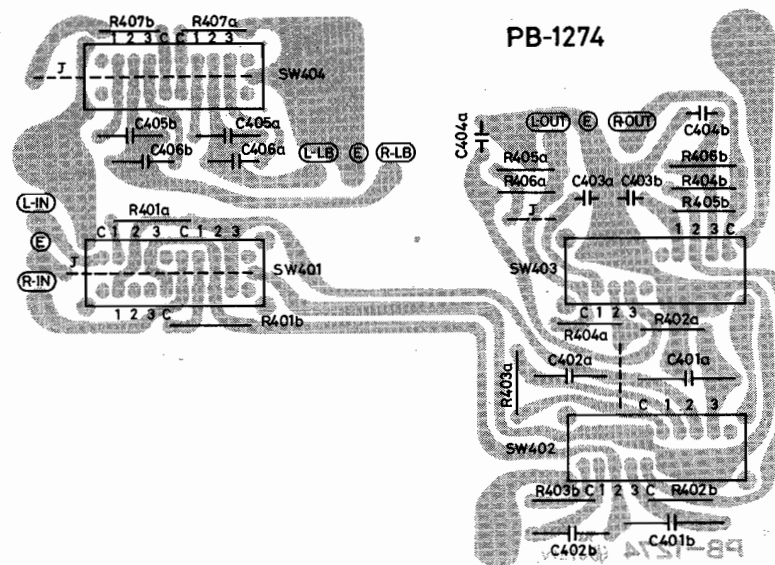
PB-1273



PB-1274

SYMBOL NO.	PARTS NO.	DESCRIPTION
C401AB	CQ0693	CAPACITOR 0.22μF 100WV Fi
C402AB	CQ0178	CAPACITOR 0.12μF 50WV My
C403AB	CQ0016	CAPACITOR 0.01μF 50WV My
C404AB	CQ0157	CAPACITOR 0.018μF 50WV My
C405AB	CQ0691	CAPACITOR 0.1μF 100WV Fi
C406AB	CQ0693	CAPACITOR 0.22μF 100WV Fi
R401AB	RD0033	RESISTOR 6.8K OHM
R402AB	RB0254	RESISTOR 1M OHM
R403AB	RB0254	RESISTOR 1M OHM
R404AB	RB0182	RESISTOR 1K OHM
R405AB	RB0254	RESISTOR 1M OHM
R406AB	RB0254	RESISTOR 1M OHM
R407AB	RB0202	RESISTOR 6.8K OHM

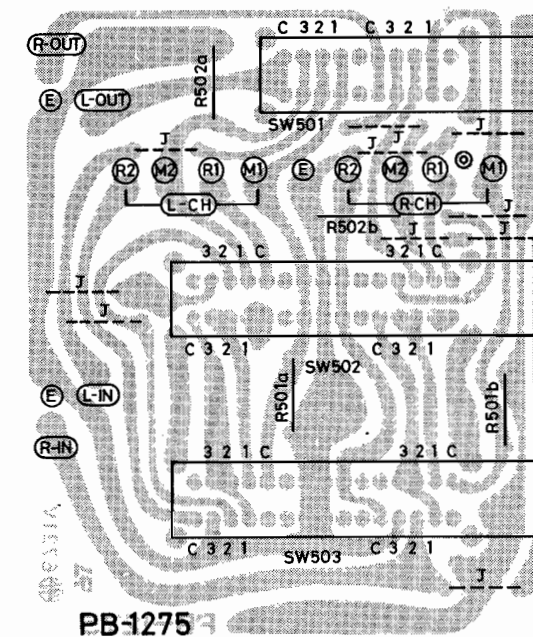
PB-1274



PB-1275

SYMBOL NO.	PARTS NO.	DESCRIPTION
R501AB	RB0254	RESISTOR 1M OHM
R502AB	RB0254	RESISTOR 1M OHM
SW501	SL0051	SWITCH LEVER SLR43N
SW502	SL0052	SWITCH LEVER SLR63N
SW503	SL0052	SWITCH LEVER SLR63N

PB-1275



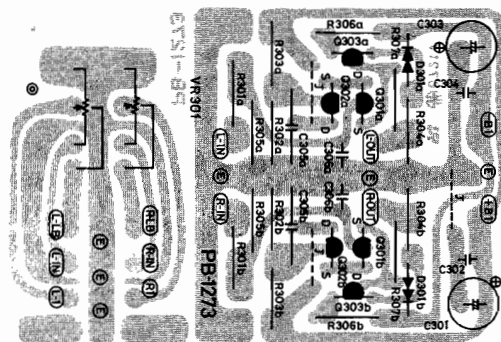
PB-1276 Tone Cont. Amp.

SYMBOL NO.	PARTS NO.	DESCRIPTION
C601AB	CQ0320	CAPACITOR 3900pF 50WV St
C602AB	CQ0320	CAPACITOR 3900pF 50WV St
C603AB	CQ0015	CAPACITOR 0.012μF 50WV My
C604AB	CQ0178	CAPACITOR 0.12μF 50WV My
C605AB	CQ0010	CAPACITOR 0.039μF 50WV My
C606AB	CM0060	CAPACITOR 47pF 500WV Mi
C607AB	CQ0705	CAPACITOR 0.12μF 100WV Fi
C608AB	CE5025	CAPACITOR 3.3μF 50WV E1
C609	CE0854	CAPACITOR 10μF 50WV E1
C610	CE0854	CAPACITOR 10μF 50WV E1
C611AB	CE5025	CAPACITOR 3.3μF 50WV E1
C612	CQ0705	CAPACITOR 0.12μF 100WV Fi
D601AB	TV0030	VARISTOR KB265C4
Q601AB	TF0020	FET 2SK163-L-PAIR
Q602AB	TR0174	TRANSISTOR 2SC1345
Q603AB	TR0237	TRANSISTOR 2SA949
Q604AB	TR0236	TRANSISTOR 2SC2229

PB-1273B Buffer Amp.

SYMBOL NO.	PARTS NO.	DESCRIPTION
C301	CE0843	CAPACITOR 100μF 35WV E1
C302	CQ0012	CAPACITOR 0.027μF 50WV My
C303	CE0843	CAPACITOR 100μF 35WV E1
C304	CQ0012	CAPACITOR 0.027μF 50WV My
D301AB	TV0030	VARISTOR KB265C4
Q301AB	TF0020	FET 2SK163-L-PAIR
Q302AB	TR0174	TRANSISTOR 2SC1345
R301AB	RD0052	RESISTOR 220 OHM
R304AB	RD0025	RESISTOR 27K OHM
R305AB	RD0009	RESISTOR 470K OHM
R306AB	RD0055	RESISTOR 120 OHM
R307AB	RD0069	RESISTOR 10 OHM
VR301	RV0256	VARIABLE RESISTOR 60Kx2

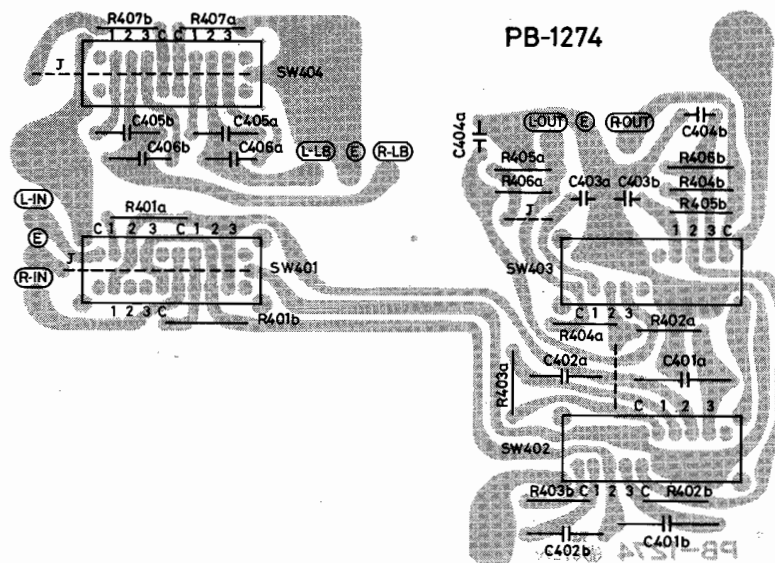
PB-1273



PB-1274

SYMBOL NO.	PARTS NO.	DESCRIPTION
C401AB	CQ0693	CAPACITOR 0.22μF 100WV Fi
C402AB	CQ0178	CAPACITOR 0.12μF 50WV My
C403AB	CQ0016	CAPACITOR 0.01μF 50WV My
C404AB	CQ0157	CAPACITOR 0.018μF 50WV My
C405AB	CQ0691	CAPACITOR 0.1μF 100WV Fi
C406AB	CQ0693	CAPACITOR 0.22μF 100WV Fi
R401AB	RD0033	RESISTOR 6.8K OHM
R402AB	RB0254	RESISTOR 1M OHM
R403AB	RB0254	RESISTOR 1M OHM
R404AB	RB0182	RESISTOR 1K OHM
R405AB	RB0254	RESISTOR 1M OHM
R406AB	RB0254	RESISTOR 1M OHM
R407AB	RB0202	RESISTOR 6.8K OHM

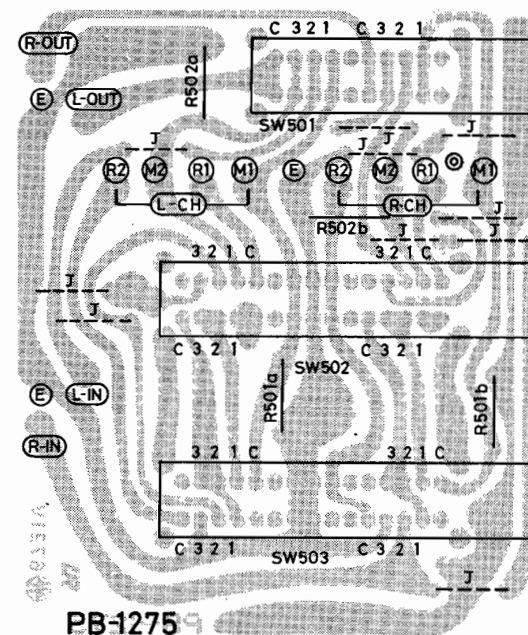
PB-1274



PB-1275

SYMBOL NO.	PARTS NO.	DESCRIPTION
R501AB	RB0254	RESISTOR 1M OHM
R502AB	RB0254	RESISTOR 1M OHM
SW501	SL0051	SWITCH LEVER SLR43N
SW502	SL0052	SWITCH LEVER SLR63N
SW503	SL0052	SWITCH LEVER SLR63N

PB-1275

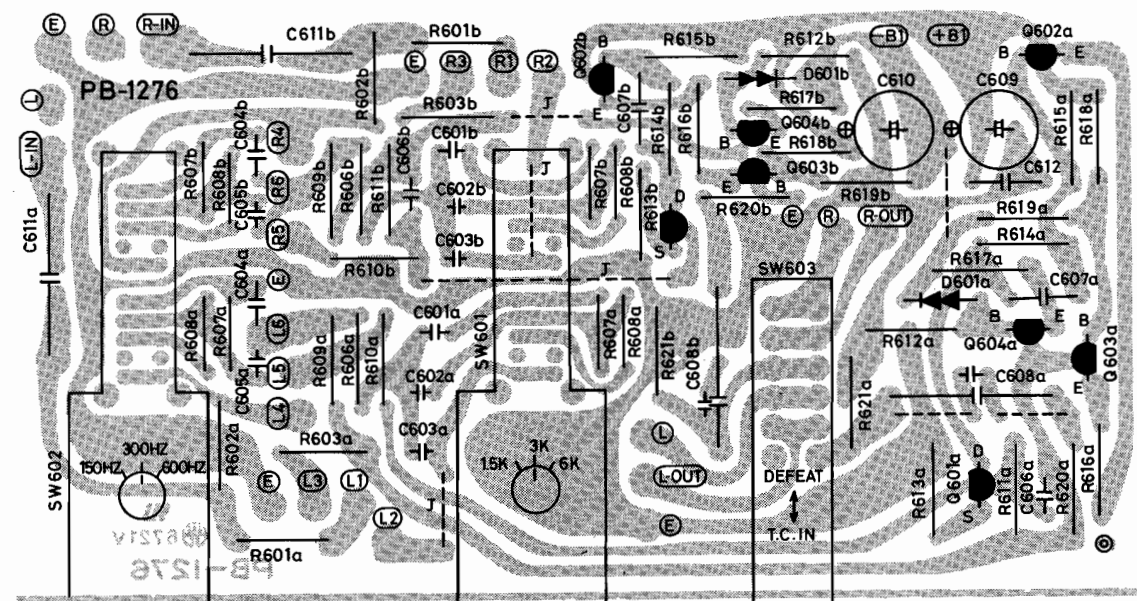


PB-1276 Tone Cont. Amp.

SYMBOL NO.	PARTS NO.	DESCRIPTION
C601AB	CQ0320	CAPACITOR 3900pF 50WV St
C602AB	CQ0320	CAPACITOR 3900pF 50WV St
C603AB	CQ0015	CAPACITOR 0.012μF 50WV My
C604AB	CQ0178	CAPACITOR 0.12μF 50WV My
C605AB	CQ0010	CAPACITOR 0.039μF 50WV My
C606AB	CM0060	CAPACITOR 47pF 500WV Mi
C607AB	CQ0705	CAPACITOR 0.12μF 100WV Fi
C608AB	CE5025	CAPACITOR 3.3μF 50WV E1
C609	CE0854	CAPACITOR 10μF 50WV E1
C610	CE0854	CAPACITOR 10μF 50WV E1
C611AB	CE5025	CAPACITOR 3.3μF 50WV E1
C612	CQ0705	CAPACITOR 0.12μF 100WV Fi
D601AB	TV0030	VARISTOR KB265C4
Q601AB	TF0020	FET 2SK163-L-PAIR
Q602AB	TR0174	TRANSISTOR 2SC1345
Q603AB	TR0237	TRANSISTOR 2SA949
Q604AB	TR0236	TRANSISTOR 2SC2229

SYMBOL NO.	PARTS NO.	DESCRIPTION
R601AB	RD0041	RESISTOR 1.5K OHM
R602AB	RD0033	RESISTOR 6.8K OHM
R603AB	RD0041	RESISTOR 1.5K OHM
R604AB	RB0262	RESISTOR 2.2M OHM
R605AB	RB0262	RESISTOR 2.2M OHM
R606AB	RD0052	RESISTOR 220 OHM
R607AB	RB0262	RESISTOR 2.2M OHM
R608AB	RB0262	RESISTOR 2.2M OHM
R609AB	RD0033	RESISTOR 6.8K OHM
R610AB	RD0052	RESISTOR 220 OHM
R611AB	RD0002	RESISTOR 2.25M OHM
R612AB	RD0024	RESISTOR 33K OHM
R613AB	RD0052	RESISTOR 220 OHM
R614AB	RD0026	RESISTOR 22K OHM
R615AB	RD0032	RESISTOR 8.2K OHM
R616AB	RD0051	RESISTOR 270 OHM
R617AB	RD0058	RESISTOR 82 OHM
R618AB	RD0034	RESISTOR 5.6K OHM
R619AB	RD0024	RESISTOR 33K OHM
R620AB	RD0056	RESISTOR 100 OHM
R621AB	RD0021	RESISTOR 56K OHM
SW601	SR0128	SWITCH ROTARY SRZW43S
SW602	SR0128	SWITCH ROTARY SRZW43S
SW603	SP0129	SWITCH PUSH SUF12

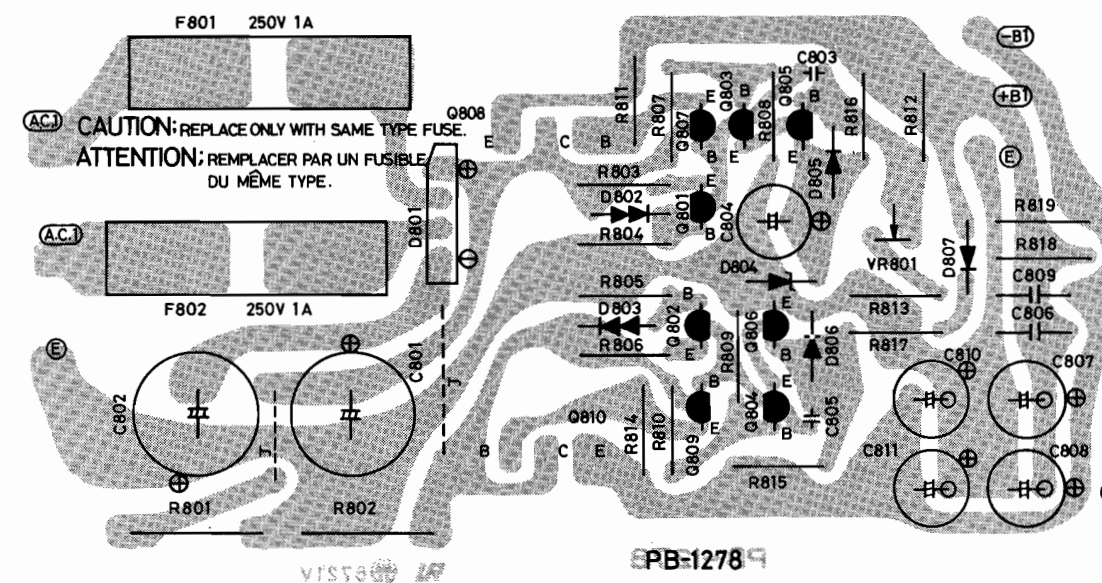
PB1276



PB-1278 Power Supply

SYMBOL NO.	PARTS NO.	DESCRIPTION
C801	CE1762	CAPACITOR 10000μF 50WV E1
C802	CE1762	CAPACITOR 10000μF 50WV E1
C804	CE0858	CAPACITOR 100μF 50WV E1
C806	CQ0691	CAPACITOR 0.1μF 100WV Fi
C807	CE0855	CAPACITOR 22μF 50WV E1
C808	CE0855	CAPACITOR 22μF 50WV E1
C809	CQ0691	CAPACITOR 0.1μF 100WV Fi
C810	CE0855	CAPACITOR 22μF 50WV E1
C811	CE0855	CAPACITOR 22μF 50WV E1
D801	TD0142	DIODE S1VB20
D802	TV0030	VARISTOR KB265C4
D803	TV0030	VARISTOR KB265C4
Q801	TR0237	TRANSISTOR 2SA949
Q802	TR0236	TRANSISTOR 2SC2229
Q807	TR0174	TRANSISTOR 2SC1345
Q809	TR0091	TRANSISTOR 2SA836
R801	RS2877	RESISTOR 4.7K OHM 1W +/-5% Ro
R802	RS2877	RESISTOR 4.7K OHM 1W +/-5% Ro
R803	RS1232	RESISTOR 120 OHM 0.25W Rf
R804	RD0023	RESISTOR 39K OHM
R805	RD0023	RESISTOR 39K OHM
R806	RS1232	RESISTOR 120 OHM 0.25W Rf
R811	RD0048	RESISTOR 470 OHM
R814	RD0048	RESISTOR 470 OHM
R818	RD0017	RESISTOR 100K OHM
R819	RD0017	RESISTOR 100K OHM

PB-1278

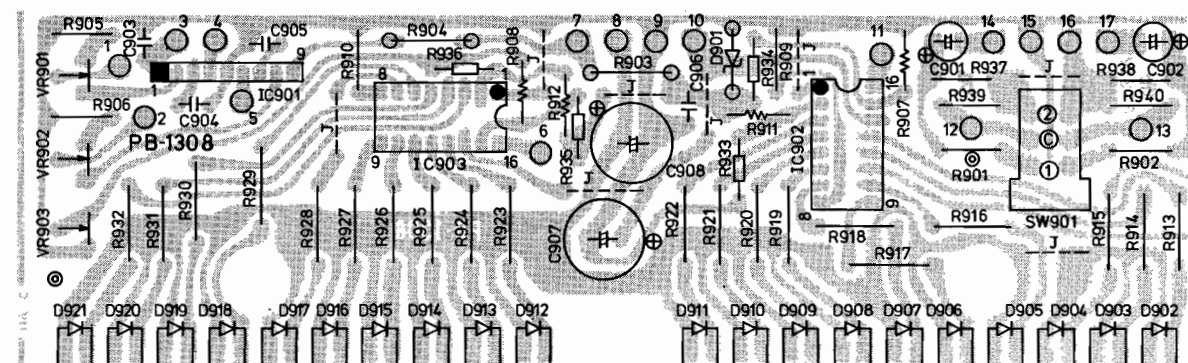


PB-1308 Power indicator

SYMBOL NO.	PARTS NO.	DESCRIPTION
C901	CE0850	CAPACITOR 1 μ F 50WV E1
C902	CE0850	CAPACITOR 1 μ F 50WV E1
C903	CK0146	CAPACITOR 0.04 μ F 50WV Ce
C904	CQ0018	CAPACITOR 0.0056 μ F 50WV My
C905	CQ0018	CAPACITOR 0.0056 μ F 50WV My
C906	CK0146	CAPACITOR 0.04 μ F 50WV Ce
C907	CE0842	CAPACITOR 47 μ F 35WV E1
C908	CE0842	CAPACITOR 47 μ F 35WV E1
D901	TD0060	DIODE ZENER WZ061 6.1 V
D902	TD0134	TLR205
D903	TD0134	TLR205
D904	TD0134	TLR205
D905	TD0134	TLR205
D906	TD0134	TLR205
D907	TD0134	TLR205
D908	TD0134	TLR205
D909	TD0134	TLR205
D910	TD0134	TLR205
D911	TD0134	TLR205
D912	TD0134	TLR205
D913	TD0134	TLR205
D914	TD0134	TLR205
D915	TD0134	TLR205
D916	TD0134	TLR205
D917	TD0134	TLR205
D919	TD0134	TLR205
D920	TD0134	TLR205
D921	TD0134	TLR205
IC901	TC0101	IC TA7318P-1
IC902	TC0102	IC TA7612
IC903	TC0102	IC TA7612
R903	RD0128	RESISTOR 1.8K OHM 0.5W +/-5% Rd
R904	RS1284	RESISTOR 150 OHM 0.25W Rf
R905	RB0372	RESISTOR 1K OHM
R906	RB0372	RESISTOR 1K OHM
R913	RD0460	RESISTOR 3.3K OHM
R914	RD0460	RESISTOR 3.3K OHM
R915	RD0460	RESISTOR 3.3K OHM
R916	RD0460	RESISTOR 3.3K OHM
R917	RD0460	RESISTOR 3.3K OHM
R918	RD0460	RESISTOR 3.3K OHM
R919	RD0460	RESISTOR 3.3K OHM
R920	RD0460	RESISTOR 3.3K OHM
R921	RD0460	RESISTOR 3.3K OHM
R922	RD0460	RESISTOR 3.3K OHM
R923	RD0460	RESISTOR 3.3K OHM
R924	RD0460	RESISTOR 3.3K OHM
R925	RD0460	RESISTOR 3.3K OHM

SYMBOL NO.	PARTS NO.	DESCRIPTION
R926	RD0460	RESISTOR 3.3K OHM
R927	RD0460	RESISTOR 3.3K OHM
R928	RD0460	RESISTOR 3.3K OHM
R930	RD0460	RESISTOR 3.3K OHM
R931	RD0460	RESISTOR 3.3K OHM
R932	RD0460	RESISTOR 3.3K OHM
R933	RB0376	RESISTOR 1.5K OHM
R934	RB0388	RESISTOR 4.7K OHM
R936	RB0368	RESISTOR 680 OHM 1/8W +/-5% Rd
R941	RB0388	RESISTOR 4.7K OHM
VR901	RT0008	SEMI FIXED RESISTOR 1K OHM B SR19R
VR902	RT0008	SEMI FIXED RESISTOR 1K OHM B SR19R
VR903	RT0100	SEMI FIXED RESISTOR 2.2K OHM B SR19R

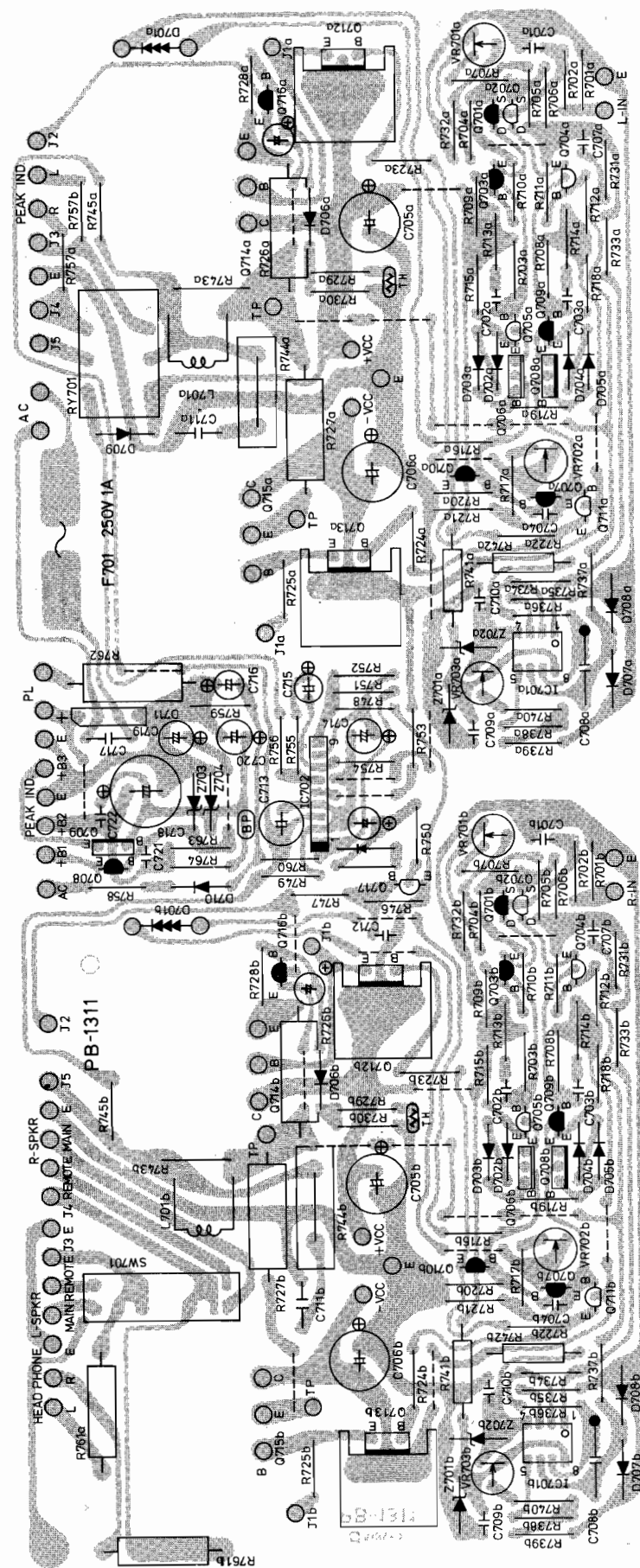
PB-1308



PB-1311 Power Amp.

SYMBOL NO.	PARTS NO.	DESCRIPTION
C701AB	CM0057	CAPACITOR 22pF 500WV Mi
C702AB	CQ0069	CAPACITOR 5600pF 50WV St
C703AB	CQ0069	CAPACITOR 5600pF 50WV St
C704AB	CQ0026	CAPACITOR 0.001 μ F 50WV My
C705AB	CE0880	CAPACITOR 47 μ F 100WV E1
C706AB	CE0880	CAPACITOR 47 μ F 100WV E1
C707AB	CQ0172	CAPACITOR 330pF 50WV St
C708AB	CQ0953	CAPACITOR 1 μ F 100WV My
C709AB	CQ0009	CAPACITOR 0.047 μ F 50WV My
C710AB	CQ0009	CAPACITOR 0.047 μ F 50WV My
C711AB	CQ0613	CAPACITOR 0.1 μ F 100WV Fi
C712	CQ0018	CAPACITOR 0.0056 μ F 50WV My
C713	CE0936	CAPACITOR 47 μ F 25WE E1
C714	CE0820	CAPACITOR 47 μ F 16WV E1
C715	CE0849	CAPACITOR 0.47 μ F 50WV E1
C716	CE0849	CAPACITOR 0.47 μ F 50WV E1

PB-1311



SYMBOL NO.	PARTS NO.	DESCRIPTION			
C717	CU0008	CAPACITOR	2200pF	250WV	Lp
C718	CE1747	CAPACITOR	1000µF	35WV	E1
C719	CE0830	CAPACITOR	33µF	25WV	E1
C720	CE0830	CAPACITOR	33µF	25WV	E1
C721	CK0155	CAPACITOR	0.01µF	50WV	Ce
C722	CK0155	CAPACITOR	0.01µF	50WV	Ce
D702AB	TD0197	DIODE	US1070		
D703AB	TD0197	DIODE	US1070		
D704AB	TD0197	DIODE	US1070		
D705AB	TD0197	DIODE	US1070		
D706AB	TD0197	DIODE	US1070		
D707AB	TD0197	DIODE	US1070		
D708AB	TD0197	DIODE	US1070		
D709	TD0003	DIODE	1N4003		
D710	TD0003	DIODE	1N4003		
D711	TD0137	DIODE	S1VB10		
IC702	TC0172	IC TA7317P			
IC701AB	TC0025	IC NJM4558DD			
IC701AB	LA1020	CHOKE-COIL LUX-1020			
Q701AB	TF0020	FET 2SK163-L-PAIR			
Q702AB	TF0023	FET 2SJ44-L-PAIR			
Q703AB	TR0165	TRANSISTOR 2SC1775A			
Q704AB	TR0218	TRANSISTOR 2SA872A			
Q705AB	TR0293	TRANSISTOR 2SB716A			
Q706AB	TR0208	TRANSISTOR 2SB648A			
Q707AB	TR5004	TRANSISTOR 2SC2240			
Q708AB	TR0207	TRANSISTOR 2SD668A			
Q709AB	TR0292	TRANSISTOR 2SD756A			
Q710AB	TR0236	TRANSISTOR 2SC2229			
Q711AB	TR0237	TRANSISTOR 2SA949			
Q712AB	TR0242	TRANSISTOR 2SC2336			
Q713AB	TR0241	TRANSISTOR 2SA1006			
Q716AB	TR5004	TRANSISTOR 2SC2240			
Q717	TR5005	TRANSISTOR 2SA970			
Q718	TR0259	TRANSISTOR 2SC2120			
Q719	TR0311	TRANSISTOR 2SC2824			
RY701	AY1014	RELAY	GZ-48HM		
R701AB	RD0006	RESISTOR	820K OHM		
R702AB	RD0048	RESISTOR	470 OHM		
R703AB	RD0048	RESISTOR	470 OHM		
R704AB	RD1026	RESISTOR	4.7 OHM		
R705AB	RD0062	RESISTOR	39 OHM		
R706AB	RD0062	RESISTOR	39 OHM		
R707AB	RD1026	RESISTOR	4.7 OHM		
R708AB	RD0048	RESISTOR	470 OHM		
R709AB	RD0024	RESISTOR	33K OHM		
R710AB	RD0029	RESISTOR	12K OHM		
R711AB	RD0029	RESISTOR	12K OHM		
R712AB	RD0024	RESISTOR	33K OHM		
R713AB	RD0069	RESISTOR	10 OHM		
R714AB	RD0069	RESISTOR	10 OHM		
R715AB	RS1281	RESISTOR	100 OHM	0.33W +/-5%	Rf
R716AB	RD0046	RESISTOR	680 OHM		
R717AB	RD0052	RESISTOR	220 OHM		
R718AB	RS1281	RESISTOR	100 OHM	0.33W +/-5%	Rf
R719AB	RD0110	RESISTOR	39K OHM	0.5W +/-5%	Rd

SYMBOL NO.	PARTS NO.	DESCRIPTION			
R720AB	RD0007	RESISTOR	680K OHM		
R721AB	RD0007	RESISTOR	680K OHM		
R722AB	RS1299	RESISTOR	560 OHM	0.33W +/-5%	Rf
R723AB	RS1269	RESISTOR	33 OHM	0.33W +/-5%	Rf
R724AB	RS1269	RESISTOR	33 OHM	0.25W +/-5%	Rf
R725AB	RS2512	RESISTOR	100 OHM	0.5W +/-5%	Ro
R726AB	RG0002	RESISTOR	0.47 OHM	5W +/-10%	Rc
R727AB	RG0002	RESISTOR	0.47 OHM	5W +/-10%	Rc
R728AB	RD0041	RESISTOR	1.5K OHM		
R729AB	RD0020	RESISTOR	68K OHM		
R729AB	RD0027	RESISTOR	18K OHM		
R730	RD0026	RESISTOR	22K OHM		
R730AB	RD0022	RESISTOR	47K OHM		
R731AB	RS5028	RESISTOR	1.2K OHM	1W +/-5%	Ro
R732AB	RD0142	RESISTOR	10 OHM	0.5W +/-5%	Rd
R733AB	RD0354	RESISTOR	1K OHM	0.5W +/-5%	Rd
R734AB	RD0032	RESISTOR	8.2K OHM		
R735AB	RD0036	RESISTOR	3.9K OHM		
R736AB	RD0032	RESISTOR	8.2K OHM		
R737AB	RD0007	RESISTOR	680K OHM		
R738AB	RD0007	RESISTOR	680K OHM		
R739AB	RD0050	RESISTOR	330 OHM		
R740AB	RD0030	RESISTOR	10K OHM		
R741AB	RS2950	RESISTOR	1.8K OHM	2.0W	Rf
R742AB	RS2950	RESISTOR	1.8K OHM	2.0W	Rf
R743AB	RS2709	RESISTOR	10 OHM	1W +/-5%	Ro
R744AB	RG0500	RESISTOR	15 OHM	5W +/-10%	R1
R745AB	RD0021	RESISTOR	56K OHM		
R746	RD0030	RESISTOR	10K OHM		
R747	RD0025	RESISTOR	27K OHM		
R748	RD0026	RESISTOR	22K OHM		
R748	RD0026	RESISTOR	22K OHM		
R749	RD0028	RESISTOR	15K OHM		
R750	RD0022	RESISTOR	47K OHM		
R751	RD0022	RESISTOR	47K OHM		
R752	RD0013	RESISTOR	220K OHM		
R753	RD0027	RESISTOR	18K OHM		
R754	RD0024	RESISTOR	33K OHM		
R755	RD0021	RESISTOR	56K OHM		
R756	RS2524	RESISTOR	1K OHM	0.5W	Rf
R757AB	RD0021	RESISTOR	56K OHM		
R758	RD0029	RESISTOR	12K OHM		
R759	RD0025	RESISTOR	27K OHM		
R760	RD0017	RESISTOR	100K OHM		
R761AB	RG2450	RESISTOR	220 OHM	4W +/-10%	R1
R762	RG0041	RESISTOR	120 OHM	5W +/-10%	Rc
R763	RS2522	RESISTOR	680 OHM	0.5W +/-5%	Ro
R764	RS2524	RESISTOR	1K OHM	0.5W	Rf
SW701	SS0126R	SWITCH ROTARY	4-4N		
V701AB	RT0090	SEMI FIXED RESISTOR	100 OHM B	SR1PR	
V702AB	RT0006	SEMI FIXED RESISTOR	330 OHM B	SR19R	
V703AB	RT0025	SEMI FIXED RESISTOR	4.7K OHM B	SR19R	
Z701AB	TD0180	DIODE ZENER BZ-150	15V		
Z702AB	TD0180	DIODE ZENER BZ-150	15V		
Z703	TD0065	DIODE ZENER WZ-192	19.2V		
Z704	TD0079	DIODE ZENER WZ140	14V		

SPECIFICATIONS

Power Output:	100 watts minimum continuous per channel both channels driven into 8 ohms load, at any frequency from 20 Hz to 20,000 Hz with no more than 0.03% total harmonic distortion.	
Rated I.M.:	no more than 0.03% (8 ohms, 100W/ch, 60 Hz : 7 kHz = 4:1)	
Input Sensitivity:	phone (MM), 1.8 mV phono (MC-1) 1.8 mV (direct to EQ stage) phono (MC-2) 0.06 mV (2 ohms) 0.08 mV (40 ohms) tuner; 240 mV aux-1, -2; 240 mV main in; 240 mV	
Input Impedance:	phono (MM); 50 k ohms phono (MC-1); 100 ohms tuner; 40 k ohms aux-1, -2; 40 k ohms main in; 820 k ohms	
Signal-to Noise Ratio: (IHF-A wtd, input short-circuited)	phono (MM); better than 90dB (10mV) phono (MC-1); better than 90dB tuner; better than 100dB main in; better than 105dB	
Frequency Response:	phono (MM); 20Hz-20,000Hz(±0.3dB) phono (MC-1); 20Hz-20,000Hz(±0.3dB) tuner; 10Hz-100,000Hz(-1dB) aux-1, -2; 10Hz-100,000Hz(-1dB) main in; 10Hz-100,000Hz(-1dB)	
Tone Control:	LUX NF type with turnover frequency selector Bass Turnover Frequency: 150 Hz, 300 Hz, 600 Hz Treble Turnover Frequency: 1.5k Hz, 3k Hz, 6k Hz	
Preamplifier Output:	240 mV	
Additional Features:	Subsonic Filter (15 Hz, off, 30 Hz), High Cut Filter (9k Hz, off 15k Hz), Low-boost Switch (70 Hz, off, 150 Hz), Tape Monitor Switch, Tape Dubbing & REC. OFF Switch, Speaker Selector Switch, Headphone Jack, Extra AC Outlet, Power Indicators.	
Dimensions:	466 (W) x 378 (D) x 181 (H) mm (18-11/32" x 14-1/2" x 7-1/8") (including legs, front & rear protrusions)	
Weight:	Net 15.5 kgs (34.1 lbs.) Gross 17.0 kgs (37.4 lbs.)	

Specifications and appearance design subject to change without notice.

