

ADDITIONAL

# Service Manual

STEREO AMPLIFIER

# SA-710 HE HB

MODEL SA-710 COMES IN FIVE VERSIONS DISTINGUISHED AS FOLLOWS:

Type	Voltage	Remarks
KU	120V only	U.S.A. model
HE	220V and 240V (switchable)	Europe model
HB	220V and 240V (switchable)	U.K. model
S	110V, 120V, 220V and 240V (switchable)	General export model
S/G	110V, 120V, 220V and 240V (switchable)	U.S. Military model

- This additional service manual is applicable to the HE and HB types.
- The basic performance of the SA-710/HE and HB types are the same as the SA-710/KU type. Please refer to the SA-710/KU service manual <ART-477> with exception of this supplement.

## 1. SPECIFICATIONS

The specifications for SA-710/HE and HB types are the same as the SA-710/KU type except for following section.

### Amplifier Section

Hum and Noise (DIN, continuous Power/50mW)  
 PHONO..... 70dB/62dB  
 TUNER, AUX, TAPE PLAY 1, 2 .... 88dB/64dB

### Miscellaneous

#### Power Requirements

HE type ..... 220V, 240V 50/60Hz  
 HB type ..... 220V, 240V 50/60Hz

### Power Consumption

HE, HB types ..... 380 W

## 2. CONTRAST OF MISCELLANEOUS PARTS

**NOTES:**

- Parts without part number cannot be supplied.
- The  $\triangle$  mark found on some component parts indicates the importance of the safety factor of the part. Therefore, when replacing, be sure to use parts of identical designation.

### ASSEMBLIES

Symbol	Description	Part No.			Remarks
		KU type	HE type	HB type	
	AF amplifier assembly	GWK-145	GWK-152	GWK-152	SPEAKERS FUNCTION
	Tone control assembly	GWG-139	GWG-142	GWG-142	
	Switch assembly	GWS-218	GWS-234	GWS-234	
	Switch assembly	GWS-219	GWS-235	GWS-235	
	Volume assembly	GWX-461	GWX-487	GWX-487	
	Headphones assembly	GWX-462	GWX-487	GWX-487	
	Fuse assembly	.....	GWX-488	GWX-488	
	F.L assembly	AWV-007	AWV-007	AWV-007	

### OTHERS

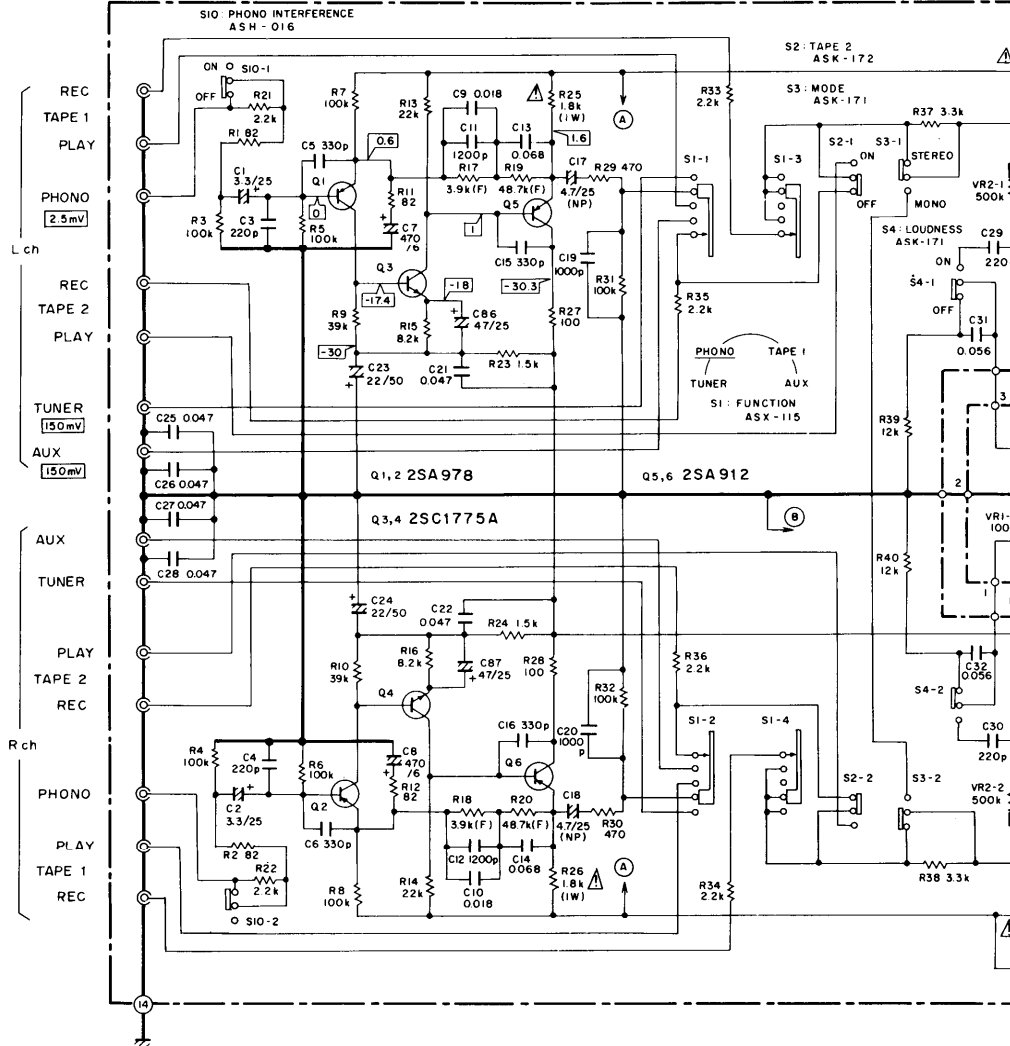
Symbol	Description	Part No.			Remarks
		KU type	HE type	HB type	
	Front panel assembly	ANB-846	ANB-894	ANB-894	
$\triangle$ T1	Power transformer	ATT-668	ATT-703	ATT-703	
$\triangle$ FU1	Fuse (5A)	AEK-108	.....	.....	
$\triangle$ FU1	Fuse (T2A)	.....	AEK-017	AEK-017	
$\triangle$ FU2	Fuse (T2.5A)	.....	AEK-403	.....	
$\triangle$ S8	Lever switch	ASK-520	ASK-521	ASK-521	
$\triangle$ C1	Capacitor	ACG-001	.....	.....	
$\triangle$	AC socket	AKP-032	AKP-026	AKP-044	
$\triangle$	AC power code	ADG-023	ADG-041	ADG-051	

### PACKING AND FURNISHED PARTS

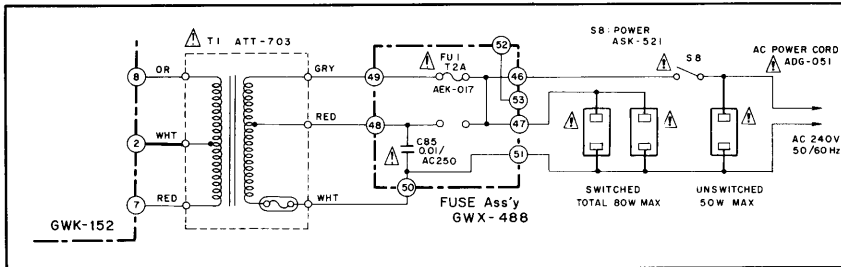
Symbol	Description	Part No.			Remarks
		KU type	HE type	HB type	
	Operating instructions (English)	ARB-353	ARB-364	ARB-364	
	Operating instructions (German/French)	.....	ARD-146	.....	
	Packing case	AHD-753	AHD-774	AHD-774	

# 3. SCHEMATIC DIAGRAM

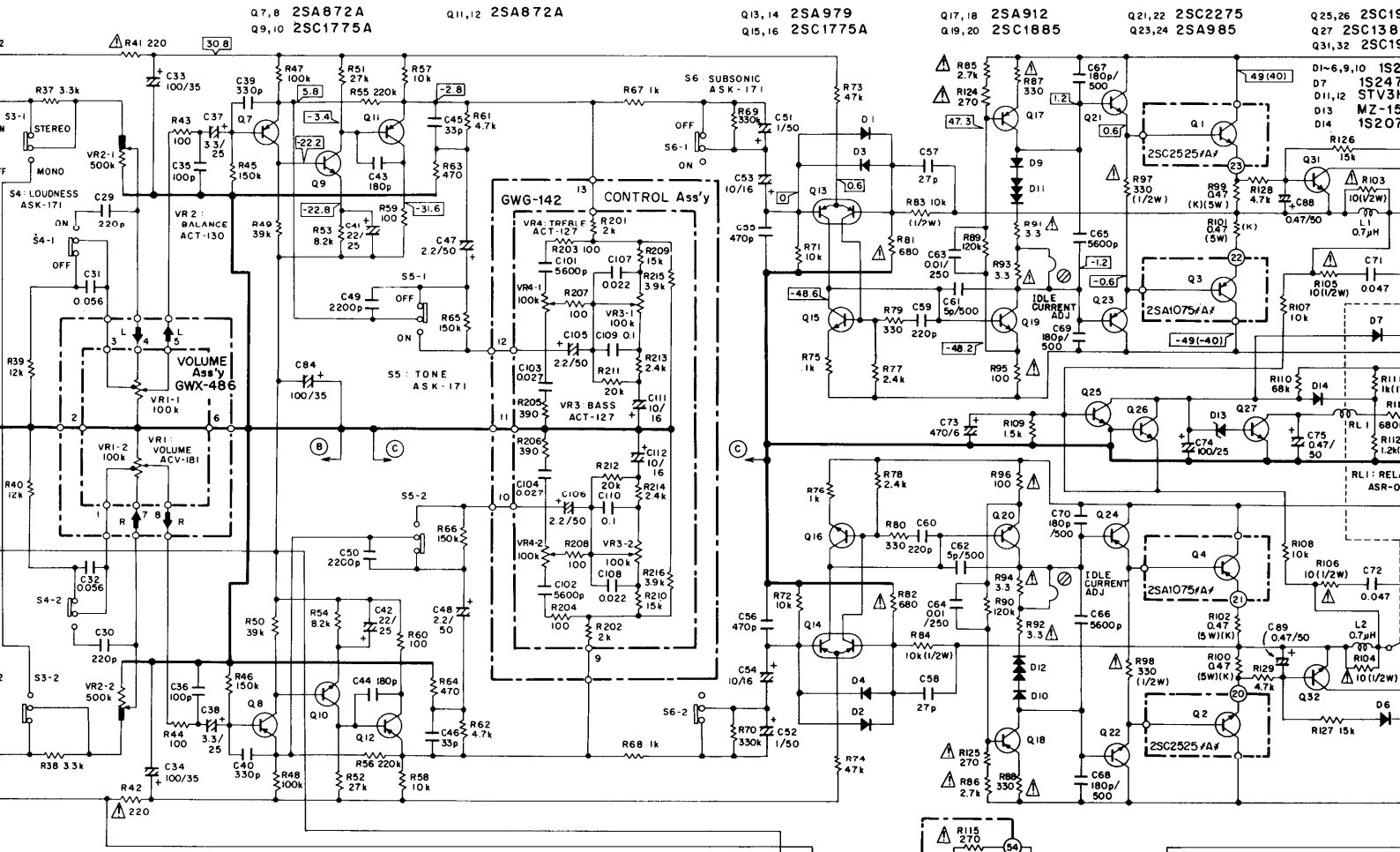
AF AMP Ass'y (1/2) GWK-152



POWER SUPPLY CIRCUIT FOR HB MODEL



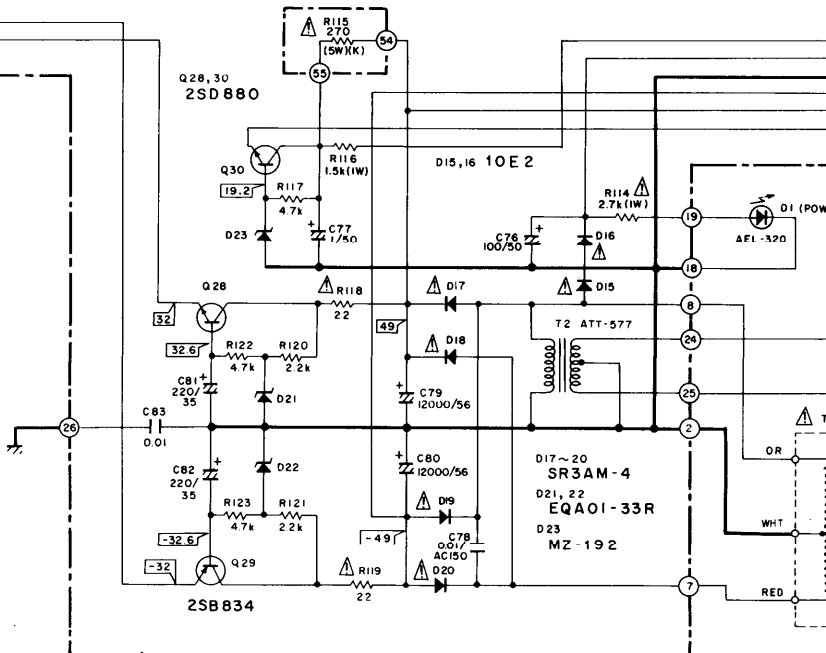
1. RESISTORS:  
 Indicated in  $\Omega$ ,  $\%W$ ,  $\pm 5\%$  tolerance unless otherwise noted k : k $\Omega$ , M : M $\Omega$ , (F) :  $\pm 1\%$ , (G) :  $\pm 2\%$ , (K) :  $\pm 10\%$  tolerance
  2. CAPACITORS:  
 Indicated in capacity ( $\mu F$ )/voltage (V) unless otherwise noted p : pF  
 Indication without voltage is 50V except electrolytic capacitor.
  3. VOLTAGE, CURRENT:  
 : Signal voltage at 6.5 W + 6.5 W 8 $\Omega$  output (1kHz)  
 : DC voltage (V) at no input signal  
 Value in ( ) is DC voltage at rated power.  
 mA : DC current at no input signal
  4. OTHERS:  
 : Signal route.  
 : Adjusting point.  
 The  $\Delta$  mark found on some component parts indicates the importance of the safety factor of the part. Therefore, when replacing, be sure to use parts of identical designation.
- This is the basic schematic diagram, but the actual circuit may vary due to improvements in design.



SWITCHES:

- S1, 9 : FUNCTION            TUNER - PHONO - TAPE 1 - AUX
- S2 : TAPE 2                ON - OFF
- S3 : MODE                 STEREO - MONO
- S4 : LOUDNESS            ON - OFF
- S5 : TONE                 ON - OFF
- S6 : SUBSONIC (15Hz) ON - OFF
- S7 : SPEAKERS            OFF - A - B
- S8 : POWER                ON - OFF
- S10 : PHONO INTERFERENCE ON - OFF

The underlined indicates the switch position.



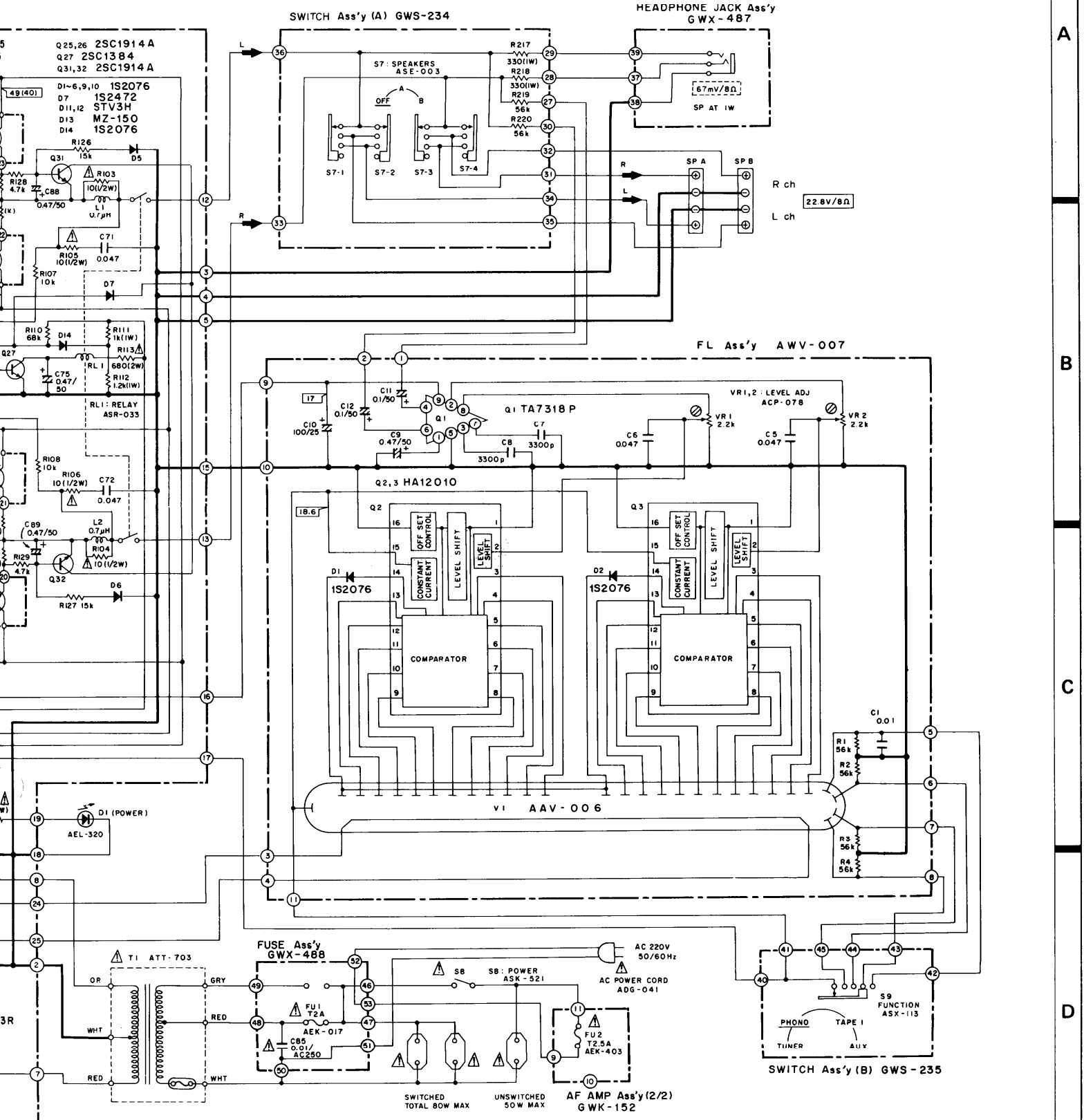
7

8

9

**NOTE:**

The indicated semiconductors are representative ones only. Other alternative semiconductors may be used and are listed in the parts list.



7

8

9

A

B

C

D

5

# 4. P.C. BOARD PATTERNS

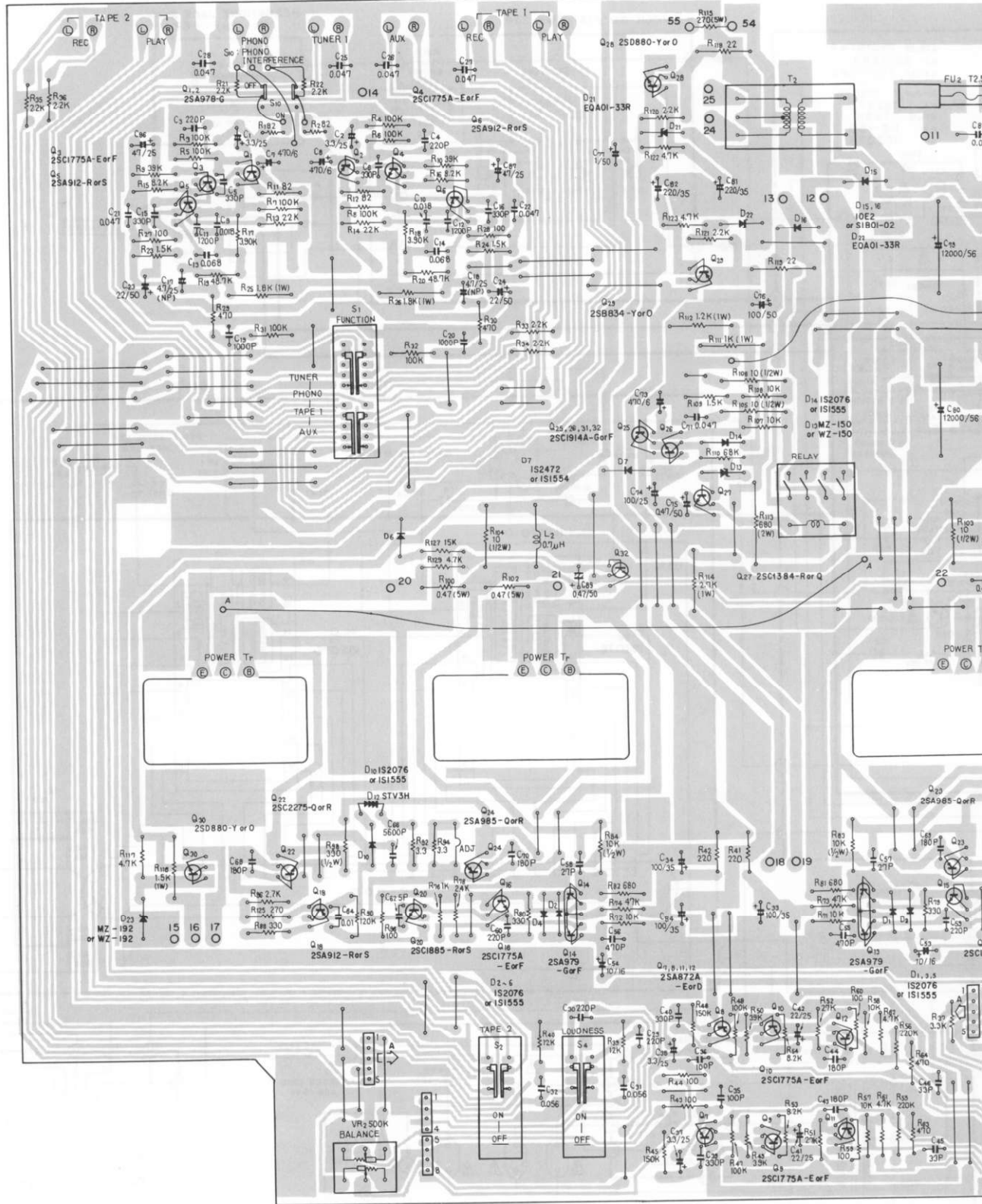
## AF Amplifier Assembly (GWK-152)

A

B

C

D



1

2

3

4

5

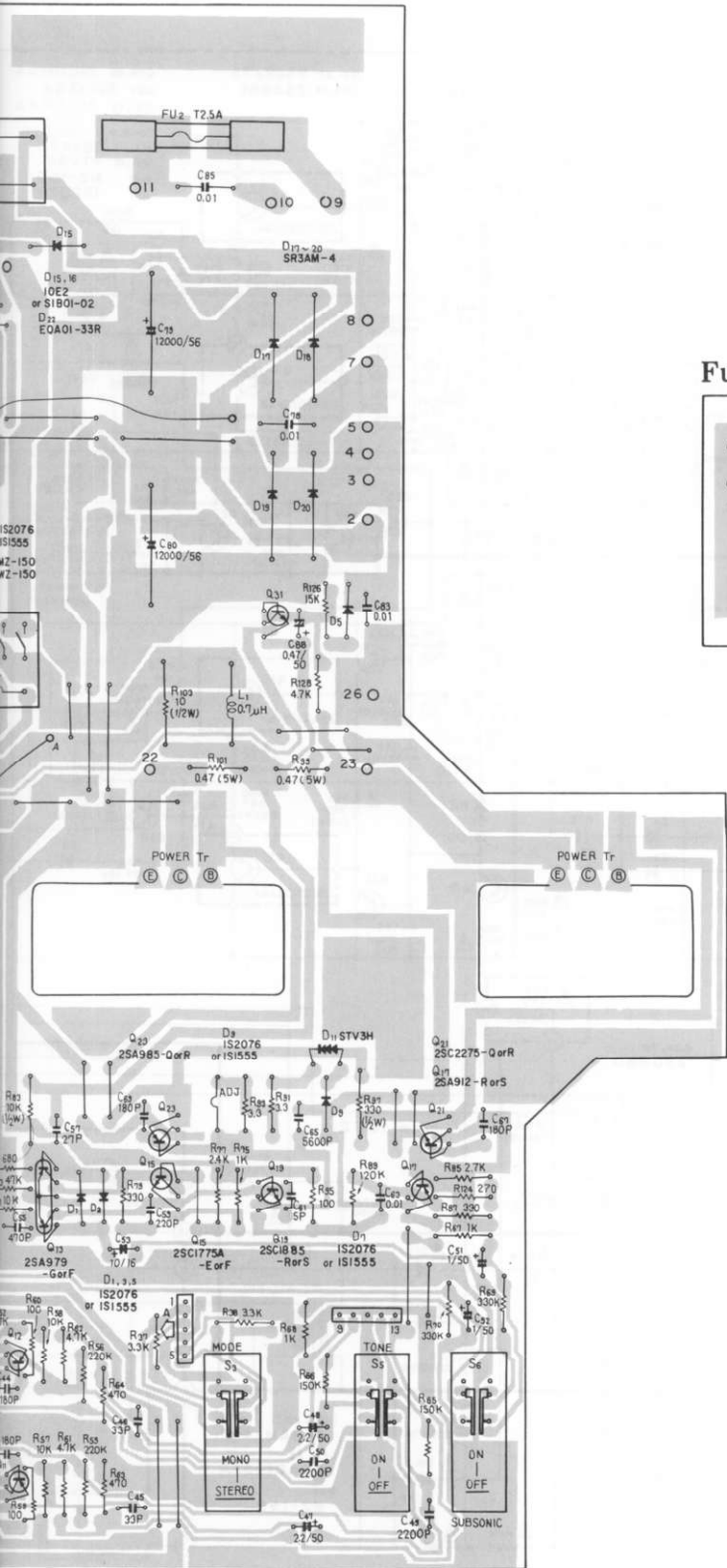
6

A

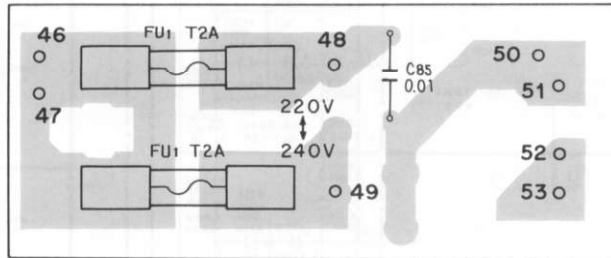
B

C

D



Fuse Assembly (GWX-488)



## 5. PARTS LIST OF P.C. BOARD ASSEMBLIES

### AF Amplifier Assembly (GWK-152)

*Note: When ordering resistors, convert the resistance value into code form, and then rewrite the part no. as before.*

#### SWITCHES, RELAY AND TRANSFORMER

Part No.	Symbol & Description
ASX-115	S1 Remote slide switch
ASK-172	S2 Lever switch
ASK-171	S3-S6 Lever switch
ASH-016	S10 Slide switch
ASR-033	RL1 Relay
ATT-577	T2 Heater transformer

#### CAPACITORS

Part No.	Symbol & Description
CEANL 3R3M 25	C1, C2, C37, C38
ACH-212	C79, C80 Electrolytic capacitor
ACH-318	C17, C18 Electrolytic capacitor
ACG-004	C78 Capacitor
CEA 221M 35L	C81, C82
CEA 101M 50L	C76
CEA 101M 35L	C33, C34, C84
CEA 101M 25L	C74
CEA 471M 6L	C7, C8, C73
CEA 220M 50L	C23, C24
CEA 470M 25L	C86, C87
CEA 220M 25L	C41, C42
CEA 010M 50L	C77
CEA R47M 50L	C75, C88, C89
CEANL 2R2M 50	C47, C48
CEANL 010M 50	C51, C52
CEANL 100M 16	C53, C54
CQMA 473K 50	C71, C72
CQMA 563K 50	C31, C32
CQMA 102K 50	C19, C20
CQMA 122J 50	C11, C12
CQMA 103K 250	C63, C64
CQPA 683G 50	C13, C14
CQPA 183G 50	C9, C10
CCDSL 050D 500	C61, C62
CCDSL 181K 500	C67-C70
CCDSL 330J 50	C45, C46
CCDSL 270J 50	C57, C58
CCDSL 101J 50	C35, C36
CCDSL 181J 50	C43, C44
CCDSL 221J 50	C3, C4, C29, C30, C59, C60
CKDYB 331K 50	C5, C6, C15, C16, C39, C40
CKDYB 471K 50	C55, C56
CKDYB 222K 50	C49, C50
CKDYB 562K 50	C65, C66
CKDYF 473Z 50	C21, C22, C25-C28
CKDYF 103Z 50	C83

#### RESISTORS

Part No.	Symbol & Description
ACT-130	VR2 Variable resistor
ACN-041	R99-R102 Cement coated
△ ACN-045	R115 Cement coated
△ RS2P □□□ J	R113
△ RS1P □□□ J	R114, R25, R26
RS1P □□□ J	R111, R112, R116
RN¼PQ □□□□ J	R17-R20
△ RD¼PSF □□□ J	R97, R98, R103-R106
RD¼PS □□□ J	R83, R84
△ RD¼PMF □□□ J	R41, R42, R81, R82, R85-R88, R91-R96, R118, R119, R124, R125
RD¼PM □□□ J	R1-R16, R21-R24, R27-R40, R43-R80, R89, R90, R107-R110, R117, R120-R123, R126-R129

#### SEMICONDUCTORS

Part No.	Symbol & Description
2SA978	Q1, Q2
2SC1775A	Q3, Q4, Q9, Q10, Q15, Q16
2SA912	Q5, Q6, Q17, Q18
2SA872A	Q7, Q8, Q11, Q12
2SA979-G	Q13, Q14
2SC1885	Q19, Q20
2SC2275-Q	Q21, Q22
2SA985-Q	Q23, Q24
2SC1914A	Q25, Q26, Q31, Q32
2SC1384	Q27
2SD880	Q28, Q30
(2SD313P)	
2SB834	Q29
(2SB507P)	
△ SR3AM-4	D17-D20
△ 10E2	D15, D16
(SIB01-02)	
1S2076	D1-D6, D9, D10, D14
(1S1555)	
1S2472	D7
(1S1555)	
MZ-192	D23
(WZ-192)	
MZ-150	D13
(WZ-150)	
EQA01-33R	D21, D22
STV3H	D11, D12



**OTHERS**

Part No.	Symbol & Description
AKB-064	Terminal (INPUT)
AKB-063	Terminal (TAPE)
ABA-139	Screw 3x6

**Fuse Assembly (GWX-488)**

Part No.	Symbol & Description
ACG-001	C85 Capacitor

**NOTE:**

The only difference between following assemblies in models SA-710/KU, HE and HB types lies in the assembly parts numbers. All circuit and parts are exactly the same. For P.C. board patterns and parts list, refer to the service manual for SA-710/KU type.

Description	Part No.	
	KU type	HE and HB types
Tone control assembly	GWG-139	GWG-142
Switch assembly	GWS-218	GWS-234
Switch assembly	GWS-219	GWS-235
Volume assembly	GWX-461	GWX-486
Headphones assembly	GWX-462	GWX-487

## 6. LINE VOLTAGE SELECTION

Line voltage can be changed with following steps.

1. Disconnect the AC power cord.
2. Remove the bonnet cover.
3. Take out the fuse from the fuse assembly.
4. Re-install the fuse in the correct voltage indication.
5. Stick the line voltage label on the rear panel.

Part No.	Description
AAX-193	220V label
AAX-192	240V label

